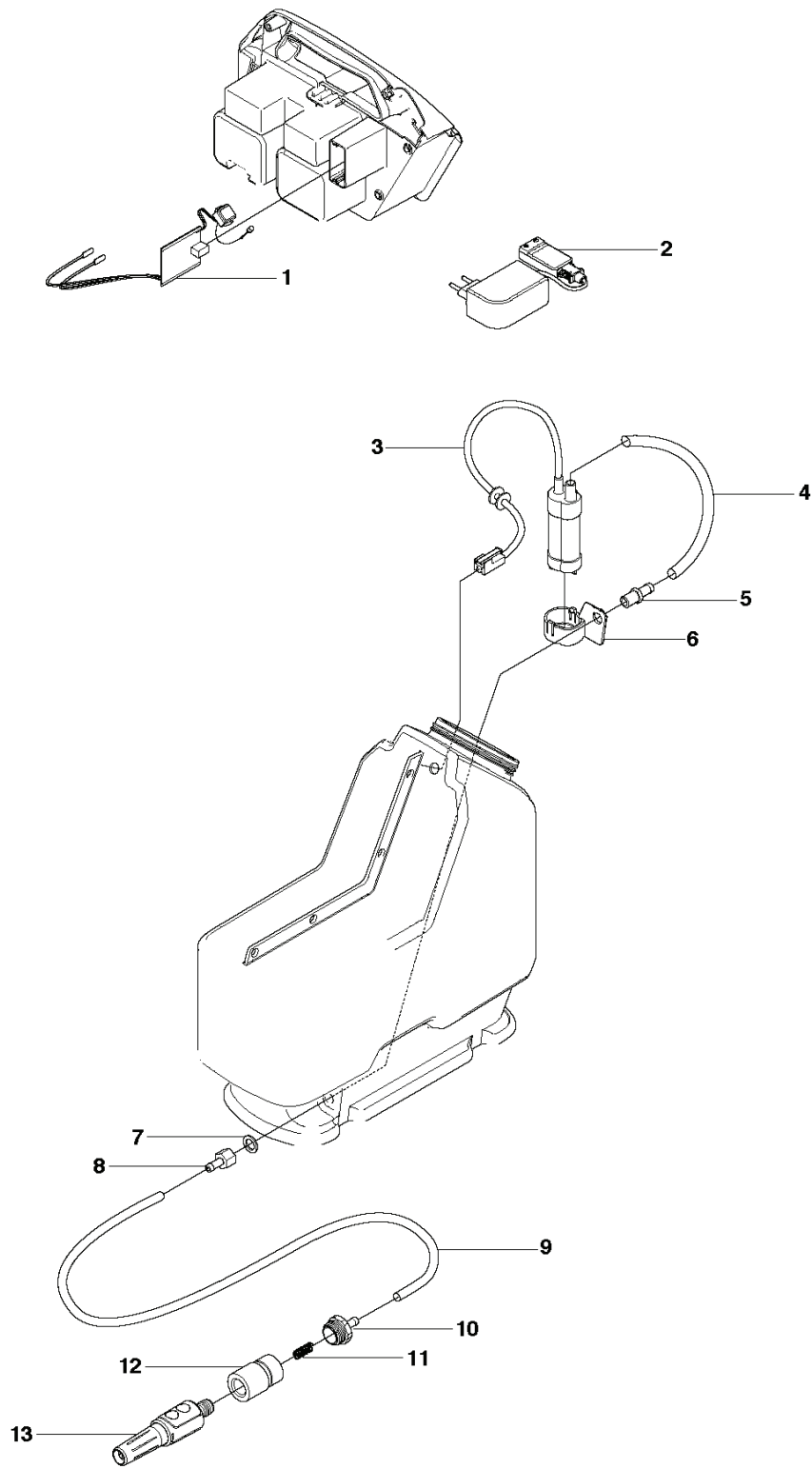


WT15, 966708302, 2010-10

SPARE PARTS LIST

B WT15



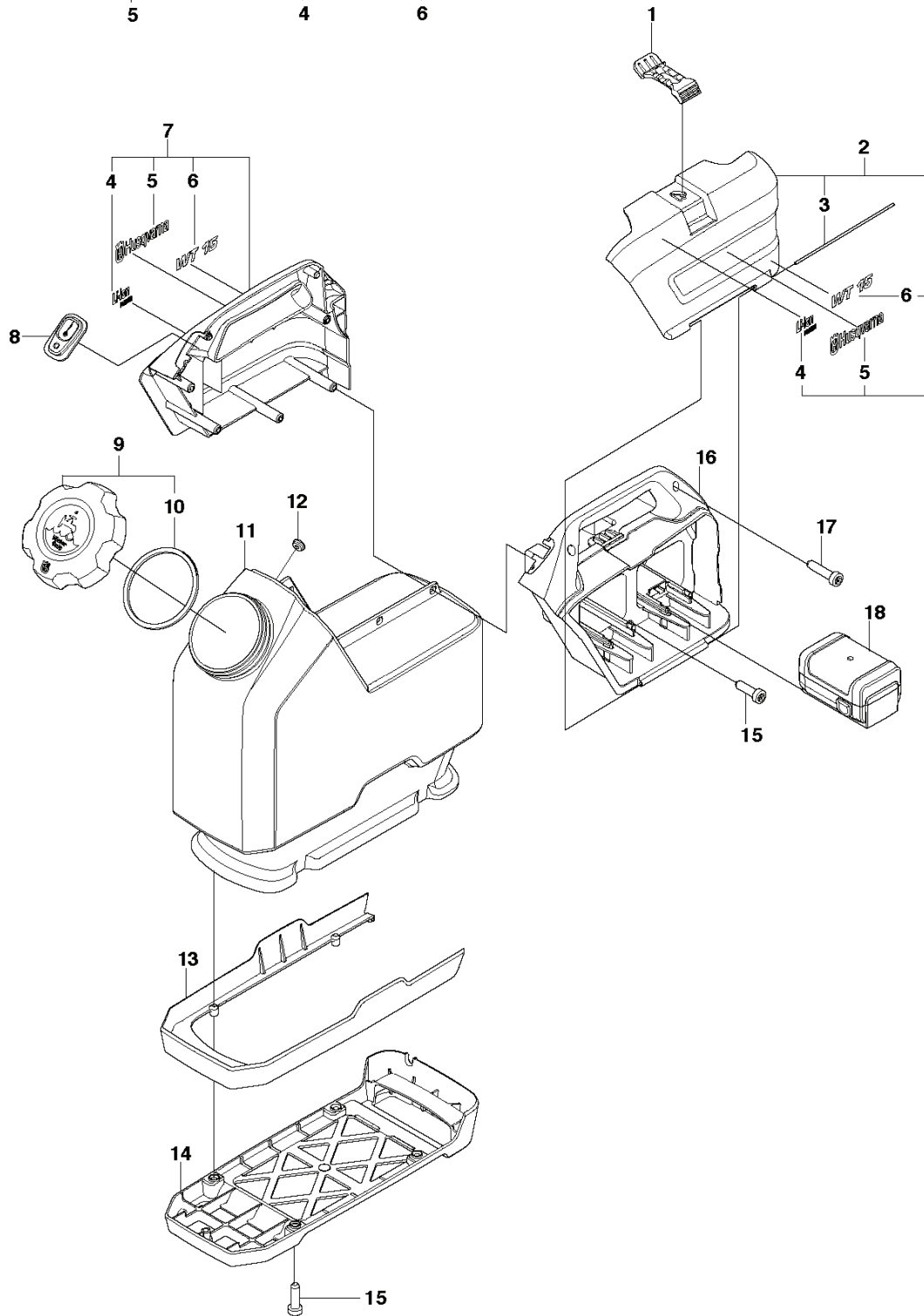
REF.	PART NO.	DESCRIPTION	REMARK	QTY.	KIT
1	577064301	CIRCUIT BOARD ASSY		1	
2	505142801	CHARGER	EU	1	
2	505142802	CHARGER	USA	1	
2	505142803	CHARGER	AUS	1	
2	505142804	CHARGER	UK	1	
2	505142805	CHARGER	JAPAN	1	
3	577065201	PUMP		1	
4	577064101	HOSE	0,35m	1	
5	510243001	NIPPLE		1	
6	505143701	BRACKET		1	
7	510242901	O-RING		1	
8	510243201	NIPPLE		1	
9	525406202	HOSE	3,2m	1	
10	505143801	HOSE COUPLING		1	
11	516043101	SPRING		1	
12	503266003	COUPLER		1	
13	522673101	SPRAY NOZZLE		1	

A WT15

 Husqvarna

 Li-Ion
POWER

WT 15



REF.	PART NO.	DESCRIPTION	REMARK	QTY.	KIT
1	505143001	BUCKLE		1	
2	522941601	LID	Incl. 3 - 6	1	
3	522446901	SHAFT		1	
4	522980001	LABEL		1	
5	544933101	LABEL		1	
6	577064501	DECAL		1	
7	522941701	HANDLE	Incl. 4 - 6	1	
8	505142701	COVER		1	
9	522941801	HUB CAP	Incl. 10	1	
10	510242701	O-RING		1	
11	576637201	WATER TANK		1	
12	522535801	GROMMET		1	
13	505143201	BASE		1	
14	505143301	BASE		1	
15	503215420	SCREW ITXSCT		10	
16	505142301	HANDLE		1	
17	504909425	SCREW ITXSCT		2	
18	505143101	BATTERY		1	