

**Operator's manual Manual de instrucciones
Bedienungsanweisung Manuel d'utilisation**

PP 455 E



GB ES DE FR

Please read the operator's manual carefully and make sure you understand the instructions before using the machine.

Lea detenidamente el manual de instrucciones y asegúrese de entender su contenido antes de utilizar la máquina.

Lesen Sie die Bedienungsanweisung sorgfältig durch und machen Sie sich mit dem Inhalt vertraut, bevor Sie das Gerät benutzen.

Lire attentivement et bien assimiler le manuel d'utilisation avant d'utiliser la machine.

KEY TO SYMBOLS

Symbols on the machine

WARNING! The machine can be a dangerous tool if used incorrectly or carelessly, which can cause serious or fatal injury to the operator or others.

Please read the operator's manual carefully and make sure you understand the instructions before using the machine.

Always wear:

- Approved protective helmet
- Approved hearing protection
- Protective goggles or a visor
- Breathing mask

This product is in accordance with applicable EC directives.

WARNING! Live parts.

Environmental marking.

Symbols on the product or its packaging indicate that this product cannot be handled as domestic waste. It must instead be submitted to an appropriate recycling station for the recovery of electrical and electronic equipment.

By ensuring that this product is taken care of correctly, you can help to counteract the potential negative impact on the environment and people that can otherwise result through the incorrect waste management of this product.

For more detailed information about recycling this product, contact your municipality, your domestic waste service or the shop from where you purchased the product.



Explanation of warning levels

The warnings are graded in three levels.

WARNING!



WARNING! Used if there is a risk of serious injury or death for the operator or damage to the surroundings if the instructions in the manual are not followed.

CAUTION!



CAUTION! Used if there is a risk of injury to the operator or damage to the surroundings if the instructions in the manual are not followed.

NOTICE!

NOTICE! Used if there is a risk of damage to materials or the machine if the instructions in the manual are not followed.

CONTENTS

Contents

KEY TO SYMBOLS

Symbols on the machine	2
Explanation of warning levels	2

CONTENTS

Contents	3
----------------	---

PRESENTATION

Dear Customer,	4
Design and features	4

PRESENTATION

What is what on the hydraulic unit?	5
---	---

MACHINE'S SAFETY EQUIPMENT

General	6
Emergency stop and stop button	6

ASSEMBLING AND ADJUSTMENTS

Assembling/Installing equipment	7
---------------------------------------	---

OPERATING

Protective equipment	8
General safety precautions	8
Work safety	9
Transport and storage	10

MENU SYSTEM

General	11
Menu overview	11
Start menu	13
Operations menu	13

STARTING AND STOPPING

General	15
Wall sawing	15
Wire cutting	16

MAINTENANCE

General	18
Daily maintenance	18
Oil change	18
Filter replacement	18
Service	18
Error messages	18

TECHNICAL DATA

PP 455 E	21
EC Declaration of Conformity	22

PRESENTATION

Dear Customer,

Thank you for choosing a Husqvarna product!

It is our wish that you will be satisfied with your product and that it will be your companion for a long time. A purchase of one of our products gives you access to professional help with repairs and services. If the retailer who sells your machine is not one of our authorised dealers, ask him for the address of your nearest service workshop.

This operator's manual is a valuable document. Make sure it is always at hand at the work place. By following its content (using, service, maintenance etc.) the life span and the second-hand value of the machine can be extended. If you will sell this machine, make sure that the buyer will get the operator's manual.

More than 300 years of innovation

Husqvarna AB is a Swedish company based on a tradition that dates back to 1689, when the Swedish King Charles XI ordered the construction of a factory for production of muskets. At that time, the foundation was already laid for the engineering skills behind the development of some of the world's leading products in areas such as hunting weapons, bicycles, motorcycles, domestic appliances, sewing machines and outdoor products.

Husqvarna is the global leader in outdoor power products for forestry, park maintenance and lawn and garden care, as well as cutting equipment and diamond tools for the construction and stone industries.

Owner responsibility

It is the owner's/employer's responsibility that the operator has sufficient knowledge about how to use the machine safely. Supervisors and operators must have read and understood the Operator's Manual. They must be aware of:

- The machine's safety instructions.
- The machine's range of applications and limitations.
- How the machine is to be used and maintained.

National legislation could regulate the use of this machine. Find out what legislation is applicable in the place where you work before you start using the machine.

The manufacturer's reservation

Subsequent to publishing this manual Husqvarna may issue additional information for safe operation of this product. It is the owner's obligation to keep up with the safest methods of operation.

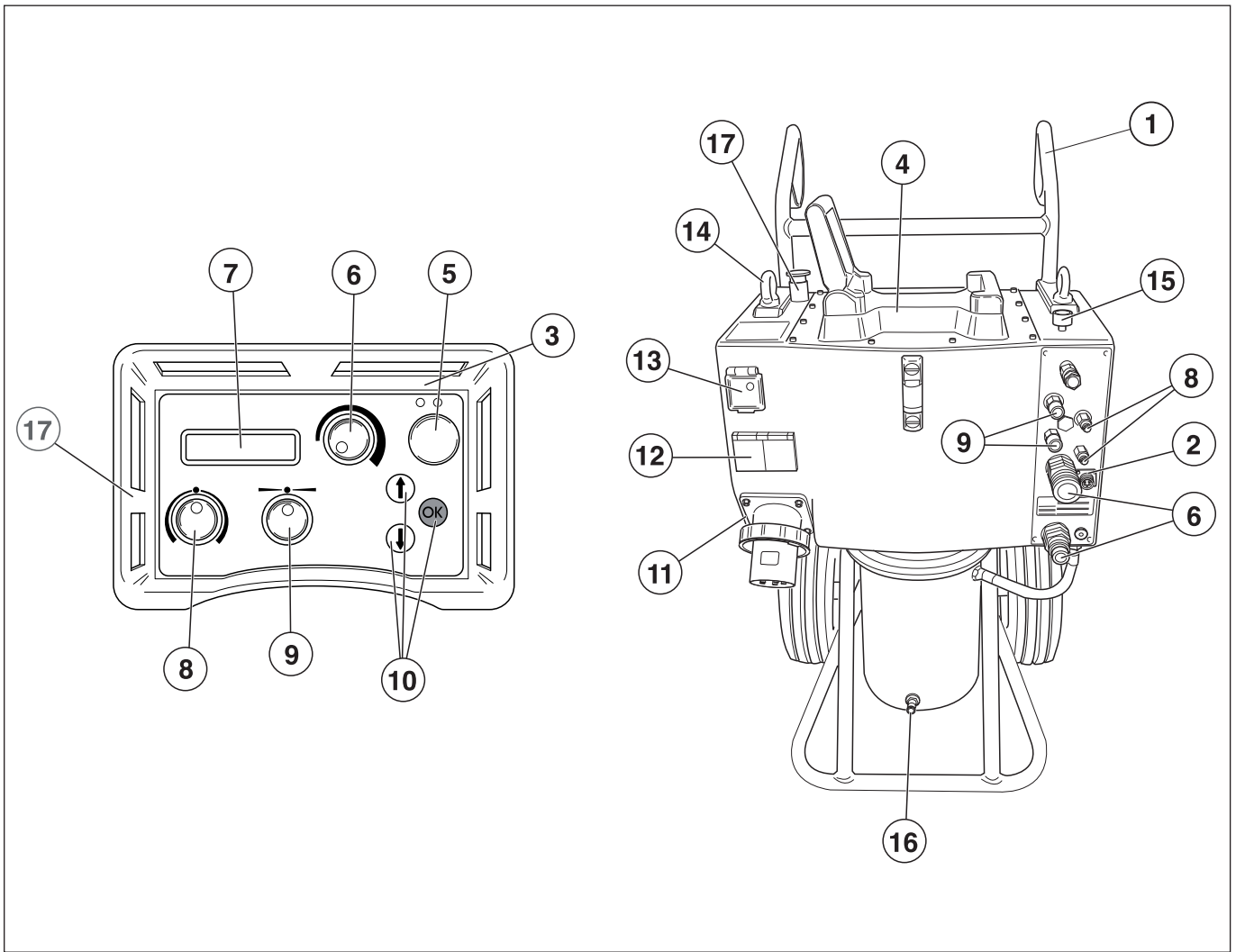
Husqvarna AB has a policy of continuous product development and therefore reserves the right to modify the design and appearance of products without prior notice.

For customer information and assistance, contact us at our website: www.husqvarna.com

Design and features

Values such as high performance, reliability, innovative technology, advanced technical solutions and environmental considerations distinguish Husqvarna's products. Safe operation of this product requires the operator to read this manual carefully. Ask your dealer or Husqvarna should you need more information.

PRESENTATION



What is what on the hydraulic unit?

- | | |
|--|------------------------------|
| 1 Handle | 10 Option keys |
| 2 Hydraulic hose connections | 11 Electrical socket |
| 3 Remote control | 12 230 V single phase socket |
| 4 Saw attachment | 13 Personal protection/Fuses |
| 5 Electric motor On/Off | 14 Lifting eye |
| 6 Blade rotation and start water coolant | 15 Water flow valve |
| 7 Display | 16 Water connector |
| 8 Depth feed | 17 Power button (ON/OFF) |
| 9 Travel feed | |

MACHINE'S SAFETY EQUIPMENT

General

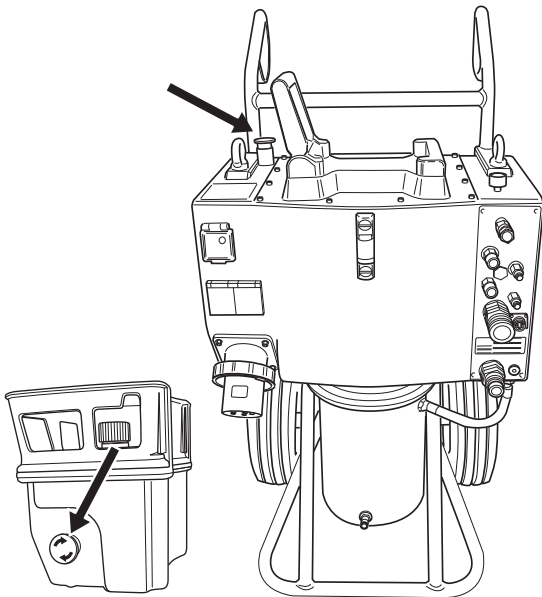


WARNING! Never use a machine with faulty safety equipment. The machine's safety equipment must be checked and maintained as described in this section. If your machine fails any of these checks contact your service agent to get it repaired.

This section describes the machine's safety equipment, its purpose, and how checks and maintenance should be carried out to ensure that it operates correctly.

Emergency stop and stop button

The hydraulic unit is equipped with an emergency stop and the remote control with a stop button. These are used to be able to quickly shut down the hydraulic unit.



Checking the emergency stop and stop button

- Start blade rotation
- Push the emergency stop on the hydraulic unit and check that the blade rotation stops. Check the stop button on the remote control in the same way.

ASSEMBLING AND ADJUSTMENTS

Assembling/Installing equipment

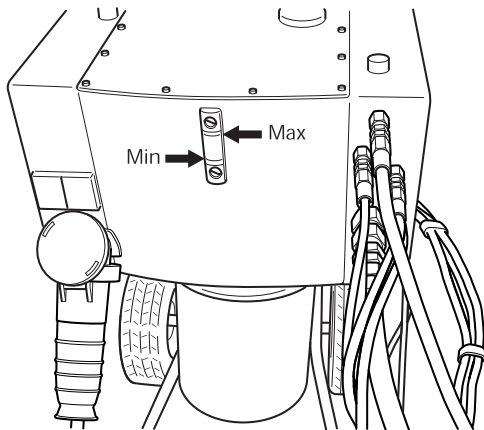
When the machine has been transported to a suitable site, it should be connected:

- Check the hydraulic oil level in the power pack. This is checked with the level indicator.

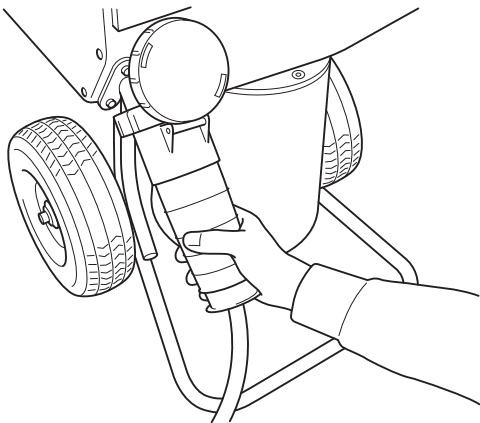
Min. level = red line

Max. level = black line

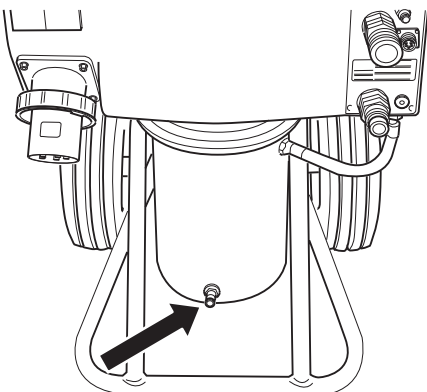
Do not exceed the max. level when filling the tank with hydraulic oil. The hydraulic oil expands when it gets hot and can overflow if the level is too high. Tank volume 16 l (4.2 US gallons).



- Connect the incoming power cable (400 V, 63 A or 400 V, 32 A European connector). The cable must be three-phase and earthed. When the machine is equipped with a single phase socket there must also be a neutral otherwise the single phase socket on the distribution box will not work. Check that the mains voltage corresponds with that stated on the rating plate on the machine.
- The power pack must be connected through a 63 A fuse in order to use maximum power. If connected through a 32 A fuse, the saw must be operated at low pressure, and with that cut less effectively to avoid overloading the fuse.



- Connect the incoming water hose to the water coupling on the bottom of the motor front on the hydraulic unit.



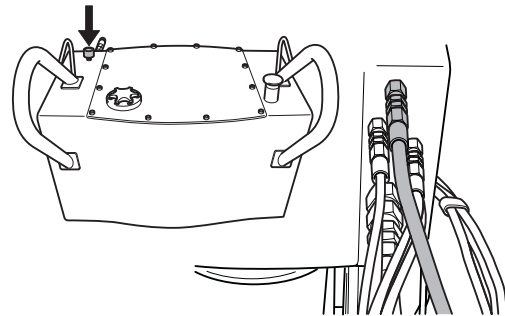
- Connect the remote control using the supplied CAN-cable. Tighten the cable connector screws by hand.
The CAN bus must be disconnected if the machine is fitted with a radio. There is no need to connect an antenna or other accessories to the CAN contact.
- Check that the emergency stop button on the power pack and the stop button on the remote control are not pressed by turning the them clockwise.
- The display now shows SELECT FUSE 32A. If the available fuse is 32 A, confirm this by pressing the membrane key marked 'OK'. If there is a 63 A fuse available, press the membrane key marked 'up arrow'. The display now indicates SELECT FUSE 63A. Confirm this by pressing the membrane key marked 'OK'.
- Connect the hose assembly. In this position, connect the hydraulic hoses. A pressure equalizing function making it easier to connect the hoses is now activated. This spares the seals in the hydraulic couplings.

There are two types of hydraulic hoses for the unit:

- On a wall saw in the WS 400 series, the four thin hoses control the saw's motion motors, i.e. the saw's blade motion and the saw's trolley motion. The two thick hoses drive the blade.
- When a wire saw CS 2512 is connected to the unit, the two thin hoses control the tension on the magazine arm while the two thick hoses drive the wire.

Some couplings on the unit have a red marking sign on the coupling. The hoses with red discs should be connected to these couplings.

- Connect the water hose between the unit and the saw's water connector and open the water flow valve on top of the unit by turning the handwheel anticlockwise.



When the power cable and water hoses and hose assembly are connected, the machine can be started.

- Press OK to confirm the selection.
- The hydraulic output must be set according to which machine is connected to the hydraulic unit. Select one of the following:
 - 25 kW, 230 bar, 65 l/min
 - 9 kW, 140 bar, 40 l/min
- The display now shows 'PP-455 START MOTOR'. If the display does not show this, follow the instructions shown on the display.

OPERATING

Protective equipment

General

Do not use the machine unless you are able to call for help in the event of an accident.

Personal protective equipment

You must use approved personal protective equipment whenever you use the machine. Personal protective equipment cannot eliminate the risk of injury but it will reduce the degree of injury if an accident does happen. Ask your dealer for help in choosing the right equipment.



WARNING! The use of products such as cutters, grinders, drills, that sand or form material can generate dust and vapours which may contain hazardous chemicals. Check the nature of the material you intend to process and use an appropriate breathing mask.



WARNING! Long-term exposure to noise can result in permanent hearing impairment. So always use approved hearing protection. Listen out for warning signals or shouts when you are wearing hearing protection. Always remove your hearing protection as soon as the engine stops.



WARNING! There is always a risk of crush injuries when working with products containing moving parts. Wear protective gloves to avoid body injuries.

Always wear:

- Protective helmet
- Hearing protection
- Protective goggles or a visor
- Breathing mask
- Heavy-duty, firm grip gloves.
- Tight-fitting, heavy-duty and comfortable clothing that permits full freedom of movement.
- Boots with steel toe-caps and non-slip sole.

Be careful as clothing, long hair, and jewellery can get caught in moving parts.

Other protective equipment



WARNING! Sparks may appear and start a fire when you work with the machine. Always keep fire fighting equipment handy.

- Fire fighting equipment
- Always have a first aid kit nearby.

General safety precautions



WARNING! Read all safety warnings and all instructions. Failure to follow the warnings and instructions may result in electric shock, fire and/or serious injury.

This section describes basic safety directions for using the machine. This information is never a substitute for professional skills and experience.

- Please read the operator's manual carefully and make sure you understand the instructions before using the machine.
- Read through the manual supplied with the hydraulic tool before starting to use the machine.
- Keep in mind that the operator is responsible for accidents or hazards occurring to other people or their property.
- All operators shall be trained in the use of the machine. The owner is responsible for ensuring that the operators receive training.
- The machine must be kept clean. Signs and stickers must be fully legible.



WARNING! The machine can be a dangerous tool if used incorrectly or carelessly, which can cause serious or fatal injury to the operator or others.

Never allow children or other persons not trained in the use of the machine to use or service it. Never allow anyone else to use the machine without first ensuring that they have read and understood the contents of the operator's manual.

Never use the machine if you are fatigued, while under the influence of alcohol or drugs, medication or anything that could affect your vision, alertness, coordination or judgement.



WARNING! Unauthorized modifications and/or accessories may lead to serious injury or death to the user or others.

Do not modify this product or use it if it appears to have been modified by others.

Never use a machine that is faulty. Carry out the safety checks, maintenance and service instructions described in this manual. Some maintenance and service measures must be carried out by trained and qualified specialists. See instructions under the Maintenance heading.

Always use genuine accessories.

OPERATING

Always use common sense

It is not possible to cover every conceivable situation you can face. Always exercise care and use your common sense. If you get into a situation where you feel unsafe, stop and seek expert advice. Contact your dealer, service agent or an experienced user. Do not attempt any task that you feel unsure of!

Work safety

Work area safety

- **Keep work area clean and well lit.** Cluttered or dark areas invite accidents.
- The safety distance is 4 meters (15 ft) from the machine.
- Always check and mark out where gas pipes are routed. Cutting close to gas pipes always entails danger. Make sure that sparks are not caused when cutting in view of the risk of explosion. Remain concentrated and focused on the task. Carelessness can result in serious personal injury or death.
- Do not use the machine in environments where there is a risk of explosion.
- Make sure that no pipes or electrical wires are routed in the work piece or in the working area.
- Make sure that electrical cables within the working area are not live.
- Observe your surroundings to ensure that nothing can affect your control of the machine.
- Do not use the machine in bad weather, such as dense fog, heavy rain, strong wind, intense cold, etc. Working in bad weather is tiring and can lead to dangerous conditions, e.g. slippery surfaces.
- Do not use the machine in wet or humid surroundings, close to water, in the rain or snow.
- Never start to work with the machine before the working area is clear and you have a firm foothold.

Electrical safety



WARNING! There is always a risk of shocks from electrically powered machines. Avoid unfavourable weather conditions and body contact with lightning conductors and metal objects. Always follow the instructions in the Operator's manual to avoid damage.



WARNING! Do not wash the machine with water, as water can enter the electrical system or the engine and cause damage to the machine or short circuit.

- Always connect the machine through an ground fault circuit interrupter with personal protection, i.e. an ground fault circuit interrupter that trips at an ground fault of 30 mA.
- The machine should be connected to an earthed outlet socket.
- Check that the mains voltage corresponds with that stated on the rating plate on the machine.

- Check that the cord and extension cord are intact and in good condition. Always use extension cables that are approved for outdoor use.
- Never use the machine if any cable or plug is damaged, but hand it in to an authorized service workshop for repair.
- To avoid overheating do not use the extension cord while it is rolled up.
- Never drag the machine by means of the cord and never pull out the plug by pulling the cord.
- Keep all cables and extension leads away from water, oil and sharp edges. Make sure the cable is not jammed in doors, fences or the like. Otherwise it can cause the charger to become live.

Hydraulic safety

- Check that all couplings, connections and hydraulic hoses are in full working order.
- Keep the hydraulic hoses and couplings free from dirt.
- Do not misuse hoses.
- Do not use hoses that are distorted, worn or damaged.
- Check that the hoses are connected correctly to the machine and that the hydraulic couplings lock as intended before pressurising the hydraulic system. The couplings are locked by turning the outer sleeve on the female coupling so that the slot moves away from the ball.

The pressure hoses in the system must always be connected to the tool's intake. The return hoses in the system must always go to the tool's outlet. Confusing the connections can cause the tool to work in reverse, which can result in personal injury.

- Never use the hydraulic hoses to lift the machine.
- Check the machine, couplings and hydraulic hoses daily for leakage. A rupture or leak can cause a "hydraulic oil injection" in the body or result in other serious physical injury.
- Never disconnect the hydraulic hoses without first shutting off and disconnecting the hydraulic unit and ensuring the motors have stopped completely. If despite all precautions an emergency situation should arise, press the red emergency stop button on the top of the unit or press the green start/stop button on the remote control.
- Do not exceed the specified hydraulic oil flow or pressure for the tool being used. Excessive pressure or flow can result in rupturing.
- Do not check for leakage with your hands. Contact with the leak can result in serious personal injury caused by the high pressure in the hydraulic system.
- Hoses that are marked and approved as electrically non conductive must be used when using hydraulic tools on or in the vicinity of electrical cables. The use of other types of hoses can result in serious physical injury or even death.
- When replacing hoses, hoses marked 'non-conducting dielectric' must be used. The hoses must be regularly checked for their electrical conductive insulation in accordance with special instructions.
- Run the hydraulic system until it reaches its operation temperature of 30°C before starting to saw, to reduce return pressure and other wear.

OPERATING

Personal safety

- Never use the machine if you are fatigued, while under the influence of alcohol or drugs, medication or anything that could affect your vision, alertness, coordination or judgement.
- Prevent unintentional starting. Ensure the switch is in the OFF-position.
- Never leave the machine unsupervised with the motor running.
- Always unplug the machine during longer work breaks.
- Never work alone, always ensure there is another person close at hand. Apart from being able to receive help to assemble the machine, you can also get help if an accident should occur.
- People and animals can distract you causing you to lose control of the machine. For this reason, always remain concentrated and focused on the task.
- People that need to be in close proximity of the machine must wear hearing protection as the sound level when cutting exceeds 85 dB(A).
- Always saw in a manner that permits easy access to the emergency stop.

Use and care

- This machine is only intended for use together with a Husqvarna WS 355, WS 463, WS 462, WS 460 and CS 2512. All other use is forbidden.
- The machine is intended for use in industrial applications by experienced operators.
- Inspection and/or maintenance should be carried out with the motor switched off and the plug disconnected.
- Always switch off the machine before you move it.
- Observe care when lifting. You are handling heavy parts, which imply the risk of pinch injuries or other injuries.
- Check that all couplings, connections and cables are intact and free from dirt.
- Check that all cables and the water supply are correctly connected to the machine before starting it.
- Never pull out the power cable without first switching off the power pack and waiting for the engine to come to a complete halt. If an emergency situation should arise anyway, push the red emergency stop button on the power pack or the stop button on the remote control.
- Keep all parts in good working order and ensure that all fixtures are properly tightened.

Transport and storage

- Always switch of the power pack and pull out the electric cable before moving the equipment.
- Use the cases provided to store the equipment.
- Secure the equipment during transportation in order to avoid transport damage and accidents.
- Store the equipment in a lockable area so that it is out of reach of children and unauthorized persons.
- Store the machine and its equipment in a dry and frost proof place.
- Do not expose the machine to temperatures exceeding 45°C or to direct sunlight.

MENU SYSTEM

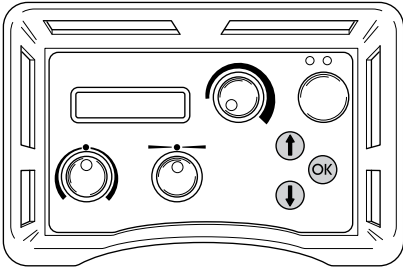
General

This section is based on the 400V model of PP 455 E with a 5-pin connection. Some menu system variations may occur in other models.

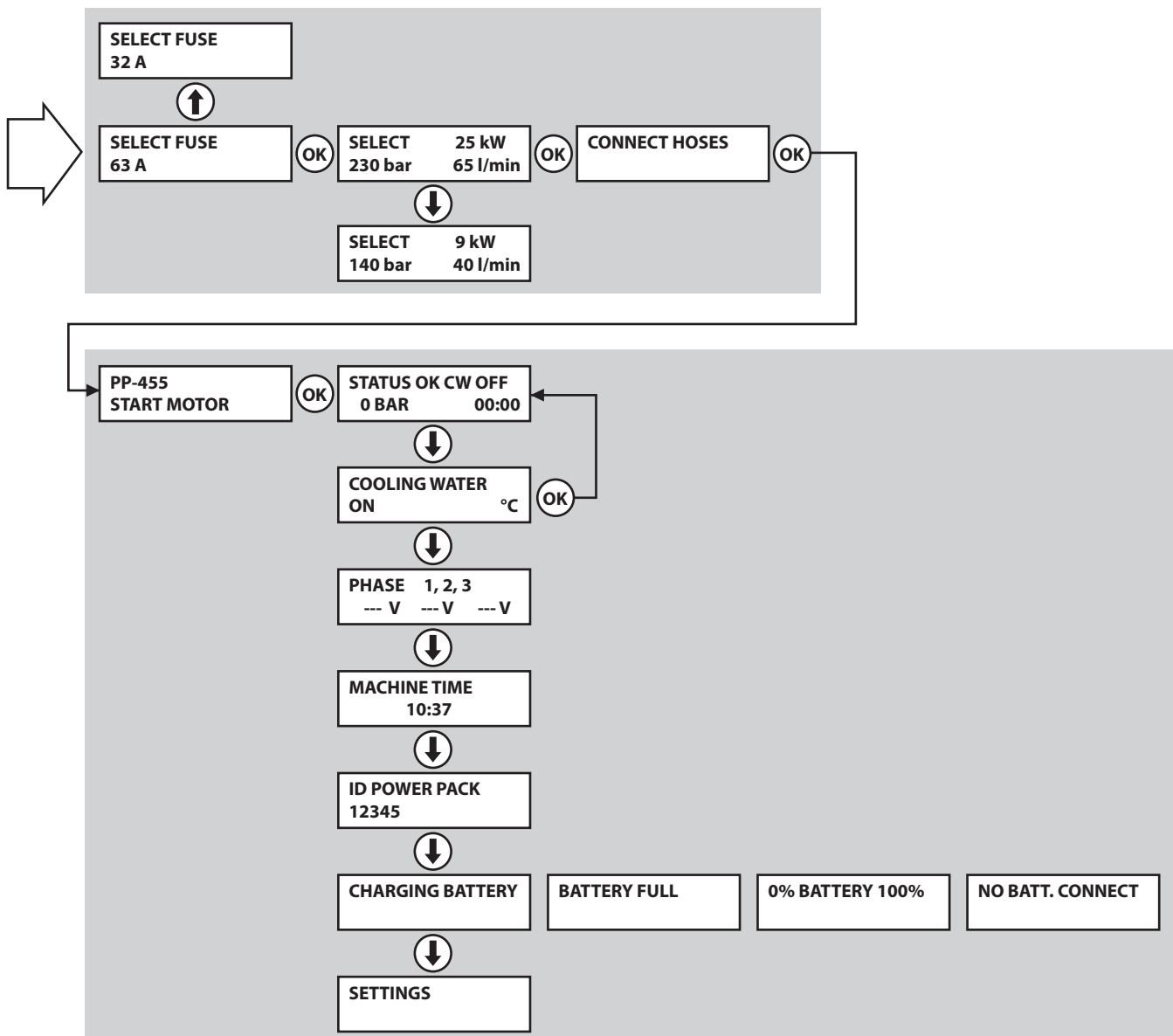
The menus are divided into two sections:

- Start menu
- Operations menu

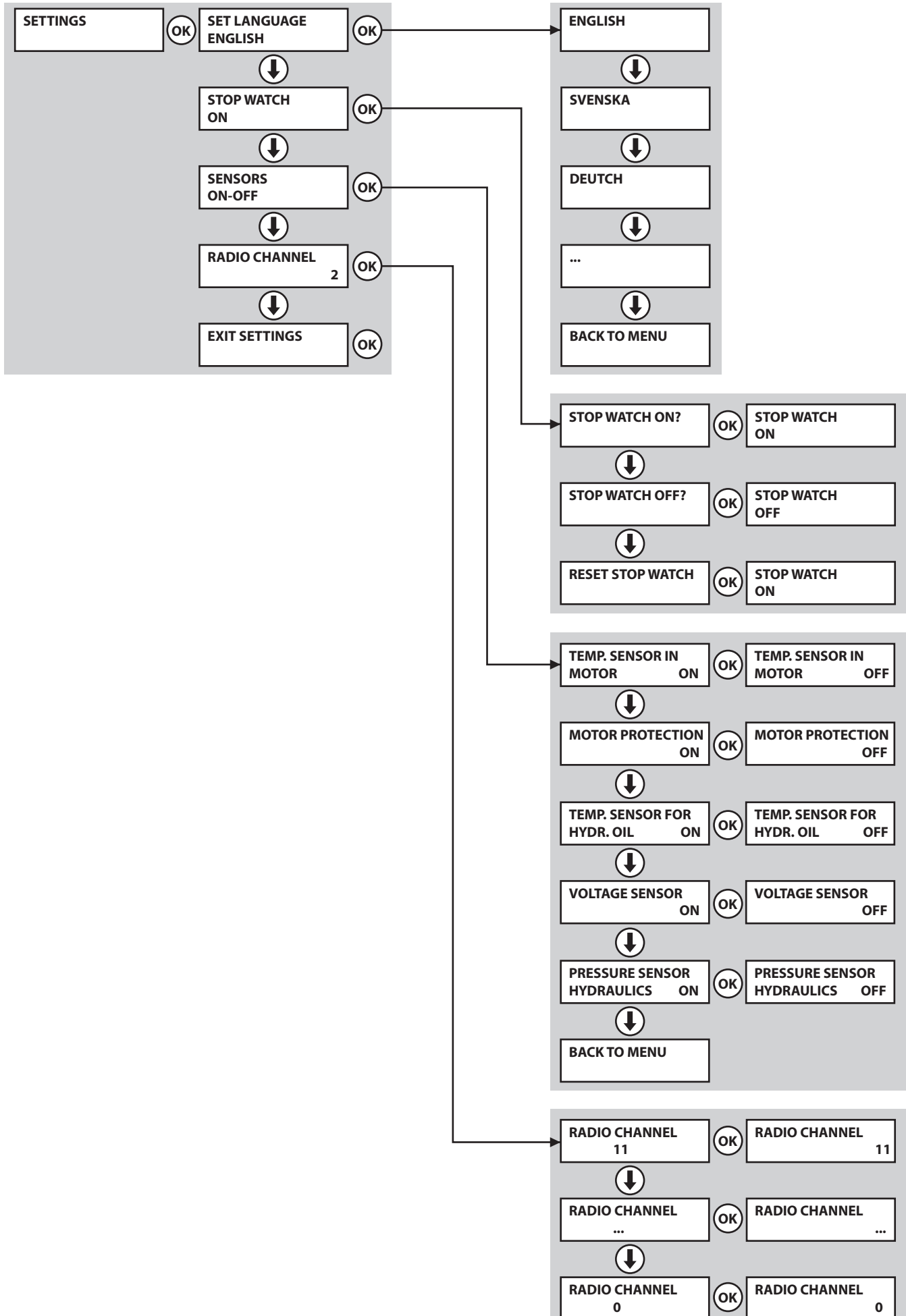
Browse with the arrow keys and confirm with "OK".



Menu overview



MENU SYSTEM



MENU SYSTEM

Start menu

The start menu is shown each time the power to the hydraulic unit is switched on.

SELECT FUSE

The fuse rating must be set according to the fuse the hydraulic unit is connected to. Select one of the following options:

- 32A
- 63A
- Press OK to confirm the selection.

SELECT POWER

The hydraulic output must be set depending on the machine connected to the hydraulic unit. Select one of the following options:

- 25 kW, 230 bar, 65 l/min (3300 psi, 17 US gpm)
- 9 kW, 140 bar, 40 l/min (2000 psi, 10 US gpm)
- Press OK to confirm the selection.

CONNECT HOSES

In this position, connect the hydraulic hoses. A pressure equalizing function making it easier to connect the hoses is now activated. This spares the seals in the hydraulic couplings.

- Press OK when all hoses are connected.

Operations menu

All information about operations and all setting options are accessed from this menu.

START MOTOR

- Press the green button on the remote control to start the electric motor.

STATUS

Status is the main information that is always shown on the display when the hydraulic unit with connected machine is operational.

- OK, signifies that the unit is operational and no warning messages have been issued.
- CW xx, where CW represents water coolant and xx ON or OFF. What is shown depends on whether the water coolant is switched on or off.
- yyy BAR, where yyy represents the instantaneous operating pressure.
- When stop watch is switched on: mm:ss, is also shown, i.e. the time in minutes and seconds.

COOLING WATER

Turn on (ON) or turn off (AUTO) the cooling water by pressing OK.

The current water coolant temperature is shown i the display.

PHASE 1, 2, 3

The instantaneous main voltage to the hydraulic unit is shown under each phase name.

When the voltage becomes low, an error message is shown on the display, see the section "Error messages".

NOTICE! Long electrical cables with a small core cross section can result in a voltage drop. The hydraulic unit can then warn of a too low voltage.

MACHINE TIME

State the total time that the blade/wire rotates for the connected power unit.

ID POWER PACK

State the hydraulic unit's machine number.

BATTERY

This function checks the remote control's battery. Different messages are shown on the display, depending what is currently happening with the battery:

- CHARGING BATTERY - The CAN cable is connected and the battery is charging.
- BATTERY FULL - The battery is fully charged.
- 0% BATTERY 100% - The bar shows the battery status.
- NO BATT. CONNECT - No battery can be detected.

SETTINGS

All Setting options for the hydraulic unit and the remote control are accessed via this sub-menu.

SET LANGUAGE

To select the language:

- Scroll using the arrow keys until the required language is shown.
- Press OK to confirm the selection.

STOP WATCH

The function is used to measure the amount of time a job takes. The time is counted from when the saw starts working.

Select:

- ON, to enable.
- OFF, to disable.
- RESET STOP WATCH, to reset.

Browse with the arrow keys and confirm with "OK".

MENU SYSTEM

SENSORS ON/OFF

This sub-menu contains the setting options for the hydraulic unit's different sensors.

- TEMP. SENSOR IN MOTOR

The motor is fitted with a temperature sensor which guarantees that the motor is turned off if the temperature reaches a critical level.

Alternate between ON and OFF by pressing the OK button.

NOTICE! The electric motor can be damaged if the sensor is turned off.

- MOTOR PROTECTION

The hydraulic unit is fitted with a sensor which guarantees that the motor is turned off in the case of overloading or phase errors.

Alternate between ON and OFF by pressing the OK button.

NOTICE! The electric motor can be damaged if the sensor is turned off.

- TEMP. SENSOR FOR HYDR. OIL

A temperature sensor is fitted by the water coolant duct. The sensor ensures that the water coolant is connected to the hydraulic unit. The water coolant cools the hydraulic oil. When the temperature sensor is on, the control system continuously reads the temperature.

Alternate between ON and OFF by pressing the OK button.

NOTICE! The hydraulic unit can be damaged, if the temperature sensor is switched off.

- VOLTAGE SENSOR

A voltage sensor is connected to each phase, i.e. in total three sensors. These measure the phase voltage to hydraulic unit. Should the voltage be 10 % less than the nominal voltage, the hydraulic unit stops.

Alternate between ON and OFF by pressing the OK button.

NOTICE! The electric motor risks overheating due to a too low voltage, if the voltage sensors are switched off.

- PRESSURE SENSOR HYDRAULICS

The pressure sensor measures the hydraulic pressure to the blade.

Alternate between ON and OFF by pressing the OK button.

NOTE! The hydraulic unit's control system switches off, if the pressure sensor is switched off. The hydraulic system may then be difficult to control with a high load.

- BACK TO MENU

Press the OK button to leave this submenu.

RADIO CHANNEL (only machines equipped with a radio)

The remote control must be connected to machine with a CAN cable.

- Select the required radio channel. Choose from between the following options:

- 0
- 1
- ...
- 11

Browse with the arrow keys and confirm with "OK".

EXIT SETTINGS

Any settings are stored automatically.

- Press the OK button to leave this submenu.

STARTING AND STOPPING

General



WARNING! Please read the operator's manual carefully and make sure you understand the instructions before using the machine.

Wear personal protective equipment. See instructions under the "Personal protective equipment" heading.

Make sure no unauthorised persons are in the working area, otherwise there is a risk of serious personal injury.

Check that the machine is assembled correctly and do not show any signs of damage. See instructions in the section "Assembling and adjustments".

- Perform daily maintenance. See instructions in the section "Maintenance".

Wall sawing

Before starting

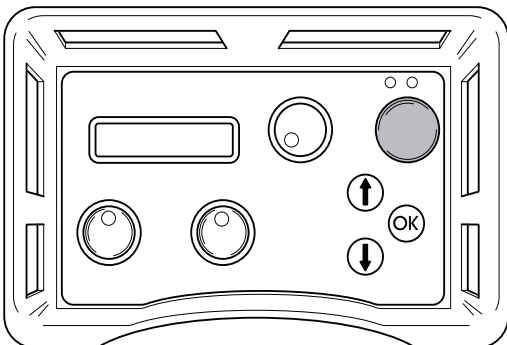
IMPORTANT! Make sure that the blade and blade guard are fitted correctly before turning on the hydraulic unit.

Before you start the motor, check that:

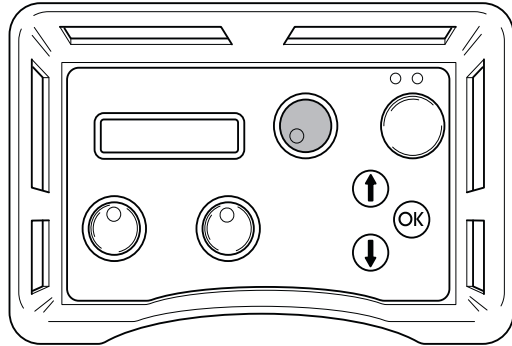
- The incoming electrical cable has been connected to a fuse rated at least 25 A.
- The 32 A or 63 A power setting is chosen.
If this is not done, a message in the display will prompt this when the start button is pushed.
- The hoses have been connected to a device.
- Run the hydraulic system until it reaches its operation temperature of 30°C before starting to saw, to reduce return pressure and other wear.
- All controls on the remote control have been set to zero position. If this is not done, a message in the display will prompt this when the start button is pushed.

Starting

- 1 Start the electric motor by pressing the remote control's green button once. The Y/D start takes place automatically. The rotation direction is always correct due to an automatic phase relay.

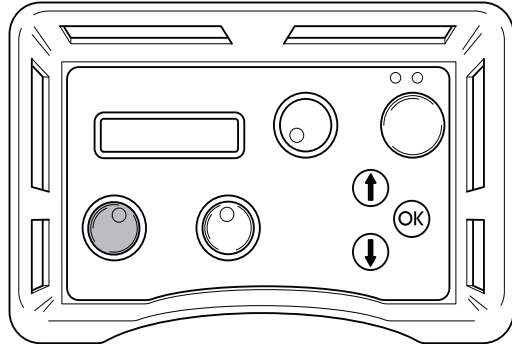


- 2 Turn the controls for blade rotation and water coolant to their maximum positions to start blade rotation and the water coolant.

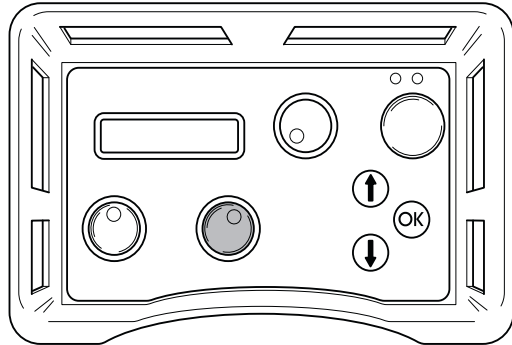


The amount of water can be adjusted manually with the knob on the top of the unit.

- 3 Start the depth feeding by turning the depth feeding knob on the remote control in the desired direction.

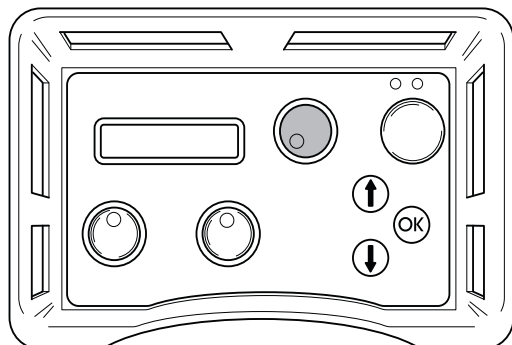


- 4 Start the horizontal motion by turning the horizontal motion knob in the desired direction.



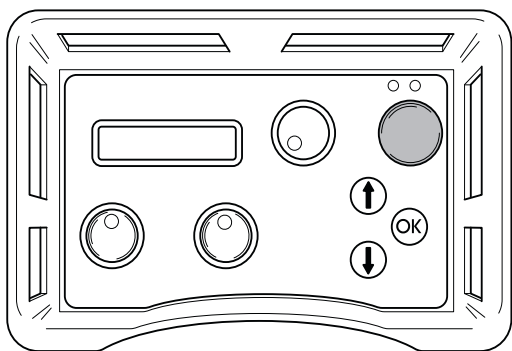
Stopping

- 1 After the work is completed, turn off the blade rotation and water flow by turning the blade rotation and water coolant start knobs on the remote control back to '0'.



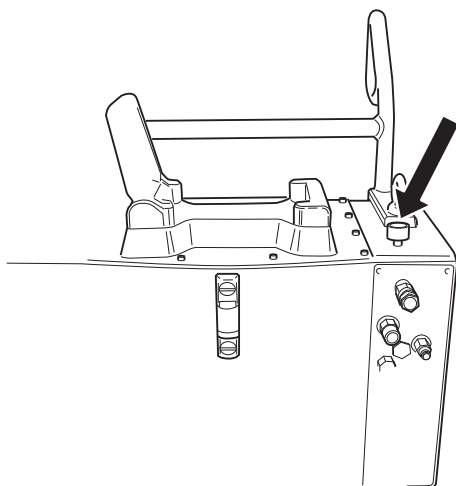
STARTING AND STOPPING

- 2 Turn off the electric motor by pressing the remote control's green button.



Water valve

When the power to the hydraulic unit is disconnected, the water valve opens so that the cooling system can be drained prior to transport and to avoid the risk of the cooler and motor freezing in sub-zero temperatures. The unit can be transported vertically or horizontally. If the power is cut during sawing, the water can be turned off by turning the water flow valve on top of the power unit clockwise to the stop position. The water flow connected to the hydraulic tool can also be reduced by turning the water flow valve.



Dismantling the equipment

- 1 Allow the motor to stop completely.
- 2 Disconnect the power supply cable before disconnecting the water hoses.
- 3 Disconnect the hydraulic hoses.
- 4 If there is a risk of freezing, drain the water from the oil cooler by disconnecting both hoses, opening the water flow valve, and tilting the unit forwards.

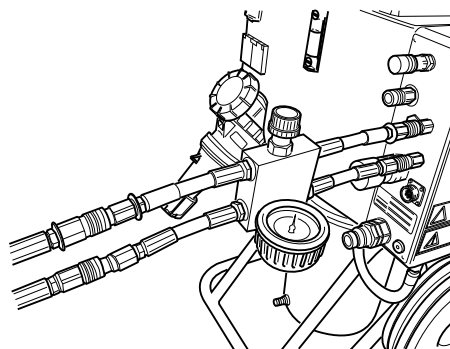
IMPORTANT! Always clean all the equipment at the end of the working day. Do not use a high pressure washer to clean the machine.

Wire cutting

Before starting

IMPORTANT! Do not connect the two thick hydraulic hoses to the wire saw before the cable is correctly fitted and tensioned, and all guards are correctly fitted.

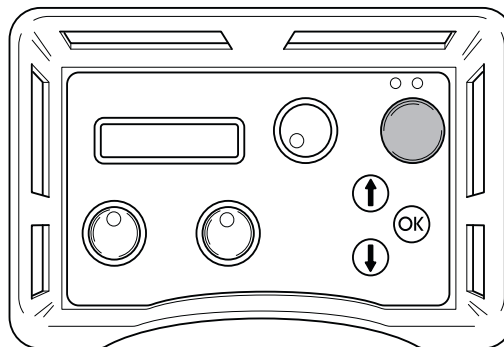
- Before you start the motor, check that:
 - The incoming electrical cable has been connected to a fuse rated at least 25 A.
 - The 32 A or 63 A power setting is chosen. If this is not done, a message in the display will prompt this when the start button is pushed.
- Assemble the pressure reduction block supplied with the wire saw on the hydraulic unit according to the instructions on the block.
- Connect the two smaller hydraulic hoses to the pressure reduction block. The hoses in the hose assembly marked with a red disc by the coupling shall be connected to the hose on the pressure reduction block that is also fitted with a disc.



- Close the valve on the pressure reduction block by turning the knob anti-clockwise until it stops and then two turns back.

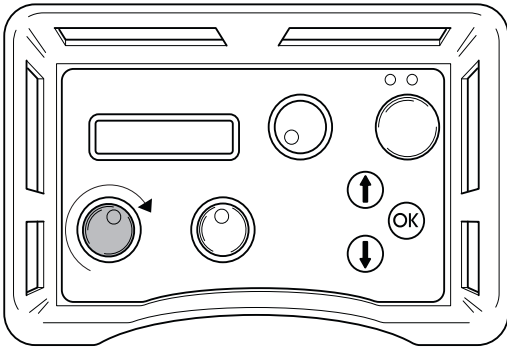
Starting

- 1 Start the electric motor by pressing the remote control's green button once.

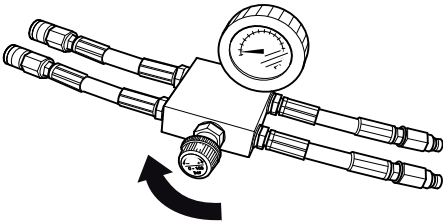


STARTING AND STOPPING

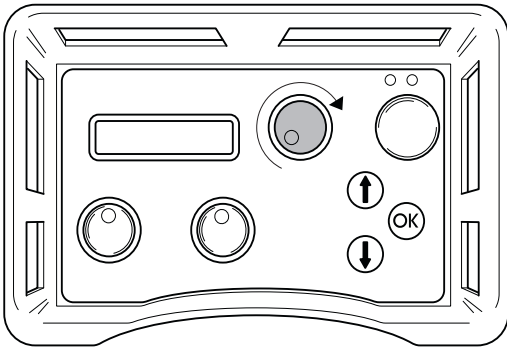
- 2 Set the feeding flow on the unit to max by turning the control on the remote control clockwise.



- 3 Tension the wire by carefully turning the knob on the pressure reduction block clockwise until the wire is tensioned sufficiently. Make sure to always check that the wire is seated correctly in all the wheels on the saw.

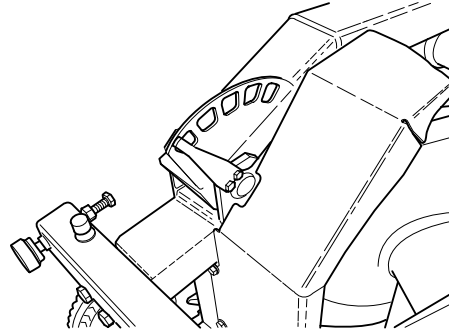


- 4 Start the wire drive by turning the control for motor rotation on the remote control clockwise.



- 5 Carefully increase the motor speed by turning the control for motor rotation. A suitable working pressure when cutting usually lies between 100 and 130 bar, but varies depending on how many wheel sets are used in the magazine, how much wire is in use and the hardness of the material to be cut.
- 6 As the material is cut away the working pressure drops, which is shown on the display, and the magazine must then be tensioned. Do this by turning the knob on the pressure reduction block clockwise.

- 7 The output tension on the magazine is shown by an indicator on the machine (shown in the min position). When the magazine cylinder is fully tensioned, the machine must be stopped and the wire must be wound around a new wheel set. Then continue to cut as above.



Stopping

- Lower the speed on the wire and allow the motor to stop completely.
- Turn off the electric motor by pressing the remote control's green button.
- Disconnect the incoming cables from the hydraulic unit.
- Disconnect the hydraulic hoses and the water hose from the saw unit.
- The other steps are done in the reverse order to assembling.

IMPORTANT! Always clean all the equipment at the end of the working day. Do not use a high pressure washer to clean the machine.

MAINTENANCE

General



WARNING! The user must only carry out the maintenance and service work described in this Operator's Manual. More extensive work must be carried out by an authorized service workshop.

Inspection and/or maintenance should be carried out with the motor switched off and the plug disconnected.

The life span of the machine can be reduced and the risk of accidents can increase if machine maintenance is not carried out correctly and if service and/or repairs are not carried out professionally. If you need further information please contact your nearest service workshop.

Daily maintenance

- Check that the machine's safety equipment is undamaged. See instructions in the section "Machine's safety equipment".
- Check that the cord and extension cord are intact and in good condition.
- Check the hydraulic oil level in the power pack. The high pressure jet can damage seals and lead to water and dirt permeating into the machine, resulting in serious damage.
- Always clean all the equipment at the end of the working day. Use a heavy-duty hand-held brush or a large paint brush.
- Make sure to keep the connectors and pins clean. Clean with a rag or brush.

NOTICE! Do not use a high pressure washer to clean the machine.

- Check the tyre pressures.

Oil change



WARNING! Remember that oil can pose a hazard to health and the environment.

- There is a magnetic plug on the underside of the tank for draining the hydraulic oil. Clean the magnet.
- Open the screw cap on the tank and fill with hydraulic oil with a viscosity of 46. It is recommended to use a hydraulic oil with a viscosity of 68 in warmer climates. Make sure that the oil level is about 10 mm below the max. mark on the sight gauge.

About 16 litres of hydraulic oil is required when changing.

Filter replacement

- To change the filter, remove the tank cap after loosening the twelve screws. Loosen the three screws for the filter housing cover and remove it as well. Lift out the old filter

cartridge and press in the new one, making sure it engages with the end of the tube in the bottom of the housing.

Service



WARNING! All types of repairs may only be carried out by authorised repairmen. This is so that the operators are not exposed to great risks.

After 100 hours of operation, the message "Time for servicing" is displayed. The entire equipment shall then be taken to an authorized Husqvarna dealer for servicing.

Error messages

Nine different error messages can be shown on the display:

- NOTE! LOW VOLTAGE (1A) CHECK THE VOLTAGE SUPPLY AND THE CABLE TO THE HYDRAULIC UNIT
- LOW VOLTAGE PHASE X (1B) LOW POWER 32A
- MOTOR PROTECTION TRIPPED (2)
- MOTOR OVERHEATED (3) COOLING IN PROGRESS. DO NOT SWITCH OFF THE ELECTRIC MOTOR
- OIL TEMP. HIGH (4) CHECK THE WATER TO THE HYDRAULIC UNIT
- PRESSURE SENSOR OUT OF (5) ORDER
- HIGH HYDR PRESSURE (6) CHECK UNIT
- NO CONTACT CHECK THE CAN CABLE (7)
- NO RADIO CONTACT (8)

Error message (1A)

IMPORTANT! Low voltage Check the voltage supply and the cable to the hydraulic unit.

Too low voltage, caused by:

- Long mains cable.
- Too small core size (cross-section) on the mains cable.

One or more phases down, caused by:

- A fuse has blown in the distribution box.
- Cable breakage.
- No voltage to one or more phases in the distribution box.

Action (1A)

Press OK to acknowledge the error message.

The hydraulic unit will match the maximum power output to 32 A.

Error message (1B)

'Low voltage Phase x low output. 32 A', where x represents phase 1, 2 or 3.

MAINTENANCE

Action (1B)

Press OK to acknowledge the message. It states on the display that the maximum power output is set to 32 A. If the voltage is still low, the electric motor is turned off and the low voltage error message is shown.

By pressing OK, the unit returns to the maximum power you selected at start up. To switch between 63 A and 32 A, the unit must be turned off and then on again.

Read the supply voltage on the operations menu 'Phase 1, Phase 2, Phase 3'. If the voltage, before the motor is started, is:

- Below 340 V, check that none of the cores in the cable are broken and that there is voltage up to distribution box.
- Above 340 V, check the cable's core dimensions and length.

Error message (2)

'Motor protection tripped'

Cause (2)

The electric motor has been overload or a phase is down. This is why the motor cut-out, which is there to protect the electric motor, has tripped.

Action (2)

Press OK to acknowledge the error message. Check that there is voltage to the hydraulic unit on all three phases.

Read the supply voltage on the operations menu 'Phase 1, Phase 2, Phase 3'.

If the voltage to one phase is down: Check the mains cable and the voltage to the distribution box. The motor protection is reset automatically within three minutes.

If the voltage to all phases is higher than 340V: Wait for the motor cut-out to reset. Now restart the hydraulic unit.

If the motor cut-out trips frequently you should call the service personnel.

Error message (3)

'Motor overheated cooling in progress. Do not turn off the electric motor!'

IMPORTANT! Do not turn off the motor, as this can damaged it. When the motor has cooled it is turned off automatically.

Cause (3)

High motor temperature detected

Action (3)

Press OK to acknowledge the error message.

If after all it is necessary to turn off the engine, the error message must still be acknowledged by first pressing OK.

The display shows: COOLING. The hydraulic valves for blade and trolley motion are turned off. The blade motion can also be restarted.

When the motor temperature sensor drops below the limit level the display shows: MOTOR COOLED PRESS OK.

If the motor frequently overheats you should call the service personnel.

Error message (4)

'Oil temp. high Check water to the hydraulic unit'

Cause (4)

Failure to cool the hydraulic oil.

Action (4)

When the error message is shown, the electric motor is turned off. Press OK to acknowledge the error message. Check that the water coolant is connected to the hydraulic unit and that the water runs to the blade when you turn the knob for blade rotation.

Error message (5)

'Pressure sensor not working'

Cause (5)

The pressure sensor for measuring the hydraulic pressure to the blade rotation is not working.

Action (5)

Press OK to acknowledge the error message. If the error message is shown repeatedly, replace the pressure sensor.

Error message (6)

'High hydr pressure check unit'

Cause (6)

The blade has jammed, which causes a high hydraulic pressure.

Action (6)

Press OK to acknowledge the error message. If the error message is shown frequently, you should call the service personnel.

Error message (7)

'No contact Check the CAN cable'

Cause (7)

In remote controls fitted with a radio and a battery, this warning is displayed if the incoming voltage to the power pack disappears.

The CAN cable, or its connector is damaged, which results in the hydraulic unit not being possible to control via the remote control.

Action (7)

Press OK to acknowledge the error message. Check the cable and connector and replace if damaged. Contact the service personnel if the fault remains.

Error message (8) - applies to units equipped with a radio system

'No radio contact'

Cause (8)

The radio contact between the hydraulic unit and remote control is not working.

Action (8)

Several actions may be necessary to rectify the fault:

- Ensure (via the operations menu - settings - radio id) that the identity number is greater than 0.
- Make sure that the hydraulic unit has been started.
- Move closer to the hydraulic unit to prevent long distances or reinforced walls.

TECHNICAL DATA

PP 455 E

Specified hydraulic output, kW/hp	25/33,5	
Max. hydraulic oil flow (at 63 A), l/min / gal/min	65/17	
Weight hydraulic unit incl. oil, kg/lbs	140/310	
Power supply		
Europe + Australia 5-pin	400V (32-63A), 50Hz	
Europe + Asia 4-pin	400V (32-63A), 50Hz	
Norway 5-pin	400V (32-63A), 50Hz	230V (80A), 50Hz
Japan 4-pin	200V (80A) 50, 60 Hz	
USA 4-pin	480V (32-63A, 60 Hz)	
Canada 4-pin	600V (20-40A), 60Hz	
Optional equipment	2 x 230 V wall socket	
Control system		
Control type	Remote control	
Signal transmission	Wireless/cable	
Noise emissions (see note 1)		
Sound power level, measured dB (A)	97	
Sound power level, guaranteed dB(A)	101	
Sound levels (see note 2)		
Sound pressure level at the operators ear, dB(A)	78	

IMPORTANT! The higher ampere rating applies for maximum output.

Note 1: Noise emissions in the environment measured as sound power (L_{WA}) in conformity with EC directive 2000/14/EC.

Note 2: Noise pressure level according to EN ISO 11201. Reported data for noise pressure level has a typical statistical dispersion (standard deviation) of 1.0 dB(A).

TECHNICAL DATA

EC Declaration of Conformity

(Applies to Europe only)

Husqvarna AB, S-561 82 Huskvarna, Sweden, tel: +46-36-146500, declares under sole responsibility that the power pack **Husqvarna PP 455 E** from 2010's serial numbers and onwards (the year is clearly stated in plain text on the type plate with subsequent serial number) is in conformity with the requirements of the COUNCIL'S DIRECTIVES:

- of May 17, 2006 "relating to machinery" **2006/42/EC**.
- of December 12, 2006 "relating to electrical equipment" **2006/95/EC**.
- of December 15, 2004 "relating to electromagnetic compatibility" **2004/108/EC**.
- of May 8, 2000 "relating to the noise emissions in the environment" **2000/14/EC**.
- of June 08, 2011 on the 'restriction of use of certain hazardous substances' **2011/65/EU**

The following standards have been applied: EN ISO 12100:2010, EN 55014-1:2006, EN 55014-2/A1:2001, EN 61000-3-11:2000, EN 982/A1:2008, EN 60204-1:2006.

Gothenburg, 12 April 2015



Helena Grubb

Vice President, Construction Equipment Husqvarna AB

(Authorized representative for Husqvarna AB and responsible for technical documentation.)

ACLARACIÓN DE LOS SÍMBOLOS

Símbolos en la máquina

¡ATENCIÓN! La máquina, si se utiliza de forma errónea o descuidada, puede ser una herramienta peligrosa que puede causar daños graves e incluso la muerte al usuario y a otras personas.



Lea detenidamente el manual de instrucciones y asegúrese de entender su contenido antes de utilizar la máquina.



Utilice siempre:

- Casco protector homologado
- Protectores auriculares homologados
- Gafas protectoras o visor
- Máscara respiratoria



Este producto cumple con la directiva CE vigente.



¡ATENCIÓN! Corriente intensa.



Etiquetado ecológico.

El símbolo en el producto o en su envase indica que no se puede tratar este producto como desperdicio doméstico. Deberá por lo tanto depositarse en un centro de recogida adecuado para el reciclado de equipos eléctricos y electrónicos.



Haciendo que este producto sea manipulado adecuadamente, se ayuda a evitar consecuencias negativas potenciales para el medio ambiente y las personas, lo que puede ocurrir con la manipulación inadecuada como residuos del producto.

Para obtener información más detallada sobre el reciclado de este producto, contacte con la oficina municipal local, con el servicio de eliminación de desperdicios domésticos o con la tienda donde compró el producto.

Explicación de los niveles de advertencia

Las advertencias se clasifican en tres niveles.

¡ATENCIÓN!



¡ATENCIÓN! Indica un riesgo de daños graves para el usuario o incluso muerte, o bien daños al entorno, si no se siguen las instrucciones del manual.

¡NOTA!



¡NOTA! Indica un riesgo de lesiones para el usuario o daños al entorno si no se siguen las instrucciones del manual.

AVISO

AVISO Indica un riesgo de daños en los materiales o en la máquina si no se siguen las instrucciones del manual.

Índice

ACLARACIÓN DE LOS SÍMBOLOS

Símbolos en la máquina	23
Explicación de los niveles de advertencia	23

ÍNDICE

Índice	24
--------------	----

PRESENTACIÓN

Apreciado cliente:	25
Diseño y funciones	25

PRESENTACIÓN

¿Qué es qué en la unidad hidráulica?	26
--	----

EQUIPO DE SEGURIDAD DE LA MÁQUINA

Generalidades	27
Parada de emergencia y botón de parada	27

MONTAJE Y AJUSTES

Montaje / instalación del equipo	28
--	----

FUNCIONAMIENTO

Equipo de protección	30
Instrucciones generales de seguridad	30
Seguridad en el trabajo	31
Transporte y almacenamiento	32

SISTEMA DE MENÚ

Generalidades	33
Vista general del menú	33
Menú de arranque	35
Menú de funcionamiento	35

ARRANQUE Y PARADA

Generalidades	37
Serrado de pared	37
Cortado con alambre	38

MANTENIMIENTO

Generalidades	40
Mantenimiento diario	40
Cambio de aceite	40
Cambio de filtro	40
Servicio	40
Mensajes de fallo	40

DATOS TÉCNICOS

PP 455 E	43
Declaración CE de conformidad	44

Apreciado cliente:

Gracias por elegir un producto Husqvarna.

Esperamos que su máquina le proporcione plena satisfacción y le sirva de ayuda por mucho tiempo en adelante. La adquisición de alguno de nuestros productos da acceso a asistencia profesional con reparaciones y servicio. Si la máquina no fue adquirida en un distribuidor oficial, preguntar en la tienda de compra la dirección del taller de servicio más cercano.

Este manual de instrucciones es un documento importante. Procure tenerlo siempre a mano en el lugar de trabajo. Siguiendo sus instrucciones (de uso, servicio, mantenimiento etcétera) puede alargar considerablemente la vida útil de la máquina e incrementar su valor de reventa. Si vende su máquina, entregue el manual de instrucciones al nuevo propietario.

Más de 300 años de innovación

La fundación de la empresa sueca Husqvarna AB data del año 1689, cuando el Rey Karl XI encargó la construcción de una fábrica para la fabricación de mosquetes. En ese momento se establecieron los cimientos de la experiencia tecnológica en la que se basan muchos de los productos punteros en el mundo en el sector de las armas de caza, bicicletas, motocicletas, electrodomésticos, máquinas de coser y productos para exteriores.

Husqvarna es líder internacional en productos motorizados para exteriores destinados a la silvicultura, el mantenimiento de parques y el cuidado del césped y del jardín, así como equipos de corte y herramientas de diamante para el sector de la construcción y la piedra.

Responsabilidad del propietario

El propietario / empresario es el responsable de asegurarse de que el usuario tiene los conocimientos necesarios para utilizar la máquina con seguridad. Los supervisores y los usuarios deben haber leído y entendido el manual de instrucciones. Deben tener conocimiento de lo siguiente:

- Las instrucciones de seguridad de la máquina.
- Las aplicaciones y las limitaciones de la máquina.
- El modo de uso y de mantenimiento de la máquina.

La utilización de esta máquina podría estar regulada por la legislación nacional vigente. Infórmese sobre la legislación vigente en el lugar donde trabaja antes de empezar a utilizar la máquina.

Los derechos que se reserva el fabricante.

Tras la publicación de este manual, Husqvarna podría publicar información adicional para el funcionamiento seguro de este producto. Es responsabilidad del propietario mantenerse informado de los métodos de funcionamiento más seguros.

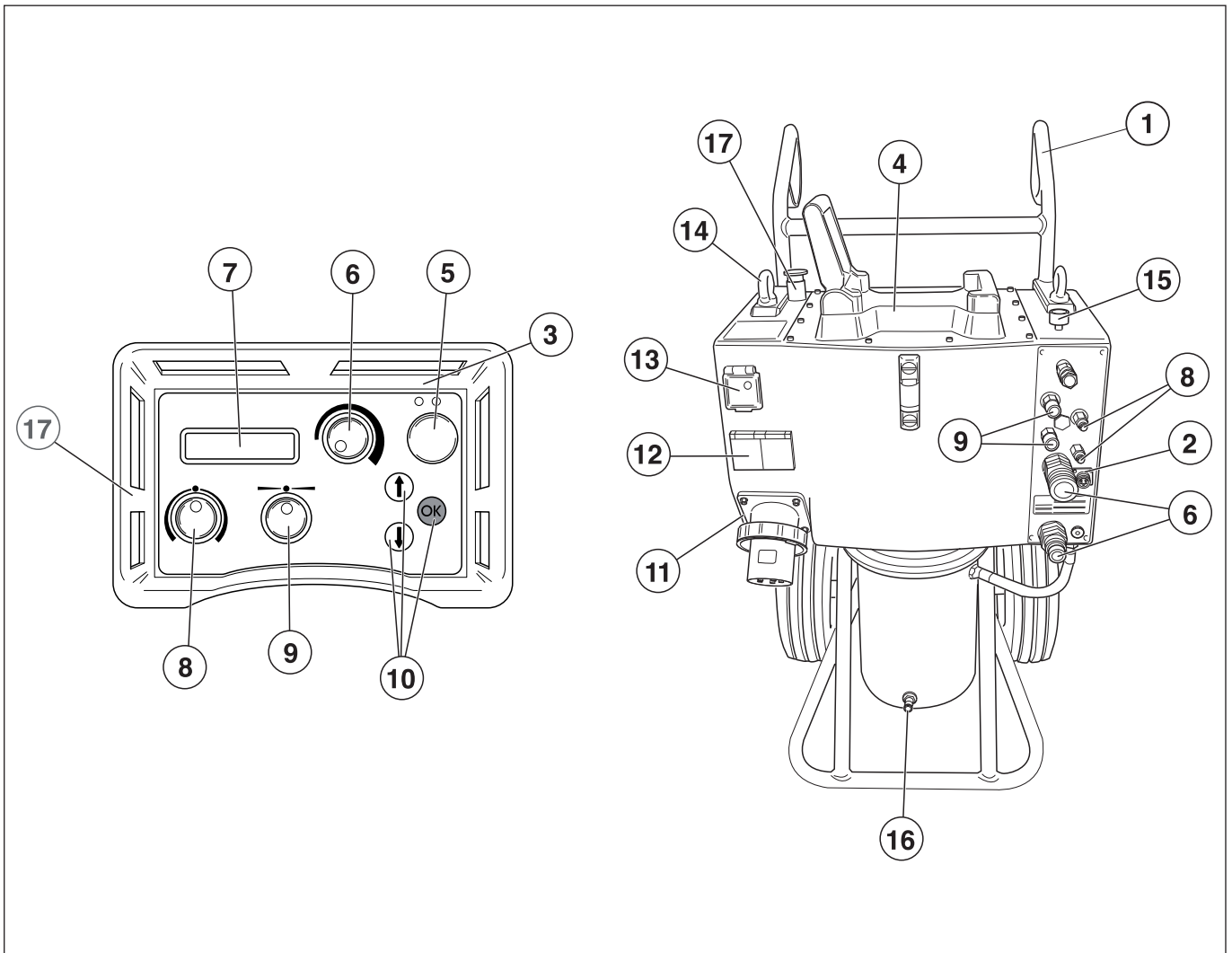
Husqvarna AB trabaja constantemente para perfeccionar sus productos y se reserva, por lo tanto, el derecho a introducir modificaciones en la construcción y el diseño sin previo aviso.

Para recibir información y atención como cliente, póngase en contacto con nosotros a través de nuestro sitio web: www.husqvarna.com

Diseño y funciones

El alto rendimiento, la fiabilidad, la tecnología innovadora, las soluciones técnicas avanzadas y el respeto medioambiental son los valores que caracterizan a los productos de Husqvarna. El usuario debe leer este manual detenidamente para garantizar un funcionamiento seguro del producto. Póngase en contacto con su concesionario o con Husqvarna si necesita más información.

PRESENTACIÓN



¿Qué es qué en la unidad hidráulica?

- | | |
|--|----------------------------------|
| 1 Mango | 10 Teclas de selección |
| 2 Conexiones de las mangueras hidráulicas | 11 Toma eléctrica |
| 3 Mando a distancia | 12 Toma monofásica de 230 V |
| 4 Fijación de sierra | 13 Protección personal / fusible |
| 5 Motor eléctrico, Conexión / Desconexión | 14 Cáncamo de elevación |
| 6 Rotación de la hoja y activación del agua refrigerante | 15 Válvula de flujo de agua |
| 7 Display | 16 Conexión de agua |
| 8 Avance de entrada | 17 Botón de encendido (ON / OFF) |
| 9 Avance longitudinal | |

EQUIPO DE SEGURIDAD DE LA MÁQUINA

Generalidades

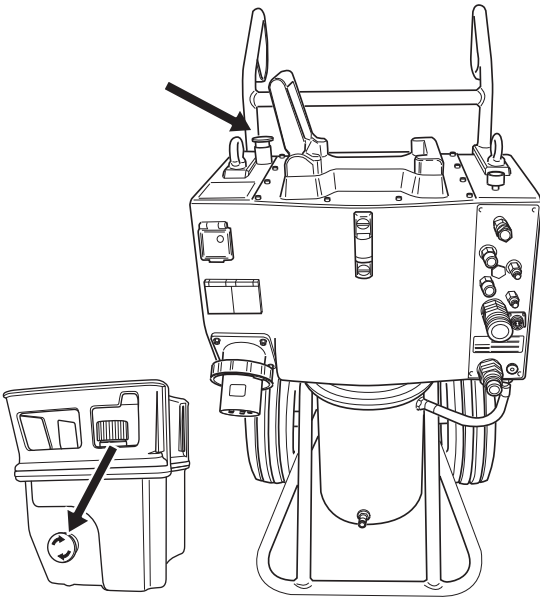


¡ATENCIÓN! Nunca utilice una máquina que tenga un equipo de seguridad defectuoso. Efectúe el control y mantenimiento del equipo de seguridad de la máquina como se describió en este capítulo. Si su máquina no pasa todos los controles, entréguela a un taller de servicio para su reparación.

En este capítulo se describen los componentes de seguridad de la máquina, su función y el modo de efectuar el control y el mantenimiento para garantizar un funcionamiento óptimo.

Parada de emergencia y botón de parada

La unidad hidráulica dispone de parada de emergencia y el control remoto tiene un botón de parada. Se utilizan para parar rápidamente la unidad hidráulica.



Verifique la parada de emergencia y el botón de parada

- Activar la rotación de la hoja
- Pulse la parada de emergencia de la unidad hidráulica y compruebe que la rotación del disco se detiene. Compruebe de igual modo el botón de parada situado en el control remoto.

MONTAJE Y AJUSTES

Montaje / instalación del equipo

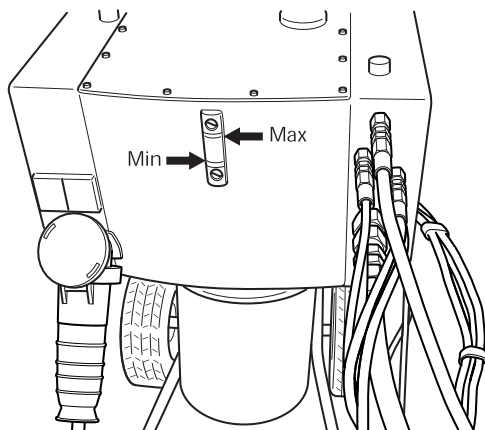
Después de ser transportada a un lugar adecuado, la máquina debe conectarse:

- Controlar el nivel de aceite en el equipo energético. El control se hace en el indicador de nivel.

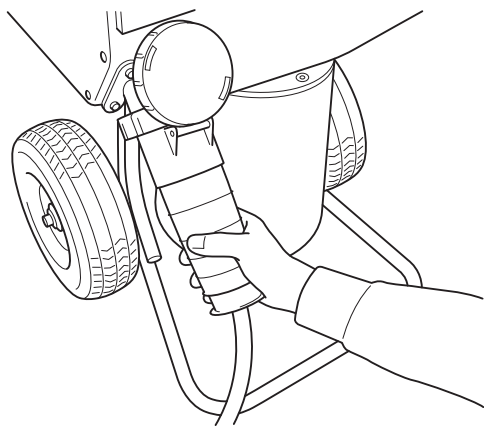
Nivel mínimo = línea roja

Nivel máximo = línea negra

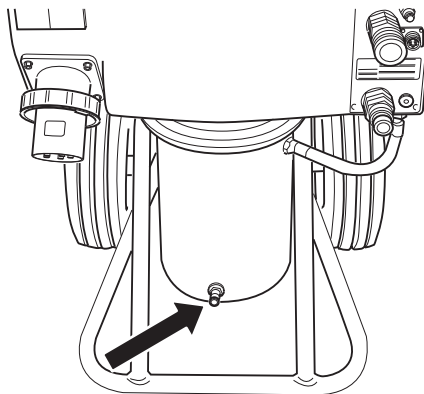
No se debe sobrepasar el nivel máximo al poner aceite en el depósito. El aceite se expande al calentarse y puede rebosar si el nivel es excesivo. Capacidad del depósito, 16 l (4,2 US gal).



- Conectar el cable eléctrico entrante (400 V, 63 A ó 400 V, 32-63 A, enchufe europeo). El cable debe tener tres fases y masa de protección. Si la máquina tiene una toma monofásica, también debe haber un neutro puesto que, de lo contrario, no funcionan las tomas monofásicas de la caja de distribución. Compruebe que la tensión de red concuerda con la que se indica en la placa de características de la máquina.
- La unidad eléctrica debe estar conectada mediante un fusible de 63 A para que funcione a la máxima potencia. Si se conecta mediante un fusible de 32 A, debe utilizarse la sierra a baja presión aunque corte de manera menos efectiva, para evitar la sobrecarga del fusible.



- Conectar la manguera de entrada de agua a la conexión de agua situada en la parte más baja de la frontal del motor en el equipo hidráulico.



- Conectar el mando a distancia con el cable de CAN incluido en la entrega. Fijar el contacto de cable enroscándolo a mano.
El bus CAN debe desconectarse si la máquina está equipada con radio. No es necesario conectar una antena ni otros accesorios al contacto CAN.
- Compruebe que ni el botón de parada de emergencia de la unidad eléctrica ni el botón de parada del control remoto están pulsados girándolos en el sentido de las agujas del reloj.
- El display muestra el texto ELEGIR FUSIBLE 32A. Si el fusible colocado es de 32 A, se activa pulsando la tecla de membrana marcada con 'OK'. Si hay un fusible de 63 A, pulsar la tecla de membrana marcada con 'flecha arriba'. Ahora el display indica ELEGIR FUSIBLE 63 A. Confirmar pulsando la tecla de membrana marcada con 'OK'.
- Conectar el conjunto de mangueras. Conecte las mangueras hidráulicas en esta posición. Se activará la función de equalización de la presión, lo que facilitará la conexión de las mangueras. Esto evitará obturaciones en las conexiones hidráulicas.

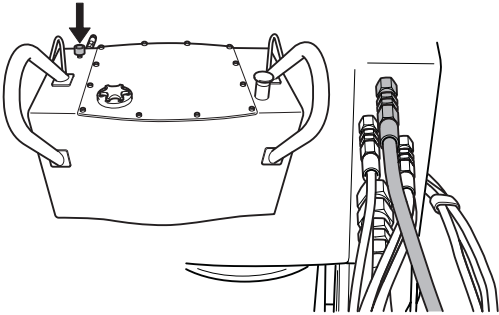
Hay dos tipos de mangueras hidráulicas para el equipo:

- En una sierra de pared de la serie WS 400, las cuatro mangueras finas controlan los motores de avance de la sierra; es decir, la entrada, la salida y el avance longitudinal de la sierra. Las dos mangueras gruesas accionan el disco.
- Si se conecta al equipo una sierra de cable CS 2512, dos de las mangueras finas controlan la tensión del brazo del depósito y las dos mangueras gruesas accionan el cable.

Junto a algunas conexiones del equipo hay un rótulo con marcas rojas. En estas conexiones se conectan las mangueras que tienen arandelas rojas.

MONTAJE Y AJUSTES

- Conectar la manguera de agua entre el equipo y la conexión de agua de la sierra, y abrir la válvula de flujo de agua en la parte superior del equipo, girando la manija a izquierdas.



Cuando estén conectados el cable eléctrico, la manguera de agua y el conjunto de mangueras se puede poner en marcha la máquina.

- Pulsar 'OK' para confirmar la elección.
- La potencia hidráulica se debe ajustar según la máquina que está acoplada al equipo hidráulico. Elegir una de las opciones siguientes:
 - 25kW, 230 bar, 65l/min
 - 9 kW, 140 bar, 40l/min
- Ahora el display debe mostrar 'PP-455 ARRANCAR MOTOR'. De lo contrario, siga las instrucciones del display.

FUNCIONAMIENTO

Equipo de protección

Generalidades

No use nunca una máquina si no tiene posibilidad de pedir auxilio si se produce un accidente.

Equipo de protección personal

Para trabajar con la máquina debe utilizarse un equipo de protección personal homologado. El equipo de protección personal no elimina el riesgo de lesiones, pero reduce su efecto en caso de accidente. Pida a su distribuidor que le asesore en la elección del equipo.



¡ATENCIÓN! El uso de productos que cortan, pulen, taladran, alisan o forman materiales puede generar polvo y vapores que pueden contener sustancias químicas dañinas. Averiguar la composición del material con que se trabaja y usar una máscara respiratoria adecuada.



¡ATENCIÓN! La exposición prolongada al ruido puede causar daños crónicos en el oído. Por consiguiente, use siempre protectores auriculares homologados. Cuando use protección auditiva preste siempre atención a las señales o llamados de advertencia. Sáquese siempre la protección auditiva inmediatamente después de parar el motor.



¡ATENCIÓN! Existe siempre riesgo de accidentes por apriete al trabajar con aparatos con piezas móviles. Usar guantes protectores para evitar lesiones.

Utilice siempre:

- Casco protector
- Protectores auriculares
- Gafas protectoras o visor
- Máscara respiratoria
- Guantes resistentes de agarre seguro.
- Prendas de vestir ceñidas, resistentes y cómodas que permitan una libertad de movimientos total.
- Botas con puntera de acero y suela antideslizante.

Tener en cuenta que las ropas, el pelo largo y las joyas pueden atascarse en piezas móviles.

Otros equipos de protección



¡ATENCIÓN! Mientras trabaja con la máquina, pueden producirse chispas que podrían ocasionar un incendio. Tenga siempre a mano herramientas para la extinción de incendios.

- Herramientas para la extinción de incendios
- Tenga siempre a mano el equipo de primeros auxilios.

Instrucciones generales de seguridad



¡ATENCIÓN! Lea todas las advertencias e instrucciones de seguridad. No atender a estas advertencias e instrucciones puede provocar descargas eléctricas, incendios y lesiones graves.

Este apartado trata las normas de seguridad básicas para trabajar con el dispositivo. Esta información no sustituye en ningún caso los conocimientos y la experiencia de un profesional.

- Lea detenidamente el manual de instrucciones y asegúrese de entender su contenido antes de utilizar la máquina.
- Lea el manual de instrucciones suministrado con la unidad hidráulica antes de utilizar la máquina.
- Debe tenerse en cuenta que el operador es responsable de los accidentes o riesgos que ocurran a otras personas o a su propiedad.
- Todos los operadores deben ser formados en el empleo de la máquina. El propietario es responsable de la formación de los operadores.
- La máquina debe mantenerse limpia. Los letreros y las pegatinas deben ser legibles en su totalidad.



¡ATENCIÓN! La máquina, si se utiliza de forma errónea o descuidada, puede ser una herramienta peligrosa que puede causar daños graves e incluso la muerte al usuario y a otras personas.

No permita bajo ningún concepto el empleo o mantenimiento de la máquina por los niños u otras personas no instruidas en el manejo de la misma. Nunca deje que terceros utilicen la máquina sin asegurarse primero de que hayan entendido el contenido de este manual de instrucciones.

Nunca utilice la máquina si está cansado, si ha ingerido alcohol o si toma medicamentos que puedan afectar la vista, su capacidad de discernimiento o el control del cuerpo.



¡ATENCIÓN! Las modificaciones y/o el uso de accesorios no autorizados comportan riesgo de daños personales graves y peligro de muerte para el usuario y otras personas.

No modifique nunca esta máquina de forma que se desvíe de la versión original, y no la utilice si parece haber sido modificada por otras personas.

No utilice nunca una máquina defectuosa. Lleve a cabo las comprobaciones de seguridad y siga las instrucciones de mantenimiento y servicio de este manual. Algunas medidas de mantenimiento y servicio deben ser efectuadas por especialistas formados y cualificados. Consulte las instrucciones del apartado Mantenimiento.

Utilizar siempre recambios originales.

FUNCIONAMIENTO

Emplee siempre el sentido común

Es imposible abarcar todas las situaciones en las que puede encontrarse. Utilice siempre el equipo con cuidado y sentido común. Si se encuentra en alguna situación que le haga sentirse inseguro, deténgase y consulte con un experto. Consulte a su distribuidor, al taller de servicio técnico o a un usuario experimentado. No emplee la máquina en aplicaciones para las que no se considere plenamente cualificado.

Seguridad en el trabajo

Seguridad en el área de trabajo

- **Mantenga el área de trabajo limpia y bien iluminada.** Las zonas abarrotadas de cosas u oscuras favorecen los accidentes.
- La distancia de seguridad es de 4 metros (15 pies) desde la máquina.
- Averigüe y marque siempre la ubicación del trazado de las tuberías de gas. El corte cerca de las tuberías de gas siempre es peligroso. Procure que no se generen chispas al cortar, debido al riesgo de explosión. Trabaje concentrado en su tarea. La negligencia comporta riesgo de daños personales graves y peligro de muerte.
- No utilice la máquina en entornos donde exista riesgo de explosión.
- Asegúrese de que no haya tuberías o cables eléctricos en la zona de trabajo o en la pieza en la que vaya a trabajar.
- Compruebe que los cables eléctricos que haya en el área de trabajo no tengan tensión.
- Compruebe el entorno para asegurarse de que nada pueda influir en su control de la máquina.
- No trabaje en condiciones atmosféricas desfavorables como niebla, lluvia intensa, tempestad, frío intenso, etc. Trabajar con mal tiempo es cansador y puede crear condiciones peligrosas, por ejemplo suelo resbaladizo.
- No emplee la máquina en un entorno mojado o húmedo, cerca de agua, en la lluvia o en la nieve.
- Antes de comenzar a trabajar con la máquina, controle siempre que el lugar esté libre y que los pies estén bien afirmados al terreno.

Seguridad eléctrica



¡ATENCIÓN! Existe siempre riesgo de sacudidas eléctricas al usar máquinas eléctricas. No usar la máquina en condiciones climáticas desfavorables y evitar el contacto del cuerpo con pararrayos y objetos metálicos. Seguir siempre las instrucciones del manual para evitar daños.



¡ATENCIÓN! No lave la máquina con agua, ya que puede penetrar en el sistema eléctrico o en el motor y causar daños en la máquina o un cortocircuito.

- Conecte siempre la máquina mediante un interruptor de fuga a tierra con protección personal, como un disyuntor de fuga a tierra que se active a 30 mA.
- La máquina se debe enchufar a un enchufe con masa.
- Compruebe que la tensión de red concuerda con la que se indica en la placa de características de la máquina.
- Compruebe que el cable y el cable de empalme está intacto. Usar siempre cables de empalme homologados para uso en intemperie.

- Si se daña un cable, no utilice la máquina. Llévela a reparar a un taller de servicio oficial.
- Un cable de alargue no debe usarse enrollado porque hay riesgo de sobrecalentamiento.
- No arrastre la máquina nunca por el cordón y no quite nunca el enchufe tirando del cordón.
- Mantenga todos los cables y cables de empalme apartados de agua, aceite y cantos agudos. Proceda con cuidado para evitar que el cable se apriete en puertas, vallas o similares. Hay riesgo de cargar objetos con electricidad.

Seguridad hidráulica

- Compruebe que todos los acoplamientos y conexiones, y las mangueras hidráulicas están intactos.
- Mantenga limpias de suciedad las mangueras y conexiones hidráulicas.
- No maltrate las mangueras.
- No utilice mangueras torcidas, gastadas o defectuosas.
- Compruebe que las mangueras estén conectadas adecuadamente en la herramienta y que las conexiones hidráulicas cierren como es debido antes de presurizar el sistema hidráulico. Las conexiones se fijan girando el mango exterior del acoplamiento hembra para apartar la ranura de la bola.

Las mangueras de presión del sistema deben conectarse siempre en la entrada de la herramienta. Las mangueras de retorno del sistema deben conectarse siempre en la salida de la herramienta. Si se confunden las conexiones, la herramienta funcionará en sentido inverso, con el riesgo consiguiente de daños personales.

- No utilice nunca las mangueras hidráulicas para levantar la máquina.
- Revise a diario la máquina, los acoplamientos y las mangueras hidráulicas para ver si hay fugas. Una grieta o rotura puede producir una 'inyección de aceite' en el cuerpo o daños personales graves de otro tipo.
- No desacople nunca mangueras hidráulicas sin antes haber desactivado el equipo hidráulico y parado totalmente el motor. Si a pesar de todo se produjera un caso de emergencia, pulsar el botón rojo de parada de emergencia situado en la parte superior del equipo, o el botón verde de arranque y parada del mando a distancia.
- No se debe sobrepasar el caudal ni la presión de aceite especificados para las herramientas que se utilizan. Un caudal o presión demasiado altos pueden causar fugas o explosión.
- No hacer la búsqueda de fugas con la mano. El contacto con una fuga puede comportar daños personales graves causados por la presión alta del sistema hidráulico.
- Para usar herramientas hidráulicas en o cerca de cables eléctricos deben usarse mangueras marcadas y homologadas como 'no conductoras de electricidad'. El uso de mangueras de otro tipo comporta peligro de muerte o daños personales graves.
- Al cambiar mangueras deben usarse mangueras 'no conductoras de electricidad'. Las mangueras deben revisarse regularmente por lo que respecta al aislamiento de conducción eléctrica, según instrucciones especiales.
- Antes de arrancar la sierra, deje el sistema hidráulico funcionando hasta que alcance la temperatura de funcionamiento (30°C). De este modo, se reduce la presión de retorno y el desgaste en general.

FUNCIONAMIENTO

Seguridad personal

- Nunca utilice la máquina si está cansado, si ha ingerido alcohol o si toma medicamentos que puedan afectarle la vista, su capacidad de discernimiento o el control del cuerpo.
- Evite el encendido accidental de la herramienta. Asegúrese de que el interruptor está en la posición de apagado (OFF).
- No abandonar nunca la máquina sin vigilar, con el motor en marcha.
- Desenchufar siempre el contacto para paradas prolongadas del trabajo.
- Un operador nunca debe trabajar solo; siempre debe haber otra(s) persona(s) cerca. Así, además de tener ayuda para montar la máquina, también puede recibirse asistencia en caso de accidente.
- Las personas y los animales pueden distraer y hacer perder el control de la máquina. Por consiguiente, el operador debe estar siempre concentrado en su trabajo.
- Las personas que deban permanecer cerca deben usar protectores auriculares porque el nivel sonoro al cortar es superior a 85 dB(A).
- No haga nunca trabajos de corte de forma tal que no pueda acceder fácilmente a la parada de emergencia.

Uso y cuidado

- Esta máquina está destinada únicamente a utilizar junto con Husqvarna WS 355, WS 463, WS 462, WS 460 y CS 2512. Está prohibida cualquier otra aplicación.
- La máquina está destinada al uso por operadores experimentados, en aplicaciones industriales.
- El control y/o mantenimiento de la máquina debe hacerse con el motor parado y el enchufe desenchufado.
- Parar siempre la máquina antes de trasladarla.
- Proceda con cuidado en las elevaciones. Las piezas son pesadas, por lo que hay riesgo de daños por apriete y daños personales de otro tipo.
- Compruebe que todas las juntas, conexiones y cables están intactos y limpios.
- Compruebe que todos los cables y el suministro de agua están correctamente conectados a la máquina antes de arrancarla.
- Nunca desconecte el cable sin desconectar antes la unidad eléctrica y esperar a que la máquina se detenga por completo. En caso de emergencia, pulse el botón rojo de parada de emergencia de la unidad o el botón de parada del control remoto.
- Mantener todas las piezas en perfecto estado y comprobar que todos los elementos de fijación estén bien apretados.

Transporte y almacenamiento

- Desconecte siempre la unidad eléctrica y el cable eléctrico antes de mover el equipo.
- Utilice las cajas suministradas para guardar el equipo.
- Sujete bien el equipo durante el transporte para evitar daños y accidentes.
- Guarde el equipo en un lugar seguro fuera del alcance de los niños y las personas no autorizadas.
- Guarde la máquina y el equipo en un lugar seco y protegido de la escarcha.
- No exponga la máquina a temperaturas que excedan los 45 °C ni a la luz directa del sol.

SISTEMA DE MENÚ

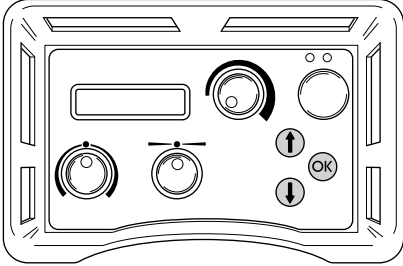
Generalidades

Este apartado se basa en el modelo 400 V de PP 455 E con conexión de 5 pines. En otros modelos, el sistema de menú puede variar.

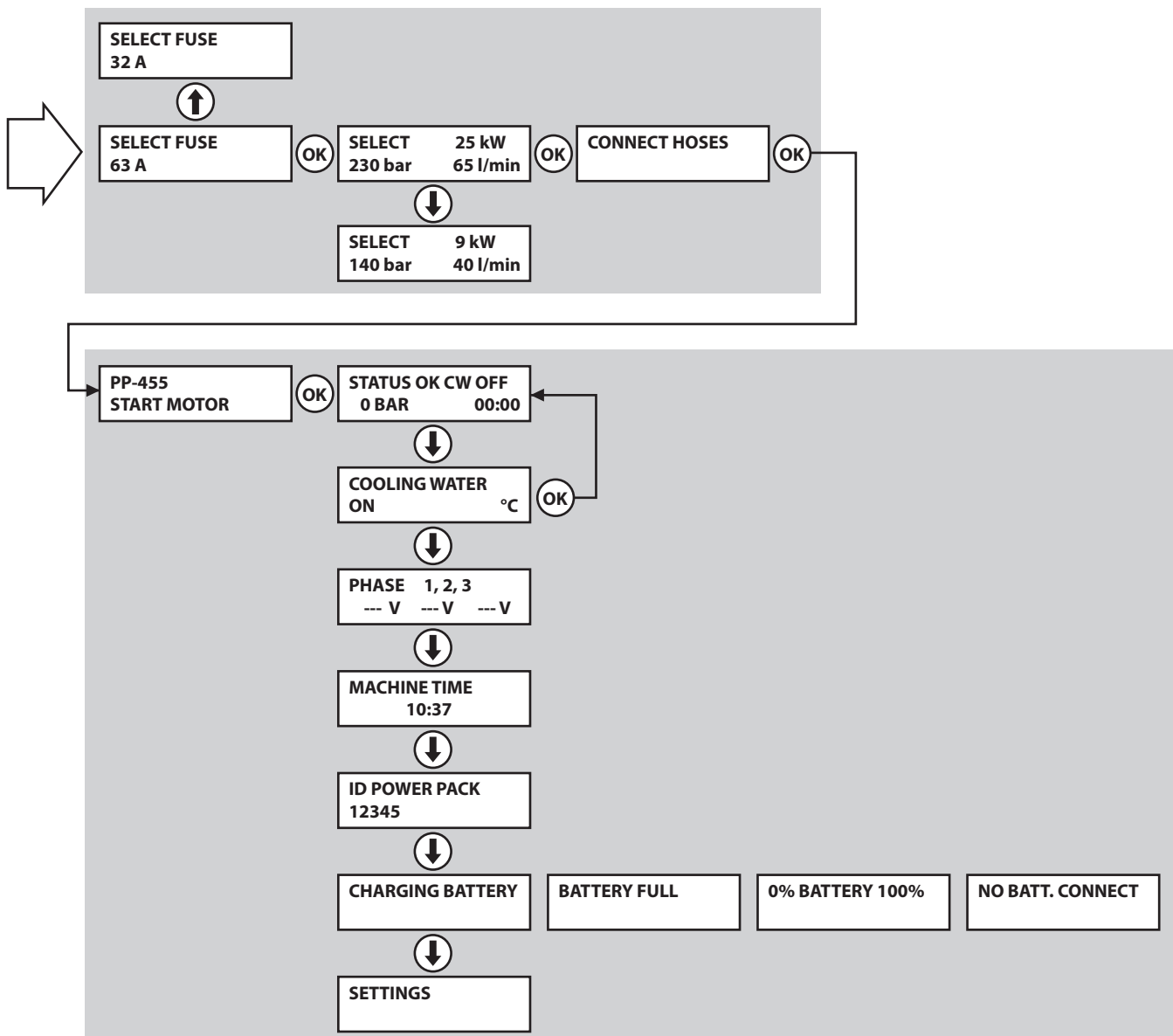
Los menús están agrupados en dos secciones:

- Menú de arranque
- Menú de funcionamiento

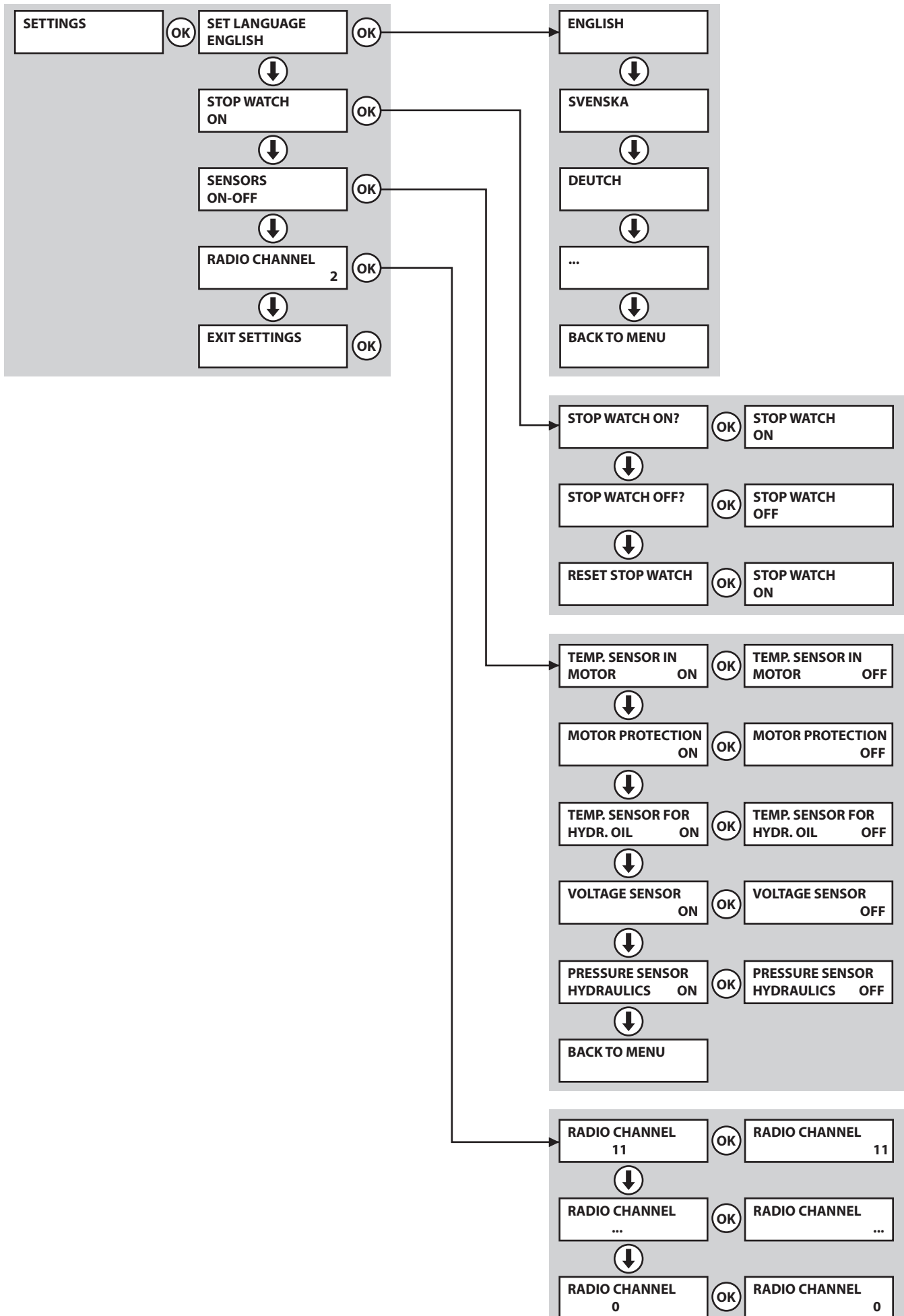
Desplácese con las flechas de dirección y confirme con «OK».



Vista general del menú



SISTEMA DE MENÚ



SISTEMA DE MENÚ

Menú de arranque

El menú de arranque se presenta cada vez que se conecta la corriente del equipo hidráulico.

ELEGIR FUSIBLE

El nivel de protección de fusible se debe ajustar según el fusible al que está conectado el equipo hidráulico. Elegir una de las opciones siguientes:

- 32A
- 63A
- Pulsar 'OK' para confirmar la elección.

SELECT POWER (Seleccionar alimentación)

La potencia hidráulica se debe ajustar según la máquina que está acoplada al equipo hidráulico. Elegir una de las opciones siguientes:

- 25 kW, 230 bar, 65 l/min (3300 psi, 17 US gpm)
- 9 kW, 140 bar, 40 l/min (2000 psi, 10 US gpm)
- Pulsar 'OK' para confirmar la elección.

CONECT MANGUERAS

Conecte las mangueras hidráulicas en esta posición. Se activará la función de equalización de la presión, lo que facilitará la conexión de las mangueras. Esto evitará obturaciones en las conexiones hidráulicas.

- Pulsar 'OK' cuando estén conectadas todas las mangueras.

Menú de funcionamiento

Con este menú se obtiene información sobre el funcionamiento y todas las posibilidades de ajuste.

ARRANCAR MOTOR

- Pulse el botón verde del mando a distancia para arrancar el motor eléctrico.

ESTADO

El 'Estado' es la información principal que se presenta siempre en el display cuando está funcionando el equipo hidráulico con máquina acoplada.

- OK significa que el equipo está funcionando y no hay ningún mensaje de advertencia.
- AR xx, en que AR denota agua refrigerante y xx CON o DES. La alternativa que se muestra depende de si el agua refrigerante está activada o desactivada.
- yyy BAR, en que yyy denota la presión de trabajo momentánea.
- Si está activado el cronometraje, también se presenta: mm:ss; es decir, el tiempo en minutos y segundos.

AGUA REFRIGER.

Activación (ON) o desactivación (AUTO) del agua refrigeradora pulsando OK.

En la pantalla se indicará la temperatura del agua refrigeradora.

FASE 1, 2, 3

Para cada denominación de fase se presenta la tensión principal momentánea del equipo hidráulico.

Si la tensión es baja se muestra un mensaje de fallo en el display; ver el capítulo 'Mensajes de fallo'.

AVISO Los cables eléctricos largos con conductores de sección transversal pequeña pueden causar caída de tensión. Entonces puede presentarse una advertencia de baja tensión en el equipo hidráulico.

MACHINE TIME (Tiempo de la máquina)

Indica el tiempo total de rotación del disco o cable para la unidad de alimentación conectada.

ID POWER PACK (ID unidad de alimentación)

Indica el número de máquina de la unidad hidráulica.

BATTERY (Batería)

Esta función controla la batería del mando a distancia. Se presentan en el display distintos mensajes, dependiendo de lo que está ocurriendo con la batería:

- CHARGING BATTERY (cargando batería): el cable CAN está conectado y la batería se está cargando.
- BATTERY FULL (batería cargada): la batería está cargada completamente.
- 0% BATTERY 100% (0 % batería 100 %): la barra muestra el estado de la batería.
- NO BATT. CONNECT (ninguna batería conectada): no se ha detectado la batería.

CONFIGURACION

En este submenú se accede a todas las posibilidades de ajuste del equipo hidráulico y el mando a distancia.

SET LANGUAGE

Para seleccionar idioma:

- Desplazarse con las teclas de flecha hasta que se muestre el idioma deseado.
- Pulsar 'OK' para confirmar la elección.

STOP WATCH (Cronómetro)

Esta función se usa para medir el tiempo de un trabajo. El cronometraje se inicia cuando la sierra empieza a trabajar.

Seleccionar:

- ON: activación.
- OFF: desactivación.
- RESET STOP WATCH (Reiniciar cronómetro): reinicio.

Desplácese con las flechas de dirección y confirme con «OK».

SISTEMA DE MENÚ

SENSORS ON/OFF (Sensores activados / desactivados)

Este submenú contiene las opciones de ajuste de los diferentes sensores de la unidad hidráulica.

- TEMP. SENSOR IN MOTOR (Sensor de temperatura en motor)

El motor dispone de un sensor de temperatura que garantiza que el motor se apaga cuando la temperatura alcanza un nivel crítico.

Con el botón OK puede alternar entre ON y OFF.

AVISO El motor eléctrico puede estropearse si el sensor se desactiva.

- MOTOR PROTECTION (Protección del motor)

La unidad hidráulica dispone de un sensor que garantiza que el motor se apaga en caso de sobrecarga o errores de fase.

Con el botón OK puede alternar entre ON y OFF.

AVISO El motor eléctrico puede estropearse si el sensor se desactiva.

- TEMP. SENSOR FOR HYDR. OIL (Sensor de temperatura para aceite hidráulico)

Hay un transductor de temperatura montado en el conducto de agua refrigerante. El transductor controla que el agua refrigerante está conectada al equipo hidráulico. El agua refrigerante enfría el aceite hidráulico. Cuando está activado el transductor de temperatura, el sistema de mando lee continuamente la temperatura.

Con el botón OK puede alternar entre ON y OFF.

AVISO El equipo hidráulico se puede averiar si se desactiva el transductor de temperatura.

- VOLTAGE SENSOR (Sensor de tensión)

Hay conectado un transductor de tensión en cada fase (tres transductores en total). Estos transductores miden la tensión de fase del equipo hidráulico. Si la tensión es menos del 10% del valor nominal, el equipo hidráulico se para.

Con el botón OK puede alternar entre ON y OFF.

AVISO Si se desactivan los transductores de tensión hay riesgo de recalentamiento del motor eléctrico debido a tensión demasiado baja.

- PRESSURE SENSOR HYDRAULICS (Hidráulica del sensor de presión)

Este transductor mide la presión hidráulica de la hoja.

Con el botón OK puede alternar entre ON y OFF.

¡ATENCIÓN! El sistema de regulación del equipo hidráulico se desactiva si se desactiva el transductor de presión. Entonces puede ser difícil el mando y control del sistema hidráulico en carga alta.

- BACK TO MENU (Volver al menú)

Pulse el botón OK para abandonar este submenú.

RADIO CHANNEL (Canal de radio) (solamente máquinas equipadas con radio)

El control remoto debe conectarse a la máquina con un cable CAN.

- Seleccione el canal de radio que desee. Puede elegir entre las siguientes opciones:

- 0
- 1
- ...
- 11

Desplácese con las flechas de dirección y confirme con «OK».

EXIT SETTINGS (Ajustes de salida)

Los ajustes se almacenan automáticamente.

- Pulse el botón OK para abandonar este submenú.

ARRANQUE Y PARADA

Generalidades



¡ATENCIÓN! Lea detenidamente el manual de instrucciones y asegúrese de entender su contenido antes de utilizar la máquina.

Utilice el equipo de protección personal. Vea las instrucciones bajo el título "Equipo de protección personal".

Asegúrese de que no haya personas desautorizadas en la zona de trabajo, de lo contrario se corre el riesgo de ocasionar graves daños personales.

Controle que la máquina esté correctamente montada y que no esté dañada. Consulte las instrucciones bajo el título «Montaje y ajustes».

- Realice el mantenimiento diario. Consulte las instrucciones bajo el título «Mantenimiento».

Serrado de pared

Antes de arrancar

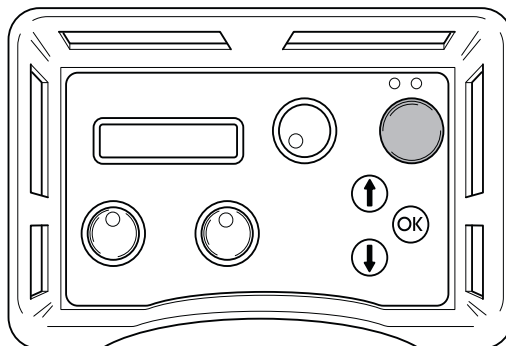
¡IMPORTANTE! Asegúrese de que el disco y el protector de este estén colocados correctamente antes de encender la unidad hidráulica.

Antes de poner en marcha el motor, comprobar que:

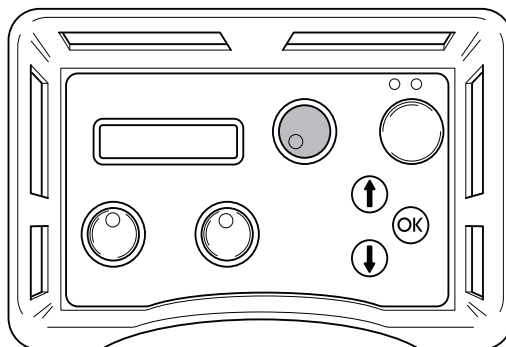
- El cable eléctrico entrante esté conectado a como mínimo un fusible de 25 A.
- Está seleccionada la modalidad de potencia 32 A o 63 A.
Si no lo están, aparecerá un mensaje en la pantalla al pulsar el botón de arranque.
- Las mangueras están conectadas a un consumidor.
- Antes de arrancar la sierra, deje el sistema hidráulico funcionando hasta que alcance la temperatura de funcionamiento (30°C). De este modo, se reduce la presión de retorno y el desgaste en general.
- Todos los controles del control remoto está en la posición «0». Si no lo están, aparecerá un mensaje en la pantalla al pulsar el botón de arranque.

Arranque

- 1 Poner en marcha el motor eléctrico pulsando una vez el botón verde del mando a distancia. El arranque Y/D es automático. Entonces, el sentido de rotación será correcto debido al relé automático de seguimiento de fase.

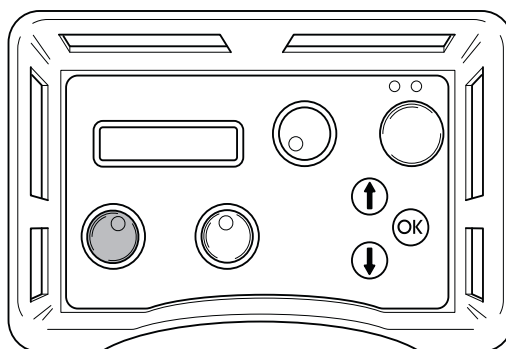


- 2 Poner el mando de rotación de hoja y agua refrigerante en la posición máxima para activar estas funciones.

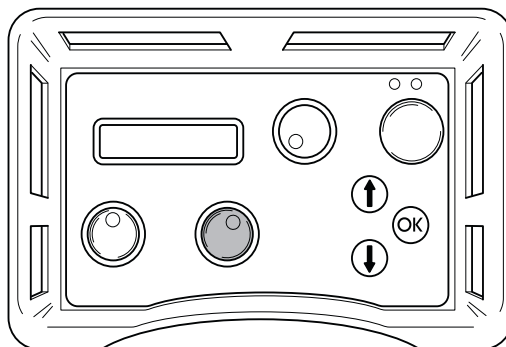


El flujo de agua se puede ajustar manualmente con la manija de la parte superior del equipo.

- 3 Activar el avance de entrada, girando la manija de avance de entrada del mando a distancia en la dirección deseada.



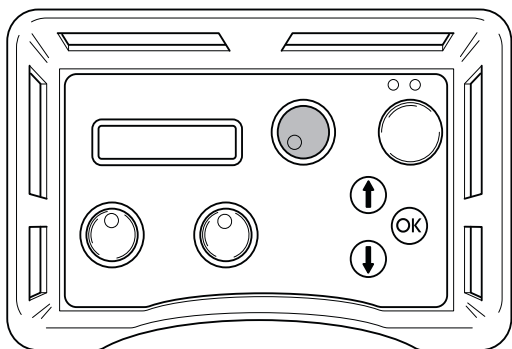
- 4 Activar el avance longitudinal, girando la manija de avance longitudinal en la dirección deseada.



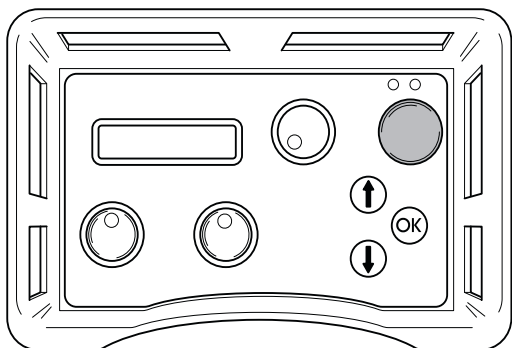
ARRANQUE Y PARADA

Parada

- 1 Al terminar el trabajo, desactivar la rotación de la hoja y el flujo de agua, devolviendo a la posición '0' la manija de rotación de la hoja y activación del agua refrigerante.

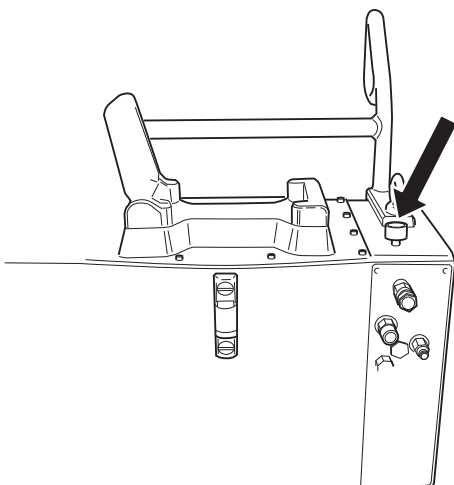


- 2 Parar el motor eléctrico pulsando el botón verde del mando a distancia.



Válvula de agua

Cuando se corta el suministro eléctrico del equipo hidráulico, la válvula de agua abre con el fin de drenar el enfriador para el transporte y evitar la congelación del enfriador y el motor en temperaturas bajo cero. El equipo se puede transportar en posición vertical u horizontal. Si se corta la corriente durante el corte, se puede cerrar el suministro de agua girando la válvula reguladora del caudal de agua a derechas hasta el tope. También es posible reducir el flujo de agua para la herramienta hidráulica conectada girando la válvula de flujo de agua.



Desmontaje del equipo

- 1 Espere a que el motor se pare totalmente.
- 2 Desconectar el cable eléctrico entrante antes de soltar las mangueras de agua.
- 3 Desacoplar las mangueras hidráulicas.
- 4 Si hay riesgo de congelación, drenar el agua del enfriador de aceite desacoplando ambas mangueras, abriendo la válvula de flujo de agua e inclinando el equipo hacia delante.

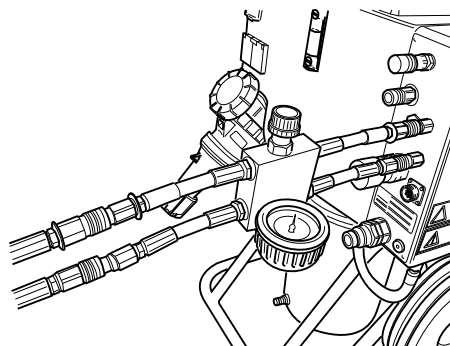
¡IMPORTANTE! Limpiar siempre todo el equipo después de cada turno de trabajo. No utilizar lavado a alta presión para limpiar la máquina.

Cortado con alambre

Antes de arrancar

¡IMPORTANTE! No conecte dos mangueras hidráulicas gruesas a la sierra de alambre antes de que el cable esté correctamente colocado y tensado y todos los protectores estén colocados correctamente.

- Antes de poner en marcha el motor, comprobar que:
 - El cable eléctrico entrante esté conectado a como mínimo un fusible de 25 A.
 - Está seleccionada la modalidad de potencia 32 A o 63 A. Si no lo están, aparecerá un mensaje en la pantalla al pulsar el botón de arranque.
- Montar el bloque de reducción de presión que se entrega con la sierra de cable en el equipo hidráulico siguiendo las instrucciones en el bloque.
- Conectar dos de las mangueras hidráulicas finas en el bloque de reducción de presión. La manguera del conjunto de mangueras que está marcada con una arandela roja en la conexión se debe conectar en la manguera del bloque de reducción de presión que también tiene arandela.

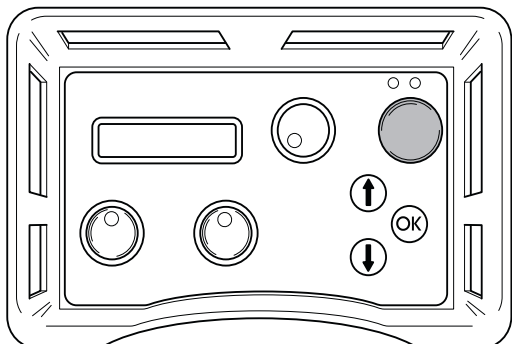


- Cerrar la válvula del bloque de reducción de presión girando la manija a izquierdas hasta el tope y a continuación dos vueltas hacia atrás.

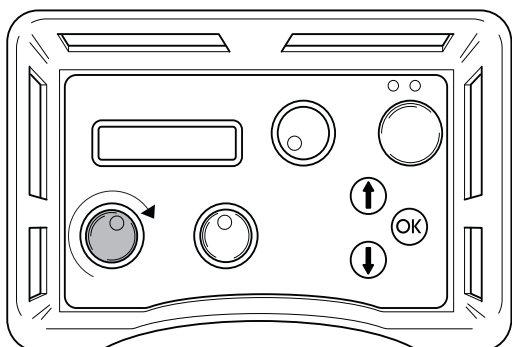
ARRANQUE Y PARADA

Arranque

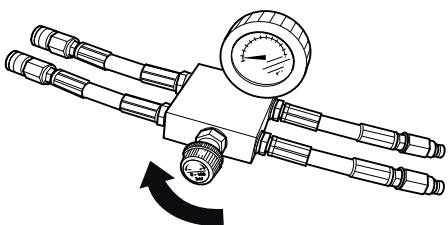
- 1 Poner en marcha el motor eléctrico pulsando una vez el botón verde del mando a distancia.



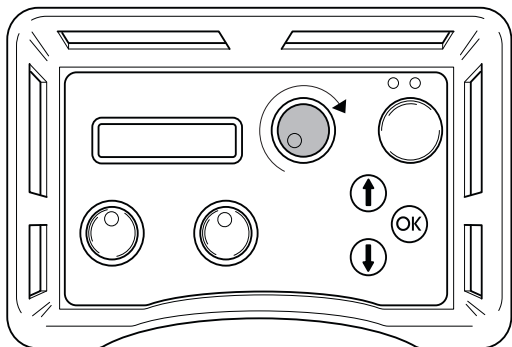
- 2 Ajustar al máximo el flujo de alimentación del equipo girando a derechas la manija del mando a distancia.



- 3 Tensar el cable girando con cuidado la manija del bloque de reducción de presión a derechas hasta que la tensión del cable sea la justa. Controlar constantemente que el cable esté bien colocado en todas las ruedas de la sierra.

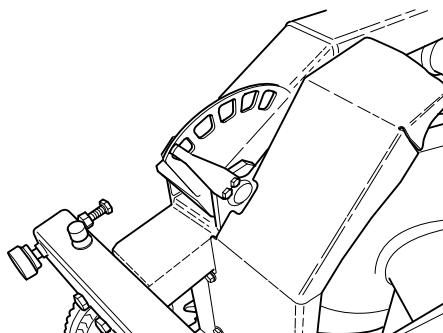


- 4 Activar el accionamiento del cable girando a derechas la manija de contrarrotación del mando a distancia.



- 5 Incrementar con cuidado el régimen del motor girando la manija de contrarrotación. La presión de trabajo adecuada para el corte es normalmente de 100 y 130 bar pero varía dependiendo del número de pares de ruedas que se utilizan en el depósito, de la cantidad de cable acoplado y de la dureza del material que se corta.

- 6 La presión disminuye a medida que se corta el material. Esto se indica en la pantalla y entonces debe tensarse el carro. Para ello, gire el mando del bloque de reducción de presión en la dirección de las agujas del reloj.
- 7 La tensión del depósito es mostrada por un indicador en la máquina (en la figura, en posición mínima). Cuando el cilindro del depósito está totalmente tensado, hay que parar la máquina y colocar el cable alrededor de un nuevo par de ruedas. Luego, proseguir según lo indicado arriba.



Parada

- Disminuya la velocidad del alambre y deje que el motor se detenga por completo.
- Parar el motor eléctrico pulsando el botón verde del mando a distancia.
- Desconecte el cable eléctrico entrante del equipo hidráulico.
- Desacople las mangueras hidráulicas y la manguera de agua de la unidad de sierra.
- Las demás medidas se hacen en orden inverso al montaje.

¡IMPORTANTE! Limpiar siempre todo el equipo después de cada turno de trabajo. No utilizar lavado a alta presión para limpiar la máquina.

MANTENIMIENTO

Generalidades



¡ATENCIÓN! El usuario sólo puede efectuar los trabajos de mantenimiento y servicio descritos en este manual. Los trabajos de mayor envergadura debe efectuarlos un taller de servicio oficial.

El control y/o mantenimiento de la máquina debe hacerse con el motor parado y el enchufe desenchufado.

La vida útil de la máquina puede acortarse y el riesgo de accidentes puede aumentar si el mantenimiento de la máquina no se hace de forma adecuada y si los trabajos de servicio y/o reparación no se efectúan de forma profesional. Para más información, consulte con el taller de servicio oficial más cercano.

Mantenimiento diario

- Compruebe que el equipo de seguridad de la máquina está intacto. Consulte las instrucciones del apartado «Equipo de seguridad de la máquina».
- Compruebe que el cable y el cable de empalme está intacto.
- Controlar el nivel de aceite en el equipo energético. El chorro de alta presión puede dañar las juntas y hacer que se introduzca agua y suciedad en el interior de la máquina, provocando daños graves.
- Limpiar siempre todo el equipo después de cada turno de trabajo. Utilice un cepillo manual extrafuerte o una brocha grande.
- Asegúrese de que los conectores y los pines están limpios. Límpielos con un trapo o un cepillo.

AVISO No utilice un equipo de limpieza a alta presión para limpiar la máquina.

- Controle la presión de los neumáticos.

Cambio de aceite



¡ATENCIÓN! Tener en cuenta que el aceite puede ser dañino para la salud y el medio ambiente.

- En la parte inferior del depósito hay un tapón magnético para vaciar el aceite. Limpiar el imán.
- Abrir el tapón roscado del depósito y poner aceite hidráulico de viscosidad 46. Recomendamos el uso de aceite hidráulico con una viscosidad de 68 en climas cálidos. Procurar que el nivel de aceite está a aproximadamente 10 mm por debajo de la raya de nivel máximo de la mirilla de nivel.

Para el cambio se requieren aproximadamente 16 litros de aceite.

Cambio de filtro

- Para cambiar el filtro, quitar el tapón del depósito aflojando los 12 tornillos. Además, quitar la tapa del cuerpo de filtro aflojando los tres tornillos. Sacar el elemento filtrante viejo y colocar uno nuevo, que debe entrar en el manguito que hay en el fondo del cuerpo de filtro.

Servicio



¡ATENCIÓN! Las reparaciones de todo tipo deben ser efectuadas por técnicos autorizados, únicamente. De este modo se evita someter a los operadores a grandes riesgos.

Después de 100 horas de funcionamiento, se mostrará el mensaje «Time for servicing» («Efectuar mantenimiento»). Deberá llevar el equipo a un distribuidor autorizado de Husqvarna para que efectúe el mantenimiento de la máquina.

Mensajes de fallo

En el display se pueden presentar nueve mensajes de fallo diferentes:

- ¡ATENCIÓN! BAJA TENSIÓN (1A) CONTROLAR LA ALIMENTACIÓN ELÉCTRICA Y EL CABLE DEL EQUIPO HIDRÁULICO
- BAJA TENSIÓN FASE X (1B) BAJA POTENCIA 32A
- PROTECCIÓN DE MOTOR DISPARADA (2)
- MOTOR RECALENTADO (3) REFRIGERACIÓN ACTIVADA. NO PARAR EL MOTOR ELÉCTRICO
- TEMPERATURA DE ACEITE ALTA (4) CONTROLAR EL AGUA DEL EQUIPO HIDRÁULICO
- TRANSDUCTOR DE PRESIÓN (5) NO FUNCIONANDO
- PRESIÓN HIDRÁULICA ALTA (6) CONTROLAR EL EQUIPO
- NO HAY CONTACTO CONTROLAR EL CABLE DE CAN (7)
- NO HAY CONTACTO DE RADIO (8)

Mensaje de fallo (1A)

¡IMPORTANTE! Baja tensión Controlar la alimentación eléctrica y el cable del equipo hidráulico.

Tensión demasiado baja causada por:

- Cable de conexión largo.
- Dimensión de conductor (área de sección transversal) insuficiente del cable eléctrico.

Falta una o varias fases, a causa de:

- Se ha disparado un fusible en la caja de distribución.
- Rotura del cable eléctrico.
- No hay corriente en una o varias fases en la caja de distribución.

MANTENIMIENTO

Medida (1A)

Pulsar 'OK' para acusar recibo del mensaje de fallo.

Entonces el equipo hidráulico adaptará la toma de fuerza máxima a 32A.

Mensaje de fallo (1B)

'Baja tensión Fase x baja potencia 32A', en que x denota la fase 1, 2 ó 3.

Medida (1B)

Pulsar 'OK' para acusar recibo del mensaje de fallo. El display indica que la toma de fuerza máxima está ajustada a 32A. Si la tensión sigue siendo baja, se para el motor eléctrico y se presenta el mensaje de fallo de tensión baja.

Pulsando 'OK', el equipo recupera la potencia máxima que se eligió al arrancar. Para cambiar entre 63A y 32A, hay que parar y arrancar el equipo.

Leer la tensión de alimentación en el menú de funcionamiento; 'Fase 1, Fase 2, Fase 3'. Si antes de arrancar el motor la tensión es:

- Inferior a 340V; controlar que no hay ningún conductor roto en el cable y que llega tensión a la caja de distribución.
- Superior a 340V; controlar las dimensiones de conductores del cable y la longitud del cable.

Mensaje de fallo (2)

"Protección de motor disparada"

Causa (2)

El motor eléctrico se ha sobrecargado o falta alguna fase. Por ello se ha disparado la protección del motor eléctrico.

Medida (2)

Pulsar 'OK' para acusar recibo del mensaje de fallo. Controlar que hay tensión para las tres fases del equipo hidráulico.

Leer la tensión de alimentación en el menú de funcionamiento; 'Fase 1, Fase 2, Fase 3'.

Si falta tensión en una fase: Controlar el cable eléctrico y la tensión de la caja de distribución. La protección del motor se reactiva automáticamente transcurrido un lapso de tres minutos.

Si la tensión en todas las fases es superior a 340V: Esperar a que se reactive la protección del motor. Seguidamente reanudar el equipo hidráulico.

Si la protección del motor se dispara con frecuencia, avisar a un técnico de servicio.

Mensaje de fallo (3)

'Motor recalentado Refrigeración activada. ¡No parar el motor!'

¡IMPORTANTE! No parar el motor, puesto que podría averiarse. Cuando el motor se ha enfriado, se para automáticamente.

Causa (3)

Temperatura del motor demasiado alta

Medida (3)

Pulsar 'OK' para acusar recibo del mensaje de fallo.

Si a pesar de todo es necesario parar el motor, primero hay que acusar recibo del mensaje de fallo pulsando 'OK'.

El display muestra: REFRIGERACIÓN: Las válvulas hidráulicas de la hoja y los avances se desactivan. Sin embargo es posible reiniciar los movimientos de avance.

Cuando la temperatura del motor ha bajado por debajo del nivel límite, el display muestra: MOTOR ENFRIADO, PULSAR OK.

Si el motor se recalienta con frecuencia, avisar a un técnico de servicio.

Mensaje de fallo (4)

'Temperatura de aceite alta Controlar el agua del equipo hidráulico'

Causa (4)

La refrigeración del aceite hidráulico no ha funcionado.

Medida (4)

Cuando se presenta el mensaje de fallo se para el motor eléctrico. Pulsar 'OK' para acusar recibo del mensaje de fallo. Controlar que el agua refrigerante está conectada al equipo hidráulico y que fluye hacia la hoja al girar la manija de rotación de la hoja.

Mensaje de fallo (5)

'Transductor de presión no funcionando'

Causa (5)

El transductor de medición de la presión hidráulica para rotación de la hoja no funciona.

Medida (5)

Pulsar 'OK' para acusar recibo del mensaje de fallo. Si el mensaje de fallo se presenta de forma repetida, cambiar el transductor de presión.

Mensaje de fallo (6)

'Presión hidráulica alta Controlar el equipo'

Causa (6)

La hoja se ha atascado causando presión hidráulica alta.

Medida (6)

Pulsar 'OK' para acusar recibo del mensaje de fallo. Si el mensaje de fallo se muestra con frecuencia, avisar a un técnico de servicio.

Mensaje de fallo (7)

'No hay contacto Controlar el cable de CAN'

Causa (7)

En los controles remotos con radio y batería, se muestra una advertencia si desaparece la tensión de entrada en la unidad de alimentación.

El cable de CAN o su conector está dañado, con lo que no es posible controlar el equipo hidráulico con el mando a distancia.

Medida (7)

Pulsar 'OK' para acusar recibo del mensaje de fallo. Controlar el cable y el conector y cambiar el componente dañado. Si se mantiene el fallo, avisar a un técnico de servicio.

Mensaje de fallo (8) – válido para grupos hidráulicos con sistema de radio

'No hay contacto de radio'

Causa (8)

El contacto de radio entre el equipo hidráulico y el mando a distancia no funciona.

Medida (8)

Pueden ser necesarias varias medidas para remediar el fallo:

- Comprobar (con el menú de funcionamiento – ajustes – identidad de radio) que el número de identidad es mayor que 0.
- Comprobar que el equipo hidráulico está en marcha.
- Acercarse al equipo hidráulico para evitar distancia excesiva o paredes armadas.

DATOS TECNICOS

PP 455 E

Potencia hidráulica indicada, kW/CV	25/33,5	
Caudal máximo de aceite hidráulico (con 63A), l/min / gal/min	65/17	
Peso equipo hidráulico incluso aceite, kg/lbs	140/310	
Conexión eléctrica		
Europa + Australia 5 clavijas	400V (32-63A), 50Hz	
Europa + Asia 4 clavijas	400V (32-63A), 50Hz	
Noruega 5 clavijas	400V (32-63A), 50Hz	230V (80A), 50Hz
Japón 4 clavijas	200V (80A) 50, 60 Hz	
EE.UU. 4 clavijas	480V (32-63A, 60 Hz)	
Canadá 4 clavijas	600V (20-40A), 60Hz	
Equipo extra	enchufe de pared 2 x 230 V	
Sistema de control		
Tipo de control	Mando a distancia	
Transmisión de la señal	Inalámbrico / cable	
Emisiones de ruido (vea la nota 1)		
Nivel de potencia acústica medido dB(A)	97	
Nivel de potencia acústica garantizado dB(A)	101	
Niveles acústicos (vea la nota 2)		
Nivel de presión acústica en el oído del usuario, dB(A)	78	

¡IMPORTANTE! Para potencia máxima rige el amperaje más alto.

Nota 1: Emisiones sonoras en el entorno medidas como potencia acústica (L_{WA}) según la directiva CE 2000/14/CE.

Nota 2: Nivel de presión sonora conforme a EN ISO 11201. Los datos referidos del nivel de presión sonora tienen una dispersión estadística habitual (desviación estándar) de 1,0 dB(A).

DATOS TECNICOS

Declaración CE de conformidad

(Rige sólo para Europa)

Husqvarna AB, S-561 82 Huskvarna, Suecia, teléfono +46-36-146500, declara bajo su exclusiva responsabilidad que la unidad eléctrica **Husqvarna PP 455 E**, a partir de los números de serie del año 2010 (el año se indica claramente en texto plano en la placa de modelo, junto con el número de serie), cumple con las disposiciones de las Directivas del Consejo:

- **2006/42/CE** «relativa a máquinas» del 17 de mayo de 2006.
- **2006/95/CE** del 12 de diciembre de 2006 relativa a equipos eléctricos.
- **2004/108/CEE**, "referente a compatibilidad electromagnética", del 15 de diciembre de 2004.
- **2000/14/CE**, "sobre emisiones sonoras en el entorno" del 8 de mayo de 2000.
- del 8 de junio de 2011 «sobre restricciones a la utilización de determinadas sustancias peligrosas» (**2011/65/UE**)

Se han aplicado las siguientes normas: EN ISO 12100:2010, EN 55014-1:2006, EN 55014-2/A1:2001, EN 61000-3-11:2000, EN 982/A1:2008, EN 60204-1:2006.

Göteborg, 12 de abril de 2015



Helena Grubb

Vicepresidente, maquinaria para la construcción Husqvarna AB

(Presentante autorizado de Husqvarna AB y responsable de la documentación técnica.)

SYMBOLERKLÄRUNG

Symbole am Gerät

WARNUNG! Das Gerät kann falsch oder nachlässig angewendet gefährlich sein und zu schweren oder gar lebensgefährlichen Verletzungen des Benutzers oder anderer Personen führen.



Lesen Sie die Bedienungsanweisung sorgfältig durch und machen Sie sich mit dem Inhalt vertraut, bevor Sie das Gerät benutzen.



Benutzen Sie immer:

- Einen zugelassenen Schutzhelm
- Einen zugelassenen Gehörschutz
- Schutzbrille oder Visier
- Atemschutzmaske



Dieses Produkt stimmt mit den geltenden CE-Richtlinien überein.



WARNUNG! Hoher Strom.



Umweltkennzeichnung.

Das Symbol auf dem Produkt oder der Verpackung gibt an, dass dieses Produkt nicht im Hausmüll entsorgt werden darf. Zur Entsorgung ist es stattdessen an eine entsprechende Recyclinganlage für elektrische und elektronische Geräte zu übergeben.



Durch eine korrekte Entsorgung dieses Produkts tragen Sie dazu bei, mögliche negative Auswirkungen auf Ihre Umwelt und Mitmenschen zu verhindern. Durch eine unsachgemäße Entsorgung dieses Produkts können Schäden entstehen.

Ausführliche Recyclinginformationen zu diesem Produkt erhalten Sie von Ihrer Kommune, Entsorgungsunternehmen für Hausmüll oder dem Geschäft, in dem Sie das Produkt erworben haben.

Erläuterung der Warnstufen

Es bestehen drei unterschiedliche Warnstufen.

WARNUNG!



WARNUNG! Nichtbeachtung der Anweisungen in diesem Handbuch kann zu Verletzungen bzw. zum Tod des Bedieners oder zu Beschädigungen in der Umgebung führen.

ACHTUNG!



ACHTUNG! Nichtbeachtung der Anweisungen in diesem Handbuch kann zur Verletzung des Bedieners bzw. zu Beschädigungen in der Umgebung führen.

HINWEIS!

HINWEIS! Nichtbeachtung der Anweisungen in diesem Handbuch kann zu Beschädigungen der Umgebung bzw. der Maschine führen.

INHALT

Inhalt

SYMBOLERKLÄRUNG

Symbole am Gerät	45
Erläuterung der Warnstufen	45

INHALT

Inhalt	46
--------------	----

VORSTELLUNG

Sehr geehrter Kunde!	47
Konstruktion und Funktionen	47

VORSTELLUNG

Bezeichnungen der Hydraulikkomponenten	48
--	----

SICHERHEITSAUSRÜSTUNG DES GERÄTES

Allgemeines	49
Not-Aus- und Stopp-Taste	49

MONTAGE UND EINSTELLUNGEN

Ausrüstung montieren bzw. installieren	50
--	----

BETRIEB

Schutzausrüstung	52
Allgemeine Sicherheitsvorschriften	52
Arbeitssicherheit	53
Transport und Aufbewahrung	54

MENÜSYSTEM

Allgemeines	55
Menüübersicht	55
Startmenü	57
Betriebsmenü	57

STARTEN UND STOPPEN

Allgemeines	59
Wandsägen	59
Drahtschneiden	60

WARTUNG

Allgemeines	62
Tägliche Wartung	62
Ölwechsel	62
Filterwechsel	62
Service	62
Fehlermeldungen	62

TECHNISCHE DATEN

PP 455 E	65
EG-Konformitätserklärung	66

Sehr geehrter Kunde!

Vielen Dank, dass Sie sich für ein Produkt von Husqvarna entschieden haben.

Wir hoffen, dass Sie mit Ihrer Maschine über lange Jahre zufrieden sein werden. Mit dem Erwerb unserer Produkte erhalten Sie professionelle Hilfe bei Reparaturen und Service. Haben Sie das Gerät nicht bei einem unserer Vertragshändler gekauft, fragen Sie dort nach der nächsten Servicewerkstatt.

Diese Bedienungsanweisung ist ein wertvolles Dokument. Halten Sie die Bedienungsanweisung stets griffbereit. Die genaue Befolgung ihres Inhalts (Verwendung, Service, Wartung usw.) verlängert die Lebensdauer der Maschine erheblich und erhöht zudem ihren Wiederverkaufswert. Sollten Sie Ihre Maschine verkaufen, händigen Sie dem neuen Besitzer bitte auch die Bedienungsanleitung aus.

Über 300 Jahre Innovationsgeschichte

Husqvarna ist ein schwedisches Unternehmen, dessen Geschichte bis ins Jahr 1689 zurückreicht, als König Karl XI eine Fabrik errichten ließ, in der Musketen gefertigt werden sollten. Damit wurden die Grundlagen einer erfolgreichen Firmengeschichte gelegt, in deren Verlauf bahnbrechende technische Neuerungen in Bereichen wie Waffensysteme, Fahr- und Motorräder, Haushaltsgeräte, Nähmaschinen und Gartenprodukte auf den Markt gebracht werden konnten.

Husqvarna gilt als führender Anbieter von Geräten zur Garten- und Waldpflege sowie von Schneidgeräten und Diamantwerkzeugen für die Bau- und Steinindustrie.

Pflichten des Betreibers

Der Betreiber ist verpflichtet, nur entsprechend ausgebildete Personen mit der Bedienung der Maschine zu betrauen. Aufsichtspersonen und Bediener haben sämtliche Anweisungen in diesem Handbuch zur Kenntnis zu nehmen. Insbesondere ist auf Folgendes zu achten:

- Sicherheitshinweise
- Vorgesehene Anwendungsbereiche
- Nutzungs- und Wartungshinweise

Die Benutzung dieser Maschine könnte durch ein nationales Gesetz geregelt sein. Finden Sie heraus, welche Gesetze Anwendung finden, bevor Sie mit der Benutzung der Maschine beginnen.

Vorbehaltsbestimmungen des Herstellers

Es ist möglich, dass Husqvarna nach der Veröffentlichung dieses Handbuchs weitere Informationen zum sicheren Betrieb dieses Produkts herausgibt. Der Betreiber ist verpflichtet, stets über die sichersten Betriebsverfahren informiert zu sein.

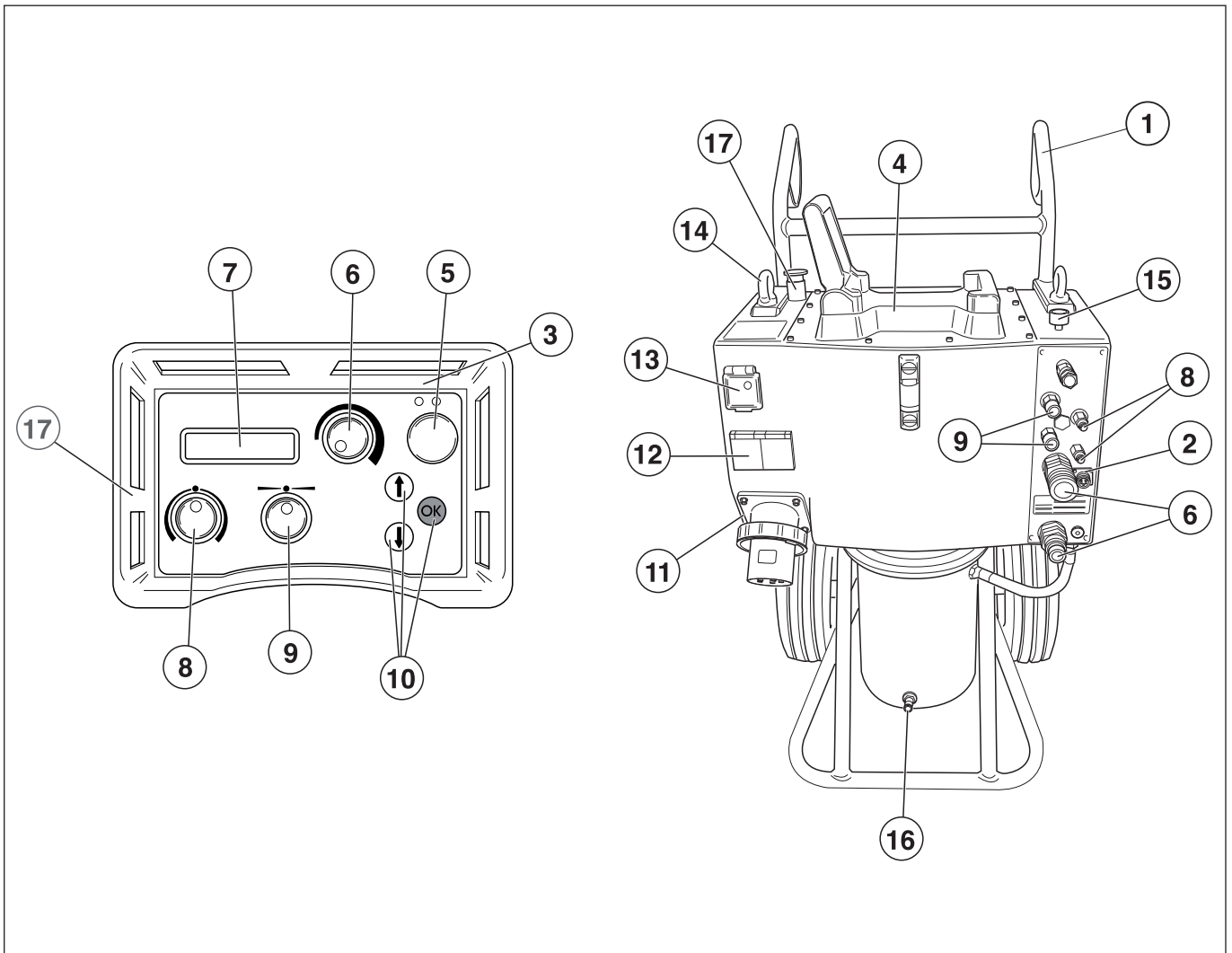
Die Husqvarna AB arbeitet ständig an der Weiterentwicklung ihrer Produkte und behält sich daher das Recht auf Änderungen ohne vorherige Ankündigung, z. B. von Form und Aussehen, vor.

Informationen und Hilfe für unsere Kunden bietet unsere Website: www.husqvarna.com

Konstruktion und Funktionen

Die Entwicklung von zuverlässigen und innovativen Hochleistungstechnologien und eine umweltfreundliche Produktfertigung sind die erklärten Ziele von Husqvarna. Ein sicherer Betrieb dieses Produkts setzt voraus, dass der Betreiber dieses Handbuch aufmerksam durchliest. Weitere Informationen erhalten Sie von Ihrem Händler oder Husqvarna.

VORSTELLUNG



Bezeichnungen der Hydraulikkomponenten

- | | |
|---------------------------------------|---------------------------------|
| 1 Handgriff | 10 Wahltasten |
| 2 Hydraulikschlauchanschlüsse | 11 Steckdose |
| 3 Fernsteuerung | 12 230-V-Einphasenanschluss |
| 4 Sägehalterung | 13 Personenschutz/Sicherung |
| 5 Elektromotor Aus/Ein | 14 Lifting eye |
| 6 Klingenrotation und Kühlwasserstart | 15 Valvola idraulica di portata |
| 7 Display | 16 Wasseranschluss |
| 8 Tiefenvorschub | 17 Netzschalter (EIN/AUS) |
| 9 Längsvorschub | |

SICHERHEITSAUSRÜSTUNG DES GERÄTES

Allgemeines

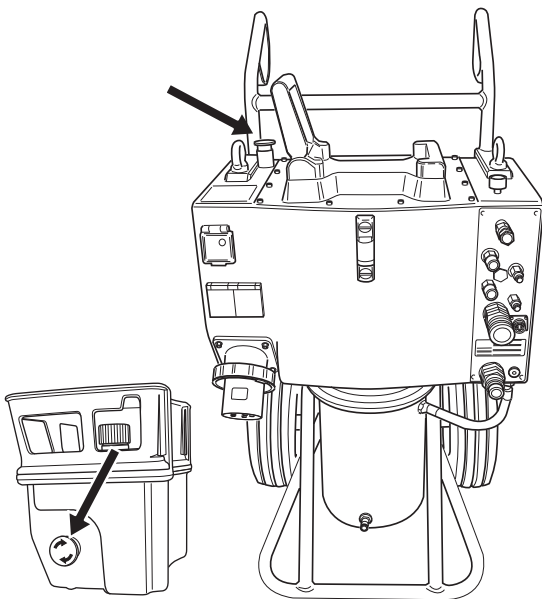


WARNUNG! Benutzen Sie nie ein Gerät mit defekter Sicherheitsausrüstung. Die Sicherheitsausrüstung des Gerätes muss so kontrolliert und gewartet werden, wie dies in diesem Abschnitt beschrieben wird. Wenn Ihr Gerät den Kontrollanforderungen nicht entspricht, muss eine Servicewerkstatt aufgesucht werden.

In diesem Abschnitt werden einzelnen Teile der Sicherheitsausrüstung des Gerätes beschrieben, welche Funktion sie haben und wie ihre Kontrolle und Wartung ausgeführt werden sollen, um sicherzustellen, dass sie funktionsfähig sind.

Not-Aus- und Stopp-Taste

Die Hydraulikeinheit verfügt über einen Not-Aus und die Fernsteuerung ist mit einer Stopp-Taste ausgestattet. Diese werden verwendet, um die Hydraulikeinheit schnell abschalten zu können.



Not-Aus- und Stopp-Taste prüfen

- Klingenrotation starten
- Not-Aus an der Hydraulikeinheit drücken und sicherstellen, dass die Drehung der Trennscheibe stoppt. Die Stopp-Taste auf der Fernsteuerung auf gleiche Weise prüfen.

MONTAGE UND EINSTELLUNGEN

Ausrüstung montieren bzw. installieren

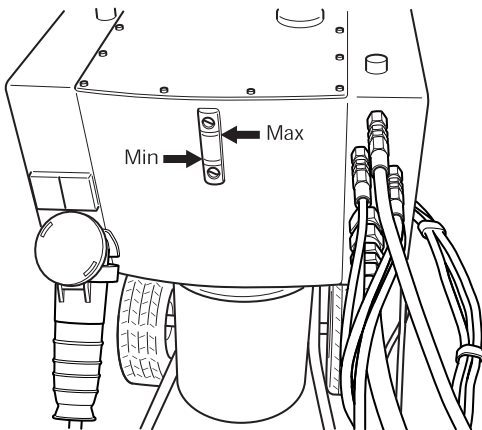
Nachdem die Maschine an eine geeignete Position transportiert wurde, ist sie anzuschließen:

- Kontrollieren Sie den Ölstand für das Aggregat. Lesen Sie dazu den Niveauanzeiger ab.

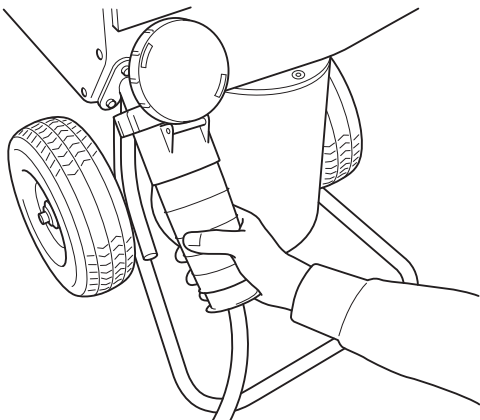
Min. Füllstand = rote Linie

Max. Füllstand = schwarze Linie

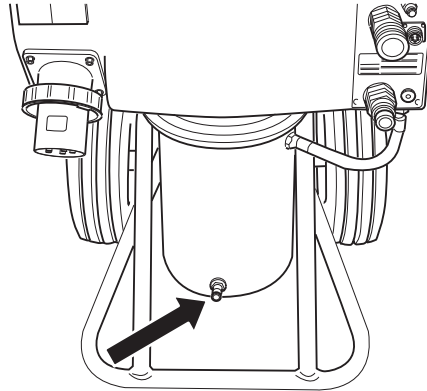
Überschreiten Sie beim Befüllen des Tanks nicht den maximalen Füllstand. Bei Wärme breitet sich das Öl aus und kann bei übermäßiger Befüllung austreten. Das Tankvolumen beträgt 16 l.



- Das Stromversorgungskabel anschließen (400 V, 63 A bzw. 400 V, 32-A-Europastecker). Die Leitung muss drei Phasen und eine Schutzerdung enthalten. Wenn die Maschine über einen Einphasenanschluss verfügt, muss ein Nullleiter vorhanden sein, da ansonsten der Einphasenanschluss in der Stromeinheit nicht funktioniert. Kontrollieren, ob die Netzspannung mit der auf dem Geräteschild angegebenen übereinstimmt.
- Zur Nutzung der vollen Leistung muss das Aggregat an eine 63-A-Sicherung angeschlossen werden. Bei Anschluss über eine 32-A-Sicherung muss die Säge bei Niederdruck und mit geringerer Schnittleistung betrieben werden, damit die Sicherung nicht überbelastet wird.



- Verbinden Sie den Schlauch für die Wasserzufuhr mit dem Wasseranschluss ganz unten an der Motorvorderseite am Hydraulikaggregat.



- Schließen Sie die Fernsteuerung mithilfe des beiliegenden CAN-Kabels an. Schrauben Sie den Kabelanschluss per Hand an.

Wenn die Maschine mit einer Funkeinheit ausgestattet ist, muss der CAN-Bus getrennt werden. Es ist nicht notwendig, eine Antenne oder anderes Zubehörs an den CAN-Anschluss anzuschließen.

- Stellen Sie sicher, dass die Not-Aus-Taste am Aggregat und die Stopp-Taste auf der Fernsteuerung nicht gedrückt sind, indem Sie sie im Uhrzeigersinn drehen.
- Auf dem Display erscheint SICHERUNG WÄHLEN 32A. Ist eine 32-A-Sicherung verfügbar, wird dies durch Drücken der Membrantaste „OK“ bestätigt. Steht eine 63-A-Sicherung zur Verfügung, die Membrantaste „Pfeil nach oben“ drücken. Das Display zeigt nun SICHERUNG WÄHLEN 63A an. Dies wird durch Drücken der Membrantaste „OK“ bestätigt.
- Schließen Sie das Schlauchpaket an. In dieser Position die Hydraulikschläuche anschließen. Zur Vereinfachung des Schlauchanschlusses wird an dieser Stelle eine Druckausgleichsfunktion aktiviert. So werden die Dichtungen in den Hydraulikkupplungen entlastet.

Es gibt zwei Arten von Hydraulikschläuchen für das Aggregat:

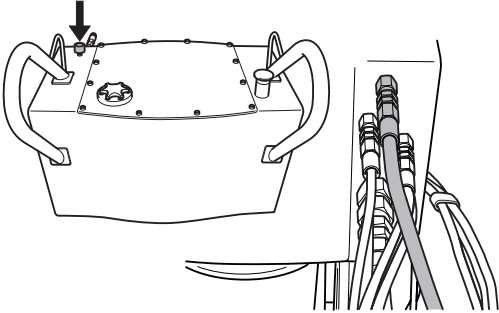
- An Wandsägen der Serie WS 400 steuern die vier dünneren Schläuche die Vorschubmotoren der Säge, dazu zählen Vor- und Rückschub sowie Längsvorschub. Die beiden dickeren Schläuche treiben die Trennscheibe an.

- Bei Anschluss der Seilsäge CS 2512 an das Aggregat steuern zwei der dünneren Schläuche die Spannung des Magazinarms, während die beiden dickeren Schläuche das Seil bewegen.

Bestimmte Anschlüsse am Aggregat sind mit einem Schild mit roten Markierungen versehen. Mit diesen Anschlüssen werden die Schläuche verbunden, die über rote Kennzeichnungen verfügen.

MONTAGE UND EINSTELLUNGEN

- Verbinden Sie das Aggregat und den Wasseranschluss der Säge mit dem Wasserschlauch. Öffnen Sie das Wasserregulierventil oben am Aggregat, indem Sie das Rad gegen den Uhrzeigersinn drehen.



Nach dem Anschließen von Stromkabel und Wasserschlauch kann die Maschine gestartet werden.

- OK drücken, um die Wahl zu bestätigen.
- Die Hydraulikleistung muss danach eingestellt werden, welche Maschine an das Hydraulikaggregat angeschlossen ist. Wählen Sie eine der folgenden Optionen aus:
 - 25 kW, 230 Bar, 65 l/min
 - 9 kW, 140 Bar, 40 l/min
- Im Display soll nun „PP-455 EL. MOTOR STARTEN“ zu lesen sein. Zeigt das Display dies nicht an, sind die Instruktionen auf dem Display zu befolgen.

Schutzausrüstung

Allgemeines

Das Gerät niemals benutzen, wenn nicht die Möglichkeit besteht, im Falle eines Unfalls Hilfe herbeizurufen.

Persönliche Schutzausrüstung

Bei der Benutzung des Gerätes muss die vorgeschriebene persönliche Schutzausrüstung angewendet werden. Die persönliche Schutzausrüstung beseitigt nicht die Unfallgefahr, begrenzt aber den Umfang der Verletzungen und Schäden. Bei der Wahl der Schutzausrüstung einen Fachhändler um Rat fragen.



WARNUNG! Bei der Nutzung von Produkten, die schneiden, schleifen, bohren, feine Schleifvorgänge ausführen oder Material formen kann es zu einer Bildung von Staub und Dämpfen kommen, die schädliche chemische Substanzen enthalten. Informieren Sie sich über die Beschaffenheit des Materials, mit dem Sie arbeiten und tragen Sie einen geeigneten Atemschutz.



WARNUNG! Eine längerfristige Beschallung mit Lärm kann zu bleibenden Gehörschäden führen. Daher stets einen zugelassenen Gehörschutz tragen. Bei Benutzung von Gehörschützern immer auf Warnsignale oder Zurufe achten. Den Gehörschutz immer abnehmen, sobald der Motor abgestellt ist.



WARNUNG! Bei Arbeiten an Produkten mit beweglichen Teilen herrscht stets Klemmgefahr. Schutzhandschuhe tragen, um Verletzungen zu vermeiden.

Benutzen Sie immer:

- Schutzhelm
- Gehörschutz
- Schutzbrille oder Visier
- Atemschutzmaske
- Feste, griffsichere Handschuhe.
- Eng anliegende, kräftige und bequeme Kleidung tragen, die volle Bewegungsfreiheit gewährt.
- Stiefel mit Stahlkappe und rutschfester Sohle.

Bedenken, dass Kleidung, langes Haar und Schmuck in beweglichen Teilen hängen bleiben können.

Weitere Schutzmaßnahmen



WARNUNG! Beim Betrieb des Gerätes können Funken einen Brand verursachen. Deshalb soll die Feuerlöschschrüstung stets in Reichweite aufbewahrt werden.

- Feuerlöschschrüstung
- Ein Erste-Hilfe-Set soll immer griffbereit sein.

Allgemeine Sicherheitsvorschriften



WARNUNG! Lesen Sie sämtliche Sicherheitshinweise und Anweisungen durch. Die Nichtbeachtung der Warnhinweise und Anweisungen kann Stromschlag, Brand und/oder schwere Verletzungen zur Folge haben.

In diesem Abschnitt werden grundlegende Sicherheitsregeln vorgestellt. Die folgenden Informationen sind kein Ersatz für das Wissen, das ein professioneller Anwender durch seine Ausbildung und praktische Erfahrung erworben hat.

- Lesen Sie die Bedienungsanweisung sorgfältig durch und machen Sie sich mit dem Inhalt vertraut, bevor Sie das Gerät benutzen.
- Das Handbuch der Hydraulikeinheit lesen, ehe Sie mit der Nutzung des Geräts beginnen.
- Daran denken, dass der Bediener für Unfälle oder Gefahrensituationen verantwortlich ist, die anderen Personen oder deren Eigentum widerfahren.
- Sämtliche Bediener müssen für die Benutzung der Maschine ausgebildet sein. Die Verantwortung für die erforderliche Ausbildung liegt beim Eigentümer.
- Die Maschine ist sauber zu halten. Die Lesbarkeit aller Schilder und Aufkleber muss gewährleistet werden.



WARNUNG! Das Gerät kann falsch oder nachlässig angewendet gefährlich sein und zu schweren oder gar lebensgefährlichen Verletzungen des Benutzers oder anderer Personen führen.

Niemals Kinder oder andere Personen, die nicht mit der Handhabung der Maschine vertraut sind, die Maschine bedienen oder warten lassen. Lassen Sie niemals jemand anderen das Gerät benutzen, ohne sich zu vergewissern, dass die Person den Inhalt der Bedienungsanweisung verstanden hat.

Niemals das Gerät verwenden, wenn Sie müde sind, Alkohol getrunken oder Medikamente eingenommen haben, die Ihre Sehkraft, Urteilsvermögen oder Körperkontrolle beeinträchtigen können.



WARNUNG! Unzulässige Änderungen und/oder Zubehörteile können zu schweren Verletzungen oder tödlichen Unfällen von Anwendern oder anderen Personen führen.

Das Gerät nicht so modifizieren, dass es nicht länger mit der Originalausführung übereinstimmt, und nicht benutzen, wenn es scheinbar von anderen modifiziert wurde.

Niemals mit einem defekten Gerät arbeiten. Die Kontroll-, Wartungs- und Serviceanweisungen in dieser Bedienungsanweisung sind genau zu befolgen. Gewisse Wartungs- und Servicemaßnahmen sind von geschulten, qualifizierten Fachleuten auszuführen. Siehe Anweisungen unter dem Titel **Wartung**.

Es ist immer Originalzubehör zu verwenden.

Stets mit gesundem Menschenverstand arbeiten!

Es ist unmöglich, alle denkbaren Situationen abzudecken, die beim Gebrauch des Geräts auftreten könnten. Gehen Sie stets mit Vorsicht und Vernunft vor. Lassen Sie sich bei Unsicherheiten von einer Fachkraft beraten. Fragen Sie Ihren Fachhändler, Ihre Servicewerkstatt oder einen erfahrenen Anwender. Führen Sie keine Arbeiten aus, wenn Unsicherheiten bezüglich der richtigen Vorgehensweise bestehen.

Arbeitssicherheit

Sicherheit im Arbeitsbereich

- **Sorgen Sie für einen sauberen und gut ausgeleuchteten Arbeitsbereich.** Durch zugestellte oder dunkle Arbeitsbereiche steigt die Unfallgefahr stark an.
- Der Sicherheitsabstand beträgt 4 Meter von der Maschine.
- Den Arbeitsbereich stets auf das Vorhandensein von Gasleitungen überprüfen und deren Verlauf kennzeichnen. Das Schneiden in der Nähe von Gasleitungen stellt eine potenzielle Gefahrensituation dar. Funkenbildung beim Schneiden vermeiden, andernfalls besteht Explosionsgefahr. Konzentrieren Sie sich voll auf Ihre Arbeitsaufgabe. Unachtsamkeit kann zu schweren Verletzungen bis hin zum Tod führen.
- Die Maschine darf in explosionsgefährdeten Bereichen nicht eingesetzt werden.
- Stellen Sie sicher, dass keine Rohre oder elektrische Leitungen im Arbeitsbereich oder im Werkstück verlegt sind.
- Sicherstellen, dass die Stromkabel im Arbeitsbereich nicht stromführend sind.
- Überprüfen Sie Ihre Umgebung auf mögliche Störquellen hin, die Ihre Aufmerksamkeit ablenken könnten.
- Vermeiden Sie es, das Gerät bei schlechtem Wetter zu benutzen. Z.B. bei dichtem Nebel, starkem Regen oder Wind, großer Kälte usw. Das Arbeiten bei schlechtem Wetter ist sehr ermüdend und kann gefährliche Umstände herbeiführen, z. B. Rutschgefahr.
- Das Gerät nicht in nasser oder feuchter Umgebung, in der Nähe von Wasser, bei Regen oder Schneefall benutzen.
- Beginnen Sie niemals mit der Arbeit, bevor der Arbeitsbereich frei ist und Sie einen sicheren Stand haben.

Elektrische Sicherheit



WARNUNG! An elektrisch betriebenen Geräten besteht stets die Gefahr von elektrischen Schlägen. Ungünstige Witterungsbedingungen sowie einen Körperkontakt mit Blitzableiter und metallischen Gegenständen vermeiden. Stets die Vorgaben in der Bedienungsanleitung befolgen, um Schäden auszuschließen.



WARNUNG! Die Maschine nicht mit Wasser reinigen, da dies in das elektrische System oder den Motor eindringen und so Maschinenschäden oder einen Kurzschluss auslösen kann.

- Gerät immer durch einen Fehlerstromschutzschalter mit Personenschutz anschließen, d. h. ein Fehlerstromschutzschalter, der bei einem Erdschluss von 30 mA abschaltet.
- Das Gerät muss an eine geerdete Steckdose angeschlossen werden.
- Kontrollieren, ob die Netzspannung mit der auf dem Geräteschild angegebenen übereinstimmt.
- Kontrollieren, ob Kabel und Verlängerungskabel intakt und in gutem Zustand sind. Nur Verbindungskabel verwenden, die für den Gebrauch im Außenbereich zugelassen sind.
- Das Gerät nicht benutzen, wenn ein Kabel oder Stecker beschädigt ist, sondern zur Reparatur in eine autorisierte Servicewerkstatt geben.
- Keine zusammengerollte Verlängerungsschnur nutzen, um eine Überhitzungsgefahr zu vermeiden.
- Maschine nicht am Netzkabel ziehen und Stecker nicht am Kabel aus der Steckdose ziehen.
- Achten Sie darauf, dass Kabel und Verlängerungskabel nicht mit Wasser, Öl oder scharfen Kanten in Berührung kommen. Darauf achten, dass die Kabel nicht in Türen, Zäunen o. ä. eingeklemmt werden. Es besteht sonst die Gefahr, dass Gegenstände unter Strom gestellt werden.

Sicherheit der Hydraulikeinheit

- Sicherstellen, dass alle Verbindungen, Anschlüsse und Hydraulikschläuche unbeschädigt sind.
- Hydraulikschläuche und Verbindungen sauberhalten.
- Stets auf die Unversehrtheit der verwendeten Schläuche achten.
- Verwenden Sie keine deformierten, verschlissenen oder beschädigten Schläuche.
- Sicherstellen, dass die Schläuche korrekt an die Maschine angeschlossen sind und die Hydraulikkupplungen ordnungsgemäß verriegelt wurden, bevor das Hydrauliksystem unter Druck gesetzt wird. Um die Kupplungen zu verriegeln, die Außenhülse der Buchsenkupplung drehen, wodurch sich die Nut von der Kugel entfernt.

Die Druckschläuche des Systems sind stets an den Werkzeugeinlass anzuschließen. Die Rücklaufschläuche des Systems sind stets an den Werkzeugauslass anzuschließen. Durch eine Verwechslung der Anschlüsse kann das Werkzeug rückwärts arbeiten und damit Personenschäden verursachen.

- Die Maschine nicht mit den Hydraulikschläuchen anheben.
- Täglich die Maschine, alle Verbindungen und Hydraulikschläuche auf Undichtigkeiten überprüfen. Lecks oder Explosionen können zu einem Eindringen von Öl in den Körper oder anderen schweren Verletzungen führen.
- Hydraulikschläuche dürfen erst abgenommen werden, nachdem das Hydraulikaggregat abgeschaltet wurde und der Motor zum Stillstand gekommen ist. Wenn trotz allem ein Notfall eintreten sollte, betätigen Sie die rote Nothalttaste an der Oberseite des Aggregats oder drücken Sie die grüne Start/Stop-Taste an der Fernsteuerung.
- Die für das jeweilige Werkzeug angegebenen Werte für den Öldurchfluss oder Öldruck nicht überschreiten. Ein zu hoher Durchfluss oder Druck kann zu Explosionen führen.
- Suchen Sie nicht mit der Hand nach Undichtigkeiten. Bei Kontakt mit einem Leck können durch den hohen Druck im Hydrauliksystem schwere Personenschäden entstehen.
- Beim Einsatz von Hydraulikwerkzeugen an oder bei elektrischen Leitungen sind Schläuche zu verwenden, die als „nicht elektrisch leitend“ eingestuft und gekennzeichnet wurden. Die Verwendung anderer Schläuche kann zu schweren Verletzungen und sogar zum Tod führen.
- Beim Schlauchwechsel sind Schläuche mit der Kennzeichnung „nicht elektrisch leitend“ zu benutzen. Die Schläuche sind regelmäßig auf ihre elektrische Isolierfähigkeit zu überprüfen. Dafür gelten gesonderte Anweisungen.
- Vor dem Sägen das Hydrauliksystem auf die Betriebstemperatur von 30°C vorwärmen lassen, um den Rücklaufdruck und andere Belastungen zu reduzieren.

Persönliche Sicherheit

- Niemals das Gerät verwenden, wenn Sie müde sind, Alkohol getrunken oder Medikamente eingenommen haben, die Ihre Sehkraft, Urteilsvermögen oder Körperkontrolle beeinträchtigen können.
- Vermeiden Sie ein unbeabsichtigtes Anlaufen. Stellen Sie sicher, dass sich der Schalter in der Stellung AUS befindet.
- Niemals das Gerät unbeaufsichtigt mit laufendem Motor stehen lassen.
- Bei längeren Arbeitsunterbrechungen stets den Stecker ziehen.
- Niemals allein arbeiten. Es muss sich stets eine weitere Person in der Nähe befinden. Diese kann Ihnen bei der Gerätemontage sowie bei etwaigen Unfällen helfen.

- Menschen und Tiere können zu einer Ablenkung und damit zum Verlust der Kontrolle über das Gerät führen. Konzentration und Fokussierung auf die Aufgabe sind daher stets erforderlich.
- Personen, die sich in der Umgebung aufhalten, müssen einen Gehörschutz tragen, da der Geräuschpegel beim Schneiden 85 dB(A) überschreitet.
- Stets so arbeiten, dass der Nothalt schnell und einfach zu erreichen ist.

Verwendung und Pflege

- Diese Maschine darf nur zusammen mit Husqvarna WS 355, WS 463, WS 462, WS 460 und CS 2512 verwendet werden. Jegliche andere Verwendung ist unzulässig.
- Das Gerät ist für industrielle Anwendungen und die Benutzung durch erfahrene Bediener ausgelegt.
- Kontrollen und/oder Wartungsarbeiten sind bei abgeschaltetem Motor und abgezogenem Stecker durchzuführen.
- Vor einer Standortveränderung stets das Gerät ausschalten.
- Vorsicht beim Heben. Schweres Gerät bedeutet Klemmgefahr und Gefahr für andere Verletzungen.
- Darauf achten, dass alle Kupplungen, Verbindungen und Kabel sauber und intakt sind.
- Vor dem Starten des Geräts alle Kabelverbindungen und den Anschluss der Wasserversorgung prüfen.
- Vor dem Rausziehen des Stromkabels immer zuerst das Aggregat ausschalten und warten, bis das Gerät vollständig zum Stillstand gekommen ist. Falls dennoch eine Notsituation auftreten sollte, drücken Sie die rote Not-Aus-Taste am Aggregat oder die Stopp-Taste auf der Fernsteuerung.
- Alle Teile in funktionstauglichem Zustand halten und dafür sorgen, dass alle Befestigungsteile sorgfältig festgezogen sind.

Transport und Aufbewahrung

- Vor dem Bewegen des Geräts stets den Hauptschalter für das Aggregat ausschalten und das Stromkabel rausziehen.
- Zur Lagerung der Ausrüstung die mitgelieferten Kästen verwenden.
- Achten Sie beim Transport der Schneidausrüstung darauf, dass diese nicht beschädigt wird.
- Bewahren Sie das Gerät für Kinder und Unbefugte unzugänglich in einem abschließbaren Raum auf.
- Lagern Sie die Maschine und die dazugehörigen Werkzeuge an einem trockenen, frostsicheren Ort.
- Setzen Sie die Maschine keinen Temperaturen über 45°C oder direktem Sonnenlicht aus.

MENÜSYSTEM

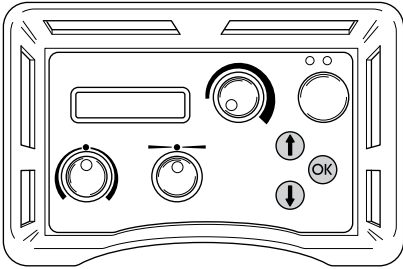
Allgemeines

Dieser Abschnitt bezieht sich auf Modell 400V der PP 455 E mit 5-poligem Anschluss. Bei anderen Modellen kann das Menüsystem geringfügig hiervon abweichen.

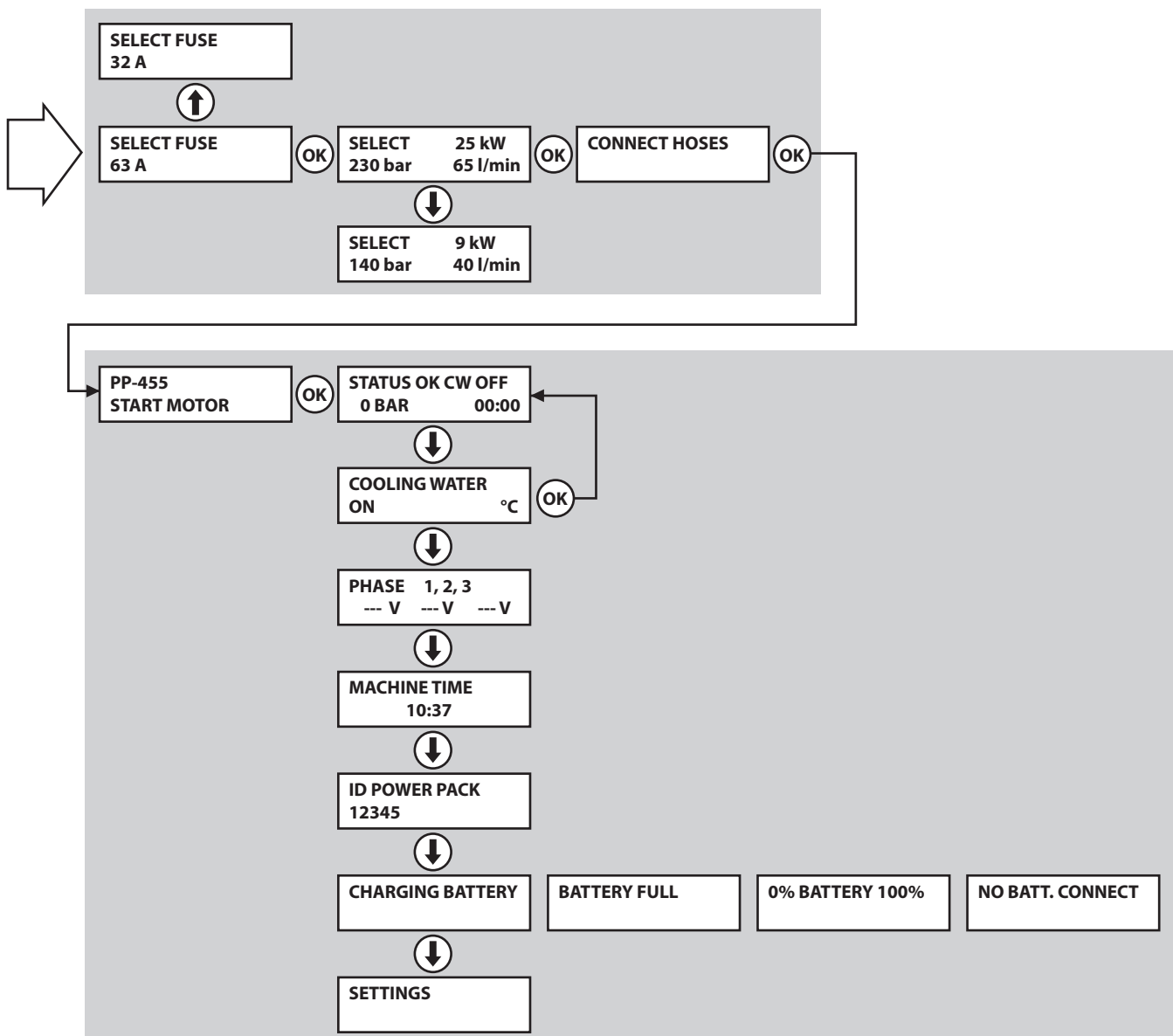
Die Menüs sind in zwei Sektionen aufgeteilt:

- Startmenü
- Betriebsmenü

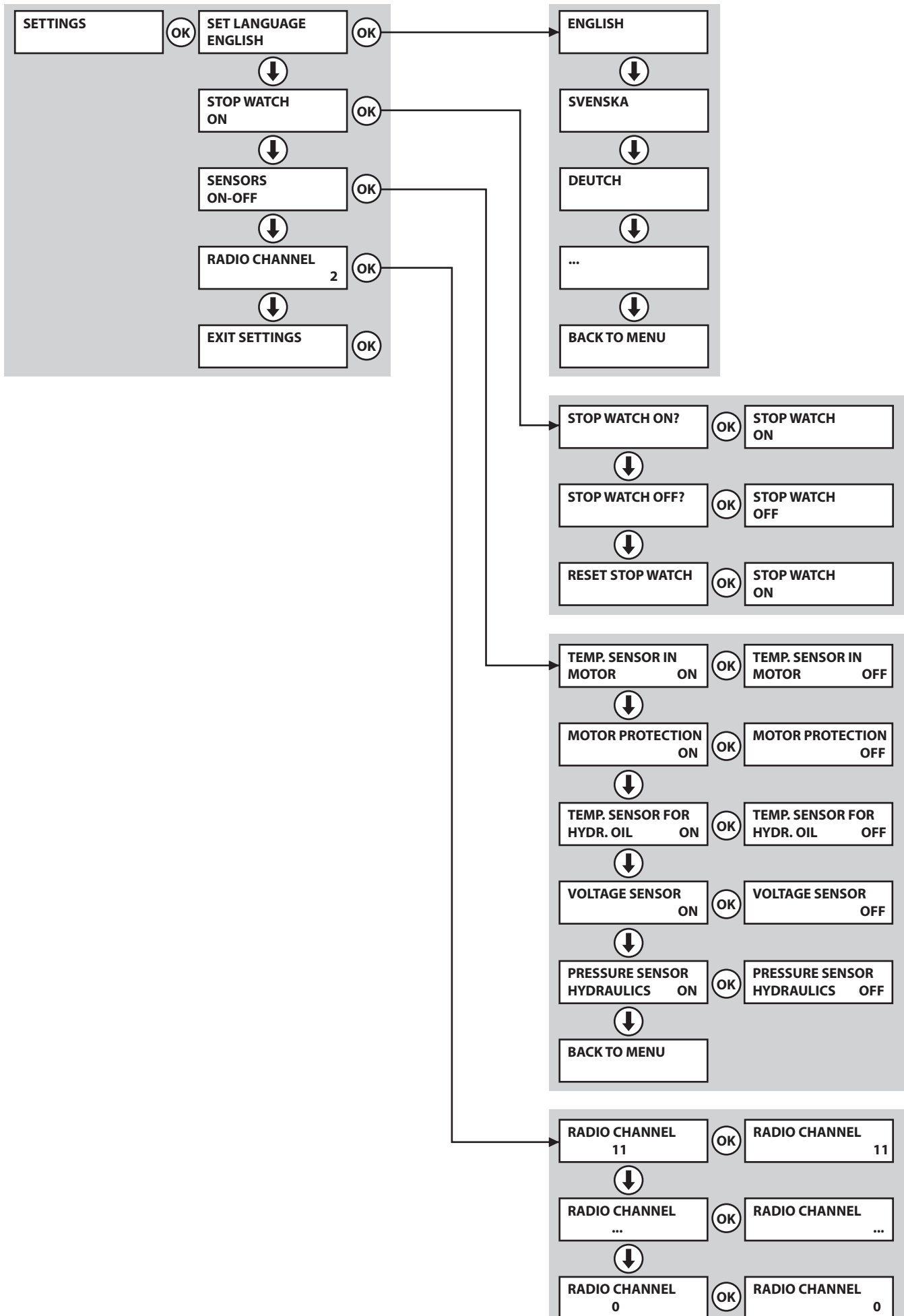
Navigieren Sie mit den Pfeiltasten und bestätigen Sie mit „OK“.



Menüübersicht



MENÜSYSTEM



MENÜSYSTEM

Startmenü

Das Startmenü wird jedes Mal angezeigt, wenn die Spannung zum Hydraulikaggregat eingeschaltet wird.

SICHERUNG WÄHLEN

Die Sicherungsstufe muss danach eingestellt werden, an welche Sicherung das Hydraulikaggregat angeschlossen ist. Wählen Sie eine der folgenden Optionen aus:

- 32A
- 63A
- OK drücken, um die Wahl zu bestätigen.

LEISTUNG WÄHLEN

Die Hydraulikleistung muss danach eingestellt werden, welche Maschine an das Hydraulikaggregat angeschlossen ist. Wählen Sie eine der folgenden Optionen aus:

- 25 kW, 230 Bar, 65 l/min (3300 psi, 17 US gpm)
- 9 kW, 140 Bar, 40 l/min (2000 psi, 10 US gpm)
- OK drücken, um die Wahl zu bestätigen.

SCHLÄUCHE ANSCHL.

In dieser Position die Hydraulikschläuche anschließen. Zur Vereinfachung des Schlauchanschlusses wird an dieser Stelle eine Druckausgleichsfunktion aktiviert. So werden die Dichtungen in den Hydraulikkupplungen entlastet.

- OK drücken, wenn alle Schläuche angeschlossen sind.

Betriebsmenü

Über dieses Menü werden alle Informationen über den Betrieb sowie alle Einstellmöglichkeiten zugänglich.

EL.MOTOR STARTEN

- Den Elektromotor durch Drücken der grünen Taste an der Fernsteuerung starten.

1b. StatusSTATUS

Status ist die Hauptinformation, die stets auf dem Display angezeigt wird, wenn das Hydraulikaggregat mit der angeschlossenen Maschine in Betrieb ist.

- OK bedeutet, dass das Aggregat in Betrieb ist und keine Warnmeldungen vorliegen.
- KW xx, wobei KW Kühlwasser bedeutet und xx EIN oder AUS. Die Anzeige hängt davon ab, ob das Kühlwasser ein- oder ausgeschaltet ist.
- yyy BAR, wobei yyy dem aktuellen Betriebsdruck entspricht.
- Ist die Zeitmessung eingeschaltet, wird auch dies angezeigt: mm:ss, d.h. die Zeit in Minuten und Sekunden.

KUHLWASSER

Zum Einschalten (EIN) oder Ausschalten (AUTO) des Kühlwassers OK drücken.

Im Display wird die aktuelle Kühlwassertemperatur angezeigt.

PHASE 1, 2, 3

Unter der jeweiligen Phasenbezeichnung wird die aktuelle Hauptspannung zum Hydraulikaggregat angezeigt.

Sinkt die Spannung, erscheint eine Fehlermeldung auf dem Display, siehe Abschnitt „Fehlermeldungen“.

HINWEIS! Lange Stromkabel mit einem kleinen Querschnitt der Leiter können zu einem Spannungsabfall führen. Das Hydraulikaggregat kann dann vor zu niedriger Spannung warnen.

MASCH.ZEIT GES.

Gibt an, wie lange sich die Klinge bzw. der Draht für das angeschlossene Aggregat dreht.

ID POWER PACK

Gibt die Gerätenummer des Hydraulikaggregats an.

BATTERIE

Diese Funktion kontrolliert die Batterie der Fernsteuerung. Auf dem Display werden, je nach den aktuellen Vorgängen in der Batterie, unterschiedliche Meldungen angezeigt.

- CHARGING BATTERY - Das CAN-Kabel ist angeschlossen und der Akku wird aufgeladen.
- BATTERY FULL - Der Akku ist vollständig aufgeladen.
- 0% BATTERY 100% - In der Leiste wird der Akkustatus angezeigt.
- NO BATT. CONNECT - Es wurde kein Akku erkannt.

EINSTELLUNGEN

Über dieses Untermenü sind alle Einstellmöglichkeiten für Hydraulikaggregat und Fernsteuerung zugänglich.

SET LANGUAGE

Für die Sprachwahl:

- Mit den Pfeiltasten bis zur gewünschten Sprache blättern.
- OK drücken, um die Wahl zu bestätigen.

ZEITMESSUNG

Die Funktion wird verwendet, um die Zeit für eine bestimmte Arbeit zu messen. Die Zeitmessung beginnt mit dem Starten der Säge.

Wählen:

- EIN - Zum Aktivieren.
- AUS - Zum Deaktivieren.
- NULLSTELLEN - Zum Zurücksetzen auf Null.

Navigieren Sie mit den Pfeiltasten und bestätigen Sie mit „OK“.

MENÜSYSTEM

SENSOR EIN/AUS

Dieses Untermenü enthält Einstellungsmöglichkeiten für die verschiedenen Sensoren des Hydraulikaggregats.

- TEMP.SENSOR IM ELEKTROMOTOR

Der Motor ist mit einem Temperatursensor ausgestattet. Dieser stellt sicher, dass der Motor ausgeschaltet wird, sobald die Temperatur einen kritischen Wert überschreitet.

Zum Einschalten EIN bzw. Ausschalten AUS die Taste OK drücken.

HINWEIS! Wenn der Sensor ausgeschaltet ist, kann der Elektromotor beschädigt werden.

- MOTORSCHUTZ

Das Hydraulikaggregat verfügt über einen Sensor, durch den der Motor im Falle einer Überlastung oder eines Phasenfehlers ausgeschaltet wird.

Zum Einschalten EIN bzw. Ausschalten AUS die Taste OK drücken.

HINWEIS! Wenn der Sensor ausgeschaltet ist, kann der Elektromotor beschädigt werden.

- TEMP. SENSOR FÜR KÜHLWASSER

Am Kühlwasserkanal befindet sich ein Temperatursensor. Der Sensor prüft, dass das Kühlwasser an das Hydraulikaggregat angeschlossen ist. Das Kühlwasser kühlt das Hydrauliköl. Bei eingeschaltetem Temperatursensor liest das Steuerungssystem die Temperatur kontinuierlich ab.

Zum Einschalten EIN bzw. Ausschalten AUS die Taste OK drücken.

HINWEIS! Das Hydraulikaggregat kann beschädigt werden, wenn der Temperatursensor abgeschaltet wird.

- SPANNUNGSSENSOR

An jede Phase ist ein Spannungssensor angeschlossen, d.h. insgesamt drei Sensoren. Sie messen die Phasenspannung zum Hydraulikaggregat. Ist die Spannung um 10% niedriger als die Nennspannung, stoppt das Hydraulikaggregat.

Zum Einschalten EIN bzw. Ausschalten AUS die Taste OK drücken.

HINWEIS! Der Elektromotor kann sich aufgrund einer zu niedrigen Spannung überhitzen, wenn die Spannungssensoren abgeschaltet werden.

- DRUCKSENSOR FÜR HYDR. DRUCK

Der Drucksensor misst den Hydraulikdruck zur Klinge.

Zum Einschalten EIN bzw. Ausschalten AUS die Taste OK drücken.

ACHTUNG! Das Steuerungssystem des Hydraulikaggregats wird abgeschaltet, wenn der Drucksensor ausgeschaltet wird. Das Hydrauliksystem kann dann bei hoher Belastung schwer zu steuern und zu kontrollieren sein.

- ZURÜCK ZUM MENÜ

Zum Schließen dieses Untermenüs die Taste OK drücken.

RADIO CHANNEL (nur Maschinen mit Funkeinheit)

Die Fernsteuerung muss über ein CAN-Kabel an die Maschine angeschlossen werden.

- Den erforderlichen Funkkanal auswählen. Folgende Optionen stehen zur Auswahl:

- 0
- 1
- ...
- 11

Navigieren Sie mit den Pfeiltasten und bestätigen Sie mit „OK“.

EINSTELL.BEENDEN

Die Einstellungen werden automatisch gespeichert.

- Zum Schließen dieses Untermenüs die Taste OK drücken.

STARTEN UND STOPPEN

Allgemeines



WARNUNG! Lesen Sie die Bedienungsanweisung sorgfältig durch und machen Sie sich mit dem Inhalt vertraut, bevor Sie das Gerät benutzen.

Tragen Sie persönliche Schutzausrüstung. Siehe die Anweisungen unter der Überschrift "Persönliche Schutzausrüstung".

Sorgen Sie dafür, dass sich innerhalb des Arbeitsbereichs keine unbefugten Personen aufhalten, andernfalls besteht die Gefahr von schweren Verletzungen.

Überprüfen Sie, dass die Maschine korrekt montiert ist und keine Schäden aufweist. Siehe Anweisungen im Abschnitt „Montage und Einstellungen“.

- Warten Sie das Gerät täglich. Siehe die Anweisungen im Abschnitt "Wartung".

Wandsägen

Vor dem Start

WICHTIG! Vor Einschalten der Hydraulikeinheit sicherstellen, dass Säge und Blattschutz ordnungsgemäß angebracht sind.

Vor dem Starten des Motors Folgendes überprüfen:

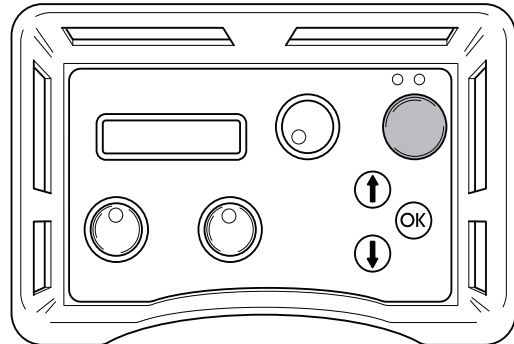
- Das Stromversorgungskabel ist mindestens an eine 25-A-Sicherung angeschlossen.
- Leistungsposition 32 A bzw. 63 A ist gewählt.

Wenn dies nicht geschieht, fordert eine Meldung im Display hierzu auf, wenn der Startknopf gedrückt wird.

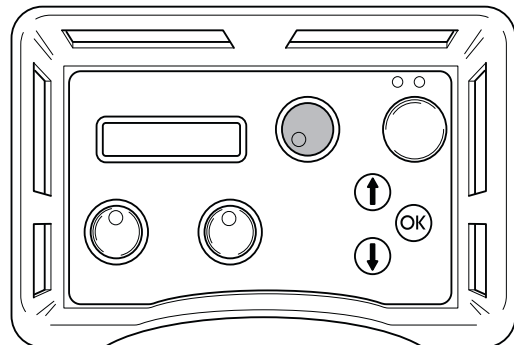
- Die Schläuche sind an eine Einheit angeschlossen.
- Vor dem Sägen das Hydrauliksystem auf die Betriebstemperatur von 30°C vorwärmen lassen, um den Rücklaufdruck und andere Belastungen zu reduzieren.
- Alle Bedienelemente auf der Fernsteuerung sind in die Nullstellung gesetzt worden. Wenn dies nicht geschieht, fordert eine Meldung im Display hierzu auf, wenn der Startknopf gedrückt wird.

Starten

- 1 Den Elektromotor durch einmaliges Drücken der grünen Taste der Fernsteuerung starten. Der Y/DStart erfolgt automatisch. Aufgrund eines automatischen Phasenfolgerelais ist die Rotationsrichtung stets die richtige.

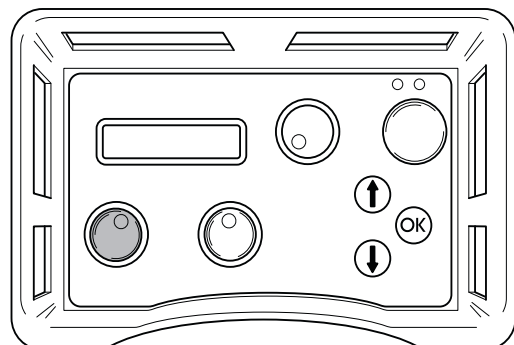


- 2 Den Regler für die Klingenrotation und das Kühlwasser in die maximale Position drehen, um die Klingenrotation und das Kühlwasser zu starten.

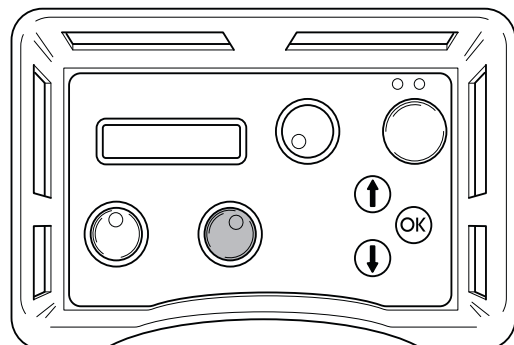


Die Wassermenge lässt sich manuell mit dem Rad auf der Aggregatoberseite einstellen.

- 3 Durch Drehen des Vorschubrads an der Fernsteuerung in der gewünschten Richtung den Vorschub starten.



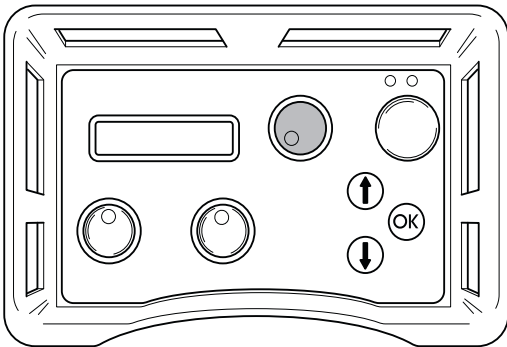
- 4 Durch Drehen des Längsvorschubrads in der gewünschten Richtung den Längsvorschub starten.



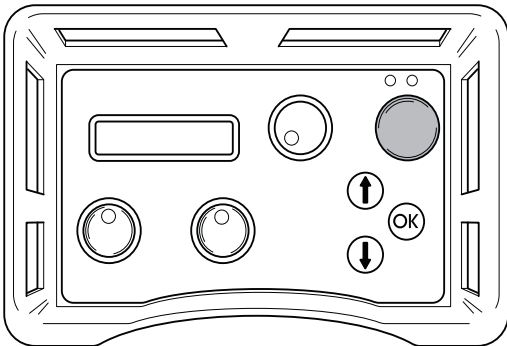
STARTEN UND STOPPEN

Stoppen

- 1 Nach Beendigung der Arbeiten sind Klingenrotation und Wasserspülung durch Drehen des entsprechenden Rads zurück auf „0“ abzuschalten.

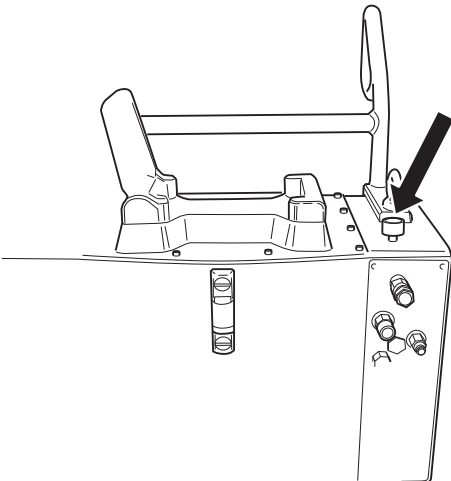


- 2 Schalten Sie den Elektromotor ab, indem Sie die grüne Taste an der Fernsteuerung drücken.



Wasserventil

Bei einer Unterbrechung der Stromversorgung des Hydraulikaggregats öffnet das Wasserventil, um den Kühler vor dem Transport zu drainieren und Gefrierschäden an Kühler und Motor bei Minustemperaturen zu vermeiden. Das Aggregat kann stehend oder liegend transportiert werden. Wird die Stromzufuhr während des Sägevorgangs unterbrochen, kann das Wasser durch Drehen des Wassermengenventils oben am Aggregat im Gegenuhrzeigersinn zum Anschlag abgestellt werden. Durch Drehen des Wasserregulierungsventils lässt sich die Wassermenge für das angeschlossene Hydraulikwerkzeug verringern.



Ausrüstung demontieren

- 1 Lassen Sie den Motor ganz zum Stillstand kommen.
- 2 Lösen Sie die Stromversorgungskabel, bevor Sie die Wasserschläuche abnehmen.
- 3 Lösen Sie die Hydraulikschläuche.
- 4 Entleeren Sie bei Frostgefahr sämtliches Wasser aus dem Ölkühler. Lösen Sie dazu beide Schläuche, öffnen Sie das Wasserregulierungsventil und neigen Sie das Aggregat nach vorn.

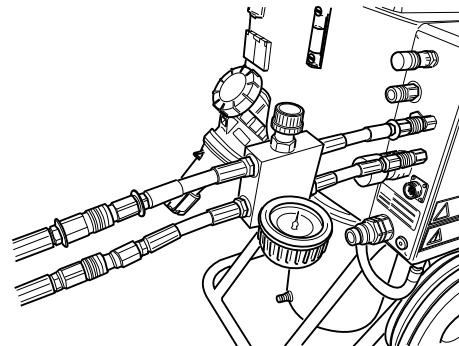
WICHTIG! Reinigen Sie die gesamte Ausrüstung am Ende eines Arbeitstags. Hochdruckreiniger dürfen für die Reinigung der Maschine nicht verwendet werden.

Drahtschneiden

Vor dem Start

WICHTIG! Die beiden dicken Hydraulikschläuche erst an die Drahtsäge anschließen, wenn das Kabel ordnungsgemäß angeschlossen und gespannt und alle Schutzvorrichtungen korrekt angebracht wurden.

- Vor dem Starten des Motors Folgendes überprüfen:
 - Das Stromversorgungskabel ist mindestens an eine 25-A-Sicherung angeschlossen.
 - Leistungsposition 32 A bzw. 63 A ist gewählt. Wenn dies nicht geschieht, fordert eine Meldung im Display hierzu auf, wenn der Startknopf gedrückt wird.
- Montieren Sie den Druckreduzierblock im Lieferumfang der Seilsäge am Hydraulikaggregat gemäß den Anweisungen auf dem Block.
- Verbinden Sie zwei der dünneren Hydraulikschläuche mit dem Druckreduzierblock. Der Schlauch im Schlauchpaket, der mit einer roten Kennzeichnung am Anschluss versehen ist, muss mit dem Schlauch am Druckreduzierblock verbunden werden, der ebenfalls über eine Kennzeichnung verfügt.

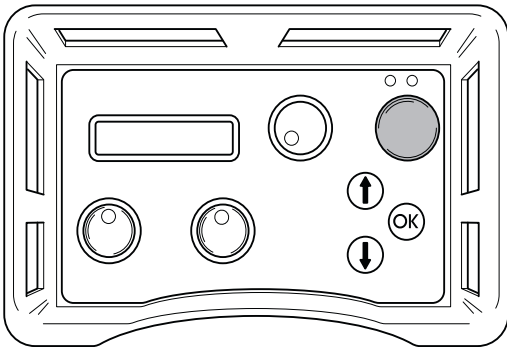


- Schließen Sie das Ventil am Druckreduzierblock an, indem Sie den Knauf bis zum Anschlag gegen den Uhrzeigersinn und danach zwei Umdrehungen zurückdrehen.

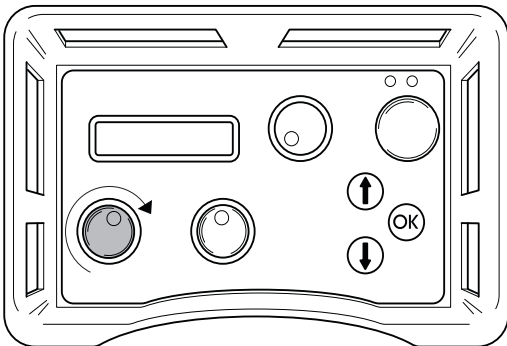
STARTEN UND STOPPEN

Starten

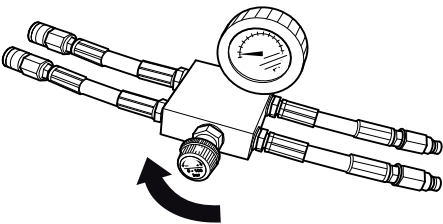
- 1 Den Elektromotor durch einmaliges Drücken der grünen Taste an der Fernsteuerung starten.



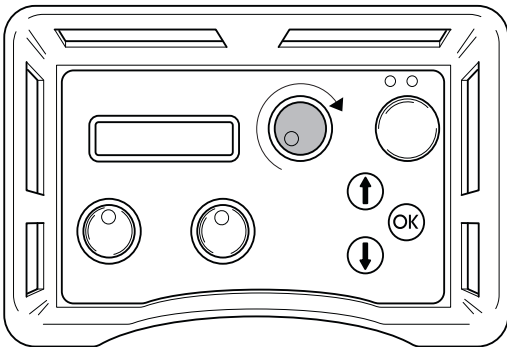
- 2 Stellen Sie den Versorgungsdurchfluss am Aggregat auf maximal, indem Sie den Regler an der Fernsteuerung im Uhrzeigersinn drehen.



- 3 Spannen Sie das Seil, indem Sie den Knauf am Druckreduzierblock vorsichtig im Uhrzeigersinn drehen, bis das Seil eine mittlere Spannung aufweist. Kontrollieren Sie stets sorgfältig, dass das Seil korrekt in allen Führungen in der Säge liegt.

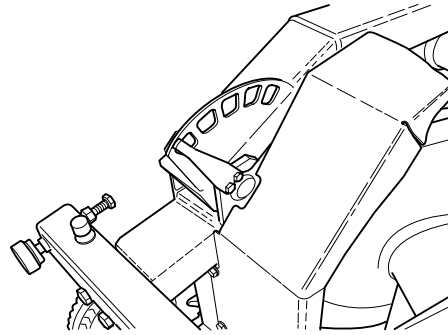


- 4 Starten Sie die Seilbewegung, indem Sie den Regler für die Motordrehung an der Fernsteuerung im Uhrzeigersinn drehen.



- 5 Steigern Sie vorsichtig die Motordrehzahl, indem Sie den entsprechenden Regler drehen. Der geeignete Betriebsdruck beim Schneiden liegt üblicherweise zwischen 100 und 130 Bar. Er variiert jedoch je nach Anzahl der Radpaare im Magazin, der vorliegenden Seilmenge, der Härte des bearbeiteten Materials usw.

- 6 Beim Schneiden des Materials sinkt der Betriebsdruck nach und nach. Dies wird auf dem Display angezeigt. Dementsprechend muss das Seil im Magazin gespannt werden. Drehen Sie dazu den Knauf am Druckreduzierblock im Uhrzeigersinn.
- 7 Die Ausgangsspannung vom Magazin wird an der Maschine angezeigt (auf der Abbildung in minimaler Stellung). Steht der Magazinzyylinder unter maximaler Spannung, muss die Maschine angehalten und das Seil um ein neues Radpaar gelegt werden. Fahren Sie anschließend wie oben beschrieben fort.



Stoppen

- Verringern Sie die Seilgeschwindigkeit und lassen Sie den Motor gänzlich zum Stillstand kommen.
- Schalten Sie den Elektromotor ab, indem Sie die grüne Taste an der Fernsteuerung drücken.
- Das Stromversorgungskabel vom Hydraulikaggregat lösen.
- Hydraulikschläuche und Wasserschlauch von der Schneideinheit trennen.
- Alle weiteren Schritte werden in umgekehrter Montagerihenfolge vorgenommen.

WICHTIG! Reinigen Sie die gesamte Ausrüstung am Ende eines Arbeitstags. Hochdruckreiniger dürfen für die Reinigung der Maschine nicht verwendet werden.

Allgemeines



WARNUNG! Der Bediener darf nur die Wartungs- und Servicearbeiten ausführen, die in dieser Bedienungsanleitung beschrieben sind. Größere Eingriffe sind von einer autorisierten Servicewerkstatt auszuführen.

Kontrollen und/oder Wartungsarbeiten sind bei abgeschaltetem Motor und abgezogenem Stecker durchzuführen.

Die Lebensdauer der Maschine kann verkürzt werden und die Unfallgefahr kann steigen, wenn die Wartung der Maschine nicht ordnungsgemäß und Service und/oder Reparaturen nicht fachmännisch ausgeführt werden. Weitere Informationen erteilt Ihnen gerne die nächste Servicewerkstatt.

Tägliche Wartung

- Überprüfen Sie, ob die Sicherheitsausrüstung der Maschine intakt ist. Siehe Anweisungen im Abschnitt "Sicherheitsausrüstung des Gerätes".
- Kontrollieren, ob Kabel und Verlängerungskabel intakt und in gutem Zustand sind.
- Kontrollieren Sie den Ölstand für das Aggregat. Zudem könnten Dichtungen beschädigt werden, sodass Wasser und Schmutzpartikel in die Maschine eindringen könnten.
- Reinigen Sie die gesamte Ausrüstung am Ende eines Arbeitstags. Verwenden Sie eine robuste Bürste oder einen großen Pinsel.
- Darauf achten, die Anschlüsse und Kontakte sauber zu halten. Mit einem Lappen oder Pinsel reinigen.

HINWEIS! Reinigen Sie das Gerät nicht mit einem Hochdruckreiniger.

- Luftdruck der Reifen prüfen.

Ölwechsel



WARNUNG! Bedenken Sie, dass Öl Gesundheits- und Umweltschäden verursachen kann.

- An der Tankunterseite befindet sich ein Magnetstopfen zum Ölablassen. Reinigen Sie den Magneten.
- Öffnen Sie den Schraubverschluss am Tank und füllen Sie Hydrauliköl (Viskosität: 46) ein. In wärmeren Regionen sollten ein Hydrauliköl mit einer Viskosität von 68 verwendet werden. Sicherstellen, dass der Ölstand ca. 10 mm unter der Max-Markierung am Schauglas liegt.

Beim Ölwechsel sind ca. 16 l Öl erforderlich.

Filterwechsel

- Lösen Sie zum Wechseln des Filters die zwölf Schrauben am Tankverschluss und nehmen Sie den Tankverschluss ab. Auch die Abdeckung des Filtergehäuses durch Lösen der drei Schrauben entfernen. Heben Sie den alten Filtereinsatz heraus und setzen Sie den neuen bis zum Rohrwellenbund am Boden des Filtergehäuses ein.

Service



WARNUNG! Sämtliche Reparaturen dürfen nur von autorisiertem Reparaturpersonal ausgeführt werden. Diese Vorschrift soll verhindern, dass der Bediener großen Gefahren ausgesetzt wird.

Nach 100 Betriebsstunden wird eine Servicemeldung angezeigt. In diesem Fall muss die gesamte Ausrüstung zu einem autorisierten Husqvarna-Händler zur Inspektion gebracht werden.

Fehlermeldungen

Neun verschiedene Fehlermeldungen können im Display erscheinen:

- ACHTUNG! Niedr. Spann. (1A) Spannungsversorgung und Kabel zum Hydraulikaggregat kontrollieren
- Niedr. Spann. Phase x (1B) Schwa.Leist. 32A
- Motorschutz ausgel. (2)
- Motor überhitzt (3) Kühlvorgang. ELEKTROMOTOR NICHT AUSSCHALTEN!
- Öltemp. hoch (4) Wasserzufuhr zum Hydraulikaggregat prüfen
- Drucksensor (5) ausser Betrieb
- Hoher Hydr.druck (6) Aggregat prüfen
- Kein Kontakt CAN-Kabel prüfen (7)
- KEIN FUNKKONTAKT (8)

Fehlermeldung (1A)

WICHTIG! Niedr. Spann. Spannungsversorgung und Kabel zum Hydraulikaggregat kontrollieren.

Zu niedrige Spannung aufgrund von:

- Langem Anschlusskabel.
- Zu kleinem Leiterquerschnitt des Stromkabels.

Eine oder mehrere Phasen fehlen aufgrund von:

- Ausgelöster Sicherung in der Stromeinheit.
- Unterbrechung im Stromkabel.
- Fehlender Spannung an einer oder mehreren Phasen in der Stromeinheit.

Maßnahme (1A)

OK drücken, um die Fehlermeldung zu bestätigen.

Das Hydraulikaggregat wird dann die maximale Ausgangsleistung an 32 A anpassen.

Fehlermeldung (1B)

„Niedr. Spann. Phase x Schwa.Leist. 32A', wobei x für Phase 1, 2 oder 3 steht.

Maßnahme (1B)

OK drücken, um die Fehlermeldung zu bestätigen. Im Display wird angegeben, dass die maximale Ausgangsleistung auf 32 A eingestellt ist. Ist die Spannung weiterhin niedrig, wird der Elektromotor ausgeschaltet und eine Fehlermeldung bezüglich der niedrigen Spannung wird angezeigt.

Durch Drücken auf OK geht das Aggregat zur maximalen, beim Start gewählten Leistung zurück. Soll zwischen 63 A und 32 A gewechselt werden, muss das Aggregat ausund eingeschaltet werden.

Die Speisespannung im Betriebsmenü „Phase 1, 2, 3' ablesen. Liegt die Spannung vor dem Starten des Motors ...

- ... unter 340 V: Prüfen, dass keine Unterbrechung eines Leiters im Kabel vorliegt und dass Spannung zur Stromeinheit vorhanden ist.
- ... über 340 V: Die Leiterquerschnitte und Länge des Kabels prüfen.

Fehlermeldung (2)

„Motorschutz ausgel'

Ursache (2)

Der Elektromotor war überbelastet, oder eine Phase fehlt. Daher hat der Motorschutz für den Elektromotor ausgelöst.

Maßnahme (2)

OK drücken, um die Fehlermeldung zu bestätigen. Prüfen, dass die Spannung zum Hydraulikaggregat an allen drei Phasen vorhanden ist.

Die Speisespannung im Betriebsmenü „Phase 1, 2, 3' ablesen.

Falls die Spannung an einer Phase fehlt: Stromkabel und Spannung zur Stromeinheit prüfen. Der Motorschutz wird innerhalb von drei Minuten automatisch neu gestartet.

Ist die Spannung an allen Phasen höher als 340 V: Warten, bis der Motorschutz wieder startet. Danach das Hydraulikaggregat neu starten.

Löst der Motorschutz oft aus, Kontakt mit dem Kundendienst aufnehmen.

Fehlermeldung (3)

„Motor überhitzt. Kühlvorgang. Elektromotor nicht ausschalten!'

WICHTIG! Den Motor nicht abschalten, da er andernfalls beschädigt werden kann. Nach dem Abkühlen schaltet sich der Motor automatisch ab.

Ursache (3)

Hohe Motortemperatur

Maßnahme (3)

OK drücken, um die Fehlermeldung zu bestätigen.

Sollte es trotz allem erforderlich sein, den Motor auszuschalten, muss die Fehlermeldung trotzdem zuerst durch Drücken von OK bestätigt werden.

Das Display zeigt an: KÜHLUNG. Die Hydraulikventile für die Klinge und den Vorschub werden ausgeschaltet. Vorschubbewegungen können jedoch neu gestartet werden.

Ist die Motortemperatur unter den Grenzwert gesunken, zeigt das Display: MOTOR GEKÜHLT OK DRÜCKEN.

Ist der Motor oft überhitzt, Kontakt mit dem Kundendienst aufnehmen.

Fehlermeldung (4)

„Öltemp. hoch Wasserzufuhr zum Hydraulikaggregat prüfen'

Ursache (4)

Die Kühlung des Hydrauliköls funktioniert nicht.

Maßnahme (4)

Bei Anzeige der Fehlermeldung wird der Elektromotor ausgeschaltet. OK drücken, um die Fehlermeldung zu bestätigen. Prüfen, dass das Kühlwasser an das Hydraulikaggregat angeschlossen ist und dass das Wasser zur Klinge fließt, wenn das Rad der Klängenrotation gedreht wird.

Fehlermeldung (5)

„Drucksensor außer Betrieb'

Ursache (5)

Der Drucksensor für den Hydraulikdruck der Klängenrotation funktioniert nicht.

Maßnahme (5)

OK drücken, um die Fehlermeldung zu bestätigen. Erscheint die Fehlermeldung wiederholt, den Drucksensor austauschen.

Fehlermeldung (6)

„Hoher Hydr.druck Aggregat prüfen'

Ursache (6)

Die Klinge sitzt fest, was zu hohem Hydraulikdruck führt.

Maßnahme (6)

OK drücken, um die Fehlermeldung zu bestätigen. Erscheint diese Fehlermeldung oft, Kontakt mit dem Kundendienst aufnehmen.

Fehlermeldung (7)

„Kein Kontakt CAN-Kabel prüfen“

Ursache (7)

An Fernsteuerungen mit Funkeinheit und Akku wird die folgende Warnung angezeigt, wenn die Eingangsspannung am Netzteil unterbrochen wurde.

Das Canbus-Kabel oder sein Verbinder ist beschädigt, weshalb sich das Hydraulikaggregat nicht über die Fernsteuerung steuern lässt.

Maßnahme (7)

OK drücken, um die Fehlermeldung zu bestätigen. Kabel und Verbinder prüfen und die beschädigte Komponente austauschen. Bleibt der Fehler bestehen, Kontakt mit dem Kundendienst aufnehmen.

Fehlermeldung (8) – bei Aggregaten mit Funkanlage

„Kein Funkkontakt“

Ursache (8)

Der Funkkontakt zwischen Hydraulikaggregat und Fernsteuerung funktioniert nicht.

Maßnahme (8)

Zur Behebung des Fehlers können mehrere Maßnahmen erforderlich sein:

- Darauf achten (über Betriebsmenü – Einstellungen – Funk-ID), dass die ID-Nummer größer als 0 ist.
- Darauf achten, dass das Hydraulikaggregat gestartet ist.
- Nahe an das Hydraulikaggregat gehen, um einen zu langen Abstand oder armierte Wände zu vermeiden.

TECHNISCHE DATEN

PP 455 E

Hydraulikausgangsleistung, kW/PS	25/33,5	
Max. Hydrauliköflfluss (bei 63 A), l/min / gal/min	65/17	
Gewicht, wicht, Hydraulikaggre gat einschl. Öl, kg/lbs	140/310	
Stromanschluss		
5-poliger Anschl uss (Europa und Australien)	400V (32-63A), 50Hz	
4-poliger Anschl uss (Europa und Asien)	400V (32-63A), 50Hz	
5-poliger Anschluss (Norwegen)	400V (32-63A), 50Hz	230V (80A), 50Hz
4-poliger Anschluss (Japan)	200V (80A) 50, 60 Hz	
4-poliger Anschluss (USA)	480V (32-63A, 60 Hz)	
4-poliger Anschluss (Kanada)	600V (20-40A), 60Hz	
Zusatzrüstung	2 Steckdosen mit 230V	
Steuersystem		
Steuerungsart	Fernsteuerung	
Signalübertragung	Drahtlos/Kabel	
Geräuschemissionen (siehe Anmerkung 1)		
Gemessene Schalleistung dB(A)	97	
Garantierte Schalleistung dB(A)	101	
Lautstärke (siehe Anmerkung 2)		
Schalldruckpegel am Ohr des Benutzers, dB(A)	78	

WICHTIG! Für eine maximale Leistung gilt die höhere Amperezahl.

Anmerkung 1: Umweltbelastende Geräuschemission gemessen als Schalleistung (L_{WA}) gemäß EG-Richtlinie 2000/14/EG.

Anmerkung 2: Schalldruckpegel gemäß EN ISO 11201. Berichten zufolge liegt der Schalldruckpegel normalerweise bei einer Ausbreitungsklasse (standardmäßige Ausbreitung) von 1,0 dB (A).

TECHNISCHE DATEN

EG-Konformitätserklärung

(nur für Europa)

Husqvarna AB, S-561 82 Huskvarna, Schweden, Tel: +46-36-146500, erklären hiermit unsere alleinige Haftung dafür, dass das Aggregat Modell **Husqvarna PP 455 E**, auf das sich diese Erklärung bezieht, ab Seriennummern des Baujahrs 2010 (die Jahreszahl wird im Klartext auf dem Typenschild angegeben, mitsamt einer nachfolgenden Seriennummer) den Vorschriften folgender RICHTLINIE DES RATES entspricht:

- vom 17. Mai 2006 „Maschinen-Richtlinie' **2006/42/EG**.
- vom 12. Dezember 2006 „betreffend elektrische Betriebsmittel' **2006/95/EG**.
- vom 15. Dezember 2004 "über elektromagnetische Verträglichkeit" **2004/108/EWG**.
- vom 8. Mai 2000 "über umweltbelastende Geräuschemissionen von zur Verwendung im Freien vorgesehenen Geräten und Maschinen" **2000/14/EG**.
- vom 8. Juni 2011 "zur Beschränkung der Verwendung bestimmter gefährlicher Stoffe" **2011/65/EU**

Folgende Normen wurden angewendet: EN ISO 12100:2010, EN 55014-1:2006, EN 55014-2/A1:2001, EN 61000-3-11:2000, EN 982/A1:2008, EN 60204-1:2006.

Göteborg, den 12. April 2015



Helena Grubb

Vice President, Construction Equipment Husqvarna AB

(Bevollmächtigter Vertreter für Husqvarna AB, verantwortlich für die technische Dokumentation.)

EXPLICATION DES SYMBOLES

Symboles sur la machine

AVERTISSEMENT! La machine utilisée de manière imprudente ou inadéquate peut devenir un outil dangereux, pouvant causer des blessures graves voire mortelles à l'utilisateur et aux autres personnes présentes.



Lire attentivement et bien assimiler le manuel d'utilisation avant d'utiliser la machine.



Toujours utiliser:

- Casque de protection homologué
- Protecteurs d'oreilles homologués
- Lunettes protectrices ou visière
- Masque respiratoire



Ce produit est conforme aux directives CE en vigueur.



AVERTISSEMENT! Courant élevé.



Marquage environnemental.

Ce symbole figurant sur le produit ou sur son emballage indique que ce produit ne peut pas être traité comme déchet ménager. Il doit être collecté et amené à une installation de récupération appropriée de déchets d'équipements électriques et électroniques.



En veillant à ce que ce produit soit correctement éliminé, vous pouvez contribuer à prévenir les conséquences négatives potentielles sur l'environnement et les hommes, qui pourraient sinon être le résultat d'un traitement incorrect des déchets de ce produit.

Pour des informations plus détaillées sur le recyclage de ce produit, contactez votre commune ou le magasin où vous avez acheté le produit.

Explication des niveaux d'avertissement

Il existe trois niveaux d'avertissement.

AVERTISSEMENT!



AVERTISSEMENT! Symbole utilisé en cas de risque de blessures très graves ou de mort pour l'utilisateur ou de dommages pour les environs si les instructions du manuel ne sont pas suivies.

REMARQUE !



REMARQUE ! Symbole utilisé en cas de risque de blessures pour l'utilisateur ou de dommages pour les environs si les instructions du manuel ne sont pas suivies.

ATTENTION !

ATTENTION ! Symbole utilisé en cas de risque de dommages pour les matériaux ou la machine si les instructions du manuel ne sont pas suivies.

SOMMAIRE

Sommaire

EXPLICATION DES SYMBOLES

Symboles sur la machine	67
Explication des niveaux d'avertissement	67

SOMMAIRE

Sommaire	68
----------------	----

PRÉSENTATION

Cher client,	69
Conception et propriétés	69

PRÉSENTATION

Les composantes d'un groupe hydraulique	70
---	----

ÉQUIPEMENT DE SÉCURITÉ DE LA MACHINE

Généralités	71
Arrêt d'urgence et bouton d'arrêt	71

MONTAGE ET RÉGLAGES

Montage/Installation de l'équipement	72
--	----

COMMANDE

Équipement de protection	74
Instructions générales de sécurité	74
Sécurité du travail	75
Transport et rangement	76

SYSTÈME DE MENUS

Généralités	77
Vue d'ensemble des menus	77
Menu de démarrage	79
Menu de fonctionnement	79

DÉMARRAGE ET ARRÊT

Généralités	81
Sciage mural	81
Découpe au câble	82

ENTRETIEN

Généralités	84
Entretien quotidien	84
Changement d'huile	84
Remplacement du filtre	84
Service	84
Messages d'erreur	84

CARACTÉRISTIQUES TECHNIQUES

PP 455 E	87
Déclaration CE de conformité	88

Cher client,

Nous vous remercions d'avoir choisi un produit Husqvarna !

Nous espérons que cette machine vous donnera toute satisfaction et qu'elle vous accompagnera pendant de longues années. L'achat de l'un des nos produits garantit une assistance professionnelle pour l'entretien et les réparations. Si la machine n'a pas été achetée chez l'un de nos revendeurs autorisés, demandez l'adresse de l'atelier d'entretien le plus proche.

Ce mode d'emploi est précieux. Veillez à ce qu'il soit toujours à portée de main sur le lieu de travail. En suivant les instructions qu'il contient (utilisation, révision, entretien etc.), il est possible d'allonger considérablement la durée de vie de la machine et d'augmenter sa valeur sur le marché de l'occasion. En cas de vente de la machine, ne pas oublier de remettre le manuel d'utilisation au nouveau propriétaire.

Plus de 300 ans d'innovation

Husqvarna AB est une entreprise suédoise qui a vu le jour en 1689 lorsque le roi Karl XI décida de construire un arsenal pour la fabrication des mousquets. À l'époque, les compétences en ingénierie à la base du développement de certains des produits leaders du marché mondial dans des domaines tels que les armes de chasse, les vélos, les motocycles, l'électroménager, les machines à coudre et les produits d'extérieur, étaient déjà solides.

Husqvarna est le premier fournisseur mondial de produits motorisés pour utilisation en extérieur dans la foresterie, l'entretien de parcs, de pelouses et de jardins, ainsi que d'équipements de coupe et d'outils diamant destinés aux industries de la construction et de la pierre.

Responsabilité du propriétaire

Il est de la responsabilité du propriétaire/de l'employeur de s'assurer que l'utilisateur possède les connaissances nécessaires pour manipuler la machine en toute sécurité. Les responsables et les utilisateurs doivent avoir lu et compris le Manuel d'utilisation. Ils doivent avoir conscience :

- Des instructions de sécurité de la machine.
- Des diverses applications de la machine et de ses limites.
- De la façon dont la machine doit être utilisée et entretenue.

La législation nationale peut réglementer l'utilisation de cette machine. Recherchez la législation applicable dans le lieu où vous travaillez avant d'utiliser la machine.

Droit de réserve du fabricant

Husqvarna peut éditer des informations complémentaires concernant l'utilisation de ce produit en toute sécurité après la publication du présent manuel. Il incombe au propriétaire de se tenir informé des méthodes d'utilisation les plus sûres.

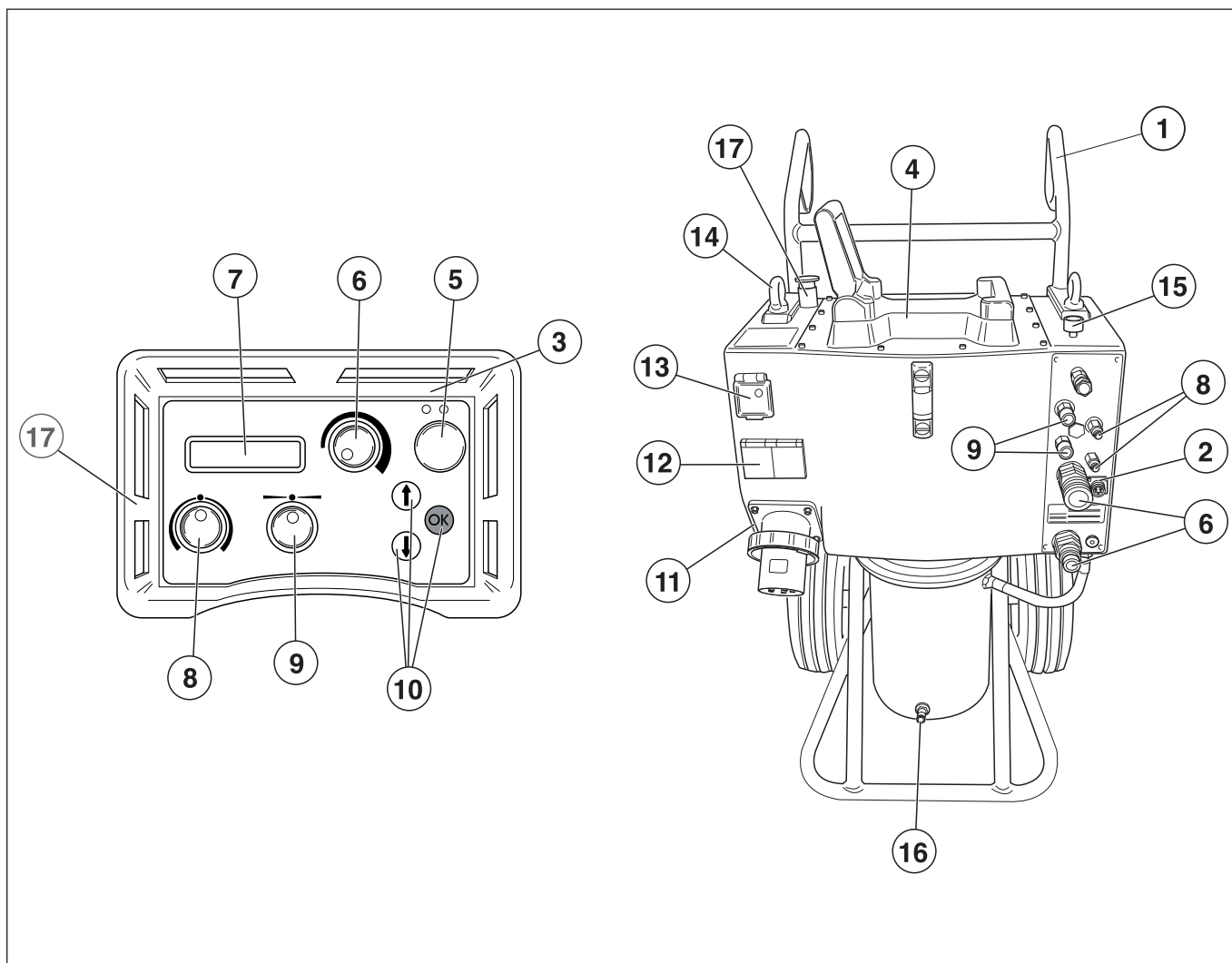
Husqvarna AB travaille continuellement au développement de ses produits et se réserve le droit d'en modifier, entre autres, la conception et l'aspect sans préavis.

Pour obtenir des informations et une assistance client, contactez-nous via notre site Web : www.husqvarna.com

Conception et propriétés

Les produits Husqvarna se distinguent par des valeurs telles que la haute performance, la fiabilité, la technologie innovante, les solutions techniques de pointe et les considérations environnementales. Pour utiliser ce produit en toute sécurité, l'utilisateur doit lire le manuel avec attention. Contactez votre revendeur Husqvarna pour obtenir de plus amples informations.

PRÉSENTATION



Les composantes d'un groupe hydraulique

- | | | | |
|---|--|----|---------------------------------|
| 1 | Poignée | 9 | Alimentation en longueur |
| 2 | Raccordements des flexibles hydrauliques | 10 | Touches de sélection |
| 3 | Commande à distance | 11 | Prise électrique |
| 4 | Fixation de scie | 12 | Prise de 230 V monophasé |
| 5 | Moteur électrique, Arrêt/Marche | 13 | Protection de personnes/Fusible |
| 6 | Rotation de la lame et démarrage de l'eau de refroidissement | 14 | Œillet de levage |
| 7 | Écran d'affichage | 15 | Vanne de dosage d'eau |
| 8 | Entrée | 16 | Raccord de l'eau |
| | | 17 | Interrupteur (ON/OFF) |

ÉQUIPEMENT DE SÉCURITÉ DE LA MACHINE

Généralités

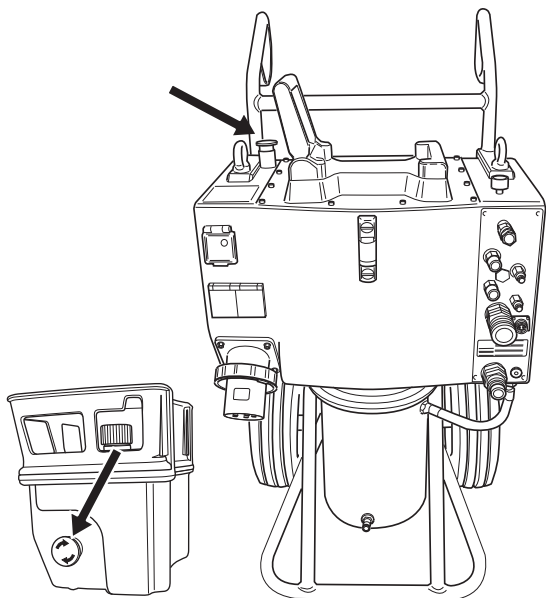


AVERTISSEMENT! Ne jamais utiliser une machine dont les équipements de sécurité sont défectueux. Contrôler et entretenir les équipements de sécurité de la machine conformément aux instructions données dans ce chapitre. Si les contrôles ne donnent pas de résultat positif, confier la machine à un atelier spécialisé.

Ce chapitre présente les équipements de sécurité de la machine, leur fonction, comment les utiliser et les maintenir en bon état.

Arrêt d'urgence et bouton d'arrêt

Le groupe hydraulique est équipé d'un arrêt d'urgence et la commande à distance, d'un bouton d'arrêt. Ils sont habituellement utilisés pour arrêter rapidement le groupe hydraulique.



Contrôle de l'arrêt d'urgence et du bouton d'arrêt

- Démarrer la rotation de la lame
- Appuyer sur l'arrêt d'urgence sur le groupe hydraulique et vérifier si le disque s'arrête de tourner. Contrôler le bouton d'arrêt de la commande à distance de la même façon.

MONTAGE ET RÉGLAGES

Montage/Installation de l'équipement

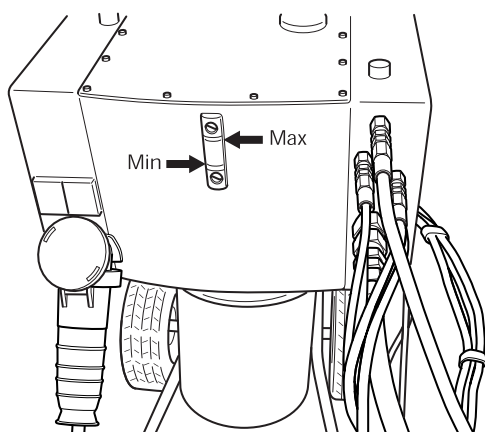
Après avoir été transportée à un emplacement approprié, la machine doit être branchée:

- Contrôler le niveau d'huile dans le groupe d'alimentation. Pour ce faire, contrôler le niveau sur la jauge.

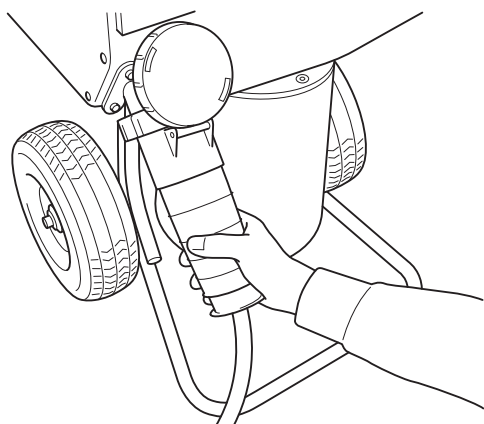
Niveau min. = ligne rouge

Niveau max. = ligne noire

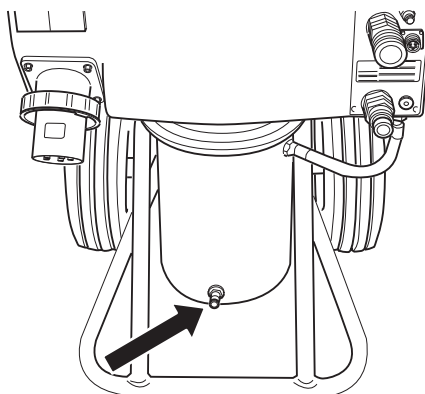
Ne pas dépasser le niveau maximal lors du remplissage d'huile. L'huile se dilate quand elle est chaude et risque de déborder si le niveau est trop élevé. Volume du réservoir 16 l.



- Brancher le câble d'alimentation électrique (400 V, 63 A ou 400 V, 32 A, prise européenne). Le conducteur doit être à trois phases et avec terre de protection. Si la machine est équipée d'une prise monophasée, le zéro doit aussi être présent dans la mesure où les prises monophasées sur la centrale électrique ne fonctionnent pas sans lui. Contrôler que la tension secteur est conforme aux indications sur la plaque de la machine.
- Le groupe hydraulique doit être raccordé à l'aide d'un fusible 63 A afin de pouvoir en utiliser la pleine puissance. S'il est raccordé par le biais d'un fusible 32 A, il convient d'utiliser la scie à une faible pression et de travailler en puissance réduite pour éviter de surcharger le fusible.



- Raccorder le tuyau d'arrivée d'eau au raccord d'eau situé en bas à l'avant du moteur sur le groupe hydraulique.



- Connecter la commande à distance à l'aide du câble CAN joint à la livraison. Visser le contact du câble à la main.

Le bus CAN doit être débranché si la machine est équipée d'une radio. Il n'est pas nécessaire de brancher une antenne ou d'autres accessoires au contact CAN.

- Veiller à ne pas appuyer sur le bouton d'arrêt d'urgence du groupe moteur ni sur le bouton d'arrêt de la commande à distance en les tournant dans le sens des aiguilles d'une montre.
- L'affichage indique maintenant CHOIX FUSIBLE 32A. Si le fusible disponible est de 32 A, confirmer cette information en appuyant sur la touche tactile « OK ». Si un fusible de 63 A est disponible, appuyer sur la touche tactile marquée « Flèche vers le haut ». L'affichage indique maintenant CHOIX FUSIBLE 63A. Confirmer en appuyant sur la touche tactile marquée « OK ».
- Connecter l'ensemble de flexibles. Raccorder les flexibles hydrauliques dans cette position. Une fonction d'équilibrage des pressions facilitant le raccordement des flexibles est maintenant activée. Cela épargne les joints des coupleurs hydrauliques.

Deux types de flexibles hydrauliques sont utilisés pour le groupe hydraulique :

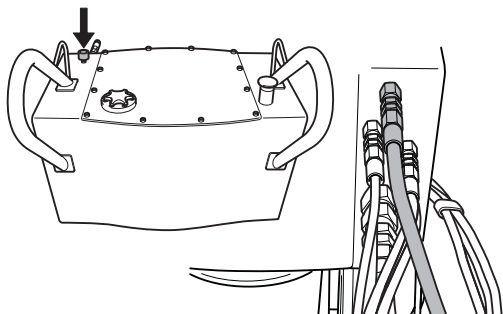
- Sur une scie murale de la série WS 400, les quatre flexibles fins commandent les moteurs d'alimentation de la scie, c'est-à-dire l'alimentation d'entrée et sortie ainsi que l'alimentation en longueur de la scie. Les deux gros flexibles entraînent la lame.

- Si une scie à câble CS 2512 est connectée au groupe, deux des flexibles fins commandent la tension du bras de magasin tandis que les deux gros flexibles entraînent le câble.

Certains raccords sur le groupe sont repérés avec une plaque avec des marquages rouges. À ces raccords sont connectés les flexibles munis de rondelles rouges.

MONTAGE ET RÉGLAGES

- Connecter le tuyau d'eau entre le groupe et le raccord d'eau de la scie et ouvrir la vanne de dosage d'eau sur le dessus du groupe en tournant la manette dans le sens contraire des aiguilles d'une montre.



Quand le câble électrique et le tuyau d'eau et le paquet de flexibles sont connectés, la machine peut être démarrée.

- Appuyer sur OK pour confirmer le choix.
- La puissance hydraulique doit être réglée en fonction de la machine raccordée au groupe hydraulique. Choisir l'une des options suivantes :
 - 25kW, 230 bars, 65 l/min
 - 9 kW, 140 bars, 40 l/min
- L'affichage doit maintenant indiquer « PP-455 MARCHÉ MOTEUR ÉL ». Si l'affichage n'indique pas cette information, suivre les instructions figurant sur l'affichage.

COMMANDE

Équipement de protection

Généralités

Ne jamais utiliser une machine s'il n'est pas possible d'appeler au secours en cas d'accident.

Équipement de protection personnelle

Un équipement de protection personnelle homologué doit impérativement être utilisé lors de tout travail avec la machine. L'équipement de protection personnelle n'élimine pas les risques mais réduit la gravité des blessures en cas d'accident. Demander conseil au concessionnaire afin de choisir un équipement adéquat.



AVERTISSEMENT! L'utilisation de produits tels que des ciseaux, des disques, des forets, des disques fins ou des formes peut générer de la poussière et des vapeurs pouvant contenir des substances chimiques toxiques. Vérifiez la composition du matériel avec lequel vous travaillez et portez un masque respiratoire adapté.



AVERTISSEMENT! Une exposition prolongée au bruit risque de causer des lésions auditives permanentes. Toujours utiliser des protecteurs d'oreille agréés. Soyez toujours attentifs aux signaux d'alerte ou aux appels en portant des protège-oreilles. Enlevez-les sitôt le moteur arrêté.



AVERTISSEMENT! Le risque de coincement est toujours présent lors de travail avec des produits comportant des éléments mobiles. Utiliser des gants de protection pour éviter les blessures personnelles.

Toujours utiliser:

- Casque de protection
- Protecteur d'oreilles
- Lunettes protectrices ou visière
- Masque respiratoire
- Gants solides permettant une prise sûre.
- Vêtements confortables, robustes et serrés qui permettent une liberté totale de mouvement.
- Bottes avec coquille en acier et semelle antidérapante.

Attention! Les habits, les cheveux longs et les bijoux peuvent se coincer dans les parties en mouvement.

Autre équipement de protection



AVERTISSEMENT! Lorsque vous travaillez avec la machine, des étincelles peuvent se former et mettre le feu. Gardez toujours à portée de main les outils nécessaires à l'extinction d'un feu.

- Matériel de protection contre le feu
- Une trousse de premiers secours doit toujours être disponible.

Instructions générales de sécurité



AVERTISSEMENT! Lire toutes les consignes et instructions de sécurité. Le non-respect des consignes et instructions peut provoquer une électrocution, un incendie et/ou des blessures graves.

Le présent chapitre décrit les consignes de sécurité de base relatives à l'utilisation de la machine. Aucune de ces informations ne peut remplacer l'expérience et le savoir-faire d'un professionnel.

- Lire attentivement et bien assimiler le manuel d'utilisation avant d'utiliser la machine.
- Il convient de parcourir le manuel fourni avec le groupe hydraulique avant de commencer à utiliser la machine.
- N'oubliez pas que l'opérateur est responsable des accidents ou dangers aux tiers et à leurs biens.
- Tous les opérateurs doivent recevoir une formation sur l'utilisation de la machine. Il incombe au propriétaire de garantir que les opérateurs reçoivent une formation.
- La machine doit rester propre. Les signes et autocollants doivent être parfaitement lisibles.



AVERTISSEMENT! La machine utilisée de manière imprudente ou inadéquate peut devenir un outil dangereux, pouvant causer des blessures graves voire mortelles à l'utilisateur et aux autres personnes présentes.

Ne jamais permettre à des enfants ou à des personnes ne possédant pas la formation nécessaire d'utiliser ou d'entretenir la machine. Ne jamais laisser d'autres personnes utiliser la machine sans s'être assuré au préalable que ces personnes ont bien compris le contenu du mode d'emploi.

N'utilisez jamais la machine si vous êtes fatigué, avez bu de l'alcool ou pris des médicaments susceptibles d'affecter votre vue, votre jugement ou la maîtrise de votre corps.



AVERTISSEMENT! Toute modification non autorisée et/ou tout emploi d'accessoires non homologués peuvent provoquer des accidents graves voire mortels pour l'utilisateur et les autres.

Ne modifiez jamais cette machine de façon à ce qu'elle ne soit plus conforme au modèle d'origine et n'utilisez jamais une machine qui semble avoir été modifiée.

Ne jamais utiliser une machine qui n'est pas en parfait état de marche. Appliquer les instructions de maintenance et d'entretien ainsi que les contrôles de sécurité indiqués dans ce manuel d'utilisation. Certaines mesures de maintenance et d'entretien doivent être confiées à un spécialiste dûment formé et qualifié. Voir les instructions à la section Maintenance.

N'utiliser que des accessoires et des pièces d'origine.

Utilisez toujours votre bon sens

Il est impossible de mentionner toutes les situations auxquelles vous pouvez être confronté. Soyez toujours vigilant et utilisez l'appareil avec bon sens. Si vous êtes confronté à une situation où vous pensez ne pas être en sécurité, arrêtez immédiatement et consultez un spécialiste. Veuillez contacter votre revendeur, votre atelier de réparation ou un utilisateur expérimenté. Il convient d'éviter tous les travaux pour lesquels vous ne vous sentez pas suffisamment qualifié !

Sécurité du travail

Sécurité dans l'espace de travail

- **Maintenir un espace de travail propre et bien éclairé.**
Les espaces encombrés ou sombres exposent à des accidents.
- La distance de sécurité est de 4 mètres par rapport à la machine.
- Contrôlez toujours et marquez les emplacements des conduites de gaz. Scier près d'une conduite de gaz est toujours synonyme de danger. Veillez à éviter la formation d'étincelles lors du sciage en raison d'un certain risque d'explosion. L'opérateur doit toujours être attentif et concentré sur son travail. La négligence peut causer des blessures personnelles graves voire mortelles.
- N'utilisez pas la machine dans des milieux présentant un risque d'explosion.
- Assurez-vous qu'aucun tuyau ou câble électrique ne passe dans le matériau à découper ou par la zone de travail.
- Contrôlez que les câbles électriques présents dans la zone de travail ne sont pas sous tension.
- Observez la zone environnante et assurez-vous qu'aucun facteur ne risque d'affecter votre contrôle de la machine.
- Ne pas travailler par mauvais temps: brouillard épais, pluie diluvienne, vent violent, grand froid, etc. Travailler par mauvais temps est fatiguant et peut créer des conditions de travail dangereuses telles que le verglas.
- Ne pas utiliser la machine dans un environnement mouillé ou humide, à proximité d'eau, sous la pluie ou la neige.
- Ne jamais commencer à travailler avec la machine sans avoir le champ libre et les pieds bien d'aplomb.

Sécurité électrique



AVERTISSEMENT! Il existe toujours un risque de choc avec les machines électriques. Évitez de travailler par mauvais temps ainsi que tout contact du corps avec du métal/un parafoudre. Suivez toujours les instructions du manuel d'utilisation pour éviter tout dommage.



AVERTISSEMENT! Ne lavez pas la machine avec de l'eau. Elle peut en effet s'infiltrer dans le système électrique ou le moteur et ainsi endommager la machine ou provoquer un court-circuit.

- Toujours brancher la machine via un disjoncteur de fuite à la terre avec protection personnelle, par exemple un disjoncteur de fuite à la terre qui s'enclenche à un défaut à la terre de 30 mA.
- La machine doit être branchée à une prise de terre.
- Contrôler que la tension secteur est conforme aux indications sur la plaque de la machine.
- Contrôler que le câble et la rallonge sont entiers et en bon état. Utilisez toujours des câbles de raccordement agréés pour une utilisation à l'extérieur.
- Ne jamais utiliser la machine si tout câble ou bouchon est endommagé. Il convient dès lors de la confier à un atelier d'entretien agréé.
- N'utilisez pas la rallonge lorsqu'elle est enroulée afin d'éviter toute surchauffe.
- Ne tirez jamais la machine par le câble d'alimentation et ne la débranchez jamais en tirant sur le câble.
- Conserver tous les câbles et toutes les rallonges loin de l'eau, de l'huile et des bords tranchants. Veiller à ce que le câble ne soit pas coincé dans des portes, des clôtures ou d'autres équipements similaires. Des objets pourraient alors être sous tension.

Sécurité hydraulique

- Contrôlez que tous les raccords, connexions et flexibles hydrauliques sont intacts.
- Maintenez les flexibles hydrauliques et les raccords propres.
- Ne maltraitez pas les flexibles.
- Ne pas utiliser de tuyaux tordus, usés ou endommagés.
- Contrôlez que les flexibles sont raccordés correctement à la machine et que les raccords hydrauliques se verrouillent comme prévu avant de mettre le système hydraulique sous pression. Pour verrouiller les raccords, tournez la douille extérieure du raccord femelle afin que la rainure s'éloigne de la boule.

Les tuyaux de pression du système doivent toujours être connectés à l'entrée de l'outil. Les tuyaux de retour du système doivent toujours être connectés à la sortie de l'outil. Si les raccords sont inversés, l'outil travaille à l'envers et risque ainsi de blesser les personnes.

COMMANDE

- Ne jamais soulever la machine par les flexibles hydrauliques.
- Contrôlez tous les jours que la machine, les raccords et les flexibles hydrauliques ne présentent pas de fuites. Toute fissure ou fuite risque d'entraîner une « injection d'huile » dans le corps ou de causer une blessure corporelle grave.
- Ne débranchez jamais les flexibles hydrauliques avant d'avoir arrêté l'unité hydraulique et avant que le moteur ne se soit complètement arrêté. En cas d'urgence, appuyez sur le bouton rouge d'arrêt d'urgence sur le dessus du groupe ou appuyez sur le bouton vert de marche/arrêt sur la commande à distance.
- Ne dépassez pas le débit et la pression d'huile recommandés pour l'outil utilisé. Un débit ou une pression trop élevés peut causer des fissures.
- Ne jamais essayer de localiser une fuite avec la main. Le contact avec une fuite peut causer des blessures personnelles graves en raison de la pression élevée du système hydraulique.
- Quand des outils hydrauliques sont utilisés sur ou près de lignes électriques, utilisez des flexibles marqués et agréés comme « non conducteurs d'électricité ». L'utilisation d'autres flexibles peut résulter en des blessures personnelles graves voire mortelles.
- Si les flexibles doivent être changés, veillez à les remplacer par des flexibles de type « non conducteur d'électricité ». Contrôlez régulièrement l'isolation électrique des conducteurs des flexibles selon les instructions spécifiques.
- Avant de commencer l'opération de sciage, faire tourner le système hydraulique jusqu'à ce qu'il atteigne sa température de fonctionnement de 30°C, pour réduire la pression de retour et les usures.

Sécurité du personnel

- N'utilisez jamais la machine si vous êtes fatigué, avez bu de l'alcool ou pris des médicaments susceptibles d'affecter votre vue, votre jugement ou la maîtrise de votre corps.
- Évitez tout démarrage accidentel. Vérifiez que l'interrupteur est en position OFF.
- Ne laissez jamais la machine sans surveillance avec le moteur en marche.
- Débranchez toujours la machine en cas d'interruption prolongée du travail.
- Ne travaillez jamais seul, mais toujours avec une personne à proximité. Cette personne peut aider à monter la machine, mais aussi intervenir en cas d'accident.
- Des personnes ou des animaux peuvent détourner l'attention de l'opérateur et l'amener à perdre le contrôle de la machine. C'est pourquoi l'opérateur doit toujours être attentif et concentré sur son travail.
- Les personnes devant se tenir à proximité doivent porter des protecteurs d'oreilles car le niveau sonore lors du sciage dépasse 85 dB(A).
- Ne sciez jamais d'une manière vous empêchant l'accès au bouton d'arrêt d'urgence.

Utilisation et entretien

- Cette machine est uniquement destinée à être utilisée avec Husqvarna WS 355, WS 463, WS 462, WS 460 et CS 2512. Toute autre utilisation est interdite.
- La machine est conçue pour des applications industrielles et destinée à des opérateurs expérimentés.
- Les contrôles et/ou les entretiens doivent être effectués avec le moteur à l'arrêt et la prise électrique débranchée.
- Arrêtez toujours la machine avant de la déplacer.
- Faites preuve de prudence en cas de levage. Le maniement de pièces lourdes implique un risque de coinçage ou autre blessure.
- Vérifiez que tous les couplages, raccordements et câbles sont intacts et qu'ils sont propres.
- Vérifiez que tous les câbles et l'arrivée d'eau sont correctement branchés sur la machine avant de la démarrer.
- Ne jamais débrancher le câble d'alimentation électrique sans avoir préalablement éteint le groupe moteur et attendu que le moteur s'arrête complètement. Si vous êtes confronté à une situation d'urgence, appuyez sur le bouton d'arrêt d'urgence rouge sur le groupe moteur ou sur le bouton d'arrêt de la commande à distance.
- Assurez-vous que toutes les pièces sont en état de fonctionnement et que tous les éléments de fixation sont correctement serrés.

Transport et rangement

- Veillez à toujours éteindre le groupe moteur et à débrancher le câble électrique avant de déplacer l'équipement.
- Utilisez les boîtes fournies pour le remisage de l'équipement.
- Sécurisez l'équipement lors du transport afin d'éviter tout dommage ou accident.
- Stockez l'équipement dans un endroit verrouillé afin de le maintenir hors de portée des enfants et de toute personne incompétente.
- Rangez la machine et ses équipements dans un endroit sec et à l'abri du gel.
- N'exposez pas la machine à des températures dépassant 45°C ou aux rayons directs du soleil.

SYSTÈME DE MENUS

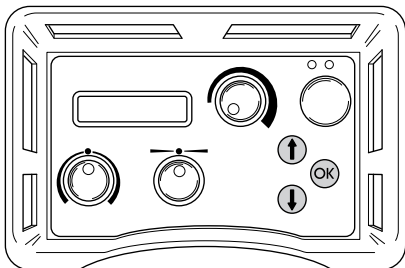
Généralités

Cette section se base sur le modèle 400V de PP 455 E avec alimentation à cinq broches. Il est possible que le système de menus diffère légèrement pour d'autres modèles.

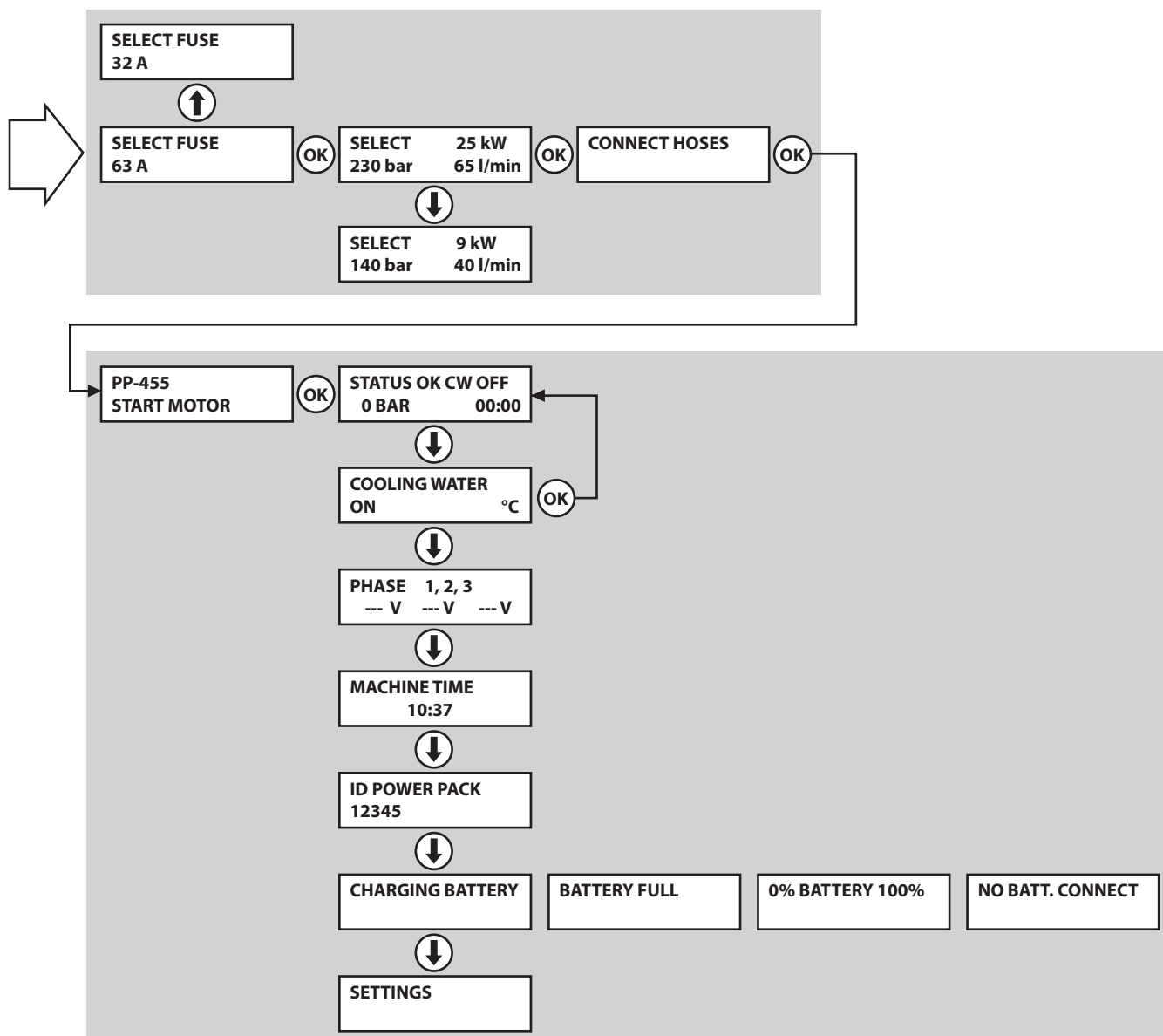
Les menus sont divisés en deux sections :

- Menu de démarrage
- Menu de fonctionnement

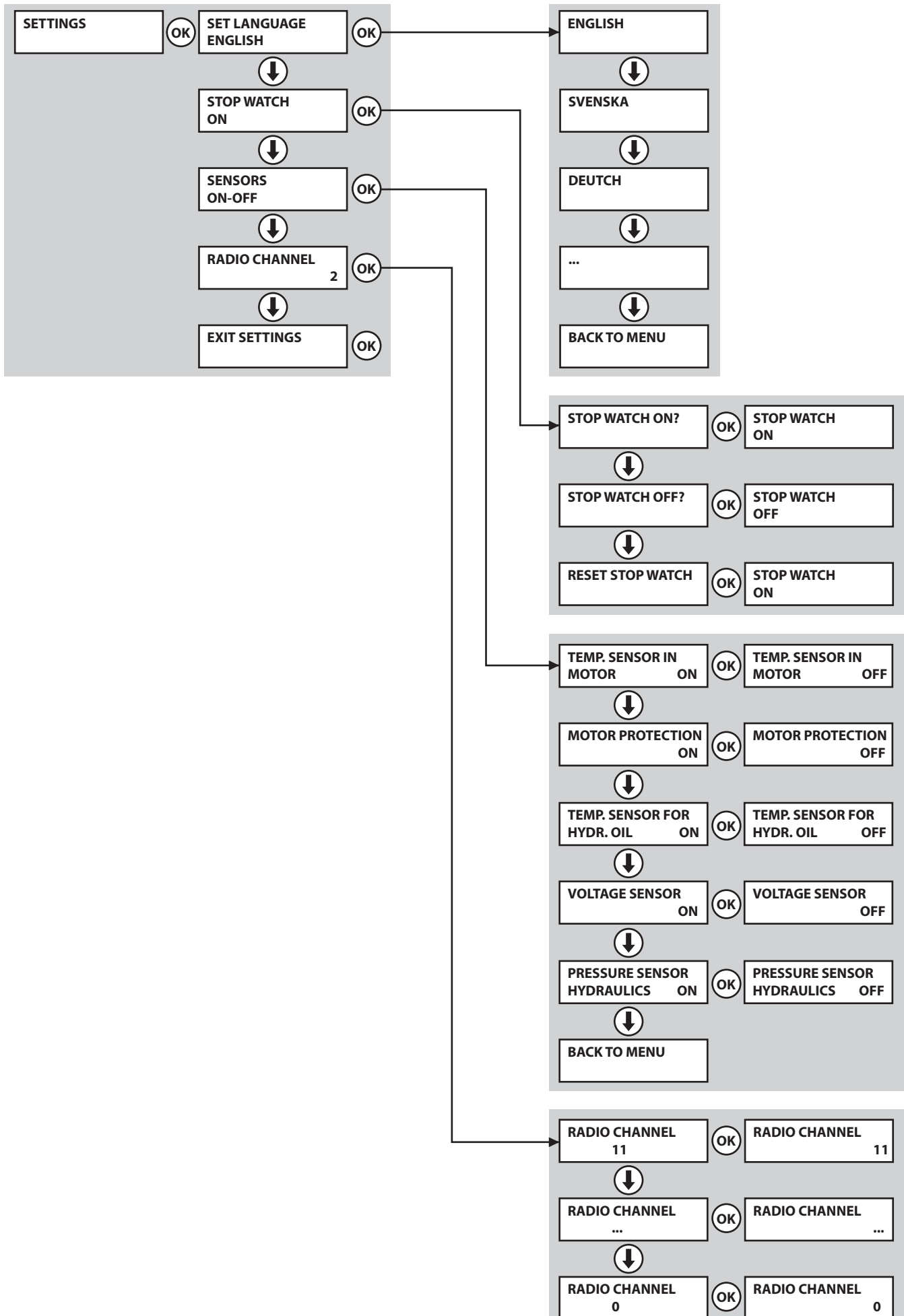
Utiliser les flèches et confirmer avec "OK".



Vue d'ensemble des menus



SYSTÈME DE MENUS



SYSTÈME DE MENUS

Menu de démarrage

Le menu de démarrage s'affiche à chaque fois que le groupe hydraulique est mis sous tension.

CHOIX FUSIBLE

Le niveau de fusible doit être réglé en fonction du fusible auquel est connecté le groupe hydraulique. Choisir l'une des options suivantes :

- 32A
- 63A
- Appuyer sur OK pour confirmer le choix.

CHOIX ALIMENTATION

La puissance hydraulique doit être réglée en fonction de la machine raccordée au groupe hydraulique. Choisir l'une des options suivantes :

- 25 kW, 230 bar, 65 l/min (3300 psi, 17 US gpm)
- 9 kW, 140 bar, 40 l/min (2000 psi, 10 US gpm)
- Appuyer sur OK pour confirmer le choix.

CONNEXION TUYAUX

Raccorder les flexibles hydrauliques dans cette position. Une fonction d'équilibrage des pressions facilitant le raccordement des flexibles est maintenant activée. Cela épargne les joints des coupleurs hydrauliques.

- Appuyer sur OK lorsque tous les tuyaux sont connectés.

Menu de fonctionnement

Ce menu donne accès à toutes les informations sur le fonctionnement et aux possibilités de paramétrage.

MARCHE MOTEUR EL

- Appuyer sur le bouton vert de la commande à distance pour démarrer le moteur électrique.

ETAT

Le statut est l'information principale qui apparaît toujours sur l'affichage lorsque le groupe hydraulique est en fonctionnement avec une machine connectée.

- OK signifie que le groupe est en fonctionnement et qu'il n'y a aucun message d'avertissement.
- ER xx, où ER signifie eau de refroidissement et xx MARCHE ou ARRÊT. L'indication affichée diffère si l'eau de refroidissement est connectée ou non.
- yyy BAR, où yyy représente la pression de fonctionnement instantanée.
- Si la fonction de mesure du temps est activée, l'affichage indique également : mm:ss, c-à-d le temps en minutes et secondes.

EAU DE REFROID

Mettez l'eau de refroidissement sur (ON) ou annulez le mode (AUTO) en appuyant sur OK.

La température actuelle de l'eau de refroidissement est indiquée à l'écran.

PH 1 PH 2 PH 3

Sous chaque dénomination de phase est indiquée la tension principale instantanée du groupe hydraulique.

Si la tension baisse, un message d'erreur apparaît sur l'affichage, voir le chapitre « Messages d'erreur ».

ATTENTION ! Les câbles électriques longs avec une petite surface de section des conducteurs peuvent entraîner une chute de tension. Le groupe hydraulique peut alors émettre un avertissement de basse tension.

TEMPS MACH TOTAL

Indique la durée totale de rotation de la lame/du câble pour l'unité électrique branchée.

ID POWER PACK

Indique le numéro d'identification de l'unité hydraulique.

BATTERIE

Cette fonction contrôle la batterie de la commande à distance. L'affichage indique différents messages en fonction du statut actuel de la batterie :

- CHARGING BATTERY - Le câble CAN est branché et la batterie est en charge.
- BATTERY FULL - La batterie est complètement chargée.
- 0% BATTERY 100% - La barre montre l'état de la batterie.
- NO BATT. CONNECT - Aucune batterie ne peut être détectée.

PARAMETRES

Ce sous-menu permet d'accéder à toutes les possibilités de paramétrage du groupe hydraulique et de la commande à distance.

SET LANGUAGE

Pour choisir une langue :

- Appuyer sur les touches fléchées jusqu'à affichage de la langue désirée.
- Appuyer sur OK pour confirmer le choix.

MESURE TEMPS

Cette fonction s'utilise pour mesurer le temps nécessaire à un travail. Le temps est mesuré à partir du moment où la scie commence à travailler.

Sélectionner :

- ON pour activer.
- OFF pour désactiver.
- RÉINIT. CHRONO pour remettre à zéro.

Utiliser les flèches et confirmer avec "OK".

SYSTÈME DE MENUS

CAPTEURS ON/OFF

Ce sous-menu contient les options de réglage pour les différents capteurs de l'unité hydraulique.

- CAPTEUR TEMP MOTEUR EL

Le moteur est équipé d'un capteur de température garantissant que le moteur s'éteigne si la température atteint un niveau critique.

Alternez entre ON et OFF en appuyant sur le bouton OK.

ATTENTION ! Le moteur électrique risque d'être endommagé si le capteur est éteint.

- PROTECT. MOTEUR

L'unité hydraulique est équipée d'un capteur garantissant que le moteur s'éteigne en cas de surcharge ou d'erreurs de phase.

Alternez entre ON et OFF en appuyant sur le bouton OK.

ATTENTION ! Le moteur électrique risque d'être endommagé si le capteur est éteint.

- CAPTEUR TEMP HUILE HYDR.

Un capteur de température est monté au niveau du conduit d'eau de refroidissement. Ce capteur contrôle que l'eau de refroidissement est connectée au groupe hydraulique. L'eau de refroidissement refroidit l'huile hydraulique. Lorsque le capteur de température est en marche, le système de commande contrôle constamment la température.

Alternez entre ON et OFF en appuyant sur le bouton OK.

ATTENTION ! Le groupe hydraulique risque d'être endommagé si le capteur de température est arrêté.

- TENSION

Un capteur de tension est connecté à chaque phase, c.-à-d. au total trois capteurs. Ils mesurent la tension de phase du groupe hydraulique. Si la tension est inférieure de 10% à la tension nominale, le groupe hydraulique s'arrête.

Alternez entre ON et OFF en appuyant sur le bouton OK.

ATTENTION ! Si les capteurs de tension sont arrêtés, le moteur électrique risque de surchauffer en raison d'une tension trop basse.

- CAPTEUR PRESSION HYDR.

Ce capteur de pression mesure la pression hydraulique vers la lame.

Alternez entre ON et OFF en appuyant sur le bouton OK.

REMARQUE! Le système de régulation du groupe hydraulique s'arrête si le capteur de pression est arrêté. Il peut alors être difficile de commander et contrôler le système hydraulique en cas de forte charge.

- RETOUR AU MENU

Appuyez sur le bouton OK pour quitter ce sous-menu.

RADIO CHANNEL (machines équipées de radio seulement)

La télécommande doit être branchée à la machine via un câble CAN.

- Sélectionnez le canal radio requis. Choisissez entre les options suivantes :

- 0
- 1
- ...
- 11

Utiliser les flèches et confirmer avec "OK".

SORTIE PARAMETR.

Tous les paramètres sont enregistrés automatiquement.

- Appuyez sur le bouton OK pour quitter ce sous-menu.

DÉMARRAGE ET ARRÊT

Généralités



AVERTISSEMENT! Lire attentivement et bien assimiler le manuel d'utilisation avant d'utiliser la machine.

Utiliser les équipements de protection personnelle. Voir au chapitre "Équipement de protection personnelle".

Veiller à ce qu'aucune personne non autorisée ne se trouve dans la zone de travail pour éviter le risque de blessures graves.

Vérifiez que la machine est correctement montée et ne présente aucun dommage. Voir les instructions à la rubrique « Assemblage et réglages ».

- Effectuez un entretien quotidien. Voir les instructions au chapitre « Entretien ».

Sciage mural

Avant de démarrer la machine

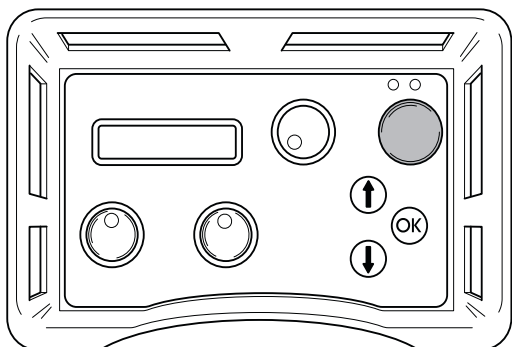
IMPORTANT! S'assurer que le disque et le carter de disque sont installés correctement avant d'allumer le groupe hydraulique.

Avant de mettre en marche le moteur, contrôler que :

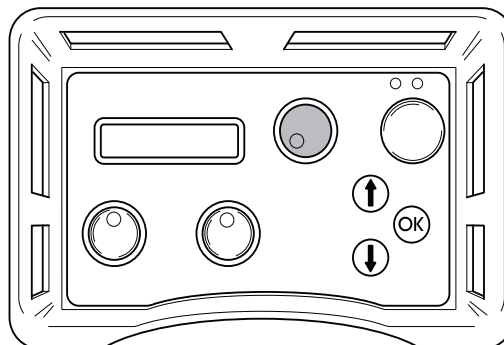
- le câble électrique d'entrée est protégé au moins par un fusible de 25 A.
- Une puissance de 32 A ou 63 A est sélectionnée.
Dans le cas contraire, si vous appuyez sur le bouton de démarrage, un message apparaît à l'écran pour vous l'indiquer.
- les flexibles ont été connectés à un équipement.
- Avant de commencer l'opération de sciage, faire tourner le système hydraulique jusqu'à ce qu'il atteigne sa température de fonctionnement de 30°C, pour réduire la pression de retour et les usures.
- Toutes les commandes de la commande à distance sont réglées en position zéro. Dans le cas contraire, si vous appuyez sur le bouton de démarrage, un message apparaît à l'écran pour vous l'indiquer.

Démarrage

- 1 Démarrer le moteur électrique en appuyant une fois sur le bouton vert de la commande à distance. Le démarrage Y/D s'effectue automatiquement. Grâce au relais de séquence de phase, le sens de rotation est toujours correct.

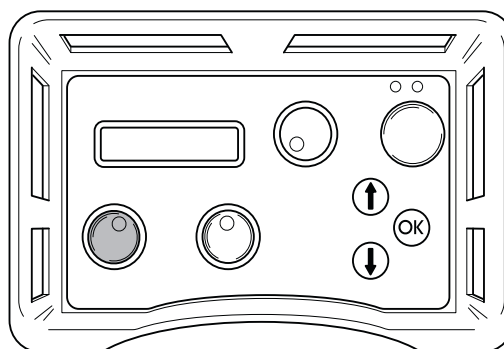


- 2 Tourner la commande de rotation de la lame et de l'eau de refroidissement sur le débit maximum pour lancer la rotation de la lame et l'eau de refroidissement.

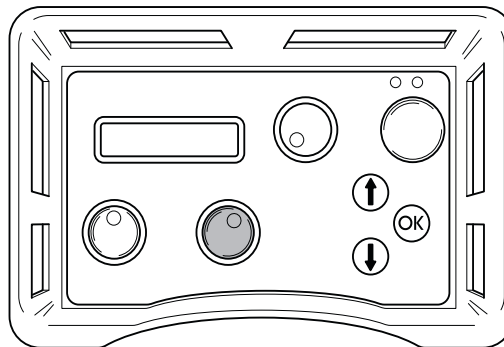


La quantité d'eau peut être réglée manuellement à l'aide de la manette sur le dessus du groupe.

- 3 Démarrer l'alimentation d'entrée en tournant la manette correspondante sur la commande à distance dans le sens souhaité.

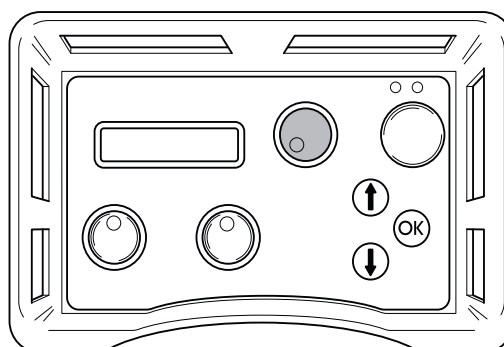


- 4 Démarrer l'alimentation en longueur en tournant la manette correspondante dans le sens souhaité.



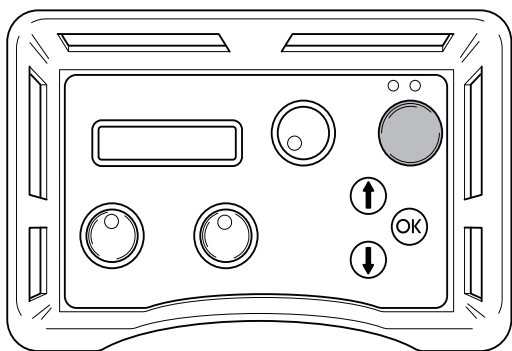
Arrêt

- 1 Une fois le travail terminé, arrêter la rotation de la lame et le rinçage à l'eau en tournant les manettes respectives de ces fonctions (situées sur la commande à distance) sur « 0 ».



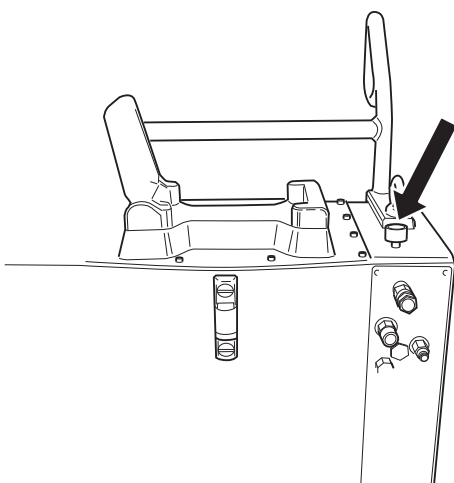
DÉMARRAGE ET ARRÊT

- 2 Arrêter le moteur électrique en appuyant sur le bouton vert de la commande à distance.



Vanne d'eau

Quand l'alimentation en courant du groupe hydraulique est coupée, la vanne d'eau s'ouvre pour que le refroidisseur puisse être vidé avant le transport et pour éviter que le refroidisseur ne soit détruit par le gel en cas de températures au-dessous de zéro. Le groupe peut être transporté debout ou couché. Si le courant est coupé durant le sciage, il est possible de couper l'eau en tournant la vanne de dosage d'eau (située sur le dessus groupe) dans le sens des aiguilles d'une montre jusqu'à l'arrêt. En tournant la vanne de dosage d'eau, il est également possible de réduire la quantité d'eau vers l'outil hydraulique connecté.



Démontage de l'équipement

- 1 Laisser le moteur s'arrêter complètement.
- 2 Déconnecter le câble électrique d'entrée avant de débrancher les tuyaux d'eau.
- 3 Débrancher les flexibles hydrauliques.
- 4 En cas de risque de gel, vider le refroidisseur à huile de son contenu d'eau en débranchant les deux tuyaux avant d'ouvrir la vanne de dosage d'eau et d'incliner le groupe vers l'avant.

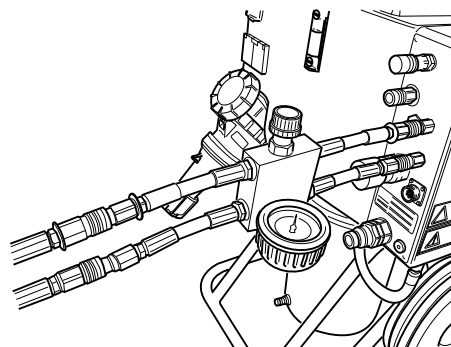
IMPORTANT! Toujours nettoyer l'équipement complet à la fin de la journée de travail. Éviter d'utiliser de l'eau sous haute pression lors du nettoyage de la machine.

Découpe au câble

Avant de démarrer la machine

IMPORTANT! Ne pas raccorder les deux gros flexibles hydrauliques à la scie avant que le câble soit correctement placé et tendu et avant que toutes les protections soient correctement installées.

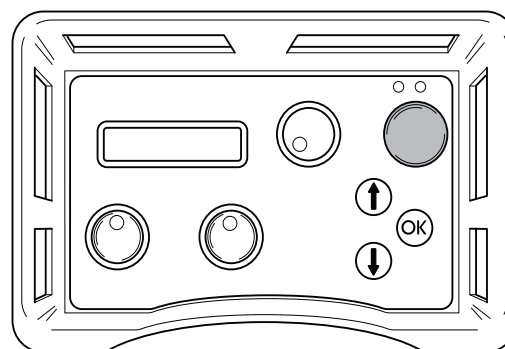
- Avant de mettre en marche le moteur, contrôler que :
 - le câble électrique d'entrée est protégé au moins par un fusible de 25 A.
 - Une puissance de 32 A ou 63 A est sélectionnée. Dans le cas contraire, si vous appuyez sur le bouton de démarrage, un message apparaît à l'écran pour vous l'indiquer.
- Monter le bloc de réduction de pression livré avec la scie à câble sur le groupe hydraulique conformément aux instructions figurant sur le bloc.
- Raccorder deux des flexibles hydrauliques fins au bloc de réduction de pression. Le flexible de l'ensemble de flexibles qui est marqué d'une rondelle rouge au niveau du raccord doit être raccordé au flexible du bloc de réduction de pression qui est également pourvu d'une rondelle.



- Fermer la vanne du bloc de réduction de pression en tournant la manette à fond dans le sens contraire des aiguilles d'une montre, puis de deux tours dans l'autre sens.

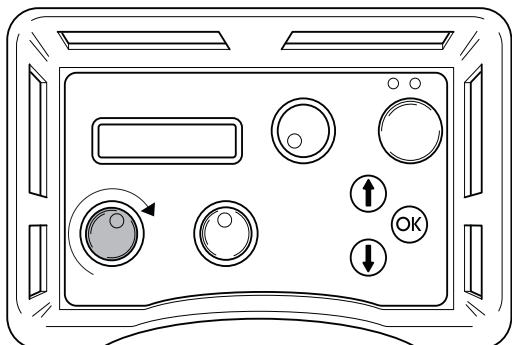
Démarrage

- 1 Démarrer le moteur électrique en appuyant une fois sur le bouton vert de la commande à distance.

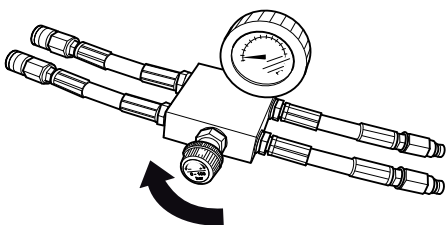


DÉMARRAGE ET ARRÊT

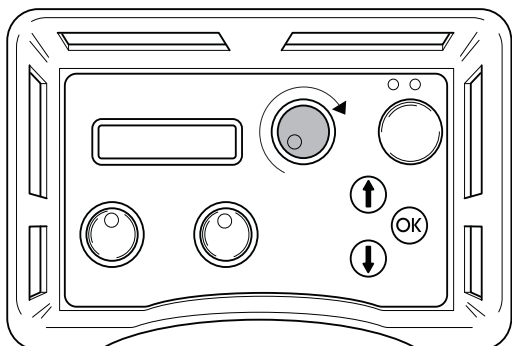
- 2 Régler le débit d'alimentation du groupe sur max. en tournant la commande du boîtier de commande à distance dans le sens des aiguilles d'une montre.



- 3 Tendre le câble en tournant prudemment la manette du bloc de réduction de pression dans le sens des aiguilles d'une montre jusqu'à ce que le câble soit correctement tendu. Veiller constamment à contrôler que le câble est en position correcte dans toutes les roues de la scie.

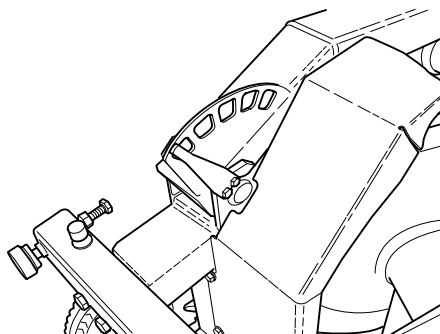


- 4 Démarrer l'entraînement du câble en tournant dans le sens des aiguilles d'une montre la commande de rotation du moteur sur le boîtier de commande à distance.



- 5 Augmenter prudemment le régime du moteur en tournant la commande de rotation du moteur. La pression de travail recommandée pour le sciage est en général entre 100 et 130 bars mais varie en fonction, par exemple, du nombre de paires de roues utilisées dans le magasin, de la quantité de câble en jeu et de la dureté du matériau à scier.
- 6 À mesure que le sciage progresse, la pression de travail diminue, ce qui est indiqué sur l'affichage, et le magasin doit être tendu. Effectuez ceci en tournant le volant du bloc de réduction de pression dans le sens des aiguilles d'une montre.

- 7 La tension du magasin est affichée par un indicateur sur la machine (en position min. sur l'illustration). Lorsque le cylindre du magasin est complètement enroulé, la machine doit être arrêtée et le câble doit être enroulé autour d'une nouvelle paire de roues. Continuer ensuite le sciage comme décrit plus haut.



Arrêt

- Diminuez la vitesse du câble et laissez le moteur s'arrêter complètement.
- Arrêter le moteur électrique en appuyant sur le bouton vert de la commande à distance.
- Débranchez les câbles électriques vers l'unité hydraulique.
- Débranchez les tuyaux hydrauliques et le tuyau d'eau de l'unité de sciage.
- Les autres étapes du démontage s'effectuent comme celle du montage mais dans l'ordre inverse.

IMPORTANT! Toujours nettoyer l'équipement complet à la fin de la journée de travail. Éviter d'utiliser de l'eau sous haute pression lors du nettoyage de la machine.

Généralités



AVERTISSEMENT! L'utilisateur ne peut effectuer que les travaux d'entretien et de révision décrits dans ce manuel d'utilisation. Les mesures plus importantes doivent être effectuées dans un atelier d'entretien agréé.

Les contrôles et/ou les entretiens doivent être effectués avec le moteur à l'arrêt et la prise électrique débranchée.

La durée de vie de la machine risque d'être écourtée et le risque d'accidents accru si la maintenance de la machine n'est pas effectuée correctement et si les mesures d'entretien et/ou de réparation ne sont pas effectuées de manière professionnelle. Pour obtenir de plus amples informations, contacter l'atelier de réparation le plus proche.

Entretien quotidien

- Vérifiez que l'équipement de sécurité de la machine est en parfait état. Voir instructions à la rubrique « Équipement de sécurité de la machine ».
- Contrôler que le câble et la rallonge sont entiers et en bon état.
- Contrôler le niveau d'huile dans le groupe d'alimentation. Le jet à haute pression peut endommager les joints et ainsi laisser de l'eau ou de la poussière pénétrer dans la machine, ce qui cause de graves dommages.
- Toujours nettoyer l'équipement complet à la fin de la journée de travail. Utilisez une brosse manuelle résistante ou un pinceau large.
- Veiller à garder les connecteurs et les broches propres. Nettoyer à l'aide d'un chiffon ou d'une brosse.

ATTENTION ! Ne pas utiliser de nettoyeur haute pression pour le nettoyage de la machine.

- Contrôler la pression des pneus.

Changement d'huile



AVERTISSEMENT! L'huile peut être dangereuse pour la santé et pour l'environnement.

- Un bouchon magnétique situé sous le réservoir permet d'effectuer les vidanges. Nettoyer l'aimant.
- Ouvrir le bouchon à vis du réservoir et remplir d'huile hydraulique d'une viscosité de 46. Il est recommandé d'utiliser de l'huile hydraulique avec une viscosité de 68 dans les climats plus chauds. Vérifier que le niveau d'huile arrive à environ 10 mm sous le repère max. du tube d'observation.

Env. 16 litres d'huile sont nécessaires lors de la vidange.

Remplacement du filtre

- Pour remplacer le filtre, desserrer les 12 vis du couvercle du réservoir et le retirer. Desserrer les trois vis du couvercle du carter du filtre et retirer le couvercle. Retirer la cartouche du filtre et mettre en place une nouvelle cartouche en veillant à ce qu'elle pénètre bien dans le manchon tubulaire au fond du carter du filtre.

Service



AVERTISSEMENT! Toutes les réparations doivent être effectuées par des réparateurs agréés. Ceci permet d'éviter que les opérateurs ne soient exposés à des risques importants.

Après 100 heures d'utilisation apparaît à l'écran le message "Time for servicing" (entretien requis). Il convient alors de confier l'équipement complet à un revendeur Husqvarna agréé pour son entretien.

Messages d'erreur

Dix messages d'erreurs différents peuvent apparaître sur l'affichage :

- ATTENTION ! BASSE TENSION (1A) CONTRÔLER L'ALIMENTATION EN TENSION ET LE CÂBLE VERS LE GROUPE HYDRAULIQUE
- BASSE TENSION PHASE X (1B) BASSE PUISSANCE 32A
- PROTECTION MOTEUR DÉCLENCHÉE (2)
- SURCHAUFFE MOTEUR (3) REFRROIDISS EN COURS. NE PAS ARRÊTER MOTEUR ÉL !
- TEMP. HUILE ÉLEVÉE (4) CONTRÔLER L'EAU VERS LE GROUPE HYDRAULIQUE
- CAPTEUR PRESSION (5) HORS SERVICE
- PRESSION HYDR. ÉLEVÉE (6) CONTR. GROUPE
- PAS DE CONTACT CONTRÔLER LE CÂBLE CAN (7)
- PAS DE CONTACT RADIO (8)

Message d'erreur (1A)

IMPORTANT! Basse tension Contrôler l'alimentation en tension et le câble vers le groupe hydraulique.

Tension trop basse, causée par :

- Câble de connexion long
- Dimension de conducteur (surface de section) du câble électrique trop petite.

Une (ou plusieurs) phase(s) manque(nt), causée par :

- Un fusible s'est déclenché dans la centrale électrique.
- Câble électrique interrompu.
- Une ou plusieurs phases dans la centrale électrique ne sont pas sous tension.

Solution (1A)

Appuyer sur OK pour confirmer le message d'erreur.

Le groupe hydraulique adapte alors la sortie de puissance maximale à 32A.

Message d'erreur (1B)

« Basse tension Phase x basse puissance 32A », où x désigne la phase 1, 2 ou 3.

Solution (1B)

Appuyer sur OK pour confirmer le message d'erreur. L'affichage indique que la puissance de sortie maximale est réglée à 32A. Si la tension reste basse, le moteur électrique s'arrête et un message d'erreur de basse tension s'affiche.

Appuyer sur OK et le groupe revient à la puissance maximale choisie lors de la mise en marche. Pour passer de 63A à 32A et vice versa, arrêter le groupe et le remettre en marche.

Relever la tension d'alimentation dans le menu de fonctionnement « Ph 1, 2, 3 ». Si, avant le démarrage du moteur, la tension est :

- Inférieure à 340V, contrôler qu'aucun conducteur du câble n'est interrompu et que la tension atteint la centrale électrique.
- Supérieure à 340V, contrôler les dimensions et la longueur du conducteur du câble.

Message d'erreur (2)

« Protection moteur déclenchée »

Cause (2)

Le moteur électrique est surchargé ou il manque une phase. La protection moteur, destinée à protéger le moteur électrique, s'est donc déclenchée.

Solution (2)

Appuyer sur OK pour confirmer le message d'erreur. Contrôler que la tension vers le groupe hydraulique est présente sur les trois phases.

Relever la tension d'alimentation dans le menu de fonctionnement « Ph 1, 2, 3 ».

Si la tension vers une phase manque : Contrôler le câble électrique et la tension vers la centrale électrique. La protection moteur redémarre automatiquement dans les trois minutes.

Si la tension vers toutes les phases est supérieure à 340V : Attendre que la protection moteur redémarre. Puis redémarrer le groupe hydraulique.

Si la protection moteur se déclenche souvent, contacter le personnel d'entretien.

Message d'erreur (3)

« Moteur surchauffé Refroid. en cours. Ne pas arrêter le moteur él. !

IMPORTANT! Ne pas arrêter le moteur, il risquerait d'être endommagé. Le moteur s'arrête automatiquement lorsqu'il est refroidi.

Cause (3)

Température moteur élevée détectée

Solution (3)

Appuyer sur OK pour confirmer le message d'erreur.

S'il est malgré tout nécessaire d'arrêter le moteur, confirmer d'abord le message d'erreur en appuyant sur OK.

L'affichage indique : REFROIDISSEMENT. Les vannes hydrauliques pour la lame et les alimentations sont arrêtées. Les mouvements d'alimentation peuvent cependant être remis en marche.

Lorsque la température du moteur est redescendue sous le niveau limite, l'affichage indique : MOTEUR REFROIDI APPUYER SUR OK.

Si le moteur surchauffe souvent, contacter le personnel d'entretien.

Message d'erreur (4)

« Temp. huile élevée Contrôler l'eau vers le groupe hydraulique »

Cause (4)

Le refroidissement de l'huile hydraulique n'a pas fonctionné.

Solution (4)

Le moteur électrique s'arrête lorsque le message d'erreur s'affiche. Appuyer sur OK pour confirmer le message d'erreur. Contrôler que l'eau de refroidissement est connectée au groupe hydraulique et que l'eau coule vers la lame lorsque l'on tourne la manette de rotation de la lame.

Message d'erreur (5)

« Capteur pression hors service »

Cause (5)

Le capteur de pression pour la mesure de la pression hydraulique de la rotation de la lame ne fonctionne pas.

Solution (5)

Appuyer sur OK pour confirmer le message d'erreur. Si le message d'erreur est répété, remplacer le capteur de pression.

Message d'erreur (6)

« Pression hydr. élevée Contr. groupe »

Cause (6)

La lame est coincée, ce qui entraîne une pression hydraulique élevée.

Solution (6)

Appuyer sur OK pour confirmer le message d'erreur. Si le message d'erreur apparaît souvent, contacter le personnel d'entretien.

Message d'erreur (7)

« Pas de contact Contrôler le câble CAN »

Cause (7)

Dans les télécommandées équipées d'une radio et d'une batterie, cet avertissement s'affiche si la tension d'entrée vers le bloc d'alimentation disparaît.

Le câble CAN ou son contacteur est endommagé et le groupe hydraulique ne peut pas être contrôlé par l'intermédiaire de la commande à distance.

Solution (7)

Appuyer sur OK pour confirmer le message d'erreur. Contrôler le câble et le contacteur et remplacer les parties endommagées. Contacter le personnel d'entretien si l'erreur persiste.

Message d'erreur (8) – concerne les groupes équipés d'un système radio

« Pas de contact radio »

Cause (8)

Le contact radio entre le groupe hydraulique et la commande à distance ne fonctionne pas.

Solution (8)

Il peut être nécessaire d'effectuer d'autres mesures pour remédier à l'erreur :

- Contrôler (via le menu de fonctionnement - paramètres – radio id) que le numéro d'identification est supérieur à 0.
- Vérifier que le groupe hydraulique est en marche.
- S'approcher du groupe hydraulique afin d'éviter une trop grande distance ou des murs armés.

CARACTÉRISTIQUES TECHNIQUES

PP 455 E

Puissance hydraulique nominale, kW/cv	25/33,5	
Débit d'huile hydraulique maximum (à 63A), l/min / gal/min	65/17	
Poids, groupe hydraulique, huile comprise kg/lbs	140/310	
Ligação eléctrica		
Europe + Australie 5 broches	400V (32-63A), 50Hz	
Europe + Asie 4 broches	400V (32-63A), 50Hz	
Norvège 5 broches	400V (32-63A), 50Hz	230V (80A), 50Hz
Japon 4 broches	200V (80A) 50, 60 Hz	
États-Unis 4 broches	480V (32-63A, 60 Hz)	
Canada 4 broches	600V (20-40A), 60Hz	
Équipement supplémentaire	2 prises murale de 230 V	
Système de contrôle		
Type de contrôle	Commande à distance	
Transmission de signaux	Sans fil/avec câble	
Émissions sonores (voir remarque 1)		
Niveau de puissance sonore mesuré dB(A)	97	
Niveau de puissance sonore garanti dB(A)	101	
Niveaux sonores (voir remarque 2)		
Niveau de pression acoustique au niveau des oreilles de l'utilisateur, dB(A)	78	

IMPORTANT! Pour une puissance maximale s'applique le nombre d'ampères supérieur.

Remarque 1: Émission sonore dans l'environnement mesurée comme puissance acoustique (L_{WA}) selon la directive UE 2000/14/CE.

Remarque 2: Niveau de pression sonore conformément à EN ISO 11201. Les données reportées pour le niveau de pression sonore montrent une dispersion statistique typique (déviat ion standard) de 1,0 dB (A).

CARACTÉRISTIQUES TECHNIQUES

Déclaration CE de conformité

(Concerne seulement l'Europe)

Husqvarna AB, S-561 82 Huskvarna, Suède, tél. : +46-36-146500, déclarons, sous notre seule responsabilité, que le groupe moteur **Husqvarna PP 455 E** à partir des numéros de série de l'année de fabrication 2010 (l'année est indiquée en texte clair sur la plaque d'identification et suivie d'un numéro de série) est conforme aux dispositions établies dans les DIRECTIVES DU CONSEIL

- du 17 mai 2006 "directive machines" **2006/42/CE**.
- du 12 décembre, 2006 "relatives aux équipements électriques" **2006/95/CE**.
- du 15 décembre 2004 "compatibilité électromagnétique" **2004/108/CE**.
- du 8 mai 2000 "émissions sonores dans l'environnement" **2000/14/CE**.
- Directive **2011/65/UE** du 8 juin 2011 « relative à la limitation de l'utilisation de certaines substances dangereuses »

Les normes harmonisées suivantes ont été appliquées: EN ISO 12100:2010, EN 55014-1:2006, EN 55014-2/A1:2001, EN 61000-3-11:2000, EN 982/A1:2008, EN 60204-1:2006.

Göteborg, le 12 avril 2015



Helena Grubb

Vice-président, équipements de construction Husqvarna AB

(Représentant autorisé d'Husqvarna AB et responsable de la documentation technique.)

GB - Original instructions, ES - Instrucciones originales, DE - Originalanweisungen, FR - Instructions d'origine



1157653-20

2015-08-25