



H Husqvarna®



BMR 75D

EN Operator's manual
ES-MX Manual del usuario
FR-CA Manuel d'utilisation

2-30
31-62
63-94

Contents

Introduction.....	2	Troubleshooting.....	25
Safety.....	5	Transportation, storage and disposal.....	27
Operation.....	11	Technical data.....	28
Maintenance.....	16	Accessories.....	30

Introduction

Owner responsibility



WARNING: Processing of concrete and stone by methods such as cutting, grinding or drilling, especially during dry operation, generates dust that comes from the material being processed, which frequently contains silica. Silica is a basic component of sand, quartz, brick clay, granite and numerous other minerals and rocks. Exposure to excessive amount of such dust can cause:

Respiratory disease (affecting your ability to breathe), including chronic bronchitis, silicosis and pulmonary fibrosis from exposure to silica. These diseases may be fatal;

Skin irritation and rash.

Cancer according to NTP* and IARC* */ National Toxicology Program, International Agency for Research on Cancer.

Take precautionary steps:

Avoid inhalation of and skin contact with dust, mist and fumes.

Wear and ensure that all bystanders wear appropriate respiratory protection such as dust masks designed to filter out microscopic particles. (See OSHA 29 CFR Part 1926.1153)

To minimize dust emissions use an appropriate dust collector.

It is the owner's/employer's responsibility that the operator has sufficient knowledge about how to use the product safely. Supervisors and operators must have read and understood the Operator's Manual. They must be aware of:

- The product's safety instructions.
- The product's range of applications and limitations.
- How the product is to be used and maintained.

National/Local regulations could restrict the use of this product. Find out what regulations are applicable where you work before you start using the product.

California Proposition 65

WARNING!

The engine exhaust from this product contains chemicals known to the State of California to cause cancer, birth defects or other reproductive harm.

CALIFORNIA AIR RESOURCES BOARD (CARB)

Note: This machine is considered a preempt Off-Road Application as relating to CARB standards. The U.S EPA has sole authority to establish emission standards for preempt construction equipment.

Product description

The product is a ride-on shot blaster operated by a diesel engine. The product has an integrated dust collector.

Intended use



WARNING: Do not collect ignition sources, hot particles, liquids, explosive material or pyrophoric particles and particles that are not stable.

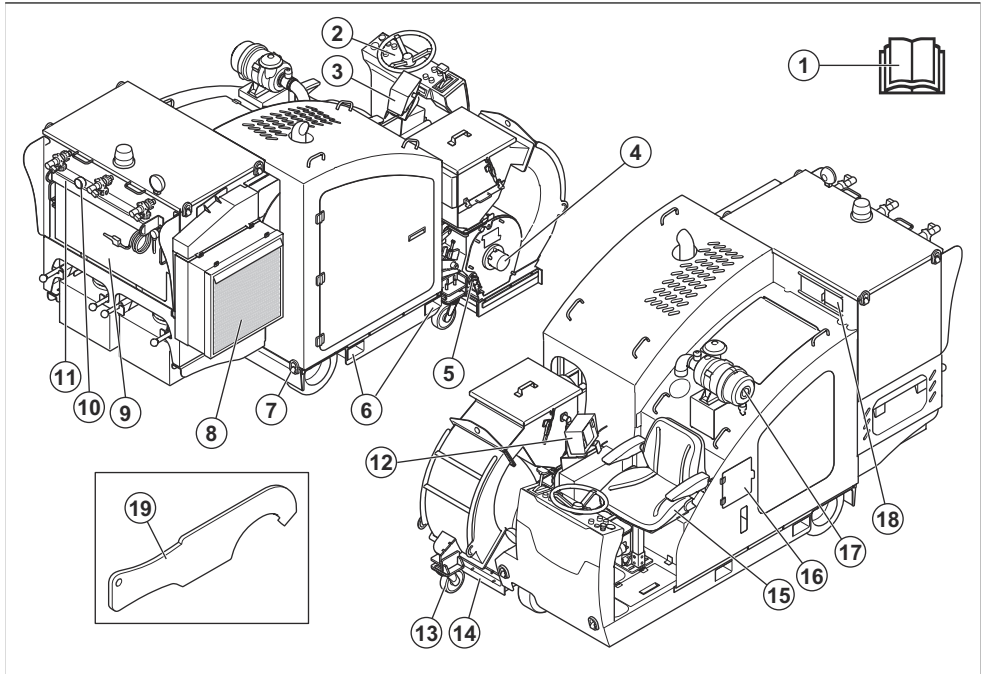
The product is used in commercial operations by professional operators.

The product is used to remove layers of paint, sealants and contaminations. The product can be used on dry, frost-free horizontal surfaces. For example concrete, asphalt, stone and steel.

The integrated dust collector is used for dry suction of dust and particles from material removed by the shot blaster. The material can be dangerous and harmful to health.

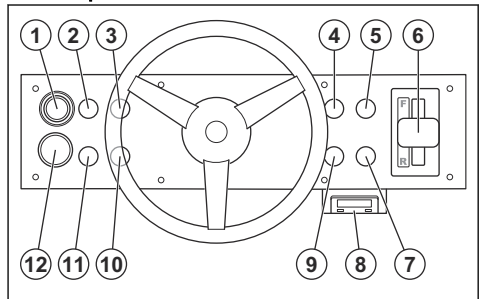
Do not use the product for other tasks. Only use the product with accessories that are approved by the manufacturer.

Product overview



1. Operator's manual
2. Control panel
3. Ignition key
4. Blast wheel
5. Pinch bar
6. Forklift brackets
7. Tie-down point
8. HEPA filter
9. Dust collector
10. Pressure tank manometer
11. Pressure tank
12. Display
13. Front wheel
14. Shot blaster head
15. Seat
16. Fuel tank
17. Air filter
18. Air flow hatch
19. Tension wrench

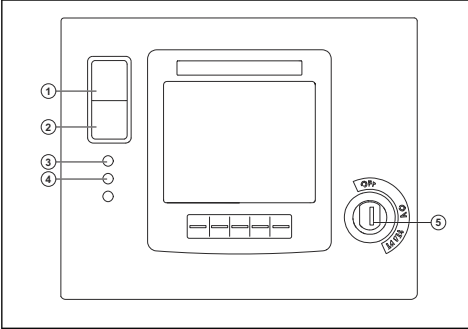
Control panel overview



1. Emergency stop button
2. Warning light for primary filters clogged
3. ON/OFF button for work lights
4. Button to engage the clutch
5. Button to disengage the clutch
6. Movement control lever
7. Button to close the valve for the abrasive material
8. Speed level indicator (ft/min)
9. Button to open the valve for the abrasive material

10. Button to lift the shot blaster head
11. "Freeflow" button to lower the shot blaster head
12. Fuel gauge

Display overview



1. Button to increase the engine RPM
2. Button to decrease the engine RPM
3. Indicator for engine faults
4. Warning indicator
5. Ignition key

Symbols on the product



Warning: This product can be dangerous and cause serious injury or death to the operator or others. Be careful and use the product correctly.



High voltage.



Keep all parts of your body away from hot surfaces.



Lifting point.



Keep hands away from rotating parts.



Read the operator's manual carefully and make sure that you understand the instructions before you use this product.



Read the manual carefully and make sure that you understand the instructions before you use the product.



Use an approved respiratory protection.



Use approved hearing protection.



Use approved eye protection.



Use approved protective gloves.



Use approved protective boots.



Hot surface.



Risk of fire or explosion.



Risk of carbon monoxide poisoning. Do not operate the product in areas with bad airflow.



Risk of electrical shock.



Add oil.



Add fuel.



Securing point on the product.



High RPM.



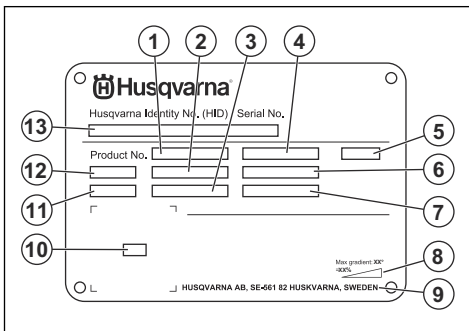
Low RPM.



Engine stop. The operation cannot continue. Refer to the engine manual for more information.

Note: Other symbols/decals on the product refer to special certification requirements for some markets.

Type plate



1. Product number
2. Product weight
3. Rated power
4. Rated voltage
5. Enclosure
6. Rated current
7. Frequency
8. Maximum slope angle
9. Manufacturer
10. Scannable code
11. Production year
12. Model
13. Serial number

Product damage

We are not responsible for damages to our product if:

- the product is incorrectly repaired.
- the product is repaired with parts that are not from the manufacturer or not approved by the manufacturer.
- the product has an accessory that is not from the manufacturer or not approved by the manufacturer.
- the product is not repaired at an approved service center or by an approved authority.

Safety

Safety definitions

Warnings, cautions and notes are used to point out specially important parts of the manual.



WARNING: Used if there is a risk of injury or death for the operator or bystanders if the instructions in the manual are not obeyed.



CAUTION: Used if there is a risk of damage to the product, other materials or the adjacent area if the instructions in the manual are not obeyed.

Note: Used to give more information that is necessary in a given situation.

General safety instructions



WARNING: Read the warning instructions that follow before you use the product.



CAUTION: Always read the manual and warning instructions of the diesel engine before you operate the product.

- This product is a dangerous tool if you are not careful or if you use the product incorrectly. This product can cause serious injury or death to the operator or others. Before you use the product, you must read and understand the contents of this operator's manual.
- This product is not intended for use by persons, including children, with reduced physical, sensory or mental capabilities, or lack of experience and knowledge.
- Save all warnings and instructions.
- Comply with all applicable laws and regulations.

- The operator and the employer of the operator must know and prevent the risks during operation of the product.
- Do not let a person operate the product unless they read and understand the contents of the operator's manual.
- Do not operate the product unless you receive training before use. Make sure that all operators receive training.
- Do not let a child operate the product.
- Only let approved persons operate the product.
- The operator is responsible for accidents that occur to other persons or their property.
- Do not use the product if you are tired, ill, or under the influence of alcohol, drugs or medicine.
- Operating the machine might lead to fatigue. It is important that the operator takes regular breaks.
- Always be careful and use your common sense.
- Keep the product clean. Make sure that you can clearly read signs and decals.
- Do not use the product if it is damaged or does not operate correctly.
- Do not do modifications to this product.
- Do not operate the product if it is possible that other persons have done modifications to the product.
- Only operate the product on horizontal surfaces.
- Always use approved accessories. Speak to your Husqvarna dealer for more information.
- If vibrations occur in the product or the noise level from the product is unusually high, stop the product immediately. Examine the product for damages. Repair damages or let an approved service agent do the repair.
- Only operate the product when you sit on the seat and with your hands on the handles or steering wheel.
- Always use the seat belt during operation.
- Make sure that there is no grease or oil on the steering wheel.
- Make sure that the abrasive material seal are not damaged.
- Make sure that the abrasive material seals are installed in the correct height.
- Always use approved abrasive material. Speak to your Husqvarna dealer for more information. Refer to *Approved abrasive material on page 29*.
- Replace the dust bag frequently. Do not fill the dust bag too much, it can cause damage to the dust bag.
- Be careful, the engine is hot during operation.
- Only park the product on horizontal surfaces. The machine can suddenly move if it is not parked on horizontal surface. The center of gravity changes when the machine is filled with dust, which can decrease the parking brake function.

Safety instructions for operation



WARNING: Read the warning instructions that follow before you use the product.

- Use personal protective equipment. Refer to *Personal protective equipment on page 7*.
- Refer to the service manual of the engine for safe operation and maintenance. Save the service manual for further reference.
- Do not operate the product without all protective covers installed.
- Make sure that you know how to stop the product quickly in an emergency.
- Before you go away from the product, stop the engine. Make sure that there is no risk of accidental start.
- Make sure that clothing, long hair and jewelry do not get caught in moving parts.
- Make sure that you are in a safe and stable position during operation.
- Make sure that there are no loose bolts and nuts.
- Do not lift or tilt the product during operation. Abrasive material comes out of the product at high speed and can cause injury. Always stop the engine before you lift or tilt the product.
- Make sure that the separator and separator tray are closed during operation.
- Do not operate the product unless you can get aid if an accident occurs.

Vibration safety



WARNING: Read the warning instructions that follow before you use the product.

- During operation of the product, vibrations go from the product to the operator. Regular and frequent operation of the product can cause or increase the degree of injuries to the operator. Injuries can occur in fingers, hands, wrists, arms, shoulders, and/or nerves and blood supply or other body parts. The injuries can be debilitating and/or permanent, and can increase gradually during weeks, months or years. Possible injuries include damage to the blood circulation system, the nervous system, joints, and other body structures.
- Symptoms can occur during operation of the product or at other times. If you have symptoms and continue to operate the product, the symptoms can increase or become permanent. If these or other symptoms occur, get medical aid:
 - Numbness, loss of feeling, tingling, pricking, pain, burning, throbbing, stiffness, clumsiness, loss of strength, changes in skin color or condition.
- Symptoms can increase in cold temperatures. Use warm clothing and keep your hands warm and dry when you operate the product in cold environments.

- Do maintenance on and operate the product as given in the operator's manual, to keep a correct vibration level.
- The product has a vibration damping system that decreases the vibrations from the handles to the operator.
- Keep your hands on the handle or handles only. Keep all other body parts away from the product.
- Stop the product immediately if strong vibrations suddenly occurs. Do not continue the operation before the cause of the increased vibrations is removed.

Dust safety



WARNING: Read the warning instructions that follow before you use the product.

- Operation of the product can cause dust in the air. Dust can cause serious injury and permanent health problems. Silica dust is regulated as harmful by several authorities. These are examples of such health problems:
 - The fatal lung diseases chronic bronchitis, silicosis and pulmonary fibrosis
 - Cancer
 - Birth defects
 - Skin inflammation
- Use correct equipment to decrease the quantity of dust and fumes in the air and to decrease dust on work equipment, surfaces, clothing and body parts. Example of controls are dust collection systems. Decrease dust at the source where possible. Make sure that the equipment is correctly installed and used and that regular maintenance is done.
- Use approved respiratory protection. Make sure that the respiratory protection is applicable for the dangerous materials in the work area.
- Make sure that the airflow is sufficient in the work area.

Noise safety



WARNING: Read the warning instructions that follow before you use the product.

- High noise levels and long-term exposure to noise can cause noise-induced hearing loss.
- To keep the noise level to a minimum, do maintenance on and operate the product as given in the operator's manual.
- Use approved hearing protection while you operate the product.
- Listen for warning signals and voices when you use hearing protection. Remove the hearing protection when the product is stopped, unless hearing

protection is necessary for the noise level in the work area.

Personal protective equipment



WARNING: Read the warning instructions that follow before you use the product.

- Always use approved personal protective equipment when you operate the product. Personal protective equipment cannot fully prevent injury but it decreases the degree of injury if an accident does occur. Let your dealer help you select the correct personal protective equipment and when to use them.
- Regularly do a check of the condition of the personal protective equipment.
- Use approved hearing protection.
- Use approved respiratory protection.
- Use approved eye protection with side protection.
- Use protective gloves.
- Use boots with steel toe-cap and non-slip sole.
- Use approved work clothing or equivalent close-fitting clothing that has long sleeves and long legs.

Fuel safety



WARNING: Read the warning instructions that follow before you use the product.

- Fuel is flammable and the fumes are explosive. Be careful with fuel to prevent injury, fire and explosion.
- Do not breathe in the fuel fumes. The fuel fumes are poisonous and can cause injury. Make sure that the airflow is sufficient.
- Do not remove the fuel tank cap or fill the fuel tank when the engine is on.
- Make sure that the engine is cool before you refuel.
- Do not fill fuel in an indoor area. Insufficient airflow can cause injury or death because of asphyxiation or carbon monoxide poisoning.
- Do not smoke near the fuel or the engine.
- Do not put hot objects near the fuel or the engine.
- Do not fill fuel near sparks or flames.
- Before you refuel, open the fuel tank cap slowly and release the pressure carefully.
- Fuel on your skin can cause injury. If you get fuel on your skin, use soap and water to remove the fuel.
- If you spill fuel on your clothing, change clothing immediately.
- Do not fill the fuel tank fully. Heat causes the fuel to expand. Keep a space at the top of the fuel tank.
- Tighten the fuel tank cap fully. If the fuel tank cap is not tightened, there is a risk of fire.
- Before you start the product, move the product to a minimum of 3 m/10 ft from where you refueled.

- Do not start the product if there is fuel or engine oil on the product. Remove the unwanted fuel and engine oil and let the product dry before you start the engine.
- Examine the engine for leaks regularly. If there are leaks in the fuel system, do not start the engine until the leaks are repaired.
- Do not use your fingers to examine the engine for leaks.
- Keep fuel in approved containers only.
- When the product and fuel is in storage, make sure that fuel and fuel fumes cannot cause damage.
- Drain the fuel in an approved container outdoors and away from sparks and flames.

- It is the responsibility of the user to analyse the surface to be treated. The user should make a risk assessment on the basis of the information obtained about the surface to be treated and take proper precautions for the work to be performed.
- Do not use the product in fog, rain, strong winds, cold weather, risk of lightning or other bad weather conditions.
- Look out for persons, objects and situations that can prevent safe operation of the product.
- Do not use the product in areas where fire or explosions can occur. The product creates sparks and flammable material can create ignition with the dust or fumes.
- Keep children, bystanders and animals away from the work area and at a safe distance from the product. Safe distance is 10 m/33 ft.

Exhaust fumes safety

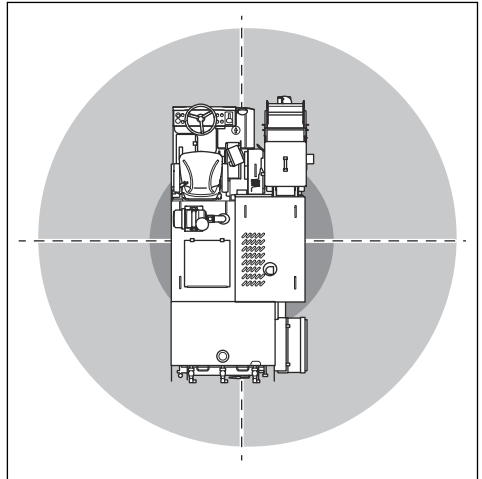


WARNING: Read the warning instructions that follow before you use the product.



WARNING: The exhaust fumes from the engine contain carbon monoxide which is an odourless, poisonous and very dangerous gas. To breathe carbon monoxide can cause death. Because carbon monoxide is odourless and cannot be seen, it is not possible to sense it. A symptom of carbon monoxide poisoning is dizziness, but it is possible that a person becomes unconscious without warning if the quantity or concentration of carbon monoxide is sufficient.

- Exhaust fumes also contain unburned hydrocarbons including benzene.
- Long-term inhalation of exhaust fumes can cause health problems.
- Exhaust fumes that you can see or smell also contain carbon monoxide.
- Do not breathe in the exhaust fumes.
- The exhaust fumes from the engine are hot and may contain sparks which can start a fire. Always keep firefighting equipment nearby. Never start the product near combustible material.



- Make sure that bystanders and animals are not in the work area and at a safe distance from the product.
- Make sure that only approved persons are in the work area.
- Keep the work area clean and fully illuminated. Cluttered or dark areas invite accidents.
- Remove objects such as screws, bolts, wires and stones from the work area before you use the product.
- Make sure that there are no cables or hoses in the operation direction of the product.
- Make sure that uneven surfaces, such as welded seams or floor joints, do not stop the product.
- Make sure that there is sufficient airflow in the work area.

Fire extinguisher

- Keep a fire extinguisher near during operation.
- Use a powder fire extinguisher of "ABE" class or a carbon dioxide fire extinguisher of "BE" type.

Work area safety



WARNING: Read the warning instructions that follow before you use the product.

Safety devices on the product



WARNING: Read the warning instructions that follow before you use the product.

- Do not use the product if the safety devices are damaged or does not operate correctly.
- Do a check of the safety devices daily. If your safety devices are damaged or does not operate correctly, speak to your Husqvarna service agent.
- Do not make modifications on safety devices

Emergency stop button

The emergency stop button is used to quickly stop the operation. The emergency stop button breaks the power supply to the drive system. The emergency stop button closes the valve for abrasive material and disengages the clutch.

To do a check of the emergency stop button

Refer to *Product overview on page 3* for information about where the emergency stop button is on your product.

1. Turn the emergency stop button clockwise to make sure that the emergency stop button is disengaged.
2. Start the product. Refer to *To start the product on page 14*.
3. Push the emergency stop button.
4. Make sure that the the drive system stops, the valve for abrasive material is closed and the clutch is disengaged.
5. Set the movement control lever in the neutral position.
6. Turn the emergency stop button clockwise to disengage.

Seat belt



WARNING: Always use the seat belt when you operate the product.

The seat belt will keep the operator in the seat during operation and the sudden stops.

- Do a check of the seat belt before operation. Make sure that it works correctly and it is not damaged.
- Keep the seat belt flat against your waist.
- Do not twist the seat belt.
- Make sure that there are no objects between you and the seat belt.
- Do a check of the seat belt after a sudden stop. Make sure that the function of the seat belt is correct before you use the product.
- Keep the seat belt clean and dry.

Operator Presence Control (OPC)

When the OPC is engaged, the power supply of the drive system stops. The valve for the abrasive material closes and the clutch disengages. Refer to *To do a check of the operator presence control on page 9*.

To do a check of the operator presence control

1. Start the product. Refer to *To start the product on page 14*.
2. Go away from the seat to engage the operator presence control. If the product does not stop in 5 seconds, speak to an approved Husqvarna service agent.

Muffler

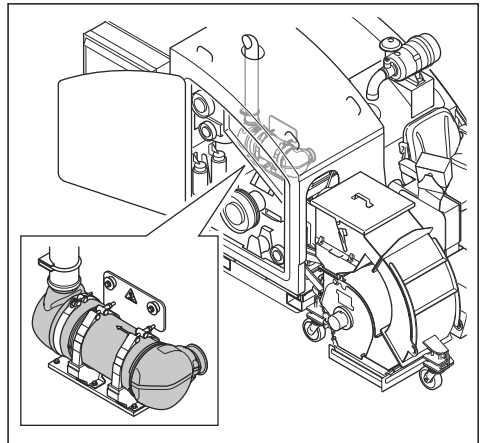


WARNING: The muffler becomes very hot during/after operation and at idle speed. There is a risk of fire, especially when you operate the product near flammable materials and/or fumes.



WARNING: Do not operate a product without a muffler or with a damaged muffler. A damaged muffler can increase the noise level and the risk of fire. Keep tools to extinguish fire near. Do not use a product without, or with a broken muffler.

The muffler keeps the noise levels to a minimum and points the exhaust fumes away from the operator. In areas with a hot, dry weather there is a high risk of fire. Obey local regulations and maintenance instructions.



To do a check of the muffler



WARNING: A used muffler/mounting face may contain deposits of combustion particles on the surfaces that may be carcinogenic.

- Always wear personal protective equipment when you do a check of the muffler to prevent skin touch and inhalation of the dangerous particles.
- Make sure that there is a sufficient air flow in the area when you clean and/or do maintenance on the muffler.
- Do not use pressurized air to clean the muffler.
- Clean the muffler with a steel brush and brush away from your body.

- Examine the muffler regularly to make sure that it is attached correctly and not damaged.

Hydraulic safety



WARNING: Read the warning instructions that follow before you use the product.

- Make sure that the hydraulic hose connections are tight and that there is no oil leakage.
- Be careful when you tighten the hydraulic connections. If you tighten the hydraulic connections too much, it can cause damage to the O-rings.
- Make sure that the hydraulic hose connections are clean and in good condition.
- Pressurized hydraulic oil is dangerous and can cause serious injury. Do not look for an oil leakage when the hydraulic system is pressurized.
- Be careful when you fill the product with hydraulic oil. The hydraulic oil is flammable. If you spill hydraulic oil, clean the surface.
- Only fill the product with hydraulic oil in a location with good airflow.
- If the maintenance is not done correctly and regularly, the risk of injury and damage to the product increases. Let the machine cool off before you do any maintenance or inspections. Take out the ignition key.
- Let the product become cool before you do any maintenance or inspections. Make sure that there is no risk of accidental start.
- Clean the product to remove dangerous material before you do the maintenance.
- Do the maintenance of the product on stable level ground. Make sure that the product cannot move.
- Do not make modifications to the product. Modifications that are not approved by the manufacturer can cause serious injury or death.
- Replace damaged, worn or broken parts.
- Do not use a pressure washer to clean the product.
- Only use lint-free cleaning cloths.
- Always use original accessories and spare parts. Accessories and spare parts that are not approved by the manufacturer, can cause serious injury or death.
- After maintenance, do a check of the vibration level in the product. If it is not correct, speak to an approved service agent.
- Do not use a product that is damaged or does not operate correctly. Do the safety checks, maintenance and the servicing as given in this manual. All other maintenance work must be done by an approved service agent.
- Product related accidents occur during the troubleshooting, servicing and maintenance as the operator must be in the risk area of the product. The operator must be careful and prepare the work to prevent accidents.
- Do not make a hole in the HEPA filter. A broken HEPA filter can cause dust to release into the air.
- Make sure that you obey all local regulations to dispose the dangerous dust correctly, before and during maintenance.
- Make sure that you obey all local regulations to dispose all replaced parts after the servicing.
- Do not use a product that is damaged or does not operate correctly. Do the safety checks, maintenance and the servicing as given in this manual. All other maintenance work must be done by an approved service agent.
- Only let an approved electrician do all checks of the electric components.
- Be careful when you handle the filters. If you damage the filters, there is a risk of dust dispersion.
- The manufacturer, or an instructed person, must do a technical inspection at least annually. The technical inspection includes an inspection of the filters for damage, air tightness of the product and correct function of the control mechanism. In addition the filtration efficiency of the product must be tested at least annually, or more frequently as may be specified by national requirements. If the test is not

Safety instructions for maintenance



WARNING: Read the warning instructions that follow before you use the product.

- Use personal protective equipment. Refer to *Personal protective equipment on page 7*.
- Only do the maintenance as given in this operator's manual. Let an approved service agent do all other servicing.
- Refer to the service manual of the engine for safe operation and maintenance. Save the service manual for further reference.

conducted the main filters must be replaced by new ones.

- When carrying out service or repair operations, all contaminated items which cannot be satisfactorily cleaned are to be disposed of; such items shall be disposed of in impervious bags in accordance with any current regulation for the disposal of such waste.
- All the machine parts shall be regarded as contaminated when removed from the working area and appropriate action taken to prevent dust dispersal.
- The outside of the machine should be decontaminated by vacuum cleaning methods and wiped clean or treated with sealant before being taken out of a working area.
- For user servicing, the machine shall be dismantled, cleaned and serviced, as far as is reasonably practicable, without causing risk to the maintenance staff and others. Suitable precautions include decontamination before dismantling, provision for local filtered exhaust ventilation where the machine is dismantled, cleaning of the maintenance area and suitable personal protection.
- It is necessary to provide for an adequate AIR CHANGE RATE ACR in the room if the exhaust air is returned to the room. Refer to National regulations.

Operation

Introduction



WARNING: Before you operate the product, you must read and understand the safety chapter.

To do before you operate the product

1. Read the operator's manual carefully and make sure that you understand the instructions.
2. Read the engine manual that is supplied by the engine manufacturer.
3. Use personal protective equipment. Refer to *Personal protective equipment on page 7*.
4. Make sure that only approved persons are in the work area.
5. Do daily maintenance. Refer to *Maintenance schedule on page 17*.
6. Make sure that the product is assembled correctly and is not damaged.
7. Make sure that all bolts, screws and nuts are tightened.
8. Make sure that the blast wheel, liners and sealing are not damaged or worn out. Replace the parts when 75% of the blade thickness has been worn away.
9. Put the product on the work area. Make sure that the transportation of the product to and in the work area is done safely and correctly. Refer to *Transportation, storage and disposal on page 27*.
10. Make sure that the height of the rubber seals are 1 mm/0.04 in. above the surface.
11. Do a check of the oil level. Refer to *To do a check of the engine oil level on page 23*.
12. Do a check of the fuel level.
13. Do a check of the hydraulic oil level.

14. Make sure that the separator is filled with abrasive material. Refer to *Separator on page 12* or *To fill the product with abrasive material on page 13*.
15. Make sure that the BigBag is empty. Refer to *To discard a full BigBag and install a new BigBag bag on page 15*.

Valve for the abrasive material



CAUTION: Only open the valve for the abrasive material when the product is in operation.

The valve for the abrasive material controls the flow of the abrasive material to the blast wheel.

To operate the valve for the abrasive material

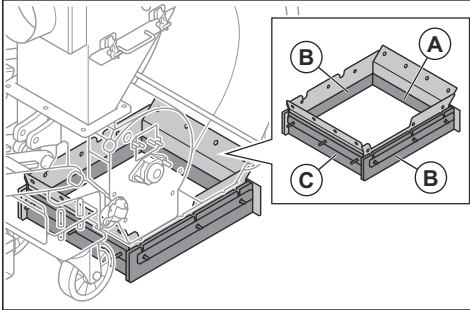


CAUTION: Only open the valve for the abrasive material when the product is in operation.

1. Push the button on the control panel to open the valve for the abrasive material. Refer to *Control panel overview on page 3*.
2. Push the button on the control panel to close the valve for the abrasive material. Refer to *Control panel overview on page 3*.

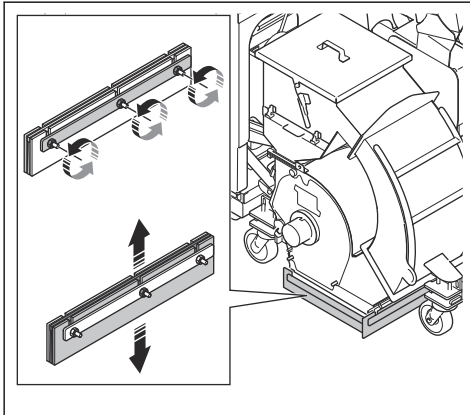
Abrasive material seal

The abrasive material seal is a seal system with the front seal (A), the side seals (B) and the rear brush list seal (C).



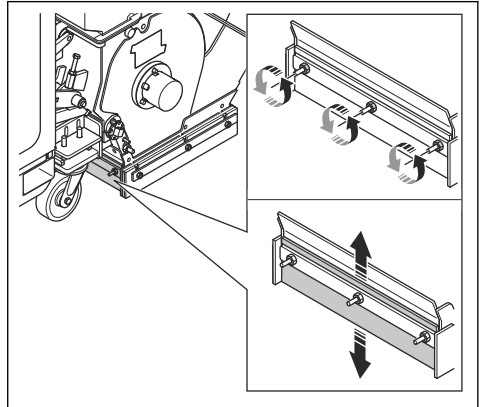
To set the correct height of the abrasive material seal

1. Park the product on a flat surface.
2. Push the "Freeflow" button to lower the shot blaster head. Refer to *Control panel overview on page 3*.
3. Stop the product and make sure that there is no risk of accidental start. Refer to *To stop the product on page 15*.
4. Loosen the 3 nuts and the support strip on the side seals and the front seal.



5. Adjust the height on the side seals and the front seal.
 - a) Adjust the height until the inner rubber seal is 1 mm/0.04 in. above the surface.
 - b) Adjust the height until the brush list seal is 6 mm/0.25 in. above the surface.
 - c) Adjust the height until the outer rubber seal is 1 mm/0.04 in. above the surface.
6. Tighten the 3 nuts.

7. Loosen the 3 nuts and the support strip on the rear brush list seal.



- a) Adjust the height until the rear brush list seal is 6 mm/0.25 in. above the surface.

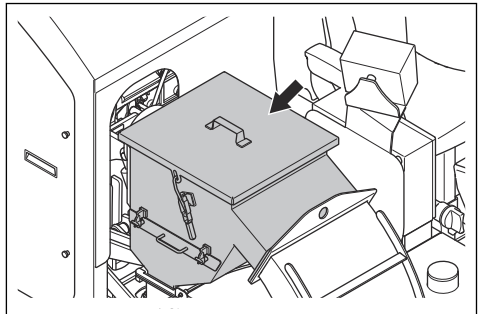
8. Tighten the 3 nuts.

Abrasive material

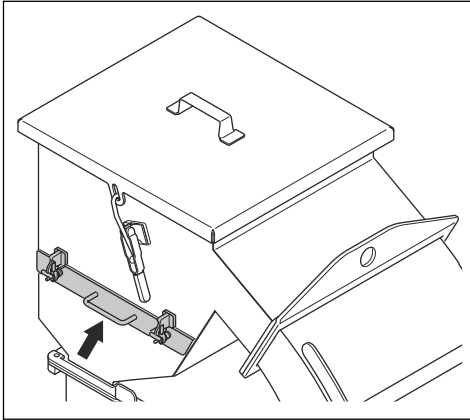
Speak to your Husqvarna dealer for the selection of correct abrasive material for your surface operation. Refer to *Approved abrasive material on page 29*.

Separator

The separator keeps the abrasive material contamination free. The separator holds the abrasive material and supplies the blast wheel with abrasive material.



The separator tray keeps contamination away from the abrasive material and the blast wheel.

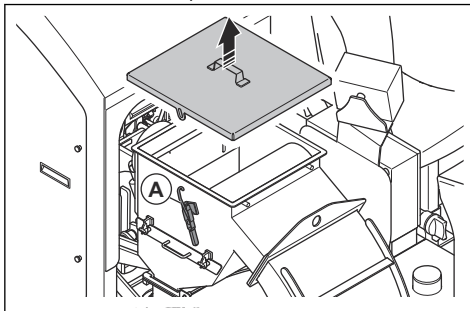


To fill the product with abrasive material

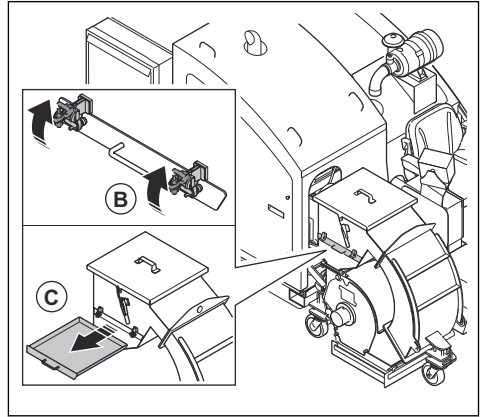


WARNING: Always use personal protective equipment during operation. Refer to *Personal protective equipment on page 7.*

1. Make sure that the product fully stops. Refer to *To stop the product on page 15.*
2. Open the clamp (A) on each side of the separator and remove the separator cover.



3. Open the 2 clamps (B) and pull out the separator tray (C).



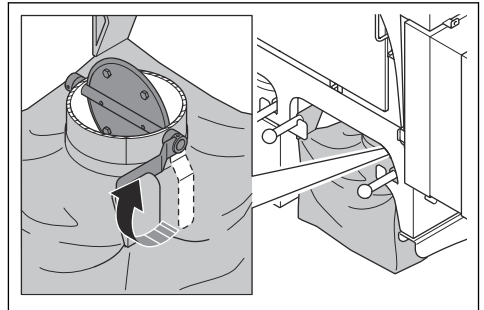
4. Remove all contaminations from the separator tray when you fill abrasive material or when it is necessary.
5. Fill the separator with abrasive material to the height of the separator tray. Fill abrasive material when it is necessary.

Pressure tank manometer

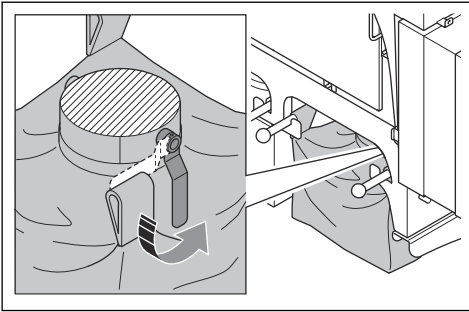
The pressure tank manometer shows the pressure in the pressure tank. The air in the pressure tank cleans the primary filters. The pressure is approximately 7 bar/100 PSI during operation.

To operate the dust valve

- Turn the handle up to open the dust valve.



- Turn the handle down to close the dust valve.

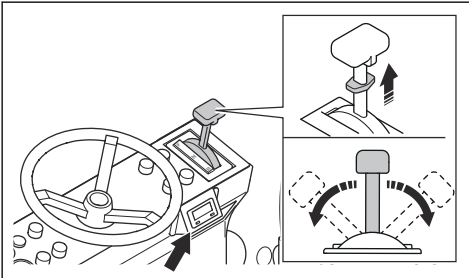


To select the correct speed

The product must have the correct speed for optimal result. Examine the result and adjust the speed if it is necessary, the speed (ft/min) is shown on the speed level indicator. Use the different speed modes as follows:

- High speed on concrete surfaces for light treatment.
- Standard speed on concrete surfaces for heavy treatment.
- Low speed for steel surfaces.

1. Sit on the seat.
2. Pull the bottom part of the movement control up.



3. Move the movement control lever to adjust the speed.
 - a) To increase the speed for forward operation, push the movement control lever.
 - b) To decrease the speed for forward operation, pull the movement control lever in direction of the neutral position.
 - c) To increase the speed for rearward operation, pull the movement control lever.
 - d) To decrease the speed for rearward operation, push the movement control lever in direction of the neutral position.

To start the product

1. Turn the pinch bar 1 step. Refer to *To turn the pinch bar on page 16*.
2. Turn the battery switch below the seat to ON.

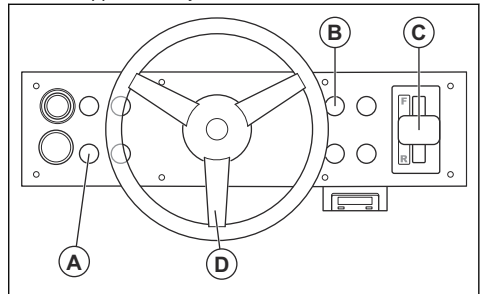
3. Sit on the seat.
4. Make sure that the emergency stop button is disengaged.
5. Make sure that the movement control lever is in the neutral position.
6. Turn the ignition key to ON. The text "ENGINE PREHEATING" shows on the display.
7. Wait until the text "ENGINE PREHEATING" does not show on the display.
8. Turn the ignition key to START position.
9. Set 2200 rpm with the button to increase the engine RPM. The engine RPM value shows on the display. Refer to *Display overview on page 4*.
10. Do a check of the fuel level on the control panel.

To operate the product



WARNING: Do not lift the cover of the shot blaster head during operation. Abrasive material comes out of the product at high speed and can cause injury.

1. Make sure that the work area is safe. Refer to *Work area safety on page 8*.
2. Fill the separator with abrasive material. Refer to *To fill the product with abrasive material on page 13*.
3. Open the dust valve. Refer to *To operate the dust valve on page 13*.
4. Start the product. Refer to *To start the product on page 14*.
5. Push the "Freeflow" button to lower the shot blaster head (A). The shot blaster head is on the ground after approximately 5 seconds.



6. Push the button to engage the clutch (B) to start the blast wheel and the dust collector.
7. Push the movement control lever (C) forward from neutral position to move the product forward.



CAUTION: The product does not operate rearward.

8. Use the steering wheel (D) to control the front wheel and the direction of the product.

- Push the button to open the valve for the abrasive material.

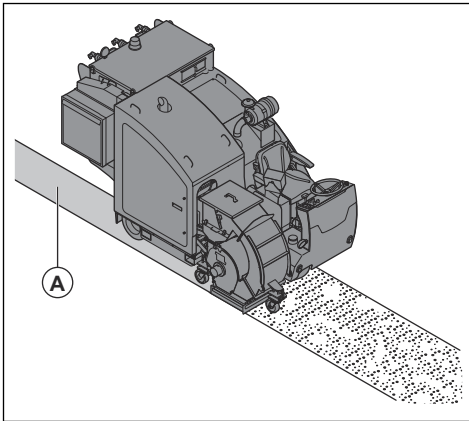


CAUTION: The product must move before you open the valve for the abrasive material.

- After 5 m/16 ft., close the valve for the abrasive material.
- Stop the product. Refer to *To stop the product on page 15*.
- Do a check of the blast pattern. Set the correct speed. Refer to *To select the correct speed on page 14*.

Blast pattern

The blast pattern (A) is the surface that has received treatment.



These are the conditions that have effect on the blast pattern:

- Operation speed.
- Increased wear on the blast wheel and pinch bar.
- The dimension of the abrasive material.
- Different types and hardness of the surface.

To stop the product

- Push the button to close the valve for the abrasive material. Refer *Control panel overview on page 3*.



CAUTION: Make sure that the valve for the abrasive material is fully closed before you stop the product.

- Operate the product continuously for 10 seconds to make sure that there is no material in the system.
- Set the movement control lever to the neutral position.
- Push the button to disengage the clutch.
- Set 1300 RPMs with the engine RPM control.

- Push the button to lift the shot blaster head.
- Turn the ignition key to OFF.
- Remove the ignition key from the product.

To discard a full BigBag and install a new BigBag bag

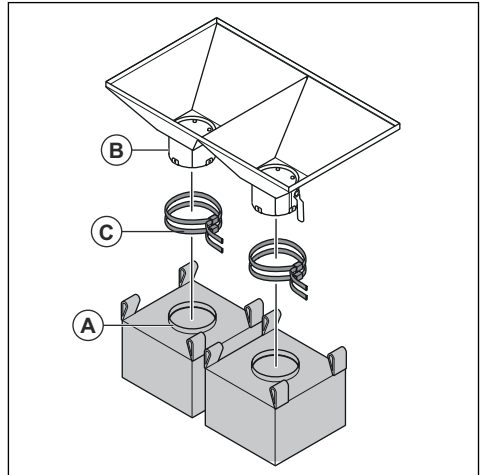


WARNING: Lift the BigBag with caution, a full BigBag can be heavy. Make sure that the cable ties are closed correctly before you lift the BigBag.



WARNING: Use approved respiratory protection when you empty the dust collector. Refer to *Personal protective equipment on page 7*.

- Close the dust valve. Refer to *To operate the dust valve on page 13*.
- Remove the funnel of the BigBag from the dust outlet and close it.
- Pull the BigBag off the support rods.
- Obey local regulations for disposal of the full BigBag bag.
- Install the funnel of the BigBag (A) on the dust outlet (B).

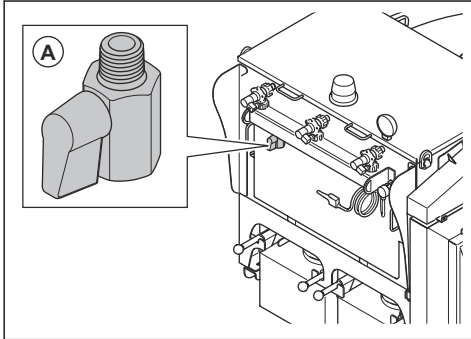


- Attach the funnel of the BigBag on the dust outlet with straps (C).
- Make sure that the BigBag hangs equally on the support rods.
- Open the dust valve. Refer to *To operate the dust valve on page 13*.

To drain the water from the pressure tank

Water in the pressurized air collects in the pressure tank. It is necessary to drain the water from the pressure tank daily.

1. Stop the product. Refer to *To stop the product on page 15*.
2. Put a container below the water valve (A) to collect the water.

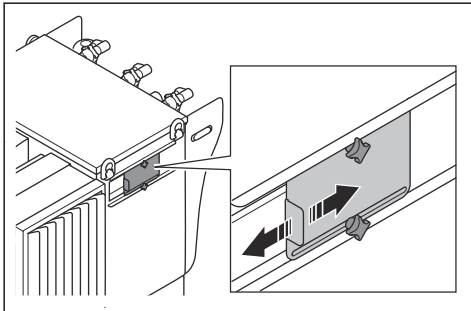


3. Open the water valve slowly.
4. Close the water valve when all the water is drained.

To adjust the suction power

Use the air flow hatch on top of the product to adjust the suction power. It is necessary to adjust the suction power for example when the primary filters are new or the suction is not satisfactory.

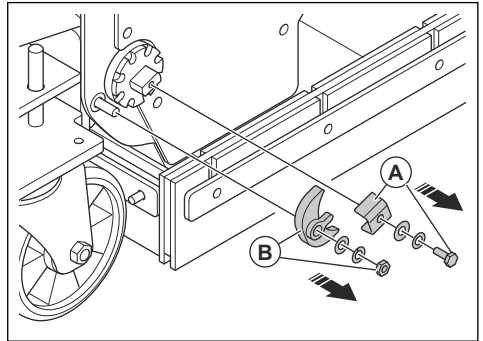
- Adjust the suction power with the air flow hatch.



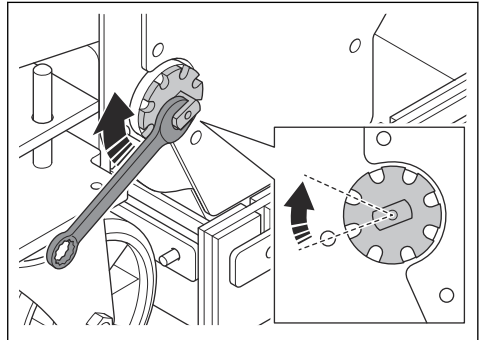
- a) For less suction power, open the hatch.
- b) For more suction power, close the hatch.

To turn the pinch bar

1. Remove the bolt and the clamp (A).



2. Remove the nut and the retainer (B).
3. Turn the pinch bar with a wrench.



4. Install the nut and the retainer.
5. Install the bolt and the clamp.

Maintenance

Introduction



WARNING: Before you do maintenance, you must read and understand the safety chapter.



WARNING: Use personal protective equipment when you do servicing and maintenance. Refer to *Personal protective equipment on page 7*.



WARNING: Before you do the maintenance, stop the engine. Remove the ignition key to prevent an accidental start. Let the product become cool.

For more information, refer to www.husqvarnacp.com.

Maintenance schedule

* = General maintenance done by the operator. The instructions are not given in this operator's manual.

X = The instructions are given in this operator's manual.

O = The instructions are not given in this operator's manual. Let an approved service agent do the maintenance.

General product maintenance	Each 3 h	Daily	Each 60 h	Each 600 h	Monthly	Yearly
Empty the dust collector.	X					
Do a check of the of the separator and the separator tray.	X					
Lubricate the blast wheel bearings. Make sure that the bearings rotate during lubrication. Refer to <i>To lubricate the product on page 18</i> .		X				
Do a check of the electrical components, the cables and the connections for wear and damages.		*				
Examine the engine for dirt and damage.		*				
Make sure that the dust collector hose is not damaged and that there is no blockage.		*				
Make sure that nuts and screws are tight.		*				
Clean the product.		X				
Do a check of all safety devices.		X				
Do a check of the brush list seals and rubber seals around the shot blaster head for wear.		X				
Do a check of the blast wheel, blast wheel blades, pinch bar and liners for wear. Refer to <i>To do before you operate the product on page 11</i> .		X				
Do a check of the tension of the drive belt for the shot blaster head.		X				

General product maintenance	Each 3 h	Daily	Each 60 h	Each 600 h	Monthly	Yearly
Lubricate and adjust the grease nipple on the clutch. ¹			*			
Replace the engine oil.				○		
Lubricate the bearings of the frontwheel.					*	
Replace the hydraulic oil and hydraulic oil filter. ²						X
Do a complete servicing and cleaning of the product.						○
Do a check and replace a bearing.						○

To clean the product

- Always clean all the equipment after use. Use a vacuum cleaner.
- Do not use a high-pressure washer to clean the product.
- Keep the air openings clean and clear to make sure that the product always has sufficient air flow.

To clean the dust collector

1. Close the dust valve. Refer to *To operate the dust valve on page 13*.
2. Clean the external surface with a moist cloth.



CAUTION: Do not use water on electrical components.

3. Clean the HEPA filter with a dust extractor.



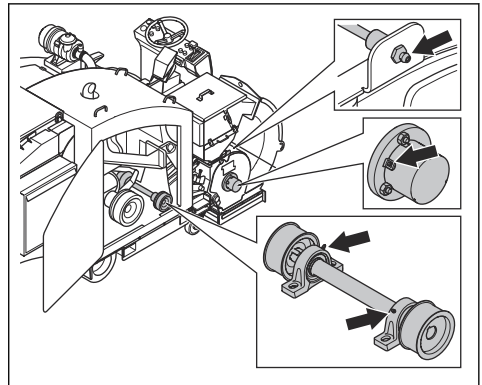
WARNING: Always use dust extractors with HEPA filter and a soft brush to not do damage to the HEPA filter. Do not clean the dust extractor with compressed air or water.



WARNING: Do not put tools on or make a hole in the HEPA filter. This can cause damage to the HEPA filter and a health risk for the operator or others.

To lubricate the product

- Lubricate the 4 grease nipples with 0.2-0.3 oz / 5-10 g of grease for each grease nipple.

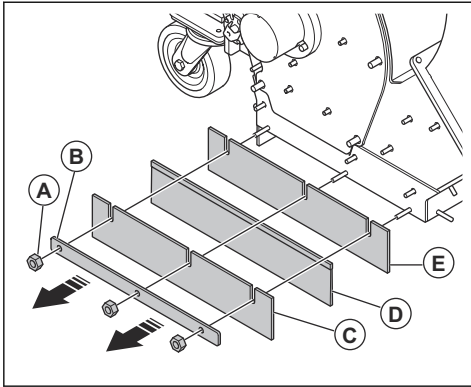


To replace the front and sides seals

¹ Lubricate the grease nipple on the clutch after the first 20 running hours. After that, lubricate the grease nipple on the clutch each 60 hours.

² Replace the hydraulic oil and hydraulic oil filter minimum 1 time during the year or each 150 hours.

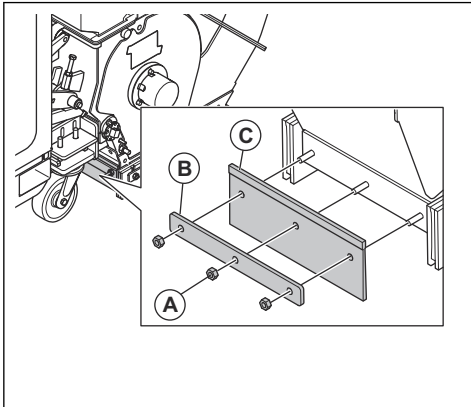
1. Remove the 3 nuts (A).



2. Remove the support strip (B).
3. Remove the outer rubber seal (C).
4. Remove the brush list seal (D).
5. Remove the inner rubber seal (E).
6. Install the new seals in the opposite sequence.

To replace the brush list seal

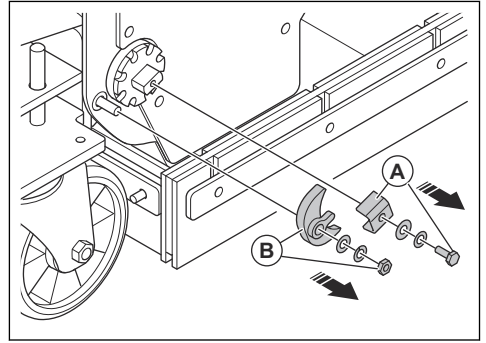
1. Remove the 3 nuts (A) and the support strip (B).



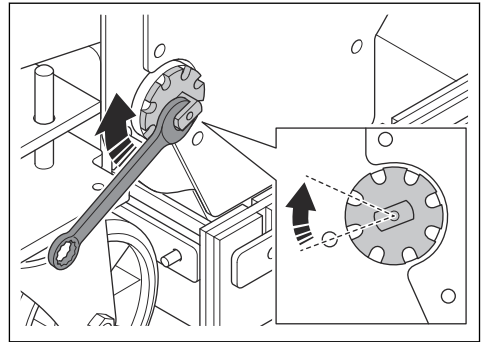
2. Remove the brush list seal (C).
3. Install the new brush list seal 6 mm/0.25 in. above the surface.
4. Install the support strip and the 3 nuts.

To replace the pinch bar

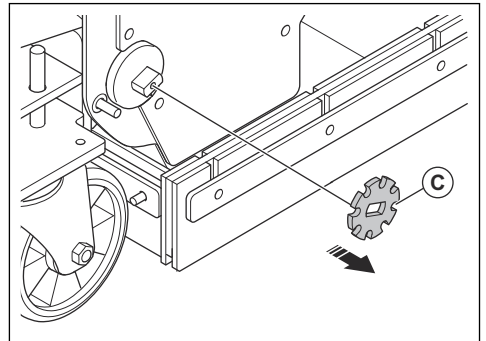
1. Remove the bolt and the clamp (A).



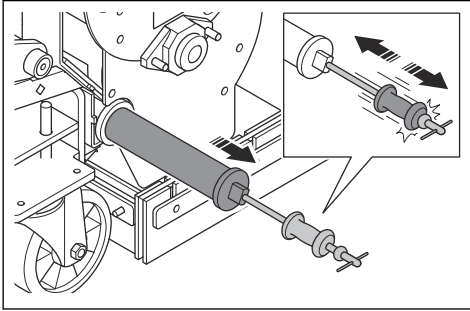
2. Remove the nut and the retainer (B).
3. Turn the pinch bar with a wrench.



4. Remove the starwheel (C).



- Put a slide hammer in the screw thread of the pinch bar.



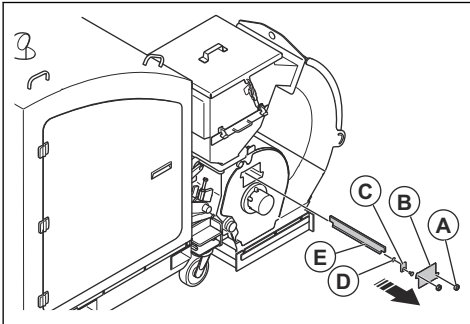
- Remove the pinch bar with a slide hammer.
- Dispose the worn pinch bar.
- Install the new pinch bar in the opposite sequence.

To replace the blast wheel blades



CAUTION: Replace all blast wheel blades at the same time.

- Remove 2 nuts (A) and the cover (B).



- Replace the 4 blast wheel blades. Do these steps for each blast wheel blade:
 - Remove the blade holder (C) of the blast wheel blade.
 - Remove the small circular seal (D).
 - Remove the blast wheel blade (E) with a slide hammer.
 - Install a new blast wheel blade in the opposite sequence.

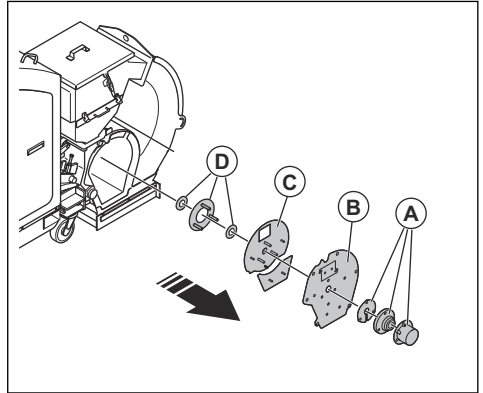


CAUTION: To prevent unbalance in the blast wheel, replace all 4 blast wheel blades at the same time.

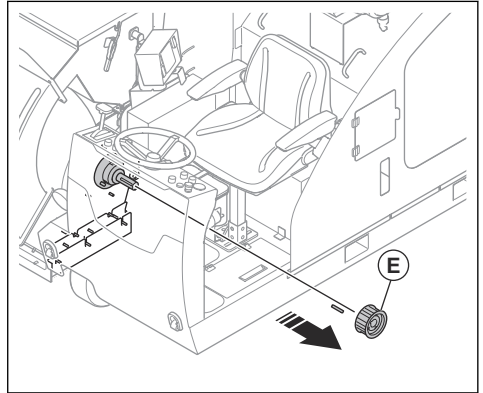
- Install the cover and the 2 nuts.

To replace the blast wheel

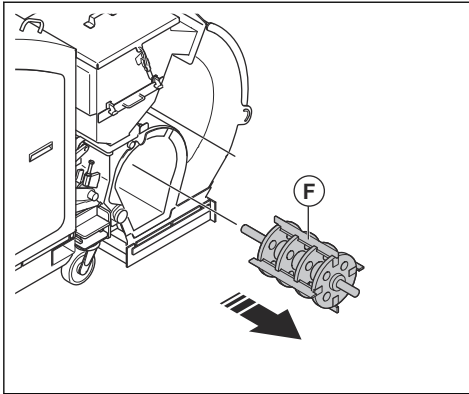
- Remove the bearing assembly (A).



- Remove the side cover with outer liner (B).
- Remove the top liner and bottom liner (C).
- Remove the seals (D).
- On the other side of the shot blaster head remove the pulley (E).



6. Pull the blast wheel out (F).



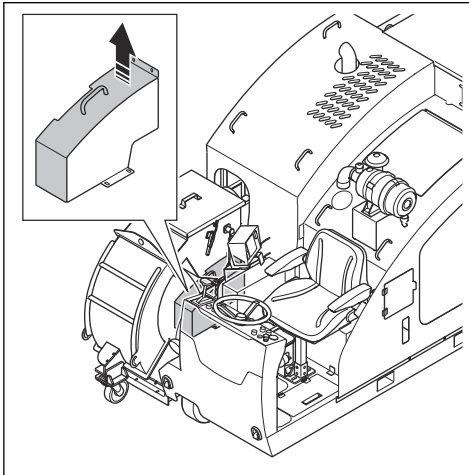
7. Install the new blast wheel in the opposite sequence.

To do a check of the tension of the drive belt for the shot blaster head

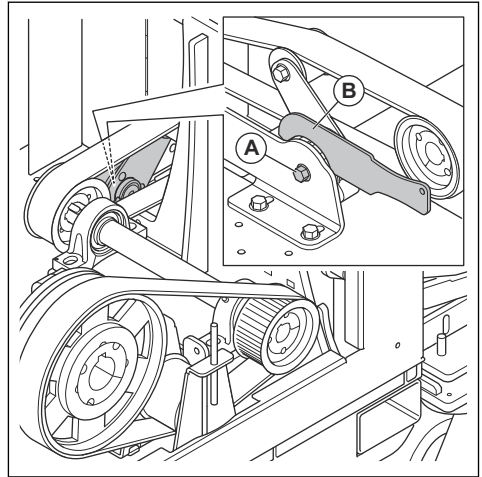


WARNING: Do not operate the product without the drive belt cover installed.

1. Stop the product. Refer to *To stop the product on page 15*.
2. Remove the panel between the seat and the blast wheel.



3. Loosen the bolt (A) that holds the tensioner.



4. Adjust the tension of the drive belt for the shot blaster head with the tension wrench (B).
5. Hold tension 46 Hz on the drive belt with the tension wrench and tighten the bolt.

To replace the air filter

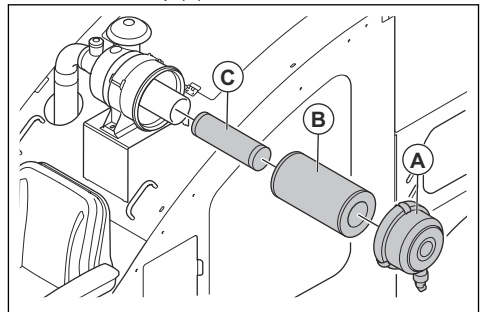


CAUTION: Do not start the engine without the air filter installed.



CAUTION: Do not clean the air filters.

1. Remove the cap (A).



2. Remove the primary air filter (B).
3. Remove the secondary air filter (C).
4. Dispose the used air filters.
5. Install the new air filters in the opposite sequence.

To replace the primary filters

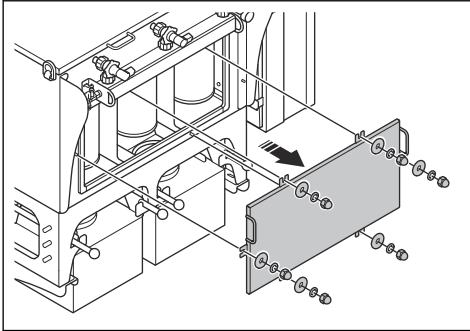


WARNING: Use correct personal protective equipment when you replace the primary filters. Refer to *Personal protective equipment* on page 7.

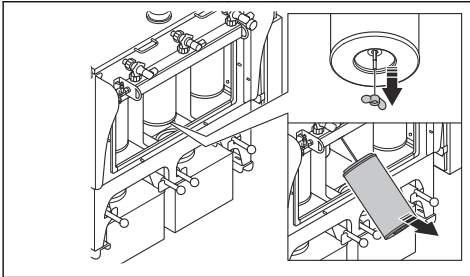
Replace the primary filters when the suction is unsatisfactory or the indicator for replacement of primary filters is on.

There are 9 primary filters in the product. Replace all filters at the same time.

1. Stop the product, refer to *To stop the product* on page 15.
2. Make sure that the fan fully stops before you remove the cover of the filter housing.
3. Remove the 6 nuts, 12 washers and the cover of the filter housing.



4. Remove the wing-nut at the bottom of the primary filter.



5. Pull out the primary filter and put it carefully in a plastic bag.



WARNING: Be careful when you remove the primary filters. The particles in the primary filters are dangerous to your health.

6. Discard the plastic bag correctly. Refer to local regulations.

7. Install the new primary filter in the opposite sequence.



WARNING: If the primary filters are not installed correctly, dust can come in to the air. The dust particles are dangerous to your health.

8. Do the same replacement procedure on the other 8 primary filters.
9. Install the cover of the filter housing, the 12 washers and the 6 nuts.

To replace the HEPA filter



WARNING: Do not clean a HEPA filter. The HEPA filter will break if you clean it.

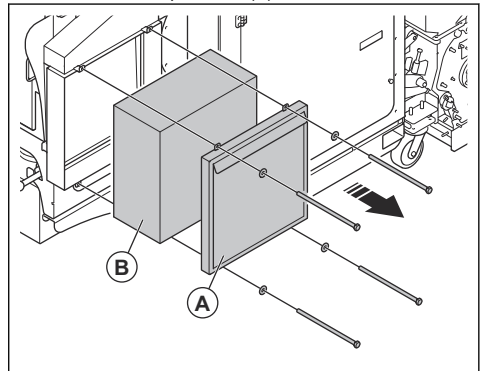


WARNING: Be careful when you install the new HEPA filter. Do not touch the inner surface of the HEPA filter, it will break by all types of force or damage.



WARNING: Use correct personal protective equipment when you change the HEPA filter. Refer to *Personal protective equipment* on page 7

1. Remove the 4 screws, 4 nuts and the cover of the HEPA filter compartment (A).



2. Remove the HEPA filter (B) from the product and put it carefully in a plastic bag.



WARNING: Be careful when you remove the HEPA filter. The particles in the HEPA filter are dangerous to your health.

3. Discard the plastic bag correctly. Refer to local regulations.
4. Install a new HEPA filter in the opposite sequence.

To fill fuel



CAUTION: Incorrect type of fuel can cause engine damage. Use diesel fuel number 0 in the summer and diesel fuel number -10 in the winter.

1. Stop the engine and let the product become cool.
2. Put the product in an area with good airflow.
3. Fill the fuel tank.



CAUTION: Make sure that there is not too much fuel in the fuel tank. The fuel expands when it becomes hot.

4. Tighten the fuel tank cap carefully to prevent the risk of fire.
5. Clean the product and the area around the product from fuel spillage.
6. Move the product 3 m/10 ft or more away from the refueling area and the fuel source before you start the engine.

To examine the fuel system

- Examine the fuel tank cap and the seal for the fuel tank cap to make sure that there are no damages.
- Examine the fuel hose to make sure that there are no leaks. If the fuel hose is damaged, let a service agent replace it.

To clean the engine and the muffler



CAUTION: Always read the service manual of the engine before you do maintenance in the product.

- Let the engine and the muffler become cool before you clean them.
- Clean the engine and the muffler with a cloth.
- Make sure that the cold air intake grille is not blocked. Remove dirt with a soft brush.

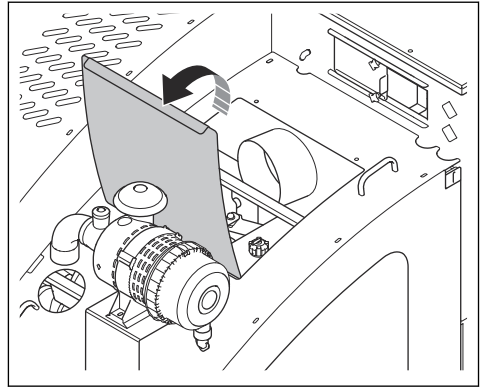
To do a check of the engine oil level



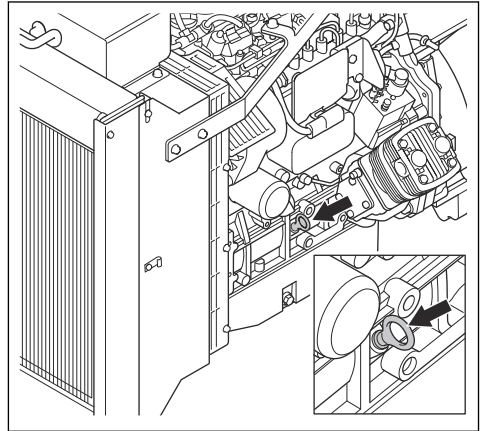
CAUTION: Always read the service manual of the engine before you do maintenance the product.

1. Park the product on a level surface and stop the product. Refer to *To stop the product on page 15*.

2. Open the hatch.



3. Remove the dipstick.



4. Clean the oil from the dipstick.
5. Put the dipstick fully into the oil tank.
6. Remove the dipstick.
7. Examine the oil level on the dipstick.
8. If the oil level is low, fill with engine oil and do a check of the oil level again. Refer to the engine manual.

Hydraulic system

To do a check of the hydraulic hoses

- Examine the hydraulic hoses regularly. Replace worn or damaged hydraulic hoses.



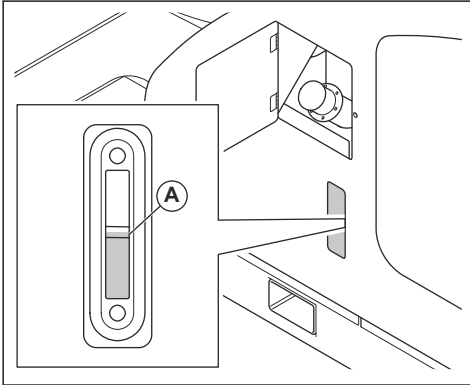
WARNING: Hydraulic oil is dangerous. The rubber in the hydraulic hoses wears with time. Worn or damaged hydraulic hoses can break and the hydraulic oil can cause injury. If you cannot tell if the hydraulic hoses are worn, always replace the hydraulic hoses.

To do a check of the hydraulic oil level



WARNING: Risk of burn injury. The hydraulic oil becomes hot during operation of the product. Let the product become cool before you replace the hydraulic oil.

1. Look at the hydraulic oil level in the level indicator. The hydraulic oil level is correct when it is between the 2 marks on the level indicator (A).



2. If the hydraulic oil level is below the center of the indicator, replace the hydraulic oil. Refer to *To replace the hydraulic oil on page 24*.

To replace the hydraulic oil

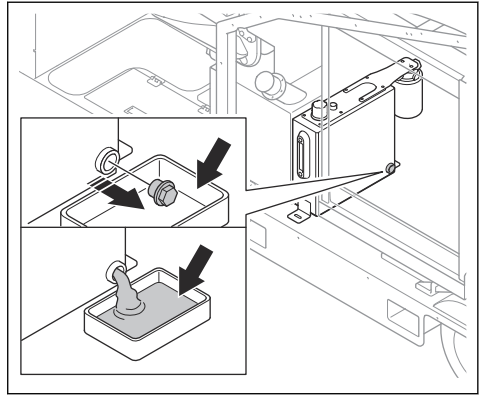
If the engine is cold, start the engine for 1–2 minutes before you drain the hydraulic oil. This makes the hydraulic oil warm and easier to drain.



WARNING: Hydraulic oil is very hot directly after the engine stops. Let the engine become cool before you drain the hydraulic oil. If you spill hydraulic oil on your skin, clean with soap and water.

1. Stop the product on a level surface. Refer to *To stop the product on page 15*.

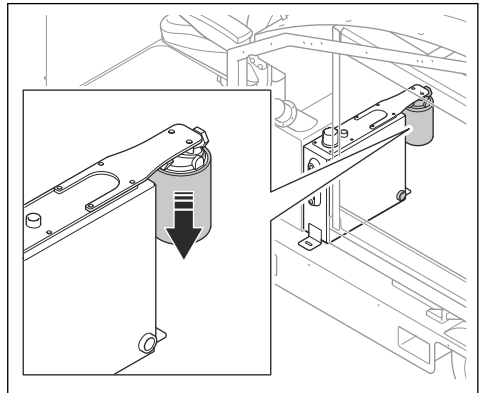
2. Put a container below the hydraulic oil drain plug.



3. Remove the hydraulic oil drain plug.
4. Let the hydraulic oil drain into the container.
5. Clean around the hydraulic oil drain plug.
6. Install the hydraulic oil drain plug when the hydraulic oil tank is empty.
7. Fill the hydraulic oil tank until the hydraulic oil level is at the center of the indicator. Refer to *To replace the hydraulic oil on page 24*.
8. Operate the product for a short time to bleed the system.
9. Do a check of the hydraulic oil level.

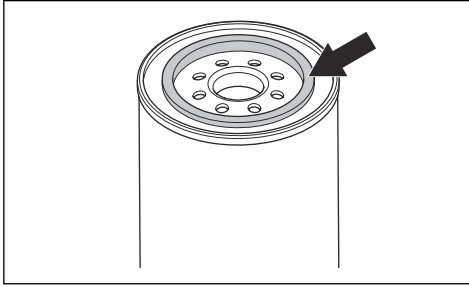
To replace the hydraulic oil filter

1. Drain the hydraulic system. Refer to *To replace the hydraulic oil on page 24*.
2. Remove the cover of the hydraulic oil filter.



3. Turn the hydraulic oil filter counterclockwise to remove it.
4. Fill the new hydraulic oil filter with new hydraulic oil.

5. Lightly lubricate the rubber seal on the new hydraulic oil filter with new hydraulic oil.



6. Attach the hydraulic oil filter. Tighten by hand until there is resistance, then tighten $\frac{3}{4}$ turn more.
7. Do a check that there are no leaks around the hydraulic oil filter.
8. Fill the hydraulic oil tank. Refer to *To replace the hydraulic oil on page 24*.
9. Do a check of the hydraulic oil level. Refer to *To do a check of the hydraulic oil level on page 24*.

Troubleshooting

Troubleshooting

Problem	Cause	Solution
There is too much vibration and/or unusual noises.	The blast wheel is worn or damaged.	Replace the blast wheel.
	The blast wheel blades are worn or damaged.	Replace the blast wheel blades.
	The alignment of the blast wheel is incorrect.	Adjust the alignment of the blast wheel.
	There are loose screws and nuts.	Tighten all screws and nuts.
	There is an incorrect tension of the drive belt for shot blaster head.	Do a check of the tension of the drive belt for shot blaster head.
	The engine is damaged.	Speak to an approved Husqvarna service agent.
	The wheels are damaged.	Replace the wheels, speak to an approved Husqvarna service agent.
	The blast wheel bearings are not lubricated.	Lubricate the blast wheel bearings.

Problem	Cause	Solution
The product does not operate correctly.	The supply of abrasive material to the blast wheel is not sufficient.	Clean the separator tray and refill the separator with abrasive material. Do a check of the valve for the abrasive material.
	The type of abrasive material is incorrect for the surface.	Replace the abrasive material with correct abrasive material for the surface.
	The abrasive material has contamination.	Do a check of the primary filters and replace if it is necessary.
	The blast wheel is worn or damaged.	Replace the blast wheel.
	The blast wheel blades are worn or damaged.	Replace the blast wheel blades.
	There is too much abrasive material that hits the surface at the start of the operation.	Close the valve for the abrasive material and stop the product.
	The speed of the product is too high.	Decrease the speed.
	The pinch bar is worn.	Replace the pinch bar.
The abrasive material falls out of the product.	The position of the pinch bar is incorrect or the pinch bar is worn.	Turn the pinch bar 1 step or replace the pinch bar.
	The dust valve is closed.	Open the dust valve.
	The filters are clogged.	Replace the primary filters and do a check for leakages.
	The seals are at an incorrect distance from the surface.	Adjust the height of the seals.
	The seals are damaged.	Do a check of all the seals and replace if it is necessary.
	The shot blaster head is at an incorrect distance from the surface.	Adjust the height of the shot blaster head.
The wear is more than usual on parts of the shot blaster head.	The type of abrasive material is incorrect for the surface.	Replace the abrasive material with correct abrasive material for the surface.
	The suction power of the dust collector is insufficient.	Replace the primary filters.
The product does not move.	The speed is too low.	Increase the speed.
	The shot blaster head gets caught on the floor.	Adjust the height of the shot blaster head.
	The drive system is damaged.	Speak to your dealer for more information.
	The emergency stop button is engaged.	Turn the emergency stop button clockwise to disengage.
The engine does not start.	The engine is damaged.	Speak to an approved Husqvarna service agent.
	The battery switch is in the OFF position.	Turn the battery switch to the ON position.
	The battery is empty.	Charge the battery with a workshop charger.
	The fuel tank is empty.	Fill the tank with fuel.

Problem	Cause	Solution
The product stops after a while.	The engine is damaged.	Speak to an approved Husqvarna service agent.
	A safety fuse or a fault current breaker is on.	Speak to an approved Husqvarna service agent.
	The fuel tank is empty.	Fill the tank with fuel.
The drive system does not operate correctly.	A safety fuse is damaged.	Speak to an approved Husqvarna service agent.

Transportation, storage and disposal

Transportation



WARNING: Be careful during transportation. The product is heavy and can cause injury or damage if it falls or moves during transportation.



CAUTION: Do not tow the product behind a vehicle.

- Remove the abrasive material before transportation.
- Put some type of protection on the product during transportation. The protection keeps natural elements for example rain and snow away from the product.
- Make sure that there is no pressure in the pressure tank before transportation.

To move the product up and down a ramp



WARNING: Be very careful when you move the product up and down ramps. The product is heavy and there is a risk of injury if the product falls or moves too quickly.



WARNING: For ramps with a steep slope, always use a winch. Do not walk or stay below or near the product.



WARNING: Do not operate the product near the edges of the ramp.

- To move the product down a ramp, operate the product forward slowly.
- To move the product up a ramp, operate the product rearward slowly.

- Do not turn the product to the left or to the right more than 45° on a ramp.

To lift the product



WARNING: Make sure that the lifting equipment has the correct specification to lift the product safely. The type plate on the product shows the product weight.

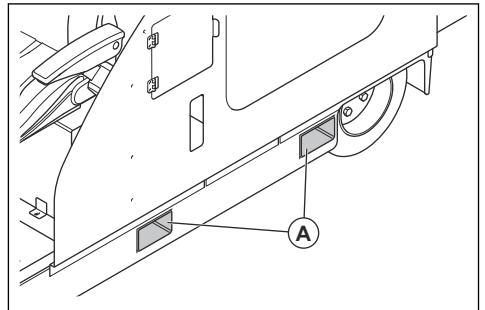


WARNING: Do not walk or stay below or near a lifted product. Keep bystanders away from the risk area. Refer to *Work area safety on page 8*.



WARNING: Do not lift a damaged product. Make sure that the lifting eyes are correctly installed and not damaged.

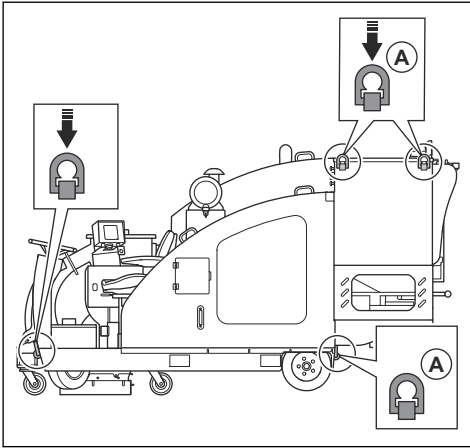
1. To lift the product with a forklift, put the forklift blades through the brackets (A).



To attach the product to a transportation vehicle

Use the tie-down points to attach the product to the transportation vehicle.

1. Attach the tie-down straps to the tie-down points (A).



2. Attach and tighten the tie-down straps to the transportation vehicle.

Storage



CAUTION: Do not put the product in storage outdoors. Always keep the product indoors.

Note: Refer to the operator's manual of the engine for storage information.

- Clean the product and do a complete servicing before you put the product in storage.
- Keep the product in a locked area to prevent access for children or persons that are not approved.
- Remove the abrasive material from the separator before storage.
- Put the product in an indoor storage away from outdoor elements.
- Put the product in a dry and frost-free area where the temperature is not too high.

Disposal of the product

- Obey the local recycling requirements and applicable regulations.
- Discard all chemicals, such as engine oil or fuel, at a service center or at an applicable disposal location.
- Do not discard the battery as domestic waste.
- When the product is no longer in use, send it to a Husqvarna dealer or discard it at a recycling location.

Technical data

	BMR 75D
Dimensions	
Lenght, mm/in.	3048/120
Widht, mm/in.	1574.8/62
Height, mm/in.	1651/65
Weight, kg/lbs	2358.68/5200
Working width, mm/in.	335.28/13.2
Engine	
Type ³	Deutz 75hp Tier4 Diesel
Power, hp@rpm / kW@rpm ⁴	75 hp
Nominal engine output, kW	
Max. engine speed (under load), rpm	2200
Fuel type	Diesel

³ For further information and questions about this specific engine, refer to the engine manual or the web site of the engine manufacturer.

⁴ As specified by engine manufacturer. Gross power rating as per SAE J1940/J1995, at specified rpm.

BMR 75D	
Max. fuel tank capacity, l/gal	50/13.2
Drive speed, m/min or ft./min	100.6 or 330
Engine oil capacity, l/gal	1.7-1.9/0.42-0.50
Grease for the bearings of the shot blaster head	LGWA 2/0.4, high load, extreme pressure, wide temperature, bearing grease
Battery	
Battery type	12v AGM 50AH
Operating conditions, maximum gradeability	
Operating temperature, °C/°F	23-104/-5-+40
Relative humidity max, %	95
Vibration level in the seat, m/s ² or ft/s ²	0.3 or 0.914
Hydraulic system	
Working pressure, bar/psi	130/1885.5
Hydraulic tank capacity, l/gal	34.8/9.2
Hydraulic oil type	Mobil ATF D/M

Note: If your product requires an electrical specification that is not in the table, speak to a Husqvarna service agent for more information.

Approved abrasive material

	High carbon steel shot		
Approved abrasive material	S-390	S-460	S-550*
in./mm	0.05/1.2	0.06/1.4	0.07/1.7
*special operations			

Noise emissions

BMR 75D	
Sound power level, LWA dB (A) ⁵	100.4
Sound pressure level at the operator's ear, LP dB (A) ⁶	85

⁵ Sound power level determined according to EN ISO 3747. Measured on concrete surface. Uncertainty Kwa 2.5 dB

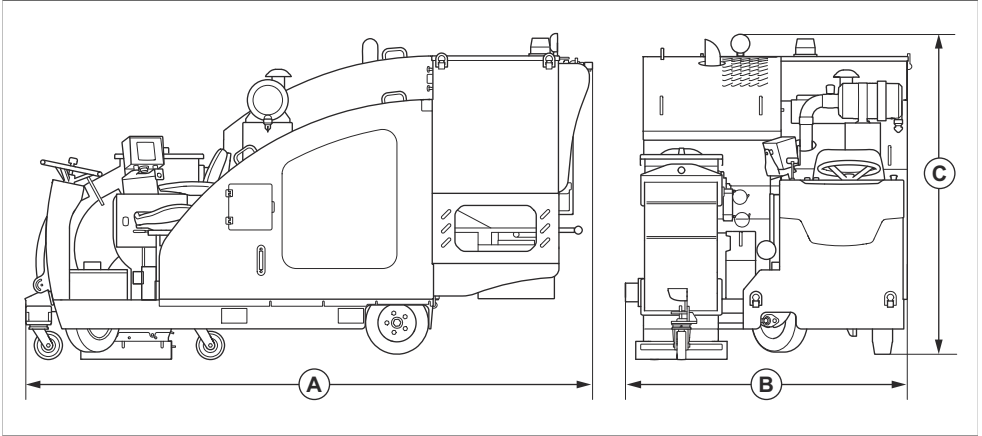
⁶ Sound pressure level determined according to EN ISO 11202. Measured on concrete surface. Uncertainty Kpa 2.5 dB

Noise and vibration declaration statement

These declared values were obtained by laboratory type testing in accordance with the stated directive or standards and are suitable for comparison with the declared values of other products tested in accordance with the same directive or standards. These declared

values are not suitable for use in risk assessments and values measured in individual work places may be higher. The actual exposure values and risk of harm experienced by an individual user are unique and depend upon the way the user works, in what material the product is used, as well as upon the exposure time and the physical condition of the user, and the condition of the product.

Product dimensions



A	Length, mm/in.	3048/120
B	Width, mm/in.	1574.8/62
C	Height, mm/in.	1651/65

Accessories

Available accessory	Item number
Primary filter cartridge M-class	534053401
HEPA filter class H14	534008001
BigBag 17"x17"x12"	533467701

Contenido

Introducción.....	31	Solución de problemas.....	56
Seguridad.....	34	Transporte, almacenamiento y eliminación de residuos.....	58
Funcionamiento.....	41	Datos técnicos.....	59
Mantenimiento.....	47	Accesorios.....	62

Introducción

Responsabilidad del propietario



ADVERTENCIA: El procesamiento de hormigón y piedra mediante métodos como corte, amolado o perforación, especialmente en operaciones en seco, genera polvo que proviene del material procesado y, a menudo, contiene sílice. La sílice es un componente básico de la arena, el cuarzo, la arcilla de los ladrillos, el granito y otros numerosos minerales y rocas. La exposición a una cantidad excesiva de ese polvo puede causar:

Producto de la exposición a la sílice se pueden ocasionar enfermedades respiratorias (que afectan la capacidad de respirar) como la bronquitis crónica, la silicosis y la fibrosis pulmonar. Estas enfermedades pueden ser mortales.

Irritación cutánea y sarpullido.

Cáncer, según el NTP* y la IARC* */National Toxicology Program (Programa Nacional de Toxicología) y Centro Internacional de Investigaciones sobre el Cáncer.

Tome medidas preventivas:

Evite inhalar y que su piel entre en contacto con el polvo, el vaho y los gases.

Utilice artículos apropiados para la protección respiratoria como máscaras contra polvo diseñadas para filtrar partículas microscópicas, y asegúrese de que todas las personas que se encuentren cerca también lo hagan. (Consulte la normativa OSHA 29 CFR Parte 1926.1153)

Para minimizar las emisiones de polvo, utilice un colector de polvo adecuado.

Es responsabilidad del propietario o empleador que el usuario tenga los conocimientos necesarios sobre cómo utilizar el producto de forma segura. Los supervisores y usuarios deben haber leído y comprendido el manual de usuario. Deben tener conocimiento de lo siguiente:

- Las instrucciones de seguridad del producto.
- La gama de aplicaciones y limitaciones del producto.

- Cómo el producto se va a utilizar y mantener.

El uso de este producto podría estar restringido por normas nacionales o locales. Infórmese sobre qué normas se aplican en el lugar donde trabaja antes de comenzar a utilizar el producto.

Propuesta 65 de California



Los gases de escape del motor de este producto contienen sustancias químicas conocidas en el Estado de California como causantes de cáncer, defectos congénitos y otros daños reproductivos.

CONSEJO DE RECURSOS DEL AIRE DE CALIFORNIA (CARB)

Tenga en cuenta: Esta máquina se considera un adelanto en cuanto a aplicaciones todo terreno en relación con los estándares del CARB. La EPA de EE. UU. tiene exclusiva autoridad para establecer normas de emisiones para equipos de construcción anticipados.

Descripción del producto

El producto es una granalladora motorizada que funciona con un motor diésel. El producto tiene un colector de polvo integrado.

Uso previsto



ADVERTENCIA: No recoja fuentes de ignición, partículas calientes, líquidos, material explosivo, partículas pirofóricas ni partículas que no sean estables.

Los operadores profesionales utilizan el producto en operaciones comerciales.

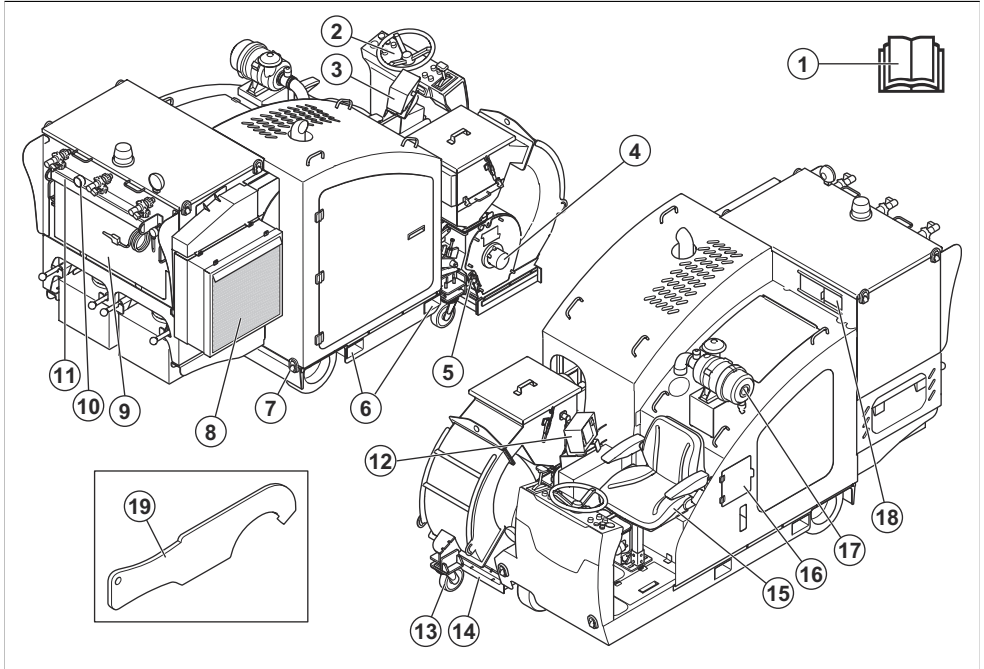
El producto se utiliza para extraer capas de pintura, selladores y contaminación. El producto se puede

utilizar en superficies horizontales secas y sin escarcha. Por ejemplo, hormigón, asfalto, piedra y acero.

El colector de polvo integrado se utiliza para la aspiración en seco de polvo y partículas del material eliminado por la granalladora. El material puede ser peligroso y perjudicial para la salud.

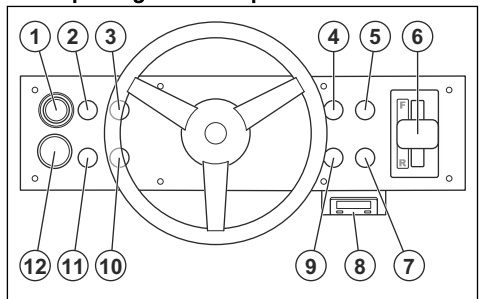
No utilice el producto para otras tareas. Utilice el producto solo con accesorios aprobados por el fabricante.

Descripción general del producto



1. Manual de usuario
2. Panel de control
3. Llave de encendido
4. Rueda esparcidora
5. Barra de tracción
6. Soportes para montacargas
7. Punto de amarre
8. Filtro HEPA
9. Colector de polvo
10. Manómetro de presión del tanque
11. Tanque de presión
12. Pantalla
13. Rueda frontal
14. Cabezal de la granalladora
15. Asiento
16. Depósito de combustible
17. Filtro de aire
18. Tapa de flujo de aire
19. Llave de tensión

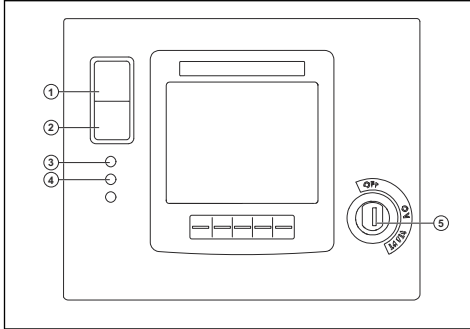
Descripción general del panel de control



1. Botón STOP de emergencia
2. Luz de advertencia de filtros primarios obstruidos
3. Botón ON/OFF de las luces de trabajo
4. Botón para conectar el embrague
5. Botón para desconectar el embrague
6. Palanca del control de movimiento
7. Botón para desconectar el embrague
8. Botón para conectar el embrague
9. Botón para desconectar el embrague
10. Botón para conectar el embrague
11. Botón para desconectar el embrague
12. Pantalla

7. Botón de cierre de la válvula de material abrasivo
8. Indicador de nivel de velocidad (ft/min)
9. Botón de apertura de la válvula de material abrasivo
10. Botón para levantar el cabezal de la granalladora
11. Botón "Freeflow" para bajar el cabezal de la granalladora
12. Indicador de combustible

Vista general de la pantalla



1. Botón para aumentar las RPM del motor
2. Botón para disminuir las RPM del motor
3. Indicador de fallas del motor
4. Indicador de advertencia
5. Llave de encendido

Símbolos en el producto



Advertencia: Este producto puede ser peligroso y provocar lesiones graves o fatales al usuario o a otras personas. Tenga cuidado y utilice el producto correctamente.



Alta tensión.



Mantenga todas las partes del cuerpo lejos de las superficies calientes.



Punto de elevación.



Mantenga las manos lejos de las piezas giratorias.



Lea atentamente el manual de instrucciones y asegúrese de que entiende las instrucciones antes de usar este producto.



Lea atentamente el manual y asegúrese de que entiende las instrucciones antes de usar el producto.



Utilice protección respiratoria aprobada.



Utilice protección auricular aprobada.



Utilice protección ocular aprobada.



Utilice guantes protectores homologados.



Utilice botas de protección aprobadas.



Superficie caliente.



Riesgo de incendio o explosión.



Riesgo de intoxicación por monóxido de carbono. No utilice el producto en áreas con flujo de aire deficiente.



Riesgo de descarga eléctrica.



Agregue aceite.



Agregue combustible.



Punto de seguridad en el producto.



RPM altas.



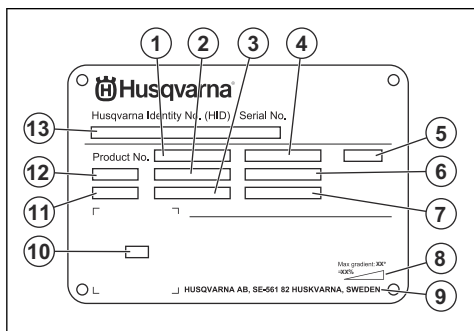
RPM bajas.



Detención del motor. La operación no puede continuar. Para obtener más información, consulte el manual del motor.

Tenga en cuenta: Otros símbolos/etiquetas en el producto hacen referencia a requisitos de certificación especiales para algunos mercados.

Placa de identificación



1. Número del producto
2. Peso del producto
3. Potencia nominal
4. Tensión nominal
5. Gabinete
6. Corriente nominal
7. Frecuencia
8. Ángulo máximo de pendiente
9. Fabricante
10. Código escaneable
11. Año de fabricación
12. Modelo
13. Número de serie

Daños en el producto

No somos responsables de los daños a nuestro producto en los siguientes casos:

- el producto se repara incorrectamente
- el producto se repara con piezas que no son del fabricante o que este no autoriza
- el producto tiene un accesorio que no es del fabricante o que este no autoriza
- el producto no se repara en un centro de servicio autorizado o por una autoridad aprobada.

Seguridad

Definiciones de seguridad

Las advertencias, precauciones y notas se utilizan para señalar las piezas particularmente importantes del manual.



ADVERTENCIA: Se utilizan para señalar el riesgo de lesiones graves o mortales para el operador o para aquellos que se encuentren cerca si no se siguen las instrucciones del manual.



AVISO: Se utilizan para señalar el riesgo de dañar la máquina, otros materiales o el área adyacente si no se siguen las instrucciones del manual.

Tenga en cuenta: Se utilizan para entregar más información necesaria en situaciones particulares.

Instrucciones generales de seguridad



ADVERTENCIA: Lea atentamente las instrucciones de advertencia siguientes antes de usar el producto.



AVISO: Lea siempre el manual y las instrucciones de advertencia del motor diésel antes de hacer funcionar el producto.

- Este producto puede ser una herramienta peligrosa si no se maneja con cuidado o si utiliza el producto de forma incorrecta. Este producto puede causar daños graves o fatales al operador o a otras personas. Antes de utilizar el producto, es muy importante que lea y comprenda el contenido de este manual de usuario.
- Este producto no está diseñado para que lo utilicen personas, incluidos niños, con capacidades físicas, sensoriales o mentales reducidas, o con falta de experiencia y conocimientos.
- Guarde todas las advertencias y las instrucciones.
- Cumpla todas las leyes y reglamentos vigentes.
- El operador y el empleador del operador deben conocer y evitar los riesgos durante el funcionamiento del producto.
- No permita que nadie que no haya leído y comprendido el contenido del manual de usuario utilice el producto.
- No utilice el producto si no ha recibido capacitación antes de su uso. Asegúrese de que todos los usuarios reciban capacitación.
- No deje que un niño utilice el producto.
- Restrinja el uso del producto solo a personas autorizadas.
- El operador es responsable de los accidentes que puedan ocurrirles a otras personas o a sus propiedades.
- No utilice el producto si está cansado, enfermo o bajo la influencia de alcohol, drogas o medicamentos.
- La operación de la máquina puede causar fatiga. Es importante que el operador tome descansos regulares.
- Sea siempre cuidadoso y use el sentido común.
- Mantenga el producto limpio. Asegúrese de que puede leer señales y etiquetas claramente.
- No utilice el producto si está dañado o si no funciona correctamente.
- No modifique este producto.
- No utilice el producto si es posible que otras personas le hayan realizado modificaciones.

Instrucciones de seguridad para el funcionamiento



ADVERTENCIA: Lea atentamente las instrucciones de advertencia siguientes antes de usar el producto.

- Utilice equipo de protección personal. Consulte *Equipo de protección personal en la página 36*.
- Consulte el manual de servicio del motor para obtener información sobre el funcionamiento y el mantenimiento seguros. Guarde el manual de servicio para referencia futura.
- No utilice el producto sin que todas las cubiertas protectoras estén instaladas.
- Asegúrese de saber cómo detener el producto rápidamente en caso de emergencia.
- Antes de alejarse del producto, detenga el motor. Asegúrese de que no haya riesgo de arranque accidental.
- Asegúrese de que ninguna prenda, cabello largo o joya puedan quedar atrapados en las piezas móviles.
- Asegúrese de encontrarse en una posición segura y estable durante la operación.
- Verifique que no haya pernos ni tuercas sueltos.
- No levante ni incline el producto durante el funcionamiento. El material abrasivo sale del producto a gran velocidad y puede causar lesiones. Siempre detenga el motor antes de levantar o inclinar el producto.
- Asegúrese de que el separador y la bandeja del separador estén cerrados durante la operación.
- No utilice el producto si no puede recibir ayuda en caso de que ocurra un accidente.
- Solo utilice el producto en superficies horizontales.
- Siempre utilice accesorios aprobados. Comuníquese con su distribuidor Husqvarna para obtener más información.
- Si el producto vibra o el nivel de ruido del producto es inusualmente alto, deténgalo de inmediato. Examine el producto en busca de daños. Repare los daños o solicite a un taller de servicio autorizado que realice la reparación.
- Utilice el producto únicamente sentado en el asiento y con las manos en los mangos o en el volante.
- Utilice siempre el cinturón de seguridad durante el funcionamiento.
- Asegúrese de que no haya grasa ni aceite en el volante.
- Asegúrese de que no esté dañado el sello del material abrasivo.
- Asegúrese de que los sellos del material abrasivo estén instalados a la altura correcta.
- Siempre utilice materiales abrasivos aprobados. Comuníquese con su distribuidor Husqvarna para

obtener más información. Consulte *Material abrasivo aprobado en la página 60*.

- Reemplace con frecuencia la bolsa para polvo. No llene demasiado la bolsa para polvo, ya que puede dañarla.
- Tenga cuidado, el motor está caliente durante el funcionamiento.
- Solo aparque el producto en superficies horizontales. La máquina puede moverse repentinamente si no está estacionada en una superficie horizontal. El centro de gravedad cambia cuando la máquina está llena de polvo, lo que puede disminuir el funcionamiento del freno de estacionamiento.

Seguridad de vibración



ADVERTENCIA: Lea atentamente las instrucciones de advertencia siguientes antes de usar el producto.

- Durante el funcionamiento del producto, se transmiten vibraciones del producto al operador. El uso frecuente y regular del producto puede provocarle lesiones al operador o aumentar el grado de estas. Se pueden producir lesiones en los dedos, las manos, las muñecas, los brazos, los hombros o los nervios, así como en el riego sanguíneo u otras partes del cuerpo. Las lesiones pueden ser debilitantes o permanentes, y pueden aumentar gradualmente durante semanas, meses o años. Entre las posibles lesiones se incluyen daños en el sistema de circulación sanguínea, el sistema nervioso, las articulaciones y otras estructuras corporales.
- Los síntomas pueden presentarse durante el funcionamiento del producto o en otro momento. Si tiene síntomas y continúa utilizando el producto, los síntomas pueden aumentar o hacerse permanentes. Si se producen estos u otros síntomas, solicite asistencia médica:
 - Entumecimiento, pérdida de sensación, hormigueo, picazón, dolor, ardor, dolor pulsante, rigidez, aturdimiento, pérdida de fuerza, cambios en el color o en el estado de la piel.
- Los síntomas pueden aumentar con el frío. Utilice ropa de abrigo y mantenga las manos calientes y secas cuando utilice el producto en entornos fríos.
- Realice el mantenimiento del producto y utilícelo según se indica en el manual de usuario, para mantener un nivel de vibración correcto.
- El producto tiene un sistema amortiguador de vibraciones que disminuye las vibraciones de las manijas al operador.
- Mantenga las manos solamente en las manijas. No acerque ninguna otra parte de cuerpo al producto.
- Detenga el producto de inmediato si se producen vibraciones fuertes repentinamente. No continúe la operación hasta eliminar la causa del aumento de las vibraciones.

Seguridad contra el polvo



ADVERTENCIA: Lea atentamente las instrucciones de advertencia siguientes antes de usar el producto.

- El funcionamiento del producto puede causar suspensión de polvo en el aire. El polvo puede causar lesiones graves y problemas de salud permanentes. Varias autoridades han establecido regulaciones con respecto a los efectos dañinos del polvo de sílice. A continuación, se presentan algunos ejemplos de tales problemas de salud:
 - Enfermedades pulmonares mortales como bronquitis crónica, silicosis y fibrosis pulmonar
 - Cáncer
 - Anomalías congénitas
 - Inflamación de la piel
- Utilice el equipo correcto para disminuir la cantidad de polvo y gases en el aire y para disminuir la cantidad de polvo en el equipo de trabajo, las superficies, la ropa y las partes del cuerpo. Los ejemplos de controles son los sistemas de recolección de polvo. Disminuya el polvo en el origen cuando sea posible. Asegúrese de que el equipo se instale y utilice correctamente, y de que se le realice mantenimiento regular.
- Utilice protección respiratoria aprobada. Asegúrese de utilizar protección respiratoria cuando se trabaje con materiales peligrosos en el área de trabajo.
- Asegúrese de que haya un flujo de aire suficiente en la zona de trabajo.

Seguridad contra el ruido



ADVERTENCIA: Lea atentamente las instrucciones de advertencia siguientes antes de usar el producto.

- Los niveles altos de ruido y la exposición a largo plazo al ruido pueden causar pérdida auditiva.
- Para mantener el nivel de ruido al mínimo, realice el mantenimiento del producto y utilícelo según se indica en el manual de usuario.
- Utilice protectores auriculares aprobados cuando opere el producto.
- Cuando utilice protectores auriculares, esté atento a las señales de advertencia y a las voces. Quítese los protectores auriculares cuando el producto esté detenido, a menos que sean necesarios para el nivel de ruido en la zona de trabajo.

Equipo de protección personal



ADVERTENCIA: Lea atentamente las instrucciones de advertencia siguientes antes de usar el producto.

- Utilice siempre el equipo de protección personal aprobado cuando utilice el producto. El equipo de protección personal no puede impedir el riesgo de lesiones, pero disminuirá el grado de lesión si ocurre un accidente. Solicite a su distribuidor que lo ayude a seleccionar el equipo de protección personal correcto y que le indique cuándo usarlo.
- Realice periódicamente una comprobación del estado del equipo de protección personal.
- Use protección auricular aprobada.
- Utilice protección respiratoria aprobada.
- Utilice protección ocular aprobada con protección lateral.
- Use guantes protectores.
- Utilice botas con punta de acero y suela antideslizante.
- Utilice ropa de trabajo aprobada o ropa equivalente de ajuste ceñido, que cubra por completo los brazos y las piernas.
- Apriete bien la tapa del depósito de combustible. Si no aprieta la tapa del depósito de combustible, se genera un riesgo de incendio.
- Antes de poner en marcha el producto, colóquelo a una distancia mínima de 3 m/10 pies desde el lugar donde llenó el depósito de combustible.
- No arranque el producto si hay combustible o aceite de motor en el producto. Elimine el combustible y el aceite del motor no deseados y deje que el producto se seque antes de arrancar el motor.
- Examine frecuentemente el motor en busca de fugas. Si hay fugas en el sistema de combustible, no arranque el motor hasta que las repare.
- No busque fugas en el motor con los dedos.
- Almacene el combustible solo en recipientes aprobados.
- Cuando el producto y el combustible estén almacenados, asegúrese de que el combustible y los gases del combustible no puedan causar daños.
- Vacíe el combustible en un recipiente aprobado en exteriores y lejos de chispas y llamas.

Seguridad de combustible



ADVERTENCIA: Lea atentamente las instrucciones de advertencia siguientes antes de usar el producto.

- La gasolina es inflamable y sus gases son explosivos. Tenga cuidado con el combustible para evitar lesiones, incendios y explosiones.
- No inhale los gases del combustible. Los gases del combustible son tóxicos y pueden provocar lesiones. Asegúrese de que el flujo de aire sea suficiente.
- No retire la tapa del depósito de combustible ni llene el depósito con el motor encendido.
- Asegúrese de que el motor se enfríe antes de llenar el depósito de combustible.
- No llene el depósito de combustible en interiores. Un flujo de aire insuficiente puede causar lesiones graves o fatales por asfixia o intoxicación por monóxido de carbono.
- No fume cerca del combustible o del motor.
- No coloque objetos calientes cerca del combustible o del motor.
- No llene el depósito de combustible cerca de chispas o llamas.
- Antes de llenar el depósito de combustible, abra lentamente la tapa del depósito de combustible y libere la presión con cuidado.
- Si el combustible entra en contacto con la piel, puede provocar lesiones. Si le cae combustible en la piel, quítelo con jabón y agua.
- Si derrama combustible en su ropa, cámbiese la ropa inmediatamente.
- No llene el depósito de combustible completamente. El calor provoca que el combustible se expanda. Deje espacio en la parte superior del depósito de combustible.

Seguridad de los gases de escape



ADVERTENCIA: Lea atentamente las instrucciones de advertencia siguientes antes de usar el producto.



ADVERTENCIA: Los gases de escape del motor contienen monóxido de carbono, un gas inodoro, tóxico y muy peligroso. Respirar monóxido de carbono puede provocar la muerte. Dado que el monóxido de carbono es inodoro y no se puede ver, no es posible detectarlo. Un síntoma de intoxicación por monóxido de carbono es el mareo, pero también es posible que la persona pierda la conciencia sin previo aviso si la cantidad o concentración de monóxido de carbono es suficiente.

- Los gases de escape también contienen hidrocarburos sin quemar, incluido benceno.
- La inhalación a largo plazo de los gases de escape puede causar problemas de salud.
- Los gases de escape que se pueden ver u oler también contienen monóxido de carbono.
- No inhale los gases de escape.
- Los gases de escape del motor están calientes y pueden contener chispas que podrían iniciar un incendio. Disponga de un equipo de extinción de incendios al alcance en todo momento. Nunca arranque el producto cerca de material inflamable.

Extintor de incendios

- Mantenga un extintor de incendios a mano durante la operación.

- Utilice un extintor de incendios de polvo de clase "ABE" o un extintor de dióxido de carbono de tipo "BE".

Seguridad en el área de trabajo



ADVERTENCIA: Lea atentamente las instrucciones de advertencia siguientes antes de usar el producto.

- Es responsabilidad del usuario analizar la superficie que se va a tratar. El usuario debe realizar una evaluación de riesgos en función de la información obtenida de la superficie que se va a tratar y tomar las precauciones adecuadas para el trabajo que se realizará.
- No use el producto en condiciones de niebla, lluvia, viento fuerte, clima frío, riesgo de rayos u otras condiciones climáticas adversas.
- Tenga cuidado con personas, objetos y situaciones que puedan impedir el funcionamiento seguro del producto.
- No utilice el producto en áreas donde se pueden producir explosiones o fuego. El producto genera chispas, y los materiales inflamables pueden encenderse con el polvo o los vapores.
- Mantenga a los niños, los transeúntes y los animales alejados del área de trabajo y a una distancia segura del producto. La distancia segura es de 10 m/33 ft.

- Retire los objetos, como tornillos, pernos, cables y piedras del área de trabajo antes de utilizar el producto.
- Asegúrese de que no haya cables ni mangueras en la dirección de funcionamiento del producto.
- Asegúrese de que las superficies irregulares, como las uniones soldadas o las juntas del piso, no detengan el producto.
- Asegúrese de que haya suficiente flujo de aire en el área de trabajo.

Dispositivos de seguridad en el producto



ADVERTENCIA: Lea atentamente las instrucciones de advertencia siguientes antes de usar el producto.

- No utilice el producto si los dispositivos de seguridad están dañados o no funcionan correctamente.
- Revise los dispositivos de seguridad de forma regular. Si sus dispositivos de seguridad están dañados o no funcionan correctamente, hable con su taller de servicio de Husqvarna.
- No realice ninguna modificación en los dispositivos de seguridad.

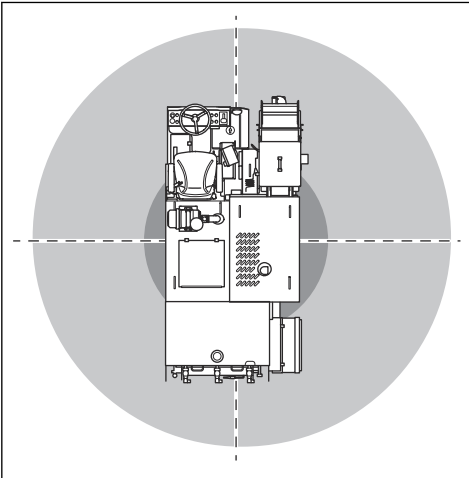
Botón STOP de emergencia

El botón STOP de emergencia se utiliza para detener rápidamente el funcionamiento. El botón STOP de emergencia corta la fuente de alimentación hacia el sistema de transmisión. El botón STOP de emergencia cierra la válvula del material abrasivo y desconecta el embrague.

Para revisar el botón STOP de emergencia

Consulte *Descripción general del producto en la página 32* para obtener más información sobre la ubicación del botón STOP de emergencia en su producto.

1. Para asegurarse de que el botón STOP de emergencia está desactivado, gire el botón STOP de emergencia hacia la derecha.
2. Encienda el producto. Consulte *Para poner en marcha el producto en la página 44*.
3. Presione el botón STOP de emergencia.
4. Asegúrese de que se detenga el sistema de transmisión, de que esté cerrada la válvula del material abrasivo y de que esté desconectado el embrague.
5. Coloque la palanca de control de movimiento en la posición neutra.
6. Gire el botón STOP de emergencia hacia la derecha para desactivarlo.



- Mantenga a los transeúntes y los animales alejados del área de trabajo y a una distancia segura del producto.
- Asegúrese de que solo personas autorizadas estén en el área de trabajo.
- Mantenga el área de trabajo limpia y totalmente iluminada. Las áreas desordenadas u oscuras propician los accidentes.

Cinturón de seguridad



ADVERTENCIA: Use siempre el cinturón de seguridad cuando utilice el producto.

El cinturón de seguridad mantiene al usuario en el asiento durante el funcionamiento y si hay paradas repentinas.

- Compruebe el cinturón de seguridad antes de la operación. Asegúrese de que funcione correctamente y no esté dañado.
- Mantenga el cinturón de seguridad plano contra la cintura.
- No fuerza el cinturón de seguridad.
- Asegúrese de que no haya objetos entre usted y el cinturón de seguridad.
- Revise el cinturón de seguridad después de una parada repentina. Asegúrese de que el cinturón de seguridad funcione correctamente antes de usar el producto.
- Mantenga el cinturón de seguridad limpio y seco.

Control de presencia del operador (OPC)

Cuando está conectado el OPC, se detiene la fuente de alimentación del sistema de transmisión de la unidad. La válvula del material abrasivo se cierra y el embrague se desconecta. Consulte *Para verificar el control de presencia del usuario en la página 39*.

Para verificar el control de presencia del usuario

1. Encienda el producto. Consulte *Para poner en marcha el producto en la página 44*.
2. Aléjese del asiento para activar el control de presencia del usuario. Si el producto no se detiene en 5 segundos, comuníquese con un agente de servicio de Husqvarna autorizado.

Silenciador

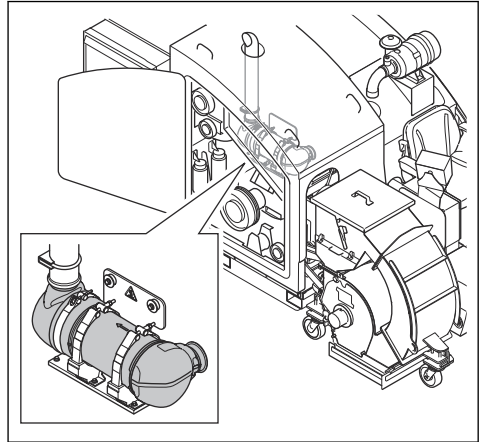


ADVERTENCIA: El silenciador se calienta mucho durante/después del funcionamiento y en el régimen de ralentí. Existe el riesgo de incendio, especialmente cuando se opera el producto cerca de materiales o gases inflamables.



ADVERTENCIA: No haga funcionar un producto sin un silenciador o con un silenciador dañado. Un silenciador dañado puede aumentar el nivel de ruido y el riesgo de incendio. Mantenga cerca las herramientas para extinguir el fuego. No utilice un producto sin silenciador o con un silenciador defectuoso.

El silenciador mantiene los niveles de ruido al mínimo y dirige los gases de escape lejos del operador. En áreas de clima cálido y seco, existe un alto riesgo de incendios. Obedezca las normas locales y las instrucciones de mantenimiento.



Para revisar el silenciador



ADVERTENCIA: Es posible que un silenciador/una superficie de montaje usados contengan depósitos de partículas de combustión en las superficies que pueden ser carcinógenas.

- Siempre utilice equipo de protección personal cuando revise el silenciador para evitar el contacto con la piel y la inhalación de partículas peligrosas.
 - Asegúrese de que haya suficiente flujo de aire en el área cuando realice tareas de limpieza o mantenimiento en el silenciador.
 - No utilice aire presurizado para limpiar el silenciador.
 - Limpie el silenciador con un cepillo de acero y cepille lejos de su cuerpo.
-
- Examine el silenciador con regularidad para asegurarse de que está instalado correctamente y que no esté dañado.

Seguridad hidráulica



ADVERTENCIA: Lea atentamente las instrucciones de advertencia siguientes antes de usar el producto.

- Asegúrese de que las conexiones de las mangueras hidráulicas estén bien apretadas y de que no haya fugas de aceite.

- Tenga cuidado cuando apriete las conexiones hidráulicas. Si aprieta demasiado las conexiones hidráulicas, puede dañar las juntas tóricas.
- Asegúrese de que las conexiones de las mangueras hidráulicas están limpias y en buen estado.
- El aceite hidráulico presurizado es peligroso y puede causar lesiones graves. No busque fugas de aceite cuando el sistema hidráulico esté presurizado.
- Tenga cuidado cuando llene el producto con aceite hidráulico. El aceite hidráulico es inflamable. Si derrama aceite hidráulico, limpie la superficie.
- Solo llene el producto con aceite hidráulico en un lugar con buena ventilación.

Instrucciones de seguridad para el mantenimiento



ADVERTENCIA: Lea atentamente las instrucciones de advertencia siguientes antes de usar el producto.

- Utilice equipo de protección personal. Consulte *Equipo de protección personal en la página 36*.
- Solo realice tareas de mantenimiento como se indica en el presente manual del usuario. Solicite que un taller de servicio autorizado realice todos los otros servicios.
- Consulte el manual de servicio del motor para obtener información sobre el funcionamiento y el mantenimiento seguros. Guarde el manual de servicio para referencia futura.
- Si el mantenimiento no se realiza de manera correcta y regular, aumenta el riesgo de sufrir lesiones y causar daños en el producto. Antes de realizar cualquier tarea de mantenimiento o inspecciones, deje que la máquina se enfríe. Saque la llave de encendido.
- Antes de realizar tareas de mantenimiento o inspecciones, deje que el producto se enfríe. Asegúrese de que no haya riesgo de arranque accidental.
- Limpie el producto para eliminar materiales peligrosos antes de realizar el mantenimiento.
- Realice el mantenimiento del producto en un terreno estable y nivelado. Asegúrese de que el producto no se mueva.
- No modifique el producto. Las modificaciones en el producto que no están aprobadas por el fabricante pueden causar daños graves o la muerte.
- Cambie las piezas dañadas, desgastadas o rotas.
- No use hidrolimpiadoras para limpiar el producto.
- Utilice solo paños de limpieza sin pelusa.
- Utilice siempre accesorios y piezas de repuesto originales. El uso de accesorios y piezas de repuesto que no estén aprobados por el fabricante puede causar daños graves o la muerte.
- Después de realizar el mantenimiento, revise el nivel de vibración del producto. Si no tiene el nivel correcto, comuníquese con un taller de servicio autorizado.
- No utilice un producto que esté dañado o que no funcione correctamente. Realice los controles de seguridad y de mantenimiento como se describe en este manual. Todas las demás tareas de mantenimiento se deben realizar en un taller de servicio autorizado.
- Los accidentes relacionados con el producto ocurren durante la solución de problemas y el mantenimiento, ya que el operador debe estar en el área de riesgo del producto. El operador debe ser cuidadoso y preparar el trabajo para evitar accidentes.
- No haga un agujero en el filtro de HEPA. Un filtro de HEPA roto puede causar que el polvo se libere al aire.
- Asegúrese de cumplir con todas las normativas locales para eliminar el polvo peligroso correctamente, antes y durante el mantenimiento.
- Asegúrese de cumplir con todas las regulaciones locales para desechar todas las piezas reemplazadas después del servicio.
- No utilice un producto que esté dañado o que no funcione correctamente. Realice los controles de seguridad y de mantenimiento como se describe en este manual. Todas las demás tareas de mantenimiento se deben realizar en un taller de servicio autorizado.
- Solo permita que un electricista aprobado realice todas las comprobaciones de los componentes eléctricos.
- Tenga cuidado cuando manipule los filtros. Si daña los filtros, existe el riesgo de que se disperse polvo.
- El fabricante, o una persona instruida, debe realizar una inspección técnica, al menos, una vez al año. La inspección técnica incluye la inspección de los filtros para ver si están dañados, la hermeticidad del producto y el correcto funcionamiento del mecanismo de control. Además, la eficiencia de la filtración del producto debe probarse, al menos, una vez al año o con mayor frecuencia; según lo especifiquen los requisitos nacionales. Si no se realiza la prueba, los filtros principales deben reemplazarse por filtros nuevos.
- Cuando realice operaciones de servicio o reparación, se deben desechar todos los elementos contaminados que no se puedan limpiar satisfactoriamente; dichos elementos se deben desechar en bolsas impermeables de acuerdo con cualquier regulación actual para la eliminación de estos residuos.
- Todas las piezas de la máquina deben considerarse contaminadas cuando se retiran del área de trabajo y se deben tomar las medidas adecuadas para evitar la dispersión del polvo.
- El exterior de la máquina debe descontaminarse con métodos de limpieza al vacío y limpiarse o tratarse con sellante antes de sacar la máquina de un área de trabajo.

- Para el servicio del usuario, la máquina se debe desmontar, limpiar y reparar, en la medida de lo razonablemente posible, sin causar riesgo para el personal de mantenimiento y otras personas. Las precauciones adecuadas incluyen la descontaminación antes del desmontaje, la provisión de ventilación de escape filtrado local en el lugar

en el que se desmonta la máquina, la limpieza del área de mantenimiento y la protección personal adecuada.

- Se debe brindar una TASA DE CAMBIO DE AIRE (ACR, del inglés "Air Change Rate") adecuada en la sala si el aire de escape se devuelve a la sala. Consulte las regulaciones nacionales.

Funcionamiento

Introducción



ADVERTENCIA: Antes de utilizar el producto, debe leer y entender el capítulo sobre seguridad.

Haga lo siguiente antes de usar el producto

1. Lea atentamente el manual del usuario y asegúrese de entender las instrucciones.
2. Lea el manual del motor proporcionado por el fabricante del motor.
3. Utilice equipo de protección personal. Consulte *Equipo de protección personal en la página 36*.
4. Asegúrese de que solo personas autorizadas estén en el área de trabajo.
5. Realice un mantenimiento diario. Consulte *Programa de mantenimiento en la página 47*.
6. Revise que el producto esté montado correctamente y que no esté dañado.
7. Asegúrese de que todos los pernos, tornillos y tuercas estén apretados.
8. Asegúrese de que la rueda esparcidora, los revestimientos y el sello no estén dañados ni desgastados. Reemplace las piezas cuando el 75 % del grosor del disco se haya desgastado.
9. Coloque el producto en el área de trabajo. Asegúrese de que el transporte del producto hacia y en el área de trabajo se realice de forma segura y correcta. Consulte *Transporte, almacenamiento y eliminación de residuos en la página 58*.
10. Asegúrese de que la altura de los sellos de goma sea de 1 mm/0,04 in por encima de la superficie.
11. Compruebe el nivel de aceite. Consulte *Para comprobar el nivel de aceite del motor en la página 54*.
12. Revise el nivel de aceite.
13. Revise el nivel de aceite hidráulico.
14. Asegúrese de que el separador esté lleno de material abrasivo. Consulte *Separador en la página 42* o *Para llenar el producto con material abrasivo en la página 43*.

15. Asegúrese de que la BigBag esté vacía. Consulte *Para desechar una bolsa BigBag llena e instalar una bolsa BigBag nueva en la página 45*.

Válvula de material abrasivo



AVISO: Solo abra la válvula de material abrasivo cuando el producto esté en funcionamiento.

La válvula de material abrasivo controla el flujo de material abrasivo hacia la rueda esparcidora.

Para operar la válvula de material abrasivo

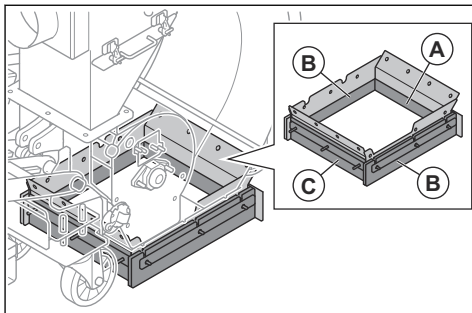


AVISO: Solo abra la válvula de material abrasivo cuando el producto esté en funcionamiento.

1. Presione el botón en el panel de control para abrir la válvula de material abrasivo. Consulte *Descripción general del panel de control en la página 32*.
2. Presione el botón en el panel de control para cerrar la válvula de material abrasivo. Consulte *Descripción general del panel de control en la página 32*.

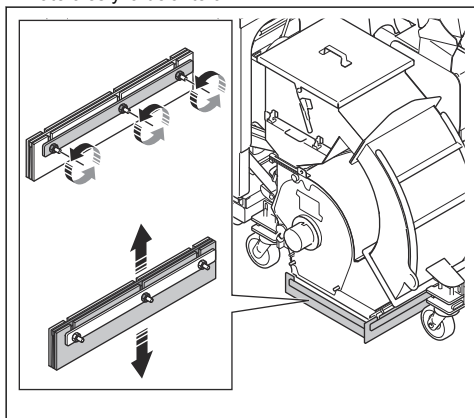
Sello del material abrasivo

El sello de material abrasivo es un sistema de sellos que consta de sello delantero (A), los sellos laterales (B) y las juntas de la lista de cepillos traseros (C).



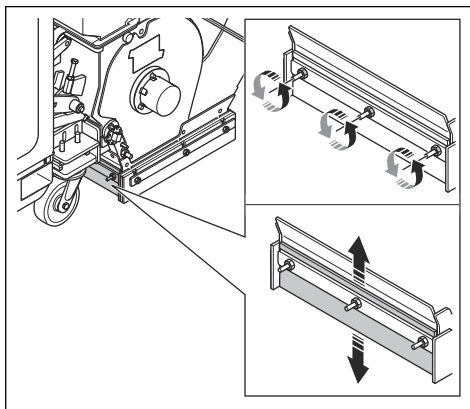
Para ajustar la altura correcta del sello de material abrasivo

1. Aparque el producto sobre una superficie plana.
2. Presione el botón "Freeflow" para bajar el cabezal de la granalladora. Consulte *Descripción general del panel de control en la página 32*.
3. Detenga el producto y asegúrese de que no haya riesgo de inicio accidental. Consulte *Para detener el producto en la página 45*.
4. Afloje las 3 tuercas y la tira de soporte en las juntas laterales y la delantera.



5. Ajuste la altura de las juntas laterales y la delantera.
 - a) Ajuste la altura hasta que la junta de goma interior sea de 1 mm/0,04 in por encima de la superficie.
 - b) Ajuste la altura hasta que la junta de la lista de escobillas sea de 6 mm/0,25 in por encima de la superficie.
 - c) Ajuste la altura hasta que la junta de goma exterior sea de 1 mm/0,04 in por encima de la superficie.
6. Apriete las 3 tuercas.

7. Afloje las 3 tuercas y la tira de soporte en la junta trasera de la lista de escobillas.



- a) Ajuste la altura hasta que la junta de la lista de escobillas trasera sea de 6 mm/0,25 in por encima de la superficie.

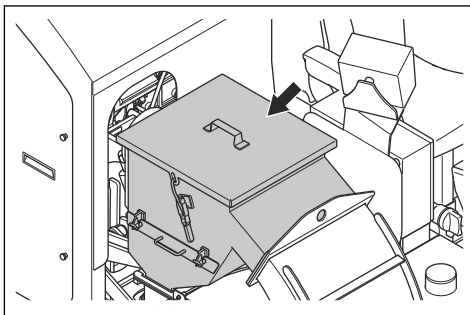
8. Apriete las 3 tuercas.

Material abrasivo

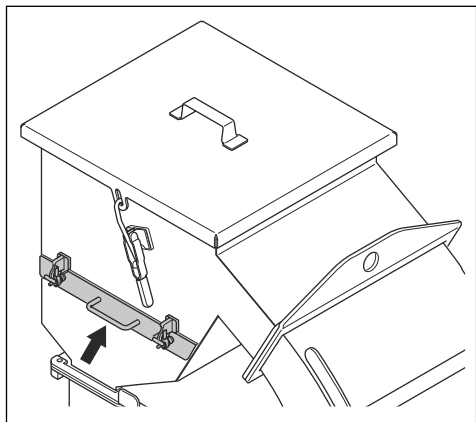
Hable con su Husqvarna distribuidor con el objetivo de seleccionar el material abrasivo correcto para el funcionamiento de su superficie. Consulte *Material abrasivo aprobado en la página 60*.

Separador

El separador evita que se contamine el material abrasivo. El separador contiene el material abrasivo y lo suministra a la rueda esparcidora.



La bandeja del separador evita que se contamine el material abrasivo y la rueda esparcidora.

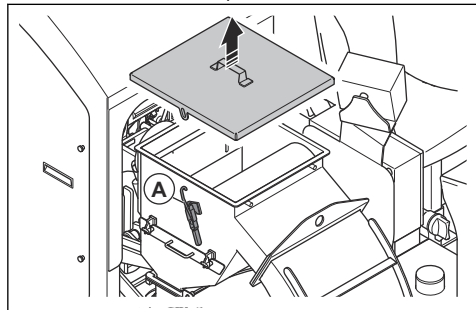


Para llenar el producto con material abrasivo

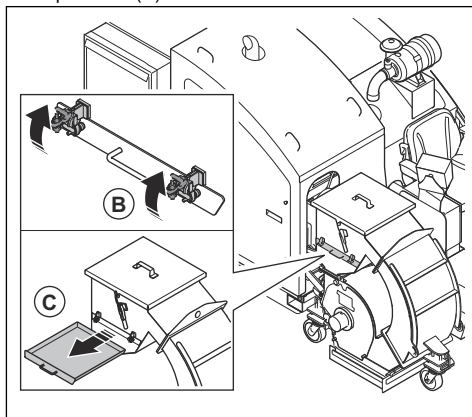


ADVERTENCIA: Siempre utilice equipo de protección personal durante el funcionamiento. Consulte *Equipo de protección personal en la página 36.*

1. Asegúrese de que el producto esté completamente detenido. Consulte *Para detener el producto en la página 45.*
2. Abra la abrazadera (A) a cada lado del separador y retire la cubierta del separador.



3. Abra las 2 abrazaderas (B) y extraiga la bandeja separadora (C).



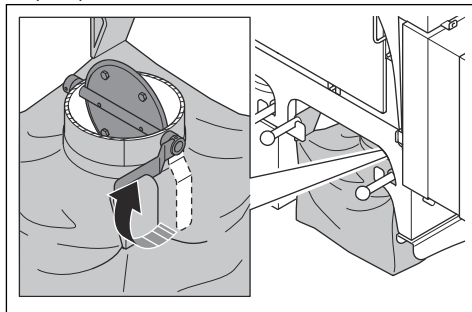
4. Retire todas las impurezas de la bandeja separadora cuando rellene el material abrasivo o cuando sea necesario.
5. Llene el separador con material abrasivo hasta la altura de la bandeja del separador. Llene con material abrasivo cuando sea necesario.

Manómetro de presión del tanque

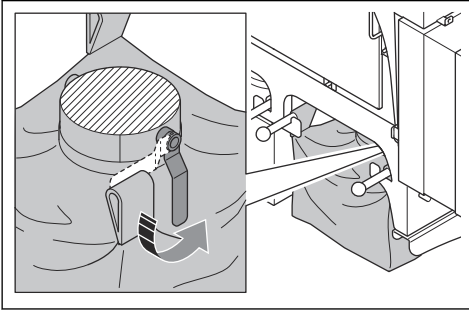
El manómetro de presión del tanque muestra la presión en el tanque de presión. El aire en el tanque de presión limpia los filtros principales. La presión es de aproximadamente 7 bar/100 PSI durante el funcionamiento.

A fin de operar la válvula para polvo

- Gire el mango hacia arriba a fin de abrir la válvula para polvo.



- Gire el mango hacia abajo con fin de cerrar la válvula para polvo.

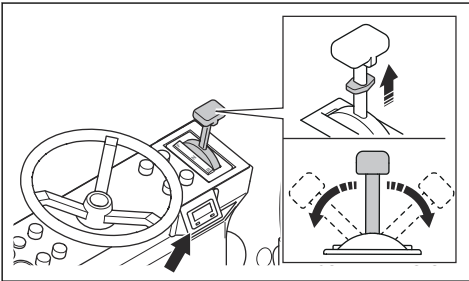


Para seleccionar la velocidad correcta

El producto debe tener la velocidad correcta para obtener resultados óptimos. Examine el resultado y ajuste la velocidad si fuera necesario. La velocidad (ft/min) se muestra en el indicador de nivel de velocidad. Utilice los diferentes modos de velocidad tal como se indica a continuación:

- Velocidad alta de conducción en superficies de hormigón para un tratamiento ligero.
- Velocidad estándar en superficies de hormigón para un tratamiento pesado.
- Baja velocidad para superficies de acero.

1. Siéntese en el asiento.
2. Tire hacia arriba de la parte inferior del control de movimiento.



3. Mueva la palanca de control de movimiento para ajustar la velocidad.
 - a) Para aumentar la velocidad del funcionamiento hacia delante, empuje la palanca de control de movimiento.
 - b) Para disminuir la velocidad del funcionamiento hacia delante, tire de la palanca de control de movimiento en la dirección de posición neutra.
 - c) Para aumentar la velocidad de funcionamiento hacia atrás, tire de la palanca de control de movimiento.
 - d) Para disminuir la velocidad de funcionamiento hacia atrás, empuje la palanca de control de movimiento en la dirección de la posición neutra.

Para poner en marcha el producto

1. Gire la barra de tracción 1 paso. Consulte *Para girar la barra de tracción en la página 47*.
2. Gire el interruptor de la batería debajo del asiento a la posición ON.
3. Siéntese en el asiento.
4. Asegúrese de que el botón STOP de emergencia esté desconectado.
5. Asegúrese de que la palanca de control de movimiento esté en la posición neutra.
6. Gire la llave de contacto a la posición ON. El texto "PRECALENTAMIENTO DEL MOTOR" se muestra en la pantalla.
7. Espere hasta que el texto "PRECALENTAMIENTO DEL MOTOR" no aparezca en la pantalla.
8. Coloque la llave de encendido en la posición START.
9. Ajuste 2200 RPM con el botón para aumentar las rpm del motor. El valor de RPM del motor se muestra en la pantalla. Consulte *Vista general de la pantalla en la página 33*.
10. Revise el nivel de combustible en el panel de control.

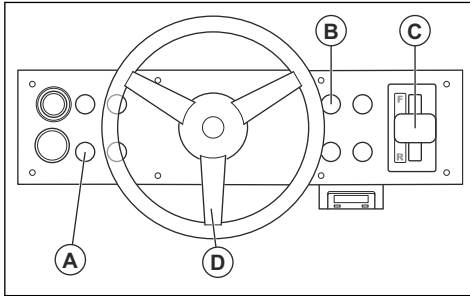
Para hacer funcionar el producto



ADVERTENCIA: No levante la cubierta del cabezal de la granalladora cuando esté en funcionamiento. El material abrasivo sale del producto a gran velocidad y puede causar lesiones.

1. Asegúrese de que el área de trabajo sea segura. Consulte *Seguridad en el área de trabajo en la página 38*.
2. Llene el separador con material abrasivo. Consulte *Para llenar el producto con material abrasivo en la página 43*.
3. Abra la válvula para polvo. Consulte *A fin de operar la válvula para polvo en la página 43*.
4. Encienda el producto. Consulte *Para poner en marcha el producto en la página 44*.

5. Presione el botón "Freeflow" para bajar el cabezal de la granalladora (A). El cabezal de la granalladora está en el suelo después de aproximadamente 5 segundos.



6. Presione el botón para conectar el embrague (B) para iniciar la rueda esparcidora y el colector de polvo.
7. Empuje la palanca de control de movimiento (C) hacia delante desde la posición neutra para mover el producto hacia delante.



AVISO: El producto no funciona hacia atrás.

8. Utilice el volante de dirección (D) para controlar la rueda delantera y la dirección del producto.
9. Presione el botón para abrir la válvula de material abrasivo.

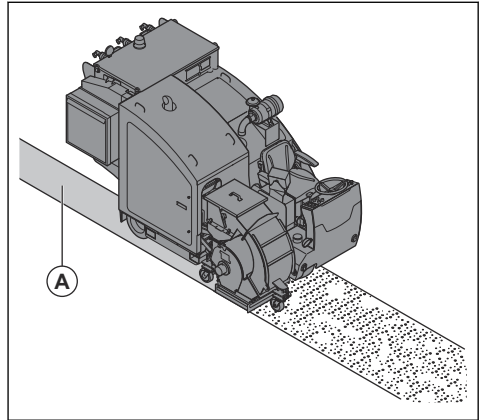


AVISO: El producto se debe mover antes de abrir la válvula de material abrasivo.

10. Después de 5 m/16 ft, cierre la válvula de material abrasivo.
11. Detenga la máquina. Consulte *Para detener el producto en la página 45*.
12. Revise el patrón de granallado. Ajuste la velocidad correcta. Consulte *Para seleccionar la velocidad correcta en la página 44*.

Patrón de granallado

El patrón de granallado (A) es la superficie que ha recibido tratamiento.



Estas son las condiciones que tienen efecto sobre el patrón de granallado:

- Velocidad de funcionamiento.
- Mayor desgaste en la rueda esparcidora y la barra de tracción.
- La dimensión del material abrasivo.
- Diferentes tipos y dureza de la superficie.

Para detener el producto

1. Presione el botón para cerrar la válvula del material abrasivo. Consulte *Descripción general del panel de control en la página 32*.



AVISO: Asegúrese de que la válvula de material abrasivo esté completamente cerrada antes de detener el producto.

2. Opere el producto continuamente durante 10 segundos para asegurarse de que no haya material en el sistema.
3. Coloque la palanca de control de movimiento en la posición neutra.
4. Presione el botón para desconectar el embrague.
5. Ajuste 1300 RPM con el control de RPM del motor.
6. Presione el botón para levantar el cabezal de la granalladora.
7. Gire la llave de contacto a la posición OFF.
8. Retire la llave de encendido del producto.

Para desechar una bolsa BigBag llena e instalar una bolsa BigBag nueva

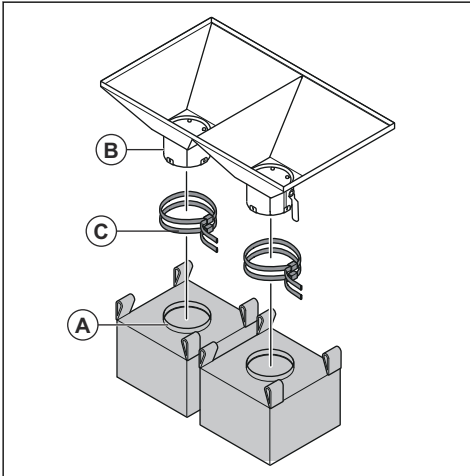


ADVERTENCIA: Levante la bolsa BigBag con precaución; una bolsa BigBag llena puede estar pesada. Asegúrese de que los sujetacables estén cerrados correctamente antes de levantar la BigBag.



ADVERTENCIA: Utilice protección respiratoria aprobada cuando vacíe el colector de polvo. Consulte *Equipo de protección personal en la página 36*.

1. Cierre la válvula para polvo. Consulte *A fin de operar la válvula para polvo en la página 43*.
2. Retire el embudo de la bolsa BigBag de la salida de polvo y ciérrela.
3. Extraiga la BigBag de las varillas de soporte.
4. Cumpla con las normativas locales para la eliminación de la bolsa BigBag llena.
5. Instale el embudo de la BigBag (A) en la salida de polvo (B).



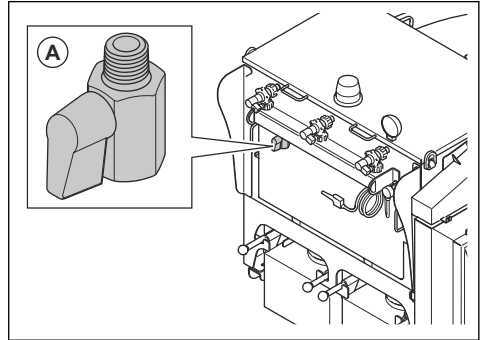
6. Conecte el embudo de la BigBag en las salidas de polvo con correas (C).
7. Asegúrese de que la BigBag cuelgue de manera uniforme en las varillas de soporte.
8. Abra la válvula para polvo. Consulte *A fin de operar la válvula para polvo en la página 43*.

Para drenar el agua del tanque de presión

El agua en el aire presurizado se acumula en el tanque de presión. Se debe drenar el agua del tanque de presión diariamente.

1. Detenga la máquina. Consulte *Para detener el producto en la página 45*.

2. Coloque un contenedor debajo de la válvula de agua (A) para recoger el agua.

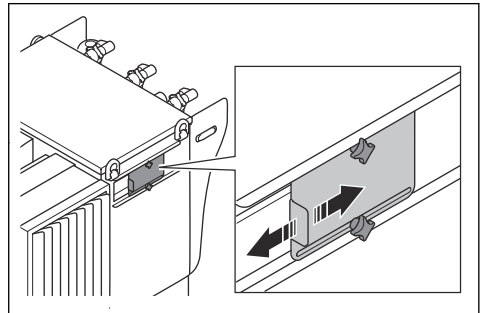


3. Abra lentamente la válvula de agua.
4. Cierre la válvula de agua cuando se drene toda el agua.

Para ajustar la potencia de succión

Utilice la tapa de flujo de aire en la parte superior del producto para ajustar la potencia de succión. Se debe ajustar la potencia de succión, por ejemplo, cuando los filtros principales son nuevos o la succión no es satisfactoria.

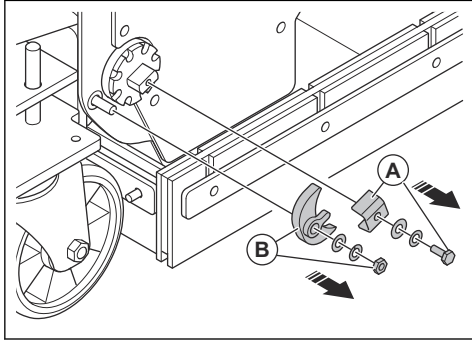
- Ajuste la potencia de succión con la tapa de flujo de aire.



- a) Para obtener menos potencia de succión, abra la tapa.
- b) Para obtener más potencia de succión, cierre la tapa.

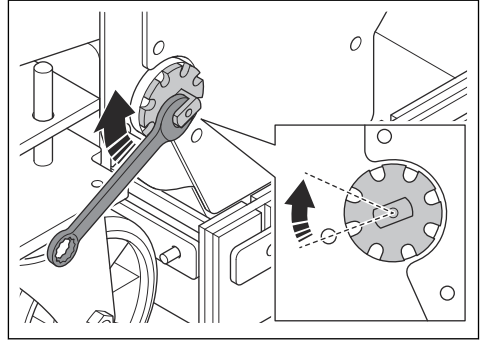
Para girar la barra de tracción

1. Retire el perno y la abrazadera (A).



2. Retire la tuerca y el retenedor (B).

3. Gire la barra de tracción con una llave.



4. Instale la tuerca y el retenedor.

5. Instale el perno y la abrazadera.

Mantenimiento

Introducción



ADVERTENCIA: Antes de realizar el mantenimiento, debe leer y entender el capítulo sobre seguridad.



ADVERTENCIA: Utilice el equipo de protección personal cuando realice el servicio y mantenimiento. Consulte *Equipo de protección personal en la página 36*.



ADVERTENCIA: Antes de realizar el mantenimiento, detenga el motor. Retire la llave de encendido para evitar un arranque accidental. Deje que el producto se enfríe.

Para todos los trabajos de mantenimiento y reparación del producto, se requiere capacitación

especial. Husqvarna garantiza reparaciones y servicios profesionales cerca de usted. Si el concesionario no cuenta con un taller de servicio, pídales información acerca del taller de servicio más cercano.

Para obtener más información, consulte www.husqvarnacp.com.

Programa de mantenimiento

* = Mantenimiento general por parte del operador. Las instrucciones no se proporcionan en este manual de usuario.

X = Las instrucciones se proporcionan en este manual de usuario.

O = Las instrucciones no se proporcionan en este manual de usuario. Solicite a un taller de servicio autorizado que realice el mantenimiento.

Mantenimiento general del producto	Cada 3 h	A diario	Cada 60 h	Cada 600 h	Una vez al mes	Anualmente
Vacíe el colector de polvo.	X					
Revise el separador y la bandeja del separador.	X					
Lubrique los cojinetes de las ruedas esparcidoras. Asegúrese de que los cojinetes giren durante la lubricación. Consulte <i>Para lubricar el producto en la página 49</i> .		X				

Mantenimiento general del producto	Cada 3 h	A diario	Cada 60 h	Cada 600 h	Una vez al mes	Anualmente
Revise los componentes eléctricos, los cables y las conexiones para ver si están desgastados o dañados.		*				
Examine el motor en busca de suciedad y daños.		*				
Asegúrese de que la manguera del colector de polvo no esté dañada ni tenga obstrucciones.		*				
Asegúrese de que las tuercas y los tornillos estén apretados.		*				
Limpie la máquina.		X				
Revise todos los dispositivos de seguridad.		X				
Revise si hay desgaste en las juntas de la lista de cepillos y en los sellos de goma alrededor del cabezal de la granalladora.		X				
Revise si hay desgaste en la rueda esparcidora, las hojas de la rueda esparcidora, la barra de tracción y los revestimientos. Consulte <i>Haga lo siguiente antes de usar el producto en la página 41.</i>		X				
Revise la tensión de la correa de transmisión del cabezal de la granalladora.		X				
Lubrique y ajuste el engrasador del embrague. ⁷			*			
Cambie el aceite del motor.				O		
Lubrique los cojinetes de la rueda delantera.					*	
Reemplace el aceite hidráulico y el filtro de aceite hidráulico. ⁸						X
Realice un mantenimiento y una limpieza completos del producto.						O

⁷ Lubrique el engrasador del embrague después de las primeras 20 horas de funcionamiento. Después de eso, lubrique el engrasador del embrague cada 60 horas.

⁸ Reemplace el aceite hidráulico y el filtro de aceite hidráulico como mínimo una vez al año o cada 150 horas.

Mantenimiento general del producto	Cada 3 h	A diario	Cada 60 h	Cada 600 h	Una vez al mes	Anualmente
Revise y reemplace un cojinete.						○

Para limpiar el producto

- Siempre limpie todos los equipos después de utilizarlos. Utilice una aspiradora.
- No use limpiadores de alta presión para limpiar el producto.
- Mantenga las aberturas de aire limpias y despejadas para asegurarse de que el producto tenga siempre suficiente flujo de aire.

Para limpiar el colector de polvo

1. Cierre la válvula para polvo. Consulte *A fin de operar la válvula para polvo en la página 43.*
2. Limpie la superficie externa con un paño húmedo.



AVISO: No use agua en componentes eléctricos.

3. Limpie el filtro de HEPA con un extractor de polvo.



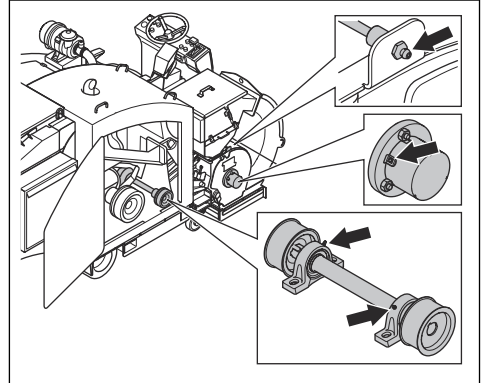
ADVERTENCIA: Siempre utilice extractores de polvo con un filtro de HEPA y un cepillo suave para no dañar el filtro de HEPA. No limpie el extractor de polvo con aire comprimido o agua.



ADVERTENCIA: No ponga herramientas sobre el filtro de HEPA ni haga un agujero en él. Esto puede causar daños en el filtro de HEPA y un riesgo para la salud del operador u otras personas.

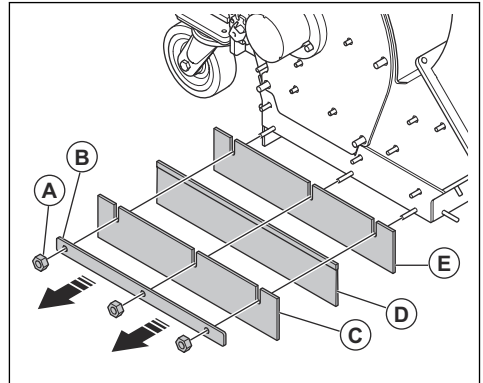
Para lubricar el producto

- Lubrique las 4 boquillas de engrase con 0,2-0,3 oz / 5-10 g de grasa para cada boquilla de engrase.



Para reemplazar los sellos de goma delanteros y laterales

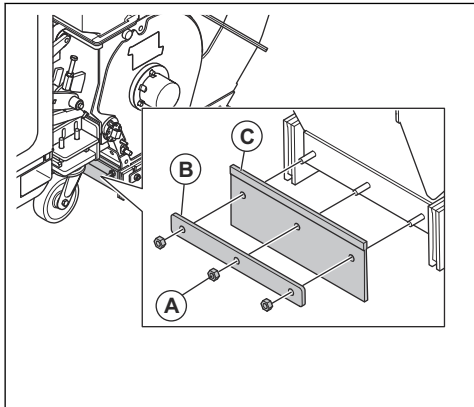
1. Retire las 3 tuercas (A).



2. Retire la tira de soporte (B).
3. Retire los sellos de goma exteriores (C).
4. Retire la junta de la lista de cepillos (D).
5. Retire los sellos de goma interiores (E).
6. Instale los nuevos sellos en la secuencia opuesta.

Para reemplazar la junta de la lista de cepillos

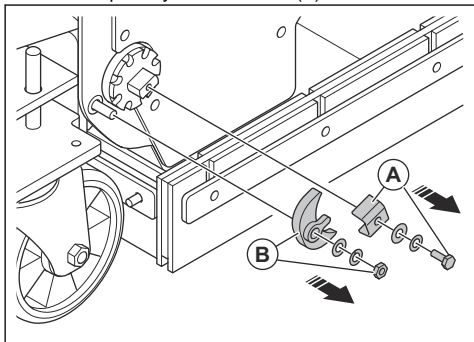
1. Retire las 3 tuercas (A) y la tira de soporte (B).



2. Retire la junta de la lista de cepillos (C).
3. Instale la nueva junta de la lista de cepillos de 6 mm/0,25 in por sobre la superficie.
4. Instale la tira de soporte y las 3 tuercas.

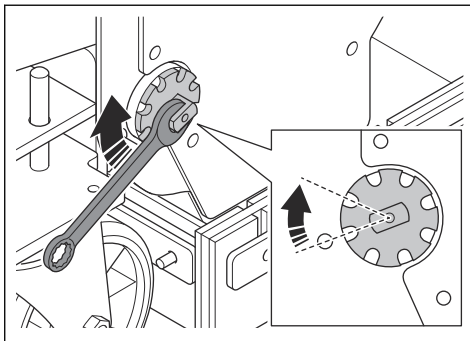
Para reemplazar la barra de tracción

1. Retire el perno y la abrazadera (A).

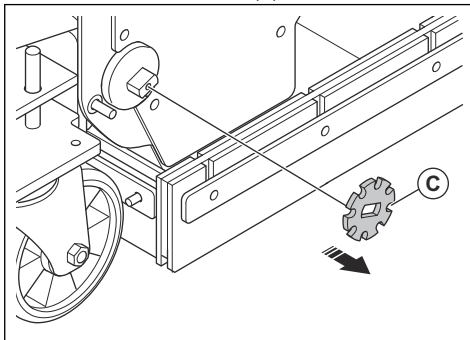


2. Retire la tuerca y el retenedor (B).

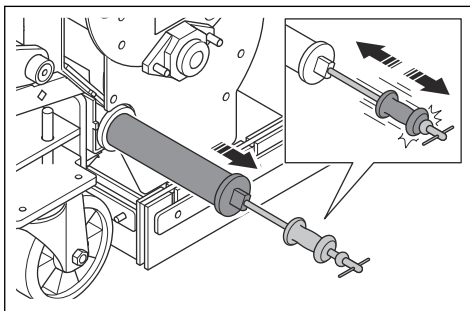
3. Gire la barra de tracción con una llave.



4. Retire la rueda en estrella (C).



5. Coloque un martillo deslizante en la rosca del tornillo de la barra de tracción.



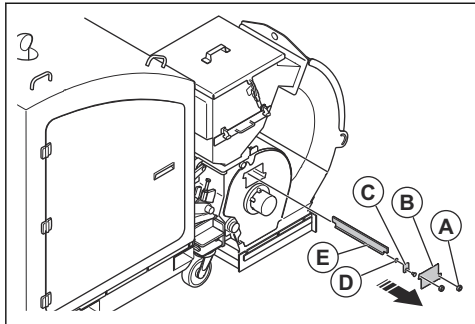
6. Retire la barra de tracción con un martillo deslizante.
7. Deseche la barra de tracción desgastada.
8. Instale la nueva barra de tracción en la secuencia opuesta.

Para reemplazar las hojas de la rueda esparcidora



AVISO: Reemplace al mismo tiempo todas las hojas de la rueda esparcidora.

1. Retire las 2 tuercas (A) y la cubierta (B).



2. Reemplace las 4 hojas de la rueda esparcidora. Realice estos pasos con cada hoja de la rueda esparcidora:
 - a) Quite el soporte de la hoja (C) de la hoja de la rueda esparcidora.
 - b) Quite la junta circular pequeña (D).
 - c) Quite la hoja de la rueda esparcidora (E) con un martillo deslizante.
 - d) Instale una nueva hoja de rueda esparcidora en la secuencia opuesta.

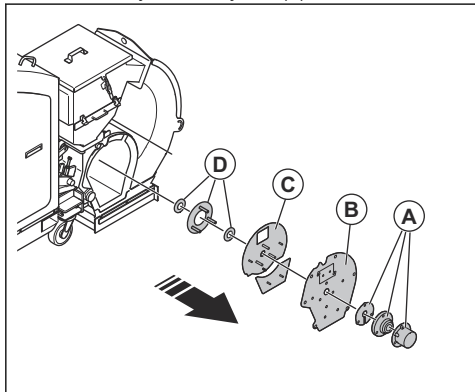


AVISO: Para evitar el desequilibrio en la rueda esparcidora, reemplace las 4 hojas de la rueda esparcidora al mismo tiempo.

3. Instale la cubierta y las 2 tuercas.

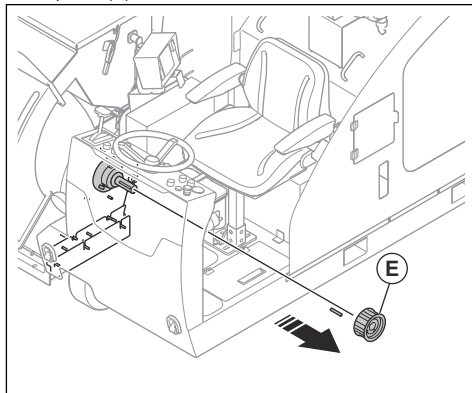
Para reemplazar la rueda esparcidora

1. Retire el conjunto de cojinete (A).

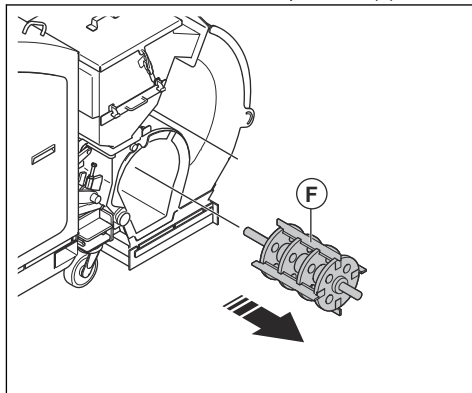


2. Quite la cubierta lateral con el revestimiento exterior (B).
3. Quite el revestimiento superior y el revestimiento inferior (C).
4. Extraiga los sellos (D).

5. En el otro lado del cabezal de la granalladora, retire la polea (E).



6. Tire hacia fuera de la rueda esparcidora (F).



7. Instale la nueva rueda esparcidora en la secuencia opuesta.

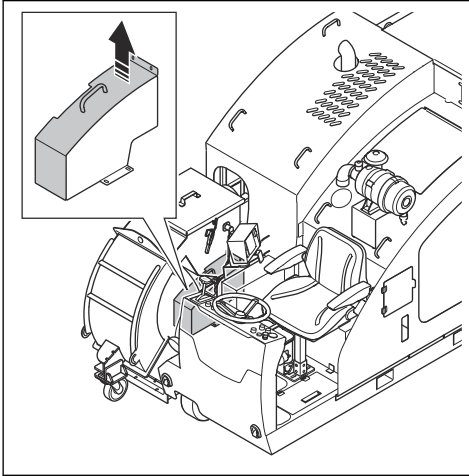
Para revisar la tensión de la correa de transmisión del cabezal de la granalladora



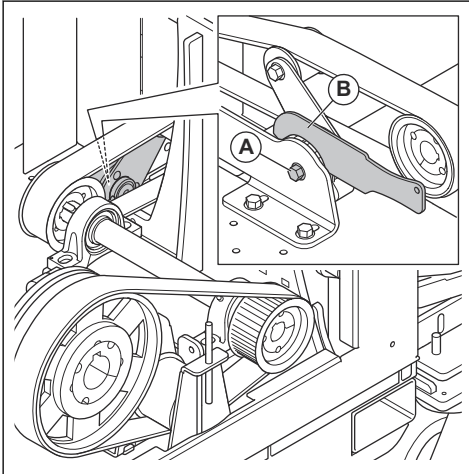
ADVERTENCIA: No opere el producto sin la cubierta de la correa de transmisión instalada.

1. Detenga la máquina. Consulte *Para detener el producto en la página 45*.

2. Quite el panel entre el asiento y la rueda esparcidora.



3. Afloje el perno (A) que sujeta el tensor.



4. Ajuste la tensión de la correa de transmisión del cabezal de la granalladora con la llave de tensión (B).
5. Mantenga la tensión a 46 Hz en la correa de transmisión con la llave de tensión y apriete el perno.

Para cambiar el filtro de aire

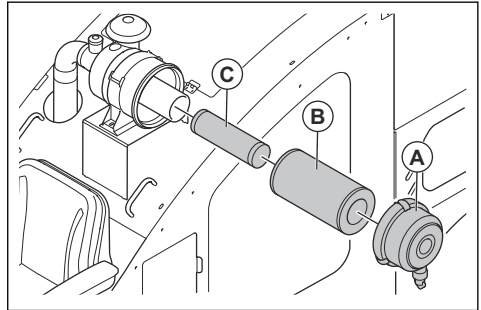


AVISO: No arranque el motor sin el filtro de aire instalado.



AVISO: No limpie los filtros de aire.

1. Retire la tapa (A).



2. Retire el filtro de aire primario (B).
3. Retire el filtro de aire secundario (C).
4. Deseche los filtros de aire usados.
5. Instale los nuevos filtros de aire en la secuencia opuesta.

Para reemplazar los filtros principales



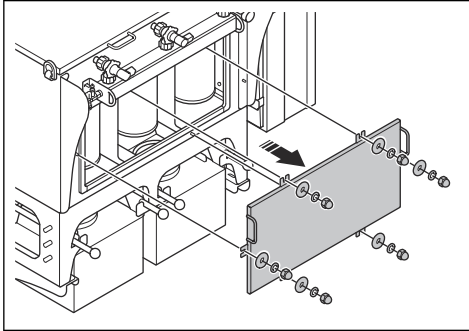
ADVERTENCIA: Utilice el equipo de protección personal correcto cuando reemplace los filtros principales. Consulte *Equipo de protección personal en la página 36*.

Reemplace los filtros principales cuando la succión no sea satisfactoria o cuando esté encendido el indicador de reemplazo de los filtros principales.

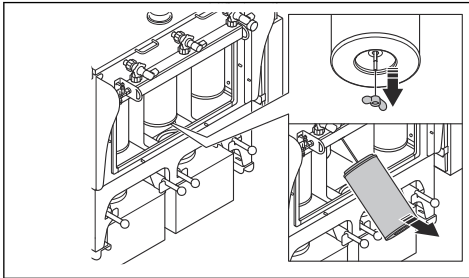
Hay nueve filtros principales en el producto. Reemplace todos los filtros al mismo tiempo.

1. Detenga el producto, consulte *Para detener el producto en la página 45*.
2. Asegúrese de que el ventilador se detenga por completo antes de retirar la cubierta de la carcasa del filtro.

3. Retire las 6 tuercas, las 12 arandelas y la cubierta de la carcasa del filtro.



4. Retire la tuerca de mariposa en la parte inferior del filtro principal.



5. Extraiga el filtro principal y colóquelo cuidadosamente en una bolsa de plástico.



ADVERTENCIA: Tenga cuidado cuando quite los filtros principales. Las partículas en los filtros principales son peligrosas para la salud.

6. Deseche la bolsa de plástico correctamente. Consulte las normativas locales.
7. Instale el filtro principal nuevo en la secuencia opuesta.



ADVERTENCIA: Si los filtros principales no están instalados correctamente, puede salir polvo al aire. Las partículas de polvo son peligrosas para la salud.

8. Realice el mismo procedimiento de reemplazo en los otros 8 filtros principales.
9. Instale la cubierta de la carcasa del filtro, las 12 arandelas y las 6 tuercas.

Para reemplazar el filtro HEPA



ADVERTENCIA: No limpie un filtro HEPA. El filtro HEPA se romperá si lo limpia.

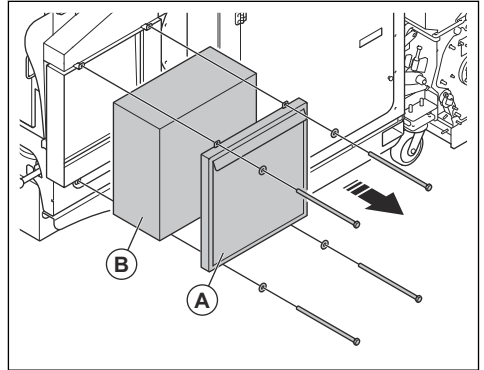


ADVERTENCIA: Tenga cuidado cuando instale el nuevo filtro HEPA. No toque la superficie interior del filtro HEPA, se romperá ante cualquier tipo de fuerza o daño.



ADVERTENCIA: Utilice el equipo de protección personal correcto cuando cambie el filtro HEPA. Consulte *Equipo de protección personal* en la página 36

1. Retire los 4 tornillos, las 4 tuercas y la cubierta del compartimiento del filtro de aire HEPA (A).



2. Retire el filtro HEPA (B) desde el producto y colóquelo cuidadosamente en una bolsa de plástico limpia.



ADVERTENCIA: Tenga cuidado cuando quite el filtro de aire HEPA. Las partículas en el filtro HEPA son peligrosas para la salud.

3. Deseche la bolsa de plástico correctamente. Consulte las normativas locales.
4. Instale un nuevo filtro HEPA en la secuencia opuesta.

Para agregar combustible



AVISO: El tipo incorrecto de combustible puede causar daños en el motor. Utilice el combustible diésel número 0 en verano y el combustible diésel número -10 en invierno.

1. Detenga el motor y deje que el producto se enfríe.
2. Coloque el producto en un área con buen flujo de aire.
3. Llene el depósito de combustible.



AVISO: Asegúrese de que el depósito de combustible no esté demasiado lleno. El combustible se expande cuando se calienta.

4. Apriete la tapa del depósito de combustible con cuidado para evitar el riesgo de incendio.
5. Limpie el producto y el área alrededor del producto para evitar derrames de combustible.
6. Antes de arrancarlo, aleje el producto 3 m/10 ft o más del área de recarga de combustible y de la fuente de combustible.

Para examinar el sistema de combustible

- Examine la tapa del depósito de combustible y la junta de la tapa del depósito de combustible para asegurarse de que no haya daños.
- Examine la manguera de combustible para asegurarse de que no haya fugas. Si la manguera de combustible está dañada, comuníquese con un taller de servicio para que la reemplace.

Para limpiar el motor y el silenciador



AVISO: Lea siempre el manual de servicio del motor antes de realizar tareas de mantenimiento en el producto.

- Deje que el motor y el silenciador se enfríen antes de limpiarlos.
- Limpie el motor y el silenciador con un paño.
- Asegúrese de que la rejilla de toma de aire frío del motor no esté obstruida. Retire la suciedad con un cepillo de cerdas suaves.

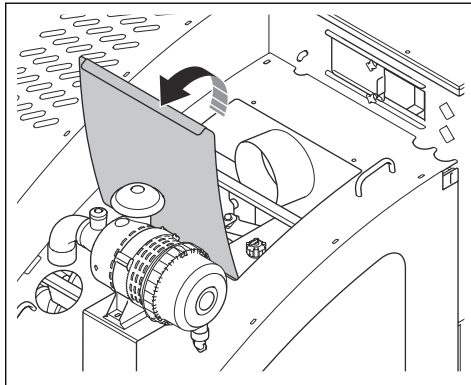
Para comprobar el nivel de aceite del motor



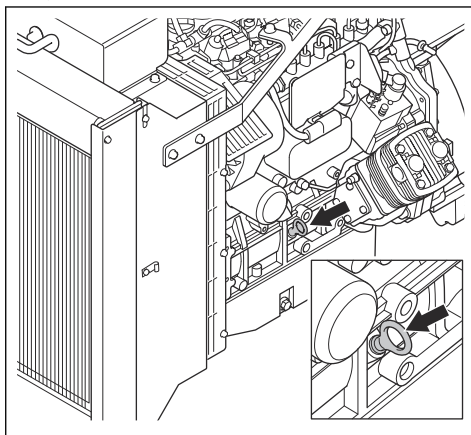
AVISO: Lea siempre el manual de servicio del motor antes de realizar tareas de mantenimiento en el producto.

1. Aparque el producto en una superficie nivelada y deténgalo. Consulte *Para detener el producto en la página 45*.

2. Abra la compuerta.



3. Quite la varilla de nivel.



4. Limpie el aceite de la varilla de nivel.
5. Coloque la varilla completamente dentro del depósito de aceite.
6. Quite la varilla de nivel.
7. Examine el nivel de aceite con la varilla de nivel.
8. Si el nivel de aceite es bajo, llene con aceite de motor y revise nuevamente. Consulte el manual del motor.

Sistema hidráulico

Para revisar las mangueras hidráulicas

- Examine las mangueras hidráulicas con regularidad. Reemplace las mangueras hidráulicas desgastadas o dañadas.



ADVERTENCIA: El aceite hidráulico es peligroso. La goma de las mangueras hidráulicas se desgasta con el tiempo. Las mangueras hidráulicas desgastadas o dañadas pueden romperse y el

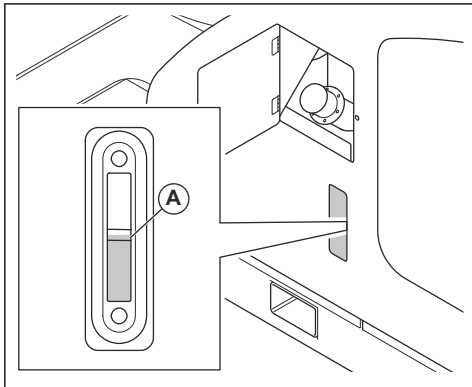
aceite hidráulico puede causar lesiones. Si no puede determinar si las mangueras hidráulicas están desgastadas, reemplácelas siempre.

Para revisar el nivel de aceite hidráulico



ADVERTENCIA: Riesgo de lesiones por quemadura. El aceite hidráulico se calienta durante el funcionamiento del producto. Deje que el producto se enfríe antes de reemplazar el aceite hidráulico.

1. Observe el nivel de aceite hidráulico en el indicador de nivel. El nivel de aceite hidráulico es correcto cuando se encuentra entre las 2 marcas del indicador de nivel (A).



2. Si el nivel de aceite hidráulico está por debajo del centro del indicador, reemplace el aceite hidráulico. Consulte *Para reemplazar el aceite hidráulico en la página 55*.

Para reemplazar el aceite hidráulico

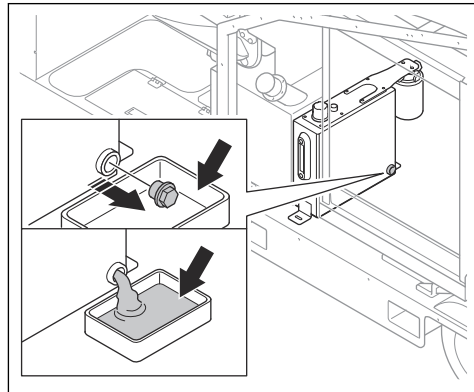
Si el motor está frío, arránquelo entre 1 y 2 minutos antes de drenar el aceite hidráulico. Esto calienta el aceite hidráulico, por lo que se drena más fácilmente.



ADVERTENCIA: Cuando el motor se detiene, el aceite hidráulico tiene una temperatura muy alta. Deje que el motor se enfríe antes de drenar el aceite hidráulico. En caso de que el aceite hidráulico entre en contacto con su piel, límpiela con agua y jabón.

1. Detenga el producto sobre una superficie nivelada. Consulte *Para detener el producto en la página 45*.

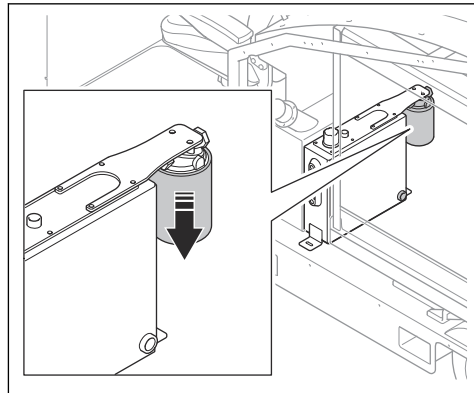
2. Coloque un recipiente debajo del tapón de vaciado de aceite hidráulico.



3. Retire el tapón de vaciado de aceite hidráulico.
4. Deje que el aceite hidráulico drene en el contenedor.
5. Limpie alrededor del tapón de vaciado de aceite hidráulico.
6. Instale el tapón de vaciado de aceite hidráulico cuando el depósito de aceite hidráulico esté vacío.
7. Llene el depósito de aceite hidráulico hasta que el nivel de aceite hidráulico esté en el centro del indicador. Consulte *Para reemplazar el aceite hidráulico en la página 55*.
8. Haga funcionar el producto durante un breve período para purgar el sistema.
9. Revise el nivel de aceite hidráulico.

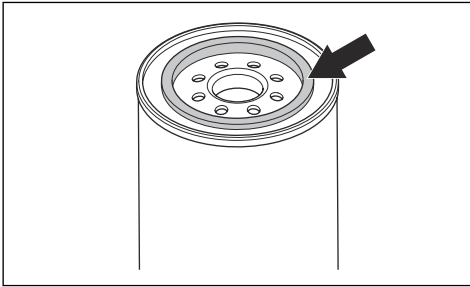
Para reemplazar el filtro de aceite hidráulico

1. Drene el sistema hidráulico. Consulte *Para reemplazar el aceite hidráulico en la página 55*.
2. Quite la tapa del filtro de aceite hidráulico.



3. Gire el filtro de aceite hidráulico hacia la izquierda para retirarlo.

4. Llene el nuevo filtro de aceite hidráulico con aceite hidráulico nuevo.
5. Lubrique ligeramente la junta de goma del nuevo filtro de aceite hidráulico con aceite hidráulico nuevo.



6. Coloque el filtro del aceite hidráulico. Apriete con la mano hasta que haya resistencia y, a continuación, apriete $\frac{3}{4}$ de vuelta más.
7. Revise que no haya fugas alrededor del filtro de aceite hidráulico.
8. Llene el depósito de aceite hidráulico. Consulte *Para reemplazar el aceite hidráulico en la página 55*.
9. Revise el nivel de aceite hidráulico. Consulte *Para revisar el nivel de aceite hidráulico en la página 55*.

Solución de problemas

Solución de problemas

Problema	Causa	Solución
Hay demasiada vibración o ruidos inusuales.	La rueda esparcidora está desgastada o dañada.	Reemplace la rueda esparcidora.
	Las hojas de la rueda esparcidora están desgastadas o dañadas.	Reemplace las hojas de la rueda esparcidora.
	La alineación de la rueda esparcidora es incorrecto.	Ajuste la alineación de la rueda esparcidora.
	Hay tornillos y tuercas sueltos.	Apriete todos los tornillos y las tuercas.
	Hay una tensión incorrecta de la correa de transmisión del cabezal de la granalladora.	Revise la tensión de la correa de transmisión del cabezal de la granalladora.
	El motor está dañado.	Comuníquese con un taller de servicio Husqvarna autorizado.
	Las ruedas están dañadas.	Reemplace las ruedas, hable con un agente de servicio Husqvarna aprobado.
	Los cojinetes de las ruedas esparcidoras no están lubricados.	Lubrique los cojinetes de las ruedas esparcidoras.

Problema	Causa	Solución
El producto no funciona correctamente.	El suministro del material abrasivo a la rueda esparcidora no es suficiente.	Limpie la bandeja separadora y vuelva a llenar el separador con material abrasivo. Revise la válvula de material abrasivo.
	El tipo de material abrasivo es incorrecto para la superficie.	Reemplace el material abrasivo con el material abrasivo correcto para la superficie.
	El material abrasivo está contaminado.	Revise todos los filtros principales y reemplácelos, si fuera necesario.
	La rueda esparcidora está desgastada o dañada.	Reemplace la rueda esparcidora.
	Las hojas de la rueda esparcidora están desgastadas o dañadas.	Reemplace las hojas de la rueda esparcidora.
	Hay demasiado material abrasivo que impacta en la superficie al inicio del funcionamiento.	Cierre la válvula del material abrasivo y detenga el producto.
	La velocidad del producto es demasiado alta.	Disminuya la velocidad.
	La barra de tracción está desgastada.	Reemplace la barra de tracción.
El material abrasivo se cae del producto.	La posición de la barra de tracción es incorrecta o la barra de tracción está desgastada.	Gire la barra de tracción 1 paso o reemplácela.
	La válvula para polvo está cerrada.	Abra la válvula para polvo.
	Los filtros están obstruidos.	Reemplace los filtros principales y compruebe si hay fugas.
	Los sellos están a una distancia incorrecta desde la superficie.	Ajuste la altura de los sellos.
	Los sellos están dañados.	Revise todos los sellos y reemplácelos si es necesario.
	El sello del cabezal de la granalladora está a una distancia incorrecta desde la superficie.	Ajuste la altura del cabezal de la granalladora.
El desgaste es más de lo habitual en piezas del cabezal de la granalladora.	El tipo de material abrasivo es incorrecto para la superficie.	Reemplace el material abrasivo con el material abrasivo correcto para la superficie.
	La potencia de succión del colector de polvo es insuficiente.	Reemplace los filtros principales.
El producto no se mueve.	La velocidad es demasiado baja.	Aumente la velocidad.
	El cabezal de la granalladora queda atrapado en el piso.	Ajuste la altura del cabezal de la granalladora.
	El sistema de transmisión está dañado.	Comuníquese con su concesionario para obtener más información.
	El botón STOP de emergencia está activado.	Gire el botón STOP de emergencia hacia la derecha para desactivarlo.

Problema	Causa	Solución
El motor no arranca.	El motor está dañado.	Comuníquese con un taller de servicio Husqvarna autorizado.
	El interruptor de la batería está en la posición OFF.	Coloque el interruptor de la batería en la posición ON.
	La batería está vacía.	Cargue la batería con un cargador de taller.
	El depósito de combustible está vacío.	Llene el depósito con combustible.
El producto se detiene después de un momento.	El motor está dañado.	Comuníquese con un taller de servicio Husqvarna autorizado.
	Hay un fusible de seguridad o un disyuntor de corriente defectuoso conectado.	Comuníquese con un taller de servicio Husqvarna autorizado.
	El depósito de combustible está vacío.	Llene el depósito con combustible.
El sistema de transmisión no funciona correctamente.	Un fusible de seguridad está dañado.	Comuníquese con un taller de servicio Husqvarna autorizado.

Transporte, almacenamiento y eliminación de residuos

Transporte



ADVERTENCIA: Tenga cuidado durante el transporte. El producto es pesado y puede causar lesiones o daños si se cae o se mueve durante el transporte.



AVISO: No remolque el producto detrás de un vehículo.

- Retire el material abrasivo antes del transporte.
- Ponga algún tipo de protección en el producto durante el transporte. La protección impide que los elementos naturales, como la lluvia y la nieve, entren en contacto con el producto.
- Asegúrese de que no haya presión en el tanque antes del transporte.

Para mover el producto hacia arriba y hacia abajo por una rampa



ADVERTENCIA: Tenga mucho cuidado al subir o bajar el producto por rampas. El producto es pesado y existe riesgo de lesiones si se cae o se mueve demasiado rápido.



ADVERTENCIA: Para rampas con una pendiente pronunciada, utilice siempre

un cabrestante. No camine ni permanezca por debajo del producto.



ADVERTENCIA: No haga funcionar el producto cerca de los bordes de la rampa.

- Para bajar el producto por una rampa, opere el producto lentamente hacia delante.
- Para subir el producto por una rampa, opere el producto lentamente hacia atrás.
- No gire el producto a la izquierda o a la derecha más de 45° en una rampa.

Para levantar el producto



ADVERTENCIA: Asegúrese de que el equipo de elevación tenga la especificación correcta para levantar el producto de forma segura. La placa de características del producto muestra el peso del producto.

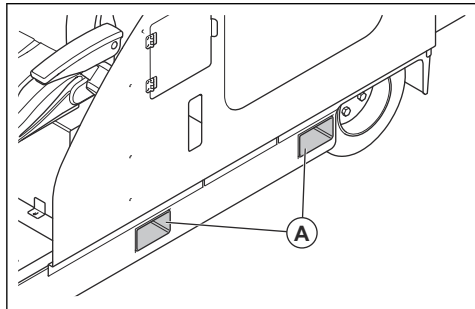


ADVERTENCIA: No camine ni permanezca por debajo del producto cuando esté levantado. Mantenga a las personas fuera del área de trabajo. Consulte *Seguridad en el área de trabajo en la página 38*.



ADVERTENCIA: No levante el producto si está dañado. Asegúrese de que los cáncamos estén correctamente instalados y de que no estén dañados.

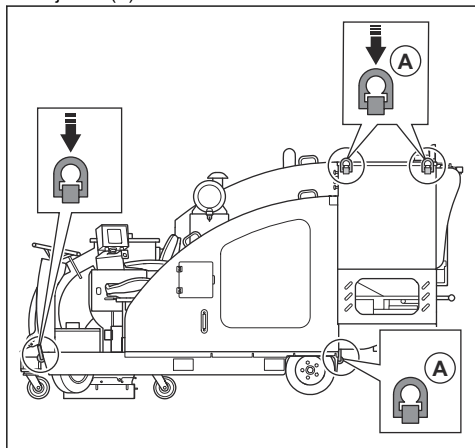
1. Para levantar el producto con un montacargas, coloque las hojas del montacargas a través de los soportes (A).



Para fijar el producto a un vehículo de transporte

Utilice los puntos de sujeción para fijar el producto al vehículo de transporte.

1. Coloque las correas de sujeción en los puntos de sujeción (A).



2. Fije y apriete las correas de sujeción al vehículo de transporte.

Almacenamiento



AVISO: No almacene el producto a la luz solar directa. Siempre mantenga el producto en interiores.

Tenga en cuenta: Consulte el manual de usuario del motor para obtener información sobre el almacenamiento.

- Limpie el producto y realice un mantenimiento completo antes de almacenarlo.
- Mantenga el producto en un área cerrada para evitar que los niños u otras personas sin autorización puedan acceder a él.
- Extraiga el material abrasivo del separador antes de guardarlo.
- Coloque el producto en un lugar de almacenamiento en interiores lejos de elementos exteriores.
- Coloque el producto en un área seca y libre de escarcha donde la temperatura no sea demasiado alta.

Eliminación del producto

- Obedezca las regulaciones vigentes y los requisitos de reciclaje locales.
- Deseche todos los productos químicos, como el combustible o el aceite de motor, en un centro de servicio o en un sitio adecuado para tal propósito.
- No deseche la batería como un residuo doméstico.
- Cuando el producto se deje de utilizar, envíelo a un distribuidor de Husqvarna o deséchelo en un sitio de reciclaje.

Datos técnicos

	BMR 75D
Dimensiones	
Altura, mm/in	3048/120
Ancho, mm/in	1574,8/62

BMR 75D	
Altura, mm/in	1651/65
Peso, kg/lb	2358,68/5200
Anchura de trabajo, mm/in	335,28/13,2
Motor	
Tipo ⁹	Deutz 75hp Tier4 Diésel
Potencia, hp a RPM / kW a RPM ¹⁰	75 HP
Potencia normal del motor, kW	
Máx. régimen del motor (con carga), rpm	2200
Tipo de combustible	Diésel
Máx. capacidad del depósito de combustible, l/gal	50/13,2
Velocidad de conducción, m/min o ft/min	330 o 100,6
Capacidad de aceite del motor, l/gal	1,7-1,9/0,42-0,50
Engrase los cojinetes del cabezal de la granalladora	Grasa para cojinetes LGWA 2/0.4, carga alta, presión extrema, amplio rango de temperatura
Batería	
Tipo de batería	12 v AGM 50AH
Condiciones de operación, capacidad de pendiente máxima	
Temperatura de funcionamiento, °C/°F	De 23 a 104/de -5- a +40
Humedad relativa máx., %	95
Nivel de vibración en el asiento, m/s ² o ft/s ²	0,914 o 0,3
Sistema hidráulico	
Presión de trabajo, bar/psi	130/1885,5
Capacidad del depósito hidráulico, l/gal	34,8/9,2
Tipo de aceite hidráulico	Mobil ATF D/M

Tenga en cuenta: Si su producto requiere una especificación eléctrica que no aparece en la tabla,

comuníquese con un taller de servicio Husqvarna para obtener más información.

Material abrasivo aprobado

	Granalla de acero de alto carbono		
Material abrasivo aprobado	S-390	S-460	S-550*
in/mm	0,05/1,2	0,06/1,4	0,07/1,7

⁹ Para obtener más información y para preguntas sobre este motor específico, consulte el manual del motor o el sitio web del fabricante del motor.

¹⁰ Como lo especifica el fabricante del motor. Clasificación de potencia bruta según SAE J1940/J1995, a las RPM especificadas.

Emisiones sonoras

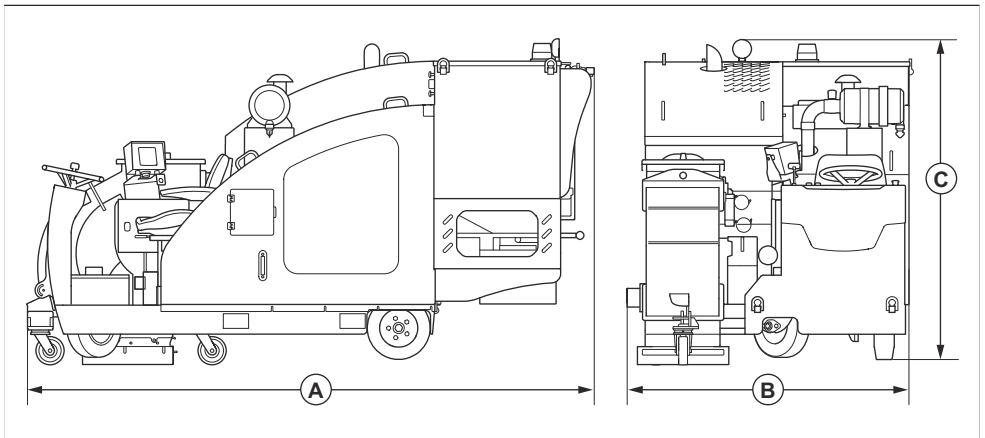
	BMR 75D
Nivel de potencia acústica, LWA dB (A) ¹¹	100,4
Nivel de presión sonora en el oído del usuario, LP dB (A) ¹²	85

Declaración de ruido y vibración

Estos valores declarados se obtuvieron mediante pruebas de laboratorio, en conformidad con la directiva o las normas declaradas, y son adecuados para compararlos con los valores declarados de otros productos probados en conformidad con la misma directiva o normas. Estos valores declarados no son

adecuados para su uso en evaluaciones de riesgos, y los valores medidos en lugares de trabajo individuales pueden ser superiores. Los valores de exposición reales y el riesgo de daños que experimente un usuario individual son únicos y dependen de la forma en que el usuario trabaja, del material en que se utiliza el producto, así como del tiempo de exposición y el estado físico del usuario, y del estado del producto.

Dimensiones del producto



A	Longitud, mm/in	3048/120
B	Ancho, mm/in	1574,8/62
C	Altura, mm/in	1651/65

¹¹ Nivel de potencia acústica según EN ISO 3747. Medido en superficie de hormigón. Incertidumbre Kwa 2,5 dB

¹² Nivel de presión sonora determinada según EN ISO 11202. Medido en superficie de hormigón. Incertidumbre Kpa 2,5 dB

Accesorios

Accesorio disponible	Número del componente
Cartucho del filtro primario de clase M	534053401
Filtro clase H14 HEPA	534008001
BigBag 17"x17"x12"	533467701

Table des matières

Introduction.....	63	Dépannage.....	88
Sécurité.....	66	Transport, entreposage et mise au rebut.....	90
Fonctionnement.....	73	Caractéristiques techniques.....	91
Entretien.....	79	Accessoires.....	94

Introduction

Responsabilité du propriétaire



AVERTISSEMENT : Des opérations de coupe, de surfaçage ou de perçage du béton ou de la pierre, particulièrement lorsque les conditions sont sèches, génèrent de la poussière qui contient souvent de la silice. La silice est un composant de base du sable, du quartz, de la brique d'argile, du granit et de nombreux autres pierres et minéraux. L'exposition à une quantité excessive de ces poussières peut entraîner :

une maladie respiratoire (réduisant la capacité à respirer), notamment la bronchite chronique, la silicose et la fibrose pulmonaire causée par l'exposition à la silice. Ces maladies peuvent être fatales;

Des irritations et éruptions cutanées.

Le cancer, selon le NTP (National Toxicology Program) et le CIRC (Centre international de Recherche sur le Cancer).

Prendre les précautions suivantes :

Éviter l'inhalation et le contact cutané avec les poussières, brouillards et fumées.

Porter et veiller à ce que les personnes à proximité portent un dispositif de protection respiratoire approprié, tel un masque antipoussière filtrant les particules microscopiques. (Voir OSHA 29 CFR Part 1926.1153)

Pour réduire au minimum les émissions de poussière, utiliser un collecteur de poussière approprié.

Il est de la responsabilité du propriétaire ou de l'employeur de s'assurer que l'utilisateur possède les connaissances nécessaires pour manipuler le produit en toute sécurité. Les superviseurs et les utilisateurs doivent avoir lu et compris le manuel d'utilisation. Ils doivent être conscients des éléments suivants :

- Les consignes de sécurité relatives au produit.
- L'éventail d'applications du produit et ses limites.
- La manière dont le produit doit être utilisé et entretenu.

Les règlements locaux ou nationaux peuvent limiter l'utilisation de ce produit. Rechercher les réglementations en vigueur où le travail est exécuté avant d'utiliser le produit.

Proposition 65 de la Californie



ATTENTION!

Ce produit contient ou émet un produit chimique qui, d'après l'État de Californie, peuvent causer le cancer, des malformations congénitales ou autre danger pour la reproduction.

CALIFORNIA AIR RESOURCES BOARD (CARB)

Remarque : Cette machine est considérée comme une application hors route exemptée des normes CARB. L'EPA des États-Unis est la seule habilitée à instaurer des normes antipollution visant l'équipement de construction exempté.

Description du produit

Le produit est une grenailleuse autoportée actionnée par un moteur diesel. Le produit est doté d'un collecteur de poussière intégré.

Utilisation prévue



AVERTISSEMENT : Ne pas recueillir les sources d'inflammation, les particules chaudes, les liquides, les matières explosives et les particules instables ou pyrophoriques.

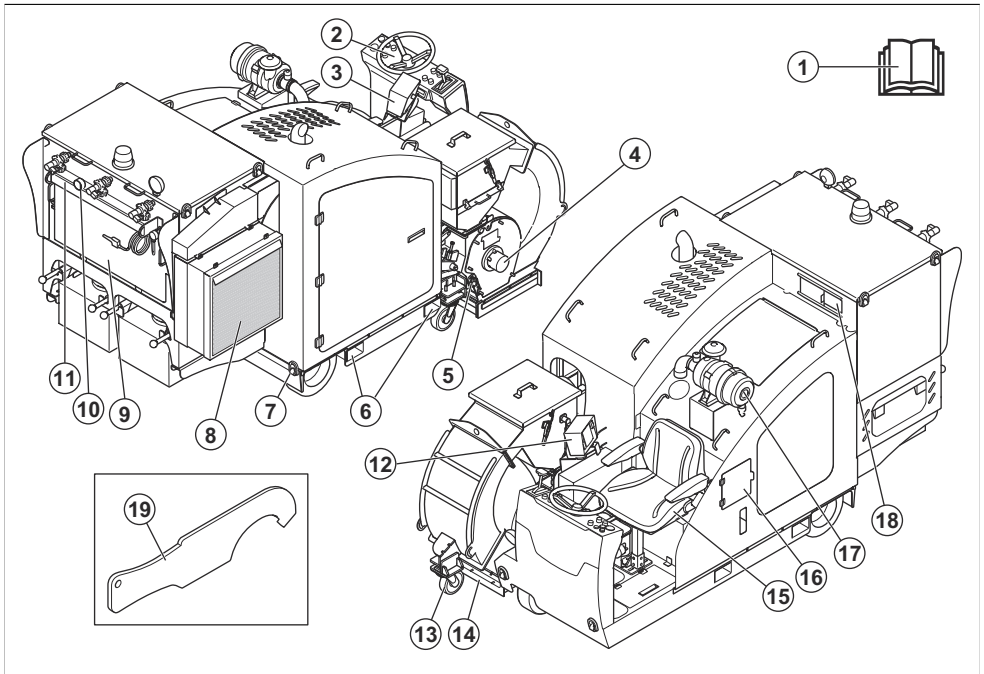
Le produit est utilisé dans les opérations commerciales par des opérateurs professionnels.

Le produit permet d'enlever des couches de peinture, d'enduit et de contaminants. Le produit peut être utilisé sur des surfaces horizontales sèches et sans gel. Par exemple, le béton, l'asphalte, la pierre et l'acier.

Le collecteur de poussière intégré sert à aspirer à sec la poussière et les particules de matériaux arrachés par la grenailleuse. Ces matériaux peuvent être dangereux et nocifs pour la santé.

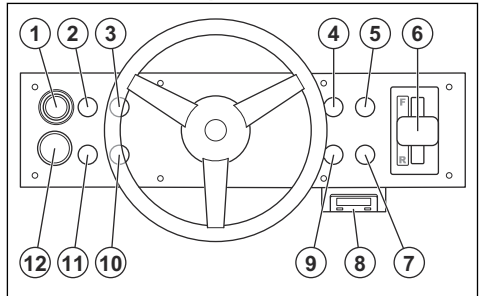
Ne pas utiliser l'outil pour d'autres tâches. Utilisez uniquement le produit avec des accessoires approuvés par le fabricant.

Aperçu du produit



1. Manuel d'utilisation
2. Panneau de commande
3. Clé de contact
4. Roue de grenailage
5. Barre-levier
6. Supports du chariot élévateur
7. Point d'arrimage
8. Filtre HEPA
9. Collecteur de poussière
10. Manomètre du réservoir sous pression
11. Réservoir de pression
12. Écran
13. Roue avant
14. Tête de la grenailleuse
15. Siège
16. Réservoir de carburant
17. Filtre à air
18. Trappe de débit d'air
19. Clé à tension

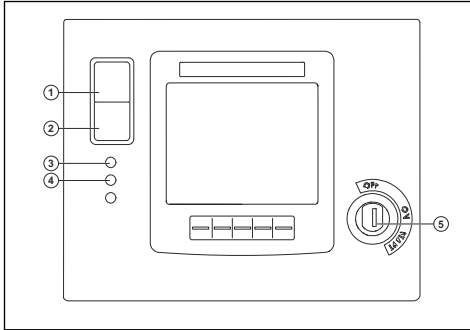
Vue d'ensemble du panneau de commande



1. Bouton d'arrêt d'urgence
2. Indicateur d'alerte des filtres primaires obstrués
3. Bouton de marche/arrêt (ON/OFF) des feux de travail
4. Bouton pour engager l'embrayage
5. Bouton pour désengager l'embrayage
6. Levier de commande de mouvement

7. Bouton de fermeture de la soupape de matériau abrasif
8. Indicateur de niveau de vitesse (pi/min)
9. Bouton d'ouverture de la soupape de matériau abrasif
10. Bouton pour soulever la tête de la grenailleuse
11. Bouton "Freeflow" pour abaisser la tête de la grenailleuse
12. Jauge à carburant

Vue d'ensemble de l'écran



1. Bouton pour augmenter les tours par minute (tr/min) du moteur
2. Bouton pour diminuer les tours par minute (tr/min) du moteur
3. Indicateur d'anomalies du moteur
4. Témoin d'avertissement
5. Clé de contact

Symboles concernant le produit



Avertissement : Ce produit peut être dangereux et causer des blessures très graves, ou même mortelles, à l'utilisateur et à d'autres personnes. Faire attention et utiliser le produit correctement.



haute tension.



Tenir toutes les parties du corps à l'écart des surfaces chaudes.



Point de levage.



Tenir les mains à l'écart des pièces en rotation.



Lire soigneusement le manuel d'instructions et veiller à bien comprendre les directives avant d'utiliser cette machine.



Lire avec attention le manuel de l'opérateur et s'assurer de bien comprendre les instructions avant d'utiliser ce produit.



Utiliser une protection respiratoire adéquate.



Porter un dispositif de protection homologué pour les oreilles.



Utiliser un dispositif de protection homologué pour les yeux.



Utiliser des gants de protection homologués.



Porter des bottes de protection homologuées.



Surface chaude.



Risque d'incendie ou d'explosion.



Risque d'empoisonnement au monoxyde de carbone. Ne pas utiliser le produit dans des endroits où la ventilation est mauvaise.



Risque de choc électrique.



Ajouter de l'huile.



Ajouter du carburant.



Point de fixation sur le produit.



Régime élevé.



Régime bas.



Arrêt du moteur. L'opération ne peut pas continuer. Reportez-vous au manuel du moteur pour obtenir plus d'informations.

1. Numéro du produit
2. Poids du produit
3. Puissance nominale
4. Tension nominale
5. Boîtier
6. Intensité nominale
7. Fréquence
8. Angle de pente maximal
9. Fabricant
10. Code à numériser
11. Année de production
12. Modèle
13. Numéro de série

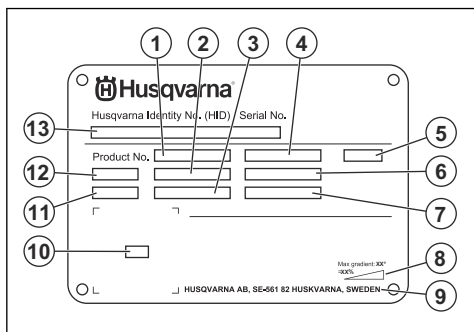
Produit endommagé

Nous ne sommes pas responsables des dommages causés à notre produit si :

- Le produit n'est pas réparé de façon adéquate.
- Le produit est réparé avec des pièces qui ne sont pas fournies ou homologuées par le fabricant.
- Le produit comprend un accessoire qui n'est pas fourni ou homologué par le fabricant.
- Le produit n'est pas réparé par un centre de service après-vente agréé ou par une autorité homologuée.

Remarque : les autres symboles/autocollants présents sur le produit concernent des exigences de certification spécifiques à certains marchés.

Plaque signalétique



Sécurité

Définitions relatives à la sécurité

Les avertissements, recommandations et remarques soulignent des points du manuel qui revêtent une importance particulière.



AVERTISSEMENT : Indique la présence d'un risque de blessure ou de décès de l'utilisateur ou de personnes à proximité si les instructions du manuel ne sont pas suivies.



MISE EN GARDE : Indique la présence d'un risque de dommages au produit, à d'autres appareils ou à la zone adjacente si les instructions du manuel ne sont pas suivies.

Remarque : Utilisé pour donner des renseignements plus détaillés qui sont nécessaires dans une situation donnée.

Consignes générales de sécurité



AVERTISSEMENT : Lire les messages d'avertissement qui suivent avant d'utiliser le produit.



MISE EN GARDE : Toujours lire le manuel et les messages d'avertissement du moteur diesel avant d'utiliser le produit.

- Ce produit est un outil dangereux si vous ne faites pas attention ou si vous l'utilisez de manière incorrecte. Ce produit peut causer des blessures graves, voire mortelles, à l'opérateur ou à d'autres personnes. Avant d'utiliser le produit, il convient de lire attentivement et de bien comprendre les instructions contenues dans ce manuel de l'opérateur.
- Le produit n'est pas destiné à être utilisé par des enfants ou des personnes aux capacités physiques, sensorielles ou mentales limitées ou manquant d'expérience et de connaissances.
- Conservez tous les avertissements de sécurité et toutes les instructions.
- Respectez l'ensemble des lois et réglementations applicables.
- L'opérateur et son employeur doivent connaître et éviter tout risque au cours de l'utilisation du produit.
- Ne pas laisser une personne utiliser le produit à moins qu'elle ait lu et compris le contenu de ce manuel d'utilisation.
- Ne pas utiliser le produit sauf si vous bénéficiez d'une formation préalable. Assurez-vous que tous les opérateurs suivent une formation.
- Ne laissez pas un enfant utiliser le produit.
- Seules les personnes autorisées peuvent utiliser le produit.
- L'utilisateur est tenu responsable des accidents auxquels il expose autrui ou ses biens.
- N'utilisez jamais l'appareil si vous êtes fatigué ou malade, ou si vous êtes sous l'emprise d'alcool, de drogues ou de médicaments.
- L'utilisation de la machine peut entraîner de la fatigue. Il est important que l'opérateur prenne régulièrement des pauses.
- Soyez toujours prudent et utilisez votre bon sens.
- Maintenez le produit propre. Assurez-vous que vous pouvez lire clairement les avertissements et les autocollants.
- N'utilisez pas le produit s'il est endommagé ou s'il ne fonctionne pas correctement.
- Ne pas modifier le produit.
- Ne pas utiliser le produit s'il est susceptible d'avoir été modifié par d'autres personnes.

Consignes de sécurité pour l'utilisation



AVERTISSEMENT : Lire les messages d'avertissement qui suivent avant d'utiliser le produit.

- utilisez un équipement de protection individuelle. Reportez-vous à la section *Équipement de protection personnelle* à la page 69.
- Se reporter au manuel d'entretien du moteur pour une utilisation et un entretien sécuritaires. Conserver le manuel d'entretien pour référence ultérieure.
- Ne pas faire fonctionner le produit sans tous les dispositifs de protection et couvercles installés.
- Assurez-vous que vous savez arrêter le produit rapidement en cas d'urgence.
- Avant de s'éloigner du produit, arrêter le moteur. S'assurer qu'il n'y a pas de risque de démarrage accidentel.
- Assurez-vous que des vêtements, cheveux longs et bijoux ne peuvent pas se coincer dans les pièces en mouvement.
- Veillez à vous tenir dans une position stable et sûre pendant l'utilisation du produit.
- Vérifiez l'absence de vis ou d'écrous desserrés.
- Évitez de soulever ou d'incliner le produit pendant le fonctionnement. Le matériau abrasif est expulsé du produit à grande vitesse et peut provoquer des blessures. Toujours arrêter le moteur avant de soulever ou d'incliner le produit.
- Assurez-vous que le séparateur et le bac de séparation sont fermés pendant le fonctionnement.
- N'utilisez pas le produit si vous ne pouvez pas être secouru en cas d'accident.
- Utilisez le produit uniquement sur des surfaces horizontales.
- Toujours utiliser des accessoires approuvés. Pour obtenir de plus amples renseignements, communiquez avec votre concessionnaire Husqvarna.
- Si le produit se met à vibrer ou si son niveau sonore est anormalement élevé, arrêter immédiatement le produit. Examiner le produit pour détecter d'éventuels dommages. Réparer les dommages ou laisser un atelier spécialisé faire la réparation.
- Utilisez le produit uniquement lorsque vous êtes assis sur le siège et que vous avez les mains sur les poignées ou le volant.
- Toujours utiliser la ceinture de sécurité pendant le fonctionnement.
- S'assurer qu'il n'y a pas de graisse ou d'huile sur le volant.
- S'assurer que les joints de matériau abrasif ne sont pas endommagés.
- S'assurer que les joints de matériau abrasif sont installés à la bonne hauteur.
- Utilisez uniquement un matériau abrasif homologué. Pour obtenir de plus amples renseignements,

communiquiez avec votre concessionnaire Husqvarna. Reportez-vous à la section *Matériau abrasif approuvé à la page 93*.

- Remplacer fréquemment le sac à poussière. Ne pas trop remplir le sac à poussière, car cela pourrait endommager le sac à poussière.
- Faire attention, le moteur est chaud pendant le fonctionnement.
- Stationner le produit uniquement sur des surfaces horizontales. La machine peut se déplacer brusquement si elle n'est pas stationnée sur une surface horizontale. Le centre de gravité change lorsque la machine est remplie de poussière, ce qui peut réduire le fonctionnement du frein de stationnement.

Sécurité en matière de vibrations



AVERTISSEMENT : Lire les messages d'avertissement qui suivent avant d'utiliser le produit.

- Pendant le fonctionnement du produit, des vibrations sont transmises du produit à l'utilisateur. L'utilisation régulière et fréquente du produit peut provoquer ou augmenter les risques de blessures pour l'utilisateur. Des blessures peuvent se produire au niveau des doigts, des mains, des poignets, des bras, des épaules ou des nerfs, ou d'autres parties du corps ou affecter l'apport sanguin. Les blessures peuvent être invalidantes ou permanentes et peuvent augmenter progressivement au fil des semaines, des mois ou des années. Les blessures possibles incluent des dommages au système de circulation sanguine, au système nerveux, aux articulations et à d'autres structures corporelles.
- Des symptômes peuvent apparaître pendant l'utilisation du produit ou à d'autres moments. Si l'utilisateur présente des symptômes et continue à utiliser le produit, les symptômes peuvent augmenter ou devenir permanents. Si ces symptômes ou d'autres symptômes apparaissent, consulter un médecin :
 - Engourdissement, perte de sensation, fourmillement, picotement, douleur, brûlure, boursoufflement, raideur, sensation de lourdeur, perte de force, changements de couleur ou d'état de la peau.
- Les symptômes peuvent augmenter par temps froid. Porter des vêtements chauds et garder les mains au chaud et au sec lors de l'utilisation de l'outil dans des environnements froids.
- Procéder à l'entretien et à l'utilisation du produit comme indiqué dans le manuel d'utilisation pour maintenir les vibrations à un niveau acceptable.
- Le produit est doté d'un système anti-vibrations qui réduit les vibrations entre les poignées et l'opérateur.
- Gardez uniquement les mains sur la ou les poignées. Garder toutes les autres parties du corps à l'écart du produit.

- Arrêter immédiatement le produit en cas de fortes vibrations soudaines. Ne pas poursuivre le sciage avant d'avoir éliminé la cause des vibrations accrues.

Protection contre la poussière



AVERTISSEMENT : Lire les messages d'avertissement qui suivent avant d'utiliser l'appareil.

- L'utilisation du produit peut soulever de la poussière dans les airs. La poussière peut provoquer des blessures graves et des problèmes de santé permanents. La poussière de silice est considérée comme une matière nocive par plusieurs autorités. Voici quelques exemples de problèmes de santé :
 - Maladies pulmonaires mortelles bronchite chronique, silicose et fibrose pulmonaire
 - Cancer
 - Malformations congénitales
 - Inflammation de la peau
- Utiliser un équipement adapté pour réduire la quantité de poussière et de fumées dans l'air et pour réduire la poussière sur les équipements de travail, les surfaces, les vêtements et les parties du corps. Les systèmes de collecte de poussière sont des exemples de dispositif de contrôle de la poussière. Dans la mesure du possible, réduire la quantité de poussière à la source. S'assurer que l'équipement est correctement installé et utilisé et que l'entretien régulier est effectué.
- Utiliser un dispositif de protection respiratoire homologué. S'assurer que la protection respiratoire convient aux matériaux dangereux dans la zone de travail.
- S'assurer que la circulation d'air est suffisante dans la zone de travail.

Sécurité relative au bruit



AVERTISSEMENT : Lire les messages d'avertissement qui suivent avant d'utiliser l'outil.

- Des niveaux sonores élevés et une exposition prolongée au bruit peuvent entraîner une perte auditive due au bruit.
- Pour réduire au maximum le niveau sonore, procéder à l'entretien du produit et l'utiliser comme indiqué dans le manuel d'utilisation.
- Toujours porter un dispositif de protection pour les oreilles homologué lors de l'utilisation du produit.
- Rester attentif aux appels ou cris d'avertissement lors de l'utilisation d'un dispositif de protection pour les oreilles. Retirer le dispositif de protection pour les oreilles lorsque le produit est arrêté, sauf si une protection auditive est nécessaire en raison du niveau sonore dans la zone de travail.

Équipement de protection personnelle



AVERTISSEMENT : Lire les messages d'avertissement qui suivent avant d'utiliser l'appareil.

- Toujours utiliser un équipement de protection personnelle homologué lors de l'utilisation de l'outil. Cet équipement de protection personnelle n'élimine pas complètement les risques de blessures, mais il peut en réduire la gravité en cas d'accident. Le revendeur aidera l'utilisateur à sélectionner les équipements de protection personnelle adéquats et indiquera comment les utiliser.
- Vérifier régulièrement l'état de l'équipement de protection personnelle.
- Porter un dispositif de protection homologué pour les oreilles.
- Utiliser un dispositif de protection respiratoire homologué.
- Porter un dispositif de protection pour les yeux homologué avec écrans latéraux.
- Porter des gants de protection.
- Utiliser des bottes à embout en acier et semelles antidérapantes.
- Porter des vêtements de travail homologués ou des vêtements ajustés équivalents avec des manches longues et des pantalons.

Sécurité – carburant



AVERTISSEMENT : Lire les messages d'avertissement qui suivent avant d'utiliser l'appareil.

- L'essence est inflammable et les vapeurs sont explosives. Faire attention avec le carburant afin d'éviter toute blessure, tout incendie et toute explosion.
- Ne pas respirer les vapeurs de carburant. Les vapeurs de carburant sont toxiques et peuvent provoquer des blessures. S'assurer que le débit d'air est suffisant.
- Ne pas enlever le bouchon du réservoir de carburant ou remplir le réservoir de carburant lorsque le moteur est en marche.
- Vérifier que le moteur est froid avant de faire le plein.
- Ne pas faire le plein de carburant à l'intérieur. Un débit d'air insuffisant peut entraîner des blessures ou la mort en raison d'une asphyxie ou d'un empoisonnement à l'oxyde de carbone.
- Ne pas fumer à proximité du carburant ou du moteur.
- Ne pas placer des objets chauds à proximité du carburant ou du moteur.
- Ne pas faire l'appoint de carburant à proximité d'étincelles ou de flammes.

- Avant de faire le plein, ouvrir lentement le couvercle du réservoir de carburant et relâcher la pression avec précaution.
- Le carburant peut provoquer des lésions cutanées. Si du carburant se déverse sur la peau, se nettoyer au savon doux et à l'eau.
- Si du carburant se déverse sur les vêtements, changer immédiatement de vêtement.
- Ne jamais remplir le réservoir de carburant complètement. La chaleur provoque une dilatation du carburant. Laisser un espace dans la partie supérieure du réservoir de carburant.
- Serrer fermement le couvercle du réservoir de carburant. Si le couvercle du réservoir de carburant n'est pas bien serré, il y a un risque d'incendie.
- Avant de démarrer l'outil, le déplacer à au moins 3 m (10 pi) de l'endroit où le plein de carburant a eu lieu.
- Ne pas démarrer l'outil s'il y a du carburant ou de l'huile moteur sur l'outil. Éponger le carburant et l'huile moteur indésirables et laisser l'outil sécher avant de démarrer le moteur.
- Vérifier régulièrement le moteur à la recherche de fuites. S'il y a des fuites dans le système de carburant, ne pas démarrer le moteur jusqu'à ce que les fuites soient réparées.
- Ne pas utiliser les doigts pour rechercher d'éventuelles fuites au niveau du moteur.
- N'entreposer le carburant que dans des contenants homologués.
- Lorsque l'outil et le carburant sont entreposés, s'assurer que le carburant et les vapeurs de carburant ne peuvent pas provoquer de dommages.
- Vider le carburant dans un contenant homologué à l'extérieur et loin d'étincelles ou de flammes.

Sécurité relative aux gaz d'échappement



AVERTISSEMENT : Lire les messages d'avertissement qui suivent avant d'utiliser le produit.



AVERTISSEMENT : Les gaz d'échappement du moteur contiennent du monoxyde de carbone, un gaz inodore, toxique et très dangereux. Respirer du monoxyde de carbone peut entraîner la mort. Le monoxyde de carbone étant inodore et invisible, il n'est pas possible de le détecter. Le monoxyde de carbone provoque des symptômes d'intoxication, notamment des vertiges, mais il est possible qu'une personne perde rapidement conscience si la quantité ou la concentration de monoxyde de carbone est suffisante.

- Les gaz d'échappement contiennent également des hydrocarbures non brûlés, dont du benzène.
- À long terme, l'inhalation des gaz d'échappement peut entraîner des problèmes de santé.

- Les gaz d'échappement visibles ou odorants contiennent également du monoxyde de carbone.
- Ne pas inhaler les gaz d'échappement.
- Les gaz d'échappement du moteur sont chauds et peuvent contenir des étincelles qui peuvent causer un incendie. Toujours garder un équipement de lutte contre les incendies à portée de main. Ne jamais démarrer le produit à proximité de matériaux combustibles.

Extincteur

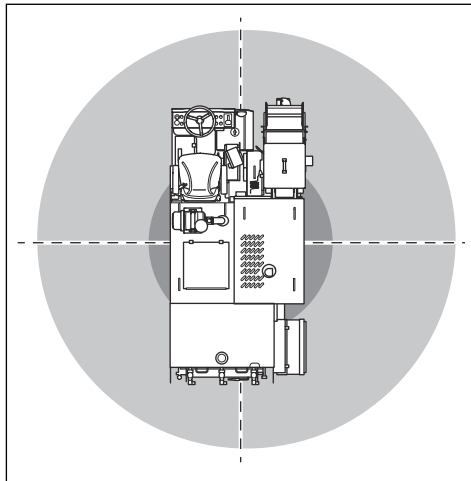
- Garder un extincteur à proximité pendant le sciage.
- Utiliser un extincteur à poudre de classe « ABE » ou un extincteur au dioxyde de carbone de type « BE ».

Sécurité de l'aire de travail



AVERTISSEMENT : Lire les messages d'avertissement qui suivent avant d'utiliser le produit.

- Il incombe à l'utilisateur d'analyser la surface à traiter. L'utilisateur doit effectuer une évaluation des risques sur la base des informations obtenues sur la surface à traiter et prendre les précautions appropriées pour le travail à effectuer.
- Ne pas utiliser le produit dans le brouillard, la pluie, le vent violent, par temps froid, en cas de risque d'orage ou dans d'autres mauvaises conditions météorologiques.
- Rester à l'affût des personnes, des objets et des situations susceptibles d'entraver l'utilisation sécuritaire du produit.
- Ne pas utiliser ce produit dans des zones où un incendie ou des explosions peuvent se produire. Le produit provoque des étincelles, et les matériaux inflammables peuvent s'enflammer en présence de poussière ou de fumées.
- Éloignez les animaux, les enfants et toute personne de la zone de travail et à une distance de sécurité du produit. La distance de sécurité est de 10 m/33 pi.



- Assurez-vous d'éloigner les personnes et les animaux de la zone de travail, et de les maintenir à une distance de sécurité du produit.
- Assurez-vous que seules les personnes autorisées se trouvent dans la zone de travail.
- Veillez à ce que la zone de travail reste propre et totalement éclairée. Les espaces encombrés ou sombres exposent à des accidents.
- Retirer les objets comme les vis, les boulons, les câbles et les cailloux de la zone de travail avant d'utiliser le produit.
- S'assurer qu'aucun câble ni tuyau ne se trouve sur la trajectoire du produit.
- Assurez-vous que les surfaces irrégulières, telles que les joints soudés ou les joints au sol, n'arrêtent pas le produit.
- S'assurer que la circulation d'air est suffisante dans la zone de travail.

Dispositifs de sécurité sur l'outil



AVERTISSEMENT : Lire les messages d'avertissement qui suivent avant d'utiliser l'appareil.

- Ne pas utiliser le produit si les dispositifs de sécurité sont endommagés ou s'ils ne fonctionnent pas correctement.
- Vérifier quotidiennement les dispositifs de sécurité. Si vos dispositifs de sécurité sont endommagés ou ne fonctionnent pas correctement, communiquez avec votre atelier spécialisé Husqvarna.
- Ne pas modifier les dispositifs de sécurité.

Bouton d'arrêt d'urgence

Le bouton d'arrêt d'urgence permet d'arrêter rapidement le fonctionnement. Le bouton d'arrêt d'urgence coupe l'alimentation du système d'entraînement. Le bouton

d'arrêt d'urgence ferme la soupape pour matériau abrasif et désengage l'embrayage.

Pour vérifier le bouton d'arrêt d'urgence

Reportez-vous à la section *Aperçu du produit à la page 64* pour obtenir des renseignements sur l'emplacement du bouton d'arrêt d'urgence sur votre produit.

1. Tourner le bouton d'arrêt d'urgence dans le sens horaire pour s'assurer qu'il est désengagé.
2. Démarrer le produit. Reportez-vous à la section *Démarrage du produit à la page 76*.
3. Appuyer sur le bouton d'arrêt d'urgence.
4. S'assurer que le système d'entraînement s'arrête, que la soupape de matériau abrasif est fermée et que l'embrayage est désengagé.
5. Placer le levier de commande de mouvement en position neutre.
6. Tourner le bouton d'arrêt d'urgence dans le sens des aiguilles d'une montre pour le désengager.

Ceinture de sécurité



AVERTISSEMENT : Toujours porter la ceinture de sécurité lors de l'utilisation du produit.

La ceinture de sécurité maintient l'opérateur dans son siège durant le fonctionnement et les arrêts soudains.

- Vérifier la ceinture de sécurité avant l'utilisation. S'assurer qu'elle fonctionne correctement et n'est pas endommagée.
- Garder la ceinture de sécurité à plat contre la taille. Ne pas tordre la ceinture de sécurité.
- S'assurer qu'aucun objet ne se trouve entre l'opérateur et la ceinture de sécurité.
- Vérifier la ceinture de sécurité après un arrêt soudain. S'assurer que la ceinture de sécurité est en bon état avant d'utiliser le produit.
- Maintenir la ceinture de sécurité propre et sèche.

Contrôle de présence de l'opérateur

Lorsque le contrôle de présence de l'opérateur est engagé, l'alimentation du système d'entraînement s'arrête. La soupape de matériau abrasif se ferme et l'embrayage se désengage. Reportez-vous à la section *Vérification de la commande de présence de l'opérateur à la page 71*.

Vérification de la commande de présence de l'opérateur

1. Démarrer le produit. Reportez-vous à la section *Démarrage du produit à la page 76*.
2. S'éloigner du siège pour déclencher la commande de présence de l'opérateur. Si le produit ne s'arrête pas en 5 secondes, communiquer avec un atelier spécialisé Husqvarna agréé.

Silencieux

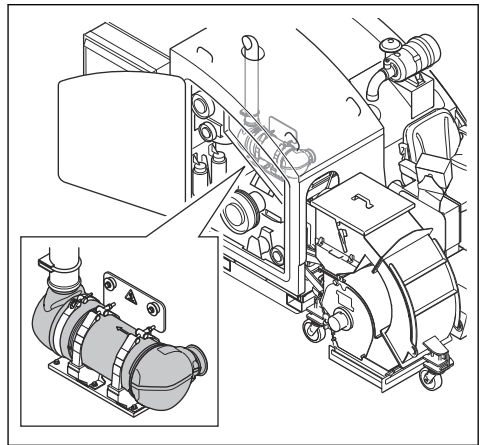


AVERTISSEMENT : Le silencieux devient très chaud pendant et après utilisation, et lorsque le moteur tourne au ralenti. Il y a un risque d'incendie, surtout lors de l'utilisation du produit à proximité des matériaux inflammables ou des fumées.



AVERTISSEMENT : Ne pas utiliser un produit sans silencieux ou dont le silencieux est endommagé. Un silencieux endommagé peut augmenter le niveau sonore et le risque d'incendie. Garder à proximité les outils pour éteindre le feu. Ne pas utiliser un appareil sans silencieux ou dont le silencieux est défectueux.

Le silencieux maintient le niveau de bruit au minimum et dirige les gaz d'échappement loin de l'utilisateur. Dans les régions chaudes et sèches, le risque d'incendie est élevé. Respecter les règlements locaux et les instructions d'entretien.



Pour contrôler le silencieux



AVERTISSEMENT : Un silencieux usé/une face de montage usée peut contenir à sa surface des dépôts de particules de combustion potentiellement cancérigènes.

- Toujours porter un équipement de protection personnelle lorsque vous vérifiez le silencieux pour éviter le contact avec la peau et l'inhalation des particules dangereuses.
- S'assurer qu'il y a une circulation d'air suffisante dans la zone lorsque vous nettoyez ou effectuez l'entretien du silencieux.

- Ne pas utiliser d'air sous pression pour nettoyer le silencieux.
- Nettoyer le silencieux à l'aide d'une brosse en acier et brosser en direction opposée du corps.

- Nettoyer le produit pour éliminer les matières dangereuses avant d'effectuer la maintenance.
- Effectuer l'entretien du produit sur un sol de niveau et stable. S'assurer que le produit ne peut pas se déplacer.

- Examiner régulièrement le silencieux pour s'assurer qu'il est correctement raccordé et en bon état.

Sécurité hydraulique



AVERTISSEMENT : Lire les messages d'avertissement qui suivent avant d'utiliser l'appareil.

- S'assurer que les raccords des flexibles hydrauliques sont bien serrés et qu'il n'y a pas de fuite d'huile.
- Faire attention lors du serrage des raccords hydrauliques. Si vous serrez trop les raccords hydrauliques, cela peut endommager les joints toriques.
- S'assurer que les raccords des flexibles hydrauliques sont propres et en bon état.
- L'huile hydraulique sous pression est dangereuse et peut causer des blessures graves. Ne pas rechercher de fuite d'huile lorsque le circuit hydraulique est sous pression.
- Faire attention lors du remplissage du produit avec l'huile hydraulique. L'huile hydraulique est inflammable. Si vous renversez de l'huile hydraulique, nettoyez la surface.
- Remplir le produit avec de l'huile hydraulique uniquement dans un endroit où le débit d'air est bon.
- Après l'entretien, vérifier le niveau de vibrations du produit. En cas de problème, communiquer avec un atelier spécialisé agréé.
- Ne pas utiliser le produit s'il est endommagé ou ne fonctionne pas correctement. Effectuez les contrôles de sécurité, d'entretien et de maintenance indiqués dans ce manuel. Toutes les autres tâches d'entretien doivent être effectuées par un atelier spécialisé agréé.
- les accidents liés au produit se produisent pendant la recherche de pannes, l'entretien et la maintenance, car l'opérateur doit se trouver dans la zone à risque du produit. L'opérateur doit être prudent et préparer le travail afin de prévenir les accidents.
- Ne pas percer de trous dans le filtre HEPA. Un filtre HEPA brisé peut entraîner le rejet de poussière dans l'air.

Consignes de sécurité pour l'entretien



AVERTISSEMENT : Lire les messages d'avertissement qui suivent avant d'utiliser le produit.

- utilisez un équipement de protection individuelle. Reportez-vous à la section *Équipement de protection personnelle* à la page 69.
- N'effectuer que les travaux d'entretien indiqués dans ce manuel d'utilisation. Laisser un agent d'entretien agréé effectuer toutes les autres opérations d'entretien.
- Se reporter au manuel d'entretien du moteur pour une utilisation et un entretien sécuritaires. Conserver le manuel d'entretien pour référence ultérieure.
- Si la maintenance n'est pas effectuée correctement et régulièrement, le risque de blessures et de dommages sur l'outil augmente. Laisser la machine refroidir avant d'effectuer toute opération d'entretien ou d'inspection. Retirer la clé de contact.
- Laisser le produit refroidir avant d'effectuer toute opération d'entretien ou d'inspection. S'assurer qu'il n'y a pas de risque de démarrage accidentel.
- veillez à respecter toutes les réglementations locales pour éliminer correctement la poussière dangereuse avant et pendant l'entretien.
- S'assurer de respecter toutes les réglementations locales pour mettre au rebut les pièces remplacées après l'entretien.
- Ne pas utiliser le produit s'il est endommagé ou ne fonctionne pas correctement. Effectuez les contrôles de sécurité, d'entretien et de maintenance indiqués dans ce manuel. Toutes les autres tâches d'entretien doivent être effectuées par un atelier spécialisé agréé.
- seul un électricien agréé doit effectuer tous les contrôles des composants électriques.
- Soyez prudent lors de la manipulation des filtres. Si vous endommagez les filtres, il existe un risque de dispersion de la poussière.
- le fabricant ou une personne qualifiée doit effectuer une inspection technique au moins une fois par an. L'inspection technique comprend l'inspection des filtres pour vérifier l'absence de dommages, l'étanchéité à l'air du produit et le bon fonctionnement du mécanisme de commande.

De plus, l'efficacité de filtration du produit doit être testée au moins une fois par an ou plus fréquemment, selon les exigences nationales. Si le test n'est pas effectué, les filtres principaux doivent être remplacés par des filtres neufs.

- Lors d'opérations d'entretien ou de réparation, tous les éléments contaminés qui ne peuvent pas être nettoyés de manière satisfaisante doivent être mis au rebut ; ces éléments doivent être mis au rebut dans des sacs imperméables conformément aux réglementations en vigueur concernant l'élimination de ces déchets.
- Toutes les pièces de la machine doivent être considérées comme contaminées lorsqu'elles sont retirées de la zone de travail et les mesures appropriées doivent être prises pour empêcher la dispersion de la poussière.

- L'extérieur de la machine doit être décontaminé par des méthodes d'aspiration et essuyé ou traité avec du produit d'étanchéité avant d'être sorti d'une zone de travail.
- Pour l'entretien par l'utilisateur, la machine doit être démontée, nettoyée et entretenue, dans la mesure du possible, sans risque pour le personnel d'entretien et d'autres personnes. Les précautions appropriées comprennent la décontamination avant le démontage, la mise à disposition d'une ventilation par aspiration locale filtrée à l'endroit où la machine est démontée, le nettoyage de la zone d'entretien et une protection individuelle appropriée.
- Il est nécessaire de prévoir un TAUX DE RENOUELEMENT D'AIR (TRH) adéquat dans la pièce si l'air évacué est renvoyé dans la pièce. Se reporter aux réglementations nationales.

Fonctionnement

Introduction



AVERTISSEMENT : Avant d'utiliser le produit, lire et bien comprendre le chapitre sur la sécurité.

Avant d'utiliser le produit

1. Lisez attentivement le manuel d'utilisation et assurez-vous de bien comprendre les instructions.
2. Lisez le manuel d'utilisation fourni par le fabricant du moteur.
3. Utilisez un équipement de protection individuelle. Reportez-vous à la section *Équipement de protection personnelle à la page 69*.
4. Assurez-vous que seules les personnes autorisées se trouvent dans la zone de travail.
5. Effectuez l'entretien quotidien. Reportez-vous à la section *Calendrier d'entretien à la page 79*.
6. S'assurer que le produit est correctement monté et qu'il n'est pas endommagé.
7. Vérifiez que tous les boulons, vis et écrous sont serrés.
8. S'assurer que la roue de grenailage, les revêtements et les joints ne sont ni endommagés ni usés. Remplacez les pièces lorsque 75 % de l'épaisseur du disque est usée.
9. Placer le produit sur la zone de travail. S'assurer que le transport du produit vers et dans la zone de travail est effectué correctement et en toute sécurité. Reportez-vous à la section *Transport, entreposage et mise au rebut à la page 90*.
10. S'assurer que la hauteur des joints en caoutchouc est de 1 mm/0,04 po au-dessus de la surface.
11. Vérifier le niveau d'huile moteur. Reportez-vous à la section *Pour contrôler le niveau d'huile moteur à la page 86*.

12. Vérifier le niveau de carburant.
13. Contrôlez le niveau d'huile hydraulique.
14. S'assurer que le séparateur est rempli de matériau abrasif. Se reporter à la section *Séparateur à la page 74* ou *Remplissage du produit avec du matériau abrasif à la page 75*.
15. S'assurer que le BigBag est vide. Reportez-vous à la section *Mise au rebut d'un sac BigBag plein et préparation d'un sac BigBag neuf à la page 77*.

Soupape du matériau abrasif



MISE EN GARDE : N'ouvrir la soupape de matériau abrasif que lorsque le produit est en fonction.

La soupape de matériau abrasif détermine le débit du matériau abrasif vers la roue de grenailage.

Pour actionner la soupape de matériau abrasif

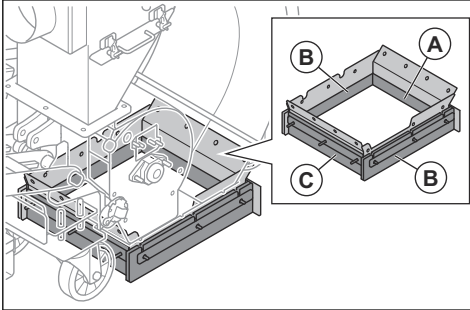


MISE EN GARDE : N'ouvrir la soupape de matériau abrasif que lorsque le produit est en fonction.

1. Appuyer sur le bouton du panneau de commande pour ouvrir la soupape de matériau abrasif. Reportez-vous à la section *Vue d'ensemble du panneau de commande à la page 64*.
2. Appuyer sur le bouton du panneau de commande pour fermer la soupape de matériau abrasif. Reportez-vous à la section *Vue d'ensemble du panneau de commande à la page 64*.

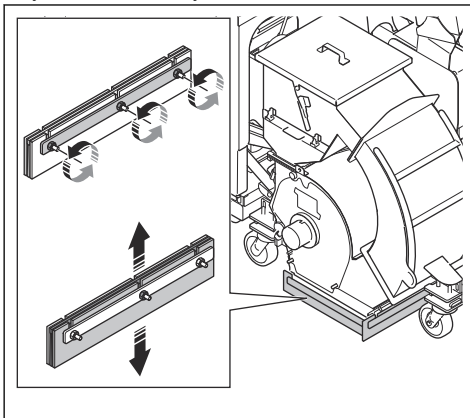
Joint de matériau abrasif

Le joint de matériau abrasif est un système de joint avec un joint avant (A), des joints latéraux (B) et un joint de la liste de brosses arrière (C).



Pour régler la bonne hauteur du joint de matériau abrasif

1. Stationner le produit sur une surface plane.
2. Appuyer sur le bouton "Freeflow" pour abaisser la tête de la grenailleuse. Reportez-vous à la section *Vue d'ensemble du panneau de commande à la page 64*.
3. Arrêter le produit et s'assurer qu'il n'y a pas de risque de démarrage accidentel. Reportez-vous à la section *Arrêt du produit à la page 77*.
4. Desserrer les 3 écrous et la bande de soutien sur les joints latéraux et le joint avant.

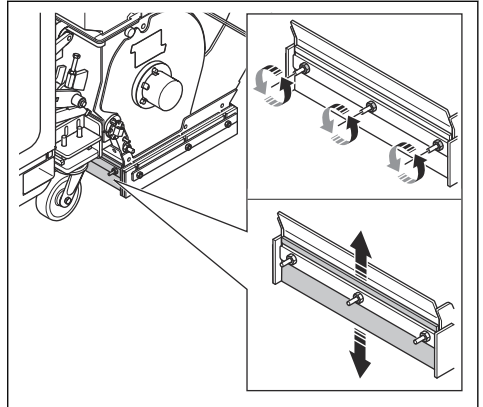


5. Régler la hauteur des joints latéraux et du joint avant.
 - a) Régler la hauteur jusqu'à ce que le joint en caoutchouc intérieur soit à 1 mm/0,04 po au-dessus de la surface.
 - b) Régler la hauteur jusqu'à ce que le joint de la liste de brosses soit à 6 mm/0,25 po au-dessus de la surface.

- c) Régler la hauteur jusqu'à ce que le joint en caoutchouc extérieur soit à 1 mm/0,04 po au-dessus de la surface.

6. Serrer les 3 écrous.

7. Desserrer les 3 écrous et la bande de soutien du joint de la liste de brosses arrière.



- a) Régler la hauteur jusqu'à ce que le joint de la liste de brosses arrière soit à 6 mm/0,25 po au-dessus de la surface.

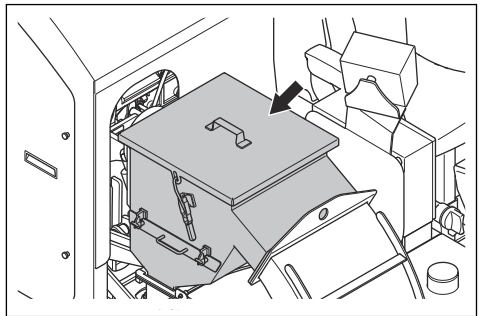
8. Serrer les 3 écrous.

Matériau abrasif

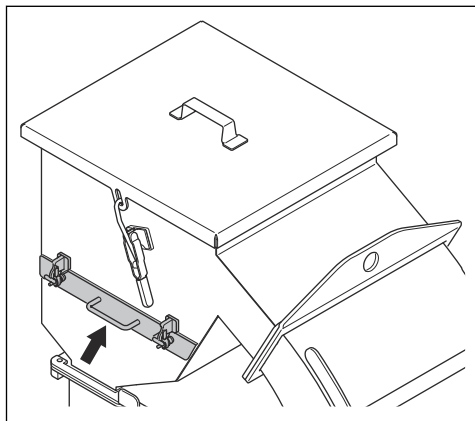
Consulter le concessionnaire Husqvarna pour la sélection du matériau abrasif approprié à la surface traitée. Se reporter à la section *Matériau abrasif approuvé à la page 93*.

Séparateur

Le séparateur maintient le matériau abrasif exempt de contamination. Le séparateur retient le matériau abrasif et fournit du matériau abrasif à la roue de grenailage.



Le plateau séparateur garde la contamination loin du matériau abrasif et de la roue de grenailage.

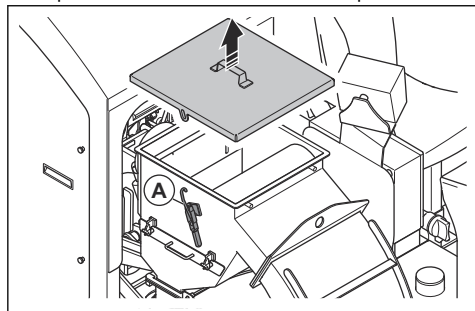


Remplissage du produit avec du matériau abrasif

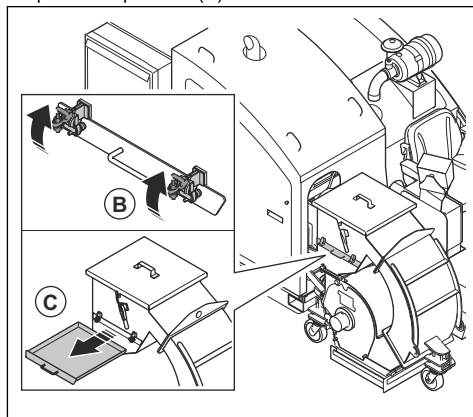


AVERTISSEMENT : portez toujours un équipement de protection individuel pendant le fonctionnement. Reportez-vous à la section *Équipement de protection personnelle* à la page 69.

1. S'assurer que le produit s'arrête complètement. Reportez-vous à la section *Arrêt du produit* à la page 77.
2. Ouvrir le collier de serrage (A) de chaque côté du séparateur et retirer le couvercle du séparateur.



3. Ouvrir les 2 colliers de serrage (B) et retirer le plateau séparateur (C).



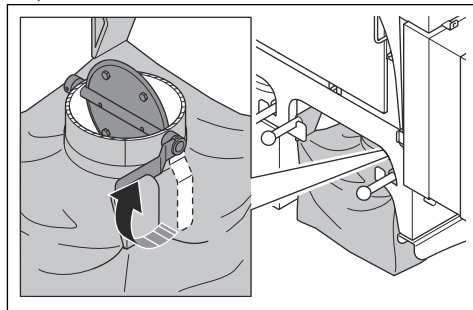
4. Retirer toutes les contaminations du plateau séparateur lors du remplissage du matériau abrasif ou lorsque cela est nécessaire.
5. Remplir le séparateur de matériau abrasif jusqu'à la hauteur du plateau séparateur. Remplir de matériau abrasif au besoin.

Manomètre du réservoir sous pression

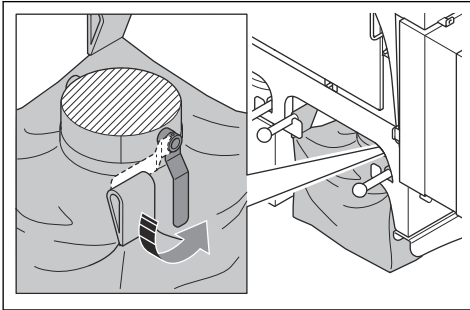
Le manomètre du réservoir sous pression indique la pression dans le réservoir sous pression. L'air dans le réservoir de pression nettoie les filtres primaires. La pression est d'environ 7 bar/100 PSI pendant le fonctionnement.

Pour actionner la soupape de poussière

- Tirer le levier vers le haut pour ouvrir la soupape de poussière.



- Tirer le levier vers le bas pour fermer la soupape de poussière.

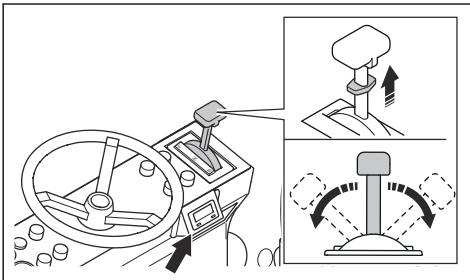


Sélection de la vitesse appropriée

Le produit doit avoir la bonne vitesse pour obtenir un résultat optimal. Examiner le résultat et régler la vitesse au besoin, la vitesse (pi/min) s'affiche sur l'indicateur de niveau de vitesse. Utiliser les différents modes de vitesse comme suit :

- vitesse élevée sur les surfaces en béton pour un traitement léger;
- vitesse standard sur les surfaces en béton pour un traitement intensif;
- basse vitesse pour les surfaces en acier.

1. S'asseoir sur le siège.
2. Tirer la partie inférieure de la commande de mouvement vers le haut.



3. Déplacer le levier de commande de mouvement pour régler la vitesse.
 - a) Pour augmenter la vitesse en marche avant, pousser sur le levier de commande de mouvement.
 - b) Pour réduire la vitesse en marche avant, tirer le levier de commande de mouvement dans le sens de la position neutre.
 - c) Pour augmenter la vitesse en marche arrière, tirer sur le levier de commande de mouvement.
 - d) Pour réduire la vitesse en marche arrière, pousser le levier de commande de mouvement dans le sens de la position neutre.

Démarrage du produit

1. Tourner la barre-levier d'un pas. Reportez-vous à la section *Pour tourner la barre-levier à la page 79*.
2. Tourner l'interrupteur de la batterie sous le siège en position ON (marche).
3. S'asseoir sur le siège.
4. S'assurer que le bouton d'arrêt d'urgence de la machine est désengagé.
5. S'assurer que les leviers de commande de mouvement sont à la position neutre.
6. Tourner la clé de contact en position ON (marche). Le texte « ENGINE PREHEATING » (préchauffage du moteur) s'affiche à l'écran.
7. Attendre que le message « ENGINE PREHEATING » (préchauffage du moteur) ne s'affiche pas à l'écran.
8. Tourner la clé de contact en position START (démarrage).
9. Régler le régime à 2 200 tr/min avec le bouton pour augmenter les tours par minute (tr/min) du moteur. La valeur du régime du moteur s'affiche à l'écran. Reportez-vous à la section *Vue d'ensemble de l'écran à la page 65*.
10. Vérifier le niveau de carburant sur le panneau de commande.

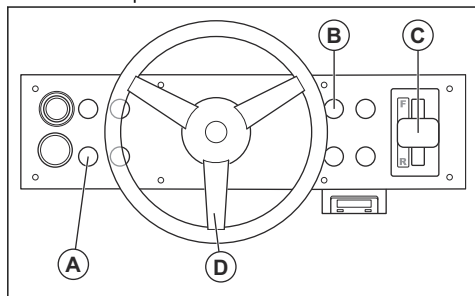
Utilisation du produit



AVERTISSEMENT : Ne pas soulever le couvercle de la tête de la grenailleuse pendant le fonctionnement. Le matériau abrasif est expulsé du produit à grande vitesse et peut provoquer des blessures.

1. Assurez-vous que la zone de travail est sécurisée. Reportez-vous à la section *Sécurité de l'aire de travail à la page 70*.
2. Remplissez le séparateur de matériau abrasif. Reportez-vous à la section *Remplissage du produit avec du matériau abrasif à la page 75*.
3. Ouvrir la soupape de poussière. Reportez-vous à la section *Pour actionner la soupape de poussière à la page 75*.
4. Démarrer le produit. Reportez-vous à la section *Démarrage du produit à la page 76*.

- Appuyer sur le bouton "Freeflow" pour abaisser la tête de la grenailleuse (A). La tête de la grenailleuse est au sol après environ 5 secondes.



- Appuyer sur le bouton pour engager l'embrayage (B) pour démarrer la roue de grenailage et le collecteur de poussière.
- Pousser le levier de commande de mouvement (C) vers l'avant à partir de la position neutre pour déplacer le produit vers l'avant.



MISE EN GARDE : Le produit ne fonctionne pas en marche arrière.

- Utiliser le volant (D) pour commander la roue avant et la direction du produit.
- Appuyer sur le bouton pour ouvrir la soupape du matériau abrasif.

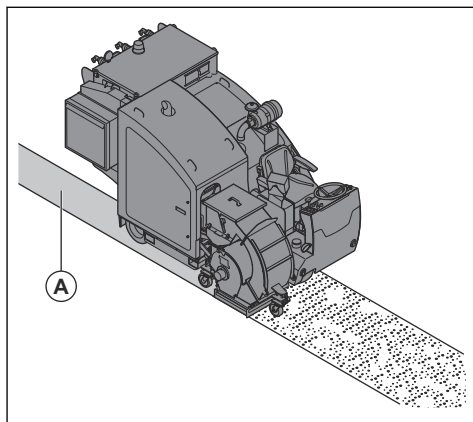


MISE EN GARDE : Le produit doit se déplacer avant d'ouvrir la soupape pour le matériau abrasif.

- Après 5 m/16 pi, fermer la soupape de matériau abrasif.
- Éteindre le produit. Reportez-vous à la section *Arrêt du produit* à la page 77.
- Contrôlez le profil de grenailage. Régler la vitesse appropriée. Reportez-vous à la section *Sélection de la vitesse appropriée* à la page 76.

Profil de grenailage

Le profil de grenailage (A) correspond à la surface qui a reçu le traitement.



Voici les conditions qui influent sur le profil de grenailage :

- Régime de fonctionnement.
- Usure accrue de la roue de grenailage et de la barre-levier.
- La taille du matériau abrasif.
- Différents types et dureté de surface.

Arrêt du produit

- Appuyer sur le bouton pour fermer la soupape de matériau abrasif. Se reporter à la section *Vue d'ensemble du panneau de commande* à la page 64.



MISE EN GARDE : S'assurer que la soupape de matériau abrasif est complètement fermée avant d'arrêter le produit.

- Faire fonctionner le produit en continu pendant 10 secondes pour s'assurer qu'il n'y a aucun matériau dans le système.
- Placer le levier de commande de mouvement en position neutre.
- Appuyer sur le bouton pour désengager l'embrayage.
- Régler 1 300 tr/min à l'aide de la commande des tours par minute (tr/min) du moteur.
- Appuyer sur le bouton pour soulever la tête de la grenailleuse.
- Tourner la clé d'allumage sur Off (arrêt).
- Retirer la clé de contact du produit.

Mise au rebut d'un sac BigBag plein et préparation d'un sac BigBag neuf



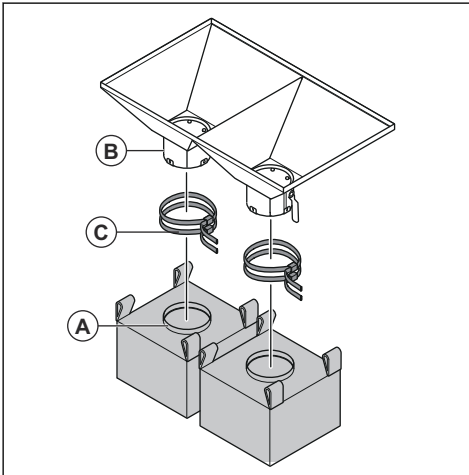
AVERTISSEMENT : soulevez le sac BigBag avec précaution ; un sac BigBag plein peut être lourd. Assurez-vous que les

serre-câbles sont correctement fermés avant de soulever le sac BigBag.



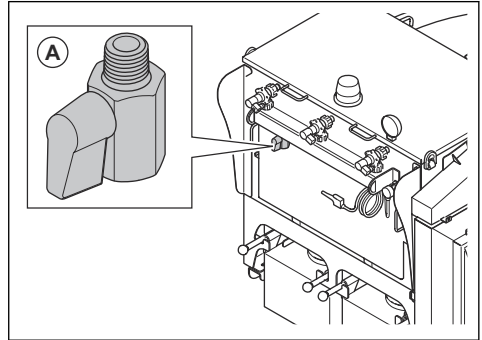
AVERTISSEMENT : portez une protection respiratoire homologuée lorsque vous videz l'aspirateur. Reportez-vous à la section *Équipement de protection personnelle* à la page 69.

1. Fermer la soupape de poussière. Reportez-vous à la section *Pour actionner la soupape de poussière* à la page 75.
2. Retirez l'entonnoir du sac BigBag de l'évacuation de la poussière et fermez-le.
3. Retirer le BigBag des tiges de support.
4. Respectez les réglementations locales relatives à la mise au rebut du sac BigBag plein.
5. Installer l'entonnoir du BigBag (A) sur la sortie de poussière (B).



6. Fixer l'entonnoir du BigBag sur la sortie de poussière avec des attaches de câble (C).
7. S'assurer que le BigBag est suspendu uniformément sur les tiges de support.
8. Ouvrir la soupape de poussière. Reportez-vous à la section *Pour actionner la soupape de poussière* à la page 75.

2. Placer un récipient sous la valve d'eau (A) pour recueillir l'eau.

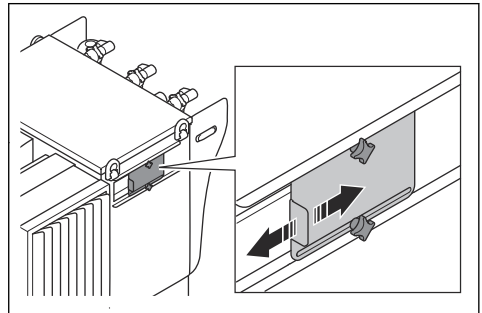


3. Ouvrir la valve d'eau lentement.
4. Fermez le robinet d'eau lorsque toute l'eau est vidangée.

Réglage de la puissance d'aspiration

Utilisez la trappe de débit d'air située sur le dessus du produit pour régler la puissance d'aspiration. Il est nécessaire de régler la puissance d'aspiration, par exemple lorsque les filtres primaires sont neufs ou lorsque l'aspiration n'est pas satisfaisante.

- Régler la puissance d'aspiration à l'aide de la trappe de débit d'air.



- a) Pour réduire la puissance d'aspiration, ouvrir la trappe.
- b) Pour réduire la puissance d'aspiration, fermer la trappe.

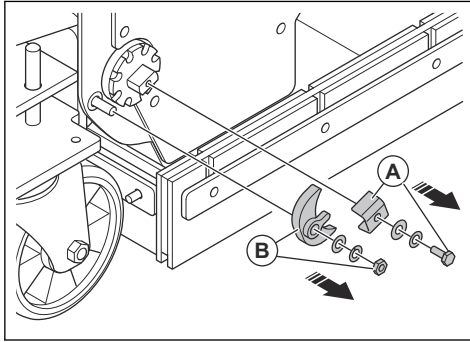
Vidange de l'eau du réservoir de pression

L'eau présente dans l'air sous pression s'accumule dans le réservoir de pression. Il est nécessaire de vidanger l'eau du réservoir de pression tous les jours.

1. Éteindre le produit. Reportez-vous à la section *Arrêt du produit* à la page 77.

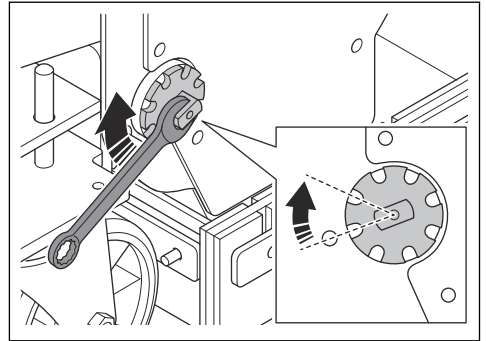
Pour tourner la barre-levier

1. Retirer le boulon et le collier de serrage (A).



2. Retirer l'écrou et le dispositif de retenue (B).

3. Tourner la barre-levier à l'aide d'une clé mixte.



4. Installer l'écrou et le dispositif de retenue.

5. Installer le boulon et le collier de serrage.

Entretien

Introduction



AVERTISSEMENT : avant d'effectuer des travaux d'entretien, vous devez lire et comprendre le chapitre sur la sécurité.



AVERTISSEMENT : utilisez un équipement de protection individuel lors de l'entretien. Se reporter à *Équipement de protection personnelle* à la page 69.



AVERTISSEMENT : Avant d'effectuer l'entretien, arrêter le moteur. Retirer la clé de contact pour éviter un démarrage accidentel. Laisser le produit refroidir.

Une formation spécifique est nécessaire pour effectuer tous les travaux d'entretien et de réparation du produit.

Husqvarna garantit des réparations et des services professionnels près de chez vous. Si votre revendeur n'est pas un atelier spécialisé, demandez-lui des informations à propos de l'atelier spécialisé le plus proche.

Pour obtenir de plus amples renseignements, se reporter à la section www.husqvarnacp.com.

Calendrier d'entretien

* = Entretien général effectué par l'opérateur. Les instructions ne sont pas mentionnées dans ce manuel d'utilisation.

X = Les instructions sont décrites dans ce manuel de l'opérateur.

O = Les instructions ne sont pas mentionnées dans ce manuel de l'opérateur. Laisser un agent d'entretien agréé effectuer l'entretien.

Entretien général du produit	Toutes les 3 h	Quotidien	Toutes les 60 h	Toutes les 600 h	Tous les mois	Une fois par an
Videz l'aspirateur.	X					
Vérifier le séparateur et le plateau du séparateur.	X					
Lubrifier les roulements de la roue de grenailage. S'assurer que les roulements tournent pendant la lubrification. Se reporter à <i>Pour lubrifier le produit</i> à la page 81.		X				

Entretien général du produit	Toutes les 3 h	Quotidien	Toutes les 60 h	Toutes les 600 h	Tous les mois	Une fois par an
Vérifier que les composants, les câbles et les connexions électriques ne sont ni usés ni endommagés.		*				
Inspecter le moteur à la recherche de saletés et de dommages.		*				
S'assurer que le tuyau du collecteur de poussière n'est pas endommagé ni obstrué.		*				
S'assurer que les vis et les écrous sont bien serrés.		*				
Nettoyez le produit.		X				
Vérifier tous les dispositifs de sécurité.		X				
Vérifier l'usure des joints de la liste de brosses et les joints en caoutchouc autour de la tête de la grenailleuse.		X				
Vérifier l'usure de la roue de grenailage, les lames de la roue de grenailage, la barre-levier et les revêtements. Reportez-vous à la section <i>Avant d'utiliser le produit à la page 73</i> .		X				
Vérifier la tension de la courroie d'entraînement de la tête de la grenailleuse.		X				
Lubrifier et régler le raccord de graissage de l'embrayage. ¹³			*			
Changez l'huile moteur.				O		
Lubrifier les roulements de la roue avant.					*	
Vidanger l'huile hydraulique et remplacer le filtre à huile hydraulique. ¹⁴						X
Effectuer l'entretien et le nettoyage complet du produit.						O

¹³ Lubrifier le raccord de graissage de l'embrayage après les 20 premières heures de fonctionnement. Après cela, lubrifier le raccord de graissage de l'embrayage toutes les 60 heures.

¹⁴ Vidanger l'huile hydraulique et remplacer le filtre à huile hydraulique au moins 1 fois pendant l'année ou toutes les 150 heures.

Entretien général du produit	Toutes les 3 h	Quotidien	Toutes les 60 h	Toutes les 600 h	Tous les mois	Une fois par an
Vérifier et remplacer un roulement.						○

Nettoyage de la machine

- Nettoyez toujours tout l'équipement après utilisation. Utiliser un aspirateur.
- N'utilisez pas de nettoyeur haute pression pour nettoyer le produit.
- Maintenez les bouches d'air propres et dégagées pour s'assurer que le produit a toujours une circulation d'air suffisante.

Pour nettoyer le collecteur de poussière

1. Fermer la soupape de poussière. Reportez-vous à la section *Pour actionner la soupape de poussière à la page 75*.
2. Nettoyer la surface externe au moyen d'un chiffon humide.



MISE EN GARDE : Ne pas utiliser de l'eau sur les composants électriques.

3. Nettoyer le filtre HEPA à l'aide d'un extracteur de poussière.



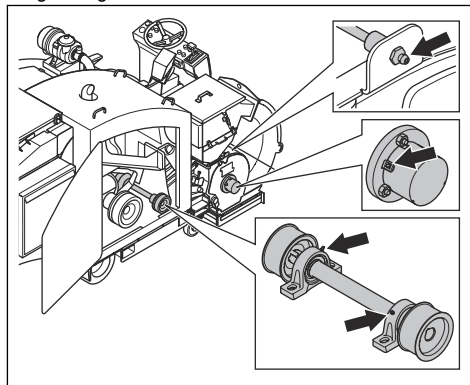
AVERTISSEMENT : Toujours utiliser des extracteurs de poussière avec filtre HEPA et une brosse douce pour ne pas endommager le filtre HEPA. Ne pas nettoyer l'extracteur de poussière à l'aide d'eau ou d'air comprimé.



AVERTISSEMENT : Ne pas placer d'outil sur le filtre ou percer de trous dans le filtre HEPA. Cela peut endommager le filtre HEPA et entraîner un risque pour l'opérateur ou les autres personnes.

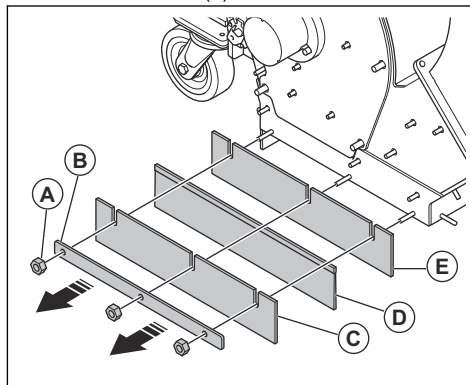
Pour lubrifier le produit

- Lubrifier les 4 raccords de graissage avec 0,2 à 0,3 oz/5 à 10 g de graisse pour chaque raccord de graissage.



Pour remplacer les joints avant et latéraux

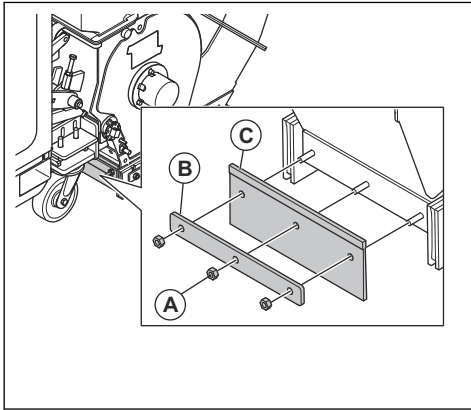
1. Retirer les 3 écrous (A).



2. Retirer la bande de soutien (B).
3. Retirer le joint en caoutchouc extérieur (C).
4. Retirer le joint de la liste de brosses (D).
5. Retirer le joint en caoutchouc intérieur (E).
6. Installer les nouveaux joints dans l'ordre inverse.

Pour remplacer le joint de la liste de brosses

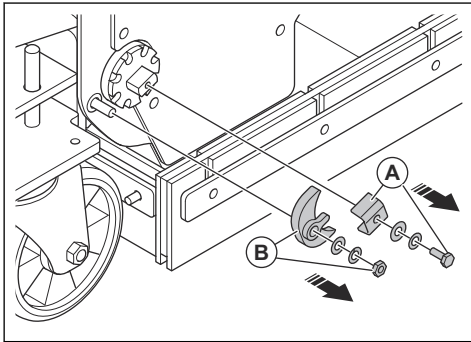
1. Retirer les 3 écrous (A) et la bande de soutien (B).



2. Retirer le joint de la liste de brosses (C).
3. Installer le nouveau joint de liste de brosses à 6 mm/0,25 po au-dessus de la surface.
4. Installer la bande de soutien et les 3 écrous.

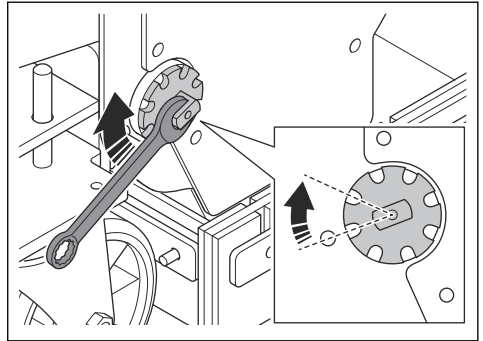
Pour remplacer la barre-levier

1. Retirer le boulon et le collier de serrage (A).

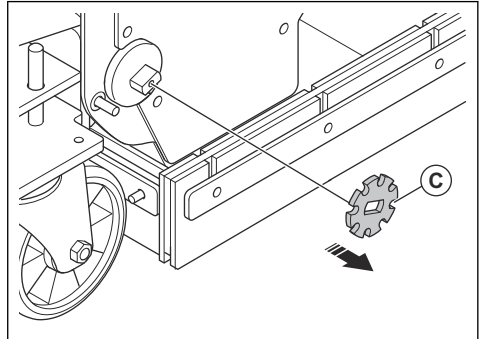


2. Retirer l'écrou et le dispositif de retenue (B).

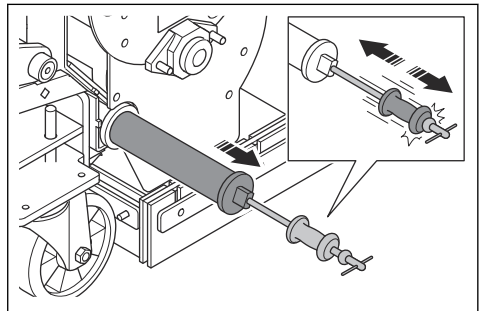
3. Tourner la barre-levier à l'aide d'une clé mixte.



4. Retirer le disque en étoile (C).



5. Placer un extracteur à inertie dans le filet de vis de la barre-levier.



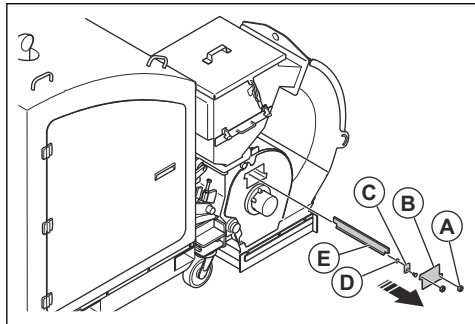
6. Retirer la barre-levier à l'aide d'un extracteur à inertie.
7. Jeter la barre-levier usée.
8. Installer les nouvelles barres-levier dans l'ordre inverse.

Remplacement des palettes de roue de grenailage



MISE EN GARDE : remplacez toutes les palettes de roue de grenailage en même temps.

1. Retirer les 2 écrous (A) et le couvercle (B).



2. Remplacer les 4 lames de roue de grenailage.
Effectuer les étapes suivantes pour chaque lame de roue de grenailage :

- a) Retirer le support de la lame (C) de la lame de roue de grenailage.
- b) Retirer le petit joint circulaire (D).
- c) Retirer la lame de la roue de grenailage (E) à l'aide d'un extracteur à inertie.
- d) Installer la lame de la roue de grenailage neuve dans l'ordre inverse.

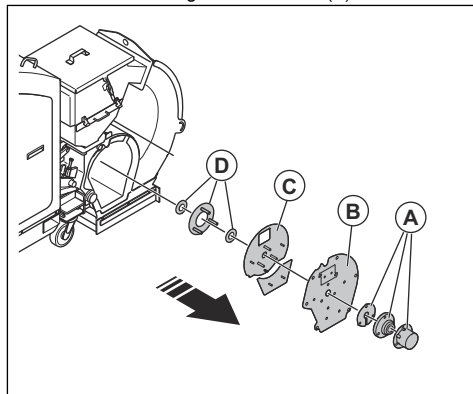


MISE EN GARDE : Pour éviter tout déséquilibre dans la roue de grenailage, remplacer les 4 lames de roue de grenailage en une fois.

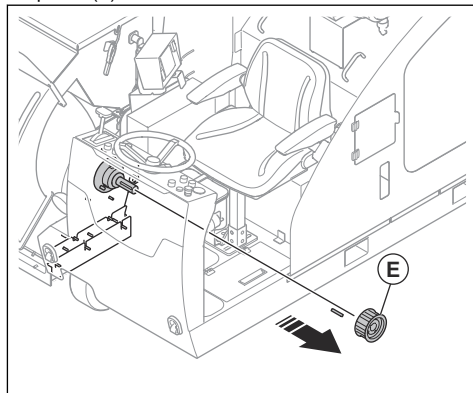
3. Installer le couvercle et les 2 écrous.

Pour remplacer la roue de grenailage

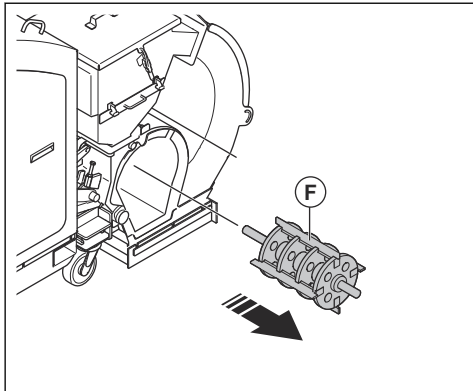
1. Retirer l'assemblage du roulement (A).



2. Retirer le couvercle latéral avec le revêtement extérieur (B).
3. Retirer le revêtement supérieur et le revêtement inférieur (C).
4. Retirer les joints (D).
5. De l'autre côté de la tête de la grenailleuse, retirer la poulie (E).



- Tirer sur la roue de grenailage (F).



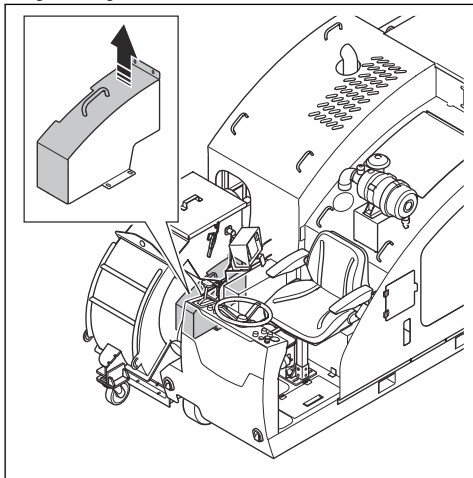
- Installer la roue de grenailage neuve dans l'ordre inverse.

Pour vérifier la tension de la courroie d'entraînement de la tête de la grenailleuse

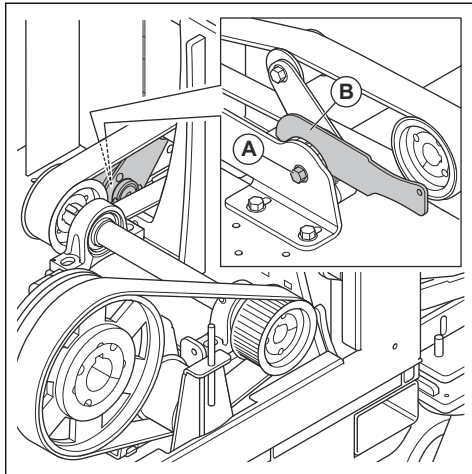


AVERTISSEMENT : Ne pas faire fonctionner le produit sans le carter de la courroie d'entraînement installé.

- Éteindre le produit. Reportez-vous à la section *Arrêt du produit à la page 77*.
- Retirer le panneau entre le siège et la roue de grenailage.



- Desserrer le boulon (A) qui maintient le tendeur.



- Régler la tension de la courroie d'entraînement de la tête de la grenailleuse à l'aide de la clé à tension (B).
- Maintenir la tension à 46 Hz sur la courroie d'entraînement à l'aide de la clé à tension et serrer le boulon.

Pour remplacer le filtre à air

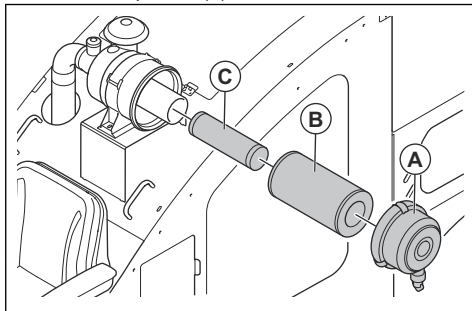


MISE EN GARDE : Ne pas démarrer le moteur si le filtre à air n'est pas installé.



MISE EN GARDE : Ne pas nettoyer les filtres à air.

- Retirer le capuchon (A).



- Retirer le filtre à air primaire (B).
- Retirer le filtre à air secondaire (C).
- Jeter le filtre à air usagé.
- Installer les filtres à air neufs dans l'ordre inverse.

Remplacement des filtres à air

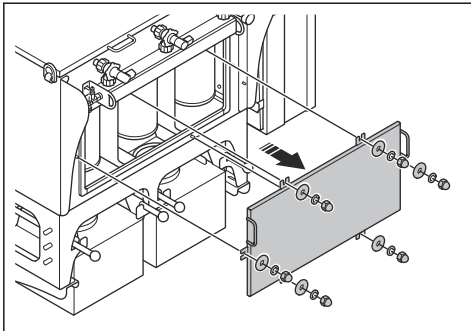


AVERTISSEMENT : Utiliser un équipement de protection personnelle lors du remplacement des filtres primaires. Reportez-vous à la section *Équipement de protection personnelle à la page 69*.

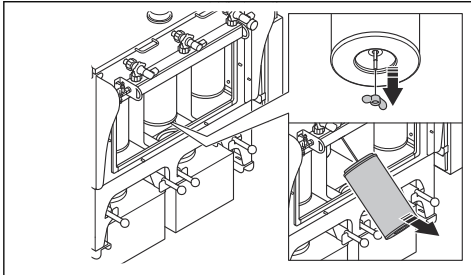
Remplacer les filtres primaires lorsque l'aspiration n'est pas satisfaisante ou si l'indicateur de remplacement des filtres primaires est allumé.

Il y a 9 filtres primaires dans le produit. Remplacez tous les filtres en même temps.

1. Arrêter le produit, se reporter à *Arrêt du produit à la page 77*.
2. S'assurer que le ventilateur s'arrête complètement avant de retirer le couvercle du boîtier du filtre.
3. Retirer les 6 écrous, les 12 rondelles et le couvercle du boîtier de filtre.



4. Retirer l'écrou à ailettes au bas du filtre primaire.



5. Retirer le filtre primaire et le placer soigneusement dans un sac en plastique.



AVERTISSEMENT : veillez à retirer les filtres primaires délicatement. Les particules présentes dans les filtres primaires sont dangereuses pour la santé.

6. Mettez correctement au rebut le sac en plastique. Reportez-vous aux réglementations locales.

7. Installer le filtre à air primaire neuf dans l'ordre inverse.



AVERTISSEMENT : si les filtres primaires ne sont pas installés correctement, de la poussière peut pénétrer dans l'air. Les particules de poussière sont dangereuses pour la santé.

8. Procéder de la même façon pour remplacer les 8 autres filtres primaires.
9. Installer le couvercle du boîtier de filtre, les 12 rondelles et les 6 écrous.

Pour remplacer le filtre HEPA



AVERTISSEMENT : Ne pas nettoyer le filtre HEPA. Le filtre HEPA se brisera s'il est nettoyé.

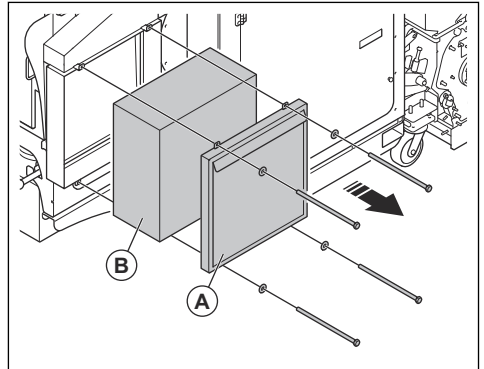


AVERTISSEMENT : Rester prudent lors de l'installation du filtre HEPA neuf. Ne pas toucher à la surface intérieure du filtre HEPA, car le filtre se brisera, quelle que soit la force employée.



AVERTISSEMENT : Utiliser un équipement de protection personnelle approprié lors du remplacement du filtre HEPA. Reportez-vous à la section *Équipement de protection personnelle à la page 69*.

1. Retirer les 4 vis, les 4 écrous et le couvercle du compartiment du filtre (A) HEPA.



2. Retirer le filtre (B) HEPA du produit et le placer soigneusement dans un sac de plastique.



AVERTISSEMENT : Rester prudent lors du retrait du filtre HEPA.

Les particules présentes dans le filtre HEPA sont dangereuses pour la santé.

3. Mettez correctement au rebut le sac en plastique. Reportez-vous aux réglementations locales.
4. Installer un nouveau filtre HEPA dans l'ordre inverse.

Pour remplir le réservoir de carburant



MISE EN GARDE : Un type de carburant inapproprié peut endommager le moteur. Utiliser le diesel numéro 0 en été et le diesel numéro -10 en hiver.

1. Couper le moteur et le laisser refroidir.
2. Placer le produit dans une zone bien ventilée.
3. Remplir le réservoir de carburant.



MISE EN GARDE : S'assurer qu'il n'y a pas trop de carburant dans le réservoir. Le carburant se dilate lorsqu'il devient chaud.

4. Serrer le bouchon du réservoir de carburant avec précaution pour éviter tout risque d'incendie.
5. Nettoyer le produit et la zone autour du produit de tout carburant déversé.
6. Éloigner le produit de 3 m (10 pi) ou plus de la zone de remplissage et de la source de carburant avant de démarrer.

Pour examiner le circuit d'alimentation en carburant

- Examiner le bouchon du réservoir de carburant et son joint pour s'assurer qu'il n'y a pas de dommages.
- Examiner le tuyau à carburant pour s'assurer qu'il n'y a pas de fuite. Si le tuyau à carburant est endommagé, le faire remplacer par un atelier spécialisé.

Pour nettoyer le moteur et le silencieux



MISE EN GARDE : Toujours lire le manuel d'entretien du moteur avant d'effectuer l'entretien du produit.

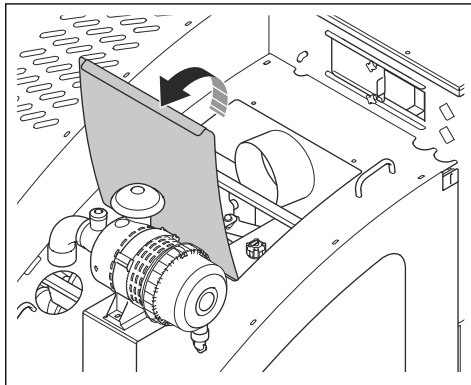
- Laisser le moteur et le silencieux refroidir avant de les nettoyer.
- Nettoyer le moteur et le silencieux à l'aide d'un chiffon.
- S'assurer que la prise d'air froid de la grille d'entrée n'est pas obstruée Retirer la saleté au moyen d'une brosse souple.

Pour contrôler le niveau d'huile moteur

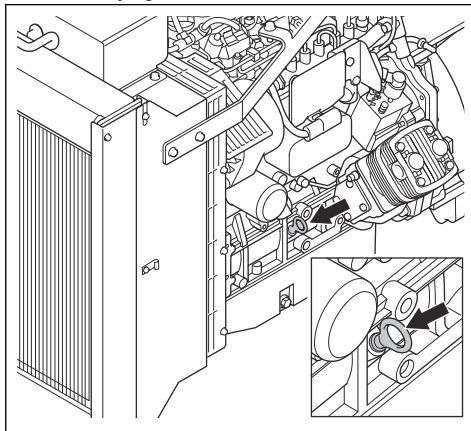


MISE EN GARDE : Toujours lire le manuel d'entretien du moteur avant d'effectuer l'entretien du produit.

1. Stationner le produit sur un sol plat et arrêter le moteur. Reportez-vous à la section *Arrêt du produit* à la page 77.
2. Ouvrir la trappe.



3. Retirez la jauge.



4. Nettoyez l'huile sur la jauge.
5. Introduisez complètement la jauge dans le réservoir d'huile.
6. Retirez la jauge.
7. Inspectez le niveau d'huile sur cette dernière.
8. Si le niveau d'huile est bas, faites l'appoint d'huile moteur et contrôlez à nouveau le niveau d'huile. Reportez-vous au manuel du moteur.

Circuit hydraulique

Vérification des flexibles hydrauliques

- Examiner régulièrement les flexibles hydrauliques. Remplacer les flexibles hydrauliques usés ou endommagés.



AVERTISSEMENT : L'huile

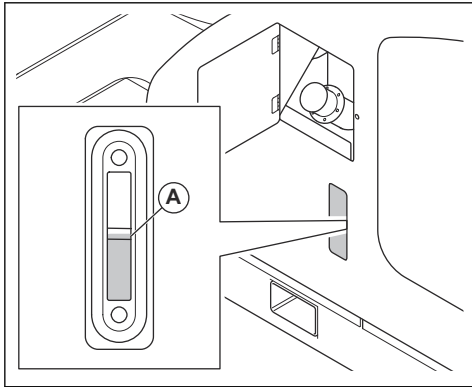
hydraulique est dangereuse. Le caoutchouc des flexibles hydrauliques s'use avec le temps. Des flexibles hydrauliques usés ou endommagés peuvent se rompre et l'huile hydraulique peut provoquer des blessures. Si vous ne pouvez pas déterminer si les flexibles hydrauliques sont usés, remplacez-les toujours.

Contrôle du niveau d'huile hydraulique



AVERTISSEMENT : Risque de brûlure. L'huile hydraulique devient chaude pendant l'utilisation du produit. Laissez le produit refroidir avant de remplacer l'huile hydraulique.

1. Contrôlez le niveau d'huile hydraulique grâce à l'indicateur de niveau. Le niveau d'huile hydraulique est correct lorsqu'il est compris entre les 2 repères de l'indicateur de niveau (A).



2. Si le niveau d'huile hydraulique est inférieur au centre de l'indicateur, remplacer l'huile hydraulique. Reportez-vous à la section *Vidange de l'huile hydraulique à la page 87*.

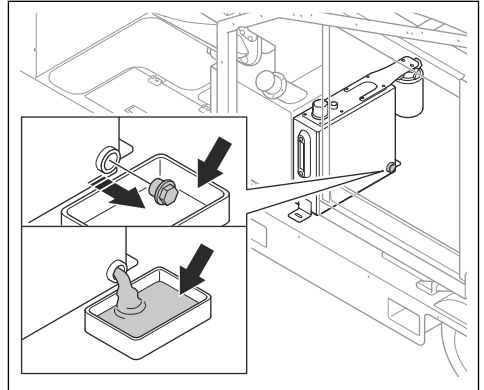
Vidange de l'huile hydraulique

Si le moteur est froid, démarrer le moteur pendant 1 à 2 minutes avant de vidanger l'huile hydraulique. Cela réchauffe l'huile hydraulique et la rend plus facile à vidanger.



AVERTISSEMENT : L'huile hydraulique est très chaude directement après l'arrêt du moteur. Laissez le moteur refroidir avant de vidanger l'huile hydraulique. En cas de déversement d'huile hydraulique sur votre peau, nettoyez avec de l'eau et du savon.

1. Arrêter le produit sur une surface plane. Reportez-vous à la section *Arrêt du produit à la page 77*.
2. Placer un récipient sous le bouchon de vidange d'huile hydraulique.

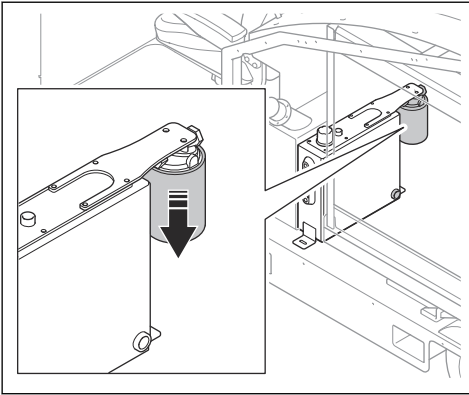


3. Retirer le bouchon de vidange d'huile hydraulique.
4. Laisser l'huile hydraulique s'écouler dans le récipient.
5. Nettoyer autour du bouchon de vidange d'huile hydraulique.
6. Poser le bouchon de vidange d'huile hydraulique lorsque le réservoir d'huile hydraulique est vide.
7. Remplir le réservoir d'huile hydraulique jusqu'à ce que le niveau d'huile hydraulique soit au centre de l'indicateur. Reportez-vous à la section *Vidange de l'huile hydraulique à la page 87*.
8. Faire fonctionner le produit pendant un court moment pour purger le système.
9. Contrôlez le niveau d'huile hydraulique.

Pour remplacer le filtre à huile hydraulique

1. Vidanger le système hydraulique. Reportez-vous à la section *Vidange de l'huile hydraulique à la page 87*.

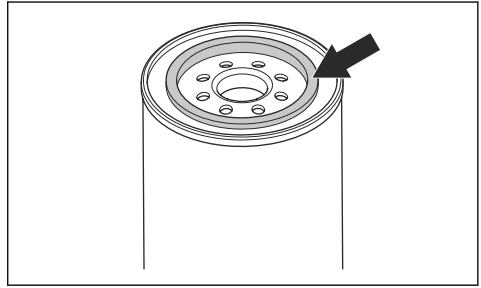
2. Retirer le couvercle du filtre à huile hydraulique.



3. Tourner le filtre à huile hydraulique dans le sens antihoraire pour le retirer.

4. Remplir le filtre à huile hydraulique neuf avec de la nouvelle huile hydraulique.

5. Lubrifier légèrement le joint en caoutchouc du filtre à huile hydraulique neuf avec de l'huile hydraulique neuve.



6. Fixez le filtre à huile hydraulique. Serrez à la main jusqu'à ce qu'une résistance soit perceptible, puis serrez de $\frac{3}{4}$ de tour supplémentaires.

7. Vérifier l'absence de fuites autour du filtre à huile hydraulique.

8. Remplir le réservoir d'huile hydraulique. Reportez-vous à la section *Vidange de l'huile hydraulique à la page 87*.

9. Contrôlez le niveau d'huile hydraulique. Reportez-vous à la section *Contrôle du niveau d'huile hydraulique à la page 87*.

Dépannage

Dépannage

Problème	Causes	Solution
Il y a trop de vibrations ou de bruits inhabituels.	La roue de grenailage est usée ou endommagée.	Remplacer la roue de grenailage.
	Les palettes de roue de grenailage sont usées ou endommagées.	Remplacer les lames de roue de grenailage.
	L'alignement de la roue de grenailage est incorrect.	Régler l'alignement de la roue de grenailage.
	Des vis et des écrous sont desserrés.	Resserrez toutes les vis et tous les écrous.
	La tension de la courroie d'entraînement est incorrecte pour la tête de la grenailleuse.	Vérifier la tension de la courroie d'entraînement de la tête de la grenailleuse.
	Le moteur est endommagé.	Communiquer avec un agent de réparation Husqvarna agréé.
	Les roues sont endommagées.	Remplacer les roues, communiquer avec un atelier spécialisé Husqvarna agréé.
	Les roulements de la roue de grenailage ne sont pas lubrifiés.	Lubrifier les roulements de la roue de grenailage.

Problème	Causes	Solution
Le produit ne fonctionne pas correctement.	L'alimentation en matériau abrasif vers la roue de grenailage est insuffisante.	Nettoyer le plateau séparateur et remplir le séparateur avec du matériau abrasif. Vérifier la soupape de matériau abrasif.
	Le type de matériau abrasif n'est pas adapté à la surface.	Remplacez le matériau abrasif par un autre plus adapté à la surface.
	Le matériau abrasif est contaminé.	Vérifier les joints primaires et les remplacer au besoin.
	La roue de grenailage est usée ou endommagée.	Remplacer la roue de grenailage.
	Les palettes de roue de grenailage sont usées ou endommagées.	Remplacer les lames de roue de grenailage.
	Il y a une trop grande quantité de matériau abrasif frappant la surface au début du grenailage.	Fermer la soupape du matériau abrasif et arrêter le produit.
	La vitesse du produit est trop élevée.	Réduire la vitesse.
	La barre-levier est usée.	Remplacer la barre-levier.
Le matériau abrasif tombe du produit.	La position de la barre-levier est incorrecte ou la barre-levier est usée.	Tourner la barre-levier d'un pas ou remplacer la barre-levier.
	La soupape de poussière est fermée.	Ouvrir la soupape de poussière.
	Les filtres sont obstrués.	Remplacer les filtres primaires et vérifier la présence de fuites.
	Les joints sont à une distance incorrecte de la surface.	Régler la hauteur des joints.
	Les joints sont endommagés.	Vérifier tous les joints et les remplacer au besoin.
	La tête de la grenailleuse est à une distance incorrecte de la surface.	Régler la hauteur de la tête de la grenailleuse.
L'usure est plus importante que d'habitude sur les pièces de la tête de la grenailleuse.	Le type de matériau abrasif n'est pas adapté à la surface.	Remplacez le matériau abrasif par un autre plus adapté à la surface.
	La puissance d'aspiration du collecteur de poussière est insuffisante.	Remplacer les filtres primaires.
Le produit ne se déplace pas.	La vitesse est trop faible.	Augmenter la vitesse.
	La tête de la grenailleuse est coincée sur le sol.	Régler la hauteur de la tête de la grenailleuse.
	Le système d'entraînement est endommagé.	Pour obtenir de plus amples renseignements, communiquer avec votre concessionnaire.
	Bouton d'arrêt d'urgence engagé.	Tourner le bouton d'arrêt d'urgence dans le sens des aiguilles d'une montre pour le désengager.

Problème	Causes	Solution
Le moteur ne démarre pas.	Le moteur est endommagé.	Communiquer avec un agent de réparation Husqvarna agréé.
	L'interrupteur de la batterie est en position OFF (arrêt).	Tourner l'interrupteur de la batterie à la position ON (marche).
	La batterie est à plat.	Charger la batterie à l'aide d'un chargeur d'atelier.
	Le réservoir de carburant est vide.	Remplir le réservoir avec du carburant.
Le produit s'arrête après un certain temps.	Le moteur est endommagé.	Communiquer avec un agent de réparation Husqvarna agréé.
	Un fusible de sécurité ou un disjoncteur de courant de défaut est activé.	Communiquer avec un agent de réparation Husqvarna agréé.
	Le réservoir de carburant est vide.	Remplir le réservoir avec du carburant.
Le système d'entraînement ne fonctionne pas correctement.	Un fusible de sécurité est endommagé.	Communiquer avec un agent de réparation Husqvarna agréé.

Transport, entreposage et mise au rebut

Transport



AVERTISSEMENT : Être prudent lors du transport. Le produit est lourd et peut causer des blessures ou des dommages s'il se renverse ou se déplace pendant le transport.



MISE EN GARDE : Ne pas remorquer le produit derrière un véhicule.

- Retirez le matériau abrasif avant le transport.
- Placer une protection adéquate sur le produit pendant le transport. La protection garde le produit à l'abri des éléments, comme la pluie et la neige.
- Assurez-vous qu'il n'y a pas de pression dans le réservoir de pression avant le transport.

Pour déplacer le produit vers le haut ou vers le bas dans une pente



AVERTISSEMENT : soyez très prudent lorsque vous faites monter et descendre le produit sur des rampes. Le produit est lourd et il y a un risque de blessure si le produit se renverse ou se déplace trop rapidement.



AVERTISSEMENT : pour les rampes à pente raide, utilisez toujours un treuil. Ne pas marcher ou rester en dessous ou à proximité d'un produit soulevé.



AVERTISSEMENT : Ne pas utiliser le produit près des bords de la rampe.

- Pour descendre une pente avec le produit, faire fonctionner le produit lentement en marche avant.
- Pour monter une pente avec le produit, faire fonctionner le produit lentement en marche arrière.
- Ne pas tourner le produit vers la gauche ou vers la droite de plus de 45 ° sur une rampe.

Pour lever le produit



AVERTISSEMENT : S'assurer que l'équipement de levage possède les spécifications correctes pour soulever le produit en toute sécurité. La plaque signalétique sur le produit indique le poids du produit.



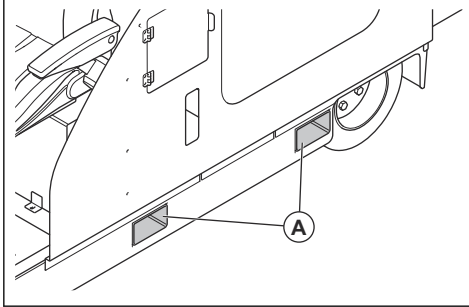
AVERTISSEMENT : ne marchez pas sur un produit soulevé et ne restez en dessous ou à proximité. Garder les personnes présentes à l'écart de la zone à

risque. Reportez-vous à la section *Sécurité de l'aire de travail* à la page 70.



AVERTISSEMENT : ne soulevez pas un produit endommagé. Assurez-vous que les anneaux de levage sont bien fixés et en bon état.

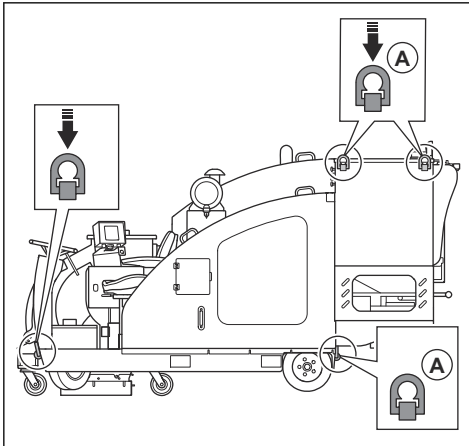
1. Pour soulever le produit à l'aide d'un chariot élévateur, placer les fourches du chariot élévateur à travers les supports (A).



Pour fixer le produit sur un véhicule de transport

Utiliser les points d'arrimage pour fixer le produit au véhicule de transport.

1. Fixer les sangles d'arrimage aux points d'arrimage.



2. Fixer et serrer les sangles d'arrimage sur le véhicule de transport.

Entreposage



MISE EN GARDE : n'entrez pas le produit à l'extérieur. Gardez toujours le produit à l'intérieur.

Remarque : Se reporter au manuel de l'opérateur du moteur pour des renseignements sur l'entreposage.

- Nettoyer le produit et effectuer un entretien complet avant de l'entrepriser.
- Conserver le produit dans un endroit verrouillé afin que des enfants ou personnes qui ne sont pas autorisées à l'utiliser ne puissent pas y avoir accès.
- Retirez le matériau abrasif du séparateur avant le remisage.
- Entreposer le produit à l'intérieur, loin des éléments extérieurs.
- Placer le produit dans une zone sèche et sans givre où la température n'est pas trop élevée.

Mise au rebut du produit

- Respecter les consignes locales de recyclage et la réglementation en vigueur.
- Mettre au rebut tous les produits chimiques, tels que le moteur d'huile ou de carburant, dans un centre de service ou à un emplacement de mise au rebut adéquat.
- Ne pas mettre au rebut la batterie comme un déchet domestique ordinaire.
- Lorsqu'on n'utilise plus le produit, l'envoyer à un détaillant Husqvarna ou le mettre au rebut à un emplacement de recyclage.

Caractéristiques techniques

	BMR 75D
Dimensions	

BMR 75D	
Longueur, mm (po)	3048/120
Largeur, mm (po)	1574,8/62
Hauteur, mm/po	1651/65
Poids, kg/lb	2358,68/5200
Largeur de fonctionnement, mm (po)	335,28/13,2
Moteur	
Type ¹⁵	Deutz 75 ch Tier 4 diesel
Puissance, ch à tr/min / kW à tr/min ¹⁶	75 ch
Puissance nominale du moteur, kW	
Régime maximal du moteur (sous charge), tr/min	2200
Type de carburant	Diesel
Capacité maximale du réservoir de carburant, l/gal	50/13,2
Vitesse d'entraînement, m/min ou pi/min	100,6 ou 330
Capacités en huile moteur, l/gal	1,7-1,9/0,42-0,50
Graisse pour les roulements de la tête de la grenailleuse	LGWA 2/0,4, charge élevée, pression extrême, température étendue, graisse pour roulement
Batterie	
Type de batterie	12 v AGM 50AH
Conditions de fonctionnement, pente maximale	
Température de service, °C / °F	23 à 104/-5 à +40
Humidité relative max., %	95
Niveau de vibrations du siège, m/s ² ou pi/s ²	0,3 ou 0,914
Système hydraulique	
Pression de service, bar/lb/po ²	130/1 885,5
Capacité du réservoir hydraulique, l/gal	34,8/9,2
Type d'huile hydraulique	Liquide de transmission automatique D/M Mobil

Remarque : si votre produit correspond à des spécifications électriques qui ne figurent pas dans le

tableau, contactez un atelier de réparation Husqvarna pour plus d'informations.

¹⁵ Pour de plus amples informations et pour toute question concernant ce moteur en particulier, consultez le manuel du moteur ou le site Internet du fabricant du moteur.

¹⁶ Tel que spécifié par le fabricant du moteur. Puissance nominale brute conforme à la norme SAE J1940/J1995, au régime spécifié.

Matériau abrasif approuvé

	Grenaille d'acier à haute teneur en carbone		
Matériau abrasif approuvé	S-390	S-460	S-550*
po/mm	0,05/1,2	0,06/1,4	0,07/1,7
*opérations spéciales			

Émissions sonores

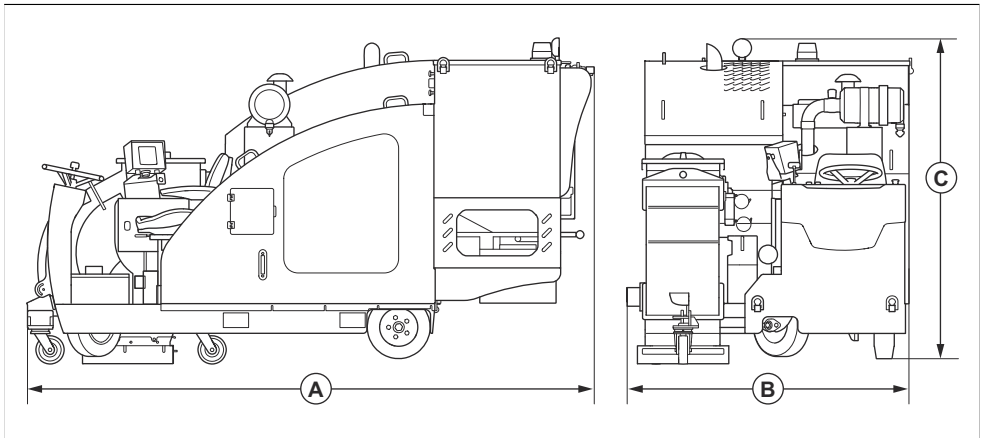
	BMR 75D
Niveau de puissance acoustique, LWA dB (A) ¹⁷	100,4
Niveau de pression sonore à l'oreille de l'utilisateur, LP dB (A) ¹⁸	85

Déclaration relative au bruit et aux vibrations

Ces valeurs déclarées ont été obtenues par essai en laboratoire conformément à la directive ou aux normes indiquées et peuvent être comparées aux valeurs déclarées d'autres produits testés conformément à la même directive ou aux mêmes normes. Ces valeurs déclarées ne conviennent pas aux évaluations des

risques et les valeurs mesurées sur des lieux de travail individuels peuvent être plus élevées. Les valeurs d'exposition réelles et le risque d'atteinte encouru par un utilisateur individuel sont uniques et dépendent de la façon dont l'utilisateur travaille, du matériau dans lequel le produit est utilisé, du temps d'exposition et de la condition physique de l'utilisateur, ainsi que de l'état du produit.

Dimensions de l'outil



¹⁷ Niveau de pression sonore déterminé selon la norme EN ISO 3747 Mesuré sur une surface en béton. Incertitude K_{WA} 2,5 dB

¹⁸ Niveau de pression sonore déterminé selon la norme EN ISO 11202. Mesuré sur une surface en béton. Incertitude K_{pA} 2,5 dB

A	Longueur, mm/po.	3048/120
B	Largeur, mm/po	1574,8/62
C	Hauteur, mm/po	1651/65

Accessoires

Accessoire disponible	Numéro d'article
Cartouche filtrante primaire classe M	534053401
Classe de filtre HEPA H14	534008001
BigBag 17 po x 17 po x 12 po	533467701



www.husqvarnaconstruction.com

Original instructions
Instrucciones originales
Instructions d'origine

1143452-49



2024-05-23