



# Husqvarna®



## LF 60i LAT

EN	Operator's manual
ES-MX	Manual del usuario
FR-CA	Manuel d'utilisation

2-26
27-51
52-76

---

## Contents

---

Introduction.....	2	Technical data.....	20
Safety.....	6	Approved batteries for the product.....	21
Operation.....	12	Approved battery chargers for the product.....	22
Maintenance.....	15	Embedded connectivity.....	23
Troubleshooting.....	18	Declaration of Conformity.....	24
Transportation, storage and disposal.....	18	Registered trademarks.....	26

---

## Introduction

---

### California Proposition 65



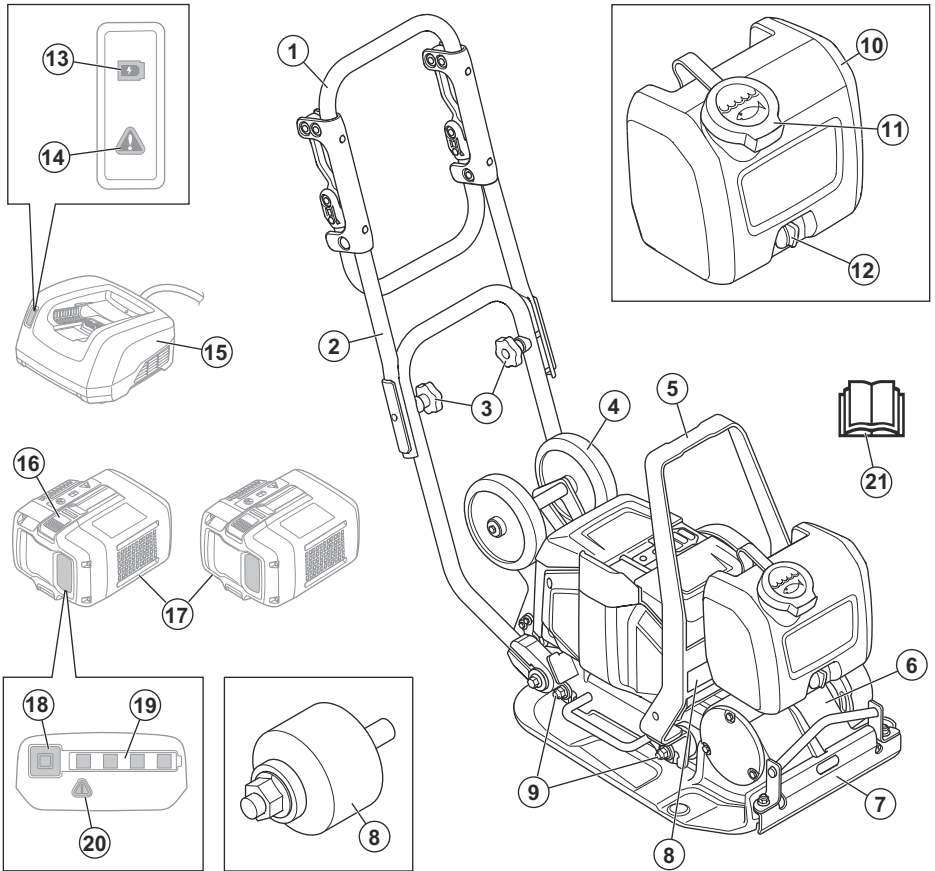
### WARNING

This product contains or emits a chemical known to the State of California to cause cancer or birth defects or other reproductive harm.

### Intended use

The product is for professional operation only. Use the product for repairs and maintenance of driveways, paths and parking lots. With the optional block paving kit the product can also be used for block paving. Do not use the product for other tasks.

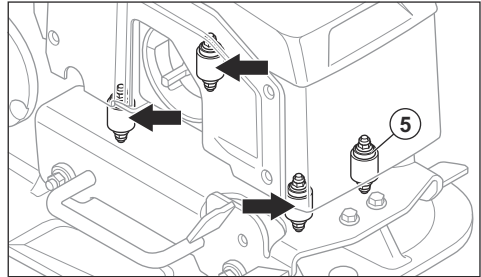
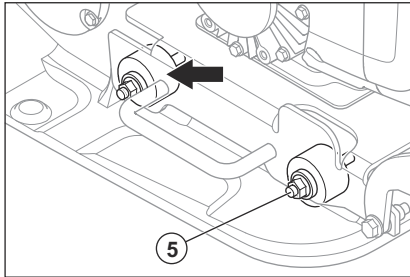
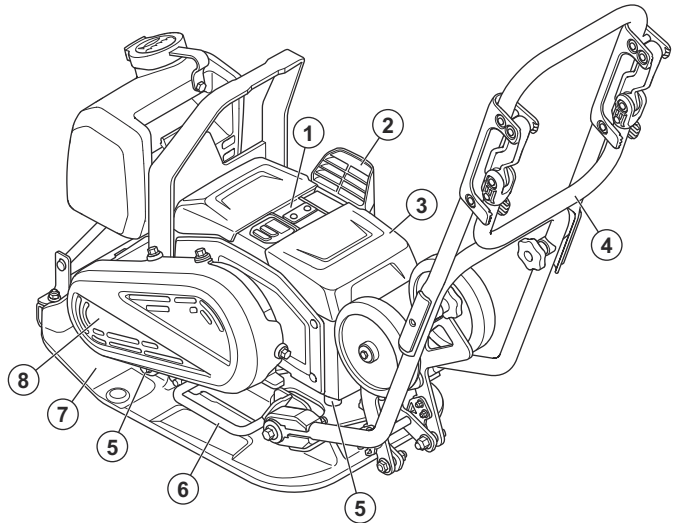
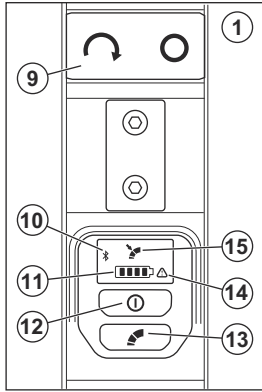
## Product overview front



1. Handle
2. Upper handle
3. Handle knobs
4. Transportation wheel
5. Lifting point
6. Eccentric element
7. Water supply
8. Type plate
9. Vibration damping units
10. Water tank
11. Water tank cap

12. Water tap
13. Charge indicator
14. Warning indicator for the charger
15. Battery charger (not included)
16. Battery release switch
17. Batteries (not included)
18. Battery indicator button
19. Battery status indicator
20. Warning indicator for the battery
21. Operator's manual

## Product overview rear



1. Control panel
2. Air intake
3. Battery cover
4. Low vibration handle
5. Vibration damping units
6. Lifting handle
7. Bottom plate
8. Belt cover
9. START/STOP button
10. Bluetooth® indicator
11. Battery level indicator. Refer to *Battery status on page 12*.
12. ON/OFF button
13. Slow speed control button. Refer to *To adjust the speed on page 14*.
14. Warning indicator

15. Slow speed indicator

### Symbols on the product



**WARNING:** This product can be dangerous and cause serious injury or death to the operator or others. Be careful and use the product correctly.



Read the manual carefully and make sure that you understand the instructions before you use the product.



Use heavy-duty slip-resistant boots.



Wear approved hearing protection.



To lift the product, attach lifting equipment to the lift point on the product.



Hot surface.



Keep your hands away from this area.



If the product features *Bluetooth*<sup>®</sup> wireless technology. The *Bluetooth*<sup>®</sup> symbol will be marked on the product name label.



The product is not domestic waste. Recycle it at an approved disposal location for electrical and electronic equipment.



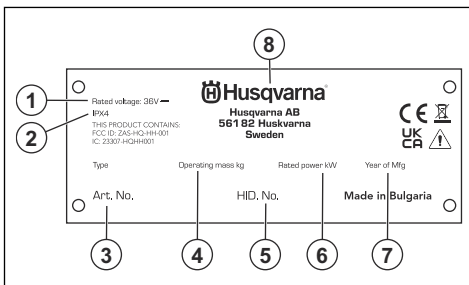
This product is in compliance with applicable EC directives. Refer to *EC Declaration of Conformity on page 24*.



This product conforms to the applicable UK regulations. Refer to *UK Declaration of Conformity on page 25*.

**Note:** Other symbols/decals on the product refer to special certification requirements for some markets.

## Type plate



1. Rated voltage
2. IP classification

3. Product number
4. Product weight
5. Serial number
6. Rated power
7. Production year
8. Manufacturer

## Embedded connectivity

The cloud asset management solution Husqvarna Fleet Services™ gives the fleet manager an overview of all products that are connected via either embedded or aftermarket sensors. The position of the gateway or smartphone can be used to indicate the location of connected products. The sensors record data like runtime, service intervals and more. For more information about the cloud asset management solution Husqvarna Fleet Services™, download the iOS or Android app Husqvarna Fleet Services at <https://apps.apple.com/se/app/husqvarna-fleet-services/id1334672726> or <https://play.google.com/store/apps/details?id=com.husqvarna.hfsmobile&hl=en>. Speak to your Husqvarna sale representative for more information.

Some types of this product are connected via the embedded Husqvarna Fleet Services™ sensor that has the Bluetooth Low Energy (BLE) function. For more information regarding how to use it, refer to *To use embedded connectivity with Husqvarna Fleet Services™ on page 13*. For information about the BLE technology radio spectrum, refer to *Embedded connectivity on page 23*. For compliance reservations regarding Husqvarna Fleet Services™, refer to *Compliance reservations on page 5*.

## Compliance reservations

**Note:** Changes or modifications made to this equipment not expressly approved by Husqvarna may void the equipment's compliance with FCC regulations, and limit the user's authority to operate the equipment.

**Note:** This device complies with Part 15 of the FCC Rules and with Industry Canada licence-exempt RSS standard(s).

Operation is subject to the following two conditions:

- this device may not cause harmful interference
- this device must accept any interference received, including interference that may cause undesired operation

## Product damage

We are not responsible for damages to our product if:

- the product is incorrectly repaired.
- the product is repaired with parts that are not from the manufacturer or not approved by the manufacturer.

- the product has an accessory that is not from the manufacturer or not approved by the manufacturer.

- the product is not repaired at an approved service center or by an approved authority.

---

## Safety

---

### Safety definitions

Warnings, cautions and notes are used to point out specially important parts of the manual.



**WARNING:** Used if there is a risk of injury or death for the operator or bystanders if the instructions in the manual are not obeyed.



**CAUTION:** Used if there is a risk of damage to the product, other materials or the adjacent area if the instructions in the manual are not obeyed.

**Note:** Used to give more information that is necessary in a given situation.

### General power tool safety warnings



**WARNING:** Read all safety warnings, instructions, illustrations and specifications provided with this power tool. Failure to follow all instructions listed below may result in electric shock, fire and/or serious injury.

#### Save all warnings and instructions for future reference.

The term "power tool" in the warnings refers to your mains-operated (corded) power tool or battery-operated (cordless) power tool.

### Work area safety

- **Keep work area clean and well lit.** Cluttered or dark areas invite accidents.
- **Do not operate power tools in explosive atmospheres, such as in the presence of flammable liquids, gases or dust.** Power tools create sparks which may ignite the dust or fumes.
- **Keep children and bystanders away while operating a power tool.** Distractions can cause you to lose control.

### Electrical safety

- **Power tool plugs must match the outlet. Never modify the plug in any way. Do not use any adapter plugs with earthed (grounded) power tools.** Unmodified plugs and matching outlets will reduce risk of electric shock.
- **Avoid body contact with earthed or grounded surfaces, such as pipes, radiators, ranges and refrigerators.** There is an increased risk of electric shock if your body is earthed or grounded.

- **Do not expose power tools to rain or wet conditions.** Water entering a power tool will increase the risk of electric shock.
- **Do not abuse the cord. Never use the cord for carrying, pulling or unplugging the power tool. Keep cord away from heat, oil, sharp edges or moving parts.** Damaged or entangled cords increase the risk of electric shock.
- **When operating a power tool outdoors, use an extension cord suitable for outdoor use.** Use of a cord suitable for outdoor use reduces the risk of electric shock.
- **If operating a power tool in a damp location is unavoidable, use a residual current device (RCD) protected supply.** Use of a RCD reduces the risk of electric shock.

### Personal safety

- **Stay alert, watch what you are doing and use common sense when operating a power tool. Do not use a power tool while you are tired or under the influence of drugs, alcohol or medication.** A moment of inattention while operating power tools may result in serious personal injury.
- **Use personal protective equipment. Always wear eye protection.** Protective equipment such as dust mask, non-skid safety shoes, hard hat or hearing protection used for appropriate conditions will reduce personal injuries.
- **Prevent unintentional starting. Ensure the switch is in the off-position before connecting to power source and/or battery pack, picking up or carrying the tool.** Carrying power tools with your finger on the switch or energising power tools that have the switch on invites accidents.
- **Remove any adjusting key or wrench before turning the power tool on.** A wrench or a key left attached to a rotating part of the power tool may result in personal injury.
- **Do not overreach. Keep proper footing and balance at all times.** This enables better control of the power tool in unexpected situations.
- **Dress properly. Do not wear loose clothing or jewellery. Keep your hair and clothing away from moving parts.** Loose clothes, jewellery or long hair can be caught in moving parts.
- **If devices are provided for the connection of dust extraction and collection facilities, ensure these are connected and properly used.** Use of dust collection can reduce dust-related hazards.
- **Do not let familiarity gained from frequent use of tools allow you to become complacent and ignore tool safety principles.** A careless action can cause severe injury within a fraction of a second.

## Power tool use and care

- **Do not force the power tool. Use the correct power tool for your application.** The correct power tool will do the job better and safer at the rate for which it was designed.
- **Do not use the power tool if the switch does not turn it on and off.** Any power tool that cannot be controlled with the switch is dangerous and must be repaired.
- **Disconnect the plug from the power source and/or remove the battery pack, if detachable, from the power tool before making any adjustments, changing accessories, or storing power tools.** Such preventive safety measures reduce the risk of starting the power tool accidentally.
- **Store idle power tools out of the reach of children and do not allow persons unfamiliar with the power tool or these instructions to operate the power tool.** Power tools are dangerous in the hands of untrained users.
- **Maintain power tools and accessories. Check for misalignment or binding of moving parts, breakage of parts and any other condition that may affect the power tool's operation. If damaged, have the power tool repaired before use.** Many accidents are caused by poorly maintained power tools.
- **Keep cutting tools sharp and clean.** Properly maintained cutting tools with sharp cutting edges are less likely to bind and are easier to control.
- **Use the power tool, accessories and tool bits etc. in accordance with these instructions, taking into account the working conditions and the work to be performed.** Use of the power tool for operations different from those intended could result in a hazardous situation.
- **Keep handles and grasping surfaces dry, clean and free from oil and grease.** Slippery handles and grasping surfaces do not allow for safe handling and control of the tool in unexpected situations.

## Battery tool use and care

- **Recharge only with the charger specified by the manufacturer.** A charger that is suitable for one type of battery pack may create a risk of fire when used with another battery pack.
- **Use power tools only with specifically designated battery packs.** Use of any other battery packs may create a risk of injury and fire.
- **When battery pack is not in use, keep it away from other metal objects, like paper clips, coins, keys, nails, screws or other small metal objects, that can make a connection from one terminal to another.** Shorting the battery terminals together may cause burns or a fire.
- **Under abusive conditions, liquid may be ejected from the battery; avoid contact. If contact accidentally occurs, flush with water. If liquid contacts eyes, additionally seek medical help.** Liquid ejected from the battery may cause irritations or burns.

- **Do not use a battery pack or tool that is damaged or modified.** Damaged or modified batteries may exhibit unpredictable behaviour resulting in fire, explosion or risk of injury.
- **Do not expose a battery pack or tool to fire or excessive temperature.** Exposure to fire or temperature above 130 °C may cause explosion.
- **Follow all charging instructions and do not charge the battery pack or tool outside the temperature range specified in the instructions.** Charging improperly or at temperatures outside the specified range may damage the battery and increase the risk of fire.

## Service

- **Have your power tool serviced by a qualified repair person using only identical replacement parts.** This will ensure that the safety of the power tool is maintained.
- **Never service damaged battery packs.** Service of battery packs should only be performed by the manufacturer or authorized service providers.

## General safety instructions



**WARNING:** Read the warning instructions that follow before you use the product.

- This product is a dangerous tool if you are not careful or if you use the product incorrectly. This product can cause serious injury or death to the operator or others. Before you use the product, you must read and understand the contents of this operator's manual.
- This product is not intended for use by persons (including children) with reduced physical, sensory or mental capabilities, or lack of experience and knowledge.
- Save all warnings and instructions.
- Comply with all applicable laws and regulations.
- The operator and the employer of the operator must know and prevent the risks during operation of the product.
- Do not let a person operate the product unless they read and understand the contents of the operator's manual.
- Do not operate the product unless you receive training before use. Make sure that all operators receive training.
- Do not let a child operate the product.
- Only let approved persons operate the product.
- The operator is responsible for accidents that occur to other persons or their property.
- Do not use the product if you are tired, ill, or under the influence of alcohol, drugs or medicine.
- Always be careful and use your common sense.

- This product produces an electromagnetic field during operation. This field can under some circumstances interfere with active or passive medical implants. To decrease the risk of serious injury or death, we recommend persons with medical implants to speak to their physician and the medical implant manufacturer before operating this product.
- Keep the product clean. Make sure that you can clearly read signs and decals.
- Do not use the product if it is damaged.
- Do not make modifications to this product.
- Do not operate the product if it is possible that other persons have made modifications to the product.

## Safety instructions for operation



**WARNING:** Read the warning instructions that follow before you use the product.

- Make sure that you know how to stop the motor quickly in an emergency.
- The operator must have the physical strength that is necessary to operate the product safely.
- Do not operate the product without all protective covers installed.
- Use personal protective equipment. Refer to *Personal protective equipment on page 9*.
- Make sure that only approved persons are in the work area.
- Keep the work area clean and bright.
- Make sure that you are in a safe and stable position during operation.
- Make sure that there is no risk that you or the product can fall from a height.
- Make sure that there is no grease or oil on the handle.
- Do not use the product in areas where fire or explosions can occur.
- The product can cause objects to eject at high speed. Make sure that all persons in the work area use approved personal protective equipment. Remove loose objects from the work area.
- Before you go away from the product, stop the motor and remove the batteries to make sure that there is no risk of accidental start.
- Make sure that clothes, long hair and jewelry do not get caught in moving parts.
- Do not sit on the product.
- Do not hit the product.
- Always operate the product from behind with your hands on the handle.
- Do not operate the product near electrical cables. The product does not have electrical insulation and injury or death can occur.
- Before you operate the product, find out if there are hidden wires, cables and pipes in the work area. If the product hits a hidden object, stop the motor

immediately and examine the product and the object. Do not start to operate the product again until you know that it is safe to continue.

- Do not touch the bottom plate when you operate the product or after the motor stops. The bottom plate is hot. Hot areas can cause injury.
- Do not touch the bottom plate when you operate the product or after the motor stops. There is a risk of pinching.
- Do not use the product in fog, rain, strong winds, cold weather, risk of lightning or other bad weather conditions. To use the product in bad weather can have a negative effect on your alertness. Bad weather can cause dangerous work conditions, such as slippery surfaces.

## Vibration safety



**WARNING:** Read the warning instructions that follow before you use the product.

- During operation of the product, vibrations go from the product to the operator. Regular and frequent operation of the product can cause or increase the degree of injuries to the operator. Injuries can occur in fingers, hands, wrists, arms, shoulders, and/or nerves and blood supply or other body parts. The injuries can be debilitating and/or permanent, and can increase gradually during weeks, months or years. Possible injuries include damage to the blood circulation system, the nervous system, joints, and other body structures.
- Symptoms can occur during operation of the product or at other times. If you have symptoms and continue to operate the product, the symptoms can increase or become permanent. If these or other symptoms occur, get medical aid:
  - Numbness, loss of feeling, tingling, pricking, pain, burning, throbbing, stiffness, clumsiness, loss of strength, changes in skin color or condition.
- Symptoms can increase in cold temperatures. Use warm clothing and keep your hands warm and dry when you operate the product in cold environments.
- Do maintenance on and operate the product as given in the operator's manual, to keep a correct vibration level.
- The product has a vibration damping system that decreases the vibrations from the handles to the operator. Let the product do the work. Do not push the product with force. Hold the product at the handles lightly, but make sure that you control the product and operate it safely. Do not push the handles into the end stops more than necessary.
- Keep your hands on the handle or handles only. Keep all other body parts away from the product.
- Stop the product immediately if strong vibrations suddenly occurs. Do not continue the operation



before the cause of the increased vibrations is removed.

## Dust safety



**WARNING:** Read the warning instructions that follow before you use the product.

- Operation of the product indoor and in confined spaces can cause dust in the air. Dust can cause serious injury and permanent health problems. Silica dust is regulated as harmful by several authorities. These are examples of such health problems:
  - The fatal lung diseases chronic bronchitis, silicosis and pulmonary fibrosis
  - Cancer
  - Birth defects
  - Skin inflammation
- Use correct equipment to decrease the quantity of dust and fumes in the air and to decrease dust on work equipment, surfaces, clothing and body parts. Examples of controls are dust collection systems and water sprays to bind dust. Decrease dust at the source where possible. Make sure that the equipment is correctly installed and used and that regular maintenance is done.
- Use approved respiratory protection when working indoors or in confined spaces. Make sure that the respiratory protection is applicable for the dangerous materials in the work area.
- Make sure that the airflow is sufficient in the work area.

## Noise safety



**WARNING:** Read the warning instructions that follow before you use the product.

- High noise levels and long-term exposure to noise can cause noise-induced hearing loss.
- To keep the noise level to a minimum, do maintenance on and operate the product as given in the operator's manual.
- Use approved hearing protection while you operate the product.
- Listen for warning signals and voices when you use hearing protection. Remove the hearing protection when the product is stopped, unless hearing protection is necessary for the noise level in the work area.

## Personal protective equipment



**WARNING:** Read the warning instructions that follow before you use the product.

- Always use approved personal protective equipment when you operate the product. Personal protective equipment cannot fully prevent injury but it decreases the degree of injury if an accident does occur. Let your dealer help you select the correct personal protective equipment.
- Regularly do a check of the condition of the personal protective equipment.
- Use an approved protective helmet.
- Use approved hearing protection.
- Use approved respiratory protection when operating the product indoors and in confined spaces.
- Use approved eye protection with side protection.
- Use protective gloves.
- Use boots with steel toe-cap and non-slip sole.
- Use approved work clothing or equivalent close-fitting clothing that has long sleeves and long legs.

## Fire extinguisher

- Keep a fire extinguisher near during operation.
- Use a powder fire extinguisher of "ABE" class or a carbon dioxide fire extinguisher of "BE" type.

## Safety devices on the product



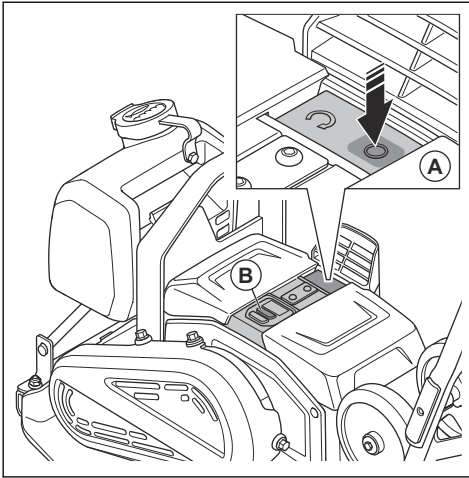
**WARNING:** Read the warning instructions that follow before you use the product.

- Do not use a product with safety devices that are damaged or do not operate correctly.
- Do a check of the safety devices regularly. If the safety devices are damaged or do not operate correctly, speak to your Husqvarna service agent.
- Do not make modifications to safety devices.

## To do a check of the stop button

1. Start the product. Refer to *To start the product on page 13*.

2. Push the "STOP" button.



3. If the motor does not stop, let an approved service center do servicing on the product.

### Vibration damping units

The vibration damping units decrease vibration in the product. The vibration damping units decrease harmful vibrations to prevent injury to the operator and damage to the product.

### To do a check of the vibration damping units

There are 8 vibration damping units, 4 on the left side and 4 on the right side of the product.

- Make sure that the vibration damping units are correctly installed.
- Examine the vibration damping units for damages and wear.
- Replace the vibration damping units if it is necessary.

### Battery safety



**WARNING:** Read the warning instructions that follow before you use the product.

- Only use the Husqvarna BLi batteries that we recommend for your product. The batteries are software encrypted.
- Use only original batteries for this product. There is a risk of explosion if the batteries are replaced with a battery of incorrect type. Speak to your dealer for more information.
- Use Husqvarna BLi batteries that are rechargeable as a power supply for the related Husqvarna products only. To prevent injury, do not use the battery as a power supply for other devices.

- Risk of electrical shock. Do not connect the battery terminals to keys, screws or other metal. This can cause a short circuit of the battery.
- If the battery leaks, do not let the liquid touch your body or eyes. If you have touched the liquid, clean the area with a large quantity of water and get medical aid.
- Do not use batteries that are non-rechargeable.
- Do not do modifications to the battery.
- Do not put objects into the air slots of the battery.
- Keep the battery away from sunlight, heat or open flame. The battery can explode and cause burns and/or chemical burns.
- Keep the battery away from rain and wet conditions.
- Keep the battery away from microwaves and high pressure.
- Do not try to disassemble or break the battery.
- Use the battery in temperatures between 0 °C/32 °F and 40 °C/104 °F.
- Do not clean the battery or the battery charger with water. Refer to *To clean the battery and the battery charger on page 16*.
- Do not use a damaged battery.
- Keep batteries in storage away from metal objects such as nails, screws or jewelry.
- Keep the battery away from children.

### Battery charger safety



**WARNING:** Read the warning instructions that follow before you use the product.

- Risk of electrical shock or short circuit if the safety instructions are not obeyed.
- This product produces an electromagnetic field during operation. This field may under some circumstances interfere with active or passive medical implants. To reduce the risk of serious or fatal injury, we recommend persons with medical implants to consult their physician and the medical implant manufacturer before operating this product.
- Do not try to disassemble the battery charger.
- Do not do modifications to the battery charger.
- Do not use a damaged battery charger.
- Do not lift the battery charger by the power cord. To disconnect the battery charger from a mains socket, pull out the plug. Do not pull the power cord.
- Let an approved service agent replace the power cord of the battery charger if it is damaged.
- Keep all cables and extension cables away from water, oil and sharp edges. Make sure that the cable is not caught between doors, fences or equivalent. Do not charge while the cable is wound up. This can cause the cable to become too hot.
- Do not use the battery charger near flammable materials or materials that can cause corrosion. Make sure that the battery charger is not covered.

Pull out the plug to the battery charger if there is smoke or fire.

- Only charge the battery indoors in a location with good airflow and away from sunlight. Do not charge the battery outdoors. Do not charge the battery in wet conditions.
- Only use the battery charger where the temperature is between 5 °C/41 °F and 40 °C/104 °F. Use the charger in an environment which has a good airflow, dry and without dust.
- Do not put objects into the air slots of the battery charger.
- Do not connect the battery charger terminals to metal objects as this can short circuit the battery charger.
- Do not charge non-rechargeable batteries in the battery charger or use them in the machine.
- Use an approved power outlet that are not damaged.
- Do not charge if there is a risk of thunderstorm.
- Only charge when the battery charger is on a level surface.
- Keep the battery charger away from children.
- When the battery is charged, disconnect the battery charger from the power outlet.

### Safety instructions for operation on slopes



**WARNING:** Read the warning instructions that follow before you use the product.

- Do not operate the product on a slope that is more than 20°. Loose ground, vibrations and the operation speed can cause the product to fall on a slope that is less than 20°.
- Make sure that the work area is safe. Wet and loose soil decreases safe operation of the product. Be very careful on slopes and rough surfaces.
- Make sure that all persons in the work area are above the product on the slope.
- Operate the product up and down the slope, not from side to side.
- Do not park the product on a slope. If you must park the product on a slope, make sure that the product cannot fall. There is a risk of injury and damage.

### Safety instructions for operation near edges



**WARNING:** Read the warning instructions that follow before you use the product.

- There is a risk that the product falls when you operate it near an edge. Always keep a minimum of ⅓ of the product on a surface that is sufficiently stable to hold the product weight.
- If the product falls, stop the motor before you lift the product back to a surface that is sufficiently stable. Refer to *To stop the product on page 13*.

### Safety instructions for maintenance



**WARNING:** Read the warning instructions that follow before you use the product.

- If the maintenance is not done correctly and regularly, the risk of injury and damage to the product increases.
- Use personal protective equipment. Refer to *Personal protective equipment on page 9*.
- Clean the product to remove dangerous material before you do the maintenance.
- Remove the batteries from the product before you do the maintenance.
- Do not do modifications to the product. Modifications that are not approved by the manufacturer can cause serious injury or death.
- Always use original accessories and spare parts. Accessories and spare parts that are not approved by the manufacturer, can cause serious injury or death.
- Replace damaged, worn or broken parts.
- Only do the maintenance as given in this operator's manual. Let an approved service agent do all other servicing.
- After maintenance, do a check of the vibration level in the product. If it is not correct, speak to an approved service agent.
- Let an approved service agent do servicing on the product regularly.

### Bluetooth®



**CAUTION:** Changes or modifications made to this equipment not expressly approved by Husqvarna may void the FCC authorization to operate this equipment.

**Notice:** This device complies with Part 15 of FCC Rules and with Industry Canada licence-exempt RSS standard. Operation is subject to the following two conditions:

- This device may not cause harmful interference
- This device must accept any interference received, including interference that cause undesired operation.

Le présent appareil est conforme aux CNR d'Industrie Canada applicables aux appareils radio exempts de licence. L'exploitation est autorisée aux deux conditions suivantes:

- l'appareil ne doit pas produire de brouillage, et
- l'appareil doit accepter tout brouillage radioélectrique subi, même si le brouillage est susceptible d'en compromettre le fonctionnement.

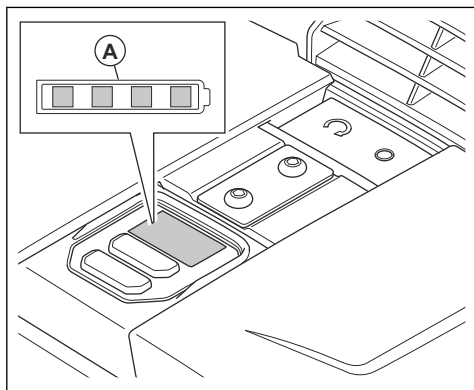
# Operation

## To do before you operate the product

- Read the operator's manual for this product carefully and make sure that you understand the instructions.
- Read the operator's manual for the battery and the battery charger carefully and make sure that you understand the instructions.
- Do daily maintenance. Refer to *Maintenance schedule on page 15*.
- Make sure that only approved persons are in the work area, because there is a risk of serious injury.
- Use personal protective equipment. Refer to *Personal protective equipment on page 9*.

## Battery status

The battery status indicator (A) comes on when you start the product. If you use 2 batteries, the battery status indicator shows the total charge level for the 2 batteries in the product.

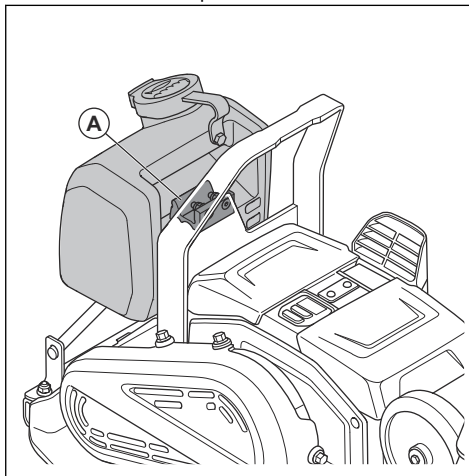


State of charge	Symbol in the status indicator
The battery charge level is 0%–5%.	

## To fill the water tank

You can fill the water tank when it is installed on the product, or remove and fill the water tank. To remove and fill the water tank, do the steps that follow:

1. Lift the front part of the rubber lock (A) and lift the water tank from the product.



2. Fill the water tank with water.



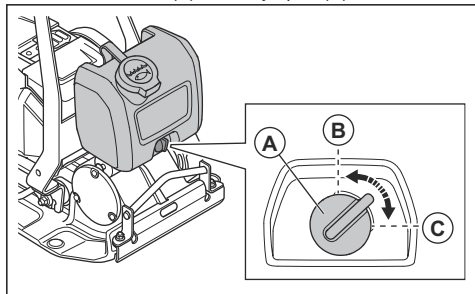
**CAUTION:** Do not add other fluids than water to the water tank. Other fluids can cause damage to the product and be harmful to the environment.

3. Lift the front part of the rubber lock and push down the water tank into the tank holder.

State of charge	Symbol in the status indicator
The battery charge level is 76%–100%.	
The battery charge level is 51%–75%.	
The battery charge level is 26%–50%.	
The battery charge level is 6%–25%.	

## To adjust the water flow

- Turn the water tap (A). Adjust the water flow between closed (B) and fully open (C).



## Bluetooth® wireless technology

Products with built-in Bluetooth® wireless technology can connect to mobile devices. The symbol for Bluetooth® wireless technology comes on when your mobile device is connected to the product.



## To use embedded connectivity with Husqvarna Fleet Services™

**Note:** This part is applicable only for products supplied with embedded connectivity.

**Note:** Radio transmission by the Bluetooth® function will be enabled on the first time of connection to a battery, and stay on after that.

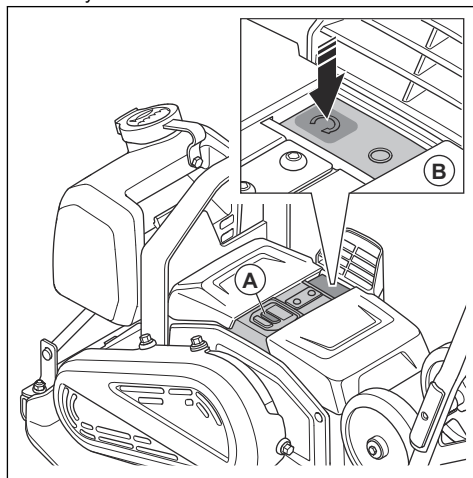
1. Download the Husqvarna Fleet Services™ iOS or Android app Husqvarna Fleet Services.
2. Go to Husqvarna Fleet Services™ website <https://fleetservices.husqvarna.com> for more information.

## To start the product

1. Put the 2 batteries in the battery compartment. Make sure that the batteries are correctly installed. Refer to *To install and remove the batteries on page 17*.

**Note:** You can operate the product with only 1 battery but the operation time will be shorter. If you operate the product with 2 batteries, the product drains 1 battery at a time.

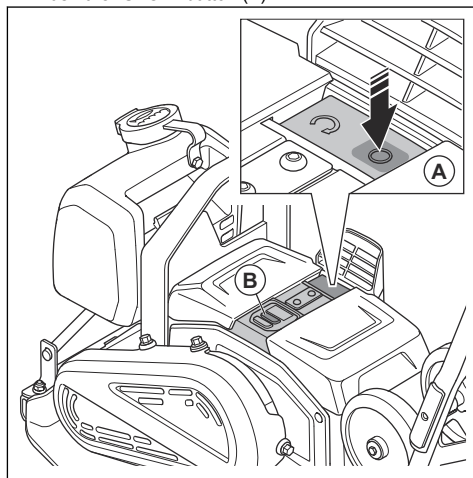
2. Push the ON/OFF button (A). Make sure that the battery level indicators come on.



3. Push the "START" button (B).

## To stop the product

1. Push the "STOP" button (A).



2. Push the ON/OFF button (B).
3. Remove the batteries from the product. Refer to *To install and remove the batteries on page 17*.

## To operate the product



**CAUTION:** Always operate the product forward. Rearward movement prevents correct function of the eccentric element and can cause product failure.

1. Hold the handle and steer the product. Do not push the product forward. Let the drive system of the product operate the product forward.



**CAUTION:** Do not push the product down. Too much pressure can cause unsatisfactory result.



**CAUTION:** Do not block the air inlet.

2. To change direction, turn the product around.

### To adjust the speed

When you start the product, the product operates at standard speed.

1. Start the product, refer to *To start the product on page 13*.
2. Push the slow speed control button. The indicator for low speed comes on.
3. To operate the product at standard speed, push the slow speed control button again. The indicator for low speed goes off.

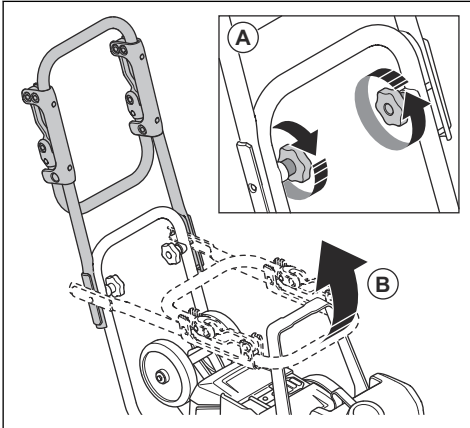
**Note:** You can adjust the speed with the slow speed control button when the product moves.

### To set the product in operation position



**WARNING:** There is a risk of pinching when you set the product in operation position. Use protective gloves.

1. Loosen the handle knobs (A).

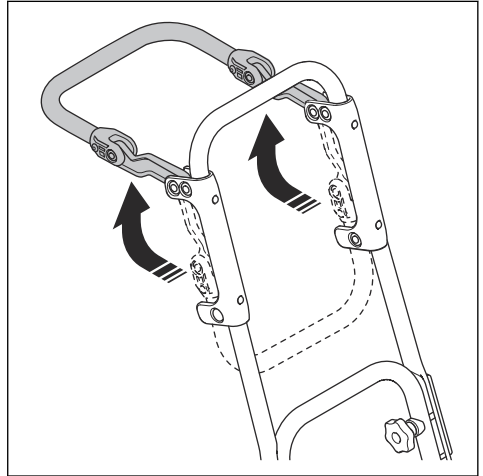


2. Lift the handle (B).
3. Tighten the handle knobs (A).

### To fold the low vibration handle up and down

You can use the low vibration handle to decrease the vibration level.

- Pull the low vibration handle to release it from the clamps.



- Fold down the low vibration handle and push it into the clamps to lock it.

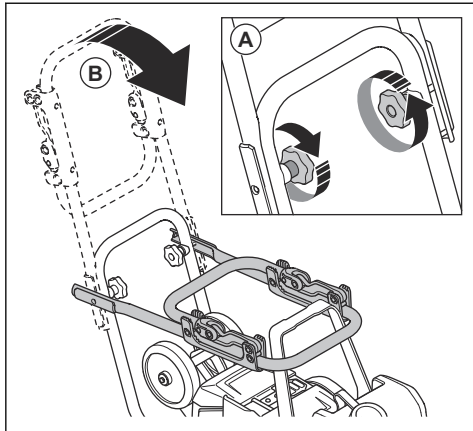


### To set the product in transport position



**WARNING:** There is a risk of pinching when you set the product in transport position. Use protective gloves.

1. Loosen the handle knobs (A).



2. Lower the handle (B).

3. Tighten the handle knobs (A).

## Maintenance

### Introduction



**WARNING:** Read and understand the safety chapter before you do maintenance on the product.



**WARNING:** Remove the batteries before you do maintenance on the product.

### Maintenance schedule

\* = General maintenance done by the operator. The instructions are not given in this operator's manual.

X = The instructions are given in this operator's manual.

General product maintenance	Before use	Each 100 h
Do a general inspection.	X	
Clean the product.	X	
Clean the battery and the battery charger.	X	
Make sure that the "STOP" button operates correctly and is not damaged.	X	
Examine the battery for damage.	*	
Examine the battery charger for damage and make sure that it operates correctly.	*	
Examine the connections between the battery and the product. Also examine the connection between the battery and the battery charger.	*	
Examine the vibration damping units for damage.		X
Examine the tension of the belt and look for damages. Adjust or replace the belt if it is necessary.		X

### To clean the product

1. Remove the batteries from the product. Refer to *To install and remove the batteries on page 17.*
2. Make sure that the battery covers are closed.

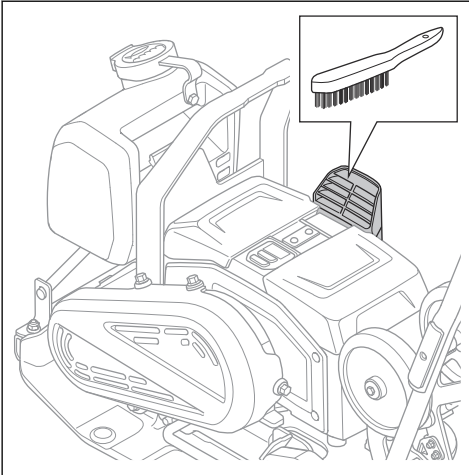
3. Clean the product with compressed air or running water from a hose.



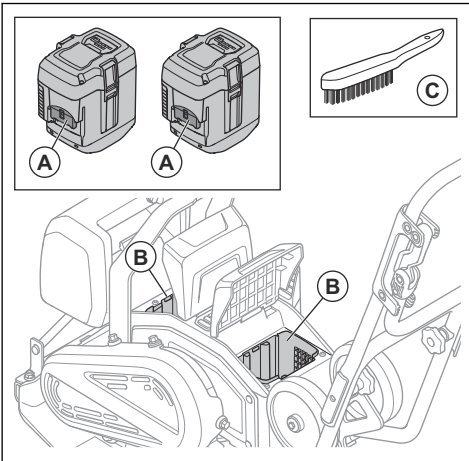


**CAUTION:** Make sure that water does not go into the battery compartments.

4. Dry the product with a cloth to remove all water.
5. Clean the air intake with a soft, non-metallic brush.



6. Clean the terminals on the batteries (A) and in the battery compartments (B) with a soft, non-metallic brush (C).



## To clean the battery and the battery charger



**WARNING:** Do not clean the battery or the battery charger with water.



**WARNING:** Do not use any chemical substances to clean the battery.

- Make sure that the battery and the battery charger are clean and dry before you put the battery into the battery charger.
- Clean the battery terminals with compressed air or use a soft and dry cloth.
- Clean the surfaces of the battery and the battery charger with a soft and dry cloth.

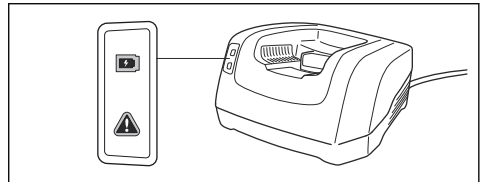
## To charge the battery

Charge the battery before the first use. The battery is only 30% charged when supplied to the customer.

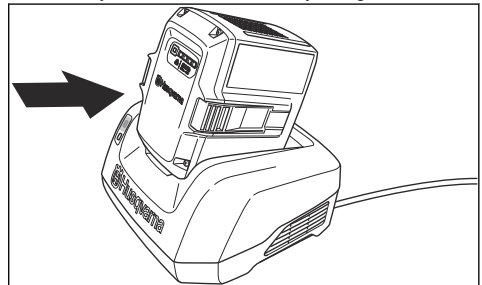
**Note:** The battery charger must be connected to the voltage and frequency specified on the rating plate.

The battery does not charge if the battery temperature is above 50 °C/122 °F. The battery charger decreases the temperature of the battery before it starts to charge.

1. Connect one end of the power cord for the battery charger into the socket of the battery charger.
2. Connect the other end of the power cord for the battery charger in an grounded mains socket. The LED on the battery charger flashes green one time.



3. Put the battery in the battery charger. The green light on the charger comes on when the battery is correctly connected to the battery charger.



4. When all LEDs on the battery have come on the battery is fully charged. Charge the battery for maximum 24 hours.
5. To disconnect the battery charger from the mains socket, pull the plug, not the power cord.
6. Remove the battery from the battery charger.

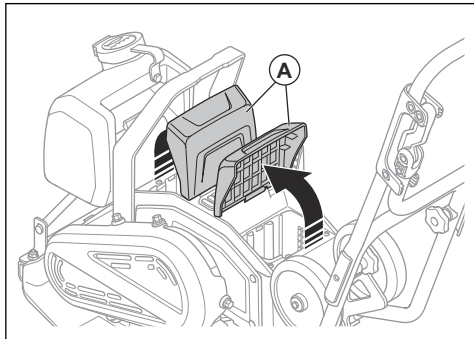


## To do a general inspection

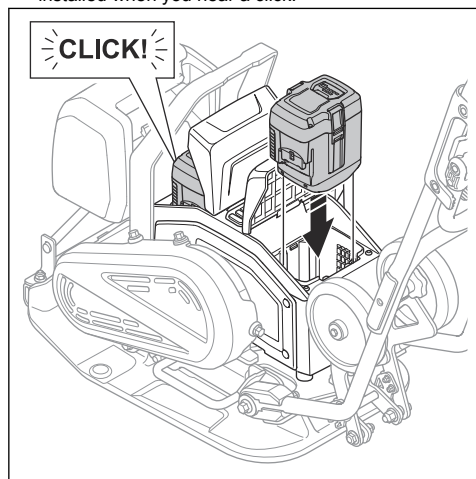
- Make sure that all nuts and screws on the product are tightened correctly.

## To install and remove the batteries

1. Stop the product. Refer to *To stop the product on page 13*.
2. Lift up the battery covers (A).



3. Install the batteries. The batteries are correctly installed when you hear a click.



**WARNING:** Only use original Husqvarna BLi batteries.



**CAUTION:** Do not use force to install the batteries. If the batteries cannot easily go into the battery compartments, the batteries are not installed correctly.

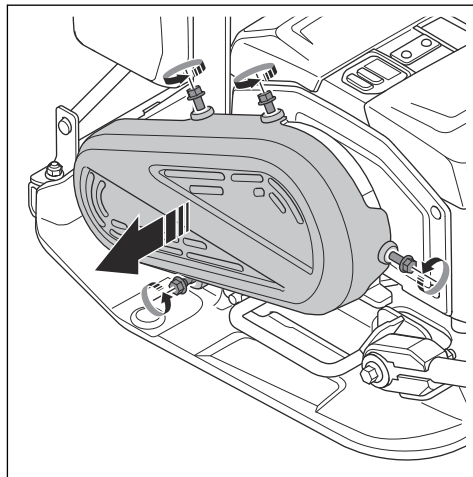
4. Make sure that the battery covers are fully closed to prevent that moist and dirt enter the battery compartments.
5. Remove the batteries in the opposite sequence.

## To do a check of the belt

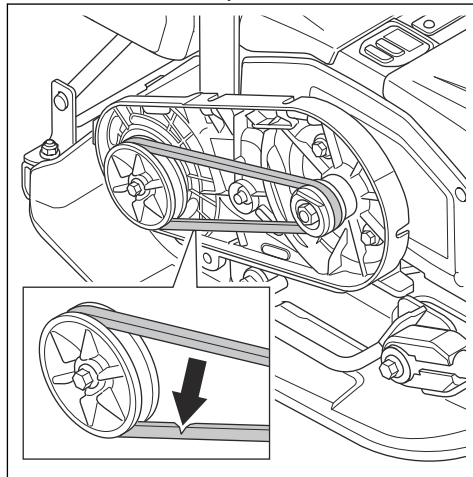


**WARNING:** Do not operate the product without the belt cover installed.

1. Remove the batteries from the product. Refer to *To install and remove the batteries on page 17*.
2. Loosen the 4 bolts and remove the belt cover.



3. Examine the belt for damages and wear. Replace the belt if it is necessary.



4. Examine the tension of the belt. The correct tension is 60–80 N.

5. If the tension is not correct, replace the belt.

6. Install the belt cover and the 4 bolts. Tighten the bolts to 10 Nm.

## Troubleshooting

Problem	Cause	Solution
The product does not start.	The battery is not installed correctly.	Install the battery correctly. Make sure that there is no loose battery connector cable on the product.
	Low battery voltage.	Charge the battery
	The battery is damaged.	Replace the battery.
The battery does not charge.	The battery charger is not connected to a mains outlet.	Connect the battery charger to a mains outlet.
	The battery charger connector is not connected to the battery.	Connect the battery charger connector to the battery.
The battery stops to charge.	The temperature of the battery is too high.	Make sure that there is no distance between the air intake of the battery charger and the air intake/air outlet of the battery.
Unusual noises from the battery.	–	Speak to an approved service agent.
The warning indicator on the product flashes.	The battery or the electronics are too hot.	Let the product and the batteries become cool.
	The START/STOP button is in the START position when you set the ON/OFF button to the ON position.	Set the START/STOP button to the STOP position and then to the START position again.
The warning indicator for the battery flashes.	The battery is too hot or too cold.	Let the product become cool or move the product indoors and let it become warm.
The product does not start and unusual noises come from the motor.	The tension in the belt is too high.	Do a check of the tension in the belt.
	The operation temperature is too low.	Operate the product in the correct operation temperature.
The product has no traction.	The tension in the belt is too low.	Increase the tension in the belt.
	The belt is damaged.	Replace the belt.

## Transportation, storage and disposal

### Transportation



**WARNING:** Be careful during transportation. The product is heavy and can cause injury or damage if it falls or moves during transportation.



**WARNING:** Remove the batteries from the product before transportation. Refer to *To install and remove the batteries on page 17.*

The transport wheels let you move the product manually for shorter distances. For longer distances, use lifting equipment to lift the product or put the product on a vehicle.



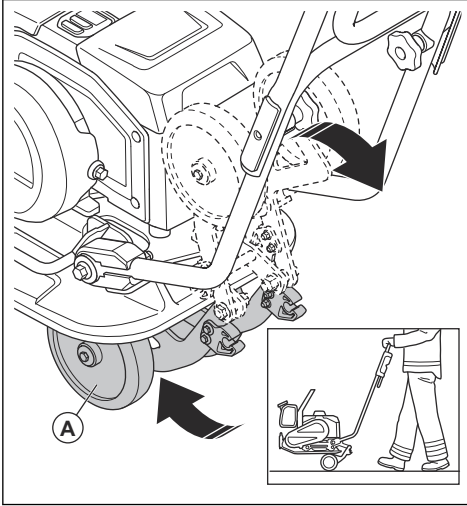
**CAUTION:** Do not tow the product behind a vehicle.

### To engage the transport wheels



**WARNING:** Be careful when you engage the transport wheels. There is a risk of pinching.

- Fold down the transport wheels (A), below the bottom plate.



### To lift the product



**WARNING:** Make sure that the lifting equipment has the correct specification to lift the product safely. The type plate on the product shows the product weight.

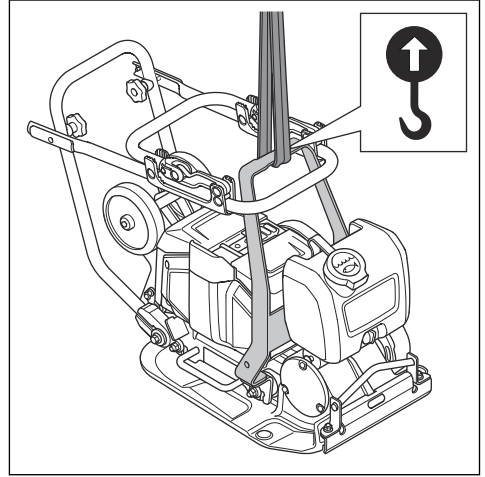


**WARNING:** Do not walk or stay below or near a lifted product.



**WARNING:** Remove the batteries from the product before you lift the product. Refer to *To install and remove the batteries on page 17.*

- Attach the lifting equipment at the lifting point of the safety frame. A label on the product identifies the correct position.



**WARNING:** Do not use metal hooks, chains or other lifting equipment with rough edges that can cause damage to the lifting point.

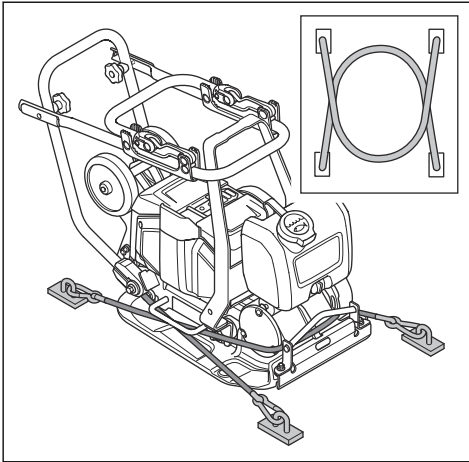


**WARNING:** Do not lift a damaged product. Make sure that the safety frame and the vibration damping units are correctly installed and not damaged.

### To safety the product to a transportation vehicle with tie-down straps

1. Put the handle in transport position. Refer to *To set the product in transport position on page 14.*

2. Put 2 straps around the bottom plate.



- a) Put 1 strap around the front of the bottom plate and attach the strap to the vehicle.
- b) Put 1 strap around the rear of the bottom plate and attach the strap to the vehicle.

- Speak to a person with special training in dangerous material before you send the product. Obey all applicable national regulations.
- Use tape on open contacts when you put the batteries in a package. Put the batteries in the package tightly to prevent movement.
- Do not keep the batteries in an area where static electricity can occur. Do not keep the batteries in a metal box.
- Put the batteries in a dry, frost free and clean space with correct temperature.
- Put the batteries in storage where the temperature is between 5 °C (41 °F) and 25 °C (77 °F) and away from open sunlight.
- Charge the battery 30% to 50% before you put it in storage for long periods. Do a check of the state of charge of the battery yearly.
- Clean the batteries before you put them in storage.
- Remove the batteries from the product before storage.
- Put the battery charger in storage where the temperature is between 5 °C (41 °F) and 25 °C (77 °F) and away from open sunlight.
- Put the battery charger in storage in a space that is closed and dry.
- Keep the battery away from the battery charger during storage.

## Storage

- Remove the batteries from the product before storage. Refer to *To install and remove the batteries on page 17* for information about storage for the batteries and the battery charger.
- Clean the product and do a full servicing before you put the product in storage for a long time.
- Put the product in storage in a space that is dry and frost free.
- Put a protective cover on the product before storage.
- Put the product in a locked area to prevent access for children or persons that are not approved.

## Battery and charger transportation and storage

- The supplied Li-ion batteries obey the Dangerous Goods Legislation requirements.
- Obey the special requirement on package and labels for commercial transportations, including by third parties and forwarding agents.

## Disposal of the battery, battery charger and product

The symbol below means that the product is not domestic waste. Recycle it at a recycling station for electrical and electronic equipment. This helps to prevent damage to the environment and to persons.

Speak to local authorities, domestic waste service or your dealer for more information.



**Note:** The symbol shows on the product or package of the product.

## Technical data

Motor type	BLDC 36 V
Weight with battery, kg/lb. <sup>1</sup>	69/152

<sup>1</sup> Including 2 x BLi300 batteries and half full water tank

Weight without battery, kg/lb. <sup>2</sup>	65/143
Vibration frequency, Hz/rpm	95±2/5700±120
Amplitude, mm/in. <sup>3</sup>	0,95/0,04
Operation speed, m/min / ft./min. <sup>4</sup>	20/66
Centrifugal force, kN/lbf	10.4/2338
Max. tilt, degrees/%	20/36
Water tank for asphalt, l/gal	5.0/1.3
Ambient temperature, °C/°F	-10–40/14–104

Noise and vibration emissions	
Sound power level, measured dB (A)	98.5
Sound power level, guaranteed L <sub>WA</sub> dB (A). <sup>5</sup>	100
Sound pressure level at the operator's ear, L <sub>P</sub> , dB (A). <sup>6</sup>	85
Vibration level at standard speed, a <sub>hv</sub> , m/s <sup>2</sup> , standard handle/low vibration handle. <sup>7</sup>	6.46/1.96
Vibration level at slow speed, a <sub>hv</sub> , m/s <sup>2</sup> , standard handle/low vibration handle. <sup>8</sup>	8.7/2.46

## Approved batteries for the product

Battery	BLi200	BLi300	40-B220X	40-B330X
Type	Lithium-ion	Lithium-ion	Lithium-ion	Lithium-ion
Nominal voltage, V	36	36	36	36

<sup>2</sup> Including half full water tank

<sup>3</sup> Applies on gravel

<sup>4</sup> Speed on gravel

<sup>5</sup> Noise emissions in the environment measured as sound power (L<sub>WA</sub>) as per EN ISO 3744 in conformity with EC directive 2000/14/EC. The difference between guaranteed and measured sound power is that the guaranteed sound power also includes dispersion in the measurement result and the variations between different machines of the same model according to Directive 2000/14/EC.

<sup>6</sup> Sound pressure level L<sub>P</sub> according to EN ISO 11201, EN 500-4. Uncertainty K<sub>PA</sub> 3.0 dB (A).

<sup>7</sup> Vibration value according to EN 500-4. Reported data for vibration level has a typical statistical dispersion (standard deviation) of 1.5 m/s<sup>2</sup>.

<sup>8</sup> Vibration value according to EN 500-4. Reported data for vibration level has a typical statistical dispersion (standard deviation) of 1.5 m/s<sup>2</sup>.

## Approved battery chargers for the product

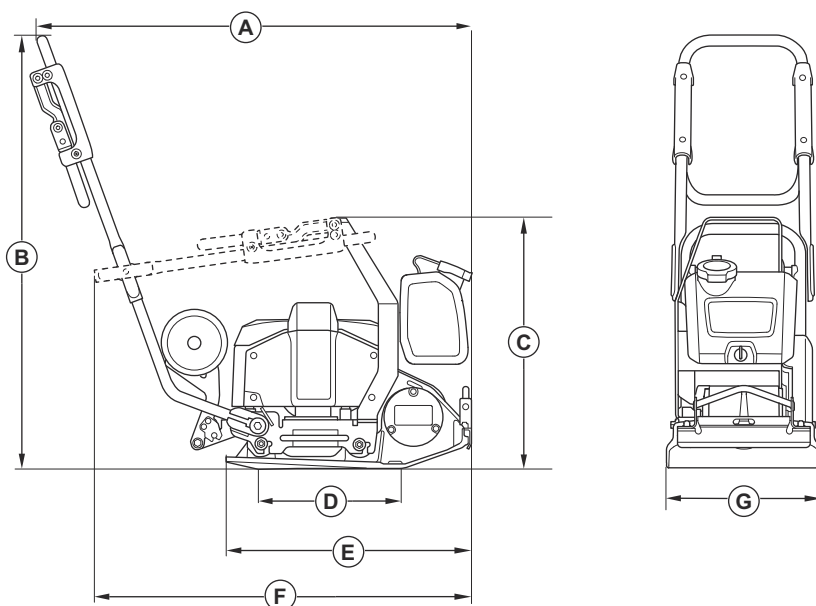
Battery charger	QC330	QC500
Mains voltage, V	100-240	100-240
Frequency, Hz	50-60	50-60
Power, W	330	500

### Noise and vibration declaration statement

These declared values were obtained by laboratory type testing in accordance with the stated directive or standards and are suitable for comparison with the declared values of other products tested in accordance with the same directive or standards. These declared

values are not suitable for use in risk assessments and values measured in individual work places may be higher. The actual exposure values and risk of harm experienced by an individual user are unique and depend upon the way the user works, in what material the product is used, as well as upon the exposure time and the physical condition of the user, and the condition of the product.

### Product dimensions



<b>A</b>	Length including handle, mm/in.	974/38.3
<b>B</b>	Handle height, mm/in.	968/38.1
<b>C</b>	Height with handle folded, mm/in.	561/22.1

<b>D</b>	Bottom plate contact area, m <sup>2</sup> /sq. ft.	0.093/1.001
<b>E</b>	Length bottom plate, mm/in	550/21.7
<b>F</b>	Length with handle folded, mm/in.	834/32.8
<b>G</b>	Width, mm/in.	350/13.7

---

## Embedded connectivity

---

**Note:** This part is applicable only for products supplied with embedded connectivity.

<b>BLE technology radio spectrum</b>	
Frequency bands for the tool, GHz	2.402-2.480
Maximum radio-frequency power transmitted, dBm/mW	0/1

# Declaration of Conformity

## EC Declaration of Conformity

We, **Husqvarna AB**, SE-561 82 Huskvarna, Sweden, tel: +46-36-146500, declare on our sole responsibility that the product:

<b>Description</b>	<b>Forward Plate Compaction Machine</b>
<b>Brand</b>	Husqvarna
<b>Type/Model</b>	LF 60i LAT
<b>Identification</b>	Serial numbers dating from 2024 and onwards

complies fully with the following EU directives and regulations:

<b>Directive/Regulation</b>	<b>Description</b>
2006/42/EC	"relating to machinery"
2000/14/EC	"relating to outdoor noise"
2014/53/EU	"relating to radio equipment"
2011/65/EU	"relating to restriction of hazardous substances"

and that the following harmonized standards and/or technical specifications are applied:

EN ISO 12100:2010  
EN 62841-1:2015+AC:2015  
EN 500-1:2006+A1:2009  
EN 500-4:2011  
EN 55014-1:2017+A11:2020  
EN 55014-2:1997+A1:2001+A2:2008+AC:1997  
ETSI EN 300 328 V2.2.2  
ETSI EN 301 489-1 V2.2.3  
ETSI EN 301 489-17 V3.3.1  
EN IEC 63000:2018

Notified body: 0404, SMP Svensk Maskinprovning AB, Box 4053, SE-904 32 Umeå, Sweden, has certified conformity with the council's directive 2000/14/EC, conformity assessment procedure: Annex VI.

For information relating to noise emissions, refer to the chapter *Technical data on page 20*.

Partille, 2024-02-13



Martin Huber  
R&D Director, Concrete Surfaces & Floors  
Husqvarna AB, Construction Division  
Responsible for technical documentation



# UK Declaration of Conformity

We, **Husqvarna AB**, SE-561 82 Huskvarna, Sweden, tel: +46-36-146500, declare on our sole responsibility that the product:

<b>Description</b>	<b>Forward Plate Compaction Machine</b>
<b>Brand</b>	Husqvarna
<b>Type/Model</b>	LF 60i LAT
<b>Identification</b>	Serial numbers dating from 2024 and onwards

complies fully with the following EU directives and regulations:

<b>Description</b>
The Supply of Machinery (Safety) Regulations 2008
The Noise Emission in the Environment by Equipment for use Outdoors Regulations 2001
The Radio Equipment Regulations 2017
The Restriction of the Use of Certain Hazardous Substances in Electrical and Electronic Equipment Regulations 2012

and that the following harmonized standards and/or technical specifications are applied;

EN ISO 12100:2010

EN 62841-1:2015+AC:2015

EN 500-1:2006+A1:2009

EN 500-4:2011

EN 55014-1:2017+A11:2020

EN 55014-2:1997+A1:2001+A2:2008+AC:1997

ETSI EN 300 328 V2.2.2

ETSI EN 301 489-1 V2.2.3

ETSI EN 301 489-17 V3.3.1

EN IEC 63000:2018

Notified body: 0404, SMP Svensk Maskinprovning AB, Box 4053, SE-904 32 Umeå, Sweden, has certified conformity with the Outdoor Noise Regulations of 2001, conformity assessment procedure: Schedule 9.

For information relating to noise emissions, refer to the chapter *Technical data on page 20*.

Partille, 2024-02-13



Martin Huber

R&D Director, Concrete Surfaces & Floors

Husqvarna AB, Construction Division

Responsible for technical documentation

**UK  
CA**

UK Importer:

Husqvarna UK Ltd

Preston Road, Co. Durham

DL5 6UP

---

## Registered trademarks

---

The *Bluetooth*<sup>®</sup> word mark and logos are registered trademarks owned by *Bluetooth SIG, inc.* and any use of such marks by Husqvarna is under license.

---

## Contenido

---

Introducción.....	27	Datos técnicos.....	47
Seguridad.....	31	Baterías homologadas para el producto.....	48
Funcionamiento.....	37	Cargadores de batería homologados para el producto.....	48
Mantenimiento.....	41	Conectividad integrada.....	49
Solución de problemas.....	44	Marcas comerciales.....	51
Transporte, almacenamiento y eliminación de residuos.....	45		

---

## Introducción

---

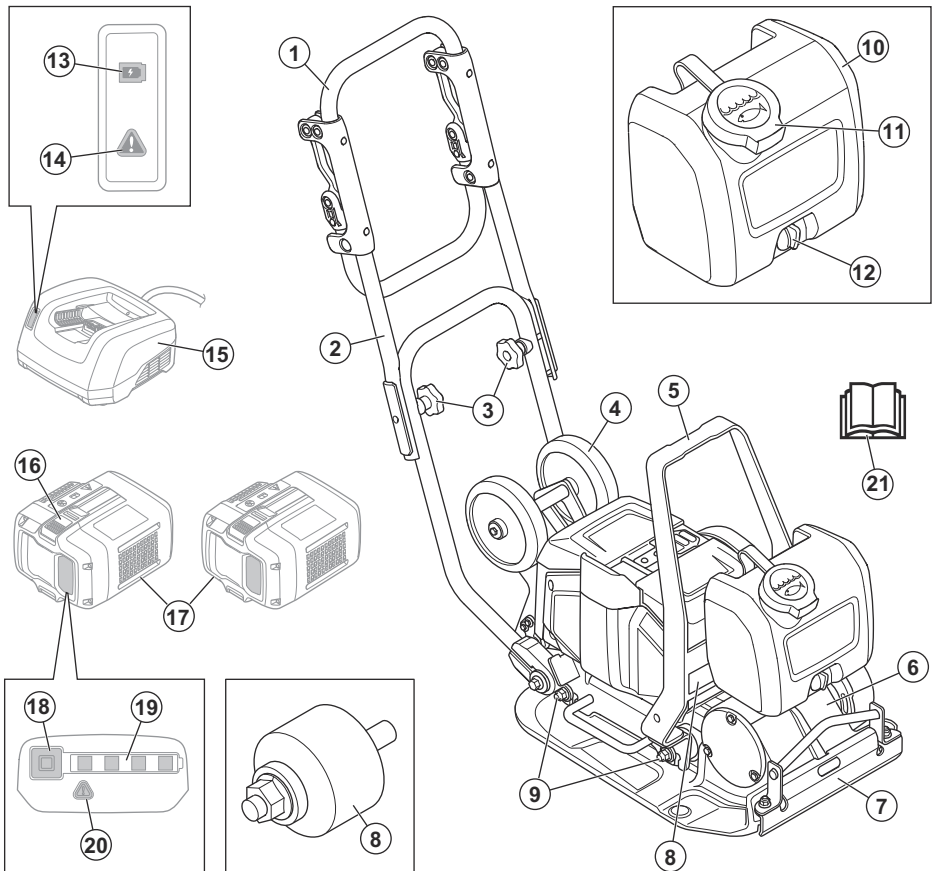
### Propuesta 65 de California

 <b>¡ADVERTENCIA!</b> Este producto contiene o emite productos químicos que pueden causar cáncer, defectos congénitos u otros daños en el sistema reproductor.
---

### Uso previsto

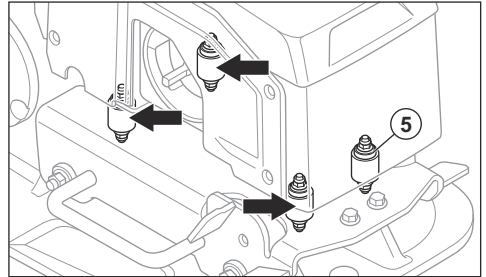
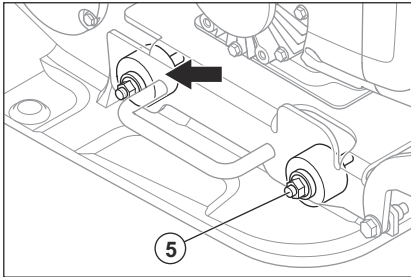
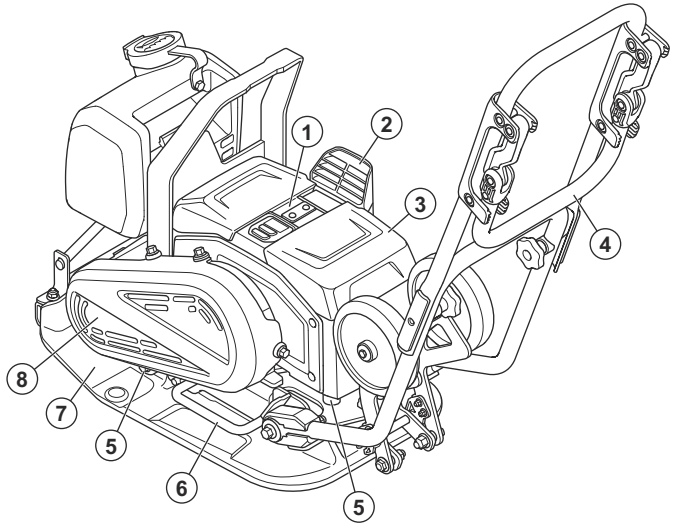
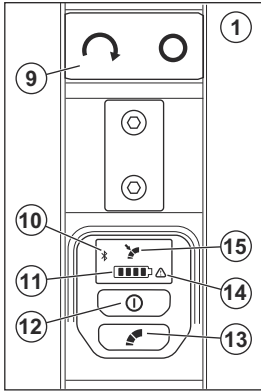
El producto es solo para el uso por parte de profesionales. Utilice el producto para la reparación y el mantenimiento de entradas de garajes, caminos y estacionamientos. Con el kit de adoquinado opcional, el producto también se puede utilizar para el adoquinado. No utilice el producto para otras tareas.

## Descripción general del producto, parte delantera



- |                                  |   |
|----------------------------------|---|
| 1. Manilla                       | 12. Suministro de agua                      |
| 2. Mango superior                | 13. Indicador de carga                      |
| 3. Perillas de la empuñadura     | 14. Indicador de advertencia del cargador   |
| 4. Rueda de transporte           | 15. Cargador de batería (no incluido)       |
| 5. Punto de elevación            | 16. Interruptor de liberación de la batería |
| 6. Elemento excéntrico           | 17. Baterías (no incluidas)                 |
| 7. Suministro de agua            | 18. Botón del indicador de batería          |
| 8. Placa de características      | 19. Indicador de estado de la batería       |
| 9. Amortiguadores de vibraciones | 20. Indicador de advertencia de la batería  |
| 10. Depósito de agua             | 21. Manual de usuario                       |
| 11. Tapa del depósito de agua    |   |

## Descripción general del producto, parte trasera



1. Panel de control
2. Toma de aire
3. Cubierta de la batería
4. Mango de vibración baja
5. Amortiguadores de vibraciones
6. Mango de elevación
7. Placa inferior
8. Cubierta de la correa
9. Botón START/STOP
10. Indicador Bluetooth®
11. Indicador de nivel de la batería. Consulte *Estado de la batería en la página 38*.
12. Botón ON/OFF
13. Botón de control de velocidad lenta. Consulte *Para ajustar la velocidad en la página 40*.
14. Indicador de advertencia

15. Indicador de velocidad lenta

### Símbolos en el producto



**ADVERTENCIA:** Este producto puede ser peligroso y provocar lesiones graves o fatales al usuario o a otras personas. Tenga cuidado y utilice el producto correctamente.



Lea atentamente el manual y asegúrese de que entiende las instrucciones antes de usar el producto.



Use botas antideslizantes de servicio pesado.



Utilice protección auricular aprobada.



Para levantar el producto, conecte el equipo de elevación al punto de elevación del producto.



Superficie caliente.



Mantenga las manos alejadas de esta área.



Si el producto cuenta con tecnología inalámbrica *Bluetooth*<sup>®</sup>. El símbolo *Bluetooth*<sup>®</sup> estará en la etiqueta del nombre del producto.



El producto no es un residuo doméstico. Reciclelo en un sitio de reciclaje aprobado para equipos eléctricos y electrónicos.



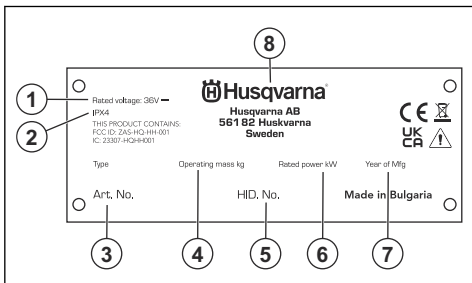
Este producto cumple con las directivas CE aplicables. Consulte *Declaración de conformidad CE*.



Este producto cumple con las normativas del Reino Unido correspondientes. Consulte *Declaración de conformidad del Reino Unido*.

**Tenga en cuenta:** Otros símbolos o etiquetas en el producto hacen referencia a requisitos de certificación especiales para algunos mercados.

## Placa de características



1. Voltaje nominal

2. Clasificación IP
3. Número de la máquina
4. Peso del producto
5. Número de serie
6. Potencia nominal
7. Año de fabricación
8. Fabricante

## Conectividad integrada

La solución de administración de activos en la nube Husqvarna Fleet Services™ ofrece al administrador de flotas una descripción general de todos los productos que están conectados a través de sensores integrados o del mercado de posventa. Se puede utilizar la posición de la puerta de enlace o del teléfono inteligente para indicar la ubicación de los productos conectados. Los sensores registran datos como el tiempo de funcionamiento, los intervalos de servicio y otros. Para obtener más información acerca de la solución de administración de activos en la nube Husqvarna Fleet Services™, descargue la aplicación para iOS o Android Husqvarna Fleet Services en <https://apps.apple.com/se/app/husqvarna-fleet-services/id1334672726> o <https://play.google.com/store/apps/details?id=com.husqvarna.hfsmobile&hl=en>. Comuníquese con su Husqvarna representante de ventas para obtener más información.

Algunos tipos de este producto están conectados a través del sensor Husqvarna Fleet Services™ integrado que tiene la función Bluetooth Low Energy (BLE). Para obtener más información acerca de cómo utilizarlo, consulte *Para utilizar la conectividad integrada con Husqvarna Fleet Services™ en la página 39*. Para obtener información acerca del espectro de radio con tecnología BLE, consulte *Conectividad integrada en la página 49*. Para obtener información respecto de dudas de cumplimiento de Husqvarna Fleet Services™, consulte *Dudas de cumplimiento en la página 30*.

## Dudas de cumplimiento

**Tenga en cuenta:** Los cambios o modificaciones que no estén expresamente aprobados por Husqvarna pueden anular el cumplimiento del equipo de las normas de la FCC y limitar la autoridad del usuario para operar el equipo.

**Tenga en cuenta:** Este dispositivo cumple con el Segmento 15 de las reglas de la FCC y con las normas de RSS no sujetas a licencias de Industry Canada.

El funcionamiento está sujeto a las siguientes dos condiciones:

- Este dispositivo no debe causar interferencias perjudiciales.
- Este dispositivo debe aceptar cualquier interferencia que reciba, incluso una interferencia que pueda causar una operación no deseada.

## Daños en el producto

No somos responsables de los daños a nuestro producto en los siguientes casos:

- el producto se repara incorrectamente
- el producto se repara con piezas que no son del fabricante o que este no autoriza

- el producto tiene un accesorio que no es del fabricante o que este no autoriza
- el producto no se repara en un centro de servicio autorizado o por una autoridad aprobada.

---

## Seguridad

---

### Definiciones de seguridad

Las advertencias, precauciones y notas se utilizan para señalar las piezas particularmente importantes del manual.



**ADVERTENCIA:** Se utilizan para señalar el riesgo de lesiones graves o mortales para el operador o para aquellos que se encuentren cerca si no se siguen las instrucciones del manual.



**AVISO:** Se utilizan para señalar el riesgo de dañar la máquina, otros materiales o el área adyacente si no se siguen las instrucciones del manual.

**Tenga en cuenta:** Se utilizan para entregar más información necesaria en situaciones particulares.

### Advertencias de seguridad generales de la herramienta eléctrica



**ADVERTENCIA:** Lea todas las advertencias de seguridad, las instrucciones, las ilustraciones y las especificaciones que se suministran con esta herramienta eléctrica. En caso de no seguir todas las instrucciones que se entregan a continuación, se pueden producir sacudidas eléctricas, incendios o daños graves.

**Guarde todas las advertencias e instrucciones para futuras referencias.** El término "herramienta eléctrica" que se indica en las advertencias hace referencia a la herramienta eléctrica (con cable) operada con corriente o a la herramienta eléctrica operada con baterías (inalámbrica).

### Seguridad en el área de trabajo

- **Mantenga el área de trabajo limpia y bien iluminada.** Las áreas desordenadas u oscuras pueden generar accidentes.
- **No opere herramientas eléctricas en atmósferas explosivas, como ante presencia de gases, polvo**

o **líquidos inflamables.** Las herramientas eléctricas generan chispas que pueden encender el polvo o humos.

- **Mantenga alejados a niños y transeúntes mientras opera una herramienta eléctrica.** Las distracciones pueden hacerle perder el control.

### Seguridad eléctrica

- **Los enchufes de la herramienta eléctrica deben coincidir con la toma de corriente. Nunca modifique el enchufe de ninguna forma. No utilice enchufes con adaptador con herramientas eléctricas conectadas a tierra.** Los enchufes sin modificaciones y las tomas correspondientes reducen el riesgo de sacudida eléctrica.
- **Evite el contacto corporal con superficies conectadas a tierra, como tuberías, radiadores, estufas y refrigeradores.** Existe un mayor riesgo de sacudida eléctrica si su cuerpo está conectado a tierra.
- **No esponga las herramientas eléctricas a la lluvia o a la humedad.** Si entra agua en una herramienta eléctrica, aumenta el riesgo de sacudida eléctrica.
- **No haga mal uso del cable. Nunca utilice el cable para transportar, tirar o desconectar la herramienta eléctrica. Mantenga el cable alejado del calor, el aceite, los bordes afilados o las piezas en movimiento.** Los cables dañados o enredados aumentan el riesgo de sacudida eléctrica.
- **Cuando opera una herramienta eléctrica en exteriores, utilice un cable de extensión apto para el uso al aire libre.** La utilización de un cable apto para el uso al aire libre reduce el riesgo de sacudida eléctrica.
- **Si no se puede evitar el uso de una herramienta eléctrica en un lugar húmedo, utilice un suministro de corriente residual (RCD, por sus siglas en inglés) protegido.** El uso de un RCD reduce el riesgo de que se produzcan sacudidas eléctricas.

### Seguridad personal

- **Permanezca alerta, vea lo que está haciendo y use el sentido común cuando opere una herramienta eléctrica. No utilice una herramienta eléctrica si está cansado o bajo la influencia de drogas, alcohol o medicamentos.** Un momento de distracción a la hora de operar una herramienta eléctrica puede generar daños personales graves.

- **Utilice equipo de protección personal. Siempre utilice protección ocular.** El equipo de protección (como máscara contra polvo, calzado de seguridad antideslizante, casco o protectores auriculares) que se utiliza en condiciones pertinentes reducirá los daños personales.
- **Evite el arranque accidental. Asegúrese de que el interruptor esté en la posición de apagado antes de conectarse a una fuente de energía o insertar una unidad de batería, así como cuando recoge o transporta la herramienta.** Al transportar herramientas eléctricas con su dedo en el interruptor o al suministrarles corriente con el interruptor en la posición de encendido, se pueden provocar accidentes.
- **Quite cualquier llave de ajuste antes de encender la herramienta eléctrica.** Una llave conectada a una pieza giratoria de la herramienta eléctrica puede causar daños personales.
- **No se estire demasiado. Mantenga una posición y un equilibrio adecuados en todo momento.** Esto permite un mejor control de la herramienta eléctrica en situaciones inesperadas.
- **Vístase adecuadamente. No use ropa suelta ni joyas. Mantenga el pelo y la ropa lejos de las piezas en movimiento.** La ropa suelta, las joyas o el cabello largo pueden quedar atrapados en las partes que se mueven.
- **Si se proporcionan dispositivos para la conexión de instalaciones de recolección y extracción de polvo, asegúrese de que estos se conecten y utilicen de manera pertinente.** El uso de recolectores de polvo puede reducir los peligros relacionados con el polvo.
- **No se confíe de los conocimientos obtenidos a partir del uso frecuente de las herramientas ni pase por alto los principios de seguridad de uso de las herramientas.** Una acción negligente puede causar una lesión grave en una fracción de segundo.

## Uso y cuidado de la herramienta eléctrica

- **No fuerce la herramienta eléctrica. Utilice la herramienta eléctrica correcta según su aplicación.** Con la herramienta eléctrica correcta, hará el trabajo mejor y de manera más segura a razón del propósito para la cual fue diseñada.
- **No utilice la herramienta eléctrica si no se puede encender o apagar con el interruptor.** Cualquier herramienta eléctrica que no se puede controlar con el interruptor conlleva peligros y se debe reparar.
- **Desconecte el enchufe de la fuente de energía o retire la unidad de batería, si es desmontable, de la herramienta eléctrica antes de hacer ajustes, cambiar accesorios o almacenar la herramienta eléctrica.** Tales medidas de seguridad preventivas reducen el riesgo de arranque accidental de la herramienta eléctrica.
- **Almacene las herramientas eléctricas inactivas fuera del alcance de los niños y no permita que personas**

**que no estén familiarizadas con la herramienta eléctrica o con estas instrucciones operen la herramienta eléctrica.** Las herramientas eléctricas conllevan peligros en manos de usuarios inexpertos.

- **Realice mantenimiento en las herramientas eléctricas y los accesorios. Revise en busca de atascamiento o desalineación de las piezas móviles, rotura de piezas o cualquier otra condición que pueda afectar el funcionamiento de la herramienta eléctrica.** Si se daña, repare la herramienta eléctrica antes de su uso. Muchos de los accidentes se deben a herramientas eléctricas con un mal mantenimiento.
- **Mantenga las herramientas de corte afiladas y limpias.** Las herramientas de corte con un mantenimiento correcto y bordes cortantes afilados son menos propensas a atascamientos y más fáciles de controlar.
- **Utilice la herramienta eléctrica, los accesorios, las barrenas, etc. de acuerdo con estas instrucciones, conforme a las condiciones de trabajo y la tarea que se debe realizar.** El uso de la herramienta eléctrica en operaciones distintas de las previstas podría generar una situación peligrosa.
- **Mantenga los mangos y las superficies de agarre secos, limpios y sin grasa ni aceite.** Los mangos y las superficies de agarre resbaladizas no permiten un manejo seguro ni el control de la herramienta en situaciones imprevistas.

## Uso y cuidado de la herramienta alimentada por batería

- **Recargue únicamente con el cargador especificado por el fabricante.** Un cargador apto para un tipo de unidad de batería puede implicar riesgo de incendio si se usa con otra unidad de batería distinta.
- **Utilice las herramientas eléctricas únicamente con las unidades de batería específicas para ellas.** El uso de otras baterías puede implicar riesgo de lesiones e incendio.
- **Cuando la unidad de batería no esté en uso, manténgala alejada de otros objetos metálicos, como sujetapapeles, monedas, llaves, clavos, tornillos u otros objetos metálicos pequeños que puedan provocar una conexión entre los terminales.** Si hace un puente entre los terminales de la batería, puede causar quemaduras o un incendio.
- **En condiciones extremas, la batería puede expulsar líquido; evite el contacto. Si se produjera un contacto accidentalmente, enjuáguese con agua. Si el líquido entra en contacto con los ojos, además, acuda a un médico.** El líquido expulsado de la batería puede causar irritaciones o quemaduras.
- **No utilice una unidad de batería ni una herramienta dañada o modificada.** Las baterías dañadas o modificadas pueden presentar un funcionamiento impredecible que puede provocar un incendio, una explosión o un riesgo de lesiones.



- **No exponga una unidad de batería ni una herramienta al fuego o una temperatura excesiva.** La exposición al fuego o una temperatura superior a 130 °C puede causar una explosión.
- **Siga todas las instrucciones de carga y no cargue la batería ni la herramienta en condiciones que superen el rango de temperatura especificado en las instrucciones.** De lo contrario, podría dañar la batería y aumentar el riesgo de incendio.

## Servicio

- **Asegúrese de que un experto calificado realice la reparación de la herramienta eléctrica solo con piezas de repuesto idénticas.** Esto garantizará que se mantenga la seguridad de la herramienta eléctrica.
- **Nunca realice servicio a unidades de baterías dañadas.** Solo el fabricante o los proveedores de servicios autorizados deben realizar el servicio de las unidades de batería.

## Instrucciones generales de seguridad



**ADVERTENCIA:** Lea atentamente las instrucciones de advertencia siguientes antes de usar el producto.

- Este producto puede ser una herramienta peligrosa si no se maneja con cuidado o si utiliza el producto de forma incorrecta. Este producto puede causar daños graves o fatales al operador o a otras personas. Antes de utilizar el producto, es muy importante que lea y comprenda el contenido de este manual de usuario.
- Este producto no está diseñado para que personas (incluidos niños) con capacidades físicas, sensoriales o mentales reducidas, o con falta de experiencia y conocimientos, lo utilicen.
- Guarde todas las advertencias y las instrucciones.
- Cumpla todas las leyes y reglamentos vigentes.
- El operador y el empleador del operador deben conocer y evitar los riesgos durante la operación del producto.
- No permita que nadie que no haya leído y comprendido el contenido del manual de usuario utilice el producto.
- No utilice el producto si no ha recibido capacitación antes de su uso. Asegúrese de que todos los usuarios reciban capacitación.
- No deje que un niño utilice el producto.
- Restrinja el uso del producto solo a personas autorizadas.
- El operador es responsable de los accidentes que puedan ocurrirles a otras personas o a sus propiedades.
- No utilice el producto si está cansado, enfermo o bajo la influencia de alcohol, drogas o medicamentos.
- Sea siempre cuidadoso y use el sentido común.

- En este producto se genera un campo electromagnético durante su funcionamiento. Este campo puede, en determinadas circunstancias, interferir en implantes médicos activos o pasivos. Para reducir el riesgo de daños graves o mortales, se recomienda que las personas con implantes médicos consulten a su médico y al fabricante del implante médico antes de utilizar este producto.
- Mantenga el producto limpio. Asegúrese de que puede leer señales y etiquetas claramente.
- No utilice el producto si está dañado.
- No modifique este producto.
- No utilice el producto si es posible que otras personas lo hayan modificado.

## Instrucciones de seguridad para el funcionamiento



**ADVERTENCIA:** Lea atentamente las instrucciones de advertencia siguientes antes de usar el producto.

- Asegúrese de saber cómo detener el motor rápidamente en caso de emergencia.
- El usuario debe tener la resistencia física necesaria para hacer funcionar el producto de manera segura.
- No utilice el producto sin que todas las cubiertas protectoras estén instaladas.
- Utilice equipo de protección personal. Consulte *Equipo de protección personal en la página 35*.
- Asegúrese de que solo personas autorizadas estén en el área de trabajo.
- Mantenga el área de trabajo limpia y despejada.
- Asegúrese de encontrarse en una posición segura y estable durante la operación.
- Asegúrese de que no haya riesgo de que usted o el producto puedan caer desde las alturas.
- Asegúrese de que no haya grasa ni aceite en el mango.
- No utilice el producto en áreas donde se pueden producir explosiones o fuego.
- El producto puede hacer que los objetos salgan eyectados a alta velocidad. Asegúrese de que todas las personas en el área de trabajo utilicen equipos de protección personal aprobados. Retire los objetos sueltos del área de trabajo.
- Antes de alejarse del producto, detenga el motor y retire las baterías para asegurarse de que no exista riesgo de un arranque accidental.
- Asegúrese de que ninguna prenda, cabello largo o joya puedan quedar atrapados en las piezas móviles.
- No se siente sobre el producto.
- No golpee el producto.
- Siempre opere el producto desde la parte posterior y con ambas manos en el manillar.

- No haga funcionar el producto cerca de cables eléctricos. El producto no tiene aislamiento eléctrico y pueden producirse lesiones o la muerte.
- Antes de utilizar el producto, averigüe si hay cables y tuberías ocultos en la área de trabajo. Si el producto se topa con un objeto oculto, detenga el motor inmediatamente y examine el producto y el objeto. No comience a utilizar el producto nuevamente hasta asegurarse de que sea seguro continuar.
- No toque la placa inferior cuando opere el producto o después de que el motor se detenga. La placa inferior está caliente. Las áreas calientes pueden causar lesiones.
- No toque la placa inferior cuando opere el producto o después de que el motor se detenga. Existe un riesgo de pinzamiento.
- No use el producto en condiciones de niebla, lluvia, viento fuerte, clima frío, riesgo de rayos u otras condiciones climáticas adversas. Usar el producto en mal tiempo puede tener un efecto negativo en su estado de alerta. Las condiciones climáticas adversas pueden provocar condiciones de trabajo peligrosas, como superficies resbaladizas.

- Realice el mantenimiento del producto y utilícelo según se indica en el manual de usuario, para mantener un nivel de vibración correcto.
- El producto tiene un sistema amortiguador de vibraciones que disminuye las vibraciones de las manijas al operador. Deje que el producto haga el trabajo. No ejerza fuerza para empujar el producto. Sujete ligeramente el producto en las manijas, pero asegúrese de controlarlo y operarlo de forma segura. No empuje las manijas en los topes más de lo necesario.
- Mantenga las manos solamente en las manijas. No acerque ninguna otra parte de cuerpo al producto.
- Detenga el producto de inmediato si se producen vibraciones fuertes repentinamente. No continúe la operación hasta eliminar la causa del aumento de las vibraciones.

## Seguridad contra el polvo



**ADVERTENCIA:** Lea atentamente las instrucciones de advertencia siguientes antes de usar el producto.

- El uso del producto en interiores y en espacios cerrados puede generar polvo en el aire. El polvo puede causar lesiones graves y problemas de salud permanentes. Varias autoridades han establecido regulaciones con respecto a los efectos dañinos del polvo de sílice. A continuación, se presentan algunos ejemplos de tales problemas de salud:
  - Enfermedades pulmonares mortales como bronquitis crónica, silicosis y fibrosis pulmonar
  - Cáncer
  - Anomalías congénitas
  - Inflamación de la piel
- Utilice el equipo correcto para disminuir la cantidad de polvo y gases en el aire y para disminuir la cantidad de polvo en el equipo de trabajo, las superficies, la ropa y las partes del cuerpo. Algunos ejemplos de mecanismos de control son los sistemas de recolección de polvo y los aspiradores de agua para adherir el polvo. Disminuya el polvo en el origen cuando sea posible. Asegúrese de que el equipo se instale y utilice correctamente, y de que se le realice mantenimiento regular.
- Utilice protección respiratoria aprobada cuando trabaje en interiores o en espacios cerrados. Asegúrese de utilizar protección respiratoria cuando se trabaje con materiales peligrosos en el área de trabajo.
- Asegúrese de que haya un flujo de aire suficiente en la zona de trabajo.

## Seguridad contra el ruido



**ADVERTENCIA:** Lea atentamente las instrucciones de advertencia siguientes antes de usar el producto.

## Seguridad de vibración



**ADVERTENCIA:** Lea atentamente las instrucciones de advertencia siguientes antes de usar el producto.

- Durante el funcionamiento del producto, se transmiten vibraciones del producto al operador. El uso frecuente y regular del producto puede provocarle lesiones al operador o aumentar el grado de estas. Se pueden producir lesiones en los dedos, las manos, las muñecas, los brazos, los hombros o los nervios, así como en el riego sanguíneo u otras partes del cuerpo. Las lesiones pueden ser debilitantes o permanentes, y pueden aumentar gradualmente durante semanas, meses o años. Entre las posibles lesiones se incluyen daños en el sistema de circulación sanguínea, el sistema nervioso, las articulaciones y otras estructuras corporales.
- Los síntomas pueden presentarse durante el funcionamiento del producto o en otro momento. Si tiene síntomas y continúa utilizando el producto, los síntomas pueden aumentar o hacerse permanentes. Si se producen estos u otros síntomas, solicite asistencia médica:
  - Entumecimiento, pérdida de sensación, hormigueo, picazón, dolor, ardor, dolor pulsante, rigidez, aturdimiento, pérdida de fuerza, cambios en el color o en el estado de la piel.
- Los síntomas pueden aumentar con el frío. Utilice ropa de abrigo y mantenga las manos calientes y secas cuando utilice el producto en entornos fríos.

- Los niveles altos de ruido y la exposición a largo plazo al ruido pueden causar pérdida auditiva.
- Para mantener el nivel de ruido al mínimo, realice el mantenimiento del producto y utilícelo según se indica en el manual de usuario.
- Utilice protectores auriculares aprobados cuando opere el producto.
- Cuando utilice protectores auriculares, esté atento a las señales de advertencia y a las voces. Qúitese los protectores auriculares cuando el producto esté detenido, a menos que sean necesarios para el nivel de ruido en la zona de trabajo.

## Equipo de protección personal



**ADVERTENCIA:** Lea atentamente las instrucciones de advertencia siguientes antes de usar el producto.

- Utilice siempre el equipo de protección personal aprobado cuando utilice el producto. El equipo de protección personal no puede impedir el riesgo de lesiones, pero disminuirá el grado de lesión si ocurre un accidente. Solicite a su concesionario que lo ayude a seleccionar el equipo de protección personal correcto.
- Realice periódicamente una comprobación del estado del equipo de protección personal.
- Utilice un casco protector aprobado.
- Utilice protección auricular aprobada.
- Utilice protección respiratoria aprobada cuando utilice el producto en interiores y en espacios cerrados.
- Utilice protección ocular aprobada con protección lateral.
- Use guantes protectores.
- Utilice botas con punta de acero y suela antideslizante.
- Utilice ropa de trabajo aprobada o ropa equivalente de ajuste ceñido, que cubra por completo los brazos y las piernas.

## Extintor de incendios

- Mantenga un extintor de incendios a mano durante la operación.
- Utilice un extintor de incendios de polvo de clase "ABE" o un extintor de dióxido de carbono de tipo "BE".

## Dispositivos de seguridad en el producto



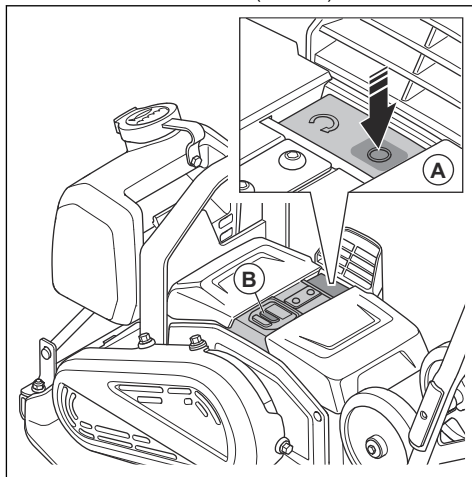
**ADVERTENCIA:** Lea atentamente las instrucciones de advertencia siguientes antes de usar el producto.

- No utilice un producto con dispositivos de seguridad dañados o que no funcionen correctamente.

- Revise los dispositivos de seguridad de forma regular. Si los dispositivos de seguridad están dañados o no funcionan correctamente, hable con su agente de servicio de Husqvarna.
- No realice modificaciones en los dispositivos de seguridad.

## Para comprobar el botón de parada

1. Encienda el producto. Consulte *Para poner en marcha el producto en la página 39*.
2. Presione el botón "STOP" (Reinicio).



3. Si el motor no se detiene, deje que un centro de servicio aprobado realice el mantenimiento del producto.

## Amortiguadores de vibraciones

Los amortiguadores de vibraciones disminuyen la vibración en el producto. Los amortiguadores de vibraciones disminuyen las vibraciones perjudiciales para evitar lesiones al operador y daños al producto.

## Para revisar los amortiguadores de vibraciones

Hay 8 amortiguadores de vibraciones; 4 en el lado izquierdo y 4 en el lado derecho del producto.

- Asegúrese de que los amortiguadores de vibraciones estén instalados correctamente.
- Inspeccione los amortiguadores de vibraciones para determinar si presentan daños y desgaste.
- Sustituya los amortiguadores de vibraciones si es necesario.

## Seguridad de la batería



**ADVERTENCIA:** Lea atentamente las instrucciones de advertencia siguientes antes de usar el producto.

- Utilice solo las baterías Husqvarna BLi que recomendamos para su producto. Las baterías cuentan con un software cifrado.
- Utilice solamente baterías originales para este producto. Existe riesgo de explosión si se reemplazan las baterías por baterías de tipo incorrecto. Comuníquese con su concesionario para obtener más información.
- Utilice Husqvarna BLi baterías recargables como fuente de alimentación solo para los productos Husqvarna relacionados. Para evitar daños, no utilice la batería como fuente de alimentación en otros dispositivos.
- Riesgo de sacudida eléctrica. No conecte los terminales de la batería a llaves, tornillos ni a otros objetos metálicos. Esto puede provocar un cortocircuito de la batería.
- Si se produce una filtración en la batería, no permita que el líquido entre en contacto con la piel o los ojos. Si toca el líquido, limpie el área con agua abundante y solicite asistencia médica.
- No utilice baterías no recargables.
- No modifique la batería.
- No introduzca objetos en las ranuras de aire de la batería.
- Mantenga la batería alejada de la luz solar, del calor o de llamas. La batería puede explotar y causar quemaduras o quemaduras químicas.
- Mantenga la batería alejada de condiciones húmedas y de la lluvia.
- Mantenga la batería alejada de microondas y de alta presión.
- No intente desarmar o romper la batería.
- Utilice la batería en temperaturas entre 0 °C/32 °F y 40 °C/104 °F.
- No limpie con agua la batería o el cargador de batería. Consulte *Para limpiar la batería y el cargador de batería en la página 42*.
- No utilice una batería que esté dañada.
- Almacene las baterías en compartimientos alejados de objetos metálicos, como clavos, tornillos o joyas.
- Mantenga las baterías alejadas de los niños.
- No intente desarmar el cargador de batería.
- No realice modificaciones en el cargador de batería.
- No utilice un cargador de batería dañado.
- No levante el cargador de batería tirando del cable de alimentación. Para desconectar el cargador de batería de la toma de corriente, tire del enchufe. No tire del cable de alimentación.
- Deje que un agente de servicio autorizado sustituya el cable de alimentación del cargador de batería si está dañado.
- Mantenga todos los cables y las extensiones alejados del agua, aceite y bordes afilados. Asegúrese de que el cable no quede atrapado entre puertas, cercos u objetos similares. No cargue mientras el cable está enrollado. Esto puede provocar que el cable se caliente demasiado.
- No utilice el cargador de batería cerca de materiales inflamables o materiales que puedan causar corrosión. Asegúrese de que el cargador de la batería no esté cubierto. Desconecte el cargador de batería del enchufe en caso de incendio o humo.
- Cargue la batería solo en un lugar bajo techo con buena ventilación y lejos de la luz solar. No cargue la batería al aire libre. No cargue la batería en condiciones húmedas.
- Utilice el cargador de batería solamente cuando la temperatura ambiente esté entre 5 °C/41 °F y 40 °C/104 °F. Utilice el cargador en un entorno seco, sin polvo y con buena ventilación.
- No ingrese objetos en las ranuras de aire del cargador de la batería.
- No conecte los terminales del cargador de la batería a objetos metálicos, ya que esto puede causar cortocircuitos en el cargador de la batería.
- No cargue baterías no recargables en el cargador de la batería ni las utilice en la máquina.
- Utilice una toma de corriente aprobada que no esté dañada.
- No cargue si hay riesgo de tormenta eléctrica.
- Solo cargue cuando el cargador de batería esté en una superficie nivelada.
- Mantenga el cargador de la batería alejado de los niños.
- Cuando la batería esté cargada, desconecte el cargador de batería de la toma de corriente.

## Seguridad del cargador de batería



**ADVERTENCIA:** Lea atentamente las instrucciones de advertencia siguientes antes de usar el producto.

- Existe riesgo de sacudidas eléctricas o cortocircuitos si no se siguen las instrucciones de seguridad.
- En este producto se genera un campo electromagnético durante su funcionamiento. Este campo puede, en determinadas circunstancias, interferir con implantes médicos activos o pasivos. Para reducir el riesgo de daños mortales o graves, recomendamos a las personas con implantes médicos consultar a su médico y al fabricante del implante médico antes de usar este producto.



**ADVERTENCIA:** Lea atentamente las instrucciones de advertencia siguientes antes de usar el producto.

- No utilice el producto en una pendiente mayor que 20°. El suelo blando, las vibraciones y la velocidad de operación pueden hacer que el producto caiga en una pendiente menor que 20°.

- Asegúrese de que el área de trabajo sea segura. El suelo húmedo y blando disminuye el funcionamiento seguro del producto. Tenga mucho cuidado con las pendientes y las superficies irregulares.
- Asegúrese de que todas las personas en el área de trabajo estén por encima del producto en la pendiente.
- Utilice el producto hacia arriba y hacia abajo por la pendiente, no de lado a lado.
- No deje el producto en una pendiente. Si debe dejar el producto en una pendiente, asegúrese de que el producto no se pueda caer. Esto puede representar un riesgo de lesiones y daños.
- No modifique el producto. Las modificaciones en el producto que no están aprobadas por el fabricante pueden causar daños graves o la muerte.
- Utilice siempre accesorios y piezas de repuesto originales. El uso de accesorios y piezas de repuesto que no estén aprobados por el fabricante puede causar daños graves o la muerte.
- Cambie las piezas dañadas, desgastadas o rotas.
- Solo realice tareas de mantenimiento como se indica en el presente manual del usuario. Solicite que un taller de servicio autorizado realice todos los otros servicios.
- Después de realizar el mantenimiento, revise el nivel de vibración del producto. Si no tiene el nivel correcto, comuníquese con un taller de servicio autorizado.
- Procure realizar las tareas de mantenimiento con regularidad en un taller de servicio aprobado.

## Instrucciones de seguridad para el uso cerca de bordes



**ADVERTENCIA:** Lea atentamente las instrucciones de advertencia siguientes antes de usar el producto.

- Existe el riesgo de que el producto se caiga mientras lo está utilizando cerca de un borde. Mantenga siempre un mínimo de  $\frac{1}{4}$  del producto en una superficie lo suficientemente estable como para sostener su peso.
- Si el producto se cae, detenga el motor antes de levantar el producto de vuelta a una superficie lo suficientemente estable. Consulte *Para detener el producto en la página 39*.

## Instrucciones de seguridad para el mantenimiento



**ADVERTENCIA:** Lea atentamente las instrucciones de advertencia siguientes antes de usar el producto.

- Si el mantenimiento no se realiza de manera correcta y regular, aumenta el riesgo de sufrir lesiones y causar daños en el producto.
- Utilice equipo de protección personal. Consulte *Equipo de protección personal en la página 35*.
- Limpie el producto para eliminar materiales peligrosos antes de realizar el mantenimiento.
- Retire las baterías del producto antes de realizar el mantenimiento.

## Bluetooth®



**AVISO:** Los cambios o las modificaciones realizados al equipo que no cuentan con una aprobación expresa de Husqvarna podrían anular la autorización de FCC para hacer funcionar el equipo.

**Aviso:** Este dispositivo cumple con la Parte 15 de las Reglas de FCC y con las normas RSS exentas de licencia de Industry Canada. El funcionamiento está sujeto a las siguientes dos condiciones:

- Este dispositivo no puede causar interferencias perjudiciales.
- Este dispositivo debe aceptar cualquier interferencia que se reciba, incluida la interferencia que pueda causar una operación no deseada.

Le présent appareil est conforme aux CNR d'Industrie Canada applicables aux appareils radio exempts de licence. L'exploitation est autorisée aux deux conditions suivantes:

- l'appareil ne doit pas produire de brouillage, et
- l'appareil doit accepter tout brouillage radioélectrique subi, même si le brouillage est susceptible d'en compromettre le fonctionnement.

## Funcionamiento

### Haga lo siguiente antes de usar el producto

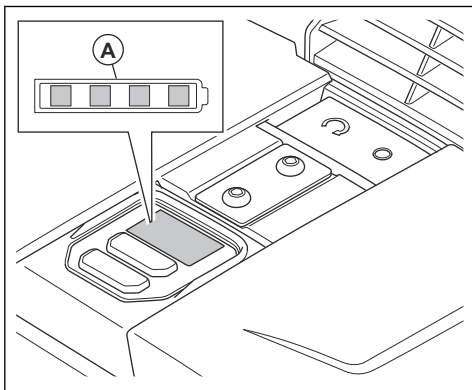
- Lea atentamente el manual de usuario de este producto y asegúrese de que comprende las instrucciones.

- Lea atentamente el manual de usuario de la batería y del cargador de batería, y asegúrese de que comprende las instrucciones.
- Realice un mantenimiento diario. Consulte *Programa de mantenimiento en la página 41*.
- Asegúrese de que solo haya personas autorizadas en la zona de trabajo, debido a que existe el riesgo de provocar daños graves.

- Utilice equipo de protección personal. Consulte *Equipo de protección personal en la página 35.*

## Estado de la batería

El indicador de estado de la batería (A) se enciende cuando arranca el producto. Si utiliza 2 baterías, el indicador de estado de la batería muestra el nivel de carga total de las 2 baterías del producto.

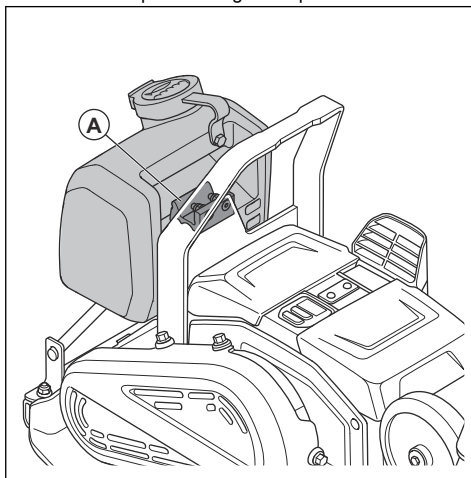


Estado de carga	Símbolo en el indicador de estado
El nivel de carga de la batería es del 76 % al 100 %.	
El nivel de carga de la batería es del 51 % al 75 %.	
El nivel de carga de la batería es del 26 % al 50 %.	
El nivel de carga de la batería es del 6 % al 25 %.	
El nivel de carga de la batería es del 0 % al 5 %.	

## Para llenar el depósito de agua

Puede llenar el depósito de agua cuando está instalado en el producto, o extraerlo y llenarlo. Para extraer y llenar el depósito de agua, siga los pasos que se indican a continuación:

1. Levante la parte delantera del cierre de goma (A) y levante el depósito de agua del producto.



2. Llene el depósito de agua con agua.

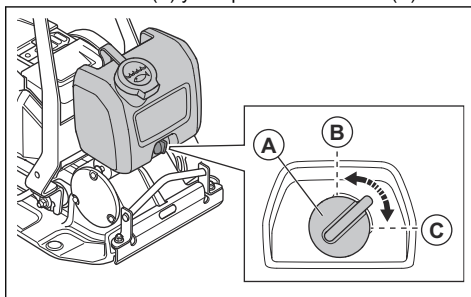


**AVISO:** No agregue otros líquidos que no sean agua al depósito de agua. Otros líquidos pueden producir daños en el producto y dañar el medioambiente.

3. Levante la parte delantera del cierre de goma y empuje hacia abajo el depósito de agua en el soporte del depósito.

## Para ajustar el caudal de agua

- Gire el grifo de agua (A). Ajuste el caudal de agua entre cerrado (B) y completamente abierto (C).



## Tecnología inalámbrica Bluetooth®

Los productos con tecnología inalámbrica Bluetooth® integrada se pueden conectar a dispositivos móviles. El símbolo de tecnología inalámbrica *Bluetooth®* se

enciende cuando el dispositivo móvil está conectado al producto.



## Para utilizar la conectividad integrada con Husqvarna Fleet Services™

**Tenga en cuenta:** Esta sección solo se aplica a los productos suministrados con conectividad integrada.

**Tenga en cuenta:** La radiotransmisión mediante la función Bluetooth® se activará en la primera conexión a una batería y permanecerá encendida a partir de ese momento.

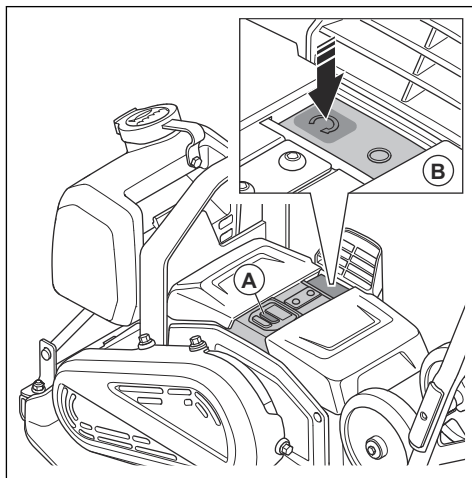
1. Descargue la aplicación para iOS o Android de Husqvarna Fleet Services™ Husqvarna Fleet Services.
2. Visite el sitio web de Husqvarna Fleet Services™ <https://fleetservices.husqvarna.com> para obtener más información.

## Para poner en marcha el producto

1. Coloque las 2 baterías en el compartimento para baterías. Asegúrese de que las baterías están correctamente instaladas. Consulte *Para instalar y extraer las baterías en la página 43*.

**Tenga en cuenta:** Puede operar el producto con solo una batería, pero el tiempo de funcionamiento será más corto. Si utiliza el producto con 2 baterías, el producto drena una batería a la vez.

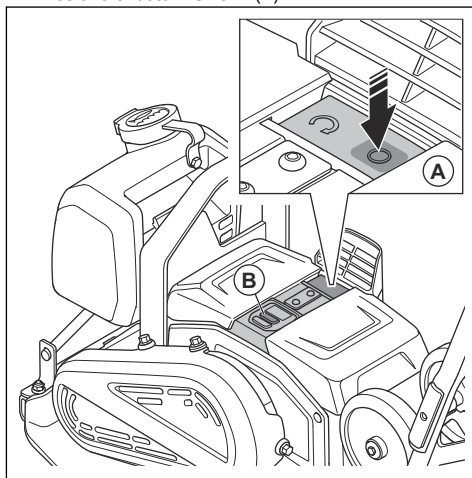
2. Presione el botón ON/OFF (A). Asegúrese de que los indicadores de nivel de batería se enciendan.



3. Presione el botón "START" (B).

## Para detener el producto

1. Presione el botón "STOP" (A).



2. Presione el botón ON/OFF (B).
3. Quite las baterías del producto. Consulte *Para instalar y extraer las baterías en la página 43*.

## Para hacer funcionar el producto



**AVISO:** Utilice siempre el producto hacia delante. El movimiento hacia atrás impide el correcto funcionamiento del elemento excéntrico y puede causar fallas en el producto.



1. Sujete el mango y dirija el producto. No empuje el producto hacia delante. Deje que el sistema de transmisión del producto lo haga avanzar.



**AVISO:** No empuje el producto hacia abajo. Demasiada presión puede causar un resultado insatisfactorio.



**AVISO:** No bloquee la entrada de aire.

2. Para cambiar el sentido, gire el producto.

### Para ajustar la velocidad

Cuando arranca el producto, este funciona a velocidad estándar.

1. Arranque el producto, consulte *Para poner en marcha el producto en la página 39*.
2. Presione el botón de control de velocidad lenta. El indicador de baja velocidad se enciende.
3. Para hacer funcionar el producto a velocidad estándar, presione de nuevo el botón de control de velocidad lenta. El indicador de velocidad baja se apaga.

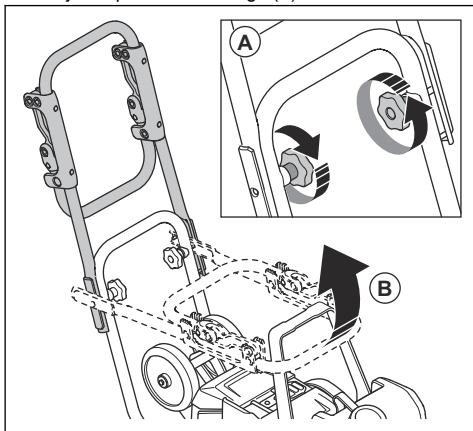
**Tenga en cuenta:** Puede ajustar la velocidad con el botón de control de velocidad lenta cuando el producto se mueve.

### Para poner el producto en posición de funcionamiento



**ADVERTENCIA:** Existe riesgo de pinzamiento cuando se coloca el producto en posición de funcionamiento. Use guantes protectores.

1. Afloje las perillas del mango (A).

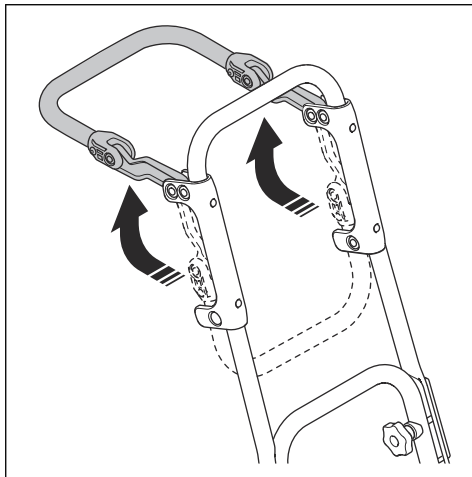


2. Levante el mango (B).
3. Apriete las perillas del mango (A).

### Para plegar el mango de vibración baja hacia arriba y hacia abajo

Puede utilizar el mango de vibración baja para disminuir el nivel de vibración.

- Tire del mango de vibración baja para soltarlo de las abrazaderas.



- Pliegue hacia abajo el mango de vibración baja y empújelo hacia las abrazaderas para bloquearlo.



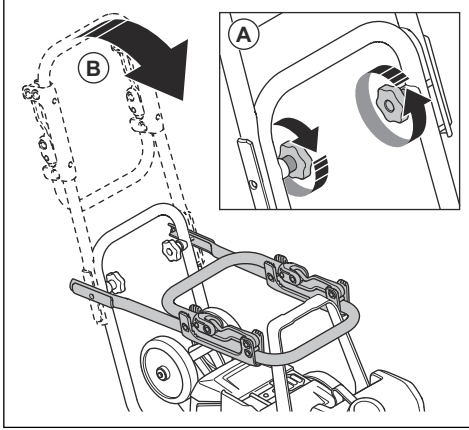


## Para poner el producto en posición de transporte



**ADVERTENCIA:** Existe el riesgo de pinzamiento cuando se coloca el producto en la posición de transporte. Use guantes protectores.

1. Afloje las perillas del mango (A).



2. Baje el mango (B).
3. Apriete las perillas del mango (A).

## Mantenimiento

### Presentación



**ADVERTENCIA:** Lea detenidamente el capítulo de seguridad antes de realizar mantenimiento en el producto.



**ADVERTENCIA:** Extraiga las baterías antes de realizar mantenimiento en el producto.

### Programa de mantenimiento

\* = Mantenimiento general por parte del operador. Las instrucciones no se proporcionan en este manual de usuario.

X = Las instrucciones se proporcionan en este manual de usuario.

Mantenimiento general del producto	Antes del uso	Cada 100 h
Realice una inspección general.	X	
Limpie la máquina.	X	
Limpie la batería y el cargador de batería.	X	
Asegúrese de que el botón "STOP" funcione correctamente y que no está dañado.	X	
Examine la batería para ver si tiene daños.	*	
Examine el cargador de batería en busca de daños y asegúrese de que funcione correctamente.	*	
Examine las conexiones entre la batería y el producto. Examine también la conexión entre la batería y el cargador de batería.	*	

Mantenimiento general del producto	Antes del uso	Cada 100 h
Inspeccione los amortiguadores de vibraciones para determinar si presentan daños.		X
Inspeccione la tensión de la correa y busque daños. Ajuste o reemplace la correa si es necesario.		X

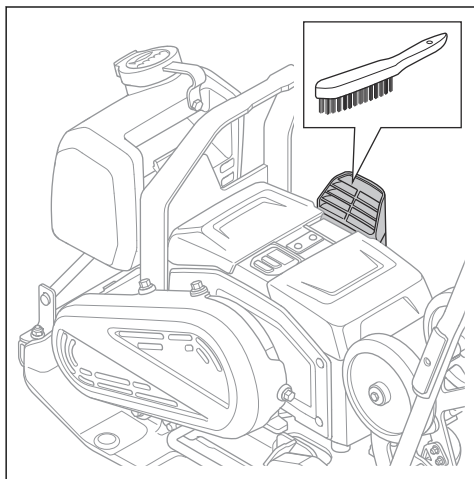
## Para limpiar el producto

1. Quite las baterías del producto. Consulte *Para instalar y extraer las baterías en la página 43*.
2. Asegúrese de que las cubiertas de las baterías están cerradas.
3. Limpie el producto con aire comprimido o agua corriente de una manguera.

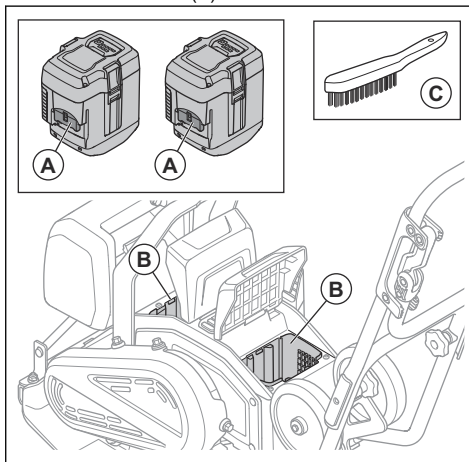


**AVISO:** Asegúrese de que el agua no entre en los compartimientos de la batería.

4. Seque el producto con un paño para eliminar toda el agua.
5. Limpie la entrada de aire con un cepillo suave no metálico.



6. Limpie los terminales de las baterías (A) y los compartimientos de las baterías (B) con un cepillo suave no metálico (C).



## Para limpiar la batería y el cargador de batería



**ADVERTENCIA:** No limpie la batería o el cargador de batería con agua.



**ADVERTENCIA:** No utilice sustancias químicas para limpiar la batería.

- Asegúrese de que la batería y el cargador de batería estén limpios y secos antes de colocar la batería en el cargador.
- Limpie los terminales de la batería con aire comprimido o utilice un paño suave y seco.
- Limpie las superficies de la batería y el cargador de batería con un paño suave y seco.

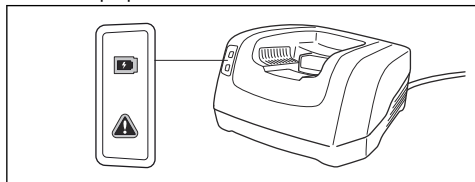
## Para cargar la batería

Cargue la batería antes del primer uso. La batería solo tiene un 30 % de carga cuando se entrega al cliente.

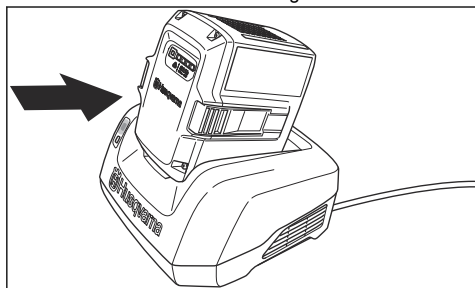
**Tenga en cuenta:** El cargador de batería se debe conectar según el voltaje y la frecuencia especificados en la placa de características.

La batería no se carga si su temperatura es superior a 50 °C/122 °F. El cargador de batería disminuye la temperatura de la batería antes de empezar a cargarse.

1. Conecte un extremo del cable de alimentación del cargador de batería en la toma del cargador.
2. Conecte el otro extremo del cable de alimentación del cargador de batería en una toma de corriente con conexión a tierra. La luz LED del cargador de batería parpadea en verde una vez.



3. Coloque la batería en el cargador. Cuando la batería se conecta correctamente en el cargador, se enciende la luz verde en el cargador.



4. Cuando todas las luces LED de la batería están encendidas, la batería está completamente cargada. Cargue la batería por un máximo de 24 horas.
5. Para desconectar el cargador de batería de la toma de corriente, tire del enchufe, no del cable de alimentación.
6. Quite la batería del cargador de la batería.

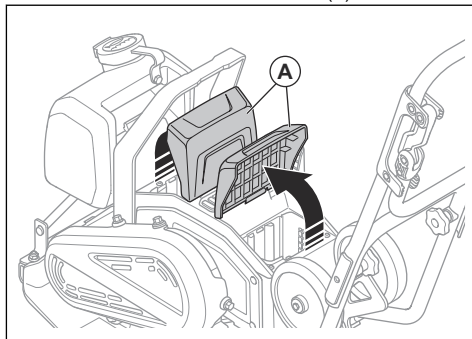
## Para hacer una inspección general

- Asegúrese de que todas las tuercas y los tornillos del producto estén apretados de forma adecuada.

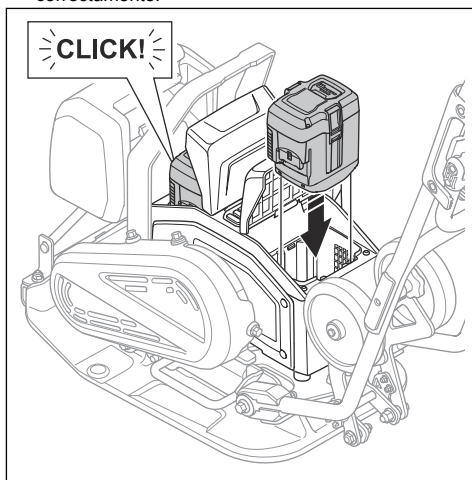
## Para instalar y extraer las baterías

1. Detenga la máquina. Consulte *Para detener el producto en la página 39*.

2. Levante las cubiertas de la batería (A).



3. Instale las baterías. Cuando escuche un clic, significará que las baterías están instaladas correctamente.



**ADVERTENCIA:** Utilice solo baterías originales de Husqvarna BLi.



**AVISO:** No aplique fuerza para instalar las baterías. Si las baterías no pueden entrar fácilmente en los compartimentos de las baterías, las baterías no están instaladas de manera correcta.

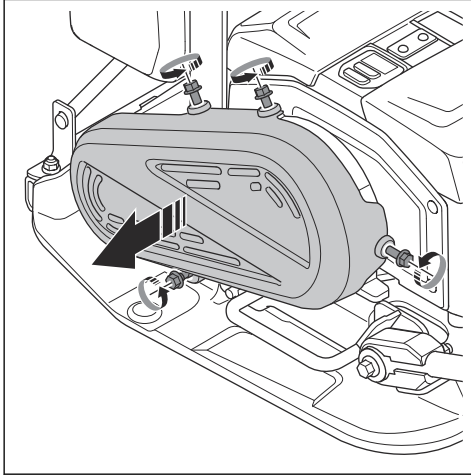
4. Asegúrese de que las cubiertas de las baterías están completamente cerradas para evitar que entre humedad y suciedad en los compartimentos de las baterías.
5. Retire las baterías en el orden inverso.

## Para revisar la correa

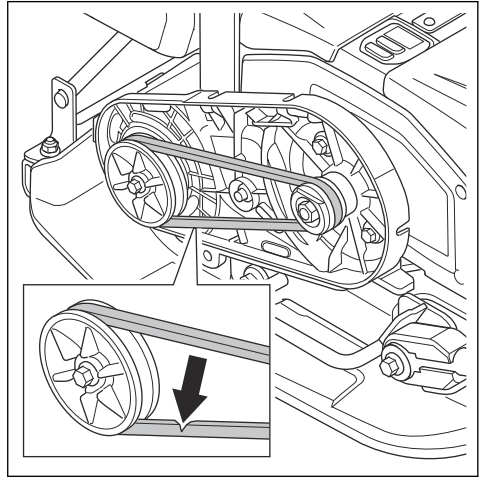


**ADVERTENCIA:** No utilice el producto sin la cubierta de la correa instalada.

1. Quite las baterías del producto. Consulte *Para instalar y extraer las baterías en la página 43*.
2. Afloje los 4 tornillos y quite la cubierta de la correa.



3. Inspeccione si la correa presenta daños y desgaste. Reemplace la correa si es necesario.



4. Revise la tensión de la correa. La tensión correcta es de 60 a 80 N.
5. Si la tensión no es correcta, reemplace la correa.
6. Instale la cubierta de la correa y los 4 pernos. Apriete los pernos a 10 Nm.

## Solución de problemas

Problema	Causa	Solución
El producto no arranca.	La batería no está instalada correctamente.	Instale la batería correctamente. Asegúrese de que no hay ningún cable conector de batería suelto en el producto.
	Voltaje de batería bajo.	Cargue la batería
	La batería está dañada.	Cambie la batería.
La batería no se carga.	El cargador de batería no está conectado a una toma de corriente.	Conecte el cargador de batería a una toma de corriente.
	El conector del cargador de batería no está conectado a la batería.	Enchufe el conector del cargador de batería a la batería.
La batería deja de cargarse.	La temperatura de la batería es demasiado alta.	Asegúrese de que no haya distancia entre la entrada de aire del cargador de batería y la entrada/salida de aire de la batería.
Ruidos inusuales de la batería.	-	Comuníquese con un taller de servicio autorizado.

Problema	Causa	Solución
El indicador de advertencia del producto parpadea.	La batería o los componentes electrónicos están demasiado calientes.	Deje que el producto y las baterías se enfríen.
	El botón START/STOP está en la posición START cuando se pone el botón ON/OFF en la posición ON.	Ponga el botón START/STOP en la posición STOP y, luego, de nuevo en la posición START.
El indicador de advertencia de la batería parpadea.	La batería está demasiado caliente o demasiado fría.	Deje que el producto se enfríe o trás-ládelo al interior y deje que se caliente.
El producto no arranca y se producen ruidos inusuales en el motor.	La tensión en la correa es demasiado alta.	Revise la tensión en la correa.
	La temperatura de funcionamiento es demasiado baja.	Utilice el producto a la temperatura de funcionamiento correcta.
El producto no tiene tracción.	La tensión en la correa es demasiado baja.	Aumente la tensión en la correa.
	La correa está dañada.	Reemplace la correa.

## Transporte, almacenamiento y eliminación de residuos

### Transporte



**ADVERTENCIA:** Tenga cuidado durante el transporte. El producto es pesado y puede causar lesiones o daños si se cae o se mueve durante el transporte.



**ADVERTENCIA:** Retire las baterías del producto antes de transportarlo. Consulte *Para instalar y extraer las baterías en la página 43*.

Las ruedas de transporte permiten mover el producto manualmente en distancias más cortas. Para distancias más largas, utilice un equipo de elevación para levantar el producto o colóquelo en un vehículo.



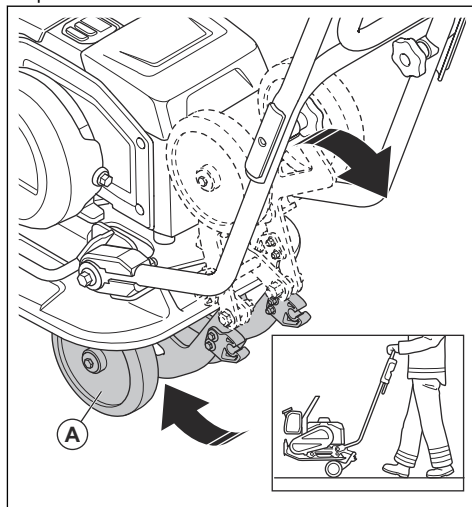
**AVISO:** No remolque el producto detrás de un vehículo.

### Para conectar las ruedas de transporte



**ADVERTENCIA:** Tenga cuidado en el momento de conectar las ruedas de transporte. Existe un riesgo de pinzamiento.

- Pliegue las ruedas de transporte (A) por debajo de la placa inferior.



### Para levantar el producto



**ADVERTENCIA:** Asegúrese de que el equipo de elevación tenga la especificación correcta para levantar el producto de forma segura. La placa de identificación del producto muestra el peso del producto.

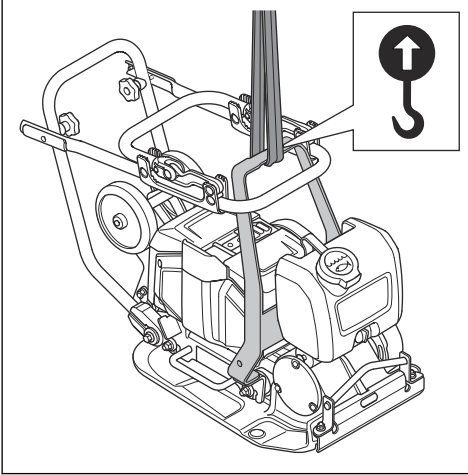


**ADVERTENCIA:** No camine ni permanezca por debajo del producto cuando esté levantado.



**ADVERTENCIA:** Retire las baterías del producto antes de levantarlo. Consulte *Para instalar y extraer las baterías en la página 43*.

- Conecte el equipo de elevación al punto de elevación del bastidor de seguridad. Una etiqueta en el producto identifica la posición correcta.

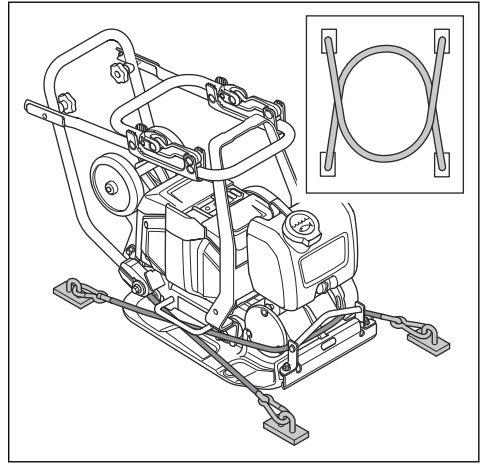


**ADVERTENCIA:** No utilice ganchos metálicos, cadenas u otros equipos de elevación con bordes irregulares que puedan dañar el punto de elevación.



**ADVERTENCIA:** No levante el producto si está dañado. Asegúrese de que el bastidor de seguridad y los amortiguadores de vibraciones estén correctamente instalados y no estén dañados.

2. Coloque 2 correas alrededor de la placa inferior.



- a) Coloque 1 correa alrededor de la parte delantera de la placa inferior y fije la correa al vehículo.
- b) Coloque 1 correa alrededor de la parte trasera de la placa inferior y fije la correa al vehículo.

## Almacenamiento

- Retire las baterías del producto antes de guardarlo. Consulte *Para instalar y extraer las baterías en la página 43* para obtener información sobre el almacenamiento de las baterías y el cargador de batería.
- Limpie el producto y realice un mantenimiento total antes de almacenarlo durante un período prolongado.
- Almacene el producto en un lugar seco y sin escarcha.
- Coloque una cubierta protectora sobre el producto antes de guardarlo.
- Coloque el producto en un área cerrada para evitar que los niños u otras personas sin autorización puedan acceder a él.

## Transporte y almacenamiento de la batería y el cargador

- Las baterías de iones de litio proporcionadas siguen los requisitos de la Legislación de productos peligrosos.
- Siga el requisito especial sobre el embalaje y las etiquetas para transportes comerciales, incluso por terceros y transportistas.
- Comuníquese con una persona con capacitación especial sobre materiales peligrosos antes de enviar el producto. Siga todas las normas nacionales aplicables.
- Utilice cinta sobre los contactos abiertos cuando coloque las baterías en un paquete. Coloque

## Para garantizar la seguridad del producto en un vehículo de transporte con correas de sujeción

1. Coloque el mango en la posición de transporte. Consulte *Para poner el producto en posición de transporte en la página 41*.

firmemente las baterías en el paquete para evitar el movimiento.

- No mantenga las baterías en un área en la que pueda generarse electricidad estática. No mantenga las baterías en una caja metálica.
- Coloque las baterías en un lugar seco, protegido de la escarcha y limpio con la temperatura correcta.
- Coloque las baterías en un almacenamiento en el que la temperatura oscile entre 5 °C (41 °F) y 25 °C (77 °F), lejos de la luz solar directa.
- Cargue la batería de un 30 % a un 50 % antes de almacenarla durante periodos prolongados. Revise el estado de carga de la batería anualmente.
- Limpie las baterías antes de guardarlas.
- Retire las baterías del producto antes de guardarlo.
- Coloque el cargador de la batería en un almacenamiento donde la temperatura esté entre los 5 °C (41 °F) y 25 °C (77 °F), lejos de la luz solar directa.
- Almacene el cargador de la batería en un espacio cerrado y seco.
- Mantenga la batería lejos del cargador de la batería durante el almacenamiento.

## Eliminación de la batería, el cargador y el producto

El siguiente símbolo significa que el producto no se debe desechar como residuo doméstico. Recíclelo en una planta de reciclaje para equipo eléctrico y electrónico. Esto ayuda a evitar daño al medioambiente y a las personas.

Comuníquese con las autoridades locales, servicio de desechos doméstico o con su concesionario para obtener más información.



**Tenga en cuenta:** El símbolo se muestra en el producto o en el paquete del producto.

## Datos técnicos

Tipo de motor	BLDC 36 V
Peso con batería, kg/lb. <sup>9</sup>	69/152
Peso sin la batería, kg/lb. <sup>10</sup>	65/143
Frecuencia de vibración, Hz/rpm	95±2/5700±120
Ancho, mm/in <sup>11</sup>	0,95/0,04
Velocidad de funcionamiento, m/min / ft/min <sup>12</sup>	20/66
Fuerza centrífuga, kN/lbf	10,4/2338
Inclinación máxima, grados/%	20/36
Depósito de agua para asfalto, l/gal	5,0/1,3
Temperatura ambiente, °C/°F	De -10 a 40/de 14 a 104

### Emisiones de ruido y vibración

Nivel de potencia acústica, medido en dB (A)	98,5
--	------

<sup>9</sup> Incluye 2 baterías BLi300 y depósito de agua medio lleno

<sup>10</sup> Incluido el depósito de agua medio lleno

<sup>11</sup> Se aplica en grava

<sup>12</sup> Velocidad en grava

<b>Emisiones de ruido y vibración</b>	
Nivel de potencia acústica garantizado $L_{WA}$ dB (A). <sup>13</sup>	100
Nivel de presión sonora en el oído del operador, $L_p$ , dB (A). <sup>14</sup>	85
Nivel de vibración a velocidad estándar, $a_{hv}$ , $m/s^2$ , mango estándar/mango de vibración baja. <sup>15</sup>	6,46/1,96
Nivel de vibración a baja velocidad, $a_{hv}$ , $m/s^2$ , mango estándar/mango de vibración baja. <sup>16</sup>	8,7/2,46

## Baterías homologadas para el producto

<b>Batería</b>	<b>BLI200</b>	<b>BLI300</b>	<b>40-B220X</b>	<b>40-B330X</b>
Tipo	iones de litio	iones de litio	iones de litio	iones de litio
Voltaje nominal, V	36	36	36	36

## Cargadores de batería homologados para el producto

<b>Cargador de batería</b>	<b>QC330</b>	<b>QC500</b>
Voltaje de red, V	100-240	100-240
Frecuencia, Hz	50-60	50-60
Potencia, W	330	500

### Declaración de ruido y vibración

Estos valores declarados se obtuvieron mediante pruebas de laboratorio, en conformidad con la directiva o las normas declaradas, y son adecuados para compararlos con los valores declarados de otros productos probados en conformidad con la misma directiva o normas. Estos valores declarados no son

adecuados para su uso en evaluaciones de riesgos, y los valores medidos en lugares de trabajo individuales pueden ser superiores. Los valores de exposición reales y el riesgo de daños que experimente un usuario individual son únicos y dependen de la forma en que el usuario trabaja, del material en que se utiliza el producto, así como del tiempo de exposición y el estado físico del usuario, y del estado del producto.

<sup>13</sup> Las emisiones sonoras en el medioambiente medidas como potencia acústica ( $L_{WA}$ ) según la norma EN ISO 3744, en conformidad con la directiva CE 2000/14/CE. La diferencia entre la potencia acústica garantizada y medida es que la potencia acústica garantizada también incluye la dispersión en el resultado de la medición y las variaciones entre las distintas máquinas del mismo modelo según la directiva 2000/14/CE.

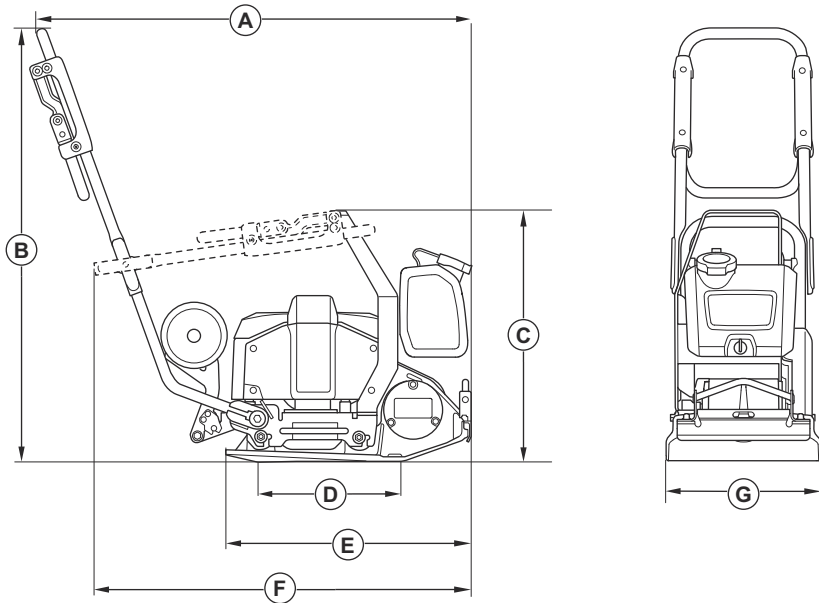
<sup>14</sup> Nivel de presión sonora  $L_p$  según la norma EN ISO 11201, EN 500-4. Incertidumbre  $K_{PA}$  3,0 dB(A).

<sup>15</sup> Valor de vibración en conformidad con la norma EN 500-4. Los datos informados en cuanto al nivel de vibración tienen una dispersión estadística típica (desviación estándar) de 1,5  $m/s^2$ .

<sup>16</sup> Valor de vibración en conformidad con la norma EN 500-4. Los datos informados en cuanto al nivel de vibración tienen una dispersión estadística típica (desviación estándar) de 1,5  $m/s^2$ .



## Dimensiones del producto



<b>A</b>	Longitud con manilla incluida, mm/in	974/38,3
<b>B</b>	Altura del manillar, mm/in	968/38,1
<b>C</b>	Longitud con mango plegado, mm/in	561/22,1
<b>D</b>	Área de contacto de la placa inferior, m <sup>2</sup> /pies cuadrados	0,093/1,001
<b>E</b>	Longitud de la placa inferior, mm/in	550/21,7
<b>F</b>	Longitud con manilla plegada, mm/in	834/32,8
<b>G</b>	Ancho, mm/in	350/13,7

## Conectividad integrada

**Tenga en cuenta:** Esta sección solo se aplica a los productos suministrados con conectividad integrada.

<b>Espectro de radio de tecnología BLE</b>	
Bandas de frecuencia para la herramienta, GHz	2,402-2,480

**Espectro de radio de tecnología BLE**Potencia máxima de radiofrecuencia transmitida,  
dBm/mW

0/1

---

## Marcas comerciales

---

La marca denominativa y los logotipos de *Bluetooth®* son marcas comerciales de *Bluetooth SIG, inc.* y cualquier uso de dichas marcas por Husqvarna está sometido a un acuerdo de licencias.

---

## Table des matières

---

Introduction.....	52	Caractéristiques techniques.....	72
Sécurité.....	56	Batteries homologuées pour le produit.....	73
Fonctionnement.....	63	Chargeurs de batteries homologués pour le produit.....	73
Entretien.....	66	Connectivité intégrée.....	74
Dépannage.....	69	Marques déposées.....	76
Transport, entreposage et mise au rebut.....	70		

---

## Introduction

---

### Proposition 65 de la Californie



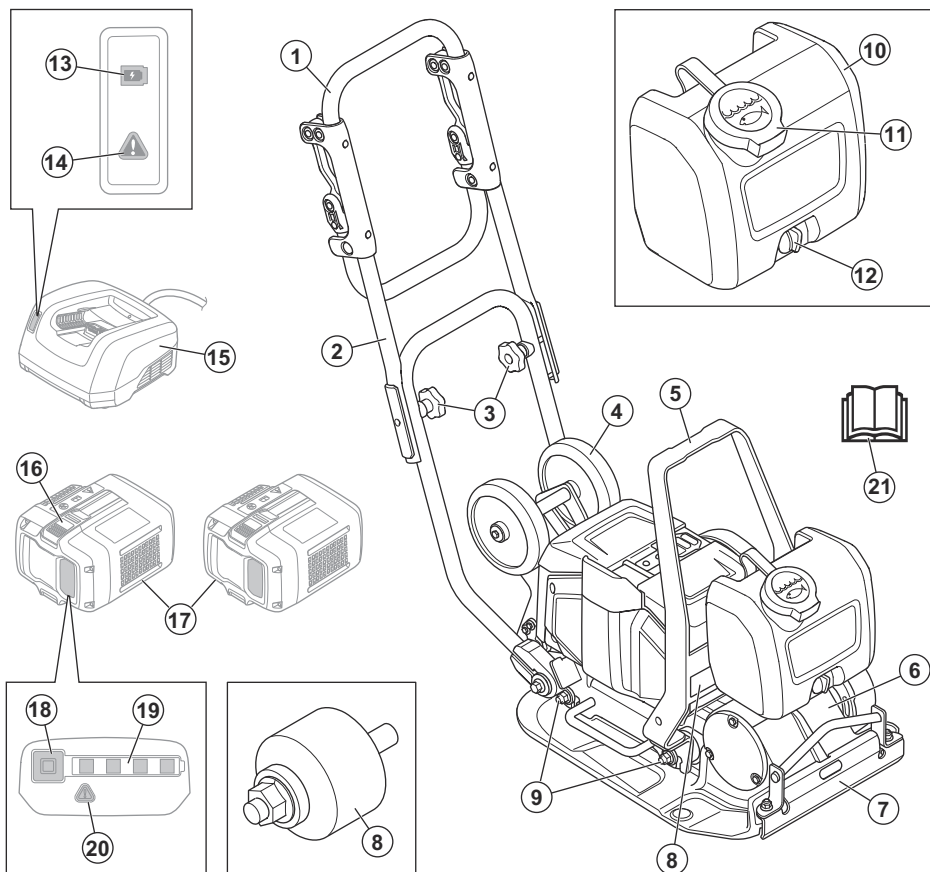
### **ATTENTION!**

Ce produit contient ou émet un produit chimique qui, d'après l'État de Californie, peuvent causer le cancer, des malformations congénitales ou autre danger pour la reproduction.

### Utilisation prévue

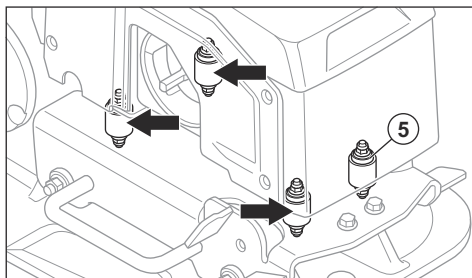
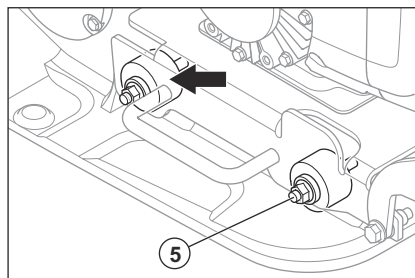
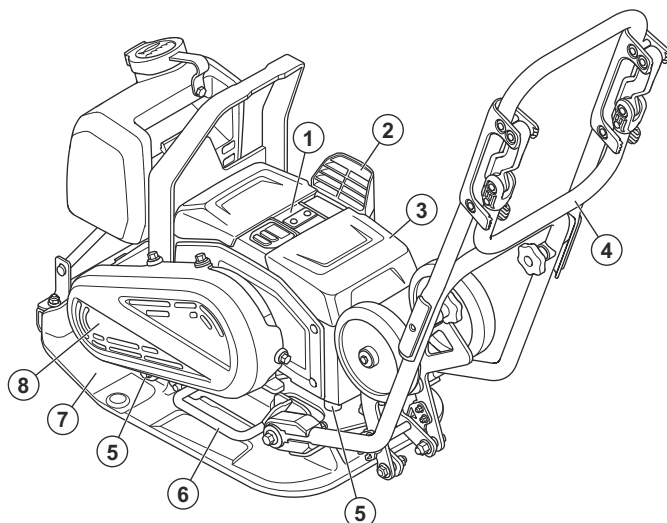
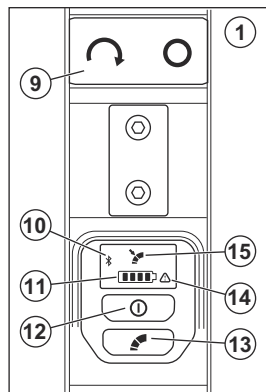
Le produit est réservé à un usage professionnel. Utiliser le produit pour réparer et entretenir les entrées, les chemins d'accès et les stationnements. Avec la trousse de pavage de dalles en option, le produit peut aussi être utilisé pour le pavage de dalles. Ne pas utiliser l'outil pour d'autres tâches.

## Vue d'ensemble du produit, avant



- |                                |   |
|--------------------------------|---|
| 1. Poignée                     | 12. Robinet d'eau                                 |
| 2. Poignée supérieure          | 13. Indicateur de charge                          |
| 3. Boutons de poignée          | 14. Témoin d'avertissement du chargeur            |
| 4. Roue de transport           | 15. Chargeur de batterie (non inclus)             |
| 5. Point de levage             | 16. Interrupteur de déverrouillage de la batterie |
| 6. Élément excentré            | 17. Batteries (non comprises)                     |
| 7. Alimentation en eau         | 18. Bouton indicateur de la batterie              |
| 8. Plaque signalétique         | 19. Indicateur d'état de la batterie              |
| 9. Unité anti-vibrations       | 20. Témoin d'avertissement de la batterie         |
| 10. Réservoir d'eau            | 21. Manuel d'utilisation                          |
| 11. Bouchon du réservoir d'eau |   |

## Vue d'ensemble du produit, arrière



1. Panneau de commande
2. Prise d'air
3. Couverture de batterie
4. Guidon à faible vibration
5. Unité anti-vibrations
6. Poignée de levage
7. Plaque de fond
8. Couverture de courroie
9. Bouton START/STOP
10. Indicateur Bluetooth®
11. Témoin de niveau de la batterie. Se reporter à la section *État de la batterie* à la page 63.
12. Touche ON/OFF
13. Bouton de régulation du régime lent. Se reporter à la section *Pour régler le régime* à la page 65.
14. Témoin d'avertissement

15. Témoin de régime lent

### Symboles concernant le produit



**AVERTISSEMENT :** Ce produit peut être dangereux et causer des blessures très graves, ou même mortelles, à l'utilisateur et à d'autres personnes. Faire attention et utiliser le produit correctement.



Lire attentivement le manuel et veiller à bien comprendre les directives avant d'utiliser l'outil.



Utilisez des bottes antidérapantes robustes.



Utilisez des protège-oreilles homologués.



Pour soulever le produit, fixer l'équipement de levage au point de levage du produit.



Surface chaude.



Tenir les mains éloignées de cette zone.



Si le produit est doté de la technologie sans fil *Bluetooth®*. Le symbole *Bluetooth®* sera marqué sur l'étiquette du nom du produit.



Ce produit n'est pas un déchet domestique. Il faut l'envoyer dans un centre de recyclage pour équipements électriques et électroniques.



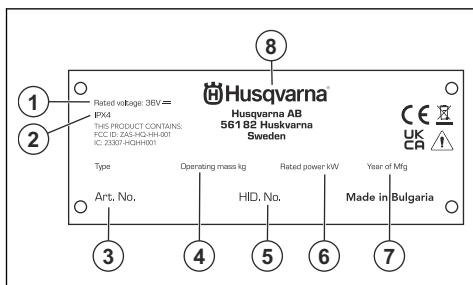
Ce produit est conforme aux normes CE applicables. Se reporter à la section *Déclaration de conformité CE*.



Ce produit est conforme aux directives en vigueur au Royaume-Uni. Se reporter à la section *Déclaration de conformité RU*.

**Remarque :** les autres symboles/autocollants présents sur le produit concernent des exigences de certification spécifiques à certains marchés.

## Plaque signalétique



1. Tension nominale

2. Classification IP
3. Numéro du produit
4. Poids du produit
5. Numéro de série
6. Puissance nominale
7. Année de production
8. Fabricant

## Connectivité intégrée

La solution de gestion des actifs dans le nuage Husqvarna Fleet Services™ donne au gestionnaire de parc une vue d'ensemble de tous les produits connectés par l'intermédiaire de capteurs intégrés ou de capteurs du marché secondaire. La position de la passerelle ou du téléphone intelligent peut être utilisée pour indiquer l'emplacement des produits connectés. Les capteurs enregistrent des données comme la durée de fonctionnement, les intervalles d'entretien, etc. Pour obtenir de plus amples renseignements sur la solution de gestion des actifs dans le nuage Husqvarna Fleet Services™, télécharger l'application iOS ou Android Husqvarna Fleet Services sur <https://apps.apple.com/se/app/husqvarna-fleet-services/id1334672726> ou <https://play.google.com/store/apps/details?id=com.husqvarna.hfsmobile&hl=en>. Pour plus d'informations, contactez votre représentant commercial Husqvarna.

Certains types de ce produit sont connectés au moyen du capteur Husqvarna Fleet Services™ intégré qui dispose de la fonction Bluetooth Low Energy (BLE). Pour obtenir de plus amples renseignements sur son utilisation, se reporter à *Pour utiliser la connectivité intégrée avec Husqvarna Fleet Services™ à la page 64*. Pour obtenir des renseignements sur le spectre radio de la technologie BLE, se reporter à *Connectivité intégrée à la page 74*. Pour les limites de conformité concernant Husqvarna Fleet Services™, se reporter à *Limites de conformité à la page 55*.

## Limites de conformité

**Remarque :** Les modifications apportées à cet équipement non expressément approuvées par Husqvarna peuvent annuler la conformité de l'équipement aux règlements de la FCC (Commission fédérale des communications américaine) et limiter le droit de l'utilisateur à utiliser l'équipement.

**Remarque :** Cet appareil est conforme à l'article 15 de la réglementation FCC et à la norme RSS d'Industrie Canada pour les appareils exempts de licence.

Son utilisation est soumise aux deux conditions suivantes :

- cet appareil ne doit pas causer d'interférences nuisibles

- cet appareil doit accepter toute autre interférence, y compris les interférences pouvant causer un fonctionnement non désiré

## Produit endommagé

Nous ne sommes pas responsables des dommages causés à notre produit si :

- Le produit n'est pas réparé de façon adéquate.
- Le produit est réparé avec des pièces qui ne sont pas fournies ou homologuées par le fabricant.
- Le produit comprend un accessoire qui n'est pas fourni ou homologué par le fabricant.
- Le produit n'est pas réparé par un centre de service après-vente agréé ou par une autorité homologuée.

## Sécurité

### Définitions relatives à la sécurité

Les avertissements, recommandations et remarques soulignent des points du manuel qui revêtent une importance particulière.



**AVERTISSEMENT** : Indique la présence d'un risque de blessure ou de décès de l'utilisateur ou de personnes à proximité si les instructions du manuel ne sont pas suivies.



**MISE EN GARDE** : Indique la présence d'un risque de dommages au produit, à d'autres appareils ou à la zone adjacente si les instructions du manuel ne sont pas suivies.

**Remarque** : Utilisé pour donner des renseignements plus détaillés qui sont nécessaires dans une situation donnée.

### Consignes générales de sécurité relatives aux outils électriques



**AVERTISSEMENT** : Consulter l'ensemble des avertissements relatifs à la sécurité, des instructions, des illustrations et des spécifications transmis avec cet outil électrique. Le non-respect des instructions indiquées ci-dessous peut provoquer une décharge, un incendie ou des blessures graves.

**Conserver ces instructions et consignes pour consultation ultérieure.** Dans les avertissements, le terme « outil électrique » fait référence à votre appareil électrique branché sur le secteur ou alimenté par batterie (sans fil).

### Sécurité de l'aire de travail

- **Maintenir l'aire de travail propre et bien éclairée.** Les endroits sombres ou encombrés sont propices aux accidents.
- **Ne pas utiliser des outils électriques dans des atmosphères explosives, notamment en présence de**

**liquides, gaz ou poussières inflammables.** Les outils électriques produisent des étincelles qui peuvent enflammer les poussières et les vapeurs.

- **Tenir les enfants et les spectateurs à distance lorsque l'outil électrique est en marche.** Un moment d'inattention pourrait vous en faire perdre le contrôle.

### Sécurité électrique

- **La fiche d'un outil électrique doit être adaptée à la prise. Ne jamais modifier la fiche. Ne jamais utiliser une fiche d'adaptation avec un outil électrique mis à la terre.** Les fiches non modifiées et les prises adaptées à la fiche permettent de réduire les risques d'électrocution.
- **Éviter d'entrer en contact avec les surfaces mises à la terre (tuyaux, radiateurs, cuisinières, réfrigérateurs, etc.).** Le risque d'électrocution est plus important si le corps de l'opérateur est mis à la terre.
- **Ne pas exposer les outils électriques à la pluie ou à l'humidité.** L'infiltration d'eau dans un outil électrique augmente le risque d'électrocution.
- **Toujours manipuler le cordon avec soin. Ne jamais utiliser le cordon pour porter, tirer ou débrancher l'outil électrique. Tenir le cordon à l'écart de la chaleur, de l'huile, des bords tranchants et des pièces mobiles.** Les cordons endommagés ou emmêlés augmentent le risque d'électrocution.
- **Pour le travail à l'extérieur, utiliser une rallonge adaptée à l'usage extérieur.** L'utilisation d'une telle rallonge réduit le risque d'électrocution.
- **S'il est impossible d'éviter de faire fonctionner la machine électrique dans un endroit humide, utiliser une alimentation avec dispositif de protection par courant différentiel résiduel (RCD).** Les disjoncteurs de courant résiduel réduisent le risque d'électrocution.

### Sécurité personnelle

- **Lors de l'utilisation d'un outil électrique, toujours demeurer attentif et faire preuve de bon sens. Ne pas utiliser l'outil électrique si vous êtes fatigué ou sous l'emprise de drogues, de l'alcool ou de médicaments.** Tout moment d'inattention pendant l'utilisation d'un outil électrique peut causer de graves blessures.
- **Utiliser de l'équipement de protection individuelle. Toujours porter des lunettes de protection.** En utilisant l'équipement de protection



(masque antipoussière, chaussures de sécurité antidérapantes, casque, dispositif de protection pour les oreilles, etc.) qui convient aux conditions, on réduit les risques de blessure.

- **Prévenir les démarrages accidentels. Vérifier que l'interrupteur est à la position d'arrêt avant de brancher l'outil dans la prise ou le bloc d'alimentation, de le saisir ou de le transporter.**  
Le transport des outils électriques en maintenant le doigt sur l'interrupteur d'alimentation et le branchement d'outils alors que l'interrupteur est à la position de marche expose à des accidents.
- **Retirer toute clé ou clavette de réglage avant de mettre l'outil sous tension.** Une clé ou une clavette reliée à une pièce mobile de l'outil électrique peut causer une blessure.
- **Ne pas trop se pencher vers l'avant. Toujours se tenir bien campé et en équilibre.** Cela permet de mieux contrôler l'outil électrique lors d'un imprévu.
- **S'habiller de façon appropriée. Ne jamais porter des vêtements amples ou des bijoux. Garder les cheveux et les vêtements loin des pièces mobiles.** Les vêtements amples, bijoux et cheveux longs peuvent se prendre dans les pièces en mouvement.
- **Si des dispositifs sont fournis pour raccorder des systèmes de collecte et d'extraction de la poussière, s'assurer que ceux-ci sont utilisés et correctement branchés.** L'utilisation de dépoussiéreurs peut réduire les risques associés à la poussière.
- **Ne pas laisser la parfaite connaissance de l'outil acquise en raison de l'utilisation fréquente de ce dernier engendrer la complaisance et le non-respect des principes de sécurité relatifs à l'outil.** Une négligence peut provoquer de graves blessures en une fraction de seconde.

## Utilisation et entretien des outils électriques

- **Ne pas forcer sur l'outil électrique. Utiliser l'outil électrique qui convient au travail à effectuer.** De cette façon, le résultat sera meilleur et le travail sera effectué de façon plus sécuritaire et au régime pour lequel l'outil électrique a été conçu.
- **Ne pas utiliser l'outil électrique si l'interrupteur ne permet pas la mise sous tension et l'arrêt de l'outil.** Tout outil électrique dont l'interrupteur est défectueux représente un danger et doit être réparé.
- **Débrancher la fiche de la source d'alimentation ou retirer le bloc de batteries de l'outil électrique avant de procéder aux réglages, de changer les accessoires ou de ranger l'outil.** Ces mesures de sécurité réduisent le risque de mise sous tension accidentelle.
- **Ranger les outils électriques hors de la portée des enfants et ne pas laisser des personnes qui ne connaissent pas l'outil ou les présentes consignes utiliser celui-ci.** Les outils électriques représentent un danger lorsqu'ils sont entre les mains d'utilisateurs non formés.

- **Entretien des outils électriques et les accessoires. Vérifier l'outil à la recherche de pièces brisées, de mauvais alignement ou de blocage des pièces mobiles et de toute autre situation pouvant nuire au bon fonctionnement de l'outil. Si l'outil est endommagé, il faut le réparer avant de l'utiliser.** De nombreux accidents sont causés par des outils mal entretenus.
- **Maintenir les outils tranchants aiguisés et propres.** Les outils tranchants correctement entretenus dont les bords de coupe sont bien affûtés sont moins susceptibles de se coincer et plus faciles à contrôler.
- **Utiliser l'outil électrique, les accessoires, les forets, etc., conformément aux présentes instructions et en tenant compte des conditions de travail et de la tâche à réaliser.** L'utilisation de l'outil électrique pour des opérations autres que celles pour lesquelles il est prévu peut entraîner des dangers.
- **Garder les poignées et les surfaces de préhension sèches, propres et exemptes d'huile et de graisse.** Les poignées et les surfaces de préhension glissantes ne permettent pas de manipuler l'outil de manière sécuritaire, ni d'en conserver le contrôle lorsqu'une situation inattendue se présente.

## Utilisation et entretien des outils électriques à batteries

- **Ne recharger qu'avec le chargeur indiqué par le fabricant.** Un chargeur convenant à un type de bloc de batteries particulier peut entraîner un risque d'incendie s'il est utilisé avec un autre bloc de batteries.
- **N'utiliser des outils électriques qu'avec les blocs de batteries spécifiquement indiqués.** L'utilisation d'autres groupes de batteries peut entraîner un risque de blessure et d'incendie.
- **Lorsqu'on n'utilise pas le bloc de batteries, le tenir à l'écart d'objets métalliques, tels que les trombones, pièces de monnaie, clés, clous, vis ou autres petits objets en métal, qui peuvent établir une connexion entre les bornes.** La mise en court-circuit des bornes de batteries peut provoquer des brûlures ou un incendie.
- **Une utilisation abusive peut laisser s'échapper du liquide de la batterie; éviter tout contact. En cas de contact accidentel, rincer abondamment à l'eau. Si du liquide entre en contact avec les yeux, consulter en outre un médecin immédiatement.** Le liquide échappé de la batterie peut provoquer des irritations ou des brûlures.
- **Ne pas utiliser un bloc de batteries ou un outil défectueux ou modifié.** Les batteries endommagées ou modifiées peuvent se comporter de manière inattendue et provoquer un incendie, une explosion ou des blessures potentielles.
- **Ne pas exposer un bloc de batteries ou l'outil au feu ou à une température excessive.** Une exposition au feu ou à une température supérieure à 130 °C peut provoquer une explosion.

- **Suivre toutes les instructions de charge et ne pas charger la batterie ou l'outil en dehors de la plage de températures spécifiée dans les instructions.** Charge incorrectement ou à des températures en dehors de la plage spécifiée peut endommager la batterie et augmenter les risques d'incendie.

## Réparations

- **Faire entretenir votre outil électrique par un technicien qualifié et utiliser uniquement des pièces de rechange identiques aux pièces d'origine.** L'entretien adéquat de l'outil permet une utilisation plus sécuritaire.
- **Ne jamais tenter de réparer un bloc de batteries endommagé.** La réparation des blocs de batteries ne devrait être effectuée que par le fabricant ou les fournisseurs de service autorisés.

## Consignes générales de sécurité



**AVERTISSEMENT :** Lire les messages d'avertissement qui suivent avant d'utiliser l'appareil.

- Ce produit est un outil dangereux s'il est utilisé de façon insouciant ou inappropriée. Cet outil peut causer des blessures graves, ou même mortelles, à l'utilisateur et à d'autres personnes. Il est obligatoire de lire et de comprendre le contenu de ce manuel d'utilisation avant d'utiliser l'outil.
- Le produit n'est pas destiné à être utilisé par des enfants ou des personnes aux capacités physiques, sensorielles ou mentales limitées ou manquant d'expérience et de connaissances.
- Conserver tous les avertissements et toutes les instructions.
- Se conformer à toutes les lois et réglementations en vigueur.
- L'utilisateur et l'employeur de l'utilisateur doivent connaître et prévenir les risques liés à l'utilisation du produit.
- Ne pas laisser une personne utiliser le produit à moins qu'elle ait lu et compris le contenu de ce manuel d'utilisation.
- Ne pas faire fonctionner le produit sans avoir reçu une formation relative à son fonctionnement. S'assurer que tous les utilisateurs reçoivent une formation.
- Ne pas laisser un enfant utiliser l'outil.
- Seules les personnes autorisées peuvent utiliser le produit.
- L'utilisateur est responsable des accidents survenus à d'autres personnes ou à leurs biens.
- Ne pas utiliser le produit en cas de fatigue ou sous l'emprise de l'alcool, de drogues ou de médicaments.
- Toujours rester prudent et faire preuve de bon sens.
- Cette machine produit un champ électromagnétique pendant le fonctionnement. Ce champ magnétique

peut, dans certains cas, nuire aux implants médicaux actifs ou passifs. Pour réduire le risque de blessures graves ou mortelles, il est recommandé aux personnes ayant des implants médicaux de consulter leur médecin et le fabricant de l'implant médical avant d'utiliser le produit.

- Toujours garder le produit propre. S'assurer de pouvoir lire clairement les signes et les autocollants.
- Ne pas utiliser le produit s'il est endommagé.
- Ne pas modifier ce produit.
- Ne pas utiliser le produit s'il est possible que d'autres personnes aient apporté des modifications à celui-ci.

## Consignes de sécurité pour l'utilisation



**AVERTISSEMENT :** Lire les messages d'avertissement qui suivent avant d'utiliser l'appareil.

- S'assurer de savoir comment arrêter rapidement le moteur en cas d'urgence.
- L'opérateur doit avoir la force physique nécessaire pour faire fonctionner le produit de façon sécuritaire.
- Ne pas faire fonctionner le produit sans tous les dispositifs de protection et couvercles installés.
- Utiliser un équipement de protection personnelle. Se reporter à la section *Équipement de protection personnelle à la page 60*.
- S'assurer que seules les personnes autorisées se trouvent dans la zone de travail.
- Maintenir la zone de travail propre et bien éclairée.
- S'assurer d'être dans une position stable et sécuritaire au cours du travail.
- S'assurer qu'il n'y a aucun risque que vous ou le produit tombiez d'une hauteur.
- S'assurer qu'il n'y a pas de graisse ou d'huile sur la poignée.
- Ne pas utiliser ce produit dans des zones où un incendie ou des explosions peuvent se produire.
- Le produit peut projeter des objets à grande vitesse. S'assurer que toutes les personnes se trouvant dans la zone de travail utilisent un équipement de protection individuel approuvé. Retirer les matériaux lâches de la zone de travail.
- Avant de s'éloigner du produit, arrêter le moteur et retirer les batteries pour s'assurer qu'il n'y a aucun risque de démarrage accidentel.
- S'assurer que les vêtements, les cheveux longs et les bijoux ne peuvent pas se coincer dans les pièces en mouvement.
- Ne pas s'asseoir sur le produit.
- Ne pas frapper le produit.
- Toujours utiliser le produit en étant positionné derrière, les deux mains sur la poignée.
- Ne pas utiliser le produit à proximité de câbles électriques. Le produit ne présente pas d'isolation

électrique et peut entraîner des blessures graves, voire mortelles.

- Avant d'utiliser le produit, vérifier qu'il n'y a pas des fils, des câbles et des tuyaux cachés dans la zone de travail. Si le produit heurte un objet caché, arrêter immédiatement le moteur et examiner le produit et l'objet. Ne pas redémarrer le produit avant de s'assurer de pouvoir continuer en toute sécurité.
- Ne pas toucher la plaque inférieure pendant le fonctionnement du produit ou après que le moteur s'est arrêté. La plaque inférieure est chaude. Les points chauds peuvent causer des blessures.
- Ne pas toucher la plaque inférieure pendant le fonctionnement du produit ou après que le moteur s'est arrêté. Il y a un risque de pincement.
- Ne pas utiliser le produit dans le brouillard, la pluie, le vent violent, par temps froid, en cas de risque d'orage ou dans d'autres mauvaises conditions météorologiques. L'utilisation du produit par mauvais temps peut avoir un effet négatif sur votre vigilance. Le mauvais temps peut entraîner des conditions de travail dangereuses, comme des surfaces glissantes.

## Sécurité en matière de vibrations



**AVERTISSEMENT** : Lire les messages d'avertissement qui suivent avant d'utiliser l'appareil.

- Pendant le fonctionnement du produit, des vibrations sont transmises du produit à l'utilisateur. L'utilisation régulière et fréquente du produit peut provoquer ou augmenter les risques de blessures pour l'utilisateur. Des blessures peuvent se produire au niveau des doigts, des mains, des poignets, des bras, des épaules ou des nerfs, ou d'autres parties du corps ou affecter l'apport sanguin. Les blessures peuvent être invalidantes et/ou permanentes et peuvent augmenter progressivement au fil des semaines, des mois ou des années. Les blessures possibles incluent des dommages au système de circulation sanguine, au système nerveux, aux articulations et à d'autres structures corporelles.
- Des symptômes peuvent apparaître pendant l'utilisation du produit ou à d'autres moments. Si l'utilisateur présente des symptômes et continue à utiliser le produit, les symptômes peuvent augmenter ou devenir permanents. Si ces symptômes ou d'autres symptômes apparaissent, consulter un médecin :
  - Engourdissement, perte de sensation, fourmillement, picotement, douleur, brûlure, boursoufflement, raideur, sensation de lourdeur, perte de force, changements de couleur ou d'état de la peau.
- Les symptômes peuvent augmenter par temps froid. Porter des vêtements chauds et garder les mains au chaud et au sec lors de l'utilisation de l'outil dans des environnements froids.

- Procéder à l'entretien et à l'utilisation du produit comme indiqué dans le manuel d'utilisation pour maintenir les vibrations à un niveau acceptable.
- Le produit est doté d'un système d'amortissement des vibrations qui réduit les vibrations transmises à l'opérateur par les poignées. Laisser le produit faire le travail. Ne pas pousser le produit avec force. Tenir légèrement le produit par les poignées, mais s'assurer de le contrôler et de l'utiliser en toute sécurité. Ne pas pousser les poignées dans les butées plus que nécessaire.
- Garder les mains sur la ou les poignées uniquement. Garder toutes les autres parties du corps à l'écart du produit.
- Arrêter immédiatement le produit en cas de fortes vibrations soudaines. Ne pas poursuivre le sciage avant d'avoir éliminé la cause des vibrations accrues.

## Protection contre la poussière



**AVERTISSEMENT** : Lire les messages d'avertissement qui suivent avant d'utiliser l'appareil.

- L'utilisation du produit à l'intérieur ou dans des espaces clos peut soulever de la poussière dans les airs. La poussière peut provoquer des blessures graves et des problèmes de santé permanents. La poussière de silice est considérée comme une matière nocive par plusieurs autorités. Voici quelques exemples de problèmes de santé :
  - Maladies pulmonaires mortelles bronchite chronique, silicose et fibrose pulmonaire
  - Cancer
  - Malformations congénitales
  - Inflammation de la peau
- Utiliser un équipement adapté pour réduire la quantité de poussière et de fumées dans l'air et pour réduire la poussière sur les équipements de travail, les surfaces, les vêtements et les parties du corps. Exemples de contrôles : systèmes de collecte de poussière et jets d'eau pour lier la poussière. Dans la mesure du possible, réduire la quantité de poussière à la source. S'assurer que l'équipement est correctement installé et utilisé et que l'entretien régulier est effectué.
- Utiliser un dispositif de protection respiratoire homologué pour travailler à l'intérieur ou dans des espaces clos. S'assurer que la protection respiratoire convient aux matériaux dangereux dans la zone de travail.
- S'assurer que la circulation d'air est suffisante dans la zone de travail.

## Sécurité relative au bruit



**AVERTISSEMENT** : Lire les messages d'avertissement qui suivent avant d'utiliser l'outil.

- Des niveaux sonores élevés et une exposition prolongée au bruit peuvent entraîner une perte auditive due au bruit.
- Pour réduire au maximum le niveau sonore, procéder à l'entretien du produit et l'utiliser comme indiqué dans le manuel d'utilisation.
- Toujours porter un dispositif de protection pour les oreilles homologué lors de l'utilisation du produit.
- Rester attentif aux appels ou cris d'avertissement lors de l'utilisation d'un dispositif de protection pour les oreilles. Retirer le dispositif de protection pour les oreilles lorsque le produit est arrêté, sauf si une protection auditive est nécessaire en raison du niveau sonore dans la zone de travail.

## Équipement de protection personnelle



**AVERTISSEMENT** : Lire les messages d'avertissement qui suivent avant d'utiliser l'appareil.

- Toujours utiliser un équipement de protection personnelle homologué lors de l'utilisation de l'outil. Cet équipement de protection personnelle n'élimine pas complètement les risques de blessures, mais il peut en réduire la gravité en cas d'accident. Le revendeur aidera l'utilisateur à sélectionner l'équipement adéquat.
- Vérifier régulièrement l'état de l'équipement de protection personnelle.
- Porter un casque de protection approuvé.
- Porter un dispositif de protection homologué pour les oreilles.
- Utiliser un dispositif de protection respiratoire homologué lors de l'utilisation du produit à l'intérieur ou dans des espaces clos.
- Porter un dispositif de protection pour les yeux homologué avec écrans latéraux.
- Porter des gants de protection.
- Utiliser des bottes à embout en acier et semelles antidérapantes.
- Porter des vêtements de travail homologués ou des vêtements ajustés équivalents avec des manches longues et des pantalons.

## Extincteur

- Garder un extincteur à proximité pendant le sciage.
- Utiliser un extincteur à poudre de classe « ABE » ou un extincteur au dioxyde de carbone de type « BE ».

## Dispositifs de sécurité sur l'outil

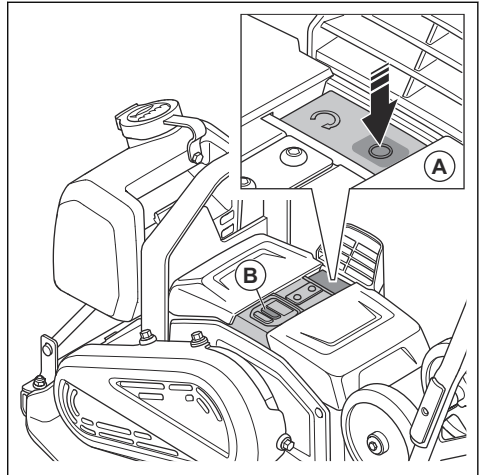


**AVERTISSEMENT** : Lire les messages d'avertissement qui suivent avant d'utiliser l'appareil.

- Ne pas utiliser le produit si les dispositifs de sécurité sont endommagés ou s'ils ne fonctionnent pas correctement.
- Vérifier régulièrement les dispositifs de sécurité. Si les dispositifs de sécurité sont endommagés ou ne fonctionnent pas correctement, communiquez avec votre atelier spécialisé Husqvarna.
- Ne pas modifier les dispositifs de sécurité.

## Vérification du bouton d'arrêt

1. Démarrer le produit. Se reporter à la section *Mise sous tension de l'appareil à la page 64*.
2. Appuyer sur le bouton « STOP » (essai).



3. Si le moteur ne s'arrête pas, confier l'entretien du produit à un centre de service agréé.

## Unité antivibrations

Les unités antivibrations réduisent les vibrations dans le produit. Les unités antivibrations réduisent les vibrations nuisibles pour prévenir les blessures à l'opérateur et les dommages au produit.

## Pour vérifier les unités anti-vibrations

Il y a 8 unités anti-vibrations, 4 sur le côté gauche et 4 sur le côté droit du produit.

- Vérifier que les éléments antivibrations sont correctement installés.
- Examiner les unités anti-vibrations pour s'assurer qu'elles ne présentent pas de dommages ou de fissures.

- Remplacer les unités anti-vibrations si elles sont endommagées.

## Sécurité en matière de batteries



**AVERTISSEMENT** : Lire les messages d'avertissement qui suivent avant d'utiliser l'appareil.

- Utiliser uniquement les batteries Husqvarna BLI recommandées pour votre produit. Les batteries sont chiffrées au moyen d'un logiciel.
- Utiliser uniquement des batteries d'origine pour ce produit. Il existe un risque d'explosion si une batterie est remplacée par une batterie de type incorrect. Pour obtenir de plus amples renseignements, communiquer avec votre concessionnaire.
- Utiliser les batteries Husqvarna BLI qui sont rechargeables en tant que source d'alimentation pour les produits Husqvarna connexes seulement. Pour éviter les blessures, ne pas utiliser la batterie en tant que source d'alimentation pour d'autres appareils.
- Risque de choc électrique. Ne pas raccorder les bornes de la batterie à des clés, des vis ou tout autre élément métallique. Cela peut provoquer un court-circuit de la batterie.
- S'il y a une fuite au niveau de la batterie, ne pas laisser le liquide toucher la peau ou les yeux. Si on touche le liquide, nettoyer la zone avec une grande quantité d'eau et consulter un médecin.
- Ne pas utiliser des batteries qui ne sont pas rechargeables.
- Ne pas modifier la batterie.
- Ne pas placer d'objet dans les fentes de ventilation de la batterie.
- Maintenir la batterie à l'écart de la lumière du soleil, de la chaleur et des flammes nues. La batterie peut exploser et causer des brûlures et/ou des brûlures chimiques.
- Garder la batterie à l'écart de la pluie et de l'humidité.
- Garder la batterie à l'écart des micro-ondes et des pressions élevées.
- Ne pas essayer de démonter ou de briser la batterie.
- Utiliser la batterie à une température comprise entre 0 °C (32 °F) et 40 °C (104 °F).
- Ne pas nettoyer la batterie ou le chargeur de batterie avec de l'eau. Se reporter à la section *Pour nettoyer la batterie et le chargeur de batterie*, à la page 67.
- Ne pas utiliser une batterie endommagée.
- Garder les batteries dans le local de rangement, à l'écart des objets métalliques tels que les clous, les vis ou les bijoux.
- Maintenir la batterie à l'écart des enfants.

## Sécurité du chargeur de batteries



**AVERTISSEMENT** : Lire les messages d'avertissement qui suivent avant d'utiliser l'appareil.

- Risque de choc électrique et de court-circuit si les consignes de sécurité ne sont pas suivies.
- Cette machine produit un champ électromagnétique pendant le fonctionnement. Ce champ magnétique peut, dans certains cas, nuire aux implants médicaux actifs ou passifs. Pour réduire le risque de blessures graves ou mortelles, nous recommandons aux personnes ayant des implants médicaux de consulter leur médecin et le fabricant de l'implant médical avant d'utiliser le produit.
- Ne pas essayer de démonter le chargeur de batterie.
- Ne pas modifier le chargeur de batterie.
- Ne pas utiliser un chargeur de batterie endommagé.
- Ne pas soulever le chargeur de batterie au moyen du cordon d'alimentation. Pour débrancher le chargeur de batteries de la prise murale, tirer la fiche. Ne pas tirer le cordon d'alimentation.
- Laisser un atelier spécialisé agréé remplacer le cordon d'alimentation du chargeur de batterie s'il est endommagé.
- Tenir les câbles et les rallonges à l'abri de l'eau, de l'huile et des arêtes coupantes. S'assurer que le câble n'est pas coincé entre les portes, les barrières ou quoique ce soit de semblable. Ne pas charger lorsque le câble est enroulé. Le câble pourrait surchauffer.
- Ne pas utiliser le chargeur de batterie à proximité de matériaux inflammables ou de matériaux qui peuvent engendrer une corrosion. S'assurer que le chargeur de batterie n'est pas couvert. Débrancher la prise du chargeur de batterie en cas de fumée ou d'incendie.
- Recharger la batterie seulement dans un endroit clos avec une bonne ventilation et à l'écart de la lumière. Ne pas charger la batterie dans des conditions humides.
- Utiliser le chargeur de batterie uniquement lorsque la température se situe entre 5 °C (41 °F) et 40 °C (104 °F). Utiliser le chargeur dans un environnement bien aéré, sec et exempt de poussière.
- Ne pas placer d'objet dans les fentes de ventilation du chargeur de batterie.
- Ne pas raccorder les bornes du chargeur de batterie aux objets métalliques, car cela peut court-circuiter le chargeur de batterie.
- Ne pas charger de batteries non rechargeables dans le chargeur de batterie ou les utiliser dans la machine.
- Utiliser des prises murales approuvées qui ne sont pas endommagées.
- Ne pas effectuer la recharge en cas de risque de foudre.

- N'effectuer la recharge que lorsque le chargeur de batterie est sur une surface de niveau.
- Maintenir le chargeur de batterie à l'écart des enfants.
- Débrancher le chargeur de batterie de la prise secteur lorsque la batterie est rechargée.

## Consignes de sécurité relatives au travail sur les terrains en pente



**AVERTISSEMENT** : Lire les messages d'avertissement qui suivent avant d'utiliser l'appareil.

- Ne pas utiliser le produit dans des pentes dont l'inclinaison est supérieure à 20°. Le sol meuble, les vibrations et la vitesse de fonctionnement peuvent faire chuter le produit sur une pente dont l'inclinaison est inférieure à 20°.
- S'assurer que la zone de travail est sans danger. La terre humide et la terre meuble rendent l'utilisation du produit moins sécuritaire. Faire preuve d'une grande prudence sur les pentes et les surfaces irrégulières.
- S'assurer que toutes les personnes dans la zone de travail se trouvent plus haut que le produit sur la pente.
- Utiliser le produit vers le haut ou vers le bas de la pente, et non d'un côté à l'autre.
- Ne pas stationner le produit dans une pente. Si le produit doit être stationné sur une pente, s'assurer qu'il ne peut pas bouger ou tomber. Il y a un risque de blessure et de dommage.

## Instructions de sécurité relatives au travail près des bords



**AVERTISSEMENT** : Lire les messages d'avertissement qui suivent avant d'utiliser l'appareil.

- Il y a un risque que le produit tombe au cours de son utilisation près d'un bord. Toujours maintenir un minimum de  $\frac{1}{3}$  du produit sur une surface suffisamment stable pour supporter le poids du produit.
- Si le produit tombe, arrêter le moteur avant de soulever à nouveau le produit sur une surface suffisamment stable. Se reporter à la section *Arrêt de la machine à la page 64*.

## Consignes de sécurité pour l'entretien



**AVERTISSEMENT** : Lire les messages d'avertissement qui suivent avant d'utiliser l'appareil.

- Si la maintenance n'est pas effectuée correctement et régulièrement, le risque de blessures et de dommages sur l'outil augmente.
- Utiliser un équipement de protection personnelle. Se reporter à la section *Équipement de protection personnelle à la page 60*.
- Nettoyer le produit pour éliminer les matières dangereuses avant d'effectuer la maintenance.
- Retirer les batteries du produit avant d'effectuer l'entretien.
- Ne pas modifier ce produit. Toute modification non approuvée par le fabricant peut entraîner des blessures graves, voire mortelles.
- Toujours utiliser des accessoires et des pièces de rechange d'origine. Les accessoires et les pièces de rechange qui ne sont pas approuvés par le fabricant peuvent causer des blessures graves, voire mortelles.
- Remplacer les pièces endommagées, usées ou brisées.
- N'effectuer que les travaux d'entretien indiqués dans ce manuel d'utilisation. Laisser un agent d'entretien agréé effectuer toutes les autres opérations d'entretien.
- Après l'entretien, vérifier le niveau de vibrations du produit. En cas de problème, communiquer avec un atelier spécialisé agréé.
- Demander à un agent d'entretien agréé d'effectuer régulièrement l'entretien de l'outil.

## Bluetooth®



**MISE EN GARDE** : Les modifications ou les changements apportés à cet équipement non expressément approuvés par Husqvarna peuvent annuler l'autorisation de la FCC d'utiliser cet équipement.

**Avis** : Cet appareil est conforme à l'article 15 de la réglementation FCC et à la norme RSS d'Industrie Canada pour les appareils exempts de licence. Son utilisation est soumise aux deux conditions suivantes :

- Cet appareil ne doit pas causer d'interférences nuisibles.
- Cet appareil doit accepter toute autre interférence, y compris les interférences pouvant causer un fonctionnement non désiré.

Le présent appareil est conforme aux CNR d'Industrie Canada applicables aux appareils radio exempts de licence. L'exploitation est autorisée aux deux conditions suivantes :

- l'appareil ne doit pas produire de brouillage, et
- l'appareil doit accepter tout brouillage radioélectrique subi, même si le brouillage est susceptible d'en compromettre le fonctionnement.

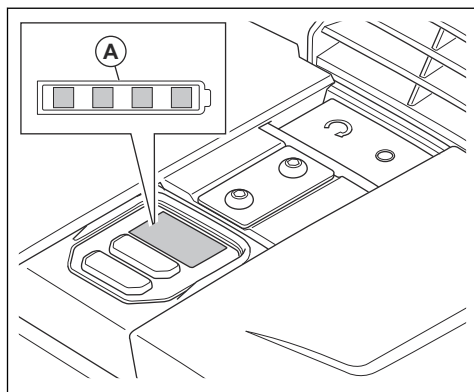
# Fonctionnement

## Avant d'utiliser le produit

- Lire attentivement le manuel d'utilisation du produit et veiller à bien comprendre les directives.
- Lire attentivement le manuel d'utilisation de la batterie et du chargeur de batterie et veiller à bien comprendre les directives.
- Effectuer l'entretien quotidien. Se reporter à la section *Calendrier d'entretien à la page 66*.
- Veiller à ce que seules les personnes autorisées se trouvent dans la zone de travail, parce qu'il y a des risques de blessure.
- Utiliser un équipement de protection personnelle. Se reporter à la section *Équipement de protection personnelle à la page 60*.

## État de la batterie

L'indicateur d'état de la batterie (A) s'allume lorsque le produit démarre. Si deux batteries sont utilisées, le témoin d'état de la batterie indique le niveau de charge total des deux batteries du produit.



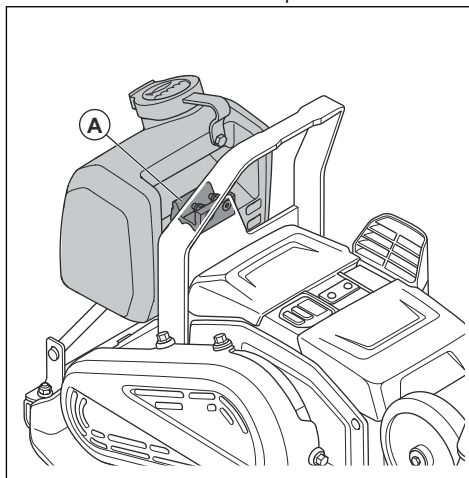
État de charge	Symbole dans le témoin d'état
Le niveau de charge de la batterie est compris entre 76 % et 100 %.	
Le niveau de charge de la batterie est compris entre 51 % et 75 %.	
Le niveau de charge de la batterie est compris entre 26 % et 50 %.	

État de charge	Symbole dans le témoin d'état
Le niveau de charge de la batterie est compris entre 6 % et 25 %.	
Le niveau de charge de la batterie est compris entre 0 % et 5 %.	

## Pour remplir le réservoir d'eau

Remplir le réservoir d'eau lorsqu'il est installé sur le produit ou retirer et remplir le réservoir d'eau. Pour retirer et remplir le réservoir d'eau, procéder comme suit :

1. Soulever la partie avant du verrou en caoutchouc (A) et retirer le réservoir d'eau du produit.



2. Remplir le réservoir d'eau avec de l'eau.



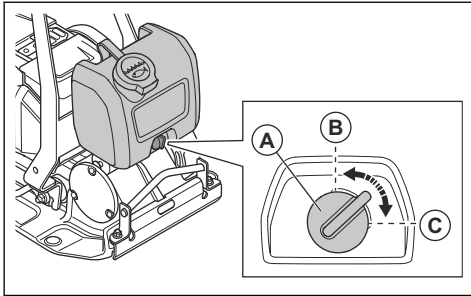
**MISE EN GARDE :** N'ajoutez pas d'autres liquides dans le réservoir d'eau. Cela pourrait endommager le produit et être dangereux pour l'environnement.

3. Soulever la partie avant du verrou en caoutchouc et pousser le réservoir d'eau vers le bas dans le support de réservoir.



## Pour régler le débit d'eau

- Tourner le robinet d'eau (A). Régler le débit d'eau entre la position fermée (B) et la position complètement ouverte (C).



## Bluetooth® technologie sans fil

Les produits dotés de la technologie sans fil intégrée Bluetooth® peuvent se connecter à des appareils mobiles. Le symbole de la technologie sans fil Bluetooth® s'allume lorsque votre appareil mobile est connecté au produit.



## Pour utiliser la connectivité intégrée avec Husqvarna Fleet Services™

**Remarque :** Cette partie concerne uniquement les produits fournis avec une connectivité intégrée.

**Remarque :** La transmission radio par la fonction Bluetooth® est activée lors de la première connexion à une batterie et reste activée par la suite.

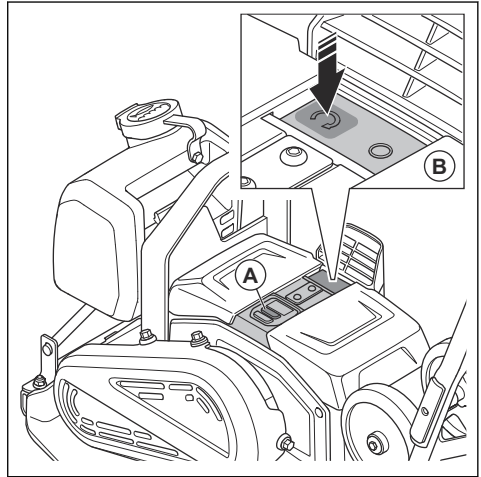
1. Téléchargez Husqvarna Fleet Services™ Application Husqvarna Fleet Services iOS ou Android.
2. Rendez-vous au site Web de Husqvarna Fleet Services™ <https://fleetservices.husqvarna.com> pour en savoir plus.

## Mise sous tension de l'appareil

1. Placer les deux batteries dans le compartiment à batteries. S'assurer que les batteries sont correctement installées. Se reporter à la section *Pour installer et retirer les batteries à la page 68*.

**Remarque :** Il est possible d'utiliser le produit avec une seule batterie, mais le temps de fonctionnement sera plus court. Lorsque le produit est utilisé avec deux batteries, le produit décharge une batterie à la fois.

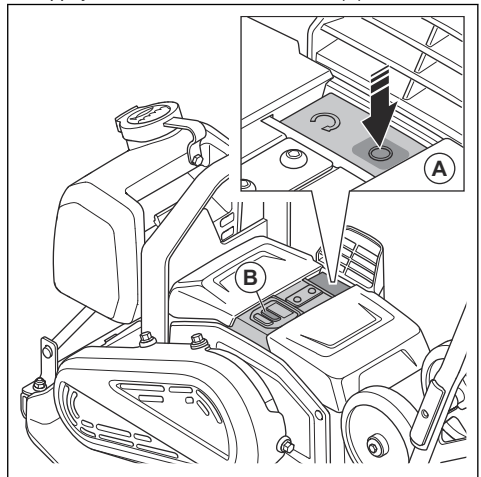
2. Appuyer sur le bouton de marche/arrêt ON/OFF (A). S'assurer que les témoins de niveau de batterie s'allument.



3. Appuyer sur le bouton « START » (B).

## Arrêt de la machine

1. Appuyer sur le bouton d'arrêt STOP (A).



2. Appuyer sur la touche ON/OFF (B).
3. Retirer les batteries du produit. Se reporter à la section *Pour installer et retirer les batteries à la page 68*.

## Utilisation du produit



**MISE EN GARDE :** Toujours utiliser le produit en déplacement vers l'avant. Un mouvement vers l'arrière empêche le bon



fonctionnement de l'élément excentré et peut causer une défaillance du produit.

1. Tenir le guidon et diriger le produit. Ne pas pousser le produit. Laisser le système d'entraînement du produit déplacer celui-ci vers l'avant.



**MISE EN GARDE** : Ne pas appuyer sur le produit. Une pression trop élevée peut entraîner des résultats insatisfaisants.



**MISE EN GARDE** : Ne pas obstruer la prise d'air.

2. Pour changer de direction, tourner le produit.

### Pour régler le régime

Lorsque vous démarrez le produit, celui-ci fonctionne à un régime standard.

1. Démarrer le produit, se reporter à *Mise sous tension de l'appareil à la page 64*.
2. Appuyer sur le bouton de régulation du régime lent. Le témoin de régime lent s'allume.
3. Pour faire fonctionner le produit au régime standard, appuyer de nouveau sur le bouton de régulation du régime lent. Le témoin de régime lent s'éteint.

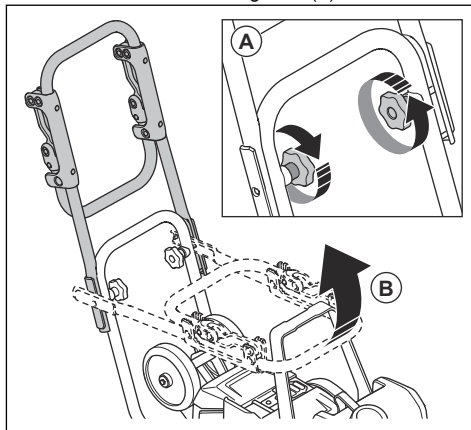
**Remarque** : Vous pouvez régler le régime à l'aide du bouton de régulation du régime lent alors que le produit se déplace.

### Pour régler l'outil en position d'utilisation



**AVERTISSEMENT** : Il y a un risque de pincement lorsqu'on place le produit en position d'utilisation. Porter des gants de protection.

1. Desserrer les boutons du guidon (A).



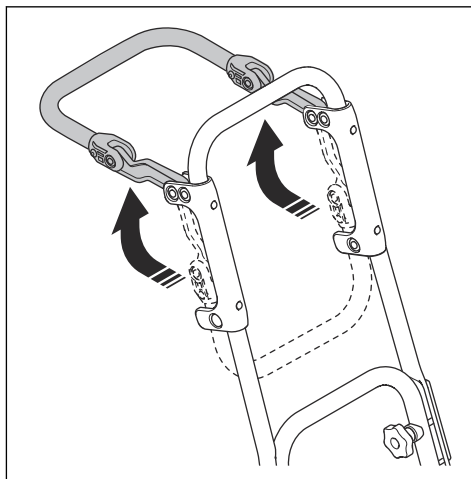
2. Soulever le guidon (B).

3. Serrer les boutons du guidon (A).

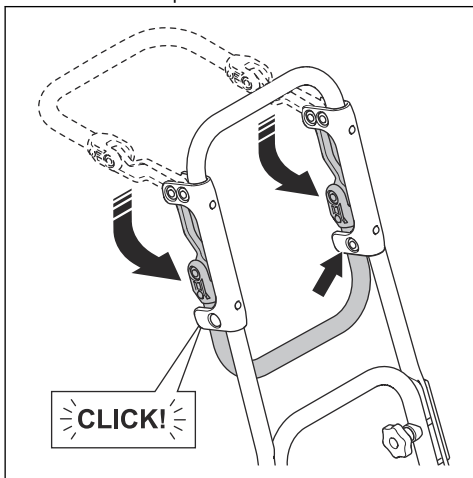
### Pour replier le guidon à faible vibration vers le haut ou vers le bas

Utiliser le guidon à faible vibration pour réduire le niveau de vibration.

- Tirer sur le guidon à faible vibration pour le dégager des colliers.



- Rabattre le guidon à faible vibration et le pousser dans les colliers pour le verrouiller.



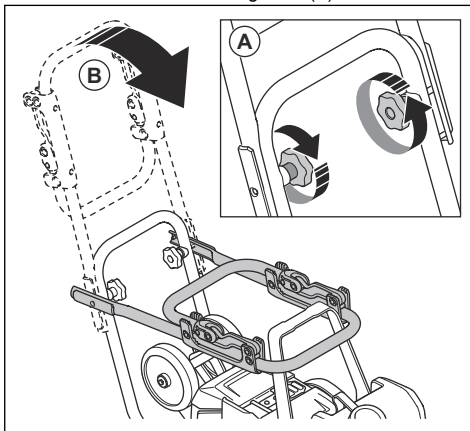
**Pour régler l'outil à la position de transport**



**AVERTISSEMENT** : Il y a un risque de pincement lorsqu'on place le produit en

position de transport. Porter des gants de protection.

1. Desserrer les boutons du guidon (A).



2. Abaisser le guidon (B).
3. Serrer les boutons du guidon (A).

## Entretien

### Introduction



**AVERTISSEMENT** : Lire et comprendre le chapitre sur la sécurité avant de faire l'entretien du produit.



**AVERTISSEMENT** : Retirer les batteries avant d'effectuer l'entretien du produit.

### Calendrier d'entretien

\* = Entretien général effectué par l'opérateur. Les instructions ne sont pas décrites dans ce manuel d'utilisation.

X = Les instructions sont décrites dans ce manuel d'utilisation.

Entretien général du produit	Avant l'utilisation	Toutes les 100 h
Effectuer une inspection générale.	X	
Nettoyer le produit.	X	
Nettoyer la batterie et le chargeur de batterie.	X	
S'assurer que le bouton d'arrêt STOP fonctionne de façon adéquate et n'est pas endommagé.	X	
Examiner la batterie afin de détecter d'éventuels dommages.	*	
Examiner le chargeur de batterie afin de détecter d'éventuels dommages et s'assurer qu'il fonctionne de façon adéquate.	*	

Entretien général du produit	Avant l'utilisation	Toutes les 100 h
Examiner les raccords entre la batterie et le produit. Examiner également le raccord entre la batterie et le chargeur de batterie.	*	
Examiner les unités anti-vibrations pour s'assurer qu'elles ne sont pas endommagées.		X
Examiner la tension de la courroie et s'assurer qu'elle n'est pas endommagée. Au besoin, ajuster ou remplacer la courroie.		X

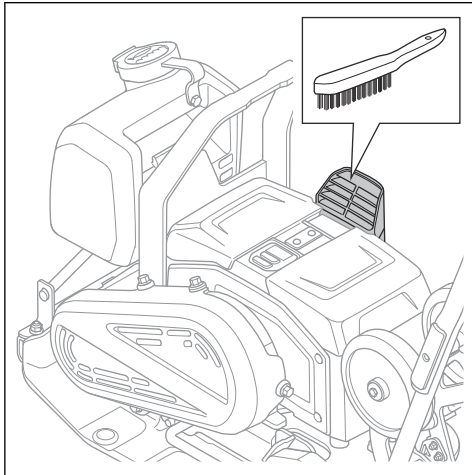
## Nettoyage de la machine

1. Retirer les batteries du produit. Se reporter à la section *Pour installer et retirer les batteries à la page 68*.
2. S'assurer que les couvercles de batterie sont fermés.
3. Nettoyer le produit à l'aide d'air comprimé ou d'un tuyau d'eau courante.

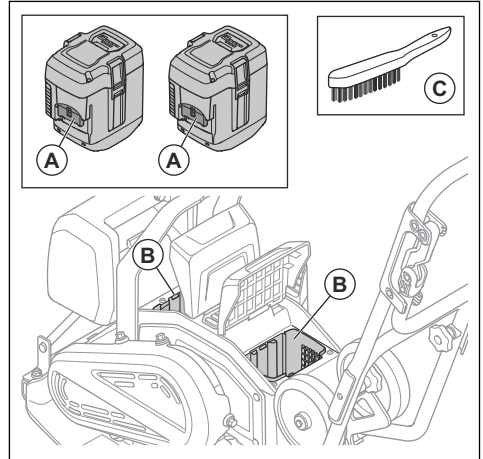


**MISE EN GARDE :** S'assurer que l'eau ne pénètre pas dans les compartiments des batteries.

4. Sécher le produit à l'aide d'un chiffon pour éliminer toute trace d'eau.
5. Nettoyer la prise d'air à l'aide d'une brosse souple non métallique.



6. Nettoyer les bornes des batteries (A) et l'intérieur des compartiments des batteries (B) à l'aide d'une brosse souple non métallique (C).



## Pour nettoyer la batterie et le chargeur de batterie.



**AVERTISSEMENT :** Ne pas nettoyer la batterie ou le chargeur de batterie avec de l'eau.



**AVERTISSEMENT :** N'utiliser aucun produit chimique pour nettoyer la batterie.

- S'assurer que la batterie et le chargeur de batterie sont propres et secs avant de raccorder la batterie au chargeur de batterie.
- Nettoyer les cosses batterie avec de l'air comprimé ou utiliser un chiffon doux et sec.
- Nettoyer les surfaces de la batterie et le chargeur de batterie au moyen d'un chiffon sec et doux.

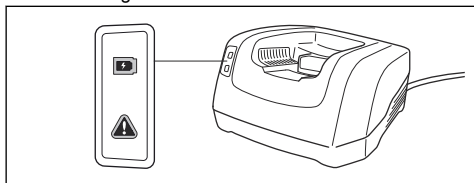
## Pour charger la batterie

Charger la batterie avant la première utilisation. La batterie n'est chargée qu'à 30 % au moment de la livraison au client.

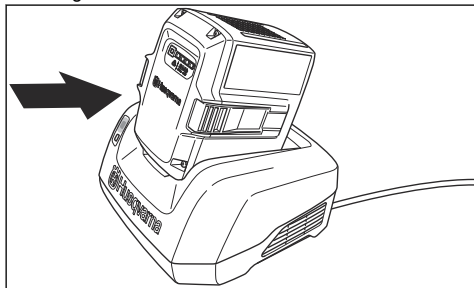
**Remarque :** Brancher le chargeur de batterie à la tension et la fréquence indiquées sur la plaque signalétique.

La batterie ne se charge pas si sa température est supérieure à 50 °C (122 °F). Le chargeur de batterie réduit la température de la batterie avant qu'elle commence à se charger.

1. Brancher une extrémité du cordon d'alimentation du chargeur de batterie dans la prise du chargeur de batterie.
2. Brancher l'autre extrémité du cordon d'alimentation du chargeur de batterie dans une prise de terre d'alimentation secteur. La DEL du chargeur de batterie clignote en vert une fois.



3. Insérer la batterie dans le chargeur de batterie. Le témoin vert, sur le chargeur, s'allume lorsque la batterie est branchée de façon adéquate au chargeur de batterie.



4. Lorsque toutes les DEL de la batterie s'allument, la batterie est complètement chargée. Charger la batterie pendant au plus 24 heures.
5. Pour débrancher le chargeur de batterie de la prise d'alimentation secteur, tirer sur la fiche, et non pas sur le cordon d'alimentation.
6. Retirer la batterie du chargeur.

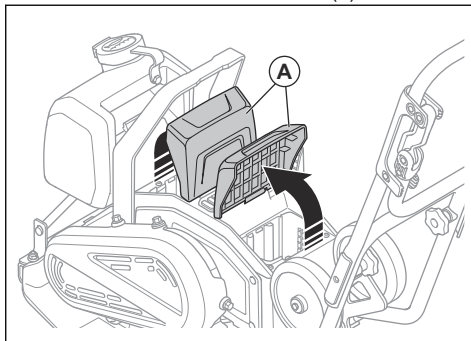
## Pour effectuer une inspection générale

- S'assurer que tous les écrous et toutes les vis sur le produit sont serrés correctement.

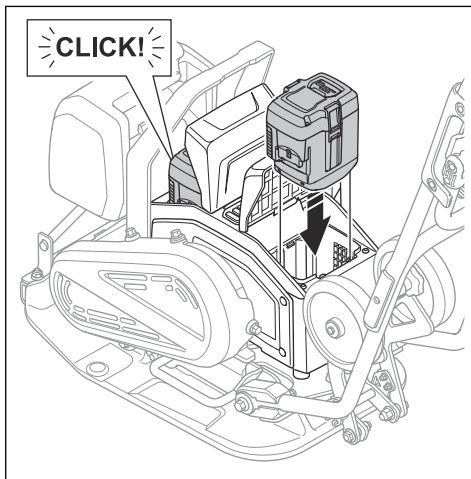
## Pour installer et retirer les batteries

1. Éteindre le produit. Se reporter à la section *Arrêt de la machine à la page 64*.

2. Soulever les couvercles de batterie (A).



3. Installer les batteries. Les batteries sont correctement installées lorsqu'un déclic se fait entendre.



**AVERTISSEMENT :** Utiliser uniquement des batteries d'origine Husqvarna BLi.



**MISE EN GARDE :** Ne pas exercer de force pour installer les batteries. Si les batteries ne peuvent pas entrer facilement dans les compartiments, elles ne sont pas installées correctement.

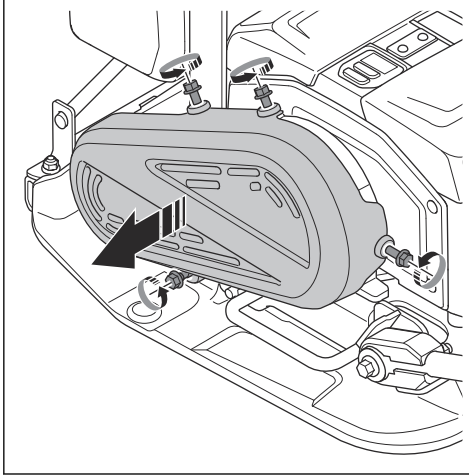
4. S'assurer que les couvercles des batteries sont complètement fermés pour empêcher l'humidité et la saleté de pénétrer dans les compartiments des batteries.
5. Retirer les batteries dans l'ordre inverse.

## Pour vérifier la courroie

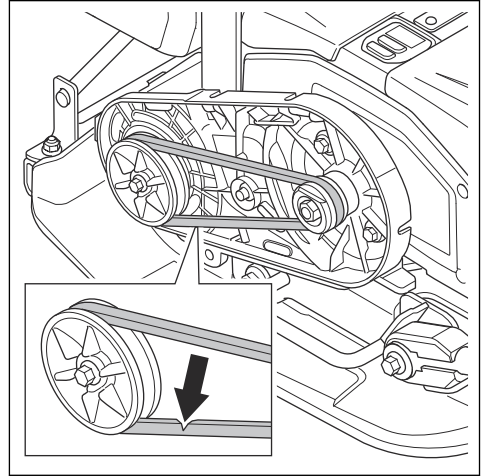


**AVERTISSEMENT** : Ne pas faire fonctionner le produit sans le carter de la courroie installé.

1. Retirer les batteries du produit. Se reporter à la section *Pour installer et retirer les batteries à la page 68*.
2. Desserrer les quatre boulons et retirer le carter de la courroie.



3. Vérifier l'état et l'usure de la courroie. Remplacer la courroie au besoin.



4. Vérifier la tension de la courroie. La tension correcte est de 60 à 80 N.
5. Si la tension est incorrecte, remplacer la courroie.
6. Installer le carter de la courroie et serrer les quatre boulons. Serrer les boulons à un couple de 10 Nm.

## Dépannage

Problème	Causes	Solution
Le produit ne démarre pas.	La batterie n'est pas installée correctement.	Installer correctement la batterie. S'assurer qu'il n'y a pas de câble de connecteur de batterie desserré sur le produit.
	Tension de batterie faible.	Charger la batterie
	La batterie est endommagée.	Remplacer la batterie.
La batterie ne se recharge pas.	Le chargeur de batterie n'est pas branché sur une prise secteur.	Brancher le chargeur de batterie sur une prise secteur.
	Le connecteur du chargeur de batterie n'est pas branché à la batterie.	Brancher le connecteur du chargeur de batterie sur la batterie.
La batterie cesse de se charger.	La température de la batterie est trop élevée.	S'assurer qu'il n'y a pas de distance entre la prise d'air du chargeur de batterie et la prise/sortie d'air de la batterie.
Bruits inhabituels émis par la batterie.	-	Communiquer avec un agent de réparation agréé.

Problème	Causes	Solution
Le témoin d'avertissement du produit clignote.	La batterie ou les composants électroniques sont trop chauds.	Laisser refroidir le produit et les batteries.
	Le bouton de démarrage/arrêt START/STOP est à la position de démarrage START lorsque vous placez le bouton de mise en marche/arrêt ON/OFF à la position ON.	Placer le bouton START/STOP (DÉMARRAGE/ARRÊT) à la position STOP (ARRÊT), puis à nouveau à la position START (DÉMARRAGE).
Le témoin d'avertissement de la batterie clignote.	La batterie est trop chaude ou trop froide.	Laisser le produit refroidir ou déplacer le produit à l'intérieur et le laisser se réchauffer.
Le produit ne démarre pas et le moteur émet des bruits inhabituels.	La tension de la courroie est trop élevée.	Vérifier l'état de tension de la courroie.
	La température de service est trop faible.	Utiliser le produit à une température de service acceptable.
Le produit n'a pas de traction.	La tension de la courroie est trop faible.	Augmenter la tension de la courroie.
	La courroie est endommagée.	Remplacer la courroie.

## Transport, entreposage et mise au rebut

### Transport



**AVERTISSEMENT** : Être prudent lors du transport. Le produit est lourd et peut causer des blessures ou des dommages s'il se renverse ou se déplace pendant le transport.



**AVERTISSEMENT** : Retirer les batteries de l'appareil avant son transport. Se reporter à la section *Pour installer et retirer les batteries à la page 68*.

Les roues de transport permettent de déplacer le produit manuellement sur de courtes distances. Pour de plus longues distances, utiliser un équipement de levage pour soulever le produit ou le placer sur un véhicule.



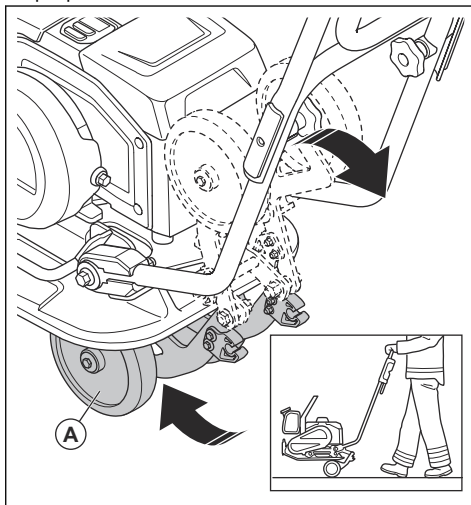
**MISE EN GARDE** : Ne pas remorquer le produit derrière un véhicule.

### Pour engager les roues de transport



**AVERTISSEMENT** : User de prudence pour engager les roues de transport. Il y a un risque de pincement.

- Replier les roues de transport (A) vers le bas sous la plaque inférieure.



### Levage du produit



**AVERTISSEMENT** : S'assurer que l'équipement de levage possède les spécifications correctes pour soulever le

produit en toute sécurité. Le poids du produit figure sur sa plaque signalétique.

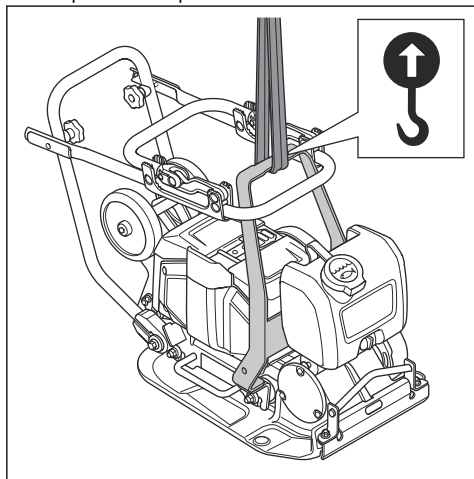


**AVERTISSEMENT** : Ne pas marcher ou rester en dessous ou à proximité d'un produit soulevé.



**AVERTISSEMENT** : Retirer les batteries du produit avant de soulever celui-ci. Se reporter à la section *Pour installer et retirer les batteries à la page 68*.

- Fixer l'équipement de levage au point de levage du cadre de sécurité. Une étiquette sur le produit indique la bonne position.



**AVERTISSEMENT** : Ne pas utiliser de crochets métalliques, de chaînes ou d'autres équipements de levage aux bords rugueux qui pourraient endommager le point de levage.

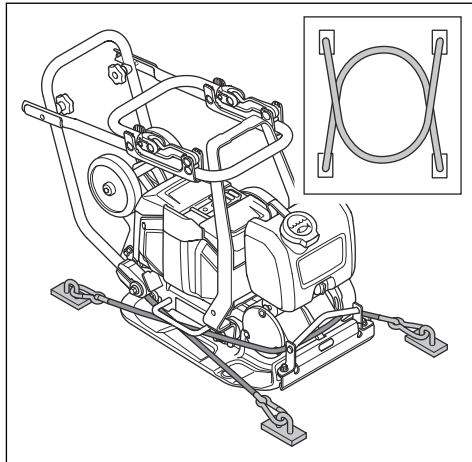


**AVERTISSEMENT** : Ne pas soulever un produit endommagé. S'assurer que le cadre de sécurité (A) et les unités anti-vibrations (B) sont correctement installés et ne sont pas endommagés.

### Pour sécuriser le produit à un véhicule de transport à l'aide de sangles d'arrimage

1. Placer le guidon en position de transport. Se reporter à la section *Pour régler l'outil à la position de transport à la page 66*.

2. Placer deux sangles autour de la plaque inférieure.



- a) Placer 1 sangle autour de l'avant de la plaque inférieure et fixer la sangle au véhicule.
- b) Placer 1 sangle autour de l'arrière de la plaque inférieure et fixer la sangle au véhicule.

### Entreposage

- Retirer les batteries de l'appareil avant son entreposage. Se reporter à la section *Pour installer et retirer les batteries à la page 68* pour obtenir des renseignements sur l'entreposage des batteries et du chargeur de batterie.
- Nettoyer le produit et effectuer un entretien complet avant de l'entreposer dans le local de rangement pendant une longue période.
- Entreposer le produit dans un espace sec et à l'abri du gel.
- Placer une housse de protection sur le produit avant l'entreposage.
- Garder le produit dans un endroit verrouillé hors de portée des enfants et des personnes non autorisées.

### Transport et entreposage des batteries et du chargeur

- Les batteries au lithium-ion fournies respectent les exigences de la loi sur les produits dangereux.
- Respecter l'exigence spéciale relative à l'emballage et aux étiquettes pour les transports commerciaux, y compris par des tiers et des transitaires.
- Communiquer avec une personne ayant une formation spéciale en matière de composés dangereux avant d'envoyer le produit. Respecter tous les règlements nationaux applicables.
- Utiliser du ruban adhésif sur des contacts ouverts aux fins d'emballage des batteries. Placer les batteries dans un emballage hermétique pour éviter tout mouvement.

- Ne pas entreposer les batteries dans une zone où l'électricité statique peut se développer. Ne pas entreposer les batteries dans une boîte métallique.
- Placer les batteries dans un endroit à l'abri du gel, sec, propre et à une température adéquate.
- Entreposer les batteries dans un endroit où la température est comprise entre 5 °C (41 °F) et 25 °C (77 °F) et à l'écart des rayons directs du soleil.
- Charger la batterie entre 30 % et 50 % avant de la remettre pour une longue période. Vérifier l'état de charge de la batterie chaque année.
- Nettoyer les batteries avant de les entreposer.
- Retirer les batteries de l'appareil avant son entreposage.
- Entreposer le chargeur de batterie dans un endroit où la température est comprise entre 5 °C (41 °F) et 25 °C (77 °F) et à l'écart des rayons directs du soleil.
- Entreposer le chargeur de batterie dans un endroit clos et sec.
- Tenir la batterie à l'écart du chargeur de batterie pendant la période d'entreposage.

## Mise au rebut de la batterie, du chargeur de batterie et de l'outil

Le symbole ci-dessous signifie que le produit n'est pas un déchet domestique. Recycler dans un centre de recyclage pour équipements électriques et électroniques. De cette façon, vous ne nuirez pas à l'environnement.

Communiquer avec les autorités locales, le service de déchets ménagers et votre concessionnaire pour obtenir de plus amples renseignements.



**Remarque :** Le symbole sur le produit ou l'emballage du produit, indique :

## Caractéristiques techniques

Type de moteur (BLDC = à courant continu sans balais)	BLDC 36 V
Poids avec batterie, kg/lb. <sup>17</sup>	69/152
Poids sans batterie, kg/lb <sup>18</sup>	65/143
Fréquence de vibration, Hz/tr/min	95±2/5 700±120
Amplitude, mm/po <sup>19</sup>	0,95/0,04
Vitesse de fonctionnement, m/min / pi/min <sup>20</sup>	20/66
Force centrifuge, kN/lbf	10,4/2338
Inclinaison maximale, degrés/%	20/36
Réservoir d'eau pour asphalte, l/gal	5,0/1,3
Température ambiante, °C/°F	De -10 à -40/de 14 à 104

### Vibrations et émissions sonores

Niveau de puissance sonore, mesuré en dB (A)	98,5
Niveau sonore garanti L <sub>WA</sub> dB (A). <sup>21</sup>	100

<sup>17</sup> 2 batteries BLi300 et un réservoir d'eau à moitié plein inclus

<sup>18</sup> Réservoir d'eau à moitié plein inclus

<sup>19</sup> S'applique au gravier

<sup>20</sup> Vitesse sur le gravier

<sup>21</sup> Émissions sonores dans l'environnement mesurées comme puissance sonore (L<sub>WA</sub>) selon la norme EN ISO 3744, conformément à la directive européenne CE 2000/14/CE. La puissance sonore garantie diffère du niveau mesuré en cela qu'elle prend également en compte la dispersion et les variations entre plusieurs machines du même modèle, conformément à la directive 2000/14/CE.



<b>Vibrations et émissions sonores</b>	
Niveau de pression sonore à l'oreille de l'utilisateur, $L_p$ , dB (A). <sup>22</sup>	85
Niveau de vibration à vitesse standard, $a_{hv}$ , $m/s^2$ , poignée standard/poignée à faibles vibrations. <sup>23</sup>	6,46/1,96
Niveau de vibration à régime lent, $a_{hv}$ , $m/s^2$ , guidon standard / guidon à faible vibration. <sup>24</sup>	8,7/2,46

## Batteries homologuées pour le produit

<b>Batterie</b>	<b>BLI200</b>	<b>BLI300</b>	<b>40-B220X</b>	<b>40-B330X</b>
Type	Lithium-ion	Lithium-ion	Lithium-ion	Lithium-ion
Tension nominale, V	36	36	36	36

## Chargeurs de batteries homologués pour le produit

<b>Chargeur de batterie</b>	<b>QC330</b>	<b>QC500</b>
Tension secteur, V	100-240	100-240
Fréquence, Hz	50-60	50-60
Puissance, W	330	500

### Déclaration relative au bruit et aux vibrations

Ces valeurs déclarées ont été obtenues par essai en laboratoire conformément à la directive ou aux normes indiquées et peuvent être comparées aux valeurs déclarées d'autres produits testés conformément à la même directive ou aux mêmes normes. Ces valeurs déclarées ne conviennent pas aux évaluations des

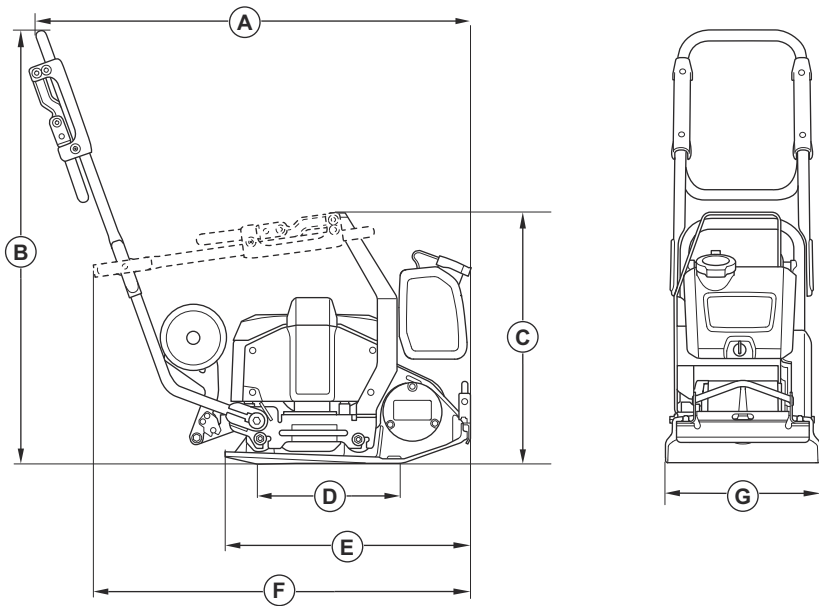
risques et les valeurs mesurées sur des lieux de travail individuels peuvent être plus élevées. Les valeurs d'exposition réelles et le risque d'atteinte encouru par un utilisateur individuel sont uniques et dépendent de la façon dont l'utilisateur travaille, du matériau dans lequel le produit est utilisé, du temps d'exposition et de la condition physique de l'utilisateur, ainsi que de l'état du produit.

<sup>22</sup> Niveau de pression sonore  $L_p$  conformément à la norme EN ISO 11201, EN 500-4. Incertitude  $K_{PA}$  3,0 dB (A).

<sup>23</sup> Niveau de vibration selon EN 500-4. Les données signalées pour le niveau de vibration présentent une dispersion statistique type (écart standard) de 1,5  $m/s^2$ .

<sup>24</sup> Niveau de vibration selon EN 500-4. Les données signalées pour le niveau de vibration présentent une dispersion statistique type (écart standard) de 1,5  $m/s^2$ .

## Dimensions de l'outil



<b>A</b>	Hauteur avec la poignée, mm/po	974/38,3
<b>B</b>	Hauteur du guidon, mm/po	968/38,1
<b>C</b>	Hauteur avec le guidon rabattu, mm/po	561/22,1
<b>D</b>	Surface de contact de la plaque inférieure, m <sup>2</sup> /pi <sup>2</sup>	0,093/1,001
<b>E</b>	Longueur de la plaque inférieure, mm/po	550/21,7
<b>F</b>	Longueur avec la poignée rabattue, mm/po	834/32,8
<b>G</b>	Largeur, mm/po	350/13,7

## Connectivité intégrée

**Remarque :** Cette partie concerne uniquement les produits fournis avec une connectivité intégrée.

<b>Spectre radio de la technologie BLE</b>	
Bandes de fréquences de l'outil, GHz	2,402 à 2,480
Émission maximale de radiofréquence, dBm/mW	0/1

---

## Marques déposées

---

La marque et les logos *Bluetooth®* sont des marques déposées appartenant à *Bluetooth SIG, inc.* et tout usage de ces marques par Husqvarna est soumise à licence.









[www.husqvarnaconstruction.com](http://www.husqvarnaconstruction.com)

Original instructions  
Instrucciones originales  
Instructions d'origine

1143935-49 Rev. B



2024-04-02