



Husqvarna®



PG 8 P

EN Operator's manual
ES-MX Manual del usuario
FR-CA Manuel d'utilisation

2-34
35-69
70-104

Contents

Introduction.....	2	Troubleshooting.....	26
Safety.....	7	Transportation, storage and disposal.....	28
Operation.....	11	Technical data.....	31
Maintenance.....	21	Warranty.....	33

Introduction

Owner responsibility



WARNING: Processing of concrete and stone by methods such as cutting, grinding or drilling, especially during dry operation, generates dust that comes from the material being processed, which frequently contains silica. Silica is a basic component of sand, quartz, brick clay, granite and numerous other minerals and rocks. Exposure to excessive amount of such dust can cause:

Respiratory disease (affecting your ability to breathe), including chronic bronchitis, silicosis and pulmonary fibrosis from exposure to silica. These diseases may be fatal;

Skin irritation and rash.

Cancer according to NTP* and IARC* */ National Toxicology Program, International Agency for Research on Cancer.

Take precautionary steps:

Avoid inhalation of and skin contact with dust, mist and fumes.

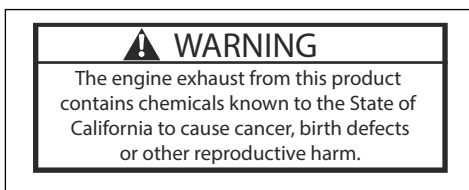
Wear and ensure that all bystanders wear appropriate respiratory protection such as dust masks designed to filter out microscopic particles. (See OSHA 29 CFR Part 1926.1153)

To minimize dust emissions, use water to bind the dust, when feasible. If dry operation is necessary, use an appropriate dust extractor.

It is the owner's/employer's responsibility that the operator has sufficient knowledge about how to use the product safely. Supervisors and operators must have read and understood the Operator's Manual. They must be aware of:

- The product's safety instructions.
- The product's range of applications and limitations.
- How the product is to be used and maintained.

National/Local regulations could restrict the use of this product. Find out what regulations are applicable where you work before you start using the product.



CALIFORNIA AIR RESOURCES BOARD (CARB)

Note: The machine is considered a preempt Off-Road Application as relating to CARB standards. The U.S. EPA has sole authority to establish emission standards for preempt construction equipment.

Product description

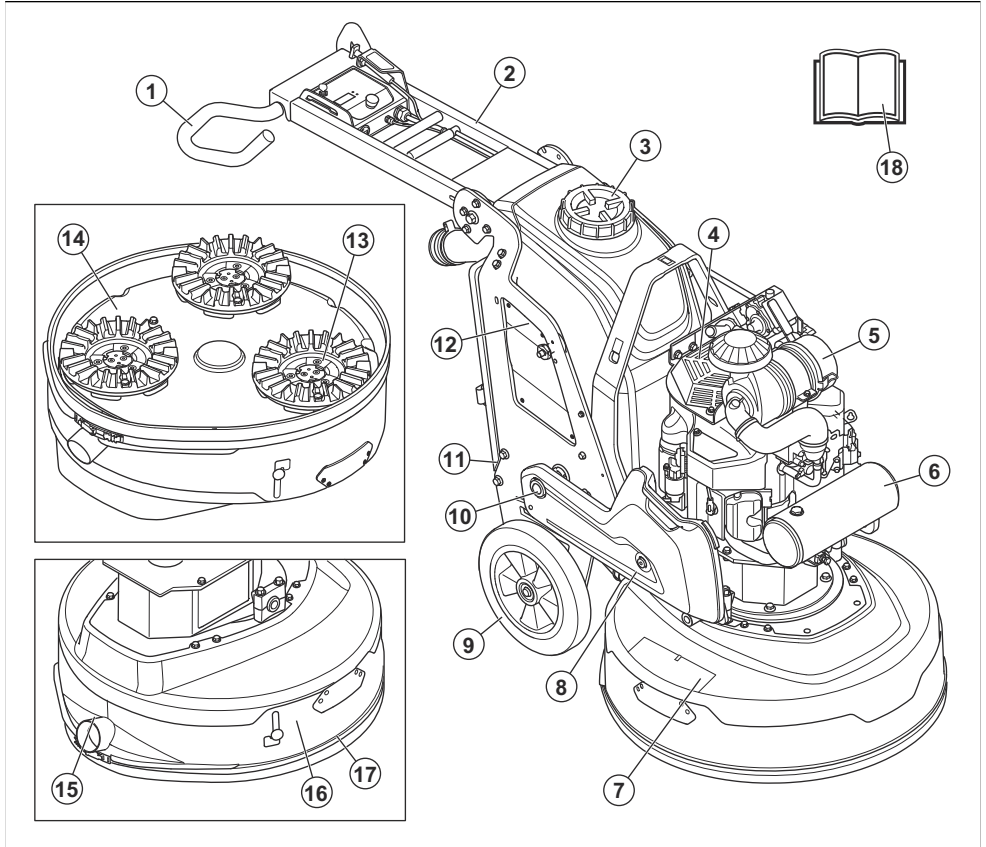
The product is a floor grinder for surfaces of different hardness. The product has a propane engine.

Intended use

The product is used to grind surfaces of materials with different hardness such as natural stone, terazzo and concrete. Also use the product to grind cover materials such as epoxy and glue. The finish of the surface can be rough or smooth. The product can be used for dry grinding and wet grinding. Do not use the product for other tasks.

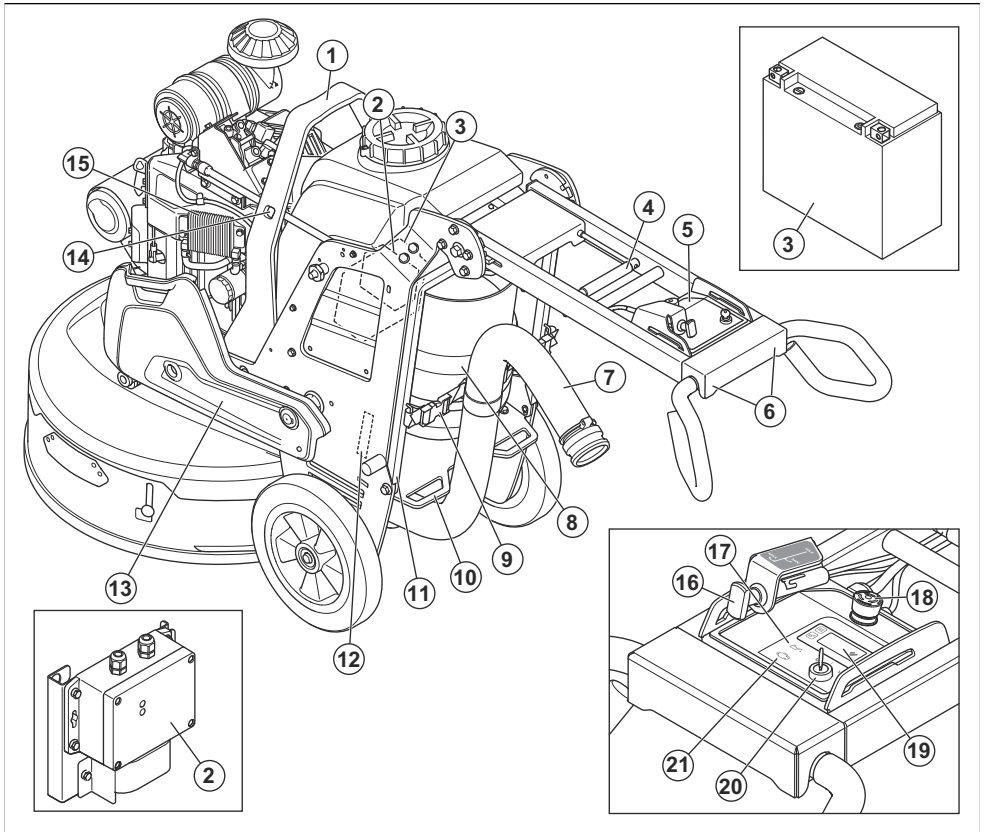
The product is used in commercial operations by professional operators.

Product overview, right side



1. Handlebar
2. Handle
3. Water tank
4. Engine
5. Air filter
6. Muffler
7. Grinding head
8. Weight lock
9. Wheel
10. Weights
11. Weight holder
12. Weight bracket
13. Grinding disc
14. Tool plate
15. Connection for dust extractor
16. Cover
17. Dust skirt
18. Operator's manual

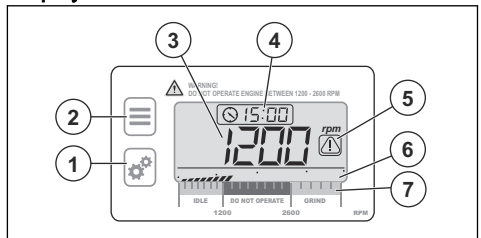
Product overview, left side



1. Lifting eye
2. Carbon monoxide detector
3. Battery
4. Lock lever for handle adjustment
5. Control panel
6. Screws for handlebar adjustment
7. Connection for dust extractor
8. Propane tank
9. Suspension device for dust extractor
10. Tie-down point
11. Support frame
12. Type plate
13. Weight
14. Holes for straps
15. Oil cooling fins
16. Throttle control
17. Indicator for oil pressure
18. Emergency stop button

19. Display
20. Ignition lock
21. Indicator for check engine and carbon monoxide values

Display overview



1. Set button
2. Menu button
3. Rpm for the engine

4. Clock
5. Warning
6. Gauge for the rpm for the engine
7. Rpm for the engine

To use the display

Use the menu button and the set button to control the display.

1. Push the menu button quickly to move between the selections in the display.
2. Push and hold the menu button to go to the selected selection.
3. In the selection, push the menu button quickly to select between ON/OFF.
4. In the selection, push the set button to adjust the selected selection.
5. Push and hold the menu button to lock the selection and go back to main menu.

Note: The display goes back to the main menu if you do not use it for 10 seconds.

Display menu

Menu selections	Information and basic set	Set options
Total operation time	Shows the time the product has been used.	N/A
Time to next servicing	Shows how many hours before a servicing is necessary.	Select "ON" to reset.
Max rpm	Shows the maximum rpm used during last operation.	Select "ON" to clear.
Ignition	Basic set is "1P1".	N/A
Rpm limit	Set rpm range between 2400 - 3600 rpm.	Push the set button quickly to add 100 rpm each time. Push and hold the set button to add 1000 rpm each time.
Rpm warning	Basic set is "OFF". Set is "ON", the product gives a warning at selected rpm value.	Push the set button quickly to add 100 rpm each time. Push and hold the set button to add 1000 rpm each time.

Menu selections	Information and basic set	Set options
Service warning	Basic set is 100 h. The product gives a warning when it has been used for this many hours.	Push the set button quickly to add 1 h each time. Push and hold the set button to add 10 h each time.
Voltage warning	Basic set is 11.0 V. The product gives a warning at this voltage value.	Push the set button quickly to add 0.1 V each time. Push and hold the set button to add 1 V each time.
Battery voltage	Shows the measured voltage of the battery in V.	N/A
Reset to factory settings	Will reset the product to factory settings.	Only to be used by an approved service agent.

Display warning symbols

The display can show warning symbols.

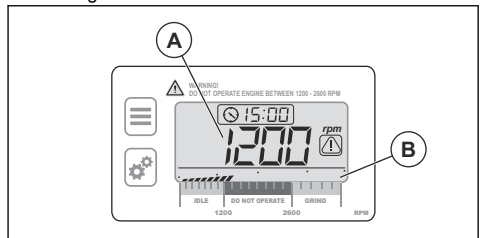
- Rpm warning: The display shows a warning triangle.
- Low battery warning: The display shows the letters LOU and a warning triangle.
- Service warning: The display shows the letters SUC and a warning triangle.

Rpm for the engine



CAUTION: Read the instruction carefully and make sure that you understand the instruction before you use the product.

The display shows the rpm for the engine (A). The gauge (B) in the display shows how much of the rpm for the engine that is used.



The gauge has 3 fields:

- "IDLE": idle speed, 0 - 1200 rpm.
- "DO NOT OPERATE": the clutch engages, 1200 - 2600 rpm.

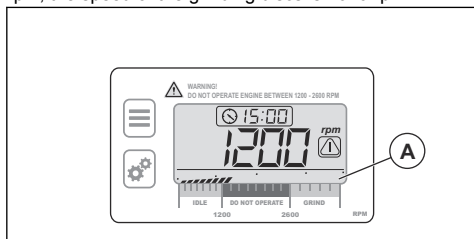


CAUTION: Do not operate the product between 1200 - 2600 rpm. The clutch can disengage.

- "GRIND": operate the product, 2600 - 3600 rpm.

Rpm for the grinding discs

The speed of the grinding discs is related to the speed of the engine. The gauge (A) in the display shows how much of the rpm for the engine that is used. When the product is operated at engine speed 2600 rpm, the speed of the grinding discs is 730 rpm. When the product is operated at maximum engine speed, 3600 rpm, the speed of the grinding discs is 1010 rpm.



To show and set the time in the display

The clock can show the current time, the total operating time or the time until the servicing of the product.

- To change the time:
 - a) Push and hold the menu button to go to selection for clock.
 - b) Push the set button quickly to change the time.
- To show the total operating time, push the menu button quickly one time.
- To show the time until next servicing, push the menu button quickly 7 times until the letters SUC shows.

Carbon monoxide detector

After the engine starts, let the carbon monoxide detector become warm and do a self-diagnostic routine for 5 minutes. During this time, the 2 LED indicators on the carbon monoxide detector flashes. The top LED indicator is green when the device operates correctly. The top LED indicator flashes red if there is an error in the device or the carbon monoxide sensor.

If the carbon monoxide values are more than 70 ppm, the bottom LED indicator flashes red. Also the indicator for check engine and carbon monoxide values on the control panel comes on. The alarm stops automatically when the carbon monoxide values are less than 50 ppm.

If the carbon monoxide values are more than 400 ppm, the buzzer in the detector starts sound and the engine stop. The alarm stops automatically and the engine can be started when the carbon monoxide values are less than 50 ppm.

Symbols on the product



WARNING: This product can be dangerous and cause serious injury or death to the operator or others. Be careful and use the product correctly.



Read the manual carefully and make sure that you understand the instructions before you use the product.



Use hearing protection, eye protection and respiratory protection. Refer to *Personal protective equipment on page 8*.



WARNING! Dust can cause injuries if inhaled. Use an approved breathing mask. Avoid inhaling exhaust fumes. Always provide for good ventilation.



Propane is very flammable and explosive.



Do not clean the carbon monoxide detector with water or use water near the detector.



Always lift the product at the lifting eye.



Use the holes for tie-down straps to attach the product to a transport vehicle.



The product is not domestic waste. Recycle it at an approved disposal location for electrical and electronic equipment.

Note: Other symbols/decals on the product refer to special certification requirements for some markets.

Symbols on the control panel



Emergency stop.



Check engine or carbon monoxide values are higher than permitted levels. If it is

necessary, speak to an approved service agent.



Low oil pressure, examine the oil level. If it is necessary, speak to an approved service agent.



Menu button for display.

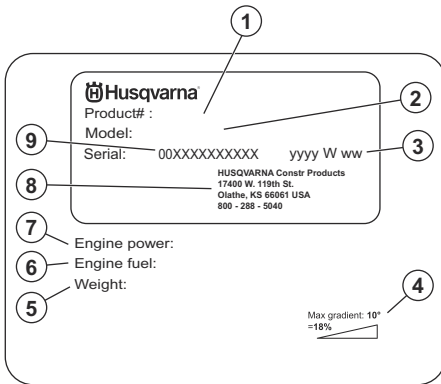


Set button for display.



Engine start.

Type plate



1. Product number
2. Model
3. Production year
4. Max gradient
5. Product weight
6. Fuel type
7. Engine power
8. Manufacturer
9. Serial number

Product damage

We are not responsible for damages to our product if:

- the product is incorrectly repaired.
- the product is repaired with parts that are not from the manufacturer or not approved by the manufacturer.
- the product has an accessory that is not from the manufacturer or not approved by the manufacturer.
- the product is not repaired at an approved service center or by an approved authority.

Husqvarna Fleet Services™

Husqvarna Fleet Services™ is a cloud solution that gives the operator an overview of all products that are connected. On this product a Husqvarna Fleet Services™ sensor can be installed. The Husqvarna Fleet Services™ sensor collects product data and lets you connect to the Husqvarna Fleet Services™ system. The Husqvarna Fleet Services™ system reports data such as operation time, servicing intervals and location of the product.

For more information about Husqvarna Fleet Services™, download the Husqvarna Fleet Services™ app or speak to your Husqvarna representative.

Safety

Safety definitions

Warnings, cautions and notes are used to point out specially important parts of the manual.



WARNING: Used if there is a risk of injury or death for the operator or bystanders if the instructions in the manual are not obeyed.



CAUTION: Used if there is a risk of damage to the product, other materials or the adjacent area if the instructions in the manual are not obeyed.

Note: Used to give more information that is necessary in a given situation.

General safety instructions



WARNING: Read the warning instructions that follow before you use the product.

- This product is a dangerous tool if you are not careful or if you use the product incorrectly. This product can cause serious injury or death to the operator or others. Before you use the product,

you must read and understand the contents of this operator's manual.

- This product is not intended for use by persons (including children) with reduced physical, sensory or mental capabilities, or lack of experience and knowledge.
- Save all warnings and instructions.
- Comply with all applicable laws and regulations.
- The operator and the employer of the operator must know and prevent the risks during operation of the product.
- Do not let a person operate the product unless they read and understand the contents of the operator's manual.
- Do not operate the product unless you receive training before use. Make sure that all operators receive training.
- Do not let a child operate the product.
- Only let approved persons operate the product.
- The operator is responsible for accidents that occur to other persons or their property.
- Do not use the product if you are tired, ill, or under the influence of alcohol, drugs or medicine.
- Always be careful and use your common sense.
- This product produces an electromagnetic field during operation. This field can under some circumstances interfere with active or passive medical implants. To decrease the risk of serious injury or death, we recommend persons with medical implants to speak to their physician and the medical implant manufacturer before operating this product.
- Keep the product clean. Make sure that you can clearly read signs and decals.
- Do not use the product if it is damaged.
- Do not make modifications to this product.
- Do not operate the product if it is possible that other persons have made modifications to the product.

Safety instructions for operation



WARNING: Read the warning instructions that follow before you use the product.

- Use personal protective equipment. Refer to *Personal protective equipment on page 8*.
- Do not use the product in areas where fire or explosions can occur.
- Do not go away from the product when the engine is on.
- Always stop the engine before you go away from the product.
- Do not pull the hose of the dust extractor. The product can fall and cause injury or damage.
- The grinding head must touch the surface when you start the product.

- Do not start the product without the dust skirt installed. The dust skirt must seal fully between the product and the floor.
- Keep away from areas where the product can cause injury. The product can quickly change position and hit you.
- If the product does not operate correctly, stop the engine.
- Make sure that clothing, long hair and jewelry do not get caught in moving parts.
- Make sure that you are in a safe and stable position during operation.
- Do not operate the product unless you can get aid if an accident occurs.
- If vibrations occur in the product or the noise level from the product is unusually high, stop the product immediately. Examine the product for damages. Repair damages or let an approved service agent do the repair.
- Overexposure to vibration can cause circulatory damage or nerve damage to persons with decreased blood circulation. Get medical aid if you have symptoms of overexposure to vibration. These symptoms include numbness, loss of feeling, tingling, pricking, pain, loss of strength, changes in skin color or condition. These symptoms usually show in the fingers, hands or wrists.
- Always use approved accessories. Speak to your dealer for more information.
- During and after operation, do not touch the muffler until the temperature of the muffler has decreased. Risk of burn injuries.
- Keep bystanders and objects away from the hot exhaust from the muffler.

Personal protective equipment



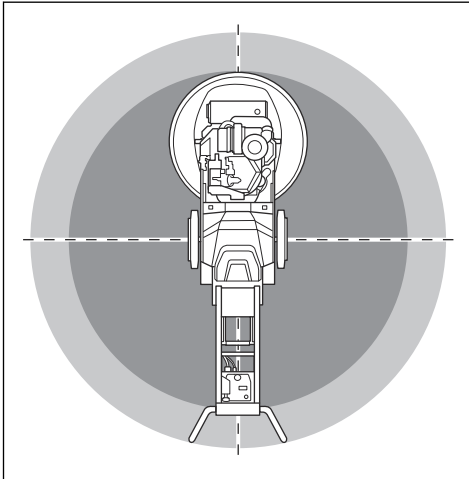
WARNING: Read the warning instructions that follow before you use the product.

- Always use correct personal protective equipment when you operate the product. The personal protective equipment does not erase the risk of injury. The personal protective equipment decreases the grade of injury if an accident occurs. Let your dealer help you select the right equipment and when to use it.
- Always use a personal carbon monoxide detector while you operate the product.
- Use approved eye protection while you operate the product.
- Do not use loose, heavy and not applicable clothing. Use clothes that let you move freely.
- Use approved protective gloves that enables a solid hold.
- Use rubber protective gloves that prevents skin irritation from wet concrete.

- Use protective gloves when you touch the propane tank. The propane tank can be very cold during operation.
- Use an approved protective helmet.
- Always use approved hearing protection while you operate the product. Noise for a long period can cause noise-induced hearing loss.
- The product makes dust and fumes that contain dangerous chemicals. Use an approved breathing protection.
- Use boots with steel toe-caps and non-slip soles.
- Make sure that you have a first aid kit near.
- Sparks can occur when you operate the product. Make sure that you have a fire extinguisher near.

Work area safety

- During operation, keep bystanders away from the area shown in the illustration below. The operator must be very careful in this area during operation.



- Make sure that only approved persons are in the work area.
- Do not use the product in fog, rain, strong winds, cold weather, risk of lightning or other bad weather conditions. To use the product in bad weather or in wet locations can have a negative effect on your alertness. Bad weather can cause dangerous work conditions.
- Look out for persons, objects and situations that can prevent safe operation of the product.
- Keep the work area sufficiently illuminated.
- Do not use the product in areas where fire or explosions can occur.

Propane safety



WARNING: Read the warning instructions that follow before you use the product.

- Make sure that the ignition key is in off position when you do work on the propane tank.
- Only replace the propane tank when the ignition key is in off position.
- Propane is flammable and the fumes are explosive. Be careful to prevent injury, fire and explosion.
- Read all instructions on the product and on the propane tank.
- Do not change the propane control equipment. Changes to the propane control equipment can cause dangerous levels of engine emissions.
- Do not breathe in the fuel fumes. The fuel fumes are poisonous and can cause injury. Make sure that the airflow is sufficient.
- Do not start the engine in an area without sufficient airflow. Propane is heavier than air and can accumulate in low areas. Not sufficient airflow increases the risk of fire or explosion from sparks, and the risk of injury from the fumes.
- Do not smoke near the product, the engine or the propane tank.
- Do not put hot objects near the propane or the engine.
- Keep the product away from sparks or flames.
- Examine the propane supply system for leaks regularly. If there are leaks, do not start the engine until the leaks are repaired.
- Do not keep propane tanks in a building. Propane tanks must only be in a building during operation of the product.
- Keep propane tanks in a safe area with sufficient airflow.

Exhaust fumes safety



WARNING: Read the warning instructions that follow before you use the product.



WARNING: The exhaust fumes from the engine contain carbon monoxide which is an odourless, poisonous and very dangerous gas. To breathe carbon monoxide can cause death. Because carbon monoxide is odourless and cannot be seen, it is not possible to sense it. A symptom of carbon monoxide poisoning is dizziness, but it is possible that a person becomes unconscious without warning if the quantity or concentration of carbon monoxide is sufficient.

- Exhaust fumes also contain unburned hydrocarbons including benzene.
- Long-term inhalation of exhaust fumes can cause health problems.
- Exhaust fumes that you can see or smell also contain carbon monoxide.
- Do not breathe in the exhaust fumes.
- The exhaust fumes from the engine are hot and may contain sparks which can start a fire. Always keep firefighting equipment nearby. Never start the product near combustible material.

Battery safety



WARNING: Read the warning instructions that follow before you use the product.

- Only use the batteries that we recommend for your product.
- Use only original batteries for this product. There is a risk of explosion if the batteries are replaced with a battery of incorrect type. Speak to your dealer for more information.
- Use batteries that are rechargeable as a power supply for the related Husqvarna products only. To prevent injury, do not use the battery as a power supply for other devices.
- Risk of electrical shock. Do not connect the battery terminals to keys, screws or other metal. This can cause a short circuit of the battery.
- If the battery leaks, do not let the liquid touch your body or eyes. If you have touched the liquid, clean the area with a large quantity of water and get medical aid.
- Do not use batteries that are non-rechargeable.
- Do not do modifications to the battery.
- Do not put objects into the air slots of the battery.
- Keep the battery away from sunlight, heat or open flame. The battery can cause an explosion and cause burns and/or chemical burns.
- Keep the battery away from rain and wet conditions.
- Keep the battery away from microwaves and high pressure.
- Do not try to disassemble or break the battery.
- Use the battery in temperatures between -10 °C/14 °F and 40 °C/104 °F.
- Do not clean the battery with water. Refer to *To clean the battery on page 22*.
- Do not use damaged battery or battery that does not operate correctly.
- Keep batteries in storage away from metal objects such as nails, screws or jewelry.
- Keep the battery away from children.

Safety devices on the product

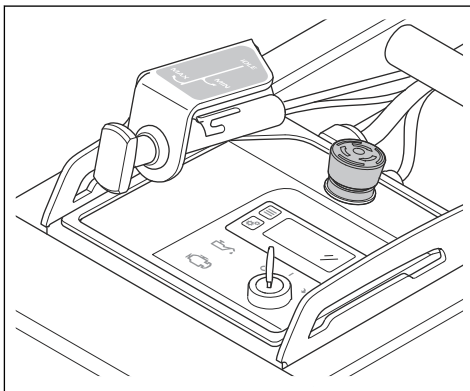


WARNING: Read the warning instructions that follow before you use the product.

- Do not use a product with safety devices that are damaged or do not operate correctly.
- Do a check of the safety devices regularly. If the safety devices are damaged or do not operate correctly, speak to your Husqvarna service agent.
- Do not make modifications to safety devices.

Emergency stop button

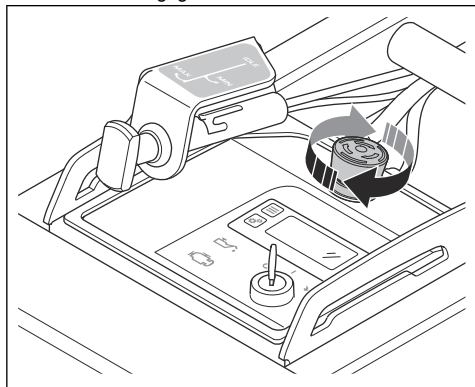
The emergency stop button is used to quickly stop the engine. The emergency stop button breaks the mains power supply.



CAUTION: Do not use the emergency stop button as the stop button for the product. Only use the emergency stop button to stop the product if there is an emergency.

To do a check of the emergency stop button

1. Turn the emergency stop button on the control panel clockwise to make sure that the emergency stop button is disengaged.



2. Start the engine. Refer to *To start the product on page 18*.
3. Push the emergency stop button.

4. Turn the emergency stop button clockwise to disengage.

Safety instructions for maintenance

- Keep all parts in good condition and make sure that all fixtures are correctly tightened.
- Do not use a product that is damaged or does not work correctly. Do the safety checks, maintenance and the servicing as given in this manual. All other maintenance work must be done by an approved service agent.
- Installation and repair of the supply system for propane must be done only by approved servicing personnel for propane systems.
- Stop the product when you replace the diamond tools. Turn the ignition key to 0 and push the emergency stop button.
- Do the inspection and/or maintenance with the engine stopped.
- Do the maintenance to make sure that the product operates correctly. Refer to *Maintenance schedule on page 21*.

Operation

Introduction



WARNING: Before you operate the product, you must read and understand the safety chapter.

To remove the product from the package



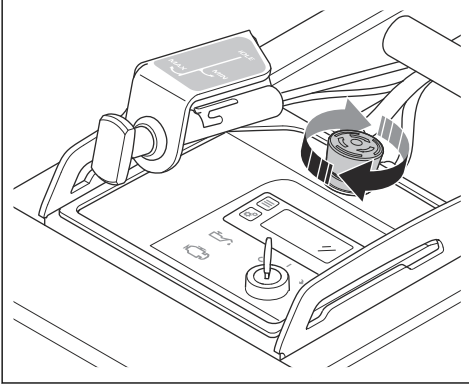
WARNING: Move the product from the pallet carefully and safely. The product is heavy and can cause serious injury if it falls.

- Make sure that all items that is shown in the product overview, are included. Refer to *Product overview, right side on page 3*. Speak to your Husqvarna dealer if an item is missing or damaged before you move the product from the pallet.
- Remove all package straps and wheel chocks.
- Make sure that the area is clear and that you have sufficient space to move the product.
- Make sure that there is no risk that you or the product can fall.
- Use lifting equipment or ramps to move the product from the pallet. The product is heavy. Move the product safely. Refer to *To move the product up and down a ramp on page 29*.

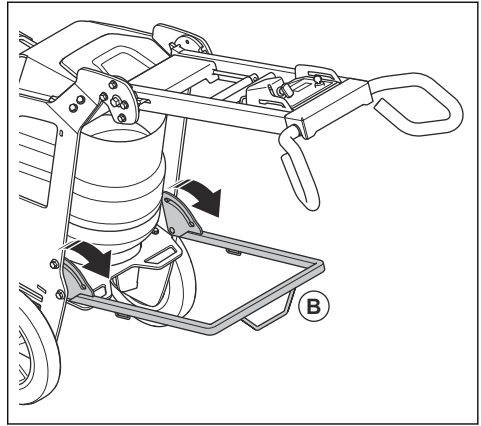
To do before you operate the product

1. Read the operator's manual carefully and make sure that you understand the instructions.
2. Put on necessary personal protective equipment. Refer to *Personal protective equipment on page 8*.
3. Make sure that only approved persons are in the work area.
4. Do daily maintenance. Refer to *Maintenance schedule on page 21*.
5. Make sure that the product is assembled correctly and is not damaged.
6. Put the product on the work area. Make sure that the transportation of the product to and in the work area is done safely and correctly. Refer to *Transportation on page 28*.
7. Make sure that there are diamond tools on the tool plates and that the diamond tools and tool plates are tightly attached.
8. Connect a dust extractor to the product. Refer to *To connect a dust extractor on page 14*.
9. Adjust the handle and the handlebar to an applicable operation height. Refer to *To adjust the handle and the handlebar on page 17*.
10. Make sure that the battery is connected. Refer to *To connect and disconnect the battery on page 17*.
11. Make sure that the propane tank is connected. Refer to *To connect and disconnect the propane tank on page 18*.

- Turn the emergency stop button on the control panel clockwise to make sure that the emergency stop button is disengaged.



- Lower the support frame (B).



- Fold up the support frame in the opposite sequence.

Diamond tools

There are many different types and configurations of diamond tools for the product. Metal bonded diamond tools are used for removal of material and resin bonded diamond tools are used to polish surfaces. Select the correct diamond tools for the surface. Speak to your Husqvarna dealer or go to www.husqvarnaconstruction.com for support to select the correct tool.

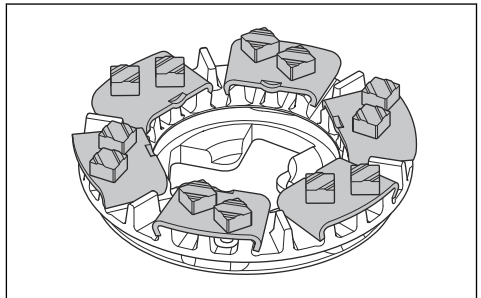
Disc holder alternatives for diamond tools

- Use the EZ Wing disc holder to attach metal bonded diamond tools.
- Use a resin disc holder to attach plastic bonded diamond tools.

Full set and half set of diamond tools

The configuration of the diamond tool segments has an effect on the end quality of the surface. The configuration also has an effect on the operation rate of the product.

- Full set of diamond tools: This configuration is applicable for a flat floor finish.



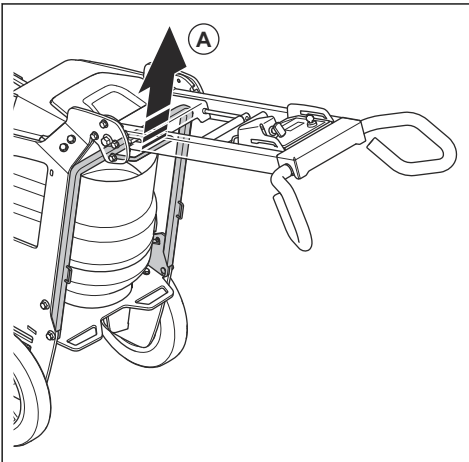
To engage and disengage the support frame

The product has a support frame that is used to tilt the product rearward. Also, the support frame is used as a suspension device to hang the dust extractor hose.

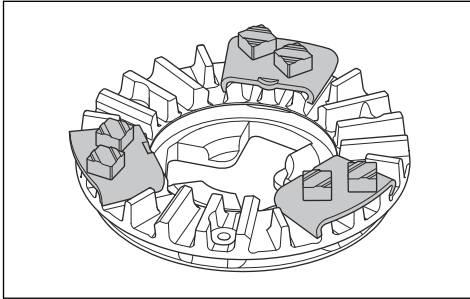


WARNING: Be careful when you move the support frame. The moving parts can cause injury.

- Lift the support frame (A) a small distance.



- Half set of diamond tools: This configuration is applicable when a flat floor finish is not necessary.



To replace the diamond tools



WARNING: Use protective gloves, as diamond tools can become very hot.



WARNING: Use approved respiratory protection when you replace the diamond tools. The dust below the grinding head is dangerous to your health.

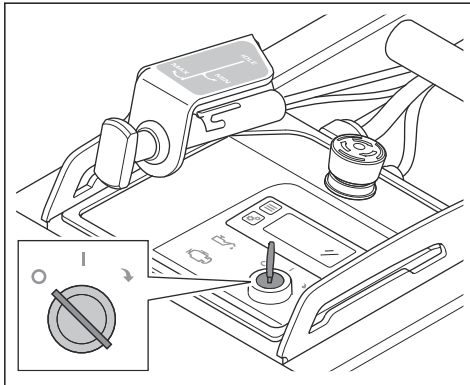


WARNING: Use the dust extractor when you replace the diamond tools. The dust extractor will decrease the dust that can cause health problems.

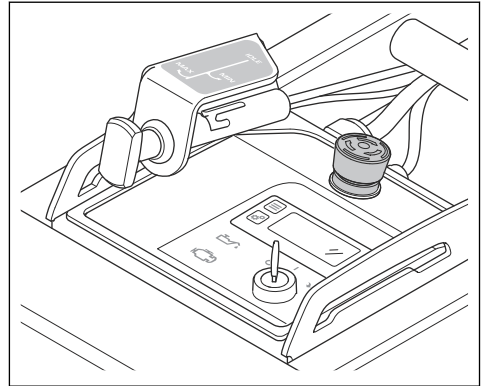


CAUTION: All the grinding discs must always have the same number and type of diamonds. The height of the diamonds must be the same on all grinding discs.

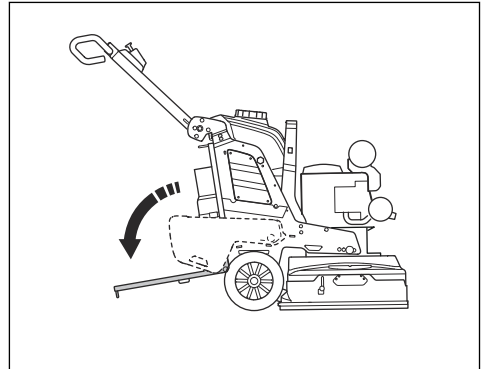
1. Turn the ignition key to 0.



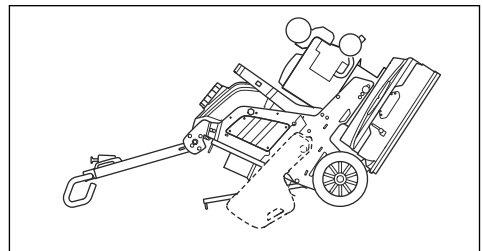
2. Push the emergency stop button.



3. Set the handle in servicing position. Refer to *Handle positions* on page 17.
4. If weights are installed, adjust the weights to a rearward position. Refer to *To adjust the weights* on page 20.
5. Engage the support frame. Refer to *To engage and disengage the support frame* on page 12.



6. Make sure that the water tank cap is fully closed before you tilt the product.
7. Hold the handlebar and with one foot on the support frame tilt the product rearward. Tilt the product until the handlebar is on the floor.



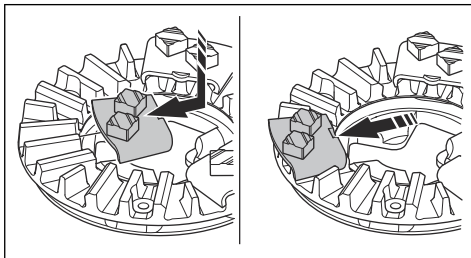


WARNING: Make sure that the product is in a stable position before you replace the diamond tools.



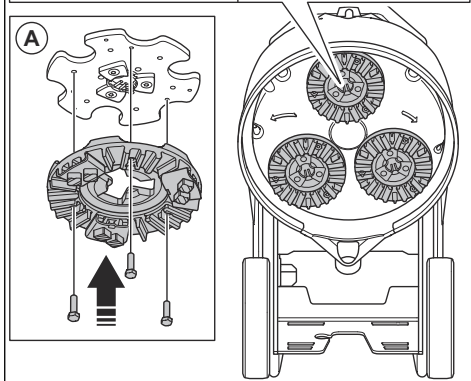
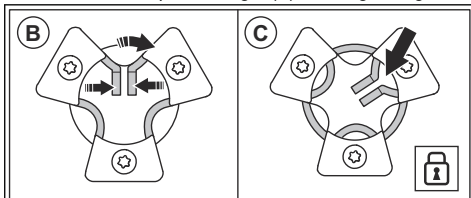
WARNING: When you replace the diamond tools, you are close to the muffler. The muffler becomes very hot during and after use and when the engine operates at idle speed. Do not touch the muffler and be careful near flammable materials and/or fumes to prevent fire.

- Attach new diamond tools to the tool plate with a soft hit of the hammer.



- Put on protective gloves.
- Push the center tabs together and rotate counterclockwise (A) to unlock the tool plate from the grinding disc (B).

- Attach the tool plate straight (A) on the grinding disc.



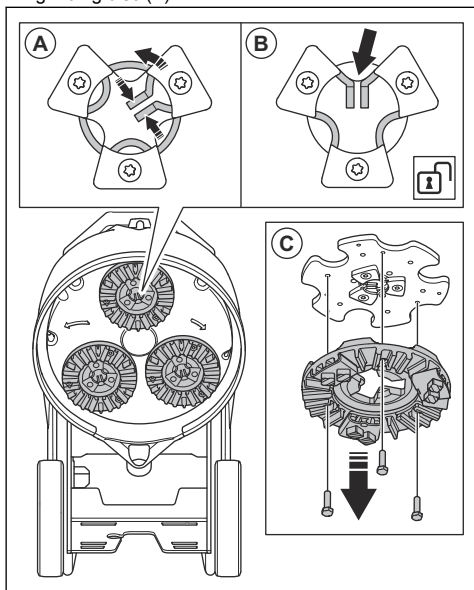
- Push the center tabs together and rotate clockwise (B) to lock the tool plate to the grinding disc (C).
- Carefully lift the product to operation position. Use the handlebar and the support frame for support.
- Disengage the support frame.

To connect a dust extractor

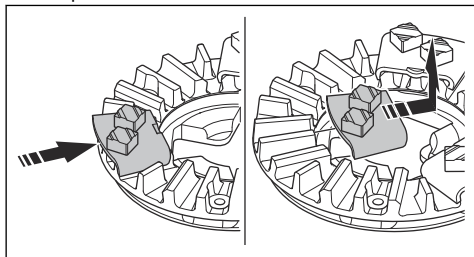


WARNING: Do not use the dust extractor if the dust extractor hose is damaged. The risk increases that you breathe in dust that is dangerous to your health. Use approved respiratory protection.

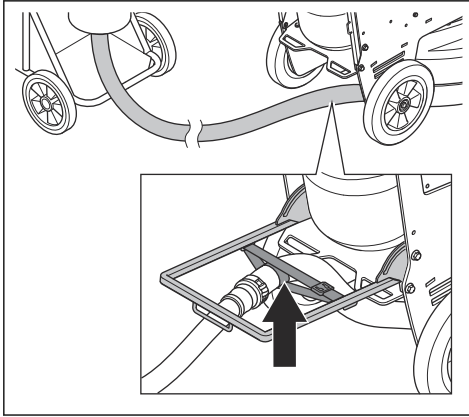
- Examine the dust extractor hose for damages.
- Make sure that the filters in the dust extractor are clean and not damaged.
- Make sure that the grinding head is not in operation.
- Connect the dust extractor hose to the product.



- Pull the tool plate straight out (C) to remove the tool plate from the grinding disc.
- Use a hammer to remove the diamond tools from the tool plate.



5. Engage the support frame. Refer to *To engage and disengage the support frame on page 12.*
6. Hang the dust extractor hose on the suspension device on the support frame to prevent tension in the dust extractor hose.



7. Disengage the support frame.

Wet grinding

The product has a water distribution system for wet grinding.



WARNING: Use non-slip shoes. A wet surface can cause you to fall.



CAUTION: Stop the water supply when you do not operate the product. Always use wet grinding with liquid suction.

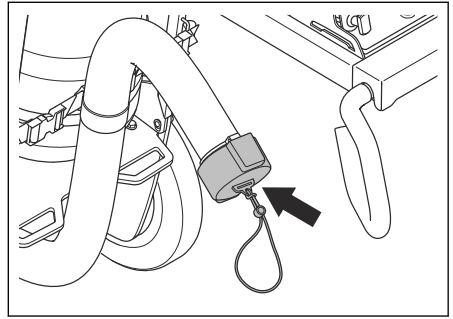


CAUTION: Do not add other liquids than water to the water tank. Other liquids can cause damage to the product and be harmful to the environment.



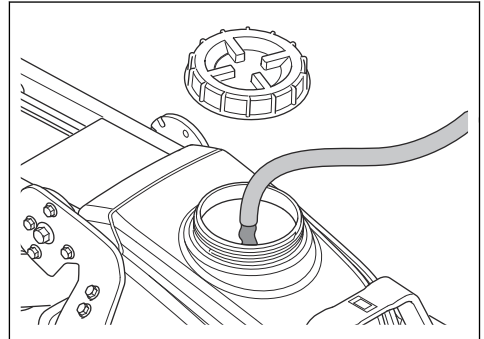
CAUTION: Do not use the water tank for storage or to clean items.

- Wet grinding is used for hard floors. Wet grinding also gives a better performance of the diamond tool, decreases the grinding temperature and is used for dust management.
- Use a hose cap when wet grinding to decrease the quantity of dust in the air.



To fill the water tank

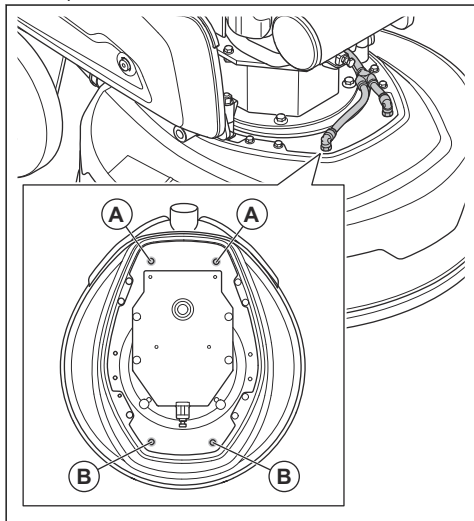
1. Remove the water tank cap.



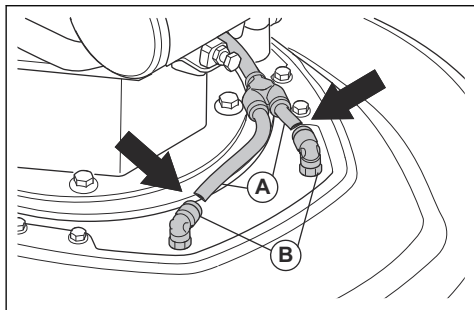
2. Fill the water tank with water.
3. Install the water tank cap.

To connect the hoses

1. Use the elbow fittings at the rear (A) or front (B) of the product.



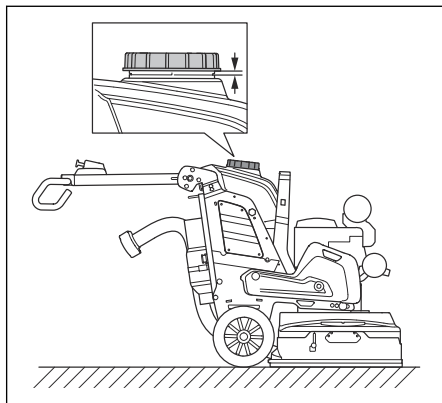
2. Connect the water hoses (A) to the elbow fittings (B) if you move the connection from rear to the front water feed.



To adjust the water flow

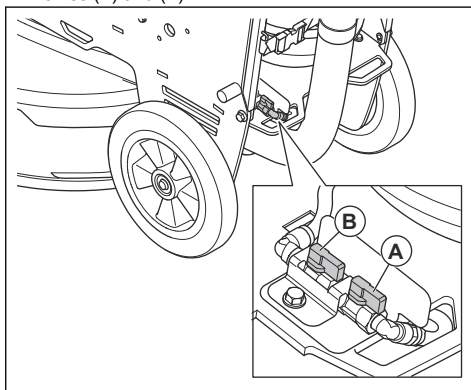
- Water distribution system is gravity supplied.

Note: If you have to tilt the product, make sure that the tank cap is fully installed.



Note: It is easier to tilt the product when the water tank is empty.

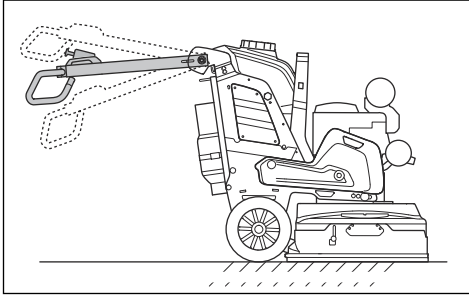
- Start, stop and adjust the water flow with the 2 valves (A) and (B).



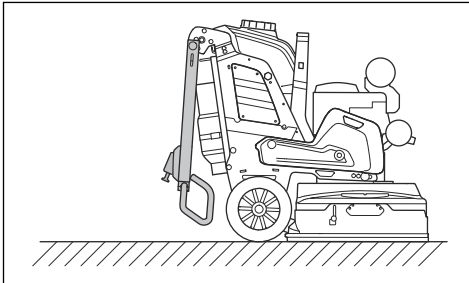
- a) Turn the valve (A) to start and stop the water flow.
- b) Turn the valve (B) to adjust the flow rate.

Handle positions

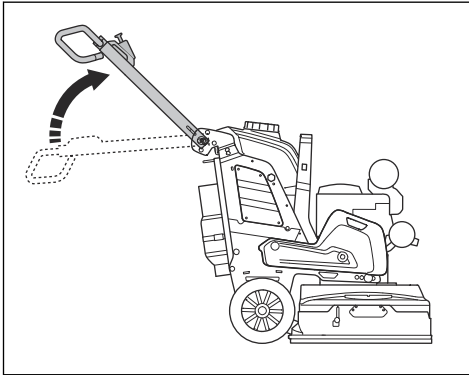
- Operation position of the handle:



- Transport position of the handle:



- Servicing position of the handle:



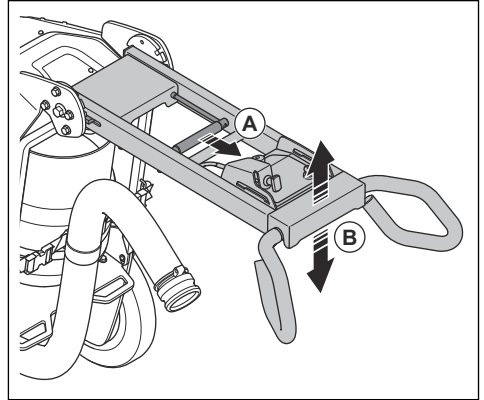
To adjust the handle and the handlebar



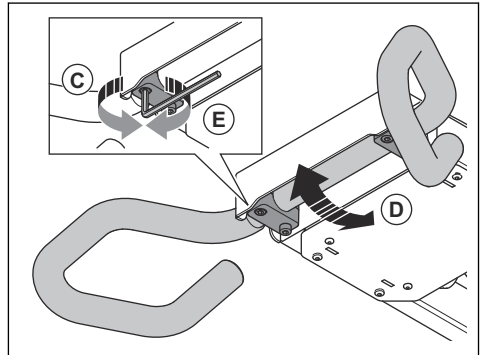
WARNING: Be careful when you adjust the handle and the handlebar. Make sure that the handle and the handlebar locks into position. The moving parts can cause injury.

Set the handle height as close as possible to the height of the operators hip. During operation the product can pull to the side. The hip of the operator can help to stop this movement to the side.

1. Pull the lock lever (A) on the handle in the direction of the control panel and hold it in this position.



2. Adjust the handle (B) to an applicable operation height.
3. Release the lock lever on the handle to lock the handle position.
4. Loosen the 4 screws (C) on the handlebar.



5. Adjust the handlebar (D) to an applicable operation height.
6. Tighten the 4 screws (E) on the handlebar to lock the handlebar position.

To connect and disconnect the battery

1. Connect the red cable (+) first and then the black cable (-). Make sure that the cables are tightly connected to the battery.
2. Make sure that the strap that holds the battery in position is correctly installed. The battery cannot move when the battery is correctly installed.
3. Disconnect the battery in opposite sequence.

To connect and disconnect the propane tank



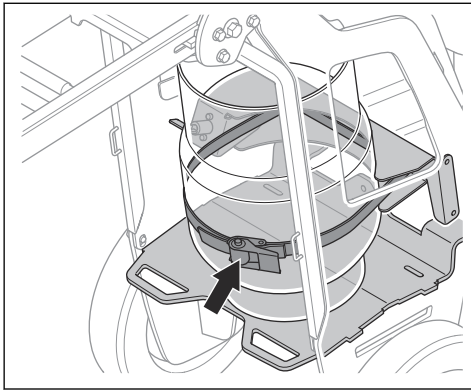
CAUTION: Make sure to use the correct propane tank type. An incorrect propane tank can cause damage to the product. Refer to *Technical data on page 31*.



CAUTION: Make sure that the propane tank is in correct position. Do not use the propane tank upside down.

If the propane tank is connected and the product is not in operation, close the propane tank valve.

1. Make sure that the propane tank is tightly held in position by the lock and the holder plate. The propane tank cannot move when the propane tank is correctly installed.



2. Connect the propane hose from the product to the propane tank.
3. Make sure that the propane hose is correctly connected to the fuel valve on the engine.
4. Make sure the all couplers are in line. Tighten the couplers by hand to connect the propane tank to the product.

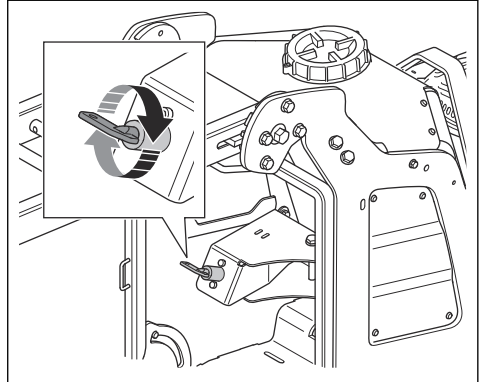


CAUTION: Do not use a tool to complete the connection of the propane tank to the product. The couplers can be damaged.

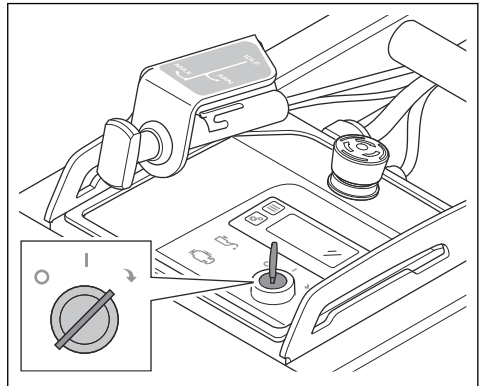
5. Turn the propane tank valve counterclockwise until it stops to start the flow of the propane.
6. Do a soap test on all propane lines. Refer to *To examine the propane tank and lines on page 22*.
7. Disconnect in the opposite sequence.

To start the product

1. Connect the propane tank. Refer to *To connect and disconnect the propane tank on page 18*.
2. Turn the main switch clockwise.



3. Pull out and turn the throttle control to idle speed for the engine. Refer to *Rpm for the engine on page 5*.
4. Turn and hold the ignition key to engine start position.



5. When the engine starts, immediately release the ignition key. The ignition key goes to the "1" position.



CAUTION: Do not try to start the engine for more than 5 seconds at a time. If the engine does not start, wait 15 seconds before you try again.

6. Before you operate the product, wait 3-5 minutes and let the engine become warm at idle speed. Refer to *Rpm for the engine on page 5*.

To operate the product



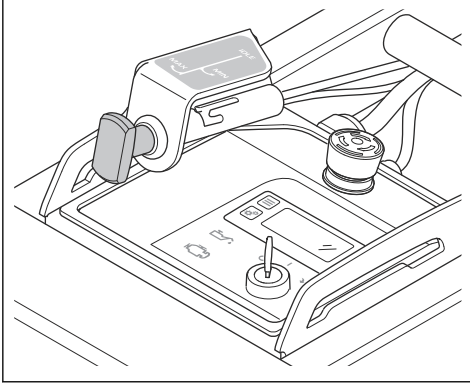
CAUTION: Move the product all the time while the grinding head is on. If you

do not move the product, the surface can become rough.



WARNING: Do not use on surfaces that have a gradient higher than that marked on the machine.

1. Start the engine. Refer to *To start the product on page 18*.
2. Pull out and turn the throttle control to "MIN" or "MAX" position.



3. Push the product forward across the floor surface. Use the throttle control to adjust the speed between "MIN" and "MAX" while you operate the product.

To stop the product

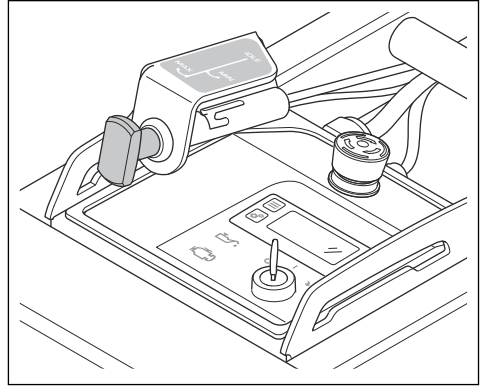


CAUTION: Do not lift the grinding head from the surface when you stop the engine. The tool plates rotate for a while after the engine stops. Dust can go into the air and the surface can become damaged.



CAUTION: Do not let the product become stationary until the tool plates stop fully.

1. Pull out and turn the throttle control to idle speed for the engine. Refer to *Rpm for the engine on page 5*.



2. Turn the propane tank valve clockwise until it stops to stop the propane supply to the engine.



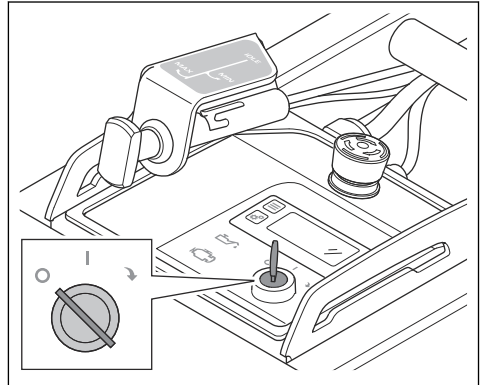
WARNING: Use protective gloves when you touch the propane tank valve. The propane tank valve can be very cold.

3. Keep the tool plates against the surface until they stop fully.

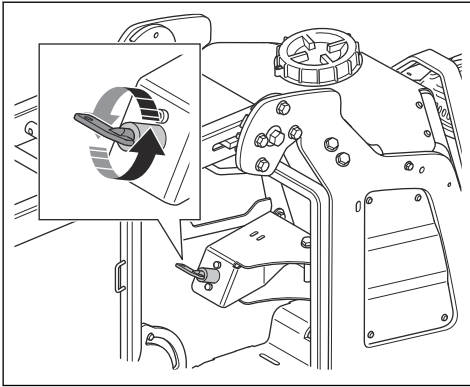


CAUTION: If you grind adhesive asphalt, paint or equivalent material, the product can attach to the adhesive surface. Immediately after the tool plate stopped fully, lift up the front of the grinding head a small distance.

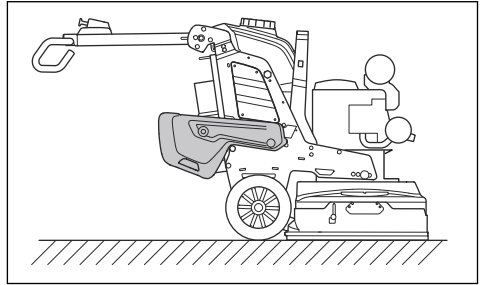
4. Wait until the engine stops. The engine stops when there is no fuel in the line.
5. Turn the ignition key to the engine stop position.



6. Turn the main switch counterclockwise.



- Position 3: Minimum pressure on the grinding head. This position is also used when you tilt the product to servicing position.



To adjust the weights



WARNING: Be careful when you adjust the weights. The moving parts can cause injury.

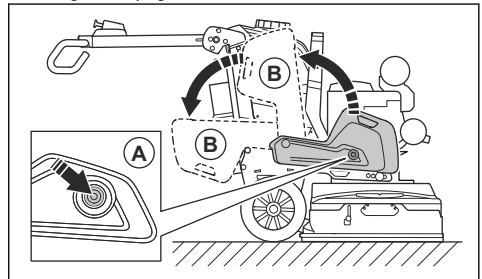


WARNING: Always make sure that the weight lock locks correctly when the weights are put in the selected position.



WARNING: Do not adjust the weights when the product is tilted or in service position.

1. Push in the weight lock (A) and move the weight to a selected position (B) with the weight handle. Refer to *Weights on page 20*.

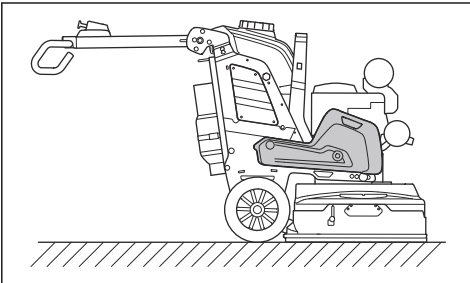


2. Release the weight lock to lock the weight in the selected position.

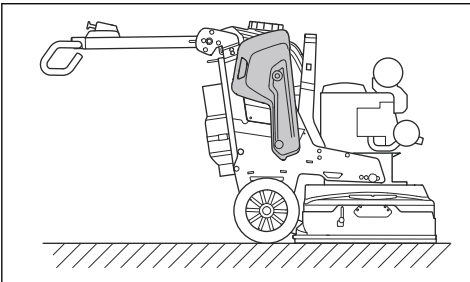
Weights

The product has 1 weight on each side of the product. If the product is heavy to operate, adjust the weights to change the pressure on the grinding head. The weights must be adjusted to the same position on the right and the left side. The weights have 3 positions:

- Position 1: Maximum pressure on the grinding head. This position increases the operation effect. This position is also used when you set the product in transport position.



- Position 2: Standard pressure on the grinding head.



Maintenance

Introduction



WARNING: Before you do maintenance, you must read and understand the safety chapter.

For all servicing and repair work on the product, special training is necessary. We guarantee the availability of professional repairs and servicing. If your dealer is not a service agent, speak to them for information about the nearest service agent.

For more detailed information, refer to www.husqvarnaconstruction.com.

To do before the maintenance

- Use personal protective equipment. Refer to *Personal protective equipment on page 8*.
- Use approved respiratory protection. The dust from the product is dangerous to your health.

- Park the product on a level surface.
- Stop the engine and disconnect the battery and the propane tank to prevent accidental start during maintenance.
- Clean the area around the product from oil and dirt. Remove unwanted objects.
- Set out clear signs to give a warning to bystanders that maintenance work is in progress.
- Keep fire extinguishers, medical supplies and an emergency phone near.

Maintenance schedule

* = General maintenance done by the operator. The instructions are not given in this operator's manual.

X = The instructions are given in this operator's manual.

O = The instructions are not given in this operator's manual. Let an approved service agent do the maintenance.

Maintenance	Daily	Weekly	Every 100 h	Each 12 months or 250 h
Do a check of the ignition lock.	*			
Do a check of the throttle control.	*			
Do a check of the emergency stop button.	X			
Do a check of the attachment points and the lock function for the handle.		*		
Do a check of the attachment points and the lock function for the weights.		*		
Clean the external surfaces of the product.	X			
Do a check of the oil cooling fins. If it is necessary, clean the oil cooling fins.	X			
Do a general inspection.	X			
Do a check of the grinding discs.	X			
Do a function check of the drive system for the grinding head.		X		
Examine the propane tank and all lines for leaks.	X			
Do a check of engine oil level.	X			
Replace the filter in the carbon monoxide detector.			X	
Replace the engine oil.			X	
Replace the oil filter.			X	
Replace the air filters.			X	
Examine the spark plug.			X	

Maintenance	Daily	Weekly	Every 100 h	Each 12 months or 250 h
Do the service on the drive system for grinding discs.				○
Do a check of the connection between chassis and grinding head.		*		

To clean the product



WARNING: Use correct personal protective equipment (PPE) when you clean this product.



CAUTION: A blocked air intake decreases the performance of the product and can cause the engine to become too hot.

- Remove blockage from all air openings. The product must always have sufficiently cool temperature.
- Do not use chemicals to clean the product.
- Do not clean electrical components with water.
- Do not clean the carbon monoxide detector with water or use water near the detector. The filter in the carbon monoxide detector is sensitive.
- Always clean all the equipment at the end of the work day. Clean the components at the bottom surface of the grinding head with a high-pressure washer.



CAUTION: Do not point the high-pressure washer directly at seals or connection points.

To clean the battery

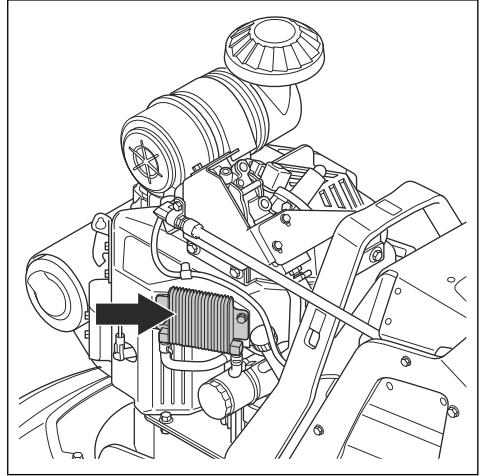


CAUTION: Do not clean the battery with water.

- Clean the battery terminals with compressed air or use a soft and dry cloth.
- Clean the surfaces of the battery with a soft and dry cloth.

To clean the cooling fins

1. Clean the oil cooling fins with a brush or with compressed air and vacuum cleaner.



Drive system for grinding head

The drive system for the grinding head is a closed system. If you have problems with the drive system of the grinding head, speak to your Husqvarna service agent.

To examine the propane tank and lines



CAUTION: Examine the propane tank and lines each time the propane tank is filled and/or connected to the product.

1. Make sure that the propane tank has no damages.
2. Connect the propane tank to the product. Refer to *To connect and disconnect the propane tank on page 18*.
3. Apply a soap mixture as a spray at all lines and connections. For soap mixture use 50% soap and 50% water.
4. If there are bubbles, there is a leakage. Do not start the engine if there is a leakage. Speak to an approved service agent.

To fill the propane tank



CAUTION: Examine the propane tank and lines each time the propane tank is filled and/or connected to the product. Refer to *To connect and disconnect the propane tank on page 18*.

Do not fill the propane tank too much. The propane tank can hold a maximum of 9 kg/20 lbs of propane. A full propane tank must not weigh more than 21.8 kg/48 lbs. If the propane tank is filled too much, frost shows on the propane lines or on the regulator.

1. Stop the product. Refer to *To stop the product on page 19*.
2. Make sure that the propane tank valve is closed.
3. Remove the propane tank from the product.
4. Fill the propane tank with new propane or replace the propane tank.
5. If the propane tank is filled too much, use a screwdriver at the propane tank valve to release unwanted propane. Release the propane in a safe procedure, refer to *Propane safety on page 9*.
6. Install the filled/new propane tank to the product. Refer to *To connect and disconnect the propane tank on page 18*.
7. If the weather is cold, keep the product indoors before use to warm up the propane tank. You can also use a propane tank heat blanket to warm up the propane tank.

To examine the oil level



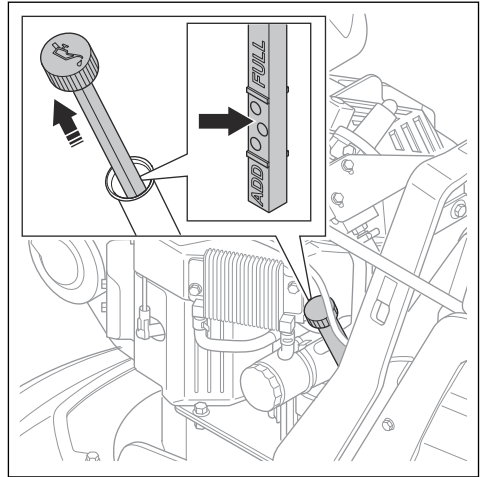
WARNING: Hot engine oil can cause injury. Make sure the engine is warm, not hot, before you remove the oil.

Examine the oil level each day before you operate the product.

Table 1: Engine oil capacity

FX801V / FX751V	2.1 L (2.2 US-qt) [when oil filter is not removed]
	2.3 L (2.4 US-qt) [when oil filter is removed]

1. Remove the oil gauge from the tube.

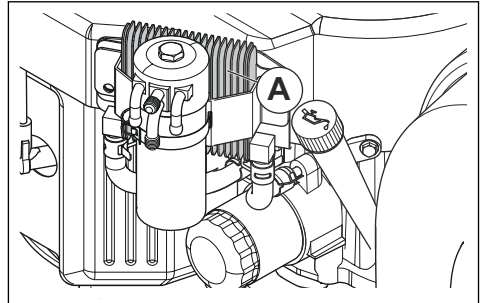


2. Examine the oil level. Make sure that the oil level is between "add" and "full".

To clean the oil cooler

Check and clean the oil cooler fins at a 100 hour interval.

1. Use a brush or compressed air to clean the oil cooler fins (A) from dirt.



To change the oil



WARNING: Hot engine oil can cause injury. Make sure the engine is warm, not hot, before you remove the oil.

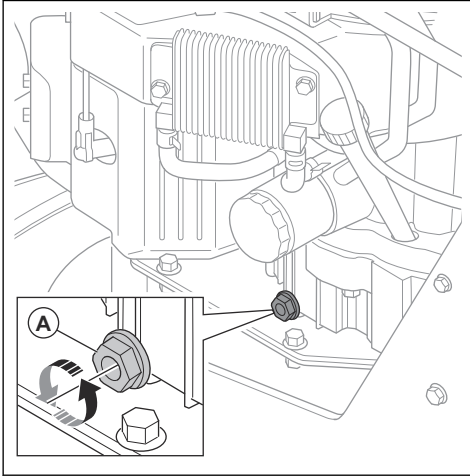


WARNING: Engine oil is poisonous. Make sure that you obey national regulations when you dispose the engine oil.

Note: Put a container beneath the oil filter before you remove the oil filter.

Change the oil every 100 hours of operation.

1. Operate the product to make sure that the engine oil is warm.
2. Make sure that the product is on a flat surface.
3. Stop the product.
4. Remove the oil drain plug (A) and drain the oil into a container while the engine is warm.



5. Attach the oil drain plug.
6. Fill the engine with oil and examine the oil level

To change the oil filter



WARNING: Hot engine oil can cause injury. Make sure the engine is cool before you remove the oil filter.



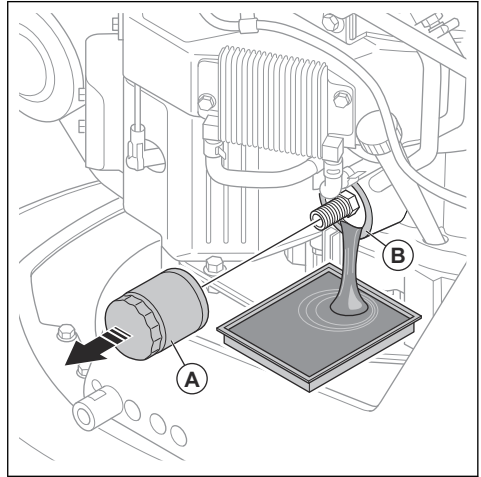
WARNING: Engine oil is poisonous. Make sure that you obey national regulations when you dispose the engine oil.

Note: Put a container beneath the oil filter before you remove the oil filter.

Change the oil filter each 200 hours of operation.

1. Drain the engine oil into a container.

2. Turn the oil filter counterclockwise and remove the oil filter (A).



3. Put clean engine oil on the seal of new filter.
4. Attach the new filter. Turn the filter clockwise until the seal touches the surface (B). Then turn the filter $\frac{3}{4}$ of a turn more.
5. Use engine oil to fill the engine.
6. Run the engine for 3 minutes. Stop the engine, and examine the oil filter for leakage.
7. The oil level decreases after a filter change. Do a check of the oil level and fill oil if it is necessary.

To change the air filters



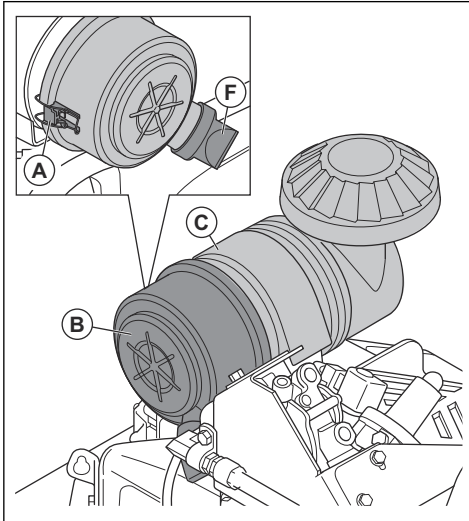
CAUTION: Do not start the engine when the air filters are removed.



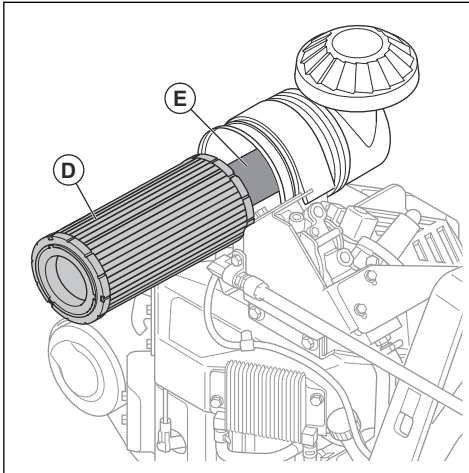
CAUTION: Do not clean the air filters. Replace each air filter when it is necessary, refer to *To replace the filter for the carbon monoxide detector* on page 25.

Note: When there is much dust or dirt in the work area, more frequent maintenance can be necessary.

1. Open the cap (F) to dust ejector valve to remove dust and water from the air filter body (C).



2. Unlock the 2 clamps (A) and remove the case (B).
3. Remove the primary air filter (D). Remove the secondary air filter (E).



4. Put the new air filters in the air filter body.
5. Put the case on the air filter body and lock the clamps.

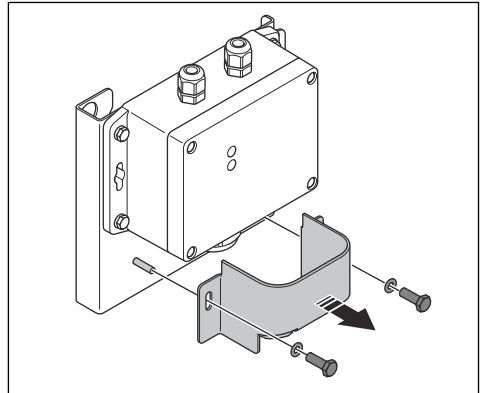
To replace the filter for the carbon monoxide detector



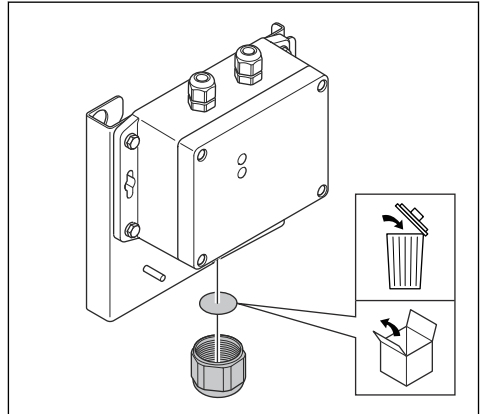
CAUTION: Do not operate the product with the filter for the carbon monoxide detector removed.

Note: Do not clean the filter for the carbon monoxide detector. Replace the filter when it is necessary.

1. Remove the 2 screws and washers and remove the cover.



2. Remove the plastic nut and replace the filter for the carbon monoxide detector.



3. Install the new filter for the carbon monoxide detector in opposite sequence.

To clean or change the spark plug

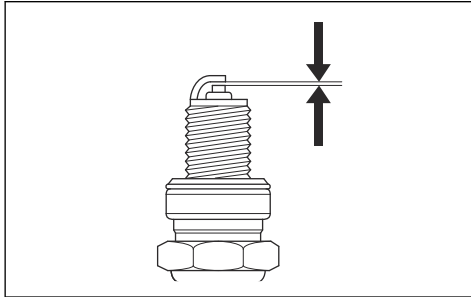


WARNING: Hot engine oil can cause injury. Make sure the engine is cool before you remove spark plug.

Clean or replace the spark plugs every 100 hours of operation.

1. Make sure that the engine is cool.
2. Remove the spark plug cap from the spark plug and remove the spark plug.

- Clean the electrodes. Use a wire brush to remove carbon deposits.
- Examine the spark plug for damage. Replace the spark plug if it is necessary.
- Examine the spark plug distance. The distance must be 0.75 mm (0.030 in). To change the distance, use a spark plug tool to bend the side electrode.



- Install the spark plug. Tighten the spark plugs to 22 Nm (2.2 kgf-m, 16 ft-lb).
- Fit the spark plug cap.

To charge the battery

Use a 12 V battery charger made for lead-acid batteries.

- Connect the positive (+) clamp on the charger to the positive (+) terminal on the battery.
- Connect the negative (-) clamp on the charger to the negative (-) terminal on the battery.
- Connect the charger to a power source.

Troubleshooting

Problem	Cause	Solution
The product does not start.	The battery is not charged.	Charge the battery.
	The main switch is OFF position.	Turn the main switch to ON position.
The engine does not start.	The emergency stop button is engaged.	Turn the emergency stop button on the control panel control clockwise to disengage.
	The propane tank is empty.	Fill or replace the propane tank.
	The propane tank valve is closed.	Turn the propane tank valve to open the propane tank.
	The ignition is damaged.	Speak to an approved service agent.
	The fuse is damaged.	Examine the fuse on the engine. If the fuse is damaged, replace the fuse.
	The battery is not charged.	Charge the battery.
The product does not start immediately when you turn the main switch to ON.	The control panel is damaged or does not work correctly.	Speak to an approved service agent.
The engine starts but stops after a short time.	The propane tank is almost empty.	Fill or replace the propane tank.
	If the symbol check engine and carbon monoxide values come on and the carbon monoxide detector gives sounds, the carbon monoxide values are higher than permitted levels.	Make sure that the work area has good airflow.

Problem	Cause	Solution
The engine is on but the grinder does not start.	The belt is broken.	If the belt is broken, let a service center replace it. Turn one of the grinding discs by hand. If all grinding discs rotate together, the belt is not damaged. If one grinding disc rotates freely, then the belt is broken.
	The clutch disengages.	Speak to an approved service agent.
The engine stops.	If the symbol check engine and carbon monoxide values come on and the carbon monoxide detector gives sounds, the carbon monoxide values are higher than permitted levels.	Make sure that the work area has good air-flow.
The product does not operate smoothly.	The product is not grounded correctly.	Turn the main switch to OFF and speak to an approved service agent.
	Water has entered the control panel.	
The product gives a static electricity discharge.	The product is not grounded correctly. The control panel is damaged or does not work correctly.	Speak to an approved service agent.
The product smells of smoke.	The clutch disengages.	Make sure that the engine speed is not between 1200 and 2600 rpm.
The product is not easy to hold on to.	Too small number of diamond tools are installed on the product.	Increase the number of diamond tools to decrease load on product and operator.
	The belt is broken.	If the belt is broken, let a service center replace it. Turn one of the grinding discs by hand. If all grinding discs rotate together, the belt is not damaged. If 1 grinding disc rotates freely, then the belt is broken.
	The surface or the operation uses too much of the product capacity.	Adjust the speed of the engine and/or the forward speed of the product across the floor.
The product sounds as if it decreases the speed too much.	The pressure in the propane tank is too low.	Fill or replace the propane tank.
	This can be caused by fault with engine or fault with wire to the engine.	If the problem continues, speak to an approved service agent.
	The surface is too thick or the diamond tool configuration is incorrect.	Push down the handlebar slightly to lift the grinding head from the surface when you start the product.

Problem	Cause	Solution
The product makes an irregular scratch pattern.	The diamond tools are incorrectly attached or attached at different heights on the grinding discs.	Make sure that all diamond tools are installed correctly and have the same height.
	The diamond tools are of mixed types.	Make sure that all segments are the same diamond grit and bond. If the diamond segments are rough, space out the rough diamond segments equally. Operate the product on an abrasive surface until all segments have the same height.
	The head locks are loose or missing.	Make sure that all head locks are in position and tightened.
	The resin tools are mixed or have unwanted contamination.	Make sure that all resins are the same diamond grit and bond and that there is no contamination. To clean the resin tools, operate them for a short time on a lightly abrasive surface
	The grinding discs are worn or damaged.	Examine the grinding discs for broken sections or too much movement.
There are sudden unwanted movements in the product.	The grinding discs are worn or damaged.	Examine the grinding discs for damaged parts and too much movement.
	The diamond tools are incorrectly attached or attached at different heights on the grinding discs.	Make sure that all diamond tools are installed correctly and that all have the same height.
	The head locks are loose or missing.	Make sure that all head locks are in position and tightened.
There is no flow of the water or the flow is not sufficient.	The water tank is empty.	Fill the water tank.
	There is dust in the nozzle.	Disconnect the supply hose and clean the nozzle.
	The water system is clogged.	Disconnect the supply hose and flush the water tank until you can see the clean water.

Transportation, storage and disposal

Transportation



WARNING: Be careful during transportation. The product is heavy and can cause injury or damage if it falls or moves during transportation.

The wheels let you move the product shorter distances. For longer distances, lift the product to move it or put the product on a vehicle.



CAUTION: Do not tow the product behind a vehicle.

- Be very careful when you move the product manually or on surfaces with a slope. Small slopes can result in a fast movement that is not possible to brake by hand.
- Safely attach the product during transportation. Make sure that it cannot move.
- Put some type of protection on the product during transportation. The protection keeps natural elements such as rain and snow away from the product.
- Always use the lifting eye on the product when you lift the product.
- Do not lift the product by the handlebar, engine, chassis or other parts.
- Transportation is best done on a pallet.

- Always lift the product with a lift or forklift.
- Do not use a forklift if the product is not put on a pallet or carriage. This can cause damage to the grinding discs and other internal components.
- During transportation, the grinding head must be on the ground. To prevent damage to the lock mechanism of the tool plates, keep the tool plates installed.
- Make sure that the water tank is empty before transportation. Do not transport the product with water in the water tank.

lift the product safely. The type plate on the product shows the product weight.



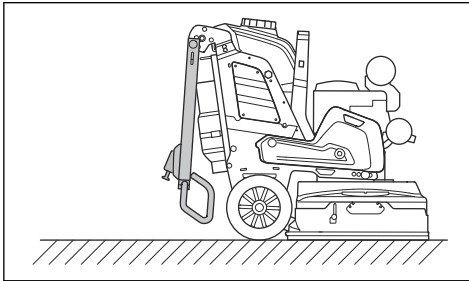
WARNING: Do not walk or stay below or near a lifted product. Keep bystanders away from the risk area. Refer to *Work area safety on page 9*.



WARNING: Do not lift a damaged product. Make sure that the lifting eye is correctly installed and not damaged.

To set the product in transport position

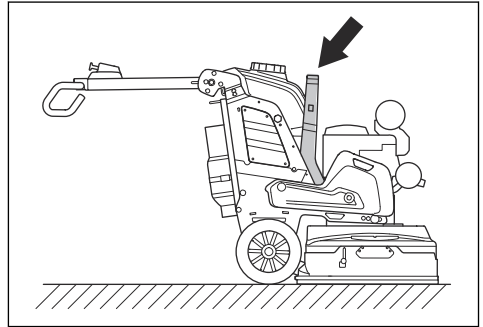
- Fold down the handle. Refer to *To adjust the handle and the handlebar on page 17*.



- If the weights are attached to the product, adjust the weights to forward position. Refer to *To adjust the weights on page 20*.
- Make sure that the grinding head touches the surface.

1. Set the product in transport position. Refer to *To set the product in transport position on page 29*.

2. Attach the lifting equipment at the lifting eye.



To move the product up and down a ramp



WARNING: Be very careful when you move the product up and down ramps. The product is heavy and there is a risk of injury if the product falls or moves too quickly.



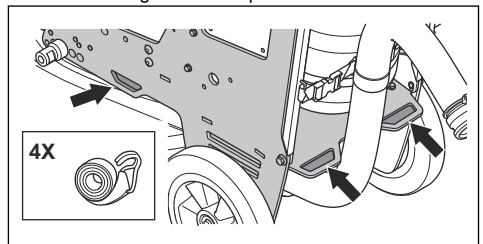
WARNING: For ramps with a steep slope, always use a winch. Do not walk or stay below the product. Do not stay in the product risk area. Refer to *Work area safety on page 9*.

- To move the product down a ramp, operate the product rearward slowly.
- To move the product up a ramp, operate the product forward slowly.
- Do not turn the product more than 45° on a ramp.

To attach the product to a transportation vehicle

The product has tie-down points that are used with tie-down straps to attach the product to the transportation vehicle.

1. Attach the metal hooks of tie-down straps in the tie-down points. Be careful because sharp edges can cause damage to the straps.



2. Attach and tighten the tie-down straps to the vehicle.

To lift the product



WARNING: Make sure that the lifting equipment has the correct specification to



CAUTION: Remove the LPG tank before storage. Do not put the product in

storage outdoors. Always keep the product indoors.



WARNING: The product must be parked safely.

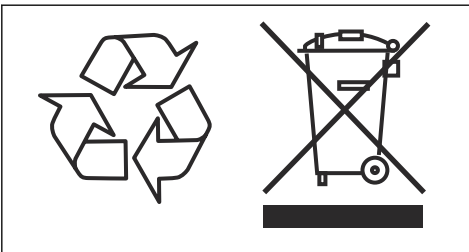
- Keep the product in a dry and frost free area.
- Clean the product and do a complete servicing before you put the product in storage.
- Keep the grinding head on the ground.
- Keep the product in a locked area to prevent access for children or persons that are not approved.
- Always store LPG tanks outside. Remove all propane tanks from inside the building except during equipment use. Store the propane tanks in a secure and well ventilated area.
- Make sure that the water tank is empty before storage. Do not store the product with water in the water tank.

Disposal

Symbols on the product or the packaging of the product indicate that this product cannot be handled as domestic waste. It must be submitted to an appropriate recycling station for the recovery of electrical and electronic equipment.

Make sure to disconnect the propane tank and remove the battery from the product before submitting to an appropriate recycling station. Submit the battery to an appropriate recycling station.

By ensuring that this product is taken care of correctly, you can help to counteract the potential negative impact on the environment and people that can otherwise result through the incorrect waste management of this product. For more detailed information about recycling this product, contact your municipality, your domestic waste service or the shop from where you purchased the product.



Technical data

Technical data

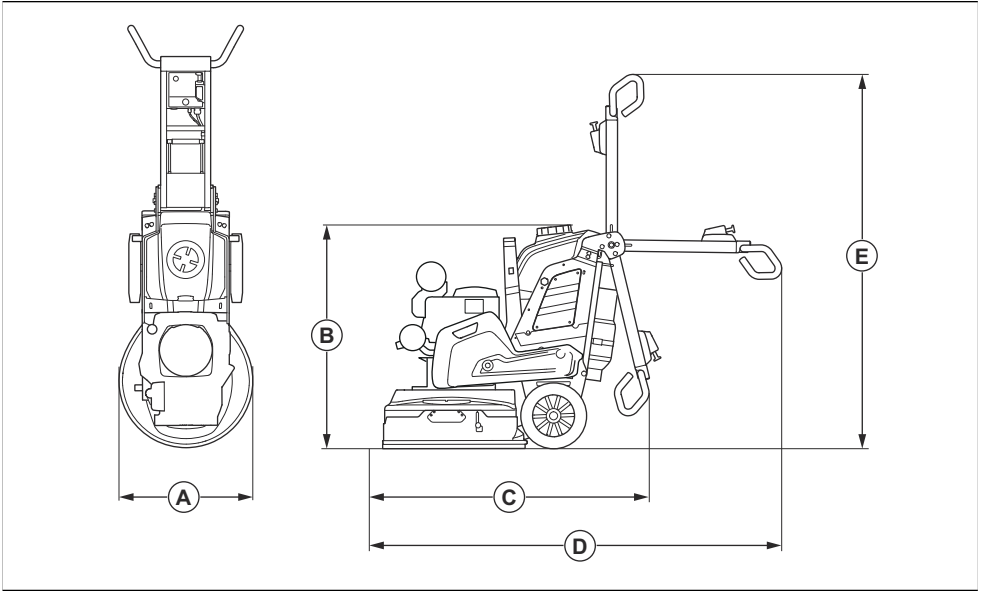
Engine brand/Type ¹	ONYX/LX900
Engine power, hp@rpm/kW@rpm ²	27@3600/20@3600
Weight, kg/lbs	608/1340
Grinding width, mm/in.	800/31.5
Grinding disc, mm/in.	270/10.6
Weight in position 1 (forward), kg/lbs	317/699
Weight in position 2 (vertical), kg/lbs	258/509
Weight in position 3 (rearward), kg/lbs	220/485
Grinding disc speed, min/max rpm	742/861
Grinding head speed, min/max rpm	102/119
Engine speed, rpm	1200-3600
Direction of rotation	Grinding head: clockwise Grinding disc: counterclockwise
Max. gradient, degrees °	10
Type of battery	Lead-acid battery, 12 V, 20 Ah
Enclosure, IP	54
Fuel	Propane liquid and Vapor withdrawl
Gas tank size, max (DxH), in/mm. See Note	12.2 x 23.5/310 x 600
Gas amount in tank, max, kgs/lbs. See Note	10/20
Gas tank weight (incl. gas), max kgs/lbs. See Note	25/50
Spark plug gap, mm/in.	0.76/0.03
Recommended dust extractor ³	
Dust extractor attachment, mm/in.	75/3
Min. Air flow, m ³ /h /CFM	600/353
Min. Vacuum, kPa/psi	28/4.1
Note: Only use gas tank compliant to DOT specifications. Ask your authorized dealer.	

¹ For further information and questions about this specific engine, refer to the engine manual or the web site for the engine manufacturer

² As specified by engine manufacturer. Gross power rating as per SAE J1940/J1995, at specified rpm.

³ Technical data for dust extractors are not conclusively describing actual performance over time between different dust extractors. For Husqvarna products OSHA objective data are available at www.husqvarnacp.com/us.

Product dimensions



A	Width, mm/in.	830/33
B	Min. total height (handle folded), mm/in.	1163/40
C	Min. total length (handle folded), mm/in.	1414/56
D	Max. total length (handle extended), mm/in.	2235/88
E	Max. total height (handle extended), mm/in.	1973/78

Warranty

U.S. FEDERAL and CANADA EMISSION CONTROL

U.S. FEDERAL and CANADA EVAPORATIVE EMISSION CONTROL WARRANTY STATEMENT

IMPORTANT: This product is compliant with U.S. EPA Phase 3 regulations for evaporative emissions. We recommend using only genuine product branded replacement parts to ensure that your product remains compliant with federal and state laws.

YOUR WARRANTY RIGHTS AND OBLIGATIONS

The U.S. EPA, and Husqvarna Construction Products North America Inc. (HCP) are pleased to explain the evaporative emission control system warranty on your small off-road equipment in accordance with the U.S. Environmental Protection Agency (EPA), and Environment Canada requirements. In the U.S. and Canada, new small off-road equipment and emission control systems must be designed, built and equipped to meet stringent air emission standards. HCP warrants the evaporative emission control system on your small off-road equipment for the period of time listed below provided there has been no abuse, neglect, improper maintenance, unapproved modifications, or misuse of your small off-road equipment. Where a warrantable condition exists, we will repair your small off-road equipment or any emission-related part of your evaporative emission control system (as listed in the Emission- Related Warranty Parts List) at no cost to you. Expenses covered under warranty include diagnosis, parts and labor, and shipping if required as provided in this Warranty.

MANUFACTURER'S WARRANTY COVERAGE

HCP warrants to the initial consumer purchaser and each subsequent purchaser that the evaporative emission control system, have been designed, built and equipped so that they conform at the time of sale to the initial consumer purchaser, and for a period of two years thereafter, to the requirements of the applicable provisions of federal and state clean air and emissions laws and regulations, and are free from defects in materials and workmanship which would cause them not to comply with those requirements. If any emission related part on your evaporative emission control system is defective, the part will be repaired or replaced.

OWNER'S WARRANTY RESPONSIBILITIES

As the small off-road equipment owner, you are responsible for performing the required maintenance listed in your Operator's Manual. We recommend that you retain all receipts covering maintenance on your small off-road evaporative emission control system, but we will not deny warranty coverage solely for the lack of receipts or for your failure to ensure the performance of all scheduled maintenance. As the small off-road equipment owner, you should however be aware that

we may deny you warranty coverage if a part of your small off-road equipment evaporative emission control system has failed due to abuse, neglect, improper maintenance, unapproved modifications, or misuse. You are responsible for presenting your small off-road equipment to a HCP authorized service center as soon as a problem exists. If the nearest HCP authorized service center is more than 100 miles from your location, we will arrange and pay for the shipping costs to and from a HCP authorized service center or otherwise arrange for warranty service in accordance with applicable regulations. The warranty repairs will be completed in a reasonable amount of time not to exceed 30 days.

WHAT IS COVERED

REPAIR OR REPLACEMENT OF PARTS Repair or replacement of any defective warranted part will be performed at no charge to you at HCP authorized service center. Except for repairs and replacement under this Evaporative Emission Control Warranty, you may choose a repair shop or other person to maintain, replace or repair emission control devices and systems. However, we recommend that all maintenance, replacement and repairs of evaporative emission control devices and systems be performed by a HCP authorized service center.

WARRANTY PERIOD Any warranted part which is not scheduled for replacement as required maintenance, or which is scheduled only for regular inspection to the effect of "repair or replace as necessary" is warranted for 2 years from the date of purchase by initial consumer purchaser or the length of time of the limited warranty provided with the product whichever is longer. Any warranted part which is scheduled for replacement as required maintenance shall be warranted for the period of time up to the first scheduled replacement for that part.

DIAGNOSIS You will not be charged for diagnostic labor which leads to the determination that a warranted part requires repair or replacement under this warranty, if the diagnostic work is performed at a HCP authorized service center. **OTHER DAMAGE** Depending on the nature of the damage, we may also repair other engine components caused by the failure of a warranted part still under warranty.

WHAT IS NOT COVERED

All failures caused by abuse, neglect, improper maintenance, unapproved modifications or misuse are not covered. The use of add-on or modified parts can be grounds for disallowing a warranty claim. We may choose not to cover any failure of a warranted part that was caused by use of add-on or modified parts.

The use of alternate fuels such as ethanol blends above 10% by volume (for example E-15, E-20 or E-85), any methanol blended fuel or any diesel can damage

the evaporative emission control system, cause major engine performance and durability problems, and may void this Evaporative Emission Control-related Warranty.

HOW TO FILE A CLAIM

If you have any questions regarding your warranty rights and responsibilities, please contact your nearest HCP authorized service center, or call 1-800-288-5040, or write your message at www.husqvarnacp.com/us/ or [/ca-en/](http://ca-en/) or [/ca-fr/](http://ca-fr/).

WHERE TO GET WARRANTY SERVICE

Evaporative emission control system Warranty services or repairs are provided at all HCP authorized service center. To find your nearest HCP authorized service center, go to the HCP website.

REPAIR AND REPLACEMENT OF EVAPORATIVE EMISSION-RELATED PARTS

Any HCP approved replacement part used in the performance of any warranty repair or replacement on evaporative emission-related parts, will be provided without charge to the owner if the part is under warranty.

EVAPORATIVE EMISSION-RELATED WARRANTY PARTS LIST

1. Fuel tank, lines, cap carbon canister and tip-over/ anti-slosh valves as applicable.
2. All other components the failure of which would increase the engine's emissions of any regulated pollutant as set forth at the following:
 - For U.S. and Canada see US Federal Code of Regulations, 40 C.F.R 1068 Appendix I (iii).

Contenido

Introducción.....	35	Solución de problemas.....	61
Seguridad.....	41	Transporte, almacenamiento y eliminación de residuos.....	63
Funcionamiento.....	45	Datos técnicos.....	66
Mantenimiento.....	55	Garantía.....	68

Introducción

Responsabilidad del propietario



ADVERTENCIA: El procesamiento de hormigón y piedra mediante métodos como corte, amolado o perforación, especialmente en operaciones en seco, genera polvo que proviene del material procesado y a menudo contiene sílice. La sílice es un componente básico de la arena, el cuarzo, la arcilla de los ladrillos, el granito y otros numerosos minerales y rocas. La exposición a una cantidad excesiva de polvo de sílice puede causar las siguientes afecciones:

Enfermedades respiratorias (que afectan la capacidad de respirar), incluidas la bronquitis crónica, la silicosis y la fibrosis pulmonar debido a la exposición a la sílice. Estas enfermedades pueden ser mortales.

Irritación cutánea y sarpullido.

Cáncer, según el NTP* y la IARC* */National Toxicology Program (Programa Nacional de Toxicología) y Centro Internacional de Investigaciones sobre el Cáncer.

Tome medidas preventivas:

Evite inhalar y que su piel entre en contacto con el polvo, el vaho y los gases.

Utilice artículos apropiados para la protección respiratoria como máscaras contra polvo diseñadas para filtrar partículas microscópicas, y asegúrese de que todas las personas que se encuentren cerca también lo hagan. (Consulte la normativa OSHA 29 CFR Parte 1926.1153)

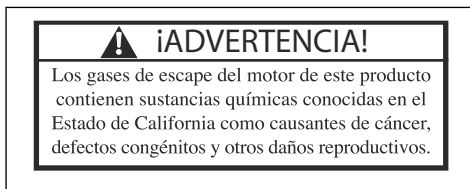
Para reducir al mínimo las emisiones de polvo, utilice agua para aglomerarlo cuando sea posible. Si es necesario realizar una operación en seco, utilice un extractor de polvo adecuado.

Es responsabilidad del propietario o del empleador que el operador posea los conocimientos necesarios sobre cómo utilizar el producto de manera segura. Los supervisores y operadores deben haber leído

y comprendido el manual de usuario. Deben tener conocimiento de lo siguiente:

- Las instrucciones de seguridad del producto.
- La gama de aplicaciones y limitaciones del producto.
- Cómo el producto se va a utilizar y mantener.

El uso de este producto se podría ver restringido por las normativas nacionales o locales. Antes de comenzar a utilizar el producto, infórmese sobre qué normativas se aplican en el lugar donde trabaja.



CONSEJO DE RECURSOS DEL AIRE DE CALIFORNIA (CARB)

Tenga en cuenta: La máquina se considera una aplicación todoterreno fuera de la autoridad reglamentaria del CARB (del inglés California Air Resources Board, Consejo para Recursos del Aire de California). La agencia de protección ambiental de EE. UU. tiene exclusiva autoridad para establecer estándares de emisiones para equipos de construcción anticipados.

Descripción del producto

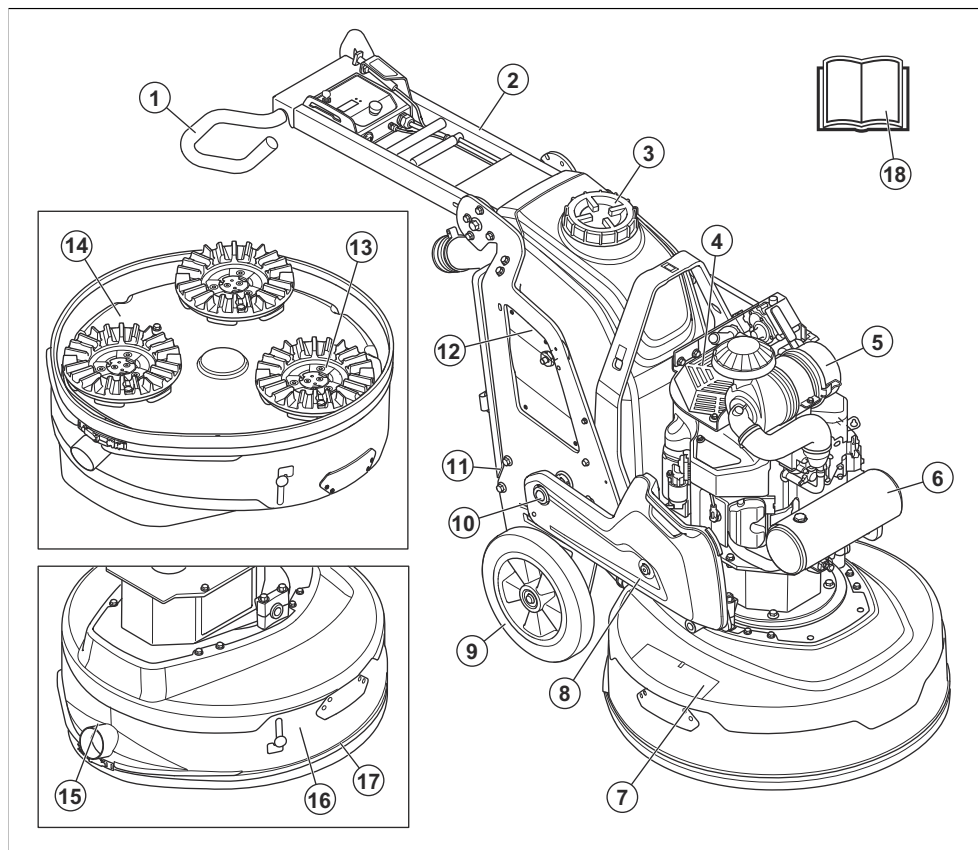
El producto es una amoladora de piso para superficies de diferentes grados de dureza. El producto cuenta con un motor de propano.

Uso previsto

El producto se utiliza para amolar superficies de materiales con distinta dureza, como piedra natural, terrazo y hormigón. También utilice el producto para amolar materiales de cubierta como epoxi y pegamento. El acabado de la superficie puede ser áspero o liso. El producto se puede utilizar para amolar en seco y húmedo. No utilice el producto para otras tareas.

Los operadores profesionales utilizan el producto en operaciones comerciales.

Descripción general del producto, lado derecho



1. Manillar

2. Manilla

3. Depósito de agua

4. Motor

5. Filtro de aire

6. Silenciador

7. Base de la amoladora

8. Bloqueo de peso

9. Rueda

10. Contrapesos

11. Soporte de peso

12. Soporte de contrapeso

13. Disco de amolado

14. Disco de amolar

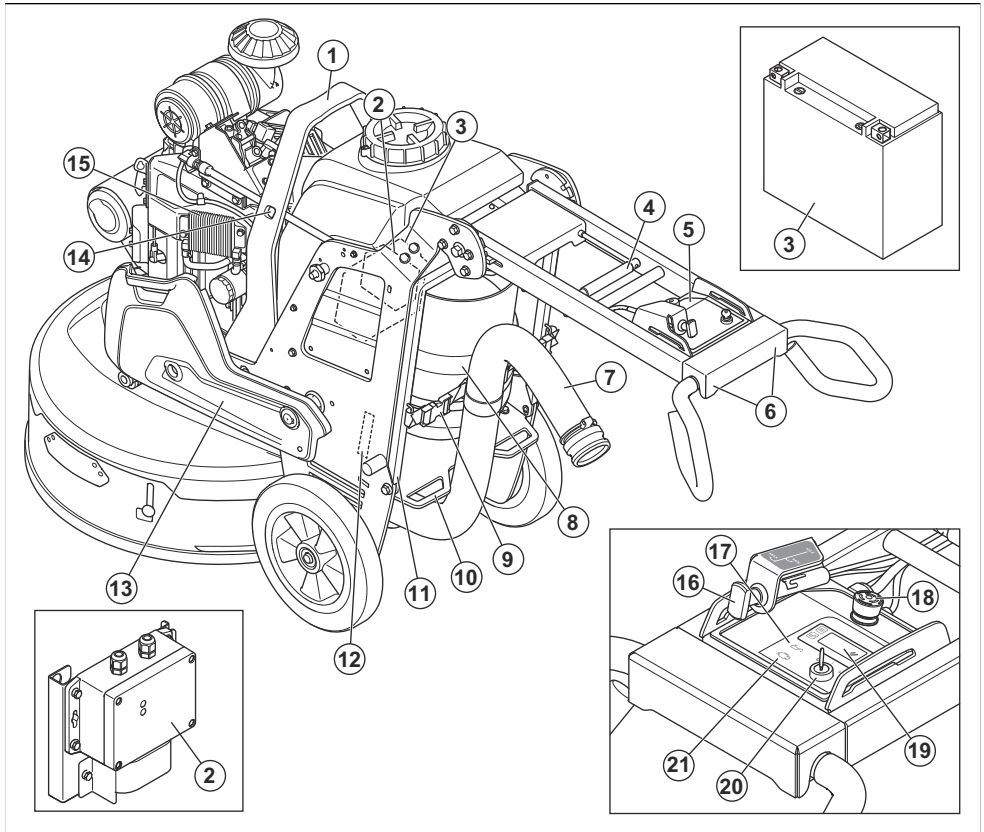
15. Conexión para el extractor de polvo

16. Cubierta

17. Falda de protección contra el polvo

18. Manual de usuario

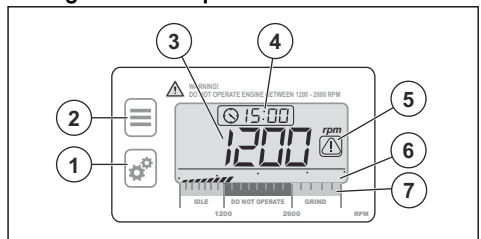
Descripción general del producto, lado izquierdo



1. Cáncamo
2. Detector de monóxido de carbono
3. Batería
4. Palanca de bloqueo para el ajuste del mango
5. Panel de control
6. Tornillos de ajuste del manillar
7. Conexión para el extractor de polvo
8. Depósito de propano
9. Dispositivo de suspensión para el extractor de polvo
10. Punto de amarre
11. Bastidor de soporte
12. Placa de características
13. Contrapeso
14. Orificios para las correas
15. Aletas de refrigeración de aceite
16. Acelerador
17. Indicador de presión de aceite
18. Botón de parada de emergencia

19. Pantalla
20. Bloqueo del encendido
21. Indicador de valores de revisión del motor y de monóxido de carbono

Vista general de la pantalla



1. Botón de ajuste
2. Botón de menú
3. Rpm del motor

4. Reloj
5. Advertencia
6. Calibrador de las rpm del motor
7. Rpm del motor

Para utilizar la pantalla

Utilice el botón de menú y el botón de ajuste para controlar la pantalla.

1. Presione el botón de menú rápidamente para moverse entre las selecciones de la pantalla.
2. Mantenga presionado el botón de menú para ir a la opción seleccionada.
3. En la selección, presione rápidamente el botón de menú para seleccionar entre ENCENDIDO/APAGADO.
4. En la selección, presione el botón de ajuste para ajustar la opción seleccionada.
5. Mantenga presionado el botón de menú para bloquear la selección y volver al menú principal.

Tenga en cuenta: La pantalla vuelve al menú principal si no se utiliza durante 10 segundos.

Menú de la pantalla

Selecciones de menú	Información y ajuste básico	Opciones de ajuste
Tiempo de funcionamiento total	Muestra el tiempo que se ha utilizado el producto.	N/A
Tiempo hasta el siguiente mantenimiento	Muestra las horas que faltan antes de que sea necesario realizar un mantenimiento.	Seleccione "ENCENDIDO" para restablecer.
Rpm máx.	Muestra las rpm máximas utilizadas durante la última operación.	Seleccione "ENCENDIDO" para borrar.
Encendido	El ajuste básico es "1P1r".	N/A
Límite de rpm	Ajuste el rango de rpm entre 2400 y 3600 rpm.	Las rpm se agregan en incrementos de 100 rpm presionando el botón de ajuste rápidamente. Si el botón de ajuste se mantiene presionado, se agregan incrementos de 1000 rpm.

Selecciones de menú	Información y ajuste básico	Opciones de ajuste
Advertencia de rpm	El ajuste básico es "APAGADO". Si está ajustado en "ENCENDIDO", el producto emite una advertencia en un valor de rpm seleccionado.	Las rpm se agregan en incrementos de 100 rpm presionando el botón de ajuste rápidamente. Si el botón de ajuste se mantiene presionado, se agregan incrementos de 1000 rpm.
Advertencia de mantenimiento	El ajuste básico es de 100 h. El producto emite una advertencia cuando se ha utilizado durante esta cantidad de horas.	Las horas se agregan en incrementos de 1 h presionando el botón de ajuste rápidamente. Si el botón de ajuste se mantiene presionado, se agregan incrementos de 10 h.
Advertencia de voltaje	El ajuste básico es de 11,0 V. El producto emite una advertencia en este valor de voltaje.	El voltaje se agrega en incrementos de 0,1 V presionando el botón de ajuste rápidamente. Si el botón de ajuste se mantiene presionado, se agregan incrementos de 1 V.
Tensión de la batería	Muestra el voltaje medido de la batería en V.	N/A
Restauración de los ajustes de fábrica	Restablece el producto a la configuración de fábrica.	Solo debe ser utilizado por un taller de servicio aprobado.

Símbolos de advertencia de la pantalla

La pantalla puede mostrar símbolos de advertencia.

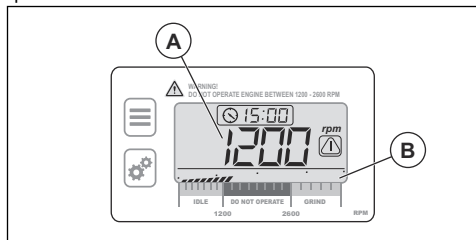
- Advertencia de rpm: la pantalla muestra un triángulo de advertencia.
- Advertencia de batería baja: la pantalla muestra las letras "LOU" y un triángulo de advertencia.
- Advertencia de mantenimiento: la pantalla muestra las letras "SUC" y un triángulo de advertencia.

Rpm del motor



AVISO: Lea la instrucción atentamente y asegúrese de entenderla antes de utilizar el producto.

La pantalla muestra las rpm del motor (A). El calibrador (B) en la pantalla muestra la cantidad de rpm del motor que se utiliza.



El calibrador tiene 3 campos:

- "RALENTÍ": régimen de ralentí, de 0 a 1200 rpm.
- "NO UTILICE EL PRODUCTO": se conecta el embrague, de 1200 a 2600 rpm.

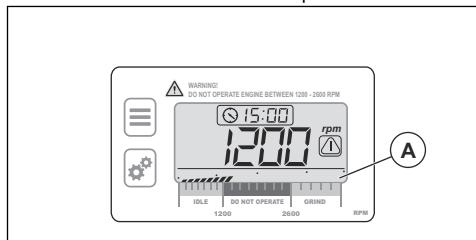


AVISO: No utilice el producto entre 1200 y 2600 rpm. El embrague puede desacoplarse.

- "AMOLAR": el producto se puede utilizar, entre 2600 y 3600 rpm.

Rpm de los discos amoladora

La velocidad de los discos amoladora está relacionada con la velocidad del motor. El calibrador (A) en la pantalla muestra la cantidad de rpm del motor que se utiliza. Cuando el producto se utiliza a un régimen del motor de 2600 rpm, la velocidad de los discos de amolado es de 730 rpm. Cuando el producto se utiliza al régimen máximo del motor, a 3600 rpm, la velocidad de los discos de amolado es de 1010 rpm.



Para mostrar y establecer la hora en la pantalla

El reloj puede mostrar la hora actual, el tiempo total de funcionamiento o el tiempo hasta el mantenimiento del producto.

- Para cambiar la hora:
 - a) Mantenga presionado el botón de menú para ir a la selección del reloj.
 - b) Presione el botón de ajuste rápidamente para cambiar la hora.
- Para mostrar el tiempo total de funcionamiento, presione rápidamente el botón de menú una vez.

- Para mostrar el tiempo hasta el próximo mantenimiento, presione rápidamente el botón de menú 7 veces hasta que aparezcan las letras "SUC".

Detector de monóxido de carbono

Después de arrancar el motor, deje que el detector de monóxido de carbono se caliente y realice una rutina de autodiagnóstico durante 5 minutos. Durante este tiempo, los 2 indicadores LED del detector de monóxido de carbono parpadean. El indicador LED superior parpadea en verde cuando el dispositivo funciona correctamente. El indicador LED superior parpadea en rojo si existe un error en el dispositivo o en el sensor de monóxido de carbono.

Si los valores de monóxido de carbono son de más de 70 ppm, el indicador LED parpadea en rojo. También se encenderá el indicador de valores de revisión del motor y de monóxido de carbono en el panel de control. La alarma se detiene automáticamente cuando los valores de monóxido de carbono son inferiores a 50 ppm.

Si los valores de monóxido de carbono son superiores a 400 ppm, comienza a sonar el zumbador del detector y el motor se detiene. La alarma se detiene automáticamente y el motor se puede volver a arrancar cuando los valores de monóxido de carbono son inferiores a 50 ppm.

Símbolos en el producto



ADVERTENCIA: Este producto puede ser peligroso y provocar lesiones graves o fatales al usuario o a otras personas. Tenga cuidado y utilice el producto correctamente.



Lea atentamente el manual y asegúrese de que entienda las instrucciones antes de usar el producto.



Utilice protectores auriculares, protección ocular y protección respiratoria. Consulte *Equipo de protección personal en la página 42.*



ADVERTENCIA: En caso de inhalación, el polvo puede provocar algún tipo de daño. Utilice una máscara respiratoria aprobada. Evite inhalar los gases de escape. Proporcione siempre una buena ventilación.



El propano es muy inflamable y explosivo.



No limpie el detector de monóxido de carbono con agua ni utilice agua cerca del detector.



Levante siempre el producto por el cáncamo.



Utilice los orificios para las correas de sujeción para sujetar el producto a un vehículo de transporte.



El producto no es un residuo doméstico. Reciclelo en un sitio de reciclaje aprobado para equipos eléctricos y electrónicos.

Tenga en cuenta: Otros símbolos o etiquetas en el producto hacen referencia a requisitos de certificación especiales para algunos mercados.

Símbolos del panel de control



Parada de emergencia.



Los valores de revisión del motor y de monóxido de carbono son mayores que los permitidos. Si es necesario, comuníquese con un taller de servicio aprobado.



La presión de aceite es baja, revise el nivel de aceite. Si es necesario, comuníquese con un taller de servicio aprobado.



Botón de menú para la pantalla.

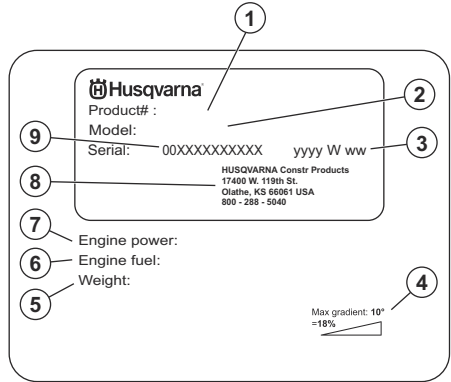


Botón de ajuste para la pantalla.



Puesta en marcha del motor.

Placa de características



1. Número de la máquina
2. Modelo
3. Año de fabricación
4. Pendiente máxima
5. Peso del producto
6. Tipo de combustible
7. Potencia del motor
8. Fabricante
9. Número de serie

Daños en el producto

No somos responsables de los daños a nuestro producto en los siguientes casos:

- el producto se repara incorrectamente
- el producto se repara con piezas que no son del fabricante o que este no autoriza
- el producto tiene un accesorio que no es del fabricante o que este no autoriza
- el producto no se repara en un centro de servicio autorizado o por una autoridad aprobada.

Husqvarna Fleet Services™

Husqvarna Fleet Services™ es una solución en la nube que le proporciona al operador una descripción general de todos los productos que están conectados. En este producto puede haber un sensor Husqvarna Fleet Services™ instalado. El sensor Husqvarna Fleet Services™ recopila datos del producto y le permite conectarse al sistema Husqvarna Fleet Services™. El sistema Husqvarna Fleet Services™ informa datos tales como el tiempo de funcionamiento, intervalos de mantenimiento y ubicación del producto.

Para obtener más información acerca de Husqvarna Fleet Services™, descargue la aplicación Husqvarna Fleet Services™ o hable con el representante de Husqvarna.

Seguridad

Definiciones de seguridad

Las advertencias, precauciones y notas se utilizan para señalar las piezas particularmente importantes del manual.



ADVERTENCIA: Se utilizan para señalar el riesgo de lesiones graves o mortales para el operador o para aquellos que se encuentren cerca si no se siguen las instrucciones del manual.



AVISO: Se utilizan para señalar el riesgo de dañar la máquina, otros materiales o el área adyacente si no se siguen las instrucciones del manual.

Tenga en cuenta: Se utilizan para entregar más información necesaria en situaciones particulares.

Instrucciones generales de seguridad



ADVERTENCIA: Lea atentamente las instrucciones de advertencia siguientes antes de usar el producto.

- Este producto puede ser una herramienta peligrosa si no se maneja con cuidado o si utiliza el producto de forma incorrecta. Este producto puede causar daños graves o fatales al operador o a otras personas. Antes de utilizar el producto, es muy importante que lea y comprenda el contenido de este manual de usuario.
- Este producto no está diseñado para que personas (incluidos niños) con capacidades físicas, sensoriales o mentales reducidas, o con falta de experiencia y conocimientos, lo utilicen.
- Guarde todas las advertencias y las instrucciones.
- Cumpla todas las leyes y reglamentos vigentes.
- El operador y el empleador del operador deben conocer y evitar los riesgos durante la operación del producto.
- No permita que nadie que no haya leído y comprendido el contenido del manual de usuario utilice el producto.
- No utilice el producto si no ha recibido capacitación antes de su uso. Asegúrese de que todos los usuarios reciban capacitación.
- No deje que un niño utilice el producto.
- Restrinja el uso del producto solo a personas autorizadas.
- El operador es responsable de los accidentes que puedan ocurrirles a otras personas o a sus propiedades.

- No utilice el producto si está cansado, enfermo o bajo la influencia de alcohol, drogas o medicamentos.
- Sea siempre cuidadoso y use el sentido común.
- En este producto se genera un campo electromagnético durante su funcionamiento. Este campo puede, en determinadas circunstancias, interferir en implantes médicos activos o pasivos. Para reducir el riesgo de daños graves o mortales, se recomienda que las personas con implantes médicos consulten a su médico y al fabricante del implante médico antes de utilizar este producto.
- Mantenga el producto limpio. Asegúrese de que puede leer señales y etiquetas claramente.
- No utilice el producto si está dañado.
- No modifique este producto.
- No utilice el producto si es posible que otras personas lo hayan modificado.

Instrucciones de seguridad para el funcionamiento



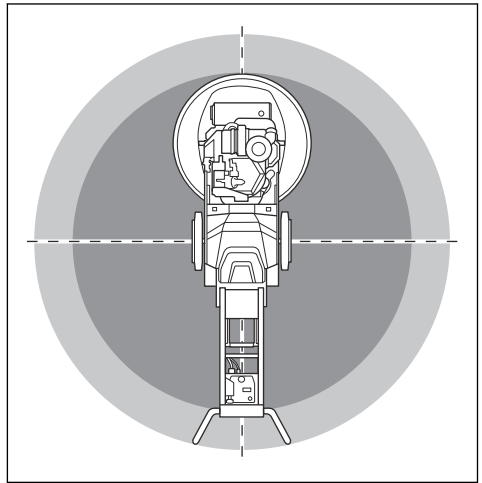
ADVERTENCIA: Lea atentamente las instrucciones de advertencia siguientes antes de usar el producto.

- Utilice equipo de protección personal. Consulte *Equipo de protección personal en la página 42*.
- No utilice el producto en áreas donde se pueden producir explosiones o fuego.
- No se aleje del producto cuando el motor esté en marcha.
- Siempre apague el motor si se va a alejar del producto.
- No tire de la manguera del extractor de polvo. El producto puede caerse y causar daños o lesiones.
- La base de la amoladora debe tocar la superficie cuando se arranca el producto.
- No arranque el producto sin el faldón de protección contra el polvo instalado. El faldón de protección contra el polvo debe crear un sello completo entre el producto y el piso.
- Manténgase alejado de las zonas donde el producto pueda causar lesiones. El producto puede cambiar de posición rápidamente y alcanzarlo.
- Si el producto no funciona correctamente, detenga el motor.
- Asegúrese de que ninguna prenda, cabello largo o joya puedan quedar atrapados en las piezas móviles.
- Asegúrese de encontrarse en una posición segura y estable durante la operación.
- No utilice el producto si no puede recibir ayuda en caso de que ocurra un accidente.

- Si el producto vibra o el nivel de ruido del producto es inusualmente alto, deténgalo de inmediato. Examine el producto en busca de daños. Repare los daños o solicite a un taller de servicio autorizado que realice la reparación.
- La sobreexposición a las vibraciones puede producir trastornos vasculares o daños al sistema nervioso en las personas que padecen problemas de circulación. Obtenga asistencia médica si experimenta síntomas de sobreexposición a las vibraciones. Estos síntomas incluyen entumecimiento, pérdida de sensibilidad, hormigueo, ardor, dolor, pérdida de fuerza, y cambios en el color o el estado de la piel. Normalmente, estos síntomas se presentan en los dedos, las manos o las muñecas.
- Siempre utilice accesorios homologados. Comuníquese con su concesionario para obtener más información.
- Durante el funcionamiento y después de este, no toque el silenciador hasta que su temperatura haya disminuido. Riesgo de quemaduras.
- Mantenga a transeúntes y objetos alejados del tubo de escape caliente del silenciador.
- El producto genera polvo y gases que contienen químicos peligrosos. Utilice protección respiratoria aprobada.
- Utilice botas con punta de acero y suela antideslizante.
- Asegúrese de tener un botiquín de primeros auxilios.
- Se pueden generar chispas cuando utilice el producto. Asegúrese de tener cerca un extintor de incendios.

Seguridad en el área de trabajo

- Durante el funcionamiento, mantenga a los transeúntes alejados del área que se muestra en la ilustración a continuación. El operador debe tener mucho cuidado en esta área durante el funcionamiento.



- Asegúrese de que solo personas autorizadas estén en la área de trabajo.
- No use el producto en condiciones de niebla, lluvia, viento fuerte, clima frío, riesgo de rayos u otras condiciones climáticas adversas. Usar el producto en malas condiciones climáticas o en lugares mojados puede tener un efecto negativo en su estado de alerta. Las malas condiciones climáticas pueden causar condiciones de trabajo peligrosas.
- Tenga cuidado con personas, objetos y situaciones que puedan impedir el funcionamiento seguro del producto.
- Mantenga el área de trabajo lo suficientemente iluminada.
- No utilice el producto en áreas donde se pueden producir explosiones o incendios.

Seguridad en el uso del propano



ADVERTENCIA: Lea atentamente las instrucciones de advertencia siguientes antes de usar el producto.

Equipo de protección personal



ADVERTENCIA: Lea atentamente las instrucciones de advertencia siguientes antes de usar el producto.

- Utilice siempre el equipo de protección personal adecuado cuando utilice el producto. El equipo de protección personal no elimina el riesgo de lesiones. El equipo de protección personal disminuye el grado de la lesión en caso de un accidente. Solicite a su distribuidor que lo ayude a seleccionar el equipo correcto y que le indique cuándo usarlo.
- Utilice siempre un detector de monóxido de carbono personal mientras opera el producto.
- Use una protección ocular aprobada cuando emplee el producto.
- No utilice prendas flojas, pesadas y no apropiadas. Utilice ropa que le permita moverse libremente.
- Utilice guantes protectores aprobados que permitan un agarre firme.
- Utilice guantes protectores de goma para evitar la irritación de la piel causada por el hormigón húmedo.
- Utilice guantes protectores cuando toque el depósito de propano. El depósito de propano puede estar muy frío durante el funcionamiento.
- Utilice un casco protector aprobado.
- Utilice siempre protectores auriculares aprobados cuando emplee el producto. Escuchar ruidos durante un largo período puede provocar pérdida de audición inducida por el ruido.

- Asegúrese de que la llave de encendido esté en posición de apagado cuando realice trabajos en el depósito de propano.
- Solo remplace el depósito de propano cuando la llave de encendido esté en la posición de apagado.
- El propano es inflamable y sus gases son explosivos. Tenga cuidado para evitar lesiones, incendios y explosiones.
- Lea todas las instrucciones del producto y del depósito de propano.
- No cambie el equipo de control de propano. Si modifica el equipo de control de propano puede ocasionar que las emisiones del motor alcancen niveles peligrosos.
- No inhale los gases del combustible. Los gases del combustible son tóxicos y pueden provocar lesiones. Asegúrese de que el flujo de aire sea suficiente.
- No arranque el motor en un área sin suficiente flujo de aire. El propano es más pesado que el aire y puede acumularse en zonas bajas. Si no hay suficiente flujo de aire, aumenta el riesgo de incendio o explosión a causa de chispas, así como el riesgo de lesiones provocadas por los gases.
- No fume cerca del producto, del motor o del depósito de propano.
- No coloque objetos calientes cerca del propano ni del motor.
- Mantenga el producto alejado de chispas o llamas.
- Examine regularmente si hay fugas en el sistema de suministro de propano. Si hay fugas, no arranque el motor hasta que estén reparadas.
- No mantenga los tanques de propano dentro de un edificio. Los depósitos de propano solo deben permanecer dentro del edificio mientras se utiliza el producto.
- Mantenga los tanques de propano en una zona segura con suficiente flujo de aire.
- Los gases de escape también contienen hidrocarburos sin quemar, incluido benceno.
- La inhalación a largo plazo de los gases de escape puede causar problemas de salud.
- Los gases de escape que se pueden ver u oler también contienen monóxido de carbono.
- No inhale los gases de escape.
- Los gases de escape del motor están calientes y pueden contener chispas que podrían iniciar un incendio. Disponga de un equipo de extinción de incendios al alcance en todo momento. Nunca arranque el producto cerca de material inflamable.

Seguridad de la batería



ADVERTENCIA: Lea atentamente las instrucciones de advertencia siguientes antes de usar el producto.

- Utilice solo las baterías que recomendamos para su producto.
- Utilice solamente baterías originales para este producto. Existe riesgo de explosión si se reemplazan las baterías por baterías de tipo incorrecto. Comuníquese con su concesionario para obtener más información.
- Utilice baterías recargables como fuente de alimentación solo para los productos Husqvarna relacionados. Para evitar daños, no utilice la batería como fuente de alimentación en otros dispositivos.
- Riesgo de sacudida eléctrica. No conecte los terminales de la batería a llaves, tornillos ni a otros objetos metálicos. Esto puede provocar un cortocircuito de la batería.
- Si se produce una filtración en la batería, no permita que el líquido entre en contacto con la piel o los ojos. Si toca el líquido, limpie el área con agua abundante y solicite asistencia médica.
- No utilice baterías no recargables.
- No modifique la batería.
- No introduzca objetos en las ranuras de aire de la batería.
- Mantenga la batería alejada de la luz solar, del calor o de llamas. La batería puede explotar y causar quemaduras por fuego o químicas.
- Mantenga la batería alejada de condiciones húmedas y de la lluvia.
- Mantenga la batería alejada de microondas y de alta presión.
- No intente desarmar o romper la batería.
- Utilice la batería a temperaturas entre -10 °C/14 °F y 40 °C/104 °F.
- No limpie la batería con agua. Consulte *Para limpiar la batería en la página 56*.
- No utilice baterías dañadas ni baterías que no funcionen correctamente.
- Almacene las baterías en compartimientos alejados de objetos metálicos, como clavos, tornillos o joyas.

Seguridad de los gases de escape



ADVERTENCIA: Lea atentamente las instrucciones de advertencia siguientes antes de usar el producto.



ADVERTENCIA: Los gases de escape del motor contienen monóxido de carbono, un gas inodoro, tóxico y muy peligroso. Respirar monóxido de carbono puede provocar la muerte. Dado que el monóxido de carbono es inodoro y no se puede ver, no es posible detectarlo. Un síntoma de intoxicación por monóxido de carbono es el mareo, pero también es posible que la persona pierda la conciencia sin previo aviso si la cantidad o concentración de monóxido de carbono es suficiente.

- Mantenga las baterías alejadas de los niños.

Dispositivos de seguridad en el producto

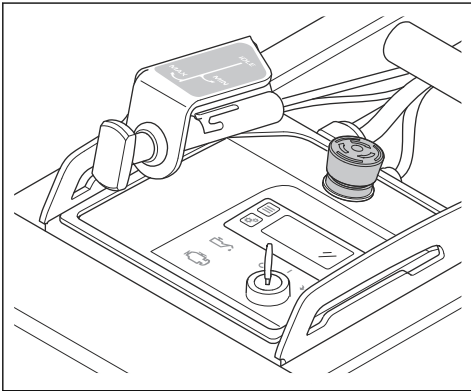


ADVERTENCIA: Lea atentamente las instrucciones de advertencia siguientes antes de usar el producto.

- No utilice un producto con dispositivos de seguridad dañados o que no funcionen correctamente.
- Revise los dispositivos de seguridad de forma regular. Si los dispositivos de seguridad están dañados o no funcionan correctamente, hable con su agente de servicio de Husqvarna.
- No realice modificaciones en los dispositivos de seguridad.

Botón de Stop de emergencia

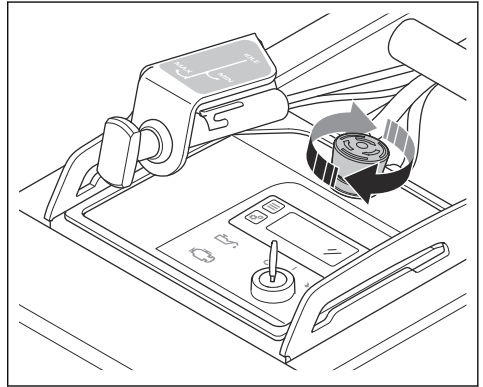
El botón de parada de emergencia se utiliza para detener rápidamente el motor. El botón de Stop de emergencia interrumpe la fuente de alimentación de la red eléctrica.



AVISO: No utilice el botón de parada de emergencia como botón de parada del producto. Utilice el botón de parada de emergencia solo para detener el producto en caso de emergencia.

Para revisar el botón de parada de emergencia

1. Gire el botón de parada de emergencia en el sentido de las agujas del reloj en el panel de control para asegurarse de que el botón de parada de emergencia esté desactivado.



2. Arranque el motor. Consulte *Para poner en marcha el producto en la página 52*.
3. Presione el botón de parada de emergencia.
4. Gire el botón de parada de emergencia en el sentido de las agujas del reloj para desactivarlo.

Instrucciones de seguridad para el mantenimiento

- Mantenga todas las piezas en buen estado y asegúrese de que todos los componentes fijos estén ajustados correctamente.
- No utilice un producto que esté dañado o que no funcione correctamente. Realice los controles de seguridad y de mantenimiento como se describe en este manual. Todas las demás tareas de mantenimiento se deben realizar en un taller de servicio autorizado.
- Solo personal de servicio aprobado para sistemas de propano debe realizar la instalación y la reparación del sistema de suministro de propano.
- Detenga el producto cuando cambie las herramientas de diamante. Gire la llave de encendido a la posición 0 y presione el botón de parada de emergencia.
- Realice la inspección o el mantenimiento con el motor detenido.
- Realice mantenimiento para asegurarse de que el producto funcione correctamente. Consulte *Programa de mantenimiento en la página 55*.

Funcionamiento

Introducción



ADVERTENCIA: Antes de utilizar el producto, debe leer y entender el capítulo sobre seguridad.

Para extraer el producto del paquete.



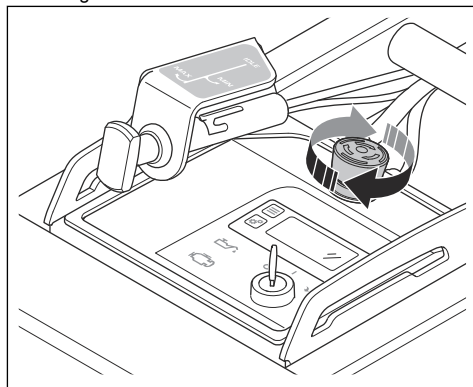
ADVERTENCIA: Mueva el producto del palé con cuidado y de forma segura. El producto es pesado y puede causar daños graves si se cae.

- Asegúrese de que se incluyan todos los elementos que se muestran en la descripción general del producto. Consulte *Descripción general del producto, lado derecho en la página 36*. Comuníquese con el distribuidor de Husqvarna si falta algún elemento o está dañado antes de mover el producto desde el palé.
- Quite todos los calces para ruedas y correas del paquete.
- Asegúrese de que el área esté despejada y de que tenga suficiente espacio para mover el producto.
- Asegúrese de que no haya riesgo de que usted o el producto puedan caer.
- Utilice un equipo de elevación o rampas para mover el producto desde el palé. El producto es pesado. Mueva el producto con seguridad. Consulte *Para mover el producto hacia arriba y hacia abajo por una rampa en la página 64*.

Haga lo siguiente antes de usar el producto

1. Lea atentamente el manual del usuario y asegúrese de entender las instrucciones.
2. Colóquese el equipo de protección personal necesario. Consulte *Equipo de protección personal en la página 42*.
3. Asegúrese de que solo personas autorizadas estén en la zona de trabajo.
4. Realice un mantenimiento diario. Consulte *Programa de mantenimiento en la página 55*.
5. Revise que el producto esté montado correctamente y que no esté dañado.
6. Coloque el producto en el área de trabajo. Asegúrese de que el transporte del producto hacia y en el área de trabajo se realice de forma segura y correcta. Consulte *Transporte en la página 63*.
7. Asegúrese de que haya herramientas de diamante en las placas de la herramienta y de que estén firmemente colocadas.

8. Conecte el extractor de polvo al producto. Consulte *Para conectar un extractor de polvo en la página 48*.
9. Ajuste el mango y el manillar a una altura de funcionamiento adecuada. Consulte *Para ajustar el mango y el manillar en la página 51*.
10. Asegúrese de que la batería esté conectada. Consulte *Para conectar y desconectar la batería en la página 51*.
11. Asegúrese de que el depósito de propano esté conectado. Consulte *Para conectar y desconectar el depósito de propano en la página 52*.
12. Gire el botón de parada de emergencia en el sentido de las agujas del reloj en el panel de control para asegurarse de que el botón de parada de emergencia esté desactivado.



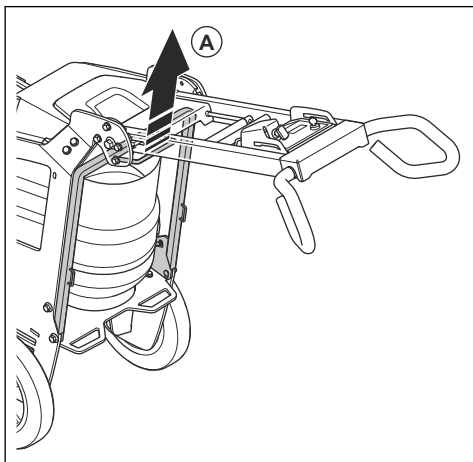
Para acoplar y desacoplar el bastidor de soporte

El producto tiene un bastidor de soporte que se utiliza para inclinar el producto hacia atrás. Además, el bastidor de soporte se utiliza como un dispositivo de suspensión para colgar la manguera del extractor de polvo.

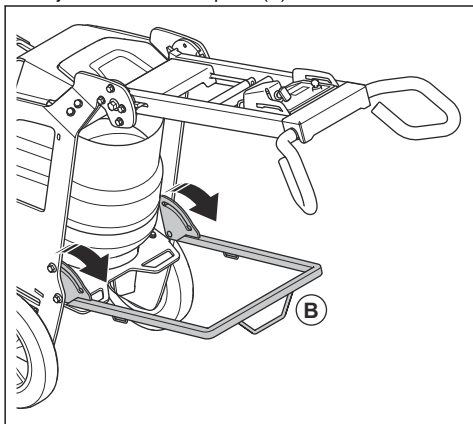


ADVERTENCIA: Tenga cuidado cuando mueva el bastidor de soporte. Las piezas móviles pueden causar lesiones.

1. Levante el bastidor de soporte (A) a una pequeña distancia.



2. Baje el bastidor de soporte (B).



3. Pliegue el bastidor de soporte en la secuencia opuesta.

Herramientas de diamante

Hay varios tipos y configuraciones de herramientas de diamante para el producto. Las herramientas diamantadas con base metálica se utilizan para la extracción de material y las herramientas diamantadas con base de resina se utilizan para pulir las superficies. Seleccione las herramientas de diamante correctas según la superficie. Comuníquese con su distribuidor Husqvarna o vaya a www.husqvarnaconstruction.com para obtener asistencia para seleccionar la herramienta correcta.

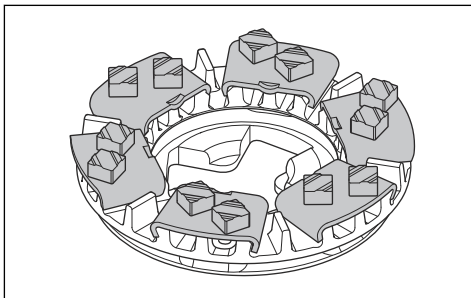
Alternativas de soporte de discos para herramientas de diamante

- Utilice el soporte de disco EZ Wing para instalar las herramientas diamantadas con base de metal.
- Utilice un soporte de disco de resina para instalar las herramientas diamantadas con base de plástico.

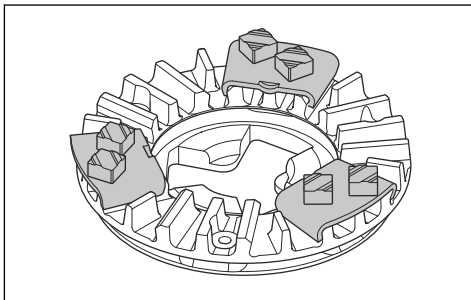
Juego completo y medio juego de herramientas de diamante

La configuración de los segmentos de herramientas de diamante tiene un efecto sobre la calidad final de la superficie. La configuración también tiene un efecto en la tasa de funcionamiento del producto.

- Juego completo de herramientas de diamante: esta configuración se aplica a un acabado de piso plano.



- Medio juego de herramientas de diamante: esta configuración se aplica cuando no se necesita un acabado de piso plano.



Para reemplazar las herramientas de diamante



ADVERTENCIA: Utilice guantes protectores, ya que las herramientas de diamante pueden calentarse mucho.



ADVERTENCIA: Utilice una protección respiratoria aprobada cuando reemplace las herramientas de diamante.

El polvo debajo del cabezal de amolado es peligroso para la salud.

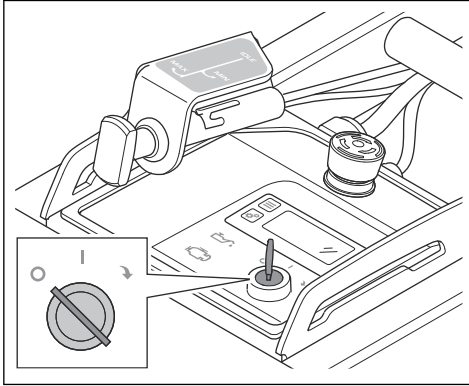


ADVERTENCIA: Detenga el extractor de polvo cuando cambie las herramientas de diamante. El extractor de polvo disminuirá el polvo que puede causar problemas de salud.

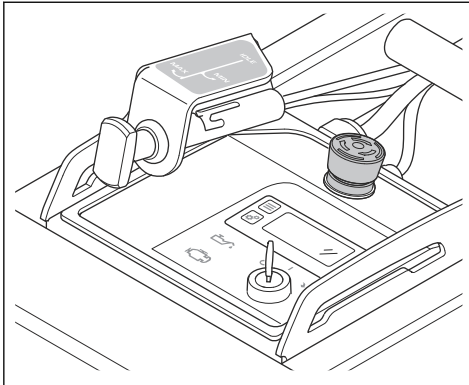


AVISO: Todos los discos de amolado deben tener siempre la misma cantidad y tipo de diamantes. La altura de los diamantes debe ser la misma en todos los discos amoladora.

1. Gire la llave de encendido a la posición 0.

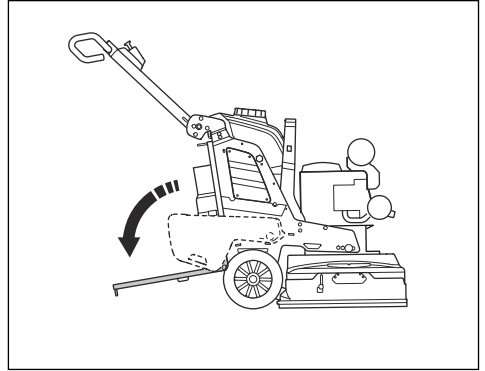


2. Presione el botón de parada de emergencia.

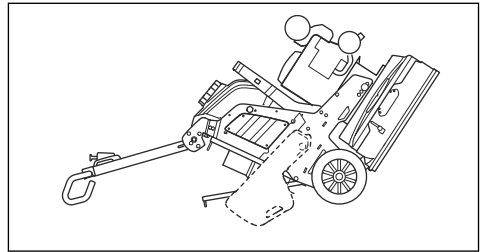


3. Coloque el mango en la posición de servicio. Consulte *Posiciones del mango en la página 51*.
4. Si los pesos están instalados, ajústelos en una posición hacia atrás. Consulte *Para ajustar los pesos en la página 54*.

5. Acople el bastidor de soporte. Consulte *Para acoplar y desacoplar el bastidor de soporte en la página 45*.



6. Asegúrese de que la tapa del depósito de agua está completamente cerrada antes de inclinar el producto.
7. Sujete el manillar y, con un pie en el bastidor de soporte, incline el producto hacia atrás. Inclínelo hasta que el manillar esté en el piso.



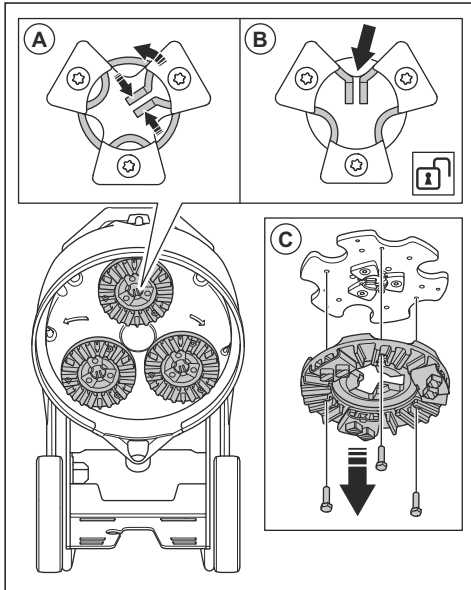
ADVERTENCIA: Asegúrese de que el producto esté en una posición estable antes de reemplazar las herramientas de diamante.



ADVERTENCIA: Cuando reemplace las herramientas de diamante, estará cerca del silenciador. El silenciador se calienta mucho durante y después del uso y cuando el motor funciona en régimen de ralentí. No toque el silenciador y tenga cuidado cerca de materiales o vapores inflamables para evitar incendios.

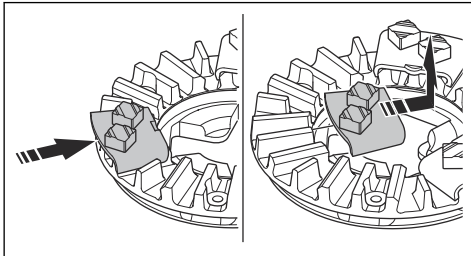
8. Utilice guantes protectores.

9. Junte las pestañas centrales y gírelas hacia la izquierda (A) para desbloquear la placa de herramientas del disco de desbaste (B).

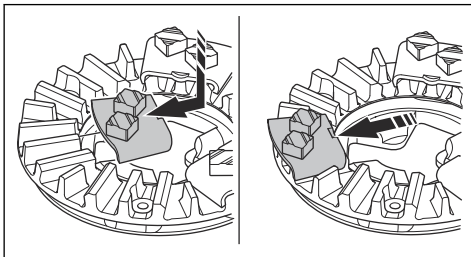


10. Tire de la placa de herramientas hacia afuera (C) para quitar la placa de la herramienta del disco de desbaste.

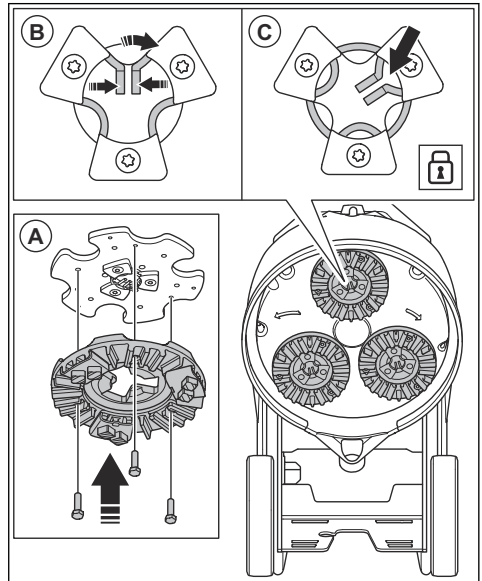
11. Utilice un martillo para quitar las herramientas de diamante de la placa de herramientas.



12. Conecte herramientas de diamante nuevas a la placa de herramientas con un golpe suave del martillo.



13. Coloque la placa de herramientas recta (A) en el disco de desbaste.



14. Junte las pestañas centrales y gírelas hacia la derecha (B) para fijar la placa de la herramienta al disco de desbaste (C).

15. Levante cuidadosamente el producto a una posición adecuada para funcionar. Use el manillar y el bastidor de soporte para proporcionar soporte.

16. Desacople el bastidor de soporte.

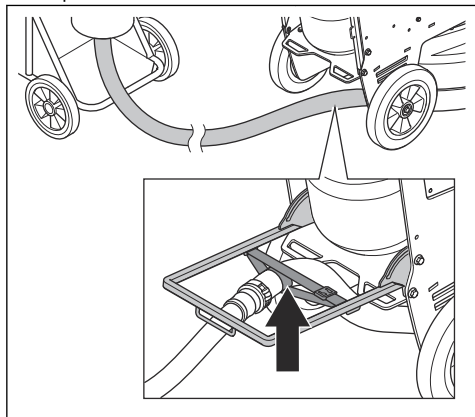
Para conectar un extractor de polvo



ADVERTENCIA: No utilice el extractor de polvo si la manguera del extractor de polvo está dañada. El riesgo aumenta si respira polvo peligroso para su salud. Utilice protección respiratoria aprobada.

1. Examine la manguera del extractor de polvo para detectar daños.
2. Asegúrese de que los filtros del extractor de polvo estén limpios y en buen estado.
3. Asegúrese de que la base de la amoladora no esté funcionando.
4. Conecte la manguera del extractor de polvo al producto.
5. Acople el bastidor de soporte. Consulte *Para acoplar y desacoplar el bastidor de soporte en la página 45.*

6. Cuelgue la manguera del extractor de polvo en el dispositivo de suspensión del bastidor de soporte para evitar la tensión en la manguera del extractor de polvo.



7. Desacople el bastidor de soporte.

Amolado en húmedo

El producto tiene un sistema de distribución de agua para el amolado en húmedo.



ADVERTENCIA: Utilice zapatos antideslizantes. Una superficie húmeda puede hacer que se caiga.



AVISO: Detenga el suministro de agua cuando no utilice el producto. Siempre utilice amolado en húmedo con succión de líquido.

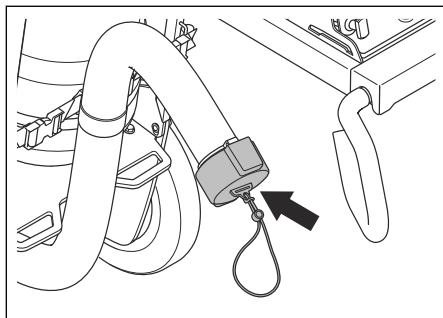


AVISO: No agregue otros líquidos que no sean agua al depósito de agua. Otros líquidos pueden producir daños en el producto y dañar el medioambiente.



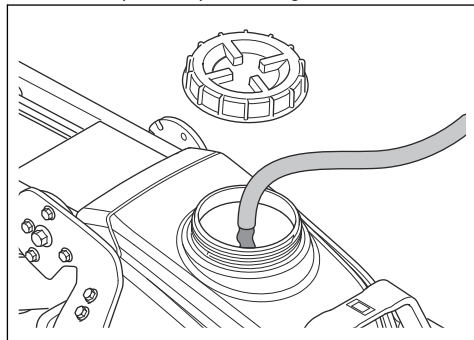
AVISO: No utilice el depósito de agua para almacenar o limpiar objetos.

- El amolado en húmedo se utiliza para pisos duros. El amolado en húmedo también proporciona un mejor rendimiento de la herramienta de diamante, disminuye la temperatura de amolado y se utiliza para la gestión del polvo.
- Utilice un tapón de manguera cuando amole en húmedo para disminuir la cantidad de polvo en el aire.



Para llenar el depósito de agua

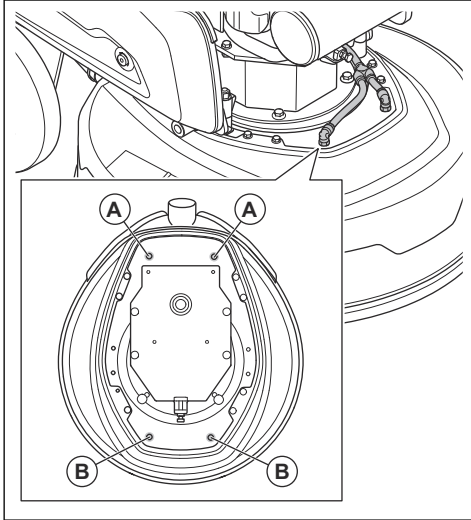
1. Quite la tapa del depósito de agua.



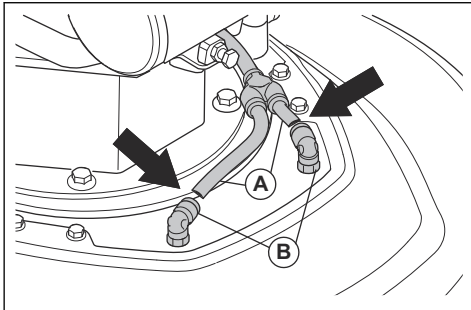
2. Llene el depósito de agua con agua.
3. Instale la tapa del depósito de agua.

Para conectar las mangueras

1. Utilice los racores acodados situados en la parte trasera (A) o delantera (B) del producto.



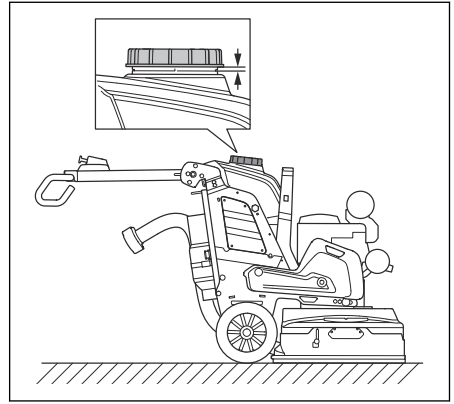
2. Conecte las mangueras de agua (A) a los racores acodados (B) si desplaza la conexión de la alimentación de agua trasera a la delantera.



Para ajustar el caudal de agua

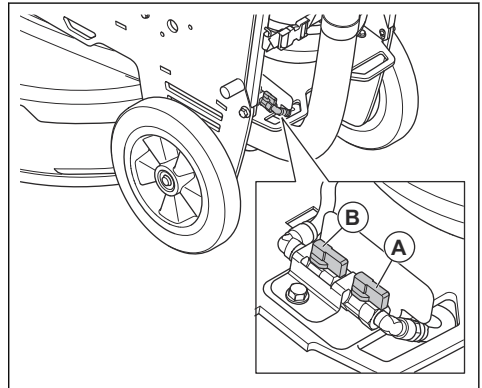
- El sistema de distribución de agua se suministra por gravedad.

Tenga en cuenta: Si tiene que inclinar el producto, asegúrese de que la tapa del depósito está completamente instalada.



Tenga en cuenta: Es más fácil inclinar el producto cuando el depósito de agua está vacío.

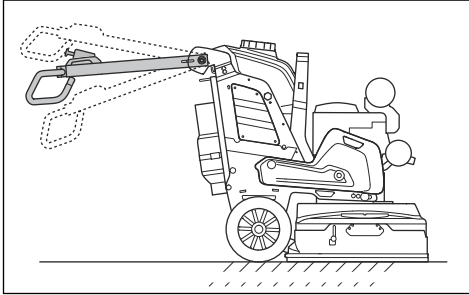
- Inicie, detenga y ajuste el flujo de agua con las 2 válvulas (A) y (B).



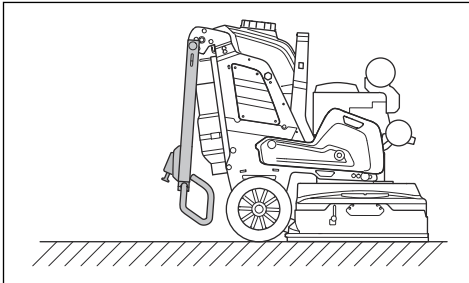
- a) Gire la válvula (A) para iniciar o detener el caudal de agua.
- b) Gire la válvula (B) para ajustar el caudal.

Posiciones del mango

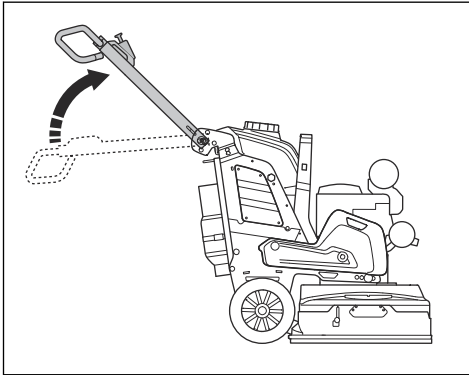
- Posición de operación del mango:



- Posición de transporte del mango:



- Posición de servicio del mango:



Para ajustar el mango y el manillar

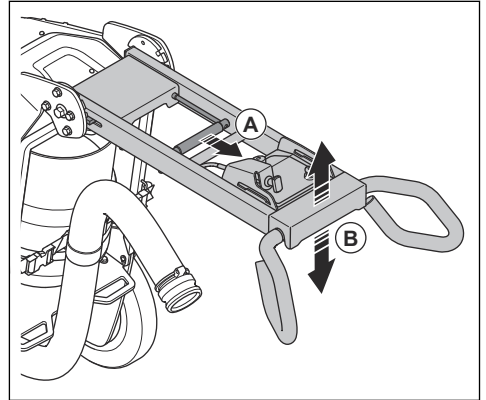


ADVERTENCIA: Tenga cuidado cuando ajuste el mango y el manillar. Asegúrese de que el mango y los manillares estén trabados en su posición. Las piezas móviles pueden causar lesiones.

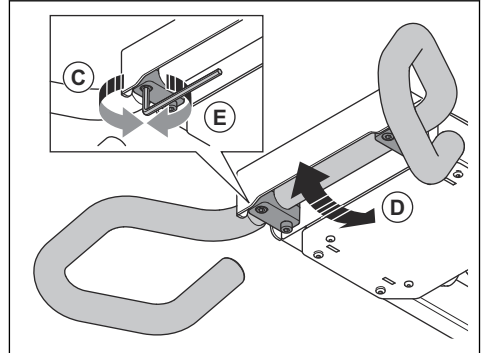
Ajuste la altura del mango lo más cerca posible de la altura de la cadera del operador. Durante el funcionamiento, el producto puede tirar hacia un lado.

La cadera del operador puede ayudar a detener este movimiento hacia un lado.

1. Tire de la palanca de bloqueo (A) del mango en la dirección del panel de control y sosténgala en esta posición.



2. Ajuste el mango (B) una altura de funcionamiento adecuada.
3. Suelte la palanca de bloqueo del mango para bloquear la posición del mango.
4. Afloje los 4 tornillos (C) que sujetan el manillar.



5. Ajuste el manillar (D) a una altura de funcionamiento adecuada.
6. Apriete los 4 tornillos (E) del manillar para bloquear la posición del manillar.

Para conectar y desconectar la batería

1. Conecte el cable rojo (+) en primer lugar y, a continuación, el cable negro (-). Asegúrese de que los cables estén conectados firmemente a la batería.
2. Asegúrese de que la correa que sujeta la batería en su posición esté instalada correctamente. Cuando la batería está instalada correctamente, no se puede mover.
3. Desconecte la batería en el orden contrario.

Para conectar y desconectar el depósito de propano



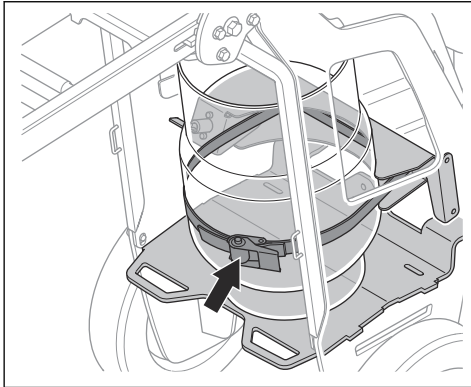
AVISO: Asegúrese de utilizar el tipo de depósito de propano correcto. El producto se puede dañar si se utiliza un depósito de propano incorrecto. Consulte *Datos técnicos en la página 66*.



AVISO: Asegúrese de que el depósito de propano esté en la posición correcta. No utilice el depósito de propano al revés.

Si el depósito de propano está conectado y el producto no está en funcionamiento, cierre la válvula del depósito de propano.

1. Asegúrese de que el depósito de propano se encuentre sujeto firmemente en su lugar mediante el bloqueo y la placa del soporte. Si está instalado correctamente, el depósito de propano no se puede mover.



2. Conecte la manguera de propano del producto al depósito de propano.
3. Asegúrese de que la manguera de propano esté conectada correctamente al paso de combustible del motor.
4. Asegúrese de que todos los acopladores estén alineados. Apriete los acopladores manualmente para conectar el depósito de propano al producto.



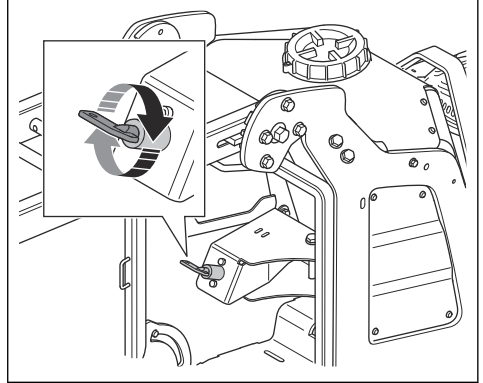
AVISO: No utilice herramientas para realizar la conexión del depósito de propano al producto. Esto puede dañar los acopladores.

5. Gire la válvula del depósito de propano en sentido contrario al de las agujas del reloj hasta que tope para iniciar el flujo del propano.

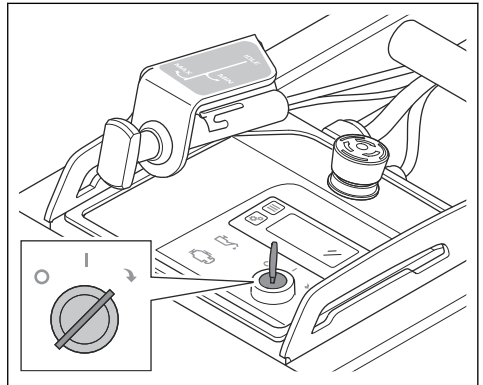
6. Realice una prueba de protocolo simple en todas las tuberías de propano. Consulte *Para revisar las tuberías y el depósito de propano en la página 57*.
7. Desconecte en la secuencia opuesta.

Para poner en marcha el producto

1. Conecte el depósito de propano. Consulte *Para conectar y desconectar el depósito de propano en la página 52*.
2. Gire el interruptor principal en el sentido de las agujas del reloj.



3. Tire del acelerador y gírelo al régimen de ralentí del motor. Consulte *Rpm del motor en la página 38*.
4. Gire y sostenga la llave de encendido en la posición de arranque del motor.



5. Cuando el motor arranque, suelte inmediatamente la llave de encendido. La llave de encendido se coloca en la posición "1".



AVISO: No intente arrancar el motor durante más de 5 segundos a la vez. Si el motor no arranca, espere 15 segundos antes de volver a intentarlo.

6. Antes de operar el producto, espere de 3 a 5 minutos y deje que el motor se caliente a régimen de ralentí. Consulte *Rpm del motor en la página 38*.

Para hacer funcionar el producto

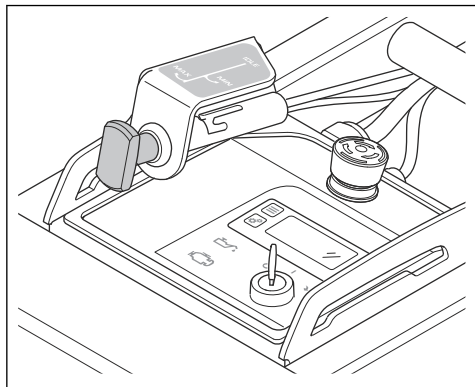


AVISO: Mantenga en movimiento el producto en todo momento mientras tenga puesta la base de la amoladora. Si no mueve el producto, la superficie puede volverse áspera.



ADVERTENCIA: No utilice el producto en superficies con una pendiente superior a la que se indica en la máquina.

1. Arranque el motor. Consulte *Para poner en marcha el producto en la página 52*.
2. Tire del acelerador y gírelo a la posición "MÍN." o "MÁX."



3. Empuje el producto hacia delante sobre la superficie del piso. Utilice el acelerador para ajustar la velocidad entre "MÍN." y "MÁX." mientras opera el producto.

Para detener el producto

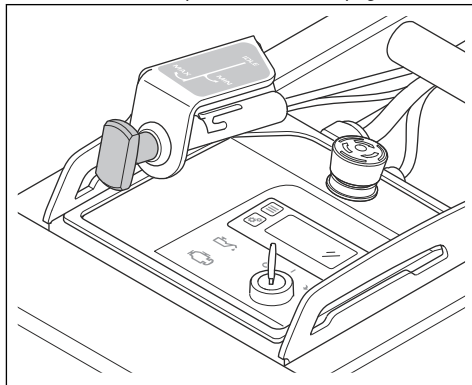


AVISO: No levante la base de la amoladora de la superficie cuando detenga el motor. Las placas de la herramienta quedan girando durante un tiempo después de que se detiene el motor. Puede liberarse polvo al aire y la superficie se puede dañar.



AVISO: No deje el producto estático hasta que las placas de la herramienta se detengan por completo.

1. Tire del acelerador y gírelo al régimen de ralentí del motor. Consulte *Rpm del motor en la página 38*.



2. Gire la válvula del depósito de propano en el sentido de las agujas del reloj hasta que se detenga el suministro de propano al motor.



ADVERTENCIA: Utilice guantes protectores cuando toque la válvula del depósito de propano. La válvula del depósito de propano puede estar muy fría.

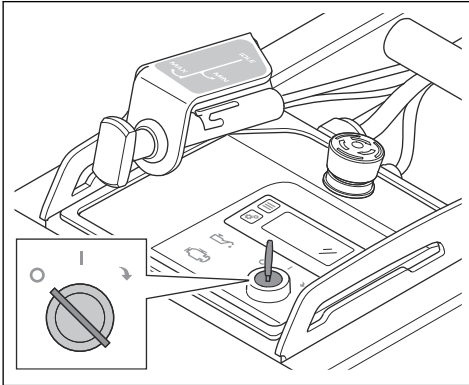
3. Mantenga las placas de la herramienta en contacto con la superficie hasta que se detengan por completo.



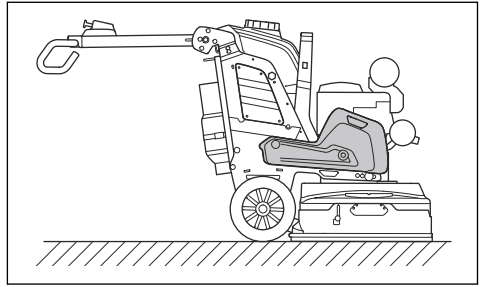
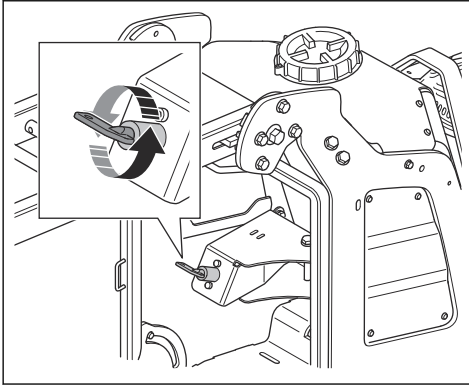
AVISO: Si amola asfalto adhesivo, pintura o un material similar, el producto puede adherirse a la superficie. Inmediatamente después de que la placa de herramientas se haya detenido completamente, levante un poco la parte delantera de la base de la amoladora.

4. Espere hasta que el motor se detenga. El motor se detiene cuando no hay combustible en la tubería.

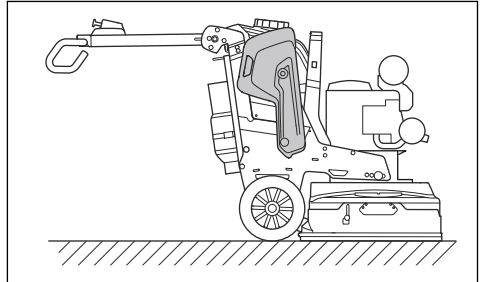
5. Coloque la llave de encendido en la posición de detención del motor.



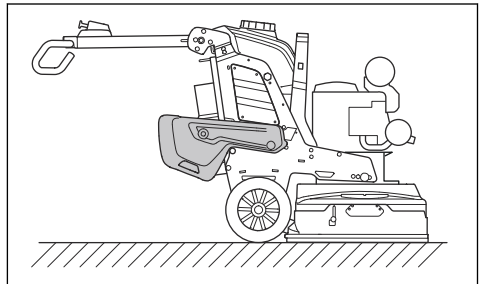
6. Gire el interruptor principal en el sentido contrario a las agujas del reloj.



- Posición 2: presión estándar en el cabezal de amolado.



- Posición 3: presión mínima en el cabezal de amolado. Esta posición también se utiliza cuando se inclina el producto a la posición de servicio.



Contrapesos

El producto tiene un peso a cada lado. Si resulta pesado operar el producto, ajuste los pesos para cambiar la presión en el cabezal de amolado. Los pesos se deben colocar en la misma posición en el lado derecho y en el lado izquierdo. Los pesos tienen 3 posiciones:

- Posición 1: presión máxima en el cabezal de amolado. Esta posición aumenta el efecto de la operación. Esta posición también se utiliza cuando se coloca el producto en la posición de transporte.

Para ajustar los pesos



ADVERTENCIA: Tenga cuidado cuando ajuste los pesos. Las piezas móviles pueden causar lesiones.



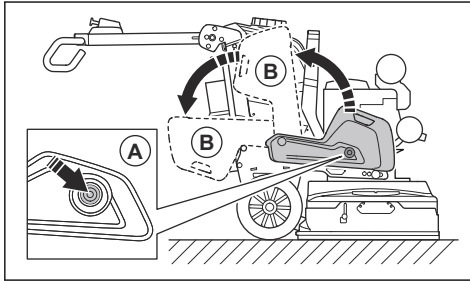
ADVERTENCIA: Siempre asegúrese de que el bloqueo de peso se trabaje correctamente cuando los pesos se colocan en la posición seleccionada.



ADVERTENCIA: No ajuste los contrapesos cuando el producto esté inclinado o en posición de servicio.

1. Presione el bloqueo de peso (A) y mueva el peso a la posición seleccionada (B) con el mango de peso. Consulte *Contrapesos en la página 54*.

2. Suelte el bloqueo de peso para trabar el peso en la posición seleccionada.



Mantenimiento

Presentación



ADVERTENCIA: Antes de realizar el mantenimiento, debe leer y entender el capítulo sobre seguridad.

Para todos los trabajos de mantenimiento y reparación del producto, se requiere capacitación especial. Garantizamos la disponibilidad de trabajos de mantenimiento y reparación profesionales. Si el concesionario no cuenta con un taller de servicio, pídale información acerca del taller de servicio más cercano.

Para obtener información más detallada, consulte www.husqvarnaconstruction.com.

Tareas previas al mantenimiento

- Utilice equipo de protección personal. Consulte *Equipo de protección personal en la página 42*.
- Utilice protección respiratoria aprobada. El polvo del producto es peligroso para la salud.
- Estacione el producto sobre una superficie nivelada.

- Detenga el motor y desconecte la batería y el depósito de propano para evitar el arranque accidental durante el mantenimiento.
- Limpie el aceite y el polvo de la zona que rodea el producto. Retire los objetos no deseados.
- Coloque carteles claros para avisar a los transeúntes que se está realizando trabajo de mantenimiento.
- Mantenga a mano extintores, suministros médicos y un teléfono de emergencia.

Programa de mantenimiento

* = Mantenimiento general por parte del operador. Las instrucciones no se proporcionan en este manual de usuario.

X = Las instrucciones se proporcionan en este manual de usuario.

O = Las instrucciones no se proporcionan en este manual de usuario. Solicite a un taller de servicio autorizado que realice el mantenimiento.

Mantenimiento	Diario	Una vez por semana	Cada 100 h	Cada 12 meses o 250 h
Revise el bloqueo del encendido.	*			
Revise el acelerador.	*			
Revise el botón de parada de emergencia.	X			
Revise los puntos de fijación y la función de bloqueo del mango.		*		
Revise los puntos de fijación y la función de bloqueo de los pesos.		*		
Limpie las superficies exteriores del producto.	X			
Revise las aletas de refrigeración de aceite. Si es necesario, limpie las aletas de refrigeración de aceite.	X			

Mantenimiento	Diario	Una vez por semana	Cada 100 h	Cada 12 meses o 250 h
Realice una inspección general.	X			
Revise los discos de amolado.	X			
Verifique el funcionamiento del sistema de transmisión para el cabezal de amolado.		X		
Revise que no haya fugas en el depósito de propano ni en ninguna de las tuberías.	X			
Revise el nivel de aceite del motor.	X			
Reemplace el filtro del detector de monóxido de carbono.			X	
Cambie el aceite del motor.			X	
Reemplace el filtro de aceite.			X	
Reemplace los filtros de aire.			X	
Examine la bujía.			X	
Realice el mantenimiento de los discos de amolado del sistema de transmisión.				O
Revise la conexión entre el chasis y el cabezal de amolado.		*		

Para limpiar el producto



ADVERTENCIA: Utilice el equipo de protección personal (EPP) correcto cuando limpie el producto.



AVISO: Cuando las tomas de aire se bloquean, el rendimiento del producto disminuye y el motor se puede sobrecalentar.

- Elimine los bloqueos en todas las tomas de aire. El producto debe estar siempre en una temperatura lo suficientemente fría.
- No utilice productos químicos para limpiar el producto.
- No limpie los componentes eléctricos con agua.
- No limpie el detector de monóxido de carbono con agua ni utilice agua cerca del detector. El filtro del detector de monóxido de carbono es sensible.
- Siempre limpie todo el equipo al final del día de trabajo. Limpie los componentes de la superficie inferior de la base de la amoladora con una hidrolavadora.



AVISO: No apunte la hidrolavadora directamente a sellos ni puntos de conexión.

Para limpiar la batería

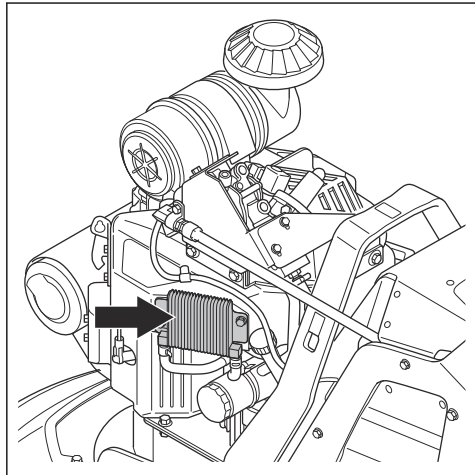


AVISO: No limpie la batería con agua.

- Limpie los terminales de la batería con aire comprimido o utilice un paño suave y seco.
- Limpie las superficies de la batería con un paño suave y seco.

Para limpiar las aletas de refrigeración

1. Limpie las aletas de refrigeración de aceite con un cepillo o con aire comprimido y una aspiradora.



Sistema de transmisión para el cabezal de amolado

El sistema de transmisión para el cabezal de amolado es un sistema cerrado. Si tiene problemas con el sistema de transmisión del cabezal de amolado, comuníquese con el taller de servicio de Husqvarna.

Para revisar las tuberías y el depósito de propano



AVISO: Examine el depósito de propano y las tuberías cada vez que el depósito de propano se llene o se conecte al producto.

1. Asegúrese de que el depósito de propano no esté dañado.
2. Conecte el depósito de propano al producto. Consulte *Para conectar y desconectar el depósito de propano en la página 52*.
3. Aplique una mezcla de jabón en aerosol a todas las tuberías y conexiones. Para la mezcla de jabón, utilice 50 % de jabón y 50 % de agua.
4. Si hay burbujas, hay una fuga. No arranque el motor si hay una fuga. Comuníquese con un taller de servicio autorizado.

Para llenar el depósito de propano



AVISO: Examine el depósito de propano y las tuberías cada vez que el depósito de propano se llene o se conecte al producto.

Consulte *Para conectar y desconectar el depósito de propano en la página 52*.

No llene en exceso el depósito de propano. El depósito de propano puede contener un máximo de 9 kg/20 lb de propano. El depósito de propano no debe pesar más de 21,8 kg/48 lb cuando está lleno. Si el depósito de propano está demasiado lleno, aparece escarcha en las tuberías de propano o en el regulador.

1. Detenga la máquina. Consulte *Para detener el producto en la página 53*.
2. Asegúrese de que la válvula del depósito de propano esté cerrada.
3. Retire el depósito de propano del producto.
4. Llene el depósito de propano con nuevo propano o reemplace el depósito de propano.
5. Si el tanque de propano está demasiado lleno, utilice un destornillador en la válvula del depósito de propano para liberar el propano no deseado. Libere el propano mediante un procedimiento seguro. Consulte *Seguridad en el uso del propano en la página 42*.
6. Instale el depósito de propano lleno o nuevo en el producto. Consulte *Para conectar y desconectar el depósito de propano en la página 52*.
7. Si el clima es frío, mantenga el producto en interiores antes de usarlo para calentar el depósito de propano. También puede utilizar una manta térmica para depósito de propano para calentar el depósito de propano.

Para revisar el nivel de aceite



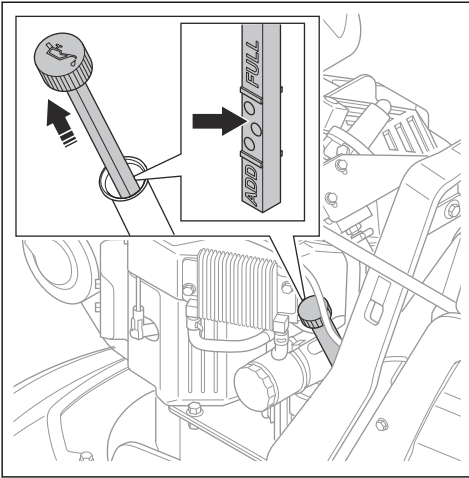
ADVERTENCIA: El aceite caliente del motor puede causar lesiones. Asegúrese de que el motor esté tibio, no caliente, antes de extraer el aceite.

Examine el nivel de aceite todos los días antes de operar el producto.

Table 2: Capacidad del aceite del motor

FX801V / FX751V	2,1 L (2,2 US-qt) [cuando no se quita el filtro de aceite]
	2,3 L (2,4 US-qt) [cuando se quita el filtro de aceite]

1. Quite el medidor de aceite del tubo.

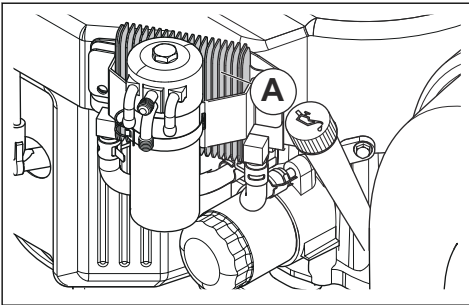


2. Examine el nivel de aceite. Asegúrese de que el nivel de aceite esté entre "add" (agregar) y "full" (lleno).

Para limpiar el enfriador de aceite

Revise y limpie las aletas del enfriador de aceite cada 100 horas.

1. Utilice un cepillo o aire comprimido para limpiar la suciedad de las aletas del enfriador de aceite (A).



Para cambiar el aceite



ADVERTENCIA: El aceite caliente del motor puede causar lesiones. Asegúrese de que el motor esté tibio, no caliente, antes de extraer el aceite.

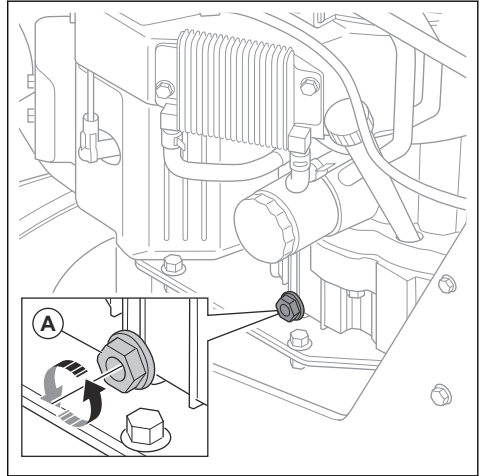


ADVERTENCIA: El aceite del motor es venenoso. Asegúrese de cumplir con las normativas nacionales cuando deseche el aceite del motor.

Tenga en cuenta: Coloque un recipiente debajo del filtro de aceite antes de retirarlo.

Cambie el aceite cada 100 horas de funcionamiento.

1. Opere el producto para asegurarse de que el aceite del motor esté caliente.
2. Asegúrese de que el producto está sobre una superficie plana.
3. Detenga la máquina.
4. Quite el tapón de vaciado de aceite (A) y drene el aceite en un recipiente mientras el motor esté caliente.



5. Conecte el tapón de vaciado de aceite.
6. Llene el motor con aceite y examine el nivel de aceite

Para cambiar el filtro de aceite



ADVERTENCIA: El aceite caliente del motor puede causar lesiones. Asegúrese de que el motor está frío antes de retirar el filtro de aceite.



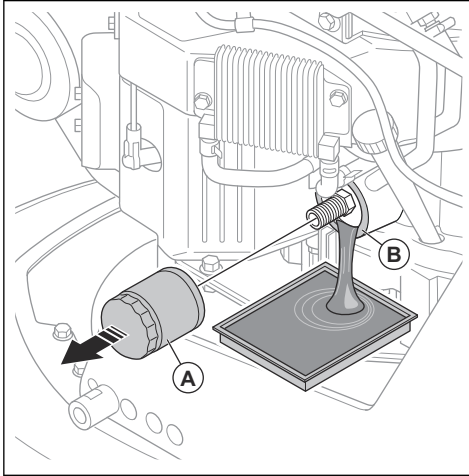
ADVERTENCIA: El aceite del motor es venenoso. Asegúrese de cumplir con las normativas nacionales cuando deseche el aceite del motor.

Tenga en cuenta: Coloque un recipiente debajo del filtro de aceite antes de retirarlo.

Cambie el filtro de aceite cada 200 horas de funcionamiento.

1. Drene el aceite del motor en un recipiente.

2. Gire el filtro de aceite hacia la izquierda y retírelo (A).



3. Coloque aceite del motor limpio en el sello del filtro nuevo.
4. Coloque el nuevo filtro. Gire el filtro hacia la derecha hasta que el sello toque la superficie (B). A continuación, gire el filtro $\frac{3}{8}$ de vuelta más.
5. Utilice aceite del motor para llenar el motor.
6. Haga funcionar el motor durante 3 minutos. Pare el motor y examine el filtro de aceite para ver si hay fugas.
7. El nivel de aceite disminuye después de un cambio de filtro. Revise el nivel de aceite y llene con aceite si es necesario.

Para cambiar los filtros de aire



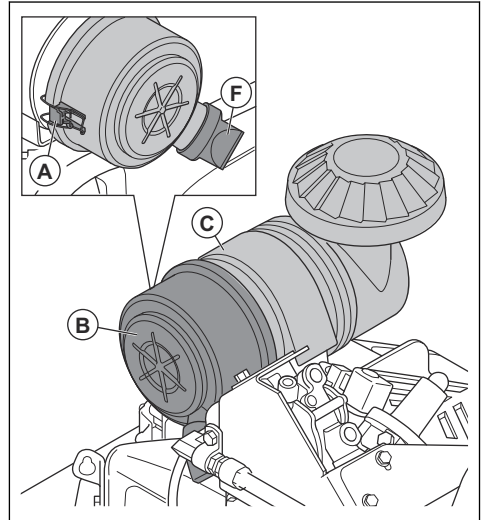
AVISO: No arranque el motor cuando los filtros de aire estén desmontados.



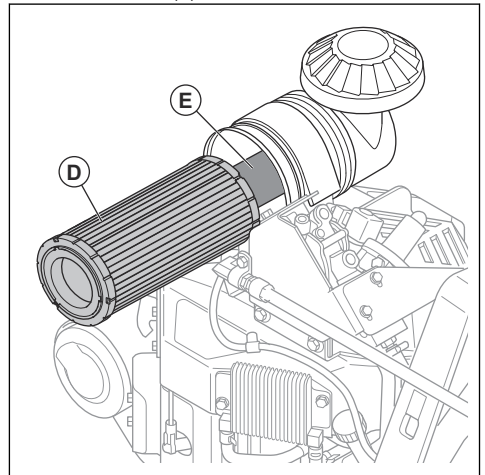
AVISO: No limpie los filtros de aire. Reemplace cada filtro de aire cuando sea necesario, consulte *Para reemplazar el filtro del detector de monóxido de carbono en la página 60.*

Tenga en cuenta: Cuando hay mucho polvo o suciedad en el área de trabajo, puede ser necesario un mantenimiento más frecuente.

1. Abra la tapa (F) de la válvula eyectora de polvo para eliminar el polvo y el agua del cuerpo del filtro de aire (C).



2. Desbloquee las 2 abrazaderas (A) y quite la carcasa (B).
3. Retire el filtro de aire primario (D). Retire el filtro de aire secundario (E).



4. Coloque los nuevos filtros de aire en el cuerpo del filtro de aire.
5. Coloque la carcasa en el cuerpo del filtro de aire y bloquee las abrazaderas.

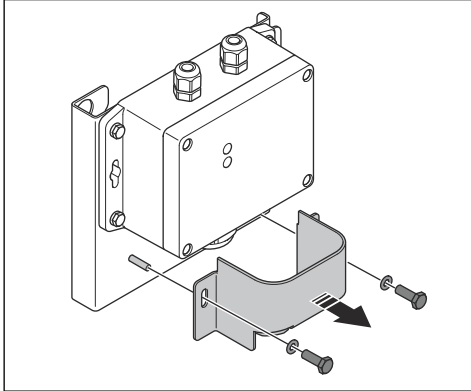
Para reemplazar el filtro del detector de monóxido de carbono



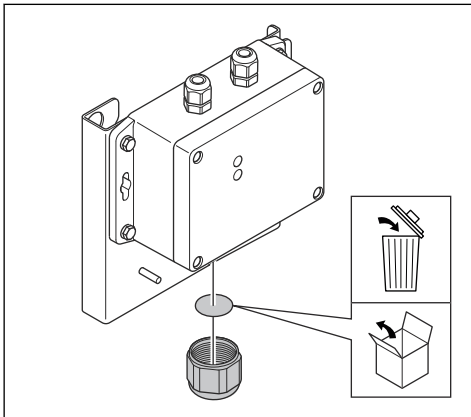
AVISO: No utilice el producto sin el filtro del detector de monóxido de carbono.

Tenga en cuenta: No limpie el filtro del detector de monóxido de carbono. Reemplace el filtro cuando sea necesario.

1. Retire los 2 tornillos, las arandelas y la cubierta.



2. Retire la tuerca de plástico y vuelva a colocar el filtro del detector de monóxido de carbono.



3. Instale el nuevo filtro del detector de monóxido de carbono en la secuencia opuesta.

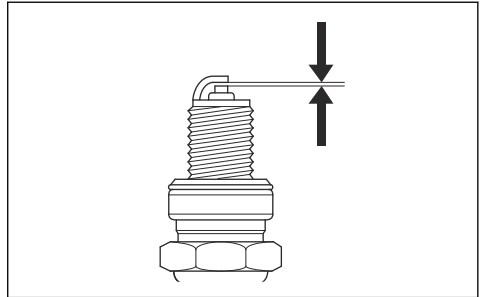
Para limpiar o cambiar la bujía



ADVERTENCIA: El aceite caliente del motor puede causar lesiones. Asegúrese de que el motor esté frío antes de retirar la bujía.

Limpie o reemplace las bujías cada 100 horas de funcionamiento.

1. Asegúrese de que el motor esté frío.
2. Retire el sombrerete de la bujía y retire la bujía.
3. Limpie los electrodos. Utilice un cepillo de alambre para eliminar los depósitos de carbono.
4. Examine la bujía para ver si presenta daños. Reemplace la bujía si es necesario.
5. Examine la distancia de la bujía. La distancia debe ser de 0,75 mm (0,030 in). A fin de cambiar la distancia, utilice una herramienta para bujías a fin de doblar el electrodo lateral.



6. Instale la bujía. Apriete las bujías a 22 Nm (2,2 kgf m, 16 ft-lb).
7. Coloque el sombrerete de la bujía.

Para cargar la batería

Utilice un cargador de batería de 12 V diseñado para las baterías de plomo y ácido.

1. Conecte la pinza positiva (+) del cargador al terminal positivo (+) de la batería.
2. Conecte la pinza negativa (-) del cargador al terminal negativo (-) de la batería.
3. Conecte el cargador a una fuente de alimentación.

Solución de problemas

Problema	Causa	Solución
El producto no arranca.	La batería no está cargada.	Cargue la batería.
	El interruptor principal está en la posición "OFF".	Coloque el interruptor principal en la posición "ON".
El motor no arranca.	El botón de parada de emergencia está activado.	Gire el botón de parada de emergencia del panel de control en el sentido de las agujas del reloj para desactivarlo.
	El depósito de propano está vacío.	Llene o reemplace el depósito de propano.
	La válvula del depósito de propano está cerrada.	Gire la válvula del depósito de propano para abrir el depósito de propano.
	El encendido está dañado.	Comuníquese con un taller de servicio autorizado.
	El fusible está dañado.	Examine el fusible en el motor. Si el fusible está dañado, reemplácelo.
	La batería no está cargada.	Cargue la batería.
El producto no se inicia inmediatamente cuando se coloca el interruptor principal en ON.	El panel de control está dañado o no funciona correctamente.	Comuníquese con un taller de servicio autorizado.
El motor arranca, pero se detiene al poco tiempo.	El depósito de propano está casi vacío.	Llene o reemplace el depósito de propano.
	Si se enciende el símbolo de valores de revisión del motor y de monóxido de carbono, y el detector de monóxido de carbono emite sonidos, los valores de monóxido de carbono son superiores a los niveles permitidos.	Asegúrese de que la zona de trabajo cuente con buena ventilación.
El motor está encendido, pero la amoladora no arranca.	La correa está rota.	Si la correa está rota, debe reemplazarla en un centro de servicio. Gire manualmente uno de los discos de amolado. Si todos los discos de amolado giran juntos, la correa no está dañada. Si alguno de los discos amoladora gira libremente, significa que la correa está rota.
	El embrague se desacopla.	Comuníquese con un taller de servicio autorizado.
El motor se detiene.	Si se enciende el símbolo de valores de revisión del motor y de monóxido de carbono, y el detector de monóxido de carbono emite sonidos, los valores de monóxido de carbono son superiores a los niveles permitidos.	Asegúrese de que la zona de trabajo cuente con buena ventilación.
El producto no funciona de forma ininterrumpida.	El producto no está conectado a tierra correctamente.	Coloque el interruptor principal en la posición OFF y hable con un taller de servicio aprobado.
	El agua ha entrado en el panel de control.	

Problema	Causa	Solución
El producto proporciona una descarga de electricidad estática.	El producto no está conectado a tierra correctamente. El panel de control está dañado o no funciona correctamente.	Comuníquese con un taller de servicio autorizado.
El producto huele a humo.	El embrague se desacopla.	Asegúrese de que el régimen del motor no sea entre 1200 y 2600 rpm.
No es fácil sostener el producto.	Hay una cantidad muy pequeña de herramientas de diamante instaladas en el producto.	Aumente el número de herramientas de diamante para reducir la carga sobre el producto y el operador.
	La correa está rota.	Si la correa está rota, debe reemplazarla en un centro de servicio. Gire manualmente uno de los discos de amolado. Si todos los discos de amolado giran juntos, la correa no está dañada. Si alguno de los discos amoladora gira libremente, significa que la correa está rota.
	La superficie o la operación utilizan demasiada capacidad del producto.	Ajuste el régimen del motor o la velocidad de avance del producto por el piso.
El producto suena como si disminuyera demasiado la velocidad.	La presión en el depósito de propano es demasiado baja.	Llene o reemplace el depósito de propano.
	Esto puede deberse a una falla del motor o de un cable del motor.	Si el problema persiste, comuníquese con un taller de servicio aprobado.
	La superficie es demasiado gruesa o la configuración de la herramienta de diamante es incorrecta.	Empuje ligeramente hacia abajo el manillar para levantar el cabezal de amolado de la superficie cuando arranque el producto.
El producto hace un patrón irregular de ralladuras.	Las herramientas de diamante están conectadas de manera incorrecta o están conectadas a diferentes alturas en los discos de amolado.	Asegúrese de que todas las herramientas de diamante estén instaladas correctamente y a la misma altura.
	Las herramientas de diamante son de tipos mixtos.	Asegúrese de que todos los segmentos tengan el mismo tipo de granos abrasivos y adhesivo de diamante. Si los segmentos de diamante son irregulares, separe de manera equitativa los segmentos de diamante ásperos. Haga funcionar el producto sobre una superficie abrasiva hasta que todos los segmentos tengan la misma altura.
	Las trabas del cabezal están sueltas o no están.	Asegúrese de que todas las trabas del cabezal estén en su lugar y apretadas.
	Las herramientas de resina están mezcladas o tienen contaminación no deseada.	Asegúrese de que todas las resinas tengan el mismo tipo de granos abrasivos y adhesivo de diamante, y de que no haya contaminación. Para limpiar las herramientas de resina, hágalas funcionar durante un breve tiempo en una superficie ligeramente abrasiva
	Los discos de amolado están desgastados o dañados.	Examine los discos de amolado para detectar secciones rotas o demasiado movimiento.

Problema	Causa	Solución
Hay movimientos inesperados no deseados en el producto.	Los discos de amolado están desgastados o dañados.	Examine los discos de amolado para detectar piezas dañadas y movimiento excesivo.
	Las herramientas de diamante están conectadas de manera incorrecta o están conectadas a diferentes alturas en los discos de amolado.	Asegúrese de que todas las herramientas de diamante estén instaladas correctamente y de que tengan la misma altura.
	Las trabas del cabezal están sueltas o no están.	Asegúrese de que todas las trabas del cabezal estén en su lugar y apretadas.
No hay caudal de agua o el caudal no es suficiente.	El depósito de agua está vacío.	Llene el depósito de agua.
	La boquilla tiene polvo.	Desconecte la manguera de suministro y limpie la boquilla.
	El sistema de agua está obstruido.	Desconecte la manguera de suministro y enjuague el depósito de agua hasta que salga agua limpia.

Transporte, almacenamiento y eliminación de residuos

Transporte



ADVERTENCIA: Tenga cuidado durante el transporte. El producto es pesado y puede causar lesiones o daños si se cae o se mueve durante el transporte.

Las ruedas permiten mover el producto en distancias cortas. Para distancias más largas, levante el producto para moverlo o súbalo a un vehículo.



AVISO: No remolque el producto detrás de un vehículo.

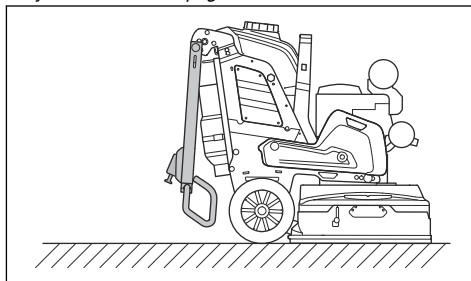
- Tenga cuidado cuando mueva el producto manualmente en superficies con pendiente. Pequeñas pendientes pueden ocasionar movimientos rápidos del producto que no se pueden contener manualmente.
- Fije el producto firmemente durante el transporte. Asegúrese de que no se mueva.
- Ponga algún tipo de protección en el producto durante el transporte. Esto protege al producto de los elementos naturales, como la lluvia y la nieve.
- Levante el producto solo por el cáncamo.
- No levante el producto por el manillar, el motor, el chasis ni otras piezas.
- El transporte se realiza idealmente en un palé.
- Siempre levante el producto con un elevador o un montacargas.
- No utilice un montacargas si el producto no se coloca sobre un palé o carro. De lo contrario,

se pueden dañar los discos amoladora y otros componentes internos.

- Durante el transporte, la base de la amoladora debe estar en el suelo. Para evitar daños en el mecanismo de bloqueo de las placas de herramientas, mantenga las placas de herramientas instaladas.
- Asegúrese de que el depósito de agua esté vacío antes del transporte. No transporte el producto con agua en el depósito de agua.

Para poner el producto en posición de transporte

- Pliegue el manillar. Consulte *Para ajustar el mango y el manillar en la página 51*.



- Si los pesos están conectados al producto, ajústelos en la posición de avance. Consulte *Para ajustar los pesos en la página 54*.
- Asegúrese de que la base de la amoladora toque la superficie.

Para mover el producto hacia arriba y hacia abajo por una rampa



ADVERTENCIA: Tenga mucho cuidado al subir o bajar el producto por rampas. El producto es pesado y existe riesgo de lesiones si se cae o se mueve demasiado rápido.



ADVERTENCIA: Para rampas con una pendiente pronunciada, utilice siempre un cabrestante. No camine ni permanezca por debajo del producto. No permanezca en el área de riesgo del producto. Consulte *Seguridad en el área de trabajo en la página 42*.

- Para bajar el producto por una rampa, opere el producto lentamente hacia atrás.
- Para subir el producto por una rampa, opere el producto lentamente hacia delante.
- No gire el producto más de 45° en una rampa.

Para levantar el producto



ADVERTENCIA: Asegúrese de que el equipo de elevación tenga la especificación correcta para levantar el producto de forma segura. La placa de identificación del producto muestra el peso del producto.



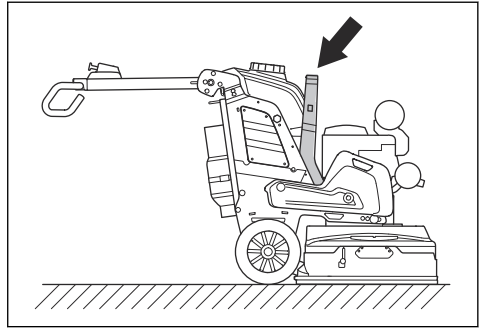
ADVERTENCIA: No camine ni permanezca por debajo del producto cuando esté levantado. Mantenga a las personas fuera del área de trabajo. Consulte *Seguridad en el área de trabajo en la página 42*.



ADVERTENCIA: No levante el producto si está dañado. Asegúrese de que el cáncamo esté correctamente instalado y de que no esté dañado.

1. Ponga el producto en la posición de transporte. Consulte *Para poner el producto en posición de transporte en la página 63*.

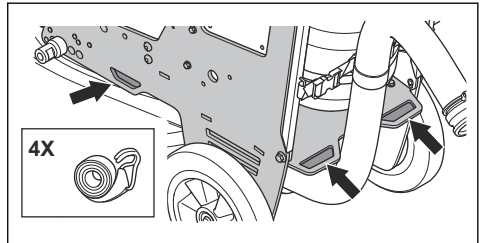
2. Fije el equipo de elevación al cáncamo.



Para fijar el producto a un vehículo de transporte

El producto tiene puntos de amarre que se utilizan con correas de amarre para fijar el producto al vehículo de transporte.

1. Fije los ganchos metálicos de las correas de amarre en los puntos de amarre. Tenga cuidado, ya que los bordes afilados pueden dañar las correas.



2. Fije y apriete la correa de sujeción al vehículo.

Almacenamiento



AVISO: Retire el depósito LPG antes de guardar. No almacene el producto a la luz solar directa. Siempre mantenga el producto en interiores.



ADVERTENCIA: El producto debe estar estacionado de manera segura.

- Mantenga el producto en un lugar seco y sin escarcha.
- Limpie el producto y realice un mantenimiento completo antes de almacenarlo.
- Mantenga la base de la amoladora sobre el suelo.
- Mantenga el producto en un área cerrada para evitar que los niños u otras personas sin autorización puedan acceder a él.
- Siempre almacene los depósitos de LPG en el exterior. Retire todos los depósitos de propano

del interior del edificio, excepto durante el uso del equipo. Almacene los depósitos de propano en una zona segura y con buena ventilación.

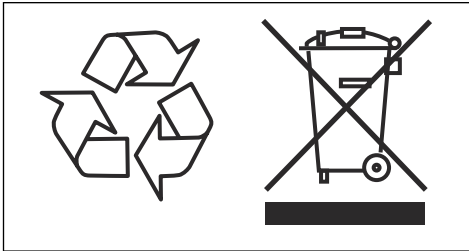
- Asegúrese de que el depósito de agua esté vacío antes de guardarlo. No almacene el producto con agua en el depósito de agua.

Eliminación

Los símbolos en la máquina o en su embalaje indican que este producto no se puede tratar como residuo doméstico. Debe enviarse a una estación de reciclaje apropiada para la recuperación del equipo eléctrico y electrónico.

Asegúrese de desconectar el depósito de propano y de retirar la batería del producto antes de enviarlo a una estación de reciclaje adecuada. Envíe la batería a una estación de reciclaje adecuada.

Si se asegura de mantener correctamente esta máquina, puede contribuir a contrarrestar los posibles efectos negativos en el medioambiente y en las personas que, de lo contrario, podrían resultar afectadas debido a la gestión incorrecta de los residuos de este producto. Para obtener información más detallada sobre el reciclaje de este producto, comuníquese con su municipalidad, servicio de recolección de residuos domésticos o con la tienda donde compró el producto.



Datos técnicos

Datos técnicos

Marca/tipo del motor ⁴	ONYX/LX900
Potencia del motor, hp a rpm/kW a rpm ⁵	27 a 3600/20 a 3600
Peso, kg/lb	608/1340
Ancho de amolado, mm/in	800/31,5
Disco de amolado, mm/in	270/10,6
Peso en la posición 1 (hacia delante), kg/lb	317/699
Peso en la posición 2 (vertical), kg/lb	258/509
Peso en la posición 3 (hacia atrás), kg/lb	220/485
Velocidad de los discos amoladora, rpm mín./máx.	742/861
Velocidad de la base de la amoladora, rpm mín./máx.	102/119
Régimen del motor, rpm	1200-3600
Dirección de giro	Base de la amoladora: en el sentido de las agujas del reloj Disco amoladora: en el sentido contrario al de las agujas del reloj
Gradiente máxima, grados °	10
Tipo de batería	Batería de plomo y ácido, 12 V, 20 A
Carcasa, IP	54
Combustible	Extracción de líquido y vapor de propano
Tamaño del depósito de gas, máx. (diám. X alt.), in/mm Consulte la nota	310 x 600/12,2 x 23,5
Cantidad de gas en el depósito, máx., kg/lb Consulte la nota	10/20
Peso del depósito de gas (gas incluido), máx. kg/lb Consulte la nota	25/50
Distancia entre las bujías, mm/in	0,76/0,03
Extractor de polvo recomendado ⁶	
Accesorio del extractor de polvo, mm/in	75/3
Flujo de aire mínimo, m ³ /h/CFM	600/353
Vacío mín., kPa/psi	28/4,1

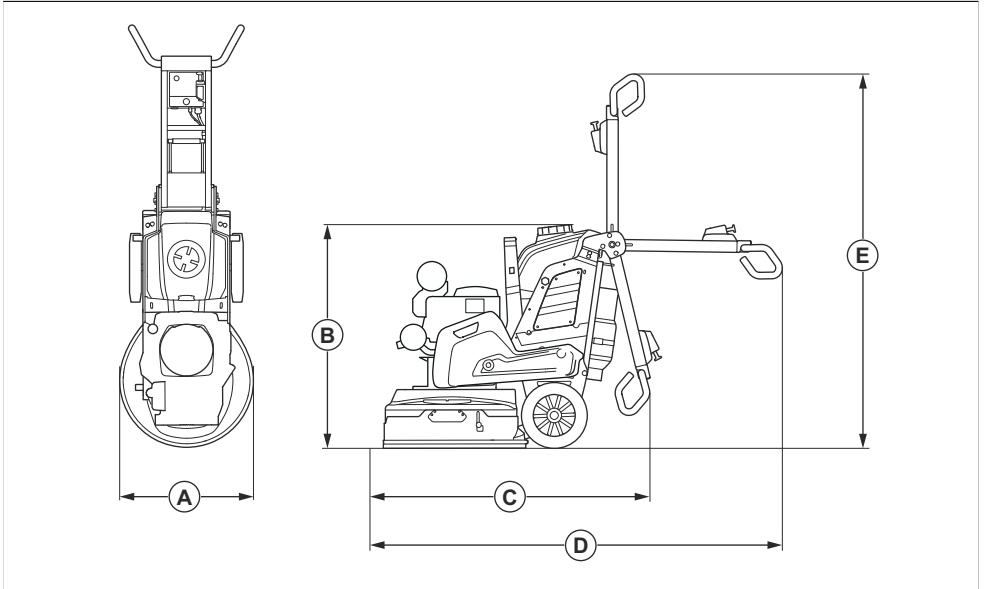
⁴ Para obtener más información y para preguntas sobre este motor específico, consulte el manual del motor o el sitio web del fabricante del motor.

⁵ Como lo especifica el fabricante del motor. Clasificación de potencia bruta según SAE J1940/J1995, a las rpm especificadas.

⁶ Los datos técnicos para los extractores de polvo no describen de manera concluyente el rendimiento real en el tiempo entre diferentes extractores de polvo. Para los productos de Husqvarna, los datos objetivos de la OSHA se encuentran disponibles en www.husqvarnacp.com/us.

Nota: Utilice solo depósitos de gas que cumplan con las especificaciones DOT. Consulte a su distribuidor autorizado.

Dimensiones del producto



A	Ancho, mm/in	830/33
B	Altura mín. total (mango plegado), mm/in	1163/40
C	Largo mín. total (mango plegado), mm/in	1414/56
D	Largo máx. total (mango extendido), mm/in	2235/88
E	Altura máx. total (mango extendido), mm/in	1973/78

Garantía

CONTROL DE EMISIONES CONFORME A LA NORMATIVA FEDERAL DE LOS ESTADOS UNIDOS y LA NORMATIVA DE CANADÁ

DECLARACIÓN DE GARANTÍA DEL CONTROL DE EMISIONES EVAPORATIVAS CONFORME A LA NORMATIVA FEDERAL DE LOS ESTADOS UNIDOS y LA NORMATIVA DE CANADÁ

IMPORTANTE: Este producto cumple con las normativas EPA, Etapa 3, de los Estados Unidos para las emisiones evaporativas. Se recomienda utilizar solo piezas de repuesto originales correspondientes a la marca del producto, a fin de garantizar que este cumpla con la leyes federales y estatales.

DERECHOS Y OBLIGACIONES DE LA GARANTÍA

La EPA (Environmental Protection Agency, Agencia de Protección Ambiental) de los EE. UU. y Husqvarna Construction Products North America Inc. (HCP) se complacen en explicar la garantía del sistema de control de emisiones evaporativas para su equipo compacto todoterreno, en conformidad con los requisitos de la Agencia de Protección Ambiental (EPA) de los Estados Unidos y Environment Canada. En los Estados Unidos y Canadá, los nuevos sistemas de control de emisiones y de equipos compactos todoterreno se deben diseñar, desarrollar y equipar conforme a las estrictas normas de emisión de calidad de aire. HCP cubre el sistema de control de emisiones evaporativas del equipo compacto todoterreno durante el período que se indica a continuación, siempre y cuando no haya ningún abuso, negligencia, mantenimiento incorrecto, modificaciones sin autorización ni uso indebido del equipo compacto todoterreno. Si existe una condición cubierta por la garantía, se reparará el equipo compacto todoterreno o cualquier pieza relacionada con la emisión del sistema de control de emisiones evaporativas (como se muestra en el listado de piezas cubiertas por la garantía relacionada con las emisiones) sin costo alguno. Entre los gastos cubiertos por la garantía se incluyen el diagnóstico, las piezas y la mano de obra, además del envío (si es necesario) conforme a lo estipulado en la garantía.

COBERTURA DE LA GARANTÍA DEL FABRICANTE

HCP garantiza al cliente comprador original y a cada comprador posterior que el sistema de control de emisiones evaporativas se ha diseñado, desarrollado y equipado, durante el período de venta al cliente comprador original y durante un período de dos años a partir de la compra original, conforme a los requisitos de las disposiciones pertinentes de las leyes y normativas federales y estatales de aire limpio y emisiones, y que se encuentran sin defectos en los materiales y la

fabricación que pudieran provocar el incumplimiento con estos requisitos. Si alguna de las piezas relacionada con las emisiones del sistema de control de emisiones evaporativas se encuentra defectuosa, se dispondrá la reparación o reemplazo de la pieza.

RESPONSABILIDADES DE GARANTÍA DEL PROPIETARIO

Como propietario del equipo compacto todoterreno, usted es responsable de la ejecución del mantenimiento necesario que se detalla en el manual de usuario. Se recomienda que conserve todos los recibos que cubran el mantenimiento del sistema de control de emisiones evaporativas del equipo compacto todoterreno; sin embargo, no se anulará la cobertura de la garantía solo por la falta de recibos o porque no se pueda garantizar la ejecución de todo el programa de mantenimiento. No obstante, como propietario del equipo compacto todoterreno, debe saber que se puede negar la cobertura de la garantía si una de las piezas del sistema de control de emisiones evaporativas falló como resultado del abuso, negligencia, mantenimiento incorrecto, modificaciones sin autorización o uso indebido. Usted es responsable de llevar el equipo compacto todoterreno a un centro de servicio autorizado por HCP en cuanto se detecte un problema. Si el centro de servicio autorizado por HCP más cercano se encuentra a más de 100 millas de su ubicación, se organizarán y se pagarán los costos de envío al centro de servicio autorizado por HCP, y desde este, o se dispondrá un servicio de garantía en conformidad con las normativas pertinentes. Las reparaciones incluidas en la garantía se finalizarán en un período razonable que no superará los 30 días.

ELEMENTOS CON COBERTURA

REPARACIÓN O REEMPLAZO DE PIEZAS La reparación o el reemplazo de cualquier pieza defectuosa en garantía se realizará sin cargo para el propietario en un centro de servicio autorizado por HCP. El propietario puede elegir el taller de reparación o una persona que realice los servicios de mantenimiento, reemplazo o reparación de los dispositivos y sistemas de control de emisiones, con excepción de las reparaciones y el reemplazo detallados en esta garantía de control de emisiones evaporativas. Sin embargo, se recomienda que un centro de servicio autorizado por HCP realice todos los servicios de mantenimiento, reemplazo y reparación de los dispositivos y sistemas de control de emisiones evaporativas.

PERÍODO DE GARANTÍA. Cualquier pieza cubierta por la garantía que no esté programada para su reemplazo según el mantenimiento requerido o que está programada solo para una inspección regular a fines de "reparar o reemplazar, según sea necesario" tiene garantía por 2 años a partir de la fecha de compra por parte del comprador consumidor inicial o el período de la garantía limitada proporcionada con el producto, lo

que sea mayor. Toda pieza que esté programada para su sustitución como parte del mantenimiento requerido estará garantizada por el período hasta el primer reemplazo programado de la pieza.

DIAGNÓSTICO. No se aplicarán tarifas por el trabajo de diagnóstico que lleva a determinar que una pieza requiere una reparación o un reemplazo conforme a la garantía, si el trabajo de diagnóstico se realiza en un centro de servicio autorizado por HCP. **OTROS DAÑOS.** Según la naturaleza del daño, es posible que también se reparen otros componentes del motor producto de la falla de una pieza incluida aún en la garantía.

ELEMENTOS SIN COBERTURA

Cualquier falla causada por abuso, negligencia o mantenimiento incorrecto, así como cualquier modificación no aprobada, no están cubiertas. La utilización de piezas modificadas o complementarias puede servir de fundamento para anular una reclamación de garantía. Existe la posibilidad de no cubrir la falla de una pieza incluida en la garantía producto del uso de piezas modificadas o complementarias.

El uso de combustibles alternativos como los que tienen mezclas de etanol sobre un 10 % por volumen (p. ej., E-15, E-20 o E-85), o mezclas de metanol o diésel, puede dañar el sistema de control de emisiones evaporativas, provocar problemas graves de rendimiento y de durabilidad del motor y anular esta garantía relacionada con el control de emisiones evaporativas.

CÓMO PRESENTAR UNA RECLAMACIÓN

Si tiene alguna pregunta con respecto a sus derechos y responsabilidades de garantía, comuníquese con el centro de servicio autorizado por HCP más cercano, llame al 1-800-288-5040, o escriba su mensaje en www.husqvarnacp.com/us/, [/ca-en/](http://www.husqvarnacp.com/ca-en/), [/ca-fr/](http://www.husqvarnacp.com/ca-fr/) o [/latam/](http://www.husqvarnacp.com/latam/).

DÓNDE OBTENER SERVICIOS DE LA GARANTÍA

Los servicios o las reparaciones de la garantía para el sistema de control de emisiones evaporativas están disponibles en todos los centros de servicio autorizado por HCP. Para encontrar el centro de servicio autorizado por HCP más cercano, diríjase al sitio web de HCP.

REPARACIÓN Y REEMPLAZO DE LAS PIEZAS RELACIONADAS CON EMISIONES EVAPORATIVAS

Cualquier pieza de reemplazo aprobada por HCP que se utilice en cualquier reparación o reemplazo por garantía en las piezas relacionadas con las emisiones evaporativas se proporcionará sin cargo al propietario, en caso de que la pieza esté cubierta por la garantía.

LISTADO DE PIEZAS RELACIONADAS CON EMISIONES EVAPORATIVAS QUE SE INCLUYEN EN LA GARANTÍA

1. El depósito de combustible, las tuberías, el depósito de carbono con tapa y las válvulas de seguridad/ antiderrame, según corresponda.
2. Todos los otros componentes cuya falla aumentaría las emisiones del motor de cualquier contaminante reglamentado, como se establece en la siguiente sección:
 - Para los Estados Unidos y Canadá, consulte el US Federal Code of Regulations (Código de disposiciones federales de los Estados Unidos), 40 C.F.R 1068, Anexo I (III).

Table des matières

Introduction.....	70	Dépannage.....	96
Sécurité.....	76	Transport, entreposage et mise au rebut.....	98
Fonctionnement.....	80	Données techniques.....	101
Entretien.....	90	Garantie.....	103

Introduction

Responsabilité du propriétaire



AVERTISSEMENT : Des opérations de coupe, de surfacage ou de perçage du béton ou de la pierre, particulièrement lorsque les conditions sont sèches, génèrent de la poussière qui contient souvent de la silice. La silice est un composant de base du sable, du quartz, de la brique de l'argile, du granit et de nombreux autres pierres et minéraux. L'exposition à une quantité excessive de ces poussières peut entraîner :

une maladie respiratoire (réduisant la capacité à respirer), notamment la bronchite chronique, la silicose et la fibrose pulmonaire causée par l'exposition à la silice. Ces maladies peuvent être fatales;

Des irritations et éruptions cutanées.

Le cancer, selon le NTP (National Toxicology Program) et le CIRC (Centre international de Recherche sur le Cancer).

Prendre les précautions suivantes :

Éviter l'inhalation et le contact cutané avec les poussières, brouillards et fumées.

Porter et veiller à ce que les personnes à proximité portent un dispositif de protection respiratoire approprié, tel un masque antipoussière filtrant les particules microscopiques. (Voir OSHA 29 CFR Part 1926.1153)

Pour réduire les émissions de poussières, utiliser de l'eau pour agglomérer ces dernières, lorsque cela est possible. Si une opération à sec est nécessaire, utiliser un extracteur de poussière adéquat.

- Les consignes de sécurité relatives au produit.
- L'éventail d'applications du produit et ses limites.
- La manière dont le produit doit être utilisé et entretenu.

Des règlements locaux ou nationaux pourraient limiter l'utilisation de ce produit. Découvrir les règlements en vigueur où le travail est exécuté avant d'utiliser le produit.



CALIFORNIA AIR RESOURCES BOARD (CARB)

Remarque : La machine est considérée comme une application hors route exemptée des normes CARB. L'EPA, aux États-Unis, est la seule habilitée à instaurer des normes antipollution visant l'équipement de construction exempté.

Description du produit

Ce produit est une surfaceuse pour surfaces de diverses duretés. Le produit est doté d'un moteur au propane.

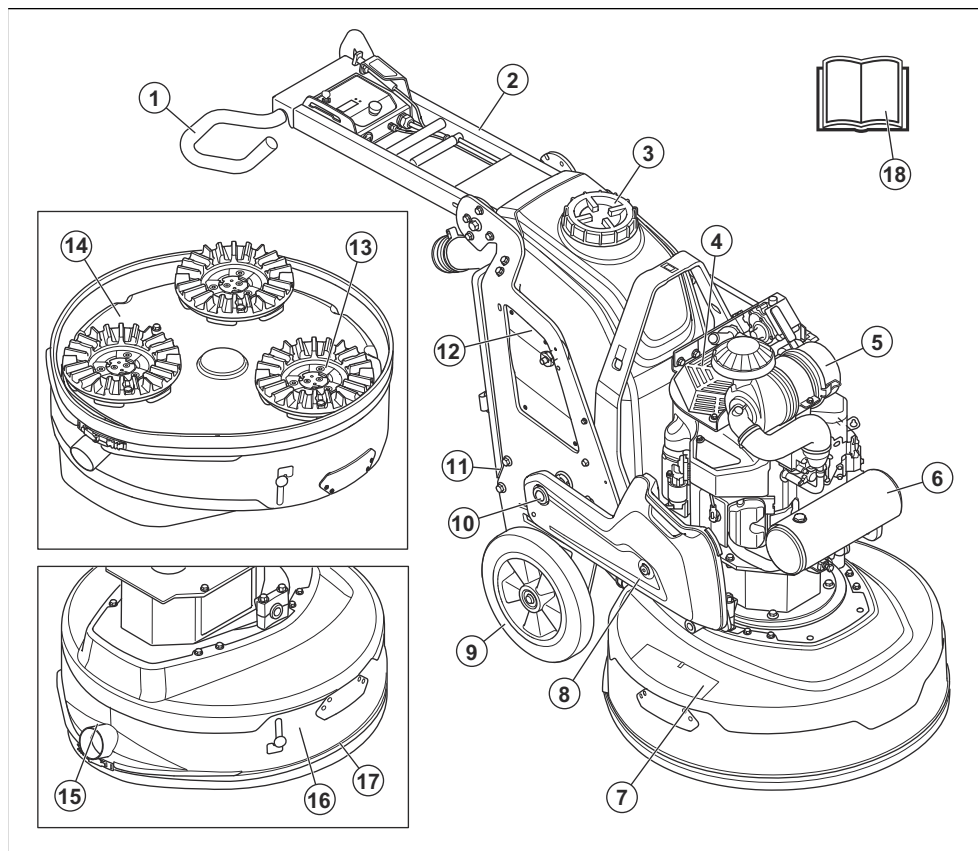
Utilisation prévue

Ce produit est utilisé pour meuler des surfaces de matériaux de diverses duretés, comme la pierre naturelle, le terrazzo et le béton. Il peut également être utilisé pour meuler des matériaux de recouvrement, comme l'époxy et la colle. La finition de la surface peut être rugueuse ou lisse. Le produit peut être utilisé pour le meulage à sec et le meulage à l'eau. Ne pas utiliser l'outil pour d'autres tâches.

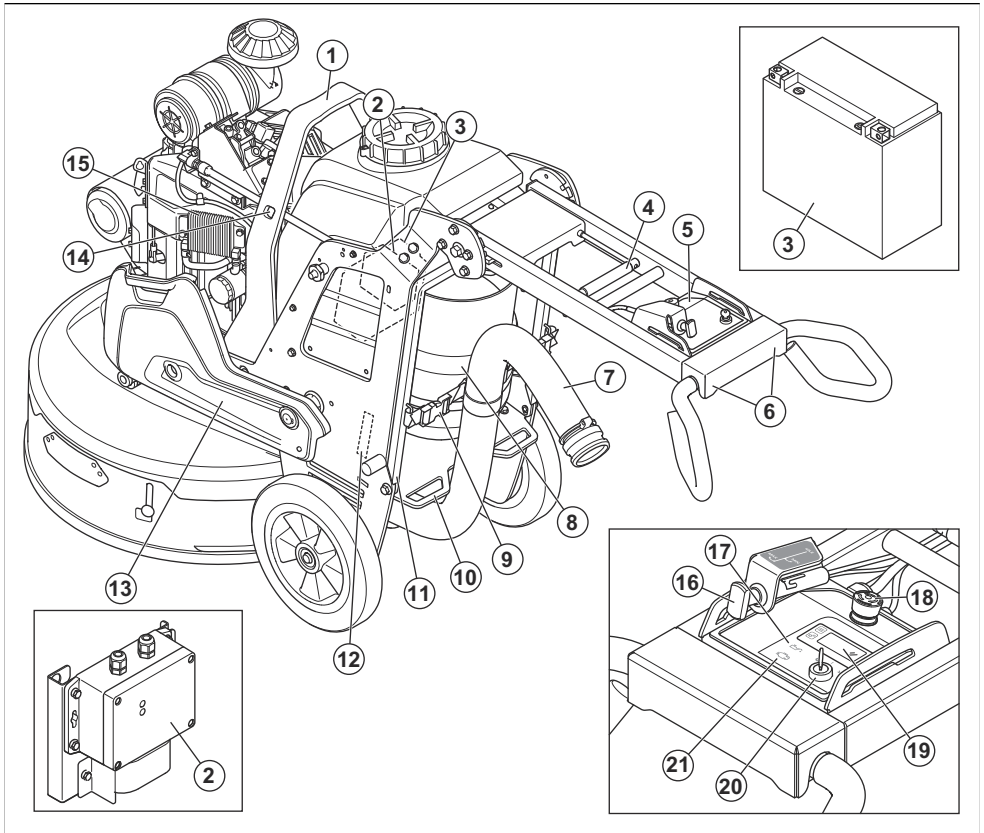
Le produit est utilisé dans les opérations commerciales par des opérateurs professionnels.

Il est de la responsabilité du propriétaire ou de l'employeur de s'assurer que l'utilisateur possède les connaissances nécessaires pour manipuler le produit en toute sécurité. Les superviseurs et les utilisateurs doivent avoir lu et compris le manuel d'utilisation. Ils doivent être conscients de ce qui suit :

Vue d'ensemble du produit, côté droit



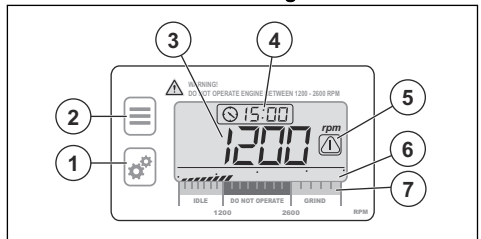
Présentation du produit, côté gauche



1. Anneau de levage
2. Détecteur d'oxyde de carbone
3. Batterie
4. Levier de blocage pour le réglage de la poignée
5. Panneau de commande
6. Vis de réglage du guidon
7. Connexion pour extracteur de poussière
8. Réservoir de propane
9. Réservoir de propane
10. Point d'arrimage
11. Châssis de support
12. Plaque signalétique
13. Poids
14. Trous pour sangles
15. Ailettes de refroidissement d'huile
16. Commande d'accélération
17. Indicateur de pression d'huile
18. Bouton d'arrêt d'urgence

19. Écran
20. Dispositif de blocage de l'allumage
21. Indicateur de moteur et valeurs d'oxyde de carbone

Vue d'ensemble de l'affichage



1. Bouton de réglage
2. Bouton de menu
3. Régime (en tr/min) du moteur
4. Horloge

5. Avertissement
6. Indicateur du régime (en tr/min) moteur
7. Régime (en tr/min) du moteur

Pour utiliser l'écran

Utiliser le bouton de menu et le bouton de réglage pour commander l'affichage.

1. Appuyer brièvement sur le bouton de menu pour passer d'une sélection à l'autre sur l'écran.
2. Appuyer longuement sur le bouton de menu pour accéder à l'élément sélectionné.
3. Dans la sélection, appuyer brièvement sur le bouton de menu pour sélectionner ON ou OFF (marche ou arrêt).
4. Dans la sélection, appuyer sur le bouton de réglage pour régler l'élément sélectionné.
5. Appuyer longuement sur le bouton de menu pour verrouiller la sélection et revenir au menu principal.

Remarque : L'écran revient au menu principal s'il n'est pas utilisé pendant dix secondes.

Menu d'affichage

Sélections de menu	Renseignements et réglage de base	Options de réglage
Temps de fonctionnement total	Indique la durée totale d'utilisation du produit.	N/A
Temps avant le prochain entretien	Indique le nombre d'heures avant qu'un entretien ne soit nécessaire.	Sélectionner « ON » (marche) pour réinitialiser.
Régime maximal	Indique le régime maximal (en tr/min) utilisé lors de la dernière utilisation.	Sélectionner « ON » (marche) pour effacer.
Allumage	Le réglage de base est « 1P1r ».	N/A
Limite de régime	Régler la plage de régime entre 2400 et 3 600 tr/min.	Appuyer brièvement sur le bouton de réglage pour ajouter 100 tr/min à chaque fois. Appuyer longuement sur le bouton de réglage pour ajouter 1 000 tr/min à chaque fois.

Sélections de menu	Renseignements et réglage de base	Options de réglage
Avertissement de régime	Le réglage de base est « OFF » (arrêt). Lorsque le réglage est « ON » (marche), le produit affiche un avertissement à la valeur de régime sélectionnée.	Appuyer brièvement sur le bouton de réglage pour ajouter 100 tr/min à chaque fois. Appuyer longuement sur le bouton de réglage pour ajouter 1 000 tr/min à chaque fois.
Avertissement d'entretien	Le réglage de base est de 100 h. Le produit émet un avertissement lorsqu'il a été utilisé pendant ce nombre d'heures.	Appuyer brièvement sur le bouton de réglage pour ajouter 1 h à chaque fois. Appuyer longuement sur le bouton de réglage pour ajouter 10 h à chaque fois.
Avertissement de tension	Le réglage de base est 11,0 V. Le produit affiche un avertissement à cette valeur de tension.	Appuyer brièvement sur le bouton de réglage pour ajouter 0,1 V à chaque fois. Appuyer longuement sur le bouton de réglage pour ajouter 1 V à chaque fois.
Tension de batterie	Indique la tension mesurée (en V) de la batterie.	N/A
Réinitialiser aux réglages d'usine	Réinitialise le produit aux réglages d'usine.	Pour utilisation uniquement par un atelier spécialisé approuvé.

Symboles d'avertissement de l'affichage

L'écran peut afficher des symboles d'avertissement.

- Avertissement de régime : Un triangle d'avertissement s'affiche à l'écran.
- Avertissement de faible batterie : L'écran affiche les lettres « LOU » et un triangle d'avertissement.
- Avertissement d'entretien : L'écran affiche les lettres « SUC » et un triangle d'avertissement.

Régime (en tr/min) du moteur



MISE EN GARDE : Lire attentivement les instructions et veiller à bien les comprendre avant d'utiliser le produit.

L'affichage indique le régime (en tr/min) du moteur (A). L'indicateur (B) à l'écran indique le régime pour le moteur utilisé.

Détecteur d'oxyde de carbone

Après le démarrage du moteur, laissez le détecteur d'oxyde de carbone se réchauffer et faire sa routine d'auto-diagnostic pendant 5 minutes. Pendant ce temps, les 2 voyants à DEL sur le détecteur d'oxyde de carbone clignotent. Le voyant à DEL du haut est vert lorsque l'appareil fonctionne correctement. Le voyant à DEL du haut clignote en rouge s'il y a une erreur dans l'appareil ou le capteur d'oxyde de carbone.

Si les valeurs d'oxyde de carbone sont supérieures à 70 ppm, le voyant à DEL du bas clignote en rouge. De plus, l'indicateur du moteur et les valeurs d'oxyde de carbone apparaissent sur le panneau de commande. L'alarme s'arrête automatiquement lorsque les valeurs d'oxyde de carbone sont inférieures à 50 ppm.

Si les valeurs d'oxyde de carbone sont supérieures à 400 ppm, l'avertisseur sonore dans le détecteur retentit et le moteur s'arrête. L'alarme s'arrête automatiquement et le moteur peut être démarré lorsque les valeurs d'oxyde de carbone sont inférieures à 50 ppm.

Symboles figurant sur le produit



AVERTISSEMENT : Ce produit peut être dangereux et causer des blessures très graves, ou même mortelles, à l'utilisateur et à d'autres personnes. Faire attention et utiliser le produit correctement.



Lire attentivement le manuel et veiller à bien comprendre les directives avant d'utiliser l'outil.



Porter des protections pour les oreilles, les yeux et les voies respiratoires. Se reporter à la section *Équipement de protection personnelle* à la page 77.



AVERTISSEMENT! La poussière peut occasionner des blessures si elle est inhalée. Utiliser un masque filtrant approprié. Éviter d'inhaler les gaz d'échappement. Toujours assurer une bonne ventilation.



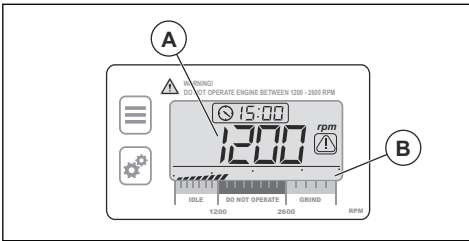
Le propane est très inflammable et explosif.



Ne pas nettoyer le détecteur d'oxyde de carbone avec de l'eau ou l'utiliser près de l'eau.



Toujours utiliser l'anneau de levage pour lever le produit.



La jauge dispose de 3 champs :

- « IDLE » (ralenti) : régime de ralenti, 0 à 1 200 tr/min.
- « DO NOT OPERATE » (ne pas utiliser) : l'embrayage s'engage, 1 200 à 2 600 tr/min.

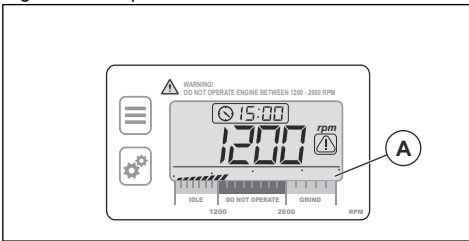


MISE EN GARDE : Ne pas utiliser le produit à un régime compris entre 1 200 et 2600 tr/min. L'embrayage peut se désengager.

- « GRIND » (meulage) : utiliser le produit, 2 600 à 3 600 tr/min.

Régime (tr/min) des disques de meulage

Le régime des disques de meulage dépend du régime du moteur. La jauge (A) à l'écran indique le régime utilisé pour le moteur. Quand le moteur du produit tourne à un régime de 2 600 tr/min, la vitesse des disques à meuler est de 730 tr/min. Quand le produit est utilisé au régime moteur maximal de 3 600 tr/min, le régime des disques à meuler est de 1 010 tr/min.



Pour afficher et régler l'heure à l'écran

L'horloge peut afficher l'heure actuelle, la durée totale de fonctionnement ou la durée jusqu'à l'entretien du produit.

- Pour modifier l'heure :
 - a) Appuyer longuement sur le bouton de menu pour accéder à la sélection de l'horloge.
 - b) Appuyer brièvement sur le bouton de réglage pour changer l'heure.
- Pour afficher la durée totale de fonctionnement, appuyer brièvement une fois sur le bouton de menu.
- Pour afficher la durée jusqu'au prochain entretien, appuyer brièvement sur le bouton de menu sept fois jusqu'à ce que les lettres « SUC » s'affichent.



Utiliser les trous pour les sangles d'arrimage afin de fixer le produit à un véhicule de transport.



Le produit n'est pas un déchet ménager. Il faut l'envoyer dans un centre de recyclage pour équipements électriques et électroniques.

Remarque : Les autres symboles et autocollants apposés sur le produit se rapportent aux exigences en matière de certification pour certains marchés.

Symboles sur le panneau de commande



Arrêt d'urgence.



Indicateur du moteur ou valeurs d'oxyde de carbone supérieures aux niveaux admissibles. Au besoin, communiquer avec un atelier spécialisé agréé.



Faible pression d'huile, examiner le niveau d'huile. Au besoin, communiquer avec un atelier spécialisé agréé.



Bouton de menu pour l'affichage.

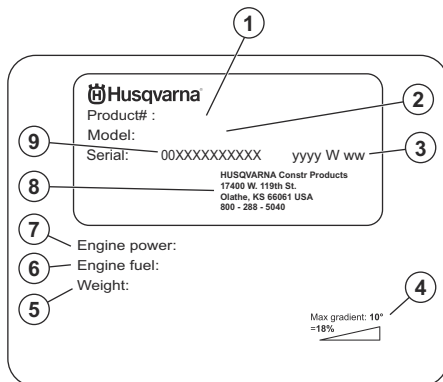


Bouton de réglage pour l'affichage.



Démarrage du moteur.

Plaque signalétique



1. Numéro du produit
2. Modèle
3. Année de production
4. Pente max.
5. Poids du produit
6. Type de carburant
7. Puissance du moteur
8. Fabricant
9. Numéro de série

Produit endommagé

Nous ne sommes pas responsables des dommages causés à notre produit si :

- Le produit n'est pas réparé de façon adéquate.
- Le produit est réparé avec des pièces qui ne sont pas fournies ou homologuées par le fabricant.
- Le produit comprend un accessoire qui n'est pas fourni ou homologué par le fabricant.
- Le produit n'est pas réparé par un centre de service après-vente agréé ou par une autorité homologuée.

Husqvarna Fleet Services™

Husqvarna Fleet Services™ est une solution dans le nuage qui offre à l'opérateur une vue d'ensemble de tous les produits connectés. Un capteur Husqvarna Fleet Services™ peut être installé sur ce produit. Le capteur Husqvarna Fleet Services™ recueille les données du produit et vous permet de vous connecter au système Husqvarna Fleet Services™. Le système Husqvarna Fleet Services™ rapporte des données comme le temps de fonctionnement, les intervalles d'entretien et l'emplacement du produit.

Pour obtenir de plus amples renseignements sur Husqvarna Fleet Services™, télécharger l'application Husqvarna Fleet Services™ ou communiquer avec un représentant Husqvarna.

Sécurité

Définitions relatives à la sécurité

Les avertissements, recommandations et remarques soulignent des points du manuel qui revêtent une importance particulière.



AVERTISSEMENT : Indique la présence d'un risque de blessure ou de décès de l'utilisateur ou de personnes à proximité si les instructions du manuel ne sont pas suivies.



MISE EN GARDE : Indique la présence d'un risque de dommages au produit, à d'autres appareils ou à la zone adjacente si les instructions du manuel ne sont pas suivies.

Remarque : Utilisé pour donner des renseignements plus détaillés qui sont nécessaires dans une situation donnée.

Consignes générales de sécurité



AVERTISSEMENT : Lire les messages d'avertissement qui suivent avant d'utiliser l'appareil.

- Ce produit est un outil dangereux s'il est utilisé de façon insouciant ou inappropriée. Cet outil peut causer des blessures graves, ou même mortelles, à l'utilisateur et à d'autres personnes. Il est obligatoire de lire et de comprendre le contenu de ce manuel d'utilisation avant d'utiliser l'outil.
- Le produit n'est pas destiné à être utilisé par des enfants ou des personnes aux capacités physiques, sensorielles ou mentales limitées ou manquant d'expérience et de connaissances.
- Conserver tous les avertissements et toutes les instructions.
- Se conformer à toutes les lois et réglementations en vigueur.
- L'utilisateur et l'employeur de l'utilisateur doivent connaître et prévenir les risques liés à l'utilisation du produit.
- Ne pas laisser une personne utiliser le produit à moins qu'elle ait lu et compris le contenu de ce manuel d'utilisation.
- Ne pas faire fonctionner le produit sans avoir reçu une formation relative à son fonctionnement. S'assurer que tous les utilisateurs reçoivent une formation.
- Ne pas laisser un enfant utiliser l'outil.

- Seules les personnes autorisées peuvent utiliser le produit.
- L'utilisateur est responsable des accidents survenus à d'autres personnes ou à leurs biens.
- Ne pas utiliser le produit en cas de fatigue ou sous l'emprise de l'alcool, de drogues ou de médicaments.
- Toujours rester prudent et faire preuve de bon sens.
- Cette machine produit un champ électromagnétique pendant le fonctionnement. Ce champ magnétique peut, dans certains cas, nuire aux implants médicaux actifs ou passifs. Pour réduire le risque de blessures graves ou mortelles, il est recommandé aux personnes ayant des implants médicaux de consulter leur médecin et le fabricant de l'implant médical avant d'utiliser le produit.
- Toujours garder le produit propre. S'assurer de pouvoir lire clairement les signes et les autocollants.
- Ne pas utiliser le produit s'il est endommagé.
- Ne pas modifier ce produit.
- Ne pas utiliser le produit s'il est possible que d'autres personnes aient apporté des modifications à celui-ci.

Consignes de sécurité pour l'utilisation



AVERTISSEMENT : Lire les messages d'avertissement qui suivent avant d'utiliser l'appareil.

- Utiliser de l'équipement de protection individuelle. Se reporter à la section *Équipement de protection personnelle à la page 77*.
- Ne pas utiliser ce produit dans des zones où un incendie ou des explosions peuvent se produire.
- Ne pas s'éloigner de l'outil lorsque le moteur est sous tension.
- Toujours arrêter le moteur avant de s'éloigner du produit.
- Ne pas tirer sur le tuyau de l'extracteur de poussière. Le produit peut alors tomber et provoquer des blessures ou des dommages.
- La tête de meulage doit toucher la surface lorsque le produit est démarré.
- Ne pas démarrer le produit si la jupe pare-poussière n'est pas installée. La jupe pare-poussière doit complètement fermer l'espace entre le produit et le sol.
- Se tenir à l'écart des endroits où le produit pourrait provoquer des blessures. Le produit peut rapidement changer de position et heurter l'opérateur.
- Si le produit ne fonctionne pas correctement, arrêter le moteur.

- S'assurer que les vêtements, les cheveux longs et les bijoux ne peuvent pas se coincer dans les pièces en mouvement.
- S'assurer d'être dans une position stable et sécuritaire au cours du travail.
- Ne pas utiliser l'outil s'il n'est pas possible d'obtenir de l'aide en cas d'accident.
- Si le produit se met à vibrer ou si son niveau sonore est anormalement élevé, arrêter immédiatement le produit. Examiner le produit pour détecter d'éventuels dommages. Réparer les dommages ou laisser un atelier spécialisé faire la réparation.
- Une surexposition aux vibrations peut entraîner des problèmes circulatoires ou des troubles nerveux, en particulier chez les personnes ayant des troubles circulatoires. En cas de symptômes liés à une surexposition aux vibrations, consulter un médecin. Ces symptômes sont les suivants : engourdissement, perte de sensibilité, fourmillement, picotement, douleur, faiblesse musculaire, décoloration ou modification de l'épiderme. Ces symptômes apparaissent habituellement aux doigts, aux mains et aux poignets.
- Toujours utiliser des accessoires approuvés. Pour obtenir de plus amples renseignements, communiquer avec votre concessionnaire.
- Pendant et après l'utilisation, ne pas toucher le silencieux tant que sa température n'a pas diminué. Risque de brûlures.
- Tenir les personnes et les objets à l'écart de l'échappement chaud du silencieux.

Équipement de protection personnelle

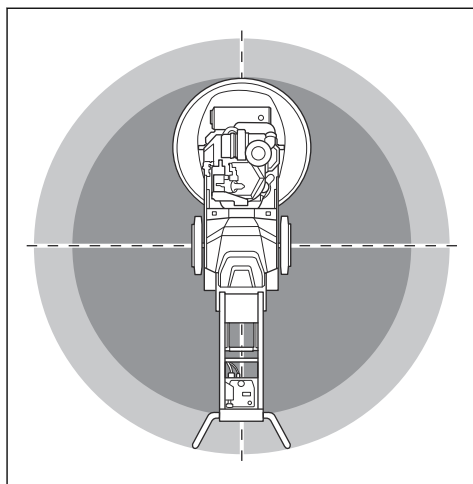


AVERTISSEMENT : Lire les messages d'avertissement qui suivent avant d'utiliser l'appareil.

- Toujours utiliser un équipement de protection personnelle lors de l'utilisation du produit. L'équipement de protection personnelle ne supprime pas le risque de blessures. L'équipement de protection personnelle réduit la gravité des blessures en cas d'accident. Le concessionnaire aidera l'utilisateur à sélectionner l'équipement adéquat et lui indiquera comment l'utiliser.
 - Toujours utiliser un détecteur d'oxyde de carbone personnel pendant l'utilisation du produit.
 - Utiliser un dispositif de protection homologué pour les yeux pendant l'utilisation du produit.
 - Ne pas utiliser des vêtements lâches, lourds ou non adéquats. Utiliser des vêtements qui permettent de se déplacer librement.
 - Utiliser des gants de protection homologués qui offrent une prise solide.
 - Porter des gants de protection en caoutchouc afin d'éviter toute irritation de la peau causée par le béton humide.
- Porter des gants de protection pour toucher le réservoir de propane. Le réservoir de propane peut être très froid pendant le fonctionnement.
 - Porter un casque de protection approuvé.
 - Toujours porter un dispositif de protection homologué pour les oreilles lorsqu'on utilise le produit. Le fait d'entendre du bruit pendant une longue période peut engendrer une perte auditive.
 - Le produit génère de la poussière et des fumées qui contiennent des produits chimiques dangereux. Utiliser une protection respiratoire adéquate.
 - Utiliser des bottes à embout en acier et semelles antidérapantes.
 - Vérifier qu'on dispose d'une trousse de premiers soins à proximité.
 - Des étincelles peuvent se produire pendant l'utilisation du produit. S'assurer d'avoir un extincteur à proximité.

Sécurité de l'aire de travail

- Pendant le fonctionnement, éloigner les personnes présentes de la zone illustrée ci-dessous. L'opérateur doit être très prudent dans cette zone pendant le fonctionnement.



- S'assurer que seules les personnes autorisées se trouvent dans la zone de travail.
- Ne pas utiliser le produit dans le brouillard, la pluie, le vent violent, par temps froid, en cas de risque d'orage ou dans d'autres mauvaises conditions météorologiques. L'utilisation du produit par mauvais temps ou dans des endroits humides peut avoir un effet négatif sur la vigilance. Les mauvaises conditions météorologiques peuvent engendrer des conditions de travail dangereuses.
- Rester à l'affût des personnes, des objets et des situations susceptibles d'entraver l'utilisation sécuritaire du produit.
- Maintenir la zone de travail suffisamment éclairée.

- Ne pas utiliser ce produit dans des zones où un incendie ou des explosions peuvent se produire.

Sécurité associée au propane



AVERTISSEMENT : Lire les messages d'avertissement qui suivent avant d'utiliser l'appareil.

- S'assurer que la clé de contact est à la position d'arrêt lorsque vous travaillez sur le réservoir de propane.
- Remplacer uniquement le réservoir de propane lorsque la clé de contact est à la position d'arrêt.
- Le propane est inflammable et ses vapeurs sont explosives. Faire preuve de prudence afin d'éviter toute blessure, tout incendie et toute explosion.
- Lire toutes les instructions sur le produit et sur le réservoir de propane.
- Ne pas changer l'équipement de contrôle du propane. Modifier l'équipement de contrôle du propane pourrait occasionner des niveaux d'émissions dangereux du moteur.
- Ne pas respirer les vapeurs de carburant. Les vapeurs de carburant sont toxiques et peuvent provoquer des blessures. S'assurer que le débit d'air est suffisant.
- Ne pas démarrer le moteur dans une zone où le débit d'air est insuffisant. Le propane est plus lourd que l'air et peut s'accumuler dans les zones basses. Un débit d'air insuffisant augmente le risque d'incendie ou d'explosion en raison d'étincelles et le risque de blessure associé aux vapeurs.
- Ne pas fumer à proximité du produit, du moteur ou du réservoir de propane.
- Ne pas placer des objets chauds à proximité du propane ou du moteur.
- Garder le produit à l'écart des étincelles et des flammes.
- Vérifier régulièrement l'étanchéité du système d'alimentation en propane. S'il y a des fuites, ne pas démarrer le moteur jusqu'à ce que les fuites soient réparées.
- Ne pas conserver des réservoirs de propane dans un bâtiment. Les réservoirs de propane ne doivent se trouver dans un bâtiment que pendant l'utilisation du produit.
- Conserver les réservoirs de propane dans un endroit sûr et aéré de manière suffisante.

Sécurité relative aux gaz d'échappement



AVERTISSEMENT : Lire les messages d'avertissement qui suivent avant d'utiliser le produit.



AVERTISSEMENT : Les gaz d'échappement du moteur contiennent du

monoxyde de carbone, un gaz inodore, toxique et très dangereux. Respirer du monoxyde de carbone peut entraîner la mort. Le monoxyde de carbone étant inodore et invisible, il n'est pas possible de le détecter. Le monoxyde de carbone provoque des symptômes d'intoxication, notamment des vertiges, mais il est possible qu'une personne perde rapidement conscience si la quantité ou la concentration de monoxyde de carbone est suffisante.

- Les gaz d'échappement contiennent également des hydrocarbures non brûlés, dont du benzène.
- À long terme, l'inhalation des gaz d'échappement peut entraîner des problèmes de santé.
- Les gaz d'échappement visibles ou odorants contiennent également du monoxyde de carbone.
- Ne pas inhaler les gaz d'échappement.
- Les gaz d'échappement du moteur sont chauds et peuvent contenir des étincelles qui peuvent causer un incendie. Toujours garder un équipement de lutte contre les incendies à portée de main. Ne jamais démarrer le produit à proximité de matériaux combustibles.

Sécurité en matière de batteries



AVERTISSEMENT : Lire les messages d'avertissement qui suivent avant d'utiliser l'appareil.

- Utiliser uniquement les batteries recommandées pour votre produit.
- Utiliser uniquement des batteries d'origine pour ce produit. Il existe un risque d'explosion si une batterie est remplacée par une batterie de type incorrect. Pour obtenir de plus amples renseignements, communiquer avec votre concessionnaire.
- Utiliser les batteries qui sont rechargeables en tant que source d'alimentation pour les produits Husqvarna connexes seulement. Pour éviter les blessures, ne pas utiliser la batterie en tant que source d'alimentation pour d'autres appareils.
- Risque de décharge électrique. Ne pas raccorder les bornes de la batterie à des clés, des vis ou tout autre élément métallique. Cela peut provoquer un court-circuit de la batterie.
- S'il y a une fuite au niveau de la batterie, ne pas laisser le liquide toucher la peau ou les yeux. Si on touche le liquide, nettoyer la zone avec une grande quantité d'eau et consulter un médecin.
- Ne pas utiliser des batteries qui ne sont pas rechargeables.
- Ne pas modifier la batterie.
- Ne pas placer d'objet dans les fentes de ventilation de la batterie.
- Maintenir la batterie à l'écart de la lumière du soleil, de la chaleur et des flammes nues. La batterie peut

provoquer une explosion et causer des brûlures ou des brûlures chimiques.

- Garder la batterie à l'écart de la pluie et de l'humidité.
- Garder la batterie à l'écart des micro-ondes et des pressions élevées.
- Ne pas essayer de démonter ou de briser la batterie.
- Utiliser la batterie à une température comprise entre -10 °C (14 °F) et 40 °C (104 °F).
- Ne pas nettoyer la batterie avec de l'eau. Se reporter à la section *Pour nettoyer la batterie à la page 91*.
- Ne pas utiliser de batterie endommagée ou qui ne fonctionne pas correctement.
- Garder les piles dans le local de rangement, à l'écart des objets métalliques tels que les clous, les vis ou les bijoux.
- Maintenir la batterie à l'écart des enfants.

Dispositifs de sécurité sur l'outil

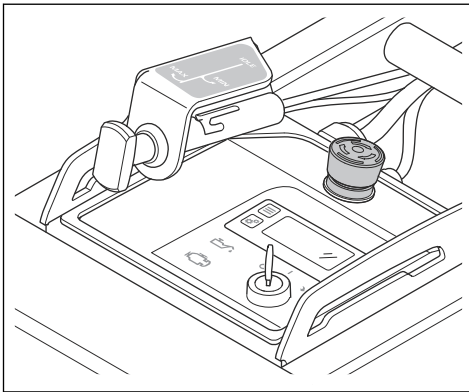


AVERTISSEMENT : Lire les messages d'avertissement qui suivent avant d'utiliser l'appareil.

- Ne pas utiliser le produit si les dispositifs de sécurité sont endommagés ou s'ils ne fonctionnent pas correctement.
- Vérifier régulièrement les dispositifs de sécurité. Si les dispositifs de sécurité sont endommagés ou ne fonctionnent pas correctement, communiquez avec votre atelier spécialisé Husqvarna.
- Ne pas modifier les dispositifs de sécurité.

Bouton d'arrêt d'urgence

Le bouton d'arrêt d'urgence permet d'arrêter rapidement le moteur. Le bouton d'arrêt d'urgence coupe l'alimentation électrique secteur.

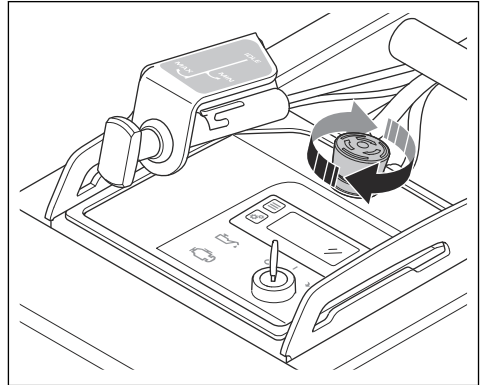


MISE EN GARDE : Ne pas utiliser le bouton d'arrêt d'urgence comme bouton

d'arrêt du produit. Ne pas utiliser le bouton d'arrêt d'urgence de la machine pour arrêter le produit, sauf en cas d'urgence.

Pour vérifier le bouton d'arrêt d'urgence

1. Tourner le bouton d'arrêt d'urgence sur le panneau de commande dans le sens des aiguilles d'une montre pour s'assurer que le bouton d'arrêt d'urgence est désengagé.



2. Démarrer le moteur. Se reporter à la section *Mise sous tension de l'appareil à la page 87*.
3. Appuyer sur le bouton d'arrêt d'urgence.
4. Tourner le bouton d'arrêt d'urgence dans le sens des aiguilles d'une montre pour le désengager.

Consignes de sécurité pour l'entretien

- Garder toutes les pièces en bon état d'utilisation et s'assurer que toutes les fixations sont correctement serrées.
- Ne pas utiliser le produit s'il est endommagé ou ne fonctionne pas correctement. Effectuer les vérifications de sécurité, de maintenance et d'entretien conformément aux instructions fournies dans ce manuel. Tous les autres travaux de maintenance doivent être effectués par un agent d'entretien agréé.
- L'installation et la réparation du système d'alimentation en propane doivent être effectuées uniquement par du personnel d'entretien agréé pour les systèmes au propane.
- Arrêter le produit pour remplacer les outils diamantés. Tourner la clé d'allumage à la position « 0 » et appuyer sur le bouton d'arrêt d'urgence.
- Effectuer l'inspection ou l'entretien avec le moteur à l'arrêt.
- Effectuer la maintenance pour s'assurer que le produit fonctionne de façon adéquate. Se reporter à la section *Calendrier d'entretien à la page 90*.

Fonctionnement

Introduction



AVERTISSEMENT : Avant d'utiliser le produit, lire et bien comprendre le chapitre sur la sécurité.

Pour retirer le produit de l'emballage



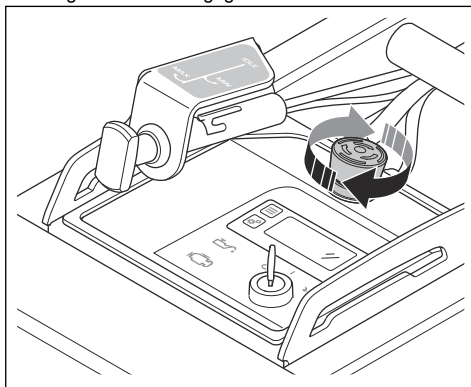
AVERTISSEMENT : Retirer le produit de la palette avec précaution et en toute sécurité. Le produit est lourd et peut provoquer des blessures graves en cas de chute.

- S'assurer que tous les éléments illustrés dans la vue d'ensemble du produit sont inclus. Se reporter à la section *Vue d'ensemble du produit, côté droit à la page 71*. Communiquer avec le concessionnaire Husqvarna si un article est manquant ou endommagé, avant de retirer le produit de la palette.
- Retirer toutes les sangles d'emballage et les cales de roues.
- S'assurer que la zone est dégagée et qu'il y a suffisamment d'espace pour déplacer le produit.
- S'assurer qu'il n'y a aucun risque que vous ou le produit tombiez.
- Utiliser des rampes ou de l'équipement de levage pour retirer le produit de la palette. Le produit est lourd. Déplacer le produit avec prudence. Se reporter à la section *Pour déplacer le produit vers le haut ou vers le bas dans une pente à la page 99*.

Avant d'utiliser le produit

1. Lire attentivement le manuel d'utilisation et veiller à bien comprendre les directives.
2. Porter l'équipement de protection personnelle nécessaire. Se reporter à la section *Équipement de protection personnelle à la page 77*.
3. S'assurer que seules les personnes autorisées se trouvent dans la zone de travail.
4. Effectuer l'entretien quotidien. Se reporter à la section *Calendrier d'entretien à la page 90*.
5. S'assurer que le produit est correctement monté et qu'il n'est pas endommagé.
6. Placer le produit sur la zone de travail. S'assurer que le transport du produit vers et dans la zone de travail est effectué correctement et en toute sécurité. Se reporter à la section *Transport à la page 98*.
7. S'assurer qu'il y a des outils diamantés sur les plaques porte-outil, et que les outils diamantés ainsi que les plaques porte-outil sont solidement fixés.

8. Brancher un extracteur de poussière sur le produit. Se reporter à la section *Branchement de l'extracteur de poussière à la page 83*.
9. Régler la poignée et le guidon à la hauteur d'utilisation appropriée. Se reporter à la section *Pour régler la poignée et le guidon à la page 86*.
10. S'assurer que la batterie est connectée. Se reporter à la section *Branchement et débranchement de la batterie à la page 86*.
11. S'assurer que le réservoir de propane est connecté. Se reporter à la section *Pour connecter et déconnecter le réservoir de propane à la page 87*.
12. Tourner le bouton d'arrêt d'urgence sur le panneau de commande dans le sens des aiguilles d'une montre pour s'assurer que le bouton d'arrêt d'urgence est désengagé.



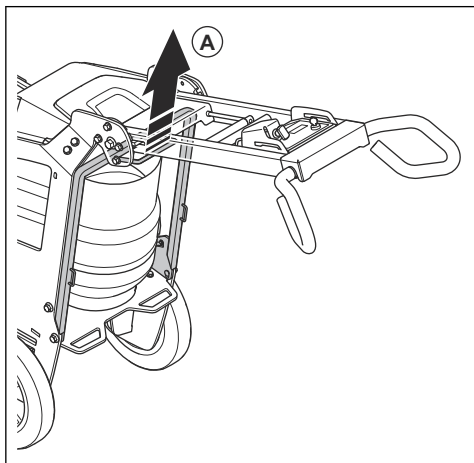
Pour engager et désengager le cadre de support

Le produit est doté d'un cadre de support qui permet d'incliner le produit vers l'arrière. Le cadre de support sert également de dispositif de suspension pour suspendre le tuyau de l'extracteur de poussière.

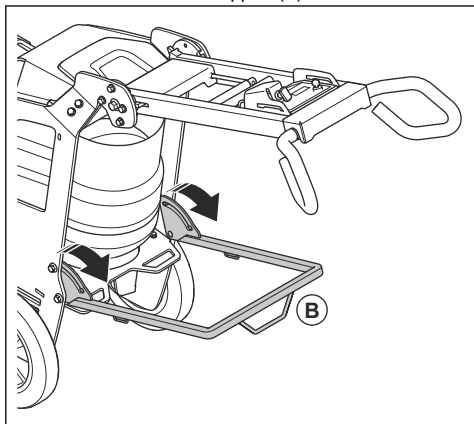


AVERTISSEMENT : Faire preuve de prudence pendant le déplacement du cadre de support. Les pièces mobiles peuvent provoquer des blessures.

1. Lever le cadre de support (A) sur une courte distance.



2. Abaisser le cadre de support (B).



3. Replier le cadre de support dans l'ordre inverse.

Outils diamantés

Il y a plusieurs types et configurations d'outils diamantés pour le produit. Les outils diamantés à liant métallique sont utilisés pour l'élimination des matériaux, alors que les outils diamantés à liant en résine sont utilisés pour polir les surfaces. Sélectionner des outils diamantés qui sont appropriés à la surface. Communiquer avec le concessionnaire Husqvarna ou visiter www.husqvarnaconstruction.com pour obtenir de l'aide afin de sélectionner l'outil approprié.

Solutions de porte-disques de rechange pour outils diamantés

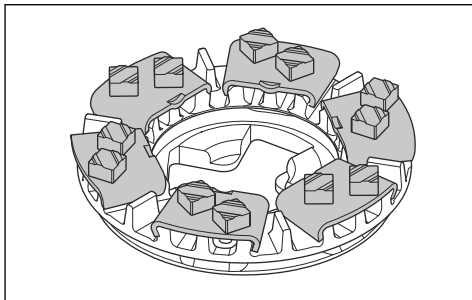
- Utiliser le porte-disques EZ Wing pour fixer des outils diamantés à liant métallique.

- Utiliser un porte-disques en résine pour fixer des outils diamantés à liant plastique.

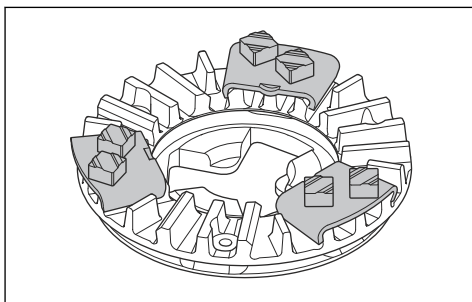
Jeu complet et demi-jeu d'outils diamantés

La configuration des segments de l'outil diamanté a un effet sur la qualité finale de la surface. La configuration a également un effet sur le taux de fonctionnement du produit.

- Jeu complet d'outils diamantés : Cette configuration s'applique à une finition de sol plat.



- Demi-jeu d'outils diamantés : Cette configuration s'applique lorsqu'une finition de sol plat n'est pas nécessaire.



Remplacement des outils à diamants



AVERTISSEMENT : Utiliser des gants de protection, parce que les outils diamantés peuvent devenir très chauds.



AVERTISSEMENT : Porter un dispositif de protection respiratoire homologué pendant le remplacement des outils diamantés. La poussière présente sous la tête de meulage est dangereuse pour la santé.



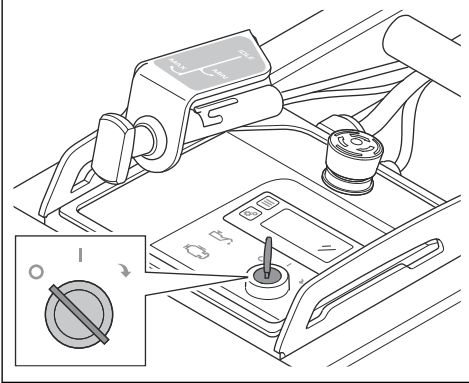
AVERTISSEMENT : Utiliser l'extracteur de poussière pendant le remplacement des outils diamantés. L'extracteur de poussière réduit la présence

de poussière pouvant entraîner des problèmes de santé.

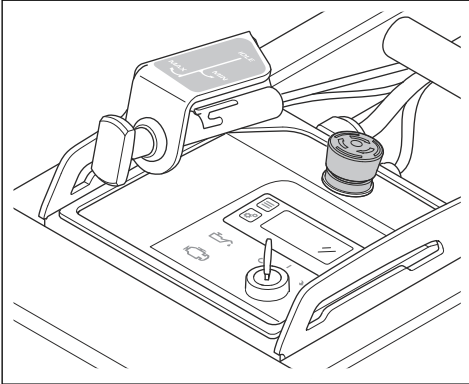


MISE EN GARDE : Tous les disques de meulage doivent toujours avoir le même nombre et le même type de diamants. La hauteur des diamants doit être identique sur tous les disques de meulage.

1. Tourner la clé d'allumage à « 0 ».

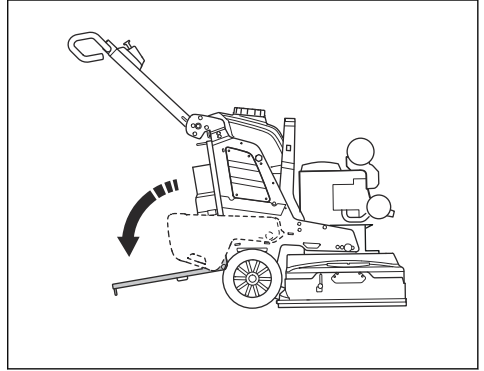


2. Appuyer sur le bouton d'arrêt d'urgence.

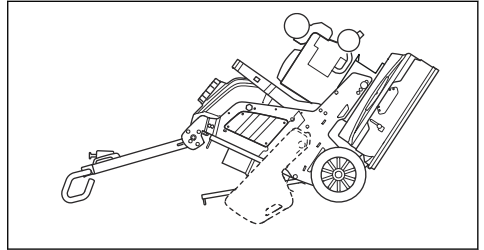


3. Placer la poignée en position d'entretien. Se reporter à la section *Positions de la poignée à la page 86*.
4. Si des poids sont montés, les régler en position arrière. Se reporter à la section *Pour régler les poids à la page 89*.

5. Engager le cadre de support. Se reporter à la section *Pour engager et désengager le cadre de support à la page 80*.



6. S'assurer que le bouchon du réservoir d'eau est bien fermé avant d'utiliser le produit.
7. Tenir le guidon et incliner le produit vers l'arrière avec un pied sur le cadre de support. Incliner le produit jusqu'à ce que le guidon soit posé sur le sol.



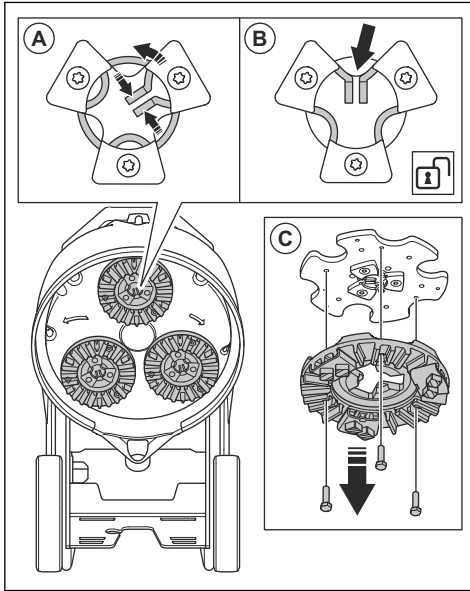
AVERTISSEMENT : S'assurer que le produit est dans une position stable avant de remplacer les outils à diamants.



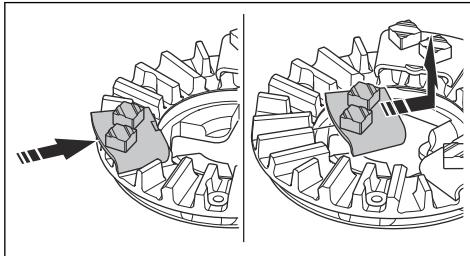
AVERTISSEMENT : Lors du remplacement des outils diamantés, vous êtes près du silencieux. Le silencieux devient très chaud pendant et après utilisation et lorsque le moteur tourne au ralenti. Ne pas toucher le silencieux et faire attention à proximité de matériaux inflammables ou de vapeurs pour éviter tout incendie.

8. Enfiler des gants de protection.

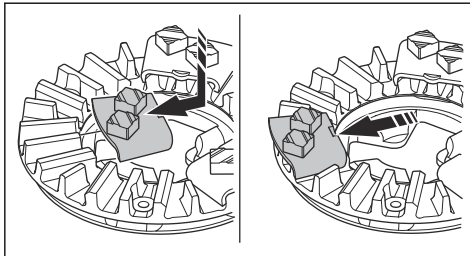
9. Serrer les pattes centrales l'une contre l'autre et tourner dans le sens antihoraire (A) pour déverrouiller la plaque porte-outil du disque à meuler (B).



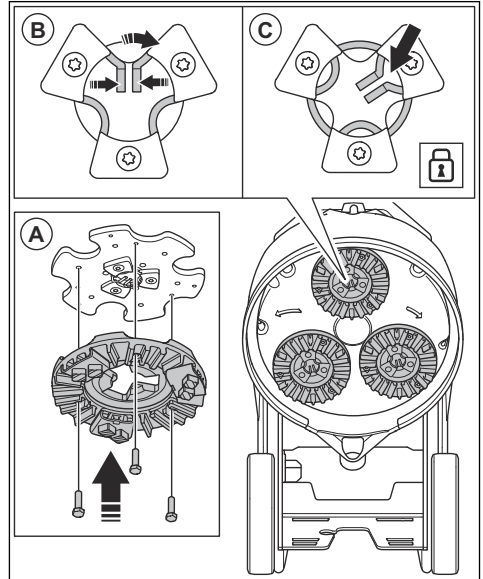
10. Tirer la plaque porte-outil en ligne droite vers l'extérieur (C) pour la retirer du disque à meuler.
11. À l'aide d'un marteau, retirer les outils diamantés de la plaque porte-outil.



12. Fixer les nouveaux outils diamantés sur la plaque porte-outil en frappant légèrement avec le marteau.



13. Fixer la plaque porte-outil en ligne droite (A) sur le disque à meuler.



14. Serrer les pattes centrales l'une contre l'autre et tourner dans le sens horaire (B) pour verrouiller la plaque porte-outil du disque à meuler (C).
15. Soulever avec précaution le produit en position d'utilisation. Utiliser le guidon et le cadre de support comme support.
16. Désengager le cadre de support.

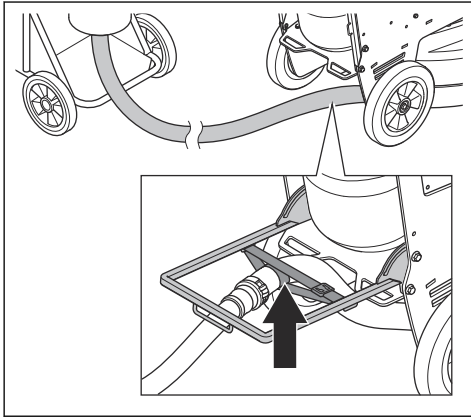
Branchement de l'extracteur de poussière



AVERTISSEMENT : Ne pas utiliser l'extracteur de poussière si son tuyau est endommagé. Le risque de respirer de la poussière dangereuse pour la santé augmente. Utiliser un dispositif de protection respiratoire homologué.

1. Vérifier que le tuyau de l'extracteur de poussière n'est pas endommagé.
2. Veiller à ce que les filtres de l'extracteur de poussière soient en bon état et non endommagés.
3. S'assurer que la tête de meulage n'est pas en fonction.
4. Brancher le tuyau de l'extracteur de poussière au produit.
5. Engager le cadre de support. Se reporter à la section *Pour engager et désengager le cadre de support* à la page 80.

6. Accrocher le tuyau de l'extracteur de poussière sur le dispositif de suspension sur le cadre de support afin de prévenir toute tension dans ce tuyau.



7. Désengager le cadre de support.

Meulage à l'eau

Le produit est doté d'un système d'alimentation en eau pour le meulage à l'eau.



AVERTISSEMENT : Utiliser des chaussures antidérapantes. Une surface mouillée peut vous faire tomber.



MISE EN GARDE : Couper l'alimentation en eau lorsque le produit n'est pas en marche. Toujours utiliser le meulage à l'eau avec une aspiration de liquide.

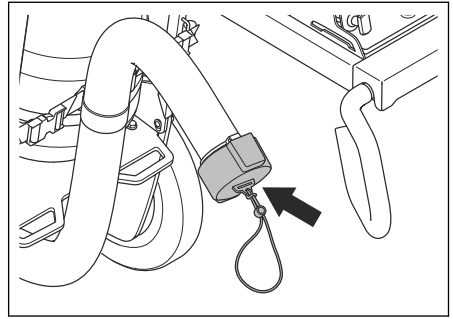


MISE EN GARDE : Ne pas ajouter d'autres liquides dans le réservoir d'eau. Cela pourrait endommager le produit et être nuisible à l'environnement.



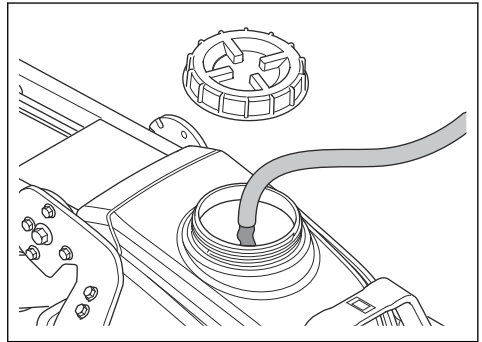
MISE EN GARDE : Ne pas utiliser le réservoir d'eau pour ranger ou nettoyer des articles.

- Le meulage à l'eau est utilisé pour les sols durs. Le meulage à l'eau offre également une meilleure performance de l'outil diamanté, réduit la température de meulage et est utilisé pour la gestion de la poussière.
- Utilisez un capuchon de tuyau lors du meulage humide pour réduire la quantité de poussière dans l'air.



Pour remplir le réservoir d'eau

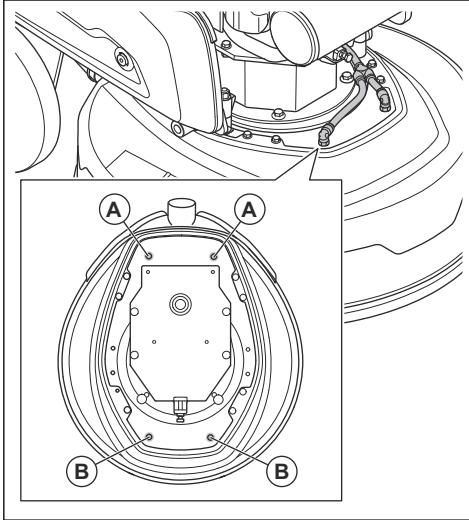
1. Retirer le bouchon du réservoir d'eau.



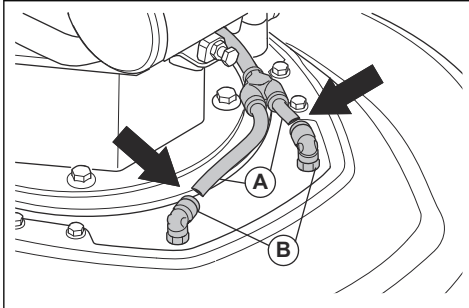
2. Remplir le réservoir d'eau.
3. Installer le bouchon du réservoir d'eau.

Pour raccorder les tuyaux

1. Utiliser les raccords coudés à l'arrière (A) ou à l'avant (B) du produit.



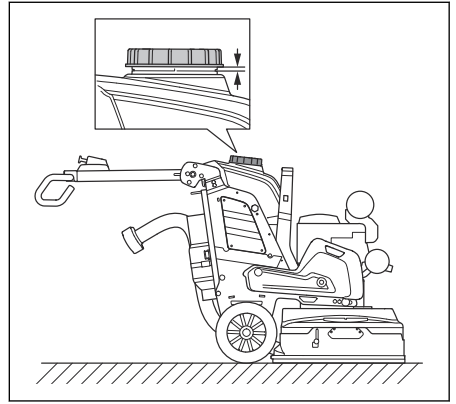
2. Raccorder les tuyaux d'eau (A) aux raccords coudés (B) si l'alimentation en eau arrière est ramenée en avant.



Pour régler le débit d'eau huile

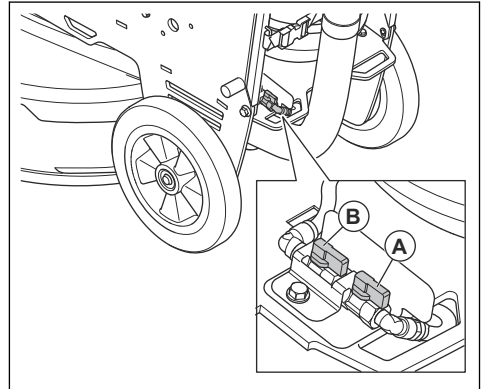
- Le système d'alimentation en eau fonctionne par gravité.

Remarque : Si vous devez incliner le produit, assurez-vous que le bouchon du réservoir est complètement serré.



Remarque : Il est plus facile d'incliner le produit lorsque le réservoir d'eau est vide.

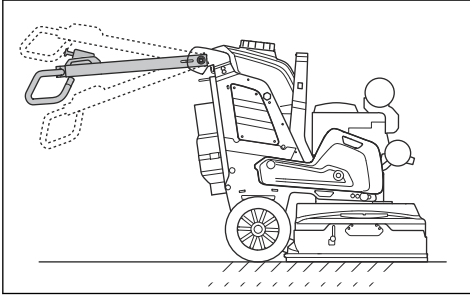
- Ouvrir, couper et régler le débit d'eau à l'aide des 2 valves (A) et (B).



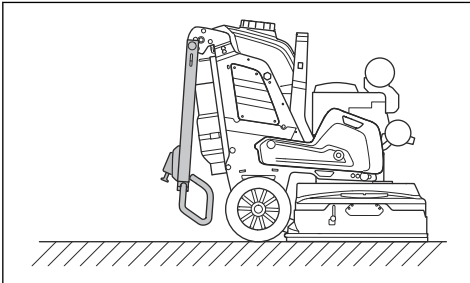
- a) Tourner la valve (B) pour ouvrir ou couper le débit d'eau.
- b) Tourner la valve (B) pour régler le débit.

Positions de la poignée

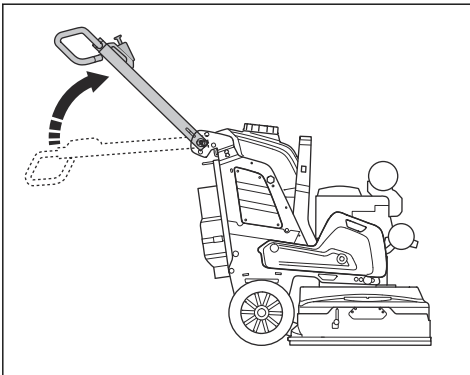
- Position d'utilisation de la poignée :



- Position de transport de la poignée :

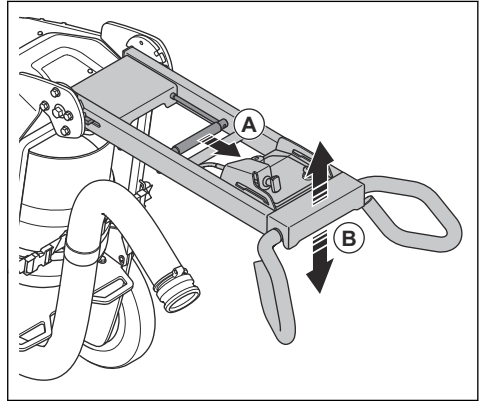


- Position d'entretien de la poignée :

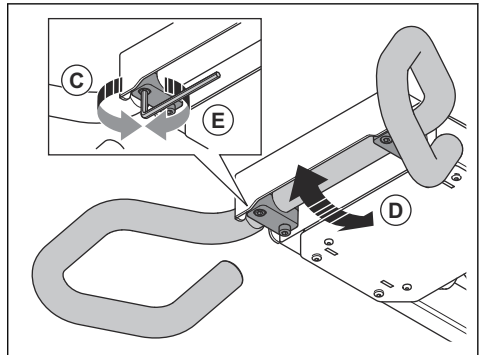


le fonctionnement, le produit peut dévier vers un côté. La hanche de l'opérateur peut aider à arrêter ce mouvement vers le côté.

1. Tirer le levier de verrouillage (A) de la poignée dans la direction du panneau de commande et le maintenir dans cette position.



2. Régler la poignée (B) à une hauteur adéquate pour l'utilisation du produit.
3. Relâcher le levier de verrouillage sur la poignée pour verrouiller la position de la poignée.
4. Desserrer les quatre vis (C) sur le guidon.



5. Régler le guidon (D) à une hauteur adéquate pour l'utilisation du produit.
6. Serrer les quatre vis (E) sur le guidon pour verrouiller la position du guidon.

Pour régler la poignée et le guidon



AVERTISSEMENT : Faire preuve de prudence pendant le réglage de la poignée et du guidon. S'assurer que la poignée et le guidon sont verrouillés en position. Les pièces mobiles peuvent provoquer des blessures.

Régler la hauteur de la poignée aussi près que possible de la hauteur de la hanche de l'opérateur. Pendant

Branchement et débranchement de la batterie

1. Brancher le câble rouge (+) en premier, puis le câble noir (-). S'assurer que les câbles sont bien branchés à la batterie.
2. S'assurer que la sangle qui maintient la batterie en place est correctement installée. La batterie ne peut pas bouger quand elle est bien installée.

3. Débrancher la batterie dans l'ordre inverse.

Pour connecter et déconnecter le réservoir de propane



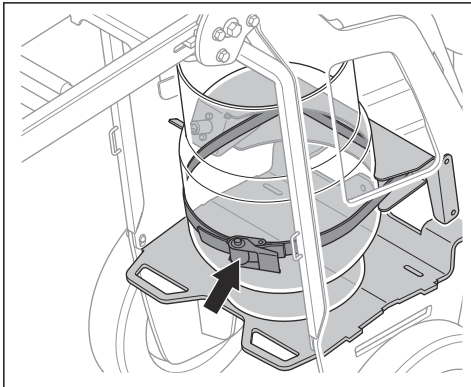
MISE EN GARDE : S'assurer d'utiliser le type de réservoir de propane approprié. Un réservoir de propane inadéquat peut endommager le produit. Se reporter à la section *Données techniques* à la page 101.



MISE EN GARDE : S'assurer que le réservoir de propane est à la bonne position. Ne pas utiliser le réservoir de propane à l'envers.

Si le réservoir de propane est connecté et que le produit n'est pas en cours de fonctionnement, fermer la soupape du réservoir de propane.

1. S'assurer que le réservoir de propane est fermement maintenu en place par le verrou et la plaque-support. Le réservoir de propane ne peut pas se déplacer lorsqu'il est correctement installé.



2. Connecter le tuyau de propane du produit au réservoir de propane.
3. S'assurer que le tuyau de propane est correctement connecté au robinet de carburant du moteur.
4. S'assurer que tous les raccords sont alignés. Serrer les raccords à la main pour connecter le réservoir de propane au produit.



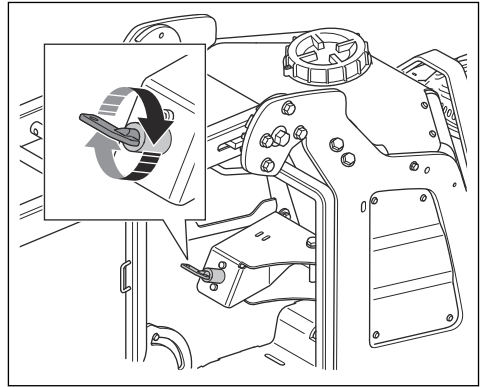
MISE EN GARDE : Ne pas utiliser d'outil pour connecter le réservoir de propane au produit. Les raccords pourraient être endommagés.

5. Pour permettre le débit de propane, tourner la soupape du réservoir de propane dans le sens inverse des aiguilles d'une montre jusqu'à ce qu'elle s'arrête.

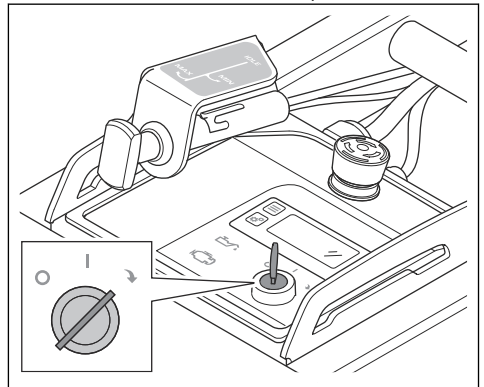
6. Effectuer un essai au savon sur toutes les conduites de propane. Se reporter à la section *Pour examiner le réservoir et les conduites de propane* à la page 92.
7. Effectuer la déconnexion dans l'ordre inverse.

Mise sous tension de l'appareil

1. Connecter le réservoir de propane. Se reporter à la section *Pour connecter et déconnecter le réservoir de propane* à la page 87.
2. Tourner l'interrupteur principal dans le sens des aiguilles d'une montre.



3. Tirer et tourner la commande d'accélération au régime de ralenti pour le moteur. Se reporter à la section *Régime (en tr/min) du moteur* à la page 73.
4. Tourner la clé d'allumage à la position de démarrage du moteur et la maintenir à cette position.



5. Quand le moteur démarre, relâcher immédiatement la clé d'allumage. La clé d'allumage passe en position « 1 ».



MISE EN GARDE : Ne pas tenter de démarrer le moteur pendant plus de cinq secondes à la fois. Si

le moteur ne démarre pas, attendre 15 secondes avant de réessayer.

- Avant d'utiliser le produit, attendre de 3 à 5 minutes et laisser le moteur se réchauffer au régime de ralenti. Se reporter à la section *Régime (en tr/min) du moteur* à la page 73.

Utilisation du produit

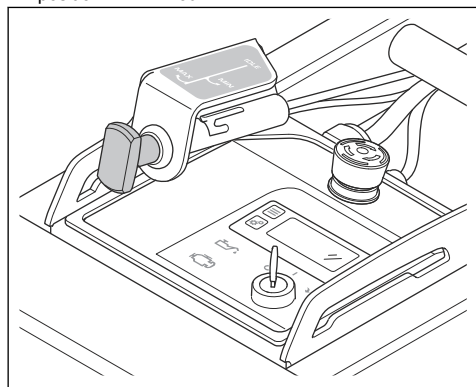


MISE EN GARDE : Déplacer constamment le produit pendant que la tête de meulage est en fonction. Si le produit n'est pas déplacé, la surface peut devenir rugueuse.



AVERTISSEMENT : Ne pas utiliser sur des surfaces ayant une pente supérieure à celle qui est indiquée sur la machine.

- Démarrer le moteur. Se reporter à la section *Mise sous tension de l'appareil* à la page 87.
- Tirer et tourner la commande d'accélération à la position « MIN » ou « MAX ».



- Pousser le produit vers l'avant sur la surface du sol. Utiliser la commande d'accélération pour régler le régime entre « MIN » et « MAX » pendant l'utilisation du produit.

Arrêt de la machine



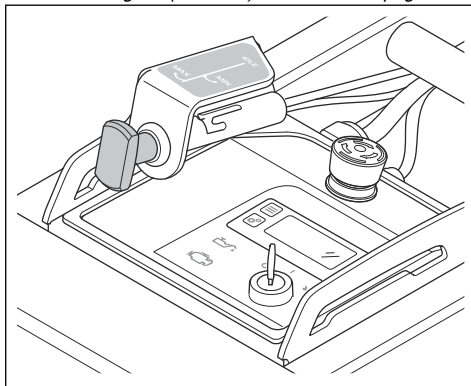
MISE EN GARDE : Ne pas soulever la tête de meulage de la surface au cours de l'arrêt du moteur. Les plaques porte-outil tournent pendant un moment après l'arrêt du moteur. De la poussière peut se retrouver dans l'air et la surface peut être endommagée.



MISE EN GARDE : Ne pas laisser le produit s'immobiliser tant que les plaques

porte-outil ne se sont pas complètement arrêtées.

- Tirer et tourner la commande d'accélération au régime de ralenti pour le moteur. Se reporter à la section *Régime (en tr/min) du moteur* à la page 73.



- Tourner la soupape du réservoir de propane dans le sens des aiguilles d'une montre jusqu'à ce qu'elle s'arrête pour couper l'alimentation en propane du moteur.



AVERTISSEMENT : Porter des gants de protection pour toucher le robinet du réservoir de propane. Le robinet du réservoir de propane peut être très froid.

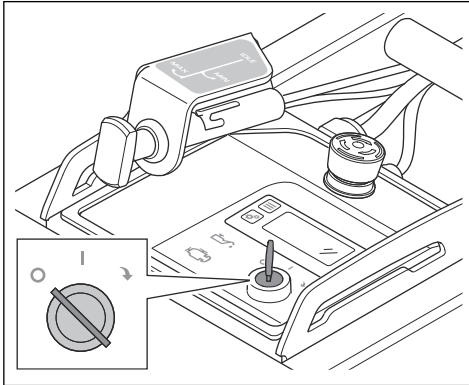
- Maintenir les plaques porte-outil contre la surface jusqu'à ce qu'elles s'arrêtent complètement.



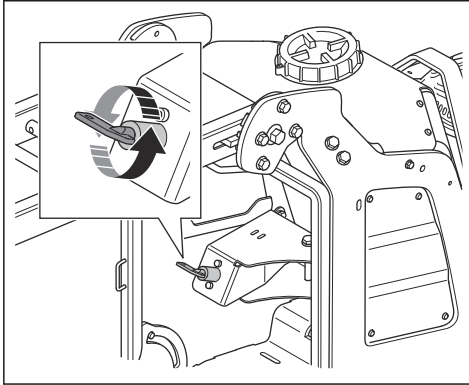
MISE EN GARDE : Pendant le meulage d'asphalte adhésif, de peinture ou d'un matériau équivalent, le produit peut adhérer à la surface adhésive. Immédiatement après l'arrêt complet de la plaque porte-outil, soulever légèrement l'avant de la tête de meulage.

- Attendre l'arrêt du moteur. Le moteur s'arrête lorsqu'il n'y a pas de carburant dans la conduite.

5. Tourner la clé d'allumage à la position d'arrêt du moteur.



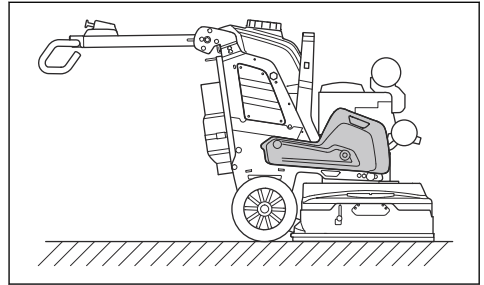
6. Tourner l'interrupteur principal dans le sens inverse des aiguilles d'une montre.



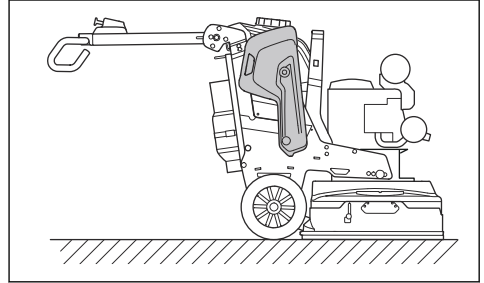
Poids

Chaque côté du produit comporte un poids. Si le produit est lourd à utiliser, régler les poids pour modifier la pression sur la tête de meulage. Les poids doivent être réglés à la même position sur les côtés droit et gauche. Les poids ont trois positions :

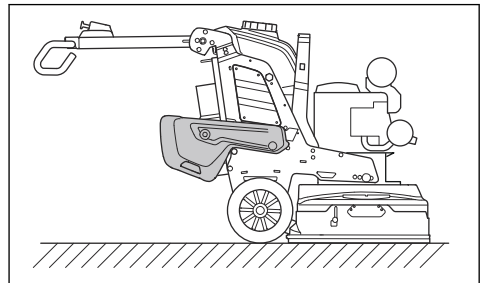
- Position 1 : Pression maximale sur la tête de meulage. Cette position augmente l'effet de fonctionnement. Cette position est également utilisée lorsque le produit est placé en position de transport.



- Position 2 : Pression normale sur la tête de meulage.



- Position 3 : Pression minimale sur la tête de meulage. Cette position est également utilisée pour incliner le produit en position d'entretien.



Pour régler les poids



AVERTISSEMENT : Faire preuve de prudence lors du réglage des poids. Les pièces mobiles peuvent provoquer des blessures.

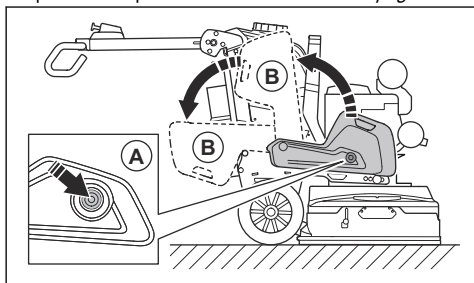


AVERTISSEMENT : Toujours s'assurer que le verrou de poids se verrouille correctement lorsque les poids sont placés dans la position sélectionnée.



AVERTISSEMENT : Ne pas régler les poids lorsque le produit est incliné ou en position d'entretien.

1. Pousser le verrou de poids (A) et déplacer le poids à la position sélectionnée (B) à l'aide de la poignée de poids. Se reporter à la section *Poids à la page 89*.



2. Relâcher le verrou de poids pour verrouiller ce dernier dans la position sélectionnée.

Entretien

Introduction



AVERTISSEMENT : Avant de procéder à l'entretien, lire et bien comprendre le chapitre sur la sécurité.

Pour tous les travaux d'entretien et de réparation sur le produit, une formation spécifique est nécessaire. La disponibilité des réparations et des entretiens effectués de façon professionnelle est garantie. Si un revendeur n'est pas un agent d'entretien, communiquer avec lui pour connaître l'agent d'entretien le plus proche.

Pour obtenir de plus amples renseignements, se reporter à la section www.husqvarnaconstruction.com.

À faire avant l'entretien

- Utiliser de l'équipement de protection individuelle. Se reporter à *Équipement de protection personnelle à la page 77*.
- Utiliser un dispositif de protection respiratoire homologué. La poussière engendrée par le produit est dangereuse pour la santé.
- Stationner la machine sur une surface de niveau.

- Arrêter le moteur et débrancher la batterie et le réservoir de propane pour éviter tout démarrage accidentel pendant l'entretien.
- Nettoyer la zone autour du produit pour éliminer toute trace d'huile et de saleté. Enlever les objets indésirables.
- Placer des panneaux de signalisation bien visibles pour avertir les personnes présentes que des travaux d'entretien sont en cours.
- Garder des extincteurs, des fournitures médicales et un téléphone d'urgence à proximité.

Calendrier d'entretien

* = Entretien général effectué par l'opérateur. Les instructions ne sont pas décrites dans ce manuel de l'opérateur.

X = Les indications sont décrites dans ce manuel de l'opérateur.

O = Les instructions ne sont pas décrites dans ce manuel de l'opérateur. Laisser un agent d'entretien agréé effectuer l'entretien.

Entretien	Quotidien	Hebdomadaire	Toutes les 100 heures	Tous les 12 mois ou toutes les 250 h
Vérifier le verrou de l'allumage.	*			
Vérifier la commande d'accélération.	*			
Vérifier le bouton d'arrêt d'urgence.	X			
Vérifier les points de fixation et la fonction de verrouillage de la poignée.		*		
Vérifier les points de fixation et la fonction de verrouillage des poids.		*		

Entretien	Quoti- dien	Heb- doma- naire	Tou- tes les 100 h eures	Tous les 12 mo is ou toutes les 250 h
Nettoyer les surfaces externes du produit.	X			
Vérifier les ailettes de refroidissement d'huile. Si nécessaire, nettoyer les ailettes de refroidissement d'huile.	X			
Effectuer une inspection générale.	X			
Vérifier les disques de meulage.	X			
Vérifier le bon fonctionnement du système d'entraînement de la tête de meulage.		X		
Examiner le réservoir de propane et toutes les conduites à la recherche de fuites.	X			
Vérifier le niveau d'huile moteur.	X			
Remplacer le filtre dans le détecteur d'oxyde de carbone.			X	
Vidanger l'huile moteur.			X	
Remplacer le filtre à huile.			X	
Remplacer les filtres à air.			X	
Vérifier la bougie d'allumage.			X	
Effectuer l'entretien du système d'entraînement des disques de meulage.				O
Vérifier la connexion entre le châssis et la tête de meulage.		*		

Nettoyage de la machine



AVERTISSEMENT : Utiliser un équipement de protection personnelle pour nettoyer le produit.



MISE EN GARDE : Une obstruction de la prise d'air réduit le rendement du produit et peut entraîner la surchauffe du moteur.

- Enlever l'obstruction de toutes les ouvertures. Le produit doit toujours être suffisamment refroidi.
- Ne pas utiliser de produit chimique pour nettoyer le produit.
- Ne pas nettoyer les composants électriques avec de l'eau.
- Ne pas nettoyer le détecteur d'oxyde de carbone avec de l'eau ou l'utiliser près de l'eau. Le filtre dans le détecteur d'oxyde de carbone est très sensible.
- Toujours nettoyer tous les équipements à la fin de la journée de travail. Nettoyer les composants de la surface inférieure de la tête de meulage à l'aide d'un nettoyeur à haute pression.



MISE EN GARDE : Ne pas diriger le nettoyeur à haute pression directement vers les joints d'étanchéité ou les points de connexion.

Pour nettoyer la batterie

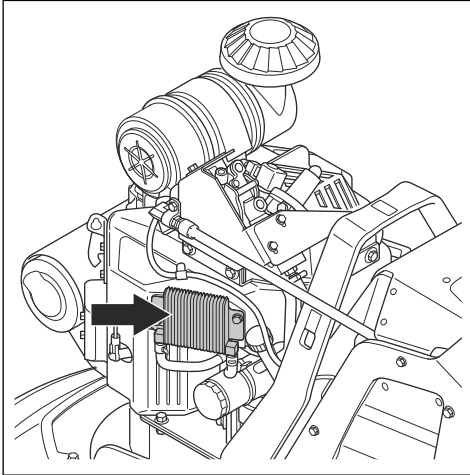


MISE EN GARDE : Ne pas nettoyer la batterie avec de l'eau.

- Nettoyer les cosses batterie avec de l'air comprimé ou utiliser un chiffon doux et sec.
- Nettoyer les surfaces extérieures de la batterie à l'aide d'un chiffon propre et sec.

Pour nettoyer les ailettes de refroidissement

1. Nettoyer les ailettes de refroidissement d'huile à l'aide d'une brosse ou d'un système à air comprimé avec aspirateur.



Système d'entraînement de la tête de meulage

Le système d'entraînement de la tête de meulage est un système fermé. En cas de problème avec le système d'entraînement de la tête de meulage, communiquer avec un atelier spécialisé Husqvarna.

Pour examiner le réservoir et les conduites de propane



MISE EN GARDE : Examiner le réservoir de propane et les conduites chaque fois que le réservoir de propane est rempli ou connecté au produit.

1. S'assurer que le réservoir de propane n'est pas endommagé.
2. Connecter le réservoir de propane au produit. Se reporter à la section *Pour connecter et déconnecter le réservoir de propane à la page 87*.
3. Vaporiser un mélange de savon sur toutes les conduites et tous les raccords. Le mélange de savon est composé à 50 % de savon et à 50 % d'eau.
4. S'il y a des bulles, il y a une fuite. Ne démarrez pas le moteur s'il y a une fuite. Communiquer avec un agent de réparation agréé.

Pour remplir le réservoir de propane



MISE EN GARDE : Examiner le réservoir de propane et les conduites chaque fois que le réservoir de propane est

rempli ou connecté au produit. Se reporter à la section *Pour connecter et déconnecter le réservoir de propane à la page 87*.

Ne pas remplir de manière excessive le réservoir de propane. Le réservoir de propane peut contenir un maximum de 9 kg (20 lb) de propane. Un réservoir de propane plein ne doit pas peser plus de 21,8 kg (48 lb). Si le réservoir de propane est trop rempli, du givre se forme sur les conduites de propane ou sur le régulateur.

1. Éteindre le produit. Se reporter à la section *Arrêt de la machine à la page 88*.
2. S'assurer que la soupape du réservoir de propane est fermée.
3. Retirer le réservoir de propane du produit.
4. Remplir le réservoir de propane avec du propane neuf ou remplacer le réservoir de propane.
5. Si le réservoir de propane est trop rempli, utiliser un tournevis sur la soupape du réservoir de propane pour évacuer le propane indésirable. Évacuer le propane en suivant une procédure sûre; se reporter à *Sécurité associée au propane à la page 78*.
6. Installer le réservoir de propane rempli ou neuf sur le produit. Se reporter à la section *Pour connecter et déconnecter le réservoir de propane à la page 87*.
7. Si le temps est froid, conserver le produit à l'intérieur avant de l'utiliser afin de réchauffer le réservoir de propane. On peut également utiliser une couverture chauffante de réservoir de propane pour réchauffer ce réservoir.

Vérification du niveau d'huile



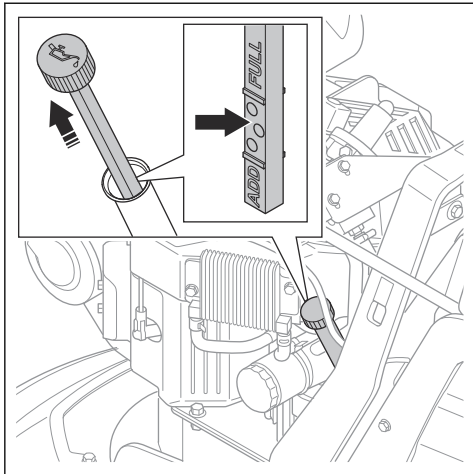
AVERTISSEMENT : L'huile moteur chaude peut causer des blessures. Assurez-vous que le moteur est tiède, mais pas chaud, avant de vidanger l'huile.

Vérifier le niveau d'huile chaque jour avant d'utiliser le produit.

Table 3: Capacités d'huile moteur

FX801V / FX751V	2,1 L (2,2 pt US) [lorsque le filtre à huile n'est pas retiré]
	2,3 L (2,4 pt US) [lorsque le filtre à huile est retiré]

1. Retirer la jauge d'huile du tube.

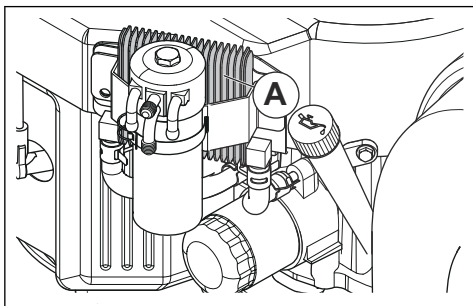


2. Vérifier le niveau d'huile. Assurez-vous que le niveau d'huile se situe entre « add » (ajouter) et « full » (plein).

Nettoyage du refroidisseur d'huile

Vérifier et nettoyer les ailettes du refroidisseur d'huile toutes les 100 heures.

1. Utiliser une brosse ou un système à air comprimé pour éliminer la saleté des ailettes du refroidisseur d'huile.



Vidange d'huile



AVERTISSEMENT : L'huile moteur chaude peut causer des blessures. Assurez-vous que le moteur est tiède, mais pas chaud, avant de vidanger l'huile.

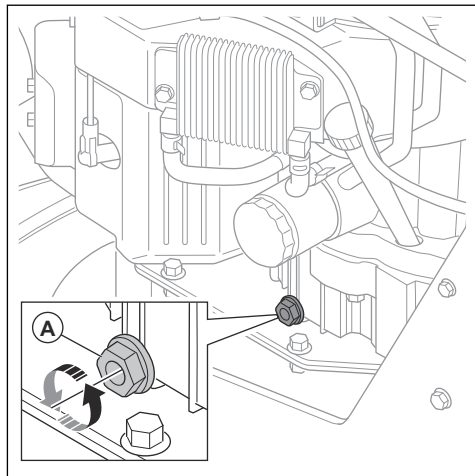


AVERTISSEMENT : L'huile moteur est toxique. S'assurer du respect des réglementations nationales lorsque vous mettez l'huile moteur au rebut.

Remarque : Placer un récipient sous le filtre à huile avant de le retirer.

Vidanger l'huile après chaque intervalle de 100 heures de fonctionnement.

1. Faire fonctionner le produit pour s'assurer que l'huile moteur est chaude.
2. S'assurer que le produit est posé sur une surface plane.
3. Éteindre le produit.
4. Retirer le bouchon de vidange d'huile (A) et vidanger l'huile dans un récipient pendant que le moteur est chaud.



5. Installer le bouchon de vidange d'huile.
6. Remplir le moteur d'huile et vérifier le niveau d'huile

Remplacement du filtre à huile



AVERTISSEMENT : L'huile moteur chaude peut causer des blessures. S'assurer que le moteur est froid avant de retirer le filtre à huile.



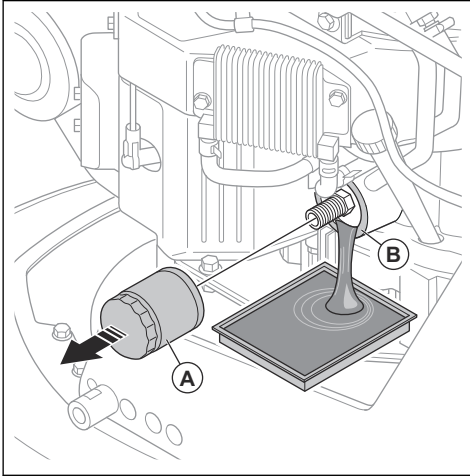
AVERTISSEMENT : L'huile moteur est toxique. S'assurer du respect des réglementations nationales lorsque vous mettez l'huile moteur au rebut.

Remarque : Placer un récipient sous le filtre à huile avant de le retirer.

Vidanger l'huile après chaque intervalle de 200 heures de fonctionnement.

1. Vidanger l'huile moteur dans un récipient.

2. Tourner le filtre à huile dans le sens antihoraire et le retirer (A).



3. Mettre de l'huile moteur propre sur le joint du filtre neuf.
4. Installer le filtre neuf. Tourner le filtre dans le sens horaire jusqu'à ce que le joint entre en contact avec la surface (B). Tourner ensuite le filtre de $\frac{3}{4}$ de tour supplémentaire.
5. Utiliser de l'huile moteur pour remplir le moteur.
6. Faire tourner le moteur pendant 3 minutes. Arrêter le moteur et vérifier le filtre à huile à la recherche de fuites.
7. Le niveau d'huile diminue après un remplacement du filtre. Vérifier le niveau d'huile et faire l'appoint, le cas échéant.

Remplacement des filtres à air



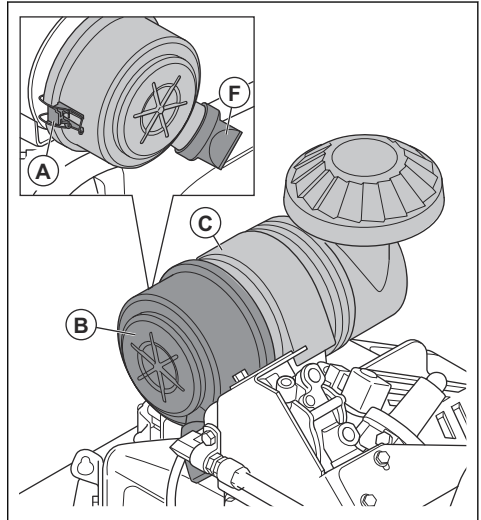
MISE EN GARDE : Ne pas démarrer le moteur lorsque les filtres à air sont retirés.



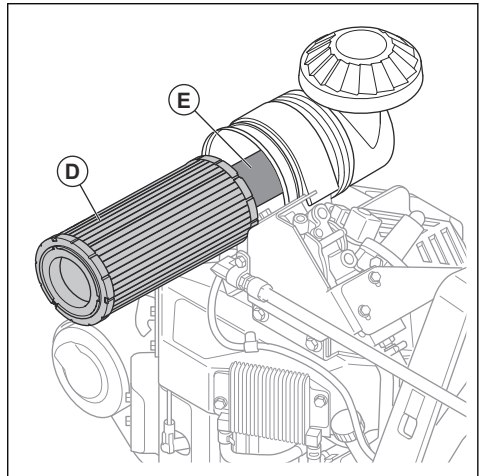
MISE EN GARDE : Ne pas nettoyer les filtres à air. Remplacer les filtres à air lorsque nécessaire, se reporter à *Pour remplacer le filtre du détecteur d'oxyde de carbone à la page 95.*

Remarque : Lorsqu'il y a beaucoup de poussière ou de saleté dans la zone de travail, un entretien plus fréquent peut être nécessaire.

1. Ouvrir le bouchon (F) de la soupape d'éjection de poussière pour retirer la poussière et l'eau du corps du filtre à air (C).



2. Déverrouiller les 2 colliers (A) et retirer le boîtier (B).
3. Retirer le filtre à air principal (D). Retirer le filtre à air secondaire (E).



4. Placer le nouveau filtre à air dans le corps du filtre.
5. Placer le boîtier sur le corps du filtre à air et fermer les attaches.

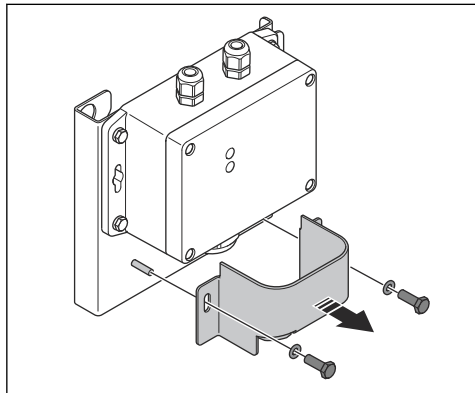
Pour remplacer le filtre du détecteur d'oxyde de carbone



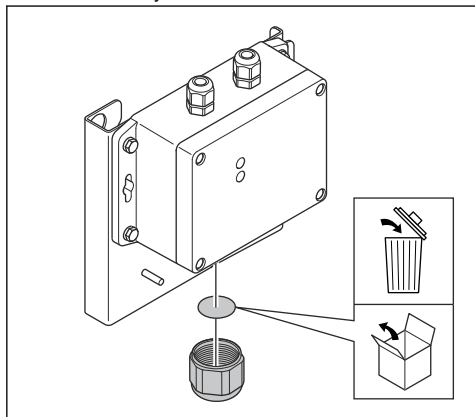
MISE EN GARDE : Ne pas utiliser le produit sans le filtre du détecteur d'oxyde de carbone.

Remarque : Ne pas nettoyer le filtre du détecteur d'oxyde de carbone. Remplacer le filtre lorsque nécessaire.

1. Retirer les 2 vis et rondelles, puis retirer le couvercle.



2. Retirer l'écrou en plastique et remplacer le filtre du détecteur d'oxyde de carbone.



3. Installer le nouveau filtre du détecteur d'oxyde de carbone dans l'ordre inverse du retrait.

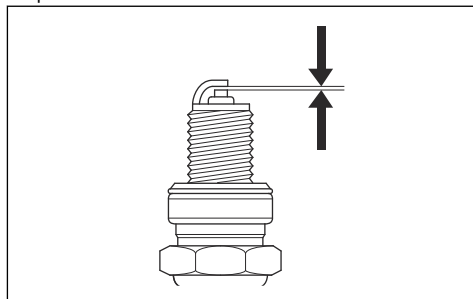
Nettoyage ou remplacement de a bougie.



AVERTISSEMENT : L'huile moteur chaude peut causer des blessures. S'assurer que le moteur est froid avant de retirer la bougie d'allumage.

Nettoyer ou remplacer les bougies toutes les 100 heures de fonctionnement.

1. Vérifier que le moteur est froid.
2. Retirer le chapeau de bougie et la retirer.
3. Nettoyer les électrodes. Utiliser une brosse métallique pour éliminer les dépôts de carbone.
4. Vérifier la bougie à la recherche de dommages. Remplacer la bougie d'allumage au besoin.
5. Vérifier la distance par rapport à la bougie. La distance doit être de 0,75 mm (0,030 po). Pour modifier la distance, utiliser un outil à bougie pour plier l'électrode latérale.



6. Installer la bougie d'allumage. Serrer les bougies d'allumage au couple de 22 N m (2,2 kgf, 16 lb-pi).
7. Installer le chapeau de la bougie.

Pour charger la batterie

Utiliser un chargeur de batterie 12 V conçu pour les batteries au plomb.

1. Brancher la pince positive (+) du chargeur à la borne positive (+) de la batterie.
2. Brancher la pince négative (-) du chargeur à la borne négative (-) de la batterie.
3. Brancher le chargeur à une source d'alimentation.

Dépannage

Problème	Causes	Solution
Le produit ne démarre pas.	La batterie n'est pas chargée.	Charger la batterie.
	L'interrupteur principal est à la position d'arrêt.	Tourner l'interrupteur principal à la position de marche.
Le moteur ne démarre pas.	Bouton d'arrêt d'urgence engagé.	Tourner le bouton d'arrêt d'urgence de la commande du panneau de commande dans le sens des aiguilles d'une montre pour le désengager.
	Le réservoir de propane est vide.	Remplir ou remplacer le réservoir de propane.
	La soupape du réservoir de propane est fermée.	Tourner la soupape du réservoir de propane pour ouvrir le réservoir de propane.
	L'allumage est endommagé.	Communiquer avec un agent de réparation agréé.
	Le fusible est endommagé.	Examiner le fusible sur le moteur. Si le fusible est endommagé, le remplacer.
	La batterie n'est pas chargée.	Charger la batterie.
Le produit ne démarre pas immédiatement lorsque vous mettez l'interrupteur principal en position de marche.	Le panneau de commande est endommagé ou ne fonctionne pas correctement.	Communiquer avec un agent de réparation agréé.
Le moteur démarre, mais s'arrête après un moment.	Le réservoir de propane est presque vide.	Remplir ou remplacer le réservoir de propane.
	Si le symbole de vérification du moteur et les valeurs d'oxyde de carbone apparaissent et si le détecteur d'oxyde de carbone génère un son, les valeurs d'oxyde de carbone sont supérieures aux niveaux admissibles.	S'assurer que la zone de travail est bien aérée.
Le moteur est en marche, mais la meuleuse ne démarre pas.	La courroie est brisée.	Si la courroie est brisée, demander à un centre d'entretien de la remplacer. Tourner l'un des disques de meulage à la main. Si tous les disques de meulage tournent ensemble, la courroie n'est pas endommagée. Si un disque de meulage tourne librement, la courroie est brisée.
	L'embrayage se désengage.	Communiquer avec un agent de réparation agréé.
Le moteur s'arrête.	Si le symbole de vérification du moteur et les valeurs d'oxyde de carbone apparaissent et si le détecteur d'oxyde de carbone génère un son, les valeurs d'oxyde de carbone sont supérieures aux niveaux admissibles.	S'assurer que la zone de travail est bien aérée.

Problème	Causes	Solution
Le produit ne fonctionne pas en douceur.	Le produit n'est pas correctement mis à la terre. De l'eau s'est infiltrée dans le panneau de commande.	Mettre l'interrupteur principal à la position d'arrêt et communiquer avec l'atelier spécialisé.
Le produit génère une décharge d'électricité statique.	Le produit n'est pas correctement mis à la terre. Le panneau de commande est endommagé ou ne fonctionne pas correctement.	Communiquer avec un agent de réparation agréé.
Le produit dégage une odeur de fumée.	L'embrayage se désengage.	S'assurer que le régime du moteur n'est pas compris entre 1 200 et 2600 tr/min.
Le produit n'est pas facile à tenir.	Il y a trop peu d'outils diamantés installés sur le produit.	Augmenter le nombre d'outils diamantés pour réduire la charge sur le produit et l'opérateur.
	La courroie est brisée.	Si la courroie est brisée, demander à un centre d'entretien de la remplacer. Tourner l'un des disques de meulage à la main. Si tous les disques de meulage tournent ensemble, la courroie n'est pas endommagée. Si un disque de meulage tourne librement, la courroie est brisée.
	La surface ou l'opération sont trop exigeantes pour la capacité du produit.	Régler le régime du moteur ou la vitesse de déplacement vers l'avant du produit sur le sol.
Le produit émet un son comme s'il réduit trop le régime.	La pression dans le réservoir de propane est trop faible.	Remplir ou remplacer le réservoir de propane.
	Cela peut être dû à une défaillance du moteur ou à une défaillance d'un fil vers le moteur.	Si le problème persiste, communiquer avec un atelier spécialisé agréé.
	La surface est trop épaisse ou la configuration d'outil diamanté est incorrecte.	Appuyer légèrement sur le guidon pour soulever la tête de meulage de la surface au démarrage du produit.

Problème	Causes	Solution
Le produit présente un motif de rayures irrégulier.	Les outils diamantés sont mal fixés ou fixés à des hauteurs différentes sur les disques de meulage.	S'assurer que tous les outils diamantés sont correctement installés et qu'ils sont tous à la même hauteur.
	Les outils diamantés sont de types mixtes.	S'assurer que tous les segments sont du même grain de diamant et qu'ils utilisent le même liant. Si les segments diamantés sont irréguliers, espacer uniformément les segments diamantés irréguliers. Faire fonctionner le produit sur une surface abrasive jusqu'à ce que tous les segments aient la même hauteur.
	Les verrous de tête sont desserrés ou manquants.	S'assurer que tous les verrous de tête sont en place et bien serrés.
	Les outils en résine sont mélangés ou présentent une contamination indésirable.	S'assurer que tous les outils en résine ont le même grain de diamant, qu'ils utilisent le même liant et qu'il n'y a pas de contamination. Pour nettoyer les outils en résine, les faire fonctionner pendant un court moment sur une surface légèrement abrasive.
	Les disques de meulage sont usés ou endommagés.	Vérifier que les disques de meulage ne présentent pas de sections cassées ou de mouvements excessifs.
Des mouvements indésirables et brusques touchent le produit.	Les disques de meulage sont usés ou endommagés.	Vérifier que les disques de meulage ne sont pas endommagés et qu'ils ne bougent pas trop.
	Les outils diamantés sont mal fixés ou fixés à des hauteurs différentes sur les disques de meulage.	S'assurer que tous les outils diamantés sont correctement installés et qu'ils sont tous à la même hauteur.
	Les verrous de tête sont desserrés ou manquants.	S'assurer que tous les verrous de tête sont en place et bien serrés.
Il n'y a pas de débit d'eau ou le débit n'est pas suffisant.	Le réservoir d'eau est vide.	Remplir le réservoir d'eau.
	Il y a de la poussière dans la buse.	Débranchez le tuyau d'alimentation et nettoyez la buse.
	Le circuit d'eau est obstrué.	Débranchez le tuyau d'alimentation et rincez le réservoir d'eau jusqu'à ce que l'eau devienne claire.

Transport, entreposage et mise au rebut

Transport



AVERTISSEMENT : Être prudent lors du transport. Le produit est lourd et peut causer des blessures ou des dommages s'il se renverse ou se déplace pendant le transport.

Les roues permettent de déplacer le produit sur de courtes distances. Pour de plus longues distances, soulever le produit pour le déplacer ou le placer sur un véhicule.

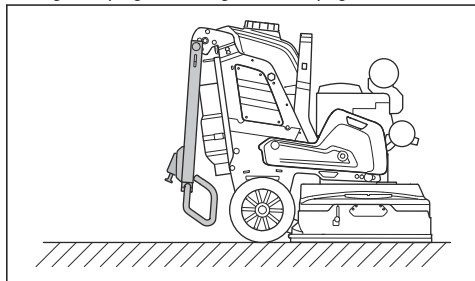


MISE EN GARDE : Ne pas remorquer le produit derrière un véhicule.

- Faire preuve d'une grande prudence pendant le déplacement manuel du produit ou sur des surfaces en pente. De petites pentes peuvent entraîner un mouvement rapide qui ne peut pas être freiné à la main.
- Fixer le produit solidement pendant le transport. S'assurer qu'il ne puisse pas bouger.
- Placer une protection adéquate sur le produit pendant le transport. La protection garde le produit à l'abri des éléments tels que la pluie et la neige.
- Utiliser toujours l'anneau de levage sur le produit pour soulever ce dernier.
- Ne pas soulever le produit par le guidon, le moteur, le châssis ou d'autres parties.
- Il est préférable de transporter le produit sur une palette.
- Toujours soulever le produit à l'aide d'un élévateur ou d'un élévateur à fourche.
- Ne pas utiliser d'élévateur à fourche si le produit n'est pas placé sur une palette ou un chariot. Cela peut endommager les disques de meulage et d'autres composants internes.
- Pendant le transport, la tête de meulage doit être au sol. Pour éviter d'endommager le mécanisme de verrouillage des plaques porte-outils, celles-ci doivent demeurer en place.
- S'assurer que le réservoir d'eau est vide avant le transport. Ne pas transporter le produit lorsqu'il y a de l'eau dans le réservoir.

Pour régler l'outil à la position de transport

- Rabattre la poignée. Se reporter à la section *Pour régler la poignée et le guidon à la page 86.*



- Si les poids sont fixés au produit, les régler en position avant. Se reporter à la section *Pour régler les poids à la page 89.*
- S'assurer que la tête de meulage touche la surface.

Pour déplacer le produit vers le haut ou vers le bas dans une pente



AVERTISSEMENT : Être très prudent lors du déplacement du produit dans une pente. Le produit est lourd et il

y a un risque de blessure si le produit se renverse ou se déplace trop rapidement.



AVERTISSEMENT : Sur les pentes abruptes, utiliser toujours un treuil. Ne pas marcher ou rester devant le produit. Ne pas rester dans la zone à risque du produit. Se reporter à la section *Sécurité de l'aire de travail à la page 77.*

- Pour descendre une pente avec le produit, faire fonctionner le produit lentement en marche arrière.
- Pour monter une pente avec le produit, faire fonctionner le produit lentement en marche avant.
- Ne pas tourner le produit à plus de 45° sur une pente.

Levage du produit



AVERTISSEMENT : S'assurer que l'équipement de levage possède les spécifications correctes pour soulever le produit en toute sécurité. Le poids du produit figure sur sa plaque signalétique.

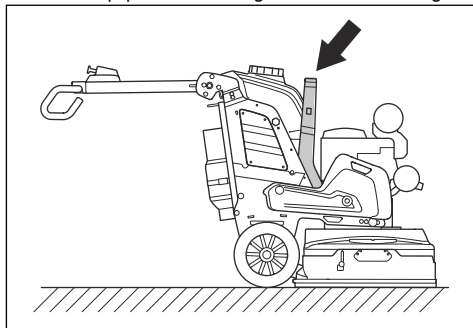


AVERTISSEMENT : Ne pas marcher ou rester en dessous ou à proximité d'un produit soulevé. Garder les personnes présentes à l'écart de la zone à risque. Se reporter à la section *Sécurité de l'aire de travail à la page 77.*



AVERTISSEMENT : Ne pas soulever un produit endommagé. S'assurer que l'anneau de levage est correctement posé et en bon état.

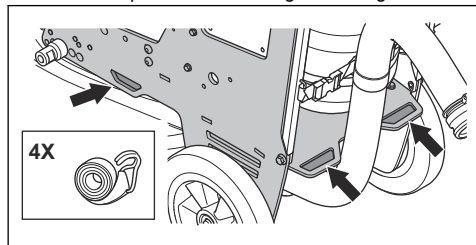
1. Régler le produit à la position de transport. Se reporter à la section *Pour régler l'outil à la position de transport à la page 99.*
2. Fixer l'équipement de levage à l'anneau de levage.



Pour fixer le produit sur un véhicule de transport

Le produit est doté de points d'arrimage qui sont utilisés avec des sangles d'arrimage pour fixer le produit sur le véhicule.

1. Fixez les crochets en métal des sangles d'arrimage aux points d'arrimage. Attention, les bords tranchants peuvent endommager les sangles.



2. Fixez les sangles d'arrimage sur le véhicule et serrez-les.

Entreposage



MISE EN GARDE : Retirer le réservoir de GPL avant de le ranger. Ne pas entreposer le produit à l'extérieur. Toujours garder le produit à l'intérieur.



AVERTISSEMENT : Le produit doit être stationné de manière sûre.

- Conserver le produit dans un endroit sec à l'abri du gel.
- Nettoyer le produit et effectuer un entretien complet avant de l'entreposer.
- Maintenir la tête de meulage au sol.
- Garder le produit dans un endroit verrouillé hors de portée des enfants et des personnes non autorisées.
- Toujours entreposer les bouteilles de gaz de pétrole liquéfié à l'extérieur. Sortir toutes les bouteilles de propane à l'extérieur de l'immeuble, sauf quand l'équipement est utilisé. Ranger les bouteilles de propane dans une zone sécurisée et bien aérée.
- S'assurer que le réservoir d'eau est vide avant le remisage. Ne pas remiser le produit avec de l'eau dans le réservoir d'eau.

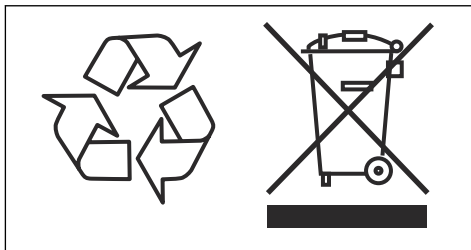
Mise au rebut

Les symboles sur le produit ou l'emballage du produit indiquent que vous ne pouvez pas traiter ce produit comme un déchet domestique. Le déposer dans un centre de recyclage pour la récupération des équipements électriques et électroniques.

S'assurer de débrancher le réservoir de propane et de retirer la batterie du produit avant de remettre ce dernier

à un centre de recyclage approprié. Remettre la batterie à un centre de recyclage approprié.

En veillant à ce que ce produit soit traité de façon adéquate, vous contribuez à réduire l'impact négatif potentiel sur l'environnement et les personnes de la mauvaise gestion des déchets. Pour obtenir de plus amples renseignements sur le recyclage de ce produit, communiquez avec votre municipalité, votre service de déchets ménagers ou le magasin où vous avez acheté le produit.



Données techniques

Caractéristiques techniques

Marque et type du moteur ⁷	ONYX/LX900
Puissance du moteur, ch à tr/min / kW à tr/min ⁸	27 à 3600/20 à 3600
Poids, kg/lb	608/1340
Largeur de surfaçage, mm/po	800/31,5
Disque de meulage, mm/po	270/10,6
Poids en position 1 (avant), kg/lb	317/699
Poids en position 2 (vertical), kg/lb	258/509
Poids en position 3 (arrière), kg/lb	220/485
Régime de disque de meulage, tr/min min./max.	742/861
Régime de la tête de meulage, tr/min min./max.	102/119
Régime du moteur, tr/min	1200-3600
Sens de rotation	Tête de meulage : sens des aiguilles d'une montre Disque de meulage : sens inverse des aiguilles d'une montre
Pente maximale, degrés °	10
Type de batterie	Batterie au plomb, 12 V, 20 Ah
Boîtier, IP	54
Carburant	Élimination des liquides et des vapeurs de propane
Taille de la bouteille de gaz, max. (diam. x haut.), po/mm. Voir la remarque	12,2 x 23,5/310 x 600
Quantité de gaz dans la bouteille, max, kg/lb. Voir la remarque	10/20
Poids de la bouteille de gaz (avec gaz), max. kg/lb. Voir la remarque	25/50
Écartement des électrodes de bougie, mm/po	0,76/0,03
Extracteur de poussière recommandé ⁹	
Outil de l'extracteur de poussière, mm/po	75 / 3
Débit d'air min., m ³ /h / pi ³ /min	600/353
Aspiration min., kPa / lb/po ²	28/4,1

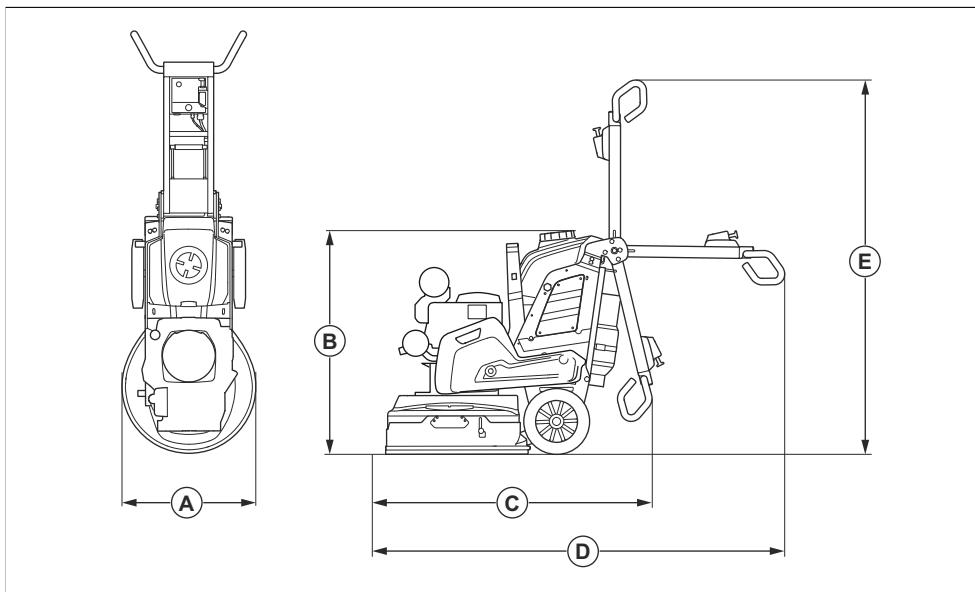
⁷ Pour plus de renseignements et des questions sur ce moteur spécifique, se reporter au manuel du moteur ou au site Web du fabricant du moteur.

⁸ Tel que spécifié par le fabricant du moteur. Puissance brute selon SAE J1940/J1995, au tr/min spécifié.

⁹ Les caractéristiques techniques des extracteurs de poussière ne décrivent pas de manière concluante les performances réelles au fil du temps entre les différents extracteurs de poussière. Pour les produits Husqvarna, les données objectives OSHA sont disponibles sur le site www.husqvarnacp.com/us

Remarque : Utiliser uniquement une bouteille de gaz conforme aux spécifications de la norme du DOT. Demander à son détaillant autorisé.

Dimensions de l'outil



A	Largeur, mm/po	830/33
B	Hauteur totale min. (poignée repliée), mm/po	1163/40
C	Longueur totale min. (poignée repliée), mm/po	1414/56
D	Longueur totale max. (poignée déployée), mm/po	2235/88
E	Hauteur totale max. (poignée déployée), mm/po	1973/78

Garantie

SYSTÈME ANTIPOLLUTION DU GOUVERNEMENT FÉDÉRAL AMÉRICAIN ET DU CANADA

DÉCLARATION DE GARANTIE DU SYSTÈME DE CONTRÔLE DES ÉMISSIONS PAR ÉVAPORATION DU GOUVERNEMENT FÉDÉRAL AMÉRICAIN ET DU CANADA

IMPORTANT : Le présent produit est conforme à la réglementation de la Phase 3 de l'Environmental Protection Agency (EPA) des États-Unis en ce qui concerne les émissions d'évaporation. Il est recommandé d'utiliser uniquement des pièces de rechange de marque du produit d'origine pour s'assurer que le produit reste conforme aux lois en vigueur au niveau fédéral et au niveau des États.

VOS DROITS ET OBLIGATIONS EN VERTU DE LA GARANTIE

L'EPA des États-Unis et Husqvarna Construction Products North America Inc. (HCP) sont heureux d'expliquer la garantie du système de contrôle des émissions par évaporation de votre petit équipement hors route conformément aux exigences de l'EPA (Environmental Protection Agency, agence de protection de l'environnement des États-Unis) et d'Environnement Canada. Aux États-Unis et au Canada, les petits équipements hors route neufs et les systèmes antipollution doivent être conçus, fabriqués et équipés de façon à répondre aux normes d'émissions atmosphériques strictes. HCP garantit le système de contrôle des émissions par évaporation de votre petit équipement hors route pour la période figurant sur la liste ci-dessous à condition que votre petit équipement hors route n'ait pas été l'objet d'une utilisation abusive, de négligence, d'entretien inapproprié, de modifications non autorisées ou de mauvaise utilisation. Pour les problèmes couverts par la garantie, nous réparerons gratuitement votre petit équipement hors route ou toute pièce liée au dispositif antipollution de votre système de contrôle des émissions par évaporation (selon la liste des pièces sous garantie liées au système antipollution). Les frais couverts par la garantie comprennent le diagnostic, les pièces, la main-d'œuvre et l'expédition au besoin, conformément à la présente garantie.

COUVERTURE DE LA GARANTIE DU FABRICANT

HCP garantit à l'acheteur initial et à chaque acheteur ultérieur que le système de contrôle des émissions par évaporation a été conçu, construit et équipé de sorte à être conforme au moment de la vente à l'acheteur initial et pendant une période de deux ans par la suite, aux exigences des dispositions applicables des lois et réglementations en vigueur au niveau fédéral et au niveau des États en matière de propreté de l'air et d'émissions, et est exempt de vices de matériaux ou de fabrication qui pourraient le rendre non conforme à ces

exigences. Si une pièce liée au dispositif antipollution de votre système de contrôle des émissions par évaporation est défectueuse, la pièce sera réparée ou remplacée.

RESPONSABILITÉS DU PROPRIÉTAIRE EN VERTU DE LA GARANTIE

En tant que propriétaire d'un petit équipement hors route, il vous incombe de respecter l'entretien obligatoire indiqué dans le manuel de l'opérateur. Il est recommandé de conserver tous les reçus relatifs à l'entretien du système de contrôle des émissions par évaporation de votre petit équipement hors route, mais l'application de la garantie ne peut être refusée pour la seule raison de l'absence de reçus ou du non-respect de l'entretien obligatoire prévu. En tant que propriétaire d'un petit équipement hors route, comprenez que nous pouvons vous refuser la couverture de la garantie si une pièce du système de contrôle des émissions par évaporation de votre petit équipement hors route est défaillante en raison d'une utilisation abusive, de négligence, d'entretien inapproprié, de modifications non autorisées ou de mauvaise utilisation. Il vous incombe de présenter votre petit équipement hors route au centre de services agréé HCP dès qu'un problème se manifeste. Si le centre de services agréé HCP le plus proche est à plus de 100 milles de votre emplacement, nous organiserons et prendrons en charge les frais d'expédition vers et au départ d'un centre de services agréé HCP ou tout autre arrangement dans le cadre de la couverture de garantie conformément à la réglementation en vigueur. Les réparations couvertes par la garantie doivent être effectuées dans un délai raisonnable qui n'excède pas 30 jours.

ÉLÉMENTS COUVERTS

REPARATION OU REMPLACEMENT DES PIÈCES

La réparation ou le remplacement de toute pièce garantie défectueuse seront effectués sans frais dans un centre de services agréé HCP. À l'exception des réparations et des remplacements couverts par la présente garantie du système de contrôle des émissions par évaporation, il est possible de choisir un atelier de réparation ou toute autre personne pour entretenir, remplacer ou réparer les dispositifs et les systèmes antipollution. Cependant, nous recommandons que toutes les opérations d'entretien, de remplacement et de réparation des dispositifs et systèmes de contrôle des émissions par évaporation soient effectuées dans un centre de services agréé HCP.

PÉRIODE DE GARANTIE Toute pièce garantie dont le remplacement n'est pas prévu par le calendrier d'entretien obligatoire ou dont l'inspection régulière est prévue dans le calendrier d'entretien et fait l'objet d'une mention de type « réparer ou remplacer si nécessaire » est garantie pendant deux ans à compter de la date d'achat par l'acheteur initial ou pendant la durée de la garantie limitée fournie avec le produit, la plus longue

période étant celle retenue. Toute pièce garantie dont le remplacement est prévu par le calendrier d'entretien obligatoire est garantie pendant l'intégralité de la période de garantie jusqu'au premier remplacement prévu de la pièce.

DIAGNOSTIC La main-d'œuvre nécessaire au diagnostic permettant de conclure que la pièce garantie est défectueuse est gratuite, à condition qu'un tel diagnostic soit effectué dans un centre de services agréé HCP. **AUTRES DOMMAGES** Selon la nature du dommage, il est également possible de réparer d'autres composants du moteur défectueux à cause d'une panne provoquée par une pièce encore sous garantie.

ÉLÉMENTS NON COUVERTS

Les pannes dues à une utilisation abusive, une négligence, un entretien inapproprié, une modification non autorisée ou une mauvaise utilisation ne sont pas couvertes. L'utilisation de pièces complémentaires ou modifiées est un motif suffisant pour rejeter une demande d'indemnisation. Il est possible de choisir de ne couvrir aucune panne d'une pièce garantie provoquée par l'utilisation de pièces complémentaires ou modifiées.

L'utilisation d'autres carburants, notamment les mélanges d'éthanol à plus de 10 % par volume (par exemple E-15, E-20 ou E-85), de carburant additionné de méthanol ou de n'importe quel diesel peut endommager le système de contrôle des émissions par évaporation, nuire au rendement du moteur et affecter sa durabilité et peut annuler la garantie du système de contrôle des émissions par évaporation.

COMMENT PRÉSENTER UNE DEMANDE D'INDEMNISATION

Pour toute question relative à vos droits et responsabilités par rapport à la garantie, communiquer avec le centre de services agréé HCP le plus proche HCP, ou appeler au 1 800 288-5040, ou envoyer un message à l'adresse www.husqvarnacp.com/us/ ou ca-en/ ou ca-fr/.

OÙ JOINDRE LE SERVICE DE GARANTIE?

Les services et les réparations dans le cadre de la garantie du système de contrôle des émissions par évaporation sont fournis dans tous les centres de services agréés HCP. Pour trouver le centre de service agréé HCP le plus proche, se rendre sur le site Web HCP.

RÉPARATION ET REMPLACEMENT DES PIÈCES LIÉES AU SYSTÈME DE CONTRÔLE DES ÉMISSIONS PAR ÉVAPORATION

Toute pièce de rechange approuvée par HCP utilisée pour procéder à une réparation ou à un entretien des pièces liées au système de contrôle des émissions par évaporation doit être fournie sans frais pour le propriétaire si la pièce d'origine est sous garantie.

LISTE DES PIÈCES SOUS GARANTIE DU SYSTÈME DE CONTRÔLE DES ÉMISSIONS PAR ÉVAPORATION

1. Réservoir de carburant, conduites, bouchon de la boîte à charbon, clapets antiretour en cas de retournement et clapets antibalotement, selon l'équipement.
2. Tous les autres composants, dont la défaillance augmenterait les émissions d'un polluant quelconque par le moteur, comme énoncé ci-dessous :
 - Pour les États-Unis et le Canada, se reporter au US Federal Code of Regulations, 40 C.F.R 1068 Appendix I (iii).



www.husqvarnaconstruction.com

Original instructions
Instrucciones originales
Instructions d'origine

1143677-49 Rev. C



2024-05-02