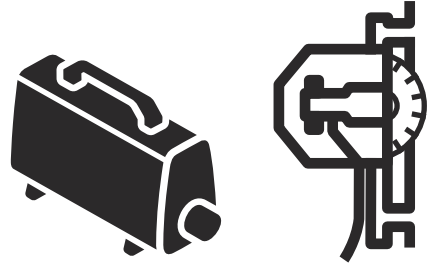




# Husqvarna®



## Power Pack 8, Wall Saw 8, Remote control

EN	Operator's manual
DE	Bedienungsanweisung
FR	Manuel d'utilisation
NL	Gebruiksaanwijzing

2-69
70-142
143-215
216-286

---

# Contents

---

Introduction.....	2	Technical data.....	54
Safety.....	10	Accessories.....	60
Assembly.....	17	Service.....	61
Operation.....	27	Declaration of Conformity.....	62
Maintenance.....	41	Open source.....	66
Troubleshooting.....	44	Registered trademarks.....	69
Transportation and storage.....	53		

---

## Introduction

---

### Product description

The product is a power pack PP 8, a wall saw and a remote control. They are operated by an electric motor.

The wall saw is rail mounted and used with segmented diamond blades. The wall saw is stored on a transport trolley.

The power pack and the wall saw are kept cool with water. Always use the power pack and the wall saw with water supply.

The power pack has embedded connectivity. Refer to *PP 8*.

### Embedded connectivity

Husqvarna Fleet Services™ is a cloud asset management solution that gives the fleet manager an overview of all products that are connected via either embedded or aftermarket sensors. The sensors record data like runtime, service intervals, and more. For more information about Husqvarna Fleet Services™, download the iOS or Android app Husqvarna Fleet Services at <https://apps.apple.com/se/app/husqvarna-fleet-services/id1334672726> or <https://play.google.com/store/apps/details?id=com.husqvarna.hfsmobile&hl=en>.

Products with embedded connectivity are connected via the embedded Husqvarna Fleet Services™ sensor that have Bluetooth Low Energy (BLE). For more information regarding how to use it, refer to *To use*

*embedded connectivity on page 27*. For information of the BLE technology radio spectrum, refer to *Embedded connectivity on page 56*.

### Intended use

The power pack is used to operate applicable Husqvarna electrical power tools with a high frequency motors.

The wall saw is intended for sawing in hard materials such as reinforced concrete, stone and brick.

The product is used in commercial operations by professional operators. Do not use the product for other tasks.

---

### Note:

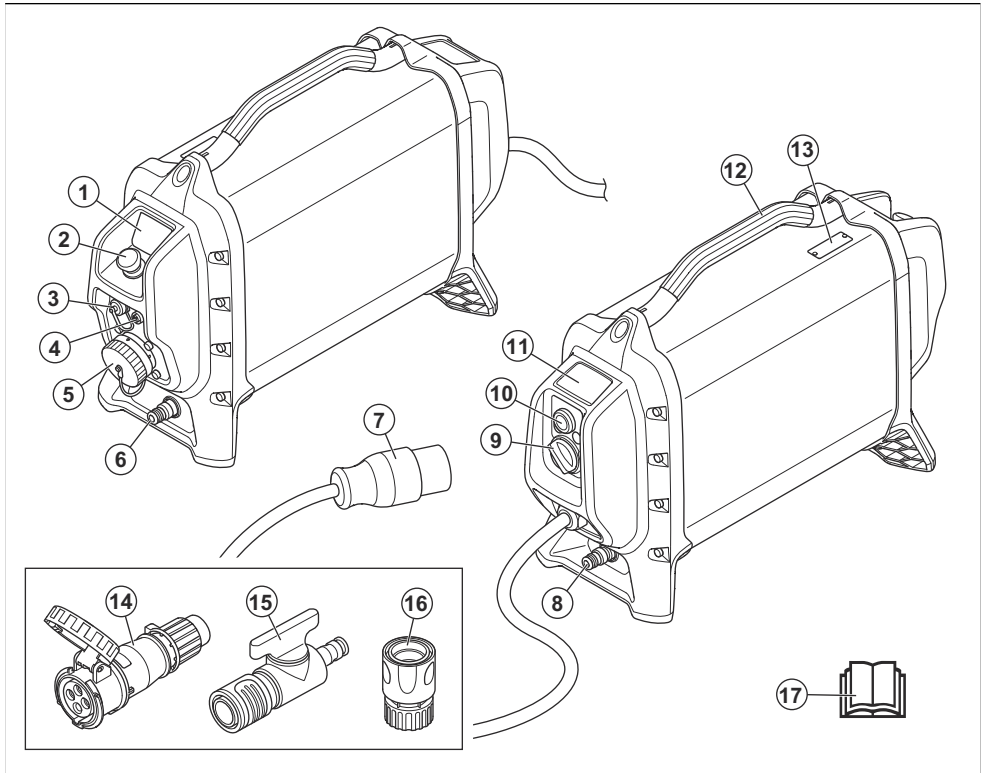
The power pack can also be used together with other power tools, such as a drill motor and a power cutter. If you intend to use the power pack when you work with other power tools than the wall saw, read

- The sections concerning the power pack in this manual
  - The operator's manuals for the other power tool
- 

**Note:** National regulations can set limit to the operation of the product.

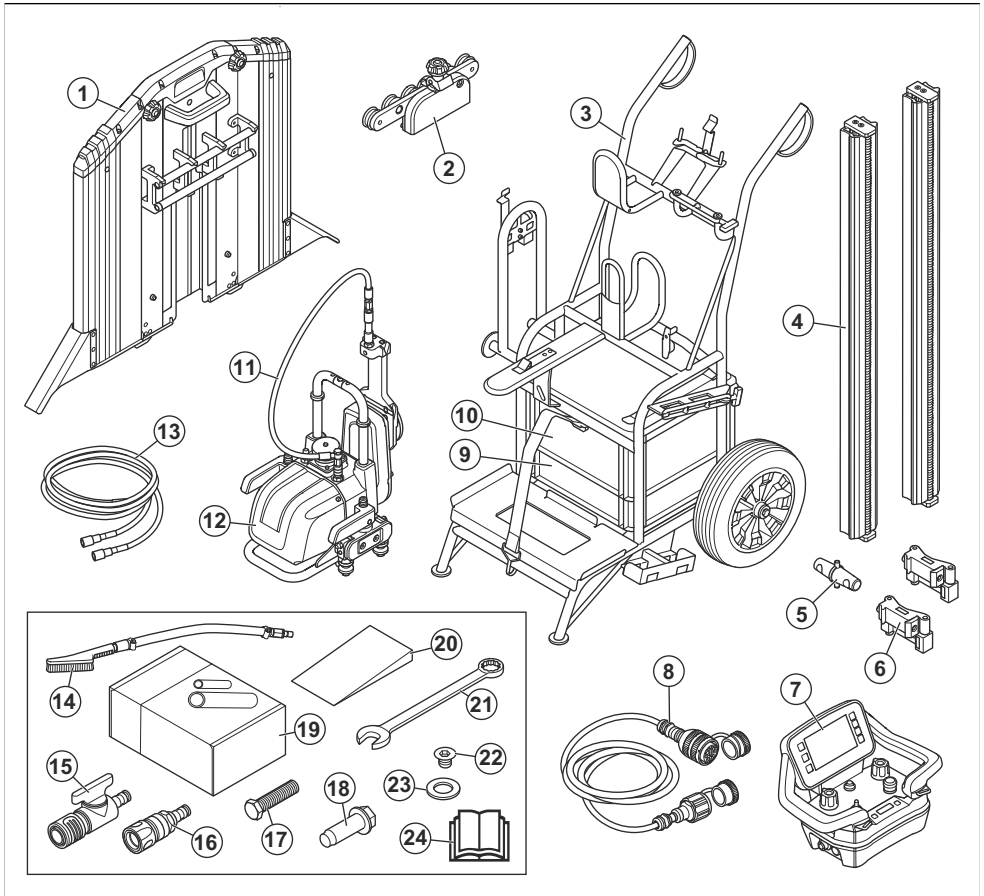
---

## Power pack overview



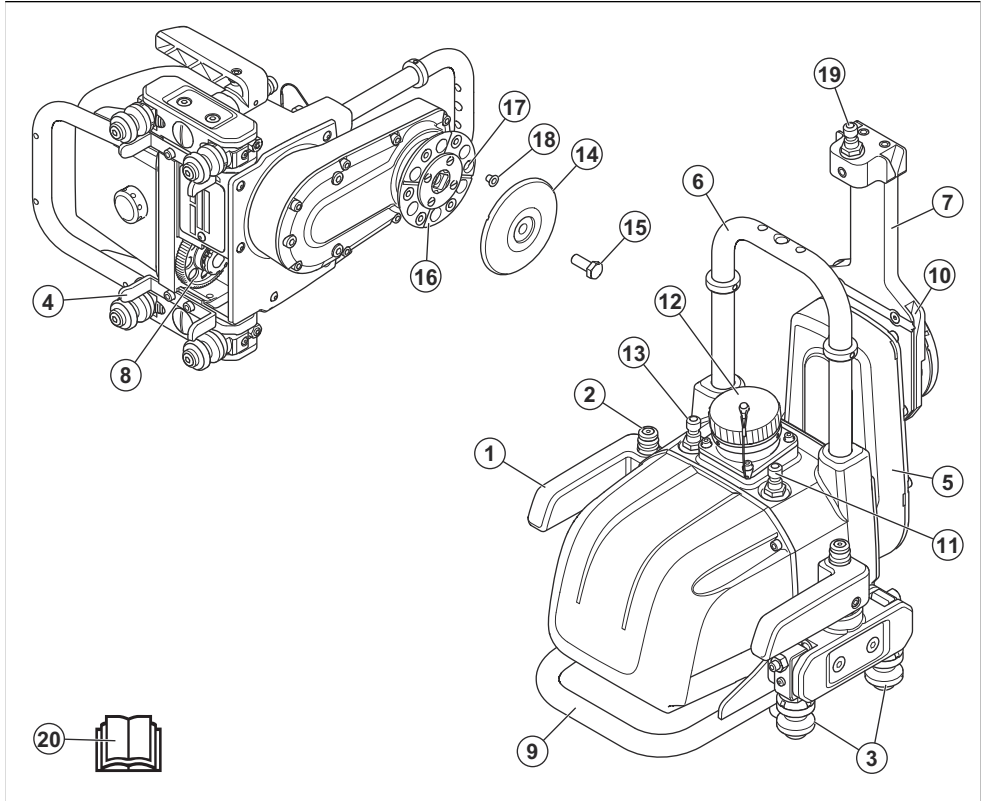
1. Control panel and status indicator
2. Machine stop button
3. USB connection (for service by approved Husqvarna service person)
4. CAN socket
5. Tool connection outlet
6. Water connector outlet
7. Power plug
8. Water connector inlet
9. RCD reset knob
10. RCD test button
11. Symbols on the product
12. Handle
13. Type plate
14. Connector (for North America market only)
15. Quick coupling (for North America market only)
16. Water valve regulator (for North America market only)
17. Operator's manual

## Wall saw overview



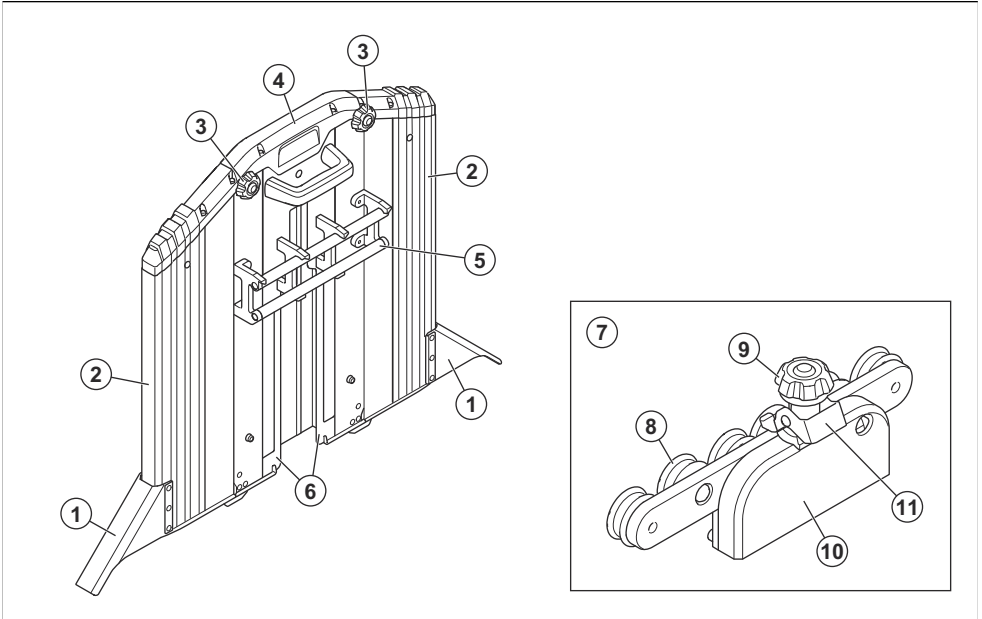
- |                                 |  |
|---------------------------------|--|
| 1. Blade guard Ø600 mm          | 13. Water hose                                   |
| 2. Blade guard guide            | 14. Water brush                                  |
| 3. Transport trolley            | 15. Valve  |
| 4. Track                        | 16. Adapter                                      |
| 5. Splice connector             | 17. Screw  |
| 6. Mounting bracket, standard   | 18. Excenter bolt, 5 pcs                         |
| 7. Remote control               | 19. Drop in anchor bolt M10×40                   |
| 8. Power cable                  | 20. Wedge  |
| 9. Storage box, accessories     | 21. Wrench                                       |
| 10. Storage box, remote control | 22. Flush cutting screw (countersunk) M8×12 10.9 |
| 11. Water hose                  | 23. Washer                                       |
| 12. Saw unit                    | 24. Operator's manual                            |

## Saw unit overview



- |  |  |
|--|--|
| <ol style="list-style-type: none"> <li>1. Locking handle</li> <li>2. Lock button (The button on the lock handle must be pressed down in order to free the safety catch in order to open the lock handles)</li> <li>3. Guide wheels (Tightened against the rail by use of the lock handles)</li> <li>4. Guide for the wheels, when you assemble the saw unit to the tracks.</li> <li>5. Cutting arm (The cutting depth is controlled when you rotate the arm with the remote control)</li> <li>6. Attachment for blade guard</li> <li>7. Guide flange for blade guard (Can be rotated to transport position)</li> <li>8. Feed gear wheel (Makes the saw move along the rail)</li> </ol> | <ol style="list-style-type: none"> <li>9. Handle</li> <li>10. Guide groove for blade guard</li> <li>11. Outward water connection (Connected to the water connection of the blade)</li> <li>12. Electrical connection and control connection</li> <li>13. Water cooling input</li> <li>14. Outer blade flange</li> <li>15. Blade bolt</li> <li>16. Inner blade flange (When you flush cut, the blade is securely attached to the inner blade flange)</li> <li>17. Screw threads to flush cut, 6 pcs.</li> <li>18. Plugs for threads, 6 pcs.</li> <li>19. Water connection for blade</li> <li>20. Operator's manual</li> </ol> |
|--|--|

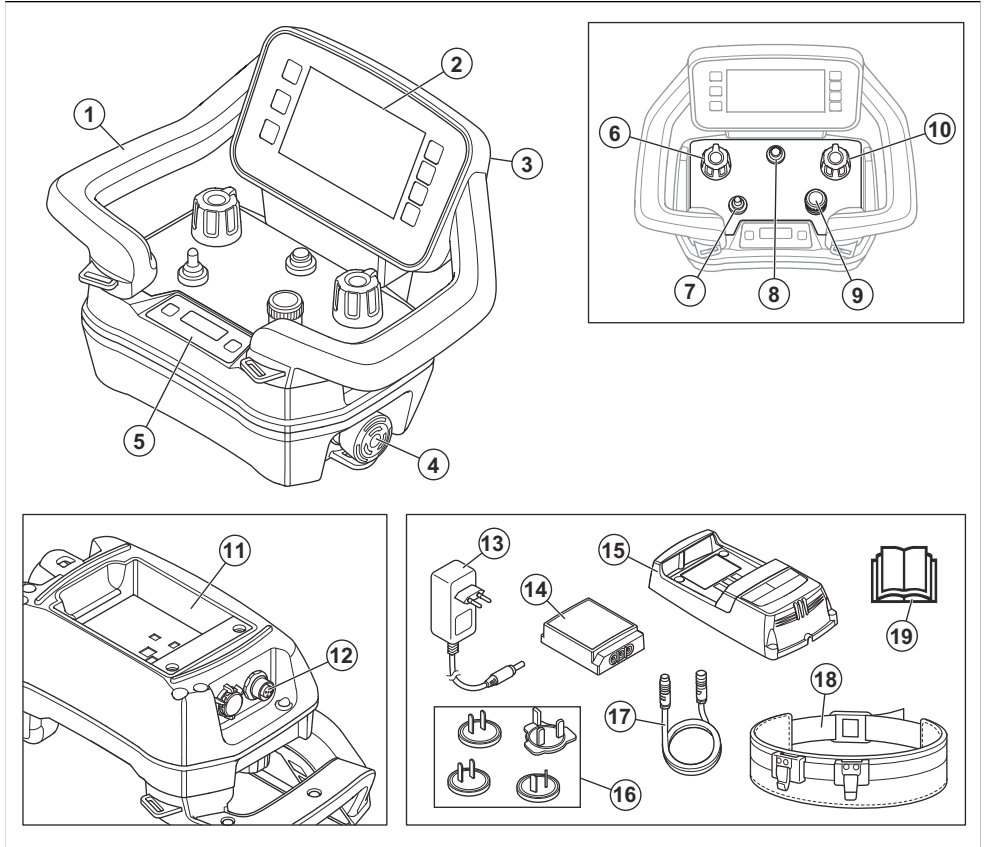
## Blade guard



1. Spray guard
2. Outer sections
3. Locking knobs for outer sections
4. Center section
5. Guide pipes
6. Runners
7. Blade guard guide

8. Guide rollers
9. Locking knob for blade guard
10. Blade guard attachment (is mounted on the attachment on the saw unit)
11. Blade guard guide locks (blocks the blade guard guide on the blade guard)

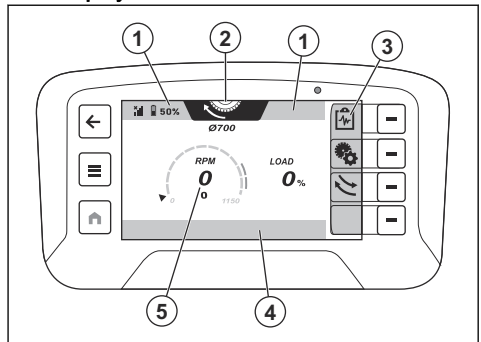
## Remote control overview



1. Handle
2. HMI display
3. Connector for the USB cable
4. Machine stop button
5. Information center display. Refer to *Information center display* on page 39.
6. Knob for depth movement of the cutting arm
7. Start/Stop switch for the blade
8. ON/OFF button
9. Knob for blade speed adjustment
10. Knob for longitudinal track movement of the wall saw
11. Battery holder
12. Connector for the CAN bus cable
13. AC/DC adapter for battery charger
14. Remote control battery
15. Battery charger for remote control battery
16. Socket plugs for different markets
17. CAN bus cable

18. Belt for remote control
19. Operator's manual

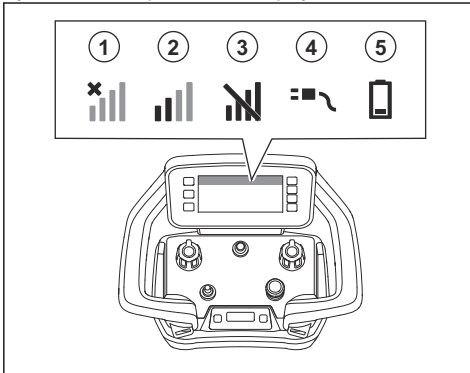
## HMI display overview



1. Top bar

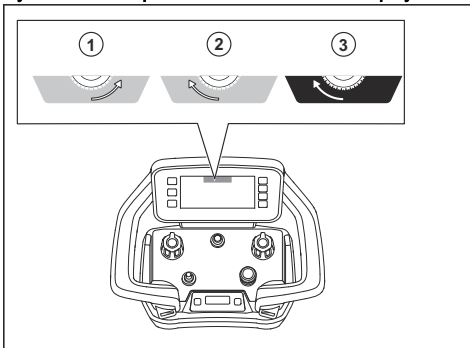
2. Operation mode tab
3. Quick action bar
4. Bottom bar
5. Product view

### Symbols in the top bar on the display



Position	Function
1	No radio signal. No connection with the product.
2	Radio signal strength.
3	The radio signal is blocked.
4	The CAN bus cable is attached between the product and the remote control.
5	State of charge. When the battery symbol is yellow, the state of charge is 11–20%. When the battery symbol is red, the state of charge is less than 10%.

### Symbols in the operation mode tab on the display



The operation mode tab becomes orange (3) when the blade starts to turn.

Position	Function
1	Operation mode counterclockwise is selected.
2	Operation mode clockwise is selected.
3	Operation mode clockwise is started.

### Symbols on the power pack



**WARNING:** Not careful or incorrect use can result in injury or death to the operator or others.



Read the manual carefully and make sure that you understand the instructions before you use the product.



Always put on hearing protection, eye protection and breathing protection.



Inspection and/or maintenance must be done with the motor stopped and the power plug disconnected.



Energized parts.



This product is in compliance with applicable EC directives.



The product agrees with the applicable Australia and New Zealand electromagnetic compatibility directives.



China RoHS Environment-Friendly Use Period (EUFP) symbol.



The product or package of the product is not domestic waste. Recycle it at a recycling station for electrical and electronic equipment.

**Note:** Other symbols/decals on the product refer to special certification requirements for some markets.



## Symbols on the wall saw



**WARNING:** This product can be dangerous and cause serious injury or death to the operator or others. Be careful and use the product correctly.



Read the manual carefully and make sure that you understand the instructions before you use the product.



Use approved protective helmet, hearing protection, eye protection and respiratory protection.



Keep your hands and feet away from the blade.



Inspection and/or maintenance must be done with the motor stopped and the plug disconnected.



The product or package of the product is not domestic waste. Recycle it at an approved disposal location for electrical and electronic equipment.



This product is in compliance with applicable EC directives.

**Note:** Other symbols/decals on the product refer to special certification requirements for some markets.

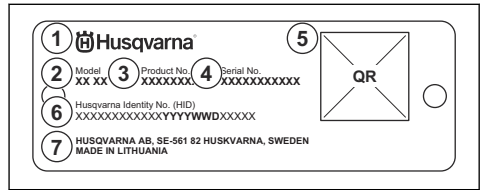
## HID Specification

Husqvarna Identity number has 5 sections and a total of 25 characters: [PNC] [Factory & Line (FLL)] [Date] [Sequenc#] [Control character].

The date has 7 characters.

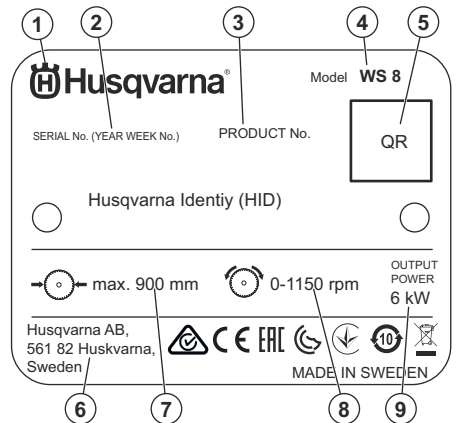
- Format: YYYYWWDD
- YYYY = Year
- WW = Week number
- D = Day number

## Type plate power pack PP 8



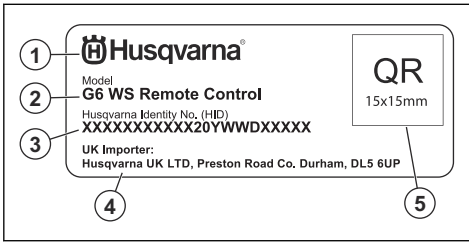
1. Manufacturer
2. Model
3. Product number
4. Serial number
5. QR code
6. Husqvarna Identity number
7. Manufacturer address

## Type plate wall saw WS 8



- 1: Manufacturer
- 2: Serial No. with manufacturing date (YYYY, WW, XXXX): Year, Week, Sequence No.
- 3: Product No.
- 4: Model
- 5: QR code
- 6: Manufacturer address
- 7: Maximum blade size, mm
- 8: Maximum speed, RPM
- 9: Power output, kW

## Type plate Husqvarna remote control



1. Manufacturer
2. Model
3. Husqvarna Identity number with manufacturing date (YYYY, WW, XXXX): Year, Week, Sequence No.

4. Importer address UK
5. QR code

## Product damage

We are not responsible for damages to our product if:

- the product is incorrectly repaired.
- the product is repaired with parts that are not from the manufacturer or not approved by the manufacturer.
- the product has an accessory that is not from the manufacturer or not approved by the manufacturer.
- the product is not repaired at an approved service center or by an approved authority.

## Safety

### Safety definitions

Warnings, cautions and notes are used to point out specially important parts of the manual.



**WARNING:** Used if there is a risk of injury or death for the operator or bystanders if the instructions in the manual are not obeyed.



**CAUTION:** Used if there is a risk of damage to the product, other materials or the adjacent area if the instructions in the manual are not obeyed.

**Note:** Used to give more information that is necessary in a given situation.

### General safety instructions



**WARNING:** Read the warning instructions that follow before you use the product.

- This product is a dangerous tool if you are not careful or if you use the product incorrectly. This product can cause serious injury or death to the operator or others. Before you use the product, you must read and understand the contents of this operator's manual.
- Save all warnings and instructions.
- Comply with all applicable laws and regulations.
- The operator and the employer of the operator must know and prevent the risks during operation of the product.

- Do not let a person operate the product unless they read and understand the contents of the operator's manual.
- Do not operate the product unless you receive training before use. Make sure that all operators receive training.
- Do not let a child operate the product.
- Only let approved persons operate the product.
- The operator is responsible for accidents that occur to other persons or their property.
- Do not use the product if you are tired, ill, or under the influence of alcohol, drugs or medicine.
- Do not let a person operate the product if they are tired, ill, or under the influence of alcohol, drugs or medicine.
- Always be careful and use your common sense.
- This product produces an electromagnetic field during operation. This field can under some circumstances interfere with active or passive medical implants. To decrease the risk of serious injury or death, we recommend persons with medical implants to speak to their physician and the medical implant manufacturer before operating this product.
- Keep the product clean. Make sure that you can clearly read signs and decals.
- Do not use the product if it is damaged.
- Do not make modifications to this product.
- Do not operate the product if it is possible that other persons have made modifications to the product.
- Stop the remote control when the product is parked and during transportation of the product. Push the ON/OFF button on the remote control to stop the remote control.

### General machine safety warnings



**WARNING:** Read all safety warnings, instructions, illustrations and specifications provided with this machine. Failure to follow

all instructions listed below may result in electric shock, fire and/or serious injury.

- **Save all warnings and instructions for future reference.** The term "machine" in the warnings refers to your mains-operated (corded) machine or battery-operated (cordless) machine.

## Work area safety

- **Keep work area clean and well lit.** Cluttered or dark areas invite accidents.
- **Do not operate machines in explosive atmospheres, such as in the presence of flammable liquids, gases or dust.** Machines create sparks which may ignite the dust or fumes.
- **Keep children and bystanders away while operating a machine.** Distractions can cause you to lose control.

## Electrical safety

- **Power tool plugs must match the outlet. Never modify the plug in any way.** Unmodified plugs and matching outlets will reduce risk of electric shock.
- **Avoid body contact with earthed or grounded surfaces, such as pipes, radiators, ranges and refrigerators.** There is an increased risk of electric shock if your body is earthed or grounded.
- **Do not expose power tools to rain or wet conditions.** Water entering a power tool will increase the risk of electric shock.
- **Do not abuse the cord. Never use the cord for carrying, pulling or unplugging the power tool. Keep cord away from heat, oil, sharp edges or moving parts.** Damaged or entangled cords increase the risk of electric shock.
- **When operating a power tool outdoors, use an extension cord suitable for outdoor use.** Use of a cord suitable for outdoor use reduces the risk of electric shock.
- **If operating a power tool in a damp location is unavoidable, use a residual current device (RCD) protected supply.** Use of a RCD reduces the risk of electric shock.
- Use a RCD to decrease the risk of electrical shock. A RCD with the rated residual current less than 30mA is recommended.
- A RCD should be installed at a distance of 0.5 m or less from the plug of the supply cord or it should be installed in the plug of the supply cord.

## Grounded product instructions



**WARNING:** Incorrect connection can result in electrical shock. Speak to an approved electrician if you are not sure if your mains outlet is correctly grounded.

Do not do modifications to the power plug from its factory specification. If the power plug or power cord is damaged or must be

replaced, speak to your Husqvarna service agent. Obey local regulations and laws.

If you do not fully understand the instructions about the grounded product, speak to an approved electrician.

Use only grounded outdoor extension cables with grounding plugs and grounding outlet that accepts the product power plug.

The product has a grounded power cord and power plug. Always connect the product to a grounded mains outlet. This decreases the risk of electrical shock.

Do not use electrical adapters with the product.

## Extension cables

- Use only approved extension cables with sufficient length.
- The rated value on the extension cable must be the same or higher than given on the rating plate of the product.
- Use grounded extension cables.
- When you operate the product outdoors, use an extension cable that is applicable for outdoor operation. This decreases the risk of electrical shock.
- Keep the connection to the extension cable dry and off the ground.
- Keep the extension cable away from heat, oil, sharp edges or moving parts. A damaged cable increases the risk of electrical shock.
- Make sure that the extension cable is in good condition and not damaged.
- Do not use the extension cable while it is wound up. This can cause the extension cable to become too hot.
- Make sure that the extension cable is behind you and the product when you use the product. This prevents damage to the extension cable.

## Battery safety



**WARNING:** Read the warning instructions that follow before you use the product.

- Do not use the battery if you are tired, ill, or under the influence of alcohol, drugs or medicine.
- Do not let a person use the battery if they are tired, ill, or under the influence of alcohol, drugs or medicine.
- Do not let a child use the battery.
- Only use the batteries that we recommend for your product. The batteries are software encrypted.
- Use only original batteries for this product. There is a risk of explosion if the batteries are replaced with batteries of incorrect type. Speak to your dealer for more information.

- Use batteries that are rechargeable as a power supply for the related Husqvarna products only. To prevent injury, do not use the batteries as a power supply for other devices.
- Risk of electrical shock. Do not connect the battery terminals to keys, screws or other metal. This can cause a short circuit of the battery.
- If a battery leaks, do not let the liquid touch your body or eyes. If you touch the liquid, clean the area with a large quantity of water and get medical aid.
- Do not use batteries that are non-rechargeable.
- Do not do modifications to the batteries.
- Do not put objects into the air slots of the batteries.
- Keep the batteries away from sunlight, heat or open flame. The batteries can cause an explosion and cause burns and/or chemical burns.
- Keep the batteries away from rain and wet conditions.
- Keep the batteries away from microwaves and high pressure.
- Do not try to disassemble or break the batteries.
- Use the batteries in ambient temperatures between -20°C/-4°F and 60°C/140°F.
- Charge the batteries in ambient temperatures between 10°C/50°F and 45°C/113°F.
- Do not clean the batteries or the battery charger with water. Refer to *To clean the remote control weekly on page 44*.
- Do not use damaged batteries.
- Keep batteries in storage away from metal objects such as nails, screws or jewellery.
- Remove the batteries from the remote control if you do not operate the product for more than 1 week.
- **Do not overreach. Keep proper footing and balance at all times.** This enables better control of the machine in unexpected situations.
- **Dress properly. Do not wear loose clothing or jewellery. Keep your hair and clothing away from moving parts.** Loose clothes, jewellery or long hair can be caught in moving parts.
- **If devices are provided for the connection of dust extraction and collection facilities, ensure these are connected and properly used.** Use of dust collection can reduce dust-related hazards.
- **Do not let familiarity gained from frequent use of machines allow you to become complacent and ignore machine safety principles.** A careless action can cause severe injury within a fraction of a second.

## Machine use and care

- **Do not force the machine. Use the correct machine for your application.** The correct machine will do the job better and safer at the rate for which it was designed.
- **Do not use the machine if the switch does not turn it on and off.** Any machine that cannot be controlled with the switch is dangerous and must be repaired.
- **Disconnect the plug from the power source and/or remove the battery pack, if detachable, from the machine before making any adjustments, changing accessories, or storing machines.** Such preventive safety measures reduce the risk of starting the machine accidentally.
- **Store idle machines out of the reach of children and do not allow persons unfamiliar with the machines or these instructions to operate the machines.** Machines are dangerous in the hands of untrained users.
- **Maintain machines and accessories. Check for misalignment or binding of moving parts, breakage of parts and any other condition that may affect the machines' operation. If damaged, have the machine repaired before use.** Many accidents are caused by poorly maintained machines.
- **Keep cutting machine sharp and clean.** Properly maintained cutting machines with sharp cutting edges are less likely to bind and are easier to control.
- **Use the machine, accessories and bits etc. in accordance with these instructions, taking into account the working conditions and the work to be performed.** Use of the machine for operations different from those intended could result in a hazardous situation.
- **Keep handles and grasping surfaces dry, clean and free from oil and grease.** Slippery handles and grasping surfaces do not allow for safe handling and control of the machine in unexpected situations.

## Service

- **Have your machine serviced by a qualified repair person using only identical replacement parts.** This

## Personal safety

- **Stay alert, watch what you are doing and use common sense when operating a machine. Do not use a machine while you are tired or under the influence of drugs, alcohol or medication.** A moment of inattention while operating machines may result in serious personal injury.
- **Use personal protective equipment. Always wear eye protection.** Protective equipment such as dust mask, non-skid safety shoes, hard hat or hearing protection used for appropriate conditions will reduce personal injuries.
- **Prevent unintentional starting. Ensure the switch is in the off-position before connecting to power source and/or battery pack, picking up or carrying the machine.** Carrying machines with your finger on the switch or energising machines that have the switch on invites accidents.
- **Remove any adjusting key or wrench before turning the machine on.** A wrench or a key left attached to a rotating part of the machine may result in personal injury.

will ensure that the safety of the machine is maintained.

- **Never service damaged battery packs.** Service of battery packs should only be performed by the manufacturer or authorized service providers.

## Safety instructions for wall saws

- **Operate power tool by insulated grasping surfaces, when performing an operation where the cutting accessory may contact hidden wiring or its own cord.** Cutting accessory contacting a "live" wire may make exposed metal parts of the power tool "live" and could give the operator an electric shock.
- **Wear ear protectors when diamond sawing.** Exposure to noise can cause hearing loss.
- **If the diamond wheel becomes jammed, stop applying feed force and turn off the tool.** Investigate and take corrective actions to eliminate the cause of the diamond wheel jamming.
- **When sawing through the workpiece, ensure to protect persons and the work area on the other side.** The diamond wheel may protrude through the workpiece.
- **Ensure that the method of securing the track guiding system to the workpiece is capable of holding and restraining the machine during use.** If the workpiece is weak or porous, the anchor(s) may pull out causing the track guiding system to release from the workpiece.

## General safety instructions



**WARNING:** Read the warning instructions that follow before you use the product.

- This information is never a substitute for professional skills and experience. If you get into a situation where you feel unsafe, stop and seek expert advice. Contact your dealer, service agent or an experienced user. Do not attempt any task that you feel unsure of!
- This product is designed for and intended for sawing concrete, brick and different stone materials. All other use is improper.
- The product must be kept clean. Signs and stickers must be fully legible.
- Unauthorized modifications and/or accessories may lead to serious injury or death to the user or others. Do not modify this product or use it if it appears to have been modified by others. Never use a product, battery or battery charger that is faulty. Carry out the checks, maintenance and service instructions described in this manual. Some maintenance and service measures must be carried out by trained and qualified specialists. See instructions under the heading Maintenance. Only use original spare parts.

- All types of repairs may only be carried out by authorized repairmen. This is so that the operators are not exposed to great risks.
- Inspection and/or maintenance shall be carried out with the motor switched off and the plug disconnected.

## Safety instructions for operation



**WARNING:** Read the warning instructions that follow before you use the product.

- Read the operator's manual carefully and make sure that you understand the instructions before using the product.
- The product can be a dangerous tool if used incorrectly or carelessly, which can cause serious or fatal injury to the operator or others.
- There is always a risk of shocks from electrical products. Do not use the product in bad weather conditions. Prevent that your body touches lightning conductors and metal objects. Always follow the instructions in the operator's manual to prevent damage.
- All operators shall be trained in the use of the product. The owner is responsible for ensuring that the operators receive training.
- The operator is responsible for accidents or hazards occurring to other people or their property.
- Connect the product to grounded outlets only.
- Make sure that the mains voltage are the same as the voltage shown on the rating plate of the product.
- Make sure that the power cord and extension cable are not damaged and in good condition.
- Do not use the product if the product or the power cord is damaged. Let an approved service agent repair the product or replace the power cord.
- To prevent overheating, do not use the extension cable while it is folded.
- Cutting at too high revs can cause damage to the blade and lead to personal injury.
- Stop the motor and disconnect the power cord before you lift or move the product.
- Do not let children or other persons not trained in the use of the product to use or service it.
- Do not let anyone use the product without first ensuring that they have read and understood the contents of the operator's manual.
- Do not use the product if you are tired, if you have drunk alcohol, or if you are taking medication that could affect your vision, your judgement or your co-ordination.
- Do not operate the product unless you can get aid if an accident occurs.
- Make sure that the product stays on a stable surface.

- Do not disconnect the power cord unless the motor is off and fully stopped.
- Do not go away from the product when the motor is on.
- Always disconnect the power supply to the product for longer work breaks.
- Always disconnect the power plug before the product is moved.
- Always keep fire protection equipment near.
- Use the handle only to transport the product.

### Safety devices on the product



**WARNING:** Read the warning instructions that follow before you use the product.

- Do not use a product with safety devices that are damaged or do not operate correctly.
- Do a check of the safety devices regularly. If the safety devices are damaged or do not operate correctly, speak to your Husqvarna service agent.
- Do not make modifications to safety devices.

### Personal protective equipment

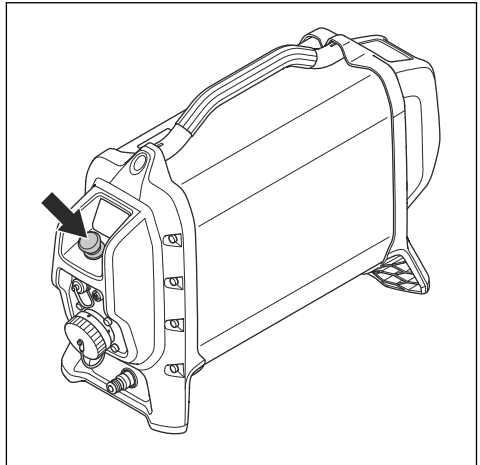


**WARNING:** Read the warning instructions that follow before you use the product.

- Always use approved personal protective equipment when you operate the product. Personal protective equipment cannot fully prevent injury but it decreases the degree of injury if an accident does occur. Let your dealer help you select the correct personal protective equipment.
- Regularly do a check of the condition of the personal protective equipment.
- Use an approved protective helmet.
- Use an approved hearing protection while you operate the product. Noise for a long period can cause noise-induced hearing loss.
- The product causes dust and fumes that is bad for your health. Use an approved respiratory protection.
- Use approved eye protection with side protection.
- Use approved heavy duty protective gloves.
- Use heavy-duty boots with steel toe-cap and non-slip sole.
- Use approved work clothing or equivalent close-fitting clothing that has long sleeves and long legs and does not limit your movements.
- Do not use loose clothing, jewelry or other items that can get caught in moving parts. Put your hair up safely above shoulder level.
- Make sure that you have a first aid kit near.
- Sparks can occur when you operate the product. Make sure that you have a fire extinguisher near.

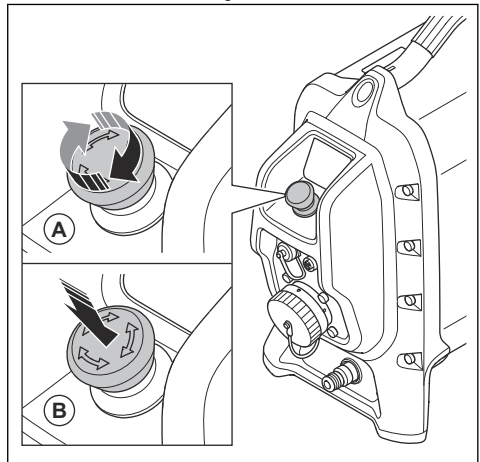
### Power pack emergency stop button

The emergency stop button on the power pack decreases the speed of the connected power tool. The emergency stop button on the power pack also disconnects the power tool from the power supply.



### To do a check of the power pack emergency stop button

1. Turn the emergency stop button (A) on the power pack clockwise to make sure that it is released.
2. Start the connected power tool.
3. Push the emergency stop button (B) on the power pack.
4. Make sure that the power tool stops. Also make sure that the green LED lights on the power pack go out and that the red LED light flashes.

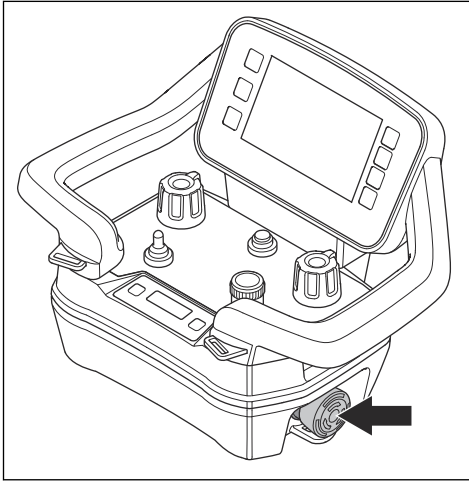


## Remote control machine stop button

The machine stop button is used to quickly stop the power tool.

The machine stop button decreases the speed of the connected power tool. The machine stop button also disconnects the power tool from the power supply.

The machine stop button can not be used when the power tool is operated manually.



**CAUTION:** Do not use the machine stop button on the remote control as the stop button for the power tool.

## To do a check of the remote control machine stop button

1. Turn the emergency stop button on the power pack clockwise to make sure that it is released.
2. Turn the machine stop button on the remote control clockwise to make sure that it is released.
3. Push the ON/OFF button on the remote control.
4. Push and hold the toggle switch on the remote control to the right and at the same time push the potentiometer to make the saw blade rotate.
5. Push the machine stop button on the remote control.
6. Make sure that the saw blade stops.

## RCD

The RCD is a protection for the operator if an electrical fault occur.

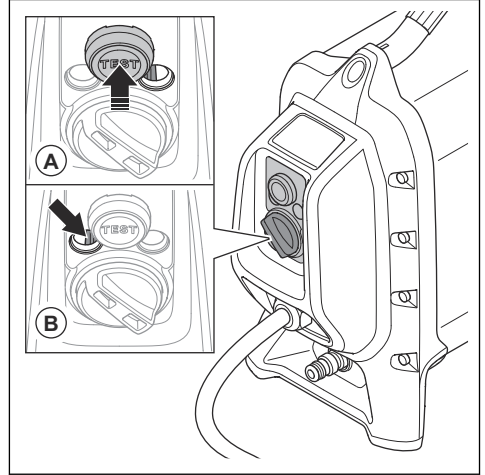
When the power pack is plugged in to a 3 phase connection, the RCD integrated to the power pack is active.

When the power pack is plugged in to a 1 phase connection, the RCD integrated to the power pack is

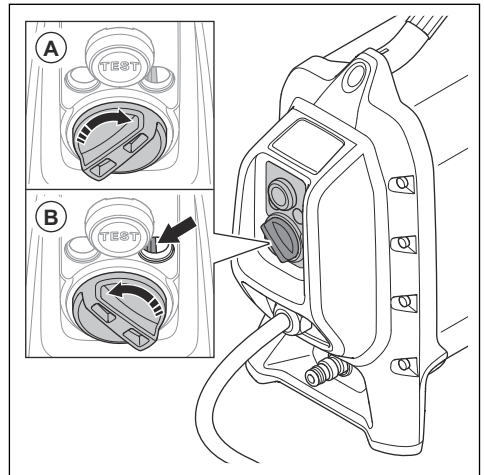
not active. You instead need to use a separate 1 phase adapter. Refer to *Accessories on page 60*.

## To do a check of the RCD, 3 phase

1. Start the product. Refer to *To start the product on page 31*.
2. Look into the inspection holes and push the RCD test button (A).



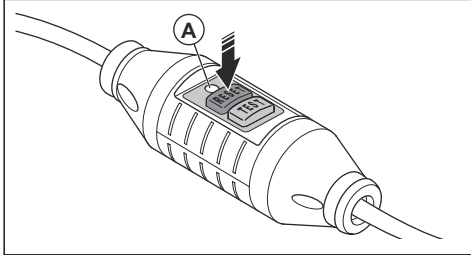
3. Make sure that the RCD breaker moves to the left (B) and thereby disconnects the product from the power supply.
4. Make sure that the saw blade stops. Also make sure that all LED lights on the power pack goes out.
5. Turn the RCD reset knob clockwise (A) to reset the RCD breaker. Look into the inspection holes to make sure that the RCD breaker is set to the right (B) when the RCD reset knob bounces back to the left.



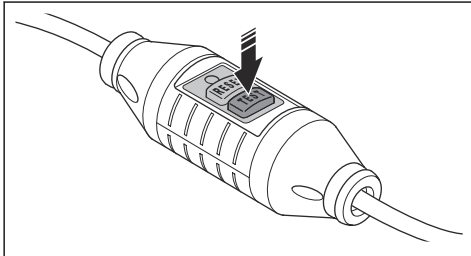
### To do a check of the RCD, 1 phase

When the Power Pack is plugged in to a 1 phase connection, the RCD integrated to the power pack is not active. You instead need to use a separate 1 phase adapter.

1. Connect the product to the outlet. Use the correct adapter. Refer to *Accessories on page 60*.
2. Push the RESET button (green). Make sure that the red LED (A) lights up.



3. Start the product.
4. Push the TEST button (blue).



5. The RCD must trip, the product must stop immediately and all LED lights must go off. If not, speak to your Husqvarna dealer.
6. Push the RESET button (green).

### Blade guard

The blade guard keeps dust away from the operator and prevents injury if the cutting blade breaks.

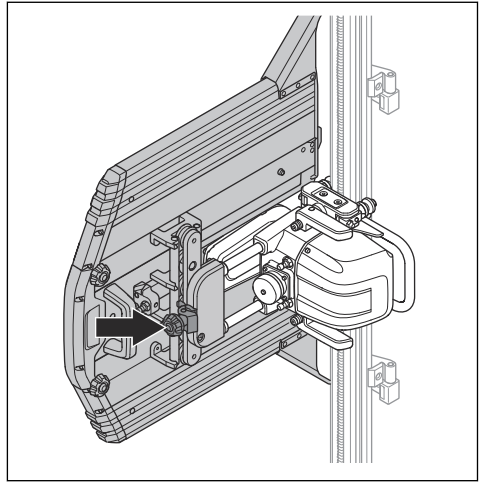


**WARNING:** Do not use the product without a blade guard.

The outer sections can be removed for near floor operations.

### Blade guard lock

The blade guard lock keeps the blade guard guide in the correct position on the blade guard. Make sure the screw for the blade guard guide is fastened when the blade guard is fitted.

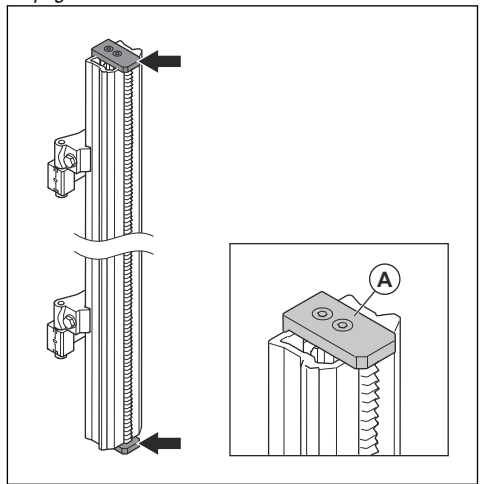


### To do a check of the blade guard lock

- Make sure that the blade guard lock mechanism on the blade guard guide operates correctly. Refer to *Blade guard lock on page 16*.

### End stops

The end stops (A) prevent the product from coming off the tracks. Make sure that the end stops are mounted on the ends of the tracks so that the saw does not come off the tracks. Refer to *To assemble the track connectors on page 18*.



**WARNING:** If the end stops are not attached correctly to the track ends, the product comes off and can cause serious injury.



### To do a check of the end stops

- Make sure that end stops are attached to the track ends. Refer to *Wall saw overview on page 4*.

## Safety instructions for maintenance



**WARNING:** Read the warning instructions that follow before you do maintenance on the product.

- Not approved changes and/or accessories can cause serious injury or death to the operator or others.

- Do the daily maintenance to make sure that the product operates correctly. Refer to *Maintenance schedule on page 41*.
- Do the inspection and/or maintenance with the motor stopped and the power plug disconnected.
- Do not use high pressure washer to clean the product. Do not point the water at electrical components or bearings.
- Only let an approved service person do service on the product. Use only Husqvarna or equivalent replacement parts.

## Assembly

### Introduction



**WARNING:** Read and understand the safety chapter before you assemble the product.

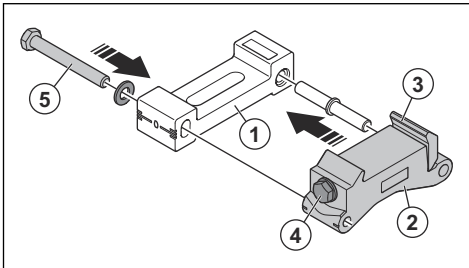
### Mounting brackets

There are 2 types of mounting brackets, standard mounting bracket and universal mounting bracket, refer to *Wall saw overview on page 4*.

The standard mounting bracket attaches the track in the correct position on the wall. This operator's manual gives information on how to use the standard mounting bracket.

The universal mounting bracket attaches the track to material to be cut or to an adjacent area. For information on how to use universal mounting bracket, refer to the operator's manual of the universal mounting bracket.

### To assemble the mounting bracket

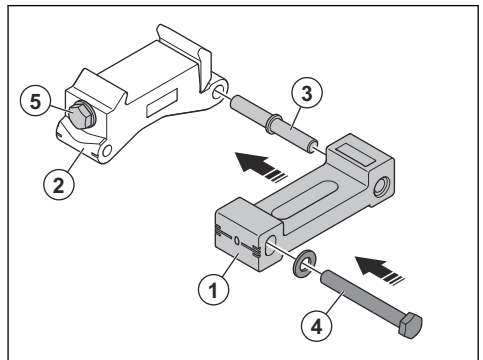


1. The part of the mounting bracket closest to the wall. It has grooves for expander bolts and a spirit level to use if you mount the brackets horizontally.
2. The part of the mounting bracket that holds the rail. It has a spirit level to use if you mount the bracket vertically.
3. Spring weighted clamping washer. The clamping washer locks the track to the mounting bracket.

This makes it possible to snap shut the track in the mounting bracket.

4. Locking screw. Use it to tighten the clamping washer.
5. Locking screw. The two parts of the mounting bracket should be placed in neutral position. If the concrete surface is even, the blade will be placed in a 90 degrees angle to the surface to be cut. If the concrete surface is uneven, you can change the position of the mounting bracket with the locking screw to adjust the cutting angle.

### To mirror assemble the mounting bracket



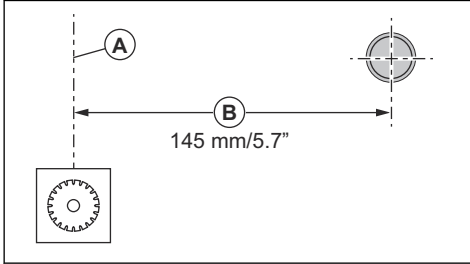
To improve access to the locking screws for angle adjustment (4) and/or the locking screw for the clamping washer (5), the mounting brackets can be mirrored.

1. Remove the screw (4) which holds the two halves of the mounting bracket (1) and (2) together. Separate the two halves.
2. Move the pin (3) from one side of the mounting bracket half (2) to the other side.
3. Press together the two halves again and refit the screw (4) from the other side. In normal position, the index line on the mounting bracket half (2) should align with the 0-line on the mounting bracket half (1).

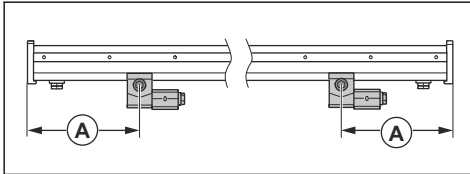
## To fit the mounting brackets to the wall

Use the clamp and washer on either side of the track when you place the mounting brackets. A minimum of two mounting brackets must be used. If more tracks are spliced together, you need one mounting bracket for each track section.

1. Mark the cutting line (A). Mark the holes for the expander bolts approximately 145 mm (5.7 inches) (B) from the cutting line.

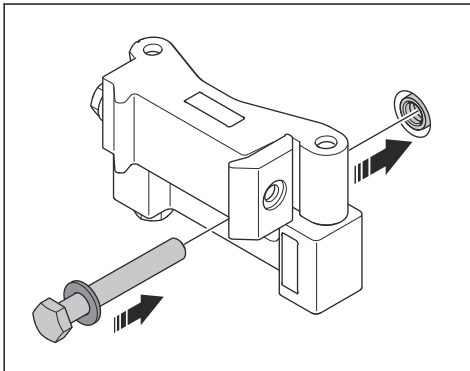


2. Place the mounting brackets approximately 1/2 a track length apart. The distance between a mounting bracket and the end of the track should be approximately 1/4 of a track length (A).

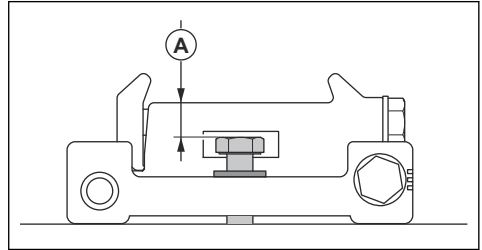


3. Drill the holes for the expander bolts according to the manufacturer's instructions. Use mounting elements adjusted to the material being cut. Use a 12 mm drill to drill the hole for the M10x40 expander anchor included in the sawing equipment. Follow the manufacturer's instructions.

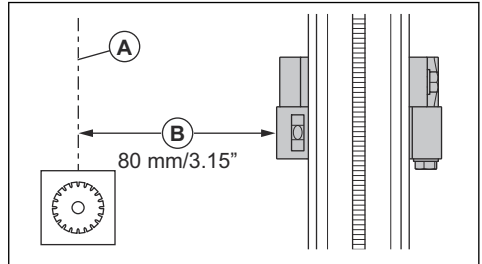
4. Hang the two mounting brackets loosely in the M10x35 expander bolts and a Ø10,5x22 washer.



5. Make sure that the head of the bolt does not rise above the track plane (A).



6. The distance (B) between each mounting bracket and the cut line (A) should be 80 mm (3.15"). If the cutting line is exactly vertical or horizontal, and the supporting surface is even, you can use the spirit levels on the mounting brackets to line these up exactly at this early stage, after which the expander bolts are tightened to 40 Nm. In other cases you must mount the track on the mounting brackets before you tighten the expander bolts.

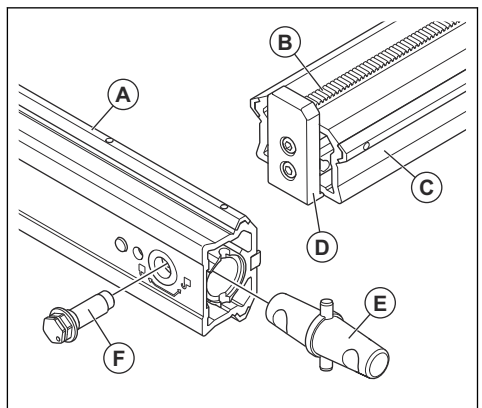


## To assemble the track connectors

Use track connectors when longer cuts are necessary. Add 1 mounting bracket for each 1 m added track.



**CAUTION:** Make sure that the track connectors are compatible with the product.



**A.** Steering prism for saw carriage guide wheels

**B.** Gear rack

**C.** Clamping surface for wall mounting

**D.** End stopper, track

**E.** Splice connector, track

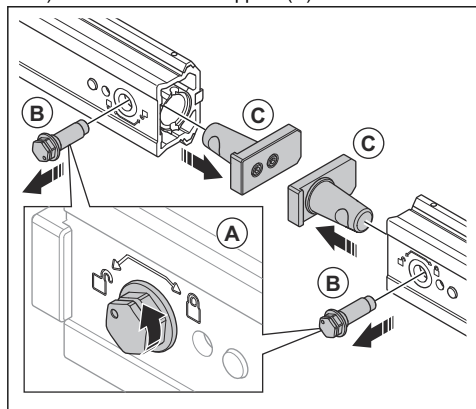
**F.** Excenter bolt

1. Remove the end stoppers.

a) On the underside of the track ends that you will connect are excenter bolts attached. To unlock them, turn them counterclockwise (A).

b) Remove the excenter bolts (B).

c) Remove the end stoppers (C).

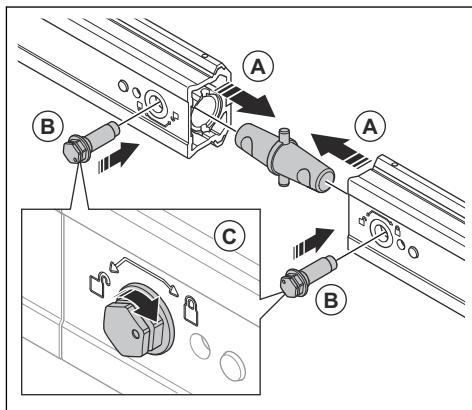


2. Mount the splice connector.

a) Place the splice connector between the two track ends and push the track ends together until they meet (A). The ends must be flush in the center of the connector.

b) Place the excenter bolts (B) in the holes on the underside of the rail. Make sure that the marking on the bolt is centered over the symbol with the open padlock. The bolt should be pushed in all the way so that the head is flat against the rail.

c) Turn the bolts (C) clockwise towards the symbol with the locked padlock to lock them. Tighten to 40 Nm.

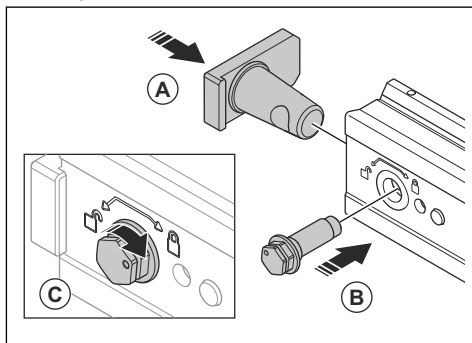


3. Mount the end stopper.

a) Place the end stopper (A) in the end of the rail.

b) Place the excenter bolt (B) in the hole on the underside of the rail. Make sure that the marking on the bolt is centered over the symbol with the open padlock. The bolt should be pushed in all the way so that the head is flat against the rail.

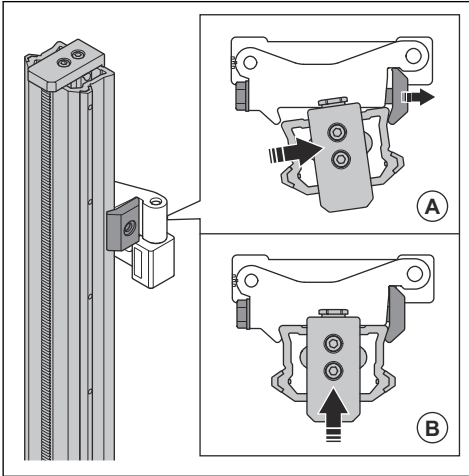
c) Turn the bolt (C) clockwise towards the symbol with the locked padlock to lock them. Tighten to 40 Nm.



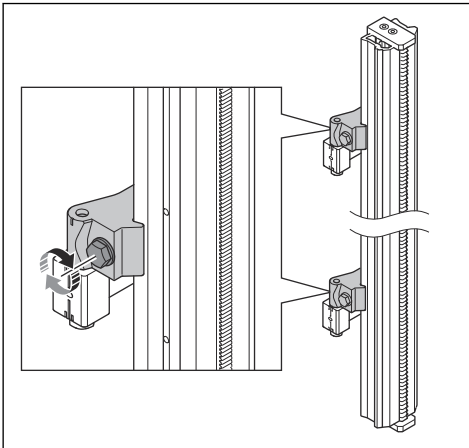
## To assemble the tracks

1. Make sure that the expander bolt does not extend beyond the surface of the rail on the mounting bracket.

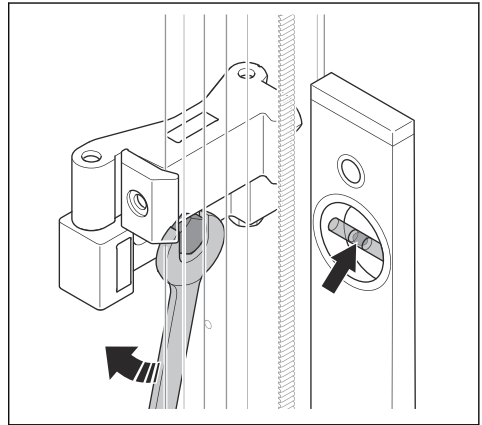
2. Snap the rail into both mounting brackets. Adjust the position of the rails lengthwise.



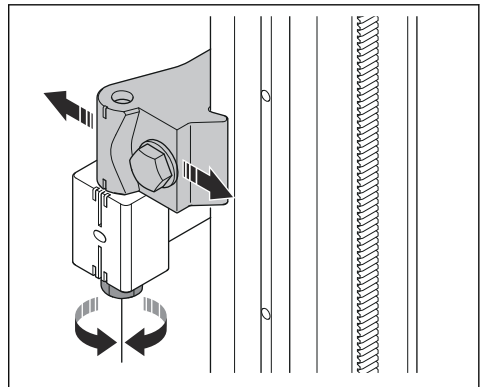
3. Tighten the clamping washers on the mounting brackets to 40 Nm.



4. Make sure that the cutting line is 80 mm (3.15") from the mounting bracket. Tighten the expander bolts by 40 Nm.



5. To adjust the blade angle as needed against the concrete surface, loosen the locking screw for angle adjustment. Angle both mounting bracket halves in relation to each other.



### To assemble the wall saw on the tracks



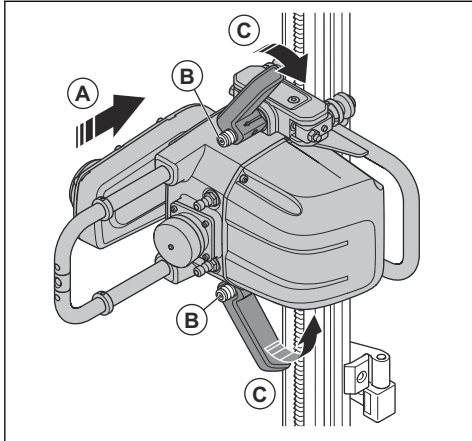
**WARNING:** Assemble the product in the saw carriage before you assemble the product on the tracks.



**WARNING:** To cut without the saw securely assembled on the rail is associated with lethal injury.

1. Push down the lock buttons (B) on the lock handles (C). Turn the handles out from the sawing unit to free the guide wheels from the transport trolley attachment.

- Lift the saw unit onto the rail (A) with the lock handles opened. Angle the saw unit over the rail so that the feeding wheel locks into the rack on the rail.
- Turn the lock handles (C) back in towards the saw unit until the lock buttons (B) on the handles pop-up and the guide wheels are flush against the rail.



- If the saw unit is mounted on a vertically mounted rail, lock the upper lock handle. When the upper lock handle is locked, the saw's weight is relieved and it is easier to lock the lower handle. Make sure that there is no play between the saw and the guide wheels and the rail. If there is play, the guide wheels must be adjusted. Refer to *To adjust the guide wheels on page 43*.

## To assemble the blade

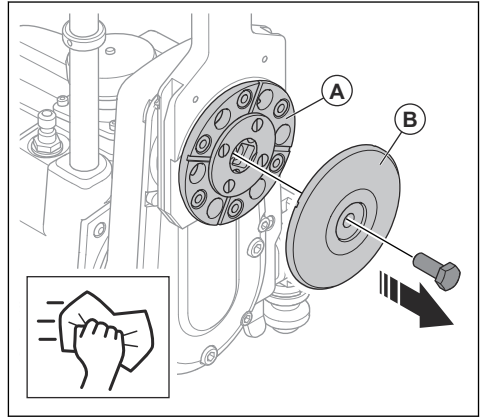


**WARNING:** Disconnect the product from the power supply before you start the assembly.

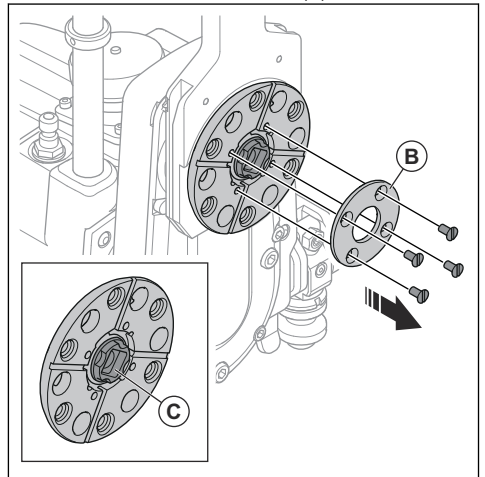
It is recommended that Husqvarna diamond blades are used together with the WS 8. Maximum starting blade is 600 mm, and maximum size for blades for deeper cuts is 900 mm. Talk to your Husqvarna agent for recommendations regarding blades for different materials.

- Loosen the blade bolt and remove the outer blade flange.

- Clean the clamping surfaces on the inner (A) and outer (B) blade flange. Make sure that they are free from grades.

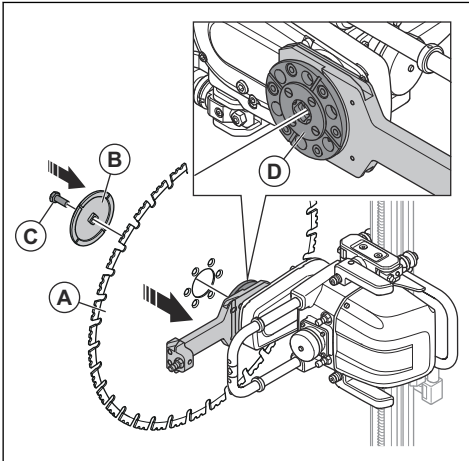


- Clean the clamping surfaces on the blade and make sure it is not damaged.
- The inner blade flange (B) has a factory mounted center spacer for 60 mm blade center holes. Remove the 60 mm/2.4 in. spacer if you use blades with 25.4 mm/1 in. center holes (C).

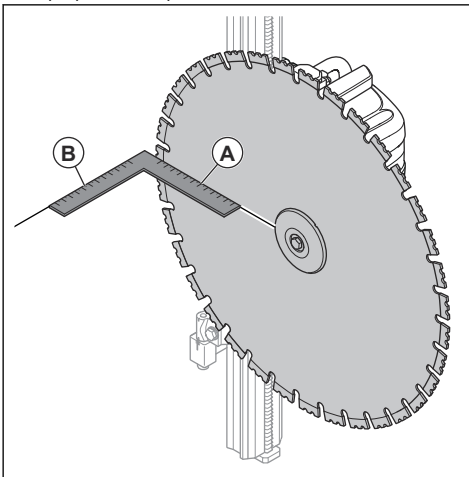


- Make sure to use the correct rotational direction with regard to the water spray. For vertical cutting you should direct the water spray down towards the floor.
- Mount the blade according to the rotation arrow on the blade. If the blade do not have a rotation arrow, inspect the diamonds in the segments and make sure that the exposed part of the diamonds lie in the blade's rotational direction.

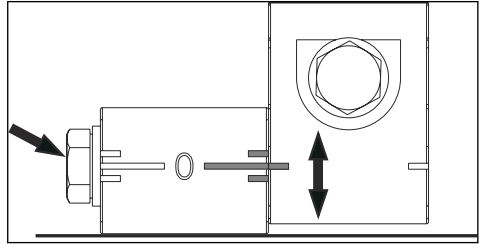
7. Guide the blade up on the center guide and place it against the inner blade flange. Hold the blade in place and then mount the outer blade flange with the blade bolt and tighten to 45 nm.



8. Use a large set square and make sure that the angle between the blade (A) and the wall (B) is perpendicular. If the blade is not perpendicular to the wall, loosen the locking screw for angle adjustment and angle the mounting brackets until the blade is in a perpendicular position.



9. Angle both mounting bracket halves in relation to each other.



**WARNING:** Make sure that the blade is correctly attached before you start the product.

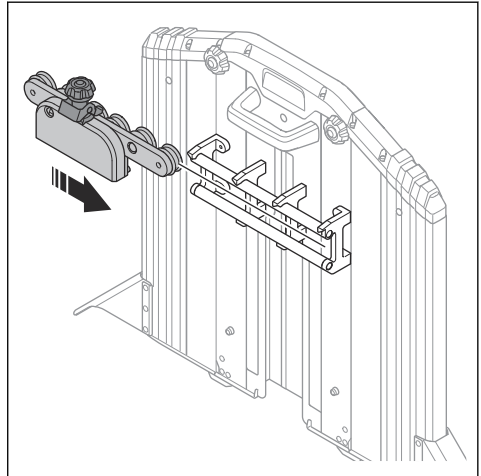
### To assemble the blade guard



**WARNING:** Disconnect the product from the power supply before you start the assembly.

The blade guard consists of three sections.

- One center section which is mounted on the saw unit
  - Two outer sections which are mounted on the center section. The outer sections are equilateral and may be fitted on either side of the center section.
1. Push the blade guard guide between the pipes on the blade guard.
  2. Make sure that the guide rollers on the blade guard guide roll easily between the pipes.



3. If the blade guard guide has play between the pipes, the guide rollers must be adjusted. Refer to *To adjust the blade guard guide on page 43.*

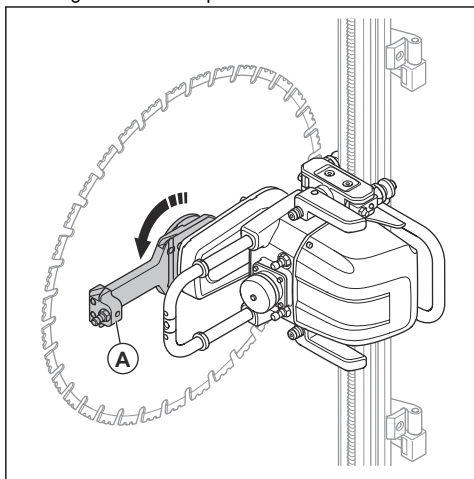
## To attach the blade guard to the wall saw



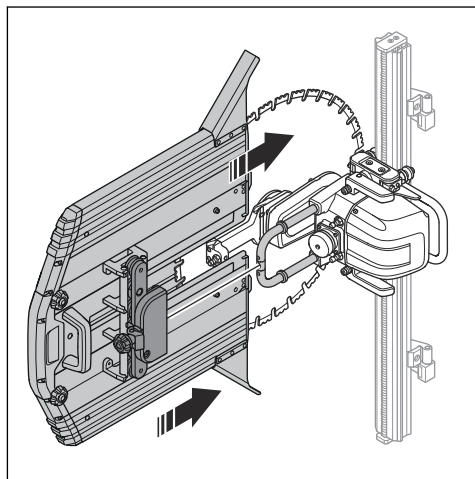
**WARNING:** Disconnect the product from the power supply before you start the assembly.

Make sure that the blade guard is undamaged and that the blade guard guide is mounted and centered on the blade guard. To make it easier to mount the blade guard, remove the outer sections from the middle section.

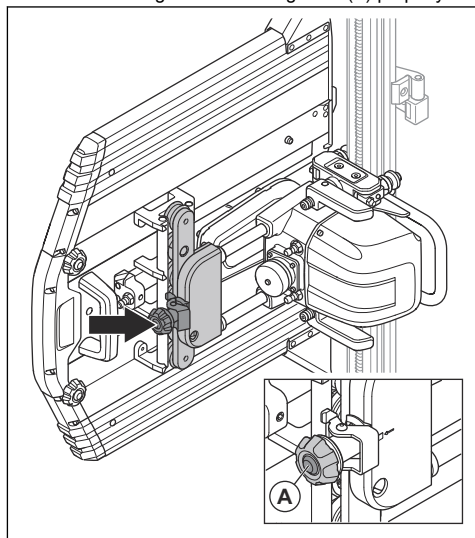
1. Turn up the guide flange (A) for the blade guard on the saw unit. This makes the water connection point straight out from the pivot arm.



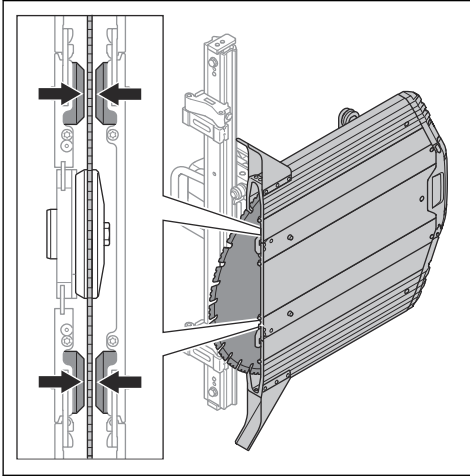
2. Aim the blade guard runners on to the guide tracks towards the guide flange. Push the blade guard over the blade.



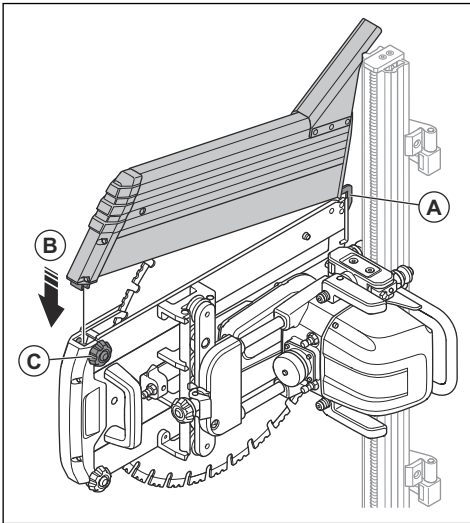
3. Fit the blade guard bracket onto the saw unit attachment. Tighten the locking knob (A) properly.



4. Make sure that the blade is centered in the blade guard and that the blade is free.

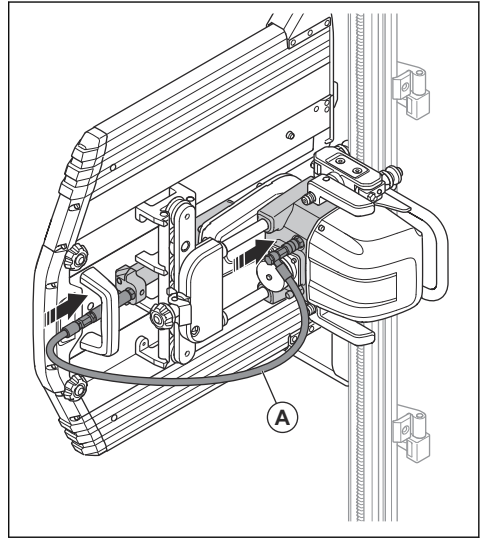


5. Re-attach the outer sections if you have removed them during assembly.



- Hook the fork (A) in the lower edge of the middle section.
- Fold the outer section (B) towards the middle section.
- Lock with the locking knobs (C).

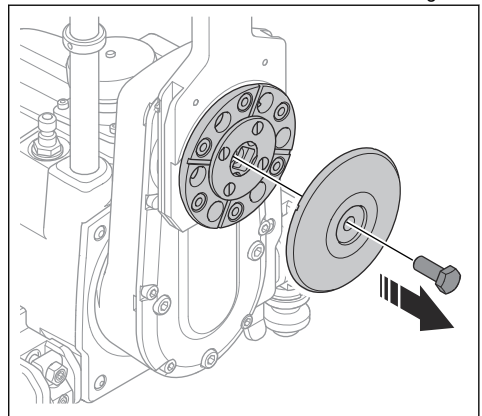
6. Connect the water hose (A) from the outgoing water supply connection on the saw body to the water connection on the guide flange.



### To assemble the blade for flush cutting

In order to cut flush against a perpendicular surface, it is possible to attach the blade with six recessed screws directly to the inner blade flange. This must be done before the saw is mounted on the rail, and is best done when the saw is mounted on the transport trolley. Adjust the mounting brackets' distance to the cutting line to approximately 85-90 mm/ 3.34-3.54 in. from the cutting line during assembly for flush cutting. A special flush cutting blade guard should be used for flush cutting.

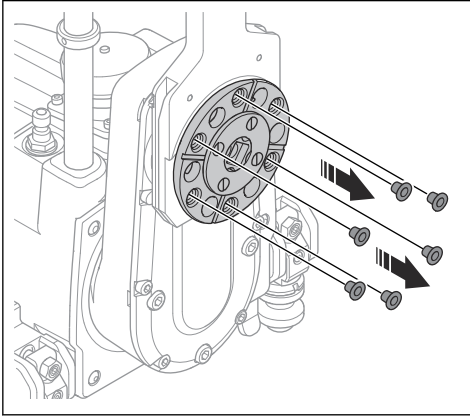
1. Remove the blade bolt and the outer blade flange.



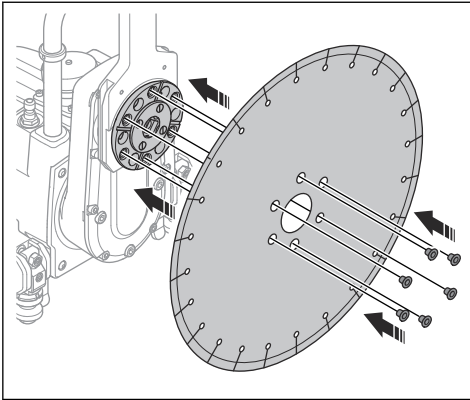
2. Clean the clamping surface on the inner blade flange and make sure that it is free from grades.



3. Remove the six plugs that protect the screw threads from dirt.



4. Center the blade on the guide shoulder and press onto the inner flange.
5. Attach the six flush cutting screws (countersunk) and tighten crosswise to 30 Nm. The blade pattern of flush cutting is  $\text{Ø}85 \text{ mm}/3.34 \text{ in.}$



6. Assemble the saw with the blade on the rail. Adjust the position and angle of the rail according to the blade's contact to the opposite surface.
7. Feed the saw along the entire length of the planned cut before you start to cut to make sure that the blade's distance and angle is correct and to make sure there are no uneven parts on the opposing surface
8. Mount the flush cutting guard and make sure that the blade moves freely in the guard.
9. Connect the water hose from the outgoing water supply connection on the saw body to the water connection on the guide flange.

## To connect the power pack to a power source

1. Put the power pack on a stable and dry surface at the workplace.
2. Connect the power pack to a grounded outlet with continuous voltage. Refer to *Technical data on page 54*. Make sure that the mains voltage agree with the rating plate on the power pack.
3. If the power source is 1-phase, use an adapter. Refer to *Accessories on page 60*.

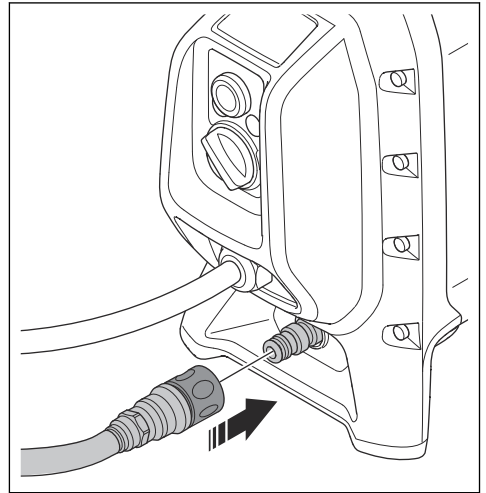
## To connect the water supply to the power pack



**CAUTION:** Use only clean water to prevent that dirt causes a blockage in the water system.

**Note:** The water coolant does not stop during a power failure.

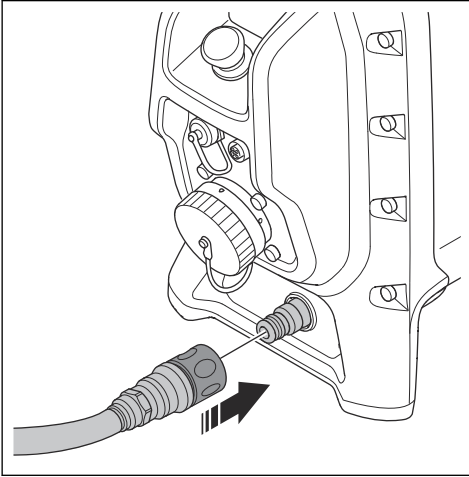
1. Connect the water hose to the water connector inlet on the product.



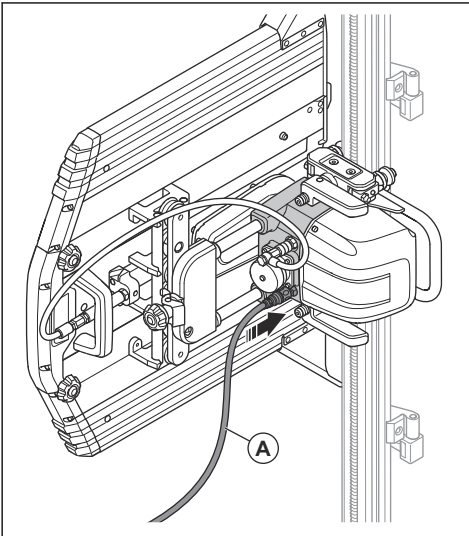
## To connect the power pack to the wall saw

1. Connect the water supply between the power pack and the wall saw.

- a) Connect the water hose to the water connector outlet on the power pack.



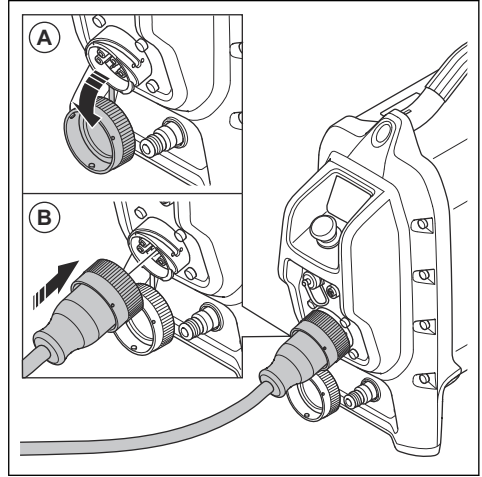
- b) Connect the water hose (A) from the power pack to the inbound water supply connection on the wall saw.



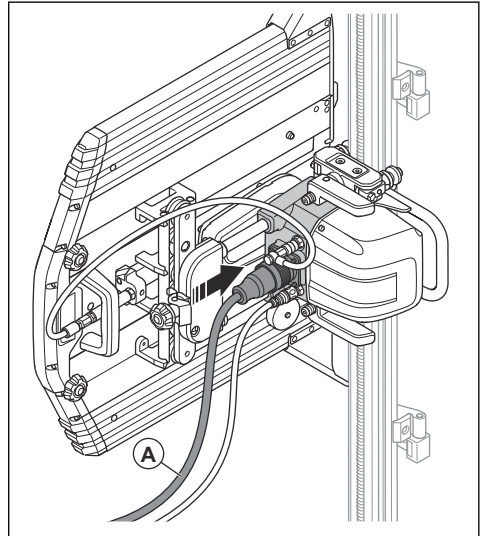
- c) Adjust the flow of water coolant to the wall saw with the water control valve. Refer to *Technical data on page 54* for water pressure.

2. Connect the power between the power pack and the wall saw.

- a) Remove the cover (A) on the tool connection outlet.



- b) Connect the power cable to the outlet for tool connection (B). If it is necessary, use an adapter.  
c) Connect the power cable (A) from the power pack to the saw unit. Attach the cover lids to each other to prevent dirt from getting into the lids.



## To disassemble the product

If the product has a transport trolley, put all disassembled parts on the transport trolley.

1. Disconnect the power pack power cord from the wall socket.

2. Disconnect the power cord between the saw unit and the power pack. Assemble the lids on the plug connectors.
3. Disconnect the water hoses from the saw unit.
4. Disassemble the blade guard.
5. Remove the blade guard guide.
6. Disassemble the blade. Disassemble the outer blade flange, the blade and the blade bolt.
7. Push down the lock buttons and fold out the lock handles to release the saw unit from the track.
8. Release the carriage bolts of the clamp washer on the mounting brackets and lift the track off the supports. Release 1 of the eccentric bolts in the middle of the track to disconnect the tracks. Remove the tracks.
9. Disassemble the mounting brackets.

## Operation

### Introduction



**WARNING:** Before you operate the product, you must read and understand the safety chapter.

- If you are going to use the wall saw WS 8, read the Operation section in this manual.
- If you are going to use another power tool that is compatible with the power pack PP 8, read the Operation section in this manual only regarding the power pack PP 8. For other questions, read the other power tool's manual.

### Before you operate the product

1. Read the operator's manual carefully and make sure that you understand the instructions.
2. Do daily maintenance. Refer to *Maintenance schedule on page 41*.
3. Make sure that only approved persons are in the work area, because there is a risk of serious injury.
4. Use personal protective equipment. Refer to *Personal protective equipment on page 14*.

### To use embedded connectivity

**Note:** Radio transmission by Bluetooth® will be enabled on the first time of connection to the mains socket, and stay on after that.

1. Make sure that emergency stop button is engaged before you connect the product to Husqvarna Fleet Services.
2. Download the iOS or Android app Husqvarna Fleet Services.
3. Go to <https://fleetservices.husqvarna.com> for more information.

### To do a check of the work area before operation

1. Examine the work area to make sure that safe operation is possible. Look out for persons, objects and situations that can prevent safe operation of the product. Keep a safety distance of minimum 4 m.

2. Make sure that there are no electric cables, gas or water pipes in the work area.
3. Make sure that the cut out piece can be removed. Divide it into smaller sections to make it easier to remove.
4. Keep the work area clean and bright.
5. Make sure that the work area has electric and water supply. Make sure that waste water can be removed.

### To do a function check before operation

1. Do a check of the safety devices on the product. Refer to *Safety devices on the product on page 14*.
2. Make sure that the blade and the blade guard are not damaged. Replace the blade or the blade guard if there are cracks or other damage.
3. Make sure that the product is correctly assembled and that the mounting brackets, tracks, blade bolt and lock wheels are tightened. Make sure that the end stops are attached on the ends of the track.
4. Make sure that there is no play between the guide wheels and the track. Refer to *To adjust the guide wheels on page 43*.
5. The blade guard must always be assembled when the product is in operation. If the blade guard touches the ceiling, 1 of the end pieces of the blade guard can be temporarily disassembled.
6. Move the product to the start position before you start the motor.

### To operate the wall saw

**Note:** If the product runs on single phase operation the power output is decreased. The cutting depth must then be decreased to maintain a good sawing performance.

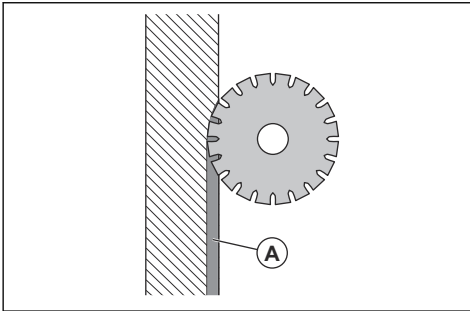
**Note:** It is time efficient to make several shallower cuts than to make fewer deeper cuts. Shallow cuts put higher pressure on the blade segments, which helps to keep the blade sharp.



**WARNING:** You must always mount the blade guard to the saw when you operate the saw. If the blade guard

catches the ceiling, for example during over cutting of a doorway, you can temporarily disassemble one of the gables of the blade guard.

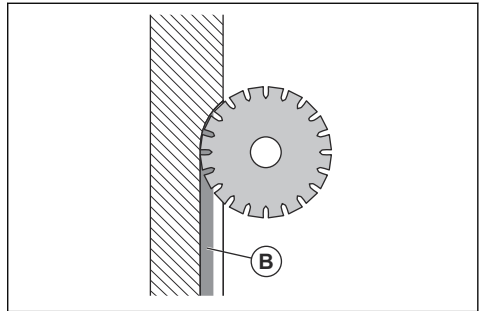
1. Start the product. Refer to *To start the product on page 31.*
2. Control the product with the remote control. Refer to *To operate the remote control on page 35.*
3. Choose the blade's rotational direction. The water spray can be directed as you want regardless of which way the saw is turned on the rail.
4. Make sure to use the right amount of cooler water for the system and the blade. The cooler water cools first the electronics in the power pack, then the main motor and then the sawing blade. It also binds the dust generated through sawing. The water flow may be adjusted on a valve attached to the water hose or at the tap source.
5. Begin to cut a guide cut (A) to a depth of 2-4 cm (0.8-1.6 in.). Use a low feed speed to ensure a straight cut.



**CAUTION:** Do not use full power for the guide cut.

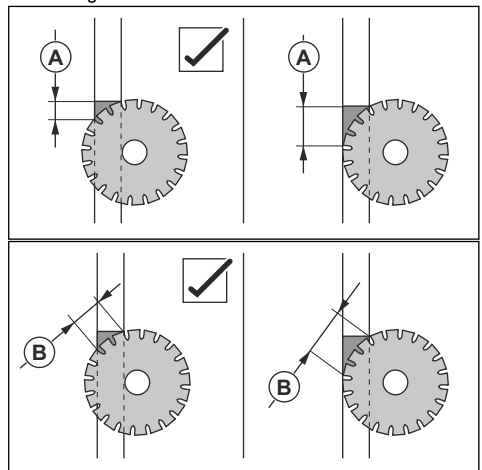
**Note:** The material and available fuses have an effect on the cutting depth. If it is possible, do not cut into iron. Do the guide cut with the arm in trailing position.

6. Subsequent cuts (B) should be approximately 4-7 cm (1.6-2.8 in.). The depth depends on the hardness of the material, the amount of reinforcement and the placement of reinforcement. Put the saw near a mounting bracket and push the blade into the material.

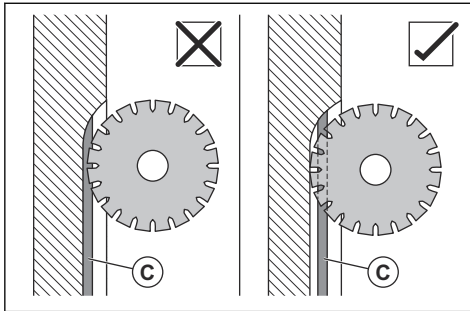


**Note:** You can change the blade and operate the product in the same cut. Make sure that the thickness of the new blade aligns with the groove width.

7. Use the maximum cutting depth of the blade if the wall is thinner than the maximum depth of the blade. The cutting surface is decreased and the pressure of the blade segments is increased. Also do this when over cutting can not be done, because the uncut distance (wedge) (B) remaining after sawing becomes smaller. (A) = Overcutting distance, (B) = Cutting surface.



- When you cut the rebar (C) longitudinally, you must cut the rebar according to the illustration in order to create a smaller cutting surface and to keep the blade sharp. You can also start to cut from the other end of the cut since it is not certain that the rebar follows the cut the whole way.



**Note:** A lower rotation speed of the blade decreases the risk of polished blade in hard materials.

- Use maximum longitudinal feeding speed for optimal sawing performance. The software in the power pack continually and automatically regulates the feeding for optimal sawing performance.
- When over cutting is not allowed, you should use a hand cutter after a completed wall cutting, and from the rear of the concrete block cut out the uncut distance (wedge). Use the PRIME power cutters, connected to the lower outlet on PP 8. The transport trolley also has a designated place for a hand cutter.
- Remove the blade from the sawing groove after each cut.
- After you have finished to wall saw, feed the blade fully out of the sawing groove and shut down the blade rotation and water flow.



**CAUTION:** Do not let the blade rotate without pressure on the blade segments for an extended period. This will make the blade dull.

- Stop the power pack and the water flow.

### To cut blocks

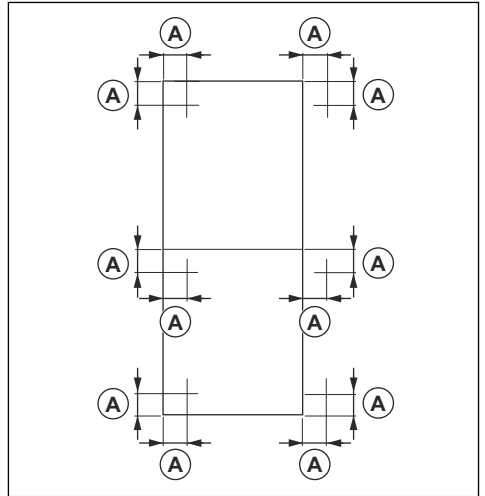


**WARNING:** Concrete blocks are very heavy and can cause serious injury if not handled properly. Make sure that the block is secured safely before the operation begins.

The cutting arm can be angled in the positions below.

- Examine the dimensions of the block and make sure that you have the correct equipment to safely lift and remove the block.

- Divide a large block into smaller parts if it is necessary.
- Put the holes for the mounting brackets at a distance of approximately 150 mm / 5.9 in. (A) from the cut.



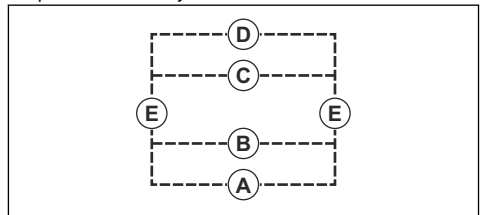
**WARNING:** Do not attach the mounting brackets to a part of the block that is to become loose at the next cutting operation.

**Note:** When you place the holes according to the illustration it is possible to use the same holes for both horizontal and a vertical cuts.

**Note:** You can mount the saw on both sides of the track so that two cuts can be made with the same mounting bracket setup.

**Note:** The holes should be drilled for the M10 expansion bolts according to the bolt manufacturer's recommendations.

- Cut the block in a sequence according to the illustration. The illustration shows the work procedure when you divide a block into 3 sections.



- Do the horizontal cuts first. Start from the bottom: (A), (B), (C), (D).

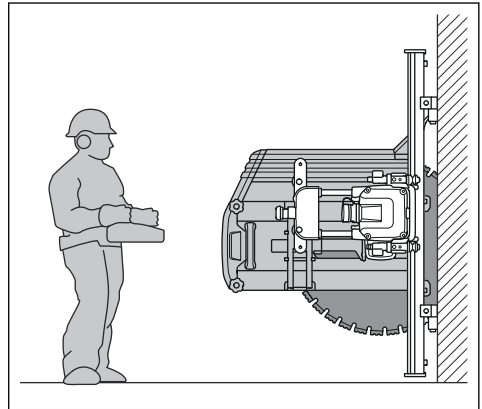
**Note:** Secure each section with wedges or anchors to make sure that the sections do not fall or jam the blade.

- b) Do the 2 vertical cuts (E).



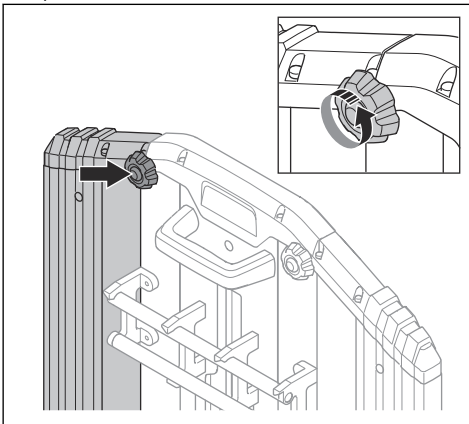
**WARNING:** Before you make the last cut, make sure that the block part that remains and to which the track is attached, is stable. Use wedges to secure the smaller block parts.

3. Do near floor operation. Refer to *To start the product on page 31* and to *To operate the wall saw on page 27*.



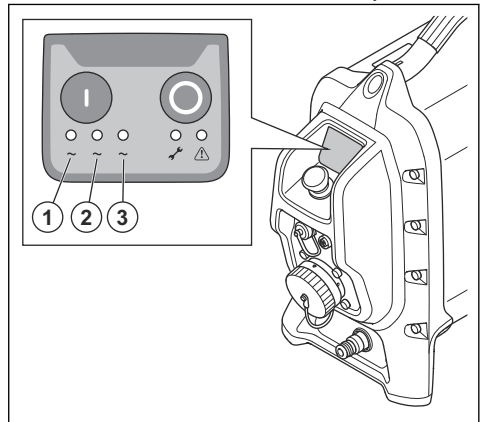
### To prepare the product for near floor operation

1. Loosen only the attachment that is necessary for the operation.

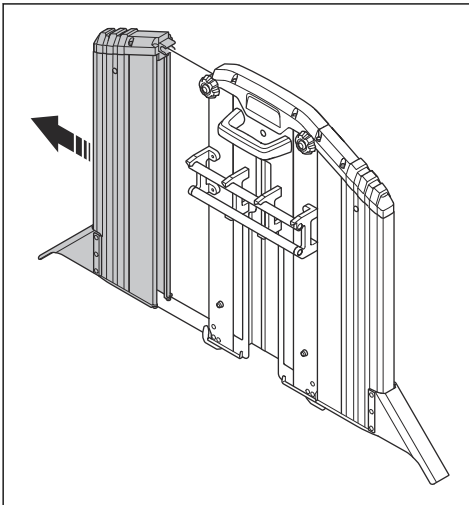


### To do a check of the power pack indication LEDs

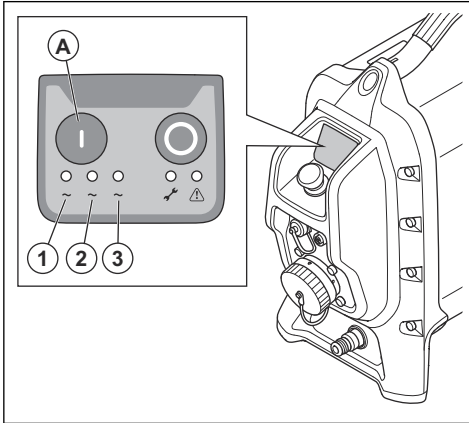
1. Make sure that the LED (2) flashes when you have connected the power pack to a power source. This means that the Power Pack is in stand-by mode.



2. Remove the blade guard part.

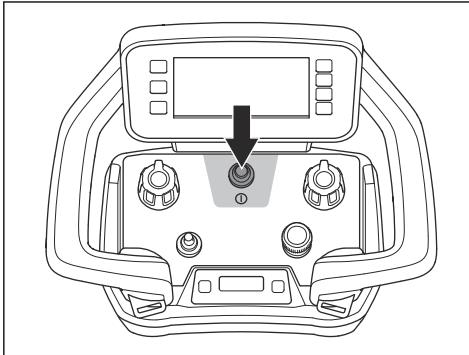


2. Push the ON button on the power pack. There is a fixed green light on the LEDs (1, 2, 3).

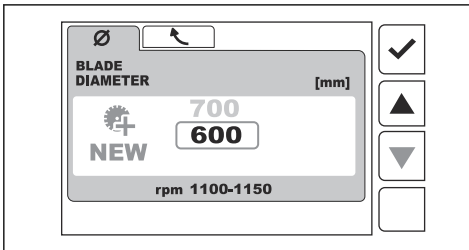


### To start the product

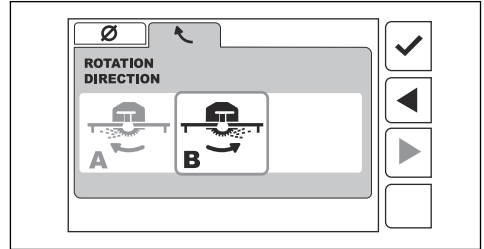
1. Start the power pack. Refer to *To start the power pack on page 31*.
2. Start the remote control. Push the ON/OFF button on the remote control, information is shown on the display. Refer to the operator's manual for the connected wall saw for more information.



3. Select which blade to use. Confirm with the right button.



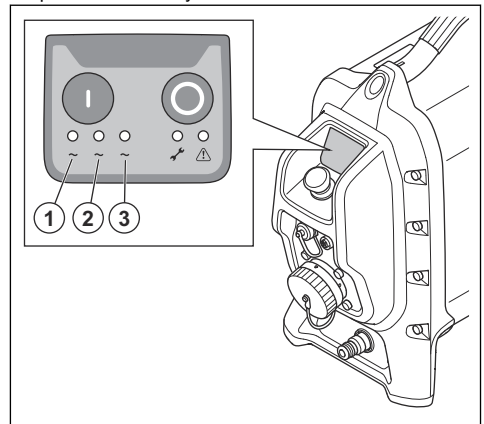
4. Decide in which direction the blade should move. Choose A or B. Confirm with the right button.



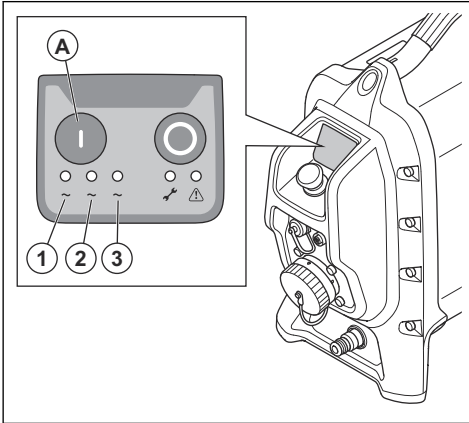
5. Start the blade rotation on the wall saw. Refer to *To start the blade rotation on page 32*.

### To start the power pack

1. Connect the water supply to the power pack. Refer to *To connect the water supply to the power pack on page 25*.
2. Connect the power pack to a power source. Refer to *To connect the power pack to a power source on page 25*.
3. The LED (2) flashes which means that the power pack is in stand-by mode.

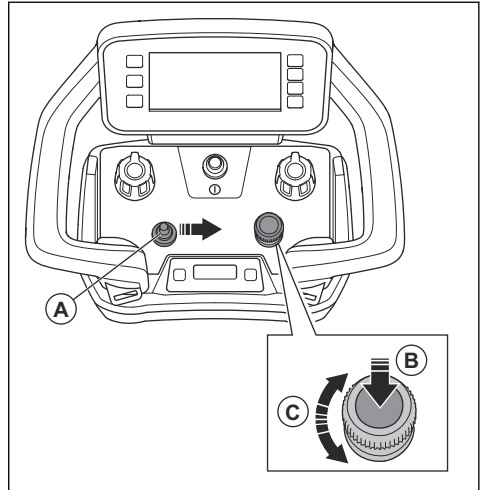


4. Push the ON button (A) on the power pack. There is a fixed green light on the LEDs (1, 2, 3).



#### To start the blade rotation

1. Use your left hand to push the start/stop switch (A) to the right and hold it.



2. Use your right hand to push down the knob for blade speed adjustment (B).
3. When the saw blade starts to operate, let go of the start/stop switch and the knob.
4. Turn the blade speed adjustment knob (C) to adjust the speed of the blade.

#### To stop the product

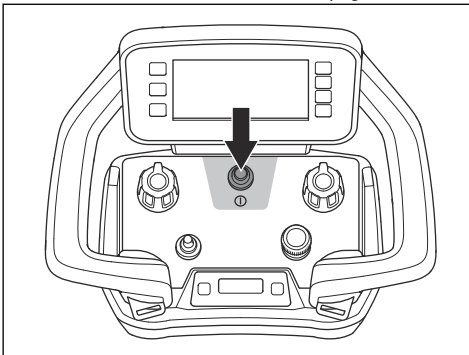


**WARNING:** Always close the water supply to the product when it is not connected to the power supply.

1. Feed the blade out of the wall while it rotates. Feed the saw arm to its top position.
2. Push the start/stop switch to the left to turn off the blade rotation. The blade rotation can also be stopped by turning the adjustment knob counterclockwise.
3. Turn off the water flow.
4. Make sure that the cut blocks are secured with wedges to make sure that they do not fall out during disassembly.
5. Move the saw to a suitable work position for disassembly.
6. Push the ON/OFF button on the remote control to stop the wall saw.

#### To start the remote control

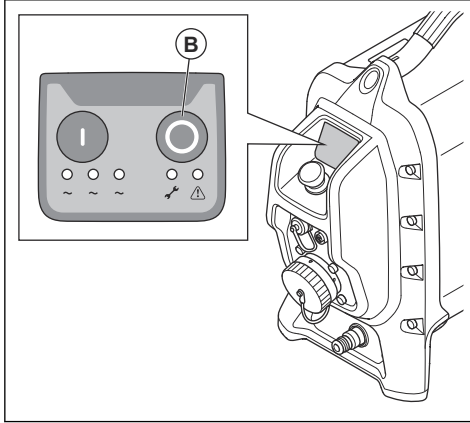
1. Push the ON/OFF button to start the remote control. The display shows the home view for when the motor is off. Refer to *Home view on page 37*.





## To stop the power pack and the power tool

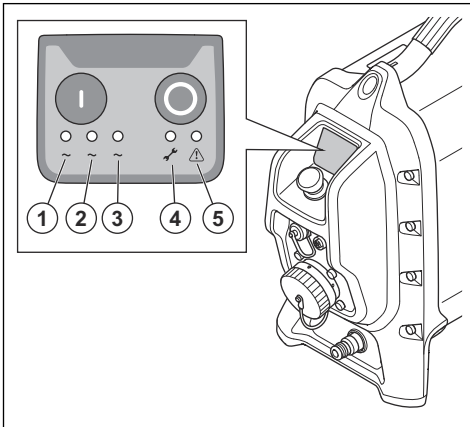
1. Push the stop button (B) on the power pack.



2. Close the water supply to the power pack.

## Status indication lamps

When the product is connected, the lamps 1-5 comes on for some seconds.



1. Phase lamp (green)
2. Phase lamp (green)
3. Phase lamp (green)
4. Service indicator (yellow)
5. Warning indicator (red)

For more information about the status indication lamps, refer to *Explanation of the power pack status indication lamps on page 44.*

## Warning indicator



**CAUTION:** Do not continue to operate the product when the warning indicator is on. Risk of damage to the product.

If the warning indicator (red lamp) comes on, stop the product. Refer to *To stop the product on page 32.*

## Radio communication system



**CAUTION:** Clarify if the circumstances regarding the operation require connection with the CAN bus cable. Refer to *To operate the product with the remote control connected with a CAN bus cable on page 35.*

Before you can operate the connected power tool, you must do a pairing operation between the remote control and the product. It is also necessary to do the pairing operation when the product is connected to the remote control with CAN bus cable.

The remote control can only control the connected product.

If the supplied remote control is replaced, you must do a pairing operation between the remote control and the product again.

If it is necessary to interchange the remote controls between 2 power pack units, you must do a pairing operation between the interchanged remote control and the product.

## To do a pairing operation between the remote control and the power pack

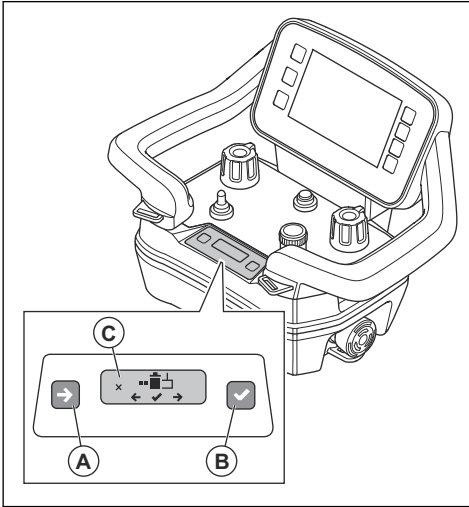


**CAUTION:** Clarify if the circumstances regarding the operation require connection with the CAN bus cable. Refer to *To operate the product with the remote control connected with a CAN bus cable on page 35.*

**Note:** The pairing operation can also be done when CAN bus cable is connected to the power pack.

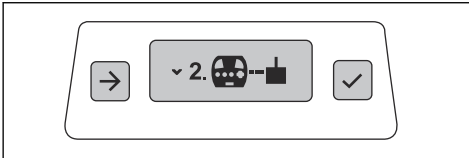
1. Make sure that a charged battery is installed in the remote control.
2. Start the power pack. Refer to *To start the power pack on page 31.*
3. Start the remote control. Refer to *To operate the remote control on page 35.*

4. In the Information center display, push shortly (A) and (B) at the same time.

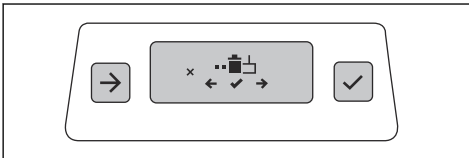


**Note:** The Information center display changes mode if (A) and (B) are pushed at the same time.

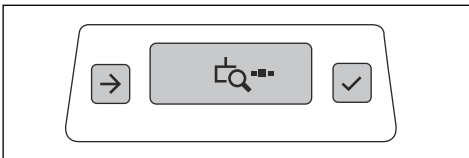
5. Push shortly (A) to see choice "2".



6. Push shortly (B) to chose "2". The symbol (C) shows in the Information center display.

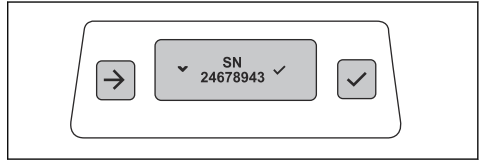


7. Push and hold (A) and (B) at the same time for 3 seconds.

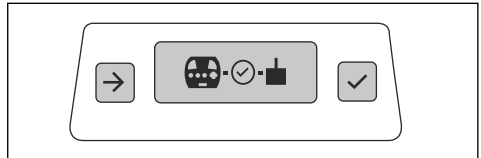


8. Turn on the power pack.  
9. Push and hold the on button on the power pack for at least 3 s.

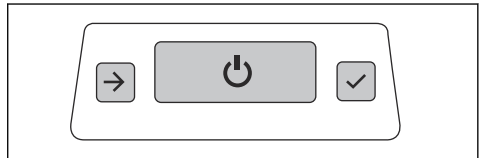
10. When the receiver serial number is visible in the Information center display on the remote control, push (B).



The pairing confirmation symbol will be visible for 2 seconds.



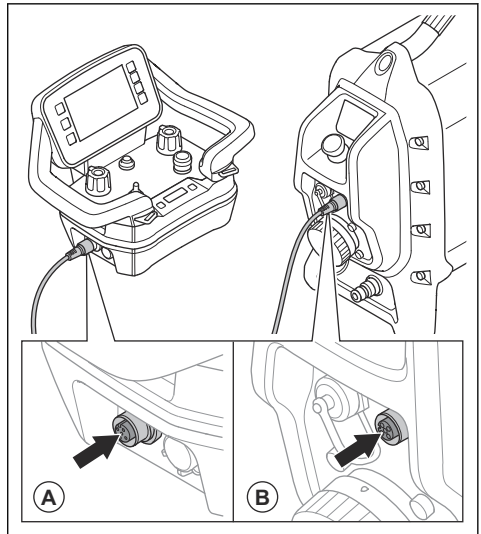
11. When the On/Off symbol is visible in the Information center display, restart the remote control with the On/Off button.



12. Restart the power pack. Refer to *To start the power pack on page 31*.

**To connect the remote control to the power pack with a CAN bus cable**

1. Put one end of the CAN bus cable in the connector (A) on the remote control.



- Put the other end of the CAN bus cable in the connector (B) on the power pack.
- Tighten the connector screws for the CAN bus cable by hand.

### To operate the product with the remote control connected with a CAN bus cable

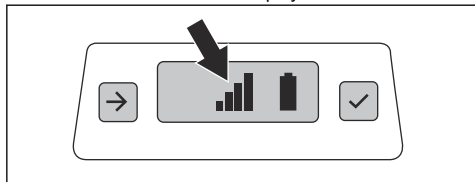
In certain circumstances it is mandatory to connect a CAN bus cable to operate the product. For more information, contact your Husqvarna service center.

The radio signal transmission stops when the remote control is connected with the CAN bus cable.

- Connect the CAN bus cable between the remote control and the product. Refer to *To connect the remote control to the power pack with a CAN bus cable on page 34*.

### To control if the pairing is active

- Start the remote control. Refer to *To operate the remote control on page 35*.
- Start the power pack. Refer to *To start the power pack on page 31*.
- The pairing is still active if the connection strength is visible in the information display.



### Remote control

The product is operated with a remote control.

The remote control can operate by radio signal transmission. If there is an interference in the transmission, the frequency changes automatically. A pairing operation between the product and the remote control is done by the factory. A new pairing operation is necessary if the remote control is replaced or if you change remote controls between products. Refer to *To do a pairing operation between the remote control and the power pack on page 33*.

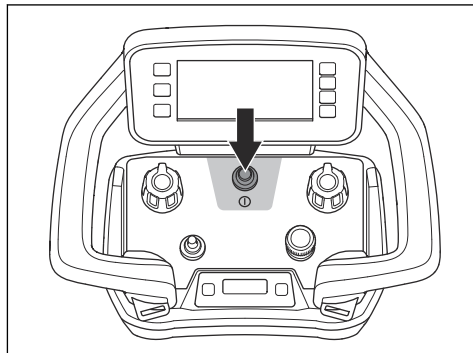
The remote control can also operate with a CAN bus cable connected between the remote control and the product. The CAN bus cable that comes with the product is 10 m. The maximum length for the CAN bus cable is 30 m. The CAN bus cable can for example be used when the state of charge in the remote control battery is low or when no remote control battery is installed. For instructions on how to connect the remote control to the product with a cable, refer to *To connect the remote control to the power pack with a CAN bus cable on page 34*.

The remote control has all controls that are necessary to operate the product. The remote control has a digital display with a menu system. Refer to *Menu system on page 37*.

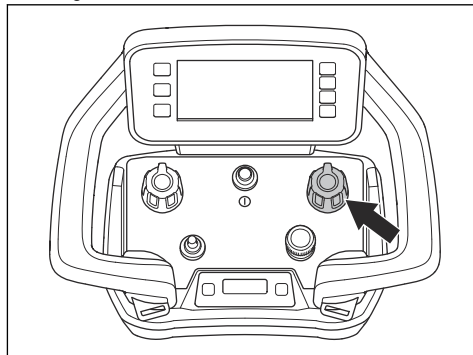
### To operate the remote control

The product is controlled with the remote control. The remote control is connected to the power pack through radio transmission or through the CAN cable.

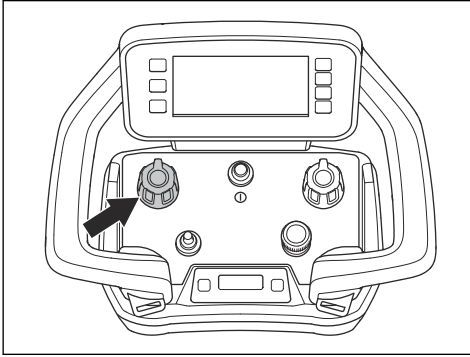
- Push the ON/OFF button to start and stop the remote control.



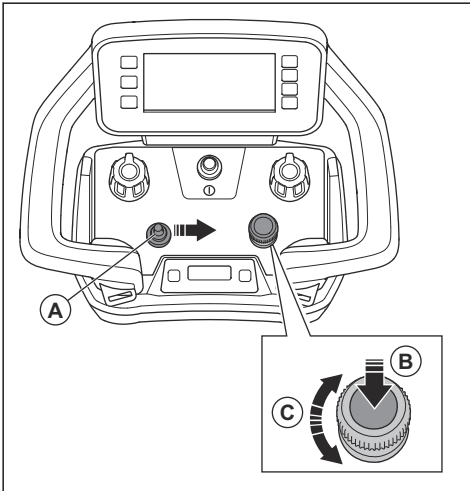
- Turn the knob to move the wall saw longitudinally along the track.



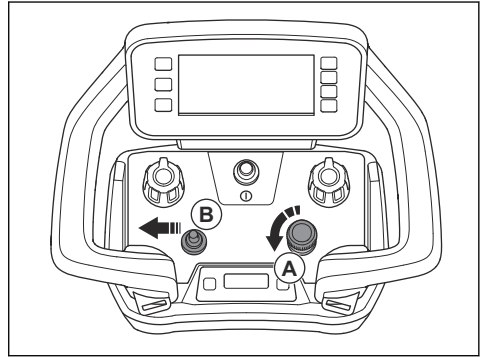
- Turn the knob to move the pivot arm to adjust the cutting depth.



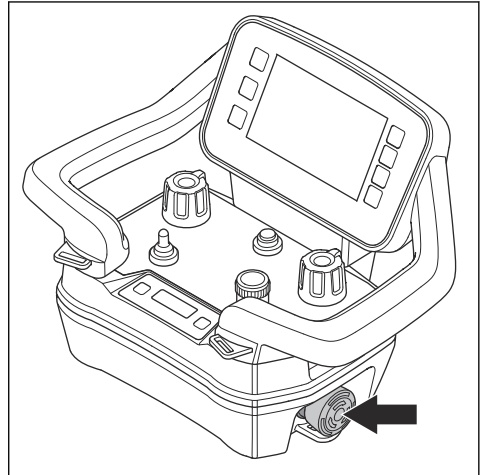
- To start the blade: Push and hold the start/stop switch (A) for the blade and then push the knob for blade speed adjustment (B). Release the knob and the start/stop switch. Turn the knob for blade speed adjustment (C) to adjust the speed of the blade. Refer to *To start the blade rotation on page 32*.



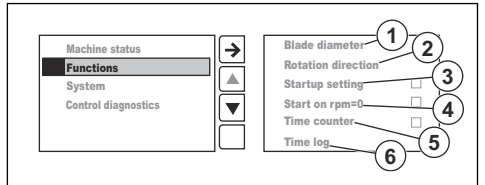
- To stop the blade: Turn blade speed adjustment knob (A) counterclockwise or push the start/stop switch (B) to the left.



- If an emergency occurs, stop the product with the machine stop button.



### Functions menu



1. "Blade diameter" sets the diameter of the blade.
2. "Rotation direction" sets the direction of the the blad, clockwise or counterclockwise.
3. "Startup setting" when this function is on, you must set the blade diameter and the blade direction of rotation before you can start the blade.
4. "Start on rpm 0" when this function is on, the blade starts from 0 rpm. If this function is not on, the blade

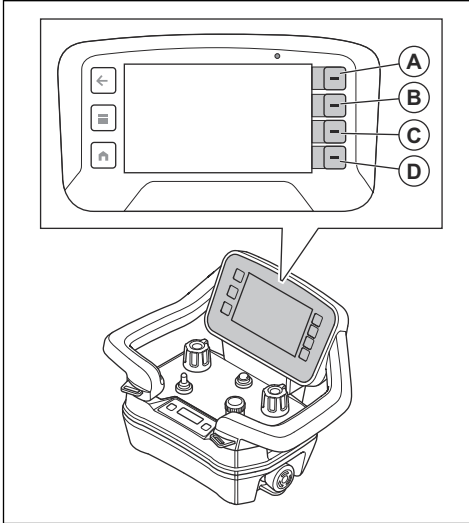
increases automatically up to the recommended speed of the selected blade diameter.

- "Time counter" when this function is on, a timer starts when the blade speed is at 25 rpm or more and the cutting arm is operated forward.
- "Time log" shows the 4 last time counters.

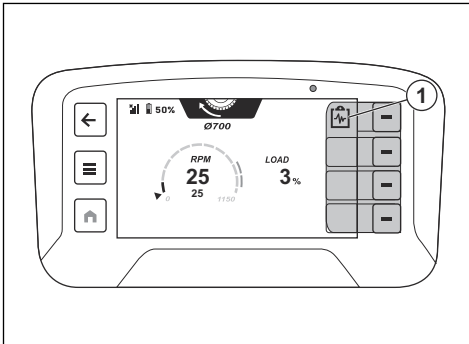
### Home view

The display has 2 home views. There is 1 home view for when the motor is off. See Motor off below. The other home view is for when the motor is on. See Motor on below.

The symbols (A, B, C, D) in the quick action bar changes if the motor is off or on.

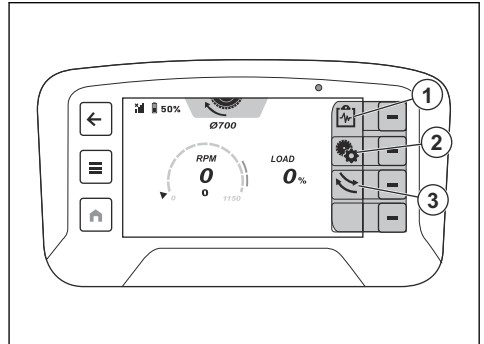


### Motor on



Position	Description
1	Quick action to select the machine status.

### Motor off

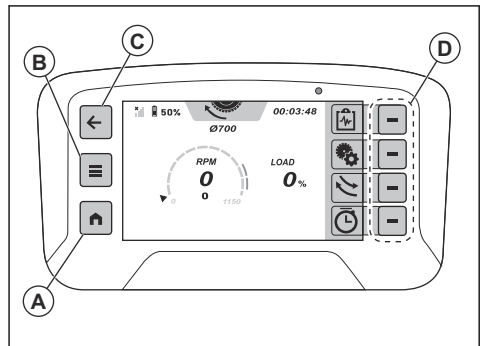


Position	Description
1	Quick action to select the machine status.
2	Quick action to change the blade diameter and direction of rotation.
3	Quick action to set the direction of rotation for the blade.

### Menu system

The home button (A) takes you to the home view. The menu button (B) on the remote control opens the menu system. The go back button (C) lets you go back in the menu structure.

The functions in the quick action bar changes if a new selection is done on the display. Use the buttons (D) adjacent to the quick action bar to select the new functions.



## Menu overview

Machine status	View status		
	Active faults	Fault log	
	Operating time		
Functions	Blade diameter		
	Rotation direction		
	Startup setting □		
	Start on rpm=0 □		
	Time counter □		
	Time log		
System	Remote settings	Brightness	Automatic
			Manual
		Language	
		Units	Metric
		Imperial	
		Reset	
	Revisions	Power pack	
		Remote control	
		Tool	
Third party licences			
Control diagnostics			

### Machine status menu

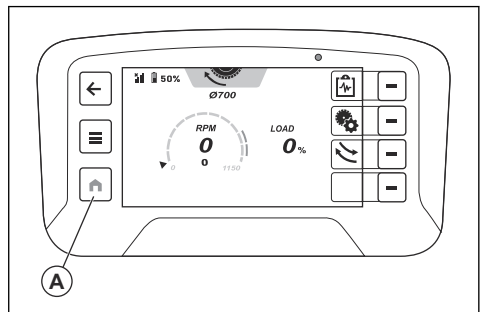
- "View status" shows an overview of the temperatures and voltages.
- "Active faults" is a list of faults that the product finds. The list shows all active messages. The newest message is at the top of the list. Refer to *Error messages on page 45*.
- "Operating time" shows the total operation time of the power pack and for the wall saw.

### System menu

#### "Remote settings"

- "Brightness" sets the brightness of the display.
- "Language" sets the text language on the display. The factory setting for language is English.

**Note:** To go back to factory setting for language, brightness and units, push and hold the home button (A) for 10 seconds.



- "Units" sets the units for pressure, temperature and the unit of length in the display.
- "Reset" sets the factory settings, english language, maximum brightness and metric units.

#### "Revisions"

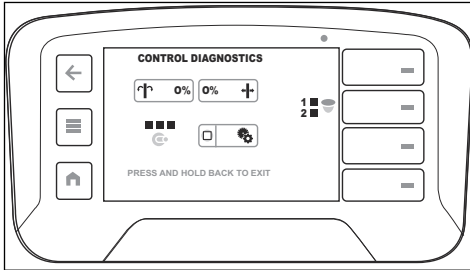
Shows the software revisions of the power pack, tool (WS 8) and remote control.

## "Third party licences"

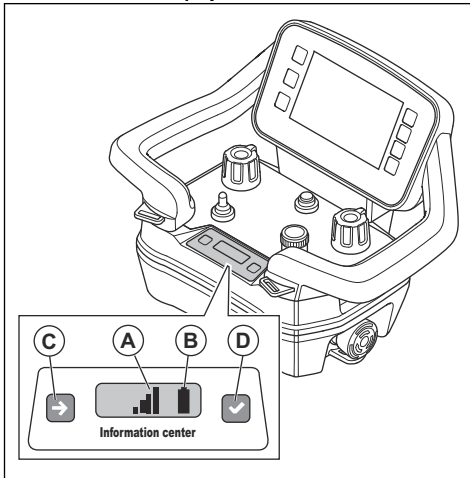
Shows the open source licences for the operating system and the app licences in the remote control.

## Control diagnostics

In "Control diagnostics" you can do function tests of the controls on the remote control. Each control is shown in the display. The control indicators in the display changes from white to orange when you do the function tests. Operate a control on the remote control to its maximum. The control operates correctly when the control indicator shows 0% in the middle and -100% resp. 100% at the end positions.



## Information center display



The information center display on the remote control shows the information that follows about the remote control:

- If the remote control is on or off.
- Error codes. Refer to *Remote control HMI display error codes on page 48*.
- Pairing operation between the remote control and the product. Refer to *To do a pairing operation between the remote control and the power pack on page 33*.

- The radio signal strength (A) between the remote control and the product. The same symbols are also shown in the top bar on the display. Refer to *Symbols in the top bar on the display on page 8*

Radio signal	Symbol
There are 4 levels of radio signal strength.	
Radio signal is in standby mode. The remote control does not operate correctly.	
No radio signal.	

- Battery status (B). The same symbols are also shown in the top bar on the display. Refer to *Remote control battery on page 39*.

State of charge	Symbol
There are 5 levels of charge for the battery.	
Battery fault.	
Cable connection between the remote control and the product.	

There are 2 buttons for the information center display. The left side button (C) moves to the next symbol in the display. The right button (D) makes the selection.

## Remote control battery



**WARNING:** Before you use the remote control battery and the charger, you must read and understand *General safety instructions on page 10* and *Battery safety on page 11*.

**Note:** It is necessary to charge the battery before you use the remote control for the first time.

**Note:** If the battery does not operate for 5 days it goes into shipping mode. When the batteries are in shipping mode, you must connect them to the charger to exit the shipping mode.

**Note:** Put the battery in the charger for approximately 15 seconds to start the battery if it is in sleep mode.

The battery has a state of charge symbol on the display and the information center display, refer to *Symbols in the top bar on the display on page 8* and *Information center display on page 39*. It is not possible to operate

the remote control if the state of charge of the remote control battery is too low.

The operation time for fully charged remote control battery is approximately 12 hours. Cold weather can decrease the operation time.

Charge the remote control battery each 6 months to keep the quality of the battery.

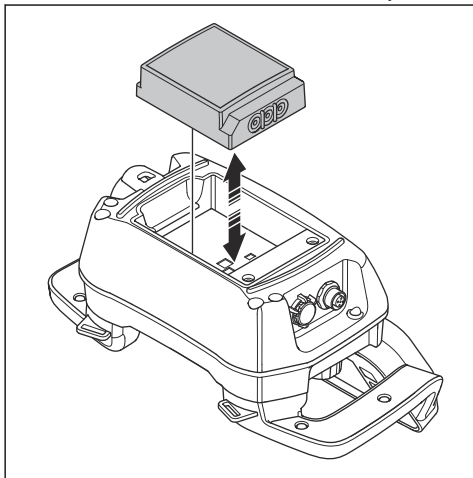
### Battery charger

The indicator for the battery status is 2 LEDs on the battery charger: Battery Power LED (red) and Battery Status LED (green).

Power LED	Status LED	Indication
Red light	OFF	The charger is ON. No battery in the charger.
Red light	Green light	The charger is ON. The battery is fully charged.
Red light	Green light flash	The charger is ON. The battery charges.
Red light flash	OFF	Error on the battery charger, or temperature out of the charging span.

### To remove and install the remote control battery in the remote control

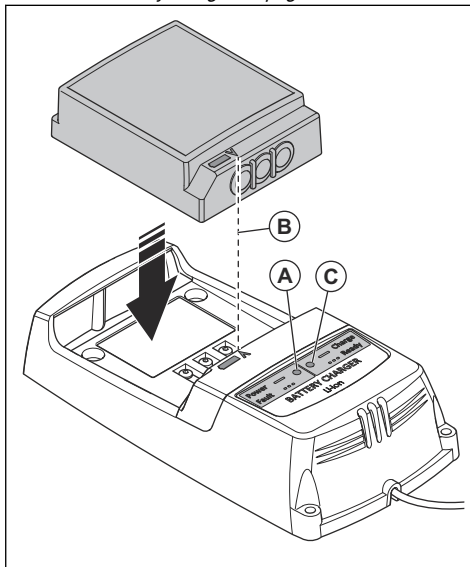
1. Turn the remote control to get access to the rear side where the battery is.
2. Remove or install the remote control battery.



### To charge the remote control battery with the battery charger

The charging time for an empty remote control battery is approximately 3 hours with the battery charger. When you charge the remote control battery, the temperature must be between 10°C/50°F and 45°C/113°F.

1. Remove the empty remote control battery from the remote control. Refer to *To remove and install the remote control battery in the remote control on page 40*.
2. Connect the correct socket plug to the battery charger. The charger comes with different socket plugs. Refer to *Remote control overview on page 7*.
3. Connect the battery charger to a power outlet. The power indicator (A) for the battery becomes red. Refer to *Battery charger on page 40*.



4. Connect the remote control battery to the battery charger. Make sure that the arrows (B) on the remote control battery and the battery charger align. The indicator (C) for the battery status on the battery charger flashes green when the remote control battery charges.
5. When the remote control battery is fully charged, the indicator becomes green. Remove the remote control battery from the battery charger.
6. Disconnect the battery charger from the power outlet.



# Maintenance

## Introduction



**WARNING:** Before you operate the product, you must read and understand the safety chapter.

- If you are going to use the wall saw WS 8, read:
  - Maintenance of PP 8, WS 8 and remote control
- If you are going to use another power tool that is compatible with the power pack PP 8, read the Maintenance section in this manual only regarding the power pack PP 8. For other questions, read the other power tool's manual.

## Maintenance schedule



**WARNING:** Disconnect the products from the power supply and wait minimum 5 minutes before you start the maintenance.



**WARNING:** Do not use a high pressure washer to clean the products. The high pressure can cause damage to the seals and cause water and dirt to come into the products.

General product maintenance	Daily	Weekly
<b>WS 8</b>		
Clean the wall saw and accessories. Refer to <i>To clean the power pack on page 42.</i>	X	
Clean the connectors on saw head and HF-cable.	X	
Make sure that all external couplings, connections and cables are not damaged.	X	
Make sure that the locking handles operates correctly. Make sure that the wheels are adjusted correctly. Refer to <i>To adjust the guide wheels on page 43.</i>	X	
Do a check of the flange hub for damage or wear.	X	
Do a check of the blade guard(s) for damage or wear.	X	
Make sure that the blade guard guide is adjusted correctly. Refer to <i>To adjust the blade guard guide on page 43.</i> Lubricate the locking mechanism.	X	
Do a check of the racks on the tracks for damage. Make sure that the screws that hold the racks are tightened.		X
Make sure that all guide wheels are rotating smooth without excessive play. If there is excessive play, Speak to an approved Husqvarna service center.		X
Listen for abnormal sounds from the feeding motors and the pivoting arm.		X
Connect all water connections, turn on the water and look for water leakage.		X
<b>PP 8</b>		
Clean the power pack and accessories. Refer to <i>To clean the power pack on page 42.</i>	X	
Do a overall check of the Power Pack for cracks or broken parts.	X	
Make sure that the machine stop button operates correctly. Refer to <i>To do a check of the power pack emergency stop button on page 14.</i>	X	
<b>Remote control</b>		
Clean the remote control and accessories. Refer to <i>To clean the remote control daily on page 43.</i>	X	
Do a overall check of the remote control for cracks or broken parts.	X	

General product maintenance	Daily	Weekly
Make sure that the machine stop button operates correctly. Refer to <i>To do a check of the remote control machine stop button on page 15.</i>	X	

## Maintenance of the PP 8



**WARNING:** Disconnect the power pack from the power supply and wait minimum 5 minutes before you start the maintenance



**CAUTION:** Do not use a high pressure washer to clean the power pack. The high pressure can cause damage to the seals and cause water and dirt to come into the power pack.

### To clean the power pack



**CAUTION:** Do not use a high-pressure washer to clean the product.



**CAUTION:** Do not use water directly on the electrical components.

- Clean the outside of the power pack. Use a heavy duty handheld brush or a large paint brush.
- Clean the connectors and pins. Use a cloth or a brush.

### To examine the power pack

- Make sure the power pack is not damaged and cracked or damaged in any other way.
- Make sure that all couplings, connections, hoses and cables are in good condition and not damaged.

### To clean the water filter on the power pack

Clean the filter in the water connector inlet.

- Loosen the coupling with a 16 mm wrench.
- Remove dirt from the filter with compressed air.
- Fasten the coupling.

## Maintenance of the WS 8



**WARNING:** Disconnect the wall saw from the power supply and wait minimum 5 minutes before you start the maintenance



**CAUTION:** Do not use a high pressure washer to clean the wall saw. The high pressure can cause damage to the seals

and cause water and dirt to come into the wall saw.

### To clean and lubricate the wall saw



**CAUTION:** Do not use a high-pressure washer to clean the product.



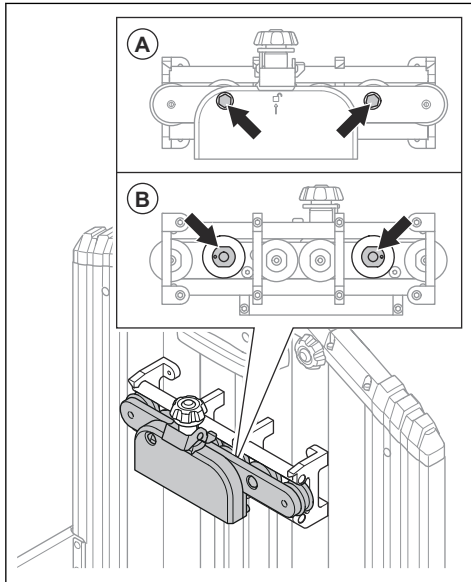
**CAUTION:** Do not use water directly on the electrical components.

1. Disassemble the wall saw. Refer to *To disassemble the product on page 26.*
2. Clean all couplings, connections, hoses and cables. Use the water hose, a brush and cloth.
3. Clean and lubricate the contact pins.
4. Lubricate the sleeves of the water couplings.
5. Clean the blade guard thoroughly inside and out in order to prevent dirt from drying into the guard.
6. Clean and lubricate the moving parts and springs of the machine, such as the handle's locking function and the blade guard guide spring mechanism. Spray with a cleaning and lubricating spray.
7. Dry all movable parts. Lubricate all parts with oil spray to prevent corrosion.

### To examine the wall saw

1. Make sure the blade and blade guard are not damaged and cracked or damaged in any other way.
2. Replace the blade guard and/or blade if they have been exposed to abnormal wear.
3. Make sure that the blade guard guide wheel turns without too much resistance, and that the guide is correctly aligned with the blade guard and the saw. See the assembly and settings when adjusting sections.

### To adjust the blade guard guide



1. Loosen the nuts on the 2 adjustable guide wheels (A).
2. Attach the blade guard guide to the blade guard.
3. Turn the camshafts with a 22 mm wrench until the guide wheels touch the track (B).
4. Hold the camshaft in position with a 22 mm wrench and tighten the nut with a 16 mm wrench.
5. Make sure that the wheels turn easily and that there is no play in the blade guard guide.

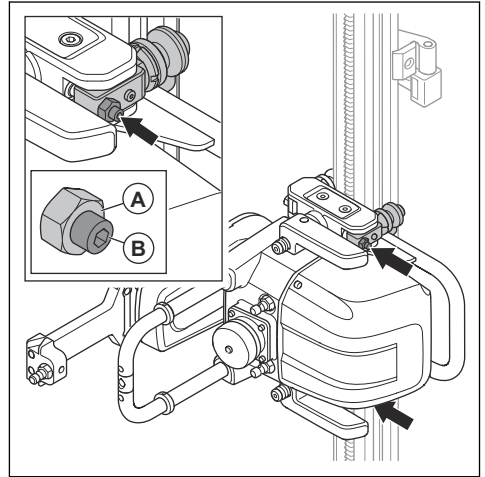
### To adjust the guide wheels

In order for the saw to run stably and saw a straight cut, the four guide wheels must rest against the rail and not have too much play. The guide wheels should be adjusted on the side shown in the figure, the opposite side is a fixed position that should only be adjusted during maintenance at an authorized Hilti service workshop.

If the saw has too much play, the guide wheels must be adjusted as follows:

1. Use a 13 mm spanner to loosen the nut (A).
2. Screw in the stop screw (B) with a 4 mm hex key until the guide wheels rest on the rails and there is no more play.

3. Hold the stop screw (B) in this position with the hex key while tightening the nut (A) to lock the stop screw.



### Maintenance of the remote control



**WARNING:** Disconnect the remote control from the power supply and wait minimum 5 minutes before you start the maintenance



**CAUTION:** Do not use a high pressure washer to clean the remote control. The high pressure can cause damage to the seals and cause water and dirt to come into the remote control.

### To clean the remote control daily



**CAUTION:** Do not use water directly on the electrical components.

- Clean the outer parts of the remote control with a moist cloth. Clean the inner parts of the remote control with compressed air.

### To examine the remote control

1. Do a visual inspection of the remote control for cracks and other damages.
2. Make sure that all seals, couplings, connections and cables are in good condition and not damaged.
3. Examine the switches and controls for damages.
4. If there are any damages or the remote control does not operate correctly, speak to an approved service agent.

### To clean the remote control weekly

- Clean the control panel and make sure that you can clearly read the print.
- Clean the battery terminals and the terminals in the battery compartment and the battery charger. Use a soft and dry cloth.

### To charge the remote control battery

To charge the remote control battery, refer to *To remove and install the remote control battery in the remote control on page 40*.

### To do servicing on the product

- Let an approved Husqvarna dealer do the servicing. Use only original spare parts to keep the safety of the product.
- The timelines for the service message:
  - a) When it is >50 h to servicing, the message "Time for servicing in 100 h" will show.
  - b) When it is 10-50 h to servicing, the message "Time for servicing in 50 h" will show.

- c) When it is <10 h to servicing, the message "Time for servicing in 10 h" will show
  - d) When it is 0 h to servicing, the message "Time for servicing" will show
- If the product has not operated 100 hours after 1 year, let an approved Husqvarna dealer do a check of the product.

### To do after maintenance

1. Do a test operation after the maintenance is done.

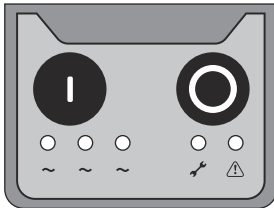


**WARNING:** Risk of injury and damage. Incorrectly installed remote control, cables or hoses can have an unwanted effect on the movements of the product.

2. If there is a fault, immediately stop the product. Refer to *To stop the product on page 32*.

## Troubleshooting

### Explanation of the power pack status indication lamps



The light flashes slowly.



The light goes from the left side to the right side and then to the left side again.



The light goes from the left to the right side.

The power pack has a set of status indication lamps, refer to *Status indication lamps on page 33*. The status indication lamps help you to do troubleshooting.



The light is on.



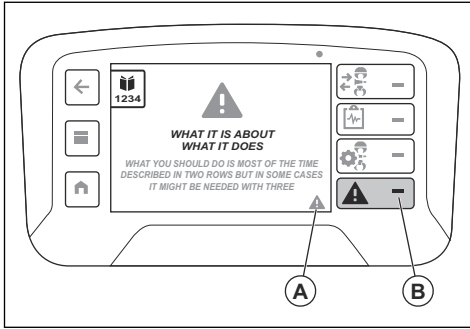
The light is off.



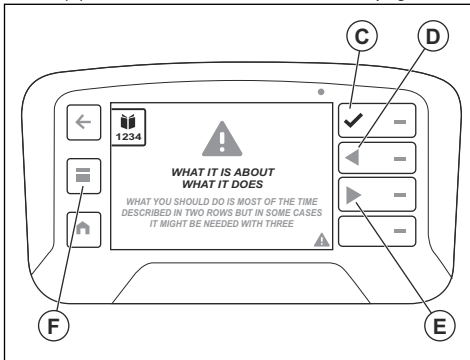
The light flashes quickly.

### Error messages on the HMI display

In the bottom bar (A) of the HMI display you can see active messages or faults. To show the message push the button adjacent to the quick action with the triangle symbol (B).



Use the accept button (C) to remove the warning from the full screen. If there is more than 1 active message, use the arrow buttons (D and E) to move between the messages in the display. You can also find a fault list in the "Active faults" in "Machine status" with the menu button (F). Refer to *Machine status menu on page 38*.



### Different types of error messages

There are 4 different types of error messages:

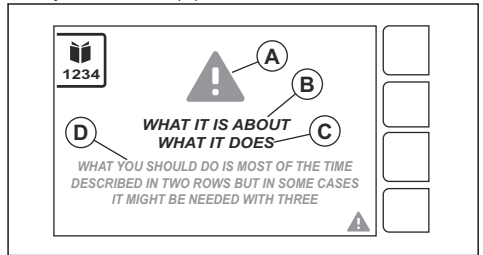
- **Information messages** help and give hints on how to operate the product. This message is a white speech bubble.
- **Caution messages** show that something is not correct. A caution message is a yellow triangle.

- **Warning messages** show faults or safety errors that can cause mechanical damage. The product will stop in a short time. The warning is first shown in full screen with a red warning triangle and text. After you accept (C) the warning message, the warning becomes a red triangle symbol in the bottom bar (A).
- **Error messages** show when the product is stopped because of a fault or safety error. The error message is shown in red with a white triangle and white text. When you accept (C) the error message, the triangle symbol is shown in the bottom bar (A).

### Error messages

If there are errors, an error code and an error message are shown on the display of the remote control.

An error message has 4 parts. The message has one warning triangle (A), information about the warning (B), what the warning does (C) and also information about what you should do (D).



Do the procedure shown on the display or speak to your Husqvarna service center. Push the "OK" button to close the error message.

If you close the error message and it does not show on the display again, you can continue to operate the product.

If the error message shows again, refer to *Troubleshooting - wall saw and power pack on page 45* or speak to your Husqvarna service center. If necessary, do an update of the software of the product.

If there are error messages not explained in this manual, speak to your Husqvarna service center.

### Troubleshooting - wall saw and power pack

Error / info code	Message	Cause	Action
-	-	The cutting depth is too large.	Decrease the cutting depth.
		The blade speed is too high.	Decrease the blade speed.
		The water flow to the blade is too high.	Decrease the water flow to the blade.
		The blade is too hard.	Change the blade to a softer blade.

<b>Error / info code</b>	<b>Message</b>	<b>Cause</b>	<b>Action</b>
0001	Tool communication inconsistent	There is slurry inside the tool and in connectors.	Clean the tool or replace the tool.
			Speak to an approved Husqvarna service center.
0002	The brake has a malfunction	The connection is bad or a component is broken.	Try to restart power pack or test with a different K6500/K7000.
			Speak to an approved Husqvarna service center.
0003	The fan is broken	The connection is bad or the fan is broken.	Listen if the fan is on when the power pack is started.
			If the fan doesn't start, speak to an approved Husqvarna service center.
0004	The power pack has an internal error		Try to restart the power pack.
0005			If the power pack is still broken, speak to an approved Husqvarna service center.
0006			
0007			
0008	Communication lost	The connection between the tool and the power pack is bad.	Clean the connectors of the tool and the power pack.
			Speak to an approved Husqvarna service center.
0009	The tool is not compatible	The tool is not compatible with the power pack.	The tool is not recognized by the power pack.
			Speak to an approved Husqvarna service center to update the power pack with the latest firmware.
0010	Blade motor overload	The connection is bad or a component is broken.	Try with a different tool.
			Speak to an approved Husqvarna service center.
0011	Blade motor current error		If the power pack is in standby mode, try to restart the power pack.
			If the power pack is still in standby, speak to an approved Husqvarna service center.
0012	The incoming power is out of range	The mains power is out of range.	Do a check of the mains power supply.
			Speak to an approved Husqvarna service center.

<b>Error / info code</b>	<b>Message</b>	<b>Cause</b>	<b>Action</b>
0013	The power pack has too high temperature	The water is not connected.	Do a check of the water connection.
		The incoming cooling water is too warm.	Do a check of the water flow and the temperature.
		The flow is low.	Speak to an approved Husqvarna service center.
0014	To start on the set rpm		
0015	No valid wall saw tool, start prevented	No compatible tool is connected	Try to connect a different tool.
			Speak to an approved Husqvarna service center.
0016	The potentiometer can not start.	The potentiometer is not set to neutral position.	Set the potentiometer in neutral position.
			Speak to an approved Husqvarna service center.
0017	Connected to prime tool WS220		
0018	Connected to prime tool WS8		
0019	The power pack has too high temperature	The water is not connected.	Do a check of the water connection.
		The incoming cooling water is too warm.	Do a check of the water flow and the temperature.
		The flow is low.	Speak to an approved Husqvarna service center.
0020	The tool has too high temperature	The water is not connected.	Do a check of the water connection.
		The incoming cooling water is too warm.	Do a check of the water flow and the temperature.
		The flow is low.	Speak to an approved Husqvarna service center.
0021	The feeding motor is overloaded	The saw has hit the track end stop.	Clean the track.
		Clean the track from slurry.	Make sure that the wall saw is assembled correctly on the track.
		The blade is stuck.	Speak to an approved Husqvarna service center.
0022	Tool service within 50h.		Time for service within 50 hours.

<b>Error / info code</b>	<b>Message</b>	<b>Cause</b>	<b>Action</b>
0023	Tool service within 10h.		Time for service within 10 hours. Speak to an approved Husqvarna service center to book a service.
0024	Tool service now.		Time for service. Speak to an approved Husqvarna service center to book a service.

## Remote control HMI display error codes

**Note:** If the HMI display shows error codes >1000, the error concerns the remote control.

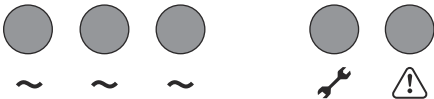
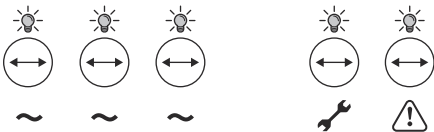
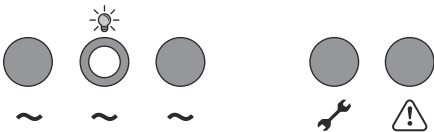
<b>Error code</b>	<b>Error message</b>	<b>Cause</b>	<b>Action</b>
1001 1101-1116 1201-1216 1301-1316	Remote control Faulty	There is a fault in the remote control	Speak to an approved Husqvarna service center.
1401-1402	Start/Stop switch Faulty	There is an error in Start/Stop switch signal	Speak to an approved Husqvarna service center.
1403-1408 1501-1504 1701-1702 1801	Remote control Faulty	There is a fault in the remote control	Speak to an approved Husqvarna service center.
1802	Arm feeding Potentiometer faulty	There is a fault in the arm feeding potentiometer signal.	Speak to an approved Husqvarna service center.
1803	Longitudinal feeding Potentiometer faulty	There is a fault in the longitudinal feeding potentiometer signal	Speak to an approved Husqvarna service center.
1804-1816	Remote control Faulty	There is a fault in the remote control	Speak to an approved Husqvarna service center.
1813	Arm feeding Potentiometer faulty	There is a fault in the arm feeding potentiometer signal	Speak to an approved Husqvarna service center.
1814	Longitudinal feeding Potentiometer faulty	There is a fault in the longitudinal feeding potentiometer signal	Speak to an approved Husqvarna service center.

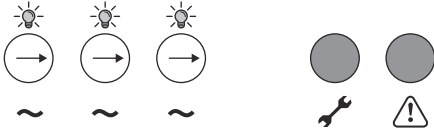
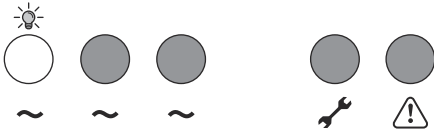
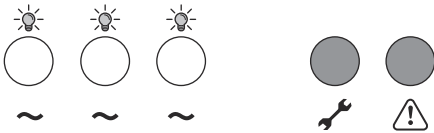
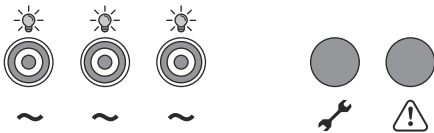
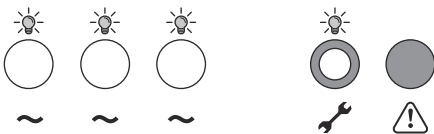
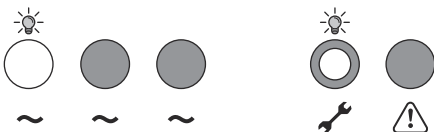
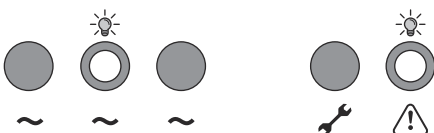


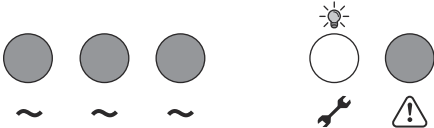
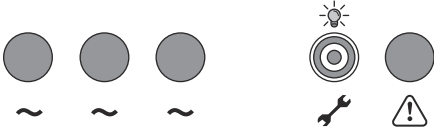
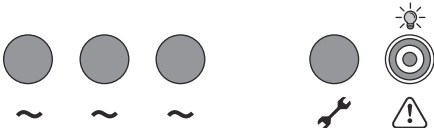
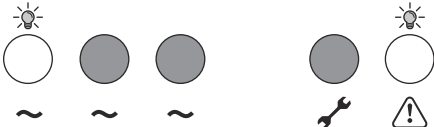
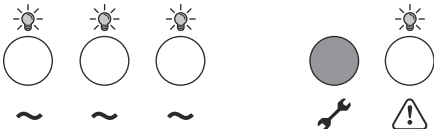
<b>Error code</b>	<b>Error message</b>	<b>Cause</b>	<b>Action</b>
1901-1916 2002/2203-2030/2230	Remote control Faulty	There is a fault in the remote control	Speak to an approved Husqvarna service center.
2025/2225	Remote control - temperature too high	The remote control is operated in conditions outside of specification.	Wait for the remote control to cool down. If the problem persists, speak to an approved Husqvarna service center.
2026/2226	Remote control - temperature too low	The remote control is operated in conditions outside of specification.	Wait for the remote control to heat up. If the problem persists, speak to an approved Husqvarna service center.
2119/2319	Radio receiver - temperature too high	The radio receiver (inside the power pack) is operated in conditions outside of specification.	Wait for the radio receiver to cool down. If the problem persists, speak to an approved Husqvarna service center.
2120/2320	Radio receiver - temperature too low	The radio receiver (inside the power pack) is operated in conditions outside of specification.	Wait for the radio receiver to heat up. If the problem persists, speak to an approved Husqvarna service center.
2098/2298-2099/2299	Remote control Faulty	There is a fault in the remote control.	Speak to an approved Husqvarna service center.
3201	Battery invalid	There is an invalid battery in in the remote control.	Speak to an approved Husqvarna service center.
3202-3204	Remote control Faulty	There is an error in the remote control.	Speak to an approved Husqvarna service center.
3211	Battery invalid type	There is an invalid battery type in the remote control.	Speak to an approved Husqvarna service center.
3212 9001-9002 9401-9499 9801-9899	Remote control Faulty	There is an error in the remote control.	Speak to an approved Husqvarna service center.

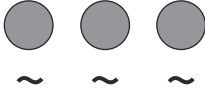
Error code	Error message	Cause	Action
2102/2302-21 18/2318	Radio receiver Faulty	There is a fault in radio communication receiver (inside the power pack).	Speak to an approved Husqvarna service center.
2121/2321-21 23/2323			
2198/2398-21 99/2399			
3103			
8101-8107			
9109-9199			
9301-9399			
9501-9505			

## Power pack display

Control panel	Error/Info code	Status	Step
		There is no power.	Reset PRCD.  Do a check of the power supply.
		Function test of LED at connection of power. (< 3 s)	Do a check of the machine stop button. Refer to <i>To do a check of the power pack emergency stop button on page 14</i> and <i>To do a check of the remote control machine stop button on page 15</i> .
		The product is in standby mode.	N/A

Control panel	Error/ Info code	Status	Step
		Phase selection sequence at start. (< 3 s)	If >3 s, do a check of the fuses and voltage.
		The product is on and connected to 1-phase.	N/A
		The product is on and connected to 3-phase.	N/A
	0012	Power fault.	Do a check of the fuses and the generator.
	0009	The tool is not compatible.	Speak to an approved Husqvarna service center.
	0009	The tool is not compatible.	Speak to an approved Husqvarna service center.
		<p>The machine stop button is pushed down.</p> <p>The product is in sleep mode.</p>	<p>Do a reset of the product.</p> <p>Make sure that the machine stop button is released.</p>

Control panel	Error/ Info code	Status	Step
	0004 0005 0006 0007	Power pack internal error.	<ol style="list-style-type: none"> <li>1. Start the power pack again,</li> <li>2. If the error message continues, speak to an approved Husqvarna service center.</li> </ol>
	0002 0003 0010	Power pack warning	Refer to <i>Troubleshooting - wall saw</i> and <i>power pack</i> on page 45 to do the actions for each error code.
	0013	The power pack is too hot.	<p>Do a check of the water connections on the power pack.</p> <p>Do a check of the water flow and the temperature.</p> <p>Speak to an approved Husqvarna service center.</p>
	0019	The power pack is too hot (1-phase).	<p>Do a check of the water connections on the power pack.</p> <p>Do a check of the water flow and the temperature.</p> <p>Speak to an approved Husqvarna service center.</p>
	0019	The power pack is too hot (3-phase).	<p>Do a check of the water connections on the power pack.</p> <p>Do a check of the water flow and the temperature.</p> <p>Speak to an approved Husqvarna service center.</p>

Control panel	Error/ Info code	Status	Step
		<p>The tool stopped because of safety reasons</p>	<p>Disconnect and connect the tool.</p> <p>Start the tool.</p> <p>If the error message continues, speak to an approved Husqvarna service center.</p>

## Transportation and storage

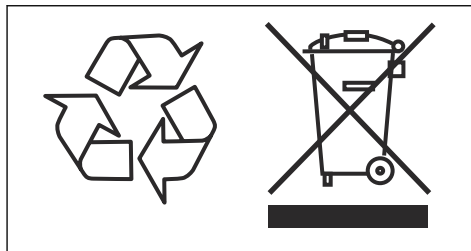
### Transportation

- If your product has a transport trolley, use it to move the product. The handles of the transportation trolley can be used as runners when you lift it on to a truck.
- Stop the power pack and pull out the electric cable before you move the equipment.
- Remove the blade and blade guard from the product before the transportation.

### Storage of the product

- Keep the product in a locked area to prevent access for children or persons that are not approved.
- Keep the product in a dry area.
- Make sure that the temperature is not lower than  $-25^{\circ}\text{C}$  ( $-77^{\circ}\text{F}$ ) and not higher than  $50^{\circ}\text{C}$  ( $122^{\circ}\text{F}$ ).
- If there is a risk that the water will freeze, the product must be drained of all remaining water coolant. Tilt the product to drain the water coolant from the water connector outlet.

this product, contact your municipality, your domestic waste service or the shop from where you purchased the product.



### Disposal

Symbols on the product or the packaging of the product indicate that this product cannot be handled as domestic waste. It must be submitted to an appropriate recycling station for the recovery of electrical and electronic equipment.

Make sure to disconnect the product from the supply mains and remove the batteries from the remote control before submitting to an appropriate recycling station. For CE countries, the batteries must be recycled according to 2014/30/EU. Make sure to inform the recycling station that the product contains a lithium ion battery inside. Submit the batteries to an appropriate recycling station.

By ensuring that this product is taken care of correctly, you can help to counteract the potential negative impact on the environment and people that can otherwise result through the incorrect waste management of this product. For more detailed information about recycling

## Technical data

### Technical data PP 8

Max. output, kW	6.5
Rated current 3-phase, A	15
Rated current 1-phase, A	15
3-phase voltage in, V	200-480, 50/60Hz
1-phase voltage in, V	120-240, 50/60Hz
<b>Power supply</b>	
3-phase	L1+L2+L3+PE
1-phase	L+N+PE
<b>Water coolant (from connected tool)</b>	
Max pressure bar/psi	7/102
Water temperature, recommended, °C/°F	<25/77
<b>Weight</b>	
Power pack, kg/lbs	18/39

### Technical data WS 8

<b>Weight</b>	
Saw unit, kg/lbs	19/41
Blade guard 600 mm, kg/lbs	9.5/21
Blade guard 900 mm, kg/lbs	14/31
Track total weight, kg/lbs	11/24
<b>Blade size</b>	
Blade size - max, mm/in.	900/36
Blade size - min, mm/in.	500/20
Starting blade - max, mm/in.	600/24
Flush cutting blade pattern 6×M8, Ø mm/in.	85/3.34
Arbor diameter, mm or in.	60 or 1
Cutting depth blade 600 - max, mm/in.	245/9.6
Cutting depth blade 900 - max, mm/in.	395/15.5
Motor for saw blade drive	Permanent Magnet Motor
Spindle output - max, kW	6

Power transmission	Gear drive
Output speed, rpm	0-1150
Feeding system/control	Electric/auto
Drive torque at saw blade - max, Nm	68
<b>Noise emissions</b> <sup>1</sup>	
Sound power level, measured dB (A)	119
Sound power level, guaranteed L <sub>WA</sub> dB (A)	105
<b>Sound levels</b> <sup>2</sup>	
Sound pressure level, calculated dB (A)	105

## Technical data remote control and charger

Battery specification	Nominal 7.2V, 5100 mAh
Battery	1 x Li-ion battery supplied with the product.
Operation time, h	12
Charge time, h	3
Charging cycles	>1000
Signal transmission	Radio signal transmission or cable.
Radio frequency bands, GHz	2.4
Max. radio frequency power transmitted, dBm	20 <sup>3</sup>
Cable control	Optional
Range, m/ft.	Up to 300 / 984
Dimensions HxWxD, remote control, mm/in.	190×280×195/7.5×11.1×7.7
Weight, remote control (incl battery), kg/lb	1.6/3.5
Protection class, remote control	IP67
Operating temperature, °C/°F	-20–60 /-4–140
Storage temperature with battery, °C/°F	Less than 1 month: -20–50/ 4–122 Less than 3 months: -20–40/ 4–104 Less than 1 year: -20–20/ 4–68
Storage temperature without battery, °C/°F	-40–85/ -40–185
Charging temperature, °C/°F	10–45/50–113

<sup>1</sup> Noise emissions measured and calculated according to EN-62841-3-7 Annex I. Expected measurement uncertainty is 10 dB(A). The noise emissions depend on the diamond wheel and working conditions. Use approved hearing protection while you operate the product. The declared noise emissions value may also be used in a preliminary assessment of exposure.

<sup>2</sup> Noise pressure level measured and calculated according to EN-62841-3-7 Annex I.

<sup>3</sup> 13dBm for markets that do not accept 20dBm.

Dimensions HxWxD, battery charger, mm/in.	47×97×185/1.8×3.8×7.3
Weight, battery charger, kg/lb	0.214/0.47
Protection class, battery charger	IP21
Power supply, battery charger	12/24 VDC. 110-240 VAC

## Embedded connectivity

<b>BLE technology radio spectrum</b>	
Frequency bands for the tool, GHz	2.402 - 2.480
Maximum radio-frequency power transmitted, dBm/mW	4 / 2.5

## Typical generator operation cases

1-phase/ 3-phase	Power Pack 8, Wall Saw 8, Remote control, output	Generator output, V	Minimum recommended generator output, kVa
3-phase	Full power	3x380-3x480	10
	Decreased power	3x200-3x240	10
1-phase	Decreased power	220-240	5

## Recommended blade speed

"H" is hard or heavy reinforced concrete. "M/S" is medium or soft concrete. "S" is soft concrete.

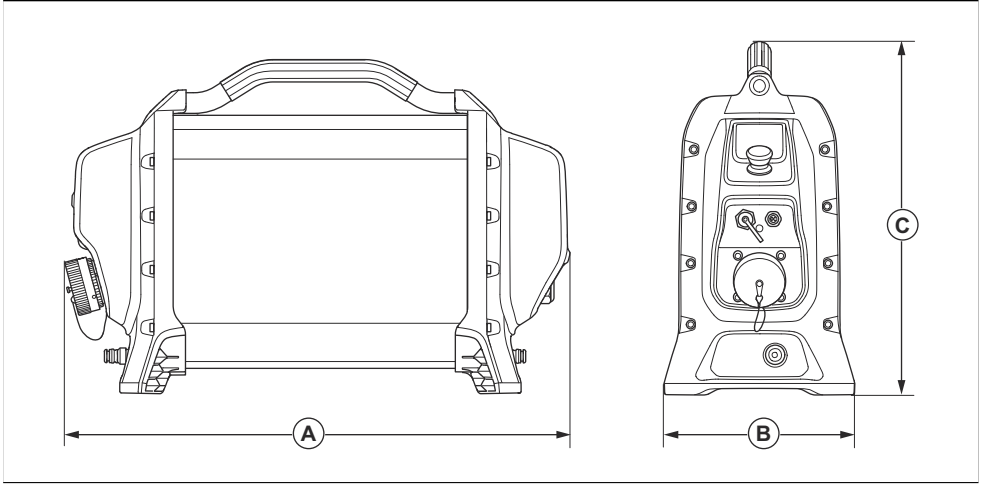


**WARNING:** A higher speed than the recommended speed can cause personal injury and damage to the product.

Speed, rpm	600 mm/24 in.	700 mm/28 in.	800 mm/32 in.	900 mm/35 in.
600				
700				H
800			H	M/S
900		H	M/S	S
1000	H	M/S	S	
1100	M/S	S		
1150	S			

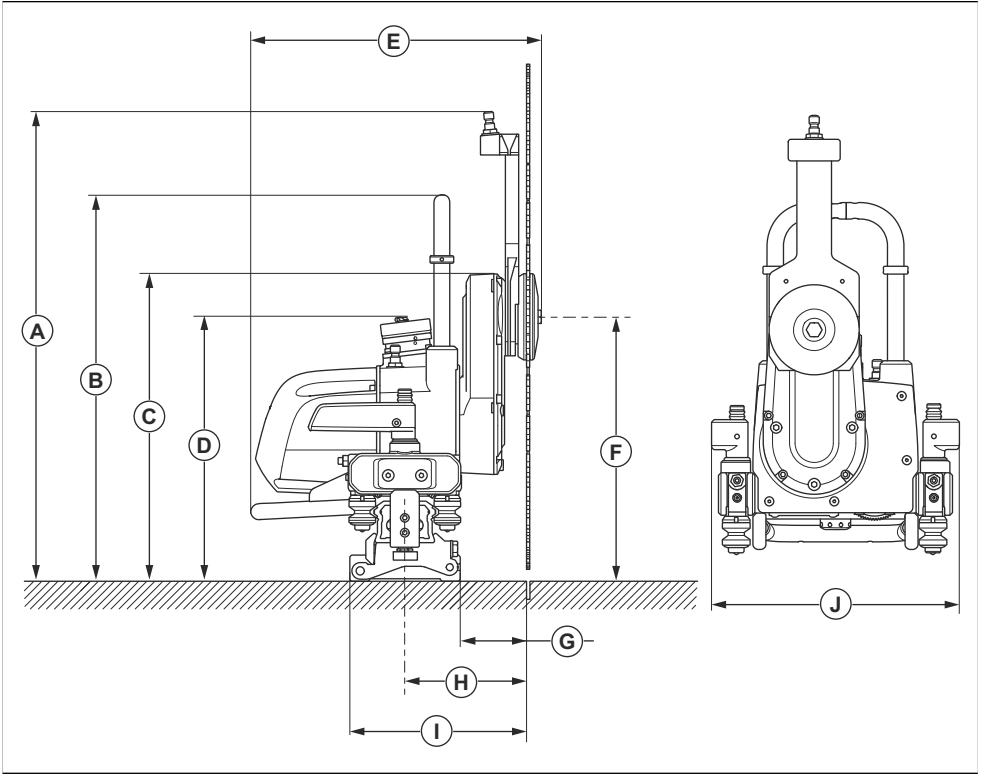


# Product dimensions PP 8



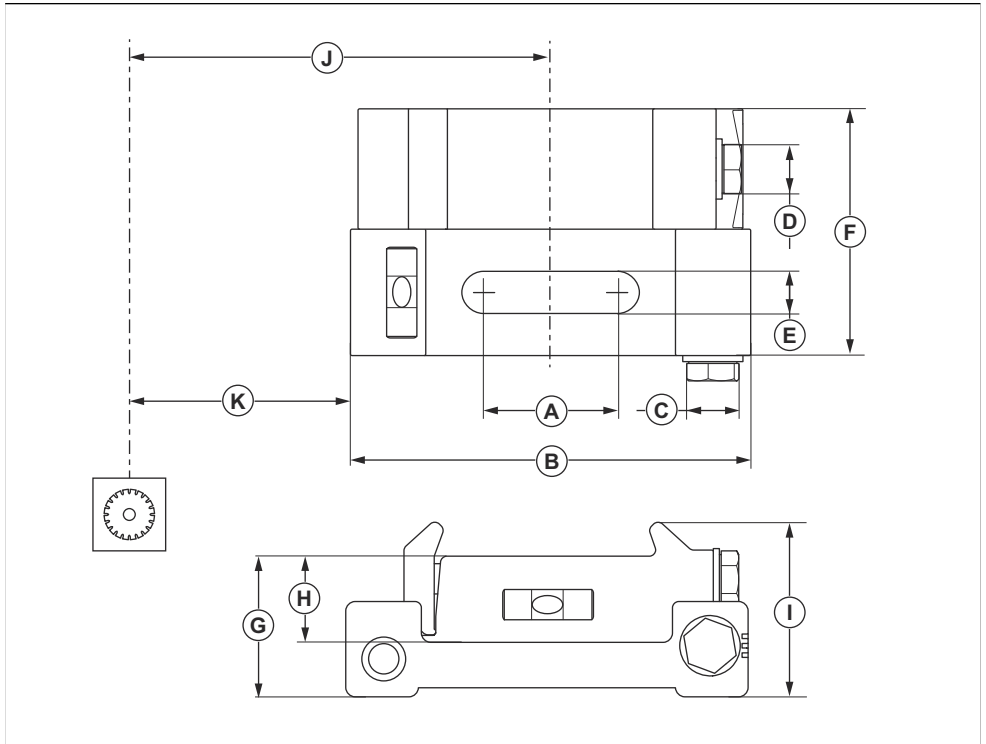
Dimensions, mm/in.			
<b>W</b>	570/22	<b>H</b>	183/7
		<b>L</b>	410/16

## Product dimensions WS 8



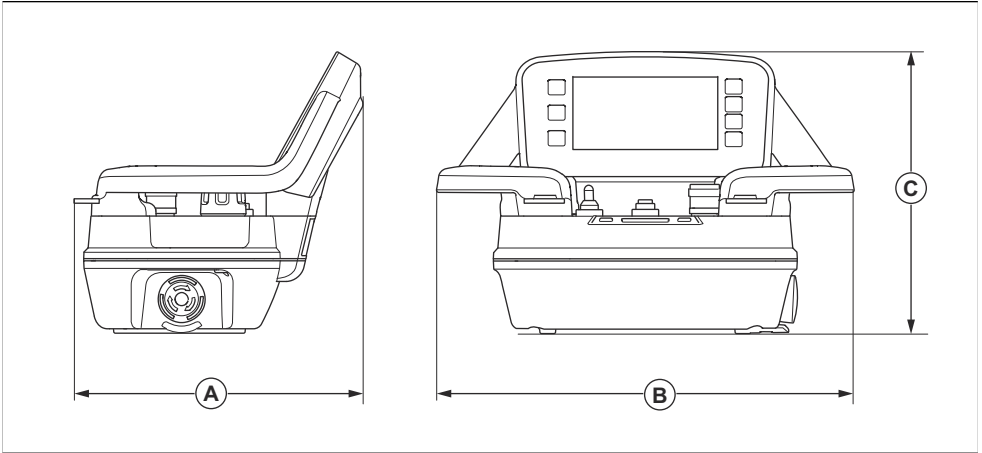
Dimensions, mm/in.							
<b>A</b>	567/22.3	<b>B</b>	466/18.3	<b>C</b>	365/14.4	<b>D</b>	318/12.5
<b>E</b>	348/13.7	<b>F</b>	319/12.6	<b>G</b>	80/3.14	<b>H</b>	145/5.7
<b>I</b>	213/8.4	<b>J</b>	286/11.3				

# Product dimensions mounting brackets



Dimensions, mm/in.							
<b>A</b>	45/1.77	<b>B</b>	133/5.24	<b>C</b>	17/0.7	<b>D</b>	17/0.7
<b>E</b>	14/0.55	<b>F</b>	82/3.23	<b>G</b>	46.5/1.83	<b>H</b>	28.5/1.1
<b>I</b>	58/2.3	<b>J</b>	145/5.7	<b>K</b>	80/3.15		

## Product dimensions remote control



Dimensions, mm/in.					
<b>A</b>	190/7.5	<b>B</b>	280/11	<b>C</b>	195/7.7

## Accessories

### Accessories

Accessory	Details
Adapter, 1-phase	There are different adapters for the outlet for tool connection. For more information speak to your Husqvarna dealer.
Adapter cable for K 6500 / DM 650 to PP 70 / for WS 220 to PP 8	
Template Bracket	
Mounting Bracket, Universal	
Blade Guard	Ø900mm
Blade Guards for flush cutting	Ø600mm
	Ø900mm

## Introduction

---



**WARNING:** Only approved service center can do repairs on the product. This is to prevent that accidents occur to the operators.

---

## Approved service center

To find your nearest Husqvarna Construction Products approved service center/dealer, go to website: <https://www.husqvarnaconstruction.com/int/find-dealer/>.

Contact information to Husqvarna Construction Products headquarter and customer service:

Husqvarna Construction Products

433 81 Partille, Sweden

[customerservicehcp@husqvarnagroup.com](mailto:customerservicehcp@husqvarnagroup.com)

---

# Declaration of Conformity

---

## EU Declaration of Conformity

We, **Husqvarna AB**, SE 561 82 Huskvarna, SWEDEN,  
Tel. +46 36 146500 declare on our sole responsibility  
that the product:

<b>Description</b>	<b>Power Pack</b>
<b>Brand</b>	HUSQVARNA
<b>Type/Model</b>	PP 8
<b>Identification</b>	Serial numbers dating from 2024 and onwards

complies fully with the following EU directives and  
regulations:

<b>Directive/Regulation</b>	<b>Description</b>
2014/53/EU	"relating to radio equipment"
2011/65/EU	"relating to restriction of hazardous substances"

and that the following standards and/or technical  
specifications are applied;

EN ISO 12100:2010

EN 55014-1:2017+A11:2020

EN 55014-2:1997+A1:2001+A2:2008+AC:1997

EN 61000-3-2:2014

EN 61000-3-3:2013

EN 62841-1:2015/AC:2015/A11:2022

ETSI EN 301 489-17 V3.3.1

ETSI EN 301 489-1 V2.2.1

ETSI EN 301 489-17 V3.2.0

Partille, 2024-06-20



Fredrik Sandinge,

R&D Director, Concrete Sawing & Drilling Equipment

Husqvarna AB, Construction Division

Responsible for technical documentation



# UK Declaration of Conformity

We, **Husqvarna AB**, SE 561 82 Huskvarna, SWEDEN,  
Tel. +46 36 146500 declare on our sole responsibility  
that the product:

<b>Description</b>	<b>Power Pack</b>
<b>Brand</b>	HUSQVARNA
<b>Type/Model</b>	PP 8
<b>Identification</b>	Serial numbers dating from 2024 and onwards

and that the following standards and/or technical specifications are applied;

The Radio Equipment Regulations 2017
The Restriction of the Use of Certain Hazardous Substances in Electrical and Electronic Equipment Regulations 2012

and that the following harmonized standards and/or technical specifications are applied;

EN ISO 12100:2010

EN 55014-1:2017+A11:2020

EN 55014-2:1997+A1:2001+A2:2008+AC:1997

EN 61000-3-2:2014

EN 61000-3-3:2013

EN 62841-1:2015/AC:2015/A11:2022

ETSI EN 301 489-17 V3.3.1

ETSI EN 301 489-1 V2.2.1

ETSI EN 301 489-17 V3.2.0

Partille, 2024-06-20

UK Importer:  
Husqvarna UK Ltd  
Preston Road, Co. Durham  
DL5 6UP



Fredrik Sandinge,  
R&D Director, Concrete Sawing & Drilling Equipment  
Husqvarna AB, Construction Division  
Responsible for technical documentation

**UK  
CA**

## EU Declaration of Conformity

We, **Husqvarna AB**, SE 561 82 Huskvarna, SWEDEN,  
Tel. +46 36 146500 declare on our sole responsibility  
that the product:

<b>Description</b>	<b>Wall Saw</b>
<b>Brand</b>	HUSQVARNA
<b>Type/Model</b>	WS 8
<b>Identification</b>	Serial numbers dating from 2024 and onwards

complies fully with the following EU directives and  
regulations:

<b>Directive/Regulation</b>	<b>Description</b>
2006/42/EC	"relating to machinery"
2014/30/EU	"relating to electromagnetic compatibility"
2011/65/EU	"relating to restriction of hazardous substances"

and that the following standards and/or technical  
specifications are applied;

EN ISO 12100:2010

EN IEC 62841-3-7: 2021

EN 55014-1:2017+A11:2020

EN 55014-2:1997+A1:2001+A2:2008+AC:1997

Partille, 2024-06-20



Fredrik Sandinge,

R&D Director, Concrete Sawing & Drilling Equipment

Husqvarna AB, Construction Division

Responsible for technical documentation





# UK Declaration of Conformity

We, **Husqvarna AB**, SE 561 82 Huskvarna, SWEDEN,  
Tel. +46 36 146500 declare on our sole responsibility  
that the product:

<b>Description</b>	<b>Wall Saw</b>
<b>Brand</b>	HUSQVARNA
<b>Type/Model</b>	WS 8
<b>Identification</b>	Serial numbers dating from 2024 and onwards

complies fully with the following UK regulations:

The Supply of Machinery (Safety) Regulations 2008
Electromagnetic Compatibility Regulations 2016
The Restriction of the Use of Certain Hazardous Substances in Electrical and Electronic Equipment Regulations 2012

and that the following standards and/or technical specifications are applied;

EN ISO 12100:2010

EN IEC 62841-3-7: 2021

EN 55014-1:2017+A11:2020

EN 55014-2:1997+A1:2001+A2:2008+AC:1997

Partille, 2024-06-20



Fredrik Sandinge,

R&D Director, Concrete Sawing & Drilling Equipment

Husqvarna AB, Construction Division

Responsible for technical documentation

**UK  
CA**

UK Importer:  
Husqvarna UK Ltd  
Preston Road, Co. Durham  
DL5 6UP

## Third party licences

### For questions

Written offer for source code covered by GPL and LGPL. In cases where specific license terms entitle you to the source code, Husqvarna will provide applicable source code upon written request to the extent of the license terms. Please direct inquiries to HUSQVARNA, Box 7454, SE-103 92 Stockholm.

### ICU 52.1

Copyright © 1995-2013 and others. All rights reserved. Permission is hereby granted, free of charge, to any person obtaining a copy of this software and associated documentation files (the "Software"), to deal in the Software without restriction, including without limitation the rights to use, copy, modify, merge, publish, distribute, and/or sell copies of the Software, and to permit persons to whom the Software is furnished to do so, provided that the above copyright notice(s) and this permission notice appear in all copies of the Software and that both the above copyright notice(s) and this permission notice appear in supporting documentation. Copyright © 1991-2013 All rights reserved. Distributed under the Terms of Use in . Permission is hereby granted, free of charge, to any person obtaining a copy of the Unicode data files and any associated documentation (the "Data Files") or Unicode software and any associated documentation (the "Software") to deal in the Data Files or Software without restriction, including without limitation the rights to use, copy, modify, merge, publish, distribute, and/or sell copies of the Data Files or Software, and to permit persons to whom the Data Files or Software are furnished to do so, provided that (a) the above copyright notice(s) and this permission notice appear with all copies of the Data Files or Software, (b) both the above copyright notice(s) and this permission notice appear in associated documentation, and (c) there is clear notice in each modified Data File or in the Software as well as in the documentation associated with the Data File(s) or Software that the data or software has been modified.

### Fontconfig 2.11

Copyright © 2000, 2001, 2002, 2003, 2004, 2006, 2007 Keith Packard. Copyright © 2005 Patrick Lam. Copyright © 2007 Dwayne Bailey and . Copyright © 2009 Roozbeh Pournader. Copyright © 2008, 2009, 2010, 2011, 2012, 2013, 2014, 2015, 2016, 2017, 2018, 2019, 2020 . Copyright © 2008 Danilo Šegan. Copyright © 2012 . Permission to use, copy, modify, distribute, and sell this software and its documentation for any purpose is hereby granted without fee, provided that the above copyright notice appear in all copies and that both that copyright notice and this permission notice appear in supporting documentation, and that the name of the author(s) not be used in advertising or publicity pertaining to distribution of the software without

specific, written prior permission. The authors make no representations about the suitability of this software for any purpose. It is provided "as is" without express or implied warranty.

### For power pack following license is applicable

Apache License. Version 2.0, January 2004. <http://www.apache.org/licenses/>.

1. Definitions. "License" shall mean the terms and conditions for use, reproduction, and distribution as defined by Sections 1 through 9 of this document. "Licensor" shall mean the copyright owner or entity authorized by the copyright owner that is granting the License. "Legal Entity" shall mean the union of the acting entity and all other entities that control, are controlled by, or are under common control with that entity. For the purposes of this definition, "control" means (i) the power, direct or indirect, to cause the direction or management of such entity, whether by contract or otherwise, or (ii) ownership of fifty percent (50%) or more of the outstanding shares, or (iii) beneficial ownership of such entity. "You" (or "Your") shall mean an individual or Legal Entity exercising permissions granted by this License. "Source" form shall mean the preferred form for making modifications, including but not limited to software source code, documentation source, and configuration files. "Object" form shall mean any form resulting from mechanical transformation or translation of a Source form, including but not limited to compiled object code, generated documentation, and conversions to other media types. "Work" shall mean the work of authorship, whether in Source or Object form, made available under the License, as indicated by a copyright notice that is included in or attached to the work (an example is provided in the Appendix below). "Derivative Works" shall mean any work, whether in Source or Object form, that is based on (or derived from) the Work and for which the editorial revisions, annotations, elaborations, or other modifications represent, as a whole, an original work of authorship. For the purposes of this License, Derivative Works shall not include works that remain separable from, or merely link (or bind by name) to the interfaces of, the Work and Derivative Works thereof. "Contribution" shall mean any work of authorship, including the original version of the Work and any modifications or additions to that Work or Derivative Works thereof, that is intentionally submitted to Licensor for inclusion in the Work by the copyright owner or by an individual or Legal Entity authorized to submit on behalf of the copyright owner. For the purposes of this definition, "submitted" means any form of electronic, verbal, or written communication sent to the Licensor or its representatives, including but not limited to communication on electronic mailing lists, source code control systems, and issue tracking systems that are managed by, or on behalf of, the Licensor for the purpose of discussing and improving the Work, but

excluding communication that is conspicuously marked or otherwise designated in writing by the copyright owner as "Not a Contribution." "Contributor" shall mean Licensor and any individual or Legal Entity on behalf of whom a Contribution has been received by Licensor and subsequently incorporated within the Work.

2. Grant of Copyright License. Subject to the terms and conditions of this License, each Contributor hereby grants to You a perpetual, worldwide, non-exclusive, no-charge, royalty-free, irrevocable copyright license to reproduce, prepare Derivative Works of, publicly display, publicly perform, sublicense, and distribute the Work and such Derivative Works in Source or Object form.

3. Grant of Patent License. Subject to the terms and conditions of this License, each Contributor hereby grants to You a perpetual, worldwide, non-exclusive, no-charge, royalty-free, irrevocable (except as stated in this section) patent license to make, have made, use, offer to sell, sell, import, and otherwise transfer the Work, where such license applies only to those patent claims licensable by such Contributor that are necessarily infringed by their Contribution(s) alone or by combination of their Contribution(s) with the Work to which such Contribution(s) was submitted. If You institute patent litigation against any entity (including cross-claim or counterclaim in a lawsuit) alleging that the Work or a Contribution incorporated within the Work constitutes direct or contributory patent infringement, then any patent licenses granted to You under this License for that Work shall terminate as of the date such litigation is filed.

4. Redistribution. You may reproduce and distribute copies of the Work or Derivative Works thereof in any medium, with or without modifications, and in Source or Object form, provided that You meet the following conditions: (a) You must give any other recipients of the Work or Derivative Works a copy of this License; and (b) You must cause any modified files to carry prominent notices stating that You changed the files; and (c) You must retain, in the Source form of any Derivative Works that You distribute, all copyright, patent, trademark, and attribution notices from the Source form of the Work, excluding those notices that do not pertain to any part of the Derivative Works; and (d) If the Work includes a "NOTICE" text file as part of its distribution, then any Derivative Works that You distribute must include a readable copy of the attribution notices contained within such NOTICE file, excluding those notices that do not pertain to any part of the Derivative Works, in at least one of the following places: within a NOTICE text file distributed as part of the Derivative Works; within the Source form or documentation, if provided along with the Derivative Works; or, within a display generated by the Derivative Works, if and wherever such third-party notices normally appear. The contents of the NOTICE file are for informational purposes only and do not modify the License. You may add Your own attribution notices within Derivative Works that You distribute, alongside or as an addendum to the NOTICE text from the Work, provided that such additional attribution notices cannot be construed as modifying the License. You may add Your own copyright statement to Your

modifications and may provide additional or different license terms and conditions for use, reproduction, or distribution of Your modifications, or for any such Derivative Works as a whole, provided Your use, reproduction, and distribution of the Work otherwise complies with the conditions stated in this License.

5. Submission of Contributions. Unless You explicitly state otherwise, any Contribution intentionally submitted for inclusion in the Work by You to the Licensor shall be under the terms and conditions of this License, without any additional terms or conditions. Notwithstanding the above, nothing herein shall supersede or modify the terms of any separate license agreement you may have executed with Licensor regarding such Contributions.

6. Trademarks. This License does not grant permission to use the tradenames, trademarks, service marks, or product names of the Licensor, except as required for reasonable and customary use in describing the origin of the Work and reproducing the content of the NOTICE file.

7. Disclaimer of Warranty. Unless required by applicable law or agreed to in writing, Licensor provides the Work (and each Contributor provides its Contributions) on an "AS IS" BASIS, WITHOUT WARRANTIES OR CONDITIONS OF ANY KIND, either express or implied, including, without limitation, any warranties or conditions of TITLE, NON-INFRINGEMENT, MERCHANTABILITY, or FITNESS FOR A PARTICULAR PURPOSE. You are solely responsible for determining the appropriateness of using or redistributing the Work and assume any risks associated with Your exercise of permissions under this License.

8. Limitation of Liability. In no event and under no legal theory, whether in tort (including negligence), contract, or otherwise, unless required by applicable law (such as deliberate and grossly negligent acts) or agreed to in writing, shall any Contributor be liable to You for damages, including any direct, indirect, special, incidental, or consequential damages of any character arising as a result of this License or out of the use or inability to use the Work (including but not limited to damages for loss of goodwill, work stoppage, computer failure or malfunction, or any and all other commercial damages or losses), even if such Contributor has been advised of the possibility of such damages.

9. Accepting Warranty or Additional Liability. While redistributing the Work or Derivative Works thereof, You may choose to offer, and charge a fee for, acceptance of support, warranty, indemnity, or other liability obligations and/or rights consistent with this License. However, in accepting such obligations, You may act only on Your own behalf and on Your sole responsibility, not on behalf of any other Contributor, and only if You agree to indemnify, defend, and hold each Contributor harmless for any liability incurred by, or claims asserted against, such Contributor by reason of your accepting any such warranty or additional liability.

END OF TERMS AND CONDITIONS

APPENDIX: How to apply the Apache License to your work. To apply the Apache License to your work, attach the following boilerplate notice, with the fields enclosed by brackets "{}" replaced with your own identifying information. (Don't include the brackets!) The text should be enclosed in

the appropriate comment syntax for the file format. We also recommend that a file or class name and description of purpose be included on the same "printed page" as the copyright notice for easier identification within third-party archives. Copyright {yyyy} {name of copyright owner} Licensed under the Apache License, Version 2.0 (the "License"); you may not use this file except in compliance with the License. You may obtain a copy of the License at <http://www.apache.org/licenses/LICENSE-2.0> Unless required by applicable law or agreed to in writing, software distributed under the License is distributed on an "AS IS" BASIS, WITHOUT WARRANTIES OR CONDITIONS OF ANY KIND, either express or implied. See the License for the specific language governing permissions and limitations under the License.

---

## Registered trademarks

---

The *Bluetooth*<sup>®</sup> word mark and logos are registered trademarks owned by *Bluetooth SIG, inc.* and any use of such marks by Husqvarna is under license.

---

# Inhalt

---

Einleitung.....	70	Technische Daten.....	127
Sicherheit.....	78	Zubehör.....	133
Montage.....	87	Service.....	134
Betrieb.....	98	Konformitätserklärung.....	135
Wartung.....	113	Open Source.....	139
Fehlerbehebung.....	116	Eingetragene Marken.....	142
Transport und Lagerung.....	126		

---

## Einleitung

---

### Gerätebeschreibung

Bei dem Gerät handelt es sich um ein Antriebsaggregat PP 8, eine Wandsäge und eine Fernbedienung. Sie werden von einem Elektromotor betrieben.

Die Wandsäge ist auf Schienen montiert und wird mit segmentierten Diamantklingen verwendet. Die Wandsäge wird auf einem Transportwagen aufbewahrt.

Das Antriebsaggregat und die Wandsäge werden mit Wasser gekühlt. Verwenden Sie das Antriebsaggregat und die Wandsäge immer mit der Wasserversorgung.

Das Antriebsaggregat verfügt über integrierte Konnektivität. Siehe *PP 8*.

### Integrierte Konnektivität

Husqvarna Fleet Services™ ist eine Cloud-Asset-Verwaltungslösung, die dem Flottenmanager eine Übersicht über alle verbundenen Geräte mit integrierten oder nachgerüsteten Sensoren bietet. Die Sensoren zeichnen Daten wie Laufzeit, Serviceintervalle und andere Informationen auf. Wenn Sie mehr über Husqvarna Fleet Services™ erfahren möchten, können Sie die iOS- oder Android-App Husqvarna Fleet Services auf <https://apps.apple.com/se/app/husqvarna-fleet-services/id1334672726> oder <https://play.google.com/store/apps/details?id=com.husqvarna.hfsmobile&hl=en> herunterladen.

Geräte mit integrierter Konnektivität sind über den integrierten Husqvarna Fleet Services™-Sensor mit Bluetooth Low Energy (BLE) verbunden. Weitere

Informationen zur Nutzung finden Sie unter *So nutzen Sie die integrierte Konnektivität auf Seite 98*. Informationen zu BLE technology radio spectrum finden Sie unter *Integrierte Konnektivität auf Seite 129*.

### Verwendungszweck

Das Antriebsaggregat wird verwendet, um geeignete Husqvarna Elektrowerkzeuge mit Hochfrequenzmotoren zu betreiben.

Die Wandsäge ist zum Sägen von harten Materialien wie Stahlbeton, Stein und Ziegel bestimmt.

Das Gerät ist für den gewerblichen Betrieb und für professionelle Bediener vorgesehen. Verwenden Sie das Gerät nicht für andere Aufgaben.

---

### Hinweis:

Das Antriebsaggregat kann auch zusammen mit anderen Elektrowerkzeugen wie einem Bohrmotor und einem Trennschleifer verwendet werden. Wenn Sie beabsichtigen, das Netzteil mit anderen Elektrowerkzeugen als der Wandsäge zu verwenden, lesen Sie

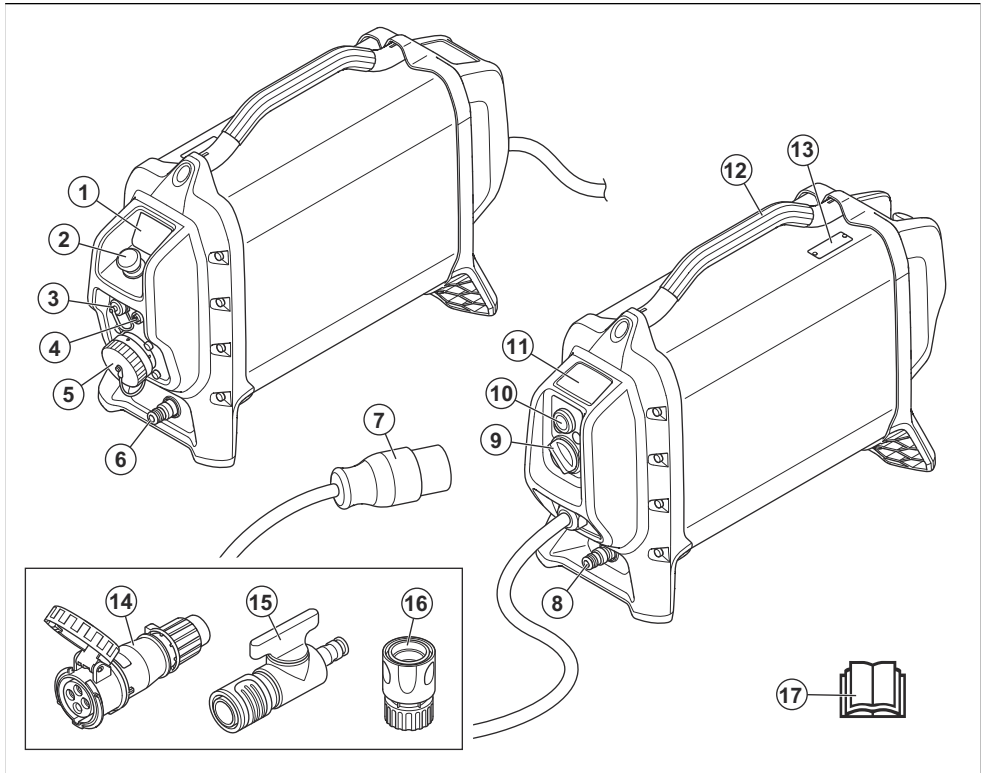
- die Abschnitte zum Antriebsaggregat in diesem Handbuch
- die Bedienungsanleitung des entsprechenden Elektrowerkzeugs

---

**Hinweis:** Der Betrieb des Geräts kann durch nationale Vorschriften eingeschränkt werden.

---

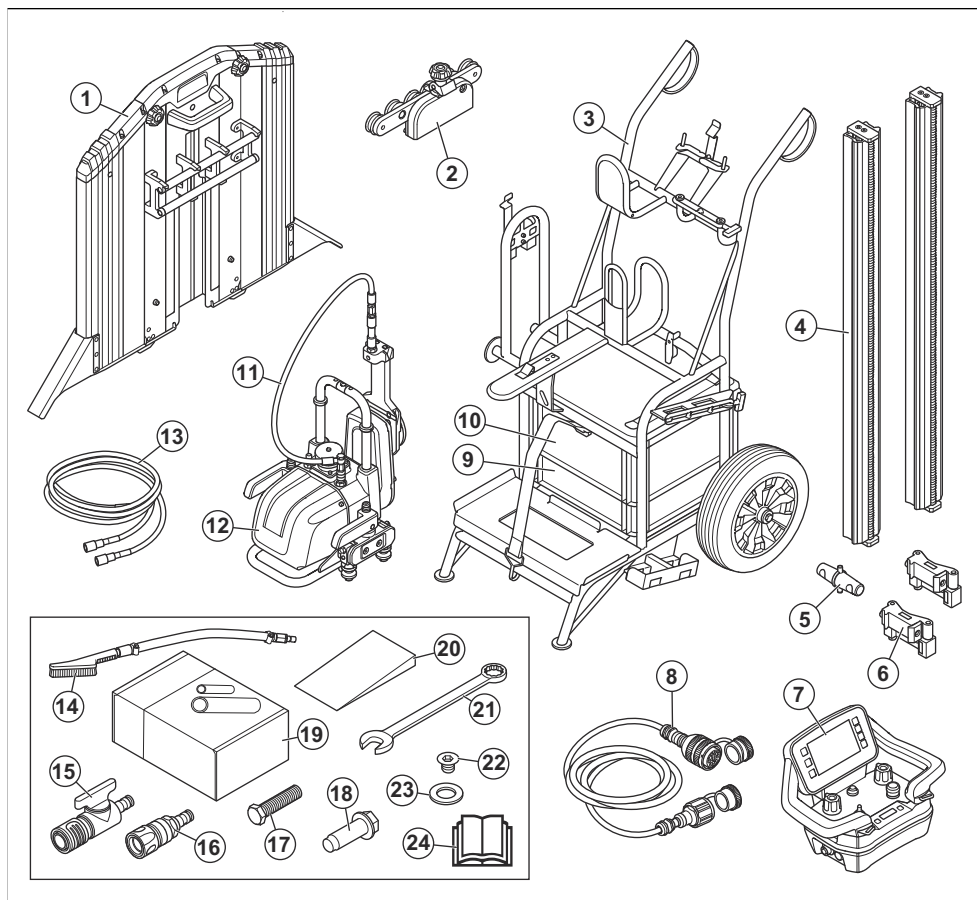
## Überblick über das Antriebsaggregat



1. Bedientafel und Statusanzeige
2. Maschinen-Stoppptaste
3. USB-Anschluss (für Wartung durch zugelassenen Husqvarna Service-Mitarbeiter)
4. CAN-Buchse
5. Werkzeuganschluss – Ausgang
6. Wasseranschluss – Auslass
7. Netzstecker
8. Wasseranschluss – Einlass

9. FI-Rücksetzknopf
10. FI-Testschalter
11. Symbole auf dem Gerät
12. Handgriff
13. Typenschild
14. Anschlussklemme (nur für Nordamerika)
15. Schnellkupplung (nur für Nordamerika)
16. Wasserventilregler (nur für Nordamerika)
17. Bedienungsanleitung

## Wandsäge – Übersicht



1. Messerschutz, Ø600 mm

2. Klingenschutzführung

3. Transportwagen

4. Schiene

5. Verbinder

6. Schienenfuß, Standard

7. Fernbedienung

8. Stromkabel

9. Aufbewahrungskasten, Zubehör

10. Aufbewahrungskasten, Fernbedienung

11. Wasserschlauch

12. Schneideinheit

13. Wasserschlauch

14. Wasserbürste

15. Ventil

16. Adapter

17. Schraube

18. ExzenterSchraube, 5 Stk.

19. Einschlagbolzen M10×40

20. Keil

21. Schraubenschlüssel

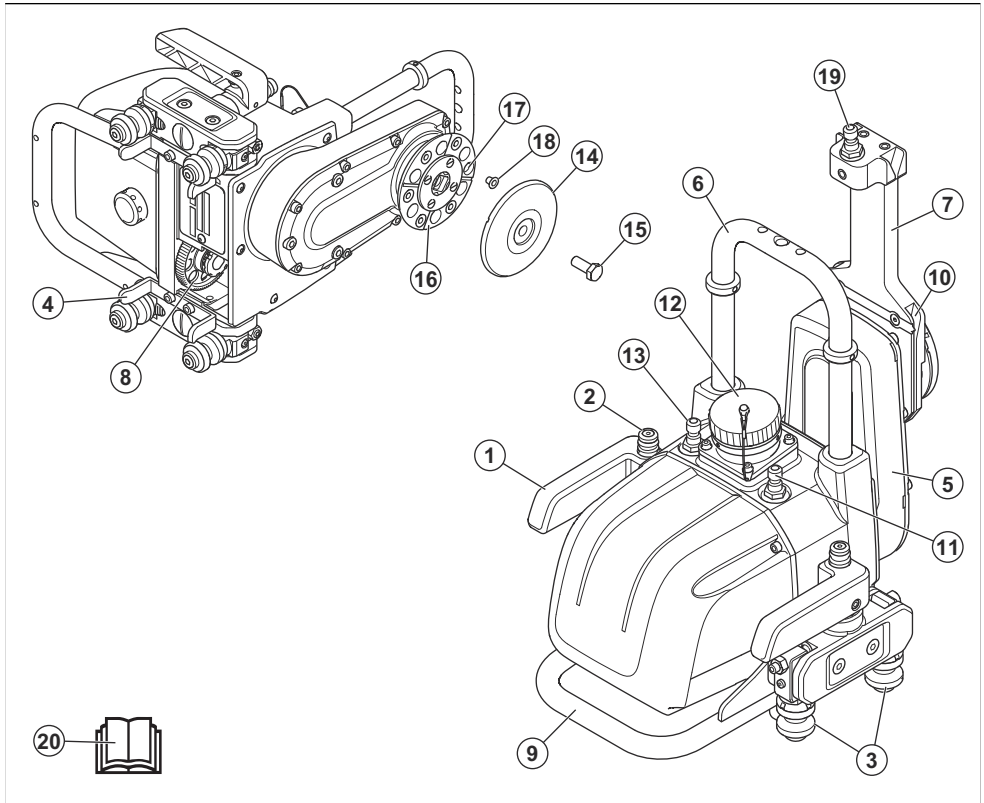
22. Bündige Schneidschraube (Senkkopf) M8×12 10,9

23. Scheibe

24. Bedienungsanleitung

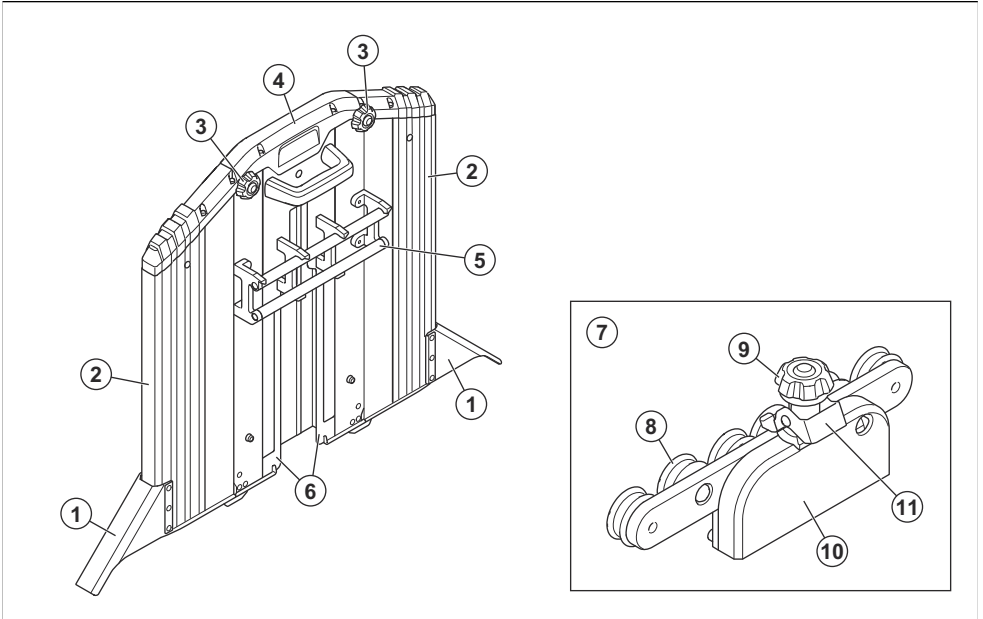


## Überblick über die Säge



- |   |  |
|---|--|
| <ol style="list-style-type: none"> <li>1. Sperrgriff</li> <li>2. Sperrknopf (Die Taste auf dem Sperrgriff muss gedrückt sein, sodass der Sicherheitsbügel gelöst ist und die Sperrgriffe geöffnet werden können.)</li> <li>3. Führungsräder (mit den Sperrgriffen an der Schiene befestigt)</li> <li>4. Führung für die Räder, wenn Sie die Sägeeinheit an den Schienen anbringen.</li> <li>5. Trennarm (Die Schnitttiefe wird mit der Fernbedienung über einen Dreharm gesteuert)</li> <li>6. Befestigung für den Trennscheibenschutz</li> <li>7. Führungsflansch für den Trennscheibenschutz (kann in Transportposition gedreht werden)</li> <li>8. Vorschubgetrieberad (ermöglicht es, die Säge entlang der Schiene zu bewegen)</li> <li>9. Handgriff</li> </ol> | <ol style="list-style-type: none"> <li>10. Führungsnut für Klingenschutz</li> <li>11. Wasseranschluss nach außen (mit dem Wasseranschluss der Trennscheibe verbunden)</li> <li>12. Stromanschluss und Steuerungsanschluss</li> <li>13. Wasserkühlung, Zulauf</li> <li>14. Äußerer Klingenflansch</li> <li>15. Klingenschraube</li> <li>16. Innerer Trennscheibenflansch (beim bündigen Schnitt ist die Trennscheibe sicher am inneren Trennscheibenflansch befestigt)</li> <li>17. Schraubengewinde zum Bündigschneiden, 6 Stk.</li> <li>18. Stopfen für die Gewinde, 6 Stk.</li> <li>19. Wasseranschluss für Trennscheibe</li> <li>20. Bedienungsanleitung</li> </ol> |
|---|--|

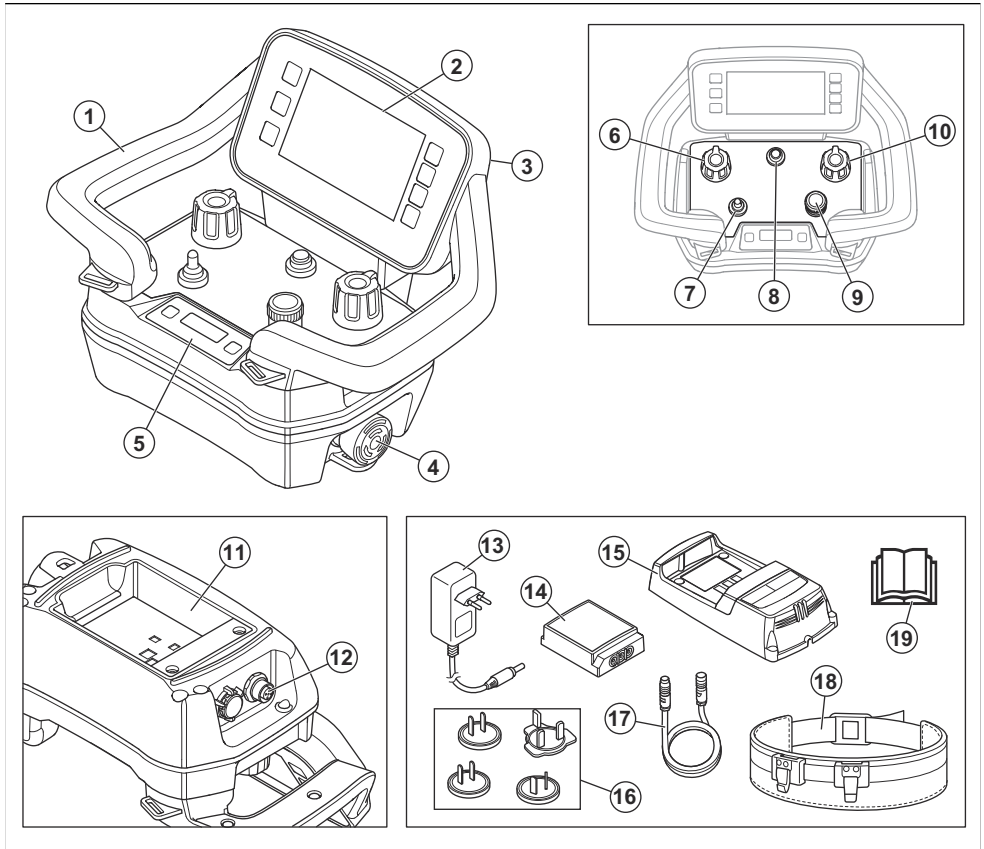
## Trennscheibenschutz



1. Spritzschutz
2. Äußere Abschnitte
3. Sperrknöpfe für äußere Abschnitte
4. Mittlerer Abschnitt
5. Führungsrohre
6. Gleitschienen
7. Klingenschutzführung

8. Führungsrollen
9. Feststellknopf für den Klingenschutz
10. Trennscheibenschutz Aufsatz (wird am Aufsatz der Sägeeinheit montiert)
11. Arretierung der Trennscheibenschutzführung (blockiert die Trennscheibenschutzführung am Trennscheibenschutz)

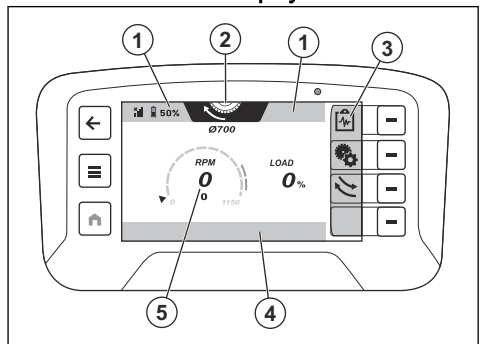
# Übersicht Fernbedienung



1. Handgriff
2. Bedienfeld-Display
3. Anschluss für USB-Kabel
4. Maschinen-Stopp-taste
5. Anzeige des Info-Displays. Siehe *Anzeige des Info-Displays auf Seite 111*.
6. Knopf für die Tiefenbewegung des Trennarms
7. Start/Stop-Schalter für die Trennscheibe
8. ON/OFF-Taste
9. Knopf zur Einstellung der Trennscheibengeschwindigkeit
10. Knopf zur Längsbewegung der Wandsäge
11. Akkuhalter
12. Anschluss für das CAN-Buskabel
13. AC/DC-Adapter für Ladegerät
14. Akku der Fernbedienung
15. Ladegerät für den Akku der Fernbedienung
16. Steckdosenanschlüsse für verschiedene Märkte

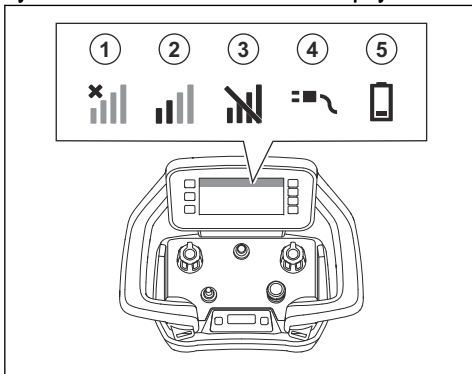
17. CAN-Bus-Kabel
18. Gurt für Fernbedienung
19. Bedienungsanleitung

## Übersicht Bedienfeld-Display



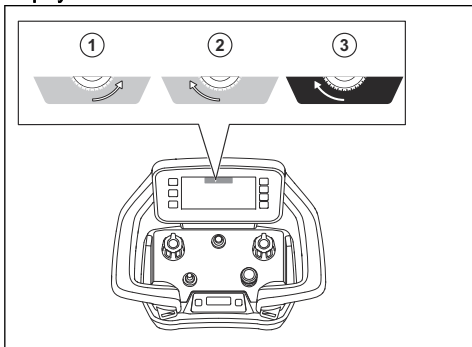
1. Obere Leiste
2. Registerkarte „Betriebsmodus“
3. Schnellaktionsleiste
4. Untere Leiste
5. Geräteansicht

### Symbole in der oberen Leiste auf dem Display



Position	Funktion
1	Kein Funksignal. Keine Verbindung zum Gerät.
2	Funksignalstärke.
3	Das Funksignal ist blockiert.
4	Das CAN-Bus-Kabel ist zwischen dem Gerät und der Fernbedienung angeschlossen.
5	Ladezustand. Wenn das Akkusymbol gelb ist, beträgt der Ladezustand 11–20 %. Wenn das Akkusymbol rot ist, beträgt der Ladezustand weniger als 10 %.

### Symbole auf der Registerkarte „Betriebsmodus“ auf dem Display



Die Registerkarte „Betriebsmodus“ wird orange (3), wenn sich die Trennscheibe zu drehen beginnt.

Position	Funktion
1	Der Betriebsmodus gegen den Uhrzeigersinn wird ausgewählt.
2	Der Betriebsmodus im Uhrzeigersinn wird ausgewählt.
3	Der Betriebsmodus im Uhrzeigersinn wird gestartet.

### Symbole auf dem Antriebsaggregat



**WARNUNG:** Bei unvorsichtiger oder nicht ordnungsgemäßer Bedienung kann es zu Verletzungen oder zum Tode des Benutzers oder anderer Personen kommen.



Lesen Sie die Bedienungsanleitung sorgfältig durch, und machen Sie sich mit den Anweisungen vertraut, bevor Sie das Gerät verwenden.



Tragen Sie immer Gehörschutz, Schutzbrille und Atemschutz.



Kontrollen und/oder Wartungsarbeiten sind bei abgeschaltetem Motor und abgezogenem Stecker durchzuführen.



Unter Spannung stehende Teile.



Dieses Gerät entspricht den geltenden EU-Richtlinien.



Dieses Gerät entspricht den in Australien und Neuseeland geltenden Richtlinien zur elektromagnetischen Verträglichkeit.



RoHS-Symbol für China für den Zeitraum, in dem die umweltfreundliche Nutzung gegeben ist (EUFP).



Das Gerät und die Verpackung des Geräts dürfen nicht über den Hausmüll entsorgt werden. Recyceln Sie es an einer Recyclingstation für elektrische und elektronische Geräte.

**Hinweis:** Sonstige Symbole/Aufkleber auf dem Gerät beziehen sich auf spezielle

Zertifizierungsanforderungen, die in bestimmten Ländern gelten.

## Symbole auf der Wandsäge



**WARNUNG:** Dieses Gerät kann gefährlich sein und schwere oder tödliche Verletzungen des Bedieners oder anderer Personen verursachen. Gehen Sie vorsichtig vor, und verwenden Sie das Gerät ordnungsgemäß.



Lesen Sie die Bedienungsanleitung sorgfältig durch, und machen Sie sich mit den Anweisungen vertraut, bevor Sie das Gerät verwenden.



Tragen Sie einen zugelassenen Schutzhelm, Gehörschutz, Augenschutz und Atemschutz.



Halten Sie Hände und Füße von der Trennscheibe fern.



Kontrollen und/oder Wartungsarbeiten sind bei abgeschaltetem Motor und abgezogenem Stecker durchzuführen.



Das Gerät und die Verpackung des Geräts dürfen nicht über den Hausmüll entsorgt werden. Recyceln Sie es an einer offiziellen Recyclingstation für elektrische und elektronische Geräte.



Dieses Gerät entspricht den geltenden EU-Richtlinien.

**Hinweis:** Sonstige Symbole/Aufkleber auf dem Gerät beziehen sich auf spezielle Zertifizierungsanforderungen, die in bestimmten Ländern gelten.

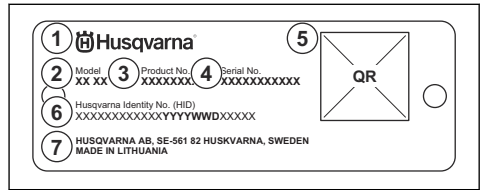
## HID-Spezifikation

Die Husqvarna-Identifikationsnummer besteht aus 5 Teilen und insgesamt 25 Zeichen: [PNC] [Werk und Linie (FFL)] [Datum] [Fortlaufende Nr.] [Steuerzeichen].

Das Datum besteht aus 7 Zeichen.

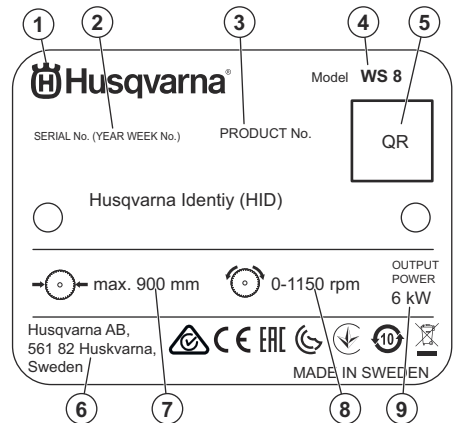
- Format: JJJJWWDD
- JJJJ = Jahr
- W = Wochennummer
- D = Tagesnummer

## Typenschild Antriebsaggregat PP 8



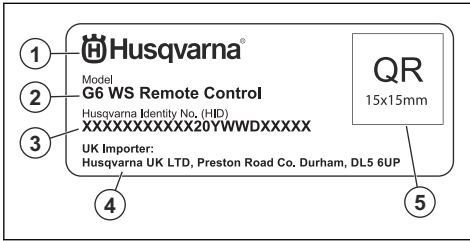
1. Hersteller
2. Modell
3. Gerätenummer
4. Seriennummer
5. QR-Code
6. Husqvarna-Identifikationsnummer
7. Herstelleradresse

## Typenschild Wandsäge WS 8



- 1: Hersteller
- 2: Seriennr. mit Herstellungsdatum (JJJJ, WW, XXXXX): Jahr, Woche, Folgnr.
- 3: Gerätenr.
- 4: Modell
- 5: QR-Code
- 6: Herstelleradresse
- 7: Maximaler Trennscheibendurchmesser, mm
- 8: Maximale Geschwindigkeit, Drehzahl
- 9: Ausgangsleistung, kW

# Typenschild Husqvarna Fernbedienung



1. Hersteller
2. Modell
3. Husqvarna Identifizierungsnummer mit Herstellungsdatum (JJJJ, WW, XXXX): Jahr, Woche, Folgenr.

4. Adresse des Importeurs GB
5. QR-Code

## Produktschäden

Wir haften nicht für Schäden an unserem Produkt, wenn:

- das Gerät nicht ordnungsgemäß repariert wird.
- das Gerät mit Teilen repariert wird, die nicht vom Hersteller stammen oder nicht vom Hersteller zugelassen sind.
- ein Zubehörteil mit dem Gerät verwendet wird, das nicht vom Hersteller stammt oder nicht vom Hersteller zugelassen ist.
- das Gerät nicht bei einem zugelassenen Service Center oder von einem zugelassenen Fachmann repariert wird.

## Sicherheit

### Sicherheitsdefinitionen

Warnungen, Vorsichtsmaßnahmen und Hinweise werden verwendet, um auf besonders wichtige Teile der Bedienungsanleitung hinzuweisen.



**WARNUNG:** Wird verwendet, wenn bei Nichtbeachtung der Anweisungen in diesem Handbuch die Gefahr von Verletzung oder Tod des Bedieners oder anderer Personen besteht.



**ACHTUNG:** Wird verwendet, wenn bei Nichtbeachtung der Anweisungen in diesem Handbuch die Gefahr von Schäden am Gerät, an anderen Materialien oder in der Umgebung besteht.

**Hinweis:** Für weitere Informationen, die in bestimmten Situationen nötig sind.

### Allgemeine Sicherheitshinweise



**WARNUNG:** Lesen Sie die folgenden Warnhinweise, bevor Sie das Gerät verwenden.

- Dieses Gerät ist ein gefährliches Werkzeug, wenn Sie nicht aufpassen oder es unsachgemäß verwenden. Dieses Gerät kann schwere oder tödliche Verletzungen des Bedieners oder anderer Personen verursachen. Es ist sehr wichtig, dass Sie vor der Anwendung des Geräts den Inhalt dieser Bedienungsanleitung gelesen und verstanden haben.
- Bewahren Sie alle Warn- und Sicherheitshinweise auf.

- Halten Sie alle geltenden Gesetze und Vorschriften ein.
- Der Bediener und dessen Arbeitgeber müssen die mit dem Betrieb des Geräts verbundenen Gefahren kennen und vermeiden.
- Untersagen Sie allen Personen die Benutzung des Geräts, bis diese den Inhalt der Bedienungsanleitung gelesen und verstanden haben.
- Verwenden Sie das Gerät nicht, ohne vorher dafür geschult worden zu sein. Stellen Sie sicher, dass alle Bediener Schulungen erhalten.
- Lassen Sie nicht zu, dass Kinder das Gerät verwenden.
- Es dürfen nur zugelassene Personen mit dem Gerät arbeiten.
- Der Bediener ist für Unfälle verantwortlich, die anderen Personen zustoßen oder an deren Eigentum entstehen.
- Verwenden Sie das Gerät nicht, wenn Sie müde oder krank sind oder unter Einfluss von Alkohol, Drogen oder Medikamenten stehen.
- Verwenden Sie das Gerät nicht, wenn Sie müde oder krank sind oder unter Einfluss von Alkohol, Drogen oder Medikamenten stehen.
- Lassen Sie immer Vorsicht walten, und arbeiten Sie mit gesundem Menschenverstand.
- Dieses Gerät erzeugt beim Betrieb ein elektromagnetisches Feld. Dieses Feld kann sich unter bestimmten Bedingungen auf die Funktionsweise aktiver oder passiver medizinischer Implantate auswirken. Um die Gefahr von Situationen, die zu schweren oder tödlichen Verletzungen führen können, zu verringern, sollten Personen mit einem medizinischen Implantat vor der Nutzung dieses Gerätes mit ihrem Arzt und dem Hersteller des Implantats sprechen.

- Halten Sie das Gerät sauber. Stellen Sie sicher, dass Symbole und Aufkleber deutlich lesbar sind.
- Verwenden Sie das Gerät nicht, wenn es beschädigt ist.
- Nehmen Sie keine Modifikationen am Gerät vor.
- Bedienen Sie das Gerät nicht, wenn die Möglichkeit besteht, dass andere Personen Modifikationen daran vorgenommen haben.
- Stoppen Sie die Fernbedienung, wenn das Gerät geparkt ist und während des Transports des Geräts. Drücken Sie die ON/OFF-Taste auf der Fernbedienung, um die Fernbedienung zu stoppen.

## Allgemeine Sicherheitshinweise zum Gerät



**WARNUNG:** Beachten Sie alle für das Gerät vorgesehenen Sicherheitshinweise, Anleitungen, Abbildungen und technischen Daten. Wenn Sie die unten stehenden Anweisungen nicht befolgen, kann dies zu elektrischen Schlägen, Brand und/oder schweren Verletzungen führen.

- **Bewahren Sie alle Warnhinweise und Anweisungen für spätere Referenzzwecke auf.** Die Bezeichnung „Gerät“ in den Warnhinweisen bezieht sich auf ein Gerät mit Netzbetrieb (über ein Kabel) oder Akkubetrieb (kabellos).

## Sicherheit im Arbeitsbereich

- **Sorgen Sie für einen sauberen und gut ausgeleuchteten Arbeitsbereich.** Durch zugestellte oder dunkle Arbeitsbereiche steigt die Unfallgefahr stark an.
- **Betreiben Sie das Gerät nicht in explosionsgefährdeten Umgebungen, z. B. in der Nähe von entzündlichen Flüssigkeiten, Gasen oder Staub.** Geräte erzeugen Funken, die Staub oder Dämpfe entzünden können.
- **Sorgen Sie bei der Arbeit mit dem Gerät dafür, dass sich keine Kinder oder unbefugte Personen in der Nähe befinden.** Durch Ablenkungen können Sie die Kontrolle über das Werkzeug verlieren.

## Elektrische Sicherheit

- **Die Netzstecker von Elektrowerkzeugen müssen zur Steckdose passen. Der Netzstecker darf in keiner Weise verändert werden.** Nicht modifizierte Stecker und passende Steckdosen reduzieren das Risiko eines Stromschlags.
- **Vermeiden Sie Körperkontakt mit geerdeten Gegenständen wie Rohrleitungen, Heizungen, Herden oder Kühlschränken.** Bei Körperkontakt mit geerdeten Gegenständen besteht ein erhöhtes Stromschlagrisiko.
- **Setzen Sie Elektrowerkzeuge niemals Regen oder sonstiger Feuchtigkeit aus.** Wenn Wasser in

ein Elektrowerkzeug eindringt, erhöht sich das Stromschlagrisiko.

- **Verwenden Sie das Anschlusskabel nicht missbräuchlich. Verwenden Sie das Anschlusskabel niemals zum Tragen oder Heranziehen des Elektrowerkzeugs, und ziehen Sie den Stecker nicht am Anschlusskabel aus der Steckdose. Halten Sie das Kabel fern von Hitzequellen, Öl, scharfen Kanten und beweglichen Teilen.** Beschädigte oder verdrehte Anschlusskabel erhöhen das Stromschlagrisiko.
- **Wenn Sie ein Elektrowerkzeug im Freien benutzen, verwenden Sie ein für den Außeneinsatz geeignetes Verlängerungskabel.** Die Verwendung eines für den Außeneinsatz geeigneten Kabels verringert das Risiko eines Stromschlags.
- **Falls der Einsatz eines Elektrowerkzeugs in einer feuchten Umgebung nicht zu vermeiden ist, benutzen Sie eine Stromversorgung mit FI-Schutzschalter (RCD).** Die Verwendung einer Fehlerstrom-Schutzeinrichtung (RCD) verringert das Risiko eines elektrischen Schlags.
- Verwenden Sie eine Fehlerstrom-Schutzeinrichtung (RDC), um das Risiko von Stromschlägen zu verringern. Es wird eine Fehlerstrom-Schutzeinrichtung (RDC) mit einem Nennauslösestrom von weniger als 30 mA empfohlen.
- Eine Fehlerstrom-Schutzeinrichtung (RDC) sollte in einem Abstand von maximal 0,5 m vom Stecker des Netzkabels oder in den Stecker des Netzkabels installiert werden.

## Anweisungen für geerdete Geräte



**WARNUNG:** Ein falscher Anschluss kann zu einem Stromschlag führen. Wenden Sie sich an einen qualifizierten Elektriker, wenn Sie Zweifel daran haben, ob die Netzsteckdose richtig geerdet ist.

Nehmen Sie keine Modifikationen am Netzstecker vor. Dieser muss den Werksspezifikationen entsprechen. Wenn der Netzstecker oder das Netzkabel beschädigt ist oder ersetzt werden muss, wenden Sie sich an Ihre Husqvarna Servicewerkstatt. Beachten Sie die vor Ort geltenden Vorschriften und Gesetze.

Wenden Sie sich an einen qualifizierten Elektriker, wenn Sie die Anweisungen hinsichtlich des geerdeten Geräts nicht vollständig verstehen.

Verwenden Sie nur geerdete Verlängerungskabel für den Außenbereich mit Erdungssteckern und einer Erdungssteckdose, die für den Netzstecker des Geräts geeignet ist.

Das Gerät verfügt über ein geerdetes Netzkabel und einen Netzstecker. Schließen Sie das Gerät immer an

eine geerdete Steckdose an. Dadurch wird das Risiko von Stromschlägen verringert.

Verwenden Sie keine elektrischen Adapter am Gerät.

## Verlängerungskabel

- Verwenden Sie nur zugelassene Verlängerungskabel mit ausreichender Länge.
- Der Nennwert auf dem Verlängerungskabel muss dem auf dem Typenschild des Geräts angegebenen Wert entsprechen oder höher sein.
- Verwenden Sie Schuko-Verlängerungskabel.
- Wenn Sie das Gerät im Freien benutzen, verwenden Sie ein für den Außeneinsatz geeignetes Verlängerungskabel. Dadurch wird das Risiko von Stromschlägen verringert.
- Achten Sie darauf, dass die Verbindung mit dem Verlängerungskabel trocken ist und keinen Bodenkontakt hat.
- Halten Sie das Verlängerungskabel fern von Hitzequellen, Öl, scharfen Kanten und beweglichen Teilen. Ein beschädigtes Kabel erhöht das Risiko eines Stromschlags.
- Stellen Sie sicher, dass sich das Verlängerungskabel in einem guten Zustand befindet und unbeschädigt ist.
- Verwenden Sie das Verlängerungskabel nicht im aufgewickelten Zustand. Dies kann dazu führen, dass das Verlängerungskabel zu heiß wird.
- Vergewissern Sie sich, dass sich das Verlängerungskabel hinter Ihnen und dem Gerät befindet, wenn Sie mit dem Gerät arbeiten. Dadurch wird eine Beschädigung des Verlängerungskabels vermieden.

## Sicherer Umgang mit Akkus



**WARNUNG:** Lesen Sie die folgenden Warnhinweise, bevor Sie das Gerät verwenden.

- Verwenden Sie den Akku nicht, wenn Sie müde oder krank sind oder unter Einfluss von Alkohol, Drogen oder Medikamenten stehen.
- Lassen Sie niemanden den Akku verwenden, wenn diese Person müde oder krank ist oder unter Einfluss von Alkohol, Drogen oder Medikamenten steht.
- Lassen Sie nicht zu, dass Kinder den Akku verwenden.
- Verwenden Sie nur die Akkus, die wir für Ihr Gerät empfehlen. Die Akkus verfügen über eine Softwareverschlüsselung.
- Verwenden Sie mit diesem Gerät nur Originalakkus. Es besteht Explosionsgefahr, wenn die Akkus durch Akkus falschen Typs ersetzt werden. Ihr Händler steht Ihnen gern für weitere Informationen zur Verfügung.

- Verwenden Sie als Stromversorgung für die zugehörigen Husqvarna Geräte nur wiederaufladbare Akkus. Um Verletzungen zu vermeiden, verwenden Sie die Akkus nicht zur Energieversorgung anderer Geräte.
- Es besteht die Gefahr von elektrischen Schlägen. Verbinden Sie die Akkuklemmen nicht mit Schlüsseln, Schrauben oder anderen metallischen Gegenständen. Dadurch kann es zu einem Kurzschluss des Akkus kommen.
- Wenn aus einem Akku Flüssigkeit austritt, vermeiden Sie Haut- oder Augenkontakt mit dieser. Sollten Sie dennoch mit der Flüssigkeit in Berührung gekommen sein, reinigen Sie den Bereich mit viel Wasser und suchen einen Arzt auf.
- Benutzen Sie keine Akkus, die nicht wiederaufladbar sind.
- Nehmen Sie keine Modifikationen an den Akkus vor.
- Legen Sie keine Gegenstände in die Luftschlitze der Akkus.
- Halten Sie die Akkus von direkter Sonneneinstrahlung, Hitze oder offenem Feuer fern. Die Akkus können explodieren und Verbrennungen und/oder chemische Verbrennungen verursachen.
- Halten Sie die Akkus von Regen und Feuchtigkeit fern.
- Halten Sie die Akkus von Mikrowellen und hohem Druck fern.
- Versuchen Sie nicht, die Akkus zu zerlegen oder aufzubrechen.
- Die Akkus dürfen nur bei Umgebungstemperaturen zwischen -20 °C (-4 °F) und 60 °C (140 °F) verwendet werden.
- Die Akkus dürfen nur bei einer Umgebungstemperaturen zwischen 10 °C (50 °F) und 45 °C (113 °F) aufgeladen werden.
- Reinigen Sie weder die Akkus noch das Ladegerät mit Wasser. Siehe *So führen Sie die wöchentliche Reinigung der Fernbedienung durch auf Seite 116*.
- Verwenden Sie keine beschädigten Akkus.
- Lagern Sie Akkus getrennt von Metallgegenständen wie Nägeln, Schrauben oder Schmuck.
- Entnehmen Sie die Akkus aus der Fernbedienung, wenn Sie das Gerät länger als 1 Woche nicht in Betrieb nehmen.

## Persönliche Sicherheit

- **Bleiben Sie aufmerksam, achten Sie auf das, was Sie tun, und setzen Sie Ihren gesunden Menschenverstand ein, wenn Sie mit dem Gerät arbeiten. Verwenden Sie das Gerät nicht, wenn Sie müde sind oder unter dem Einfluss von Drogen, Alkohol oder Medikamenten stehen.** Bei der Arbeit mit dem Gerät können bereits kurze Phasen der Unaufmerksamkeit zu schweren Verletzungen führen.
- **Tragen Sie eine persönliche Schutzausrüstung. Tragen Sie stets einen Augenschutz.** Schutzausrüstung wie Atemschutzmaske,



rutschsichere Sicherheitsschuhe, Schutzhelm und Gehörschutz senkt bei angemessenem Einsatz das Verletzungsrisiko.

- **Vermeiden Sie ein versehentliches Starten. Achten Sie darauf, dass sich der Schalter in der OFF-Stellung befindet, bevor Sie das Elektrowerkzeug an die Stromversorgung und/oder den Akku anschließen oder es hochheben oder herumtragen.** Durch Herumtragen des Geräts mit dem Finger am Schalter bzw. das Einstecken des Steckers bei betätigtem Schalter erhöht sich das Unfallrisiko.
- **Entfernen Sie sämtliche Einstellschlüssel, bevor Sie das Gerät einschalten.** Ein an einem beweglichen Teil des Geräts angebrachter Schlüssel kann zu Verletzungen führen.
- **Sorgen Sie für einen festen Stand. Achten Sie jederzeit darauf, sicher zu stehen und das Gleichgewicht zu bewahren.** Dadurch haben Sie das Gerät in unerwarteten Situationen besser im Griff.
- **Kleiden Sie sich richtig. Tragen Sie niemals lose sitzende Kleidung oder Schmuck. Halten Sie Haar und Kleidung von beweglichen Teilen fern.** Lose sitzende Kleidung, Schmuck oder langes Haar kann von beweglichen Teilen erfasst werden.
- **Wenn Anschlüsse für Staubabsaug- und Staubsammelvorrichtungen vorhanden sind, sorgen Sie dafür, dass diese richtig angeschlossen und eingesetzt werden.** Die Verwendung von Staubsammelvorrichtungen vermindert durch Staub verursachte Gefahren.
- **Lassen Sie nicht zu, dass Sie wegen Vertrautheit durch häufige Verwendung der Werkzeuge selbstgefällig werden und die Sicherheitsgrundsätze der Werkzeuge ignorieren.** Eine achtlose Handlung kann im Bruchteil einer Sekunde zu schweren Verletzungen führen.

## Nutzung und Pflege des Geräts

- **Überbeanspruchen Sie das Gerät nicht. Beschränken Sie sich für Ihren Einsatz auf das korrekte Gerät.** Das korrekte Gerät wird die Aufgabe besser und sicherer ausführen mit der Leistung, für die es ausgelegt ist.
- **Benutzen Sie das Gerät nicht, wenn es sich nicht am Schalter ein- und ausschalten lässt.** Jedes Gerät, das nicht mit dem Schalter betätigt werden kann, stellt eine Gefahr dar und muss repariert werden.
- **Trennen Sie das Gerät von der Stromversorgung bzw. entfernen Sie den Akku, bevor Sie Einstellungen vornehmen, Zubehörteile austauschen oder das Gerät verstauen.** Mit diesen Präventivmaßnahmen reduzieren Sie das Risiko eines versehentlichen unkontrollierten Starts des Gerätes.
- **Lagern Sie nicht benutzte Geräte außerhalb der Reichweite von Kindern, und lassen Sie nicht zu, dass Personen das Gerät bedienen, die nicht mit dem Gerät selbst und/oder diesen Anweisungen vertraut sind.** Die Geräte stellen in ungeschulten Händen eine Gefahr dar.

- **Pflegen Sie das Gerät und das Zubehör. Prüfen Sie, ob bewegliche Teile falsch eingestellt sind oder klemmen, ob Teile gebrochen oder so weit beschädigt sind, dass der Betrieb des Geräts beeinträchtigt werden kann. Bei Beschädigungen lassen Sie das Gerät reparieren, bevor Sie es benutzen.** Viele Unfälle sind auf schlechte Geräewartung zurückzuführen.
- **Halten Sie Schneidwerkzeuge scharf und sauber.** Ordnungsgemäß gewartete Schneidwerkzeuge mit scharfen Schnittkanten bleiben seltener hängen und sind einfacher zu bedienen.
- **Benutzen Sie Gerät, Zubehör, Aufsätze und Ähnliches in Übereinstimmung mit diesen Anweisungen und auf die für das jeweilige Elektrowerkzeug bestimmungsgemäße Weise und beachten Sie dabei die jeweiligen Arbeitsbedingungen und die Art der auszuführenden Arbeiten.** Der Einsatz des Geräts für bestimmungswidrige Zwecke kann zu Gefahrensituationen führen.
- **Halten Sie die Handgriffe und Griffflächen trocken, sauber und frei von Öl und Fett.** Wenn Handgriffe und Griffflächen rutschig sind, kann das Werkzeug in unerwarteten Situationen nicht sicher bedient und kontrolliert werden.

## Service

- **Lassen Sie Ihre Maschine von einem qualifizierten Fachmann reparieren und bestehen Sie darauf, dass nur Originalersatzteile dazu verwendet werden.** Dies trägt dazu bei, die Sicherheit der Maschine zu bewahren.
- **Warten Sie niemals beschädigte Akkus.** Akkus dürfen nur vom Hersteller oder von autorisierten Serviceanbietern gewartet werden.

## Sicherheitshinweise für Wandsägen

- **Halten Sie das Elektrowerkzeug nur an isolierten Griffflächen, wenn Sie Arbeiten durchführen, bei denen das Schneidmesser mit versteckten Netzkabeln oder dem eigenen Kabel in Berührung kommen kann.** Schneidmesser, die mit einem stromführenden Kabel in Kontakt kommen, können frei liegende Metallteile des Elektrowerkzeugs unter Strom setzen und dem Bediener einen Stromschlag versetzen.
- **Tragen Sie beim Diamantsägen einen Gehörschutz.** Lärm kann zu Hörverlust führen.
- **Wenn das Diamantrad klemmt, hören Sie auf, Vorschubkraft aufzubringen, und schalten Sie das Gerät aus.** Suchen Sie nach der Ursache für das Feststecken des Diamantrads, und nehmen Sie entsprechende Maßnahmen vor, um es zu korrigieren.
- **Stellen Sie beim Sägen durch das Werkstück sicher, dass Personen und Arbeitsbereiche auf der anderen Seite geschützt sind.** Das Diamantrad kann durch das Werkstück ragen.

- **Stellen Sie sicher, dass das Verfahren zur Befestigung des Spurführungssystems am Werkstück in der Lage ist, die Maschine während des Betriebs zu halten und zurückzuhalten.** Ist das Werkstück schwach oder porös, kann (können) die Verankerung(en) sich herauslösen, wodurch sich das Spurführungssystem vom Werkstück löst.

- Lesen Sie die Bedienungsanleitung aufmerksam durch, und machen Sie sich mit den Anweisungen vertraut, bevor Sie das Gerät verwenden.
- Das Gerät kann falsch oder nachlässig angewendet gefährlich sein und zu schweren oder gar lebensgefährlichen Verletzungen des Bedieners oder anderer Personen führen.
- Bei elektrisch angetriebenen Geräten besteht immer die Gefahr von elektrischen Schlägen. Verwenden Sie das Gerät nicht bei schlechtem Wetter. Vermeiden Sie, dass Ihr Körper Blitzableiter oder Metallgegenstände berührt. Befolgen Sie unbedingt die Anweisungen in der Betriebsanleitung, um Schäden zu verhindern.

## Allgemeine Sicherheitshinweise



**WARNUNG:** Lesen Sie die folgenden Warnhinweise, bevor Sie das Gerät verwenden.

- Diese Information kann natürlich in keiner Weise die Ausbildung und langjährige Erfahrung eines Fachmanns ersetzen. Wenn Sie in eine Situation geraten, in der Sie unsicher sind, sollten Sie einen Fachmann um Rat fragen. Fragen Sie Ihren Händler, Ihre Servicewerkstatt oder einen erfahrenen Benutzer. Vermeiden Sie jede Arbeit, für die Sie nicht ausreichend qualifiziert sind!
- Dieses Gerät ist für das Schneiden von Beton, Ziegeln und unterschiedlichen Steinmaterialien vorgesehen. Jede andere Verwendung ist nicht zulässig.
- Das Gerät ist sauber zu halten. Die Lesbarkeit aller Schilder und Aufkleber muss gewährleistet werden.
- Unzulässige Änderungen und/oder Zubehör können zu schweren oder tödlichen Verletzungen des Benutzers oder anderer Personen führen. Das Gerät nicht so modifizieren, dass es nicht länger mit der Originalausführung übereinstimmt, und nicht benutzen, wenn es scheinbar von anderen modifiziert wurde. Verwenden Sie kein defektes Gerät, keinen defekten Akku und kein defektes Akku-Ladegerät. Die Wartungs-, Kontroll- und Serviceanweisungen in dieser Bedienungsanleitung sind sorgfältig zu befolgen. Gewisse Wartungs- und Servicemaßnahmen sind von geschulten, qualifizierten Fachleuten auszuführen. Weitere Anweisungen finden Sie unter der Überschrift „Wartung“. Nur Originalersatzteile verwenden.
- Alle Arten von Reparaturen müssen von autorisiertem Personal durchgeführt werden. Damit soll gewährleistet werden, dass Bediener keinen großen Risiken ausgesetzt sind.
- Kontrollen und/oder Wartungsarbeiten sind bei abgeschaltetem Motor und abgezogenem Stecker durchzuführen.
- Lesen Sie die Bedienungsanleitung aufmerksam durch, und machen Sie sich mit den Anweisungen vertraut, bevor Sie das Gerät verwenden.
- Das Gerät kann falsch oder nachlässig angewendet gefährlich sein und zu schweren oder gar lebensgefährlichen Verletzungen des Bedieners oder anderer Personen führen.
- Bei elektrisch angetriebenen Geräten besteht immer die Gefahr von elektrischen Schlägen. Verwenden Sie das Gerät nicht bei schlechtem Wetter. Vermeiden Sie, dass Ihr Körper Blitzableiter oder Metallgegenstände berührt. Befolgen Sie unbedingt die Anweisungen in der Betriebsanleitung, um Schäden zu verhindern.
- Alle Bediener müssen in der Gerätebedienung unterwiesen werden. Der Eigentümer ist dafür verantwortlich, dass die Bediener eine Schulung erhalten.
- Der Bediener ist für Unfälle und Gefahren verantwortlich, die anderen Personen oder an deren Eigentum entstehen.
- Verbinden Sie das Gerät nur mit geerdeten Steckdosen.
- Kontrollieren Sie, ob die Netzspannung mit dem entsprechenden Spannungswert auf dem Typenschild des Geräts übereinstimmt.
- Stellen Sie sicher, dass Strom- und Verlängerungskabel intakt und in gutem Zustand sind.
- Verwenden Sie das Gerät nicht, wenn das Gerät oder das Netzkabel beschädigt ist. Lassen Sie das Gerät von einer autorisierten Servicewerkstatt reparieren oder das Netzkabel ersetzen.
- Verwenden Sie kein aufgewickeltes Verlängerungskabel, um eine Überhitzung auszuschließen.
- Das Schneiden bei zu hoher Drehzahl kann zu Schäden an der Trennscheibe und zu Personenschäden führen.
- Stoppen Sie den Motor, und trennen Sie das Netzkabel, bevor das Gerät angehoben oder bewegt wird.
- Lassen Sie niemals Kinder oder nicht ausgebildete Personen das Gerät bedienen.
- Lassen Sie niemals jemand anderen das Gerät benutzen, ohne sich zu vergewissern, dass die Person den Inhalt der Bedienungsanleitung gelesen und verstanden hat.
- Arbeiten Sie nicht mit dem Gerät, wenn Sie müde sind, Alkohol getrunken oder Medikamente eingenommen haben, da hierdurch Sehkraft, Urteilsvermögen oder Körperkontrolle beeinträchtigt werden können.
- Bedienen Sie das Gerät nur dann, wenn Sie bei einem Unfall Hilfe bekommen können.
- Stellen Sie sicher, dass das Gerät auf einer stabilen Oberfläche steht.
- Ziehen Sie das Netzkabel nicht ab, bevor der Motor aus ist und vollständig zum Stillstand gekommen ist.

## Sicherheitshinweise für den Betrieb



**WARNUNG:** Lesen Sie die folgenden Warnhinweise, bevor Sie das Gerät verwenden.

- Bedienen Sie das Gerät nur dann, wenn Sie bei einem Unfall Hilfe bekommen können.
- Stellen Sie sicher, dass das Gerät auf einer stabilen Oberfläche steht.
- Ziehen Sie das Netzkabel nicht ab, bevor der Motor aus ist und vollständig zum Stillstand gekommen ist.

- Entfernen Sie sich nicht vom Gerät, wenn der Motor eingeschaltet ist.
- Trennen Sie das Gerät bei längeren Arbeitsunterbrechungen immer von der Stromversorgung.
- Ziehen Sie immer den Netzstecker aus der Steckdose, wenn das Gerät bewegt wird.
- Die Feuerlöschrüstung muss stets in Reichweite aufbewahrt werden.
- Verwenden Sie den Griff nur zum Transport des Geräts.
- Tragen Sie zugelassene Arbeitskleidung oder gleichwertige, eng anliegende Kleidung mit langen Ärmeln und langen Hosenbeinen, die Ihre Bewegungsfreiheit nicht einschränkt.
- Tragen Sie keine lose sitzende Kleidung, Schmuck oder andere Gegenstände, die sich in beweglichen Teilen verfangen können. Binden Sie Ihre Haare sicherheitshalber zusammen, sodass sie nicht über Ihre Schultern fallen.
- Vergewissern Sie sich, dass Sie einen Erste-Hilfe-Kasten griffbereit haben.
- Beim Arbeiten mit dem Gerät können Funken entstehen. Sorgen Sie dafür, dass Sie einen Feuerlöscher griffbereit haben.

## Sicherheitsvorrichtungen am Gerät



**WARNUNG:** Lesen Sie die folgenden Warnhinweise, bevor Sie das Gerät verwenden.

- Verwenden Sie kein Gerät mit Sicherheitsvorrichtungen, die beschädigt sind oder nicht ordnungsgemäß funktionieren.
- Führen Sie regelmäßig eine Überprüfung der Sicherheitsvorrichtungen durch. Wenn die Sicherheitsvorrichtungen beschädigt sind oder nicht ordnungsgemäß funktionieren, wenden Sie sich an den Kundendienst von Husqvarna.
- Führen Sie keine Änderungen an den Sicherheitsvorrichtungen durch.

## Persönliche Schutzausrüstung

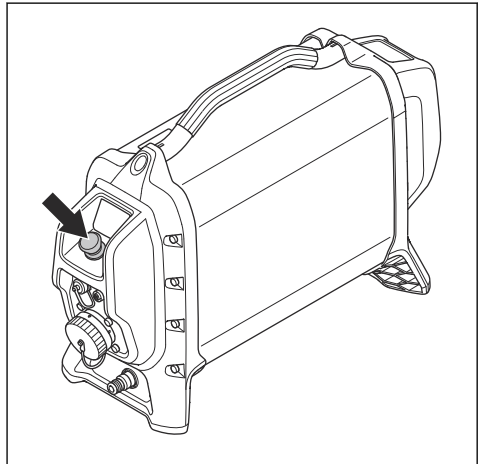


**WARNUNG:** Lesen Sie die folgenden Warnhinweise, bevor Sie das Gerät verwenden.

- Verwenden Sie stets die vorgeschriebene persönliche Schutzausrüstung bei der Bedienung des Geräts. Die persönliche Schutzausrüstung kann Verletzungen nicht vollständig vermeiden, vermindert aber den Umfang der Verletzungen und Schäden bei einem Unfall. Lassen Sie sich bei der Auswahl der korrekten persönlichen Schutzausrüstung von Ihrem Händler beraten.
- Überprüfen Sie regelmäßig den Zustand der persönlichen Schutzausrüstung.
- Verwenden Sie einen zugelassenen Schutzhelm.
- Tragen Sie einen zugelassenen Gehörschutz beim Arbeiten mit dem Gerät. Lärmbelastung über einen längeren Zeitraum kann zu lärmbedingten Hörschäden führen.
- Das Gerät verursacht Staubbildung und Dämpfe, die schlecht für Ihre Gesundheit sind. Tragen Sie einen zugelassenen Atemschutz.
- Tragen Sie einen zugelassenen Augenschutz mit seitlicher Abschirmung.
- Tragen Sie zugelassene Schutzhandschuhe.
- Tragen Sie strapazierfähige Stiefel mit Stahlkappen und rutschfesten Sohlen.

## Not-Aus-Taste des Antriebsaggregats

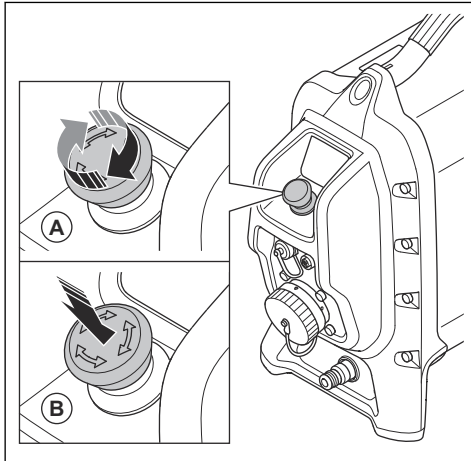
Die Not-Aus-Taste am Antriebsaggregat senkt die Drehzahl des angeschlossenen Elektrowerkzeugs. Die Not-Aus-Taste am Antriebsaggregat trennt außerdem das Elektrowerkzeug von der Stromversorgung.



## So führen Sie einen Test der Not-Aus-Taste des Antriebsaggregats durch

1. Drehen Sie die Not-Aus-Taste (A) am Antriebsaggregat im Uhrzeigersinn, um sicherzustellen, dass sie nicht arretiert ist.
2. Starten Sie das angeschlossene Elektrowerkzeug.
3. Drücken Sie auf dem Antriebsaggregat die Not-Aus-Taste (B).

4. Vergewissern Sie sich, dass das Elektrowerkzeug angehalten ist. Stellen Sie außerdem sicher, dass die grünen LEDs am Antriebsaggregat erlöschen und die rote LED blinkt.

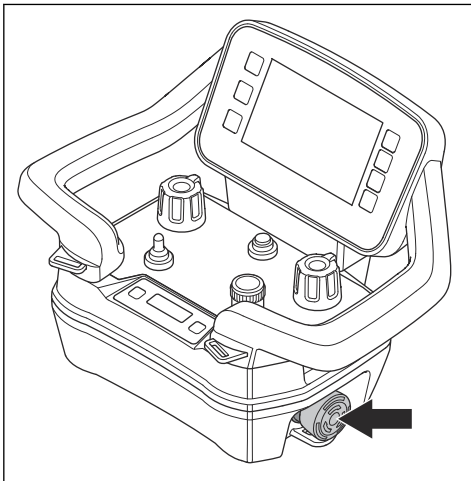


### Fernbedienung Maschinen-Stopp-taste

Mit der Maschinen-Stopp-taste kann das Elektrowerkzeug schnell abgestellt werden.

Mit der Maschinen-Stopp-taste kann ebenfalls die Drehzahl des verbundenen Elektrowerkzeugs verringert werden. Die Maschinen-Stopp-taste trennt auch das Elektrowerkzeug von der Stromversorgung.

Die Maschinen-Stopp-taste kann nicht verwendet werden, wenn das Elektrowerkzeug manuell bedient wird.



**ACHTUNG:** Verwenden Sie die Maschinen-Stopp-taste auf der Fernbedienung nicht als Stopp-Taste für das Elektrowerkzeug.

### So prüfen Sie die Maschinen-Stopp-taste auf der Fernbedienung

1. Drehen Sie die Not-Aus-Taste am Antriebsaggregat im Uhrzeigersinn, um sicherzustellen, dass sie nicht arretiert ist.
2. Drehen Sie die Not-Aus-Taste auf der Fernbedienung im Uhrzeigersinn, um sicherzustellen, dass sie nicht arretiert ist.
3. Drücken Sie die ON/OFF-Taste auf der Fernbedienung.
4. Drücken Sie den Kippschalter auf der Fernbedienung nach rechts, halten Sie ihn, und drücken Sie gleichzeitig das Potentiometer, um das Sägeblatt zu drehen.
5. Drücken Sie die Maschinen-Stopp-taste auf der Fernbedienung.
6. Stellen Sie sicher, dass das Sägeblatt stoppt.

### Erdschlussstrennschalter (RCD)

Der RCD-Schalter dient zum Schutz des Bedieners, wenn ein elektrischer Fehler auftritt.

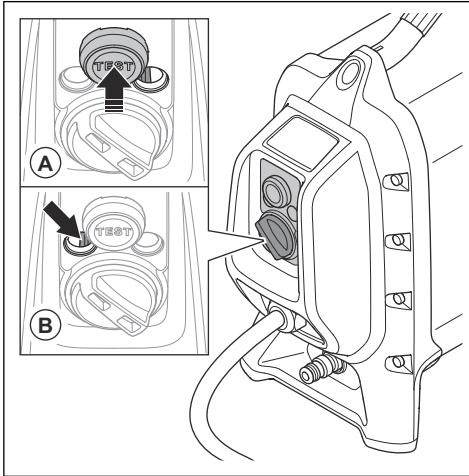
Wenn das Antriebsaggregat an einen 3-phasigen Anschluss angeschlossen ist, ist der in das Antriebsaggregat integrierte FI-Schalter aktiv.

Wenn das Antriebsaggregat an einen einphasigen Anschluss angeschlossen ist, ist der in das Antriebsaggregat integrierte FI-Schalter nicht aktiv. Sie müssen stattdessen einen separaten Einphasen-Adapter verwenden. Siehe *Zubehör auf Seite 133*.

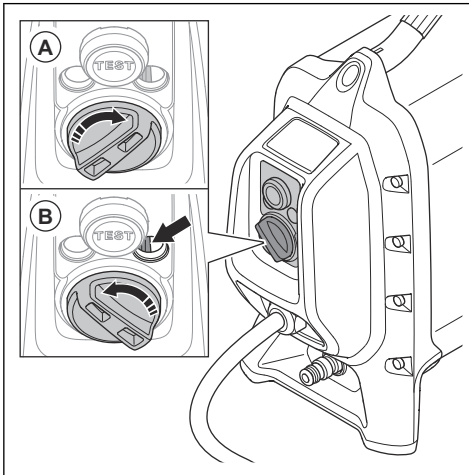
### So überprüfen Sie den Dreiphasen-FI-Schalter

1. Starten Sie das Gerät. Siehe *So starten Sie das Gerät auf Seite 102*.

2. Sehen Sie in die Inspektionsöffnungen, und drücken Sie den FI-Testschalter (A).



3. Stellen Sie sicher, dass sich der FI-Trennschalter nach links (B) bewegen lässt und das Gerät von der Stromversorgung trennt.
4. Stellen Sie sicher, dass das Sägeblatt stoppt. Stellen Sie außerdem sicher, dass alle LED-Anzeigen am Antriebsaggregat erlöschen.
5. Drehen Sie den FI-Rücksetzknopf (A) im Uhrzeigersinn, um den FI-Schalter zurückzusetzen. Sehen Sie in die Inspektionsöffnungen, um sicherzustellen, dass der FI-Schalter nach rechts (B) gestellt ist, wenn der FI-Rücksetzknopf nach links zurückspringt.

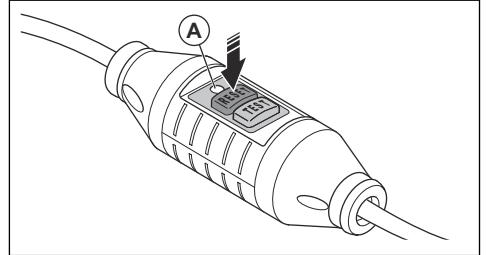


### So überprüfen Sie den Einphasen-FI-Schalter

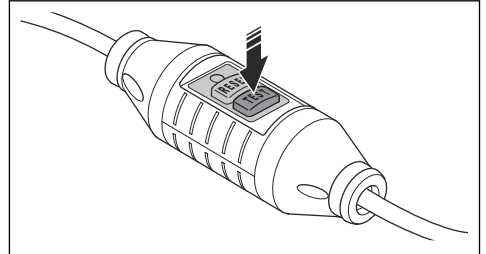
Wenn das Antriebsaggregat an einen einphasigen Anschluss angeschlossen ist, ist der in das

Antriebsaggregat integrierte FI-Schalter nicht aktiv. Sie müssen stattdessen einen separaten Einphasen-Adapter verwenden.

1. Verbinden Sie das Gerät mit einer Steckdose. Verwenden Sie den richtigen Adapter. Siehe *Zubehör auf Seite 133*.
2. Drücken Sie die RESET-Taste (grün). Stellen Sie sicher, dass die rote LED (A) leuchtet.



3. Starten Sie das Gerät.
4. Drücken Sie die TEST-Taste (blau).



5. Der FI-Schalter muss auslösen, das Gerät muss sofort anhalten und alle LED-Leuchten müssen erlöschen. Wenn nicht, wenden Sie sich bitte an Ihren Husqvarna-Händler.
6. Drücken Sie die RESET-Taste (grün).

### Trennscheibenschutz

Der Trennscheibenschutz hält Staub vom Bediener fern und verhindert Verletzungen, wenn die Trennscheibe bricht.

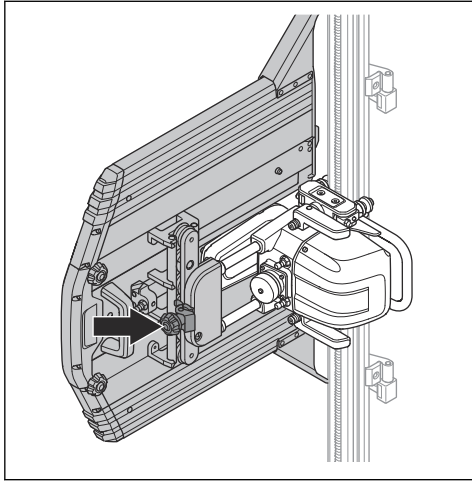


**WARNUNG:** Verwenden Sie das Gerät auf keinen Fall ohne einen Trennscheibenschutz.

Die äußeren Abschnitte können für Arbeiten in Bodennähe entfernt werden.

### Klingenschutzarretierung

Die Trennscheibenschutzarretierung hält die Trennscheibenschutzführung am Trennscheibenschutz in der korrekten Position. Achten Sie darauf, dass die Schraube für die Klingenschutzführung angezogen ist, wenn der Klingenschutz befestigt wird.



**WARNUNG:** Wenn die Endanschläge nicht korrekt an den Schienenenden befestigt sind, löst sich das Gerät und dies kann zu schweren Verletzungen führen.

#### So prüfen Sie die Endanschläge

- Stellen Sie sicher, dass die Endanschläge an den Schienenenden befestigt sind. Siehe *Wandsäge – Übersicht auf Seite 72*.

#### Sicherheitshinweise für die Wartung



**WARNUNG:** Lesen Sie die folgenden Warnhinweise, bevor Sie das Gerät warten.

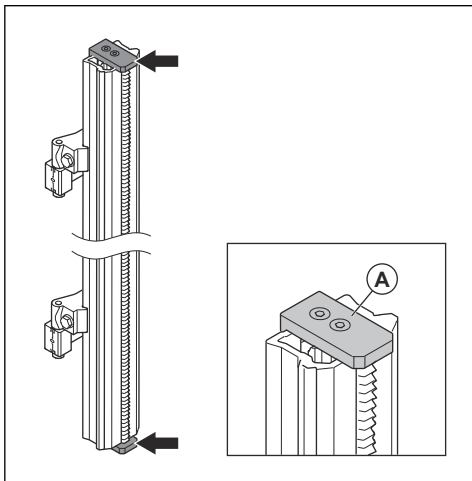
- Nicht autorisierte Änderungen und/oder nicht autorisiertes Zubehör können zu schweren Verletzungen des Bedieners oder anderer Personen führen.
- Warten Sie das Gerät täglich, um sicherzustellen, dass es ordnungsgemäß funktioniert. Siehe *Wartungsplan auf Seite 113*.
- Führen Sie die Inspektion und/oder Wartung bei stehendem Motor und gezogenem Netzstecker durch.
- Reinigen Sie das Gerät nicht mit einem Hochdruckreiniger. Richten Sie den Wasserstrahl nicht auf elektrische Bauteile oder Lager.
- Lassen Sie das Gerät nur von einer autorisierten Servicewerkstatt warten. Verwenden Sie nur Ersatzteile von Husqvarna oder gleichwertige Ersatzteile.

#### So prüfen Sie die Klingenschutzarretierung

- Stellen Sie sicher, dass der Klingenschutzarretierungsmechanismus an der Klingenschutzführung korrekt funktioniert. Siehe *Klingenschutzarretierung auf Seite 85*.

#### Endanschläge

Die Endanschläge (A) sorgen dafür, dass sich das Gerät nicht von den Schienen löst. Stellen Sie sicher, dass die Endanschläge an den Enden der Schienen installiert sind, sodass die Säge nicht von den Schienen gleiten kann. Siehe *So montieren Sie die Schienenverbinder auf Seite 88*.



# Montage

## Einleitung



**WARNUNG:** Lesen Sie vor der Montage des Geräts das Kapitel über Sicherheit, und machen Sie sich damit vertraut.

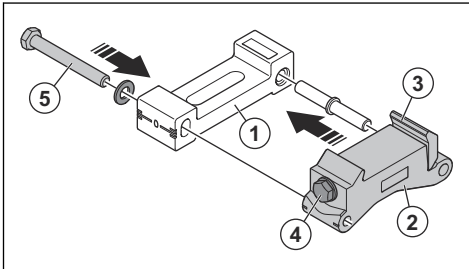
## Halter

Es gibt 2 Arten von Halterungen, die Standard-Halterung und die Universal-Halterung, siehe *Wandsäge – Übersicht auf Seite 72*.

Die Standard-Halterung befestigt die Schiene in der richtigen Position an der Wand. Diese Bedienungsanleitung enthält Informationen zur Verwendung der Standard-Halterung.

Die Universal-Halterung befestigt die Schiene an dem zu schneidenden Material oder an einem angrenzenden Bereich. Informationen zur Verwendung der Universal-Halterung finden Sie in der Bedienungsanleitung der Universal-Halterung.

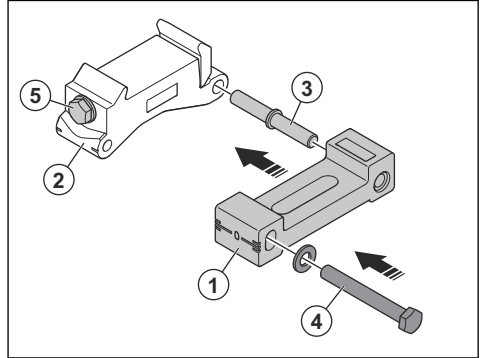
## So montieren Sie die Halterung



1. Der Teil der Halterung, der der Wand am nächsten ist. Sie verfügt über Nuten für Expanderschrauben und eine Wasserwaage, die verwendet werden kann, wenn Sie die Halterungen horizontal montieren.
2. Der Teil der Halterung, der die Schiene hält. Sie verfügt über eine Wasserwaage, die verwendet werden kann, wenn Sie die Halterung vertikal montieren.
3. Spannscheibe mit Feder. Die Klemmscheibe fixiert die Schiene an der Halterung. Dadurch kann die Schiene in der Halterung eingerastet werden.
4. Sicherungsschraube. Verwenden Sie sie, um die Klemmscheibe festzuziehen.
5. Sicherungsschraube. Die beiden Teile der Halterung sollten in die neutrale Position gebracht werden. Wenn die Betonoberfläche gerade ist, wird das Sägeblatt in einem Winkel von 90 Grad zur zu schneidenden Oberfläche platziert. Wenn die Betonoberfläche uneben ist, können Sie die Position

der Halterung mit der Sicherungsschraube ändern, um den Schnittwinkel einzustellen.

## So spiegeln Sie die Montage der Halterung



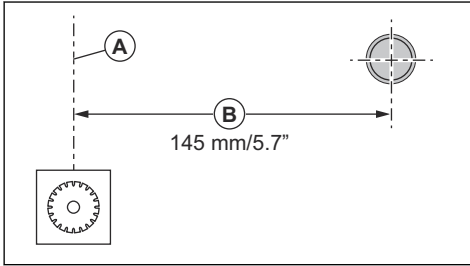
Um den Zugang zu den Verschlusschrauben zur Winkleinstellung (4) und/oder zur Verschlusschraube für die Klemmscheibe (5) zu erleichtern, können die Halterungen gespiegelt werden.

1. Entfernen Sie die Schraube (4), die die beiden Hälften der Halterung (1) und (2) zusammenhält. Trennen Sie die beiden Hälften.
2. Stecken Sie den Stift (3) von einer Seite der Halterungshälfte (2) in die andere.
3. Drücken Sie die beiden Hälften wieder zusammen und montieren Sie die Schraube (4) wieder von der anderen Seite. In der Normalposition sollte die Markierungslinie an der Halterungshälfte (2) mit der 0-Linie der anderen Hälfte (1) übereinstimmen.

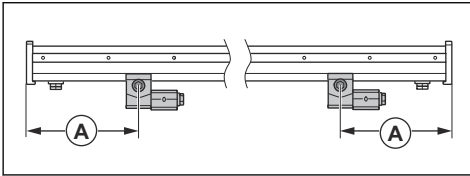
## So befestigen Sie die Halterungen an der Wand

Verwenden Sie die Schelle und die Unterlegscheibe auf beiden Seiten der Schiene, wenn Sie die Halterungen anbringen. Es müssen mindestens zwei Halterungen verwendet werden. Wenn mehrere Schienen miteinander verbunden sind, benötigen Sie eine Halterung für jeden Schienenabschnitt.

1. Markieren Sie die Schnittlinie (A). Markieren Sie die Bohrungen für die Expanderschrauben ca. 145 mm (5,7 Zoll) (B) von der Schnittlinie entfernt.

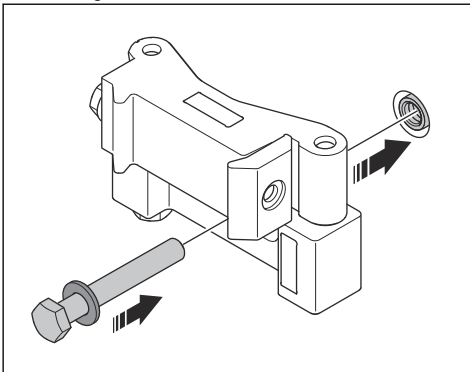


2. Platzieren Sie die Halterungen etwa 1/2 Schienenlänge von einander entfernt. Der Abstand zwischen einer Halterung und dem Ende der Kette sollte ca. 1/4 der Spurlänge (A) betragen.

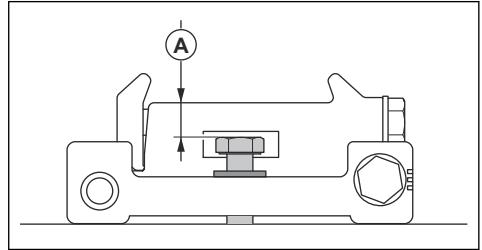


3. Führen Sie die Bohrungen für die Expanderschrauben entsprechend der Anweisungen des Herstellers aus. Verwenden Sie Montageelemente, die auf das zu schneidende Material eingestellt sind. Bohren Sie mit einem 12-mm-Bohrer das Loch für den Expanderanker M10x40, der im Lieferumfang der Sägeausrüstung enthalten ist. Verfahren Sie entsprechend den Anweisungen des Herstellers.

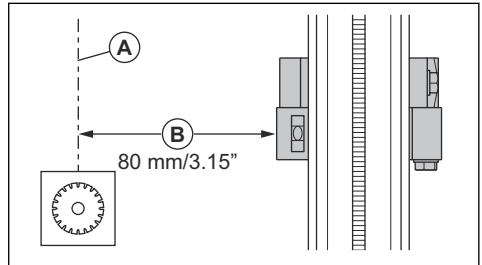
4. Hängen Sie die beiden Halterungen lose in die Expanderschrauben M10x35 und eine Unterlegscheibe Ø10,5x22.



5. Stellen Sie sicher, dass der Schraubenkopf nicht über die Schienenenebene (A) herausragt.



6. Der Abstand (B) zwischen den einzelnen Halterungen und der Schnittlinie (A) sollte 80 mm (3,15") betragen. Wenn die Schnittlinie genau vertikal oder genau horizontal verläuft und die tragende Oberfläche eben ist, können Sie die Nivellierwaagen auf den Halterungen verwenden, um diese in diesem frühen Stadium auszurichten. Anschließend werden die Expanderschrauben auf 40 Nm angezogen. In anderen Fällen müssen Sie die Schiene an den Halterungen montieren, bevor Sie die Expanderschrauben festziehen.



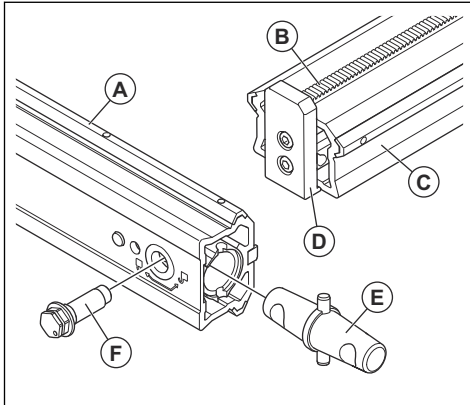
## So montieren Sie die Schienenverbinder

Verwenden Sie Schienenverbinder, wenn längere Schnitte erforderlich sind. Fügen Sie pro 1 m Schienenerweiterungsabschnitt 1 Halterung hinzu.



**ACHTUNG:** Stellen Sie sicher, dass die Schienenverbinder zum Gerät passen.





**A.** Lenkprisma für Führungsräder zum Transport der Säge

**B.** Zahnstange

**C.** Spannfläche für die Wandmontage

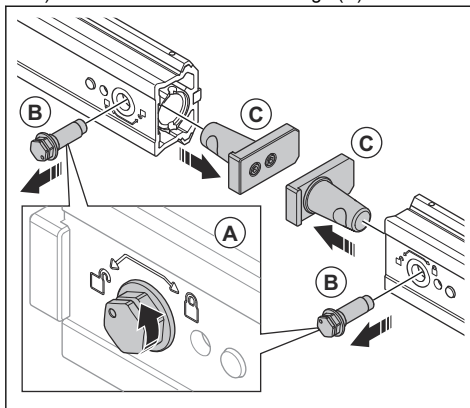
**D.** Endanschlag, Schiene

**E.** Verbinder, Schiene

**F.** Exzenterschraube

**1.** Entfernen Sie die Endstopper.

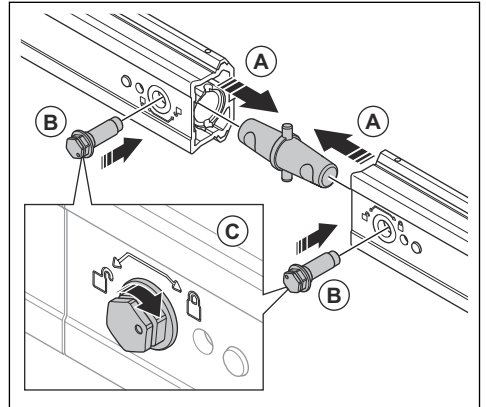
- a) An der Unterseite der zu verbindenden Schienenenden befinden sich Exzenterschrauben. Um sie zu entsperren, drehen Sie sie gegen den Uhrzeigersinn (A).
- b) Entfernen Sie die Exzenterschrauben (B).
- c) Entfernen Sie die Endansschläge (C).



**2.** Montieren Sie den Verbinder.

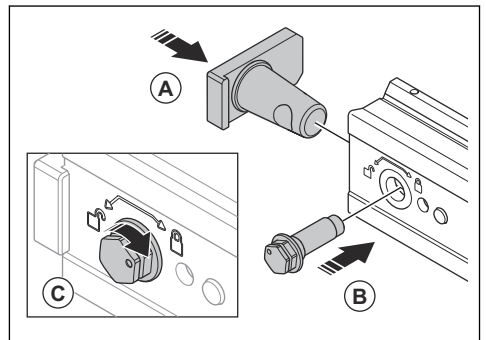
- a) Setzen Sie den Verbinder zwischen die beiden Enden der Schiene und schieben Sie die Enden der Schiene zusammen, bis sie auf einander treffen (A). Die Enden müssen bündig in der Mitte des Anschlusses sein.

- b) Setzen Sie die Exzenterschrauben (B) in die Bohrungen an der Unterseite der Schiene ein. Achten Sie darauf, dass die Markierung auf der Schraube mittig über dem Symbol mit dem geöffneten Vorhängeschloss ist. Die Schraube sollte vollständig eingedrückt werden, sodass der Kopf flach an der Schiene anliegt.
- c) Drehen Sie die Schrauben (C) im Uhrzeigersinn in Richtung des Symbols mit dem verriegelten Vorhängeschloss, um sie zu verriegeln. Mit 40 Nm anziehen.



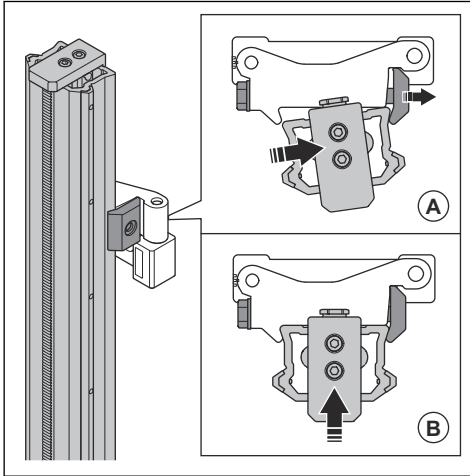
**3.** Montieren Sie den Endanschlag.

- a) Setzen Sie den Endanschlag (A) in das Ende der Schiene ein.
- b) Setzen Sie die Exzenterschraube (B) in die Bohrung an der Unterseite der Schiene ein. Achten Sie darauf, dass die Markierung auf der Schraube mittig über dem Symbol mit dem geöffneten Vorhängeschloss ist. Die Schraube sollte vollständig eingedrückt werden, sodass der Kopf flach an der Schiene anliegt.
- c) Drehen Sie die Schraube (C) im Uhrzeigersinn in Richtung des Symbols mit dem verriegelten Vorhängeschloss, um sie zu verriegeln. Mit 40 Nm anziehen.

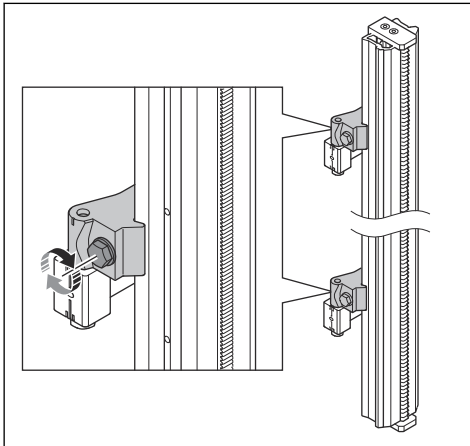


## So montieren Sie die Schienen

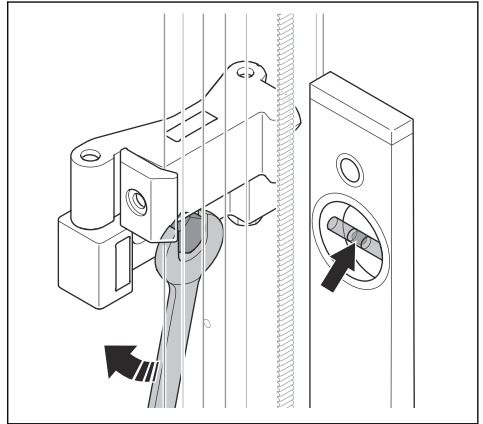
1. Stellen Sie sicher, dass die Expanderschraube nicht über die Oberfläche der Schiene auf den Halterungen ragt.
2. Lassen Sie die Schiene in beide Halterungen einrasten. Passen Sie die Position der Schienen in der Länge an.



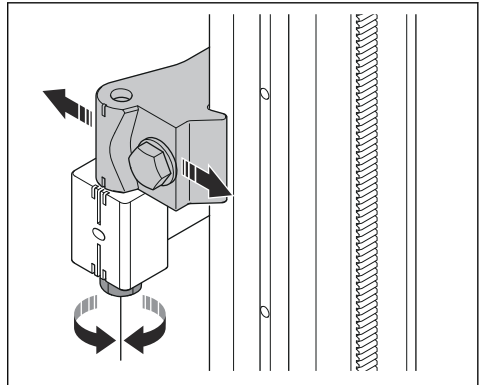
3. Ziehen Sie die Klemmscheiben an den Montagehalterungen mit 40 Nm fest.



4. Achten Sie darauf, dass die Schnittlinie einen Abstand von 80 mm (3,15") zur Halterung hat. Ziehen Sie die Expanderschrauben mit 40 Nm an.



5. Um den Klingenwinkel an die Betonoberfläche anzupassen, lösen Sie die Sicherungsschraube, und stellen Sie den Winkel ein. Richten Sie beide Hälften der Halterung zueinander aus.



## So montieren Sie die Wandsäge auf den Schienen



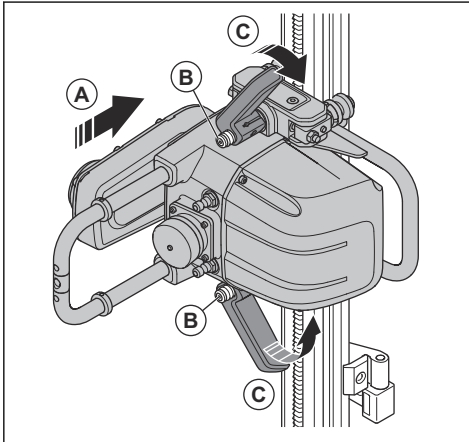
**WARNUNG:** Montieren Sie das Gerät auf dem Sägeschlitten, bevor Sie es auf den Schienen montieren.



**WARNUNG:** Wenn die Säge nicht sicher auf der Schiene montiert ist, kann dies zu lebensgefährlichen Verletzungen führen.

1. Drücken Sie die Verriegelungstasten (B) an den Sperrgriffen (C) nach unten. Drehen Sie die Griffe aus der Sägeeinheit heraus, um die Führungsräder von der Befestigung des Transportwagens zu lösen.

2. Heben Sie die Sägeeinheit mit geöffneten Sperrgriffen auf die Schiene (A). Neigen Sie die Sägeeinheit über die Schiene, sodass das Zuführrad in das Gestell auf der Schiene einrastet.
3. Drehen Sie die Sperrgriffe (C) wieder in Richtung der Säge, bis die Sperrknöpfe (B) auf den Griffen aufklappen und die Führungsräder bündig mit der Schiene abschließen.



4. Wenn die Sägeeinheit auf einer vertikal montierten Schiene montiert wird, verriegeln Sie den oberen Sperrgriff. Wenn der obere Sperrgriff verriegelt ist, wird das Gewicht der Säge verringert und der untere Griff lässt sich leichter verriegeln. Stellen Sie sicher, dass zwischen der Säge und den Führungsrädern und der Schiene kein Spiel vorhanden ist. Wenn Spiel vorhanden ist, müssen die Führungsräder eingestellt werden. Siehe *So stellen Sie die Führungsräder ein auf Seite 115*.

## So montieren Sie die Klinge

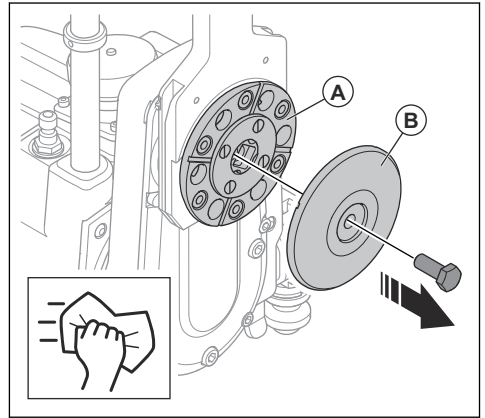


**WARNUNG:** Trennen Sie das Gerät vom Netz, bevor Sie mit der Montage beginnen.

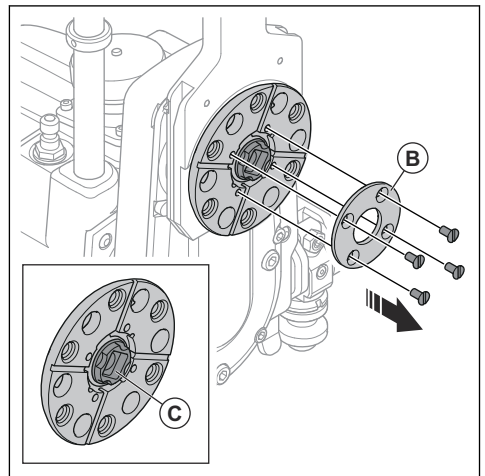
Es wird empfohlen, Diamantklingen von Husqvarna mit der WS 8 zu verwenden. Der Maximalwert für die Startklinge beträgt 600 mm, und die maximale Größe für Klingen für tiefere Schnitte beträgt 900 mm. Fragen Sie Ihren Husqvarna Händler nach Empfehlungen hinsichtlich Klingen für unterschiedliche Materialien.

1. Lösen Sie die Klingenschraube, und entfernen Sie den äußeren Trennscheibenflansch.
2. Reinigen Sie die Klemmflächen am inneren (A) und äußeren (B) Trennscheibenflansch. Stellen Sie sicher, dass sie frei von Graten sind.
3. Reinigen Sie die Klemmflächen der Trennscheibe, und stellen Sie sicher, dass sie nicht beschädigt ist.
4. Der innere Trennscheibenflansch (B) hat ein werkseitig montiertes Mittendistanzstück für 60-mm-Mittenbohrungen der Trennscheibe. Entfernen Sie den Abstandhalter von 60 mm/2,4 Zoll, wenn Sie Trennscheiben mit Mittenbohrungen (C) von 25,4 mm/1 Zoll verwenden.
5. Achten Sie darauf, die richtige Drehrichtung in Bezug auf den Wasserstrahl zu verwenden. Beim vertikalen Schneiden sollten Sie den Wasserstrahl nach unten zum Boden richten.
6. Montieren Sie die Trennscheibe entsprechend des Drehpfeils auf der Klinge. Wenn kein Drehpfeil auf der Trennscheibe vorhanden ist, können Sie die Diamanten in den Segmenten untersuchen und sicherstellen, dass der freie Teil der Diamanten in Drehrichtung der Trennscheibe liegt.

2. Reinigen Sie die Klemmflächen am inneren (A) und äußeren (B) Trennscheibenflansch. Stellen Sie sicher, dass sie frei von Graten sind.

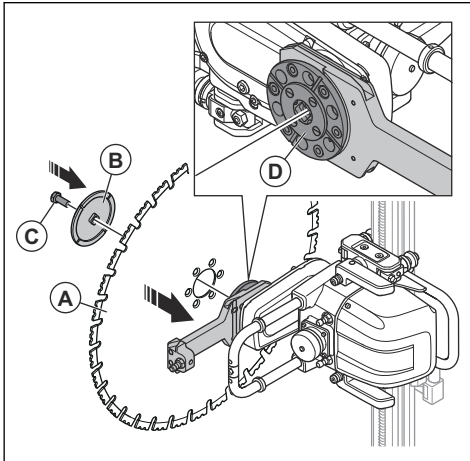


3. Reinigen Sie die Klemmflächen der Trennscheibe, und stellen Sie sicher, dass sie nicht beschädigt ist.
4. Der innere Trennscheibenflansch (B) hat ein werkseitig montiertes Mittendistanzstück für 60-mm-Mittenbohrungen der Trennscheibe. Entfernen Sie den Abstandhalter von 60 mm/2,4 Zoll, wenn Sie Trennscheiben mit Mittenbohrungen (C) von 25,4 mm/1 Zoll verwenden.

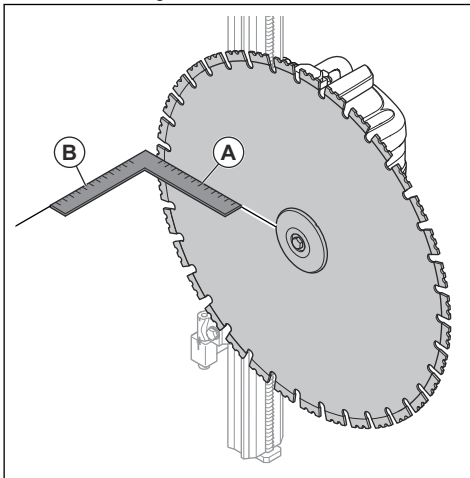


5. Achten Sie darauf, die richtige Drehrichtung in Bezug auf den Wasserstrahl zu verwenden. Beim vertikalen Schneiden sollten Sie den Wasserstrahl nach unten zum Boden richten.
6. Montieren Sie die Trennscheibe entsprechend des Drehpfeils auf der Klinge. Wenn kein Drehpfeil auf der Trennscheibe vorhanden ist, können Sie die Diamanten in den Segmenten untersuchen und sicherstellen, dass der freie Teil der Diamanten in Drehrichtung der Trennscheibe liegt.

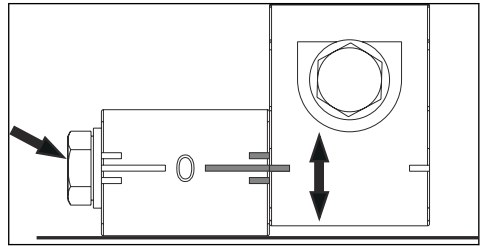
7. Führen Sie die Trennscheibe nach oben auf die mittlere Führung, und platzieren Sie sie gegen den inneren Trennscheibenflansch. Halten Sie die Trennscheibe fest, montieren Sie dann den äußeren Trennscheibenflansch mit der Trennscheibenschraube, und ziehen Sie ihn mit 45 Nm fest.



8. Verwenden Sie ein großes Zeichendreieck, und stellen Sie sicher, dass der Winkel zwischen der Klinge (A) und der Wand (B) senkrecht ist. Wenn die Trennscheibe nicht senkrecht zur Wand ist, lösen Sie die Verschlusschraube für die Winkeleinstellung, und winkeln Sie die Wandhalter an, bis die Klinge in senkrechter Position ist.



9. Richten Sie beide Hälften der Halterung zueinander aus.



**WARNUNG:** Stellen Sie vor dem Start des Geräts sicher, dass die Klinge korrekt daran befestigt ist.

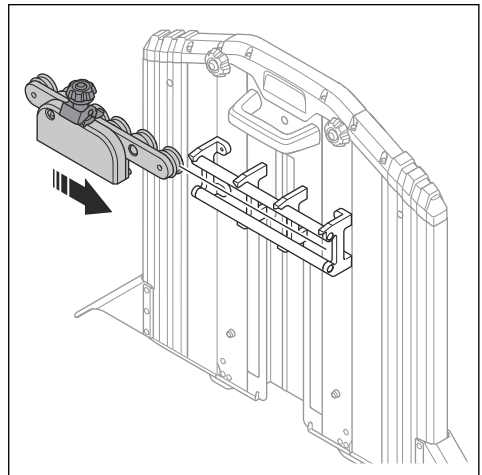
## So montieren Sie den Trennscheibenschutz



**WARNUNG:** Trennen Sie das Gerät vom Netz, bevor Sie mit der Montage beginnen.

Der Trennscheibenschutz besteht aus drei Teilen.

- Ein Mittelteil, das an der Sägeeinheit montiert ist.
  - Zwei äußere Abschnitte, die am mittleren Abschnitt montiert sind. Die äußeren Abschnitte sind gleichseitig und können auf beiden Seiten des mittleren Abschnitts befestigt werden.
1. Drücken Sie die Klingenschutzführung zwischen die Rohre und den Klingenschutz.
  2. Stellen Sie sicher, dass die Führungsrollen auf dem Klingenschutz problemlos zwischen den Rohren rollen.



3. Wenn die Klingenschutzführung zwischen den Rohren Spiel aufweist, müssen die Führungsrollen justiert werden. Siehe *So stellen Sie die Trennscheibenschutzführung ein* auf Seite 115.

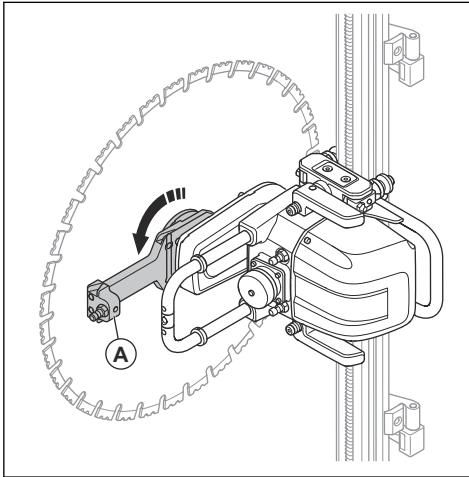
## So befestigen Sie den Trennscheibenschutz an der Wandsäge



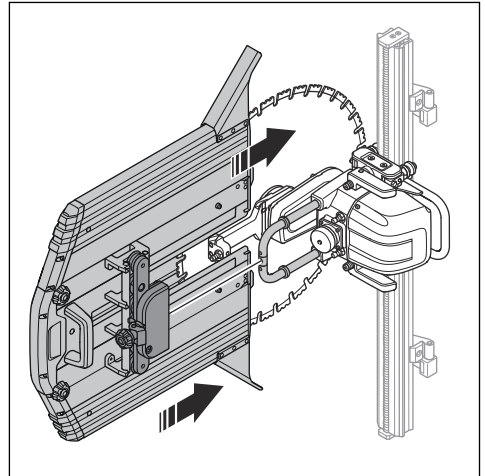
**WARNUNG:** Trennen Sie das Gerät vom Netz, bevor Sie mit der Montage beginnen.

Achten Sie darauf, dass der Klingenschutz unbeschädigt ist und die Klingenschutzführung auf dem Klingenschutz montiert und mittig ausgerichtet ist. Um die Montage des Trennscheibenschutzes zu erleichtern, entfernen Sie die äußeren Abschnitte vom mittleren Abschnitt.

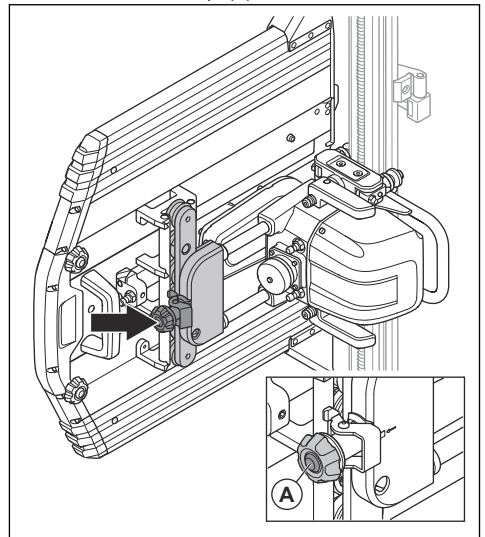
1. Drehen Sie den Führungsflansch (A) für den Trennscheibenschutz an der Sägeeinheit nach oben. Dadurch wird der Wasseranschluss gerade aus dem Schwenkarm heraus geführt.



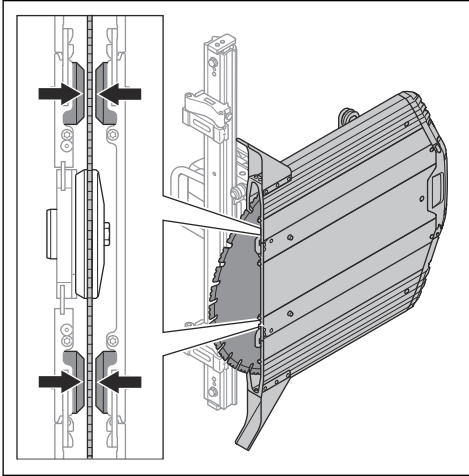
2. Richten Sie die Führungen des Trennscheibenschutzes auf die Führungsschienen in Richtung des Führungsflansches. Klappen Sie den Trennscheibenschutz über die Trennscheibe.



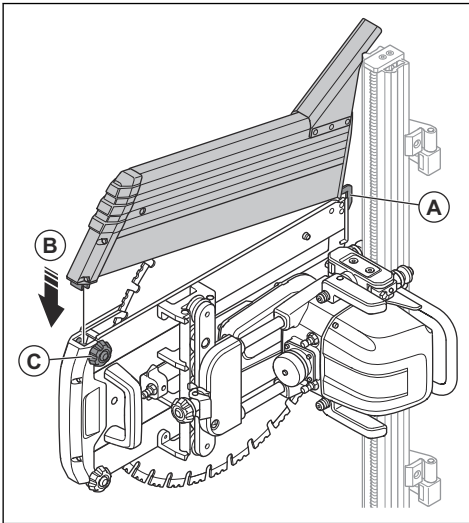
3. Befestigen Sie die Führung des Trennscheibenschutzes an der Sägeeinheit. Ziehen Sie den Feststellknopf (A) korrekt an.



4. Stellen Sie sicher, dass die Klinge mittig auf dem Klingenschutz sitzt und frei ist.

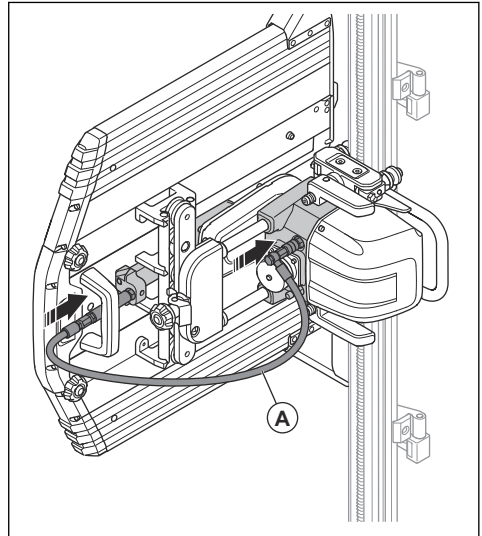


5. Bringen Sie die äußeren Teile wieder an, wenn Sie diese während der Montage entfernt haben.



- a) Haken Sie die Gabel (A) in die untere Kante des mittleren Abschnitts ein.  
b) Klappen Sie den äußeren Abschnitt (B) in Richtung des mittleren Abschnitts.  
c) Verwenden Sie zum Sichern die Sperrhebel (C).

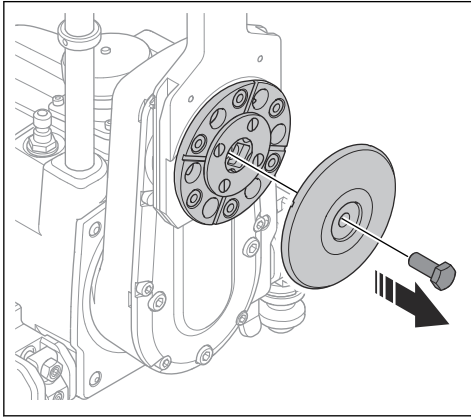
6. Schließen Sie den Wasserschlauch (A) zwischen dem Auslass des Wasserversorgungsanschlusses am Sägegehäuse an den Wasseranschluss am Führungsflansch an.



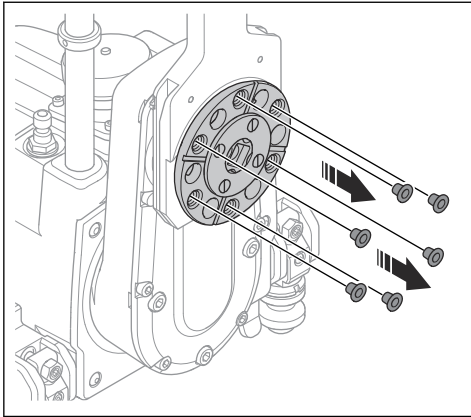
## So montieren Sie die Klinge für den bündigen Schnitt

Zum Bündigschneiden an einer senkrechten Oberfläche ist es möglich, die Klinge mit sechs Schlitzschrauben direkt am inneren Klingensflansch zu befestigen. Dieses muss durchgeführt werden, bevor die Säge auf der Schiene befestigt wird und am besten dann, wenn die Säge auf dem Transportwagen befestigt ist. Justieren Sie zum Bündigschneiden während der Montage den Abstand der Halterungen von der Schnittlinie auf ungefähr 85-90 mm/3,34-3,54 Zoll. Es sollte ein spezieller Klingenschutz zum Bündigschneiden verwendet werden.

1. Entfernen Sie die Klingenschraube und den äußeren Klingensflansch.

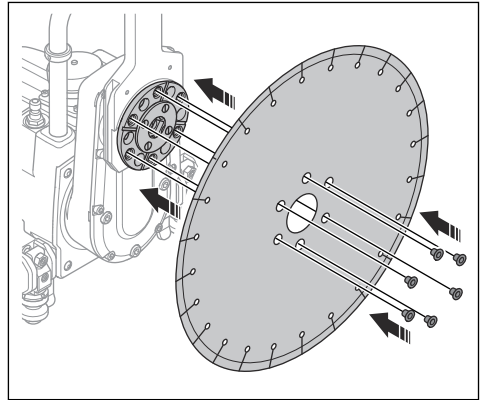


2. Reinigen Sie die Oberfläche am inneren Trennscheibenflansch, und stellen Sie sicher, dass sie frei von Graten ist.
3. Entfernen Sie die sechs Stopfen, welche die Schrauben vor Verschmutzung schützen.



4. Zentrieren Sie die Klinge auf der Führungsschulter, und drücken Sie sie auf den Innenflansch.

5. Drehen Sie die sechs bündigen Schneidschrauben (Senkkopf) ein, und ziehen Sie sie über Kreuz mit 30 Nm fest. Das Trennscheibenmuster für bündiges Schneiden ist Ø85 mm/3,34 Zoll.



6. Montieren Sie die Säge mit der Trennscheibe auf der Schiene. Stellen Sie die Position und den Winkel der Schiene entsprechend dem Kontakt der Trennscheibe mit der gegenüberliegenden Oberfläche ein.
7. Führen Sie die Säge über die gesamte Länge des geplanten Schnitts, bevor Sie mit dem Schneiden beginnen, um sicherzustellen, dass Abstand und Winkel der Trennscheibe korrekt sind und dass sich keine unebenen Teile auf der gegenüberliegenden Oberfläche befinden.
8. Montieren Sie die Schutzvorrichtung zum Bündigschneiden, und stellen Sie sicher, dass sich die Klinge frei in der Schutzvorrichtung bewegt.
9. Schließen Sie den Wasserschlauch zwischen dem Auslass des Wasserversorgungsanschlusses am Sägegehäuse an den Wasseranschluss am Führungsflansch an.

## So verbinden Sie das Antriebsaggregat mit einem Netzanschluss

1. Stellen Sie das Antriebsaggregat auf einer stabilen und trockenen Oberfläche am Arbeitsplatz auf.
2. Schließen Sie das Antriebsaggregat an eine geerdete Steckdose mit kontinuierlicher Spannung an. Siehe *Technische Daten* auf Seite 127. Kontrollieren Sie, ob die Netzspannung mit der auf dem Typenschild des Antriebsaggregats angegebenen Spannung übereinstimmt.
3. Wenn die Stromquelle einphasig ist, verwenden Sie einen Adapter. Siehe *Zubehör* auf Seite 133.



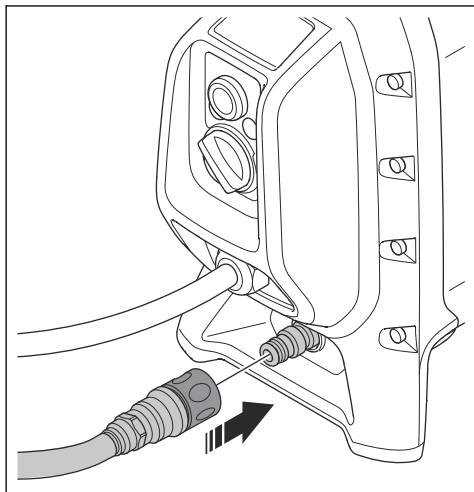
## So verbinden Sie die Wasserversorgung mit dem Antriebsaggregat



**ACHTUNG:** Verwenden Sie nur sauberes Wasser, damit kein Schmutz das Wassersystem verstopft.

**Hinweis:** Das Kühlwasser stoppt während eines Stromausfalls nicht.

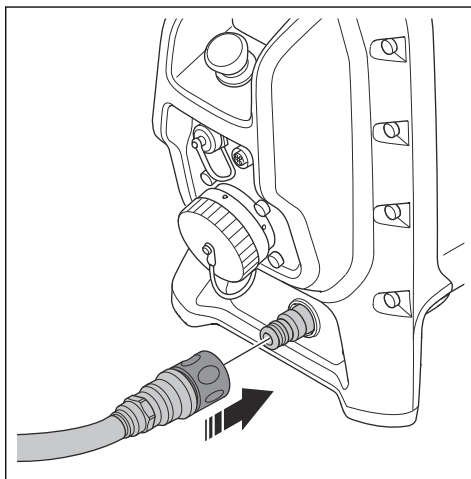
1. Schließen Sie den Wasserschlauch an den Wassereinlass-Anschluss am Gerät an.



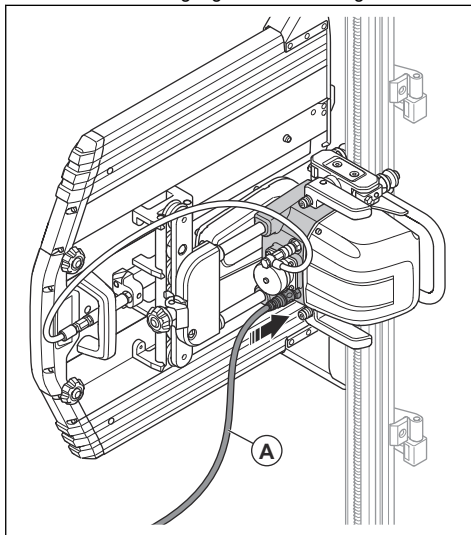
## So verbinden Sie das Antriebsaggregat mit der Wandsäge

1. Verbinden Sie die Wasserversorgung zwischen dem Antriebsaggregat und der Wandsäge.

- a) Schließen Sie den Wasserschlauch an den Wasserauslass-Anschluss am Antriebsaggregat an.



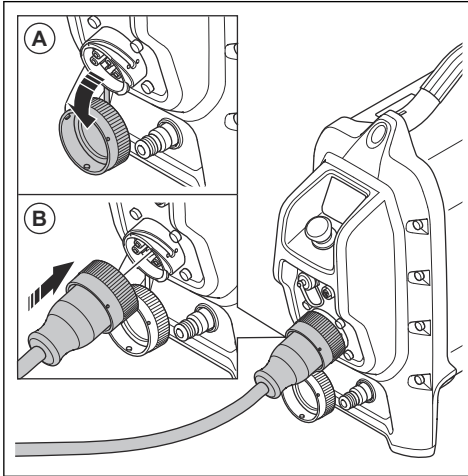
- b) Schließen Sie den Wasserschlauch (A) vom Antriebsaggregat an den Eingangsanschluss der Wasserversorgung an der Wandsäge an.



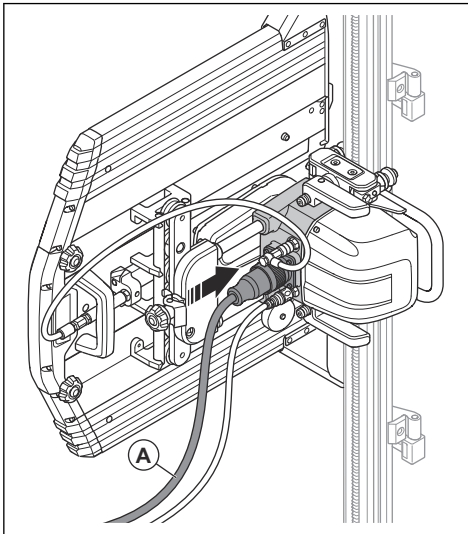
- c) Stellen Sie den Fluss des Kühlwassers zur Wandsäge mit dem Wassersteuerventil ein. Siehe *Technische Daten auf Seite 127* für Wasserdruck.
2. Schließen Sie den Strom zwischen dem Antriebsaggregat und der Wandsäge an.



- a) Entfernen Sie die Abdeckung (A) am Ausgang des Werkzeuganschlusses.



- b) Verbinden Sie das Netzkabel mit dem Werkzeuganschluss (B). Falls erforderlich, verwenden Sie einen Adapter.
- c) Verbinden Sie das Netzkabel (A) vom Antriebsaggregat mit der Schneideinheit. Bringen Sie die Abdeckungen aneinander an, um zu verhindern, dass Schmutz in die Deckel gelangt.



## So demontieren Sie das Gerät

Wenn das Gerät über einen Transportwagen verfügt, legen Sie alle demontierten Teile auf den Transportwagen.

1. Ziehen Sie das Netzkabel des Antriebsaggregats aus der Steckdose.
2. Ziehen Sie das Netzkabel zwischen Schneideinheit und Antriebsaggregat ab. Bringen Sie die Deckel an den Steckverbindern an.
3. Trennen Sie die Wasserschläuche von der Schneideinheit.
4. Demontieren Sie den Klingenschutz.
5. Entfernen Sie die Klingenschutzführung.
6. Demontieren Sie die Klinge. Demontieren Sie den äußeren Klingensflansch, die Klinge und die Klingenschraube.
7. Drücken Sie die Sperrknöpfe nach unten, und klappen Sie die Sperrgriffe aus, um die Schneideinheit von der Schiene zu lösen.
8. Lösen Sie die Schlossschrauben der Spannscheibe an den Halterungen, und heben Sie die Schiene von den Halterungen ab. Lösen Sie 1 der Klemmspindeln in der Mitte der Schiene, um die Schienen zu lösen. Entfernen Sie die Schienen.
9. Demontieren Sie die Halterungen.

## Einleitung



**WARNUNG:** Vor dem Betrieb des Gerätes müssen Sie die Sicherheitsinformationen lesen und verstehen.

- Wenn Sie die Wandsäge WS 8 verwenden, lesen Sie den Abschnitt „Betrieb“ in diesem Handbuch.
- Wenn Sie ein anderes Elektrowerkzeug verwenden, das mit dem Antriebsaggregat PP 8 kompatibel ist, lesen Sie den Abschnitt „Betrieb“ in diesem Handbuch nur bezüglich des Antriebsaggregats PP 8. Bei anderen Fragen lesen Sie bitte das Handbuch des anderen Elektrowerkzeugs.

## Bevor Sie das Produkt in Betrieb nehmen

1. Lesen Sie die Betriebsanleitung sorgfältig durch, und vergewissern Sie sich, dass Sie die Anweisungen verstehen.
2. Warten Sie das Gerät täglich. Siehe *Wartungsplan auf Seite 113*.
3. Sorgen Sie dafür, dass sich keine Unbefugten im Arbeitsbereich aufhalten, da andernfalls die Gefahr schwerer Verletzungen besteht.
4. Tragen Sie eine persönliche Schutzausrüstung. Siehe *Persönliche Schutzausrüstung auf Seite 83*.

## So nutzen Sie die integrierte Konnektivität

**Hinweis:** Funk über Bluetooth® wird aktiviert, wenn das Gerät zum ersten Mal an eine Steckdose angeschlossen wird, und bleibt danach aktiv.

1. Stellen Sie sicher, dass die Not-aus-Taste aktiviert ist, bevor Sie das Gerät mit Husqvarna Fleet Services verbinden.
2. Laden Sie die iOS- oder Android-App Husqvarna Fleet Services herunter.
3. Weitere Informationen finden Sie unter <https://fleetservices.husqvarna.com>.

## So prüfen Sie den Arbeitsbereich vor dem Betrieb

1. Überprüfen Sie den Arbeitsbereich, um sicherzustellen, dass ein sicherer Betrieb möglich ist. Achten Sie auf Personen, Gegenstände und Situationen, die einen sicheren Betrieb des Geräts verhindern könnten. Halten Sie einen Sicherheitsabstand von mindestens 4 m ein.
2. Stellen Sie sicher, dass sich keine elektrischen Kabel, Gas- oder Wasserleitungen im Arbeitsbereich befinden.

3. Stellen Sie sicher, dass das ausgeschnittene Stück entfernt werden kann. Teilen Sie es in kleinere Abschnitte, um die Entfernung zu erleichtern.
4. Halten Sie den Arbeitsbereich sauber und hell.
5. Stellen Sie sicher, dass der Arbeitsbereich über Strom- und Wasserversorgung verfügt. Stellen Sie sicher, dass das Abwasser entfernt werden kann.

## So prüfen Sie die Funktion vor dem Betrieb

1. Führen Sie eine Überprüfung der Sicherheitsvorrichtungen am Gerät durch. Siehe *Sicherheitsvorrichtungen am Gerät auf Seite 83*.
2. Stellen Sie sicher, dass die Trennscheibe und der Trennscheibenschutz nicht beschädigt sind. Ersetzen Sie die Trennscheibe oder den Trennscheibenschutz, wenn Risse oder andere Schäden auftreten.
3. Stellen Sie sicher, dass das Gerät korrekt montiert ist und dass die Halterungen, Schienen, Trennscheibenschraube und Feststellräder angezogen sind. Stellen Sie sicher, dass die Endanschläge an den Enden der Schiene befestigt sind.
4. Vergewissern Sie sich, dass zwischen den Führungsrädern und der Schiene kein Spiel vorhanden ist. Siehe *So stellen Sie die Führungsräder ein auf Seite 115*.
5. Der Trennscheibenschutz muss immer am Gerät montiert sein, wenn dieses betrieben wird. Berührt der Trennscheibenschutz die Decke, kann eines der Endstücke des Trennscheibenschutzes vorübergehend demontiert werden.
6. Bewegen Sie das Gerät in die Startposition, bevor Sie den Motor starten.

## So bedienen Sie die Wandsäge

**Hinweis:** Wenn das Gerät mit einem Einphasen-Betrieb betrieben wird, wird die Leistung reduziert. Die Schnitttiefe muss dann verringert werden, um eine gute Schnittleistung zu erhalten.

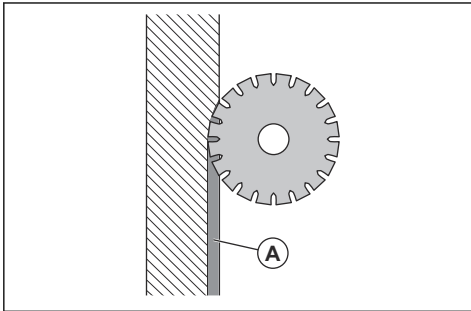
**Hinweis:** Es ist zeitsparend, mehrere flachere Schnitte anstatt weniger tiefere Schnitte vorzunehmen. Flache Schnitte erzeugen einen höheren Druck auf die Klingensegmente. Dieses trägt dazu bei, dass die Klinge scharf bleibt.



**WARNUNG:** Sie müssen den Trennscheibenschutz immer an der Säge montieren, wenn Sie die Säge bedienen. Wenn der Trennscheibenschutz an der Decke hängen bleibt, z. B. beim Überschneiden einer Tür, können Sie

vorübergehend eine der Gabeln des Trennscheibenschutzes demontieren.

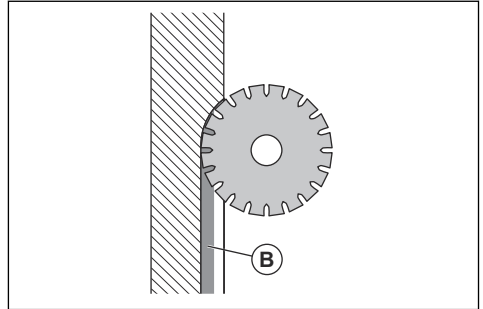
1. Starten Sie das Gerät. Siehe *So starten Sie das Gerät auf Seite 102*.
2. Steuern Sie das Gerät mit der Fernbedienung. Siehe *So bedienen Sie die Fernbedienung auf Seite 106*.
3. Wählen Sie die Drehrichtung der Trennscheibe. Der Wasserstrahl kann wie gewünscht gerichtet werden, unabhängig davon, wie die Säge auf der Schiene gedreht wird.
4. Achten Sie darauf, dass Sie die richtige Menge Kühlerwasser für das System und die Klinge verwenden. Das Kühlwasser kühlt zuerst die Elektronik im Antriebsaggregat, dann den Hauptmotor und dann das Sägeblatt. Es bindet auch den durch Sägen entstehenden Staub. Der Wasserdurchfluss kann an einem am Wasserschlauch angeschlossenen Ventil oder an der Hahnquelle angepasst werden.
5. Beginnen Sie damit, einen Führungsschnitt auf eine Tiefe von 2-4 cm (0,8"-1,6") zu schneiden. Verwenden Sie eine niedrige Vorschubgeschwindigkeit, um einen geraden Schnitt zu gewährleisten.



**ACHTUNG:** Verwenden Sie für den Führungsschnitt nicht die volle Leistung.

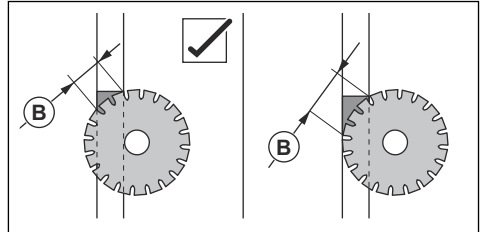
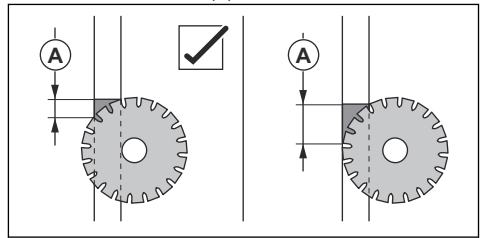
**Hinweis:** Das Material und die verfügbaren Sicherungen wirken sich auf die Schnitttiefe aus. Wenn möglich, nicht in Eisen schneiden. Führen Sie den Führungsschnitt mit dem Arm in der nachlaufenden Position aus.

6. Die nachfolgenden Schnitte (B) sollten ca. 4-7 cm (1,6"-2,8") betragen. Die Tiefe hängt von der Härte des Materials, der Verstärkung und der Platzierung der Verstärkung ab. Setzen Sie die Säge in die Nähe einer Montagehalterung und schieben Sie das Sägeblatt in das Material.

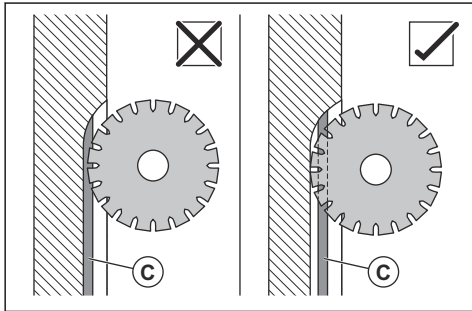


**Hinweis:** Sie können die Klinge wechseln und im gleichen Schnitt schneiden. Stellen Sie sicher, dass die Dicke der neuen Klinge mit der Schlitzbreite übereinstimmt.

7. Verwenden Sie die maximale Schnitttiefe der Klinge, wenn die Wand dünner ist als die maximale Tiefe der Klinge. Die Schnittfläche wird verringert und der Druck der Klingensegmente erhöht. Tun Sie dies auch, wenn ein Überschnitt nicht möglich ist, da der nach dem Sägen verbleibende ungeschnittene Abstand (Keil) (B) kleiner wird. (A) = Überschnittabstand, (B) = Schneidoberfläche.



8. Wenn Sie die Bewehrung (C) in Längsrichtung schneiden, müssen Sie die Bewehrung gemäß der Abbildung schneiden, um eine kleinere Schnittfläche zu schaffen und die Klinge scharf zu halten. Sie können auch mit dem Schneiden am anderen Ende des Schnitts beginnen, da es nicht sicher ist, dass die Bewehrung dem Schnitt auf der gesamten Länge folgt.



**Hinweis:** Eine niedrigere Drehgeschwindigkeit der Klinge verringert das Risiko von polierten Klingen in harten Materialien.

9. Verwenden Sie den maximalen Vorschub in Längsrichtung, um eine optimale Sägeleistung zu erzielen. Die Software im Antriebsaggregat regelt die Zuführung kontinuierlich und automatisch, um eine optimale Sägeleistung zu erzielen.
10. Wenn das Überschneiden nicht zulässig ist, sollten Sie nach dem Abschluss des Zuschnitts einer Wand einen Handschleifer verwenden und den verbliebenen „Keil“ von der Rückseite des Betonblocks herauschneiden. Verwenden Sie die PRIME Trennschleifer, die an die untere Steckdose am PP 8 angeschlossen sind. Der Transportwagen verfügt auch über einen für einen Handschleifer vorgesehenen Platz.
11. Entfernen Sie die Klinge nach jedem Schnitt aus der Sägeut.
12. Nachdem Sie mit der Wandsäge fertig sind, schieben Sie die Trennscheibe vollständig aus der Sägeut, und schalten Sie die Trennscheibendrehung und den Wasserfluss aus.



**ACHTUNG:** Die Trennscheibe darf sich nicht über einen längeren Zeitraum ohne Druck auf die Trennscheibensegmente drehen. Dadurch wird die Trennscheibe stumpf.

13. Stoppen Sie das Antriebsaggregat und den Wasserdurchfluss.

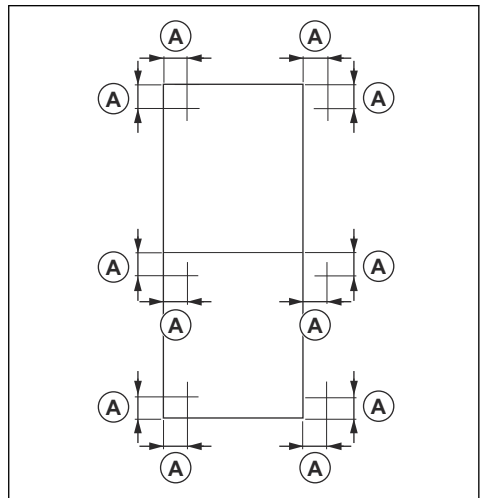
## So schneiden Sie Blöcke



**WARNUNG:** Betonblöcke sind sehr schwer und können schwere Verletzungen verursachen, wenn sie nicht korrekt gehandhabt werden. Stellen Sie sicher, dass der Block sicher befestigt ist, bevor Sie mit dem Betrieb beginnen.

Der Trennarm kann in den folgenden Positionen abgewinkelt werden.

1. Prüfen Sie die Abmessungen des Blocks, und stellen Sie sicher, dass Sie über die richtige Ausrüstung verfügen, um den Block sicher anzuheben und zu entfernen.
2. Teilen Sie einen großen Block bei Bedarf in kleinere Teile.
3. Setzen Sie die Löcher für die Halterungen in einem Abstand von ca. 150 mm/5,9 Zoll (A) abseits des Schnitts.



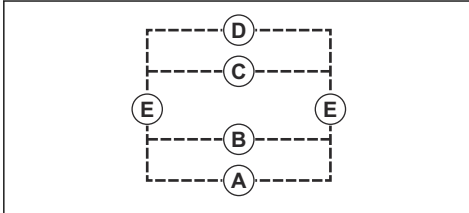
**WARNUNG:** Befestigen Sie die Halterungen nicht an einem Teil des Blocks, der sich beim nächsten Trennvorgang lösen soll.

**Hinweis:** Wenn Sie die Bohrungen gemäß der Abbildung platzieren, können Sie für horizontale und vertikale Schnitte dieselben Bohrungen verwenden.

**Hinweis:** Sie können die Säge auf beiden Seiten der Schiene montieren, sodass zwei Schnitte mit der gleichen Einrichtung der Halterung vorgenommen werden können.

**Hinweis:** Diese Bohrungen sollten für die M10-Expansionschrauben gemäß Empfehlungen des Herstellers ausgeführt werden.

- Schneiden Sie den Block in der Reihenfolge wie in der Abbildung gezeigt. Die Abbildung zeigt den Arbeitsablauf, wenn Sie einen Block in 3 Abschnitte unterteilen.



- Machen Sie zuerst die horizontalen Schnitte. Beginnen Sie unten: (A), (B), (C), (D).

**Hinweis:** Sichern Sie jeden Abschnitt mit Keilen oder Dübeln, um sicherzustellen, dass die Abschnitte nicht herunterfallen oder die Trennscheibe blockieren.

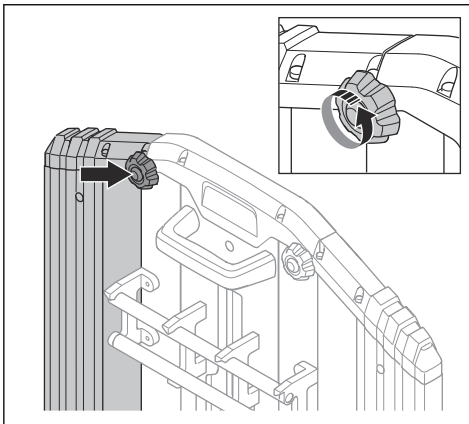
- Machen Sie die 2 vertikalen Schnitte (E).



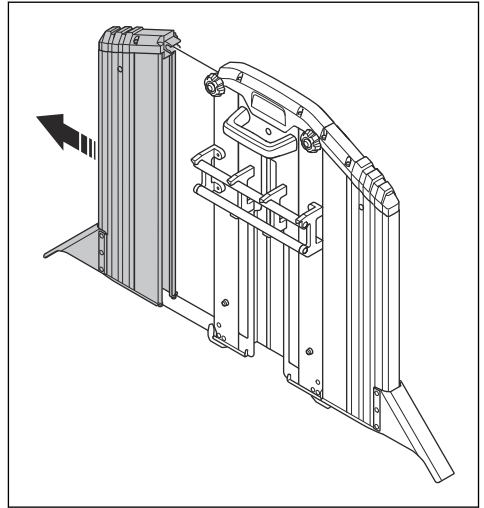
**WARNUNG:** Stellen Sie vor dem letzten Schnitt sicher, dass das verbleibende Blockteil, an dem die Schiene befestigt ist, stabil ist. Verwenden Sie Keile, um die kleineren Blockteile zu sichern.

### So bereiten Sie das Gerät auf den Betrieb in Bodennähe vor

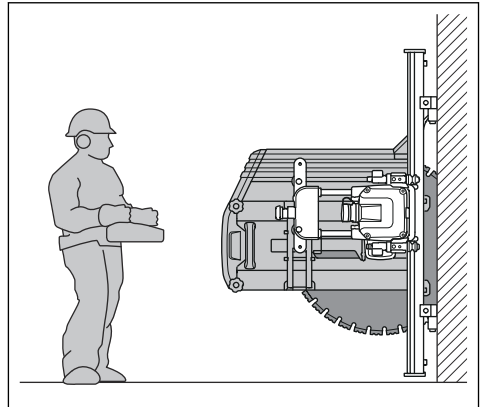
- Lösen Sie nur das Anbaugerät, das für den Betrieb erforderlich ist.



- Entfernen Sie das Klingenschutzteil.

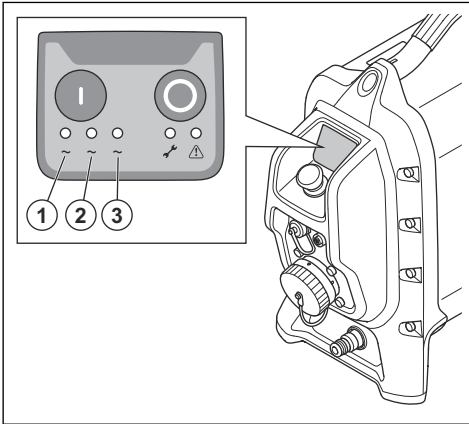


- Betreiben Sie das Gerät in Bodennähe. Siehe *So starten Sie das Gerät auf Seite 102* und *So bedienen Sie die Wandsäge auf Seite 98*.

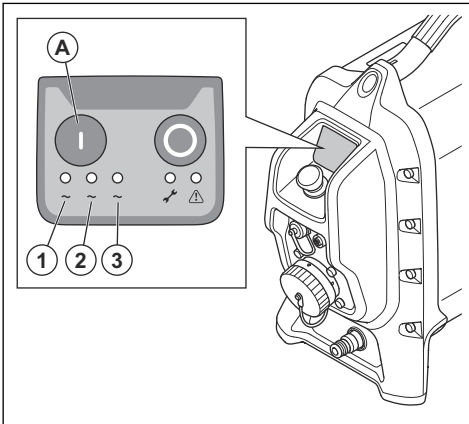


So prüfen Sie die Anzeige-LEDs des Antriebsaggregats

1. Stellen Sie sicher, dass die LED (2) blinkt, wenn Sie das Antriebsaggregat an eine Stromquelle angeschlossen haben. Dies bedeutet, dass sich das Antriebsaggregat im Standby-Modus befindet.



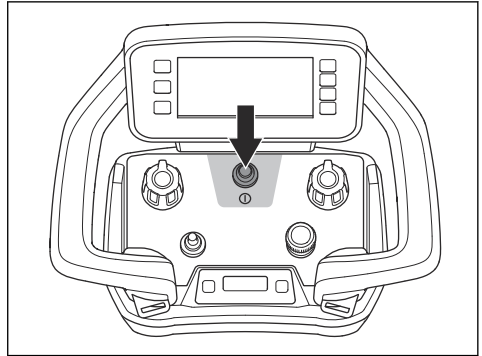
2. Drücken Sie auf dem Antriebsaggregat die ON-Taste. Die LEDs (1, 2, 3) leuchten durchgängig grün.



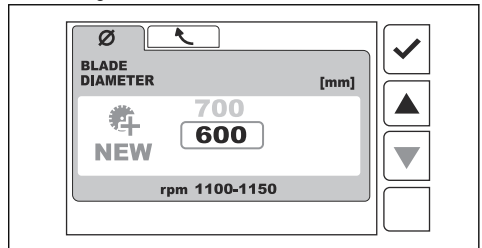
### So starten Sie das Gerät

1. Starten Sie das Antriebsaggregat. Siehe *So starten Sie das Antriebsaggregat auf Seite 102*.

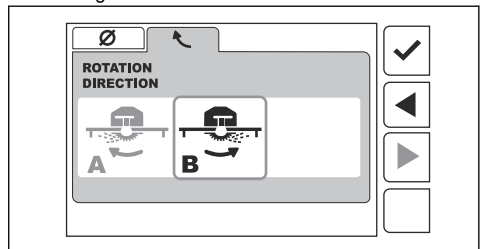
2. Starten Sie die Fernsteuerung. Drücken Sie die ON/OFF-Taste auf der Fernbedienung. Informationen werden auf dem Display angezeigt. Weitere Informationen finden Sie in der Bedienungsanleitung der angeschlossenen Wandsäge.



3. Wählen Sie die zu verwendende Trennscheibe aus. Bestätigen Sie Ihre Auswahl mit der rechten Taste.



4. Entscheiden Sie, in welche Richtung sich die Trennscheibe bewegen soll. Wählen Sie A oder B. Bestätigen Sie Ihre Auswahl mit der rechten Taste.

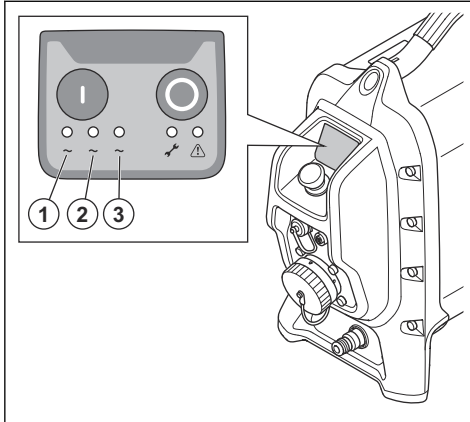


5. Starten Sie die Trennscheibendrehung an der Wandsäge. Siehe *So starten Sie die Drehung der Trennscheibe auf Seite 103*.

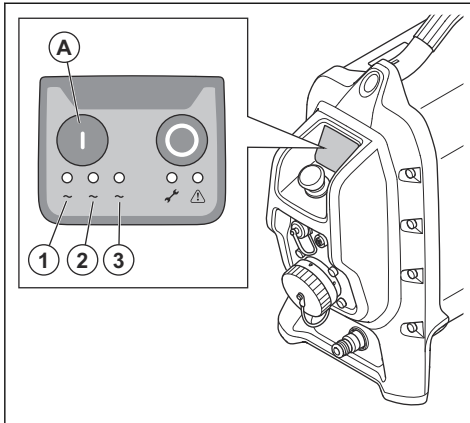
### So starten Sie das Antriebsaggregat

1. Schließen Sie die Wasserversorgung an das Antriebsaggregat an. Siehe *So verbinden Sie die Wasserversorgung mit dem Antriebsaggregat auf Seite 96*.

2. Verbinden Sie das Antriebsaggregat mit einem Netzanschluss. Siehe *So verbinden Sie das Antriebsaggregat mit einem Netzanschluss auf Seite 95*.
3. Die LED (2) blinkt, was bedeutet, dass sich das Antriebsaggregat im Standby-Modus befindet.

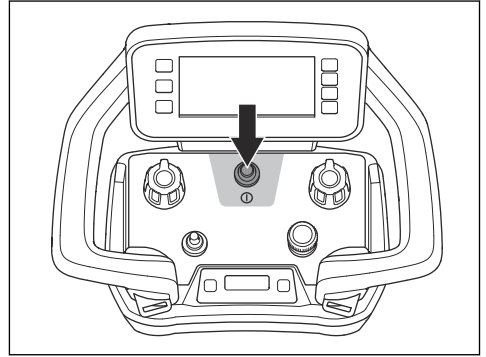


4. Drücken Sie auf dem Antriebsaggregat die ON-Taste (A). Die LEDs (1, 2, 3) leuchten durchgängig grün.



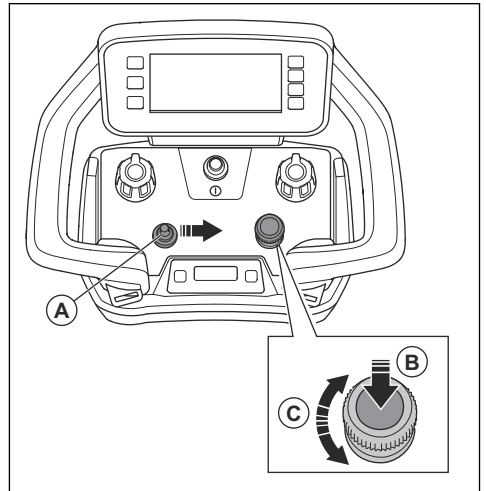
### So starten Sie die Fernbedienung

1. Drücken Sie auf die ON/OFF-Taste, um die Fernbedienung zu starten. Das Display zeigt die Home-Ansicht für den Betrieb bei ausgeschaltetem Motor an. Siehe *Home-Ansicht auf Seite 108*.



### So starten Sie die Drehung der Trennscheibe

1. Drücken Sie mit der linken Hand den Start/Stopp-Schalter (A) nach rechts, und halten Sie ihn gedrückt.



2. Drücken Sie mit der rechten Hand den Knopf zur Einstellung der Trennscheibengeschwindigkeit (B) nach unten.
3. Wenn die Trennscheibe zu arbeiten beginnt, lassen Sie den Start/Stopp-Schalter und den Knopf los.
4. Drehen Sie den Knopf zur Einstellung der Trennscheibengeschwindigkeit (C), um die Trennscheibengeschwindigkeit einzustellen.

## So stoppen Sie das Gerät

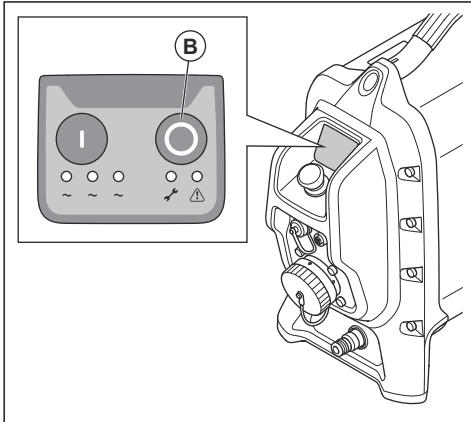


**WARNUNG:** Schließen Sie immer die Wasserversorgung zum Gerät, wenn es nicht an die Stromversorgung angeschlossen ist.

1. Schieben Sie die Trennscheibe aus der Wand, während sie sich dreht. Bringen Sie den Sägearm in die obere Position.
2. Drücken Sie den Start/Stop-Schalter nach links, um die Trennscheibenrotation auszuschalten. Die Trennscheibenrotation kann auch durch Drehen des Einstellknopfes gegen den Uhrzeigersinn gestoppt werden.
3. Schalten Sie den Wasserdurchfluss ab.
4. Achten Sie darauf, dass die Schneidblöcke mit Keilen gesichert sind, um sicherzustellen, dass diese während der Demontage nicht herausfallen.
5. Bringen Sie die Säge in eine geeignete Arbeitsposition, um sie auszubauen.
6. Drücken Sie die ON/OFF-Taste auf der Fernbedienung, um die Wandsäge zu stoppen.

## So halten Sie das Antriebsaggregat und das Elektrowerkzeug aus

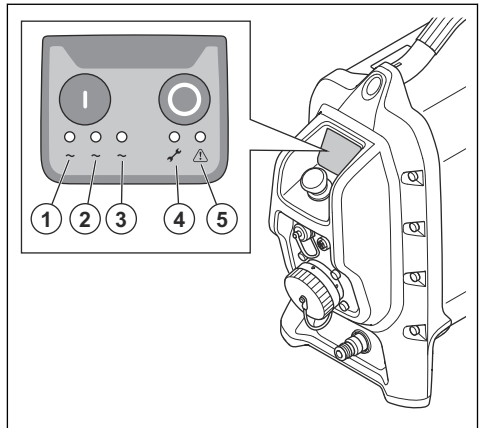
1. Drücken Sie die STOP-Taste (B) auf dem Antriebsaggregat.



2. Schließen Sie die Wasserversorgung zum Antriebsaggregat.

## Statusanzeige-Leuchten

Wenn das Gerät angeschlossen ist, leuchten die Statusanzeigen 1-5 für einige Sekunden auf.



1. Phasenleuchte (grün)
2. Phasenleuchte (grün)
3. Phasenleuchte (grün)
4. Serviceanzeige (gelb)
5. Warnanzeige (rot)

Weitere Informationen zu den Statusanzeige-Leuchten finden Sie unter *Erklärung der Statusanzeige-Leuchten des Antriebsaggregats* auf Seite 116.

## Warnanzeige



**ACHTUNG:** Wenn die Warnanzeige leuchtet, nehmen Sie das Gerät nicht in Betrieb. Das Gerät kann beschädigt werden.

Wenn die Warnanzeige (rote Leuchte) aufleuchtet, schalten Sie das Gerät sofort aus. Siehe *So stoppen Sie das Gerät* auf Seite 104.

## Funkverbindingssystem



**ACHTUNG:** Klären Sie, ob die Betriebsumstände eine Verbindung mit dem CAN-Bus-Kabel erfordern. Siehe *So bedienen Sie das Gerät mit der Fernbedienung, wenn sie über ein CAN-Bus-Kabel angeschlossen ist* auf Seite 106.

Bevor Sie mit dem angeschlossenen Elektrowerkzeug arbeiten können, müssen Sie einen Kopplungsvorgang zwischen der Fernbedienung und dem Gerät durchführen. Der Kopplungsvorgang muss auch durchgeführt werden, wenn das Gerät über ein CAN-Bus-Kabel mit der Fernbedienung verbunden ist.

Die Fernbedienung kann nur das angeschlossene Gerät steuern.

Falls die mitgelieferte Fernbedienung ersetzt wird, müssen Sie zwischen der Fernbedienung und dem Gerät erneut einen Kopplungsvorgang durchführen.



Falls es notwendig ist, die Fernbedienung zwischen 2 Antriebsaggregaten zu wechseln, müssen Sie zwischen der Fernbedienung und dem gewechselten Gerät einen Kopplungsvorgang durchführen.

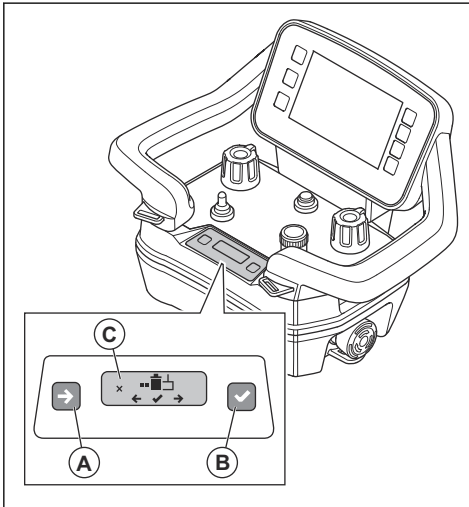
**So führen Sie einen Kopplungsvorgang zwischen der Fernbedienung und dem Antriebsaggregat durch**



**ACHTUNG:** Klären Sie, ob die Betriebsumstände eine Verbindung mit dem CAN-Bus-Kabel erfordern. Siehe *So bedienen Sie das Gerät mit der Fernbedienung, wenn sie über ein CAN-Bus-Kabel angeschlossen ist auf Seite 106.*

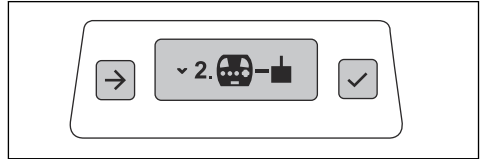
**Hinweis:** Die Kopplung kann auch durchgeführt werden, wenn das CAN-Bus-Kabel mit dem Antriebsaggregat verbunden ist.

1. Stellen Sie sicher, dass der Akku in der Fernbedienung aufgeladen ist.
2. Starten Sie das Antriebsaggregat. Siehe *So starten Sie das Antriebsaggregat auf Seite 102.*
3. Starten Sie die Fernsteuerung. Siehe *So bedienen Sie die Fernbedienung auf Seite 106.*
4. Drücken Sie auf der Anzeige des Info-Displays kurz (A) und (B) gleichzeitig.

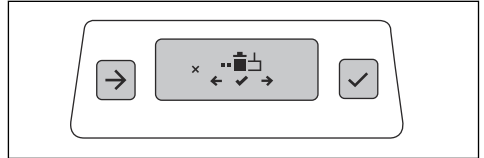


**Hinweis:** Die Anzeige des Info-Displays wechselt den Modus, wenn (A) und (B) gleichzeitig gedrückt werden.

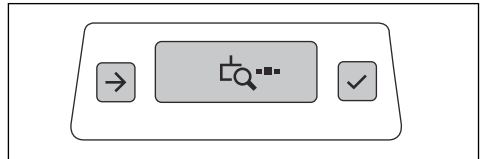
5. Drücken Sie kurz (A), damit Auswahlmöglichkeit „2“ angezeigt wird.



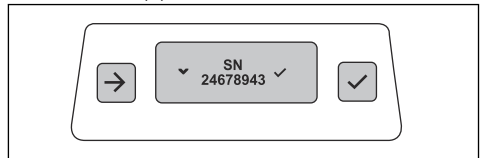
6. Drücken Sie kurz (B), um „2“ auszuwählen. Das Symbol (C) wird in der Anzeige des Info-Displays angezeigt.



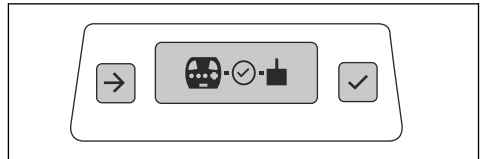
7. Halten Sie gleichzeitig (A) und (B) 3 Sekunden lang gedrückt.



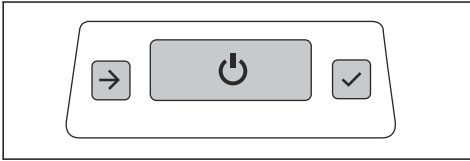
8. Schalten Sie das Antriebsaggregat ein.
9. Halten Sie die Einschalttaste am Antriebsaggregat mindestens 3 Sekunden lang gedrückt.
10. Wenn die Seriennummer auf der Anzeige des Info-Displays auf der Fernbedienung angezeigt wird, drücken Sie (B).



Das Symbol zur Bestätigung der Kopplung wird 2 Sekunden lang angezeigt.



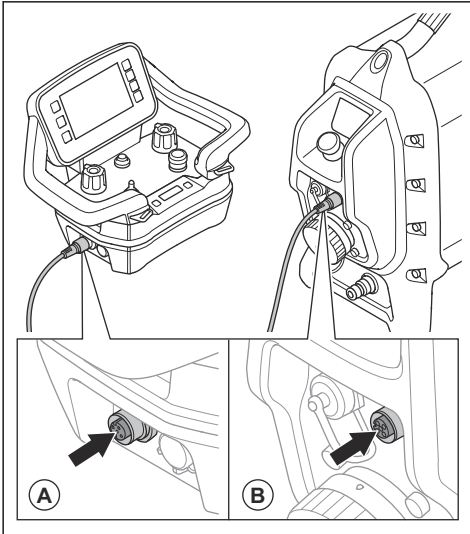
- Wenn das On/Off-Symbol auf der Anzeige des Info-Displays angezeigt wird, starten Sie die Fernbedienung mit der ON/OFF-Taste neu.



- Starten Sie das Antriebsaggregat neu. Siehe *So starten Sie das Antriebsaggregat auf Seite 102*.

### So verbinden Sie die Fernbedienung über ein CAN-Bus-Kabel mit dem Antriebsaggregat

- Stecken Sie ein Ende des CAN-Bus-Kabels in den Anschluss (A) an der Fernbedienung.



- Stecken Sie das andere Ende des CAN-Bus-Kabels in den Anschluss (B) am Antriebsaggregat.
- Ziehen Sie die Anschlusschrauben für das CAN-Bus-Kabel von Hand an.

### So bedienen Sie das Gerät mit der Fernbedienung, wenn sie über ein CAN-Bus-Kabel angeschlossen ist

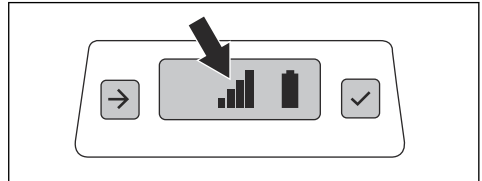
Unter bestimmten Umständen muss ein CAN-Bus-Kabel angeschlossen werden, um das Gerät zu betreiben. Weitere Informationen erhalten Sie bei Ihrem Husqvarna Service Center.

Die Funksignalübertragung wird eingestellt, wenn die Fernbedienung über das CAN-Bus-Kabel angeschlossen wird.

- Schließen Sie das CAN-Bus-Kabel zwischen der Fernbedienung und dem Gerät an. Siehe *So verbinden Sie die Fernbedienung über ein CAN-Bus-Kabel mit dem Antriebsaggregat auf Seite 106*.

### So kontrollieren Sie, ob die Kopplung erfolgt ist

- Starten Sie die Fernsteuerung. Siehe *So bedienen Sie die Fernbedienung auf Seite 106*.
- Starten Sie das Antriebsaggregat. Siehe *So starten Sie das Antriebsaggregat auf Seite 102*.
- Die Kopplung ist aktiv, solange die Verbindungsstärke in der Informationsanzeige angezeigt wird.



### Fernbedienung

Das Gerät wird über eine Fernbedienung bedient.

Die Fernbedienung kann per Funksignalübertragung arbeiten. Bei einer Übertragungsstörung wird die Frequenz automatisch geändert. Ein Kopplungsvorgang zwischen dem Gerät und der Fernbedienung wird ab Werk durchgeführt. Ein neuer Kopplungsvorgang ist erforderlich, wenn die Fernbedienung ausgetauscht wird, oder wenn Sie die Fernbedienung zwischen verschiedenen Geräten wechseln. Siehe *So führen Sie einen Kopplungsvorgang zwischen der Fernbedienung und dem Antriebsaggregat durch auf Seite 105*.

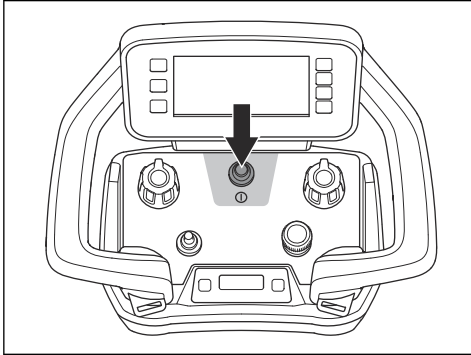
Die Fernbedienung kann auch mit einem CAN-Bus-Kabel betrieben werden, das zwischen der Fernbedienung und dem Gerät angeschlossen ist. Das CAN-Bus-Kabel, das mit dem Produkt geliefert wird, ist 10 m lang. Die maximale Länge des CAN-Bus-Kabels beträgt 30 m. Das CAN-Bus-Kabel kann beispielsweise verwendet werden, wenn der Ladezustand des Akkus der Fernbedienung niedrig ist oder wenn kein Akku eingesetzt ist. Anweisungen zum Anschließen der Fernbedienung an das Gerät mit einem Kabel finden Sie unter *So verbinden Sie die Fernbedienung über ein CAN-Bus-Kabel mit dem Antriebsaggregat auf Seite 106*.

Die Fernbedienung verfügt über alle Bedienelemente, die zur Bedienung des Geräts erforderlich sind. Die Fernbedienung verfügt über ein digitales Display mit einem Menüsystem. Siehe *Menüsystem auf Seite 109*.

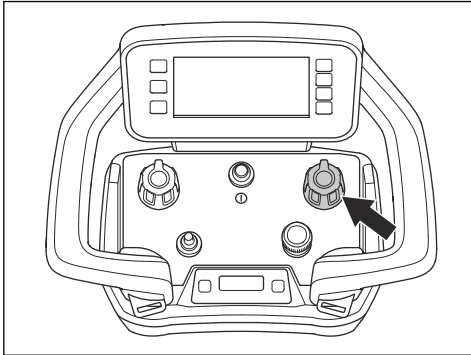
### So bedienen Sie die Fernbedienung

Das Gerät wird über die Fernbedienung bedient. Die Fernbedienung ist über eine Funkübertragung oder das CAN-Kabel mit dem Antriebsaggregat verbunden.

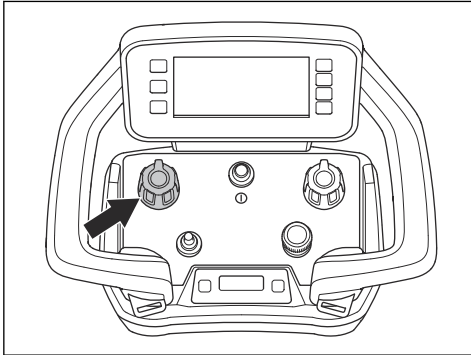
- Drücken Sie die Taste ON/OFF, um die Fernbedienung zu starten und zu stoppen.



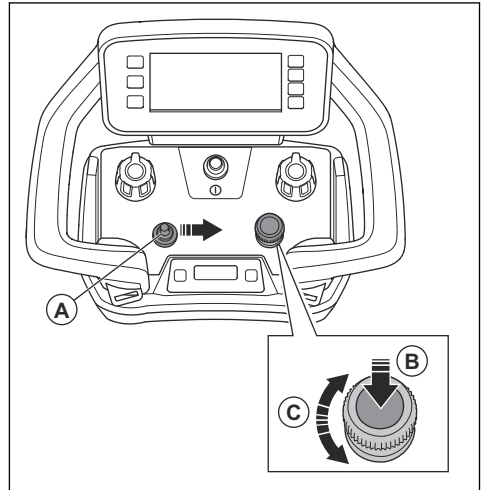
- Drehen Sie den Knopf, um die Wandsäge längs entlang der Schiene zu bewegen.



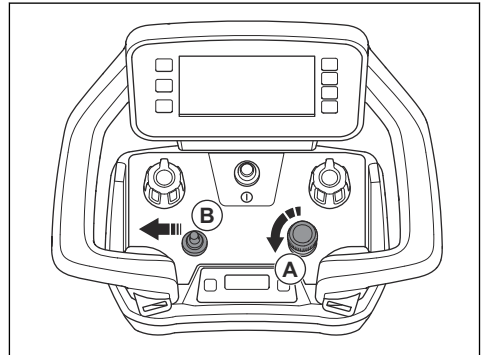
- Drehen Sie den Knopf, um den Schwenkarm zum Einstellen der Schnitttiefe zu bewegen.



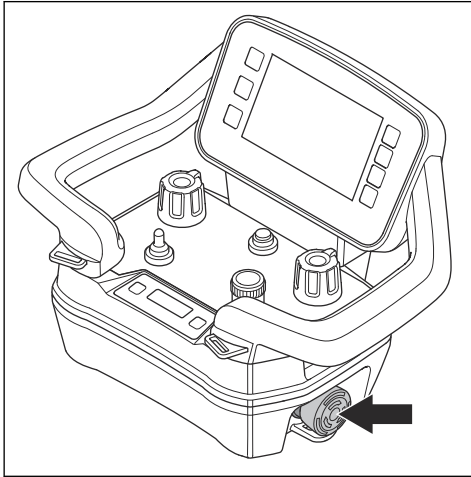
- So starten Sie die Trennscheibe: Halten Sie den Start/Stop-Schalter (A) für die Trennscheibe gedrückt, und drücken Sie dann den Knopf zur Einstellung der Trennscheibengeschwindigkeit (B). Lassen Sie den Knopf und den Start/Stop-Schalter los. Drehen Sie den Knopf zur Einstellung der Trennscheibengeschwindigkeit (C), um die Trennscheibengeschwindigkeit einzustellen. Siehe *So starten Sie die Drehung der Trennscheibe auf Seite 103.*



- So halten Sie die Trennscheibe an: Drehen Sie den Knopf zur Einstellung der Trennscheibengeschwindigkeit (A) gegen den Uhrzeigersinn, oder drücken Sie den Start/Stop-Schalter (B) nach links.

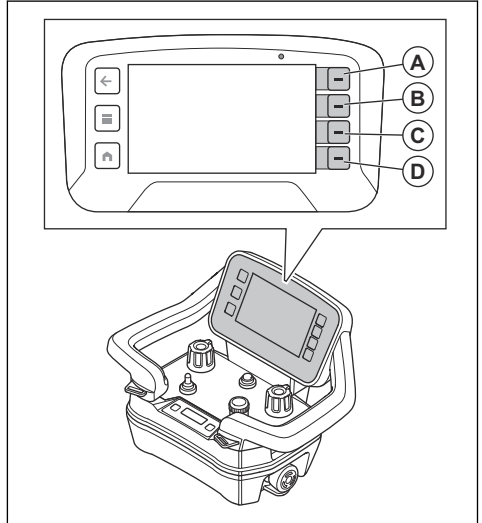


- Wenn ein Notfall eintritt, stoppen Sie das Gerät mit der Maschinen-Stoppaste.

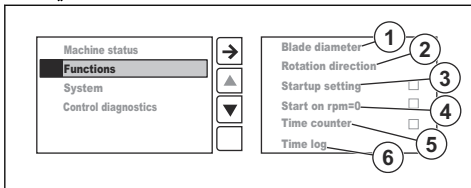


andere Home-Ansicht wird angezeigt, wenn der Motor eingeschaltet ist. Siehe „Motor ein“ unten.

Die Symbole (A, B, C, D) in der Schnellauswahlleiste ändern sich, wenn der Motor aus- oder eingeschaltet ist.

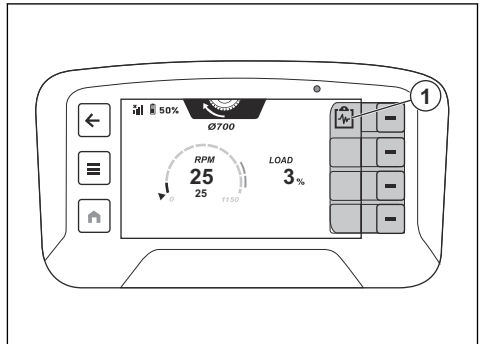


### Menü „Funktionen“



1. „Trennscheibendurchmesser“ legt den Trennscheibendurchmesser fest.
2. „Rotationsrichtung“ legt die Richtung der Trennscheibe fest, im oder gegen den Uhrzeigersinn.
3. „Starteinstellung“: Wenn diese Funktion eingeschaltet ist, müssen Sie den Trennscheibendurchmesser und die Trennscheibenrotation einstellen, bevor Sie die Trennscheibe starten können.
4. „Start bei U/min 0“: Wenn diese Funktion aktiviert ist, startet die Klinge bei 0 U/min. Wenn diese Funktion nicht aktiviert ist, erhöht sich die Klinge automatisch bis zur empfohlenen Geschwindigkeit des ausgewählten Trennscheibendurchmessers.
5. „Zeitähler“: Wenn diese Funktion aktiviert ist, wird ein Timer gestartet, wenn die Trennscheibengeschwindigkeit 25 U/min oder mehr beträgt und der Schneidarm vorwärts bewegt wird.
6. „Zeitprotokoll“ zeigt die letzten 4 Zeitähler an.

### Motor ein

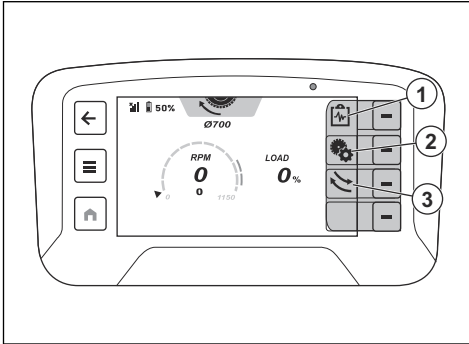


Position	Beschreibung
1	Schnellaktion zum Auswählen des Gerätestatus.

### Home-Ansicht

Das Display verfügt über zwei Home-Ansichten. Es gibt eine Home-Ansicht für den Fall, dass der Motor ausgeschaltet ist. Siehe „Motor aus“ unten. Die

## Motor aus

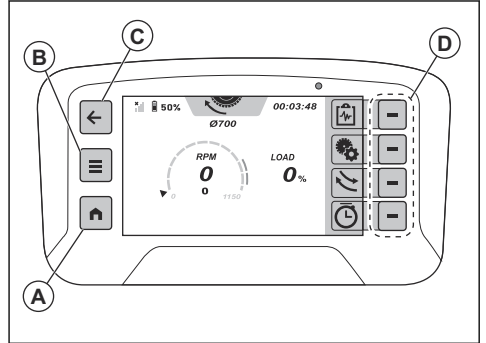


Position	Beschreibung
1	Schnellaktion zum Auswählen des Gerätestatus.
2	Schnellaktion zum Ändern des Trennscheibendurchmessers und der Rotationsrichtung.
3	Schnellaktion zum Einstellen der Rotationsrichtung der Trennscheibe.

## Menüsystem

Mit der Home-Taste (A) gelangen Sie zur Home-Ansicht. Mit der Menü-Taste (B) auf der Fernbedienung wird das Menüsystem geöffnet. Mit der Zurück-Taste (C) gehen Sie in der Menüstruktur eine Ebene zurück.

Die Funktionen in der Schnellaktionsleiste ändern sich, wenn eine neue Auswahl auf dem Display vorgenommen wird. Verwenden Sie die Schaltflächen (D) neben der Schnellaktionsleiste, um die neuen Funktionen auszuwählen.



## Menü-Übersicht

Gerätestatus	Status anzeigen		
	Aktive Fehler	Fehlerprotokoll	
	Betriebsdauer		
Funktionen	Durchmesser der Trennscheibe		
	Drehrichtung		
	Starteinstellung <input type="checkbox"/>		
	Start bei U/min = 0 <input type="checkbox"/>		
	Zeitähler <input type="checkbox"/>		
	Zeitprotokoll		

System	Fernbedienung Einst	Helligkeit	Automatisch
			Manuell
		Sprache	
		Teile	metrisch Maßsystem
		britisches Maßsystem	
	Zurücksetzen		
	Revisionen	Antriebsaggregat	
Fernbedienung			
Werkzeug			
Lizenzen von Drittanbietern			
Steuerungsdiagnose			

### Maschinenstatusmenü

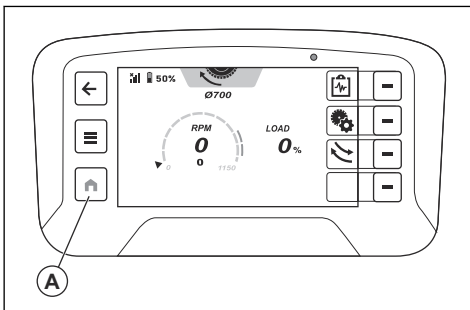
- „Status anzeigen“ zeigt eine Übersicht über die Temperaturen und Spannungen an.
- „Aktive Fehler“ ist eine Liste von Fehlern, die vom Gerät gefunden werden. In der Liste werden alle aktiven Nachrichten angezeigt. Die neueste Nachricht steht ganz oben in der Liste. Siehe *Fehlermeldungen auf Seite 117*.
- „Betriebszeit“ zeigt die Gesamtbetriebszeit des Antriebsaggregats und der Wandsäge an.

### Menü „System“

#### „Fernbedienung Einst“

- Mit „Helligkeit“ stellen Sie die Helligkeit des Displays ein.
- Mit „Sprache“ legen Sie die Textsprache auf dem Display fest. Die Werkseinstellung für die Sprache ist Englisch.

**Hinweis:** Um zu den Werkseinstellungen für Sprache, Helligkeit und Einheiten zurückzukehren, halten Sie die HOME-Taste (A) 10 Sekunden lang gedrückt.



- Mit „Einheiten“ legen Sie die Einheiten für Druck, Temperatur und Länge auf dem Display fest.
- Mit „Zurücksetzen“ werden die Werkseinstellungen, die englische Sprache, die maximale Helligkeit und metrische Einheiten eingestellt.

#### „Revisionen“

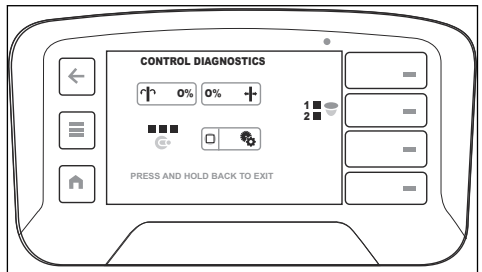
Zeigt die Softwareversionen des Antriebsaggregats, des Werkzeugs (WS 8) und der Fernbedienung an.

#### „Drittanbieterlizenzen“

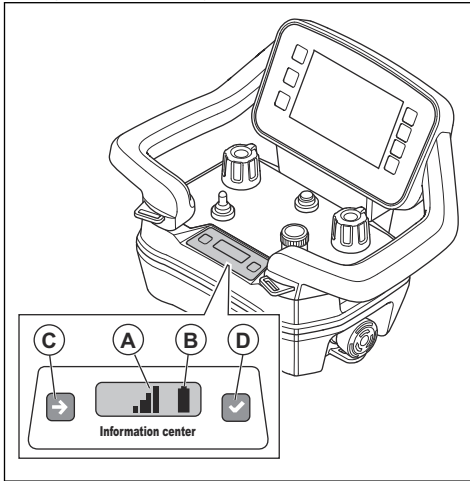
Zeigt die Open-Source-Lizenzen für das Betriebssystem und die App-Lizenzen in der Fernbedienung an.

### Steuerungsdiagnose

Unter „Steuerungsdiagnose“ können Sie Funktionsprüfungen der Bedienelemente auf der Fernbedienung durchführen. Jedes Bedienelement wird im Display angezeigt. Die Kontrollanzeigen im Display wechseln von weiß auf orange, wenn Sie die Funktionstests durchführen. Betätigen Sie ein Bedienelement auf der Fernbedienung bis zum Maximum. Die Steuerung funktioniert ordnungsgemäß, wenn die Kontrollanzeige in der Mitte 0 % und an den Endpositionen -100 % bzw. 100 % anzeigt.



## Anzeige des Info-Displays



Die Anzeige des Info-Displays auf der Fernbedienung zeigt die folgenden Informationen über die Fernbedienung an:

- Ob die Fernbedienung ein- oder ausgeschaltet ist.
- Fehlercodes. Siehe *Fehlercodes für das Bedienfeld-Display der Fernbedienung auf Seite 120*.
- Kopplungsvorgang zwischen der Fernbedienung und dem Gerät. Siehe *So führen Sie einen Kopplungsvorgang zwischen der Fernbedienung und dem Antriebsaggregat durch auf Seite 105*.
- Die Funksignalstärke (A) zwischen der Fernbedienung und dem Gerät. Die gleichen Symbole werden auch in der oberen Leiste auf dem Display angezeigt. Siehe *Symbole in der oberen Leiste auf dem Display auf Seite 76*

Funksignal	Symbol
Es gibt 4 Stufen der Funksignalstärke.	
Das Funksignal befindet sich im Standby-Modus. Die Fernbedienung funktioniert nicht ordnungsgemäß.	
Kein Funksignal.	

- Akkuladezustand (B). Die gleichen Symbole werden auch in der oberen Leiste auf dem Display angezeigt. Siehe *Akku der Fernbedienung auf Seite 111*.

Ladezustand	Symbol
Der Akku weist 5 Ladezustände auf.	

Ladezustand	Symbol
Akkufehler.	
Kabelverbindung zwischen der Fernbedienung und dem Gerät.	

Es gibt 2 Tasten für die Anzeige des Info-Displays. Mit der linken Taste (C) wechseln Sie zum nächsten Symbol im Display. Mit der rechten Taste (D) treffen Sie eine Auswahl.

## Akku der Fernbedienung



**WARNUNG:** Bevor Sie den Akku der Fernbedienung und das Ladegerät verwenden, lesen Sie bitte *Allgemeine Sicherheitshinweise auf Seite 78* und *Sicherer Umgang mit Akkus auf Seite 80*.

**Hinweis:** Bevor Sie die Fernbedienung zum ersten Mal benutzen, müssen Sie den Akku aufladen.

**Hinweis:** Wenn der Akku 5 Tage lang nicht in Betrieb ist, wechselt er in den Versandmodus. Wenn sich die Akkus im Versandmodus befinden, müssen Sie sie an das Ladegerät anschließen, damit sie den Versandmodus verlassen.

**Hinweis:** Legen Sie den Akku etwa 15 Sekunden lang in das Ladegerät, um den Akku zu starten, wenn er sich im Energiesparmodus befindet.

Der Akku hat ein Symbol für den Ladezustand auf dem Display und der Anzeige des Info-Displays, siehe *Symbole in der oberen Leiste auf dem Display auf Seite 76* und *Anzeige des Info-Displays auf Seite 111*. Der Betrieb der Fernbedienung ist nicht möglich, wenn der Ladezustand des Akkus der Fernbedienung zu niedrig ist.

Die Betriebsdauer für einen voll aufgeladenen Akku für die Fernbedienung beträgt ca. 12 Stunden. Kalte Witterung kann die Betriebsdauer verkürzen.

Laden Sie den Akku der Fernbedienung alle 6 Wochen auf, um die Leistung des Akkus aufrechtzuerhalten.

## Akkuladegerät

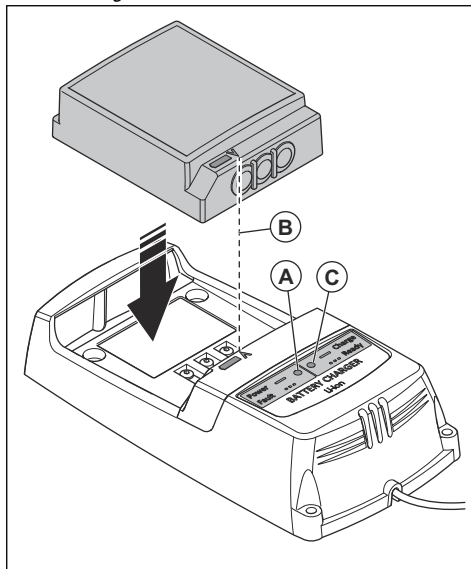
Die Anzeige für den Ladezustand des Akkus erfolgt über 2 LEDs am Akkuladegerät: Akku-Betriebs-LED (rot) und Akku-Ladezustands-LED (grün).

Be- triebs- LED	Sta- tus- LED	Anzeige
Leuch- tet durch- gän- gig rot	AUS	Das Ladegerät ist eingeschaltet. Kein Akku im Ladegerät.
Leuch- tet durch- gän- gig rot	Leuch- tet durch- gän- gig grün	Das Ladegerät ist eingeschaltet. Der Akku ist vollständig geladen.
Leuch- tet durch- gän- gig rot	Grüne LED blinkt	Das Ladegerät ist eingeschaltet. Der Akku wird aufgeladen.
Rote LED blinkt	AUS	Fehler am Akkuladegerät, oder Temperatur außerhalb des für die Aufladung zulässigen Bereichs.

### So laden Sie den Akku der Fernbedienung mit dem Akkuladegerät auf

Die Ladezeit für einen leeren Akku der Fernbedienung beträgt mit dem Ladegerät ca. 3 Stunden. Die Temperatur beim Laden des Akkus der Fernbedienung muss zwischen 10 °C/50 °F und 45 °C/113 °F liegen.

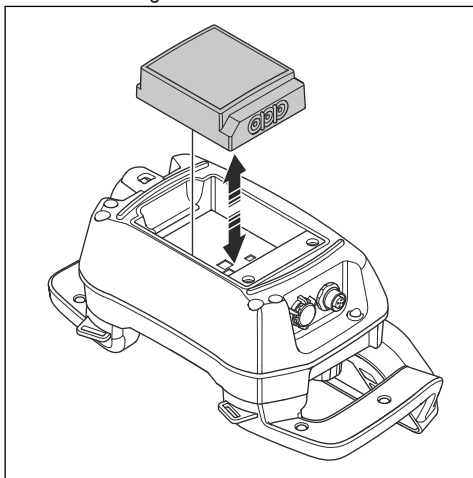
1. Nehmen Sie den leeren Akku aus der Fernbedienung heraus. Siehe *So entfernen Sie den Akku und setzen ihn in der Fernbedienung ein* auf Seite 112.
2. Schließen Sie den korrekten Steckdosenstecker an das Ladegerät an. Das Ladegerät wird mit verschiedenen Steckdosensteckern geliefert. Siehe *Übersicht Fernbedienung auf Seite 75*.
3. Schließen Sie das Ladegerät an eine Steckdose an. Die Betriebsanzeige (A) für den Akku wird rot. Siehe *Akkuladegerät auf Seite 111*.



4. Schließen Sie den Akku der Fernbedienung an das Ladegerät an. Vergewissern Sie sich, dass die Pfeile (B) auf dem Akku der Fernbedienung und dem Akkuladegerät übereinstimmen. Die Anzeige (C) für den Akkustatus am Akkuladegerät blinkt grün, wenn der Akku der Fernbedienung geladen wird.
5. Wenn der Akku der Fernbedienung vollständig aufgeladen ist, leuchtet die Anzeige grün. Entfernen Sie den Akku der Fernbedienung aus dem Ladegerät.
6. Trennen Sie das Ladegerät von der Steckdose.

### So entfernen Sie den Akku und setzen ihn in der Fernbedienung ein

1. Drehen Sie die Fernbedienung, um Zugang zu der Rückseite zu erhalten, wo der Akku eingesetzt wird.
2. Entfernen oder setzen Sie den Akku der Fernbedienung ein.





# Wartung

## Einleitung



**WARNUNG:** Vor dem Betrieb des Gerätes müssen Sie die Sicherheitsinformationen lesen und verstehen.

- Wenn Sie die Wandsäge WS 8 verwenden, lesen Sie Folgendes:
  - Wartung von PP 8, WS 8 und Fernbedienung
- Wenn Sie ein anderes Elektrowerkzeug verwenden, das mit dem Antriebsaggregat PP 8 kompatibel ist, lesen Sie den Abschnitt „Wartung“ in diesem Handbuch nur bezüglich des Antriebsaggregats PP 8. Bei anderen Fragen lesen Sie bitte das Handbuch des anderen Elektrowerkzeugs.

## Wartungsplan



**WARNUNG:** Trennen Sie die Geräte von der Stromversorgung, und warten Sie mindestens 5 Minuten, bevor Sie mit der Wartung beginnen.



**WARNUNG:** Reinigen Sie die Geräte nicht mit einem Hochdruckreiniger. Der hohe Druck kann die Dichtungen beschädigen. So können Wasser und Schmutz in die Geräte gelangen.

Allgemeine Gerätewartung	Täglich	Wöchentlich
<b>WS 8</b>		
Reinigen Sie die Wandsäge und das Zubehör. Siehe <i>So reinigen Sie das Antriebsaggregat auf Seite 114.</i>	X	
Reinigen Sie die Anschlüsse am Sägekopf und am HF-Kabel.	X	
Stellen Sie sicher, dass alle externen Kupplungen, Verbindungen und Kabel unbeschädigt sind.	X	
Stellen Sie sicher, dass die Sperrgriffe ordnungsgemäß funktionieren. Stellen Sie sicher, dass die Räder korrekt eingestellt sind. Siehe <i>So stellen Sie die Führungsräder ein auf Seite 115.</i>	X	
Kontrollieren Sie die innere Flanschscheibe auf Beschädigungen und Abnutzung.	X	
Kontrollieren Sie den Trennscheibenschutz auf Beschädigungen und Abnutzung.	X	
Stellen Sie sicher, dass die Klingenschutzführung richtig eingestellt ist. Siehe <i>So stellen Sie die Trennscheibenschutzführung ein auf Seite 115.</i> Schmieren Sie den Verriegelungsmechanismus.	X	
Überprüfen Sie die Racks auf den Schienen auf Beschädigungen. Stellen Sie sicher, dass die Schrauben, die die Racks zusammenhalten, angezogen sind.		X
Stellen Sie sicher, dass sich alle Führungsräder gleichmäßig und ohne übermäßiges Spiel drehen. Bei übermäßigem Spiel wenden Sie sich an ein autorisiertes Husqvarna Service Center.		X
Achten Sie auf ungewöhnliche Geräusche von den Vorschubmotoren und dem Schwenkarm.		X
Schließen Sie alle Wasseranschlüsse an, schalten Sie das Wasser ein, und prüfen Sie, ob Wasser austritt.		X
<b>PP 8</b>		
Reinigen Sie das Antriebsaggregat und das Zubehör. Siehe <i>So reinigen Sie das Antriebsaggregat auf Seite 114.</i>	X	
Führen Sie eine Gesamtprüfung des Antriebsaggregats auf Risse oder beschädigte Teile durch.	X	

Allgemeine Gerätewartung	Täglich	Wöchentlich
Stellen Sie sicher, dass die STOP-Taste der Maschine ordnungsgemäß funktioniert. Siehe <i>So führen Sie einen Test der Not-Aus-Taste des Antriebsaggregats durch auf Seite 83.</i>	X	
<b>Fernbedienung</b>		
Reinigen Sie die Fernbedienung und das Zubehör. Siehe <i>So führen Sie die tägliche Reinigung der Fernbedienung durch auf Seite 116.</i>	X	
Führen Sie eine Gesamtprüfung der Fernbedienung auf Risse oder beschädigte Teile durch.	X	
Stellen Sie sicher, dass die STOP-Taste der Maschine ordnungsgemäß funktioniert. Siehe <i>So prüfen Sie die Maschinen-Stoptaste auf der Fernbedienung auf Seite 84.</i>	X	

## Wartung der PP 8



**WARNUNG:** Trennen Sie das Antriebsaggregat von der Stromversorgung, und warten Sie mindestens 5 Minuten, bevor Sie mit der Wartung beginnen



**ACHTUNG:** Das Antriebsaggregat nicht mit einem Hochdruckreiniger reinigen. Der hohe Druck kann die Dichtungen beschädigen. So können Wasser und Schmutz in das Antriebsaggregat gelangen.

### So reinigen Sie das Antriebsaggregat



**ACHTUNG:** Reinigen Sie das Gerät nicht mit einem Hochdruckreiniger.



**ACHTUNG:** Achten Sie darauf, dass kein Wasser direkt auf die elektrischen Komponenten gelangt.

- Reinigen Sie die Außenseite des Antriebsaggregats. Verwenden Sie eine robuste Bürste oder einen großen Pinsel.
- Reinigen Sie die Anschlussklemmen und Stifte. Verwenden Sie dazu ein Tuch oder eine Bürste.

### So kontrollieren Sie das Antriebsaggregat

- Vergewissern Sie sich, dass das Antriebsaggregat keine Risse oder andere Schäden aufweist.
- Stellen Sie sicher, dass alle Kupplungen, Anschlüsse, Schläuche und Kabel in gutem Zustand und unbeschädigt sind.

### So reinigen Sie den Wasserfilter am Antriebsaggregat

Reinigen Sie den Filter im Wassereinfluss-Anschluss.

- Lösen Sie die Kupplung mit einem 16-mm-Schraubenschlüssel.
- Entfernen Sie Schmutz mit Druckluft vom Filter.

- Befestigen Sie die Kupplung.

## Wartung der WS 8



**WARNUNG:** Trennen Sie die Wandsäge von der Stromversorgung, und warten Sie mindestens 5 Minuten, bevor Sie mit der Wartung beginnen



**ACHTUNG:** Die Wandsäge nicht mit einem Hochdruckreiniger reinigen. Der hohe Druck kann die Dichtungen beschädigen. So können Wasser und Schmutz in die Wandsäge gelangen.

### So reinigen und schmieren Sie die Wandsäge



**ACHTUNG:** Reinigen Sie das Gerät nicht mit einem Hochdruckreiniger.



**ACHTUNG:** Achten Sie darauf, dass kein Wasser direkt auf die elektrischen Komponenten gelangt.

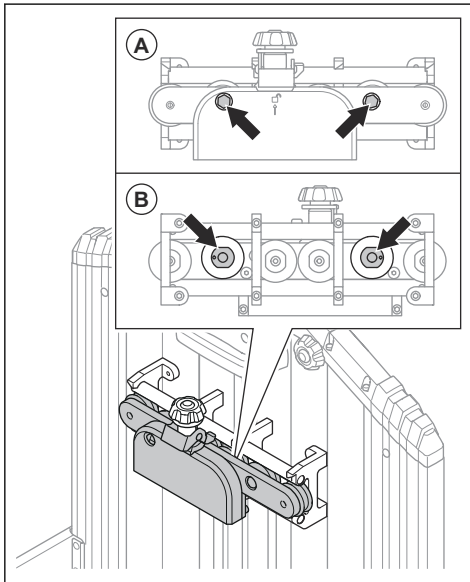
1. Demontieren Sie die Wandsäge. Siehe *So demontieren Sie das Gerät auf Seite 97.*
2. Reinigen Sie alle Kupplungen, Anschlüsse, Schläuche und Kabel. Verwenden Sie den Wasserschlauch, eine Bürste und ein Tuch.
3. Reinigen und schmieren Sie die Kontaktstifte.
4. Schmieren Sie die Hülsen der Wasserkupplungen.
5. Reinigen Sie den Trennscheibenschutz gründlich innen und außen, um zu vermeiden, dass Schmutz in der Schutzvorrichtung eintrocknet.
6. Reinigen und schmieren Sie die beweglichen Teile und Federn der Maschine, wie beispielsweise die Arretierungsfunktion des Handgriffs und den Federmechanismus der Klingenschutzführung. Sprühen Sie diese mit Reinigungs- und Schmierspray ein.

7. Trocknen Sie alle beweglichen Teile. Schmieren Sie alle Teile mit Ölspray, um Korrosion zu vermeiden.

### So untersuchen Sie die Wandsäge

1. Vergewissern Sie sich, dass Klinge und Klingenschutz keine Risse oder andere Schäden aufweisen.
2. Tauschen Sie den Klingenschutz oder die Klinge aus, wenn sie außergewöhnlichen Verschleiß aufweisen.
3. Stellen Sie sicher, dass sich das Führungsrad des Trennscheibenschutzes ohne größeren Widerstand dreht und die Führung korrekt an dem Trennscheibenschutz und der Säge ausgerichtet ist. Siehe die Abschnitte „Montage und Einstellungen bei der Justierung“.

### So stellen Sie die Trennscheibenschutzführung ein



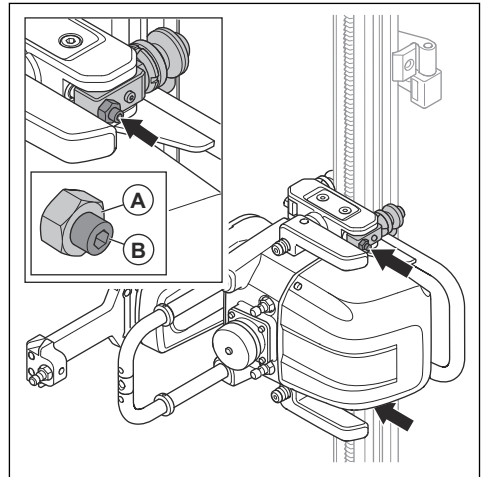
1. Lösen Sie die Muttern an den 2 einstellbaren Führungsrollern (A).
2. Befestigen Sie die Trennscheibenschutzführung am Trennscheibenschutz.
3. Drehen Sie die Nockenwellen mit einem 22-mm-Schraubenschlüssel, bis die Führungsrollen die Schiene (B) berühren.
4. Fixieren Sie die Nockenwelle mit einem 22-mm-Schraubenschlüssel, und ziehen Sie die Mutter mit einem 16-mm-Schraubenschlüssel an.
5. Stellen Sie sicher, dass sich die Räder ungehindert drehen und in der Trennscheibenschutzführung kein Spiel vorhanden ist.

### So stellen Sie die Führungsrollen ein

Für eine stabile und gerade Fahrt der Säge und einen geraden Schnitt müssen die vier Führungsrollen an der Schiene anliegen und dürfen nicht zu viel Spiel haben. Die Führungsrollen müssen auf der in der Abbildung dargestellten Seite montiert werden. Die gegenüberliegende Seite ist fixiert und sollte nur während der Wartung bei einer autorisierten Husqvarna-Kundendienstwerkstatt justiert werden.

Wenn die Säge zu viel Spiel hat, müssen die Führungsrollen wie folgt justiert werden:

1. Verwenden Sie einen 13-mm-Schlüssel, um die Mutter zu lösen (A).
2. Ziehen Sie die Anschlagsschraube (B) mit einem 4-mm-Inbusschlüssel an, bis die Führungsrollen auf den Schienen liegen und kein Spiel mehr vorhanden ist.
3. Halten Sie die Anschlagsschraube (B) mit dem Inbusschlüssel in dieser Position, während Sie die Mutter (A) anziehen, um die Anschlagsschraube zu arretieren.



### Wartung der Fernbedienung



**WARNUNG:** Trennen Sie die Fernbedienung von der Stromversorgung, und warten Sie mindestens 5 Minuten, bevor Sie mit der Wartung beginnen.



**ACHTUNG:** Verwenden Sie zur Reinigung der Fernbedienung keinen Hochdruckreiniger. Der hohe Druck kann die Dichtungen beschädigen. So können Wasser und Schmutz in die Fernbedienung gelangen.

## So führen Sie die tägliche Reinigung der Fernbedienung durch



**ACHTUNG:** Achten Sie darauf, dass kein Wasser direkt auf die elektrischen Komponenten gelangt.

- Reinigen Sie die äußeren Teile der Fernbedienung mit einem feuchten Tuch. Reinigen Sie die Innenteile der Fernbedienung mit Druckluft.

## So untersuchen Sie die Fernbedienung

1. Unterziehen Sie die Fernbedienung einer Sichtprüfung auf Risse und andere Schäden.
2. Stellen Sie sicher, dass alle Dichtungen, Kupplungen, Anschlüsse und Kabel in gutem Zustand und unbeschädigt sind.
3. Überprüfen Sie Schalter und Bedienelemente auf Beschädigung.
4. Wenn Schäden vorliegen oder die Fernbedienung nicht ordnungsgemäß funktioniert, wenden Sie sich an eine autorisierte Servicewerkstatt.

## So führen Sie die wöchentliche Reinigung der Fernbedienung durch

- Reinigen Sie das Bedienfeld, und stellen Sie sicher, dass die Beschriftung gut lesbar ist.
- Reinigen Sie die Akkupole, die Pole im Akkufach und das Ladegerät. Verwenden Sie ein weiches und trockenes Tuch.

## So laden Sie den Akku der Fernbedienung

Wie Sie den Akku der Fernbedienung laden, erfahren Sie unter *So entfernen Sie den Akku und setzen ihn in der Fernbedienung ein auf Seite 112*.

## So warten Sie das Gerät

- Lassen Sie die Wartung nur von einem zugelassenen Husqvarna Händler durchführen. Verwenden Sie ausschließlich Originalersatzteile, um die Sicherheit des Geräts zu gewährleisten.
- Die Zeitpläne für die Servicemeldung:
  - a) Bei > 50 Stunden bis zur Wartung wird die Meldung „Zeit für Wartung in 100 h“ angezeigt.
  - b) Bei 10-50 Stunden bis zur Wartung wird die Meldung „Zeit für Wartung in 50 Stunden“ angezeigt.
  - c) Bei < 10 Stunden bis zur Wartung wird die Meldung „Zeit für Wartung in 10 h“ angezeigt.
  - d) Bei 0 Stunden bis zur Wartung wird die Meldung „Zeit für Wartung“ angezeigt.
- Wenn das Gerät nach 1 Jahr nicht 100 Stunden in Betrieb war, lassen Sie es von einem zugelassenen Husqvarna Händler überprüfen.

## Arbeiten im Anschluss an die Wartung

1. Führen Sie nach der Wartung einen Testbetrieb durch.

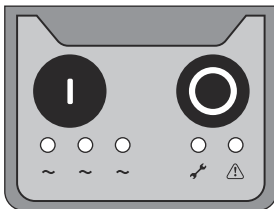


**WARNUNG:** Es besteht die Gefahr von Verletzungen und Schäden. Falsch installierte Fernbedienungen, Kabel oder Schläuche können unerwünschte Auswirkungen auf die Bewegungen des Geräts haben.

2. Halten Sie das Gerät bei einer Störung sofort an. Siehe *So stoppen Sie das Gerät auf Seite 104*.

## Fehlerbehebung

### Erklärung der Statusanzeige-Leuchten des Antriebsaggregats



Das Licht ist an.



Das Licht ist aus.



Das Licht blinkt schnell.



Das Licht blinkt langsam.

Das Antriebsaggregat verfügt über einen Satz von Statusanzeige-Leuchten, siehe *Statusanzeige-Leuchten auf Seite 104*. Die Statusanzeige-Leuchten helfen Ihnen bei der Fehlerbehebung.



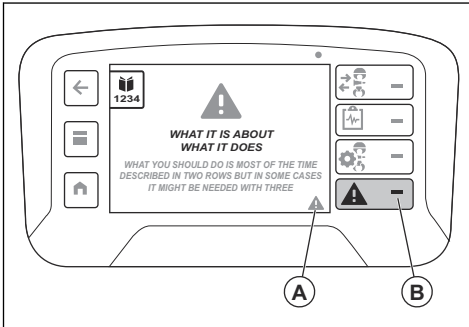
Das Licht leuchtet von links nach rechts auf, dann wieder nach links.



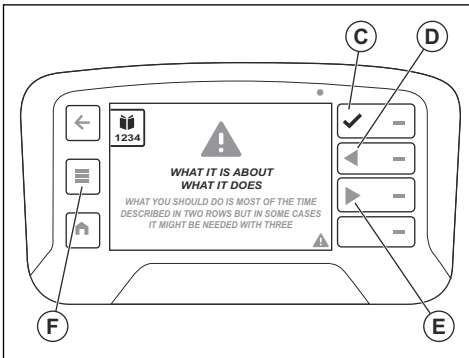
Das Licht leuchtet von links nach rechts auf.

## Fehlermeldungen auf dem HMI-Display

In der unteren Leiste (A) des Bedienfeld-Displays werden aktive Meldungen oder Fehler angezeigt. Um die Meldung anzuzeigen, drücken Sie den Knopf neben der Schnellaktion mit dem Dreieckssymbol (B).



Drücken Sie die Taste „Bestätigen“ (C), um die Warnung im Vollbildmodus zu entfernen. Verwenden Sie bei mehr als einer aktiven Meldung die Pfeiltasten (D und E), um zwischen den Meldungen auf dem Display zu wechseln. Eine Liste der Störungen finden Sie auch in der Rubrik „Aktive Fehler“ unter „Gerätestatus“ über die Menütaste (F). Siehe *Maschinenstatusmenü auf Seite 110*.



## Arten von Fehlermeldungen

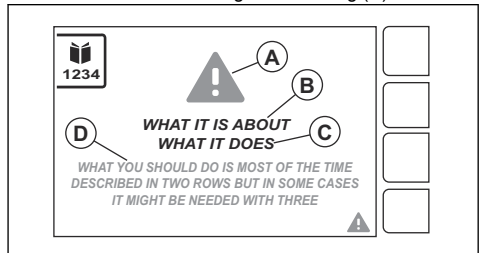
Es gibt 4 verschiedene Arten von Fehlermeldungen:

- **Informationsmeldungen** bieten Hilfe und Hinweise zur Bedienung des Geräts. Diese Nachricht ist eine weiße Sprechblase.
- **Achtungsmeldungen** zeigen an, dass etwas nicht stimmt. Eine Warnmeldung ist ein gelbes Dreieck.
- **Warnmeldungen** zeigen Fehler oder Sicherheitsfehler an, die zu mechanischen Schäden führen können. Das Gerät stoppt in kurzer Zeit. Die Warnung wird zuerst im Vollbildmodus mit einem roten Warndreieck und Text angezeigt. Nachdem Sie die Warnung akzeptiert haben (C), wird sie zu einem roten Dreieck in der unteren Leiste (A).
- **Fehlermeldungen** werden angezeigt, wenn das Gerät aufgrund eines Fehlers oder eines Sicherheitsfehlers angehalten wird. Die Fehlermeldung wird in Rot mit einem weißen Dreieck und weißem Text angezeigt. Wenn Sie die Fehlermeldung annehmen (C), wird das Dreiecksymbol in der unteren Leiste (A) angezeigt.

## Fehlermeldungen

Wenn Fehler vorliegen, werden auf dem Display der Fernbedienung ein Fehlercode und eine Fehlermeldung angezeigt.

Eine Fehlermeldung enthält 4 Informationen. Die Meldung enthält ein Warndreieck (A), Informationen über die Warnung (B), den Zweck der Warnung (C) und Informationen zur Behebung der Warnung (D).



Gehen Sie wie auf dem Display angezeigt vor oder wenden Sie sich an Ihr Husqvarna Service Center. Drücken Sie die Taste „OK“, um die Fehlermeldung zu schließen.

Wenn Sie die Fehlermeldung schließen und diese nicht wieder auf dem Display angezeigt wird, können Sie das Gerät weiter benutzen.

Wenn die Fehlermeldung erneut angezeigt wird, lesen Sie *Fehlerbehebung – Wandsäge und Antriebsaggregat auf Seite 118* oder wenden Sie sich an Ihr Husqvarna Service Center. Falls erforderlich, aktualisieren Sie die Software des Geräts.

Wenn Fehlermeldungen auftreten, die in dieser Anleitung nicht erläutert werden, wenden Sie sich an Ihr Husqvarna Service Center.

## Fehlerbehebung – Wandsäge und Antriebsaggregat

Fehler-/Info-ode	Nachricht	Ursache	Aktion
-	-	Die Schnitttiefe ist zu groß.	Die Schnitttiefe verringern.
		Die Klingengeschwindigkeit ist zu hoch.	Verringern Sie die Klingengeschwindigkeit.
		Der Wasserfluss zur Klinge ist zu hoch.	Verringern Sie den Wasserfluss zur Klinge.
		Die Klinge ist zu hart.	Tauschen Sie die Klinge gegen eine weichere aus.
0001	Kommunikation mit dem Werkzeug inkonsistent	Es befindet sich Schlamm im Werkzeug und in den Anschlüssen.	Reinigen Sie das Werkzeug, oder ersetzen Sie es.
			Ein autorisiertes Husqvarna-Service Center kontaktieren.
0002	Die Bremse weist eine Fehlfunktion auf	Die Verbindung ist fehlerhaft, oder eine Komponente ist defekt.	Versuchen Sie, das Antriebsaggregat neu zu starten, oder testen Sie mit einem anderen K6500/K7000.
			Ein autorisiertes Husqvarna-Service Center kontaktieren.
0003	Der Lüfter ist defekt	Die Verbindung ist fehlerhaft, oder der Lüfter ist defekt.	Hören Sie, ob der Lüfter beim Starten des Antriebsaggregats eingeschaltet wird.
			Wenn der Lüfter nicht startet, kontaktieren Sie ein autorisiertes Husqvarna Service-Center.
0004	Das Antriebsaggregat weist einen internen Fehler auf		Versuchen Sie, das Antriebsaggregat neu zu starten.
0005			Wenn das Antriebsaggregat beschädigt ist, wenden Sie sich an ein autorisiertes Husqvarna Service-Center.
0006			
0007			
0008	Verbindung unterbrochen	Die Verbindung zwischen dem Werkzeug und dem Antriebsaggregat ist defekt.	Reinigen Sie die Anschlüsse des Werkzeugs und des Antriebsaggregats.
			Ein autorisiertes Husqvarna-Service Center kontaktieren.
0009	Das Werkzeug ist nicht kompatibel	Das Werkzeug ist nicht mit dem Antriebsaggregat kompatibel.	Das Werkzeug wird vom Antriebsaggregat nicht erkannt.
			Wenden Sie sich an ein autorisiertes Husqvarna Service-Center, um das Antriebsaggregat mit der neuesten Firmware zu aktualisieren.

<b>Fehler-/Info- code</b>	<b>Nachricht</b>	<b>Ursache</b>	<b>Aktion</b>
0010	Überlastung des Schneidmotors	Die Verbindung ist fehlerhaft, oder eine Komponente ist defekt.	Versuchen Sie es mit einem anderen Werkzeug.
			Ein autorisiertes Husqvarna-Service Center kontaktieren.
0011	Stromfehler des Schneidmotors		Wenn sich das Antriebsaggregat im Standby-Modus befindet, versuchen Sie, das Antriebsaggregat neu zu starten.
			Wenn sich das Antriebsaggregat weiterhin im Standby-Modus befindet, wenden Sie sich an ein autorisiertes Husqvarna Service-Center.
0012	Der eingehende Strom liegt außerhalb des Bereichs	Der Netzstrom liegt außerhalb des Bereichs.	Überprüfen Sie die Stromversorgung.
			Ein autorisiertes Husqvarna-Service Center kontaktieren.
0013	Das Antriebsaggregat hat eine zu hohe Temperatur	Das Wasser ist nicht angeschlossen.	Überprüfen Sie den Wasseranschluss.
		Das zufließende Kühlwasser ist zu warm.	Überprüfen Sie den Wasserdurchfluss und die Temperatur.
		Der Durchfluss ist niedrig.	Ein autorisiertes Husqvarna-Service Center kontaktieren.
0014	Starten mit der eingestellten Drehzahl		
0015	Kein gültiges Wandsägenwerkzeug, Start verhindert	Es ist kein kompatibles Werkzeug angeschlossen	Versuchen Sie, ein anderes Werkzeug anzuschließen.
			Ein autorisiertes Husqvarna-Service Center kontaktieren.
0016	Das Potentiometer kann nicht starten.	Das Potentiometer ist nicht in die Neutralstellung geschaltet.	Stellen Sie das Potentiometer in Neutralstellung.
			Ein autorisiertes Husqvarna-Service Center kontaktieren.
0017	Mit Prime-Werkzeug verbunden WS220		
0018	Mit Prime-Werkzeug verbunden WS8		

Fehler-/Infocode	Nachricht	Ursache	Aktion
0019	Das Antriebsaggregat hat eine zu hohe Temperatur	Das Wasser ist nicht angeschlossen.	Überprüfen Sie den Wasseranschluss.
		Das zufließende Kühlwasser ist zu warm.	Überprüfen Sie den Wasserdurchfluss und die Temperatur.
		Der Durchfluss ist niedrig.	Ein autorisiertes Husqvarna-Service Center kontaktieren.
0020	Das Werkzeug hat eine zu hohe Temperatur	Das Wasser ist nicht angeschlossen.	Überprüfen Sie den Wasseranschluss.
		Das zufließende Kühlwasser ist zu warm.	Überprüfen Sie den Wasserdurchfluss und die Temperatur.
		Der Durchfluss ist niedrig.	Ein autorisiertes Husqvarna-Service Center kontaktieren.
0021	Der Vorschubmotor ist überlastet	Die Säge hat den Endanschlag der Schiene erreicht.	Reinigen Sie die Schiene.
		Reinigen Sie die Schiene von Schlamm.	Stellen Sie sicher, dass die Wandsäge korrekt auf den Schienen montiert ist.
		Die Trennscheibe ist blockiert.	Ein autorisiertes Husqvarna-Service Center kontaktieren.
0022	Werkzeugwartung innerhalb von 50 Stunden.		Zeit für die Wartung innerhalb von 50 Stunden.
0023	Werkzeugwartung innerhalb von 10 Stunden.		Zeit für die Wartung innerhalb von 10 Stunden. Wenden Sie sich an ein autorisiertes Husqvarna Service-Center, um eine Wartung zu vereinbaren.
0024	Werkzeugwartung jetzt.		Zeit für die Wartung. Wenden Sie sich an ein autorisiertes Husqvarna Service-Center, um eine Wartung zu vereinbaren.

## Fehlercodes für das Bedienfeld-Display der Fernbedienung

**Hinweis:** Wenn das Bedienfeld-Display die Fehlercodes > 1000 anzeigt, betrifft der Fehler die Fernbedienung.


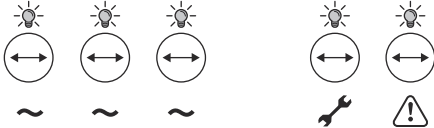
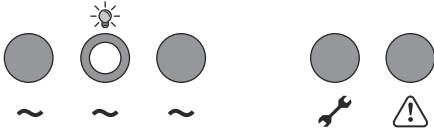
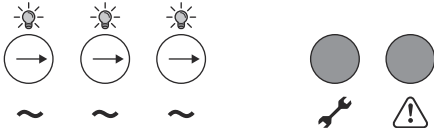
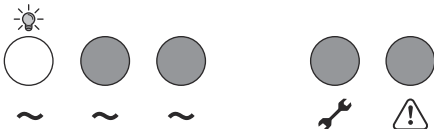
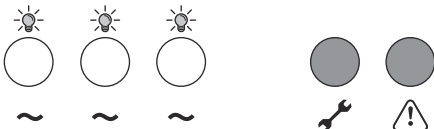
Fehlercode	Fehlermeldung	Ursache	Aktion
1001 1101–1116 1201-1216 1301-1316	Fernbedienung defekt	Es liegt ein Fehler an der Fernbedienung vor	Ein autorisiertes Husqvarna-Service Center kontaktieren.

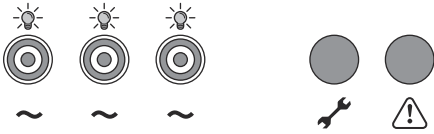
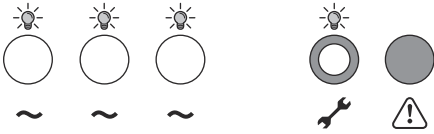
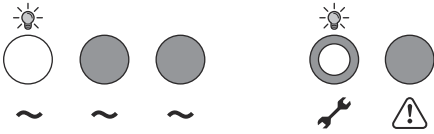
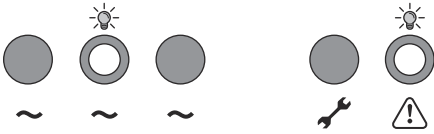
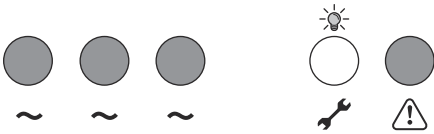
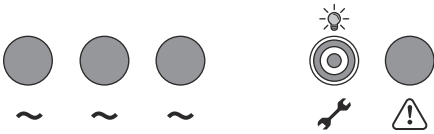


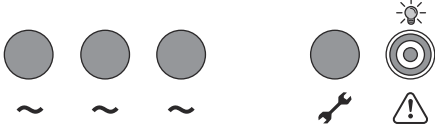
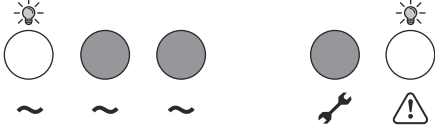
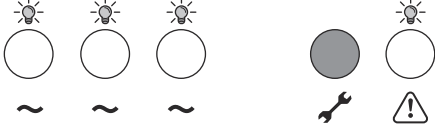
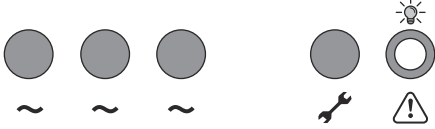
<b>Fehlercode</b>	<b>Fehlermeldung</b>	<b>Ursache</b>	<b>Aktion</b>
1401–1402	Start-/Stoppschalter defekt	Es liegt ein Fehler im Signal des Start/Stop-Schalters vor	Ein autorisiertes Husqvarna-Service Center kontaktieren.
1403–1408 1501-1504 1701-1702 1801	Fernbedienung defekt	Es liegt ein Fehler an der Fernbedienung vor	Ein autorisiertes Husqvarna-Service Center kontaktieren.
1802	Potentiometer für Armvorschub defekt	Es liegt ein Fehler beim Signal des Potentiometers für den Armvorschub vor.	Ein autorisiertes Husqvarna-Service Center kontaktieren.
1803	Potentiometer für Längsvorschub defekt	Es liegt ein Fehler beim Signal des Potentiometers für Längsvorschub vor.	Ein autorisiertes Husqvarna-Service Center kontaktieren.
1804–1816	Fernbedienung defekt	Es liegt ein Fehler an der Fernbedienung vor	Ein autorisiertes Husqvarna-Service Center kontaktieren.
1813	Potentiometer für Armvorschub defekt	Es liegt ein Fehler beim Signal des Potentiometers für den Armvorschub vor.	Ein autorisiertes Husqvarna-Service Center kontaktieren.
1814	Potentiometer für Längsvorschub defekt	Es liegt ein Fehler beim Signal des Potentiometers für Längsvorschub vor.	Ein autorisiertes Husqvarna-Service Center kontaktieren.
1901-1916 2002/2203– 2030/2230	Fernbedienung defekt	Es liegt ein Fehler an der Fernbedienung vor	Ein autorisiertes Husqvarna-Service Center kontaktieren.
2025/2225	Fernbedienung – Temperatur zu hoch	Die Fernbedienung wird unter Bedingungen außerhalb der Spezifikationen betrieben.	Warten Sie, bis sich die Fernbedienung abgekühlt hat. Falls das Problem weiter besteht, wenden Sie sich an ein autorisiertes Husqvarna Service Center.
2026/2226	Fernbedienung – Temperatur zu niedrig	Die Fernbedienung wird unter Bedingungen außerhalb der Spezifikationen betrieben.	Warten Sie, bis sich die Fernbedienung aufgewärmt hat. Falls das Problem weiter besteht, wenden Sie sich an ein autorisiertes Husqvarna Service Center.
2119/2319	Funkempfänger – Temperatur zu hoch	Der Funkempfänger (im Antriebsaggregat) wird unter Bedingungen außerhalb der Spezifikation betrieben.	Warten Sie, bis sich der Funkempfänger abgekühlt hat. Falls das Problem weiter besteht, wenden Sie sich an ein autorisiertes Husqvarna Service Center.

<b>Fehlercode</b>	<b>Fehlermeldung</b>	<b>Ursache</b>	<b>Aktion</b>
2120/2320	Funkempfänger – Temperatur zu niedrig	Der Funkempfänger (im Antriebsaggregat) wird unter Bedingungen außerhalb der Spezifikation betrieben.	Warten Sie, bis sich der Funkempfänger aufgewärmt hat. Falls das Problem weiter besteht, wenden Sie sich an ein autorisiertes Husqvarna Service Center.
2098/2298– 2099/2299	Fernbedienung defekt	Es liegt ein Fehler an der Fernbedienung vor.	Ein autorisiertes Husqvarna-Service Center kontaktieren.
3201	Akku unzulässig	Es befindet sich ein unzulässiger Akku in der Fernbedienung.	Ein autorisiertes Husqvarna-Service Center kontaktieren.
3202–3204	Fernbedienung defekt	Es liegt ein Fehler an der Fernbedienung vor.	Ein autorisiertes Husqvarna-Service Center kontaktieren.
3211	Unzulässiger Akkutyp	Es befindet sich ein unzulässiger Akkutyp in der Fernbedienung.	Ein autorisiertes Husqvarna-Service Center kontaktieren.
3212 9001-9002 9401-9499 9801-9899	Fernbedienung defekt	Es liegt ein Fehler an der Fernbedienung vor.	Ein autorisiertes Husqvarna-Service Center kontaktieren.
2102/2302– 2118/2318  2121/2321– 2123/2323  2198/2398– 2199/2399  3103  8101-8107  9109–9199  9301-9399  9501–9505	Funkempfänger defekt	Es liegt ein Fehler im Funkkommunikationsempfänger (im Antriebsaggregat) vor.	Ein autorisiertes Husqvarna-Service Center kontaktieren.

# Anzeige des Antriebsaggregats

Bedienfeld	Fehler-/ Infocode	Status	Schritt
		Keine Stromversorgung.	PRCD zurücksetzen.  Überprüfen Sie das Netzteil.
		Funktionsprüfung der LED bei Stromanschluss. (< 3 s)	Die Maschinen-Stopptaste überprüfen. Siehe <i>So führen Sie einen Test der Not-Aus-Taste des Antriebsaggregats durch</i> auf Seite 83 und <i>So prüfen Sie die Maschinen-Stopptaste auf der Fernbedienung</i> auf Seite 84.
		Das Gerät befindet sich im Standby-Modus.	-
		Phasenauswahlsequenz beim Start. (< 3 s)	Bei > 3 s die Sicherungen und die Spannung prüfen.
		Das Gerät ist eingeschaltet und einphasig angeschlossen.	-
		Das Gerät ist eingeschaltet und dreiphasig angeschlossen.	-

Bedienfeld	Fehler-/Infocode	Status	Schritt
	0012	Stromfehler.	Sicherungen und Generator überprüfen.
	0009	Das Werkzeug ist nicht kompatibel.	Ein autorisiertes Husqvarna-Service Center kontaktieren.
	0009	Das Werkzeug ist nicht kompatibel.	Ein autorisiertes Husqvarna Service-Center kontaktieren.
		<p>Die Maschinen-Stopptaste ist nach unten gedrückt.</p> <p>Das Gerät befindet sich im Energiesparmodus.</p>	<p>Das Gerät zurücksetzen.</p> <p>Stellen Sie sicher, dass die Maschinen-Stopptaste nicht eingeschaltet ist.</p>
	0004 0005 0006 0007	Interner Fehler des Antriebsaggregats.	<ol style="list-style-type: none"> <li>1. Starten Sie das Antriebsaggregat neu,</li> <li>2. Wenn die Fehlermeldung weiterhin angezeigt wird, wenden Sie sich an ein autorisiertes Husqvarna Service-Center.</li> </ol>
	0002 0003 0010	Warnung des Antriebsaggregats	Siehe <i>Fehlerbehebung – Wandsäge und Antriebsaggregat auf Seite 118</i> um die Aktionen für jeden Fehlercode auszuführen.

Bedienfeld	Fehler-/ Infocode	Status	Schritt
	0013	Das Antriebsaggregat ist zu heiß.	<p>Überprüfen Sie die Wasseranschlüsse am Antriebsaggregat.</p> <p>Überprüfen Sie den Wasserdurchfluss und die Temperatur.</p> <p>Ein autorisiertes Husqvarna-Service Center kontaktieren.</p>
	0019	Das Antriebsaggregat ist zu heiß (einphasig).	<p>Überprüfen Sie die Wasseranschlüsse am Antriebsaggregat.</p> <p>Überprüfen Sie den Wasserdurchfluss und die Temperatur.</p> <p>Ein autorisiertes Husqvarna-Service Center kontaktieren.</p>
	0019	Das Antriebsaggregat ist zu heiß (dreiphasig).	<p>Überprüfen Sie die Wasseranschlüsse am Antriebsaggregat.</p> <p>Überprüfen Sie den Wasserdurchfluss und die Temperatur.</p> <p>Ein autorisiertes Husqvarna-Service Center kontaktieren.</p>
		Das Werkzeug wurde aus Sicherheitsgründen angehalten	<p>Trennen und verbinden Sie das Werkzeug.</p> <p>Starten Sie das Werkzeug.</p> <p>Wenn die Fehlermeldung weiterhin angezeigt wird, wenden Sie sich an ein autorisiertes Husqvarna Service-Center.</p>

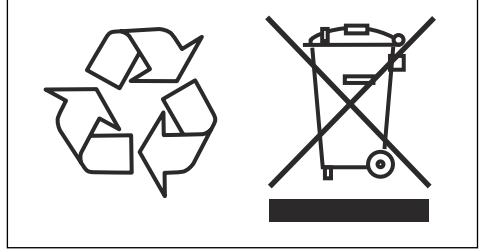
---

## Transport und Lagerung

---

### Transport

- Wenn Ihr Gerät über einen Transportwagen verfügt, verwenden Sie diesen, um das Gerät zu bewegen. Die Griffe des Transportwagens können als Laufschienen verwendet werden, wenn Sie ihn auf einen Lkw heben.
- Stoppen Sie das Antriebsaggregat, und ziehen Sie das Stromkabel heraus, bevor Sie die Ausstattung bewegen.
- Entfernen Sie vor dem Transport die Klinge und den Klingenschutz vom Gerät.



### Lagerung des Geräts

- Bewahren Sie das Gerät in einem verschlossenen Bereich auf, um einen unerlaubten Zugriff durch Kinder oder andere Personen zu verhindern.
- Bewahren Sie das Gerät in einem trockenen Bereich auf.
- Stellen Sie sicher, dass die Temperatur nicht niedriger als  $-25\text{ °C}$  ( $-77\text{ °F}$ ) und nicht höher als  $50\text{ °C}$  ( $122\text{ °F}$ ) ist.
- Falls die Gefahr besteht, dass Wasser gefriert, muss jegliches verbleibendes Kühlwasser aus dem Gerät abgelassen werden. Kippen Sie das Gerät, um das Kühlwasser aus dem Wasserauslass-Anschluss abzulassen.

### Entsorgung

Durch Symbole auf dem Produkt oder seiner Verpackung wird angezeigt, dass dieses Produkt nicht über den Hausmüll entsorgt werden darf. Es ist einer entsprechenden Recyclingstation zuzuführen, damit elektrische und elektronische Komponenten wiedergewonnen werden können.

Stellen Sie sicher, dass das Gerät vom Stromnetz getrennt ist und entfernen Sie die Akkus aus der Fernbedienung, bevor Sie es einer geeigneten Recyclingstation übergeben. In CE-Ländern müssen die Akkus gemäß 2014/30/EU recycelt werden. Informieren Sie die Recyclingstation, dass sich im Gerät ein Lithium-Ionen-Akku befindet. Geben Sie die Akkus bei einer geeigneten Recyclingstation ab.

Dadurch, dass Sie sicherstellen, dass Sie mit diesem Gerät sorgfältig umgehen, können Sie helfen, den potentiellen negativen Auswirkungen auf die Umwelt und Ihre Mitmenschen entgegenzuwirken, die sich andernfalls durch eine unsachgemäße Entsorgung dieses Geräts ergeben können. Genauere Informationen über die ordnungsgemäße Entsorgung dieses Geräts erhalten Sie bei Ihrer Stadtverwaltung, Ihrem Abfallentsorgungsunternehmen oder dem Geschäft, in dem Sie Ihr Gerät gekauft haben.

## Technische Daten

### Technische Daten PP 8

Max. Leistung, kW	6,5
Nennleistung dreiphasig, A	15
Nennleistung einphasig, A	15
Dreiphasen-Eingangsspannung, V	200-480, 50/60 Hz
Einphasen-Eingangsspannung, V	120-240, 50/60 Hz
<b>Netzteil</b>	
Dreiphasig	L1+L2+L3+PE
Einphasig	L+N+PE
<b>Kühlwasser (vom angeschlossenen Werkzeug)</b>	
Max. Wasserdruck in bar/psi	7/102
Empfohlene Wassertemperatur in °C/°F	<25/77
<b>Gewicht</b>	
Antriebsaggregat, kg/lbs	18/39

### Technische Daten WS 8

<b>Gewicht</b>	
Sägeeinheit, kg/lbs	19/41
Klingenschutz 600 mm, kg/lbs	9,5/21
Klingenschutz 900 mm, kg/lbs	14/31
Gesamtgewicht der Schiene, kg/lbs	11/24
<b>Klingengröße</b>	
Klingengröße – max., mm/in.	900/36
Klingengröße – min., mm/in.	500/20
Startklinge – max., mm/in.	600/24
Trennscheibenmuster für bündiges Schneiden 6×M8, Ø mm/Zoll	85/3,34
Dorndurchmesser, mm oder Zoll	60 oder 1
Schnittiefe Klinge 600 – max. mm/Zoll	245/9,6
Schnittiefe Klinge 900 – max. mm/Zoll	395/15,5
Motor für Sägeklingenantrieb	Permanent Magnet Motor

Spindelleistung – max., kW	6
Kraftübertragung	Zahnradantrieb
Drehzahl, U/min	0–1150
Vorschubsystem/Steuerung	Elektrisch/autom.
Antriebsdrehmoment an der Sägeklinge – max., Nm	68
<b>Geräuschemissionen</b> <sup>4</sup>	
Schalleistungspegel, gemessen dB (A)	119
Schalleistungspegel, garantiert L <sub>WA</sub> dB (A)	105
<b>Schallpegel</b> <sup>5</sup>	
Schalldruckpegel, berechnet dB(A)	105

## Technische Daten zu Fernbedienung und Ladegerät

Akkuangaben	Nominal 7,2 V, 5100 mAh
Akku	Ein Li-Ionen-Akku im Lieferumfang des Geräts enthalten.
Betriebszeit, h	12
Ladezeit, h	3
Ladezyklen	>1000
Signalübertragung	Funksignalübertragung oder Kabel.
Funkfrequenzbänder, GHz	2,4
Max. übertragene Funkfrequenzleistung, dBm	20 <sup>6</sup>
Zug, Steuerung	Optional
Reichweite, m/ft.	Bis zu 300/984
Abmessungen HxBxT, Fernbedienung, mm/Zoll	190 x 280 x 195/7,5 x 11,1 x 7,7
Gewicht, Fernbedienung (inkl. Akku), kg/lb	1,6/3,5
Schutzklasse Fernbedienung	IP67
Betriebstemperatur, °C/°F	-20–60 / 4–140
Lagertemperatur mit Akku, °C/°F	Weniger als 1 Monat: -20–50/ 4–122 Weniger als 3 Monate: -20–40 / 4–104 Weniger als 1 Jahr: -20–20 / 4–68
Lagertemperatur ohne Akku, °C/°F	-40–85/ -40–185

<sup>4</sup> Geräuschemissionen, gemessen und berechnet gemäß EN-62841-3-7 Anhang I. Die erwartete Messunsicherheit beträgt 10 dB(A). Die Geräuschemissionen hängen von der Diamantscheibe und den Arbeitsbedingungen ab. Tragen Sie einen zugelassenen Gehörschutz beim Arbeiten mit dem Gerät. Der angegebene Geräuschemissionswert kann auch bei der vorläufigen Beurteilung der Exposition verwendet werden.

<sup>5</sup> Schalldruckpegel, gemessen und berechnet gemäß EN-62841-3-7 Anhang I.

<sup>6</sup> 13 dBm für Märkte, die 20 dBm nicht akzeptieren.



Ladetemperatur, °C/°F	10-45/50-113
Abmessungen HxBxT, Ladegerät, mm/Zoll	47 x 97 x 185/1,8 x 3,8 x 7,3
Gewicht, Ladegerät, kg/lb	0,214/0,47
Schutzklasse, Ladegerät	IP21
Netzteil, Ladegerät	12/24 VDC. 110–240 VAC

## Integrierte Konnektivität

<b>BLE-Technologie-Frequenzspektrum</b>	
Frequenzbänder für das Werkzeug, GHz	2,402 - 2,480
Maximale übertragene Funkfrequenz-Leistung, dBm/mW	4/2,5

## Typische Betriebsfälle eines Generators

1-phasig/ 3-phasig	Power Pack 8, Wall Saw 8, Remote control, Leistung	Generatorleistung, V	Empfohlene Mindestleistung des Generators, kVA
Dreiphasig	Volle Leistung	3x380-3x480	10
	Eingeschränkte Leistung	3x200-3x240	10
Einphasig	Eingeschränkte Leistung	220–240	5

## Empfohlene Drehzahl der Trennscheibe

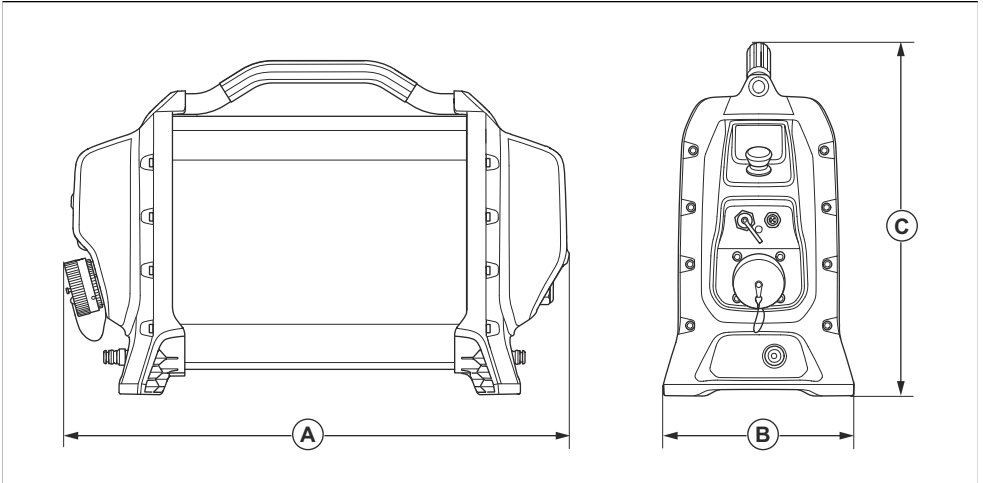
„H“ ist harter oder schwerer Stahlbeton. „M/S“ ist mittelharter oder weicher Beton. „S“ ist weicher Beton.



**WARNUNG:** Eine höhere als die empfohlene Drehzahl kann zu Verletzungen und zur Beschädigung des Geräts führen.

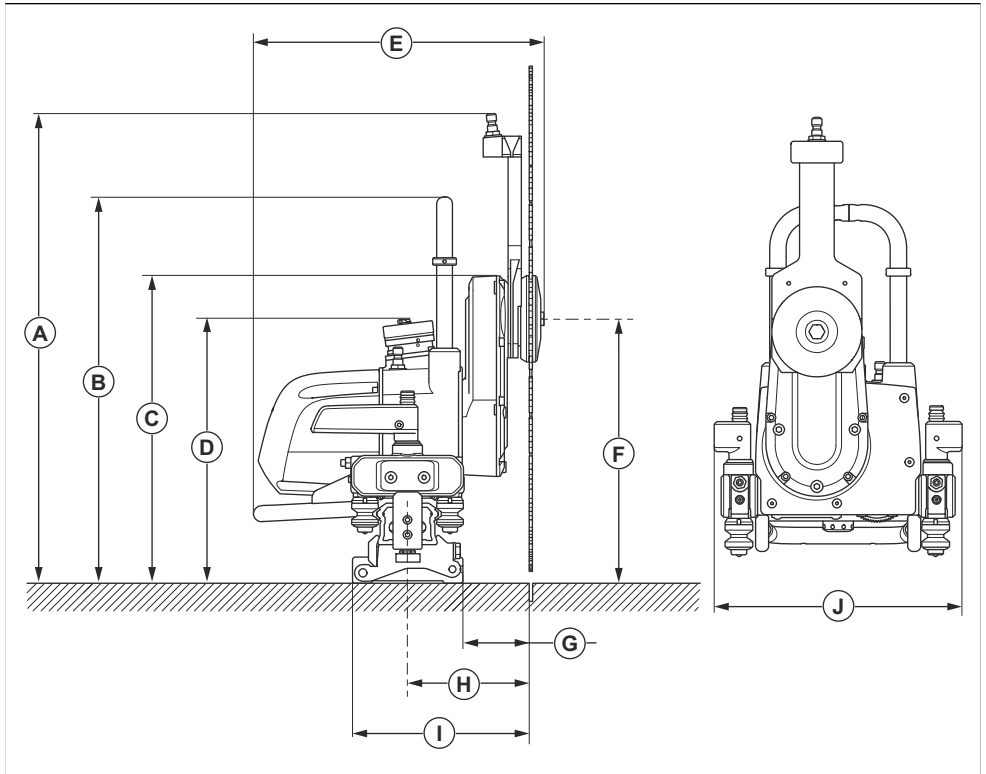
Drehzahl, U/min	600 mm/24 Zoll	700 mm/28 Zoll	800 mm/32 Zoll	900 mm/35 Zoll
600				
700				H
800			H	M/S
900		H	M/S	S
1000	H	M/S	S	
1100	M/S	S		
1150	S			

# Geräteabmessungen PP 8



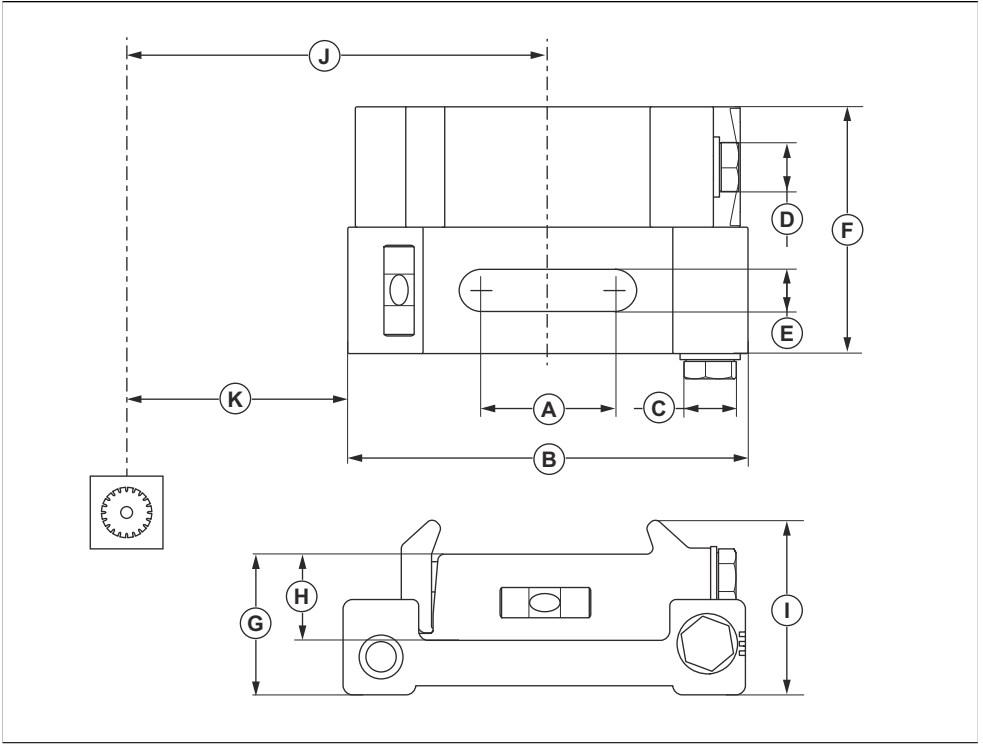
Abmessungen, mm/Zoll			
Win- kel- sen- sor	570/22	H	183/7
		L	410/16

# Geräteabmessungen WS 8



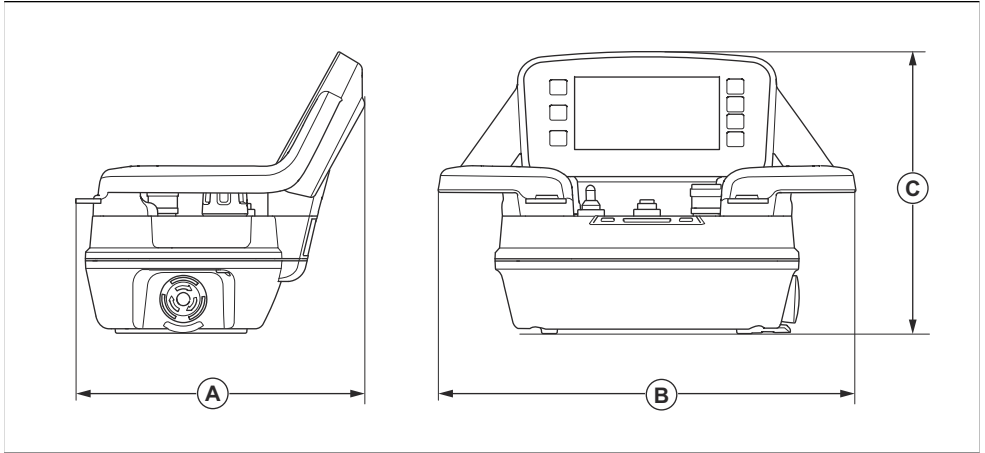
Abmessungen, mm/Zoll							
<b>A</b>	567/22,3	<b>B</b>	466/18,3	<b>D</b>	365/14,4	<b>D</b>	318/12,5
<b>E</b>	348/13,7	<b>F</b>	319/12,6	<b>G</b>	80/3,14	<b>H</b>	145/5,7
<b>I</b>	213/8,4	<b>J</b>	286/11,3				

## Geräteabmessungen Halterungen



Abmessungen, mm/Zoll							
A	45/1,77	B	133/5,24	D	17/0,7	D	17/0,7
E	14/0,55	F	82/3,23	G	46,5/1,83	H	28,5/1,1
I	58/2,3	J	145/5,7	K	80/3,15		

## Geräteabmessungen Fernbedienung



Abmessungen, mm/Zoll					
<b>A</b>	190/7,5	<b>B</b>	280/11	<b>D</b>	195/7,7

## Zubehör

### Zubehör

Zubehör	Details
Adapter, einphasig	Es gibt verschiedene Adapter für den Werkzeuganschluss. Weitere Informationen erhalten Sie bei Ihrem Husqvarna Händler.
Adapterkabel für K 6500/DM 650 auf PP 70/für WS 220 auf PP 8	
Schablonenhalter	
Halterung, universal	
Trennscheibenschutz	Ø900mm
Bündigschutzhauben	Ø600mm
	Ø900mm

## Einleitung

---



**WARNUNG:** Nur autorisierte Service-Zentren dürfen das Gerät reparieren. So werden Unfälle der Bediener verhindert.

---

## Zugelassenes Service-Zentrum

Auf der folgenden Website finden Sie den Ihnen nächstgelegenen durch Husqvarna Construction Products zugelassenen Servicehändler: <https://www.husqvarnaconstruction.com/int/find-dealer/>.

Kontaktinformationen für Hauptsitz und Kundenservice von Husqvarna Construction Products:

Husqvarna Construction Products

433 81 Partille, Sweden

[customerservicehcp@husqvarnagroup.com](mailto:customerservicehcp@husqvarnagroup.com)

# Konformitätserklärung

## EU-Konformitätserklärung

Wir, **Husqvarna AB**, SE 561 82 Huskvarna,  
SCHWEDEN, Tel. +46 36 146500, erklären in alleiniger  
Verantwortung, dass das Gerät:

<b>Beschreibung</b>	<b>Antriebsaggregat</b>
<b>Marke</b>	HUSQVARNA
<b>Typ/Modell</b>	PP 8
<b>Identifizierung</b>	Seriennummern ab 2024

die folgenden EU-Richtlinien und -Verordnungen erfüllt:

<b>Richtlinie/Verordnung</b>	<b>Beschreibung</b>
2014/53/EU	„zu Funkanlagen“
2011/65/EU	„zur Beschränkung der Verwendung bestimmter gefährlicher Stoffe“

und dass die folgenden Normen und/oder technischen  
Daten angewendet werden;

EN ISO 12100:2010

EN 55014-1:2017+A11:2020

EN 55014-2:1997+A1:2001+A2:2008+AC:1997

EN 61000-3-2:2014

EN 61000-3-3:2013

EN 62841-1:2015/AC:2015/A11:2022

ETSI EN 301 489-17 V3.3.1

ETSI EN 301 489-1 V2.2.1

ETSI EN 301 489-17 V3.2.0

Partille, 2024-06-20



Fredrik Sandinge,

Leiter F&E-Abteilung, Ausrüstung zum Sägen und  
Bohren von Beton

Husqvarna AB, Construction Division

Verantwortlich für die technische Dokumentation



# UK-Konformitätserklärung

Wir, **Husqvarna AB**, SE 561 82 Huskvarna,  
SCHWEDEN, Tel. +46 36 146500, erklären in alleiniger  
Verantwortung, dass das Gerät:

<b>Beschreibung</b>	<b>Antriebsaggregat</b>
<b>Marke</b>	HUSQVARNA
<b>Typ/Modell</b>	PP 8
<b>Identifizierung</b>	Seriennummern ab 2024

und dass die folgenden Normen und/oder technischen  
Daten angewendet werden;

The Radio Equipment Regulations 2017
Restriction of the Use of Certain Hazardous Substances in Electrical and Electronic Equipment Regulations 2012

und dass die folgenden harmonisierten Normen und/  
oder technischen Daten angewendet werden;

EN ISO 12100:2010

EN 55014-1:2017+A11:2020

EN 55014-2:1997+A1:2001+A2:2008+AC:1997

EN 61000-3-2:2014

EN 61000-3-3:2013

EN 62841-1:2015/AC:2015/A11:2022

ETSI EN 301 489-17 V3.3.1

ETSI EN 301 489-1 V2.2.1

ETSI EN 301 489-17 V3.2.0

Partille, 2024-06-20

UK Importer:  
Husqvarna UK Ltd  
Preston Road, Co. Durham  
DL5 6UP



Fredrik Sandinge,

Leiter F&E-Abteilung, Ausrüstung zum Sägen und  
Bohren von Beton

Husqvarna AB, Construction Division

Verantwortlich für die technische Dokumentation

**UK  
CA**



# EU-Konformitätserklärung

Wir, **Husqvarna AB**, SE 561 82 Huskvarna,  
SCHWEDEN, Tel. +46 36 146500, erklären in alleiniger  
Verantwortung, dass das Gerät:

<b>Beschreibung</b>	<b>Wandsäge</b>
<b>Marke</b>	HUSQVARNA
<b>Typ/Modell</b>	WS 8
<b>Identifizierung</b>	Seriennummern ab 2024

die folgenden EU-Richtlinien und -Verordnungen erfüllt:

<b>Richtlinie/Verordnung</b>	<b>Beschreibung</b>
2006/42/EG	„Maschinenrichtlinie“
2014/30/EU	„EMV-Richtlinie“
2011/65/EU	„zur Beschränkung der Verwendung bestimmter gefährlicher Stoffe“

und dass die folgenden Normen und/oder technischen  
Daten angewendet werden;

EN ISO 12100:2010

EN IEC 62841-3-7: 2021

EN 55014-1:2017+A11:2020

EN 55014-2:1997+A1:2001+A2:2008+AC:1997

Partille, 2024-06-20



Fredrik Sandinge,

Leiter F&E-Abteilung, Ausrüstung zum Sägen und  
Bohren von Beton

Husqvarna AB, Construction Division

Verantwortlich für die technische Dokumentation



## UK-Konformitätserklärung

Wir, **Husqvarna AB**, SE 561 82 Huskvarna,  
SCHWEDEN, Tel. +46 36 146500, erklären in alleiniger  
Verantwortung, dass das Gerät:

<b>Beschreibung</b>	<b>Wandsäge</b>
<b>Marke</b>	HUSQVARNA
<b>Typ/Modell</b>	WS 8
<b>Identifizierung</b>	Seriennummern ab 2024

die folgenden UK-Verordnungen erfüllt:

The Supply of Machinery (Safety) Regulations 2008
Electromagnetic Compatibility Regulations 2016
Restriction of the Use of Certain Hazardous Substances in Electrical and Electronic Equipment Regulations 2012

und dass die folgenden Normen und/oder technischen  
Daten angewendet werden;

EN ISO 12100:2010

EN IEC 62841-3-7: 2021

EN 55014-1:2017+A11:2020

EN 55014-2:1997+A1:2001+A2:2008+AC:1997

Partille, 2024-06-20



Fredrik Sandinge,

Leiter F&E-Abteilung, Ausrüstung zum Sägen und  
Bohren von Beton

Husqvarna AB, Construction Division

Verantwortlich für die technische Dokumentation

**UK  
CA**

UK Importer:  
Husqvarna UK Ltd  
Preston Road, Co. Durham  
DL5 6UP

## Third party licences

### For questions

Written offer for source code covered by GPL and LGPL. In cases where specific license terms entitle you to the source code, Husqvarna will provide applicable source code upon written request to the extent of the license terms. Please direct inquiries to HUSQVARNA, Box 7454, SE-103 92 Stockholm.

### ICU 52.1

Copyright © 1995-2013 and others. All rights reserved. Permission is hereby granted, free of charge, to any person obtaining a copy of this software and associated documentation files (the "Software"), to deal in the Software without restriction, including without limitation the rights to use, copy, modify, merge, publish, distribute, and/or sell copies of the Software, and to permit persons to whom the Software is furnished to do so, provided that the above copyright notice(s) and this permission notice appear in all copies of the Software and that both the above copyright notice(s) and this permission notice appear in supporting documentation. Copyright © 1991-2013 All rights reserved. Distributed under the Terms of Use in . Permission is hereby granted, free of charge, to any person obtaining a copy of the Unicode data files and any associated documentation (the "Data Files") or Unicode software and any associated documentation (the "Software") to deal in the Data Files or Software without restriction, including without limitation the rights to use, copy, modify, merge, publish, distribute, and/or sell copies of the Data Files or Software, and to permit persons to whom the Data Files or Software are furnished to do so, provided that (a) the above copyright notice(s) and this permission notice appear with all copies of the Data Files or Software, (b) both the above copyright notice(s) and this permission notice appear in associated documentation, and (c) there is clear notice in each modified Data File or in the Software as well as in the documentation associated with the Data File(s) or Software that the data or software has been modified.

### Fontconfig 2.11

Copyright © 2000, 2001, 2002, 2003, 2004, 2006, 2007 Keith Packard. Copyright © 2005 Patrick Lam. Copyright © 2007 Dwayne Bailey and . Copyright © 2009 Roozbeh Pournader. Copyright © 2008, 2009, 2010, 2011, 2012, 2013, 2014, 2015, 2016, 2017, 2018, 2019, 2020 . Copyright © 2008 Danilo Šegan. Copyright © 2012 . Permission to use, copy, modify, distribute, and sell this software and its documentation for any purpose is hereby granted without fee, provided that the above copyright notice appear in all copies and that both that copyright notice and this permission notice appear in supporting documentation, and that the name of the author(s) not be used in advertising or publicity pertaining to distribution of the software without

specific, written prior permission. The authors make no representations about the suitability of this software for any purpose. It is provided "as is" without express or implied warranty.

### For power pack following license is applicable

Apache License. Version 2.0, January 2004. <http://www.apache.org/licenses/>.

1. Definitions. "License" shall mean the terms and conditions for use, reproduction, and distribution as defined by Sections 1 through 9 of this document. "Licensor" shall mean the copyright owner or entity authorized by the copyright owner that is granting the License. "Legal Entity" shall mean the union of the acting entity and all other entities that control, are controlled by, or are under common control with that entity. For the purposes of this definition, "control" means (i) the power, direct or indirect, to cause the direction or management of such entity, whether by contract or otherwise, or (ii) ownership of fifty percent (50%) or more of the outstanding shares, or (iii) beneficial ownership of such entity. "You" (or "Your") shall mean an individual or Legal Entity exercising permissions granted by this License. "Source" form shall mean the preferred form for making modifications, including but not limited to software source code, documentation source, and configuration files. "Object" form shall mean any form resulting from mechanical transformation or translation of a Source form, including but not limited to compiled object code, generated documentation, and conversions to other media types. "Work" shall mean the work of authorship, whether in Source or Object form, made available under the License, as indicated by a copyright notice that is included in or attached to the work (an example is provided in the Appendix below). "Derivative Works" shall mean any work, whether in Source or Object form, that is based on (or derived from) the Work and for which the editorial revisions, annotations, elaborations, or other modifications represent, as a whole, an original work of authorship. For the purposes of this License, Derivative Works shall not include works that remain separable from, or merely link (or bind by name) to the interfaces of, the Work and Derivative Works thereof. "Contribution" shall mean any work of authorship, including the original version of the Work and any modifications or additions to that Work or Derivative Works thereof, that is intentionally submitted to Licensor for inclusion in the Work by the copyright owner or by an individual or Legal Entity authorized to submit on behalf of the copyright owner. For the purposes of this definition, "submitted" means any form of electronic, verbal, or written communication sent to the Licensor or its representatives, including but not limited to communication on electronic mailing lists, source code control systems, and issue tracking systems that are managed by, or on behalf of, the Licensor for the purpose of discussing and improving the Work, but

excluding communication that is conspicuously marked or otherwise designated in writing by the copyright owner as "Not a Contribution." "Contributor" shall mean Licensor and any individual or Legal Entity on behalf of whom a Contribution has been received by Licensor and subsequently incorporated within the Work.

2. Grant of Copyright License. Subject to the terms and conditions of this License, each Contributor hereby grants to You a perpetual, worldwide, non-exclusive, no-charge, royalty-free, irrevocable copyright license to reproduce, prepare Derivative Works of, publicly display, publicly perform, sublicense, and distribute the Work and such Derivative Works in Source or Object form.

3. Grant of Patent License. Subject to the terms and conditions of this License, each Contributor hereby grants to You a perpetual, worldwide, non-exclusive, no-charge, royalty-free, irrevocable (except as stated in this section) patent license to make, have made, use, offer to sell, sell, import, and otherwise transfer the Work, where such license applies only to those patent claims licensable by such Contributor that are necessarily infringed by their Contribution(s) alone or by combination of their Contribution(s) with the Work to which such Contribution(s) was submitted. If You institute patent litigation against any entity (including cross-claim or counterclaim in a lawsuit) alleging that the Work or a Contribution incorporated within the Work constitutes direct contributory patent infringement, then any patent licenses granted to You under this License for that Work shall terminate as of the date such litigation is filed.

4. Redistribution. You may reproduce and distribute copies of the Work or Derivative Works thereof in any medium, with or without modifications, and in Source or Object form, provided that You meet the following conditions: (a) You must give any other recipients of the Work or Derivative Works a copy of this License; and (b) You must cause any modified files to carry prominent notices stating that You changed the files; and (c) You must retain, in the Source form of any Derivative Works that You distribute, all copyright, patent, trademark, and attribution notices from the Source form of the Work, excluding those notices that do not pertain to any part of the Derivative Works; and (d) If the Work includes a "NOTICE" text file as part of its distribution, then any Derivative Works that You distribute must include a readable copy of the attribution notices contained within such NOTICE file, excluding those notices that do not pertain to any part of the Derivative Works, in at least one of the following places: within a NOTICE text file distributed as part of the Derivative Works; within the Source form or documentation, if provided along with the Derivative Works; or, within a display generated by the Derivative Works, if and wherever such third-party notices normally appear. The contents of the NOTICE file are for informational purposes only and do not modify the License. You may add Your own attribution notices within Derivative Works that You distribute, alongside or as an addendum to the NOTICE text from the Work, provided that such additional attribution notices cannot be construed as modifying the License. You may add Your own copyright statement to Your

modifications and may provide additional or different license terms and conditions for use, reproduction, or distribution of Your modifications, or for any such Derivative Works as a whole, provided Your use, reproduction, and distribution of the Work otherwise complies with the conditions stated in this License.

5. Submission of Contributions. Unless You explicitly state otherwise, any Contribution intentionally submitted for inclusion in the Work by You to the Licensor shall be under the terms and conditions of this License, without any additional terms or conditions. Notwithstanding the above, nothing herein shall supersede or modify the terms of any separate license agreement you may have executed with Licensor regarding such Contributions.

6. Trademarks. This License does not grant permission to use the tradenames, trademarks, service marks, or product names of the Licensor, except as required for reasonable and customary use in describing the origin of the Work and reproducing the content of the NOTICE file.

7. Disclaimer of Warranty. Unless required by applicable law or agreed to in writing, Licensor provides the Work (and each Contributor provides its Contributions) on an "AS IS" BASIS, WITHOUT WARRANTIES OR CONDITIONS OF ANY KIND, either express or implied, including, without limitation, any warranties or conditions of TITLE, NON-INFRINGEMENT, MERCHANTABILITY, or FITNESS FOR A PARTICULAR PURPOSE. You are solely responsible for determining the appropriateness of using or redistributing the Work and assume any risks associated with Your exercise of permissions under this License.

8. Limitation of Liability. In no event and under no legal theory, whether in tort (including negligence), contract, or otherwise, unless required by applicable law (such as deliberate and grossly negligent acts) or agreed to in writing, shall any Contributor be liable to You for damages, including any direct, indirect, special, incidental, or consequential damages of any character arising as a result of this License or out of the use or inability to use the Work (including but not limited to damages for loss of goodwill, work stoppage, computer failure or malfunction, or any and all other commercial damages or losses), even if such Contributor has been advised of the possibility of such damages.

9. Accepting Warranty or Additional Liability. While redistributing the Work or Derivative Works thereof, You may choose to offer, and charge a fee for, acceptance of support, warranty, indemnity, or other liability obligations and/or rights consistent with this License. However, in accepting such obligations, You may act only on Your own behalf and on Your sole responsibility, not on behalf of any other Contributor, and only if You agree to indemnify, defend, and hold each Contributor harmless for any liability incurred by, or claims asserted against, such Contributor by reason of your accepting any such warranty or additional liability.

END OF TERMS AND CONDITIONS

APPENDIX: How to apply the Apache License to your work. To apply the Apache License to your work, attach the following boilerplate notice, with the fields enclosed by brackets "[]" replaced with your own identifying information. (Don't include the brackets!) The text should be enclosed in

the appropriate comment syntax for the file format. We also recommend that a file or class name and description of purpose be included on the same "printed page" as the copyright notice for easier identification within third-party archives. Copyright {yyyy} {name of copyright owner} Licensed under the Apache License, Version 2.0 (the "License"); you may not use this file except in compliance with the License. You may obtain a copy of the License at <http://www.apache.org/licenses/LICENSE-2.0> Unless required by applicable law or agreed to in writing, software distributed under the License is distributed on an "AS IS" BASIS, WITHOUT WARRANTIES OR CONDITIONS OF ANY KIND, either express or implied. See the License for the specific language governing permissions and limitations under the License.

---

## Eingetragene Marken

---

Die *Bluetooth*<sup>®</sup>-Wortmarke und die Logos sind eingetragene Marken von *Bluetooth SIG, inc.* und die Verwendung dieser Marken durch Husqvarna erfolgt unter Lizenz.

---

# Sommaire

---

Introduction.....	143	Caractéristiques techniques.....	200
Sécurité.....	151	Accessoires.....	206
Montage.....	160	Entretien.....	207
Utilisation.....	170	Déclaration de conformité.....	208
Entretien.....	185	Open source.....	212
Dépannage.....	189	Marques déposées.....	215
Transport et stockage.....	198		

---

## Introduction

---

### Description du produit

Le produit est constitué d'un groupe d'alimentation PP 8, d'une scie murale et d'une télécommande. Ils sont actionnés par un moteur électrique.

La scie murale est montée sur rail et utilisée avec des disques diamantés segmentés. La scie murale se range sur un chariot de transport.

Le groupe d'alimentation et la scie murale sont refroidis à l'eau. Avant de les utiliser, connectez toujours le groupe d'alimentation et la scie murale à une alimentation en eau domestique.

Le groupe d'alimentation dispose d'une connectivité intégrée. Reportez-vous à *PP 8*.

### Connectivité intégrée

Husqvarna Fleet Services™ est une solution de gestion des actifs dans le cloud qui donne un aperçu de tous les appareils connectés via des capteurs intégrés ou en pièce détachée au gestionnaire de flotte. Les capteurs enregistrent des données comme la durée de fonctionnement, les intervalles d'entretien et davantage encore. Pour plus d'informations sur Husqvarna Fleet Services™, téléchargez l'application iOS ou Android Husqvarna Fleet Services sur <https://apps.apple.com/se/app/husqvarna-fleet-services/id1334672726> ou <https://play.google.com/store/apps/details?id=com.husqvarna.hfsmobile&hl=en>.

Les produits dotés d'une connectivité intégrée sont connectés via le capteur intégré Husqvarna Fleet Services™ qui dispose de Bluetooth Low Energy (BLE). Pour plus d'informations sur son utilisation, reportez-

vous à *Pour utiliser la connectivité intégrée à la page 170*. Pour plus d'informations sur le BLE technology radio spectrum reportez-vous à *Connectivité intégrée à la page 202*.

### Utilisation prévue

Le groupe d'alimentation s'utilise pour faire fonctionner les Husqvarna outils électriques adaptés et dotés de moteurs à haute fréquence.

La scie murale est conçue pour scier dans des matériaux durs tels que le béton armé, la pierre et la brique.

Le produit est conçu pour un usage commercial par des opérateurs professionnels. N'utilisez pas ce produit pour d'autres travaux.

---

### Remarque:

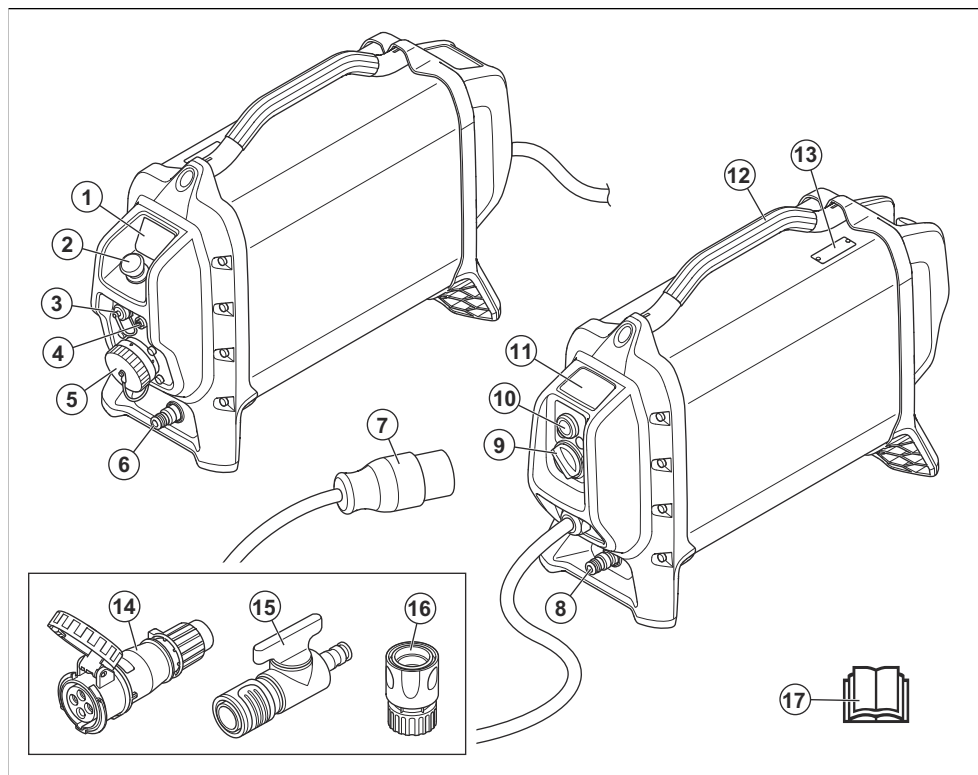
Le groupe d'alimentation peut également être utilisé en combinaison avec d'autres outils électriques, tels qu'un moteur de forage et une découpeuse. Si vous avez l'intention d'utiliser le groupe d'alimentation lorsque vous travaillez avec des outils électriques autres que la scie murale, lisez

- Les sections du présent manuel relatives au groupe d'alimentation
  - Les manuels d'utilisation de l'autre outil électrique
- 

**Remarque:** La législation nationale peut imposer des limites à l'utilisation du produit.

---

## Vue d'ensemble du groupe d'alimentation

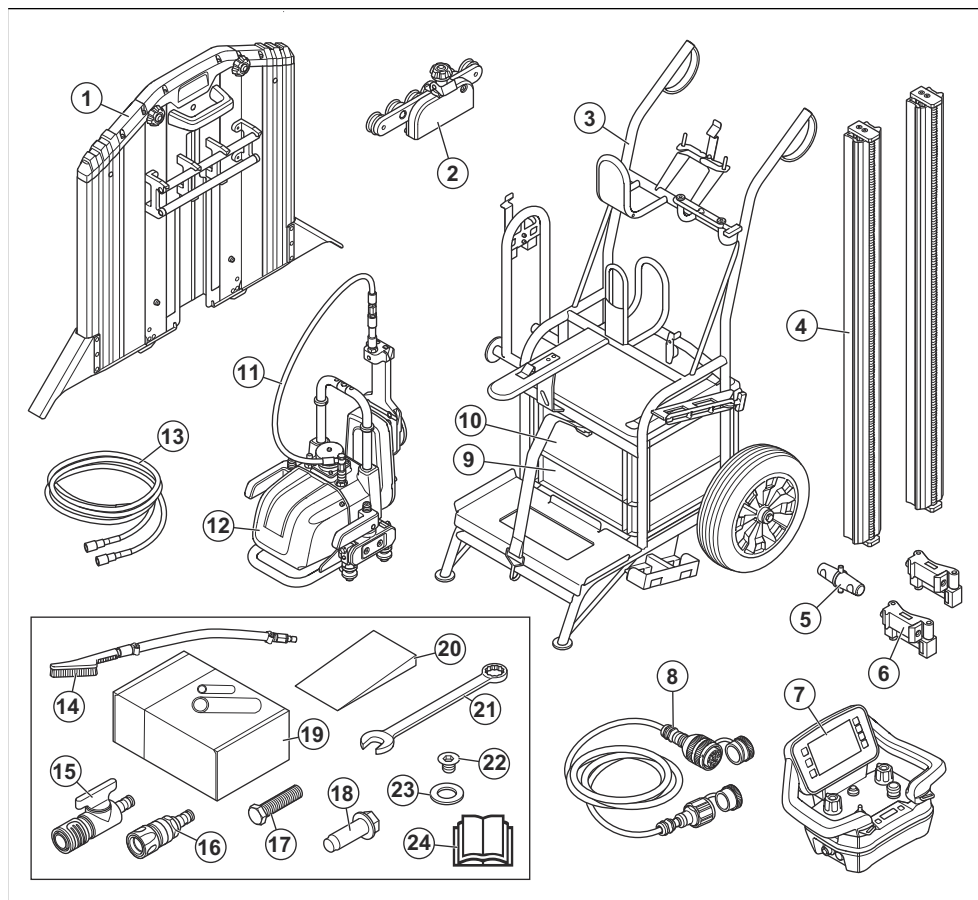


1. Panneau de commande et indicateur d'état
2. Bouton d'arrêt de la machine
3. Connexion USB (pour l'entretien par un agent de service Husqvarna agréé)
4. Prise CAN
5. Sortie de raccordement de l'outil
6. Sortie du raccord de l'eau
7. Fiche d'alimentation
8. Entrée du raccord de l'eau
9. Bouton de réinitialisation du disjoncteur différentiel
10. Bouton de test du disjoncteur différentiel

11. Symboles concernant le produit
12. Poignée
13. Plaque signalétique
14. Connecteur (pour le marché nord-américain uniquement)
15. Raccord rapide (pour le marché nord-américain uniquement)
16. Régulateur de la vanne d'eau (pour le marché nord-américain uniquement)
17. Manuel d'utilisation

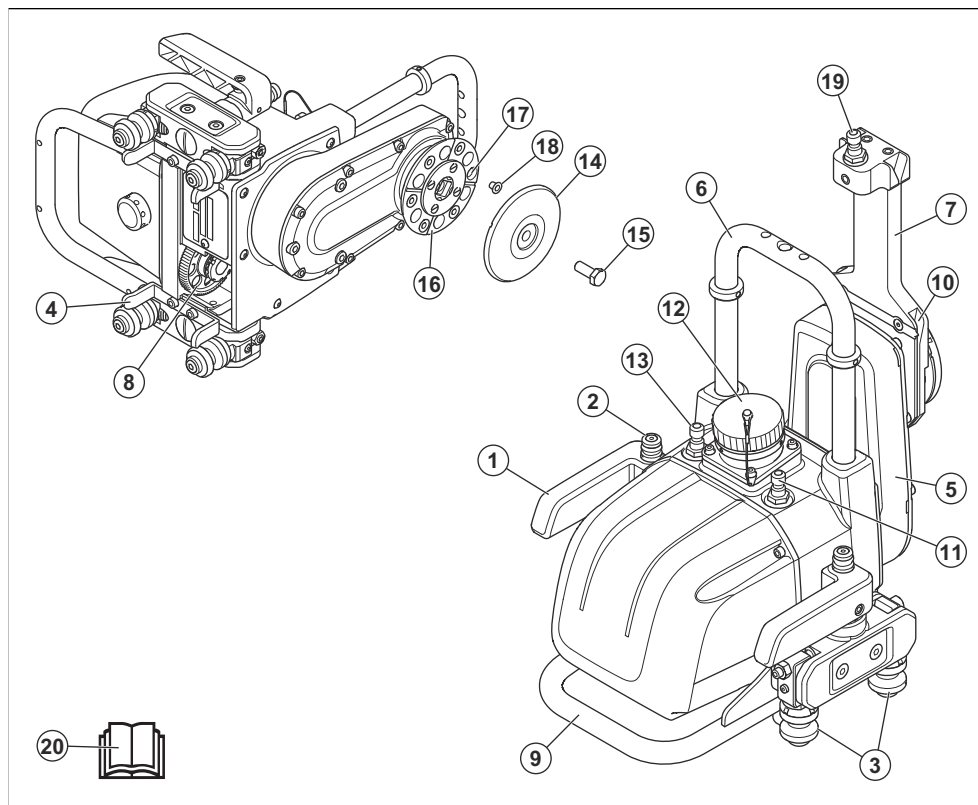


## Vue d'ensemble de la scie murale



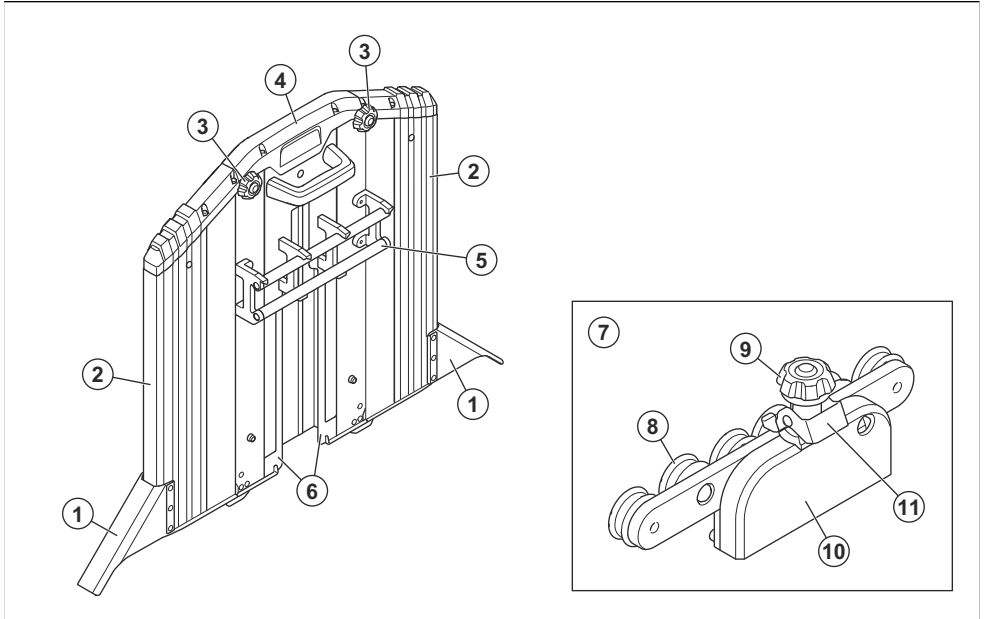
- |                                       |  |
|---------------------------------------|--|
| 1. Carter de disque Ø600 mm           | 13. Flexible d'eau                                     |
| 2. Guide du carter de disque          | 14. Brosse à eau                                       |
| 3. Chariot de transport               | 15. Vanne  |
| 4. Rail                               | 16. Adaptateur   |
| 5. Connecteur d'épissure              | 17. Vis  |
| 6. Support de fixation standard       | 18. Boulon excentrique, 5 pièces                       |
| 7. Télécommande                       | 19. Boulon d'ancrage M10×40                            |
| 8. Câble d'alimentation               | 20. Coin   |
| 9. Boîte de rangement - accessoires   | 21. Clé  |
| 10. Boîte de rangement - télécommande | 22. Vis pour découpe à ras (à tête fraisée) M8×12 10,9 |
| 11. Flexible d'eau                    | 23. Rondelle   |
| 12. Unité de sciage                   | 24. Manuel d'utilisation                               |

## Vue d'ensemble de l'unité de sciage



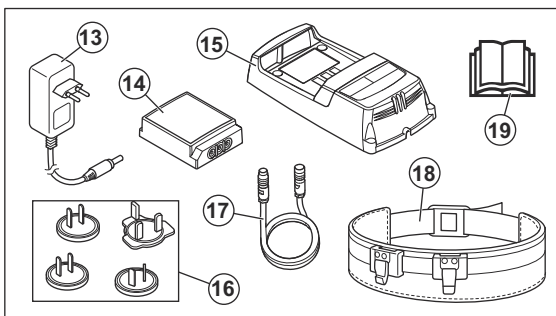
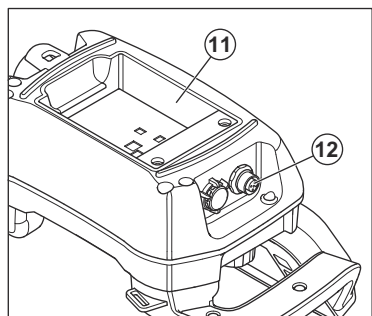
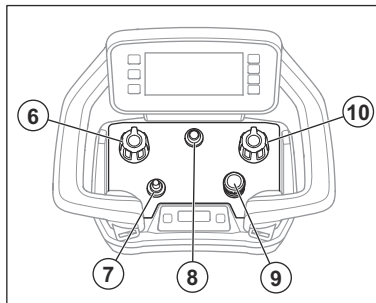
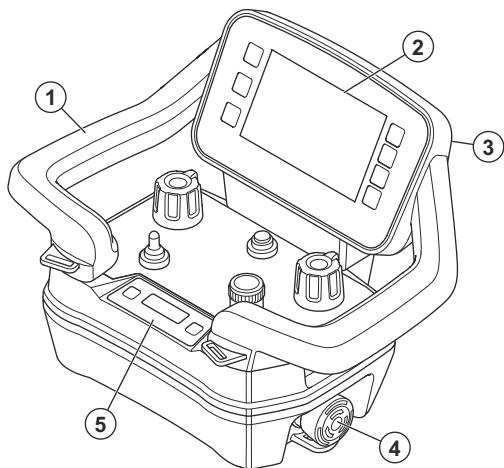
- |   |  |
|---|--|
| 1. Poignée de verrouillage  | 9. Poignée   |
| 2. Bouton de verrouillage (le bouton sur la poignée de verrouillage doit être enfoncé pour pouvoir débloquer le cran de sécurité et ainsi déverrouiller les poignées de verrouillage) | 10. Rainure de guidage du carter de disque   |
| 3. Roues de guidage (utilisez les poignées de verrouillage pour les serrer contre le rail)  | 11. Raccord d'eau vers l'extérieur (connecté au raccord d'eau du disque)   |
| 4. Guide pour les roues, lors de l'assemblage de l'unité de sciage sur les rails.   | 12. Connexion électrique et connexion de contrôle  |
| 5. Bras de coupe (il convient de faire pivoter le bras à l'aide de la télécommande pour contrôler la profondeur de coupe)   | 13. Entrée de refroidissement à l'eau  |
| 6. Accessoire pour carter de disque   | 14. Bride de disque extérieur  |
| 7. Bride de guidage pour carter de disque (peut être pivotée en position de transport)  | 15. Boulon du disque   |
| 8. Roue dentée d'alimentation (déplace la scie le long du rail)   | 16. Bride interne du disque (lors de découpes à ras, le disque est solidement fixé à la bride interne du disque) |
|   | 17. Filetages de vis pour les découpes à ras, 6 pièces.  |
|   | 18. Caches pour filetages, 6 pièces.   |
|   | 19. Raccord d'eau pour disque  |
|   | 20. Manuel d'utilisation   |

## Carter de disque



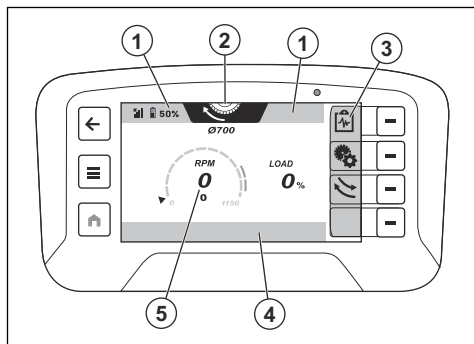
1. Protection antiprojections
2. Sections extérieures
3. Boutons de verrouillage des sections extérieures
4. Section centrale
5. Goulottes de guidage
6. Glissières
7. Guide du carter de disque
8. Rouleaux de guidage
9. Bouton de verrouillage du carter de disque
10. Accessoire du carter de disque (monté sur l'ensemble au niveau de l'unité de sciage)
11. Verrous du guide du carter de disque (bloque le guide du carter de disque sur le carter de disque)

## Aperçu de la télécommande



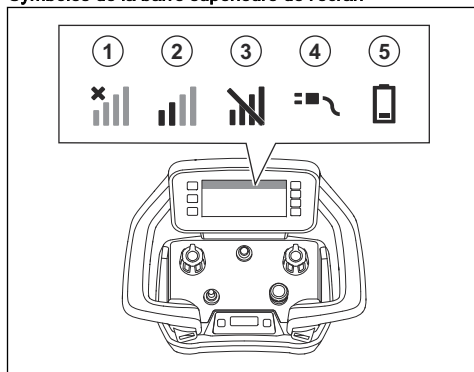
- |   |   |
|---|---|
| <ol style="list-style-type: none"> <li>1. Poignée</li> <li>2. Écran IHM</li> <li>3. Connecteur pour câble USB</li> <li>4. Bouton d'arrêt de la machine</li> <li>5. Écran du centre d'information. Reportez-vous à <i>Écran du centre d'information à la page 183.</i></li> <li>6. Bouton de déplacement en profondeur du bras de coupe</li> <li>7. Interrupteur de mise en marche/arrêt du disque</li> <li>8. Bouton ON/OFF</li> <li>9. Bouton de réglage de la vitesse du disque</li> <li>10. Bouton de déplacement longitudinal de la scie murale</li> <li>11. Support de batterie</li> <li>12. Connecteur pour le câble de bus CAN</li> <li>13. Adaptateur CA/CC pour chargeur de batterie</li> <li>14. Batterie de la télécommande</li> </ol> | <ol style="list-style-type: none"> <li>15. Chargeur de batterie pour la batterie de la télécommande</li> <li>16. Fiches femelles pour différents marchés</li> <li>17. Câble de bus CAN</li> <li>18. Ceinture pour télécommande</li> <li>19. Manuel d'utilisation</li> </ol> |
|---|---|

## Vue d'ensemble de l'écran IHM



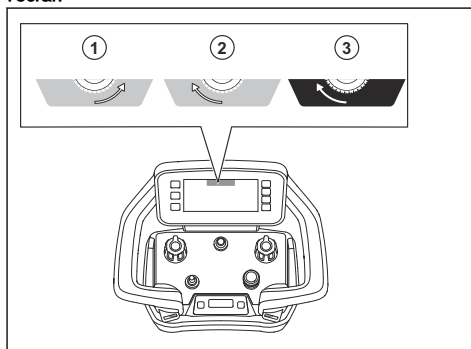
1. Barre supérieure
2. Onglet de mode de fonctionnement
3. Barre d'action rapide
4. Barre inférieure
5. Vue du produit

## Symboles de la barre supérieure de l'écran



Position	Fonction
1	Aucun signal radio. Aucune connexion établie avec le produit.
2	Puissance du signal radio.
3	Le signal radio est bloqué.
4	Le câble de bus CAN est branché entre le produit et la télécommande.
5	État de charge. Lorsque le symbole de batterie est jaune, l'état de charge est compris entre 11 et 20 %. Lorsque le symbole de batterie est rouge, l'état de charge est inférieur à 10 %.

## Symboles de l'onglet de mode de fonctionnement sur l'écran



L'onglet du mode de fonctionnement devient orange (3) lorsque le disque commence à tourner.

Position	Fonction
1	Le mode de fonctionnement dans le sens contraire des aiguilles d'une montre est sélectionné.
2	Le mode de fonctionnement dans le sens des aiguilles d'une montre est sélectionné.
3	Le mode de fonctionnement dans le sens des aiguilles d'une montre est démarré.

## Symboles sur le groupe d'alimentation



**AVERTISSEMENT** : Une utilisation négligente ou inadaptée peut provoquer des blessures, voire la mort, pour l'opérateur ou d'autres personnes.



Lisez avec attention le manuel d'utilisation et assurez-vous de bien comprendre les instructions avant d'utiliser ce produit.



Portez toujours des protège-oreilles, des protections pour les yeux et une protection respiratoire.



L'inspection et/ou l'entretien doivent être effectués avec le moteur à l'arrêt et la fiche de courant débranchée.



Pièces sous tension.



Ce produit est conforme aux directives CE en vigueur.



Le produit est conforme aux directives australiennes et néo-zélandaises en matière de compatibilité électromagnétique.



Symbole de la durée d'utilisation respectueuse de l'environnement (EUPF) de la directive RoHS en Chine.



Le produit ou son emballage ne font pas partie des ordures ménagères. Déposez-le dans une station de recyclage pour équipements électriques et électroniques.

**Remarque:** les autres symboles/autocollants présents sur le produit concernent des exigences de certification spécifiques à certains marchés.

## Symboles sur la scie murale



**AVERTISSEMENT :** ce produit peut être dangereux et causer des blessures graves, voire mortelles, à l'opérateur ou à d'autres personnes. Soyez prudent et utilisez le produit correctement.



Lisez avec attention le manuel d'utilisation et assurez-vous de bien comprendre les instructions avant d'utiliser ce produit.



Utilisez un casque de protection, des protège-oreilles, des protections pour les yeux et une protection respiratoire homologués.



Éloignez vos mains et vos pieds du disque.



Les contrôles et/ou l'entretien doivent être effectués avec le moteur à l'arrêt et la fiche débranchée.



Le produit ou son emballage ne font pas partie des ordures ménagères. Déposez-le dans une déchetterie agréée pour équipements électriques et électroniques.



Ce produit est conforme aux directives CE en vigueur.

**Remarque:** les autres symboles/autocollants présents sur le produit concernent des exigences de certification spécifiques à certains marchés.

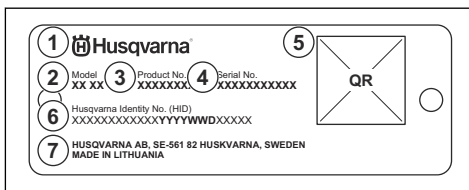
## Spécification HID

Le numéro d'identification Husqvarna comporte 5 sections et un total de 25 caractères : [PNC] [Usine et ligne (FLL)] [Date] [N° de séquence] [Caractère de contrôle].

La date comporte 7 caractères.

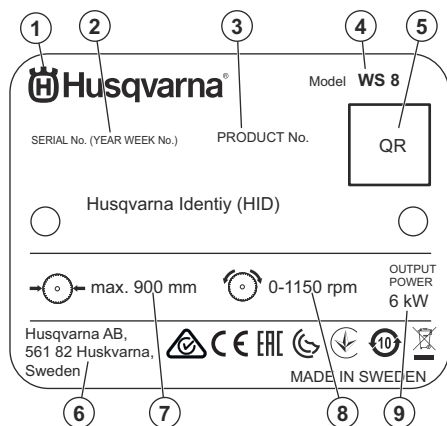
- Format : AAAASSJ
- AAAA = année
- SS = numéro de semaine
- J = numéro de jour

## Plaque signalétique du groupe d'alimentation PP 8



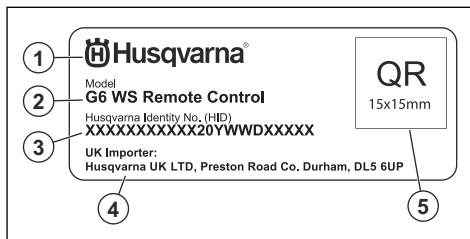
1. fabricant
2. Modèle
3. Référence de produit
4. Numéro de série
5. Code QR
6. Numéro d'identification Husqvarna
7. Adresse du fabricant

## Plaque signalétique de la scie murale WS 8



- 1 : fabricant
- 2 : n° de série avec date de fabrication (AAAA, SS, XXXXX) : année, semaine, n° de séquence
- 3 : n° de produit
- 4 : Modèle
- 5 : Code QR
- 6 : Adresse du fabricant
- 7 : taille maximale du disque, mm
- 8 : régime maximal, tr/min
- 9 : Puissance, kW

## Plaque signalétique Télécommande Husqvarna



1. fabricant
2. Modèle
3. Numéro d'identification Husqvarna avec date de fabrication (AAAA, SS, XXXXX) : année, semaine, n° de séquence
4. Adresse de l'importateur au Royaume-Uni
5. Code QR

## Endommagement du produit

Nous ne sommes pas responsables des dommages subis par le produit si :

- le produit n'est pas correctement réparé ;
- le produit est réparé avec des pièces qui ne proviennent pas du fabricant ou qui ne sont pas homologuées par le fabricant ;
- le produit est équipé d'un accessoire qui ne provient pas du fabricant ou qui n'est pas homologué par le fabricant ;
- le produit n'est pas réparé par un centre d'entretien agréé ou par une autorité homologuée.

## Sécurité

### Définitions de sécurité

Des avertissements, des recommandations et des remarques sont utilisés pour souligner des parties spécialement importantes du manuel.



**AVERTISSEMENT:** Symbole utilisé en cas de risque de blessures ou de mort pour l'opérateur ou les personnes à proximité si les instructions du manuel ne sont pas respectées.



**REMARQUE:** Symbole utilisé en cas de risque de dommages pour le produit, d'autres matériaux ou les environs si les instructions du manuel ne sont pas respectées.

**Remarque:** Symbole utilisé pour donner des informations supplémentaires pour une situation donnée.

### Instructions générales de sécurité



**AVERTISSEMENT:** lisez les instructions qui suivent avant d'utiliser le produit.

- Ce produit est un outil dangereux si vous ne faites pas attention ou si vous l'utilisez de manière incorrecte. Ce produit peut causer des blessures graves, voire mortelles, à l'opérateur ou à d'autres personnes. Avant d'utiliser le produit, il convient de lire attentivement et de bien comprendre les instructions contenues dans ce manuel de l'opérateur.
- Conservez tous les avertissements de sécurité et toutes les instructions.

- Respectez l'ensemble des lois et réglementations applicables.
- L'opérateur et son employeur doivent connaître et éviter tout risque au cours de l'utilisation du produit.
- Ne laissez personne utiliser le produit avant d'avoir lu et compris le contenu du manuel de l'opérateur.
- N'utilisez pas le produit sauf si vous bénéficiez d'une formation préalable. Assurez-vous que tous les opérateurs suivent une formation.
- Ne laissez pas un enfant utiliser le produit.
- Seules les personnes autorisées peuvent utiliser le produit.
- L'utilisateur est tenu responsable des accidents auxquels il expose autrui ou ses biens.
- N'utilisez jamais l'appareil si vous êtes fatigué ou malade, ou si vous êtes sous l'emprise d'alcool, de drogues ou de médicaments.
- Ne laissez jamais une personne utiliser l'appareil si elle est fatiguée ou malade, ou si elle est sous l'emprise d'alcool, de drogues ou de médicaments.
- Soyez toujours prudent et utilisez votre bon sens.
- Ce produit génère un champ électromagnétique durant son fonctionnement. Ce champ peut dans certaines circonstances perturber le fonctionnement d'implants médicaux actifs ou passifs. Pour réduire le risque de blessures graves ou mortelles, nous recommandons aux personnes portant des implants médicaux de consulter leur médecin et le fabricant de leur implant avant d'utiliser cet appareil.
- Maintenez le produit propre. Assurez-vous que vous pouvez lire clairement les avertissements et les autocollants.
- N'utilisez pas le produit si celui-ci est endommagé.
- Ne modifiez pas ce produit.
- N'utilisez pas le produit s'il est susceptible d'avoir été modifié par d'autres personnes.
- Éteignez la télécommande lorsque le produit est stationné et pendant le transport du produit. Appuyez sur le bouton ON/OFF de la télécommande pour l'éteindre.

## Avertissements généraux relatifs à la sécurité de la machine



**AVERTISSEMENT:** Prenez connaissance de l'ensemble des avertissements, consignes, illustrations et spécifications relatifs à la sécurité fournis avec cette machine. Le non-respect des consignes énumérées ci-dessous peut être à l'origine d'un choc électrique, d'un incendie et/ou de blessures graves.

- **Conservez tous les avertissements et toutes les instructions pour consultation ultérieure.** Le terme « machine » utilisé dans les avertissements se rapporte à votre machine sur secteur (filaire) ou à votre machine alimentée par batterie (sans fil).

## Sécurité dans la zone de travail

- **Maintenez une zone de travail propre et bien éclairée.** Les espaces encombrés ou sombres exposent à des accidents.
- **N'utilisez pas de machines dans des atmosphères explosives, par exemple, en présence de liquides, de gaz ou de poussières inflammables.** Les machines créent des étincelles qui peuvent provoquer l'inflammation de la poussière ou des vapeurs.
- **Maintenez les enfants et autres personnes à distance pendant le fonctionnement de la machine.** Les distractions peuvent être la cause d'une perte de contrôle de la machine.

## Sécurité électrique

- **Les fiches des machines à usiner doivent être adaptées à la prise. N'apportez jamais de modifications à la fiche.** Des fiches non modifiées et des prises compatibles réduiront le risque d'électrocution.
- **Évitez tout contact physique avec les surfaces mises à la terre telles que les tuyaux, les radiateurs, les cuisinières et les réfrigérateurs.** Le risque d'électrocution est plus important si le corps est relié à la terre.
- **N'exposez pas les outils électriques à la pluie ou à l'humidité.** L'infiltration d'eau dans un outil électrique augmente le risque d'électrocution.
- **Ne malmenez pas le cordon. N'utilisez jamais le cordon pour porter, tirer ou débrancher la machine. Maintenez le cordon d'alimentation à l'écart de la chaleur, de bords tranchants ou de pièces en mouvement.** Les cordons endommagés ou emmêlés augmentent le risque d'électrocution.
- **Lorsque vous utilisez un outil électrique à l'extérieur, utilisez une rallonge électrique adaptée à un usage en extérieur.** L'utilisation d'une rallonge prévue pour un usage en extérieur réduit le risque d'électrocution.
- **Si vous n'avez d'autre choix que d'utiliser un outil électrique dans un environnement humide, utilisez une alimentation protégée par un disjoncteur différentiel de fuite à la terre (RCD).** L'utilisation d'un RCD réduit le risque de choc électrique.
- Utilisez un RCD pour réduire le risque de choc électrique. Un RCD avec un courant résiduel nominal inférieur à 30 mA est recommandé.
- Un RCD doit être installé à une distance de 0,5 m maximum de la fiche du cordon d'alimentation ou dans la fiche du cordon d'alimentation.

## Instructions pour produit mis à la terre



**AVERTISSEMENT:** un mauvais branchement peut provoquer un choc électrique. Consultez un électricien agréé si vous n'êtes pas certain que votre prise secteur soit correctement mise à la terre.



Ne modifiez pas la prise de courant par rapport à ses spécifications d'usine. Si la fiche ou le cordon d'alimentation est endommagé ou doit être remplacé, contactez votre atelier spécialisé Husqvarna. Respectez la législation et les réglementations locales.

Si vous n'avez pas bien compris les instructions de mise à la terre du produit, consultez un électricien homologué.

Utilisez uniquement des rallonges extérieures mises à la terre avec des fiches de mise à la terre et une prise de mise à la terre acceptant la fiche d'alimentation du produit.

Le produit est équipé d'un cordon d'alimentation de mise à la terre et d'une prise de courant. Branchez systématiquement le produit sur une prise secteur mise à la terre. Cela réduit le risque de choc électrique.

N'utilisez pas d'adaptateurs électriques avec le produit.

## Rallonges

- Utilisez uniquement des rallonges homologuées d'une longueur suffisante.
- La valeur nominale sur la rallonge doit être identique ou supérieure à celle indiquée sur la plaque signalétique du produit.
- Utilisez des câbles de rallonge mis à la terre.
- Lorsque vous utilisez l'outil à l'extérieur, utilisez une rallonge adaptée à un usage extérieur. Cela réduit le risque de choc électrique.
- Maintenez la connexion de la rallonge au sec et au-dessus du sol.
- Maintenez la rallonge à l'écart de la chaleur, d'huile, de bords tranchants ou de pièces en mouvement. Un câble endommagé augmente le risque de choc électrique.
- Assurez-vous que la rallonge est en bon état et non endommagée.
- N'utilisez pas la rallonge lorsqu'elle est enroulée. Cela peut entraîner une surchauffe de la rallonge.
- Assurez-vous que la rallonge est derrière vous et derrière le produit lorsque vous utilisez le produit. Cela empêche toute dégradation de la rallonge.

## Consignes de sécurité relatives à l'utilisation de la batterie



**AVERTISSEMENT:** lisez les instructions qui suivent avant d'utiliser le produit.

- N'utilisez jamais la batterie si vous êtes fatigué ou malade, ou si vous êtes sous l'emprise d'alcool, de drogues ou de médicaments.

- Ne laissez jamais une personne utiliser la batterie si elle est fatiguée ou malade, ou si elle est sous l'emprise d'alcool, de drogues ou de médicaments.
- Ne laissez pas des enfants utiliser la batterie.
- Utilisez uniquement les batteries que nous recommandons pour votre produit. Les batteries sont codées par logiciel.
- Utilisez uniquement des batteries d'origine pour ce produit. Il existe un risque d'explosion si les batteries sont remplacées par des batteries de type incorrect. Pour davantage d'informations, contactez votre revendeur.
- Utilisez les batteries rechargeables en tant qu'alimentation électrique pour les produits Husqvarna uniquement. Afin d'éviter toute blessure, n'utilisez pas les batteries comme source d'alimentation électrique pour d'autres produits.
- Risque de choc électrique. Ne branchez pas les bornes de la batterie à des clés, des vis ou tout autre élément métallique. Cela peut provoquer un court-circuit de la batterie.
- En cas de fuite d'une batterie, ne laissez pas le liquide entrer en contact avec votre corps ou vos yeux. Si vous touchez le liquide, nettoyez la zone avec beaucoup d'eau claire et contactez un médecin.
- N'utilisez pas de batteries non rechargeables.
- Ne modifiez pas les batteries.
- Ne placez pas d'objets dans les fentes d'aération des batteries.
- Protégez les batteries des rayons directs du soleil, de la chaleur et des flammes nues. Les batteries peuvent provoquer une explosion, des brûlures et/ou des brûlures chimiques.
- Protégez les batteries de la pluie et de l'humidité.
- Protégez les batteries des micro-ondes et des hautes pressions.
- N'essayez pas de démonter ou de casser les batteries.
- Utilisez les batteries à une température ambiante comprise entre -20 °C (-4 °F) et 60 °C (140 °F).
- Chargez les batteries à une température comprise entre 10 °C (50 °F) et 45 °C (113 °F).
- Ne nettoyez pas les batteries ou le chargeur de batterie avec de l'eau. Reportez-vous à *Nettoyer la télécommande* : semaine après semaine à la page 188.
- N'utilisez pas de batteries endommagées.
- Remisez les batteries à distance des objets métalliques, tels que les clous, les vis ou les bijoux.
- Retirez les batteries de la télécommande si vous n'utilisez pas le produit pendant plus d'une semaine.

## Sécurité du personnel

- **Soyez attentif, restez concentré sur le travail en cours et utilisez la machine de manière raisonnable. N'utilisez pas la machine si vous êtes fatigué ou sous l'influence de drogues, d'alcool ou de**

**médicaments.** Il suffit d'un moment d'inattention pendant le fonctionnement de la machine pour se blesser gravement.

- **Utilisez un équipement de protection individuel. Travaillez toujours avec des protections pour les yeux.** Les équipements de protection tels que les masques anti-poussière, les chaussures de sécurité antidérapantes, le casque ou les protège-oreilles utilisés dans les conditions appropriées réduisent les blessures corporelles.
- **Évitez tout démarrage intempestif. Assurez-vous que l'interrupteur est en position d'arrêt avant de brancher l'alimentation électrique et/ou la batterie, de saisir la machine ou de la transporter.** Il est dangereux de porter la machine en conservant le doigt sur l'interrupteur ou de brancher la machine à l'alimentation électrique alors que l'interrupteur est en position marche.
- **Retirez tout outil de réglage ou clé avant d'allumer la machine.** Un outil ou une clé relié à une pièce rotative de la machine peut causer des blessures.
- **Ne vous penchez pas trop loin. Restez toujours en équilibre et sur vos appuis.** Cela permet de mieux contrôler la machine dans des situations inattendues.
- **Habilitez-vous correctement. Ne portez jamais de vêtements amples ou de bijoux. Éloignez vos cheveux et vos vêtements des pièces mobiles.** Les vêtements amples, les bijoux et les cheveux longs peuvent rester coincés dans les pièces mobiles.
- **Si des dispositifs sont fournis pour raccorder des systèmes de collecte de la poussière et d'aspirateur industriel, vérifiez qu'ils sont correctement branchés et utilisés.** L'utilisation de systèmes d'aspirateurs peut réduire les risques associés à la poussière.
- **Ne vous donnez pas un faux sentiment de sécurité et ne passez pas outre les règles de sécurité des machines, même si vous êtes déjà familiarisé avec la machine après l'avoir beaucoup utilisée.** Une manipulation inattentive peut entraîner de graves blessures en une fraction de seconde.

## Utilisation et entretien de la machine

- **Ne forcez pas en utilisant la machine. Utilisez la machine adaptée à votre travail.** La machine appropriée permettra de mieux réaliser la tâche, de manière plus sûre, au régime prévu.
- **N'utilisez pas la machine si l'interrupteur ne permet pas la mise sous tension et l'arrêt.** Toute machine qui ne peut pas être contrôlée par son interrupteur est dangereuse et doit être réparée.
- **Débranchez la fiche de la prise et/ou retirez la batterie, si celle-ci est amovible, avant de procéder aux réglages, de changer d'accessoires ou de ranger la machine.** De telles mesures préventives réduisent le risque de démarrage accidentel de la machine.
- **Rangez les machines non utilisées hors de portée des enfants. N'autorisez pas des personnes qui n'ont pas lu ces instructions et ne sont pas familières avec**

### **l'utilisation de la machine à se servir de celle-ci.**

Les machines sont dangereuses entre les mains de personnes inexpérimentées.

- **Entretenez les machines et les accessoires. Vérifiez que les pièces mobiles sont correctement alignées et ne coïncent pas, qu'aucune pièce n'est cassée, et contrôlez l'absence de toute autre situation susceptible d'altérer le fonctionnement de la machine. En cas de dommages, faites réparer la machine avant de l'utiliser.** De nombreux accidents résultent d'un mauvais entretien des machines.
- **Maintenez les machines de coupe aiguisées et propres.** Des machines de coupe correctement entretenues, avec des bords tranchants aiguisés, sont moins susceptibles de se coincer et sont plus faciles à contrôler.
- **Utilisez la machine, les accessoires et les embouts, etc. conformément à ces instructions, en tenant compte des conditions de travail et de la tâche à réaliser.** L'utilisation de la machine pour des applications différentes de celles pour lesquelles elle a été conçue peut être la cause d'une situation dangereuse.
- **Les poignées et les surfaces de maintien doivent toujours être propres, sèches et sans traces d'huile ni de graisse.** Des poignées et surfaces de poignée glissantes ne permettent pas une utilisation et un contrôle sûrs de la machine en cas de situation imprévue.

## Entretien

- **Confiez la réparation de votre machine à du personnel spécialisé et qualifié qui utilisera uniquement des pièces de rechange d'origine.** Cela garantit le maintien de la sécurité de la machine.
- **N'entretenez jamais des batteries endommagées.** L'entretien des batteries doit être effectué uniquement par le fabricant ou des fournisseurs de services agréés.

## Consignes de sécurité pour les scies murales

- **Saisissez l'outil électrique par les surfaces de maintien isolées lors d'une opération où l'accessoire de coupe risque de rentrer en contact avec du câblage dissimulé ou son propre cordon.** Si l'accessoire de coupe entre en contact avec un câble sous tension, il risque de mettre sous tension les parties métalliques exposées de l'outil électrique, ce qui pourrait envoyer un choc électrique à l'utilisateur.
- **Portez des protections auditives lors du sciage au diamant.** L'exposition au bruit peut engendrer une perte auditive.
- **Si le disque diamanté se bloque, arrêtez d'appliquer une force sur l'outil et éteignez-le.** Identifiez et corrigez la cause du coincement du disque diamanté.

- **Pendant le sciage, assurez-vous de protéger le personnel et la zone de travail situés de l'autre côté.** Le disque diamanté peut traverser le matériau scié.
- **Assurez-vous que la méthode de fixation du système de guidage sur le matériau à scier est suffisante pour maintenir et retenir la machine pendant son utilisation.** Si le matériau est peu solide ou poreux, les ancrages peuvent sortir du matériau, provoquant ainsi le détachement du système de guidage du matériau.
- Lisez attentivement le manuel d'utilisation et assurez-vous de bien comprendre les instructions avant d'utiliser ce produit.
- Utilisé de manière imprudente ou inadéquate, le produit peut devenir un outil dangereux, pouvant causer des blessures graves, voire mortelles à l'opérateur ou à d'autres personnes présentes.
- Les produits électriques présentent toujours un risque d'électrocution. N'utilisez pas le produit dans de mauvaises conditions météorologiques. Évitez de toucher des paratonnerres ou des objets métalliques. Suivez toujours les instructions du manuel d'utilisation pour éviter tout dommage.

## Instructions générales de sécurité



**AVERTISSEMENT:** Lisez les instructions qui suivent avant d'utiliser le produit.

- Cependant, aucune information ne peut remplacer l'expérience et le savoir-faire d'un professionnel. En cas de doute ou de difficulté quant à l'utilisation de la machine, consultez un spécialiste. Veuillez contacter votre revendeur, votre atelier de réparation ou un utilisateur expérimenté. L'utilisateur doit éviter d'utiliser la machine s'il ne se sent pas suffisamment qualifié pour le travail à effectuer !
- Cette machine est conçue pour le sciage de béton, de brique et de divers autres matériaux à base de pierre. Elle n'est destinée à aucune autre utilisation.
- Le produit doit rester propre. Les signes et autocollants doivent être parfaitement lisibles.
- Les modifications et accessoires non autorisés peuvent entraîner des blessures graves, voire mortelles à l'utilisateur ou aux autres personnes présentes. Ne modifiez jamais cette machine de façon à ce qu'elle ne soit plus conforme au modèle d'origine et n'utilisez jamais une machine qui semble avoir été modifiée. N'utilisez jamais un produit, une batterie ou un chargeur de batterie défectueux. Suivez les instructions de contrôle, de maintenance et d'entretien indiquées dans ce manuel. Certaines opérations de maintenance et d'entretien doivent être réalisées par un spécialiste dûment formé et qualifié. Voir les instructions du chapitre Entretien. Utilisez uniquement les pièces de rechange d'origine.
- Les réparations ne peuvent être effectuées que par des réparateurs agréés. Cela évite d'exposer les opérateurs à des risques importants.
- Les contrôles et les entretiens doivent être effectués avec le moteur à l'arrêt et la prise électrique débranchée.
- Tous les opérateurs doivent être formés à l'utilisation du produit. Il incombe au propriétaire de s'assurer que les opérateurs reçoivent une formation.
- L'opérateur est tenu pour responsable des accidents et des dangers auxquels il expose autrui ou des biens.
- Branchez le produit uniquement sur des prises reliées à la terre.
- Assurez-vous que la tension secteur est identique à la tension indiquée sur la plaque signalétique du produit.
- Assurez-vous que le cordon d'alimentation et la rallonge sont en bon état et fonctionnent correctement.
- N'utilisez pas le produit si le cordon d'alimentation est endommagé. Faites réparer le produit par un atelier spécialisé agréé ou remplacez le cordon d'alimentation.
- Afin d'éviter toute surchauffe, n'utilisez pas de rallonge enroulée.
- Couper à un régime trop élevé peut endommager le disque et engendrer des blessures corporelles.
- Arrêtez le moteur et débranchez le cordon d'alimentation avant de soulever ou de déplacer le produit.
- Ne laissez jamais d'enfants ou d'autres personnes ne possédant pas la formation requise utiliser ou entretenir le produit.
- Ne laissez jamais d'autres personnes utiliser le produit sans vous être assuré au préalable qu'ils ont bien lu et compris le contenu du manuel d'utilisation.
- N'utilisez jamais le produit si vous êtes fatigué(e), avez consommé de l'alcool ou pris des médicaments susceptibles d'affecter votre acuité visuelle, votre jugement ou la maîtrise de votre corps.
- N'utilisez pas le produit si vous ne pouvez pas être secouru en cas d'accident.
- Assurez-vous que le produit reste sur une surface stable.
- Ne débranchez pas le cordon d'alimentation tant que le moteur n'est pas éteint et complètement arrêté.
- Ne vous éloignez pas du produit lorsque le moteur est allumé.
- Débranchez toujours l'alimentation électrique du produit lors d'interruptions de travail prolongées.

## Instructions de sécurité pour le fonctionnement



**AVERTISSEMENT:** lisez les instructions qui suivent avant d'utiliser le produit.

- Débranchez toujours la fiche de courant avant de déplacer le produit.
- Gardez toujours à proximité un équipement de protection contre les incendies.
- Utilisez la poignée uniquement pour transporter le produit.

- Assurez-vous de disposer d'une trousse de premiers soins à proximité.
- Des étincelles peuvent se produire lorsque vous utilisez le produit. Assurez-vous de disposer d'un extincteur à proximité.

## Dispositifs de sécurité sur le produit



**AVERTISSEMENT:** lisez les instructions qui suivent avant d'utiliser le produit.

- N'utilisez pas un produit dont les dispositifs de sécurité sont endommagés ou ne fonctionnent pas correctement.
- Contrôlez les dispositifs de sécurité régulièrement. Si les dispositifs de sécurité sont endommagés ou ne fonctionnent pas correctement, contactez votre atelier spécialisé Husqvarna.
- N'apportez pas de modifications aux dispositifs de sécurité.

## Équipement de protection individuelle

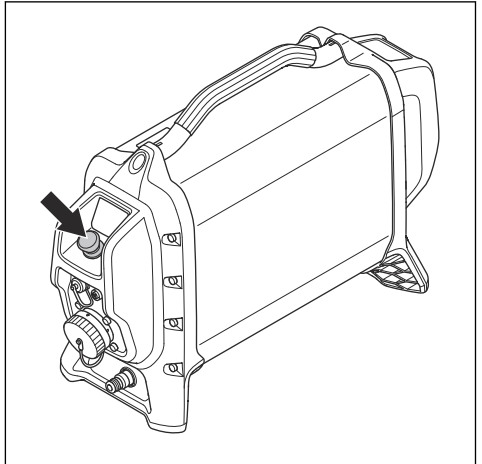


**AVERTISSEMENT:** lisez les instructions qui suivent avant d'utiliser le produit.

- Portez toujours un équipement de protection individuel homologué lorsque vous utilisez le produit. L'équipement de protection individuel ne protège pas complètement des blessures, mais il diminue la gravité des blessures en cas d'accident. Faites appel à votre revendeur pour vous aider à sélectionner l'équipement de protection individuel adéquat.
- Vérifiez régulièrement l'état de votre équipement de protection individuel.
- Utilisez un casque de protection homologué.
- Portez des protège-oreilles homologués pendant l'utilisation du produit. Une exposition prolongée au bruit peut provoquer une perte d'audition.
- Le produit génère de la poussière et des fumées nocives pour la santé. Portez une protection respiratoire homologuée.
- Utilisez des protections pour les yeux homologuées avec protections latérales.
- Utilisez des gants de protection résistants homologués.
- Portez des bottes résistantes dotées de coquilles en acier et de semelles antidérapantes.
- Utilisez des vêtements de travail homologués ou des vêtements près du corps équivalents à manches longues et des pantalons longs et qui ne limitent pas vos mouvements.
- Ne portez pas de vêtements amples, de bijoux ou d'autres objets pouvant s'accrocher dans des pièces mobiles. Attachez vos cheveux de façon sécurisée au-dessus de vos épaules.

## Bouton d'arrêt d'urgence du groupe d'alimentation

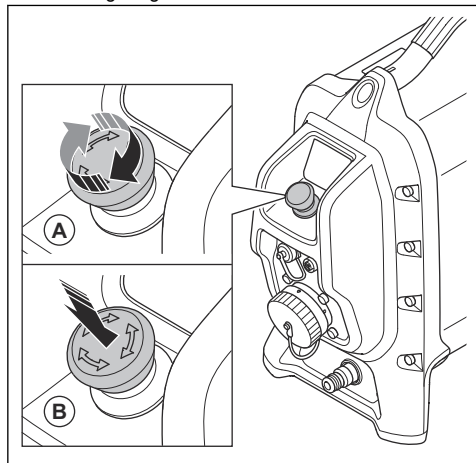
Le bouton d'arrêt d'urgence situé sur le groupe d'alimentation permet de réduire la vitesse de l'outil électrique connecté. Le bouton d'arrêt d'urgence situé sur le groupe d'alimentation permet également de déconnecter l'outil électrique de l'alimentation électrique.



## Pour vérifier le bouton d'arrêt d'urgence du groupe d'alimentation

1. Tournez le bouton d'arrêt d'urgence (A) se trouvant sur le groupe d'alimentation dans le sens des aiguilles d'une montre pour vous assurer qu'il est désengagé.
2. Mettez en marche l'outil électrique connecté.
3. Appuyez sur le bouton d'arrêt d'urgence (B) situé sur le groupe d'alimentation.

4. Veillez à ce que l'outil électrique s'arrête. Assurez-vous également que les voyants LED verts du groupe d'alimentation s'éteignent et que le voyant LED rouge clignote.

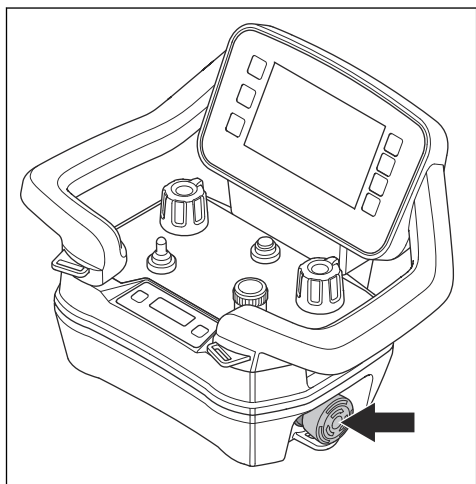


#### Bouton d'arrêt de la machine sur la télécommande

Le bouton d'arrêt de la machine permet d'arrêter rapidement l'outil électrique.

Le bouton d'arrêt de la machine permet également de réduire la vitesse de l'outil électrique connecté. Par ailleurs, le bouton d'arrêt de la machine déconnecte aussi l'outil électrique de l'alimentation électrique.

Le bouton d'arrêt de la machine ne peut pas être utilisé lorsque l'outil électrique est actionné manuellement.



**REMARQUE:** N'utilisez pas le bouton d'arrêt de la machine sur la télécommande pour arrêter l'outil électrique.

#### Pour vérifier le bouton d'arrêt de la machine présent sur la télécommande

1. Tournez le bouton d'arrêt d'urgence situé sur le groupe d'alimentation dans le sens des aiguilles d'une montre pour vous assurer qu'il est désengagé.
2. Tournez le bouton d'arrêt de la machine se trouvant sur la télécommande dans le sens des aiguilles d'une montre pour vous assurer qu'il est désengagé.
3. Appuyez sur le bouton ON/OFF de la télécommande.
4. Poussez et maintenez l'interrupteur à bascule de la télécommande vers la droite et poussez en même temps le potentiomètre pour faire tourner la lame de scie.
5. Appuyez sur le bouton d'arrêt de la machine se trouvant sur la télécommande.
6. Veillez à ce que la lame de scie s'arrête.

#### Disjoncteur différentiel

Le disjoncteur différentiel sert à protéger l'utilisateur en cas de défaut électrique.

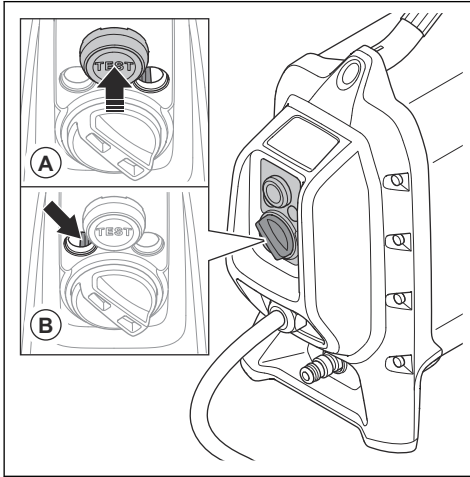
Lorsque le groupe d'alimentation est branché à un connecteur triphasé, le disjoncteur différentiel intégré au groupe d'alimentation est actif.

Lorsque le groupe d'alimentation est branché à un connecteur monophasé, le disjoncteur différentiel intégré au groupe d'alimentation n'est pas actif. Vous devez utiliser un adaptateur monophasé séparé à la place. Reportez-vous à *Accessoires à la page 206*.

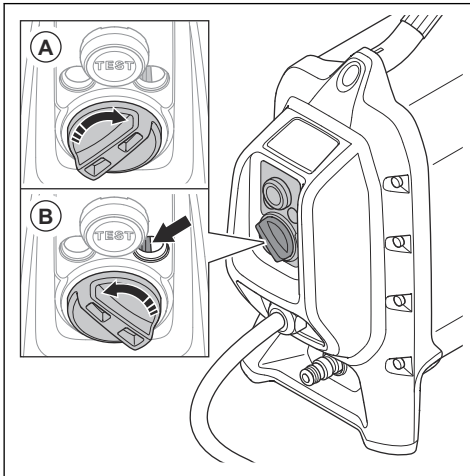
#### Pour vérifier le disjoncteur différentiel, triphasé

1. Faites démarrer le produit. Reportez-vous à *Démarrage du produit à la page 174*.

2. Regardez dans les trous d'inspection et appuyez sur le bouton de test du disjoncteur différentiel (A).



3. Assurez-vous que le disjoncteur différentiel se déplace vers la gauche (B) et qu'il déconnecte ainsi le produit de l'alimentation électrique.
4. Veillez à ce que la lame de scie s'arrête. Assurez-vous également que tous les voyants LED du groupe d'alimentation s'éteignent.
5. Tournez le bouton de réinitialisation du disjoncteur différentiel dans le sens des aiguilles d'une montre (A) pour le réinitialiser. Regardez dans les trous d'inspection pour vous assurer que le disjoncteur différentiel est placé à droite (B) lorsque son bouton de réinitialisation rebondit à gauche.

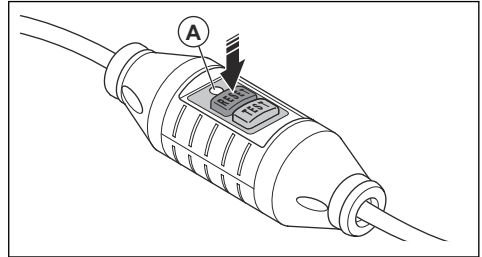


### Pour vérifier le disjoncteur différentiel, monophasé

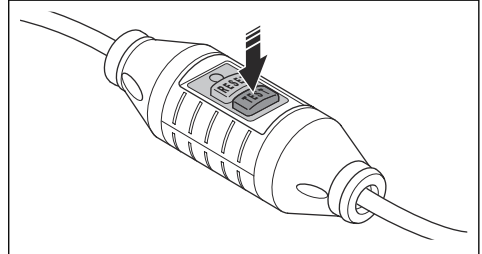
Lorsque le groupe d'alimentation est branché à un connecteur monophasé, le disjoncteur différentiel qui

y est intégré n'est pas actif. Vous devez utiliser un adaptateur monophasé séparé à la place.

1. Branchez le produit à la prise. Utilisez l'adaptateur approprié. Reportez-vous à *Accessoires à la page 206*.
2. Appuyez sur le bouton RESET (Réinitialisation) (vert). Assurez-vous que le voyant LED rouge (A) s'allume.



3. Faites démarrer le produit.
4. Appuyez sur le bouton TEST (bleu).



5. Le disjoncteur différentiel doit se déclencher, le produit doit s'arrêter immédiatement et tous les voyants LED doivent s'éteindre. Si ce n'est pas le cas, contactez votre revendeur Husqvarna.
6. Appuyez sur le bouton RESET (Réinitialisation) (vert).

### Carter de disque

Le carter de disque protège l'opérateur de la poussière et des éclats du disque de coupe pouvant entraîner des blessures en cas de rupture du disque.

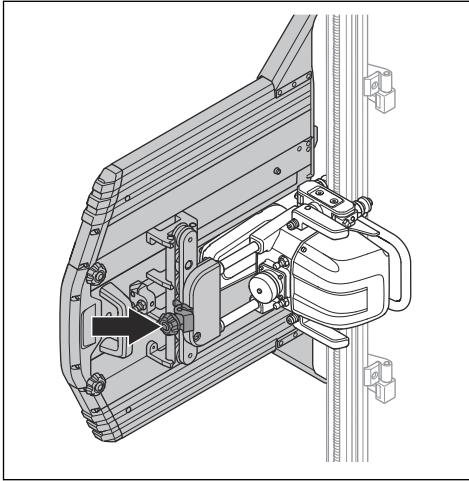


**AVERTISSEMENT:** N'utilisez pas le produit sans carter de disque.

Les sections extérieures peuvent être retirées dans le cadre d'opérations près du sol.

### Verrouillage du carter de disque

Le verrouillage du carter de disque maintient le guide du carter de disque dans la position correcte sur le carter de disque. Vérifiez le serrage de la vis du guide du carter de disque lors de la mise en place du carter de disque.

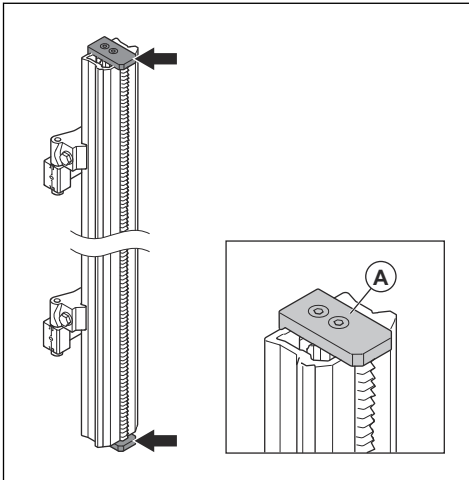


#### Pour contrôler le verrouillage du protège-lame

- Assurez-vous que le mécanisme de verrouillage du protège-lame sur le guide du protège-lame fonctionne correctement. Reportez-vous à la section *Verrouillage du carter de disque à la page 158*.

#### Butées

Les butées (A) empêchent que le produit ne sorte des rails. Assurez-vous que les butées sont installées aux extrémités des rails, afin que la scie ne puisse les quitter. Reportez-vous à *Montage du connecteur de rail à la page 161*.



**AVERTISSEMENT:** Si les butées ne sont pas fixées correctement aux extrémités de rails, le produit se détache et peut provoquer des blessures graves.

#### Pour contrôler les butées

- Assurez-vous que les butées sont fixées aux extrémités de rail. Reportez-vous à *Vue d'ensemble de la scie murale à la page 145*.

#### Instructions de sécurité pour l'entretien



**AVERTISSEMENT:** Lisez les avertissements suivants avant d'effectuer l'entretien du produit.

- Les changements et/ou accessoires non homologués peuvent provoquer des blessures graves, voire mortelles pour l'utilisateur ou d'autres personnes.
- Effectuez l'entretien quotidien pour vous assurer que le produit fonctionne correctement. Reportez-vous à *Calendrier d'entretien à la page 185*.
- Effectuez l'inspection et/ou l'entretien avec le moteur arrêté et la fiche d'alimentation débranchée.
- N'utilisez pas de nettoyeur haute pression pour nettoyer le produit. Ne dirigez pas le jet vers les composants électriques ou les paliers.
- Ne laissez personne d'autre qu'un spécialiste d'entretien approuvé effectuer l'entretien du produit. Utilisez uniquement des pièces de rechange Husqvarna ou des pièces équivalentes.

# Montage

## Introduction



**AVERTISSEMENT:** Assurez-vous de lire et de comprendre le chapitre dédié à la sécurité avant de monter l'appareil.

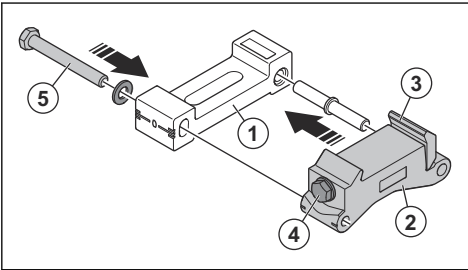
## Supports de fixation

Il existe 2 types de supports de fixation, un support de fixation standard et un support de fixation universel. Reportez-vous à *Vue d'ensemble de la scie murale à la page 145*.

Le support de fixation standard fixe les rails à la bonne position sur le mur. Ce manuel d'utilisation fournit des informations sur l'utilisation du support de fixation standard.

Le support de fixation universel fixe le rail au matériau à couper ou à une zone adjacente. Pour plus d'informations sur l'utilisation du support de fixation universel, reportez-vous au manuel d'utilisation du support de fixation universel.

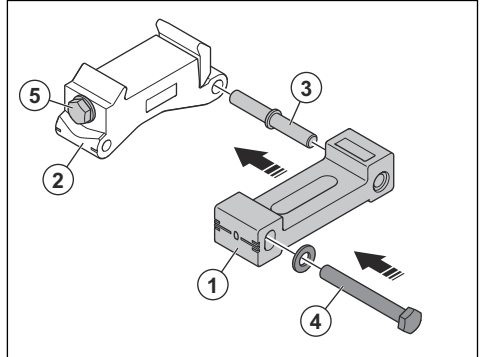
## Montage du support de fixation



1. Partie du support de fixation la plus proche du mur. Elle est dotée de rainures pour les boulons à expansion et d'un niveau à bulle à utiliser pour le montage horizontal des supports.
2. Partie du support de fixation qui maintient le rail. Elle est dotée d'un niveau à bulle à utiliser pour le montage vertical du support.
3. Rondelle de serrage à ressort. La rondelle de serrage permet de verrouiller le rail sur le support de fixation. Il est ainsi possible de refermer le rail dans le support de fixation.
4. Vis de blocage. Utilisez-la pour serrer la rondelle de serrage.
5. Vis de blocage. Les deux parties du support de fixation doivent être placées en position neutre. Si la surface en béton est plane, le disque sera placé à un angle de 90 degrés par rapport à la surface à découper. Si la surface en béton est irrégulière, vous pouvez changer la position du support de fixation au

moyen de la vis de blocage pour régler l'angle de coupe.

## Montage symétrique du support de fixation



Pour améliorer l'accès aux vis de blocage pour le réglage de l'angle (4) et/ou à la vis de blocage pour la rondelle de serrage (5), les supports muraux peuvent être installés symétriquement.

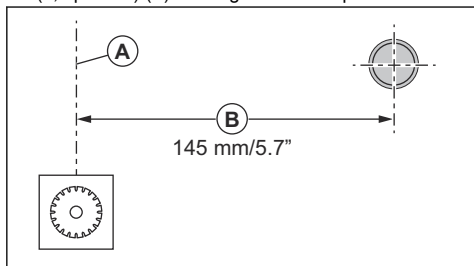
1. Retirez la vis (4) qui maintient ensemble les deux moitiés du support de fixation (1) et (2). Séparez les deux moitiés.
2. Déplacez la goupille (3) d'un côté de la moitié du support de fixation (2) vers l'autre côté.
3. Pressez à nouveau les deux moitiés ensemble et remettez la vis (4) de l'autre côté. En position normale, la ligne d'index sur la moitié du support de fixation (2) doit être alignée avec la ligne 0 sur la moitié du support de fixation (1).

## Installation des supports de fixation au mur

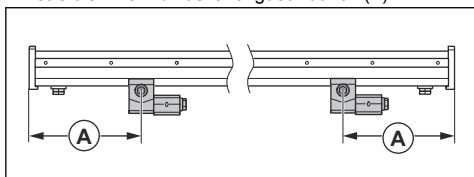
Utilisez la bride et la rondelle de chaque côté du rail lors de l'installation des supports de fixation. Deux supports de fixation au minimum doivent être utilisés. Si plusieurs rails sont raccordés ensemble, un support de fixation est nécessaire pour chaque section de rail.



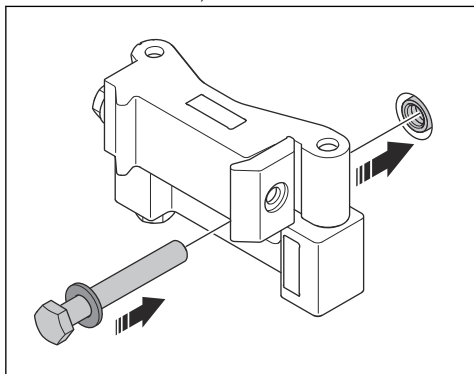
1. Marquez la ligne de découpe (A). Marquez les orifices des boulons à expansion à environ 145 mm (5,7 pouces) (B) de la ligne de découpe.



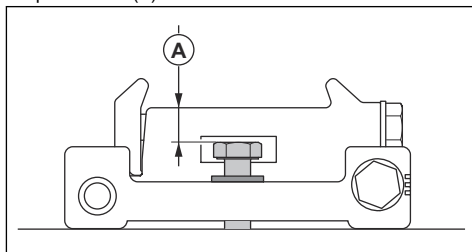
2. Placez les supports de fixation à une distance d'environ 1/2 de la longueur du rail. La distance entre un support de fixation et l'extrémité du rail doit être d'environ 1/4 de la longueur du rail (A).



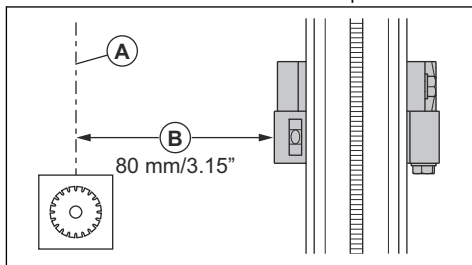
3. Percez les orifices destinés aux boulons à expansion conformément aux instructions du fabricant. Utilisez des éléments de fixation adaptés au matériau découpé. Utilisez un foret de 12 mm pour percer l'orifice destiné au boulon d'ancrage expansible M10x40 fourni avec l'équipement de sciage. Suivez les instructions du fabricant.
4. Accrochez les deux supports de fixation sans les serrer en utilisant les boulons expansibles M10x35 et une rondelle Ø10,5x22.



5. Veillez à ce que la tête du boulon ne dépasse pas le plan du rail (A).



6. La distance (B) entre chaque support de fixation et la ligne de découpe (A) doit être de 80 mm (3,15"). Si la ligne de découpe est parfaitement verticale ou horizontale et que la surface de support est plane, vous pouvez utiliser les niveaux à bulle des supports de fixation pour les aligner de manière précise dès cette étape. Les boulons expansibles sont ensuite serrés au couple de 40 Nm. Dans d'autres cas, il est nécessaire de monter le rail sur les supports de fixation avant de serrer les boulons expansibles.

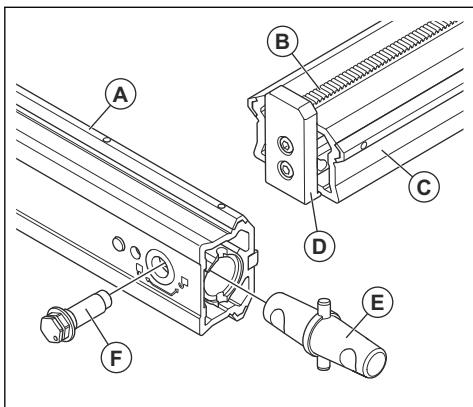


## Montage du connecteur de rail

Utilisez des connecteurs de rail lorsque des coupes plus longues sont nécessaires. Ajoutez 1 support de fixation pour chaque rail supplémentaire de 1 m.



**REMARQUE:** Assurez-vous que les connecteurs de rail sont compatibles avec le produit.



**A.** Dispositif de direction pour les roues de guidage du chariot de scie

**B.** Crémaillère

**C.** Surface de serrage pour support mural

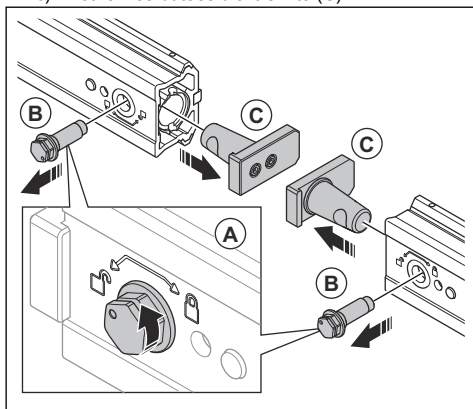
**D.** Butée d'extrémité du rail

**E.** Connecteur d'épissure du rail

**F.** Boulon excentrique

1. Retirez les butées d'extrémité.

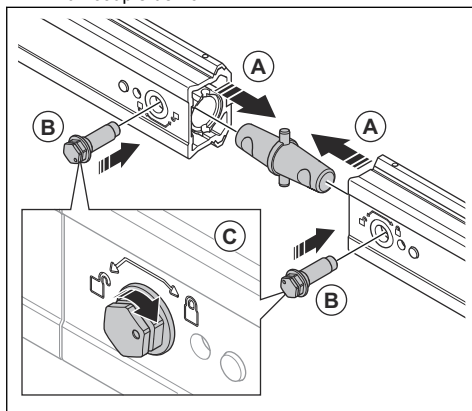
- a) Des boulons excentriques sont fixés à la partie inférieure des extrémités du rail que vous allez connecter. Pour les desserrer, tournez-les dans le sens contraire des aiguilles d'une montre (A).
- b) Retirez les boulons excentriques (B).
- c) Retirez les butées d'extrémité (C).



2. Montez le connecteur d'épissure.

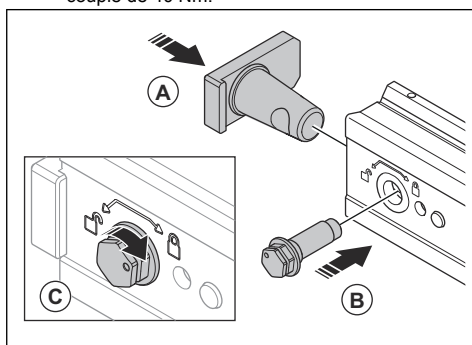
- a) Placez le connecteur d'épissure entre les deux extrémités du rail et poussez les extrémités du rail ensemble jusqu'à ce qu'elles se rejoignent (A). Les extrémités doivent s'affleurer au centre du connecteur.

- b) Placez les boulons excentriques (B) dans les trous se trouvant sur la face inférieure du rail. Veillez à ce que la marque du boulon soit centrée au-dessus du symbole représentant le cadenas ouvert. Le boulon doit être complètement enfoncé de façon à ce que la tête affleure le rail.
- c) Tournez les boulons (C) dans le sens des aiguilles d'une montre vers le symbole en forme de cadenas fermé pour les verrouiller. Serrez à un couple de 40 Nm.



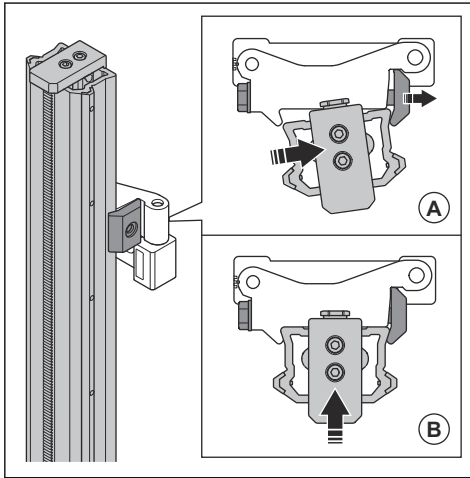
3. Montez la butée d'extrémité.

- a) Placez la butée d'extrémité (A) à l'extrémité du rail.
- b) Placez le boulon excentrique (B) dans l'orifice sur la face inférieure du rail. Veillez à ce que la marque du boulon soit centrée au-dessus du symbole représentant le cadenas ouvert. Le boulon doit être complètement enfoncé de façon à ce que la tête affleure le rail.
- c) Tournez le boulon (C) dans le sens des aiguilles d'une montre vers le symbole en forme de cadenas fermé pour le verrouiller. Serrez à un couple de 40 Nm.

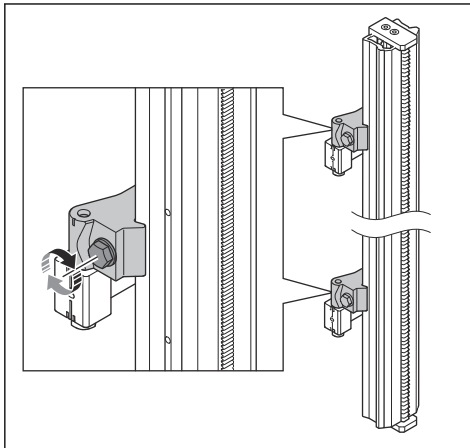


## Monter les rails

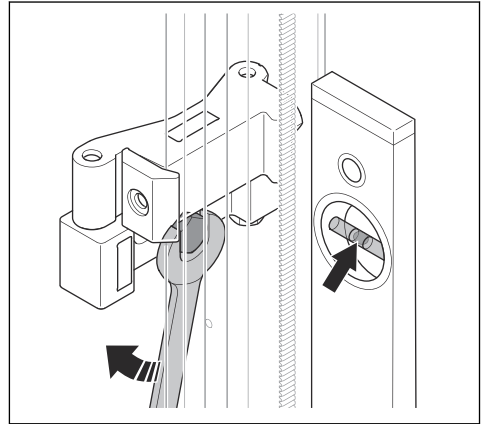
1. Veillez à ce que le boulon expansible ne dépasse pas la surface du rail sur le support de fixation.
2. Clipsez le rail dans les deux supports de fixation. Réglez la position des rails dans le sens de la longueur.



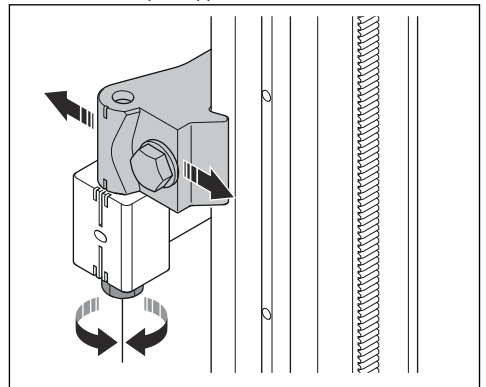
3. Serrez les rondelles de serrage sur les supports de fixation à un couple de 40 Nm.



4. Assurez-vous que la ligne de découpe se situe à 80 mm (3,15") du support de fixation. Serrez les boulons expansibles à 40 Nm.



5. Pour régler l'angle du disque selon les besoins par rapport à la surface en béton, desserrez la vis de blocage. Inclinez les deux moitiés du support de fixation l'une par rapport à l'autre.



## Montage de la scie murale sur les rails



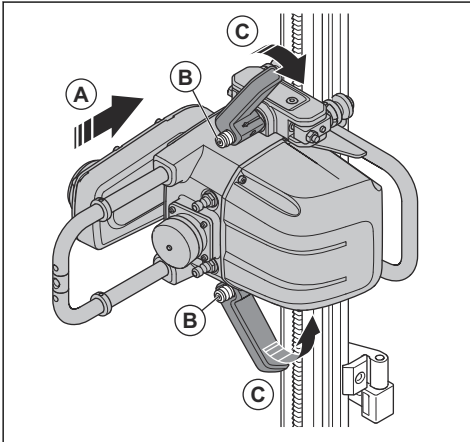
**AVERTISSEMENT:** Montez le produit dans le chariot de scie avant de l'installer sur les rails.



**AVERTISSEMENT:** Couper alors que la scie n'est pas correctement montée sur le rail risque de causer des blessures mortelles.

1. Enfoncez les boutons de verrouillage (B) sur les poignées de verrouillage (C). Tournez les poignées vers l'extérieur de l'unité de sciage pour libérer les roues de guidage de l'attache au chariot de transport.

2. Soulevez l'unité de sciage sur le rail (A) avec les poignées de verrouillage ouvertes. Inclinez l'unité de sciage au-dessus du rail de sorte que la roue d'alimentation se verrouille dans le rack sur le rail.
3. Refaites tourner les poignées de verrouillage (C) vers l'unité de sciage jusqu'à ce que les boutons de verrouillage (B) sur les poignées ressortent et que les roues de guidage soient bien à plat contre le rail.



4. Si l'unité de sciage est montée sur un rail vertical, verrouillez la poignée de verrouillage supérieure. Lorsque la poignée de verrouillage supérieure est verrouillée, le poids de la scie est réduit et il est plus facile de verrouiller la poignée inférieure. Veillez à ce qu'il n'y ait pas de jeu entre la scie, les roues de guidage et le rail. En cas de jeu, les roues de guidage doivent être réglées. Reportez-vous à *Pour régler les roues de guidage à la page 188.*

## Pour monter le disque

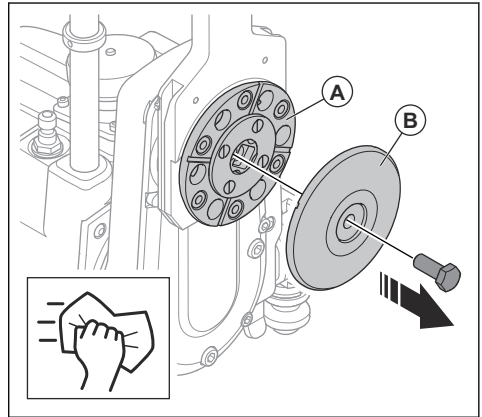


**AVERTISSEMENT:** Avant le montage, débranchez le produit de l'alimentation électrique.

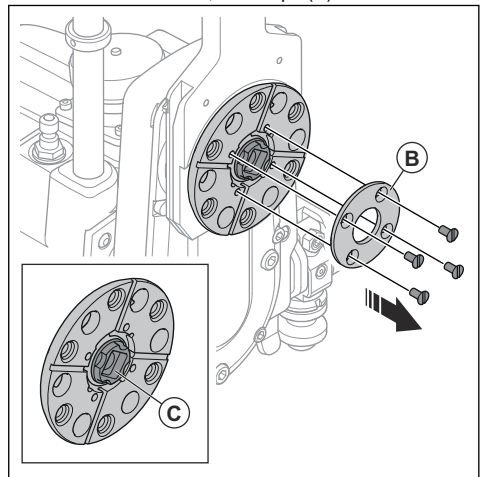
Il est recommandé d'utiliser la WS 8 avec des disques diamantés Husqvarna. La taille maximale pour le disque de démarrage est de 600 mm et la taille maximale pour des découpes plus profondes est de 900 mm. Renseignez-vous auprès de votre représentant Husqvarna pour obtenir des recommandations sur les disques à utiliser en fonction des différents matériaux.

1. Desserrez le boulon du disque et déposez la bride extérieure du disque.

2. Nettoyez les surfaces de serrage sur la bride de disque intérieure (A) et extérieure (B). Veillez à ce qu'elles soient exemptes de marques.

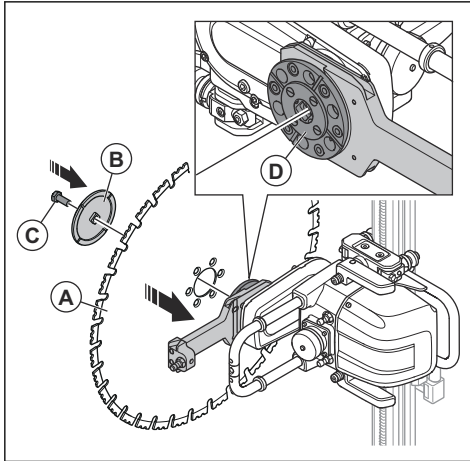


3. Nettoyez les surfaces de serrage du disque et veillez à ce qu'il ne soit pas endommagé.
4. La bride de disque intérieure (B) est dotée d'une entretoise centrale montée en usine pour les trous centraux de disque de 60 mm. Retirez l'entretoise de 60 mm/2,4 po si vous utilisez des disques avec des trous centraux de 25,4 mm/1 po (C).

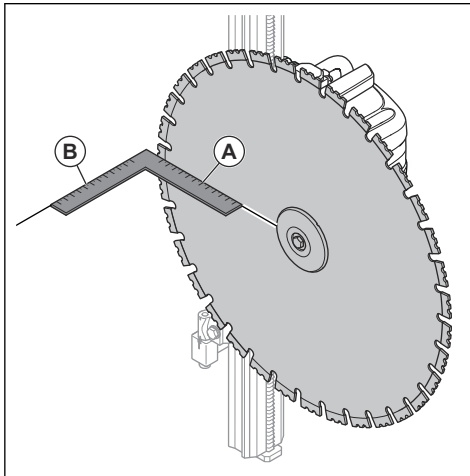


5. Veillez à utiliser le bon sens de rotation par rapport au jet d'eau. Pour une coupe verticale, dirigez le jet d'eau vers le sol.
6. Montez ensuite le disque en suivant la flèche de rotation qui se trouve sur le disque. En l'absence de flèche de rotation sur le disque, examinez les diamants dans les segments et vérifiez que la partie exposée des diamants se trouve dans le sens de rotation du disque.

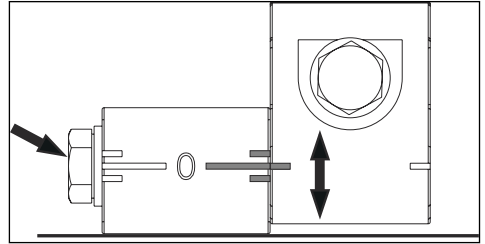
7. Guidez le disque vers le haut sur le guide central et placez-le contre la bride de disque intérieure. Maintenez le disque en place, puis montez la bride de disque extérieure avec le boulon de disque et serrez à 45 nm.



8. Utilisez une grande équerre réglable et assurez-vous que l'angle entre le disque (A) et le mur (B) est perpendiculaire. Si le disque n'est pas perpendiculaire au mur, desserrez la vis de blocage pour le réglage de l'angle, puis inclinez les supports de fixation jusqu'à ce que le disque soit perpendiculaire.



9. Inclinez les deux moitiés du support de fixation l'une par rapport à l'autre.



**AVERTISSEMENT:** assurez-vous que le disque est fixé correctement avant de démarrer le produit.

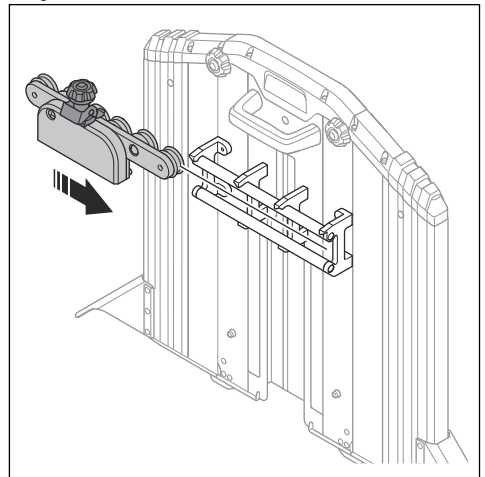
### Fixation du carter de disque



**AVERTISSEMENT:** Avant le montage, débranchez le produit de l'alimentation électrique.

Le carter de disque se compose de trois sections.

- Une section centrale montée sur l'unité de sciage
  - Deux sections extérieures montées sur la section centrale. Les sections extérieures sont équilatérales et peuvent être installées sur l'un ou l'autre des côtés de la section centrale.
1. Enfoncez le guide du carter de disque entre les goulottes du carter de disque.
  2. Assurez-vous que les rouleaux de guidage du guide du carter de disque roulent facilement entre les goulottes.



3. Si le guide du carter de disque présente un jeu entre les goulottes, il convient de modifier le réglage des rouleaux de guidage en conséquence. Reportez-vous à *Pour régler le guide du carter de disque à la page 187.*

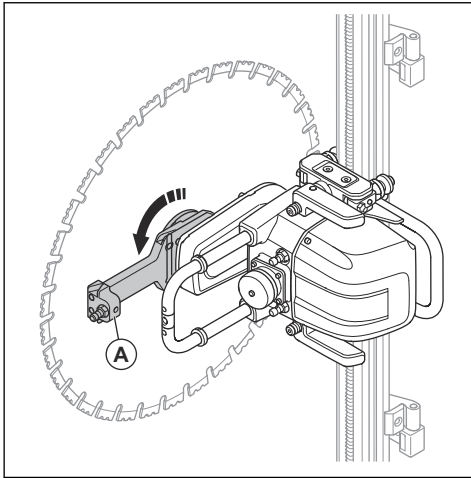
## Fixation du carter de disque à la scie murale



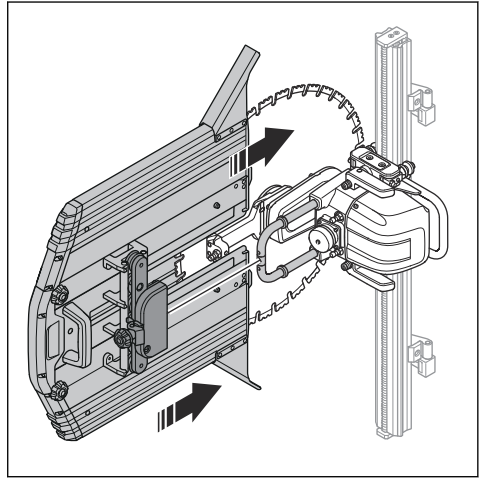
**AVERTISSEMENT:** Avant le montage, débranchez le produit de l'alimentation électrique.

Vérifiez que le carter de disque n'est pas endommagé et que le guide du carter de disque est correctement monté et centré sur le carter de disque. Pour faciliter le montage du carter de disque, retirez les sections extérieures de la section centrale.

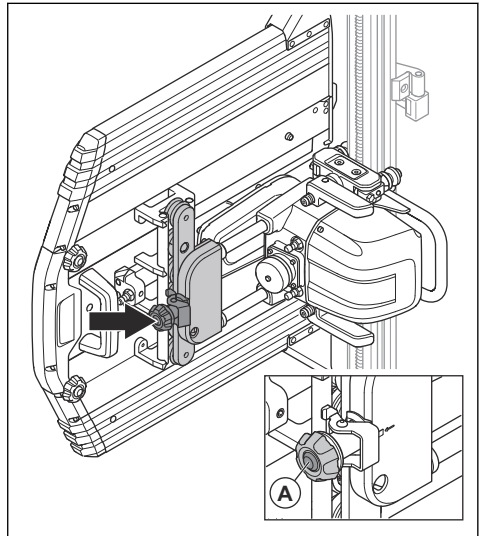
1. Tournez la bride de guidage (A) du carter de disque de l'unité de sciage vers le haut. Ainsi, le point de raccordement de l'eau est situé directement à l'extérieur du bras pivotant.



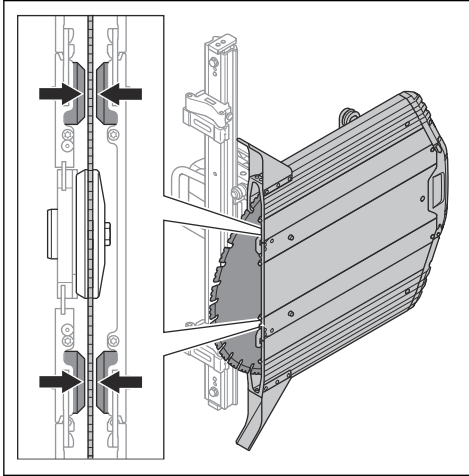
2. Orientez les glissières du carter de disque sur les rails de guidage en direction de la bride de guidage. Poussez le carter de disque sur le disque.



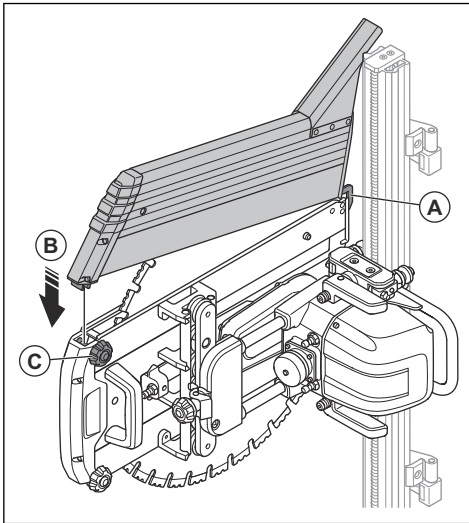
3. Placez le support du carter de disque sur l'attache de l'unité de sciage. Serrez le bouton de verrouillage (A) au couple adéquat.



4. Assurez-vous que le disque est centré dans le carter de disque et qu'il tourne librement.

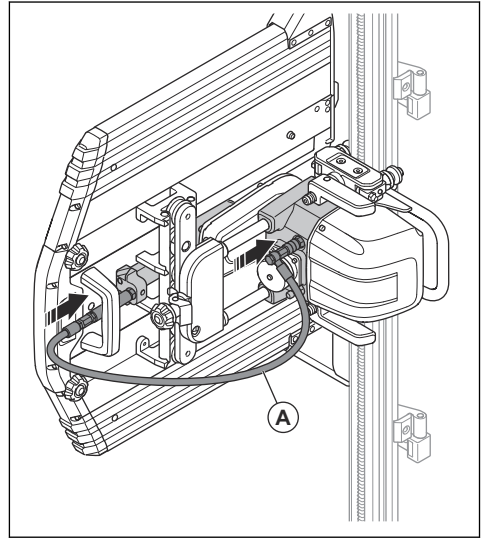


5. Remettez les sections extérieures si vous les avez retirées lors du montage.



- Accrochez la fourche (A) dans le bord inférieur de la section centrale.
- Pliez la section extérieure (B) vers la section centrale.
- Verrouillez à l'aide des boutons de verrouillage (C).

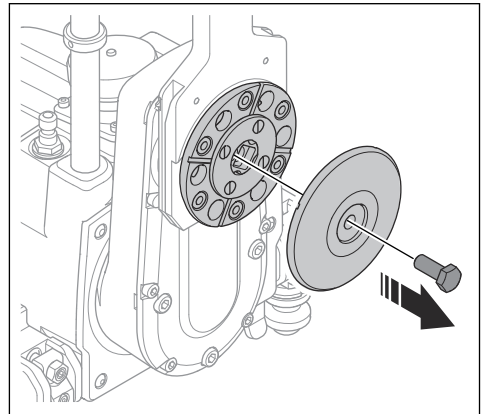
6. Branchez le flexible d'eau (A) entre le raccord de sortie d'eau sur le corps de la scie et le raccord d'eau sur le flasque guide.



## Pour monter le disque pour une coupe à ras

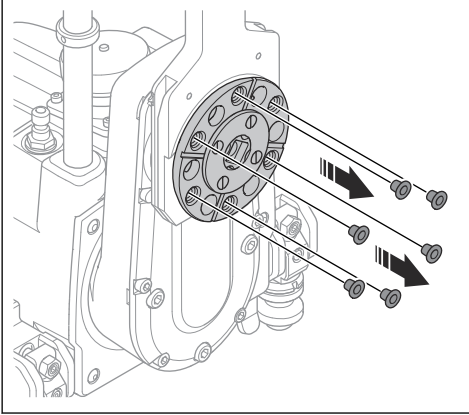
Pour une coupe à ras par rapport à une surface perpendiculaire, il est possible de fixer le disque directement sur la bride de disque intérieure à l'aide de six vis à tête à empreinte. Cette opération doit être effectuée avant de monter la scie sur le rail, et idéalement lorsque la scie est montée sur le chariot de transport. Pour une coupe à ras, réglez la distance des supports de fixation à environ 85-90 mm/3,34-3,54 po de la ligne de découpe lors du montage. Utilisez un carter de disque spécial pour les découpes à ras.

- Déposez le boulon du disque et la bride extérieure du disque.

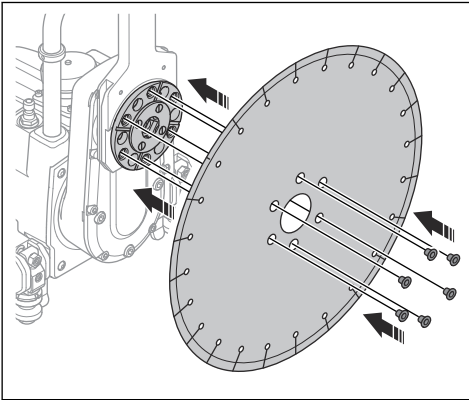




- Nettoyez la surface de serrage sur la bride intérieure du disque et veillez à ce qu'elle soit exempte de marques.
- Retirez les six caches qui protègent les filetages de la saleté.



- Centrez le disque sur l'embase du guide et enfoncez-le sur la bride intérieure.
- Fixez les six vis de coupe à ras (à tête fraisée) et serrez-les en croix à un couple de 30 Nm. Le disque de coupe à ras est un modèle de Ø85 mm/3,34 po.



- Montez la scie avec le disque sur le rail. Réglez la position et l'angle du rail en fonction du contact du disque avec la surface opposée.
- Faites avancer la scie sur toute la longueur de la coupe prévue avant de commencer la découpe pour s'assurer que la distance et l'angle du disque sont corrects et que la surface opposée ne contient pas de zones irrégulières.
- Montez le carter de disque de coupe à ras et assurez-vous que le disque tourne librement dans le carter.

- Branchez le flexible d'eau entre le raccord de sortie d'eau sur le corps de la scie et le raccord d'eau sur la bride du guide.

## Branchement du groupe d'alimentation à une source d'alimentation

- Placez le groupe d'alimentation sur une surface stable et sèche sur le lieu de travail.
- Branchez le groupe d'alimentation à une prise reliée à la terre et à une tension continue. Reportez-vous à *Caractéristiques techniques à la page 200*. Assurez-vous que la tension secteur est conforme aux valeurs indiquées sur la plaque signalétique du groupe d'alimentation.
- Si la source d'alimentation est monophasée, utilisez un adaptateur. Reportez-vous à *Accessoires à la page 206*.

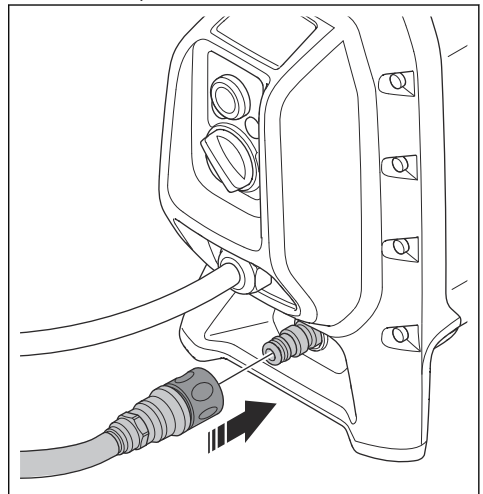
## Raccordement de l'alimentation en eau domestique au groupe d'alimentation



**REMARQUE:** Utilisez uniquement de l'eau propre pour éviter que la saleté ne provoque une obstruction dans le système d'eau.

**Remarque:** L'eau de refroidissement ne s'arrête pas de couler en cas de coupure de courant.

- Raccordez le flexible d'eau à l'entrée du raccord d'eau sur le produit.

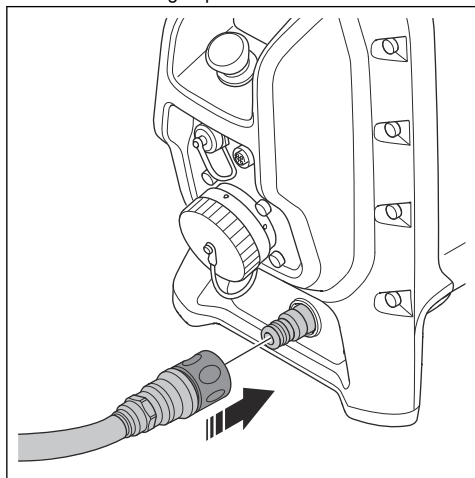


## Raccordement du groupe d'alimentation à la scie murale

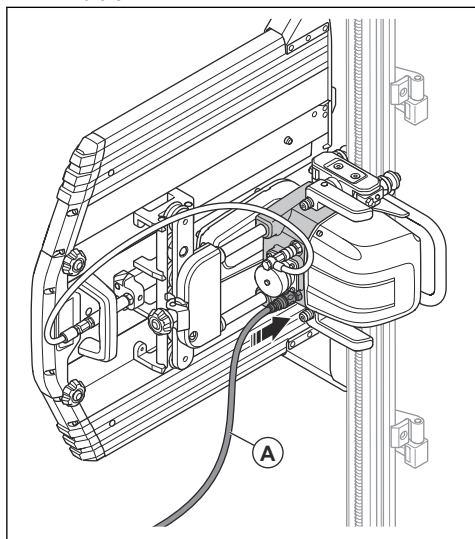
- Raccordez l'alimentation en eau domestique entre le groupe d'alimentation et la scie murale.



- a) Raccordez le flexible d'eau à la sortie du raccord d'eau sur le groupe d'alimentation.



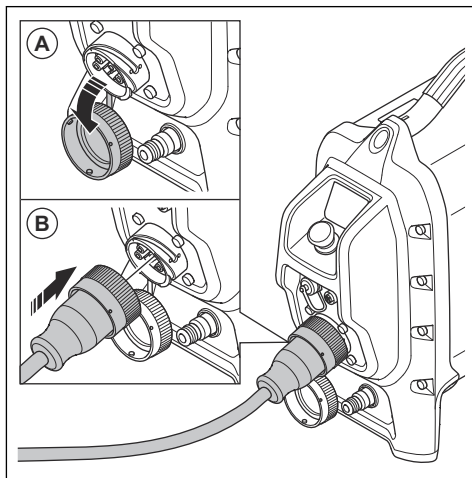
- b) Raccordez le flexible d'eau (A) entre le groupe d'alimentation électrique et le raccord d'alimentation en eau domestique de la scie murale.



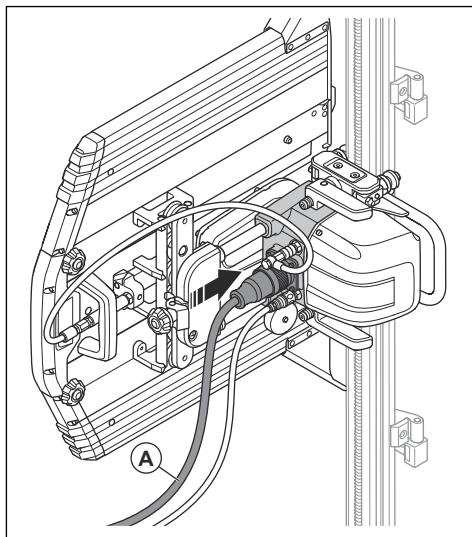
- c) Réglez le débit de l'eau de refroidissement vers la scie murale à l'aide de la vanne de régulation d'eau. Reportez-vous à *Caractéristiques techniques* à la page 200 pour la pression de l'eau.

2. Branchez l'alimentation entre le groupe d'alimentation et la scie murale.

- a) Retirez le couvercle (A) sur la sortie de raccordement de l'outil.



- b) Branchez le câble d'alimentation sur la sortie de raccordement de l'outil (B). Utilisez un adaptateur si nécessaire.
- c) Branchez le câble d'alimentation (A) entre le groupe d'alimentation et l'unité de sciage. Fixez les couvercles l'un à l'autre pour empêcher l'entrée de saletés dans les couvercles.



## Démontage du produit

Si le produit est équipé d'un chariot de transport, placez toutes les pièces démontées sur le chariot de transport.

1. Débranchez le cordon d'alimentation du groupe d'alimentation de la prise de courant murale.

2. Débranchez le cordon d'alimentation entre l'unité de sciage et le groupe d'alimentation. Placez les couvercles sur les connecteurs de branchement.
3. Débranchez les flexibles d'eau de l'unité de sciage.
4. Désassemblez le carter de disque.
5. Déposez le guide du carter de disque.
6. Démontez le disque. Démontez la bride de disque extérieure, le disque et le boulon de disque.
7. Enfoncez les boutons de verrouillage et dépliez les poignées de verrouillage pour libérer l'unité de sciage du rail.
8. Desserrez les boulons de rondelle de serrage des supports de fixation et soulevez le rail pour le dégager des supports. Desserrez l'un des boulons excentriques du milieu du rail pour déconnecter les rails. Déposez les rails.
9. Démontez les supports de fixation.

---

## Utilisation

---

### Introduction



**AVERTISSEMENT:** avant d'utiliser le produit, vous devez lire et comprendre le chapitre sur la sécurité.

- Si vous prévoyez d'utiliser la scie murale WS 8, lisez la section « Fonctionnement » de ce manuel.
- Si vous prévoyez d'utiliser un autre outil électrique compatible avec le groupe d'alimentation PP 8, lisez la section « Fonctionnement » de ce manuel relative uniquement au groupe d'alimentation PP 8. Pour toute autre question, lisez le manuel de l'autre outil électrique.

### Avant d'utiliser le produit

1. Lisez attentivement le manuel d'utilisation et assurez-vous de bien comprendre les instructions.
2. Effectuez l'entretien quotidien. Reportez-vous à la section *Calendrier d'entretien à la page 185*.
3. Assurez-vous que seules les personnes autorisées se trouvent dans la zone de travail, car il existe un risque de blessures graves.
4. Utilisez un équipement de protection personnelle. Reportez-vous à la section *Équipement de protection individuelle à la page 156*.

### Pour utiliser la connectivité intégrée

**Remarque:** La transmission radio Bluetooth® sera activée lors de la première connexion à la prise de courant murale et le restera par la suite.

1. Assurez-vous que le bouton d'arrêt d'urgence est enclenché avant de connecter le produit à Husqvarna Fleet Services.
2. Téléchargez Husqvarna Fleet Services ou iOS l'application Android.
3. Reportez-vous à <https://fleetservices.husqvarna.com> pour obtenir plus d'informations.

### Pour contrôler la zone de travail avant l'utilisation

1. Contrôlez la zone de travail pour vous assurer que vous pouvez utiliser le produit en toute sécurité. Identifiez les éventuels personnes, objets et situations susceptibles de nuire à la sécurité du fonctionnement du produit. Maintenez une distance de sécurité d'au moins 4 m.
2. Assurez-vous que la zone de travail ne comporte aucun câble électrique ni aucun tuyau de gaz ou d'eau.
3. Assurez-vous que la pièce coupée peut être retirée. Divisez-la en sections plus petites pour faciliter son retrait.
4. Veillez à ce que la zone de travail reste propre et bien éclairée.
5. Assurez-vous que la zone de travail comporte une alimentation en eau et en électricité. Assurez-vous que les eaux usées peuvent être évacuées.

### Pour contrôler le fonctionnement avant utilisation

1. Contrôlez les dispositifs de sécurité du produit. Reportez-vous à *Dispositifs de sécurité sur le produit à la page 156*.
2. Assurez-vous que le disque et le carter de disque ne sont pas endommagés. Remplacez le disque ou le carter de disque en cas de fissures ou d'autres dommages.
3. Assurez-vous que le produit est correctement assemblé et que les supports de fixation, les rails, le boulon de disque et les roues de verrouillage sont serrés. Assurez-vous que les butées sont fixées aux extrémités du rail.
4. Assurez-vous qu'il n'y a pas de jeu entre les roues de guidage et le rail. Reportez-vous à *Pour régler les roues de guidage à la page 188*.
5. Le carter de disque doit toujours être présent pendant l'utilisation du produit. Si le carter de disque touche le plafond, l'une des extrémités du carter de disque peut être démontée temporairement.
6. Placez le produit en position de démarrage avant de démarrer le moteur.

## Fonctionnement de la scie murale

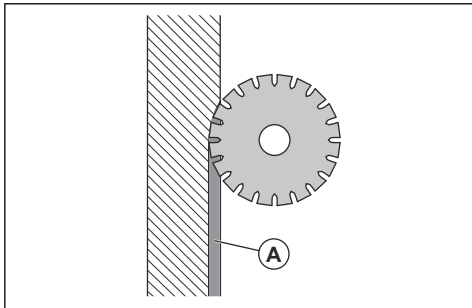
**Remarque:** Lorsque le produit fonctionne au courant monophasé, la puissance de sortie est réduite. La profondeur de coupe doit donc être réduite pour de bonnes performances de sciage.

**Remarque:** Il est plus rapide d'effectuer plusieurs coupes peu profondes que d'effectuer un moins grand nombre de coupes plus profondes. Les coupes peu profondes exercent une pression élevée sur les segments du disque, ce qui contribue à maintenir le niveau d'affûtage du disque.



**AVERTISSEMENT:** Montez toujours le carter de disque sur la scie lorsque vous utilisez celle-ci. Si le carter de disque heurte le plafond, par exemple lors de la découpe d'une porte, vous pouvez démonter temporairement l'une des faces du carter de disque.

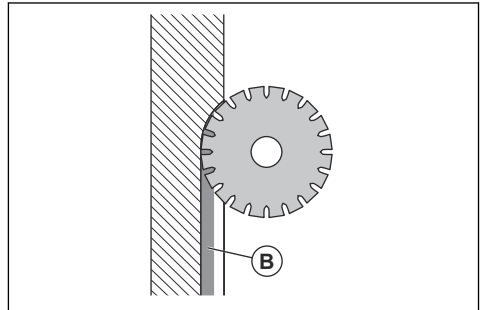
1. Faites démarrer le produit. Reportez-vous à *Démarrage du produit à la page 174.*
2. Contrôlez le produit à l'aide de la télécommande. Reportez-vous à *Pour utiliser la télécommande à la page 179.*
3. Choisissez le sens de rotation du disque. Le jet d'eau peut être dirigé comme vous le souhaitez, quel que soit le sens de rotation de la scie sur le rail.
4. Assurez-vous d'utiliser la bonne quantité d'eau pour refroidir le système et le disque. L'eau de refroidissement refroidit d'abord les composants électroniques du groupe d'alimentation, puis le moteur principal et enfin le disque de sciage. Elle retient également la poussière générée par le processus de sciage. Le débit d'eau peut être réglé sur une vanne fixée au flexible d'eau ou à la source du robinet.
5. Commencez par réaliser une découpe de guidage (A) à une profondeur de 2-4 cm (0,8-1,6 po). Utilisez une vitesse d'alimentation faible pour garantir une coupe droite.



**REMARQUE:** N'effectuez pas la coupe de guidage à pleine puissance.

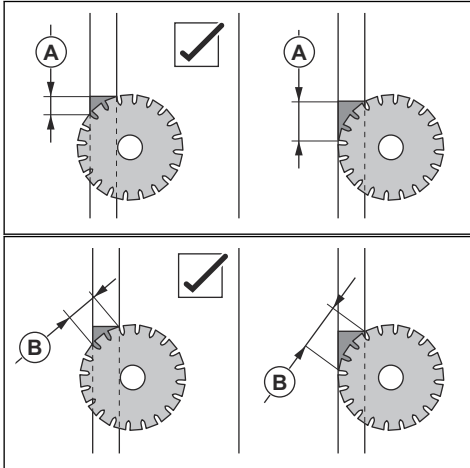
**Remarque:** Le matériau et les fusibles disponibles ont une influence sur la profondeur de coupe. Si possible, ne coupez pas dans du fer. Effectuez la coupe de guidage avec le bras en position arrière.

6. Les coupes suivantes (B) doivent être d'environ 4-7 cm (1,6-2,8 po). La profondeur dépend de la dureté du matériau, de la quantité de pièces de renfort et de la position de ces dernières. Placez la scie près d'un support de fixation et poussez le disque dans le matériau.

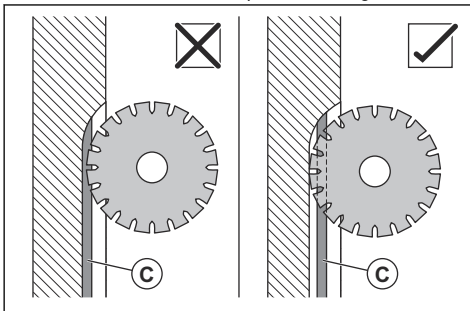


**Remarque:** Vous pouvez changer le disque et utiliser le produit dans la même coupe. Assurez-vous que l'épaisseur du nouveau disque est adaptée à la largeur de la rainure.

7. Utilisez la profondeur de coupe maximale du disque si le mur est plus fin que la profondeur maximale du disque. La surface de coupe est réduite et la pression des segments du disque augmente. Procédez de la même manière lorsque la surcoupe ne peut pas être réalisée, car la distance non coupée (coin) (B) restante après le sciage devient plus petite. (A) = distance de surcoupe, (B) = surface de coupe.



8. Lorsque vous coupez la barre d'armature (C) longitudinalement, vous devez la couper conformément à l'illustration afin de créer une surface de coupe plus petite et de conserver le niveau d'affûtage du disque. Vous pouvez également commencer la découpe par l'autre extrémité de la coupe. En effet, il n'est pas certain que le fer d'armature suive la découpe tout du long.



**Remarque:** Une vitesse de rotation plus faible du disque réduit le risque de polissage de ce dernier dans les matériaux durs.

9. Utilisez la vitesse d'alimentation longitudinale maximale pour des performances de sciage optimales. Le logiciel du groupe d'alimentation régule continuellement et automatiquement l'alimentation pour des performances de sciage optimales.
10. Lorsque la surcoupe n'est pas autorisée et que la découpe du mur est terminée, vous devez utiliser une découpeuse portable et couper la distance non coupée (coin) par l'arrière du bloc de béton. Utilisez les découpeuses PRIME connectées à la sortie inférieure sur PP 8. Le chariot de transport comprend également un emplacement pour une découpeuse portable.
11. Retirez le disque de la rainure de sciage après chaque coupe.
12. Une fois le sciage mural terminé, sortez complètement le disque de la rainure de sciage, puis arrêtez la rotation du disque et coupez le débit d'eau.



**REMARQUE:** Ne laissez pas le disque tourner sans qu'une pression ne soit exercée sur ses segments du disque pendant une période prolongée. Cela risque d'émousser le disque.

13. Arrêtez le groupe d'alimentation et le débit d'eau.

### Découpe de blocs

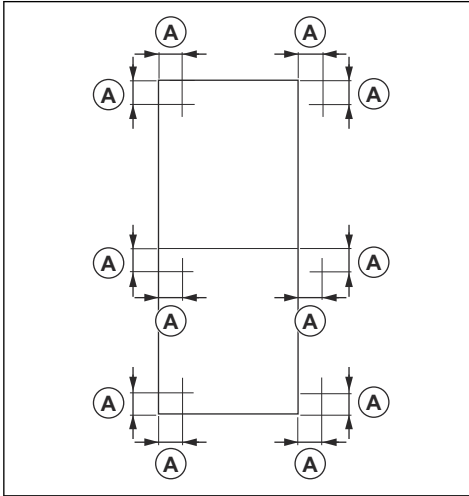


**AVERTISSEMENT:** Les blocs de béton sont très lourds et peuvent provoquer des blessures graves s'ils ne sont pas manipulés avec précaution. Assurez-vous que le bloc est bien fixé avant de commencer l'opération.

Le bras de coupe peut être incliné dans les positions ci-dessous.

1. Examinez les dimensions du bloc et assurez-vous que vous disposez de l'équipement approprié pour soulever et retirer le bloc en toute sécurité.
2. Si nécessaire, divisez un grand bloc en plusieurs parties plus petites.

3. Placez les trous des supports de fixation à environ 150 mm/5,9 po (A) de la ligne de découpe.



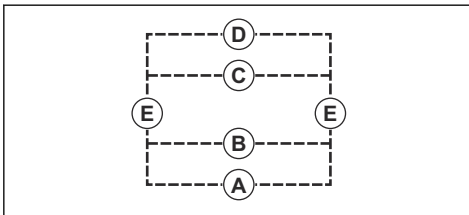
**AVERTISSEMENT:** Ne fixez pas les supports de fixation sur une partie du bloc qui pourrait se détacher lors de l'opération de coupe suivante.

**Remarque:** Lorsque vous placez les orifices conformément à l'illustration, il est possible d'utiliser les mêmes trous pour les coupes horizontales et verticales.

**Remarque:** Vous pouvez monter la scie des deux côtés du rail de sorte que deux coupes puissent être réalisées avec la même configuration du support de fixation.

**Remarque:** Les orifices doivent être percés pour les boulons expansibles M10 conformément aux recommandations du fabricant de boulons.

4. Coupez le bloc dans l'ordre indiqué sur l'illustration. L'illustration montre la procédure de travail pour diviser un bloc en 3 sections.



- a) Réalisez les coupes horizontales en premier. Commencez par le bas : (A), (B), (C), (D).

**Remarque:** Fixez chaque section avec des cales ou des ancrages pour vous assurer que les sections ne tombent pas et ne bloquent pas le disque.

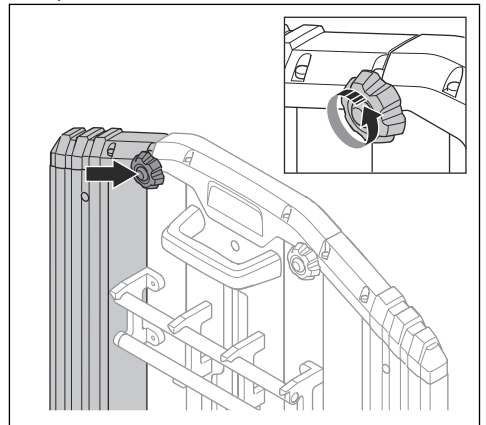
- b) Réalisez les 2 coupes verticales (E).



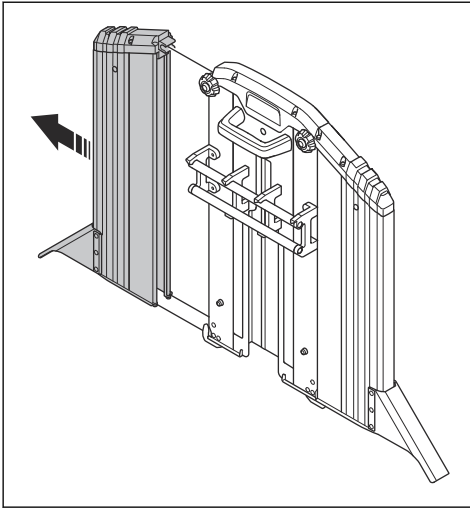
**AVERTISSEMENT:** Avant de réaliser la dernière coupe, assurez-vous que la partie restante du bloc à laquelle le rail est fixé est stable. Utilisez des cales pour sécuriser les plus petites parties du bloc.

### Préparer le produit pour une utilisation près du sol

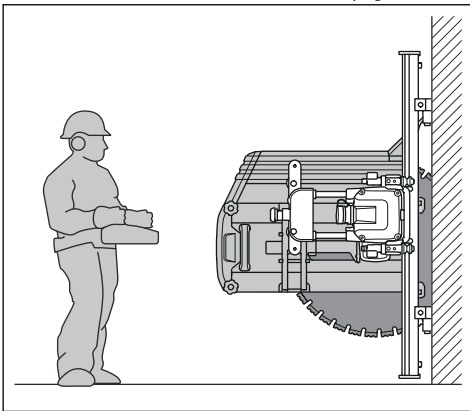
1. Desserrez uniquement la fixation nécessaire à l'opération.



2. Déposez la partie du carter de disque.

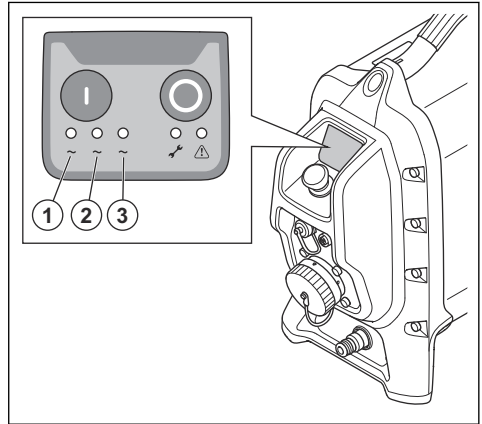


3. Effectuez l'opération près du sol. Reportez-vous à *Démarrage du produit* à la page 174 et à *Fonctionnement de la scie murale* à la page 171.

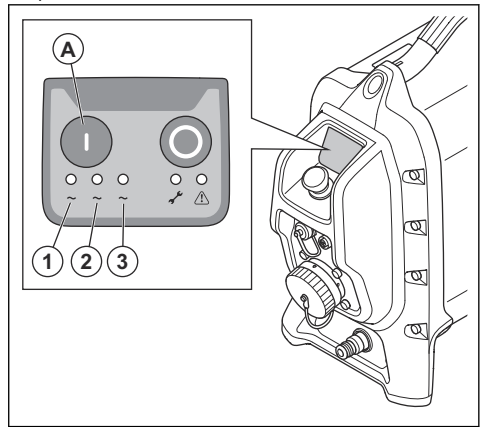


### Contrôle des LED d'état du groupe d'alimentation

1. Assurez-vous que la LED (2) clignote lorsque le groupe d'alimentation est connecté à une source d'alimentation. Cela signifie que le groupe d'alimentation est en mode de veille.



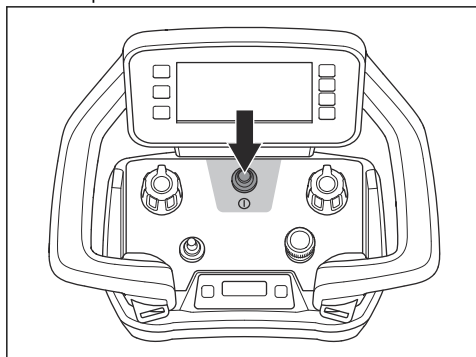
2. Appuyez sur le bouton ON situé sur le groupe d'alimentation. Les LED (1, 2, 3) sont allumées en permanence en vert.



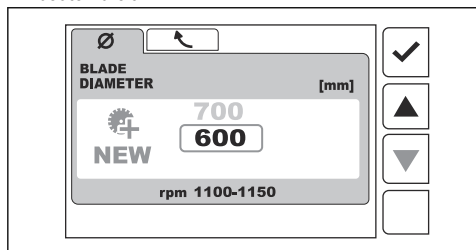
### Démarrage du produit

1. Démarrez le groupe d'alimentation. Reportez-vous à *Démarrage du groupe d'alimentation* à la page 175.

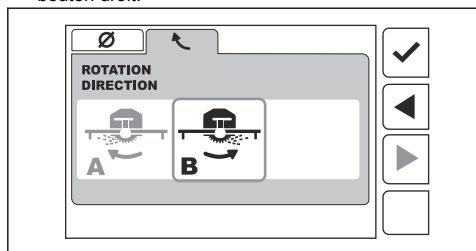
2. Démarrez la télécommande. Appuyez sur le bouton ON/OFF de la télécommande. Des informations s'affichent à l'écran. Reportez-vous au manuel d'utilisation de la scie murale connectée pour en savoir plus.



3. Sélectionnez le disque à utiliser. Confirmez avec le bouton droit.



4. Déterminez dans quelle direction le disque doit se déplacer. Choisissez A ou B. Confirmez avec le bouton droit.

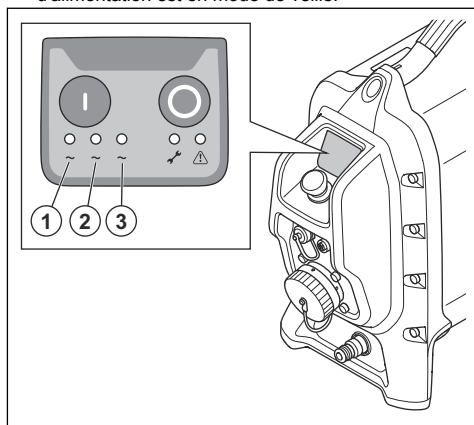


5. Démarrez la rotation du disque sur la scie murale. Reportez-vous à *Démarrage de la rotation du disque* à la page 176.

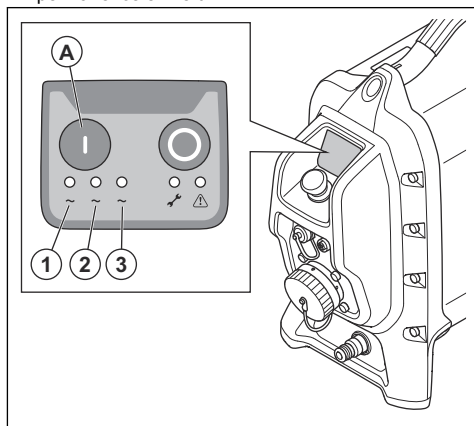
### Démarrage du groupe d'alimentation

1. Raccordez l'alimentation en eau domestique au groupe d'alimentation. Reportez-vous à *Raccordement de l'alimentation en eau domestique au groupe d'alimentation* à la page 168.

2. Branchez le groupe d'alimentation à une source électrique. Reportez-vous à *Branchement du groupe d'alimentation à une source d'alimentation* à la page 168.
3. La LED (2) clignote, ce qui signifie que le groupe d'alimentation est en mode de veille.

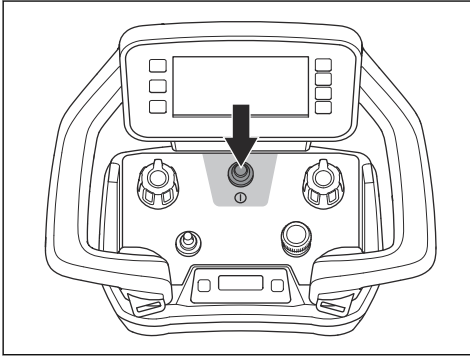


4. Appuyez sur le bouton ON (A) du groupe d'alimentation. Les LED (1, 2, 3) sont allumées en permanence en vert.



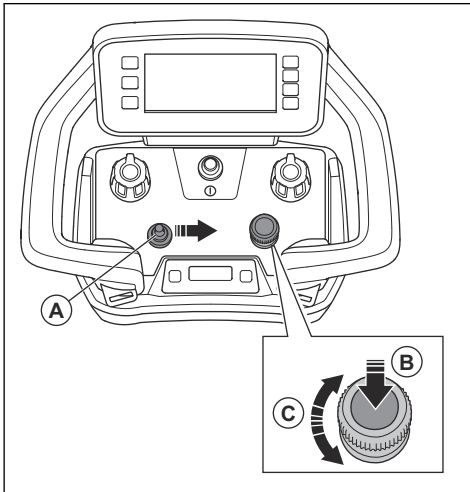
## Démarrage de la télécommande

1. Appuyez sur le bouton ON/OFF pour allumer la télécommande. L'écran affiche la vue Accueil lorsque le moteur est éteint. Reportez-vous à *Vue Accueil à la page 180*.



## Démarrage de la rotation du disque

1. Avec la main gauche, poussez l'interrupteur marche/arrêt (A) vers la droite et maintenez-le dans cette position.



2. Avec la main droite, appuyez sur le bouton de réglage de la vitesse du disque (B).
3. Lorsque la lame de scie commence à fonctionner, relâchez l'interrupteur marche/arrêt et le bouton.
4. Tournez le bouton de réglage de la vitesse du disque (C) pour régler la vitesse du disque.

## Arrêt du produit



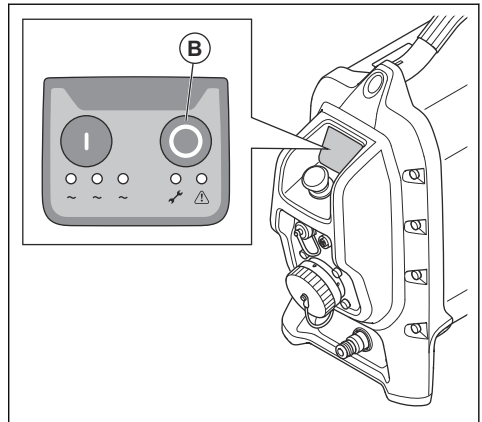
**AVERTISSEMENT:** Fermez toujours l'alimentation en eau du produit

lorsqu'il n'est pas connecté à l'alimentation électrique.

1. Faites sortir le disque du mur pendant qu'il tourne. Mettez le bras de scie en position haute.
2. Poussez l'interrupteur marche/arrêt vers la gauche pour désactiver la rotation du disque. La rotation du disque peut également être arrêtée en tournant le bouton de réglage dans le sens contraire des aiguilles d'une montre.
3. Coupez le débit d'eau.
4. Assurez-vous que les blocs coupés sont sécurisés par des cales pour les empêcher de tomber lors du désassemblage.
5. Déplacez la scie dans une position de travail adaptée à son désassemblage.
6. Appuyez sur le bouton ON/OFF de la télécommande pour arrêter la scie murale.

## Arrêt du groupe d'alimentation et de l'outil électrique

1. Appuyez sur le bouton d'arrêt (B) situé sur le groupe d'alimentation.

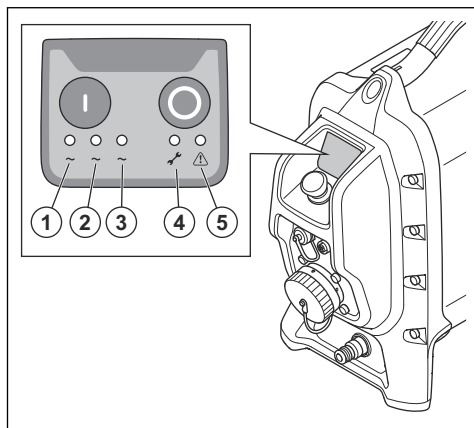


2. Fermez l'alimentation en eau domestique du groupe d'alimentation.



## Voyants d'indication d'état

Lorsque le produit est connecté, les voyants 1-5 s'allument pendant quelques secondes.



1. Voyant de phase (vert)
2. Voyant de phase (vert)
3. Voyant de phase (vert)
4. Témoin d'entretien (jaune)
5. Témoin d'avertissement (rouge)

Pour plus d'informations sur les voyants d'indication d'état, reportez-vous à *Explication relative aux voyants d'indication d'état du groupe d'alimentation* à la page 189.

### Témoin d'avertissement



**REMARQUE:** Cessez d'utiliser le produit lorsque le témoin d'avertissement est allumé. Risque de détérioration du produit.

Si le témoin d'avertissement (voyant rouge) s'allume, arrêtez le produit. reportez-vous à la section *Arrêt du produit* à la page 176.

### Système de communication radio



**REMARQUE:** Vérifiez si les circonstances de l'opération nécessitent une connexion avec le câble de bus CAN. Reportez-vous à *Pour utiliser le produit avec la télécommande reliée par un câble de bus CAN* à la page 178.

Avant de pouvoir utiliser l'outil électrique connecté, vous devez coupler la télécommande et le produit. Il est également nécessaire d'effectuer l'opération de couplage lorsque le produit est connecté à la télécommande à l'aide d'un câble de bus CAN.

La télécommande ne peut contrôler que le produit connecté.

Si la télécommande fournie est remplacée, vous devez à nouveau coupler la télécommande et le produit.

S'il s'avère nécessaire d'échanger les télécommandes entre 2 groupes d'alimentation, vous devez coupler la télécommande échangée et le produit.

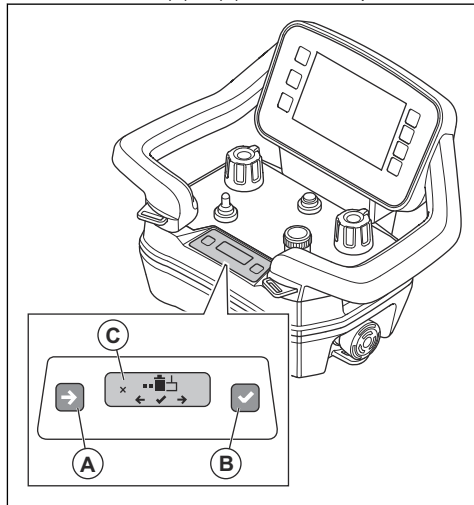
### Réalisation d'une opération de couplage entre la télécommande et le groupe d'alimentation



**REMARQUE:** Vérifiez si les circonstances de l'opération nécessitent une connexion avec le câble de bus CAN. Reportez-vous à la section *Pour utiliser le produit avec la télécommande reliée par un câble de bus CAN* à la page 178.

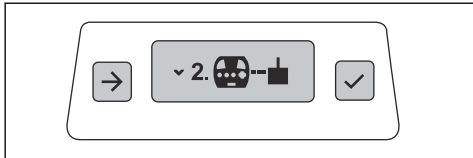
**Remarque:** L'opération d'appairage peut également être effectuée lorsque le câble de bus CAN est branché au groupe d'alimentation.

1. Assurez-vous qu'une batterie chargée est installée dans la télécommande.
2. Démarrez le groupe d'alimentation. Reportez-vous à la section *Démarrage du groupe d'alimentation* à la page 175.
3. Démarrez la télécommande. Reportez-vous à la section *Pour utiliser la télécommande* à la page 179.
4. Sur l'écran du centre d'information, appuyez brièvement sur (A) et (B) en même temps.

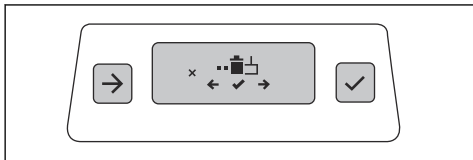


**Remarque:** L'écran du centre d'information change de mode si (A) et (B) sont enfoncés simultanément.

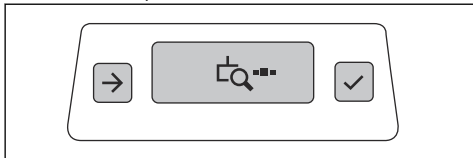
5. Appuyez brièvement sur (A) pour voir le choix « 2 ».



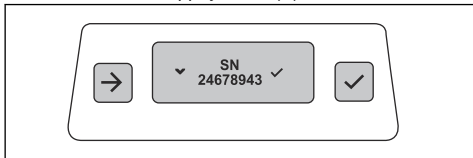
6. Appuyez brièvement sur (B) pour choisir « 2 ». Le symbole (C) s'affiche sur l'écran du centre d'information.



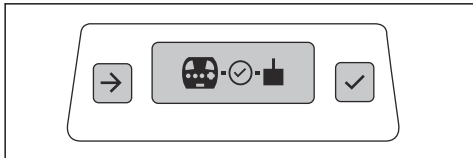
7. Appuyez simultanément sur (A) et (B) et maintenez-les enfoncés pendant 3 secondes.



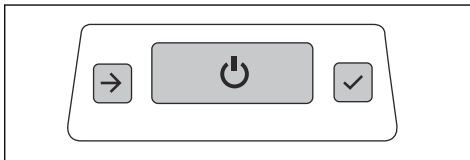
8. Mettez le groupe d'alimentation en marche.  
9. Appuyez sur le bouton de mise en marche du groupe d'alimentation et maintenez-le enfoncé pendant au moins 3 s.  
10. Lorsque le numéro de série du récepteur est visible sur l'écran du centre d'information de la télécommande, appuyez sur (B).



Le symbole de confirmation du couplage s'affiche pendant 2 secondes.



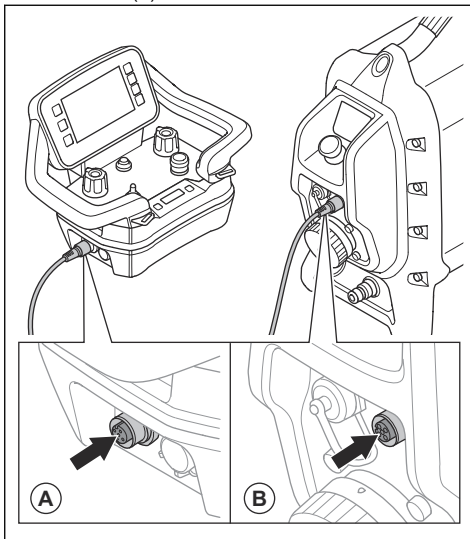
11. Lorsque le symbole Marche/Arrêt est visible sur l'écran du centre d'information, redémarrez la télécommande à l'aide du bouton ON/OFF.



12. Redémarrez le groupe d'alimentation. Reportez-vous à la section *Démarrage du groupe d'alimentation* à la page 175.

### Connexion de la télécommande au groupe d'alimentation à l'aide d'un câble de bus CAN

1. Placez une extrémité du câble de bus CAN dans le connecteur (A) de la télécommande.



2. Placez l'autre extrémité du câble de bus CAN dans le connecteur (B) du groupe d'alimentation.  
3. Serrez à la main les vis des connecteurs du câble de bus CAN.

### Pour utiliser le produit avec la télécommande reliée par un câble de bus CAN

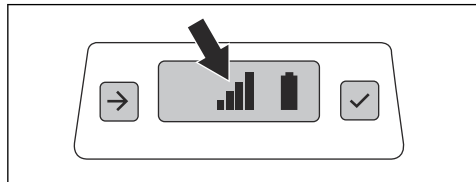
Dans certaines circonstances, il est obligatoire de brancher un câble de bus CAN pour faire fonctionner le produit. Pour plus d'informations, contactez votre centre d'entretien Husqvarna.

La transmission de signaux radio s'arrête lorsque la télécommande est connectée par le câble de bus CAN.

- Branchez le câble de bus CAN entre la télécommande et le produit. Reportez-vous à *Connexion de la télécommande au groupe d'alimentation à l'aide d'un câble de bus CAN à la page 178.*

### Pour contrôler si le couplage est actif

1. Démarrez la télécommande. Reportez-vous à *Pour utiliser la télécommande à la page 179.*
2. Démarrez le groupe d'alimentation. Reportez-vous à *Démarrage du groupe d'alimentation à la page 175.*
3. Le couplage est toujours actif si l'intensité de la connexion est visible sur l'écran d'information.



## Télécommande

Le produit est télécommandé.

La télécommande peut fonctionner par transmission de signaux radio. En cas d'interférence dans la transmission, la fréquence change automatiquement. Une opération d'appariement entre le produit et la télécommande s'effectue en usine. Une opération de couplage est également nécessaire si la télécommande est remplacée ou si vous changez de télécommande d'un produit à l'autre. Reportez-vous à *Réalisation d'une opération de couplage entre la télécommande et le groupe d'alimentation à la page 177.*

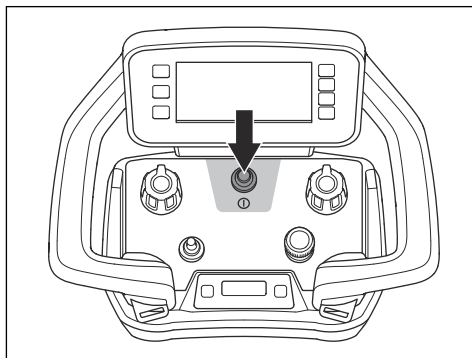
La télécommande peut également fonctionner avec un câble de bus CAN branché entre la télécommande et le produit. Le câble de bus CAN fourni avec le produit mesure 10 m. La longueur maximale du câble de bus CAN est de 30 m. Le câble de bus CAN peut par exemple être utilisé lorsque l'état de charge de la batterie de la télécommande est faible ou lorsqu'aucune batterie de télécommande n'est installée. Pour savoir comment connecter la télécommande au produit à l'aide d'un câble, reportez-vous à la section *Connexion de la télécommande au groupe d'alimentation à l'aide d'un câble de bus CAN à la page 178.*

La télécommande dispose de toutes les commandes nécessaires pour utiliser le produit. La télécommande est dotée d'un affichage numérique avec système de menus. Reportez-vous à *Système de menus à la page 181.*

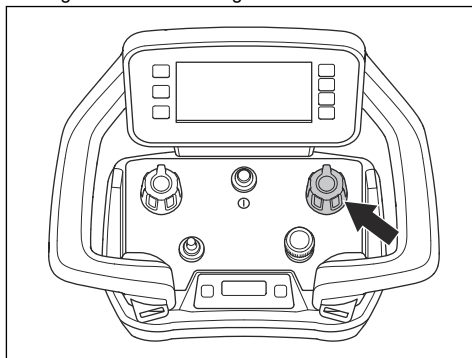
### Pour utiliser la télécommande

Le produit est commandé à l'aide de la télécommande. La télécommande est connectée au groupe d'alimentation par transmission radio ou par le biais du câble CAN.

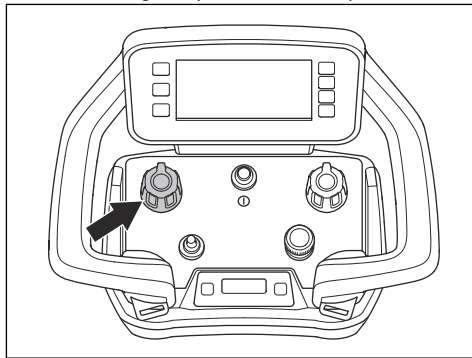
- Appuyez sur le bouton ON/OFF pour démarrer et arrêter la télécommande.



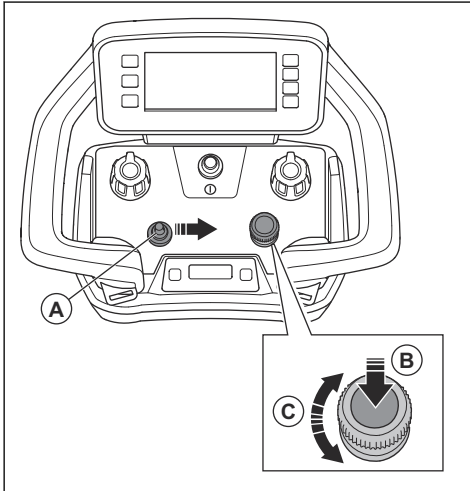
- Tournez le bouton pour déplacer la scie murale longitudinalement le long du rail.



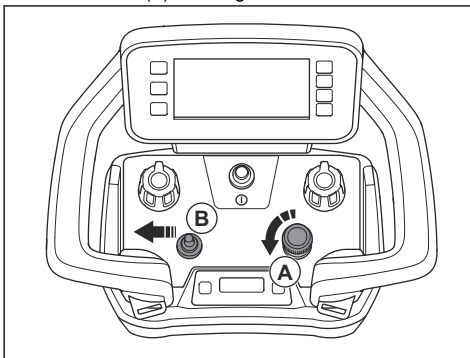
- Tournez le bouton pour déplacer le bras pivotant de manière à régler la profondeur de coupe.



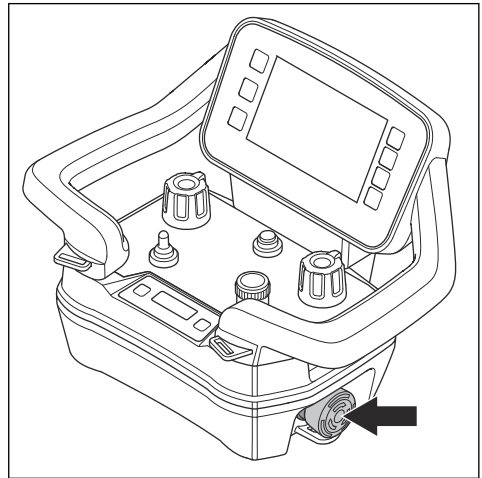
- Démarrage du disque : Appuyez sur l'interrupteur marche/arrêt (A) du disque et maintenez-le enfoncé, puis appuyez sur le bouton de réglage de la vitesse du disque (B). Relâchez le bouton et l'interrupteur marche/arrêt. Tournez le bouton de réglage de la vitesse du disque (C) pour régler la vitesse du disque. Reportez-vous à *Démarrage de la rotation du disque à la page 176*.



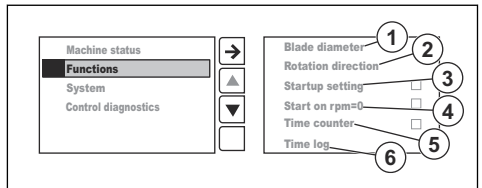
- Arrêt du disque : Tournez le bouton de réglage de la vitesse du disque (A) dans le sens contraire des aiguilles d'une montre ou poussez l'interrupteur marche/arrêt (B) vers la gauche.



- En cas d'urgence, arrêtez le produit à l'aide du bouton d'arrêt de la machine.



### Menu des fonctions



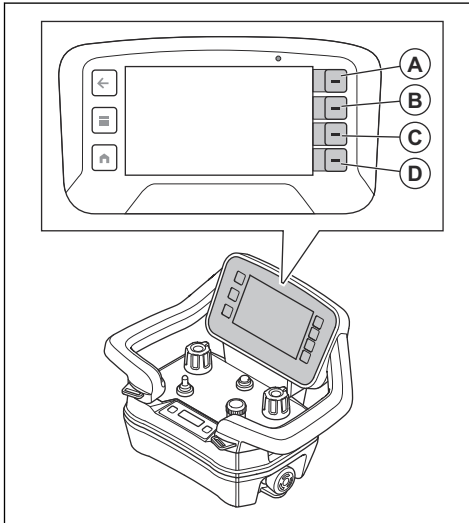
1. « Diamètre de disque » définit le diamètre du disque.
2. « Sens de rotation » définit la direction du disque, dans le sens des aiguilles d'une montre ou dans le sens contraire des aiguilles d'une montre.
3. « Réglage du démarrage » : lorsque cette fonction est activée, vous devez définir le diamètre du disque et le sens de rotation du disque avant de pouvoir démarrer le disque.
4. « Démarrage au régime 0 » : lorsque cette fonction est activée, le disque démarre à une vitesse de 0 tr/min. Si cette fonction n'est pas activée, le disque augmente automatiquement sa vitesse jusqu'à la vitesse recommandée pour le diamètre de disque sélectionné.
5. « Compteur de temps » : lorsque cette fonction est activée, une minuterie se déclenche quand la vitesse du disque est de 25 tr/min ou plus et le bras de coupe est actionné vers l'avant.
6. « Journal de bord » : affiche les 4 derniers compteurs de temps.

### Vue Accueil

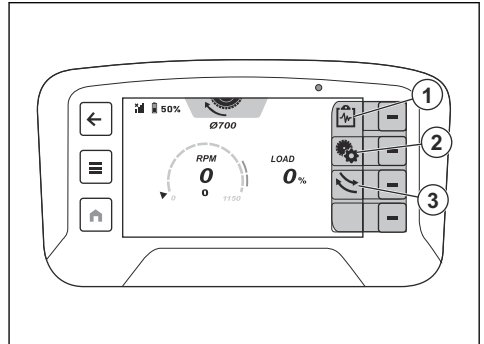
L'écran dispose de 2 vues Accueil. La première vue Accueil s'affiche lorsque le moteur est éteint. Voir moteur arrêté ci-dessous. L'autre vue Accueil s'affiche

lorsque le moteur est en marche. Voir moteur en marche ci-dessous.

Les symboles (A, B, C, D) de la barre d'action rapide changent si le moteur est arrêté ou en marche.

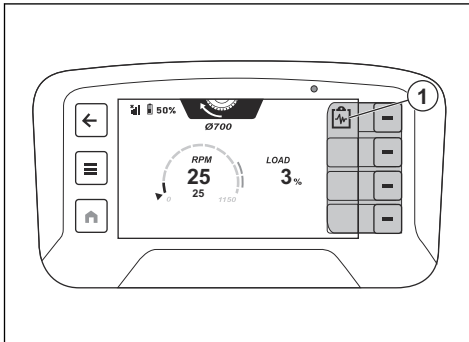


### Moteur arrêté



Position	Description
1	Action rapide pour sélectionner l'état de la machine.
2	Action rapide pour changer le diamètre du disque et le sens de rotation.
3	Action rapide pour régler le sens de rotation du disque.

### Moteur en marche

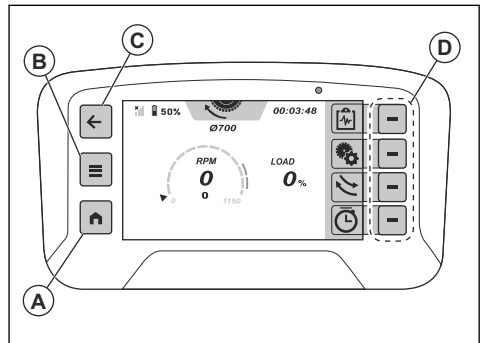


Position	Description
1	Action rapide pour sélectionner l'état de la machine.

### Système de menus

Le bouton Accueil (A) vous permet d'accéder à la vue Accueil. Le bouton de menu (B) de la télécommande permet d'ouvrir le système de menus. Le bouton de retour (C) permet de revenir à la structure de menu.

Les fonctions de la barre d'action rapide changent si une nouvelle sélection est effectuée à l'écran. Utilisez les boutons (D) à côté de la barre d'action rapide pour sélectionner les nouvelles fonctions.



## Vue d'ensemble du menu

État de la machine	Afficher l'état		
	Défauts actifs	Journal des défauts	
	Durée de fonctionnement		
Fonctions	Diamètre de disque		
	Sens de rotation		
	Réglage du démarrage □		
	Démarrage au régime 0 □		
	Compteur de temps □		
	Journal de bord		
Système	Réglages à distance	Luminosité	Automatique
			Manuel
		Langue	
		Unités	Métrique
		Impériale	
		Réinitialiser	
	Révisions	Groupe d'alimentation	
		Télécommande	
		Outil	
	Licences tierces		
Diagnostic des commandes			

### Menu État de la machine

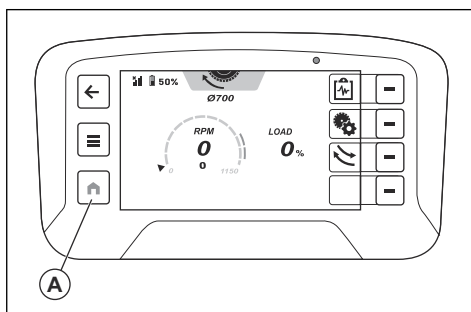
- L'option « Afficher l'état » affiche une vue d'ensemble des températures et des tensions.
- L'option « Défauts actifs » contient la liste des défauts détectés par le produit. La liste affiche tous les messages actifs. Le message le plus récent figure en haut de la liste. Reportez-vous à *Messages d'erreur à la page 190*.
- L'option « Durée de fonctionnement » indique la durée totale de fonctionnement du groupe d'alimentation et de la scie murale.

### Menu du système

#### « Réglages à distance »

- L'option « Luminosité » permet de régler la luminosité de l'écran.
- L'option « Langue » permet de définir la langue du texte à l'écran. Pour la langue, le réglage d'usine est l'anglais.

**Remarque:** Pour revenir aux réglages d'usine de langue, de luminosité et d'unités, appuyez sur le bouton Accueil (A) et maintenez-le enfoncé pendant 10 secondes.



- L'option « Unités » permet de définir les unités de pression, de température ainsi que l'unité de longueur à l'écran.
- L'option « Réinitialiser » permet de définir les réglages d'usine, la langue anglaise, la luminosité maximale et les unités métriques.

#### « Révisions »

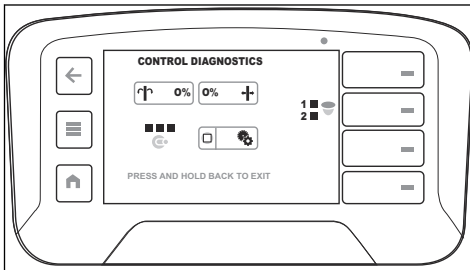
Affiche les révisions logicielles du groupe d'alimentation, de l'outil (WS 8) et de la télécommande.

#### « Licences tierces »

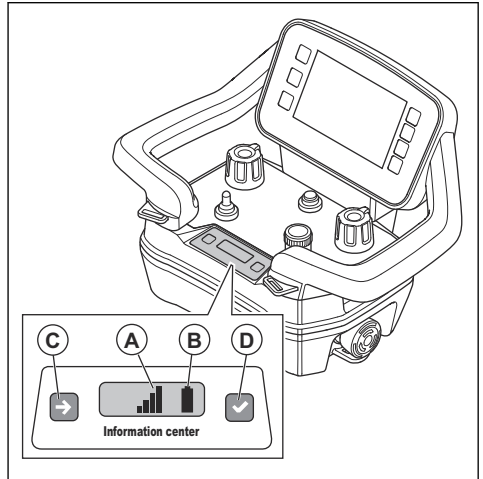
Affiche les licences open source du système d'exploitation et les licences d'application de la télécommande.

#### Diagnostic des commandes

Dans « Diagnostic des commandes », vous pouvez tester le fonctionnement des commandes de la télécommande. Chaque commande s'affiche à l'écran. Les indicateurs de commande à l'écran passent du blanc à l'orange lorsque vous effectuez les tests de fonctionnement. Actionnez une commande de la télécommande au maximum. La commande fonctionne correctement lorsque l'indicateur de commande affiche 0 % au milieu et -100 % resp. 100 % aux positions finales.



#### Écran du centre d'information





L'écran du centre d'information de la télécommande affiche les informations suivantes à propos de la télécommande :

- Si la télécommande est allumée ou éteinte.
- Les codes d'erreur. Reportez-vous à *Codes d'erreur sur l'écran IHM de la télécommande à la page 193*.
- L'opération de couplage entre la télécommande et le produit. Reportez-vous à *Réalisation d'une opération de couplage entre la télécommande et le groupe d'alimentation à la page 177*.
- La puissance du signal radio (A) entre la télécommande et le produit. Les mêmes symboles sont également affichés dans la barre supérieure de l'écran. Reportez-vous à *Symboles de la barre supérieure de l'écran à la page 149*.

Signal radio	Symbole
Il existe 4 niveaux de puissance du signal radio.	
Le signal radio est en mode veille. La télécommande ne fonctionne pas correctement.	
Aucun signal radio.	

- État de la batterie (B). Les mêmes symboles sont également affichés dans la barre supérieure de l'écran. Reportez-vous à *Batterie de la télécommande à la page 184*.

État de charge	Symbole
Il existe 5 niveaux de charge de la batterie.	

État de charge	Symbole
Défaut de la batterie.	
Connexion câblée entre la télécommande et le produit.	

Il y a 2 boutons pour l'écran du centre d'information. Le bouton gauche (C) permet de passer au symbole suivant à l'écran. Le bouton droit (D) permet de sélectionner des éléments.

### Batterie de la télécommande



**AVERTISSEMENT:** avant d'utiliser la batterie de la télécommande et le chargeur, vous devez lire et comprendre *Instructions générales de sécurité à la page 151* et *Consignes de sécurité relatives à l'utilisation de la batterie à la page 153*.

**Remarque:** Il convient de charger la batterie avant d'utiliser la télécommande pour la première fois.

**Remarque:** si la batterie ne fonctionne pas pendant 5 jours, elle passe en mode transport. Lorsque les batteries sont en mode transport, vous devez les connecter au chargeur pour quitter le mode transport.

**Remarque:** Placez la batterie dans le chargeur pendant environ 15 secondes pour la démarrer si elle est en mode veille.

Un symbole indique l'état de charge de la batterie sur l'écran et sur l'écran du centre d'information ; reportez-vous aux sections *Symboles de la barre supérieure de l'écran à la page 149* et *Écran du centre d'information à la page 183*. Il n'est pas possible d'utiliser la télécommande si l'état de charge de la batterie de la télécommande est trop faible.

L'autonomie de la batterie de la télécommande complètement chargée est d'environ 12 heures. Un temps froid peut réduire l'autonomie.

Chargez la batterie de la télécommande tous les 6 mois afin de conserver sa qualité.

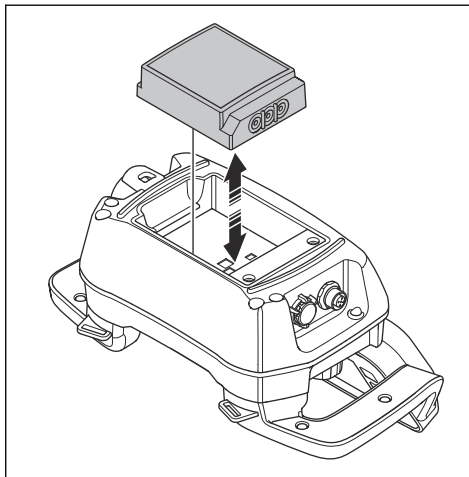
### Chargeur de batterie

L'indicateur d'état de la batterie comporte 2 LED sur le chargeur de batterie : LED d'alimentation de la batterie (rouge) et LED d'état de la batterie (verte).

LED d'alimentation	LED d'état	Indication
Lumière rouge	Éteinte	Le chargeur est allumé. Aucune batterie dans le chargeur.
Lumière rouge	Lumière verte	Le chargeur est allumé. La batterie est complètement chargée.
Lumière rouge	Lumière verte clignotante	Le chargeur est allumé. La batterie se charge.
Lumière rouge clignotante	Éteinte	Erreur au niveau du chargeur de batterie ou température hors de la plage de charge.

### Retirer et installer la batterie de la télécommande dans la télécommande

1. Retournez la télécommande pour accéder à la partie arrière où se trouve la batterie.
2. Retirez ou installez la batterie de la télécommande.

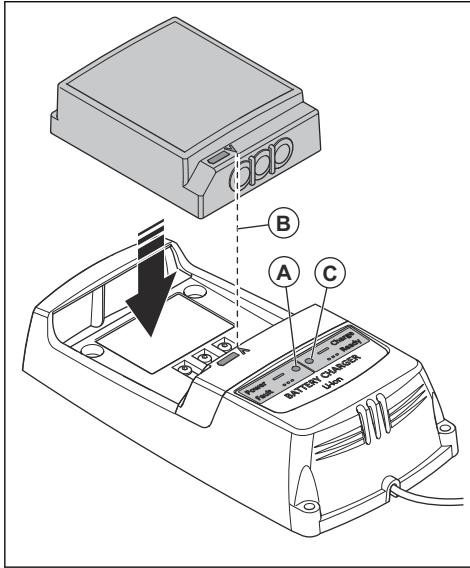


### Recharger la batterie de la télécommande à l'aide du chargeur de batterie

Le temps de charge d'une batterie de télécommande vide est d'environ 3 heures avec le chargeur de batterie. Lors de la charge de la batterie de la télécommande, la température doit être comprise entre 10 °C (50 °F) et 45 °C (113 °F).



1. Retirez la batterie vide de la télécommande. Reportez-vous à *Retirer et installer la batterie de la télécommande dans la télécommande à la page 184*.
2. Connectez la fiche adéquate au chargeur de batterie. Le chargeur est fourni avec différentes fiches. Reportez-vous à *Aperçu de la télécommande à la page 148*.
3. Branchez le chargeur de batterie sur une prise de courant. L'indicateur de puissance (A) de la batterie devient rouge. Reportez-vous à *Chargeur de batterie à la page 184*.
4. Connectez la batterie de la télécommande au chargeur de batterie. Assurez-vous que les flèches (B) de la batterie de la télécommande et du chargeur de batterie sont alignées. L'indicateur (C) d'état de la batterie du chargeur de batterie clignote en vert lorsque la batterie de la télécommande est en charge.
5. Lorsque la batterie de la télécommande est complètement rechargée, l'indicateur devient vert. Retirez la batterie de la télécommande du chargeur de batterie.
6. Débranchez le chargeur de batterie de la prise de courant.



## Entretien

### Introduction



**AVERTISSEMENT:** avant d'utiliser le produit, vous devez lire et comprendre le chapitre sur la sécurité.

- Si vous envisagez d'utiliser la scie murale WS 8, lisez :
  - Entretien de PP 8, WS 8 et de la télécommande
- Si vous prévoyez d'utiliser un autre outil électrique compatible avec le groupe d'alimentation PP 8, lisez la section Entretien de ce manuel relative uniquement au groupe d'alimentation PP 8. Pour toute autre question, lisez le manuel de l'autre outil électrique.

### Calendrier d'entretien



**AVERTISSEMENT:** Débranchez les produits de l'alimentation électrique et attendez au moins 5 minutes avant de procéder à l'entretien.



**AVERTISSEMENT:** N'utilisez pas de nettoyeur haute pression pour nettoyer les produits. La haute pression peut endommager les joints et provoquer la pénétration d'eau et de saleté dans les produits.

Entretien général du produit	Tous les jours	Toutes les semaines
<b>WS 8</b>		
Nettoyez la scie murale et les accessoires. Reportez-vous à <i>Nettoyage du groupe d'alimentation à la page 187</i> .	X	
Nettoyez les connecteurs de la tête de scie et du câble HF.	X	
Assurez-vous que tous les raccords, connexions et câbles externes ne sont pas endommagés.	X	
Contrôlez le bon fonctionnement des poignées de verrouillage. Assurez-vous que les roues sont installées correctement. Reportez-vous à <i>Pour régler les roues de guidage à la page 188</i> .	X	
Vérifiez que le moyeu de la bride n'est ni endommagé ni usé.	X	
Vérifiez le(s) carter(s) de disque à la recherche de dommages ou de traces d'usure.	X	
Assurez-vous que le guide du carter de disque est bien ajusté. Reportez-vous à <i>Pour régler le guide du carter de disque à la page 187</i> . Lubrifiez le mécanisme de verrouillage.	X	
Vérifiez que les racks sur les rails ne sont pas endommagés. Assurez-vous que les vis retenant les racks sont serrées.		X
Assurez-vous que toutes les roues de guidage tournent librement, sans jeu excessif. En cas de jeu excessif, contactez un centre d'entretien Husqvarna agréé.		X
Vérifiez l'absence de bruit anormal émanant des moteurs d'alimentation et du bras pivotant.		X
Branchez tous les raccords d'eau, ouvrez l'arrivée d'eau et recherchez les éventuelles fuites d'eau.		X
<b>PP 8</b>		
Nettoyez le groupe d'alimentation et les accessoires. Reportez-vous à <i>Nettoyage du groupe d'alimentation à la page 187</i> .	X	
Effectuez un contrôle général du groupe d'alimentation pour détecter l'absence de fissures ou de pièces cassées.	X	
Contrôlez le bon fonctionnement du bouton d'arrêt de la machine. Reportez-vous à <i>Pour vérifier le bouton d'arrêt d'urgence du groupe d'alimentation à la page 156</i> .	X	
<b>Télécommande</b>		
Nettoyez la télécommande et les accessoires. Reportez-vous à <i>Nettoyage quotidien de la télécommande à la page 188</i> .	X	
Effectuez un contrôle général de la télécommande pour vérifier l'absence de fissures ou de pièces cassées.	X	
Contrôlez le bon fonctionnement du bouton d'arrêt de la machine. Reportez-vous à <i>Pour vérifier le bouton d'arrêt de la machine présent sur la télécommande à la page 157</i> .	X	

## Entretien du PP 8



**AVERTISSEMENT:** Débranchez le groupe d'alimentation de l'alimentation électrique et attendez au moins 5 minutes avant de procéder à l'entretien



**REMARQUE:** N'utilisez pas de nettoyeur haute pression pour le nettoyage du groupe d'alimentation. La haute pression peut endommager les joints et provoquer la pénétration d'eau et de saleté dans le groupe d'alimentation.

## Nettoyage du groupe d'alimentation



**REMARQUE:** N'utilisez pas de nettoyeur haute pression pour nettoyer le produit.



**REMARQUE:** N'utilisez pas d'eau directement sur les composants électriques.

- Nettoyez l'extérieur du groupe d'alimentation. Utilisez une brosse manuelle résistante ou un pinceau large.
- Nettoyez les connecteurs et les broches. Utilisez un chiffon ou une brosse.

## Inspection du groupe d'alimentation

- Vérifiez que le groupe d'alimentation ne présente pas de fissures ou d'autres dommages.
- Assurez-vous que tous les raccords, connexions, flexibles et câbles sont en bon état et ne sont pas endommagés.

## Nettoyage du filtre à eau du groupe d'alimentation

Nettoyez le filtre situé sur l'entrée du raccord d'eau.

- Desserrez le raccord à l'aide d'une clé de 16 mm.
- Éliminez la saleté du filtre à l'aide d'air comprimé.
- Serrez le raccord.

## Entretien du WS 8



**AVERTISSEMENT:** Débranchez la scie murale de l'alimentation électrique et attendez au moins 5 minutes avant de procéder à l'entretien.



**REMARQUE:** N'utilisez pas de nettoyeur haute pression pour le nettoyage de la scie murale. La haute pression peut endommager les joints et provoquer la pénétration d'eau et de saleté dans la scie murale.

## Nettoyage et lubrification de la scie murale



**REMARQUE:** N'utilisez pas de nettoyeur haute pression pour nettoyer le produit.



**REMARQUE:** N'utilisez pas d'eau directement sur les composants électriques.

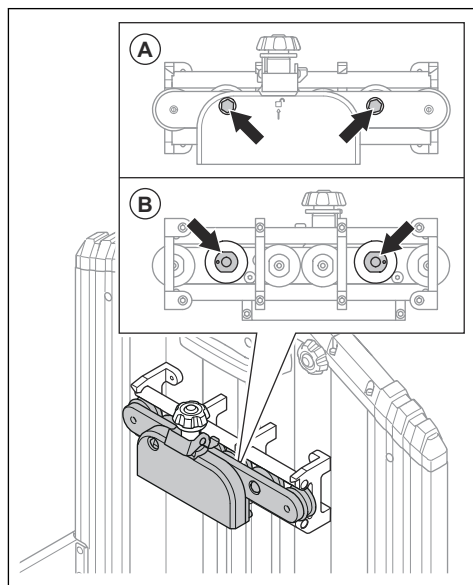
1. Démontez la scie murale. Reportez-vous à *Démontage du produit à la page 169.*

2. Nettoyez tous les raccords, les connecteurs, les flexibles et les câbles. Utilisez le flexible d'eau, une brosse et un chiffon.
3. Nettoyez et lubrifiez les broches de contact.
4. Lubrifiez les manchons des raccords d'eau.
5. Nettoyez soigneusement les parties externes et internes du carter de disque pour empêcher la poussière de sécher à l'intérieur.
6. Nettoyez et lubrifiez les pièces mobiles et les ressorts de la machine comme la fonction de verrouillage de la poignée et le mécanisme de ressort du guide du carter de disque. Vaporisez du spray lubrifiant et nettoyant.
7. Séchez toutes les pièces mobiles. Lubrifiez toutes les pièces avec un spray d'huile pour éviter la corrosion.

## Inspection de la scie murale

1. Vérifiez que le disque et le carter de disque ne présentent pas de fissures ou autres dommages.
2. Remplacez le carter de disque et/ou le disque s'ils ont été exposés à une usure anormale.
3. Assurez-vous que la roue de guidage du carter de disque tourne sans rencontrer de résistance excessive et que le guide est bien aligné avec le carter de disque et la scie. Consultez les sections Montage et Réglages.

## Pour régler le guide du carter de disque



1. Desserrez les écrous des 2 roues de guidage réglables (A).

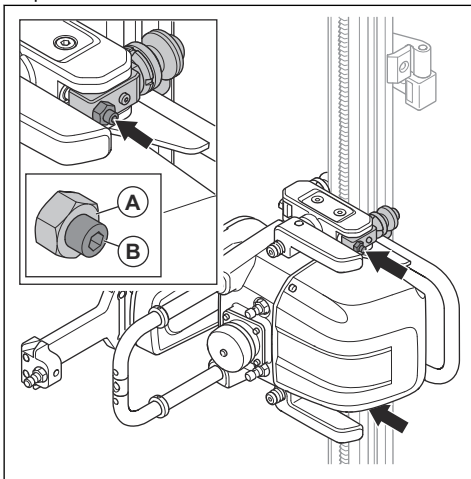
- Fixez le guide du carter de disque sur le carter de disque.
- Faites tourner les arbres à cames à l'aide d'une clé de 22 mm jusqu'à ce que les roues de guidage entrent en contact avec le rail (B).
- Maintenez l'arbre à cames en position à l'aide d'une clé de 22 mm et serrez l'écrou à l'aide d'une clé de 16 mm.
- Assurez-vous que les roues tournent librement et qu'aucun jeu n'est présent au niveau du guide du carter de disque.

### Pour régler les roues de guidage

Pour que la scie avance de manière stable et réalise une coupe droite, les quatre roues de guidage doivent reposer contre le rail et il ne doit pas y avoir de jeu excessif. Réglez les roues de guidage sur le côté, comme indiqué sur l'illustration. L'autre côté est fixe et doit uniquement être soumis à des réglages lors de travaux d'entretien dans un atelier d'entretien agréé par Husqvarna.

Si la scie présente trop de jeu, les roues de guidage doivent être ajustées comme suit :

- Utilisez une clé de 13 mm pour desserrer l'écrou (A).
- Vissez la vis d'arrêt (B) à l'aide d'une clé à six pans de 4 mm jusqu'à ce que les roues de guidage reposent sur les rails et qu'il n'y ait plus de jeu.
- Maintenez la vis d'arrêt (B) dans cette position à l'aide de la clé à six pans tout en serrant l'écrou (A) pour verrouiller la vis d'arrêt.



### Entretien de la télécommande



**AVERTISSEMENT:** Débranchez la télécommande de l'alimentation électrique

et attendez au moins 5 minutes avant de procéder à l'entretien



**REMARQUE:** N'utilisez pas de nettoyeur haute pression pour nettoyer la télécommande. La haute pression peut endommager les joints et provoquer la pénétration d'eau et de saleté dans la télécommande.

### Nettoyage quotidien de la télécommande



**REMARQUE:** N'utilisez pas d'eau directement sur les composants électriques.

- Nettoyez les parties externes de la télécommande à l'aide d'un chiffon humide. Nettoyez les parties internes de la télécommande à l'air comprimé.

### Inspecter la télécommande

- Inspectez visuellement la télécommande à la recherche de fissures et d'autres dommages.
- Assurez-vous que toutes les connexions et tous les joints, raccords et câbles sont en bon état et non endommagés.
- Vérifiez que les commutateurs et les commandes ne sont pas endommagés.
- Si la télécommande est endommagée ou ne fonctionne pas correctement, contactez un atelier spécialisé agréé.

### Nettoyer la télécommande : semaine après semaine

- Nettoyez le panneau de commande et assurez-vous que l'inscription est clairement lisible.
- Nettoyez les bornes de la batterie ainsi que les bornes du compartiment de batterie et du chargeur de batterie. Utilisez un chiffon doux et sec.

### Charger la batterie de la télécommande

Pour charger la batterie de la télécommande, reportez-vous à la section *Retirer et installer la batterie de la télécommande dans la télécommande* à la page 184.

### Pour entretenir le produit

- Confiez l'entretien à un revendeur Husqvarna agréé. Utilisez uniquement des pièces de rechange d'origine pour maintenir la sécurité du produit.
- Délais pour le message d'entretien :
  - Lorsque le délai avant l'entretien est supérieur à 50 h, le message « Prochain entretien dans 100 h » s'affiche.
  - Lorsque le délai avant l'entretien est compris entre 10 et 50 h, le message « Prochain entretien dans 50 h » s'affiche.

- c) Lorsque le délai avant l'entretien est inférieur à 10 h, le message « Prochain entretien dans 10 h » s'affiche
- d) Lorsque le délai avant l'entretien est de 0 h, le message « Entretien requis » s'affiche
- Si le produit n'a pas fonctionné plus de 100 heures après 1 an, confiez-en l'entretien à un revendeur Husqvarna agréé.

## Après l'entretien

1. Effectuez un test de fonctionnement suite à l'entretien.

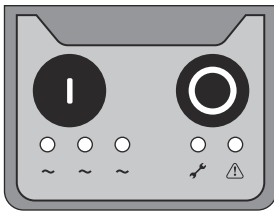


**AVERTISSEMENT:** Risque de blessures et de dommages. Une télécommande, des câbles ou des tuyaux mal installés peuvent avoir un effet indésirable sur les mouvements du produit.

2. En cas de défaut, arrêtez immédiatement le produit. Reportez-vous à *Arrêt du produit à la page 176*.

## Dépannage

### Explication relative aux voyants d'indication d'état du groupe d'alimentation



Le groupe d'alimentation est doté d'un ensemble de voyants d'indication d'état, reportez-vous à *Voyants d'indication d'état à la page 177*. Les voyants d'indication d'état vous aident à effectuer la recherche de pannes.



Le voyant est allumé.



Le voyant est éteint.



Le voyant clignote rapidement.



Le voyant clignote lentement.



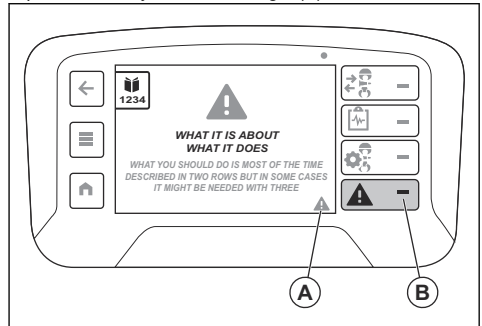
Le voyant passe du côté gauche au côté droit, puis de nouveau au côté gauche.



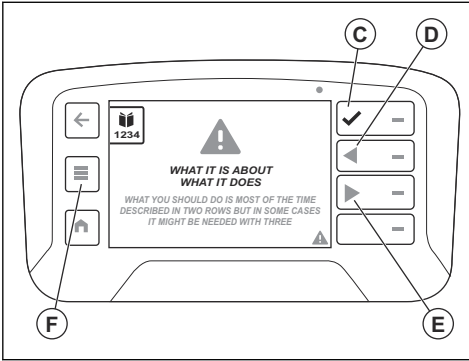
Le voyant passe du côté gauche au côté droit.

### Messages d'erreur sur l'écran IHM

Dans la barre inférieure (A) de l'écran IHM, vous pouvez voir les messages ou les défauts actifs. Pour afficher le message, appuyez sur le bouton à côté de l'action rapide avec le symbole de triangle (B).



Utilisez le bouton Accepter (C) pour supprimer l'avertissement du plein écran. Si plus de 1 message est actif, utilisez les boutons fléchés (D et E) de l'écran pour passer d'un message à l'autre. Une liste de défauts est également disponible dans la rubrique « Défauts actifs », sous « État de la machine », via le bouton de menu (F). Reportez-vous à *Menu État de la machine à la page 182*.



## Différents types de messages d'erreur

Il existe 4 différents types de messages d'erreur :

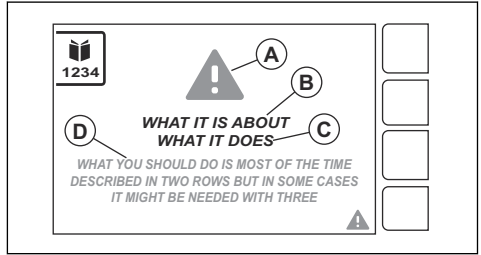
- **Les messages d'information** vous aident et vous donnent des conseils sur l'utilisation du produit. Ce message est affiché dans une bulle blanche.
- **Les messages de mise en garde** indiquent que quelque chose est incorrect. Un message de mise en garde est indiqué par un triangle jaune.
- **Les messages d'avertissement** signalent des défauts ou des problèmes de sécurité pouvant provoquer des dommages mécaniques. Le produit s'arrêtera dans peu de temps. L'avertissement s'affiche d'abord en plein écran avec un triangle d'avertissement rouge et du texte. Une fois le message d'avertissement accepté (C), celui-ci s'affiche sous forme de triangle rouge dans la barre inférieure (A).
- **Les messages d'erreur** s'affichent lorsque le produit s'arrête en raison d'un défaut ou d'un problème de sécurité. Le message d'erreur s'affiche en rouge avec un triangle blanc et du texte blanc. Lorsque

vous acceptez (C) le message d'erreur, le symbole en forme de triangle s'affiche dans la barre inférieure (A).

## Messages d'erreur

En cas d'erreur, un code d'erreur et un message d'erreur s'affichent sur l'écran de la télécommande.

Un message d'erreur comporte 4 parties. Le message comporte un triangle d'avertissement (A), des informations sur l'avertissement (B), les conséquences de l'avertissement (C) et des informations sur les mesures à prendre (D).



Suivez la procédure indiquée sur l'écran ou contactez votre centre d'entretien Husqvarna. Appuyez sur le bouton « OK » pour fermer le message d'erreur.

Si vous fermez le message d'erreur et qu'il ne s'affiche plus à l'écran, vous pouvez continuer à utiliser le produit.

Si le message d'erreur s'affiche à nouveau, reportez-vous à *Recherche de pannes - scie murale et groupe d'alimentation* à la page 190 ou contactez votre centre d'entretien Husqvarna. Si nécessaire, mettez à jour le logiciel du produit.

Si des messages d'erreur ne sont pas expliqués dans ce manuel, contactez votre centre d'entretien Husqvarna.

## Recherche de pannes - scie murale et groupe d'alimentation

Code d'erreur / information	Message	Cause	Action
-	-	La profondeur de coupe est trop importante.	Réduisez la profondeur de coupe.
-	-	La vitesse du disque est trop élevée.	Réduisez la vitesse du disque.
-	-	Le débit d'eau vers le disque est trop élevé.	Réduisez le débit d'eau vers le disque.
-	-	Le disque est trop dur.	Remplacez le disque par un modèle plus souple.

Code d'erreur / information	Message	Cause	Action
0001	Communication avec l'outil incohérente	Présence de boue à l'intérieur de l'outil et dans les connecteurs.	Nettoyez l'outil ou remplacez-le.
			Contactez un centre d'entretien Husqvarna agréé.
0002	Le frein présente un dysfonctionnement	La connexion est défectueuse ou un composant est cassé.	Essayez de redémarrer le groupe d'alimentation ou testez avec un autre K6500/K7000.
			Contactez un centre d'entretien Husqvarna agréé.
0003	Le ventilateur est cassé	La connexion est défectueuse ou le ventilateur est cassé.	Écoutez pour vérifier si le ventilateur se met en marche lors du démarrage du groupe d'alimentation.
			Si le ventilateur ne démarre pas, contactez un centre d'entretien Husqvarna agréé.
0004	Le groupe d'alimentation présente une erreur interne		Essayez de redémarrer le groupe d'alimentation.
0005			Si le groupe d'alimentation est toujours défectueux, contactez un centre d'entretien Husqvarna agréé.
0006			
0007			
0008	Communication perdue	La connexion entre l'outil et le groupe d'alimentation est mauvaise.	Nettoyez les connecteurs de l'outil et du groupe d'alimentation.
			Contactez un centre d'entretien Husqvarna agréé.
0009	L'outil n'est pas compatible	L'outil n'est pas compatible avec le groupe d'alimentation.	L'outil n'est pas reconnu par le groupe d'alimentation.
			Contactez un centre d'entretien Husqvarna agréé pour mettre à jour le groupe d'alimentation avec la dernière version du firmware.
0010	Surcharge du moteur de coupe	La connexion est défectueuse ou un composant est cassé.	Essayez avec un autre outil.
			Contactez un centre d'entretien Husqvarna agréé.
0011	Erreur de courant du moteur de coupe		Si le groupe d'alimentation est en mode veille, essayez de le redémarrer.
			Si le groupe d'alimentation reste en veille, contactez un centre d'entretien Husqvarna agréé.

<b>Code d'erreur / information</b>	<b>Message</b>	<b>Cause</b>	<b>Action</b>
0012	Le courant entrant est en dehors de la plage	L'alimentation secteur est en dehors de la plage.	Contrôlez l'alimentation électrique du secteur.
			Contactez un centre d'entretien Husqvarna agréé.
0013	La température du groupe d'alimentation est trop élevée	L'eau n'est pas raccordée.	Contrôlez le raccord d'eau.
		L'eau de refroidissement entrante est trop chaude.	Contrôlez le débit d'eau et la température.
		Le débit est faible.	Contactez un centre d'entretien Husqvarna agréé.
0014	Démarrage au régime défini		
0015	Aucun outil de scie murale valide, démarrage empêché	Aucun outil compatible n'est connecté	Essayez de connecter un autre outil.
			Contactez un centre d'entretien Husqvarna agréé.
0016	Le potentiomètre ne peut pas démarrer.	Le potentiomètre n'est pas en position neutre.	Réglez le potentiomètre en position neutre.
			Contactez un centre d'entretien Husqvarna agréé.
0017	Connecté à l'outil Prime WS220		
0018	Connecté à l'outil Prime WS8		
0019	La température du groupe d'alimentation est trop élevée	L'eau n'est pas raccordée.	Contrôlez le raccord d'eau.
		L'eau de refroidissement entrante est trop chaude.	Contrôlez le débit d'eau et la température.
		Le débit est faible.	Contactez un centre d'entretien Husqvarna agréé.
0020	La température de l'outil est trop élevée	L'eau n'est pas raccordée.	Contrôlez le raccord d'eau.
		L'eau de refroidissement entrante est trop chaude.	Contrôlez le débit d'eau et la température.
		Le débit est faible.	Contactez un centre d'entretien Husqvarna agréé.
0021	Le moteur d'alimentation est surchargé	La scie a heurté la butée de fin de course du rail.	Nettoyez le rail.
		Nettoyez la boue présente sur le rail.	Veillez à ce que la scie murale soit correctement montée sur le rail.
		Le disque est bloqué.	Contactez un centre d'entretien Husqvarna agréé.



Code d'erreur / information	Message	Cause	Action
0022	Entretien de l'outil avant 50 h.		L'entretien de l'outil doit se faire dans les 50 heures.
0023	Entretien de l'outil avant 10 h.		L'entretien de l'outil doit se faire dans les 10 heures. Contactez un centre d'entretien Husqvarna agréé pour fixer un rendez-vous pour l'entretien.
0024	Entretien de l'outil maintenant.		Il est temps de réaliser l'entretien. Contactez un centre d'entretien Husqvarna agréé pour fixer un rendez-vous pour l'entretien.

## Codes d'erreur sur l'écran IHM de la télécommande


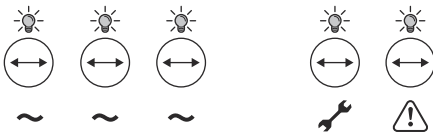
**Remarque:** Si l'écran IHM affiche des codes d'erreur dont le chiffre est supérieur à 1 000, alors l'erreur se rapporte à la télécommande.

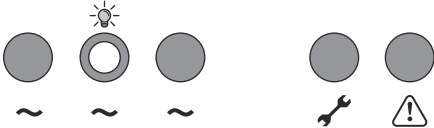
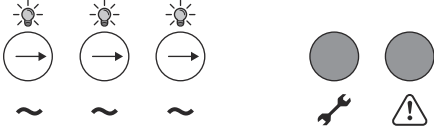
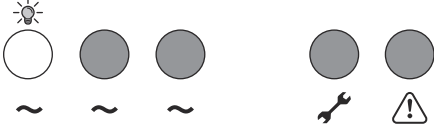
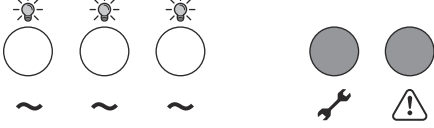
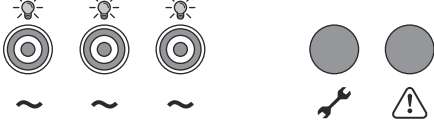
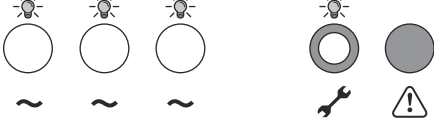
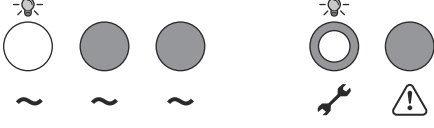
Code d'erreur	Message d'erreur	Cause	Action
1001 1101-1116 1201-1216 1301-1316	Télécommande défectueuse	La télécommande présente un défaut	Contactez un centre d'entretien Husqvarna agréé.
1401-1402	Interrupteur marche/arrêt défectueux	Une erreur de signal est présente au niveau de l'interrupteur marche/arrêt	Contactez un centre d'entretien Husqvarna agréé.
1403-1408 1501-1504 1701-1702 1801	Télécommande défectueuse	La télécommande présente un défaut	Contactez un centre d'entretien Husqvarna agréé.
1802	Potentiomètre d'alimentation du bras défectueux	Un défaut de signal est présent au niveau du potentiomètre d'alimentation du bras.	Contactez un centre d'entretien Husqvarna agréé.
1803	Potentiomètre d'alimentation longitudinale défectueux	Un défaut est détecté au niveau du signal du potentiomètre d'alimentation longitudinale	Contactez un centre d'entretien Husqvarna agréé.
1804-1816	Télécommande défectueuse	La télécommande présente un défaut	Contactez un centre d'entretien Husqvarna agréé.

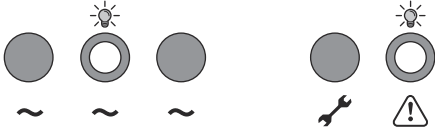
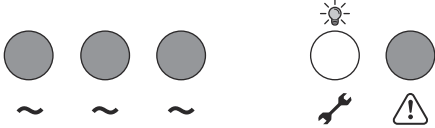
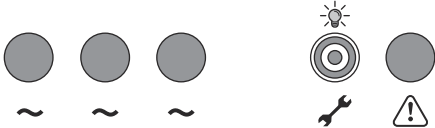
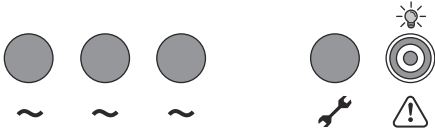
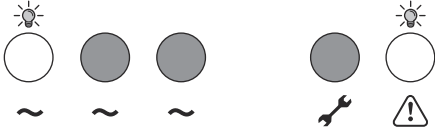
Code d'erreur	Message d'erreur	Cause	Action
1813	Potentiomètre d'alimentation du bras défectueux	Un défaut est détecté au niveau du signal du potentiomètre d'alimentation du bras	Contactez un centre d'entretien Husqvarna agréé.
1814	Potentiomètre d'alimentation longitudinale défectueux	Un défaut est détecté au niveau du signal du potentiomètre d'alimentation longitudinale	Contactez un centre d'entretien Husqvarna agréé.
1901-1916 2002/2203-2030/2230	Télécommande défectueuse	La télécommande présente un défaut	Contactez un centre d'entretien Husqvarna agréé.
2025/2225	Télécommande - température trop élevée	La télécommande est utilisée dans des conditions non conformes aux spécifications.	Attendez que la télécommande refroidisse. Si le problème persiste, contactez un centre d'entretien Husqvarna agréé.
2026/2226	Télécommande - température trop basse	La télécommande est utilisée dans des conditions non conformes aux spécifications.	Attendez que la télécommande se réchauffe. Si le problème persiste, contactez un centre d'entretien Husqvarna agréé.
2119/2319	Récepteur radio - température trop élevée	Le récepteur radio (à l'intérieur du groupe d'alimentation) fonctionne dans des conditions non conformes aux spécifications.	Attendez que le récepteur radio refroidisse. Si le problème persiste, contactez un centre d'entretien Husqvarna agréé.
2120/2320	Récepteur radio - température trop basse	Le récepteur radio (à l'intérieur du groupe d'alimentation) fonctionne dans des conditions non conformes aux spécifications.	Attendez que le récepteur radio se réchauffe. Si le problème persiste, contactez un centre d'entretien Husqvarna agréé.
2098/2298-2099/2299	Télécommande défectueuse	Un défaut est détecté dans la télécommande.	Contactez un centre d'entretien Husqvarna agréé.
3201	Batterie incorrecte	Une batterie incorrecte est détectée dans la télécommande.	Contactez un centre d'entretien Husqvarna agréé.
3202-3204	Télécommande défectueuse	Une erreur est détectée dans la télécommande.	Contactez un centre d'entretien Husqvarna agréé.
3211	Type de batterie incorrect	Un type de batterie incorrect est détecté dans la télécommande.	Contactez un centre d'entretien Husqvarna agréé.
3212 9001-9002 9401-9499 9801-9899	Télécommande défectueuse	Une erreur est détectée dans la télécommande.	Contactez un centre d'entretien Husqvarna agréé.

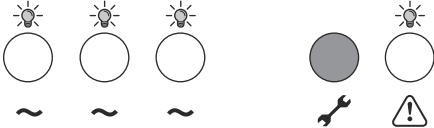
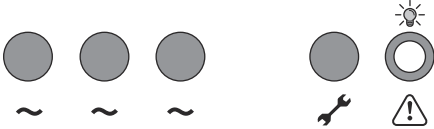
Code d'erreur	Message d'erreur	Cause	Action
2102/2302-21 18/2318	Récepteur radio défectueux	Un défaut est détecté au niveau du récepteur de communication radio (à l'intérieur du groupe d'alimentation).	Contactez un centre d'entretien Husqvarna agréé.
2121/2321-21 23/2323			
2198/2398-21 99/2399			
3103			
8101-8107			
9109-9199			
9301-9399			
9501-9505			

## Écran du groupe d'alimentation

Panneau de commande	Code d'erreur/information	État	Étape
		Alimentation électrique absente.	Réinitialisez le PRCD.  Contrôlez l'alimentation électrique.
		Test de fonctionnement de la LED au niveau de la connexion de l'alimentation. (< 3 s)	Contrôlez le bouton STOP de la machine. Reportez-vous à <i>Pour vérifier le bouton d'arrêt d'urgence du groupe d'alimentation à la page 156</i> et <i>Pour vérifier le bouton d'arrêt de la machine présent sur la télécommande à la page 157.</i>

Panneau de commande	Code d'erreur/information	État	Étape
		Le produit est en mode veille.	N/A
		Séquence de sélection de phase au démarrage. (< 3 s)	Si > 3 s, vérifiez les fusibles et la tension.
		Le produit est sous tension et connecté à une alimentation monophasée.	N/A
		Le produit est sous tension et connecté à une alimentation triphasée.	N/A
	0012	Défaut d'alimentation.	Contrôlez les fusibles et le générateur.
	0009	L'outil n'est pas compatible.	Contactez un centre d'entretien Husqvarna agréé.
	0009	L'outil n'est pas compatible.	Contactez un centre d'entretien Husqvarna agréé.

Panneau de commande	Code d'erreur/information	État	Étape
		<p>Le bouton d'arrêt de la machine est enfoncé.</p> <p>Le produit est en mode veille.</p>	<p>Réinitialisez le produit.</p> <p>Assurez-vous que le bouton d'arrêt de la machine est relâché.</p>
	<p>0004</p> <p>0005</p> <p>0006</p> <p>0007</p>	<p>Erreur interne du groupe d'alimentation.</p>	<ol style="list-style-type: none"> <li>1. Redémarrez le groupe d'alimentation,</li> <li>2. Si le message d'erreur persiste, contactez un centre d'entretien Husqvarna agréé.</li> </ol>
	<p>0002</p> <p>0003</p> <p>0010</p>	<p>Avertissement relatif au groupe d'alimentation</p>	<p>Reportez-vous à <i>Recherche de pannes - scie murale et groupe d'alimentation à la page 190</i> pour prendre les mesures relatives à chaque code d'erreur.</p>
	<p>0013</p>	<p>Le groupe d'alimentation est trop chaud.</p>	<p>Vérifiez les raccords d'eau au niveau du groupe d'alimentation.</p> <p>Contrôlez le débit d'eau et la température.</p> <p>Contactez un centre d'entretien Husqvarna agréé.</p>
	<p>0019</p>	<p>Le groupe d'alimentation est trop chaud (monophasé).</p>	<p>Vérifiez les raccords d'eau au niveau du groupe d'alimentation.</p> <p>Contrôlez le débit d'eau et la température.</p> <p>Contactez un centre d'entretien Husqvarna agréé.</p>

Panneau de commande	Code d'erreur/information	État	Étape
	0019	Le groupe d'alimentation est trop chaud (triphase).	<p>Vérifiez les raccords d'eau au niveau du groupe d'alimentation.</p> <p>Contrôlez le débit d'eau et la température.</p> <p>Contactez un centre d'entretien Husqvarna agréé.</p>
		L'outil s'est arrêté pour des raisons de sécurité	<p>Débranchez et rebranchez l'outil.</p> <p>Démarrez l'outil.</p> <p>Si le message d'erreur persiste, contactez un centre d'entretien Husqvarna agréé.</p>

## Transport et stockage

### Transport

- Si votre produit est équipé d'un chariot de transport, utilisez ce chariot pour le déplacer. Les poignées du chariot de transport peuvent servir de glissières lors de son chargement sur un camion.
- Arrêtez le bloc d'alimentation et débranchez le câble électrique avant de déplacer l'équipement.
- Déposez la lame et le protège-lame du produit avant le transport.

### Stockage du produit

- Conservez le produit dans un endroit verrouillé afin que des enfants ou personnes qui ne sont pas autorisées à l'utiliser ne puissent pas y avoir accès.
- Entrez le produit dans un endroit sec.
- Assurez-vous que la température n'est pas inférieure à -25 °C (-77 °F) et ne dépasse pas 50 °C (122 °F).
- S'il y a un risque de gel, le produit doit être vidangé de toute l'eau de refroidissement restante. Inclinez le produit pour purger l'eau de refroidissement de la sortie du raccord d'eau.

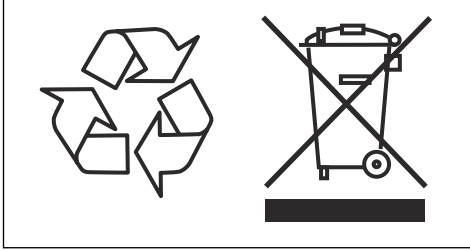
### Mise au rebut

Les symboles figurant sur le produit ou l'emballage indiquent que ce produit ne peut pas être traité comme un déchet domestique ordinaire. Il doit être déposé dans un site de recyclage prévu pour la récupération d'équipements électriques et électroniques.

Veillez à débrancher le produit de la prise secteur et à retirer les batteries de la télécommande avant de le remettre à un centre de recyclage approprié. Pour les pays de l'UE, les batteries doivent être recyclées conformément à 2014/30/EU. Pensez à informer le centre de recyclage que le produit contient une batterie au lithium-ion. Remettez les batteries à un centre de recyclage approprié.

En prenant soin correctement de ce produit, vous contribuez à compenser l'éventuel effet négatif sur l'environnement et les personnes, qui autrement pourrait être engendré par la mauvaise gestion de la mise au rebut du produit. Pour obtenir de plus amples informations sur le recyclage de ce produit, contactez

votre municipalit , votre service des ordures m nag res  
ou le magasin o  vous avez achet  ce produit.



---

## Caractéristiques techniques

---

### Caractéristiques techniques PP 8

Puissance de sortie max., kW	6,5
Intensité nominale triphasée, A	15
Intensité nominale monophasée, A	15
Tension d'entrée triphasée, V	200-480, 50/60 Hz
Tension d'entrée monophasée, V	120-240, 50/60 Hz
<b>Alimentation électrique</b>	
triphase	L1+L2+L3+PE
monophasé	L+N+PE
<b>Eau de refroidissement (depuis l'outil connecté)</b>	
Pression maximale, bar/psi	7/102
Température de l'eau recommandée, °C/°F	<25/77
<b>Poids</b>	
Groupe d'alimentation, kg/lb	18/39

### Caractéristiques techniques WS 8

<b>Poids</b>	
Unité de sciage, kg/lb	19/41
Carter de disque de 600 mm, kg/lb	9,5/21
Carter de disque de 900 mm, kg/lb	14/31
Poids total du rail, kg/lb	11/24
<b>Dimension du disque</b>	
Dimension du disque - max., mm/po.	900/36
Dimension du disque - min., mm/po.	500/20
Disque de démarrage - max., mm/po.	600/24
Modèle de disque de coupe à ras 6×M8, Ø mm/po.	85/3,34
Diamètre de l'arbre, mm ou po.	60 ou 1
Profondeur de coupe, disque 600 - max., mm/po.	245/9,6
Profondeur de coupe, disque 900 - max., mm/po.	395/15,5
Moteur pour l'entraînement du disque	Permanent Magnet Motor
Puissance de l'arbre - max., kW	6



Transmission de puissance	Entraînement par engrenages
Vitesse de rotation, tr/min	0-1150
Système d'alimentation/contrôle	Électrique/auto
Couple moteur au niveau du disque - max., Nm	68
<b>Émissions sonores</b> <sup>7</sup>	
Niveau de puissance acoustique mesuré, dB (A)	119
Niveau de puissance acoustique garanti L <sub>WA</sub> , dB (A)	105
<b>Niveaux sonores</b> <sup>8</sup>	
Niveau de pression acoustique calculé, dB (A)	105

## Caractéristiques techniques de la télécommande et du chargeur

Spécifications de la batterie	7,2 V (nominal), 5 100 mAh
Batterie	1 batterie Li-Ion fournie avec le produit.
Autonomie, heures	12
Temps de charge, heures	3
Cycles de charge	>1 000
Transmission de signaux	Transmission de signaux radio ou transmission câblée.
Bandes de fréquences radio, GHz	2,4
Puissance de radiofréquence max. transmise, dBm	20 <sup>9</sup>
Câble de commande	En option
Portée, m/pi.	Jusqu'à 300 / 984
Dimensions H x l x P, télécommande, mm/po.	190 × 280 × 195/7,5 × 11,1 × 7,7
Poids, télécommande (batterie incluse), kg/lb	1,6/3,5
Classe de protection, télécommande	IP67
Température de fonctionnement, °C/°F	-20 à 60 /-4 à 140
Température de remisage avec batterie, °C/°F	Moins de 1 mois : -20 à 50/ 4 à 122 Moins de 3 mois : -20 à 40/ 4 à 104 Moins de 1 an : -20-20/ 4-68
Température de remisage sans batterie, °C/°F	-40-85/ -40-185
Température de charge, °C/°F	10 à 45/50 à 113

<sup>7</sup> Émissions sonores mesurées et calculées conformément à l'Annexe I de la norme EN-62841-3-7. Mesure d'incertitude attendue : 10 dB(A). Les émissions sonores dépendent du disque diamanté et des conditions d'utilisation. Utilisez des protège-oreilles homologués pendant l'utilisation du produit. La valeur déclarée des émissions sonores peut également être utilisée dans le cadre d'une évaluation préliminaire d'exposition.

<sup>8</sup> Niveau de pression sonore mesuré et calculé conformément à l'Annexe I de la norme EN-62841-3-7.

<sup>9</sup> 13 dBm pour les marchés qui n'acceptent pas 20 dBm.

Dimensions H x l x P, chargeur de batterie, mm/po.	47 x 97 x 185/1,8 x 3,8 x 7,3
Poids, chargeur de batterie, kg/lb	0,214/0,47
Classe de protection, chargeur de batterie	IP21
Alimentation électrique, chargeur de batterie	12/24 VCC. 110-240 VCA

## Connectivité intégrée

Spectre radio de la technologie BLE	
Bandes de fréquence de l'outil, GHz	2,402 - 2,480
Puissance de radiofréquence maximale transmise, dBm/mW	4 / 2,5

## Cas typiques d'utilisation d'un générateur

Monophasé/ Triphasé	Power Pack 8, Wall Saw 8, Remote control, sortie	Tension de sortie du générateur, V	Tension de sortie du générateur minimum recommandée, kVA
triphase	À pleine puissance	3 x 380-3 x 480	10
	Puissance réduite	3 x 200-3 x 240	10
monophasé	Puissance réduite	220-240	5

## Vitesse recommandée du disque

entraîner des blessures corporelles et endommager le produit.

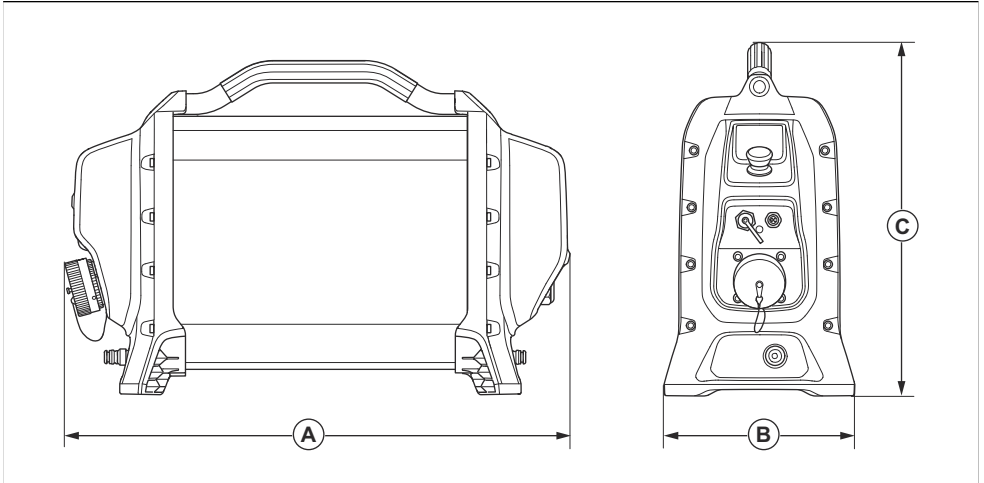


**AVERTISSEMENT:** Une vitesse supérieure à la vitesse recommandée peut

« H » = béton armé dur ou lourd. « M/S » = béton moyen ou tendre. « S » = béton tendre.

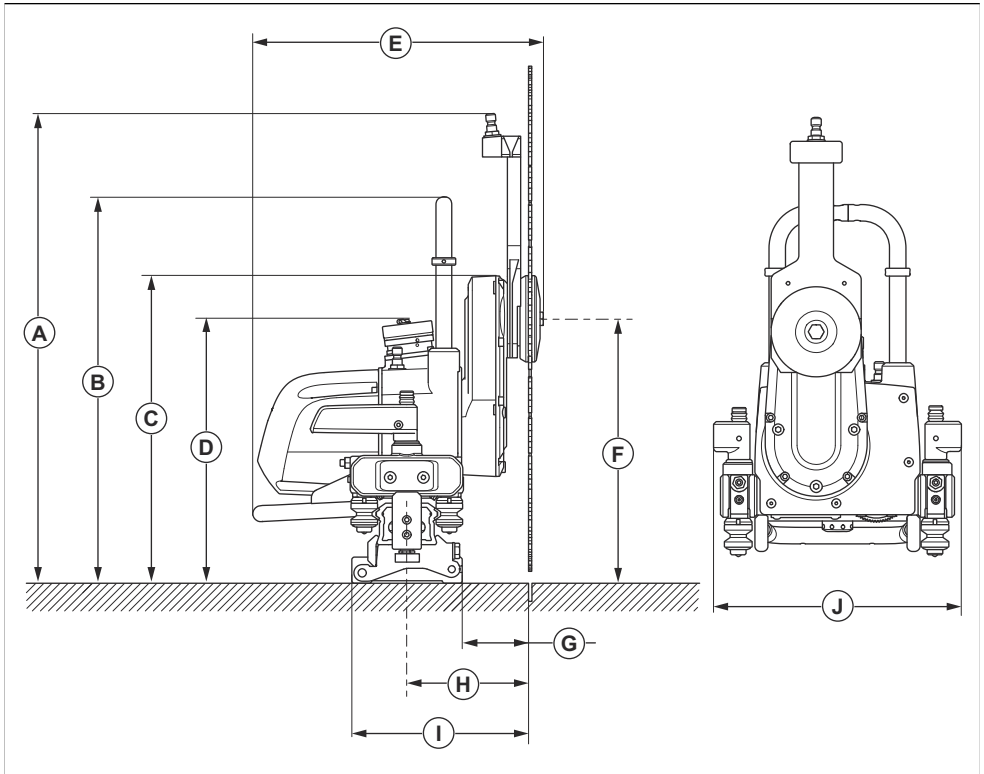
Vitesse, tr/min	600 mm/24 po.	700 mm/28 po.	800 mm/32 po.	900 mm/35 po.
600				
700				H
800			H	M/S
900		H	M/S	S
1 000	H	M/S	S	
1 100	M/S	S		
1150	S			

## Dimensions du produit PP 8



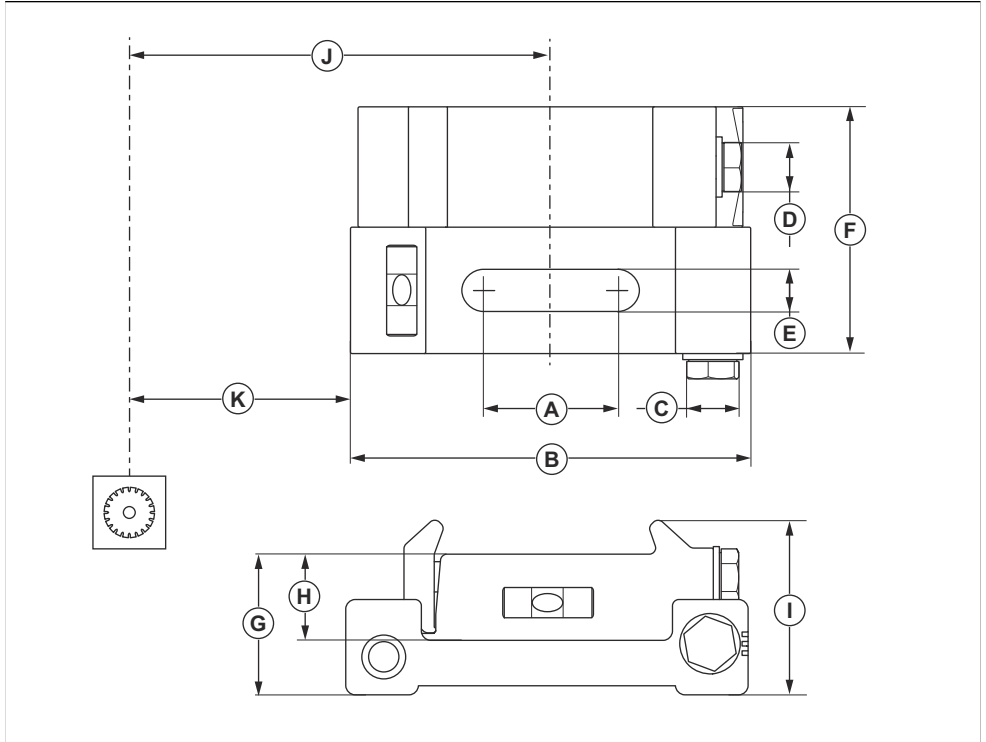
Dimensions, mm/po			
I	570/22	H	183/7
L	410/16		

## Dimensions du produit WS 8



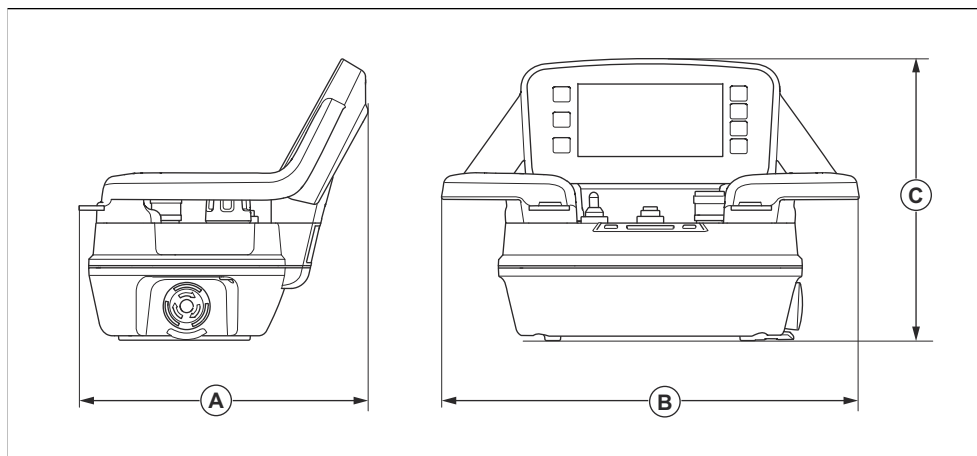
Dimensions, mm/po							
<b>A</b>	567/22,3	<b>B</b>	466/18,3	<b>C</b>	365/14,4	<b>D</b>	318/12,5
<b>E</b>	348/13,7	<b>F</b>	319/12,6	<b>G</b>	80/3,14	<b>H</b>	145/5,7
<b>I</b>	213/8,4	<b>J</b>	286/11,3				

## Dimensions du produit, supports de fixation



Dimensions, mm/po							
<b>A</b>	45/1,77	<b>B</b>	133/5,24	<b>C</b>	17/0,7	<b>D</b>	17/0,7
<b>E</b>	14/0,55	<b>F</b>	82/3,23	<b>G</b>	46,5/1,83	<b>H</b>	28,5/1,1
<b>I</b>	58/2,3	<b>J</b>	145/5,7	<b>K</b>	80/3,15		

## Dimensions du produit, télécommande



Dimensions, mm/po					
<b>A</b>	190/7,5	<b>B</b>	280/11	<b>C</b>	195/7,7

## Accessoires

### Accessoires

Accessoire	Détails
Adaptateur, monophasé	Il existe différents adaptateurs pour la sortie destinée à la connexion de l'outil. Pour plus d'informations, contactez votre revendeur Husqvarna.
Câble adaptateur pour K 6500 / DM 650 vers PP 70 / pour WS 220 vers PP 8	
Support de gabarit	
Support de fixation, universel	
Carter de disque	Ø900mm
Carters de disque pour coupe à ras	Ø600mm
	Ø900mm

## Introduction

---



**AVERTISSEMENT:** Seul un atelier d'entretien agréé peut effectuer des réparations sur le produit. Cela permet d'éviter que des accidents ne se produisent pour les opérateurs.

---

## Atelier d'entretien agréé

Pour trouver le revendeur/l'atelier d'entretien agréé Husqvarna Construction Products le plus proche, rendez-vous sur le site Web suivant : <https://www.husqvarnaconstruction.com/int/find-dealer/>.

Coordonnées du siège social et du service client de Husqvarna Construction Products :

Husqvarna Construction Products

433 81 Partille, Sweden

[customerservicehcp@husqvarnagroup.com](mailto:customerservicehcp@husqvarnagroup.com)

# Déclaration de conformité

## Déclaration de conformité UE

Nous, **Husqvarna AB**, SE 561 82 Huskvarna, SUÈDE,  
Tél. +46 36 146500, déclarons sous notre seule  
responsabilité que le produit :

<b>Description</b>	<b>Groupe d'alimentation</b>
<b>Marque</b>	HUSQVARNA
<b>Type/Modèle</b>	PP 8
<b>Identification</b>	Numéros de série à partir de 2024 et ultérieurs

est entièrement conforme à la réglementation et aux  
directives de l'UE suivantes :

<b>Directive/Réglementation</b>	<b>Description</b>
2014/53/UE	« relative aux équipements radio »
2011/65/UE	« relative à la limitation de l'utilisation de certaines substances dangereuses »

et que les normes et/ou les spécifications techniques  
suivantes sont appliquées :

EN ISO 12100:2010

EN 55014-1:2017+A11:2020

EN 55014-2:1997+A1:2001+A2:2008+AC:1997

EN 61000-3-2:2014

EN 61000-3-3:2013

EN 62841-1:2015/AC:2015/A11:2022

ETSI EN 301 489-17 V3.3.1

ETSI EN 301 489-1 V2.2.1

ETSI EN 301 489-17 V3.2.0

Partille, 2024-06-20



Fredrik Sandinge,

Directeur R&D, équipement de découpe et forage du  
béton

Husqvarna AB, division Construction

Responsable de la documentation technique





# Déclaration de conformité du Royaume-Uni

Nous, **Husqvarna AB**, SE 561 82 Huskvarna, SUÈDE,  
Tél. +46 36 146500, déclarons sous notre seule  
responsabilité que le produit :

<b>Description</b>	<b>Groupe d'alimentation</b>
<b>Marque</b>	HUSQVARNA
<b>Type/Modèle</b>	PP 8
<b>Identification</b>	Numéros de série à partir de 2024 et ultérieurs

et que les normes et/ou les spécifications techniques  
suivantes sont appliquées :

Réglementation de 2017 sur les équipements radio
Réglementation de 2012 relative à la limitation de l'utilisation de certaines substances dangereuses dans des équipements électriques et électroniques

et que les normes harmonisées et/ou les spécifications  
techniques suivantes sont appliquées :

EN ISO 12100:2010

EN 55014-1:2017+A11:2020

EN 55014-2:1997+A1:2001+A2:2008+AC:1997

EN 61000-3-2:2014

EN 61000-3-3:2013

EN 62841-1:2015/AC:2015/A11:2022

ETSI EN 301 489-17 V3.3.1

ETSI EN 301 489-1 V2.2.1

ETSI EN 301 489-17 V3.2.0

Partille, 2024-06-20

UK Importer:  
Husqvarna UK Ltd  
Preston Road, Co. Durham  
DL5 6UP



Fredrik Sandinge,

Directeur R&D, équipement de découpe et forage du  
béton

Husqvarna AB, division Construction

Responsable de la documentation technique

**UK  
CA**

## Déclaration de conformité UE

Nous, **Husqvarna AB**, SE 561 82 Huskvarna, SUÈDE,  
Tél. +46 36 146500, déclarons sous notre seule  
responsabilité que le produit :

<b>Description</b>	<b>Scie murale</b>
<b>Marque</b>	HUSQVARNA
<b>Type/Modèle</b>	WS 8
<b>Identification</b>	Numéros de série à partir de 2024 et ultérieurs

est entièrement conforme à la réglementation et aux  
directives de l'UE suivantes :

<b>Directive/Réglementation</b>	<b>Description</b>
2006/42/EC	« relative aux machines »
2014/30/UE	« relative à la compatibilité électromagnétique »
2011/65/UE	« relative à la limitation de l'utilisation de certaines substances dangereuses »

et que les normes et/ou les spécifications techniques  
suivantes sont appliquées :

EN ISO 12100:2010

EN IEC 62841-3-7: 2021

EN 55014-1:2017+A11:2020

EN 55014-2:1997+A1:2001+A2:2008+AC:1997

Partille, 2024-06-20



Fredrik Sandinge,

Directeur R&D, équipement de découpe et forage du  
béton

Husqvarna AB, division Construction

Responsable de la documentation technique



# Déclaration de conformité du Royaume-Uni

Nous, **Husqvarna AB**, SE 561 82 Huskvarna, SUÈDE,  
Tél. +46 36 146500, déclarons sous notre seule  
responsabilité que le produit :

<b>Description</b>	<b>Scie murale</b>
<b>Marque</b>	HUSQVARNA
<b>Type/Modèle</b>	WS 8
<b>Identification</b>	Numéros de série à partir de 2024 et ultérieurs

est entièrement conforme aux réglementations du  
Royaume-Uni suivantes :

Réglementation (de sécurité) de 2008 relative à la fourniture de machines
Réglementation de 2016 relative à la compatibilité électromagnétique
Réglementation de 2012 relative à la limitation de l'utilisation de certaines substances dangereuses dans des équipements électriques et électroniques

et que les normes et/ou les spécifications techniques  
suivantes sont appliquées :

EN ISO 12100:2010

EN IEC 62841-3-7: 2021

EN 55014-1:2017+A11:2020

EN 55014-2:1997+A1:2001+A2:2008+AC:1997

Partille, 2024-06-20



Fredrik Sandinge,

Directeur R&D, équipement de découpe et forage du  
béton

Husqvarna AB, division Construction

Responsable de la documentation technique

**UK  
CA**

UK Importer:  
Husqvarna UK Ltd  
Preston Road, Co. Durham  
DL5 6UP

## Third party licences

### For questions

Written offer for source code covered by GPL and LGPL. In cases where specific license terms entitle you to the source code, Husqvarna will provide applicable source code upon written request to the extent of the license terms. Please direct inquiries to HUSQVARNA, Box 7454, SE-103 92 Stockholm.

### ICU 52.1

Copyright © 1995-2013 and others. All rights reserved. Permission is hereby granted, free of charge, to any person obtaining a copy of this software and associated documentation files (the "Software"), to deal in the Software without restriction, including without limitation the rights to use, copy, modify, merge, publish, distribute, and/or sell copies of the Software, and to permit persons to whom the Software is furnished to do so, provided that the above copyright notice(s) and this permission notice appear in all copies of the Software and that both the above copyright notice(s) and this permission notice appear in supporting documentation. Copyright © 1991-2013 All rights reserved. Distributed under the Terms of Use in . Permission is hereby granted, free of charge, to any person obtaining a copy of the Unicode data files and any associated documentation (the "Data Files") or Unicode software and any associated documentation (the "Software") to deal in the Data Files or Software without restriction, including without limitation the rights to use, copy, modify, merge, publish, distribute, and/or sell copies of the Data Files or Software, and to permit persons to whom the Data Files or Software are furnished to do so, provided that (a) the above copyright notice(s) and this permission notice appear with all copies of the Data Files or Software, (b) both the above copyright notice(s) and this permission notice appear in associated documentation, and (c) there is clear notice in each modified Data File or in the Software as well as in the documentation associated with the Data File(s) or Software that the data or software has been modified.

### Fontconfig 2.11

Copyright © 2000, 2001, 2002, 2003, 2004, 2006, 2007 Keith Packard. Copyright © 2005 Patrick Lam. Copyright © 2007 Dwayne Bailey and . Copyright © 2009 Roozbeh Pournader. Copyright © 2008, 2009, 2010, 2011, 2012, 2013, 2014, 2015, 2016, 2017, 2018, 2019, 2020 . Copyright © 2008 Danilo Šegan. Copyright © 2012 . Permission to use, copy, modify, distribute, and sell this software and its documentation for any purpose is hereby granted without fee, provided that the above copyright notice appear in all copies and that both that copyright notice and this permission notice appear in supporting documentation, and that the name of the author(s) not be used in advertising or publicity pertaining to distribution of the software without

specific, written prior permission. The authors make no representations about the suitability of this software for any purpose. It is provided "as is" without express or implied warranty.

### For power pack following license is applicable

Apache License. Version 2.0, January 2004. <http://www.apache.org/licenses/>.

1. Definitions. "License" shall mean the terms and conditions for use, reproduction, and distribution as defined by Sections 1 through 9 of this document. "Licensor" shall mean the copyright owner or entity authorized by the copyright owner that is granting the License. "Legal Entity" shall mean the union of the acting entity and all other entities that control, are controlled by, or are under common control with that entity. For the purposes of this definition, "control" means (i) the power, direct or indirect, to cause the direction or management of such entity, whether by contract or otherwise, or (ii) ownership of fifty percent (50%) or more of the outstanding shares, or (iii) beneficial ownership of such entity. "You" (or "Your") shall mean an individual or Legal Entity exercising permissions granted by this License. "Source" form shall mean the preferred form for making modifications, including but not limited to software source code, documentation source, and configuration files. "Object" form shall mean any form resulting from mechanical transformation or translation of a Source form, including but not limited to compiled object code, generated documentation, and conversions to other media types. "Work" shall mean the work of authorship, whether in Source or Object form, made available under the License, as indicated by a copyright notice that is included in or attached to the work (an example is provided in the Appendix below). "Derivative Works" shall mean any work, whether in Source or Object form, that is based on (or derived from) the Work and for which the editorial revisions, annotations, elaborations, or other modifications represent, as a whole, an original work of authorship. For the purposes of this License, Derivative Works shall not include works that remain separable from, or merely link (or bind by name) to the interfaces of, the Work and Derivative Works thereof. "Contribution" shall mean any work of authorship, including the original version of the Work and any modifications or additions to that Work or Derivative Works thereof, that is intentionally submitted to Licensor for inclusion in the Work by the copyright owner or by an individual or Legal Entity authorized to submit on behalf of the copyright owner. For the purposes of this definition, "submitted" means any form of electronic, verbal, or written communication sent to the Licensor or its representatives, including but not limited to communication on electronic mailing lists, source code control systems, and issue tracking systems that are managed by, or on behalf of, the Licensor for the purpose of discussing and improving the Work, but

excluding communication that is conspicuously marked or otherwise designated in writing by the copyright owner as "Not a Contribution." "Contributor" shall mean Licensor and any individual or Legal Entity on behalf of whom a Contribution has been received by Licensor and subsequently incorporated within the Work.

2. Grant of Copyright License. Subject to the terms and conditions of this License, each Contributor hereby grants to You a perpetual, worldwide, non-exclusive, no-charge, royalty-free, irrevocable copyright license to reproduce, prepare Derivative Works of, publicly display, publicly perform, sublicense, and distribute the Work and such Derivative Works in Source or Object form.

3. Grant of Patent License. Subject to the terms and conditions of this License, each Contributor hereby grants to You a perpetual, worldwide, non-exclusive, no-charge, royalty-free, irrevocable (except as stated in this section) patent license to make, have made, use, offer to sell, sell, import, and otherwise transfer the Work, where such license applies only to those patent claims licensable by such Contributor that are necessarily infringed by their Contribution(s) alone or by combination of their Contribution(s) with the Work to which such Contribution(s) was submitted. If You institute patent litigation against any entity (including cross-claim or counterclaim in a lawsuit) alleging that the Work or a Contribution incorporated within the Work constitutes direct contributory patent infringement, then any patent licenses granted to You under this License for that Work shall terminate as of the date such litigation is filed.

4. Redistribution. You may reproduce and distribute copies of the Work or Derivative Works thereof in any medium, with or without modifications, and in Source or Object form, provided that You meet the following conditions: (a) You must give any other recipients of the Work or Derivative Works a copy of this License; and (b) You must cause any modified files to carry prominent notices stating that You changed the files; and (c) You must retain, in the Source form of any Derivative Works that You distribute, all copyright, patent, trademark, and attribution notices from the Source form of the Work, excluding those notices that do not pertain to any part of the Derivative Works; and (d) If the Work includes a "NOTICE" text file as part of its distribution, then any Derivative Works that You distribute must include a readable copy of the attribution notices contained within such NOTICE file, excluding those notices that do not pertain to any part of the Derivative Works, in at least one of the following places: within a NOTICE text file distributed as part of the Derivative Works; within the Source form or documentation, if provided along with the Derivative Works; or, within a display generated by the Derivative Works, if and wherever such third-party notices normally appear. The contents of the NOTICE file are for informational purposes only and do not modify the License. You may add Your own attribution notices within Derivative Works that You distribute, alongside or as an addendum to the NOTICE text from the Work, provided that such additional attribution notices cannot be construed as modifying the License. You may add Your own copyright statement to Your

modifications and may provide additional or different license terms and conditions for use, reproduction, or distribution of Your modifications, or for any such Derivative Works as a whole, provided Your use, reproduction, and distribution of the Work otherwise complies with the conditions stated in this License.

5. Submission of Contributions. Unless You explicitly state otherwise, any Contribution intentionally submitted for inclusion in the Work by You to the Licensor shall be under the terms and conditions of this License, without any additional terms or conditions. Notwithstanding the above, nothing herein shall supersede or modify the terms of any separate license agreement you may have executed with Licensor regarding such Contributions.

6. Trademarks. This License does not grant permission to use the tradenames, trademarks, service marks, or product names of the Licensor, except as required for reasonable and customary use in describing the origin of the Work and reproducing the content of the NOTICE file.

7. Disclaimer of Warranty. Unless required by applicable law or agreed to in writing, Licensor provides the Work (and each Contributor provides its Contributions) on an "AS IS" BASIS, WITHOUT WARRANTIES OR CONDITIONS OF ANY KIND, either express or implied, including, without limitation, any warranties or conditions of TITLE, NON-INFRINGEMENT, MERCHANTABILITY, or FITNESS FOR A PARTICULAR PURPOSE. You are solely responsible for determining the appropriateness of using or redistributing the Work and assume any risks associated with Your exercise of permissions under this License.

8. Limitation of Liability. In no event and under no legal theory, whether in tort (including negligence), contract, or otherwise, unless required by applicable law (such as deliberate and grossly negligent acts) or agreed to in writing, shall any Contributor be liable to You for damages, including any direct, indirect, special, incidental, or consequential damages of any character arising as a result of this License or out of the use or inability to use the Work (including but not limited to damages for loss of goodwill, work stoppage, computer failure or malfunction, or any and all other commercial damages or losses), even if such Contributor has been advised of the possibility of such damages.

9. Accepting Warranty or Additional Liability. While redistributing the Work or Derivative Works thereof, You may choose to offer, and charge a fee for, acceptance of support, warranty, indemnity, or other liability obligations and/or rights consistent with this License. However, in accepting such obligations, You may act only on Your own behalf and on Your sole responsibility, not on behalf of any other Contributor, and only if You agree to indemnify, defend, and hold each Contributor harmless for any liability incurred by, or claims asserted against, such Contributor by reason of your accepting any such warranty or additional liability.

END OF TERMS AND CONDITIONS

APPENDIX: How to apply the Apache License to your work. To apply the Apache License to your work, attach the following boilerplate notice, with the fields enclosed by brackets "{}" replaced with your own identifying information. (Don't include the brackets!) The text should be enclosed in

the appropriate comment syntax for the file format. We also recommend that a file or class name and description of purpose be included on the same "printed page" as the copyright notice for easier identification within third-party archives. Copyright {yyyy} {name of copyright owner} Licensed under the Apache License, Version 2.0 (the "License"); you may not use this file except in compliance with the License. You may obtain a copy of the License at <http://www.apache.org/licenses/LICENSE-2.0> Unless required by applicable law or agreed to in writing, software distributed under the License is distributed on an "AS IS" BASIS, WITHOUT WARRANTIES OR CONDITIONS OF ANY KIND, either express or implied. See the License for the specific language governing permissions and limitations under the License.

---

## Marques déposées

---

La marque et les logos *Bluetooth*<sup>®</sup> sont des marques déposées appartenant à *Bluetooth SIG, inc.* , et toute utilisation de ces marques par Husqvarna est régie par une licence.

---

## Inhoud

---

Inleiding.....	216	Technische gegevens.....	271
Veiligheid.....	224	Accessoires.....	277
Montage.....	232	Service.....	278
Werking.....	242	Verklaring van overeenstemming.....	279
Onderhoud.....	256	Open bron.....	283
Probleemoplossing.....	260	Geregistreerde handelsmerken.....	286
Transport en opslag.....	270		

---

## Inleiding

---

### Productbeschrijving

Het product omvat een power pack PP 8, een wandzaag en een afstandsbediening. Het product wordt aangedreven door een elektromotor.

De wandzaag is op een rail gemonteerd en wordt gebruikt met gesegmenteerde diamantzaagbladen. De wandzaag wordt opgeslagen op een transportwagen.

De power pack en de wandzaag worden koel gehouden met water. Gebruik de power pack en de wandzaag uitsluitend wanneer water wordt toegevoerd.

De power pack heeft geïntegreerde connectiviteit. Zie *PP 8*.

### Geïntegreerde connectiviteit

Husqvarna Fleet Services™ is een cloudoplossing voor beheer van bedrijfsmiddelen die de fleetmanager een overzicht geeft van alle producten die zijn verbonden via geïntegreerde of aftermarketsensoren. De sensoren registreren gegevens zoals gebruiksduur, onderhoudsintervallen en meer. Voor meer informatie over Husqvarna Fleet Services™, downloadt u de iOS- of Android-app Husqvarna Fleet Services via <https://apps.apple.com/se/app/husqvarna-fleet-services/id1334672726> of <https://play.google.com/store/apps/details?id=com.husqvarna.hfsmobile&hl=en>.

Producten met geïntegreerde connectiviteit worden aangesloten via de geïntegreerde Husqvarna Fleet Services™-sensor met Bluetooth Low Energy (BLE). Als u meer informatie wilt over het gebruik hiervan, raadpleeg dan *Geïntegreerde connectiviteit gebruiken*

*op pagina 242*. Als u meer informatie wilt over het BLE technology radio spectrum, raadpleeg dan *Geïntegreerde connectiviteit op pagina 273*.

### Gebruik

De power pack wordt gebruikt voor elektrisch gereedschap van Husqvarna met een motor met hoge frequentie.

De wandzaag is bedoeld voor het zagen van harde materialen zoals gewapend beton, steen en baksteen.

Het product wordt voor commerciële toepassingen gebruikt door professionele gebruikers. Gebruik het product niet voor andere taken.

---

### Let op:

De power pack kan ook worden gebruikt in combinatie met andere elektrische gereedschappen, zoals een diamantboormachine en een doorslijpmachine. Als u van plan bent de power pack te gebruiken wanneer u werkt met andere elektrische gereedschappen dan de wandzaag, leest u

- De hoofdstukken over de power pack in deze handleiding
- De bedieningshandleidingen van het andere elektrische gereedschap

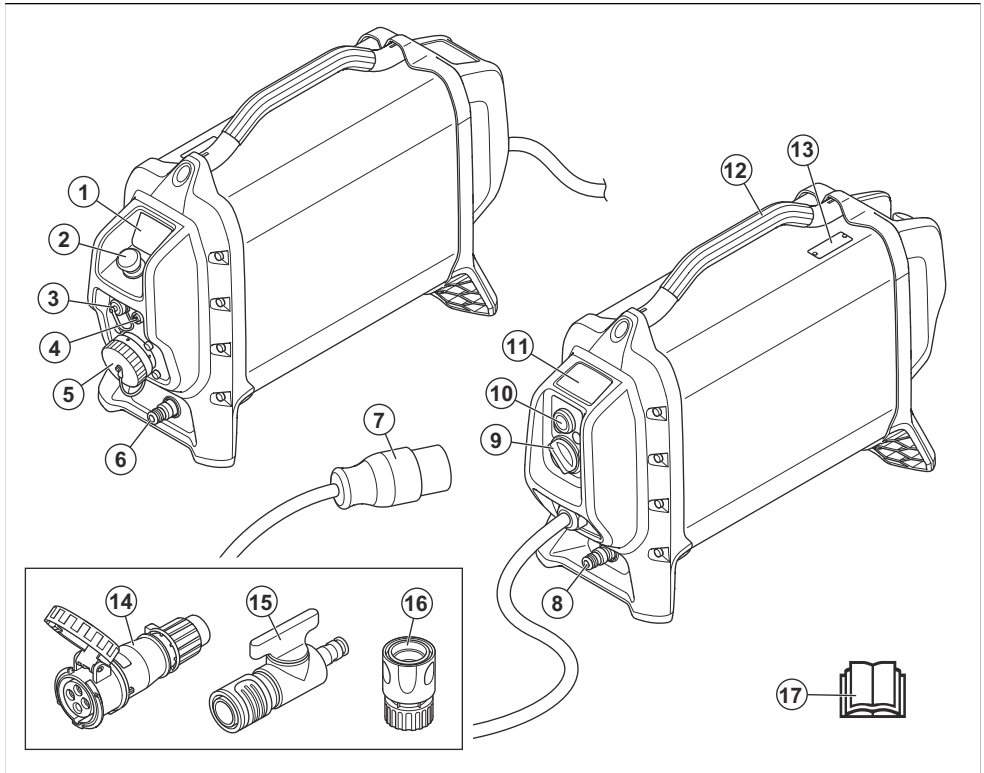
---

**Let op:** Nationale wetgeving kan het gebruik van dit product mogelijk beperken.

---

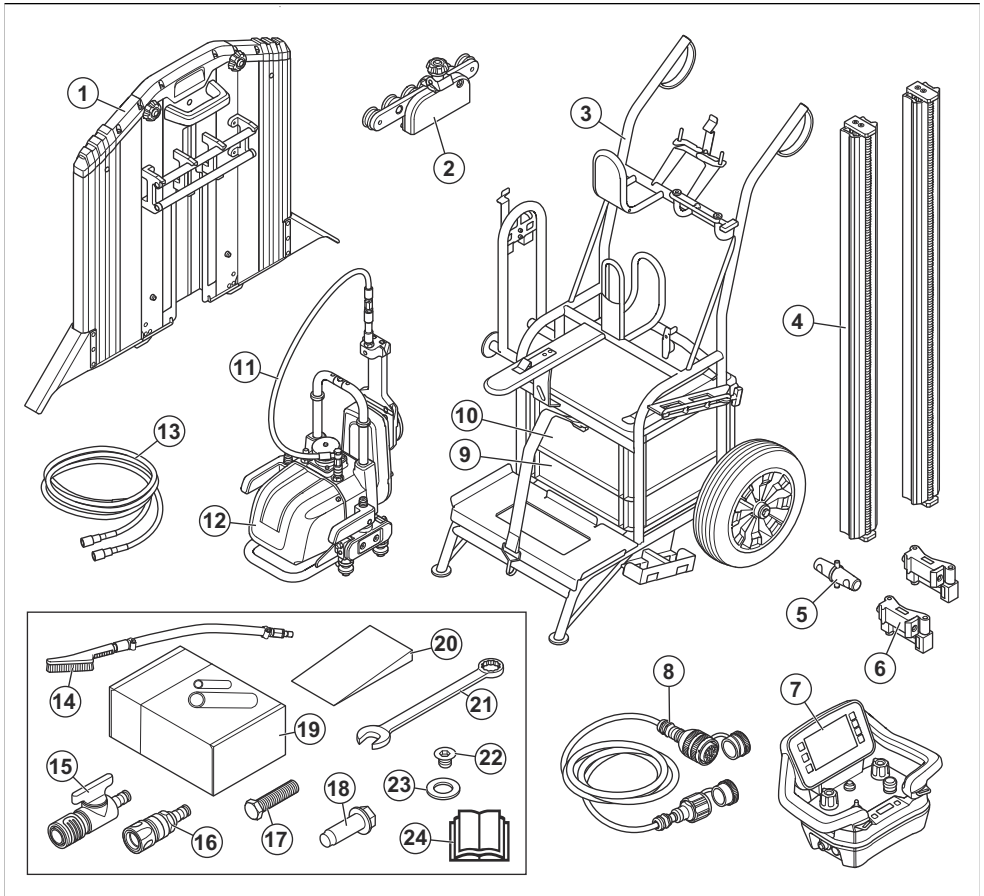


## Overzicht van de power pack



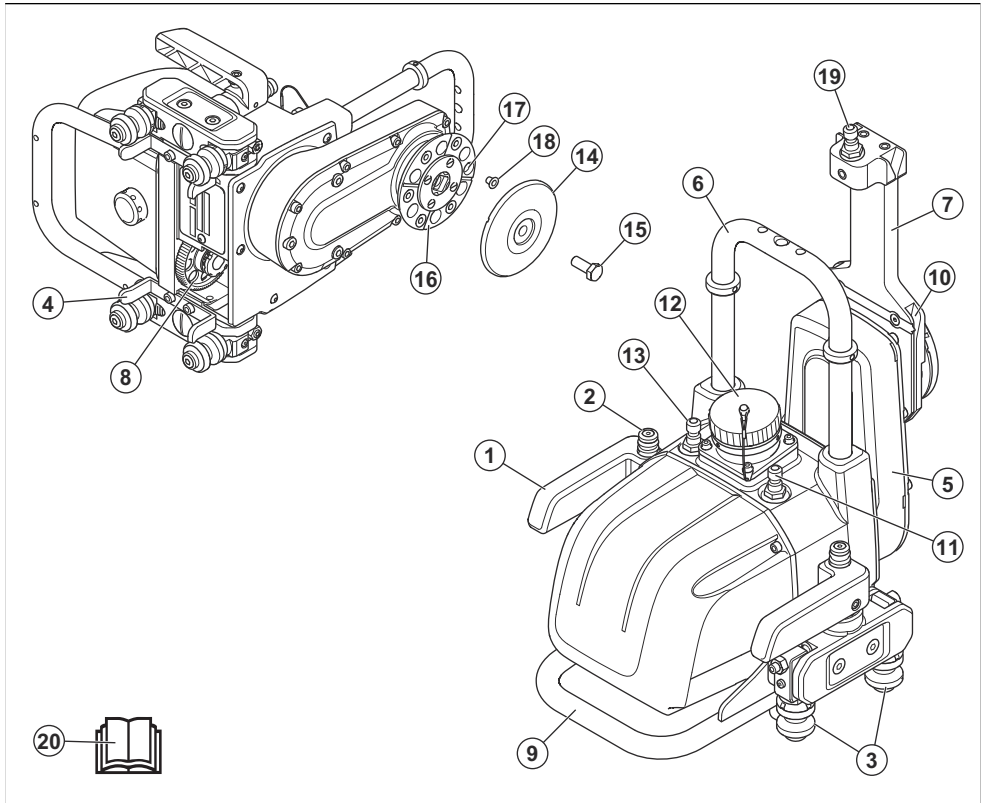
1. Bedieningspaneel en statusindicator
2. Machinestopknop
3. USB-aansluiting (voor onderhoud door een erkende Husqvarna-onderhoudsmonteur)
4. CAN-aansluiting
5. Aansluiting gereedschapsuitgang
6. Wateruitlaataansluiting
7. Voedingsstekker
8. Waterinlaataansluiting
9. Resetknop aardlekschakelaar
10. Testknop aardlekschakelaar
11. Symbolen op het product
12. Handgreep
13. Typeplaatje
14. Connector (alleen voor Noord-Amerikaanse markt)
15. Snelkoppeling (alleen voor Noord-Amerikaanse markt)
16. Waterventielregelaar (alleen voor Noord-Amerikaanse markt)
17. Bedieningshandleiding

## Overzicht wandzaag



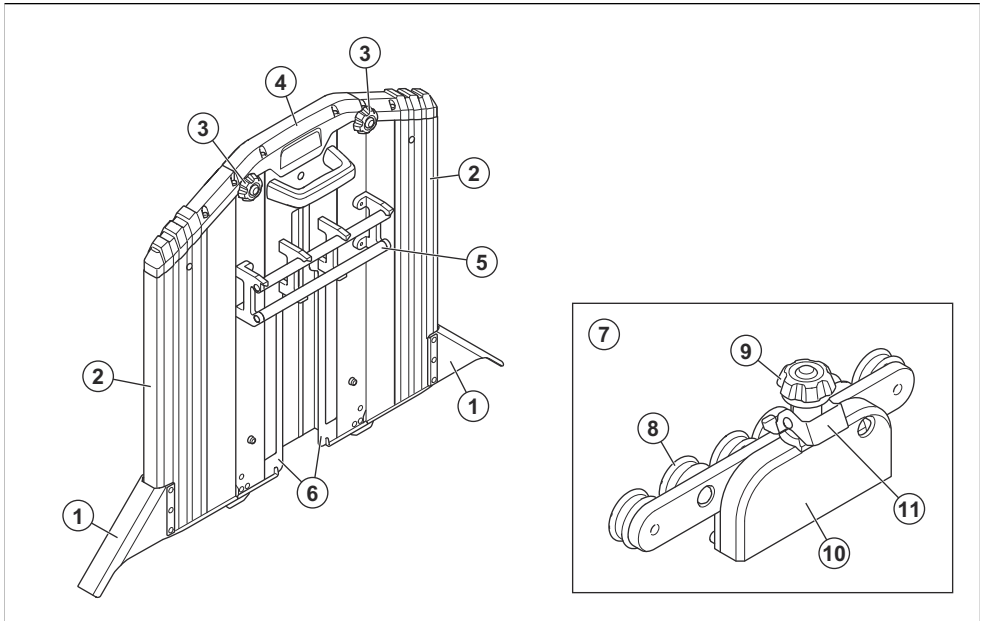
- |                                     |  |
|-------------------------------------|--|
| 1. Beschermkap, Ø 600 mm            | 13. Waterslang                                 |
| 2. Beschermkapgeleider              | 14. Waterborstel                               |
| 3. Transportwagen                   | 15. Klep                                       |
| 4. Zaagsnede                        | 16. Adapter                                    |
| 5. Verdeelstekker                   | 17. Schroef                                    |
| 6. Montagesteun, standaard          | 18. Excentrische bout, 5 stuks                 |
| 7. Afstandsbediening                | 19. Inslaganker M10×40                         |
| 8. Voedingskabel                    | 20. Wig  |
| 9. Opbergkoffer, accessoires        | 21. Sleutel                                    |
| 10. Opbergkoffer, afstandsbediening | 22. Bout voor vlakzagen (verzonken) M8×12 10,9 |
| 11. Waterslang                      | 23. Sluitring                                  |
| 12. Zaageenheid                     | 24. Bedieningshandleiding                      |

## Overzicht van de zaageenheid



- |  |  |
|--|--|
| 1. Borghendel  | 9. Handgreep   |
| 2. Borgknop (de knop op de vergrendelhendel moet worden ingedrukt om de veiligheidspal los te zetten zodat de borghendels kunnen worden geopend) | 10. Geleidegroef van beschermkap   |
| 3. Geleidingswielen (vastgezet tegen de rail met de borghendels)   | 11. Buitenste wateraansluiting (aangesloten op de wateraansluiting van het blad)                     |
| 4. Geleiding voor de wielen, wanneer u de zaageenheid op de rails monteert.  | 12. Elektrische aansluiting en regelaansluiting  |
| 5. Zaagarm (de zaagdiepte wordt geregeld door de arm te draaien met de afstandsbediening)  | 13. Ingang waterkoeling  |
| 6. Opzetstuk voor beschermkap  | 14. Buitenste bladflens  |
| 7. Geleideflens voor beschermkap (kan in transportstand worden gedraaid)   | 15. Bladbout   |
| 8. Toevoertandwiel (zorgt dat de zaag langs de rail beweegt)   | 16. Binnenste bladflens (bij het vlakzagen, is het blad stevig bevestigd aan de binnenste bladflens) |
|  | 17. Schroefdraad voor vlakzagen, 6 stuks   |
|  | 18. Pluggen voor schroefgangen, 6 stuks  |
|  | 19. Wateraansluiting voor blad   |
|  | 20. Bedieningshandleiding  |

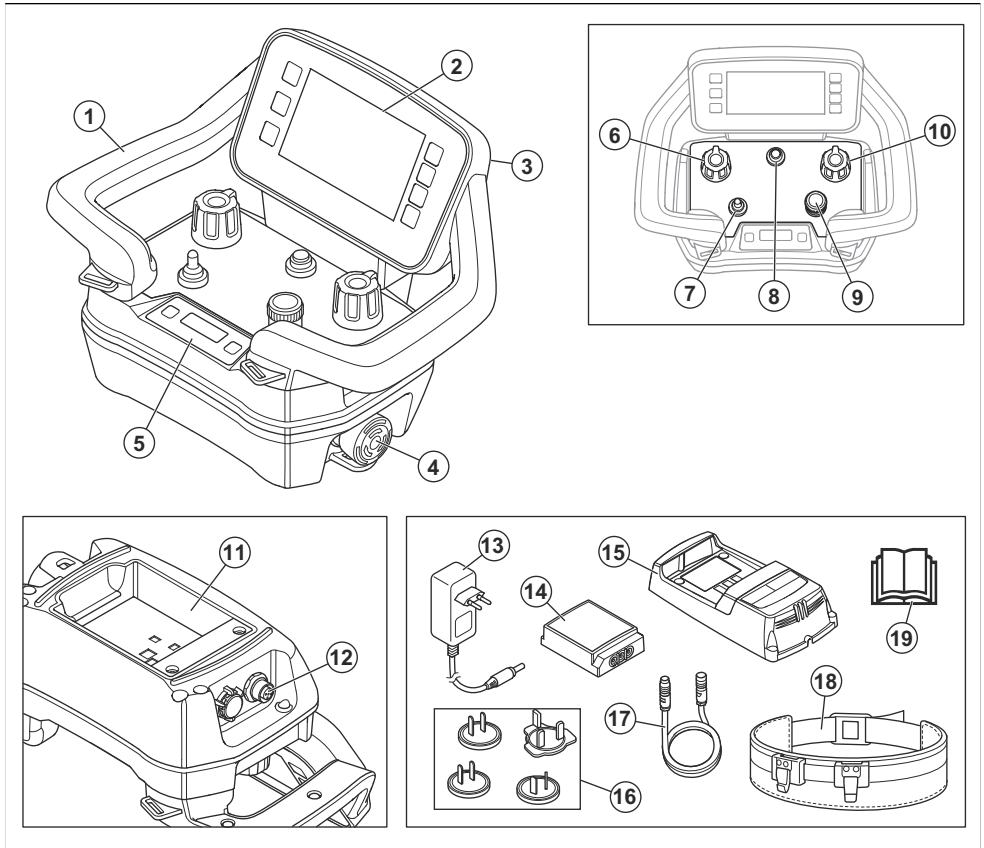
## Beschermkap



1. Spatbescherming
2. Buitendelen
3. Vergrendelknoppen voor buitendelen
4. Middendeel
5. Geleidebuizen
6. Glijstukken
7. Beschermkapgeleider

8. Geleiderollen
9. Vergrendelknop van beschermkap
10. Opzetstuk van beschermkap (wordt gemonteerd op het opzetstuk van de zaageenheid)
11. Vergrendelingen voor beschermkapgeleider (blokkeren de beschermkapgeleider op de beschermkap)

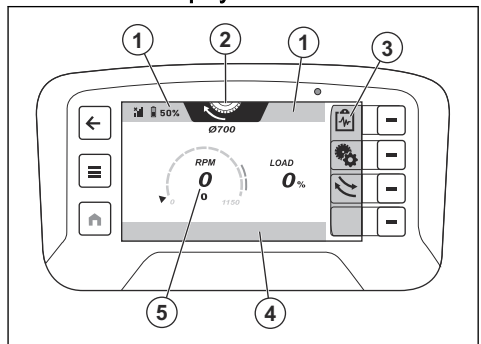
## Overzicht afstandsbediening



1. Handgreep
2. HMI-display
3. Aansluiting voor de USB-kabel
4. Machinestopknop
5. Display van informatiecentrum. Zie *Display van informatiecentrum op pagina 255*.
6. Knop voor dieptebeweging van de zaagarm
7. Start-stopschakelaar voor het blad
8. ON/OFF-knop
9. Knop voor het instellen van de bladsnelheid
10. Knop voor beweging in lengterichting van de wandzaag
11. Accuhouder
12. Aansluiting voor de CAN-buskabel
13. AC/DC-adapter voor acculader
14. Accu van de afstandsbediening
15. Acculader voor accu van de afstandsbediening
16. Stekkers voor verschillende markten

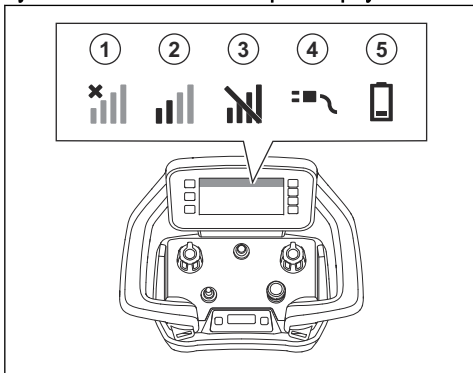
17. CAN- buskabel
18. Band voor afstandsbediening
19. Bedieningshandleiding

### Overzicht HMI-display



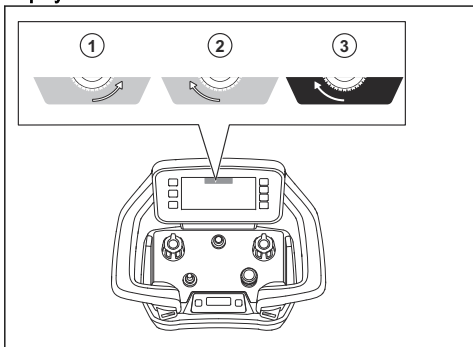
1. Bovenste balk
2. Tabblad Bedrijfsmodus
3. Snelkoppelingsbalk
4. Onderste balk
5. Productweergave

### Symbolen in de bovenste balk op het display



Positie	Werking
1	Geen radiosignaal. Geen verbinding met het product.
2	Sterkte radiosignaal.
3	Het radiosignaal wordt geblokkeerd.
4	De kabel van de CAN-bus is aangesloten tussen het product en de afstandsbediening.
5	Laadstatus. Wanneer het accusymbool geel is, is de laadstatus 11–20%. Wanneer het accusymbool rood is, is de laadstatus minder dan 10%.

### Symbolen op het tabblad bedieningsmodus op het display



Het tabblad Bedrijfsmodus wordt oranje (3) wanneer het blad begint te draaien.

Positie	Werking
1	De bedrijfsmodus linksom is geselecteerd.
2	De bedrijfsmodus rechtsom is geselecteerd.
3	De bedrijfsmodus rechtsom wordt gestart.

### Symbolen op de power pack



**WAARSCHUWING:** Onzorgvuldig of onjuist gebruik kan leiden tot letsel of de dood van de gebruiker of anderen.



Lees de handleiding goed door en zorg dat u de instructies hebt begrepen voordat u het product gebruikt.



Draag altijd gehoorbescherming, oogbescherming en ademhalingsbescherming.



Inspectie en/of onderhoud mag alleen worden uitgevoerd bij uitgeschakelde motor en met de stekker uit het stopcontact.



Onderdelen onder spanning.



Dit product voldoet aan de geldende EU-richtlijnen.



Het apparaat voldoet aan de geldende Australische en Nieuw-Zeelandse richtlijnen inzake elektromagnetische compatibiliteit.



Chinees RoHS-symbool voor milieuvriendelijke gebruiksperiode (Environment-Friendly Use Period, EUFP).



Het product of de verpakking ervan is geen huishoudelijk afval. Lever het in bij een recyclepunt voor elektrische en elektronische apparatuur.

**Let op:** Overige op het product aangebrachte symbolen/plaatjes verwijzen naar specifieke eisen aan certificering voor bepaalde markten.

## Symbolen op de wandzaag



**WAARSCHUWING:** Dit product kan gevaarlijk zijn en ernstig of fataal letsel toebrengen aan de gebruiker of anderen. Wees voorzichtig en gebruik het product op de juiste manier.



Lees de handleiding goed door en zorg dat u de instructies hebt begrepen voordat u het product gebruikt.



Gebruik een goedgekeurde veiligheidshelm, gehoorbescherming, oogbescherming en ademhalingsbescherming.



Houd uw handen en voeten uit de buurt van het zaagblad.



Inspectie en/of onderhoud moet worden uitgevoerd terwijl de motor is gestopt en met de stekker uit het stopcontact.



Het product of de verpakking ervan is geen huishoudelijk afval. Lever het in bij een erkende verwijderingslocatie voor elektrische en elektronische apparatuur.



Dit product voldoet aan de geldende EU-richtlijnen.

**Let op:** Overige op het product aangebrachte symbolen/plaatjes verwijzen naar specifieke eisen aan certificering voor bepaalde markten.

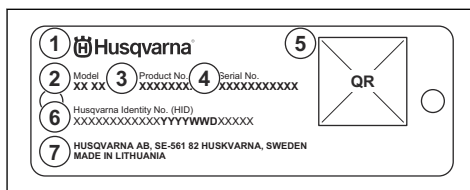
## HID-specificatie

Husqvarna Identiteitsnummer bestaat uit 5 delen en 25 tekens in totaal: [PNC] [Fabriek en assortiment (FFL)] [Datum] [Volgorde#] [Bedieningsteken].

De datum bestaat uit 7 tekens.

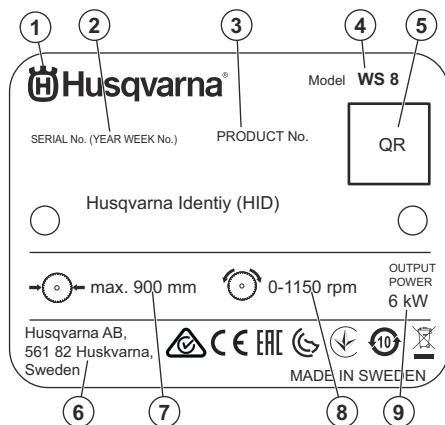
- Aanduiding: YYYYWWD
- JJJJ = jaar
- WW = weeknummer
- D = dagnummer

## Typeplaatje power pack PP 8



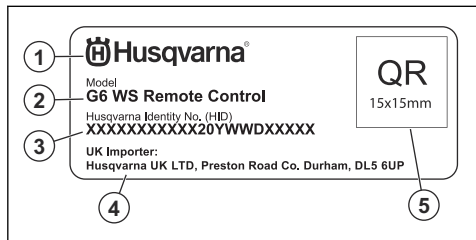
1. Fabrikant
2. Model
3. Productnummer
4. Serienummer
5. QR-code
6. Identiteitsnummer Husqvarna
7. Adres fabrikant

## Typeplaatje wandzaag WS 8



- 1: Fabrikant
- 2: Serienr. met productiedatum (JJJJ, WW, XXXXX): Jaar, week, volgnr.
- 3: Productnr.
- 4: Model
- 5: QR-code
- 6: Adres fabrikant
- 7: Maximaal bladformaat, mm
- 8: Maximaal toerental, tpm
- 9: Vermogensoutput, kW

## Typeplaatje afstandsbediening Husqvarna



1. Fabrikant
2. Model
3. Identiteitsnummer Husqvarna met productiedatum (JJJJ, WW, XXXXX): Jaar, week, volgnr.

4. Adres van importeur voor het VK
5. QR-code

## Schade aan het product

We zijn niet verantwoordelijk voor schade aan ons product als:

- het product niet goed is gerepareerd.
- het product is gerepareerd met onderdelen die niet van de fabrikant afkomstig zijn, of onderdelen die niet zijn goedgekeurd door de fabrikant.
- het product een accessoire bevat dat niet afkomstig is van de fabrikant of niet is goedgekeurd door de fabrikant.
- het product niet is gerepareerd door een erkend servicepunt of door een erkende autoriteit.

## Veiligheid

### Veiligheidsdefinities

Waarschuwingen, voorzorgsmaatregelen en opmerkingen worden gebruikt om te wijzen op belangrijke delen van de handleiding.



**WAARSCHUWING:** Wordt gebruikt om te wijzen op de kans op ernstig of fataal letsel voor de gebruiker of omstanders wanneer de instructies in de handleiding niet worden gevolgd.



**OPGELET:** Wordt gebruikt indien er een risico bestaat op schade aan het product en andere eigendommen of aan de omgeving wanneer de instructies in de handleiding niet worden gevolgd.

**Let op:** Geven verdere informatie die nodig is in een bepaalde situatie.

### Algemene veiligheidsinstructies



**WAARSCHUWING:** Lees de volgende waarschuwingen voordat u het product gaat gebruiken.

- Dit product kan bij onvoorzichtig of onjuist gebruik een gevaarlijk gereedschap zijn. Dit product kan ernstig of fataal letsel toebrengen aan de gebruiker of anderen. Het is erg belangrijk dat u deze gebruiksaanwijzing leest en begrijpt voordat u dit product gaat gebruiken.
- Bewaar alle waarschuwingen en instructies.
- U dient alle toepasselijke wet- en regelgeving in acht te nemen.

- De gebruiker en de werkgever van de gebruiker dienen op te hoogte te zijn van de risico's tijdens het gebruik van het product en moeten deze voorkomen.
- Zorg ervoor dat dit product alleen wordt gebruikt door personen die de inhoud van de gebruikershandleiding hebben gelezen en begrepen.
- Gebruik het product alleen als u voorafgaand aan gebruik training hebt ontvangen. Zorg ervoor dat alle gebruikers getraind worden.
- Laat het product niet door een kind bedienen.
- Het product mag alleen worden gebruikt door goedgekeurde personen.
- De gebruiker is verantwoordelijk indien ongelukken gebeuren met andere mensen of hun eigendommen.
- Gebruik het product nooit als u moe of ziek bent of onder invloed van alcohol, drugs of medicijnen verkeert.
- Laat het product niet gebruiken door iemand die moe of ziek is of onder invloed van alcohol, drugs of medicijnen verkeert.
- Wees altijd voorzichtig en gebruik uw gezond verstand.
- Dit product produceert tijdens bedrijf een elektromagnetisch veld. Dit veld kan onder bepaalde omstandigheden de werking van actieve of passieve medische implantaten verstoren. Om het risico op ernstig of fataal letsel te verminderen, raden wij personen met een medisch implantaat aan om contact op te nemen met hun arts en de fabrikant van het medische implantaat voordat ze dit product gebruiken.
- Houd het product schoon. Zorg ervoor dat u de aanduidingen en stickers duidelijk kunt lezen.
- Gebruik het product niet als het beschadigd is.
- Breng geen wijzigingen aan dit product aan.



- Gebruik het product niet als de mogelijkheid bestaat dat andere personen wijzigingen aan het product hebben aangebracht.
- Stop de afstandsbediening wanneer het product is geparkeerd en tijdens het transport van het product. Druk op de afstandsbediening op de knop ON/OFF om de afstandsbediening uit te schakelen.

## Algemene veiligheidsaanwijzingen voor machines



**WAARSCHUWING:** Lees alle veiligheidsaanwijzingen, instructies, illustraties en specificaties voor deze machine. Het niet opvolgen van ieder van de onderstaande instructies kan leiden tot elektrische schokken, brand en/of ernstig letsel.

- **Bewaar alle waarschuwingen en instructies voor later gebruik.** Het in de veiligheidsaanwijzingen gebruikte begrip "machine" heeft betrekking op machines die met netspanning worden gebruikt (met een netsnoer) en op machines die op een accu werken (zonder netsnoer).

## Veiligheid van het werkgebied

- **Zorg ervoor dat de werkplek schoon en goed verlicht is.** In rommelige of donkere gebieden gebeuren eerder ongelukken.
- **Gebruik machines niet in een explosieve omgeving, zoals in de aanwezigheid van ontvlambare vloeistoffen, gassen of stof.** Machines produceren vonken die het stof of de dampen kunnen doen ontbranden.
- **Houd kinderen en andere personen tijdens het gebruik van de machine op afstand.** U kunt de controle over het apparaat verliezen als u afgeleid wordt.

## Elektrische veiligheid

- **Elektrisch gereedschap moet geschikt zijn voor het betreffende stopcontact. Wijzig nooit de stekker.** Ongewijzigde stekkers en overeenkomende stopcontacten verkleinen het risico op elektrische schokken.
- **Vermijd lichamelijke contact met gearde oppervlakken, zoals buizen, radiatoren, fornuizen en koelkasten.** Er is een verhoogd risico op elektrische schokken als uw lichaam geaard is.
- **Stel elektrische gereedschappen niet bloot aan regen of vochtige omstandigheden.** Water dat in elektrisch gereedschap binnendringt, verhoogt het risico op elektrische schokken.
- **Gebruik de kabel niet voor oneigenlijke doeleinden. Gebruik de kabel nooit om het elektrische apparaat te dragen, het mee te slepen of om de stekker uit het stopcontact te trekken. Houd de kabel uit de buurt van warmte, olie, scherpe randen en bewegende**

**onderdelen.** Beschadigde of in de knoop geraakte kabels verhogen het risico op elektrische schokken.

- **Gebruik een verlengkabel die geschikt is voor gebruik buitenshuis wanneer u buiten werkt met elektrisch gereedschap.** Het gebruik van een kabel die geschikt is voor gebruik buitenshuis, vermindert het risico op elektrische schokken.
- **Als gebruik van een elektrisch apparaat in een vochtige omgeving onvermijdelijk is, gebruik dan een netvoeding met aardlekschakelaar (RCD).** Het gebruik van een aardlekschakelaar vermindert het risico op elektrische schokken.
- Gebruik een aardlekschakelaar om het gevaar voor elektrische schok te verlagen. Een aardlekschakelaar met een nominale reststroom van minder dan 30 mA wordt aanbevolen.
- Een aardlekschakelaar moet worden geïnstalleerd op een afstand van 0,5 m of minder van de stekker van het netsnoer of moet worden geïnstalleerd in de stekker van het netsnoer.

## Instructies voor geaard product



**WAARSCHUWING:** Een verkeerde aansluiting kan leiden tot elektrische schokken. Raadpleeg een erkende elektricien als u niet zeker weet of de contactdoos van het elektriciteitsnet correct geaard is.

Breng geen wijzigingen aan de stekker aan ten opzichte van de fabrieksspecificatie. Als de stekker of de voedingskabel beschadigd is of moet worden vervangen, raadpleeg dan uw Husqvarna-servicewerkplaats. Volg de lokale regel- en wetgeving.

Neem contact op met een erkende elektricien als u de instructies over het gearde product niet volledig begrijpt.

Gebruik alleen gearde verlengkabels voor buitengebruik met gearde stekkers en gearde contactdozen die geschikt zijn voor de stekker van het product.

Het product heeft een gearde voedingskabel en een gearde stekker. Sluit het product altijd aan op een geaard stopcontact. Dit vermindert de kans op een elektrische schok.

Gebruik geen adapters in combinatie met het product.

## Verlengkabels

- Gebruik alleen goedgekeurde verlengkabels met voldoende lengte.
- De markering op de verlengkabel moet gelijk zijn aan of hoger zijn dan de waarde op het productplaatje van het product.
- Gebruik gearde verlengkabels.
- Gebruik een verlengkabel die geschikt is voor gebruik buitenshuis wanneer u buiten werkt met het

product. Dit vermindert de kans op een elektrische schok.

- Houd de aansluiting op de verlengkabel droog en zorg dat deze de grond niet raakt.
- Houd de verlengkabel uit de buurt van hitte, olie, scherpe randen en bewegende delen. Een beschadigde kabel verhoogt het risico op elektrische schokken.
- Controleer of de verlengkabel in goede staat verkeert en niet beschadigd is.
- Gebruik de verlengkabel niet in opgerolde toestand. Daardoor kan de kabel oververhit raken.
- Zorg ervoor dat de verlengkabel achter u en het product ligt wanneer u het product gebruikt. Zo voorkomt u dat de verlengkabel beschadigd raakt.

- Bescherm de accu's tegen regen en vocht.
- Houd de accu's uit de buurt van magnetrons en hoge druk.
- Probeer de accu's niet te demonteren of te slopen.
- Gebruik de accu's bij omgevingstemperaturen tussen -20°C/-4°F en 60 °C/140°F.
- Laad de accu's op bij temperaturen tussen 10°C/50°F en 45°C/113°F.
- Reinig de accu's of acculader nooit met water. Zie *De afstandsbediening wekelijks reinigen op pagina 260*.
- Gebruik geen beschadigde accu's.
- Sla accu's op uit de buurt van metalen voorwerpen, bijvoorbeeld spijkers, schroeven en sieraden.
- Verwijder de accu's uit de afstandsbediening als u het product langer dan 1 week niet gebruikt.

## Veiligheid bij accu's



**WAARSCHUWING:** Lees de volgende waarschuwingen voordat u het product gaat gebruiken.

- Gebruik de accu nooit als u moe of ziek bent of onder invloed van alcohol, drugs of medicijnen verkeert.
- Laat de accu niet gebruiken door iemand die moe of ziek is of onder invloed van alcohol, drugs of medicijnen verkeert.
- Laat de accu niet gebruiken door een kind.
- Gebruik uitsluitend de -accu's die wij voor uw product aanbevelen. De accu's zijn voorzien van softwarematige encryptie.
- Gebruik uitsluitend originele accu's voor dit product. Er bestaat explosiegevaar als de accu's worden vervangen door accu's van een onjuist type. Neem voor meer informatie contact op met uw dealer.
- Gebruik de -accu's die oplaadbaar zijn uitsluitend als een voedingsbron voor de bijbehorende producten van Husqvarna. Gebruik de accu's niet als voedingsbron voor andere apparaten om letsel te voorkomen.
- Risico van elektrische schok. Breng de accuklemmen niet in contact met sleutels, schroeven of ander metaal. Dit kan kortsluiting van de accu veroorzaken.
- Als er een accu lekt, zorg er dan voor dat de vloeistof niet in aanraking komt met uw huid of ogen. Als u in aanraking bent gekomen met de vloeistof, reinig het oppervlak dan met een ruime hoeveelheid water en raadpleeg een arts.
- Gebruik geen accu's die niet oplaadbaar zijn.
- Breng geen wijzigingen aan de accu's aan.
- Plaats geen voorwerpen in de luchtspleten van de accu's.
- Bescherm de accu's tegen direct zonlicht, warmte of open vuur. De accu's kunnen een explosie en brandwonden en/of chemische brandwonden veroorzaken.

## Persoonlijke veiligheid

- **Wees attent! Let op wat u doet en ga verstandig aan het werk met een machine. Gebruik geen machine wanneer u moe bent of onder invloed staat van drugs, alcohol of medicijnen.** Eén moment van onoplettendheid bij het gebruik van machines kan leiden tot ernstige verwondingen.
- **Maak altijd gebruik van persoonlijke beschermingsmiddelen. Draag altijd oogbescherming.** Beschermingsmiddelen zoals een stofmasker, veiligheidsschoenen met antislipprofiel, een veiligheidshelm of gehoorbescherming in relevante werkomstandigheden beperken letsel.
- **Voorkom een onbedoelde start. Zorg ervoor dat de schakelaar in de stand Off staat voordat u de machine aansluit op een spanningsbron en/of accupack, oppakt of draagt.** Wanneer u uw vingers tijdens het dragen van machines op de schakelaar houdt of de machine ingeschakeld op de stroomvoorziening aansluit, kan dat leiden tot ongevallen.
- **Verwijder instelgereedschappen of sleutels voordat u de machine inschakelt.** Gereedschap of sleutels die zich in een draaiend onderdeel van de machine bevinden, kunnen verwondingen veroorzaken.
- **Voorkom overstrekken. Zorg dat u te allen tijde stevig en in balans staat.** Daardoor hebt u de machine in onverwachte situaties beter onder controle.
- **Draag geschikte kleding. Draag geen losse kleding of sieraden. Houd uw haar en kleding uit de buurt van bewegende onderdelen.** Losse kleding, sieraden of lang haar kunnen verstrikt raken in bewegende onderdelen.
- **Als de mogelijkheid bestaat voor het opvangen van stof moet u ervoor zorgen dat deze is aangesloten en op de juiste wijze wordt gebruikt.** Het gebruik van stofopvang kan stofgerelateerde gevaren beperken.
- **Laat de vertrouwdheid met de door u gebruikte machines door het frequente gebruik ervan niet toe leiden dat u de veiligheidsprincipes negeert.** Een

onzorgvuldige handeling kan binnen een fractie van een seconde leiden tot ernstig letsel.

## Gebruik en behandeling van machine

- **Overbelast de machine niet. Gebruik de juiste machine voor uw toepassing.** Met de juiste machine werkt u beter en veiliger binnen het vermelde vermogensbereik.
- **Gebruik geen machine waarvan de schakelaar defect is.** Machines die niet meer in- of uitgeschakeld kan worden, zijn gevaarlijk en moeten worden gerepareerd.
- **Haal de stekker uit het stopcontact en/of verwijder het accupack, indien verwijderbaar, van de machine voordat u aanpassingen maakt, accessoires verwisselt of machines opbergt.** Deze voorzorgsmaatregel verhindert dat de machine onopzettelijk start.
- **Berg ongebruikte machines buiten reikwijdte van kinderen op.** Laat de machine niet gebruiken door personen die hiermee niet vertrouwd zijn of die deze instructies niet hebben gelezen. Machines zijn gevaarlijk wanneer ze door onervaren personen worden gebruikt.
- **Voer onderhoud uit op machines en accessoires. Controleer op onjuiste montage of vastlopen van bewegende delen, gebroken onderdelen en andere condities die de werking van de machine kunnen beïnvloeden. Laat beschadigde onderdelen repareren alvorens de machine te gebruiken.** Veel ongevallen vinden hun oorzaak in slecht onderhouden machines.
- **Houd snijmachines scherp en schoon.** Goed onderhouden snijmachines met scherpe snijranden zullen minder gauw vastlopen en zijn eenvoudiger onder controle te houden.
- **Gebruik de machine, accessoires, bits en dergelijke overeenkomstig deze instructies. Houd daarbij rekening met de werkomstandigheden en de uit te voeren werkzaamheden.** Het gebruik van de machine voor andere dan de voorziene toepassingen kan leiden tot gevaarlijke situaties.
- **Houd de handgrepen en grijpoppervlakken droog, schoon en vrij van olie en vet.** Gladde handgrepen en handgreepvlakken maken in onverwachte situaties geen veilige bediening en controle van het elektrische gereedschap mogelijk.

## Service

- **Laat uw machine onderhouden door een gekwalificeerde onderhoudsmonteur met gebruikmaking van uitsluitend identieke vervangende onderdelen.** Hierdoor blijft de veiligheid van de machine gehandhaafd.
- **Voer nooit onderhoud uit aan beschadigde accupacks.** Onderhoud aan accupacks mag alleen worden uitgevoerd door de fabrikant of geautoriseerde dienstverleners.

## Veiligheidsinstructies voor wandzagen

- **Bedien het gereedschap via de geïsoleerde handgrepen tijdens het uitvoeren van werkzaamheden waarbij het snijtoebehoren in aanraking kan komen met verborgen bedrading of de eigen voedingskabel.** Als het snijtoebehoren een onder stroom staande draad aanraakt, kan dit ervoor zorgen dat niet-geïsoleerde delen van het gereedschap ook onder stroom komen, waardoor de gebruiker een elektrische schok kan krijgen.
- **Draag gehoorbescherming tijdens het gebruik van diamantzagen.** Blootstelling aan lawaai kan leiden tot gehoorverlies.
- **Als het diamantwiel vast komt te zitten, oefen dan geen zaagkracht meer uit en schakel het gereedschap uit.** Onderzoek de oorzaak van het vastzittende diamantwiel en neem maatregelen om het probleem te verhelpen.
- **Wanneer u door het werkstuk zaagt, dient u ervoor te zorgen dat personen en het werkgebied aan de andere kant worden beschermd.** Het diamantwiel kan door het werkstuk steken.
- **Zorg ervoor dat de methode voor het vastzetten van het railgeleidingssysteem op het werkstuk toereikend is om de machine tijdens gebruik te dragen en tegen te houden.** Als het werkstuk zwak of poreus is, kan (kunnen) het (de) anker(s) naar buiten worden getrokken, waardoor het railgeleidingssysteem loskomt van het werkstuk.

## Algemene veiligheidsinstructies



**WAARSCHUWING:** Lees de volgende waarschuwingen voordat u het product gaat gebruiken.

- Deze informatie kan nooit de kennis vervangen die een vakman via opleidingen en praktische ervaring heeft verworven. Wanneer u in een situatie belandt waarin u niet goed weet hoe u verder te werk moet gaan, moet u een expert raadplegen. Wend u tot uw dealer, uw servicewerkplaats of een ervaren gebruiker. Vermijd gebruik waarvan u vindt dat u niet voldoende gekwalificeerd bent!
- Dit product is ontworpen en bestemd voor het zagen van beton, baksteen en andere steensoorten. Elk ander gebruik is incorrect.
- Het product moet schoon worden gehouden. Aanduidingen en stickers moeten volledig leesbaar zijn.
- Ongeautoriseerde wijzigingen en/of accessoires kunnen ernstig of dodelijk letsel aan de gebruiker of anderen toebrengen. Wijzig deze machine nooit zo dat hij niet langer overeenstemt met de originele uitvoering, en gebruik de machine niet als u denkt dat anderen hem hebben gewijzigd. Gebruik een product, accu of acculader nooit als er sprake is van een defect. Volg de onderhouds-, controle- en service-instructies van

deze gebruiksaanwijzing. Bepaalde onderhouds- en servicemaatregelen moeten door opgeleide en gekwalificeerde specialisten worden uitgevoerd. Zie de instructies in het hoofdstuk Onderhoud. Gebruik alleen originele reserveonderdelen.

- Alle soorten reparaties mogen alleen worden uitgevoerd door erkende reparateurs. Dit betekent dat gebruikers niet worden blootgesteld aan grote risico's.
- Controle en/of onderhoud dient te worden uitgevoerd met uitgeschakelde motor en de stekker uit het stopcontact.

## Veiligheidsinstructies voor bediening



**WAARSCHUWING:** Lees de volgende waarschuwingen voordat u het product gaat gebruiken.

- Lees de bedieningshandleiding zorgvuldig door en zorg ervoor dat u de instructies hebt begrepen voordat u het product gebruikt.
- Het product kan bij onjuist of onachtzaam gebruik een gevaarlijk gereedschap zijn dat ernstig of zelfs dodelijk letsel aan de gebruiker of anderen kan toebrengen.
- Er is altijd kans op schokken van elektrische producten. Gebruik het product niet bij slecht weer. Voorkom aanraken van bliksemafleiders en metalen voorwerpen. Volg altijd de instructies in de bedieningshandleiding, om schade te voorkomen.
- Alle gebruikers moeten zijn opgeleid voor het gebruik van het product. Het is de verantwoordelijkheid van de eigenaar ervoor te zorgen dat de gebruikers worden opgeleid.
- De gebruiker is verantwoordelijk voor ongelukken waarbij andere personen zijn betrokken of hun eigendommen worden beschadigd.
- Sluit het product alleen aan op gearde stopcontacten.
- Controleer of de spanning van het elektriciteitsnet overeenkomt met de spanning die wordt aangegeven op het typeplaatje van het product.
- Controleer of de voedingskabel en de verlengkabel onbeschadigd zijn en in goede staat verkeren.
- Gebruik het product niet als het product of de voedingskabel is beschadigd. Laat onderhoud aan het product of het vervangen van de onderhoudskabel uitvoeren door een erkende servicewerkplaats.
- Gebruik geen opgerolde verlengkabel. De kabel kan oververhit raken.
- Zagen bij een te hoog toerental kan leiden tot beschadiging van de schijf en kan persoonlijk letsel veroorzaken.
- Stop de motor en koppel de voedingskabel los voordat u het product optilt of verplaatst.

- Laat het product niet gebruiken door kinderen of andere personen die niet zijn opgeleid voor het gebruik van of onderhoud aan het product.
- Laat niet iemand anders het product gebruiken zonder dat u zeker weet dat hij of zij de gebruikershandleiding heeft gelezen en begrepen.
- Gebruik het product niet als u moe bent, alcohol hebt gedronken of medicijnen hebt ingenomen die uw gezichtsvermogen, beoordelingsvermogen of coördinatievermogen negatief beïnvloeden.
- Gebruik het product alleen als u weet dat u hulp kunt krijgen indien zich een ongeval voordoet.
- Zorg dat het product op een stabiele ondergrond blijft staan.
- Koppel het netsnoer alleen los als de motor uitgeschakeld en volledig stopgezet is.
- Blijf in de buurt van het product wanneer de motor is ingeschakeld.
- Schakel bij langere werkonderbrekingen altijd de stroomtoevoer naar het product uit.
- Haal altijd de stekker uit het stopcontact voordat u het product verplaatst.
- Houd altijd brandblusapparatuur bij de hand.
- Gebruik de hendel alleen om het product te transporteren.

## Veiligheidsvoorzieningen op het product



**WAARSCHUWING:** Lees de volgende waarschuwingen voordat u het product gaat gebruiken.

- Gebruik geen producten met veiligheidsvoorzieningen die beschadigd zijn of niet correct werken.
- Controleer de veiligheidsvoorzieningen regelmatig op een juiste werking. Als de veiligheidsvoorzieningen beschadigd zijn of niet goed werken, neem dan contact op met uw Husqvarna servicewerkplaats.
- Voer geen aanpassingen uit aan veiligheidsvoorzieningen.

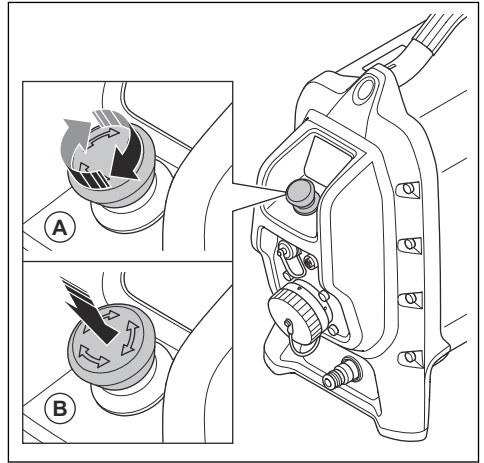
## Persoonlijke beschermingsuitrusting



**WAARSCHUWING:** Lees de volgende waarschuwingen voordat u het product gaat gebruiken.

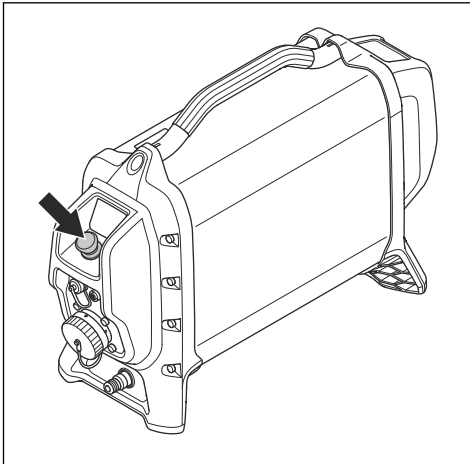
- Draag tijdens het gebruik van het product altijd goedgekeurde persoonlijke beschermingsuitrusting. Persoonlijke beschermingsuitrusting kunnen niet alle risico's uitsluiten maar kunnen de ernst van eventueel letsel helpen beperken. Vraag uw dealer u te helpen bij het kiezen van de juiste beschermingsuitrusting.
- Controleer regelmatig de toestand van uw persoonlijke beschermingsmiddelen.
- Draag een goedgekeurde veiligheidshelm.

- Gebruik goedgekeurde gehoorbescherming wanneer u het product gebruikt. Langdurig lawaai kan gehoorverlies veroorzaken.
  - Het product veroorzaakt stof en dampen die slecht zijn voor uw gezondheid. Gebruik goedgekeurde ademhalingsbescherming.
  - Gebruik goedgekeurde oogbescherming met zijbescherming.
  - Gebruik goedgekeurde, sterke veiligheidshandschoenen.
  - Gebruik laarzen voor zwaar gebruik met stalen neuzen en antislipzolen.
  - Gebruik goedgekeurde werkkleding of gelijkwaardige nauwsluitende kleding met lange mouwen en lange broekspijpen en die uw bewegingen niet beperken.
  - Draag geen loszittende kleding, sieraden of andere voorwerpen die vast kunnen komen te zitten in bewegende delen. Bind voor de veiligheid lang haar samen tot boven schouderhoogte.
  - Zorg ervoor dat u een EHBO-kit bij de hand hebt.
  - Er kunnen vonken optreden bij de bediening van de machine. Zorg ervoor dat u een brandblusapparaat bij de hand hebt.
4. Controleer of het elektrische gereedschap wordt gestopt. Controleer ook of de groene ledlampjes op de power pack uitgaan en of het rode ledlampje knippert.



### Noodstopknop power pack

De noodstopknop op de power pack verlaagt de snelheid van het aangesloten elektrisch gereedschap. Met de noodstopknop op de power pack wordt het elektrisch gereedschap losgekoppeld van de voeding.



### De noodstopknop van de power pack controleren

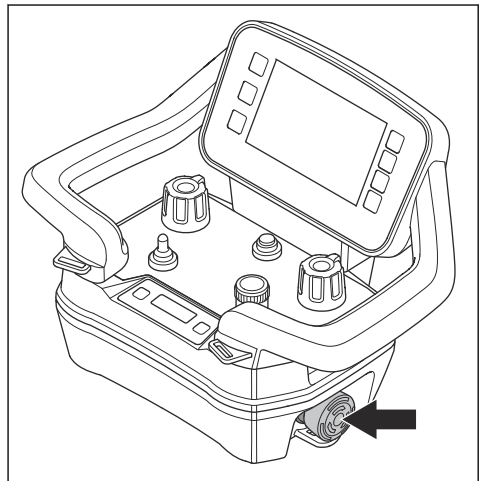
1. Draai de noodstopknop (A) op de power pack rechtsom om te zorgen dat deze losgekoppeld wordt.
2. Start het aangesloten elektrisch gereedschap.
3. Druk op de noodstopknop (B) op de power pack.

### Machinestopknop van de afstandsbediening machine

De machinestopknop wordt gebruikt om het elektrische gereedschap snel te stoppen.

De machinestopknop verlaagt het toerental van het aangesloten elektrisch gereedschap. Met de machinestopknop wordt ook het elektrisch gereedschap losgekoppeld van de voeding.

De machinestopknop kan niet worden gebruikt wanneer het elektrische gereedschap handmatig wordt bediend.





**OPGELET:** Gebruik de machinestopknop op de afstandsbediening niet als stopknop voor het elektrische gereedschap.

### De machinestopknop op de afstandsbediening controleren

1. Draai de noodstopknop op de power pack rechtsom om te zorgen dat deze losgekoppeld wordt.
2. Draai de machinestopknop op de afstandsbediening rechtsom om te zorgen dat deze losgekoppeld wordt.
3. Druk op de knop ON/OFF op de afstandsbediening.
4. Houd de tuimelschakelaar op de afstandsbediening naar rechts gedrukt en druk tegelijkertijd op de potentiometer om het zaagblad te laten draaien.
5. Druk op de machinestopknop op de afstandsbediening.
6. Zorg dat het zaagblad stopt.

### Aardlekschakelaar

De aardlekschakelaar dient ter bescherming van de gebruiker en wordt ingeschakeld als zich een elektrische storing voordoet.

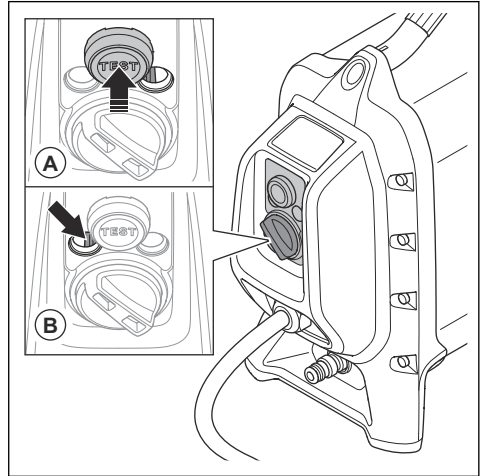
Wanneer de power pack wordt aangesloten op een 3-fasige aansluiting, is de in de power pack geïntegreerde aardlekschakelaar actief.

Wanneer de power pack wordt aangesloten op een 1-fasige aansluiting, is de in de power pack geïntegreerde aardlekschakelaar niet actief. In plaats daarvan moet u een afzonderlijke 1-fasige adapter gebruiken. Zie *Accessoires op pagina 277*.

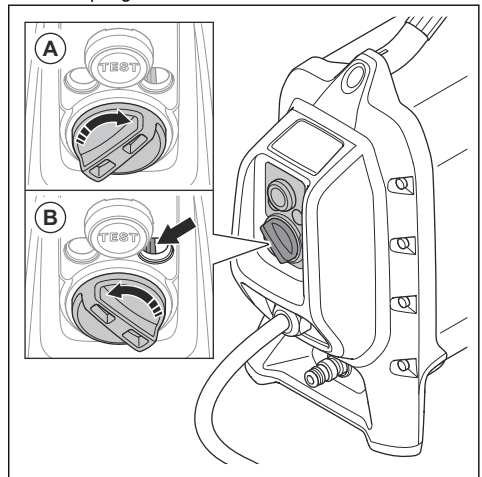
### De aardlekschakelaar controleren, 3 fasen

1. Start het product. Zie *Product starten op pagina 246*.

2. Kijk in de inspectieopeningen en druk op de testknop van de aardlekschakelaar (A).



3. Controleer of de aardlekschakelaar naar links beweegt (B) en het product daarvoor wordt losgekoppeld van de voeding.
4. Zorg dat het zaagblad stopt. Controleer ook of alle ledlampjes op de power pack uitgaan.
5. Draai de resetknop van de aardlekschakelaar rechtsom (A) om de aardlekschakelaar te resetten. Kijk in de inspectieopeningen om te controleren of de aardlekschakelaar naar rechts staat (B) wanneer de resetknop van de aardlekschakelaar weer naar links springt.



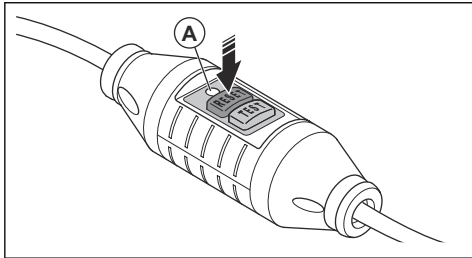
### De aardlekschakelaar controleren, 1 fasen

Wanneer de power pack wordt aangesloten op een 1-fasige aansluiting, is de in de power pack geïntegreerde

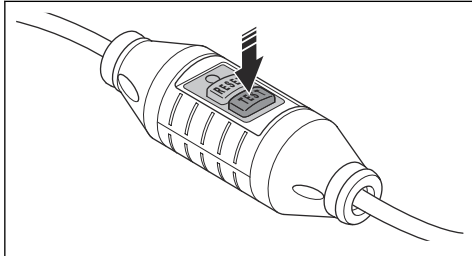


aardlekschakelaar niet actief. In plaats daarvan moet u een afzonderlijke 1-fasige adapter gebruiken.

1. Bevestig het product op de aansluiting. Gebruik de correcte adapter. Zie *Accessoires op pagina 277*.
2. Druk op de RESET-knop (groen). Controleer of de rode led (A) gaat branden.



3. Start het product.
4. Druk op de TEST-knop (blauw).



5. De aardlekschakelaar moet geactiveerd worden, het product moet onmiddellijk stoppen en alle ledlampjes moeten uitgaan. Als dit niet het geval is, neemt u contact op met uw Husqvarna-dealer.
6. Druk op de RESET-knop (groen).

### Beschermkap

De bladbeschermkap houdt stof weg van de gebruiker en voorkomt letsel als het zaagblad breekt.

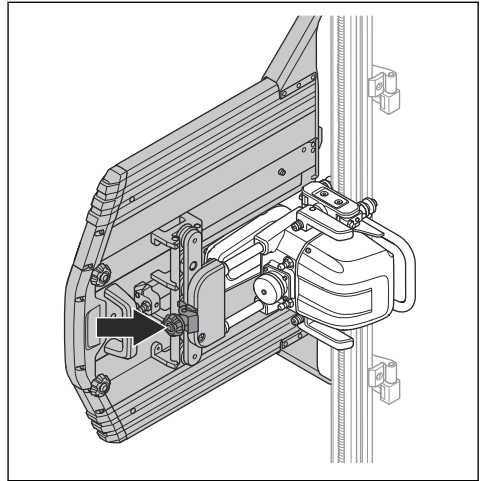


**WAARSCHUWING:** Gebruik het product niet zonder een bladbeschermkap.

De buitenste delen kunnen worden verwijderd voor werkzaamheden nabij de vloer.

### Vergrendeling van de beschermkap

De vergrendeling van de beschermkap houdt de beschermkapgeleider in de juiste positie op de beschermkap. Controleer of de bout voor de beschermkapgeleider is aangehaald wanneer de beschermkap is aangebracht.

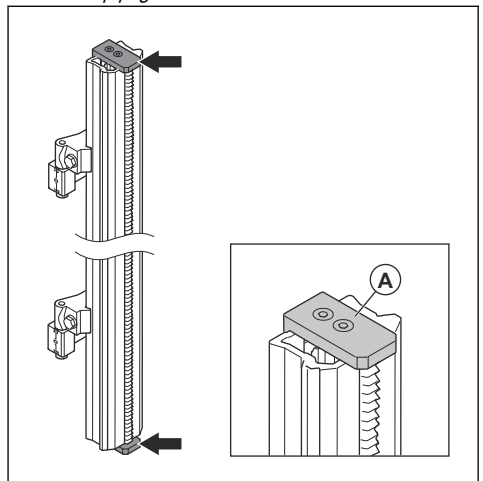


### De bladbeschermkapvergrendeling controleren

- Controleer of het vergrendelmechanisme van de bladbeschermkap op de bladbeschermkapgeleider correct werkt. Zie *Vergrendeling van de beschermkap op pagina 231*.

### Eindaanslagen

De eindaanslagen (A) voorkomen dat het product losraakt van de rails. Zorg dat de eindaanslagen op de uiteinden van de rails zijn bevestigd, zodat de zaag niet van de rails kan komen. Zie *De railconnectoren monteren op pagina 233*.



**WAARSCHUWING:** Als de eindaanslagen niet goed aan de

railuiteinden zijn bevestigd, kan het product loskomen en ernstig letsel veroorzaken.

### De eindaanslagen controleren

- Zorg ervoor dat de eindaanslagen aan de railuiteinden zijn bevestigd. Zie *Overzicht wandzaag op pagina 218*.

## Veiligheidsinstructies voor onderhoud



**WAARSCHUWING:** Lees de volgende waarschuwingen voordat u onderhoud aan het product gaat uitvoeren.

- Als zonder goedkeuring veranderingen worden aangebracht of niet-goedgekeurde accessoires

worden gebruikt, kan dit leiden tot ernstig of fataal letsel aan de gebruiker of anderen.

- Voer het dagelijks onderhoud uit om verzekerd te zijn van een goede werking. Zie *Onderhoudsschema op pagina 257*.
- Voer de inspectie en/of het onderhoud uit terwijl de motor is gestopt en de stekker is verwijderd.
- Reinig het product niet met een hogedrukspuit. Richt de waterstraal niet op elektronische componenten of lagers.
- Laat alleen een erkend servicebedrijf onderhoud aan het product uitvoeren. Gebruik alleen vervangingsonderdelen van Husqvarna of gelijkwaardige vervangingsonderdelen.

## Montage

### Inleiding



**WAARSCHUWING:** Zorg dat u het hoofdstuk over veiligheid hebt gelezen en begrepen voordat u het apparaat monteert.

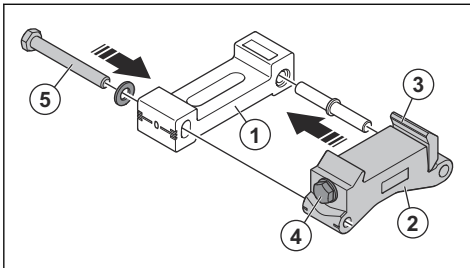
### Montagebeugels

Er zijn 2 typen montagebeugels, een standaard montagebeugel en een universele montagebeugel, zie *Overzicht wandzaag op pagina 218*.

De standaard montagebeugel bevestigt de rail in de juiste positie aan de wand. Deze gebruikershandleiding geeft informatie over het gebruik van de standaard montagebeugel.

De universele montagebeugel bevestigt de rail aan het te zagen materiaal of aan een naastgelegen gebied. Raadpleeg de gebruikershandleiding van de universele montagebeugel voor informatie over het gebruik van de universele montagebeugel.

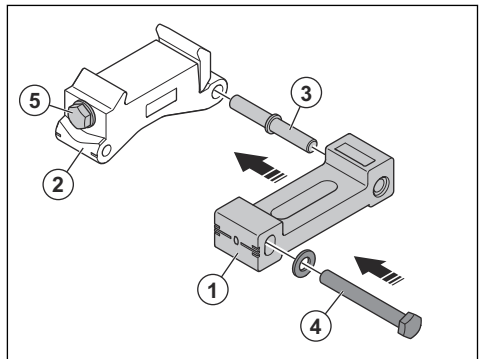
### De montagebeugel monteren



1. Het gedeelte van de montagebeugel dat zich het dichtst bij de wand bevindt. Het heeft groeven voor expansiebouten en een waterpas om de beugels horizontaal te monteren.

2. Het gedeelte van de montagebeugel dat de rail vasthoudt. Het heeft een waterpas om de beugel verticaal te monteren.
3. Veerbelaste klem. De klemring vergrendelt de rail op de montagebeugel. Hierdoor kan de rail in de montagebeugel worden vastgeklemd.
4. Borgbout. Gebruik deze om de klemring vast te draaien.
5. Borgbout. De twee gedeeltes van de montagebeugel moeten in de neutrale stand worden geplaatst. Als het betonoppervlak gelijk is, wordt het blad in een hoek van 90 graden ten opzichte van het te zagen oppervlak geplaatst. Als het betonoppervlak ongelijk is, kunt u de positie van de montagebeugel wijzigen met de borgschroef om de zaaghoek aan te passen.

### De montagebeugel gespiegeld monteren



Voor een betere bereikbaarheid van de borgbouten voor hoekverstelling (4) en/of de borgbout voor de klemring (5), kunnen de montagebeugels worden gespiegeld.

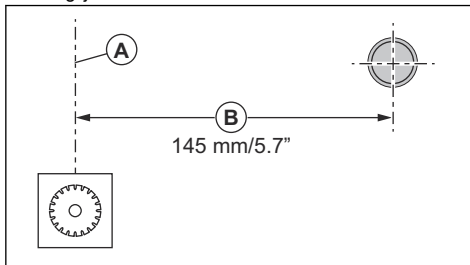


1. Verwijder de bout (4) die de twee helften van de montagebeugel (1) en (2) bij elkaar houdt. Verwijder de twee helften van elkaar.
2. Beweeg de pen (3) van de ene naar de andere kant van de montagebeugelheft (2).
3. Leg de twee helften weer op elkaar en breng de bout (4) aan de andere kant aan. In de normale positie dient de lijn op de montagebeugelheft (2) te zijn uitgelijnd met de 0-lijn op de montagebeugelheft (1).

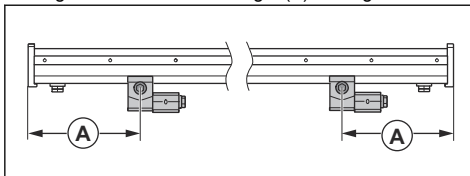
## De montagebeugels aan de wand bevestigen

Gebruik de klem en de sluitring aan weerszijden van de rail wanneer u de montagebeugels plaatst. Er moeten minimaal twee montagebeugels worden gebruikt. Als er meer rails aan elkaar zijn verbonden, hebt u één montagebeugel nodig voor elk railgedeelte.

1. Markeer de zaaglijn (A). Markeer de gaten voor de expansiebouten op ca. 145 mm (5,7 inch) (B) van de zaaglijn.

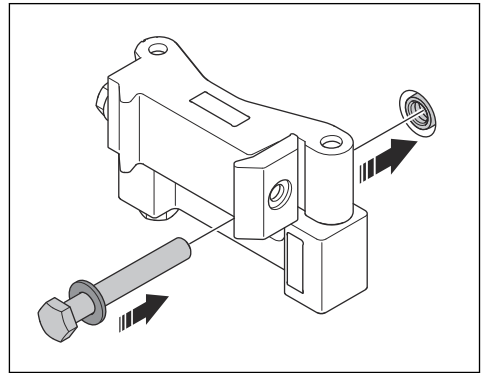


2. Plaats de montagebeugels ongeveer een halve rail lengte uit elkaar. De afstand tussen een montagebeugel en het uiteinde van de rail moet ongeveer een kwart rail lengte (A) bedragen.

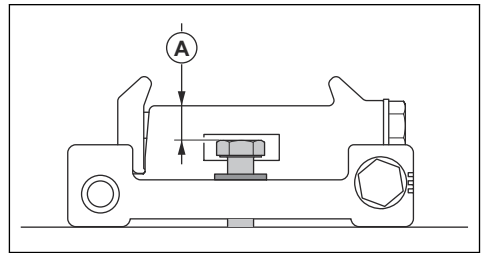


3. Boor de gaten voor de expansiebouten volgens de instructies van de fabrikant. Gebruik montageelementen die geschikt zijn voor het te zagen materiaal. Gebruik een boor van 12 mm om het gat te boren voor het M10x40-expansieanker dat bij de zaaguitrusting wordt geleverd. Volg de instructies van de fabrikant.

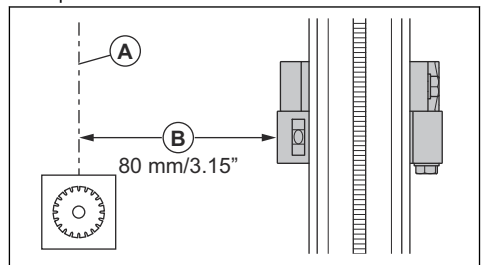
4. Hang de twee montagebeugels losjes in de M10x35-expansiebouten en een sluitring van Ø 10,5 x 22.



5. Zorg dat de kop van de bout niet boven de rail (A) uitkomt.



6. De afstand (B) tussen elke montagebeugel en de zaaglijn (A) moet 80 mm (3,15 inch) bedragen. Als de zaaglijn exact verticaal of horizontaal is en het steunoppervlak vlak is, kunnen de waterpassen op de montagebeugels worden gebruikt om deze exact uit te lijnen in deze vroege fase. Daarna kunnen de expansiebouten worden aangehaald met 40 Nm. In andere gevallen moet u de rails op de montagebeugels monteren voordat u de expansiebouten aanhaalt.

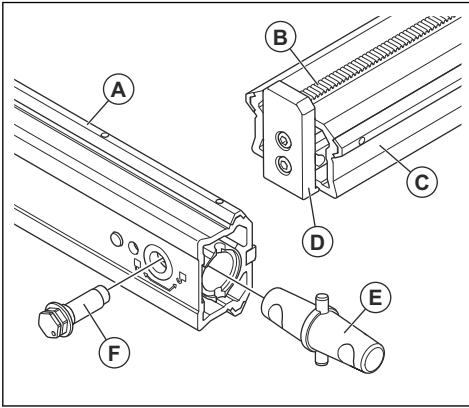


## De railconnectoren monteren

Gebruik railconnectoren wanneer langere sneden nodig zijn. Voeg 1 montagebeugel toe voor elke 1 m extra rail.



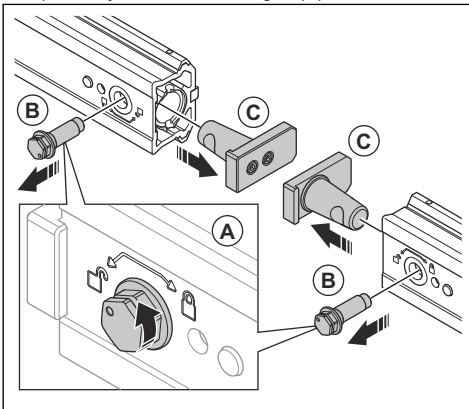
**OPGELET:** Controleer of de railconnectoren compatibel zijn met het product.



- A.** Besturingssensor voor geleidingswielen zaagwagen
- B.** Tandheugel
- C.** Klemoppervlak voor wandbevestiging
- D.** Eindaanslag, rail
- E.** Verdeelstekker, rail
- F.** Excentrische bout

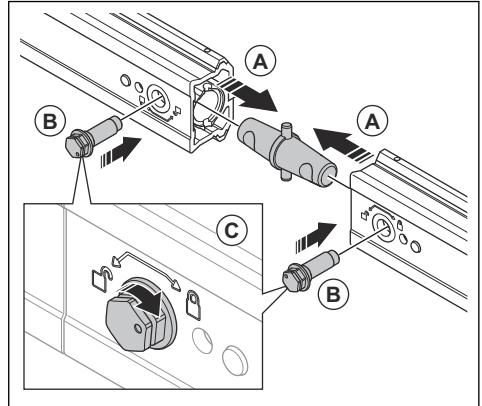
**1. Verwijder de eindaanslagen.**

- a) Aan de onderkant van de uiteinden van de rails die u zult aansluiten zijn de excentrische bouten bevestigd. Om ze te ontgrendelen draait u ze linksom (A).
- b) Verwijder de excentrische bouten (B).
- c) Verwijder de eindaanslagen (C).



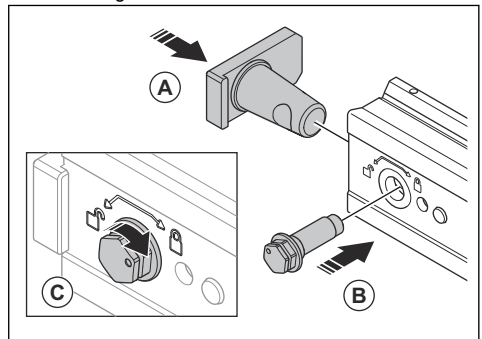
**2. Monteer de verdeelstekker.**

- a) Plaats de verdeelstekker tussen de twee uiteinden van de rails en duw de uiteinden van de rails tegen elkaar tot ze elkaar raken (A). De uiteinden moeten gelijk liggen in het midden van de connector.
- b) Plaats de excentrische bouten (B) in de gaten aan de onderkant van de rail. Zorg dat de markering op de bout is uitgelijnd met het symbool met het open hangslot. De bout moet geheel naar binnen worden gedruwd, zodat de kop tegen de rail aanligt.
- c) Draai de bouten (C) rechtsom in de richting van het symbool met het vergrendelde hangslot om ze te vergrendelen. Haal ze aan met 40 Nm.



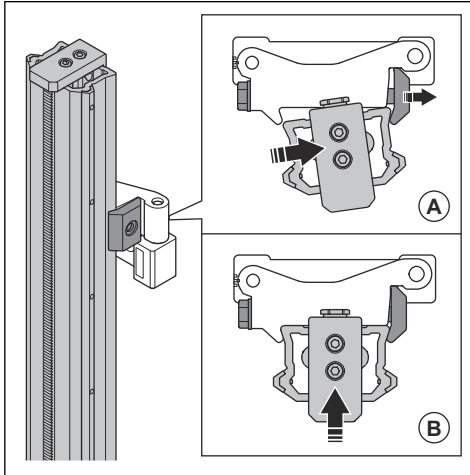
**3. Monteer de eindaanslag.**

- a) Plaats de eindaanslag (A) in het uiteinde van de rail.
- b) Plaats de excentrische bout (B) in het gat aan de onderkant van de rail. Zorg dat de markering op de bout is uitgelijnd met het symbool met het open hangslot. De bout moet geheel naar binnen worden gedruwd, zodat de kop tegen de rail aanligt.
- c) Draai de bout (C) rechtsom in de richting van het symbool met het vergrendelde hangslot om hem te vergrendelen. Haal hem aan met 40 Nm.

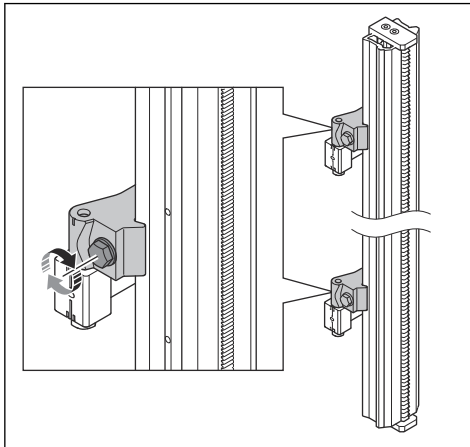


## De rails monteren

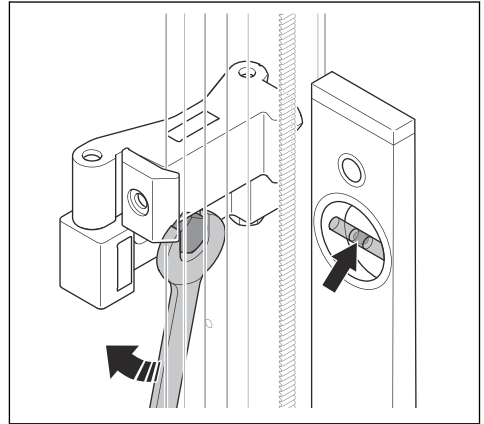
1. Zorg dat de expansiebout niet uitsteekt boven het oppervlak van de rail op de montagebeugel.
2. Klik de rail in beide montagebeugels. Stel de positie van de rails in de lengterichting af.



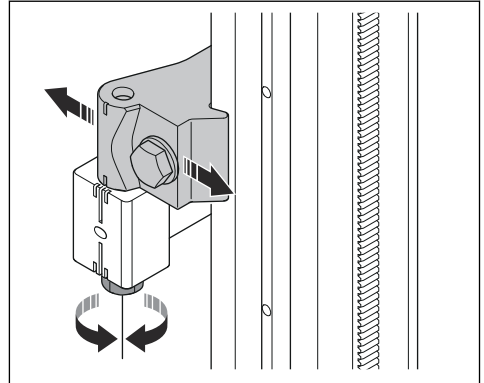
3. Haal de klemringen op de montagebeugels aan met 40 Nm aan.



4. Zorg dat de zaaglijn zich op 80 mm (3,15 inch) van de montagebeugel bevindt. Haal de expansiebouten aan met 40 Nm.



5. Om de hoek van het blad naar behoefte af te stellen ten opzichte van het betonoppervlak, draait u de borgschroef voor hoekafstelling los. Plaats beide helften van de montagebeugel onder een hoek ten opzichte van elkaar.



## De wandzaag op de rails monteren



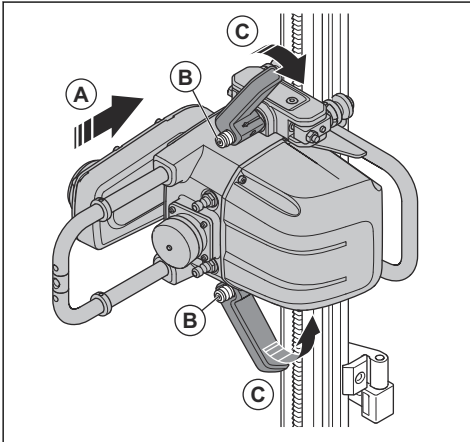
**WAARSCHUWING:** Monteer het product in de zaagslede voordat u het product op de rails monteert.



**WAARSCHUWING:** Zagen terwijl de zaag niet stevig op de rail is gemonteerd kan resulteren in dodelijk letsel.

1. Druk de borgknoppen (B) op de borghendels (C) in. Draai de hendels uit de zaageenheid om de geleidingswielen los te maken van het transportwagenopzetstuk.

- Til de zaageenheid op de rail (A) met de borghendels geopend. Plaats de zaageenheid onder een hoek over de rail, zodat het toevoerwiel wordt vergrendeld in het rek op de rail.
- Draai de borghendel (C) terug in de richting van de zaageenheid tot de borgknoppen (B) op de hendels omhoogkomen en de geleidingswielen tegen de rail aanliggen.



- Als de zaageenheid op een verticaal gemonteerde rail is gemonteerd vergrendelt u de bovenste borghandgreep. Wanneer de bovenste borghendel is vergrendeld, wordt het gewicht van de zaag gedragen en is het gemakkelijker om de onderste hendel te vergrendelen. Controleer of er geen speling is tussen de zaag en de geleidingswielen en de rail. Als er speling is, moeten de geleidingswielen worden afgesteld. Zie *De geleidewielen afstellen op pagina 259*.

## Het blad monteren

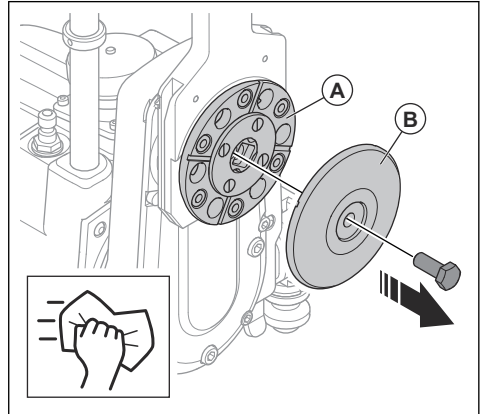


**WAARSCHUWING:** Haal de stekker uit het stopcontact voordat u begint met het monteren.

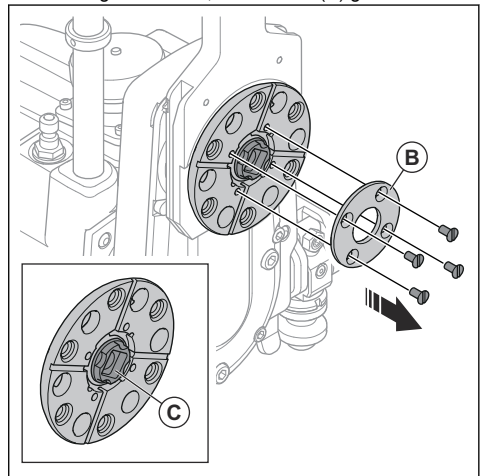
Het wordt aanbevolen om diamantzaagbladen van Husqvarna te gebruiken in combinatie met de WS 8. Het maximale aanvangsblad is 600 mm, en de maximale maat voor bladen voor diepere zaagsneden is 900 mm. Raadpleeg uw Husqvarna-agent voor aanbevelingen met betrekking tot bladen voor verschillende materialen.

- Draai de bladbout los en verwijder de buitenste bladflens.

- Reinig de klemoppervlakken op de binnenste (A) en buitenste (B) bladflens. Zorg dat ze volledig vlak zijn.

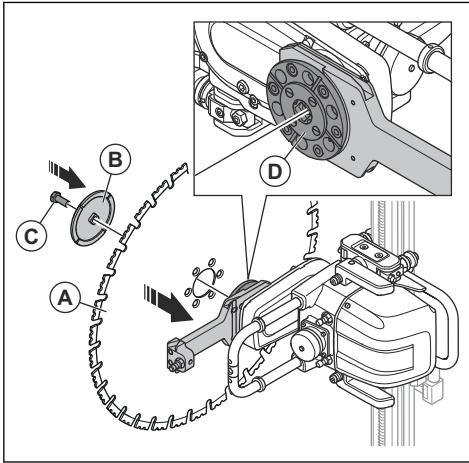


- Reinig de klemoppervlakken van het blad en controleer of het blad niet beschadigd is.
- De binnenste bladflens (B) heeft een in de fabriek gemonteerd middelste afstandsstuk voor bladmiddengaten van 60 mm. Verwijder het afstandsstuk voor 60 mm/2,4 inch als u bladen met middengaten van 25,4 mm/1 inch (C) gebruikt.

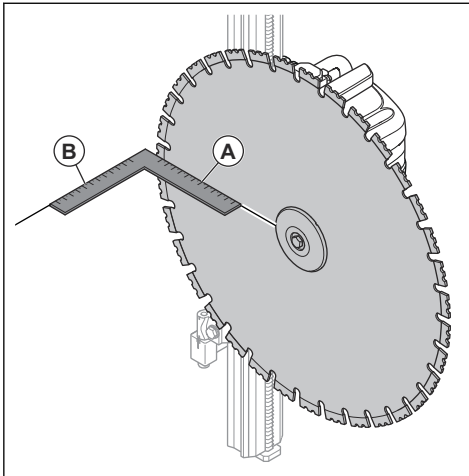


- Zorg dat u de juiste draairichting gebruikt met betrekking tot de waterstraal. Voor verticaal zagen moet u de waterstraal omlaag richten naar de vloer.
- Monteer het blad in de richting van de rotatiepijl op het blad. Als er geen rotatiepijl op het blad aanwezig is, kijkt u naar de diamanten in de segmenten. Controleer of het blootliggende deel van de diamanten in de rotatierichting van het blad wijst.

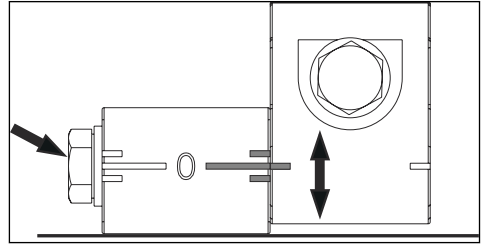
7. Leid het blad omhoog op de middelste geleiding en plaats het tegen de binnenste bladflens. Houd het blad op z'n plek en monteer vervolgens de buitenste bladflens met de bladbout en haal aan met 45 Nm.



8. Gebruik een groot vierkant en zorg dat de hoek tussen het blad (A) en de wand (B) loodrecht is. Als het blad niet loodrecht op de wand staat, moet de borgbout voor hoekafstelling worden losgedraaid en moet de hoek van de montagebeugels zodanig worden gewijzigd dat het blad in een loodrechte positie staat.



9. Plaats beide hefften van de montagebeugel onder een hoek ten opzichte van elkaar.



**WAARSCHUWING:** Zorg ervoor dat het blad correct is bevestigd voordat u het product inschakelt.

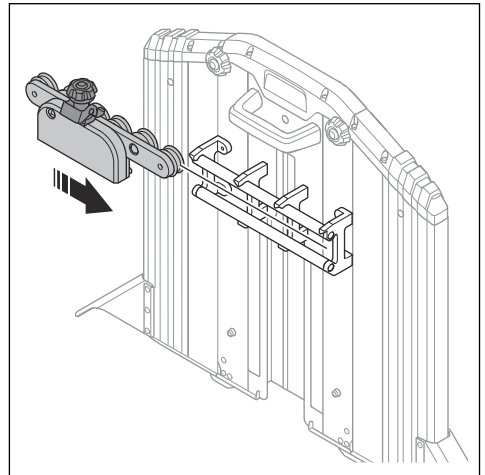
### De beschermkap monteren



**WAARSCHUWING:** Haal de stekker uit het stopcontact voordat u begint met het monteren.

De beschermkap bestaat uit drie delen.

- Eén middendeel, dat op de zaageenheid is gemonteerd
  - Twee buitendelen, die op het middengedeelte zijn gemonteerd. De buitendelen zijn gelijktijdig en kunnen aan elke kant van het middendeel worden gemonteerd.
1. Schuif de beschermkappeleider tussen de buizen op de beschermkap.
  2. Let erop dat de geleiderollen op de beschermkappeleider soepel tussen de buizen rollen.



3. Als de beschermkapgeleider speling vertoont tussen de buizen, moeten de geleiderollen worden afgesteld. Zie *De beschermkapgeleider afstellen op pagina 259*.

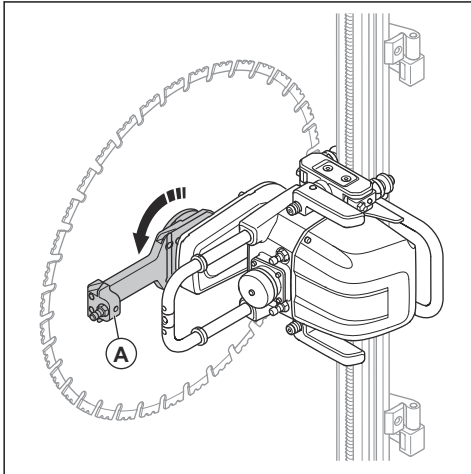
## De beschermkap op de wandzaag bevestigen



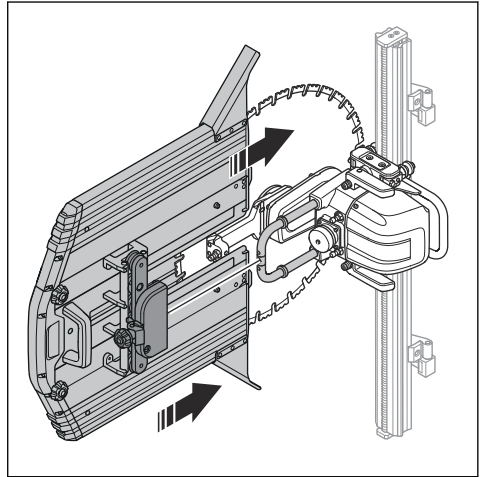
**WAARSCHUWING:** Haal de stekker uit het stopcontact voordat u begint met het monteren.

Controleer of de beschermkap geen beschadigingen vertoont en is gemonteerd en gecentreerd op de beschermkap. Om het monteren van de beschermkap te vergemakkelijken, verwijdert u de buitendelen van het middendeel.

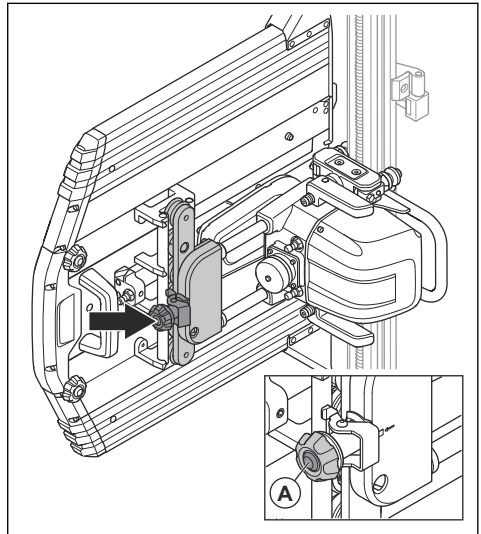
1. Draai de geleideflens (A) voor de beschermkap op de zaageenheid omhoog. Hierdoor komt het wateraansluitpunt recht uit de zwenkarm.



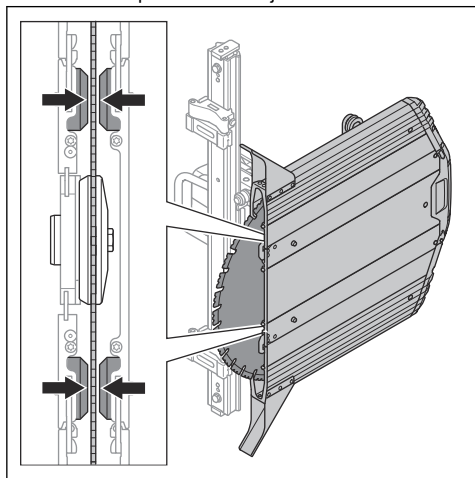
2. Richt de glijstukken van de beschermkap op de geleiderails in de richting van de geleideflens. Duw de beschermkap over het blad.



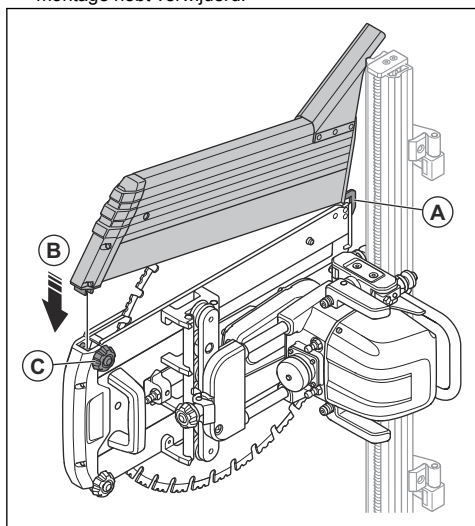
3. Bevestig de beschermkapbeugel op het opzetstuk van de zaageenheid. Draai de borgknop (A) goed vast.



4. Controleer of het blad is gecentreerd in de beschermkap en het blad vrij kan draaien.

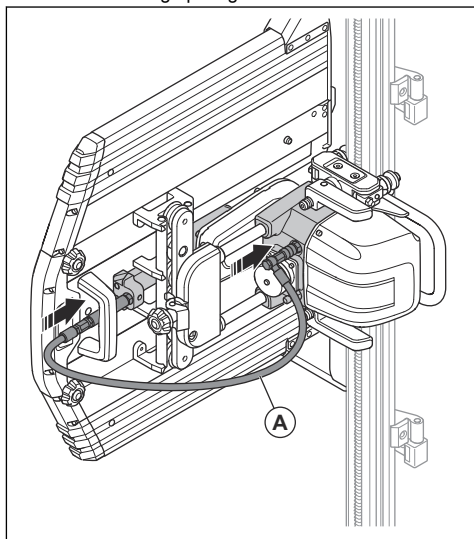


5. Breng de buitendelen weer aan als u ze tijdens de montage hebt verwijderd.



- Haak de vork (A) in de onderste rand van het middendeel.
- Klap het buitendeel (B) naar het middendeel.
- Vergrendel het met de borgknoppen (C).

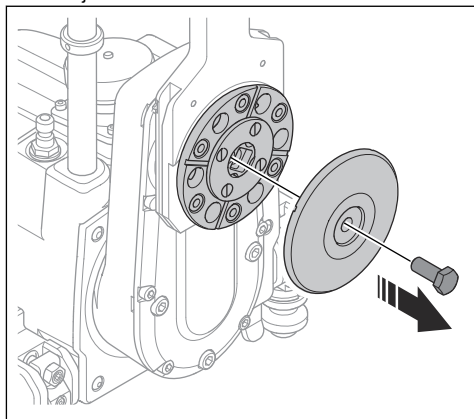
6. Sluit de waterslang (A) van de uitgaande wateraansluiting aan op de zaagbehuizing en de wateraansluiting op de geleideflens.



## Het blad voor vlakzagen monteren

Om vlak tegen een haaks oppervlak te zagen, kan het blad met zes verzonken bouten rechtstreeks op de binnenste bladflens worden bevestigd. Dit moet worden gedaan voordat de zaag op de rail wordt geplaatst en kan het beste gebeuren terwijl de zaag zich op de wagen bevindt. Stel de afstand van de montagebeugels tot de zaaglijn in op ongeveer 85-90 mm/3,34-3,54 inch van de zaaglijn bij de montage voor vlakzagen. Voor vlakzagen moet een speciale beschermkap worden gebruikt.

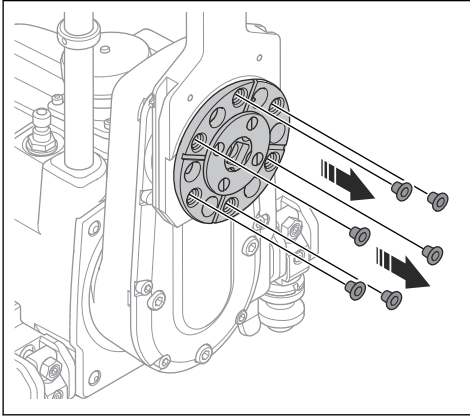
1. Verwijder de bladbout en de buitenste bladflens.



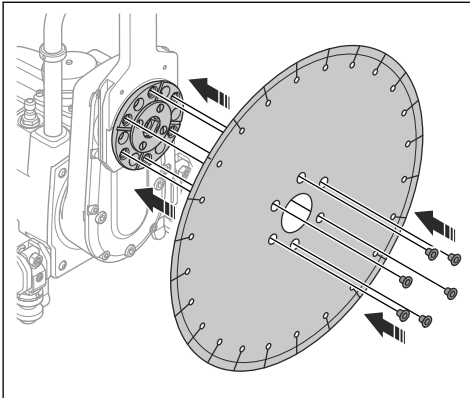
2. Reinig het klemoppervlak van de binnenste bladflens en controleer of het volledig vlak is.



3. Verwijder de zes pluggen die het schroefdraad beschermen tegen vuil.



4. Centreer het blad op de schouder van de geleider en druk op de binnenste flens.
5. Bevestig de zes bouten voor vlakzagen (verzonken) en haal ze kruislings aan met 30 Nm. Het bladpatroon van vlakzagen is  $\varnothing 85$  mm/3,34 inch.



6. Monteer de zaag met het blad op de rail. Stel de positie en hoek van de rail af op basis van het contact van het blad met het tegenoverliggende oppervlak.
7. Voer de zaag over de gehele lengte van de geplande zaagsnede aan voordat u begint met zagen om er zeker van te zijn dat de afstand en de hoek van het blad correct zijn en dat er geen ongelijke delen op het tegenoverliggende oppervlak zitten.
8. Bevestig de bladbeschermkap voor vlakzagen en controleer of het blad vrij kan draaien in de beschermkap.
9. Sluit de waterslang aan tussen de uitgaande wateraansluiting op de zaagbehuizing en de wateraansluiting op de geleideflens.

## De power pack op een voedingsbron aansluiten

1. Plaats de power pack op een stabiele en droge ondergrond op de werkplek.
2. Sluit de power pack aan op een geaard stopcontact met continue spanning. Zie *Technische gegevens op pagina 271*. Controleer of de netspanning overeenkomt met de spanning die is aangegeven op het typeplaatje op de power pack.
3. Gebruik een adapter als de voedingsbron 1-fasig is. Zie *Accessoires op pagina 277*.

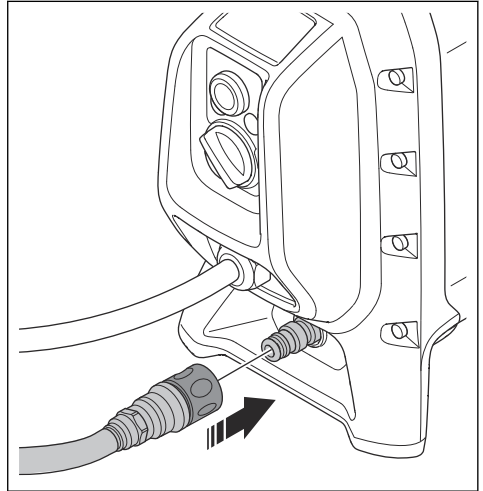
## Watertoevoer op de power pack aansluiten



**OPGELET:** Gebruik alleen schoon water om te voorkomen dat vuil een verstopping in het watersysteem veroorzaakt.

**Let op:** De waterkoeling stopt niet tijdens een stroomstoring.

1. Sluit de waterslang aan op de waterinlaataansluiting op het product.

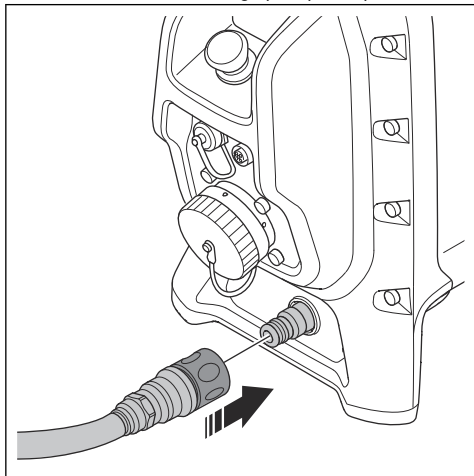


## Power pack op de wandzaag aansluiten

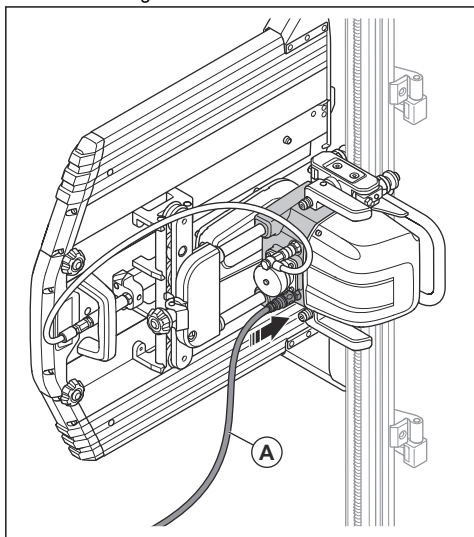
1. Sluit de watertoevoer aan tussen de power pack en de wandzaag.



- a) Sluit de waterslang aan op de wateruitlaataansluiting op de power pack.



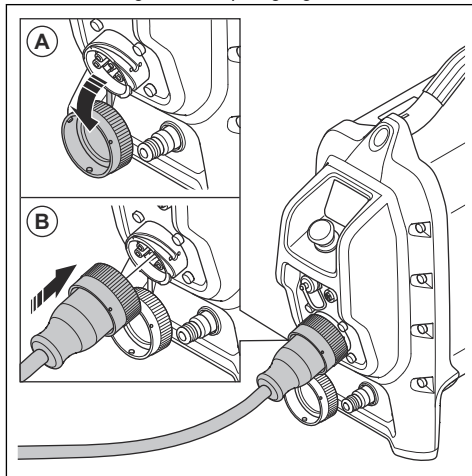
- b) Sluit de waterslang (A) aan tussen de power pack en de ingaande wateraansluiting van de wandzaag.



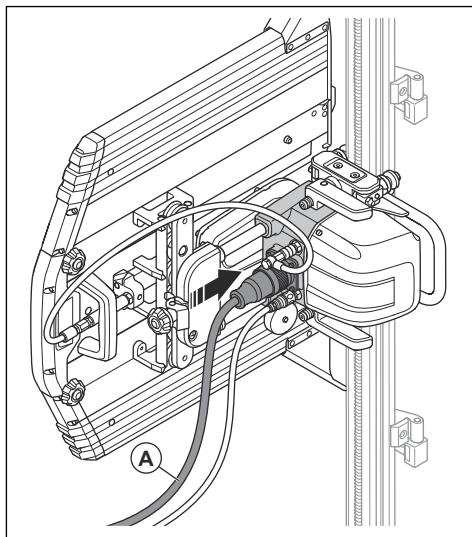
- c) Stel de koelwaterstroom naar de wandzaag af met de waterregelklep. Zie *Technische gegevens* op pagina 271 voor waterdruk.

2. Sluit de voeding aan tussen de power pack en de wandzaag.

- a) Verwijder de afdekking (A) van de aansluiting voor de gereedschapsuitgang.



- b) Sluit de voedingskabel aan op de aansluiting (B) voor de gereedschapsuitgang. Gebruik indien nodig een adapter.
- c) Sluit de voedingskabel (A) aan tussen de power pack en de zaageenheid. Bevestig de deksels aan elkaar om te voorkomen dat er vuil in de deksels terecht komt.



## Het product demonteren

Als het product een transportwagen heeft, plaats dan alle gedemonteerde onderdelen op de transportwagen.

1. Haal de voedingskabel van de power pack uit het stopcontact.

- Koppel de voedingskabel tussen de zaageenheid en de krachtbron los. Monteer de kappen op de stekkers.
- Koppel de waterslangen los van de zaageenheid.
- Verwijder de bladbeschermerkap.
- Verwijder de bladbeschermerkapgeleider.
- Demonteer het blad. Demonteer de buitenste bladflens, het blad en de bladbout.
- Druk de vergrendelknoppen in en klap de borghandgrepen uit om de zaageenheid los te maken uit de rail.
- Maak de slotbouten van de klemring op de montagebeugels los en til de rail uit de steunen. Maak 1 van de excentrische bouten in het midden van de rail los om de rails los te koppelen. Verwijder de rails.
- Demonteer de montagebeugels.

---

## Werking

---

### Inleiding



**WAARSCHUWING:** Voordat u het product gaat gebruiken, dient u het hoofdstuk over veiligheid te lezen en hebben begrepen.

- Als u de wandzaag WS 8 gaat gebruiken, leest u het hoofdstuk Bediening in deze handleiding.
- Als u een ander elektrisch gereedschap gaat gebruiken dat compatibel is met de power pack PP 8, leest u alleen het hoofdstuk Bediening in deze handleiding met betrekking tot de power pack PP 8. Raadpleeg voor andere vragen de handleiding van het andere elektrisch gereedschap.

### Voordat u het product gaat bedienen

- Lees de gebruikershandleiding zorgvuldig door en zorg dat u de instructies hebt begrepen.
- Voer dagelijks onderhoud uit. Zie *Onderhoudsschema op pagina 257*.
- Zorg ervoor dat er zich alleen goedgekeurde personen in het werkgebied bevinden, anders bestaat er kans op ernstig letsel.
- Maak altijd gebruik van persoonlijke beschermingsmiddelen. Zie *Persoonlijke beschermingsuitrusting op pagina 228*.

### Geïntegreerde connectiviteit gebruiken

**Let op:** Radiotransmissie door Bluetooth® wordt ingeschakeld wanneer het product voor het eerst wordt aangesloten op het stopcontact en blijft daarna ingeschakeld.

- Zorg ervoor dat de noodstopknop is ingeschakeld voordat u het product aansluit op Husqvarna Fleet Services.
- Download de iOS- of Android-app Husqvarna Fleet Services.
- Zie <https://fleetservices.husqvarna.com> voor meer informatie.

### Het werkgebied controleren vóór gebruik van het product

- Controleer het werkgebied om er zeker van te zijn dat veilig gebruik mogelijk is. Kijk uit voor personen, objecten en situaties die een veilig gebruik van het product kunnen verhinderen. Houd een veiligheidsafstand van minimaal 4 m aan.
- Zorg dat er geen stroomkabels, gas- of waterleidingen in het werkgebied aanwezig zijn.
- Zorg ervoor dat het gezaagde stuk kan worden verwijderd. Zaag het in kleinere delen, zodat het gemakkelijker te verwijderen is.
- Zorg dat het werkgebied schoon en goed verlicht is.
- Zorg ervoor dat het werkgebied is voorzien van stroom- en watertoevoer. Zorg ervoor dat afvalwater kan worden verwijderd.

### De werking testen vóór gebruik van het product

- Controleer de veiligheidsvoorzieningen van het product. Zie *Veiligheidsvoorzieningen op het product op pagina 228*.
- Controleer of het blad en de bladbeschermerkap niet beschadigd zijn. Vervang het blad of de bladbeschermerkap als er sprake is van barsten of andere schade.
- Controleer of het product juist is gemonteerd en de montagebeugels, rails, bladbout en vergrendelingswielen zijn vastgedraaid. Zorg ervoor dat de eindaanslagen aan de uiteinden van de rail zijn bevestigd.
- Controleer of er geen speling is tussen de geleidingswielen en de rail. Zie *De geleidewielen afstellen op pagina 259*.
- De bladbeschermerkap moet altijd op het product zijn geïnstalleerd tijdens bedrijf. Als de bladbeschermerkap het plafond raakt, kan 1 van de eindstukken van de bladbeschermerkap tijdelijk worden gedemonteerd.
- Zet het product in de startpositie voordat u de motor start.

## De wandzaag bedienen

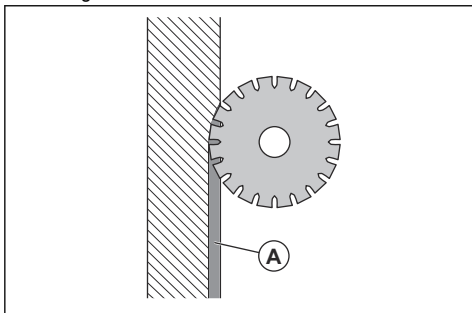
**Let op:** Als het product in 1-fasebedrijf werkt, is het uitgangsvermogen verlaagd. De zaagdiepte moet vervolgens worden verlaagd om goede zaagprestaties te behouden.

**Let op:** Het is qua tijd efficiënt om verschillende kleinere sneden te maken in plaats van enkele diepere sneden te maken. Ondiepe zaagsneden zorgen dat er meer druk wordt uitgeoefend op de bladsegmenten, wat helpt bij het scherp houden van het blad.



**WAARSCHUWING:** U moet altijd de beschermkap op de zaag monteren wanneer u de zaag bedient. Als de beschermkap het plafond raakt, bijvoorbeeld bij het overzagen van een deuropening, kunt u een van de nokken van de beschermkap tijdelijk verwijderen.

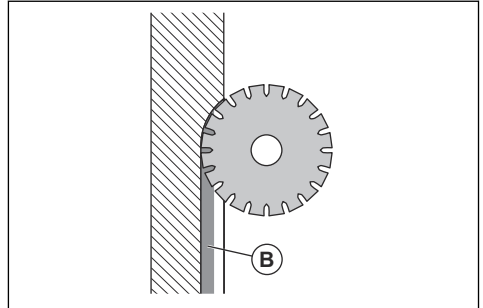
1. Start het product. Zie *Product starten op pagina 246*.
2. Bedien het product met de afstandsbediening. Zie *De afstandsbediening gebruiken op pagina 250*.
3. Kies de draairichting van het blad. De waterstraal kan naar wens worden gericht, ongeacht in welke richting de zaag op de rail wordt gedraaid.
4. Gebruik altijd de juiste hoeveelheid koelwater voor het systeem en het blad. Het koelwater koelt eerst de elektronica in de power pack, vervolgens de hoofdmotor en daarna het zaagblad. Het bindt ook het zaagsel. De waterstroom kan worden afgesteld via een ventiel dat is aangesloten op de waterslang of bij de kraan.
5. Begin met het zagen van een geleidesnede (A) met een diepte van 2-4 cm (0,8 inch-1,6 inch). Gebruik een lage toevoersnelheid om voor een rechte snede te zorgen.



**OPGELET:** Gebruik geen volgas voor het zagen van de geleidesnede.

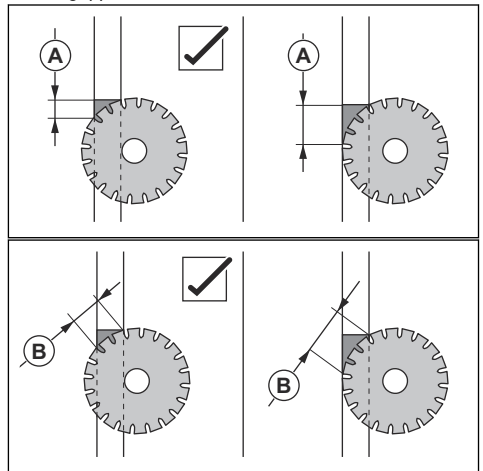
**Let op:** Het materiaal en de beschikbare zekeringen zijn van invloed op de zaagdiepte. Voorkom indien mogelijk zagen in ijzer. Zaag de geleidesnede met de arm in de volgorpositie.

6. De daaropvolgende sneden (B) moeten ongeveer 4-7 cm (1,6-2,8 inch) zijn. De diepte is afhankelijk van de hardheid van het materiaal, de mate van versterking en de plaatsing van de versterking. Plaats de zaag in de buurt van een montagesteun en duw het blad in het materiaal.

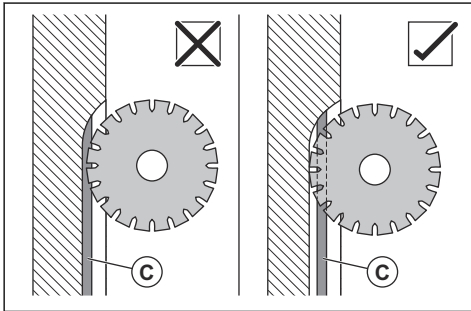


**Let op:** U kunt het blad vervangen en in dezelfde snede zagen. Zorg dat de breedte van het nieuwe blad overeenkomt met de groefbreedte.

7. Gebruik de maximale zaagdiepte van het blad als de wand dunner is dan de maximale diepte van het blad. Het zaagoppervlak wordt verkleind en de druk van de bladsegmenten wordt verhoogd. Doe dit ook wanneer overzagen niet mogelijk is, aangezien de ongezaagde afstand (wig) (B) die overblijft na het zagen kleiner wordt. (A) = overzaagafstand (b) = zaagoppervlak.



8. Wanneer u de betonwapening (C) in de lengterichting doorzaagt, moet u de betonwapening zagen volgens de afbeelding om een kleiner zaagoppervlak te creëren en het blad scherp te houden. U kunt ook beginnen met zagen vanaf het andere uiteinde van de zaagsnede, aangezien het niet zeker is dat de betonwapening de zaagsnede over de gehele afstand volgt.



**Let op:** Een lager bladtoerental verkleint het risico op gepolijste bladen in harde materialen.

9. Gebruik de maximale toevoersnelheid in de lengterichting voor optimale zaagprestaties. De software in de power pack regelt de toevoer continu en automatisch voor optimale zaagprestaties.
10. Als overzagen niet is toegestaan, moet u na het doorzagen van de wand een handzaag gebruiken om vanaf de achterzijde van het betonblok de ongezaagde afstand (wig) door te zagen. Gebruik de PRIME-doorslijpmachines, aangesloten op de onderste aansluiting op PP 8. De wagen heeft ook een speciale opbergplek voor een handzaag.
11. Verwijder het blad na elke snede uit de zaaggroef.
12. Nadat u klaar bent met de wandzaag trekt u het zaagblad volledig uit de zaaggroef en schakelt u de rotatie van het zaagblad en de waterstroom uit.



**OPGELET:** Laat het blad niet langere tijd zonder druk op de bladsegmenten draaien. Dit maakt het blad bot.

13. Stop de power pack en de waterstroom.

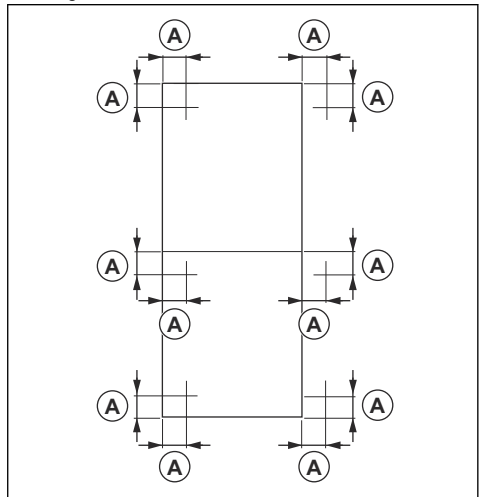
### Blokken zagen



**WAARSCHUWING:** Betonblokken zijn zeer zwaar en kunnen ernstig letsel veroorzaken als er niet juist mee wordt omgegaan. Zorg dat het blok veilig is vastgezet voordat de werkzaamheden beginnen.

De zaagarm kan in de onderstaande posities worden gekanteld.

1. Controleer de afmetingen van het blok en zorg dat u over de juiste apparatuur beschikt om het blok veilig te hijsen en te verwijderen.
2. Zaag een groot blok indien nodig in kleinere stukken.
3. Breng de gaten voor de montagebeugels aan op een afstand van ongeveer 150 mm/5,9 inch (A) vanaf de zaagsnede.



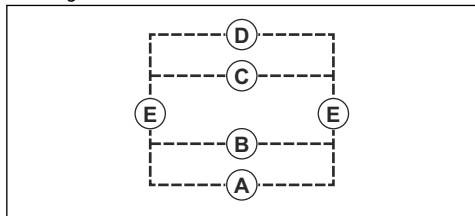
**WAARSCHUWING:** Bevestig de montagebeugels niet aan een deel van het blok dat bij de volgende zaagbewerking losraakt.

**Let op:** Wanneer u de gaten plaatst volgens de afbeelding, is het mogelijk om dezelfde gaten te gebruiken voor zowel horizontale als verticale zaagsneden.

**Let op:** U kunt de zaag aan beide zijden van de rail monteren, zodat er twee zaagsneden kunnen worden gemaakt met dezelfde montagebeugelconfiguratie.

**Let op:** De gaten voor de M10-expansiebouten moeten worden geboord volgens de aanbevelingen van de fabrikant van de bouten.

4. Zaag het blok conform de procedure die staat aangeduid in de afbeelding. De afbeelding toont de werkprocedure wanneer u een blok in 3 stukken zaagt.



- a) Maak eerst de horizontale sneden. Start onderaan: (A), (B), (C), (D).

**Let op:** Zet elk deel vast met wiggen of ankers om te zorgen dat de delen niet vallen of het blad blokkeren.

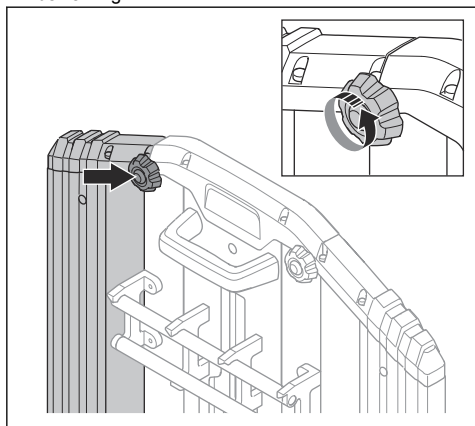
- b) Maak de 2 verticale sneden (E).



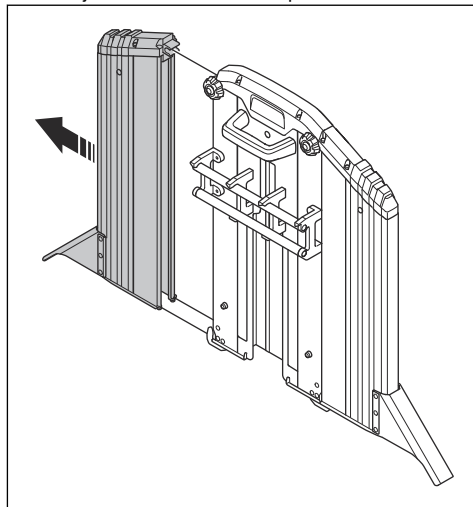
**WAARSCHUWING:** Voordat u de laatste zaagsnede maakt, moet u zorgen dat het blokgedeelte dat overblijft en waaraan de rail is bevestigd, stabiel is. Gebruik wiggen om de kleinere blokdelen vast te zetten.

### Het product voorbereiden voor gebruik dichtbij de vloer

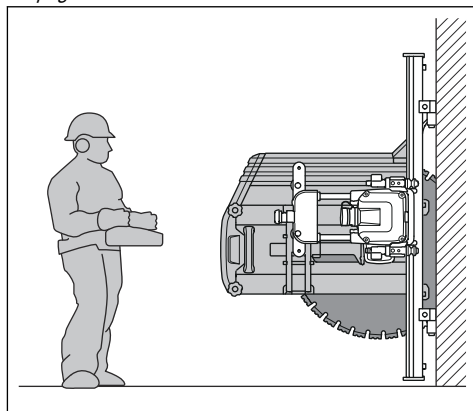
1. Maak alleen het opzetstuk los dat nodig is voor de bewerking.



2. Verwijder het bladbeschermkapdeel.

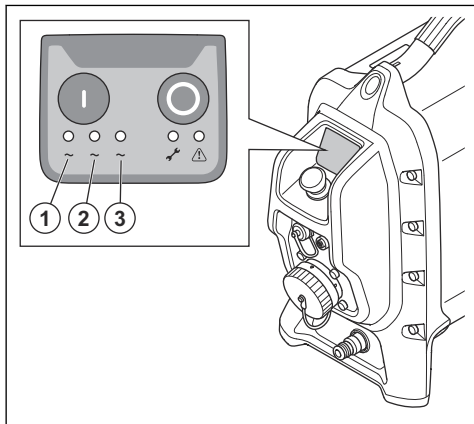


3. Gebruik het apparaat dichtbij de vloer. Zie *Product starten op pagina 246* en *De wandzaag bedienen op pagina 243*.

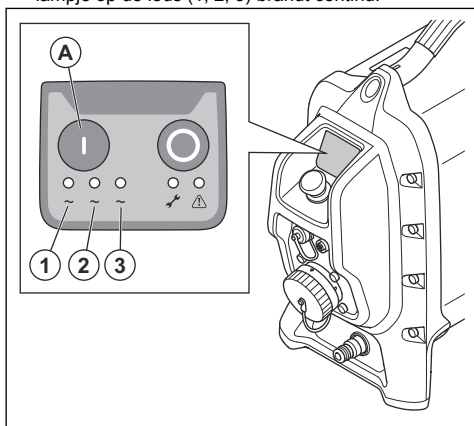


**De indicatieleids van de power pack controleren**

1. Controleer of de led (2) knippert wanneer u de power pack op een voedingsbron hebt aangesloten. Dit betekent dat de power pack in de stand-bymodus staat.



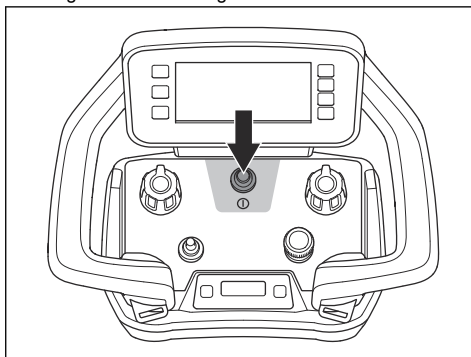
2. Druk op de knop ON op de power pack. Een groen lampje op de leds (1, 2, 3) brandt continu.



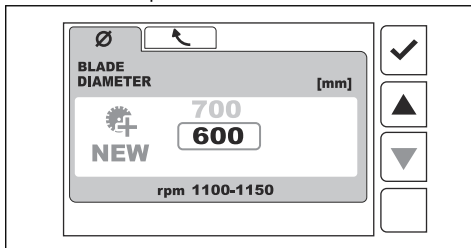
## Product starten

1. Start de power pack. Zie *De power pack starten op pagina 246*.

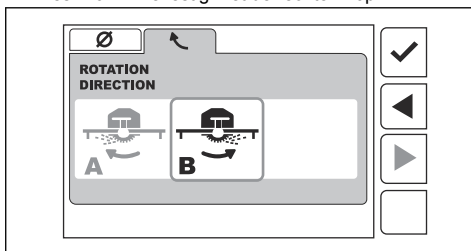
2. De afstandsbediening inschakelen. Druk op de afstandsbediening op de knop ON/OFF; de informatie wordt weergegeven op het display. Raadpleeg de bedieningshandleiding voor de aangesloten wandzaag voor meer informatie.



3. Selecteer welk blad u wilt gebruiken. Bevestig met de rechterknop.



4. Bepaal in welke richting het blad moet bewegen. Kies A of B. Bevestig met de rechterknop.

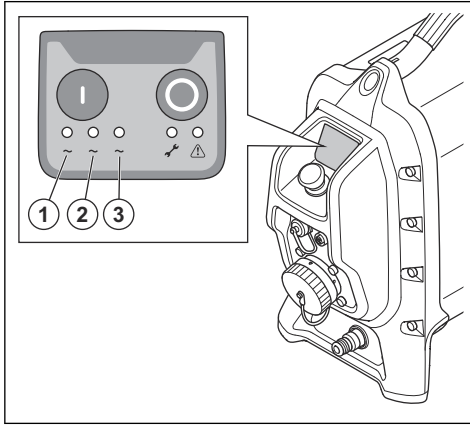


5. Start het draaien van het blad van de wandzaag. Zie *Het draaien van het blad starten op pagina 247*.

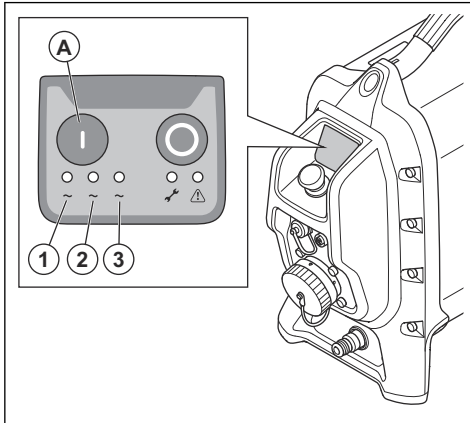
## De power pack starten

1. Start de watertoevoer naar de power pack. Zie *Watertoevoer op de power pack aansluiten op pagina 240*.
2. Sluit de power pack aan op een voedingsbron. Zie *De power pack op een voedingsbron aansluiten op pagina 240*.

3. De led (2) knippert, wat betekent dat de power pack in de stand-bymodus staat.

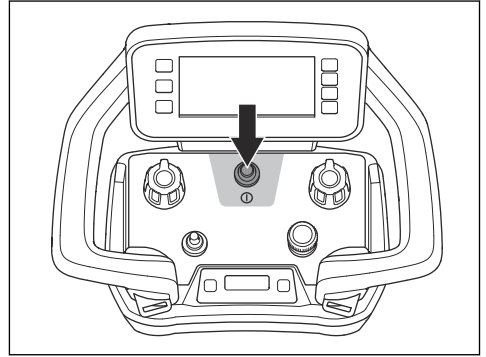


4. Druk op de knop ON (A) op de power pack. Een groen lampje op de leds (1, 2, 3) brandt continu.



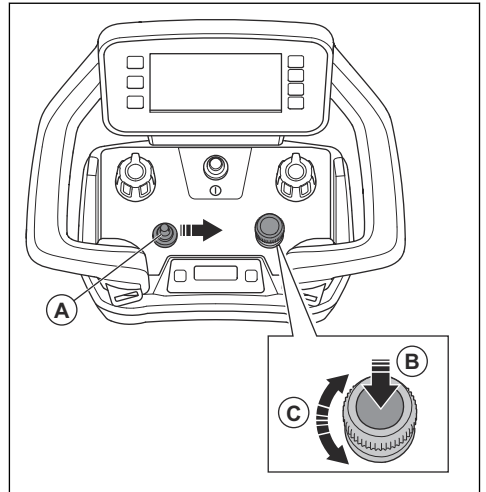
## De afstandsbediening inschakelen

1. Druk op de ON/OFF-knop om de afstandsbediening te starten. Het display toont het startscherm voor wanneer de motor is uitgeschakeld. Zie *Startscherm op pagina 252*.



## Het draaien van het blad starten

1. Druk met uw linkerhand de start-stopschakelaar (A) naar rechts en houd deze vast.



2. Gebruik uw rechterhand om de knop voor het instellen van het bladtoerental (B) omlaag te drukken.
3. Wanneer het zaagblad begint te werken, laat u de start-stopschakelaar en de knop los.
4. Draai aan de knop voor het instellen van het bladtoerental (C) om dit toerental in te stellen.

## Product stoppen

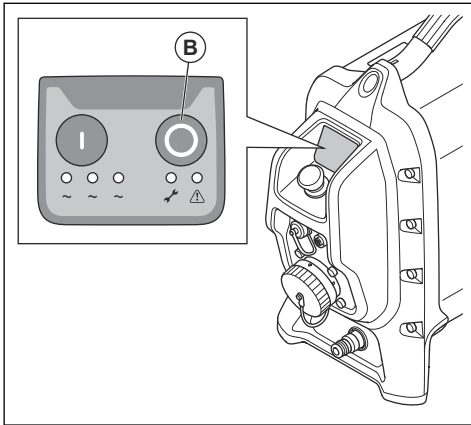


**WAARSCHUWING:** Sluit altijd de watertoevoer naar het product wanneer het niet is aangesloten op de netspanning.

1. Beweeg het blad uit de wand terwijl het draait. Beweeg de zaagarm naar de bovenste positie.
2. Druk de start-stopschakelaar naar links om het draaien van het blad uit te schakelen. Het draaien van het blad kan ook worden gestopt door de instelknop linksom te draaien.
3. Schakel de waterstroom uit.
4. Zorg dat de gezaagde blokken met wiggen zijn vastgezet om te voorkomen dat deze bij de demontage naar buiten vallen.
5. Verplaats de zaag naar een geschikte werkplek voor demontage.
6. Druk op de afstandsbediening op de knop ON/OFF om de wandzaag uit te schakelen.

### De power pack en het elektrisch gereedschap uitschakelen

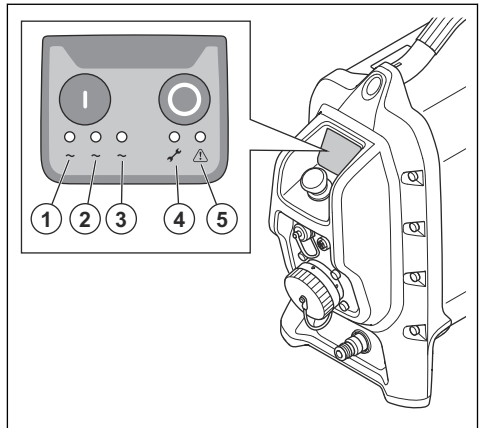
1. Druk op de stopknop (B) op de power pack.



2. Sluit de watertoevoer naar de power pack.

### Statusindicatielampjes

Als het product aangesloten is, gaan de lampjes 1-5 enkele seconden branden.



1. Faselampje (groen)
2. Faselampje (groen)
3. Faselampje (groen)
4. Servicelampje (geel)
5. Waarschuwinglampje (rood)

Voor meer informatie over de statusindicatielampjes, zie *Uitleg van de statusindicatielampjes van de power pack op pagina 260*.

### Waarschuwinglampje



**OPGELET:** Blijf het product niet gebruiken wanneer het waarschuwinglampje brandt. Risico op beschadiging van het product.

Stop het product als het waarschuwinglampje (rood lampje) gaat branden. Zie *Product stoppen op pagina 248*.

### Radiocommunicatiesysteem



**OPGELET:** Controleer of de CAN-buskabel moet worden aangesloten voor de bedrijfsomstandigheden. Zie *Het product bedienen met de afstandsbediening aangesloten met een CAN-buskabel op pagina 250*.

Voordat u het aangesloten elektrisch gereedschap kunt gebruiken, moet u een koppeling maken tussen de afstandsbediening en het product. De koppelingsprocedure moet ook worden uitgevoerd wanneer het product met de CAN-buskabel op de afstandsbediening is aangesloten.

De afstandsbediening is alleen geschikt voor bediening van het aangesloten product.



Als de meegeleverde afstandsbediening wordt vervangen, moet u opnieuw een koppeling maken tussen de afstandsbediening en het product.

Als de afstandsbedieningen van 2 power packs moeten worden verwisseld, moet u een koppeling maken tussen de verwisselde afstandsbediening en het product.

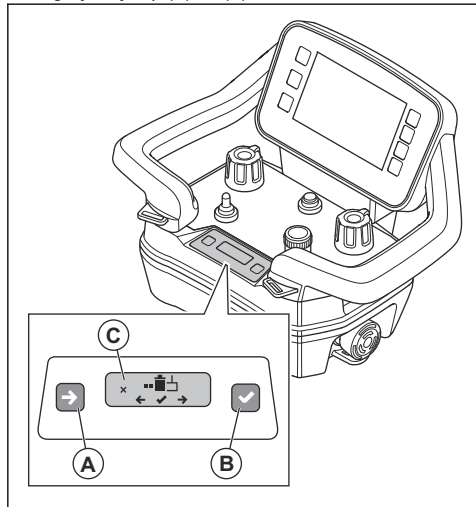
### Een koppeling maken tussen de afstandsbediening en de power pack



**OPGELET:** Controleer of de CAN-buskabel moet worden aangesloten voor de bedrijfsomstandigheden. Zie *Het product bedienen met de afstandsbediening aangesloten met een CAN-buskabel op pagina 250*.

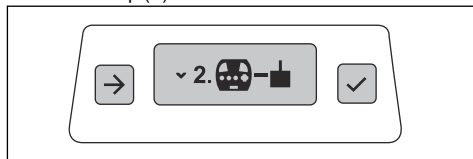
**Let op:** De koppeling kan ook worden uitgevoerd wanneer de CAN-buskabel is aangesloten op de power pack.

1. Zorg dat een opgeladen accu in de afstandsbediening is geplaatst.
2. Start de power pack. Zie *De power pack starten op pagina 246*.
3. De afstandsbediening inschakelen. Zie *De afstandsbediening gebruiken op pagina 250*.
4. Druk in het display van het informatiecentrum kort tegelijkertijd op (A) en (B).

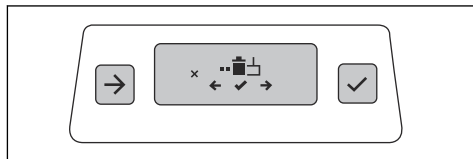


**Let op:** Het display van het informatiecentrum verandert van modus als (A) en (B) tegelijkertijd worden ingedrukt.

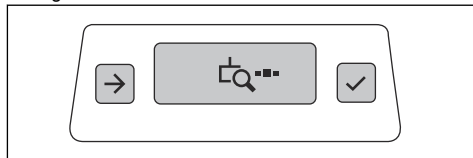
5. Druk kort op (A) om selectie "2" te zien.



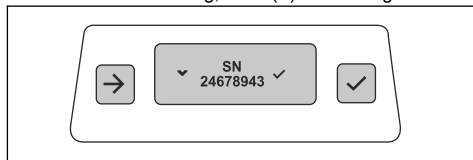
6. Druk kort op (B) om "2" te selecteren. Het symbol (C) verschijnt op het display van het informatiecentrum.



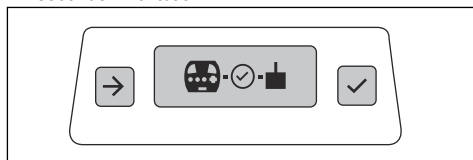
7. Houd (A) en (B) tegelijkertijd gedurende 3 seconden ingedrukt.



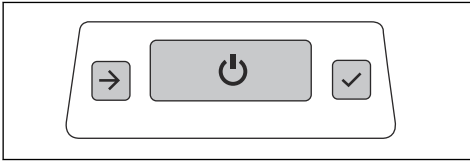
8. Schakel de power pack in.
9. Houd de knop ON op de power pack ten minste 3 seconden ingedrukt.
10. Wanneer het serienummer van de ontvanger zichtbaar is in het display van informatiecentrum op de afstandsbediening, moet (B) worden ingedrukt.



Het bevestigingssymbool voor de koppeling is 2 seconden zichtbaar.



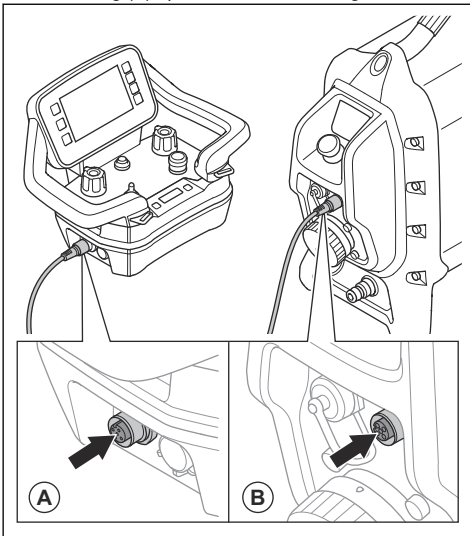
11. Wanneer het ON/OFF-symbool zichtbaar is in het display van informatiecentrum, moet de afstandsbediening opnieuw worden opgestart met de knop ON/OFF.



12. Start de power pack opnieuw. Zie *De power pack starten op pagina 246*.

### De afstandsbediening met een CAN-buskabel op de power pack aansluiten

1. Steek één uiteinde van de CAN-buskabel in de aansluiting (A) op de afstandsbediening.



2. Steek het andere uiteinde van de CAN-buskabel in de aansluiting (B) op de power pack.
3. Draai de verbindingsschroeven voor de CAN-buskabel met de hand vast.

### Het product bedienen met de afstandsbediening aangesloten met een CAN-buskabel

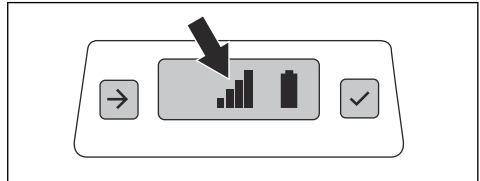
Onder bepaalde omstandigheden is het verplicht om een CAN-buskabel aan te sluiten om het product te bedienen. Neem voor meer informatie contact op met uw Husqvarna-servicecentrum.

De radiosignaaloverdracht stopt als de afstandsbediening wordt aangesloten via de CAN-buskabel.

- Sluit de CAN-buskabel aan op de afstandsbediening en het product. Zie *De afstandsbediening met een CAN-buskabel op de power pack aansluiten op pagina 250*.

### Controleren of de koppeling actief is

1. De afstandsbediening inschakelen. Zie *De afstandsbediening gebruiken op pagina 250*.
2. Start de power pack. Zie *De power pack starten op pagina 246*.
3. De koppeling is nog steeds actief als de verbindingsterkte zichtbaar is op het informatiedisplay.



### Afstandsbediening

Het product wordt bediend met een afstandsbediening.

De afstandsbediening kan worden gebruikt via de overdracht van radiosignalen. Als er interferentie optreedt in de overdracht, wordt de frequentie automatisch gewijzigd. Het product en de afstandsbediening worden in de fabriek gekoppeld. Deze moeten opnieuw worden gekoppeld als de afstandsbediening wordt vervangen of als u de afstandsbediening voor meerdere producten gebruikt. Zie *Een koppeling maken tussen de afstandsbediening en de power pack op pagina 249*.

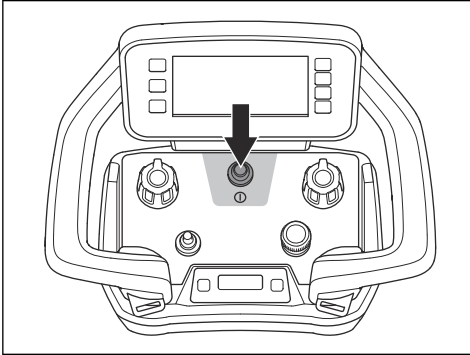
De afstandsbediening kan ook worden bediend met een CAN-buskabel die tussen de afstandsbediening en het product is aangesloten. De bij het product geleverde CAN-buskabel is 10 m lang. De maximale lengte voor de CAN-buskabel is 30 m. De CAN-buskabel kan bijvoorbeeld worden gebruikt wanneer de accu van de afstandsbediening bijna leeg is of wanneer er geen accu in de afstandsbediening is geplaatst. Voor instructies over het aansluiten van de afstandsbediening op het product met een kabel, zie *De afstandsbediening met een CAN-buskabel op de power pack aansluiten op pagina 250*.

De afstandsbediening heeft alle bedieningselementen die nodig zijn om het product te bedienen. De afstandsbediening heeft een digitaal display met een menusysteem. Zie *Menusysteem op pagina 253*.

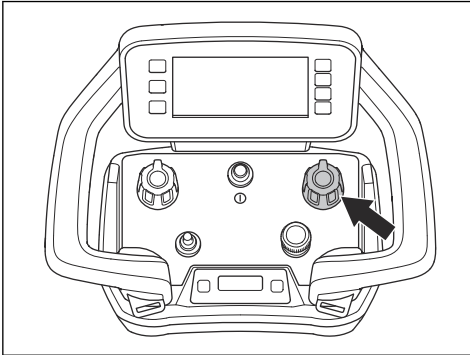
### De afstandsbediening gebruiken

Het product wordt bediend met de afstandsbediening. De afstandsbediening is via radiotransmissie of via de CAN-buskabel op de power pack aangesloten.

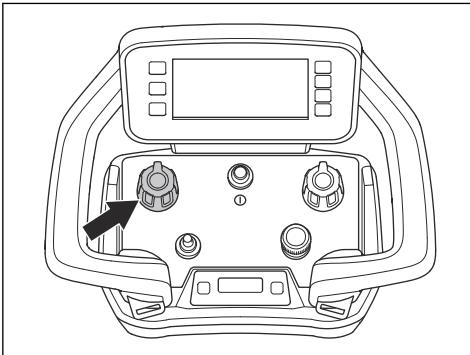
- Druk op de ON/OFF-knop om de afstandsbediening in en uit te schakelen.



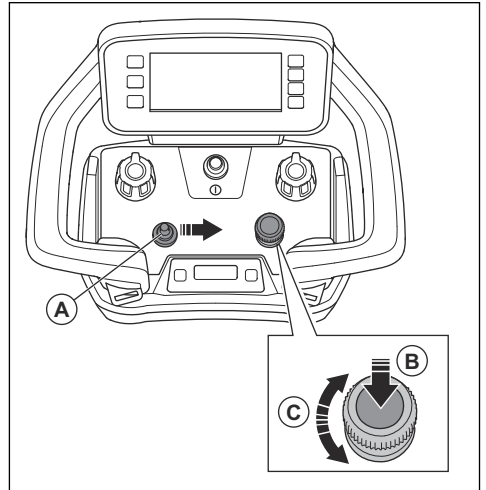
- Draai aan de knop om de wandzaag in de lengterichting over de rail te bewegen.



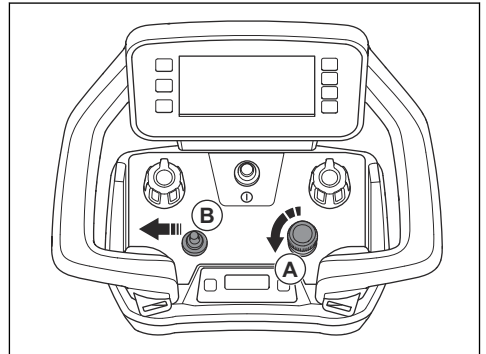
- Draai aan de knop om de zwenkarm te bewegen om de zaagdiepte aan te passen.



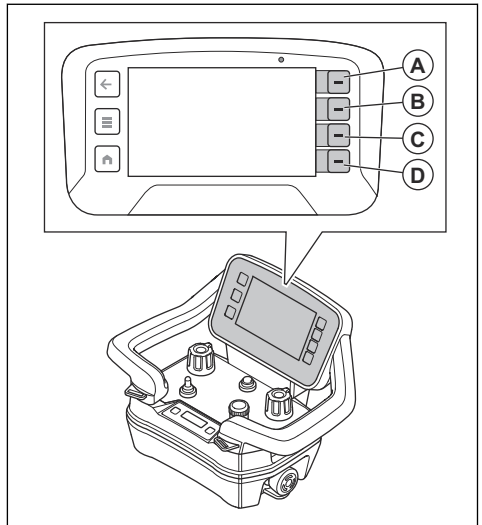
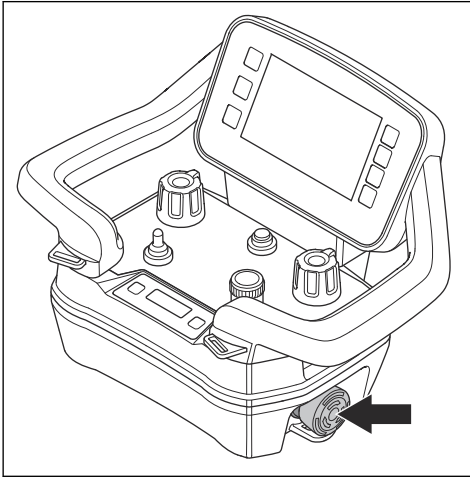
- Het blad starten: Houd de start-stopschakelaar (A) voor het blad ingedrukt en druk vervolgens op de knop voor het instellen van het bladtoerental (B). Laat de knop en de start-stopschakelaar los. Draai aan de knop voor het instellen van het bladtoerental (C) om dit toerental in te stellen. Zie *Het draaien van het blad starten op pagina 247*.



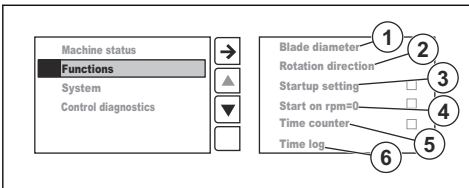
- Het blad stoppen: Draai de knop voor het instellen van het bladtoerental (A) linksom of druk de start-stopschakelaar (B) naar links.



- Als er een noodsituatie optreedt, stopt u het product met de machinestopknop.

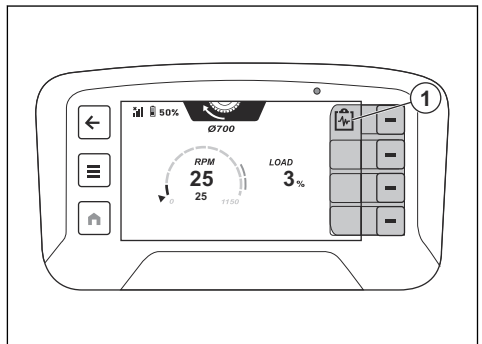


### Menu Functies



1. Met "Bladdiameter" wordt de diameter van het blad ingesteld.
2. Met "Draairichting" stelt u de richting van het blad in: rechtson of linksom.
3. Als "Opstartinstelling" is ingeschakeld, moet u de bladdiameter en de draairichting van het blad instellen voordat u het blad kunt starten.
4. Als "Start op toerental 0" is ingeschakeld, start het blad met een toerental van 0 tpm. Als deze functie niet is ingeschakeld, wordt het toerental van het blad automatisch verhoogd tot het aanbevolen toerental voor de geselecteerde bladdiameter.
5. Als "Tijdteller" is ingeschakeld, start een timer wanneer het bladtoerental 25 tpm of hoger is en de zaagarm naar voren wordt bewogen.
6. "Tijdlog" toont de 4 laatste tijdtellers.

### Motor aan



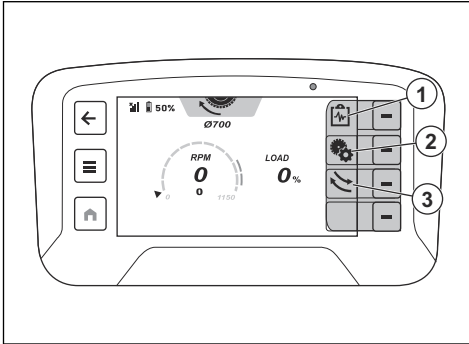
Positie	Beschrijving
1	Snelkoppeling om de machinestatus te selecteren.

### Startscherm

Het display heeft 2 startschermen. Er is 1 startscherm voor wanneer de motor is uitgeschakeld. Zie Motor uit hieronder. Het andere startscherm is voor wanneer de motor is ingeschakeld. Zie Motor aan hieronder.

De symbolen (A, B, C, D) in de snelkoppelingsbalk veranderen naargelang de motor is in- of uitgeschakeld.

## Motor uit

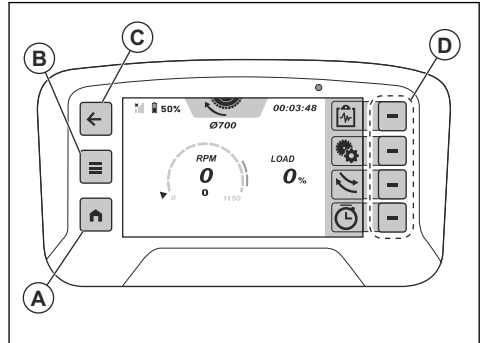


Positie	Beschrijving
1	Snelkoppeling om de machinestatus te selecteren.
2	Snelkoppeling om de bladdiameter en draairichting te wijzigen.
3	Snelkoppeling om de draairichting van het blad in te stellen.

## Menusysteem

Met de knop Home (A) gaat u naar het startscherm. Met de knop Menu (B) op de afstandsbediening opent u het menusysteem. Met de knop Terug (C) gaat u terug in de menustructuur.

De functies in de snelkoppeling balk veranderen als er een nieuwe item wordt geselecteerd op het display. Gebruik de knoppen (D) naast de snelkoppeling balk om de nieuwe functies te selecteren.



## Menuoverzicht

Machinestatus	Status bekijken		
	Actieve fouten	Storingslogboek	
	Bedrijfstijd		
Functies	Bladdiameter		
	Draairichting		
	Opstartinstelling <input type="checkbox"/>		
	Start op toerental 0 <input type="checkbox"/>		
	Tijdteller <input type="checkbox"/>		
	Tijdlog		

Systeem	Instellingen afstandsbediening	Helderheid	Automatisch
			Handmatig
		Taal	
		Units	Metrisch
			Imperial
	Reset		
	Versies	Power pack	
		Afstandsbediening	
Gereedschap			
Licenties van derden			
Bedieningsdiagnostiek			

### Menu "Machinestatus"

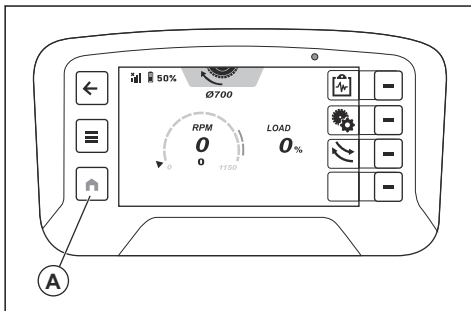
- "Status weergeven" toont een overzicht van de temperaturen en spanningen.
- "Actieve storingen" is een lijst met storingen die in het product zijn aangetroffen. In de lijst staan alle actieve berichten. Het meest recente bericht staat bovenaan de lijst. Zie *Foutmeldingen op pagina 261*.
- "Bedrijfstijd" toont de totale bedrijfstijd van de power pack en van de wandzaag.

### Menu "Systeem"

#### "Inst. afstandsbed."

- Met "Helderheid" wordt de helderheid van het display ingesteld.
- Met "Taal" wordt de taal van de tekst op het display ingesteld. De fabrieksinstelling voor de taal is Engels.

**Let op:** Om terug te keren naar de fabrieksinstellingen voor taal, helderheid en eenheden houdt u de knop Home (A) gedurende 10 seconden ingedrukt.



- Met "Eenheden" worden de eenheden voor druk en temperatuur alsmede de eenheid voor lengte op het display ingesteld.
- Met "Reset" worden de fabrieksinstellingen, de Engelse taal, de maximale helderheid en metrische eenheden ingesteld.

#### "Versies"

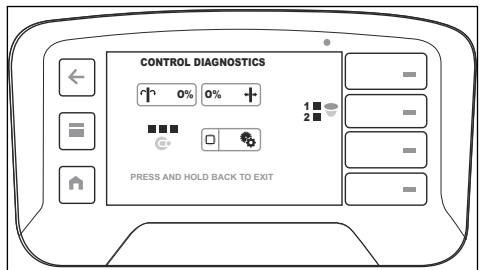
Toont de softwareversies van de power pack, het gereedschap (WS 8) en de afstandsbediening.

#### "Licenties van derden"

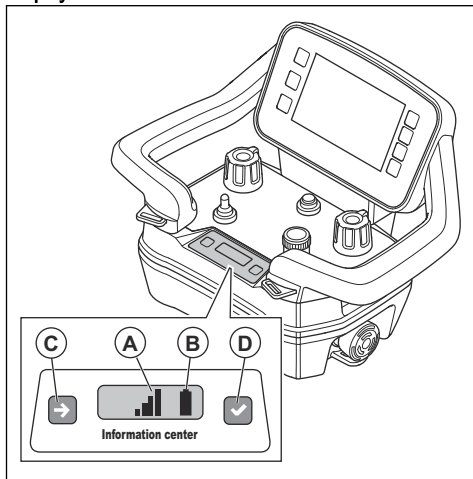
Toont de open-sourcelicenties voor het besturingssysteem en de app-licenties op de afstandsbediening.

### Bedieningsdiagnostiek

In "Bed.diagnose" kunt u de functietests van de bedieningselementen op de afstandsbediening uitvoeren. Elk bedieningselement wordt op het display weergegeven. De controle-indicatie op het display verandert van wit in oranje wanneer u de functietests uitvoert. Stel een bedieningselement op de afstandsbediening in op de maximale waarde. Het bedieningselement werkt correct wanneer de indicator 0% in het midden en -100% resp. 100% aan de eindposities aangeeft.



## Display van informatiecentrum



Het display van het informatiecentrum op de afstandsbediening geeft de volgende informatie over de afstandsbediening weer:

- Of de afstandsbediening aan of uit staat.
- Foutcodes. Zie *Foutcodes op HMI-display van afstandsbediening op pagina 264*.
- Koppelen van de afstandsbediening en het product. Zie *Een koppeling maken tussen de afstandsbediening en de power pack op pagina 249*.
- De radiosignaalsterkte (A) tussen de afstandsbediening en het product. Dezelfde symbolen worden ook in de bovenste balk op het display weergegeven. Zie *Symbolen in de bovenste balk op het display op pagina 222*

Radiosignaal	Symbol
Er zijn 4 niveaus van radiosignaalsterkte.	
Radiosignaal is in stand-bymodus. De afstandsbediening functioneert niet naar behoren.	
Geen radiosignaal.	

- Accustatus (B). Dezelfde symbolen worden ook in de bovenste balk op het display weergegeven. Zie *Accu van de afstandsbediening op pagina 255*.

Laadstatus	Symbol
Er zijn 5 laadniveaus voor de accu.	
Accustoring.	

Laadstatus	Symbol
Kabelaansluiting tussen de afstandsbediening en het product.	

Er zijn 2 knoppen voor het display van het informatiecentrum. Met de knop aan de linkerkant (C) gaat u naar het volgende symbool op het display. Met de rechter knop (D) maakt u een selectie.

## Accu van de afstandsbediening



**WAARSCHUWING:** Voordat u de accu van de afstandsbediening en de lader gebruikt, moet u het volgende goed doorlezen en begrijpen *Algemene veiligheidsinstructies op pagina 224 en Veiligheid bij accu's op pagina 226*.

**Let op:** De accu moet worden opgeladen voordat u de afstandsbediening voor het eerst gebruikt.

**Let op:** Als de accu gedurende 5 dagen niet worden gebruikt, gaat de accu in de verzendmodus. Wanneer de accu's in de verzendmodus staan, moet u ze op de lader aansluiten om de verzendmodus te verlaten.

**Let op:** Plaats de accu gedurende ca. 15 seconden in de lader om de accu te starten als deze in slaapmodus is.

De accu heeft een laadstatussymbool op het display en het display van het informatiecentrum, zie *Symbolen in de bovenste balk op het display op pagina 222 en Display van informatiecentrum op pagina 255*. Als de accu van de afstandsbediening een te lage laadstatus heeft, kan de afstandsbediening niet worden gebruikt.

De gebruiksduur van een volledig opgeladen accu van de afstandsbediening is ongeveer 12 uur. Koude weersomstandigheden kunnen de bedrijfstijd verkorten.

Laad de accu van de afstandsbediening elke 6 maanden op om de kwaliteit van de accu te behouden.

## Acculader

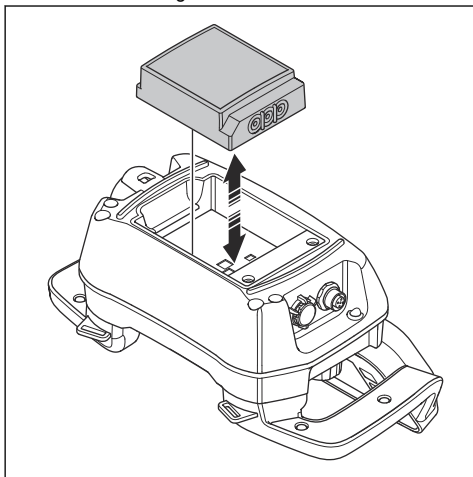
De indicator voor de accustatus bestaat uit 2 leds op de acculader: Led voor accuspanning (rood) en led voor accustatus (groen).

Voedings-led	Status-led	Aanwijzing
Rood licht	UIT	De lader is ingeschakeld. Geen accu in de lader.
Rood licht	Groen lampje	De lader is ingeschakeld. De accu is volledig opgeladen.

Voedings-led	Status-led	Aanwijzing
Rood licht	Groen lampje knippert	De lader is ingeschakeld. De accu wordt opgeladen.
Rood lampje knippert	UIT	Fout in de acculader, of temperatuur buiten laadbereik.

### De accu van de afstandsbediening in de afstandsbediening plaatsen en eruit verwijderen

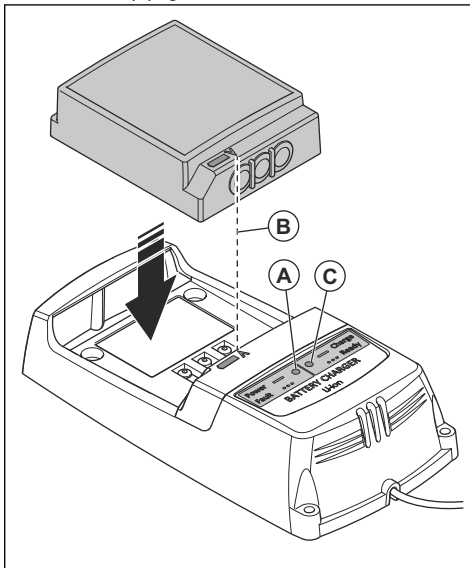
1. Draai de afstandsbediening om zodat u toegang krijgt tot de achterkant waar zich de accu bevindt.
2. Verwijder of plaats de accu van de afstandsbediening.



### De accu van de afstandsbediening opladen met de acculader

Het opladen van een lege accu voor de afstandsbediening duurt ongeveer 3 uur met de acculader. Wanneer u de accu van de afstandsbediening oplaadt, moet de temperatuur tussen 10 °C en 45 °C liggen.

1. Verwijder de lege accu uit de afstandsbediening. Zie *De accu van de afstandsbediening in de afstandsbediening plaatsen en eruit verwijderen op pagina 256*.
2. Sluit de juiste stekker aan op de acculader. De lader wordt geleverd met verschillende stekkers. Zie *Overzicht afstandsbediening op pagina 221*.
3. Sluit de acculader aan op een stopcontact. De voedingsindicator (A) voor de accu wordt rood. Zie *Acculader op pagina 255*.



4. Sluit de afstandsbedieningsaccu aan op de acculader. Let erop dat de pijlen (B) op de accu van de afstandsbediening en die op de acculader tegenover elkaar liggen. De statusindicator (C) op de acculader knippert groen wanneer de accu van de afstandsbediening wordt opgeladen.
5. Wanneer de afstandsbedieningsaccu volledig is opgeladen, wordt het lampje groen. Haal de afstandsbedieningsaccu van de acculader.
6. Koppel de acculader los van het stopcontact.

## Onderhoud

### Inleiding



**WAARSCHUWING:** Voordat u het product gaat gebruiken, dient u het hoofdstuk over veiligheid te lezen en hebben begrepen.

- Als u de wandzaag gaat gebruiken WS 8, leest u:
  - Onderhoud van PP 8, WS 8 en afstandsbediening
- Als u een ander elektrisch gereedschap gaat gebruiken dat compatibel is met de power pack PP 8, leest u alleen het hoofdstuk Onderhoud in deze



handleiding met betrekking tot de power pack PP 8.  
Raadpleeg voor andere vragen de handleiding van  
het andere elektrisch gereedschap.

en wacht minimaal 5 minuten voordat u  
onderhoud uitvoert.

## Onderhoudsschema



**WAARSCHUWING:** Haal de  
stekker van de producten uit het stopcontact



**WAARSCHUWING:** Reinig de  
producten niet met een hogedrukspuit. De  
hoge druk kan schade aan de afdichtingen  
veroorzaken en ertoe leiden dat water en  
vuil in de producten terechtkomen.

Algemeen productonderhoud	Elke dag	Weke- lijks
<b>WS 8</b>		
Reinig de wandzaag en accessoires. Zie <i>De power pack reinigen op pagina 258.</i>	X	
Reinig de connectoren op de zaagkop en de HF-kabel.	X	
Controleer of alle externe koppelingen, aansluitingen en kabels niet beschadigd zijn.	X	
Controleer of de borghendels goed werken. Controleer of de wielen juist zijn afgesteld. Zie <i>De geleidewielen afstellen op pagina 259.</i>	X	
Controleer de flensnaaf op beschadiging en slijtage.	X	
Controleer de beschermkap(pen) op beschadiging en slijtage.	X	
Controleer of de beschermkapgeleider juist is afgesteld. Zie <i>De beschermkapgeleider afstellen op pagina 259.</i> Smeer het borgmechanisme.	X	
Controleer de rekken op de rails op beschadiging. Controleer of de bevestigingsschroeven van de rekken goed vastzitten.		X
Controleer of alle geleidingswielen soepel draaien zonder overmatige speling. Als er overmatige speling is, neemt u contact op met een erkend Husqvarna-servicecentrum.		X
Luister of er abnormale geluiden van de toevoermotoren en de zwenkarm hoorbaar zijn.		X
Sluit alle wateraansluitingen aan, schakel het water in en controleer of er water lekt.		X
<b>PP 8</b>		
Reinig de power pack en de accessoires. Zie <i>De power pack reinigen op pagina 258.</i>	X	
Controleer de power pack in z'n geheel op barsten en kapotte onderdelen.	X	
Controleer of de machinestopknop naar behoren werkt. Zie <i>De noodstopknop van de power pack controleren op pagina 229.</i>	X	
<b>Afstandsbediening</b>		
Reinig de afstandsbediening en accessoires. Zie <i>De afstandsbediening dagelijks reinigen op pagina 259.</i>	X	
Controleer de afstandsbediening in z'n geheel op barsten en kapotte onderdelen.	X	
Controleer of de machinestopknop naar behoren werkt. Zie <i>De machinestopknop op de afstandsbediening controleren op pagina 230.</i>	X	

## Onderhoud van de PP 8

stopcontact en wacht minimaal 5 minuten  
voordat u onderhoud uitvoert



**WAARSCHUWING:** Haal de  
stekker van de power pack uit het



**OPGELET:** Reinig de power pack niet met een hogedrukspuit. De hoge druk kan schade aan de afdichtingen veroorzaken en ertoe leiden dat water en vuil in de power pack terechtkomen.



**OPGELET:** Gebruik geen water rechtstreeks op elektrische onderdelen.

### De power pack reinigen



**OPGELET:** Reinig het product niet met een hogedrukspuit.



**OPGELET:** Gebruik geen water rechtstreeks op elektrische onderdelen.

- Maak de buitenkant van de power pack schoon. Gebruik hiervoor een stevige handborstel of een grote verfkwas.
- Reinig de connectoren en pennen. Gebruik hiervoor een doek of een borstel.

### Power pack inspecteren

- Controleer de power pack op barsten en andere beschadigingen.
- Controleer of alle koppelingen, aansluitingen, slangen en kabels in goede staat verkeren en onbeschadigd zijn.

### Het waterfilter op de power pack reinigen

Reinig het filter in de waterinlaataansluiting.

- Maak de koppeling los met een sleutel van 16 mm.
- Verwijder vuil van het filter met perslucht.
- Zet de koppeling vast.

### Onderhoud van de WS 8



**WAARSCHUWING:** Haal de stekker van de wandzaag uit het stopcontact en wacht minimaal 5 minuten voordat u onderhoud uitvoert



**OPGELET:** Gebruik geen hogedrukspuit om de wandzaag te reinigen. De hoge druk kan schade aan de afdichtingen veroorzaken en ertoe leiden dat water en vuil in de wandzaag terechtkomen.

### De wandzaag reinigen en smeren



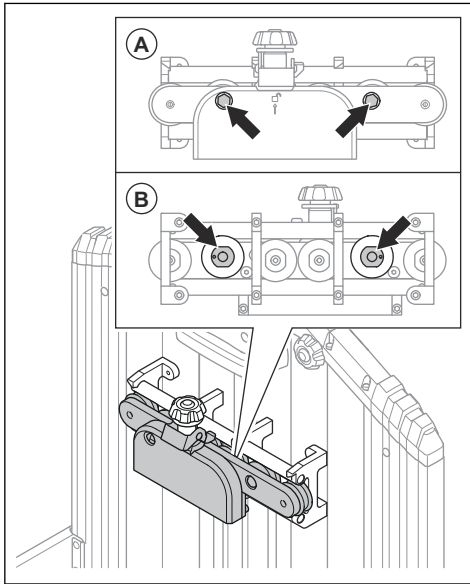
**OPGELET:** Reinig het product niet met een hogedrukspuit.

1. Demonteer de wandzaag. Zie *Het product demonteren op pagina 241*.
2. Reinig alle koppelingen, aansluitingen, slangen en kabels. Gebruik hiervoor de waterslang, een borstel en een doek.
3. Reinig en smeer de contactpennen.
4. Smeer de moffen van de waterkoppelingen.
5. Reinig de beschermkap grondig van binnen en buiten om te voorkomen dat vuil in de kap opdroogt.
6. Reinig en smeer de bewegende delen en veren van de machine, zoals de vergrendelingsmechanismen van de hendels en het veermechanisme van de beschermkapgeleider. Spuit een reinigende en smerende spray op de onderdelen.
7. Droog alle bewegende delen af. Smeer alle onderdelen met oliespray om corrosie te voorkomen.

### De wandzaag inspecteren

1. Controleer het blad en de beschermkap op barsten en andere beschadigingen.
2. Vervang de beschermkap en/of het blad als deze tekenen van abnormale slijtage vertonen.
3. Controleer ook of het geleidingswiel van de beschermkap zonder al te veel weerstand kan draaien en of de geleiding correct is uitgelijnd ten opzichte van de beschermkap en de zaag. Zie de secties over montage en instellingen bij het afstellen.

## De beschermkapgeleider afstellen



1. Draai de moeren op de 2 verstelbare geleidingswielen (A) los.
2. Bevestig de beschermkapgeleider aan de beschermkap.
3. Draai de nokkenassen met een sleutel van 22 mm tot de geleidingswielen de rail (B) raken.
4. Houd de nokkenas op zijn plaats met een sleutel van 22 mm en draai de moer vast met een sleutel van 16 mm.
5. Controleer of de wielen soepel draaien en de beschermkapgeleider geen speling vertoont.

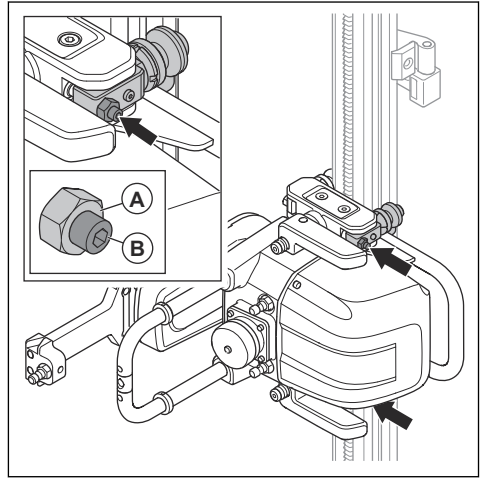
## De geleidewielen afstellen

Om de zaag stabiel te laten bewegen en recht te laten zagen, moeten de vier geleidingswielen tegen de rail rusten en mag er niet te veel speling op zitten. De geleidingswielen moeten worden afgesteld aan de in de afbeelding getoonde zijde, de tegenovergestelde zijde is een vaste positie die alleen mag worden afgesteld bij onderhoud door een erkende Husqvarna-servicewerkplaats.

Als de zaag te veel speling heeft, moeten de geleidingswielen als volgt worden afgesteld:

1. Draai de moer (A) terug met een sleutel van 13 mm.
2. Draai de stopbout (B) met een inbussleutel van 4 mm naar binnen tot de geleidingswielen tegen de rails aanliggen en er geen speling meer is.

3. Houd de stopbout (B) in deze positie met de inbussleutel en draai de moer (A) vast om de stopbout te borgen.



## Onderhoud aan de afstandsbediening



**WAARSCHUWING:** Koppel de afstandsbediening los van de voedingsbron en wacht minimaal 5 minuten voordat u onderhoud uitvoert



**OPGELET:** Reinig de afstandsbediening niet met een hogedrukspuit. De hoge druk kan schade aan de afdichtingen veroorzaken en ertoe leiden dat water en vuil in de afstandsbediening terechtkomen.

## De afstandsbediening dagelijks reinigen



**OPGELET:** Gebruik geen water rechtstreeks op elektrische onderdelen.

- Neem de buitenkant van de afstandsbediening af met een vochtige doek. Reinig de binnenkant van de afstandsbediening met perslucht.

## De afstandsbediening inspecteren

1. Voer een visuele inspectie uit van de afstandsbediening op barsten en andere schade.
2. Controleer of alle afdichtingen, koppelingen, aansluitingen en kabels in goede toestand en onbeschadigd zijn.
3. Controleer de schakelaars en bedieningselementen op beschadiging.

- Als er schade is of als de afstandsbediening niet correct werkt, moet u contact opnemen met een erkende servicewerkplaats.

#### De afstandsbediening wekelijks reinigen

- Reinig het bedieningspaneel en zorg ervoor dat u de tekst duidelijk kunt lezen.
- Reinig de accu-aansluitingen en de aansluitingen in het accuvak en de acculader. Gebruik een zachte en droge doek.

#### De accu van de afstandsbediening opladen

De accu van de afstandsbediening opladen, zie *De accu van de afstandsbediening in de afstandsbediening plaatsen en eruit verwijderen op pagina 256*.

#### Onderhoud uitvoeren aan het product

- Laat het onderhoud uitvoeren door een erkende Husqvarna-dealer. Gebruik uitsluitend originele reserveonderdelen om de veiligheid van het product te garanderen.
- De tijdlijnen voor het servicebericht:
  - Wanneer de tijd tot de onderhoudsbeurt > 50 uur is, wordt het bericht "Tijd voor onderhoud over 100 uur" weergegeven.

- Wanneer de tijd tot de onderhoudsbeurt 10-50 uur is, wordt het bericht "Tijd voor onderhoud over 50 uur" weergegeven.
  - Wanneer de tijd tot de onderhoudsbeurt < 10 uur is, wordt het bericht "Tijd voor onderhoud over 10 uur" weergegeven.
  - Wanneer de tijd tot de onderhoudsbeurt 0 uur is, wordt het bericht "Tijd voor onderhoud" weergegeven.
- Als het product na 1 jaar nog geen 100 bedrijfsuren heeft bereikt, laat u het controleren door een erkende Husqvarna-dealer.

#### Na onderhoud

- Voer een test uit nadat onderhoud is uitgevoerd.

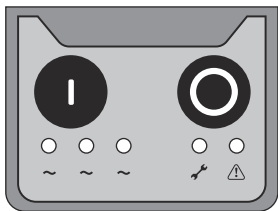


**WAARSCHUWING:** Gevaar voor letsel en schade. Een onjuist geïnstalleerde afstandsbediening, kabels of slangen kunnen een ongewenst effect hebben op de bewegingen van het product.

- Als er sprake is van een storing, stop het product dan onmiddellijk. Zie *Product stoppen op pagina 248*.

## Probleemoplossing

### Uitleg van de statusindicatielampjes van de power pack



De power pack heeft een set statusindicatielampjes, zie *Statusindicatielampjes op pagina 248*. De statusindicatielampjes helpen u bij het oplossen van problemen.



Het lampje brandt.



Het lampje brandt niet.



Het lampje knippert snel.



Het lampje knippert langzaam.



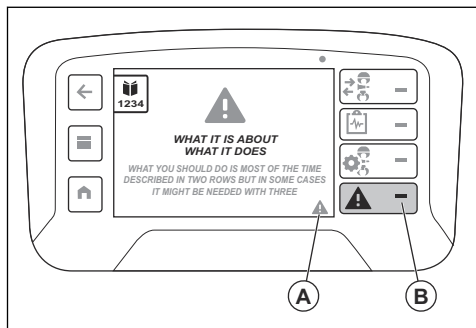
Het lampje gaat van de linkerzijde naar de rechterzijde en vervolgens weer naar de linkerzijde.



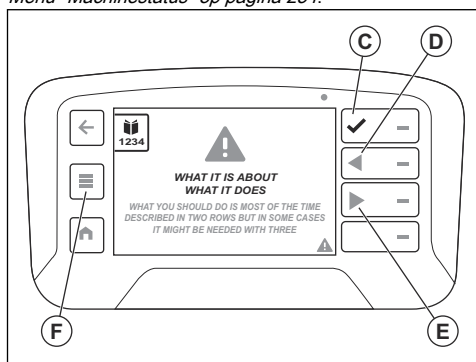
Het lampje gaat van de linkerzijde naar de rechterzijde.

### Foutmeldingen op het HMI-display

In de onderste balk (A) van het HMI-display kunt u actieve berichten of storingen bekijken. Om het bericht te bekijken drukt u op de knop naast de snelkoppeling met het driehoekje (B).



Gebruik de knop Accepteren (C) om de waarschuwing van het volledige scherm te verwijderen. Als er meer dan 1 actief bericht is, gebruikt u de pijlknoppen (D en E) om tussen de berichten op het display te navigeren. U kunt met de knop Menu (F) ook een lijst met storingen vinden onder "Actieve storingen" in "Machinestatus". Zie *Menu "Machinestatus" op pagina 254*.



## Verskillende soorten foutmeldingen

Er zijn 4 verschillende soorten foutmeldingen:

- **Informatiemeldingen** helpen en geven tips over het gebruik van het product. Deze melding is een witte spraakballon.
- **Meldingen "voorzichtig"** geven aan dat er iets niet goed gaat. Een melding "voorzichtig" is een gele driehoek.
- **Waarschuwingmeldingen** duiden op storingen of veiligheidsfouten die tot mechanische schade

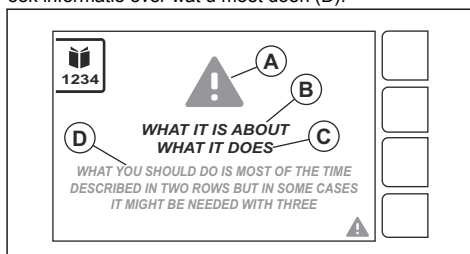
kunnen leiden. Het product stopt korte tijd daarna. De waarschuwing wordt eerst weergegeven op een volledig scherm met een rode gevarendriehoek en tekst. Nadat u de waarschuwingmelding (C) hebt geaccepteerd, wordt de waarschuwing een rood driehoeksymbool in de onderste balk (A).

- **Foutmeldingen** worden getoond wanneer het product is gestopt vanwege een storing of een veiligheidsfout. De foutmelding wordt in het rood weergegeven, met een witte driehoek en witte tekst. Wanneer u de foutmelding accepteert (C), wordt het driehoeksymbool in de onderste balk (A) weergegeven.

## Foutmeldingen

In geval van fouten worden een foutcode en een foutmelding op het display van de afstandsbediening weergegeven.

Een foutmelding bestaat uit 4 delen. De melding bevat een waarschuwingstriehoek (A), informatie over de waarschuwing (B), wat de waarschuwing doet (C) en ook informatie over wat u moet doen (D).



Voer de procedure uit die op het display wordt vermeld of neem contact op met uw Husqvarna-servicecentrum. Druk op "OK" om de foutmelding te sluiten.

Als u de foutmelding sluit en deze niet meer op het display verschijnt, kunt u het product blijven gebruiken.

Als de foutmelding opnieuw wordt weergegeven, raadpleegt u *Problemen oplossen - wandzaag en power pack op pagina 262* of neemt u contact op met uw Husqvarna-servicecentrum. Voer indien nodig een update van de software van het product uit.

Als er foutmeldingen zijn die niet in deze handleiding worden uitgelegd, neem dan contact op met uw Husqvarna-servicecentrum.

## Problemen oplossen - wandzaag en power pack

Fout-/infocode	Bericht	Oorzaak	Actie
-	-	De zaagdiepte is te groot.	Verklein de zaagdiepte.
		Het bladtoerental is te hoog.	Verlaag het bladtoerental.
		De waterstroom naar het blad is te hoog.	Beperk de waterstroom naar het blad.
		Het blad is te hard.	Vervang het blad door een zachter blad.
0001	Communicatie met gereedschap inconsistent	Er bevindt zich slurry in het gereedschap en in de aansluitingen.	Reinig of vervang het gereedschap. Neem contact op met een erkend Husqvarna-servicecentrum.
0002	De rem heeft een storing	De verbinding is slecht of een onderdeel is defect.	Probeer de power pack opnieuw te starten of test met een andere K6500/K7000.
			Neem contact op met een erkend Husqvarna-servicecentrum.
0003	De ventilator is defect	De verbinding is slecht of de ventilator is defect.	Luister of de ventilator is ingeschakeld wanneer de power pack wordt gestart.
			Indien de ventilator niet start, neemt u contact op met een erkende Husqvarna-servicewerkplaats.
0004	De power pack heeft een interne fout		Probeer de power pack opnieuw te starten.
0005			Als de power pack nog steeds niet werkt, neemt u contact op met een erkend Husqvarna-servicecentrum.
0006			
0007			
0008	Communicatie verbroken	De verbinding tussen gereedschap en power pack is slecht.	Reinig de aansluitingen van het gereedschap en de power pack.
			Neem contact op met een erkend Husqvarna-servicecentrum.
0009	Het gereedschap is niet compatibel	Het gereedschap is niet compatibel met de power pack.	Het gereedschap wordt niet herkend door de power pack.
			Neem contact op met een erkend Husqvarna-servicecentrum om het power pack bij te werken met de nieuwste firmware.

<b>Fout-/infocode</b>	<b>Bericht</b>	<b>Oorzaak</b>	<b>Actie</b>
0010	Overbelasting van bladmotor	De verbinding is slecht of een onderdeel is defect.	Probeer het met een ander gereedschap.
			Neem contact op met een erkend Husqvarna-servicecentrum.
0011	Stroomfout van bladmotor		Als de power pack in de stand-bymodus staat, probeert u de power pack opnieuw te starten.
			Als de power pack nog steeds in de stand-bymodus staat, neemt u contact op met een erkend Husqvarna-servicecentrum.
0012	Het binnenkomende vermogen ligt buiten het bereik	De netstroom ligt buiten het bereik.	Controleer de netvoeding.
			Neem contact op met een erkend Husqvarna-servicecentrum.
0013	De power pack heeft een te hoge temperatuur	Het water is niet aangesloten.	Controleer de wateraansluiting.
		Het binnenkomende koelwater is te warm.	Controleer de waterstroom en -temperatuur.
		Het debiet is laag.	Neem contact op met een erkend Husqvarna-servicecentrum.
0014	Starten met het ingestelde toerental		
0015	Geen geldig wandzaaggereedschap; starten geblokkeerd	Er is geen compatibel gereedschap aangesloten	Probeer een ander gereedschap aan te sluiten.
			Neem contact op met een erkend Husqvarna-servicecentrum.
0016	De potentiometer kan niet worden gestart.	De potentiometer staat niet in de neutrale stand.	Zet de potentiometer in de neutrale stand.
			Neem contact op met een erkend Husqvarna-servicecentrum.
0017	Aangesloten op primair gereedschap WS220		
0018	Aangesloten op primair gereedschap WS8		

Fout-/infocode	Bericht	Oorzaak	Actie
0019	De power pack heeft een te hoge temperatuur	Het water is niet aangesloten.	Controleer de wateraansluiting.
		Het binnenkomende koelwater is te warm.	Controleer de waterstroom en -temperatuur.
		Het debiet is laag.	Neem contact op met een erkend Husqvarna-servicecentrum.
0020	Het gereedschap heeft een te hoge temperatuur	Het water is niet aangesloten.	Controleer de wateraansluiting.
		Het binnenkomende koelwater is te warm.	Controleer de waterstroom en -temperatuur.
		Het debiet is laag.	Neem contact op met een erkend Husqvarna-servicecentrum.
0021	De toevoermotor is overbelast	De zaag heeft de eindaanslag van de rail geraakt.	Reinig de rail.
		Verwijder de slurry van de rail.	Zorg dat de wandzaag juist is aangebracht op de rail.
		Het blad zit vast.	Neem contact op met een erkend Husqvarna-servicecentrum.
0022	Onderhoud van gereedschap binnen 50 uur.		Tijd voor onderhoud binnen 50 uur.
0023	Onderhoud van gereedschap binnen 10 uur.		Tijd voor onderhoud binnen 10 uur. Neem contact op met een erkend Husqvarna-servicecentrum voor het boeken van een servicebeurt.
0024	Onderhoud van gereedschap nu.		Tijd voor onderhoud. Neem contact op met een erkend Husqvarna-servicecentrum voor het boeken van een servicebeurt.

## Foutcodes op HMI-display van afstandsbediening

**Let op:** Als op het HMI-display foutcodes > 1000 worden weergegeven, betreft de fout de afstandsbediening.


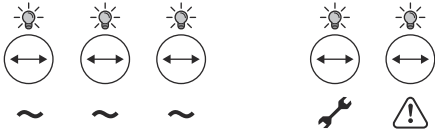
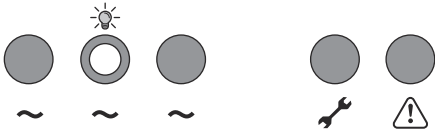
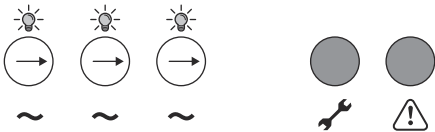
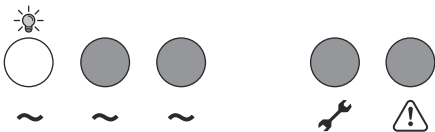
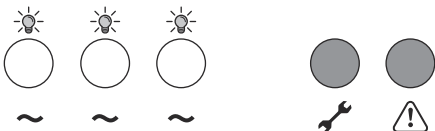
Foutcode	Foutmelding	Oorzaak	Actie
1001 1101-1116 1201-1216 1301-1316	Afstandsbediening defect	Er is sprake van een storing in de afstandsbediening	Neem contact op met een erkend Husqvarna-servicecentrum.

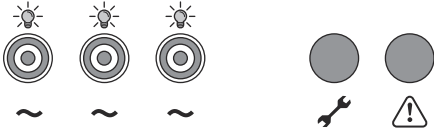
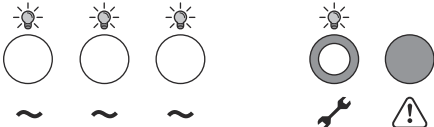
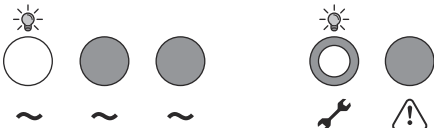
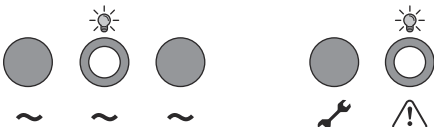
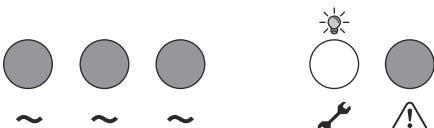
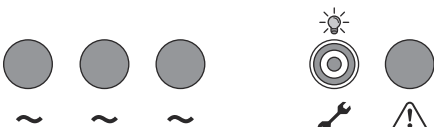


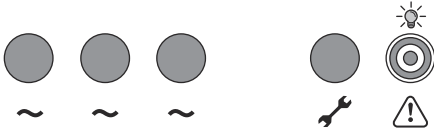
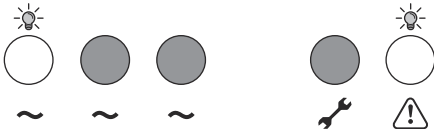
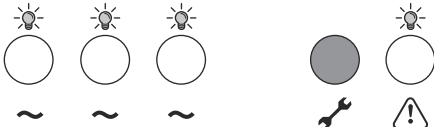
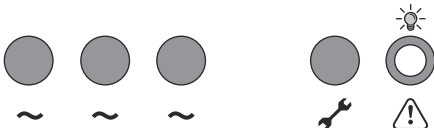
<b>Foutcode</b>	<b>Foutmelding</b>	<b>Oorzaak</b>	<b>Actie</b>
1401-1402	Start-stopschakelaar defect	Er is een fout in het signaal van de start-stopschakelaar	Neem contact op met een erkend Husqvarna-servicecentrum.
1403-1408 1501-1504 1701-1702 1801	Afstandsbediening defect	Er is sprake van een storing in de afstandsbediening	Neem contact op met een erkend Husqvarna-servicecentrum.
1802	Potentiometer voor armbeweging defect	Er is een storing in het signaal van de potentiometer voor de armbeweging.	Neem contact op met een erkend Husqvarna-servicecentrum.
1803	Potentiometer voor beweging in lengterichting defect	Er is een storing in het signaal van de potentiometer voor de beweging in lengterichting	Neem contact op met een erkend Husqvarna-servicecentrum.
1804-1816	Afstandsbediening defect	Er is sprake van een storing in de afstandsbediening	Neem contact op met een erkend Husqvarna-servicecentrum.
1813	Potentiometer voor armbeweging defect	Er is een storing in het signaal van de potentiometer voor de armbeweging	Neem contact op met een erkend Husqvarna-servicecentrum.
1814	Potentiometer voor beweging in lengterichting defect	Er is een storing in het signaal van de potentiometer voor de beweging in lengterichting	Neem contact op met een erkend Husqvarna-servicecentrum.
1901-1916 2002/2203-2030/2230	Afstandsbediening defect	Er is sprake van een storing in de afstandsbediening	Neem contact op met een erkend Husqvarna-servicecentrum.
2025/2225	Afstandsbediening - temperatuur te hoog	De afstandsbediening wordt gebruikt in omstandigheden die buiten de specificaties vallen.	Wacht tot de afstandsbediening is afgekoeld. Indien het probleem zich blijft voordoen neemt u contact op met een erkend Husqvarna-servicecentrum.
2026/2226	Afstandsbediening - temperatuur te laag	De afstandsbediening wordt gebruikt in omstandigheden die buiten de specificaties vallen.	Wacht tot de afstandsbediening is opgewarmd. Indien het probleem zich blijft voordoen neemt u contact op met een erkend Husqvarna-servicecentrum.
2119/2319	Radio-ontvanger - temperatuur te hoog	De radio-ontvanger (in de power pack) werkt onder omstandigheden die buiten de specificaties vallen.	Wacht tot de radio-ontvanger is afgekoeld. Indien het probleem zich blijft voordoen neemt u contact op met een erkend Husqvarna-servicecentrum.

<b>Foutcode</b>	<b>Foutmelding</b>	<b>Oorzaak</b>	<b>Actie</b>
2120/2320	Radio-ontvanger - temperatuur te laag	De radio-ontvanger (in de power pack) werkt onder omstandigheden die buiten de specificaties vallen.	Wacht tot de radio-ontvanger is opgewarmd. Indien het probleem zich blijft voordoen neemt u contact op met een erkend Husqvarna-servicecentrum.
2098/2298-2099/2299	Afstandsbediening defect	Er is sprake van een storing in de afstandsbediening.	Neem contact op met een erkend Husqvarna-servicecentrum.
3201	Onjuiste accu	Er is een onjuiste accu aangebracht in de afstandsbediening.	Neem contact op met een erkend Husqvarna-servicecentrum.
3202-3204	Afstandsbediening defect	Er is sprake van een fout in de afstandsbediening.	Neem contact op met een erkend Husqvarna-servicecentrum.
3211	Onjuist type accu	Er is een onjuist type accu aangebracht in de afstandsbediening.	Neem contact op met een erkend Husqvarna-servicecentrum.
3212 9001-9002 9401-9499 9801-9899	Afstandsbediening defect	Er is sprake van een fout in de afstandsbediening.	Neem contact op met een erkend Husqvarna-servicecentrum.
2102/2302-2118/2318 2121/2321-2123/2323 2198/2398-2199/2399 3103 8101-8107 9109-9199 9301-9399 9501-9505	Radio-ontvanger defect	Er is sprake van een storing in de radiocommunicatie-ontvanger (in de power pack).	Neem contact op met een erkend Husqvarna-servicecentrum.

## Display van power pack

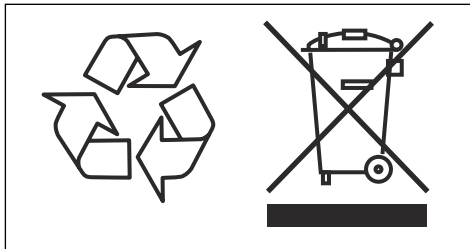
Bedieningspaneel	Fout-/info-code	Status	Stap
		Er is geen voeding.	Reset PRCD.  Controleer de voeding.
		Functietest van led bij aansluiting van voeding. (< 3 s)	Controleer de machinestopknop. Zie <i>De noodstopknop van de power pack controleren op pagina 229</i> en <i>De machinestopknop op de afstandsbediening controleren op pagina 230</i> .
		Het product staat in stand-bymodus.	N.v.t.
		Fasevolgorde selecteren bij starten. (< 3 s)	Bij > 3 s controleert u de zekeringen en de spanning.
		Het product is ingeschakeld en aangesloten op 1 fase.	N.v.t.
		Het product is ingeschakeld en aangesloten op 3 fasen.	N.v.t.

Bedieningspaneel	Fout/ Info- code	Status	Stap
	0012	Stroomstoring.	Controleer de zekeringen en generator.
	0009	Het gereedschap is niet compatibel.	Neem contact op met een erkend Husqvarna-servicecentrum.
	0009	Het gereedschap is niet compatibel.	Neem contact op met een erkend Husqvarna-servicecentrum.
		De noodstopknop van de machine is ingedrukt.  Het product staat in de slaapstand.	Reset het product.  Controleer of de stopknop is losgelaten.
	0004 0005 0006 0007	Interne fout van power pack.	1. Start de power pack opnieuw. 2. Als de foutmelding niet verdwijnt, neemt u contact op met een erkend Husqvarna-servicecentrum.
	0002 0003 0010	Power pack-waarschuwing	Zie <i>Problemen oplossen - wandzaag en power pack op pagina 262</i> om de acties voor elke foutcode uit te voeren.

Bedieningspaneel	Fout-/info-code	Status	Stap
	0013	De power pack is oververhit.	<p>Controleer de wateraansluitingen op de power pack.</p> <p>Controleer de waterstroom en -temperatuur.</p> <p>Neem contact op met een erkend Husqvarna-servicecentrum.</p>
	0019	De power pack is oververhit (1-fase).	<p>Controleer de wateraansluitingen op de power pack.</p> <p>Controleer de waterstroom en -temperatuur.</p> <p>Neem contact op met een erkend Husqvarna-servicecentrum.</p>
	0019	De power pack is oververhit (3-fase).	<p>Controleer de wateraansluitingen op de power pack.</p> <p>Controleer de waterstroom en -temperatuur.</p> <p>Neem contact op met een erkend Husqvarna-servicecentrum.</p>
		Het gereedschap is gestopt om veiligheidsredenen	<p>Koppel het gereedschap los en sluit het weer aan.</p> <p>Start het gereedschap.</p> <p>Als de foutmelding niet verdwijnt, neemt u contact op met een erkend Husqvarna-servicecentrum.</p>

### Transport

- Als uw product een transportwagen heeft, gebruik deze dan om het product te verplaatsen. De handgrepen van de transportwagen kunnen als rails worden gebruikt wanneer u deze op een truck tilt.
- Schakel de voedingseenheid uit en trek de voedingskabel uit voordat u de apparatuur verplaatst.
- Verwijder het blad en de bladbeschermkap van het product voordat u het product vervoert.



### Het product opslaan

- Bewaar het product in een afgesloten ruimte om toegang door kinderen of onbevoegde personen te verhinderen.
- Bewaar het product in een droge ruimte.
- Zorg ervoor dat de temperatuur niet lager is dan -25 °C en niet hoger dan 50 °C.
- Als het risico bestaat dat het water bevroest, moet al het resterende waterkoelmiddel uit het product worden afgetapt. Kantel het product om het koelwater uit de wateruitlaataansluiting af te tappen.

### Afvoeren

Symbolen op het product of op de verpakking van het product geven aan dat dit product niet verwerkt mag worden als huishoudelijk afval. Het moet worden ingeleverd bij een geschikt inzamelstation voor het terugwinnen van elektrische en elektronische apparatuur.

Haal de stekker van het product uit het stopcontact en verwijder de batterijen uit de afstandsbediening voordat u het product op een geschikt recyclingpunt inlevert.

Voor CE-landen moeten de accu's worden gerecycled volgens 2014/30/EU. Vergeet niet het recyclingpunt op de hoogte te stellen van het feit dat het product een lithium-ionaccu bevat. Lever de batterijen in op een geschikt recyclingpunt.

Als u ervoor zorgt dat dit product goed wordt verwerkt, helpt u mogelijk negatieve gevolgen voor het milieu en mensen door verkeerd afvalbeheer van dit product tegen te gaan. Neem voor meer informatie over het recyclen van dit product contact op met de gemeente, het afvalverwerkingsbedrijf of de winkel waar u het product hebt gekocht.

## Technische gegevens

### Technische gegevens PP 8

Max. vermogen, kW	6,5
Nominale stroom 3 fasen, A	15
Nominale stroom 1 fase, A	15
3-fasespanning, V	200-480, 50/60 Hz
1-fasespanning, V	120-240, 50/60 Hz
<b>Voeding</b>	
3-fasen	L1+L2+L3+PE
1-fase	L+N+PE
<b>Waterkoeling (van aangesloten gereedschap)</b>	
Max. druk, bar/psi	7/102
Watertemperatuur, aanbevolen, °C/°F	< 25/77
<b>Gewicht</b>	
Power pack, kg/lbs	18/39

### Technische gegevens WS 8

<b>Gewicht</b>	
Zaageenheid, kg/lbs	19/41
Bladbeschermkap 600 mm, kg/lbs	9,5/21
Bladbeschermkap 900 mm, kg/lbs	14/31
Totaalgewicht van rail, kg/lbs	11/24
<b>Bladformaat</b>	
Bladformaat – max., mm/inch	900/36
Bladformaat – min., mm/inch	500/20
Beginblad – max., mm/inch	600/24
Vlakzaagbladpatroon 6 × M8, Ø mm/inch	85/3,34
Diameter asgat, mm of inch	60 of 1
Zaagdiepte van blad 600 - max., mm/inch	245/9,6
Zaagdiepte van blad 900 - max., mm/inch	395/15,5
Motor voor zaagbladaandrijving	Permanent Magnet Motor
Spilvermogen – max., kW	6

Krachtoverbrenging	Tandwielaandrijving
Uitgaand toerental, tpm	0-1150
Bewegingssysteem/aansturing	Elektrisch/automatisch
Aandrijfkoppel op zaagblad – max., Nm	68
<b>Geluidsemissies</b> <sup>10</sup>	
Geluidsvermogeniveau, gemeten dB(A)	119
Geluidsvermogensniveau, gegarandeerd L <sub>WA</sub> dB (A)	105
<b>Geluidsniveaus</b> <sup>11</sup>	
Geluidsdrukniveau, berekend dB(A)	105

## Technische gegevens afstandsbediening en lader

Specificatie accu/batterij	Nominaal 7,2 V, 5100 mAh
Accu	Het product wordt geleverd met 1 Li-ion-accu.
Gebruiksduur, h	12
Laadtijd, h	3
Oplaadcycli	> 1000
Signaaloverdracht	Overdracht per radiosignaal of kabel.
Radiofrequentiebanden, GHz	2.4
Max. radiofrequentievermogen overgebracht, dBm	20 <sup>12</sup>
Kabelbediening	Optioneel
Bereik, m/ft.	Tot 300/984
Afmetingen h x b x d, afstandsbediening, mm/inch	190 × 280 × 195/7,5 × 11,1 × 7,7
Gewicht, afstandsbediening (incl. accu), kg/lb	1,6/3,5
Beschermingsklasse afstandsbediening	IP67
Bedrijfstemperatuur, °C/°F	-20–60 / -4–140
Opslagtemperatuur met accu, °C/°F	Minder dan 1 maand: -20–50/ 4–122 Minder dan 3 maanden: -20–40/ 4–104 Minder dan 1 jaar: -20–20/ 4–68
Opslagtemperatuur zonder accu, °C/°F	-40–85/-40–185
Laadtemperatuur, °C/°F	10–45/50–113

<sup>10</sup> Geluidsemissies gemeten en berekend volgens EN-62841-3-7 bijlage I. Verwachte metingonzekerheid is 10 dB(A). De geluidsemissies zijn afhankelijk van het diamantwiel en de werkomstandigheden. Gebruik goedgekeurde gehoorbescherming wanneer u het product gebruikt. De opgegeven geluidsemissiewaarde kan ook worden gebruikt voor een voorlopige beoordeling van de blootstelling.

<sup>11</sup> Geluidsdrukniveau gemeten en berekend volgens EN-62841-3-7 bijlage I.

<sup>12</sup> 13 dBm voor markten waar 20 dBm niet wordt aanvaard.



Afmetingen h x b x d, acculader, mm/inch	47 × 97 × 185/1,8 × 3,8 × 7,3
Gewicht, acculader, kg/lb	0,214/0,47
Beschermingsklasse, acculader	IP21
Voeding, acculader	12/24 VDC 110-240 VAC

## Geïntegreerde connectiviteit

Radiospectrum BLE-technologie	
Frequentiebanden voor het gereedschap, GHz	2,402 - 2,480
Maximaal overgebracht radiofrequentievermogen, dBm	4/2,5

## Typische voorbeelden van generatorwerking

1-fase/3-fase	Power Pack 8, Wall Saw 8, Remote control, uitgang	Generatoruitgang, V	Minimaal aanbevolen generatorvermogen, kVA
3-fasen	Vol vermogen	3 x 380-3 x 480	10
	Verminderd vermogen	3 x 200-3 x 240	10
1-fase	Verminderd vermogen	220-240	5

## Aanbevolen toerental voor blad

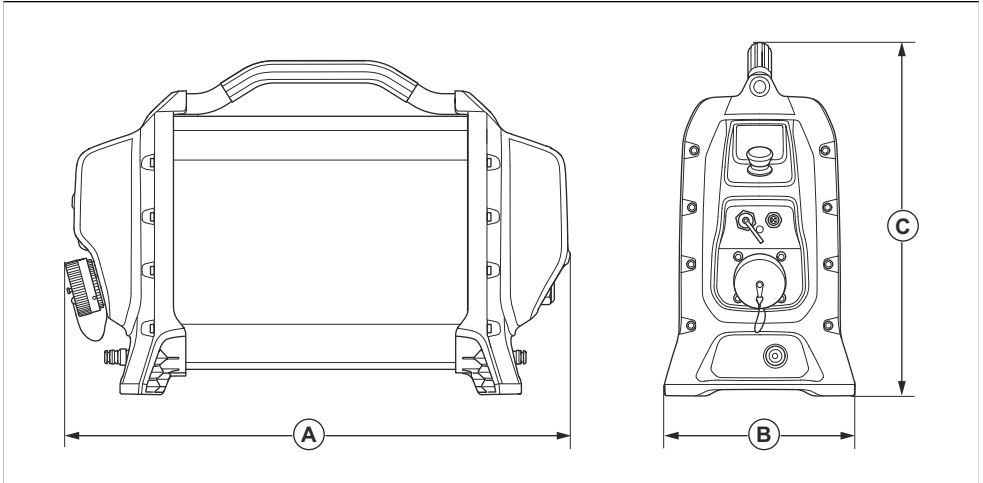
"H" is hard of zwaar gewapend beton. "M/S" is middelhard of zacht beton. "S" is zacht beton.



**WAARSCHUWING:** Een toerental hoger dan aanbevolen kan tot letsel en schade aan het product leiden.

Toerental, tpm	600 mm/24 inch	700 mm/28 inch	800 mm/32 inch	900 mm/35 inch
600				
700				H
800			H	M/S
900		H	M/S	S
1000	H	M/S	S	
1100	M/S	S		
1150	S			

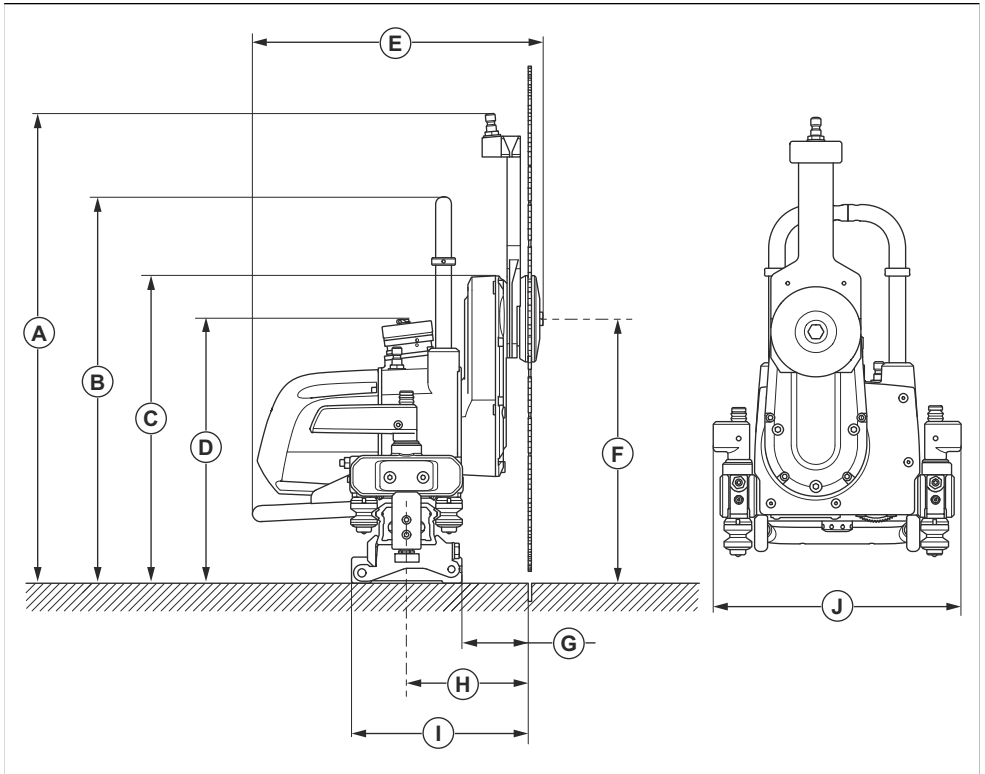
## Productafmetingen PP 8



### Afmetingen, mm/inch

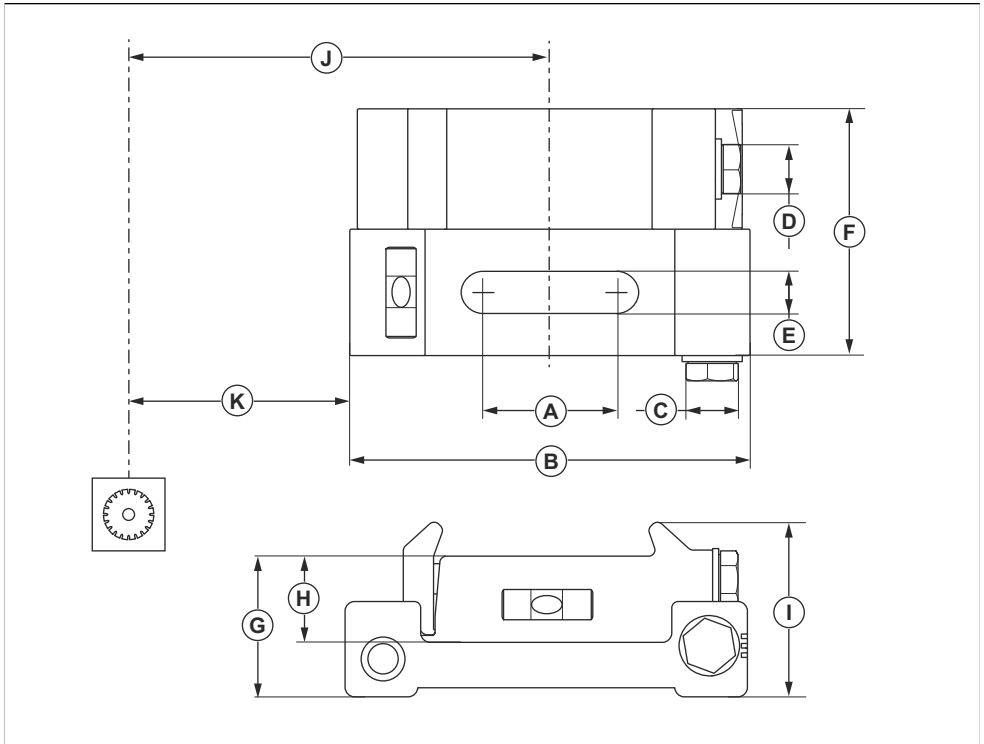
<b>W</b>	570/22	<b>H</b>	183/7	<b>L</b>	410/16
----------	--------	----------	-------	----------	--------

## Productafmetingen WS 8



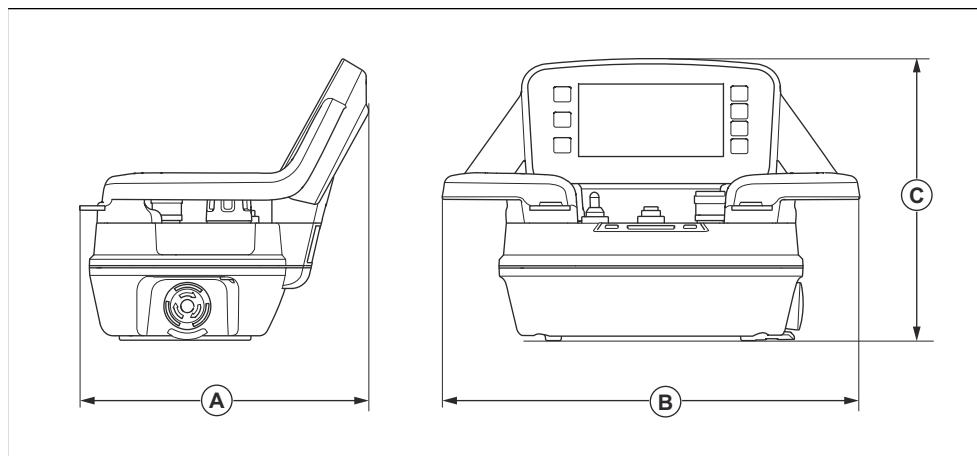
Afmetingen, mm/inch							
<b>A</b>	567/22,3	<b>B</b>	466/18,3	<b>C</b>	365/14,4	<b>D</b>	318/12,5
<b>O</b>	348/13,7	<b>F</b>	319/12,6	<b>G</b>	80/3,14	<b>H</b>	145/5,7
<b>I</b>	213/8,4	<b>J</b>	286/11,3				

## Productafmetingen van montagebeugels



Afmetingen, mm/inch							
<b>A</b>	45/1,77	<b>B</b>	133/5,24	<b>C</b>	17/0,7	<b>D</b>	17/0,7
<b>O</b>	14/0,55	<b>F</b>	82/3,23	<b>G</b>	46,5/1,83	<b>H</b>	28,5/1,1
<b>I</b>	58/2,3	<b>J</b>	145/5,7	<b>K</b>	80/3,15		

## Productafmetingen afstandsbediening



Afmetingen, mm/inch					
<b>A</b>	190/7,5	<b>B</b>	280/11	<b>C</b>	195/7,7

## Accessoires

### Accessoires

Accessoire	Details
Adapter, 1-fase	Er zijn verschillende adapters voor de aansluiting van het gereedschap. Neem voor meer informatie contact op met uw Husqvarna-dealer.
Adapterkabel voor K 6500/DM 650 naar PP 70/voor WS 220 naar PP 8	
Sjabloon voor beugel	
Montagebeugel, universeel	
Beschermkap	Ø 900 mm
Beschermkappen voor vlakzagen	Ø 600 mm
	Ø 900 mm

### Inleiding

---



**WAARSCHUWING:** Alleen goedgekeurde servicecentra mogen reparaties aan het product uitvoeren. Dit is te voorkomen dat zich ongelukken voordoen.

---

### Goedgekeurd servicecentrum

Voor uw dichtstbijzijnde Husqvarna Construction Products geautoriseerde servicecentrum/dealer kijkt u op: <https://www.husqvarnaconstruction.com/int/find-dealer/>.

Contactgegevens voor Husqvarna Construction Products hoofdkantoor en klantenservice:

Husqvarna Construction Products

433 81 Partille, Sweden

[customerservicehcp@husqvarnagroup.com](mailto:customerservicehcp@husqvarnagroup.com)

# Verklaring van overeenstemming

## EU-verklaring van overeenstemming

Wij, **Husqvarna AB**, SE 561 82 Huskvarna,  
ZWEDEN, tel. +46 36 146500, verklaren onder onze  
alleenverantwoordelijkheid dat het product:

<b>Beschrijving</b>	<b>Power pack</b>
<b>Merk</b>	HUSQVARNA
<b>Type/model</b>	PP 8
<b>Identificatie</b>	Serienummers vanaf 2024 en verder

volledig voldoet aan de volgende EU-richtlijnen en  
-regelgeving:

<b>Richtlijn/Verordening</b>	<b>Beschrijving</b>
2014/53/EU	"betreffende radioapparatuur"
2011/65/EU	"betreffende beperking van gevaarlijke stoffen"

en dat de volgende normen en/of technische  
specificaties zijn toegepast:

EN ISO 12100:2010

EN 55014-1:2017+A11:2020

EN 55014-2:1997+A1:2001+A2:2008+AC:1997

EN 61000-3-2:2014

EN 61000-3-3:2013

EN 62841-1:2015/AC:2015/A11:2022

ETSI EN 301 489-17 V3.3.1

ETSI EN 301 489-1 V2.2.1

ETSI EN 301 489-17 V3.2.0

Partille, 2024-06-20



Fredrik Sandinge,

Directeur R&D, Betonzagen en -boormachines

Husqvarna AB, Construction-divisie

Verantwoordelijk voor technische documentatie



## UK-verklaring van overeenstemming

Wij, **Husqvarna AB**, SE 561 82 Huskvarna,  
ZWEDEN, tel. +46 36 146500, verklaren onder onze  
alleenverantwoordelijkheid dat het product:

<b>Beschrijving</b>	<b>Power pack</b>
<b>Merk</b>	HUSQVARNA
<b>Type/model</b>	PP 8
<b>Identificatie</b>	Serienummers vanaf 2024 en verder

en dat de volgende normen en/of technische  
specificaties zijn toegepast:

The Radio Equipment Regulations 2017
The Restriction of the Use of Certain Hazardous Substances in Electrical and Electronic Equipment Regulations 2012

en dat de volgende geharmoniseerde normen en/of  
technische specificaties zijn toegepast;

EN ISO 12100:2010

EN 55014-1:2017+A11:2020

EN 55014-2:1997+A1:2001+A2:2008+AC:1997

EN 61000-3-2:2014

EN 61000-3-3:2013

EN 62841-1:2015/AC:2015/A11:2022

ETSI EN 301 489-17 V3.3.1

ETSI EN 301 489-1 V2.2.1

ETSI EN 301 489-17 V3.2.0

Partille, 2024-06-20

UK Importer:  
Husqvarna UK Ltd  
Preston Road, Co. Durham  
DL5 6UP



Fredrik Sandinge,

Directeur R&D, Betonzagen en -boormachines

Husqvarna AB, Construction-divisie

Verantwoordelijk voor technische documentatie

**UK  
CA**



## EU-verklaring van overeenstemming

Wij, **Husqvarna AB**, SE 561 82 Huskvarna,  
ZWEDEN, tel. +46 36 146500, verklaren onder onze  
alleenverantwoordelijkheid dat het product:

<b>Beschrijving</b>	<b>Wandzaag</b>
<b>Merk</b>	HUSQVARNA
<b>Type/model</b>	WS 8
<b>Identificatie</b>	Serienummers vanaf 2024 en verder

volledig voldoet aan de volgende EU-richtlijnen en  
-regelgeving:

<b>Richtlijn/Verordening</b>	<b>Beschrijving</b>
2006/42/EG	"betreffende machines"
2014/30/EU	"betreffende elektromagnetische compatibiliteit"
2011/65/EU	"betreffende beperking van gevaarlijke stoffen"

en dat de volgende normen en/of technische  
specificaties zijn toegepast:

EN ISO 12100:2010

EN IEC 62841-3-7: 2021

EN 55014-1:2017+A11:2020

EN 55014-2:1997+A1:2001+A2:2008+AC:1997

Partille, 2024-06-20



Fredrik Sandinge,

Directeur R&D, Betonzagen en -boormachines

Husqvarna AB, Construction-divisie

Verantwoordelijk voor technische documentatie



## UK-verklaring van overeenstemming

Wij, **Husqvarna AB**, SE 561 82 Huskvarna,  
ZWEDEN, tel. +46 36 146500, verklaren onder onze  
alleenverantwoordelijkheid dat het product:

<b>Beschrijving</b>	<b>Wandzaag</b>
<b>Merk</b>	HUSQVARNA
<b>Type/model</b>	WS 8
<b>Identificatie</b>	Serienummers vanaf 2024 en verder

volledig voldoet aan de volgende UK-regelgeving:

The Supply of Machinery (Safety) Regulations 2008
Electromagnetic Compatibility Regulations 2016
The Restriction of the Use of Certain Hazardous Substances in Electrical and Electronic Equipment Regulations 2012

en dat de volgende normen en/of technische  
specificaties zijn toegepast:

EN ISO 12100:2010

EN IEC 62841-3-7: 2021

EN 55014-1:2017+A11:2020

EN 55014-2:1997+A1:2001+A2:2008+AC:1997

Partille, 2024-06-20



Fredrik Sandinge,

Directeur R&D, Betonzagen en -boormachines

Husqvarna AB, Construction-divisie

Verantwoordelijk voor technische documentatie

**UK  
CA**

UK Importer:  
Husqvarna UK Ltd  
Preston Road, Co. Durham  
DL5 6UP

## Third party licences

### For questions

Written offer for source code covered by GPL and LGPL. In cases where specific license terms entitle you to the source code, Husqvarna will provide applicable source code upon written request to the extent of the license terms. Please direct inquiries to HUSQVARNA, Box 7454, SE-103 92 Stockholm.

### ICU 52.1

Copyright © 1995-2013 and others. All rights reserved. Permission is hereby granted, free of charge, to any person obtaining a copy of this software and associated documentation files (the "Software"), to deal in the Software without restriction, including without limitation the rights to use, copy, modify, merge, publish, distribute, and/or sell copies of the Software, and to permit persons to whom the Software is furnished to do so, provided that the above copyright notice(s) and this permission notice appear in all copies of the Software and that both the above copyright notice(s) and this permission notice appear in supporting documentation. Copyright © 1991-2013 All rights reserved. Distributed under the Terms of Use in . Permission is hereby granted, free of charge, to any person obtaining a copy of the Unicode data files and any associated documentation (the "Data Files") or Unicode software and any associated documentation (the "Software") to deal in the Data Files or Software without restriction, including without limitation the rights to use, copy, modify, merge, publish, distribute, and/or sell copies of the Data Files or Software, and to permit persons to whom the Data Files or Software are furnished to do so, provided that (a) the above copyright notice(s) and this permission notice appear with all copies of the Data Files or Software, (b) both the above copyright notice(s) and this permission notice appear in associated documentation, and (c) there is clear notice in each modified Data File or in the Software as well as in the documentation associated with the Data File(s) or Software that the data or software has been modified.

### Fontconfig 2.11

Copyright © 2000, 2001, 2002, 2003, 2004, 2006, 2007 Keith Packard. Copyright © 2005 Patrick Lam. Copyright © 2007 Dwayne Bailey and . Copyright © 2009 Roozbeh Pournader. Copyright © 2008, 2009, 2010, 2011, 2012, 2013, 2014, 2015, 2016, 2017, 2018, 2019, 2020 . Copyright © 2008 Danilo Šegan. Copyright © 2012 . Permission to use, copy, modify, distribute, and sell this software and its documentation for any purpose is hereby granted without fee, provided that the above copyright notice appear in all copies and that both that copyright notice and this permission notice appear in supporting documentation, and that the name of the author(s) not be used in advertising or publicity pertaining to distribution of the software without

specific, written prior permission. The authors make no representations about the suitability of this software for any purpose. It is provided "as is" without express or implied warranty.

### For power pack following license is applicable

Apache License. Version 2.0, January 2004. <http://www.apache.org/licenses/>.

1. Definitions. "License" shall mean the terms and conditions for use, reproduction, and distribution as defined by Sections 1 through 9 of this document. "Licensor" shall mean the copyright owner or entity authorized by the copyright owner that is granting the License. "Legal Entity" shall mean the union of the acting entity and all other entities that control, are controlled by, or are under common control with that entity. For the purposes of this definition, "control" means (i) the power, direct or indirect, to cause the direction or management of such entity, whether by contract or otherwise, or (ii) ownership of fifty percent (50%) or more of the outstanding shares, or (iii) beneficial ownership of such entity. "You" (or "Your") shall mean an individual or Legal Entity exercising permissions granted by this License. "Source" form shall mean the preferred form for making modifications, including but not limited to software source code, documentation source, and configuration files. "Object" form shall mean any form resulting from mechanical transformation or translation of a Source form, including but not limited to compiled object code, generated documentation, and conversions to other media types. "Work" shall mean the work of authorship, whether in Source or Object form, made available under the License, as indicated by a copyright notice that is included in or attached to the work (an example is provided in the Appendix below). "Derivative Works" shall mean any work, whether in Source or Object form, that is based on (or derived from) the Work and for which the editorial revisions, annotations, elaborations, or other modifications represent, as a whole, an original work of authorship. For the purposes of this License, Derivative Works shall not include works that remain separable from, or merely link (or bind by name) to the interfaces of, the Work and Derivative Works thereof. "Contribution" shall mean any work of authorship, including the original version of the Work and any modifications or additions to that Work or Derivative Works thereof, that is intentionally submitted to Licensor for inclusion in the Work by the copyright owner or by an individual or Legal Entity authorized to submit on behalf of the copyright owner. For the purposes of this definition, "submitted" means any form of electronic, verbal, or written communication sent to the Licensor or its representatives, including but not limited to communication on electronic mailing lists, source code control systems, and issue tracking systems that are managed by, or on behalf of, the Licensor for the purpose of discussing and improving the Work, but

excluding communication that is conspicuously marked or otherwise designated in writing by the copyright owner as "Not a Contribution." "Contributor" shall mean Licensor and any individual or Legal Entity on behalf of whom a Contribution has been received by Licensor and subsequently incorporated within the Work.

2. Grant of Copyright License. Subject to the terms and conditions of this License, each Contributor hereby grants to You a perpetual, worldwide, non-exclusive, no-charge, royalty-free, irrevocable copyright license to reproduce, prepare Derivative Works of, publicly display, publicly perform, sublicense, and distribute the Work and such Derivative Works in Source or Object form.

3. Grant of Patent License. Subject to the terms and conditions of this License, each Contributor hereby grants to You a perpetual, worldwide, non-exclusive, no-charge, royalty-free, irrevocable (except as stated in this section) patent license to make, have made, use, offer to sell, sell, import, and otherwise transfer the Work, where such license applies only to those patent claims licensable by such Contributor that are necessarily infringed by their Contribution(s) alone or by combination of their Contribution(s) with the Work to which such Contribution(s) was submitted. If You institute patent litigation against any entity (including cross-claim or counterclaim in a lawsuit) alleging that the Work or a Contribution incorporated within the Work constitutes direct contributory patent infringement, then any patent licenses granted to You under this License for that Work shall terminate as of the date such litigation is filed.

4. Redistribution. You may reproduce and distribute copies of the Work or Derivative Works thereof in any medium, with or without modifications, and in Source or Object form, provided that You meet the following conditions: (a) You must give any other recipients of the Work or Derivative Works a copy of this License; and (b) You must cause any modified files to carry prominent notices stating that You changed the files; and (c) You must retain, in the Source form of any Derivative Works that You distribute, all copyright, patent, trademark, and attribution notices from the Source form of the Work, excluding those notices that do not pertain to any part of the Derivative Works; and (d) If the Work includes a "NOTICE" text file as part of its distribution, then any Derivative Works that You distribute must include a readable copy of the attribution notices contained within such NOTICE file, excluding those notices that do not pertain to any part of the Derivative Works, in at least one of the following places: within a NOTICE text file distributed as part of the Derivative Works; within the Source form or documentation, if provided along with the Derivative Works; or, within a display generated by the Derivative Works, if and wherever such third-party notices normally appear. The contents of the NOTICE file are for informational purposes only and do not modify the License. You may add Your own attribution notices within Derivative Works that You distribute, alongside or as an addendum to the NOTICE text from the Work, provided that such additional attribution notices cannot be construed as modifying the License. You may add Your own copyright statement to Your

modifications and may provide additional or different license terms and conditions for use, reproduction, or distribution of Your modifications, or for any such Derivative Works as a whole, provided Your use, reproduction, and distribution of the Work otherwise complies with the conditions stated in this License.

5. Submission of Contributions. Unless You explicitly state otherwise, any Contribution intentionally submitted for inclusion in the Work by You to the Licensor shall be under the terms and conditions of this License, without any additional terms or conditions. Notwithstanding the above, nothing herein shall supersede or modify the terms of any separate license agreement you may have executed with Licensor regarding such Contributions.

6. Trademarks. This License does not grant permission to use the tradenames, trademarks, service marks, or product names of the Licensor, except as required for reasonable and customary use in describing the origin of the Work and reproducing the content of the NOTICE file.

7. Disclaimer of Warranty. Unless required by applicable law or agreed to in writing, Licensor provides the Work (and each Contributor provides its Contributions) on an "AS IS" BASIS, WITHOUT WARRANTIES OR CONDITIONS OF ANY KIND, either express or implied, including, without limitation, any warranties or conditions of TITLE, NON-INFRINGEMENT, MERCHANTABILITY, or FITNESS FOR A PARTICULAR PURPOSE. You are solely responsible for determining the appropriateness of using or redistributing the Work and assume any risks associated with Your exercise of permissions under this License.

8. Limitation of Liability. In no event and under no legal theory, whether in tort (including negligence), contract, or otherwise, unless required by applicable law (such as deliberate and grossly negligent acts) or agreed to in writing, shall any Contributor be liable to You for damages, including any direct, indirect, special, incidental, or consequential damages of any character arising as a result of this License or out of the use or inability to use the Work (including but not limited to damages for loss of goodwill, work stoppage, computer failure or malfunction, or any and all other commercial damages or losses), even if such Contributor has been advised of the possibility of such damages.

9. Accepting Warranty or Additional Liability. While redistributing the Work or Derivative Works thereof, You may choose to offer, and charge a fee for, acceptance of support, warranty, indemnity, or other liability obligations and/or rights consistent with this License. However, in accepting such obligations, You may act only on Your own behalf and on Your sole responsibility, not on behalf of any other Contributor, and only if You agree to indemnify, defend, and hold each Contributor harmless for any liability incurred by, or claims asserted against, such Contributor by reason of your accepting any such warranty or additional liability.

END OF TERMS AND CONDITIONS

APPENDIX: How to apply the Apache License to your work. To apply the Apache License to your work, attach the following boilerplate notice, with the fields enclosed by brackets "[]" replaced with your own identifying information. (Don't include the brackets!) The text should be enclosed in

the appropriate comment syntax for the file format. We also recommend that a file or class name and description of purpose be included on the same "printed page" as the copyright notice for easier identification within third-party archives. Copyright {yyyy} {name of copyright owner} Licensed under the Apache License, Version 2.0 (the "License"); you may not use this file except in compliance with the License. You may obtain a copy of the License at <http://www.apache.org/licenses/LICENSE-2.0> Unless required by applicable law or agreed to in writing, software distributed under the License is distributed on an "AS IS" BASIS, WITHOUT WARRANTIES OR CONDITIONS OF ANY KIND, either express or implied. See the License for the specific language governing permissions and limitations under the License.

---

## Geregistreerde handelsmerken

---

Het *Bluetooth*<sup>®</sup>-woordmerk en de logo's zijn geregistreerde handelsmerken die eigendom zijn van *Bluetooth SIG, inc.* en het gebruik van deze merken door Husqvarna vindt plaats onder licentie.





[www.husqvarnaconstruction.com](http://www.husqvarnaconstruction.com)

Original instructions  
Originalanweisungen  
Instructions d'origine  
Originele instructies

1159655-20

Rev. B



2024-08-21