



H Husqvarna®



EBE 500S

EN Operator's manual
ES-MX Manual del usuario
FR-CA Manuel d'utilisation

2-32
33-65
66-98

Contents

Introduction.....	2	Troubleshooting.....	25
Safety.....	5	Transportation, storage and disposal.....	27
Operation.....	11	Technical data	29
Maintenance.....	19	Noise and vibration emissions.....	29

Introduction

Owner responsibility



WARNING: Processing of concrete and stone by methods such as cutting, grinding or drilling, especially during dry operation, generates dust that comes from the material being processed, which frequently contains silica. Silica is a basic component of sand, quartz, brick clay, granite and numerous other minerals and rocks. Exposure to excessive amount of such dust can cause:

Respiratory disease (affecting your ability to breathe), including chronic bronchitis, silicosis and pulmonary fibrosis from exposure to silica. These diseases may be fatal;

Skin irritation and rash.

Cancer according to NTP* and IARC* */ National Toxicology Program, International Agency for Research on Cancer.

Take precautionary steps:

Avoid inhalation of and skin contact with dust, mist and fumes.

Wear and ensure that all bystanders wear appropriate respiratory protection such as dust masks designed to filter out microscopic particles. (See OSHA 29 CFR Part 1926.1153)

To minimize dust emissions use an appropriate dust collector.

It is the owner's/employer's responsibility that the operator has sufficient knowledge about how to use the product safely. Supervisors and operators must have read and understood the Operator's Manual. They must be aware of:

- The product's safety instructions.
- The product's range of applications and limitations.
- How the product is to be used and maintained.

National/Local regulations could restrict the use of this product. Find out what regulations are applicable where you work before you start using the product.

Product description

The product is a pedestrian-controlled steel blaster for horizontal operation, operated by an electric motor. The product has a blast wheel that throws abrasive material onto the surface. The product must be connected to a correct dust collector during operation.

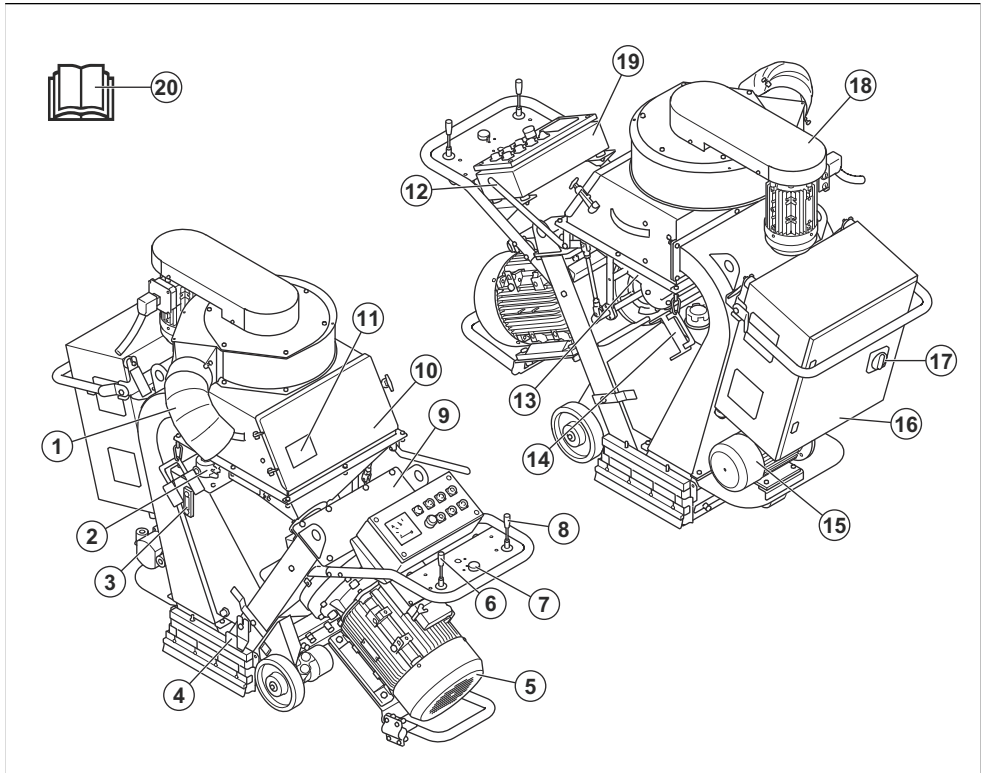
Intended use

The product is used to remove layers of paint, sealants and contaminations from steel surfaces. Only use the product on dry, frost-free horizontal surfaces.

The product is used in commercial operations by professional operators.

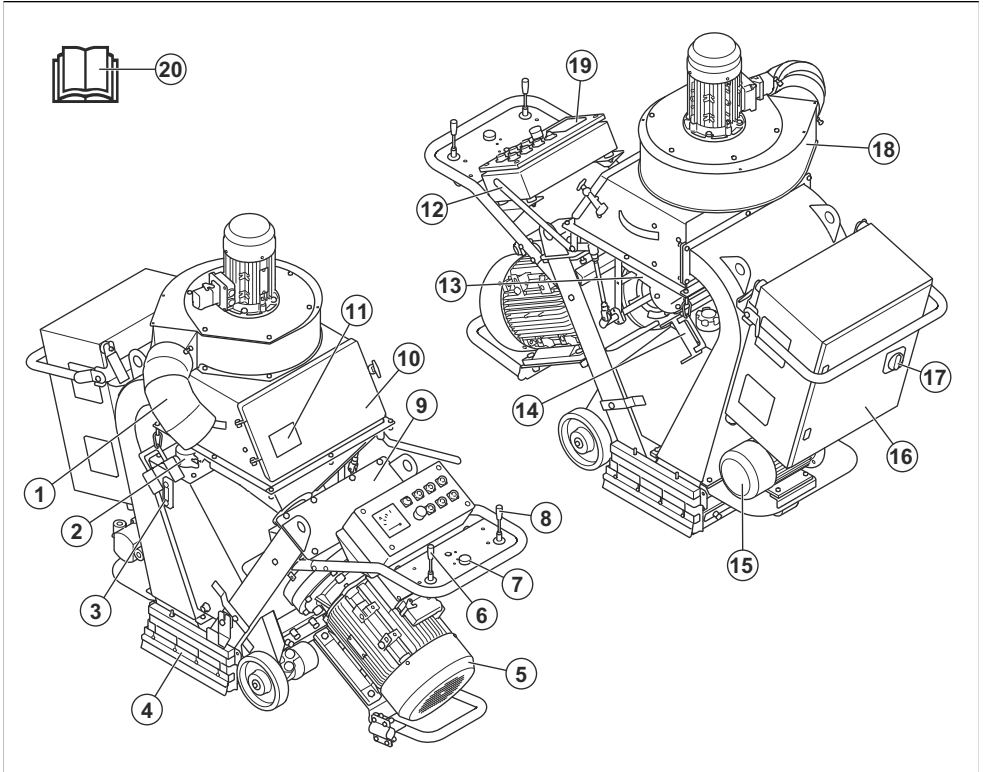
Do not use the product for other tasks.

Product overview EBE 500S 50 Hz



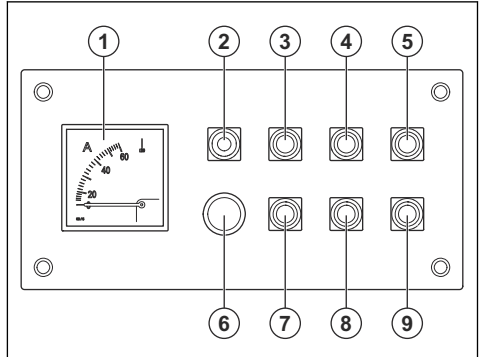
- | | |
|--|---|
| 1. Dust collector connection | 11. Type plate |
| 2. Housing for oil return filter | 12. Control lever for the abrasive material |
| 3. Indicator for the hydraulic oil level | 13. Hopper |
| 4. Brush list seals | 14. Side seal holder |
| 5. Blast motor | 15. Electric motor |
| 6. Joystick for left drive wheel | 16. Electrical enclosure |
| 7. Speed control | 17. Main ON/OFF switch |
| 8. Joystick for right drive wheel | 18. Lowering kit with fan unit |
| 9. Top liner cover | 19. Control panel. Refer to <i>Control panel on page 4.</i> |
| 10. Separator door | 20. Operator's manual |

Product overview EBE 500S 60 Hz



1. Dust collector connection
2. Housing for oil return filter
3. Indicator for the hydraulic oil level
4. Brush list seals
5. Blast motor
6. Joystick for left drive wheel
7. Speed control
8. Joystick for right drive wheel
9. Top liner cover
10. Separator door
11. Type plate
12. Control lever for the abrasive material
13. Hopper
14. Side seal holder
15. Electric motor
16. Electrical enclosure
17. Main ON/OFF switch
18. Lowering kit with fan unit
19. Control panel. Refer to *Control panel* on page 4.
20. Operator's manual

Control panel



1. Ammeter
2. Control light power
3. Drive motor ON
4. Fan motor ON
5. Blast motor ON

6. Emergency stop button
7. Drive motor OFF
8. Fan motor OFF
9. Blast motor OFF

Symbols on the product



WARNING: This product can be dangerous and cause serious injury or death to the operator or others. Be careful and use the product correctly.



Read the manual carefully and make sure that you understand the instructions before you use the product.



Use an approved respiratory protection.



Use approved hearing protection.



Use approved eye protection.



Use approved protective gloves.



Use approved protective boots.



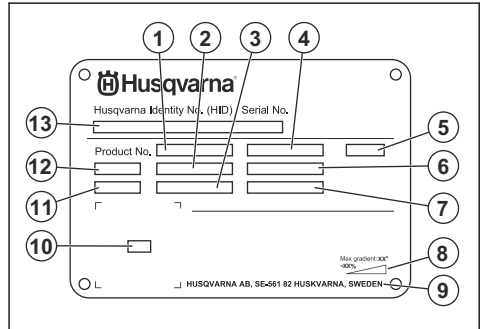
High voltage.



Lifting point.

Note: Other symbols/decals on the product refer to special certification requirements for some markets.

Type plate



1. Product number
2. Product weight
3. Rated power
4. Rated voltage
5. Enclosure
6. Rated current
7. Frequency
8. Maximum slope angle
9. Manufacturer
10. Scannable code
11. Production year
12. Model
13. Serial number

Product damage

We are not responsible for damages to our product if:

- the product is incorrectly repaired.
- the product is repaired with parts that are not from the manufacturer or not approved by the manufacturer.
- the product has an accessory that is not from the manufacturer or not approved by the manufacturer.
- the product is not repaired at an approved service center or by an approved authority.

Safety

Safety definitions

Warnings, cautions and notes are used to point out specially important parts of the manual.



WARNING: Used if there is a risk of injury or death for the operator or bystanders if the instructions in the manual are not obeyed.



CAUTION: Used if there is a risk of damage to the product, other materials or the adjacent area if the instructions in the manual are not obeyed.

Note: Used to give more information that is necessary in a given situation.

General safety instructions



WARNING: Read the warning instructions that follow before you use the product.

- This product is a dangerous tool if you are not careful or if you use the product incorrectly. This product can cause serious injury or death to the operator or others. Before you use the product, you must read and understand the contents of this operator's manual.
- This product is not intended for use by persons (including children) with reduced physical, sensory or mental capabilities, or lack of experience and knowledge.
- Save all warnings and instructions.
- Comply with all applicable laws and regulations.
- The operator and the employer of the operator must know and prevent the risks during operation of the product.
- Do not let a person operate the product unless they read and understand the contents of the operator's manual.
- Do not operate the product unless you receive training before use. Make sure that all operators receive training.
- Do not let a child operate the product.
- Only let approved persons operate the product.
- The operator is responsible for accidents that occur to other persons or their property.
- Do not use the product if you are tired, ill, or under the influence of alcohol, drugs or medicine.
- Always be careful and use your common sense.
- Keep the product clean. Make sure that you can clearly read signs and decals.
- Do not use the product if it is damaged or does not operate correctly.
- Do not do modifications to this product.
- Do not operate the product if it is possible that other persons have done modifications to the product.
- Use personal protective equipment. Refer to *Personal protective equipment on page 7*.
- Overexposure to vibration can cause circulatory damage or nerve damage to persons with decreased blood circulation. Get medical aid if you have symptoms of overexposure to vibration. These symptoms include numbness, loss of feeling, tingling, pricking, pain, loss of strength, changes in skin color or condition. These symptoms usually show in the fingers, hands or wrists.
- Do not operate the product without all protective covers installed.
- Make sure that you know how to stop the motors quickly in an emergency.
- Before you go away from the product, stop the motors and disconnect the power cord. Make sure that there is no risk of accidental start.
- Make sure that clothing, long hair and jewelry do not get caught in moving parts.
- Make sure that you are in a safe and stable position during operation.
- Make sure that there are no loose bolts and nuts.
- Do not lift or tilt the product during operation. Abrasive material comes out of the product at high speed and can cause injury. Always disconnect the power plug before you lift or tilt the product.
- Make sure that the separator and separator tray are closed during operation.
- Do not operate the product unless you can get aid if an accident occurs.
- Always use approved accessories. Speak to your Husqvarna dealer for more information.
- If vibrations occur in the product or the noise level from the product is unusually high, stop the product immediately. Disconnect the power plug. Examine the product for damages. Repair damages or let an approved service agent do the repair.
- Always connect the product to a dust collector for removal of the dust.
- Do not pull the hose of the dust collector. The product can fall and cause injury or damage.
- Keep the dust collector on until the motors stop fully.
- Only operate the product from behind with your hands on the handlebar.
- Make sure that there is no grease or oil on the handles.
- Make sure that the the brush list seals are not damaged.
- Make sure that the the brush list seals are installed in the correct height.
- Always use approved abrasive material. Speak to your Husqvarna dealer for more information. Refer to *Approved abrasive material on page 30*.
- Make sure that the fan unit has the correct direction of rotation. The correct direction of rotation is given with an arrow on the fan unit cover.

Safety instructions for operation



WARNING: Read the warning instructions that follow before you use the product.

Vibration safety



WARNING: Read the warning instructions that follow before you use the product.

- During operation of the product, vibrations go from the product to the operator. Regular and frequent operation of the product can cause or increase the degree of injuries to the operator. Injuries can occur in fingers, hands, wrists, arms, shoulders, and/or nerves and blood supply or other body parts. The injuries can be debilitating and/or permanent, and can increase gradually during weeks, months or years. Possible injuries include damage to the blood circulation system, the nervous system, joints, and other body structures.
- Symptoms can occur during operation of the product or at other times. If you have symptoms and continue to operate the product, the symptoms can increase or become permanent. If these or other symptoms occur, get medical aid:
 - Numbness, loss of feeling, tingling, pricking, pain, burning, throbbing, stiffness, clumsiness, loss of strength, changes in skin color or condition.
- Symptoms can increase in cold temperatures. Use warm clothing and keep your hands warm and dry when you operate the product in cold environments.
- Do maintenance on and operate the product as given in the operator's manual, to keep a correct vibration level.
- The product has a vibration damping system that decreases the vibrations from the handles to the operator. Let the product do the work.
- Keep your hands on the handle or handles only. Keep all other body parts away from the product.
- Stop the product immediately if strong vibrations suddenly occurs. Do not continue the operation before the cause of the increased vibrations is removed.

Dust safety



WARNING: Read the warning instructions that follow before you use the product.

- Operation of the product can cause dust in the air. Dust can cause serious injury and permanent health problems. Silica dust is regulated as harmful by several authorities. These are examples of such health problems:
 - The fatal lung diseases chronic bronchitis, silicosis and pulmonary fibrosis
 - Cancer
 - Birth defects
 - Skin inflammation

- Use correct equipment to decrease the quantity of dust and fumes in the air and to decrease dust on work equipment, surfaces, clothing and body parts. Example of controls are dust collection systems. Decrease dust at the source where possible. Make sure that the equipment is correctly installed and used and that regular maintenance is done.
- Use approved respiratory protection. Make sure that the respiratory protection is applicable for the dangerous materials in the work area.
- Make sure that the airflow is sufficient in the work area.

Noise safety



WARNING: Read the warning instructions that follow before you use the product.

- High noise levels and long-term exposure to noise can cause noise-induced hearing loss.
- To keep the noise level to a minimum, do maintenance on and operate the product as given in the operator's manual.
- Use approved hearing protection while you operate the product.
- Listen for warning signals and voices when you use hearing protection. Remove the hearing protection when the product is stopped, unless hearing protection is necessary for the noise level in the work area.

Personal protective equipment



WARNING: Read the warning instructions that follow before you use the product.

- Always use approved personal protective equipment when you operate the product. Personal protective equipment cannot fully prevent injury but it decreases the degree of injury if an accident does occur. Let your dealer help you select the correct personal protective equipment and when to use them.
- Regularly do a check of the condition of the personal protective equipment.
- Use approved hearing protection.
- Use approved respiratory protection.
- Use approved eye protection with side protection.
- Use protective gloves.
- Use boots with steel toe-cap and non-slip sole.
- Use approved work clothing or equivalent close-fitting clothing that has long sleeves and long legs.

Fire extinguisher

- Keep a fire extinguisher near during operation.

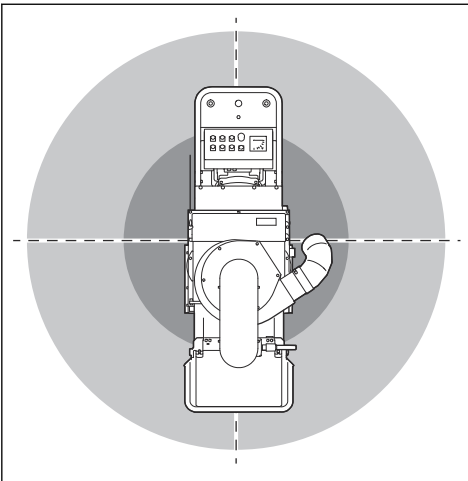
- Use a powder fire extinguisher or a carbon dioxide fire extinguisher.

Work area safety



WARNING: Read the warning instructions that follow before you use the product.

- It is the responsibility of the user to analyse the surface to be treated. The user should make a risk assessment on the basis of the information obtained about the surface to be treated and take proper precautions for the work to be performed.
- Do not use the product in fog, rain, strong winds, cold weather, risk of lightning or other bad weather conditions.
- Look out for persons, objects and situations that can prevent safe operation of the product.
- Do not use the product in areas where fire or explosions can occur. The product creates sparks and flammable material can create ignition with the dust or fumes.
- Keep children, bystanders and animals away from the work area and at a safe distance from the product.



- Make sure that bystanders and animals are not in the work area and at a safe distance from the product. A safe distance is 15 m/49 ft.
- Make sure that only approved persons are in the work area.
- Keep the work area clean and fully illuminated. Cluttered or dark areas invite accidents.
- Remove objects such as screws, bolts, wires and stones from the work area before you use the product.
- Make sure that there are no cables or hoses in the operation direction of the product.

- Make sure that uneven surfaces, such as welded seams or floor joints, do not stop the product.
- Make sure that there is sufficient airflow in the work area.

Hydraulic safety



WARNING: Read the warning instructions that follow before you use the product.

- Make sure that the hydraulic hose connections are tight and that there is no oil leakage.
- Be careful when you tighten the hydraulic connections. If you tighten the hydraulic connections too much, it can cause damage to the O-rings.
- Make sure that the hydraulic hose connections are clean and in good condition.
- Pressurized hydraulic oil is dangerous and can cause serious injury. Do not look for an oil leakage when the hydraulic system is pressurized.
- Be careful when you fill the product with hydraulic oil. The hydraulic oil is flammable. If you spill hydraulic oil, clean the surface.
- Only fill the product with hydraulic oil in a location with good airflow.

Electrical safety



WARNING: There is always a risk of shocks from electrical products. Do not use the product in bad weather conditions. Do not touch lightning conductors and metal objects. Always use the product as given in this operator's manual to prevent injury.



WARNING: Always use a power supply with RCD (residual-current device). An RCD decreases the risk of electrical shock.



WARNING: High voltage. There are unprotected parts in the power unit. Always disconnect the power plug before you open the door to the electrical box.



WARNING: Only use the socket outlet on the machine for purposes specified in the instructions.



CAUTION: The power supply from the product or generator must be sufficient and constant to make sure that the motor operates without problems. Incorrect voltage causes the power consumption and the temperature of the motor to increase until the safety circuit releases. The dimension of the power cord must agree with national

and local regulations. The dimension of the mains socket must agree with the amperage for the electrical socket and extension cable of the product.

If the power mains has higher system resistance, short voltage drop can occur when the product is started. This can influence the operation of other products, for example flicker on the lights.

- The power plug must match the outlet. Never modify the plug in any way. Do not use any adapter plugs with earthed (grounded) power tools. Unmodified plugs and matching outlets will reduce risk of electric shock.
- Avoid body contact with earthed or grounded surfaces, such as pipes, radiators, ranges and refrigerators. There is an increased risk of electric shock if your body is earthed or grounded.
- Make sure that the power, fuse and mains voltage are the same as the voltage shown on the rating plate of the product.
- Always stop the product before you disconnect the power plug.
- Make sure that the ON/OFF switch is in OFF position before the product is connected to the power supply.
- Always disconnect the power plug during a long product stop.
- Do not use the product if the supply cord or power plug is damaged. If the supply cord is damaged, it must be replaced by the manufacturer, its service agent or similarly qualified persons in order to avoid a hazard. A damaged power cord can cause serious injury and death.
- Use the power cord correctly. Do not use the power cord to move, pull or disconnect the product. Pull the power plug to disconnect the power cord. Do not pull the power cord.
- Only operate the product on dry surfaces.
- Keep the product away from rain. Water that goes into the product increases the risk of electrical shock.
- Always disconnect the power cord before you connect or disconnect the connection for the motor cable and the electrical enclosure.
- In order to avoid a hazard due to inadvertent resetting of the thermal cut-out, this appliance must not be supplied through an external switching device, such as a timer, or connected to a circuit that is regularly switched on and off by the utility.
- Make sure that the power supply for the product is supplied by separate transformers that are used for industrial purpose only.

Grounded product instructions



WARNING: Incorrect connection can result in electrical shock. Speak to an approved electrician if you are not sure if your mains outlet is correctly grounded.

Do not do modifications to the power plug from its factory specification. If the power plug or power cord is damaged or must be replaced, speak to your Husqvarna service agent. Obey local regulations and laws.

If you do not fully understand the instructions about the grounded product, speak to an approved electrician.

Use only grounded outdoor extension cables with grounding plugs and grounding outlet that accepts the product power plug.

The product has a grounded power cord and power plug. Always connect the product to a grounded mains outlet. This decreases the risk of electrical shock.

Do not use electrical adapters with the product.

Extension cables

- Use only approved extension cables with applicable properties.
- The rated value on the extension cable must be the same or higher than given on the rating plate of the product.
- Use grounded extension cables.
- When you operate the product outdoors, use an extension cable that is applicable for outdoor operation. This decreases the risk of electrical shock.
- Keep the connection to the extension cable dry and off the ground.
- Keep the extension cable away from heat, oil, sharp edges or moving parts. A damaged cable increases the risk of electrical shock.
- Make sure that the extension cable is in good condition and not damaged.
- Do not use the extension cable while it is wound up. This can cause the extension cable to become too hot.
- Make sure that the extension cable is out of the way and the product during operation. This prevents damage to the extension cable.

Safety devices on the product



WARNING: Read the warning instructions that follow before you use the product.

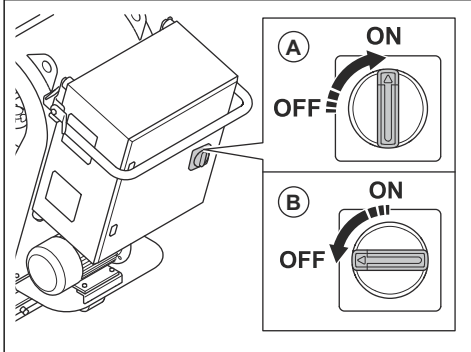
- Do not use the product if the safety devices are damaged or does not operate correctly.
- Do a check of the safety devices daily. If your safety devices are damaged or does not operate correctly, speak to your Husqvarna service agent.
- Do not make modifications on safety devices

ON/OFF switch

The ON/OFF switch is used to start and stop the power supply to the product.

To do a check of the ON/OFF switch

1. Turn the emergency stop button clockwise to make sure that the emergency stop button is disengaged.
2. Turn the ON/OFF switch to the ON position (A).



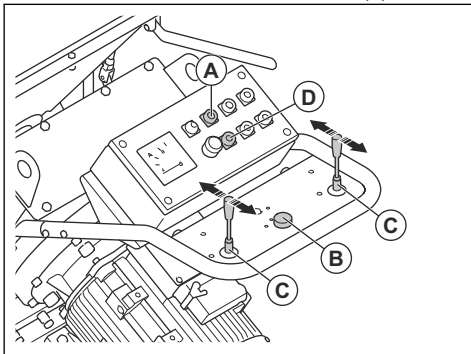
3. Make sure that the control light on the control panel comes on.
4. Turn the ON/OFF switch to the OFF position (B).
5. Make sure that the control light on the control panel goes off.

ON/OFF buttons of the drive motors

The ON/OFF buttons of the drive motors are used to start and stop the drive motors. Refer to *To do a check of the drive motors on page 10*.

To do a check of the drive motors

1. Set the ON/OFF switch to the ON position.
2. Turn the emergency stop button clockwise to make sure that the emergency stop button is disengaged.
3. Push the ON button of the drive motors (A).



4. Set the speed control (B) to 1.

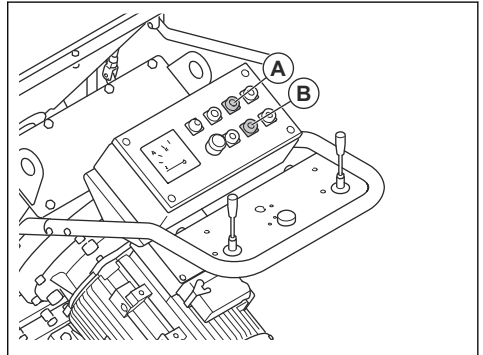
5. Push the 2 joysticks (C) forward. Make sure that the product operates forward.
6. Set the 2 joysticks to the neutral position. Make sure that the product stops.
7. Pull the 2 joysticks rearward. Make sure that the product operates rearward.
8. Set the 2 joysticks to the neutral position.
9. Push the OFF button of the drive motors (D).

ON/OFF buttons of the fan unit

The ON/OFF buttons of the fan unit are used to start and stop the fan unit. Refer to *To do a check of the ON/OFF buttons of the fan unit on page 10*.

To do a check of the ON/OFF buttons of the fan unit

1. Turn the emergency stop button clockwise to make sure that the emergency stop button is disengaged.
2. Push the ON button of the fan unit (A).



3. Make sure that the fan unit starts.
4. Push the OFF button of the fan unit (B).
5. Make sure that the fan unit stops.

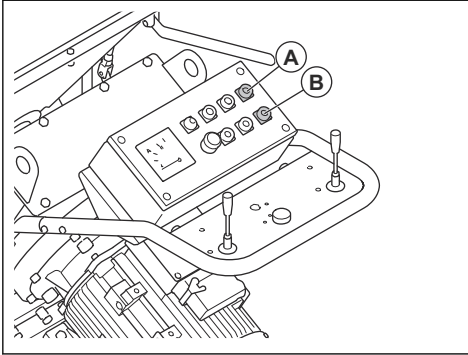
ON/OFF buttons of the blast motor

The ON/OFF buttons of the blast motor are used to start and stop the blast motor. Refer to *To do a check of the ON/OFF buttons of the blast motor on page 10*.

To do a check of the ON/OFF buttons of the blast motor

1. Turn the emergency stop button clockwise to make sure that the emergency stop button is disengaged.

2. Push the ON button of the blast motor (A).



3. Make sure that the blast motor starts.
4. Push the OFF button of the blast motor (B).
5. Make sure that the blast motor stops.

Ammeter

The ammeter shows the blast load onto the surface. The maximum amperage is shown above the ammeter.

To do a check of the ammeter

Refer to *Control panel on page 4* for information about where the ammeter is on your product.

1. Start the product. Refer to *To start the product on page 15*.
2. Wait until the ammeter is in idle position.
3. Stop the product. Refer to *To stop the product on page 18*.

Emergency stop button

The emergency stop button is used to quickly stop the motors.

To do a check of the emergency stop button

Refer to *Control panel on page 4* for information about where the emergency stop button is on your product.

1. Turn the emergency stop button clockwise to make sure that the emergency stop button is disengaged.
2. Start the product. Refer to *To start the product on page 15*.
3. Push the emergency stop button.
4. Make sure that the motors stop.
5. Turn the emergency stop button clockwise to disengage.

Safety instructions for maintenance



WARNING: Read the warning instructions that follow before you use the product.

- Only do the maintenance as given in this operator's manual. Let an approved service agent do all other servicing.
- If the maintenance is not done correctly and regularly, the risk of injury and damage to the product increases.
- Clean the product to remove dangerous material before you do the maintenance.
- Do the maintenance of the product on stable level ground. Make sure that the product cannot move.
- Do not make modifications to the product. Modifications that are not approved by the manufacturer can cause serious injury or death.
- Replace damaged, worn or broken parts.
- Do not use a pressure washer to clean the product.
- Only use lint-free cleaning cloths.
- Always use original accessories and spare parts. Accessories and spare parts that are not approved by the manufacturer, can cause serious injury or death.
- After maintenance, do a check of the vibration level in the product. If it is not correct, speak to an approved service agent.
- Let an approved service agent do servicing on the product regularly.

Operation

Introduction



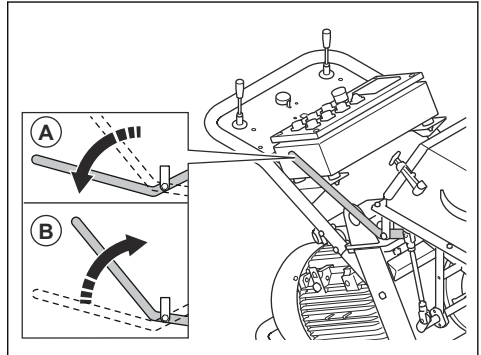
WARNING: Before you operate the product, you must read and understand the safety chapter.

To do before you operate the product

1. Read the operator's manual carefully and make sure that you understand the instructions.
2. Read the operator's manual for the dust collector carefully and make sure that you understand the instructions.
3. If the product is operated in connection with a power source, make sure that you read and understand the operator's manual of that power source.
4. Use personal protective equipment. Refer to *Personal protective equipment on page 7*.
5. Make sure that only approved persons are in the work area.

6. Do daily maintenance. Refer to *Maintenance schedule on page 19*.
7. Make sure that the product is assembled correctly and is not damaged.
8. Make sure that all bolts, screws and nuts are tightened.
9. Make sure that the blast wheel blades, feed spout, and seals are not damaged or worn out. Replace the parts when 75% of the blade thickness has been worn away.
10. Make sure that the separator is not damaged.
11. Make sure that the separator is filled with abrasive material up to the separator tray.
12. Make sure that the brush list seals are installed at the correct height. Refer to *To set the correct height of the brush list seals on page 12*.
13. Put the product on the work area. Make sure that the surface is level. Make sure that the transportation of the product to and in the work area is done safely and correctly. Refer to *Transportation on page 27*.
14. Install the side seals. Refer to *To install the side seals on page 13*.
15. Connect a dust collector to the product. Refer to *To connect a dust collector on page 14*.
16. Make sure that the ON/OFF switch is in OFF position before you connect the product to a power source.
17. Connect the product to a power source. Refer to *To connect the product to a power source on page 15*.

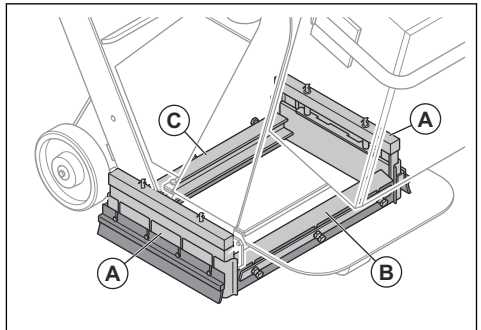
1. Operate the control lever for the abrasive material (A) to close the valve and stop the flow of abrasive material.



2. Operate the control lever for the abrasive material (B) to open the valve and start the flow of the abrasive material.

Abrasive material seal

The abrasive material seal is a seal system with 2 side seals (A), 1 front seal (B) and 1 rear brush (C). The abrasive material seal makes sure that the abrasive material stays in the product during operation. Refer to *To install the side seals on page 13* for more information about the side seals. Refer to *To replace the front rubber seals on page 24* for more information about the front seal.



To set the correct height of the brush list seals

The brush list seals wear when you operate the product. It is necessary adjust the height of the brush list seals at regular intervals.

Valve for the abrasive material

The valve for the abrasive material controls the flow of the abrasive material to the blast wheel blades. The adjustment of the valve for the abrasive material is shown on the ammeter. Refer to *Ammeter on page 11*.

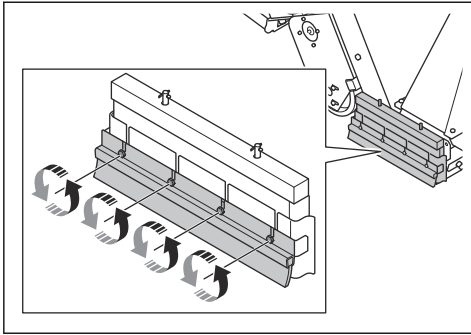
You can adjust the valve for the abrasive material with the control lever for the abrasive material. Refer to *To operate the valve for the abrasive material on page 12*.

To operate the valve for the abrasive material

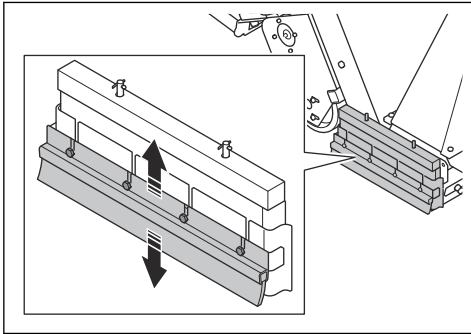


CAUTION: Only open the valve for the abrasive material when the blast motor is in operation.

1. Loosen the 4 screws.



2. Adjust the height until the brush list seals are 1 mm/ 0.04 in above the surface.

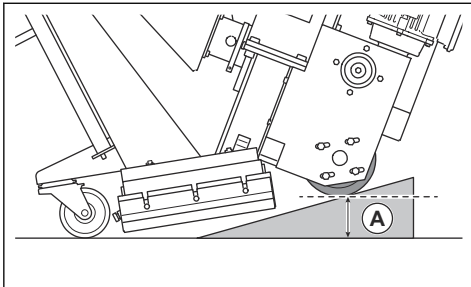


3. Tighten the 4 screws.

To install the side seals

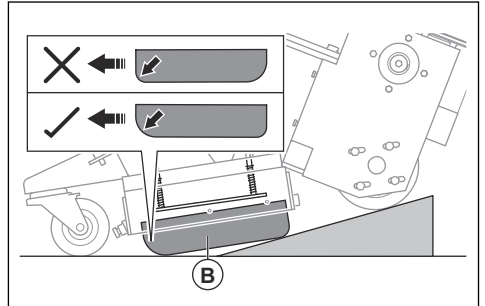
The side seal system consists of 2 metal side seals, 2 rubber side seals and 2 side brushes. The metal side seals fall out from the side seal system when you lift the product from the surface. Install the side seals before you operate the product.

1. Put a ramp behind 1 of the rear wheels. Operate the product rearward up the ramp.

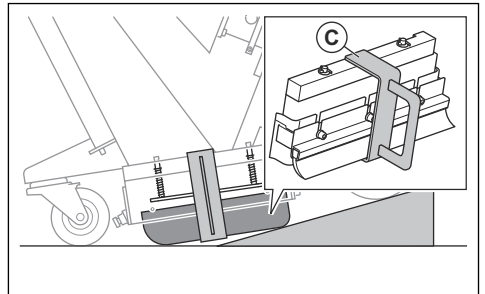


2. Stop the product when the distance (A) is 75 mm.

3. Put the side seal (B) in the side seal box on 1 side of the product. Make sure that the rounded part of the side seal points to the front of the product.



4. Put the side seal holder (C) around the side seal box to make sure that the side seal stays in the correct position.

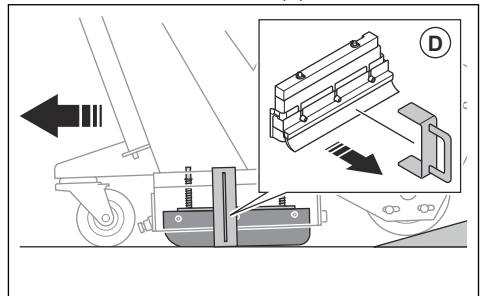


5. Operate the product down the ramp.



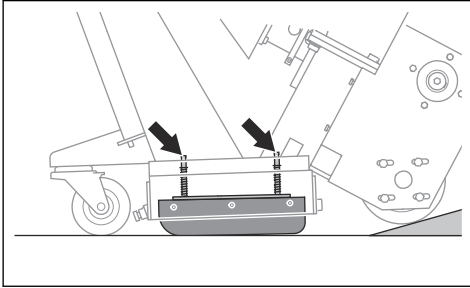
WARNING: Be careful when you operate the product down the ramp. There is a risk of pinching.

6. Remove the side seal holder (D).



7. Do the procedure on the other side of the product.

- Make sure that you can see the 2 axles of the side seal spring plate on top of the side seal box.

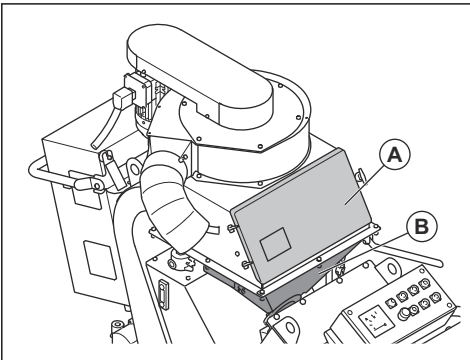


Abrasive material

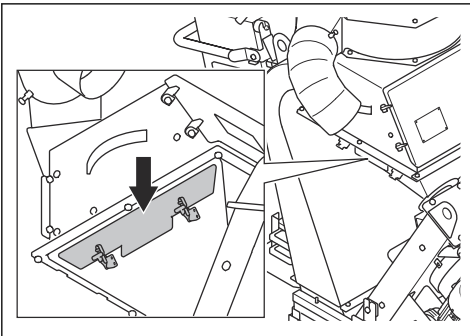
Speak to your Husqvarna dealer for the selection of correct abrasive material for your surface operation. Refer to *Approved abrasive material on page 30*.

Separator

The separator (A) holds the abrasive material and supplies the blast wheel blades with abrasive material through the hopper (B).



The separator tray keeps contamination away from the abrasive material and the blast wheel blades.

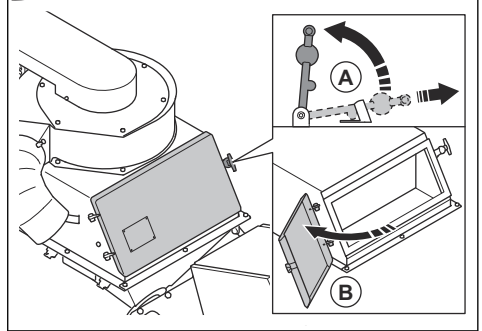


To fill the product with abrasive material

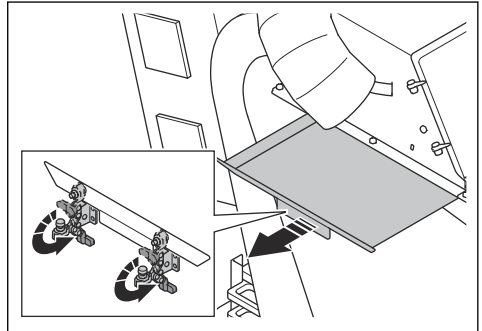


WARNING: Always use personal protective equipment when you fill the product with abrasive material. Refer to *Personal protective equipment on page 7*.

- Close the valve for the abrasive material, refer to *To operate the valve for the abrasive material on page 12*.
- Unlock (A) and open (B) the separator door.



- Pull out the separator tray and remove all contaminations.



- Fill the separator with abrasive material up to the separator tray. Fill the separator with abrasive material when it is necessary.

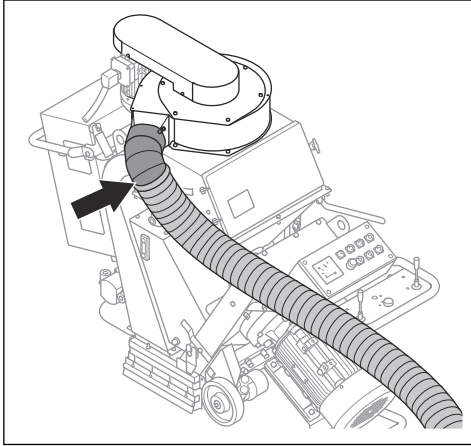
To connect a dust collector



WARNING: Do not use the dust collector if the dust collector hose is damaged. The risk increases that you breathe in dust that is dangerous to your health. Use approved respiratory protection.

- Examine the dust collector hose for damages.
- Make sure that the filters in the dust collector are clean and not damaged.

- Attach the dust collector hose safely to the dust collector connection. Connect the dust collector hose with hose clamps and industrial tape.



To connect the product to a power source

- Connect the power plug of the product to a grounded mains outlet or other power source.
- Make sure that the mains voltage agrees with the type plate on the product.

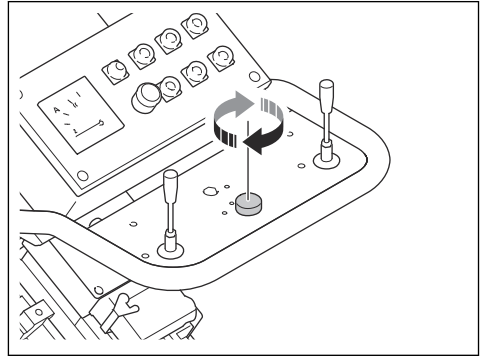
To do a check of the direction of rotation of the fan unit

- Start the product. Refer to *To start the product on page 15*.
- After some seconds, stop the product. Refer to *To stop the product on page 18*.
- Make sure that the fan unit has the correct direction of rotation. The correct direction is shown with an arrow on the fan unit cover.
- If the fan unit does not have the correct direction of rotation, change the phase sequence of the power supply.

To select the correct speed

It is important to operate the product with the correct speed for best result. If the surface has different quality, adjust the speed for an equal result. Examine the result and adjust the speed if it is necessary.

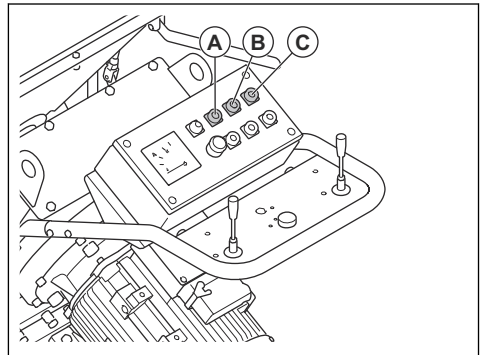
- Turn the speed control clockwise to increase the speed.



- Turn the speed control counterclockwise to decrease the speed.

To start the product

- Connect the product to a power supply. Refer to *To connect the product to a power source on page 15*.
- Attach the dust collector hose to the product. Refer to *To connect a dust collector on page 14*.
- Start the dust collector. Refer to the operator's manual of the dust collector.
- Put the cord of the operator presence control around your left wrist.
- Turn the emergency stop button clockwise to disengage the emergency stop button.
- Start the drive motors (A) and the fan unit (B) and the blast motor (C).



- Do a check of the direction of rotation of the fan unit. Refer to *To do a check of the direction of rotation of the fan unit on page 15*.

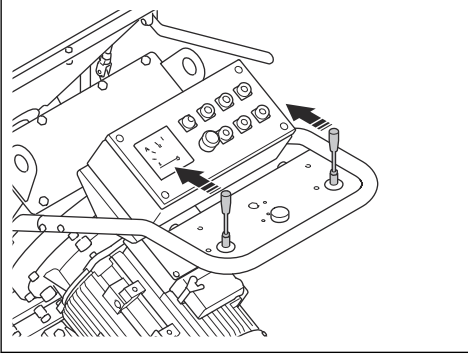
To operate the product



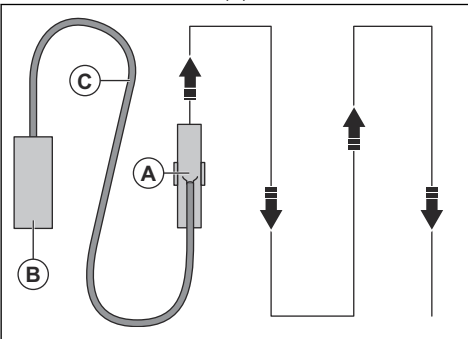
WARNING: Do not lift or tilt the product during operation. Abrasive material comes

out of the product at high speed and can cause injury.

1. Make sure that the work area is safe. Refer to *Work area safety on page 8*.
2. Fill the separator with abrasive material. Refer to *To fill the product with abrasive material on page 14*.
3. Start the product. Refer to *To start the product on page 15*.
4. Set the speed control dial to the lowest the speed.
5. Push the 2 joysticks forward to operate the product forward.



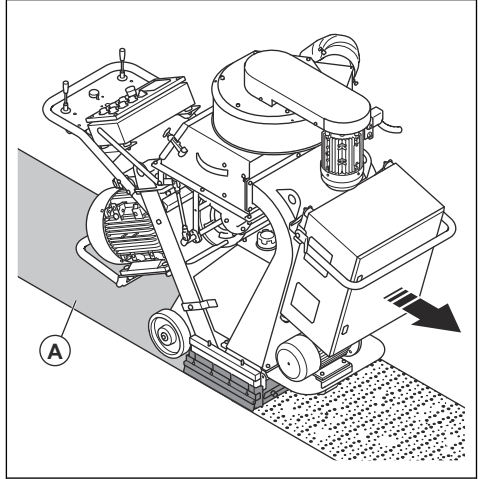
6. Pull the control lever for the abrasive material to open the valve. Refer to *To operate the valve for the abrasive material on page 12*.
7. After 2 m/7 ft., push the control lever for the abrasive material to close the valve.
8. Stop the product.
9. Do a check of the blast pattern. Adjust the blast pattern if it is necessary. Refer to *To adjust the blast pattern on page 16*.
10. Select the correct speed. Refer to *To select the correct speed on page 15*.
11. Move the product (A) in parallel tracks. The dust collector (B) must be connected to the product (A) by the dust collector hose (C).



12. Push the left joystick backward to turn the product around 360° to the left.
13. Push the right joystick backward to turn the product around 360° to the right.

Blast pattern

The blast pattern (A) is the surface that has received treatment.



For a good result the hotspot must be in the center of the blast pattern. If the hotspot is too far to the left or to the right, turn the control cage. Refer to *To adjust the blast pattern on page 16*.

These are the conditions that have effect on the blast pattern:

- The direction of rotation of the blast blades is correct.
- Increased wear on the blast blades, impeller and control cage.
- The dimension of the abrasive material. It is necessary to adjust the blast pattern when you use abrasive material with different dimension.
- The position of the lateral window in the control cage.
- Different types and hardness of the surface.

To adjust the blast pattern



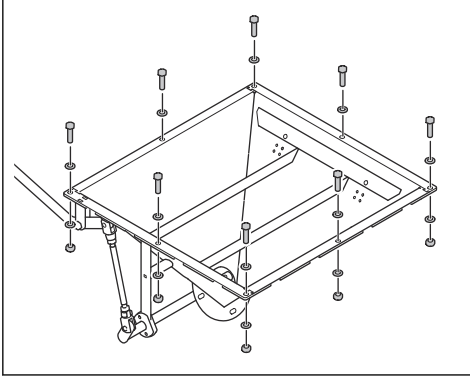
WARNING: Do not adjust, loosen or touch the cage clamps or the blast wheel blades when the product is on. Disconnect the power supply when you adjust the blast pattern.



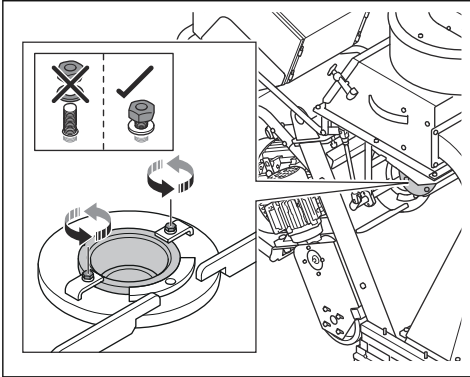
WARNING: Use personal protective equipment when you adjust the blast

pattern. Refer to *Personal protective equipment on page 7*.

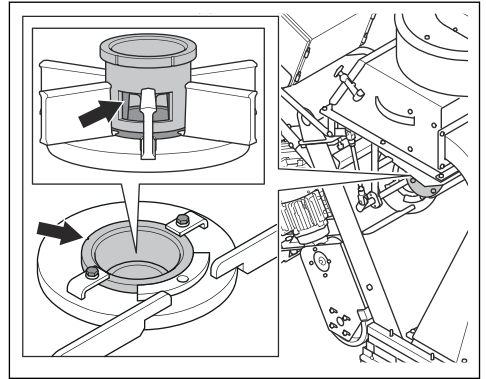
1. Open the separator door and look if there is abrasive material in the hopper. If there is abrasive material in the hopper, empty it. Refer to *To remove abrasive material from the hopper on page 20*.
2. Disconnect the power plug.
3. Remove the 8 screws, the 16 washers, the 8 nuts and the hopper.



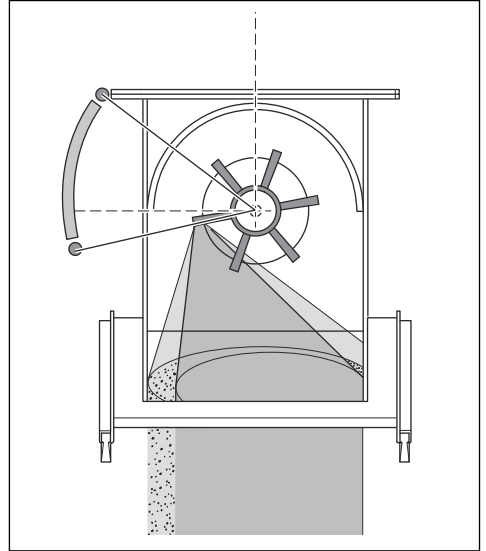
4. Loosen the cage clamps.



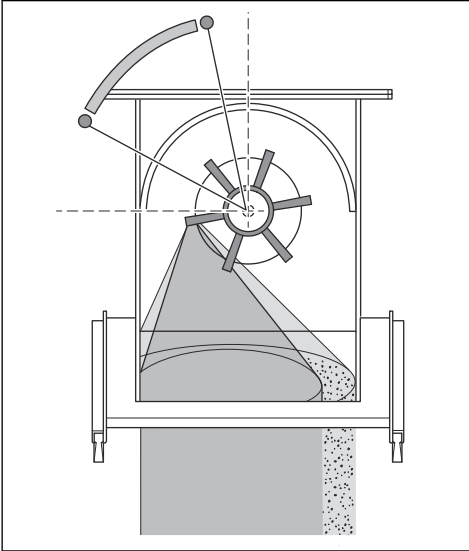
5. Examine the position of the control cage window.



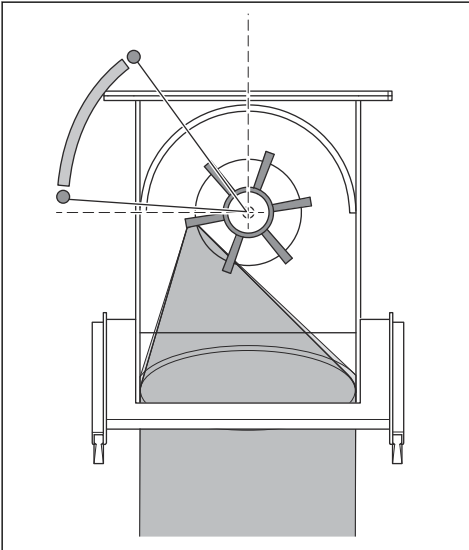
6. Turn the control cage clockwise, if the hotspot is too much on the right side.



7. Turn the control cage counterclockwise, if the hotspot is too much on the left side.



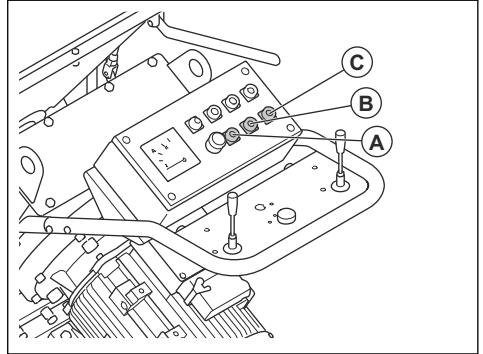
8. Make sure that the hotspot is equally applied on the surface for correct adjustment.



9. Tighten the cage clamps when the control cage is in correct position.

To stop the product

1. Close the valve for the abrasive material. Refer to *To operate the valve for the abrasive material on page 12*.
2. Push the stop button for the blast motor (A), the fan unit (B) and the drive motor (C).



3. Disconnect the power plug from the power supply.
4. Stop the dust collector. Refer to the operator's manual of the dust collector.

Maintenance

Introduction



WARNING: Before you do maintenance, you must read and understand the safety chapter.



WARNING: Use personal protective equipment when you do servicing and maintenance. Refer to *Personal protective equipment on page 7*.



WARNING: Before you do the maintenance, stop the motors and disconnect the power plug from the power source. Make sure that all drives stop.

For all servicing and repair work on the product, special training is necessary. We guarantee the availability of professional repairs and servicing. If your dealer is not a service agent, speak to them for information about the nearest service agent.

For more detailed information, refer to www.husqvarnaconstruction.com.

Maintenance schedule

* = General maintenance done by the operator. The instructions are not given in this operator's manual.

X = The instructions are given in this operator's manual.

O = The instructions are not given in this operator's manual. Let an approved service agent do the maintenance.

General product maintenance	Each 3 h	Daily	12 h after servicing	Each 3 months	Yearly
Empty the dust collector.	*				
Do a check of the of the separator and the separator tray.	X				
Make sure that the power plug and extension cable are in good condition and not damaged.		*			
Do a check of the electrical components, the cables and the connections for wear and damages.		*			
Do a check of the Residual Current operated Device (RCD).		*			
Examine the motors for dirt and damage.		*			
Make sure that the dust collector hose is not damaged and that there is no blockage.		*			
Do a check of the control cage and blast wheel blades for wear. Refer to <i>To do before you operate the product on page 11</i> .		X			
Clean the product.		X			
Do a check of all safety devices.		X			

General product maintenance	Each 3 h	Daily	12 h after servicing	Each 3 months	Yearly
Do a check of the brush list seals and the front rubber seals for wear.		*			
Do a check of the hydraulic connections and hoses.		*			
Do a check of the oil level.		*			
Make sure that the nuts and screws are tight.			*		
Do a check of the V-belt tension.				X	
Do a complete servicing and cleaning of the product.					O
Replace the oil return filter and the oil suction filter.					O

To do a check of the hydraulic hoses

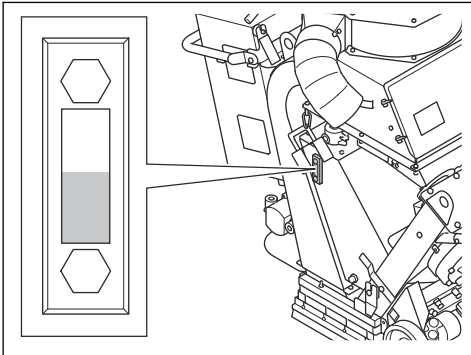
- Examine the hydraulic hoses regularly. Replace worn or damaged hydraulic hoses.



WARNING: Hydraulic oil is dangerous. The rubber in the hydraulic hoses wears with time. Worn or damaged hydraulic hoses can break and the hydraulic oil can cause injury. If you cannot tell if the hydraulic hoses are worn, always replace the hydraulic hoses.

To do a check of the hydraulic oil level

- The hydraulic oil level must be in the middle of the glass on the oil level indicator.

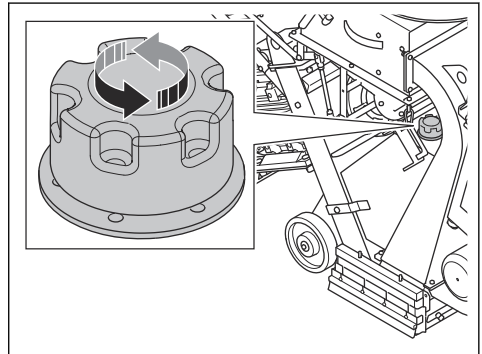


- Fill the hydraulic tank if the hydraulic oil level is too low. Refer to *To fill the hydraulic oil on page 20*.

To fill the hydraulic oil

- Park the product on level ground.

- Remove the cap to the hydraulic oil tank.



- Fill hydraulic oil in the hydraulic oil tank. Refer to *Technical data on page 29* for information about the correct type of hydraulic oil.
- Install the cap to the hydraulic oil tank.
- Do a check of the hydraulic oil level. Refer to *To do a check of the hydraulic oil level on page 20*.

To clean the product

- Always clean all the equipment after use. Use a vacuum cleaner.
- Do not use a high-pressure washer to clean the product.
- Keep the air openings clean and clear to make sure that the product always has sufficient air flow.

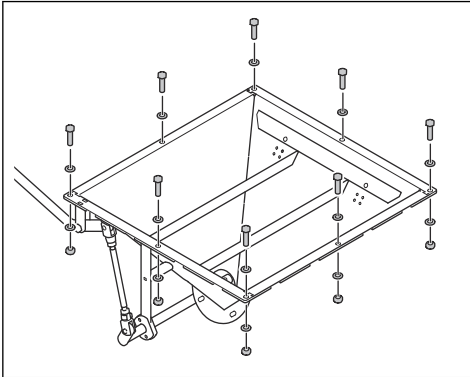
To remove abrasive material from the hopper

- Start the product. Refer to *To start the product on page 15*.

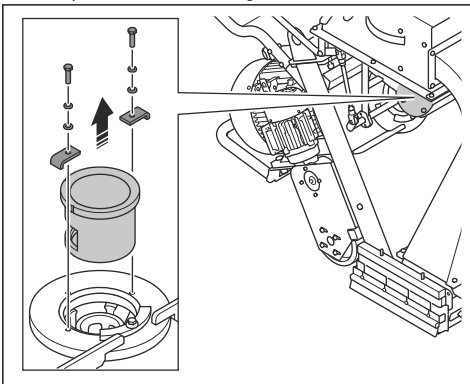
2. Push the ON button of the blast motor.
3. Push the OFF button of the blast motor when the blast motor is at 75 % of maximum speed. At the same time, open the valve for the abrasive material. Refer to *To operate the valve for the abrasive material on page 12*.
4. After 3 seconds, close the valve for the abrasive material.
5. Operate the product 50 cm rearward.
6. Open the separator door and look if there is remaining abrasive material. If there is remaining abrasive material in the hopper, do the procedure again until the hopper is empty.

To remove the impeller

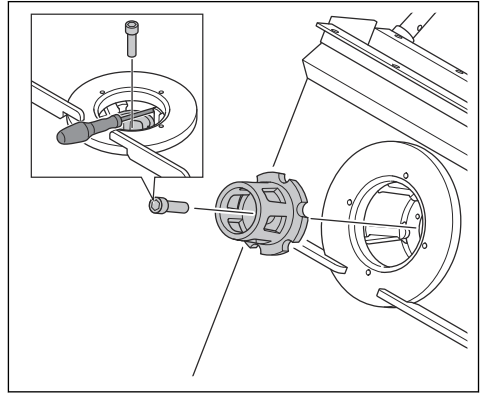
1. Open the separator door and look if there is abrasive material in the hopper. If there is abrasive material in the hopper, empty it. Refer to *To remove abrasive material from the hopper on page 20*.
2. Disconnect the power plug.
3. Remove 8 screws, the 16 washers, the 8 nuts and the hopper.



4. Remove the 2 screws, the 4 washers, the 2 cage clamps and the control cage.



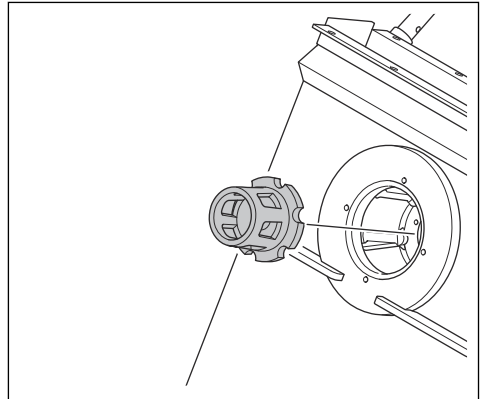
5. Put an applicable tool in the blast wheel blades to prevent rotation. Remove the bolt and discard it.



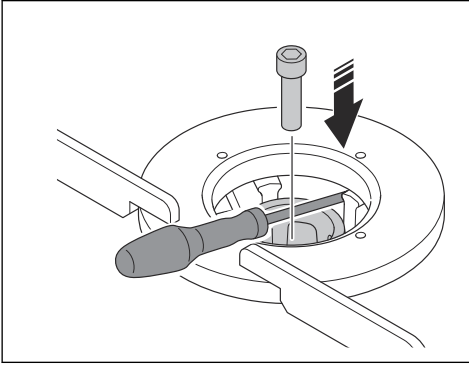
6. Remove the impeller.

To install the impeller

1. Clean the threads of screw hole for the bolt for the impeller with pressurized air.
2. Install the impeller.



3. Block the blast wheel blades with an applicable tool and install the bolt for the impeller.

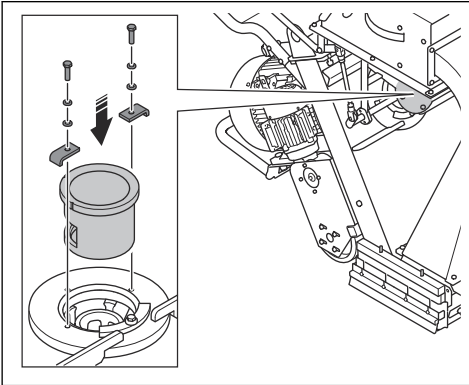


CAUTION: Always use a new bolt.

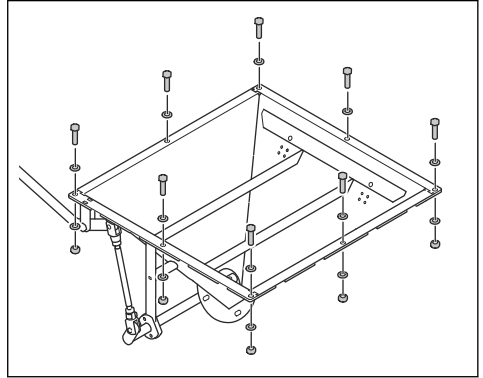


CAUTION: Do not use force to install the bolt. It can cause damage to the threads.

4. Install the 2 screws, the 4 washers, the 2 cage clamps and the control cage.

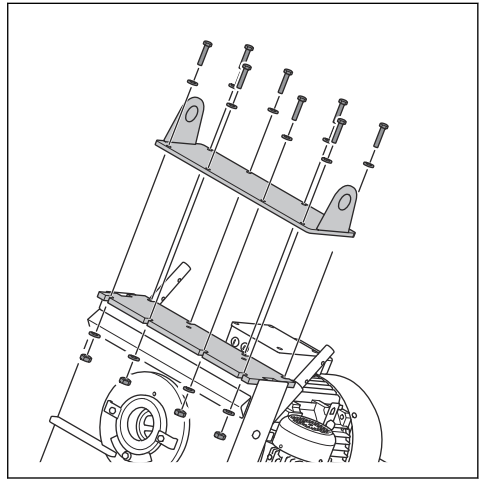


5. Install the 8 screws, the 16 washers, the 8 nuts and the hopper.

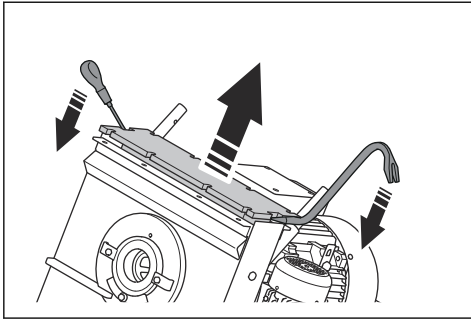


To remove the blast wheel blades

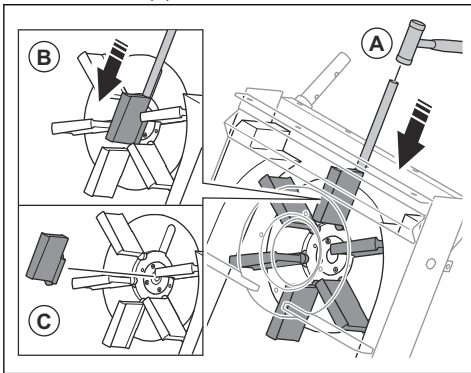
1. Remove the impeller. Refer to *To remove the impeller* on page 21.
2. Remove the 8 screws, the 16 washers, the 8 nuts and the top liner cover.



3. Remove the top liner with a crowbar.



4. Remove all remaining silicone from the housing.
5. Use a brass drift and a hammer to remove the blast wheel blades (A).



6. Push down the blast wheel blades (B).



CAUTION: Push at the bottom of the blast wheel blades. There is a risk that the blast wheel blades break.

7. Remove and discard the blast wheel blades (C).

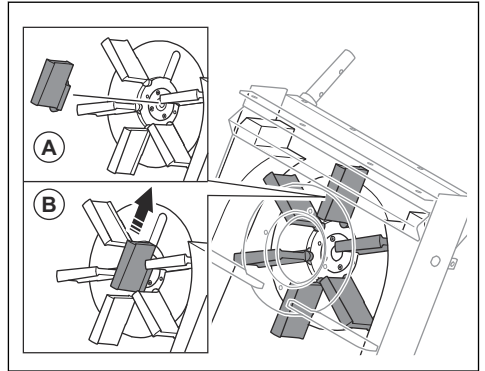


CAUTION: To prevent unbalance in the blast wheel, it is necessary to replace all 6 blast wheel blades at the same time.

To install the blast wheel blades

1. Remove all 6 blast wheel blades. Refer to *To remove the blast wheel blades on page 22*.
2. Clean the blast wheel with pressurized air and a small dust extractor. Make sure that there is no dust or dirt in the threads of the center of the blast wheel.

3. Put the blast wheel blades in the blast wheel (A).

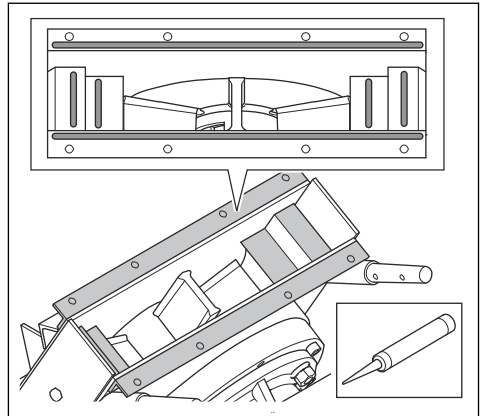


4. Slide the blast wheel blades into the slots (B).

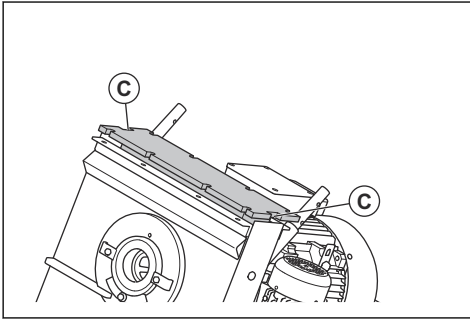


CAUTION: To prevent unbalance in the blast wheel, it is necessary to replace all 6 blast wheel blades at the same time.

5. Install the impeller. Refer to *To install the impeller on page 21*.
6. Apply silicone to the housing.



7. Lift the top liner in the slots on the sides (C) and install it on the housing. Make sure that the top liner is correctly aligned with the housing.

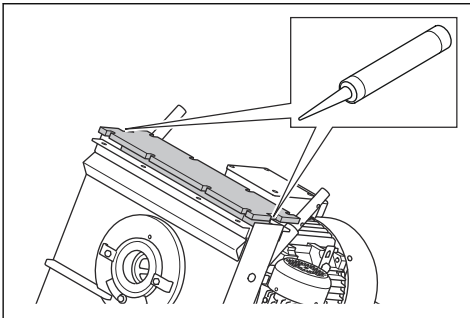


WARNING: Be careful when you install the top liner. The top liner is heavy and there is a risk of pinching.

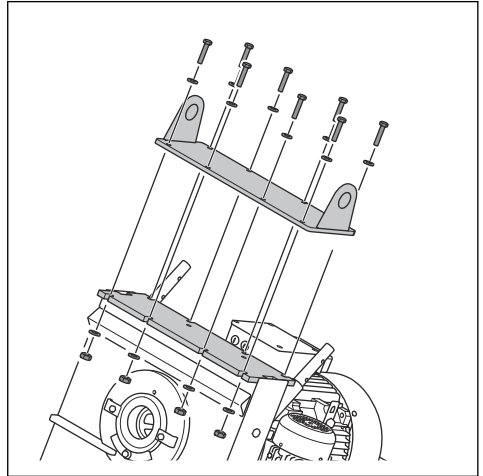


CAUTION: Do not use force when you install the top liner. There is a risk that the top liner breaks.

8. Apply silicone to the slots in the top liner.



9. Install the 8 screws, the 16 washers, the 8 nuts and the top liner cover.

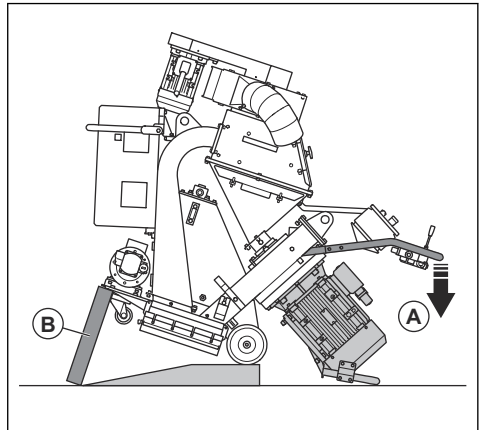


To replace the front rubber seals



WARNING: A minimum of 2 persons are necessary for this procedure. 1 person replaces the front seals, and 1 person holds the product in position.

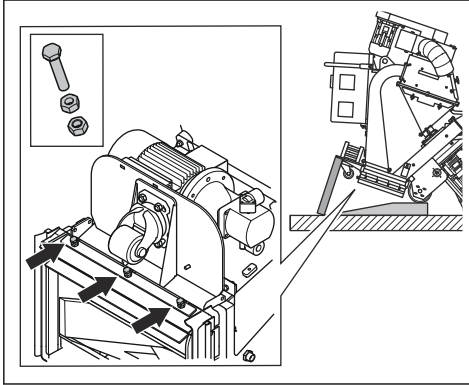
1. Operate the product rearward up a ramp.
2. Do the steps that follow to tilt the product rearward:
 - a) 1 person pushes down on the handle of the product to tilt the product rearward (A).



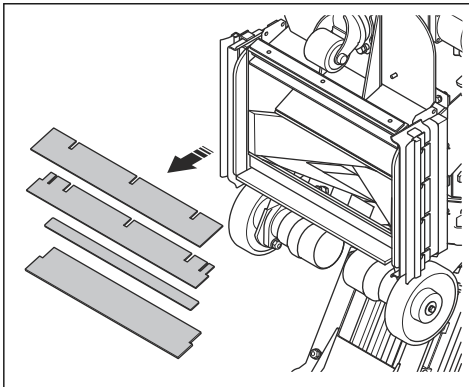
- b) The second person puts a piece of wood below the front of the product (B).
- c) 1 person continues to hold the product in position by the handle.

3. The second person continues with the process to replace the front rubber seals:

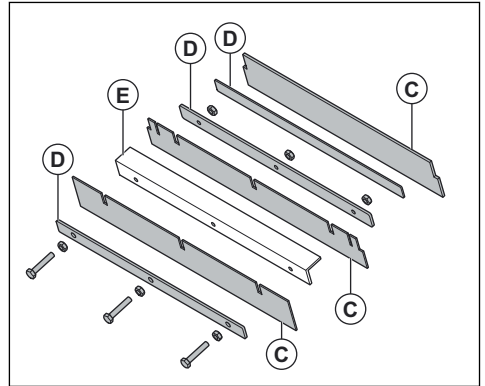
a) Loosen the 6 nuts and then loosen the 3 bolts.



b) Remove the front rubber seals.



c) Install the new front rubber seals (C) with the steel strips (D) between the front rubber seals. The angle strip (E) is part of the body and can not come off.



d) Install the 3 bolts, tighten the inner nuts first and then the outer nuts.

4. While 1 person holds the product in position, the second person removes the piece of wood.

5. Slowly put the front wheel on the ramp.

6. Operate the product down the ramp.

Troubleshooting

Problem	Cause	Solution
Too much vibration and/or unusual noises.	The blast wheel blades are worn or damaged.	Replace the parts that are worn or damaged.
	The impeller is worn.	Replace the impeller.
	The blast wheel blades and control cage are not correctly aligned.	Do a check of the blast wheel blades and control cage.
	There are loose screws and nuts.	Tighten all screws and nuts.
	The blast motor is damaged.	Speak to an approved Husqvarna service agent.
	The wheels are damaged.	Replace the wheels.

Problem	Cause	Solution
Decreased or no performance.	The supply of abrasive material to the blast wheel blades is not sufficient.	Clean the separator tray and fill the separator with abrasive material. Do a check of the valve for the abrasive material and make sure that there is no blockage.
	The type of abrasive material is incorrect for the surface.	Replace the abrasive material with correct abrasive material for the surface.
	The abrasive material has contamination.	Do a check of the dust collector and dust collector hose.
	The blast wheel blades or the control cage is worn or damaged.	Replace the blast wheel blades or the control cage.
	Too much abrasive material hits the surface at the start of the operation.	Close the valve for the abrasive material and stop the product. Start the operation again and slowly open the valve for the abrasive material.
	The control cage is not installed correctly.	Adjust the control cage to set a better blast pattern.
	The operation speed of the product is too high.	Decrease the operation speed.
	Abrasive material comes out of the product.	The seals are damaged.
The quality of abrasive material is not satisfactory.		Speak to your dealer for more information.
The blast wheel blades are worn or damaged.		Replace the blast wheel blades.
The abrasive material has more contamination than usual.	The suction power of the dust collector is not sufficient.	Do a check of the dust collector hose and the dust collector.
	The dust collector hose is blocked or damaged.	Do a check of the dust collector hose. Make sure that there is no blockage. Replace the dust collector hose if it is necessary.
The wear is more than usual on parts of the housing.	The type of abrasive material is incorrect.	Speak to your dealer for more information.
	The control cage is not installed correctly.	Adjust the control cage to set a better blast pattern.
	The suction power of the dust collector is not sufficient.	Do a check of the dust collector hose and the dust collector.
The product does not move.	The operation speed is too low.	Increase the operation speed.
	The control unit is damaged.	Replace the control unit.
	The speed control knob is damaged.	Speak to an approved Husqvarna service agent.
	The fuse is damaged.	
	The hydraulic circuit does not operate correctly.	
The control system does not start.	The motor protection switch is engaged.	Start the product again. Do a check of the power supply.

Problem	Cause	Solution
The control system stops during operation.	The power supply cable is damaged.	Replace the cable.
	The cable between the product and the dust collector is damaged.	Replace the cable.
	The motor protection switch is engaged.	Let an approved electrician do a check.
	The dust collector stops because of overload.	Let an approved electrician do a check.

Transportation, storage and disposal

Transportation



WARNING: Be careful during transportation. The product is heavy and can cause injury or damage if it falls or moves during transportation.



CAUTION: Do not tow the product behind a vehicle.

- Disconnect the electrical cable and dust collector hose before transportation.
- Remove the abrasive material before transportation. Refer to *To remove abrasive material from the hopper on page 20*.
- Put some type of protection on the product during transportation. The protection keeps natural elements, for example rain and snow, away from the product during transportation.

To move the product up and down a ramp



WARNING: Be very careful when you move the product up and down ramps. The product is heavy and there is a risk of injury if the product falls or moves too quickly.



WARNING: For ramps with a steep slope, always use a winch. Do not walk or stay below or near the product.

- To move the product down a ramp, operate the product forward slowly.
- To move the product up a ramp, operate the product rearward slowly.
- Do not turn the product to the left or to the right more than 45° on a ramp.

To attach the product to a transportation vehicle

Use the lifting eyes to attach the product to the transportation vehicle.

1. Attach the tie-down straps in the lifting eyes.
2. Attach and tighten the tie-down straps to the transportation vehicle.

To lift the product



WARNING: Make sure that the lifting equipment has the correct specification to lift the product safely. The type plate on the product shows the product weight.

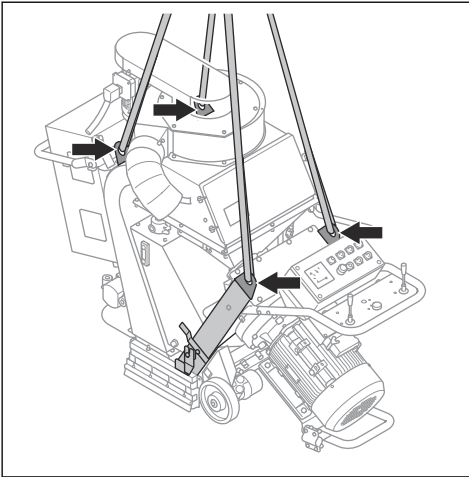


WARNING: Do not walk or stay below or near a lifted product. Keep bystanders away from the work area.



WARNING: Do not lift a damaged product. Make sure that the lifting eyes are correctly installed and not damaged.

1. Attach the lifting equipment to the lifting eyes.



2. Lift the product safely. Hold the handle until the product is off the ground.

Storage



CAUTION: Do not put the product in storage outdoors. Always keep the product indoors.

- Keep the product in a dry and frost-free area.
- Clean the product and do a complete servicing before you put the product in storage.
- Keep the product in a locked area to prevent access for children or persons that are not approved.
- Remove the abrasive material from the separator before storage.

Disposal

- Chemicals can be dangerous and must not be discarded on the ground. Always discard used chemicals at a service center or an applicable disposal location.
- When the product is worn out, send it to the dealer or to an applicable recycling location.
- Oil, oil filters, fuel and the battery can have negative effects on the environment. Obey the local recycling requirements and applicable regulations.
- Do not discard the battery as domestic waste.
- Send the battery to a Husqvarna service agent or discard it at a disposal location for used batteries.

Technical data

	EBE 500S 50 Hz	EBE 500S 60 Hz
Rated power, W	26400	
Rated voltage, V	400	480
Rated frequency, Hz	50	60
Rated current, A	48	
Cable length, m/ft.	25/82	
Power cable type	Neoprene 4×10 ²	
Operation width, mm/in.	500/19.2	
Maximum cleaning gradeability, deg/%	10/18	
Drive speed, m/min or ft./min	0–30 or 0–98	
Weight, kg/lb	820/1808	
Operation temperature, °C/°F	-5–40/23–104	
Diameter dust hose connection, mm/in.	150/6	
Dust extractor	Speak to a Husqvarna service agent for more information.	
Hydraulic oil	HV46	

Note: If your product requires an electrical specification that is not in the table, speak to a Husqvarna service agent for more information.

Noise and vibration emissions

Noise emission	
Sound power level, measured LWA dB (A). ¹	111
Sound pressure level at the operator's ear, LP dB (A). ²	94
Vibration levels	
Main handle, m/s ² . ³	0.4

¹ Sound power level determined according to EN ISO 3747. Measured on steel surface. Uncertainty Kwa 2.5 dB.

² Sound pressure level determined according to EN ISO 11202. Measured on steel surface. Uncertainty Kpa 3 dB.

³ Weighted effective acceleration measured at the handle according to EN ISO 20643. Measured on steel surface. Uncertainty K 0.1 m/s².

Approved abrasive material

Approved abrasive material	High carbon steel shot					High carbon steel grit	
	S-330*	S-390	S-460	S-550	S-660*	SG25	SG16
Dimension, mm	1.0	1.2	1.4	1.7	2.0	1.0	1.4
Hardness, HRC	45–52						
* special operations							

Extension cables

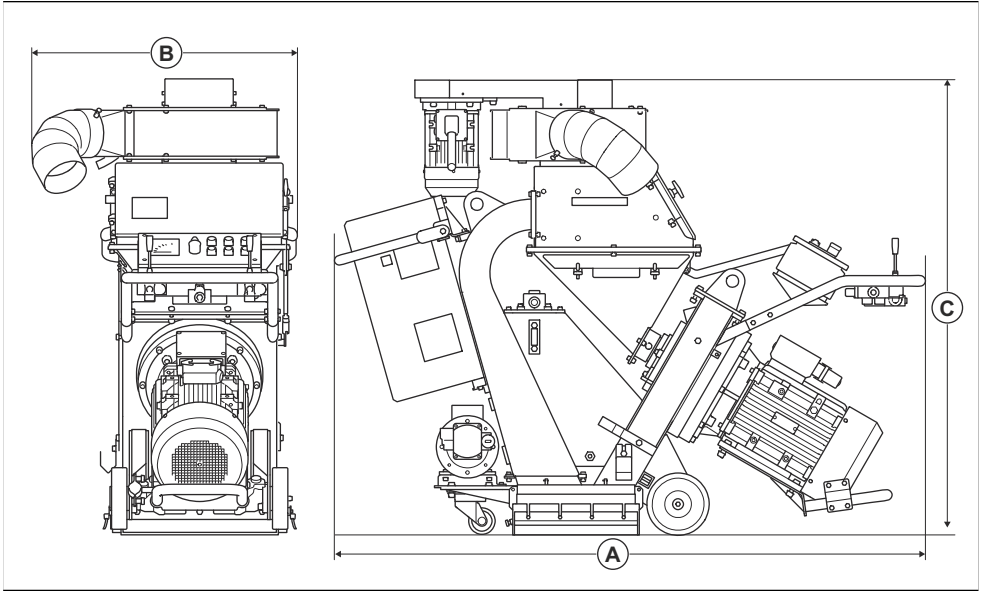
Cable length	Cross section @240V Cable SOOW (600V)			
	≤ 15 A	≤ 30 A	≤ 60 A	≤ 100 A
Calculated at a pre-fuse GG ⁴ :	15 amp	30 amp	60 amp	100 amp
> 66 ft	AWG12	AWG8	AWG4	AWG2
66 ft > 164 ft	AWG10	AWG8	AWG4	AWG2
164 ft > 246 ft	AWG8	AWG6	AWG2	AWG2

Cable length	Cross section @480V Cable SOOW (600V)			
	≤ 15 A	≤ 30 A	≤ 60 A	≤ 100 A
Calculated at a pre-fuse GG ⁵ :	15 amp	30 amp	60 amp	100 amp
> 66 ft	AWG14	AWG8	AWG4	AWG2
66 ft > 164 ft	AWG12	AWG8	AWG4	AWG2
164 ft > 246 ft	AWG12	AWG8	AWG4	AWG2

⁴ The cross sections must be re-calculated when other type or dimension pre-fuse are used than is given.

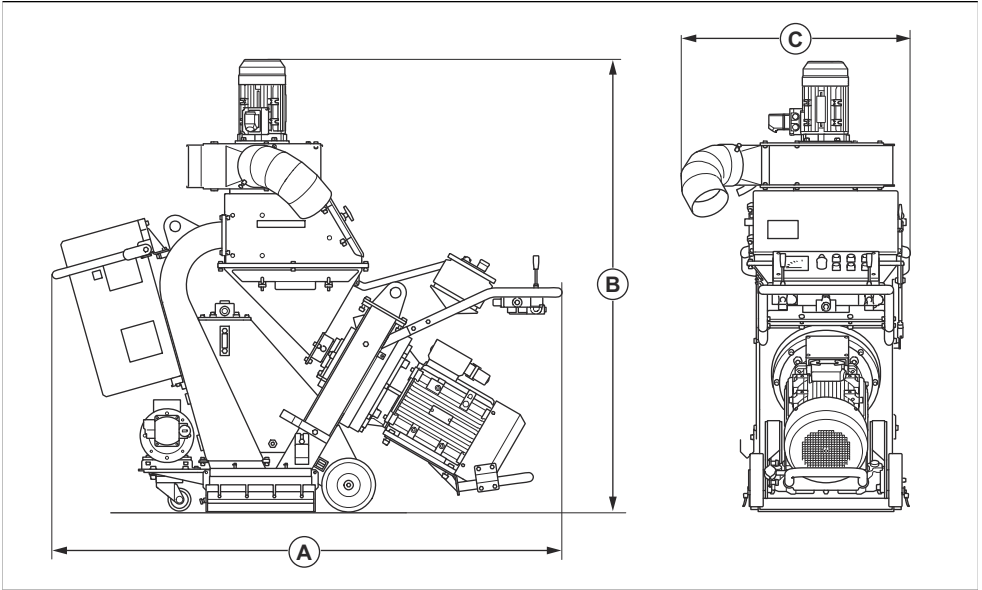
⁵ The cross sections must be re-calculated when other type or dimension pre-fuse are used than is given.

Product dimensions EBE 500S 50 Hz



EBE 500S 50 Hz		
A	Length, mm/in.	1900/74.8
B	Width, mm/in.	865/34.1
C	Height, mm/in.	1475/58.1

Product dimensions EBE 500S 60 Hz



		EBE 500S 60 Hz
A	Length, mm/in.	1900/74.8
B	Height, mm/in.	1700/66.9
C	Width, mm/in.	865/34.1

Contenido

Introducción.....	33	Solución de problemas.....	58
Seguridad.....	37	Transporte, almacenamiento y eliminación de residuos.....	60
Funcionamiento.....	43	Datos técnicos	62
Mantenimiento.....	51	Emisiones de ruido y vibración.....	62

Introducción

Responsabilidad del propietario



ADVERTENCIA: El procesamiento de hormigón y piedra mediante métodos como corte, amolado o perforación, especialmente en operaciones en seco, genera polvo que proviene del material procesado y, a menudo, contiene sílice. La sílice es un componente básico de la arena, el cuarzo, la arcilla de los ladrillos, el granito y otros numerosos minerales y rocas. La exposición a una cantidad excesiva de ese polvo puede causar:

Producto de la exposición a la sílice se pueden ocasionar enfermedades respiratorias (que afectan la capacidad de respirar) como la bronquitis crónica, la silicosis y la fibrosis pulmonar. Estas enfermedades pueden ser mortales.

Irritación cutánea y sarpullido.

Cáncer, según el NTP* y la IARC* */National Toxicology Program (Programa Nacional de Toxicología) y Centro Internacional de Investigaciones sobre el Cáncer.

Tome medidas preventivas:

Evite inhalar y que su piel entre en contacto con el polvo, el vaho y los gases.

Utilice artículos apropiados para la protección respiratoria como máscaras contra polvo diseñadas para filtrar partículas microscópicas, y asegúrese de que todas las personas que se encuentren cerca también lo hagan. (Consulte la normativa OSHA 29 CFR Parte 1926.1153)

Para minimizar las emisiones de polvo, utilice un colector de polvo adecuado.

Es responsabilidad del propietario o empleador que el usuario tenga los conocimientos necesarios sobre cómo utilizar el producto de forma segura. Los supervisores y usuarios deben haber leído y comprendido el manual de usuario. Deben tener conocimiento de lo siguiente:

- Las instrucciones de seguridad del producto.
- La gama de aplicaciones y limitaciones del producto.
- Cómo el producto se va a utilizar y mantener.

El uso de este producto podría estar restringido por normas nacionales o locales. Infórmese sobre qué normas se aplican en el lugar donde trabaja antes de comenzar a utilizar el producto.

Descripción del producto

El producto es una granalladora de acero motocultora para operaciones horizontales, operada por un motor eléctrico. El producto tiene una rueda esparcidora que lanza material abrasivo a la superficie. El producto debe estar conectado a un colector de polvo correcto durante el funcionamiento.

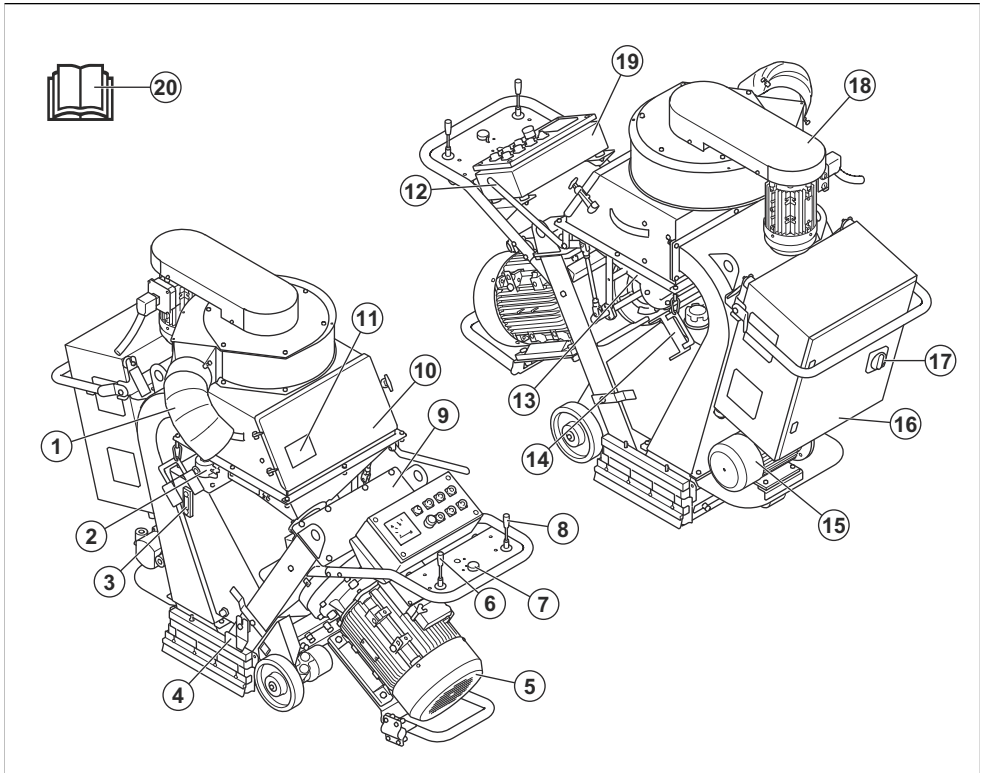
Uso previsto

El producto se utiliza para retirar capas de pintura, selladores y contaminantes de las superficies de acero. Utilice el producto únicamente en superficies horizontales secas y sin escarcha.

Los operadores profesionales utilizan el producto en operaciones comerciales.

No utilice el producto para otras tareas.

Descripción general del producto EBE 500S 50 Hz



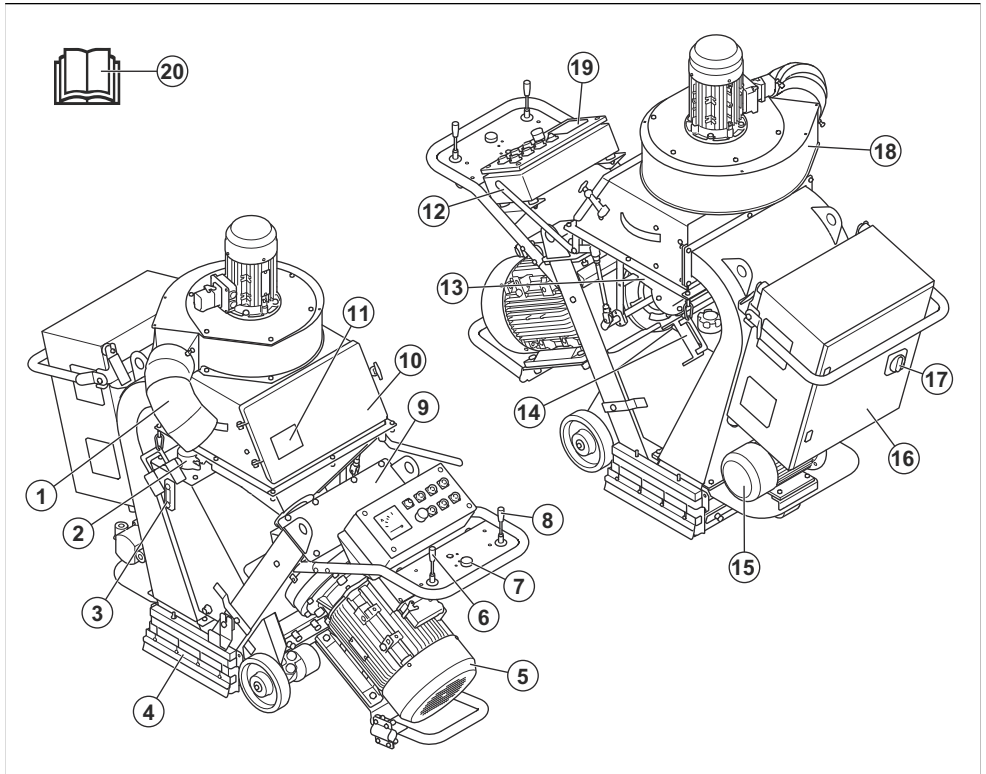
1. Conexión del colector de polvo
2. Carcasa del filtro de retorno de aceite
3. Indicador del nivel de aceite hidráulico

4. Juntas de la lista de cepillos
5. Motor esparcidor
6. Palanca universal de la rueda motriz izquierda
7. Control de velocidad
8. Palanca universal de la rueda motriz derecha
9. Cubierta del revestimiento superior
10. Puerta del separador
11. Placa de características

12. Palanca de control del material abrasivo
13. Tolva

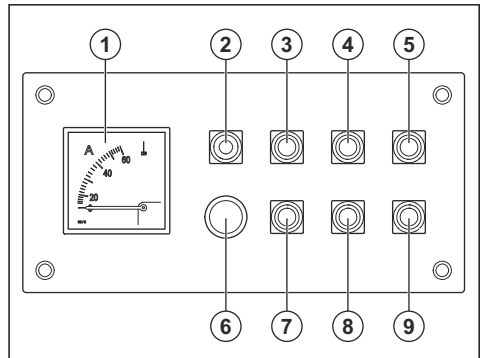
14. Soporte del sello lateral
15. Motor eléctrico
16. Gabinete eléctrico
17. Interruptor ON/OFF principal
18. Kit de descenso con unidad de ventilador
19. Panel de control. Consulte *Panel de control en la página 35*.
20. Manual de usuario

Descripción general del producto EBE 500S 60 Hz



1. Conexión del colector de polvo
2. Carcasa del filtro de retorno de aceite
3. Indicador del nivel de aceite hidráulico
4. Juntas de la lista de cepillos
5. Motor esparcidor
6. Palanca universal de la rueda motriz izquierda
7. Control de velocidad
8. Palanca universal de la rueda motriz derecha
9. Cubierta del revestimiento superior
10. Puerta del separador
11. Placa de características
12. Palanca de control del material abrasivo
13. Tolva
14. Soporte del sello lateral
15. Motor eléctrico
16. Gabinete eléctrico
17. Interruptor ON/OFF principal
18. Kit de descenso con unidad de ventilador
19. Panel de control. Consulte *Panel de control en la página 35*.
20. Manual de usuario

Panel de control



1. Amperímetro
2. Luz de control de potencia
3. Motor de accionamiento ON
4. Motor del ventilador ON
5. Motor esparcidor ON

6. Botón de parada de emergencia
7. Motor de accionamiento OFF
8. Motor del ventilador OFF
9. Motor esparcidor OFF

Símbolos en el producto



ADVERTENCIA: Este producto puede ser peligroso y provocar lesiones graves o fatales al usuario o a otras personas. Tenga cuidado y utilice el producto correctamente.



Lea atentamente el manual y asegúrese de que entiende las instrucciones antes de usar el producto.



Utilice protección respiratoria aprobada.



Utilice protección auricular aprobada.



Utilice protección ocular aprobada.



Utilice guantes protectores homologados.



Utilice botas de protección aprobadas.



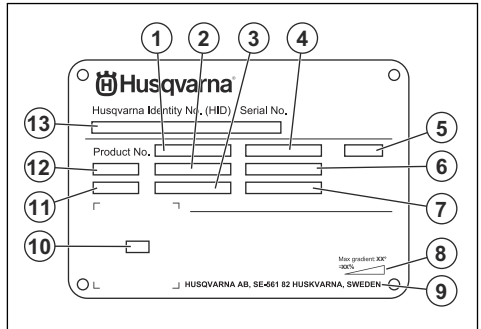
Alta tensión.



Punto de elevación.

Tenga en cuenta: Otros símbolos o etiquetas en el producto hacen referencia a requisitos de certificación especiales para algunos mercados.

Placa de identificación



1. Número del producto
2. Peso del producto
3. Potencia nominal
4. Tensión nominal
5. Gabinete
6. Corriente nominal
7. Frecuencia
8. Ángulo máximo de pendiente
9. Fabricante
10. Código escaneable
11. Año de fabricación
12. Modelo
13. Número de serie

Daños en el producto

No somos responsables de los daños a nuestro producto en los siguientes casos:

- el producto se repara incorrectamente
- el producto se repara con piezas que no son del fabricante o que este no autoriza
- el producto tiene un accesorio que no es del fabricante o que este no autoriza
- el producto no se repara en un centro de servicio autorizado o por una autoridad aprobada.

Seguridad

Definiciones de seguridad

Las advertencias, precauciones y notas se utilizan para señalar las piezas particularmente importantes del manual.



ADVERTENCIA: Se utilizan para señalar el riesgo de lesiones graves o mortales para el operador o para aquellos que se encuentren cerca si no se siguen las instrucciones del manual.



AVISO: Se utilizan para señalar el riesgo de dañar la máquina, otros materiales o el área adyacente si no se siguen las instrucciones del manual.

Tenga en cuenta: Se utilizan para entregar más información necesaria en situaciones particulares.

Instrucciones generales de seguridad



ADVERTENCIA: Lea atentamente las instrucciones de advertencia siguientes antes de usar el producto.

- Este producto puede ser una herramienta peligrosa si no se maneja con cuidado o si utiliza el producto de forma incorrecta. Este producto puede causar daños graves o fatales al operador o a otras personas. Antes de utilizar el producto, es muy importante que lea y comprenda el contenido de este manual de usuario.
- Este producto no está diseñado para que personas (incluidos niños) con capacidades físicas, sensoriales o mentales reducidas, o con falta de experiencia y conocimientos, lo utilicen.
- Guarde todas las advertencias y las instrucciones.
- Cumpla todas las leyes y reglamentos vigentes.
- El operador y el empleador del operador deben conocer y evitar los riesgos durante la operación del producto.
- No permita que nadie que no haya leído y comprendido el contenido del manual de usuario utilice el producto.
- No utilice el producto si no ha recibido capacitación antes de su uso. Asegúrese de que todos los usuarios reciban capacitación.
- No deje que un niño utilice el producto.
- Restrinja el uso del producto solo a personas autorizadas.
- El operador es responsable de los accidentes que puedan ocurrirles a otras personas o a sus propiedades.

- No utilice el producto si está cansado, enfermo o bajo la influencia de alcohol, drogas o medicamentos.
- Sea siempre cuidadoso y use el sentido común.
- Mantenga el producto limpio. Asegúrese de que puede leer señales y etiquetas claramente.
- No utilice el producto si está dañado o si no funciona correctamente.
- No modifique este producto.
- No utilice el producto si es posible que otras personas hayan realizado modificaciones en el mismo.

Instrucciones de seguridad para el funcionamiento



ADVERTENCIA: Lea atentamente las instrucciones de advertencia siguientes antes de usar el producto.

- Utilice equipo de protección personal. Consulte *Equipo de protección personal en la página 39*.
- La sobreexposición a las vibraciones puede producir trastornos vasculares o daños al sistema nervioso en las personas que padecen problemas de circulación. Obtenga asistencia médica si experimenta síntomas de sobreexposición a las vibraciones. Estos síntomas incluyen entumecimiento, pérdida de sensibilidad, hormigueo, ardor, dolor, pérdida de fuerza, y cambios en el color o el estado de la piel. Normalmente, estos síntomas se presentan en los dedos, las manos o las muñecas.
- No utilice el producto sin que todas las cubiertas protectoras estén instaladas.
- Asegúrese de saber cómo detener los motores rápidamente en caso de emergencia.
- Antes de alejarse del producto, detenga los motores y desconecte el cable de alimentación. Asegúrese de que no haya riesgo de arranque accidental.
- Asegúrese de que ninguna prenda, cabello largo o joya puedan quedar atrapados en las piezas móviles.
- Asegúrese de encontrarse en una posición segura y estable durante la operación.
- Verifique que no haya pernos ni tuercas sueltos.
- No levante ni incline el producto durante la operación. El material abrasivo sale del producto a gran velocidad y puede causar lesiones. Siempre desconecte el enchufe de alimentación antes de levantar o inclinar el producto.
- Asegúrese de que el separador y la bandeja del separador estén cerrados durante la operación.
- No utilice el producto si no puede recibir ayuda en caso de que ocurra un accidente.

- Siempre utilice accesorios aprobados. Comuníquese con su distribuidor Husqvarna para obtener más información.
- Si el producto vibra o el nivel de ruido del producto es inusualmente alto, deténgalo de inmediato. Desconecte el enchufe. Examine el producto en busca de daños. Repare los daños o solicite a un taller de servicio autorizado que realice la reparación.
- Para eliminar el polvo, conecte siempre el producto a un colector de polvo.
- No tire de la manguera del colector de polvo. El producto puede caerse y causar daños o lesiones.
- Mantenga el colector de polvo encendido hasta que el motor se detenga por completo.
- Opere el producto solamente desde la parte posterior y con ambas manos en el manillar.
- Asegúrese de que no haya grasa ni aceite en las manillas.
- Asegúrese de que las juntas de la lista de cepillos no estén dañadas.
- Asegúrese de que las juntas de la lista de cepillos estén instaladas a la altura correcta.
- Siempre utilice materiales abrasivos aprobados. Comuníquese con su distribuidor Husqvarna para obtener más información. Consulte *Material abrasivo aprobado en la página 63*.
- Asegúrese de que la unidad del ventilador tenga el sentido de rotación correcto. El sentido de rotación correcto se indica con una flecha en la cubierta de la unidad del ventilador.

Seguridad de vibración



ADVERTENCIA: Lea atentamente las instrucciones de advertencia siguientes antes de usar el producto.

- Durante el funcionamiento del producto, se transmiten vibraciones del producto al operador. El uso frecuente y regular del producto puede provocarle lesiones al operador o aumentar el grado de estas. Se pueden producir lesiones en los dedos, las manos, las muñecas, los brazos, los hombros o los nervios, así como en el riego sanguíneo u otras partes del cuerpo. Las lesiones pueden ser debilitantes o permanentes, y pueden aumentar gradualmente durante semanas, meses o años. Entre las posibles lesiones se incluyen daños en el sistema de circulación sanguínea, el sistema nervioso, las articulaciones y otras estructuras corporales.
- Los síntomas pueden presentarse durante el funcionamiento del producto o en otro momento. Si tiene síntomas y continúa utilizando el producto, los síntomas pueden aumentar o hacerse permanentes. Si se producen estos u otros síntomas, solicite asistencia médica:

- Entumecimiento, pérdida de sensación, hormigueo, picazón, dolor, ardor, dolor pulsante, rigidez, aturdimiento, pérdida de fuerza, cambios en el color o en el estado de la piel.
- Los síntomas pueden aumentar con el frío. Utilice ropa de abrigo y mantenga las manos calientes y secas cuando utilice el producto en entornos fríos.
- Realice el mantenimiento del producto y utilícelo según se indica en el manual de usuario, para mantener un nivel de vibración correcto.
- El producto tiene un sistema amortiguador de vibraciones que disminuye las vibraciones de las manijas al operador. Deje que el producto haga el trabajo.
- Mantenga las manos solamente en las manijas. No acerque ninguna otra parte de cuerpo al producto.
- Detenga el producto de inmediato si se producen vibraciones fuertes repentinamente. No continúe la operación hasta eliminar la causa del aumento de las vibraciones.

Seguridad contra el polvo



ADVERTENCIA: Lea atentamente las instrucciones de advertencia siguientes antes de usar el producto.

- El funcionamiento del producto puede causar suspensión de polvo en el aire. El polvo puede causar lesiones graves y problemas de salud permanentes. Varias autoridades han establecido regulaciones con respecto a los efectos dañinos del polvo de sílice. A continuación, se presentan algunos ejemplos de tales problemas de salud:
 - Enfermedades pulmonares mortales como bronquitis crónica, silicosis y fibrosis pulmonar
 - Cáncer
 - Anomalías congénitas
 - Inflamación de la piel
- Utilice el equipo correcto para disminuir la cantidad de polvo y gases en el aire y para disminuir la cantidad de polvo en el equipo de trabajo, las superficies, la ropa y las partes del cuerpo. Los ejemplos de controles son los sistemas de recolección de polvo. Disminuya el polvo en el origen cuando sea posible. Asegúrese de que el equipo se instale y utilice correctamente, y de que se le realice mantenimiento regular.
- Utilice protección respiratoria aprobada. Asegúrese de utilizar protección respiratoria cuando se trabaje con materiales peligrosos en el área de trabajo.
- Asegúrese de que haya un flujo de aire suficiente en la zona de trabajo.

Seguridad contra el ruido



ADVERTENCIA: Lea atentamente las instrucciones de advertencia siguientes antes de usar el producto.

- Los niveles altos de ruido y la exposición a largo plazo al ruido pueden causar pérdida auditiva.
- Para mantener el nivel de ruido al mínimo, realice el mantenimiento del producto y utilícelo según se indica en el manual de usuario.
- Utilice protectores auriculares aprobados cuando opere el producto.
- Cuando utilice protectores auriculares, esté atento a las señales de advertencia y a las voces. Qúitese los protectores auriculares cuando el producto esté detenido, a menos que sean necesarios para el nivel de ruido en la zona de trabajo.

Equipo de protección personal



ADVERTENCIA: Lea atentamente las instrucciones de advertencia siguientes antes de usar el producto.

- Utilice siempre el equipo de protección personal aprobado cuando utilice el producto. El equipo de protección personal no puede impedir el riesgo de lesiones, pero disminuirá el grado de lesión si ocurre un accidente. Solicite a su distribuidor que lo ayude a seleccionar el equipo de protección personal correcto y que le indique cuándo usarlo.
- Realice periódicamente una comprobación del estado del equipo de protección personal.
- Use protección auricular aprobada.
- Utilice protección respiratoria aprobada.
- Utilice protección ocular aprobada con protección lateral.
- Use guantes protectores.
- Utilice botas con punta de acero y suela antideslizante.
- Utilice ropa de trabajo aprobada o ropa equivalente de ajuste ceñido, que cubra por completo los brazos y las piernas.

Extintor de incendios

- Mantenga un extintor de incendios a mano durante la operación.
- Utilice un extintor de incendios de polvo o un extintor de dióxido de carbono.

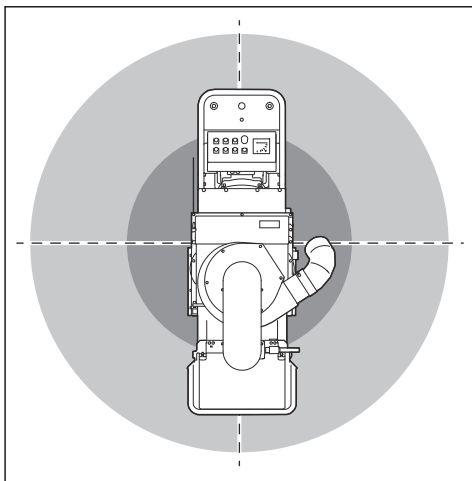
Seguridad en el área de trabajo



ADVERTENCIA: Lea atentamente las instrucciones de advertencia siguientes antes de usar el producto.

- Es responsabilidad del usuario analizar la superficie que se va a tratar. El usuario debe realizar una evaluación de riesgos en función de la información obtenida de la superficie que se va a tratar y tomar las precauciones adecuadas para el trabajo que se realizará.

- No use el producto en condiciones de niebla, lluvia, viento fuerte, clima frío, riesgo de rayos u otras condiciones climáticas adversas.
- Tenga cuidado con personas, objetos y situaciones que puedan impedir el funcionamiento seguro del producto.
- No utilice el producto en áreas donde se pueden producir explosiones o fuego. El producto genera chispas, y los materiales inflamables pueden encenderse con el polvo o los vapores.
- Mantenga a los niños, los transeúntes y los animales alejados del área de trabajo y a una distancia segura del producto.



- Mantenga a los transeúntes y los animales alejados del área de trabajo y a una distancia segura del producto. Una distancia de seguridad adecuada es de 15 m/49 ft.
- Asegúrese de que solo personas autorizadas estén en el área de trabajo.
- Mantenga el área de trabajo limpia y totalmente iluminada. Las áreas desordenadas u oscuras propician los accidentes.
- Retire los objetos, como tornillos, pernos, cables y piedras del área de trabajo antes de utilizar el producto.
- Asegúrese de que no haya cables ni mangueras en la dirección de funcionamiento del producto.
- Asegúrese de que las superficies irregulares, como las uniones soldadas o las juntas del piso, no detengan el producto.
- Asegúrese de que haya suficiente flujo de aire en el área de trabajo.

Seguridad hidráulica



ADVERTENCIA: Lea atentamente las instrucciones de advertencia siguientes antes de usar el producto.

- Asegúrese de que las conexiones de las mangueras hidráulicas estén bien apretadas y de que no haya fugas de aceite.
- Tenga cuidado cuando apriete las conexiones hidráulicas. Si aprieta demasiado las conexiones hidráulicas, puede dañar las juntas tóricas.
- Asegúrese de que las conexiones de las mangueras hidráulicas están limpias y en buen estado.
- El aceite hidráulico presurizado es peligroso y puede causar lesiones graves. No busque fugas de aceite cuando el sistema hidráulico esté presurizado.
- Tenga cuidado cuando llene el producto con aceite hidráulico. El aceite hidráulico es inflamable. Si derrama aceite hidráulico, limpie la superficie.
- Solo llene el producto con aceite hidráulico en un lugar con buena ventilación.

Si el sistema de la red eléctrica tiene una resistencia más alta, puede ocurrir una breve caída de tensión cuando el producto se pone en marcha. Esto puede afectar el funcionamiento de otros productos; por ejemplo, el parpadeo de luces.

- Los enchufes de alimentación deben coincidir con la toma de corriente. Nunca modifique el enchufe de ninguna forma. No utilice enchufes con adaptador con herramientas eléctricas conectadas a tierra. Los enchufes sin modificaciones y las tomas correspondientes reducen el riesgo de descarga eléctrica.
- Evite el contacto corporal con superficies conectadas a tierra, como tuberías, radiadores, estufas y refrigeradores. Existe un mayor riesgo de descarga eléctrica si su cuerpo está conectado a tierra.
- Asegúrese de que la alimentación, el fusible y el voltaje de la red eléctrica sean los mismos que se indican en la placa de características del producto.
- Detenga siempre el producto antes de desconectar el enchufe.
- Asegúrese de que el interruptor ON/OFF esté en la posición OFF antes de que el producto se conecte a la fuente de alimentación.
- Desconecte siempre el enchufe de alimentación durante una detención prolongada del producto.
- No utilice el producto si el cable o el enchufe de alimentación se encuentran dañados. Si el cable de alimentación está dañado, lo debe reemplazar el fabricante, su taller de servicio o personas igualmente calificadas para evitar un riesgo. Un cable de alimentación dañado puede causar daños graves e incluso la muerte.
- Utilice el cable de alimentación correctamente. No utilice el cable de alimentación para mover, tirar o desconectar el producto. Tire del enchufe de alimentación para desconectar el cable de alimentación. No tire del cable de alimentación.
- Opere el producto solo en superficies secas.
- Mantenga el producto alejado de la lluvia. El ingreso de agua en el producto aumenta el riesgo de descarga eléctrica.
- Asegúrese de desconectar siempre el cable de alimentación antes de conectar o desconectar la conexión del cable del motor y del gabinete eléctrico.
- A fin de evitar riesgos debido al restablecimiento involuntario del corte térmico, este aparato no debe alimentarse a través de un dispositivo de conmutación externo, como un temporizador, ni conectarse a un circuito que los usuarios activen y desactiven regularmente.
- Asegúrese de que la fuente de alimentación del producto sea suministrada por transformadores separados que se utilicen solo para fines industriales.

Seguridad eléctrica



ADVERTENCIA: Siempre existe el riesgo de recibir una descarga cuando se usan productos eléctricos. No utilice el producto en condiciones climáticas adversas. No toque los pararrayos ni los objetos metálicos. Utilice siempre el producto como se indica en este manual del usuario para evitar lesiones.



ADVERTENCIA: Utilice siempre una fuente de alimentación con un dispositivo de corriente residual (RCD). El dispositivo disminuye el riesgo de descarga eléctrica.



ADVERTENCIA: Alta tensión. Hay piezas sin protección en la unidad de alimentación. Desconecte siempre el enchufe de alimentación antes de abrir la puerta de la caja eléctrica.



ADVERTENCIA: Utilice el enchufe de salida de la máquina solo para los fines especificados en las instrucciones.



AVISO: La fuente de alimentación del producto o el generador deben ser suficientes y constantes para asegurarse de que el motor funcione sin problemas. La tensión incorrecta hace que el consumo de energía y la temperatura del motor aumenten hasta que se active el circuito de seguridad. Las dimensiones del cable de alimentación deben coincidir con las regulaciones nacionales y locales. Las dimensiones de la toma de corriente deben coincidir con el amperaje del enchufe eléctrico y el cable de extensión del producto.

Instrucciones para la conexión a tierra del producto



ADVERTENCIA: Una conexión incorrecta puede provocar una descarga eléctrica. Hable con un electricista certificado si no tiene la seguridad de que el producto está correctamente conectado a tierra.

No modifique la especificación de fábrica del enchufe. Si el enchufe o el cable de alimentación está dañado o se debe reemplazar, hable con su agente de servicio de Husqvarna. Obedezca las normas y las leyes locales.

Si no comprende perfectamente las instrucciones sobre la conexión a tierra del producto, póngase en contacto con un electricista certificado.

Solo utilice cables de extensión para exteriores con conexión a tierra en conjunto con enchufes que tengan conexión a tierra, y use una toma de corriente con conexión a tierra que sea compatible con el enchufe del producto.

El producto cuenta con un cable de alimentación y un enchufe con conexión a tierra. Conecte siempre el producto a una toma de corriente con conexión a tierra. Esto disminuye el riesgo de descarga eléctrica.

No utilice adaptadores eléctricos para el producto.

Cables de extensión

- Utilice solamente cables de extensión aprobados que tengan las propiedades adecuadas.
- El valor nominal del cable de extensión debe ser el mismo que se establece en la placa de características del producto, o superior a este.
- Utilice cables de extensión con conexión a tierra.
- Cuando opere el producto en exteriores, utilice un cable de extensión apto para el uso en exteriores. Esto disminuye el riesgo de descarga eléctrica.
- Mantenga la conexión al cable de extensión seca y sin que toque el suelo.
- Mantenga el cable de extensión alejado del calor, el aceite, los bordes afilados o las piezas móviles. Los cables dañados aumentan el riesgo de descarga eléctrica.
- Asegúrese de que el cable de extensión esté intacto y en buenas condiciones.
- No utilice el cable de extensión mientras está enrollado. Esto puede provocar que el cable de extensión se caliente demasiado.
- Asegúrese de que el cable de extensión no estorbe y esté alejado del producto durante la operación. Esto evita que el cable de extensión sufra daños.

Dispositivos de seguridad en el producto



ADVERTENCIA: Lea atentamente las instrucciones de advertencia siguientes antes de usar el producto.

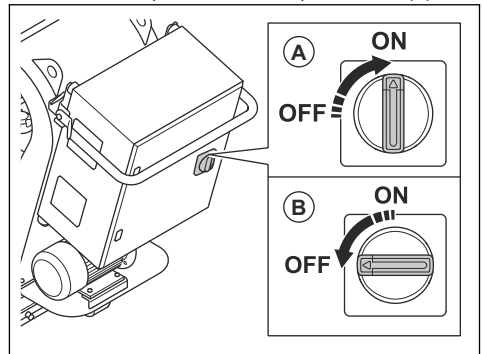
- No utilice el producto si los dispositivos de seguridad están dañados o no funcionan correctamente.
- Revise los dispositivos de seguridad de forma regular. Si sus dispositivos de seguridad están dañados o no funcionan correctamente, hable con su taller de servicio de Husqvarna.
- No realice ninguna modificación en los dispositivos de seguridad.

Interruptor ON/OFF

El interruptor ON/OFF se usa para iniciar y detener la alimentación del producto.

Para comprobar el interruptor ON/OFF

1. Para asegurarse de que el botón STOP de emergencia está desactivado, gire el botón STOP de emergencia hacia la derecha.
2. Gire el interruptor ON/OFF a la posición ON (A).



3. Asegúrese de que la luz de control del panel de control se encienda.
4. Gire el interruptor ON/OFF a la posición OFF (B).
5. Asegúrese de que la luz de control del panel de control se apague.

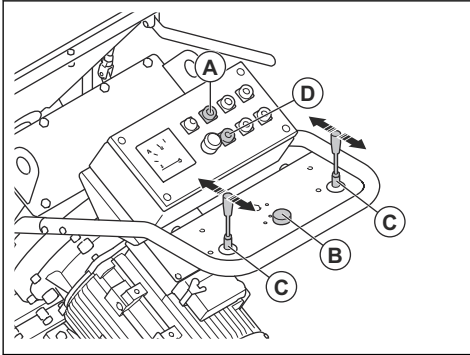
Botones ON/OFF de los motores de transmisión

Los botones ON/OFF de los motores de transmisión se utilizan para iniciar y detener los motores de transmisión. Consulte *Para verificar los motores de transmisión en la página 41*.

Para verificar los motores de transmisión

1. Coloque el interruptor ON/OFF en la posición ON.

2. Para asegurarse de que el botón de Stop de emergencia está desactivado, gire el botón de Stop de emergencia hacia la derecha.
3. Presione el botón ON de los motores de transmisión (A).



4. Ajuste el control de velocidad (B) en 1.
5. Empuje las 2 palancas (C) hacia delante. Asegúrese de que el producto funcione hacia delante.
6. Coloque las 2 palancas en la posición neutra. Coloque el interruptor ON/OFF en la posición OFF.
7. Tire las 2 palancas hacia atrás. Asegúrese de que el producto funcione hacia atrás.
8. Coloque las 2 palancas en la posición neutra.
9. Presione el botón OFF de los motores de accionamiento (D).

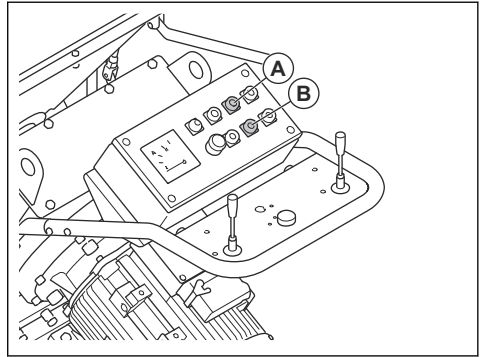
Botones ON/OFF de la unidad del ventilador

Los botones ON/OFF de la unidad del ventilador se utilizan para iniciar y detener la unidad del ventilador. Consulte *Para revisar los botones ON/OFF de la unidad del ventilador en la página 42*.

Para revisar los botones ON/OFF de la unidad del ventilador

1. Para asegurarse de que el botón de Stop de emergencia está desactivado, gire el botón de Stop de emergencia hacia la derecha.

2. Presione el botón ON de la unidad del ventilador (A).



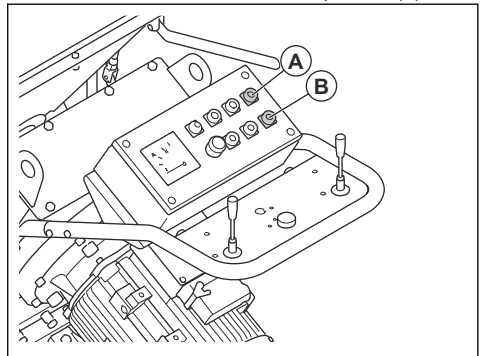
3. Asegúrese de que la unidad del ventilador arranque.
4. Presione el botón OFF de la unidad del ventilador (B).
5. Asegúrese de que la unidad del ventilador se detenga.

Botones ON/OFF del motor esparcidor

Los botones ON/OFF del motor esparcidor se utilizan para iniciar y detener el motor esparcidor. Consulte *Para revisar los botones ON/OFF del motor esparcidor en la página 42*.

Para revisar los botones ON/OFF del motor esparcidor

1. Para asegurarse de que el botón de Stop de emergencia está desactivado, gire el botón de Stop de emergencia hacia la derecha.
2. Presione el botón ON del motor esparcidor (A).



3. Asegúrese de que el motor esparcidor arranque.
4. Presione el botón OFF del motor esparcidor (B).
5. Asegúrese de que el motor esparcidor se detenga.

Amperímetro

El amperímetro muestra la carga de esparcidor en la superficie. El amperaje máximo se muestra sobre el amperímetro.

Para revisar el amperímetro

Consulte *Panel de control en la página 35* para obtener información sobre dónde está el amperímetro en el producto.

1. Encienda el producto. Consulte *Para poner en marcha el producto en la página 47*.
2. Espere hasta que el amperímetro esté en la posición de ralentí.
3. Detenga la máquina. Consulte *Para detener el producto en la página 50*.

Botón de Stop de emergencia

El botón de parada de emergencia se utiliza para detener rápidamente los motores.

Para revisar el botón de Stop de emergencia de la

Consulte *Panel de control en la página 35* para obtener más información sobre la ubicación del botón de Stop de emergencia en su producto.

1. Para asegurarse de que el botón de Stop de emergencia está desactivado, gire el botón de Stop de emergencia hacia la derecha.
2. Encienda el producto. Consulte *Para poner en marcha el producto en la página 47*.
3. Presione el botón de parada de emergencia.
4. Asegúrese de que los motores se detengan.
5. Gire el botón de parada de emergencia en el sentido de las agujas del reloj para desactivarlo.

Instrucciones de seguridad para el mantenimiento



ADVERTENCIA: Lea atentamente las instrucciones de advertencia siguientes antes de usar el producto.

- Solo realice tareas de mantenimiento como se indica en el presente manual del usuario. Solicite que un taller de servicio autorizado realice todos los otros servicios.
- Si el mantenimiento no se realiza de manera correcta y regular, aumenta el riesgo de sufrir lesiones y causar daños en el producto.
- Limpie el producto para eliminar materiales peligrosos antes de realizar el mantenimiento.
- Realice el mantenimiento del producto en un terreno estable y nivelado. Asegúrese de que el producto no se mueva.
- No modifique el producto. Las modificaciones en el producto que no están aprobadas por el fabricante pueden causar daños graves o la muerte.
- Cambie las piezas dañadas, desgastadas o rotas.
- No use hidrolimpiadoras para limpiar el producto.
- Utilice solo paños de limpieza sin pelusa.
- Utilice siempre accesorios y piezas de repuesto originales. El uso de accesorios y piezas de repuesto que no estén aprobados por el fabricante puede causar daños graves o la muerte.
- Después de realizar el mantenimiento, revise el nivel de vibración del producto. Si no tiene el nivel correcto, comuníquese con un taller de servicio autorizado.
- Procure realizar las tareas de mantenimiento con regularidad en un taller de servicio aprobado.

Funcionamiento

Introducción



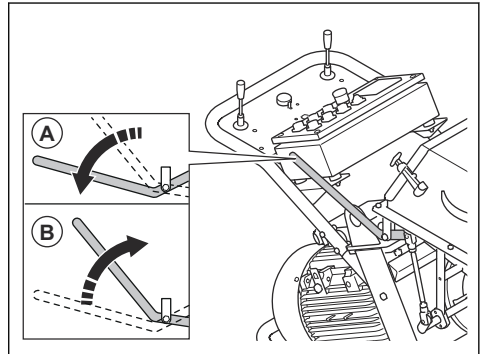
ADVERTENCIA: Antes de utilizar el producto, debe leer y entender el capítulo sobre seguridad.

Haga lo siguiente antes de usar el producto

1. Lea atentamente el manual del usuario y asegúrese de entender las instrucciones.
2. Lea el manual del usuario del colector de polvo atentamente y asegúrese de entender las instrucciones.
3. Si el producto se opera en conexión con una fuente de alimentación, asegúrese de leer y comprender el manual del operador de esa fuente de alimentación.
4. Utilice equipo de protección personal. Consulte *Equipo de protección personal en la página 39*.
5. Asegúrese de que solo personas autorizadas estén en el área de trabajo.
6. Realice un mantenimiento diario. Consulte *Programa de mantenimiento en la página 51*.
7. Revise que el producto esté montado correctamente y que no esté dañado.
8. Asegúrese de que todos los pernos, tornillos y tuercas estén apretados.

9. Asegúrese de que las hojas de la rueda esparcidora, el tubo de alimentación y los sellos no estén dañados ni desgastados. Reemplace las piezas cuando el 75 % del grosor del disco se haya desgastado.
10. Asegúrese de que el separador no esté dañado.
11. Asegúrese de que el separador esté lleno de material abrasivo hasta la bandeja del separador.
12. Asegúrese de que las juntas de la lista de cepillos estén instaladas a la altura correcta. Consulte *Para ajustar la altura correcta de los sellos de la lista de cepillos en la página 44*.
13. Coloque el producto en el área de trabajo. Asegúrese de que la superficie esté nivelada. Asegúrese de que el transporte del producto hacia y en el área de trabajo se realice de forma segura y correcta. Consulte *Transporte en la página 60*.
14. Instale los sellos laterales. Consulte *Para instalar los sellos laterales en la página 45*.
15. Conecte el colector de polvo al producto. Consulte *Para conectar un colector de polvo en la página 46*.
16. Asegúrese de que el interruptor ON/OFF esté en la posición OFF antes de conectar el producto a una fuente de alimentación.
17. Conecte el producto a la fuente de alimentación. Consulte *Para conectar el producto a una fuente de alimentación en la página 47*.

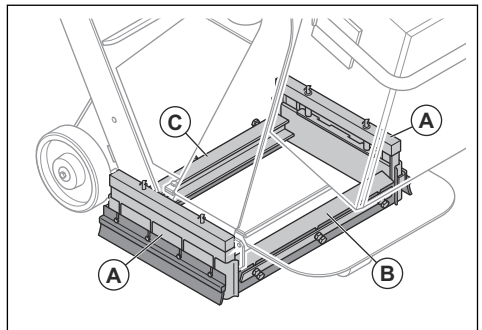
1. Opere la palanca de control de material abrasivo (A) para cerrar la válvula y detener el flujo de material abrasivo.



2. Opere la palanca de control del material abrasivo (B) para abrir la válvula e iniciar el flujo de material abrasivo.

Sello del material abrasivo

El sello de material abrasivo es un sistema de sellos con 2 sellos laterales (A), 1 sello delantero (B) y 1 cepillo trasero (C). El sello del material abrasivo garantiza que el material abrasivo permanezca en el producto durante el funcionamiento. Consulte *Para instalar los sellos laterales en la página 45* para obtener más información acerca de los sellos laterales. Consulte *Para reemplazar los sellos de goma delanteros en la página 57* para obtener más información acerca del sello delantero.



Para ajustar la altura correcta de los sellos de la lista de cepillos

Las juntas de la lista de cepillos se desgastan cuando se utiliza el producto. Es necesario ajustar la altura de las juntas de la lista de cepillos en intervalos regulares.

Válvula de material abrasivo

La válvula de material abrasivo controla el flujo de material abrasivo a las hojas de la rueda esparcidora. El ajuste de la válvula de material abrasivo se muestra en el amperímetro. Consulte *Amperímetro en la página 42*.

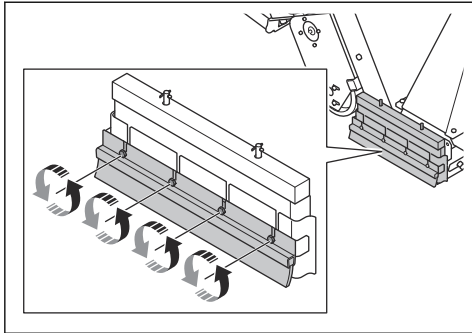
Puede ajustar la válvula de material abrasivo con la palanca de control de material abrasivo. Consulte *Para operar la válvula de material abrasivo en la página 44*.

Para operar la válvula de material abrasivo

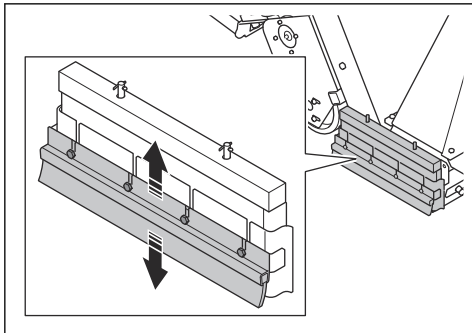


AVISO: Solo abra la válvula de material abrasivo cuando el motor esparcidor esté en funcionamiento.

1. Afloje los 4 tornillos.



2. Ajuste la altura hasta que las juntas de la lista de cepillos estén a 1 mm/0,04 in por encima de la superficie.

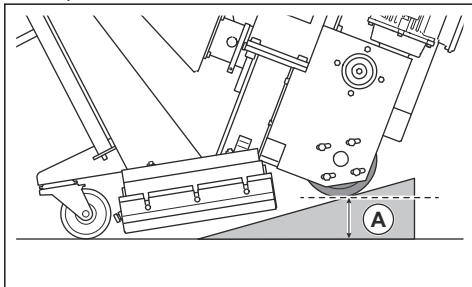


3. Apriete los 4 tornillos.

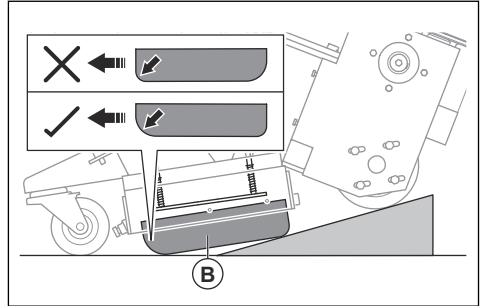
Para instalar los sellos laterales

El sistema de sello lateral consta de 2 sellos laterales de metal, 2 sellos laterales de goma y 2 cepillos laterales. Los sellos laterales de metal se caen del sistema de sellos laterales cuando se levanta el producto de la superficie. Instale los sellos laterales antes de hacer funcionar el producto.

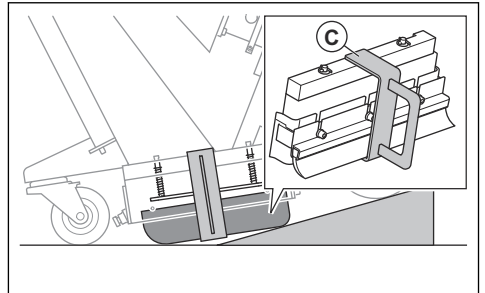
1. Coloque una rampa detrás de 1 de las ruedas traseras. Desplace el producto hacia atrás por la rampa.



2. Detenga el producto cuando la distancia (A) sea de 75 mm.
3. Coloque el sello lateral (B) en la caja del sello lateral en un lado del producto. Asegúrese de que la parte redondeada del sello lateral apunte hacia la parte delantera del producto.



4. Coloque el soporte del sello lateral (C) alrededor de la caja del sello lateral para asegurarse de que el sello lateral permanezca en la posición correcta.

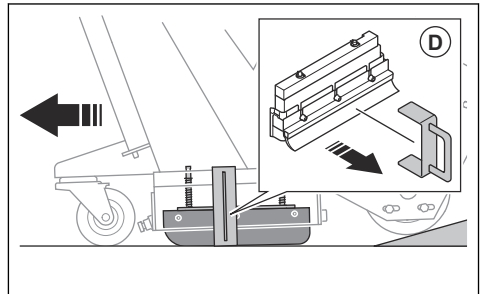


5. Opere el producto para bajarlo por la rampa.



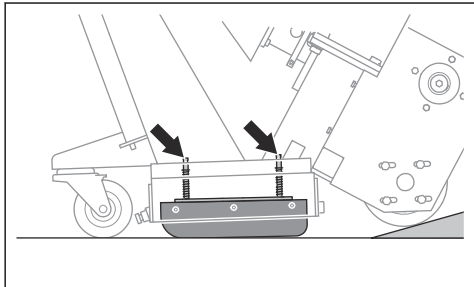
ADVERTENCIA: Tenga cuidado cuando desplace el producto por la rampa. Existe un riesgo de pinzamiento.

6. Retire el soporte del sello lateral (D).



7. Realice el procedimiento en el otro lado del producto.

8. Asegúrese de que puede ver los 2 ejes de la placa del muelle del sello lateral en la parte superior de la caja del sello lateral.

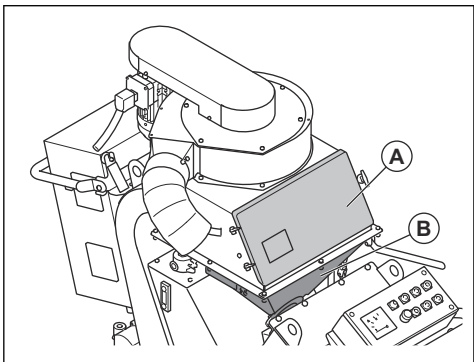


Material abrasivo

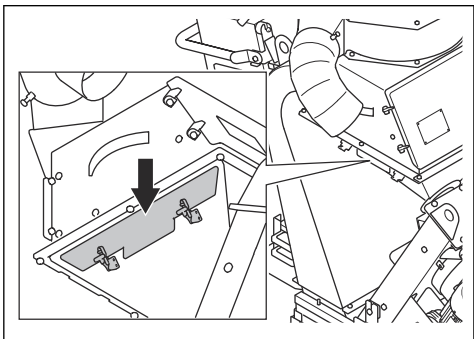
Hable con su Husqvarna distribuidor con el objetivo de seleccionar el material abrasivo correcto para el funcionamiento de su superficie. Consulte *Material abrasivo aprobado en la página 63*.

Separador

El separador (A) contiene el material abrasivo y suministra material abrasivo a las hojas de la rueda esparcidora a través de la tolva (B).



La bandeja del separador protege el material abrasivo y las hojas de la rueda esparcidora de la contaminación.

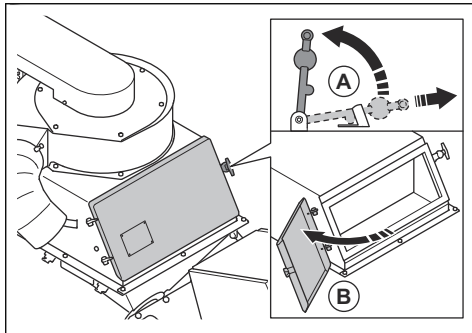


Para llenar el producto con material abrasivo

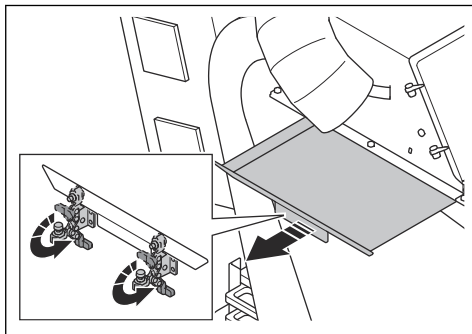


ADVERTENCIA: Utilice siempre equipo de protección personal cuando llene el producto con material abrasivo. Consulte *Equipo de protección personal en la página 39*.

1. Cierre la válvula de material abrasivo; consulte *Para operar la válvula de material abrasivo en la página 44*.
2. Desbloquee (A) y abra (B) la puerta del separador.



3. Extraiga la bandeja del separador y retire todos los contaminantes.



4. Llene el separador con material abrasivo hasta la bandeja del separador. Llene el separador con material abrasivo cuando sea necesario.

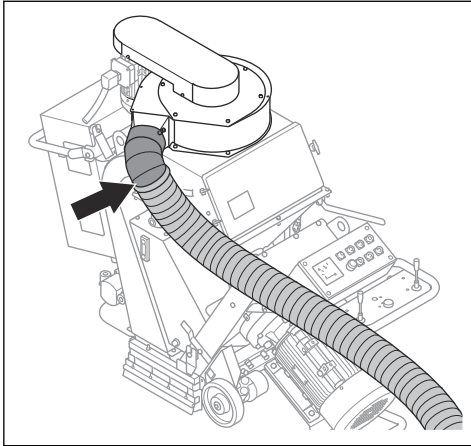
Para conectar un colector de polvo



ADVERTENCIA: No utilice el colector de polvo si la manguera del colector de polvo está dañada. El riesgo aumenta si respira polvo peligroso para su salud. Utilice protección respiratoria aprobada.

1. Examine la manguera del colector de polvo para detectar daños.

2. Asegúrese de que los filtros del colector de polvo estén limpios y en buen estado.
3. Conecte la manguera del colector de polvo de forma segura a la conexión del colector de polvo. Conecte la manguera del colector de polvo con abrazaderas para manguera y cinta industrial.



Para conectar el producto a una fuente de alimentación

1. Conecte el enchufe de alimentación del producto a una toma de corriente con conexión a tierra u otra fuente de alimentación.
2. Asegúrese de que la tensión de la red de electricidad corresponda a la placa de características del producto.

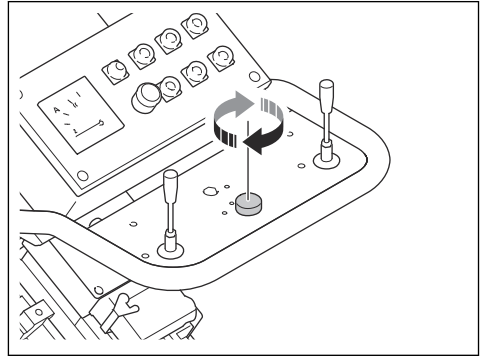
Para revisar el sentido de rotación de la unidad del ventilador

1. Encienda el producto. Consulte *Para poner en marcha el producto en la página 47*.
2. Después de unos segundos, detenga el producto. Consulte *Para detener el producto en la página 50*.
3. Asegúrese de que la unidad del ventilador tenga el sentido de rotación correcto. La dirección correcta se muestra con una flecha en la cubierta de la unidad del ventilador.
4. Si la unidad del ventilador no tiene el sentido de rotación correcto, cambie la secuencia de fases de la fuente de alimentación.

Para seleccionar la velocidad correcta

Es importante utilizar el producto con la velocidad correcta para obtener mejores resultados. Si la superficie tiene una calidad diferente, ajuste la velocidad para obtener un resultado igual. Examine el resultado y ajuste la velocidad si es necesario.

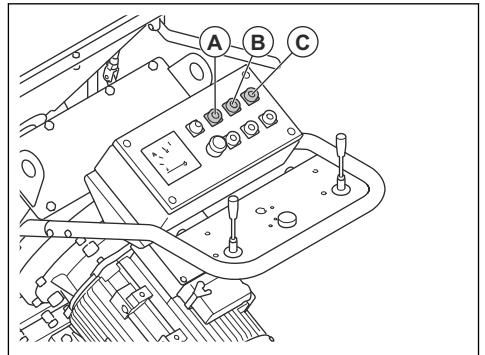
- Gire el control de velocidad hacia la derecha para aumentar la velocidad.



- Gire el control de velocidad hacia la izquierda para disminuir la velocidad.

Para poner en marcha el producto

1. Conecte el producto a una fuente de alimentación. Consulte *Para conectar el producto a una fuente de alimentación en la página 47*.
2. Conecte la manguera del colector de polvo al producto. Consulte *Para conectar un colector de polvo en la página 46*.
3. Inicie el colector de polvo. Consulte el manual de usuario del colector de polvo.
4. Coloque el cable del control de presencia del operador alrededor de su muñeca izquierda.
5. Gire el botón de parada de emergencia hacia la derecha para desactivarlo.
6. Arranque los motores de accionamiento (A) y la unidad del ventilador (B) y el motor esparcidor (C).



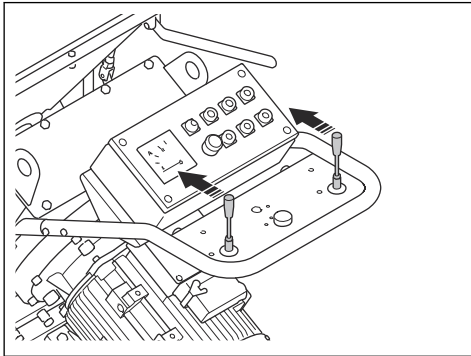
7. Revise el sentido de rotación de la unidad del ventilador. Consulte *Para revisar el sentido de rotación de la unidad del ventilador en la página 47*.

Para hacer funcionar el producto



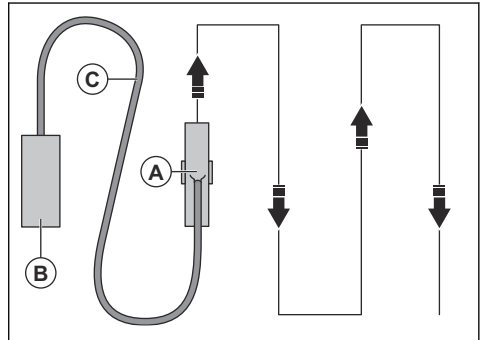
ADVERTENCIA: No levante ni incline el producto durante la operación. El material abrasivo sale del producto a gran velocidad y puede causar lesiones.

1. Asegúrese de que el área de trabajo sea segura. Consulte *Seguridad en el área de trabajo en la página 39*.
2. Llene el separador con material abrasivo. Consulte *Para llenar el producto con material abrasivo en la página 46*.
3. Encienda el producto. Consulte *Para poner en marcha el producto en la página 47*.
4. Ajuste el selector de control de velocidad a la velocidad más baja.
5. Empuje las 2 palancas hacia delante para hacer funcionar el producto hacia delante.



6. Tire de la palanca de control del material abrasivo para abrir la válvula. Consulte *Para operar la válvula de material abrasivo en la página 44*.
7. Después de 2 m/7 ft, empuje la palanca de control del material abrasivo para cerrar la válvula.
8. Detenga la máquina.
9. Revise el patrón de granallado. Ajuste el patrón de granallado si es necesario. Consulte *Para ajustar el patrón de granallado en la página 49*.
10. Seleccione la velocidad correcta. Consulte *Para seleccionar la velocidad correcta en la página 47*.

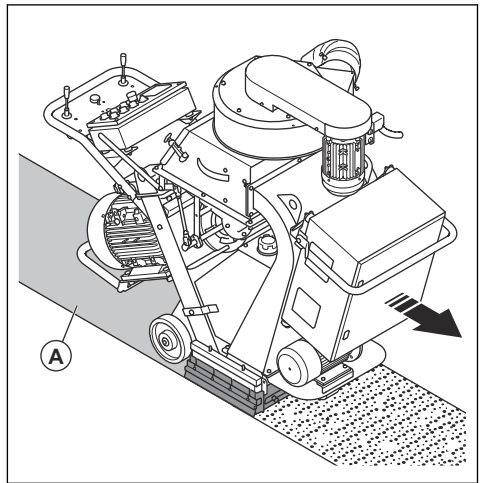
11. Mueva el producto (A) en vías paralelas. El colector de polvo (B) debe conectarse al producto (A) mediante la manguera del colector de polvo (C).



12. Tire la palanca izquierda hacia atrás para girar el producto 360° hacia la izquierda.
13. Tire la palanca derecha hacia atrás para girar el producto 360° hacia la derecha.

Patrón de granallado

El patrón de granallado (A) es la superficie que ha recibido tratamiento.



Para obtener un buen resultado, el punto de intervención debe estar en el centro del patrón de granallado. Si el punto de intervención está demasiado a la izquierda o a la derecha, gire la caja de control. Consulte *Para ajustar el patrón de granallado en la página 49*.

Estas son las condiciones que tienen efecto sobre el patrón de granallado:

- El sentido de rotación de las hojas esparcidas es correcto.

- Mayor desgaste en las hojas esparcidoras, el propulsor y la caja de control.
- La dimensión del material abrasivo. Es necesario ajustar el patrón de granallado cuando se utiliza material abrasivo con diferentes dimensiones.
- La posición de la ventana lateral en la caja de control.
- Diferentes tipos y dureza de la superficie.

Para ajustar el patrón de granallado

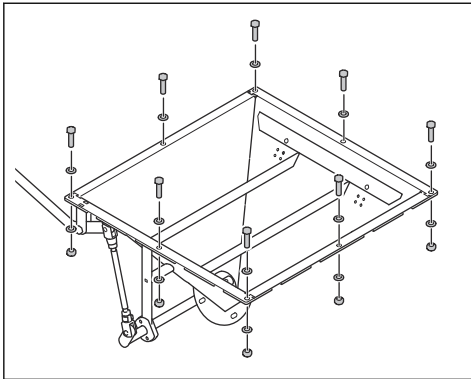


ADVERTENCIA: No ajuste, afloje ni toque las abrazaderas de la jaula ni las hojas de la rueda esparcidora cuando el producto esté encendido. Desconecte la fuente de alimentación cuando ajuste el patrón de granallado.

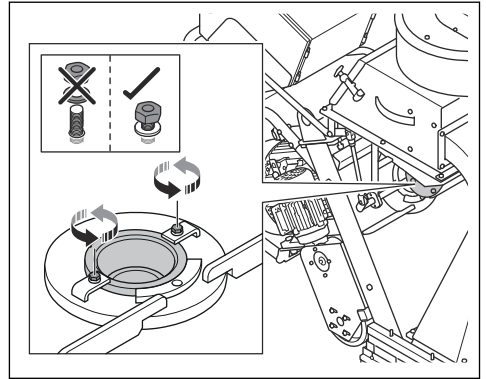


ADVERTENCIA: Utilice siempre el equipo de protección personal cuando ajuste el patrón de granallado. Consulte *Equipo de protección personal en la página 39*.

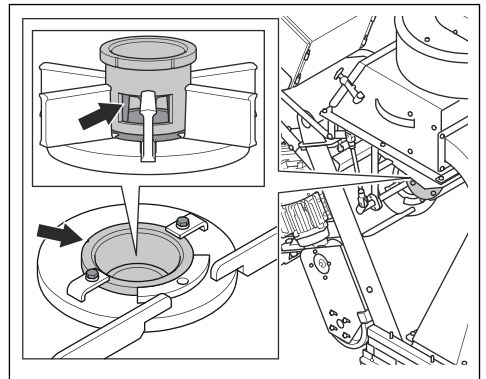
1. Abra la puerta del separador y observe si hay material abrasivo en la tolva. Si hay material abrasivo en la tolva, vacíelo. Consulte *Para retirar el material abrasivo de la tolva en la página 53*.
2. Desconecte el enchufe.
3. Retire los 8 tornillos, las 16 arandelas, las 8 tuercas y la tolva.



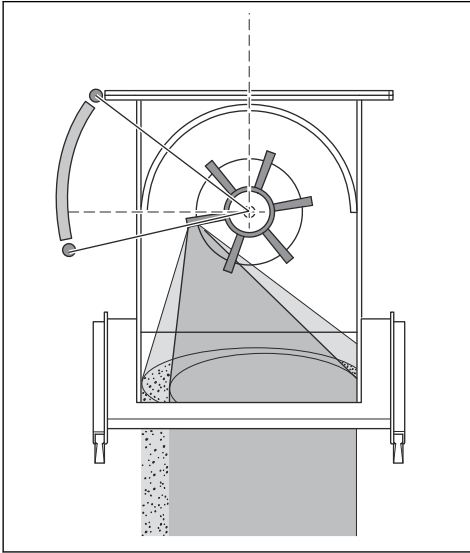
4. Afloje las abrazaderas de la jaula.



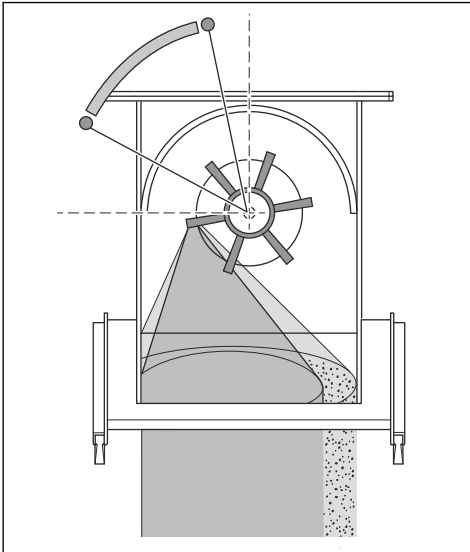
5. Examine la posición de la ventana de la caja de control.



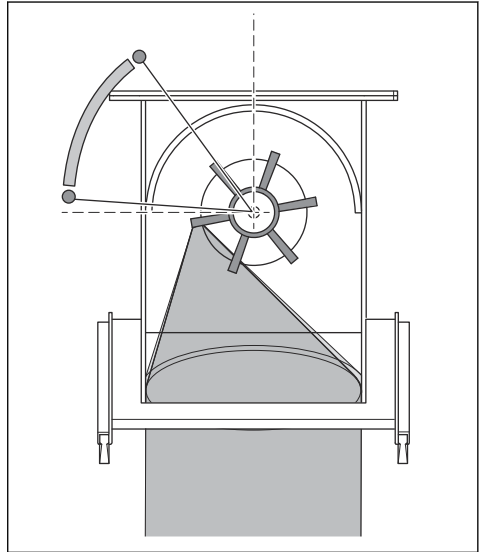
6. Gire la caja de control hacia la derecha, si el punto de intervención está demasiado a la derecha.



7. Gire la caja de control hacia la izquierda si el punto de intervención está demasiado hacia el lado izquierdo.



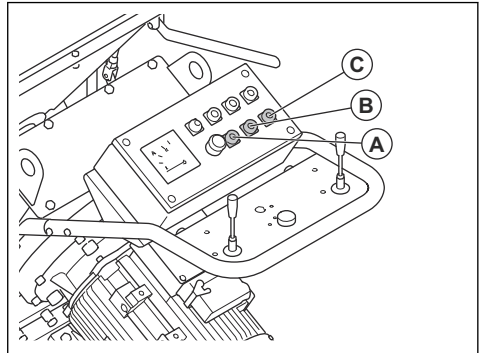
8. Asegúrese de que el punto de intervención esté aplicado de manera equitativa en la superficie para un ajuste correcto.



9. Apriete las abrazaderas de la caja cuando la caja de control esté en la posición correcta.

Para detener el producto

1. Cierre la válvula de material abrasivo. Consulte *Para operar la válvula de material abrasivo en la página 44*.
2. Presione el botón STOP del motor esparcidor (A), la unidad del ventilador (B) y el motor de transmisión (C).



3. Desconecte el enchufe de alimentación de la fuente de alimentación.
4. Detenga el colector de polvo. Consulte el manual de usuario del colector de polvo.

Mantenimiento

Presentación



ADVERTENCIA: Antes de realizar el mantenimiento, debe leer y entender el capítulo sobre seguridad.



ADVERTENCIA: Utilice el equipo de protección personal cuando realice el servicio y mantenimiento. Consulte *Equipo de protección personal en la página 39*.



ADVERTENCIA: Antes de realizar el mantenimiento, detenga los motores y desconecte el enchufe de alimentación de la fuente de alimentación. Asegúrese de que todas las unidades se detengan.

especial. Garantizamos la disponibilidad de trabajos de mantenimiento y reparación profesionales. Si el concesionario no cuenta con un taller de servicio, pídale información acerca del taller de servicio más cercano.

Para obtener información más detallada, consulte www.husqvarnaconstruction.com.

Programa de mantenimiento

* = Mantenimiento general por parte del operador. Las instrucciones no se proporcionan en este manual de usuario.

X = Las instrucciones se proporcionan en este manual de usuario.

O = Las instrucciones no se proporcionan en este manual de usuario. Solicite a un taller de servicio autorizado que realice el mantenimiento.

Para todos los trabajos de mantenimiento y reparación del producto, se requiere capacitación

Mantenimiento general del producto	Cada 3 h	A diario	12 h después de que se le realice servicio	Cada 3 meses	Anualmente
Vacíe el colector de polvo.	*				
Revise el separador y la bandeja del separador.	X				
asegúrese de que el enchufe y el cable de extensión estén en buenas condiciones y no tengan daños.		*			
Revise los componentes eléctricos, los cables y las conexiones para ver si están desgastados o dañados.		*			
Revise el interruptor operado del interruptor diferencial (RCD, del inglés Residual Current Device).		*			
Examine los motores en busca de suciedad y daños.		*			
Asegúrese de que la manguera del colector de polvo no esté dañada ni tenga obstrucciones.		*			

Mantenimiento general del producto	Cada 3 h	A diario	12 h después de que se le realice servicio	Cada 3 meses	Anualmente
Revise si hay desgaste en la jaula de control y en las hojas de la rueda esparcidora. Consulte <i>Haga lo siguiente antes de usar el producto en la página 43.</i>		X			
Limpie la máquina.		X			
Revise todos los dispositivos de seguridad.		X			
Revise si hay desgaste en las juntas de la lista de cepillos o los sellos de goma delanteros.		*			
Compruebe las conexiones eléctricas y las mangueras.		*			
Compruebe el nivel de aceite.		*			
Asegúrese de que las tuercas y los tornillos estén apretados.			*		
Revise la tensión de la correa en V.				X	
Realice un mantenimiento y una limpieza completos del producto.					O
Reemplace el filtro de retorno de aceite y el filtro de succión de aceite.					O

Para revisar las mangueras hidráulicas

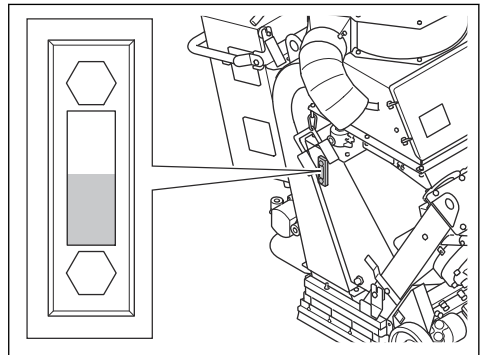
- Examine las mangueras hidráulicas con regularidad. Reemplace las mangueras hidráulicas desgastadas o dañadas.



ADVERTENCIA: El aceite hidráulico es peligroso. La goma de las mangueras hidráulicas se desgasta con el tiempo. Las mangueras hidráulicas desgastadas o dañadas pueden romperse y el aceite hidráulico puede causar lesiones. Si no puede determinar si las mangueras hidráulicas están desgastadas, reemplácelas siempre.

Para revisar el nivel de aceite hidráulico

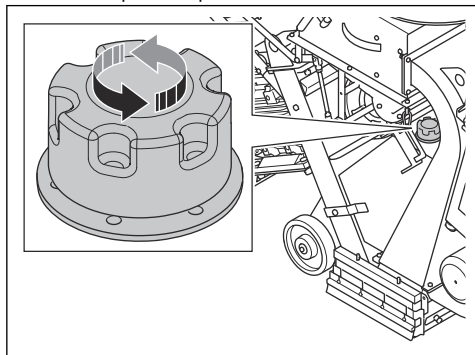
- El nivel de aceite hidráulico debe estar en el centro del vidrio del indicador de nivel de aceite.



- Llene el tanque hidráulico si el nivel de aceite hidráulico es demasiado bajo. Consulte *Pasos para el llenado de aceite hidráulico en la página 53.*

Pasos para el llenado de aceite hidráulico

1. Estacione el producto en un terreno plano.
2. Quite la tapa del depósito de aceite hidráulico.



3. Llene el depósito de aceite hidráulico con aceite hidráulico. Consulte *Datos técnicos en la página 62* para obtener más información sobre el tipo correcto de aceite hidráulico.
4. Instale la tapa del depósito de aceite hidráulico.
5. Revise el nivel de aceite hidráulico. Consulte *Para revisar el nivel de aceite hidráulico en la página 52.*

Para limpiar el producto

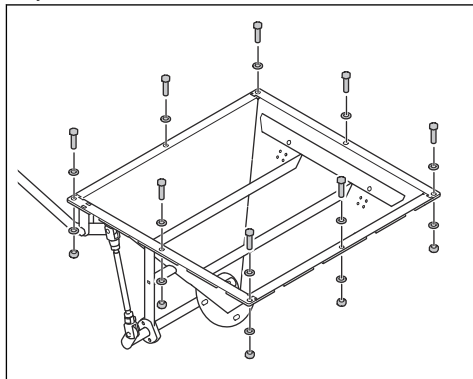
- Siempre limpie todos los equipos después de utilizarlos. Utilice una aspiradora.
- No use limpiadores de alta presión para limpiar el producto.
- Mantenga las aberturas de aire limpias y despejadas para asegurarse de que el producto tenga siempre suficiente flujo de aire.

Para retirar el material abrasivo de la tolva

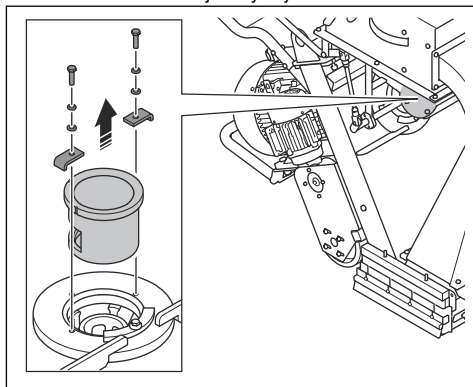
1. Encienda el producto. Consulte *Para poner en marcha el producto en la página 47.*
2. Presione el botón ON del motor esparcidor.
3. Presione el botón OFF del motor esparcidor cuando el motor esparcidor esté al 75 % de la velocidad máxima. Al mismo tiempo, abra la válvula del material abrasivo. Consulte *Para operar la válvula de material abrasivo en la página 44.*
4. Después de 3 segundos, cierre la válvula del material abrasivo.
5. Opere el producto 50 cm hacia atrás.
6. Abra la puerta del separador y observe si queda material abrasivo. Si queda material abrasivo en la tolva, realice el procedimiento nuevamente hasta que la tolva esté vacía.

Para retirar el propulsor

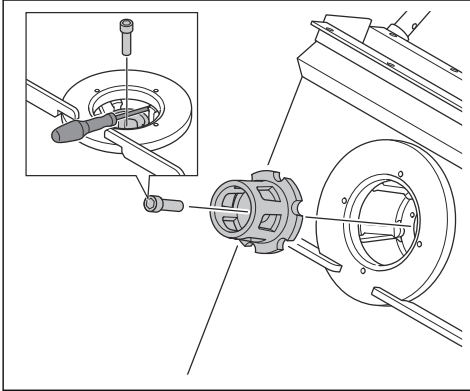
1. Abra la puerta del separador y observe si hay material abrasivo en la tolva. Si hay material abrasivo en la tolva, vacíelo. Consulte *Para retirar el material abrasivo de la tolva en la página 53.*
2. Desconecte el enchufe.
3. Retire los 8 tornillos, las 16 arandelas, las 8 tuercas y la tolva.



4. Extraiga los 2 tornillos, las 4 arandelas, las 2 abrazaderas de la jaula y la jaula de control.



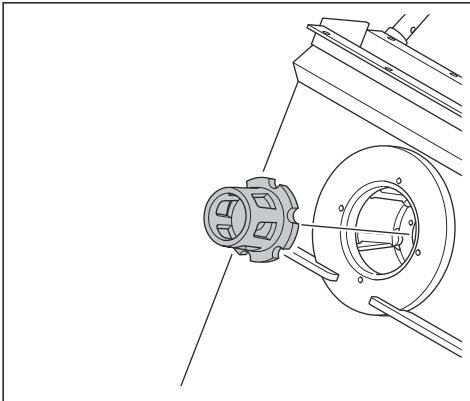
5. Coloque una herramienta adecuada en las hojas de la rueda esparcidora para evitar la rotación. Quite el perno y deséchelo.



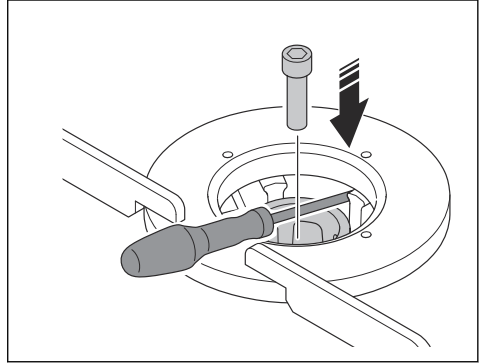
6. Extraiga el propulsor.

Para instalar el propulsor

1. Limpie las roscas del orificio del tornillo del perno del propulsor con aire presurizado.
2. Instale el propulsor.



3. Bloquee las hojas de la rueda esparcidora con una herramienta adecuada e instale el perno del propulsor.

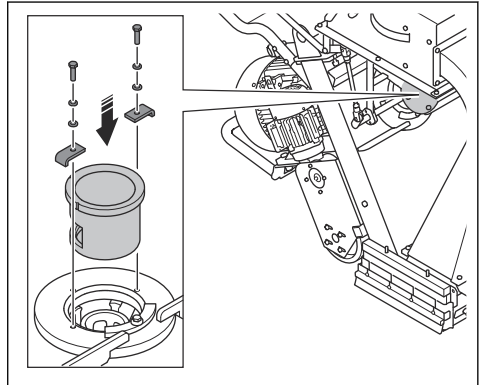


AVISO: Utilice siempre un perno nuevo.

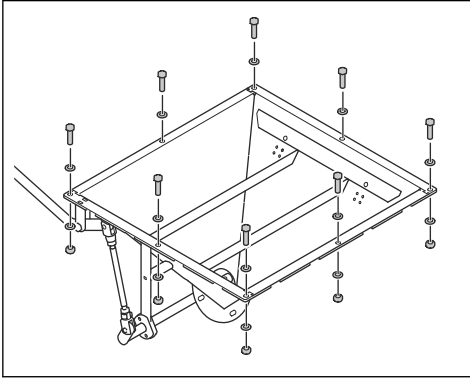


AVISO: No aplique fuerza para instalar el perno. Puede causar daños a las roscas.

4. Instale los 2 tornillos, las 4 arandelas, las 2 abrazaderas de la jaula y la jaula de control.

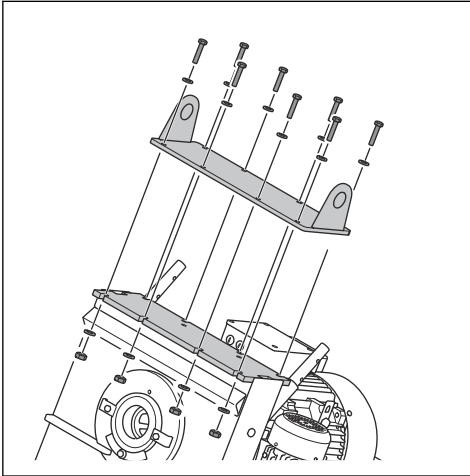


5. Instale los 8 tornillos, las 16 arandelas, las 8 tuercas y la tolva.

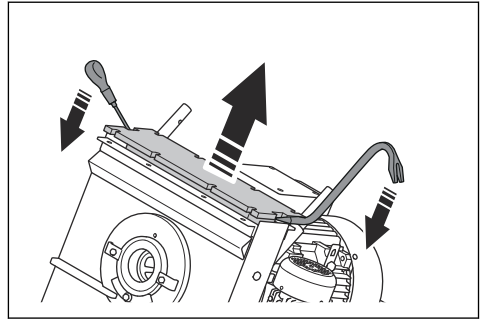


Para retirar las hojas de la rueda esparcidora

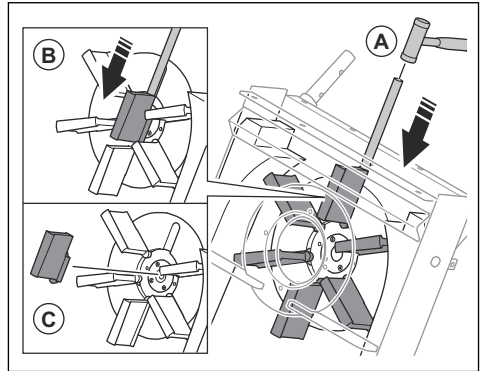
1. Extraiga el propulsor. Consulte *Para retirar el propulsor en la página 53*.
2. Retire los 8 tornillos, las 16 arandelas, las 8 tuercas y la cubierta del revestimiento superior.



3. Quite el revestimiento superior con una palanca.



4. Retire toda la silicona restante de la carcasa.
5. Utilice un mandril de latón y un martillo para retirar las hojas de la rueda esparcidora (A).



6. Empuje hacia abajo las hojas de la rueda esparcidora (B).



AVISO: Empuje la parte inferior de las hojas de la rueda esparcidora. Existe el riesgo de que las hojas de la rueda esparcidora se rompan.

7. Extraiga y deseche las hojas de la rueda esparcidora (C).

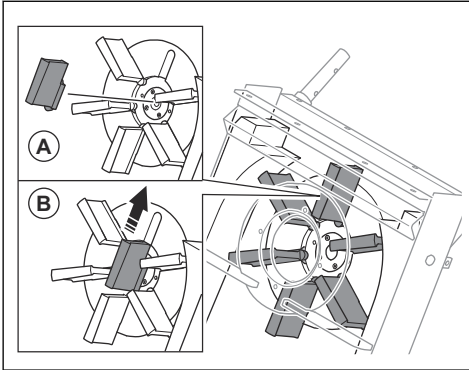


AVISO: Para evitar el desequilibrio en la rueda esparcidora, es necesario reemplazar las 6 hojas de la rueda esparcidora al mismo tiempo.

Para instalar las hojas de la rueda esparcidora

1. Extraiga las 6 hojas de la rueda esparcidora. Consulte *Para retirar las hojas de la rueda esparcidora en la página 55*.

2. Limpie la rueda esparcidora con aire presurizado y un pequeño extractor de polvo. Asegúrese de que no haya polvo ni suciedad en las roscas del centro de la rueda esparcidora.
3. Coloque las hojas de la rueda esparcidora en la rueda esparcidora (A).

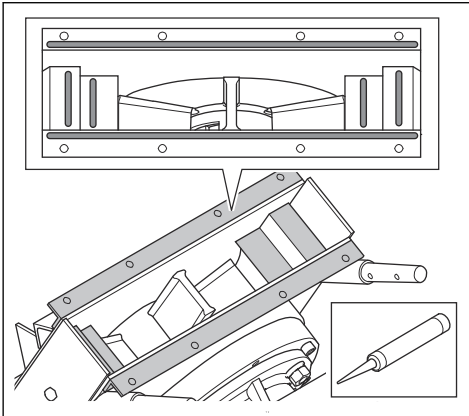


4. Deslice las hojas de la rueda esparcidora en las ranuras (B).

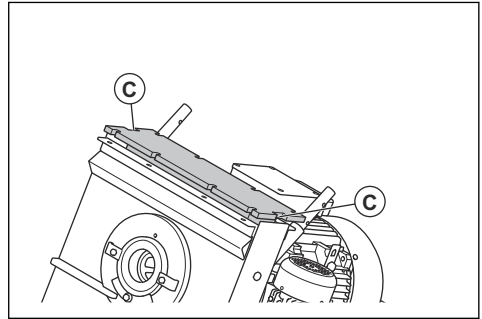


AVISO: Para evitar el desequilibrio en la rueda esparcidora, es necesario reemplazar las 6 hojas de la rueda esparcidora al mismo tiempo.

5. Instale el propulsor. Consulte *Para instalar el propulsor en la página 54*.
6. Aplique silicona en la carcasa.



7. Levante el revestimiento superior en las ranuras de los lados (C) e instálelo en la carcasa. Asegúrese de que el revestimiento superior esté correctamente alineado con la caja.

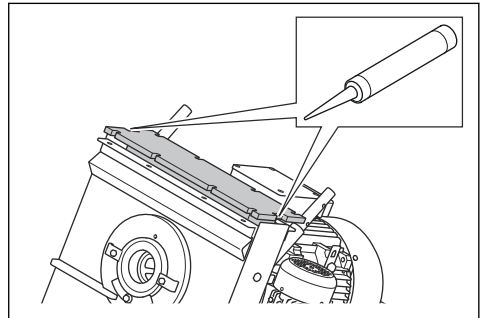


ADVERTENCIA: Tenga cuidado cuando instale el revestimiento superior. El revestimiento superior es pesado y existe riesgo de pinzamiento.

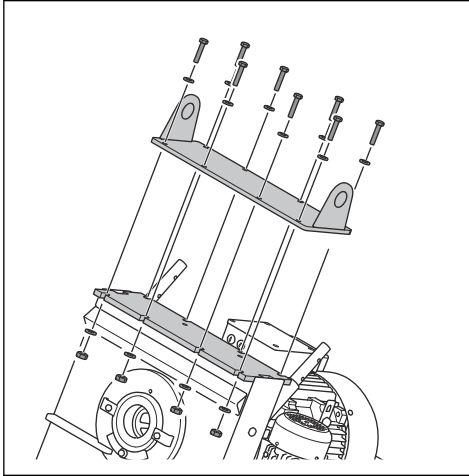


AVISO: No aplique fuerza cuando instale el revestimiento superior. Existe el riesgo de que el revestimiento superior se rompa.

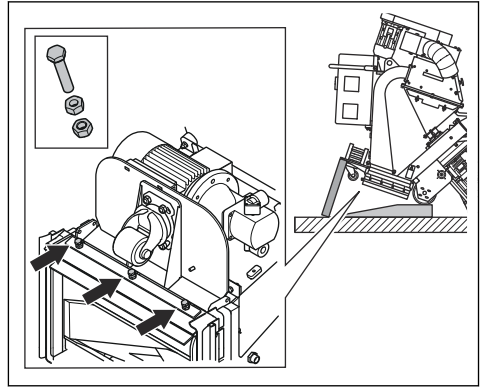
8. Aplique silicona en las ranuras del revestimiento superior.



9. Instale los 8 tornillos, las 16 arandelas, las 8 tuercas y la cubierta del revestimiento superior.



- c) Una persona sigue sujetando el producto por el mango.
3. La segunda persona continúa con el proceso para reemplazar los sellos de goma delanteros:
- a) Afloje las 6 tuercas y, luego, los 3 pernos.

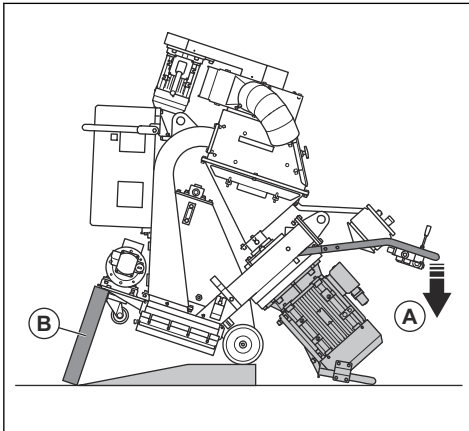


Para reemplazar los sellos de goma delanteros

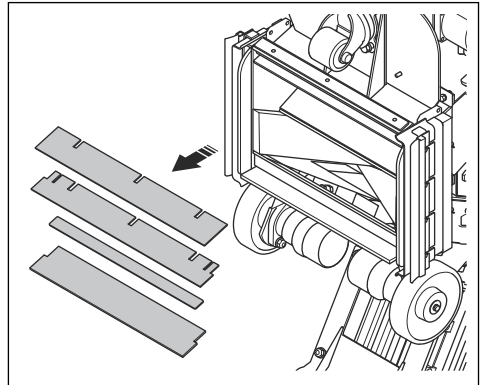


ADVERTENCIA: Se necesita un mínimo de dos personas para este procedimiento. Una persona sustituye los sellos delanteros y otra mantiene el producto en posición.

1. Desplace el producto hacia atrás por una rampa.
2. Realice los pasos que se indican a continuación para inclinar el producto hacia atrás:
- a) Una persona empuja hacia abajo el mango del producto para inclinarlo hacia atrás (A).

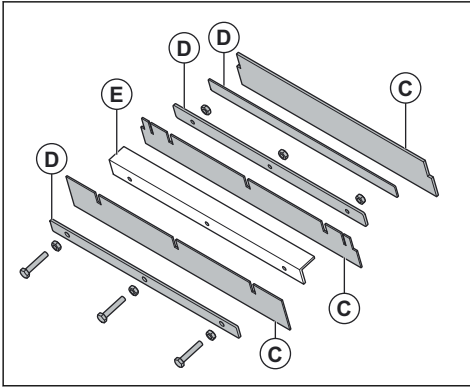


- b) Retire los sellos de goma delanteros.



- b) La segunda persona coloca un trozo de madera debajo de la parte delantera del producto (B).

c) Instale los nuevos sellos de goma delanteros (C) con las tiras de acero (D) entre los sellos de goma delanteros. La tira de ángulo (E) forma parte del cuerpo del producto y no puede extraerse.



- d) Instale los 3 pernos, apriete primero las tuercas interiores y, luego, las exteriores.
4. Mientras una persona mantiene el producto en posición, la segunda retira la pieza de madera.
 5. Coloque lentamente la rueda delantera en la rampa.
 6. Opere el producto para bajarlo por la rampa.

Solución de problemas

Problema	Causa	Solución
Demasiada vibración o ruidos inusuales.	Las hojas de la rueda esparcidora están desgastadas o dañadas.	Reemplace las piezas desgastadas o dañadas.
	El propulsor está desgastado.	Reemplace el propulsor.
	Las hojas de la rueda esparcidora y la jaula de control no están alineadas correctamente.	Revise las hojas de la rueda esparcidora y la jaula de control.
	Hay tornillos y tuercas sueltos.	Apriete todos los tornillos y las tuercas.
	El motor esparcidor está dañado.	Comuníquese con un taller de servicio Husqvarna autorizado.
	Las ruedas están dañadas.	Sustituya las ruedas.

Problema	Causa	Solución
Disminución o ausencia de rendimiento.	El suministro del material abrasivo a las hojas de la rueda esparcidora no es suficiente.	Limpe la bandeja del separador y llene el separador con material abrasivo. Revise la válvula para ver si hay material abrasivo y asegúrese de que no haya obstrucciones.
	El tipo de material abrasivo es incorrecto para la superficie.	Reemplace el material abrasivo con el material abrasivo correcto para la superficie.
	El material abrasivo está contaminado.	Revise el colector de polvo y la manguera del colector de polvo.
	Las hojas de la rueda esparcidora o la jaula de control están desgastadas o dañadas.	Reemplace las hojas de la rueda esparcidora o la jaula de control.
	Demasiado material abrasivo impacta en la superficie al inicio de la operación.	Cierre la válvula del material abrasivo y detenga el producto. Vuelva a iniciar la operación y abra lentamente la válvula del material abrasivo.
	La jaula de control no está instalada correctamente.	Ajuste la jaula de control para establecer un mejor patrón de esparcimiento.
	La velocidad de funcionamiento del producto es demasiado alta.	Disminuya la velocidad de funcionamiento.
El material abrasivo sale del producto.	Los sellos están dañados.	Revise todos los sellos y reemplácelos si es necesario.
	La calidad del material abrasivo no es satisfactoria.	Comuníquese con su concesionario para obtener más información.
	Las hojas de la rueda esparcidora están desgastadas o dañadas.	Reemplace las hojas de la rueda esparcidora.
El material abrasivo tiene más contaminación de lo habitual.	La potencia de succión del colector de polvo no es suficiente.	Revise la manguera del colector de polvo y el colector de polvo.
	La manguera del colector de polvo está bloqueada o dañada.	Revise la manguera del colector de polvo. Asegúrese de que no haya obstrucciones. Reemplace la manguera del colector de polvo si es necesario.
El desgaste es más de lo habitual en partes de la carcasa.	El tipo de material abrasivo es incorrecto.	Comuníquese con su concesionario para obtener más información.
	La jaula de control no está instalada correctamente.	Ajuste la jaula de control para establecer un mejor patrón de esparcimiento.
	La potencia de succión del colector de polvo no es suficiente.	Revise la manguera del colector de polvo y el colector de polvo.
El producto no se mueve.	La velocidad de funcionamiento es demasiado baja.	Aumente la velocidad de funcionamiento.
	La unidad de control está dañada.	Reemplace la unidad de control.
	La perilla de control de velocidad está dañada.	Comuníquese con un taller de servicio Husqvarna autorizado.
	El fusible está dañado.	
	El circuito hidráulico no funciona correctamente.	

Problema	Causa	Solución
El sistema de control no se activa.	El interruptor de protección del motor está conectado.	Vuelva a iniciar el producto. Revise la fuente de alimentación.
El sistema de control se detiene durante el funcionamiento.	El cable de la fuente de alimentación está dañado.	Reemplace el cable.
	El cable entre el producto y el colector de polvo está dañado.	Reemplace el cable.
	El interruptor de protección del motor está conectado.	Deje que un electricista aprobado realice una comprobación.
	El colector de polvo se detiene debido a una sobrecarga.	Deje que un electricista aprobado realice una comprobación.

Transporte, almacenamiento y eliminación de residuos

Transporte



ADVERTENCIA: Tenga cuidado durante el transporte. El producto es pesado y puede causar lesiones o daños si se cae o se mueve durante el transporte.



AVISO: No remolque el producto detrás de un vehículo.

- Desconecte el cable eléctrico y la manguera del colector de polvo antes del transporte.
- Retire el material abrasivo antes del transporte. Consulte *Para retirar el material abrasivo de la tolva en la página 53*.
- Ponga algún tipo de protección en el producto durante el transporte. La protección mantiene los elementos naturales, como la lluvia y la nieve, alejados del producto durante el transporte.

Para mover el producto hacia arriba y hacia abajo por una rampa



ADVERTENCIA: Tenga mucho cuidado al subir o bajar el producto por rampas. El producto es pesado y existe riesgo de lesiones si se cae o se mueve demasiado rápido.



ADVERTENCIA: Para rampas con una pendiente pronunciada, utilice siempre un cabrestante. No camine ni permanezca por debajo del producto.

- Para bajar el producto por una rampa, opere el producto lentamente hacia delante.

- Para subir el producto por una rampa, opere el producto lentamente hacia atrás.
- No gire el producto a la izquierda o a la derecha más de 45° en una rampa.

Para fijar el producto a un vehículo de transporte

Utilice los cáncamos para sujetar el producto a un vehículo de transporte.

1. Coloque las correas de sujeción en los cáncamos.
2. Fije y apriete las correas de sujeción al vehículo de transporte.

Para levantar el producto



ADVERTENCIA: Asegúrese de que el equipo de elevación tenga la especificación correcta para levantar el producto de forma segura. La placa de identificación del producto muestra el peso del producto.

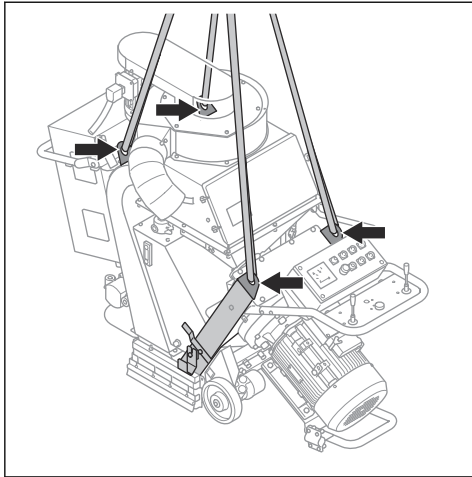


ADVERTENCIA: No camine ni permanezca por debajo del producto cuando esté levantado. Mantenga a los transeúntes alejados del área de trabajo.



ADVERTENCIA: No levante el producto si está dañado. Asegúrese de que los cáncamos estén correctamente instalados y de que no estén dañados.

1. Fije el equipo de elevación a los cáncamos.



2. Levante el producto con seguridad. Sujete el mango hasta que el producto se separe del suelo.

Almacenamiento



AVISO: No almacene el producto a la luz solar directa. Siempre mantenga el producto en interiores.

- Mantenga el producto en un lugar seco y sin escarcha.
- Limpie el producto y realice un mantenimiento completo antes de almacenarlo.
- Mantenga el producto en un área cerrada para evitar que los niños u otras personas sin autorización puedan acceder a él.
- Extraiga el material abrasivo del separador antes de guardarlo.

Eliminación

- Las sustancias químicas pueden ser peligrosas y no deben tirarse en el suelo. Siempre elimine los productos químicos utilizados en un centro de servicio o un lugar adecuado para su eliminación.
- Cuando el producto se desgaste completamente, envíelo al distribuidor o a un centro de reciclaje aplicable.
- El aceite, los filtros de aceite, el combustible y la batería pueden tener efectos negativos en el ambiente. Obedezca las regulaciones vigentes y requisitos de reciclaje locales.
- No deseche la batería como un residuo doméstico.
- Envíe la batería a un taller de servicio Husqvarna o deséchela en un lugar para eliminación de baterías usadas.

Datos técnicos

	EBE 500S 50 Hz	EBE 500S 60 Hz
Potencia nominal, W	26 400	
Tensión nominal, V	400	480
Frecuencia nominal, Hz	50	60
Corriente nominal, A	48	
Longitud del cable, m/ft	25/82	
Tipo de cable de alimentación	Neopreno 4 × 10 ²	
Ancho de funcionamiento, mm/in	500/19,2	
Máxima capacidad de ascenso de limpieza, grados/%	10/18	
Velocidad de conducción, m/min o ft/min	0-30 o 0-98	
Peso, kg/lb	820/1808	
Temperatura de funcionamiento °C/°F	-5-40/23-104	
Diámetro de la conexión de la manguera extractora de polvo, mm/in	150/6	
Extractor de polvo	Comuníquese con su agente de servicio Husqvarna para obtener más información.	
Aceite hidráulico	HV46	

Tenga en cuenta: Si su producto requiere una especificación eléctrica que no aparece en la tabla,

comuníquese con un taller de servicio Husqvarna para obtener más información.

Emisiones de ruido y vibración

Emisión sonora	
Nivel de potencia acústica medido LWA dB (A). ⁶	111
Nivel de presión sonora en el oído del usuario, LP dB (A). ⁷	94
Niveles de vibración	
Mango principal, m/s ² . ⁸	0,4

⁶ Nivel de potencia acústica determinada según EN ISO 3747. Medido en superficie de acero. Incertidumbre K_{wa} 2,5 dB.

⁷ Nivel de presión sonora determinada según EN ISO 11202. Medido en superficie de acero. Incertidumbre K_{pa} 3 dB.

⁸ Incertidumbre de aceleración efectiva ponderada medida en el mango según EN ISO 20643. Medido en superficie de acero. Incertidumbre K 0,1 m/s².

Material abrasivo aprobado

Material abrasivo aprobado	Granalla de acero de alto carbono					Granalla de acero de alto carbono	
	S-330*	S-390	S-460	S-550	S-660*	SG25	SG16
Dimensión, mm	1,0	1,2	1,4	1,7	2,0	1,0	1,4
Dureza, HRC	45-52						
*operaciones especiales							

Cables de extensión

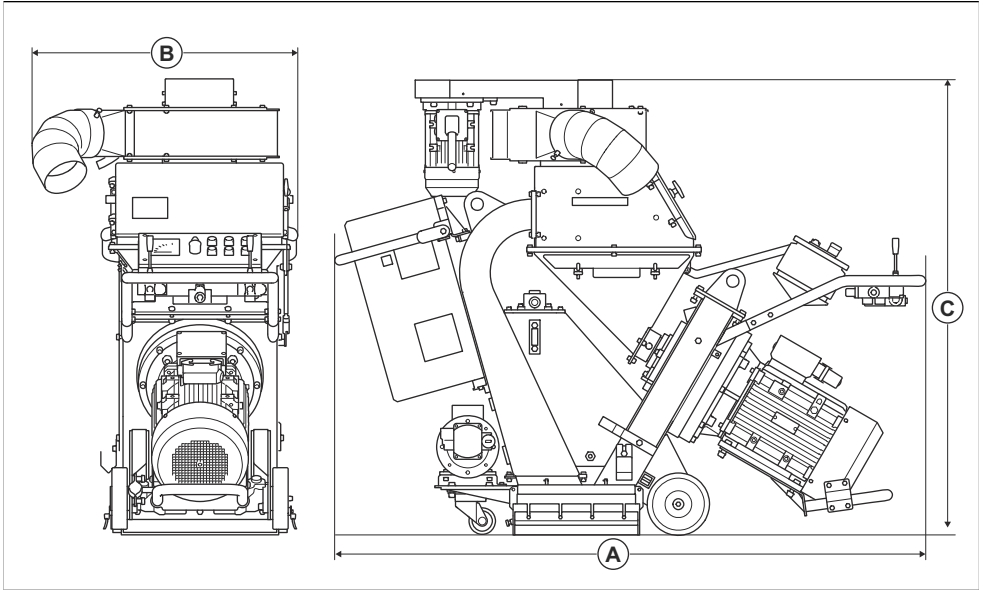
Longitud del cable	Sección transversal a 240 V Cable SOOW (600 V)			
	≤15 A	≤30 A	≤60 A	≤100 A
Calculado con un GG de fusible previo ⁹ :	15 A	30 A	60 A	100 A
>66 ft	AWG12	AWG8	AWG4	AWG2
66 ft > 164 ft	AWG10	AWG8	AWG4	AWG2
164 ft > 246 ft	AWG8	AWG6	AWG2	AWG2

Longitud del cable	Sección transversal a 480 V Cable SOOW (600 V)			
	≤15 A	≤30 A	≤60 A	≤100 A
Calculado con un GG de fusible previo ¹⁰ :	15 A	30 A	60 A	100 A
>66 ft	AWG14	AWG8	AWG4	AWG2
66 ft > 164 ft	AWG12	AWG8	AWG4	AWG2
164 ft > 246 ft	AWG12	AWG8	AWG4	AWG2

⁹ Los cortes transversales se deben volver a calcular cuando se utiliza un fusible previo de otro tipo o de otra dimensión al que se proporciona.

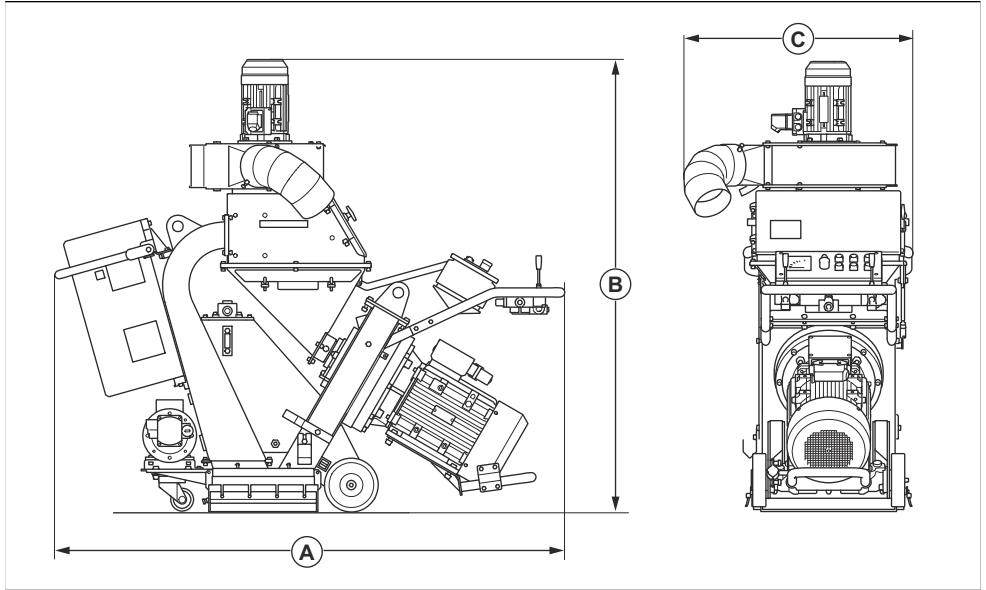
¹⁰ Los cortes transversales se deben volver a calcular cuando se utiliza un fusible previo de otro tipo o de otra dimensión al que se proporciona.

Dimensiones del producto EBE 500S 50 Hz



		EBE 500S 50 Hz
A	Longitud, mm/in	1900/74,8
B	Ancho, mm/in	865/34,1
C	Altura, mm/in	1475/58,1

Dimensiones del producto EBE 500S 60 Hz



		EBE 500S 60 Hz
A	Longitud, mm/in	1900/74,8
B	Altura, mm/in	1700/66,9
C	Ancho, mm/in	865/34,1

Table des matières

Introduction.....	66	Dépannage.....	91
Sécurité.....	70	Transport, entreposage et mise au rebut.....	93
Fonctionnement.....	77	Caractéristiques techniques	95
Entretien.....	84	Données sur le bruit et les vibrations.....	95

Introduction

Responsabilité du propriétaire



AVERTISSEMENT : Des

opérations de coupe, de surfacage ou de perçage du béton ou de la pierre, particulièrement lorsque les conditions sont sèches, génèrent de la poussière qui contient souvent de la silice. La silice est un composant de base du sable, du quartz, de la brique d'argile, du granit et de nombreux autres pierres et minéraux. L'exposition à une quantité excessive de ces poussières peut entraîner :

une maladie respiratoire (réduisant la capacité à respirer), notamment la bronchite chronique, la silicose et la fibrose pulmonaire causée par l'exposition à la silice. Ces maladies peuvent être fatales;

Des irritations et éruptions cutanées.

Le cancer, selon le NTP (National Toxicology Program) et le CIRC (Centre international de Recherche sur le Cancer).

Prendre les précautions suivantes :

Éviter l'inhalation et le contact cutané avec les poussières, brouillards et fumées.

Porter et veiller à ce que les personnes à proximité portent un dispositif de protection respiratoire approprié, tel un masque antipoussière filtrant les particules microscopiques. (Voir OSHA 29 CFR Part 1926.1153)

Pour réduire au minimum les émissions de poussière, utiliser un collecteur de poussière approprié.

Il est de la responsabilité du propriétaire ou de l'employeur de s'assurer que l'utilisateur possède les connaissances nécessaires pour manipuler le produit en toute sécurité. Les superviseurs et les utilisateurs doivent avoir lu et compris le manuel d'utilisation. Ils doivent être conscients des éléments suivants :

- Les consignes de sécurité relatives au produit.
- L'éventail d'applications du produit et ses limites.
- La manière dont le produit doit être utilisé et entretenu.

Les règlements locaux ou nationaux peuvent limiter l'utilisation de ce produit. Rechercher les réglementations en vigueur où le travail est exécuté avant d'utiliser le produit.

Description du produit

Le produit est une grenailleuse d'acier à pied pour fonctionnement horizontal, actionnée par un moteur électrique. Le produit est équipé d'une roue de grenailage qui projette du matériau abrasif sur la surface. Le produit doit être raccordé à un collecteur de poussière approprié pendant le fonctionnement.

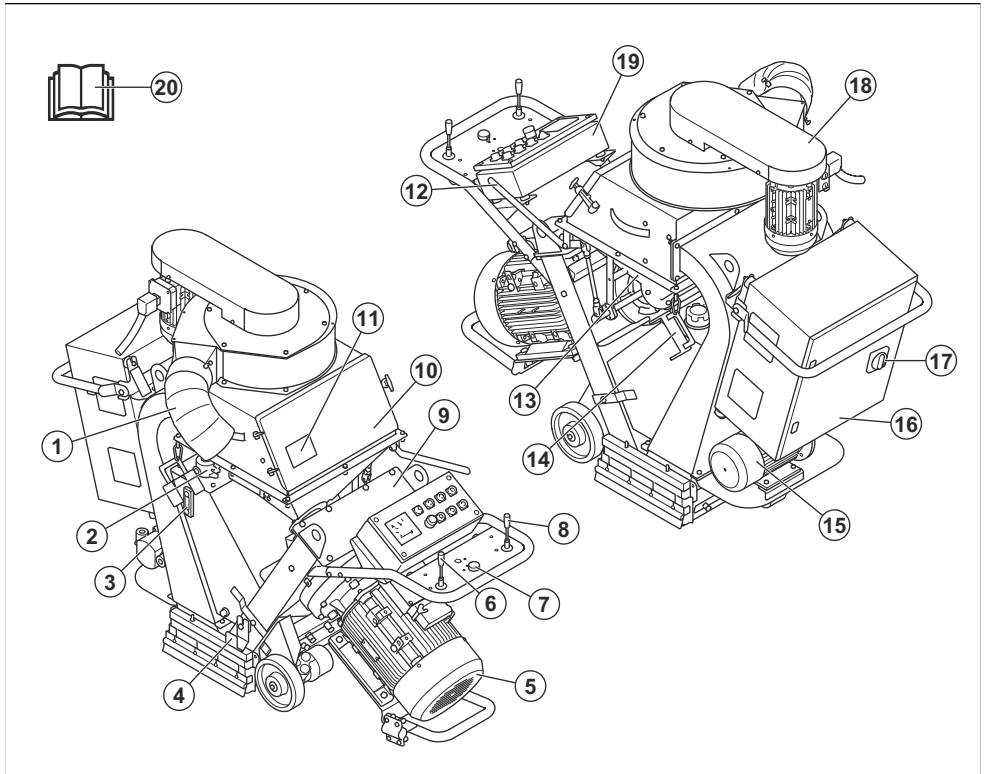
Utilisation prévue

Le produit est utilisé pour enlever les couches de peinture, de produits d'étanchéité et de contaminants des surfaces en acier. Utiliser le produit uniquement sur des surfaces horizontales sèches et sans givre.

Le produit est utilisé dans les opérations commerciales par des opérateurs professionnels.

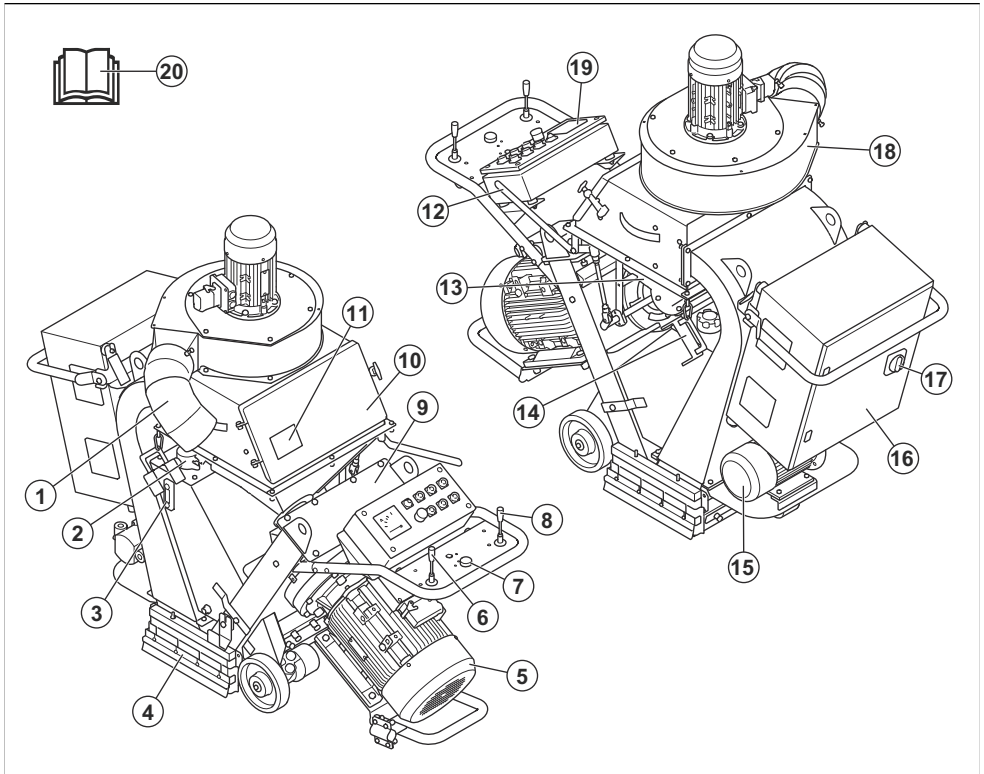
Ne pas utiliser l'outil pour d'autres tâches.

Présentation du produit EBE 500S 50 Hz



1. Raccord du collecteur de poussière
2. Boîtier du filtre de retour d'huile
3. Indicateur du niveau d'huile hydraulique
4. Joints de la liste de brosse
5. Moteur de grenailage
6. Levier de commande pour la roue d'entraînement gauche
7. Régulateur de vitesse
8. Levier de commande pour la roue d'entraînement droite
9. Couverture du revêtement supérieur
10. Porte du séparateur
11. Plaque signalétique
12. Levier de commande du matériau abrasif
13. Trémie
14. Support de joint latéral
15. Moteur électrique
16. Armoire électrique
17. Interrupteur ON/OFF (marche/arrêt) principal
18. Ensemble d'abaissement avec unité de ventilateur
19. Panneau de commande. Se reporter à la section *Panneau de commande* à la page 68.
20. Manuel d'utilisation

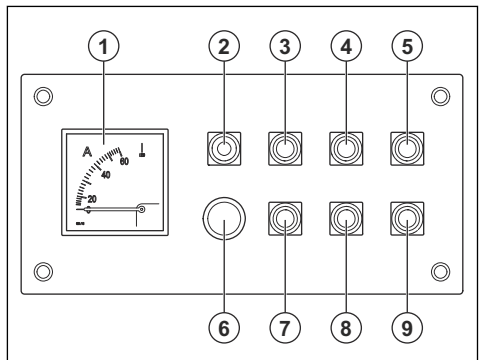
Présentation du produit EBE 500S 60 Hz



1. Raccord du collecteur de poussière
2. Boîtier du filtre de retour d'huile
3. Indicateur du niveau d'huile hydraulique
4. Joints de la liste de brosse
5. Moteur de grenailage
6. Levier de commande pour la roue d'entraînement gauche
7. Régulateur de vitesse
8. Levier de commande pour la roue d'entraînement droit
9. Couvercle du revêtement supérieur
10. Porte du séparateur
11. Plaque signalétique
12. Levier de commande du matériau abrasif
13. Trémie
14. Support de joint latéral
15. Moteur électrique
16. Armoire électrique
17. Interrupteur ON/OFF (marche/arrêt) principal
18. Ensemble d'abaissement avec unité de ventilateur

19. Panneau de commande. Se reporter à la section *Panneau de commande à la page 68.*
20. Manuel d'utilisation

Panneau de commande



1. Ampèremètre
2. Alimentation du témoin de contrôle

3. Moteur d'entraînement en marche
4. Moteur du ventilateur en marche
5. Moteur de grenailage en marche
6. Bouton d'arrêt d'urgence
7. Moteur d'entraînement à l'arrêt
8. Moteur du ventilateur à l'arrêt
9. Moteur de grenailage à l'arrêt

Symboles figurant sur le produit



AVERTISSEMENT : Ce produit peut être dangereux et causer des blessures très graves, ou même mortelles, à l'utilisateur et à d'autres personnes. Faire attention et utiliser le produit correctement.



Lire attentivement le manuel et veiller à bien comprendre les directives avant d'utiliser l'outil.



Utiliser une protection respiratoire adéquate.



Porter un dispositif de protection homologué pour les oreilles.



Utiliser un dispositif de protection homologué pour les yeux.



Utiliser des gants de protection homologués.



Porter des bottes de protection homologuées.



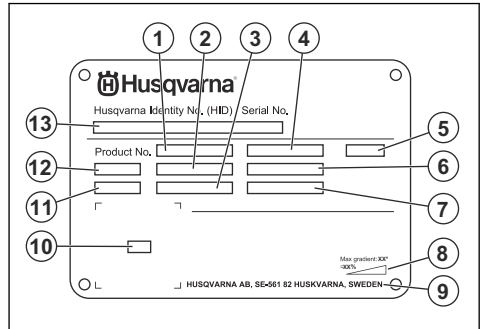
Haute tension.



Point de levage.

Remarque : Les autres symboles et autocollants apposés sur le produit se rapportent aux exigences en matière de certification pour certains marchés.

Plaque signalétique



1. Numéro du produit
2. Poids du produit
3. Puissance nominale
4. Tension nominale
5. Boîtier
6. Intensité nominale
7. Fréquence
8. Angle de pente maximal
9. Fabricant
10. Code à numériser
11. Année de production
12. Modèle
13. Numéro de série

Produit endommagé

Nous ne sommes pas responsables des dommages causés à notre produit si :

- Le produit n'est pas réparé de façon adéquate.
- Le produit est réparé avec des pièces qui ne sont pas fournies ou homologuées par le fabricant.
- Le produit comprend un accessoire qui n'est pas fourni ou homologué par le fabricant.
- Le produit n'est pas réparé par un centre de service après-vente agréé ou par une autorité homologuée.

Sécurité

Définitions relatives à la sécurité

Les avertissements, recommandations et remarques soulignent des points du manuel qui revêtent une importance particulière.



AVERTISSEMENT : Indique la présence d'un risque de blessure ou de décès de l'utilisateur ou de personnes à proximité si les instructions du manuel ne sont pas suivies.



MISE EN GARDE : Indique la présence d'un risque de dommages au produit, à d'autres appareils ou à la zone adjacente si les instructions du manuel ne sont pas suivies.

Remarque : Utilisé pour donner des renseignements plus détaillés qui sont nécessaires dans une situation donnée.

Consignes générales de sécurité



AVERTISSEMENT : Lire les messages d'avertissement qui suivent avant d'utiliser l'appareil.

- Ce produit est un outil dangereux s'il est utilisé de façon insouciante ou inappropriée. Cet outil peut causer des blessures graves, ou même mortelles, à l'utilisateur et à d'autres personnes. Il est obligatoire de lire et de comprendre le contenu de ce manuel d'utilisation avant d'utiliser l'outil.
- Le produit n'est pas destiné à être utilisé par des enfants ou des personnes aux capacités physiques, sensorielles ou mentales limitées ou manquant d'expérience et de connaissances.
- Conserver tous les avertissements et toutes les instructions.
- Se conformer à toutes les lois et réglementations en vigueur.
- L'utilisateur et l'employeur de l'utilisateur doivent connaître et prévenir les risques liés à l'utilisation du produit.
- Ne pas laisser une personne utiliser le produit à moins qu'elle ait lu et compris le contenu de ce manuel d'utilisation.
- Ne pas faire fonctionner le produit sans avoir reçu une formation relative à son fonctionnement. S'assurer que tous les utilisateurs reçoivent une formation.
- Ne pas laisser un enfant utiliser l'outil.

- Seules les personnes autorisées peuvent utiliser le produit.
- L'utilisateur est responsable des accidents survenus à d'autres personnes ou à leurs biens.
- Ne pas utiliser le produit en cas de fatigue ou sous l'emprise de l'alcool, de drogues ou de médicaments.
- Toujours rester prudent et faire preuve de bon sens.
- Toujours garder le produit propre. S'assurer de pouvoir lire clairement les signes et les autocollants.
- Ne pas utiliser le produit s'il est endommagé ou s'il ne fonctionne pas correctement.
- Ne pas modifier ce produit.
- Ne pas utiliser le produit s'il est possible que d'autres personnes aient apporté des modifications à celui-ci.

Consignes de sécurité pour l'utilisation



AVERTISSEMENT : Lire les messages d'avertissement qui suivent avant d'utiliser l'appareil.

- Utiliser un équipement de protection personnelle. Se reporter à la section *Équipement de protection personnelle à la page 72*.
- Une surexposition aux vibrations peut entraîner des problèmes circulatoires ou des troubles nerveux, en particulier chez les personnes ayant des troubles circulatoires. En cas de symptômes liés à une surexposition aux vibrations, consulter un médecin. Ces symptômes sont les suivants : engourdissement, perte de sensibilité, fourmillement, picotement, douleur, faiblesse musculaire, décoloration ou modification de l'épiderme. Ces symptômes apparaissent habituellement aux doigts, aux mains et aux poignets.
- Ne pas faire fonctionner le produit sans tous les dispositifs de protection et couvercles installés.
- S'assurer de savoir comment arrêter rapidement les moteurs en cas d'urgence.
- Avant de s'éloigner du produit, arrêter les moteurs et débrancher le cordon d'alimentation. S'assurer qu'il n'y a pas de risque de démarrage accidentel.
- S'assurer que les vêtements, les cheveux longs et les bijoux ne peuvent pas se coincer dans les pièces en mouvement.
- S'assurer d'être dans une position stable et sécuritaire au cours du travail.
- S'assurer qu'il n'y a pas de boulons et d'écrous desserrés.
- Ne pas soulever ni incliner le produit pendant le fonctionnement. Le matériau abrasif sort du produit à haute vitesse et peut causer des blessures. Toujours

débrancher la fiche d'alimentation avant de soulever ou d'incliner le produit.

- S'assurer que le séparateur et le plateau séparateur sont fermés pendant le fonctionnement.
- Ne pas utiliser l'outil s'il n'est pas possible d'obtenir de l'aide en cas d'accident.
- Toujours utiliser des accessoires approuvés. Pour obtenir de plus amples renseignements, communiquez avec votre concessionnaire Husqvarna.
- Si le produit se met à vibrer ou si son niveau sonore est anormalement élevé, arrêter immédiatement le produit. Déconnecter la fiche d'alimentation. Examiner le produit pour détecter d'éventuels dommages. Réparer les dommages ou laisser un atelier spécialisé faire la réparation.
- Toujours raccorder le produit à un collecteur de poussière pour éliminer la poussière.
- Ne pas tirer sur le tuyau du collecteur de poussière. Le produit peut alors tomber et provoquer des blessures ou des dommages.
- Maintenir le collecteur de poussière en place jusqu'à ce que le moteur s'arrête complètement.
- Manœuvrer le produit en se plaçant toujours derrière, les deux mains sur le guidon.
- S'assurer qu'il n'y a pas de graisse ou d'huile sur les poignées.
- Assurez-vous que les joints de liste de brosses ne sont pas endommagés.
- Assurez-vous que les joints de liste de brosses sont installés à la bonne hauteur.
- Toujours utiliser un matériau abrasif approuvé. Pour obtenir de plus amples renseignements, communiquez avec votre concessionnaire Husqvarna. Se reporter à la section *Matériau abrasif approuvé à la page 96*.
- S'assurer que le ventilateur tourne dans le bon sens de rotation. Le sens de rotation correct est indiqué par une flèche sur le couvercle du ventilateur.

Sécurité en matière de vibrations



AVERTISSEMENT : Lire les messages d'avertissement qui suivent avant d'utiliser l'appareil.

- Pendant le fonctionnement du produit, des vibrations sont transmises du produit à l'utilisateur. L'utilisation régulière et fréquente du produit peut provoquer ou augmenter les risques de blessures pour l'utilisateur. Des blessures peuvent se produire au niveau des doigts, des mains, des poignets, des bras, des épaules ou des nerfs, ou d'autres parties du corps ou affecter l'apport sanguin. Les blessures peuvent être invalidantes ou permanentes et peuvent augmenter progressivement au fil des semaines, des mois ou des années. Les blessures possibles incluent des dommages au système de circulation

sanguine, au système nerveux, aux articulations et à d'autres structures corporelles.

- Des symptômes peuvent apparaître pendant l'utilisation du produit ou à d'autres moments. Si l'utilisateur présente des symptômes et continue à utiliser le produit, les symptômes peuvent augmenter ou devenir permanents. Si ces symptômes ou d'autres symptômes apparaissent, consulter un médecin :
 - Engourdissement, perte de sensation, fourmillement, picotement, douleur, brûlure, boursoufflement, raideur, sensation de lourdeur, perte de force, changements de couleur ou d'état de la peau.
- Les symptômes peuvent augmenter par temps froid. Porter des vêtements chauds et garder les mains au chaud et au sec lors de l'utilisation de l'outil dans des environnements froids.
- Procéder à l'entretien et à l'utilisation du produit comme indiqué dans le manuel d'utilisation pour maintenir les vibrations à un niveau acceptable.
- Le produit est doté d'un système d'amortissement des vibrations qui réduit les vibrations transmises à l'opérateur par les poignées. Laisser le produit faire le travail.
- Garder les mains sur la ou les poignées uniquement. Garder toutes les autres parties du corps à l'écart du produit.
- Arrêter immédiatement le produit en cas de fortes vibrations soudaines. Ne pas poursuivre le sciage avant d'avoir éliminé la cause des vibrations accrues.

Protection contre la poussière



AVERTISSEMENT : Lire les messages d'avertissement qui suivent avant d'utiliser l'appareil.

- L'utilisation du produit peut soulever de la poussière dans les airs. La poussière peut provoquer des blessures graves et des problèmes de santé permanents. La poussière de silice est considérée comme une matière nocive par plusieurs autorités. Voici quelques exemples de problèmes de santé :
 - Maladies pulmonaires mortelles bronchite chronique, silicose et fibrose pulmonaire
 - Cancer
 - Malformations congénitales
 - Inflammation de la peau
- Utiliser un équipement adapté pour réduire la quantité de poussière et de fumées dans l'air et pour réduire la poussière sur les équipements de travail, les surfaces, les vêtements et les parties du corps. Les systèmes de collecte de poussière sont des exemples de dispositif de contrôle de la poussière. Dans la mesure du possible, réduire la quantité de poussière à la source. S'assurer que l'équipement

est correctement installé et utilisé et que l'entretien régulier est effectué.

- Utiliser un dispositif de protection respiratoire homologué. S'assurer que la protection respiratoire convient aux matériaux dangereux dans la zone de travail.
- S'assurer que la circulation d'air est suffisante dans la zone de travail.

Sécurité relative au bruit



AVERTISSEMENT : Lire les messages d'avertissement qui suivent avant d'utiliser l'outil.

- Des niveaux sonores élevés et une exposition prolongée au bruit peuvent entraîner une perte auditive due au bruit.
- Pour réduire au maximum le niveau sonore, procéder à l'entretien du produit et l'utiliser comme indiqué dans le manuel d'utilisation.
- Toujours porter un dispositif de protection pour les oreilles homologué lors de l'utilisation du produit.
- Rester attentif aux appels ou cris d'avertissement lors de l'utilisation d'un dispositif de protection pour les oreilles. Retirer le dispositif de protection pour les oreilles lorsque le produit est arrêté, sauf si une protection auditive est nécessaire en raison du niveau sonore dans la zone de travail.

Équipement de protection personnelle



AVERTISSEMENT : Lire les messages d'avertissement qui suivent avant d'utiliser l'appareil.

- Toujours utiliser un équipement de protection personnelle homologué lors de l'utilisation de l'outil. Cet équipement de protection personnelle n'élimine pas complètement les risques de blessures, mais il peut en réduire la gravité en cas d'accident. Le revendeur aidera l'utilisateur à sélectionner les équipements de protection personnelle adéquats et indiquera comment les utiliser.
- Vérifier régulièrement l'état de l'équipement de protection personnelle.
- Porter un dispositif de protection homologué pour les oreilles.
- Utiliser un dispositif de protection respiratoire homologué.
- Porter un dispositif de protection pour les yeux homologué avec écrans latéraux.
- Porter des gants de protection.
- Utiliser des bottes à embout en acier et semelles antidérapantes.
- Porter des vêtements de travail homologués ou des vêtements ajustés équivalents avec des manches longues et des pantalons.

Extincteur

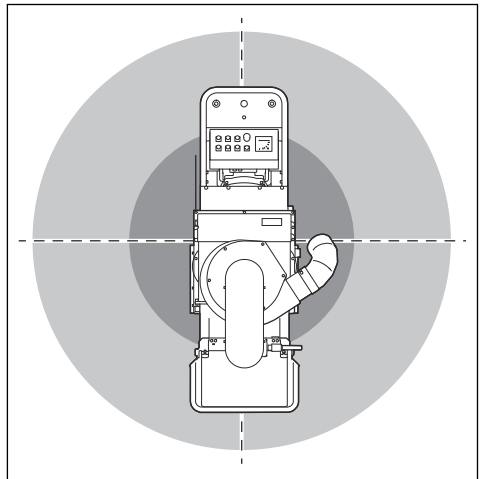
- Garder un extincteur à proximité pendant le sciage.
- Utiliser un extincteur à poudre ou à dioxyde de carbone.

Sécurité de l'aire de travail



AVERTISSEMENT : Lire les messages d'avertissement qui suivent avant d'utiliser l'appareil.

- Il incombe à l'utilisateur d'analyser la surface à traiter. L'utilisateur doit effectuer une évaluation des risques en fonction des renseignements obtenus sur la surface à traiter et prendre les précautions appropriées pour le travail à effectuer.
- Ne pas utiliser le produit dans le brouillard, la pluie, le vent violent, par temps froid, en cas de risque d'orage ou dans d'autres mauvaises conditions météorologiques.
- Rester à l'affût des personnes, des objets et des situations susceptibles d'entraver l'utilisation sécuritaire du produit.
- Ne pas utiliser ce produit dans des zones où un incendie ou des explosions peuvent se produire. Le produit provoque des étincelles et des matières inflammables peuvent mettre le feu à la poussière ou aux vapeurs.
- Tenir les enfants, les passants et les animaux à l'écart de la zone de travail et à une distance sécuritaire du produit.



- S'assurer que les enfants, les passants et les animaux se trouvent à l'écart de la zone de travail et à une distance de sécurité du produit. La distance sécuritaire est de 15 m/49 pi.
- S'assurer que seules les personnes autorisées se trouvent dans la zone de travail.

- Maintenir la zone de travail propre et bien éclairée. Les endroits sombres ou encombrés sont propices aux accidents.
- Retirer les objets comme les vis, les boulons, les câbles et les cailloux de la zone de travail avant d'utiliser le produit.
- S'assurer qu'aucun câble ni tuyau ne se trouve sur la trajectoire du produit.
- S'assurer que les surfaces inégales, comme les joints soudés ou les joints de plancher, n'arrêteront pas le produit.
- S'assurer que la circulation d'air est suffisante dans la zone de travail.

Sécurité hydraulique



AVERTISSEMENT : Lire les messages d'avertissement qui suivent avant d'utiliser l'appareil.

- S'assurer que les raccords des flexibles hydrauliques sont bien serrés et qu'il n'y a pas de fuite d'huile.
- Faire attention lors du serrage des raccords hydrauliques. Si vous serrez trop les raccords hydrauliques, cela peut endommager les joints toriques.
- S'assurer que les raccords des flexibles hydrauliques sont propres et en bon état.
- L'huile hydraulique sous pression est dangereuse et peut causer des blessures graves. Ne pas rechercher de fuite d'huile lorsque le circuit hydraulique est sous pression.
- Faire attention lors du remplissage du produit avec l'huile hydraulique. L'huile hydraulique est inflammable. Si vous renversez de l'huile hydraulique, nettoyez la surface.
- Remplir le produit avec de l'huile hydraulique uniquement dans un endroit où le débit d'air est bon.

Sécurité électrique



AVERTISSEMENT : Les appareils électriques comportent toujours un danger d'électrocution. Ne pas utiliser le produit dans des conditions climatiques défavorables. Ne pas toucher les paratonnerres et les objets métalliques. Utiliser toujours le produit comme indiqué dans ce manuel d'utilisation pour éviter les blessures.



AVERTISSEMENT : Utiliser toujours une alimentation avec un dispositif de protection contre les courants résiduels (RCD). Le RCD réduit le risque de choc électrique.



AVERTISSEMENT : Haute tension. L'unité électrique contient des pièces non protégées. Toujours débrancher la prise d'alimentation avant d'ouvrir le panneau du boîtier électrique.



AVERTISSEMENT : Utiliser uniquement la prise de courant de la machine aux fins spécifiées dans les instructions.



MISE EN GARDE : L'alimentation électrique du produit ou du générateur doit être suffisamment puissante et constante pour que le moteur puisse fonctionner sans problème. Une tension incorrecte entraîne une augmentation de la consommation d'énergie et de la température du moteur jusqu'à ce que le circuit de sécurité se déclenche. La dimension du cordon d'alimentation doit être conforme aux réglementations nationales et locales. La dimension de la prise secteur doit correspondre à l'intensité de la prise électrique et du câble de rallonge du produit.

Si la prise secteur offre une résistance plus élevée, une chute de tension peut se produire lorsque le produit est mis en marche. Cela peut influencer sur le fonctionnement d'autres produits et occasionner par exemple le scintillement de l'éclairage.

- La fiche d'alimentation doit être adaptée à la prise. Ne jamais modifier la fiche. Ne jamais utiliser une fiche d'adaptation avec un outil électrique mis à la terre. Les fiches non modifiées et les prises adaptées à la fiche permettent de réduire les risques d'électrocution.
- Éviter d'entrer en contact avec les surfaces mises à la terre (tuyaux, radiateurs, cuisinières, réfrigérateurs, etc.). Le risque d'électrocution est plus important si le corps est mis à terre.
- S'assurer que l'alimentation, le fusible et la tension de secteur correspondent à la valeur indiquée sur la plaque signalétique du produit.
- Toujours arrêter le produit avant de débrancher la fiche d'alimentation.
- S'assurer que l'interrupteur de marche/arrêt est à la position OFF (arrêt) et que le produit est branché sur l'alimentation.
- Toujours débrancher la fiche d'alimentation pendant une interruption prolongée du produit.
- Ne pas utiliser le produit si le cordon d'alimentation ou la fiche d'alimentation sont endommagés. Afin d'éviter tout risque, si le cordon d'alimentation est endommagé, il doit être remplacé par le fabricant,

un de ses ateliers spécialisés ou des personnes autrement qualifiées. Un cordon d'alimentation endommagé peut provoquer des blessures graves, voire mortelles.

- Utiliser le cordon d'alimentation de manière adéquate. Ne pas utiliser le cordon d'alimentation pour déplacer, tirer ou débrancher le produit. Tirer la fiche d'alimentation pour déconnecter le cordon d'alimentation. Ne pas tirer le cordon d'alimentation.
- Utiliser le produit uniquement sur des surfaces sèches.
- Garder le produit à l'écart de la pluie. L'eau qui entre dans le produit augmente le risque d'électrocution.
- Toujours débrancher le cordon d'alimentation avant de brancher ou de débrancher le câble du moteur et le boîtier électrique.
- Afin d'éviter tout risque de réinitialisation accidentelle de l'interrupteur thermique, cet appareil ne doit pas être alimenté par un dispositif d'interruption externe, comme une minuterie, ni connecté à un circuit régulièrement mis sous tension ou hors tension par le service public.
- S'assurer que l'alimentation du produit est fournie par des transformateurs distincts utilisés à des fins industrielles seulement.

- La valeur nominale inscrite sur la rallonge doit être identique ou supérieure à celle indiquée sur la plaque signalétique du produit.
- Utiliser des rallonges mises à la terre.
- Quand le produit est utilisé à l'extérieur, se servir d'une rallonge qui convient à un fonctionnement à l'extérieur. Cela réduit le risque de choc électrique.
- Maintenir la connexion à la rallonge au sec et éloignée du sol.
- Tenir la rallonge à l'écart de la chaleur, de l'huile, des bords tranchants et des pièces mobiles. Un câble endommagé augmente le risque de choc électrique.
- S'assurer que la rallonge est en bon état et qu'elle n'est pas endommagée.
- Ne pas utiliser la rallonge quand elle est enroulée. Elle pourrait surchauffer.
- S'assurer que le câble de rallonge ne se trouve pas sur le passage de la machine en marche. Cela évite d'endommager la rallonge.

Dispositifs de sécurité sur l'outil



AVERTISSEMENT : Lire les messages d'avertissement qui suivent avant d'utiliser l'appareil.

- Ne pas utiliser le produit si les dispositifs de sécurité sont endommagés ou s'ils ne fonctionnent pas correctement.
- Vérifier quotidiennement les dispositifs de sécurité. Si vos dispositifs de sécurité sont endommagés ou ne fonctionnent pas correctement, communiquez avec votre atelier spécialisé Husqvarna.
- Ne pas modifier les dispositifs de sécurité.

Interrupteur ON/OFF (arrêt/marche)

L'interrupteur de marche/arrêt sert à démarrer et arrêter l'alimentation du produit.

Vérification de l'interrupteur ON/OFF (Marche-Arrêt)

1. Tourner le bouton d'arrêt d'urgence dans le sens horaire pour s'assurer qu'il est désengagé.

Instructions de mise à la terre du produit



AVERTISSEMENT : Un mauvais branchement peut engendrer un risque d'électrocution. Communiquer avec un électricien certifié en cas de doute sur la mise à la terre de la prise d'alimentation secteur.

Ne pas modifier la spécification d'usine de la fiche d'alimentation. Si la fiche d'alimentation ou le cordon d'alimentation est endommagé ou doit être remplacé, communiquez avec votre atelier spécialisé Husqvarna. Respecter les lois et règlements locaux.

Si on ne comprend pas bien les instructions de mise à la terre du produit, communiquer avec un électricien agréé.

N'utiliser que des câbles de rallonge d'extérieur mis à la terre dotés de fiches mises à la terre et des prises mises à la terre compatibles avec la fiche d'alimentation du produit.

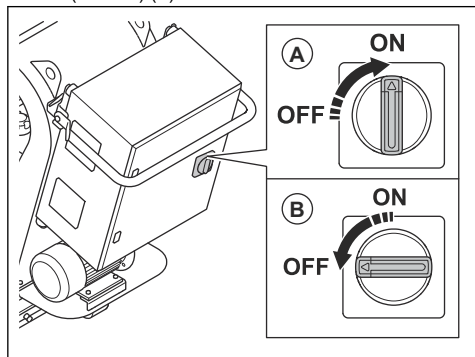
Le produit est doté d'un cordon d'alimentation et d'une fiche d'alimentation mis à la terre. Toujours brancher le produit sur une prise d'alimentation secteur mise à la terre. Cela réduit le risque de choc électrique.

Ne pas utiliser d'adaptateurs électriques avec le produit.

Rallonges

- Utiliser uniquement des câbles de rallonge approuvés dotés des caractéristiques appropriées.

2. Tourner l'interrupteur de marche/arrêt à la position ON (marche) (A).



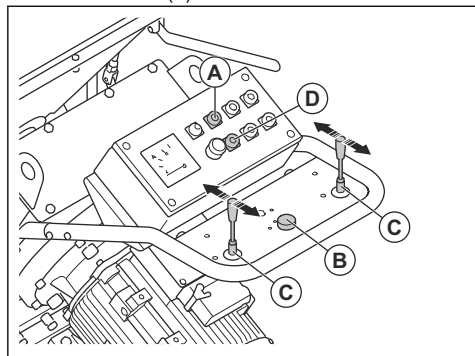
3. S'assurer que le voyant de contrôle du panneau de commande s'allume.
4. Tourner l'interrupteur de marche/arrêt à la position OFF (arrêt) (B).
5. S'assurer que le voyant de contrôle du panneau de commande s'éteint.

Boutons ON/OFF (marche/arrêt) des moteurs d'entraînement

Les boutons ON/OFF (marche/arrêt) des moteurs d'entraînement servent à démarrer et à arrêter les moteurs d'entraînement. Se reporter à la section *Vérification des moteurs d'entraînement à la page 75*.

Vérification des moteurs d'entraînement

1. Placer l'interrupteur ON/OFF (marche/arrêt) à la position ON (marche).
2. Tourner le bouton d'arrêt d'urgence dans le sens horaire pour s'assurer qu'il est désengagé.
3. Appuyer sur le bouton ON (marche) des moteurs d'entraînement (A).



4. Régler la régulation du régime (B) sur 1.
5. Pousser les 2 leviers de commande (C) vers l'avant. S'assurer que le produit fonctionne en marche avant.

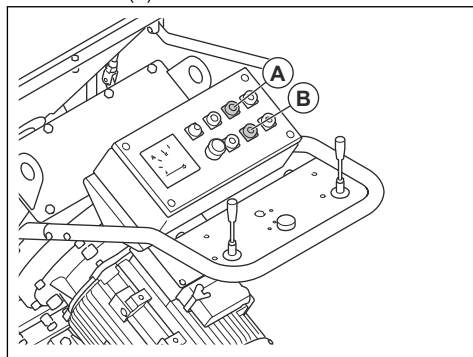
6. Mettre les 2 leviers de commande en position neutre. S'assurer que le produit s'arrête.
7. Tirer les 2 leviers de commande vers l'arrière. S'assurer que le produit fonctionne en marche arrière.
8. Mettre les 2 leviers de commande en position neutre.
9. Appuyer sur le bouton OFF (arrêt) des moteurs d'entraînement (D).

Boutons ON/OFF (marche/arrêt) du ventilateur

Les boutons ON/OFF (marche/arrêt) du ventilateur servent à démarrer et à arrêter le ventilateur. Se reporter à la section *Pour vérifier les boutons ON/OFF (marche/arrêt) du ventilateur à la page 75*.

Pour vérifier les boutons ON/OFF (marche/arrêt) du ventilateur

1. Tourner le bouton d'arrêt d'urgence dans le sens horaire pour s'assurer qu'il est désengagé.
2. Appuyer sur le bouton ON (marche) du ventilateur (A).



3. S'assurer que le ventilateur démarre.
4. Appuyer sur le bouton OFF (arrêt) du ventilateur (B).
5. S'assurer que le ventilateur s'arrête.

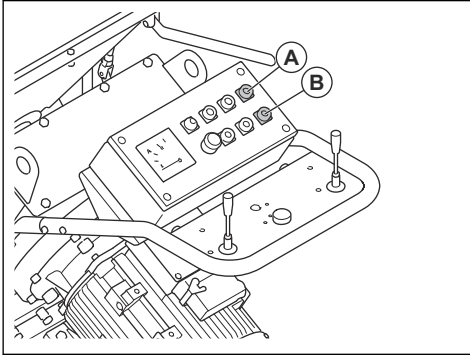
Boutons ON/OFF (marche/arrêt) du moteur de grenailage

Les boutons ON/OFF (marche/arrêt) du moteur de grenailage servent à démarrer et à arrêter le moteur de grenailage. Se reporter à la section *Pour vérifier les boutons ON/OFF (marche/arrêt) du moteur de grenailage à la page 75*.

Pour vérifier les boutons ON/OFF (marche/arrêt) du moteur de grenailage

1. Tourner le bouton d'arrêt d'urgence dans le sens horaire pour s'assurer qu'il est désengagé.

2. Appuyer sur le bouton ON (marche) du moteur de grenailage (A).



3. S'assurer que le moteur de grenailage démarre.
4. Appuyer sur le bouton OFF (arrêt) du moteur de grenailage (B).
5. S'assurer que le moteur de grenailage s'arrête.

Ampèremètre

L'ampèremètre affiche la charge de grenailage sur la surface. L'intensité maximale est indiquée au-dessus de l'ampèremètre.

Pour vérifier l'ampèremètre

Se reporter à la section *Panneau de commande à la page 68* pour obtenir des renseignements sur l'emplacement de l'ampèremètre sur votre produit.

1. Démarrer l'outil. Se reporter à la section *Mise sous tension de l'appareil à la page 81*.
2. Attendre que l'ampèremètre soit en position de ralenti.
3. Éteindre le produit. Se reporter à la section *Arrêt de la machine à la page 84*.

Bouton d'arrêt d'urgence

Le bouton d'arrêt d'urgence permet d'arrêter rapidement les moteurs.

Pour vérifier le bouton d'arrêt d'urgence

Se reporter à la section *Panneau de commande à la page 68* pour obtenir des renseignements sur l'emplacement du bouton d'arrêt d'urgence sur votre produit.

1. Tourner le bouton d'arrêt d'urgence dans le sens horaire pour s'assurer qu'il est désengagé.
2. Démarrer l'outil. Se reporter à la section *Mise sous tension de l'appareil à la page 81*.
3. Appuyer sur le bouton d'arrêt d'urgence.
4. S'assurer que les moteurs s'arrêtent.
5. Tourner le bouton d'arrêt d'urgence dans le sens des aiguilles d'une montre pour le désengager.

Consignes de sécurité pour l'entretien



AVERTISSEMENT : Lire les

messages d'avertissement qui suivent avant d'utiliser l'appareil.

- N'effectuer que les travaux d'entretien indiqués dans ce manuel d'utilisation. Laisser un agent d'entretien agréé effectuer toutes les autres opérations d'entretien.
- Si la maintenance n'est pas effectuée correctement et régulièrement, le risque de blessures et de dommages sur l'outil augmente.
- Nettoyer le produit pour éliminer les matières dangereuses avant d'effectuer la maintenance.
- S'assurer d'effectuer l'entretien du produit sur un sol horizontal stable. S'assurer que le produit ne peut pas se déplacer.
- Ne pas apporter de modifications à ce produit. Toute modification non approuvée par le fabricant peut entraîner des blessures graves, voire mortelles.
- Remplacer les pièces endommagées, usées ou brisées.
- Ne pas utiliser un nettoyeur à pression pour nettoyer le produit.
- Utiliser uniquement des chiffons de nettoyage non pelucheux.
- Toujours utiliser des accessoires et des pièces de rechange d'origine. Les accessoires et les pièces de rechange qui ne sont pas approuvés par le fabricant peuvent causer des blessures graves, voire mortelles.
- Après l'entretien, vérifier le niveau de vibrations du produit. En cas de problème, communiquer avec un atelier spécialisé agréé.
- Demander à un agent d'entretien agréé d'effectuer régulièrement l'entretien de l'outil.

Fonctionnement

Introduction



AVERTISSEMENT : Avant d'utiliser le produit, lire et bien comprendre le chapitre sur la sécurité.

Avant d'utiliser le produit

1. Lire attentivement le manuel d'utilisation et veiller à bien comprendre les directives.
2. Lire attentivement le manuel de l'opérateur du collecteur de poussière et veiller à bien comprendre les directives.
3. Si le produit est utilisé en étant branché sur une source d'alimentation, s'assurer de lire et de comprendre le manuel de l'opérateur de cette source d'alimentation.
4. Utiliser un équipement de protection personnelle. Se reporter à la section *Équipement de protection personnelle à la page 72*.
5. S'assurer que seules les personnes autorisées se trouvent dans la zone de travail.
6. Effectuer l'entretien quotidien. Se reporter à la section *Calendrier d'entretien à la page 84*.
7. S'assurer que le produit est correctement monté et qu'il n'est pas endommagé.
8. S'assurer que toutes les vis, tous les écrous et tous les boulons sont bien serrés.
9. S'assurer que les lames de roue de grenailage, la bec d'alimentation et les joints ne sont ni endommagés ni usés. Remplacer les pièces lorsque 75 % de l'épaisseur de lame est disparue.
10. S'assurer que le séparateur n'est pas endommagé.
11. S'assurer que le séparateur est rempli de matériau abrasif jusqu'au plateau séparateur.
12. S'assurer que les joints de liste de brosses sont installés à la bonne hauteur. Se reporter à la section *Pour régler la hauteur des joints de liste de brosses à la page 78*.
13. Placer le produit sur la zone de travail. S'assurer que la surface est de niveau. S'assurer que le transport du produit vers et dans la zone de travail est effectué correctement et en toute sécurité. Se reporter à la section *Transport à la page 93*.
14. Installer les joints latéraux. Se reporter à la section *Pour installer les joints latéraux à la page 78*.
15. Brancher un collecteur de poussière sur le produit. Se reporter à la section *Branchement du collecteur de poussière à la page 80*.
16. S'assurer que l'interrupteur ON/OFF (marche/arrêt) est à la position OFF (arrêt) avant de brancher le produit à une source d'alimentation.

17. Brancher le produit à une source d'alimentation. Se reporter à la section *Pour brancher le produit à une source d'alimentation à la page 80*.

Soupage du matériau abrasif

La soupape du matériau abrasif contrôle le débit du matériau abrasif vers les lames de roue de grenailage. Le réglage de la soupape de matériau abrasif est indiqué sur l'ampèremètre. Se reporter à la section *Ampèremètre à la page 76*.

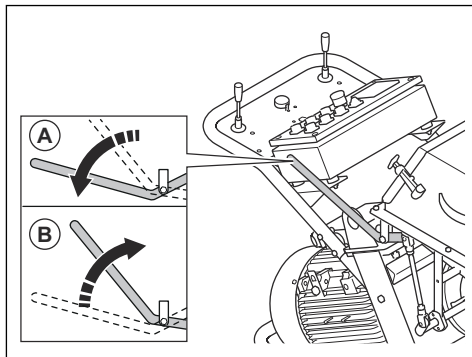
Vous pouvez régler la soupape de matériau abrasif à l'aide du levier de commande du matériau abrasif. Se reporter à la section *Pour actionner la soupape de matériau abrasif à la page 77*.

Pour actionner la soupape de matériau abrasif



MISE EN GARDE : N'ouvrir la soupape de matériau abrasif que lorsque le moteur de grenailage est en marche.

1. Actionner le levier de commande du matériau abrasif (A) pour fermer la soupape et arrêter le débit du matériau abrasif.

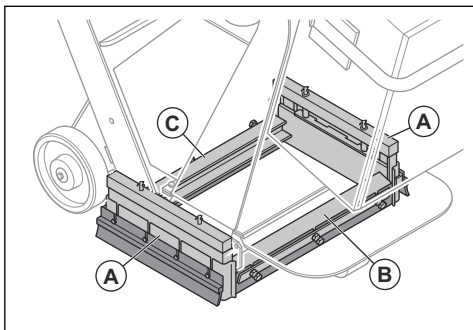


2. Actionner le levier de commande du matériau abrasif (B) pour ouvrir la soupape et démarrer le débit du matériau abrasif.

Joint de matériau abrasif

Le joint de matériau abrasif est un système de joint avec 2 joints latéraux (A), 1 joint avant (B) et 1 brosse arrière (C). Le joint de matériau abrasif assure que le matériau abrasif reste dans le produit pendant le fonctionnement. Se reporter à la section *Pour installer les joints latéraux à la page 78* pour obtenir de plus amples renseignements sur les joints latéraux. Se reporter à la section *Pour remplacer les joints avant en*

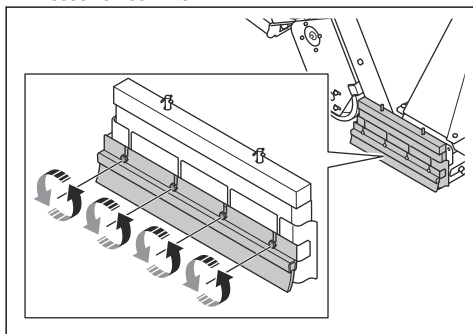
caoutchouc à la page 90 pour obtenir de plus amples renseignements sur le joint avant.



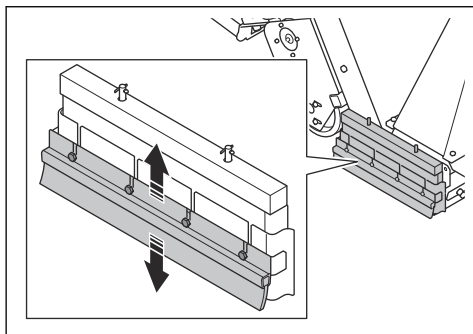
Pour régler la hauteur des joints de liste de brosses

Les joints de la liste de brosses s'usent lors de l'utilisation du produit. Il est nécessaire de régler la hauteur des joints de la liste de brosses à intervalles réguliers.

1. Desserrer les 4 vis.



2. Régler la hauteur jusqu'à ce que les joints de la liste de brosses soient à 1 mm/0,04 po au-dessus de la surface.

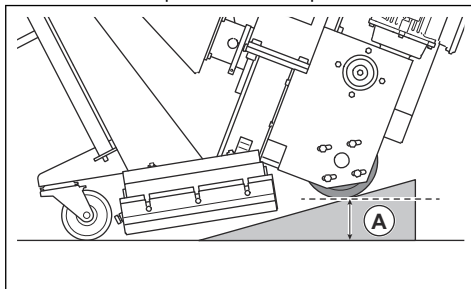


3. Serrer les 4 vis.

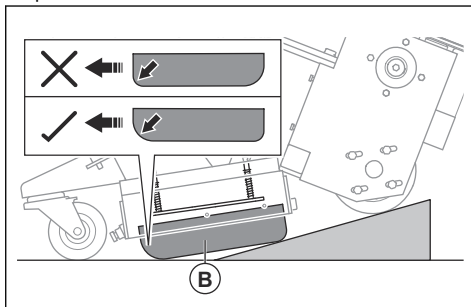
Pour installer les joints latéraux

Le système de joints latéraux comprend 2 joints latéraux en métal, 2 joints latéraux en caoutchouc et 2 brosses latérales. Les joints latéraux en métal tombent du système de joints latéraux lorsque vous soulevez le produit de la surface. Installer les joints latéraux avant d'utiliser le produit.

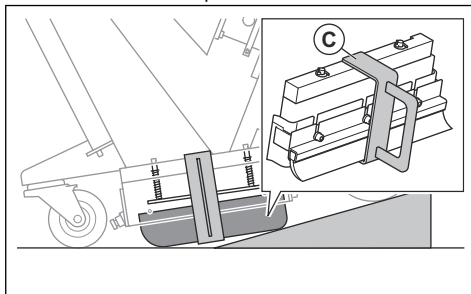
1. Placer une rampe derrière l'une des roues arrière. Faire reculer le produit sur la rampe.



2. Arrêter le produit lorsque la distance (A) est de 75 mm.
3. Mettre le joint latéral (B) dans la boîte de joint latéral. S'assurer que la partie arrondie du joint latéral est orientée vers l'avant du produit.



4. Placer le support de joint latéral (C) autour de la boîte de joint latéral pour s'assurer que le joint latéral reste dans la bonne position.

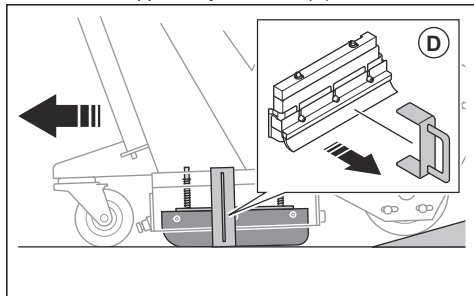


5. Faire avancer le produit sur la rampe.

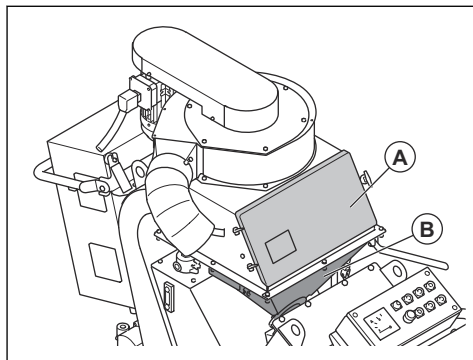
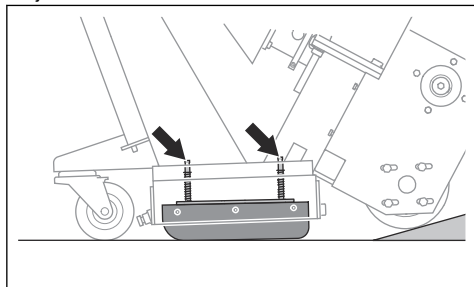


AVERTISSEMENT : Rester prudent lors de l'utilisation du produit sur la rampe. Il y a un risque de pincement.

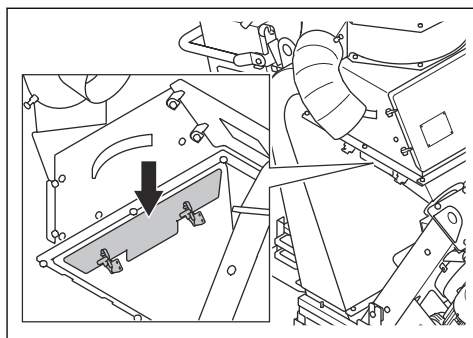
- Retirer le support de joint latéral (D).



- Procéder de la même façon de l'autre côté du produit.
- S'assurer que les 2 axes de la plaque à ressort du joint latéral sont visibles sur le dessus de la boîte du joint latéral.



Le plateau séparateur garde la contamination loin du matériau abrasif et des lames de roue de grenailage.



Remplissage du produit avec du matériau abrasif



AVERTISSEMENT : Toujours utiliser un équipement de protection personnelle lors du remplissage du produit avec du matériau abrasif. Se reporter à la section *Équipement de protection personnelle* à la page 72.

Matériau abrasif

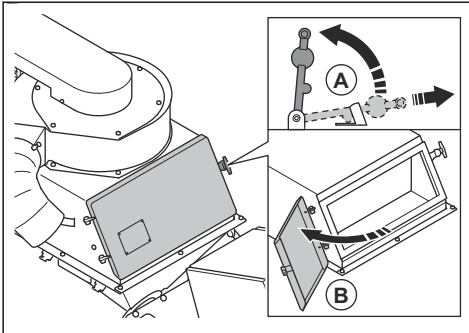
Consulter le concessionnaire Husqvarna pour la sélection du matériau abrasif approprié à la surface traitée. Se reporter à la section *Matériau abrasif approuvé* à la page 96.

Séparateur

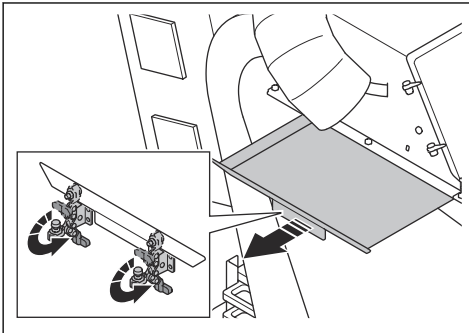
Le séparateur (A) retient le matériau abrasif et fournit du matériau abrasif aux lames de la grenailleuse par l'intermédiaire de la trémie (B).

- Fermer la soupape de matériau abrasif. *Pour actionner la soupape de matériau abrasif* à la page 77.

2. Déverrouiller (A) et ouvrir (B) la porte du séparateur.



3. Sortir le plateau séparateur et éliminer toutes les contaminations.



4. Remplir le séparateur de matériau abrasif jusqu'au plateau séparateur. Remplir le séparateur avec du matériau abrasif au besoin.

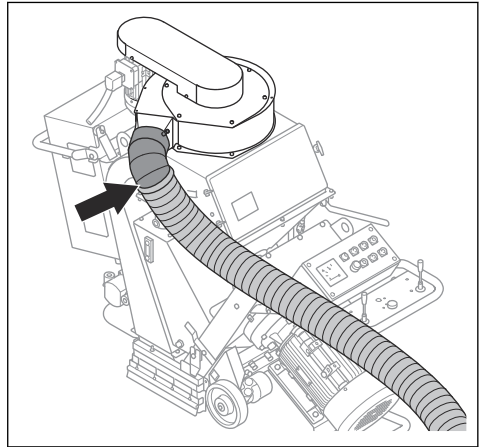
Branchement du collecteur de poussière



AVERTISSEMENT : Ne pas utiliser le collecteur de poussière si un de ses tuyaux est endommagé. Le risque de respirer de la poussière dangereuse pour la santé augmente. Utiliser un dispositif de protection respiratoire homologué.

1. Vérifier que le tuyau du collecteur de poussière n'est pas endommagé.
2. Veiller à ce que les filtres du collecteur de poussière soient propres et non endommagés.

3. Fixer solidement le tuyau du collecteur de poussière au raccord du collecteur de poussière. Raccorder le tuyau collecteur de poussière à l'aide de colliers de serrage et de ruban industriel.



Pour brancher le produit à une source d'alimentation

1. Brancher la fiche d'alimentation du produit à une prise secteur mise à la terre ou à une autre source d'alimentation.
2. Vérifier que la tension de secteur correspond à la valeur indiquée sur la plaque d'identification du produit.

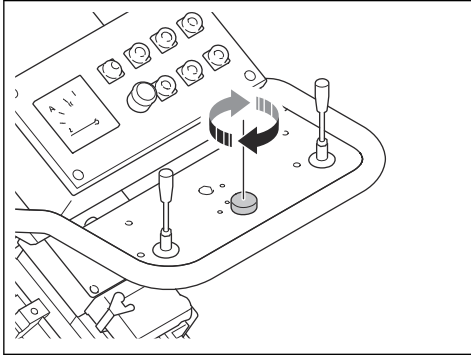
Pour vérifier le sens de rotation du ventilateur

1. Démarrer le produit. Se reporter à la section *Mise sous tension de l'appareil à la page 81*.
2. Après quelques secondes, arrêter le produit. Se reporter à la section *Arrêt de la machine à la page 84*.
3. S'assurer que le ventilateur tourne dans le bon sens de rotation. Le sens de rotation correct est indiqué par une flèche sur le couvercle du ventilateur.
4. Si l'unité de ventilateur n'a pas le bon sens de rotation, modifier la séquence de phase de la source d'alimentation.

Sélection de la vitesse appropriée

Il est important que le produit fonctionne à la bonne vitesse pour obtenir les meilleurs résultats. Si la surface a une qualité différente, régler la vitesse pour obtenir un résultat égal. Examiner le résultat et régler la vitesse au besoin.

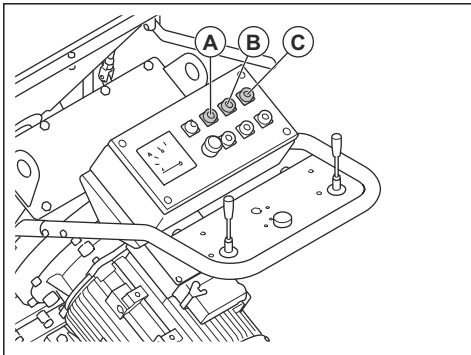
- Tourner le régulateur de vitesse dans le sens horaire pour augmenter la vitesse.



- Tourner le régulateur de vitesse dans le sens antihoraire pour diminuer la vitesse.

Mise sous tension de l'appareil

1. Brancher le produit à une source d'alimentation. Se reporter à la section *Pour brancher le produit à une source d'alimentation à la page 80*.
2. Fixer le tuyau du collecteur de poussière au produit. Se reporter à la section *Branchement du collecteur de poussière à la page 80*.
3. Démarrer le collecteur de poussière. Se reporter au manuel de l'opérateur du collecteur de poussière.
4. Placer le cordon du contrôle de présence de l'opérateur autour de votre poignet gauche.
5. Tourner le bouton d'arrêt d'urgence dans le sens horaire pour le désengager.
6. Démarrer les moteurs d'entraînement (A) et le ventilateur (B) et le moteur de grenailage (C).



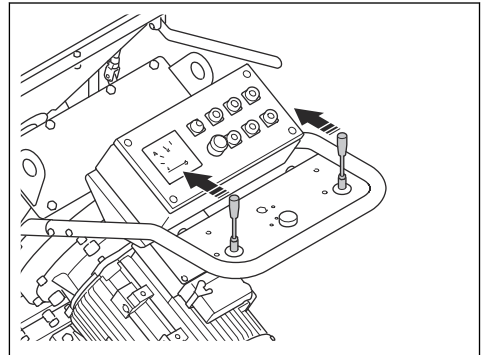
7. Vérifier le sens de rotation du ventilateur. Se reporter à la section *Pour vérifier le sens de rotation du ventilateur à la page 80*.

Utilisation du produit



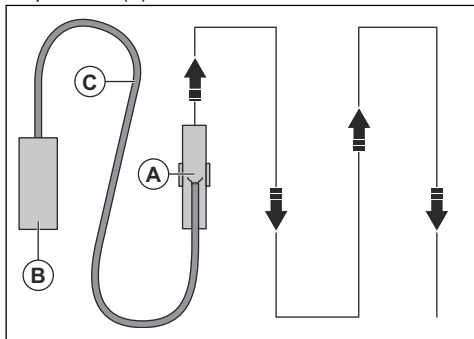
AVERTISSEMENT : Ne pas soulever ni incliner le produit pendant le fonctionnement. Le matériau abrasif sort du produit à haute vitesse et peut causer des blessures.

1. S'assurer que la zone de travail est sans danger. Se reporter à la section *Sécurité de l'aire de travail à la page 72*.
2. Remplir le séparateur avec du matériau abrasif. Se reporter à la section *Remplissage du produit avec du matériau abrasif à la page 79*.
3. Démarrer le produit. Se reporter à la section *Mise sous tension de l'appareil à la page 81*.
4. Tourner la molette de régulation du régime jusqu'à la vitesse la plus basse.
5. Pousser les 2 leviers de commande vers l'avant pour faire avancer le produit.



6. Tirer le levier de commande du matériau abrasif pour ouvrir la soupape. Se reporter à la section *Pour actionner la soupape de matériau abrasif à la page 77*.
7. Après 2 m (7 pi), appuyer sur le levier de commande du matériau abrasif pour fermer la soupape.
8. Éteindre le produit.
9. Vérifier le tracé d'abrasion. Régler le tracé d'abrasion au besoin. Se reporter à la section *Pour régler le tracé d'abrasion à la page 82*.
10. Sélectionner la vitesse appropriée. Se reporter à la section *Sélection de la vitesse appropriée à la page 80*.

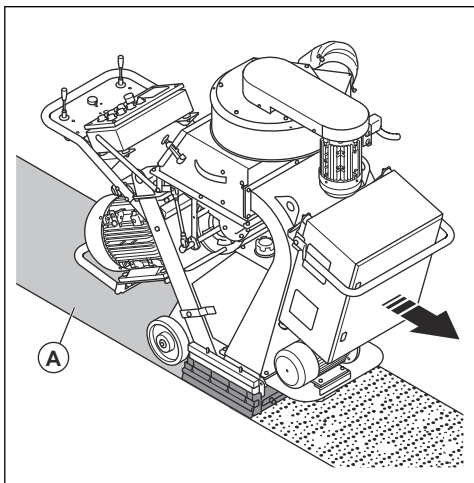
- Déplacer le produit (A) sur des voies parallèles. Le collecteur de poussière (B) doit être raccordé au produit (A) par le tuyau du collecteur de poussière (C).



- Pousser le levier de commande gauche vers l'arrière pour tourner le produit d'environ 360° vers la gauche.
- Pousser le levier de commande droit vers l'arrière pour tourner le produit d'environ 360° vers la droite.

Tracé d'abrasion

Le tracé d'abrasion (A) est la surface qui a reçu le traitement.



Pour un bon résultat, la zone sensible doit être au centre du tracé d'abrasion. Si la zone sensible est trop à gauche ou à droite, tourner la cage de commande. Se reporter à la section *Pour régler le tracé d'abrasion* à la page 82.

Voici les conditions qui ont une incidence sur le tracé d'abrasion :

- Le sens de rotation des lames de la grenailleuse est correct.

- Usure accrue des lames de la grenailleuse, de la roue à ailettes et de la cage de commande.
- La dimension du matériau abrasif. Il est nécessaire de régler le tracé d'abrasion lorsque vous utilisez du matériau abrasif de dimension différente.
- Position de la fenêtre latérale dans la cage de commande.
- Différents types de surfaces et dureté de la surface.

Pour régler le tracé d'abrasion

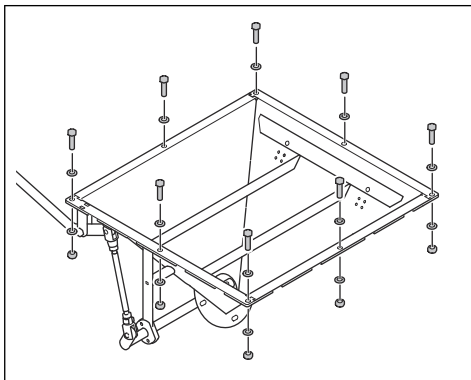


AVERTISSEMENT : Ne pas régler, desserrer ou toucher les attaches de la cage ou les lames de la grenailleuse lorsque le produit est en marche. Débrancher la source d'alimentation lors du réglage du tracé d'abrasion.

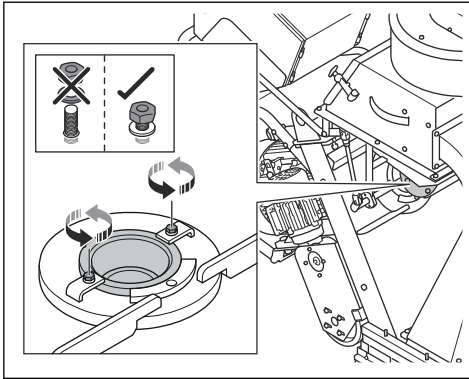


AVERTISSEMENT : Utiliser un équipement de protection personnelle lors du réglage du tracé d'abrasion. Se reporter à la section *Équipement de protection personnelle* à la page 72.

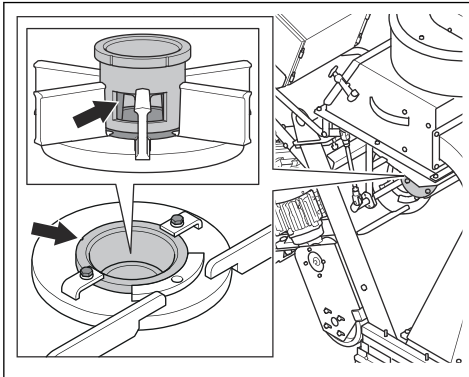
- Ouvrir la porte du séparateur et vérifier s'il y a du matériel abrasif dans la trémie. Si la trémie contient du matériau abrasif, videz-la. Se reporter à la section *Pour retirer le matériau abrasif de la trémie* à la page 86.
- Déconnecter la fiche d'alimentation.
- Retirer les 8 vis, les 16 rondelles, les 8 écrous et la trémie.



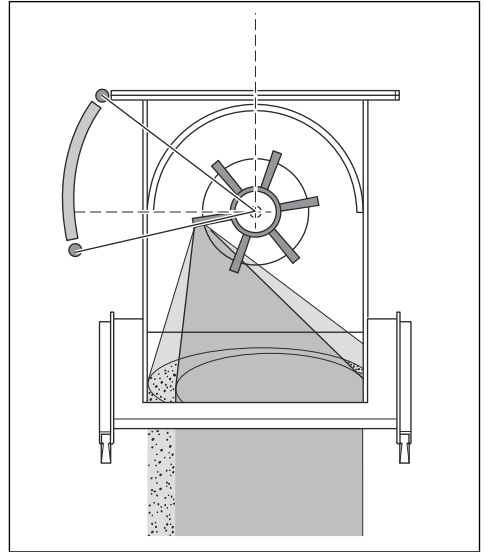
4. Desserrer les colliers de cage.



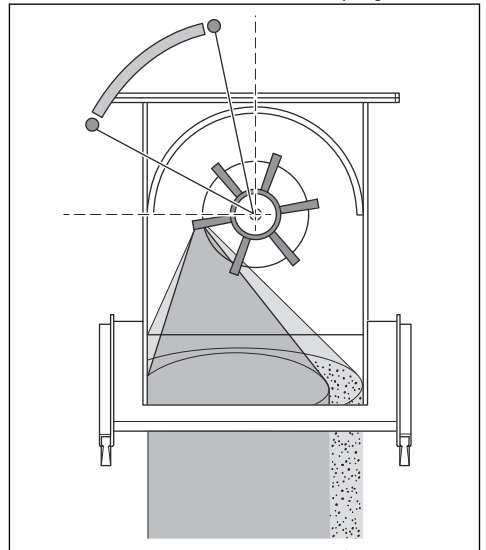
5. Examiner la position de la fenêtre de la cage de commande.



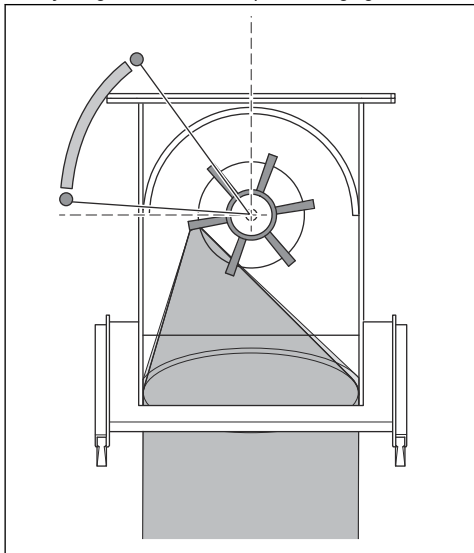
6. Tourner la cage de commande dans le sens horaire si la zone sensible est trop à droite.



7. Tourner la cage de commande dans le sens antihoraire si la zone sensible est trop à gauche.



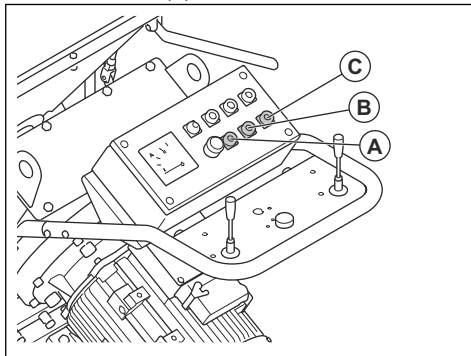
8. S'assurer que la zone sensible est appliquée de façon égale sur la surface pour un réglage correct.



9. Serrer les colliers de cage lorsque la cage de commande est dans la bonne position.

Arrêt de la machine

1. Fermer la soupape de matériau abrasif. Se reporter à la section *Pour actionner la soupape de matériau abrasif* à la page 77.
2. Appuyer sur le bouton d'arrêt du moteur de grenailage (A), du ventilateur (B) et du moteur d'entraînement (C).



3. Débrancher la fiche d'alimentation de la source d'alimentation.
4. Arrêter le collecteur de poussière. Se reporter au manuel de l'opérateur du collecteur de poussière.

Entretien

Introduction



AVERTISSEMENT : Avant de procéder à l'entretien, lire et bien comprendre le chapitre sur la sécurité.



AVERTISSEMENT : Utiliser un équipement de protection personnelle lors du dépannage et de l'entretien. Se reporter à la section *Équipement de protection personnelle* à la page 72.



AVERTISSEMENT : Avant d'effectuer l'entretien, arrêter les moteurs et débrancher la fiche d'alimentation de la source d'alimentation. S'assurer que tous les entraînements s'arrêtent.

Pour tous les travaux d'entretien et de réparation sur le produit, une formation spécifique est nécessaire. La disponibilité des réparations et des entretiens effectués de façon professionnelle est garantie. Si un revendeur n'est pas un agent d'entretien, communiquer avec lui pour connaître l'agent d'entretien le plus proche.

Pour obtenir de plus amples renseignements, se reporter à la section www.husqvarnaconstruction.com.

Calendrier d'entretien

* = Entretien général effectué par l'opérateur. Les instructions ne sont pas décrites dans ce manuel d'utilisation.

X = Les instructions sont décrites dans ce manuel d'utilisation.

O = Les instructions ne sont pas décrites dans ce manuel d'utilisation. Laisser un agent d'entretien agréé effectuer l'entretien.

Entretien général du produit	Toutes les 3 h	Quotidien	12 h après l'entretien	Tous les 3 mois	Annuel
Vider le collecteur de poussière.	*				
Vérifier le séparateur et le plateau du séparateur.	X				

Entretien général du produit	Toutes les 3 h	Quotidien	12 h après l'entretien	Tous les 3 mois	Annuel
S'assurer que la fiche d'alimentation et le câble de rallonge sont en bon état et qu'ils ne sont pas endommagés.		*			
Vérifier que les composants, les câbles et les connexions électriques ne sont ni usés ni endommagés.		*			
Vérifier le dispositif de protection par courant différentiel résiduel (RCD).		*			
Inspecter les moteurs à la recherche de saletés et de dommages.		*			
S'assurer que le tuyau du collecteur de poussière n'est pas endommagé ni obstrué.		*			
Vérifier la cage de commande et les lames de roue de grenailage à la recherche d'usure. Se reporter à la section <i>Avant d'utiliser le produit à la page 77.</i>		X			
Nettoyer le produit.		X			
Vérifier tous les dispositifs de sécurité.		X			
Vérifier que les joints de la liste de brosses et les joints avant en caoutchouc ne sont ni endommagés ni usés.		*			
Vérifier les raccords et les flexibles hydrauliques.		*			
Vérifier le niveau d'huile moteur.		*			
S'assurer que les vis et écrous sont bien serrés.			*		
Vérifier la tension de la courroie trapézoïdale.				X	
Effectuer l'entretien et le nettoyage complet du produit.					O
Remplacer le filtre de retour d'huile et le filtre d'aspiration d'huile.					O

Vérification des flexibles hydrauliques

- Examiner régulièrement les flexibles hydrauliques. Remplacer les flexibles hydrauliques usés ou endommagés.



AVERTISSEMENT : L'huile hydraulique est dangereuse. Le caoutchouc des flexibles hydrauliques s'use avec le temps. Des flexibles hydrauliques usés ou

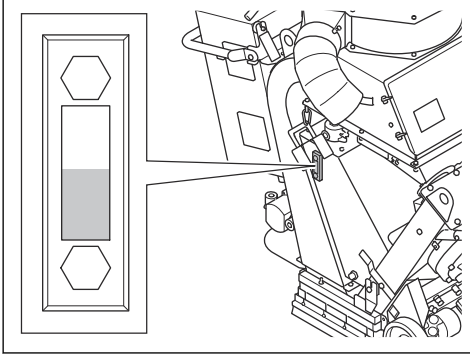
endommagés peuvent se rompre et l'huile hydraulique peut provoquer des blessures. Si vous ne pouvez pas déterminer si les flexibles hydrauliques sont usés, remplacez-les toujours.

Nettoyage de la machine

- Nettoyez toujours tout l'équipement après utilisation. Utilisez un aspirateur.
- N'utilisez pas de nettoyeur haute pression pour nettoyer le produit.
- Maintenez les bouches d'air propres et dégagées pour s'assurer que le produit a toujours une circulation d'air suffisante.

Vérification du niveau d'huile hydraulique

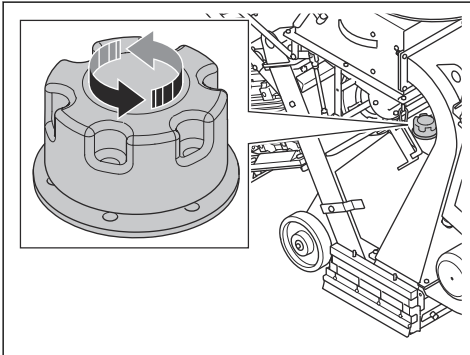
- Le niveau d'huile hydraulique doit se trouver au milieu de la vitre sur l'indicateur de niveau d'huile.



- Remplir le réservoir hydraulique si le niveau d'huile hydraulique est trop bas. Se reporter à la section *Remplissage de l'huile hydraulique* à la page 86.

Remplissage de l'huile hydraulique

1. Stationner le produit sur un sol plat.
2. Retirer le bouchon du réservoir d'huile hydraulique.



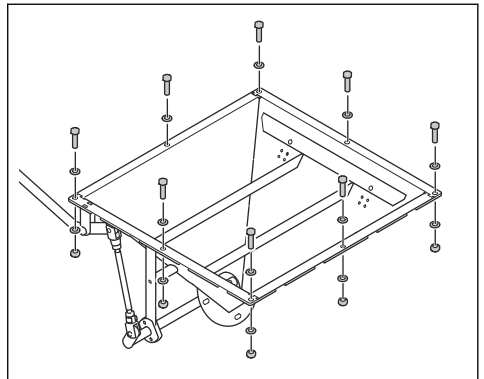
3. Remplir le réservoir d'huile hydraulique. Se reporter à la section *Caractéristiques techniques* à la page 95 pour obtenir des renseignements sur le type d'huile hydraulique approprié.
4. Installer le bouchon du réservoir d'huile hydraulique.
5. Vérifier le niveau d'huile hydraulique. Se reporter à la section *Vérification du niveau d'huile hydraulique* à la page 86.

Pour retirer le matériau abrasif de la trémie

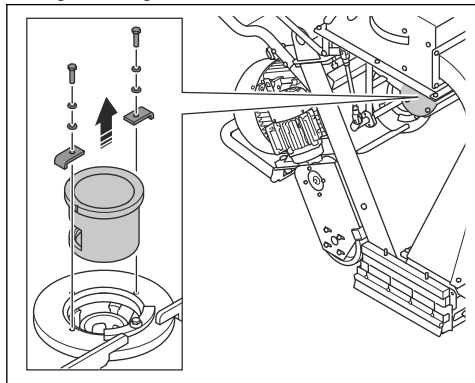
1. Démarrer l'outil. Se reporter à la section *Mise sous tension de l'appareil* à la page 81.
2. Appuyer sur le bouton ON (marche) du moteur de grenailage.
3. Appuyer sur le bouton OFF (arrêt) du moteur de grenailage lorsque celui-ci est à 75 % du régime maximal. Simultanément, ouvrir la soupape de matériau abrasif. Se reporter à la section *Pour actionner la soupape de matériau abrasif* à la page 77.
4. Après 3 secondes, fermer la soupape de matériau abrasif.
5. Faire fonctionner le produit à 50 cm vers l'arrière.
6. Ouvrir la porte du séparateur et vérifier s'il y a encore du matériel abrasif. S'il reste du matériau abrasif dans la trémie, recommencer la procédure jusqu'à ce que la trémie soit vide.

Pour retirer la roue à ailettes

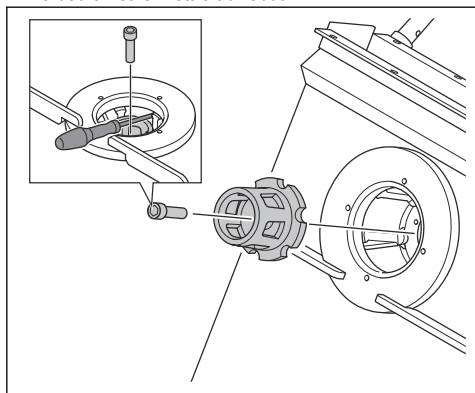
1. Ouvrir la porte du séparateur et vérifier s'il y a du matériel abrasif dans la trémie. Si la trémie contient du matériau abrasif, videz-la. Se reporter à la section *Pour retirer le matériau abrasif de la trémie* à la page 86.
2. Déconnecter la fiche d'alimentation.
3. Retirer les 8 vis, les 16 rondelles, les 8 écrous et la trémie.



4. Retirer les 2 vis, les 4 rondelles, les 2 attaches de la cage et la cage de commande.



5. Placer un outil approprié dans les lames de roue de grenailage pour éviter la rotation de celles-ci. Retirer le boulon et le mettre au rebut.

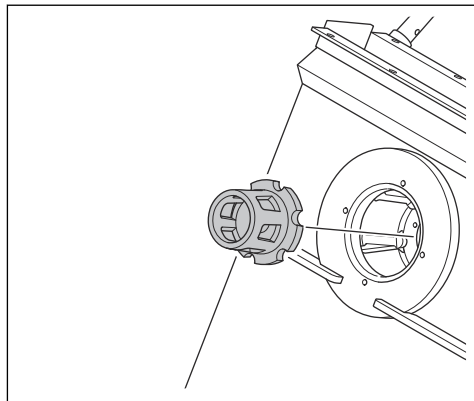


6. Retirer la roue à ailettes.

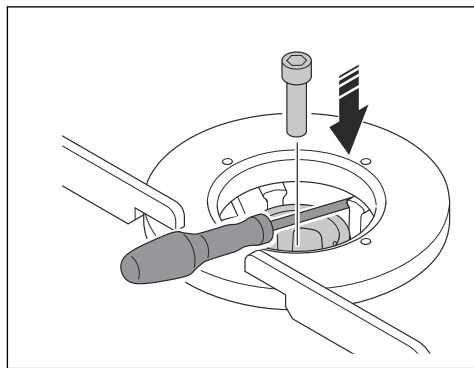
Pour installer la roue à ailettes

1. Nettoyer les filets du trou de vis du boulon de la roue à ailettes avec de l'air comprimé.

2. Installer la roue à ailettes.



3. Bloquer les lames de roue de grenailage à l'aide d'un outil approprié et installer le boulon de la roue à ailettes.

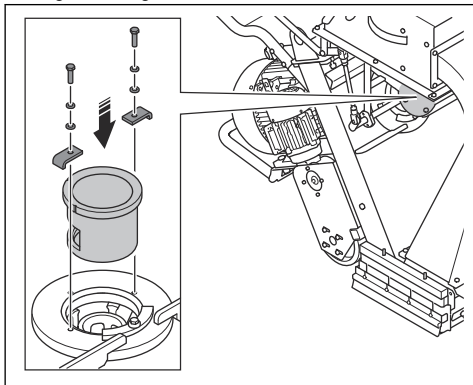


MISE EN GARDE : Toujours utiliser un boulon neuf.

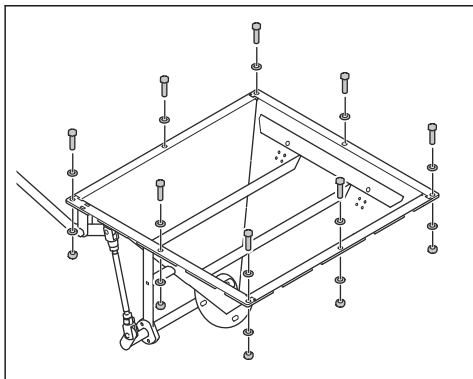


MISE EN GARDE : Ne pas exercer de force pour installer le boulon. Cela pourrait endommager les filets.

4. Installer les 2 vis, les 4 rondelles, les 2 pinces de la cage et la cage de commande.



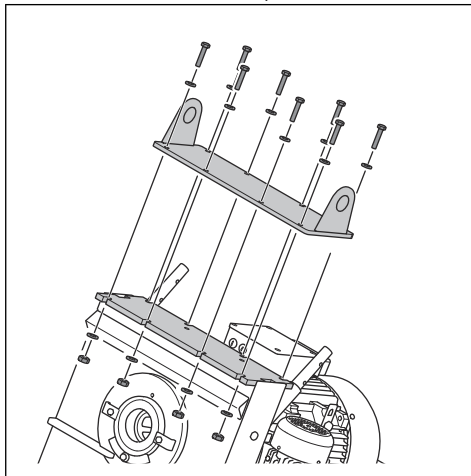
5. Installer les 8 vis, les 16 rondelles, les 8 écrous et la trémie.



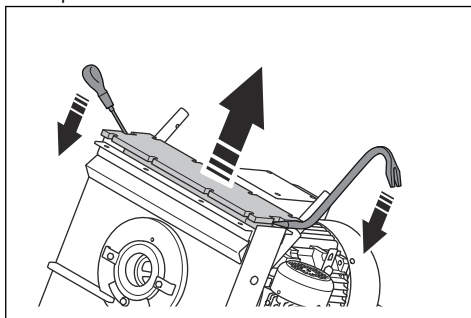
Pour retirer les lames de roue de grenailage

1. Retirer la roue à ailettes. Se reporter à la section *Pour retirer la roue à ailettes à la page 86.*

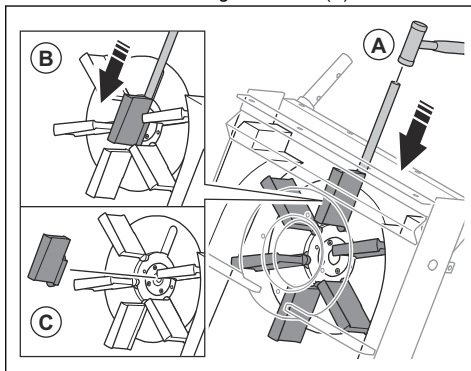
2. Retirer les 8 vis, les 16 rondelles, les 8 écrous et le couvercle du revêtement supérieur.



3. Retirer le couvercle du revêtement supérieur avec un pied-de-biche.



4. Retirer le reste de silicone du boîtier.
5. Utiliser une dérive en laiton et un marteau pour retirer les lames de la grenailleuse (A).



6. Appuyer sur les lames de la grenailleuse (B).



MISE EN GARDE : Pousser au bas des lames de roue de grenailage. Il y a un risque que les lames de roue de grenailage se brisent.

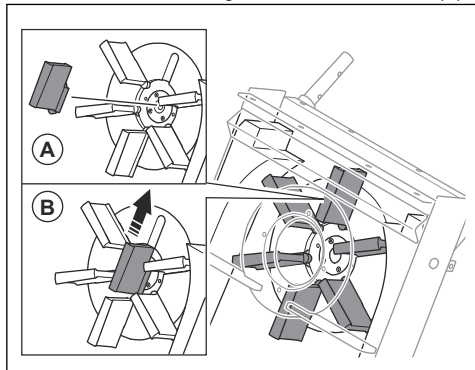
- Retirer et mettre au rebut les lames de la grenailleuse.



MISE EN GARDE : Pour éviter tout déséquilibre de la roue de grenailage, il est nécessaire de remplacer les 6 lames de grenailage en une fois.

Pour installer les lames de la grenailleuse

- Retirer les 6 lames de roue de la grenailleuse. Se reporter à la section *Pour retirer les lames de roue de grenailage à la page 88.*
- Nettoyer les rouées de la grenailleuse avec de l'air sous pression et un petit extracteur de poussière. S'assurer qu'il n'y a pas de poussière ou de saleté dans les filets du centre de la roue de la grenailleuse.
- Placer les lames de la grenailleuse dans la roue (A).



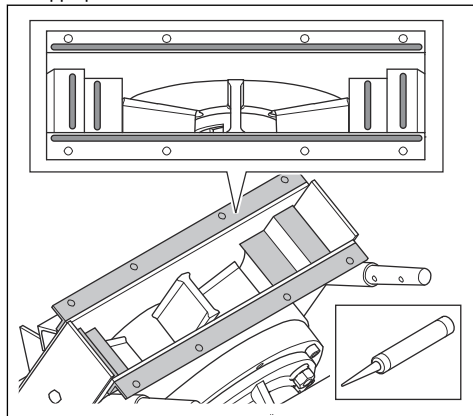
- Glisser les lames dans les fentes (B).



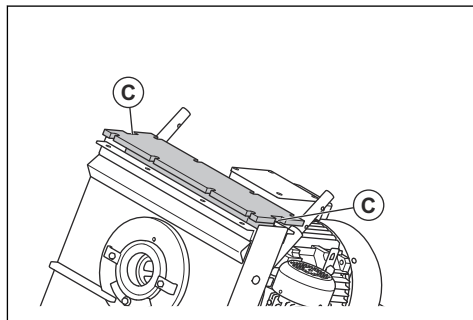
MISE EN GARDE : Pour éviter tout déséquilibre de la roue de grenailage, il est nécessaire de remplacer les 6 lames de grenailage en une fois.

- Installer la roue à ailettes. Se reporter à la section *Pour installer la roue à ailettes à la page 87.*

- Appliquer du silicone sur le boîtier.



- Soulever le revêtement supérieur des fentes sur les côtés (C) et le poser sur le boîtier. S'assurer que le revêtement supérieur est correctement aligné avec le boîtier.

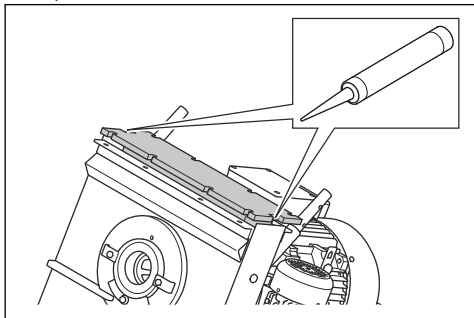


AVERTISSEMENT : Rester prudent lors de l'installation du revêtement supérieur. Le revêtement supérieur est lourd et il y a un risque de pincement.

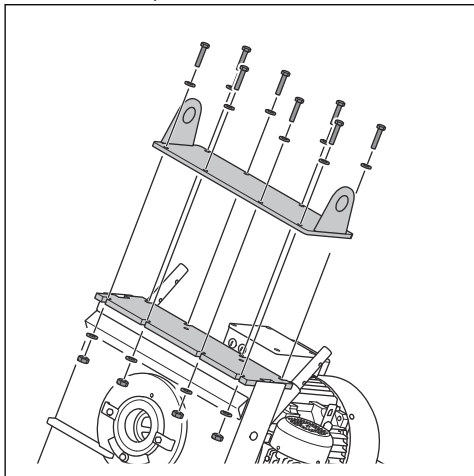


MISE EN GARDE : Ne pas forcer lors de l'installation du revêtement supérieur. Il y a un risque que le revêtement supérieur se brise.

8. Appliquer du silicone sur les fentes du revêtement supérieur.



9. Installer les 8 vis, les 16 rondelles, les 8 écrous et le revêtement supérieur.



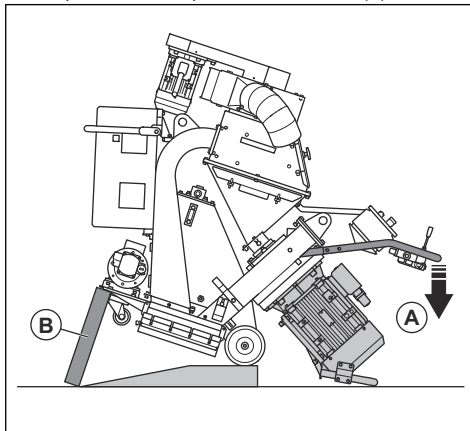
Pour remplacer les joints avant en caoutchouc



AVERTISSEMENT : Au moins 2 personnes sont nécessaires pour cette procédure. Une personne remplace les joints avant et une personne tient le produit en place.

1. Faire reculer le produit sur une rampe.
2. Effectuer les étapes suivantes pour incliner le produit vers l'arrière :

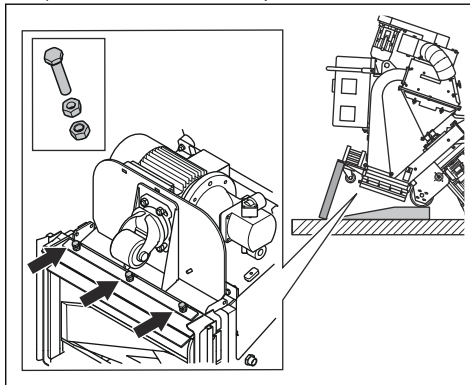
- a) Une personne appuie sur la poignée du produit pour incliner le produit vers l'arrière (A).



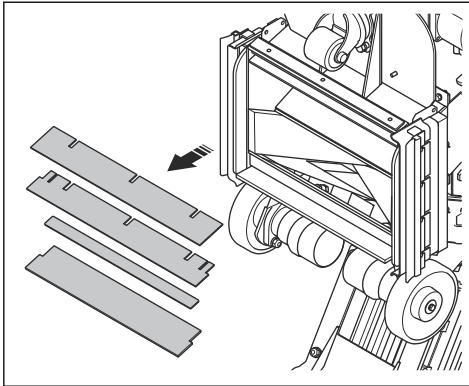
- b) La deuxième personne place un morceau de bois sous l'avant du produit (B).
c) Une personne continue de tenir le produit en place par la poignée.

3. La deuxième personne poursuit le processus de remplacement des joints de caoutchouc avant :

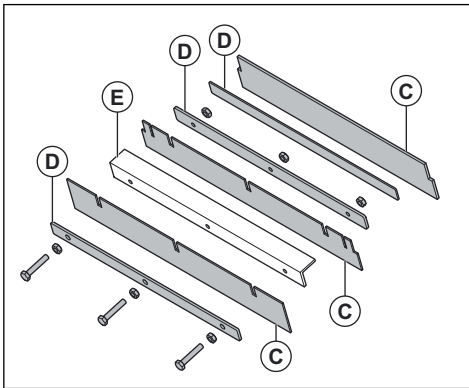
- a) Desserrer les 6 écrous, puis les 3 boulons.



b) Retirer les joints en caoutchouc à l'avant.



c) Installer les nouveaux joints avant en caoutchouc (C) avec les bandes d'acier (D) entre les joints avant en caoutchouc. La bande d'angle (E) fait partie de la carrosserie et ne peut pas être enlevée.



d) Installer les 3 boulons, en serrant d'abord les écrous intérieurs, puis les écrous extérieurs.

4. Alors qu'une personne tient le produit en place, la deuxième personne retire la pièce de bois.
5. Placer lentement la roue avant sur la rampe.
6. Faire avancer le produit sur la rampe.

Dépannage

Problème	Causes	Solution
Vibrations ou bruits inhabituels excessifs.	Les lames de roue de grenailage sont usées ou endommagées.	Remplacer les pièces usées ou endommagées.
	La roue à ailettes est usée.	Remplacer la roue à ailettes.
	Les lames de roue de grenailage et la cage de commande ne sont pas correctement alignées.	Vérifier les lames de roue de grenailage et la cage de commande.
	Des vis et des écrous sont desserrés.	Serrer les vis et les écrous desserrés.
	Le moteur de grenailage est endommagé.	Communiquer avec un agent de réparation Husqvarna agréé.
	Les roues sont endommagées.	Remplacer les roues.

Problème	Causes	Solution
Diminution ou absence de scarification.	L'alimentation en matériau abrasif des lames de roue de grenailage est insuffisante.	Nettoyer le plateau séparateur et remplir le séparateur avec du matériau abrasif. Vérifier la soupape du matériau abrasif et s'assurer qu'elle n'est pas endommagée ni obstruée.
	Le type de matériau abrasif n'est pas approprié à la surface.	Remplacer le matériau abrasif par un type approprié à la surface.
	Le matériau abrasif est contaminé.	Vérifier le collecteur de poussière et le tuyau du collecteur de poussière.
	Les lames de roue de grenailage ou la cage de commande sont usées ou endommagées.	Remplacer les lames de roue de grenailage ou la cage de commande.
	Une trop grande quantité de matériau abrasif frappe la surface au début du grenailage.	Fermer la soupape du matériau abrasif et arrêter le produit. Recommencer le grenailage et ouvrir lentement la soupape de matériau abrasif.
	La cage de commande n'est pas installée correctement.	Régler la cage de commande pour définir un meilleur tracé d'abrasion.
	La vitesse de fonctionnement du produit est trop élevée.	Réduire la vitesse de fonctionnement.
Le matériau abrasif sort du produit.	Les joints sont endommagés.	Vérifier tous les joints et les remplacer au besoin.
	La qualité du matériau abrasif n'est pas satisfaisante.	Pour obtenir de plus amples renseignements, communiquer avec votre concessionnaire.
	Les lames de roue de grenailage sont usées ou endommagées.	Remplacer les lames de roue de grenailage.
Le matériau abrasif est plus sale que d'habitude.	La puissance d'aspiration du collecteur de poussière est insuffisante.	Vérifier le collecteur de poussière et le tuyau du collecteur de poussière.
	Le tuyau du collecteur de poussière est bloqué ou endommagé.	Vérifier le tuyau du collecteur de poussière. S'assurer qu'il n'est pas endommagé ni obstrué. Remplacer le tuyau du collecteur de poussière au besoin.
L'usure est plus importante que d'habitude sur les pièces du boîtier.	Le type de matériau abrasif n'est pas approprié.	Pour obtenir de plus amples renseignements, communiquer avec votre concessionnaire.
	La cage de commande n'est pas installée correctement.	Régler la cage de commande pour définir un meilleur tracé d'abrasion.
	La puissance d'aspiration du collecteur de poussière est insuffisante.	Vérifier le collecteur de poussière et le tuyau du collecteur de poussière.

Problème	Causes	Solution
Le produit ne se déplace pas.	La vitesse de fonctionnement est trop faible.	Augmenter la vitesse de fonctionnement.
	L'unité de commande est endommagée.	Remplacer l'unité de commande.
	Le bouton de régulation du régime est endommagé.	Communiquer avec un agent de réparation Husqvarna agréé.
	Le fusible est endommagé.	
	Le circuit hydraulique ne fonctionne pas correctement.	
Le système de contrôle ne démarre pas.	L'interrupteur de protection du moteur est engagé.	Redémarrer le produit. Vérifier l'alimentation électrique.
Le système de contrôle s'arrête pendant le fonctionnement.	Le câble d'alimentation est endommagé.	Remplacer le câble.
	Le câble entre le produit et le collecteur de poussière est endommagé.	Remplacer le câble.
	L'interrupteur de protection du moteur est engagé.	Laisser un électricien agréé effectuer la vérification.
	Le collecteur de poussière s'arrête en raison d'une surcharge.	Laisser un électricien agréé effectuer la vérification.

Transport, entreposage et mise au rebut

Transport



AVERTISSEMENT : Être prudent lors du transport. Le produit est lourd et peut causer des blessures ou des dommages s'il se renverse ou se déplace pendant le transport.



MISE EN GARDE : Ne pas remorquer le produit derrière un véhicule.

- Débrancher le câble électrique et le tuyau du collecteur de poussière avant le transport.
- Retirer le matériau abrasif avant le transport. Se reporter à la section *Pour retirer le matériau abrasif de la trémie à la page 86*.
- Placer une protection adéquate sur le produit pendant le transport. La protection garde le produit à l'abri des éléments, comme la pluie et la neige, pendant le transport.

Pour déplacer le produit vers le haut ou vers le bas dans une pente



AVERTISSEMENT : Être très prudent lors du déplacement du produit dans une pente. Le produit est lourd et il

y a un risque de blessure si le produit se renverse ou se déplace trop rapidement.



AVERTISSEMENT : Sur les pentes abruptes, utiliser toujours un treuil. Ne pas marcher ou rester en dessous ou à proximité d'un produit soulevé.

- Pour descendre une pente avec le produit, faire fonctionner le produit lentement en marche avant.
- Pour monter une pente avec le produit, faire fonctionner le produit lentement en marche arrière.
- Ne pas tourner le produit vers la gauche ou vers la droite de plus de 45 ° sur une rampe.

Pour fixer le produit sur un véhicule de transport

Utiliser les anneaux de levage afin de fixer le produit au véhicule de transport.

1. Fixer les sangles d'arrimage dans les anneaux de levage.
2. Fixer et serrer les sangles d'arrimage sur le véhicule de transport.

Levage du produit



AVERTISSEMENT : S'assurer que l'équipement de levage possède les spécifications correctes pour soulever le produit en toute sécurité. Le poids du produit figure sur sa plaque signalétique.

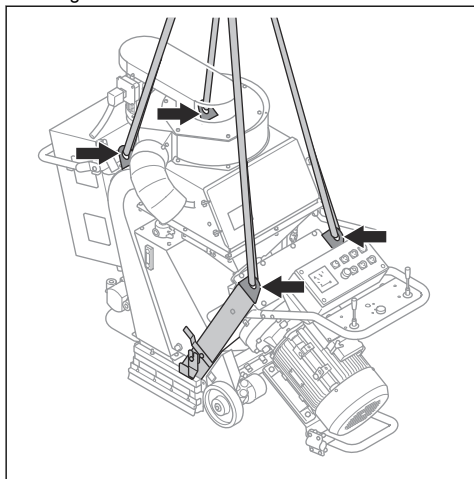


AVERTISSEMENT : Ne pas marcher ou rester en dessous ou à proximité d'un produit soulevé. Garder les passants à l'écart de la zone de travail.



AVERTISSEMENT : Ne pas soulever un produit endommagé. S'assurer que les anneaux de levage sont correctement installés et en bon état.

1. Attacher l'équipement de levage aux anneaux de levage.



2. Soulever le produit avec prudence. Tenir la poignée jusqu'à ce que le produit soit soulevé du sol.

Entreposage



MISE EN GARDE : Ne pas entreposer le produit à l'extérieur. Toujours garder le produit à l'intérieur.

- Remiser le produit dans un endroit sec et à l'abri du gel.
- Nettoyer le produit et effectuer un entretien complet avant de l'entreposer.
- Garder le produit dans un endroit verrouillé hors de portée des enfants et des personnes non autorisées.

- Retirer le matériau abrasif du séparateur avant le rangement du produit.

Mise au rebut

- Les produits chimiques peuvent être dangereux et ne doivent pas se déverser au sol. Toujours mettre au rebut les produits chimiques usagés dans un centre d'entretien ou dans un emplacement de mise au rebut applicable.
- Lorsque le produit est usé, l'envoyer à votre concessionnaire ou dans un emplacement recyclage applicable.
- L'huile, les filtres à huile, le carburant et la batterie peuvent avoir des effets négatifs sur l'environnement. Respecter les exigences locales en matière de recyclage et la réglementation en vigueur.
- Ne pas mettre au rebut la batterie comme un déchet domestique ordinaire.
- Envoyer la batterie à un agent d'entretien Husqvarna ou la mettre au rebut dans un emplacement de mise au rebut des batteries usagées.

Caractéristiques techniques

	EBE 500S 50 Hz	EBE 500S 60 Hz
Puissance nominale, W	26400	
Tension nominale, V	400	480
Fréquence nominale, Hz	50	60
Intensité nominale, A	48	
Longueur du câble, m/pi	25/82	
Type de câble d'alimentation	Néoprène 4×10 ²	
Largeur de fonctionnement, mm/po.	500/19,2	
Pente de nettoyage maximale, deg/%	10/18	
Vitesse d'entraînement, m/min ou pi/min	0 – 30 ou 0 – 98	
Poids, kg	820/1 808	
Température de service, °C/°F	De -5 à -40/de 23 à 104	
Diamètre du raccord du tuyau à poussière, mm/po	150/6	
Aspirateur industriel	Contactez un atelier spécialisé Husqvarna pour plus d'informations.	
Huile hydraulique	HV46	

Remarque : si votre produit correspond à des spécifications électriques qui ne figurent pas dans le

tableau, contactez un atelier de réparation Husqvarna pour plus d'informations.

Données sur le bruit et les vibrations

Émissions sonores	
Niveau de puissance acoustique mesuré LWA dB(A). ¹¹	111
Niveau de pression sonore au niveau de l'oreille de l'opérateur, LP dB (A). ¹²	94
Niveaux de vibrations	
Poignée principale, m/s ² . ¹³	0,4

¹¹ Niveau de pression sonore déterminé selon la norme EN ISO 3747. Mesuré sur une surface en acier. Incertitude Kwa 2,5 dB.

¹² Niveau de pression sonore déterminé selon la norme EN ISO 11202. Mesuré sur une surface en acier. Incertitude Kpa 3 dB

¹³ Accélération effective pondérée mesurée au niveau de la poignée selon la norme EN ISO 20643. Mesuré sur une surface en acier. Incertitude K 0,1 m/s².

Matériau abrasif approuvé

Matériau abrasif approuvé	Projection d'acier à haute teneur en carbone					Grenaille d'acier à haute teneur en carbone	
	S-330*	S-390	S-460	S-550	S-660*	SG25	SG16
Dimension, mm	1,0	1,2	1,4	1,7	2,0	1,0	1,4
Dureté, HRC	45-52						
*opérations spéciales							

Rallonges

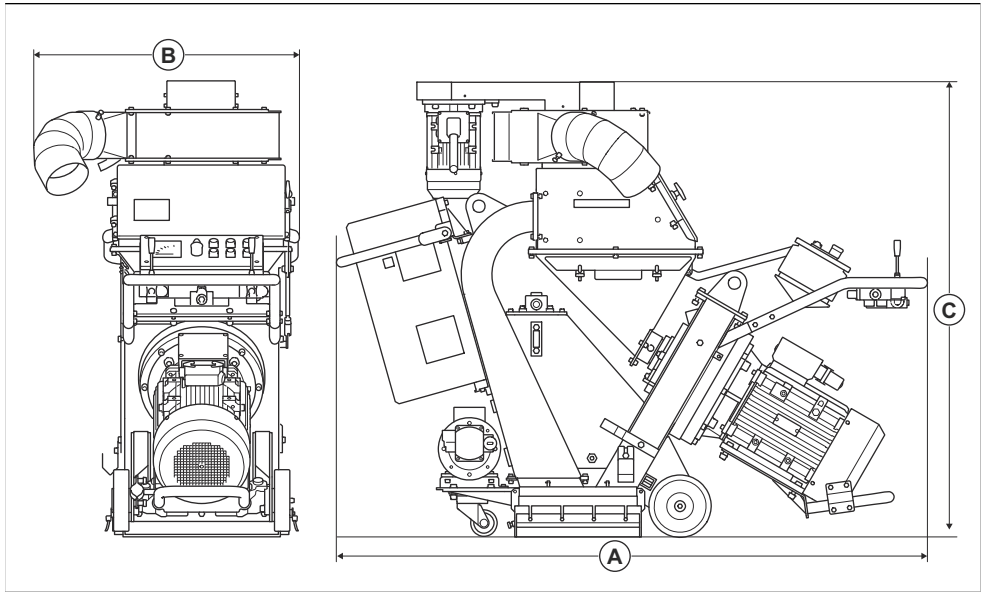
Longueur du câble	Coupe transversale à 240 V câble SOOW (600 V)			
	≤ 15 A	≤ 30 A	≤ 60 A	≤ 100 A
Calculé à un préfusible gG ¹⁴ :	15 A	30 A	60 A	100 A
> 66 ft	AWG12	AWG8	AWG4	AWG2
66 ft > 164 ft	AWG10	AWG8	AWG4	AWG2
164 ft > 246 ft	AWG8	AWG6	AWG2	AWG2

Longueur du câble	Coupe transversale à 480 V câble SOOW (600 V)			
	≤ 15 A	≤ 30 A	≤ 60 A	≤ 100 A
Calculé à un préfusible gG ¹⁵ :	15 A	30 A	60 A	100 A
> 66 ft	AWG14	AWG8	AWG4	AWG2
66 ft > 164 ft	AWG12	AWG8	AWG4	AWG2
164 ft > 246 ft	AWG12	AWG8	AWG4	AWG2

¹⁴ Les sections transversales doivent être recalculées lorsque d'autres types ou dimensions de préfusible sont utilisés.

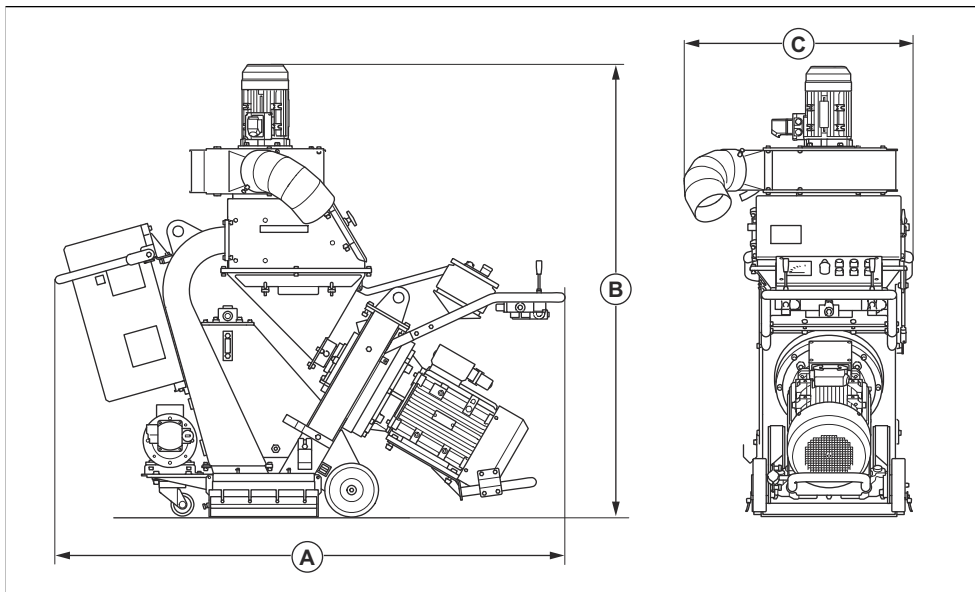
¹⁵ Les sections transversales doivent être recalculées lorsque d'autres types ou dimensions de préfusible sont utilisés.

Dimensions du produit EBE 500S 50 Hz



EBE 500S 50 Hz		
A	Longueur, mm/po	1900/74,8
B	Largeur, mm/po	865/34,1
C	Hauteur, mm/po	1475/58,1

Dimensions du produit EBE 500S 60 Hz



		EBE 500S 60 Hz
A	Longueur, mm/po	1900/74,8
B	Hauteur, mm/po	1700/66,9
C	Largeur, mm/po	865/34,1



www.husqvarnaconstruction.com

Original instructions
Instrucciones originales
Instructions d'origine

1143899-49



2024-06-18