



BLASTRAC 2-48DSP

Operator's manual, EN

Husqvarna, 2023

Dear customer,

Thank you for choosing a Husqvarna quality product. We hope that you will genuinely enjoy it. Please note that the enclosed manual contains Blastrac references. The Husqvarna Group is vouching for the quality of this product.

If you have any questions, please do not hesitate to contact our local sales or service point.

Husqvarna AB, SE-561 82 Huskvarna, Sweden

Owner responsibility

WARNING: Processing of concrete and stone by methods such as cutting, grinding or drilling, especially during dry operation, generates dust that comes from the material being processed, which frequently contains silica. Silica is a basic component of sand, quartz, brick clay, granite and numerous other minerals and rocks. Exposure to excessive amount of such dust can cause:

Respiratory disease (affecting your ability to breathe), including chronic bronchitis, silicosis and pulmonary fibrosis from exposure to silica. These diseases may be fatal;

Skin irritation and rash.

Cancer according to NTP* and IARC* */ National Toxicology Program, International Agency for Research on Cancer.

Take precautionary steps:

Avoid inhalation of and skin contact with dust, mist and fumes.

Wear and ensure that all bystanders wear appropriate respiratory protection such as dust masks designed to filter out microscopic particles. (See OSHA 29 CFR Part 1926.1153)

To minimize dust emissions use an appropriate dust collector.

It is the owner's/employer's responsibility that the operator has sufficient knowledge about how to use the product safely. Supervisors and operators must have read and understood the Operator's Manual. They must be aware of:

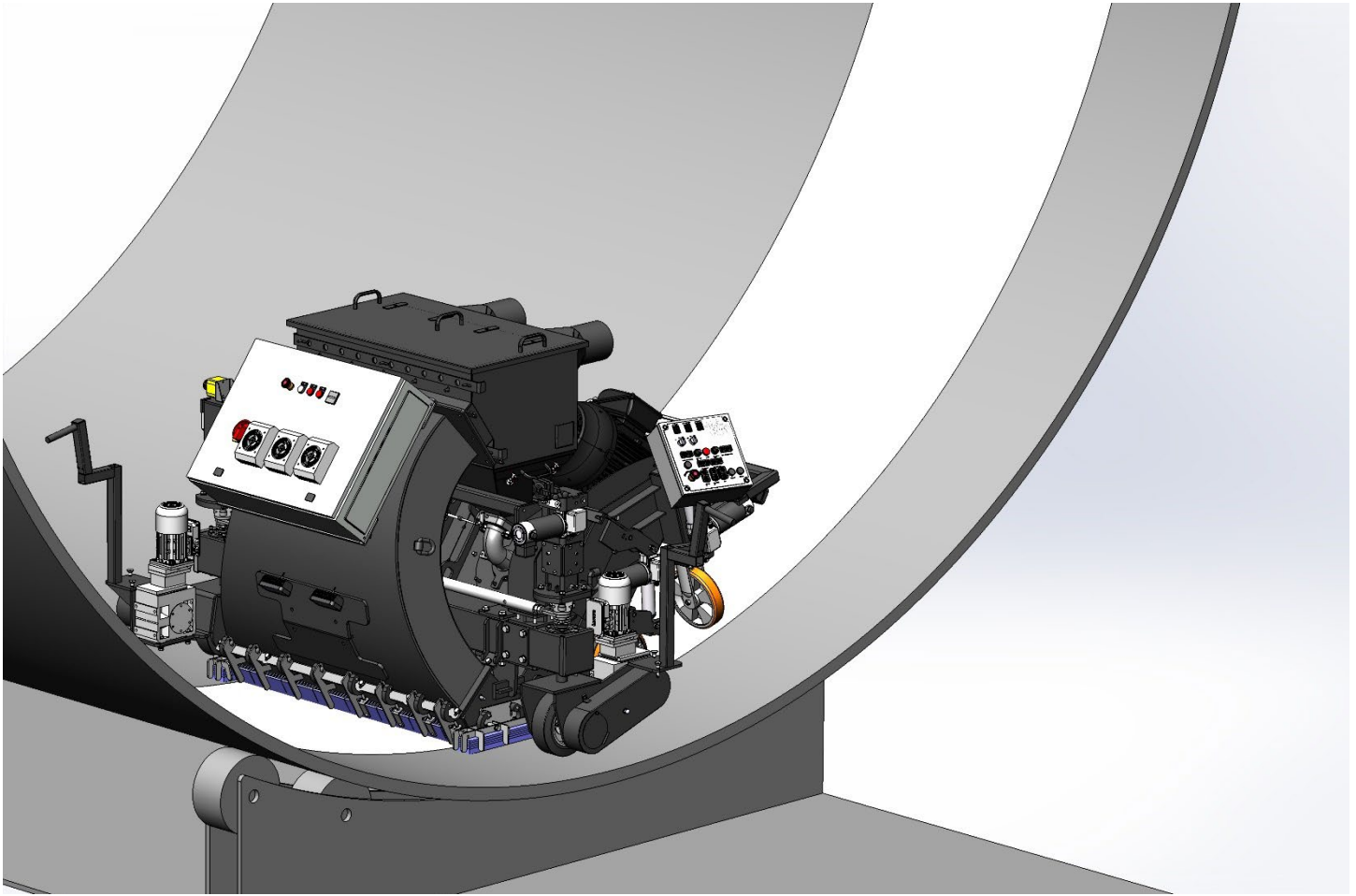
- The product's safety instructions.
- The product's range of applications and limitations.
- How the product is to be used and maintained.

National/Local regulations could restrict the use of this product. Find out what regulations are applicable where you work before you start using the product.

Product damage

We are not responsible for damages to our product if:

- the product is incorrectly repaired.
- the product is repaired with parts that are not from the manufacturer or not approved by the manufacturer.
- the product has an accessory that is not from the manufacturer or not approved by the manufacturer.
- the product is not repaired at an approved service center or by an approved authority.



Inspection comments

Inspection before initial operation on:	_____
By:	_____
Date of initial operation:	_____
Serial number & Year of manufacture:	_____

Recurring inspections / maintenance log

Date / Hour counter	Findings	Repairs / Cleaning	Test on	By*

*Competent person

Table of contents

Maintenance log	2
1. Introduction	4
2. Machine description	4
3. Safety	5
3.1 Work area safety	5
3.2 Electrical safety	5
3.3 Personal safety	6
3.4 Machine safety	6
3.5 Shot / steel blasting safety	7
3.6 Dust collector safety	7
3.7 Maintenance safety	7
3.8 Transport safety	8
3.9 Signs on the machine	9
4. Before operation	10
4.1 Checkpoints of electrical safety	10
4.2 Checkpoints of machine safety	10
4.3 Checkpoints of the surface to be treated	10
4.4 Controls, Electrobox, Shotvalves, Control panel	11
4.5 Axial Drive control	13
4.6 Radial Drive control	14
4.7 Pipe diameter	15
4.8 Connecting the drive motor	16
4.9 Driving with connected drive motor	17
4.10 Blast wheels	18
4.11 Abrasive sealing	18
4.12 The abrasive valves	19
4.13 Separator	20
5. Operating	20
5.1 Before switch on	20
5.2 Switching the machine on	21
5.3 Switching the machine off	21
5.4 Operation	21
5.5 The blast pattern	22
5.6 Adjusting the blast patterns	22
6. Maintenance	24
6.1 Changing the liners	25
6.2 Changing the blast wheel blades and impeller	25
6.3 The V-belts	26
6.4 V-belt mounting	26
6.5 V-belt tension	26
6.6 The chain drive	26
7. Troubleshooting	28
8. Selection of abrasive	30
9. Technical data	31
Contact	

1. Introduction

Before use, operators must be provided with information, instruction and training for the use of the machine and the substances for which it is to be used, including the safe method of removal and disposal of the material collected. All persons who are working with or maintaining this machine must read the manual carefully and understand it fully. In case you sell the unit, hand it on to the next owner.

Keep this manual always with the machine, to enable it to be referred to at any time. Any other work not covered by this operating manual must not be carried out.

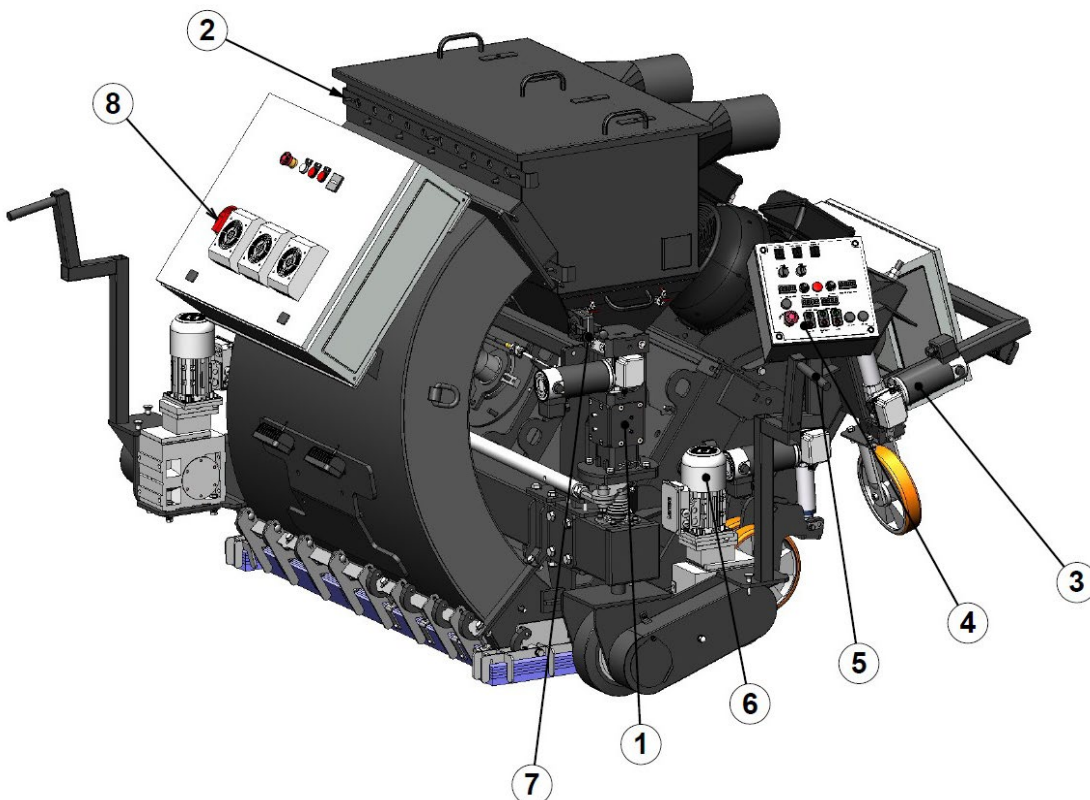


This machine is designed for industrial use by professionals. Only authorized and trained personnel may operate this machine. This machine is not intended for use by persons (including children) with reduced physical, sensory or mental capabilities, or lack of experience and knowledge. **We** offers a course on the use of the machine in order to make the operating and maintenance personnel familiar with all elements of the machine. Always use common sense when working with machines.

2. Machine description

The blast cleaning machine 2-48DSP is a downward blasting machine with a closed abrasive circuit exclusively designed for the pre-treatment of dry, frost free horizontal surfaces. The bouncing impact of metallic abrasive onto the surface to be treated thoroughly removes surface contaminants, coats of paint, sealants and thin coatings. The intended use of this machine is blast cleaning of the following surfaces: Steel, concrete, stone and asphalt. The machine may not be used for other purposes. The manufacturer will not be liable for damage resulting from incorrect usage, in these cases the user assumes all risks.

A suitable filter unit must be connected to the machine in order to separate the dust from the abrasive. A specially designed our dust collection system ensures dust-free operation of the machine and clean air at the workspace.



1	Spindle system for drive unit	6	Drive unit RH
2	Airflow adjuster	7	Shot valve levers
3	Spindle system for axial movement wheels	8	Main switch
4	Control panel	9	
5	Steer handle	10	

3. Safety



Warning!

Read all safety warnings and all instructions. Failure to follow the warnings and instructions may result in electric shock, fire, explosions and / or serious injuries.

The machine should not be used in the presence of an explosive atmosphere.

It is the responsibility of the user to analyse the surface to be treated. The surface may not contain any substances which could pose a fire or explosion risk when treated. It is also the responsibility of the user to make a risk assessment on the basis of the information obtained about the surface to be treated and take proper precautions for the work to be performed.

Only authorized and trained personnel may operate this machine. This machine is not intended for use by persons (including children) with reduced physical, sensory or mental capabilities, or lack of experience and knowledge.

In case of any inappropriate usage, improper operation or repair, the producer shall be exempt from liability.

3.1 Work area safety

- a) Do not use the machine in rain, damp or wet locations.
- b) Avoid dangerous environments: do not work in the presence of explosive atmospheres, in the presence of flammable liquids, gases or dust. Remove materials or debris that may be ignited by sparks.
- c) In some cases sparks could be created by the blast cleaning process.
- d) The surface to be treated must be clean, make sure to remove all stones, screws etc..**
Any stones, screws, bolts, pieces of wire etc. could cause serious damage to the machine if it gets inside the machine!
- e) Make sure there is enough ambient light on the work area. Cluttered or dark areas invite accidents.
- f) Keep children and bystanders away while operating the machine. They are likely not to foresee the potential dangers of the machine. Distractions could cause you to lose control of the machine.
- g) Persons who are not operating the machine must not be permitted to stay in the surrounding area of at least 5 meter from the machine.
- h) Never use the machine when the surface is not clear and if there is a risk of stumbling or tripping.
- i) Remove electrical cables and dust hose(s) from the surface to be treated.
- j) Make sure that there are no cables or hoses in the driving direction of the machine.
- k) Make sure that there is nothing standing or situated on the surface to be treated.
- l) Make sure the machine can travel over all inequalities on the surface, small inequalities like weld seams or (floor) joints are no barriers for the machine.
- m) Never operate the machine when workplace is wet. Never stay in the rain with the machine.**
- n) Check if there are any obstacles that can snag the cables when the machine is moving.
- o) Remove all objects from the surface that can damage the machine. Remove reinforcing steel or other objects protruding from the surface in order to prevent damage to the machine.
- p) Warning! Make sure that the surface to be treated does not contain dangerous materials such as:**
 - combustible or explosive dusts or substances.
 - carcinogenic or pathogenic substances.
- q) It is necessary to provide for an adequate air change rate L in the room if the exhaust air from the dust collector is returned to the room. Comply with the National regulations.
- r) Secure the work area around the machine in public areas providing an adequate safety distance from the machine. Use a red and white safety chain and danger sign to enclose the work area.

3.2 Electrical safety

- a) Use only extension cables for extending the main cable that are sized and marked in accordance with the overall power consumption of the machine. Do not use damaged extension cables.
- b) Electrical cables must be rolled entirely off of the reels.
- c) Any damage to the electric cables and/or electrical components is not permitted.
- d) If the power supply cable or plug is damaged, it must be replaced immediately.
Only use original parts.

- e) The voltage on the identification plate must comply with the power supply.
- f) Use an electrical power supply connection with earth connection and earth leakage circuit breaker.
- g) The circuit breaker of the power supply must have a "D" characteristic. Circuit breakers with a "C" or "B" characteristic can give problems when switching the machine on.
- h) **Keep the machine original; The machine is always equipped with an earthed connection, do not change this** and always use earthed cables with an earthed plug.
- i) Inspect and test the electrical components regularly. The electrical components have to satisfy with the requirements set out in the harmonised norm EN60204-1.
- j) Always call a skilled electrician or your distributor when you have questions about the safety of the electrical components.
- k) Work on electrical equipment or operating materials may only be undertaken by a skilled electrician or by trained persons under the guidance and supervision of a skilled electrician as well as in accordance with the electrical engineering regulations.
- l) Always use tools that are insulated against voltages.
- m) Do not abuse the cables. Never use the cables for carrying, pulling or unplugging the machine. Keep cables away from heat, oil, sharp edges or moving parts. Damaged or entangled cables increase the risk of electric shock. Do not fold the cable or clamp it.
- n) Don't pull out the power supply cable out by the wire, but by the connector.
- o) Be careful with water on the treated surface. Electrical cables must not come into contact with water.
- p) The main power switch on the machine must be in the "Off" position before connecting to the power supply.
- q) During a long standstill of the machine, pull out the main plug.
- r) If the machine is to be operated using power from a generator, the generator must be operated in accordance with the current legal regulations and directives in force. (this applies to the protective earth conductor in particular) in order to ensure that all safety devices are functioning and to eliminate possible damage to electrical components.

3.3 Personal safety

- a) **Always wear Personal Protective Equipment while working with the machine.**
 - Dust mask class FFP2 or higher
 - Ear protection
 - Safety glasses with lateral protection
 - Protecting gloves
 - Safety shoes
- b) Dress properly. Do not wear loose clothing or jewellery. Keep your hair, clothing and gloves away from moving parts.
- c) Personnel must tie back long hair and not wear loose clothing or jewellery including rings.
- d) Stay alert, watch what you are doing and use common sense when operating the machine.
- e) Always seek professional medical attention immediately in case of injury.
- f) All persons surrounding the machine should wear Personal Protective Equipment.

3.4 Machine safety general

- a) Safety functions and operating functions must work correct.
- b) No loose bolts and nuts permitted.
- c) Never operate machine without the guards and/or safety devices in place.
- d) Never change anything on the safety devices on the machine!
- e) Do not use the machine when it is damaged.
- f) Do not **open or remove protective guards** while driving gears are running.
- g) The temperature of the machine can be above 37° C.
- h) The machine, specially the handle grips and control devices must be dry and free of fats/oils.
- i) If the length of the brushes is, due to wear, less than 5mm or they are extremely deformed, the brushes have to be replaced. Check the Service Manual for the order numbers.
- j) All repair work has to be done by qualified personnel, this guarantees a safe and reliable machine.
- k) Always use original spare parts and abrasives. This will ensure the best performance. Only original parts meet the factory specifications and quality. Otherwise we cannot guarantee the safety of the machine.
The part numbers can be found in the Service Manual.
- l) Check the rotating direction of the motor before operation. The correct direction is given with an arrow on the housing of the motor.
- m) If safety-critical changes occur to the machine or its working method, the machine must be shut down immediately! The cause of the fault must be established, and rectified.
- n) In the event of operational malfunctions the machine must be shut down immediately and secured!

- o) **Never use the machine without a suitable dust collector!**

3.5 Shot/steelblasting safety

- a) **Never lift the blast head during blasting!** This could cause serious injury to yourself and others around you!
- b) **Abrasive can escape from the sides of the blast head at high speed.** Wear safety glasses with lateral protection and close-fitting protective clothing.
- c) Check the following parts daily for damage and wear to avoid unnecessary long and costly standstill on the workplace; blast wheels, feed spouts, liners, rubber- and brush sealing;
Replace the parts when you can see obvious signs of wear and tear.
Wear grooves are acceptable until 75% of blade thickness has been worn away.
- d) Check the parts of the separator on wear and defects. Remove foreign bodies and dust deposits to prevent clogging of the separator.
- e) The cover plate of the separator and separator trays must be closed to keep the vacuum in the machine.
- f) The machine will heat up during blasting, don't risk getting burned, always wear gloves and only touch the handle grip(s) and control devices.
- g) Check the level of abrasive in the storage hopper before work starts. Refill if necessary.
- h) Remove the abrasive from the abrasive storage hopper before storage.
- i) **In some cases sparks could be created by shot / steel blasting.**

3.6 Dustcollector safety

- a) Always use our dust collector to ensure a dust-free operation of the machine and clean air at the workspace. Also the airflow helps to cool the machine and prevents overheating.
- b) Read the operating instructions of the dust collector before using it.
- c) The dust container/bag of the dust collector must be emptied regularly. Comply with the local waste treatment regulations considering the removed material.
- d) The dust hose must be connected properly with a hose clamp and industrial tape.
- e) The dust hose must be undamaged and free of obstructions.
- f) Always switch on the dust collector first!

3.7 Maintenance safety

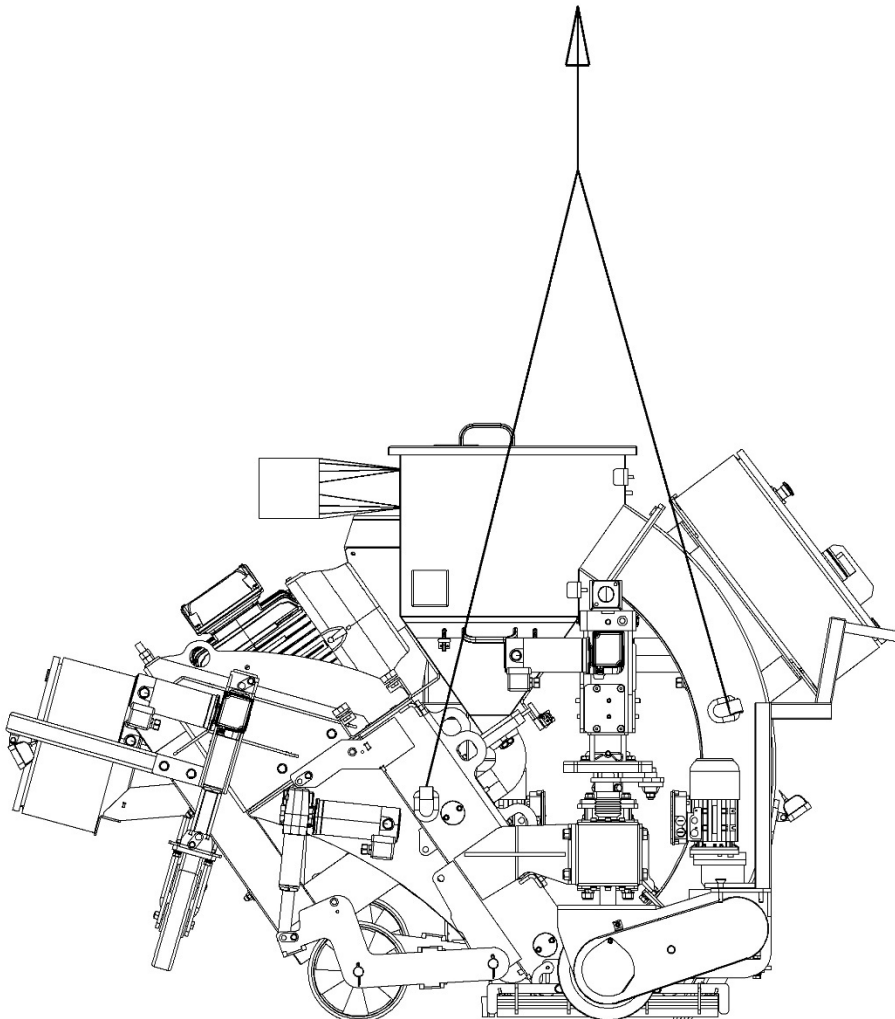
- a) Pull out the main plug and place it in sight, before starting inspections and repairing on the machine. The main switch can be locked in the "OFF" position by using a padlock and placing it through the main switch.
- b) Wait for standstill of all drives before any inspections, adjustments and/or maintenance work is started.
- c) Block machine in stable position before doing any maintenance work.
- d) Failures due to inadequate or incorrect maintenance may generate very **high repair costs** and long standstill periods of the machine. **Regular** maintenance therefore is imperative.
- e) Operational safety and service life of the machine depends, among other things, on proper maintenance.
- f) Prevent premature wear by keeping the machine as dust free as possible. Clean the machine for this reason regularly with a dust collector and non-aggressive materials. Never use a high pressure water cleaner to clean the machine.
- g) Do not use any aggressive cleaning materials! Use lint-free cleaning cloths!
- h) It is advisable to stock all spare parts or wear parts that cannot be supplied quickly. As a rule, production standstill periods are more expensive than the cost for the corresponding spare part.
- i) The suitable precautions include decontamination before disassembling the machine, adequate filtered ventilation of the exhaust air from the room in which it is disassembled, cleaning of the maintenance area and suitable personal protection equipment.

3.8 Transport safety

- a) Be aware of your surroundings and machine operating level. Do not side hill, do not run on steep incline, this could cause machine to tip over.
- b) The weight of the 2-48DS is 2000 kg. Use a crane or lift when transporting the machine, use the lifting eyes / lugs of the machine.
- c) Each lifting lug has a WLL of 1500kg.
- d) Before every use check the lifting eyes/lugs and welds for: deformation, damages, cracks, corrosion and wear.
- e) **Pay attention that the drive unit does not turn away during lifting of the machine.**

Hold on to the steering handle until the machine is off the ground.

- f) When lifting the machine from the ground, always use the lowest lifting speed. The cables must first be tensioned at this speed; they must not be slack when the machine is lifted from the ground.
- g) During hoisting make sure to be at a safe distance from the machine with the most optimal view on the machine and working environment.
- h) Never stand directly below the machine.
- i) When transporting the machine do so in such a manner that damage due to the effects of the use of force or incorrect loading and unloading is avoided.
- j) The lifting eyes / lugs can also be used to fasten the machine on a pallet or during transport.
- k) Never load or unload the machine on a ramp or incline when the drive wheel is in the disengage mode. Failure to do so could cause machine to runaway, damage to the machine, damage to property or cause serious injury.
- l) Always drive backwards when driving up to a ramp or grade, and forwards when driving off the ramp.
- m) Chock wheels for transport and keep control handle in neutral position.
- n) Don't leave the machine unsecured on jobsites.
- o) Park the machine always on a flat horizontal and levelled surface.
- p) Remove the abrasive from the machine before transport.
- q) Make sure the electrical cable and dust hose are disconnected before transport.
- r) Store the cleaned and dry machine in a humid free room. Protect the electrical motor from moisture, heat dust and shocks.
- s) Never use the machine for lifting persons or items.
- t) Only lift the machine as shown in the picture below.



3.9 Signs on the machine

The following stickers are placed on the machine. Meanings of these symbols are:



DANGER Hazardous voltage in motor even when solid state controller is OFF. Disconnect main power before servicing motor, controller or associated wiring.



No lifting point.



Lifting point.



DANGER Rotating parts inside. Keep hands clear. Lock-out / shut down before servicing.



Wear a dust mask class FFP2 or higher.



Hearing protection is obliged.



Safety glasses with lateral protection are obliged.



CE-mark on this machine.



Wear protecting gloves.

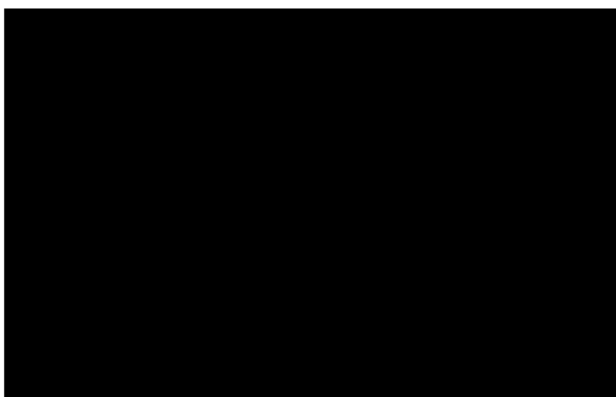


Safety shoes obliged.



Consult the manual before operating the machine.

Type plate:



Name, address and CE mark.

The machine type.

The net weight of the machine in kilogram.

The year of manufacture.

The serial number of the machine.

Email address, Website, Telephone & fax number.

4. Before operation

Before using the machine it is of great importance to inspect the machine.

It is not permitted to use the machine if the machine safety is not according the checkpoints below.

4.1 Checkpoints power supply

- Use only extension cables for extending the main cable that are sized and marked in accordance with the overall power consumption of the machine.
- Electrical cables must be fully unwind of their reels.
- No damage is permitted for electrical cables.
- Use an electrical power supply connection with earth connecting.
- The main switch of the machine should be put to 'Off' before connecting to the power supply.
- Make sure the power supply is in accordance with the machine specifications.
- The circuit breaker of the power supply must have a "D" characteristic. Circuit breakers with a "C" or "B" characteristic can give problems when switching the machine on.
- If the machine is to be operated using power from a generator, the generator must be operated in accordance with the current legal regulations and directives in force. (this applies to the protective earth conductor in particular) in order to ensure that all safety devices are functioning and to eliminate possible damage to electrical components.

4.2 Checkpoints of machine

- Safety functions and operating functions must work correct.
- Check all screws and other fasteners for tightness. No loose bolts and/or nuts are permitted.
- Check the electrical components, cables and connections for wear and/or damages.
- Dust hose connection must be reliable: use hose clamps and industrial tape.
- Dust hoses must be undamaged and free of obstructions
- Make sure that the dust bin / big bag of the dust collector is empty and connected properly.
- Make sure the machine is parked on a flat and horizontal surface before operation.
- Check the following parts for damage and wear: blast wheel, feed spout, liners, rubber- and brush sealing. Replace the parts when you can see obvious signs of wear and tear.
Wear grooves are acceptable until 75% of blade thickness has been worn away.
- Check de parts of the separator on wear and defects. Remove foreign bodies and dust deposits.

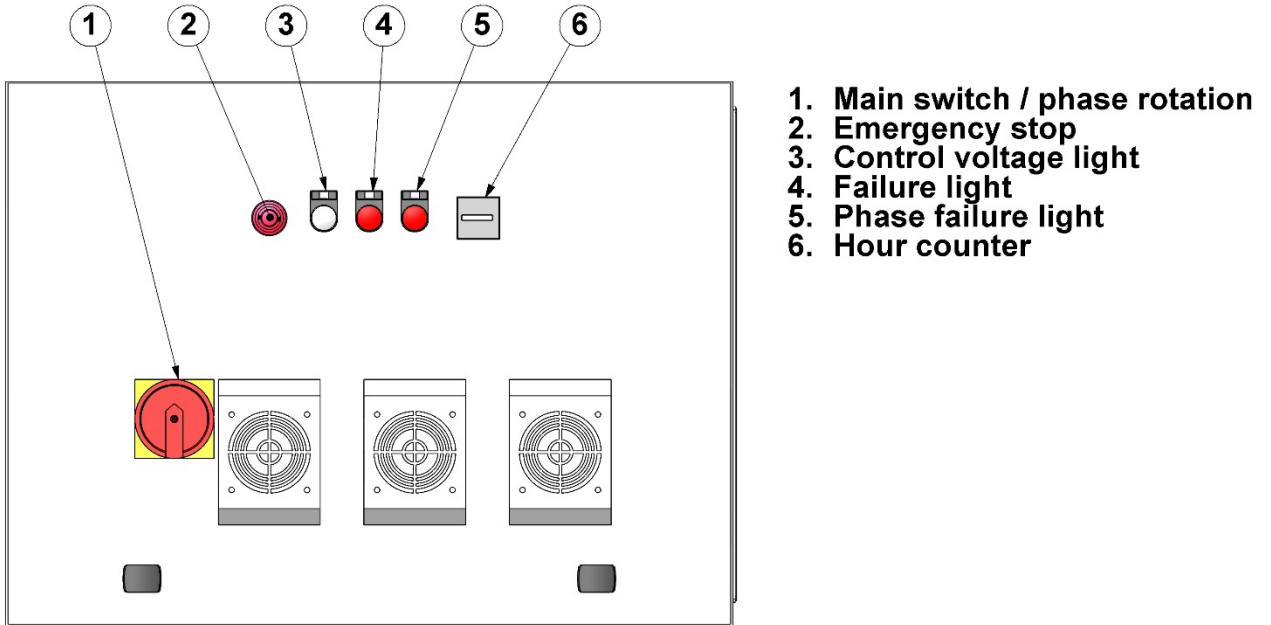
4.3 Checkpoints of the surface to be treated

- Make sure that the surface to be treated does not contain dangerous materials.
- Check he surface to be treated for loose parts. The surface must be clean, make sure to remove all stones, screws etc. Remove all fluids from the surface such as water, oil, etc.
Any stones, screws, bolts, pieces of wire etc. could cause serious damage to the machine if it gets inside the machine!
- Make sure the machine can travel over all inequalities on the surface, small inequalities like weld seams or (floor) joints are no barriers for the machine.

4.4 Controls

Electro box

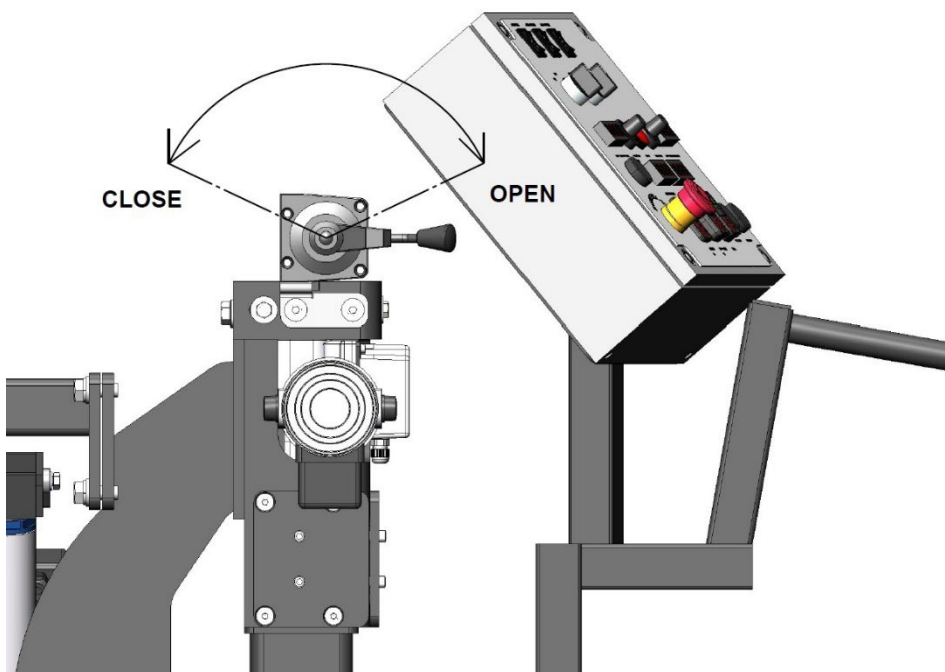
The electro box has the main power switch for the machine. The Hour counter Shows the number of actual working hours performed by the blast wheels. Useful for maintaining a proper maintenance schedule.



When the machine is turned on, the "FAILURE" light (red) will turn on. Push the "CONTROL ON" button. If the failure light does not turn off, probably the phases of the power supply have to be changed.

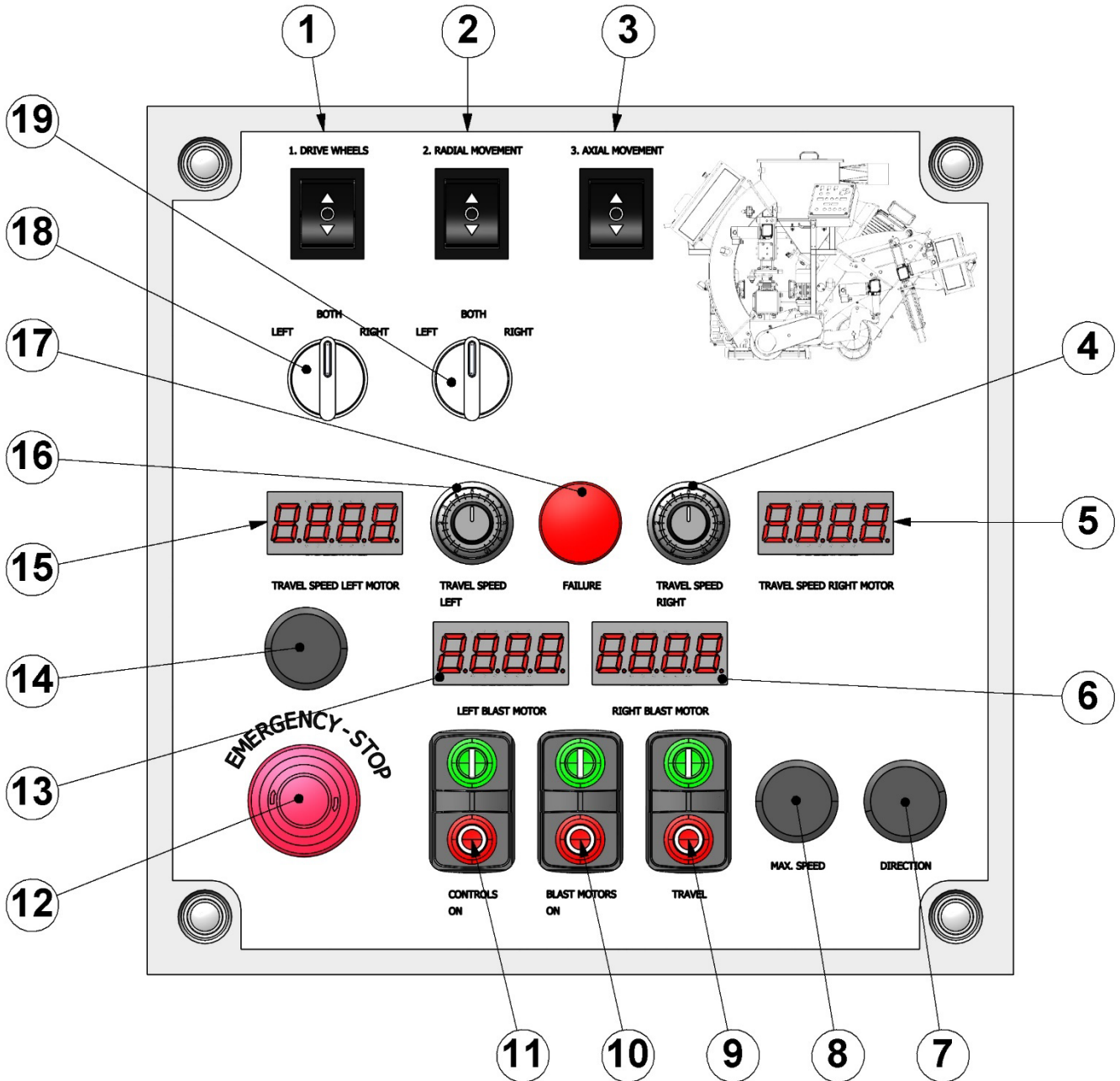
Shot valves

The 2 handles control the shot valves.



Control panel

The control panel is equipped with all control elements and instruments for monitoring and controlling the machine.



(1) Drive wheels UP and Down

Pushing this rocker switch will change the height of the drive wheels. (Hold to run).

(2) Radial idler wheels UP and Down

Pushing this rocker switch will change the height of the radial idler wheels. (Hold to run).

(3) Axial idler wheels UP and Down

Pushing this rocker switch will change the height of the axial idler wheels. (Hold to run).

(4) Travel speed control right drive motor

(5) Display travel speed right drive motor

(6) Ammeter right blast motor

This display shows the power consumption of the RIGHT blast motor in ampere. Maximum 44 Ampere.

(7) Direction button

Pushing this button will change the driving direction of the drive motors. (Hold to run).

(8) Max speed button

Press this button for maximum travel speed. (Hold to run).

(9) Travel ON / OFF buttons

Pressing the green button switches the drive motors ON. Pressing the green button switches the drive motors OFF.

(10) Blast motor ON / OFF buttons

Pressing the green button switches the blast motors on. Pressing the red button switches the blast motors off.

(11) Controls ON / OFF buttons

Pressing the green button switches the height adjustment control on. Pressing the red button switches the height adjustment control off.

(12) Emergency shutdown button

Red mushroom-shaped emergency shutdown push button, this button cuts off all power to the machine. Turn to unlock. After use of the emergency button, all functions have to be re-started manually.

(13) Ammeter left blast motor

This display shows the power consumption of the LEFT blast motor in ampere. Maximum 44 Ampere.

(14) Light ON / OFF button

(15) Display travel speed left drive motor

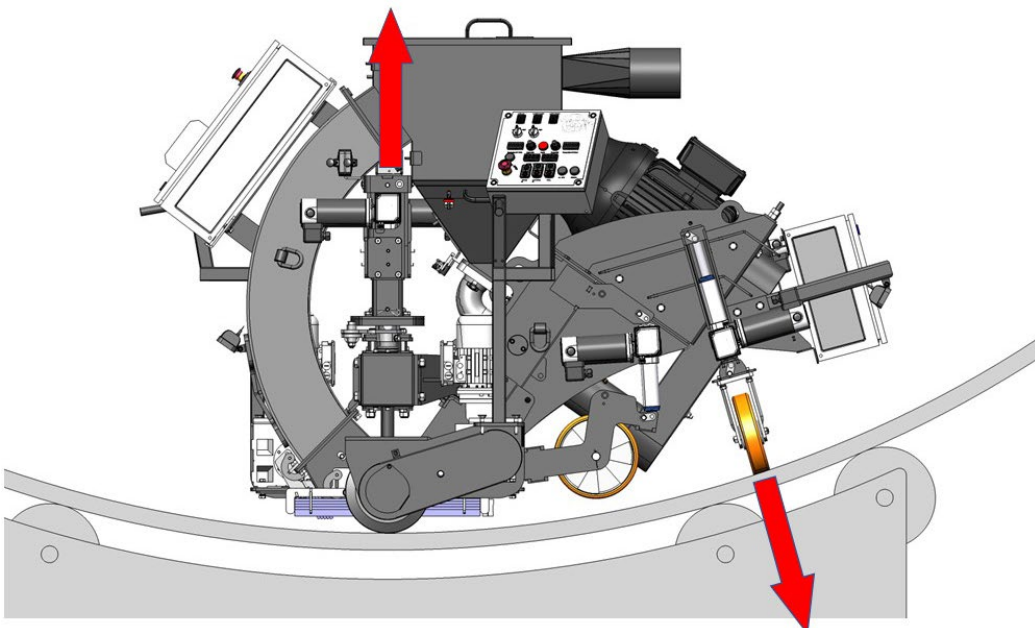
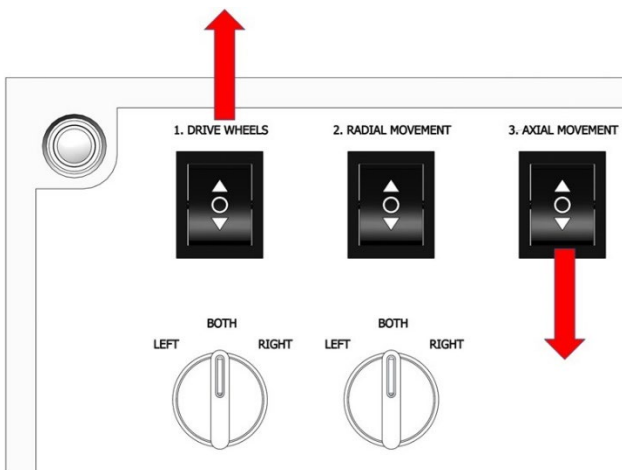
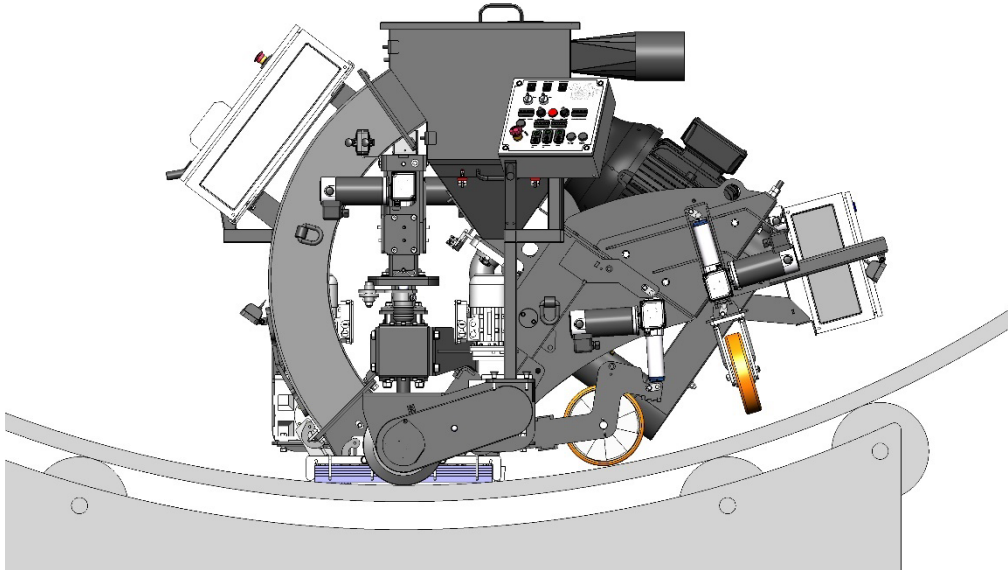
(16) Travel speed control left drive motor

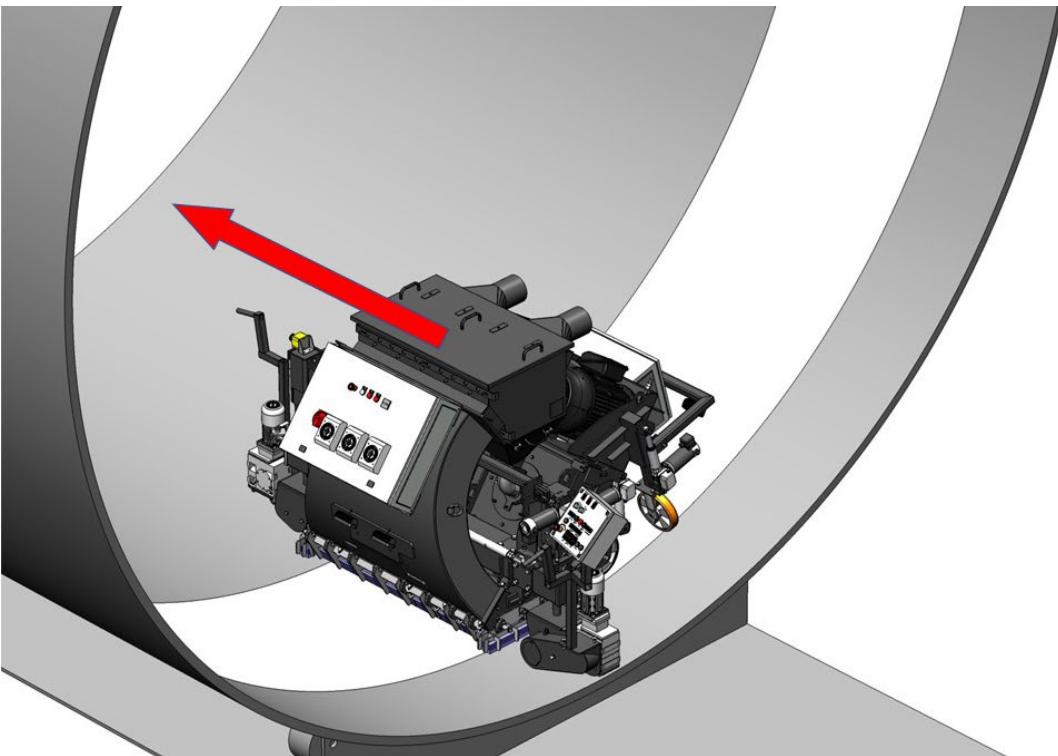
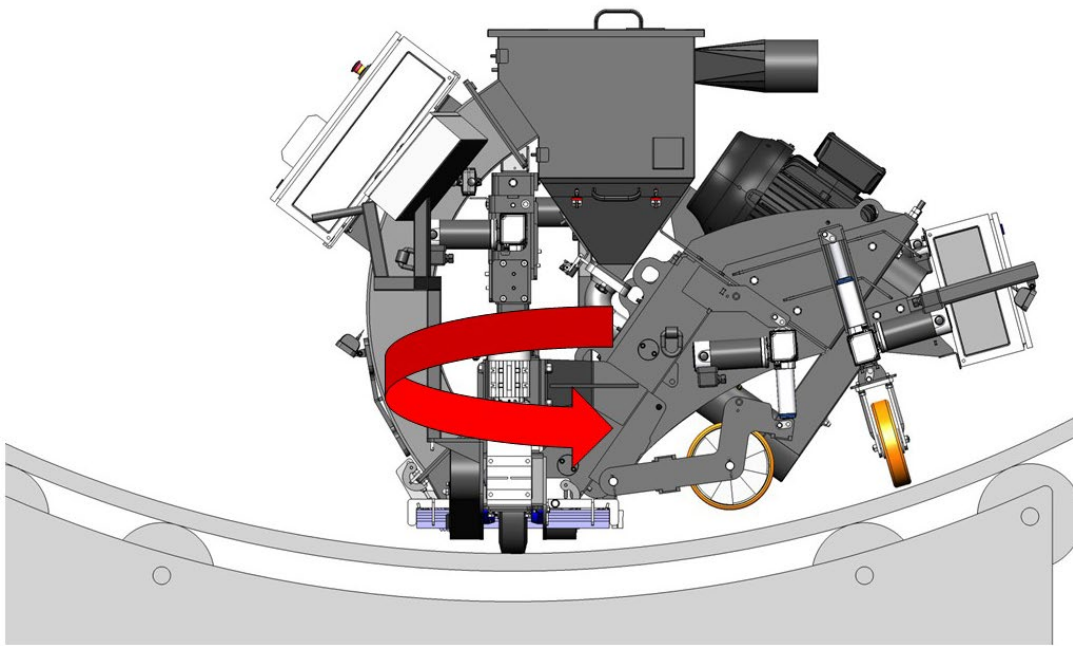
(17) Failure light

(18) Selection switch Left / Right / Both for height adjustment system of the drive wheels

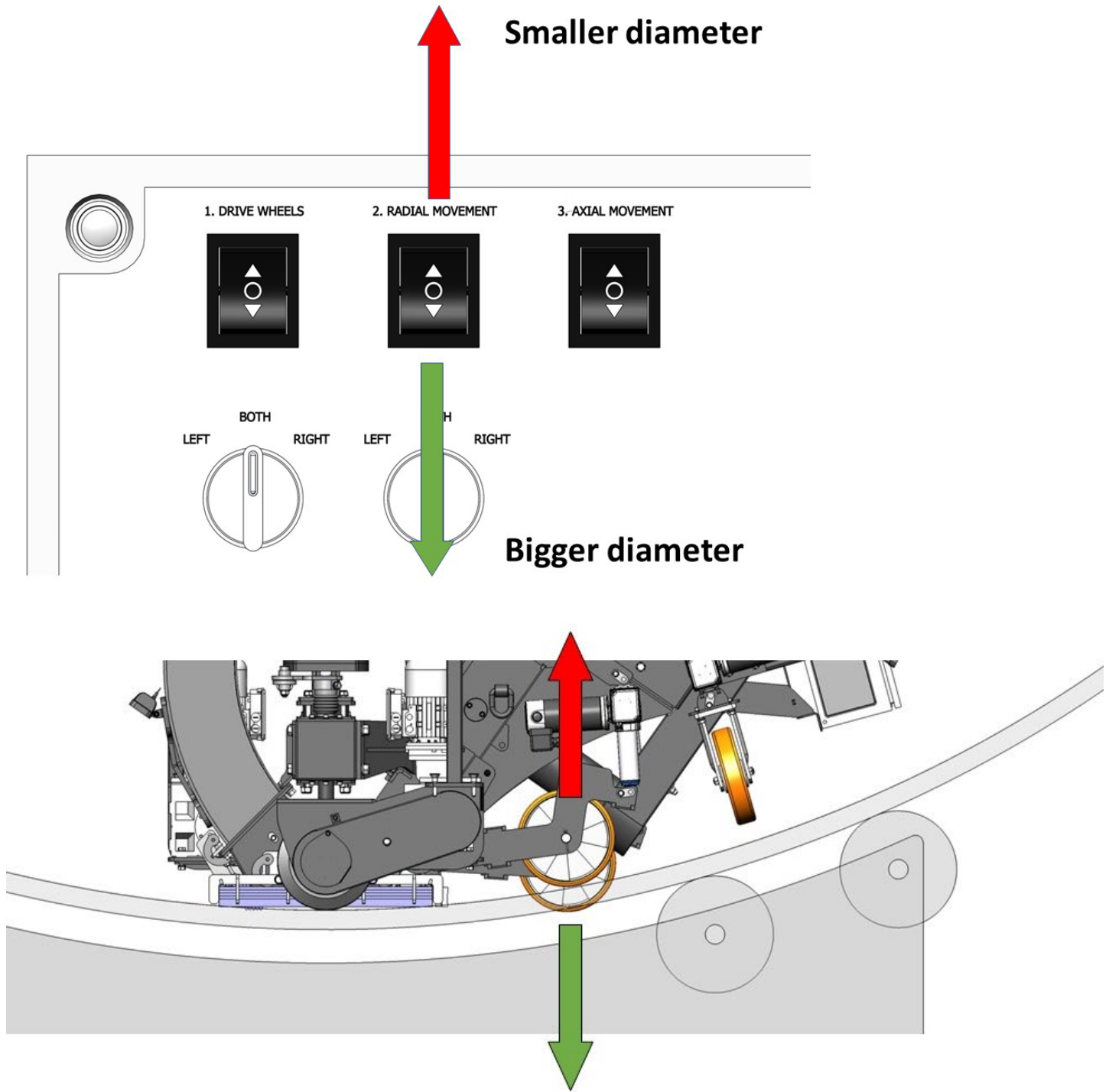
(19) Selection switch Left / Right / Both for height adjustment system of the radial idler wheels

4.5 Axial movement in pipe

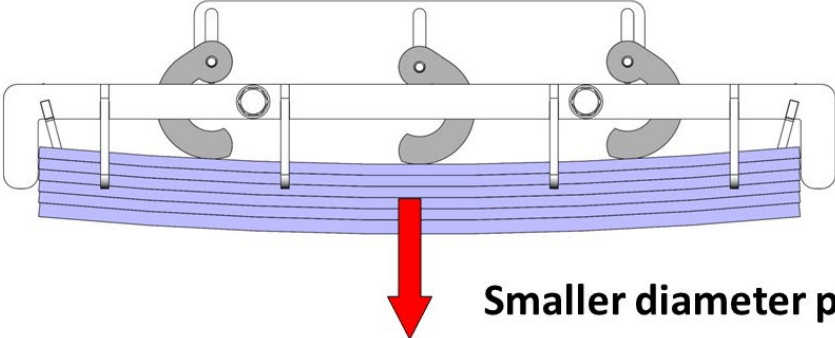




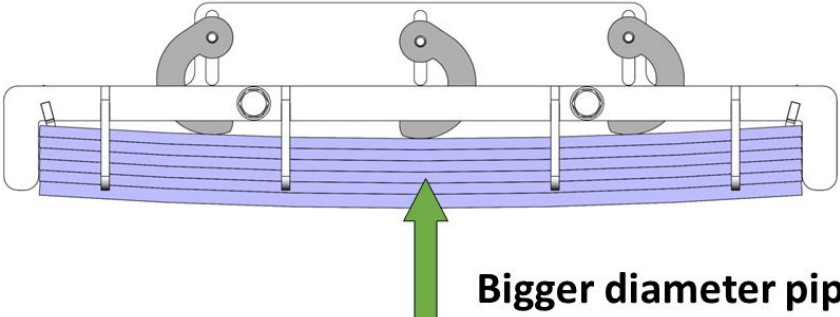
4.6 Change pipe diameter



Adjust side seals

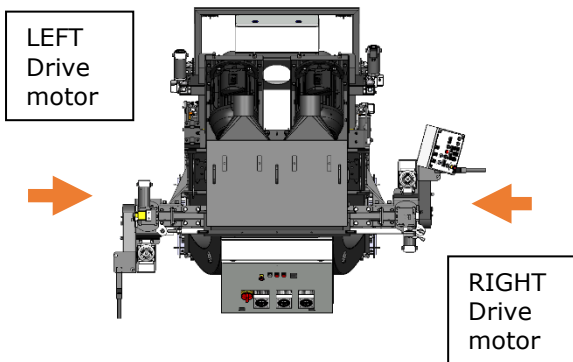


Smaller diameter pipe



Bigger diameter pipe

4.7 Connecting the drive motors to the traction wheels



1

Danger of crushing!
Use common sense, do not get distracted during the activities.

2

CONTROL BLAST MOTORS

Make sure the CONTROL is ON.
Make sure the Blast motors are OFF.

3

Set the drive speed knob to the lowest possible setting, approximately 0,5.

4

Open the wheel guard.

5

Insert the quick release pin inside the hole.

6

!WARNING!
Use **only 1 finger** to press the button of the quick release pin, and keep applying pressure.

7

LEFT BLAST MOTOR RIGHT BLAST MOTOR

CONTROL ON BLAST MOTORS ON TRAVEL

Activate TRAVEL.

8

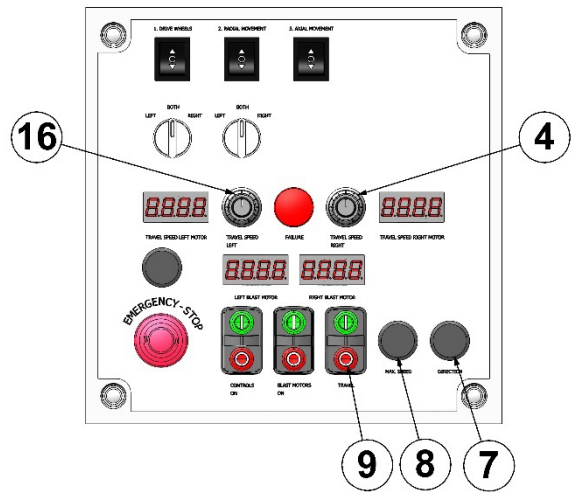
When the drive-motor and wheel are aligned, the quick release pin will lock into place. Close wheel guard.

9

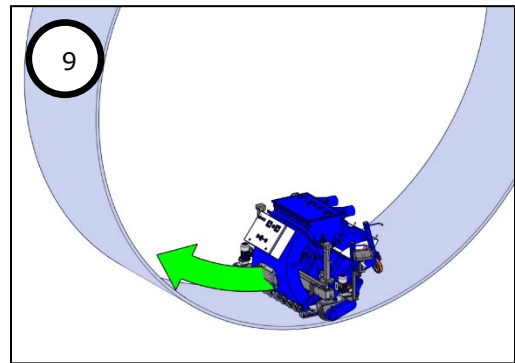
Repeat steps 1-8 for the LEFT drive wheel.

4.8 Driving with connected drive motor

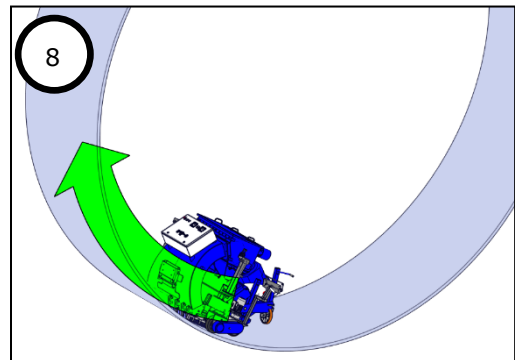
Set the driving speed at the desired speed using the speed control knobs (16) + (4).



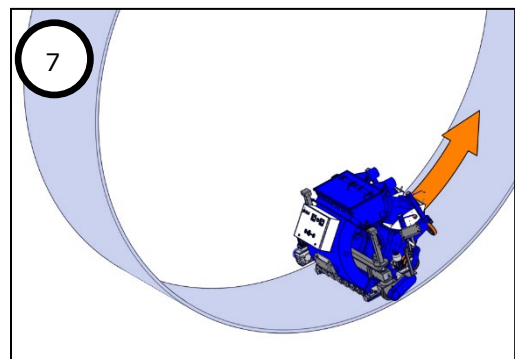
Place 1 hand on the handle grip and push the TRAVEL button (9).



The MAX SPEED-button (8) makes it possible to drive at maximum speed without having to adjust the speed control knob. To do so, press and hold the MAX SPEED-button while driving. **WARNING!** Mind your surroundings at maximum speed!

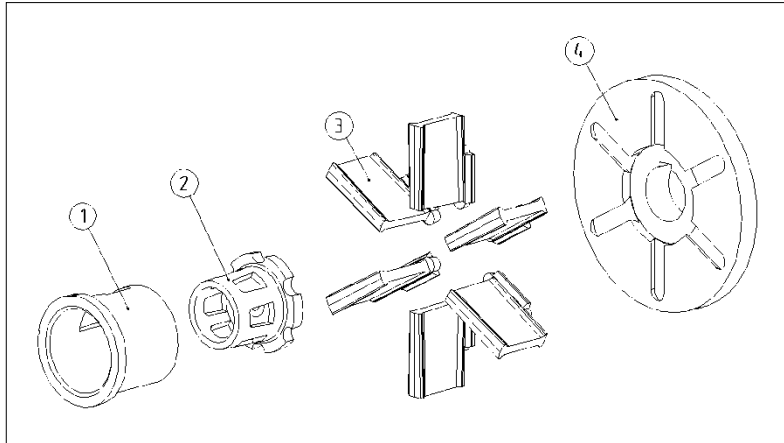


The DIRECTION-button (7) is used to drive in the other direction, press and hold the button to do so. **WARNING!** Do not drive forward while blasting! This function is only used for maneuvering without blasting. Make sure the dust hose and electrical cable are out the way when driving forward.



4.9 Blast wheels

The heart of the blast cleaning machine are two blast wheels that throw the abrasive onto the surface to be cleaned by using centrifugal force. The blast wheels are placed in a protective housing lined with replaceable wear parts. The blast wheels are driven by two electric motors.



- 1 Control cage
- 2 Impeller
- 3 Blades (set of 6)
- 4 Blast wheel

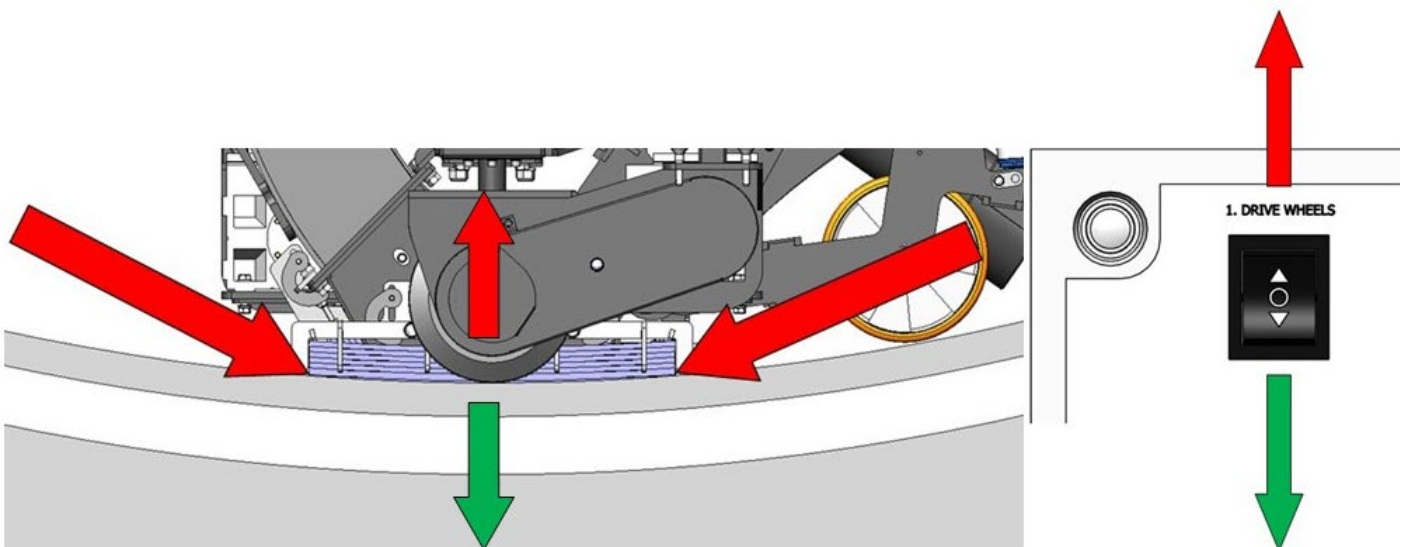
Around the centre of the blast wheel there is the impeller feeding dosed quantities of abrasive onto the blades of the turning blast wheel. On top of this is the control cage, which once it is carefully set, regulates the throwing angle of the abrasive.

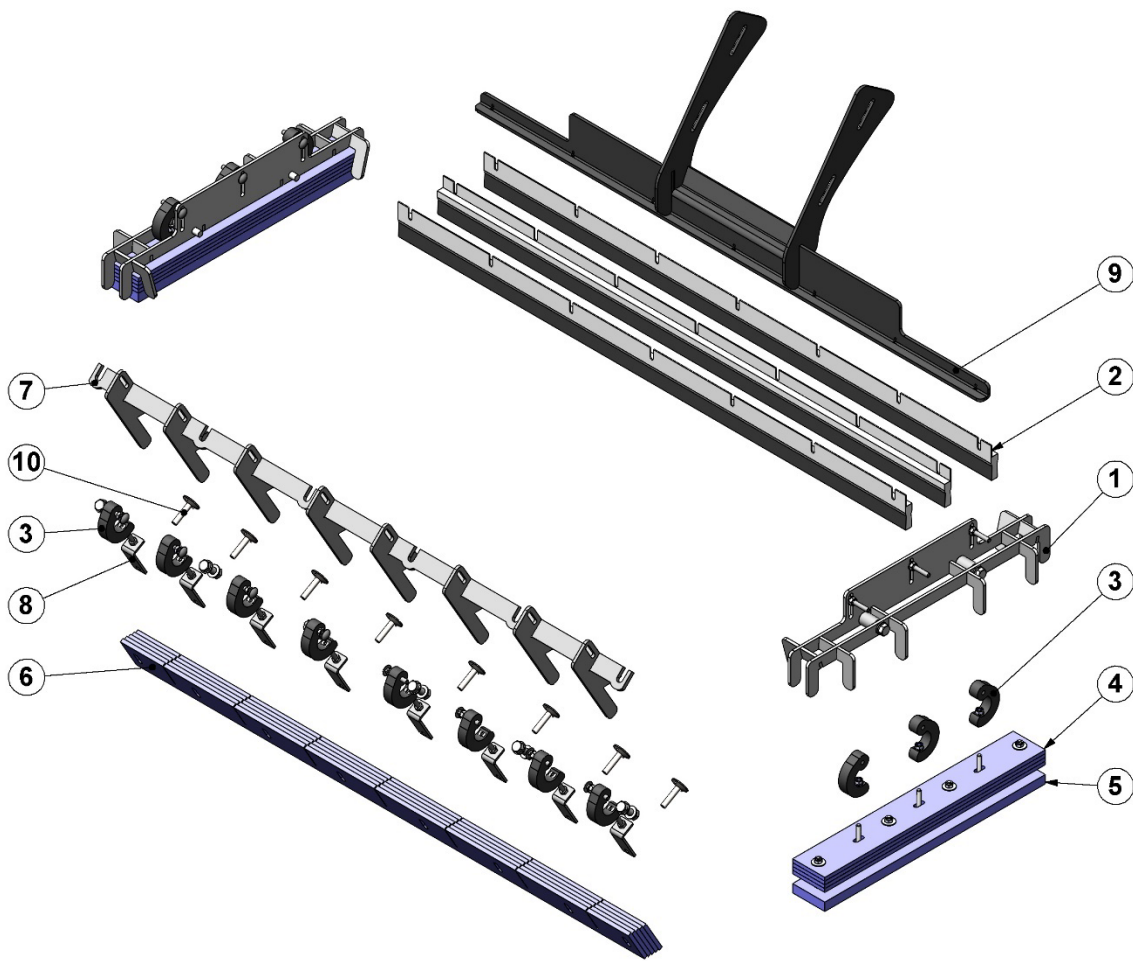
4.10 Abrasive sealing

Rubber seals are fitted to the front and the sides of the blast housing outlet. At the rear there is an airflow adjuster and 3 brushes.

The seals are employed to seal the blasting area in a way to avoid leakage of any abrasive.

The correct height adjustment of the rubber seals is very important for optimum functionality of the machine. The adjustment can be carried out by means of the spindle system of the drive units.

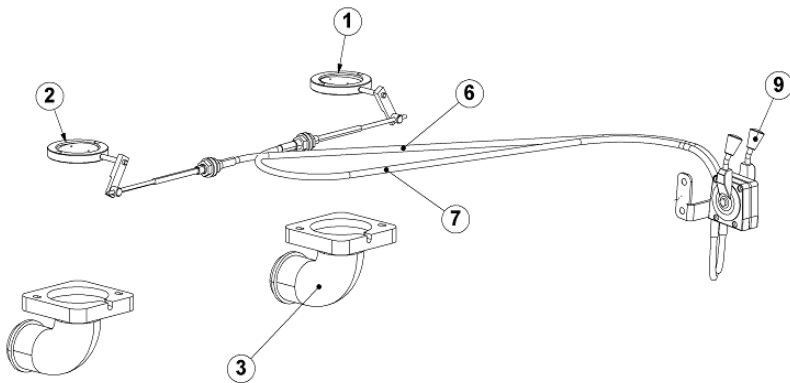




Item	Part number	Description	Qty.
1	534842101	Side seal holder	2
2	533332701	Rear brush	3
3	531494001	Rubber spring	14
4	534842201	Side seal top	8
5	534841801	Side seal bottom	2
6	534594501	Front seal	4
4	534594801	Front seal holder	1
8	534594801	Front seal angle	8
9	547417901	Brush support	1
10	538874901	Elevator bolt	8

4.11 The abrasive valves

Between the abrasive storage hopper and the feed spouts there are valves incorporating permanent magnets in order to control the abrasive flow towards the blast wheels. Any change in the opening of the magnetic valve causes the amount of abrasive fed to the blast wheel to change. The change in the abrasive fed can be read from the ammeters. The valves are hand-operated by the **abrasive control handles**. These handles are located on the side of the height adjustment spindle and can be adjusted so that any quantity of abrasive can be fed to the blast wheels. Optimum blast cleaning power is reached when the ammeters indicate the operating current. It is not permitted to blast with a higher current value.

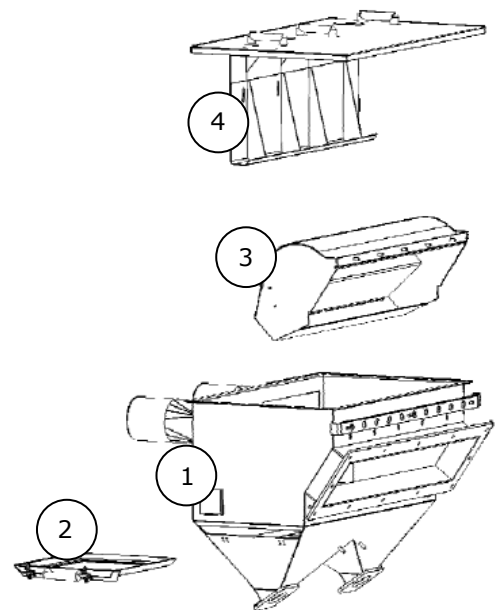


- 1+2 Magnetic abrasive valves
- 3 Feed spout
- 6+7 Control cables
- 9 Abrasive Control handles

4.12 Separator

The abrasive separator is mounted to the end of the rebound plenum. It separates the abrasive from contaminants and feeds the cleaned abrasive back to the abrasive circuit. A wire mesh is fitted to prevent any large contaminants from getting into the blast wheels. In order to clean the wire mesh drawer, the separator cover can be removed or the wire mesh drawer can be removed from the side. Check and empty the drawer before and after each operation. During operation you should check the separator tray every 3 hours for foreign matter and large contaminants.

1	Separator
2	Separator tray (wire mesh)
3	Deflector
4	Separator cover



5. Operating

During operating the machine, the following additional safety instructions must be followed closely. Before switching on the machine make sure that no-one can be endangered when the machine starts up. Make sure that no vehicles, such as forklift trucks and other equipment run over the electric cable and the dust hose.

All persons in the proximity of the machine must wear safety glasses with lateral protection as well as safety shoes and ear protection. The operator is obliged to wear close-fitting protective clothing and a dust mask.

5.1 Before switch on

- Check whether the abrasive sealing fits well on the surface of the pipe.
- Check the distance from brush sealing to the floor. This may be max. 1 mm.
- Fill the separator equally with the selected abrasive up to the bottom of the separator tray. The magnetic valve must be closed whilst doing this.
- Connect the blast machine and filter unit with the dust hose. This connection must be reliable.
- Connect the power supply cable of the filter unit with the generator. Be sure that electrical power supply is correct.

Checking the turning direction of the motor(s)

- Start the machine for a few seconds by pressing the green 'Blast motor ON' button.
- Stop the machine by pressing the red 'Blast motor OFF' button.
- Check the rotating direction of the Blast motor (indicated with an arrow).

Correcting the turning direction of the motor(s)

- Switch off all motors and put the main power switch to the OFF-position
- Wait for a complete standstill of all drives.
- Take the plug out of the power source.
- Change the phases.
- Check the turning direction of the motor again.

5.2 Switch on the machine

- Before switching on the blast machine, switch on the filter unit.
- Press the green push button "Blast wheels ON" and check the rotating direction of the blast motor. The correct direction is given with an arrow on the housing of the motor.
- Select the speed using the speed control knobs. Push Travel ON button.
- When the machine is traveling pull the abrasive control handles to open the magnetic valves. Observe the ammeter. It may indicate the full load amperage. After having blasted approx. 2 m, close the abrasive valves, stop the machine and check the blasted surface.
- If the 'hotspot' is too much on the right, turn the cage a little bit clockwise.

Never adjust the cage during blasting!

5.3 Switch off the machine

- Close the abrasive valves
- Press the red button "Blast wheels OFF"
- Press the red button Travel OFF
- Switch the main switch to position "OFF"
- Pull out the connector of the main power supply of the machine.
- Switch off the filter unit.
- Wait for standstill of all drives before any inspection or maintenance works are started.

5.4 Operation

Carry out blasting in parallel tracks in such way that the dust hose and electric cable do not become twisted.

Make sure that no vehicles, such as forklift trucks and other equipment run over the electric cable and the dust hose.

The selection of the correct advancing speed of the blast machine is important for a good blast cleaning result. In the case that the surface has different characteristics (e.g. different hardness or different coating thicknesses), a uniform blast result can be achieved by varying the advancing speed during blast cleaning.

The advancing speed depends on the material of the surface to be treated and the desired profiling.

The correct advancing speed can be found out by observing the blasted surface and varying the speed during the blast cleaning process.

Slight profiling on concrete requires a higher speed than coarse profiling (6 - 10).

Blasting on steel requires a very low advancing speed (0 -2).

Check the separator tray every 3 hours for foreign matter and large contaminants.

When blast cleaning concrete the abrasive magnetic valves may only be opened when the blast cleaning machine is travelling! If the machine is at a standstill and the valves are opened, deep holes may be blasted into the concrete surface within seconds.

When the blast head is lifted from the floor, abrasive escapes from the sides of the blast head at high speed! If the machine is moved with the blast head raised, the abrasive magnetic valves must be closed!

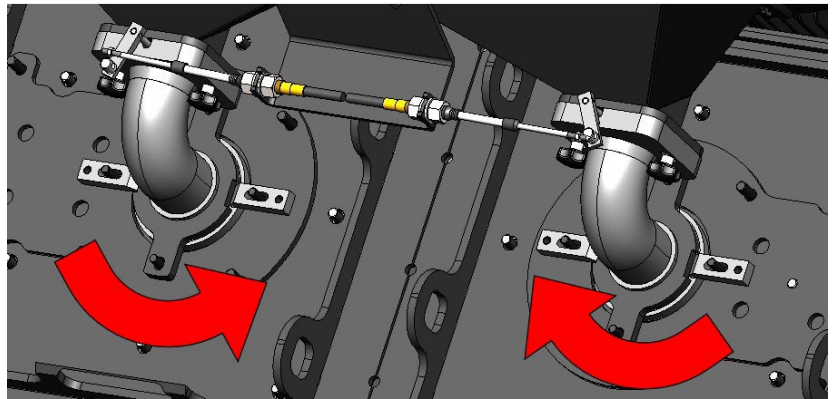
5.5 Alter the direction only after closing the magnetic valves!

The cast grooves on the control cage show the position of the control cage opening. The following adjustment standard value is valid: the control cage opening is approximately opposite to the throwing angle. The abrasive grain size plays an important role here. Different types of abrasive have different throwing characteristics due to their different weights and frictional resistance.

This means that you must never use different types of abrasive at the same time.

Correct adjustment of the control cages and thus of the blast patterns is the most important factor for optimum working with the blast cleaning machine.

Incorrect adjustment of the control cages results in very high wear and premature blasting-through of the liners in the blast wheel housing, as well as reduced blasting performance, uneven cleaning and a possible loss of the rebound energy of the abrasive.



The following 5 factors affect the blast pattern:

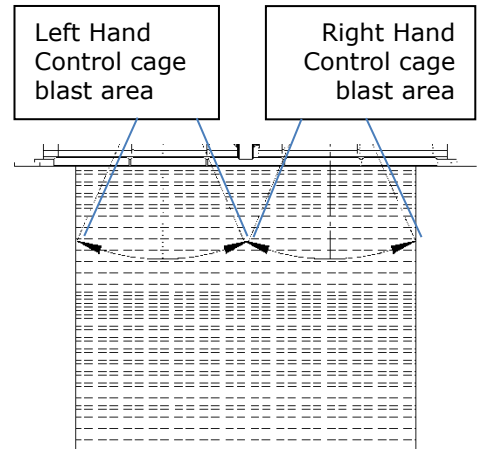
- The turning direction of the blast wheel must correspond to the instructions on the housing (arrow indicating the turning direction).
- With increased wear of the blades, impellers, control cages and liners, the blast patterns will change.
- The size of the abrasive affects the blast pattern. With every exchange of abrasive, the blast patterns must be re-adjusted.
- The correct adjustment of the control cages is the most important factor to obtain an optimum blast pattern. Each control cage has a lateral window. The position of the window determines where the abrasive is fed onto the blast wheel blades and where it hits the surface to be treated.
- Different types and hardness of surfaces.

5.6 Adjusting the blast patterns

- a) Move the blast head of the blast machine onto a 5-8 mm thick steel plate and blast for 45 seconds at full amperage without moving the machine from the spot.
- b) Move the machine from the blast zone and carefully inspect the steel plate.

c) You will find the hot spots on the blasted surface where the machine has developed the highest blast cleaning intensity. This spot is normally somewhat lighter than the rest of the blast cleaned area due to the large amount of heat that is generated.

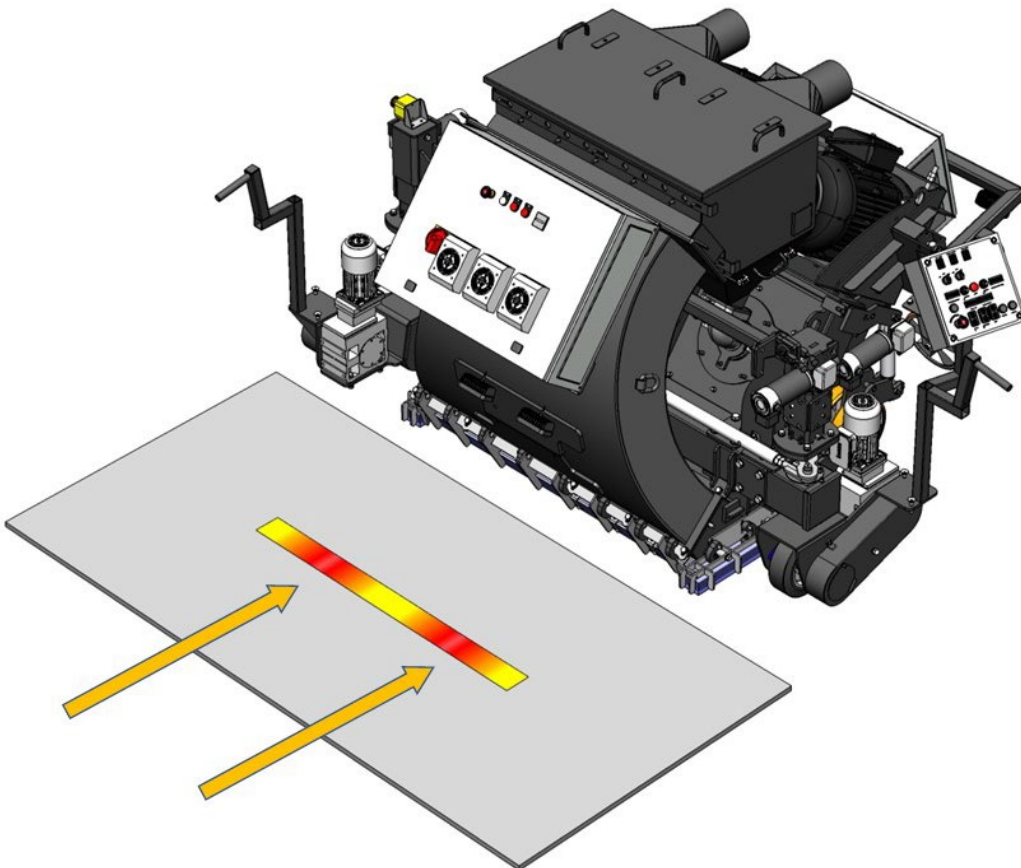
d) Looking from the front of the machine onto the RIGHTHAND control cage: If the left side of the blasted area is warmer, turn the lower edge (cast groove) of the control cage anti-clockwise for 3-6 mm. If the right side of the blasted area is warmer, turn the lower edge of the control cage clockwise for 3-6 mm.



Looking from the front of the machine onto the LEFTHAND control cage: If the left side of the blasted area is warmer, turn the lower edge (cast groove) of the control cage clockwise for 3-6 mm. If the right side of the blasted area is warmer, turn the lower edge of the control cage anti-clockwise for 3-6 mm.

e) This process has to be repeated until an even temperature across the blast pattern is achieved.

f) Now the blasting procedure can be started. When a concrete surface is to be blasted, check the blast pattern again after some meters and re-adjust slightly if necessary.



WARNING! Never loosen the cage clamps lever or try to adjust the blast wheel cover when the machine is in operation!!

6. Maintenance

Pay attention to Chapter 3 "**Safety**" during maintenance and repair works.

Failures due to inadequate or incorrect maintenance may generate very **high repair costs** and long standstill periods of the machine. **Regular** maintenance therefore is imperative.

Operational safety and service life of the machine depends, among other things, on proper maintenance.

The following table shows recommendations about time, inspection and maintenance for the normal use of the machine.

Operating hours/ time period	Inspection points, maintenance instructions
12 h after repairing	Check all accessible screw connections for tight seat.
Every 3 hour	Check the separator tray, the hopper, the feed spouts and blast wheels unit for foreign matter and large contaminants.
Daily and prior to starting work	Check that all safety devices working adequate. Check the feed spouts, rubber- and brush sealing. Check the blast wheels, control cages and liners. Check the electric connections for sediments of dirt or foreign bodies. Check the electric motors for dirt and other contaminants. Check all safety devices working adequate. Check the function of the residual current operated device. Check all hoses on the machine for damages or leakage. Make sure that the dust hopper of the dust collector is emptied
Every 3 months	Check the tension of the toothed belts Clean the chain drives of the drive units and check the tensions.
Annually	Full overhaul and cleaning of the complete machine.

The time indications are based on uninterrupted operation. When the indicated number of working hours is not achieved during the corresponding period, the period can be extended. However a full overhaul must be carried out at least once a year.

Due to different working conditions it can't be foreseen how frequently inspections for wear check's, inspection, maintenance and repair works ought to be carried out. Prepare a suitable inspection schedule considering your own working conditions and experience.

Pay attention to unusual noises or strong vibrations. Check for the cause of every big change. Call a technician if you have doubts about the cause or when a repair without a technician seems not possible without damages. Only use genuine spare parts.

Our specialists will be happy to assist you with more advice.

Prior to any repair works on the machine and its drives, secure the machine against unintentional switching on. Put the machine to its safety off position. The machine is in a safe condition when it cannot generate any hazard.

Follow additional operating and maintenance instructions of Original Equipment Manufacturer if included during your service and maintenance work.

Clean the machine every day with air and non-aggressive materials. Never use a high pressure water cleaner to clean the machine.

Further is advised:

Store the cleaned and dry machine in a dry and humid free room. Protect the electrical motors from moisture, heat, dust and shocks.

All repair work must to be done by qualified personnel, this to guarantee a safe and reliable machine.

Any guarantee on the machine is expired when:

- Non original parts have been used
- Repair work is not done by qualified personnel
- Changes, add on's or conversions are undertaken without written permission of manufacturer

Screws, bolts etc. that have been removed must be replaced with those of the same quality, strength, material and design.

Do not weld, flame cut or perform grinding works on or near the machine. Danger of fire or explosion exists!
Provide adequate ventilation when working in a confined space.
Secure the maintenance area if necessary.

6.1 Changing the liners

- Remove the separator
- Unscrew the housing front covers and remove them
- Loosen the press bolts of the top liners and take the top liners out
- Loosen the nuts of the side liners and plenum liners. Take them out of the housing.

To mount the liners, keep on the following sequence:

- First place the plenum liners and fix them with the nuts.
- Place the side liners inside the housing. The sideliners may stick out the body for max. 4mm. Tighten the nuts.
- Place the top liners in the housing and make sure that the top liner sits close to the edges of the side liners.
- Place the front covers and tighten the nuts.
- Tighten the pressure bolt of the top liner slightly and press the top liner against the side liners.

6.2 Changing blast wheel blades, impellers and cages

- Remove the feed spouts
- Unscrew the nuts of the blast wheel covers and remove them including the cages.
- Block the blast wheel and remove the central fixing bolt
- Take the impeller out of the housing. Use a wooden or brass tool.
- Use the special tool delivered with the machine to tap out all six blades from the blast wheel towards the center of the blast wheel. The tool must be in a straight line with the blade. The blades will be damaged when the tool is on an angle.
- Clean the blast wheel thoroughly to make sure that the new blades and impeller will fit well and to avoid any imbalance of the blast wheel.

Use a new central fixing bolt when mounting a new blast wheel

- Replace the blades with six new ones and re-assemble the machine in reverse order. Note: blast wheel blades must be replaced as a set. Replacing only some of the blades can cause imbalance of the blast wheel.

6.3 The toothed belts

The belt drives are designed for the installed driving power. To force a higher output through an excessive high tension of the belts will result in broken belts, damage to the bearings and causes loss of the total efficiency. Too low belt tension will cause slipping with the result of a very high temperature of the belt and a premature destruction of it. Temperatures over 70° for a longer period will decrease the working life and the efficiency of the belts. The grooves of the belt-pulleys must be free of rust, fat and dirt and must not show any damages. The use of belt wax or similar substances in order to increase the friction coefficient is not necessary and it damages the belts. Soiling due to oil, grease or chemicals have to be avoided.

In order to get perfect power transmission the belt drives have to be checked every 3 months.

6.4 Belt mounting

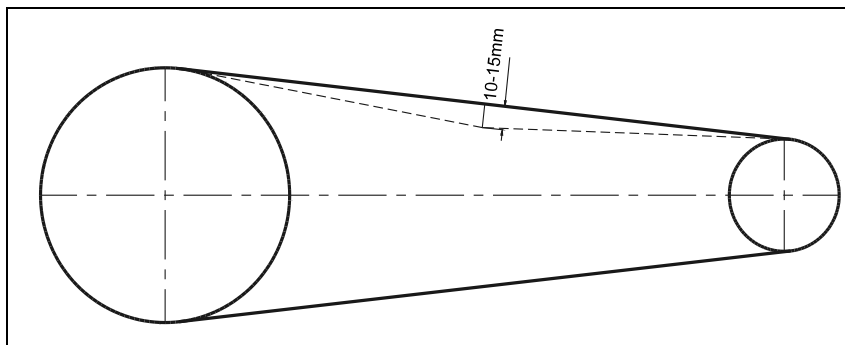
Remove the belt guard only when the driving motor is in standstill and the power supply cable of the machine is disconnected from the power source.

- Reduce the distance between the driving motor and the bearing unit to release the tension of the belt drive.
- Carefully put the toothed belt in the grooves of the belt pulley by hand and without using the force.
- Increase the distance between the driving motor and the bearing unit to stretch the toothed belt as following described.
- Mount the required belt guards.

6.5 Belt tension

The correct belt tension is of utmost importance in order to obtain a perfect power transmission and to reach the usual working life of the belt. Too low or too high tension causes frequently a premature breakdown of the belt. Excessive belt tension results in damaged bearings at drives.

Check the tension of the belt by pressing the thumb on the belt. The belt has the correct tension if you can press it in about 10-15 mm at approx. 10 kg. pressure.



6.6 The chain drive

A chain drive needs relatively little maintenance when the correct chain is selected, when it is mounted correctly and, in this case of application, is not lubricated. The drive chain is protected by a chain guard. The chain guard prevents excessive contamination and prevents accidents.

The chain drive should be cleaned every three months. On these occasions check the aligning of the chain wheels and the chain tension.

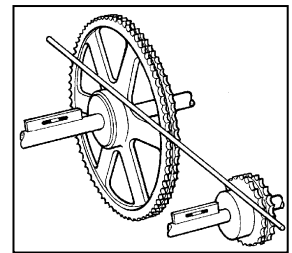
Cleaning

In order to clean thoroughly first remove the dirt adhering to the outside of the chain drive using a hard or wire brush. Then wash the chain in petroleum ether or similar. After that clean the dirt from the internal parts of the chain.

Alignment of the chain wheels

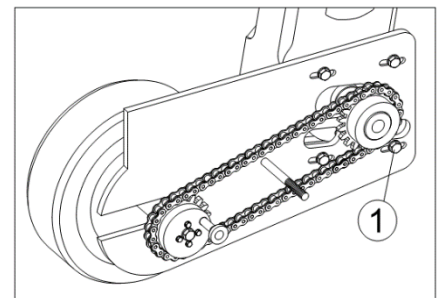
Check the mounting precision by means of a ruler to be put to the chain wheels.

Incorrect mounting makes the internal link plates press against the external link plates and, thus, accelerates the chain wear or even causes the chain wheels to lock up.



Chain tension

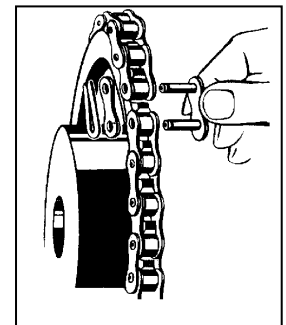
The travel drive motor is mounted on a receiver plate with slotted holes. When it is necessary to re-tense the chain, this can be carried out by shifting the motor in the slotted holes (1). The correct chain tension is achieved when the chain allows to be pressed for about 5 mm between the chain wheels.



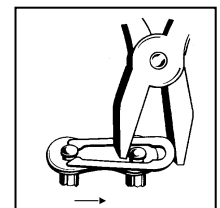
Fitting the chain

Before mounting the chain it must be degreased to prevent any abrasive or abrasive particles from adhering.

The chain is supplied as a chain string and has to be prepared during mounting. This is done as follows: Place the chain on the chain wheels so that the links lie in tow adjacent gaps between the teeth. Now close the chain using the coupling link. With heavy chains or big distances between the shafts use a pre-stressing tool in order to bring the two end links so close together that the coupling link can be inserted without being deformed.



On mounting coupling links with springs, their closed sides should point to the running direction of the chain (see figure). Put the spring onto the link plate and press it over the pin into the ring groove by means of a pair of tongs. Demount the spring in the opposite order.



Re-lubrication of the traction wheel bearings

The bearing units of the traction wheel are equipped with a grease fitting which allows the bearings to be re-lubricated in service. Re-lubricating the bearings once every 2 years should be more than sufficient.

When lubricating, care must be taken to use greases that are compatible with the original grease. We suggest a medium temperature, lithium calcium base, NLGI Grade No. 2 grease having an oil with a viscosity of 200mm²/s at 40°C. When a unit is being re-lubricated, avoid excessive pressure which may cause damage to the bearing seals.

Other maintenance

Check the seals for wear, and replace them at the time when they no longer provide a good seal against dust emissions from the machine, by this action damage to the surrounding workspace is avoided, and consequently saves additional charges from the job client.

7.Troubleshooting

Fault	Possible cause	Remedy
Excessive vibration	Blast wheel is worn irregularly. Imbalance due to worn or broken wheel blades.	Replacing the tune-up kit. Replace the tune-up kit and remove all broken parts from the machine.
Unusual noise	Too little play or poor alignment of the rotating parts. Loose and incorrect set screws. Squeaking wheels. Seizing motor.	Check alignment of the rotating parts (blast wheel and control cage). Check whether all screws and parts are fixed tightly). Replace the wheels. Replace the motor.
Reduced or no blasting performance	Inadequate abrasive supply to the blast wheel. Contaminated abrasive. Feeding of abrasive - magnetic valve and abrasive storage hopper. Blast wheel or control cage. Adjustment of the magnetic valve. "Shocked blast wheel". At the start of the blast process too much abrasive at once hits the wheel. The travel speed is too high.	Clean wire mesh, top up abrasive if necessary. Abrasive is heavily contaminated, check the dust collection system. Check and clean blocked feed spout or magnetic valve. Worn blast wheel or control cage, replace tune-up kit if necessary. Check the adjustment of the magnetic valve. Close the magnetic valve and stop the blast wheel motor. Start the blast process again and slowly open the valve. Reduce the travel speed.
Escaping abrasive	Poor sealing.	Check all seals and replace if necessary.
Abrasive loss on the surface or escaping abrasive at the blast head	Incorrect height adjustment of the rubber seals. Worn rubber and/or brush seals. Poor abrasive quality. Worn tune-up kit.	Adjust the rubber seals. Replace the rubber and/or brush seals. Contact manufacturer . Replace the tune-up kit.

Contaminated abrasive	The dust collector is not generating enough suction power so that dust remains in the abrasive.	Check the dust collector (filter-cartridges, dust hopper and seals)
	Clogged dust hose	Check and clean the dust hose
	Ripped or damaged dust hose	Replace dust hose
Excessive wear in blast housing and rebound plenum	Wrong abrasive.	Contact manufacturer .
	Incorrect setting of the control cage	The thrown abrasive blasts the housing and not the surface to be blasted. Adjust the blast pattern.
Machine is not moving	The travel speed is too low.	Increase the travel speed.
	Blast head gets caught on the floor.	Shut the machine down and adjust the height.
	Drive unit broken / not connected	Check chain drive.
Blast wheel motor does not switch on	Motor protection switch has triggered.	Check and switch on again. Check the mains power supply.
Blast wheel motor switches off during operation	Safety fuse or fault current breaker has triggered.	Have the fault checked by an electrician.
	Connection cable is defective.	Replace the cable.
	Cables connecting the units (travel motor, etc.) are defective.	Replace the cable(s).
	Motor protection switches have triggered.	Have the fault checked by an electrician.
Machine does not travel	Fuse defective, short circuit in the travel motor lead or tachometer lead, motor defective.	Have the unit checked by an electrician.
	Control unit defective.	Replace the control unit.
	Potentiometer defective.	Replace the potentiometer.

Note: If the motor protection switches of the blast wheel motors have been triggered by overload, they can be switched on again after a short cooling down period.

8. Selection of abrasive

The blast cleaning machines are designed and built to operate with **our abrasive**.

Our abrasive has a very high quality and has the rebounding ability required for the efficient use of the machine. The selection of abrasive is very important since this is the material to carry out the surface treatment.

Media nr. 3 Abrasive S330

- creates a fine to medium texture on concrete.
- removes glazing from tiles prior to subsequently coating with antiskid floor sealing
- removes old impregnations and coatings about 1 mm thick

Media nr. 4 Abrasive S390

Standard abrasive, suitable for about 50-60 % of all applications. Creates a medium profile on concrete. Fulfills the same purpose as Media No. 3 when a higher speed of the machine is required, e.g. on asphalt, in order to keep the thermal load low.

- removes laitance from new concrete
- roughening of smooth concrete or natural stone
- removes coatings with a thickness of 1-3 mm
- cleaning of steel surfaces

Media nr. 5 Abrasive S460

This media is used to create a coarse profile or to increase the work speed in the case of surfaces hard to treat.

- removes sediments on concrete prior to coating
- removes thick paint coatings or rust from steel surfaces, bridges, tanks, etc.
- removes flexible coatings on parking house decks
- removes road markings and retexturing of asphalt and concrete roads

Media nr. 8 Abrasive SG16

Only as an addition to Media No. 3, No. 4 and No. 5 with maximum 30% content.

Media No. 8 should never be used without blending since otherwise the wear in the machine as a whole would increase disproportionately.

- removes polyurethane coatings
- removes adhesive remnants
- removes rubber deposits
- penetrates coatings hard to remove
- also suitable to be used on steel for extraordinary roughness

Please take into account that the use of incorrect abrasive increases wear.

Our service engineers have the experience to select the appropriate abrasive for the individual cases of application.

Please consult your local customer service department if you have any questions about the selection of the best abrasive for your blast cleaning work.

9. Technical data

	2-48DSP
Power consumption blast motor	2 x 29KW
Maximum blast load	2x 44 Amp
Electrical connection (voltage is given on the control box)	400V / 50Hz
Blast width	1220 mm
Drive speed	0 – 33 m/min
Length	2227 mm
Width	2664 mm
Height	1481 mm
Weight	1950 kg
Noise level (under load)	83dBa
Vibration level	1.9 RMS Allows 13,9 hrs. of working with the mentioned equipment without having to use anti vibration precaution measures.
Dust hose connection	2x Ø150 mm

The electrical diagrams of the electrical system are placed inside of the control panel.
Design and specifications are subject to change without notice by manufacturer

Extension cables

Cable length	Cross section			
	≤ 16 A	≤ 32 A	≤ 63 A	≤ 125 A
Calculated at a pre-fuse GG:	16amp*	32amp*	63amp*	125amp*
> 20m	1.5 mm ²	2.5 mm ²	10 mm ²	25 mm ²
20m > 50m	2.5 mm ²	4 mm ²	10 mm ²	25 mm ²
50m > 75m	4 mm ²	6 mm ²	16 mm ²	35 mm ²

*The cross-sections need to be re-calculated when using any other type or size pre-fuse than mentioned.

IMPORTANT NOTES:

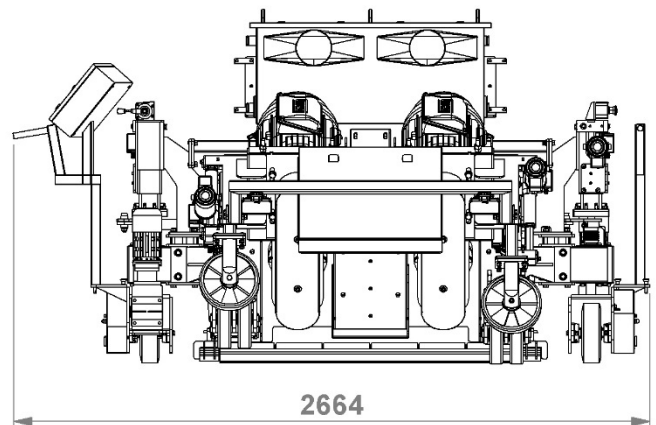
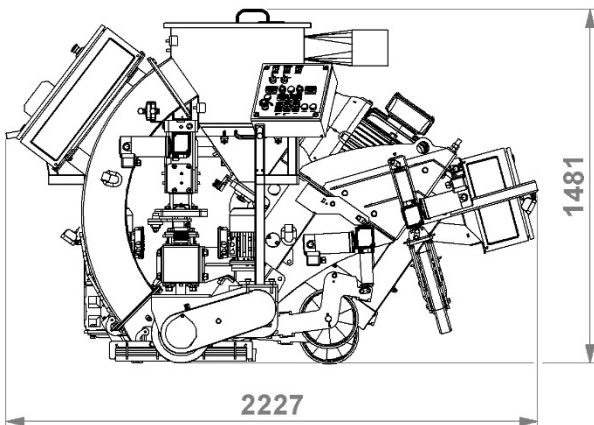
The indicated values are measured on new machines. Noise and vibration levels will vary in different circumstances. Area influences like open outside or closed inside space, ambient temperature, different surfaces to be treated, daily use, different tools or accessories, poor maintenance, etc. will give different values at all time and could increase the exposure level over the total working period.

The declared vibration and noise emission levels represent the main applications of the machine. The values may be measurements from a representative sample of technically comparable machinery. The values may be used for a preliminary assessment of exposure.

A precise estimation of the level of exposure to vibration and noise should also take in account the times when the machine is switched off or even running, but not actually in use. This may significantly decrease the exposure level over the total working period.

Identify additional safety measures to protect the operator from the effects of vibration and noise such as: proper and regular maintenance of the machine and the accessories, keeping the hands warm, organization of work patterns for example by using rotation schedules. The use of anti-vibration gloves could also decrease the effects of the vibrations transmitted.

Always use ear protection when working with this machine.



Old equipment contains valuable materials which are valuable for re-processing. **The machine parts must not be thrown away in the normal household waste**, but should be disposed of at a suitable proper collection system, e. g. via your communal disposal location. This way the materials can be re-used in an environmentally responsible maner.

Declaration of Conformity

EU Declaration of Conformity

We, **Husqvarna AB**, SE-561 82 Huskvarna, Sweden, tel:
+46-36-146500, declare on our sole responsibility that the
product:

Description	Steel Shot Blaster
Brand	Husqvarna
Type/Model	2-48DSP
Identification	Serial numbers dating from 2023 and onwards

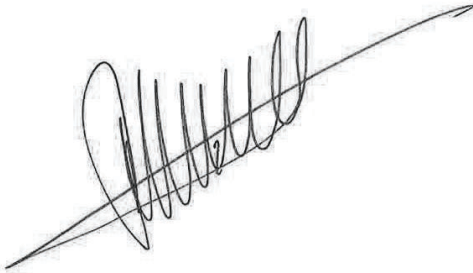
complies fully with the following EU directives and
regulations:

Directive/Regulation	Description
2006/42/EC	"relating to machinery"
2014/30/EU	"relating to electromagnetic compatibility"

and that the following standards and/or technical
specifications are applied;

EN ISO 12100:2010

Soest, Netherlands 2023



René van der Grint

Director CS&F INFRA, Product Category Concrete
Surfaces & Floors

Husqvarna AB, Construction Division

Responsible for technical documentation, available at
Nieuwegracht 9, 3763 LP Soest, Netherlands





www.husqvarnaconstruction.com

Original instructions



1143924-26



2023-09-11