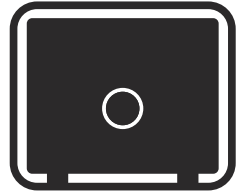




 **Husqvarna**[®]



AMD 3000, AMG 3200

Contents

Introduction.....	2	Troubleshooting.....	13
Safety.....	4	Transportation, storage and disposal.....	14
Operation.....	8	Technical data.....	15
Maintenance.....	10	Declaration of Conformity.....	17

Introduction

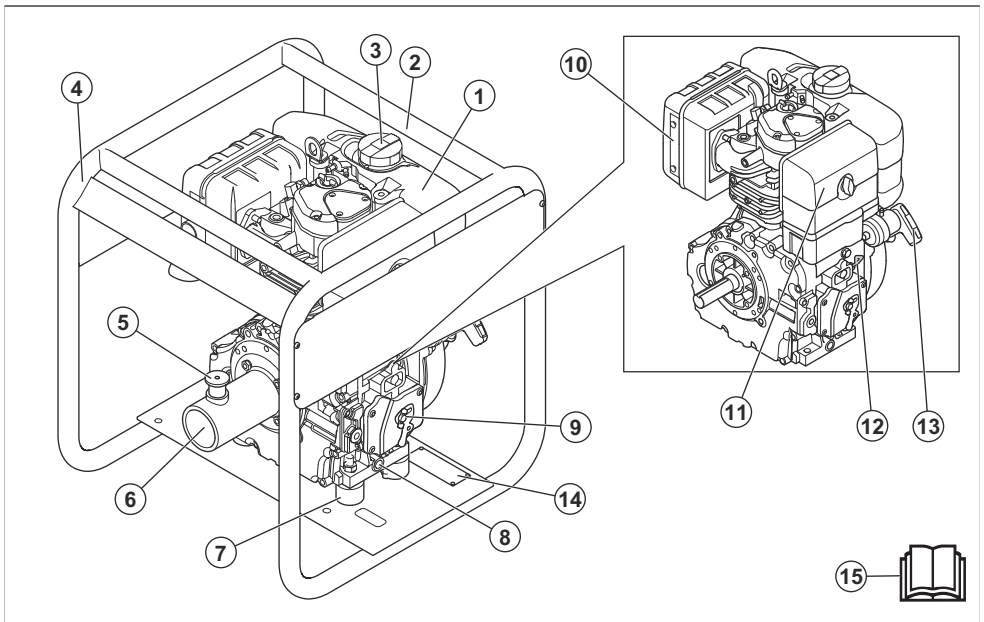
Product description

The product is a drive unit that is used for the AA and AZ concrete vibrators. The model AMD 3000 has a diesel engine. The model AMG 3200 has a gasoline engine.

Intended use

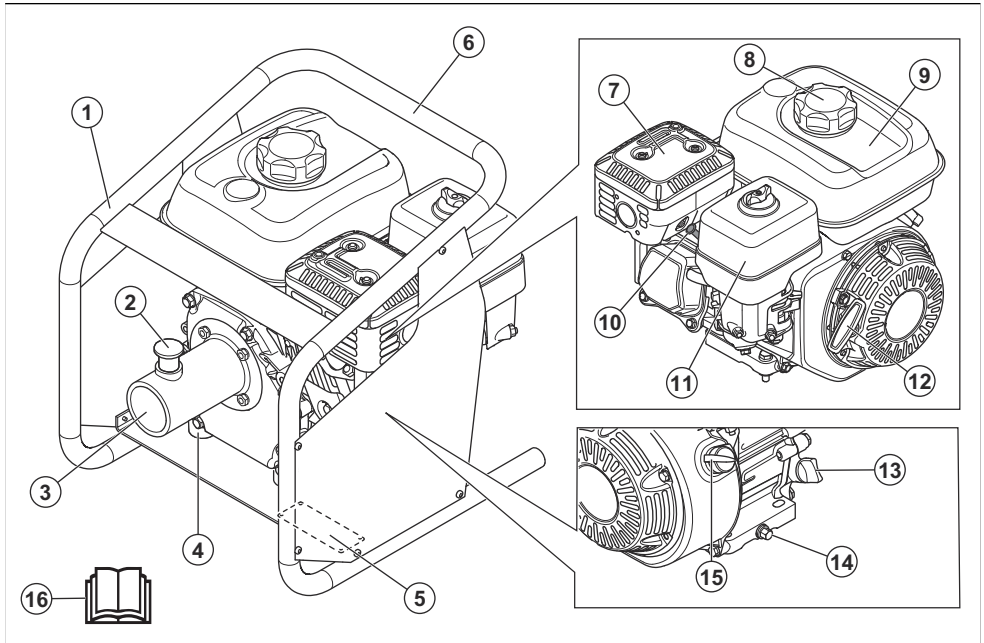
The product is for professional operation only. The product, together with the AA and AZ concrete vibrators, is used as equipment for concrete vibration. Do not use the product for other tasks.

Product overview (AMD 3000)



- | | |
|------------------------------|-------------------------|
| 1. Fuel tank | 9. Throttle control |
| 2. Lifting point | 10. Muffler |
| 3. Fuel tank cap | 11. Air filter cover |
| 4. Protective frame | 12. Dipstick |
| 5. Lockpin | 13. Starter rope handle |
| 6. Coupling | 14. Type plate |
| 7. Vibration damping units | 15. Operator's manual |
| 8. Drain plug for engine oil | |

Product overview (AMG 3200)



1. Protective frame
2. Lockpin
3. Coupling
4. Vibration damping units
5. Type plate
6. Lifting point
7. Muffler
8. Fuel tank cap
9. Fuel tank
10. Spark plug
11. Air filter cover
12. Starter rope handle
13. Oil tank cap with dipstick
14. Drain plug for engine oil
15. Engine ON/OFF switch
16. Operator's manual

Symbols on the product



WARNING: This product can be dangerous and cause serious injury or death to the operator or others. Be careful and use the product correctly.



Read the manual carefully and make sure that you understand the instructions before you use the product.



Use hearing protection.



Use protective gloves.



Lifting point on the product.



Tie-down bracket.



Fuel: Unleaded gasoline with a maximum of 10% ethanol.



Ultra-low-sulfur diesel fuel only.



This product is in compliance with applicable EC directives.



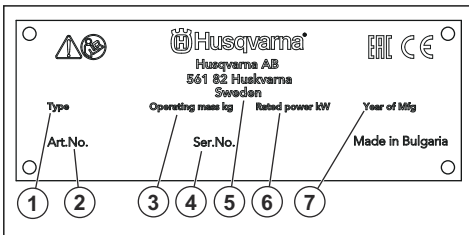
The product agrees with the applicable EAC directives.



The product agrees with the applicable Australia and New Zealand electromagnetic compatibility Directives.

Note: Other symbols/decals on the product refer to special certification requirements for some markets.

Type plate



1. Product type
2. Product number
3. Product weight
4. Serial number
5. Manufacturer
6. Rated power
7. Production year

Product liability

As referred to in the product liability laws, we are not liable for damages that our product causes if:

- the product is incorrectly repaired.
- the product is repaired with parts that are not from the manufacturer or not approved by the manufacturer.
- the product has an accessory that is not from the manufacturer or not approved by the manufacturer.
- the product is not repaired at an approved service center or by an approved authority.

Safety

Safety definitions

Warnings, cautions and notes are used to point out specially important parts of the manual.



WARNING: Used if there is a risk of injury or death for the operator or bystanders if the instructions in the manual are not obeyed.



CAUTION: Used if there is a risk of damage to the product, other materials or the adjacent area if the instructions in the manual are not obeyed.

Note: Used to give more information that is necessary in a given situation.

General safety instructions



WARNING: Read the warning instructions that follow before you use the product.

- This product is a dangerous tool if you are not careful or if you use the product incorrectly. This product can cause serious injury or death to the operator or others. Before you use the product, you must read and understand the contents of this operator's manual.
- Save all warnings and instructions.
- Comply with all applicable laws and regulations.
- The operator and the employer of the operator must know and prevent the risks during operation of the product.
- Do not let a person operate the product unless they read and understand the contents of the operator's manual.
- Do not operate the product unless you receive training before use. Make sure that all operators receive training.

- Do not let a child operate the product.
- Only let approved persons operate the product.
- The operator is responsible for accidents that occur to other persons or their property.
- Do not use the product if you are tired, ill, or under the influence of alcohol, drugs or medicine.
- Always be careful and use your common sense.
- This product produces an electromagnetic field during operation. This field can under some circumstances interfere with active or passive medical implants. To decrease the risk of serious injury or death, we recommend persons with medical implants to speak to their physician and the medical implant manufacturer before operating this product.
- Keep the product clean. Make sure that you can clearly read signs and decals.
- Do not use the product if it is damaged.
- Do not make modifications to this product.
- Do not operate the product if it is possible that other persons have made modifications to the product.

Safety instructions for operation



WARNING: Read the warning instructions that follow before you use the product.

- Make sure that you know how to stop the engine quickly in an emergency.
- The operator must have the physical strength that is necessary to operate the product safely.
- Do not operate the product without all protective covers installed.
- Use personal protective equipment. Refer to *Personal protective equipment on page 6*.
- Make sure that only approved persons are in the work area.
- Keep the work area clean and bright.
- Make sure that you are in a safe and stable position during operation.
- Make sure that there is no risk that you or the product can fall from a height.
- Do not use the product in areas where fire or explosions can occur.
- The product can cause objects to eject at high speed. Make sure that all persons in the work area use approved personal protective equipment. Remove loose objects from the work area.
- Before you go away from the product, stop the engine and make sure that there is no risk of accidental start.
- Make sure that clothes, long hair and jewelry do not get caught in moving parts.
- Do not sit on the product.
- Do not hit the product.

- Do not operate the product near electrical cables. The product does not have electrical insulation and injury or death can occur.
- Make sure that you or other persons cannot get caught in and fall on cables, hoses and shafts in the work area.
- To lift the product always use the lifting point of the product.

Vibration safety



WARNING: Read the warning instructions that follow before you use the product.

- During operation of the product, vibrations go from the product to the operator. Regular and frequent operation of the product can cause or increase the degree of injuries to the operator. Injuries can occur in fingers, hands, wrists, arms, shoulders, and/or nerves and blood supply or other body parts. The injuries can be debilitating and/or permanent, and can increase gradually during weeks, months or years. Possible injuries include damage to the blood circulation system, the nervous system, joints, and other body structures.
- Symptoms can occur during operation of the product or at other times. If you have symptoms and continue to operate the product, the symptoms can increase or become permanent. If these or other symptoms occur, get medical aid:
 - Numbness, loss of feeling, tingling, pricking, pain, burning, throbbing, stiffness, clumsiness, loss of strength, changes in skin color or condition.
- Symptoms can increase in cold temperatures. Use warm clothing and keep your hands warm and dry when you operate the product in cold environments.
- Do maintenance on and operate the product as given in the operator's manual, to keep a correct vibration level.
- The product has a vibration damping system that decreases the vibrations from the handles to the operator. Let the product do the work. Do not push the product with force. Hold the product at the handles lightly, but make sure that you control the product and operate it safely. Do not push the handles into the end stops more than necessary.
- Keep your hands on the handle or handles only. Keep all other body parts away from the product.
- Stop the product immediately if strong vibrations suddenly occurs. Do not continue the operation before the cause of the increased vibrations is removed.

Dust safety



WARNING: Read the warning instructions that follow before you use the product.

- Operation of the product can cause dust in the air. Dust can cause serious injury and permanent health problems. Silica dust is regulated as harmful by several authorities. These are examples of such health problems:
 - The fatal lung diseases chronic bronchitis, silicosis and pulmonary fibrosis
 - Cancer
 - Birth defects
 - Skin inflammation
- Use correct equipment to decrease the quantity of dust and fumes in the air and to decrease dust on work equipment, surfaces, clothing and body parts. Examples of controls are dust collection systems and water sprays to bind dust. Decrease dust at the source where possible. Make sure that the equipment is correctly installed and used and that regular maintenance is done.
- Use approved respiratory protection. Make sure that the respiratory protection is applicable for the dangerous materials in the work area.
- Make sure that the airflow is sufficient in the work area.
- If it is possible, point the exhaust of the product where it cannot cause dust to go into the air.

Exhaust fumes safety



WARNING: Read the warning instructions that follow before you use the product.

- The exhaust fumes from the engine contain carbon monoxide which is an odourless, poisonous and very dangerous gas. To breathe carbon monoxide can cause death. Because carbon monoxide is odourless and cannot be seen, it is not possible to sense it. A symptom of carbon monoxide poisoning is dizziness, but it is possible that a person becomes unconscious without warning if the quantity or concentration of carbon monoxide is sufficient.
- Exhaust fumes also contain unburned hydrocarbons including benzene. Long-term inhalation can cause health problems.
- Exhaust fumes that you can see or smell also contain carbon monoxide.
- Do not use a combustion engine product indoors or in areas that do not have sufficient airflow.
- Do not breathe the exhaust fumes.
- Make sure that the airflow in the work area is sufficient. This is very important when you operate

the product in trenches or other small work areas where exhaust fumes can easily collect.

Noise safety



WARNING: Read the warning instructions that follow before you use the product.

- High noise levels and long-term exposure to noise can cause noise-induced hearing loss.
- To keep the noise level to a minimum, do maintenance on and operate the product as given in the operator's manual.
- Examine the muffler for damages. Make sure that the muffler is correctly attached to the product.
- Use approved hearing protection while you operate the product.
- Listen for warning signals and voices when you use hearing protection. Remove the hearing protection when the product is stopped, unless hearing protection is necessary for the noise level in the work area.

Personal protective equipment



WARNING: Read the warning instructions that follow before you use the product.

- Always use approved personal protective equipment when you operate the product. Personal protective equipment cannot fully prevent injury but it decreases the degree of injury if an accident does occur. Let your dealer help you select the correct personal protective equipment.
- Regularly do a check of the condition of the personal protective equipment.
- Use an approved protective helmet.
- Use approved hearing protection.
- Use approved respiratory protection.
- Use approved eye protection with side protection.
- Use protective gloves.
- Use boots with steel toe-cap and non-slip sole.
- Use approved work clothing or equivalent close-fitting clothing that has long sleeves and long legs.

Fire extinguisher

- Keep a fire extinguisher near during operation.
- Use a powder fire extinguisher of "ABE" class or a carbon dioxide fire extinguisher of "BE" type.

Safety devices on the product



WARNING: Read the warning instructions that follow before you use the product.

- Do not use a product with safety devices that are damaged or do not operate correctly.
- Do a check of the safety devices regularly. If the safety devices are damaged or do not operate correctly, speak to your Husqvarna service agent.
- Do not make modifications to safety devices.
- Before you refuel, open the fuel tank cap slowly and release the pressure carefully.
- Fuel on your skin can cause injury. If you get fuel on your skin, use soap and water to remove the fuel.
- If you spill fuel on your clothing, change clothing immediately.

Engine ON/OFF switch (AMG 3200)

The engine can only start when the engine ON/OFF switch is set to "ON". The engine stops when you set the engine ON/OFF switch to "OFF".

To do a check of the engine ON/OFF switch

1. Start the engine. Refer to *To start the product (AMG 3200) on page 9.*
2. Set the engine ON/OFF switch to "OFF". The engine stops.

Muffler

The muffler keeps the noise levels to a minimum and sends the exhaust fumes away from the operator.

Do not use the product if the muffler is missing or defective. A defective muffler increases the noise level and the risk of fire.



WARNING: The muffler becomes very hot during and after use and when the engine operates at idle speed. Be careful near flammable materials and/or fumes to prevent fire.

To do a check of the muffler

- Examine the muffler regularly to make sure that it is attached correctly and not damaged.

Fuel safety



WARNING: Read the warning instructions that follow before you use the product.

- Fuel is flammable and the fumes are explosive. Be careful with fuel to prevent injury, fire and explosion.
- Do not breathe in the fuel fumes. The fuel fumes are poisonous and can cause injury. Make sure that the airflow is sufficient.
- Do not remove the fuel tank cap or fill the fuel tank when the engine is on.
- Make sure that the engine is cool before you refuel.
- Do not fill fuel in an indoor area. Insufficient airflow can cause injury or death because of asphyxiation or carbon monoxide poisoning.
- Do not smoke near the fuel or the engine.
- Do not put hot objects near the fuel or the engine.
- Do not fill fuel near sparks or flames.
- Do not fill the fuel tank fully. Heat causes the fuel to expand. Keep a space at the top of the fuel tank.
- Tighten the fuel tank cap fully. If the fuel tank cap is not tightened, there is a risk of fire.
- Before you start the product, move the product to a minimum of 3 m/10 ft from where you refueled.
- Do not start the product if there is fuel or engine oil on the product. Remove the unwanted fuel and engine oil and let the product dry before you start the engine.
- Examine the engine for leaks regularly. If there are leaks in the fuel system, do not start the engine until the leaks are repaired.
- Do not use your fingers to examine the engine for leaks.
- Keep fuel in approved containers only.
- When the product and fuel is in storage, make sure that fuel and fuel fumes cannot cause damage.
- Drain the fuel in an approved container outdoors and away from sparks and flames.

Safety instructions for maintenance



WARNING: Read the warning instructions that follow before you use the product.

- If the maintenance is not done correctly and regularly, the risk of injury and damage to the product increases.
- Use personal protective equipment. Refer to *Personal protective equipment on page 6.*
- Stop the engine and make sure that all parts of the product are cool before you do the maintenance.
- Clean the product to remove dangerous material before you do the maintenance.
- Disconnect the spark plug cap before you do the maintenance.
- The exhaust fumes from the engine are hot and can contain sparks. Do not operate the product in indoor areas or near flammable material.
- Do not change the product. Modifications that are not approved by the manufacturer, can cause serious injury or death.
- Always use original accessories and spare parts. Accessories and spare parts that are not approved by the manufacturer, can cause serious injury or death.
- Replace damaged, worn or broken parts.
- Only do the maintenance as given in this operator's manual. Let an approved service center do all other servicing.

- Remove all tools from the product before you start the engine after maintenance. Loose tools or tools attached to rotating parts can eject and cause injury.
- After maintenance, do a check of the vibration level in the product. If it is not correct, speak to an approved service center.

- Let an approved service center do servicing on the product regularly.

Operation

Introduction



WARNING: Read and understand the safety chapter before you use the product.

To do before you operate the product

- Read the operator's manual carefully and make sure that you understand the instructions.
- Read the engine manual that is supplied by the engine manufacturer.
- Do the daily maintenance. Refer to *Maintenance schedule on page 10*.

To connect the concrete vibrator to the drive unit

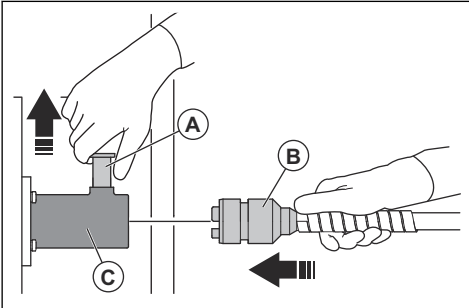


WARNING: Do not connect a concrete vibrator to a drive unit that is started.



WARNING: Do not touch the rotating coupling (C) after the drive unit is started.

1. Lift the lockpin (A) on the drive unit.

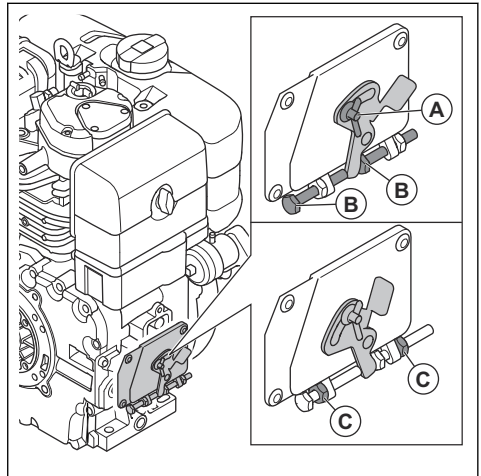


2. Put the connector of the flexible shaft (B) into the coupling of the drive unit (C).
3. If the couplings of the concrete vibrator does not align with the coupling of the drive unit, do 1 of the procedure that follows.
 - a) Pull slowly the rope handle on the drive unit to rotate the crack shaft until the couplings align.

- b) Rotate the couplings of the concrete vibrator until the couplings align.
4. Release the lockpin on the drive unit.
 5. Make sure that the lockpin goes back to its initial position.

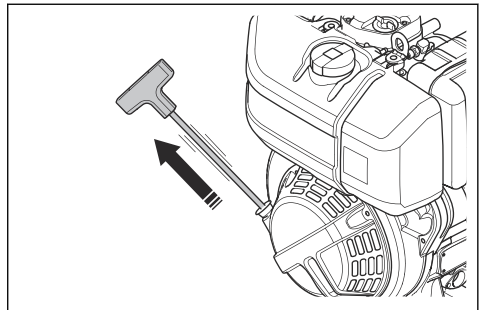
To start the product (AMD 3000)

1. Set the throttle control to the middle position.



- a) Open the nut A.
- b) Turn both B until the throttle control is in the middle.
- c) Lock the nuts C.
- d) Lock the nut A.

2. Pull the starter rope handle slowly until you feel resistance.



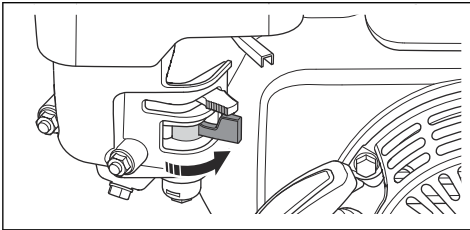


WARNING: Do not wind the starter rope around your hand.

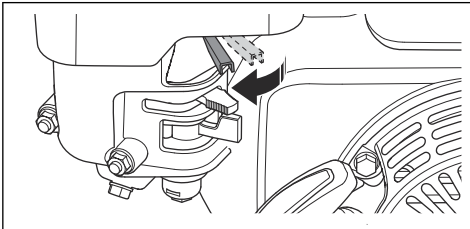
3. Release the starter rope handle to let the starter rope go back.
4. Pull the starter rope handle with two hands until the engine starts.
5. While the engine becomes warm, open the throttle control gradually until it is fully open.
6. Let the engine operate at idle speed for 2–3 minutes before you operate the product.

To start the product (AMG 3200)

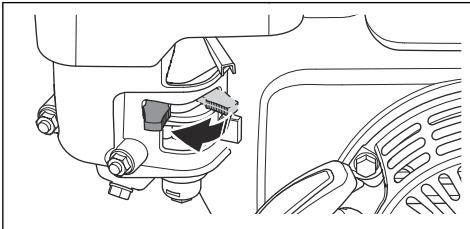
1. Open the fuel valve.



2. Set the throttle control to 1/3 throttle.

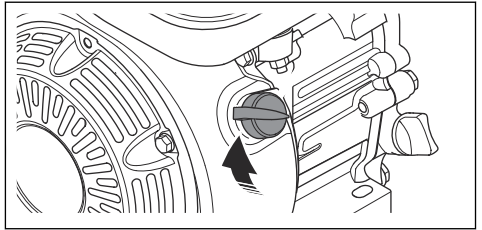


3. Set the choke control in the correct position.

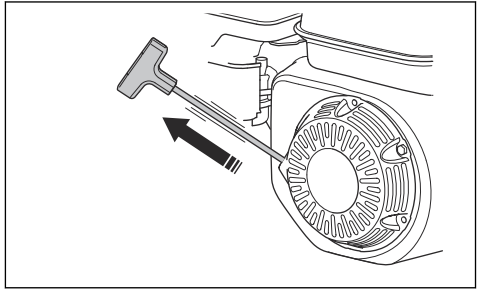


- a) If the engine is cold, close the choke.
- b) If the engine is warm or the ambient temperature is high, open the choke.

4. Set the engine ON/OFF switch to "ON".

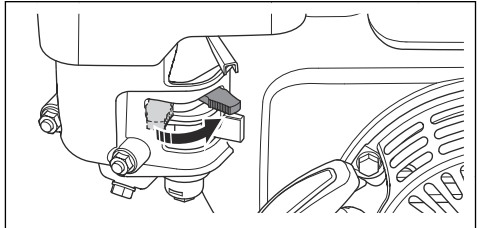


5. Pull the starter rope handle slowly until you feel resistance.

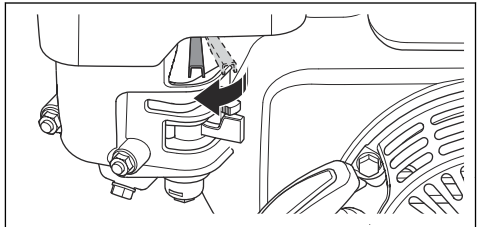


WARNING: Do not wind the starter rope around your hand.

6. Release the starter rope handle to let the starter rope go back.
7. Pull the starter rope handle until the engine starts.
8. Open the choke control gradually until it is fully open.



9. Let the engine operate at idle speed for 2–3 minutes.
10. Set the throttle control to full throttle.



Engine speed during operation



CAUTION: The maximum engine speed must not be higher than 3000 rpm. Refer to the engine manual for instructions on how to do a check of and adjust the engine speed.

2. Set the ON/OFF switch to "OFF". The engine stops.
3. Move the fuel valve to the "OFF" position.

To stop the product (AMD 3000)

1. Move the throttle control to the stop position.
2. Move the fuel valve to the "OFF" position.

To stop the product (AMG 3200)

1. Move the throttle control to the idle speed position.

Maintenance

Introduction



WARNING: Read and understand the safety chapter before you do maintenance on the product.

Maintenance schedule

* = General maintenance done by the operator. The instructions are not given in this operator's manual.

X = The instructions are given in this operator's manual.

O = Refer to the engine manual for instructions.

Maintenance	Before use, each 10h	After the first 20h	Each 2 weeks, 100h	Monthly, each 200h	Yearly, each 500h
Make sure that there are no fuel or oil leaks.	*				
Clean the product.	X				
Make sure that nuts and screws are tightened.	*			*	
Do a check of the fuel level and the engine oil level.	X				
Clean the cooling fins of the engine.	O			O	O
Make sure that the throttle control and the choke control can move smoothly.	*				
Do a check of the air filter and clean the air filter if it is necessary.	X				
Clean the air filter and replace the air filter if it is necessary.			X	X	X
Replace the engine oil.		X	X	X	X
Do a check of the engine speed.			O		
Examine and clean the spark plug. Replace the spark plug if it is necessary.			O		
Examine the vibration damping units for damage.			X	X	
Clean the fuel valve on the carburetor.			O	O	
Clean the spark arrester screen on the muffler.			O		
AMD 3000 only: Do a check of the fuel injection pump.				O	O

Maintenance	Before use, each 10h	After the first 20h	Each 2 weeks, 100h	Monthly, each 200h	Yearly, each 500h
AMD 3000 only: Do a check of the fuel injection nozzle.				○	○
Adjust the valve head clearance for the air intake and the exhaust valves.				○	○
Drain the fuel and clean the fuel tank and the fuel filter.				○	○
Clean the exhaust pipe.				○	○
Lubricate controls and linkages.				*	
Replace the fuel filter.					○
Clean and adjust the carburetor.					○
Clean the cylinder head.					○
Drain water from the fuel system.					○
Replace the oil filter.					○

To clean the product



CAUTION: Do not use a high-pressure washer to clean the product.

- Use running water from a hose to clean the product.
- Remove concrete from the surfaces of the product after each operation before the concrete becomes hard.
- Remove grease and oil from the handle.

To do a check of the vibration damping units



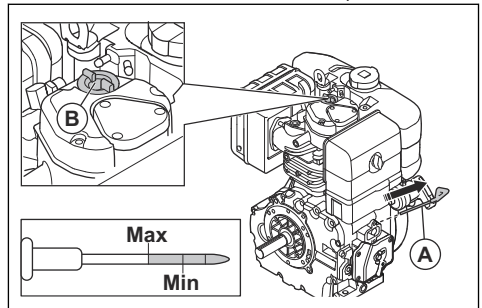
CAUTION: Damaged vibration damping units can cause damage to the engine.

1. Examine the 4 vibration damping units below the engine for damages.
2. Replace the vibration damping units if they are damaged.

To do a check of the engine oil level (AMD 3000)

1. Remove the dipstick (A).
2. Clean the oil from the dipstick and put it back.

3. Remove the dipstick and examine the oil level on the dipstick. The oil level is correct when it is between the "Max." and "Min." marks on the dipstick.



4. If the oil level is low, remove the oil tank cap (B), fill with engine oil and do a check of the oil level again. Refer to the engine manual for the correct type of oil.

To do a check of the engine oil level (AMG 3200)

1. Remove the oil tank cap and dipstick.
2. Clean the oil from the dipstick.
3. Put the dipstick back fully into the oil tank.
4. Remove the dipstick.
5. Examine the oil level on the dipstick.
6. If the oil level is low, fill with engine oil and do a check of the oil level again. Refer to *Technical data on page 15* or the engine manual for the correct type of oil.

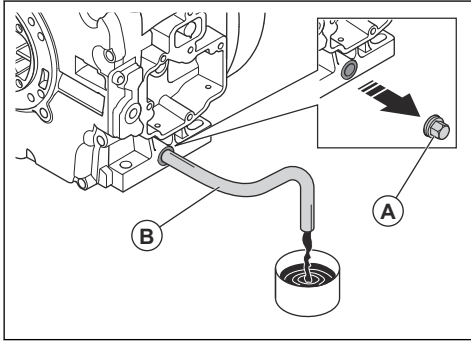
To replace the engine oil (AMD 3000)

If the engine is cold, start the engine for 1–2 minutes before you drain the engine oil. This makes the engine oil warm and easier to drain.



WARNING: Engine oil is very hot directly after the engine stops. Let the engine become cool before you drain the engine oil. If you spill engine oil on your skin, clean with soap and water.

1. Put a container below the drain plug for the engine oil.
2. Remove the oil drain plug (A) and connect a hose (B).



3. Let the oil run out into the container.
4. Remove the hose.
5. Install the oil drain plug and tighten it.
6. Fill with new engine oil. Refer to the engine manual for the correct type of oil.
7. Do a check of the engine oil level.

To replace the engine oil (AMG 3200)

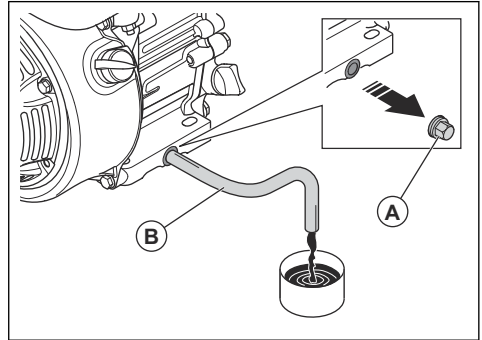
If the engine is cold, start the engine for 1–2 minutes before you drain the engine oil. This makes the engine oil warm and easier to drain.



WARNING: Engine oil is very hot directly after the engine stops. Let the engine become cool before you drain the engine oil. If you spill engine oil on your skin, clean with soap and water.

1. Put a container below the drain plug for the engine oil.

2. Remove the oil drain plug (A) and connect a hose (B).



3. Let the oil run out into the container.
4. Remove the hose.
5. Install the oil drain plug and tighten it.
6. Fill with new engine oil. Refer to the engine manual for the correct type of oil.
7. Do a check of the engine oil level.

Air filter



WARNING: Use approved respiratory protection when you clean or replace the air filter. Discard used air filters correctly. Inhalation of the dust in the air filter may be dangerous to your health.



CAUTION: Always replace a damaged air filter, or the dust will go into the engine and cause engine damage.

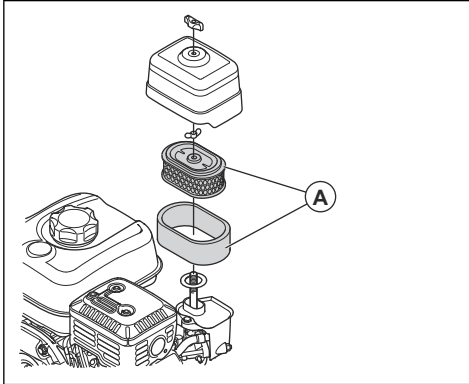
To clean or replace the air filter (AMG 3200)



WARNING: Do not clean the air filter with compressed air. This causes damage to the air filter and the risk increases that you breathe the dangerous dust.

1. Turn the knob on the air filter cover and remove the air filter cover.

- Remove the paper filter element and the foam filter element (A).



- Clean the air filter housing with a brush.
- Examine the air filter elements for damage.
- Tap the paper filter element against a hard surface or use a vacuum cleaner to remove the particles.



CAUTION: Do not let the nozzle of the vacuum cleaner touch the surface of the paper filter element. Keep a small distance. The sensitive surface of the paper filter element becomes damaged if objects touch it.

- Clean the foam filter element with a solution of soap and water.
- Flush the foam filter element in clean water.
- Compress the foam filter element to remove the water and let the foam filter element dry fully.
- Lubricate the foam filter element with engine oil.
- Push a clean cloth against the foam filter element to remove unwanted oil.

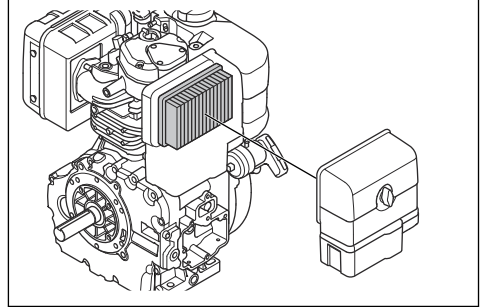
- Install the air filter in the opposite sequence.

To clean or replace the air filter (AMD 3000)



WARNING: Do not clean the air filter with compressed air. This causes damage to the air filter and the risk increases that you breathe the dangerous dust.

- Turn the knob on the air filter cover and remove the air filter cover.
- Remove the air filter.



- Clean the air filter housing with a brush.
- Examine the air filter for damage.
- Tap the air filter against a hard surface or use a vacuum cleaner to remove the particles.



CAUTION: Do not let the nozzle of the vacuum cleaner touch the surface of the paper filter element. Keep a small distance. The sensitive surface of the paper filter element becomes damaged if objects touch it.

- Install the air filter in the opposite sequence.

Troubleshooting

Problem	Cause	Solution
The product does not start.	The fuel tank is empty.	Fill the fuel tank.
	The engine ON/OFF switch is in the "OFF" position (AMG 3200).	Set the engine ON/OFF switch to "ON" (AMG 3200).
The product starts but there is no vibration in the concrete vibrator.	The concrete vibrator is defective.	Repair the concrete vibrator.
	The flexible shaft is defective.	Replace the flexible shaft.

Problem	Cause	Solution
The vibration speed of the concrete vibrator is too low.	The engine speed is too low.	Adjust the engine speed to maximum rpm. Refer to <i>Technical data on page 15</i> .
	There is too much grease in the flexible shaft.	Remove unwanted grease.
The flexible shaft becomes too hot.	The friction in the flexible shaft is too high.	Lubricate the flexible shaft.

Transportation, storage and disposal

Transportation



WARNING: Be careful during transportation. The product is heavy and can cause injury if it falls.

- When you use a vehicle for transportation of the product, make sure that the product is sufficiently attached and cannot move. Attach tie-down straps to the safety frame and to the vehicle.
- Do not put the product on its side during transportation. The bottom side of the product must always be down.

To lift the product



WARNING: Make sure that the lifting equipment has the correct dimension. The type plate on the product shows the product weight.



WARNING: Do not lift a damaged product. Make sure that the safety frame and the vibration damping units are correctly installed and not damaged.



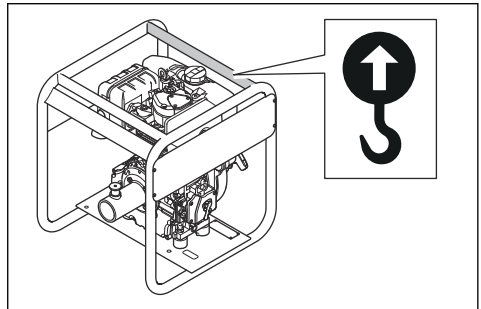
WARNING: Do not walk or stay below or near a lifted product.



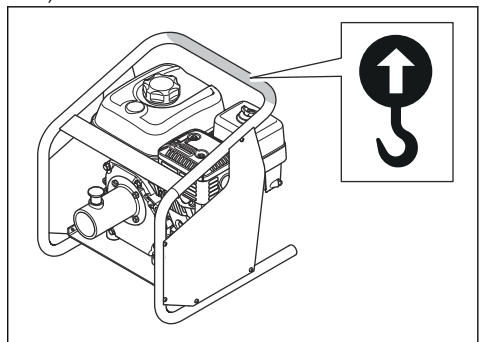
WARNING: Do not use metal hooks, chains or other lifting equipment with rough edges that can cause damage to the lifting point.

- If 2 persons lift the product, use the safety frame bar on each side of the product and lift with 2 hands.
- If you use lifting equipment, attach the lifting equipment at the lifting point of the safety frame. A label on the product identifies the correct position.

a) For AMD 3000.



b) For AMG 3200.



Storage

- Remove all fuel from the fuel tank before you put the product in storage for a long period of time. Discard the fuel at an applicable disposal location.
- Clean the product before storage. Remove oil and dust from the rubber parts.
- Clean the air filter before storage.
- Carefully pull the starter rope handle until there is a small resistance. This closes the valves and makes sure that moisture cannot go into the engine cylinder.
- Put a protective cover on the product.

- Keep the product in a dry and frost free area.
- Keep the product in a locked area to prevent access for children or persons that are not approved.
- Discard all chemicals, such as engine oil or fuel, at a service center or at an applicable disposal location.
- When the product is no longer in use, send it to a Husqvarna dealer or discard it at a recycling location.

Disposal

- Obey the local recycling requirements and applicable regulations.

Technical data

	AMD 3000	AMG 3200
Weight, kg/lb	46/102	30/60.24
Engine brand, type	Lombardini, 15 LD 225	Honda, GX160
Engine power *, kW/hp @rpm	3/4.1 @3000	2.5/3.4 @3000
Direction of rotation	Counterclockwise	Counterclockwise
Fuel tank capacity, l/qts	3.0/3.17	3.1/3.27
Engine oil capacity *, l/qts	0.90/0.95	0.60/0.63
Fuel *	Ultra-low-sulfur diesel fuel only	Unleaded gasoline, max. 10% ethanol
Engine oil *	SAE 10W-30, API Class SJ	SAE 10W-30, API Class SJ

* = For further information and questions about this specific engine, refer to the engine manual or the web site of the engine manufacturer.

Noise emissions	AMD 3000	AMG 3200
Sound power level L_W measured, dB(A) rel 1pW ¹	100	91
Sound pressure level L_p at the work station, dB (A) ²	87	78

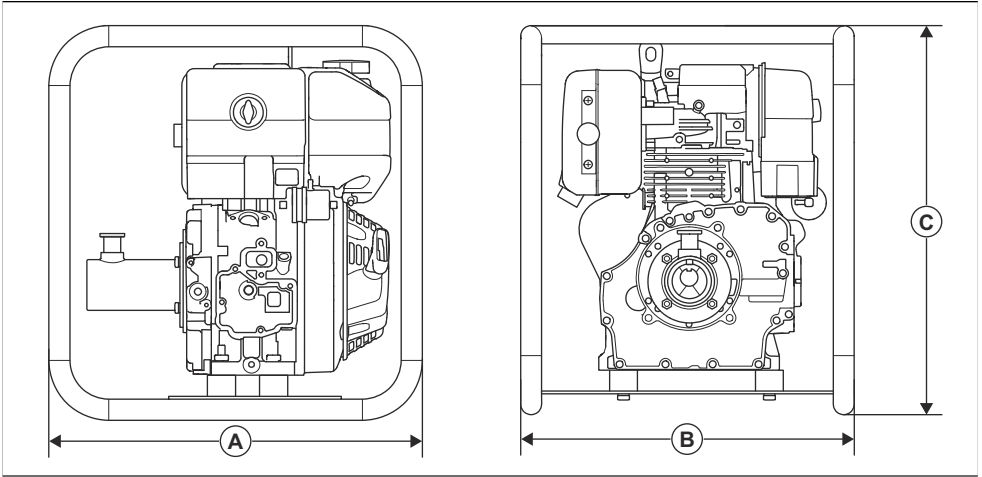
Noise and vibration declaration statement

These declared values were obtained by laboratory type testing in accordance with the stated directive or standards and are suitable for comparison with the declared values of other products tested in accordance with the same directive or standards. These declared values are not suitable for use in risk assessments and values measured in individual work places may be higher. The actual exposure values and risk of harm experienced by an individual user are unique and depend upon the way the user works, in what material the product is used, as well as upon the exposure time and the physical condition of the user, and the condition of the product.

¹ Measured sound power level L_W according to EN 12649. EN ISO 3744. Uncertainty K_{WA} 1.5 dB(A).

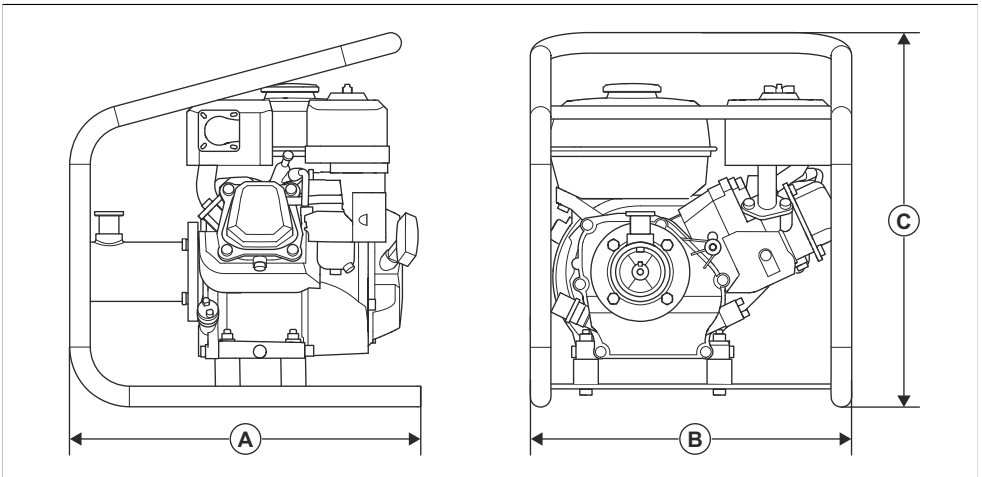
² Sound pressure level L_p according to EN 12649. EN ISO 11201. Uncertainty K_{pA} 2.5 dB(A).

Product dimensions (AMD 3000)



A	Length: 530 mm/20.86 in.	B	Width: 480 mm/18.89 in.	C	Height: 560 mm/22 in.
----------	--------------------------	----------	-------------------------	----------	-----------------------

Product dimensions (AMG 3200)



A	Length: 427 mm/16.81 in.	B	Width: 390 mm/15.35 in.	C	Height: 454 mm/17.87 in.
----------	--------------------------	----------	-------------------------	----------	--------------------------

Declaration of Conformity

EC Declaration of Conformity

We, **Husqvarna AB**, SE-561 82 Huskvarna, Sweden, tel: +46-36-146500, declare on our sole responsibility that the product:

Description	Concrete Vibrator Equipment
Brand	Husqvarna
Type/Model	AMG 3200 + AA 27 / 37 / 47 / 67 / 77, AZ 26 / 36 / 46 / 56
Identification	Serial numbers dating from 2022 and onwards

complies fully with the following EU directives and regulations:

Directive/Regulation	Description
2006/42/EC	"relating to machinery"
2014/30/EU	"relating to electromagnetic compatibility"

and that the following harmonized standards and/or technical specifications are applied;

EN 12649:2008+A1:2011, EN ISO 12100:2010

Partille, 2021-10-28



Martin Huber
R&D Director, Concrete Surfaces & Floors
Husqvarna AB, Construction Division
Responsible for technical documentation





www.husqvarnaconstruction.com

Original instructions



1140660-26



2023-05-03