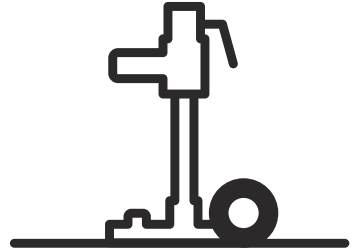




# Husqvarna®



DS150, DS250, DS250 Single speed,  
DS250 Single speed short

EN	Operator's manual
DE	Bedienungsanweisung
FR	Manuel d'utilisation
NL	Gebruiksaanwijzing

2-17
18-33
34-48
49-63

---

# Contents

---

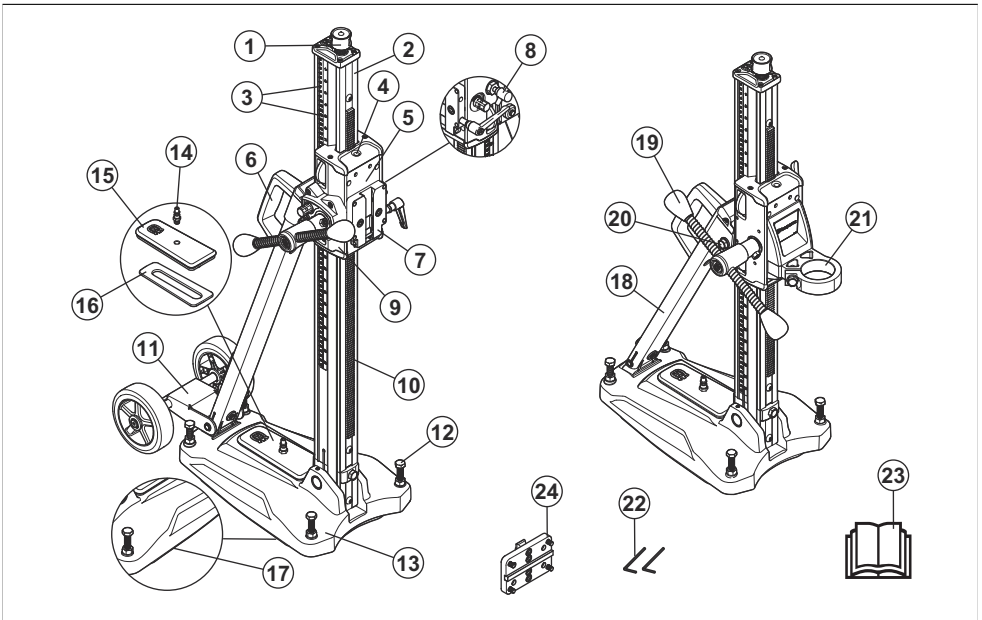
Introduction.....	2	Transportation and storage.....	13
Safety.....	3	Technical data.....	14
Assembly.....	5	Accessories.....	14
Installation.....	6	Service.....	15
Operation.....	9	Declaration of Conformity.....	16
Maintenance.....	12		

---

## Introduction

---

### Product overview



- |  |                                      |
|--|--------------------------------------|
| 1. Jack screw                                      | 14. Coupling for vacuum pressure     |
| 2. Drill column                                    | 15. Vacuum cover                     |
| 3. Indication for depth and angle                  | 16. Gasket for the vacuum cover      |
| 4. Level indicator                                 | 17. Gasket for the bottom plate      |
| 5. Drill motor carriage                            | 18. Support                          |
| 6. Handle for transportation                       | 19. Feed lever                       |
| 7. Lock clamp for the quick mounting plate         | 20. Lock screw for drill column tilt |
| 8. Carriage lock                                   | 21. Collar                           |
| 9. Gearbox   | 22. Hex key, 3 mm and 4 mm           |
| 10. Gear rack                                      | 23. Operator's manual                |
| 11. Transport wheels (not supplied for all models) | 24. Installation plate               |
| 12. Level adjustment screws                        |                                      |
| 13. Bottom plate with integrated vacuum function   |                                      |

## Product description

The product is a drill stand for Husqvarna drill motors.

- The model DS150 can be used with drill bits with a maximum diameter of 150 mm.
- The product is made of aluminum which makes it light in weight. It has a built-in vacuum plate for stable operation.
- The DS250 models can be used with drill bits with a maximum diameter of 250 mm.
- The drill column can be tilted 0–60°.
- The DS250 models have a quick mounting plate for the drill motor. On model DS150 the drill motor is installed on a collar.
- A vacuum pump is available as an accessory for all models.

## Intended use

This product is used together with a Husqvarna drill motor to drill in ceilings, walls and floors. The product is used on concrete, brick and different stone materials. All other use is incorrect.

The product is used in industrial operations by operators with experience.

## Symbols on the product



**WARNING:** This product can be dangerous and cause serious injury or death to the operator or others. Be careful and use the product correctly.



Read the operator's manual carefully and make sure that you understand the instructions before you use the product.



Use approved hearing protection.

---

**Note:** Other symbols/decals on the product refer to special certification requirements for some markets.

---

## Product damage

We are not responsible for damages to our product if:

- the product is incorrectly repaired.
- the product is repaired with parts that are not from the manufacturer or not approved by the manufacturer.
- the product has an accessory that is not from the manufacturer or not approved by the manufacturer.
- the product is not repaired at an approved service center or by an approved authority.

---

## Safety

---

### Safety definitions

Warnings, cautions and notes are used to point out specially important parts of the manual.



**WARNING:** Used if there is a risk of injury or death for the operator or bystanders if the instructions in the manual are not obeyed.



**CAUTION:** Used if there is a risk of damage to the product, other materials or the adjacent area if the instructions in the manual are not obeyed.

**Note:** Used to give more information that is necessary in a given situation.

---

### Always use common sense



**WARNING:** Under no circumstances should you modify the original design of the machine without approval from the manufacturer. Always use original spare parts. Unauthorized modifications and/or accessories may lead to serious injury or death to the user or others.

It is not possible to cover every conceivable situation you can face when using a drilling machine. Always exercise care and use your common sense. Avoid all situations which you consider to be beyond your capability. If you still feel uncertain about operating procedures after reading these instructions, you should consult an expert before continuing.

Do not hesitate to contact your dealer if you have any more questions about the use of the machine. We will willingly be of service and provide you with advice as well as help you to use your machine both efficiently and safely.

Let your Husqvarna dealer check the drilling machine regularly and make essential adjustments and repairs.

All information and all data in the operator's manual were applicable at the time the operator's manual was sent to print.

## General safety instructions

---



**WARNING:** Read the warning instructions that follow before you use the product.

---

- This product is a dangerous tool if you are not careful or if you use the product incorrectly. This product can cause serious injury or death to the operator or others. Before you use the product, you must read and understand the contents of this operator's manual.
- Save all warnings and instructions.
- Comply with all applicable laws and regulations.
- The operator and the employer of the operator must know and prevent the risks during operation of the product.
- Do not let a person operate the product unless they read and understand the contents of the operator's manual.
- Do not operate the product unless you receive training before use. Make sure that all operators receive training.
- Do not let a child operate the product.
- Only let approved persons operate the product.
- The operator is responsible for accidents that occur to other persons or their property.
- Do not use the product if you are tired, ill, or under the influence of alcohol, drugs or medicine.
- Always be careful and use your common sense.
- Keep the product clean. Make sure that you can clearly read signs and decals.
- Do not use the product if it is defective.
- Do not do modifications to this product.
- Do not operate the product if it is possible that other persons have done modifications to the product.

## Safety instructions for operation

---



**WARNING:** Read the warning instructions that follow before you use the product.

---

- Use personal protective equipment. Refer to *Personal protective equipment on page 4*.
- Make sure that only approved persons are in the work area.
- Keep the work area clean and bright.
- Make sure that you are in a safe and stable position during operation.

- Do not use the product in bad weather conditions, such as thick fog, heavy rain, strong wind or intense cold. To do work in bad weather makes you tired and can cause dangerous conditions, for example slippery surfaces.
- Always examine the rear side of the surface where the drill bit will go through the surface. Make the work area safe. Cordon off the work area. Make sure that no injury or damage can occur.
- Make sure that no material can become loose and cause injury to the operator.
- Do not operate the product unless you can get aid if an accident occurs.
- Sudden appearance of persons and animals can prevent safe operation of the product. Always operate the product carefully.
- Make sure that clothes, long hair and jewelry do not get caught in moving parts.
- Hold the power tool by insulated gripping surfaces, when performing an operation where the cutting accessory may contact hidden wiring or its own cord. Cutting accessory contacting a "live" wire may make exposed parts of the power tool "live" and could give the operator an electric shock.

## General working stand safety warnings

---



**WARNING:** Read all safety warnings and all instructions. Failure to follow the warnings and instructions may result in electric shock, fire and/or serious injury.

---

- **Disconnect the plug from the power source and/or the battery pack from the power tool before making any adjustments, changing accessories.** Accidental starting of the power tool is a cause of some accidents.
- **Properly assemble the working stand before mounting the tool.** Proper assembly is important to prevent risk of collapse.
- **Securely fasten the power tool to the working stand before use.** Power tool shifting on the working stand can cause loss of control.
- **Place the working stand on a solid, flat and level surface.** When the working stand can shift or rock, the power tool or workpiece cannot be steadily and safely controlled.
- **Do not overload the working stand or use as ladder scaffolding.** Overloading or standing on the working stand causes the stand to be "top-heavy" and likely to tip over.

## Personal protective equipment

---



**WARNING:** Read the warning instructions that follow before you use the product.

---

- Always use correct personal protective equipment when you operate the product. The personal

protective equipment does not erase the risk of injury. The personal protective equipment decreases the grade of injury if an accident occurs. Let your dealer help you select the right equipment.

- Use approved eye protection while you operate the product.
- Do not use loose, heavy and not applicable clothing. Use clothes that let you move freely.
- Use approved protective gloves that enables a solid hold.
- Use rubber protective gloves that prevents skin irritation from wet concrete.
- Use an approved protective helmet.
- Always use approved hearing protection while you operate the product. Noise for a long period can cause noise-induced hearing loss.
- The product makes dust and fumes that contain dangerous chemicals. Use an approved breathing protection.
- Use boots with steel toe-caps and non-slip soles.
- Make sure that you have a first aid kit near.
- Sparks can occur when you operate the product. Make sure that you have a fire extinguisher near.

### Safety devices on the product

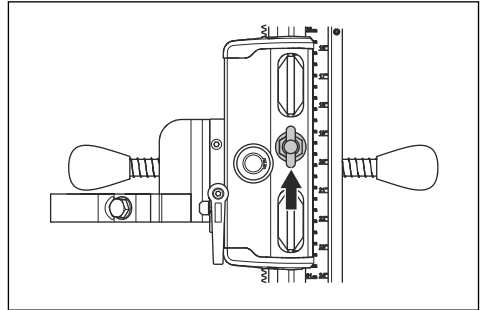


**WARNING:** Read the warning instructions that follow before you use the product.

- Do not use a product with safety devices that are damaged or do not operate correctly.
- Do a check of the safety devices regularly. If the safety devices are damaged or do not operate correctly, speak to your Husqvarna service agent.
- Do not make modifications to safety devices.

### To do a check of the carriage lock

1. Turn the knob to lock the drill motor carriage.



2. Feel by hand that the drill motor carriage is locked to the drill column.

### Safety instructions for maintenance



**WARNING:** Read the warning instructions that follow before you use the product. Save all warnings and instructions for future operations.

- Stop the drill motor, disconnect the power supply and remove the drill motor before maintenance of the product.
- Keep all parts in good condition and make sure that all fixtures are correctly tightened.
- Do not use a product that is defective. Do the safety checks, maintenance and the servicing as given in this manual. All other maintenance work must be done by an approved servicing dealer.
- Do the maintenance to make sure that the product operates correctly. Refer to *Daily maintenance on page 12*.

## Assembly

### Introduction

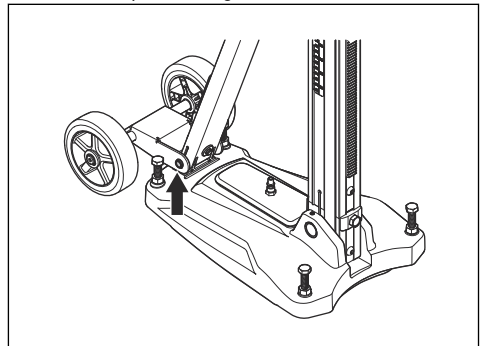


**WARNING:** Read and understand the safety chapter before you assemble the product.

### To install the wheel kit

The wheel kit is not supplied for all models.

- Attach the wheel kit to the bracket at the rear end of the bottom plate and tighten the screws.

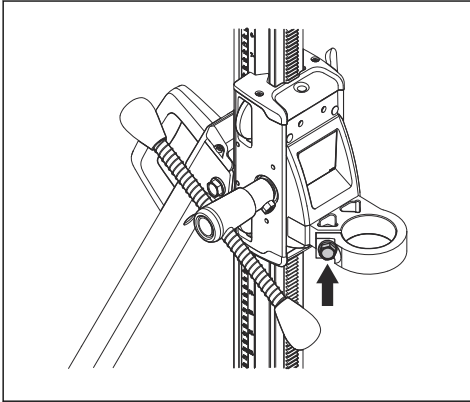


## To attach a drill motor (DS150)

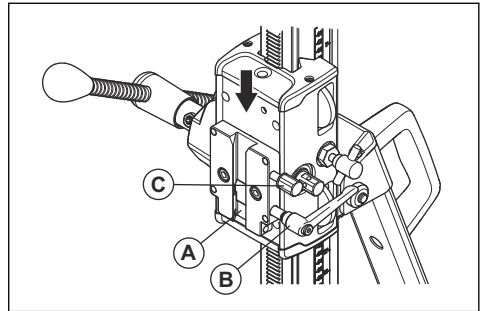


**WARNING:** Disconnect the drill motor from the power supply.

1. Remove the drill bit from the drill motor.
2. Lock the carriage lock.
3. Put the drill spindle through the collar in the drill motor carriage.
4. Tighten the screw with the feed lever.



1. Remove the drill bit from the drill motor.
2. Lock the carriage lock.
3. Attach the drill motor in the lock clamp on the drill motor carriage.
4. Push the drill motor fully down to the bottom of the lock clamp (A).



5. Tighten the lock clamp with the lever (B).
6. If you install the drill motor DM240, also tighten the lock screw (C).

**Note:** The lock screw is only used together with the drill motor DM240.

## To attach a drill motor (DS250)



**WARNING:** Disconnect the drill motor from the power supply.

## Installation

### Procedures for installation

There are 3 procedures that can be used to install the product before a drill operation:

- With an expander bolt.
- With a vacuum plate.
- With an all thread rod, a washer and a locknut.

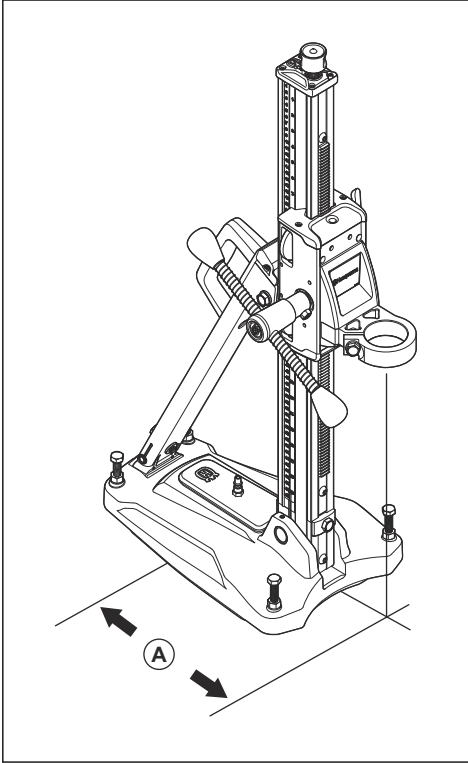
### To install the product with an expander bolt



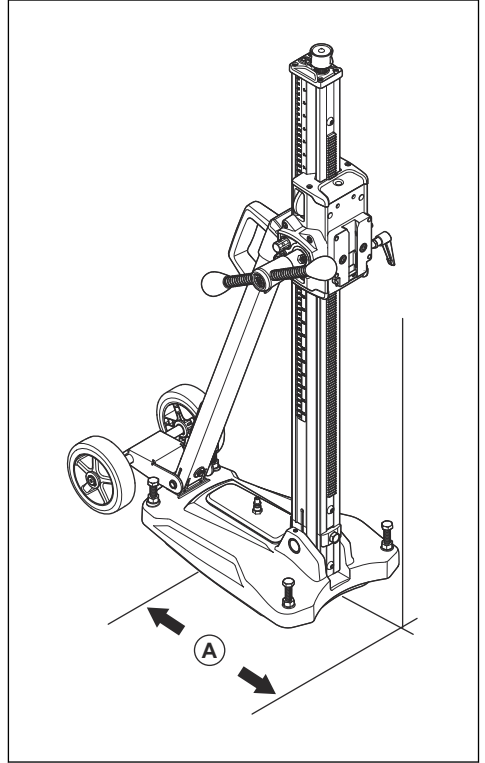
**WARNING:** To install the product to a ceiling or a wall puts much strain on the surface. For operation in ceilings and walls, use only an expander bolt or anchor screw that is applicable for the strain.

1. Drill a hole for the expander bolt.

a) For DS150: Drill the hole at a distance (A) of 293 mm/11.5 in. from the center of the hole that you will drill.



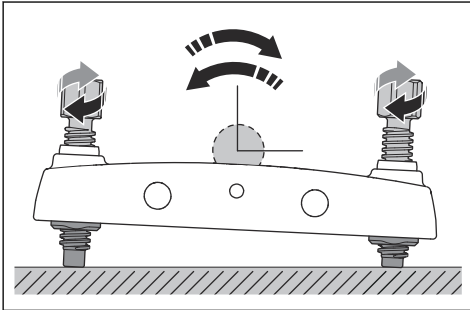
b) For DS250: Drill the hole at a distance (A) of 300 mm/11.8 in. from the center of the hole that you will drill.



**Note:** The distance is for drill motor DM220 installed on the quick mounting plate. If the drill motor is installed with a collar, the distance is 320 mm/12.6 in.

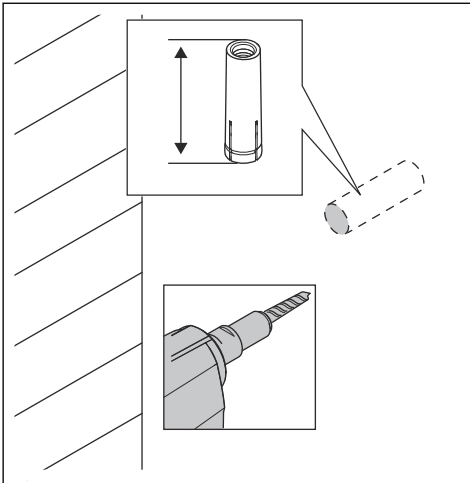
2. Attach the bottom plate with an expander bolt.
3. Make sure that the expander bolt is tightened correctly.

4. If it is necessary, adjust the bottom plate. Turn the adjustment screws until the bottom plate is parallel to the surface.

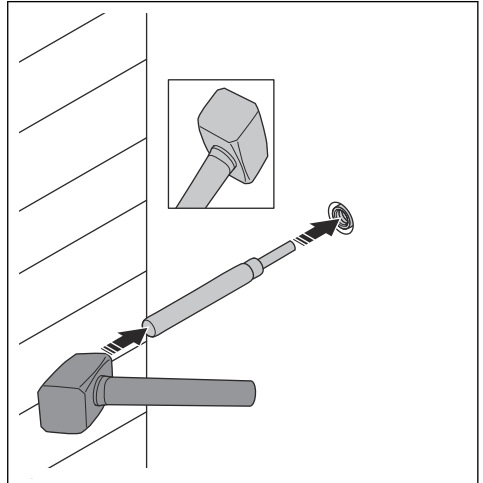


**To attach the expander bolt**

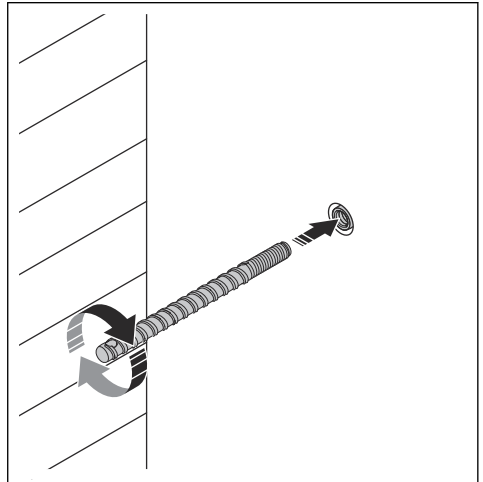
1. Drill a hole for the expander bolt. Make sure that the depth is sufficient. The socket must be put below the surface.



2. Use the mandrel and a hammer to install the expander.

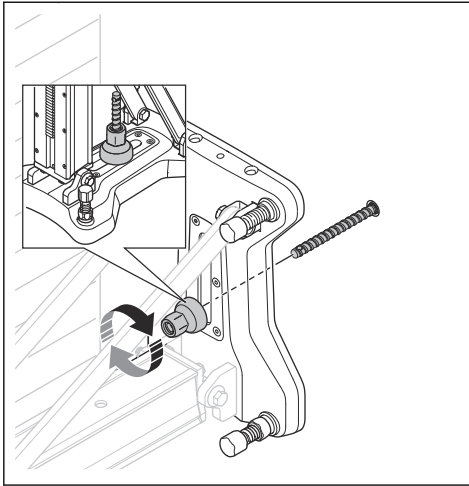


3. Install the anchor screw.





4. Attach the product with the nut.



### To attach the product with a Husqvarna vacuum plate



**WARNING:** Do not use the product in combination with the vacuum plate when you drill in walls or ceilings.



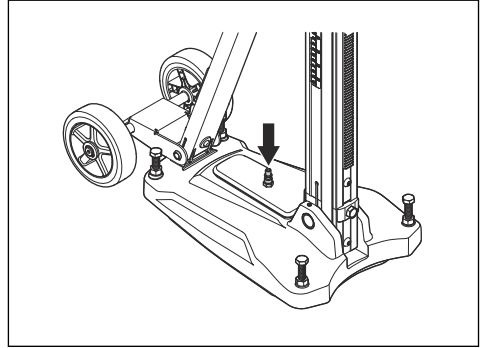
**WARNING:** The support surface must be flat and of good quality. The product can become loose if the vacuum plate cannot seal fully against the surface.



**WARNING:** Use of vacuum plate is only recommended together with these Husqvarna drill motors: DM200, DM220, DM230, DM280 High speed. Use of other

drill motors can cause the product to become loose.

1. Loosen the level adjustment screws. They must be above the bottom of the vacuum plate.
2. Connect the vacuum hose and start the pump.



**WARNING:** The minimum pressure must be -0.85 bar to seal the vacuum plate tightly to the surface.

3. Tighten the level screws until you feel pressure on the screw.



**WARNING:** The level adjustment screws must touch the surface when you use the vacuum plate. If not, the vacuum plate can come loose.

### To install the product with an all thread rod

- Use an all thread rod to install the product to a wall or ceiling.
- Use an all thread rod when it is not possible to use an expander bolt.
- Use washers and nuts to tighten the all thread rod.

## Operation

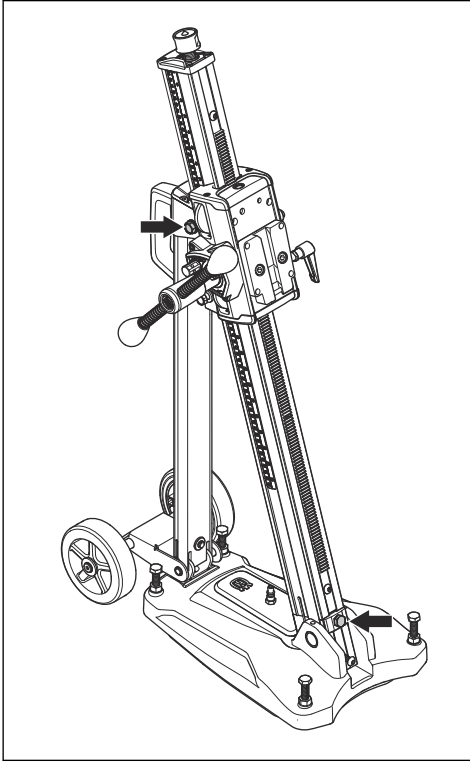
### To do before you operate the product

- Read the operator's manual carefully and make sure that you understand the instructions.
- Read the operator's manual for the drill motor carefully and make sure that you understand the instructions.
- Do the daily maintenance. Refer to *Daily maintenance on page 12*.

### To adjust the angle of the drill column

The drill column can be tilted 0–60°.

1. Loosen the lock screws that lock the drill column and set the applicable drill angle.



- a) Use the angle indicator for approximate adjustment. If higher precision is necessary, use alternative methods to measure.

2. Tighten the lock screws of the drill column.

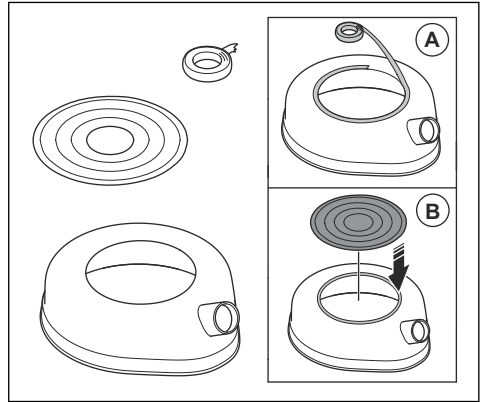
## To prepare the product for inverted drilling



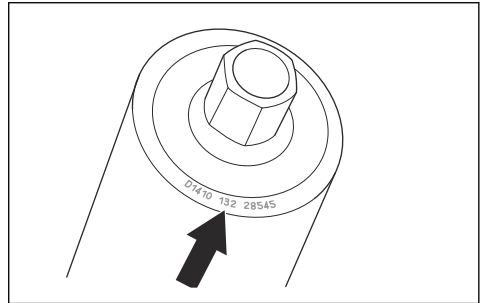
**WARNING:** Always use a slurry ring with a sealing disc and a rubber washer during inverted drilling. Water that enters the product increases the risk of electrical shock.

1. Clean the top of the slurry ring. All grease and dirt must be removed.

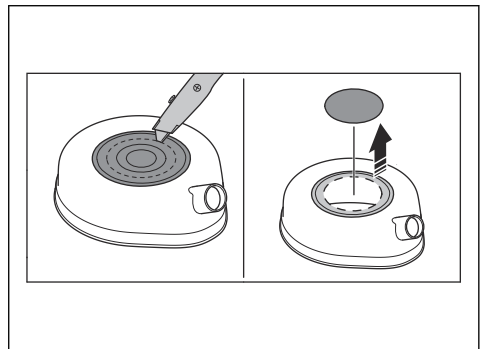
2. Attach 2-sided adhesive tape or use spray glue around the top opening of the slurry ring (A). Put the sealing disc on the top opening as a cover (B). Attach it tightly.



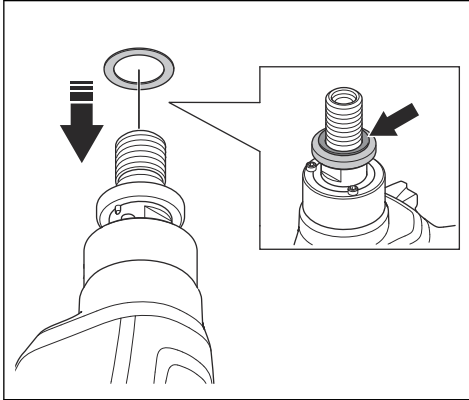
3. Look for the dimension of the core drill on the top of the drill.



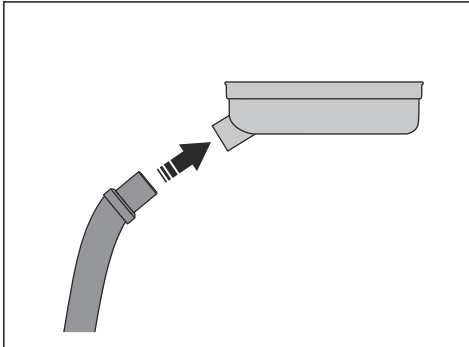
4. Cut a hole in the sealing disc in the nearest smaller dimension as the core drill.



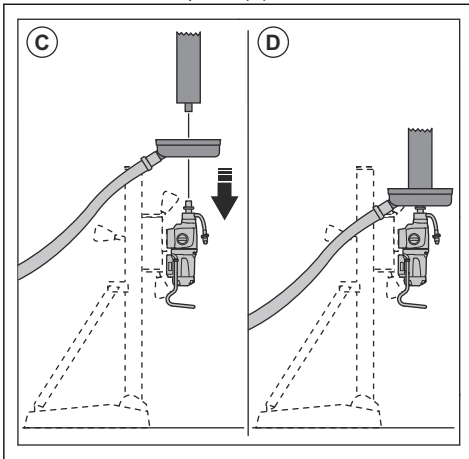
5. Attach the rubber washer to the quick-release washer on the drill spindle.



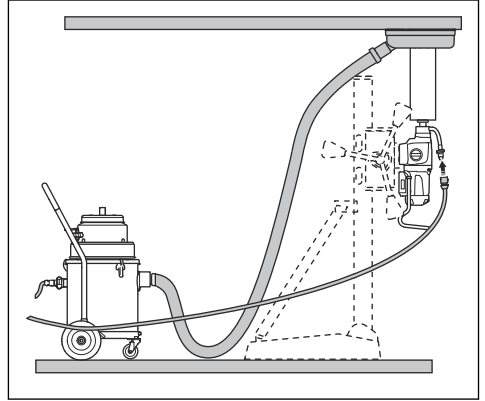
6. Connect the slurry collector to the connection of the slurry ring.



7. Put the slurry ring on the drill spindle (C). Install the drill bit to the drill spindle (D).



8. Start the slurry collector.  
9. Lift the drill bit to the ceiling. Attach the slurry ring to the ceiling.



# Maintenance

## Introduction



**WARNING:** Read and understand the safety chapter before you do maintenance on the product.



**WARNING:** To prevent injury, disconnect the power cord before you do maintenance.

## Daily maintenance

- Make sure that the nuts and screws are tight.
- Clean the external surfaces.
- Make sure that the feed lever moves without resistance.
- Make sure that the gears move easily and do not cause a noise.
- Examine the drill column for wear and damage.
- Make sure that the drill motor carriage moves easily and that there is no play against the drill column.

## To clean and lubricate the product



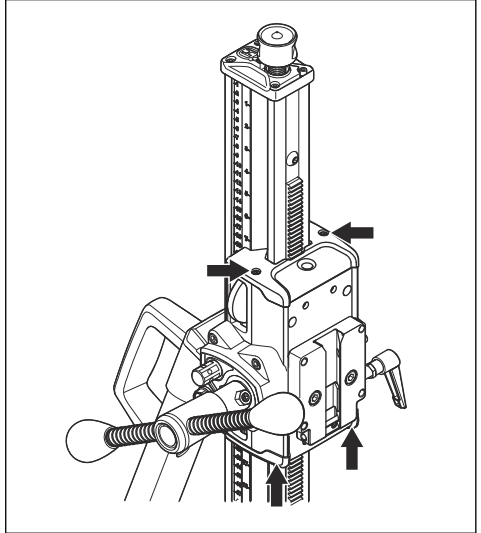
**CAUTION:** If you do not clean the drill stand, it can become damaged.

1. Remove the drill motor.
2. Clean the product with a high-pressure washer and then remove remaining water with a dry cloth.
3. Lubricate the moving parts of the product. Apply grease to the contact surfaces to prevent corrosion.

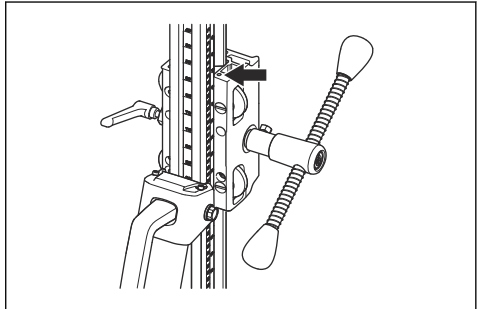
## To adjust the drill motor carriage

If there is distance between the drill column and the drill motor carriage, the drill motor carriage must be adjusted.

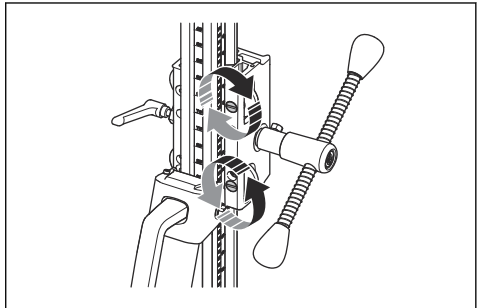
1. Remove the plastic covers from the top and the bottom of the drill motor carriage.



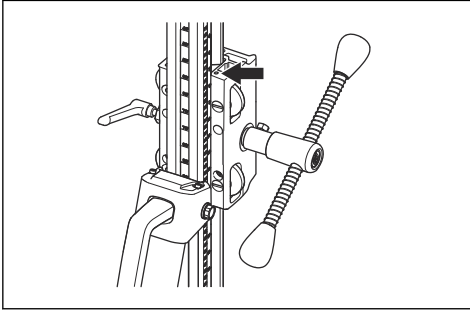
2. Loosen the screw that holds the roller shafts.



3. Turn the top guide wheel clockwise with a flat screwdriver. The top guide wheel moves nearer to the drill column.

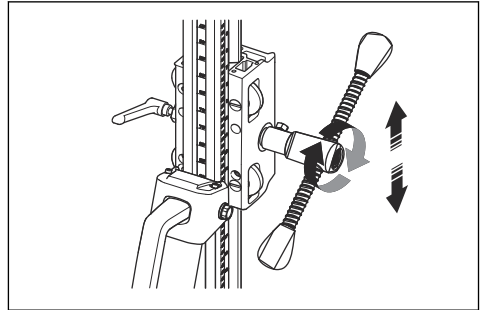


4. Turn the bottom guide wheel counterclockwise with a flat screwdriver. The bottom guide wheel moves nearer to the drill column.
5. Tighten the screw that holds the roller shafts.



**Note:** After you have tightened the roller shafts, they must be possible to turn with the feed lever but not by hand.

6. Use the feed lever to move the drill motor carriage up and down. Make sure that the drill motor carriage moves smoothly on the drill column. The roller shafts must rotate and not move. If it is necessary, adjust the roller shafts again.



---

## Transportation and storage

---

- Safely attach the product during transportation to prevent damage and accidents.
- Use the optional transport wheels for transportation of the product with a drill motor attached.
- For transportation without transport wheels, it is necessary to remove the drill motor from the product because the total weight is more than 25 kg.
- Keep the product in a locked area to prevent access for children or persons that are not approved.
- Keep the product in a dry and frost free area.

## Technical data

### Technical data

Dimensions	DS150	DS250	DS250 Single speed	DS250 Single speed short
Height, mm/in.	862/33.9	1052/41.4	1052/41.4	862/33.9
Width, mm/in.	266/10.5	266/10.5	266/10.5	266/10.5
Depth, mm/in.	522/20.6	545/21.5	545/21.5	545/21.5
Weight, kg/lbs	14/30.9	17/37.5	16/35.3	15/38
Travel length, mm/in.	495/19.5	686/27	686/27	495/19.5
Max. load (on handle), kg/lbs	50/110	50/110	50/110	50/110
Drill column angle	0–60°	0–60°	0–60°	0–60°
Max. drill bit diameter, mm/in.	150/6	250/10	150/6 (collar) 250/10 (quick mounting)	250/10

### Maximum drill bit diameters

Drill motor	DS 150		DS 250	
	Anchor bolt, mm/in.	Vacuum attached, mm/in.	Anchor bolt, mm/in.	Vacuum attached, mm/in.
DM 540i	100/4	100/4	100/4*	100/4*
DM 230	150/6	150/6	150/6*	150/6*
DM 220			150/6	150/6

\*Together with a ring adapter.

## Accessories

Available accessory	DS150	DS250	DS250 Single speed	DS250 Single speed short
VP 200 Vacuum pump	X	X	X	X
Wheel kit	X		X	X
Gearbox	X			

Available accessory	DS150	DS250	DS250 Single speed	DS250 Single speed short
Collar		X		

---

## Service

---

### Approved service center

To find your nearest Husqvarna Construction Products approved service center, go to the web site .

---

# Declaration of Conformity

---

## EC Declaration of Conformity

We, **Husqvarna AB**, SE-561 82 Huskvarna, Sweden, tel: +46-36-146500, declare on our sole responsibility that the product:

<b>Description</b>	<b>Drill stand</b>
<b>Brand</b>	Husqvarna
<b>Type/Model</b>	DS150, DS250, DS250 Single speed, DS250 Single speed short
<b>Identification</b>	Serial numbers dating from 2022 and onwards

complies fully with the following EU directives and regulations:

<b>Directive/Regulation</b>	<b>Description</b>
2006/42/EC	"relating to machinery"

and that the following harmonized standards and/or technical specifications are applied;

EN 12348:2000+A1:2009

EN 62841-3-6:2014+A11:2017

EN IEC 63000:2018

Partille, Partille, 2022-12-02



Fredrik Sandinge

R&D Director, Concrete Sawing & Drilling Equipment

Husqvarna AB, Construction Division

Responsible for technical documentation



# UK Declaration of Conformity

We, **Husqvarna AB**, SE-561 82 Huskvarna, Sweden, tel:  
+46-36-146500, declare on our sole responsibility that  
the product:

<b>Description</b>	<b>Portable cut-off machine</b>
<b>Brand</b>	Husqvarna
<b>Type/Model</b>	DS150, DS250, DS250 Single speed, DS250 Single speed short
<b>Identification</b>	Serial numbers dating from 2022 and onwards

complies fully with the following UK directives and regulations:

<b>Description</b>
The Supply of Machinery (Safety) Regulations 2008

and that the following harmonized standards and/or technical specifications are applied;

EN 12348:2000+A1:2009

EN 62841-3-6:2014+A11:2017

EN IEC 63000:2018

Partille,Partille, 2022-12-02



Fredrik Sandinge

R&D Director, Concrete Sawing & Drilling Equipment

Husqvarna AB, Construction Division

Responsible for technical documentation

**UK  
CA**

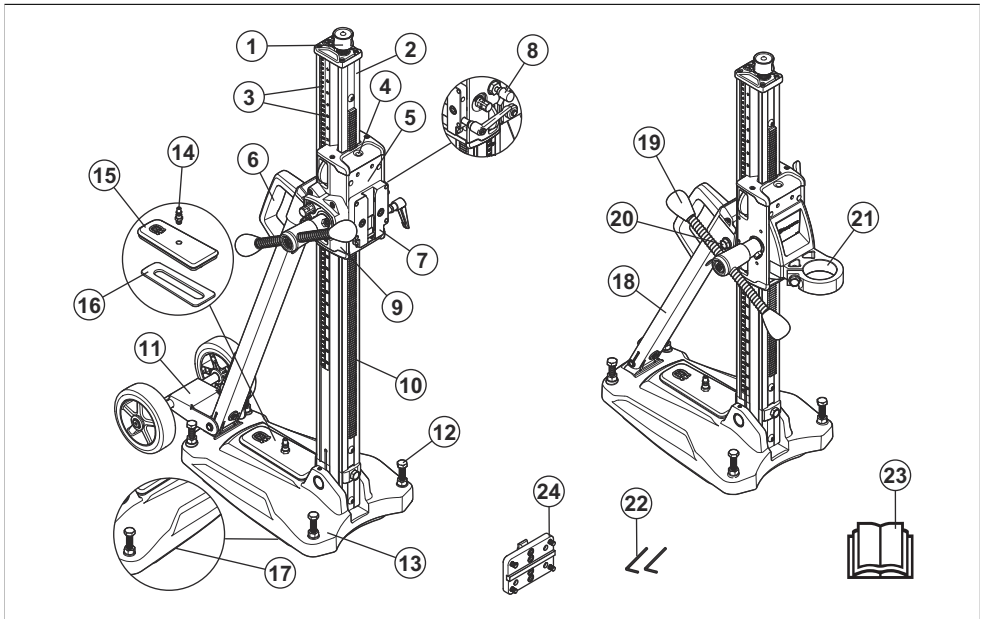
UK Importer:  
Husqvarna UK Ltd  
Preston Road, Co. Durham  
DL5 6UP

# Inhalt

Einleitung.....	18	Transport und Lagerung.....	30
Sicherheit.....	19	Technische Daten.....	31
Montage.....	22	Zubehör.....	31
Installation.....	23	Service.....	32
Betrieb.....	26	Konformitätserklärung.....	33
Wartung.....	29		

# Einleitung

## Geräteübersicht



- |   |   |
|---|---|
| 1. Sicherungsschraube   | 14. Kupplung für Vakuum                     |
| 2. Bohrsäule  | 15. Vakuumabdeckung                         |
| 3. Tiefen- und Winkelanzeige  | 16. Dichtung für die Vakuumabdeckung        |
| 4. Höhenanzeige   | 17. Dichtung für die Bodenplatte            |
| 5. Bohrmotorschlitzen   | 18. Stütze                                  |
| 6. Transportgriff   | 19. Vorschubhebel                           |
| 7. Verschlussklammer für die Schnellmontageplatte                       | 20. Feststellschraube für Bohrsäulenneigung |
| 8. Schlittenverriegelung  | 21. Manschette                              |
| 9. Getriebe   | 22. Sechskantschlüssel, 3 mm und 4 mm       |
| 10. Zahnstange  | 23. Betriebsanleitung                       |
| 11. Transporträder (nicht bei allen Modellen im Lieferumfang enthalten) | 24. Installationsplatte                     |
| 12. Höhenverstellerschrauben  |   |
| 13. Bodenplatte mit integrierter Vakuumfunktion                         |   |

## Gerätebeschreibung

Das Gerät ist ein Bohrständler für Husqvarna-Bohrmotoren.

- Das Modell DS150 kann mit Bohrbits mit einem maximalen Durchmesser von 150 mm verwendet werden.
- Das Gerät besteht aus Aluminium. Dadurch ist es sehr leicht. Durch die integrierte Vakuumplatte bleibt es beim Betrieb stabil.
- Die DS250-Modelle können mit Bohrbits mit einem maximalen Durchmesser von 250 mm verwendet werden.
- Die Säule kann um 0–60° gekippt werden.
- Die DS250-Modelle verfügen über eine Schnellbefestigung für den Bohrmotor. Bei Modell DS150 wird der Bohrmotor an einer Manschette montiert.
- Eine Vakuumpumpe ist als Zubehör für alle Modelle erhältlich.

## Verwendungszweck

Dieses Produkt wird zusammen mit einem Husqvarna-Bohrmotor zum Bohren in Decken, Wände und Böden verwendet. Dieses Gerät ist für Beton, Ziegel und verschiedene Gesteine geeignet. Jede andere Verwendung ist nicht korrekt.

Das Gerät wird von erfahrenen Bedienern im Industriebetrieb eingesetzt.

## Symbole auf dem Gerät



**WARNUNG:** Dieses Gerät kann gefährlich sein und schwere oder tödliche Verletzungen des Bedieners oder anderer Personen verursachen. Gehen Sie vorsichtig vor, und verwenden Sie das Gerät ordnungsgemäß.

---

## Sicherheit

---

### Sicherheitsdefinitionen

Warnungen, Vorsichtsmaßnahmen und Hinweise werden verwendet, um auf besonders wichtige Teile der Bedienungsanleitung hinzuweisen.



**WARNUNG:** Wird verwendet, wenn bei Nichtbeachtung der Anweisungen in diesem Handbuch die Gefahr von Verletzung oder Tod des Bedieners oder anderer Personen besteht.



**ACHTUNG:** Wird verwendet, wenn bei Nichtbeachtung der Anweisungen in diesem Handbuch die Gefahr von Schäden am



Lesen Sie die Bedienungsanleitung aufmerksam durch und machen Sie sich mit den Anweisungen vertraut, bevor Sie das Gerät verwenden.



Tragen Sie einen zugelassenen Gehörschutz.

---

**Hinweis:** Andere Symbole/Aufkleber am Gerät beziehen sich auf spezielle Zertifizierungsanforderungen, die in bestimmten Ländern gelten.

---

## Produktschäden

Wir haften nicht für Schäden an unserem Produkt, wenn:

- das Gerät nicht ordnungsgemäß repariert wird.
- das Gerät mit Teilen repariert wird, die nicht vom Hersteller stammen oder nicht vom Hersteller zugelassen sind.
- ein Zubehöriteil mit dem Gerät verwendet wird, das nicht vom Hersteller stammt oder nicht vom Hersteller zugelassen ist.
- das Gerät nicht bei einem zugelassenen Service Center oder von einem zugelassenen Fachmann repariert wird.

---

Gerät, an anderen Materialien oder in der Umgebung besteht.

---

**Hinweis:** Für weitere Informationen, die in bestimmten Situationen nötig sind.

---

## Arbeiten Sie stets mit gesundem Menschenverstand!



**WARNUNG:** An der Bauweise des Geräts dürfen ohne vorherige Genehmigung des Herstellers keine Veränderungen vorgenommen werden. Verwenden Sie stets Originalersatzteile. Unzulässige Änderungen und/oder Zubehör können zu schweren oder

tödlichen Verletzungen des Benutzers oder anderer Personen führen.

Es ist nicht möglich, hier alle denkbaren Situationen zu beschreiben, die beim Gebrauch einer Bohrmaschine auftreten können. Stets vorsichtig vorgehen und mit gesundem Menschenverstand arbeiten. Vermeiden Sie Situationen, denen Sie sich nicht gewachsen fühlen. Wenn Sie sich nach dem Lesen dieser Anweisungen immer noch unsicher fühlen, wie Sie vorgehen sollen, bitten Sie einen Fachmann um Rat, bevor Sie fortfahren.

Zögern Sie nicht, Ihren Händler anzusprechen, wenn Sie Fragen bezüglich des Gebrauchs des Geräts haben. Wir sind gerne für Sie da und helfen Ihnen beim optimalen und sicheren Einsatz Ihres Geräts.

Ihr Husqvarna-Händler sollte das Produkt regelmäßig überprüfen und notwendige Einstellungen und Reparaturen vornehmen.

Alle Informationen und Daten dieser Bedienungsanleitung gelten zum Zeitpunkt der Drucklegung.

## Allgemeine Sicherheitshinweise



**WARNUNG:** Lesen Sie die folgenden Warnhinweise, bevor Sie das Gerät verwenden.

- Dieses Gerät ist ein sehr gefährliches Werkzeug, wenn Sie nicht aufpassen oder das Gerät unsachgemäß verwenden. Dieses Gerät kann schwere Verletzungen des Bedieners oder anderer Personen verursachen. Es ist sehr wichtig, dass Sie vor der Anwendung des Geräts den Inhalt dieser Betriebsanleitung gelesen und verstanden haben.
- Bewahren Sie alle Warnhinweise und Anweisungen auf.
- Halten Sie alle geltenden Gesetze und Vorschriften ein.
- Der Bediener und dessen Arbeitgeber müssen die mit dem Betrieb des Geräts verbundenen Gefahren kennen und vermeiden.
- Untersagen Sie allen Personen die Benutzung des Geräts, bis diese den Inhalt der Bedienungsanleitung gelesen und verstanden haben.
- Verwenden Sie das Gerät nicht, ohne vorher dafür geschult worden zu sein. Stellen Sie sicher, dass alle Anwender Schulungen erhalten.
- Lassen Sie nicht zu, dass Kinder das Gerät verwenden.
- Es dürfen nur zugelassene Personen mit dem Gerät arbeiten.
- Der Bediener ist für Unfälle verantwortlich, die anderen Personen zustoßen oder an deren Eigentum entstehen.

- Benutzen Sie das Gerät nicht, wenn Sie müde oder krank sind oder unter Einfluss von Alkohol, Drogen oder Medikamenten stehen.
- Lassen Sie immer Vorsicht walten, und arbeiten Sie mit gesundem Menschenverstand.
- Halten Sie das Gerät sauber. Stellen Sie sicher, dass Symbole und Aufkleber deutlich lesbar sind.
- Verwenden Sie das Gerät nicht, wenn es defekt ist.
- Nehmen Sie keine Modifikationen am Gerät vor.
- Bedienen Sie das Gerät nicht, wenn die Möglichkeit besteht, dass andere Personen Modifikationen daran durchgeführt haben.

## Sicherheitshinweise für den Betrieb



**WARNUNG:** Lesen Sie die folgenden Warnhinweise, bevor Sie das Gerät verwenden.

- Tragen Sie eine persönliche Schutzausrüstung. Siehe *Persönliche Schutzausrüstung auf Seite 21*.
- Stellen Sie sicher, dass sich nur befugte Personen im Arbeitsbereich befinden.
- Achten Sie auf einen sauberen und hellen Arbeitsbereich.
- Stellen Sie sicher, dass Sie während der Arbeit eine sichere und stabile Position einnehmen.
- Vermeiden Sie es, das Gerät bei schlechtem Wetter zu benutzen, beispielsweise bei dichtem Nebel, starkem Regen oder Wind oder bei großer Kälte. Die Arbeit unter schlechten Witterungsbedingungen ermüdet und kann gefährliche Situationen herbeiführen, beispielsweise durch rutschige Untergründe.
- Überprüfen Sie immer die Rückseite der Oberfläche an der Stelle, an der das Bohrbit durch die Oberfläche dringt. Sichern Sie den Arbeitsbereich. Sperren Sie den Arbeitsbereich ab. Stellen Sie sicher, dass es nicht zu Verletzungen oder Schäden kommen kann.
- Stellen Sie sicher, dass sich kein Material lösen und den Bediener verletzen kann.
- Bedienen Sie das Gerät nur dann, wenn Sie bei einem Unfall Hilfe bekommen können.
- Plötzliches Erscheinen von Personen und Tieren kann das sichere Arbeiten mit dem Gerät verhindern. Arbeiten Sie mit dem Gerät immer vorsichtig.
- Achten Sie darauf, dass sich Kleidung, langes Haar und Schmuck nicht in beweglichen Teilen verfangen kann.
- Halten Sie das Gerät nur an isolierten Griffflächen, wenn Sie Arbeiten durchführen, bei denen das Schneidmesser mit versteckten Netzkabeln oder dem eigenen Kabel in Berührung kommen kann. Schneidzubehör, das mit einer stromführenden Leitung in Berührung kommt, kann freiliegende Teile des Elektrowerkzeugs unter Strom setzen und dem Bediener einen Stromschlag versetzen.

## Allgemeine Sicherheitshinweise für Arbeitsgestelle



**WARNUNG:** Lesen Sie sämtliche Sicherheitshinweise und Anweisungen durch. Wenn Sie die Warn- und Sicherheitshinweise nicht befolgen, kann dies zu Elektroschock, Brand und/oder schweren Verletzungen führen.

- **Trennen Sie das Elektrowerkzeug von der Stromversorgung bzw. vom Akku, bevor Sie Einstellarbeiten vornehmen oder Zubehörteile austauschen.** Ein versehentliches Starten des Elektrowerkzeugs kann zu Unfällen führen.
- **Montieren Sie das Arbeitsgestell vor der Montage des Werkzeugs korrekt.** Die korrekte Montage ist wichtig, damit das Gestell nicht zusammenfällt.
- **Befestigen Sie das Elektrowerkzeug vor dem Gebrauch sicher am Arbeitsgestell.** Eine Verschiebung des Elektrowerkzeugs auf dem Arbeitsgestell kann zu einem Kontrollverlust führen.
- **Stellen Sie das Arbeitsgestell auf einer festen, glatten und ebenen Fläche ab.** Wenn das Arbeitsgestell sich verschieben oder wackeln kann, kann das Elektrowerkzeug nicht stabil und sicher kontrolliert werden.
- **Das Arbeitsgestell darf nicht überladen oder als Leitergerüst verwendet werden.** Es wird durch Überlastung oder darauf stehende Personen kopffastig und kann umkippen.

## Persönliche Schutzausrüstung



**WARNUNG:** Lesen Sie die folgenden Warnhinweise, bevor Sie das Gerät benutzen.

- Verwenden Sie immer geeignete persönliche Schutzausrüstung bei der Benutzung des Geräts. Das Tragen persönlicher Schutzausrüstung schließt das Risiko von Verletzungen nicht aus. Das Tragen persönlicher Schutzausrüstung verringert das Ausmaß der Verletzungen bei einem Unfall. Lassen Sie sich von Ihrem Händler bei der Auswahl der richtigen Ausrüstung unterstützen.
- Tragen Sie einen zugelassenen Augenschutz beim Arbeiten mit dem Gerät.
- Tragen Sie keine lose, schwere und ungeeignete Kleidung. Tragen Sie Kleidung, in der Sie sich ungehindert bewegen können.
- Verwenden Sie zugelassene Schutzhandschuhe, die einen festen Griff ermöglichen.
- Tragen Sie Schutzhandschuhe aus Gummi, um Hautreizungen durch feuchten Beton vorzubeugen.
- Verwenden Sie einen zugelassenen Schutzhelm.
- Tragen Sie stets einen zugelassenen Gehörschutz beim Arbeiten mit dem Gerät. Lärmbelastung über

einen längeren Zeitraum kann zu lärmbedingten Hörschäden führen.

- Das Gerät erzeugt Staub und Dämpfe, die gefährliche Chemikalien enthalten. Verwenden Sie einen zugelassenen Atemschutz.
- Tragen Sie Stiefel mit Stahlkappen und rutschfesten Sohlen.
- Vergewissern Sie sich, dass Sie einen Erste-Hilfe-Kasten griffbereit haben.
- Beim Arbeiten mit dem Gerät können Funken entstehen. Vergewissern Sie sich, dass Sie einen Feuerlöscher griffbereit haben.

## Sicherheitsvorrichtungen am Gerät

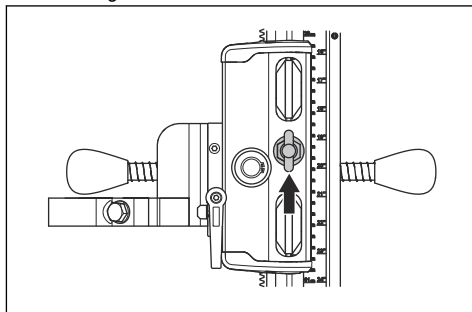


**WARNUNG:** Lesen Sie die folgenden Warnhinweise, bevor Sie das Gerät verwenden.

- Verwenden Sie kein Gerät mit Sicherheitsvorrichtungen, die beschädigt sind oder nicht ordnungsgemäß funktionieren.
- Führen Sie regelmäßig eine Überprüfung der Sicherheitsvorrichtungen durch. Wenn die Sicherheitsvorrichtungen beschädigt sind oder nicht ordnungsgemäß funktionieren, wenden Sie sich an den Kundendienst von Husqvarna.
- Führen Sie keine Änderungen an den Sicherheitsvorrichtungen durch.

## So kontrollieren Sie die Schlittenverriegelung

1. Drehen Sie den Knopf, um den Bohrmotorschlitten zu verriegeln.



2. Stellen Sie manuell sicher, dass der Bohrmotorschlitten an der Bohrsäule arretiert ist.

## Sicherheitshinweise für die Wartung



**WARNUNG:** Lesen Sie die folgenden Warnhinweise, bevor Sie das Gerät benutzen. Bewahren Sie alle Warnhinweise und Anweisungen zum Nachschlagen für zukünftige Arbeiten auf.

- Halten Sie vor der Wartung des Geräts den Bohrmotor an, trennen Sie die Stromversorgung, und entfernen Sie den Bohrmotor.
- Halten Sie alle Teile in einwandfreiem Zustand, und stellen Sie sicher, dass alle Befestigungen korrekt festgezogen sind.
- Verwenden Sie das Gerät nicht, wenn es defekt ist. Führen Sie alle Sicherheitskontrollen, Wartungen

und Servicemaßnahmen durch, die in dieser Bedienungsanleitung angegeben sind. Alle anderen Wartungsarbeiten müssen von einem autorisierten Servicehändler durchgeführt werden.

- Warten Sie das Gerät, um sicherzustellen, dass es ordnungsgemäß funktioniert. Siehe *Tägliche Wartung auf Seite 29*.

## Montage

### Einleitung

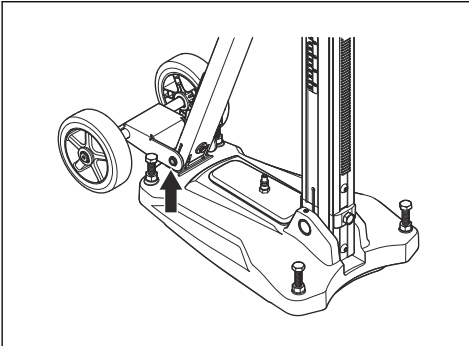


**WARNUNG:** Lesen Sie vor der Montage des Geräts das Kapitel über Sicherheit, und machen Sie sich damit vertraut.

### Installieren des Radsatzes

Der Radsatz ist nicht bei allen Modellen im Lieferumfang enthalten.

- Bringen Sie den Radsatz an der Halterung an der Rückseite des Bohrständerfußes an, und ziehen Sie die Schrauben fest.



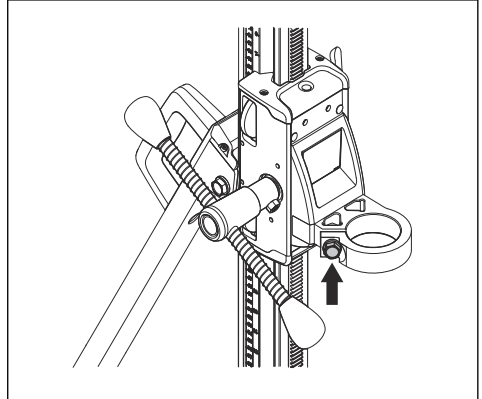
### Anbringen des Bohrmotors (DS150)



**WARNUNG:** Trennen Sie den Bohrmotor von der Stromversorgung.

1. Nehmen Sie das Bohrbit vom Bohrmotor ab.
2. Verriegeln Sie die Schlittenverriegelung.
3. Stecken Sie die Bohrspindel durch die Manschette im Bohrmotorschlitten.

4. Ziehen Sie die Schraube mit dem Vorschubhebel fest.

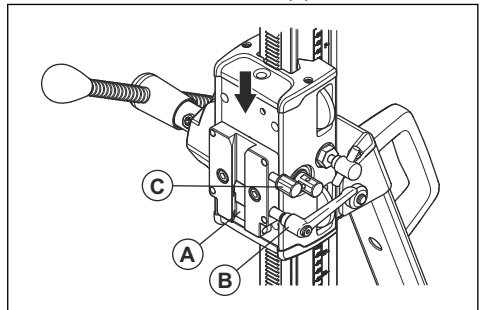


### Anbringen des Bohrmotors (DS250)



**WARNUNG:** Trennen Sie den Bohrmotor von der Stromversorgung.

1. Nehmen Sie das Bohrbit vom Bohrmotor ab.
2. Verriegeln Sie die Schlittenverriegelung.
3. Befestigen Sie den Bohrmotor in der Verschlussklammer des Bohrmotorschlittens.
4. Schieben Sie den Bohrmotor bis ganz zum unteren Ende der Verschlussklammer (A).



- Ziehen Sie die Verschlussklammer mit dem Hebel (B) fest.
- Wenn Sie den Bohrmotor DM240 installieren, ziehen Sie auch die Sicherungsschraube (C) fest.

---

**Hinweis:** Die Sicherungsschraube wird nur für den Bohrmotor DM240 verwendet.

---

---

## Installation

---

### Vorgehensweise bei der Installation

Es gibt 3 Verfahren zum Installieren des Geräts vor dem Bohren:

- Mit einer Klemmspindel.
- Mit einer Vakuumplatte.
- Mit einer Gewindestange, einer Unterlegscheibe und einer Sicherungsmutter.

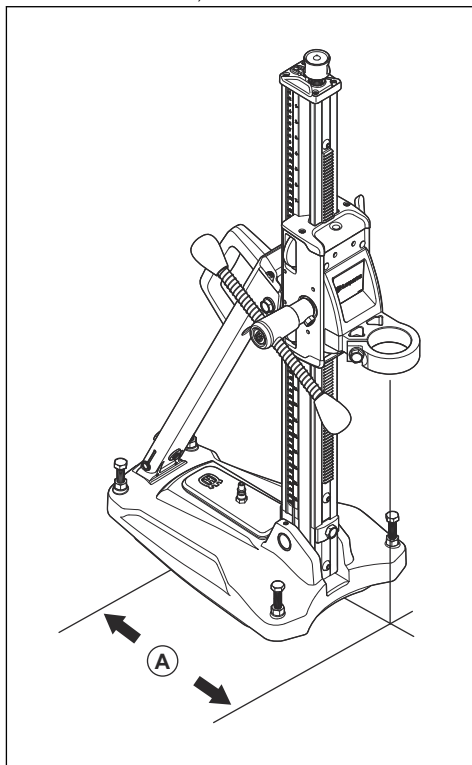
### Installation des Geräts mit einer Klemmspindel



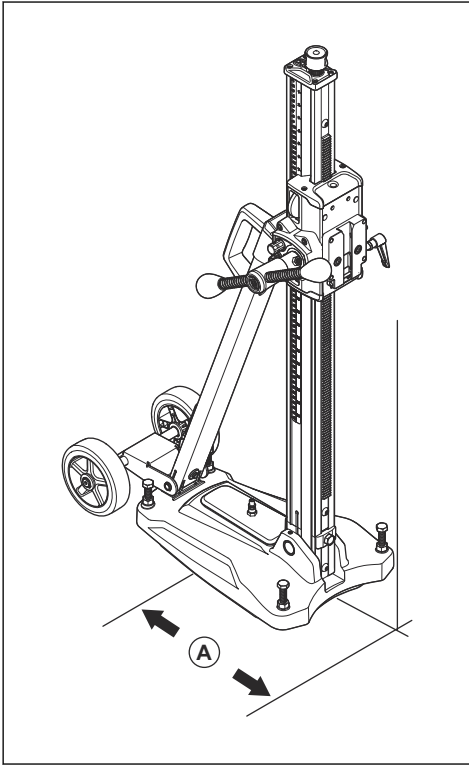
**WARNUNG:** Wenn Sie das Gerät an einer Decke oder Wand montieren, wird die Oberfläche stark belastet. Verwenden Sie für die Benutzung an Decken und Wänden nur Klemmspindeln oder Ankerschrauben, die für diese Belastung ausgelegt sind.

- Bohren Sie ein Loch für die Klemmspindel.

- Für DS150: Bohren Sie dieses Loch in einem Abstand (A) von 293 mm (11,5 Zoll) von der Mitte des Lochs, das Sie bohren möchten.

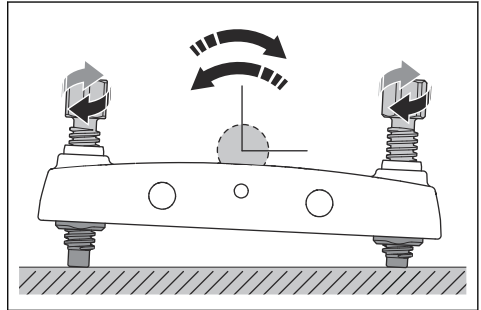


- b) Für DS250: Bohren Sie dieses Loch in einem Abstand (A) von 300 mm (11,8 Zoll) von der Mitte des Lochs, das Sie bohren möchten.



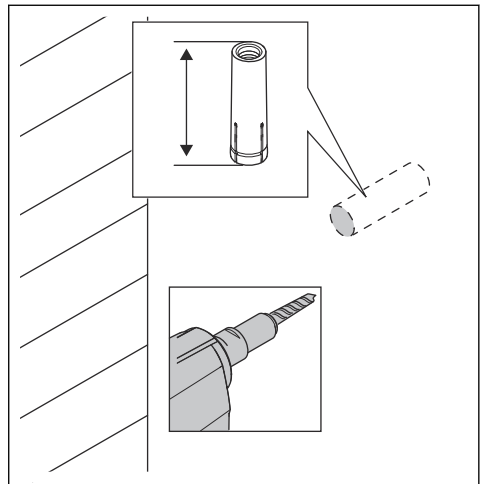
**Hinweis:** Dieser Abstand gilt, wenn der Bohrmotor DM220 auf der Schnellmontageplatte montiert ist. Wenn der Bohrmotor mit einer Manschette montiert ist, beträgt der Abstand 320 mm/12,6 Zoll.

4. Stellen Sie ggf. die untere Platte passend ein. Drehen Sie die Stellschrauben, bis die Bodenplatte parallel zur Oberfläche liegt.



#### Befestigen der Klemmspindel

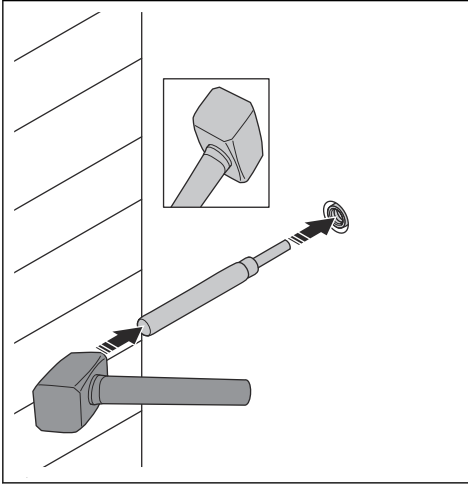
1. Bohren Sie ein Loch für die Klemmspindel. Achten Sie auf eine ausreichende Tiefe. Der Sockel muss sich unterhalb der Oberfläche befinden.



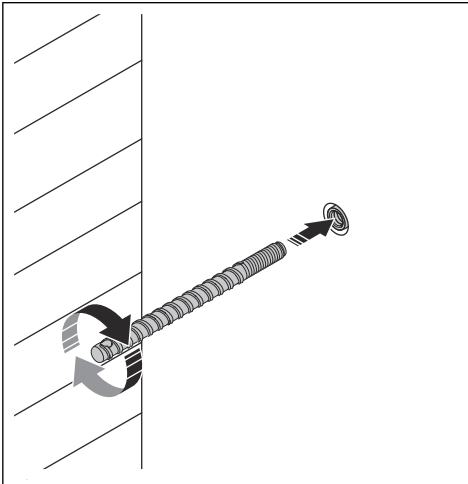
2. Befestigen Sie die untere Platte mit einer Klemmspindel.  
3. Vergewissern Sie sich, dass die Klemmspindel richtig befestigt ist.



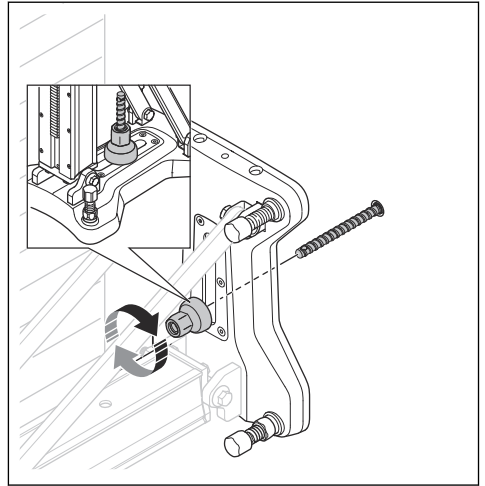
2. Verwenden Sie den Dorn und einen Hammer, um die Klemmspindel zu montieren.



3. Montieren Sie die Ankerschraube.



4. Befestigen Sie das Gerät mit der Mutter.



### So montieren Sie das Gerät mit einer Husqvarna-Vakuumplatte



**WARNUNG:** Verwenden Sie das Gerät beim Bohren in Wände oder Decken nicht in Kombination mit der Vakuumplatte.



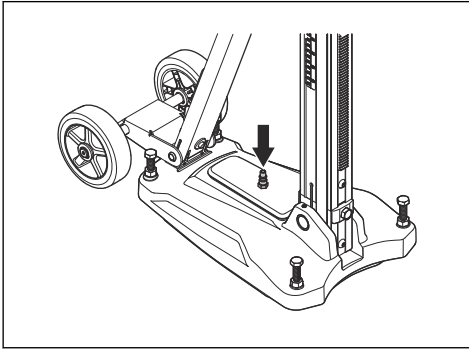
**WARNUNG:** Die Aufstandsfläche muss eben und von guter Qualität sein. Das Gerät kann sich lösen, wenn die Vakuumplatte nicht komplett dicht an der Oberfläche anliegt.



**WARNUNG:** Die Verwendung einer Vakuumplatte wird nur zusammen mit den folgenden Husqvarna-Bohrmotoren empfohlen: DM200, DM220, DM230, DM280 High speed. Die Verwendung anderer Bohrmotoren kann dazu führen, dass sich das Gerät löst.

1. Lösen Sie die Höhenverstellerschrauben. Sie müssen sich über der Unterseite der Vakuumplatte befinden.

2. Schließen Sie den Vakuumschlauch an, und starten Sie die Pumpe.



**WARNUNG:** Der Mindestdruck muss  $-0,85$  bar betragen, damit die

Vakuumpumpe vollständig dicht auf der Oberfläche haftet.

3. Ziehen Sie die Schrauben an, bis Sie einen Druck auf der Schraube wahrnehmen.



**WARNUNG:** Die Höhenverstellungsschrauben müssen die Aufstandsfläche berühren, wenn Sie die Vakuumpumpe verwenden. Ist dies nicht der Fall, kann sich die Vakuumpumpe lösen.

### Installation des Geräts mit einer Gewindestange

- Verwenden Sie eine Gewindestange, um das Produkt an einer Wand oder Decke zu montieren.
- Verwenden Sie eine Gewindestange dann, wenn es nicht möglich ist, eine Klemmspindel zu verwenden.
- Ziehen Sie Unterlegscheiben und Muttern auf der Gewindestange fest.

## Betrieb

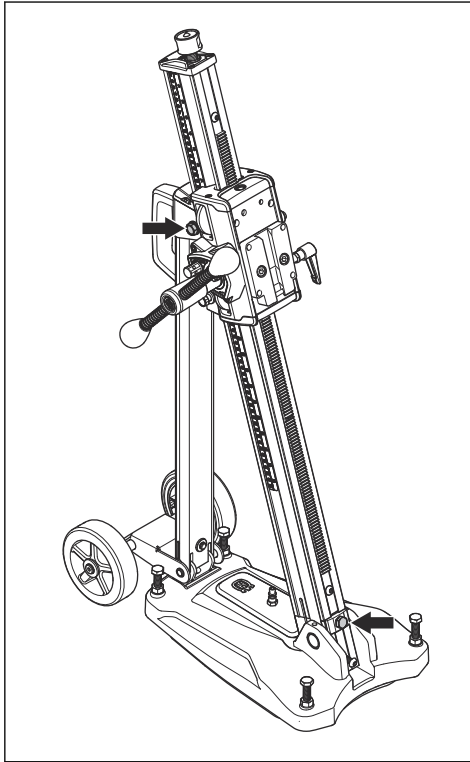
### Bevor Sie das Gerät bedienen

- Lesen Sie die Bedienungsanleitung sorgfältig durch, und stellen Sie sicher, dass Sie die Anweisungen verstehen.
- Lesen Sie die Bedienungsanleitung für den Bohrmotor sorgfältig durch, und vergewissern Sie sich, dass Sie die Anweisungen verstanden haben.
- Führen Sie die tägliche Wartung durch. Siehe *Tägliche Wartung auf Seite 29*.

### So stellen Sie den Winkel der Bohrsäule ein

Die Säule kann um  $0-60^\circ$  gekippt werden.

1. Lösen Sie die Feststellschrauben, die die Bohrsäule arretieren, und stellen Sie die Säule auf den gewünschten Bohrwinkel ein.



- a) Verwenden Sie den Winkelmesser für die Grobeinstellung. Wenn eine höhere Präzision erforderlich ist, verwenden Sie alternative Methoden zur Messung.

2. Ziehen Sie die Feststellschrauben der Bohrsäule an.

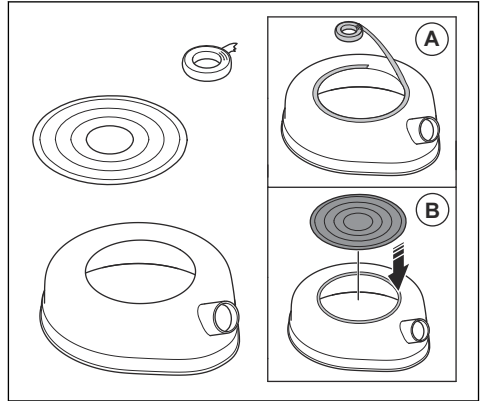
## So bereiten Sie das Gerät auf das Bohren über Kopf vor



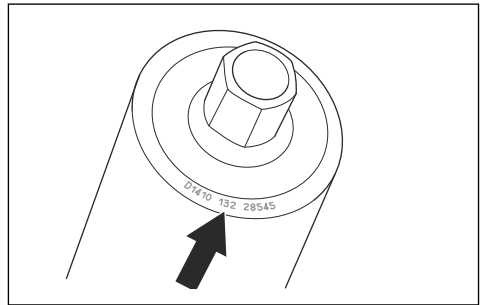
**WARNUNG:** Verwenden Sie beim Bohren über Kopf stets einen Schlammring und eine Gummischeibe. Wasser, das in das Gerät eindringt, erhöht das Risiko eines elektrischen Schlags.

1. Reinigen Sie die Oberseite des Schlammrings. Schmierfett und Verunreinigungen müssen vollständig entfernt werden.

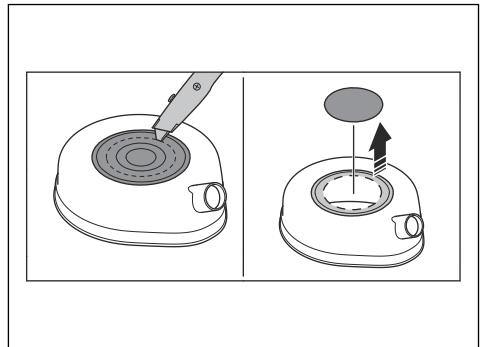
2. Bringen Sie doppelseitiges Klebeband an oder tragen Sie Sprühklebstoff an der oberen Öffnung des Schlammrings auf (A). Bringen Sie die Dichtscheibe als Abdeckung an der oberen Öffnung an (B). Sorgen Sie für einen festen Sitz.



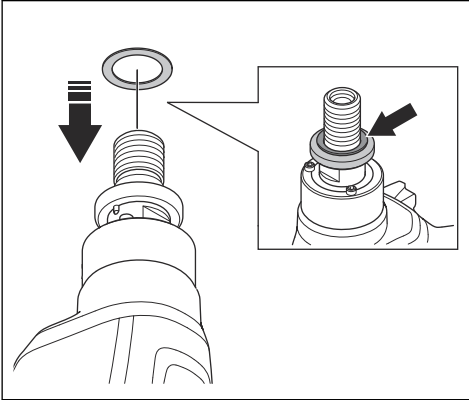
3. Lesen Sie an der Oberseite des Bohrers das Maß des Kernbohrers ab.



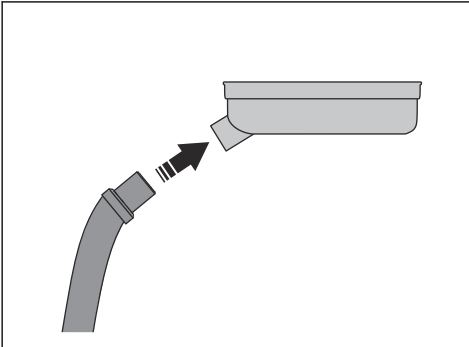
4. Schneiden Sie ein Loch in die Dichtscheibe. Verwenden Sie dabei das nächstkleinere Maß zum Maß des Kernbohrers.



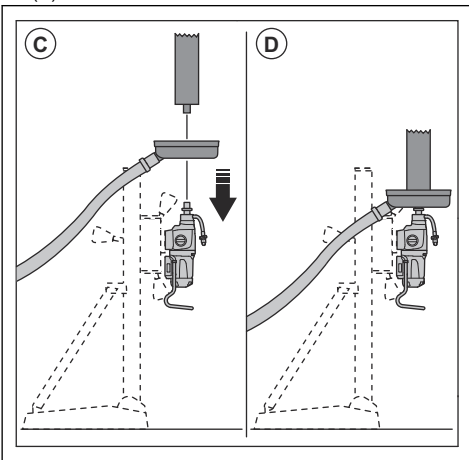
5. Bringen Sie die Gummischeibe am Leichtlösering an der Bohrspindel an.



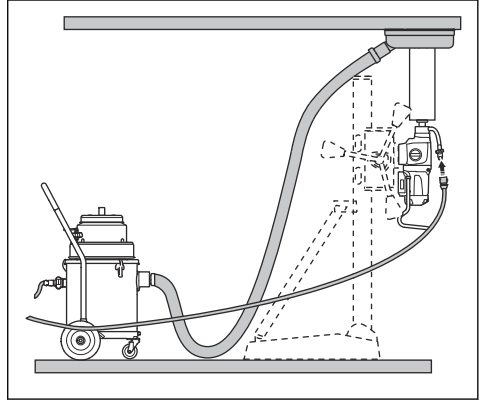
6. Verbinden Sie den Schlammstammler mit dem Anschluss des Schlammrings.



7. Setzen Sie den Schlammring auf die Bohrspindel (C). Montieren Sie das Bohrbit auf der Bohrspindel (D).



8. Starten Sie den Schlammstammler.  
9. Heben Sie das Bohrbit nach oben zur Decke.  
Bringen Sie den Schlammring an der Decke an.



# Wartung

## Einleitung



**WARNUNG:** Lesen Sie vor dem Warten des Geräts das Kapitel über Sicherheit, und machen Sie sich damit vertraut.



**WARNUNG:** Um Verletzungen zu vermeiden, trennen Sie das Netzkabel ab, bevor Sie Wartungsarbeiten durchführen.

## Tägliche Wartung

- Vergewissern Sie sich, dass alle Muttern und Schrauben fest angezogen sind.
- Reinigen Sie die Außenflächen.
- Stellen Sie sicher, dass sich der Vorschubhebel ohne Widerstand bewegen lässt.
- Prüfen Sie, ob die Getriebe leicht und geräuscfrei funktionieren.
- Untersuchen Sie die Bohrsäule auf Verschleiß oder Beschädigungen.
- Achten Sie dabei darauf, dass sich der Schlitten des Bohrmotors leicht bewegen lässt und dass er kein Spiel gegen die Bohrsäule hat.

## Reinigung und Schmieren des Geräts



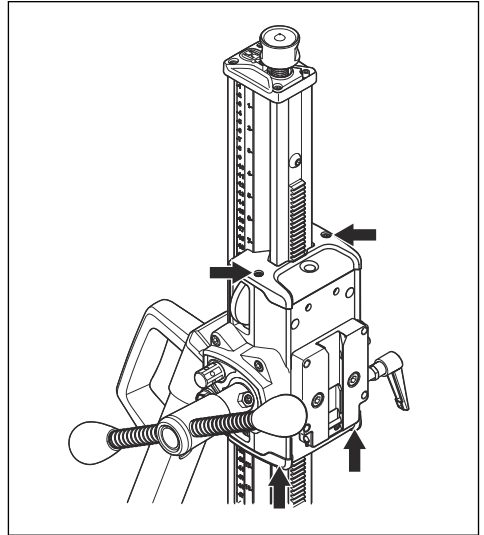
**ACHTUNG:** Wird der Bohrständer nicht gereinigt, kann dies zu Beschädigungen führen.

1. Entfernen Sie den Bohrmotor.
2. Reinigen Sie das Gerät mit einem Hochdruckreiniger, und entfernen Sie dann verbleibendes Wasser mit einem trockenen Tuch.
3. Schmieren Sie die beweglichen Teile des Geräts. Fetten Sie die Kontaktflächen ein, um Korrosion zu verhindern.

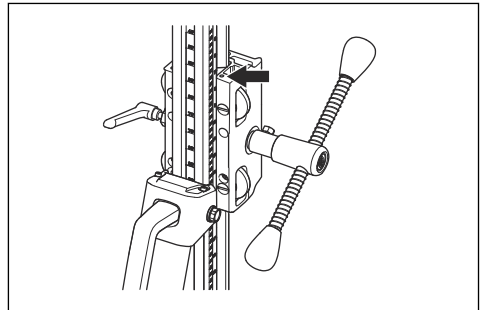
## Einstellen des Schlittens des Bohrmotors

Befindet sich ein Abstand zwischen der Bohrsäule und dem Schlitten des Bohrmotors, muss der Schlitten angepasst werden.

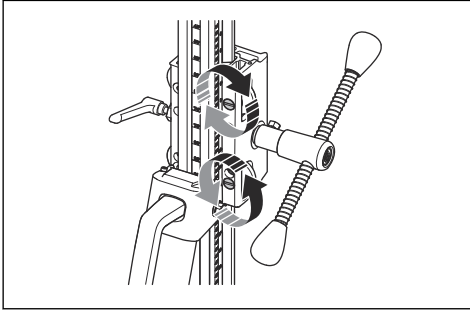
1. Entfernen Sie die Kunststoffabdeckungen von der Ober- und Unterseite des Bohrmotorschlittens.



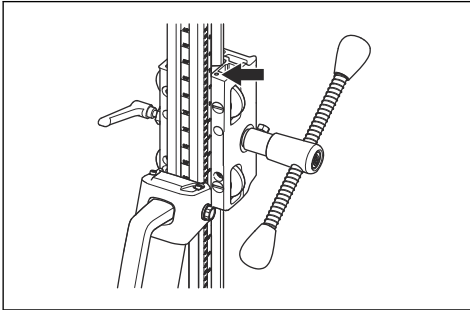
2. Entfernen Sie die Befestigungsschraube der Rollenwellen.



3. Drehen Sie das obere Führungsrad mit einem flachen Schraubenzieher im Uhrzeigersinn. Das obere Führungsrad bewegt sich näher zur Bohrsäule.

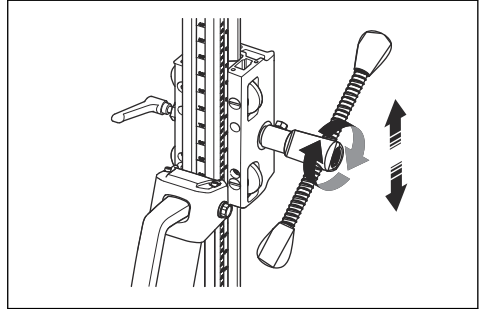


4. Drehen Sie das untere Führungsrad mit einem flachen Schraubendreher gegen den Uhrzeigersinn. Das untere Führungsrad bewegt sich näher zur Bohrsäule.
5. Ziehen Sie die Befestigungsschrauben der Rollenwellen fest.



**Hinweis:** Nach dem Feststellen der Rollenwellen sollten sich diese mit dem Vorschubhebel, jedoch nicht von Hand drehen lassen.

6. Verwenden Sie den Vorschubhebel, um den Bohrmotorschlitten nach oben und unten zu bewegen. Achten Sie dabei darauf, dass sich der Bohrmotor gleichmäßig auf der Bohrsäule bewegt. Die Rollenwellen müssen rotieren und dürfen sich nicht bewegen. Falls notwendig, passen Sie die Rollenwellen nochmals an.



## Transport und Lagerung

- Sichern Sie das Gerät während des Transports, um Schäden und Unfälle zu vermeiden.
- Verwenden Sie die optionalen Transporträder, um das Gerät zu transportieren, während ein Bohrmotor installiert ist.
- Für den Transport ohne Transporträder muss der Bohrmotor vom Gerät entfernt werden, da das Gesamtgewicht mehr als 25 kg beträgt.
- Bewahren Sie das Gerät in einem verschlossenen Bereich auf, um einen unerlaubten Zugriff durch Kinder oder andere nicht befugte Personen zu verhindern.
- Bewahren Sie das Gerät an einem trockenen und frostfreien Bereich auf.

## Technische Daten

### Technische Daten

Abmessungen	DS150	DS250	DS250 Single speed	DS250 Single speed short
Höhe, mm/Zoll	862/33,9	1052/41,4	1052/41,4	862/33,9
Breite, mm/Zoll	266/10,5	266/10,5	266/10,5	266/10,5
Tiefe, mm/Zoll	522/20,6	545/21,5	545/21,5	545/21,5
Gewicht, kg/Pfund	14/30,9	17/37,5	16/35,3	15/38
Verfahrweg, mm/Zoll	495/19,5	686/27	686/27	495/19,5
Max. Last (auf dem Griff), kg/Pfund	50/110	50/110	50/110	50/110
Bohrsäulen-Winkel	0–60°	0–60°	0–60°	0–60°
Max. Bohrbitdurchmesser, mm/Zoll	150/6	250/10	150/6 (Manschette) 250/10 (Schnellverschluss)	250/10

### Maximale Bohrkronendurchmesser

Bohrmotor	DS 150		DS 250	
	Ankerbolzen, mm/Zoll	Vakuum-Anschluss, mm/Zoll	Ankerbolzen, mm/Zoll	Vakuum-Anschluss, mm/Zoll
DM 540i	100/4	100/4	100/4*	100/4*
DM 230	150/6	150/6	150/6*	150/6*
DM 220			150/6	150/6

\*Zusammen mit einem Ringadapter.

## Zubehör

Verfügbares Zubehör	DS150	DS250	DS250 Single speed	DS250 Single speed short
Vakuumpumpe V 200	X	X	X	X
Radsatz	X		X	X
Getriebe	X			

Verfügbares Zubehör	DS150	DS250	DS250 Single speed	DS250 Single speed short
Manschette		X		

---

## Service

---

### Anerkanntes Service-Zentrum

Um ein anerkanntes Husqvarna Construction Products-Service-Zentrum in Ihrer Nähe zu finden, besuchen Sie die Website .



---

# Konformitätserklärung

---

## EU-Konformitätserklärung

Die **Husqvarna AB**, SE-561 82 Huskvarna, Schweden,  
Tel.: +46-36-146500, erklärt in alleiniger Verantwortung,  
dass das Gerät:

<b>Beschreibung</b>	<b>Bohrständer</b>
<b>Marke</b>	Husqvarna
<b>Typ/Modell</b>	DS150, DS250, DS250 Single speed, DS250 Single speed short
<b>Identifizierung</b>	Seriennummern ab 2022

die folgenden EU-Richtlinien und -Verordnungen erfüllt:

<b>Richtlinie/Verordnung</b>	<b>Beschreibung</b>
2006/42/EG	„Maschinenrichtlinie“

und dass die folgenden harmonisierten Normen und/  
oder technischen Daten angewendet werden;

EN 12348:2000+A1:2009

EN 62841-3-6:2014+A11:2017

EN IEC 63000:2018

Partille, Partille, 2022-12-02



Fredrik Sandinge

Leiter F&E-Abteilung, Ausrüstung zum Sägen und  
Bohren von Beton

Husqvarna AB, Construction Division

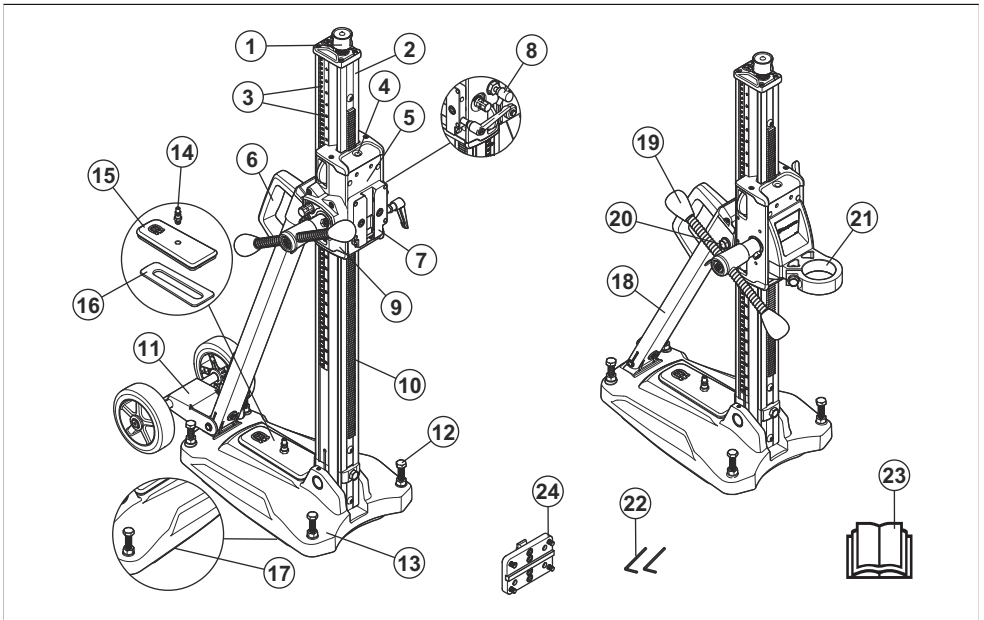
Verantwortlich für die technische Dokumentation

# Sommaire

Introduction.....	34	Transport et stockage.....	45
Sécurité.....	35	Caractéristiques techniques.....	46
Montage.....	38	Accessoires.....	46
Installation.....	39	Entretien.....	47
Utilisation.....	41	Déclaration de conformité.....	48
Entretien.....	44		

# Introduction

## Aperçu du produit



- |   |  |
|---|--|
| 1. Vis de calage  | 14. Couplage pour pression de vide                       |
| 2. Colonne de forage  | 15. Capot du dispositif à vide                           |
| 3. Indication de profondeur et d'angle                              | 16. Joint du capot du dispositif à vide                  |
| 4. Indicateur de niveau   | 17. Joint de la plaque inférieure                        |
| 5. Chariot du moteur de forage                                      | 18. Assistance   |
| 6. Poignée de transport   | 19. Levier d'alimentation                                |
| 7. Collier de blocage de la plaque de montage rapide                | 20. Vis de blocage d'inclinaison de la colonne de forage |
| 8. Verrou du chariot  | 21. Support de moteur de forage                          |
| 9. Boîte de vitesses  | 22. Clé hexagonale, 3 mm et 4 mm                         |
| 10. Crémaillère   | 23. Manuel de l'opérateur                                |
| 11. Roues de transport (ne sont pas fournies pour tous les modèles) | 24. Plaque d'installation                                |
| 12. Vis de mise à niveau  |  |
| 13. Plaque inférieure avec fonction de vide intégrée                |  |

## Description du produit

Le produit est un support de forage pour les moteurs de forage Husqvarna.

- Le modèle DS150 peut être utilisé avec des forets d'un diamètre maximal de 150 mm.
- Le produit est en aluminium, ce qui le rend extrêmement léger. Il est doté d'une plaque à vide intégrée pour un fonctionnement stable.
- Les modèles DS250 peuvent être utilisés avec des forets d'un diamètre maximal de 250 mm.
- La colonne de forage peut être inclinée de 0 à 60°.
- Les modèles DS250 sont équipés d'une plaque de montage rapide pour le moteur de forage. Sur le modèle DS150, le moteur de forage est installé sur un collier.
- Une pompe à vide est disponible en tant qu'accessoire pour tous les modèles.

## Utilisation prévue

Ce produit s'utilise avec un moteur de forage Husqvarna pour forer les plafonds, les murs et les sols. Le produit s'utilise sur le béton, la brique et divers autres matériaux à base de pierre. Il n'est destiné à aucune autre utilisation.

Le produit est utilisé dans des applications industrielles par des opérateurs expérimentés.

## Symboles concernant le produit



**AVERTISSEMENT :** ce produit peut être dangereux et causer des blessures graves, voire mortelles, à l'opérateur ou à d'autres personnes. Soyez prudent et utilisez le produit correctement.



Lisez le manuel d'utilisation et assurez-vous de bien comprendre les instructions avant d'utiliser ce produit.



Utilisez des protège-oreilles agréés.

**Remarque:** les autres symboles/autocollants présents sur le produit concernent des exigences de certification spécifiques à certains marchés.

## Endommagement du produit

Nous ne sommes pas responsables des dommages subis par le produit si :

- le produit n'est pas correctement réparé ;
- le produit est réparé avec des pièces qui ne proviennent pas du fabricant ou qui ne sont pas homologuées par le fabricant ;
- le produit est équipé d'un accessoire qui ne provient pas du fabricant ou qui n'est pas homologué par le fabricant ;
- le produit n'est pas réparé par un centre d'entretien agréé ou par une autorité homologuée.

## Sécurité

### Définitions de sécurité

Des avertissements, des recommandations et des remarques sont utilisés pour souligner des parties spécialement importantes du manuel.



**AVERTISSEMENT:** Symbole utilisé en cas de risque de blessures ou de mort pour l'opérateur ou les personnes à proximité si les instructions du manuel ne sont pas respectées.



**REMARQUE:** Symbole utilisé en cas de risque de dommages pour le produit, d'autres matériaux ou les environs si les instructions du manuel ne sont pas respectées.

**Remarque:** Symbole utilisé pour donner des informations supplémentaires pour une situation donnée.

### Utilisez toujours votre bon sens



**AVERTISSEMENT:** Vous ne devez en aucun cas modifier la conception d'origine de la machine sans l'approbation du fabricant. Utilisez toujours les pièces de rechange d'origine. Toute modification et/ou accessoire non autorisé peut entraîner des blessures graves, voire mortelles à l'utilisateur ou à d'autres personnes présentes.

Il est impossible de prévoir toutes les situations que vous pouvez rencontrer lorsque vous utilisez une foreuse. Soyez toujours prudent et utilisez votre bon

sens. Évitez les situations que vous n'êtes pas sûr de maîtriser. Si, après avoir lu ces instructions, vous n'êtes toujours pas sûr de la procédure à suivre, demandez conseil à un expert avant de poursuivre.

N'hésitez pas à prendre contact avec votre revendeur si vous avez des questions sur l'utilisation de la machine. Nous sommes à votre disposition et vous conseillerons avec plaisir pour vous aider à utiliser votre machine en toute sécurité et de façon efficace.

Laissez à votre revendeur Husqvarna le soin de contrôler régulièrement la foreuse et d'effectuer les réglages et les réparations nécessaires.

Toutes les informations et toutes les données indiquées dans ce manuel d'utilisation étaient valables à la date à laquelle ce manuel a été porté à l'impression.

## Instructions générales de sécurité



**AVERTISSEMENT:** Lisez les instructions qui suivent avant d'utiliser le produit.

- Ce produit est un outil dangereux si vous ne faites pas attention ou si vous l'utilisez de manière incorrecte. Ce produit peut causer des blessures graves, voire mortelles, à l'opérateur ou à d'autres personnes. Avant d'utiliser le produit, il convient de lire attentivement et de bien comprendre les instructions contenues dans ce manuel de l'opérateur.
- Conservez tous les avertissements de sécurité et toutes les instructions.
- Respectez l'ensemble des lois et réglementations applicables.
- L'opérateur et son employeur doivent connaître et éviter tout risque au cours de l'utilisation du produit.
- Ne laissez personne utiliser le produit avant d'avoir lu et compris le contenu du manuel de l'opérateur.
- N'utilisez pas le produit sauf si vous bénéficiez d'une formation préalable. Assurez-vous que tous les opérateurs suivent une formation.
- Ne laissez pas un enfant utiliser le produit.
- Seules les personnes autorisées peuvent utiliser le produit.
- L'utilisateur est tenu responsable des accidents auxquels il expose autrui ou ses biens.
- N'utilisez jamais l'appareil si vous êtes fatigué ou malade, ou si vous êtes sous l'emprise d'alcool, de drogues ou de médicaments.
- Soyez toujours prudent et utilisez votre bon sens.
- Maintenez le produit propre. Assurez-vous que vous pouvez lire clairement les avertissements et les autocollants.
- N'utilisez pas le produit si celui-ci est défectueux.
- Ne modifiez pas ce produit.
- N'utilisez pas le produit s'il est susceptible d'avoir été modifié par d'autres personnes.

## Instructions de sécurité pour le fonctionnement



**AVERTISSEMENT:** lisez les instructions qui suivent avant d'utiliser le produit.

- utilisez un équipement de protection individuelle. Reportez-vous à *Équipement de protection individuel à la page 37*.
- Assurez-vous que seules les personnes autorisées se trouvent dans la zone de travail.
- Veillez à ce que la zone de travail reste propre et bien éclairée.
- Veillez à vous tenir dans une position stable et sûre pendant l'utilisation du produit.
- N'utilisez pas le produit par mauvais temps, par exemple en cas de brouillard épais, de forte pluie, de vent violent ou de grand froid. Travailler par mauvais temps fatigue et peut causer l'apparition de situations dangereuses telles que des surfaces glissantes.
- Examinez toujours l'arrière de la surface que doit traverser le foret. Sécurisez la zone de travail. Délimitez la zone de travail. Assurez-vous qu'aucune blessure ou dommage ne risque de survenir.
- Assurez-vous qu'aucun matériau ne risque de se desserrer et de blesser l'opérateur.
- N'utilisez pas le produit si vous ne pouvez pas être secouru en cas d'accident.
- L'apparition soudaine de personnes et d'animaux peut empêcher l'utilisation en toute sécurité du produit. Utilisez toujours le produit avec précaution.
- Assurez-vous que les vêtements, cheveux longs et bijoux ne risquent pas de se coincer dans les pièces mobiles.
- Saisissez l'outil électrique par les surfaces de préhension isolées lors d'une opération où l'accessoire de coupe risque d'entrer en contact avec du câblage dissimulé ou son propre cordon. Si l'accessoire de coupe entre en contact avec un câble « sous tension », il risque de mettre « sous tension » les parties métalliques exposées de l'outil électrique, ce qui pourrait envoyer un choc électrique à l'opérateur.

## Consignes générales de sécurité relatives au support de travail



**AVERTISSEMENT:** Lire toutes les consignes et instructions de sécurité. Le non-respect des consignes et mises en garde peut être à l'origine d'un choc électrique, d'un incendie et/ou de blessures graves.

- **Débranchez la fiche de la source d'alimentation et/ou le bloc d'alimentation de l'outil électrique**

**avant de procéder aux réglages ou de changer les accessoires.** Le démarrage accidentel de l'outil électrique peut provoquer des accidents.

- **Assemblez correctement le support de travail avant de monter l'outil.** Un assemblage correct est essentiel pour réduire le risque d'effondrement.
- **Fixez et sécurisez l'outil à moteur sur le support de travail avant toute utilisation.** Vous risquez de perdre le contrôle si l'outil à moteur bouge sur le support de travail.
- **Placez le support de travail sur une surface solide, plate et régulière.** Si le support de travail peut se déplacer ou basculer, vous risquez de ne plus pouvoir contrôler l'outil électrique ou la pièce à forer de manière stable et sûre.
- **Ne surchargez pas le support de travail et ne l'utilisez pas comme échafaudage.** Si vous surchargez le support ou si vous montez dessus, l'ensemble risque de se renverser en raison d'une répartition inégale du poids.

## Équipement de protection individuel



**AVERTISSEMENT:** Lisez les instructions qui suivent avant d'utiliser le produit.

- Utilisez toujours un équipement de protection individuel approprié lorsque vous faites fonctionner le produit. L'équipement de protection individuel n'empêche pas le risque de blessures. L'équipement de protection individuel diminue la gravité des blessures en cas d'accident. Faites appel à votre revendeur pour vous aider à sélectionner l'équipement adéquat.
- Utilisez des protections pour les yeux homologuées pendant que vous utilisez le produit.
- Ne portez pas de vêtements lâches, lourds ou inadaptés. Portez des vêtements qui garantissent votre liberté de mouvement.
- Utilisez des gants de protection homologués qui permettent de tenir fermement des objets.
- Utilisez des gants de protection en caoutchouc afin d'éviter toute irritation de la peau due au béton humide.
- Utilisez un casque de protection homologué.
- Utilisez toujours des protecteurs d'oreille homologués pendant l'utilisation du produit. Une exposition au bruit sur de longues périodes peut provoquer une perte d'audition.
- Le produit génère de la poussière et des fumées qui contiennent des produits chimiques dangereux. Utilisez une protection respiratoire homologuée.
- Utilisez des bottes avec embouts en acier et semelles antidérapantes.
- Assurez-vous de disposer d'une trousse de premiers soins à proximité.

- Des étincelles peuvent se produire lorsque vous utilisez le produit. Assurez-vous de disposer d'un extincteur à proximité.

## Dispositifs de sécurité sur le produit

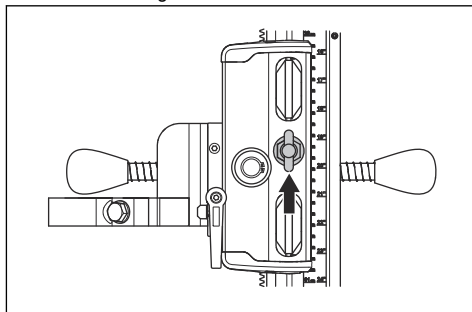


**AVERTISSEMENT:** lisez les instructions qui suivent avant d'utiliser le produit.

- N'utilisez pas un produit dont les dispositifs de sécurité sont endommagés ou ne fonctionnent pas correctement.
- Contrôlez les dispositifs de sécurité régulièrement. Si les dispositifs de sécurité sont endommagés ou ne fonctionnent pas correctement, contactez votre atelier spécialisé Husqvarna.
- N'apportez pas de modifications aux dispositifs de sécurité.

## Contrôle du verrou du chariot

1. Tournez le bouton pour verrouiller le chariot du moteur de forage.



2. Vérifiez manuellement que le chariot du moteur de forage est bloqué sur la colonne de forage.

## Consignes de sécurité pour l'entretien



**AVERTISSEMENT:** Lisez les instructions qui suivent avant d'utiliser le produit. Conservez tous les avertissements et toutes les instructions pour toute opération ultérieure.

- Arrêtez le moteur de forage, débranchez l'alimentation électrique et retirez le moteur de forage avant de procéder à l'entretien du produit.
- Assurez-vous que toutes les pièces sont en bon état et que toutes les fixations sont correctement serrées.
- N'utilisez pas un produit défectueux. Effectuez les contrôles de sécurité, d'entretien et de maintenance indiqués dans ce manuel. Toutes les autres tâches d'entretien doivent être effectuées par un atelier d'entretien agréé.

- Effectuez l'entretien pour vous assurer que le produit fonctionne correctement. Reportez-vous à la section *Entretien quotidien à la page 44.*

## Montage

### Introduction

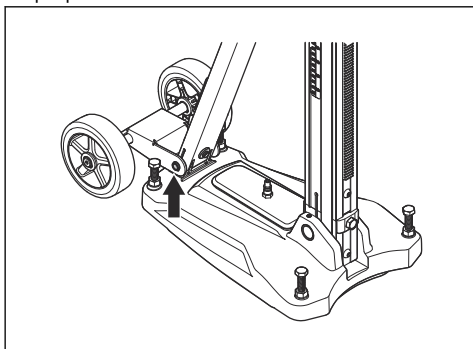


**AVERTISSEMENT:** Assurez-vous de lire et de comprendre le chapitre dédié à la sécurité avant de monter l'appareil.

### Installation du kit de roues

Le kit de roues n'est pas fourni pour tous les modèles.

- Fixez le kit de roues dans le support à l'arrière de la plaque inférieure et serrez les vis.



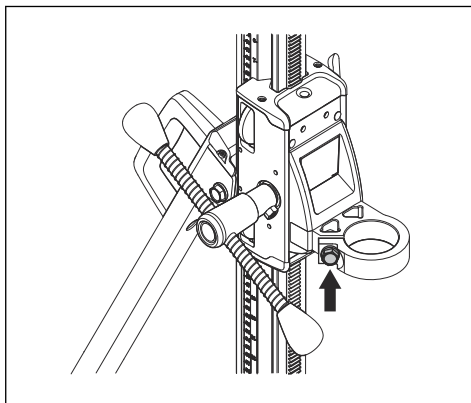
### Fixation du moteur de forage (DS150)



**AVERTISSEMENT:** Débranchez le moteur de forage de l'alimentation électrique.

1. Déposez le foret du moteur de forage.
2. Activez le blocage du chariot.
3. Placez la broche de forage à travers le collier dans le chariot du moteur de forage.

4. Serrez la vis à l'aide du levier d'alimentation.

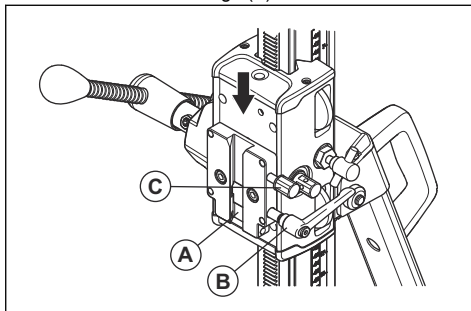


### Fixation du moteur de forage (DS250)



**AVERTISSEMENT:** Débranchez le moteur de forage de l'alimentation électrique.

1. Déposez le foret du moteur de forage.
2. Activez le blocage du chariot.
3. Fixez le moteur de forage dans le collier de blocage du chariot du moteur de forage.
4. Poussez complètement le moteur de forage vers le bas du collier de blocage (A).



5. Serrez le collier de blocage à l'aide du levier (B).
6. Si vous installez le moteur de forage DM240, serrez également la vis de blocage (C).

**Remarque:** La vis de blocage est utilisée uniquement avec le moteur de forage DM240.

# Installation

## Procédures d'installation

3 procédures peuvent être utilisées pour installer le produit avant une opération de forage :

- Avec un boulon explosif
- Avec une plaque à vide
- Avec une tige entièrement filetée, une rondelle et un contre-écrou.

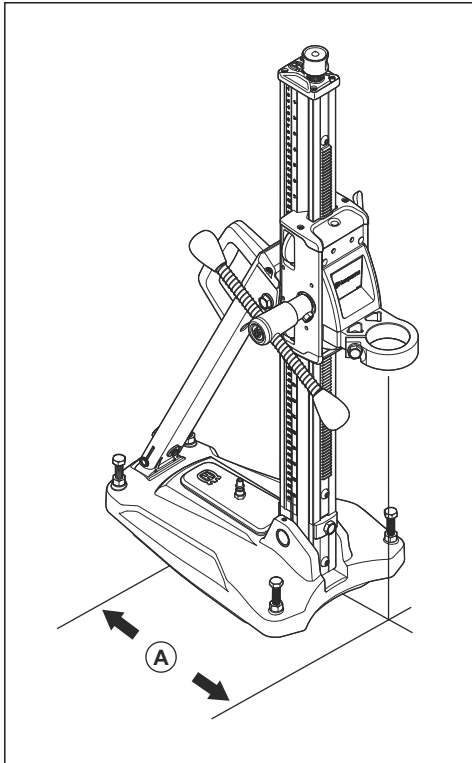
### Installation du produit à l'aide d'un boulon explosif



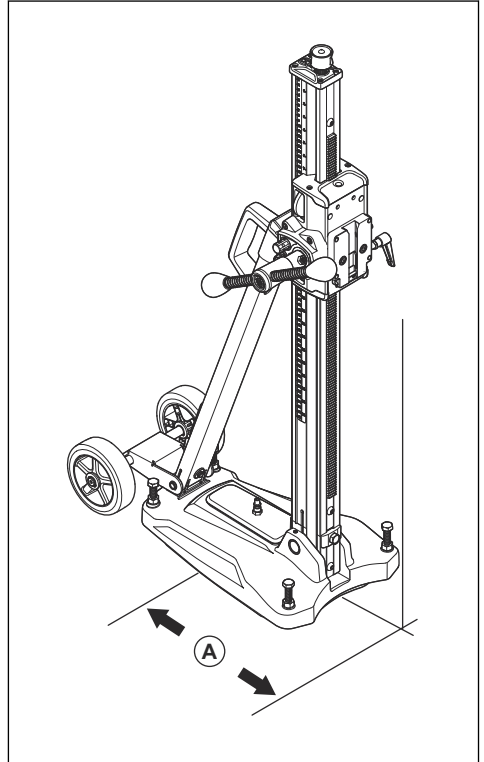
**AVERTISSEMENT:** L'installation du produit sur un plafond ou un mur exerce une forte pression sur la surface d'installation. Pour une utilisation sur les plafonds et les murs, utilisez uniquement une vis d'ancrage ou un boulon explosif adapté à la pression.

1. Percez un trou pour le boulon explosif.

- a) Pour DS150 : Percez un trou à une distance (A) de 293 mm/11,5 po du centre du trou que vous souhaitez forer.



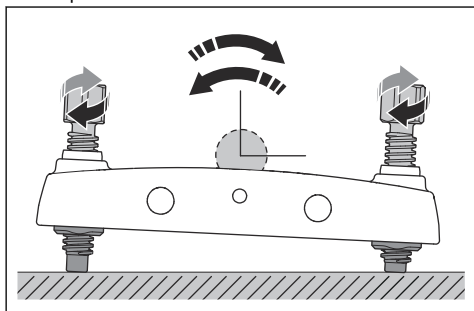
- b) Pour DS250 : Percez un trou à une distance (A) de 300 mm/11,8 po du centre du trou que vous souhaitez forer.



**Remarque:** Cette distance est utilisée lorsque le moteur de forage DM220 est installé sur la plaque de montage rapide. Si le moteur de forage est installé avec un collier, la distance est de 320 mm/12,6 po.

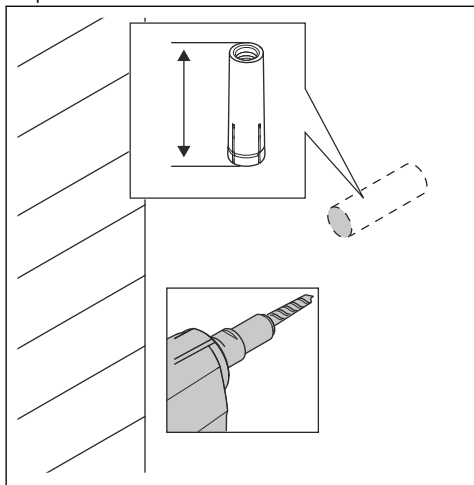
2. Fixez la plaque inférieure avec un boulon explosif.
3. Assurez-vous que le boulon explosif est fixé correctement.

4. Si nécessaire, ajustez la plaque inférieure. Tournez les vis de réglage jusqu'à ce que la plaque inférieure soit parallèle à la surface.

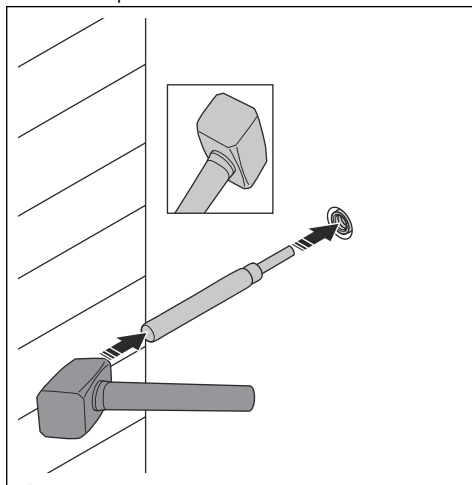


#### Fixation du boulon explosif

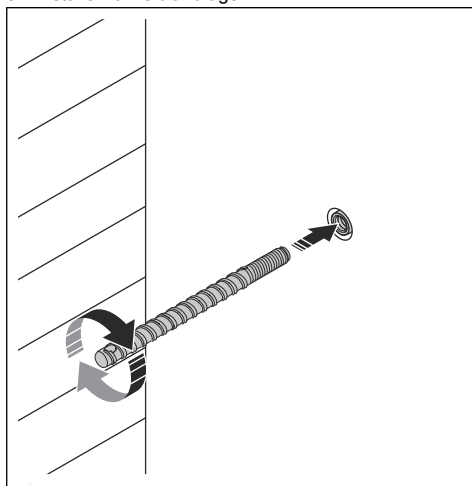
1. Percez un trou pour le boulon explosif. Assurez-vous que la profondeur est suffisante. La douille doit être placée sous la surface.



2. Utilisez un mandrin et un marteau pour installer le boulon explosif.

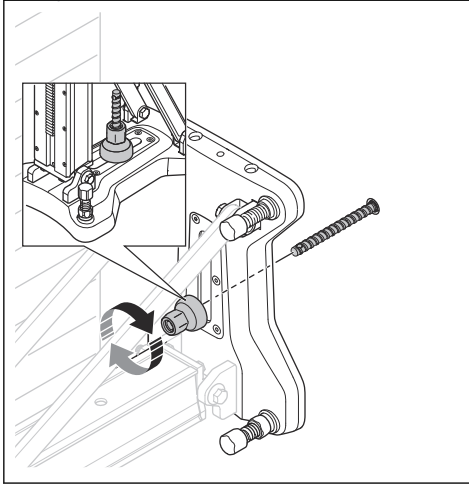


3. Installez la vis d'ancrage.





4. Fixez le produit à l'aide de l'écrou.



**Pour fixer le produit sur une plaque à vide Husqvarna**



**AVERTISSEMENT:** N'utilisez pas le produit en combinaison avec la plaque à vide lorsque vous percez dans un mur ou dans un plafond.



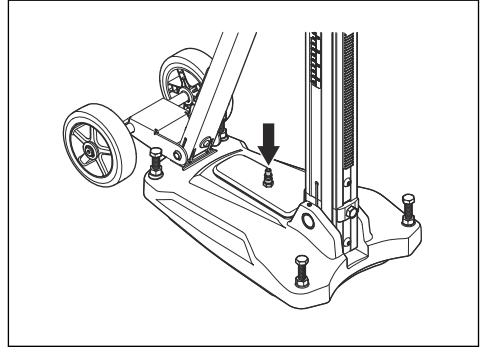
**AVERTISSEMENT:** La surface d'appui doit être plane et de bonne qualité. Le produit peut se desserrer si la plaque à vide ne peut pas être appuyée entièrement contre la surface.



**AVERTISSEMENT:** L'utilisation de la plaque à vide est uniquement recommandée avec les moteurs de forage Husqvarna suivants : DM200, DM220, DM230, DM280 High speed. L'utilisation

d'autres moteurs de forage peut provoquer le desserrage du produit.

1. Desserrez les vis de mise à niveau. Celles-ci doivent se trouver au-dessus du fond de la plaque à vide.
2. Raccordez le tuyau d'aspiration et allumez la pompe.



**AVERTISSEMENT:** La pression doit être d'au moins -0,85 bar pour sceller fermement la plaque à vide sur la surface.

3. Serrez les vis de mise à niveau jusqu'à ce que vous ressentiez une pression sur les vis.



**AVERTISSEMENT:** Les vis de mise à niveau doivent toucher la surface lorsque vous utilisez la plaque à vide. Si ce n'est pas le cas, la plaque à vide risque de se détacher.

### Installation du produit à l'aide d'une tige entièrement fileté

- Utilisez une tige entièrement fileté pour installer le produit sur un mur ou un plafond.
- Utilisez une tige entièrement fileté lorsqu'il n'est pas possible d'utiliser un boulon explosif.
- Utilisez des rondelles et des écrous pour serrer la tige entièrement fileté.

## Utilisation

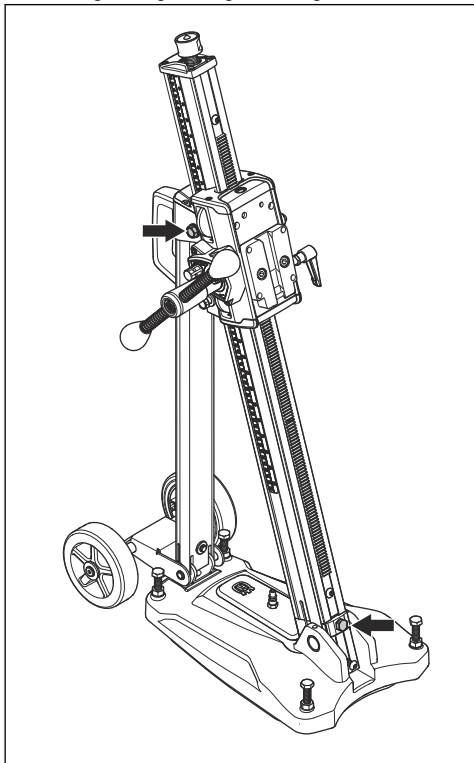
### À faire avant de démarrer le produit

- Lisez attentivement le manuel d'utilisation et assurez-vous de bien comprendre les instructions.
- Lisez attentivement la section du manuel de l'opérateur correspondant au moteur de forage et assurez-vous de bien comprendre les instructions.
- Effectuez l'entretien quotidien. Reportez-vous à la section *Entretien quotidien à la page 44*.

### Réglage de l'angle de la colonne de forage

La colonne de forage peut être inclinée de 0 à 60°.

1. Desserrez les vis de blocage qui bloquent la colonne de forage et réglez l'angle de forage souhaité.



- a) Utilisez l'indicateur d'angle pour un réglage approximatif. Si une plus grande précision est nécessaire, utilisez d'autres méthodes de mesure.

2. Serrez les vis de blocage de la colonne de forage.

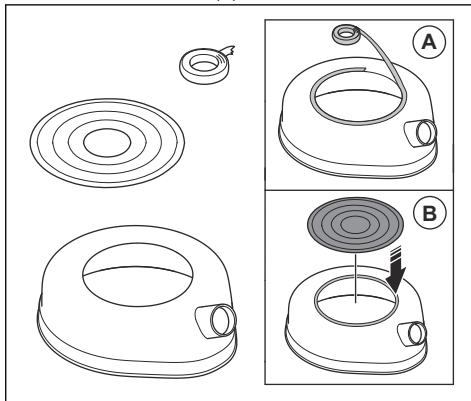
## Pour préparer le produit au forage inversé



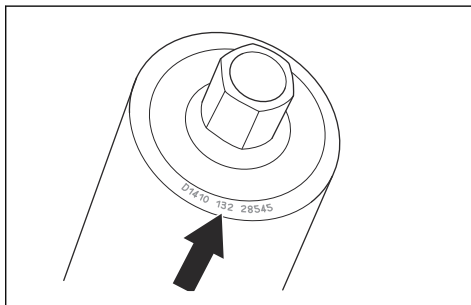
**AVERTISSEMENT:** lors d'un forage inversé, utilisez toujours un anneau récupérateur de boues doté d'un disque d'étanchéité et d'une rondelle en caoutchouc. L'eau qui s'infiltré dans le produit augmente le risque de choc électrique.

1. Nettoyez le dessus de l'anneau récupérateur de boues. Toute la graisse et la saleté doivent être éliminées.

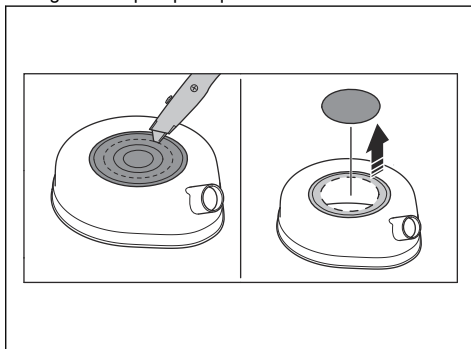
2. Fixez du ruban adhésif double face ou utilisez de la colle à pulvériser autour de l'ouverture supérieure de l'anneau récupérateur de boues (A). Placez le disque d'étanchéité sur l'ouverture supérieure pour en faire un couvercle (B). Fixez-le fermement.



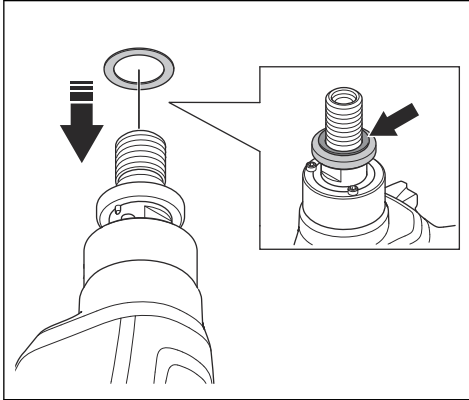
3. Cherchez la dimension de la foreuse sur le dessus du foret.



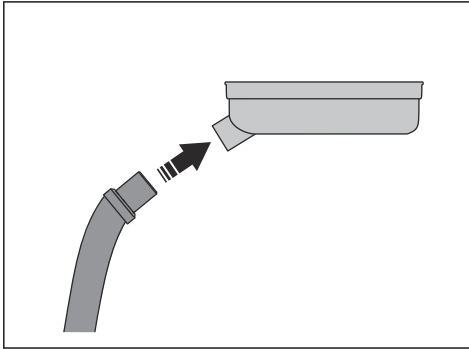
4. Pratiquez un trou dans le disque d'étanchéité très légèrement plus petit que la foreuse.



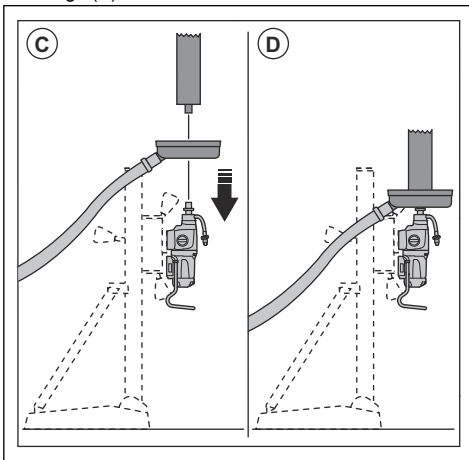
5. Fixez la rondelle en caoutchouc à la rondelle à libération rapide sur la broche de forage.



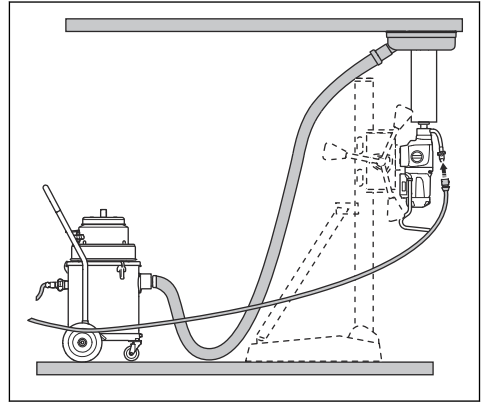
6. Connectez le collecteur de boues au raccord de l'anneau récupérateur de boues.



7. Placez l'anneau récupérateur de boues sur la broche de forage (C). Installez le foret sur la broche de forage (D).



8. Démarrez le collecteur de boues.  
9. Levez le foret vers le plafond. Fixez l'anneau récupérateur de boues au plafond.



# Entretien

## Introduction



**AVERTISSEMENT:** assurez-vous de lire et de comprendre le chapitre sur la sécurité avant de procéder à l'entretien du produit.



**AVERTISSEMENT:** Pour éviter les blessures, débranchez le cordon d'alimentation avant de procéder à l'entretien.

## Entretien quotidien

- Assurez-vous que les écrous et les vis sont serrés.
- Nettoyez les surfaces externes.
- Assurez-vous que le levier d'alimentation se déplace sans résistance.
- Assurez-vous que les engrenages se déplacent facilement et sans bruit.
- Vérifiez que la colonne de forage n'est pas usée ou endommagée.
- Assurez-vous que le chariot du moteur de forage se déplace facilement et qu'il n'y a pas de jeu avec la colonne de forage.

## Nettoyage et lubrification du produit



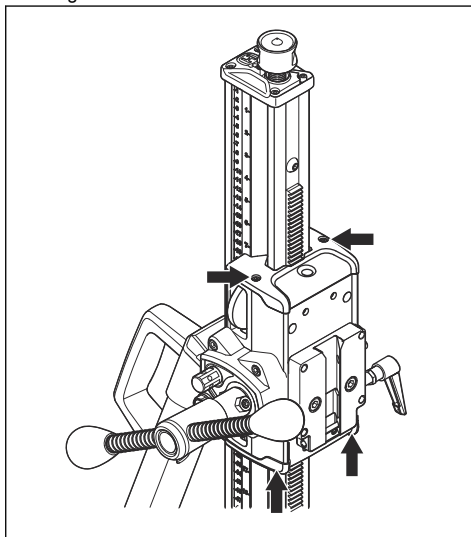
**REMARQUE:** Si vous ne nettoyez pas le support de forage, celui-ci risque d'être endommagé.

1. Retirez le moteur de forage.
2. Nettoyez le produit à l'aide d'un nettoyeur à haute pression, puis essuyez l'eau résiduelle à l'aide d'un chiffon sec.
3. Lubrifiez les pièces mobiles du produit. Graissez les surfaces de contact pour éviter la corrosion.

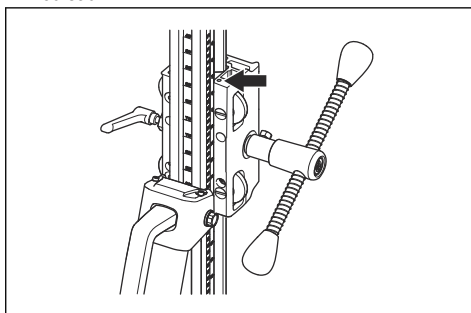
## Réglage du chariot du moteur de forage

S'il y a un espace entre la colonne de forage et le chariot du moteur de forage, ce dernier doit être réglé.

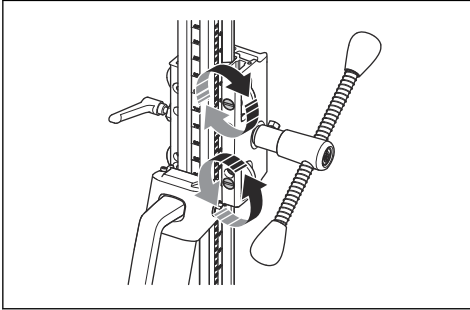
1. Retirez les capots en plastique des parties supérieure et inférieure du chariot du moteur de forage.



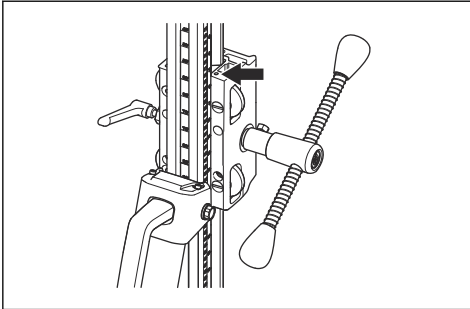
2. Desserrez la vis qui maintient les arbres des rouleaux.



3. Tournez la roue de guidage supérieure dans le sens des aiguilles d'une montre à l'aide d'un tournevis plat. La roue de guidage supérieure se rapproche de la colonne de forage.

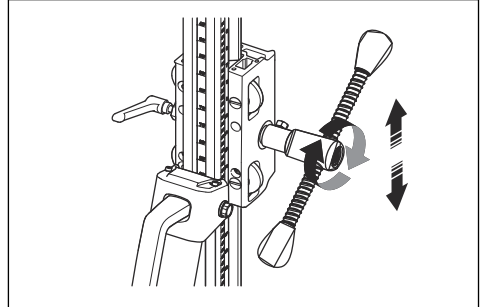


4. Tournez la roue de guidage inférieure dans le sens contraire des aiguilles d'une montre à l'aide d'un tournevis plat. La roue de guidage inférieure se rapproche de la colonne de forage.
5. Serrez la vis qui maintient les arbres des rouleaux.



**Remarque:** Après avoir serré les arbres des rouleaux, vous devez être en mesure de les faire tourner avec le levier d'alimentation mais pas à la main.

6. Utilisez le levier d'alimentation pour déplacer le moteur de forage vers le haut et le bas. Assurez-vous que le chariot du moteur de forage se déplace sans à-coups sur la colonne de forage. Les arbres des rouleaux doivent tourner et non se déplacer. Si nécessaire, réglez à nouveau les arbres des rouleaux.



## Transport et stockage

- Sécurisez le produit lors de son transport pour éviter tout dommage ou accident.
- Utilisez les roues de transport en option pour transporter le produit avec un moteur de forage fixé.
- Pour transporter le produit sans roues de transport, il est nécessaire de déposer le moteur de forage du produit, car son poids total est supérieur à 25 kg.
- Conservez le produit dans un endroit verrouillé afin que des enfants ou personnes qui ne sont pas autorisées à l'utiliser ne puissent pas y avoir accès.
- Conservez le produit dans un endroit sec et à l'abri du gel.

## Caractéristiques techniques

### Caractéristiques techniques

Dimensions	DS150	DS250	DS250 Single speed	DS250 Single speed short
Hauteur, mm/po.	862/33,9	1 052/41,4	1 052/41,4	862/33,9
Largeur, mm/po.	266/10,5	266/10,5	266/10,5	266/10,5
Profondeur, mm/po.	522/20,6	545/21,5	545/21,5	545/21,5
Poids kg/lb	14/30,9	17/37,5	16/35,3	15/38
Course, mm/po.	495/19,5	686/27	686/27	495/19,5
Charge max. (sur la poignée), kg/lbs	50/110	50/110	50/110	50/110
Angle de la colonne de forage	0 à 60°	0 à 60°	0 à 60°	0 à 60°
Diamètre max. du foret, mm/po.	150/6	250/10	150/6 (support de moteur de forage)  250/10 (fixation rapide)	250/10

### Diamètres de foret maximaux

Moteur de forage	DS 150		DS 250	
	Boulon d'ancrage, mm/po	Raccord par vide, mm/po	Boulon d'ancrage, mm/po	Raccord par vide, mm/po
DM 540i	100/4	100/4	100/4*	100/4*
DM 230	150/6	150/6	150/6*	150/6*
DM 220			150/6	150/6

\*Avec adaptateur de bague.

## Accessoires

Accessoire disponible	DS150	DS250	DS250 Single speed	DS250 Single speed short
Pompe à vide VP 200	X	X	X	X
Kit de roues	X		X	X
Boîte de vitesses	X			

Accessoire disponible	DS150	DS250	DS250 Single speed	DS250 Single speed short
Support de moteur de forage		X		

---

## Entretien

---

### Atelier d'entretien agréé

Pour trouver l'atelier d'entretien Husqvarna Construction Products agréé le plus proche, rendez-vous sur le site Web .

---

## Déclaration de conformité

---

### Déclaration de conformité CE

Nous, **Husqvarna AB**, SE-561 82 Huskvarna, Suède,  
tél : +46-36-146500, déclarons sous notre entière  
responsabilité que le produit :

<b>Description</b>	<b>Bâti de forage</b>
<b>Marque</b>	Husqvarna
<b>Type/Modèle</b>	DS150, DS250, DS250 Single speed, DS250 Single speed short
<b>Identification</b>	Numéros de série à partir de 2022 et ultérieurs

est entièrement conforme à la réglementation et aux  
directives de l'UE suivantes :

<b>Directive/Réglementation</b>	<b>Description</b>
2006/42/EC	« relative aux machines »

et que les normes harmonisées et/ou les spécifications  
techniques suivantes sont appliquées :

EN 12348:2000+A1:2009

EN 62841-3-6:2014+A11:2017

EN IEC 63000:2018

Partille, Partille, 2022-12-02



Fredrik Sandinge

Directeur R&D, équipement de découpe et forage du  
béton

Husqvarna AB, division Construction

Responsable de la documentation technique

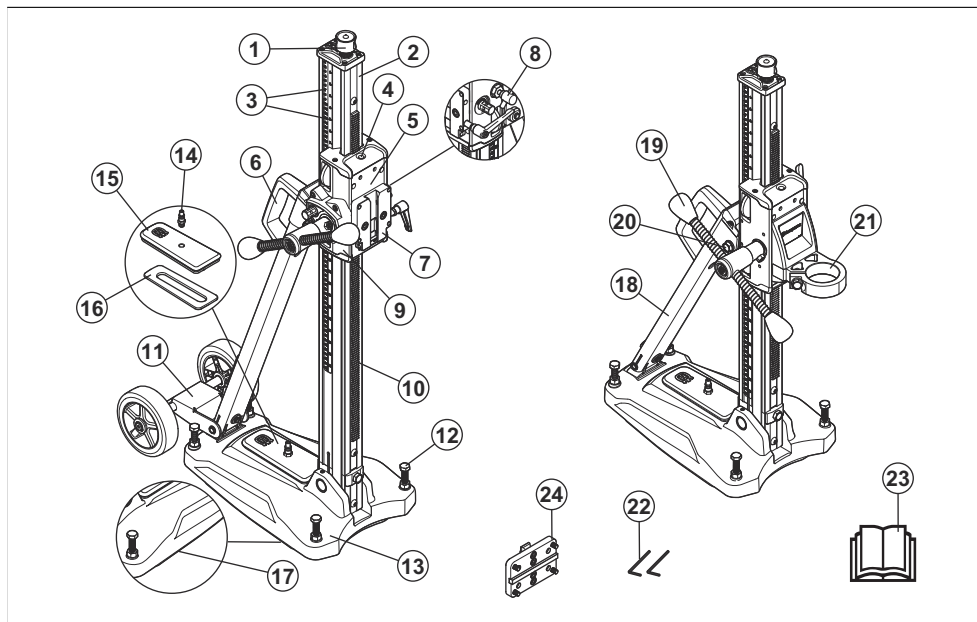


## Inhoud

Inleiding.....	49	Transport en opslag.....	60
Veiligheid.....	50	Technische gegevens.....	61
Montage.....	53	Accessoires.....	61
Installatie.....	54	Service.....	62
Werking.....	56	Verklaring van overeenstemming.....	63
Onderhoud.....	59		

## Inleiding

### Productoverzicht



1. Stelschroef
2. Boorkolom
3. Indicatie voor diepte en hoek
4. Hoogte-indicator
5. Boormotorslede
6. Handgreep voor transport
7. Borgklem voor de snelbevestigingsplaat
8. Sledevergrendeling
9. Versnellingsbak
10. Tandheugel
11. Transportwielen (niet bij alle modellen meegeleverd)
12. Hoogteafstelschroeven
13. Bodemplaat met geïntegreerde vacuümfunctie
14. Koppeling voor vacuümsysteem
15. Afdekking vacuümsysteem
16. Pakking voor de vacuümafdekking
17. Pakking voor de bodemplaat
18. Steun
19. Toevoerhendel
20. Borgschroef voor het kantelen van de boorkolom
21. Kraag
22. Inbusleutel, 3 mm en 4 mm
23. Bedieningshandleiding
24. Montageplaat

## Productbeschrijving

Het product is een boorstandaard voor Husqvarna-boormotoren.

- Het model DS150 kan worden gebruikt met boorbits met een diameter van maximaal 150 mm.
- Het product is vervaardigd van aluminium en is daarom zeer licht in gewicht. Het heeft een ingebouwde vacuümpomp voor een stabiele werking.
- De DS250-modellen kunnen worden gebruikt met boorbits met een diameter van maximaal 250 mm.
- De boorkolom kan 0-60° worden gekanteld.
- De DS250-modellen hebben een snelbevestigingsplaat voor de boormotor. Bij model DS150 is de boormotor op een kraag gemonteerd.
- Voor alle modellen is een vacuümpomp verkrijgbaar als accessoire.

## Gebruik

Dit product wordt samen met een Husqvarna-boormotor gebruikt om in plafonds, muren en vloeren te boren. Het product wordt gebruikt voor beton, baksteen en verschillende steenmaterialen. Elk ander gebruik is niet geschikt.

Het product wordt door ervaren gebruikers toegepast in industriële processen.

## Symbolen op het product



**WAARSCHUWING:** Dit product kan gevaarlijk zijn en ernstig of fataal letsel toebrengen aan de gebruiker of anderen. Wees voorzichtig en gebruik het product op de juiste manier.

## Veiligheid

### Veiligheidsdefinities

Waarschuwingen, voorzorgsmaatregelen en opmerkingen worden gebruikt om te wijzen op belangrijke delen van de handleiding.



**WAARSCHUWING:** Wordt gebruikt om te wijzen op de kans op ernstig of fataal letsel voor de gebruiker of omstanders wanneer de instructies in de handleiding niet worden gevolgd.



**OPGELET:** Wordt gebruikt indien er een risico bestaat op schade aan het product en andere eigenschappen van de omgeving wanneer de instructies in de handleiding niet worden gevolgd.



Lees de bedieningshandleiding zorgvuldig door en zorg dat u de instructies hebt begrepen voordat u het product gaat gebruiken.



Gebruik goedgekeurde gehoorbescherming.

**Let op:** Overige op het product aangebrachte symbolen/plaatjes verwijzen naar specifieke eisen aan certificering voor bepaalde markten.

## Schade aan het product

We zijn niet verantwoordelijk voor schade aan ons product als:

- het product niet goed is gerepareerd.
- het product is gerepareerd met onderdelen die niet van de fabrikant afkomstig zijn, of onderdelen die niet zijn goedgekeurd door de fabrikant.
- het product een accessoire bevat dat niet afkomstig is van de fabrikant of niet is goedgekeurd door de fabrikant.
- het product niet is gerepareerd door een erkend servicepunt of door een erkende autoriteit.

**Let op:** Geven verdere informatie die nodig is in een bepaalde situatie.

### Gebruik altijd uw gezond verstand



**WAARSCHUWING:** Onder geen beding mag u wijzigingen aanbrengen in het oorspronkelijke ontwerp van de machine zonder toestemming van de fabrikant. Gebruik altijd originele reserveonderdelen. Ongeautoriseerde wijzigingen en/of accessoires kunnen ernstig of dodelijk letsel aan de gebruiker of anderen toebrengen.

Het is niet mogelijk om elke situatie die zich kan voordoen tijdens het gebruik van een boormachine te vermelden. Wees altijd voorzichtig en gebruik uw gezond verstand. Vermijd situaties die uw capaciteiten te boven gaan. Als u na het lezen van deze instructies

nog vragen hebt over de bedieningsprocedures dient u een expert te raadplegen voordat u verder gaat.

Aarzel niet om contact op te nemen met uw leverancier als u nog meer vragen hebt over het gebruik van deze machine. We zijn graag bereid om u te adviseren of u te helpen uw machine op een efficiënte en veilige manier te gebruiken.

Laat uw Husqvarna-dealer de boormachine regelmatig controleren en de noodzakelijke aanpassingen en reparaties uitvoeren.

Alle informatie en gegevens in deze bedieningshandleiding waren van toepassing op de datum dat deze gebruiksaanwijzing ter perse ging.

## Algemene veiligheidsinstructies



**WAARSCHUWING:** Lees de volgende waarschuwingen voordat u het product gaat gebruiken.

- Dit product kan bij onvoorzichtig of onjuist gebruik een gevaarlijk gereedschap zijn. Dit product kan ernstig of fataal letsel toebrengen aan de gebruiker of anderen. Het is erg belangrijk dat u deze gebruiksaanwijzing leest en begrijpt voordat u dit product gaat gebruiken.
- Bewaar alle waarschuwingen en instructies.
- U dient alle toepasselijke wet- en regelgeving in acht te nemen.
- De gebruiker en de werkgever van de gebruiker dienen op te hoogte te zijn van de risico's tijdens het gebruik van het product en moeten deze voorkomen.
- Zorg ervoor dat dit product alleen wordt gebruikt door personen die de inhoud van de gebruikershandleiding hebben gelezen en begrepen.
- Gebruik het product alleen als u voorafgaand aan gebruik training hebt ontvangen. Zorg ervoor dat alle gebruikers getraind worden.
- Laat het product niet door een kind bedienen.
- Het product mag alleen worden gebruikt door goedgekeurde personen.
- De gebruiker is verantwoordelijk indien ongelukken gebeuren met andere mensen of hun eigendommen.
- Gebruik het product nooit als u moe of ziek bent, of onder invloed van alcohol, drugs of medicijnen verkeert.
- Wees altijd voorzichtig en gebruik uw gezond verstand.
- Houd het product schoon. Zorg ervoor dat u de aanduidingen en stickers duidelijk kunt lezen.
- Gebruik het product niet als het defect is.
- Breng geen wijzigingen aan dit product aan.
- Gebruik het product niet als de mogelijkheid bestaat dat andere personen wijzigingen aan het product hebben aangebracht.

## Veiligheidsinstructies voor bediening



**WAARSCHUWING:** Lees de volgende waarschuwingen voordat u het product gaat gebruiken.

- Maak altijd gebruik van persoonlijke beschermingsmiddelen. Zie *Persoonlijke beschermingsuitrusting op pagina 52*.
- Zorg ervoor dat er alleen goedgekeurde personen in het werkgebied zijn.
- Zorg dat het werkgebied schoon en goed verlicht is.
- Zorg ervoor dat u stabiel en veilig staat tijdens het gebruik.
- Gebruik het product niet in ongunstige weersomstandigheden, zoals bij dichte mist, hevige regen, harde wind of hevige koude. Als u werkt bij slecht weer, bent u mogelijk sneller moe en dit kan leiden tot gevaarlijke situaties, bijvoorbeeld in het geval van gladde oppervlakken.
- Controleer altijd de achterkant van het oppervlak waar het boortje door moet gaan. Maak het werkgebied veilig. Zet het werkgebied af. Zorg ervoor dat geen letsel of schade kan ontstaan.
- Verzekeer u ervan dat er geen materiaal los kan raken en letsel kan veroorzaken bij de gebruiker.
- Gebruik het product alleen als u weet dat u hulp kunt krijgen indien zich een ongeval voordoet.
- In situaties waar plotseling personen en dieren kunnen verschijnen, is veilig gebruik van het product niet mogelijk. Bedien het product altijd voorzichtig.
- Zorg ervoor dat er geen kleding, lang haar en juwelen vast komen te zitten in bewegende delen.
- Houd het gereedschap vast aan de geïsoleerde handgrepen tijdens het uitvoeren van werkzaamheden waarbij het snijtoebehoren in aanraking kan komen met verborgen bedrading of het eigen snoer. Als het snijtoebehoren een onder stroom staande draad raakt, kan dit ervoor zorgen dat niet-geïsoleerde delen van het gereedschap ook onder stroom komen, waardoor de gebruiker een elektrische schok kan krijgen.

## Algemene veiligheidswaarschuwingen voor het werkstafief



**WAARSCHUWING:** Lees alle veiligheidswaarschuwingen en alle instructies. Het niet opvolgen van de waarschuwingen en instructies kan leiden tot elektrische schokken, brand en/of ernstig letsel.

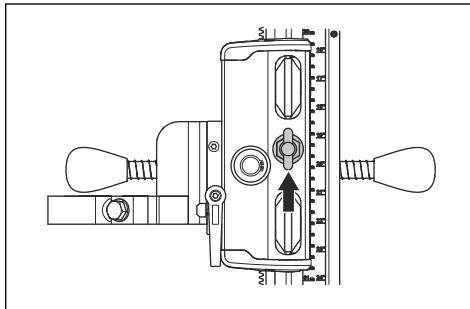
- **Haal de stekker uit het stopcontact en/of verwijder de accu van het elektrische gereedschap voordat u aanpassingen maakt of accessoires verwisselt.** Het per ongeluk starten van het elektrische gereedschap kan ongevallen veroorzaken.

- **Monteer eerst goed het werkstatief voordat u het gereedschap erop bevestigt.** Bij onjuiste installatie kan het statief inklappen.
- **Bevestig voor gebruik het elektrische gereedschap stevig aan het werkstatief.** Elektrisch gereedschap dat verschuift op het werkstatief kan leiden tot verlies van controle.
- **Plaats het werkstatief op een stevig, vlak en horizontaal oppervlak.** Als het werkstatief kan verschuiven of wiebelen, hebt u geen stabiele en veilige controle over het elektrische gereedschap of het werkstuk.
- **Overbelast het werkstatief niet en gebruik het niet om erop te staan.** Als u het werkstatief overbelast of erop gaat staan, wordt het topzwaar en kan het gemakkelijk omvallen.

- Gebruik geen producten met veiligheidsvoorzieningen die beschadigd zijn of niet correct werken.
- Controleer de veiligheidsvoorzieningen regelmatig op een juiste werking. Als de veiligheidsvoorzieningen beschadigd zijn of niet goed werken, neem dan contact op met uw Husqvarna servicewerkplaats.
- Voer geen aanpassingen uit aan veiligheidsvoorzieningen.

### De sledevergrendeling controleren

1. Draai aan de knop om de boormotorslede te vergrendelen.



2. Voel met de hand of de boormotorslede op de boorkolom is vergrendeld.

### Veiligheidsinstructies voor onderhoud



**WAARSCHUWING:** Lees de volgende waarschuwingen voordat u het product gaat gebruiken. Bewaar alle waarschuwingen en instructies voor later gebruik.

- Stop de boormotor, koppel de voeding los en verwijder de boormotor voordat u onderhoud aan het product uitvoert.
- Zorg ervoor dat alle onderdelen in een goede staat blijven en controleer of alle fittingen goed vastzitten.
- Gebruik geen product dat defect is. Voer de in deze handleiding beschreven veiligheidscontroles en onderhouds- en servicetaken uit. Alle overige onderhoudswerkzaamheden moeten worden uitgevoerd door een erkende servicedealer.
- Controleer het product regelmatig om een goede werking te waarborgen. Zie *Dagelijks onderhoud op pagina 59*.

### Persoonlijke beschermingsuitrusting



**WAARSCHUWING:** Lees de volgende waarschuwingen voordat u het product gaat gebruiken.

- Gebruik altijd de juiste persoonlijke beschermingsmiddelen wanneer u het product gebruikt. De persoonlijke beschermingsmiddelen nemen het risico op letsel niet weg. De persoonlijke beschermingsmiddelen verlagen de ernst van het letsel indien zich een ongeval voordoet. Vraag uw dealer u te helpen bij het kiezen van de juiste beschermingsmiddelen.
- Gebruik goedgekeurde oogbescherming wanneer u het product gebruikt.
- Draag geen losse, zware en ongeschikte kleding. Draag kleren waarin u zich vrij kunt bewegen.
- Draag goedgekeurde veiligheidshandschoenen voor een stevige greep.
- Draag rubberen veiligheidshandschoenen om huidirritatie als gevolg van nat beton te voorkomen.
- Draag een goedgekeurde veiligheidshelm.
- Gebruik altijd goedgekeurde gehoorbescherming wanneer u het product gebruikt. Langdurig lawaai kan gehoorverlies veroorzaken.
- Het product veroorzaakt stof en dampen die gevaarlijke chemicaliën bevatten. Gebruik goedgekeurde ademhalingsbescherming.
- Gebruik laarzen met een stalen neus en antislipzool.
- Zorg ervoor dat u een EHBO-kit bij de hand hebt.
- Er kunnen vonken optreden bij de bediening van de machine. Zorg ervoor dat u een brandblusser bij de hand hebt.

### Veiligheidsvoorzieningen op het product



**WAARSCHUWING:** Lees de volgende waarschuwingen voordat u het product gaat gebruiken.

# Montage

## Inleiding

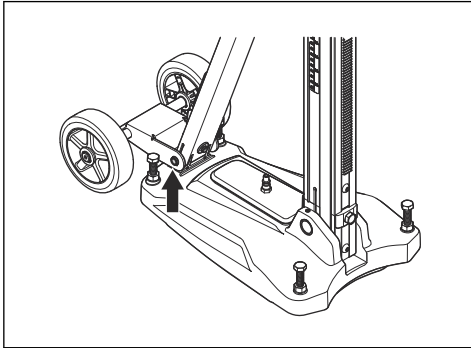


**WAARSCHUWING:** Zorg dat u het hoofdstuk over veiligheid hebt gelezen en begrepen voordat u het apparaat monteert.

## De wielset monteren

De wielset wordt niet bij alle modellen meegeleverd.

- Monteer de wielset op de steun op de achterkant van de bodemplaat en draai de schroeven vast.



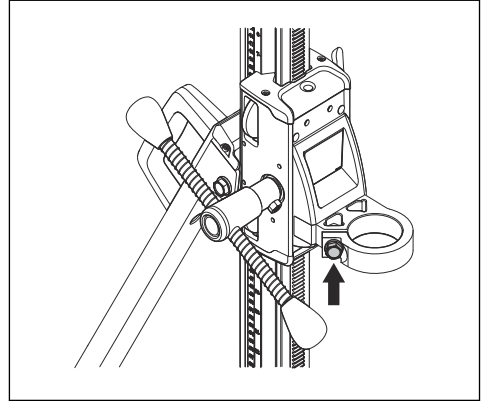
## Een boormotor bevestigen (DS150)



**WAARSCHUWING:** Koppel de boormotor los van de voeding.

1. Verwijder de boorbit uit de boormotor.
2. Vergrendel de sledevergrendeling.
3. Plaats de boorspil in de kraag van de boormotorslede.

4. Draai de schroef vast met de toevoerhendel.

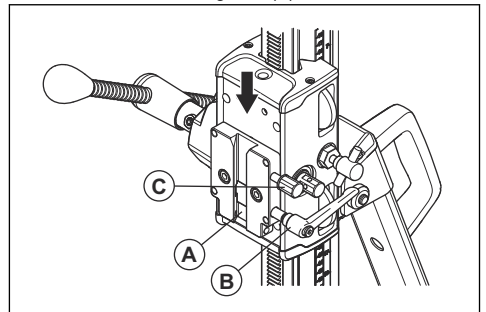


## Een boormotor bevestigen (DS250)



**WAARSCHUWING:** Koppel de boormotor los van de voeding.

1. Verwijder de boorbit uit de boormotor.
2. Vergrendel de sledevergrendeling.
3. Bevestig de boormotor in de borgklem op de boormotorslede.
4. Duw de boormotor helemaal omlaag tot de onderkant van de borgklem (A).



5. Draai de borgklem vast met de hendel (B).
6. Als u de boormotor DM240 monteert, draai dan ook de borgschroef (C) vast.

**Let op:** De borgschroef wordt alleen samen met de boormotor DM240 gebruikt.

# Installatie

## Installatieprocedures

Er zijn 3 procedures die kunnen worden gebruikt om het product te monteren vóór boorwerkzaamheden:

- Met een expanderbout.
- Met een vacuümplaat.
- Met een draadstang, een ring en een borgmoer.

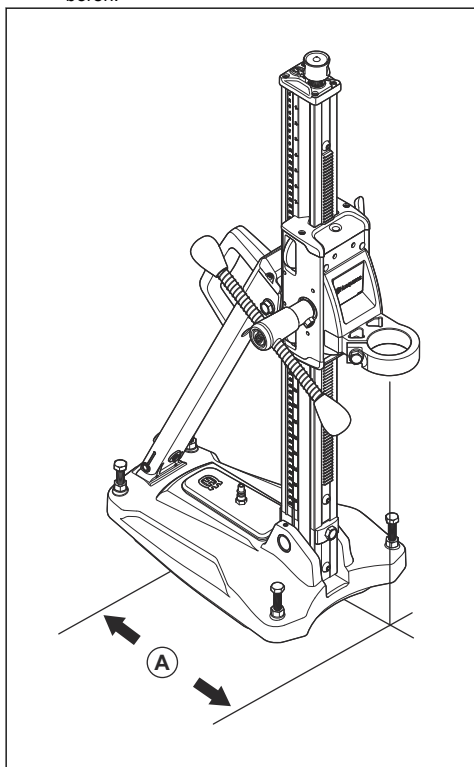
### Het product bevestigen met een expanderbout



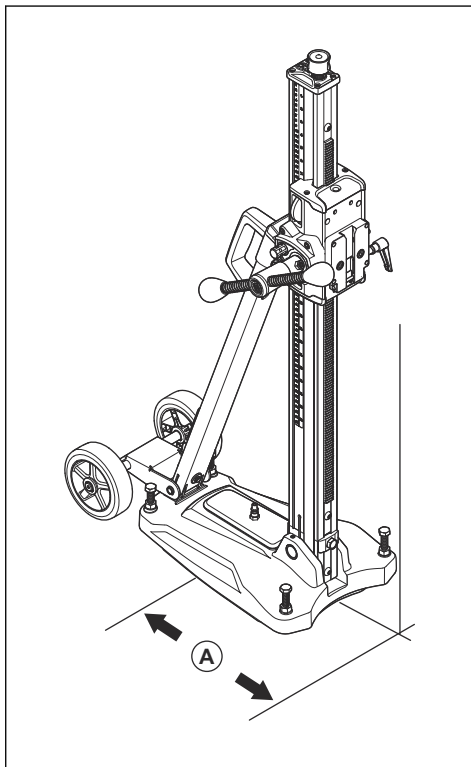
**WAARSCHUWING:** Als het product aan een plafond of een muur wordt bevestigd, wordt het oppervlak veel belast. Gebruik voor plafonds en wanden alleen een expanderbout of ankerschroef die geschikt is voor de belasting.

1. Boor een gat voor de expanderbout.

- a) Voor DS150: Boor het gat op een afstand (A) van 293 mm vanaf het midden van het gat dat u gaat boren.



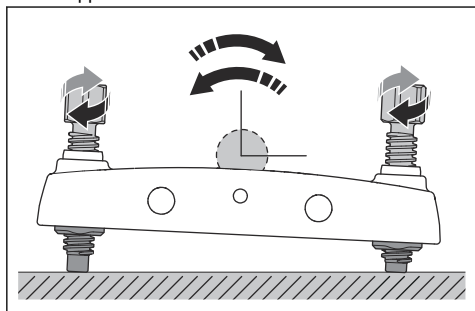
- b) Voor DS250: Boor het gat op een afstand (A) van 300 mm vanaf het midden van het gat dat u gaat boren.



**Let op:** De afstand is voor boormotor DM220 die op de snelbevestigingsplaat is gemonteerd. Als de boormotor is gemonteerd met een kraag, is de afstand 320 mm.

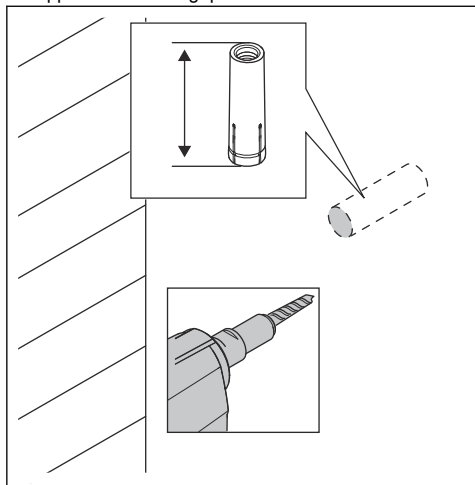
2. Bevestig de bodemplaat met een expanderbout.
3. Zorg ervoor dat de expanderbout correct is vastgedraaid.

4. Verstel bodemplaat indien nodig. Draai de stelschroeven totdat de bodemplaat zich parallel aan het oppervlak bevindt.

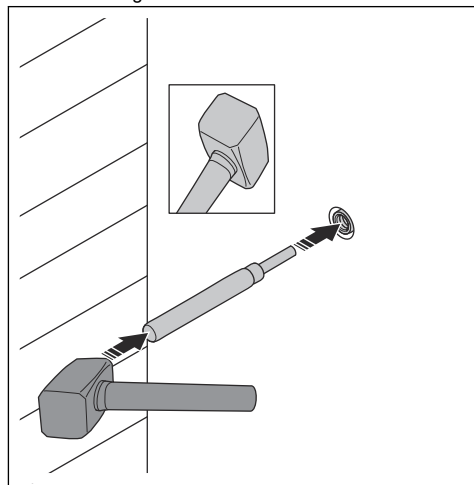


### De expanderbout bevestigen

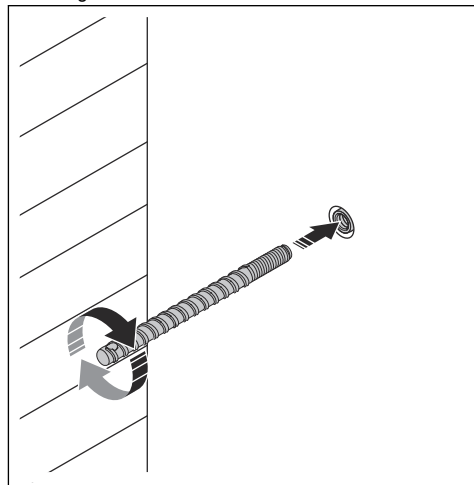
1. Boor een gat voor de expanderbout. Zorg dat het gat diep genoeg is. Het slaganker moet onder het oppervlak worden geplaatst.



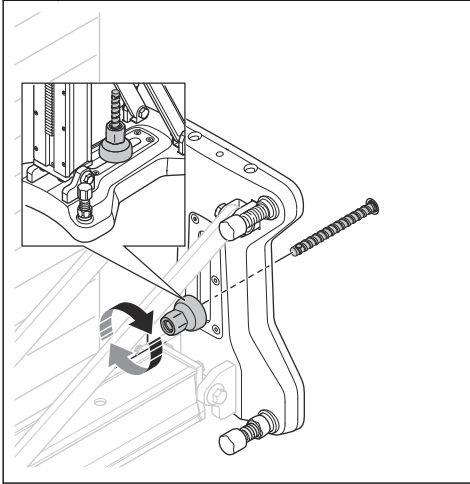
2. Gebruik de drevel en een hamer om de expander aan te brengen.



3. Breng de ankerschroef aan.



#### 4. Bevestig het product met de moer.



#### Het product bevestigen met een Husqvarna-vacuümplaat



**WAARSCHUWING:** Gebruik het product niet in combinatie met de vacuümplaat wanneer u in muren of plafonds boort.



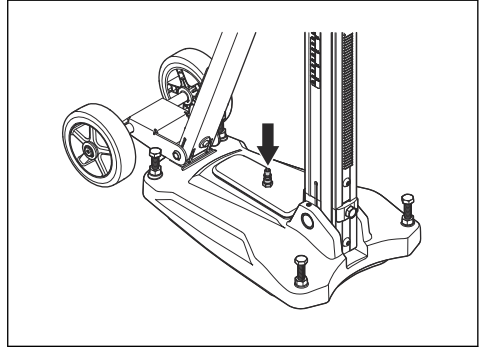
**WAARSCHUWING:** Het steunoppervlak moet vlak en van goede kwaliteit zijn. Het product kan losraken als de vacuümplaat niet volledig tegen het oppervlak kan worden afgedicht.



**WAARSCHUWING:** Het gebruik van een vacuümplaat wordt alleen aanbevolen in combinatie met deze Husqvarna-boormotoren: DM200, DM220, DM230, DM280 High speed. Het gebruik

van andere boormotoren kan ertoe leiden dat het product losraakt.

1. Draai de hoogteafstelschroeven los. Ze moeten zich boven de onderkant van de vacuümplaat bevinden.
2. Sluit de vacuümslang aan en schakel de pomp in.



**WAARSCHUWING:** De minimumdruk moet  $-0,85$  bar zijn om de vacuümplaat goed op het oppervlak af te dichten.

3. Draai de hoogteafstelschroeven aan totdat u druk op de schroef voelt.



**WAARSCHUWING:** De hoogteafstelschroeven moeten het oppervlak raken wanneer u de vacuümplaat gebruikt. Als dit niet het geval is, kan de vacuümplaat losraken.

#### Het product bevestigen met een draadstang

- Gebruik een draadstang om het product aan een muur of plafond te bevestigen.
- Gebruik een draadstang wanneer het niet mogelijk is een expanderbout te gebruiken.
- Gebruik ringen en moeren om de draadstang vast te zetten.

## Werking

#### Voordat u het product gebruikt

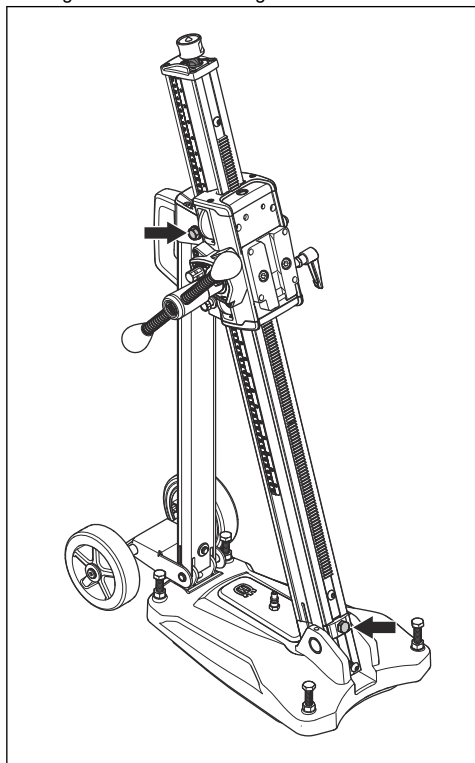
- Lees de gebruikershandleiding zorgvuldig door en zorg dat u de instructies hebt begrepen.
- Lees de bedieningshandleiding van de boormotor zorgvuldig door en zorg dat u de instructies hebt begrepen.
- Voer dagelijks onderhoud uit. Zie *Dagelijks onderhoud op pagina 59*.

#### De hoek van de boorkolom aanpassen

De boorkolom kan  $0-60^\circ$  worden gekanteld.



1. Draai de borgschroeven waarmee de boorkolom is vergrendeld los en stel de gewenste boorhoek in.



- a) Gebruik de hoekindicator voor een globale afstelling. Gebruik een andere meetmethode als een hogere nauwkeurigheid noodzakelijk is.

2. Draai de borgschroeven van de boorkolom vast.

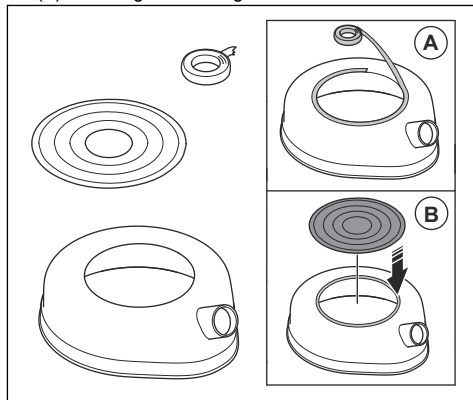
## Het product voorbereiden voor omgekeerd boren



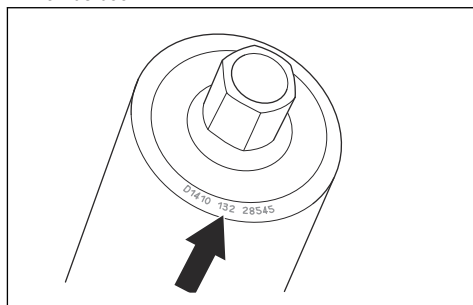
**WAARSCHUWING:** Gebruik altijd een slijbring met een afdichtschijf en een rubberen ring tijdens het omgekeerd boren. Water dat het product binnendringt, verhoogt het risico op elektrische schokken.

1. Reinig de bovenkant van de slijbring. Alle vet en vuil moeten worden verwijderd.

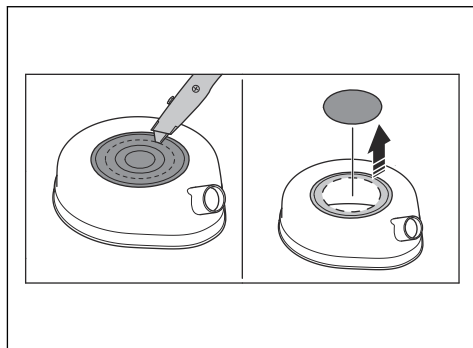
2. Bevestig dubbelzijdige tape of gebruik spuitlijm rond de bovenste opening van de slijbring (A). Plaats de afdichtschijf op de bovenste opening als afdekking (B). Bevestig deze stevig.



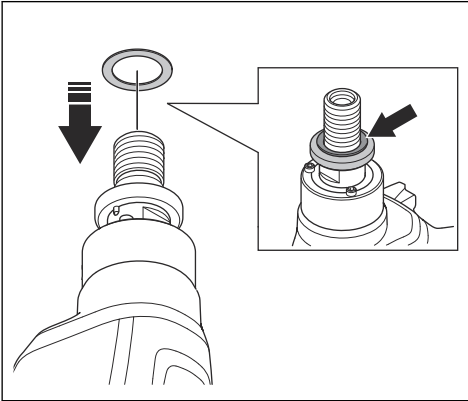
3. Zoek de afmeting van de kernboor op de bovenkant van de boor.



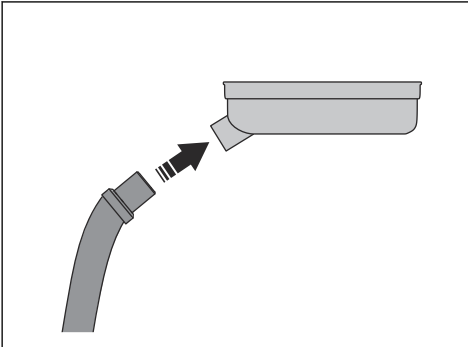
4. Maak een gat in de afdichtschijf in de dichtstbijzijnde kleinere maat als de kernboor.



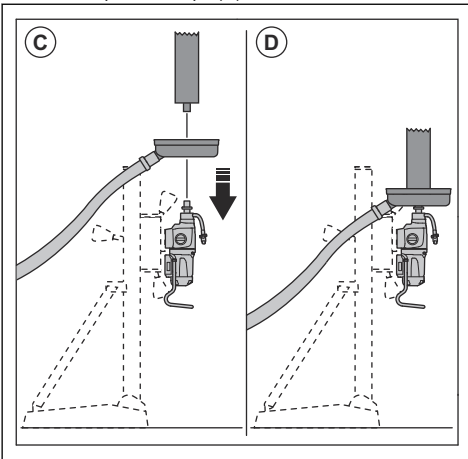
5. Bevestig de rubberen onderlegging op de snelsluitring op de boorspil.



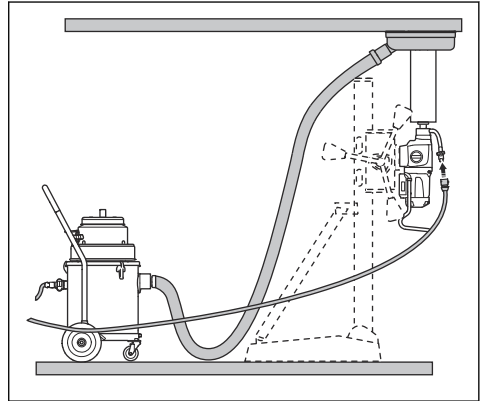
6. Sluit de slijbzuiger aan op de aansluiting van de slijbring.



7. Plaats de slijbring op de boorspil (C). Monteer de boorbit op de boorspil (D).



8. Start de slijbzuiger.  
9. Hef de boorbit tegen het plafond. Bevestig de slijbring tegen het plafond.



# Onderhoud

## Inleiding



**WAARSCHUWING:** Zorg dat u het hoofdstuk over veiligheid hebt gelezen en begrepen voordat u onderhoud aan het product gaat uitvoeren.



**WAARSCHUWING:** Koppel de voedingskabel los voordat u onderhoud uitvoert om letsel te voorkomen.

## Dagelijks onderhoud

- Controleer of de moeren en schroeven goed zijn vastgedraaid.
- Reinig de externe oppervlakken.
- Zorg ervoor dat de toevoerhendel zonder weerstand beweegt.
- Zorg ervoor dat de tandwielen eenvoudig bewegen en geen geluid maken.
- Controleer de boorkolom op slijtage en beschadiging.
- Zorg ervoor dat de boormotorslede eenvoudig kan bewegen en dat er geen speling is tegen de boorkolom.

## Het product reinigen en smeren



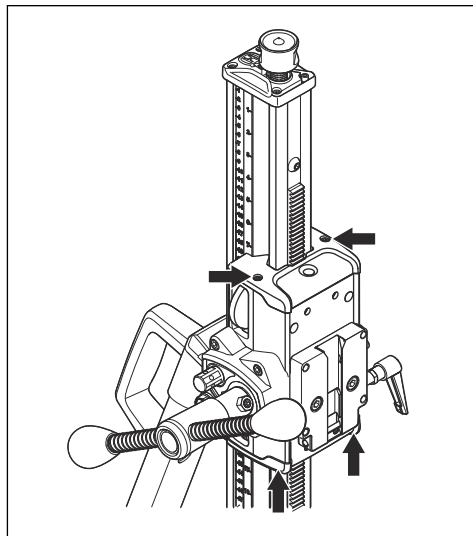
**OPGELET:** Als u de boorstandaard niet reinigt, kan deze beschadigd raken.

1. Verwijder de boormotor.
2. Reinig het product met een hogedrukreiniger en verwijder vervolgens het achtergebleven water met een droge doek.
3. Smeer de bewegende onderdelen van het product. Breng vet aan op de contactvlakken om corrosie te voorkomen.

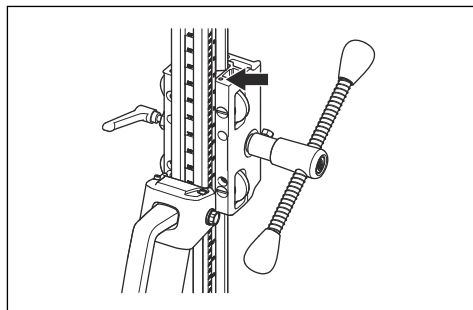
## De boormotorslede afstellen

Als er afstand is tussen de boorkolom en de boormotorslede, moet de boormotorslede worden afgesteld.

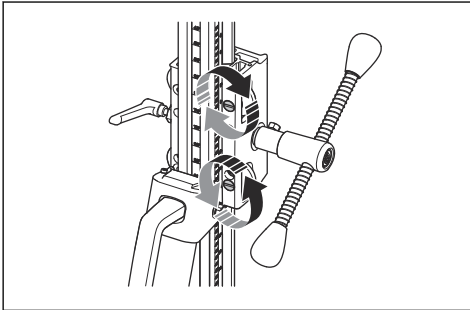
1. Verwijder de kunststof deksels van de boven- en onderkant van de boormotorslede.



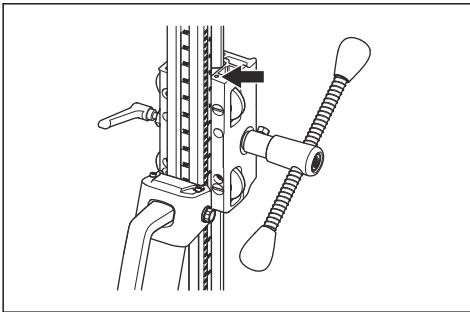
2. Maak de schroef los die de assen van de rollen vasthoudt.



3. Draai het bovenste geleidewiel rechtsom met een platte schroevendraaier. Het bovenste geleidewiel beweegt in de richting van de boorkolom.



4. Draai het onderste geleidewiel linksom met een platte schroevendraaier. Het onderste geleidewiel beweegt in de richting van de boorkolom.
5. Draai de schroef vast die de assen van de rollen vasthoudt.

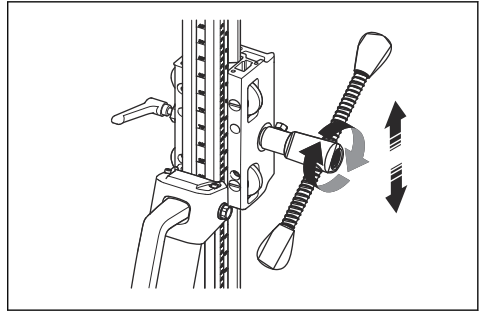


---

**Let op:** Nadat u de assen van de rollen hebt vastgedraaid, moet het mogelijk zijn ze met de toevoerhendel te draaien, maar niet met de hand.

---

6. Gebruik de toevoerhendel om de boormotorslede omhoog en omlaag te bewegen. Zorg ervoor dat de boormotorslede soepel over de boorkolom beweegt. De assen van de rollen moeten draaien en mogen niet bewegen. Stel de assen van de rollen indien nodig opnieuw af.



---

## Transport en opslag

---

- Zet het product tijdens het vervoer veilig vast om schade en ongevallen te voorkomen.
- Gebruik de optionele transportwielen om het product met een bevestigde boormotor te vervoeren.
- Om het product zonder transportwielen te vervoeren, moet de boormotor uit het product worden verwijderd, omdat het totale gewicht meer dan 25 kg bedraagt.
- Bewaar het product in een afgesloten ruimte om toegang door kinderen of onbevoegde personen te verhinderen.
- Bewaar het product in een droge en vorstvrije ruimte.

## Technische gegevens

### Technische gegevens

Afmetingen	DS150	DS250	DS250 Single speed	DS250 Single speed short
Hoogte, mm/inch	862/33,9	1052/41,4	1052/41,4	862/33,9
Breedte, mm/inch	266/10,5	266/10,5	266/10,5	266/10,5
Diepte, mm/inch	522/20,6	545/21,5	545/21,5	545/21,5
Gewicht, kg/lbs	14/30,9	17/37,5	16/35,3	15/38
Verplaatsingsafstand, mm/inch	495/19,5	686/27	686/27	495/19,5
Max. belasting (op het handvat), kg/lb	50/110	50/110	50/110	50/110
Hoek boorkolom	0-60°	0-60°	0-60°	0-60°
Max. boorbitdiameter, mm/inch	150/6	250/10	150/6 (kraag) 250/10 (snelbevestiging)	250/10

### Maximale boorbitdiameters

Boormotor	DS 150		DS 250	
	Verankeringsbout, mm/inch	Stofzuiger bevestigd, mm/inch	Verankeringsbout, mm/inch	Stofzuiger bevestigd, mm/inch
DM 540i	100/4	100/4	100/4*	100/4*
DM 230	150/6	150/6	150/6*	150/6*
DM 220			150/6	150/6

\*Met een ringadapter.

## Accessoires

Verkrijgbaar accessoire	DS150	DS250	DS250 Single speed	DS250 Single speed short
VP 200 vacuümpomp	X	X	X	X
Wielenset	X		X	X
Versnellingsbak	X			

Verkrijgbaar accessoire	DS150	DS250	DS250 Single speed	DS250 Single speed short
Kraag		X		

---

## Service

---

### Goedgekeurd servicecentrum

Ga naar de website om het dichtstbijzijnde erkende servicecentrum van Husqvarna Construction Products te vinden.

---

# Verklaring van overeenstemming

---

## EC-verklaring van overeenstemming

Wij, **Husqvarna AB**, SE-561 82 Huskvarna,  
Zweden, tel: +46-36-146500, verklaren onder onze  
alleenverantwoordelijkheid dat het product:

<b>Beschrijving</b>	<b>Boorstandaard</b>
<b>Merk</b>	Husqvarna
<b>Type/model</b>	DS150, DS250, DS250 Single speed, DS250 Single speed short
<b>Identificatie</b>	Serienummers vanaf 2022 en verder

volledig voldoet aan de volgende EU-richtlijnen en  
-regelgeving:

<b>Richtlijn/Verordening</b>	<b>Beschrijving</b>
2006/42/EG	"betreffende machines"

en dat de volgende geharmoniseerde normen en/of  
technische specificaties zijn toegepast;

EN 12348:2000+A1:2009

EN 62841-3-6:2014+A11:2017

EN IEC 63000:2018

Partille, Partille, 2022-12-02



Fredrik Sandinge

Directeur R&D, Betonzagen en -boormachines

Husqvarna AB, Construction-divisie

Verantwoordelijk voor technische documentatie



FR

Cet appareil,  
ses cordons,  
et batterie  
se recyclent

À DÉPOSER  
EN MAGASIN



OU

À DÉPOSER  
EN DÉCHÈTERIE



Points de collecte sur [www.quefairedemesdechets.fr](http://www.quefairedemesdechets.fr)  
Privilégiez la réparation ou le don de votre appareil !

# Husqvarna®

[www.husqvarnaconstruction.com](http://www.husqvarnaconstruction.com)

Original instructions  
Originalanweisungen  
Instructions d'origine  
Originele instructies

1142118-20



FR



2023-10-05