

SERVICE MANUAL EBE-500E Global

VERSION 2.11

Index

| | |
|---------------------------|-----------|
| Maintenance log | 03 |
| 1. Spare parts | 04 |
| 2. Maintenance box | 13 |
| Contact | |



Inspection comments

| | |
|---|-------|
| Inspection before initial operation on: | _____ |
| By: | _____ |
| Date of initial operation: | _____ |
| Serial number & Year of manufacture: | _____ |

Recurring inspections / Maintenance log

| Date | Findings | Repairs / Cleaning | Test on | By* |
|------|----------|--------------------|------------|-----|
| | | | | |

*competent person

1. Spare parts

Fig. 01 Blasthousing

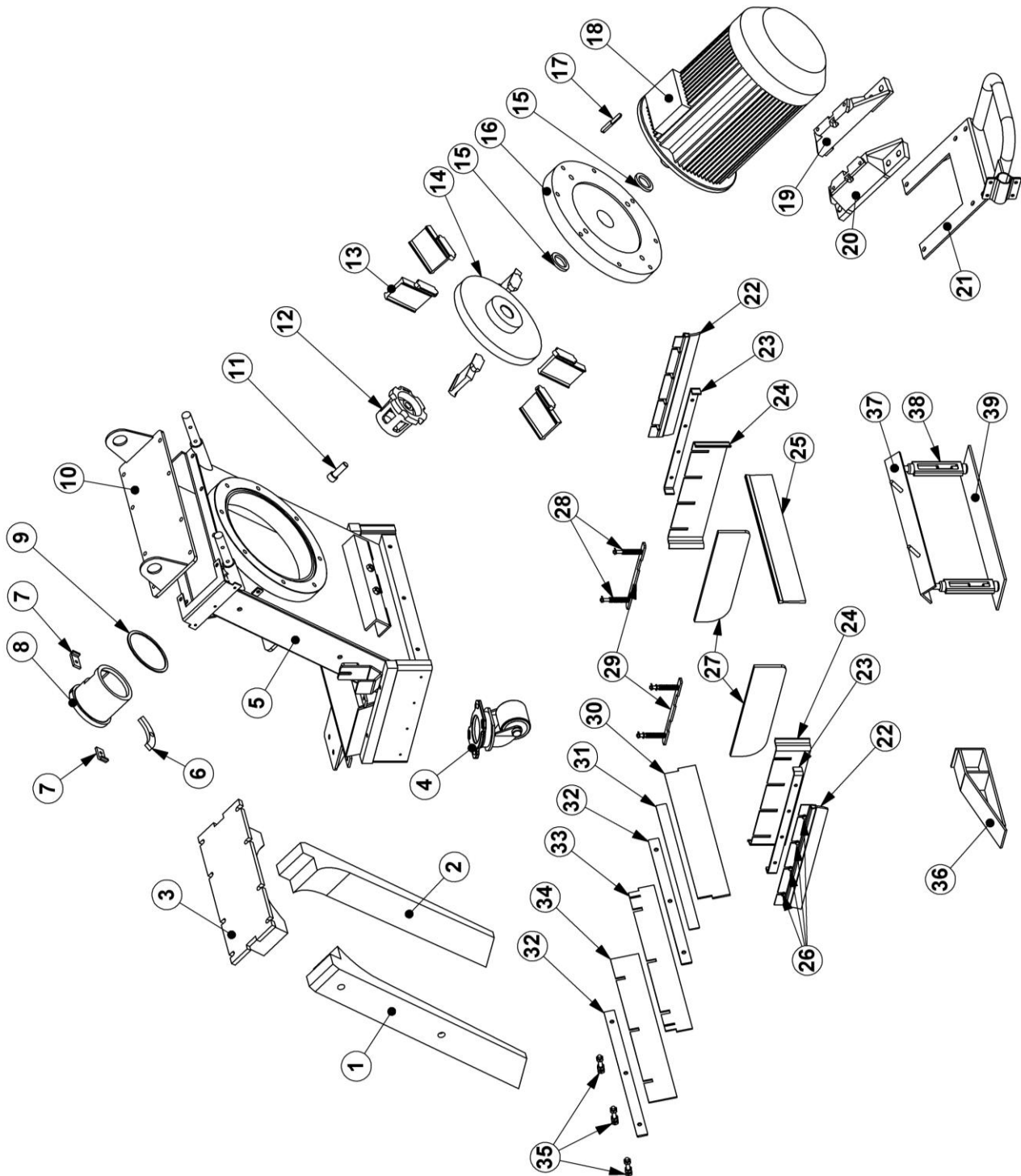




Fig. 01 Blasthousing

| Item | Part number | Description | Remarks | Qty. |
|-------|-------------------------|---|---------------------------------------|------|
| 1 | 500-1030 | Liner LH | | 1 |
| 2 | 500-1035 | Liner RH | | 1 |
| 3 | 500-1040 | Top liner | | 1 |
| 4 | 500-2010-SEH | Front Wheel castor | | 1 |
| 5 | 500-9006-E | Blast housing cabinet | | 1 |
| 6 | E09255 | Cage positioning plate | | 1 |
| 7 | 500-9041-SEVU | Control cage clamp | | 2 |
| 8 | 500-1010 | Control cage | | 1 |
| 9 | E10253 | Cage ring | | 1 |
| 10 | 500-1115 | Top liner cover | | 1 |
| 11 | 500-1245 | Impeller bolt | | 1 |
| 12 | 600-1015 | Impeller | | 1 |
| 13 | 500-1005 | Blades (set of 6) | | 1 |
| 14 | 500-1025-1 | Blast wheel | | 1 |
| 15 | 500-1145-V | Oil seal | | 2 |
| 16 | 500-9007-SEVU | Motor adaption plate | | 1 |
| 17 | E00963 | Blast motor parallel key | | 1 |
| 18 | 500-3020-SHEV-IE2 | Blast motor 18.5 kW | | 1 |
| | 500-3021-SHEV/35HP | Blast motor 35HP (22kW with mounted connector) | From serialnumber #1882E and up | 1 |
| | 500-3020-SHEV-EX | ATEX Blast motor 18.5 kW | For ATEX | 1 |
| 19 | 500-3045-SEV/80 | Motor foot right (18.5 kW) | | 1 |
| 20 | 500-3040-SEV/80 | Motor foot left (18.5 kW) | | 1 |
| 19+20 | 500-3020-SHEV/35HP/FOOT | Foot set LH+RH Blastmotor 22kW | Set of 2 | 1 |
| 21 | 500-9090-SE | Protection motor bracket | | 1 |
| 22 | 500-1050-S | Side brush (set of 2) | | 1 |
| 23 | 500-1061-SE | Side skirt fixing plate | | 2 |
| 24 | 500-1060-S | Side skirt (set of 2) | | 1 |
| 25 | 500-1045-S | Back brush | | 1 |
| 26 | BE0188 + BE0016 | M6x25 + Washer | | 8 |
| 27 | 500-1020 | Side seal (set of 2) | | 1 |
| 28 | 500-2030-SE | Side seal spring | | 4 |
| 29 | 500-1021-SE | Side seal spring plate | | 2 |
| 30 | 500-1052-SE | Front skirt inner | | 1 |
| 31 | 500-1057-SE | Front skirt fixing plate | | 1 |
| 32 | 500-1058-SE | Front locating plate inner/outer | | 2 |
| 33 | 500-1053-SE | Front skirt intermidiate | | 1 |
| 34 | 500-1054-SE | Front skirt outer | | 1 |
| 35 | BE0050 + (2x) BE0008 | Bolt M10x55 + (2x) nut M10 | | 3 |
| 36 | 500-1260-SE | Drive ramp | | 2 |
| 37 | E03818 | Blastmotor dismantle angle | | 1 |
| 38 | BE0295 | Turnbuckle | | 2 |
| 39 | E03819 | Blastmotor dismantle plate | | 1 |

Fig. 2.1 (Standard for 60Hz machines)

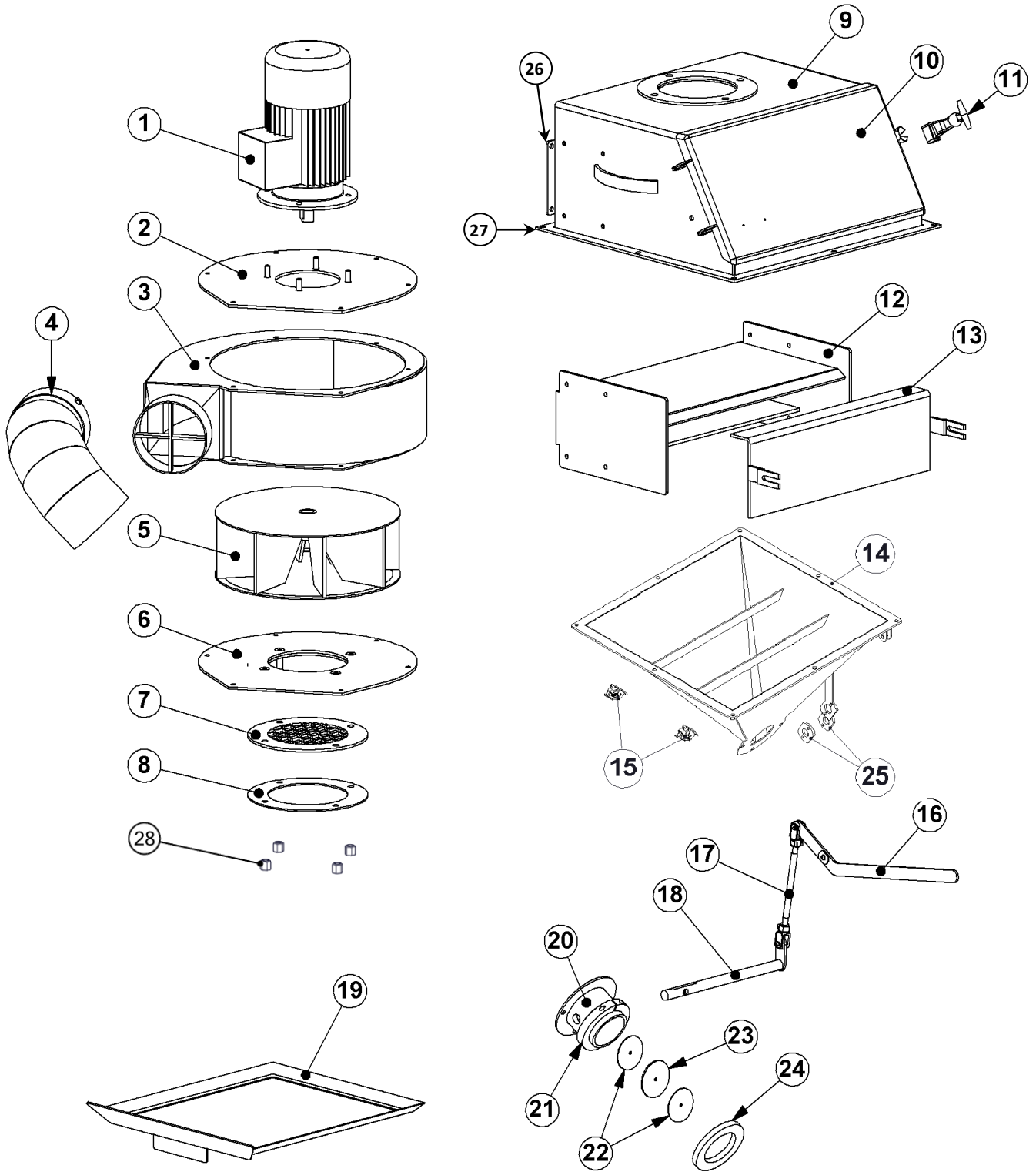


Fig. 2.1 (Standard for 60Hz machines)

| Item | Part number | Description | Qty. |
|------|------------------|--------------------------------|------|
| 1 | 500-3055-SHEV | Fan motor 2.2 kW | 1 |
| | 500-3055-SHEV-EX | ATEX Fan motor 2.2kW | 1 |
| 2 | 500-9030 | Fan housing plate (top) | 1 |
| 3 | 500-1090 | Fan housing | 1 |
| 4 | 500-1120 | Fan housing elbow | 1 |
| 5 | 500-1085 | Fan impeller | 1 |
| 6 | 500-9025 | Fan housing plate bottom | 1 |
| 7 | 035-9035 | Fan ring | 1 |
| 8 | 035-1125 | Fan housing seal | 1 |
| 9 | 500-9120-SE | Separator housing | 1 |
| 10 | 500-9119 | Separator door | 1 |
| 11 | 500-1195 | Rubber latch assy | 1 |
| 12 | 500-9118-SE | Baffle plates | 1 |
| 13 | 500-9121-SE | Separator deflector | 1 |
| 14 | E00992 | Abrasive storage hopper | 1 |
| 15 | 001084 | Clamp for separator tray | 2 |
| 16 | 500-9112-SE | Shot valve handle | 1 |
| 17 | 500-1069-SE | Shot lever shaft complete | 1 |
| 18 | 500-2015-SE | Shot valve axle | 1 |
| 19 | E00993 | Hopper tray | 1 |
| 20 | 600-9240 | Shot valve axle housing | 1 |
| 21 | E04059 | Clamp adjusting ring inc. bolt | 1 |
| 22 | 500-1071 | Shotvalve inner (steel) | 2 |
| 23 | 500-1070 | Shotvalve inner (rubber) | 1 |
| 24 | 500-1065-SE | Feed spout rubber | 1 |
| 25 | E06488 | Adjusting plates | 2 |
| 26* | E00395 | Separator seal felt | 1 |
| 27* | E00393 | Hopper seal felt | 1 |
| 28 | BE0047 | M12 hexagon nut ankle sphere | 4 |

* Not shown in picture Fig.02

Fig. 2.2 (Standard for 50Hz machines)

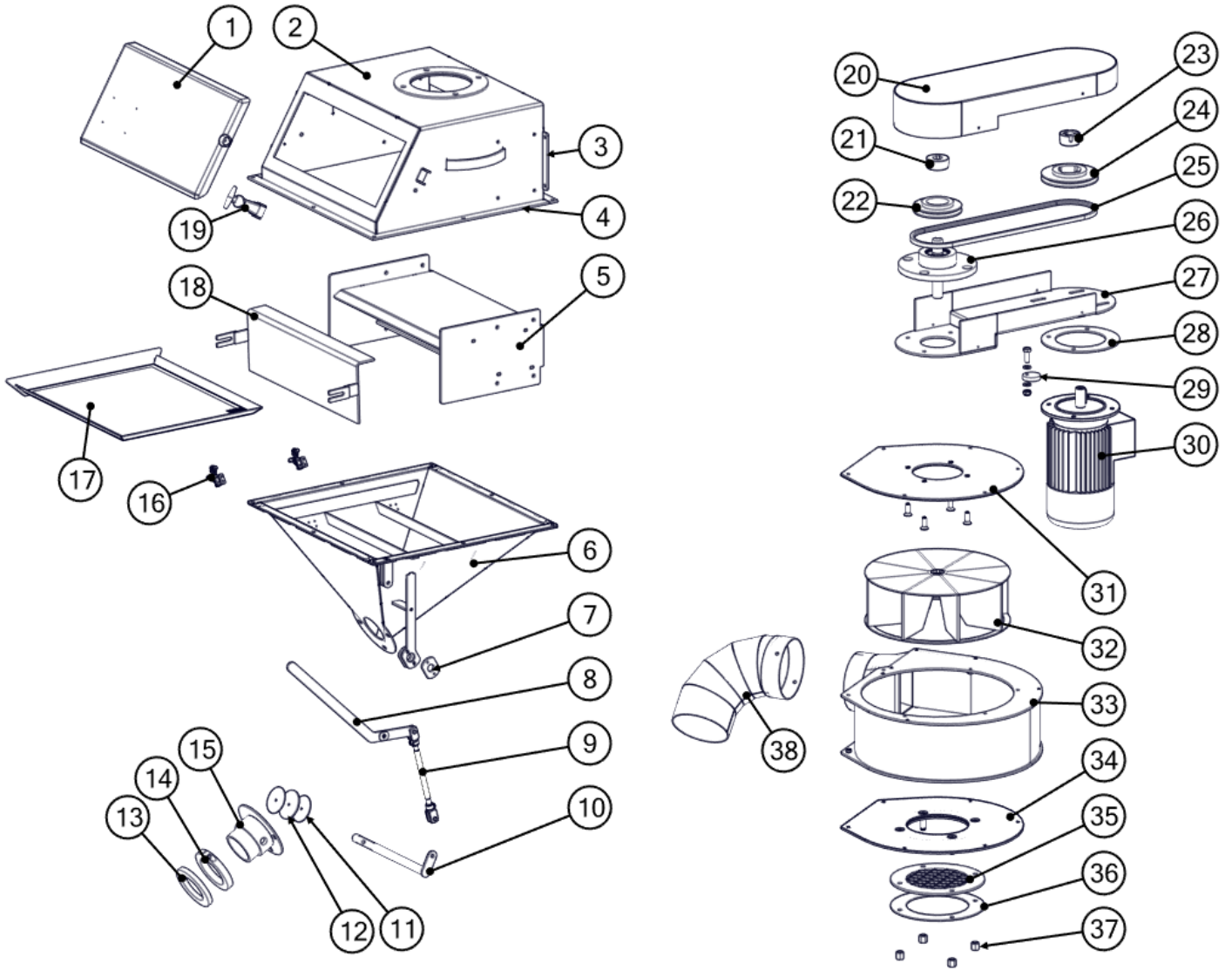
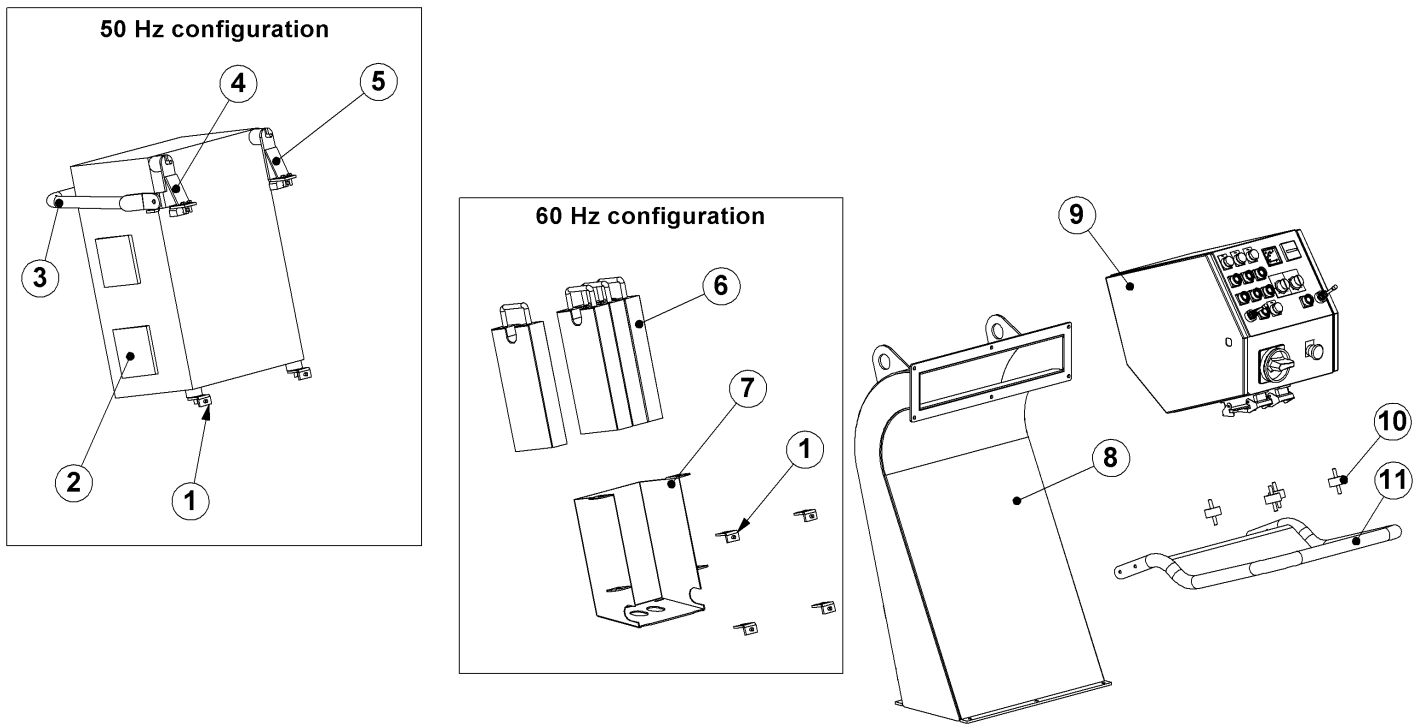


Fig. 2.2 (Standard for 50Hz machines)

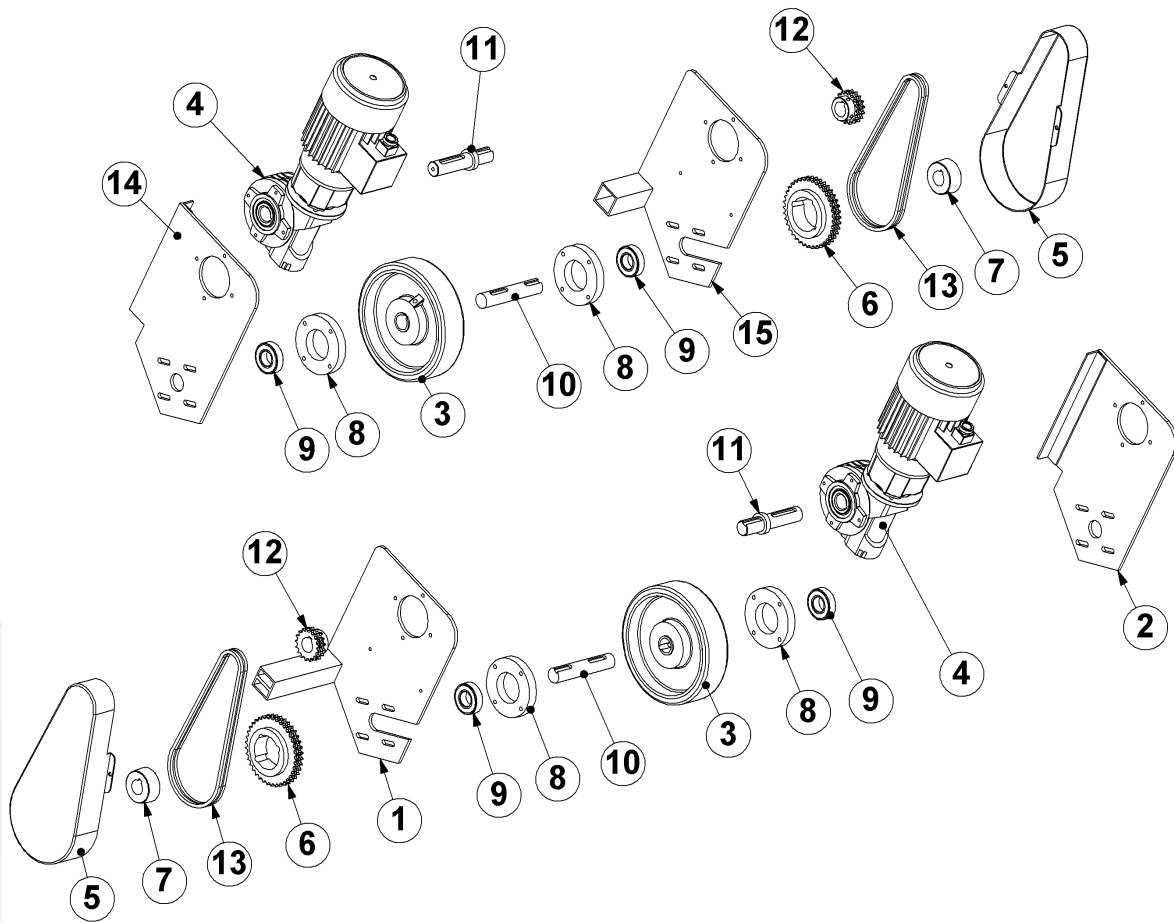
| Item | Part number | Description | Qty. |
|------|-------------------|--------------------------------|------|
| 1 | 500-9119 | Separator door | 1 |
| 2 | 500-9120-SE | Separator housing | 1 |
| 3 | E00395 | Separator seal felt | 1 |
| 4 | E00393 | Hopper seal felt | 1 |
| 5 | 500-9118-SE | Baffle plates | 1 |
| 6 | E00992 | Abrasive storage hopper | 1 |
| 7 | E06488 | Adjusting plates | 2 |
| 8 | 500-9112-SE | Shot valve handle | 1 |
| 9 | 500-1069-SE | Shot lever shaft complete | 1 |
| 10 | 500-2015-SE | Shot valve axle | 1 |
| 11 | 500-1071 | Shotvalve inner (steel) | 2 |
| 12 | 500-1070 | Shotvalve inner (rubber) | 1 |
| 13 | 500-1065-SE | Feed spout rubber | 1 |
| 14 | E04059 | Clamp adjusting ring inc. bolt | 1 |
| 15 | 600-9240 | Shot valve axle housing | 1 |
| 16 | 001084 | Clamp for separator tray | 2 |
| 17 | E00993 | Separator tray | 1 |
| 18 | 500-9121-SE | Separator deflector | 1 |
| 19 | 500-1195 | Rubber latch assy | 1 |
| 20 | E00701 | Belt guard cover | 1 |
| 21 | 22-2301-V | Taper lock bush | 1 |
| 22 | E00622 | Pulley | 1 |
| 23 | 222-2270 | Taper lock bush | 2 |
| 24 | 491824 | Pulley | 1 |
| 25 | 500-2465-SE | V-belt | 1 |
| 26 | E00706 | Bearing unit complete | 1 |
| 27 | E00700 | Belt guard bottom plate | 1 |
| 28 | E00707 | Fill up plate fan motor | 1 |
| 29 | E00704 | Eccentric sleeve fan adapter | 1 |
| 30 | 500-3055-SHEV-IE3 | Fan motor 2.2 kW | 1 |
| | 500-3055-SHEV-EX | ATEX Fan motor 2.2kW | 1 |
| 31 | 500-9030 | Fan housing plate (top) | 1 |
| 32 | 500-1085 | Fan impeller | 1 |
| 33 | 500-1090 | Fan housing | 1 |
| 34 | 500-9025 | Fan housing plate bottom | 1 |
| 35 | 035-9035 | Fan ring | 1 |
| 36 | 035-1125 | Fan housing seal | 1 |
| 37 | BE0047 | M12 hexagon nut ankle sphere | 4 |
| 38 | 500-1120 | Fan housing elbow | 1 |

Fig. 03 Rebound & Electrobox



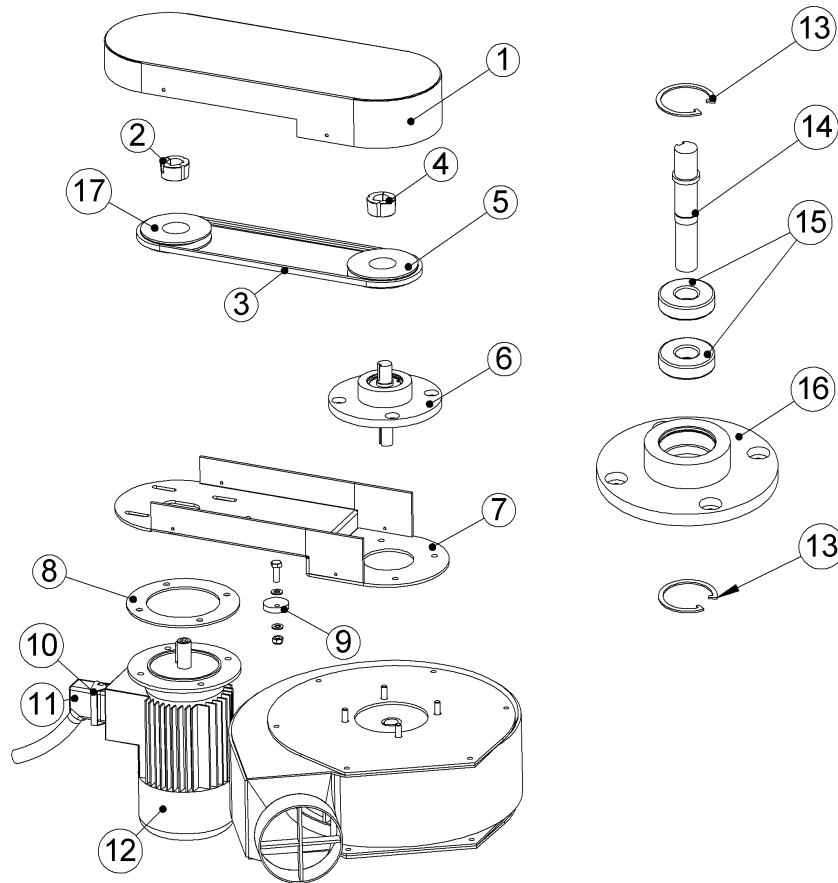
| Item | Part number | Description | Remarks | Qty. |
|-----------|----------------|------------------------------------|--|------|
| 1 | E03725 | Rebound bracket | 50 / 60Hz | 2 / |
| 2 | E05055 | Converter VFD 50Hz to 60Hz | 50Hz | 1 |
| | E05055-1 | Converter VFD 50Hz to 60Hz | 50Hz From serialnumber #1882E and up | 1 |
| 3 | E00876 | Protection handle | 50Hz | 1 |
| | E07091 | Protection handle | 50Hz From serialnumber #1882E and up | 1 |
| 4 | E03733 | Rebound bracket 50Hz left | 50Hz | 1 |
| 5 | E03734 | Rebound bracket 50Hz right | 50Hz | 1 |
| 6 | E03185 | Weight | 60Hz | 4 |
| 7 | E03191 | Weight box | 60Hz | 1 |
| 8 | E03723 | Rebound base 500 | 50 / 60Hz | 1 |
| 9 | E00286 | Control box | 60Hz | 1 |
| | E00286/35HP | Control box 35HP | 60Hz/35HP | 1 |
| | E00286/35HP/RC | Control box 35HP/RC | 60Hz/35HP/RC | 1 |
| | E05054 | Electrobox 500-E 50Hz single panel | 50Hz | 1 |
| | E05054-1 | Electrobox 500-E MKII | 50Hz From serialnumber #1882E and up | 1 |
| 10 | 999-9107 | Shock absorber 40x30 | 50 / 60Hz | 4 |
| 11 | E03184 | Control handle | 50 / 60Hz | 1 |
| 8+1 | E03509 | Recovery duct 500E Global 60Hz | Complete with brackets | 1 |
| 8+1+3+4+5 | E00877 | Recovery duct 500E Global 50Hz | Complete with brackets | 1 |

Fig. 04 Drive system



| Item | Part number | Description | Qty. |
|------|-------------|----------------------------------|------|
| 1 | E03515 | Right bracket inner plate | 1 |
| 2 | E03514 | Right bracket outer plate | 1 |
| 3 | 500-2425-E | Drive wheel | 2 |
| 4 | E00590-1 | Drive motor + gearbox | 2 |
| | E00590-EX | ATEX Drive motor + gearbox | 2 |
| 5 | 500-9105-E | Chain guard | 2 |
| 6 | 222-2023 | Drive wheel sprocket | 2 |
| 7 | 222-2301-V | TL 1610 - 25 | 2 |
| 8 | 500-1135-E | Bearing flange drive wheel shaft | 4 |
| 9 | 222-2331-E | Bearing | 4 |
| 10 | 500-1130-E | Drive wheel shaft | 2 |
| 11 | E03516 | Drive motor shaft | 2 |
| 12 | 222-2021-E | Drive motor sprocket | 2 |
| 13 | 500-2213-E | Drive motor duplex chain | 4 |
| 14 | E03511 | Left bracket outer plate | 1 |
| 15 | E03512 | Left bracket inner plate | 1 |

Fig. 05 Lowering kit



| Item | Part number | Description | Qty. |
|------|-------------------|-------------------------------------|------|
| 1 | E00701 | Belt guard cover | 1 |
| 2 | 222-2270 | Taper lock bush | 1 |
| 3 | 500-2465-SE | V-belt | 1 |
| 4 | 222-2301-V | Taper lock bush | 1 |
| 5 | 500-2469 | V-belt pulley (60Hz machines) | 2 |
| | E00622 | V-belt pulley (50Hz machines) | 1 |
| 6 | E00706 | Bearing unit complete | 1 |
| 7 | E00700 | Belt guard bottom plate | 1 |
| 8 | E00707 | Filling plate fan motor | 1 |
| 9 | E00704 | Eccentric sleeve fan adapter | 1 |
| 10 | RIG-3629-CDF | Connector housing | 1 |
| 11 | RIG-3630-CDF | Interior bush | 1 |
| 12 | 500-3055-SHEV-IE3 | Fan motor | 1 |
| | 500-3055-SHEV-EX | ATEX Fan motor | 1 |
| 13 | E00951 | Inner circlip | 2 |
| 14 | E00703 | Shaft fan adapter | 1 |
| 15 | E00705 | Bearing fan adapter | 2 |
| 16 | E00702 | Bearing house fan adapter | 1 |
| 17 | 491824 | V-belt pulley (50Hz machines) | 1 |
| | 500-2469 | V-belt pulley (60Hz machines) | 2 |
| | 500-1086-1 | Fan adapter (lowering set) for 60Hz | |
| | 500-1086-1/50Hz | Fan adapter (lowering set) for 50Hz | |



2. Maintenance box E07226

| Item | Part number | Description | Qty. |
|------|-------------|-------------------------------------|------|
| 1 | E07226_1 | Maintenance box 500E/S (tools only) | 1 |
| 2 | E07226_2 | Brass shaft \varnothing 20x500mm | 1 |
| 3 | 600-1015 | Impeller | 1 |
| 4 | 500-1005 | Blades (set of 6) | 1 |
| 5 | 500-1010 | Control cage | 1 |
| 6 | 500-1245 | M16X45 Impeller bolt DIN912 | 1 |
| 7 | 500-1045-S | Back brush | 1 |
| 8 | 500-1060-S | Side skirt (set of 2) | 2 |
| 9 | 500-1050-S | Side brush (set of 2) | 2 |
| 10 | 500-1052-SE | Front skirt inner | 1 |
| 11 | 500-1053-SE | Front skirt intermediate | 1 |
| 12 | 500-1054-SE | Front skirt outer | 1 |
| 13 | 500-1070 | Shot valve insert (rubber) | 1 |
| 14 | 500-1065-SE | Feed spout rubber | 1 |





BLASTRAC EUROPE

WE'RE READY TO ASSIST YOU!

BLASTRAC THE NETHERLANDS

EUROPEAN HEAD OFFICE
Utrecht haven 12
NL - 3433 PN Nieuwegein
Tel.: +31 (0)30 601 88 66
Fax: +31 (0)30 601 83 33
Email: info@blastrac.nl
WWW.BLASTRAC.EU

BLASTRAC POLAND

SALES & SERVICE CENTRE
Golina, ul. Dworcowa 47E
63-200 Jarocin
Tel.: +48 (0)62 740-41-50
Fax: +48(0)62 740-41-51
Email: info@blastrac.pl
WWW.BLASTRAC.PL

BLASTRAC FRANCE

SALES & SERVICE CENTRE
ZI - 29, Av. des Temps Modernes
F - 86360 Chasseneuil du Poitou
Tel.: +33 (0)5 49 00 49 20
Fax: +33 (0)5 49 00 49 21
Email: info@blastrac.fr
WWW.BLASTRAC.FR

BLASTRAC ITALY

SALES & SERVICE CENTRE
S.S. 10 Padana Inferiore, 41
IT - 29012 Caorso (PC)
Tel.: +39 0523 814241
Fax: +39 0523 814245
Email: info@blastrac.it
WWW.BLASTRAC.IT

BLASTRAC GERMANY

SALES & SERVICE CENTRE
Richard-Byrd-Str. 15
50829 Köln
Tel.: +49 (0) 221 709032-0
Fax: +49 (0) 221 709032-22
Email: info@blastrac.de
WWW.BLASTRAC.DE

BLASTRAC UKRAINE

SALES & SERVICE CENTRE
Nezalezhnosti 14, of. 21
07400 Brovary
Tel.: +38 (0)44 222 51 28
Fax: +38 (0)44 277 98 29
Email: info@blastrac.com.ua
WWW.BLASTRAC.COM.UA

BLASTRAC SPAIN

SALES & SERVICE CENTRE
Calle del Estío, 9
E - 28500
Arganda del Rey, Madrid
Tel.: +34 91 660 10 65
Fax: +34 91 672 72 11
Email: info@blastrac.es
WWW.BLASTRAC.ES

BLASTRAC UNITED KINGDOM

SALES & SERVICE CENTRE
Unit 2a, Outgang Lane, Dinnington
Sheffield, South Yorkshire
GB - S25 3QU
Tel.: +44 (0) 1909 / 569 118
Fax: + 44 (0) 1909 / 567 570
Email: info@blastrac.co.uk
WWW.BLASTRAC.CO.UK

BLASTRAC MIDDLE EAST

SALES & SERVICE CENTRE
P.O. box 29424
Dubai / United Arab Emirates
Tel.: +971 4 3245760
Fax: +971 4 3245761
Email: info@blastracdxb.ae
WWW.BLASTRAC.AE

BLASTRAC NORDIC

SALES & SERVICE CENTRE
Lekstors Industriväg 13D,
443 41, Gråbo
Sweden
Tel.: +46 (0) 31 30 333 55
Email: info@blastrac.se
WWW.BLASTRAC.SE

BLASTRAC INDIA

SALES & SERVICE CENTRE
G.B. Warehousing, GAT NO- 523,
Pune- Nagar Road, Wagholi
Pune- 412 207
Tel.: +91 99213 98109
Email: info.blastrac.in
WWW.BLASTRAC.IN