



***Service manual BMG-735RS / RSBD
Version 1.4***



Index

1. Tools & Accessories	02
2. Spare parts	03
Maintenance log	26
Contact	27



1. Tools & Accessories



<p>E07240-2 DIAMAG ADAPTER PLATE Ø240 MM E12345 DIAMAG ADAPTER PLATE Ø240 MM</p>	<p>BG707321 #18 - 20 BG707322 #30 - 40 BLUE GRINDING WING</p>	<p>BG707311 #18 - 20 BG707312 #30 - 40 BG707313 #60 - 80 BG707314 #120 - 150 GREEN GRINDING WING</p>	<p>BG707301 #18 - 20 BG707302 #30 - 40 BG707303 #60 - 80 BG707304 #120 - 150 RED GRINDING WING</p>	<p>BG707341-2 #30 - 40 BLACK GRINDING WING</p>
--	---	--	--	---



<p>E10692 DIAMAG ADAPTER PLATE WINGS PCD Ø240 MM</p>	<p>BG200997-1/SET PCD SPLIT WING BG200995-1/SET PCD 1x1 WING</p>	<p>E09580 ROTARY PLATE ONLY Ø240 MM E10240 PLATE Ø240 MM COMPLETE WITH BUSH HAMMER ROLLERS E10240/SW PLATE Ø240 MM COMPLETE WITH STAR WHEELS</p>	<p>E09119-2H BUSH HAMMER ROLLER HEAVY Ø50 MM BG300109 CUTTER WHEEL Ø50 MM</p>	<p>E09368/FINE VELCRO PLATE Ø240 MM For Polishing pads E09368/COARSE VELCRO PLATE Ø240 MM For Maintenance pads</p>
---	--	---	---	--



<p>BG240001 #40 #1 - orange BG240002 #100 #2 - Black BG240003 #200 #3 - Blue BG240004 #400 #4 - Red BG240005 #800 #5 - White BG240006 #1500 #6 - Yellow BG240007 #3000 #7 - Green</p> <p>POLISHING PADS Ø240 MM</p>	<p>BG240M004 #400 #4 BG240M005 #800 #5 BG240M006 #1500 #6 BG240M007 #3000 #7</p> <p>MAINTENANCE PADS Ø240 MM</p>
---	--



<p>E12462 WEIGHT SET COMPLETE (STANDARD WITH BMG-735RS MKII)</p>	<p>E12454 FRONT- TRANSPORT WHEELS (STANDARD WITH BMG-735RS MKII)</p>	<p>E10925 REMOTE CONTROL (STANDARD WITH BMG-735RS MKII)</p>	<p>005014SR SUCTION HOSE Ø76 MM (ORDER PER METER)</p>
---	---	--	--



2. Spare parts

Fig. 01 Frame complete

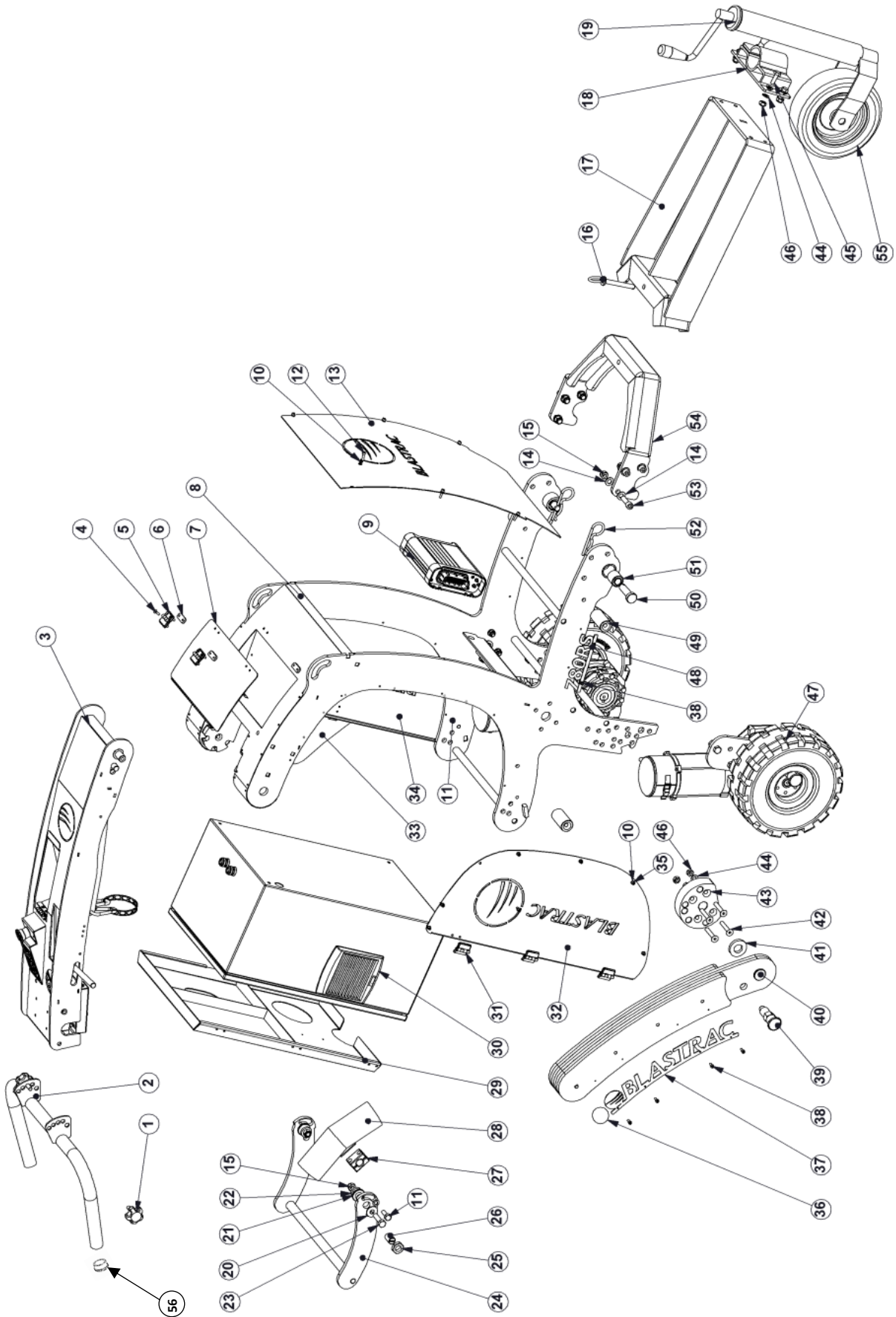




Fig. 01 Frame complete

Item	Part number	Description	Remarks	Qty.
1	E12534	Knob M10x25		2
2	E11229_BL	Steer handle		1
3	E12376	Handle complete		1
4	BE0451	M5x20 Countersunk head screw 10.9	ISO10642	4
5	E12404	Hinge		2
6	E11537	Distance plate		2
7	E11536	Bonnet		1
8	E12268	MKII frame		1
9	E10926	Receiver		1
10	BE0304	M5 Washer		20
11	BE0040	M10x30 Hexagon bolt + Springlock washer		2
12	BE0180	M5x12 Hexagon Socket Head cap	DIN912	20
13	E11602	Front cover Blastrac		1
14	BE0026	M12 Washer		28
15	BE0073	M12 Locking Nut	DIN985	8
16	E11545	Pin		1
17	E11530	Front wheel support		1
18	E12431	Front wheel clamp		1
19	E12430	Adjustable front wheel		1
20	BE0026	M12 Washer		2
21	E11543	Mounting bush		2
22	BE0026	M12 Washer		2
23	BE0200	M12x45 Hexagon Socket Head cap	DIN912	2
24	E11542	Tilting support		1
25	BE0900	M20 Hex Nut Low		1
26	BE1068	Spring gland M20x30		1
27	999-9154	Pipeclamp (set of 2) 20mm Black		1
28	E12341	Hose connection 75mm		1
29	E12407-BL	Electrobox cover RS Blue		1
30	E12297	Electro set 15kW RS 3x400V OVP 24Vdc		1
31	E10558	Hinge		3
-	BE1076	M5x16 Countersunk head screw 10.9	Not shown	7
-	BE0901	M5 Hex Flangelocknut/ins	Not shown	14
32	E11603	RH electro box side plate Blastrac		1
33	E11541	LH Side weight		1
34	E11604	LH electro box side plate Blastrac		1
-	E11489	Clamp to reductions	Not shown	1
35	BE0180	M5x12 Hexagon Socket Head cap	DIN912	14
36	E03365_2	Knob lever		2
37	E11233	Blastrac logo BMG frame		2
38	BE0180	M5x12 Hexagon Socket Head cap	DIN912	12
39	E12306	HD Fast locking Pin M24x2		2
40	E11538	RH Side weight		1
-	BE0038+BE0062+BE0006+BE0008	M10x20 bolt / Washer M10xØ32 / Springlock washer / M10 nut	Not shown	2
41	E11535	Distance ring Ø50xØ25.2x8mm		2
42	BE1074	M10x60 Countersunk Head Screw		8
43	E12340	Adjust block		2
44	BE0004	M10 Washer	DIN125A	16
45	BE0040	M10x30 Hexagon head screw	DIN933	4
46	BE0023	M10 Locking nut	DIN985	12
47		24VDC wheel drive	See Fig. 15	2
48	E08792_BL	735RS logo blue		2
49	E12339/BL	End stop blue		4
50	E11121	Hinge bolt		2
51	E01492	Megi bush		2
52	BE0235	Spring lock 5mm		2
53	BE0199	M12x40 Hexagon socket head	DIN912	6
54	E12288	Front support grinders		1
55	E12430_1	Front wheel		1
56	BE0643	Tube cap round 35mm		2



Fig. 02 Handle complete

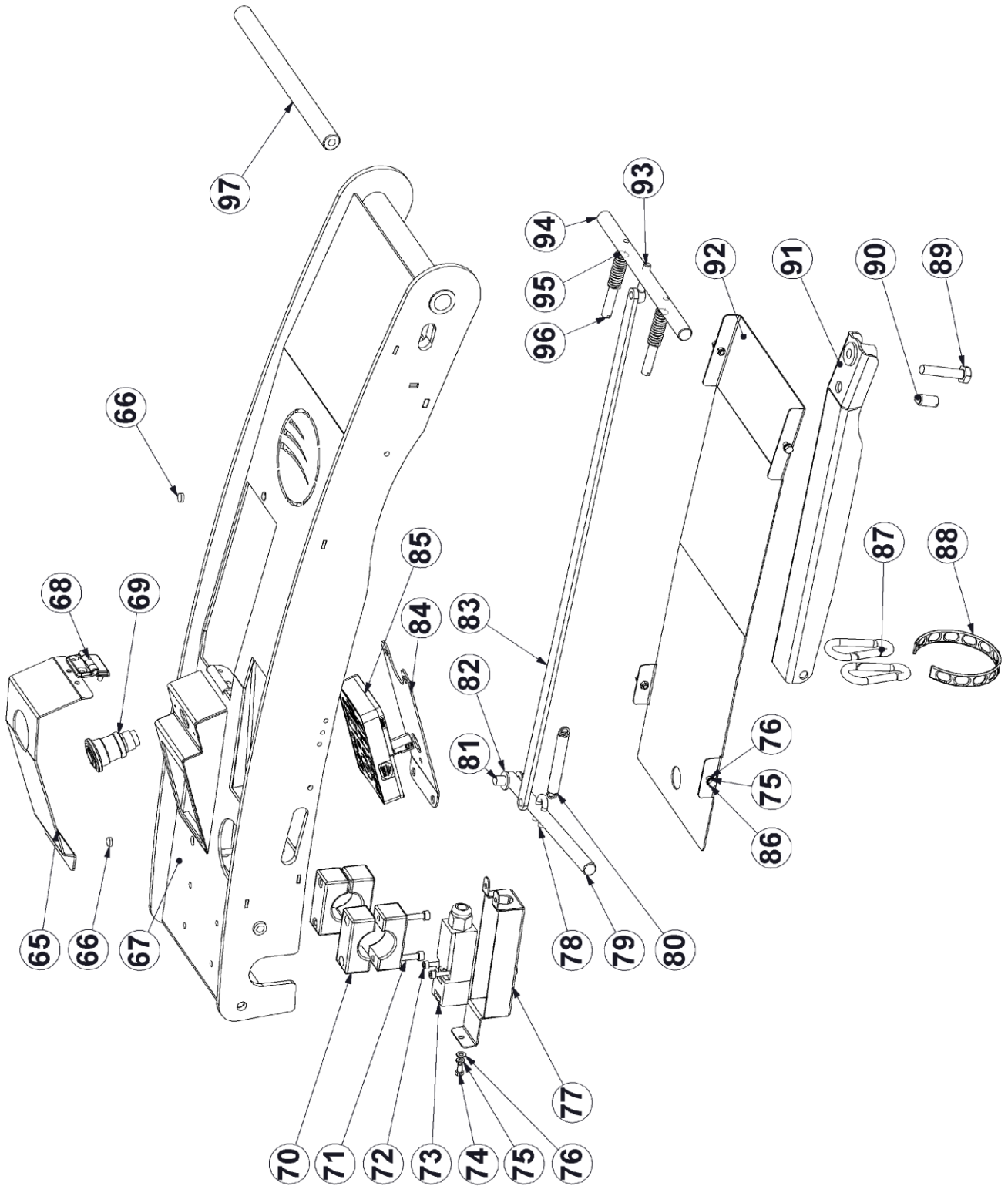




Fig. 02 Handle complete

Item	Part number	Description	Remarks	Qty.
65	E12380	Keypad cover		1
66	E06446	Magnet		2
67	E12375	Handle		1
68	E12404	Hinge		1
-	BE0952	M5x16 Countersunk head screw	Not shown	2
-	BE0901	M5 Hex Flangelocknut/ins	Not shown	4
69	E13002	Emergency stop		1
70	999-9156	Pipe clamb 35mm		4
71	BE0191	M6x50 Hexagon socket head		4
72	BE0184	M5x30 Hexagon socket head		2
73	BG11760	Deadman switch		1
74	BE0180	M5x12 Hexagon Socket Head cap	DIN912	1
75	BE0310	M5 Spring lock washer		5
76	BE0304	M5 Washer		5
77	E11226	Deadman switch cover		1
-	BE0901	M5 Hex Flangelocknut/ins	Not shown	2
78	BE0712	Wire rope clamp 8mm DIN741_555		1
79	E11227	Unlocking handle		1
80	E10388	Tension spring		1
81	BE0054	M10x30 Hexagon Socket Head Cap		1
82	BE0004	M10 Washer		2
83	E10380	Push strip		1
84	E12379	Cover plate		1
-	BE1066	M6 Self-locking hex flange nut	Not shown	4
85	E10904	Keypad		1
86	BE0180	M5x12 Hexagon Socket Head cap	DIN912	4
-	BE0304	M5 Washer		4
87	BE0653	Snap hook		2
88	E07008	Chain for dusthose	11 links / 36 cm	1
89	BE0232	M10x50 hexagon bolt		1
90	E11284	M12x22 Resilient pressure piece		1
-	BE0075	M12 Hexagon nut (low)	Not shown	1
91	E11222	Hose arm		1
92	E11557	Cover steer handle		1
93	BE0702	M8x40 eye bolt		1
94	E11220	Locking axle		1
95	E09237	Spring 14,8x64x2,0		2
96	E10556	Spring axle		2
97	E12282	Axle steer handle		1
-	BE0442	M10x20 hex. socket head cap s. DIN912	Not shown	2
-	BE0006	M10 spring lock washer DIN127B	Not shown	2
-	BE0062	Washer M10x30x1,5	Not shown	2



Fig. 03 Machine complete

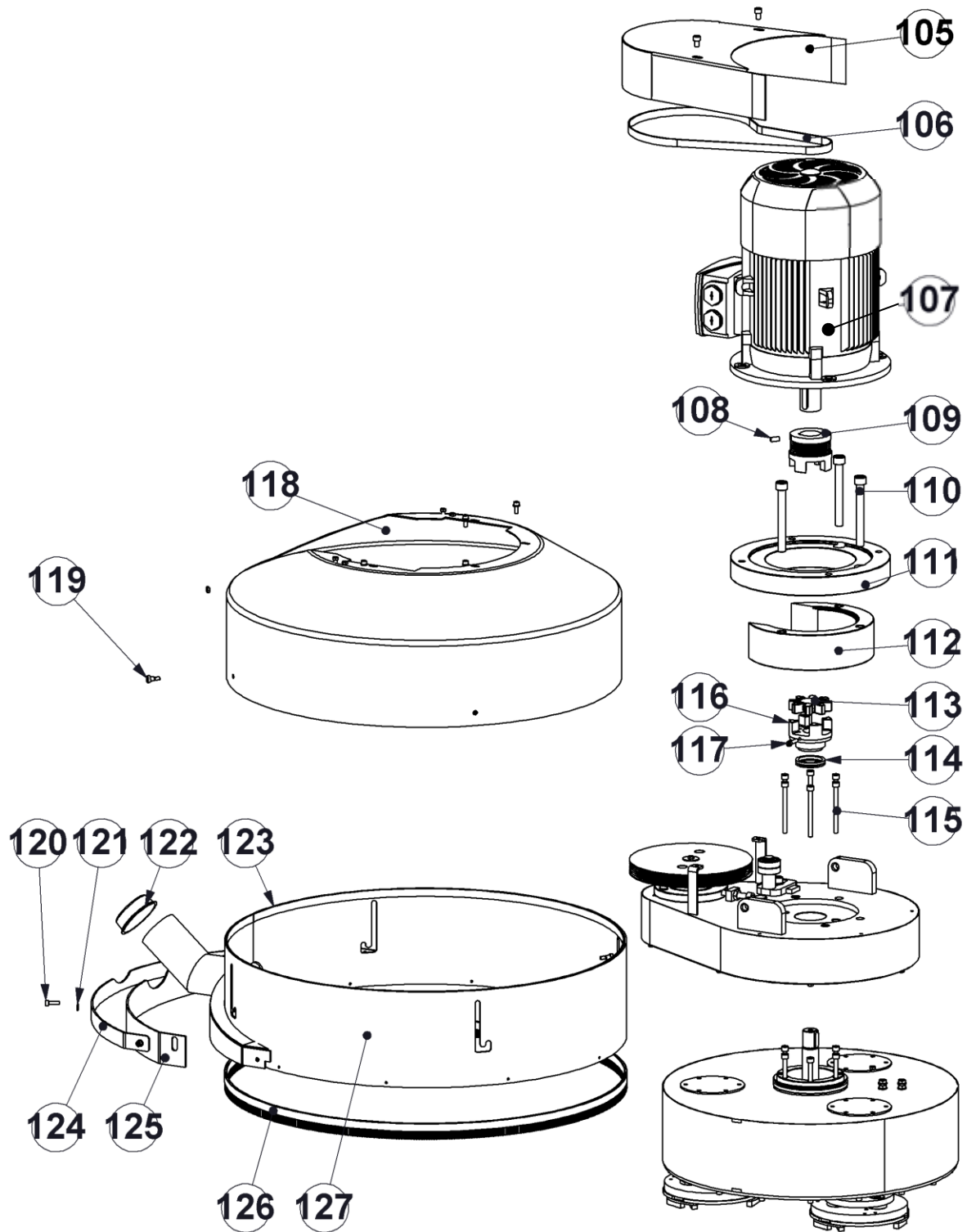




Fig. 03 Machine complete

Item	Part number	Description	Remarks	Qty.
105	BG005847	Protection cap		1
106	BG11924	Upper belt		1
107	BG11923-1IE2/BL	Motor 230V/400V		1
108	BE0654	M8x16 set screw	DIN 916	4
109	BG007808_2	Coupling upper part		1
110	BE0656	M14x140 hexagon socket head bolt	DIN 912	3
111	BG007810	Flange motor seat		1
112	BG007811	Motor seat		1
113	BG005844	Coupling plastic star		1
114	BG11829	V-seal		1
115	BE0635	M8x110 hexagon socket head bolt	DIN 912	6
116	BG007808_1	Coupling under part		1
117	BE0188	M6x25 hexagon socket head bolt	DIN 912	1
118	BG007339	Protection cover		1
119	BE0655	M6 8x12 hexagon shoulder screw 12.9	ISO7379	4
120	BE0020	M6x20 Hexagon Socket Head		4
121	BE0016	M6 Washer		4
122	E04551	Plastic cap		1
123	E06897	Slide strip		2,5m
124	E11523	Tightening steel strip		1
125	E11522	Rubber seal of floating shroud		1
126	BG-BRUSH 20MM	Brush for floating shroud		2.5m
127	E11521	Floating shroud BMG-735		1



Fig. 04 Upper drive

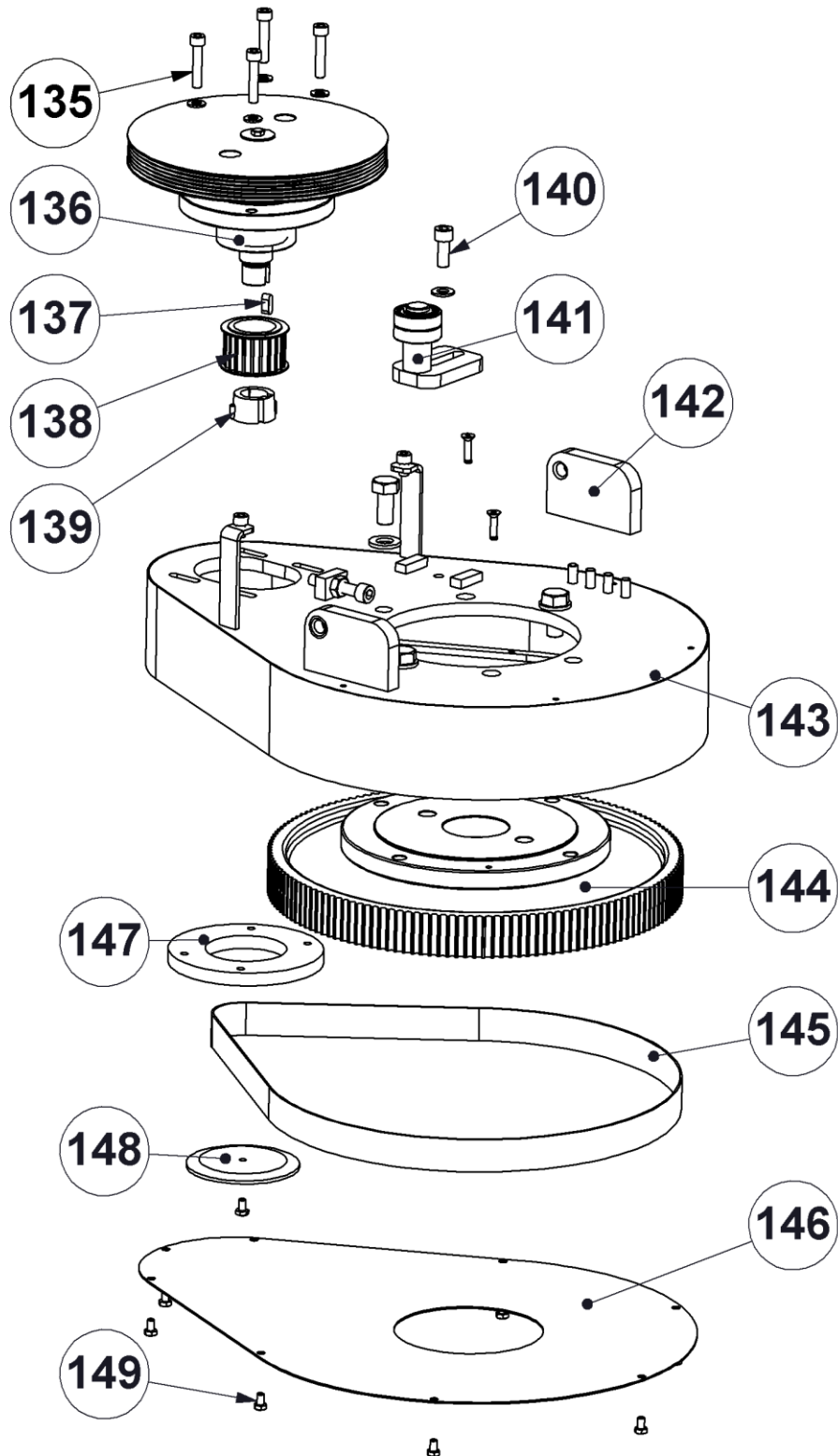




Fig. 04

Item	Part number	Description	Remarks	Qty.
135	BE0631	M8x40 hexagon socket head bolt	DIN 7984	4
136	BG005856	Contra pulley		1
137	BE0648	Key 8x7x18	DIN 6885A	1
138	BG005805-1	Pulley		1
139	E01560	Taperlock		1
140	BE0443	M10x25 hexagon socket head bolt		
141	BG005860	Upper tensioner		1
142	E12358	Holder with Ø18		2
143	BG005809	Motorplate complete		1
144	BG005857	Centre pulley		1
145	BG11904	Middle belt	105 - 115Hz tension	1
146	BG005834	Lower plate upper drive		1
147	BG005807	Ring		1
148	BG007804	Flange		1
149	BE0350	M6x10 hexagon head screw		8



Fig. 05 Lower drive

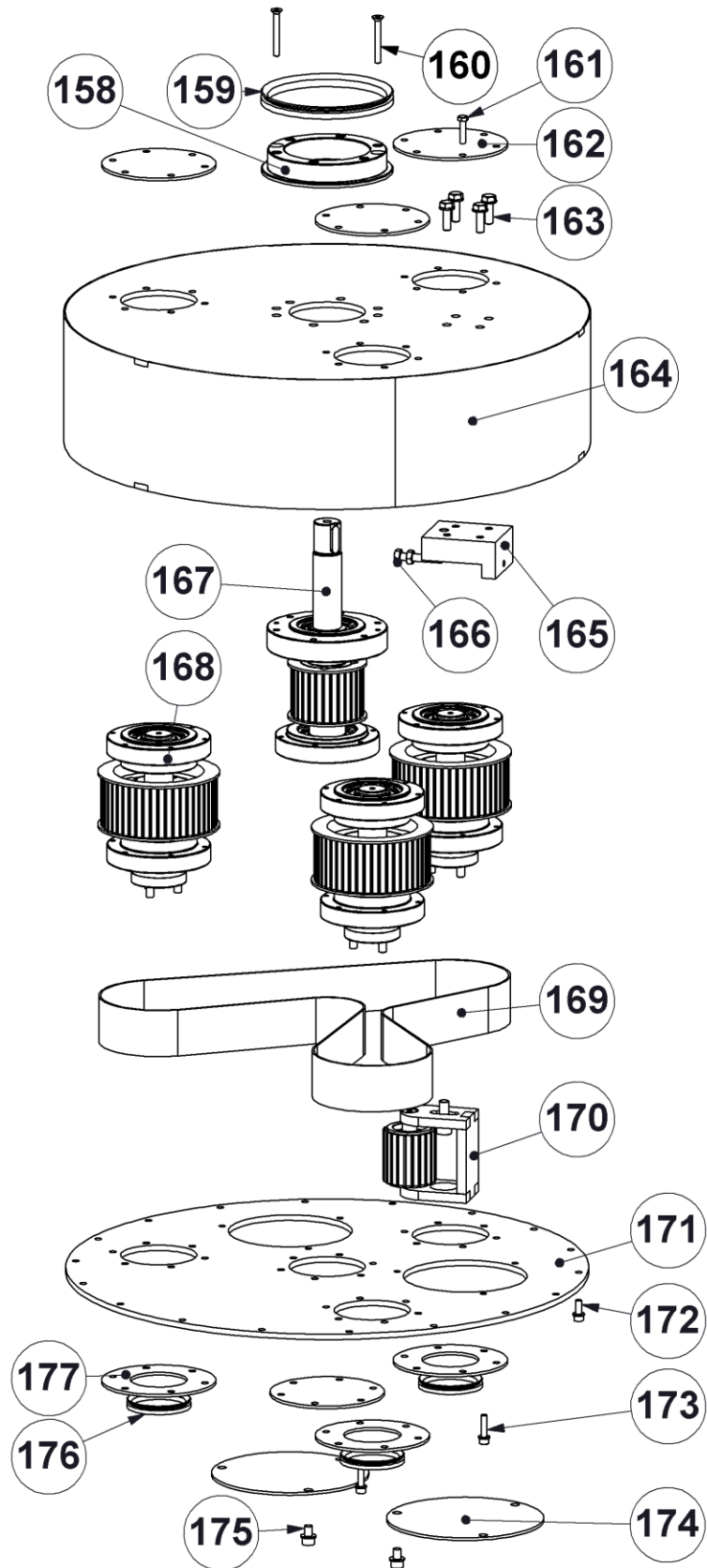


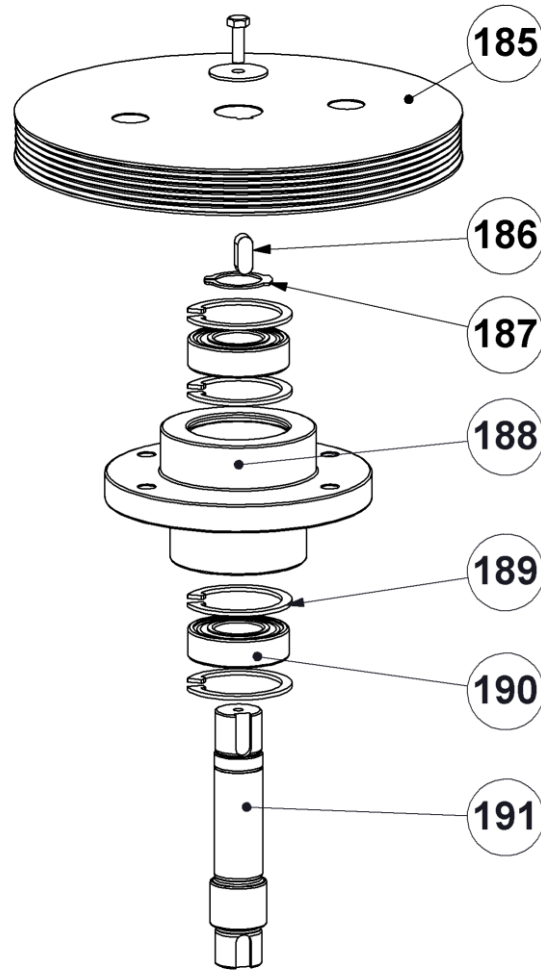


Fig. 05

Item	Part number	Description	Remarks	Qty.
158	BG005814	Ring		1
159	BG11849	V-seal		1
160	BE0617	M6x50 countersunk screw	DIN 7991	2
161	BE0051	M6x25 hexagon head bolt	DIN 933	18
162	BG005827	Cover		4
163	BE0030	M8x25 hexagon head bolt	DIN 933	4
164	BG007322	Housing complete		1
165	BG005832-1	Holder		1
166	BE0090	M8x40 hexagon head bolt	DIN 933	1
167	BG005858	Drive pulley		1
168	BG005859	Pulley		3
169	BG11940	Lower belt	65-70Hz	1
170	BG005861	Lower tensioner		1
171	BG007324	Lower plate 735PRO		1
172	BE0035	M6x16 hexagon socket head bolt	DIN 912	18
173	BE0188	M6x25 hexagon socket head bolt	DIN 912	24
174	BG007850	Inspection cover		2
175	BE0082	M8x12 hexagon socket head bolt	DIN 912	6
176	BG11797	V-seal		3
177	BG0005826	Ring		3



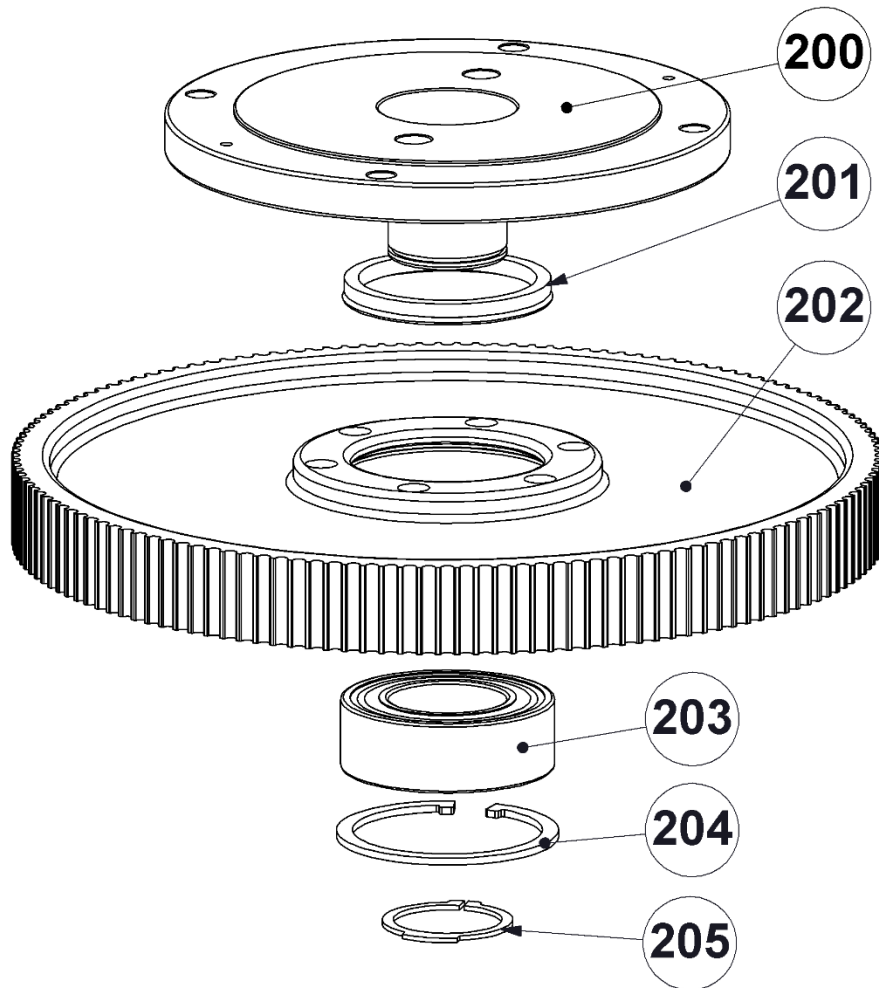
Fig. 06 **Contra pulley BG005856**



Item	Part number	Description	Remarks	Qty.
185	BG005803	Belt pulley		1
186	BE0109	Key 8x7x20	DIN 6885A	1
187	BE0076	Retaining ring for shaft Ø25	DIN 471	1
188	BG005802	Bearing house		1
189	BE0077	Retaining ring for bore Ø52	DIN 472	4
190	222-2331-E	Bearing		2
191	BG005801	Axle		1



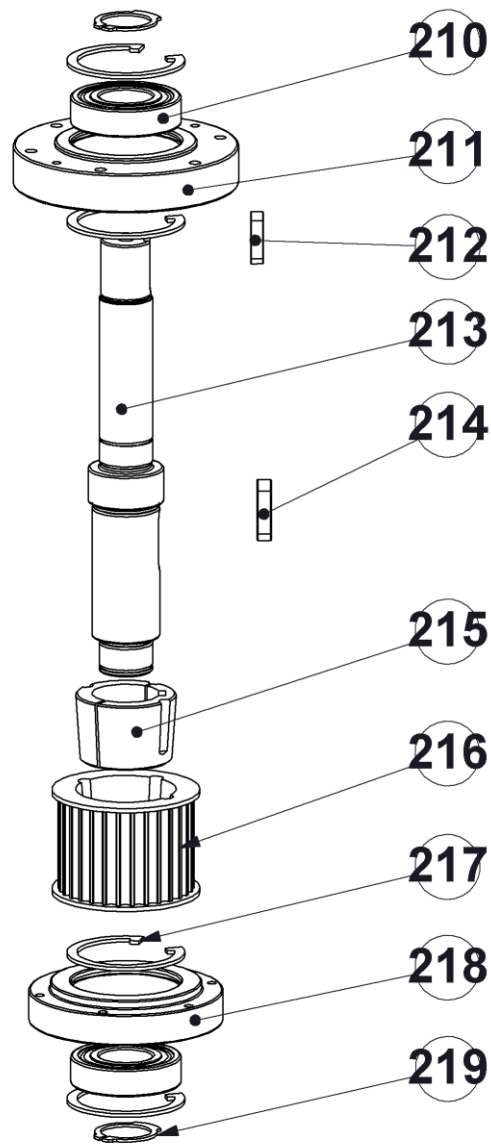
Fig. 07 Centre pulley BG005857



Item	Part number	Description	Remarks	Qty.
200	BG005812	Sprocket		1
201	E03703	V-seal		1
202	BG005806	Pulley		1
203	E01490	Bearing		1
204	E03993	Retaining ring for bore Ø90	DIN 472	1
205	BE0126	Retaining ring for shaft Ø50	DIN 471	1



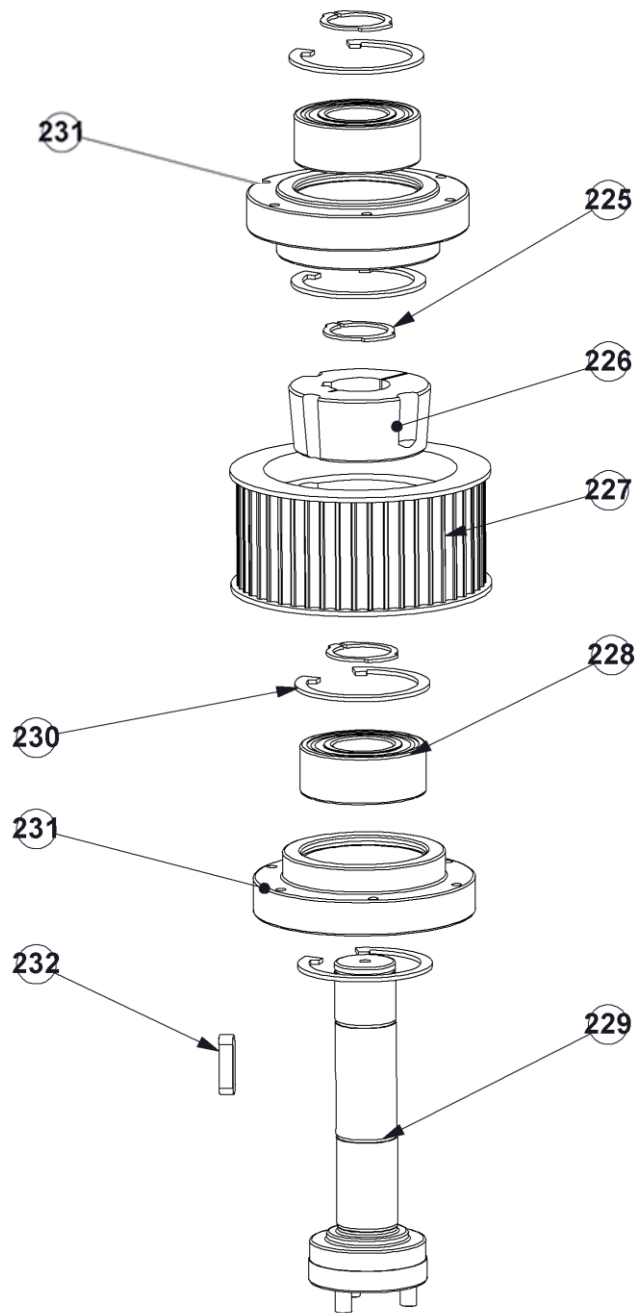
Fig. 08 Drive pulley BG005858



Item	Part number	Description	Remarks	Qty.
210	B20404	Bearing		2
211	BG005815	Bearing house		1
212	BE0256	Key 8x7x30	DIN 6885A	1
213	BG005818	Axle		1
214	BE0269	Key 10x8x32	DIN 6885A	1
215	E00718	Taperlock		1
216	BG005820	Pulley		1
217	E00951	Retaining ring for bore Ø62	DIN 472	4
218	BG005821	Bearing house		1
219	B21631	Retaining ring for shaft Ø30	DIN 471	2



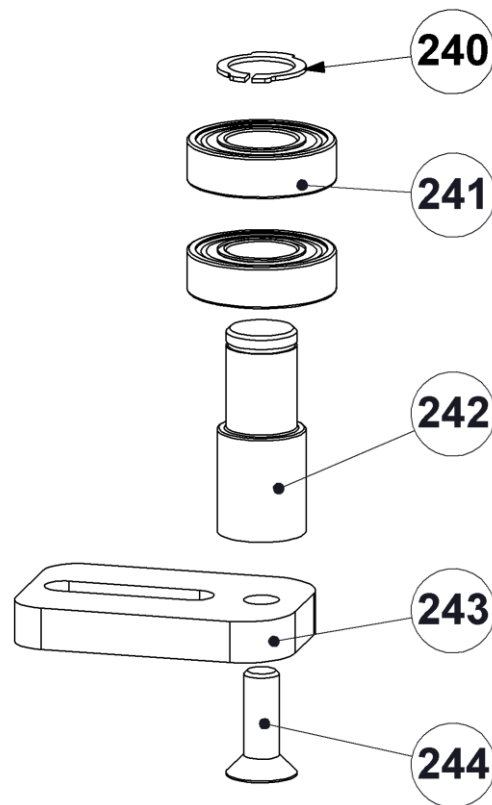
Fig. 09 Pulley (3x) BG005859



Item	Part number	Description	Remarks	Qty.
225	B21631	Retaining ring for shaft Ø30	DIN 471	3
226	RB100A3-350	Taperlock		1
227	RB165-2	Pulley		1
228	BG11817	Bearing		2
229	BG005816	Axle		1
230	E00951	Retaining ring for bore Ø62	DIN 472	4
231	BG005817	Bearing house		2
232	BE0256	Key 8x7x30	DIN 6885A	1



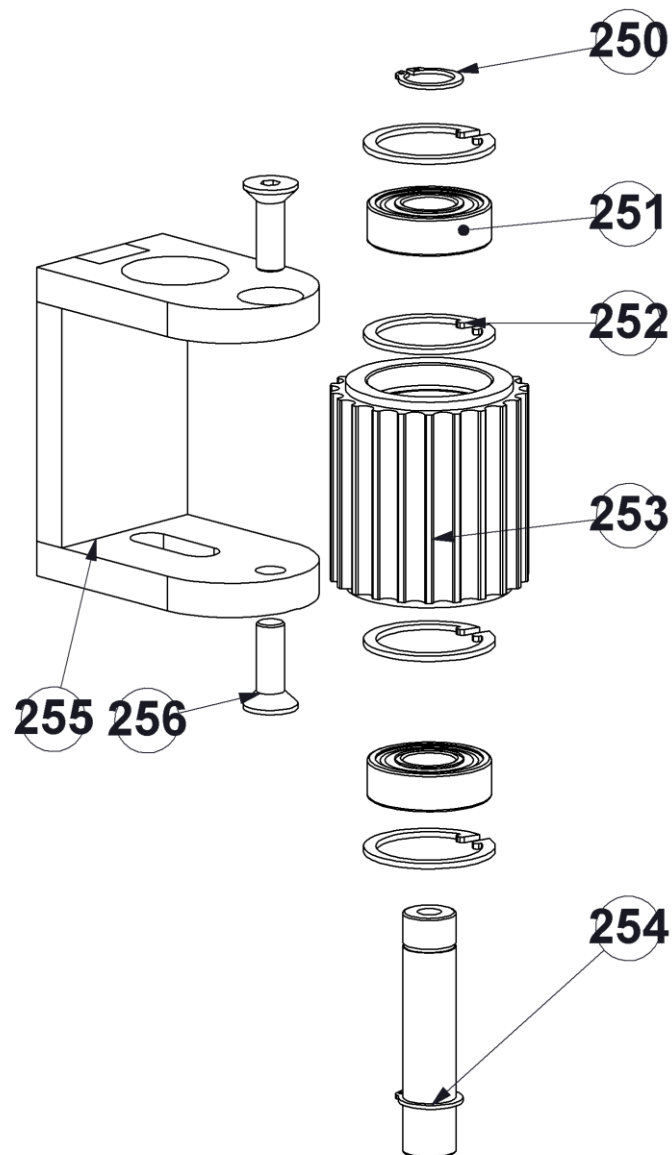
Fig. 10 Upper tensioner BG005860



Item	Part number	Description	Remarks	Qty.
240	BE0074	Retaining ring for shaft Ø20	DIN 471	1
241	222-2245	Bearing		2
242	BG005830	Axle for tensioner		1
243	BG005831	Tension plate		1
244	BE0130	M10x25 countersunk screw	DIN 7991	1



Fig. 11 Lower tensioner BG005861

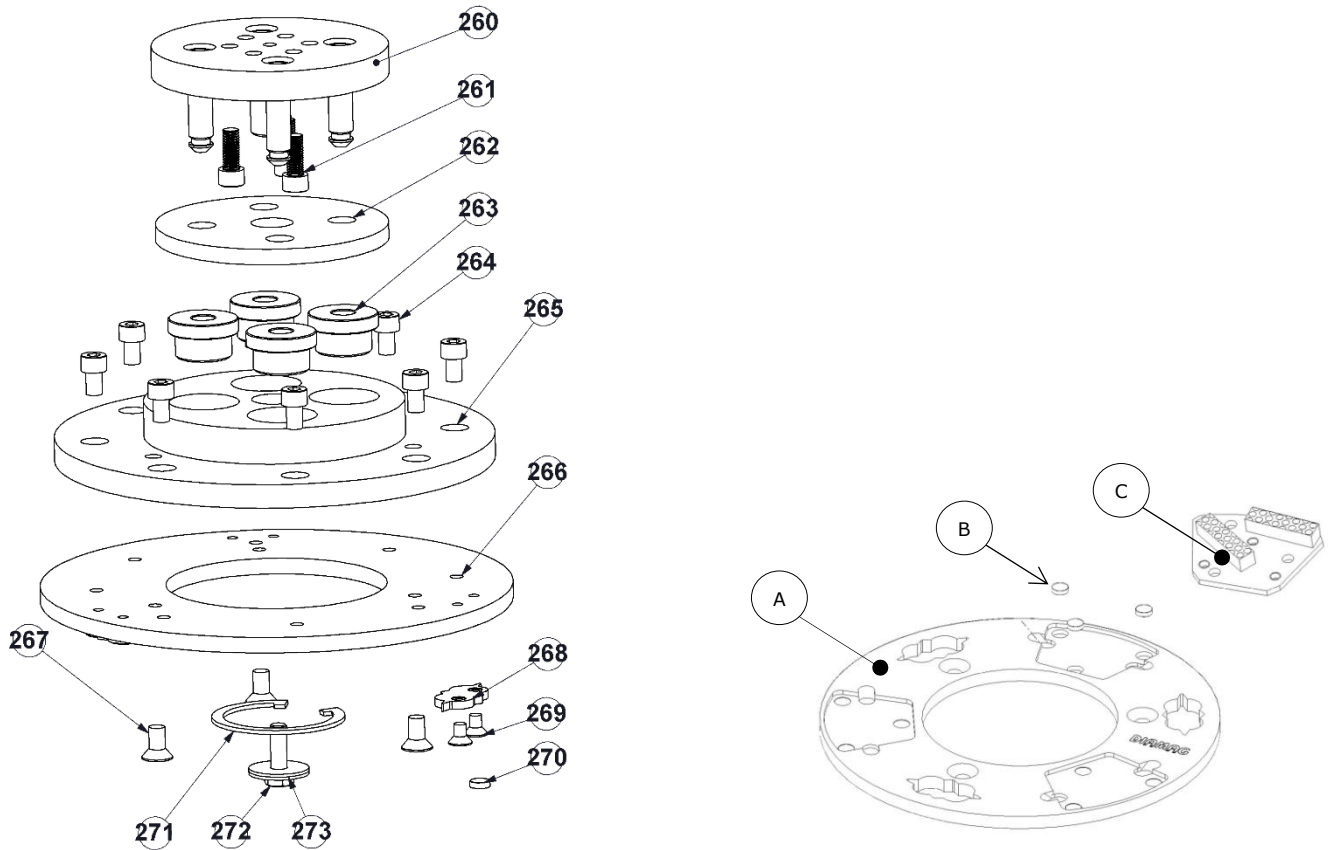


Item	Part number	Description	Remarks	Qty.
250	BE0070	Retaining ring for shaft Ø15	DIN 471	2
251	BG11792	Bearing		2
252	BE0618	Retaining ring for bore Ø35	DIN 472	4
253	BG005836	Pulley		1
254	BG005837	Axle tensioner		1
255	BG005833	Tensioner		1
256	BE0458	M8x25 countersunk screw	DIN 7991	2





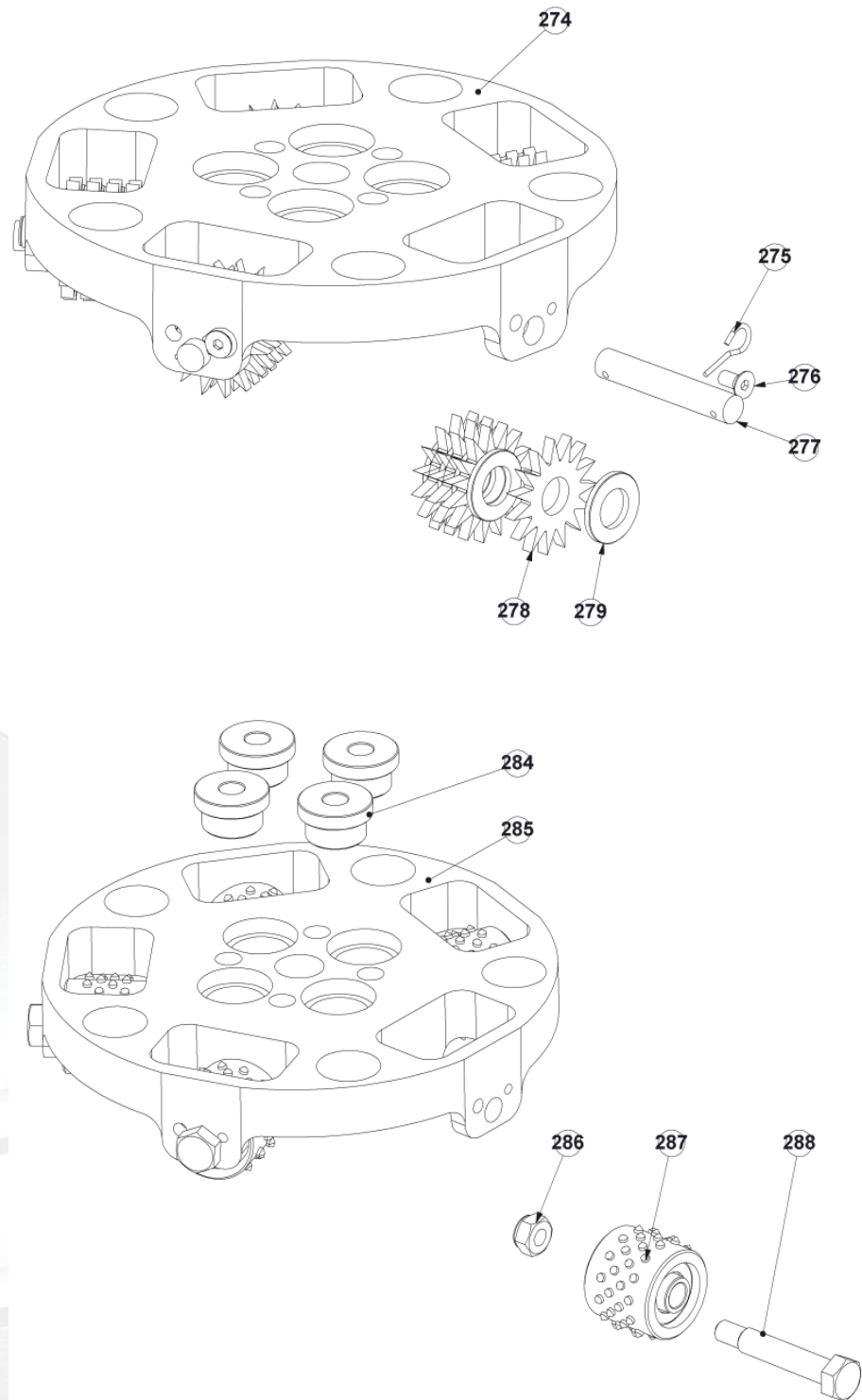
Fig. 12 Rigid buffer plate complete E14019



Item	Part number	Description	Remarks	Qty. (x3 per machine)
263-270	BG240190-1	240mm diamond holder complete		1
266-270	BG2401901-1	240mm diamond holder		1
260-273	E14019	Rigid buffer plate complete		1
260	BG11880	Fork		1
261	BE0204 + BE0584	M8x25 hexagon socket head bolt small + M8 spring washer small	DIN 7984 DIN 7980	3
262	BG11879	Buffer disc		1
263	BG11878	Buffer hard		4
264	BE0082	M8x12 hexagon socket head bolt	DIN 912	8
265	BG11877	Magnet plate holder 240mm		1
266	BG2401901-1	Only complete with parts 267 - 270		1
267	BE0456	M8x16 countersunk screw	DIN 7991	3
268	BG11811	Centering star		3
269	BG11810	M6x10 countersunk screw	DIN 7991	6
270	E06446	Magnet		3
271	BE0608	Retaining ring for bore Ø58	DIN 472	1
272	BE0030	M8x25 hexagon head bolt	DIN 933	1
273	BE0314	M8x30x1,5 washer		2
A	E12345	240mm DIAMAG 2.0 plate		1
	E07240-2	DIAMAG 240mm adapter plate	Not shown	1
	BG200993-1	Plate for 6 wings 240mm	Not shown	1
	E10692	240mm DIAMAG PCD adapter plate	Not shown	1
B	E06446	Magnet 10x3mm		9
C		DIAMAG grinding wings		3



Fig. 13 Buffer system for bush hammer tools

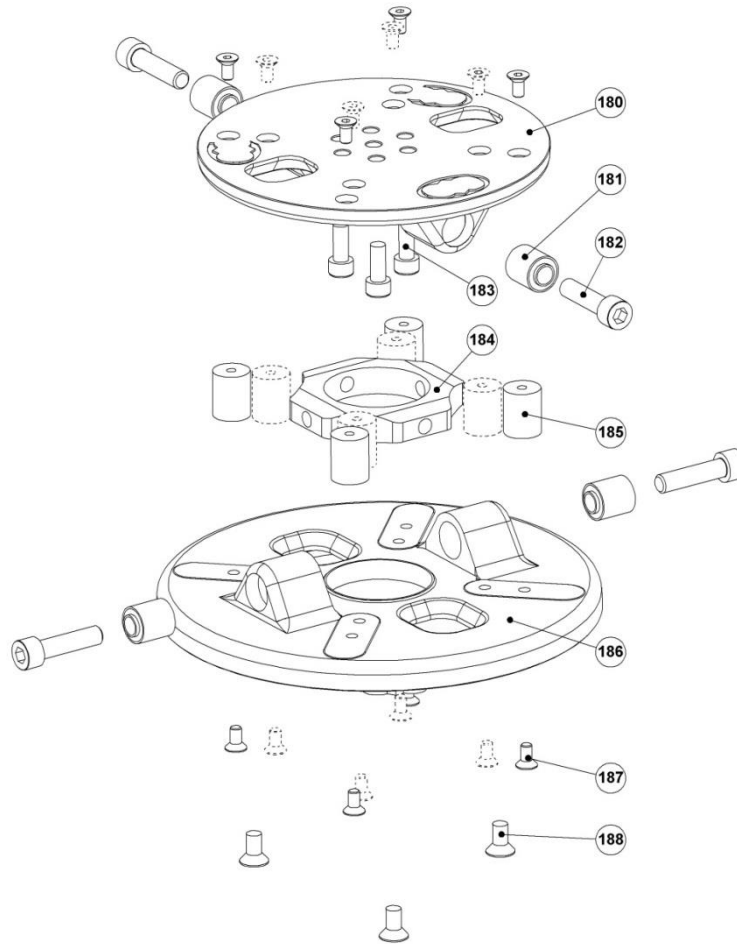




Item	Part number	Description	Remarks	Qty. (x3 per machine)
274-279	E10240/SW	PLATE Ø240 MM WITH STAR WHEELS		1
274	E09580	Cutter plate 240mm for 5 tools		1
275+276	BG300133	Locking pin & screw		6
277	BG300130	Axle		6
278	BG300109	Cutter		20
279	MPL48	Washer		25
284	BG11878	Buffer hard		4
285	E09580	Cutter plate 240mm for 5 tools		1
286	E09119-1/NUT	Nut for bush hammer E09119-2H		5
287	E09119-2H	Bush hammer tool heavy only		5
288	E09119-2H/BOLT	Bolt for bush hammer E09119-2H		5
285-288	E10240	Cutter plate 240 complete with bush hammer tools		1



Fig. 14 Buffer flex system

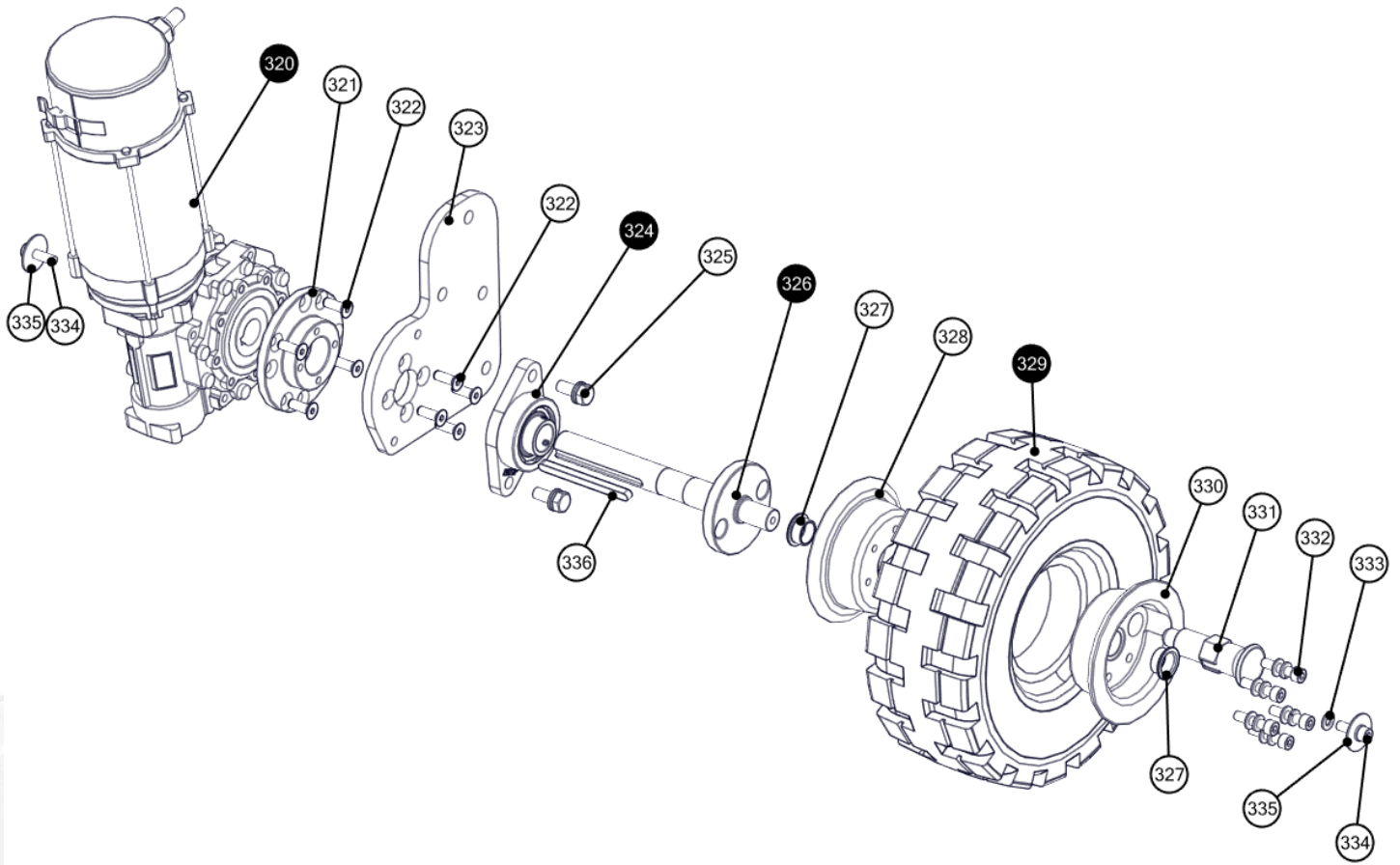


When changing torque bushes, you must use the special bush mounting tool (E12866)

Item	Part number	Description	Qty. (x3 per machine)
180-188	E10172-240MM	Ø240mm Buffer system Alu	1
180	E12260	Buffer upper plate	1
181	E12054	Torque bush	4
182	BE0444	M10x40 hexagon socket head cap screw	4
183	BE0011	M8x20 hexagon socket head cap screw	3
184	E12261	Buffer mid plate	1
185	E12265	Shock absorber	4 (standard) / 8 (optional)
186	E12264	Buffer lower plate 240mm	1
187	BE0955	M6x12 hexagon socket countersunk 10.9	8 (standard) / 16 (optional)
188	BE0456	M8x16 hexagon socket countersunk	3
	E12866	Torque bush mounting tool	1



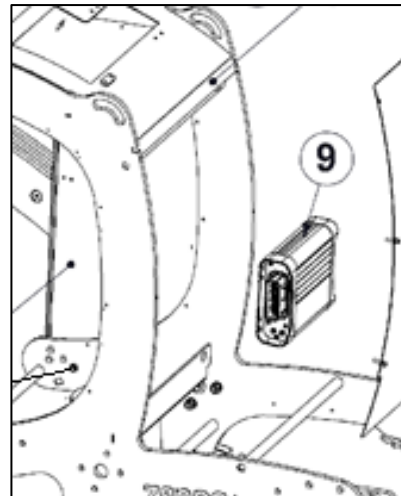
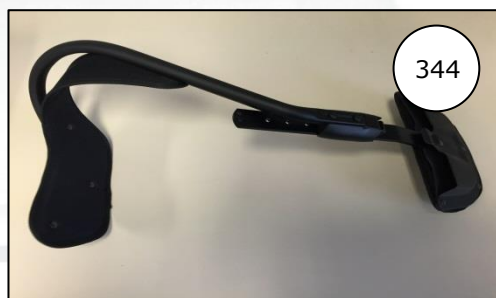
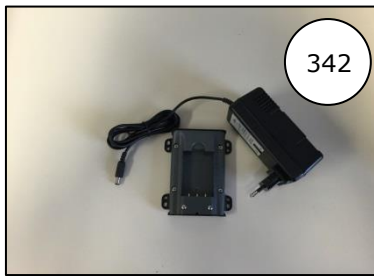
Fig. 15 Wheel drive 24VDC



Item	Part number	Description	Remarks	Qty.
320	E12286	24V DC drive motor		1
321	E12304	Mounting bush		1
322	BE0460	M8x35 Countersunk Head Screw	ISO10642	8
323	E12836 E12843	RH Wheel bracket 735RS LH Wheel bracket 735RS		1
324	E12502	FYTB		1
325		M10x25 Bolt		2
326	E12301	Drive axle		1
327	E04503	Bearing		2
328	E12305	Wheel rim inside		1
329	E12480	Wheel only		1
330	E12298	Wheel rim outside		1
331	E12306	HD Fast locking Pin M24x2		1
332		M8x35 Hex socket head cap		5
333		M8 Washer		1
334		M8x25 Hex socket head cap		2
335		M8 Washer Ø35		2
336		Key		1



Fig. 16 Remote control



Item	Part number	Description	Remarks	Qty.
340	E10925	Remote control Transmitter		1
9	E10926	Receiver		1
342	E10927	Charger 230V AC		1
	E13248	Plug UK for charger E10927		
	E13249	Plug US for charger E10927		
	E13250	Plug AU for charger E10927		
	E13251	Plug EU for charger E10927		
343	E10928	Battery for remote control transmitter		1
344	E10930	Hook carrier for remote control transmitter		1



Inspection comments

Inspection before initial operation on:	_____
By:	_____
Date of initial operation:	_____
Serial number & Year of manufacture:	_____

Recurring inspections / maintenance log

Date / Hour counter	Findings	Repairs / Cleaning	Test on	By*

*competent person



BLASTRAC EUROPE

WE'RE READY TO ASSIST YOU!

BLASTRAC THE NETHERLANDS

EUROPEAN HEAD OFFICE

Utrechthaven 12
NL - 3433 PN Nieuwegein
Tel.: +31 (0)30 601 88 66
Fax: +31 (0)30 601 83 33
Email: info@blastrac.nl
WWW.BLASTRAC.EU

BLASTRAC POLAND

SALES & SERVICE CENTRE

Golina, ul. Dworcowa 47E
63-200 Jarocin
Tel.: +48 (0)62 740-41-50
Fax: +48(0)62 740-41-51
Email: info@blastrac.pl
WWW.BLASTRAC.PL

BLASTRAC FRANCE

SALES & SERVICE CENTRE

ZI - 29, Av. des Temps Modernes
F - 86360 Chasseneuil du Poitou
Tel.: +33 (0)5 49 00 49 20
Fax: +33 (0)5 49 00 49 21
Email: info@blastrac.fr
WWW.BLASTRAC.FR

BLASTRAC ITALY

SALES & SERVICE CENTRE

S.S. 10 Padana Inferiore, 41
IT - 29012 Caorso (PC)
Tel.: +39 0523 814241
Fax: +39 0523 814245
Email: info@blastrac.it
WWW.BLASTRAC.IT

BLASTRAC GERMANY

SALES & SERVICE CENTRE

Richard-Byrd-Str. 15
50829 Köln
Tel.: +49 (0) 221 709032-0
Fax: +49 (0) 221 709032-22
Email: info@blastrac.de
WWW.BLASTRAC.DE

BLASTRAC UKRAINE

SALES & SERVICE CENTRE

Nezalezhnosti 14, of. 21
07400 Brovary
Tel.: +38 (0)44 222 51 28
Fax: +38 (0)44 277 98 29
Email: info@blastrac.com.ua
WWW.BLASTRAC.COM.UA

BLASTRAC SPAIN

SALES & SERVICE CENTRE

Calle del Estío, 9
E - 28500
Arganda del Rey, Madrid
Tel.: +34 91 660 10 65
Fax: +34 91 672 72 11
Email: info@blastrac.es
WWW.BLASTRAC.ES

BLASTRAC UNITED KINGDOM

SALES & SERVICE CENTRE

Unit 2a, Outgang Lane, Dinnington
Sheffield, South Yorkshire
GB - S25 3QU
Tel.: +44 (0) 1909 / 569 118
Fax: + 44 (0) 1909 / 567 570
Email: info@blastrac.co.uk
WWW.BLASTRAC.CO.UK

BLASTRAC MIDDLE EAST

SALES & SERVICE CENTRE

P.O. box 29424
Dubai / United Arab Emirates
Tel.: +971 4 3245760
Fax: +971 4 3245761
Email: info@blastracdx.ae
WWW.BLASTRAC.AE

BLASTRAC INDIA

SALES & SERVICE CENTRE

G.B. Warehousing, GAT NO- 523,
Pune- Nagar Road, Wagholi
Pune- 412 207
Tel.: +91 99213 98109
Email: info.blastrac.in
WWW.BLASTRAC.IN