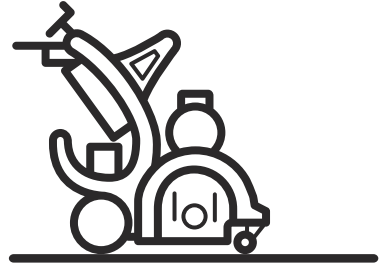




# Husqvarna®



## BMP 335

EN	Operator's manual
ES-MX	Manual de usuario
FR-CA	Manuel d'utilisation

2-21
22-43
44-65

---

# Contents

---

Introduction.....	2	Troubleshooting.....	18
Safety.....	5	Transportation, storage and disposal.....	18
Operation.....	9	Technical data BMP 335.....	20
Maintenance.....	14		

---

## Introduction

---

### Owner responsibility

---



**WARNING:** Processing of concrete and stone by methods such as cutting, grinding or drilling, especially during dry operation, generates dust that comes from the material being processed, which frequently contains silica. Silica is a basic component of sand, quartz, brick clay, granite and numerous other minerals and rocks. Exposure to excessive amount of such dust can cause:

Respiratory disease (affecting your ability to breathe), including chronic bronchitis, silicosis and pulmonary fibrosis from exposure to silica. These diseases may be fatal;

Skin irritation and rash.

Cancer according to NTP\* and IARC\* \*/ National Toxicology Program, International Agency for Research on Cancer.

Take precautionary steps:

Avoid inhalation of and skin contact with dust, mist and fumes.

Wear and ensure that all bystanders wear appropriate respiratory protection such as dust masks designed to filter out microscopic particles. (See OSHA 29 CFR Part 1926.1153)

To minimize dust emissions, use water to bind the dust, when feasible. If dry

operation is necessary, use an appropriate dust extractor.

---

It is the owner's/employer's responsibility that the operator has sufficient knowledge about how to use the product safely. Supervisors and operators must have read and understood the Operator's Manual. They must be aware of:

- The product's safety instructions.
- The product's range of applications and limitations.
- How the product is to be used and maintained.

National/Local regulations could restrict the use of this product. Find out what regulations are applicable where you work before you start using the product.

### Product description

The product is a pedestrian-controlled scarifier operated by an electric motor.

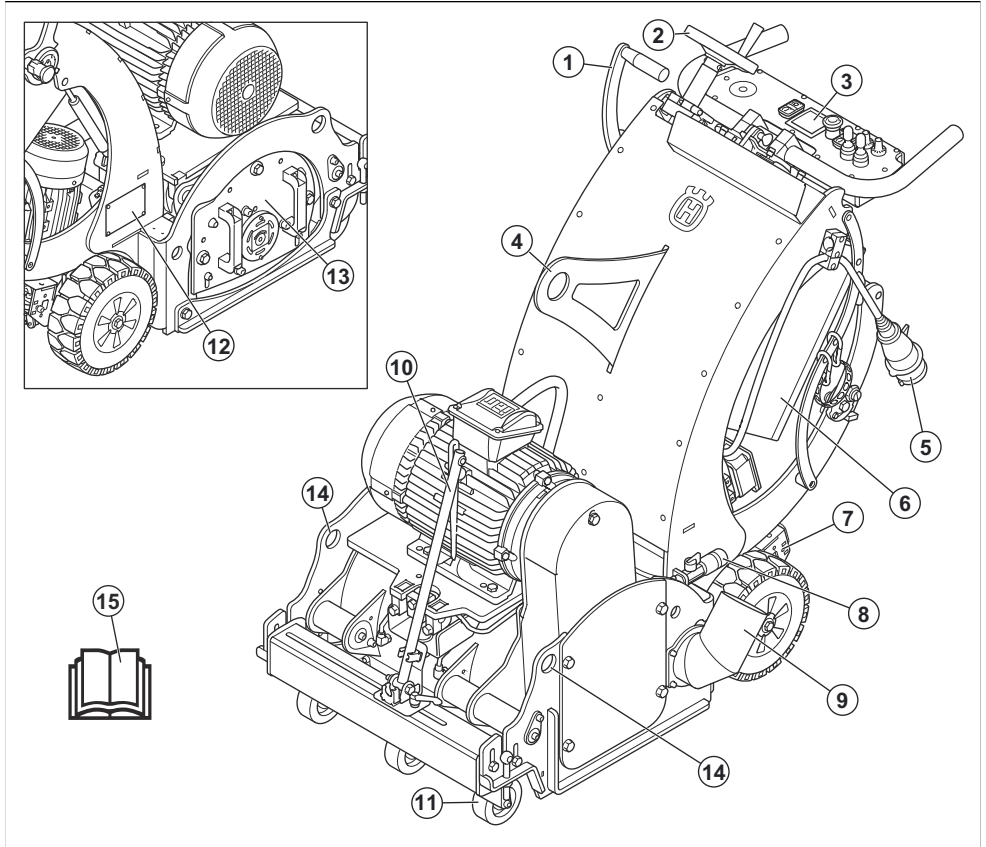
### Intended use

The product is used to make the surfaces rough, and to remove layers and road marks. The product can be used on surfaces such as concrete, asphalt, stone and steel.

The product is used in commercial operations by professional operators.

Do not use the product for other tasks.

## Product overview



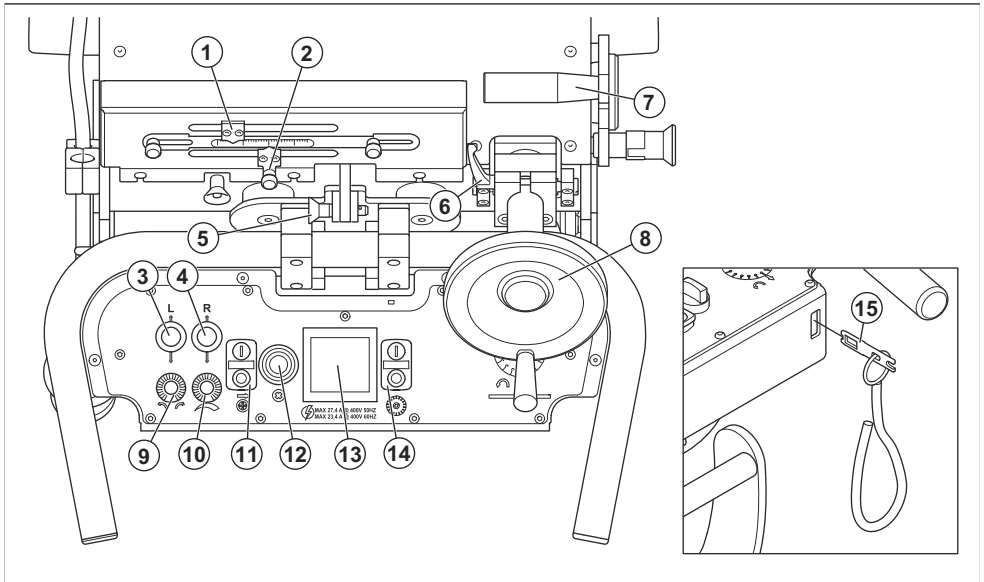
- |  |                                 |
|--|---------------------------------|
| 1. Lift lever                            | 9. Connector for dust extractor |
| 2. Depth adjustment wheel                | 10. Direction pointer           |
| 3. Control panel                         | 11. Front wheel                 |
| 4. Lifting eye                           | 12. Type plate                  |
| 5. Power plug                            | 13. Side cover                  |
| 6. Electrical enclosure with main switch | 14. Hole for tie-down strap     |
| 7. Drive system pedal                    | 15. Operator's manual           |
| 8. Water connection                      |                                 |

---

**Note:** If water is necessary for your operation, speak to a Husqvarna service agent for more information.

---

## Control panel overview



1. Indicator for depth adjustment
2. Manual depth indicator
3. Joystick for forward and rearward movement of the left drive wheel
4. Joystick for forward and rearward movement of the right drive wheel
5. Steering lock
6. Lock for depth adjustment wheel
7. Lift lever
8. Depth adjustment wheel
9. Tracking control
10. Speed adjustment
11. ON/OFF buttons for drive motor
12. Emergency stop button
13. Ammeter
14. ON/OFF buttons for drum motor
15. Operator presence control (OPC)



Keep all parts of your body away from hot surfaces.



Lifting point.



Keep hands away from rotating parts.



Read the manual carefully and make sure that you understand the instructions before you use the product.



Use an approved respiratory protection.



Use approved hearing protection.

## Symbols on the product



Warning: This product can be dangerous and cause serious injury or death to the operator or others. Be careful and use the product correctly.



High voltage.



Use approved eye protection.



Use approved protective gloves.



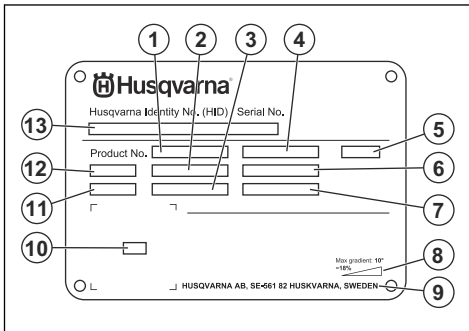
Use approved protective boots.



This product is in compliance with applicable EU directives.

**Note:** Other symbols/decals on the product refer to special certification requirements for some markets.

## Type plate



1. Product number
2. Product weight
3. Rated power
4. Rated voltage
5. Enclosure
6. Rated current
7. Frequency
8. Maximum slope angle
9. Manufacturer
10. Scannable code
11. Production year
12. Model
13. Serial number

## Product liability

As referred to in the product liability laws, we are not liable for damages that our product causes if:

- the product is incorrectly repaired.
- the product is repaired with parts that are not from the manufacturer or not approved by the manufacturer.
- the product has an accessory that is not from the manufacturer or not approved by the manufacturer.
- the product is not repaired at an approved service center or by an approved authority.

## Safety

### Safety definitions

Warnings, cautions and notes are used to point out specially important parts of the manual.



**WARNING:** Used if there is a risk of injury or death for the operator or bystanders if the instructions in the manual are not obeyed.



**CAUTION:** Used if there is a risk of damage to the product, other materials or the adjacent area if the instructions in the manual are not obeyed.

**Note:** Used to give more information that is necessary in a given situation.

### General safety instructions



**WARNING:** Read the warning instructions that follow before you use the product.

- This product is a dangerous tool if you are not careful or if you use the product incorrectly. This product can cause serious injury or death to the operator or others. Before you use the product, you must read and understand the contents of this operator's manual.
- Save all warnings and instructions.

- Comply with all applicable laws and regulations.
- The operator and the employer of the operator must know and prevent the risks during operation of the product.
- Do not let a person operate the product unless they read and understand the contents of the operator's manual.
- Do not operate the product unless you receive training before use. Make sure that all operators receive training.
- Do not let a child operate the product.
- Only let approved persons operate the product.
- The operator is responsible for accidents that occur to other persons or their property.
- Do not use the product if you are tired, ill, or under the influence of alcohol, drugs or medicine.
- Always be careful and use your common sense.
- This product produces an electromagnetic field during operation. This field can under some circumstances interfere with active or passive medical implants. To decrease the risk of serious injury or death, we recommend persons with medical implants to speak to their physician and the medical implant manufacturer before operating this product.
- Keep the product clean. Make sure that you can clearly read signs and decals.
- Do not use the product if it is damaged or does not operate correctly.
- Do not do modifications to this product.
- Do not operate the product if it is possible that other persons have done modifications to the product.
- Make sure that you are in a safe and stable position during operation.
- Only operate the product on horizontal surfaces.
- Do not operate the product unless you can get aid if an accident occurs
- Always use approved accessories. Speak to your Husqvarna dealer for more information.
- If vibrations occur in the product or the noise level from the product is unusually high, stop the product immediately. Examine the product for damages. Repair damages or let an approved service agent do the repair.
- Connect the product to a dust extractor for removal of the dust.
- Do not pull the hose of the dust extractor. The product can fall and cause injury or damage.
- Keep the dust extractor on until the motor stops fully.
- Only operate the product from behind with your hands on the handlebar.
- Make sure that there is no grease or oil on the handles.

### Vibration safety



**WARNING:** Read the warning instructions that follow before you use the product.

- During operation of the product, vibrations go from the product to the operator. Regular and frequent operation of the product can cause or increase the degree of injuries to the operator. Injuries can occur in fingers, hands, wrists, arms, shoulders, and/or nerves and blood supply or other body parts. The injuries can be debilitating and/or permanent, and can increase gradually during weeks, months or years. Possible injuries include damage to the blood circulation system, the nervous system, joints, and other body structures.
- Symptoms can occur during operation of the product or at other times. If you have symptoms and continue to operate the product, the symptoms can increase or become permanent. If these or other symptoms occur, get medical aid:
  - Numbness, loss of feeling, tingling, pricking, pain, burning, throbbing, stiffness, clumsiness, loss of strength, changes in skin color or condition.
- Symptoms can increase in cold temperatures. Use warm clothing and keep your hands warm and dry when you operate the product in cold environments.
- Do maintenance on and operate the product as given in the operator's manual, to keep a correct vibration level.
- The product has a vibration damping system that decreases the vibrations from the handles to the operator. Let the product do the work. Do not push the product with force. Hold the product at the handles lightly, but make sure that you control

### Safety instructions for operation



**WARNING:** Read the warning instructions that follow before you use the product.

- Use personal protective equipment. Refer to *Personal protective equipment on page 7*.
- Overexposure to vibration can cause circulatory damage or nerve damage to persons with decreased blood circulation. Get medical aid if you have symptoms of overexposure to vibration. These symptoms include numbness, loss of feeling, tingling, pricking, pain, loss of strength, changes in skin color or condition. These symptoms usually show in the fingers, hands or wrists.
- Do not operate the product without all protective covers installed.
- Make sure that you know how to stop the motor quickly in an emergency.
- Before you go away from the product, stop the motor and disconnect the power cord. Make sure that there is no risk of accidental start.
- Make sure that clothing, long hair and jewelry do not get caught in moving parts

the product and operate it safely. Do not push the handles into the end stops more than necessary.

- Keep your hands on the handle or handles only. Keep all other body parts away from the product.
- Stop the product immediately if strong vibrations suddenly occurs. Do not continue the operation before the cause of the increased vibrations is removed.

## Dust safety



**WARNING:** Read the warning instructions that follow before you use the product.

- Operation of the product can cause dust in the air. Dust can cause serious injury and permanent health problems. Silica dust is regulated as harmful by several authorities. These are examples of such health problems:
  - The fatal lung diseases chronic bronchitis, silicosis and pulmonary fibrosis
  - Cancer
  - Birth defects
  - Skin inflammation
- Use correct equipment to decrease the quantity of dust and fumes in the air and to decrease dust on work equipment, surfaces, clothing and body parts. Examples of controls are dust collection systems and water sprays to bind dust. Decrease dust at the source where possible. Make sure that the equipment is correctly installed and used and that regular maintenance is done.
- Use approved respiratory protection. Make sure that the respiratory protection is applicable for the dangerous materials in the work area.
- Make sure that the airflow is sufficient in the work area.

## Noise safety



**WARNING:** Read the warning instructions that follow before you use the product.

- High noise levels and long-term exposure to noise can cause noise-induced hearing loss.
- To keep the noise level to a minimum, do maintenance on and operate the product as given in the operator's manual.
- Use approved hearing protection while you operate the product.
- Listen for warning signals and voices when you use hearing protection. Remove the hearing protection when the product is stopped, unless hearing protection is necessary for the noise level in the work area.

## Personal protective equipment



**WARNING:** Read the warning instructions that follow before you use the product.

- Always use approved personal protective equipment when you operate the product. Personal protective equipment cannot fully prevent injury but it decreases the degree of injury if an accident does occur. Let your dealer help you select the correct personal protective equipment and when to use it.
- Regularly do a check of the condition of the personal protective equipment.
- Use an approved protective helmet.
- Use approved hearing protection.
- Use approved respiratory protection.
- Use approved eye protection with side protection.
- Use protective gloves.
- Use boots with steel toe-cap and non-slip sole.
- Use approved work clothing or equivalent close-fitting clothing that has long sleeves and long legs.

## Fire extinguisher

- Keep a fire extinguisher near during operation.
- Use a powder fire extinguisher or a carbon dioxide fire extinguisher.

## Work area safety



**WARNING:** Read the warning instructions that follow before you use the product.

- Do not use the product in fog, rain, strong winds, cold weather, risk of lightning or other bad weather conditions.
- Do not use the product in areas where fire or explosions can occur.
- Keep children, bystanders and animals away from the work area and at a safe distance from the product.
- Make sure that only approved persons are in the work area.
- Keep the work area clean and sufficiently illuminated.
- Remove objects such as screws, bolts, wires and stones from the work area before you use the product.
- Make sure that there are no cables or hoses in the operation direction of the product.
- Make sure that there is sufficient airflow in the work area.

## Electrical safety

---



**WARNING:** There is always a risk of shocks from electrical products. Do not use the product in bad weather conditions. Do not touch lightning conductors and metal objects. Always use the product as given in this operator's manual to prevent injury.

---



**WARNING:** Always use a power supply with RCD (residual-current device). An RCD decreases the risk of electrical shock.

---



**WARNING:** High voltage. There are unprotected parts in the power unit. Always disconnect the power plug before you open the door to the electrical box.

---



**CAUTION:** The power supply from the product or generator must be sufficient and constant to make sure that the motor operates without problems. Incorrect voltage causes the power consumption and the temperature of the motor to increase until the safety circuit releases. The dimension of the power cord must agree with national and local regulations. The dimension of the mains socket must agree with the amperage for the electrical socket and extension cable of the product.

If the power mains has higher system resistance, short voltage drop can occur when the product is started. This can influence the operation of other products, for example flicker on the lights.

---

- Make sure that the power, fuse and mains voltage are the same as the voltage shown on the rating plate of the product.
- Always stop the product before you disconnect the power plug.
- Do not use the product if the power cord or power plug is damaged. Hand it in to an approved service center for repair. A damaged power cord can cause serious injury or death.
- Use the power cord correctly. Do not use the power cord to move, pull or disconnect the product. Pull the power plug to disconnect the power cord. Do not pull the power cord.
- Do not operate the product in water depths where the equipment of the product gets wet. The equipment can become damaged and the product can become live and cause injury.
- Do not get more moisture into the product than the water supplied by the water system. Keep the product away from rain. Water that goes into the product increases the risk of electrical shock.

- Always disconnect the power cord before you connect or disconnect the connection for the motor cable and the electrical enclosure.

## Grounded product instructions

---



**WARNING:** Incorrect connection can result in electrical shock. Speak to an approved electrician if you are not sure if your mains outlet is correctly grounded.

Do not do modifications to the power plug from its factory specification. If the power plug or power cord is damaged or must be replaced, speak to your Husqvarna service agent. Obey local regulations and laws.

If you do not fully understand the instructions about the grounded product, speak to an approved electrician.

---

Use only grounded outdoor extension cables with grounding plugs and grounding outlet that accepts the product power plug.

The product has a grounded power cord and power plug. Always connect the product to a grounded mains outlet. This decreases the risk of electrical shock.

Do not use electrical adapters with the product.

## Extension cables

- Use only approved extension cables with sufficient length.
- The rated value on the extension cable must be the same or higher than given on the rating plate of the product.
- Use grounded extension cables.
- When you operate the product outdoors, use an extension cable that is applicable for outdoor operation. This decreases the risk of electrical shock.
- Keep the connection to the extension cable dry and off the ground.
- Keep the extension cable away from heat, oil, sharp edges or moving parts. A damaged cable increases the risk of electrical shock.
- Make sure that the extension cable is in good condition and not damaged.
- Do not use the extension cable while it is wound up. This can cause the extension cable to become too hot.
- Make sure that the extension cable is behind you and the product when you use the product. This prevents damage to the extension cable.

## Safety devices on the product

---



**WARNING:** Read the warning instructions that follow before you use the product.

---



- Do not use a product if it is damaged or does not operate correctly.
- Do a check of the safety devices regularly. If the safety devices are damaged or do not operate correctly, speak to your Husqvarna service agent.

### Emergency stop button

The emergency stop button is used to quickly stop the motor.

#### To do a check of the emergency stop button

Refer to *Control panel overview on page 4* for information about where the emergency stop button is on your product.

1. Turn the emergency stop button clockwise to make sure that the emergency stop button is disengaged.
2. Start the product. Refer to *To start the product on page 12*.
3. Push the emergency stop button.
4. Make sure that the motor stops.
5. Turn the emergency stop button clockwise to disengage.

### Operator Presence Control (OPC)

When the OPC is engaged, the motor stops. Refer to *To do a check of the Operator Presence Control (OPC) on page 9*.

#### To do a check of the Operator Presence Control (OPC)

1. Start the product. Refer to *To start the product on page 12*.
2. Pull out the OPC key. If the motor does not stop in 3 seconds, speak to an approved Husqvarna service agent.

## Safety instructions for maintenance



**WARNING:** Read the warning instructions that follow before you use the product.

- Use personal protective equipment. Refer to *Personal protective equipment on page 7*.
- Only do the maintenance as given in this operator's manual. Let an approved service agent do all other servicing.
- If the maintenance is not done correctly and regularly, the risk of injury and damage to the product increases.
- Clean the product to remove dangerous material before you do the maintenance.
- Before you do the maintenance, stop the motor, push the emergency stop button, pull out the operator presence control and disconnect the power plug.
- Do the maintenance of the product on stable level ground.
- Do not do modifications to the product. Modifications that are not approved by the manufacturer can cause serious injury or death.
- Replace damaged, worn or broken parts.
- Always use original accessories and spare parts. Accessories and spare parts that are not approved by the manufacturer, can cause serious injury or death.
- After maintenance, do a check of the vibration level in the product. If it is not correct, speak to an approved service agent.
- Let an approved service agent do servicing on the product regularly.

## Operation

### Introduction



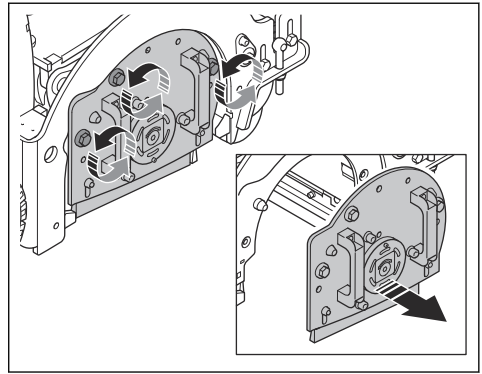
**WARNING:** Before you operate the product, you must read and understand the safety chapter.

### To do before you operate the product

1. Read the operator's manual carefully and make sure that you understand the instructions.
2. Read the operator's manual for the dust extractor carefully and make sure that you understand the instructions.
3. Use personal protective equipment. Refer to *Personal protective equipment on page 7*.
4. Make sure that only approved persons are in the work area.
5. Do daily maintenance. Refer to *Maintenance schedule on page 14*.
6. Make sure that the product is assembled correctly and is not damaged.
7. Put the product on the work area. Make sure that the surface is level. Make sure that the transportation of the product to and in the work area is done safely and correctly. Refer to *Transportation on page 18*.
8. Make sure that the height of the front wheels is set correctly for the operation. Refer to *To adjust the height of the front wheels on page 11*.
9. Make sure that the tools do not hit the ground.
  - a) Set the lift lever in the up position.
  - b) Turn the depth adjustment wheel clockwise.
10. Connect a dust extractor to the product. Refer to *To connect a dust extractor on page 11*.

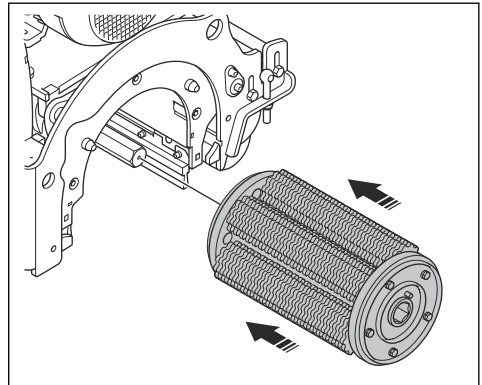
11. Connect the product to a power source. Refer to *To connect the product to a power source on page 12*.
12. Make sure that the height of the brushes below the drum housing is correct for the operation depth. If it is necessary, loosen the nuts, adjust the height and tighten the nuts.

4. Turn the screws to push the side cover off.

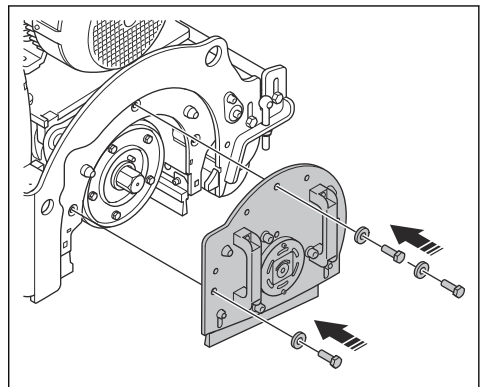


**Note:** When the side cover is removed, the axle hangs loose.

5. Install the scarifying drum on the axle.

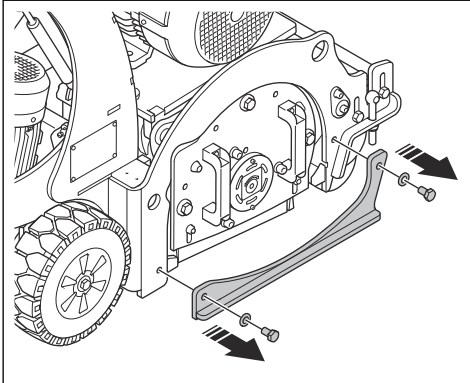


6. Install the side cover.

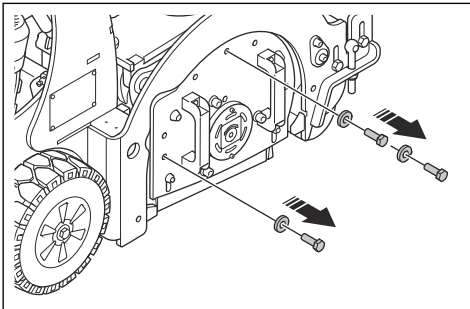


## To install the scarifying drum

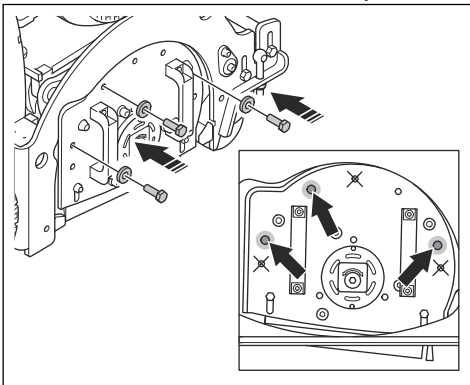
1. Remove the support plate.



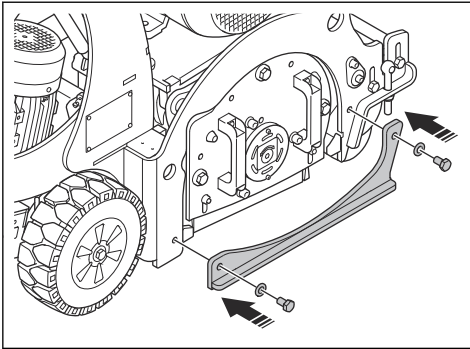
2. Remove the screws and washers from the side cover.



3. Install the screws with washers in the adjacent holes.



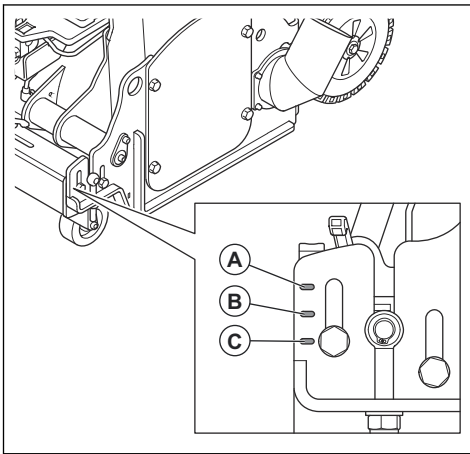
7. Install the support plate.



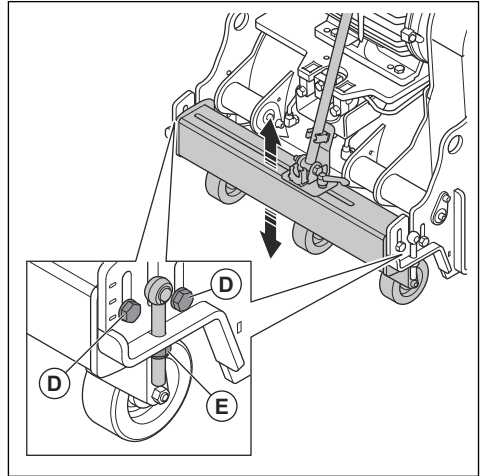
8. Do a check of the drive belt tension. Refer to *To do a check of the drive belt tension on page 17.*

### To adjust the height of the front wheels

The standard position is (B). Position (A) is used for operation at maximum depth. Position (C) is used for operation at minimum depth.

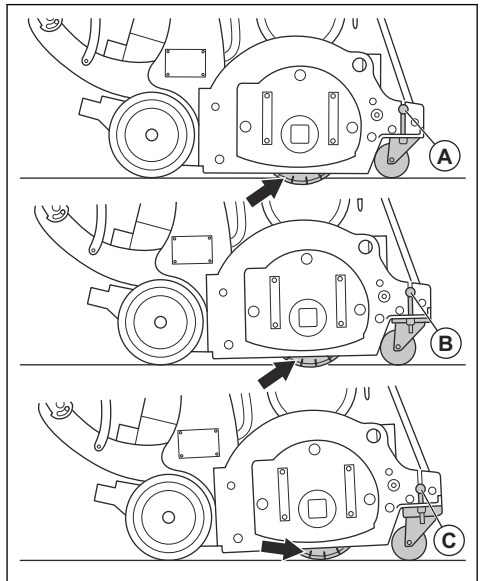


1. Loosen the bolts (D) on each side of the front wheel bar.



2. Turn the nut (E) to set the applicable height.

3. Tighten the bolts (D) on each side of the front wheel bar.



### To connect a dust extractor

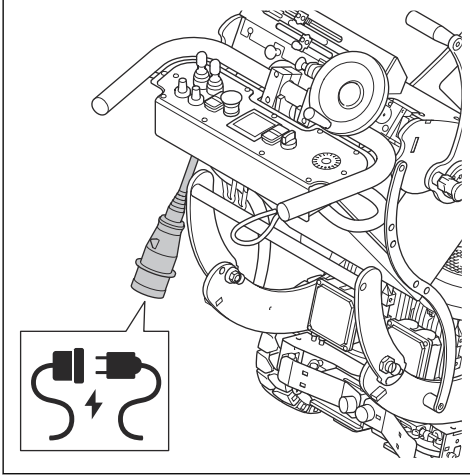


**WARNING:** Do not use the dust extractor if the dust extractor hose is damaged. The risk increases that you breathe in dust that is dangerous to your health. Use approved respiratory protection.

1. Examine the dust extractor hose for damages.
2. Make sure that the filters in the dust extractor are clean and not damaged.
3. Connect the dust extractor hose to the connection for dust extractor. Refer to *Product overview on page 3* for information about where the connection for dust extractor is on your product.

## To connect the product to a power source

1. Connect the power plug of the product to an applicable extension cable.



2. Connect the extension cable to a mains outlet.

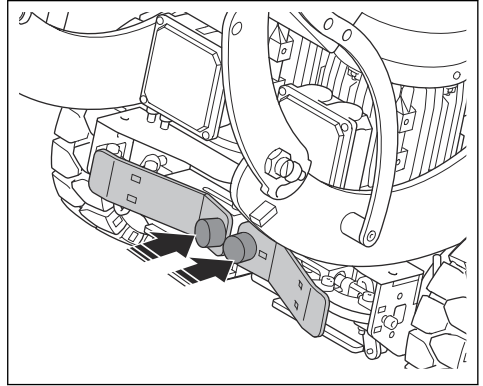


**CAUTION:** When the product is connected to a dust extractor, the dust extractor must be connected to an applicable power source.

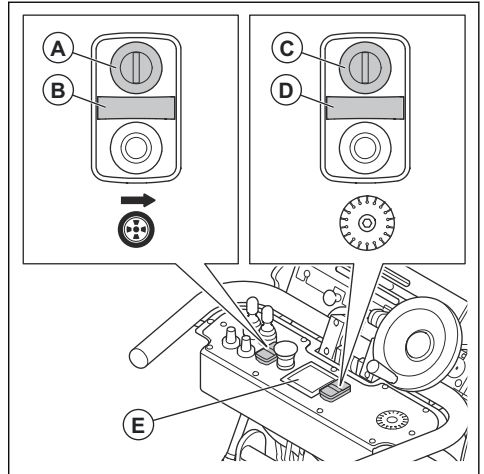
## To start the product

1. Start the dust extractor.
2. Put the cord of the operator presence control around your right wrist.

3. Push the drive system pedals to engage the drive system.



4. Turn the emergency stop button on the control panel clockwise to make sure that the emergency stop button is disengaged.
5. Set the main switch on the electrical enclosure in the ON position.
6. Set the joysticks in neutral position.
7. Push the ON button for the drive motor (A). The light (B) comes on when the drive motor has power.

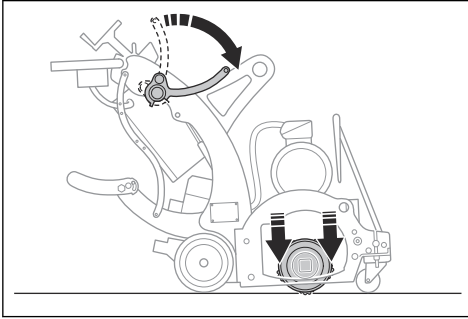


8. Push the ON button for the drum motor (C). The light (D) comes on when the drum motor has power.

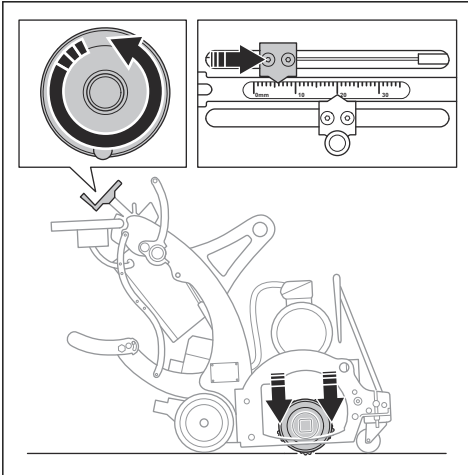
**Note:** The drum motor cannot start if the drive system is not on.

9. Wait 10–15 seconds until the color of the display (E) changes from red to white.

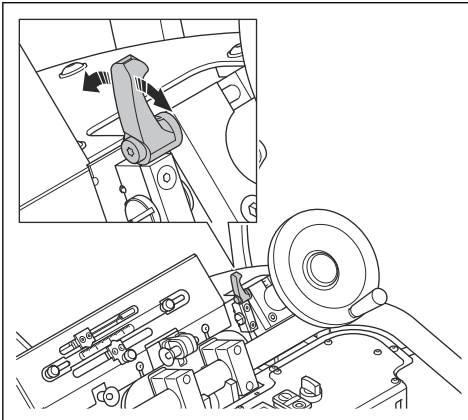
10. Slowly lower the lift lever to lower the tool drum to the floor.



11. Turn the depth adjustment wheel counterclockwise until the depth is correct for the operation.

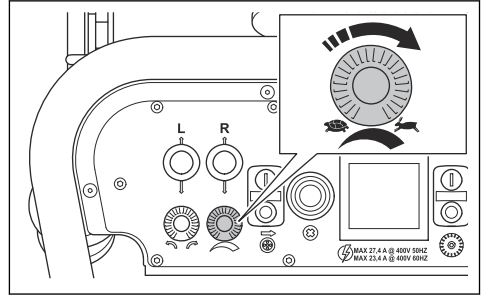


12. Turn the lock for the depth adjustment wheel to lock the operation depth.



a) Turn the lock to unlock the depth adjustment wheel again for more adjustments of the operation depth.

13. Turn the speed adjustment knob to set the drive speed.

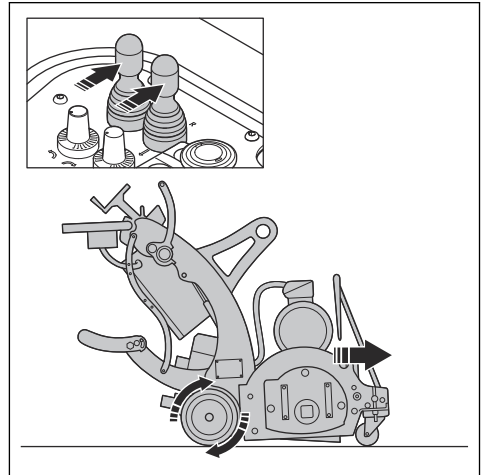


## To operate the product



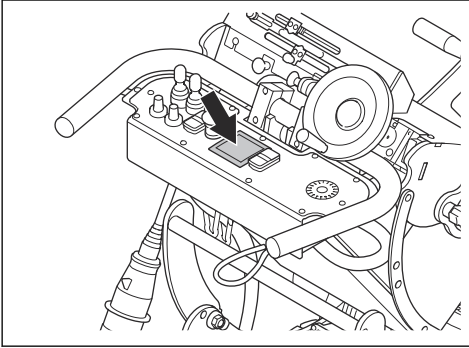
**WARNING:** This product is for forward operation only. Do not move the product rearward when the tool drum is in operation.

- Push the joysticks to move the product.



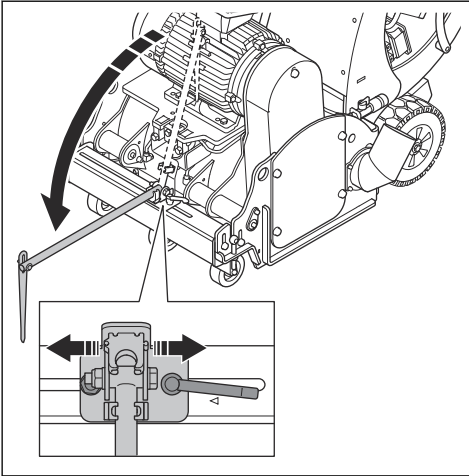
- Adjust the depth if it is necessary. One full revolution of the depth adjustment wheel adjusts the depth 1.1 mm.

- Monitor the ammeter during the operation. The maximum amperage for each motor type is as follows:



- a) For motor type 3x400V, 50 Hz: 19.6 A.
- b) For motor type 3x480V, 60 Hz: 16.6 A.

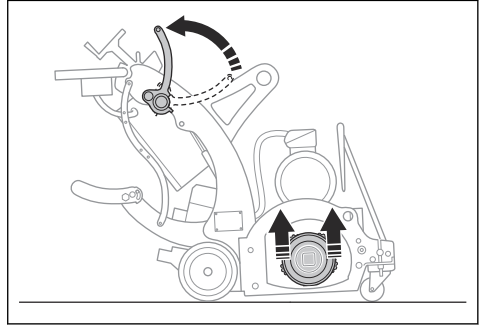
- To make it easier to move straight, fold down the direction pointer.



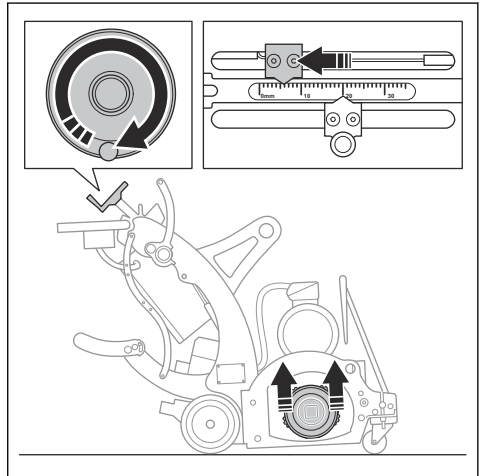
**Note:** The direction pointer can be adjusted laterally.

## To stop the product

1. Pull the lift lever up.



2. Turn the depth adjustment wheel until the tool drum does not touch the ground.



3. Push the OFF button for the drive motor and the OFF button for the drum motor.
4. Wait until all moving parts are fully stopped.
5. Stop the dust extractor.
6. Disconnect the power plug.

## Maintenance

### Introduction



**WARNING:** Before you do maintenance, you must read and understand the safety chapter.

For all servicing and repair work on the product, special training is necessary. We guarantee the availability of professional repairs and servicing. If your dealer is not

a service agent, speak to them for information about the nearest service agent.

For more detailed information, refer to [www.husqvarna.com](http://www.husqvarna.com).

### Maintenance schedule

\* = General maintenance done by the operator. The instructions are not given in this operator's manual.

X = The instructions are given in this operator's manual.

O = The instructions are not given in this operator's manual. Let an approved service agent do the maintenance.

General product maintenance	Daily	12h after service	Each 3 months	Yearly
Clean the product.	X			
Do a check of all safety devices.	X			
Make sure that nuts and screws are tight.	*	*		
Examine the tool drum, the drum axle, the tools and the housing for wear.	*			
Make sure that the power plug and extension cable are in good condition and not damaged.	*			
Do a check of the RCD.	*			
Do a check of the electrical components, the cables and the connections for wear and damages.	*			
Do a check of the drive belt tension.	X		X	
Make sure that the dust hose is not damaged and free of blockage.	*			
Empty the dust extractor.	*			
Lubricate the bearing.			X	
Examine the brushes below the drum housing for wear.			*	
Do a complete servicing and cleaning of the product.				O

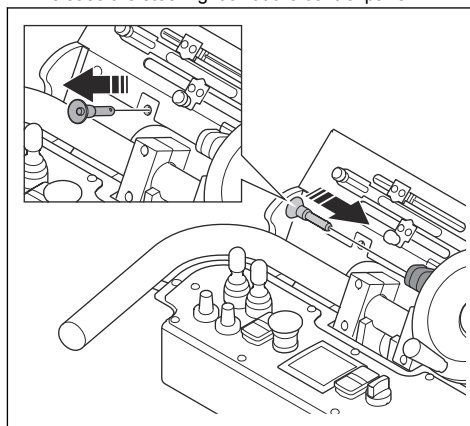
### To tilt the product rearward



**WARNING:** Before you do a work below the product, put a blockage to prevent the product from the unwanted movement.

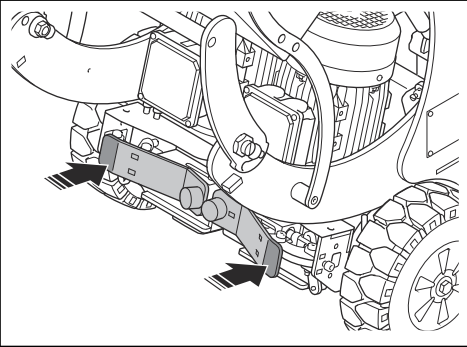
For some maintenance it is necessary to tilt the product rearward to get access to the tool drum.

1. Release the steering lock at the control panel.

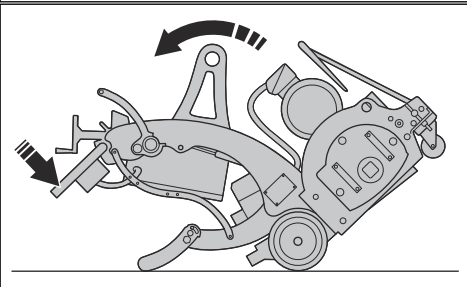
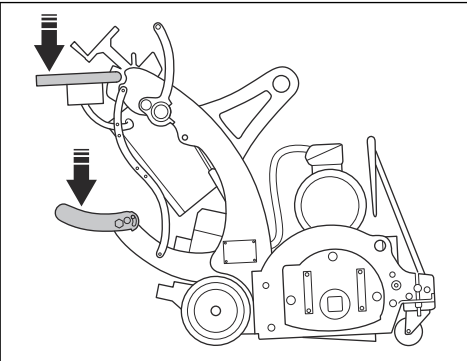




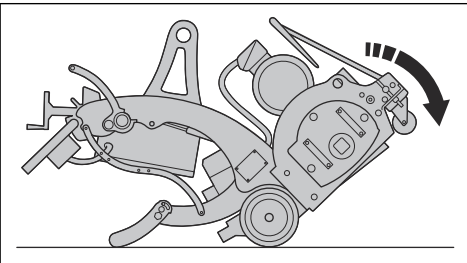
2. Disengage the drive system.



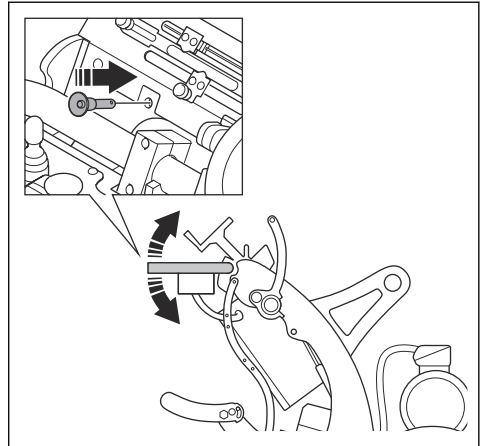
3. Push down on the handles and the foot support to tilt the product.



4. Lower the product carefully. The front is very heavy.



5. Install the steering lock again.



### To clean the product

- Always clean all the equipment after use. Use a vacuum cleaner.
- Do not use a high-pressure washer to clean the product.
- Keep the air openings clean and clear to make sure that the product always has sufficiently cool temperature.
- Clean the tool drum after operation on moist surfaces.

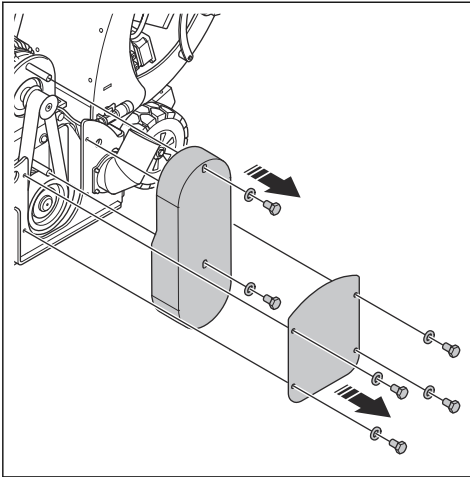
### To lubricate the bearing



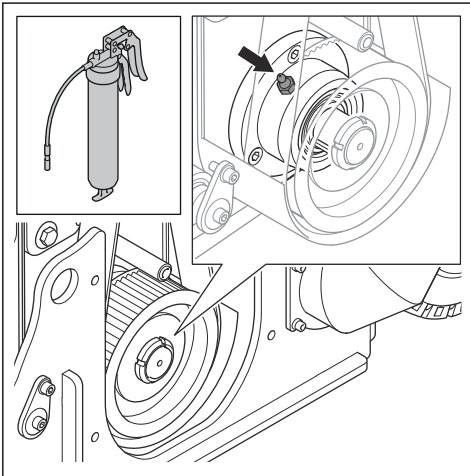
**CAUTION:** Use the correct type of grease. Refer to *Technical data BMP 335* on page 20. Incorrect type of grease can cause damage to the bearing.



1. Remove the drive belt cover.

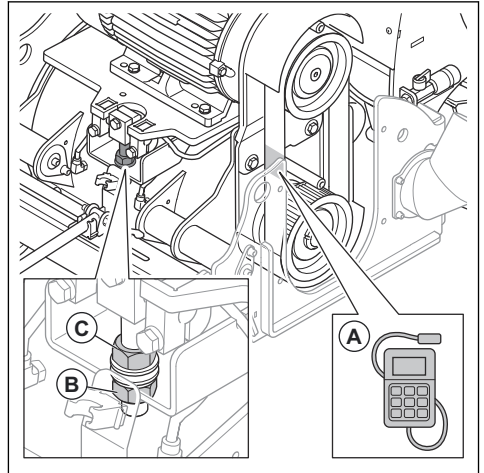


2. Push 5–10 g of grease into the grease nipple with a grease gun.



## To do a check of the drive belt tension

1. Measure the drive belt tension in the center of the drive belt span (A). Correct tension is 105 Hz.



2. If it is necessary to adjust the drive belt tension, do these steps:
  - a) Loosen the nut (B).
  - b) Turn the nut (C) clockwise to tighten the drive belt.
  - c) Turn the nut (C) counterclockwise to loosen the drive belt.
  - d) Tighten the nut (B).

## Troubleshooting

Problem	Cause	Solution
Too much vibration and/or unusual noises.	The tools are worn or damaged.	Replace parts that are worn or damaged.
	The bearing is damaged.	Do a check of the bearing on the axle drive shaft and replace if it is necessary.
	Incorrect tension of the drive belt.	Do a check of the drive belt tension. Refer to <i>To do a check of the drive belt tension on page 17.</i>
	The motor is damaged.	Replace the motor.
	The tool drum is set to too much operation depth.	Decrease the operation depth.
Decreased or no performance.	The tools are worn or damaged.	Replace the worn parts.
	The type of tools is incorrect for the surface.	Replace the tools with correct tools for the surface.
The motor does not start.	A phase of the power supply is missing.	Do a check of the power supply.
	A phase of the power supply is incorrect.	Adjust the phase.
	The emergency stop button is engaged.	Turn the emergency stop button clockwise to disengage.
	There is no power in the drive system.	Start the drive system, then start the drum motor.
	A component is damaged.	Replace the damaged component.
	The OPC is not installed.	Install the OPC.
	The extension cable is disconnected or damaged.	Connect the extension cable or if it is necessary, replace the extension cable.
The product stops after a while.	The motor protection switch releases because of overload.	Decrease the cutting depth.
	The motor is damaged.	Do a check of the motor.
The drive system does not operate correctly.	The drive system pedals are not engaged.	Push the drive system pedals in.

## Transportation, storage and disposal

### Transportation



**WARNING:** Be careful during transportation. The product is heavy and can cause injury or damage if it falls or moves during transportation.



**CAUTION:** Pull the lift lever before transportation. The tools must not be against the ground during transportation.

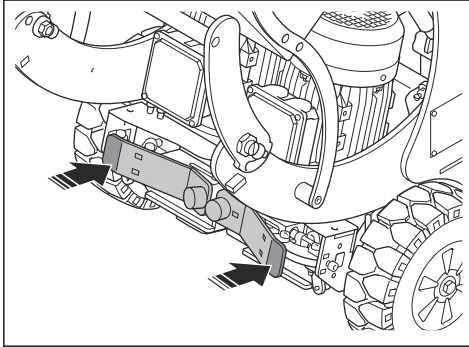


**CAUTION:** Do not tow the product behind a vehicle.

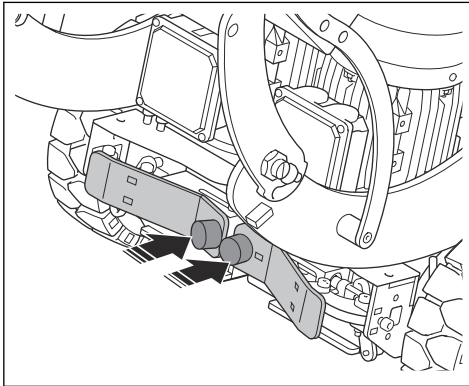
- The wheels let you move the product shorter distances. For longer distances, lift the product to move it or put the product on a vehicle.
- Put some type of protection on the product during transportation. The protection keeps natural elements such as rain and snow away from the product.

## To disengage and engage the drive system

1. Push the outer ends of the drive system pedals to disengage the drive system.



2. Push the inner ends of the drive system pedals to engage the drive system.



## To move the product manually with the motor off



**WARNING:** Wait until all moving parts are stationary before you move the product.



**WARNING:** Use protective boots with steel toe-cap and non-slip sole.



**WARNING:** Do not move the product up and down ramps manually with the drive system disengaged. Only move the product manually on level ground.

1. Disengage the drive system. Refer to *To disengage and engage the drive system on page 19*.
2. Push the product by the handles.
3. Engage the drive system. Refer to *To disengage and engage the drive system on page 19*. With the motor off, this has the function of a parking brake and prevents accidental movement of the product.

## To move the product up and down a ramp



**WARNING:** Be very careful when you move the product up and down ramps. The product is heavy and there is a risk of injury if the product falls or moves too quickly.



**WARNING:** For ramps with a steep slope, always use a winch. Do not walk or stay below or near the product.

- To move the product down a ramp, operate the product forward slowly.
- To move the product up a ramp, operate the product rearward slowly.
- Do not turn the product to the left or to the right more than 45° on a ramp.

## To lift the product



**WARNING:** Make sure that the lifting equipment has the correct specification to lift the product safely. The type plate on the product shows the product weight.



**WARNING:** Safely attach the lifted product to prevent unwanted movement.

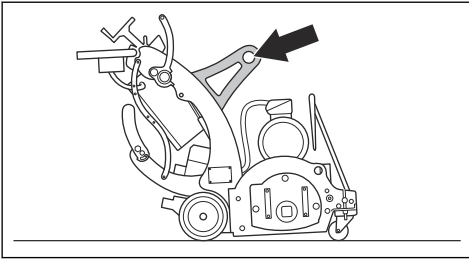


**WARNING:** Do not walk or stay below or near a lifted product. Keep bystanders away from the work area.



**WARNING:** Do not lift a damaged product. Make sure that the lifting eye is correctly installed and not damaged.

1. Attach the lifting equipment at the lifting eye.



2. Lift the product safely.

## To attach the product to a transportation vehicle

1. Make sure that the drive wheels are engaged. Refer to *To disengage and engage the drive system on page 19*.
2. Attach tie-down straps in the lifting eye and the holes for tie-down straps. Refer to *Product overview on page 3* for information about where the holes for tie-down straps are on your product.

3. Attach and tighten the tie-down straps to the transportation vehicle.

## Storage



**CAUTION:** Do not put the product in storage outdoors. Always keep the product indoors.

- Keep the product in a dry and frost free area.
- Clean the product and do a complete servicing before you put the product in storage.
- Keep the product in a locked area to prevent access for children or persons that are not approved.

## Disposal of the product

- Obey the local recycling requirements and applicable regulations.
- When the product no longer is used, send it to a Husqvarna dealer or discard it at a recycling location.

## Technical data BMP 335

	3x400V, 50 Hz	3x480V, 60 Hz
Motor power, kW/Hp	11+1.1/14.75+1.48	
Electrical connection, V	3x400	3x480
Frequency, Hz	50	60
Power connector, pole/A	5/32	
Amperage consumption, A	19.6+3.4	
Operation width, mm/in.	335/13.2	
Rotation speed of scarifier drum, min <sup>-1</sup>	1000	
Bearing grease type	E08729	
Weight excl. drum, kg/lbs	442/974.4	
Noise emission level <sup>1</sup>	100	
Sound power level <sup>2</sup>	114	
Vibration level (Handle), m/s <sup>2</sup> /ft/s <sup>2</sup> , <sup>3</sup>	3.1/0.95	
Ambient temperature, °C/°F	-5-40/23-104	
Diameter dust hose connection, mm/in.	100/3.94	

<sup>1</sup> Uncertainty 3 dB(A).

<sup>2</sup> Uncertainty 3 dB(A).

<sup>3</sup> Uncertainty 1.5 m/s<sup>2</sup>

**Note:** If your product requires an electrical specification that is not in the table, speak to a Husqvarna service agent for more information.

## Extension cables

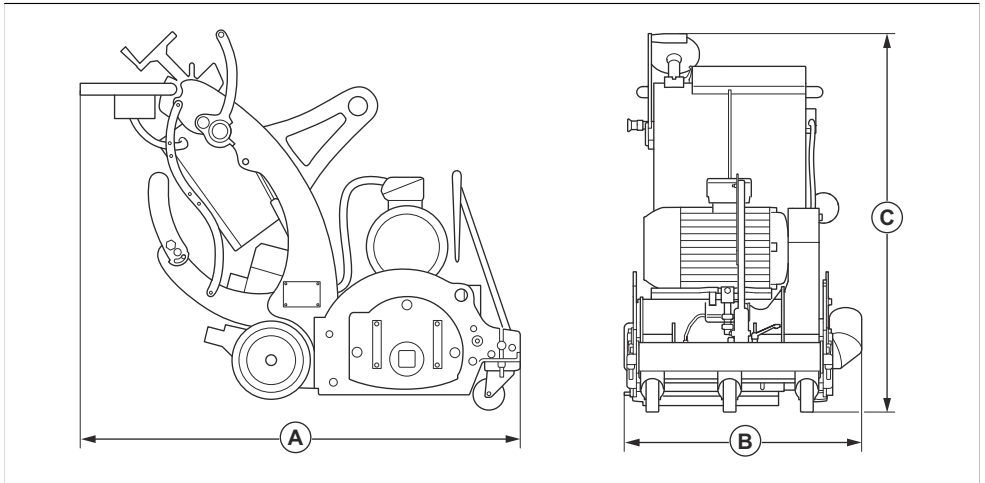
Cable length	Cross section			
	≤ 16 A	≤ 32 A	≤ 63 A	≤ 125 A
Calculated at a pre-fuse GG <sup>4</sup> :	16 amp	32 amp	63 amp	125 amp
> 20m	1.5 mm <sup>2</sup>	2.5 mm <sup>2</sup>	10 mm <sup>2</sup>	25 mm <sup>2</sup>
20m > 50m	2.5 mm <sup>2</sup>	4 mm <sup>2</sup>	10 mm <sup>2</sup>	25 mm <sup>2</sup>
50m > 75m	4 mm <sup>2</sup>	6 mm <sup>2</sup>	16 mm <sup>2</sup>	35 mm <sup>2</sup>

## Noise and vibration declaration statement

These declared values were obtained by laboratory type testing in accordance with the stated directive or standards and are suitable for comparison with the declared values of other products tested in accordance with the same directive or standards. These declared

values are not suitable for use in risk assessments and values measured in individual work places may be higher. The actual exposure values and risk of harm experienced by an individual user are unique and depend upon the way the user works, in what material the product is used, as well as upon the exposure time and the physical condition of the user, and the condition of the product.

## Product dimensions



<b>A</b>	Length, mm/in.	1410/55.5
<b>B</b>	Width, mm/in.	750/29.5
<b>C</b>	Height, mm/in.	1158/45.6

<sup>4</sup> The cross sections must be re-calculated when other type or dimension pre-fuse are used than is given.

---

# Contenido

---

Introducción.....	22	Solución de problemas.....	39
Seguridad.....	25	Transporte, almacenamiento y eliminación de residuos.....	40
Funcionamiento.....	30	Datos técnicos BMP 335.....	42
Mantenimiento.....	35		

---

## Introducción

---

### Responsabilidad del propietario

---



**ADVERTENCIA:** El procesamiento de hormigón y piedra mediante métodos como corte, amolado o perforación, especialmente en operaciones en seco, genera polvo que proviene del material procesado y a menudo contiene sílice. La sílice es un componente básico de la arena, el cuarzo, la arcilla de los ladrillos, el granito y otros numerosos minerales y rocas. La exposición a una cantidad excesiva de polvo de sílice puede causar las siguientes afecciones:

Enfermedades respiratorias (que afectan la capacidad de respirar), incluidas la bronquitis crónica, la silicosis y la fibrosis pulmonar debido a la exposición a la sílice. Estas enfermedades pueden ser mortales.

Irritación cutánea y sarpullido.

Cáncer, según el NTP\* y la IARC\* \*/National Toxicology Program (Programa Nacional de Toxicología) y Centro Internacional de Investigaciones sobre el Cáncer.

Tome medidas preventivas:

Evite inhalar y que su piel entre en contacto con el polvo, el vaho y los gases.

Utilice artículos apropiados para la protección respiratoria como máscaras contra polvo diseñadas para filtrar partículas microscópicas, y asegúrese de que todas las personas que se encuentren cerca también lo hagan. (Consulte la normativa OSHA 29 CFR Parte 1926.1153)

Para reducir al mínimo las emisiones de polvo, utilice agua para aglomerarlo cuando sea posible. Si es necesario realizar una operación en seco, utilice un extractor de polvo adecuado.

---

Es responsabilidad del propietario o del empleador que el operador posea los conocimientos necesarios sobre cómo utilizar el producto de manera segura. Los supervisores y operadores deben haber leído y comprendido el manual de usuario. Deben tener conocimiento de lo siguiente:

- Las instrucciones de seguridad del producto.
- La gama de aplicaciones y limitaciones del producto.
- Cómo el producto se va a utilizar y mantener.

El uso de este producto se podría ver restringido por las normativas nacionales o locales. Antes de comenzar a utilizar el producto, infórmese sobre qué normativas se aplican en el lugar donde trabaja.

### Descripción del producto

El producto es un esscarificador motocultor operado por un motor eléctrico.

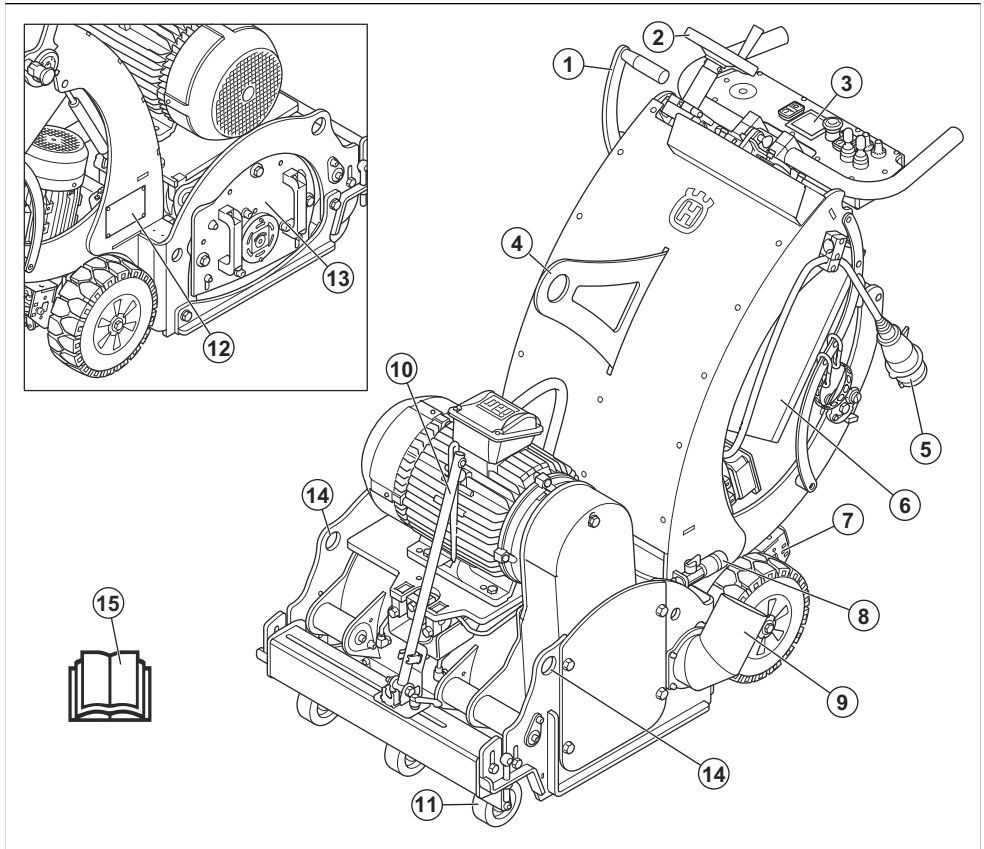
### Uso previsto

El producto se utiliza con el fin de hacer que las superficies sean ásperas y para retirar capas y marcas de carretera. Asimismo, este producto se puede utilizar en ciertas superficies, como las de hormigón, asfalto, piedra y acero.

Los operadores profesionales utilizan el producto en operaciones comerciales.

No utilice el producto para otras tareas.

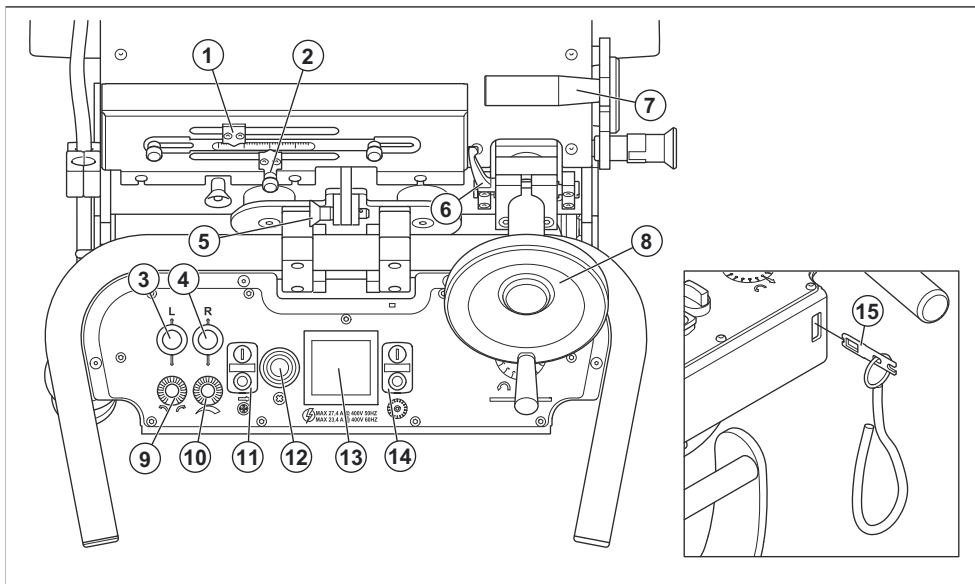
## Descripción general del producto



- |  |   |
|--|---|
| 1. Palanca de elevación                        | 9. Conector para el extractor de polvo  |
| 2. Manivela de ajuste de la profundidad        | 10. Puntero de dirección                |
| 3. Panel de control                            | 11. Rueda frontal                       |
| 4. Cáncamo                                     | 12. Placa de identificación             |
| 5. Enchufe                                     | 13. Cubierta lateral                    |
| 6. Carcasa eléctrica con interruptor principal | 14. Orificio para la correa de sujeción |
| 7. Pedal del sistema de transmisión            | 15. Manual del usuario                  |
| 8. Conexión de agua                            |   |

**Nota:** Si necesita agua para su operación, comuníquese con un taller de servicio Husqvarna para obtener más información.

## Descripción general del panel de control



1. Indicador de ajuste de la profundidad
2. Indicador de profundidad manual
3. Palanca para el movimiento hacia delante y hacia atrás de la rueda motriz izquierda
4. Palanca para el movimiento hacia delante y hacia atrás de la rueda motriz derecha
5. Bloqueo de la dirección
6. Bloqueo de la rueda de ajuste de la profundidad
7. Palanca de elevación
8. Manivela de ajuste de la profundidad
9. Control de seguimiento
10. Ajuste de velocidad
11. Botones ON/OFF del motor de accionamiento
12. Botón de Stop de emergencia
13. Amperímetro
14. Botones ON/OFF del motor del tambor
15. Control de presencia del operador (OPC)



Mantenga todas las partes del cuerpo lejos de las superficies calientes.



Punto de elevación.



Mantenga las manos lejos de las piezas giratorias.



Lea atentamente el manual y asegúrese de que entiende las instrucciones antes de usar el producto.



Utilice una protección respiratoria aprobada.



Use protección auricular aprobada.

## Símbolos en el producto



Advertencia: Este producto puede ser peligroso y provocar daños graves o fatales al operador o a otras personas. Tenga cuidado y utilice el producto correctamente.



Alta tensión.





Use protección ocular aprobada.



Use guantes protectores aprobados.



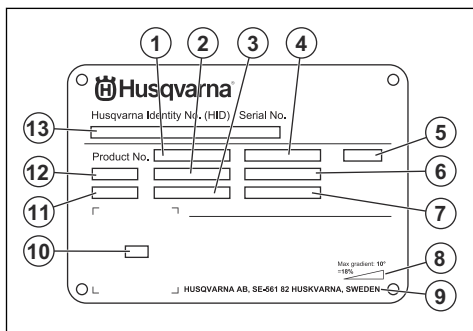
Use botas de protección aprobadas.



Este producto cumple con las directivas de la UE aplicables.

**Nota:** Otros símbolos o etiquetas en el producto hacen referencia a requisitos de certificación especiales para algunos mercados.

## Placa de identificación



1. Número del producto
2. Peso del producto
3. Potencia nominal
4. Tensión nominal
5. Gabinete
6. Corriente nominal
7. Frecuencia
8. Ángulo máximo de pendiente
9. Fabricante
10. Código escaneable
11. Año de fabricación
12. Modelo
13. Número de serie

## Responsabilidad del fabricante

Como se menciona en las leyes de responsabilidad del fabricante, no nos hacemos responsables de los daños que cause nuestro producto si:

- el producto se repara incorrectamente
- el producto se repara con piezas que no son del fabricante o que este no autoriza
- el producto tiene un accesorio que no es del fabricante o que este no autoriza
- el producto no se repara en un centro de servicio autorizado o por una autoridad aprobada.

## Seguridad

### Definiciones de seguridad

Las advertencias, precauciones y notas se utilizan para señalar las piezas particularmente importantes del manual.



**ADVERTENCIA:** Se utilizan para señalar el riesgo de lesiones graves o mortales para el operador o para aquellos que se encuentren cerca si no se siguen las instrucciones del manual.



**PRECAUCIÓN:** Se utilizan para señalar el riesgo de dañar la máquina, otros materiales o el área adyacente si no se siguen las instrucciones del manual.

**Nota:** Se utilizan para entregar más información necesaria en situaciones particulares.

### Instrucciones generales de seguridad



**ADVERTENCIA:** Lea atentamente las instrucciones de advertencia siguientes antes de usar el producto.

- Este producto puede ser una herramienta peligrosa si no se maneja con cuidado o si utiliza el producto de forma incorrecta. Este producto puede causar daños graves o fatales al operador o a otras personas. Antes de utilizar el producto, es muy importante que lea y comprenda el contenido de este manual de usuario.

- Guarde todas las advertencias y las instrucciones.
- Cumpla todas las leyes y reglamentos vigentes.
- El operador y el empleador del operador deben conocer y evitar los riesgos durante la operación del producto.
- No permita que nadie que no haya leído y comprendido el contenido del manual de usuario utilice el producto.
- No utilice el producto si no ha recibido capacitación antes de su uso. Asegúrese de que todos los usuarios reciban capacitación.
- No deje que un niño utilice el producto.
- Restrinja el uso del producto solo a personas autorizadas.
- El operador es responsable de los accidentes que puedan ocurrirle a otras personas o a sus propiedades.
- No utilice el producto si está cansado, enfermo o bajo la influencia de alcohol, drogas o medicamentos.
- Sea siempre cuidadoso y use el sentido común.
- En este producto se genera un campo electromagnético durante su funcionamiento. Este campo puede, en determinadas circunstancias, interferir en implantes médicos activos o pasivos. Para reducir el riesgo de daños graves o mortales, se recomienda que las personas con implantes médicos consulten a su médico y al fabricante del implante médico antes de utilizar este producto.
- Mantenga el producto limpio. Asegúrese de que puede leer señales y etiquetas claramente.
- No utilice el producto si está dañado o si no funciona correctamente.
- No modifique este producto.
- No utilice el producto si es posible que otras personas hayan realizado modificaciones en el mismo.
- No utilice el producto sin que todas las cubiertas protectoras estén instaladas.
- Asegúrese de saber cómo detener el motor rápidamente en caso de emergencia.
- antes de alejarse del producto, detenga el motor y desconecte el cable de alimentación. Asegúrese de que no haya riesgo de inicio accidental.
- Asegúrese de que ninguna prenda, cabello largo o joya puedan quedar atrapados en las piezas móviles
- Asegúrese de encontrarse en una posición segura y estable durante la operación.
- Solo utilice el producto en superficies horizontales.
- No utilice el producto, a menos que pueda recibir ayuda en caso de que ocurra un accidente.
- Siempre utilice accesorios homologados. Comuníquese con su distribuidor Husqvarna para obtener más información.
- Si el producto vibra o el nivel de ruido del producto es inusualmente alto, deténgalo de inmediato. Examine el producto en busca de daños. Repare los daños o solicite a un taller de servicio autorizado que realice la reparación.
- Para eliminar el polvo, conecte el producto a un extractor de polvo.
- No tire de la manguera del extractor de polvo. El producto puede caerse y causar daños o lesiones.
- Mantenga el extractor de polvo encendido hasta que el motor se detenga por completo.
- Opere el producto solamente desde la parte posterior y con ambas manos en el manillar.
- Asegúrese de que no haya grasa ni aceite en las manillas.

## Seguridad de vibración



**ADVERTENCIA:** Lea atentamente las instrucciones de advertencia siguientes antes de usar el producto.

- Durante el funcionamiento del producto, se transmiten vibraciones del producto al operador. El uso frecuente y regular del producto puede provocarle lesiones al operador o aumentar el grado de estas. Se pueden producir lesiones en los dedos, las manos, las muñecas, los brazos, los hombros o los nervios, así como en el riego sanguíneo u otras partes del cuerpo. Las lesiones pueden ser debilitantes o permanentes, y pueden aumentar gradualmente durante semanas, meses o años. Entre las posibles lesiones se incluyen daños en el sistema de circulación sanguínea, el sistema nervioso, las articulaciones y otras estructuras corporales.
- Los síntomas pueden presentarse durante el funcionamiento del producto o en otro momento. Si tiene síntomas y continúa utilizando el producto, los síntomas pueden aumentar o hacerse permanentes. Si se producen estos u otros síntomas, solicite asistencia médica:

## Instrucciones de seguridad para el funcionamiento



**ADVERTENCIA:** Lea atentamente las instrucciones de advertencia siguientes antes de usar el producto.

- Utilice el equipo de protección personal. Consulte *Equipo de protección personal en la página 27*.
- La sobreexposición a las vibraciones puede producir trastornos vasculares o daños al sistema nervioso en las personas que padecen problemas de circulación. Obtenga asistencia médica si experimenta síntomas de sobreexposición a las vibraciones. Estos síntomas incluyen entumecimiento, pérdida de sensibilidad, hormigueo, ardor, dolor, pérdida de fuerza y cambios en el color o el estado de la piel. Normalmente, estos síntomas se presentan en los dedos, las manos o las muñecas.

- Entumecimiento, pérdida de sensación, hormigueo, picazón, dolor, ardor, dolor pulsante, rigidez, aturdimiento, pérdida de fuerza, cambios en el color o en el estado de la piel.
- Los síntomas pueden aumentar con el frío. Utilice ropa de abrigo y mantenga las manos calientes y secas cuando utilice el producto en entornos fríos.
- Realice el mantenimiento del producto y utilícelo según se indica en el manual de usuario, para mantener un nivel de vibración correcto.
- El producto tiene un sistema amortiguador de vibraciones que disminuye las vibraciones de las manijas al operador. Deje que el producto haga el trabajo. No ejerza fuerza para empujar el producto. Sujete ligeramente el producto en las manijas, pero asegúrese de controlarlo y operarlo de forma segura. No empuje las manijas en los topes más de lo necesario.
- Mantenga las manos solamente en las manijas. No acerque ninguna otra parte de cuerpo al producto.
- Detenga el producto de inmediato si se producen vibraciones fuertes repentinamente. No continúe la operación hasta eliminar la causa del aumento de las vibraciones.

## Seguridad contra el polvo



**ADVERTENCIA:** Lea atentamente las instrucciones de advertencia siguientes antes de usar el producto.

- El funcionamiento del producto puede causar suspensión de polvo en el aire. El polvo puede causar lesiones graves y problemas de salud permanentes. Varias autoridades han establecido regulaciones con respecto a los efectos dañinos del polvo de sílice. A continuación, se presentan algunos ejemplos de tales problemas de salud:
  - Enfermedades pulmonares mortales como bronquitis crónica, silicosis y fibrosis pulmonar
  - Cáncer
  - Anomalías congénitas
  - Inflamación de la piel
- Utilice el equipo correcto para disminuir la cantidad de polvo y gases en el aire y para disminuir la cantidad de polvo en el equipo de trabajo, las superficies, la ropa y las partes del cuerpo. Algunos ejemplos de mecanismos de control son los sistemas de recolección de polvo y los aspersores de agua para adherir el polvo. Disminuya el polvo en el origen cuando sea posible. Asegúrese de que el equipo se instale y utilice correctamente, y de que se le realice mantenimiento regular.
- Utilice protección respiratoria aprobada. Asegúrese de utilizar protección respiratoria cuando se trabaje con materiales peligrosos en el área de trabajo.
- Asegúrese de que haya un flujo de aire suficiente en la zona de trabajo.

## Seguridad contra el ruido



**ADVERTENCIA:** Lea atentamente las instrucciones de advertencia siguientes antes de usar el producto.

- Los niveles altos de ruido y la exposición a largo plazo al ruido pueden causar pérdida auditiva.
- Para mantener el nivel de ruido al mínimo, realice el mantenimiento del producto y utilícelo según se indica en el manual de usuario.
- Utilice protectores auriculares aprobados cuando opere el producto.
- Cuando utilice protectores auriculares, esté atento a las señales de advertencia y a las voces. Quitese los protectores auriculares cuando el producto esté detenido, a menos que sean necesarios para el nivel de ruido en la zona de trabajo.

## Equipo de protección personal



**ADVERTENCIA:** Lea atentamente las instrucciones de advertencia siguientes antes de usar el producto.

- Utilice siempre el equipo de protección personal aprobado cuando utilice el producto. El equipo de protección personal no puede impedir el riesgo de lesiones, pero disminuirá el grado de lesión si ocurre un accidente. Solicite a su distribuidor que lo ayude a seleccionar el equipo de protección personal correcto y que le indique cuándo usarlo.
- Realice periódicamente una comprobación del estado del equipo de protección personal.
- Utilice un casco protector aprobado.
- Use protección auricular aprobada.
- Utilice protección respiratoria aprobada.
- Utilice protección ocular aprobada con protección lateral.
- Use guantes protectores.
- Utilice botas con punta de acero y suela antideslizante.
- Utilice ropa de trabajo aprobada o ropa equivalente de ajuste ceñido, que cubra por completo los brazos y las piernas.

## Extintor de incendios

- Mantenga un extintor de incendios a mano durante la operación.
- Utilice un extintor de incendios de polvo o un extintor de dióxido de carbono.

## Seguridad en el área de trabajo



**ADVERTENCIA:** Lea atentamente las instrucciones de advertencia siguientes antes de usar el producto.

- No use el producto en condiciones de niebla, lluvia, viento fuerte, clima frío, riesgo de rayos u otras condiciones climáticas adversas.
- No utilice el producto en áreas donde se pueden producir explosiones o incendios.
- Mantenga a los niños, los transeúntes y los animales alejados del área de trabajo y a una distancia segura del producto.
- Asegúrese de que solo personas autorizadas estén en la área de trabajo.
- Mantenga el área de trabajo limpia y lo suficientemente iluminada.
- Retire los objetos, como tornillos, pernos, cables y piedras del área de trabajo antes de utilizar el producto.
- Asegúrese de que no haya cables ni mangueras en la dirección de funcionamiento del producto.
- Asegúrese de que haya suficiente flujo de aire en el área de trabajo.

Si el sistema de la red eléctrica tiene una resistencia más alta, puede ocurrir una caída del voltaje cuando el producto se ponga en marcha. Esto puede afectar el funcionamiento de otros productos; por ejemplo, el parpadeo de luces.

- Asegúrese de que la alimentación, el fusible y el voltaje de la red eléctrica sean los mismos que se indican en la placa de características del producto.
- Detenga siempre el producto antes de desconectar el enchufe.
- No utilice el producto si el cable o el enchufe de alimentación se encuentran dañados. Llévelo a un centro de servicio autorizado para su reparación. Un cable de alimentación dañado puede causar daños graves o incluso la muerte.
- Utilice el cable de alimentación correctamente. No utilice el cable de alimentación para mover, tirar o desconectar el producto. Tire del enchufe de alimentación para desconectar el cable de alimentación. No tire del cable de alimentación.
- No utilice el producto en profundidades de agua en las que el equipo del producto se moje. El equipo podría dañarse y el producto podría electrificarse y causar lesiones.
- No deje que ingrese más humedad en el producto que el agua que suministra el sistema de agua. Mantenga el producto alejado de la lluvia. El agua que ingresa en el producto aumenta el riesgo de sacudida eléctrica.
- Asegúrese de desconectar siempre el cable de alimentación antes de conectar o desconectar la conexión del cable del motor y del gabinete eléctrico.

## Seguridad eléctrica



**ADVERTENCIA:** Siempre existe el riesgo de recibir una descarga cuando se usan productos eléctricos. No utilice el producto en condiciones climáticas adversas. No toque los pararrayos ni los objetos metálicos. Utilice siempre el producto como se indica en este manual del usuario para evitar lesiones.



**ADVERTENCIA:** Utilice siempre una fuente de alimentación con un dispositivo de corriente residual (RCD). El dispositivo disminuye el riesgo de sacudida eléctrica.



**ADVERTENCIA:** Alta tensión. Hay piezas sin protección en la unidad de alimentación. Desconecte siempre el enchufe de alimentación antes de abrir la puerta de la caja eléctrica.



**PRECAUCIÓN:** La fuente de alimentación del producto o el generador deben ser suficientes y constantes para asegurar que el motor funcione sin problemas. El voltaje incorrecto hace que el consumo de energía y la temperatura del motor aumenten hasta que se active el circuito de seguridad. Las dimensiones del cable de alimentación deben coincidir con las regulaciones nacionales y locales. Las dimensiones de la toma de corriente deben coincidir con el amperaje del enchufe eléctrico y el cable de extensión del producto.

## Instrucciones para la conexión a tierra del producto



**ADVERTENCIA:** Una conexión incorrecta puede provocar una descarga eléctrica. Hable con un electricista certificado si no tiene la seguridad de que el producto está correctamente conectado a tierra.

No modifique la especificación de fábrica del enchufe. Si el enchufe o el cable de alimentación está dañado o se debe reemplazar, hable con su agente de servicio de Husqvarna. Obedezca las normas y las leyes locales.

Si no comprende perfectamente las instrucciones sobre la conexión a tierra del producto, póngase en contacto con un electricista certificado.

Solo utilice cables de extensión para exteriores con conexión a tierra en conjunto con enchufes que tengan conexión a tierra, y use una toma de corriente con

conexión a tierra que sea compatible con el enchufe del producto.

El producto cuenta con un cable de alimentación y un enchufe con conexión a tierra. Conecte siempre el producto a una toma de corriente con conexión a tierra. Esto disminuye el riesgo de descarga eléctrica.

No utilice adaptadores eléctricos para el producto.

### Cables de extensión

- Utilice solamente cables de extensión aprobados que tengan la longitud suficiente.
- El valor nominal del cable de extensión debe ser el mismo o superior al valor que se establece en la placa de características del producto.
- Utilice cables de extensión con conexión a tierra.
- Cuando opere el producto en exteriores, utilice un cable de extensión apto para el uso en exteriores. Esto disminuye el riesgo de sacudida eléctrica.
- Mantenga la conexión al cable de extensión seca y no la deje en el suelo.
- Mantenga el cable de extensión alejado del calor, el aceite, los bordes afilados o de las piezas móviles. Los cables dañados aumentan el riesgo de sacudidas eléctricas.
- Asegúrese de que el cable de extensión esté intacto y en buenas condiciones.
- No utilice el cable de extensión mientras está enrollado. Esto puede provocar que el cable de extensión se caliente demasiado.
- Asegúrese de que el cable de extensión esté detrás de usted cuando utilice el producto. Esto evita que el cable de extensión sufra daños.

### Dispositivos de seguridad en el producto



**ADVERTENCIA:** Lea atentamente las instrucciones de advertencia siguientes antes de usar el producto.

- No utilice el producto si está dañado si no funciona correctamente.
- Revise los dispositivos de seguridad de forma regular. Si los dispositivos de seguridad están dañados o no funcionan correctamente, hable con su agente de servicio de Husqvarna.

### Botón de Stop de emergencia de la

El botón de Stop de emergencia se utiliza para detener rápidamente el motor.

### Para revisar el botón de Stop de emergencia de la

Para obtener más información sobre la ubicación del botón de Stop de emergencia en su producto, consulte la sección *Descripción general del panel de control en la página 24*.

1. Para asegurarse de que el botón de Stop de emergencia está desactivado, gire el botón de Stop de emergencia hacia la derecha.
2. Encienda el producto. Consulte *Para poner en marcha el producto en la página 33*.
3. Presione el botón de Stop de emergencia.
4. Asegúrese de que el motor se detenga.
5. Gire el botón de Stop de emergencia hacia la derecha para desactivarlo.

### Control de presencia del operador (OPC) de la

Cuando el OPC está conectado, el motor se detiene. Consulte *Para verificar el control de presencia del operador (OPC) en la página 29*.

### Para verificar el control de presencia del operador (OPC)

1. Encienda el producto. Consulte *Para poner en marcha el producto en la página 33*.
2. Tire la llave de OPC (control de presencia del operador, del inglés Operator Presence Control). Si el motor no se detiene en 3 segundos, hable con un agente de servicio de Husqvarna autorizado.

## Instrucciones de seguridad para el mantenimiento



**ADVERTENCIA:** Lea atentamente las instrucciones de advertencia siguientes antes de usar el producto.

- Utilice el equipo de protección personal. Consulte *Equipo de protección personal en la página 27*.
- Solo realice tareas de mantenimiento como se indica en el presente manual del usuario. Solicite que un taller de servicio autorizado realice todos los otros servicios.
- Si el mantenimiento no se realiza de manera correcta y regular, aumenta el riesgo de sufrir lesiones y causar daños en el producto.
- Limpie el producto para eliminar materiales peligrosos antes de realizar el mantenimiento.
- Antes de realizar el mantenimiento, detenga el motor, presione el botón de parada de emergencia, retire el control de presencia del operador y desconecte el enchufe de alimentación.
- Realice el mantenimiento del producto en un terreno estable y nivelado.
- No modifique el producto. Las modificaciones en el producto que no están aprobadas por el fabricante pueden causar daños graves o la muerte.
- Cambie las piezas dañadas, desgastadas o rotas.
- Utilice siempre accesorios y piezas de repuesto originales. El uso de accesorios y piezas de repuesto que no estén aprobados por el fabricante puede causar daños graves o la muerte.

- Después de realizar el mantenimiento, revise el nivel de vibración del producto. Si no tiene el nivel correcto, comuníquese con un taller de servicio autorizado.

- Procure realizar las tareas de mantenimiento con regularidad en un taller de servicio aprobado.

## Funcionamiento

### Introducción



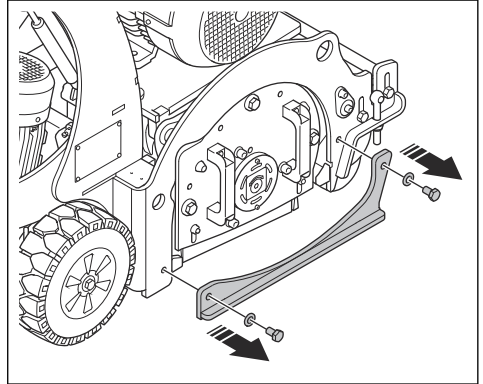
**ADVERTENCIA:** Antes de utilizar el producto, debe leer y entender el capítulo sobre seguridad.

### Haga lo siguiente antes de usar el producto

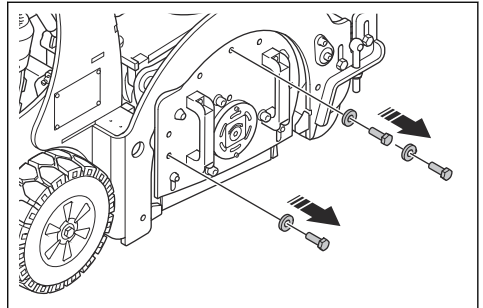
1. Lea atentamente el manual del usuario y asegúrese de entender las instrucciones.
2. Lea el manual del usuario del extractor de polvo atentamente y asegúrese de entender las instrucciones.
3. Utilice el equipo de protección personal. Consulte *Equipo de protección personal en la página 27*.
4. Asegúrese de que solo personas autorizadas estén en la área de trabajo.
5. Realice un mantenimiento diario. Consulte *Programa de mantenimiento en la página 36*.
6. Revise que el producto esté montado correctamente y que no esté dañado.
7. Coloque el producto en el área de trabajo. Asegúrese de que la superficie esté nivelada. Asegúrese de que el transporte del producto hacia y en el área de trabajo se realice de forma segura y correcta. Consulte *Transporte en la página 40*.
8. Asegúrese de que la altura de las ruedas delanteras esté ajustada correctamente para el funcionamiento. Consulte *Para ajustar la altura de las ruedas delanteras en la página 31*.
9. Asegúrese de que las herramientas no golpeen el suelo.
  - a) Coloque la palanca de elevación en la posición hacia arriba.
  - b) Gire la rueda de ajuste de la profundidad hacia la derecha.
10. Conecte el extractor de polvo al producto. Consulte *Para conectar un extractor de polvo en la página 32*.
11. Conecte el producto a la fuente de alimentación. Consulte *Para conectar el producto a una fuente de alimentación en la página 33*.
12. Asegúrese de que la altura de las escobillas que se encuentran debajo de la caja del tambor sea correcta para la profundidad de funcionamiento. Si es necesario, afloje las tuercas, ajuste la altura y apriete las tuercas.

### Para instalar el tambor escarificador

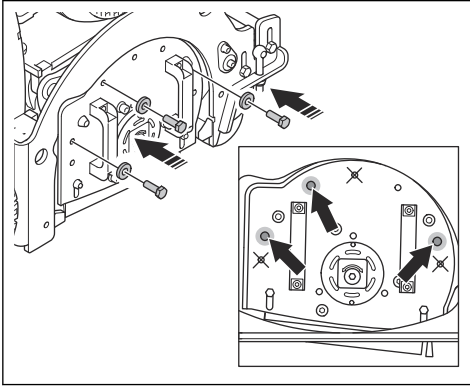
1. Retire la placa de soporte.



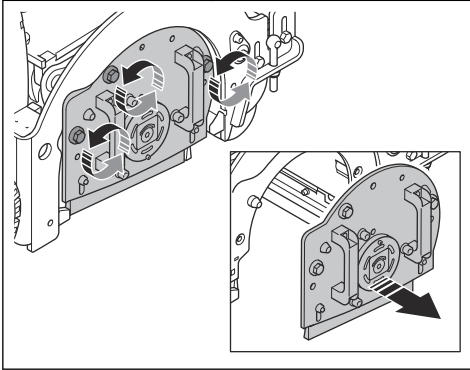
2. Retire los tornillos y las arandelas de la cubierta lateral.



3. Instale los tornillos con las arandelas en los orificios adyacentes.

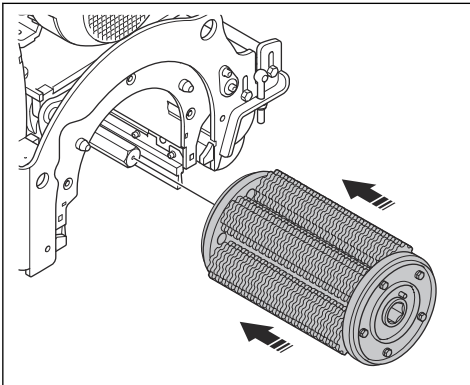


4. Gire los tornillos para quitar la cubierta lateral.

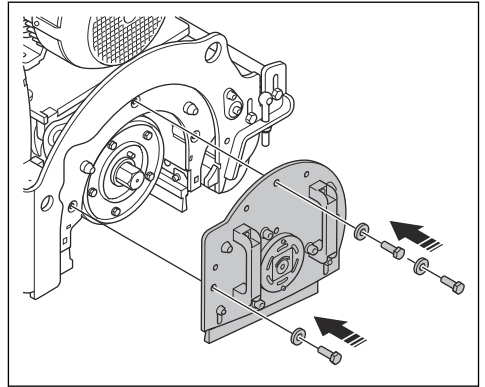


**Nota:** Cuando se quita la cubierta lateral, el eje queda suelto.

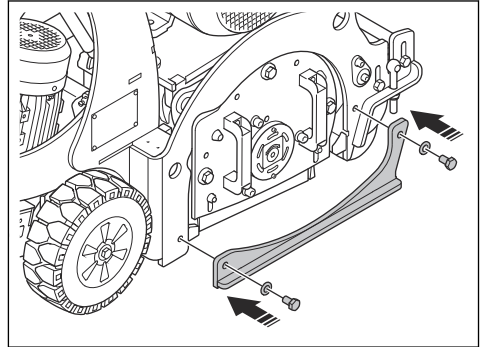
5. Instale el nuevo tambor escarificador en el eje.



6. Instale la cubierta lateral.



7. Instale la placa de soporte.



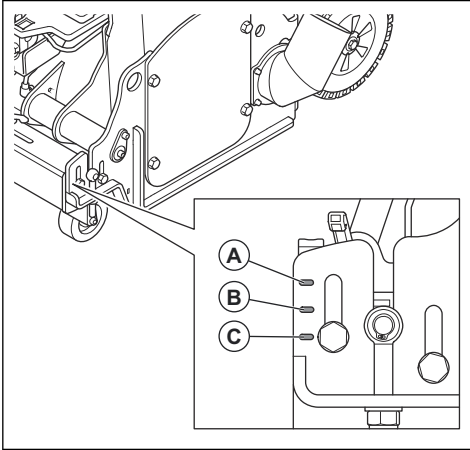
8. Revise la tensión de la correa de transmisión.  
Consulte *Para verificar la tensión de la correa de transmisión en la página 39.*

## Para ajustar la altura de las ruedas delanteras

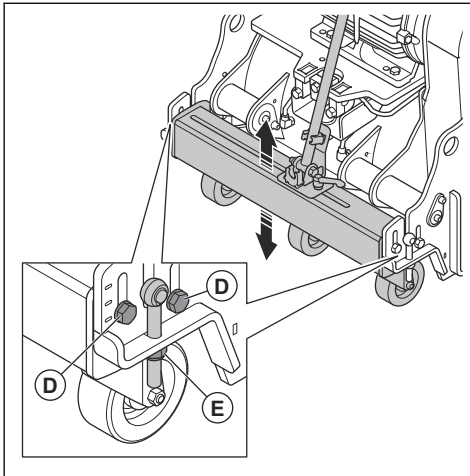
La posición estándar es (B). La posición (A) se utiliza para el funcionamiento a una profundidad máxima. La



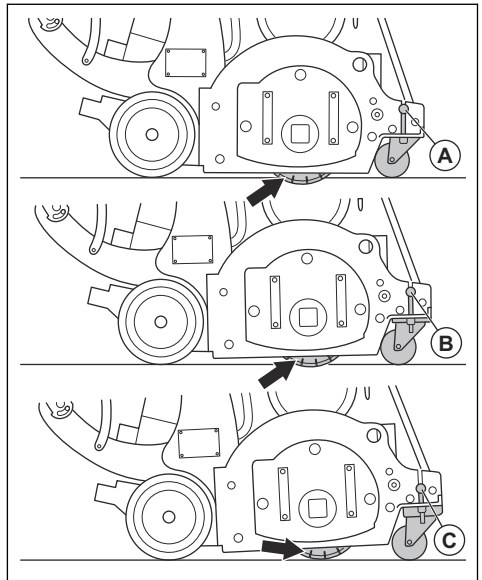
posición (C) se utiliza para el funcionamiento a una profundidad mínima.



1. Afloje los pernos (D) a cada lado de la espada de la rueda delantera.



2. Gire la tuerca (E) para ajustar la altura correspondiente.
3. Apriete los pernos (D) a cada lado de la espada de la rueda delantera.



### Para conectar un extractor de polvo



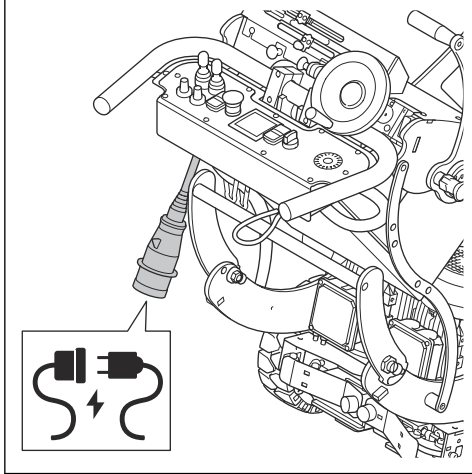
**ADVERTENCIA:** No utilice el extractor de polvo si la manguera del extractor de polvo está dañada. El riesgo aumenta si respira polvo peligroso para su salud. Utilice protección respiratoria aprobada.

1. Examine la manguera del extractor de polvo para detectar daños.
2. Asegúrese de que los filtros del extractor de polvo estén limpios y en buen estado.
3. Conecte la manguera del extractor de polvo a la conexión del extractor de polvo. Para obtener más información sobre dónde está la ubicación de la conexión del extractor de polvo en su producto, consulte la sección *Descripción general del producto en la página 23*.



## Para conectar el producto a una fuente de alimentación

1. Conecte el enchufe del producto a un cable de extensión adecuado.



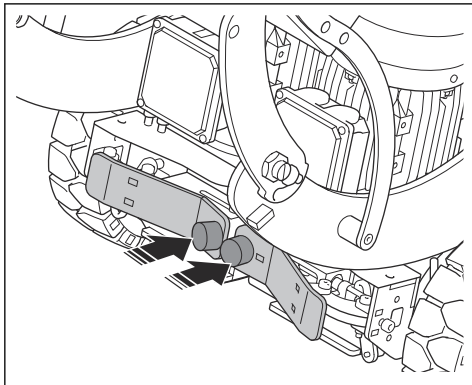
2. Conecte el cable de extensión a una toma de corriente.



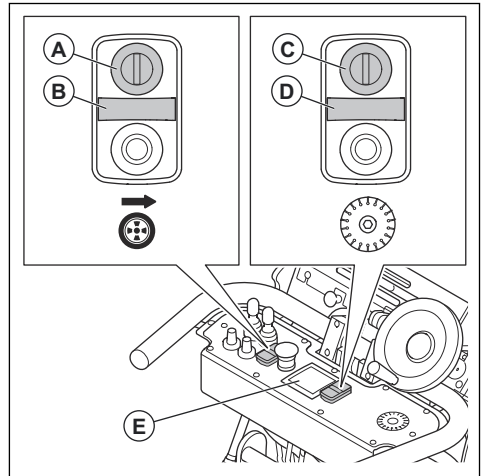
**PRECAUCIÓN:** Cuando el producto está conectado a un extractor de polvo, el extractor de polvo debe estar conectado a una fuente de alimentación aplicable.

## Para poner en marcha el producto

1. Encienda el extractor de polvo.
2. Coloque el hilo del control de presencia del operador alrededor de su muñeca derecha.
3. Pise los pedales del sistema de transmisión para conectar el sistema de transmisión.



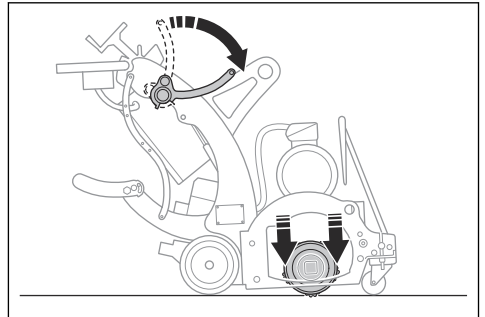
4. Gire el botón de parada de emergencia en el panel de control hacia la derecha para asegurarse de que el botón de parada de emergencia esté desactivado.
5. Coloque el interruptor principal de la carcasa eléctrica en la posición ON.
6. Coloque las palancas en la posición neutra.
7. Presione el botón ON del motor de accionamiento (A). La luz (B) se enciende cuando el motor de accionamiento tiene energía.



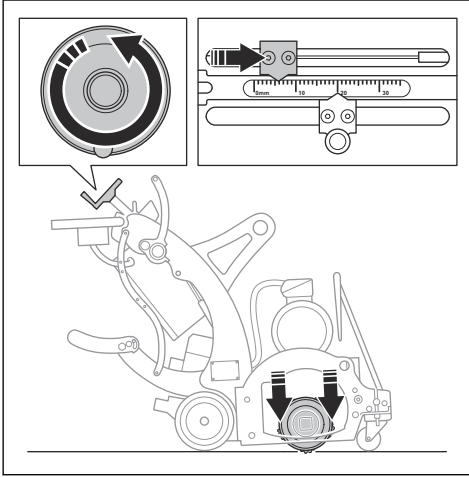
8. Presione el botón ON del motor del tambor (C). La luz (D) se enciende cuando el motor del tambor tiene energía.

**Nota:** El motor del tambor no puede arrancar si el sistema de transmisión no está encendido.

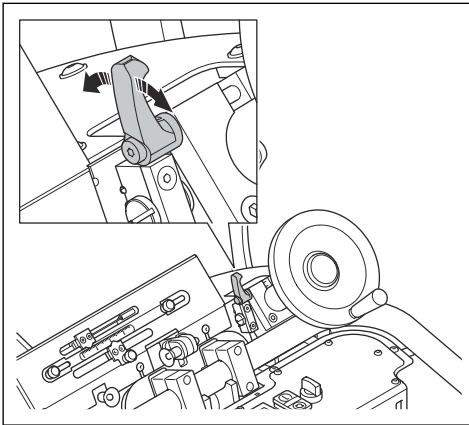
9. Espere entre 10 y 15 segundos hasta que el color de la pantalla (E) cambie de color rojo a blanco.
10. Baje lentamente la palanca de elevación para bajar el tambor de la herramienta al piso.



11. Gire la rueda de ajuste de la profundidad hacia la izquierda hasta que la profundidad sea la correcta para el funcionamiento.

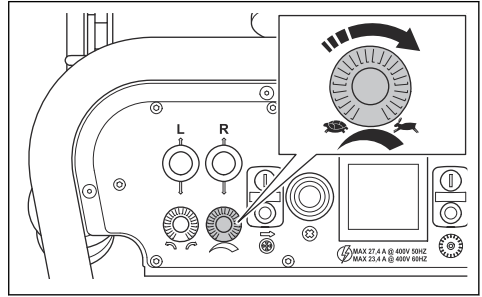


12. Gire el bloqueo de la rueda de ajuste de la profundidad para bloquear la profundidad de funcionamiento.



- a) Gire el bloqueo para desbloquear nuevamente la rueda de ajuste de la profundidad a fin de realizar más ajustes de la profundidad de funcionamiento.

13. Gire la perilla de ajuste de la velocidad para ajustar la velocidad de conducción.

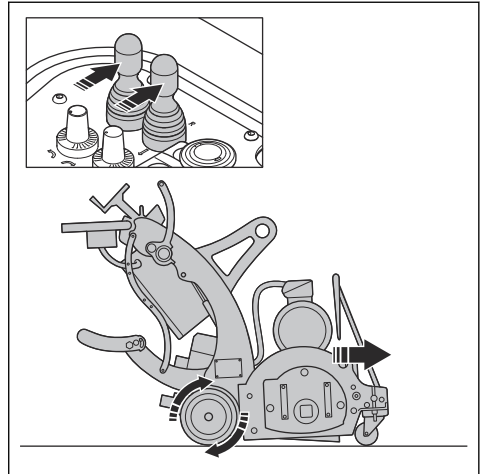


## Para hacer funcionar el producto



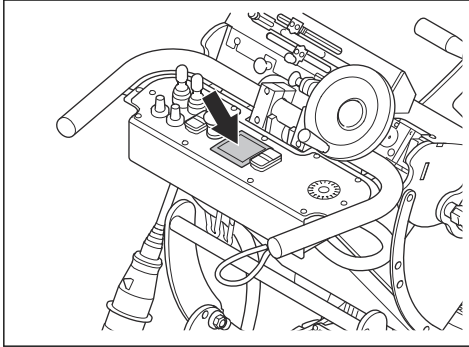
**ADVERTENCIA:** Este producto solo sirve para operaciones de avance. No mueva el producto hacia atrás cuando el tambor de la herramienta esté en funcionamiento.

- Empuje las palancas para mover el producto.



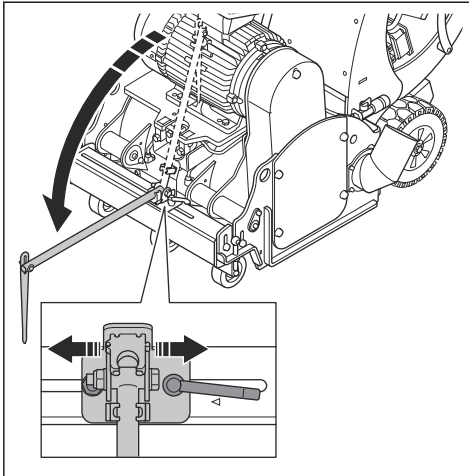
- Ajuste la profundidad si es necesario. Un giro completo de la rueda de ajuste de la profundidad ajusta la profundidad en 1,1 mm.

- Monitoree el amperímetro durante el funcionamiento. El amperaje máximo para cada tipo de motor es el siguiente:



- Para el tipo de motor 3x400 V, 50 Hz: 19,6 A.
- Para el tipo de motor 3x480 V, 60 Hz: 16,6 A.

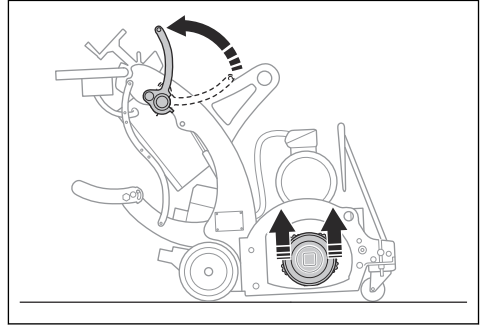
- Para facilitar el desplazamiento en línea recta, pliegue hacia abajo el puntero de dirección.



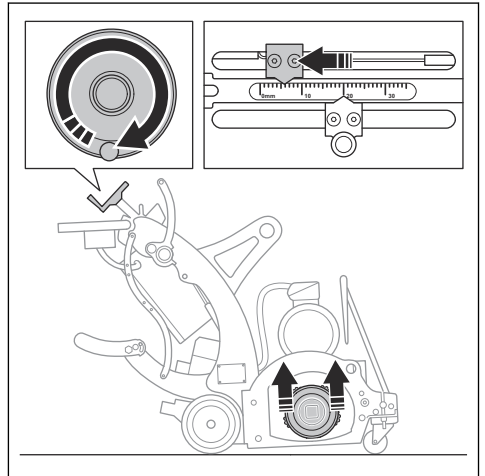
**Nota:** El puntero de dirección se puede ajustar lateralmente.

## Para detener el producto

1. Tire de la palanca de elevación hacia arriba.



2. Gire la rueda de ajuste de la profundidad hasta que el tambor de la herramienta no toque el suelo.



3. Presione el botón OFF del motor de accionamiento y el botón OFF del motor del tambor.
4. Espere hasta que todas las piezas móviles se detengan por completo.
5. Detenga el extractor de polvo.
6. Desconecte el enchufe.

## Mantenimiento

### Presentación



**ADVERTENCIA:** Antes de realizar el mantenimiento, debe leer y entender el capítulo sobre seguridad.

Para todos los trabajos de mantenimiento y reparación del producto, se requiere capacitación especial. Garantizamos la disponibilidad de trabajos

de mantenimiento y reparación profesionales. Si el concesionario no cuenta con un taller de servicio, pídale información acerca del taller de servicio más cercano.

Para obtener información más detallada, consulte [www.husqvarna.com](http://www.husqvarna.com).

## Programa de mantenimiento

\* = Mantenimiento general por parte del operador. Las instrucciones no se proporcionan en este manual de usuario.

X = Las instrucciones se proporcionan en este manual de usuario.

O = Las instrucciones no se proporcionan en este manual del usuario. Solicite a un taller de servicio autorizado que realice el mantenimiento.

Mantenimiento general del producto	A diario	12 h después del servicio	Cada 3 meses	Anualmente
Limpie la máquina.	X			
Revise todos los dispositivos de seguridad.	X			
Asegúrese de que las tuercas y los tornillos estén apretados.	*	*		
Examine el tambor de la herramienta, el eje del tambor, las herramientas y la caja para ver si hay desgaste.	*			
asegúrese de que el enchufe y el cable de extensión estén en buenas condiciones y no tengan daños.	*			
Compruebe el RCD.	*			
Revise los componentes eléctricos, los cables y las conexiones para ver si están desgastados o dañados.	*			
Revise la tensión de la correa de transmisión.	X		X	
Asegúrese de que las mangueras extractoras de polvo no estén dañadas ni tengan obstrucciones.	*			
Vacíe el extractor de polvo.	*			
Lubrique el cojinete.			X	
Examine las escobillas que están debajo de la caja del tambor para ver si están desgastadas.			*	
Realice un mantenimiento y una limpieza completos del producto.				O

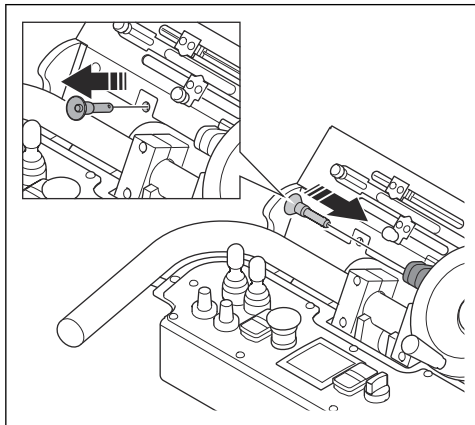
## Para inclinar el producto hacia atrás



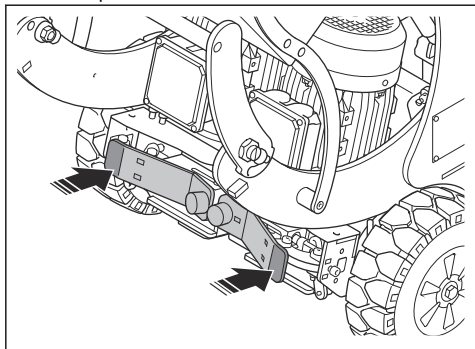
**ADVERTENCIA:** Antes de realizar un trabajo debajo del producto, coloque una obstrucción para evitar que el producto se mueva de forma no deseada.

Para algunas tareas de mantenimiento, es necesario inclinar el producto hacia atrás a fin de obtener acceso al tambor de la herramienta.

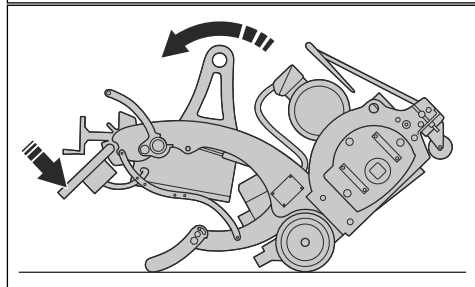
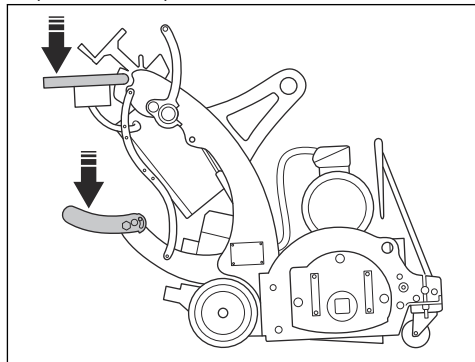
1. Suelte el bloqueo de la dirección en el panel de control.



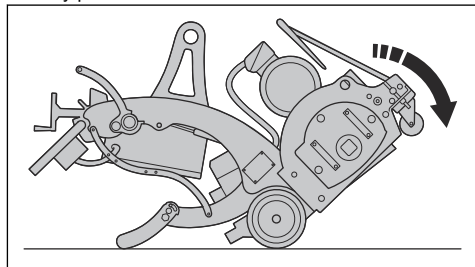
2. Desacople el sistema de transmisión.



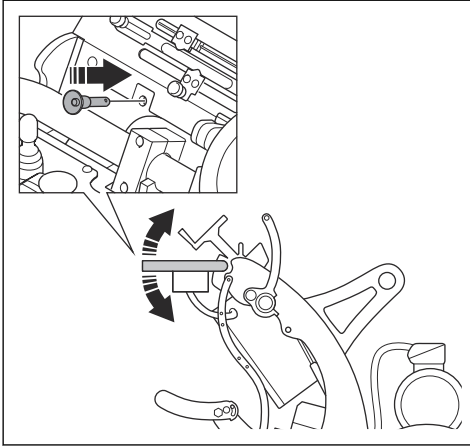
3. Empuje hacia abajo las manillas y el soporte de pie para inclinar el producto.



4. Baje el producto con cuidado. La parte delantera es muy pesada.



5. Vuelva a instalar el bloqueo de la dirección.



### Para limpiar el producto

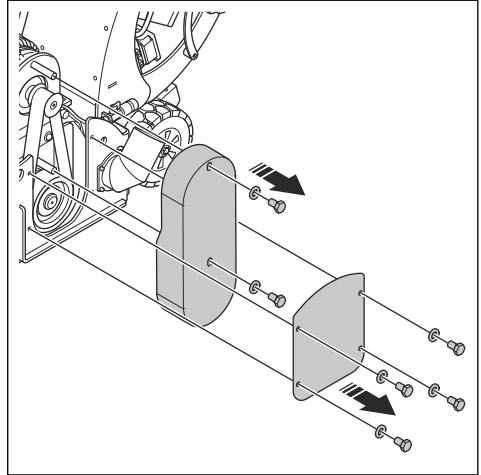
- Siempre limpie todos los equipos después de utilizarlos. Utilice una aspiradora.
- No use limpiadores de alta presión para limpiar el producto.
- Mantenga las aberturas de aire limpias y despejadas para asegurarse de que la temperatura del producto sea siempre lo suficientemente fría.
- Limpie el tambor de la herramienta después del funcionamiento en superficies húmedas.

### Para lubricar el cojinete

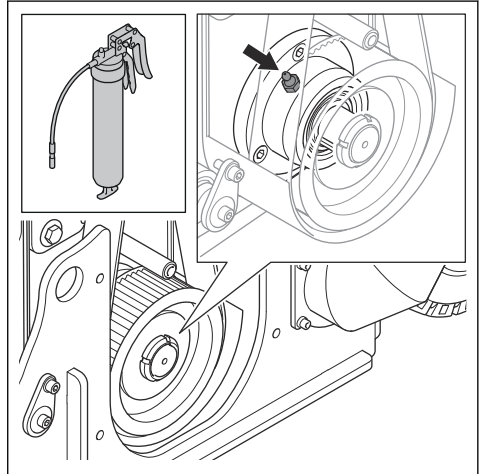


**PRECAUCIÓN:** Utilice el tipo correcto de grasa. Consulte *Datos técnicos BMP 335 en la página 42*. El tipo incorrecto de grasa puede causar daños en el cojinete.

1. Retire la cubierta de la correa de transmisión.

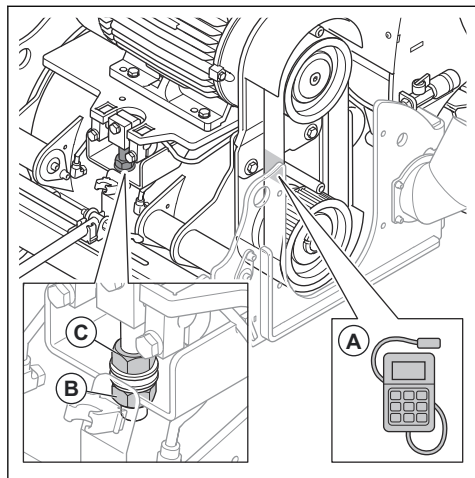


2. Coloque de 5 a 10 g de grasa en la boquilla de engrase con una pistola de engrase.



## Para verificar la tensión de la correa de transmisión

1. Mida la tensión de la correa de transmisión en el centro del rango de la correa de transmisión (A). La tensión correcta es de 105 Hz.



2. Si es necesario ajustar la tensión de la correa de transmisión, realice los siguientes pasos:
  - a) Afloje la tuerca (B).
  - b) Gire la tuerca (C) hacia la derecha para apretar la correa de transmisión.
  - c) Gire la tuerca (C) hacia la izquierda para aflojar la correa de transmisión.
  - d) Apriete la tuerca (B).

## Solución de problemas

Problema	Causa	Solución
Demasiada vibración o ruidos inusuales.	Las herramientas están desgastadas o dañadas.	Reemplace las piezas desgastadas o dañadas.
	El cojinete está dañado.	Revise el cojinete del eje propulsor y reemplácelo si es necesario.
	Tensión de la correa de transmisión incorrecta.	Revise la tensión de la correa de transmisión. Consulte <i>Para verificar la tensión de la correa de transmisión en la página 39</i> .
	El motor está dañado.	Reemplace el motor.
	El tambor de la herramienta está ajustado a demasiada profundidad de funcionamiento.	Disminuya la profundidad de funcionamiento.
Disminución o ausencia de rendimiento.	Las herramientas están desgastadas o dañadas.	Reemplace las piezas desgastadas.
	El tipo de herramientas es incorrecto para la superficie.	Reemplace las herramientas con las herramientas correctas para la superficie.

Problema	Causa	Solución
El motor no arranca.	Falta una fase de la fuente de alimentación.	Revise la fuente de alimentación.
	Una fase de la fuente de alimentación es incorrecta.	Ajuste la fase.
	El botón de Stop de emergencia está activado.	Gire el botón de Stop de emergencia hacia la derecha para desactivarlo.
	No hay alimentación en el sistema de transmisión.	Arranque el sistema de transmisión y, luego, arranque el motor del tambor.
	Un componente está dañado.	Reemplace el componente dañado.
	El OPC no está instalado.	Instale el OPC.
	El cable de extensión está desconectado o dañado.	Conecte el cable de extensión o, si es necesario, reemplácelo.
El producto se detiene después de un momento.	El interruptor de protección del motor se libera debido a una sobrecarga.	Disminuya la profundidad de corte.
	El motor está dañado.	Verifique el motor.
El sistema de transmisión no funciona correctamente.	Los pedales del sistema de transmisión no están conectados.	Empuje los pedales del sistema de transmisión hacia adentro.

## Transporte, almacenamiento y eliminación de residuos

### Transporte



**ADVERTENCIA:** Tenga cuidado durante el transporte. El producto es pesado y puede causar lesiones o daños si se cae o se mueve durante el transporte.



**PRECAUCIÓN:** Tire de la palanca de elevación antes del transporte. Las herramientas no deben estar contra el suelo durante el transporte.

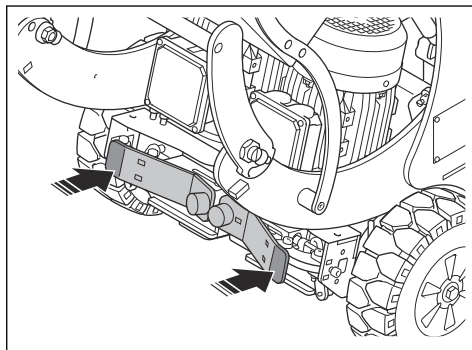


**PRECAUCIÓN:** No remolque el producto detrás de un vehículo.

- Las ruedas permiten mover el producto en distancias cortas. Para distancias más largas, levante el producto para moverlo o súbalo a un vehículo.
- Ponga algún tipo de protección en el producto durante el transporte. Esto protege al producto de los elementos naturales, como la lluvia y la nieve.

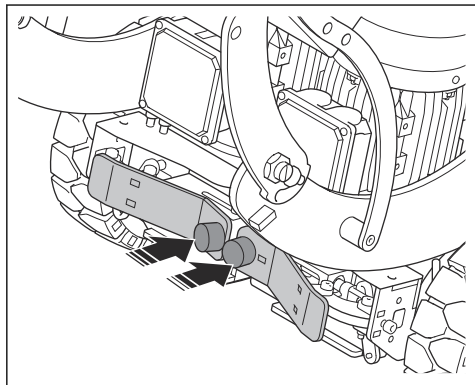
### Para desacoplar y acoplar el sistema de transmisión

1. Empuje los extremos exteriores de los pedales del sistema de transmisión para desacoplar el sistema de transmisión.





- Empuje los extremos interiores de los pedales del sistema de transmisión para acoplar el sistema de transmisión.



## Para mover el producto manualmente con el motor apagado



**ADVERTENCIA:** Espere a que todas las piezas móviles estén detenidas antes de mover el producto.



**ADVERTENCIA:** Use botas de protección con puntas de acero y suelas antideslizantes.



**ADVERTENCIA:** No mueva el producto hacia arriba ni hacia abajo por rampas con el sistema de transmisión desacoplado. Solo mueva el producto manualmente en un terreno nivelado.

- Desacople el sistema de transmisión. Consulte *Para desacoplar y acoplar el sistema de transmisión en la página 40*.
- Empuje el producto por el manillar.
- Acople el sistema de transmisión. Consulte *Para desacoplar y acoplar el sistema de transmisión en la página 40*. Con el motor apagado, esto tiene la función de un freno de estacionamiento y evita el movimiento accidental del producto.

## Para mover el producto hacia arriba y hacia abajo por una rampa



**ADVERTENCIA:** Tenga mucho cuidado al subir o bajar el producto por rampas. El producto es pesado y existe riesgo de lesiones si se cae o se mueve demasiado rápido.



**ADVERTENCIA:** Para rampas con una pendiente pronunciada, utilice siempre un cabrestante. No camine ni permanezca por debajo del producto.

- Para bajar el producto por una rampa, opere el producto lentamente hacia delante.
- Para subir el producto por una rampa, opere el producto lentamente hacia atrás.
- No gire el producto a la izquierda o a la derecha más de 45° en una rampa.

## Para levantar el producto



**ADVERTENCIA:** Asegúrese de que el equipo de elevación tenga la especificación correcta para levantar el producto de forma segura. La placa de identificación del producto muestra el peso del producto.



**ADVERTENCIA:** Fije de forma segura el producto levantado para evitar movimientos no deseados.

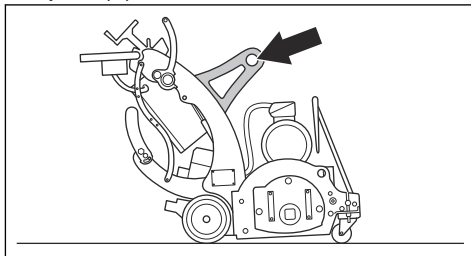


**ADVERTENCIA:** No camine ni permanezca por debajo del producto cuando esté levantado. Mantenga a los transeúntes alejados del área de trabajo.



**ADVERTENCIA:** No levante el producto si está dañado. Asegúrese de que el cáncamo esté correctamente instalado y de que no esté dañado.

- Fije el equipo de elevación al cáncamo.



- Levante el producto con seguridad.

## Para fijar el producto a un vehículo de transporte

- Asegúrese de que las ruedas motrices estén conectadas. Consulte *Para desacoplar y acoplar el sistema de transmisión en la página 40*.

- Conecte las correas de sujeción en el cáncamo y los orificios para las correas de sujeción. Consulte *Descripción general del producto en la página 23* para obtener más información sobre la ubicación de los orificios para las correas de sujeción en su producto.
- Fije y apriete las correas de sujeción al vehículo de transporte.

- Mantenga el producto en un lugar seco y sin escarcha.
- Limpie el producto y realice un mantenimiento completo antes de almacenarlo.
- Mantenga el producto en un área cerrada para evitar que los niños u otras personas sin autorización puedan acceder a él.

## Almacenamiento



**PRECAUCIÓN:** No almacene el producto en exteriores. Siempre mantenga el producto en interiores.

## Eliminación del producto

- Obedezca las regulaciones vigentes y requisitos de reciclaje locales.
- Cuando el producto ya no se use, envíelo al distribuidor Husqvarna o deséchelo en un lugar de reciclaje.

## Datos técnicos BMP 335

	3x400 V, 50 Hz	3x480 V, 60 Hz
Potencia del motor, kW/hp	11+1,1/14,75+1,48	
Conexión eléctrica, V	3x400	3x480
Frecuencia, Hz	50	60
Conector de alimentación, polo/A	5/32	
Consumo de amperaje, A	19,6+3,4	
Ancho de funcionamiento, mm/in	335/13,2	
Velocidad de rotación del tambor escarificador, mín. <sup>-1</sup>	1000	
Tipo de grasa para cojinetes	E08729	
Peso excl. el tambor, kg/lb	442/974,4	
Nivel de emisiones sonora <sup>5</sup>	100	
Nivel de potencia sonora <sup>6</sup>	114	
Nivel de vibración (asa), m/s <sup>2</sup> /ft/s <sup>2</sup> , <sup>7</sup>	3,1/0,95	
Temperatura ambiente, °C/°F	de -5 a 40/de 23 a 104	
Diámetro de la conexión de la manguera extractora de polvo, mm/in	100/3,94	

**Nota:** Si su producto requiere una especificación eléctrica que no aparece en la tabla, comuníquese

con un taller de servicio Husqvarna para obtener más información.

<sup>5</sup> Incertidumbre de 3 dB(A).

<sup>6</sup> Incertidumbre de 3 dB(A).

<sup>7</sup> Incertidumbre de 1,5 m/s<sup>2</sup>

## Cables de extensión

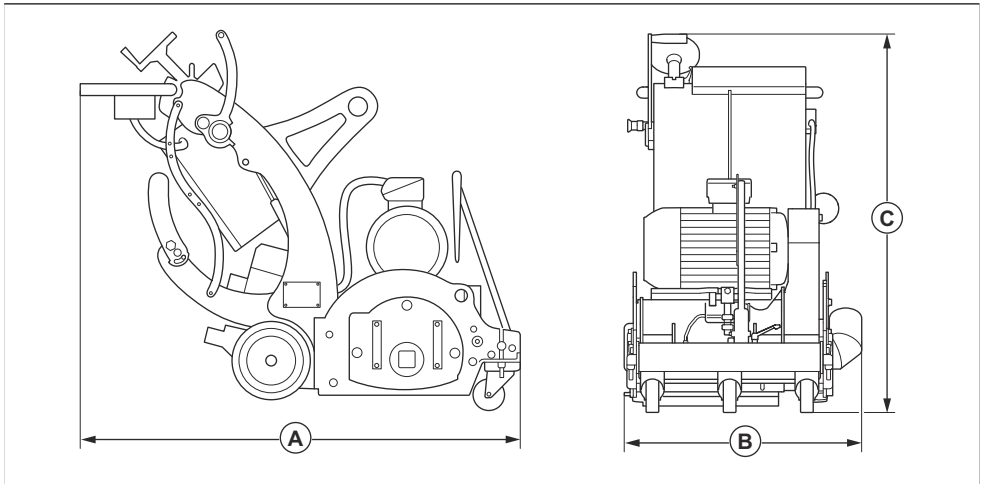
Longitud del cable	Sección transversal			
	≤16 A	≤32 A	≤63 A	≤125 A
Calculado con un GG de fusible previo <sup>8</sup> :	16 A	32 A	63 A	125 A
>20 m	1,5 mm <sup>2</sup>	2,5 mm <sup>2</sup>	10 mm <sup>2</sup>	25 mm <sup>2</sup>
20 m > 50 m	2,5 mm <sup>2</sup>	4 mm <sup>2</sup>	10 mm <sup>2</sup>	25 mm <sup>2</sup>
50 m > 75 m	4 mm <sup>2</sup>	6 mm <sup>2</sup>	16 mm <sup>2</sup>	35 mm <sup>2</sup>

## Declaración de ruido y vibración

Estos valores declarados se obtuvieron mediante pruebas de laboratorio, en conformidad con la directiva o las normas declaradas, y son adecuados para compararlos con los valores declarados de otros productos probados en conformidad con la misma directiva o normas. Estos valores declarados no son

adecuados para su uso en evaluaciones de riesgos, y los valores medidos en lugares de trabajo individuales pueden ser superiores. Los valores de exposición reales y el riesgo de daños que experimente un usuario individual son únicos y dependen de la forma en que el usuario trabaja, del material en que se utiliza el producto, así como del tiempo de exposición y el estado físico del usuario, y del estado del producto.

## Dimensiones del producto



<b>A</b>	Longitud, mm/in	1410/55,5
<b>B</b>	Ancho, mm/in	750/29,5
<b>C</b>	Altura, mm/in	1158/45,6

<sup>8</sup> Los cortes transversales se deben volver a calcular cuando se utiliza un fusible previo de otro tipo o de otra dimensión al que se proporciona.

---

# Table des matières

---

Introduction.....	44	Dépannage.....	61
Sécurité.....	47	Transport, entreposage et mise au rebut.....	62
Fonctionnement.....	52	Données techniques BMP 335.....	64
Entretien.....	57		

---

## Introduction

---

### Responsabilité du propriétaire

---



**AVERTISSEMENT :** Des opérations de coupe, de surfacage ou de perçage du béton ou de la pierre, particulièrement lorsque les conditions sont sèches, génèrent de la poussière qui contient souvent de la silice. La silice est un composant de base du sable, du quartz, de la brique de l'argile, du granit et de nombreux autres pierres et minéraux. L'exposition à une quantité excessive de ces poussières peut entraîner :

une maladie respiratoire (réduisant la capacité à respirer), notamment la bronchite chronique, la silicose et la fibrose pulmonaire causée par l'exposition à la silice. Ces maladies peuvent être fatales;

Des irritations et éruptions cutanées.

Le cancer, selon le NTP (National Toxicology Program) et le CIRC (Centre international de Recherche sur le Cancer).

Prendre les précautions suivantes :

Éviter l'inhalation et le contact cutané avec les poussières, brouillards et fumées.

Porter et veiller à ce que les personnes à proximité portent un dispositif de protection respiratoire approprié, tel un masque antipoussière filtrant les particules microscopiques. (Voir OSHA 29 CFR Part 1926.1153)

Pour réduire les émissions de poussières, utiliser de l'eau pour agglomérer ces

dernières, lorsque cela est possible. Si une opération à sec est nécessaire, utiliser un extracteur de poussière adéquat.

---

Il est de la responsabilité du propriétaire ou de l'employeur de s'assurer que l'utilisateur possède les connaissances nécessaires pour manipuler le produit en toute sécurité. Les superviseurs et les utilisateurs doivent avoir lu et compris le manuel d'utilisation. Ils doivent être conscients de ce qui suit :

- Les consignes de sécurité relatives au produit.
- L'éventail d'applications du produit et ses limites.
- La manière dont le produit doit être utilisé et entretenu.

Des règlements locaux ou nationaux pourraient limiter l'utilisation de ce produit. Découvrir les règlements en vigueur où le travail est exécuté avant d'utiliser le produit.

### Description du produit

Le produit est un scarificateur à conducteur à pied actionné par un moteur électrique.

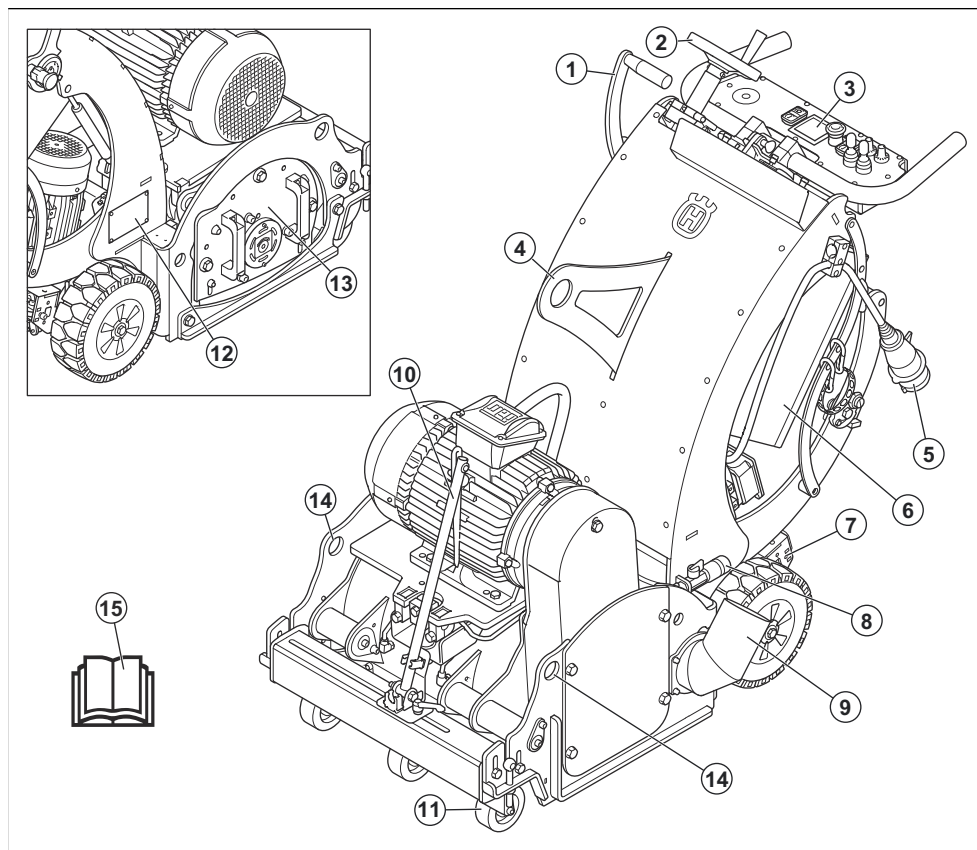
### Utilisation prévue

Le produit est utilisé pour rendre les surfaces rugueuses et pour supprimer les couches et le marquage routier. Le produit peut être utilisé sur des surfaces comme le béton, l'asphalte, la pierre et l'acier.

Le produit est utilisé dans les opérations commerciales par des opérateurs professionnels.

Ne pas utiliser l'outil pour d'autres tâches.

## Présentation de l'appareil



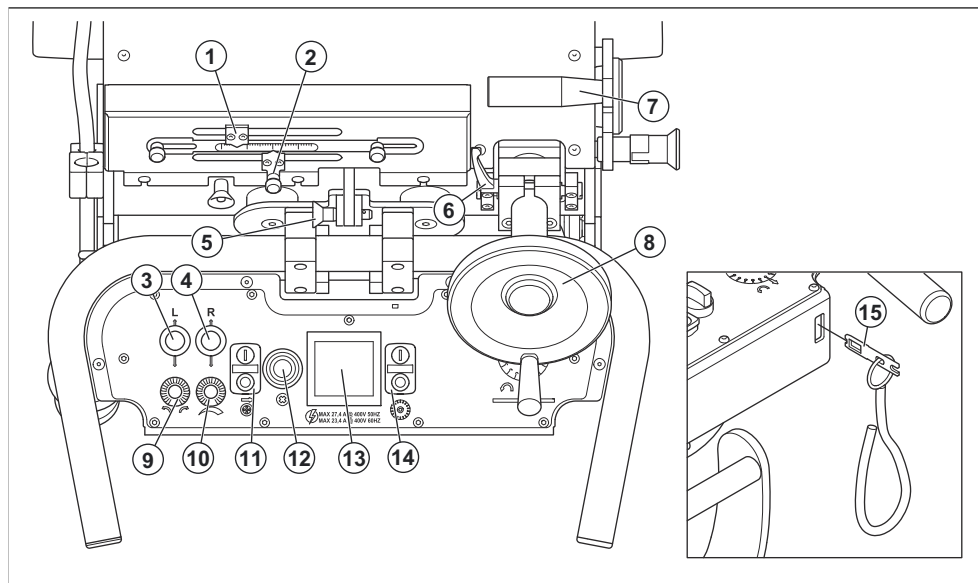
1. Levier de levage
2. Molette de réglage de la profondeur
3. Panneau de commande
4. Anneau de levage
5. Prise d'alimentation
6. Boîtier électrique avec interrupteur principal
7. Pédale du système d'entraînement
8. Raccord d'eau

un atelier spécialisé Husqvarna pour obtenir de plus amples renseignements.

9. Connecteur pour extracteur de poussière
10. Guide de direction
11. Roue avant
12. Plaque signalétique
13. Couverture latérale
14. Trou pour la sangle d'arrimage
15. Manuel d'utilisation

**Remarque :** Si de l'eau est nécessaire pour le fonctionnement de la machine, communiquez avec

## Vue d'ensemble du panneau de commande



1. Indicateur de réglage de la profondeur
2. Indicateur manuel de profondeur
3. Levier de commande pour les mouvements avant et arrière de la roue d'entraînement gauche
4. Levier de commande pour les mouvements avant et arrière de la roue d'entraînement droite
5. Verrouillage de direction
6. Verrouillage de la molette de réglage de la profondeur
7. Levier de levage
8. Molette de réglage de la profondeur
9. Commandes d'alignement
10. Réglage de la vitesse
11. Touches ON/OFF du moteur d'entraînement
12. Bouton d'arrêt d'urgence
13. Ampèremètre
14. Touches ON/OFF du moteur du tambour
15. Contrôle de présence de l'opérateur



Haute tension.



Tenir toutes les parties du corps à l'écart des surfaces chaudes.



Point de levage.



Tenir les mains à l'écart des pièces en rotation.



Lire attentivement le manuel et veiller à bien comprendre les directives avant d'utiliser l'outil.



Utiliser une protection respiratoire adéquate.

## Symboles figurant sur le produit



Avertissement : Ce produit peut être dangereux et causer des blessures très graves, ou même mortelles, à l'utilisateur et à d'autres personnes. Faire attention et utiliser le produit correctement.



Porter un dispositif de protection homologué pour les oreilles.



Utiliser un dispositif de protection homologué pour les yeux.



Utiliser des gants de protection homologués.



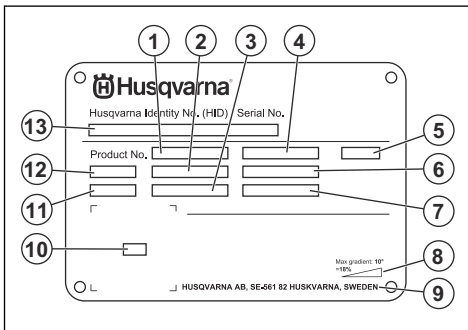
Porter des bottes de protection homologuées.



Ce produit est conforme aux normes CE applicables.

**Remarque :** Les autres symboles et autocollants apposés sur le produit se rapportent aux exigences en matière de certification pour certains marchés.

## Plaque signalétique



1. Numéro du produit
2. Poids du produit
3. Puissance nominale
4. Tension nominale
5. Boîtier
6. Intensité nominale
7. Fréquence
8. Angle de pente maximal
9. Fabricant
10. Code à numériser
11. Année de production
12. Modèle
13. Numéro de série

## Responsabilité concernant le produit

Comme indiqué dans les lois en vigueur sur la responsabilité concernant les produits, nous ne serons pas tenus responsables des dommages que notre produit causerait dans les situations suivantes :

- Le produit n'est pas réparé de façon adéquate.
- Le produit est réparé avec des pièces qui ne sont pas fournies ou homologuées par le fabricant.
- Le produit comprend un accessoire qui n'est pas fourni ou homologué par le fabricant.
- Le produit n'est pas réparé par un centre de service après-vente agréé ou par une autorité homologuée.

## Sécurité

### Définitions relatives à la sécurité

Les avertissements, recommandations et remarques soulignent des points du manuel qui revêtent une importance particulière.



**AVERTISSEMENT :** Indique la présence d'un risque de blessure ou de décès de l'utilisateur ou de personnes à proximité si les instructions du manuel ne sont pas suivies.



**MISE EN GARDE :** Indique la présence d'un risque de dommages au produit, à d'autres appareils ou à la zone adjacente si les instructions du manuel ne sont pas suivies.

**Remarque :** Utilisé pour donner des renseignements plus détaillés qui sont nécessaires dans une situation donnée.

## Consignes générales de sécurité



**AVERTISSEMENT** : Lire les messages d'avertissement qui suivent avant d'utiliser l'appareil.

- Ce produit est un outil dangereux s'il est utilisé de façon insouciant ou inappropriée. Cet outil peut causer des blessures graves, ou même mortelles, à l'utilisateur et à d'autres personnes. Il est obligatoire de lire et de comprendre le contenu de ce manuel d'utilisation avant d'utiliser l'outil.
- Conserver tous les avertissements et toutes les instructions.
- Se conformer à toutes les lois et réglementations en vigueur.
- L'utilisateur et l'employeur de l'utilisateur doivent connaître et prévenir les risques liés à l'utilisation du produit.
- Ne pas laisser une personne utiliser le produit à moins qu'elle ait lu et compris le contenu de ce manuel d'utilisation.
- Ne pas faire fonctionner le produit sans avoir reçu une formation relative à son fonctionnement. S'assurer que tous les utilisateurs reçoivent une formation.
- Ne pas laisser un enfant utiliser l'outil.
- Seules les personnes autorisées peuvent utiliser le produit.
- L'utilisateur est responsable des accidents survenus à d'autres personnes ou à leurs biens.
- Ne pas utiliser le produit en cas de fatigue ou sous l'emprise de l'alcool, de drogues ou de médicaments.
- Toujours rester prudent et faire preuve de bon sens.
- Cette machine produit un champ électromagnétique pendant le fonctionnement. Ce champ magnétique peut, dans certains cas, nuire aux implants médicaux actifs ou passifs. Pour réduire le risque de blessures graves ou mortelles, il est recommandé aux personnes ayant des implants médicaux de consulter leur médecin et le fabricant de l'implant médical avant d'utiliser le produit.
- Toujours garder le produit propre. S'assurer de pouvoir lire clairement les signes et les autocollants.
- Ne pas utiliser le produit s'il est endommagé ou ne fonctionne pas correctement.
- Ne pas modifier ce produit.
- Ne pas utiliser le produit s'il est possible que d'autres personnes aient apporté des modifications à celui-ci.
- Utiliser un équipement de protection personnelle. Se reporter à la section *Équipement de protection personnelle à la page 49*.
- Une surexposition aux vibrations peut entraîner des problèmes circulatoires ou des troubles nerveux, en particulier chez les personnes ayant des troubles circulatoires. En cas de symptômes liés à une surexposition aux vibrations, consulter un médecin. Ces symptômes sont les suivants : engourdissement, perte de sensibilité, fourmillement, picotement, douleur, faiblesse musculaire, décoloration ou modification de l'épiderme. Ces symptômes apparaissent habituellement aux doigts, aux mains et aux poignets.
- Ne pas faire fonctionner le produit sans tous les dispositifs de protection et couvercles installés.
- S'assurer de savoir comment arrêter rapidement le moteur en cas d'urgence.
- Avant de s'éloigner du produit, arrêter le moteur et débrancher le cordon d'alimentation. S'assurer qu'il n'y a pas de risque de démarrage accidentel.
- S'assurer que les vêtements, les cheveux longs et les bijoux ne peuvent pas se coincer dans les pièces en mouvement.
- S'assurer d'être dans une position stable et sécuritaire au cours du travail.
- Utiliser le produit uniquement sur des surfaces horizontales.
- Ne pas utiliser l'outil s'il n'est pas possible d'obtenir de l'aide en cas d'accident.
- Toujours utiliser des accessoires approuvés. Pour obtenir de plus amples renseignements, communiquez avec votre concessionnaire Husqvarna.
- Si le produit se met à vibrer ou si son niveau sonore est anormalement élevé, arrêter immédiatement le produit. Examiner le produit pour détecter d'éventuels dommages. Réparer les dommages ou laisser un atelier spécialisé faire la réparation.
- Brancher le produit à un extracteur de poussière pour éliminer la poussière.
- Ne pas tirer sur le tuyau de l'extracteur de poussière. Le produit peut alors tomber et provoquer des blessures ou des dommages.
- Maintenir l'extracteur de poussière en place jusqu'à ce que le moteur s'arrête complètement.
- Manœuvrer le produit en se plaçant toujours derrière, les deux mains sur le guidon.
- S'assurer qu'il n'y a pas de graisse ou d'huile sur les poignées.

## Sécurité en matière de vibrations



**AVERTISSEMENT** : Lire les messages d'avertissement qui suivent avant d'utiliser l'appareil.



**AVERTISSEMENT** : Lire les messages d'avertissement qui suivent avant d'utiliser l'appareil.



- Pendant le fonctionnement du produit, des vibrations sont transmises du produit à l'utilisateur. L'utilisation régulière et fréquente du produit peut provoquer ou augmenter les risques de blessures pour l'utilisateur. Des blessures peuvent se produire au niveau des doigts, des mains, des poignets, des bras, des épaules ou des nerfs, ou d'autres parties du corps ou affecter l'apport sanguin. Les blessures peuvent être invalidantes et/ou permanentes et peuvent augmenter progressivement au fil des semaines, des mois ou des années. Les blessures possibles incluent des dommages au système de circulation sanguine, au système nerveux, aux articulations et à d'autres structures corporelles.
- Des symptômes peuvent apparaître pendant l'utilisation du produit ou à d'autres moments. Si l'utilisateur présente des symptômes et continue à utiliser le produit, les symptômes peuvent augmenter ou devenir permanents. Si ces symptômes ou d'autres symptômes apparaissent, consulter un médecin :
  - Engourdissement, perte de sensation, fourmillement, picotement, douleur, brûlure, boursoufflement, raideur, sensation de lourdeur, perte de force, changements de couleur ou d'état de la peau.
- Les symptômes peuvent augmenter par temps froid. Porter des vêtements chauds et garder les mains au chaud et au sec lors de l'utilisation de l'outil dans des environnements froids.
- Procéder à l'entretien et à l'utilisation du produit comme indiqué dans le manuel d'utilisation pour maintenir les vibrations à un niveau acceptable.
- Le produit est doté d'un système d'amortissement des vibrations qui réduit les vibrations transmises à l'opérateur par les poignées. Laisser le produit faire le travail. Ne pas pousser le produit avec force. Tenir légèrement le produit par les poignées, mais s'assurer de le contrôler et de l'utiliser en toute sécurité. Ne pas pousser les poignées dans les butées plus que nécessaire.
- Garder les mains sur la ou les poignées uniquement. Garder toutes les autres parties du corps à l'écart du produit.
- Arrêter immédiatement le produit en cas de fortes vibrations soudaines. Ne pas poursuivre le sciage avant d'avoir éliminé la cause des vibrations accrues.

## Protection contre la poussière



**AVERTISSEMENT** : Lire les messages d'avertissement qui suivent avant d'utiliser l'appareil.

- L'utilisation du produit peut soulever de la poussière dans les airs. La poussière peut provoquer des blessures graves et des problèmes de santé permanents. La poussière de silice est considérée

comme une matière nocive par plusieurs autorités. Voici quelques exemples de problèmes de santé :

- Maladies pulmonaires mortelles bronchite chronique, silicose et fibrose pulmonaire
- Cancer
- Malformations congénitales
- Inflammation de la peau
- Utiliser un équipement adapté pour réduire la quantité de poussière et de fumées dans l'air et pour réduire la poussière sur les équipements de travail, les surfaces, les vêtements et les parties du corps. Exemples de contrôles : systèmes de collecte de poussière et jets d'eau pour lier la poussière. Dans la mesure du possible, réduire la quantité de poussière à la source. S'assurer que l'équipement est correctement installé et utilisé et que l'entretien régulier est effectué.
- Utiliser un dispositif de protection respiratoire homologué. S'assurer que la protection respiratoire convient aux matériaux dangereux dans la zone de travail.
- S'assurer que la circulation d'air est suffisante dans la zone de travail.

## Sécurité relative au bruit



**AVERTISSEMENT** : Lire les messages d'avertissement qui suivent avant d'utiliser l'outil.

- Des niveaux sonores élevés et une exposition prolongée au bruit peuvent entraîner une perte auditive due au bruit.
- Pour réduire au maximum le niveau sonore, procéder à l'entretien du produit et l'utiliser comme indiqué dans le manuel d'utilisation.
- Toujours porter un dispositif de protection pour les oreilles homologué lors de l'utilisation du produit.
- Rester attentif aux appels ou cris d'avertissement lors de l'utilisation d'un dispositif de protection pour les oreilles. Retirer le dispositif de protection pour les oreilles lorsque le produit est arrêté, sauf si une protection auditive est nécessaire en raison du niveau sonore dans la zone de travail.

## Équipement de protection personnelle



**AVERTISSEMENT** : Lire les messages d'avertissement qui suivent avant d'utiliser l'appareil.

- Toujours utiliser un équipement de protection personnelle homologué lors de l'utilisation de l'outil. Cet équipement de protection personnelle n'élimine pas complètement les risques de blessures, mais il peut en réduire la gravité en cas d'accident. Le revendeur aidera l'utilisateur à sélectionner l'équipement de protection personnelle adéquat et indiquera comment l'utiliser.

- Vérifier régulièrement l'état de l'équipement de protection personnelle.
- Porter un casque de protection approuvé.
- Porter un dispositif de protection homologué pour les oreilles.
- Utiliser un dispositif de protection respiratoire homologué.
- Porter un dispositif de protection pour les yeux homologué avec écrans latéraux.
- Porter des gants de protection.
- Utiliser des bottes à embout en acier et semelles antidérapantes.
- Porter des vêtements de travail homologués ou des vêtements ajustés équivalents avec des manches longues et des pantalons.

#### Extincteur

- Garder un extincteur à proximité pendant le sciage.
- Utiliser un extincteur à poudre ou à dioxyde de carbone.

#### Sécurité de l'aire de travail



**AVERTISSEMENT :** Lire les messages d'avertissement qui suivent avant d'utiliser l'appareil.

- Ne pas utiliser le produit dans le brouillard, la pluie, le vent violent, par temps froid, en cas de risque d'orage ou dans d'autres mauvaises conditions météorologiques.
- Ne pas utiliser ce produit dans des zones où un incendie ou des explosions peuvent se produire.
- Tenir les enfants, les passants et les animaux à l'écart de la zone de travail et à une distance sécuritaire du produit.
- S'assurer que seules les personnes autorisées se trouvent dans la zone de travail.
- Maintenir la zone de travail propre et bien éclairée.
- Retirer les objets comme les vis, les boulons, les câbles et les cailloux de la zone de travail avant d'utiliser le produit.
- S'assurer qu'aucun câble ni tuyau ne se trouve sur la trajectoire du produit.
- S'assurer que la circulation d'air est suffisante dans la zone de travail.

#### Sécurité électrique



**AVERTISSEMENT :** Les appareils électriques comportent toujours un danger d'électrocution. Ne pas utiliser le produit dans des conditions climatiques défavorables. Ne pas toucher les paratonnerres et les objets métalliques. Utiliser toujours le produit comme indiqué dans ce manuel d'utilisation pour éviter les blessures.



**AVERTISSEMENT :** Utiliser toujours une alimentation avec un dispositif de protection contre les courants résiduels (RCD). Le RCD réduit le risque de choc électrique.



**AVERTISSEMENT :** Haute tension. L'unité électrique contient des pièces non protégées. Toujours débrancher la prise d'alimentation avant d'ouvrir le panneau du boîtier électrique.



**MISE EN GARDE :** L'alimentation électrique du produit ou du générateur doit être suffisamment puissante et constante pour que le moteur puisse fonctionner sans problème. Une tension incorrecte entraîne une augmentation de la consommation d'énergie et de la température du moteur jusqu'à ce que le circuit de sécurité se déclenche. La dimension du cordon d'alimentation doit être conforme aux réglementations nationales et locales. La dimension de la prise secteur doit correspondre à l'intensité de la prise électrique et du câble de rallonge du produit.

Si la prise secteur offre une résistance plus élevée, une chute de tension peut se produire lorsque le produit est mis en marche. Cela peut influencer sur le fonctionnement d'autres produits et occasionner par exemple le scintillement de l'éclairage.

- S'assurer que l'alimentation, le fusible et la tension de secteur correspondent à la valeur indiquée sur la plaque signalétique du produit.
- Toujours arrêter le produit avant de débrancher la fiche d'alimentation.
- Ne pas utiliser le produit si le cordon d'alimentation ou la prise d'alimentation sont endommagés. Le confier à un centre d'entretien agréé pour réparation. Un cordon d'alimentation endommagé peut provoquer des blessures graves, voire mortelles.
- Utiliser le cordon d'alimentation de manière adéquate. Ne pas utiliser le cordon d'alimentation pour déplacer, tirer ou débrancher le produit. Tirer la fiche d'alimentation pour déconnecter le cordon d'alimentation. Ne pas tirer le cordon d'alimentation.
- Ne pas faire fonctionner le produit à une profondeur où l'équipement du produit est mouillé. Il est possible que l'équipement devienne endommagé et que le produit se mette sous tension et engendre des blessures.
- Ne pas laisser davantage d'humidité pénétrer dans le produit que celle qui est fournie par le circuit d'eau. Garder le produit à l'écart de la pluie.

L'eau qui entre dans le produit augmente le risque d'électrocution.

- Toujours débrancher le cordon d'alimentation avant de brancher ou de débrancher le câble du moteur et le boîtier électrique.

### Instructions de mise à la terre du produit



**AVERTISSEMENT** : Un mauvais branchement peut engendrer un risque d'électrocution. Communiquer avec un électricien certifié en cas de doute sur la mise à la terre de la prise d'alimentation secteur.

Ne pas modifier la spécification d'usine de la fiche d'alimentation. Si la fiche d'alimentation ou le cordon d'alimentation est endommagé ou doit être remplacé, communiquez avec votre atelier spécialisé Husqvarna. Respecter les lois et règlements locaux.

Si on ne comprend pas bien les instructions de mise à la terre du produit, communiquer avec un électricien agréé.

N'utiliser que des câbles de rallonge d'extérieur mis à la terre dotés de fiches mises à la terre et des prises mises à la terre compatibles avec la fiche d'alimentation du produit.

Le produit est doté d'un cordon d'alimentation et d'une fiche d'alimentation mis à la terre. Toujours brancher le produit sur une prise d'alimentation secteur mise à la terre. Cela réduit le risque de choc électrique.

Ne pas utiliser d'adaptateurs électriques avec le produit.

### Rallonges

- Utiliser uniquement des rallonges approuvées d'une longueur suffisante.
- La valeur nominale inscrite sur la rallonge doit être identique ou supérieure à celle indiquée sur la plaque signalétique du produit.
- Utiliser des rallonges mises à la terre.
- Quand le produit est utilisé à l'extérieur, se servir d'une rallonge qui convient à un fonctionnement à l'extérieur. Cela réduit le risque de choc électrique.
- Maintenir la connexion à la rallonge au sec et éloignée du sol.
- Tenir la rallonge à l'écart de la chaleur, de l'huile, des bords tranchants et des pièces mobiles. Un câble endommagé augmente le risque de choc électrique.
- S'assurer que la rallonge est en bon état et qu'elle n'est pas endommagée.
- Ne pas utiliser la rallonge quand elle est enroulée. Elle pourrait surchauffer.

- Pendant l'utilisation, s'assurer que la rallonge se trouve derrière l'utilisateur et le produit. Cela évite d'endommager la rallonge.

### Dispositifs de sécurité sur l'outil



**AVERTISSEMENT** : Lire les messages d'avertissement qui suivent avant d'utiliser l'appareil.

- Ne pas utiliser le produit s'il est endommagé ou ne fonctionne pas correctement.
- Vérifier régulièrement les dispositifs de sécurité. Si les dispositifs de sécurité sont endommagés ou ne fonctionnent pas correctement, communiquez avec votre atelier spécialisé Husqvarna.

### Bouton d'arrêt d'urgence

Le bouton d'arrêt d'urgence permet d'arrêter rapidement le moteur.

### Pour vérifier le bouton d'arrêt d'urgence

Reportez-vous à la section *Vue d'ensemble du panneau de commande à la page 46* pour obtenir des renseignements sur l'emplacement du bouton d'arrêt d'urgence sur votre produit.

1. Tourner le bouton d'arrêt d'urgence dans le sens horaire pour s'assurer qu'il est désengagé.
2. Démarrer l'outil. Se reporter à *Mise sous tension de l'appareil à la page 55*.
3. Appuyer sur le bouton d'arrêt d'urgence.
4. S'assurer que le moteur s'arrête.
5. Tourner le bouton d'arrêt d'urgence dans le sens des aiguilles d'une montre pour le désengager.

### Contrôle de présence de l'opérateur

Lorsque le contrôle de présence de l'opérateur est engagé, le moteur s'arrête. Se reporter à *Vérification du contrôle de présence de l'opérateur à la page 51*.

### Vérification du contrôle de présence de l'opérateur

1. Démarrer l'outil. Se reporter à la section *Mise sous tension de l'appareil à la page 55*.
2. Tirer la clé de contrôle de présence de l'opérateur. Si le moteur ne s'arrête pas en trois secondes, communiquer avec un agent d'entretien agréé Husqvarna.

### Consignes de sécurité pour l'entretien



**AVERTISSEMENT** : Lire les messages d'avertissement qui suivent avant d'utiliser l'appareil.

- Utiliser un équipement de protection personnelle. Se reporter à la section *Équipement de protection personnelle à la page 49*.
- N'effectuer que les travaux d'entretien indiqués dans ce manuel d'utilisation. Laisser un agent d'entretien agréé effectuer toutes les autres opérations d'entretien.
- Si la maintenance n'est pas effectuée correctement et régulièrement, le risque de blessures et de dommages sur l'outil augmente.
- Nettoyer le produit pour éliminer les matières dangereuses avant d'effectuer la maintenance.
- Avant d'effectuer l'entretien, arrêter le moteur, appuyer sur le bouton d'arrêt d'urgence, tirer sur le contrôle de présence de l'opérateur et débrancher la prise d'alimentation.
- S'assurer d'effectuer l'entretien du produit sur un sol horizontal stable.
- Ne pas modifier ce produit. Toute modification non approuvée par le fabricant peut entraîner des blessures graves, voire mortelles.
- Remplacer les pièces endommagées, usées ou brisées.
- Toujours utiliser des accessoires et des pièces de rechange d'origine. Les accessoires et les pièces de rechange qui ne sont pas approuvés par le fabricant peuvent causer des blessures graves, voire mortelles.
- Après l'entretien, vérifier le niveau de vibrations du produit. En cas de problème, communiquer avec un atelier spécialisé agréé.
- Demander à un agent d'entretien agréé d'effectuer régulièrement l'entretien de l'outil.

## Fonctionnement

### Introduction



**AVERTISSEMENT :** Avant d'utiliser le produit, lire et bien comprendre le chapitre sur la sécurité.

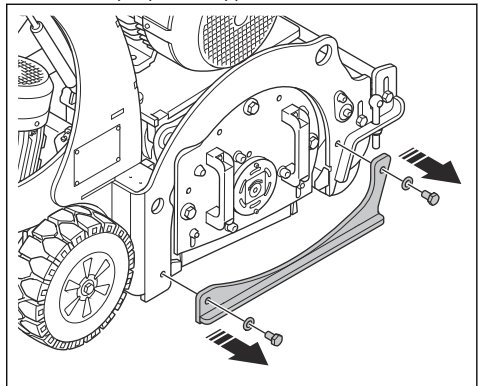
### Avant d'utiliser le produit

1. Lire attentivement le manuel d'utilisation et veiller à bien comprendre les directives.
2. Lire attentivement le manuel d'utilisation de l'extracteur de poussière et veiller à bien comprendre les directives.
3. Utiliser un équipement de protection personnelle. Se reporter à la section *Équipement de protection personnelle à la page 49*.
4. S'assurer que seules les personnes autorisées se trouvent dans la zone de travail.
5. Effectuer l'entretien quotidien. Se reporter à la section *Calendrier d'entretien à la page 58*.
6. S'assurer que le produit est correctement monté et qu'il n'est pas endommagé.
7. Placer le produit sur la zone de travail. S'assurer que la surface est de niveau. S'assurer que le transport du produit vers et dans la zone de travail est effectué correctement et en toute sécurité. Se reporter à la section *Transport à la page 62*.
8. S'assurer que la hauteur des roues avant est réglée correctement pour le fonctionnement. Se reporter à la section *Réglage de la hauteur des roues avant à la page 53*.
9. S'assurer que les outils ne touchent pas le sol.
  - a) Régler le levier de levage à la position haute.
  - b) Tourner la molette de réglage de la profondeur dans le sens horaire.

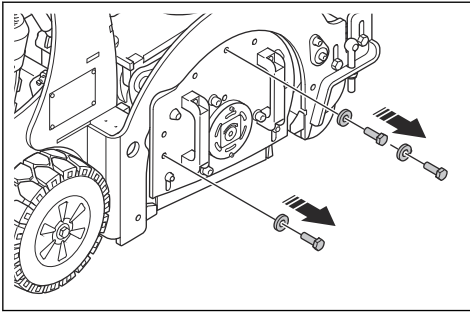
10. Brancher un extracteur de poussière sur le produit. Se reporter à la section *Branchement de l'extracteur de poussière à la page 54*.
11. Brancher le produit à une source d'alimentation. Se reporter à la section *Pour brancher le produit à une source d'alimentation à la page 55*.
12. S'assurer que la hauteur des balais sous le carter de tambour est appropriée à la profondeur de fonctionnement. Au besoin, desserrer les écrous, régler la hauteur et resserrer les écrous.

### Installation du tambour de scarification

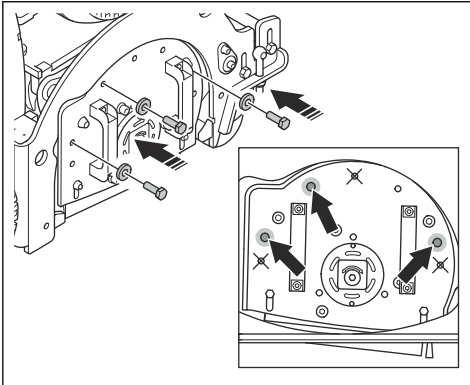
1. Retirer la plaque de support.



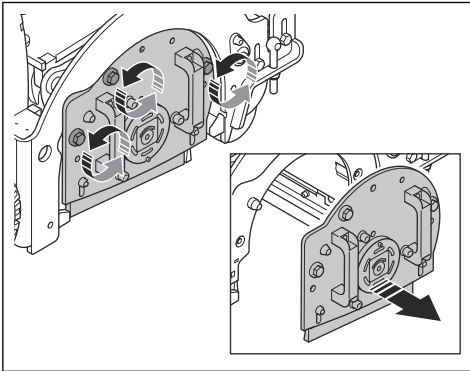
2. Retirer les vis et les rondelles du couvercle latéral.



3. Installer les vis avec les rondelles dans les trous adjacents.

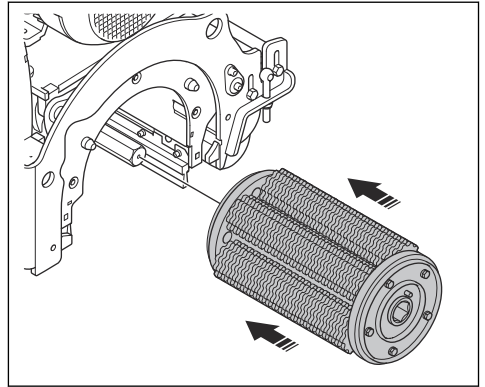


4. Tourner les vis pour retirer le couvercle latéral.

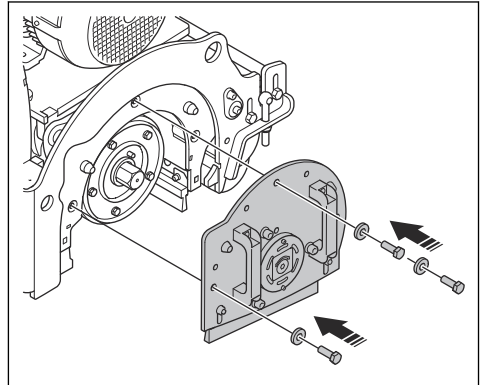


**Remarque :** Lorsque le couvercle latéral est retiré, l'axe pend librement.

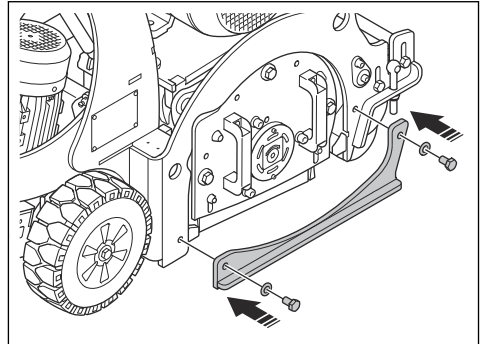
5. Installer le tambour de scarification sur l'axe.



6. Installer le couvercle latéral.



7. Installer la plaque de support.

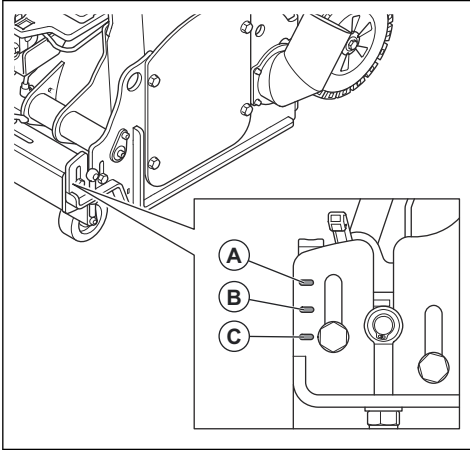


8. Vérifier la tension de la courroie d'entraînement. Se reporter à la section *Pour vérifier la tension de la courroie d'entraînement*, à la page 61.

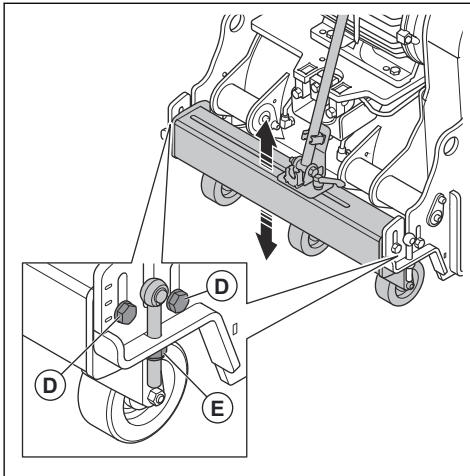
## Réglage de la hauteur des roues avant

La position standard est (B). La position (A) est utilisée pour un fonctionnement à la profondeur maximale. La

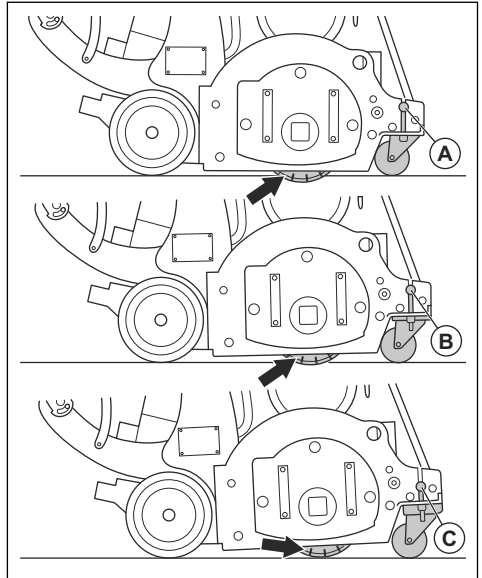
position (C) est utilisée pour un fonctionnement à la profondeur minimale.



1. Desserrer les boulons (D) de chaque côté de la barre de roue avant.



2. Tourner l'écrou (E) pour régler la hauteur.
3. Serrer les boulons (D) de chaque côté de la barre de roue avant.



## Branchement de l'extracteur de poussière

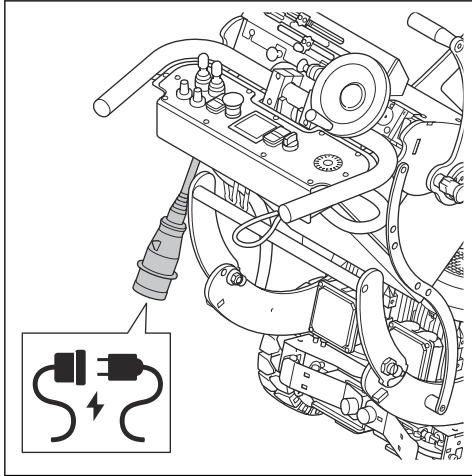


**AVERTISSEMENT :** Ne pas utiliser l'extracteur de poussière si son tuyau est endommagé. Le risque de respirer de la poussière dangereuse pour la santé augmente. Utiliser un dispositif de protection respiratoire homologué.

1. Vérifier que le tuyau de l'extracteur de poussière n'est pas endommagé.
2. Veiller à ce que les filtres de l'extracteur de poussière soient en bon état et non endommagés.
3. Brancher le tuyau de l'extracteur de poussière au raccord de l'extracteur de poussière. Reportez-vous à la section *Présentation de l'appareil à la page 45* pour obtenir des renseignements sur l'emplacement du raccord de l'extracteur de poussière sur votre produit.

## Pour brancher le produit à une source d'alimentation

1. Brancher la fiche d'alimentation du produit à un câble de rallonge approprié.



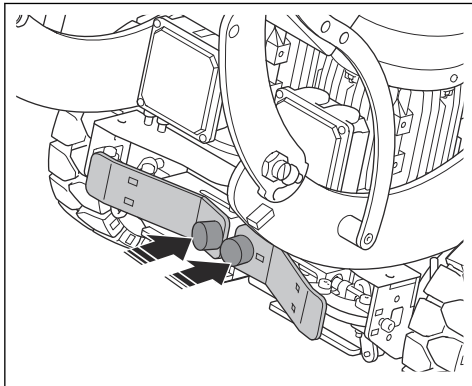
2. Brancher le câble de rallonge à une prise secteur.



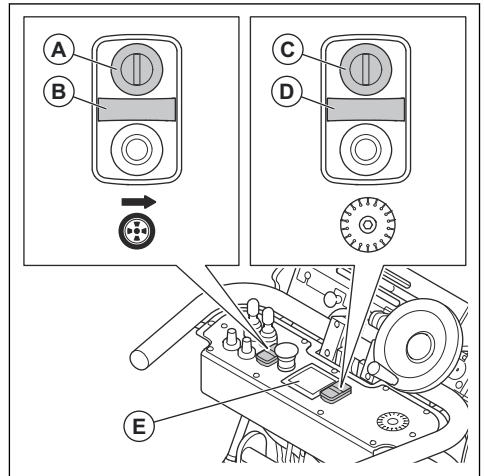
**MISE EN GARDE :** Lorsque le produit est relié à un extracteur de poussière, ce dernier doit être connecté à une source d'alimentation appropriée.

## Mise sous tension de l'appareil

1. Démarrer l'extracteur de poussière.
2. Placer le cordon du contrôle de présence de l'opérateur autour de votre poignet droit.
3. Appuyer sur les pédales du système d'entraînement pour engager le système d'entraînement.



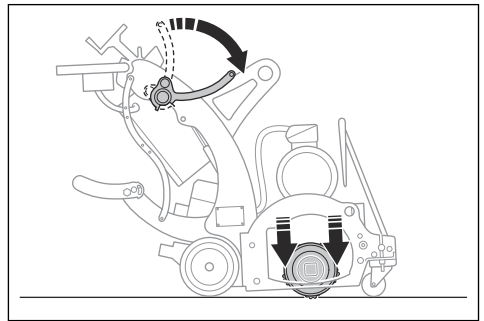
4. Tourner le bouton d'arrêt d'urgence sur le panneau de commande dans le sens des aiguilles d'une montre pour s'assurer que le bouton d'arrêt d'urgence est désengagé.
5. Placer l'interrupteur principal du boîtier électrique à la position ON (marche).
6. Mettre les leviers de commande au point mort.
7. Appuyer sur la touche ON pour le moteur d'entraînement (A). Le témoin (B) s'allume lorsque le moteur d'entraînement est alimenté.



8. Appuyer sur la touche ON pour le moteur du tambour (C). Le témoin (D) s'allume lorsque le moteur du tambour est alimenté.

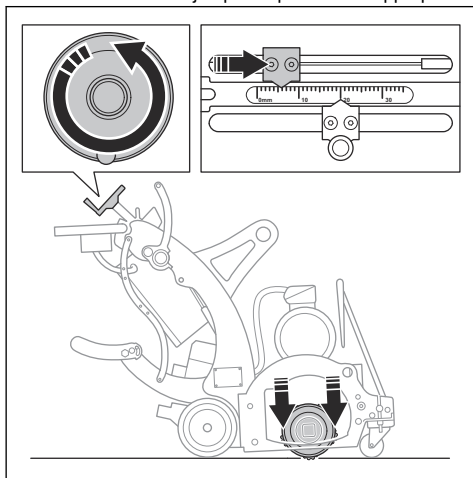
**Remarque :** Le moteur du tambour ne peut pas démarrer si le système d'entraînement n'est pas activé.

9. Attendre de 10 à 15 secondes jusqu'à ce que l'écran (E) passe du rouge au blanc.
10. Abaisser lentement le levier de levage pour abaisser le tambour de l'outil au sol.

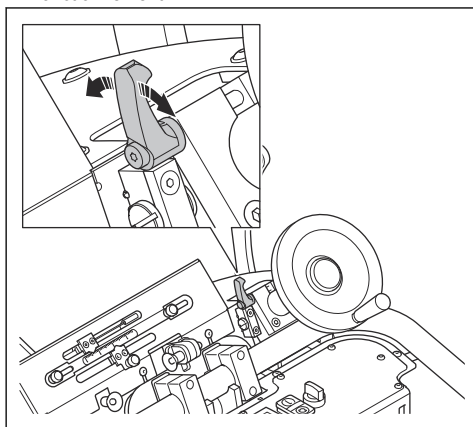




11. Tourner la molette de réglage de la profondeur dans le sens antihoraire jusqu'à la profondeur appropriée.

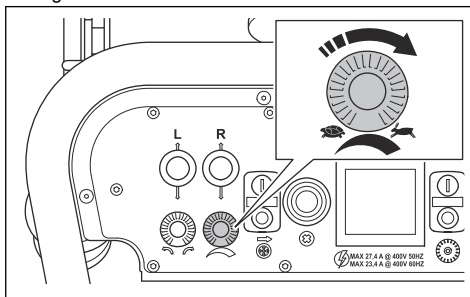


12. Tourner le verrou de la molette de réglage de la profondeur pour verrouiller la profondeur de fonctionnement.



- a) Tourner de nouveau le verrou pour déverrouiller la molette et effectuer d'autres réglages de profondeur de fonctionnement.

13. Tourner le bouton de réglage de la vitesse pour régler la vitesse d'entraînement.

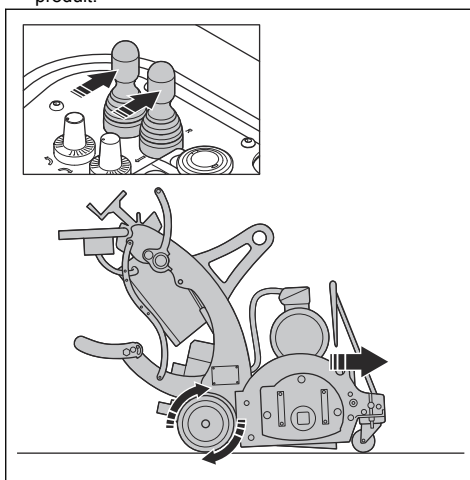


## Utilisation du produit



**AVERTISSEMENT :** Ce produit ne doit fonctionner qu'en marche avant. Ne pas déplacer le produit vers l'arrière lorsque le tambour de l'outil est en marche.

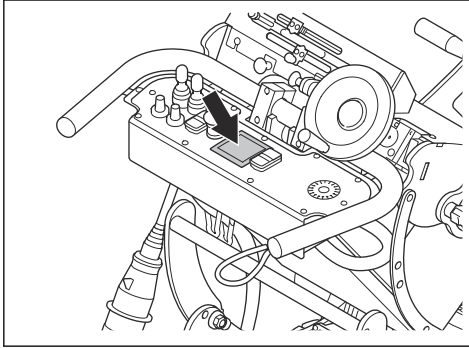
- Utiliser les leviers de commande pour déplacer le produit.



- Régler la profondeur au besoin. Un tour complet de la molette permet de régler la profondeur de 1,1 mm.

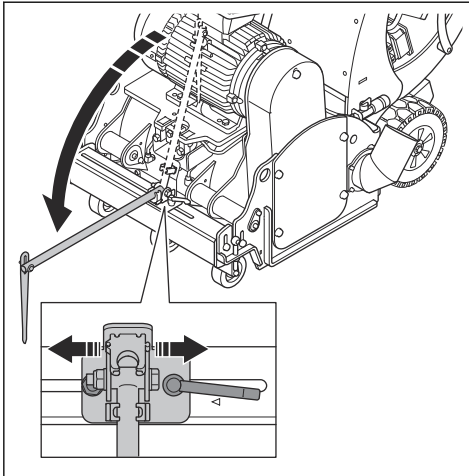


- Surveiller l'ampèremètre pendant l'opération. L'intensité maximale pour chaque type de moteur est la suivante :



- a) Pour le type de moteur 3x400 V, 50 Hz : 19,6 A.
- b) Pour le type de moteur 3x480 V, 60 Hz : 16,6 A.

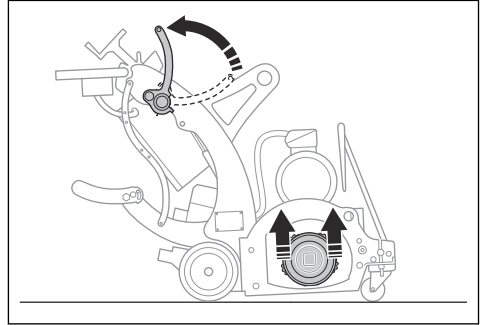
- Pour faciliter le déplacement en ligne droite, replier le guide de direction vers le bas.



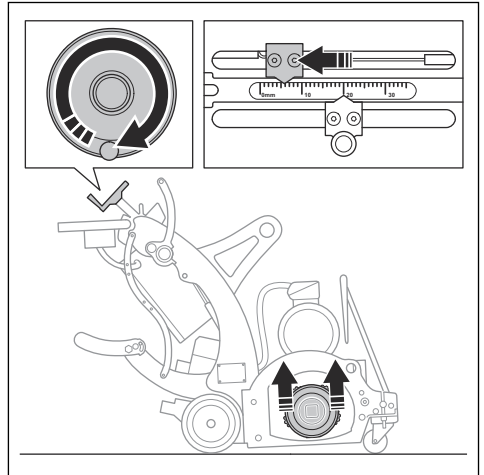
**Remarque :** Le guide de direction peut être réglé latéralement.

## Arrêt de la machine

1. Tirer le levier de levage vers le haut.



2. Tourner la molette de réglage de la profondeur jusqu'à ce que le tambour de l'outil ne touche plus le sol.



3. Appuyer sur la touche OFF du moteur d'entraînement et sur la touche OFF du moteur du tambour.
4. Attendre que toutes les pièces mobiles soient complètement arrêtées.
5. Arrêter l'extracteur de poussière.
6. Déconnecter la bougie.

## Entretien

### Introduction



**AVERTISSEMENT :** Avant de procéder à l'entretien, lire et bien comprendre le chapitre sur la sécurité.

Pour tous les travaux d'entretien et de réparation sur le produit, une formation spécifique est nécessaire. La disponibilité des réparations et des entretiens effectués de façon professionnelle est garantie. Si un revendeur n'est pas un agent d'entretien, communiquer avec lui pour connaître l'agent d'entretien le plus proche.

Pour obtenir de plus amples renseignements, se reporter à la section [www.husqvarna.com](http://www.husqvarna.com).

## Calendrier d'entretien

\* = Entretien général effectué par l'opérateur. Les instructions ne sont pas décrites dans ce manuel d'utilisation.

X = Les instructions sont décrites dans ce manuel d'utilisation.

O = Les instructions ne sont pas décrites dans ce manuel d'utilisation. Laisser un agent d'entretien agréé effectuer l'entretien.

Entretien général du produit	Quotidien	12 h après l'entretien	Tous les 3 mois	Annuel
Nettoyer la tondeuse.	X			
Vérifier tous les dispositifs de sécurité.	X			
S'assurer que les vis et les écrous sont bien serrés.	*	*		
Vérifier l'usure du tambour de l'outil, de l'axe du tambour, des outils et du carter.	*			
S'assurer que le cordon d'alimentation et le câble de rallonge sont en bon état et qu'ils ne sont pas endommagés.	*			
Vérifier le système de fonctionnement en marche arrière (RCD).	*			
Vérifier que les composants, les câbles et les connexions électriques ne sont ni usés ni endommagés.	*			
Vérifier la tension de la courroie d'entraînement.	X		X	
S'assurer que le tuyau de l'extracteur de poussière n'est pas endommagé ni obstrué.	*			
Vider l'extracteur de poussière.	*			
Lubrifier le roulement.			X	
Examiner les balais sous le carter du tambour pour détecter toute trace d'usure.			*	
Effectuer l'entretien et le nettoyage complet du produit.				O

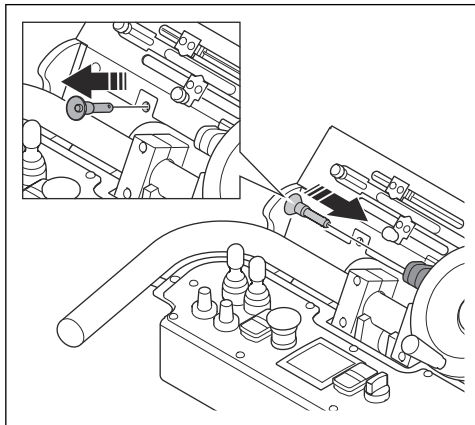
## Pour incliner le produit vers l'arrière



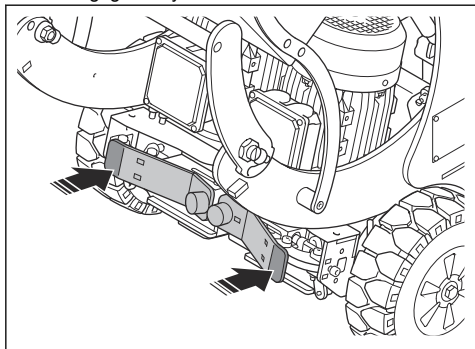
**AVERTISSEMENT** : Avant d'effectuer un travail sous le produit, bloquer le produit pour l'empêcher de bouger.

Pour effectuer certains travaux d'entretien, il est nécessaire d'incliner le produit vers l'arrière pour accéder au tambour de l'outil.

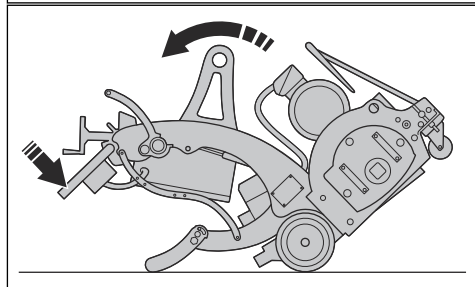
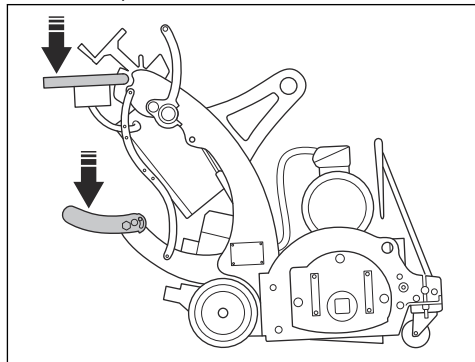
1. Relâcher le verrou de direction sur le panneau de commande.



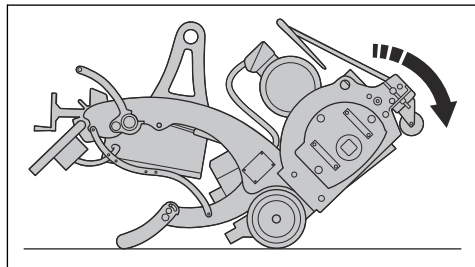
2. Désengager le système d'entraînement.



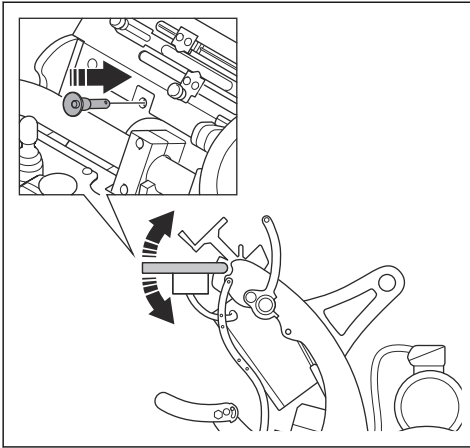
3. Appuyer sur les poignées et le repose-pied pour incliner le produit.



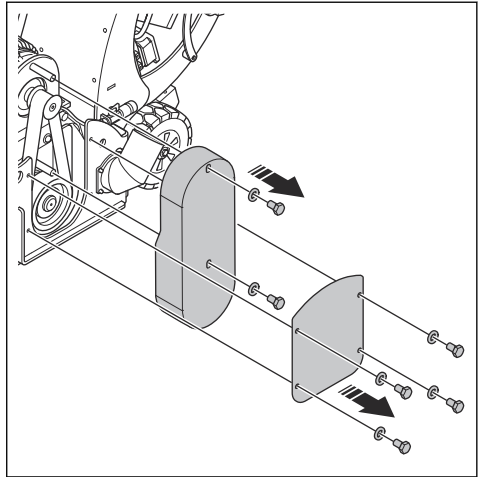
4. Abaisser le produit avec précaution. L'avant est très lourd.



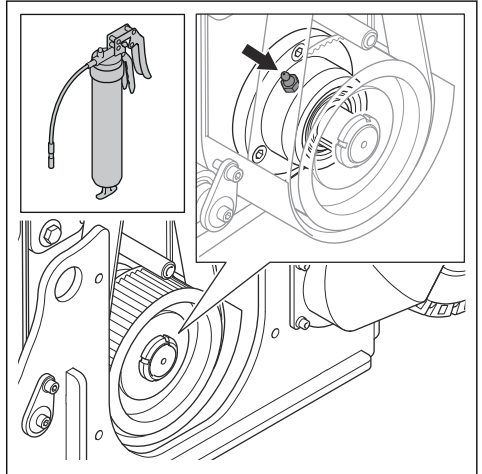
5. Réinstaller le verrou de direction.



1. Retirer le couvercle de la courroie d'entraînement.



2. Pousser 5 à 10 g de graisse dans le raccord de graissage à l'aide d'un pistolet à graisse.



## Nettoyage de la machine

- Toujours nettoyer l'ensemble de l'équipement après utilisation. Utiliser un aspirateur.
- Ne pas utiliser un nettoyeur haute pression pour nettoyer le produit.
- Maintenir les ouvertures d'air propres et dégagées pour s'assurer que le produit a toujours une température suffisamment froide.
- Nettoyer le tambour de l'outil après utilisation sur des surfaces humides.

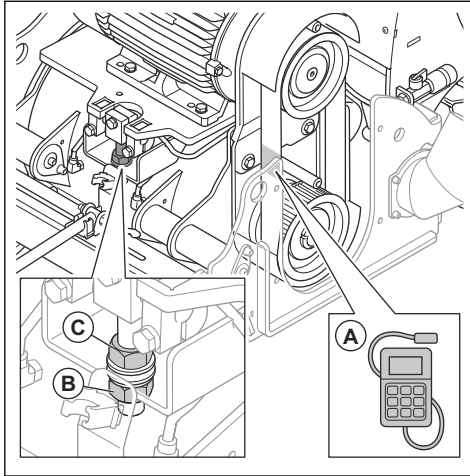
## Pour lubrifier le roulement



**MISE EN GARDE :** Utiliser le type de graisse approprié. Se reporter à la section *Données techniques BMP 335 à la page 64*. Un type de graisse inapproprié peut endommager le roulement.

## Pour vérifier la tension de la courroie d'entraînement.

- Mesurer la tension de la courroie d'entraînement au centre de la courroie d'entraînement (A). La tension correcte est de 105 Hz.



- S'il est nécessaire de régler la tension de la courroie d'entraînement, procéder comme suit :
  - Desserrer l'écrou (B).
  - Tourner l'écrou (C) dans le sens horaire pour serrer la courroie d'entraînement.
  - Tourner l'écrou (C) dans le sens antihoraire pour desserrer la courroie d'entraînement.
  - Serrer l'écrou (B).

## Dépannage

Problème	Causes	Solution
Vibrations ou bruits inhabituels excessifs.	Outils usés ou endommagés.	Remplacer les pièces usées ou endommagées.
	Le palier est endommagé.	Vérifier l'usure du roulement de l'arbre d'entraînement de l'axe et le remplacer au besoin.
	Tension de la courroie d'entraînement incorrecte.	Vérifier la tension de la courroie d'entraînement. Se reporter à la section <i>Pour vérifier la tension de la courroie d'entraînement</i> , à la page 61.
	Le moteur est endommagé.	Remplacer le moteur.
Diminution ou absence de scarification.	Le tambour de l'outil est réglé à une trop grande profondeur de fonctionnement.	Réduire la profondeur de fonctionnement.
	Outils usés ou endommagés.	Remplacer les pièces usées.
	Outils inappropriés pour la surface.	Remplacer les outils par des outils appropriés pour la surface.

Problème	Causes	Solution
Le moteur ne démarre pas.	Une phase de l'alimentation est manquante.	Vérifier l'alimentation électrique.
	Une phase de l'alimentation est incorrecte.	Régler la phase.
	Bouton d'arrêt d'urgence engagé.	Tourner le bouton d'arrêt d'urgence dans le sens des aiguilles d'une montre pour le désengager.
	Le système d'entraînement n'est pas alimenté.	Démarrer le système d'entraînement, puis démarrer le moteur du tambour.
	Un composant est endommagé.	Remplacer les composants endommagés.
	Le contrôle de présence de l'opérateur n'est pas installé.	Installer le contrôle de présence de l'opérateur.
	Le câble de rallonge est débranché ou endommagé.	Brancher le câble de rallonge ou, si nécessaire, le remplacer.
Le produit s'arrête après un certain temps.	Interrupteur de protection du moteur ouvert en raison d'une surcharge.	Réduire la profondeur de coupe.
	Le moteur est endommagé.	Vérifier le moteur.
Le système d'entraînement ne fonctionne pas correctement.	Les pédales du système d'entraînement ne sont pas engagées.	Enfoncer les pédales du système d'entraînement.

## Transport, entreposage et mise au rebut

### Transport



**AVERTISSEMENT** : Être prudent lors du transport. Le produit est lourd et peut causer des blessures ou des dommages s'il se renverse ou se déplace pendant le transport.



**MISE EN GARDE** : Tirer le levier de levage avant le transport. Les outils ne doivent pas être contre le sol pendant le transport.

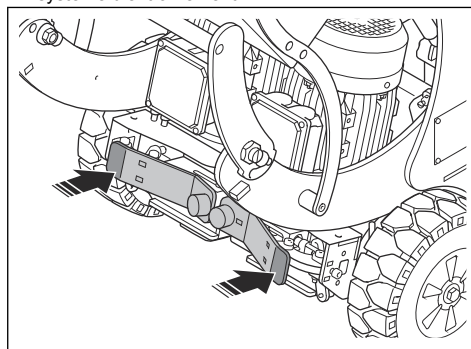


**MISE EN GARDE** : Ne pas remorquer le produit derrière un véhicule.

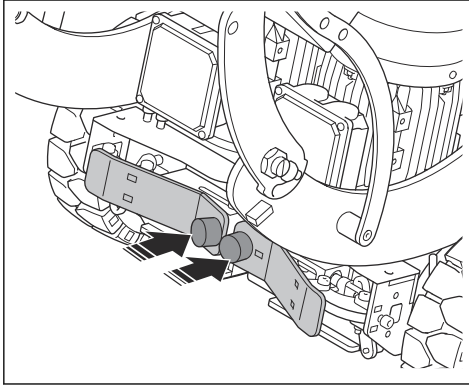
- Les roues permettent de déplacer le produit sur de courtes distances. Pour de plus longues distances, soulever le produit pour le déplacer ou le placer sur un véhicule.
- Placer une protection adéquate sur le produit pendant le transport. La protection garde le produit à l'abri des éléments tels que la pluie et la neige.

### Engagement et désengagement du système d'entraînement

1. Appuyer sur l'extrémité extérieure des pédales du système d'entraînement pour désengager le système d'entraînement.



- Appuyer sur l'extrémité intérieure des pédales du système d'entraînement pour engager le système d'entraînement.



### Pour déplacer le produit manuellement lorsque le moteur est arrêté



**AVERTISSEMENT** : Attendre que toutes les pièces mobiles soient à l'arrêt avant de déplacer le produit.



**AVERTISSEMENT** : Utiliser des bottes de protection à embout en acier et à semelles antidérapantes.



**AVERTISSEMENT** : Ne pas déplacer manuellement le produit sur des rampes vers le haut ou vers le bas avec le système d'entraînement désengagé. Déplacer le produit manuellement uniquement sur un sol de niveau.

- Désengager le système d'entraînement. Se reporter à la section *Engagement et désengagement du système d'entraînement à la page 62*.
- Pousser le produit par les poignées.
- Engager le système d'entraînement. Se reporter à la section *Engagement et désengagement du système d'entraînement à la page 62*. Lorsque le moteur est arrêté, il est doté de la fonction de frein de stationnement et empêche tout mouvement accidentel du produit.

### Pour déplacer le produit vers le haut ou vers le bas dans une pente



**AVERTISSEMENT** : Être très prudent lors du déplacement du produit dans une pente. Le produit est lourd et il

ya un risque de blessure si le produit se renverse ou se déplace trop rapidement.



**AVERTISSEMENT** : Sur les pentes abruptes, utiliser toujours un treuil. Ne pas marcher ou rester en dessous ou à proximité d'un produit soulevé.

- Pour descendre une pente avec le produit, faire fonctionner le produit lentement en marche avant.
- Pour monter une pente avec le produit, faire fonctionner le produit lentement en marche arrière.
- Ne pas tourner le produit vers la gauche ou vers la droite de plus de 45 ° sur une rampe.

### Levage du produit



**AVERTISSEMENT** : S'assurer que l'équipement de levage possède les spécifications correctes pour soulever le produit en toute sécurité. Le poids du produit figure sur sa plaque signalétique.



**AVERTISSEMENT** : Fixer le produit soulevé de façon sécuritaire pour éviter tout mouvement indésirable.

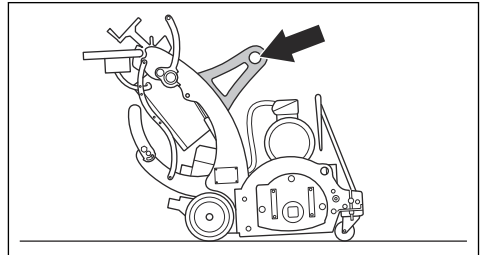


**AVERTISSEMENT** : Ne pas marcher ou rester en dessous ou à proximité d'un produit soulevé. Garder les passants à l'écart de la zone de travail.



**AVERTISSEMENT** : Ne pas soulever un produit endommagé. S'assurer que l'anneau de levage est correctement posé et en bon état.

- Fixer l'équipement de levage à l'anneau de levage.



- Soulever le produit avec prudence.

## Pour fixer le produit sur un véhicule de transport

1. S'assurer que les roues d'entraînement sont engagées. Se reporter à la section *Engagement et désengagement du système d'entraînement à la page 62*.
2. Fixer les sangles d'arrimage dans l'anneau de levage et les trous des sangles d'arrimage. Se reporter à la section *Présentation de l'appareil à la page 45* pour obtenir des renseignements sur l'emplacement des trous des sangles d'arrimage sur votre produit.
3. Fixer et serrer les sangles d'arrimage sur le véhicule de transport.

- Conserver le produit dans un endroit sec à l'abri du gel.
- Nettoyer le produit et effectuer un entretien complet avant de l'entreposer.
- Garder le produit dans un endroit verrouillé hors de portée des enfants et des personnes non autorisées.

## Mise au rebut du produit

- Respecter les exigences locales en matière de recyclage et la réglementation en vigueur.
- Lorsqu'on n'utilise plus le produit, l'envoyer à un détaillant Husqvarna ou le mettre au rebut à un emplacement de recyclage.

## Entreposage



**MISE EN GARDE :** Ne pas entreposer le produit à l'extérieur. Toujours garder le produit à l'intérieur.

## Données techniques BMP 335

	3X400 V, 50 Hz	3X480 V, 60 Hz
Puissance du moteur, kW/ch	11+1,1 / 14,75+1,48	
Connexion électrique, V	3x400	3x480
Fréquence, Hz	50	60
Connecteur d'alimentation, pôle/A	5/32	
Consommation d'intensité, A	19,6 + +3,4	
Largeur de fonctionnement, mm/po	335/13,2	
Vitesse de rotation du tambour de scarification, min <sup>-1</sup>	1000	
Type de graisse de roulement	E08729	
Poids sans tambour, kg/lb	442/974,4	
Niveau d'émission sonore <sup>9</sup>	100	
Niveau de puissance acoustique <sup>10</sup>	114	
Niveau de vibrations (poignée), m/s <sup>2</sup> , pi/s <sup>2</sup> , <sup>11</sup>	3,1/0,95	
Température ambiante, °C/°F	De -5 à -40/de 23 à 104	
Diamètre du raccord du tuyau d'extracteur de poussière, mm/po	100/3,94	

**Remarque :** Si votre produit nécessite une spécification électrique qui ne figure pas dans le tableau, communiquez avec un atelier

spécialisé Husqvarna pour obtenir de plus amples renseignements.

<sup>9</sup> Incertitude 3 dB(A).

<sup>10</sup> Incertitude 3 dB(A).

<sup>11</sup> Incertitude 1,5 m/s<sup>2</sup>



## Rallonges

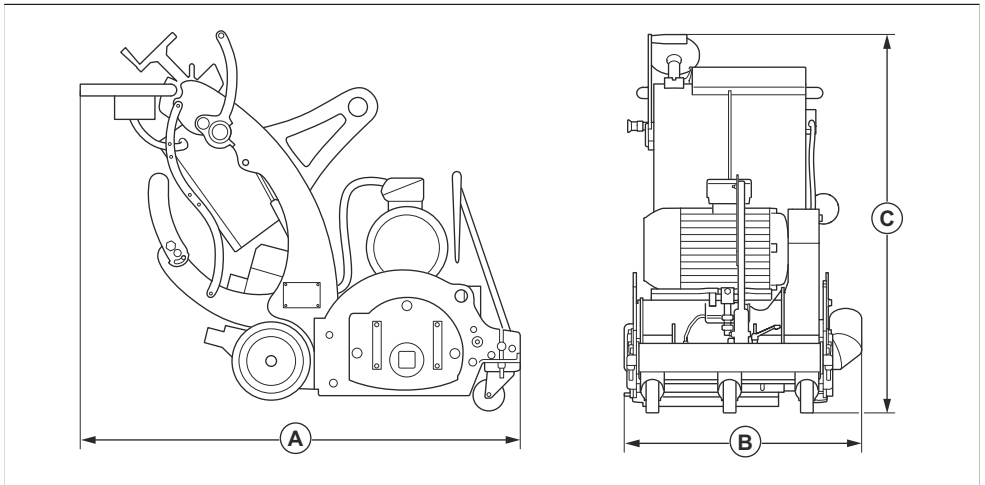
Longueur du câble	Coupe transversale			
	≤ 16 A	≤ 32 A	≤ 63 A	≤ 125 A
Calculé à un préfusible gG <sup>12</sup> :	16 A	32 A	63 A	125 A
> 20 m	1,5 mm <sup>2</sup>	2,5 mm <sup>2</sup>	10 mm <sup>2</sup>	25 mm <sup>2</sup>
20 m > 50 m	2,5 mm <sup>2</sup>	4 mm <sup>2</sup>	10 mm <sup>2</sup>	25 mm <sup>2</sup>
50m > 75m	4 mm <sup>2</sup>	6 mm <sup>2</sup>	16 mm <sup>2</sup>	35 mm <sup>2</sup>

### Déclaration relative au bruit et aux vibrations

Ces valeurs déclarées ont été obtenues par essai en laboratoire conformément à la directive ou aux normes indiquées et peuvent être comparées aux valeurs déclarées d'autres produits testés conformément à la même directive ou aux mêmes normes. Ces valeurs déclarées ne conviennent pas aux évaluations des

risques et les valeurs mesurées sur des lieux de travail individuels peuvent être plus élevées. Les valeurs d'exposition réelles et le risque d'atteinte encouru par un utilisateur individuel sont uniques et dépendent de la façon dont l'utilisateur travaille, du matériau dans lequel le produit est utilisé, du temps d'exposition et de la condition physique de l'utilisateur, ainsi que de l'état du produit.

### Dimensions de l'outil



<b>A</b>	Longueur, mm/po	1410/55,5
<b>B</b>	Largeur, mm/po	750/29,5
<b>C</b>	Hauteur, mm/po	1158/45,6

<sup>12</sup> Les sections transversales doivent être recalculées lorsque d'autres types ou dimensions de préfusible sont utilisés.







[www.husqvarnaconstruction.com](http://www.husqvarnaconstruction.com)

Original instructions  
Instrucciones originales  
Instructions d'origine

1143047-49 Rev. 2



2023-02-15