

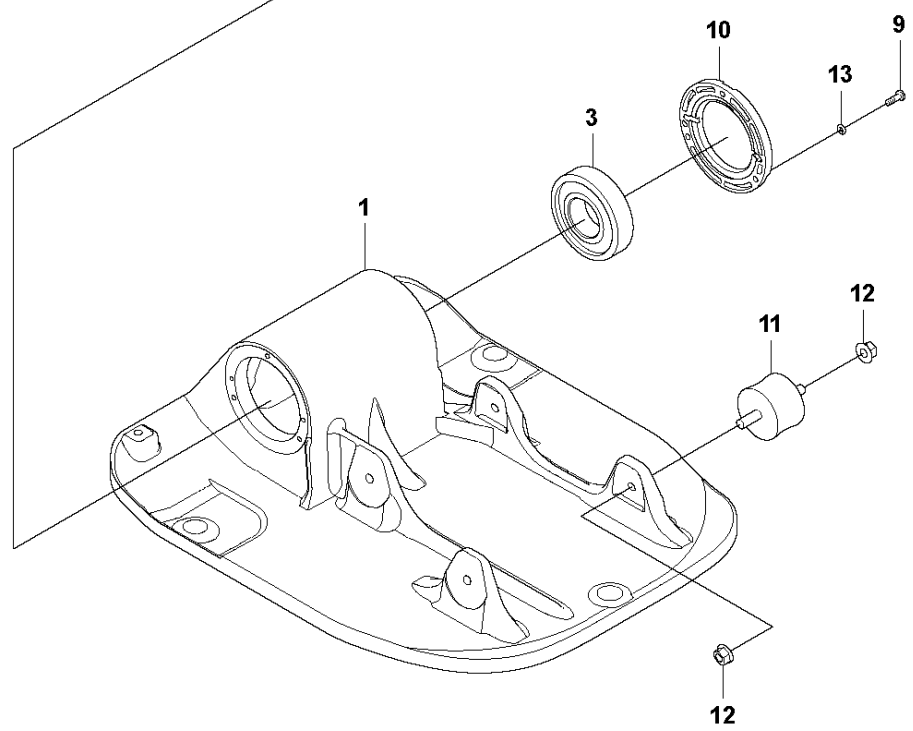
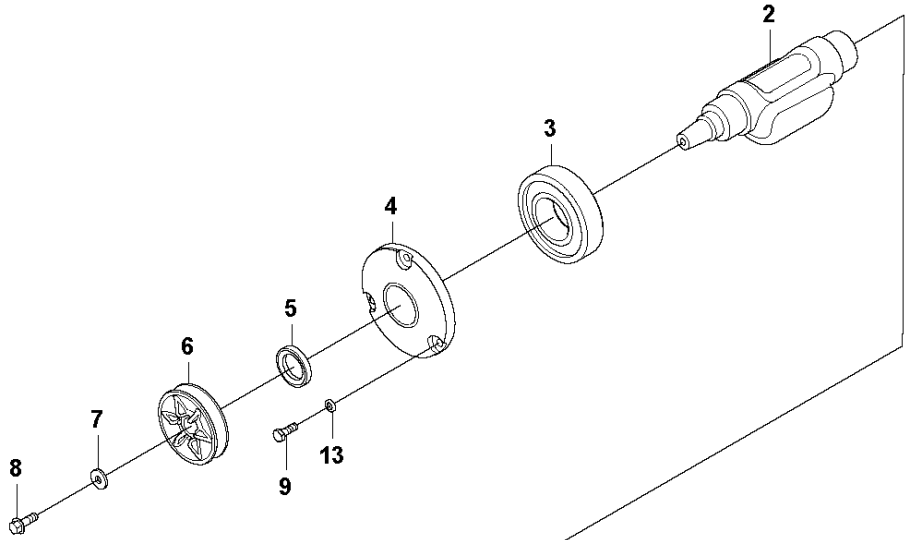


# SPARE PARTS LIST

LIGHT COMPACTION

LF 130 LT, 967896601, 967896901,  
2019-08

**A** LF 130 LT  
GROUND PLATE INSTALLATION

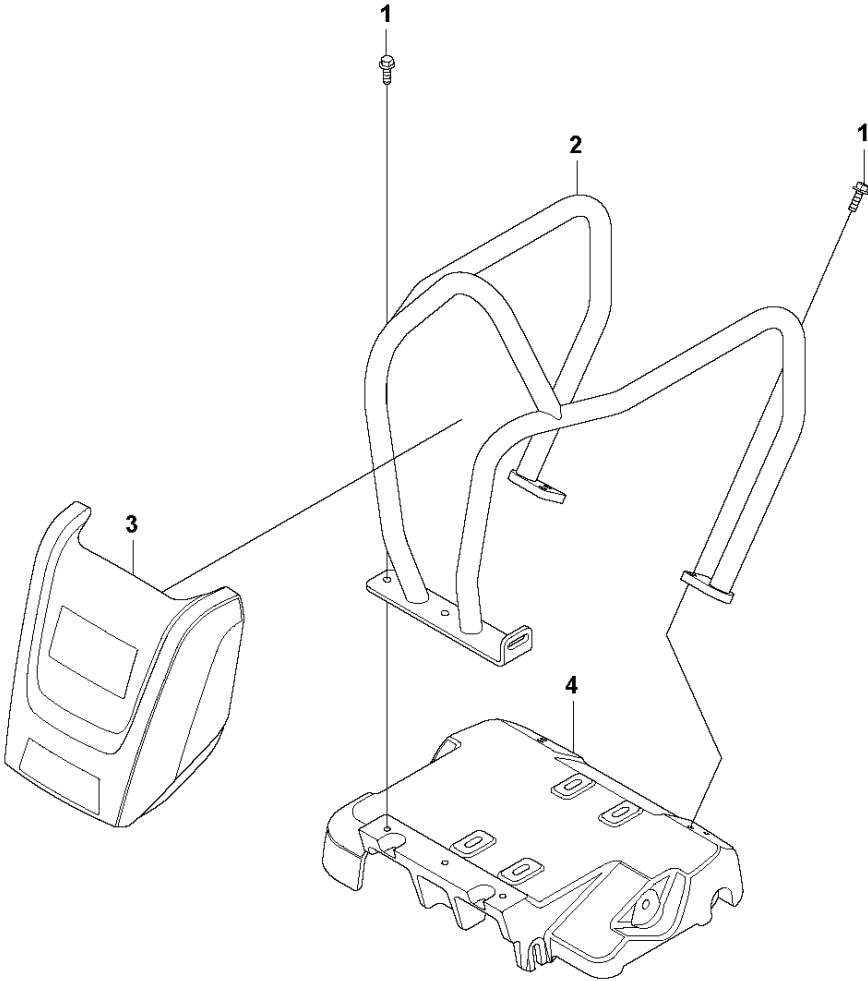


## GROUND PLATE INSTALLATION

LF 130 LT, 967896601, 967896901, 2019-08

Ref	Part No	Description	Remark	QTY KIT
1	594 14 61-01	GROUND PLATE		1
2	594 64 41-01	SHAFT		1
3	594 52 61-01	BALL BEARING		2
4	594 49 01-01	COVER		1
5	594 12 83-01	SEAL	Lip-type oil seal	1
6	594 48 67-01	PULLEY		1
7	594 12 34-01	WASHER	8.4 x 16 x 1.5 mm, 0.33 x 0.63 x 0.06 in. 300 HV	1
8	594 12 00-01	SCREW	M8 x 25 mm 8.8 A2K	1
9	595 03 32-01	SCREW	M6x16 8.8, A2K	6
10	594 49 02-01	COVER		1
11	594 34 19-01	ABSORBER		4
12	594 12 26-01	HEXAGON NUT	M10 x 1.5 mm GEOMET®	8
13	594 12 46-01	WASHER	nordlock NL6 M6 DIA 13.5	6

**B** LF 130 LT  
ENGINE PLATE - HONDA

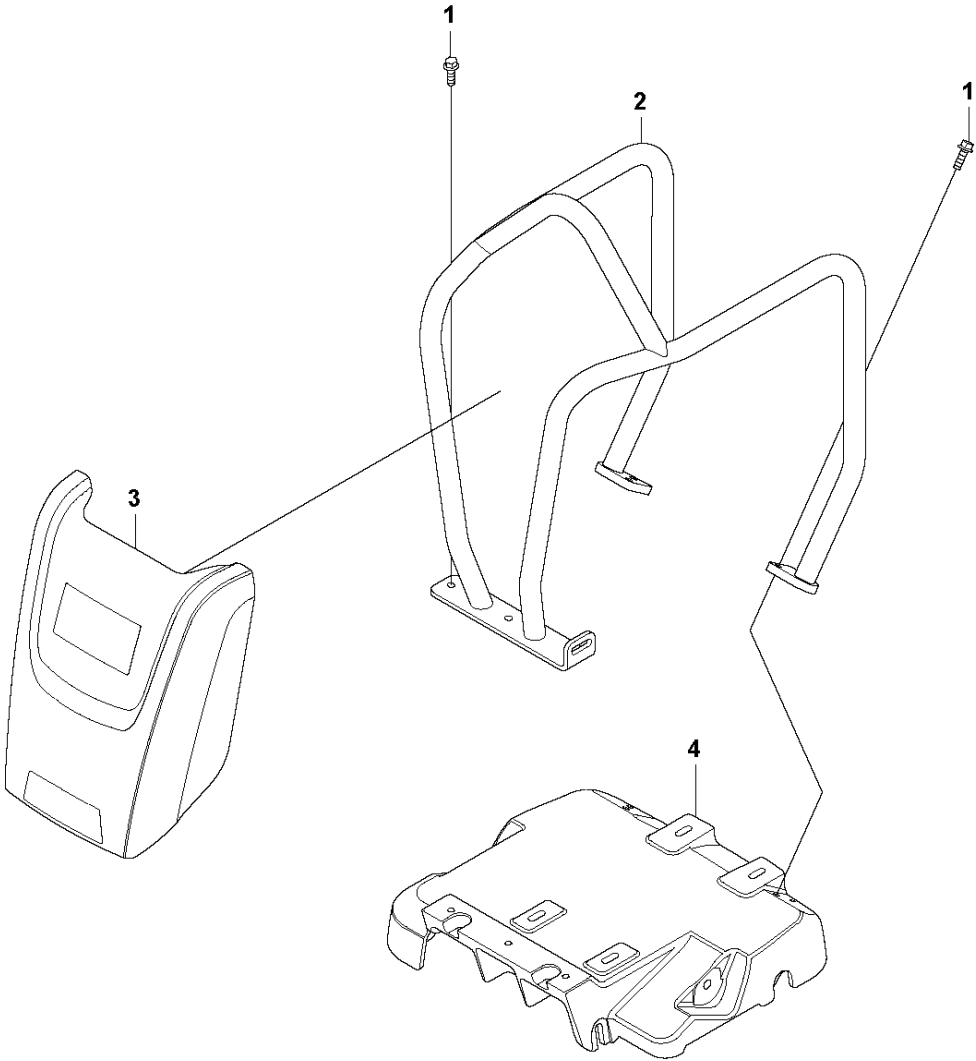


ENGINE PLATE - HONDA

LF 130 LT, 967896601, 967896901, 2019-08

Ref	Part No	Description	Remark	QTY KIT
1	595 18 57-01	SCREW	M8 x 25 mm 8.8 A2K	7
2	594 14 46-01	FRAME		1
3	594 95 80-01	COVER		1
4	595 11 98-01	ENGINE PLATE		1

**C** LF 130 LT  
ENGINE PLATE - HATZ

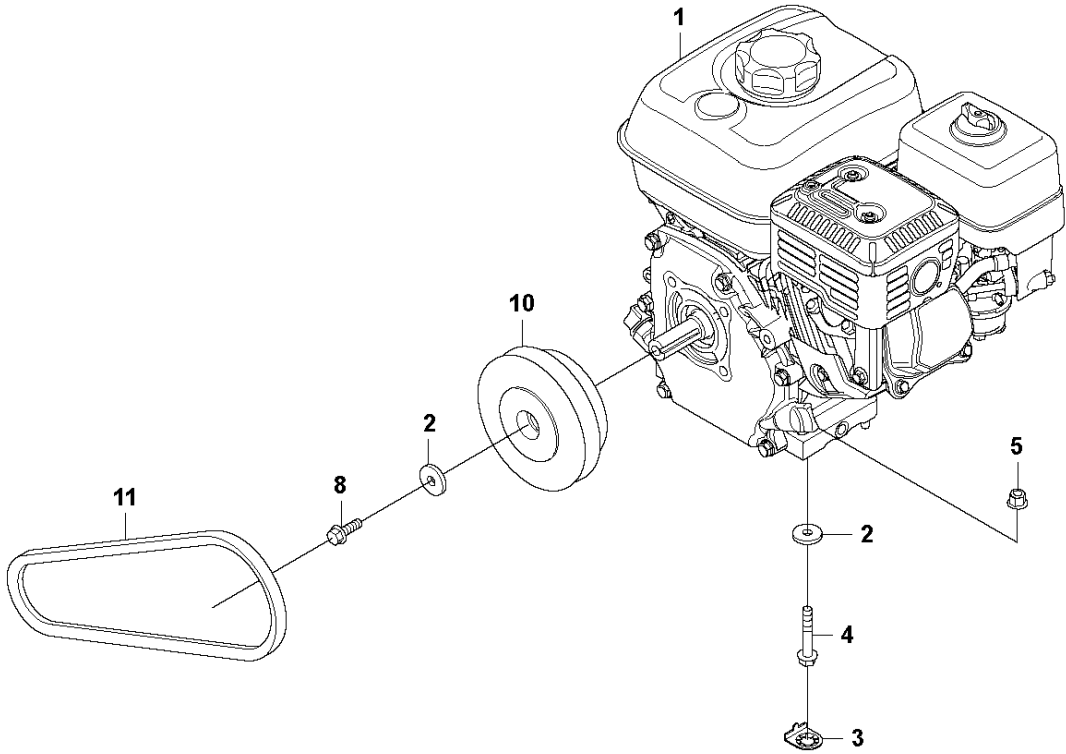


## ENGINE PLATE - HATZ

LF 130 LT, 967896601, 967896901, 2019-08

Ref	Part No	Description	Remark	QTY KIT
1	594 12 00-01	SCREW	Screw, M8 x 25 mm 8.8 A2K	4
2	594 14 47-01	FRAME		1
3	594 95 95-01	HOOD		1
4	595 11 99-01	ENGINE PLATE		1

**D** LF 130 LT  
ENGINE INSTALLATION - HONDA



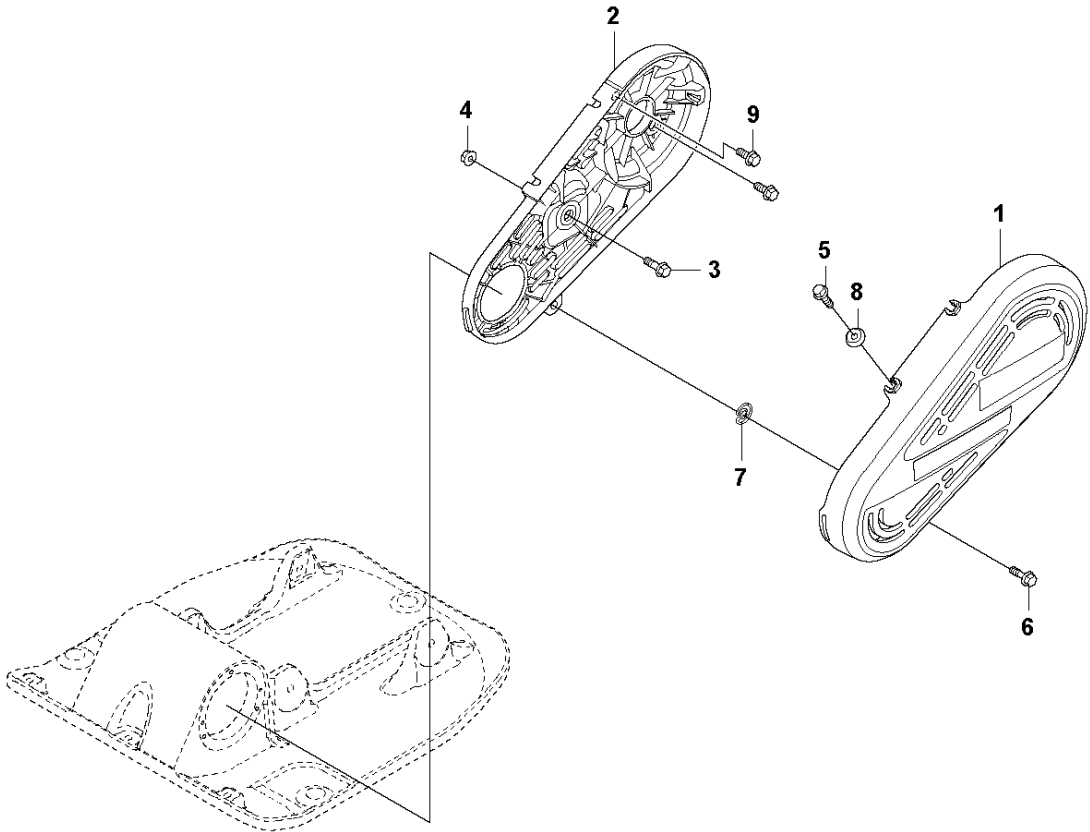


## ENGINE INSTALLATION - HONDA

LF 130 LT, 967896601, 967896901, 2019-08

Ref	Part No	Description	Remark	QTY KIT
1	594 16 11-01	ENGINE		1
2	595 11 29-01	WASHER	M08 8,4x26x4,0 300 HV	5
3	594 48 42-01	WASHER		4
4	594 49 91-01	SCREW	flange screw M8x50	4
5	594 12 30-01	LOCK NUT		4
8	594 12 00-01	SCREW	flange screw M8x25	1
10	594 48 01-01	CENTRIFUGAL CLUTCH		1
11	594 48 88-01	V-BELT		1

**E** LF 130 LT  
BELT GUARD - HONDA

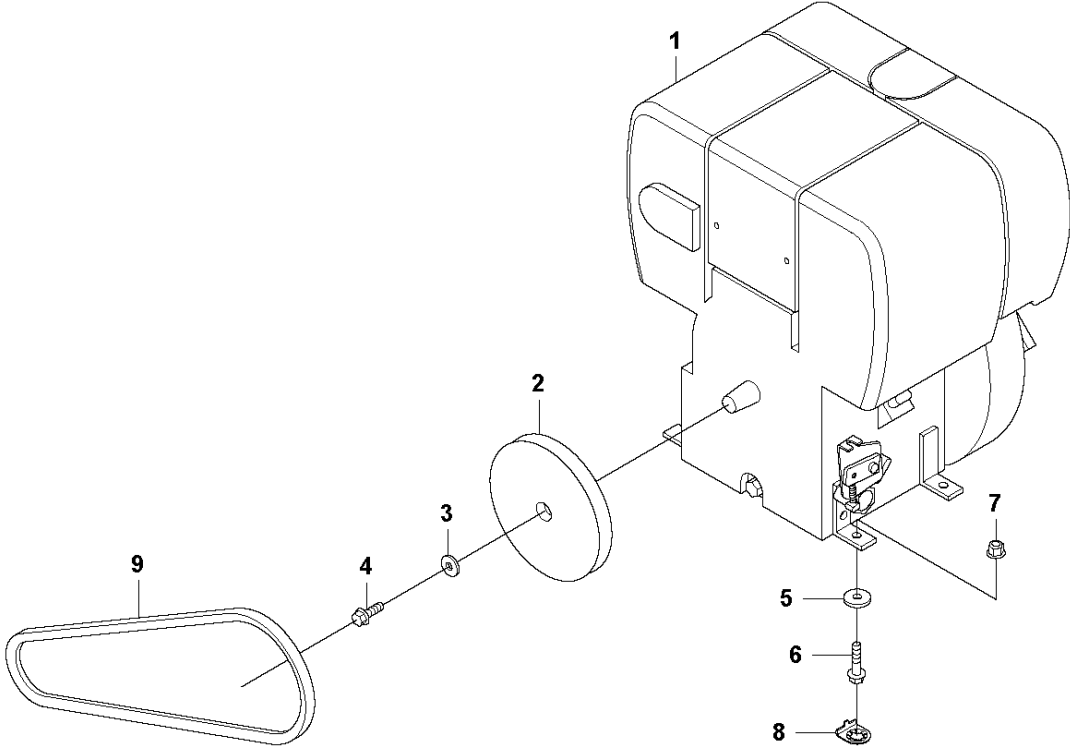


## BELT GUARD - HONDA

LF 130 LT, 967896601, 967896901, 2019-08

Ref	Part No	Description	Remark	QTY KIT
1	594 96 07-01	BELT GUARD	Outer	1
2	594 48 31-01	BELT GUARD	Inner	1
3	594 12 00-01	SCREW	M8 x 25 mm 8.8 A2K	1
4	594 12 30-01	LOCK NUT	M8 x 1.25 mm A2K	1
5	594 11 98-01	SCREW	FLANGE SCREW	3
6	594 64 80-01	SCREW	M8 x 25 mm 8.8 A2K	1
7	594 65 02-01	LOCKING SPRING		1
8	594 64 78-01	WASHER		3
9	595 28 73-01	SCREW	M8 x 20 mm 8.8 A2K	2

**F** LF 130 LT  
ENGINE INSTALLATION - HATZ

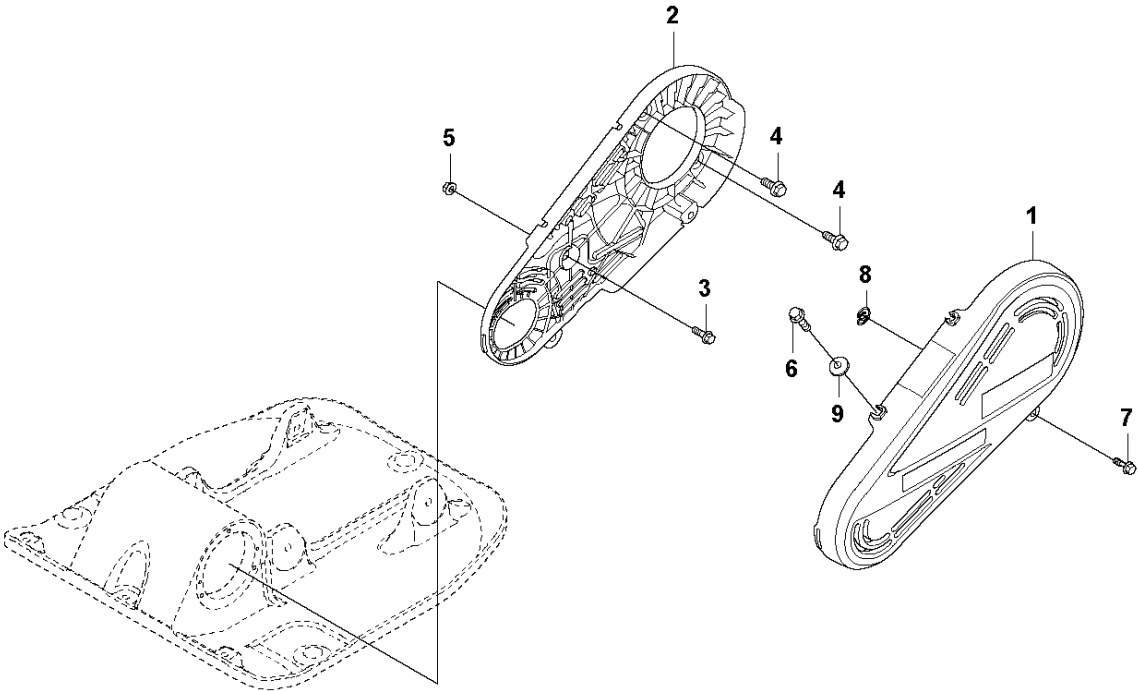


## ENGINE INSTALLATION - HATZ

LF 130 LT, 967896601, 967896901, 2019-08

Ref	Part No	Description	Remark	QTY KIT
1	596 24 12-15	ENGINE	Hatz 1B20 manual start	1
2	594 48 00-01	CLUTCH	Centrifugal	1
3	594 12 34-01	WASHER	Washer, 8.4 x 22 x 3 mm 300 HV	1
4	594 11 98-01	SCREW	Screw, M8 x 30 mm	1
5	595 11 29-01	WASHER	Washer, 8.4 x 22 x 3 mm	4
6	594 12 01-01	SCREW	Screw, M8 x 40 mm	4
7	594 12 30-01	LOCK NUT	Lock nut, M8 x 1.25 mm	4
8	594 48 42-01	WASHER		4
9	594 48 89-01	BELT		1

**G** LF 130  
BELT GUARD - HATZ

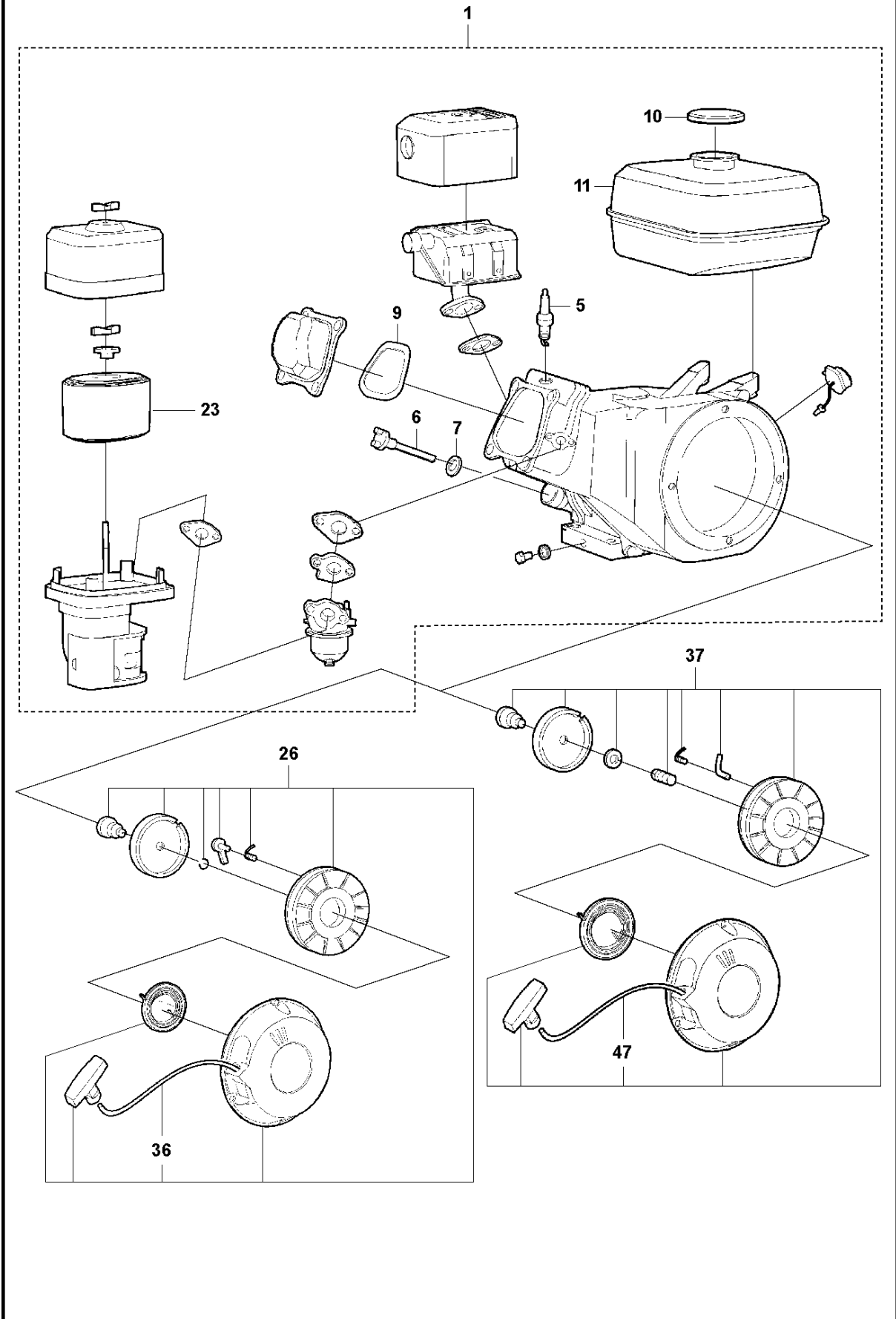


## BELT GUARD - HATZ

LF 130 LT, 967896601, 967896901, 2019-08

Ref	Part No	Description	Remark	QTY KIT
1	594 96 08-01	BELT GUARD	Outer	1
2	594 48 39-01	BELT GUARD	Inner	1
3	594 12 00-01	SCREW	Screw, M8 x 25 mm	1
4	595 99 01-01	SCREW	Screw, M10 x 25 mm	2
5	594 12 30-01	LOCK NUT	Nut, M8 x 1.25 mm	1
6	594 11 98-01	SCREW	Screw, M8 x 30 mm	2
7	594 64 80-01	SCREW	M8 x 25 mm 8.8 A2K	2
8	594 65 02-01	LOCKING SPRING		2
9	594 64 78-01	WASHER		2

**H** LF 130 LT  
ENGINE - HONDA GX 160 UT2 SXS4 OH



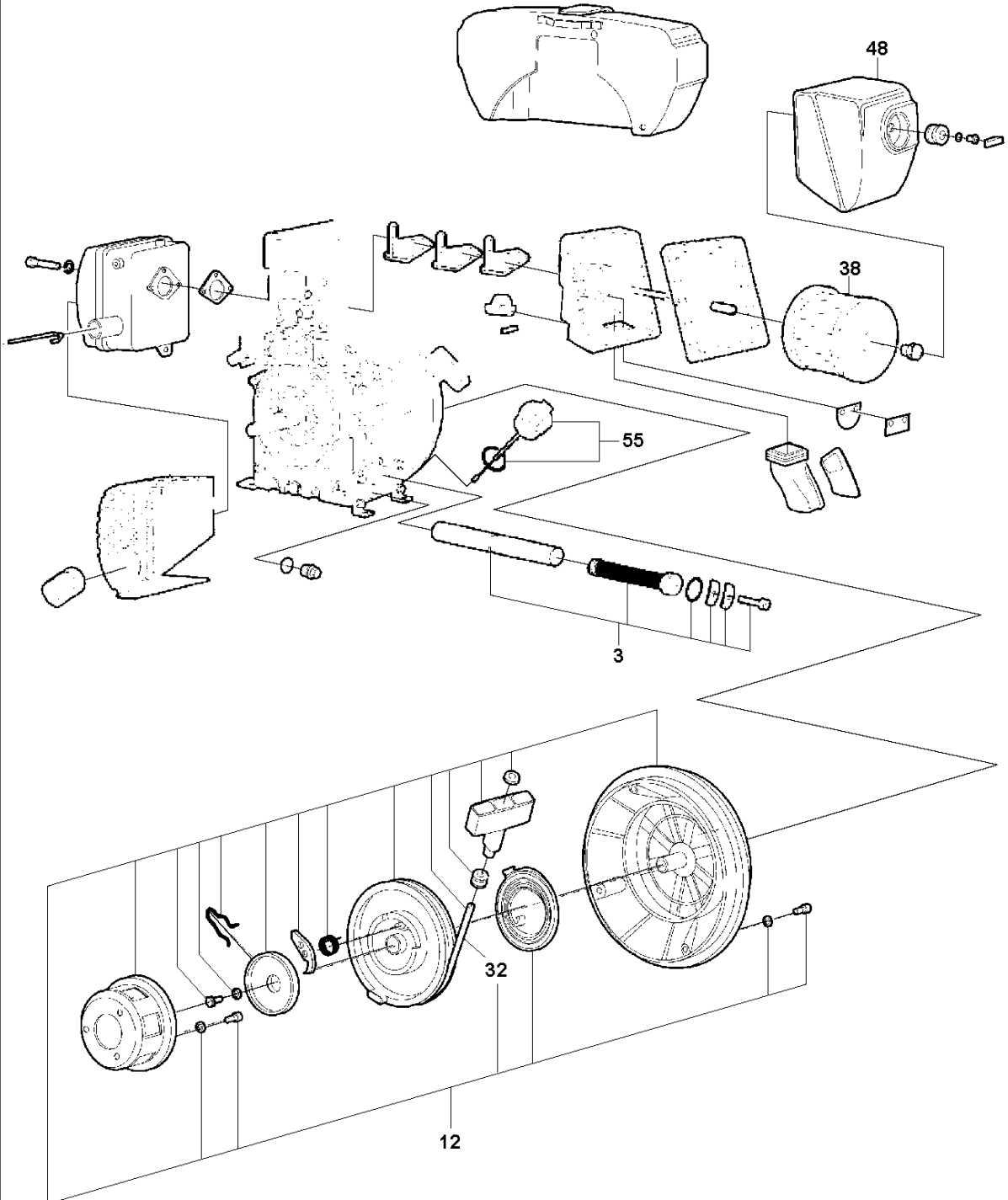


## ENGINE - HONDA

LF 130 LT, 967896601, 967896901, 2019-08

Ref	Part No	Description	Remark	QTY KIT	
1	594 16 11-01	ENGINE	Honda GX160UT2 SXS4 SD	1	
5	594 20 40-01	SPARK PLUG	(bpr6es) (ngk)	1	1
6	594 20 38-01	OIL		1	1
7	594 20 39-01	GASKET		1	1
9	595 04 88-01	GASKET		1	1
10	594 20 46-01	FUEL CAP		1	1
11	594 20 45-01	FUEL TANK		1	1
23	594 30 21-01	AIR FILTER	Delivered with outer and inner filter.	1	1
26	594 30 06-01	STARTER	Complete, Red, Valid up to engine serial number 1411005.	1	1
36	595 04 91-01	ROPE		1	1, 26
37	594 20 48-01	STARTER	recoil *nh1*, Complete, Black, Valid from engine serial number 1411006.	1	1
47	595 04 91-01	ROPE		1	1, 37

**J** LF 130 LT  
ENGINE - HATZ 1B20 - MANUAL START

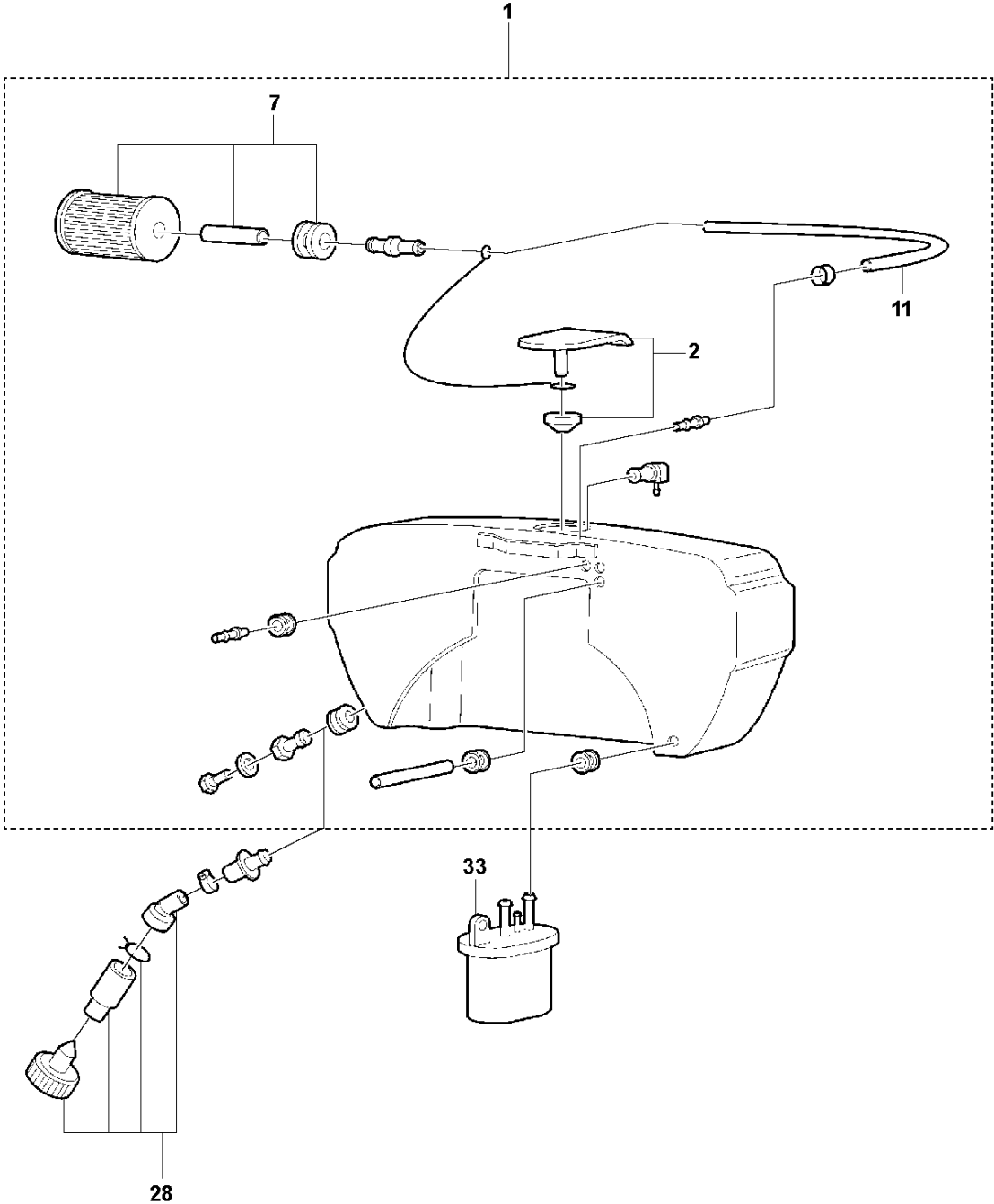


## ENGINE - HATZ

LF 130 LT, 967896601, 967896901, 2019-08

Ref	Part No	Description	Remark	QTY	KIT
1	596 24 12-15	ENGINE		1	
3	594 57 01-01	STRAINER	Complete	1	
12	594 56 84-01	STARTER		1	
32	594 56 90-01	ROPE		1	12
38	594 57 11-01	FILTER		1	34
48	594 57 13-01	PROTECTIVE COVER		1	
55	594 57 80-01	OIL		1	

**K** LF 130 LT  
FUEL TANK - HATZ 1B20

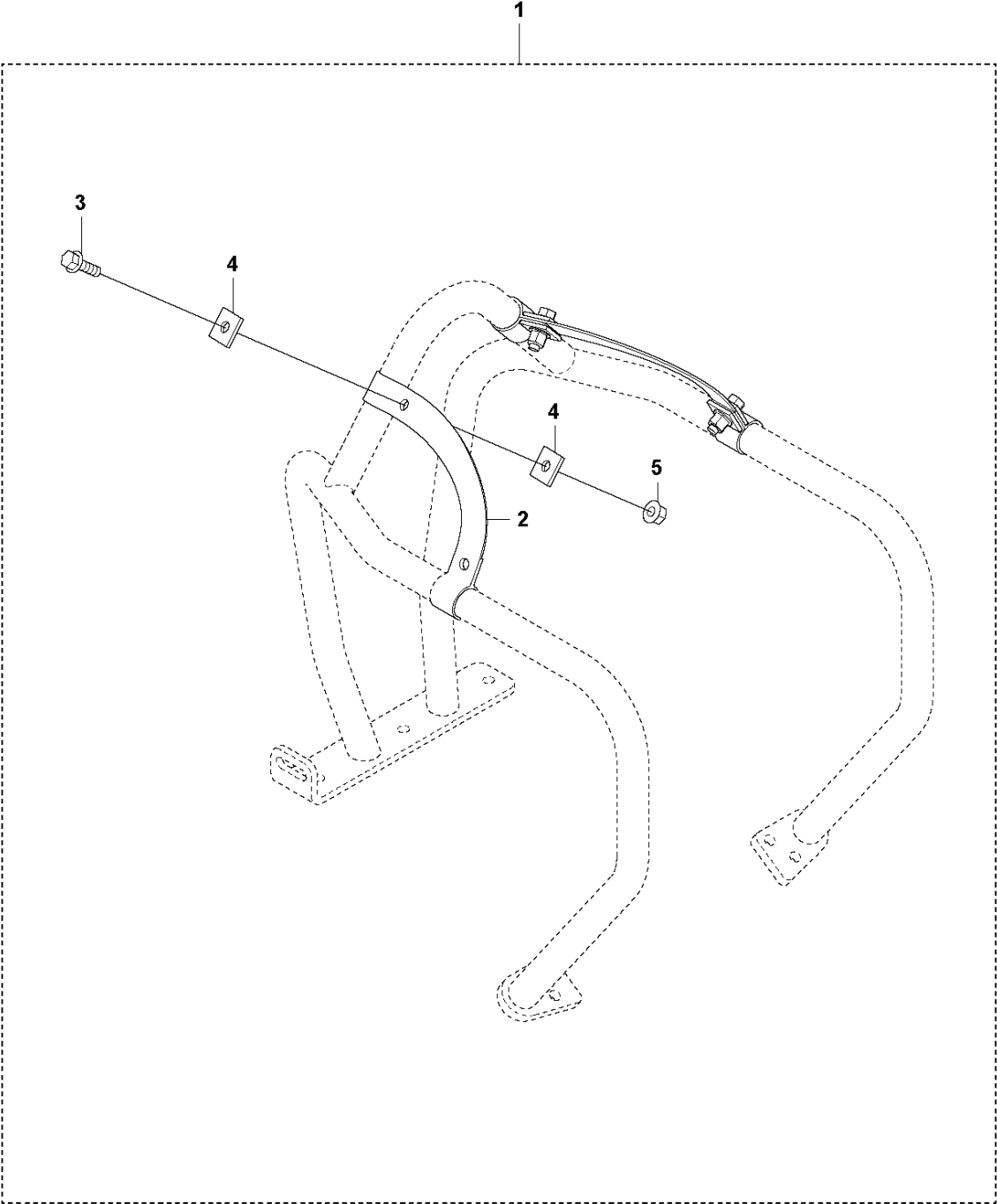


## FUEL TANK

LF 130 LT, 967896601, 967896901, 2019-08

Ref	Part No	Description	Remark	QTY	KIT
1	594 20 30-01	FUEL TANK		1	
2	594 56 61-01	FUEL CAP		1	1
7	594 59 51-01	FUEL FILTER		1	1
11	594 20 34-01	FUEL HOSE		1	1
28	594 58 32-01	WATER SEPARATOR		1	
33	594 60 19-01	FUEL FILTER		1	

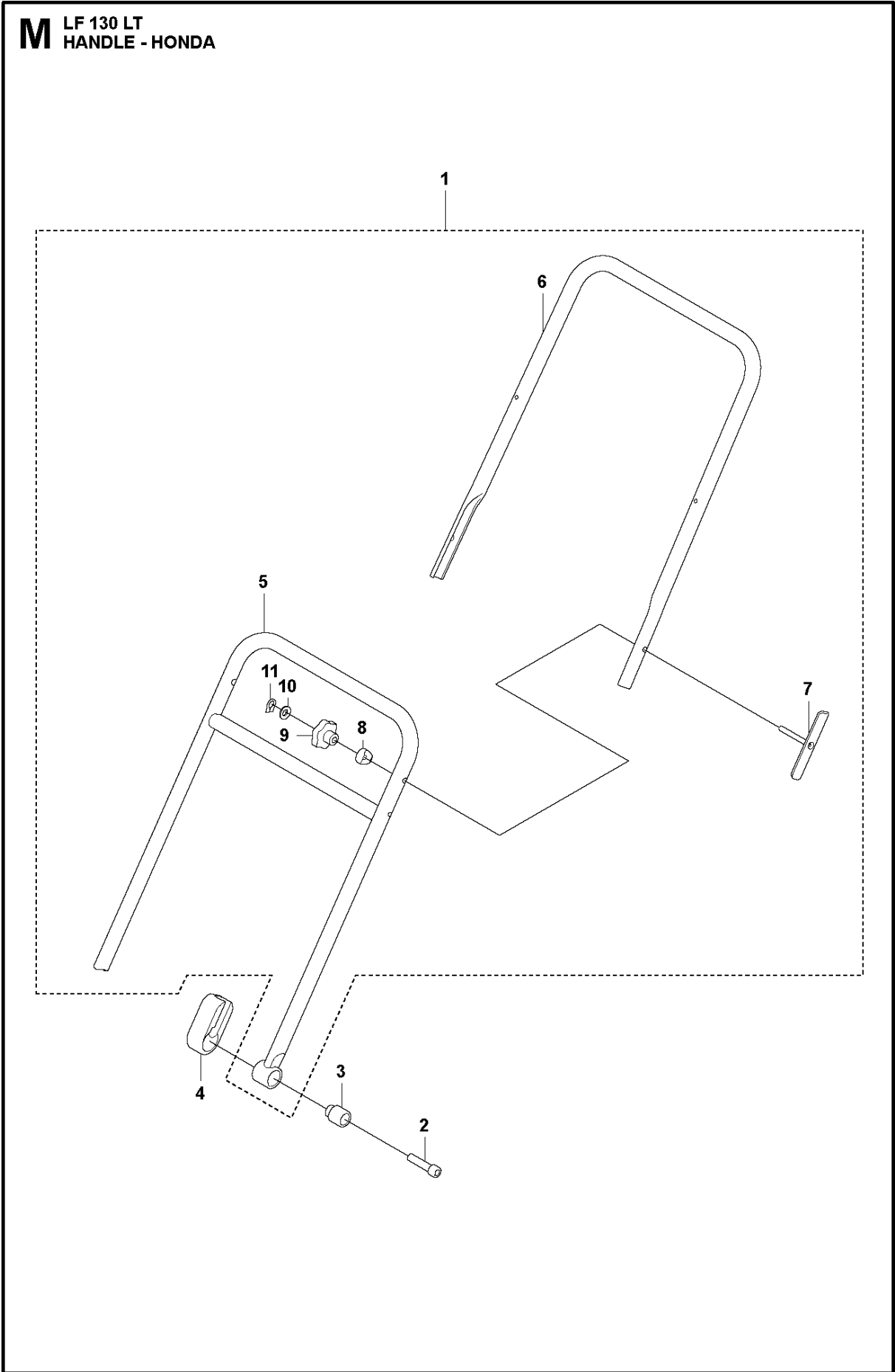
**L** LF 130 LT  
FORK LIFTING DEVICE



FORK LIFTING DEVICE

LF 130 LT, 967896601, 967896901, 2019-08

Ref	Part No	Description	Remark	QTY KIT	
1	595 50 31-01	FORK		1	
2	594 48 99-01	FORK		2	1
3	594 11 98-01	SCREW	m8x30	4	1
4	595 18 27-01	WASHER	square washer 9x25x3	8	1
5	594 12 30-01	LOCK NUT	M08x1,25, -8, A2K	4	1

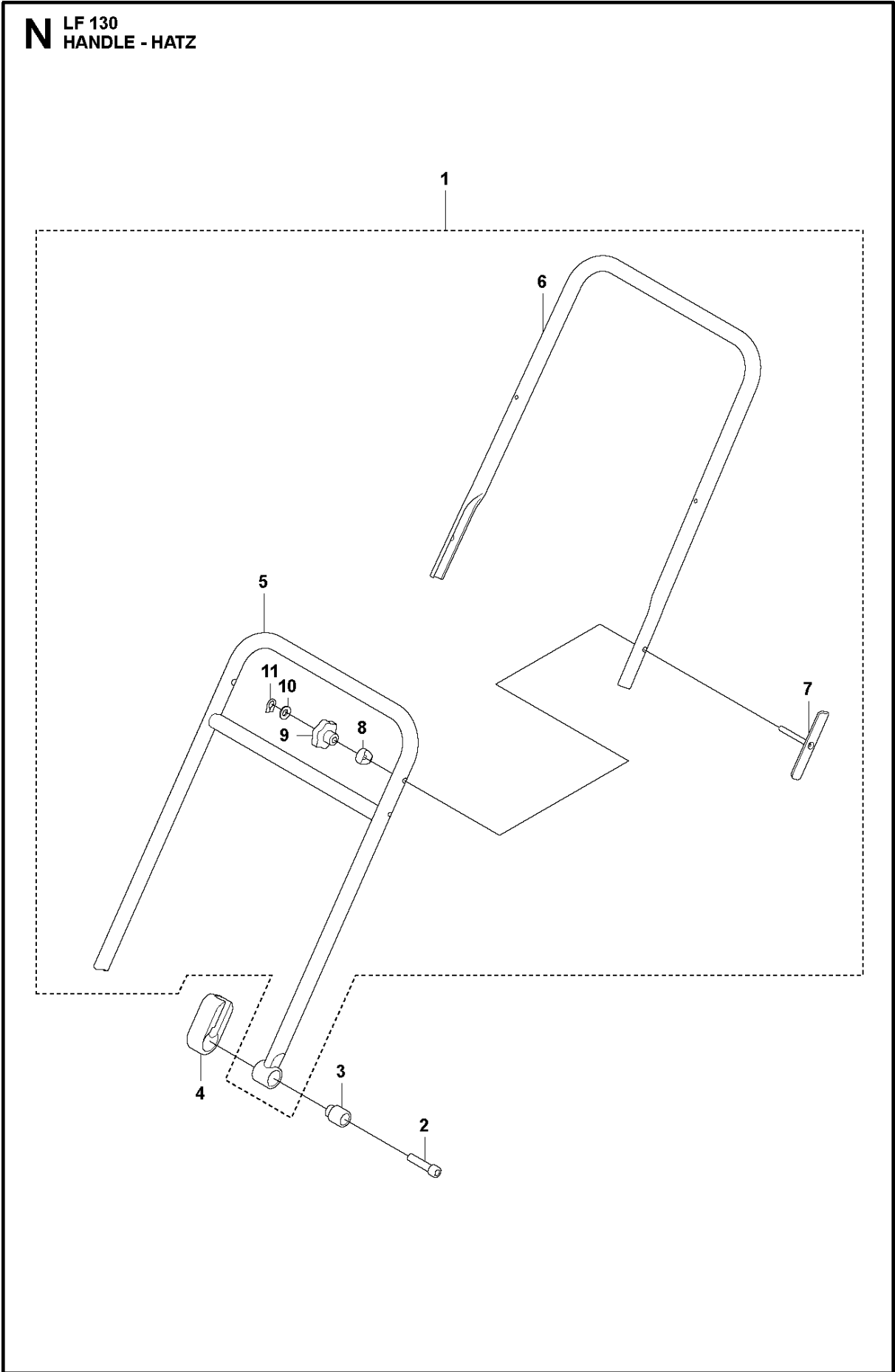




## HANDLE - HONDA

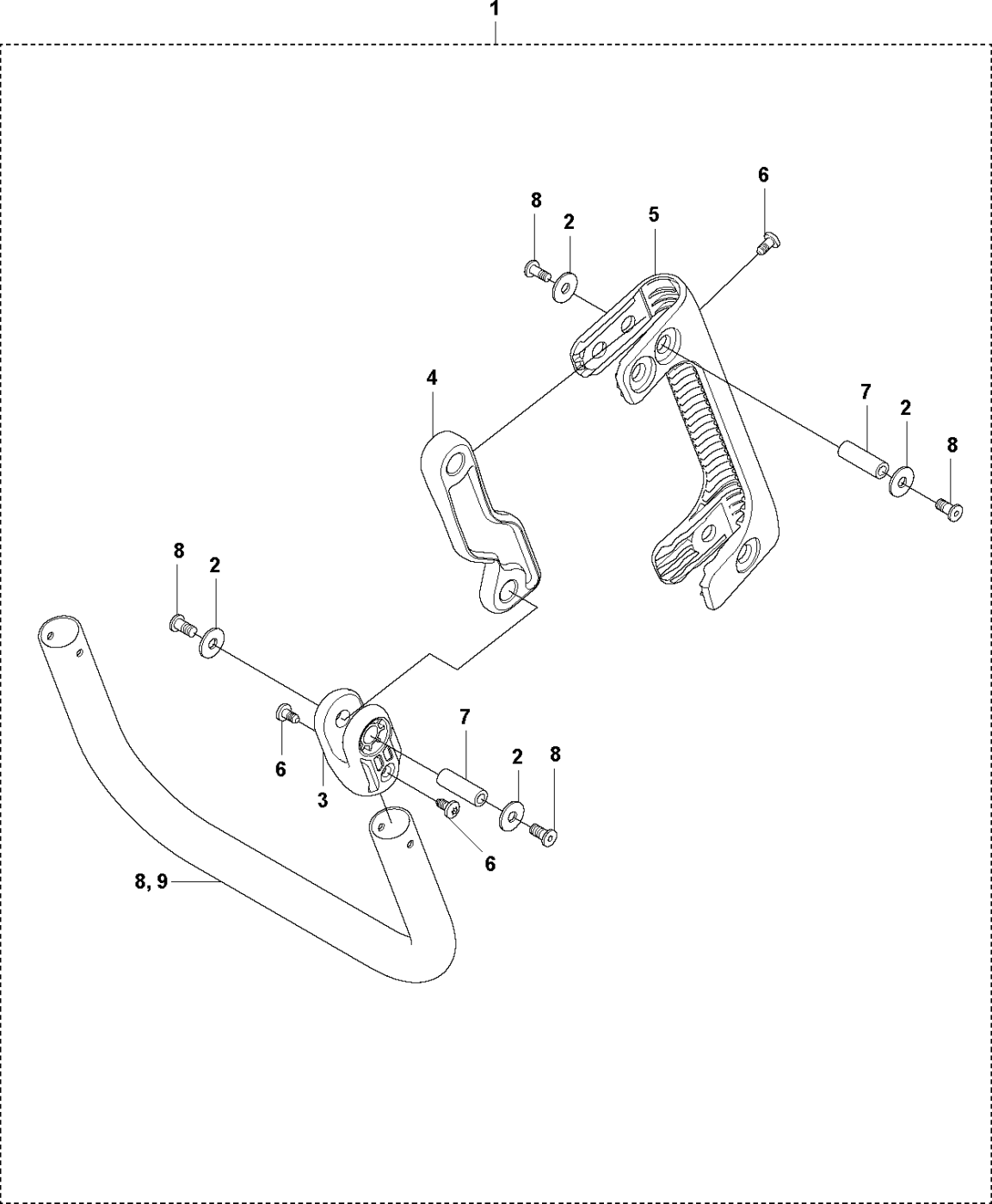
LF 130 LT, 967896601, 967896901, 2019-08

Ref	Part No	Description	Remark	QTY KIT	
1	594 76 11-01	HANDLE	Handle Grab, module	1	
2	595 07 16-01	SOCKET	M12 x 50 mm 8.8 A3K	2	
3	594 65 47-01	SLEEVE		2	
4	594 48 04-01	RADIATOR		2	
5	594 65 40-01	HANDLE	lower part handle	1	1
6	594 65 41-01	HANDLE	Upper part handle	1	1
7	594 65 44-01	BRACKET		2	1
8	594 65 42-01	SLEEVE		2	1
9	594 65 43-01	KNOB		2	1
10	594 12 38-01	PLANE WASHER	5,3x10x1 300HV	2	1
11	594 26 55-01	RING	4.8 x 7 x 0.6 mm, 0.18 x 0.26 x 0.02 in.	2	1



Ref	Part No	Description	Remark	QTY KIT
1	594 86 90-01	HANDLE	Handle Grab, module	1
2	595 07 16-01	SOCKET	M12 x 50 mm FZB	2
3	594 65 47-01	SLEEVE		2
4	594 48 04-01	RADIATOR		2
5	594 65 45-01	HANDLE	lower	1
6	594 65 46-01	HANDLE	Upper	1
7	594 65 44-01	BRACKET		2
8	594 65 42-01	SLEEVE		2
9	594 65 43-01	KNOB		2
10	594 12 38-01	PLANE WASHER	5.3 x 10 x 1, 0.21 x 0.39 x 0.04 in.	2
11	594 26 55-01	RING	4.8 x 7 x 0.6 mm, 0.18 x 0.26 x 0.02 in.	2

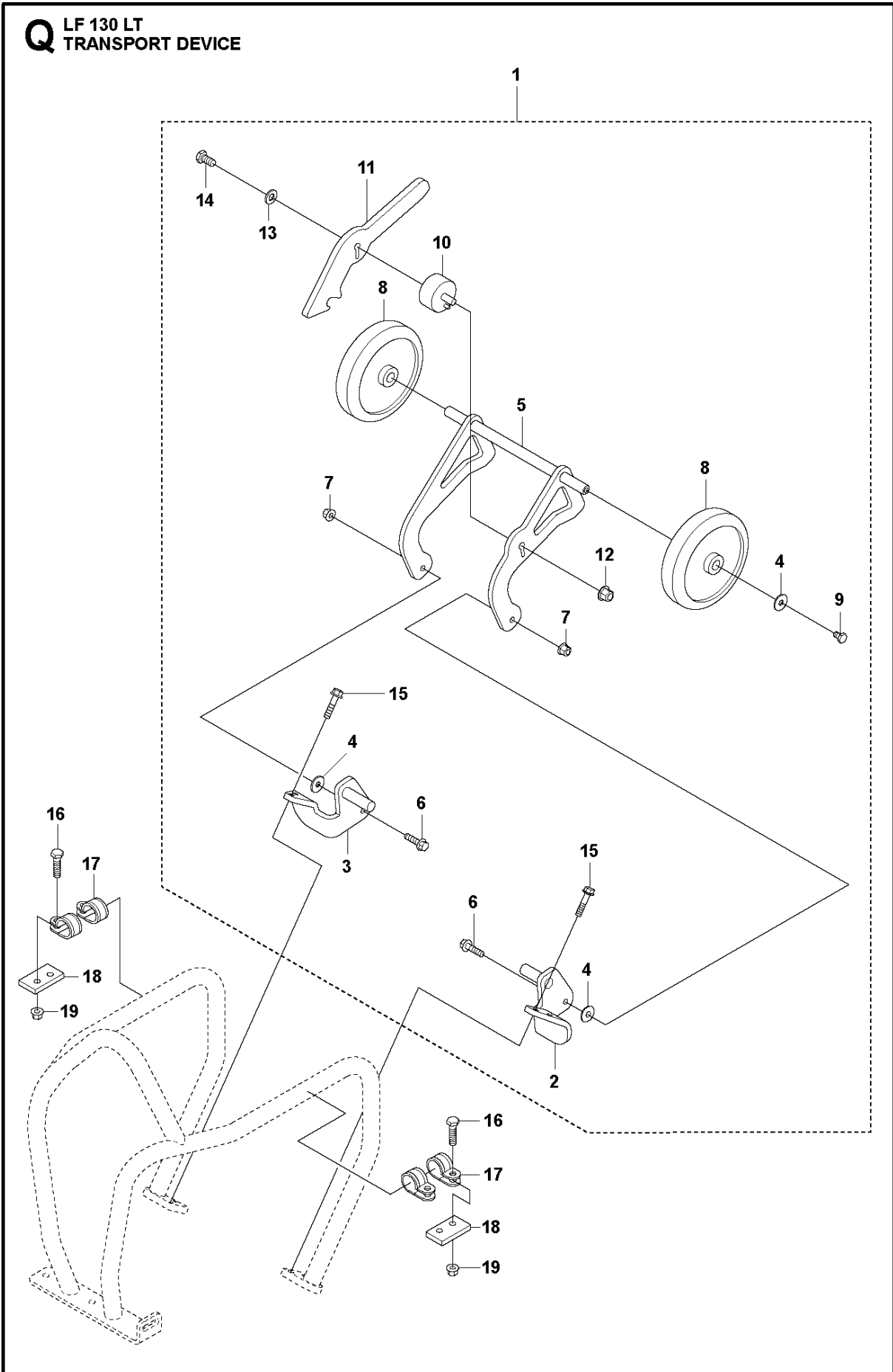
**P** LF 130 LT  
VIBRATION DAMPED HANDLE



## VIBRATION DAMPED HANDLE

LF 130 LT, 967896601, 967896901, 2019-08

Ref	Part No	Description	Remark	QTY KIT	
1	594 20 50-01	HANDLE		1	
2	594 52 66-01	WASHER	Washer, 6.4x18x1.6 mm A2T	16	1
3	594 48 22-01	BRACKET		2	1
4	594 48 05-01	ABSORBER		2	1
5	594 48 21-01	BRACKET		2	1
6	594 52 50-01	SCREW	M5 x 10 mm A2K	8	1
7	594 52 47-01	NUT	M6 x 30 mm 8.8	8	1
8	594 52 67-01	SCREW	M6 x 12 mm 10.9 A2T	16	1
9	594 16 63-01	HANDLE		1	1

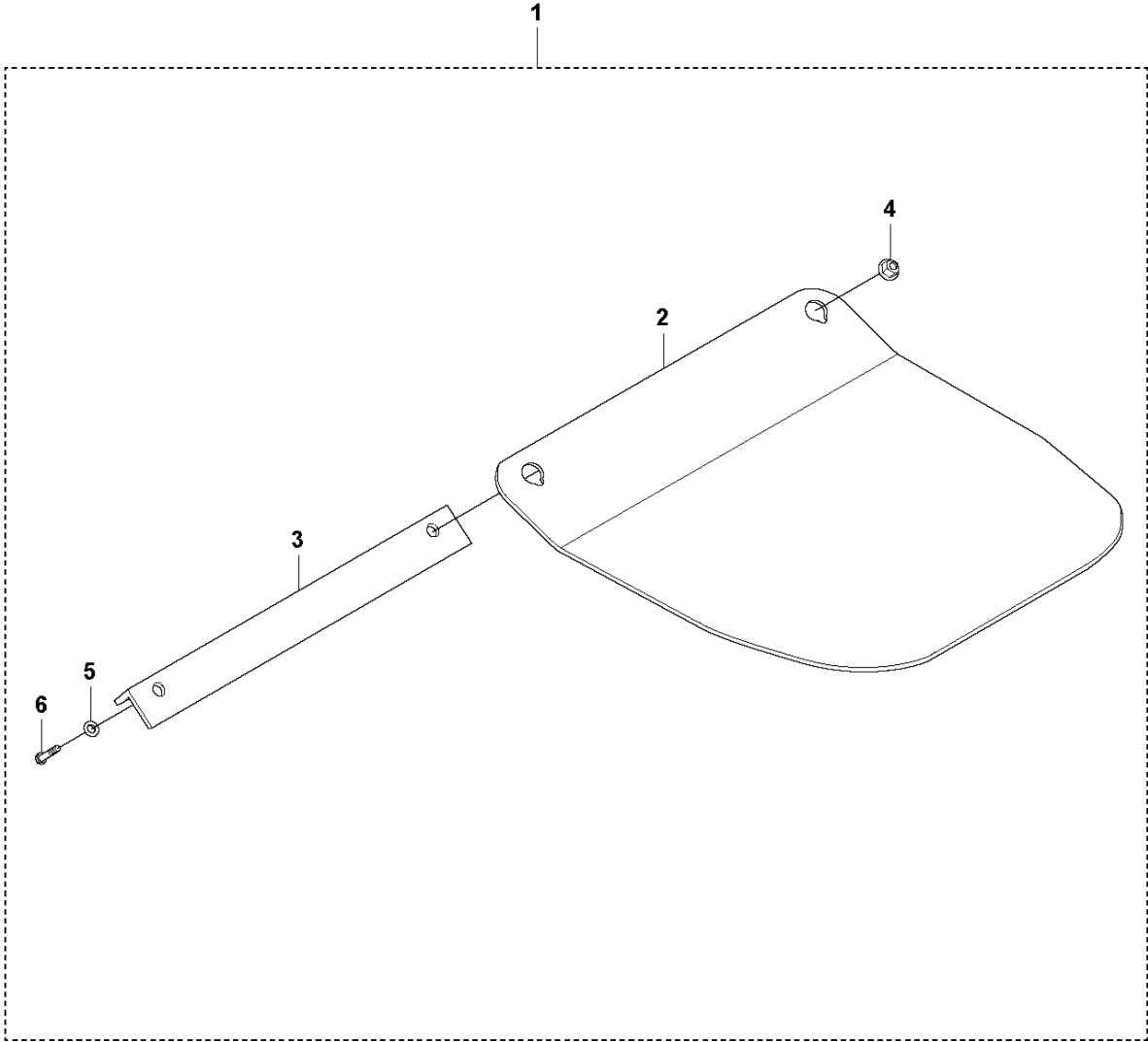


## TRANSPORT DEVICE

LF 130 LT, 967896601, 967896901, 2019-08

Ref	Part No	Description	Remark	QTY KIT	
1	594 20 49-01	TRANSPORT	Transport device	1	
2	594 64 87-01	BRACKET	Left	1	1
3	594 64 89-01	BRACKET	Right	1	1
4	595 06 10-01	WASHER	8,4x25x2 mm	4	1
5	594 64 88-01	FORK		1	1
6	594 11 98-01	SCREW	M8x30 mm 8.8 A2K	2	1
7	594 12 30-01	LOCK NUT	M8x1.25 mm A2K	2	1
8	594 45 55-01	WHEEL	WHEEL	2	1
9	596 88 97-07	SCREW	SCREW Hex. Head M6S M8x12 8.8 fzb	2	1
10	594 46 27-01	ABSORBER	shock absorber	1	1
11	594 65 10-01	HOOK		1	1
12	595 06 47-01	LOCK NUT	M10	1	1
13	594 74 74-01	WASHER	M10 10,5x22x2,0 300 HV	1	1
14	594 11 84-01	SCREW	M10x20 mm 8.8 A3K	1	1
15	594 12 00-01	SCREW	M8x25mm 8.8 A2K	4	1
16	595 46 63-01	SCREW	M06x025H, 8.8, A2K	4	
17	595 06 85-01	CLAMP	22x6.4x15	4	
18	594 64 60-01	STOP		2	
19	595 11 26-01	NUT	M06x1,00, -8, A2K	4	

**R** LF 130 LT  
BLOCK PAVING PLATE 500 MM (19,7")



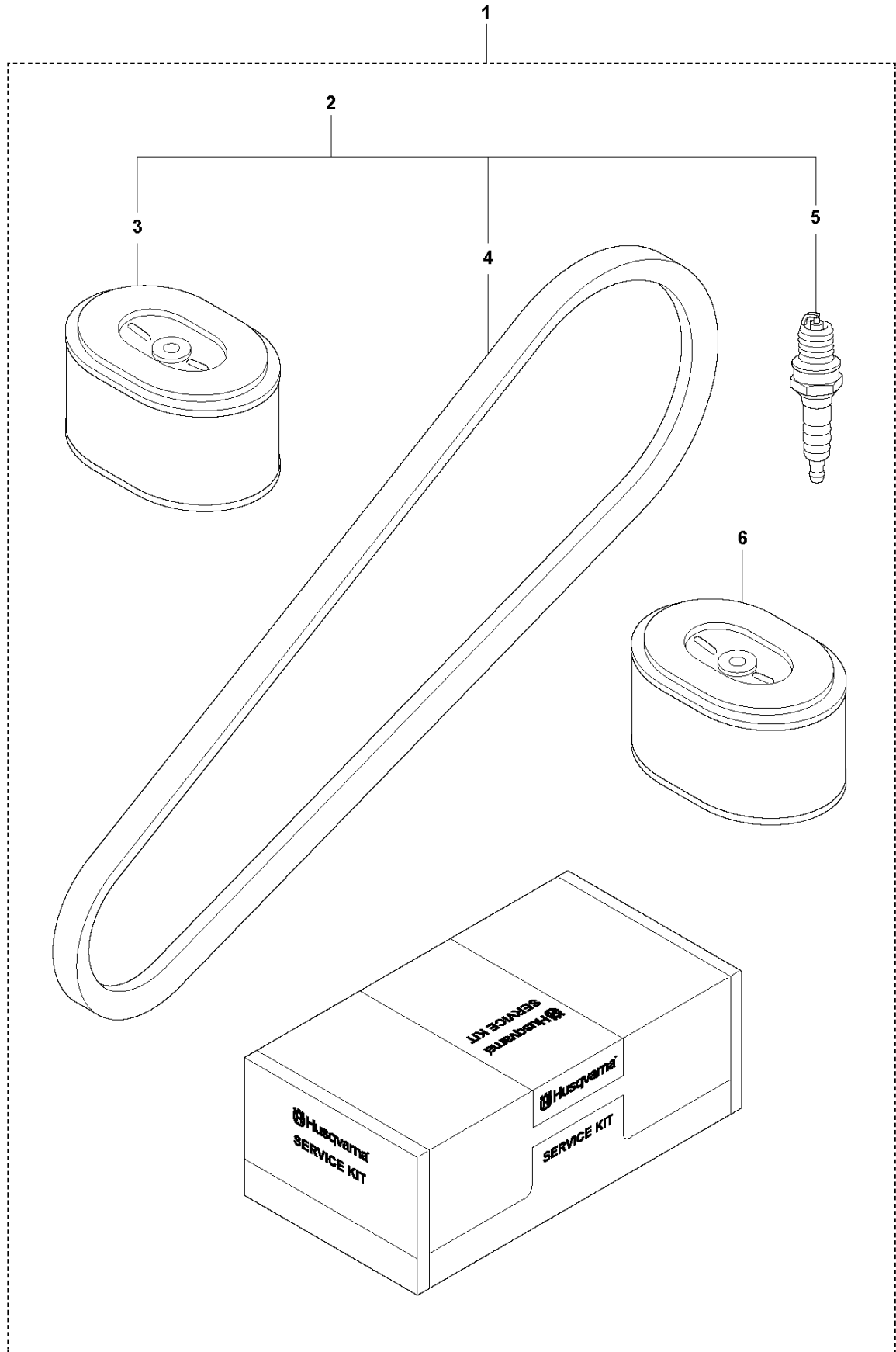


BLOCK PAVING PLATE 500 MM

LF 130 LT, 967896601, 967896901, 2019-08

Ref	Part No	Description	Remark	QTY KIT	
2	594 48 48-01	PLATE	"Polyurethane plate, 500 mm, 19.7""	1	1
1	594 86 82-01	BLOCK PAVING KIT	Complete	1	
3	594 48 49-01	BRACKET		1	1
4	594 12 30-01	LOCK NUT	M8 x 1.25 mm A2K	2	1
5	595 03 66-01	WASHER	8.4x 16x1.5 mm 300HV	2	1
6	594 52 25-01	SCREW	M8 x 75 mm 8.8 A2K	2	1

**S** LF 130 LT  
START UP KIT - HONDA

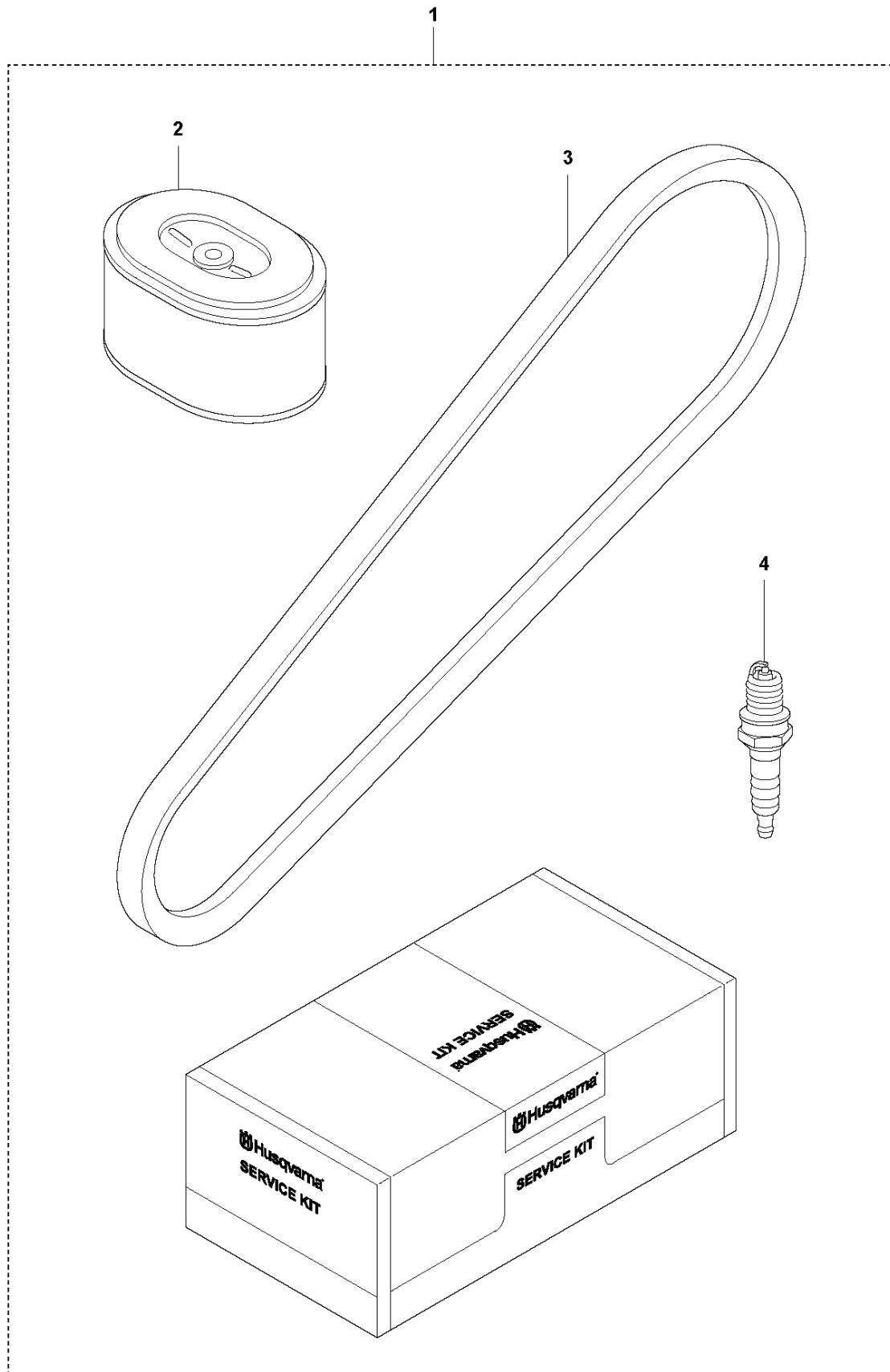


## START UP KIT - HONDA

LF 130 LT, 967896601, 967896901, 2019-08

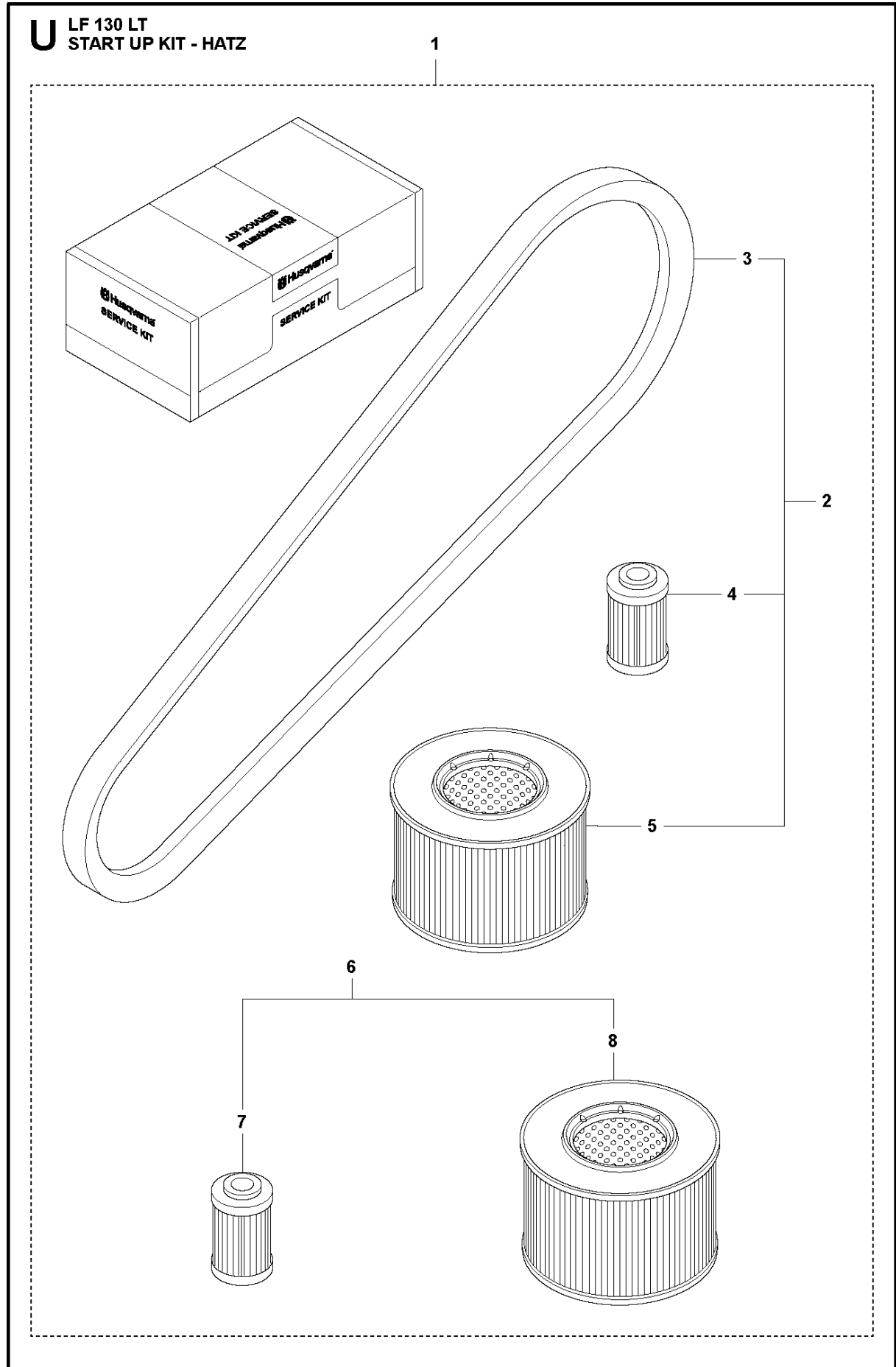
Ref	Part No	Description	Remark	QTY KIT	
1	595 38 53-01	SERVICE KIT		1	
2	594 21 62-02	SERVICE KIT	12 months / 200 hours service kit	1	1
3	594 30 21-01	AIR FILTER	Complete	1	1,2
4	594 48 88-01	V-BELT		1	1,2
5	594 21 62-02	SERVICE KIT		1	1
6	594 30 21-01	AIR FILTER	Complete	1	1,2

**T** LF 130 LT  
12 MONTHS / 200 HOURS SERVICE KIT - HONDA



12 MONTHS / 200 HOURS SERVICE KIT - HONDA LF 130 LT, 967896601, 967896901, 2019-08

Ref	Part No	Description	Remark	QTY KIT	
1	594 21 62-02	SERVICE KIT		1	
2	594 30 21-01	AIR FILTER		1	1
3	594 48 88-01	V-BELT		1	1
4	595 05 13-01	SPARK PLUG		1	1

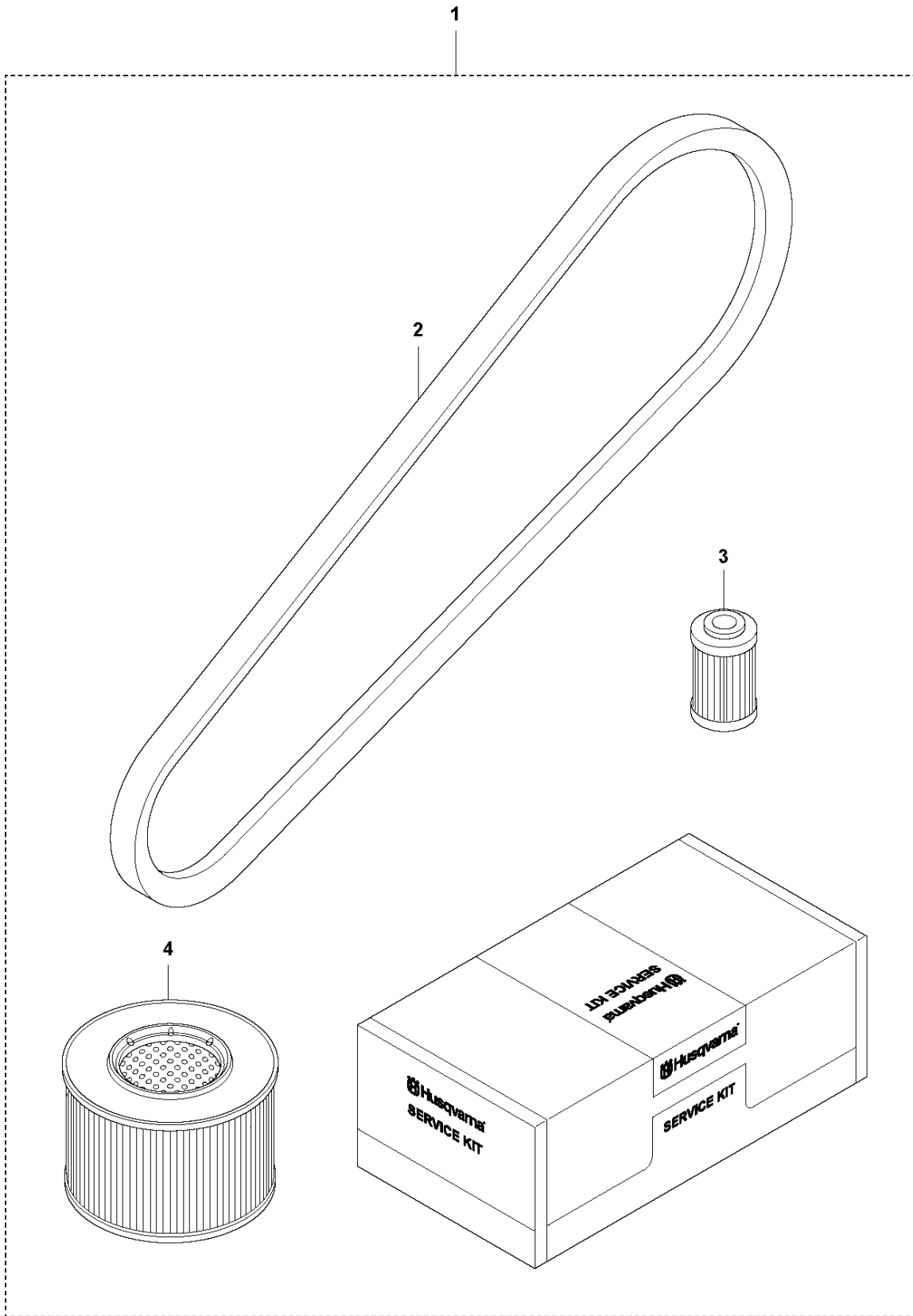


## START UP KIT - HATZ

LF 130 LT, 967896601, 967896901, 2019-08

Ref	Part No	Description	Remark	QTY KIT	
1	594 21 82-01	SERVICE KIT		1	
2	594 21 67-02	SERVICE KIT	12 months / 500 hours service kit - Hatz	1	1
3	594 48 89-01	BELT		1	1,2
4	594 59 51-01	FUEL FILTER		1	1,2
5	594 57 11-01	FILTER		1	1,2
6	594 21 46-01	SERVICE KIT	Six months / Every 250 hours kit - Hatz	1	1
7	594 59 51-01	FUEL FILTER		1	1,6
8	594 57 11-01	FILTER		1	1,6

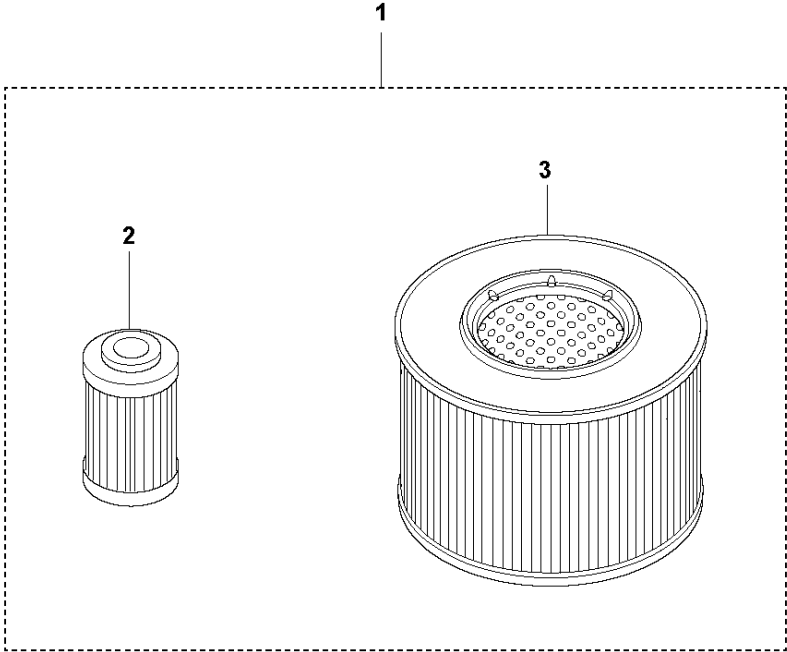
**V** LF 130 LT  
12 MONTHS / 500 HOURS SERVICE KIT - HATZ





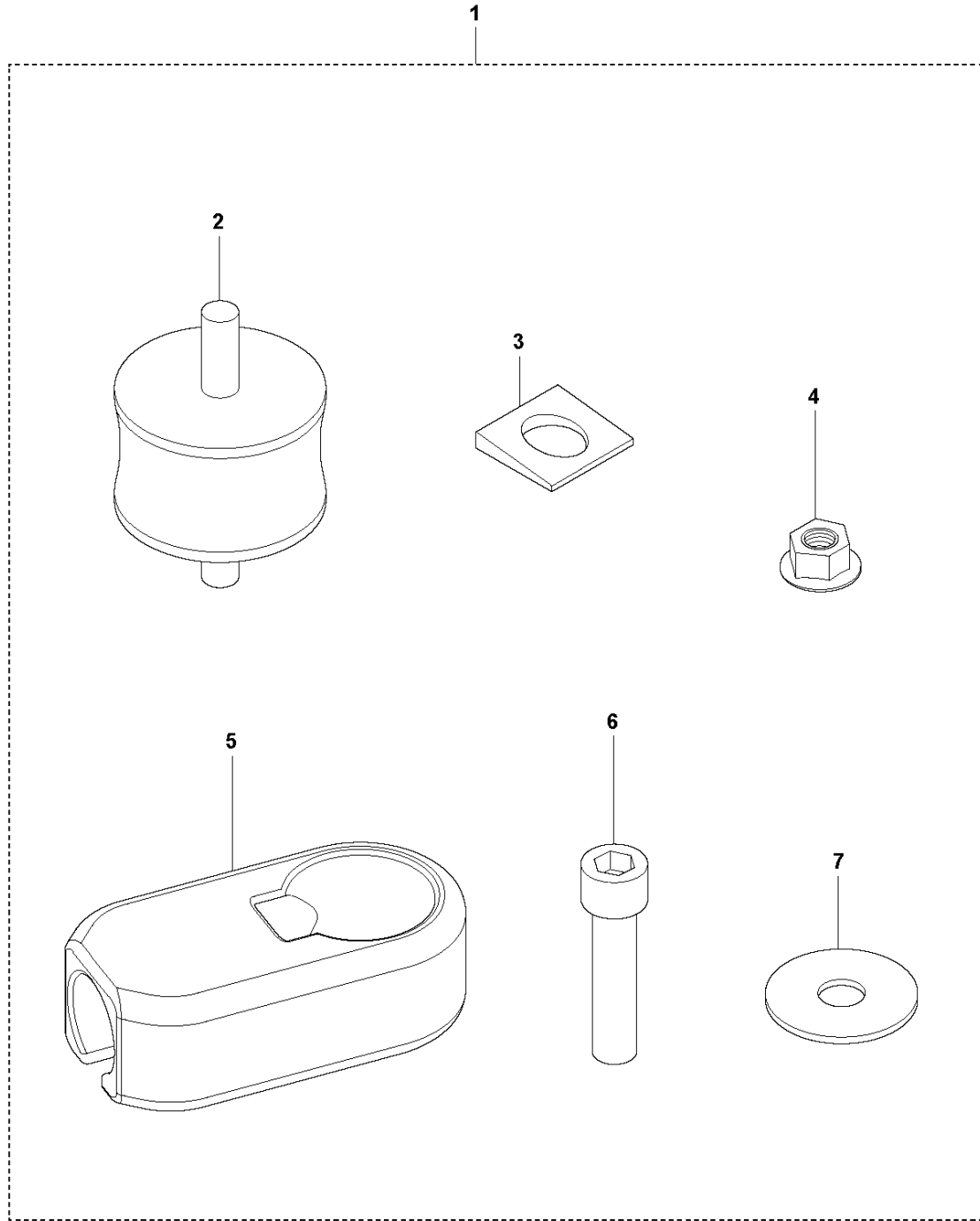
Ref	Part No	Description	Remark	QTY KIT	
1	594 21 67-02	SERVICE KIT		1	
2	594 48 89-01	BELT		1	1
3	594 59 51-01	FUEL FILTER		1	1
4	594 57 11-01	FILTER		1	1

**W** LF 130 LT  
SIX MONTHS / EVERY 250 HOURS KIT - HATZ



Ref	Part No	Description	Remark	QTY	KIT
1	594 21 46-01	SERVICE KIT		1	
2	594 59 51-01	FUEL FILTER		1	1
3	594 57 11-01	FILTER		1	1

**X** LF 130 LT  
SHOCK ABSORBER REPAIR KIT

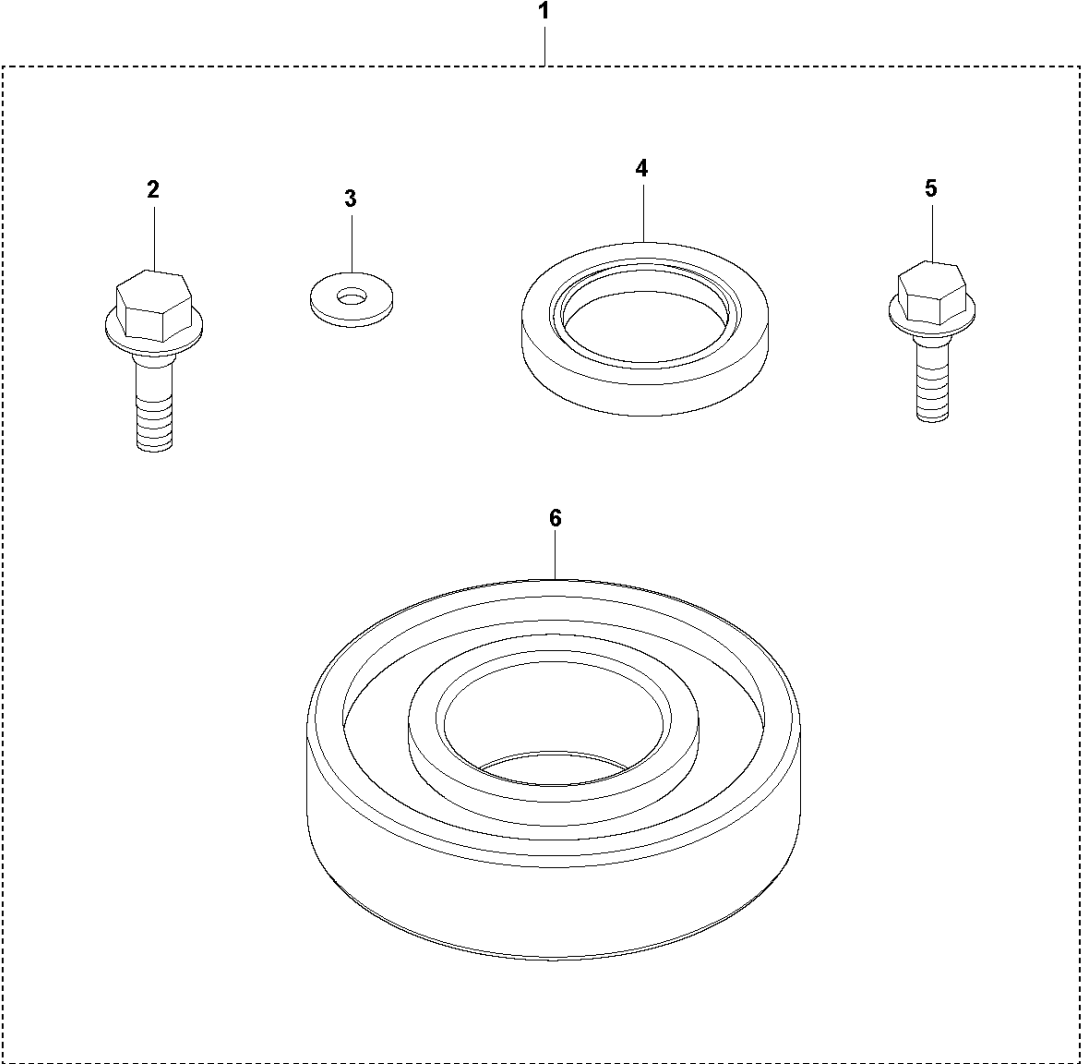


## SHOCK ABSORBER REPAIR KIT

LF 130 LT, 967896601, 967896901, 2019-08

Ref	Part No	Description	Remark	QTY KIT	
1	594 19 46-01	REPAIR KIT		1	
2	594 34 19-01	ABSORBER		4	1
3	594 52 64-01	WASHER	Square taper washer M10 22x22x4.6 dia.11 din 435	4	1
4	595 18 48-01	HEXAGON NUT	Nut, M10 A3K	8	1
5	594 48 04-01	RADIATOR		2	1
6	594 53 00-01	SCREW	Screw, M12 x 50 mm 8.8 A3K	2	1
7	594 83 85-01	WASHER	022x10,5x4,0, S355JR, UNTR	4	1

**Y** LF 130 LT  
ECCENTRIC ELEMENT REPAIR KIT



## ECCENTRIC ELEMENT REPAIR KIT

LF 130 LT, 967896601, 967896901, 2019-08

Ref	Part No	Description	Remark	QTY KIT	
1	594 19 44-01	REPAIR KIT		1	
2	594 12 00-01	SCREW	M08x025H, 8.8, A2K	1	1
3	594 12 34-01	WASHER	M08 8,4x22x3,0 300 HV	1	1
4	594 12 83-01	SEAL		1	1
5	594 52 33-01	SCREW	M06x16, 8.8, A2K	6	1
6	594 52 61-01	BALL BEARING		2	1

**Z** LF 130 LT  
 GOLD KIT - HONDA

1

1	<b>595133802</b>	<b>Gold Kit LF 130 Honda</b>	
<b>Ground Plate and Eccentric System</b>			
2	Eccentric system	Eccentric system repair kit	1
3		V-Belt Pulley	1
4		Screw	6
5		Lock washer	6
6		Shock absorber repair kit	1
<b>Cosmetic Kit</b>			
7	Cover	Cover	1
8		Belt guard, outer	1
9		Screw	3
10		Nut	1
11		Screw	3
12		Screw	1
13		Lock Spring	1
14		Washer	3
15		Screw	2
16		Handle	Handle Kit
17	Labeling	Product Label Set	1
<b>Engine</b>			
18	Service kit	Yearly Service Kit	1



Ref	Part No	Description	Remark	QTY KIT
1	595 13 38-02	SERVICE KIT	For LF 130 LT with Honda engine	1

**AA** LF 130 LT  
SILVER KIT - HONDA

1

<b>1</b>	<b>595388501</b>	<b>Silver Kit LF 130 Honda</b>	
		<b>Ground Plate and Eccentric System</b>	
<b>2</b>	Eccentric System	Eccentric Element Repair Kit	1
<b>3</b>		V-Belt Pulley	1
<b>4</b>		Screw	6
<b>5</b>		Lock Washer	6
<b>6</b>		Shock absorber repair kit	1
			<b>Engine</b>
<b>7</b>	Service kit	Yearly service kit	1

SILVER KIT - HONDA

LF 130 LT, 967896601, 967896901, 2019-08

Ref	Part No	Description	Remark	QTY KIT
1	595 38 85-01	SERVICE KIT	For LF 130 LT with Honda engine	1

**AB** LF 130 LT  
COSMETIC KIT - HONDA

1

1	595386502	Cosmetic Kit	
2	Covers	Cover	1
3		Belt guard, outer	1
4		Screw	3
5		Nut	1
6		Screw	3
7		Screw	1
8		Lock spring	1
9		Washer	3
10		Screw	2
11		Handle	Handle kit
12	Labeling	Product lable set	1

COSMETIC KIT - HONDA

LF 130 LT, 967896601, 967896901, 2019-08

Ref	Part No	Description	Remark	QTY KIT
1	595 38 65-02	SERVICE KIT	For LF 130 LT with Honda engine	1

**AC** LF 130 LT  
GOLD KIT - HATZ

1

1	595388602	Gold Kit LF 130 Hatz		
<b>Ground Plate Eccentric system</b>				
2	Eccentric System	Eccentric Element Repair Kit	1	
3		V-Belt Pulley	1	
4		Centrifugal Clutch	1	
5		Screw	6	
6		Lock Washer	6	
7		Shock absorber repair kit	1	
<b>Cosmetic Kit</b>				
8	Cover	Cover	1	
9		Belt guard	1	
10		Bolt	2	
11		Washer	2	
12		Screw	2	
13		Locking spring	2	
14		Bolt	1	
15		-	Nut	1
16		-	Bolt	2
17		Handle	Handle kit	1
18	Labeling	Product Label set	1	
<b>Engine</b>				
19	Engine parts	Yearly service kit	1	

Ref	Part No	Description	Remark	QTY KIT
1	595 38 86-02	SERVICE KIT	For LF 130 LT with Hatz engine	1

**AD** LF 100 LAT  
SILVER KIT - HATZ

1

1	594219301	Silver Kit LF 100 Hatz	
	Ground Plate and Eccentric System		
2	Eccentric system	Eccentric Element Repair Kit	1
3		v-Belt Pulley	1
4		Screw	6
5		Lock Washer	6
6		Shock absorber repair kit	1
		Engine	
7	Service Kit	Yearly Service Kit	1



SILVER KIT - HATZ

LF 130 LT, 967896601, 967896901, 2019-08

Ref	Part No	Description	Remark	QTY KIT
1	594 21 93-01	ENGINE	For LF 130 LT with Hatz engine	1

**AE** LF 130 LT  
COSMETIC KIT - HATZ

1

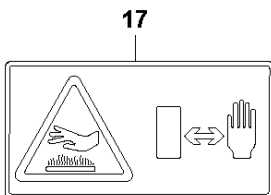
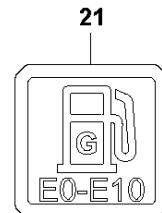
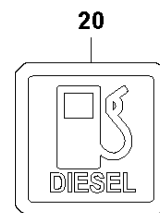
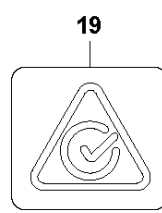
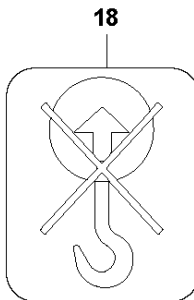
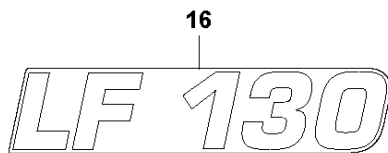
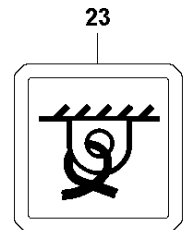
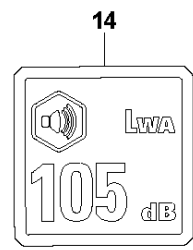
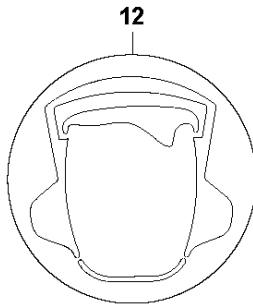
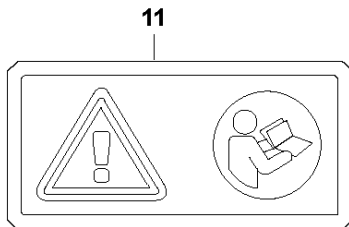
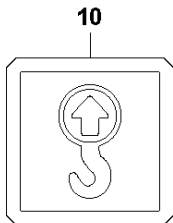
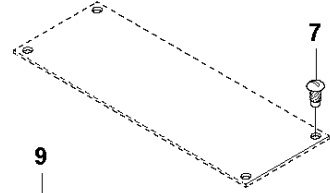
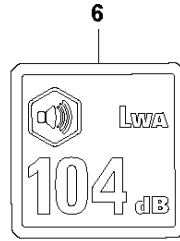
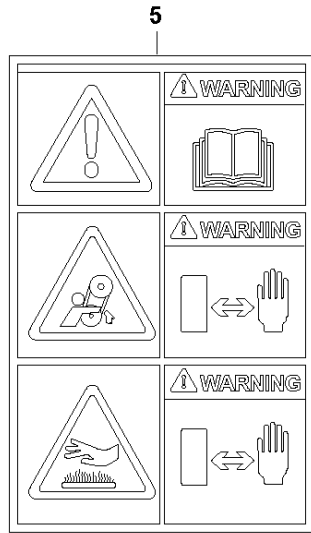
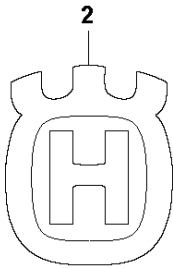
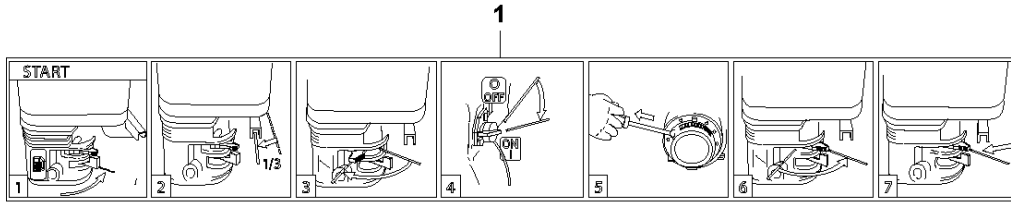
1	595133402	Cosmetic Kit	
2	Cover	Cover	1
3		Belt guard	1
4		Bolt	2
5		Washer	2
6		Screw	2
7		Lock spring	2
8		Bolt	1
9		Nut	1
10		Bolt	2
11		Handle	Handle kit
12	Lableling	Product lable set	1

COSMETIC KIT - HATZ

LF 130 LT, 967896601, 967896901, 2019-08

Ref	Part No	Description	Remark	QTY KIT
1	595 13 34-02	SERVICE KIT	For LF 130 with Hatz engine	1

**AF** LF 130 LT  
DECALS



22



WARNING: Cancer and Reproductive Harm - [www.P65Warnings.ca.gov](http://www.P65Warnings.ca.gov)  
 ADVERTENCIA: Cáncer y daño reproductivo - [www.P65Warnings.ca.gov](http://www.P65Warnings.ca.gov)  
 AVERTISSEMENT: Cancer et dommages à la reproduction - [www.P65Warnings.ca.gov](http://www.P65Warnings.ca.gov)

## DECALS

LF 130 LT, 967896601, 967896901, 2019-08

Ref	Part No	Description	Remark	QTY KIT
1	594 48 62-01	DECAL		1
2	574 38 21-01	DECAL		1
5	594 48 63-01	DECAL		1
6	595 51 32-02	DECAL	For Hatz version, decal level noise 104 dB	1
7	595 18 02-01	SCREW		4
9	595 09 42-01	DECAL	logo Husqvarna	1
10	594 66 09-01	LABEL		2
11	594 86 97-01	LABEL	Hatz version	1
12	594 65 96-01	LABEL	Hatz version	1
13	594 66 08-01	LABEL	Hatz version	1
14	594 51 56-01	DECAL	For Honda version, decal level noise 105Db	1
16	595 09 50-01	DECAL	model code LF130	1
15	595 90 07-01	DECAL	brand decal LF130 126x40mm	1
17	594 48 33-01	DECAL		1
18	595 18 61-01	DECAL	Hot surface	1
19	596 28 02-01	DECAL	DECAL Compliance	1
20	594 66 16-01	LABEL	decal diesel - Hatz	1
21	594 66 02-01	LABEL	decal gasoline - Honda	1
22	595 87 17-01	LABEL		1
23	594 86 95-01	LABEL		1