



# Husqvarna®



## Soff-Cut 2000

EN-US Operator's manual  
ES-MX Manual de usuario  
FR-CA Manuel d'utilisation

2-34  
35-68  
69-102

---

# Contents

---

Introduction.....	2	Maintenance.....	17
Safety.....	5	Troubleshooting.....	28
Assembly.....	10	Transportation, storage and disposal.....	30
Operation.....	11	Technical data.....	32

---

## Introduction

---

### Owner responsibility

---



**WARNING** Cutting, especially when DRY cutting, generates dust that comes from the material being cut, which frequently contains silica. Silica is a basic component of sand, quartz, brick clay, granite and numerous other minerals and rocks. Exposure to excessive amount of such dust can cause:

Respiratory disease (affecting your ability to breathe), including chronic bronchitis, silicosis and pulmonary fibrosis from exposure to silica. These diseases may be fatal;

Skin irritation and rash.

Cancer according to NTP\* and IARC\* \*/ National Toxicology Program, International Agency for Research on Cancer.

Take precautionary steps:

Avoid inhalation of and skin contact with dust, mist and fumes.

Wear and ensure that all bystanders wear appropriate respiratory protection such as dust masks designed to filter out microscopic particles. (See OSHA 29 CFR Part 1926.1153)

Wet cut to minimize dust emissions.

---


It is the owner's/employer's responsibility that the operator has sufficient knowledge about how to use the product safely. Supervisors and operators must have read and understood the Operator's Manual. They must be aware of:

- The product's safety instructions.

- The product's range of applications and limitations.
- How the product is to be used and maintained.

National/Local regulations could restrict the use of this product. Find out what regulations are applicable where you work before you start using the product.

### California Proposition 65

 **WARNING!**

The engine exhaust from this product contains chemicals known to the State of California to cause cancer, birth defects or other reproductive harm.

### Product description

The product is a gasoline powered self-propelled walk-behind floor saw for concrete.

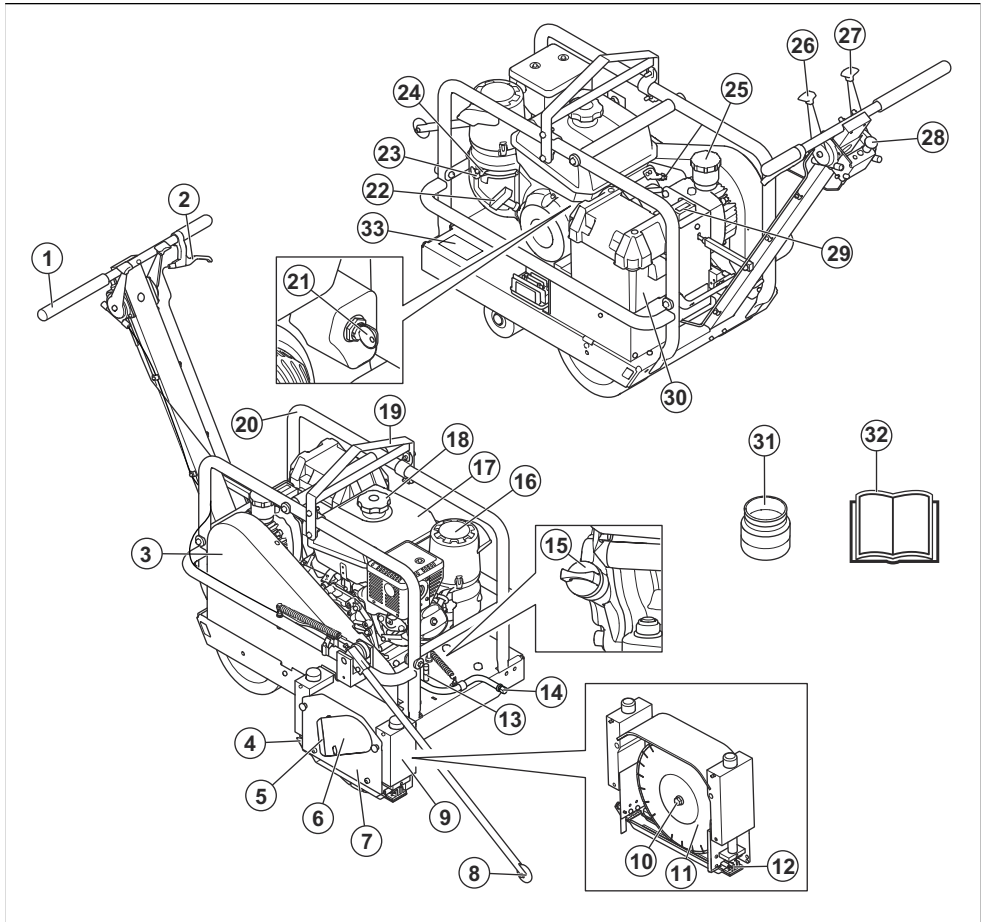
### Intended use

The product is for professional operation only. The product is used for sawing of contraction joints in the Ultra Early Stage of concrete. The product releases the tension in the concrete and prevent damages and random cracks. It is used for medium to heavy commercial work .

The product is used 1-2 hours after the concrete process is complete.

The product is for outdoor operation only. Do not use the product for other tasks.

## Product overview Soff-Cut 2000



- |   |                                    |
|---|------------------------------------|
| 1. Operation handles                      | 16. Air filter                     |
| 2. Blade release lever                    | 17. Fuel tank                      |
| 3. Drive belt cover                       | 18. Fuel tank cap                  |
| 4. Kerf guide                             | 19. Lift point                     |
| 5. Plug for the dust extractor connection | 20. Safety frame                   |
| 6. Dust extractor connection              | 21. Ignition key                   |
| 7. Blade block cover                      | 22. Starter rope handle            |
| 8. Front pointer                          | 23. Choke lever                    |
| 9. Blade block                            | 24. Fuel lever                     |
| 10. Blade shaft bolt                      | 25. Tank cap for the hydraulic oil |
| 11. Cutting blade (not included)          | 26. Forward speed lever            |
| 12. Skid plate (not included)             | 27. Front pointer lever            |
| 13. Locking pin for blade shaft           | 28. Throttle control               |
| 14. Oil drain hose                        | 29. Hour meter                     |
| 15. Oil dipstick and oil tank cap         | 30. Battery box                    |
|   | 31. Oil dipstick                   |
|   | 32. User manual                    |

- 31. Adapter for dust extractor connection
- 32. Operator's manual
- 33. Type plate

## Symbols on the product



Be careful and use the product correctly. This product can cause serious injury or death to the operator or others.



Read the operator's manual carefully and make sure that you understand the instructions before you use this product.



Read and understand the operator's manual for the dust extractor.



Use hearing protection.



Use approved eye protection.



The dust can cause health problems. Use an approved respiratory protection.



Use a protective helmet in locations where objects can fall on you.



To lift the product, attach lifting equipment to the lift point on the product.



Release the handle to lower the blade by gravity. To prevent damage to the blade, hold the product tightly and lower the blade carefully.



Risk of injury and damage to the product. Be careful when you lift the product. Remove the cutting blade before you lift the product.



Belt entanglement hazard. Keep hands and other bodyparts clear from moving parts.



Machinery hazard. Risk of cut injuries. Keep hands and feet clear.



Do not use a combustion engine product indoors or in areas that do not have sufficient airflow. Do not breathe exhaust fumes. The dust can cause health problems. Use an approved respiratory protection.



Keep all the guards in place.



Do not in flammable areas.



The arrow on the blade guard shows the direction in which the blade rotate.



Fill engine oil to correct level.



Forward speed lever. Push the lever to increase the speed. Pull the lever to decrease the speed.



Pull the front pointer up.



Put the front pointer down.



OFF, stops the engine.



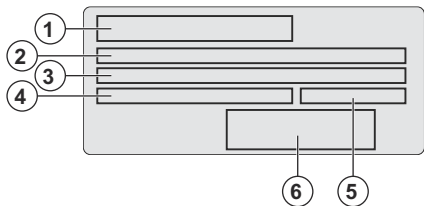
RUN, starts the ignition.



START, cranks the engine.

**Note** Other symbols/decals on the product refer to certification requirements for other commercial areas.

## Type plate US/Canada



1. Brand
2. Product number
3. Model
4. Serial number
5. Production date, year, week
6. Manufacturer, address, phone number

## CALIFORNIA AIR RESOURCES BOARD (CARB)

**Note** This machine is considered a preempt Off-Road Application as relating to CARB standards. The U.S EPA has sole authority to establish emission standards for preempt construction equipment.

## Product liability

As referred to in the product liability laws, we are not liable for damages that our product causes if:

- the product is incorrectly repaired.
- the product is repaired with parts that are not from the manufacturer or not approved by the manufacturer.
- the product has an accessory that is not from the manufacturer or not approved by the manufacturer.
- the product is not repaired at an approved service center or by an approved authority.

## Safety

### Safety definitions

Warnings, cautions and notes are used to point out specially important parts of the manual.



**WARNING** Used if there is a risk of injury or death for the operator or bystanders if the instructions in the manual are not obeyed.



**CAUTION** Used if there is a risk of damage to the product, other materials or the adjacent area if the instructions in the manual are not obeyed.

**Note** Used to give more information that is necessary in a given situation.

### General safety instructions



**WARNING** Read the warning instructions that follow before you use the product.

- This product is a dangerous tool if you are not careful or if you use the product incorrectly. This

product can cause serious injury or death to the operator or others. Before you use the product, you must read and understand the contents of this operator's manual.

- Save all warnings and instructions.
- Comply with all applicable laws and regulations.
- The operator and the employer of the operator must know and prevent the risks during operation of the product.
- Do not let a person operate the product unless they read and understand the contents of the operator's manual.
- Do not operate the product unless you receive training before use. Make sure that all operators receive training.
- Do not let a child operate the product.
- Only let approved persons operate the product.
- The operator is responsible for accidents that occur to other persons or their property.
- Do not use the product if you are tired, ill, or under the influence of alcohol, drugs or medicine.
- Always be careful and use your common sense.
- This product produces an electromagnetic field during operation. This field can under some circumstances interfere with active or passive medical implants. To decrease the risk of serious injury or death, we recommend persons with medical

implants to speak to their physician and the medical implant manufacturer before operating this product.

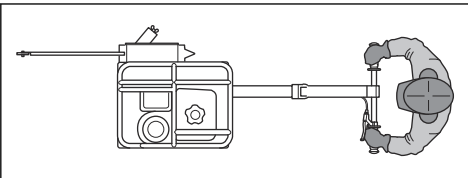
- Keep the product clean. Make sure that you can clearly read signs and decals.
- Do not use the product if it is defective.
- Do not do modifications to this product.
- Do not operate the product if it is possible that other persons have done modifications to the product.

## Safety instructions for operation



**WARNING** Read the warning instructions that follow before you use the product.

- Read the warning instructions that are supplied with the cutting blade by the cutting blade manufacturer.
- Make sure that the product is assembled correctly.
- Do not operate the product without the blade guard and the protective covers installed.
- Incorrect operation of the product can cause the cutting blade to break and cause injury or damage.
- Make sure that you know how to stop the engine quickly in an emergency.
- Use personal protective equipment. Refer to *Personal protective equipment on page 7*.
- Keep a safe distance from the cutting blade when the engine is on. Do not try to stop a rotating blade with a part of your body. To touch a rotating blade, although the engine is off, can result in serious injury or death.
- Make sure that only approved persons are in the work area.
- Make sure that electrical cables in the work area are not live.
- Keep the work area clean and bright.
- Only operate the product from behind with your hands on the handle



- Make sure that you are in a safe and stable position during operation.
- Before you go away from the product, stop the engine and make sure that there is no risk of accidental start.
- Be very careful during operation on slopes. The product is heavy and can cause serious injury if it falls.
- Make sure that no material can become loose and cause injury to the operator.
- Make sure that clothes, long hair and jewelry do not get caught in moving parts.

- Do not sit or stand on the product.
- Stay away from the blade path while the engine is on.
- Do not operate the product unless you can get aid if an accident occurs.
- Do not use the product for transportation of persons or equipment.
- Do not put your feet on the product.
- Make sure that the blade does not touch the ground or an other surface when the product is moved.
- Do not operate the product with too much load. Overload can cause damage to the product.

## Work area safety



**WARNING** Read the warning instructions that follow before you use the product.

- The product can cause objects to eject at high speed. Make sure that all persons in the work area use approved personal protective equipment. Refer to *Personal protective equipment on page 7*. Remove loose objects from the work area.
- Make sure that animals and bystanders are not in the work area.
- Do not operate the product until the work area is clear and your feet and body are in a stable position.
- Look out for persons, objects and situations that can prevent safe operation of the product.
- Make sure that no persons or objects can come into contact with the cutting equipment or be hit by parts thrown by the blade.
- Do not use the product in fog, rain, strong winds, cold weather, risk of lightning or other bad weather conditions. To use the product in bad weather can have a negative effect on your alertness. Bad weather can cause dangerous work conditions, such as slippery surfaces.
- During operation of the product, make sure that no material can become loose and fall and cause injury to the operator.
- Be very careful when you operate the product on a slope.
- Keep the work area clean and bright.
- Before you operate the product, find out if there are hidden hazards such as electrical cables, water, and gas pipes and flammable substances in the work area. If the product hits a hidden object, stop the engine immediately and examine the product and the object. Do not start to operate the product again until you know that it is safe to continue.
- Before you cut into a drum, a pipe, or other container, make sure that it does not contain flammable or other material that can cause fire or explosion.
- Do not operate the product in areas where fire or explosions can occur.

## Personal protective equipment



**WARNING** Read the warning instructions that follow before you use the product.

- Always use approved personal protective equipment when you operate the product. Personal protective equipment cannot fully prevent injury but it decreases the degree of injury if an accident does occur. Let your dealer help you select the correct personal protective equipment.
- Regularly do a check of the condition of the personal protective equipment.
- Use an approved protective helmet.
- Use approved hearing protection.
- Use approved respiratory protection.
- Use approved eye protection with side protection. There is a high risk of eye injury from thrown objects.
- Use protective gloves.
- Use boots with steel toe-cap and non-slip sole.
- Use approved work clothing or equivalent close-fitting clothing that has long sleeves and long legs.

## Fire extinguisher

- Keep a fire extinguisher near during operation.
- Use a powder fire extinguisher of "ABE" class or a carbon dioxide fire extinguisher of "BE" type.

## Safety devices on the product

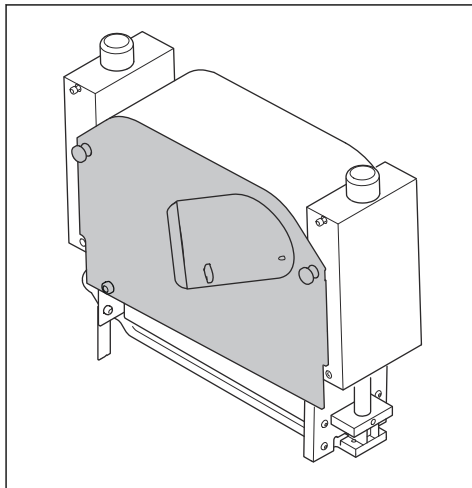


**WARNING** Read the warning instructions that follow before you use the product.

- Do not use a product with defective safety devices. Do a check of the safety devices regularly. If the safety devices are defective, speak to your Husqvarna service agent.
- Do not make modifications on safety devices. Do not use the product if protective plates, protective covers, safety switches or other protective devices are not attached or are defective.

## Blade block guard

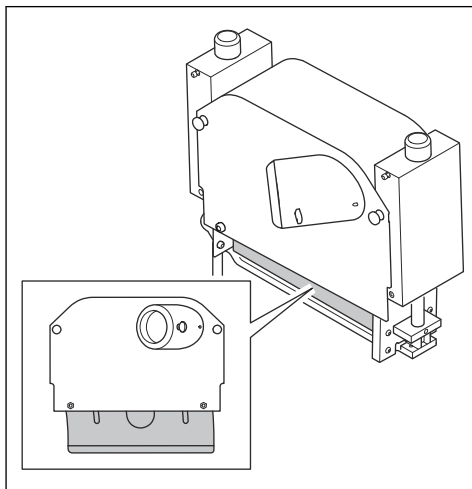
The blade block guard gives protection from the rotating blade and keeps dust away from the operator.



## Floating side cover

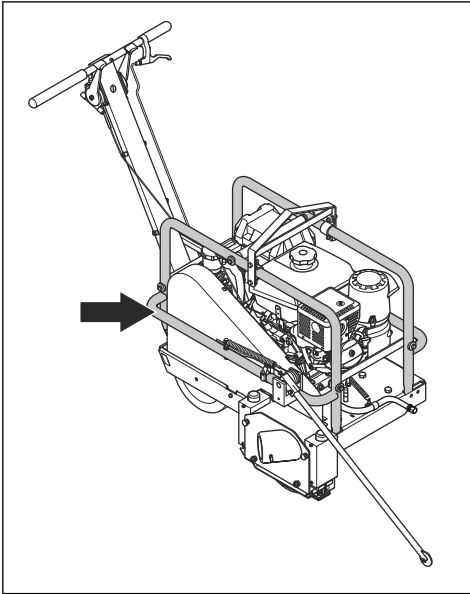
The floating side cover keeps dust away from the operator and prevents that particles eject.

Make sure that the floating side cover moves freely up and down.



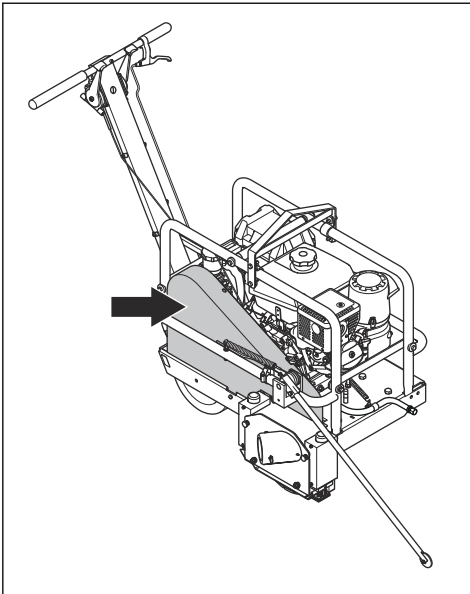
### Safety frame

The safety frame prevents damage to the equipment and the engine, and prevents injury to the operator.



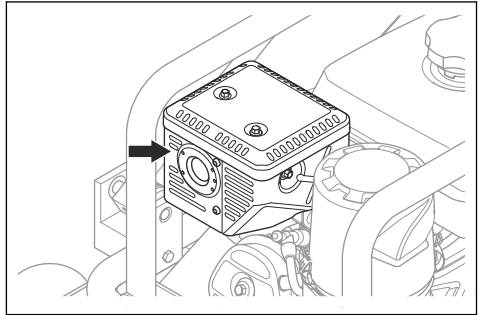
### Drive belt cover

The drive belt cover gives protection from the rotating pulleys and the drive belt.



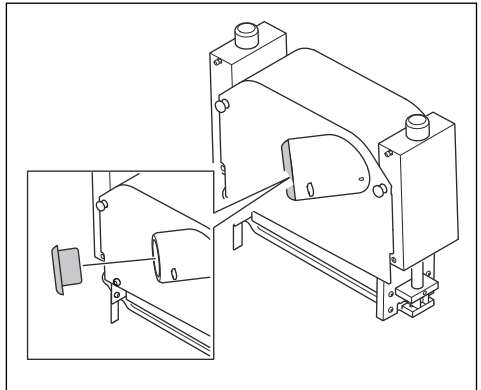
### Muffler guard

The muffler guard prevents burn injury from the hot muffler.



### Plug to dust extractor connection

Always use the plug if the product is not connected to a dust extractor.



### To examine the protective guards



**WARNING** Do not use a product with defective protective guards. Do a check of the protective guards before you operate the product. If the protective guards are defective, speak to your Husqvarna service agent.

1. Examine the blade block and the blade block guard, the floating side cover, the safety frame, the drive belt cover, the plug, and the muffler guard for damage.
2. Replace the protective guards if they are damaged.
3. Make sure that the protective guards are correctly attached before you start the product.



## Fuel safety

---



**WARNING** Read the warning instructions that follow before you use the product.

---

- Fuel is flammable and the fumes are explosive. Be careful with fuel to prevent injury, fire and explosion.
- Do not breathe in the fuel fumes. The fuel fumes are poisonous and can cause injury. Make sure that the airflow is sufficient.
- Do not remove the fuel tank cap or fill the fuel tank when the engine is on.
- Let the engine become cool before you refuel.
- Do not fill fuel in an indoor area. Not sufficient airflow can cause injury or death because of asphyxiation or carbon monoxide.
- Do not smoke near the fuel or the engine.
- Do not put hot objects near the fuel or the engine.
- Do not fill fuel near sparks or flames.
- Before you refuel, open the fuel tank cap slowly and release the pressure carefully.
- Fuel on your skin can cause injury. If you get fuel on your skin, use soap and water to remove the fuel.
- If you spill fuel on your clothing, change clothing immediately.
- Do not fill the fuel tank fully. Heat causes the fuel to expand. Keep a space at the top of the fuel tank.
- Tighten the fuel tank cap fully. If the fuel tank cap is not tightened, there is a risk of fire.
- Before you start the product, move the product to a minimum of 3 m/10 ft from where you refueled.
- Do not start the product if there is fuel or engine oil on the product. Remove the unwanted fuel and engine oil and let the product dry before you start the engine.
- Examine the engine for leaks regularly. If there are leaks in the fuel system, do not start the engine until the leaks are repaired.
- Do not use your fingers to examine the engine for leaks.
- Keep fuel in approved containers only.
- When the product and fuel is in storage, make sure that fuel and fuel fumes cannot cause damage.
- Drain the fuel in an approved container outdoors and away from sparks and flames.

## Exhaust fumes safety

---



**WARNING** Read the warning instructions that follow before you use the product.

---

- The exhaust fumes from the engine contain carbon monoxide which is an odourless, poisonous and very dangerous gas. To breathe carbon monoxide can cause death. Because carbon monoxide is odourless

and cannot be seen, it is not possible to sense it. A symptom of carbon monoxide poisoning is dizziness, but it is possible that a person becomes unconscious without warning if the quantity or concentration of carbon monoxide is sufficient.

- Exhaust fumes also contain unburned hydrocarbons including benzene. Long-term inhalation can cause health problems.
- Exhaust fumes that you can see or smell also contain carbon monoxide.
- Do not use a combustion engine product indoors or in areas that do not have sufficient airflow.
- Do not breathe the exhaust fumes.
- Make sure that the airflow in the work area is sufficient. This is very important when you operate the product in trenches or other small work areas where exhaust fumes can easily collect.

## Vibration safety

---



**WARNING** Read the warning instructions that follow before you use the product.

---

- During operation of the product, vibrations go from the product to the operator. Regular and frequent operation of the product can cause or increase the degree of injuries to the operator. Injuries can occur in fingers, hands, wrists, arms, shoulders, and/or nerves and blood supply or other body parts. The injuries can be debilitating and/or permanent, and can increase gradually during weeks, months or years. Possible injuries include damage to the blood circulation system, the nervous system, joints, and other body structures.
- Symptoms can occur during operation of the product or at other times. If you have symptoms and continue to operate the product, the symptoms can increase or become permanent. If these or other symptoms occur, get medical aid:
  - Numbness, loss of feeling, tingling, pricking, pain, burning, throbbing, stiffness, clumsiness, loss of strength, changes in skin color or condition.
- Symptoms can increase in cold temperatures. Use warm clothing and keep your hands warm and dry when you operate the product in cold environments.
- Do maintenance on and operate the product as given in the operator's manual, to keep a correct vibration level.
- The product has a vibration damping system that decreases the vibrations from the handles to the operator. Let the product do the work. Do not push the product with force. Hold the product at the handles lightly, but make sure that you control the product and operate it safely. Do not push the handles into the end stops more than necessary.
- Keep your hands on the handle or handles only. Keep all other body parts away from the product.

- Stop the product immediately if strong vibrations suddenly occurs. Do not continue the operation before the cause of the increased vibrations is removed.

## Dust safety



**WARNING** Read the warning instructions that follow before you use the product.

- Operation of the product can cause dust in the air. Dust can cause serious injury and permanent health problems. Silica dust is regulated as harmful by several authorities. These are examples of such health problems:
  - The fatal lung diseases chronic bronchitis, silicosis and pulmonary fibrosis
  - Cancer
  - Birth defects
  - Skin inflammation
- Use correct equipment to decrease the quantity of dust and fumes in the air and to decrease dust on work equipment, surfaces, clothing and body parts. Examples of controls are dust collection systems and water sprays to bind dust. Decrease dust at the source where possible. Make sure that the equipment is correctly installed and used and that regular maintenance is done.
- Use approved respiratory protection. Make sure that the respiratory protection is applicable for the dangerous materials in the work area.
- Make sure that the airflow is sufficient in the work area.
- If it is possible, point the exhaust of the product where it cannot cause dust to go into the air.

## Noise safety



**WARNING** Read the warning instructions that follow before you use the product.

- High noise levels and long-term exposure to noise can cause noise-induced hearing loss.
- To keep the noise level to a minimum, do maintenance on and operate the product as given in the operator's manual.

- Examine the muffler for damages and defects. Make sure that the muffler is correctly attached to the product.
- Use approved hearing protection while you operate the product.
- Listen for warning signals and voices when you use hearing protection. Remove the hearing protection when the product is stopped, unless hearing protection is necessary for the noise level in the work area.

## Safety instructions for maintenance



**WARNING** Read the warning instructions that follow before you use the product.

- Use personal protective equipment. Refer to *Personal protective equipment on page 7*.
- If the maintenance is not done correctly and regularly, the risk of injury and damage to the product increases.
- Stop the engine and let the product become cool before you do the maintenance.
- Clean the product to remove dangerous material before you do the maintenance.
- Disconnect the spark plug cap before you do the maintenance.
- The exhaust fumes from the engine are hot and can contain sparks. Do not operate the product in indoor areas or near flammable material.
- Do not change the product. Modifications that are not approved by the manufacturer, can cause serious injury or death.
- Always use original accessories and spare parts. Accessories and spare parts that are not approved by the manufacturer, can cause serious injury or death.
- Replace damaged, worn or broken parts.
- Only do the maintenance as given in this operator's manual. Let an approved service center do all other servicing.
- Remove all tools from the product before you start the engine after maintenance. Loose tools or tools attached to rotating parts can eject and cause injury.
- Let an approved service center do servicing on the product regularly.

## Assembly

### To remove the product from the package

- Lift the product from the center handle on the safety frame to remove the product from the package.

### Introduction



**WARNING** Before you assemble the product, you must read and understand the safety chapter.



**WARNING** Remove the spark plug cable from the spark plug before you assemble the product.

2. Assemble the skid plate. Refer to *To assemble the skid plate on page 21.*

## To assemble the cutting blade and the skid plate

1. Assemble the cutting blade. Refer to *To install a cutting blade on page 19.*

## Operation

### Introduction



**WARNING** Before you operate the product, you must read and understand the safety chapter.

### Basic working techniques

#### Contraction joints and joint spacing

As concrete hydrates or cures and begins to set, it develops internal stresses which may cause random cracks.

Random cracks cast doubt on the quality and workmanship of the concrete. Contraction joints are cut in concrete to relieve these stresses before they seek their own relief in the form of random crack.

The Soff-Cut Ultra Early Entry system controls random cracking through the early timing of a saw cut at predetermined locations to create weakened planes in the concrete that subsequently crack at the bottom of the cut to relieve stress.

Sawed contraction joints must be a minimum of  $\frac{1}{8}$  of the concrete depth and a minimum of 25 mm (1") deep.

Saw contraction joints when the concrete holds the weight of the product and the operator. Make sure that the product does not make marks on or cause damage to the concrete.

There are many possibilities for joint layout. Joint layout should be provided, the saw contractor should submit a detailed joint layout for approval prior to cutting.

There are many conditions that have an effect on joint spacing.

- Concrete thickness.
- Type, amount and location of reinforcement.
- Shrinkage potential of concrete-cement (type, quantity), aggregate (size, quantity, quality), water to cement ratio, admixtures, concrete temperature.
- Base friction.
- Slab restraints.
- Layout of foundations, racks, pits, equipment pad, trenches, etc.
- Environmental factors - temperature, wind, humidity.

- Methods and quality of concrete curing.

Generally, contraction joint patterns should divide slabs into approximate square panels per the recommended spacing shown in the table.

Concrete thickness, mm (in.)	Maximum spacing, m (ft.)
90 (3.5)	2.4 (8)
100, 114 (4, 4.5)	3.0 (10)
125, 140 (5, 5.5)	3.6 (12)
150 (6) or greater	4.5 (15)

At all intersecting cross cuts, install Husqvarna joint protectors at each joint to prevent joint damage. Install an additional joint protector where the right wheel will cross the joint to prevent concrete damage.

### Maximizing the Soff-Cut system

"The timing of concrete operations - especially finishing and jointing - is critical... Failure to address this issue can contribute to undesirable characteristics in the wearing surface as cracking..." (Extract from the foreword of the American Concrete Institute (ACI) 302.1 R-96.)

The Soff-Cut Ultra Early Entry system has revolutionized the method used to control random cracking.

In order for an operator to do a satisfactory job using the Soff-Cut system, the following criteria must be met:

- A Soff-Cut Ultra Early Entry dry up-cut saw.
- A Husqvarna Soff-Cut dry-cutting diamond blade.
- A Husqvarna anti-ravel skid plate installed with every new diamond blade.
- An operator skilled in using the Soff-Cut Ultra Early Entry cutting system.

Without this, joints can not be cut clearly enough to control random cracking before it starts, which is what the building owner is paying for.

The ACI Spec 302.1R-96 says it best:

"Early-entry dry-cut saws use diamond-impregnated blades and a skid plate that helps prevent spalling.

Timely changing of skid plates is necessary to effectively control spalling. It is best to change skid plates in accordance with manufacturer's recommendations...The goal of saw-cutting is to create a weakened plane as soon as the joint can be cut...The timing of the early-entry process allows joints to be in place prior to development of significant tensile stress in the concrete..."

The Portland Cement Association (PCA) engineering bulletin, Concrete Floors on the ground, also states:

"Proper jointing can eliminate unsightly random cracks. Aspects of jointing that lead to a good job are choosing the correct type of joint for each location, establishing a good joint pattern and layout, and installing the joint at the correct time... Timing of joint sawing is critical...Lightweight, high-speed, early-cut saws have been developed to permit the joint sawing very soon after floor finishing, sometimes within 0 to 2 hours...if the cut is sawn within a few hours after the final finishing, random cracking can be controlled..."

Husqvarna has the only Ultra Early Entry dry-cutting system (Soff-Cut) which controls random cracking through the early timing of the cut. With the Soff-Cut method, control joints are usually cut within 2 hours after the finishing process.

Joint cutting should begin as soon as the concrete will support the weight of the saw and the operator at each joint location and before final set.

If the joints are not being cut within this time frame then the Soff-Cut Ultra Early Entry method is not being followed.

## Before you operate the product

1. Do daily maintenance. Refer to *Maintenance schedule on page 17*.
2. Make sure that the front guide is turned to the forward position.
3. Fill the oil tank. Refer to *Technical data on page 32* for information about recommended engine oil.
4. Do a check of the oil level. Refer to *To examine the engine oil level on page 21*.

## To fill fuel



**WARNING** Do not fill containers when you are in a vehicle. Risk of fire. Put the container on the ground away from your vehicle.



**CAUTION** Do not use gasoline with an octane number less than 90 RON (87 AKI). This can cause damage to the product.



**CAUTION** Use unleaded gasoline. Do not use unleaded gasoline with more than 10% ethanol. Gasoline with more than 10%

ethanol cause a risk of fire and can also cause starting and performance problems. It can also cause damage to metal, rubber, and plastic parts of the fuel system.



**CAUTION** Do not use gasoline that contains methanol.



**CAUTION** Do not keep fuel more than 30 days in a container. Expired fuel can cause damage to the product.

1. Remove the product from the transportation vehicle and put it on the ground. If this is not possible, refill the product with a portable container and not from a gasoline pump nozzle.



**WARNING** Use only approved gasoline containers.

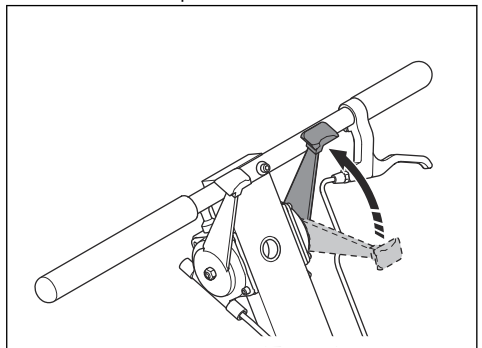
2. Open the fuel tank cap slowly to release the pressure.
3. Make sure that the nozzle touches the top edge of the fuel tank opening until the fuel tank is full. Do not use a nozzle lock-open device.
4. Clean the area around the fuel tank cap.
5. Tighten the fuel tank cap fully. If the fuel tank cap is not tightened, there is a risk of fire.
6. Move the product a minimum of 3 m/10 ft from the position where you filled the tank before a start.

## To start the engine

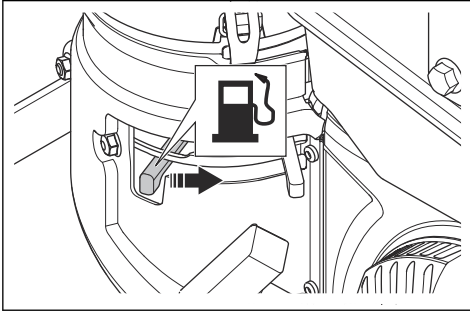


**CAUTION** The engine on this product can be started with the forward drive engaged. Make sure the forward speed lever is in "STOP" position before the engine is started.

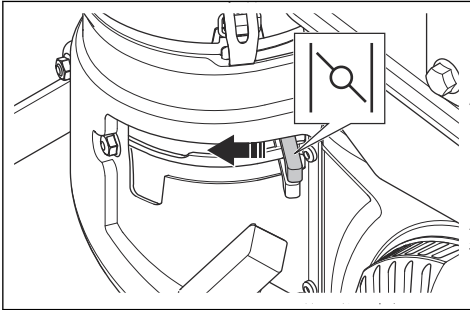
1. Pull the forward speed lever to "STOP".



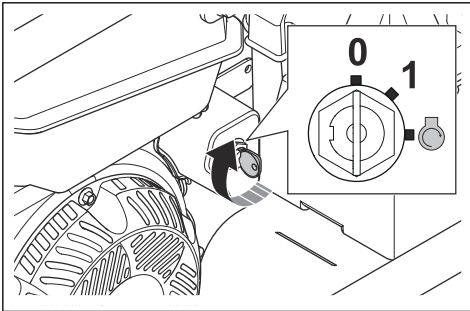
2. Move the fuel lever to the right to open the fuel valve.



3. Move the choke lever to the left to set the choke function to ON.



4. Turn the ignition key to "START" and release when the engine starts.

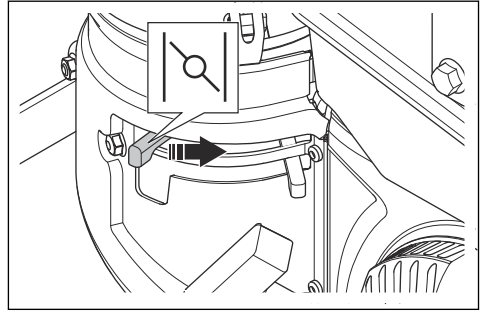


**CAUTION** Do not crank the engine continuously for more than 10 seconds. Wait 60 seconds to let the engine become cool before restart.

**Note** If the engine does not start, turn the ignition key to "OFF" (0). Speak to your Husqvarna service agent.

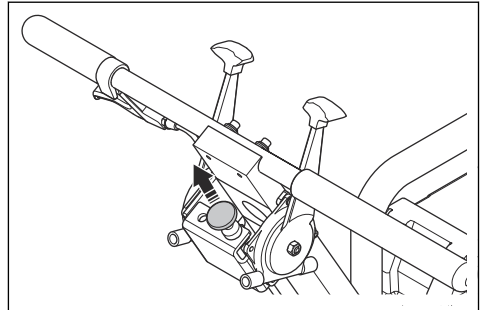
**Note** If a metal noise occurs, operate the engine for 5 minutes. If the noise continues, operate the engine at middle throttle for 20 minutes. If the noise continues, speak to your Husqvarna service agent.

5. Set the choke function to OFF.



- a) If the engine is cold, move the choke lever slowly to the right, to set the choke function to OFF.  
b) If the engine is warm, move the choke lever immediately to the right, to set the choke function to OFF.

6. Pull the throttle control out  $\frac{1}{4}$ .



## To do work with dust

This product has a dust outlet on the blade block cover. The dust outlet is used to connect a dust extractor.

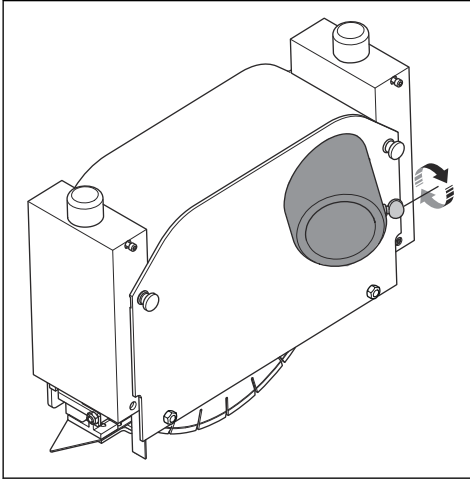
- Always use a dust extractor. It is also recommended to use an antistatic extraction hose.

**Note** For Husqvarna products, OSHA objective data are available at [www.husqvarnacp.com/us](http://www.husqvarnacp.com/us). The performance of the dust extractor can change over time.

## To connect a dust extractor to the product

1. Turn the wing nut on the plug counterclockwise.
2. Remove the plug from the pipe on the blade block cover.

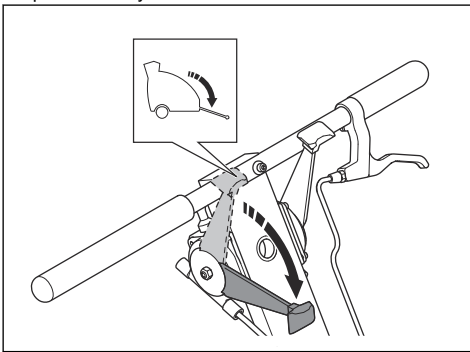
3. Connect a dust extractor to the blade block. Turn the screw to attach it.



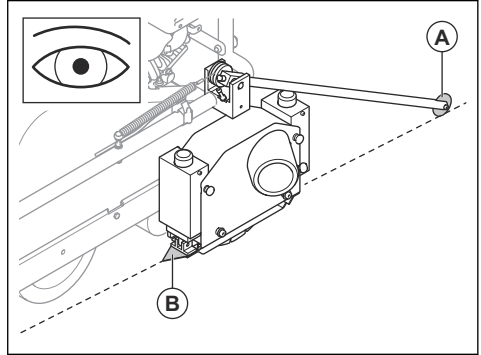
**Note** If the dust extractor is not compatible with the connection on the product, use an adapter.

## To operate the product

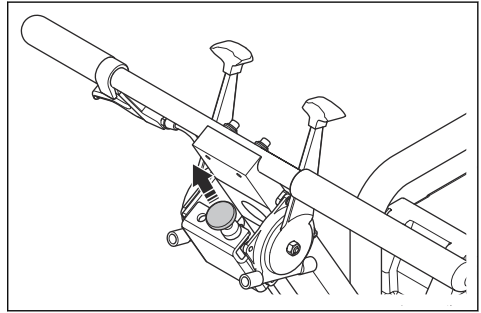
1. Start the engine. Refer to *To start the engine on page 12*.
2. Push the front pointer lever to "DOWN". The front pointer is fully lowered.



3. Align the front pointer (A) and the kerf guide (B) with the line where you will cut.

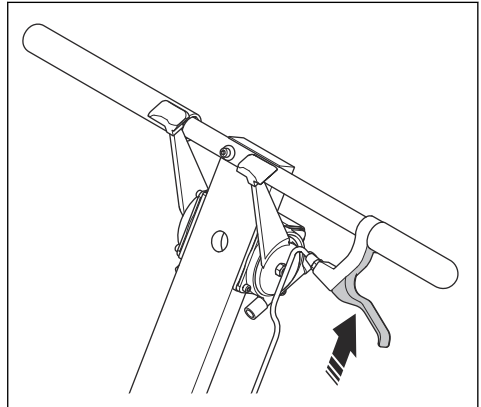


4. Pull the throttle control up fully.

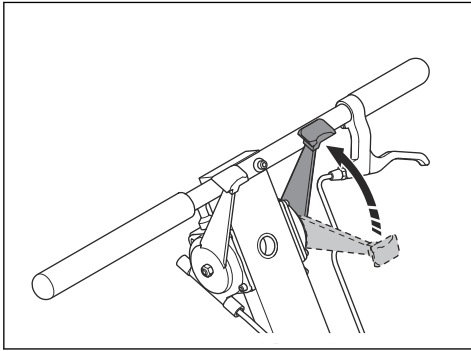


**Note** Always operate the engine at full engine speed for maximum capacity.

5. Pull the cutting depth handle in the direction of the handlebar and carefully lower the blade.

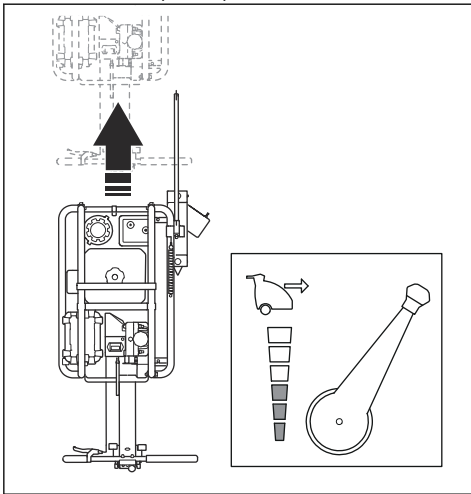


6. Push the forward speed lever in the direction of "FAST" to move the product forward. Start slow and increase the speed until you get the correct cutting speed.

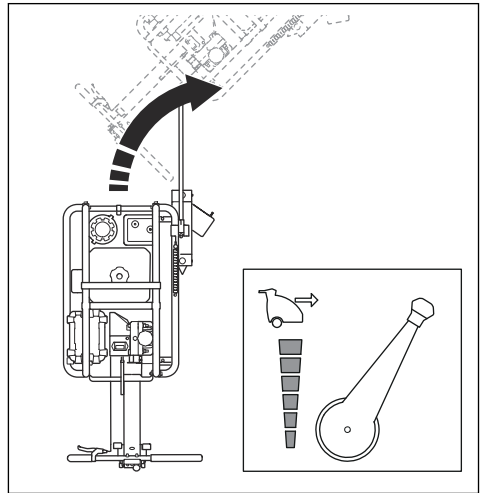


**Note** Do not push the product.

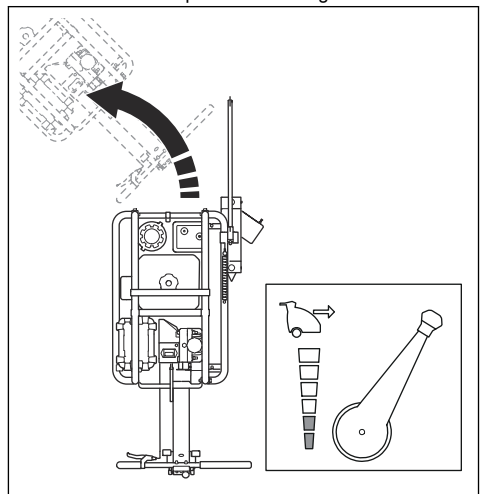
- a) Adjust the speed to the hardness of the concrete to cut straight. Push or pull the forward speed lever to adapt the speed.



- b) If the speed is too fast, the product turns right. Decrease the speed to cut straight.



- c) If the speed is too slow, the product turns left. Increase the speed to cut straight.



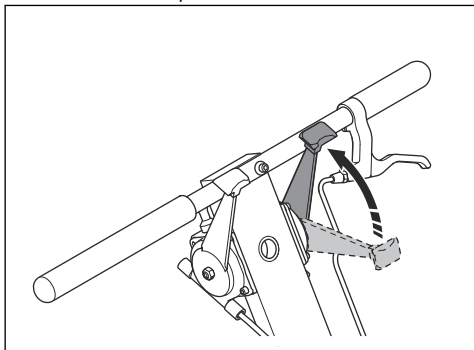
7. Put your hands on the handlebar when you have the correct cutting speed.
8. Pull the front pointer lever when you get near a wall to lift the front pointer. Use the kerf guide to make sure that you cut straight.



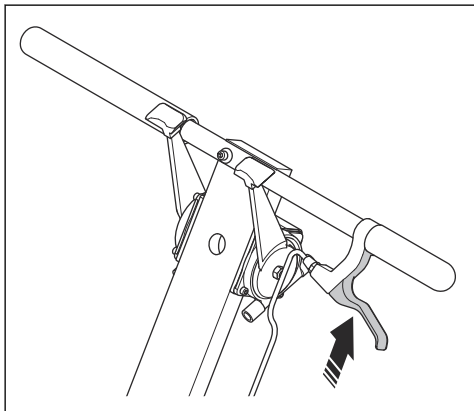
**CAUTION** Make sure that no objects hit the blade block. It can cause damage to the product.

## To stop the product

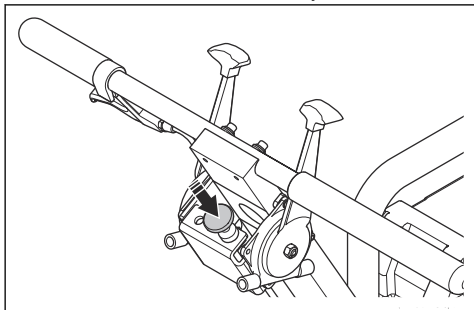
1. Pull the forward speed lever to "STOP".



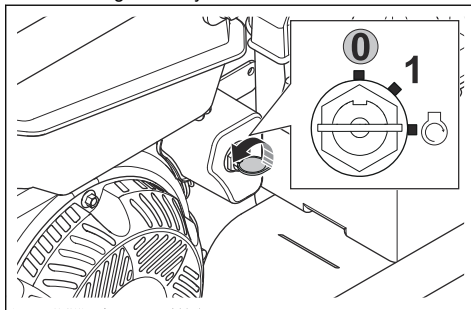
2. Pull the cutting depth handle in the direction of the handlebar and lift the blade.



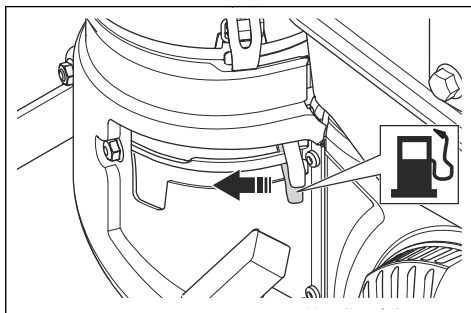
3. Push down the throttle control fully.



4. Turn the ignition key to "OFF".



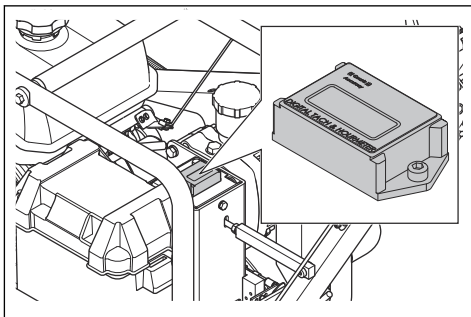
5. Close the fuel valve.



6. Clean the product, refer to *To clean the product externally on page 18*.

## Hour meter

Use the hour meter to see when servicing is needed on your product. For more information, refer to the maintenance schedule and the operator's manual for the engine.





# Maintenance

## Introduction



**WARNING** Before you do any maintenance work you must read and understand the safety chapter.

## Maintenance schedule

The maintenance intervals are calculated from daily use of the product. The intervals change if the product is not used daily.

For maintenance marked with \* see instructions in *Safety devices on the product on page 7.*

Maintenance	Every use	Daily	Weekly (50 h)	Monthly (200 h)	Annually	After the first 20 h, then each 100 h
Do a check for fuel and oil leakage.		X				
Do a general inspection.		X				
Examine the engine oil level.		X				
Examine the hydraulic oil level.		X				
Clean the blade and blade block guard *.	X					
Clean the product.		X				
Examine the controls.		X				
Examine the blade block guard*.		X				
Examine the cutting blade.	X					
Examine the floating side cover.	X					
Examine the skid plate.	X					
Examine the fuel level.		X				
Examine the wheels.		X				
Clean the spark plug.			X			
Examine the air filter and replace if it is necessary.			X			
Examine the drive belt and replace if damaged.			X			
Replace the oil .						X
Lubricate the blade shaft bearings.			X			
Replace the air filter.				X		
Examine the fuel tank cap				X		
Examine the spark plug and electrode gap				X		
Replace the fuel filter					X	

## To examine the spark plug



**CAUTION** Always use the recommended spark plug type. Incorrect spark plug type can cause damage to the product.

- For more information, refer to the operator's manual for the engine.

## To clean the product externally



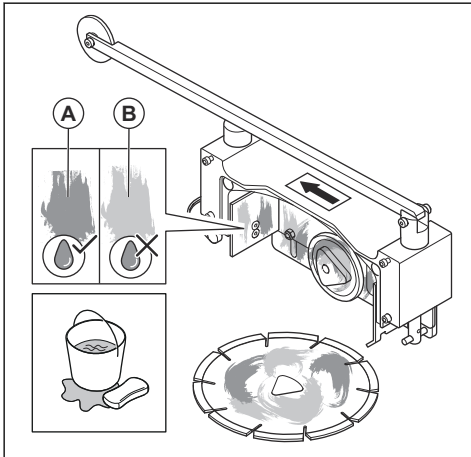
**CAUTION** Always clean the product immediately after use, before the concrete becomes dry. Remaining concrete can cause damage to the product.

1. Remove the blade. Refer to *To remove the cutting blade on page 18*.
2. Clean the product with water.



**CAUTION** Do not point the water directly at the engine, especially if you use a high-pressure washer.

3. Make sure that the handles and levers are clean and dry before you operate the product.
4. Clean the blade block and blade from concrete particles after each use. Use a heavy duty brush and water. The remaining concrete (A) will dry and set (B) if you do not remove it.



5. Keep all openings and slots on the product clean to make sure that air flows freely through the motor area.

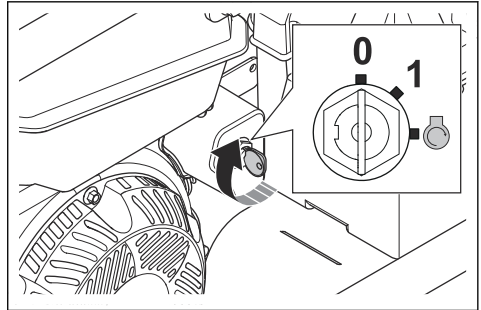
## To do a general inspection

- Make sure that the nuts and screws on the product are tightened.

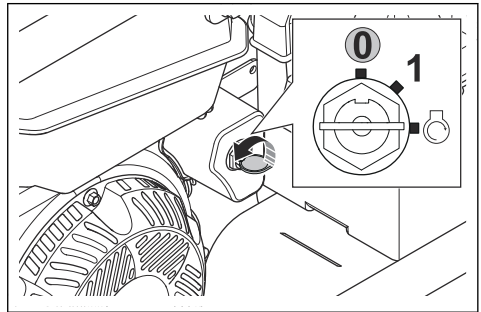
- Make sure that there are no fuel or oil leaks.
- : Make sure that the wheels for the front guide and the rear guide turn freely.

## To do a check of the ignition key

1. Make sure that the engine starts and that the blade starts to rotate when you turn the ignition key to "ON" (1).

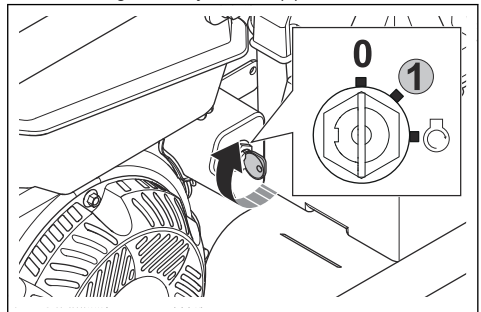


2. Make sure that the engine stops immediately when you turn the ignition key to "OFF" (0).



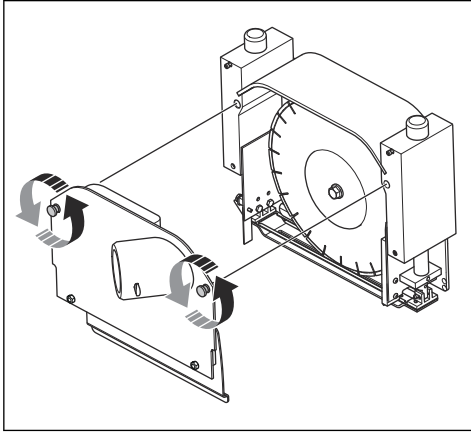
## To remove the cutting blade

1. Turn the ignition key to "ON" (1).

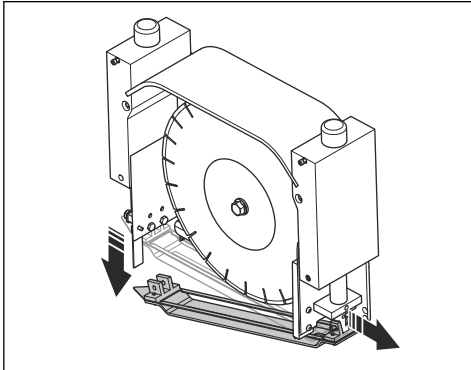


2. Pull the cutting depth handle in the direction of the handlebar and lift the product to its full height.
3. Turn the ignition key to "OFF" (0).

4. Turn the 2 locking knobs counterclockwise and remove the blade block guard.

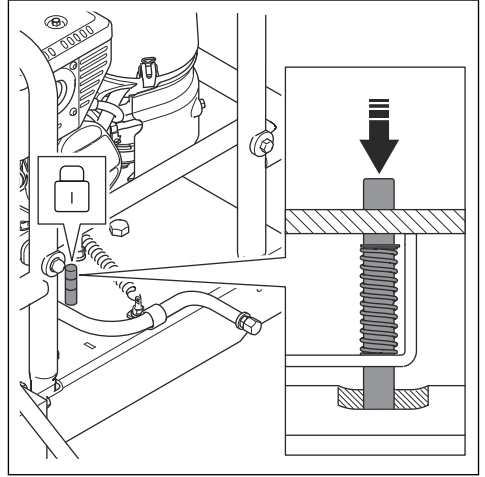


5. Push down on the kerf guide to release the skid plate.

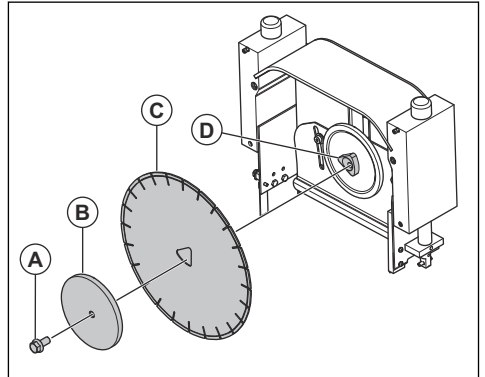


6. Put the supplied blade wrench on the blade shaft bolt in the blade block.

7. Use the blade wrench to turn the blade shaft counterclockwise while you push the locking pin. The locking pin will drop down and lock the blade shaft.



8. Use the blade wrench to turn the blade shaft bolt counterclockwise.
9. Remove the blade shaft bolt (A). Remove the outer blade flange (B). Remove the blade (C) from the blade shaft (D).



## To install a cutting blade



**WARNING** Do not use a cutting blade with a rated speed value lower than that of the product. The rated speed value of the cutting blade is marked on the cutting blade, and that of the product is marked on the type plate.



**CAUTION** Examine the cutting blade for defects such as damages, cracks, loss of segments, warping, overheating, excessive

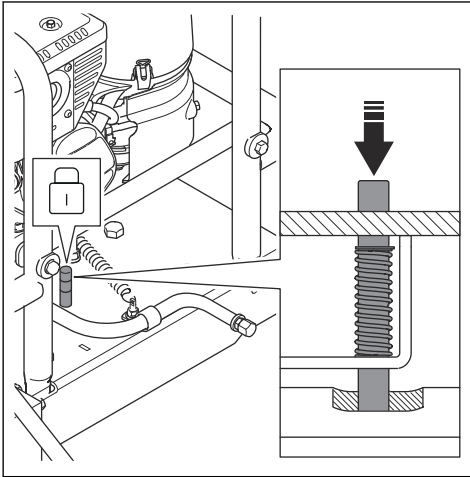
wear or a damaged tri-arbor hole. Discard a defective blade.

Examine the blade flanges for damage and excessive wear and make sure that the blade flanges are clean.

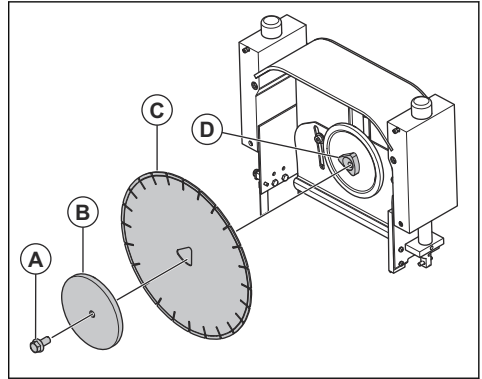
Cutting blades are not included with the product. Use only original Husqvarna cutting blades. Refer to *Technical data on page 32* for the correct type for your model.

**Note** If you have the blade block guard, a blade and a skid plate installed, refer to *To remove the cutting blade on page 18*.

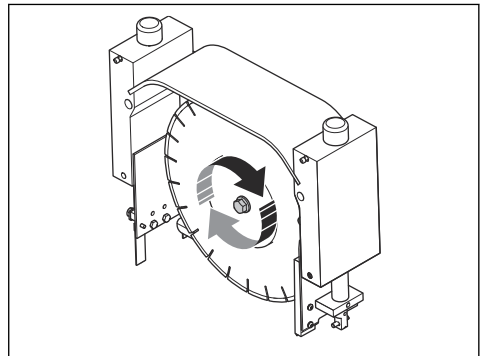
1. Put the included blade wrench on the blade shaft bolt in the blade block.
2. Use the blade wrench to turn the blade shaft counterclockwise while you push the locking pin. The locking pin will fall down and lock the blade shaft.



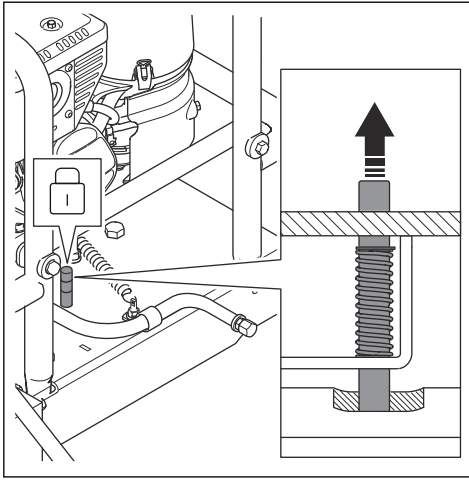
3. Put the new cutting blade (C) tightly against the inner flange on the blade shaft (D). Put the outer flange (B) on the blade shaft. Make sure that the outer flange is tightly installed to hold the cutting blade in position and attach the blade shaft bolt (A).



4. Turn the blade shaft bolt clockwise with the blade wrench.



5. Pull out the locking pin to release the shaft blade.



**CAUTION** Do not operate the product with the locking pin pushed in. This causes damage to the product.

6. Attach the skid plate and blade block guard. Refer to *To assemble the skid plate on page 21*.

### To examine the skid plate

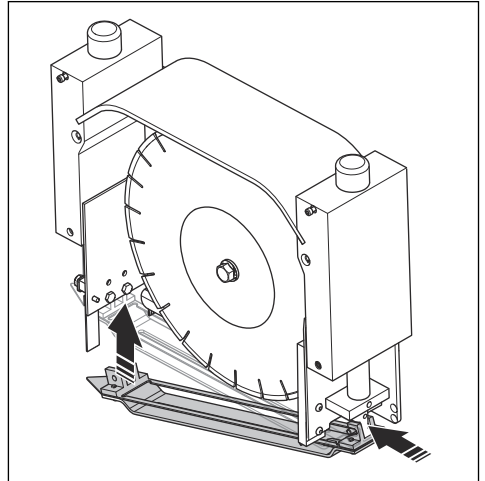
- Examine the skid plate for damage.
- Examine the slot of the skid plate for too much wear.
- Examine the bottom of the skid plate for too much burrs.
- Make sure that the skid plate is not twisted.
- Lift the front and the rear of the skid plate. Make sure that the blade moves freely through the slot of the skid plate.
- If the skid plate is damaged, replace the skid plate. Refer to *To assemble the skid plate on page 21*.

### To assemble the skid plate

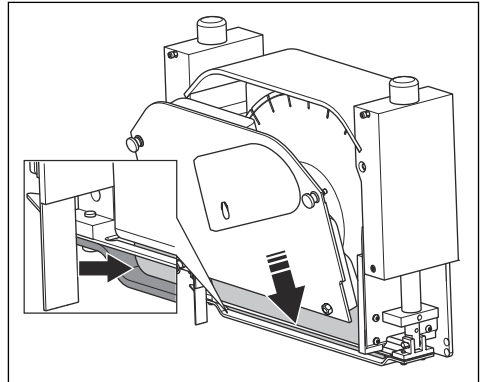


**CAUTION** Always replace the skid plate when you install a new blade. Do not use a damaged skid plate.

1. Put the front of the skid plate on the pin that is installed at the front of the blade block.



2. Connect the rear, pointed end of the skid plate to the blade block. Push it up until you hear a click.
3. Attach the blade block guard. Turn the 2 knobs of the blade block guard and tighten until it is fully attached to the blade block.

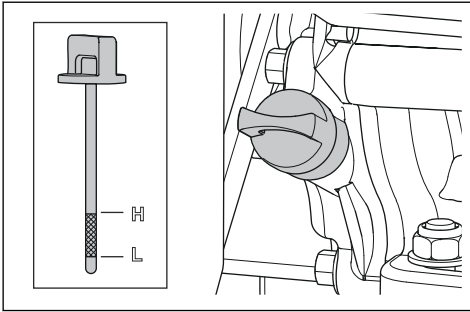


4. Lift the skid plate to make sure that the blade moves through the skid plate freely.

### To examine the engine oil level

1. Stop the engine.
2. Put the product on level ground.
3. Remove the oil tank cap and the attached dipstick.
4. Clean the oil from the dipstick.
5. Put the dipstick back in. Do not tighten the oil tank cap.

- Pull the dipstick out and examine the oil level.

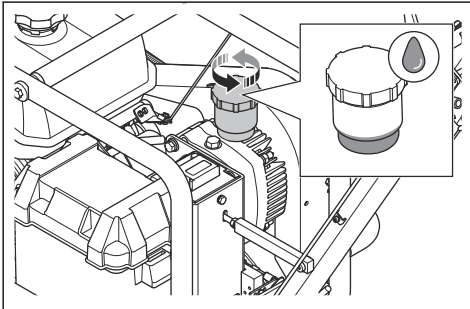


- If the oil level is low, fill with engine oil and do a check of the oil level again. Refer to *Technical data on page 32* for correct oil type.
- Tighten the oil tank cap correctly before you start the engine.

**Note** The engine has a system that stops the engine if the oil level is too low. The engine cannot be started unless the oil level is above the specified limit.

## To examine the hydraulic oil level

- Stop the engine.
- Make sure that the engine is cold.
- Put the product on level ground.
- Make sure that the level of hydraulic oil is immediately above the tight part of the hydraulic oil container.



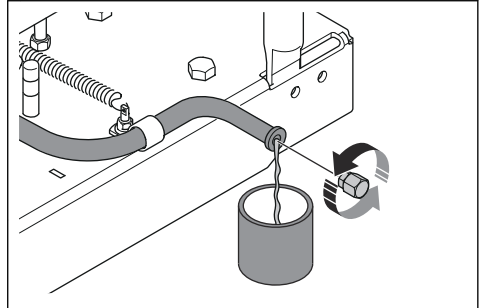
- If the hydraulic oil level is below the tight part of the hydraulic oil container:
  - Clean the hydraulic oil container to decrease the risk of contamination of hydraulic fluid when the container is open.
  - Remove the cap for the hydraulic oil container.
  - Fill with hydraulic oil to immediately above the tight part of the hydraulic oil container. Refer to *Technical data on page 32* for correct oil type.
- Tighten the cap for the hydraulic oil container correctly before you start the engine.

## To replace the engine oil



**WARNING** Engine oil is very hot directly after the engine stops. Let the engine become cool before you drain the engine oil. If you spill engine oil on your skin, clean with soap and water.

- Put a container below the drain plug for the engine oil.
- Remove the drain plug.
- Let the oil run out into the container.



- Attach the drain plug and tighten it.
- Remove the oil tank cap and the attached dipstick.
- Fill with new oil. Refer to *Technical data on page 32*.

## To replace the air filter

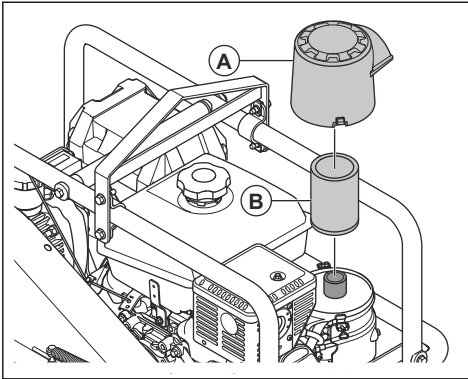


**CAUTION** The air filter cannot be cleaned. Replace dirty or worn air filters.

**Note** Refer to the operator's manual for the engine for more information about the air filter.

- Remove the air filter cover (A).

2. Remove the air filter (B).



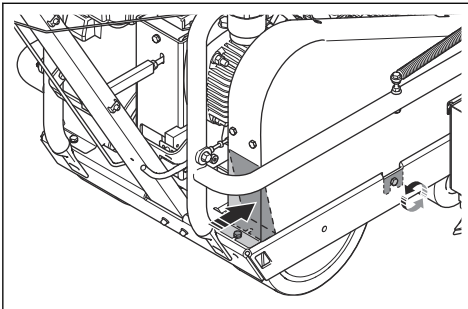
3. Attach the new air filter and the air filter cover.

### To examine the drive belt

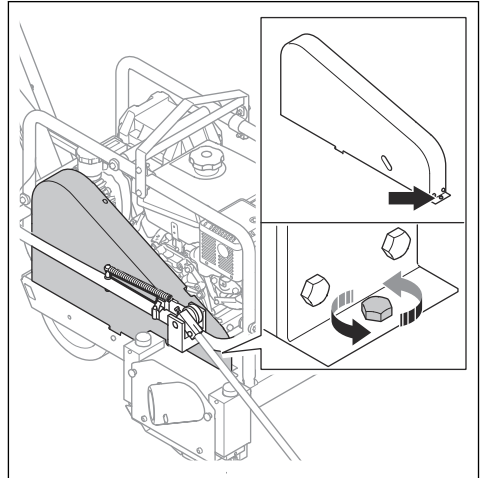


**CAUTION** Do not use the product if the drive belt is damaged. You must replace the drive belt if it is damaged.

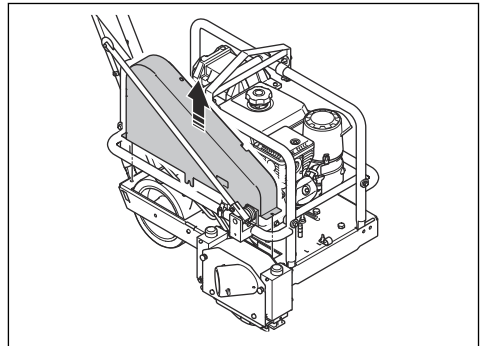
1. Loosen, but do not remove, the screws on the rear and on the side of the drive belt cover.



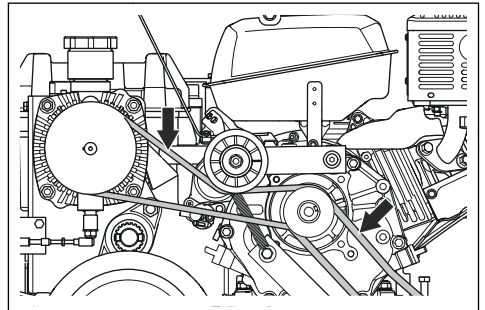
2. Loosen, but do not remove, the screw on the front of the drive belt cover.



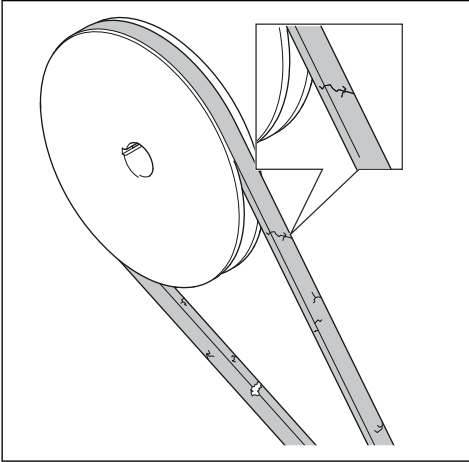
3. Remove the drive belt cover.



4. Examine the 2 drive belts for damage and wear.



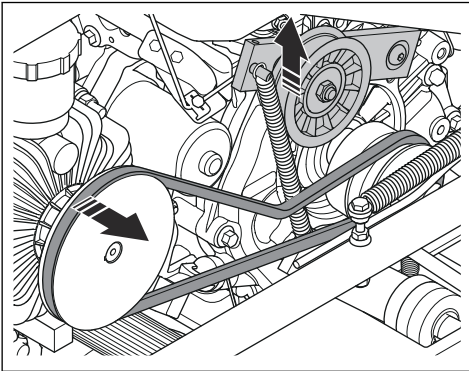
5. If the drive belt is damaged, replace the drive belt. Refer to *To replace the drive belt on page 24*.



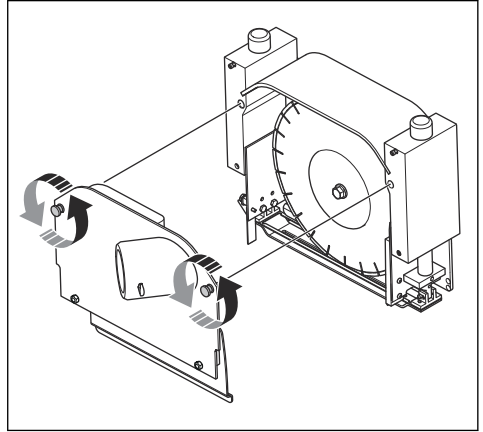
6. If the drive belt is not damaged, attach the drive belt cover.

### To replace the drive belt

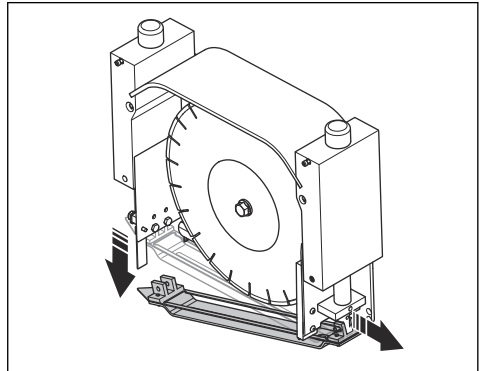
1. Remove the drive belt cover, refer to *To examine the drive belt on page 23*.
2. Lift the belt tensioner to loosen the tension of the drive belt and remove the drive belt.



3. Turn the 2 locking knobs counterclockwise and remove the blade block guard.

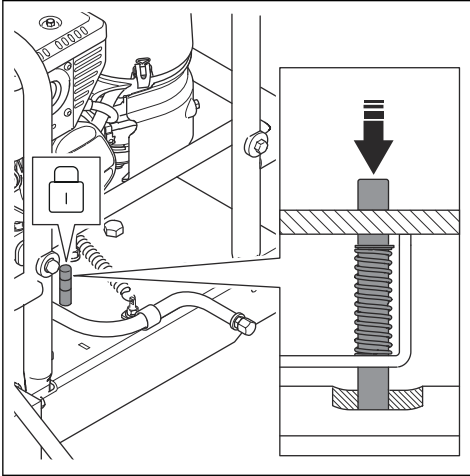


4. Push down on the kerf guide to release the skid plate.

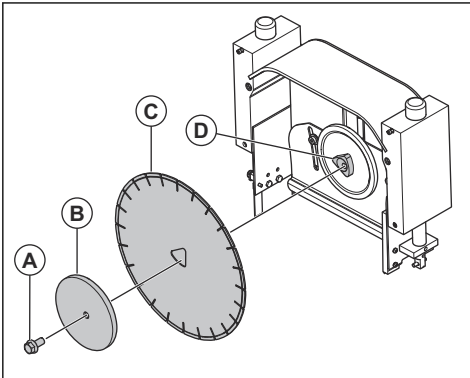




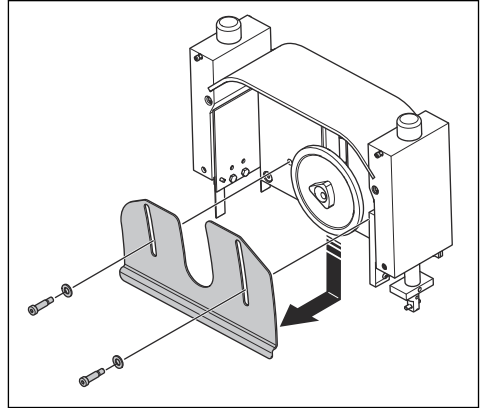
5. Push the locking pin on the front of the product to lock the blade shaft.



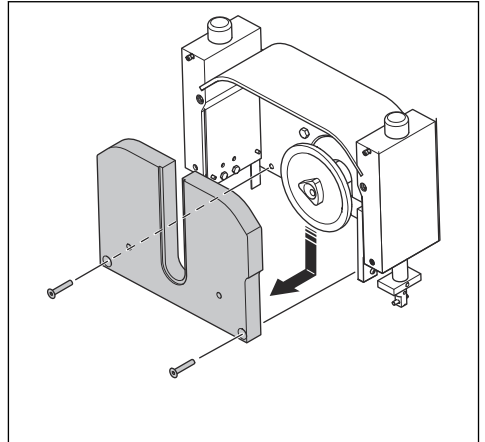
6. Use a wrench to remove the blade shaft bolt (A). Remove the outer blade flange (B). Remove the blade (C) from the blade shaft (D).



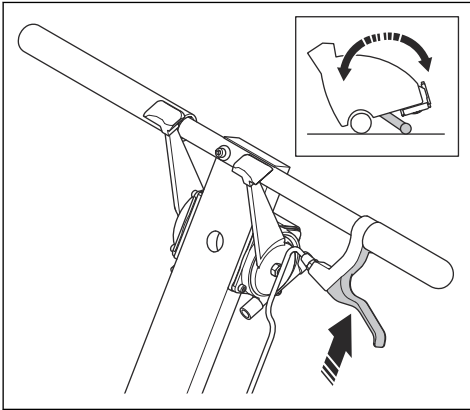
7. Remove the 2 screws and the 2 washers. Pull the floating side cover down and out to remove.



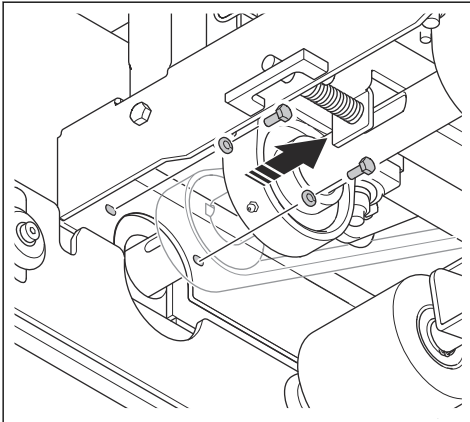
8. Remove the 2 screws. Pull the block down and out to remove it.



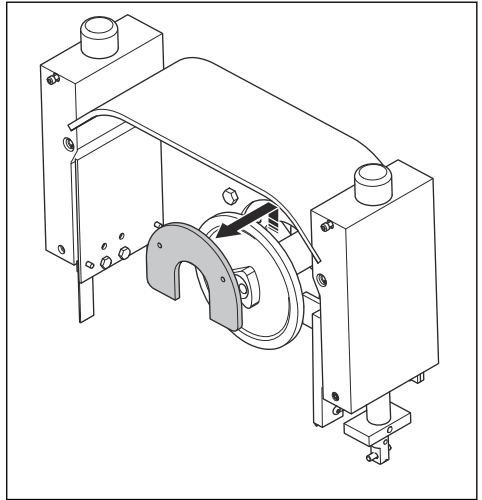
9. Pull the cutting depth handle in the direction of the handlebar and lift the blade. Lift the product to its full height to get access to the 2 screws behind the blade block.



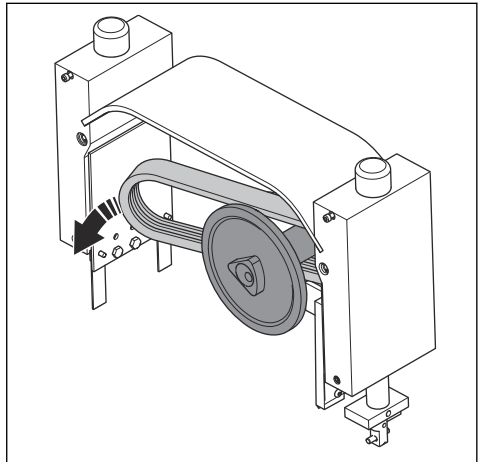
10. Remove the 2 screws.



11. Remove the cover.

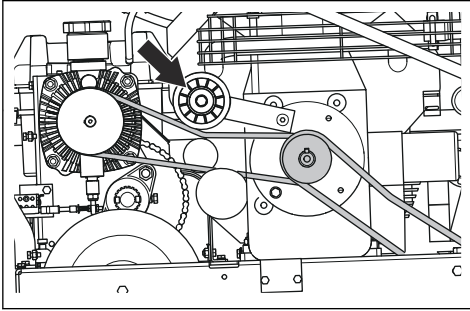


12. Remove the damaged drive belt.



13. Attach the new drive belt.

14. Make sure that the belt tensioner moves freely up and down.

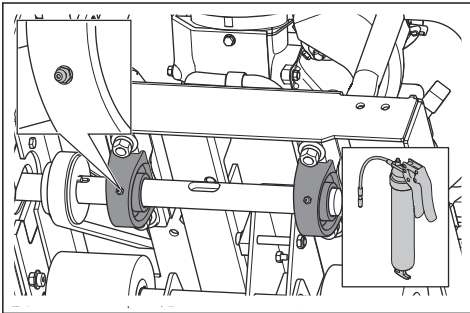


15. Make sure that the belt tensioner bearings move freely.
16. Assemble all parts in the opposite sequence to how they were disassembled.

### To lubricate the blade shaft bearings

The blade shaft bearings are below the product. To get access, lift the product with the cutting depth handle.

1. Turn the ignition key to "ON" (1).
2. Pull the cutting depth handle in the direction of the handlebar and lift the product to its full height.
3. Turn the ignition key to "OFF" (0).
4. Lubricate the blade shaft bearings with 3 pumps of Lithium 12 based grease.

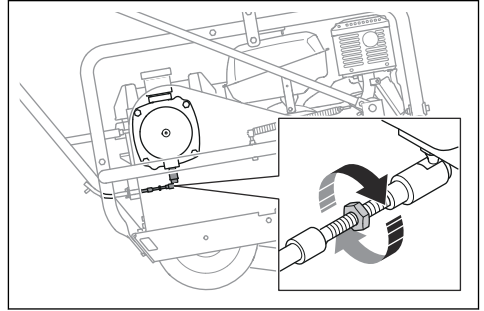


### To adjust the transmission neutral position

When you pull the forward speed lever to "STOP", the product must fully stop. If the product moves, adjust the transmission neutral position.

1. Loosen the locknut on the cable end at the transmission.

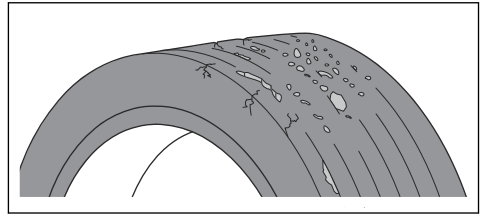
2. Pull the spring sleeve rearward and adjust the nut until the product fully stops.



3. Tighten the locknut.

### To examine the wheels

1. Regularly examine the wheels on your product. Damaged wheels can decrease the quality of the result.
2. Do a check that all wheels rotate freely and smooth.
3. Replace the wheels if they show signs of damage or wear.



### Maintenance of the battery



**WARNING** To not disconnect the battery if you do not need to, it can cause sparks and short circuits. A spark or flame can cause a lead acid battery to explode.



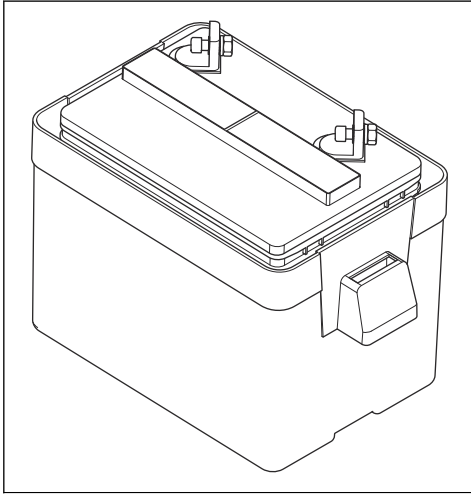
**WARNING** Risk of electrical shock. Do not let metal objects touch the 2 battery terminals. This can cause a short circuit of the battery.



**WARNING** Before you connect a battery, remove metal bracelets, wristwatch bands, rings etc. Always use gloves and protective glasses or face shield when you work with the battery.

The battery is maintenance free. If the battery ever requires charging, use only a voltage regulated taper current charger designed specifically for sealed lead acid gel cell batteries rated at 2 amps or less. A standard automotive, or any other type, battery charger

not designed specifically for sealed batteries will cause permanent damage to the installed battery and void any warranty. Do not leave the ignition key in the "ON" position as this will drain the battery.



## Maintenance of the engine

Refer to the operator's manual for the engine for additional information about servicing of the engine. The operator's manual for the engine also has information about specifications, tune-up parts, engine warranty, emission compliance, etc.

---

## Troubleshooting

---

### Troubleshooting schedule

---



**WARNING** Troubleshooting causes risk of injury because personnel does work in the

risk areas of the product. Be careful, prepare the work and use common sense.

---

If you cannot find a solution to your problems in this operator's manual, speak to your Husqvarna service agent.

Problem	Solution
The product causes chipping/ spalling or raveling in the cut .	Make sure that the cutting blade is not worn out, smooth, out of shape or damaged.
	Make sure that the skid plate does not touch the cutting blade and moves freely up and down the full shaft length.
	Make sure that the skid plate is not worn out and that there is no distance around the cutting blade.
	Examine the bottom of the skid plate and make sure that there are no metal burrs or defects.
	Make sure that the skid plate is not twisted or bent.
	Make sure that the blade block guards move freely up and down.
	Make sure that each end of the skid plate has a pressure down.
	Do not twist or move the product sideways while cutting. Make gradually changes in pressure on the handlebar to control the saw in the cut.
	Make sure that the engine operates correctly and at the specified rpm.
	Examine the belt and the pulleys for correct tension.
	Make sure that the blade is correctly assembled and attached with clean flanges.
	Make sure that the cutting blade has the correct specification for your area or type of concrete.
	Make sure that the concrete surface is clean and that the skid plate can move smoothly along on the concrete surface.
	Use Husqvarna joint guards at all cut intersections.
	Clean unwanted concrete contamination from the blade block assembly.
	The product pulls to one side while sawing.
Do a check of the skid plate for damage or burrs.	

Problem	Solution
The engine does not start.	Do a check if there is fuel in the tank and it is the correct fuel. Make sure there is no water in the fuel.
	Make sure that the fuel valve is in the "ON" position.
	Make sure that the ignition key is in the "START" position.
	Make sure that the spark plug cable is connected to the spark plug.
	The engine is flooded. Adjust the choke, refer to the operator's manual for the engine.
	Make sure that the choke is in the "ON" position for cold starts. Adjust the choke, refer to the operator's manual for the engine.
	Do a check of the oil level. The engine has an oil alert system that stops the engine if the oil level is too low.
	Make sure that the air filter is not dirty or clogged.
	Do a check that the blade shaft rotates freely and no concrete has built up in the blade block.
The engine does not operate smoothly or cannot operate at full speed.	Do a check if there is fuel in the tank and it is the correct fuel. Make sure there is no water in the fuel.
	Do a check of the oil level. The engine has an oil alert system that stops the engine if the oil level is too low.
	Make sure that the air filter is not dirty or clogged.
	Make sure that the spark plug is clean and has the correct gap, refer to the operator's manual for the engine.
	Make sure that the throttle control is set correctly.
	Make sure that the choke is in the "ON" position for cold starts. Adjust the choke, refer to the operator's manual for the engine.

## Transportation, storage and disposal

### Transportation and storage



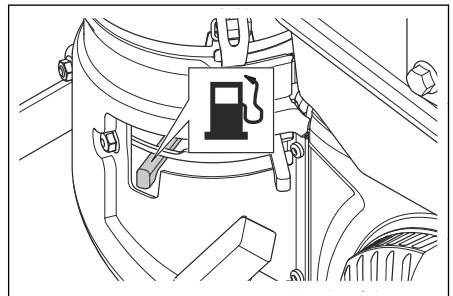
**WARNING** Be careful during transportation. The product is heavy and can cause injury or damage if it falls or moves during transportation.

The wheels let you move the product manually for shorter distances. For longer distances, lift the product to move it or put the product on a vehicle.



**CAUTION** Do not tow the product behind a vehicle.

- Move the fuel lever to the left to close the fuel valve.



- Attach the product safely during transportation by vehicle. Attach tie-down straps to the safety frame and to the vehicle.
- Remove the cutting blade before transportation of the product.
- Put the product in lower height position.

- For storage and transportation of the product and fuel, make sure that there are no leaks or fumes. Sparks or open flames, for example from electrical devices or boilers, can start a fire.
- Always use approved containers for transportation of fuel.

### To lift the product



**WARNING** Make sure that the lifting equipment has the correct dimension. The type plate on the product shows the product weight.

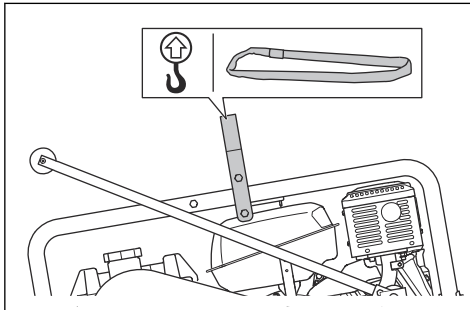


**WARNING** Do not lift a damaged product. Make sure that the lift point is correctly installed and not damaged.



**WARNING** Do not use metal hooks, chains or other lifting equipment with rough edges that can cause damage to the lift point.

- Attach the lifting equipment to the lift point on the safety frame.



- Clean the product and do a complete servicing.
- Empty the fuel tank.
- Keep the product in a dry and frost-free area.
- Put a protective cover on the product. This is especially important for storage outdoors.
- Replace the engine oil after a long-term storage.

### Disposal

- Obey the local recycling requirements and applicable regulations.
- Discard all chemicals, such as engine oil or fuel, at a service center or at an applicable disposal location.
- When the product is no longer in use, send it to a Husqvarna dealer or discard it at a recycling location.

### Storage

- Remove the cutting blade before storage of the product.
- Keep the product in a locked area to prevent access for children or persons that are not approved.
- Keep the cutting blades in a safe area to prevent damage.
- Keep the cutting blades in a dry and frost-free area.
- Examine new cutting blades for storage damage.
- For storage of the product and fuel, make sure that there are no leaks or fumes. Sparks or open flames, for example from electrical devices or boilers, can start a fire.
- Always use approved containers for storage of fuel.
- Keep the product in a fully lowered position and make sure that it cannot move.

For long-term storage, also do these steps:

# Technical data

## Technical data

	<b>Soff-Cut 2000</b>
<b>Engine <sup>1</sup></b>	
Engine brand/ Type	Kohler Command Pro CH395
Engine power, hp@rpm/kW@rpm <sup>2</sup>	9.5@4000/7.1@4000
<b>Fuel and lubrication system</b>	
Fuel tank capacity, gal/l	2.0/7.4
Oil system	Oil alert with auto shut down sensor
Oil tank capacity, quarts/l	1.4/1.3
Engine oil	<p>We recommend use of Kohler oils for best performance. Other high-quality detergent oils, including synthetic, of API (American Petroleum Institute) service class SJ or higher are acceptable. Select viscosity based on air temperature at time of operation as shown in figure below.</p>
<b>Weight and dimensions</b>	
Nominal weight, lbs/kg	331/150
Operation weight, included fuel and accessories, lbs/kg	341/155
<b>Saw blade</b>	
Blade type	Diamond blade, dry cut with tri-arbor
Material	Green concrete only
Max. blade size, in/mm	10.0/254
Max. cut depth, in/mm	1.5/38
Cutting distance from wall, in/mm	3 ½/89
Blade rotation	Counterclockwise, upcutting
Blade shaft speed, rpm	3300
Blade depth control	Manual

<sup>1</sup> For further information and questions about this specific engine, refer to the engine manual or the web site of the engine manufacturer.

<sup>2</sup> As specified by engine manufacturer. Gross power rating as per SAE J1940/J1995, at specified rpm.



	<b>Soff-Cut 2000</b>
<b>Average cutting rate</b> <sup>3</sup>	
Soft aggregates, ft/min/m/min	18/5.5
Medium aggregates, ft/min / m/min	13/4.0
Hard aggregates, ft/min / m/min	7/2.1
<b>Recommended dust extractors</b> <sup>4</sup>	
Min. Air flow CFM or m <sup>3</sup> /h	236 or 400
Min. Vacuum, psi/KPa	3.6/22
Min. Water lift, in/m	90/2.3
Dust extractor attachment, in/mm	3/76

---

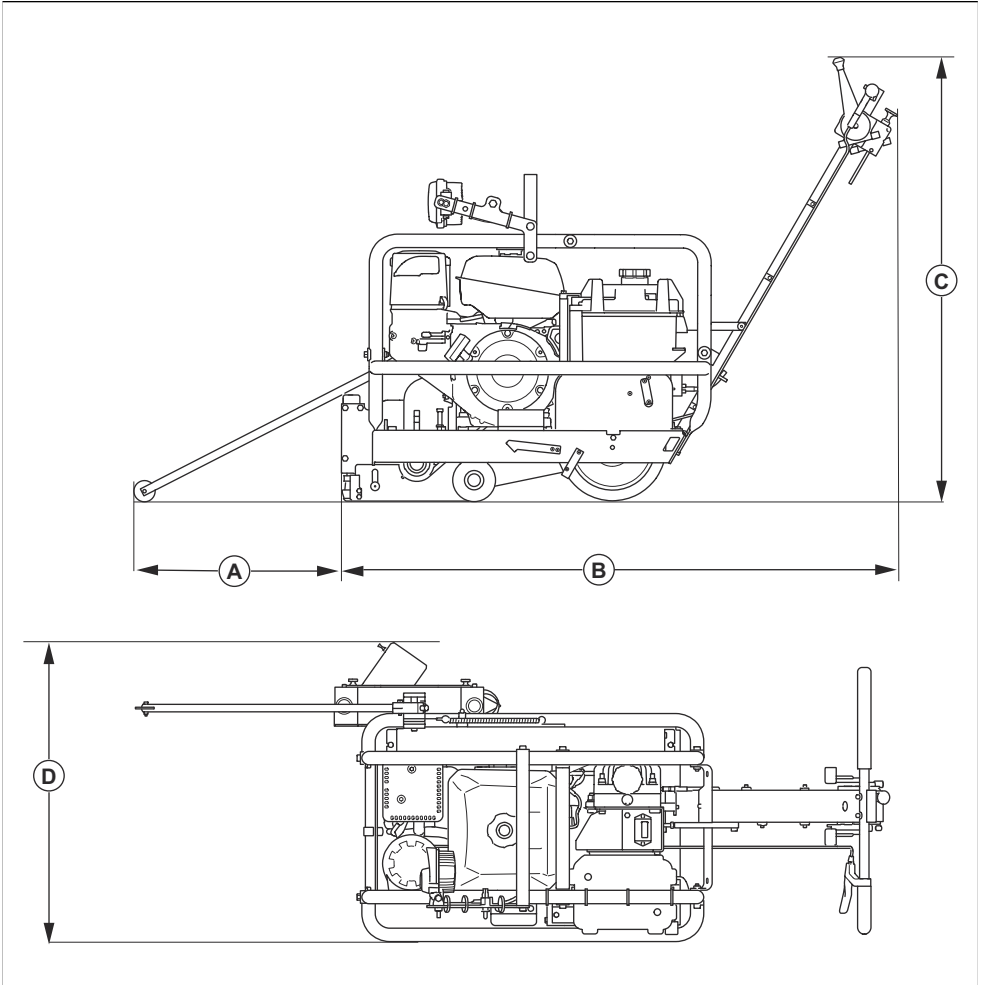
**Note** This spark ignition system complies with the Canadian ICES standard.

---

<sup>3</sup> Estimate only. Speed will vary with job conditions and concrete mixes.

<sup>4</sup> Technical data for dust extractors are not conclusively describing actual performance over time between different dust extractors. For Husqvarna products OSHA objective data are available at [www.husqvarnaccp.com/us](http://www.husqvarnaccp.com/us).

## Product dimensions Soff-Cut 2000



		Dimensions, mm/in.
<b>A</b>	Distance from the front pointer wheel to the product	470/18.5
<b>B</b>	Length	1440/57
<b>C</b>	Height with handle	940/37
<b>D</b>	Width	730/28.7

---

# Contenido

---

Introducción.....	35	Mantenimiento.....	51
Seguridad.....	38	Solución de problemas.....	62
Montaje.....	44	Transporte, almacenamiento y eliminación de residuos.....	64
Funcionamiento.....	44	Datos técnicos.....	66

---

## Introducción

---

### Responsabilidad del propietario

---



**ADVERTENCIA:** Cuando corta con la máquina, especialmente cuando se corta EN SECO, el material que corta produce polvo que con frecuencia contiene sílice. La sílice es un componente básico de la arena, el cuarzo, la arcilla de los ladrillos, el granito y otros numerosos minerales y rocas. La exposición a una cantidad excesiva de polvo de sílice puede causar las siguientes afecciones:

Enfermedades respiratorias (que afectan la capacidad de respirar), incluidas la bronquitis crónica, la silicosis y la fibrosis pulmonar debido a la exposición a la sílice. Estas enfermedades pueden ser mortales.

Irritación cutánea y sarpullido.

Cáncer, según el NTP\* y la IARC\* \*/National Toxicology Program (Programa Nacional de Toxicología) y Centro Internacional de Investigaciones sobre el Cáncer.

Tome medidas preventivas:

Evite inhalar y que su piel entre en contacto con el polvo, el vaho y los gases.

Utilice artículos apropiados para la protección respiratoria como máscaras contra polvo diseñadas para filtrar partículas microscópicas, y asegúrese de que todas las personas que se encuentren cerca también lo hagan. (Consulte la normativa OSHA 29 CFR Parte 1926.1153)

Corte húmedo para minimizar las emisiones de polvo.

---

Es responsabilidad del propietario o del empleador que el operador posea los conocimientos necesarios sobre cómo utilizar el producto de manera segura. Los supervisores y operadores deben haber leído y comprendido el manual de usuario. Deben tener conocimiento de lo siguiente:

- Las instrucciones de seguridad del producto.
- La gama de aplicaciones y limitaciones del producto.
- Cómo el producto se va a utilizar y mantener.

El uso de este producto se podría ver restringido por las normativas nacionales o locales. Antes de comenzar a utilizar el producto, infórmese sobre qué normativas se aplican en el lugar donde trabaja.

### Propuesta 65 de California



### Descripción del producto

El producto es una cortadora de piso de conducción manual autopropulsada que funciona con gasolina para hormigón.

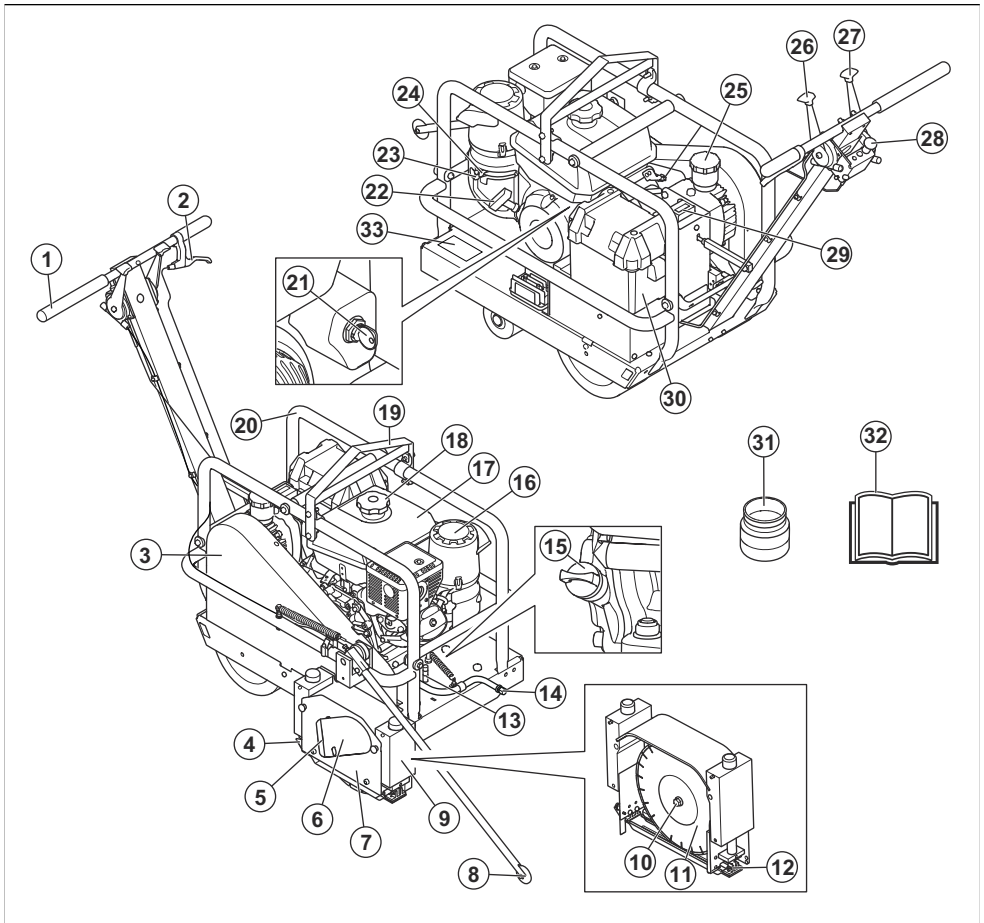
### Uso previsto

El producto es solo para el uso por parte de profesionales. El producto se utiliza para cortar juntas de contracción en la Ultra Early Stage de hormigón. El producto libera la tensión en el hormigón y evita daños y grietas aleatorias. Se utiliza para trabajos comerciales medianos a pesados.

El producto se utiliza de 1 a 2 horas después de que se completa el proceso de hormigón.

El producto es solo para el uso en el exterior. No utilice el producto para otras tareas.

## Descripción general del producto Soff-Cut 2000



1. Manijas de operación
2. Palanca de liberación de la cuchilla
3. Cubierta la correa de transmisión
4. Guía de corte
5. Enchufe para la conexión del extractor de polvo
6. Conexión del extractor de polvo
7. Cubierta del bloque de la cuchilla
8. Indicador delantero
9. Bloque de la cuchilla
10. Perno del eje de la cuchilla
11. Cuchilla de corte (no incluida)
12. Plancha protectora (no incluida)
13. Pasador de bloqueo del eje de la cuchilla
14. Manguera de drenado de aceite

15. Varilla de nivel de aceite y tapón del depósito de aceite
16. Filtro de aire
17. Depósito de combustible
18. Tapa del depósito de combustible
19. Punto de elevación
20. Bastidor de seguridad
21. Llave de encendido
22. Empuñadura de la cuerda de inicio
23. Palanca del estrangulador
24. Palanca de combustible
25. Tapón del depósito para aceite hidráulico
26. Palanca de velocidad de avance
27. Palanca indicadora delantera
28. Acelerador

- 29. Medidor de horas
- 30. Caja de la batería
- 31. Adaptador para la conexión del extractor de polvo
- 32. Manual de usuario
- 33. Placa de identificación

## Símbolos en el producto



Tenga cuidado y utilice el producto correctamente. Este producto puede causar daños graves o fatales al operador o a otras personas.



Lea atentamente el manual de instrucciones y asegúrese de que entiende las instrucciones antes de usar este producto.



Asegúrese de leer y comprender el manual de usuario del extractor de polvo.



Use protectores auriculares.



Use protección ocular aprobada.



El polvo puede provocar problemas de salud. Utilice una protección respiratoria aprobada.



Utilice un casco protector en lugares donde puedan caer objetos sobre usted.



Para levantar el producto, conecte el equipo de elevación al punto de elevación del producto.



Suelte la manija para bajar la cuchilla por gravedad. Para evitar daños en la cuchilla, sujete firmemente el producto y baje la cuchilla con cuidado.



Riesgo de lesiones y daños al producto. Tenga cuidado al elevar el producto. Retire la cuchilla de corte antes de elevar el producto.



Peligro de enredo de la correa. Mantenga las manos y otras partes del cuerpo alejadas de las piezas móviles.



Riesgos de la maquinaria. Riesgo de corte. Mantenga las manos y los pies alejados.



No utilice el motor de combustión en interiores ni en zonas que no tengan suficiente flujo de aire. No inhale los gases de escape. El polvo puede provocar problemas de salud. Utilice una protección respiratoria aprobada.



Mantenga todas las protecciones en su lugar.



No usar en áreas inflamables.



La flecha en la protección de la cuchilla indica el sentido en que gira la cuchilla.



Cargue con aceite de motor al nivel adecuado.



Palanca de velocidad de avance. Empuje la palanca para aumentar la velocidad. Tire de la palanca para disminuir la velocidad.



Tire el indicador delantero hacia arriba.



Coloque el indicador delantero hacia abajo.



OFF, detiene el motor.



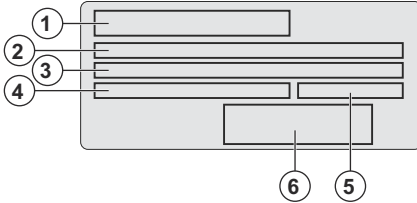
MARCHA, inicia el encendido.



START, arranca el motor.

**Nota:** Otros símbolos o etiquetas del producto hacen referencia a requisitos de certificación para otras zonas comerciales.

### Placa de identificación para EE. UU./Canadá



1. Marca
2. Número de la máquina
3. Modelo
4. Número de serie

5. Fecha de fabricación, año, semana
6. Fabricante, dirección, número de teléfono

## CONSEJO DE RECURSOS DEL AIRE DE CALIFORNIA (CARB)

**Nota:** Esta máquina se considera un adelanto en cuanto a aplicaciones todo terreno en relación con los estándares del CARB. La EPA de EE. UU. tiene exclusiva autoridad para establecer normas de emisiones para equipos de construcción anticipados.

### Responsabilidad del fabricante

Como se menciona en las leyes de responsabilidad del fabricante, no nos hacemos responsables de los daños que cause nuestro producto si:

- el producto se repara incorrectamente
- el producto se repara con piezas que no son del fabricante o que este no autoriza
- el producto tiene un accesorio que no es del fabricante o que este no autoriza
- el producto no se repara en un centro de servicio autorizado o por una autoridad aprobada.

## Seguridad

### Definiciones de seguridad

Las advertencias, precauciones y notas se utilizan para señalar las piezas particularmente importantes del manual.



**ADVERTENCIA:** Se utilizan para señalar el riesgo de lesiones graves o mortales para el operador o para aquellos que se encuentren cerca si no se siguen las instrucciones del manual.



**PRECAUCIÓN:** Se utilizan para señalar el riesgo de dañar la máquina, otros materiales o el área adyacente si no se siguen las instrucciones del manual.

**Nota:** Se utilizan para entregar más información necesaria en situaciones particulares.

### Instrucciones generales de seguridad



**ADVERTENCIA:** Lea atentamente las instrucciones de advertencia siguientes antes de usar el producto.

- Este producto puede ser una herramienta peligrosa si no se maneja con cuidado o si utiliza el producto

de forma incorrecta. Este producto puede causar daños graves o fatales al operador o a otras personas. Antes de utilizar el producto, es muy importante que lea y comprenda el contenido de este manual de usuario.

- Guarde todas las advertencias y las instrucciones.
- Cumpla todas las leyes y reglamentos vigentes.
- El operador y el empleador del operador deben conocer y evitar los riesgos durante la operación del producto.
- No permita que nadie que no haya leído y comprendido el contenido del manual de usuario utilice el producto.
- No utilice el producto si no ha recibido capacitación antes de su uso. Asegúrese de que todos los usuarios reciban capacitación.
- No deje que un niño utilice el producto.
- Restrinja el uso del producto solo a personas autorizadas.
- El operador es responsable de los accidentes que puedan ocurrirles a otras personas o a sus propiedades.
- No utilice el producto si está cansado, enfermo o bajo la influencia de alcohol, drogas o medicamentos.
- Sea siempre cuidadoso y use el sentido común.
- En este producto se genera un campo electromagnético durante su funcionamiento. Este campo puede, en determinadas circunstancias,

interferir en implantes médicos activos o pasivos. Para reducir el riesgo de daños graves o mortales, se recomienda que las personas con implantes médicos consulten a su médico y al fabricante del implante médico antes de utilizar este producto.

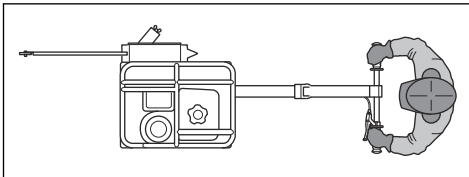
- Mantenga el producto limpio. Asegúrese de que puede leer señales y etiquetas claramente.
- No utilice el producto si se encuentra defectuoso.
- No modifique este producto.
- No utilice el producto si es posible que otras personas hayan realizado modificaciones en el mismo.

## Instrucciones de seguridad para el funcionamiento



**ADVERTENCIA:** Lea atentamente las instrucciones de advertencia siguientes antes de usar el producto.

- Lea las instrucciones de advertencia del disco de corte indicadas por el fabricante del disco de corte.
- Asegúrese de que el producto esté montado correctamente.
- No opere el producto si no tiene instaladas la protección de la hoja y las cubiertas protectoras.
- Si el producto no se opera correctamente, el disco de corte se puede romper y causar lesiones o daños.
- Asegúrese de saber cómo detener el motor rápidamente en caso de emergencia.
- Utilice el equipo de protección personal. Consulte *Equipo de protección personal en la página 40*.
- Mantenga una distancia de seguridad con respecto al disco de corte cuando el motor esté en marcha. No intente detener un disco giratorio con alguna parte de su cuerpo. Tocar un disco giratorio, aunque el motor esté apagado, puede ocasionar lesiones graves o la muerte.
- Asegúrese de que solo personas autorizadas estén en la área de trabajo.
- Asegúrese de que los cables eléctricos de la área de trabajo estén sin corriente.
- Mantenga el área de trabajo limpia y despejada.
- Opere el producto solamente desde la parte posterior y con ambas manos en la manija



- Asegúrese de encontrarse en una posición segura y estable durante la operación.

- Antes de alejarse del producto, detenga el motor y asegúrese de que no exista riesgo de que se ponga en marcha de forma accidental.
- Tenga mucho cuidado cuando trabaje en pendientes. El producto es pesado y puede causar daños graves si se cae.
- Asegúrese de que ningún material se pueda aflojar y causar lesiones al operador.
- Asegúrese de que ninguna prenda, cabello largo o joya puedan quedar atrapados en las piezas móviles.
- No se siente ni se pare sobre el producto.
- Manténgase alejado del recorrido de la cuchilla mientras el motor está encendido.
- No utilice el producto si no puede recibir ayuda en caso de que ocurra un accidente.
- No utilice el producto para el transporte de personas o equipos.
- No coloque los pies sobre el producto.
- Asegúrese de que la cuchilla no toque el suelo ni ninguna otra superficie cuando mueva el producto.
- No opere el producto con exceso de carga. La sobrecarga puede dañar el producto.

## Seguridad en el área de trabajo



**ADVERTENCIA:** Lea atentamente las instrucciones de advertencia siguientes antes de usar el producto.

- El producto puede hacer que los objetos salgan eyectados a alta velocidad. Asegúrese de que todas las personas en el área de trabajo utilicen equipos de protección personal aprobados. Consulte *Equipo de protección personal en la página 40*. Retire los objetos sueltos del área de trabajo.
- Asegúrese de que no hay animales ni personas en el área de trabajo.
- No utilice el producto hasta que el área de trabajo esté despejada y los pies y el cuerpo estén en una posición estable.
- Tenga cuidado con personas, objetos y situaciones que puedan impedir el funcionamiento seguro del producto.
- Asegúrese de que no haya personas u objetos que puedan entrar en contacto con el equipo de corte o recibir el impacto de piezas lanzadas por el disco.
- No use el producto en condiciones de niebla, lluvia, viento fuerte, clima frío, riesgo de rayos u otras condiciones climáticas adversas. Usar el producto en mal tiempo puede tener un efecto negativo en su estado de alerta. Las condiciones climáticas adversas pueden provocar condiciones de trabajo peligrosas, como superficies resbaladizas.
- Durante el funcionamiento del producto, asegúrese de que ningún material pueda aflojarse, caerse y provocar lesiones al operador.
- Tenga cuidado cuando opere el producto en pendientes.

- Mantenga el área de trabajo limpia y despejada.
- Antes de utilizar el producto, determine si hay peligros ocultos como cables eléctricos, agua, tuberías de gas y sustancias inflamables en el área de trabajo. Si el producto se topa con un objeto oculto, detenga el motor inmediatamente y examine el producto y el objeto. No comience a utilizar el producto nuevamente hasta asegurarse de que sea seguro continuar.
- Antes de cortar un tambor, un tubo u otro recipiente, asegúrese de que no contengan material inflamable o de otro tipo que pueda provocar un incendio o una explosión.
- No opere el producto en áreas donde se pueden producir explosiones o incendios.

## Equipo de protección personal



**ADVERTENCIA:** Lea atentamente las instrucciones de advertencia siguientes antes de usar el producto.

- Utilice siempre el equipo de protección personal aprobado cuando utilice el producto. El equipo de protección personal no puede impedir el riesgo de lesiones, pero disminuirá el grado de lesión si ocurre un accidente. Solicite a su concesionario que lo ayude a seleccionar el equipo de protección personal correcto.
- Realice periódicamente una comprobación del estado del equipo de protección personal.
- Utilice un casco protector aprobado.
- Use protección auricular aprobada.
- Utilice protección respiratoria aprobada.
- Utilice protección ocular aprobada con protección lateral. Existe un alto riesgo de lesiones oculares provocadas por la expulsión de objetos.
- Use guantes protectores.
- Utilice botas con punta de acero y suela antideslizante.
- Utilice ropa de trabajo aprobada o ropa equivalente de ajuste ceñido, que cubra por completo los brazos y las piernas.

## Extintor de incendios

- Mantenga un extintor de incendios a mano durante la operación.
- Utilice un extintor de incendios de polvo de clase "ABE" o un extintor de dióxido de carbono de tipo "BE".

## Dispositivos de seguridad en el producto



**ADVERTENCIA:** Lea atentamente las instrucciones de advertencia siguientes antes de usar el producto.

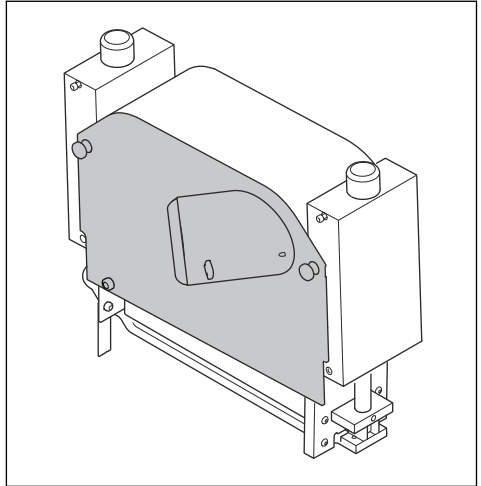
- No utilice un producto con dispositivos de seguridad defectuosos. Revise los dispositivos de seguridad de

forma regular. Si los dispositivos de seguridad están defectuosos, comuníquese con su taller de servicio Husqvarna.

- No realice ninguna modificación en los dispositivos de seguridad. No utilice el producto si las placas de protección, las cubiertas de protección, los interruptores de seguridad u otros dispositivos protectores no están acoplados o están defectuosos.

## Protección del bloque de la cuchilla

La protección del bloque de la cuchilla brinda protección contra la cuchilla giratoria y no permite que le caiga polvo al operador.

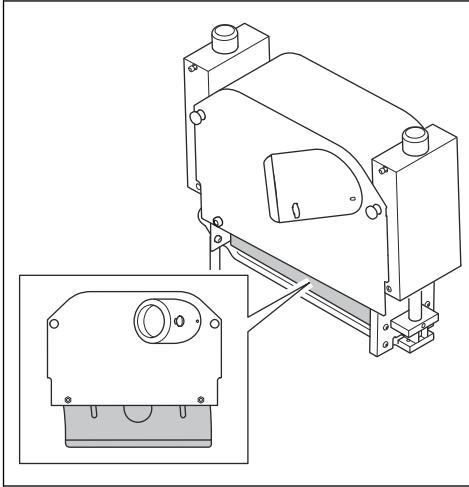




### Cubierta lateral flotante

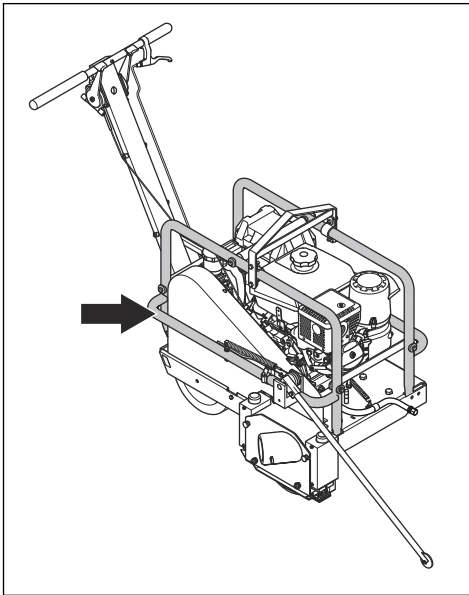
La cubierta lateral flotante mantiene el polvo lejos del operador y evita que las partículas salgan expulsadas.

Asegúrese de que la cubierta lateral flotante se mueva libremente hacia arriba y hacia abajo.



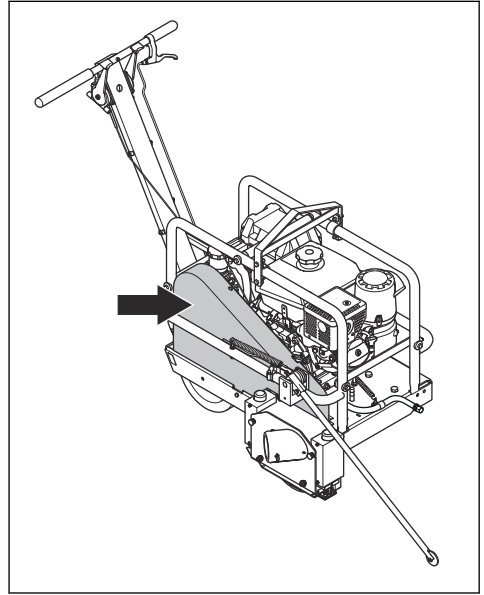
### Bastidor de seguridad

El bastidor de seguridad evita que el equipo y el motor se dañen, además evita lesiones en el operador.



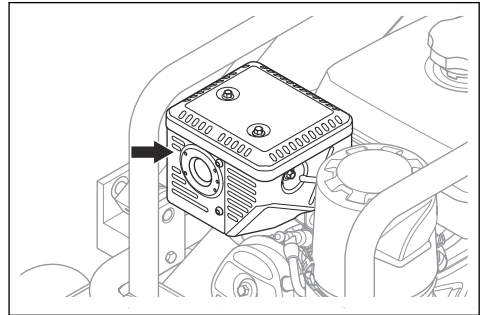
### Cubierta la correa de transmisión

La cubierta de la correa de transmisión proporciona protección contra las poleas giratorias y la correa de transmisión.



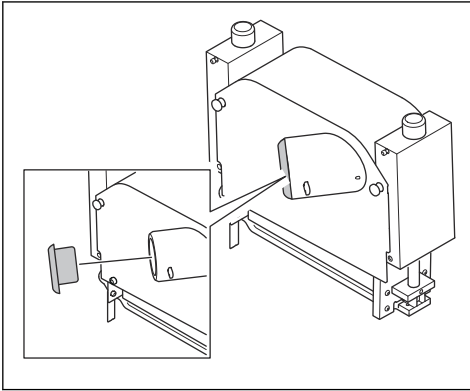
### Protección del silenciador

La protección del silenciador impide que se provoquen quemaduras ocasionadas por el silenciador caliente.



## Enchufe para conectar un extractor de polvo

Siempre utilice el enchufe si el producto no está conectado a un extractor de polvo.



## Para verificar la eficacia de las protecciones



**ADVERTENCIA:** No utilice un producto con protecciones defectuosas. Realice una comprobación de las protecciones antes de usar el producto. Si las protecciones están defectuosas, comuníquese con el taller de servicio Husqvarna.

1. Examine el bloque de la cuchilla y la protección del bloque de la cuchilla, la cubierta lateral flotante, el bastidor de seguridad, la cubierta de la correa de transmisión, el enchufe y la protección del silenciador para ver si presentan daños.
2. Reemplace las protecciones si están dañadas.
3. Asegúrese de que las protecciones estén instaladas de forma adecuada antes de que arranque el producto.

## Seguridad de combustible



**ADVERTENCIA:** Lea atentamente las instrucciones de advertencia siguientes antes de usar el producto.

- La gasolina es inflamable y sus gases son explosivos. Tenga cuidado con el combustible para evitar lesiones, incendios y explosiones.
- No inhale los gases del combustible. Los gases del combustible son tóxicos y pueden provocar lesiones. Asegúrese de que el flujo de aire sea suficiente.
- No retire la tapa del depósito de combustible ni llene el depósito con el motor encendido.
- Deje que el motor se enfríe antes de agregar combustible.

- No llene el depósito de combustible en interiores. Un flujo de aire insuficiente puede causar lesiones graves o fatales por asfixia o debido al monóxido de carbono.
- No fume cerca del combustible o del motor.
- No coloque objetos calientes cerca del combustible o del motor.
- No llene el depósito de combustible cerca de chispas o llamas.
- Antes de llenar el depósito de combustible, abra lentamente la tapa del depósito de combustible y libere la presión con cuidado.
- Si el combustible entra en contacto con la piel, puede provocar lesiones. Si le cae combustible en la piel, quítelo con jabón y agua.
- Si derrama combustible en su ropa, cámbiese la ropa inmediatamente.
- No llene el depósito de combustible completamente. El calor provoca que el combustible se expanda. Deje espacio en la parte superior del depósito de combustible.
- Apriete bien la tapa del depósito de combustible. Si no aprieta la tapa del depósito de combustible, se genera un riesgo de incendio.
- Antes de poner en marcha el producto, colóquelo a una distancia mínima de 3 m/10 pies desde el lugar donde llenó el depósito de combustible.
- No arranque el producto si hay combustible o aceite de motor en el producto. Elimine el combustible y el aceite del motor no deseados y deje que el producto se seque antes de arrancar el motor.
- Examine frecuentemente el motor en busca de fugas. Si hay fugas en el sistema de combustible, no arranque el motor hasta que las repare.
- No busque fugas en el motor con los dedos.
- Almacene el combustible solo en recipientes aprobados.
- Cuando el producto y el combustible estén almacenados, asegúrese de que el combustible y los gases del combustible no puedan causar daños.
- Vacíe el combustible en un recipiente aprobado en exteriores y lejos de chispas y llamas.

## Seguridad de los gases de escape



**ADVERTENCIA:** Lea atentamente las instrucciones de advertencia siguientes antes de usar el producto.

- Los gases de escape del motor contienen monóxido de carbono, un gas inodoro, tóxico y muy peligroso. Respirar monóxido de carbono puede provocar la muerte. Dado que el monóxido de carbono es inodoro y no se puede ver, no es posible detectarlo. Un síntoma de intoxicación por monóxido de carbono es el mareo, pero también es posible que la persona pierda la conciencia sin previo aviso si la cantidad o concentración de monóxido de carbono es suficiente.

- Los gases de escape también contienen hidrocarburos sin quemar, incluido benceno. La inhalación a largo plazo puede provocar problemas de salud.
- Los gases de escape que se pueden ver u oler también contienen monóxido de carbono.
- No utilice el motor de combustión en interiores ni en zonas que no tengan suficiente flujo de aire.
- No inhale los gases de escape.
- Asegúrese de que haya suficiente ventilación en el área de trabajo. Esto es muy importante cuando se utiliza el producto en fosos u otras áreas de trabajo confinadas donde los gases de escape se pueden acumular fácilmente.

## Seguridad de vibración



**ADVERTENCIA:** Lea atentamente las instrucciones de advertencia siguientes antes de usar el producto.

- Durante el funcionamiento del producto, se transmiten vibraciones del producto al operador. El uso frecuente y regular del producto puede provocar lesiones al operador o aumentar el grado de estas. Se pueden producir lesiones en los dedos, las manos, las muñecas, los brazos, los hombros o los nervios, así como en el riego sanguíneo u otras partes del cuerpo. Las lesiones pueden ser debilitantes o permanentes, y pueden aumentar gradualmente durante semanas, meses o años. Entre las posibles lesiones se incluyen daños en el sistema de circulación sanguínea, el sistema nervioso, las articulaciones y otras estructuras corporales.
- Los síntomas pueden presentarse durante el funcionamiento del producto o en otro momento. Si tiene síntomas y continúa utilizando el producto, los síntomas pueden aumentar o hacerse permanentes. Si se producen estos u otros síntomas, solicite asistencia médica:
  - Entumecimiento, pérdida de sensación, hormigueo, picazón, dolor, ardor, dolor pulsante, rigidez, aturdimiento, pérdida de fuerza, cambios en el color o en el estado de la piel.
- Los síntomas pueden aumentar con el frío. Utilice ropa de abrigo y mantenga las manos calientes y secas cuando utilice el producto en entornos fríos.
- Realice el mantenimiento del producto y utilícelo según se indica en el manual de usuario, para mantener un nivel de vibración correcto.
- El producto tiene un sistema amortiguador de vibraciones que disminuye las vibraciones de las manijas al operador. Deje que el producto haga el trabajo. No ejerza fuerza para empujar el producto. Sujete ligeramente el producto en las manijas, pero asegúrese de controlarlo y operarlo de forma segura. No empuje las manijas en los topes más de lo necesario.

- Mantenga las manos solamente en las manijas. No acerque ninguna otra parte de cuerpo al producto.
- Detenga el producto de inmediato si se producen vibraciones fuertes repentinamente. No continúe la operación hasta eliminar la causa del aumento de las vibraciones.

## Seguridad contra el polvo



**ADVERTENCIA:** Lea atentamente las instrucciones de advertencia siguientes antes de usar el producto.

- El funcionamiento del producto puede causar suspensión de polvo en el aire. El polvo puede causar lesiones graves y problemas de salud permanentes. Varias autoridades han establecido regulaciones con respecto a los efectos dañinos del polvo de sílice. A continuación, se presentan algunos ejemplos de tales problemas de salud:
  - Enfermedades pulmonares mortales como bronquitis crónica, silicosis y fibrosis pulmonar
  - Cáncer
  - Anomalías congénitas
  - Inflamación de la piel
- Utilice el equipo correcto para disminuir la cantidad de polvo y gases en el aire y para disminuir la cantidad de polvo en el equipo de trabajo, las superficies, la ropa y las partes del cuerpo. Algunos ejemplos de mecanismos de control son los sistemas de recolección de polvo y los aspersores de agua para adherir el polvo. Disminuya el polvo en el origen cuando sea posible. Asegúrese de que el equipo se instale y utilice correctamente, y de que se le realice mantenimiento regular.
- Utilice protección respiratoria aprobada. Asegúrese de utilizar protección respiratoria cuando se trabaje con materiales peligrosos en el área de trabajo.
- Asegúrese de que haya un flujo de aire suficiente en la zona de trabajo.
- Si es posible, dirija el escape del producto hacia un punto en que no cause suspensión de polvo en el aire.

## Seguridad contra el ruido



**ADVERTENCIA:** Lea atentamente las instrucciones de advertencia siguientes antes de usar el producto.

- Los niveles altos de ruido y la exposición a largo plazo al ruido pueden causar pérdida auditiva.
- Para mantener el nivel de ruido al mínimo, realice el mantenimiento del producto y utilícelo según se indica en el manual de usuario.
- Examine el silenciador en busca de daños y defectos. Asegúrese de que el silenciador esté correctamente unido al producto.

- Utilice protectores auriculares aprobados cuando opere el producto.
- Cuando utilice protectores auriculares, esté atento a las señales de advertencia y a las voces. Quite los protectores auriculares cuando el producto esté detenido, a menos que sean necesarios para el nivel de ruido en la zona de trabajo.

## Instrucciones de seguridad para el mantenimiento



**ADVERTENCIA:** Lea atentamente las instrucciones de advertencia siguientes antes de usar el producto.

- Utilice equipo de protección personal. Consulte *Equipo de protección personal en la página 40*.
- Si el mantenimiento no se realiza de manera correcta y regular, aumenta el riesgo de sufrir lesiones y causar daños en el producto.
- Detenga el motor y deje que el producto se enfríe antes de realizar el mantenimiento.
- Limpie el producto para eliminar materiales peligrosos antes de realizar el mantenimiento.
- Desconecte el sombrerete de bujía antes de realizar el mantenimiento.

- Los gases de escape del motor están calientes y pueden contener chispas. No utilice el producto en zonas interiores ni cerca de materiales inflamables.
- No modifique el producto. Las modificaciones en el producto que no estén aprobadas por el fabricante pueden causar daños graves o la muerte.
- Utilice siempre accesorios y piezas de repuesto originales. El uso de accesorios y piezas de repuesto que no estén aprobados por el fabricante puede causar daños graves o la muerte.
- Cambie las piezas dañadas, desgastadas o rotas.
- Solo realice tareas de mantenimiento como se indica en el presente manual del usuario. Solicite a un taller de servicio aprobado que realice cualquier otro mantenimiento.
- Retire todas las herramientas del producto después del mantenimiento y antes de arrancar el motor. Si quedan herramientas sueltas o conectadas a las piezas giratorias, estas pueden salir expulsadas y provocar lesiones cuando se ponga en marcha el motor.
- Solicite a un taller de servicio aprobado hacer el mantenimiento regular del producto.

## Montaje

### Para extraer el producto del paquete.

- Levante el producto tomándolo del mango central que se encuentra en el bastidor de seguridad para extraerlo del paquete.

### Introducción



**ADVERTENCIA:** Antes de montar el producto, debe leer y entender el contenido del capítulo sobre seguridad.



**ADVERTENCIA:** Retire el cable de la bujía de la bujía antes de montar el producto.

### Para instalar el disco de corte y la plancha protectora

1. Instale el disco de corte. Consulte *Para instalar el disco de corte en la página 54*.
2. Instale la plancha protectora. Consulte *Para montar la plancha protectora en la página 55*.

## Funcionamiento

### Introducción



**ADVERTENCIA:** Antes de utilizar el producto, debe leer y entender el capítulo sobre seguridad.

### Técnicas básicas de trabajo

#### Juntas de contracción y espaciado de juntas

El hormigón, al hidratarse o curarse y empezar a endurecerse, sufre una dilatación interna que puede ocasionar grietas aleatorias.

Este tipo de grietas genera dudas sobre la calidad del trabajo y de la mano de obra del hormigón. Para aliviar esta dilatación, se cortan en el hormigón juntas de

contracción que buscan su propio alivio en forma de grietas aleatorias.

El sistema Soff-Cut Ultra Early Entry controla las grietas aleatorias a través de la sincronización temprana de un corte de sierra en puntos predeterminados; de esta forma, crea planos debilitados en el hormigón que, con el tiempo, se agrietan en la parte inferior del corte para liberar la presión.

Las juntas de contracción serradas deben ser, como mínimo, de ¼ de la profundidad del hormigón y deben tener una profundidad mínima de 25 mm (1").

Sierre las juntas de contracción cuando el hormigón pueda sostener el peso del producto y del operador. Asegúrese de que el producto no deje marcas ni dañe el hormigón.

Existen muchas posibilidades para diseñar las juntas. El diseño de las juntas debería facilitarse: el contratista de la sierra debería entregar un plano con el diseño de las juntas para su aprobación con anterioridad al corte.

Existen muchas condiciones que afectan el espaciado de las juntas.

- El grosor del hormigón.
- El tipo, la cantidad y la ubicación del refuerzo.
- El potencial de contracción del hormigón-cemento (tipo, cantidad), el aglomerado (tamaño, cantidad, calidad), la proporción agua-cemento, los aditivos y la temperatura del hormigón.
- La fricción en la base.
- Las restricciones de la losa.
- La distribución de los cimientos, las cremalleras, los pozos, las almohadillas de los equipos, los fosos, etc.
- Factores medioambientales, como la temperatura, el viento o la humedad.
- Los métodos y la calidad del curado del hormigón.

En general, los patrones de las juntas de contracción deberían dividir las losas en paneles casi cuadrados en función de la separación recomendada que se indica en la tabla.

Grosor del hormigón, en mm (pulgadas)	Separación máxima, en m (pies)
90 (3,5)	2,4 (8)
100, 114 (4, 4,5)	3,0 (10)
125, 140 (5, 5,5)	3,6 (12)
150 (6) o más	4,5 (15)

En todos los cortes transversales de intersección, instale protectores de juntas Husqvarna en cada junta para evitar dañarlas. Instale un protector de juntas adicional donde la rueda derecha atraviese la junta para evitar dañar el hormigón.

## Cómo aprovechar al máximo el sistema Soff-Cut

"La velocidad en la que se ejecutan las operaciones en hormigón (principalmente en acabados y juntas) es esencial... No abordar este problema puede contribuir a que aparezcan características no deseadas en la superficie de desgaste, como grietas..." (Extracto del prólogo del informe del American Concrete Institute [ACI] 302.1 R-96).

El sistema Soff-Cut Ultra Early Entry ha revolucionado el método de control de las grietas aleatorias.

Para que un operador realice un trabajo satisfactorio con el sistema Soff-Cut, se deben cumplir los siguientes criterios:

- Una sierra de corte seco Soff-Cut Ultra Early Entry.
- Una hoja de diamante de corte seco Soff-Cut de Husqvarna.
- Una plancha protectora contra irregularidades de Husqvarna instalada en todas las hojas de diamante nuevas.
- Un operador especializado en el uso del sistema de corte Soff-Cut Ultra Early Entry.

Sin todos estos componentes, es posible que las juntas no se corten con la suficiente definición como para controlar las grietas aleatorias antes de que aparezcan, que es por lo que paga el propietario del edificio.

En este fragmento de la especificación del ACI 302.1R-96 se expresa perfectamente:

"Las sierras Early-Entry de corte seco utilizan hojas bañadas en diamante y planchas protectoras que impiden el descascamiento. Para controlar de manera eficaz el descascamiento, es necesario cambiar las planchas protectoras oportunamente. Lo más conveniente es cambiar las planchas protectoras cuando lo recomienda el fabricante... El objetivo del corte de sierra es crear un plano debilitado apenas se pueda cortar la junta... La velocidad del proceso Early-Entry permite que las juntas estén listas antes de que se desarrolle una tensión de tracción significativa en el hormigón..."

En el boletín de ingeniería "Concrete Floors on the ground" de la Asociación de Cemento de Portland (PCA del inglés, Portland Cement Association) se afirma también que:

"Al hacer juntas adecuadamente se pueden eliminar grietas aleatorias antiestéticas. A continuación, se presentan algunos aspectos de las juntas que contribuyen a lograr un buen trabajo: la elección correcta del tipo de junta para cada ubicación, el establecimiento de un buen patrón y disposición de las juntas y la aplicación de la junta en el momento correcto... Calcular bien el tiempo al hacer cortes de juntas es esencial... Se han desarrollado sierras livianas, de alta velocidad y de corte temprano para permitir que se puedan serrar las juntas lo más pronto posible luego de que se termine el piso, a veces dentro de 2 horas...si

el corte se realiza unas cuantas horas luego del último acabado, se puede controlar el agrietado aleatorio...”

Husqvarna tiene el único sistema de corte seco Ultra Early Entry (Soff-Cut) que evita la aparición de grietas aleatorias mediante la sincronización temprana del corte. Gracias al método Soff-Cut, es posible cortar las juntas de control en menos de 2 horas después del proceso de acabado.

El corte de las juntas debería iniciarse apenas el hormigón soporte el peso de la sierra y del operario en cada punto de la junta y antes del endurecimiento final.

Si no se cortan las juntas durante este período, quiere decir que no se siguió el método Soff-Cut Ultra Early Entry.

## Antes de usar el producto

1. Realice un mantenimiento diario. Consulte *Programa de mantenimiento en la página 51*.
2. Asegúrese de que la guía frontal está en posición de avance.
3. Llene el depósito de aceite. Consulte *Datos técnicos en la página 66* para obtener información sobre el aceite de motor recomendado.
4. Compruebe el nivel de aceite. Consulte *Para revisar el nivel de aceite del motor en la página 56*.

## Para agregar combustible



**ADVERTENCIA:** No llene los recipientes cuando se encuentre en un vehículo. Riesgo de incendio. Coloque el recipiente sobre el suelo y lejos de su vehículo.



**PRECAUCIÓN:** No utilice gasolina con un octanaje inferior a 90 RON (87 AKI). Esto puede provocar daños al producto.



**PRECAUCIÓN:** Utilice gasolina sin plomo. No utilice gasolina sin plomo que contenga más de un 10 % de etanol. La gasolina con más de un 10 % de etanol provoca un riesgo de incendio y también puede causar problemas de arranque y rendimiento. También puede causar daños en las piezas de metal, goma y plástico del sistema de combustible.



**PRECAUCIÓN:** No utilice gasolina que contenga metanol.



**PRECAUCIÓN:** No guarde combustible por más de 30 días en un

recipiente. El combustible vencido puede provocar daños al producto.

1. Retire el producto del vehículo de transporte y ubíquelo en el suelo. Si esto no es posible, rellene el producto con un recipiente portátil y no directamente de la boquilla de la bomba de gasolina.



**ADVERTENCIA:** Use solo recipientes de gasolina aprobados.

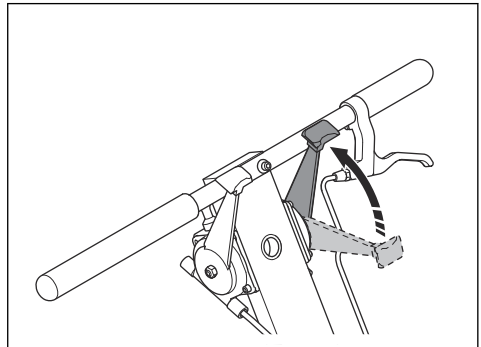
2. Abra lentamente la tapa del depósito de combustible para liberar la presión.
3. Asegúrese de que la boquilla toca el borde superior de la abertura del depósito de combustible hasta que se llene. No use un dispositivo que mantenga abierto el seguro de la boquilla.
4. Limpie el área alrededor del tapón del depósito de combustible.
5. Apriete bien la tapa del depósito de combustible. Si no aprieta la tapa del depósito de combustible, se genera un riesgo de incendio.
6. Mueva el producto a un mínimo de 3 m o 10 pies de la posición en la que se llenó el depósito antes de ponerlo en marcha.

## Para arrancar el motor

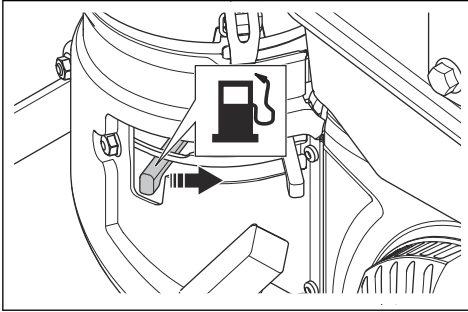


**PRECAUCIÓN:** El motor de este producto se puede arrancar con el mando de avance conectado. Asegúrese de que la palanca de velocidad de avance esté en la posición "STOP" antes de arrancar el motor.

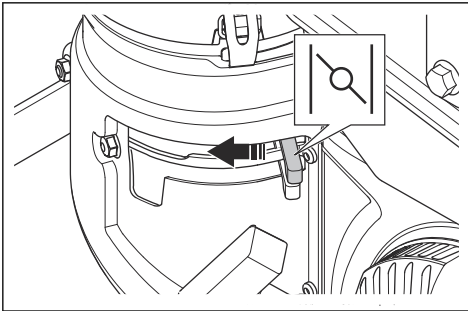
1. Tire de la palanca de velocidad de avance a la posición "STOP".



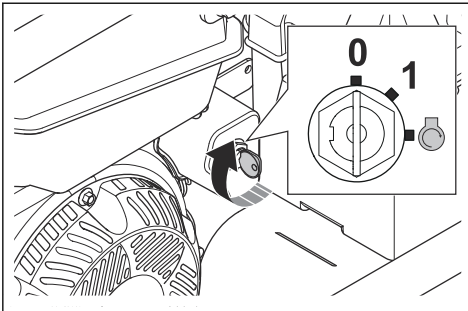
2. Mueva la palanca de combustible hacia la derecha para abrir el paso de combustible.



3. Mueva la palanca del estrangulador a la izquierda para establecer la función del estrangulador en la posición ON.



4. Gire la llave de encendido a la posición "START" y suelte cuando el motor arranque.

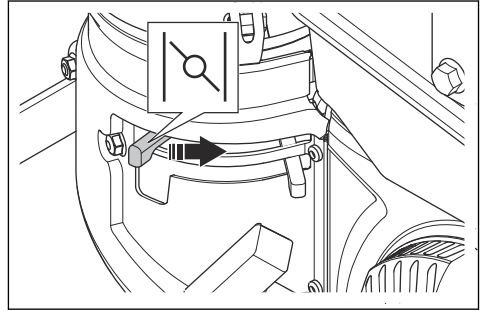


**PRECAUCIÓN:** No arranque el motor continuamente durante más de 10 segundos. Espere 60 segundos para que el motor se enfríe antes de volver a arrancarlo.

**Nota:** Si el motor no arranca, gire la llave de encendido a la posición "OFF" (0). Comuníquese con su agente de servicio Husqvarna.

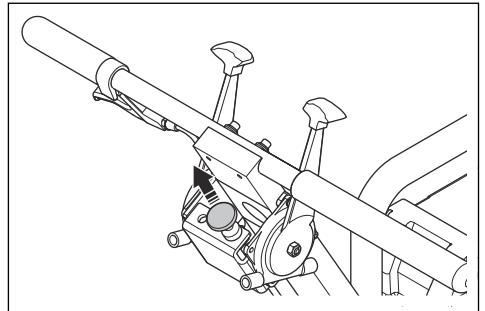
**Nota:** Si se produce un ruido metálico, opere el motor durante 5 minutos. Si el ruido continúa, opere el motor a aceleración media durante 20 minutos. Si el ruido persiste, comuníquese con el taller de servicio Husqvarna.

5. Coloque la función de estrangulador en la posición OFF.



- a) Si el motor está frío, mueva lentamente la palanca del estrangulador hacia la derecha para ajustar la función del estrangulador en la posición OFF.
- b) Si el motor está caliente, mueva la palanca del estrangulador inmediatamente hacia la derecha para ajustar la función del estrangulador en la posición OFF.

6. Tire el acelerador  $\frac{1}{4}$  hacia afuera.



## Para trabajar con polvo

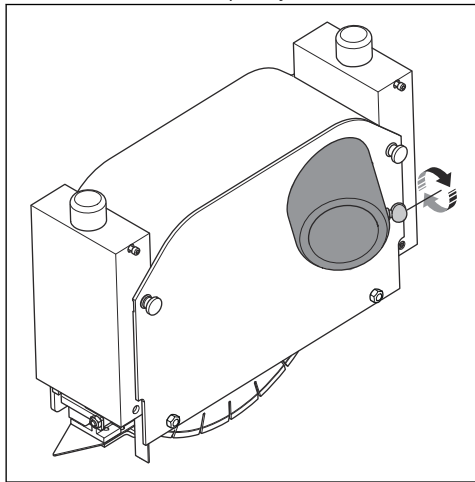
Este producto cuenta con una salida para polvo en la cubierta del bloque de la cuchilla. La salida para polvo se utiliza para conectar un extractor de polvo.

- Siempre utilice un extractor de polvo. También se recomienda utilizar una manguera de extracción antiestática.

**Nota:** Para los productos Husqvarna, los datos objetivos de la normativa OSHA se encuentran disponibles en [www.husqvarnacp.com/us](http://www.husqvarnacp.com/us). El rendimiento del extractor de polvo puede cambiar con el tiempo.

## Para conectar el extractor de polvo al producto.

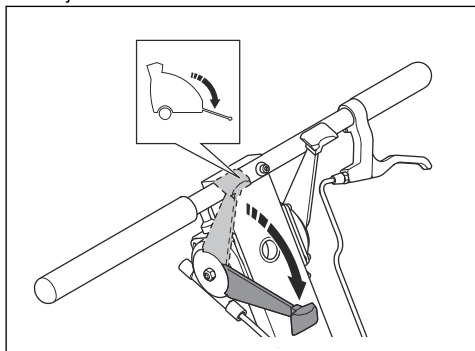
1. Gire la tuerca de mariposa del enchufe hacia la izquierda.
2. Extraiga el enchufe del tubo situado en la cubierta del bloque de la cuchilla.
3. Conecte un extractor de polvo al bloque de la cuchilla. Gire el tornillo para fijarlo.



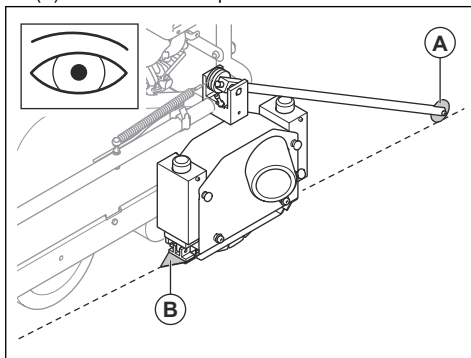
**Nota:** Si el extractor de polvo no es compatible con la conexión del producto, utilice un adaptador.

## Para hacer funcionar el producto

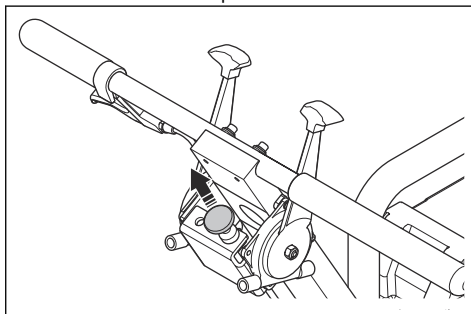
1. Inicie el motor. Consulte *Para arrancar el motor en la página 46*.
2. Empuje la palanca indicadora delantera hacia "ABAJO". El indicador delantero está completamente abajo.



3. Alinee el indicador delantero (A) y la guía de corte (B) con la línea en la que va a cortar.

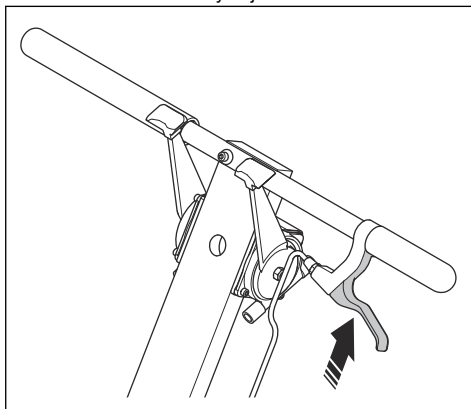


4. Tire el acelerador completamente hacia arriba.



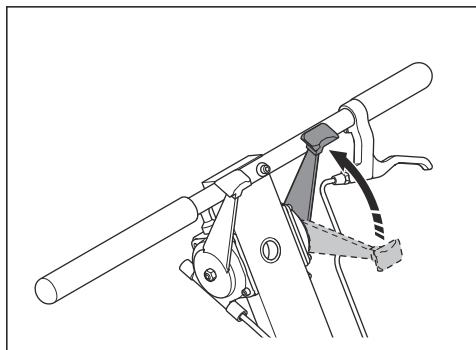
**Nota:** Siempre opere el motor al régimen máximo del motor para obtener la máxima capacidad.

5. Tire del mango de profundidad de corte en la dirección del manillar y baje con cuidado la cuchilla.



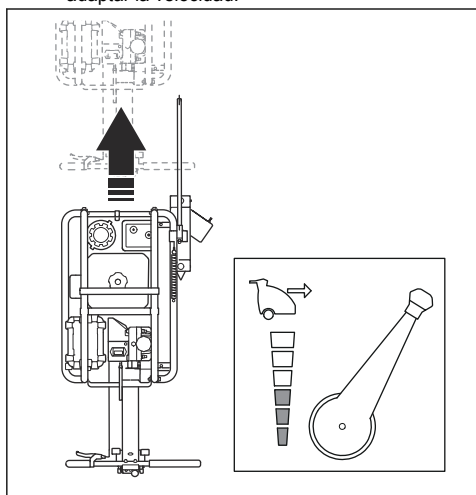


6. Empuje la palanca de velocidad de avance en la dirección de "RÁPIDO" para mover el producto hacia delante. Comience lentamente y aumente la velocidad hasta obtener la velocidad de corte correcta.

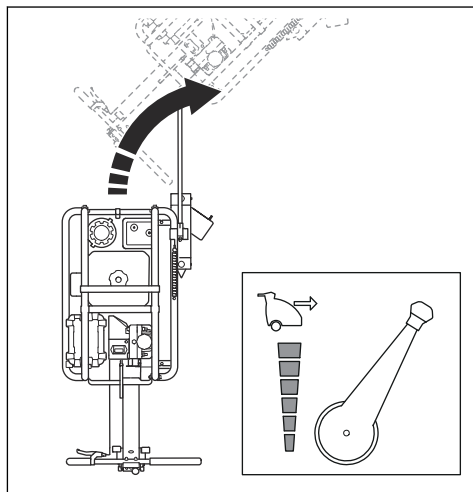


**Nota:** No empuje el producto.

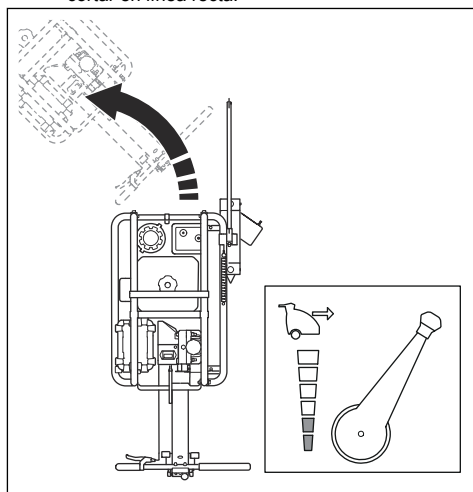
- a) Ajuste la velocidad a la dureza del hormigón para cortarlo en línea recta. Empuje la palanca de velocidad de avance o tire de ella para adaptar la velocidad.



- b) Si la velocidad es demasiado rápida, el producto gira a la derecha. Disminuya la velocidad para cortar en línea recta.



- c) Si la velocidad es demasiado lenta, el producto gira a la izquierda. Aumente la velocidad para cortar en línea recta.



7. Ponga las manos en el manillar cuando tenga la velocidad de corte correcta.
8. Tire la palanca indicadora delantera cuando se acerque a una pared para levantar el indicador delantero. Utilice la guía de corte para asegurarse de cortar en línea recta.

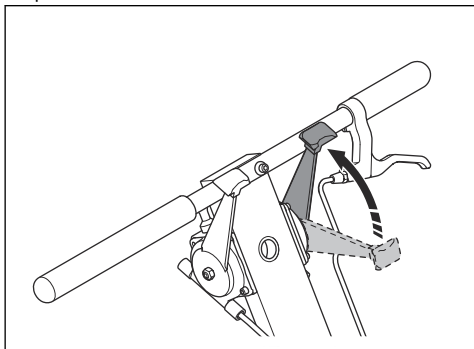


**PRECAUCIÓN:** Asegúrese de que ningún objeto golpee el bloque de

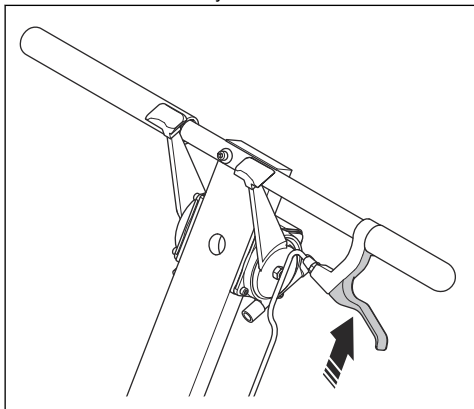
la cuchilla. Esto puede provocar daños al producto.

## Para detener el producto

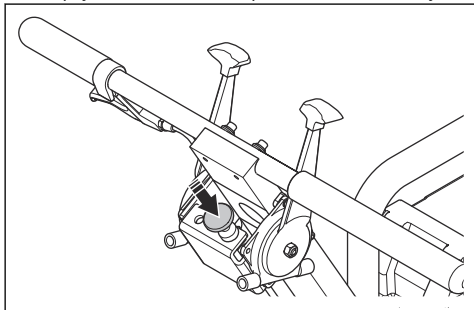
1. Tire de la palanca de velocidad de avance a la posición "STOP".



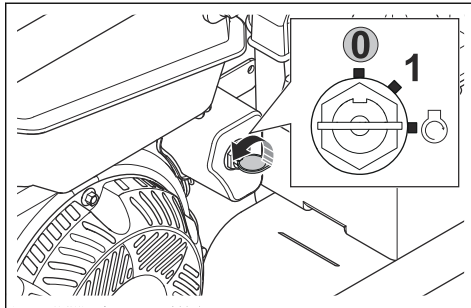
2. Tire del mango de profundidad de corte en la dirección del manillar y levante la cuchilla.



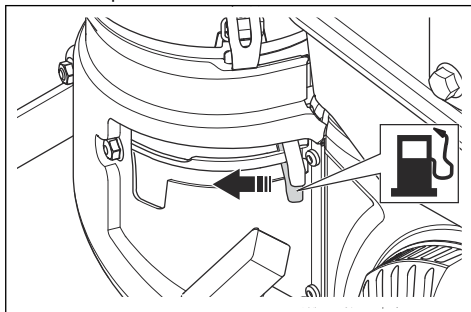
3. Empuje el acelerador completamente hacia abajo.



4. Gire la llave de encendido a la posición "OFF".



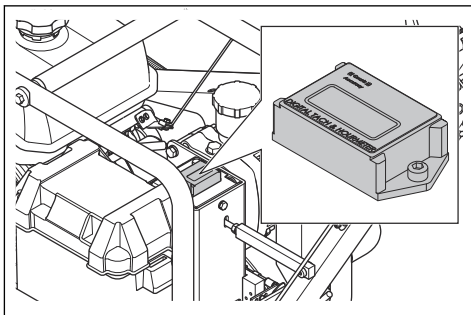
5. Cierre el paso de combustible.



6. Limpie el producto; consulte *Para limpiar el producto externamente en la página 52*.

## Medidor de horas

Utilice el medidor de horas para ver cuándo es necesario realizar el mantenimiento del producto. Para obtener más información, consulte el programa de mantenimiento y el manual de usuario del motor.



# Mantenimiento

## Introducción



**ADVERTENCIA:** Antes de realizar el mantenimiento, debe leer y entender el capítulo de seguridad.

## Programa de mantenimiento

Los intervalos de mantenimiento se calculan a partir del uso diario del producto. Los intervalos cambian si el producto no se utiliza a diario.

Para realizar el mantenimiento marcado con un asterisco (\*), consulte las instrucciones en *Dispositivos de seguridad en el producto en la página 40.*

Mantenimiento	Cada uso				Anual- mente	Después de las primeras 20 h y, luego, cada 100 h
		A diario	Semanal (50 h)	Mensual (200 h)		
Revise si hay fugas de combustible o aceite.		X				
Realice una inspección general.		X				
Examine el nivel de aceite del motor.		X				
Examine el nivel de aceite hidráulico.		X				
Limpie la cuchilla y la protección del bloque de la cuchilla*.	X					
Limpie la máquina.		X				
Examine los controles.		X				
Examine la protección del bloque de la cuchilla*.		X				
Examine el disco de corte.	X					
Examine la cubierta lateral flotante.	X					
Examine la plancha protectora.	X					
Examine el nivel de combustible.		X				
Examine las ruedas.		X				
Limpie la bujía.			X			
Examine el filtro de aire y cámbielo si fuera necesario.			X			
Examine la correa de transmisión y reemplácela si está dañada.			X			
Cambie el aceite.						X
Lubrique los rodamientos del eje de la cuchilla.			X			
Cambie el filtro de aire.				X		
Examine la tapa del depósito de combustible.				X		

Mantenimiento	Cada uso	A diario	Semanal (50 h)	Mensual (200 h)	Anual-mente	Después de las primeras 20 h y, luego, cada 100 h
Examine la bujía y la distancia entre los electrodos				X		
Reemplazar el filtro de combustible					X	

## Para examinar la bujía



**PRECAUCIÓN:** Utilice siempre el tipo de bujía recomendada. El tipo de bujía incorrecto puede causar daños en el producto.

- Para obtener más información, consulte el manual de usuario del motor.

## Para limpiar el producto externamente



**PRECAUCIÓN:** Siempre limpie el producto inmediatamente después de utilizarlo, antes de que el hormigón se seque. Los restos de hormigón pueden causar daños al producto.

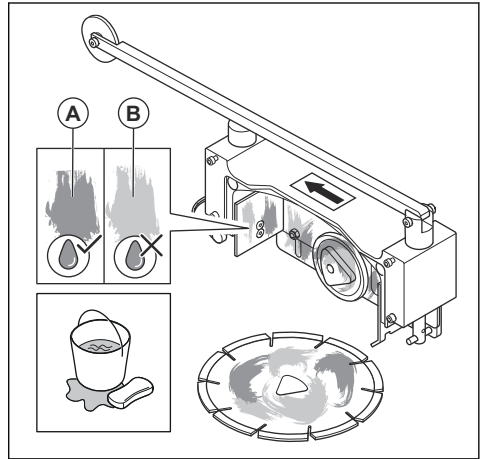
1. Extraiga la cuchilla. Consulte *Para extraer el disco de corte en la página 53*.
2. Limpie el producto con agua.



**PRECAUCIÓN:** No apunte el agua directamente al motor, en especial si utiliza una hidrolavadora de alta presión.

3. Asegúrese de que los mangos y las palancas estén limpias y secas antes de utilizar el producto.

4. Limpie las partículas de hormigón del bloque de la cuchilla y la cuchilla después de cada uso. Utilice un cepillo para trabajo pesado y agua. Los restos de hormigón (A) se secarán y se fijarán (B) si no los limpia.



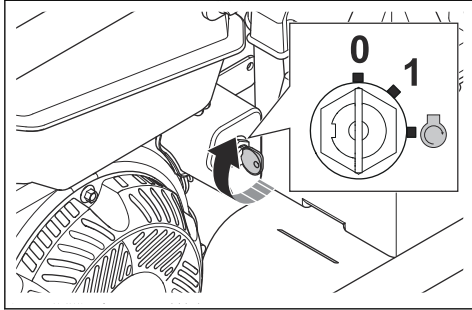
5. Mantenga limpias todas las aberturas y ranuras del producto, para asegurarse de que el aire circule con libertad a través del área del motor.

## Para hacer una inspección general

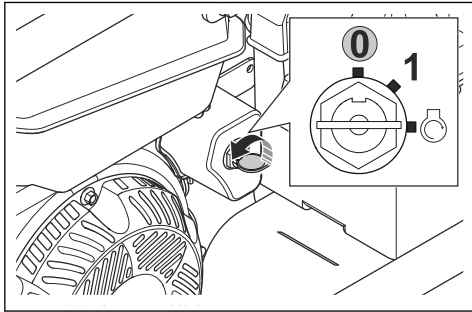
- Asegúrese de que las tuercas y los tornillos en el producto estén apretados.
- Asegúrese de que no haya fugas de combustible o de aceite.
- : Asegúrese de que las ruedas de la guía frontal y de la guía trasera puedan girar sin dificultad.

## Para revisar la llave de encendido

1. Asegúrese de que el motor arranque y de que la cuchilla comienza a girar cuando gira la llave de encendido a la posición "ON" (1).

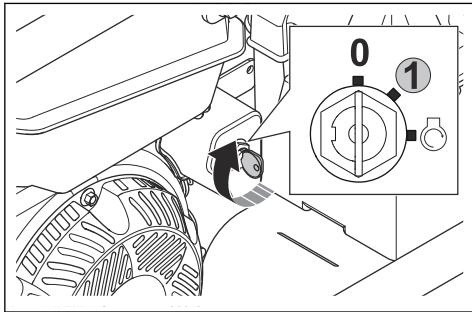


2. Asegúrese de que el motor se detenga inmediatamente cuando gira la llave de encendido a la posición "OFF" (0).



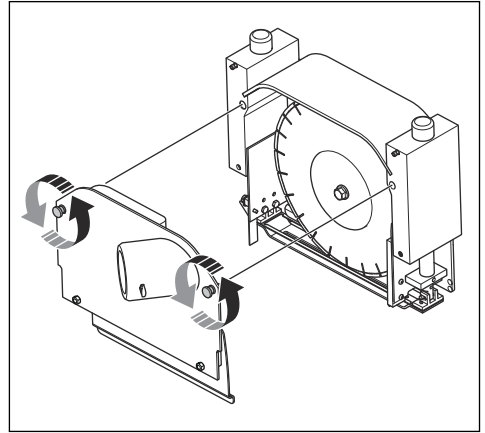
## Para extraer el disco de corte

1. Gire la llave de encendido a la posición "ON" (1).

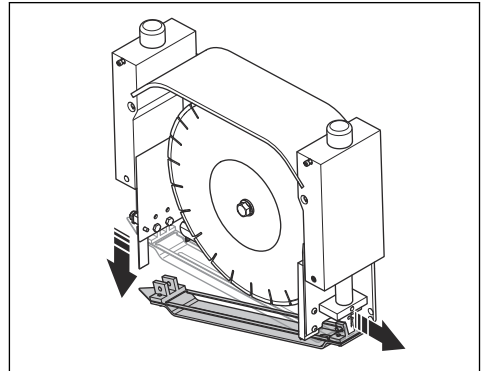


2. Tire del mango de profundidad de corte en la dirección del manillar y levante el producto a su máxima altura.
3. Gire la llave de encendido a la posición "OFF" (0).

4. Gire las dos perillas de bloqueo hacia la izquierda y extraiga la protección del bloque de la cuchilla.

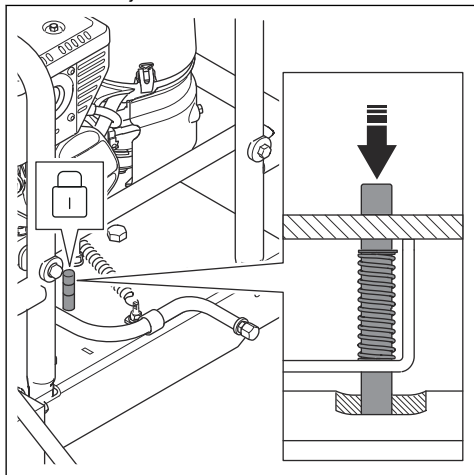


5. Empuje la guía de corte hacia abajo para liberar la plancha protectora.

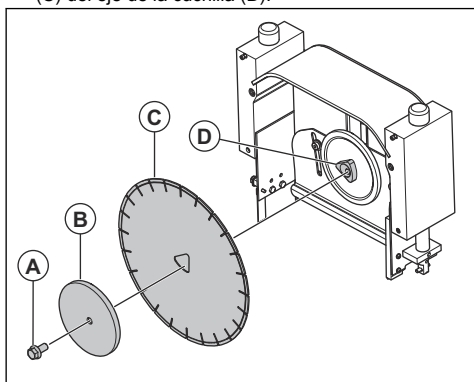


6. Coloque la llave de la cuchilla suministrada en el perno del eje de la cuchilla que se encuentra en el bloque de la cuchilla.

7. Utilice la llave de la cuchilla para girar el eje de la cuchilla hacia la izquierda mientras presiona el pasador de bloqueo. El pasador de bloqueo bajará y trabará el eje de la cuchilla.



8. Utilice la llave de la cuchilla para girar el perno del eje de la cuchilla hacia la izquierda.  
 9. Quite el perno del eje de la hoja (A). Extraiga la brida exterior de la cuchilla (B). Extraiga la cuchilla (C) del eje de la cuchilla (D).



### Para instalar el disco de corte



**ADVERTENCIA:** Nunca utilice un disco de corte con un valor de velocidad nominal inferior al indicado para el producto. El valor de velocidad nominal del disco de corte está marcado en el disco y el del producto está marcado en la placa de identificación.



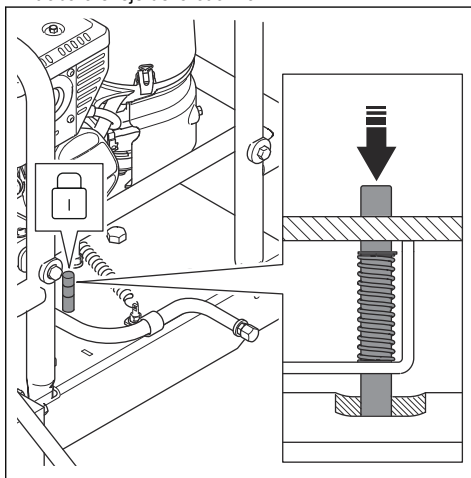
**PRECAUCIÓN:** Examine el disco de corte en busca de daños, grietas, pérdida de segmentos, deformaciones, sobrecalentamiento, desgaste excesivo o un orificio de triple mandril dañado. Deseche una cuchilla defectuosa.

Examine las bridas de la cuchilla para detectar daños y desgaste excesivo y asegúrese de que están limpias.

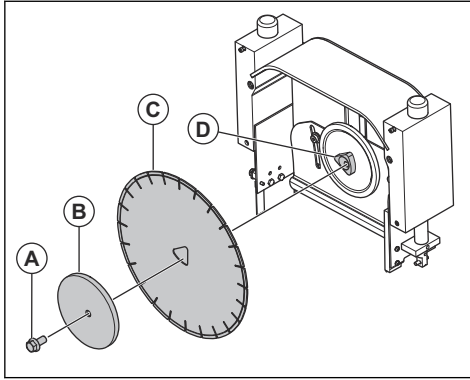
Los discos de corte no vienen incluidos en el producto. Solo utilice discos de corte Husqvarna originales. Consulte *Datos técnicos en la página 66* para conocer el tipo correcto según el modelo.

**Nota:** Si instaló la protección del bloque de la cuchilla, una cuchilla y una plancha protectora, consulte *Para extraer el disco de corte en la página 53*.

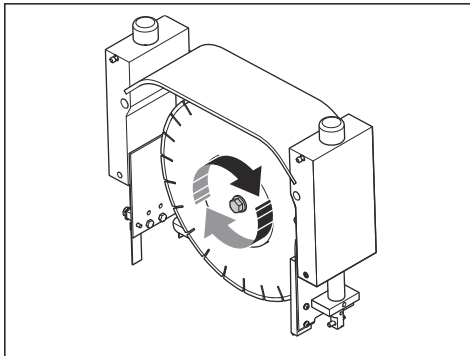
1. Coloque la llave de la cuchilla incluida en el perno del eje de la cuchilla que se encuentra en el bloque de la cuchilla.
2. Utilice la llave de la cuchilla para girar el eje de la cuchilla hacia la izquierda mientras presiona el pasador de bloqueo. El pasador de bloqueo caerá y trabará el eje de la cuchilla.



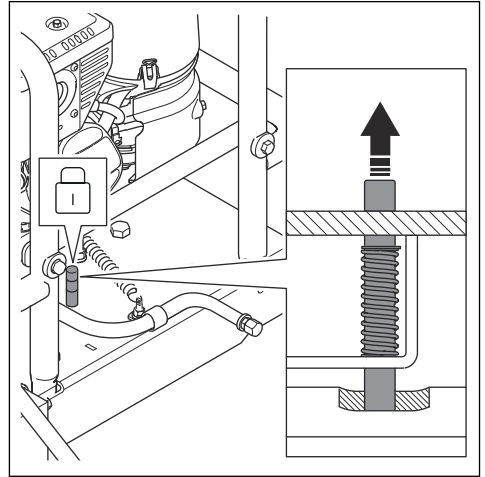
3. Fije la nueva cuchilla de corte (C) firmemente contra la brida interior del eje de la cuchilla (D). Coloque la brida exterior (B) en el eje de la cuchilla. Asegúrese de que la brida exterior esté instalada firmemente para mantener la cuchilla de corte en su posición e instale el perno del eje de la cuchilla (A).



4. Gire el perno del eje de la cuchilla hacia la derecha con la llave de la cuchilla.



5. Tire el pasador de bloqueo hacia afuera para soltar la cuchilla del eje.



**PRECAUCIÓN:** No opere el producto con el pasador de bloqueo hacia adentro. Esto causa daños en el producto.

6. Coloque la plancha protectora y la protección del bloque de la cuchilla. Consulte *Para montar la plancha protectora en la página 55*.

### Para verificar la plancha protectora

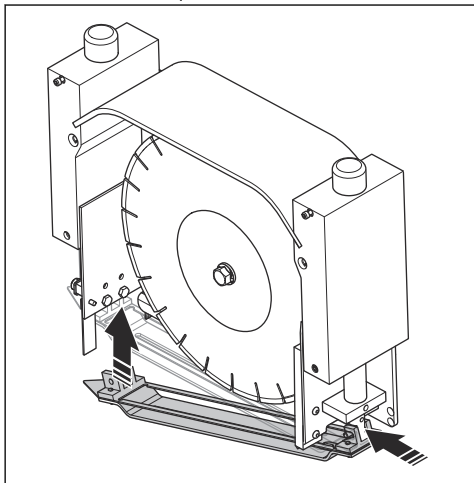
- Verifique si la plancha protectora presenta daños.
- Verifique si que la ranura de la plancha protectora presenta desgaste excesivo.
- Verifique la parte inferior de la plancha protectora para ver si presenta demasiadas rebabas.
- Asegúrese de que la plancha protectora no esté torcida.
- Levante la parte delantera y trasera de la plancha protectora. Asegúrese de que la cuchilla se mueva con libertad a través de la ranura de la plancha protectora.
- Si la plancha protectora está dañada, reemplácela. Consulte *Para montar la plancha protectora en la página 55*.

### Para montar la plancha protectora

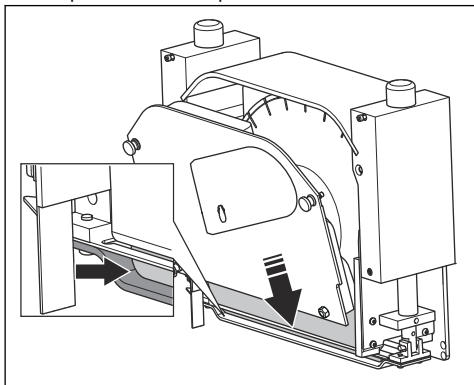


**PRECAUCIÓN:** Siempre reemplace la plancha protectora cuando instale una cuchilla nueva. No utilice una plancha protectora dañada.

1. Coloque la parte delantera de la plancha protectora en el pasador que está instalado en la parte delantera del bloque de la cuchilla.



2. Conecte el extremo trasero en punta de la plancha protectora al bloque de la cuchilla. Empújela hacia arriba hasta que oiga un clic.
3. Coloque la protección del bloque de la cuchilla. Gire las dos perillas de la protección del bloque de la cuchilla y apriételes hasta que se fijen completamente al bloque de la cuchilla.

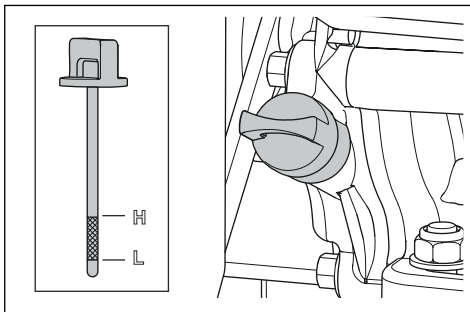


4. Levante la plancha protectora para asegurarse de que la cuchilla se mueva a través de la plancha protectora libremente.

### Para revisar el nivel de aceite del motor

1. Detenga el motor.
2. Coloque el producto en un suelo plano.
3. Retire el tapón del depósito de aceite y la varilla de nivel incluida.
4. Limpie el aceite de la varilla de nivel.

5. Vuelva a colocar la varilla de nivel. No apriete el tapón del depósito de aceite.
6. Extraiga la varilla de nivel y examine el nivel de aceite.

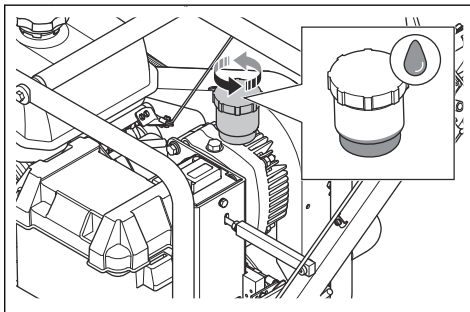


7. Si el nivel de aceite es bajo, llene con aceite de motor y revise nuevamente. Consulte *Datos técnicos en la página 66* para conocer el tipo de aceite correcto.
8. Apriete el tapón del depósito de aceite apropiadamente antes de iniciar el motor.

**Nota:** El motor tiene un sistema que detiene el motor cuando el nivel de aceite está muy bajo. El motor no podrá arrancarse, a menos que el nivel de aceite esté por arriba del límite especificado.

### Para examinar el nivel de aceite hidráulico

1. Detenga el motor.
2. Asegúrese de que el motor esté frío.
3. Coloque el producto en un suelo plano.
4. Asegúrese de que el nivel de aceite hidráulico esté inmediatamente por encima de la parte hermética del contenedor de aceite hidráulico.



5. Si el nivel de aceite hidráulico está por debajo de la parte hermética del contenedor de aceite hidráulico:
  - a) Limpie el contenedor de aceite hidráulico para disminuir el riesgo de contaminación del fluido hidráulico cuando el contenedor esté abierto.



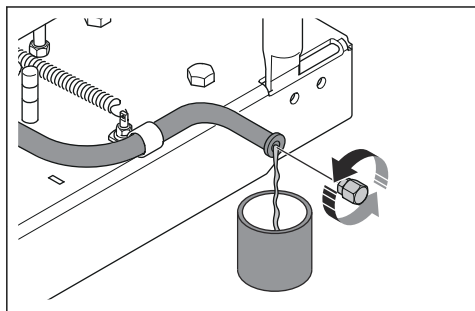
- b) Retire la tapa del contenedor de aceite hidráulico.
  - c) Llene con aceite hidráulico inmediatamente por encima de la parte hermética del contenedor de aceite hidráulico. Consulte *Datos técnicos en la página 66* para conocer el tipo de aceite correcto.
6. Apriete la tapa del contenedor de aceite hidráulico correctamente antes de arrancar el motor.

## Para cambiar el aceite del motor:



**ADVERTENCIA:** El aceite de motor tiene una temperatura muy alta luego de que el motor se detiene. Deje que el motor se enfríe antes de drenar el aceite de motor. En caso de que el aceite de motor entre en contacto con su piel, límpiela con agua y jabón.

1. Coloque un contenedor debajo del tapón de vaciado del aceite del motor.
2. Retire el tapón de vaciado.
3. Deje que el aceite se termine de verter en el contenedor.



4. Coloque y apriete el tapón de vaciado.
5. Retire el tapón del depósito de aceite y la varilla de nivel incluida.
6. Llene con aceite nuevo. Consulte *Datos técnicos en la página 66*.

## Para cambiar el filtro de aire

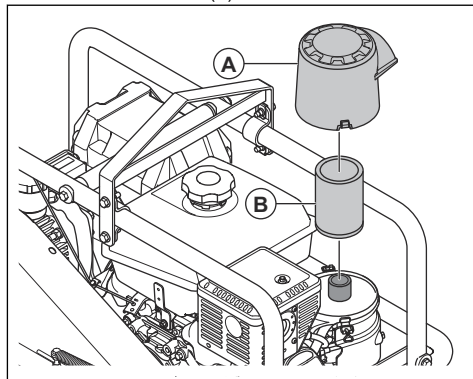


**PRECAUCIÓN:** El filtro de aire no se puede limpiar. Reemplace los filtros de aire sucios o desgastados.

**Nota:** Consulte el manual de usuario del motor para obtener más información sobre el filtro de aire.

1. Quite la cubierta del filtro de aire (A).

2. Quite el filtro de aire (B).



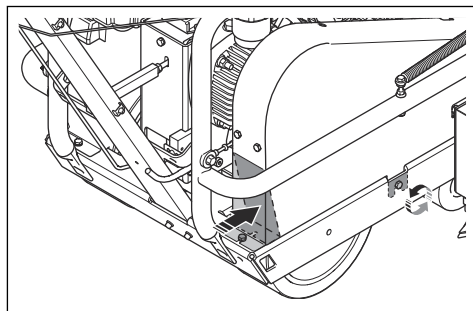
3. Coloque el nuevo filtro de aire y la cubierta del filtro de aire.

## Para verificar la correa de transmisión

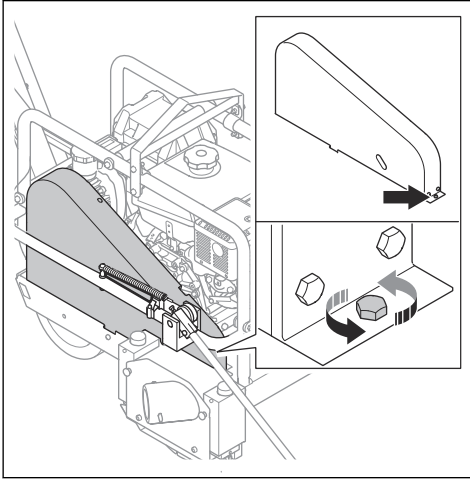


**PRECAUCIÓN:** No utilice el producto si la correa de transmisión está dañada. Debe reemplazar la correa de transmisión si está dañada.

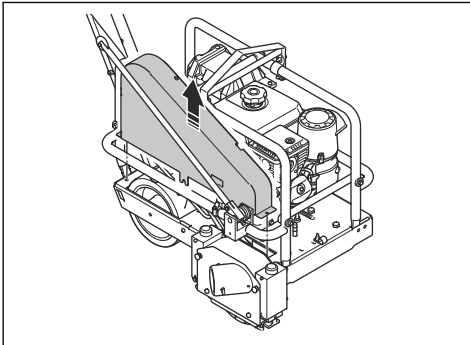
1. Afloje, pero no retire, los tornillos en la parte trasera y en la parte lateral de la cubierta de la correa de transmisión.



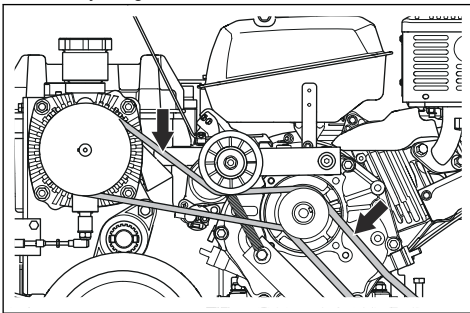
2. Afloje, pero no retire, el tornillo en la parte delantera de la cubierta de la correa de transmisión.



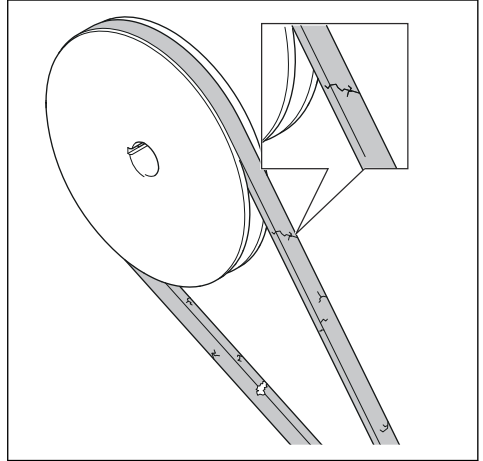
3. Retire la cubierta de la correa de transmisión.



4. Examine las dos correas de transmisión en busca de daños y desgaste.



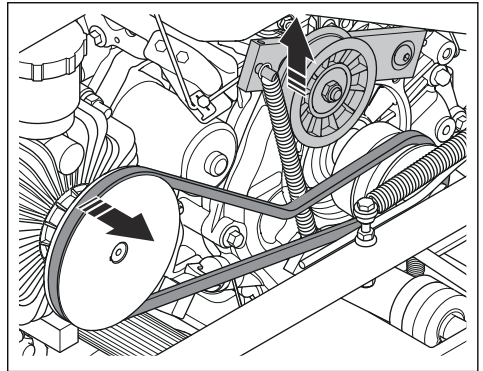
5. Si la correa de transmisión está dañada, reemplácela. Consulte *Para reemplazar la correa de transmisión en la página 58.*



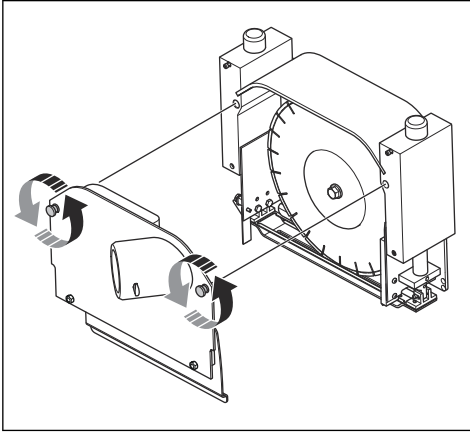
6. Si la correa de transmisión no está dañada, coloque la cubierta de la correa de transmisión.

## Para reemplazar la correa de transmisión

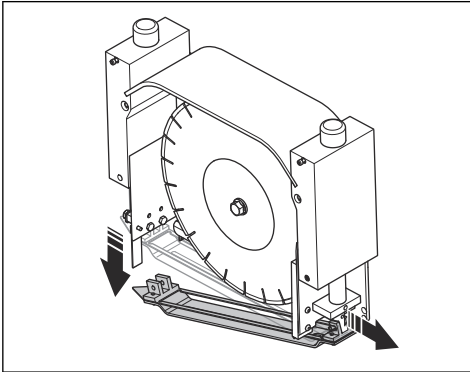
1. Retire la cubierta de la correa de transmisión, consulte *Para verificar la correa de transmisión en la página 57.*
2. Levante el tensor de correa para aflojar la tensión de la correa de transmisión y retire la correa de transmisión.



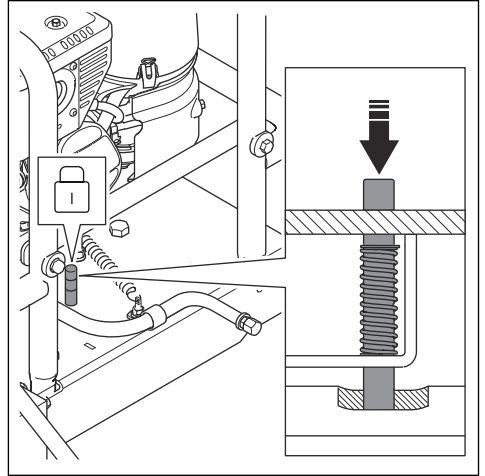
3. Gire las dos perillas de bloqueo hacia la izquierda y extraiga la protección del bloque de la cuchilla.



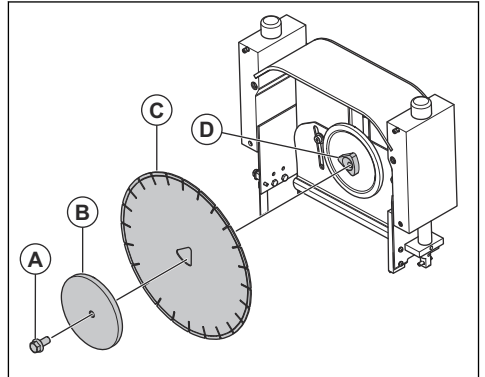
4. Empuje la guía de corte hacia abajo para liberar la plancha protectora.



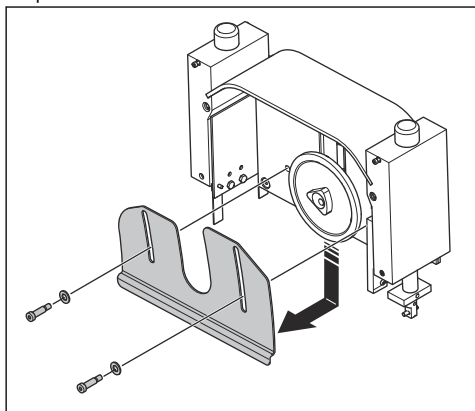
5. Empuje el pasador de bloqueo en la parte delantera del producto para bloquear el eje de la cuchilla.



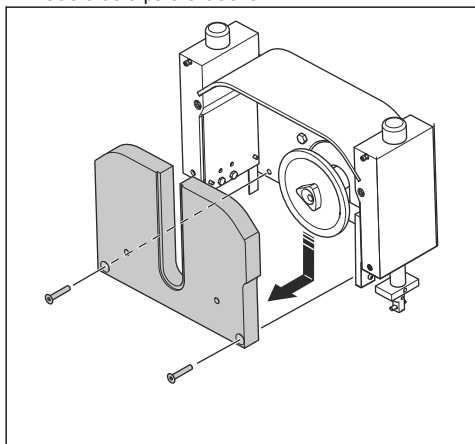
6. Utilice una llave para retirar el perno del eje de la cuchilla (A). Extraiga la brida exterior de la cuchilla (B). Extraiga la cuchilla (C) del eje de la cuchilla (D).



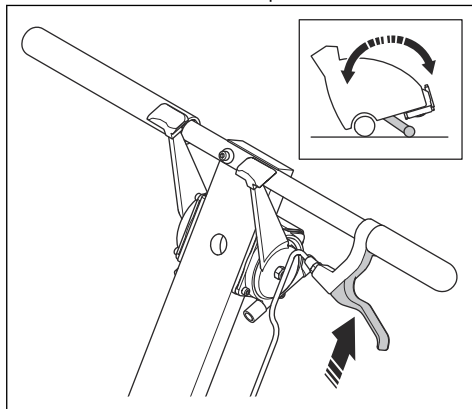
7. Retire los 2 tornillos y las 2 arandelas. Tire de la cubierta lateral flotante hacia abajo y hacia afuera para extraerla.



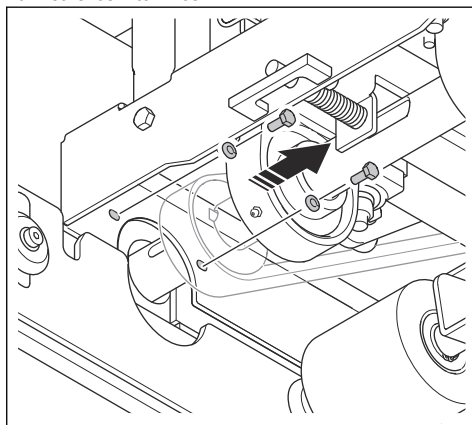
8. Retire los 2 tornillos. Tire del bloque hacia abajo y hacia afuera para extraerlo.



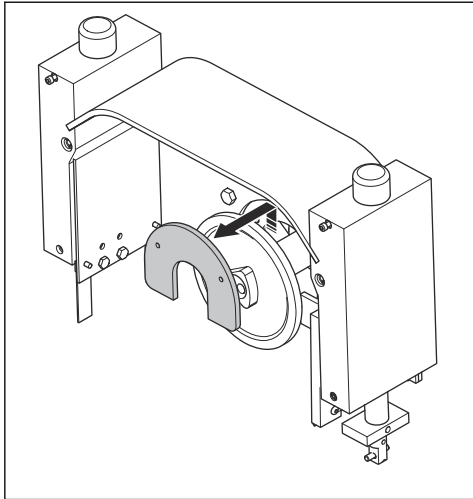
9. Tire del mango de profundidad de corte en la dirección del manillar y levante la cuchilla. Levante el producto a su máxima altura para tener acceso a los 2 tornillos detrás del bloque de la cuchilla.



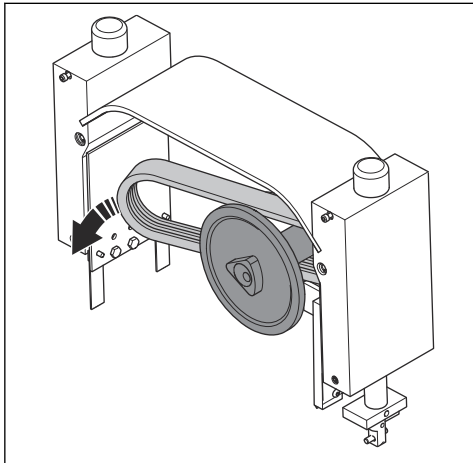
10. Retire los 2 tornillos.



11. Quite la tapa.

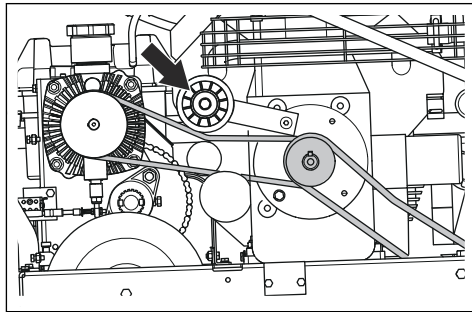


12. Retire la correa de transmisión dañada.



13. Coloque la nueva correa de transmisión.

14. Asegúrese de que el tensor de correa se pueda mover sin dificultad hacia arriba y hacia abajo.



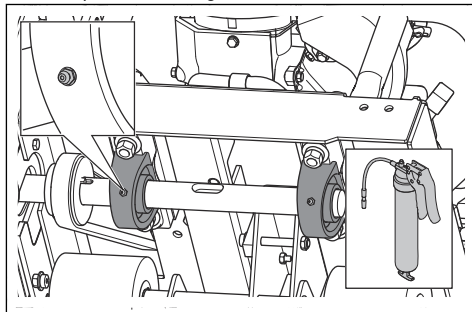
15. Asegúrese de que los cojinetes del tensor de correa se puedan mover sin dificultad.

16. Monte todas las piezas en la secuencia opuesta a como se desmontaron.

## Para lubricar los rodamientos del eje de la cuchilla

Los rodamientos del eje de la cuchilla están por debajo del producto. Para obtener acceso, levante el producto con el mango de profundidad de corte.

1. Gire la llave de encendido a la posición "ON" (1).
2. Tire del mango de profundidad de corte en la dirección del manillar y levante el producto a su máxima altura.
3. Gire la llave de encendido a la posición "OFF" (0).
4. Lubrique los rodamientos del eje de la cuchilla con tres aplicaciones de grasa a base de litio 12.

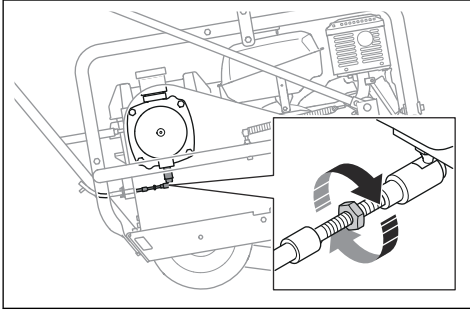


## Para ajustar la posición neutra de transmisión

Cuando tira de la palanca de velocidad de avance a la posición "STOP", el producto debe detenerse por completo. Si el producto se mueve, ajuste la posición neutra de transmisión.

1. Afloje la contratuerca en el extremo del cable en la transmisión.

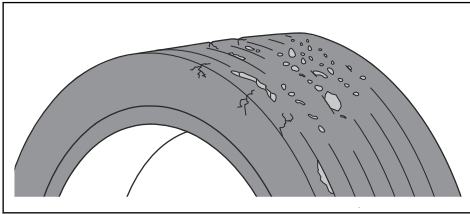
2. Tire del manguito del muelle hacia atrás y ajuste el perno hasta que el producto se detenga por completo.



3. Apriete la contratuerca.

## Para verificar las ruedas

1. Verifique las ruedas de su producto de forma periódica. Las ruedas dañadas pueden disminuir la calidad del resultado.
2. Verifique que todas las ruedas giren con libertad y sin problemas.
3. Reemplace las ruedas si presentan signos de daños o desgaste.



## Mantenimiento de la batería



**ADVERTENCIA:** No desconecte la batería si no es necesario, ya que puede provocar chispas y cortocircuitos. Una chispa o llama puede causar la explosión de una batería de ácido de plomo.



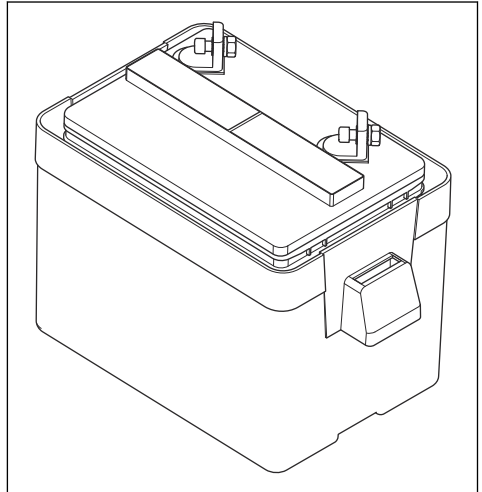
**ADVERTENCIA:** Riesgo de sacudida eléctrica. No permita que los objetos metálicos hagan contacto con los 2

terminales de la batería. Esto puede provocar un cortocircuito de la batería.



**ADVERTENCIA:** Antes de que conecte una batería, quítese las pulseras metálicas, relojes, anillos, etc. Utilice siempre guantes y gafas protectoras o un protector facial cuando trabaje con la batería.

La batería no requiere mantenimiento. Si alguna vez la batería requiere carga, utilice solo un cargador de corriente cónica con tensión regulada diseñado específicamente para baterías de celda de gel de ácido de plomo selladas con una potencia nominal de 2 amperios o menos. Un cargador de baterías estándar para automóviles o cualquier otro tipo que no esté diseñado específicamente para baterías selladas causarán daños permanentes a la batería instalada y anularán cualquier garantía. No deje la llave de encendido en la posición "ON", ya que esto agotará la batería.



## Mantenimiento del motor

Consulte el manual de usuario del motor para obtener información adicional sobre el mantenimiento del motor. El manual de usuario del motor también contiene información sobre especificaciones, piezas de afinación, garantía del motor, cumplimiento de emisiones, etc.

## Solución de problemas

### Programa de resolución de problemas



**ADVERTENCIA:** La solución de problemas puede ocasionar riesgo de

lesiones, ya que el personal tiene que localizar por sí mismo la zona de riesgo del producto. Sea cuidadoso, prepare el trabajo y utilice el sentido común.

Si no encuentra una solución a sus problemas en este manual de usuario, consulte a su taller de servicio de Husqvarna.

Problema	Solución
El producto provoca desbaste/descascamiento o irregularidad en la línea de corte.	Asegúrese de que el disco de corte no está desgastado, sin filo, deformado ni dañado.
	Asegúrese de que la plancha protectora no toca el disco de corte y que se mueve con libertad hacia arriba y hacia abajo por toda la longitud del eje.
	Asegúrese de que la plancha protectora no está desgastada y de que no hay distancia alrededor del disco de corte.
	Examine la parte inferior de la plancha protectora y asegúrese de que no hay rebabas de metal ni defectos.
	Asegúrese de que la placa protectora no esté torcida ni doblada.
	Asegúrese de que las protecciones del bloque de la cuchilla se puedan mover con libertad hacia arriba y hacia abajo.
	Asegúrese de que cada extremo de la plancha protectora tenga presión hacia abajo.
	No fuerza ni mueva el producto hacia un lado mientras corta. Para controlar la sierra durante el proceso de corte, haga cambios de presión graduales en el manillar.
	Asegúrese de que el motor funciona correctamente y a las rpm especificadas.
	Examine la correa y las poleas para comprobar que tienen la tensión correcta.
	Asegúrese de que la cuchilla esté montada correctamente y sujeta con bridas limpias.
	Asegúrese de que el disco de corte cuenta con las especificaciones correctas para su área o tipo de hormigón.
	Asegúrese de que la superficie de hormigón esté limpia y que la plancha protectora se mueva sin problemas sobre la superficie de hormigón.
	Utilice protecciones de junta de Husqvarna en todas las intersecciones de corte.
	Limpie cualquier contaminación no deseada de hormigón del conjunto del bloque de la cuchilla.
	Asegúrese de que los raspadores del bloque de la cuchilla se pueden mover con libertad y que no están doblados.
Asegúrese de que los ejes del bloque de la cuchilla no estén doblados ni dañados.	
El producto se va hacia un lado durante el proceso de corte.	Verifique que el indicador delantero está alineado correctamente con el centro del disco de corte.
	Verifique que la plancha protectora no presente daños ni rebabas.

Problema	Solución
El motor no arranca.	Compruebe que haya combustible en el depósito y que sea del tipo correcto. Asegúrese de que no haya agua en el combustible.
	Asegúrese de que el paso de combustible está en la posición "ON".
	Asegúrese de que la llave de encendido está en la posición "START".
	Asegúrese de que el cable de la bujía está conectado a la bujía.
	El motor está inundado. Ajuste el estrangulador; consulte el manual de usuario del motor.
	Asegúrese de que el estrangulador se encuentra en la posición "ON" para arranques en frío. Ajuste el estrangulador; consulte el manual de usuario del motor.
	Compruebe el nivel de aceite. El motor tiene un sistema de aviso de aceite que detiene el motor cuando el nivel de aceite está muy bajo.
	Asegúrese de que el filtro de aire no está sucio u obstruido.
	Compruebe que el eje de la hoja gira libremente y que no hay hormigón acumulado en el bloque de la cuchilla.
El motor presenta problemas de funcionamiento o no puede funcionar a máxima velocidad.	Compruebe que haya combustible en el depósito y que sea del tipo correcto. Asegúrese de que no haya agua en el combustible.
	Compruebe el nivel de aceite. El motor tiene un sistema de aviso de aceite que detiene el motor cuando el nivel de aceite está muy bajo.
	Asegúrese de que el filtro de aire no está sucio u obstruido.
	Asegúrese de que la bujía está limpia y que tiene el espacio adecuado, consulte el manual de usuario del motor.
	Asegúrese de que el acelerador está colocado correctamente.
Asegúrese de que el estrangulador se encuentra en la posición "ON" para arranques en frío. Ajuste el estrangulador; consulte el manual de usuario del motor.	

## Transporte, almacenamiento y eliminación de residuos

### Transporte y almacenamiento



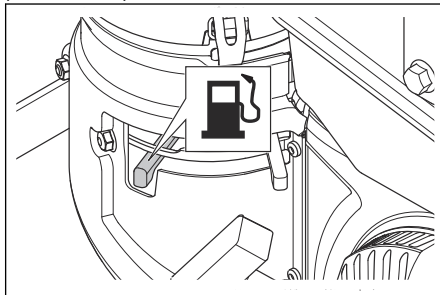
**ADVERTENCIA:** Tenga cuidado durante el transporte. El producto es pesado y puede causar lesiones o daños si se cae o se mueve durante el transporte.

Las ruedas permiten mover el producto manualmente en distancias más cortas. Para distancias más largas, levante el producto para moverlo o súbalo a un vehículo.



**PRECAUCIÓN:** No remolque el producto detrás de un vehículo.

- Mueva la palanca de combustible hacia la izquierda para cerrar el paso de combustible.



- Fije el producto de manera segura durante el transporte mediante un vehículo. Fije las correas de amarre con el bastidor de seguridad y el vehículo.



- Quite el disco de corte antes de transportar el producto.
- Ponga el producto en la posición de altura más baja.
- Para el almacenamiento y el transporte del producto y del combustible, asegúrese de que no haya fugas o vapores. Las chispas o llamas, por ejemplo, de dispositivos eléctricos o calderas, pueden iniciar un incendio.
- Siempre utilice recipientes aprobados para el transporte del combustible.

## Para levantar el producto



**ADVERTENCIA:** Asegúrese de que el equipo de elevación tenga la dimensión correcta. La placa de identificación del producto muestra el peso del producto.

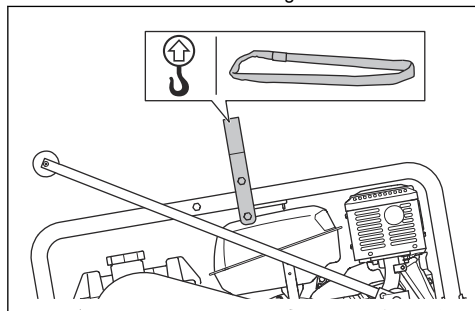


**ADVERTENCIA:** No levante el producto si está dañado. Asegúrese de que el punto de elevación está correctamente instalado y de que no está dañado.



**ADVERTENCIA:** No utilice ganchos metálicos, cadenas u otros equipos de elevación con bordes irregulares que puedan dañar el punto de elevación.

- Conecte el equipo de elevación al punto de elevación en el bastidor de seguridad.



## Almacenamiento

- Quite el disco de corte antes de guardar el producto.
- Mantenga el producto en un área cerrada para evitar que los niños u otras personas sin autorización puedan acceder a él.
- Mantenga el disco de corte en una zona segura para evitar daños.
- Mantenga los discos de corte en un lugar seco y sin escarcha.
- Revise los discos de corte nuevos para ver si se dañaron durante el almacenamiento.
- Para el almacenamiento del producto y del combustible, asegúrese de que no haya fugas

ni gases. Las chispas o llamas, por ejemplo, de dispositivos eléctricos o calderas, pueden iniciar un incendio.

- Siempre utilice recipientes aprobados para el almacenamiento del combustible.
- Mantenga el producto en una posición completamente baja y asegúrese de que no se pueda mover.

Para el almacenamiento a largo plazo, realice los siguientes pasos:

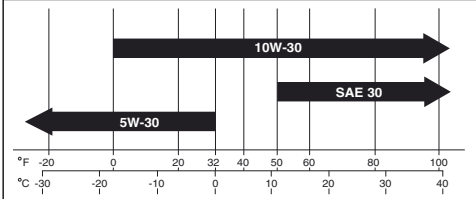
- Limpie el producto y realice un mantenimiento completo.
- Vacíe el depósito de combustible.
- Mantenga el producto en un lugar seco y sin escarcha.
- Coloque una cubierta protectora sobre el producto. Esto es especialmente importante para el almacenamiento en exteriores.
- Cambie el aceite del motor después de un almacenamiento prolongado.

## Eliminación

- Obedezca las regulaciones vigentes y requisitos de reciclaje locales.
- Deseche todos los productos químicos, como el combustible o el aceite del motor, en un centro de servicio o en un sitio adecuado para tal propósito.
- Cuando el producto se deja de utilizar, envíelo a un distribuidor de Husqvarna o deséchelo en un sitio de reciclaje.

## Datos técnicos

### Datos técnicos

	<b>Soff-Cut 2000</b>
<b>Motor <sup>5</sup></b>	
Marca del motor/tipo	Kohler Command Pro CH395
Potencia del motor, hp a rpm/kW a rpm <sup>6</sup>	9,5 a 4000/7,1 a 4000
<b>Combustible y sistema de lubricación</b>	
Capacidad del depósito de combustible, l/gal	2,0/7,4
Sistema de aceite	Aviso de aceite con sensor de apagado automático.
Capacidad del depósito de aceite, qt/l	1,4/1,3
Aceite del motor	<p>Recomendamos el uso de aceites Kohler para lograr un rendimiento óptimo. Se consideran aceptables otros aceites detergentes de alta calidad, incluidos los sintéticos, que posean la clasificación de servicio SJ o superior del Instituto Americano del Petróleo (API). Seleccione la viscosidad en función de la temperatura del aire en el momento del funcionamiento, como se indica en la siguiente tabla.</p> 
<b>Peso y dimensiones</b>	
Peso nominal, lb/kg	331/150
Peso de funcionamiento, incluye combustible y accesorios, lb/kg	341/155
<b>Hoja de sierra</b>	
Tipo de cuchilla	Hoja de diamante, corte seco con triple mandril
Material	Solo hormigón fresco
Grosor máx. de la cuchilla, mm/in	10,0/254
Profundidad máx. de corte, mm/in	1,5/38
Distancia de corte desde la pared, mm/in	89/3 ½

<sup>5</sup> Para obtener más información y para preguntas sobre este motor específico, consulte el manual del motor o el sitio web del fabricante del motor.

<sup>6</sup> Como lo especifica el fabricante del motor. Clasificación de potencia bruta según SAE J1940/J1995, a las rpm especificadas.

	<b>Soff-Cut 2000</b>
Rotación de la cuchilla	Hacia la izquierda, corte ascendente
Velocidad del eje de la hoja, rpm	3300
Control de profundidad de la cuchilla	Manual
<b>Velocidad media de corte <sup>7</sup></b>	
Aglomerados blandos, ft/min/m/min	18/5,5
Aglomerados medios, ft/min/m/min	13/4,0
Aglomerados duros, ft/min/m/min	7/2,1
<b>Extractores de polvo recomendados <sup>8</sup></b>	
Flujo de aire mín. o m <sup>3</sup> /h/CFM	236 o 400
Vacío mín., psi/KPa	3,6/22
Elevación mín. del agua, m/in	90/2,3
Acople del extractor de polvo, mm/in	3/76

---

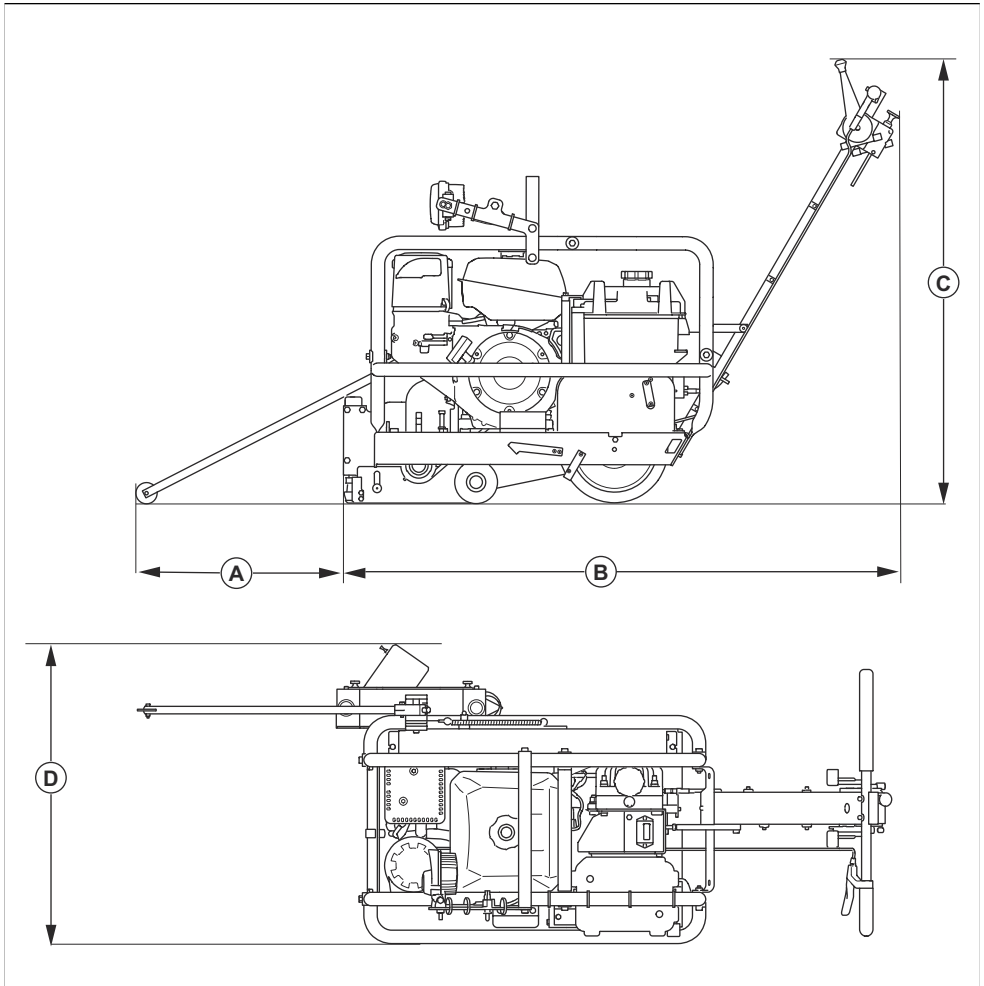
**Nota:** Este sistema de encendido por chispa cumple con la norma canadiense ICES.

---

<sup>7</sup> Estimada. La velocidad varía en función de las condiciones de trabajo y las mezclas de hormigón.

<sup>8</sup> Los datos técnicos para los extractores de polvo no describen de manera concluyente el rendimiento real en el tiempo entre diferentes extractores de polvo. Para los productos de Husqvarna, los datos objetivos de la normativa OSHA se encuentran disponibles en [www.husqvarnacp.com/us](http://www.husqvarnacp.com/us).

## Dimensiones del producto Soff-Cut 2000



		Dimensiones, mm/in
<b>A</b>	Distancia desde la rueda delantera del puntero hasta el producto	470/18,5
<b>B</b>	Longitud	1440/57
<b>C</b>	Altura con mango	940/37
<b>D</b>	Ancho	730/28,7

---

# Table des matières

---

Introduction.....	69	Entretien.....	85
Sécurité.....	72	Dépannage.....	97
Montage.....	78	Transport, entreposage et mise au rebut.....	98
Fonctionnement.....	78	Données techniques.....	100

---

## Introduction

---

### Responsabilité du propriétaire



**AVERTISSEMENT :** La coupe, en particulier la coupe à sec, produit de la poussière qui provient du matériau coupé, qui contient souvent de la silice. La silice est un composant de base du sable, du quartz, de la brique de l'argile, du granit et de nombreux autres pierres et minéraux. L'exposition à une quantité excessive de ces poussières peut entraîner :

une maladie respiratoire (réduisant la capacité à respirer), notamment la bronchite chronique, la silicose et la fibrose pulmonaire causée par l'exposition à la silice. Ces maladies peuvent être fatales;

Des irritations et éruptions cutanées.

Le cancer, selon le NTP (National Toxicology Program) et le CIRC (Centre international de Recherche sur le Cancer).

Prendre les précautions suivantes :

Éviter l'inhalation et le contact cutané avec les poussières, brouillards et fumées.

Porter et veiller à ce que les personnes à proximité portent un dispositif de protection respiratoire approprié, tel un masque antipoussière filtrant les particules microscopiques. (Voir OSHA 29 CFR Part 1926.1153)

Effectuer une coupe humide pour réduire au minimum les émissions de poussière.

---

Il est de la responsabilité du propriétaire ou de l'employeur de s'assurer que l'utilisateur possède les connaissances nécessaires pour manipuler le produit en toute sécurité. Les superviseurs et les utilisateurs doivent avoir lu et compris le manuel d'utilisation. Ils doivent être conscients de ce qui suit :

- Les consignes de sécurité relatives au produit.
- L'éventail d'applications du produit et ses limites.
- La manière dont le produit doit être utilisé et entreposé.

Des règlements locaux ou nationaux pourraient limiter l'utilisation de ce produit. Découvrir les règlements en vigueur où le travail est exécuté avant d'utiliser le produit.

### Proposition 65 de la Californie

 **ATTENTION!**

Les émissions du moteur de cet outil contiennent des produits chimiques qui, d'après l'État de Californie, peuvent causer le cancer, des malformations congénitales ou autre danger pour la reproduction

### Description du produit

Le produit est une scie de sol autotractée à essence pour le béton à conducteur accompagnant.

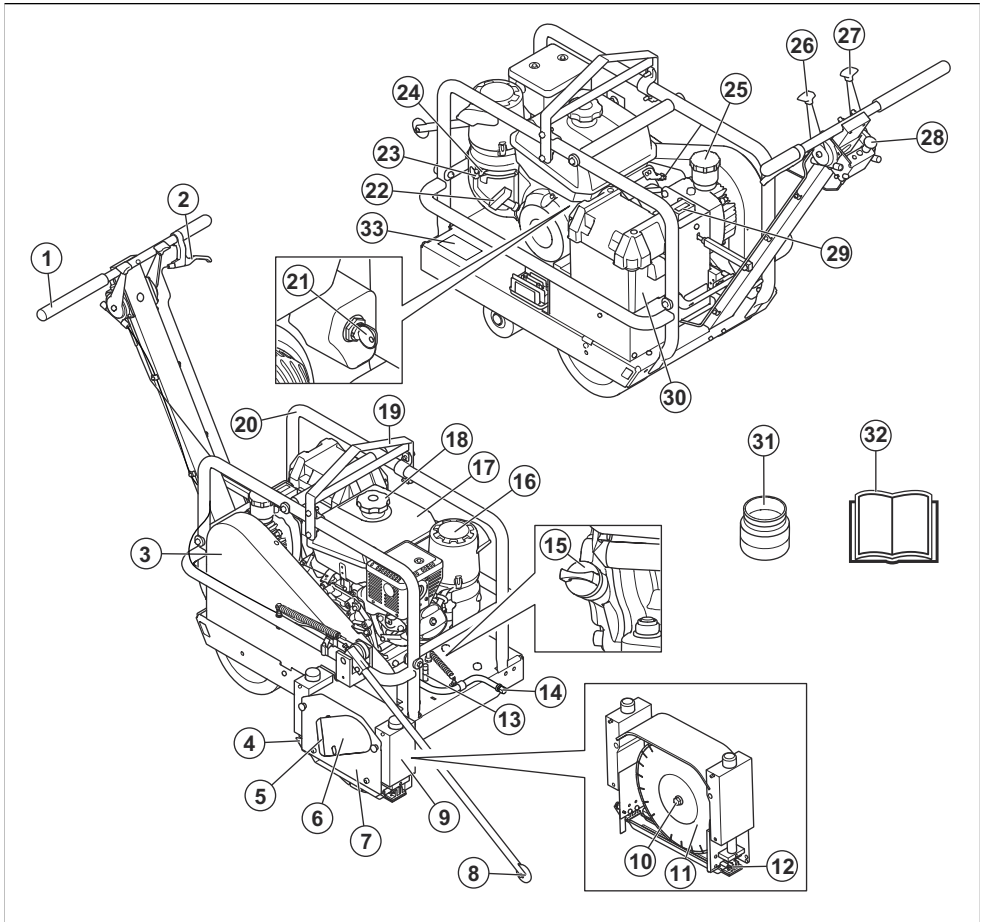
### Utilisation prévue

Le produit est réservé à un usage professionnel. Le produit sert à scier les joints de retrait à l'étape Ultra Early Stage du béton. Le produit relâche la tension dans le béton et évite les dommages et les fissures aléatoires. Il est utilisé pour le travail commercial moyen à lourd.

Le produit est utilisé 1 à 2 heures après la fin du processus de prise du béton.

Le produit est réservé à un usage à l'extérieur uniquement. Ne pas utiliser l'outil pour d'autres tâches.

## Présentation du produit Soff-Cut 2000



- |   |   |
|---|---|
| 1. Poignées de guidon                                     | 15. Jauge d'huile et bouchon du réservoir d'huile |
| 2. Levier de déverrouillage de lame                       | 16. Filtre à air                                  |
| 3. Carter de la courroie d'entraînement                   | 17. Réservoir de carburant                        |
| 4. Guide de l'entaille                                    | 18. Bouchon du réservoir de carburant             |
| 5. Bouchon pour le raccord pour l'extracteur de poussière | 19. Point de levage                               |
| 6. Raccord de l'extracteur de poussière                   | 20. Cadre de sécurité                             |
| 7. Couvercle du bloc de lame                              | 21. Clé de contact                                |
| 8. Pointeur avant   | 22. Corde du lanceur                              |
| 9. Bloc de lame   | 23. Levier du volet de départ                     |
| 10. Boulon de l'arbre de lame                             | 24. Levier de carburant                           |
| 11. Lame de coupe (non comprise)                          | 25. Bouchon du réservoir d'huile hydraulique      |
| 12. Plaque de protection (non comprise)                   | 26. Levier d'avance de la scie                    |
| 13. Goupille de blocage pour l'arbre de la lame           | 27. Levier du pointeur avant                      |
| 14. Boyau de vidange d'huile                              | 28. Commande d'accélérateur                       |
|   | 29. Compteur horaire                              |

- 30. Boîtier de batterie
- 31. Adaptateur pour raccord d'extracteur de poussière
- 32. Manuel de l'opérateur
- 33. Plaque signalétique

## Symboles figurant sur le produit



Faire attention et utiliser le produit correctement. Cet outil peut causer des blessures graves, ou même mortelles, à l'utilisateur et à d'autres personnes.



Lire soigneusement le manuel d'instructions et veiller à bien comprendre les directives avant d'utiliser cette machine.



Lire et comprendre le manuel d'utilisation de l'extracteur de poussière.



Utilisez un dispositif de protection pour les oreilles.



Utiliser un dispositif de protection homologué pour les yeux.



La poussière peut causer des problèmes de santé. Utiliser une protection respiratoire adéquate.



Utiliser un casque de protection dans les endroits où des objets peuvent tomber sur vous.



Pour soulever le produit, fixer l'équipement de levage au point de levage du produit.



Relâcher la poignée pour faire descendre la lame par gravité. Pour éviter d'endommager la lame, tenir fermement le produit et abaisser la lame avec précaution.



Risque de blessure et de dommage au produit. Rester prudent pendant le levage du produit. Retirer la lame de coupe avant de soulever le produit.



Risque d'enchevêtrement de la courroie. Garder les mains et les autres parties du corps à l'écart des pièces mobiles.



Risques associés à l'équipement. Risque de coupures. Garder les mains et les pieds à l'écart.



Ne pas utiliser un produit à moteur à combustion à l'intérieur ou dans des endroits mal aérés. Ne pas respirer les gaz d'échappement. La poussière peut causer des problèmes de santé. Utiliser une protection respiratoire adéquate.



Garder toutes les protections en place.



Ne pas utiliser dans des zones inflammables.



La flèche sur le bloc de lame indique le sens dans lequel la lame tourne.



Remplir l'huile moteur jusqu'au niveau correct.



Levier d'avance de la scie. Pousser le levier pour augmenter la vitesse. Tirer sur le levier pour réduire la vitesse.



Tirer le pointeur avant vers le haut.



Placer le pointeur avant vers le bas.



OFF (Arrêt), arrête le moteur.



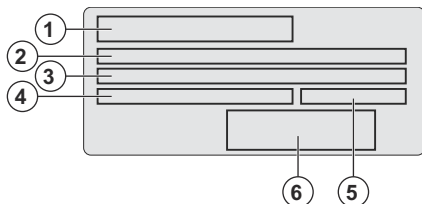
RUN (Marche), allume le contact.



START (Démarrer), actionne le moteur.

**Remarque :** Les autres symboles/autocollants présents sur l'outil renvoient aux exigences en matière de certification pour d'autres zones commerciales.

### Plaque signalétique pour les États-Unis et le Canada



1. Marque
2. Numéro du produit
3. Modèle
4. Numéro de série
5. Date, année, semaine de production
6. Fabricant, adresse, numéro de téléphone

**Remarque :** Cette machine est considérée comme une application hors route exemptée des normes CARB. L'EPA des États-Unis est la seule habilitée à instaurer des normes antipollution visant l'équipement de construction exempté.

### Responsabilité concernant le produit

Comme indiqué dans les lois en vigueur sur la responsabilité concernant les produits, nous ne serons pas tenus responsables des dommages que notre produit causerait dans les situations suivantes :

- Le produit n'est pas réparé de façon adéquate.
- Le produit est réparé avec des pièces qui ne sont pas fournies ou homologuées par le fabricant.
- Le produit comprend un accessoire qui n'est pas fourni ou homologué par le fabricant.
- Le produit n'est pas réparé par un centre de service après-vente agréé ou par une autorité homologuée.

## Sécurité

### Définitions relatives à la sécurité

Les avertissements, recommandations et remarques soulignent des points du manuel qui revêtent une importance particulière.



**AVERTISSEMENT :** Indique la présence d'un risque de blessure ou de décès de l'utilisateur ou de personnes à proximité si les instructions du manuel ne sont pas suivies.



**MISE EN GARDE :** Indique la présence d'un risque de dommages au produit, à d'autres appareils ou à la zone adjacente si les instructions du manuel ne sont pas suivies.

**Remarque :** Utilisé pour donner des renseignements plus détaillés qui sont nécessaires dans une situation donnée.

### Consignes générales de sécurité



**AVERTISSEMENT :** Lire les messages d'avertissement qui suivent avant d'utiliser l'outil.

- Ce produit est un outil dangereux s'il est utilisé de façon insouciant ou inappropriée. Cet outil peut causer des blessures graves, ou même mortelles, à l'utilisateur et à d'autres personnes. Il est obligatoire de lire et de comprendre le contenu de ce manuel d'utilisation avant d'utiliser l'outil.
- Conserver tous les avertissements et toutes les instructions.
- Se conformer à toutes les lois et réglementations en vigueur.
- L'utilisateur et l'employeur de l'utilisateur doivent connaître et prévenir les risques liés à l'utilisation du produit.
- Ne pas laisser une personne utiliser le produit à moins qu'elle a lu et compris le contenu de ce manuel d'utilisation.
- Ne pas faire fonctionner le produit sans avoir reçu une formation relative à son fonctionnement. S'assurer que tous les utilisateurs reçoivent une formation.
- Ne pas laisser un enfant utiliser l'outil.
- Seules les personnes autorisées peuvent utiliser le produit.
- L'utilisateur est responsable des accidents survenus à d'autres personnes ou à leurs biens.
- Ne pas utiliser le produit en cas de fatigue ou sous l'emprise de l'alcool, de drogues ou de médicaments.
- Toujours rester prudent et faire preuve de bon sens.



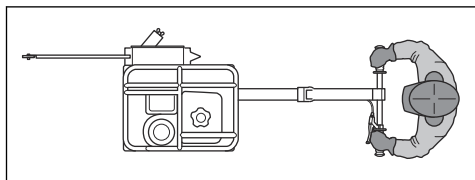
- Ce produit génère un champ électromagnétique pendant le fonctionnement. Ce champ magnétique peut, dans certains cas, nuire aux implants médicaux actifs ou passifs. Pour réduire le risque de blessures graves ou mortelles, il est recommandé aux personnes ayant des implants médicaux de consulter leur médecin et le fabricant de l'implant médical avant d'utiliser le produit.
- Toujours garder le produit propre. S'assurer de pouvoir lire clairement les signes et les autocollants.
- Ne pas utiliser le produit s'il est défectueux.
- Ne pas modifier ce produit.
- Ne pas utiliser le produit s'il est possible que d'autres personnes aient apporté des modifications à celui-ci.

## Consignes de sécurité pour l'utilisation



**AVERTISSEMENT** : Lire les messages d'avertissement qui suivent avant d'utiliser l'appareil.

- Lire les instructions d'avertissement fournies avec le disque de coupe par le fabricant de celle-ci.
- S'assurer que le produit est monté de façon adéquate.
- Ne pas utiliser le produit sans que le protège-lame courroie et les couvercles de protection soient installés.
- Une utilisation incorrecte du produit peut entraîner le bris du disque de coupe et provoquer des blessures ou des dommages.
- S'assurer de savoir comment arrêter rapidement le moteur en cas d'urgence.
- Utiliser un équipement de protection personnelle. Se reporter à la section *Équipement de protection personnelle à la page 74*.
- Demeurer à une distance sécuritaire du disque découpeur pendant que le moteur tourne. Ne pas essayer d'arrêter un disque en rotation avec une quelconque partie du corps. Le contact avec un disque en rotation, même si le moteur est coupé, peut entraîner des blessures graves, voire mortelles.
- S'assurer que seules les personnes autorisées se trouvent dans la zone de travail.
- S'assurer que les câbles électriques dans la zone de travail ne sont pas sous tension.
- Maintenir la zone de travail propre et bien éclairée.
- Utiliser le produit seulement en étant positionné derrière, les deux mains sur la poignée.



- S'assurer d'être dans une position stable et sécuritaire au cours du travail.
- Avant de s'éloigner du produit, arrêter le moteur et s'assurer qu'il n'y a aucun risque de démarrage accidentel.
- Faire attention pendant le sciage sur un terrain en pente. Le produit est lourd et peut provoquer des blessures graves en cas de chute.
- S'assurer qu'aucun matériau ne peut se détacher et blesser l'utilisateur.
- S'assurer que les vêtements, les cheveux longs et les bijoux ne peuvent pas se coincer dans les pièces en mouvement.
- Ne pas s'asseoir ni se tenir debout sur le produit.
- Rester à l'écart de la trajectoire du disque lorsque le moteur tourne.
- Ne pas utiliser l'outil s'il n'est pas possible d'obtenir de l'aide en cas d'accident.
- Ne pas utiliser le produit pour transporter des personnes ou de l'équipement.
- Ne pas poser les pieds sur le produit.
- S'assurer que la lame ne touche pas le sol ou une autre surface lorsque le produit est déplacé.
- Ne pas utiliser le produit avec une charge excessive. Une surcharge pourrait endommager le produit.

## Sécurité de l'aire de travail



**AVERTISSEMENT** : Lire les messages d'avertissement qui suivent avant d'utiliser l'appareil.

- Le produit peut entraîner des objets pour éjecter à grande vitesse. S'assurer que toutes les personnes se trouvant dans la zone de travail utilisent un équipement de protection individuel approuvé. Se reporter à *Équipement de protection personnelle à la page 74*. Retirer les matériaux inflammables de la zone de travail.
- S'assurer que les animaux et les personnes à proximité ne se trouvent pas à l'intérieur de la zone de travail.
- Ne pas utiliser le produit tant que la zone de travail n'est pas dégagée et que les pieds et le corps ne sont pas en position stable.
- Rester à l'affût des personnes, des objets et des situations susceptibles d'entraver l'utilisation sécuritaire du produit.
- S'assurer qu'aucune personne ni aucun objet ne peut entrer en contact avec l'équipement de coupe ou être heurté par des pièces projetées par la lame.
- Ne pas utiliser le produit dans le brouillard, la pluie, le vent violent, par temps froid, en cas de risque d'orage ou dans d'autres mauvaises conditions météorologiques. L'utilisation du produit par mauvais temps peut avoir un effet négatif sur votre vigilance. Le mauvais temps peut entraîner des conditions de travail dangereuses, comme des surfaces glissantes.

- Pendant l'utilisation du produit, s'assurer qu'aucun matériau ne risque de se détacher et de tomber et blesser l'opérateur.
- Faire très attention lors de l'utilisation du produit en pente.
- Maintenir la zone de travail propre et bien éclairée.
- Avant d'utiliser le produit, vérifier si la zone de travail contient des dangers cachés comme des câbles électriques, des conduites d'eau et de gaz et des substances inflammables. Si le produit heurte un objet caché, arrêter immédiatement le moteur et examiner le produit et l'objet. Ne pas redémarrer le produit avant de s'assurer de pouvoir continuer en toute sécurité.
- Avant de couper un tambour, un tuyau ou un autre contenant, s'assurer qu'il ne contient pas de matériaux inflammables ou d'autres matériaux susceptibles de provoquer un incendie ou une explosion.
- Ne pas utiliser ce produit dans des zones où un incendie ou des explosions peuvent se produire.

### Équipement de protection personnelle



**AVERTISSEMENT** : Lire les messages d'avertissement qui suivent avant d'utiliser l'appareil.

- Toujours utiliser un équipement de protection personnelle homologué lors de l'utilisation de l'outil. Cet équipement de protection personnelle n'élimine pas complètement les risques de blessures, mais il peut en réduire la gravité en cas d'accident. Le revendeur aidera l'utilisateur à sélectionner l'équipement adéquat.
- Vérifier régulièrement l'état de l'équipement de protection personnelle.
- Porter un casque de protection approuvé.
- Porter un dispositif de protection homologué pour les oreilles.
- Utiliser un dispositif de protection respiratoire homologué.
- Porter un dispositif de protection pour les yeux homologué avec écrans latéraux. Il existe un risque élevé de blessures aux yeux dues à la projection d'objets.
- Porter des gants de protection.
- Utiliser des bottes à embout en acier et semelles antidérapantes.
- Porter des vêtements de travail homologués ou des vêtements ajustés équivalents avec des manches longues et des pantalons.

### Extincteur

- Garder un extincteur à proximité pendant le sciage.
- Utiliser un extincteur à poudre de classe « ABE » ou un extincteur au dioxyde de carbone de type « BE ».

### Dispositifs de sécurité sur le produit

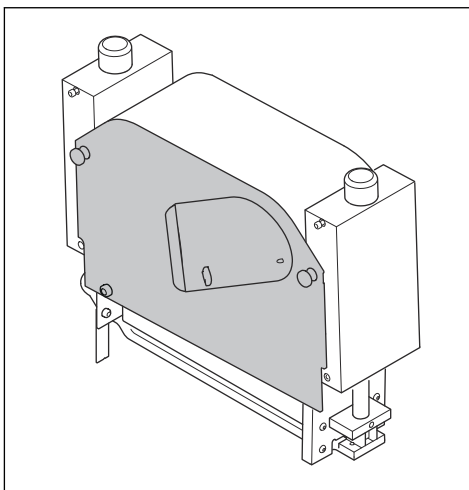


**AVERTISSEMENT** : Lire les messages d'avertissement qui suivent avant d'utiliser le produit.

- Ne pas utiliser un outil dont les dispositifs de sécurité sont défectueux. Vérifier régulièrement les dispositifs de sécurité. Si les dispositifs de sécurité sont défectueux, parler à votre agent d'entretien Husqvarna.
- Ne pas modifier les dispositifs de sécurité. Ne pas utiliser le produit si les plaques et les couvercles de protection, les interrupteurs de sécurité ou d'autres dispositifs de protection ne sont pas fixés ou sont défectueux.

### Protection de bloc de lame

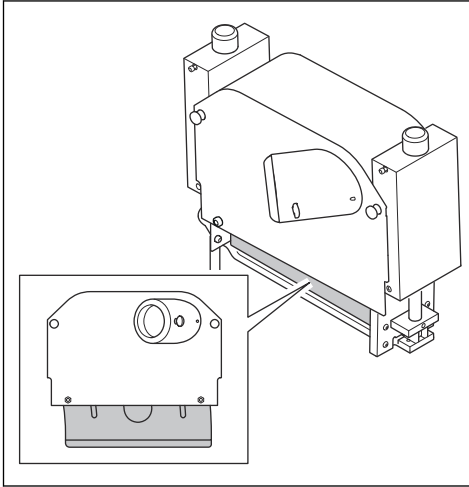
La protection de bloc de lame assure une protection contre la lame en rotation et écarte la poussière de l'opérateur.



### Couvercle latéral flottant

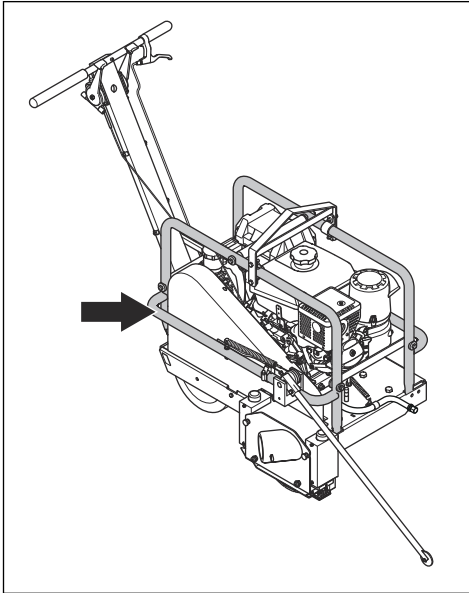
Le couvercle latéral flottant protège l'opérateur de la poussière et empêche l'éjection des particules.

S'assurer que le capot flottant latéral se déplace librement vers le haut et vers le bas.



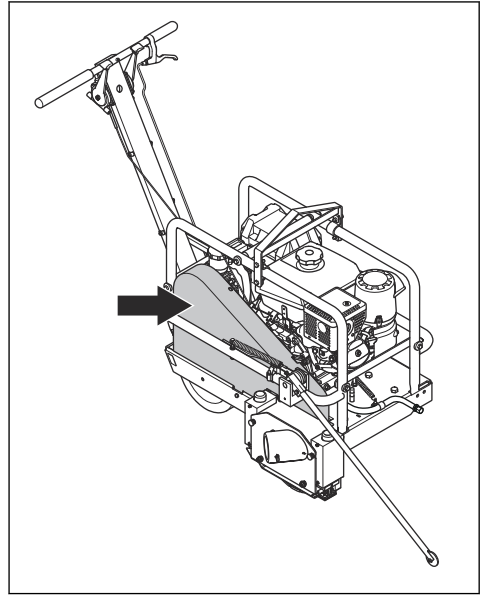
### Cadre de sécurité

Le cadre de sécurité évite d'endommager l'équipement et le moteur, et il prévient les blessures à l'opérateur.



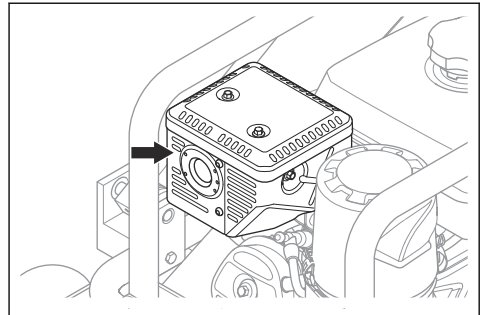
### Carter de la courroie d'entraînement

Le carter de la courroie d'entraînement protège les poulies et la courroie d'entraînement.



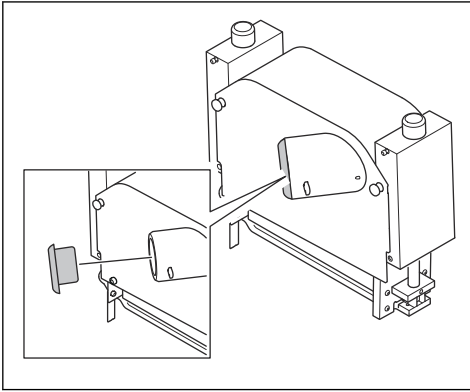
### Protection de silencieux

La protection de silencieux empêche de se brûler sur le silencieux chaud.



## Raccordement de l'extracteur de poussière

Utiliser toujours la tige si le produit n'est pas connecté à un extracteur de poussière.



### Pour examiner les protections



**AVERTISSEMENT** : Ne pas utiliser un produit dont les dispositifs de protection sont défectueux. Vérifier les dispositifs de protection avant d'utiliser le produit. Si les dispositifs de protection sont défectueux, communiquer avec un agent d'entretien Husqvarna.

1. Vérifier le bloc de lame et la protection du bloc de lame, le couvercle latéral flottant, le cadre de sécurité, le carter de la courroie d'entraînement, le bouchon et la protection du silencieux pour s'assurer qu'ils ne sont pas endommagés.
2. Remplacer les protections si elles sont endommagées.
3. S'assurer que les protections sont bien fixées avant de démarrer le produit.

### Sécurité – carburant



**AVERTISSEMENT** : Lire les messages d'avertissement qui suivent avant d'utiliser le produit.

- L'essence est inflammable et les vapeurs sont explosives. Faire attention avec le carburant afin d'éviter toute blessure, tout incendie et toute explosion.
- Ne pas respirer les vapeurs de carburant. Les vapeurs de carburant sont toxiques et peuvent provoquer des blessures. S'assurer que le débit d'air est suffisant.
- Ne pas enlever le bouchon du réservoir de carburant ou remplir le réservoir de carburant lorsque le moteur est en marche.

- Laisser le moteur refroidir avant de faire l'appoint.
- Ne pas faire le plein de carburant à l'intérieur. Un débit d'air insuffisant peut entraîner des blessures ou la mort en raison d'une asphyxie ou du monoxyde de carbone.
- Ne pas fumer à proximité du carburant ou du moteur.
- Ne pas placer des objets chauds à proximité du carburant ou du moteur.
- Ne pas faire l'appoint de carburant à proximité d'étincelles ou de flammes.
- Avant de faire le plein, ouvrir lentement le couvercle du réservoir de carburant et relâcher la pression avec précaution.
- Le carburant peut provoquer des lésions cutanées. Si du carburant se déverse sur la peau, se nettoyer au savon doux et à l'eau.
- Si du carburant se déverse sur les vêtements, changer immédiatement de vêtement.
- Ne jamais remplir le réservoir de carburant complètement. La chaleur provoque une dilatation du carburant. Laisser un espace dans la partie supérieure du réservoir de carburant.
- Serrer fermement le couvercle du réservoir de carburant. Si le couvercle du réservoir de carburant n'est pas bien serré, il y a un risque d'incendie.
- Avant de démarrer l'outil, le déplacer à au moins 3 m (10 pi) de l'endroit où le plein de carburant a eu lieu.
- Ne pas démarrer l'outil s'il y a du carburant ou de l'huile moteur sur l'outil. Éponger le carburant et l'huile moteur indésirables et laisser l'outil sécher avant de démarrer le moteur.
- Vérifier régulièrement le moteur à la recherche de fuites. S'il y a des fuites dans le système de carburant, ne pas démarrer le moteur jusqu'à ce que les fuites soient réparées.
- Ne pas utiliser les doigts pour rechercher d'éventuelles fuites au niveau du moteur.
- N'entreposer le carburant que dans des contenants homologués.
- Lorsque l'outil et le carburant sont entreposés, s'assurer que le carburant et les vapeurs de carburant ne peuvent pas provoquer de dommages.
- Vider le carburant dans un contenant homologué à l'extérieur et loin d'étincelles ou de flammes.

### Sécurité relative aux gaz d'échappement



**AVERTISSEMENT** : Lire les messages d'avertissement qui suivent avant d'utiliser l'outil.

- Les gaz d'échappement du moteur contiennent du monoxyde de carbone, un gaz inodore, toxique et très dangereux. Respirer du monoxyde de carbone peut entraîner la mort. Le monoxyde de carbone étant inodore et invisible, il n'est pas possible de le détecter. Un symptôme d'intoxication au

monoxyde de carbone est l'étourdissement, mais il est possible qu'une personne perde connaissance sans avertissement si la quantité ou la concentration de monoxyde de carbone est suffisante.

- Les gaz d'échappement contiennent également des hydrocarbures non brûlés, y compris du benzène. Leur inhalation à long terme peut provoquer des problèmes de santé.
- Les gaz d'échappement visibles ou odorants contiennent également du monoxyde de carbone.
- Ne pas utiliser un produit à moteur à combustion à l'intérieur ou dans des endroits mal aérés.
- Ne pas respirer les gaz d'échappement.
- S'assurer que la circulation d'air dans la zone de travail est suffisante. Ceci est très important lorsque le produit est utilisé dans des tranchées ou autres petites zones de travail où les gaz d'échappement peuvent facilement s'accumuler.

### Sécurité en matière de vibrations



**AVERTISSEMENT** : Lire les messages d'avertissement qui suivent avant d'utiliser l'appareil.

- Pendant le fonctionnement du produit, des vibrations sont transmises du produit à l'utilisateur. L'utilisation régulière et fréquente du produit peut provoquer ou augmenter les risques de blessures pour l'utilisateur. Des blessures peuvent se produire au niveau des doigts, des mains, des poignets, des bras, des épaules ou des nerfs, ou d'autres parties du corps ou affecter l'apport sanguin. Les blessures peuvent être invalidantes et/ou permanentes et peuvent augmenter progressivement au fil des semaines, des mois ou des années. Les blessures possibles incluent des dommages au système de circulation sanguine, au système nerveux, aux articulations et à d'autres structures corporelles.
- Des symptômes peuvent apparaître pendant l'utilisation du produit ou à d'autres moments. Si l'utilisateur présente des symptômes et continue à utiliser le produit, les symptômes peuvent augmenter ou devenir permanents. Si ces symptômes ou d'autres symptômes apparaissent, consulter un médecin :
  - Engourdissement, perte de sensation, fourmillement, picotement, douleur, brûlure, boursoufflement, raideur, sensation de lourdeur, perte de force, changements de couleur ou d'état de la peau.
- Les symptômes peuvent augmenter par temps froid. Porter des vêtements chauds et garder les mains au chaud et au sec lors de l'utilisation de l'outil dans des environnements froids.
- Procéder à l'entretien et à l'utilisation du produit comme indiqué dans le manuel d'utilisation pour maintenir les vibrations à un niveau acceptable.
- Le produit est doté d'un système d'amortissement des vibrations qui réduit les vibrations transmises

à l'opérateur par les poignées. Laisser le produit faire le travail. Ne pas pousser le produit avec force. Tenir légèrement le produit par les poignées, mais s'assurer de le contrôler et de l'utiliser en toute sécurité. Ne pas pousser les poignées dans les butées plus que nécessaire.

- Garder les mains sur la ou les poignées uniquement.
- Garder toutes les autres parties du corps à l'écart du produit.
- Arrêter immédiatement le produit en cas de fortes vibrations soudaines. Ne pas poursuivre le sciage avant d'avoir éliminé la cause des vibrations accrues.

### Protection contre la poussière



**AVERTISSEMENT** : Lire les messages d'avertissement qui suivent avant d'utiliser l'outil.

- L'utilisation du produit peut provoquer de la poussière dans l'air. La poussière peut provoquer des blessures graves et des problèmes de santé permanents. La poussière de silice est considérée comme une matière nocive par plusieurs autorités. Voici quelques exemples de problèmes de santé :
  - Maladies pulmonaires mortelles bronchite chronique, silicose et fibrose pulmonaire
  - Cancer
  - Malformations congénitales
  - Inflammation de la peau
- Utiliser un équipement adapté pour réduire la quantité de poussière et de fumées dans l'air et pour réduire la poussière sur les équipements de travail, les surfaces, les vêtements et les parties du corps. Exemples de contrôles : systèmes de collecte de poussière et jets d'eau pour lier la poussière. Dans la mesure du possible, réduire la quantité de poussière à la source. S'assurer que l'équipement est correctement installé et utilisé et que l'entretien régulier est effectué.
- Utiliser un dispositif de protection respiratoire homologué. S'assurer que la protection respiratoire convient aux matériaux dangereux dans la zone de travail.
- S'assurer que la circulation d'air est suffisante dans la zone de travail.
- Si possible, orienter l'échappement du produit vers un endroit où il ne risque pas de souffler de la poussière dans l'air.

### Sécurité relative au bruit



**AVERTISSEMENT** : Lire les messages d'avertissement qui suivent avant d'utiliser l'outil.

- Des niveaux sonores élevés et une exposition prolongée au bruit peuvent entraîner une perte auditive due au bruit.
- Pour réduire au maximum le niveau sonore, procéder à l'entretien du produit et l'utiliser comme indiqué dans le manuel d'utilisation.
- Examiner le silencieux pour détecter d'éventuels dommages ou défauts. S'assurer que le silencieux est bien fixé sur le produit.
- Toujours porter un dispositif de protection pour les oreilles homologué lors de l'utilisation du produit.
- Rester attentif aux appels ou cris d'avertissement lors de l'utilisation d'un dispositif de protection pour les oreilles. Retirer le dispositif de protection pour les oreilles lorsque le produit est arrêté, sauf si une protection auditive est nécessaire en raison du niveau sonore dans la zone de travail.
- Arrêter le moteur et laisser le produit refroidir avant de procéder à l'entretien.
- Nettoyer le produit pour éliminer les matières dangereuses avant d'effectuer la maintenance.
- Débrancher la bougie d'allumage avant de procéder à l'entretien.
- Les gaz d'échappement du moteur sont chauds et peuvent contenir des étincelles. Ne pas utiliser l'outil dans un local clos ou à proximité de matériaux inflammables.
- Ne pas modifier l'outil. Toute modification non approuvée par le fabricant peut entraîner des blessures graves, voire mortelles.
- Toujours utiliser des accessoires et des pièces de rechange d'origine. Les accessoires et les pièces de rechange qui ne sont pas approuvés par le fabricant peuvent causer des blessures graves, voire mortelles.
- Remplacer les pièces endommagées, usées ou brisées.
- N'effectuer que les travaux d'entretien indiqués dans ce manuel d'utilisation. Confier toutes les autres opérations d'entretien à un centre de service agréé.
- Retirer tous les outils du produit avant de démarrer le moteur après la maintenance. Des outils non fixés ou fixés aux pièces tournantes peuvent s'éjecter et provoquer des blessures.
- Demander à un centre de service agréé d'effectuer régulièrement l'entretien de l'outil.

## Consignes de sécurité pour la maintenance



**AVERTISSEMENT** : Lire les messages d'avertissement qui suivent avant d'utiliser l'outil.

- Utiliser de l'équipement de protection individuelle. Se reporter à la section *Équipement de protection personnelle à la page 74*.
- Si la maintenance n'est pas effectuée correctement et régulièrement, le risque de blessures et de dommages sur l'outil augmente.

## Montage

### Pour retirer le produit de l'emballage

- Soulever le produit par la poignée centrale du cadre de sécurité pour le retirer de l'emballage.

### Introduction



**AVERTISSEMENT** : Avant d'assembler le produit, lire et bien comprendre le chapitre sur la sécurité.



**AVERTISSEMENT** : Débrancher le câble de la bougie d'allumage de la bougie d'allumage avant d'assembler le produit.

### Montage de la lame de coupe et la plaque de protection

1. Monter la lame de coupe. Se reporter à *Pour installer un disque découpeur à la page 88*.
2. Monter la plaque de protection. Se reporter à *Assemblage de la plaque de protection à la page 89*.

## Fonctionnement

### Introduction



**AVERTISSEMENT** : Avant d'utiliser le produit, lire et bien comprendre le chapitre sur la sécurité.

### Techniques de travail de base

#### Joint de retrait et espacement des joints

Lorsque le béton s'hydrate ou durcit et commence à prendre, il se produit à l'intérieur de celui-ci des contraintes qui peuvent causer des fissures aléatoires.

Ces fissures aléatoires créent un doute quant à la qualité du béton et de l'exécution du travail. La coupe de joints de retrait dans le béton a pour but de soulager ces contraintes avant qu'elles ne forment des fissures.

Le système Soff-Cut Ultra Early Entry permet de contrôler la fissuration aléatoire en effectuant des coupes précoces à des endroits prédéterminés dans le béton pour créer des plans de moindre résistance, qui se fissurent ensuite au bas du sillon de coupe pour libérer les contraintes.

Les joints de retrait effectués avec la scie doivent être d'au moins un huitième de la profondeur du béton et d'au moins 25 mm (1 po) de profondeur.

Pratiquer les joints de retrait quand le béton supporte le poids du produit et de l'opérateur. S'assurer que le produit ne marque ou n'endommage pas le béton.

Il existe de nombreuses possibilités de disposition des joints. La disposition des joints doit être fournie. L'opérateur de la scie doit soumettre un plan détaillé de la disposition des joints avant le début de la coupe.

Un grand nombre de conditions ont une incidence sur l'espacement des joints.

- L'épaisseur du béton.
- Le type, la quantité et l'emplacement des armatures.
- La capacité de retrait du ciment-béton (type, quantité), l'agrégat (taille, quantité, qualité), le rapport eau/ciment, les adjuvants, la température du béton.
- La friction à la base.
- La retenue de la dalle.
- L'aménagement des fondations, crémaillères, fosses, blocs d'équipement, tranchées, etc.
- Les facteurs environnementaux, comme la température, le vent et l'humidité.
- Les méthodes et la qualité du durcissement du béton.

Généralement, les modèles de joints de retrait doivent diviser les dalles en panneaux de forme plus ou moins carrée, conformément à l'espacement recommandé indiqué dans le tableau.

Épaisseur du béton, mm (po)	Espacement maximal, m (pi)
90 (3,5)	2,4 (8)
100, 114 (4, 4,5)	3,0 (10)
125, 140 (5, 5,5)	3,6 (12)
150 (6) ou plus	4,5 (15)

À toutes les intersections de coupe, installez des protecteurs de joints Husqvarna sur chaque joint pour prévenir les dommages. Installez un protecteur de joint supplémentaire à l'endroit où la roue droite croise le joint, pour ne pas endommager le béton.

## Optimisation du système Soff-Cut

« La planification des travaux dans le béton, particulièrement la finition et le jointage, est cruciale... Le fait de ne pas en tenir compte peut donner lieu à des caractéristiques indésirables sur la couche de surface, notamment des fissures... » (Extrait de l'avant-propos de l'American Concrete Institute (ACI) 302.1 R-96.)

Le système Soff-Cut Ultra Early Entry a révolutionné le contrôle de la fissuration aléatoire.

Pour qu'un utilisateur puisse faire un travail satisfaisant à l'aide du système Soff-Cut, il faut satisfaire aux critères suivants :

- Une scie à coupe vers le haut à sec Soff-Cut Ultra Early Entry.
- Une lame diamant pour découpe à sec Soff-Cut Husqvarna.
- Une plaque de protection anti-effilochage Husqvarna installée avec chaque lame diamant neuve
- Un opérateur qualifié pour l'utilisation du système de découpe Soff-Cut Ultra Early Entry.

Sans ces éléments, il n'est pas possible de couper les joints de façon assez précise pour contrôler les fissures aléatoires avant leur apparition, et donc de fournir au propriétaire du bâtiment ce pour quoi il paie.

La spécification 302.1R-96 de l'ACI l'explique bien :

« Les scies de coupe à sec de béton frais utilisent des lames imprégnées de diamant et une plaque de protection qui aide à prévenir les éclatements. Il est nécessaire de remplacer à temps les plaques de protection pour contrôler efficacement les éclatements. Il est préférable de remplacer les plaques de protection conformément aux recommandations du fabricant... L'objectif de la coupe à la scie est de créer un plan de moindre résistance dès que le joint peut être coupé... La planification du processus de coupe précoce du béton permet de mettre des joints en place avant le développement de contraintes de traction importantes dans le béton... »

Le bulletin technique de la Portland Cement Association (PCA), Concrete Floors on the ground, indique également :

« Un jointage effectué correctement permet d'éliminer les fissures disgracieuses. Pour réaliser un bon jointage, il faut choisir le type de joint adéquat pour chaque endroit, déterminer le bon modèle et la bonne disposition des joints, puis faire le joint au bon moment... La planification du sciage des joints est cruciale... Les scies pour béton frais légères et rapides ont été mises au point pour permettre le sciage des joints très vite après la finition du sol, parfois en moins de deux heures... si le sillon de coupe a été fait dans les heures qui suivent la finition, il est possible de contrôler la fissuration aléatoire... »

Husqvarna propose le seul système de coupe à sec Ultra Early Entry (Soff-Cut) qui permet de contrôler la fissuration aléatoire grâce à une coupe précoce.

Avec la méthode Soff-Cut, les joints de contrôle sont généralement coupés dans les deux heures qui suivent le processus de finition.

La coupe des joints doit commencer dès que le béton peut supporter le poids de la scie et de l'opérateur à chaque emplacement de joint et avant sa prise finale.

Si les joints ne sont pas coupés dans cette période, la méthode Soff-Cut Ultra Early Entry n'est donc pas respectée.

## Avant d'utiliser le produit

1. Effectuer l'entretien quotidien. Se reporter à la section *Calendrier d'entretien à la page 85*.
2. S'assurer que le guide avant est tourné en position avant.
3. Remplir le réservoir d'huile. Se reporter à la section *Données techniques à la page 100* pour obtenir de plus amples renseignements sur l'huile moteur recommandée.
4. Vérifier le niveau d'huile moteur. Se reporter à la section *Pour vérifier le niveau d'huile moteur à la page 90*.

## Faire le plein



**AVERTISSEMENT :** Ne pas remplir les bidons lorsque vous êtes dans un véhicule. Risque d'incendie. Placer le récipient au sol et à l'écart du véhicule.



**MISE EN GARDE :** Ne pas utiliser d'essence à indice d'octane inférieur à 90 RON (87 AKI). Cela pourrait endommager le produit.



**MISE EN GARDE :** Utiliser de l'essence sans plomb. Ne pas utiliser de l'essence sans plomb qui contient plus de 10 % d'éthanol. L'essence contenant plus de 10 % d'éthanol présente un risque d'incendie et peut également causer des problèmes de démarrage et de performance. Elle peut également endommager les pièces en métal, en caoutchouc et en plastique du circuit d'alimentation en carburant.



**MISE EN GARDE :** Ne pas utiliser d'essence contenant du méthanol.



**MISE EN GARDE :** Ne pas conserver le carburant plus de 30 jours dans un bidon. Le carburant périmé peut endommager le produit.

1. Retirer le produit du véhicule de transport et le placer au sol. Quand cela n'est pas possible, faire le plein du produit avec un bidon portable plutôt qu'avec un pistolet de pompe à essence.



**AVERTISSEMENT :** Utiliser uniquement des conteneurs d'essence homologués.

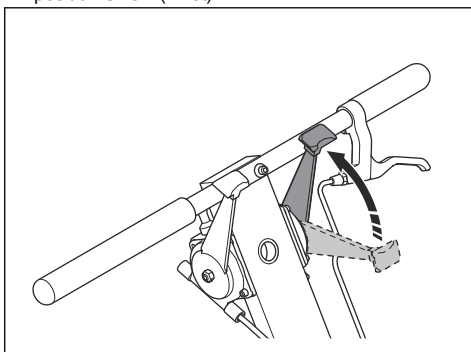
2. Ouvrir le bouchon du réservoir de carburant lentement pour libérer la pression.
3. Veiller à ce que le pistolet touche le bord supérieur de l'ouverture du réservoir de carburant jusqu'à ce que le réservoir de carburant soit plein. Ne pas utiliser de dispositif à ouverture bloquée du pistolet distributeur.
4. Nettoyer la zone autour du bouchon du réservoir de carburant.
5. Serrer fermement le couvercle du réservoir de carburant. Si le couvercle du réservoir de carburant n'est pas bien serré, il y a un risque d'incendie.
6. Avant de démarrer l'outil, le déplacer à au moins 3 m (10 pi) de la position où le plein de carburant a été fait.

## Démarrage du moteur



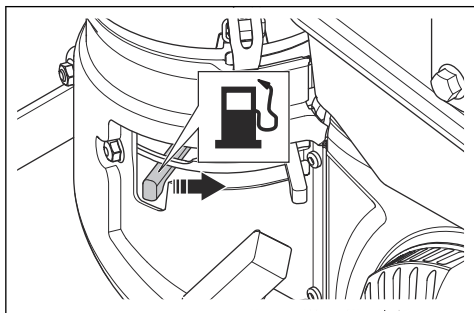
**MISE EN GARDE :** Le moteur de ce produit peut être démarré avec la marche avant engagée. S'assurer que le levier de vitesse de marche avant est en position STOP (Arrêt) avant de démarrer le moteur.

1. Tirer le levier de vitesse de marche avant jusqu'à la position STOP (Arrêt).

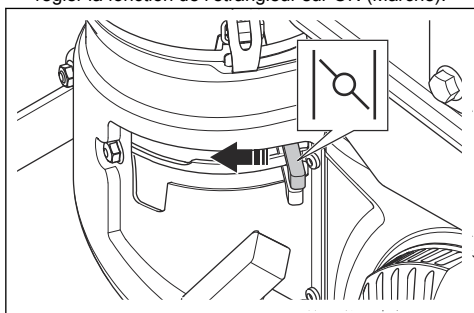




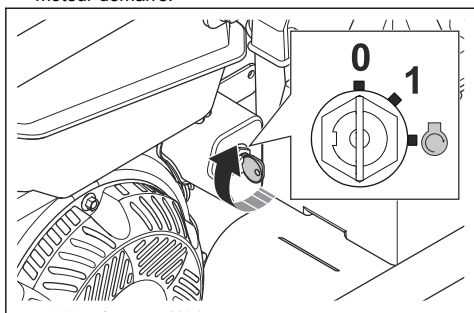
2. Déplacer le levier de carburant vers la droite pour ouvrir le robinet de carburant.



3. Déplacer le levier de l'étrangleur vers la gauche pour régler la fonction de l'étrangleur sur ON (Marche).



4. Tourner la clé d'allumage à la position START (Démarrer) et relâcher la clé d'allumage lorsque le moteur démarre.

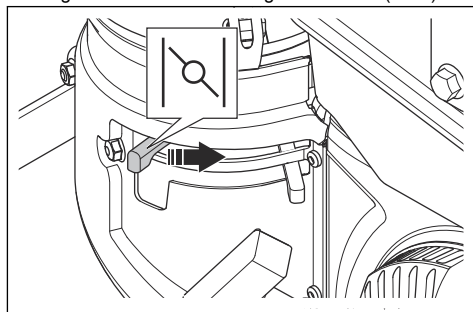


**MISE EN GARDE :** Ne pas lancer le moteur en continu pendant plus de 10 secondes. Attendre 60 secondes pour laisser le moteur refroidir avant de redémarrer.

**Remarque :** Si le moteur ne démarre pas, tourner la clé d'allumage à la position OFF (0) (Arrêt). Communiquer avec un agent d'entretien Husqvarna.

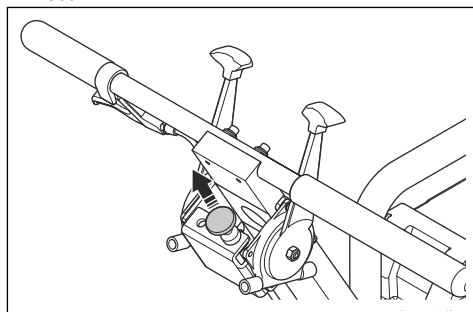
**Remarque :** En cas de bruit métallique, faire tourner le moteur pendant 5 minutes. Si le bruit persiste, faire tourner le moteur à mi-régime pendant 20 minutes. Si le problème persiste, communiquer avec un agent d'entretien Husqvarna.

5. Régler la fonction de l'étrangleur sur OFF (Arrêt).



- a) Si le moteur est froid, déplacer lentement le levier de l'étrangleur vers la droite pour régler la fonction de l'étrangleur à OFF (Arrêt).  
b) Si le moteur est chaud, déplacer immédiatement le levier de l'étrangleur vers la droite pour régler la fonction de l'étrangleur à OFF (Arrêt).

6. Tirer la commande d'accélérateur à moitié vers le haut.



## Pour travailler avec la poussière

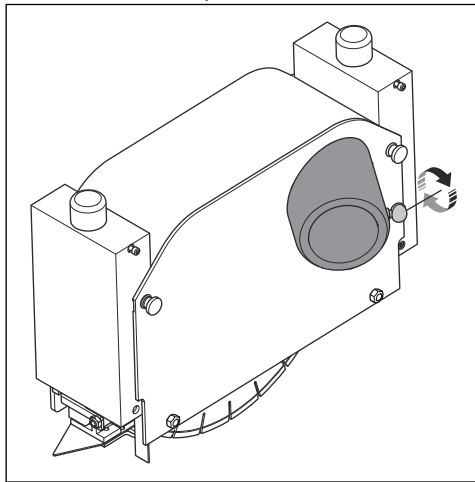
Ce produit est doté d'une sortie de poussière sur le couvercle du bloc de lame. La sortie de poussière est utilisée pour raccorder un extracteur de poussière.

- Toujours utiliser un extracteur de poussière. Il est également recommandé d'utiliser un tuyau d'aspiration antistatique.

**Remarque :** Pour les produits Husqvarna, les données objectives OSHA sont disponibles sur le site [www.husqvarnacp.com/us](http://www.husqvarnacp.com/us). Les performances de l'extracteur de poussière peuvent varier avec le temps.

## Pour raccorder un extracteur de poussière au produit

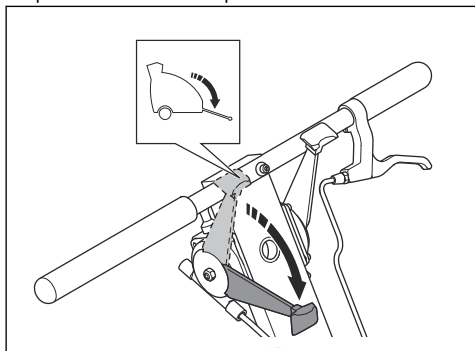
1. Tourner l'écrou à ailettes sur la tige dans le sens antihoraire.
2. Retirer la tige du tuyau sur le couvercle du bloc de lame.
3. Raccorder un extracteur de poussière au bloc de lame. Tourner la vis pour la fixer.



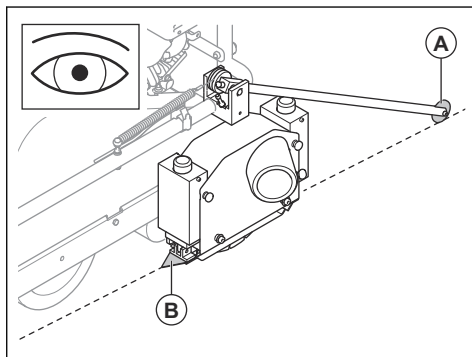
**Remarque :** Si l'extracteur de poussière n'est pas compatible avec le raccord sur le produit, utiliser un adaptateur.

## Utilisation du produit

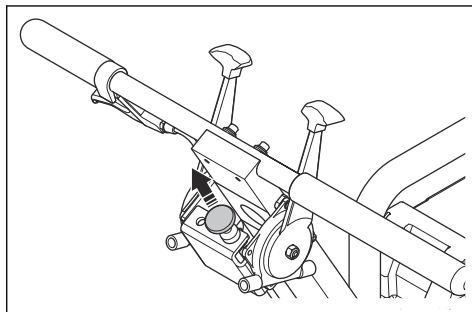
1. Démarrer le moteur. Se reporter à la section *Démarrage du moteur à la page 80*.
2. Pousser le levier du pointeur avant vers le bas. Le pointeur avant est complètement abaissé.



3. Aligner le pointeur avant (A) et le guide de l'entaille (B) avec la ligne selon laquelle la coupe sera effectuée.

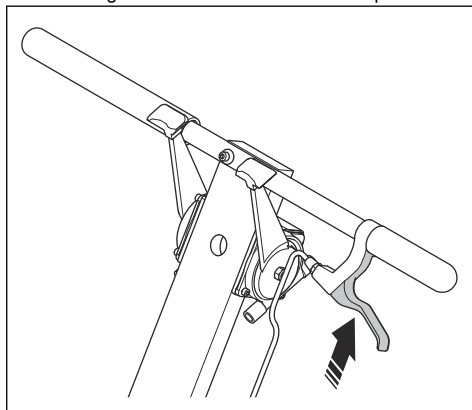


4. Tirer la commande d'accélérateur complètement vers le haut.

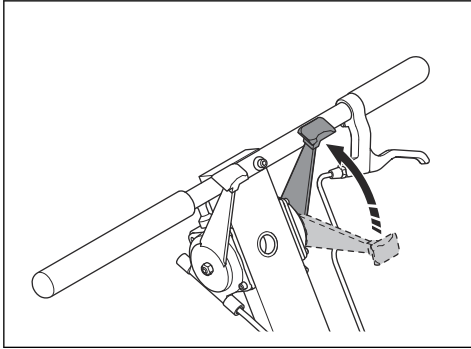


**Remarque :** Toujours faire tourner le moteur à plein régime pour une capacité maximale.

5. Tirer la poignée de profondeur de coupe dans le sens du guidon et abaisser la lame avec précaution.

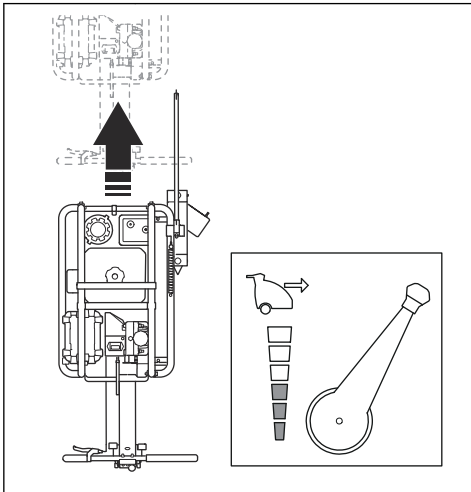


6. Pousser le levier de vitesse de marche avant dans la direction de la position FAST (rapide) pour faire avancer le produit. Commencer lentement et augmenter la vitesse jusqu'à obtenir la vitesse de coupe correcte.

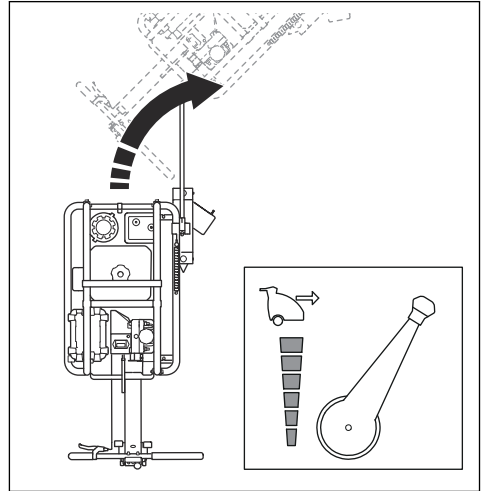


**Remarque :** Ne pas pousser le produit.

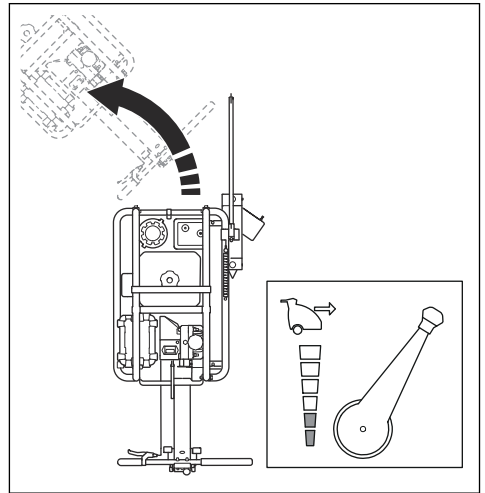
- a) Régler la vitesse selon la dureté du béton pour couper droit. Pousser ou tirer le levier de vitesse de marche avant pour adapter la vitesse.



- b) Si la vitesse est trop élevée, le produit tourne à droite. Réduire la vitesse pour couper droit.



- c) Si la vitesse est trop lente, le produit tourne à gauche. Augmenter la vitesse pour couper droit.



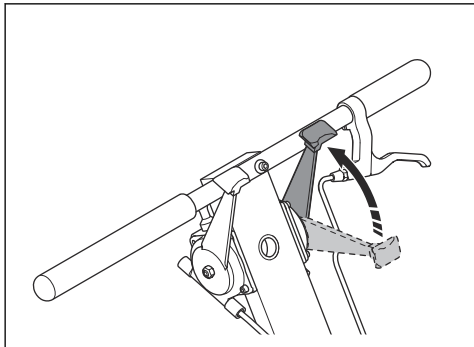
7. Placer les mains sur le guidon lorsque la vitesse de coupe correcte est atteinte.
8. Tirer le levier du pointeur avant lors de l'approche d'un mur pour soulever le pointeur avant. Utiliser le guide de l'entaille pour s'assurer de couper droit.



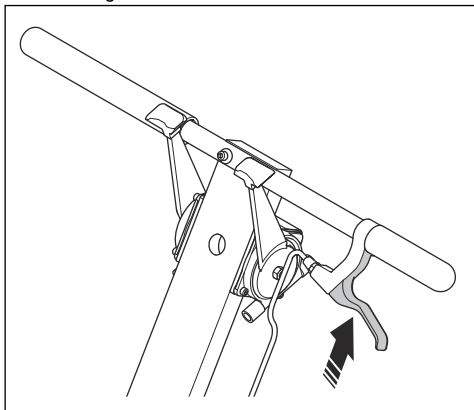
**MISE EN GARDE :** S'assurer qu'aucun objet ne touche le bloc de lame. Cela pourrait endommager le produit.

## Arrêt de la machine

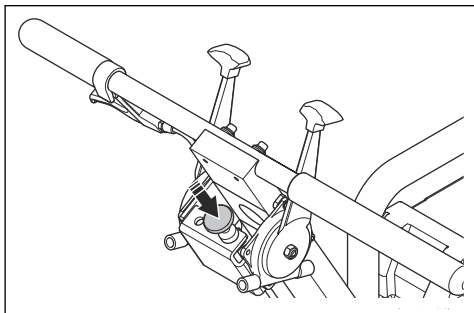
1. Tirer le levier de vitesse de marche avant jusqu'à la position STOP (Arrêt).



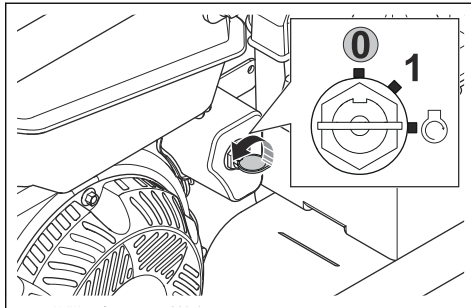
2. Tirer la poignée de profondeur de coupe dans le sens du guidon et soulever la lame.



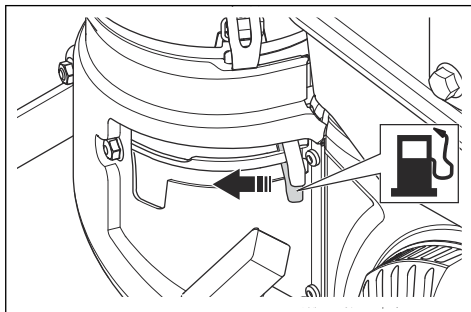
3. Enfoncer complètement la commande d'accélérateur.



4. Tourner la clé d'allumage à la position OFF (Arrêt).



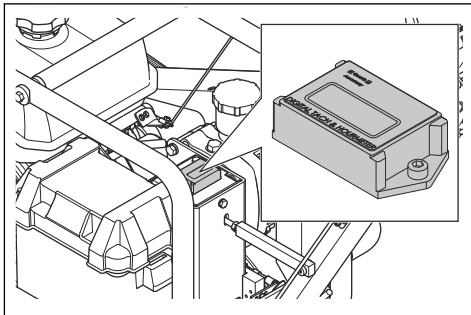
5. Fermer le robinet de carburant.



6. Nettoyer le produit; se reporter à *Nettoyage de l'extérieur du produit* à la page 86.

## Compteur horaire

Utiliser le compteur horaire pour voir quand l'entretien de votre produit est nécessaire. Pour obtenir de plus amples renseignements, se reporter au calendrier d'entretien et au manuel de l'opérateur du moteur.



# Entretien

## Introduction



**AVERTISSEMENT** : Avant de procéder à l'entretien, lire et bien comprendre le chapitre sur la sécurité.

## Calendrier d'entretien

La fréquence d'entretien est calculée sur la base d'une utilisation quotidienne. Les intervalles changent si le produit n'est pas utilisé tous les jours.

Pour les entretiens identifiés par \* voir les instructions à la section *Dispositifs de sécurité sur le produit à la page 74*.

Entretien	À chaque utilisation	Quotidien	Une fois par semaine (50 h)	Une fois par mois (200 h)	Annuellement	Après les premières 20 h, puis toutes les 100 h
Vérifier la présence de fuites d'huile et de carburant.		X				
Effectuer une inspection générale.		X				
Vérifier le niveau d'huile moteur.		X				
Vérifier le niveau d'huile hydraulique.		X				
Nettoyer la lame et la protection de bloc de lame.	X					
Nettoyer le produit.		X				
Vérifier les commandes.		X				
Examiner la protection de bloc de lame.*		X				
Vérifier la lame de coupe.	X					
Examiner le capot latéral flottant.	X					
Vérifier la plaque de protection.	X					
Vérifier le niveau de carburant.		X				
Vérifier les roues.		X				
Nettoyer la bougie d'allumage.			X			
Examiner le filtre à air et le remplacer au besoin.			X			
Examiner la courroie d'entraînement et la remplacer si elle est endommagée.			X			
Vidanger l'huile.						X
Lubrifier les roulements d'axe de lame.			X			
Remplacer le filtre à air.				X		
Examiner le couvercle du réservoir de carburant.				X		

Entretien	À chaque utilisation	Quotidien	Une fois par semaine (50 h)	Une fois par mois (200 h)	Annuellement	Après les premières 20 h, puis toutes les 100 h
Examiner la bougie d'allumage et l'écartement des électrodes.				X		
Remplacer le filtre à carburant.					X	

## Vérification de la bougie d'allumage



**MISE EN GARDE :** Toujours utiliser une bougie d'allumage de type recommandé. Une bougie d'allumage de type inapproprié peut endommager le produit.

- Pour obtenir de plus amples renseignements, se reporter au manuel d'utilisation du moteur.

## Nettoyage de l'extérieur du produit



**MISE EN GARDE :** Nettoyer toujours le produit immédiatement après utilisation, avant que le béton ne sèche. Le béton qui reste pourrait endommager le produit.

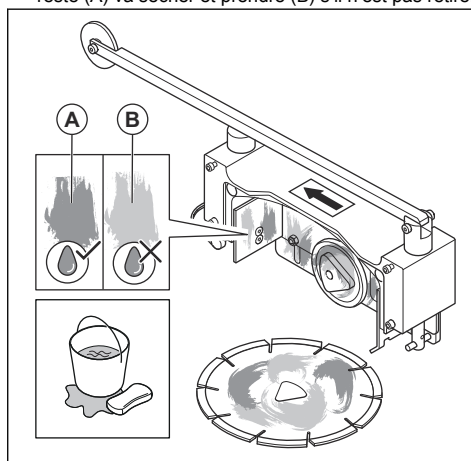
1. Retirer la lame. Se reporter à *Dépose du disque de coupe* à la page 87.
2. Nettoyer le produit avec de l'eau.



**MISE EN GARDE :** Ne pas diriger l'eau directement vers le moteur, surtout si un nettoyeur à haute pression est utilisé.

3. S'assurer que les poignées et les leviers sont propres et secs avant d'utiliser le produit.

4. Après chaque utilisation, nettoyer les particules de béton du bloc de lame et de la lame. Utiliser une brosse à usage intensif et de l'eau. Le béton qui reste (A) va sécher et prendre (B) s'il n'est pas retiré.



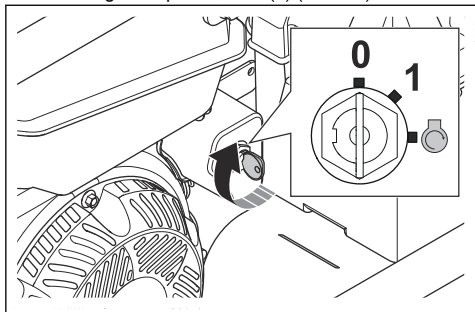
5. Garder toutes les ouvertures et fentes sur les surfaces du produit propres pour veiller à ce que l'air circule librement dans le moteur.

## Pour effectuer une inspection générale

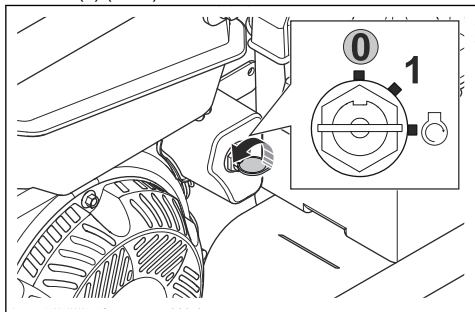
- S'assurer que les écrous et les vis sur le produit sont serrés.
- S'assurer qu'il n'y a pas de fuites de carburant ou d'huile.
- S'assurer que les roues du guide avant et du guide arrière tournent librement.

## Vérification de la clé d'allumage

1. S'assurer que le moteur démarre et que la lame commence à tourner lorsqu'on place la clé d'allumage à la position ON (1) (Marche).

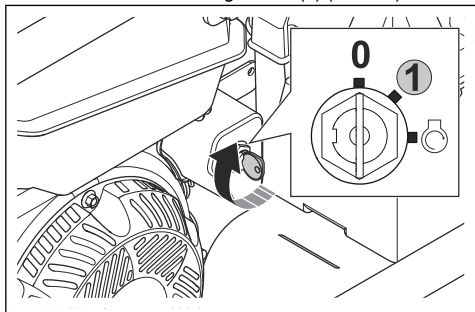


2. S'assurer que le moteur s'arrête immédiatement lorsque la clé d'allumage est placée à la position OFF (0) (Arrêt).



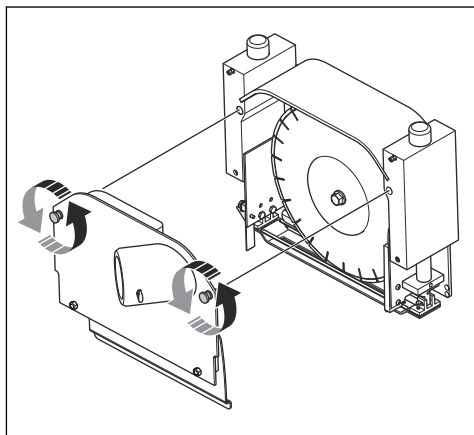
## Dépose du disque de coupe

1. Tourner la clé d'allumage à ON (1) (Marche).

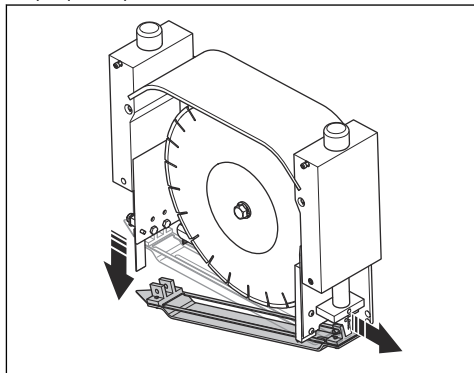


2. Tirer la poignée de profondeur de coupe dans le sens du guidon et soulever le produit à sa hauteur maximale.
3. Tourner la clé d'allumage à la position OFF (0) (Arrêt).

4. Tourner les deux boutons de verrouillage dans le sens antihoraire et retirer la protection du bloc de lame.

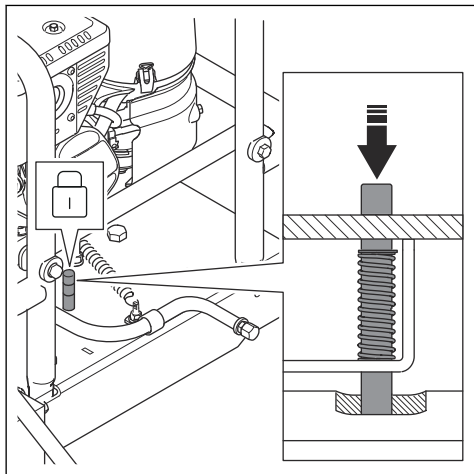


5. Appuyer sur le guide de l'entaille pour libérer la plaque de protection.

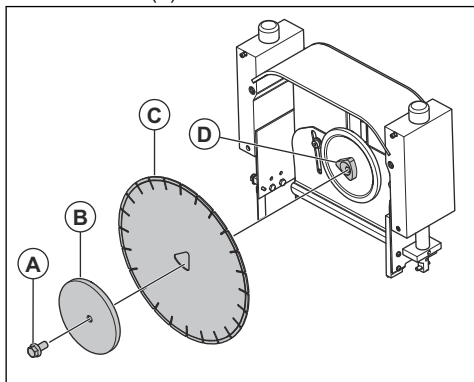


6. Placer la clé de lame fournie sur le boulon de l'axe de lame dans le bloc de lame.

7. Utiliser la clé de lame pour tourner l'axe de lame dans le sens antihoraire tout en poussant la goupille de blocage. La goupille de blocage descend et verrouille l'axe de lame.



8. Utiliser la clé de lame pour tourner le boulon de l'axe de lame dans le sens antihoraire.  
 9. Retirer le boulon de l'axe de lame (A). Retirer la bride de lame extérieure (B). Retirer la lame (C) de l'axe de lame (D).



### Pour installer un disque découpeur



**AVERTISSEMENT :** Ne pas utiliser de disque découpeur dont la vitesse nominale est inférieure à celle du produit. La vitesse nominale de la lame de coupe est indiquée sur cette dernière, et celle du produit est indiquée sur la plaque signalétique.



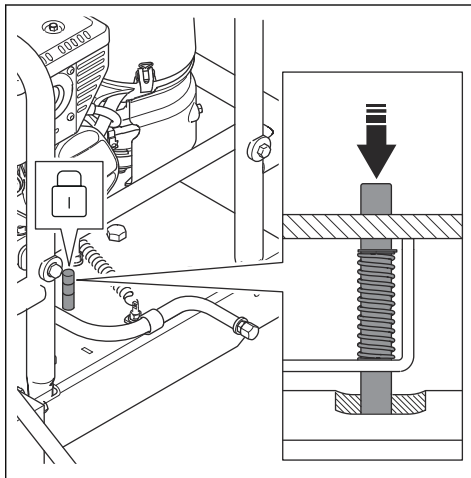
**MISE EN GARDE :** Vérifier que la lame de coupe n'est pas endommagée, fissurée ou voilée, qu'elle n'a pas perdu de segments, qu'elle n'a pas surchauffée, qu'elle ne présente pas d'usure excessive ou que son trou d'axe triangulaire n'est pas endommagé. Mettre au rebut toute lame défectueuse.

Vérifier que les brides de la lame ne sont pas endommagées ou excessivement usées, et s'assurer qu'elles sont propres.

Les lames de coupe ne sont pas fournies avec le produit. Utiliser uniquement des lames de coupe Husqvarna d'origine. Se reporter à la section *Données techniques à la page 100* pour connaître le type convenant à votre modèle.

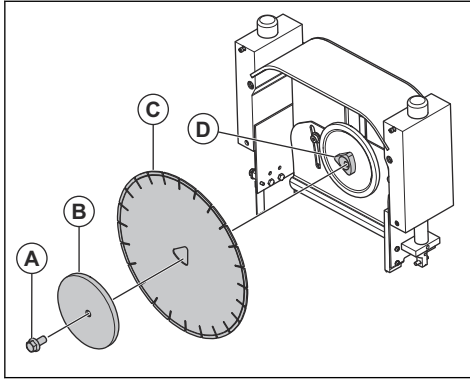
**Remarque :** Si la protection de bloc de lame, la lame et la plaque de protection sont installées, se reporter à la section *Dépose du disque de coupe à la page 87*.

1. Placer la clé de lame fournie sur le boulon de l'axe de lame dans le bloc de lame.
2. Utiliser la clé de lame pour tourner l'axe de lame dans le sens antihoraire tout en poussant la goupille de blocage. La goupille de blocage tombe et verrouille l'axe de lame.

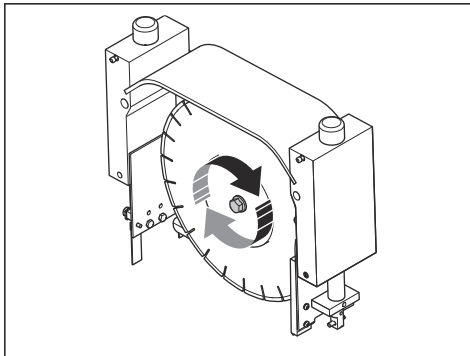




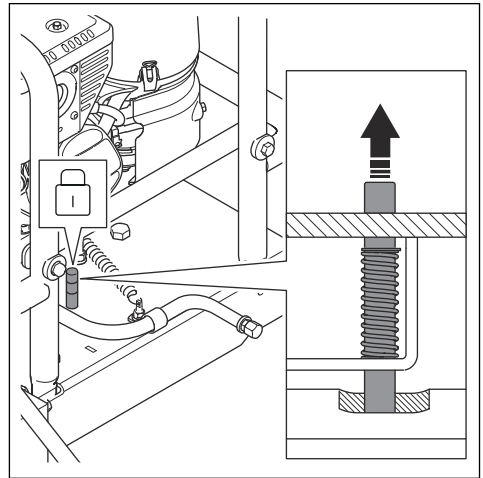
3. Placer la nouvelle lame de coupe (C) fermement contre la bride intérieure de l'axe de lame (D). Placer la bride extérieure (B) sur l'axe de lame. S'assurer que la bride extérieure est bien installée pour maintenir la lame en position et fixer le boulon d'axe de lame de coupe (A).



4. Tourner le boulon de l'axe de lame dans le sens horaire avec la clé de lame.



5. Extraire la goupille de blocage pour libérer la lame de l'axe.



**MISE EN GARDE :** Ne pas utiliser le produit lorsque la goupille de verrouillage est enfoncée. Cela endommagerait le produit.

6. Fixer la plaque de protection et la protection de bloc de lame. Se reporter à la section *Assemblage de la plaque de protection* à la page 89.

### Pour vérifier la plaque de protection

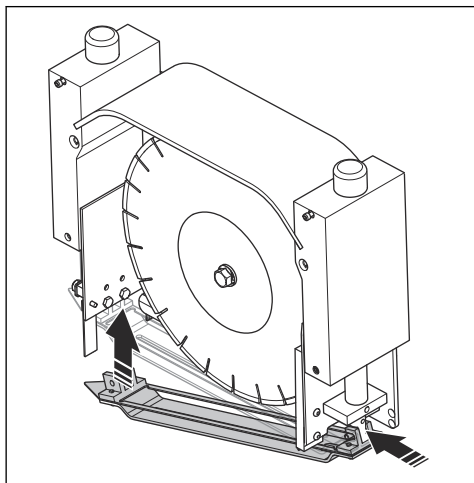
- Vérifier la plaque de protection pour détecter d'éventuels dommages.
- Vérifier que la fente de la plaque de protection n'est pas trop usée.
- Vérifier que la partie inférieure de la plaque de protection ne présente pas trop de bavures.
- S'assurer que la plaque de protection n'est pas tordue.
- Soulever l'avant et l'arrière de la plaque de protection. S'assurer que la lame se déplace librement dans la fente de la plaque de protection.
- Si la plaque de protection est endommagée, la remplacer. Se reporter à la section *Assemblage de la plaque de protection* à la page 89.

### Assemblage de la plaque de protection

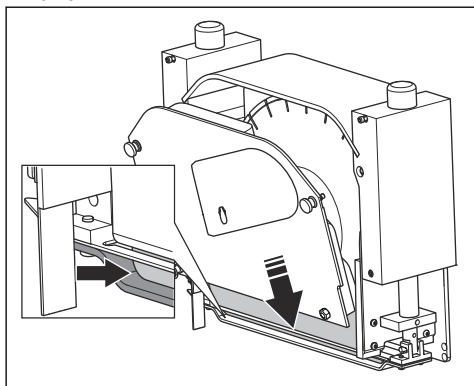


**MISE EN GARDE :** Toujours remplacer la plaque de protection lors de l'installation d'une nouvelle lame. Ne pas utiliser une plaque de protection endommagée.

1. Placer l'avant de la plaque de protection sur l'axe installé à l'avant du bloc de lame.



2. Raccorder l'extrémité pointue arrière de la plaque de protection au bloc de lame. La pousser vers le haut jusqu'à entendre un clic.
3. Fixer la protection de bloc de lame. Tourner les deux boutons de la protection du bloc de lame et serrer jusqu'à ce qu'elle soit complètement fixée au bloc de lame.

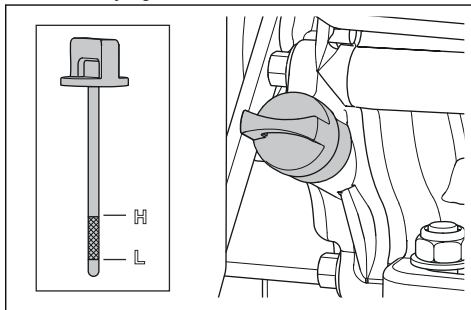


4. Soulever la plaque de protection pour s'assurer que la lame se déplace librement dans la plaque de protection.

### Pour vérifier le niveau d'huile moteur

1. Couper le moteur.
2. Placer le produit sur un sol plat.
3. Retirer le bouchon du réservoir d'huile et la jauge d'huile.
4. Nettoyer l'huile sur la jauge d'huile.

5. Remettre la jauge d'huile en place. Ne pas serrer le bouchon du réservoir d'huile.
6. Retirer la jauge d'huile et vérifier le niveau d'huile.

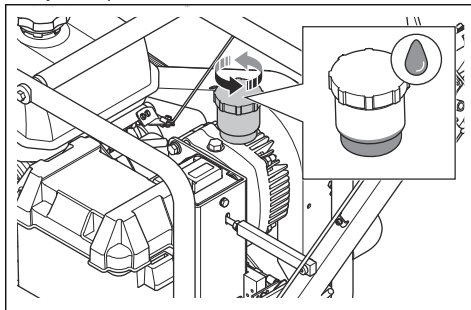


7. Si le niveau d'huile est trop bas, remplir avec de l'huile moteur et vérifier de nouveau le niveau d'huile. Se reporter à la section *Données techniques* à la page 100 pour connaître le type d'huile correct.
8. Bien serrer la jauge d'huile avant de démarrer le moteur.

**Remarque :** Le moteur est doté d'un système qui arrête le moteur si le niveau d'huile est trop bas. Le moteur ne démarre pas tant que le niveau d'huile n'est au-dessus de la limite spécifiée.

### Pour vérifier le niveau d'huile hydraulique

1. Couper le moteur.
2. Vérifier que le moteur est froid.
3. Placer le produit sur un sol plat.
4. S'assurer que le niveau d'huile hydraulique est juste au-dessus de la partie serrée du réservoir d'huile hydraulique.



5. Si le niveau d'huile hydraulique est en dessous de la partie serrée du réservoir d'huile hydraulique :
  - a) Nettoyer le récipient d'huile hydraulique pour réduire le risque de contamination du liquide hydraulique lorsque le récipient est ouvert.

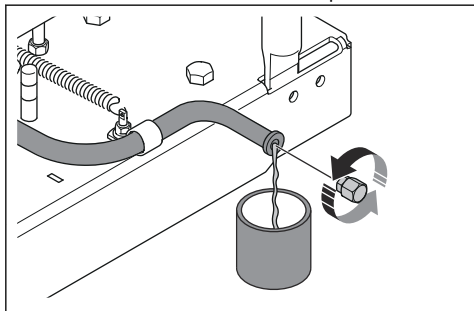
- b) Retirer le bouchon du réservoir d'huile hydraulique.
  - c) Remplir d'huile hydraulique jusqu'à ce qu'elle soit juste au-dessus de la partie serrée du réservoir d'huile hydraulique. Se reporter à la section *Données techniques à la page 100* pour connaître le type d'huile correct.
6. Serrer correctement le bouchon du réservoir d'huile hydraulique avant de démarrer le moteur.

## Vidange de l'huile moteur



**AVERTISSEMENT :** L'huile moteur est très chaude directement après l'arrêt du moteur. Laisser le moteur se refroidir avant de vidanger l'huile moteur. En cas de déversement d'huile moteur sur la peau, nettoyer avec du savon et de l'eau.

1. Placer un récipient sous le bouchon de vidange de l'huile moteur.
2. Retirer le bouchon de vidange.
3. Laisser l'huile s'écouler dans le récipient.



4. Installer le bouchon de vidange et le serrer.
5. Retirer le bouchon du réservoir d'huile et la jauge d'huile.
6. Remplir avec de l'huile neuve. Se reporter à la section *Données techniques à la page 100*.

## Pour remplacer le filtre à air

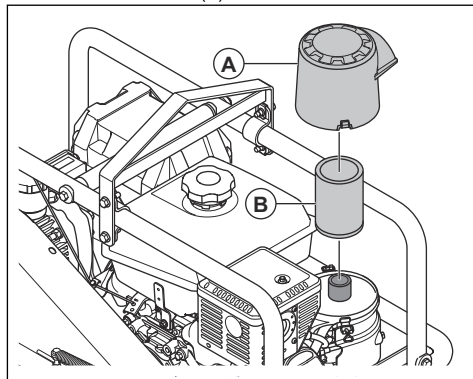


**MISE EN GARDE :** Le filtre à air ne peut pas être nettoyé. Remplacer les filtres à air sales ou usés.

**Remarque :** Se reporter au manuel de l'opérateur du moteur pour de plus amples renseignements sur le filtre à air.

1. Retirer le couvercle du filtre à air (A).

2. Retirer le filtre à air (B).



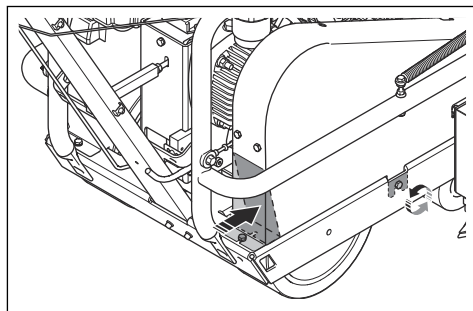
3. Placer le nouveau filtre à air et fixer le couvercle du filtre à air.

## Pour vérifier la courroie d'entraînement

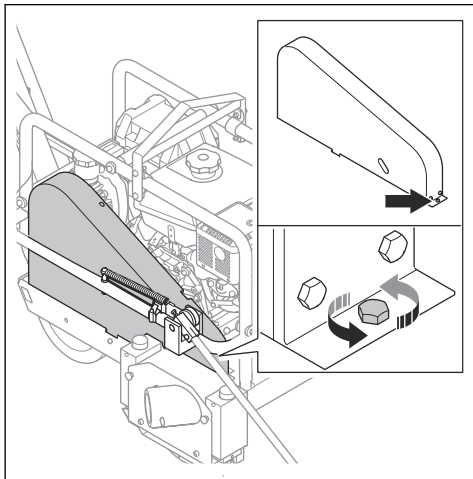


**MISE EN GARDE :** Ne pas utiliser le produit si la courroie d'entraînement est endommagée. La courroie d'entraînement doit être remplacée si elle est endommagée.

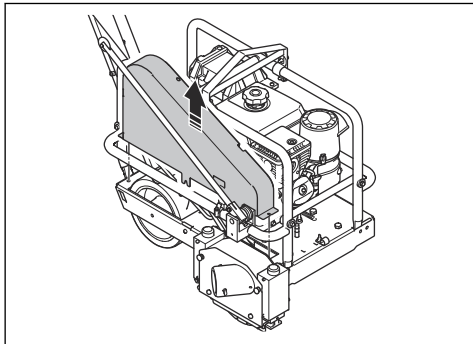
1. Desserrez, mais ne retirez pas, les vis à l'arrière et sur le côté du couvercle de la courroie d'entraînement.



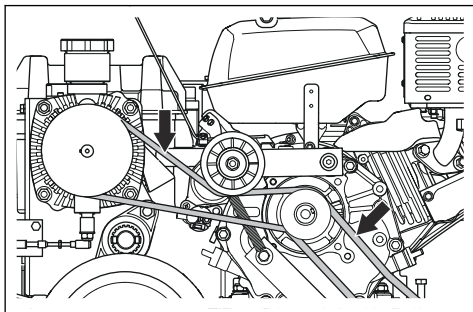
2. Desserrez, mais ne retirez pas, la vis située à l'avant du couvercle de la courroie d'entraînement.



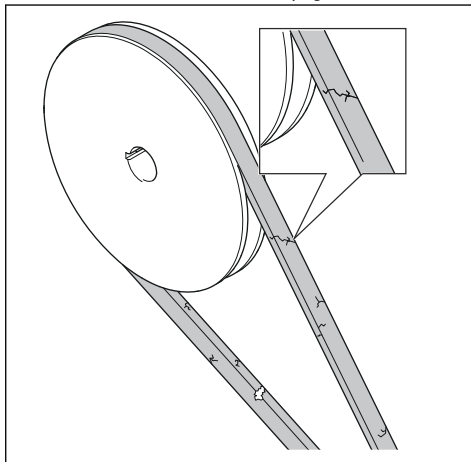
3. Retirer le couvercle de la courroie d'entraînement.



4. Vérifier l'état et l'usure des deux courroies d'entraînement.



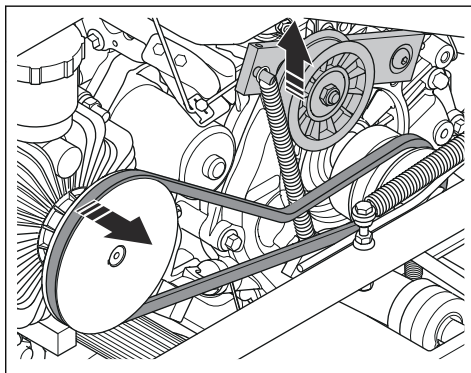
5. Si la courroie d'entraînement est endommagée, la remplacer. Se reporter à la section *Pour remplacer la courroie d'entraînement* à la page 92.



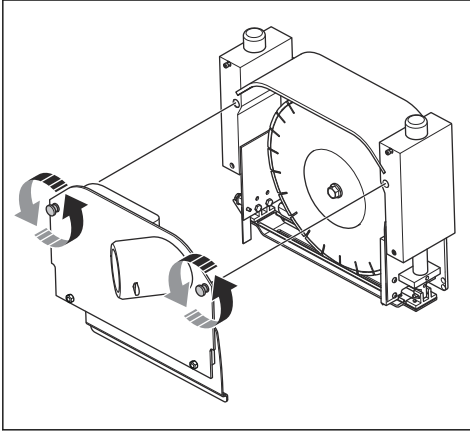
6. Si la courroie d'entraînement n'est pas endommagée, fixer le couvercle de la courroie d'entraînement.

### Pour remplacer la courroie d'entraînement

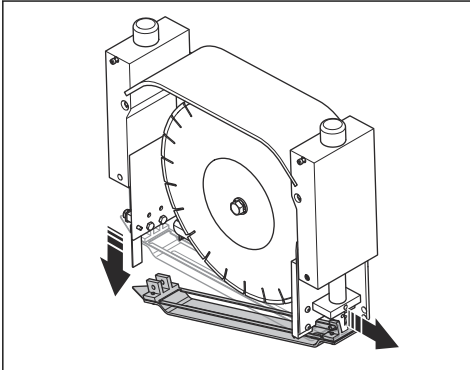
1. Retirer le couvercle de la courroie d'entraînement; se reporter à la section *Pour vérifier la courroie d'entraînement* à la page 91.
2. Soulever le tendeur de courroie pour relâcher la tension de la courroie d'entraînement et retirer la courroie d'entraînement.



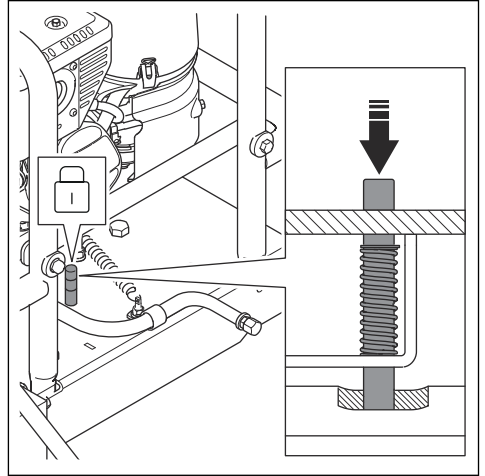
3. Tourner les deux boutons de verrouillage dans le sens antihoraire et retirer la protection du bloc de lame.



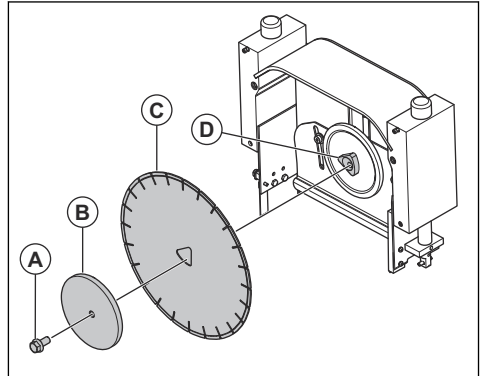
4. Appuyer sur le guide de l'entaille pour libérer la plaque de protection.



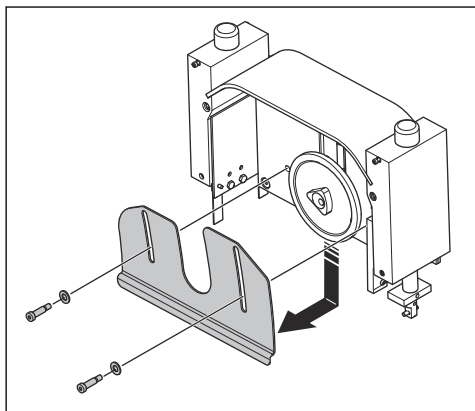
5. Appuyer sur la goupille de blocage à l'avant du produit pour verrouiller l'axe de lame.



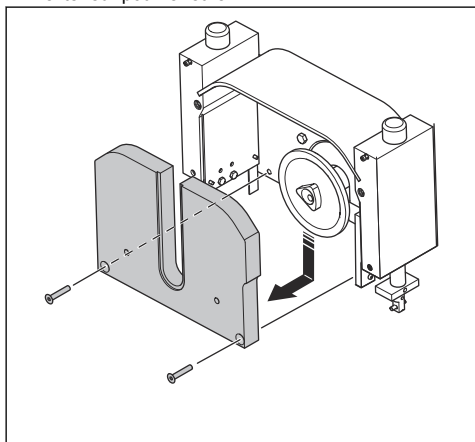
6. Utiliser une clé pour retirer le boulon de l'axe de lame (A). Retirer la bride de lame extérieure (B). Retirer la lame (C) de l'axe de lame (D).



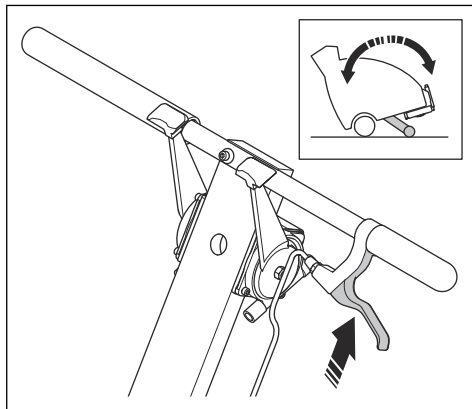
7. Retirer les 2 vis et les 2 rondelles. Tirer le couvercle latéral flottant vers le bas et vers l'extérieur pour le retirer.



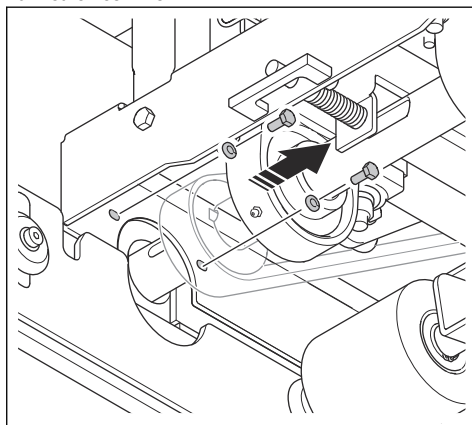
8. Retirer les 2 vis. Tirer le bloc vers le bas et vers l'extérieur pour le retirer.



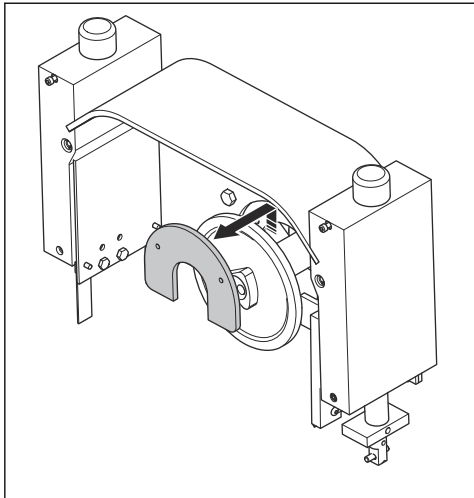
9. Tirer la poignée de profondeur de coupe dans le sens du guidon et soulever la lame. Soulever le produit à sa hauteur maximale pour accéder aux 2 vis situées derrière le bloc de lames.



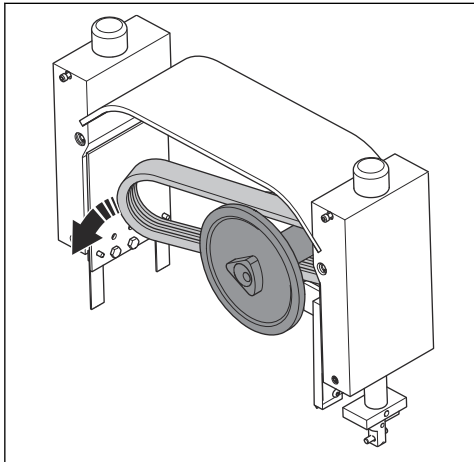
10. Retirer les 2 vis.



11. Retirer le couvercle.

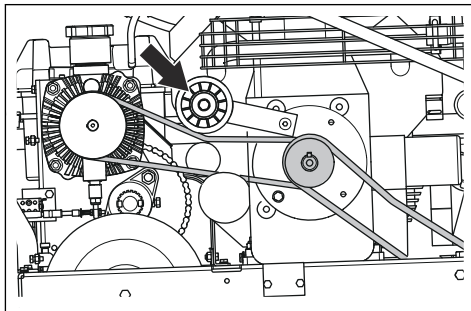


12. Retirer la courroie d'entraînement endommagée.



13. Fixer la nouvelle courroie d'entraînement.

14. S'assurer que le tendeur de courroie se déplace librement vers le haut et vers le bas.



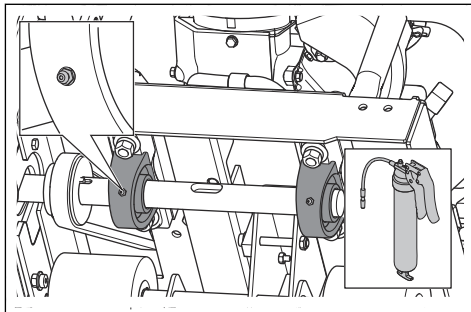
15. S'assurer que les roulements du tendeur de courroie tournent librement.

16. Assembler toutes les pièces dans l'ordre inverse de leur démontage.

## Lubrification des roulements de l'axe de lame

Les roulements d'axe de lame se trouvent sous le produit. Pour accéder, soulever le produit à l'aide de la poignée de profondeur de coupe.

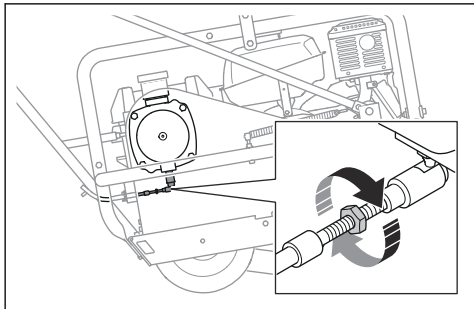
1. Tourner la clé d'allumage à ON (1) (Marche).
2. Tirer la poignée de profondeur de coupe dans le sens du guidon et soulever le produit à sa hauteur maximale.
3. Tourner la clé d'allumage à la position OFF (0) (Arrêt).
4. Lubrifier les roulements d'axe de lame avec trois doses de pompe de graisse à base de lithium 12.



## Pour régler la position de point mort de la transmission

Lorsque vous tirez le levier de vitesse de marche avant à la position STOP (Arrêt), le produit doit s'arrêter complètement. Si le produit se déplace, régler la position de point mort de la transmission.

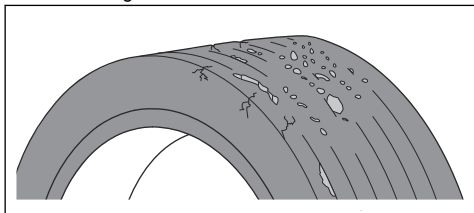
1. Desserrer le contre-écrou sur l'extrémité du câble au niveau de la transmission.
2. Tirer le manchon à ressort vers l'arrière et régler l'écrou jusqu'à ce que le produit s'arrête complètement.



3. Serrer le contre-écrou.

## Pour vérifier les roues

1. Vérifier régulièrement les roues du produit. Des roues endommagées peuvent réduire la qualité du résultat.
2. Vérifier que toutes les roues tournent librement et en douceur.
3. Remplacer les roues si elles présentent des signes de dommage ou d'usure.



## Entretien de la batterie



**AVERTISSEMENT** : Ne pas débrancher la batterie si vous n'avez pas besoin de le faire, cela peut provoquer des étincelles et des courts-circuits. Une étincelle ou une flamme peut provoquer l'explosion d'une batterie au plomb.



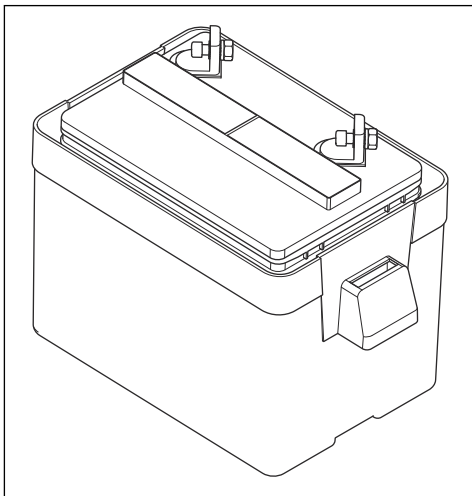
**AVERTISSEMENT** : Risque de décharge électrique. Ne pas laisser des objets métalliques toucher les deux bornes

de la batterie. Cela peut provoquer un court-circuit de la batterie.



**AVERTISSEMENT** : Avant de brancher une batterie, retirer les bracelets, montre, bagues et autres objets en métal. Porter toujours des gants et des lunettes de protection ou un masque facial pour travailler avec une batterie.

La batterie ne nécessite aucun entretien. Si la batterie doit être rechargée, utilisez uniquement un chargeur à courant diminuant et à régulateur de tension spécialement conçu pour les batteries au gel d'acide et plomb étanches d'un courant nominal de 2 A ou moins. Un chargeur de batterie automobile standard, ou de tout autre type, non conçu spécifiquement pour les batteries étanches, causera des dommages permanents à la batterie installée et annulera toute garantie. Ne pas laisser la clé d'allumage à la position ON (Marche), car la batterie se décharge.



## Entretien du moteur

Se reporter au manuel d'utilisation du moteur pour de plus amples renseignements sur l'entretien du moteur. Le manuel d'utilisation du moteur présente également des renseignements sur les spécifications, la mise au point des pièces, la garantie moteur, le respect des normes en matière d'émissions, etc.



# Dépannage

## Annexe sur le dépannage

prudent, planifier les travaux et faire preuve de bon sens.



**AVERTISSEMENT** : Le dépannage présente des risques de blessure, car le personnel effectue des travaux au niveau des parties dangereuses du produit. Être

Si une solution à des problèmes est introuvable dans ce manuel d'utilisation, communiquer avec l'agent d'entretien Husqvarna.

Problème	Solution
Le produit provoque de la fragmentation, de l'éclatement ou de l'effilochage lors de la coupe.	S'assurer que la lame de coupe n'est pas usée, lisse, déformée ou endommagée.
	S'assurer que la plaque de protection ne touche pas la lame de coupe et se déplace librement vers le haut et vers le bas sur toute la longueur de l'arbre.
	S'assurer que la plaque de protection n'est pas usée et qu'il n'y a pas d'espace autour de la lame de coupe.
	Examiner la partie inférieure de la plaque de protection et s'assurer qu'il n'y a pas de bavures métalliques ni de défauts.
	S'assurer que la plaque de protection n'est ni tordue ni courbée.
	S'assurer que les protections du bloc de lame peuvent se déplacer librement vers le haut et vers le bas.
	S'assurer que chaque extrémité de la plaque de protection est sous pression.
	Ne pas faire de torsion ni de mouvement latéral avec la scie pendant la coupe. Changer progressivement la pression sur le guidon pour contrôler la scie dans la coupe.
	S'assurer que le moteur fonctionne correctement et au régime spécifié.
	Examiner la courroie et les poulies pour vérifier la tension correcte.
	S'assurer que la lame est correctement assemblée et fixée à l'aide de brides propres.
	S'assurer que la lame de coupe est de la bonne spécification pour son secteur ou pour le type de béton.
	S'assurer que la surface en béton est propre et que la plaque de protection peut se déplacer sans à-coups sur la surface en béton.
	Utiliser des protecteurs de joints Husqvarna à toutes les intersections de coupe.
	Nettoyer toute contamination de béton indésirable du bloc de lame.
Le produit tire d'un côté pendant la coupe.	S'assurer que les grattoirs dans le bloc de lame peuvent bouger librement et qu'ils ne sont pas tordus.
	S'assurer que les axes de bloc de lame ne sont pas tordus ou endommagés.
Le produit tire d'un côté pendant la coupe.	Vérifier que le pointeur avant est correctement aligné avec le centre de la lame de coupe.
	Vérifier que la plaque de protection ne présente ni dommages ni bavures.

Problème	Solution
Le moteur ne démarre pas.	Vérifier qu'il y a du carburant dans le réservoir et qu'il s'agit du bon type de carburant. S'assurer qu'il n'y a pas d'eau dans le carburant.
	S'assurer que le robinet de carburant est à la position ON (Marche).
	S'assurer que la clé d'allumage est à la position START (Démarrer).
	S'assurer que le câble de bougie est connecté à la bougie.
	Le moteur est noyé. Régler l'étrangleur, se reporter au manuel de l'opérateur du moteur.
	S'assurer que l'étrangleur est à la position ON (Marche) pour les démarrages à froid. Régler l'étrangleur, se reporter au manuel de l'opérateur du moteur.
	Vérifier le niveau d'huile moteur. Le moteur est doté d'un système d'alerte de niveau d'huile qui arrête le moteur si le niveau d'huile est trop bas.
	S'assurer que le filtre à air n'est pas souillé ou bouché.
	Vérifier que l'axe de lame tourne librement et que du béton ne s'est pas accumulé dans le bloc de lame.
Le moteur ne fonctionne pas régulièrement ou ne peut pas fonctionner à plein régime.	Vérifier qu'il y a du carburant dans le réservoir et qu'il s'agit du bon type de carburant. S'assurer qu'il n'y a pas d'eau dans le carburant.
	Vérifier le niveau d'huile moteur. Le moteur est doté d'un système d'alerte de niveau d'huile qui arrête le moteur si le niveau d'huile est trop bas.
	S'assurer que le filtre à air n'est pas souillé ou bouché.
	S'assurer que la bougie d'allumage est propre et que l'écartement est correct; se reporter au manuel de l'opérateur du moteur.
	S'assurer que la commande d'accélérateur est correctement réglée.
S'assurer que l'étrangleur est à la position ON (Marche) pour les démarrages à froid. Régler l'étrangleur, se reporter au manuel de l'opérateur du moteur.	

## Transport, entreposage et mise au rebut

### Transport et entreposage



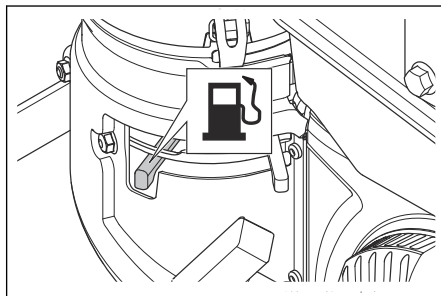
**AVERTISSEMENT :** Être prudent lors du transport. Le produit est lourd et peut causer des blessures ou des dommages s'il se renverse ou se déplace pendant le transport.

Les roues vous permettent de déplacer le produit manuellement sur les distances courtes. Pour de plus longues distances, soulever le produit pour le déplacer ou le placer sur un véhicule.



**MISE EN GARDE :** Ne pas remorquer le produit derrière un véhicule.

- Déplacer le levier de carburant vers la gauche pour fermer le robinet de carburant.



- Fixer le produit de façon sécuritaire pendant le transport dans un véhicule. Fixer les sangles d'arrimage au cadre de sécurité et au véhicule.

- Retirer le disque de coupe avant de transporter le produit.
- Placer le produit en position abaissée.
- Pour le stockage et le transport du produit et du carburant, s'assurer qu'il n'y a pas de fuite ou de vapeur. Les étincelles ou les flammes nues, par exemple avec des appareils électriques ou des chaudières, peuvent déclencher un incendie.
- Toujours utiliser des contenants agréés pour transporter du carburant.
- Pour l'entreposage et le transport du produit et du carburant, s'assurer qu'il n'y a pas de fuite ou de vapeur. Les étincelles ou les flammes nues, par exemple avec des appareils électriques ou des chaudières, peuvent déclencher un incendie.
- Toujours utiliser des contenants agréés pour l'entreposage du carburant.
- Maintenir le produit en position complètement abaissée et s'assurer qu'il ne peut pas bouger.

## Levage du produit



**AVERTISSEMENT** : S'assurer que l'équipement de levage est de capacité appropriée. Le poids du produit figure sur sa plaque signalétique.

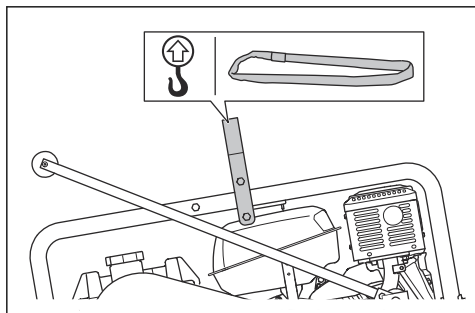


**AVERTISSEMENT** : Ne pas soulever un produit endommagé. S'assurer que le point de levage est correctement installé et en bon état.



**AVERTISSEMENT** : Ne pas utiliser de crochets métalliques, de chaînes ou d'autres équipements de levage aux bords rugueux qui pourraient endommager le point de levage.

- Fixer l'équipement de levage au point de levage du cadre de sécurité.



## Entreposage

- Retirer la lame de coupe avant d'entreposer le produit.
- Garder le produit dans un endroit verrouillé hors de portée des enfants et des personnes non autorisées.
- Ranger les disques de coupe dans un endroit sûr afin d'éviter tout dommage.
- Ranger les disques de coupe dans un endroit sec et à l'abri du gel.
- Examiner les disques de coupe neufs à la recherche de dommages dus à l'entreposage.

Pour le remisage à long terme, procéder également comme suit :

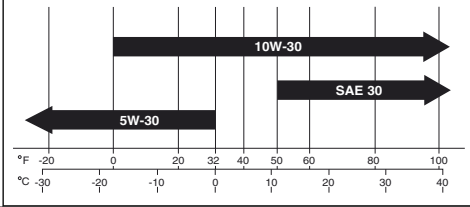
- Nettoyer le produit et procéder à un entretien complet.
- Vider le réservoir de carburant.
- Remiser le produit dans un endroit sec et à l'abri du gel.
- Placer une housse de protection sur le produit. Ceci est particulièrement important pour le remisage à l'extérieur.
- Vidanger l'huile moteur après un remisage à long terme.

## Mise au rebut

- Respecter les exigences locales en matière de recyclage et la réglementation en vigueur.
- Mettre au rebut tous les produits chimiques, tel que le moteur d'huile ou de carburant, dans un centre de service ou à un emplacement de mise au rebut adéquat.
- Lorsqu'on n'utilise plus le produit, l'envoyer à un détaillant Husqvarna ou le mettre au rebut à un emplacement de recyclage.

## Données techniques

### Caractéristiques techniques

	<b>Soff-Cut 2000</b>																								
<b>Moteur <sup>9</sup></b>																									
Marque et type du moteur	Kohler Command Pro CH395																								
Puissance du moteur, ch à tr/min / kW à tr/min <sup>10</sup>	9,5 à 4 000/7,1 à 4 000																								
<b>Circuits d'alimentation et de lubrification</b>																									
Capacité du réservoir de carburant, gal/L	2,0/7,4																								
Circuit d'huile	Alerte de niveau d'huile avec détecteur automatique commandant l'arrêt																								
Capacité du réservoir d'huile, pt / l	1,4/1,3																								
Huile moteur	<p>Nous recommandons l'utilisation des huiles Kohler pour une performance optimale. D'autres huiles détergentes de grande qualité (y compris les huiles synthétiques) de classe de service SJ ou supérieure de l'API (American Petroleum Institute) sont acceptables. Sélectionner la viscosité en fonction de la température de l'air au moment de l'utilisation, conformément à la figure ci-dessous.</p>  <p>Le diagramme illustre les plages de température recommandées pour trois types d'huiles : 5W-30, 10W-30 et SAE 30. L'axe horizontal est gradué en degrés Fahrenheit (°F) et degrés Celsius (°C). Les flèches indiquent les gammes de température où chaque huile est recommandée.</p> <table border="1" style="display: none;"> <caption>Plages de température recommandées pour les huiles</caption> <thead> <tr> <th>Température (°F)</th> <th>Température (°C)</th> <th>Huile recommandée</th> </tr> </thead> <tbody> <tr> <td>-20</td> <td>-30</td> <td>5W-30</td> </tr> <tr> <td>0</td> <td>-10</td> <td>5W-30</td> </tr> <tr> <td>0</td> <td>-10</td> <td>10W-30</td> </tr> <tr> <td>32</td> <td>0</td> <td>10W-30</td> </tr> <tr> <td>50</td> <td>10</td> <td>10W-30</td> </tr> <tr> <td>50</td> <td>10</td> <td>SAE 30</td> </tr> <tr> <td>100</td> <td>40</td> <td>SAE 30</td> </tr> </tbody> </table>	Température (°F)	Température (°C)	Huile recommandée	-20	-30	5W-30	0	-10	5W-30	0	-10	10W-30	32	0	10W-30	50	10	10W-30	50	10	SAE 30	100	40	SAE 30
Température (°F)	Température (°C)	Huile recommandée																							
-20	-30	5W-30																							
0	-10	5W-30																							
0	-10	10W-30																							
32	0	10W-30																							
50	10	10W-30																							
50	10	SAE 30																							
100	40	SAE 30																							
<b>Poids et dimensions</b>																									
Poids nominal, lb / kg	331/150																								
Poids en ordre de marche, carburant et accessoires compris, lb / kg	341/155																								
<b>Lame d'éclaircissage</b>																									
Type de lame	Lames diamant, découpe à sec avec axe triangulaire																								
Matériau	Béton frais seulement																								
Taille max. de la lame, po/mm	10,0/254																								
Profondeur de coupe max. po/mm	1,5/38																								
Distance de coupe à partir du mur, po/mm	3 ½/89																								

<sup>9</sup> Pour plus de renseignements et des questions sur ce moteur spécifique, se reporter au manuel du moteur ou au site Web du fabricant du moteur.

<sup>10</sup> Tel que spécifié par le fabricant du moteur. Puissance brute selon SAE J1940/J1995, au tr/min spécifié.

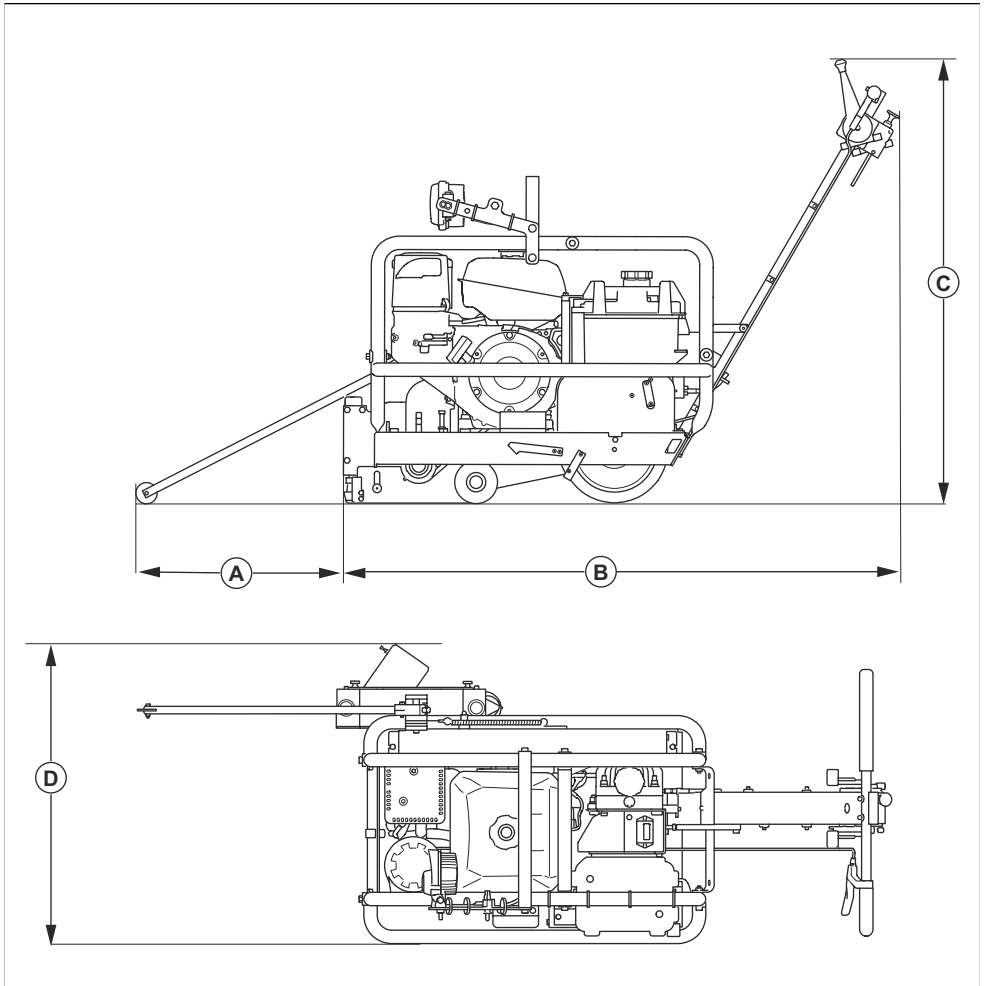
	<b>Soff-Cut 2000</b>
Rotation de la lame	Sens anti-horaire, coupe vers le haut
Vitesse de l'axe de lame, tr/min	3 300
Commande de profondeur de lame	Manuelle
<b>Taux de coupe moyen <sup>11</sup></b>	
Agrégats meubles, pi/min / m/min	18/5,5
Agrégats moyens, pi/min / m/min	13/4,0
Agrégats durs, pi/min / m/min	7/2,1
<b>Extracteurs de poussière recommandés <sup>12</sup></b>	
Débit d'air min., pi <sup>3</sup> /min ou m <sup>3</sup> /h	236 ou 400
Aspiration min. lb/po <sup>2</sup> / kPa	3,6/22
Élévation min. d'eau, po/m	90/2,3
Accessoire de l'extracteur de poussière, po / mm	3/76

**Remarque :** Ce système d'allumage par étincelles est conforme à la norme ICES du Canada.

<sup>11</sup> Estimation seulement. La vitesse varie selon les conditions de travail et les mélanges de béton.

<sup>12</sup> Les caractéristiques techniques des extracteurs de poussière ne décrivent pas de manière concluante les performances réelles au fil du temps entre les différents extracteurs de poussière. Pour les produits Husqvarna, les données objectives OSHA sont disponibles sur le site [www.husqvarnacp.com/us](http://www.husqvarnacp.com/us).

## Dimensions du produit Soff-Cut 2000



		Dimensions, mm / po
<b>A</b>	Distance entre la roulette du pointeur avant et le produit	470/18,5
<b>B</b>	Longueur	1 440/57
<b>C</b>	Hauteur avec poignée	940/37
<b>D</b>	Largeur	730/28,7





[www.husqvarna.com](http://www.husqvarna.com)

Original instructions  
Instrucciones originales  
Instructions d'origine

1143147-49



2022-04-28