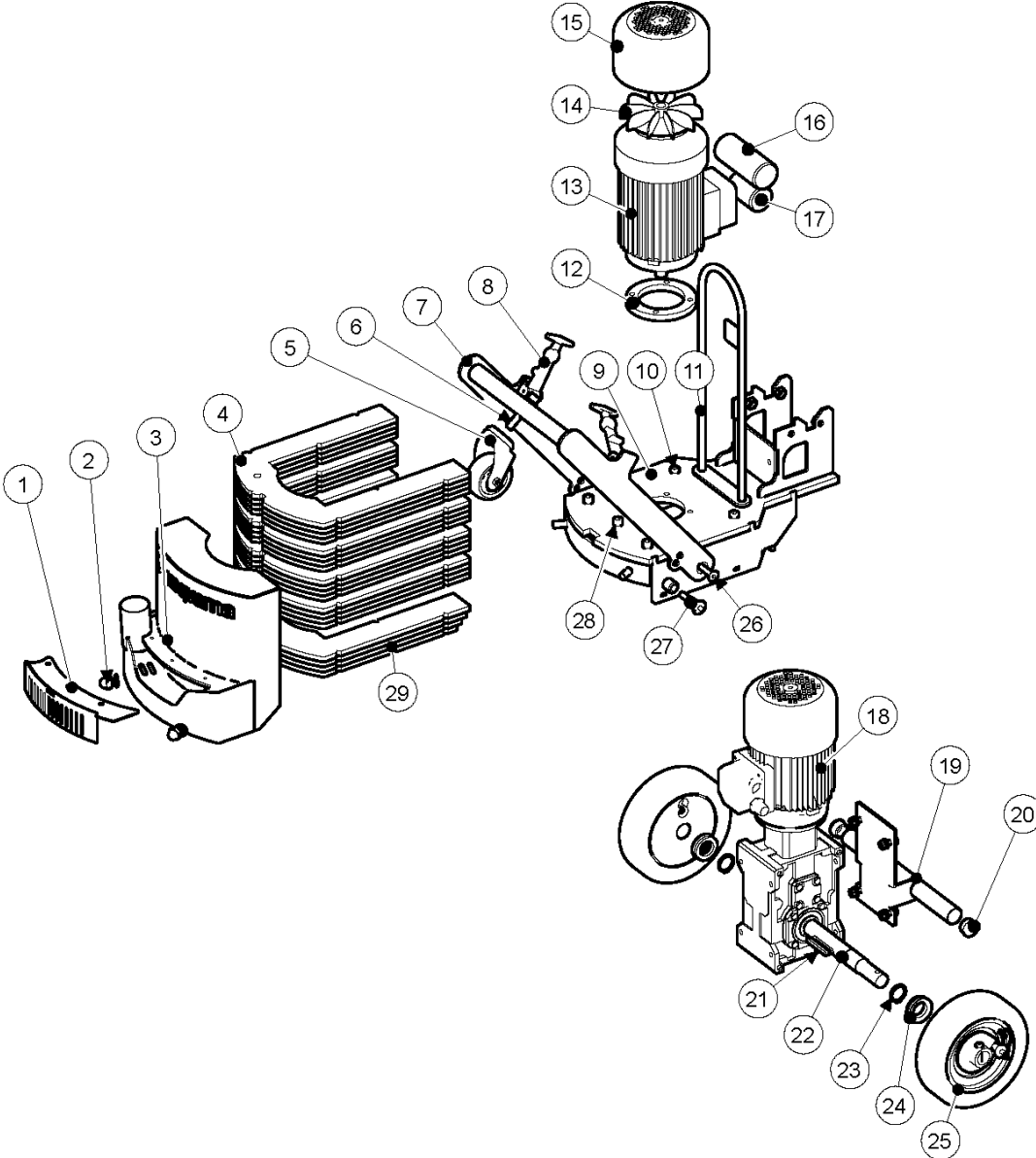




SPARE PARTS LIST

SCRAPERS BS110, 2023-05

BS 110
FRAME & MOTORS

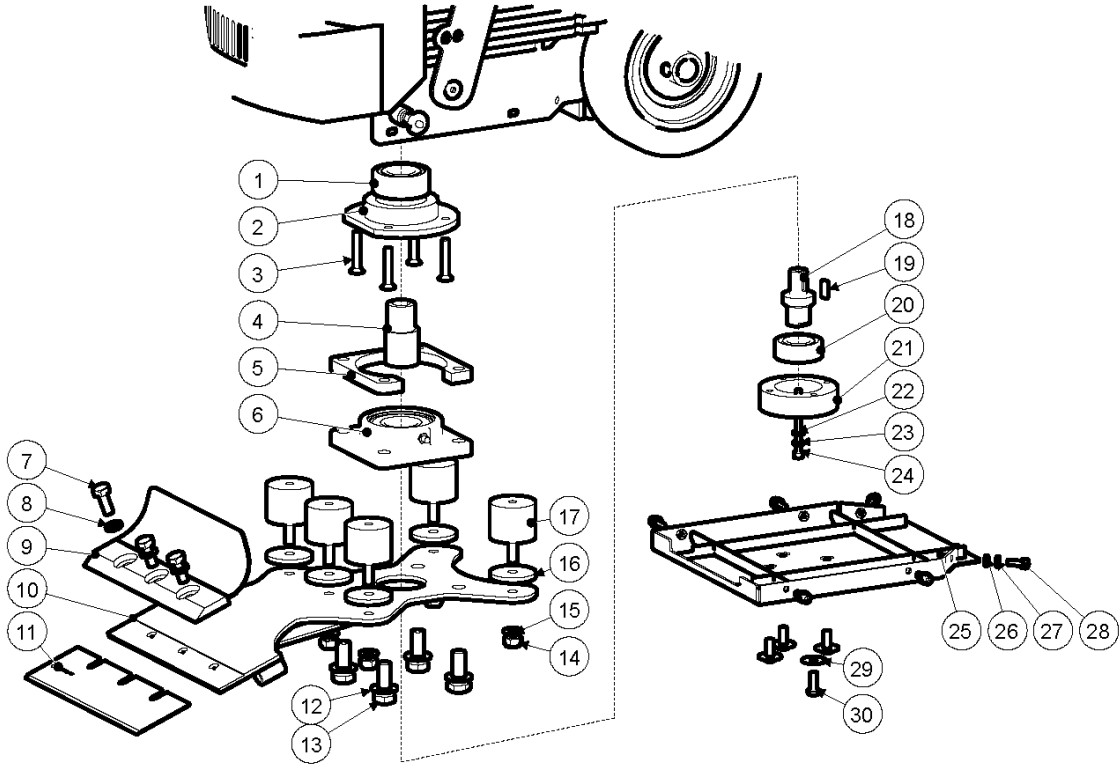


FRAME & ENGINE

BS 110, 2023-05

Ref	Part No	Description	Remark	QTY KIT
1	534935002	COVER	<i>Dust plate</i>	1
2	900 00 00-02	DUMMY PART	<i>DUMMY PART</i>	1
3	536 93 90-01	COVER	<i>Weight cover</i>	1
4	533 27 80-02	WEIGHT	<i>WEIGHT</i>	4
5	533 81 55-01	SWIVEL	<i>Castor wheel</i>	1
6	900 00 00-02	DUMMY PART	<i>DUMMY PART</i>	1
7	533 43 82-02	HANDLE	<i>HANDLE</i>	1
8	531 47 12-01	LOCK	<i>LOCK</i>	2
9	533 06 90-02	FRAME	<i>FRAME</i>	1
10	900 00 00-02	DUMMY PART	<i>DUMMY PART</i>	2
11	533 20 33-02	LIFTING SYSTEM	<i>LIFTING SYSTEM</i>	1
12	533 23 87-01	PLATE	<i>PLATE</i>	1
13	534 70 97-02	MOTOR	<i>Motor 0,75kW 115V 50/60Hz</i>	1
13	534 71 01-02	MOTOR	<i>Motor 0,75kW 230V/50- 60Hz</i>	1
14	534 41 27-01	FAN	<i>FAN</i>	1
15	534 56 71-02	FAN COVER	<i>FAN COVER BLACK</i>	1
16	534 32 76-01	CAPACITOR	<i>Big start up capacitor 0- 30µf 450V (For 230V)</i>	1
16	533 21 06-01	CAPACITOR	<i>Start up capacitor 0-100µf Ø65mm (For 115V)</i>	1
17	533 21 07-01	CAPACITOR	<i>Operating capacitor 100µf Ø60mm (for 115V)</i>	1
17	534 85 32-01	CAPACITOR	<i>Small operating capacitor 450V 25µf (For 230V)</i>	1
18	533 20 84-02	FAN COVER	<i>FAN COVER BLACK</i>	1
18	533 24 13-01	FAN	<i>FAN</i>	1
18	535 67 88-01	PLUG	<i>PLUG</i>	1
18	534 89 97-02	MOTOR KIT	<i>MOTOR KIT</i>	1
19	535 18 05-02	UNIT	<i>Foot rest</i>	1
20	534 77 86-01	CAP	<i>CAP</i>	2
21	533 51 41-01	KEY	<i>KEY</i>	1
22	533 42 51-01	SHAFT	<i>SHAFT</i>	1
23	533 86 90-01	CIRCLIP	<i>Retaining ring D28</i>	2
24	533 21 88-01	SEAL	<i>SEAL</i>	2
25	533 52 92-01	WHEEL	<i>WHEEL</i>	2
26	900 00 00-02	DUMMY PART	<i>DUMMY PART</i>	2
27	533 65 37-01	PIN	<i>PIN</i>	2
28	900 00 00-02	DUMMY PART	<i>DUMMY PART</i>	3
29	533 24 46-02	WEIGHT	<i>WEIGHT</i>	1

BS 110
CUTTING HEAD & BEARINGS

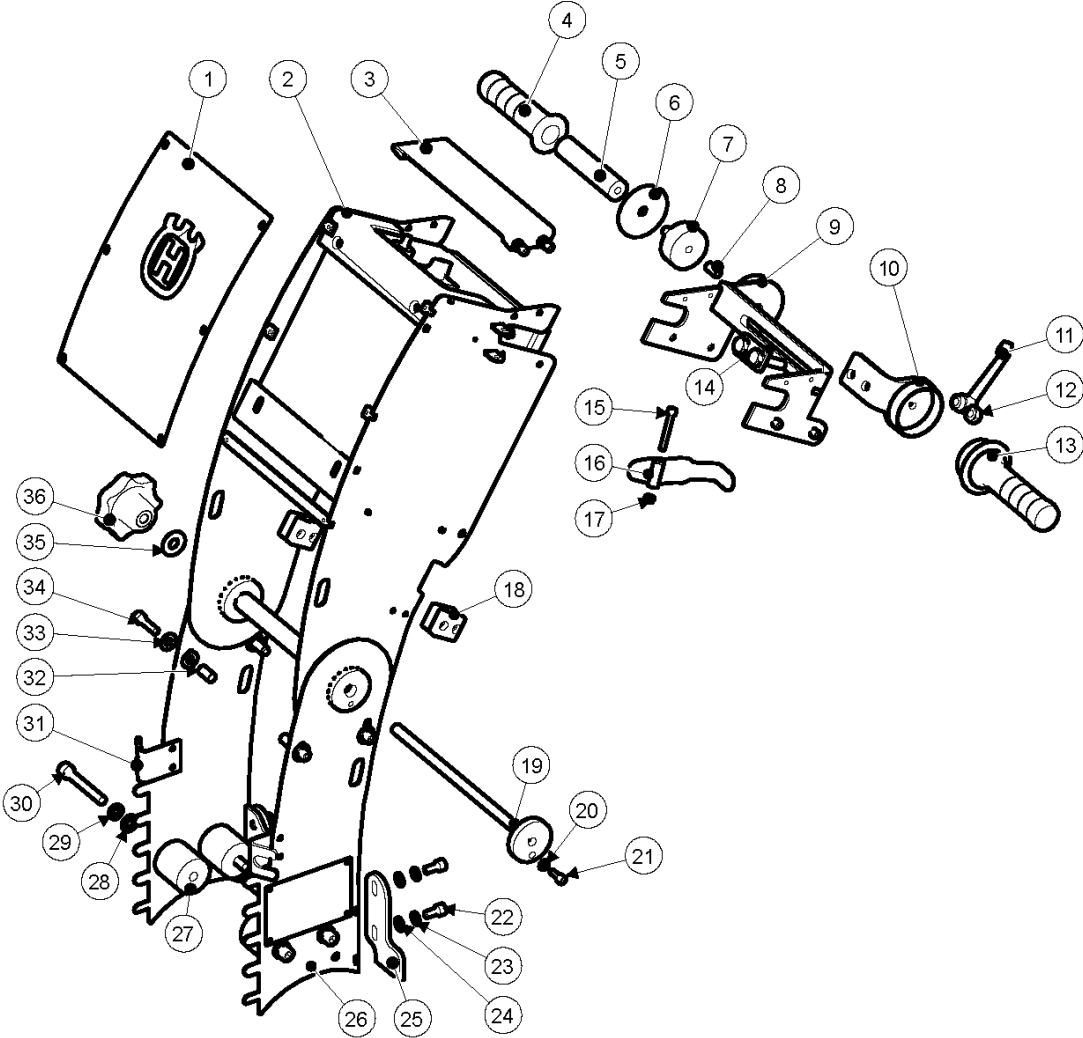


CUTTING HEAD

BS 110, 2023-05

Ref	Part No	Description	Remark	QTY KIT
1	533 79 44-01	BEARING	BEARING	1
2	533 67 10-01	BEARING HOUSING	BEARING HOUSING	1
3	534 07 30-01	SCREW	M6x50 countersunk head screw	4
4	533 26 98-01	BUSH	BUSH	1
5	533 49 61-01	BEARING PLATE	BEARING PLATE	1
6	533 43 06-01	BEARING	BEARING	1
7	900 00 00-02	DUMMY PART	DUMMY PART	3
8	900 00 00-02	DUMMY PART	DUMMY PART	3
9	534 32 87-02	COVER	COVER	1
10	533 59 69-02	HEAD	HEAD	1
11	900 00 00-02	DUMMY PART	DUMMY PART	1
12	900 00 00-02	DUMMY PART	DUMMY PART	4
13	534 68 59-01	BOLT	M14x35 Bolt	4
14	900 00 00-02	DUMMY PART	DUMMY PART	5
15	900 00 00-02	DUMMY PART	DUMMY PART	5
16	534 57 47-01	WASHER	WASHER	5
17	533 85 19-01	ABSORBER	ABSORBER	5
18	534 87 69-01	SHAFT	SHAFT	1
19	533 48 39-01	KEY	KEY	1
20	534 31 29-01	BEARING	BEARING	1
21	536 55 47-01	SUPPORT	SUPPORT	1
22	534 69 15-01	WASHER	WASHER	1
23	533 48 19-01	WASHER	WASHER	1
24	533 39 78-01	SCREW	M6x50 hex. socket head cap	1
25	534 36 14-02	PLATE	PLATE	1
26	533 48 19-01	WASHER	WASHER	6
27	534 69 15-01	WASHER	WASHER	6
28	900 00 00-02	DUMMY PART	DUMMY PART	6
29	900 00 00-02	DUMMY PART	DUMMY PART	4
30	900 00 00-02	DUMMY PART	DUMMY PART	4

BS 110
UPPER HANDLE

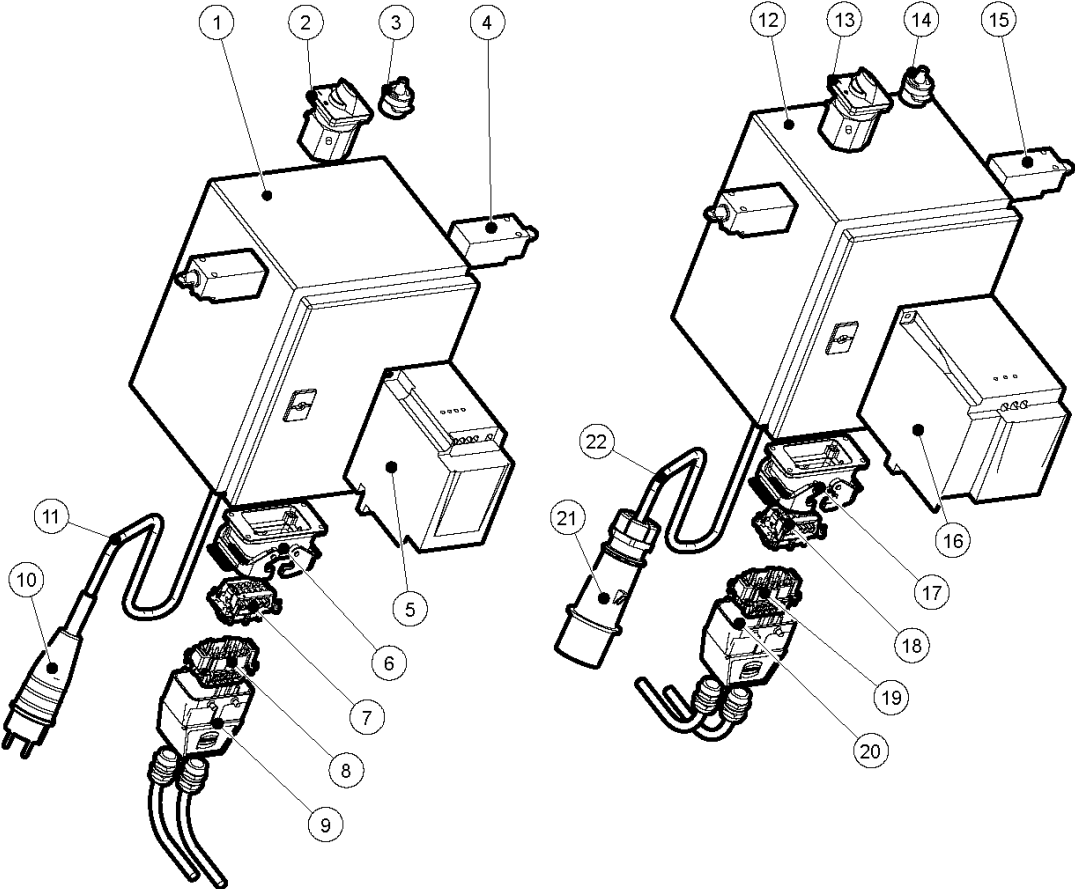


HANDLE

BS 110, 2023-05

Ref	Part No	Description	Remark	QTY KIT
1	534 55 77-02	PLATE	PLATE	1
2	534 61 17-02	HANDLE	HANDLE	1
3	535 15 48-02	COVER	COVER	1
4	534 61 29-01	HANDLE	HANDLE	2
5	534 61 12-01	BAR	BAR	2
6	534 61 42-01	WASHER	WASHER	2
7	533 84 82-01	ABSORBER	ABSORBER	2
8	533 38 19-01	SCREW	SCREW	2
9	535 19 03-02	HANDLE BRACKET	HANDLE BRACKET	1
10	535 19 03-02	BRACKET	BRACKET	1
11	533 51 21-01	CLAMP	CLAMP	1
12	900 00 00-02	DUMMY PART	DUMMY PART	1
13	533 69 78-01	HANDLE	HANDLE	2
14	535 24 40-01	PLATE	PLATE	1
15	900 00 00-02	DUMMY PART	DUMMY PART	2
16	534 88 07-01	SWITCH	SWITCH	2
17	900 00 00-02	DUMMY PART	DUMMY PART	2
18	534 04 44-01	PIPE CLAMP	PIPE CLAMP	2
19	534 30 29-01	AXLE	AXLE	1
20	900 00 00-02	DUMMY PART	DUMMY PART	5
21	900 00 00-02	DUMMY PART	DUMMY PART	5
22	900 00 00-02	DUMMY PART	DUMMY PART	4
23	900 00 00-02	DUMMY PART	DUMMY PART	4
24	900 00 00-02	DUMMY PART	DUMMY PART	4
25	533 34 98-01	PLATE	PLATE	2
26	535 11 67-02	HANDLE	HANDLE	1
27	534 51 48-01	BUSH	BUSH	4
28	900 00 00-02	DUMMY PART	DUMMY PART	4
29	900 00 00-02	DUMMY PART	DUMMY PART	4
30	900 00 00-02	DUMMY PART	DUMMY PART	4
31	534 66 72-02	LATCH PLATE	LATCH PLATE	2
32	900 00 00-02	DUMMY PART	DUMMY PART	4
33	900 00 00-02	DUMMY PART	DUMMY PART	8
34	900 00 00-02	DUMMY PART	DUMMY PART	4
35	900 00 00-02	DUMMY PART	DUMMY PART	1
36	534 66 56-01	UNIT	Knob	1

BS 110
ELECTROBOX

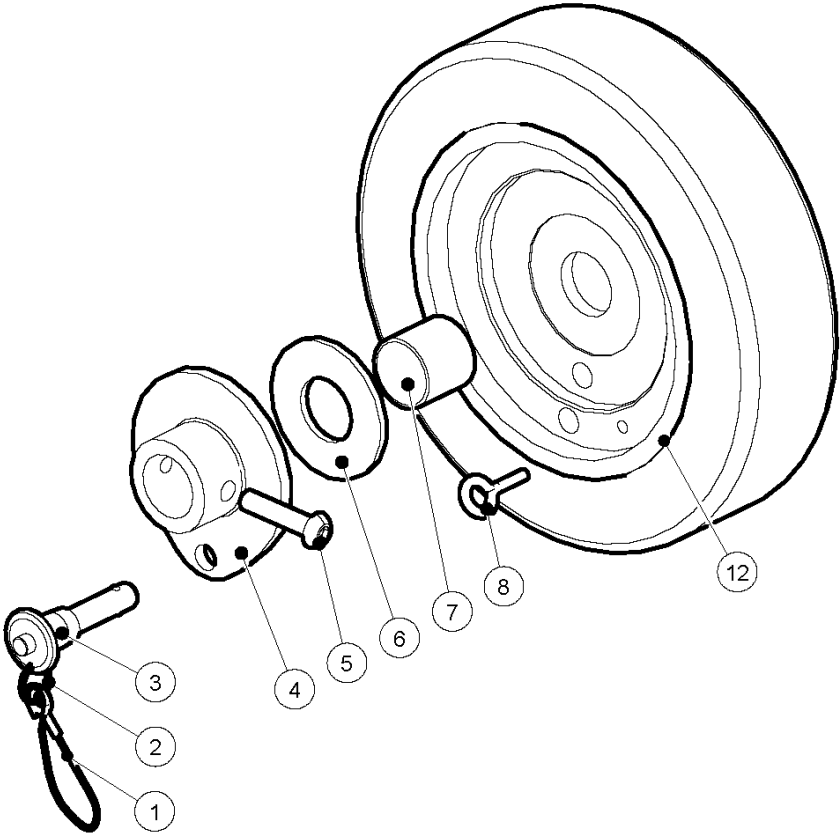


ELECTRICAL CABINET

BS 110, 2023-05

Ref	Part No	Description	Remark	QTY KIT
1	535349102	TBD	<i>ELECTRONIC BOX</i>	1
2	534 89 04-01	SWITCH	<i>SWITCH</i>	1
3	533 38 61-01	POTENTIOMETER	<i>POTENTIOMETER</i>	1
4	534 66 81-01	SWITCH	<i>SWITCH</i>	2
5	534 59 17-01	FREQUENCY INVERTER	<i>FREQUENCY INVERTER 230V</i>	1
6	534 76 87-01	PLUG	<i>PLUG</i>	1
7	534 64 33-01	CONNECTOR	<i>CONNECTOR</i>	1
8	534 64 35-01	CONNECTOR	<i>CONNECTOR</i>	1
9	534 76 85-01	PLUG	<i>PLUG</i>	1
10	534 76 75-01	PLUG	<i>PLUG</i>	1
11	534 77 25-01	POWER UNIT	<i>Power supply cable</i>	1
12	535 34 92-02	ELECTRONIC BOX	<i>ELECTRONIC BOX</i>	1
13	534 89 04-01	SWITCH	<i>SWITCH</i>	1
14	533 38 61-01	POTENTIOMETER	<i>POTENTIOMETER</i>	1
15	534 66 81-01	SWITCH	<i>SWITCH</i>	2
16	535 63 74-01	FREQUENCY INVERTER	<i>FREQUENCY INVERTER</i>	1
17	534 76 87-01	PLUG	<i>PLUG</i>	1
18	534 64 33-01	CONNECTOR	<i>CONNECTOR</i>	1
19	534 64 35-01	CONNECTOR	<i>CONNECTOR</i>	1
20	534 76 85-01	PLUG	<i>PLUG</i>	1
21	534 76 72-01	PLUG	<i>PLUG</i>	1
22	534 77 25-01	POWER UNIT	<i>Power supply cable</i>	1

BS 110
DRIVE WHEEL

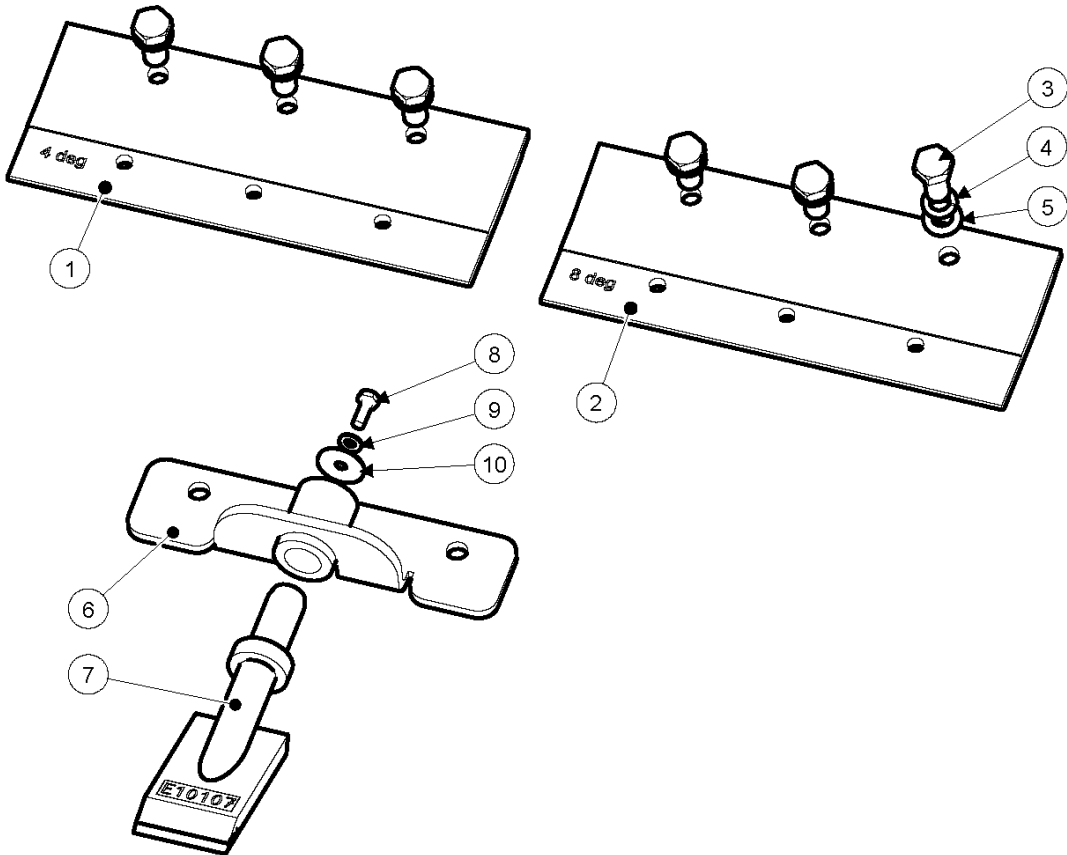


DRIVE WHEEL ASSY

BS 110, 2023-05

Ref	Part No	Description	Remark	QTY KIT
1	534 37 56-01	CABLE	<i>CABLE</i>	1
2	534 85 92-01	RING	<i>RING</i>	1
3	533 65 37-01	PIN	<i>PIN</i>	1
4	534 94 02-01	HUB	<i>HUB</i>	1
5	534 69 52-01	CAP	<i>CAP</i>	1
6	536 46 70-01	WASHER	<i>WASHER</i>	1
7	533 11 12-01	BEARING	<i>BEARING</i>	1
8	534 69 07-01	BOLT	<i>BOLT</i>	1
12	533 52 92-01	WHEEL	<i>WHEEL</i>	1

BS 110
ACCESSORIES



BLADE

BS 110, 2023-05

Ref	Part No	Description	Remark	QTY KIT
1	536988101	PLATE	<i>Angle adjustment plate 4d</i>	1
2	536988102	PLATE	<i>Angle adjustment plate 8d</i>	1
3	900 00 00-02	DUMMY PART	<i>DUMMY PART</i>	6
4	900 00 00-02	DUMMY PART	<i>DUMMY PART</i>	6
5	900 00 00-02	DUMMY PART	<i>DUMMY PART</i>	6
6	536988201	TBD	<i>HOLDER</i>	1
7	533 81 21-01	CHISEL GUIDE	<i>CHISEL GUIDE</i>	1
8	534 69 23-01	SCREW	<i>SCREW</i>	1
9	534 69 15-01	WASHER	<i>WASHER</i>	1
10	534 69 29-01	WASHER	<i>WASHER</i>	1