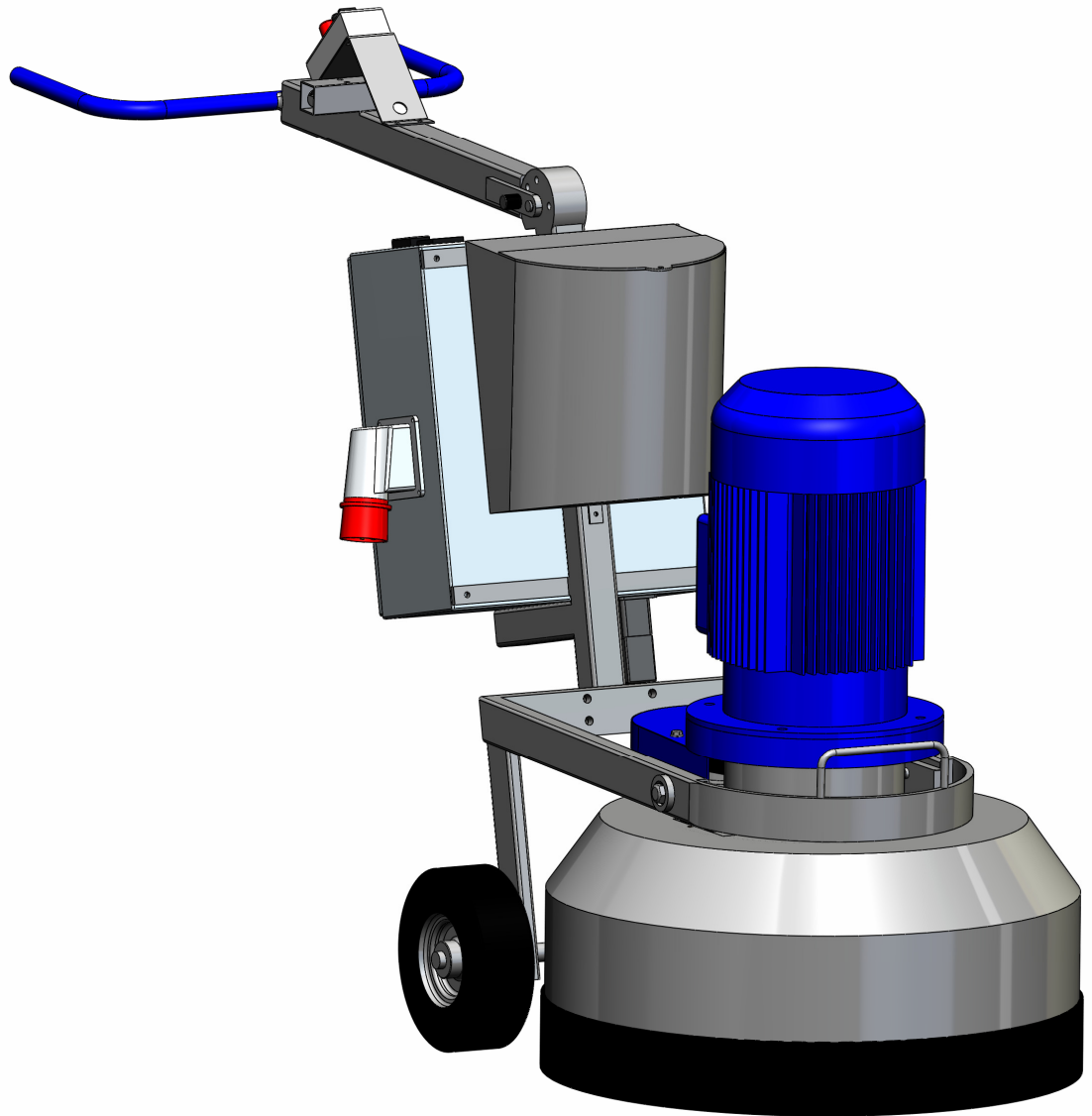




BMG-720PRO

Version 1.0



info@blastrac.eu

EC DECLARATION OF CONFORMITY

in accordance with Appendix II sub A of Directive 98/37/EC

BLASTRAC B.V.

Utrechthaven 12
NL - 3433 PN NIEUWEGEIN
Tel: 0031 (0)30 601 88 66
Fax: 0031 (0)30 601 83 33
Info@Blastrac.nl
The Netherlands

Declare under our sole responsibility that the machine as described below
Conforms with the Health and Safety requirements of the European Directive
of the machine Safety.

In case of changes to the machine without our written authorization this declaration loses
its validity.

Model: **BLASTRAC BMG-720PRO** **Serial number:** **XXXXXXX**

1. satisfies the conditions set out in the Machine Directive (Directive 98/37/EC); Low voltage directive (73/23/CEE, as last amended; EMC directive 89/336/CEE, as last amended)
2. satisfies the following harmonized standards:
NEN-EN 349, NEN-EN 418, NEN-EN 294 and NEN-EN 60204

Nieuwegein 17-06-2008



Michiel Kalisvaart



info@blastrac.eu

Table of contents

EC Declaration of Conformity	02
1. Introduction	04
2. Machine description	04
Application	
Accessories	
3. Safety	05
Safety precautions	
Safety regulations	
Safety instructions	
4. Initial operation	07
Checkpoints of electrical safety	
Checkpoints of machine safety	
Removing the diamond wings	
Mounting the diamond wings	
5. Operating	08
Switch on the machine	
Switch off the machine	
Operating during grinding	
6. Maintenance	09
7. Technical data	10
Contact	11

info@blastrac.eu

1. Introduction

It is important that all persons who are working or maintaining this machine will read the manual carefully and understand it fully. Keep this manual near to the machine, so it can always be consulted.

Only authorized and trained personnel may operate this machine.

2. Machine description

The BMG-720PRO is a small electrical driven planetary grinding machine. This is a three headed machine for levelling and polishing of floors.

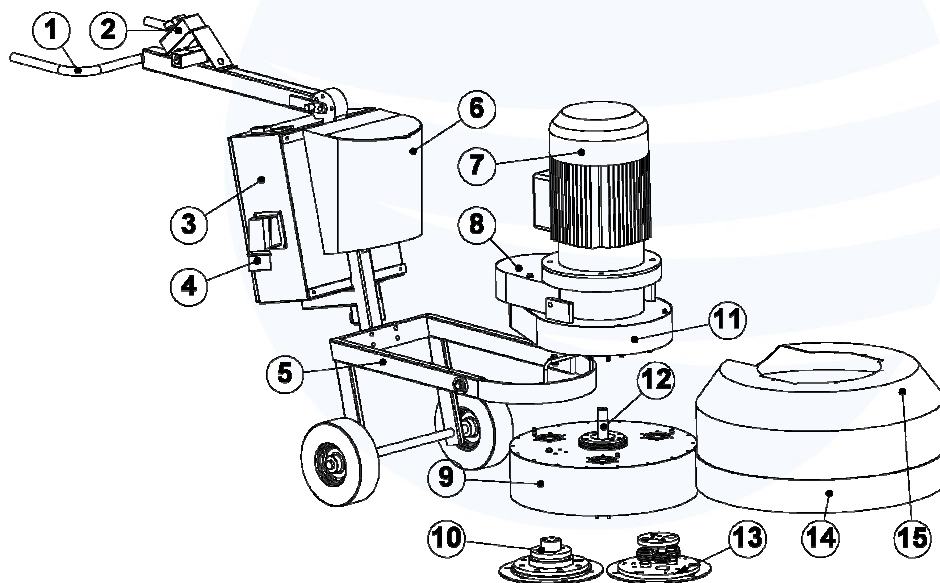
The patented drive system makes sure that this machine is very easy to handle.

The machine is simple to dismantle for ease of transportation.

Application

The BMG-720PRO can be used on almost any floor to plane, to make ready for coatings, or to remove coatings or glue residues.

1	Steer handle	6	Toolbox	11	Upper part drive system
2	On / Off / Emergency stop / speed control	7	Drive motor	12	Centre axle
3	Electra box	8	Protection cap	13	Polishing buffer
4	Power supply	9	Planetary system	14	Rubber dust seal
5	Wheel frame	10	Grinding buffer	15	Dust cap



info@blastrac.eu

Accessories

There are several types of wings that may be used on this machine.

BG707301	Wing red box 9 pieces 18/20
BG707302	Wing red box 9 pieces 30/40
BG707303	Wing red box 9 pieces 60/80
BG707304	Wing red box 9 pieces 120/150
BG707311	Wing green box 9 pieces 18/20
BG707312	Wing green box 9 pieces 30/40
BG707313	Wing green box 9 pieces 60/80
BG707314	Wing green box 9 pieces 120/150
BG707321	Wing blue box 9 pieces 18/20
BG707322	Wing blue box 9 pieces 30/40
BG200995/set	Wing PCD 1 x 1
BG200997/set	Wing PCD split
BG300119	Cutter plate \varnothing 305mm
BG300109	Cutter

See the service manual for all the wings and dots.



info@blastrac.eu

3. Safety

Before operating the machine, the personnel who are going to use it must be familiar with the safety instructions given in this manual.

Keep this manual near to the machine, so that it may be consulted.

Safety precautions

- The surface to be treated must be swept clean to remove stones, screws etc.
- Never use the machine when the surface is not clear and if there is a risk of tripping.
- Make sure there is not any water on the surface to be treated.
- Remove any trailing electrical cables and or dust hoses from the surface to be treated
- Always use a dust collector
- Don't get disturbed during the activities.

Safety regulations

- Persons who are not operating the machine must not be permitted to stay in the surrounding area of the machine.
- Do not change anything on the machine. Always use cables that are approved and safety earthed. Make sure that the machine is equipped with an earthed connection, do not change this and always use earthed cables with an earthed plug.
- Connect main power supply cable to an installation with an earth leakage circuit breaker.
- Inspect and test the electrical components regularly. The electrical components have to satisfy the requirements that apply to these components.
- Always call a skilled electrician or your distributor when you have questions about the safety of the electrical components.
- Work on electrical equipment or operating materials may only be undertaken by a skilled electrician or by trained persons under the guidance and supervision of a skilled electrician as well as in accordance with the electrical engineering regulations.
- Pull out the main plug during inspections and maintenance on the machine.
- Never operate the machine when the surface is wet.
- Never use the machine in the rain.
- The machine contains rotating parts; because of this never pull the machine backwards with a turning motor.

info@blastrac.eu

The following sticker is placed on the machine.



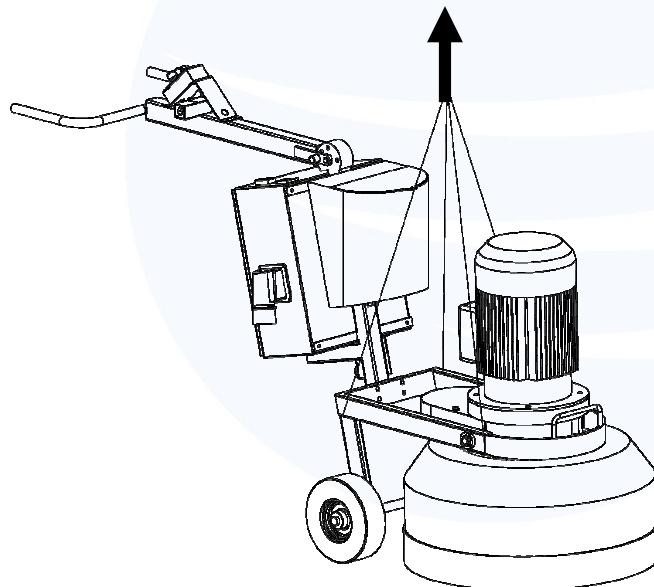
Meanings of these symbols are:

- Ear protection is obligatory
- Safety glasses with lateral protection are obligatory.
- CE-mark on this machine
- Safety shoes obligatory.
- Consult the manual before operating the machine

Personnel must tie back long hair and not wear loose clothing or jewellery including rings. Wear gloves and dust mask whilst operating the machine.

Safety instructions

- Make sure the machine is clean and that the handgrips are dry and free of grease and oil.
- Make sure the dust seal is in good condition, this to reduce the dust.
- Pull out the main plug when changing the diamond wings
- It is not allowed to lift the machine without appropriate appliances as a lift or crane.
- Lift the machine with a rope on the frame as showed on the picture.



info@blastrac.eu

4. Initial operations

Before using the machine it is important to inspect the machine. It is not permitted to use the machine if the machine safety is not according to the checkpoints below.

Checkpoints of electrical safety

- Use only extension cables for extending the main cable that are sized and marked in accordance with the overall power consumption of the machine.
- Electrical cables must be rolled entirely off of the reels.
- Any damage to electric cables is not permitted
- Use an electrical power supply connection with earth connection

Checkpoints of machine safety

Check if:

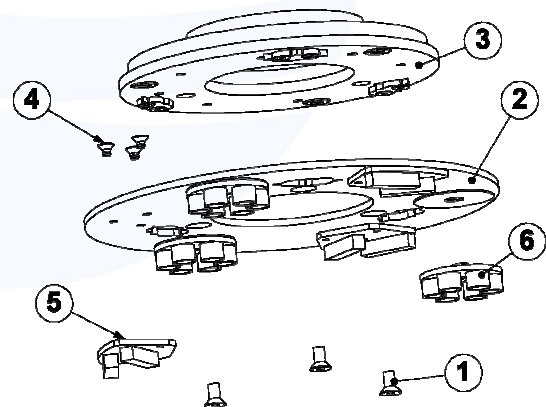
- The safety functions and operating functions work correct.
- The flexible coupling is not deformed or damaged
- The diamond / multiflail disc is not damaged
- There are no damages on the electrical components.
- There are not any loose nuts or bolts
- There is not any damage to the dust hose and if it is connected correctly.

Removing the diamond wings

- Make sure the power supply plug is out of the machine
- Lay down the machine so it is lying on the handle. Make sure the machine will not fall back down. A second person can stand on the handle to make sure it will not fall back down.
- Loosen the bolts (1) to remove the adapter plate (2) from the diamond plate holder (3) and remove the diamond wings (5) by unscrewing the three bolts (4) on the back of the plate.
- The polishing dots (6) can be changed without removing the adapter plates (2)

Mounting the diamond wings

- Make sure the power supply plug is out of the machine
- Lay down the machine so it is lying on the handle. Make sure the machine will not fall back down. A second person can stand on the handle to make sure it will not fall back down.
- Mount the diamond wings (5) to the adapter plates (2) with an appropriate key and fix the adapter plate (2) to the diamond plate holder (3)



info@blastrac.eu

5. Operating

During operating the BMG-720PRO, the following additional safety instructions must be followed closely.

Switch on the machine

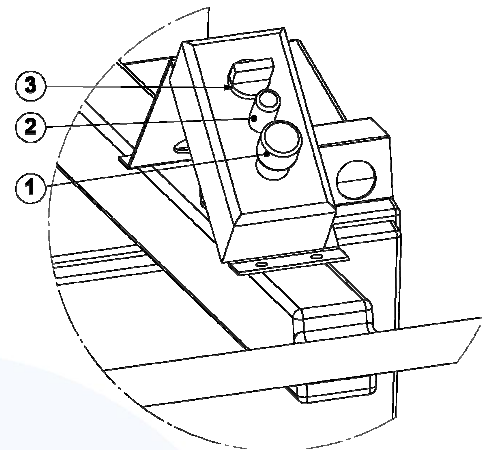
- Turn on the dust collector before switching on the machine and connect the dust hose to the machine.
- Connect the power supply to the machine
- Stand behind the machine and hold the handle tight.
- Make sure the emergency button (1) is turned up.
- Turn the speed control (2) to the left, so the machine turns as slow as possible.
- Turn the on / off switch to the left or right.
- Start grinding

Switch off the machine

- Push the red (emergency) button (1) on the electrical box
- Wait until the machine stops rotating before laying down the machine on the handle
- Pull out the power supply
- Shut down the dust collector.

Operating during grinding

This machine will always have an even grinding result because of the planetary system. However it is advised to keep the machine constantly in movement for an optimum grinding result.



info@blastrac.eu

6. Maintenance

Work only with original Blastrac parts.

Check regularly to see if the diamond wings are in good condition. Replace immediately when these are damaged or worn out.

Check daily if the diamond plates doesn't have to much space in the buffers. If the diamond plate has to much space, replace the buffers.

Prevent premature wear by keeping the machine as dust free as possible, for these reasons clean the machine regularly with a dust collector.

Clean the machine every day with air and non-aggressive materials. Never use a high pressure water cleaner to clean the machine.

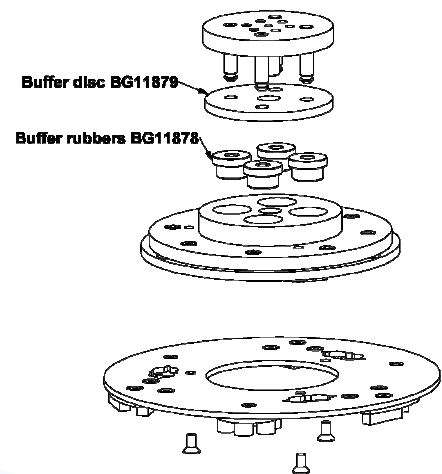
Remove the diamond disc after using the machine

Store the cleaned and dry machine in a dry and humid free room. Protect the electrical motor from moisture, heat, dust and shocks.

All repair work must to be done by qualified Blastrac personnel, this to guarantee a safe and reliable machine.

Any guarantee on the machine is automatically void when:

- Non original Blastrac parts and or diamond discs have been used
- Repair work is not done by qualified Blastrac personnel
- Changes, add on's or conversions are undertaken without the written permission from Blastrac BV.



info@blastrac.eu

7. Technical data

	BMG-720PRO 3x 400Volt
Power consumption	11 kW
Electrical connection	400V / 50 Hz
Amperage	32A
Diameter diamond disc	Ø 305 mm
Working width	720 mm
Rotation speed	300 - 1000 min ⁻¹
Length	1460 mm
Width	800 mm
Height	1350 mm
Weight	350 kg
Noise level	87dB(A)
Dust hose connection	75 mm Ø
Suitable filter unit	Contact Blastrac BV We will assist you with a good advice

Design and specifications are subject to change without notice by Blastrac BV

info@blastrac.eu

HEADQUARTER

*Blastrac BV The Netherlands
Utrechthaven 12
NL - 3433 PN Nieuwegein
Tel: 0031 (0)30 601 88 66
Fax: 0031 (0)30 601 83 33
info@blastrac.nl*

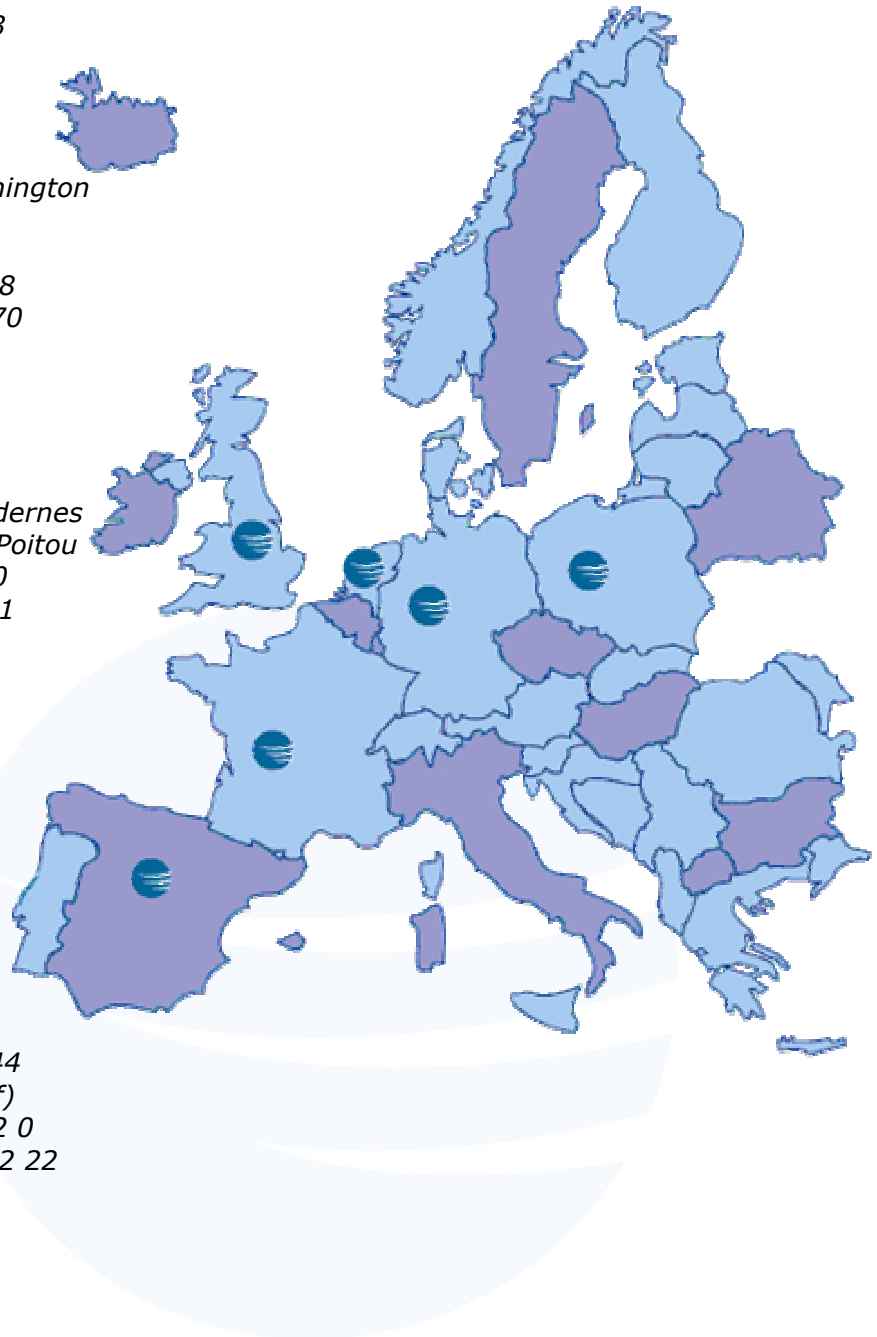
*Blastrac United Kingdom
Unit 2, Outgang Lane, Dinnington
Sheffield, South Yorkshire
GB - S25 3QU, England
Tel: 0044 (0) 1909 569 118
Fax: 0044 (0) 1909 567 570
info@blastrac.co.uk*

*Blastrac France
ZI
29, Avenue des Temps Modernes
F - 86360 Chasseneuil du Poitou
Tel: 0033 (0)5 49 00 49 20
Fax: 0033 (0)5 49 00 49 21
info@blastrac.fr*

*Blastrac Spain
Calle Copernico, 16
Nave 2
E - 28820 Coslada
Tel: 0034 91 660 10 65
Fax: 0034 91 672 72 11
info@blastrac.com.es*

*Blastrac Germany
Mathias Brüggem Straße 144
D - 50829 Köln (Ossendorf)
Tel: 0049 (0) 221 70 90 32 0
Fax: 0049 (0) 221 70 90 32 22
info@blastrac.de*

*Blastrac Poland
Golina, Dworcowa 47a
63-200 Jarocin
Tel: 0048 62 740 40 27
Fax: 0048 62 740 40 27
info@blastrac.pl*

**info@blastrac.eu**