



Original
OPERATING INSTRUCTIONS BMG-580PRO
VERSION 2.1





EC DECLARATION OF CONFORMITY

in accordance with Appendix II sub A of Directive 2006/42/EC

We,

BLASTRAC B.V.
 Utrechthaven 12
 NL - 3433 PN NIEUWEGEIN
 The Netherlands

Declare under our sole responsibility that the grinding machine as described below,

Model: BMG-580PRO

Serial number: XXXXXB

satisfies the conditions set out in the:

Machine Directive
 Low voltage directive
 EMC directive

(2006/42/EC);
 (2006/95/EC);
 (2004/108/EC);

Where appropriate, are in conformity with the following harmonized standards:

NEN-EN-ISO 12100:2010
 NEN-EN-IEC 60204 -1:2006/C11:2010

In case of changes to the machine without our written authorization this declaration loses its validity.

Nieuwegein 17-11-2015

Michiel Kalisvaart
 Operational Manager



Table of contents

EC Declaration of Conformity	2
1. Introduction	4
2. Machine description	4
Control box	5
Accessories	5
3. Safety	6
3.1 Work area safety	6
3.2 Electrical safety	6
3.3 Personal safety	7
3.4 Machine safety	7
3.5 Maintenance safety	7
3.6 Dust collector safety	8
3.7 Grinding safety	8
3.8 Transport safety	8
Signs on the machine	10
4. Initial operation	11
4.1 Checkpoints of electrical safety	11
4.2 Checkpoints of machine safety	11
4.3 Manual moving of the machine	11
Diamag	12
4.4 Changing the wings	12
4.5 Before start-up	14
5. Operating	14
5.1 Switching the machine on	14
5.2 Turning the machine off	15
5.3 Operating during grinding	15
5.4 Wet grinding	16
6. Maintenance	16
7. Troubleshooting	18
8. Technical data	19
Contact	

1. Introduction

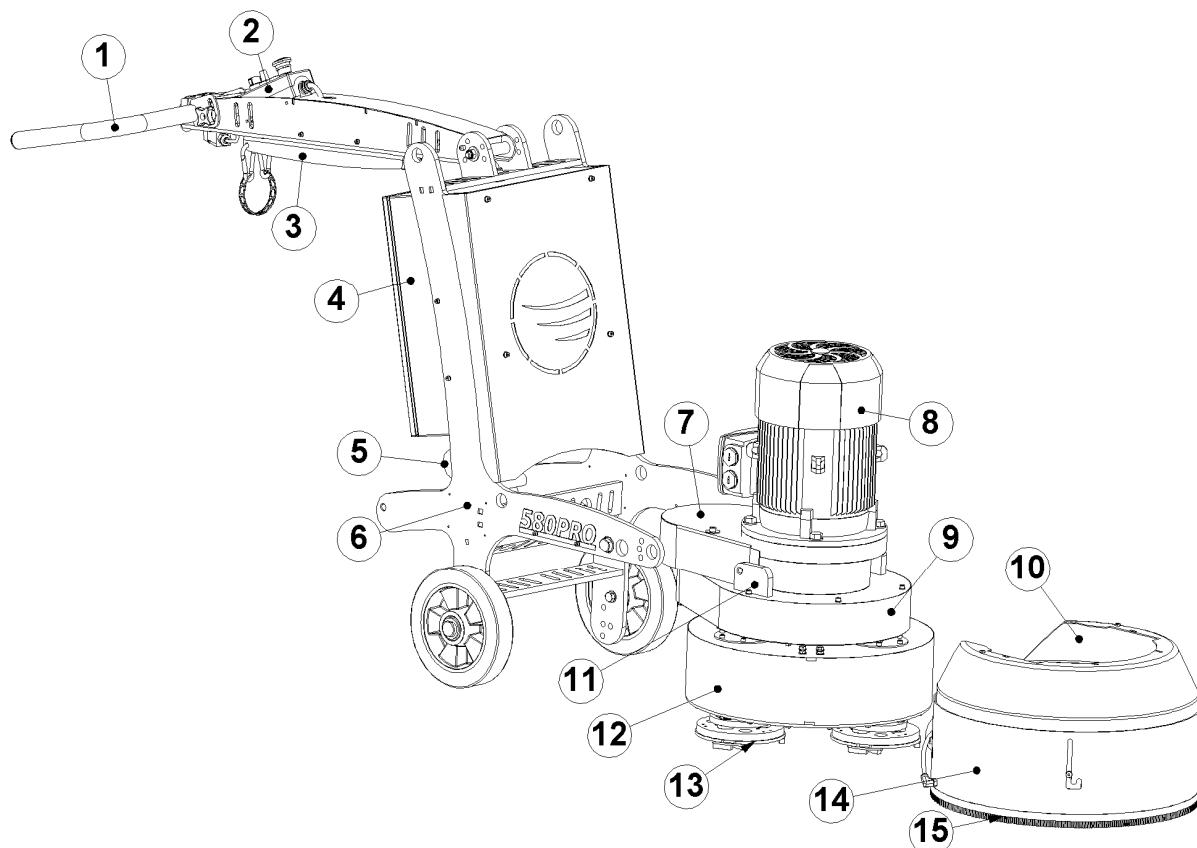
Before use, operators must be provided with information, instruction and training for the use of the machine and the substances for which it is to be used, including the safe method of removal and disposal of the material collected. All persons who are working with or maintaining this machine must read the manual carefully and understand it fully. In case you sell the unit, hand it on to the next owner. Keep this manual always with the machine, to enable it to be referred to at any time. Any other work not covered by this operating manual must not be carried out.

This machine is designed for industrial use by professionals. **Only authorized and trained personnel may operate this machine.** This machine is not intended for use by persons (including children) with reduced physical, sensory or mental capabilities, or lack of experience and knowledge. **Blastrac BV** offers a course on the use of the machine in order to make the operating and maintenance personnel familiar with all elements of the machine.

2. Machine description

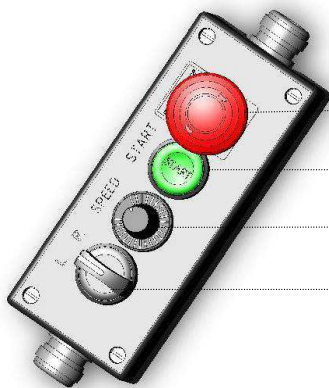
The BMG-580PRO is an electrical driven planetary grinding machine. This is a three headed machine for levelling and polishing of indoor floors. The 3 planetary rotating discs are \varnothing 185 mm. It can be used for dry and wet applications. The BMG-580PRO can be used on almost any floor to plane, to make ready for coatings, or to remove coatings or glue residues. The machine may not be used without an adequate dust extraction system. A specially designed Blastrac dust collection system ensures dust-free operation of the machine and clean air at the workspace. This machine may not be used on wood.

1	Steer handle	6	Machine frame	11	Frame mounting eyes
2	Operating panel	7	Protection cover	12	Lower drive
3	Swing arm for dust hose	8	Drive motor	13	Grinding buffer
4	Electric control box	9	Upper drive	14	Dust floating shroud
5	Electric supply connection	10	Dust cover	15	Brush for shroud





- Cord for dead man's switch
- Key for dead man's switch
- Dead man's switch



Control box

- Stop button (Red)
- Start button (Green)
- Speed regulator
- Selection switch for left-hand or right-hand turning of the motor.

Accessories

There are several types of wings that may be used on this machine.

- | | |
|--------------|---|
| BG707301 | Wing red box 9 pieces 18/20 |
| BG707302 | Wing red box 9 pieces 30/40 |
| BG707303 | Wing red box 9 pieces 60/80 |
| BG707304 | Wing red box 9 pieces 120/150 |
| BG707311 | Wing green box 9 pieces 18/20 |
| BG707312 | Wing green box 9 pieces 30/40 |
| BG707313 | Wing green box 9 pieces 60/80 |
| BG707314 | Wing green box 9 pieces 120/150 |
| BG707321 | Wing blue box 9 pieces 18/20 |
| BG707322 | Wing blue box 9 pieces 30/40 |
| BG200997/set | Wing PCD split |
| BG200999/set | Wing PCD 2 x ¼ |
| BG300118 | Cutter plate 185mm |
| E07185 | DIAMAG 185mm adapter plate |
| E06447 | DIAMAG adapter plate for polishing dots |

See the service manual for the complete list with all the wings, dots and spare parts.

3. Safety



Warning!

Read all safety warnings and all instructions. Failure to follow the warnings and instructions may result in electric shock, fire, explosions and / or serious injuries.

3.1 Work area safety

- a) Do not use the machine in rain, damp or wet locations.
- b) Avoid dangerous environments: do not work in the presence of explosive atmospheres, in the presence of flammable liquids, gases or dust. Remove materials or debris that may be ignited by sparks.
- c) In some cases sparks could be created by grinding.
- d) The surface to be treated must be clean, make sure to remove all stones, screws etc..**
Any stones, screws, bolts, pieces of wire etc. could cause serious damage if it gets inside the machine!
- e) Make sure there is enough ambient light on the work area. Cluttered or dark areas invite accidents.
- f) Do not use on wood.**
- g) Keep children and bystanders away while operating the machine. They are likely not to foresee the potential dangers of the machine. Distractions could cause you to lose control of the machine.
- h) Persons who are not operating the machine must not be permitted to stay in the surrounding area of at least 5 meter from the machine.
- i) Never use the machine when the surface is not clear and if there is a risk of stumbling or tripping.
- j) Make sure that there are no cables or hoses in the driving direction of the machine.
- k) Make sure that there is nothing standing or situated on the surface to be treated.
- l) Make sure the machine can travel over all inequalities on the surface, small inequalities like weld seams or floor joints are no barriers for the machine.
- m) Never stay in the rain with the machine.**
- n) Check if there are any obstacles that can snag the cables when the machine is moving.
- o) Remove reinforcing steel or other objects protruding from the surface in order to prevent damage to the compounds or diamond discs.
- p) Warning!**
Make sure that the surface to be treated does not contain dangerous materials such as:
 - **combustible or explosive dusts or substances.**
 - **carcinogenic or pathogenic substances.**
- q) Secure the work area around the machine in public areas providing an adequate safety distance from the machine. Use a red and white safety chain and danger sign to enclose the work area.

3.2 Electrical safety

- a) Use only extension cables for extending the main cable that are sized and marked in accordance with the overall power consumption of the machine. Do not use damaged extension cables.
- b) Electrical cables must be rolled entirely off of the reels.
- c) Any damage to the electric cables and/or electrical components is not permitted.
- d) The voltage on the identification plate must comply with the power supply.
- e) Use an electrical power supply connection with earth connection and earth leakage circuit breaker.
- f) The circuit breaker of the power supply must have a "D" characteristic. Circuit breakers with a "C" or "B" characteristic can give problems when switching the motor on.
- g) Keep the machine original; The machine is always equipped with an earthed connection, do not change this** and always use earthed cables with an earthed plug.
- h) Inspect and test the electrical components regularly. The electrical components have to satisfy with the requirements set out in the harmonised norm EN60204-1.
- i) Always call a skilled electrician or your distributor when you have questions about the safety of the electrical components.
- j) Work on electrical equipment or operating materials may only be undertaken by a skilled electrician or by trained persons under the guidance and supervision of a skilled electrician as well as in accordance with the electrical engineering regulations.
- k) Always use tools that are insulated against voltages.
- l) Do not abuse the cables. Never use the cables for carrying, pulling or unplugging the machine. Keep cables away from heat, oil, sharp edges or moving parts. Damaged or entangled cables increase the risk of electric shock.
- m) Be careful with water on the treated surface. Electrical cables must not come into contact with water.
- n) The main power switch on the machine must be in the "Off" position before connecting to the power supply. (Only if there is a main switch present on the electrobox.)



- o) During a long standstill of the machine, pull out the main plug and cover it with plastic foil.
- p) If the machine is to be operated using power from a generator, the generator must be operated in accordance with the current legal regulations and directives in force. (this applies to the protective earth conductor in particular) in order to ensure that all safety devices are functioning and to eliminate possible damage to electrical components.

3.3 Personal safety

a) Always wear Personal Protective Equipment while working with the machine.

- Dust mask class FFP2 or higher
 - Ear protection
 - Safety glasses with lateral protection
 - Protecting gloves
 - Safety shoes
- b) Dress properly. Do not wear loose clothing or jewellery. Keep your hair, clothing and gloves away from moving parts.
 - c) Stay alert, watch what you are doing and use common sense when operating the machine.
 - d) The cord of the deadman switch key should always be fastened on your arm or on to your clothing.
 - e) Pull out the key of the deadman switch before any inspections, adjustments and/or maintenance work is started.
 - f) All persons in the proximity of the machine, must wear ear protectors and safety shoes.
 - g) Always seek professional medical attention immediately in case of injury.

3.4 Machine safety general

- a) Safety functions and operating functions must work correct.
- b) No loose bolts and nuts permitted.
- c) Never operate machine without the guards and/or safety devices in place.
- d) Never change anything on the safety devices on the machine!
- e) The machine, specially the handle grips must be free of fats/oils and have to be dry.
- f) If the length of the brushes is, due to wear, less than 5mm or they are extremely deformed, the brushes have to be replaced. Check the Service Manual for the order numbers.
- g) All repair work has to be done by qualified Blastrac personnel, this guarantees a safe and reliable machine.
- h) **Always use original Blastrac spare parts, grinding disks, grinding wings and polishing pads.** This will ensure the best performance. Only original Blastrac parts meet the factory specifications and quality. Otherwise Blastrac BV cannot guarantee the safety of the machine. The part numbers can be found in the Service Manual.
- i) Check the rotating direction of the motor. The correct direction is given with an arrow on the housing of the motor.
- j) If **safety-critical changes** occur to the machine or its working method, the machine must be **shut down immediately!** The cause of the fault must be established, and rectified.
- k) In the event of **operational malfunctions** the machine must be **shut down immediately** and secured!
- l) Do not use the unit when it is damaged.
- m) Do not **open** or **remove protective guards** while driving gears are running.

3.5 Maintenance safety

- a) Pull out the main plug before starting inspections and repairing on the machine.
- b) Wait for standstill of all drives before any inspections, adjustments and/or maintenance work is started.
- c) Block the machine in a stable position before doing any maintenance work.
- d) Failures due to inadequate or incorrect maintenance may generate very **high repair costs** and long standstill periods of the machine. **Regular** maintenance therefore is imperative.
- e) Operational safety and service life of the machine depends, among other things, on proper maintenance.
- f) Prevent premature wear by keeping the machine as dust free as possible. Clean the machine for this reason regularly with a dust collector and non-aggressive materials, especially the upper drive. Never use a high pressure water cleaner to clean the machine.
- g) It is advisable to stock all spare parts or wear parts that cannot be supplied quickly. As a rule, production standstill periods are more expensive than the cost for the corresponding spare part.
- h) Do not use any **aggressive** cleaning materials!
- i) Use lint-free **cleaning cloths!**
- j) For the electrical parts, use a tool that is insulated against voltages.



3.6 Safety regarding dust collectors

- a) Always use a Blastrac dust cleaner (when working dry) to ensure a dust-free operation of the machine and clean air at the workspace. Also the airflow helps to cool the machine and prevents overheating.
- b) Read the operating instructions of the dust collector before using it.
- c) The dust container/bag of the dust collector must be emptied regularly. Comply with the local waste treatment regulations considering the removed material.
- d) The dust hose must be connected properly with a hose clamp and industrial tape.
- e) The dust hose must be undamaged and free of obstructions.
- f) Always switch on the dust collector first!

3.7 Grinding safety

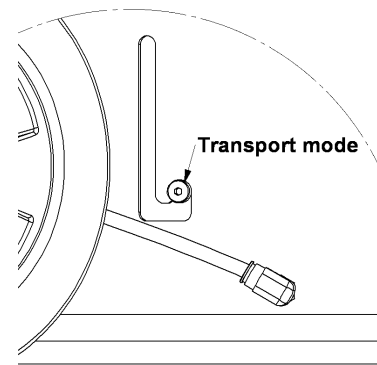
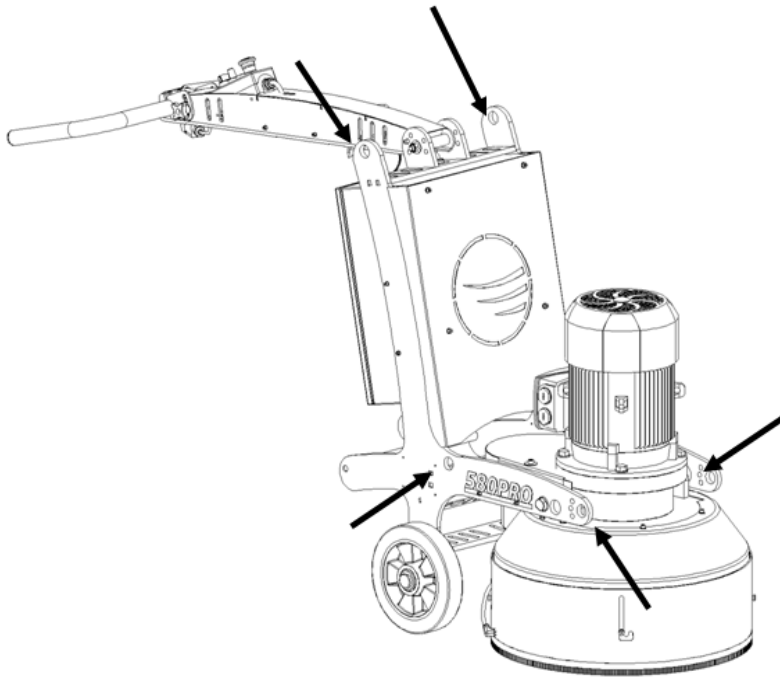
- a) The machine contains rotating parts, which are protected with a sliding cover. Always leave the diamond disc on the floor while the motor is turning.
- b) The flexible coupling can become worn out with use, because of this there can be higher vibrations than normal. Check for this reason the flexible coupling for deformation and damage before every use.
- c) Do not let the machine rest on the diamond disc or coupling when it is not in use, this will cause deformation to the flexible coupling.
- d) Make sure the brush seals are in good condition, this to avoid dust.
- e) Make sure the diamond disc is not damaged or worn out.
- f) Always pull out the main plug before u start changing the wings or disks.
- g) When mounting or removing a diamond disc; lay down the machine so it is lying on the handle. Make sure the machine will not fall back down. A second person can hold the handle down to make sure it will not fall back down.
- h) For changing the disks/wings u should wear Personal Protective Equipment like a dust mask, safety goggles, gloves, protective shoes, and close fitting protective clothing. Use the vacuum cleaner to prevent excessive dust.
- i) **Caution!** The grinding disks / wings will heat up during grinding, don't risk getting burned, always wear protective gloves when handling them.
- j) The machine contains rotating parts; because of this never pull the machine backwards with a turning motor.
- k) Be careful with the machine and pull or let down the machine slowly, big shocks can damage the electrical parts.
- l) Make sure the floating shroud is in transport mode when you transport the machine.

3.8 Transport safety

- a) Be aware of your surroundings and machine operating level. Do not side hill, do not run on steep incline, this could cause machine to tip over.
- b) The weight of the BMG-580 is 275 / 285 kg. Use a crane or lift when transporting the machine, use the lifting eyes of the machine.
- c) Before every use check the lifting eyes and welds for: deformation, damages, cracks, corrosion and wear.
- d) Only lift the machine as shown in the picture below.
- e) When lifting the machine from the ground, always use the lowest lifting speed. The cables must first be tensioned at this speed; they must not be slack when the machine is lifted from the ground.
- f) During hoisting make sure to be at a safe distance from the machine with the most optimal view on the machine and working environment.
- g) Never stand directly below the machine.
- h) When transporting the machine do so in such a manner that damage due to the effects of the use of force or incorrect loading and unloading is avoided.
- i) The lifting eyes can also be used to fasten the machine on a pallet or during transport.
- j) Always drive backwards when driving up to a ramp or grade, and forwards when driving of the ramp.
- k) Chock wheels for transport and keep control handle in neutral position.
- l) Don't leave the machine unsecured on jobsites.
- m) Park the machine always on a flat horizontal and levelled surface.
- n) Make sure the floating shroud is in transport mode when you transport the machine.**
- o) Make sure the electrical cable and dust hose are disconnected.
- p) Store the cleaned and dry machine in a humid free room. Protect the electrical motor from moisture, heat dust and shocks.
- q) Never use the machine for lifting persons or items.



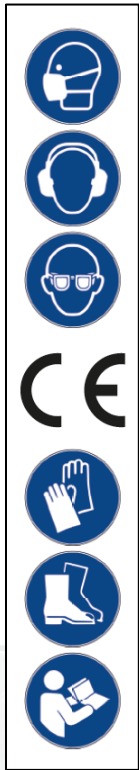
- It is not allowed to lift the machine without appropriate appliances as a lift or crane, lift the machine with a rope on the lifting eyes as showed in imagine mentioned below.
- Make sure the floating shroud is in transport mode when you transport the machine





Signs on the machine

The following stickers are placed on the machine. Meanings of these symbols are:



- Wear a dust mask class FFP2 or higher
- Ear protection is obliged
- Safety glasses with lateral protection are obliged
- CE-mark on this machine
- Wear protecting gloves
- Safety shoes obliged
- Consult the manual before operating the machine

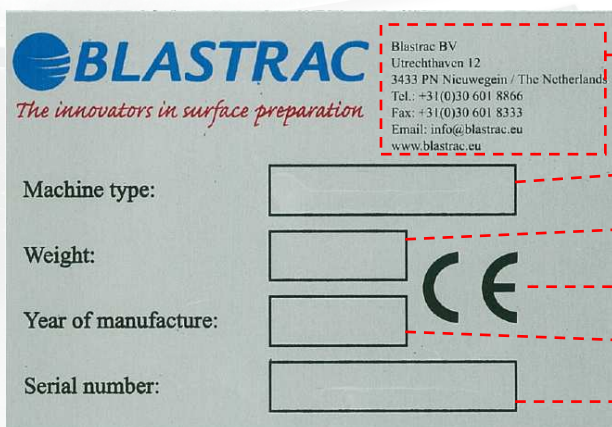


- Danger, disconnect electrical supply before working on this equipment



- Lifting point

Personnel must tie back long hair and not wear loose clothing or jewellery including rings.



Name, address, telephone & fax number, Email address and website.

The machine type.

The net weight of the machine in kilogram.

CE mark.

The year of manufacture.

The serial number of the machine.

4. Initial operations

Before using the machine it is important to inspect the machine.

It is not permitted to use the machine if the machine safety is not according the checkpoints below.

Before switching on the machine make sure that no-one can be endangered when the machine starts up!

4.1 Checkpoints of electrical safety

- Use only extension cables for extending the main cable that are sized and marked in accordance with the overall power consumption of the machine.
- Electrical cables must be fully unwound of them reels.
- No damage is permitted for electrical cables.
- Use an electrical power supply connection with earth connecting.
- The main switch of the machine should be put to 'Off' before connecting to the power supply. (Only if there is a main switch present on the electrobox.)
- Make sure the power supply is in accordance with the machine specifications.
- If the machine is to be operated using power from a generator, the generator must be operated in accordance with the current legal regulations and directives in force. (This applies to the protective earth conductor in particular) in order to ensure that all safety devices are functioning and to eliminate possible damage to electrical components.

4.2 Checkpoints of machine safety

- Safety functions and operating functions must work correct.
- Check the diamond wings for damages and/or wear.
- Check all screws and other fasteners for tightness. No loose bolts and/or nuts are permitted.
- Check the electrical components, cables and connections for wear and/or damages.
- Dust hose connection must be reliable: use hose clamps and industrial tape.
- Dust hoses must be undamaged and free of obstructions
- Make sure that the dust bin / bigbag is empty and connected properly.

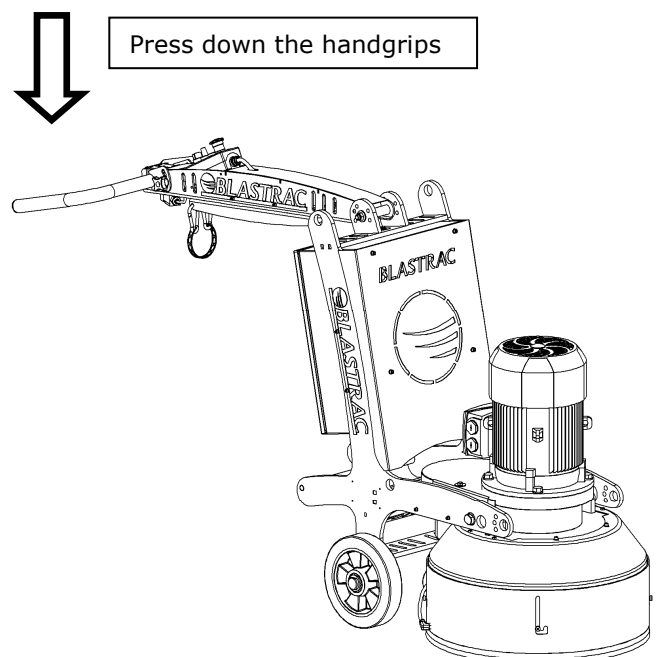
4.3 Manual moving of the machine

To move the machine press down the handgrips of the machine until the front part rises from the ground.

It can now be pushed around on its wheels.

The machine should only be moved around when the dust hose, water supply and power supply cable are disconnected.

WARNING! Always make sure all rotating parts have come to a complete standstill before moving around the machine.





DIAMAG

When using DIAMAG adapter plates, you can replace the diamond wings without using any tools! Because of the specially designed heat resistant magnets and fixation pins, the diamond tools are fixed onto the plate, but can still very simply be replaced by hand.

Contact your Blastrac distributor for more information or check WWW.DIAMAG.EU



4.4 Changing the wings / discs

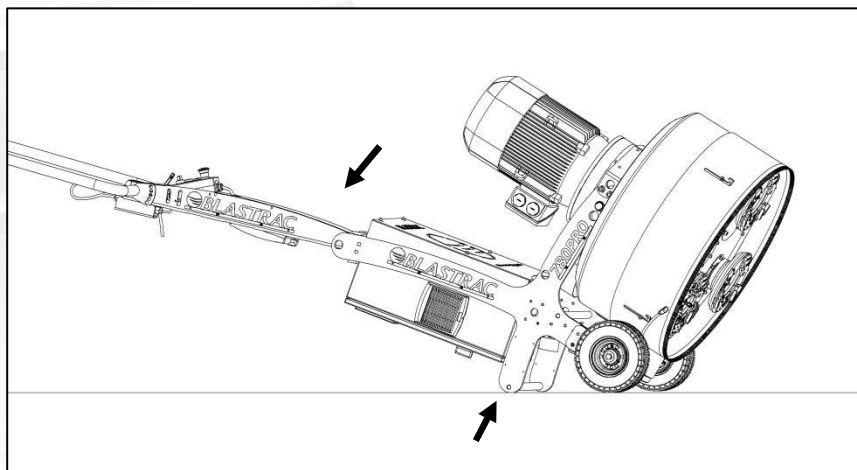
Warning! Always wear Personal Protective Equipment!
The dust can be hazardous to the health! Wear a dustmask!
The wings can get hot! Don't risk burning your hands! Wear protective gloves!

- Pull out the mains plug before you start
- Always wear a **dust mask** of at least **class FFP2** and **gloves**.
- Use the vacuum cleaner in order to work as dust free as possible



Make sure all moving parts of the machine have come to a complete standstill before changing the wings.

Correct position of the machine for changing tools.





Remove the key of the dead man's switch, press the red stop button, and unplug the machine from the power supply. This is to prevent unintentional start-up of the machine.

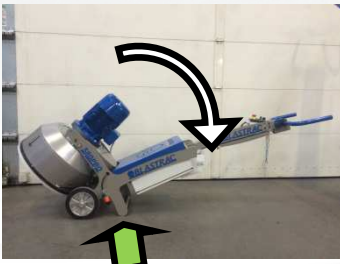


Before you tilt the machine back, make sure the electrical cable and dust hose cannot get damaged when you tilt the machine back.



Take the locking pin out. Put the steering handle in its most upright position. Put the locking pin back in.

WARNING!
This is an unstable position of the machine. Danger of tipping if the handle is not raised.



Tilt the machine back and lay down the machine so it is laying on the metal support underneath the electrical box. Make sure the machine will not fall back down. A second person can hold the handle down to make sure the machine will not fall back down.



If there is a risk of damaging the floor-coating when tilting the machine back, you can place a piece of cloth, a sheet, a thin wooden board or something similar underneath the metal supports. **WARNING!** Danger of injury. Do not let the machine rest on thick wedges or thick wooden beams. This can cause the machine to fall back down!

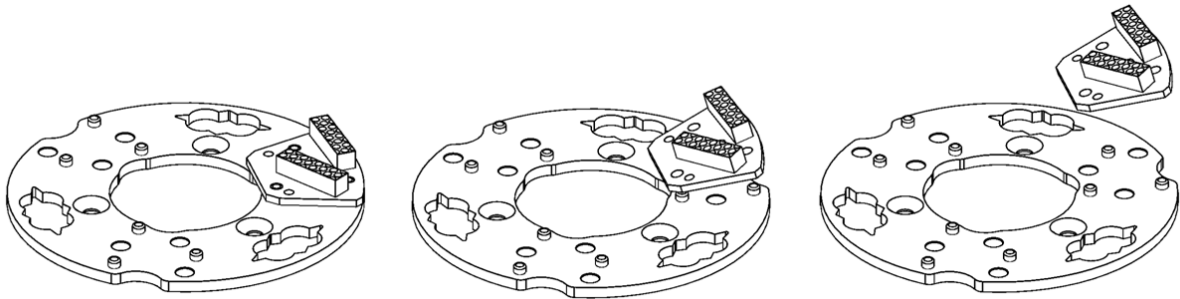


Use the vacuum cleaner to remove excessive dust. A tool (spatula, screwdriver) makes it easier to release the plate off the velcro.



Removing the diamond wings

- Read chapter 3 Safety.
- Lay down the machine so it is laying on the metal support underneath the electrical box. Make sure the machine will not fall back down. A second person can hold the handle down to make sure the machine will not fall back down.
- Grab the diamond wings at the place where the gap in the Diamag plate is and roll the wing over so the wing can be taken of the plate.



Mounting the diamond wings

- Read chapter 3 Safety .
- Lay down the machine so it is laying on the metal support underneath the electrical box. Make sure the machine will not fall back down. A second person can hold the handle down to make sure the machine will not fall back down.
- Clean the Diamag plates so the diamond wings will connect well to the plate.
- Place the diamond wings one by one on the Diamag plates.

4.5 Before start-up

Before start-up the operating personnel must be familiar with the safety regulations given in this manual.

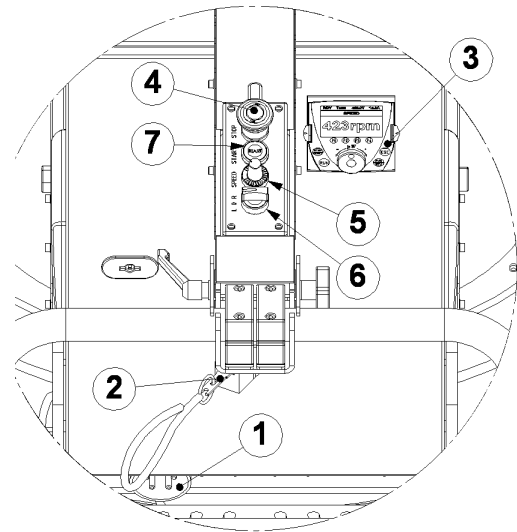
- Put the grinding machine and the dust collector on to the surface to be processed.
- Fit the appropriate diamond grinding wings that are required for this particular process. Please read **chapter 4.4** of this manual.
- Connect the machine and the dust collector to the electricity supply point, these electric supply points should be protected and equipped with an earth connection and earth leakage circuit breaker. In case of doubt ask the local safety officer.
- Check the dust hose for damages and obstructions. Make sure the dust bin of the dust collector unit is empty. Observe the local regulations regarding waste disposal.
- Connect the grinding machine and the dust collector unit with the flexible dust hose. Use hose clamps at the connections.
- Before grinding, clean the surface to be treated. There should not be any trash, stones, cloths, or oil on the surface.
- Remove all objects from the surface that can damage the machine. Remove reinforcing steel or other objects protruding from the surface in order to prevent damage to the machine, the seals or diamond wings.

5. Operating

When operating the BMG-580PRO, the following additional safety instructions must be followed closely.

5.1 Switch on the machine

- Turn on the dust collector before switching on the machine and connect the dust hose to the machine.
- Make sure the electric component box is closed
- Connect the power supply to the connector (1)
- Stand behind the machine and hold the handle tight.
- Put the cord of the deadman switch (2) on to your arm or put it on to your clothing.
- Check the display (3) to make sure there are not any faults or warnings.
- Be sure that the emergency switch (4) is turned up.
- Turn the speed regulation button (5) counter clockwise so the machine will turn as slow as possible.
- Turn the Left/Right button (6) to one of the positions.
- To start the machine, push the green Start button (7).
- Raise if necessary the speed of the machine with the speed regulation button (5)



5.2 Switch off the machine

- Push the red (emergency) button (4) on the electrical box.
- Wait until the machine stops rotating.
- Pull out the cord of the deadman switch (2)
- Pull the power supply out of the connector (1)
- Shut down the dust collector.

In case of emergency or operating trouble, like vibrations or strong noises, switch the machine off immediately by hitting on the OFF-button!

5.3 Operating during grinding

This machine will always have an even grinding result because of the planetary system. However it is advised to keep the machine constantly in movement for an optimum grinding result.

For soft floors it is recommended to work on high disc speed, for hard floors and the first steps of polishing it is recommended to grind with low speed of the tools.

Contact our experts at Blastrac for the correct application of the different tools and their corresponding working speeds.



5.4 Wet grinding

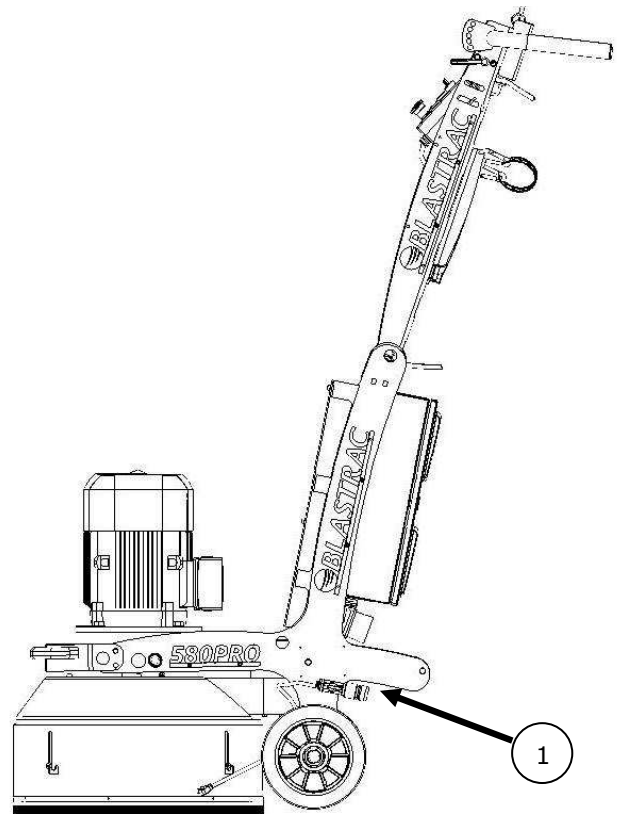
The BMG-580 can also be used for wet grinding.

- Connect the machine to the water supply(1).
- Always use a clean water supply, dirty water could clog the system.
- Make sure the water supply is turned off before connecting or disconnecting to the machine.
- Be careful**, the workfloor can get slippery when grinding wet.
- Keep all electrical cables and connections away from water

IMPORTANT NOTE:

Do not use the vacuum cleaner when grinding wet!

Clean the brush-sealing directly after wet grinding. It will be very hard to clean the brush-sealing when the dust-water mixture has dried up and hardened.



6. Maintenance

Pay attention to Chapter 3 "**Safety**" during maintenance and repair works.

Failures due to inadequate or incorrect maintenance may generate very **high repair costs** and long standstill periods of the machine. **Regular** maintenance therefore is imperative.

Operational safety and service life of the blast machine depends, among other things, on proper maintenance.

The following table shows recommendations about time, inspection and maintenance for the normal use of the machine.

Operating hours/ time period	Inspection points, maintenance instructions
12 h after repairing	Check all accessible screw connections for tight seat.
Daily and prior to starting work	Check if all safety devices are working adequate. Check the brush sealing for damages and/or wear. Check the hose to the dust collector for damage and obstructions. Clean the electrical box inside and outside. Check the electric connections for sediments of dirt or foreign bodies. Check the electric motors for dirt and other contaminants. Check the conditions of the wings /discs.
Weekly	Check the buffers of the diamond plates.
Every 3 months	Clean the complete machine with a damp cloth.
Annually	Full overhaul and cleaning of the complete machine.



Pay attention to unusual noises or strong vibrations. Check for the cause of every big change. Call a technician if you have doubts about the cause or when a repair without a technician seems not possible without damages. Only use genuine Blastrac spare parts.

Due to different working conditions it can't be foreseen how frequently inspections for wear check's, inspection, maintenance and repair works ought to be carried out. Prepare a suitable inspection schedule considering your own working conditions and experience. However a full overhaul must be carried out at least once a year.

Our specialists will be happy to assist you with more advice.

Prior to any repair works on the machine and its drives, secure the machine against unintentional switching on. Disconnect the power supply.

Follow additional operating and maintenance of OEM if included during your service and maintenance work.

Further is advised:

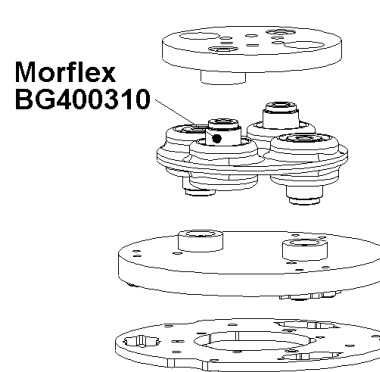
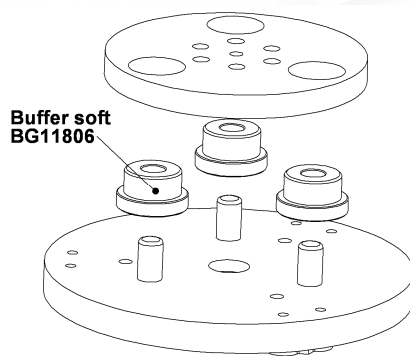
Store the cleaned and dry machine in a dry and humid free room. Protect the electrical motor from moisture, heat, dust and shocks.

Work only with original Blastrac parts.

Dust in the electrical box can damage the frequency inverter; due to this the electrical box has to be cleaned every day from inside and outside. Clean the fans and filters from the box with compressed air and a vacuum cleaner.

Check regularly to see if the diamond wings are in good condition. Replace immediately when these are damaged or worn out.

Check weekly if the diamond plates doesn't have too much space in the buffers. If the diamond plate has too much space, replace the buffers.





Prevent premature wear by keeping the machine as dust free as possible, for these reasons clean the machine regularly with a vacuum cleaner.

Clean the machine every day with air and non-aggressive materials.
Never use a high pressure water cleaner to clean the machine.

Store the cleaned and dry machine in a dry and humid free room. Protect the electrical motor from moisture, heat, dust and shocks.

All repair work must to be done by qualified Blastrac personnel, this to guarantee a safe and reliable machine.

Any guarantee on the machine is automatically void when:

- Non original Blastrac parts and or diamond discs have been used
- Repair work is not done by qualified Blastrac personnel
- Changes, add items, or conversions are undertaken without the written permission from Blastrac BV.

7. Troubleshooting

Fault	Possible cause	Remedy
Excessive vibration or/and Unusual noises	Imbalance due to worn or broken grinding tools. worn out buffer rubbers Defective bearing.	Replace all worn or broken parts. Replace all worn or broken parts. Check the bearing on the axle drive shaft and replace if necessary.
Reduced or no grinding performance	Grinding tools have reached the maximum permissible wear. Inappropriate grinding tool for the application.	Replace the worn parts. Replace the grinding tools with appropriate grinding tools for the surface to be treated.
Motor does not switch on	Missed phase Defective Component.	Check the mains power supply and try to switch on again. Find fault and replace defective component.
Motor triggers while running	Motor protections switch triggered because of overload . Motor has a defect.	Reduce additional load . Check the motor.

8. Technical data

	BMG-580PRO 3x 230 volt	BMG-580PRO 3x 400 volt
Power consumption	8,6 kW max.	8,6 max.
Electrical consumption	3x 230 Volt	3x 400 Volt
Frequency	50-60 Hz	50-60 Hz
Ampèrage connection	5 pole / 32 Ampere	5 pole / 32 Ampere
Ampèrage consumption	26 Ampere	15 Ampere
Length	1990 mm	1990 mm
<i>Fold in</i>	1025 mm	1025 mm
Width	580 mm	580 mm
Height	1140 mm	1140 mm
<i>Fold in</i>	1240 mm	1240 mm
Weight machine	285 kg	285 kg
Weight grinding head	175 kg	175 kg
Diamond discs	3x Ø185 mm	3x Ø185 mm
Work width	550 mm	550 mm
Rotation speed discs	350 - 1100 min ⁻¹	350 - 1100 min ⁻¹
Noise level	76dB(A)	76dB(A)
Vibration level	< 2,5m/s ²	< 2,5m/s ²
Dust hose connection	75 mm Ø	75 mm Ø
Suitable filter unit	Contact Blastrac, we will assist you with a good advice	

The electrical diagrams of the electrical system are placed inside of the control panel.
Design and specifications are subject to change without notice by Blastrac BV.

If the grinding machine is to be operated using power from a generator, the generator must be operated in accordance with the current EN-VDE directives (this applies to the protective earth conductor in particular) in order to ensure that all safety devices are functioning and to eliminate possible damage to electrical components.

**IMPORTANT NOTE:**

The indicated values are measured on new machines. Sound and vibration levels will vary in different circumstances. Area influences like open outside or closed inside space, ambient temperature, the surface to be treated, etc. will give different values at all time.

The declared vibration and sound emission levels represent the main applications of the machine. However if the machine is used with different accessories or poor maintenance, the vibration and sound emissions may differ. The values may be used for a preliminary assessment of exposure.

For a precise estimate of the vibration and sound load, the times should also be considered during which the machine is switched off or even running, but not actually in use. This may significantly decrease the exposure level over the total working period.

Old equipment contains valuable materials which are valuable for re-processing. **The machine parts must not be thrown away in the normal household waste**, but should be disposed of at a suitable proper collection system, e. g. via your communal disposal location. This way the materials can be re-used in an environmentally responsible manner.

Despite the fact that this guide is made with care, Blastrac takes no liability for errors in the manual and the possible consequences. We are naturally very interested in your findings and additions. No part of this publication may be reproduced and / or published in print, photocopy, or other form without prior permission by Blastrac.



**Headquarter
Blastrac The Netherlands**

Utrechthaven 12
NL – 3433 PN Nieuwegein
Tel – 0031 30 601 88 66
Fax – 0031 30 601 83 33
Info@blastrac.nl

Blastrac United Kingdom
Unit 2, Outgang Lane, Dinnington
Sheffield, South Yorkshire
GB – S25 3QY, England
Tel – 0044 1909 56 91 18
Fax – 0044 1909 56 75 70
Info@blastrac.co.uk

Blastrac France (ZI)
29, Avenue des Temps Modernes
F – 86360 Chasseneuil du Poitou
Tel – 0033 549 00 49 20
Fax – 0033 549 00 49 21
Info@blastrac.fr

Blastrac Poland

Golina, Dworcowa 47a
PL – 63-200 Jarocin
Tel – 0048 627 40 41 50
Fax – 0048 627 40 41 51
Info@blastrac.pl

Blastrac Germany
Richard Byrd Straße 15
D – 50829 Köln (Ossendorf)
Tel – 0049 221 70 90 32 0
Fax – 0049 221 70 90 32 22
Info@blastrac.de

Blastrac Italy

S.S. 10 Padana Inferiore, 41
IT – 29012 Caorso (PC)
Tel – 0039 0523 81 42 41
Fax – 0039 0523 81 42 45
Info@blastra.it

Blastrac Spain
Calle Copernico, 16
Nave 2
E – 28820 Coslada
Tel – 0034 91 660 10 65
Fax – 0034 91 672 72 11
Info@blastrac.com.es

Blastrac Ukraine
Nezalezhnosti 14, of. 21
UA – 07400 Brovary
Tel – 0038 44 222 51 28
Fax – 0038 44 277 98 29
Info@blastrac.com.ua