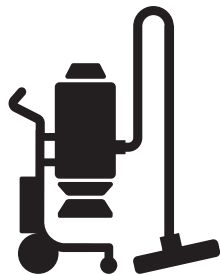


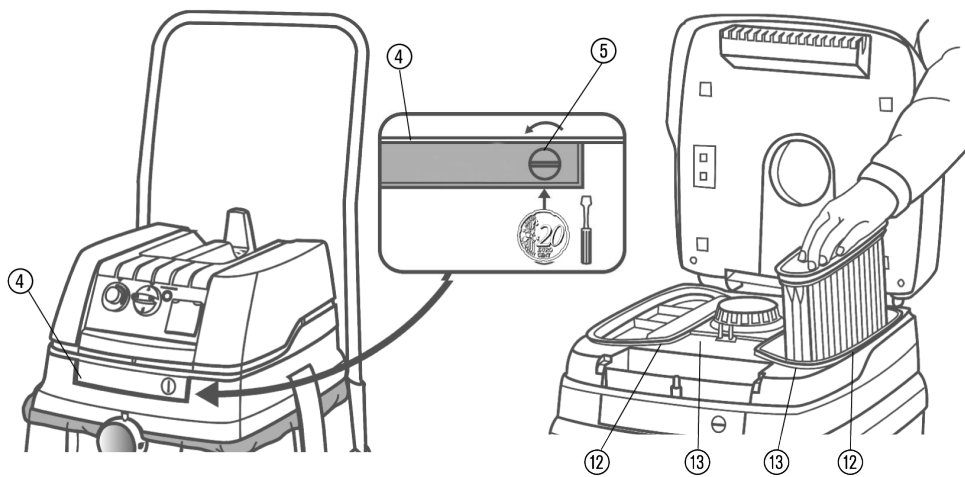
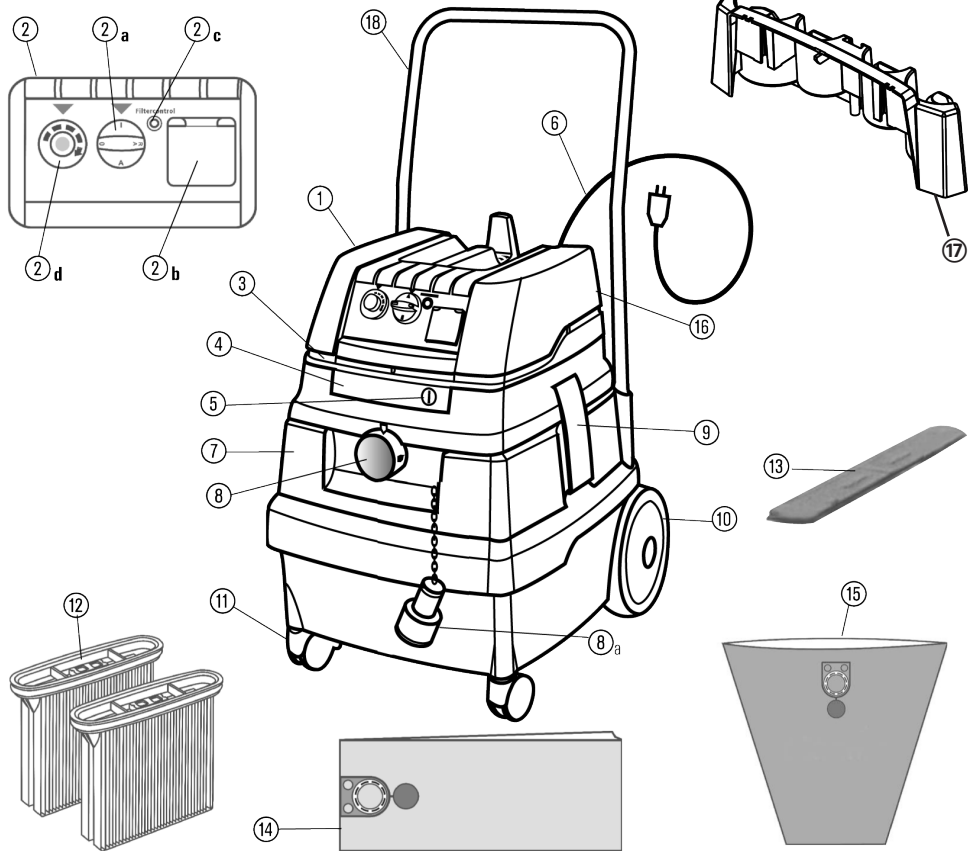


Husqvarna®



S 11

EN	Operating instructions	7-17
FR	Notice d'utilisation	18-27
NL	Gebruiksaanwijzing	28-37
DE	Bedienungsanleitung (original)	38-48
SV	Bruksanvisning	49-58
DA	Betjeningsvejledning	59-68
FI	Käyttöohje	69-78
NO	Driftsinstruks	79-88
ES	Instrucciones para el manejo	89-99
PT	Instruções de utilização	100-109
IT	Istruzioni d'uso	110-119
EL	Οδηγίες χειρισμού	120-130
TR	Kullanım kılavuzu	131-140
RO	Instrucțiuni de utilizare	141-150
BG	Инструкция за експлоатация	151-161
HU	Kezelési utasítás	162-171
PL	Instrukcja obsługi	172-181
SK	Návod na obsluhu	182-191
CS	Návod k obsluze	192-201
SL	Navodila za uporabo	202-211
ET	Kasutusjuhised	212-221
LT	Naudojimo instrukcijos	222-231
LV	Lietošanas instrukcija	232-241
RU	Руководство по эксплуатации	242-252
ZH	操作说明	253-262



DE Beschreibung			
① Oberteil	③ Kühllufteintritt	⑩a Verschlussstopfen mit Kette	⑭ Vlies-Filterbeutel
② Funktionsplatte	④ Riegel	⑨ Rastverschlüsse	⑮ Kunststoff-Entleerbeutel
②a Drehschalter	⑤ Verschluss	⑫ Räder	⑯ Einhängung für Drahtkorb
②b Steckdose für Elektrowerkzeug	⑥ Anschlussleitung	⑪ Lenkrollen	⑰ Zubehördepot *
②c Volumenstromanzeige (Füllanzeige)	⑦ Behälter	⑬ Filterkassetten	⑱ Fahrbügel *
②d Drehzahlregulierung	⑧ Saugöffnung	⑭ Motorschutzfilter	* je nach Modell
EN Description			
① Top section	③ Cooling air inlet	⑩a Sealing plug with chain	⑭ Fleece filter bag
② Functional plate	④ Latch	⑨ Snap-in locks	⑮ Plastic emptying bag
②a Rotary switch	⑤ Lock	⑫ Wheels	⑯ Suspension for wire basket
②b Power socket for electric tools	⑥ Connecting line	⑪ Steering castors	⑰ Accessories box *
②c Volume flow display (Fill level indicator)	⑦ Container	⑬ Filter cassettes	⑱ Driving handle *
②d Speed control	⑧ Suction opening	⑭ Motor protection filter	* dependig on model
F Description			
① Partie supérieure	③ Entrée air de refroidissement	⑩a Bouchons de fermeture à chaîne	⑭ Sac filtre non tissé
② Plaque de fonctionnement	④ Verrou	⑨ Fermeture à crans	⑮ Sac de vidange en plastique
②a Interrupteur rotatif	⑤ Fermeture	⑫ Roues	⑯ Suspension pour le panier en fil métallique
②b Prise de courant pur outil électrique	⑥ Conduite de raccordement	⑪ Roues-guides	⑰ Porte-accessoires *
②c Affichage du débit volumétrique (Indicateur de niveau de remplissage)	⑦ Cuve	⑬ Cassettes filtre	⑱ Etrier de conduite *
②d Régulation du nombre de tours	⑧ Ouverture d'aspiration	⑭ Filtre de protection du moteur	* selon la variante d'équipement
E Descripción			
① Parte superior	③ Entrada de aire frío	⑩a Tapón de cierre con cadena	⑭ Bolsa de filtro de fieltro
② Disco de funciones	④ Enclavamiento	⑨ Cierre a presión	⑮ Bolsa desechable de plástico
②a Conmutador giratorio	⑤ Cierre	⑫ Ruedas	⑯ Gancho para cesta de alambre
②b Toma de corriente para herramientas eléctricas	⑥ Cable de alimentación	⑪ Redecillas de dirección	⑰ Soporte para accesorios *
②c Indicador de flujo (Indicador de recipiente lleno)	⑦ Recipiente	⑬ Estuche de filtro	⑱ Barra de transporte *
②d Regulación de velocidad	⑧ Abertura de spiración	⑭ Filtro de protección del motor	* dependiendo del modelo
P Descrição			
① Parte superior	③ Entrada do ar de arrefecimento	⑩a Bujão de fecho com corrente	⑭ Saco de filtro de vliés
② Placa de funções	④ Trinco	⑨ Encravamentos	⑮ Saco de esvaziamento de material plástico
②a Interruptor rotativo	⑤ Fecho	⑫ Rodas	⑯ Gancho para o cesto
②b Tomada para as ferramentas eléctricas	⑥ Condutor de alimentação	⑪ Rodas dirigíveis	⑰ Depósito de acessórios *
②c Sinalizador da vazão (Indicador do enchimento)	⑦ Recipiente	⑬ Cartuchos de filtração	⑱ Estribo de condução *
②d Regulação da rotação	⑧ Bocal de aspiração	⑭ Filtro de proteção do motor	* conforme o modelo
I Descrizione			
① Parte superiore	③ Entrata aria di raffreddamento	⑩a Tappo con catena	⑭ Sacchetto filtrante in vello
② Pannello di funzionamento	④ Blocco	⑨ Chiusure ad incastro	⑮ Saccheni di scarico in plastica
②a Manopola	⑤ Chiusura	⑫ Ruote	⑯ Anacco per cesto metallico
②b Presa per utensili elettrici	⑥ Linea di collegamento	⑪ Rulli di guida	⑰ Porta accessori *
②c Indicazione del flusso del volume (Indicatore serbatoio)	⑦ Serbatoio	⑬ Cartuccia filtro	⑱ Maniglione *
②d Regolazione numero giri	⑧ Bocca di aspirazione	⑭ Filtro di protezione motore	* in base al modello
NL Beschrijving			
① Bovendeel	③ Koelluchtinvoering	⑩a Sluitdop met kening	⑭ Vlies-filterzak
② Bedieningspaneel	④ Vergrendeling	⑨ Keteiklemmen	⑮ Kunststof opvangzak
②a Draaischakelaar	⑤ Slot	⑫ Wielen	⑯ Onhanging voor opergmand





ⓑ Stopcontact voor elektrisch gereedschap	ⓖ Netsnoer	Ⓣ Zwenkwielen	Ⓣ Toeberehouder *
ⓐ Volumestroomaanduiding (Niveau-indicatie)	Ⓣ Zwenkwielte	Ⓢ Filtercassetten	Ⓢ Duwbeugel *
ⓐ Toerentalregeling	ⓖ Zu igopening	Ⓢ Motorveiligheidsfilter	* Al naar model
DK Beskrivelse			
① Overdel	③ Køleuftindgang	ⓐa Tillukningsprop med kaede	Ⓢ Vlies-filterpose
② Funktionsplade	④ Spærre	ⓐ Snaplas	Ⓢ Kunststofpose til at tømme
ⓐa Drejekontakt	ⓖ Lukkemekanisme	Ⓢ Hjul	Ⓢ Holder til trådkurv
ⓐb Stikkontakt til EI-værktøj	ⓖ Tilslutningskabel	Ⓣ Sty reruller	Ⓣ Tilbehørsdepot *
ⓐc Strømvision (volumen) (Fyldningsindikator)	Ⓣ Beholder	Ⓢ Filterkassetter	Ⓢ Kørebøjle *
ⓐd Regulering af omdrejningstal	ⓖ Sugeåbning	Ⓢ Motorvarnsfilter	* alt efter model
S Beskrivning			
① Ovandel	③ Kylluftsintag	ⓐa Förlutningsplugg med kedja	Ⓢ Fiberduk filterpåse
② Funktionsplatta	④ Regel	ⓖ Ihakningslås	Ⓢ Tömningspase av plast
ⓐa Vridbrytare	ⓖ Lås	Ⓢ Hjul	Ⓢ Upphängning för tillbehörskorg
ⓐb Uttag för elverktyg	ⓖ Anslutningskabel	Ⓣ Svängbarahjul	Ⓣ Tillbehörsförvaring *
ⓐc Volymströmindikering (Fyllnadsindikering)	① Behållare	Ⓢ Filterpatroner	Ⓢ Körhandtag *
ⓐd Varvtalsreglering	ⓖ Sugöppning	Ⓢ Motorskyddsfilter	* beroende på modell
N Beskrivelse			
① Overdel	③ Kjøleluftinngang	ⓐa Låsepropper med kjede	Ⓢ Fleece-filterpose
② Funktionsplate	④ Sperre	ⓖ Låslukking	Ⓢ Tømmepose i kunststoff
ⓐa Dreiebryter	ⓖ Lås	Ⓢ Hjul	Ⓢ Innhengning for trådkurv
ⓐb Stikkontakt for elektroverktøy	ⓖ Forbindelsesledn	Ⓣ Sty reruller	Ⓣ Tilbehørsdepot *
ⓐc Volumstrømgivelse (Fyllingsindikator)	Ⓣ Beholder	Ⓢ Filterkassetter	Ⓢ Kjørebøyle *
ⓐd Turtalsregulator	ⓖ Sugeåpning	Ⓢ Motorvernefilter	* alt etter modell
FIN Kuvaus			
① Yläosa	③ Jäähdytysilman tuloaukko	ⓐa Ketjulla varustettu sulku tulppa	Ⓢ Kuitukangaspölypussi
② Toimintopaneeli	④ Lukitsin	ⓖ Sulkimet	Ⓢ Muovinen tyhjennyspussi
ⓐa Kiertoxytkin	⑤ Kiinnitin	Ⓢ Pyörät	Ⓢ Lankakorin ripustin
ⓐb Pistorasia sähkötyökälulle	⑥ Verkköjohto	Ⓣ Ohjausrullat	Ⓣ Lisätarviketeline *
ⓐc Tilavuusvirtanäyttö (Täyttötason osoitin)	Ⓣ Säiliö	Ⓢ Suodatinkasetit	Ⓢ Ohjaustanko *
ⓐd Kierrosluvunsäädin	ⓖ Imuaukko	Ⓢ Moonorinsuojasuodatin	* riippuen mallista
GR Περιγραφή			
① Επάνω τμήμα	③ Είσοδος αέρα ψύξης	ⓐa Πώμα με αλυσίδα	Ⓢ Φλιντ σακούλα σκόνης
② Πλάκ λειτουργίας	④ Μηχανισμός ασφάλισης	ⓖ Κλείστρα ασφάλισης	Ⓢ Πλαστική σακούλα εκκένωσης
ⓐa Περιστρεφόμενος διακόπτης	⑤ Ασφάλεια	Ⓢ Τροχοί	Ⓢ Στήριγμα συμπίπτου καλαθίου
ⓐb Μπρίζα για ηλεκτρικές συσκευές	⑥ Καλώδιο σύνδεσης	Ⓣ Τροχοί κατεύθυνσης	Ⓣ Θήκη εξαρτημάτων *
ⓐc Ένδειξη όγκου ρεύματος (Ένδειξη πληρότητας)	⑦ Κάδος	Ⓢ Κασέτες με φίλτρο	Ⓢ Λαβή οδήγησης σχήματος U *
ⓐd Ρύθμιση αριθμού στροφών	ⓖ Οπή αναρρόφησης	Ⓢ Προστατευτικό φίλτρο κινητήρα	* ανάλογα το μοντέλο
TR Açıklama			
① Üst kısım	③ Soğuk hava girişi için döner düğme	ⓐa Zincirli kapak tıkama buşonu	Ⓢ İpek elyaf filtre torbası
② Fonksiyon levhası	④ Kilit sürgüsü	ⓖ Durma kilitleri	Ⓢ Sentetik madde boşaltma torbası
ⓐa Çevirmeli şalter	⑤ Kilit	Ⓢ Tekerler	Ⓢ Tel sepet için askı
ⓐb Elektrikli takım için priz	⑥ Bağlantı hattı	Ⓣ Kılavuz makarası	Ⓣ Aksuar deposu *
ⓐc Hacim akım göstergesi (Dolum göstergesi)	⑦ Depo	Ⓢ Filtre kaseti	Ⓢ Tutma demiri *
ⓐd Devir sayısı ayarı	ⓖ Havalandırma deliği	Ⓢ Motoru koruma filtresi	* modele göre
PL Opis			
① Część górna	③ Wlot powietrza zimmego	ⓐa Korek na łańcuszku	Ⓢ Worek filtrujący z włókniny

② Panel sterowania	④ Zasuwa	⑨ Zatrzaski	⑩ Worek do opróżniania ze sztucznego tworzywa
②a Przełącznik obrotowy	⑤ Zamek	⑩ Koła	⑩ Zawieszenie drucianego kosza
②b Gniazdko wtykowe dla narzędzia elektr.	⑥ Kabel zasilający	⑪ Rolki kierowane	⑪ Pojemnik na akcesor *
②c Wskaźnik strumienia objętości (Wskaźnik wypełnienia)	⑦ Pojemnik	⑫ Kasetki filtrujące	⑫ Uchwyt do przenoszenia *
②d Regulacja prędkości obrotowej	⑧ Otwór ssący	⑬ Filtr silnika	* Zależnie od modelu
H Leirás			
① Felsőrész	③ Hűtőlevegő-belépés	⑧a Záró dugó lánccal	⑭ Fátyolszűrő zacskó
② Funkciólemez	④ Retesz	⑨ Becsappanó zárszerkezetek	⑮ Műanyag üritőzsák
②a Forgókapcsoló	⑤ Zár	⑩ Kerekek	⑯ Drótkosár beakasztó szerkezete
②b Dugaszoló aljzat villamos szerszámokhoz	⑥ Csatlakozó vezeték	⑪ Kormánygörgők	⑰ Tartozék tároló *
②c Töltőgátlam-kijelző (Töltés kijelző)	⑦ Tartály	⑫ Szűrőkazeták	⑱ Mozgó kengyel *
②d Fordulatszám szabályozó	⑧ Szívónylás	⑬ Motorvédő szűrő	* modelltől függően
CZ Popis			
① Horní část	③ Vstup chladicího vzduchu	⑧a Zátka s řetízem	⑭ Rounový filtrační sáček
② Funkční deska	④ Západka	⑨ Západkové uzávěry	⑮ Plastový vyprazdňovací sáček
②a Otočný spínač	⑤ Uzávěr	⑩ Kolečka	⑯ Zavěšení pro drátěný koš
②b Zásuvka pro elektrické nářadí	⑥ Připojovací vedení	⑪ Pojezdová kolečka	⑰ Příhrádka na příslušenství *
②c Indikátor objemového proudu (Indikace stavu naplnění)	⑦ Zásobník	⑫ Filtrační kazety	⑱ Madlo *
②d Regulace otáček	⑧ Sací otvor	⑬ Ochranný filtr motoru	* podle modelu
SK Popis			
① Horná časť	③ Vstup chladiaceho vzduchu	⑧a Zátka s reťazkou	⑭ Tkaninové filtračné vrecko
② Funkčná doska	④ Koleska	⑨ Západkové uzávěry	⑮ Plastové vyprázdňovacie vrecko
②a Otočný spínač	⑤ Uzáver	⑩ Koleska	⑯ Zavesenie pre drôtený koš
②b Zásuvka pre elektrické náradie	⑥ Pripojovacie vedenie	⑪ Pojazdná koleska	⑰ Miesto na uloženie príslušenstva *
②c Indikátor objemového prúdu (Indikátor stavu naplnenia)	⑦ Nádoba	⑫ Filtračné kazety	⑱ Oblúková rukoväť *
②d Regulácia otáčok	⑧ Sací otvor	⑬ Ochranný filter motora	* podľa modelu
RO Descriere			
① Parte superioară	③ Intrare aer rece	⑧a Dop de închidere cu lant	⑭ Sac filtrant din vlies
② Placă funcțională	④ Sistem de blocare	⑨ Încizătoare cu cuplare	⑮ Sac de golire din plastic
②a Comutator rotativ	⑤ Sistem de închidere	⑩ Roti	⑯ Dispozitiv de suspendat coșul din sârmă
②b Priză pentru scula electrică	⑥ Cablu de racordare	⑪ Roie de ghidare	⑰ Suport accesorii *
②c Indicatorul curentului volumetric (Indicator nivel umplere)	⑦ Container	⑫ Cartușe de filtru	⑱ Măner tracțiune *
②d Buton reglarea turajtei	⑧ Orificiu de aspirație	⑬ Filtru de protecție a motorului	* În funcție de mode
SLO Opis			
① Zgornji del	③ Vhod hladilnega zraka	⑧a Zaporni zatič z verigo	⑭ Filtrirna vrečka iz flisa
② Funkcijska plošča	④ Zapah	⑨ Zaskočna zapirala	⑮ Plastična vrečka za pražnjenje
②a Vrtljivo stikalo	⑤ Zapiralo	⑩ Kolesa	⑯ Obešalnik za žično košaro
②b Vtičnica za električno orodje	⑥ Priključni vod	⑪ Krmilna kolesca	⑰ Shranjevalnik za opremo *
②c Indikator volumskega toka (Priказ polne posode)	⑦ Posoda	⑫ Filtrske kasete	⑱ Ročaj za vožnjo *
②d Regulacija vrtljajev	⑧ Sesalna odprtina	⑬ Filter za zaščito motorja	* odvisno od modela
BG Описание			
① горна част	③ вход за охлаждащ въздух	⑧a Тапа с верига	⑭ Филтърна торба от кече
② функционален панел	④ Ключалка	⑨ фиксатори	⑮ Найпонова торба изправане

ⓐ Въртящ се ключ	Ⓢ Затвор	Ⓣ колела	Ⓤ окачване за телена кошница
ⓑ контакт за електроуред	Ⓣ съединителен кабел	Ⓥ направляващи ролки	Ⓦ Кутия за принадлежности *
ⓒ индикатор за обемния поток (Индикатор за напълване)	Ⓡ Резервоар	Ⓧ филтърни касети	Ⓨ Желязна дръжка *
ⓓ Регулатор на оборотите	Ⓢ смукателен отвор	Ⓩ защитен филтър за двигателя	* В зависимост от модела
EST Üldine kirjeldus			
① Ülemine osa	③ Jahutusõhu sisseevool	④a Ketiga kork	④a Fliisist filtrikott
② Funktsioonide paneel	④ Riiv	⑤ Fiksaatorid	⑤ Plastist tühjenduskott
②a Pöördlüüti	⑤ Kate	⑥ Rattad	⑥ Riputus traatkorvi jaoks
②b Pistikupesa elektrilise tööriista jaoks	⑥ Ühendusjuhe	⑦ Juhrullikud	⑦ arvikute kinnitusosal *
②c Õhukulumõõtur (Taseme indikaator)	⑦ Mahuti	⑧ Filterkassetid	⑧ Käepide *
②d Pöörete arvu valits	⑧ Imemisava	⑨ Mootori kaitsefilter	* olenevalt mudelist
LT Aprašas			
① Viršutinė dalis	③ Aušinimo oro įtraukimas	④a Kamštis su grandinėle	④a Flisinis filtro maišas
② Funkcinė plokštė	④ Užraktas	⑤ Užsifiksuojantys užraktas	⑤ Plastinis ištuštinimo maišelis
②a Regulavimo rankenėlė	⑤ Fiksatorius	⑥ Ratukai	⑥ Vielinio krepšio pakabinimas
②b Šakutės lizdas elektriniams įrankiams	⑥ Maitinimo laidas	⑦ Kreipiamieji ratukai	⑦ Priedų laikiklis *
②c Debito matuoklis (Pripildymo rodinys)	⑦ Rezervuaras	⑧ Filtro kasetės	⑧ Transportavimo rėmas *
②d Sūkių skaičiaus reguliavimas	⑧ Siurbimo anga	⑨ ariklis apsaugos filtras	* priklausomai nuo modelio
LV Apraksts			
① Augšējā daļa	③ Dzesēšanas gaisa ieplūde	④a Aizbāznis ar ķēdi	④a „Vlies” filtra maisiņš
② Vadības panelis	④ Aizbādnis	⑤ Stiprinājuma aizslēgi	⑤ Plastmasas atkritumu maisiņš
②a Pagriežams slēdzis	⑤ Stiprinājums	⑥ Rīteņi	⑥ Stieples groza turētājs
②b Kontaktligzda elektroinstrumenta pieslēgšanai	⑥ Pieslēguma kabelis	⑦ Vadāmie rīteņi	⑦ Piederumu turētājs *
②c Plūsmas apjoma indikators (Pilnas tvertnes indikators)	⑦ Tvertne	⑧ Filtru kasetnes	⑧ Vadības rokturis
②d Apgriezienu skaita regulēšana	⑧ Iesūkšanas atvere	⑨ Dzinēja aizsargfiltrs	* atkarībā no modeļa
CN 产品说明			
① 上半部分	③ 冷却空气进口	④a 密封插头带链	④a 无纺布过滤袋
② 功能面板	④ 门锁	⑤ 咬接模块锁定	⑤ 塑料袋废物处置
②a 旋转开关	⑤ 锁定	⑥ 轮子	⑥ 悬挂在篮筐
②b 电源插座,用于电动工具	⑥ 连接线	⑦ 脚轮	⑦ 附件框 *
②c 流量指示器 (容器完全指示器)	⑦ 容器	⑧ 过滤器盒式磁带	⑧ 驾驶处理 *
②d 速度控制	⑧ 吸进风口	⑨ 马达保护滤网	* 视型号而定

English

1 Explanation of symbols and signs used

Symbol / Signal word	Description
	This is the warning symbol. It warns against possible risk of injury. Follow all instructions which are marked with this sign to avoid injury or death. The warning symbol always appears in association with the signal words DANGER , WARNING and CAUTION .
DANGER!	Identifies a hazard with a high degree of risk which will cause death or serious injury if not avoided.
WARNING!	Identifies a hazard with a medium degree of risk which could cause death or serious injury if not avoided.
CAUTION!	Identifies a hazard with a low degree of risk which could cause minor or moderate injury if not avoided.
NOTE	Identifies advice or instructions to simplify work and to ensure safe operation.
	Identifies a requirement which needs to be met before an action is taken.
	Identifies steps to be taken one after the other by the user.
	Identifies the results of an action.

2 Important safety information

WARNING!

Danger of suffocation! Do not allow children to play with packaging material, e.g. plastic bags.

Do not climb onto or sit on the vacuum cleaner.

Risk of falling when working on stairs. Pay attention to standing safely.

Do not pull the mains connection cable and suction hose over sharp edges, do not bend it or clamp it.

The mains connection cable and suction hose always must be routed in such a way that no one can trip over it.

If any foam or liquid is discharged, immediately switch off the vacuum cleaner.

Always keep the inside of the lid dry.

Do not use the vacuum cleaner including accessories in the following cases:

- Mains connection cable or extension cable is defective or showing cracks
- There is visible damage to the vacuum cleaner, e.g. cracks in the housing
- If you suspect an invisible defect, e.g. after a fall

DANGER!

Risk of explosion and fire! Do not run the vacuum cleaner in a potentially explosive environment.

Keep away the vacuum cleaner from flammable gases and substances.

DANGER!

Risk of explosion and fire! Do not use the vacuum cleaner to vacuum up the following:

- flammable or explosive solvents
- materials soaked in solvents
- potentially explosive dusts
- liquids such as petrol, oil, alcohol, diluents
- materials hotter than 60 °C

⚠ WARNING!

Improperly repaired devices pose a hazard for the user. Only have repairs carried out by experts, e.g. the customer service. Only use original accessories and spare parts.

⚠ WARNING!

Only use the socket on the vacuum cleaner for the purposes specified in the operating instructions.
In case of any inappropriate usage, improper operation or repair, the producer shall be exempt from liability.
Do not use damaged extension cables.
If the mains connection cable of the vacuum cleaner is damaged, it must be replaced by a special mains connection cable, which is available from the manufacturer or its customer service.
Never allow electrical brushes to come into contact with the mains connection cable.
The voltage on the rating plate must match the mains voltage.
Switch off the vacuum cleaner and disconnect the mains plug after use and before maintenance.
When unplugging, only pull on the mains plug and not on the mains connection cable.
Never touch the mains plug with wet hands.
Only connect the vacuum cleaner to a sufficiently protected electric socket.
Do not open the vacuum cleaner outdoors in the rain or during a thunderstorm.
Store the vacuum cleaner dry and indoors, protected from frost.

⚠ WARNING!

Dust-removing machines are tested according to DIN EN 60335-2-69 and divided into dust classes.
Vacuum cleaners for dust class **L** are suitable for vacuuming/sucking up dry, non flammable dusts that are hazardous to health with workplace exposure limits (OEL) > 1 mg/m³.
Vacuum cleaners for dust class **M** are suitable for vacuuming/sucking up dry, non-flammable dusts, non-flammable liquids, wood dusts and hazardous dusts with workplace exposure limits ≥ 0.1 mg/m³.
Vacuum cleaners for dust class **H** are suitable for vacuuming/sucking up dry, non-flammable dusts, carcinogenic and pathogenic particles as well as non-flammable liquids, wood dusts and toxic dusts with workplace exposure limits < 0.1 mg/m³.

⚠ WARNING!

Vacuum cleaners for dust class **H-asbestos** are suitable for vacuuming and extracting dust containing asbestos. Observe national regulations for operation and maintenance of asbestos removal tools.

⚠ WARNING!

The machine may not be used by persons (including children) who have reduced physical, sensory or mental capabilities or who are inexperienced or lack the knowledge of how to use the machine.
Children must be supervised to ensure that they do not play with the device.
Do not point nozzle, tube or hose at people or animals.

⚠ WARNING!

Only use the brushes supplied with the vacuum cleaner or those specified in the operating instructions.
Using other brushes can compromise safety.
When being used in food processing businesses: Immediately clean the vacuum cleaner after use and disinfect it to avoid microbial contamination.
Do not use any steam jets or high-pressure cleaners for cleaning.
Only operate the vacuum cleaner under supervision.
Disconnect the vacuum cleaner from the mains in the event of a longer work interruption.
Do not clean filter cartridges using compressed air.

Read the operating manual carefully before starting to use the vacuum cleaner. The operating manual provides important instructions for safety, commissioning, operation, maintenance and care. Keep the operating manual in a safe place and, in case you sell the unit, hand it on to the next owner.

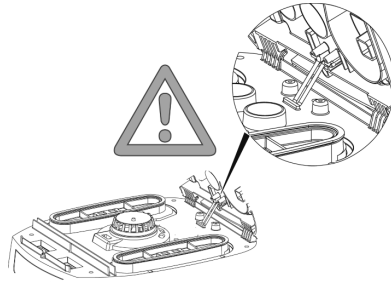
The manufacturer reserves the right to carry out modifications to the design and equipment.

Do not perform any other work than described in this manual.



This machine is intended for commercial use, for example, in hotels, schools, hospitals, factories, shops, offices and in the rental business.

When unpacking, check for completeness and transport damage.

Before use, the operators should be provided with information, instructions and training for the use of the vacuum cleaner and the substances that it is to be used for, including the safe procedure for the removal of the gathered material.



3 Display and control elements

Switch position	Function	Description
0	Vacuum cleaner is switched off	- Plug socket under voltage
I	Vacuum cleaner is running	- Plug socket under voltage - Automatic filter cleaning function off
A	Standby mode for ON/OFF automatic mode	- Plug socket under voltage - The vacuum cleaner is switched on and off via the connected electrical/compressed air tool* at the plug socket
RA	Standby mode for ON/OFF automatic mode	- Standby mode like >A< plus automatic filter cleaning
	Automatic filter cleaning function	- Filter cleaning is performed automatically during the next working break when the minimum volume flow level is reached (switch setting RA)
	Fill level indicator *	- When the container is full and/or there is a blockage in the suction hose, the full indicator lights up. On the M and H vacuum cleaners, an acoustic signal is also emitted
	Setting the suction hose diameter *	- On M-/H-/H-asbestos vacuum cleaners for volume flow monitoring, to trigger an audible warning signal if the air speed falls below 20 m/s
	Setting the motor speed*	- Adjust the suction power with the speed control

* depending on model

4 Commissioning

4.1 Before every use

Make sure that the following conditions are met:

- △ Vacuum cleaner, mains cable, suction hose and accessories are not damaged.
- △ All filters have been inserted and are not damaged.

4.2 Switching on and off

The plug socket on the vacuum cleaner remains always under voltage, regardless of the main switch position.

⚠ WARNING!

Danger of injury by automatically starting power tool!

- ▶ Switch off power tool or pneumatic tool before connecting to the vacuum cleaner.

NOTE

With switch in position >0<, the plug socket on the vacuum cleaner can be used as an extension cable.

△ **Power consumption:** vacuum cleaner + connected power tool (max. 2000 W) max. 16 A.

4.2.2 Switching on the vacuum cleaner

Functions see „3 Display and control elements“ on page 9.

- ▶ Insert plug into plug socket.
- ▶ Set switch to position >I<.
 - ↳ Vacuum cleaner starts immediately.

or:

- ▶ Set switch to position >A< or >RA<.
 - ↳ Vacuum cleaner is in standby mode for power tools.

4.2.3 Setting the suction hose diameter*

- ▶ Set suction hose diameter at the switch.

⚠ CAUTION!

Selector switch for minimum air volume flow signal (horn and light) on vacuum cleaners with dust classes „M“ and „H“
In the modes >RA< and >I< the following setting is made, depending on the diameter of the hose:

Selector switch for suction hose inner diameter	Volume air flow
∅ 35 mm	70 l/s
∅ 27 mm	41 l/s
∅ 21 mm	25 l/s

The speed can be adjusted individually after setting the hose diameter.

4.2.4 Adjusting the suction power*

- ▶ Adjust motor speed on the switch.
or

- ▶ Set auxiliary air slide on the handle tube.

4.2.5 Switching off the vacuum cleaner

- ▶ Set switch to position >0<.
 - ↳ Vacuum cleaner is switched off.
- ▶ After switching off, pull the mains plug out.
- ▶ Roll up mains connection cable.
- ▶ Store the mains connection cable on the cable hook.
- ▶ Store the suction tube by inserting it into the accessories holder* on the container rear wall.
- ▶ Put the suction hose ends together so that no dirt particles leak out.
- ▶ Remove Power tool.

5 Operating modes

5.1 Sucking up dry materials

- ▶ Only use a dry filter, vacuum cleaner and accessories, so that the dust does not stick and or cake.
- ▶ When vacuuming soot, cement, plaster or similar dusts: Insert a PE disposal bag in the dirt container.
- ▶ Always use disposal bags in combination with folded filter cartridges.

NOTE

M, H and H-asbestos class vacuum cleaners should be preferably used as vacuum cleaners for dry dusts.

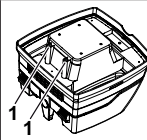
5.2 Sucking up liquids

⚠ WARNING!

Electrical shock hazard!

- ▶ If any foam or liquid is discharged, immediately switch off the vacuum cleaner.
- ▶ Empty dirt container and folded filter cartridge.

NOTE



Regularly clean the water level sensors (1) and inspect for signs of damage.

- ▶ Vacuum cleaning without fleece filter bags.
The folded filter cartridge designed for wet vacuum cleaning.
The built-in sensor switches the motor off when the container is full. The handling of the vacuum cleaner can be compromised by a full container.
- ▶ Empty container (see „7 Emptying the container“ on page 11).

NOTE

If the vacuum cleaner is not switched off, the re-start protection remains effective. The vacuum cleaner is ready for operation only after the unit has been switched off and switched on again.

- ▶ Remove the suction hose from the liquid before emptying.
- ▶ After switching off, a small quantity of water can flow back out of the hose, as a result of the high suction level and the favourable flow condition in the container.
- ▶ After wet vacuum cleaning insert dry filters for picking up dry dust.

NOTE

When changing frequently between dry and wet vacuum cleaning, use a second set of filters, preferably polyester folded filter cartridges.

5.3 Sucking up asbestos-containing substances

Only vacuum cleaners of dust class H-asbestos may be used for vacuuming asbestos-containing substances.

- ▶ Only work with a dry filter, vacuum cleaner and accessories to prevent dust from sticking and becoming incrustated.
- ▶ For sucking up asbestos-containing substances: Insert the PE emptying bag or fleece filter bag into the dirt container.
- ▶ Always use filter bags in conjunction with folded filter cartridges.

NOTE

H-asbestos class vacuum cleaners should be preferably used as vacuum cleaners for dry dusts.

⚠ WARNING!

Health hazard !

Asbestos fibres in the air.

- ▶ Supply the work area with sufficient outside air (fresh air).
- ▶ Guide or clean extracted air in such a way that asbestos fibres do not get into the breathing air of other persons.
- ▶ When filtering the extracted air, transport any dust in dust-tight containers.
- ▶ Do not decant dust.

If there is a possibility of asbestos fibres becoming free:

- ▶ Absorb asbestos fibres at the outlet or point of origin.
- ▶ Then dispose of asbestos fibres in accordance with the state of the art without any danger to persons or the environment.

If complete absorption of asbestos fibres is not possible:

- ▶ Take additional ventilation measures in accordance with the state of the art.

After completion of the work:

- ▶ Carefully clean tools, including suction tubes and work equipment.
- ▶ Carefully clean the working area.
- ▶ Moisten and properly remove objects contaminated with asbestos fibres that cannot be cleaned.

After cleaning:

- ▶ Ventilate the working area sufficiently.

6 Permanent filter cleaning

The vacuum cleaner is fitted with an electromagnetic filter cleaning system, which can be used to clean any attached dust from the filter cartridges.

Filter cleaning is performed automatically during the next working break when the minimum volume flow level is reached (switch setting >RA<).

7 Emptying the container

NOTE

Only permitted for dust with workplace exposure limits > 1 mg/m³.

- ▶ Switch off the vacuum cleaner, pull out the mains plug.
- ▶ Open the latches.
- ▶ Remove the cover and suction hose from the container.
- ▶ Empty the container by pouring out.

7.1 Dispose of the fleece filter bag

- ▶ Switch off vacuum cleaner.
- ▶ Disconnect mains plug.
- ▶ Wear appropriate breathing mask.
- ▶ Remove suction hose.
- ▶ Close off intake socket with cap.
- ▶ Open side latches.
- ▶ Remove top section.
- ▶ Carefully pull the flange off the intake socket and close off the flange.
- ▶ Dispose of gathered material in accordance with legal requirements.

7.2 Dispose of the PE emptying and disposal bag

- ▶ Set switch to position >RA<.
 - ↳ Folded filter cartridges are cleaned automatically.
 - ↳ Residual dust in the filters falls into the bag.
- ▶ Switch off vacuum cleaner.
- ▶ Disconnect mains plug.
- ▶ Wear appropriate breathing mask.
- ▶ Remove suction hose.
- ▶ Close off intake socket with cap.
- ▶ Open side latches.
- ▶ Carefully close the PE emptying and disposal bag with the enclosed sealing tape.
- ▶ Carefully pull the flange off the intake socket and close off the flange.
- ▶ Carefully remove the PE emptying and disposal bag from the container.

* depending on model

- ▶ Dispose of gathered material in accordance with legal requirements.

7.3 Insert fleece filter bag

NOTE

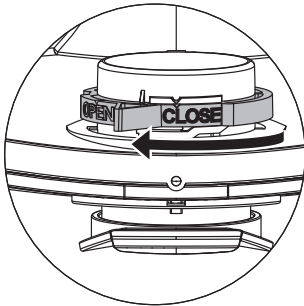
Only use fleece filter bags for dry vacuum cleaning.

- ▶ Slide the flange completely over the intake socket.

NOTE

Operating the rotary slide

- ▶ Turn the red rotary slide inside to position CLOSE to the stop on the marker ▲.



7.4 Insert PE emptying and disposal bag*

NOTE

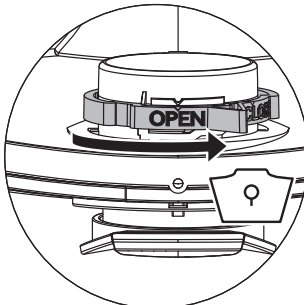
Only the vacuum cleaners class **M** and **H** with special containers and rotary slider in the suction aperture of types IS/ISC ARM, IS/ISC ARH and IS/ISC ARH-ASBEST are suitable for the use of PE Emptying and disposal bags.

NOTE

Operating the rotary slide

- ▶ Turn the red rotary slide inside to position OPEN to the stop on the marker ▲.

- ▶ Slide the flange completely over the intake socket.
- ▶ Place the upper bag opening over the container rim.



8 Changing the filter

8.1 Changing the folded filter cartridges

- ▶ Clean the filter cartridges before changing them.
- ▶ Turn the lock on the latch through 90° in a counter-clockwise direction with a coin or similar object and push the latch to the rear.
- ▶ Fold up the cover.
- ▶ Immediately isolate the folded filter cartridges that you have removed in a dust-tight plastic bag and dispose of properly in accordance with the requirements.
- ▶ Insert new folded filter cartridges.
- ▶ Lift the locking bracket up, fold down the cover and click in place with light pressure.

9 Changing the motor protection filter

NOTE

If motor protection filter is contaminated, this indicates defective filter cartridges.

- ▶ Replace folded filter cartridges.
- ▶ Replace motor protection filter or wash the motor protection filter under flowing water, dry and re-insert.

10 Transport

- ▶ Remove suction hose.
- ▶ Close off intake socket with cap.
- ▶ Securely fix the motor head to the container.
- ▶ Close the side latches.
- ▶ Place the accessories in a suitable plastic bag and seal the plastic bag or place it in the tool storage compartment.
- ▶ Put the suction hose ends together so that no dirt particles leak out.
- ▶ Place the hose around the vacuum cleaner and clamp onto the handle.

11 Maintenance

NOTE

Switch off the vacuum cleaner and pull out the mains plug before carrying out any maintenance work.

For maintenance by the user, the vacuum cleaner must be

- dismantled,
- cleaned and
- maintained,

as far as possible without creating any danger to the maintenance personnel or other.

Precautionary measures

Suitable precautionary measures include:

- Cleaning before dismantling
- Provision of local filtered positive ventilation where the vacuum cleaner is to be dismantled
- Cleaning of the maintenance area
- Suitable personal protection equipment

Precautionary measures with vacuum cleaners class H and M

The outside of the vacuum cleaner should be cleaned by dust extraction procedures and wiped down, or should be treated with a sealing agent before being removed from the hazardous area. All parts of the vacuum cleaner must be considered to be contaminated when they are removed from the hazardous area, and suitable handling must be used to prevent dust distribution.

Contaminated items

When carrying out maintenance or repair work, all contaminated items which have not been adequately cleaned, must be disposed of. Such items must be disposed of in impermeable bags in accordance with the applicable regulations concerning the disposal of such waste.

11.1 Testing the effectiveness of the vacuum cleaner

At least once a year, the manufacturer or an instructed person must perform a technical inspection including filters, air tightness of the vacuum cleaner, and control mechanisms.

In addition, the effectiveness of the vacuum cleaners with dust class H and H-asbestos must be checked at least once a year or more frequently. The test method, which can be used for demonstrating the effectiveness of the device, is defined in EN 60335-2-69 AA.22.201.2. If the test is not passed, it must be repeated with a new main filter.

There must be an adequate air exchange rate L in the room if the exhaust air returns to the room. Observe national regulations.

If the suction power of the vacuum cleaner is reduced and the cleaning of the filter cartridges is no longer sufficient (assuming that tank is emptied and fleece filter bag is replaced), it is necessary to replace the folded filter cartridges (see „8.1 Changing the folded filter cartridges“ on page 12).

12 Cleaning

NOTE

Acids, acetone and solvents can damage parts of the vacuum cleaner.

- ▶ Clean container and accessories with water.
- ▶ Wipe the top section with a damp cloth.
- ▶ Allow the container and accessories to dry.

13 Repair

⚠ WARNING!

Improperly repaired vacuum cleaners pose a hazard for the user!

- ▶ Have repairs carried out by qualified personnel only, e.g. the customer service.

14 Troubleshooting and repair

NOTE

Malfunions cannot always be traced back to defects in the vacuum cleaner.

Fault	Cause	Remedy
Suction power drops	Filter dirty	Clean
	Filter bag full	Change
	Container full	Empty
	Motor protection filter blocked	Clean
	Nozzle, tube or hose blocked	Clean
Vacuum cleaner does not start	Mains plug not in socket	Plug mains plug into socket
	No mains voltage	Check fuse
	Mains connection cable defective	Replace
	Cover not properly closed	Close
	Water sensor switched off	Empty container
	Vacuum cleaner in standby mode >A< or >RA<	Set switch to >< (see „3 Display and control elements“ on page 9)
The vacuum cleaner does not start when the tool is switched on in the >A< or >RA< mode	Electrical tool not plugged into socket on the vacuum cleaner	Plug mains plug into socket on the vacuum cleaner
	Solenoid valve of pneumatic on-off unit*contaminated	Rinse with alcohol
PE emptying and disposal bag is sucked against the filter	Incorrect position of rotary slide	Set rotary slide to position OPEN ▲ (see „7.4 Insert PE emptying and disposal bag**“ on page 12)
Vacuum cleaner with dust classes M or H : with inserted filter bag, dust is accumulating in the container	Incorrect position of rotary slide	Set rotary slide to position CLOSE ▲ (see „7.3 Insert fleece filter bag“ on page 12)

Do not try anything else, contact customer services.

15 Technical Data

Typ: IS		ISC L/M/H-1425 (ISC L/M/H-1450)
Voltage	V	220-240
Frequency	Hz	50/60
Rated power	W	1200
Max. power	W	1400
Air flow*	l/s (m ³ /h)	73 (263)
Negative pressure*	hPa/MG	270
Air flow**	l/s (m ³ /h)	42 (151)
Negative pressure**	hPa/SE	235
Noise level	dB(A)	69
Weight	kg	12,1 / 17,1
Dimensions (l x w x h)	cm	45 x 39 x 49 / 59,5 x 46,5 x 96

* at the fan

** at the hose

Max. power on vacuum cleaners with plug socket: 2000 W (220-240V~)

Mains connection cable on vacuum cleaners for dust class L with plug socket: H05RR-F 3G1,5

Mains connection cable on vacuum cleaners for dust class M, H and H Asbestos with plug socket: H07RN-F 3G1,5

16 Tests and approvals

Electro-technical tests must be carried out in accordance with the accident prevention regulations (DGUV V3) and in accordance with DIN VDE 0701 Part 1 and Part 3. These tests are required in accordance with DIN VDE 0702 at regular intervals and after repair or modification.

The vacuum cleaners are successfully tested in accordance with IEC/EN 60335-2-69.

NOTE

Old equipment contains valuable materials which are designed for re-processing. The vacuum cleaners must **not be thrown away in the normal household waste**, but should be disposed of at a suitable proper collection system, e. g. via your communal disposal location.



17 EU Declaration of conformity

We, Husqvarna AB, SE 561 82 Huskvarna, SWEDEN, Tel. +46 36 146500 declare on our sole responsibility that the product:

Description	Dust Extractor
Brand	HUSQVARNA
Type / Model	S 11
Identification	Serial numbers dating from 2022 and onwards

complies fully with the following EU directives and regulations:

Directive/Regulation	Description
2006/42/EC	"relating to machinery"
2014/30/EU	"relating to electromagnetic compatibility"
2011/65/EU	"relating to restriction of hazardous substances"

and that the following standards and/or technical specifications are applied;

EN ISO 12100:2010

EN 55014-1:2017

EN 55014-2:2015

EN 61000-3-2:2014

EN 61000-3-3:2013

EN 60335-2-69:2012

EN IEC 63000:2018

Partille, 2022-10-12



Martin Huber

R&D Director, Concrete Surfaces & Floors
Husqvarna AB, Construction Division
Responsible for technical documentation

18 UK Declaration of conformity

We, Husqvarna AB, SE 561 82 Huskvarna, SWEDEN, Tel. +46 36 146500 declare on our sole responsibility that the product:

Description	Dust Extractor
Brand	HUSQVARNA
Type / Model	S 11
Identification	Serial numbers dating from 2022 and onwards

complies fully with the following UK directives and regulations:

The Supply of Machinery (Safety) Regulations 2008
Electromagnetic Compatibility Regulations 2016
The Restriction of the Use of Certain Hazardous Substances in Electrical and Electronic Equipment Regulations 2012

and that the following standards and/or technical specifications are applied;

EN ISO 12100:2010

EN 55014-1:2017

EN 55014-2:2015

EN 61000-3-2:2014

EN 61000-3-3:2013

EN 60335-2-69:2012

EN IEC 63000:2018

Partille, 2022-10-12







Martin Huber

R&D Director, Concrete Surfaces & Floors
Husqvarna AB, Construction Division
Responsible for technical documentation

UK Importer:
Husqvarna UK Limited
Preston Road, Aycliffe
Business Park Newton
Aycliffe, County Durham
UK DL5 6UP

Français

1 Explication des symboles et des signes utilisés

Symbole / Mention	Description
	Symbole d'avertissement. Il prévient d'un risque de blessure potentiel. Toutes les instructions accompagnées par ce symbole ont pour but de prévenir les blessures, voire la mort. Le symbole d'avertissement apparaît toujours avec les mentions DANGER , AVERTISSEMENT et PRUDENCE .
DANGER !	Signale un danger avec un risque élevé pouvant entraîner des blessures graves, voire la mort, s'il n'est pas évité.
AVERTISSEMENT !	Signale un danger avec un risque moyen pouvant entraîner des blessures graves, voire la mort, s'il n'est pas évité.
PRUDENCE !	Signale un danger avec un risque faible pouvant entraîner des blessures légères ou modérées s'il n'est pas évité.
REMARQUE	Signale les conseils ou des indications qui facilitent le travail et pourvoient à la sécurité de fonctionnement figurent ici.
	Signale une condition préalable indispensable avant d'entreprendre une manipulation.
	Signale les étapes successives que l'utilisateur doit suivre.
	Signale le résultat d'une manipulation.

2 Informations importantes concernant la sécurité

AVERTISSEMENT !

Risque d'étouffement ! Ne laissez pas les enfants jouer avec le matériel d'emballage, par exemple les sacs en plastique.

Ne pas grimper ou s'asseoir sur l'aspirateur.

Risque de chute en cas de travail dans des escaliers. Veillez à adopter des postures stables et sûres.

Ne pas poser le câble d'alimentation ni le flexible d'aspiration au-dessus de bords tranchants, ne pas les plier ni les coincer.

Toujours poser le câble d'alimentation et le flexible d'aspiration de manière à éviter des points de trébuchement.

Immédiatement mettre l'aspirateur hors marche si de la mousse ou du liquide s'échappent de l'appareil.

Veiller à ce que l'intérieur du couvercle soit toujours sec. Ne pas utiliser l'aspirateur y compris les accessoires dans les cas suivants :

- Le câble d'alimentation au secteur ou le câble de rallonge est défectueux ou présente des fentes
- Présence de dommages visibles sur l'aspirateur, par exemple des fentes sur le boîtier
- Si vous soupçonnez un défaut imperceptible, par exemple après une chute

DANGER !

Risque d'explosion et d'incendie ! Ne faites pas fonctionner l'aspirateur dans un lieu présentant un risque d'explosion.

Tenez l'aspirateur à l'écart de gaz et de substances inflammables.

⚠ DANGER !

Risque d'explosion et d'incendie ! Ne pas utiliser l'aspirateur pour aspirer les choses suivantes :

- Solvants inflammables ou explosifs
- Matériaux trempés dans des solvants
- Poussières potentiellement explosives
- Liquides tels que de l'essence, de l'huile, de l'alcool, des diluants
- matériaux à température supérieure à 60 °C

⚠ AVERTISSEMENT !

Des appareils réparés de manière incompétente présentent des dangers pour l'utilisateur. Ne faire exécuter des travaux de réparation que par du personnel spécialisé, tel que par exemple le service après-vente. N'utiliser que des pièces de rechange d'origine.

⚠ AVERTISSEMENT !

Utiliser la prise figurant sur l'aspirateur uniquement aux fins déterminées dans les instructions de service.

Le fabricant décline toute responsabilité pour d'éventuels dégâts résultant de changement d'affectation, de maniement incorrect ou de réparation incompétente.

Ne jamais utiliser des rallonges endommagées.

Si le câble d'alimentation de l'aspirateur est endommagé, il doit être remplacé par un câble d'alimentation particulier disponible chez le fabricant ou son service après-ventes.

Dans le cas de brosses électriques, garantir que les brosses rotatives n'entrent pas en contact avec le câble d'alimentation.

La tension sur la plaque signalétique doit concorder avec la tension du réseau.

Mettre l'aspirateur hors marche et débrancher la fiche secteur après chaque utilisation et avant chaque maintenance.

Toujours tirer sur la fiche secteur et jamais sur le câble d'alimentation.

Ne jamais brancher ni débrancher la fiche secteur avec des mains humides.

L'alimentation en courant doit être protégée au moyen d'un fusible à intensité de courant appropriée.

Ne jamais ouvrir l'aspirateur à l'air libre en cas de pluie ou d'orage.

L'aspirateur doit être entreposé sec et protégé contre le gel en intérieur.

⚠ AVERTISSEMENT !

Les dépoussiéreuses sont testées selon la norme DIN EN 60335-2-69 et sont réparties en différentes catégories de poussière.

Les aspirateurs de catégorie **L** sont appropriés pour aspirer des poussières sèches, incombustibles et dangereuses pour la santé présentant des valeurs limites pour poste de travail $> 1 \text{ mg/m}^3$.

Les aspirateurs de la catégorie **M** sont appropriés pour l'aspiration de poussières sèches, non combustibles, de liquides, poussières de bois non combustibles et de poussières dangereuses avec des valeurs limites $\geq 0,1 \text{ mg/m}^3$.

Les aspirateurs de la catégorie **H** sont appropriés pour l'aspiration de poussières sèches, non combustibles, de particules cancérigènes et pathogènes, ainsi que de liquides, de poussières de bois non combustibles et de poussières dangereuses avec des valeurs limites $< 0,1 \text{ mg/m}^3$.

⚠ AVERTISSEMENT !

Les aspirateurs de la catégorie de poussière **H-amiante** conviennent pour l'aspiration et l'extraction de poussières contenant de l'amiante. Respecter les prescriptions nationales pour le fonctionnement et l'entretien des outils anti-amiantes.

⚠ AVERTISSEMENT !

Cet appareil ne doit pas être utilisé par des personnes (y compris des enfants) avec des capacités physiques, sensorielles ou mentales déficientes ou un manque d'expérience ou de connaissances.

Les enfants doivent être surveillés afin de s'assurer qu'ils ne jouent pas avec l'appareil.

Ne jamais diriger la buse, le flexible ou le tube sur des personnes ou des animaux.

⚠ AVERTISSEMENT !

N'utilisez que les brosses fournies avec l'aspirateur ou celles spécifiées dans les instructions d'utilisation.

L'utilisation d'autres brosses peut compromettre la sécurité.

Lors de l'utilisation dans des entreprises de transformation des aliments : Nettoyez immédiatement l'aspirateur après utilisation et désinfectez-le pour éviter toute contamination microbienne.

Ne pas utiliser de jets de vapeur ni de nettoyeur haute pression pour le nettoyage.

Utilisez l'aspirateur uniquement sous surveillance.

Déconnectez l'aspirateur de l'alimentation du secteur en cas d'interruption assez longue du travail.

Ne pas nettoyer les cassettes filtrantes avec de l'air comprimé.

Lisez le mode d'emploi attentivement avant de commencer à utiliser l'aspirateur. Le mode d'emploi fournit des instructions importantes pour la sécurité, la mise en service, l'utilisation, l'entretien et la maintenance. Conservez le mode d'emploi dans un endroit sûr et remettez-le au nouveau propriétaire en cas de revente de l'appareil.

Le fabricant se réserve le droit de modifier la construction et l'équipement.

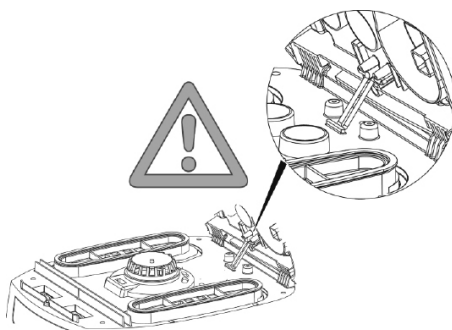
Il est interdit d'effectuer d'autres travaux que ceux décrits dans ces instructions de service.

Cet appareil est prévu pour un usage commercial, par exemple pour une utilisation dans des hôtels, écoles, hôpitaux, usines, magasins, bureaux ou locations.

Lors du déballage, vérifiez l'intégralité et l'absence d'avaries de transport.



Les utilisateurs doivent, avant l'utilisation, obtenir les informations, les instructions et les formations concernant l'utilisation de l'aspira-

teur et des substances pour lesquelles il doit être utilisé, y compris le procédé fiable pour l'élimination du matériel aspiré.



3 Éléments de l'affichage et de commande

Position des commutateurs	Fonction	Description
0	Aspirateur hors marche	- La prise d'alimentation est sous tension
I	Aspirateur en marche	- La prise d'alimentation est sous tension - Fonction de vibration automatique désactivée
A	Disponibilité pour l'automatisme de mise en/hors marche	- La prise d'alimentation est sous tension - L'aspirateur est mis en marche et hors marche par le biais de l'outil électrique/à air comprimé raccordé à la prise
RA	Disponibilité pour l'automatisme de mise en/hors marche	- Mode de disponibilité comme >A< plus nettoyage automatique du filtre

Position des commutateurs	Fonction	Description
	Fonction de vibration automatique	- Ce nettoyage de filtre s'effectue automatiquement lorsque le flux volumique minimal réglé est atteint au cours de la prochaine pause de travail (position de l'interrupteur RA)
	Indicateur de niveau de remplissage*	- L'indicateur de niveau de remplissage s'allume lorsque la cuve est pleine et/ou que le flexible d'aspiration est obstruée. Un signal acoustique retentit en supplément sur des aspirateurs des catégories M et H.
	Réglage du diamètre du tuyau d'aspiration*	- Sur les aspirateurs M-/H-/H-amiante pour la surveillance du débit volumique, déclencher un signal d'alarme sonore si la vitesse de l'air descend en dessous de 20 m/s
	Réglage de la vitesse du moteur*	- Ajuster la puissance d'aspiration à l'aide de la commande de vitesse

4 Mise en service

4.1 Avant chaque utilisation

S'assurer que les conditions suivantes sont remplies :

- △ L'aspirateur, le câble d'alimentation, le tuyau d'aspiration et les accessoires ne sont pas endommagés.
- △ Tous les filtres ont été insérés et ne sont pas endommagés.

4.2 Mise en marche/arrêt

La prise de courant de l'aspirateur reste toujours sous tension, quelle que soit la position du commutateur principal.

⚠ AVERTISSEMENT !

Danger de blessure en cas de démarrage automatique d'un outil électrique !

- ▶ Éteindre l'outil électrique ou pneumatique avant de le brancher sur l'aspirateur.

REMARQUE

Lorsque le commutateur est positionné sur >0<, la prise sur l'aspirateur peut être utilisée comme rallonge.

⚠ **Puissance raccordée** : Aspirateur + outil raccordé, (au maximum 2000 W) max. 16 A.

4.2.2 Mise en marche de l'aspirateur

Pour les fonctions, (voir « 3 Éléments de l'affichage et de commande » à la page 19).

- ▶ Insérer la fiche dans la prise électrique.
- ▶ Placer le commutateur sur la position >I<.
 - ↳ L'aspirateur démarre immédiatement.

ou :

- ▶ Placer le commutateur sur la position >A< ou >RA<.
 - ↳ L'aspirateur est en mode veille pour les outils électriques.

4.2.3 Réglage du diamètre du tuyau d'aspiration*

- ▶ Régler le diamètre du tuyau d'aspiration avec le sélecteur.

⚠ PRUDENCE !

Sélecteur pour un signal de débit du volume d'air minimum (sonnerie et lumière) sur les aspirateurs avec les classes de poussière « M » et « H »

Dans les modes >RA< et >I<, le réglage suivant est réalisé en fonction du diamètre du tuyau :

Sélecteur pour le diamètre interne du tuyau d'aspiration	Volume du débit d'air
∅ 35 mm	70 l/s
∅ 27 mm	41 l/s
∅ 21 mm	25 l/s

La vitesse peut être réglée individuellement après avoir réglé le diamètre du tuyau.

4.2.4 Régler la puissance d'aspiration*

- ▶ Ajuster la vitesse du moteur sur le sélecteur.
- ou :
- ▶ Régler le coulisseau d'aération auxiliaire sur la poignée tubulaire.

4.2.5 Éteindre l'aspirateur

- ▶ Placer le commutateur sur la position >0<.
 - ↳ L'aspirateur est éteint.
- ▶ Après avoir éteint l'appareil, débrancher la fiche d'alimentation.
- ▶ Enroulez le câble d'alimentation au secteur.
- ▶ Rangez le câble d'alimentation au secteur sur le crochet de câble.
- ▶ Rangez le tuyau d'aspiration en l'insérant dans le support* pour accessoires sur la paroi arrière du bac.
- ▶ Placez ensemble les extrémités du tuyau d'aspiration de manière à ce qu'aucune particule de saleté ne s'échappe.

* en fonction des caractéristiques de l'équipement

- ▶ Retirez l'outil électrique.

5 Modes de service

5.1 Aspiration de solides

- ▶ Aspirer uniquement avec un filtre, un aspirateur et des accessoires secs afin d'éviter que les poussières restent collées et ne s'incruster.
- ▶ Lors de l'aspiration de suie, de ciment, de plâtre ou de poussières similaires : insérez un sac d'élimination de PE dans le bac à ordure.
- ▶ Toujours utiliser des sacs d'élimination en combinaison avec les cassettes filtrantes pliées.

REMARQUE

Les aspirateurs des catégories M, H et H Amiante doivent de préférence être utilisés comme aspirateurs poussières.

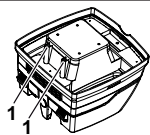
5.2 Aspirations de liquides

⚠ AVERTISSEMENT !

Risque de décharge électrique!

- ▶ Immédiatement mettre l'aspirateur hors marche si de la mousse ou du liquide s'échappent de l'appareil.
- ▶ Vider la cuve et le cas échéant, la cassette filtrante.

REMARQUE



Nettoyer régulièrement les capteurs de niveau d'eau (1) et les examiner pour constater d'éventuels signes d'endommagement.

- ▶ Aspirer sans cas filtre non tissé. Les cassettes filtrantes à ailettes ne sont pas appropriées pour aspirer des matières humides. Le capteur intégré arrête le moteur lorsque le récipient est rempli. L'utilisation de l'aspirateur peut être entravée par un récipient plein.
- ▶ Vider le bac (voir « 7 Vidage du bac » à la page 22).

REMARQUE

Si l'aspirateur n'est pas mis hors marche, la protection contre la remise en marche continue à rester efficace. L'aspirateur est de nouveau prêt au fonctionnement après la mise hors marche et la remise en marche.

- ▶ Avant la vidange, tout d'abord sortir le flexible d'aspiration du liquide.
- ▶ Suite à une performance élevée d'aspiration et à une forme aérodynamique de la cuve, un peu d'eau peut ressortir du flexible après la mise hors marche.
- ▶ Pour une aspiration de solides par la suite, utiliser des filtres secs.

REMARQUE

En cas d'alternances fréquentes entre l'aspiration de solides et de liquides, nous recommandons l'utilisation d'un deuxième élément filtrant, de préférence des cassettes filtrantes pliées en polyester.

5.2.2 Aspirer les substances contenant de l'amiante

Seuls les aspirateurs de catégorie de poussière H-amiante peuvent être utilisés pour aspirer des substances contenant de l'amiante.

- ▶ Travailler uniquement avec un filtre, un aspirateur et des accessoires secs pour empêcher la poussière de coller et de s'incruster.
- ▶ Pour aspirer les substances contenant de l'amiante : Insérer le sac de vidage PE ou un sac filtrant en feutre dans le vide-poussière.
- ▶ Toujours utiliser des sacs filtrants PE en conjonction avec les cartouches filtrantes pliées.

REMARQUE

Les aspirateurs de classe H-amiante doivent idéalement être utilisés comme aspirateurs pour poussières sèches.

⚠ ATTENTION!

Risque pour la santé !

Fibres d'amiante dans l'air.

- ▶ Faire en sorte que la zone de travail reçoivent suffisamment d'air extérieur (air frais).
- ▶ Diriger ou nettoyer l'air extrait de façon à ce que les fibres d'amiante ne pénètrent pas dans l'air respirable de toute autre personne.
- ▶ Au moment de filtrer l'air extrait, transporter la poussière dans des contenants étanches à la poussière.
- ▶ Ne pas décanter la poussière.

S'il y a un risque d'échappement des fibres d'amiante :

- ▶ Absorber les fibres d'amiante à la sortie ou au point d'origine.
- ▶ Puis mettre au rebut les fibres d'amiante conformément à la technologie moderne sans mettre en danger les personnes ou l'environnement.

Si l'absorption totale des fibres d'amiante n'est pas possible :

- ▶ Entreprendre d'autres mesures de ventilation selon les dernières technologies disponibles.

Une fois le travail terminé :

- ▶ Nettoyer avec soin les outils, y compris les tubes d'aspiration et l'équipement de travail.
- ▶ Nettoyer soigneusement la zone de travail.
- ▶ Humecter et enlever correctement les objets contaminés par des fibres d'amiante qui ne peuvent pas être nettoyés.

Après avoir nettoyé :

- ▶ Suffisamment ventiler la zone de travail.

6 Nettoyage des filtres permanents

L'aspirateur est équipé d'un système de nettoyage du filtre électromagnétique qui peut être utilisé pour nettoyer toute la poussière accrochée aux cassettes filtrantes.

Ce nettoyage de filtre s'effectue automatiquement lorsque le flux volumique minimal réglé est atteint au cours de la prochaine pause de travail (position de l'interrupteur >RA<).

7 Vidage du bac

REMARQUE

Uniquement admissible pour des poussières avec des valeurs limites > 1 mg/m³.

- ▶ Mettre l'aspirateur hors marche, débrancher la fiche secteur.
- ▶ Ouvrir les fermetures.
- ▶ Retirer le couvercle et le flexible d'aspiration de la cuve.
- ▶ Renverser la cuve pour la vider.

7.1 Mettez au rebut le sac filtrant en feutre

- ▶ Éteignez l'aspirateur.
- ▶ Débranchez la fiche d'alimentation au secteur.
- ▶ Portez des masques filtrants appropriés.
- ▶ Retirez le tuyau d'aspiration.
- ▶ Fermez la prise d'admission avec le capuchon.
- ▶ Ouvrez les loquets latéraux.
- ▶ Ôtez la section supérieure.
- ▶ Enlevez doucement la bride de la prise d'entrée et fermez la bride.
- ▶ Jetez les matériaux accumulés conformément aux dispositions légales.

7.2 Éliminez le sac de vidage et d'élimination de PE

- ▶ Placez le commutateur sur la position >RA<.
 - ↳ Les cassettes filtrantes pliées sont nettoyées automatiquement.
 - ↳ La poussière résiduelle dans les filtres tombe dans le sac.
- ▶ Éteignez l'aspirateur.
- ▶ Débranchez la fiche d'alimentation au secteur.
- ▶ Portez des masques filtrants appropriés.
- ▶ Retirez le tuyau d'aspiration.
- ▶ Fermez la prise d'admission avec le capuchon.
- ▶ Ouvrez les loquets latéraux.
- ▶ Ôtez la section supérieure.
- ▶ Fermer prudemment le sac de vidage et d'élimination PE avec la bande de protection fournie en annexe.
- ▶ Retirer prudemment la bride de la tubulure d'aspiration et la fermer.
- ▶ Sortir prudemment le sac de vidage et d'élimination PE de la cuve

- ▶ Eliminer les matières aspirées de manière conforme aux stipulations légales.

7.3 Insérez le sac filtrant en feutre

REMARQUE

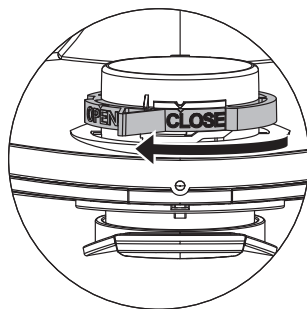
N'utilisez que des sacs filtrants en feutre pour l'aspiration de poussière.

- ▶ Faites glisser complètement la bride sur la prise d'admission.

REMARQUE

Utilisation de la glissière rotative

- ▶ Tournez la glissière rotative rouge à l'intérieur pour positionner CLOSE sur la butée du repère ▲.



- ▶ Placez la section supérieure sur le bac.
- ▶ Fermez les loquets latéraux.

7.4 Insérer le sac de vidage et d'élimination PE*

REMARQUE

Uniquement les aspirateurs des catégories M et H avec cuve spéciale et régulateur rotatif du type IS/ISC ARM, IS/ISC ARH et IS/ISC ARH-ASBEST dans l'orifice d'aspiration sont appropriés pour l'utilisation de sacs PE de vidage et d'élimination.

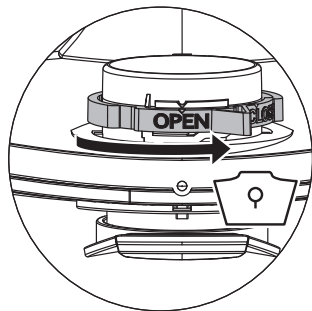
REMARQUE

Utilisation de la glissière rotative

- ▶ Tournez la glissière rotative rouge à l'intérieur pour positionner OPEN sur la butée du repère ▲.

- ▶ Faites glisser complètement la bride sur la prise d'admission.
- ▶ Placez l'ouverture supérieure du sac sur le rebord du bac.

* en fonction des caractéristiques de l'équipement



8 Changement du filtre

8.1 Changement des cassettes filtrantes pliées

- ▶ Nettoyer les cassettes filtrantes avant de les changer.
- ▶ Tournez le verrou sur le loquet de 90° dans le sens horaire avec une pièce de monnaie ou un objet similaire et poussez le loquet vers l'arrière.
- ▶ Relever le capot
- ▶ Après avoir retiré les cassettes filtrantes pliées, immédiatement les renfermer dans un sac plastique étanche aux poussières et les éliminer conformément aux stipulations.
- ▶ Mettre en place de nouvelles cassettes filtrantes pliées.
- ▶ Relever l'étrier de verrouillage, rabattre le capot et le bloquer en appuyant légèrement dessus.

9 Changement du filtre de protection du moteur

REMARQUE

Un filtre de protection du moteur encrassé signale que les cassettes à filtre sont défectueuses.

- ▶ Remplacer les cassettes filtrantes pliées.
- ▶ Remplacer le filtre de protection de moteur resp. nettoyer le filtre de protection de moteur sous l'eau courante, le sécher et le remettre en place.

10 Transport

- ▶ Retirez le tuyau d'aspiration.
- ▶ Fermez la prise d'admission avec le capuchon.
- ▶ Placez la section supérieure sur le bac.
- ▶ Fermez les loquets latéraux.
- ▶ Placer les accessoires dans des sacs plastiques appropriés et fermer les sacs plastiques resp. les placer dans le porte-accessoires.
- ▶ Rassembler la fin du flexible d'aspiration et le début du flexible d'aspiration.

- ▶ Poser le flexible autour de l'aspirateur et le coincer sur la poignée.

11 Entretien

REMARQUE

Toujours mettre l'aspirateur hors marche et débrancher la fiche secteur avant d'effectuer des travaux de maintenance.

Pour des travaux de maintenance effectués par l'utilisateur, l'aspirateur doit être

- désassemblé,
- nettoyé et
- entretenu,

dans la mesure du possible, sans pour autant présenter des risques pour le personnel de maintenance et d'autres personnes.

Mesures de précaution

Des mesures de précaution appropriées comprennent

- le nettoyage avant le démontage,
- des mesures préventives pour une ventilation forcée filtrée locale là où l'aspirateur est démonté,
- le nettoyage de la zone de maintenance et
- un équipement de protection individuelle approprié.

Mesures de précautions pour aspirateurs des catégories H et M

La partie extérieure de l'aspirateur doit être nettoyée en aspirant les poussières et en l'essuyant avec un chiffon ou bien elle doit être traitée avec du mastic, avant de les sortir de la zone dangereuse. Toutes les pièces des aspirateurs doivent être considérées comme encrassées lorsqu'elles sont sorties de la zone dangereuse et des actions appropriées doivent être réalisées pour éviter une répartition des poussières.

Objets encrassés

Lors de l'exécution de travaux de maintenance ou de réparation, tous les objets encrassés n'ayant pas pu être suffisamment nettoyés, doivent être éliminés. Pour éliminer de tels objets, ils doivent être placés dans des sacs imperméables, en accord avec les stipulations en vigueur pour l'élimination de tels déchets.

11.1 Tester l'efficacité de l'aspirateur

Au moins une fois par an, le fabricant ou une personne formée doit effectuer un examen technique comprenant les filtres, l'étanchéité à l'air de l'aspirateur, et les mécanismes de commande.

En outre, l'efficacité des aspirateurs de classe de poussière H et H-amiante doit être contrôlée au moins une fois par an ou plus fréquemment. La méthode d'essai qui peut être utilisée pour démontrer l'efficacité de l'appareil est définie dans EN 60335-2-69 AA.22.201.2. Si le test n'est pas positif, il doit être répété avec un nouveau filtre principal.

Le taux de renouvellement d'air L dans la pièce doit être suffisant si l'évacuation de l'air retourne dans la pièce. Pour d'autres remarques, se référer aux stipulations nationales respectives.

Si la puissance d'aspiration de l'aspirateur diminue et qu'elle n'augmente plus, même après avoir nettoyé les cassettes filtrantes pliées (à condition que la cuve soit vidée et que le sac filtrant en feutre ait été remplacé), il est nécessaire de remplacer les cassettes filtrantes pliées (voir (voir « 8.1 Changement des cassettes filtrantes pliées » à la page 23).

13 Réparation

⚠ AVERTISSEMENT !

- ▶ Des aspirateurs réparés de manière incompétente présentent des dangers pour l'utilisateur.
- ▶ Ne faire exécuter des travaux de réparation que par du personnel spécialisé, tel que par exemple le service après-vente. N'utiliser que des pièces de rechange d'origine.

12 Nettoyage

REMARQUE

Des acides, de l'acétone et des solvants peuvent endommager certaines pièces de l'aspirateur.

- ▶ Nettoyez le bac et les accessoires avec de l'eau.
- ▶ Essuyez la section supérieure à l'aide d'un chiffon humide.
- ▶ Laissez sécher le bac et les accessoires.

14 Recherche de panne et dépannage

REMARQUE

Des dysfonctionnements ne peuvent pas toujours être dus à des défauts de l'aspirateur.

Défaut	Cause	Correction
Baisse de la puissance d'aspiration	Filtre sale	Nettoyer
	Sac filtrant plein	Changer
	Bac plein	Vider
	Filtre de protection du moteur colmaté	Nettoyer
	Buse, tube ou tuyau colmaté	Nettoyer
L'aspirateur ne démarre pas	La fiche d'alimentation n'est pas branchée sur le secteur	Brancher la fiche d'alimentation sur une prise du secteur
	Pas de tension d'alimentation secteur	Vérifier le fusible
	Câble de connexion au secteur défectueux	Remplacer
	Le couvercle n'est pas correctement fermé	Fermer
	Capteur d'eau éteint	Bac vide
	L'aspirateur est en mode veille >A< ou >RA<	Placer le commutateur sur >I< (voir « 3 Éléments de l'affichage et de commande » à la page 19)

* en fonction des caractéristiques de l'équipement

Défaut	Cause	Correction
L'aspirateur ne démarre pas lorsque l'outil est mis en marche en mode >A< ou >RA<	L'outil électrique n'est pas branché dans la prise d'alimentation de l'aspirateur	Brancher la fiche d'alimentation dans la prise de l'aspirateur
	La valve solénoïde de l'unité* marche-arrêt pneumatique est contaminée	Rincer avec de l'alcool
Le sac de vidage et d'élimination de PE est aspiré contre le filtre	Position incorrecte de la glissière rotative	Régler la glissière rotative sur la position OPEN ▲ (voir « 7.4 Insérer le sac de vidage et d'élimination PE* » à la page 22)
Aspirateur de classe de poussière M ou H : avec un sac filtrant inséré, de la poussière s'accumule dans le bac	Position incorrecte de la glissière rotative	Régler la glissière rotative sur la position CLOSE ▲ (voir « 7.3 Insérez le sac filtrant en feutre » à la page 22)

Ne pas essayer autre chose, contactez le service clientèle.

15 Données techniques

Typ: IS		ISC L/M/H-1425 (ISC L/M/H-1450)
Tension	V	220-240
Fréquence	Hz	50/60
Puissance nominale	W	1200
Puissance max.	W	1400
Flux d'air*	l/s (m³/h)	73 (263)
Dépression*	hPa/MG	270
Flux d'air**	l/s (m³/h)	42 (151)
Dépression**	hPa/SE	235
Pression acoustique	dB(A)	69
Poids	kg	12,1 / 17,1
Dimensions l x l x h	cm	45 x 39 x 49 / 59,5 x 46,5 x 96

* Au ventilateur

** au tuyau

Puissance maximale sur les aspirateurs avec prise d'alimentation : 2 000 W (220-240V~)

Câble de connexion secteur sur les aspirateurs de catégorie L avec prise d'alimentation : H05RRR-F 3G1,5

Câble de connexion secteur sur les aspirateurs de catégorie M, H et H Amiante avec prise d'alimentation : H07RN-F 3G1,5

16 Tests et approbations

Des contrôles électrotechniques doivent être exécutés conformément aux prescriptions de prévention des accidents (DGUV V3) et à la norme DIN VDE 0701 partie 1 et partie 3. Ces contrôles sont nécessaires, conformément à la norme DIN VDE 0702, à intervalles réguliers et après une remise en état ou des modifications.

Les aspirateurs ont été soumis avec succès au contrôle conformément à IEC/EN 60335–2–69.

REMARQUE

Les appareils usés contiennent des matériaux précieux appropriés pour le recyclage. **Ne pas jeter les aspirateurs aux ordures ménagères habituelles**, plutôt les éliminer de manière compétente par le biais de systèmes de collecte appropriés, par exemple par le poste de récupération communal.



17 Déclaration de conformité UE

Nous, Husqvarna AB, SE 561 82 Huskvarna, SUÈDE, Tél. +46 36 146500, déclarons sous notre seule responsabilité que le produit représenté :

Description	Extracteur de poussière
Marque	HUSQVARNA
Type/Modèle	S 11
Identification	Numéros de série de l'année 2022 et ultérieurs

est entièrement conforme à la réglementation et aux directives de l'UE suivantes :

Directive/Réglementation	Description
2006/42/EC 2014/30/UE 2011/65/UE	« relative aux machines » « relative à la compatibilité électromagnétique » « relative à la limitation de l'utilisation de certaines substances dangereuses »

et que les normes et/ou les spécifications techniques suivantes sont appliquées :

EN ISO 12100:2010

EN 55014-1:2017

EN 55014-2:2015

EN 61000-3-2:2014

EN 61000-3-3:2013

EN 60335-2-69:2012

EN IEC 63000:2018

Partille, 2022-10-12







Martin Huber

Directeur R et D, Surfaces et sols en béton
Husqvarna AB, division Construction
Responsable de la documentation technique

Nederlands

1 Verklaring van de gebruikte symbolen en tekens

Pictogram / Signaalwoord	Beschrijving
	Dit is het waarschuwingssymbool. Het waarschuwt u voor een gevaar voor letsel. Alle aanwijzingen opvolgen die met het symbool zijn aangegeven om letsel of dodelijke situaties te voorkomen. Het waarschuwingssymbool verschijnt altijd in combinatie met de signaalwoorden GEVAAR , WAARSCHUWING en VOORZICHTIG .
GEVAAR!	Kenmerkt een gevaar met groot risico, dat de dood of zwaar lichamelijk letsel tot gevolg heeft, wanneer dit niet wordt vermeden.
WAARSCHUWING!	Kenmerkt een gevaar met gemiddeld risico, dat de dood of zwaar lichamelijk letsel tot gevolg kan hebben, wanneer dit niet wordt vermeden.
VOORZICHTIG!	Kenmerkt een gevaar met een gering risico, dat licht of matig lichamelijk letsel tot gevolg kan hebben, wanneer dit niet wordt vermeden.
OPMERKING	Kenmerkt adviezen of aanwijzingen, die het werken vergemakkelijken en een veilig gebruik waarborgen.
	Kenmerkt een eis waaraan moet zijn voldaan, voordat een handeling kan worden uitgevoerd.
	Kenmerkt de handelingsstappen die door de gebruiker achter elkaar moeten worden uitgevoerd.
	Kenmerkt het resultaat van een handeling.

2 Belangrijke veiligheidsinformatie

WAARSCHUWING!

Gevaar voor verstikking! Laat kinderen nooit met het verpakkingsmateriaal spelen, bijv. plastic zakken.

Klim niet op de stofzuiger en ga er niet op zitten.

Risico van vallen bij het werken op trappen. Let erop dat u veilig staat.

Aansluitleiding en zuigslang niet over scherpe randen trekken, knikken of afklemmen.

Aansluitleiding en zuigslang steeds zo leggen dat niemand erover kan struikelen.

Als schuim of vloeistof uit de zuiger komt, moet u deze direct uitzetten.

Het dekselinterieur altijd droog houden.

Gebruik de stofzuiger, inclusief de accessoires, niet in de volgende gevallen:

- Netsnoer of verlengkabel is defect of beschadigd
- Er is zichtbare schade aan de stofzuiger, bijv. barsten in de behuizing
- Als u een niet zichtbaar defect vermoedt, bijv. na een val

GEVAAR!

Explosie- en brandgevaar! Gebruik de stofzuiger niet in een potentieel explosieve omgeving.

Houd de stofzuiger uit de buurt van brandbare gassen en stoffen.

⚠ GEVAAR!

Explosie- en brandgevaar! Gebruik de stofzuiger niet om het volgende op te zuigen:

- brandbare of explosieve oplosmiddelen
- materialen gedrenkt in oplosmiddelen
- potentieel explosieve stoffen
- vloeistoffen zoals benzine, olie, alcohol, verdunningsmiddelen
- materialen warmer dan 60 °C

⚠ WAARSCHUWING!

Onvakkundig gerepareerde apparaten vormen een risico voor de gebruiker. Reparaties slechts door vakmensen, bijv. klantenservice laten uitvoeren. Alleen originele onderdelen gebruiken.

⚠ WAARSCHUWING!

Gebruik het stopcontact aan de zuiger alleen maar voor de doeleinden die in de gebruiksaanwijzing beschreven staan. Bij gebruik voor een ander doel, onreglementaire bediening of onvakkundige reparatie is de fabrikant niet voor schade aansprakelijk.

Geen beschadigde verlengsnoeren gebruiken.

Als het netsnoer van de zuiger beschadigd wordt, moet dit door een bijzonder netsnoer vervangen worden, dat bij de fabrikant of zijn klantendienst verkrijgbaar is.

Bij elektrische borstels mag u de roterende borstels niet met het netsnoer in aanraking laten komen.

De spanning op het typeplaatje moet met de netspanning overeenkomen.

Na ieder gebruik en voor elk onderhoud de zuiger uitschakelen en de netstekker uit het stopcontact nemen.

Slechts aan de stekker, nooit aan het netsnoer trekken.

Netstekker nooit met natte handen insteken of uitnemen.

De stroomvoorziening moet via een zekering voor de juiste stroomsterkte geschikt zijn.

Open de zuiger nooit bij regen of onweer in de buitenlucht.

Zuiger droog en vorstvrij binnen opbergen.

⚠ WAARSCHUWING!

Stofverwijderende machines worden getest volgens DIN EN 60335-2-69 en verdeeld in stofklassen.

Stofzuigers van stofklasse **L** zijn geschikt voor op-/wegzuigen van droge, onbrandbare, gezondheidsschadelijke stofsoorten met arbeidsplaats blootstellingsgrenswaarden $> 1 \text{ mg/m}^3$.

Zuigers van de klasse **M** zijn geschikt voor het op-/afzuigen van droge, onbrandbare stoffen, onbrandbare vloeistoffen, houtstof en gevaarlijke stoffen met kritische waarden op de werkplaats $\geq 0,1 \text{ mg/m}^3$.

Zuigers van de klasse **H** zijn geschikt voor het op-/afzuigen van droge, onbrandbare stoffen, kankerverwekkende en ziekteverwekkende deeltjes evenals onbrandbare vloeistoffen, houtstof en gevaarlijke stoffen met kritische waarden op de werkplaats $< 0,1 \text{ mg/m}^3$.

⚠ WAARSCHUWING!

Stofzuigers voor stofklasse **H-asbest** zijn geschikt voor het stofzuigen en onttrekken van asbesthoudend stof. Neem wettelijke voorschriften in acht voor bediening en onderhoud van gereedschappen voor asbestverwijdering.

⚠ WAARSCHUWING!

Deze machine mag niet door personen (inclusief kinderen) met verminderde fysieke, sensorische of mentale conditie worden gebruikt en niet door personen met gebrek aan ervaring en kennis.

Houd kinderen onder toezicht, om te waarborgen, dat deze niet met het apparaat spelen.

Mondstuk, slang of buis niet op mensen of dieren richten.

⚠ WAARSCHUWING!

Gebruik alleen borstels die met de stofzuiger zijn meegeleverd of die in de gebruiksaanwijzing worden vermeld.

Het gebruik van andere borstels kan de veiligheid in gevaar brengen.

Bij gebruik in voedselverwerkende bedrijven: reinig de stofzuiger onmiddellijk na gebruik en desinfecteer deze om microbiële besmetting te vermijden.

Gebruik geen stoom- of hogedrukreinigers voor het reinigen.

Gebruik de stofzuiger alleen onder toezicht.

Trek de stekker van de stofzuiger uit het stopcontact in het geval van een langere werkonderbreking.

Maak de filtercassetten niet schoon met behulp van perslucht.

Lees de gebruiksaanwijzing aandachtig door voordat u start met het gebruik van de stofzuiger. De gebruiksaanwijzing bevat belangrijke instructies over veiligheid, inbedrijfstelling, bediening, onderhoud en zorg. Bewaar de gebruiksaanwijzing op een veilige plaats en, in het geval dat u het apparaat verkoopt, geeft u deze aan de volgende eigenaar.

De fabrikant behoudt het recht voor de constructie en uitrusting van het apparaat te wijzigen.

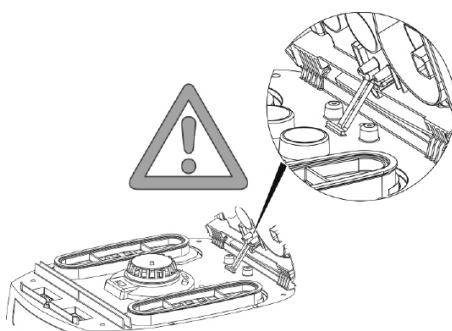
U mag geen andere werkzaamheden uitvoeren dan de in de gebruiksaanwijzing beschreven werkzaamheden.

Deze machine is bedoeld voor bedrijfsmatig gebruik, bijvoorbeeld voor gebruik in hotels, scholen, ziekenhuizen, fabrieken, winkels, kantoren en verhuurbedrijven.

Controleer bij het uitpakken op volledigheid en transportschade.

Voor het gebruik moeten de gebruikers voorzien worden van informatie, aanwijzingen en instructies over het gebruik van de



zuiger en de substanties waarvoor deze ingezet moet worden, met inbegrip van de veilige procedure over het afvoeren van opgezogen materialen.



3 Display- en bedieningselementen

Schakelpositie	Functie	Beschrijving
0	Zuiger uitgeschakeld	- Stopcontact staat onder spanning
I	Zuiger loopt	- Stopcontact staat onder spanning - Automatische afschudfunctie uit
A	Bedrijfsklare toestand voor aan-/uitschakelautomaat	- Stopcontact staat onder spanning - Zuiger wordt door een aangesloten elektrisch/persluchtgereedschap* op het stopcontact aan- en uitgeschakeld.
RA	Bedrijfsklare toestand voor aan-/uitschakelautomaat	- Zoals bij schakelstand >A< plus automatische filterreiniging.
	Automatische filterreinigingsfunctie	- Deze filterreiniging gebeurt automatisch bij het bereiken van de ingestelde volumestroom in de eerst volgende arbeidspauze (schakelstand RA).
	Vulniveau-indicator*	- De vulniveau-indicator gaat branden wanneer de tank vol is en/of de zuigslang is geblokkeerd. Op stofzuigers met stofklasse M en H wordt ook een akoestisch signaal uitgezonden

* afhankelijk van het model van het apparaat

Schakelpositie	Functie	Beschrijving
	Instellen van de zuigslangdiameter *	- Op M-/H-/H-asbeststofzuigers voor volumestroombewaking, om een hoorbaar waarschuwingssignaal te activeren als de luchtsnelheid daalt onder de 20 m/s
	De motorsnelheid instellen*	- Pas de zuigkracht aan met de snelheidsregeling

4 Inbedrijfstelling

4.1 Voor ieder gebruik

Controleer of aan de volgende voorwaarden wordt voldaan:

- △ Stofzuiger, netsnoer, zuigslang en accessoires zijn niet beschadigd.
- △ Alle filters zijn geplaatst en zijn niet beschadigd.

4.2 In- en uitschakelen

Het stopcontact op de stofzuiger blijft altijd onder spanning staan, ongeacht de stand van de aan/uit-schakelaar.

⚠ WAARSCHUWING!

- Gevaar voor letsel door het automatisch starten van elektrisch gereedschap!
- ▶ Schakel elektrisch gereedschap of pneumatisch gereedschap uit voordat u deze aansluit op de stofzuiger.

OPMERKING

In schakelaarstand >0< kan het stopcontact aan de zuiger als verlengkabel toegepast worden.

△ **Aansluitwaarde:** Zuiger + aangesloten apparaat (maximaal 2000 W) max. 16 A.

4.2.2 De stofzuiger inschakelen

Voor functies zie „3 Display- en bedieningselementen” op pagina 30.

- ▶ Steek de stekker in het stopcontact.
- ▶ Zet de schakelaar in de stand >1<.

↳ Stofzuiger start meteen.

of:

- ▶ Zet de schakelaar in de stand >A< of >RA<.
- ↳ Stofzuiger staat in de stand-bymodus voor elektrisch gereedschap.

4.2.3 Instellen van de zuigslangdiameter*

- ▶ Stel de zuigslangdiameter in met de schakelaar.

* afhankelijk van het model van het apparaat

⚠ VOORZICHTIG!

Keuzeschakelaar voor minimale lucht volumestroomsignaal (claxon en lampje) op stofzuigers met stofklassen „M” en „H”
In de standen >RA< en >1< wordt de volgende instelling gedaan, afhankelijk van de diameter van de slang:

Keuzeschakelaar voor zuigslangbinnendiameter	Volume luchtstroom
∅ 35 mm	70 l/s
∅ 27 mm	41 l/s
∅ 21 mm	25 l/s

De snelheid kan individueel worden aangepast na het instellen van de slangdiameter.

4.2.4 De zuigkracht aanpassen*

- ▶ Pas de motorsnelheid aan op de schakelaar.
of
- ▶ Verstel de hulpluchtschuif op de handgreepbuis.

4.2.5 De stofzuiger uitschakelen

- ▶ Zet de schakelaar in de stand >0<.
↳ De stofzuiger is uitgeschakeld.
- ▶ Na het uitschakelen, trekt u de stekker uit.
- ▶ Rol het netsnoer op.
- ▶ Hang het netsnoer aan de kabelhaak.
- ▶ Berg de zuigbuis op door deze in de accessoirehouder* op de achterkant van de bak te steken.
- ▶ Plaats de zuiglanguiteinden samen zodat er geen stof uit kan lekken.
- ▶ Verwijder elektrisch gereedschap.

5 Bedrijfsmodussen

5.1 Droogzuigen

- ▶ Slechts met droog filter, zuiger en toebehoren zuigen zodat het stof niet blijft plakken en aancoekt.
- ▶ Bij het opzuigen van roet, cement, gips of soortgelijke stof: plaats een PE-afvalzak in de vuilbak.
- ▶ Gebruik altijd afvalzakken in combinatie met filtercassetten.

OPMERKING

Zuigers van de klassen M, H en H-asbest bij voorkeur als droogzuigers gebruiken.

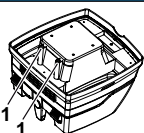
5.2 Vloeistof opzuigen

⚠ WAARSCHUWING!

Elektrische schokgevaar!!

- ▶ Als schuim of vloeistof uit de zuiger komt, moet u deze direct uitzetten.
- ▶ Reservoir en evt. vouwfiltercassette legen.

OPMERKING



De waterpeilsensoren (1) regelmatig reinigen en onderzoeken op tekenen van beschadiging.

- ▶ Zonder fleece-filterzak zuigen. De vouwfilter cassettes zijn geschikt voor nat zuigen. De ingebouwde sensor schakelt de motor uit als het reservoir vol is. Het hanteren van de stofzuiger kan door een vol reservoir worden bemoeilijkt.
- ▶ Bak legen (zie „7 Het legen van de bak” op pagina 32).

OPMERKING

Als de zuiger niet wordt uitgeschakeld, blijft de bescherming tegen onbedoeld starten in werking. Pas na het uitschakelen en het opnieuw inschakelen is de zuiger weer gereed voor gebruik.

- ▶ Vóór het legen eerst de zuigslang uit de vloeistof nemen.
- ▶ Door hoge zuigprestaties en een voor de stroming gunstige reservoirvorm kan na het uitschakelen wat water uit de slang teruglopen.
- ▶ Bij aansluitend droog zuigen een droog filter gebruiken.

OPMERKING

Bij frequent wisselen tussen droog- en natzuigen bevelen wij de inzet van een tweede filterset aan, bij voorkeur een polyester filtercassette.

5.3 Opzuigen van asbesthoudende stoffen

Alleen stofzuigers van stofklasse H-asbest mogen worden gebruikt voor het stofzuigen van asbesthoudende stoffen.

- ▶ Werk alleen met een droog filter, een stofzuiger en accessoires om te voorkomen dat stof blijft plakken en een afzetting vormt.
- ▶ Voor het opzuigen van asbesthoudende stoffen: Plaats de PE-afvalzak of de fleece filterzak in het vuilreservoir.
- ▶ Gebruik altijd filterzakken samen met gevouwen filterpatronen.

OPMERKING

Stofzuigers uit de H-asbestklasse moeten bij voorkeur worden gebruikt als stofzuigers voor droge stoffen.

⚠ WAARSCHUWING!

Gezondheidsrisico!

Asbestvezels in de lucht.

- ▶ Voorzie het werkgebied van voldoende toevoer van buitenlucht (frisse lucht).
- ▶ Leid of zuiver afgezogen lucht op een zodanige manier dat asbestvezels niet in de ademlucht van andere personen komen.
- ▶ Wanneer u de afgezogen lucht filtert, transporteer dan het stof in stofdichte containers.
- ▶ Geen stof uitstorten.

Als er mogelijk asbestvezels vrij komen:

- ▶ Zuig de asbestvezels op bij de uitlaat of bij de bron.
- ▶ Verwijder vervolgens de asbestvezels volgens de allernieuwste techniek zonder gevaar voor personen of het milieu.

Als volledig opzuigen van asbestvezels niet mogelijk is:

- ▶ Zorg voor extra ventilatie volgens de allernieuwste techniek.

Na beëindiging van de werkzaamheden:

- ▶ Reinig de apparaten zorgvuldig, inclusief zuigbuizen en werkuitrusting.
- ▶ Reinig het werkgebied zorgvuldig.
- ▶ Bevochtig en verwijder op de juiste manier voorwerpen die verontreinigd zijn met asbestvezels die niet kunnen worden gereinigd.

Na het reinigen:

- ▶ Ventileer het werkgebied voldoende.

6 Reinigen permanente filter

De stofzuiger is uitgerust met een elektromagnetisch filterreinigingssysteem, dat kan worden gebruikt om eventueel stof uit de filtercassetten te reinigen.

Deze filterreiniging gebeurt automatisch bij het bereiken van de ingestelde volumestroom in de eerst volgende arbeidspauze (schakelstand >RA<).

7 Het legen van de bak

OPMERKING

Slechts goedgekeurd bij stoffen met kritische waarden op de werkplaats > 1 mg/m³.

- ▶ Zuiger uitschakelen, netstekker uitnemen.
- ▶ Sluitingen open.
- ▶ Deksel en zuigslang van het reservoir afnemen.
- ▶ Reservoir legen.

7.1 Verwijder de fleece-filterzak

- ▶ Schakel de stofzuiger uit.
- ▶ Trek de stekker uit.
- ▶ Draag een geschikt ademhalingsmasker.

- ▶ Verwijder de zuigslang.
- ▶ Sluit het stopcontact af met de dop.
- ▶ Open zijpanelen.
- ▶ Verwijder het bovenste gedeelte.
- ▶ Trek de flens voorzichtig uit het stopcontact en sluit de flens af.
- ▶ Verwijder verzameld materiaal volgens wettelijke vereisten.

7.2 Verwijder de PE-afvalzak

- ▶ Zet de schakelaar op de stand >RA<.
- ↳ Gevouwen filtercassetten worden automatisch schoongemaakt.
- ↳ Reststof in de filters valt in de zak.
- ▶ Schakel de stofzuiger uit.
- ▶ Trek de stekker uit.
- ▶ Draag een geschikt ademhalingsmasker.
- ▶ Verwijder de zuigslang.
- ▶ Sluit het stopcontact af met de dop.
- ▶ Open zijpanelen.
- ▶ Verwijder het bovenste gedeelte.
- ▶ PE-afvalzak voorzichtig met de bijgeleverde sluitband afsluiten.
- ▶ Flens voorzichtig van de aanzuigopening afnemen en sluiten.
- ▶ PE-afvalzak voorzichtig uit het reservoir nemen
- ▶ Opgezogen materiaal volgens wettelijke regels afvoeren.

7.3 Plaats de fleec-filterzak

OPMERKING

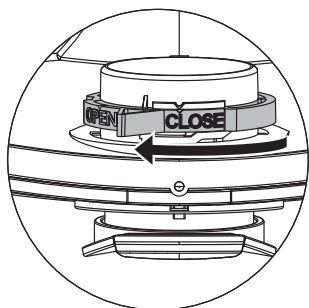
Gebruik alleen fleec-filterzakken voor droog stofzuigen.

- ▶ Schuif de flens volledig over het stopcontact.

OPMERKING

Bediening van de draaischijf

- ▶ Draai de schijf binnenin naar de positie CLOSE tot de stop op de markering ▲ .



7.4 Plaats een PE-afvalzak*

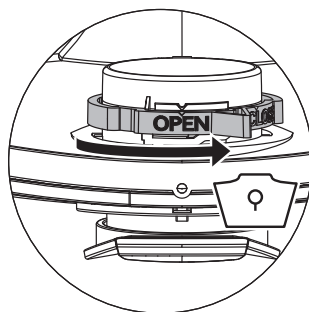
OPMERKING

Alleen de zuigers van de klassen **M** en **H** met speciaalreservoirs en draaischijven in de aanzuigopening van de typen IS/ISC ARM, IS/ISC ARH en IS/ISC ARH-ASBEST zijn geschikt voor de toepassing van PE-zakken voor legen en afvoer van materiaal.

OPMERKING

Bediening van de draaischijf

- ▶ Draai de rode draaischijf binnenin naar de positie OPEN tot de stop op de markering ▲ .
- ▶ Schuif de flens volledig over het stopcontact.
- ▶ Plaats de opening aan de bovenkant van de zak over de rand van de bak.



8 Het filter vervangen

8.1 Vervangen van de gevouwen filtercassetten

- ▶ Maak de filtercassetten schoon voordat u ze vervangt.
- ▶ Draai de vergrendeling op de hendel met een muntje of een vergelijkbaar object 90° tegen de klok in en duw de hendel naar achteren.
- ▶ Kap opklappen
- ▶ De uitgenomen vouwfiltercassettes meteen in een stofdichte plastic zak sluiten en volgens de regels afvoeren.
- ▶ Nieuwe vouwfiltercassettes plaatsen.
- ▶ Vergrendelingsbeugel omhoog trekken, kap naar beneden klappen en door licht aandrukken arreteren.

* afhankelijk van het model van het apparaat

9 Het motorbeschermingsfilter vervangen

OPMERKING

Als het motorbeschermingsfilter vuil is, duidt dit op een defecte filtercassette.

- ▶ Vouwfiltercassette vervangen.
- ▶ Motorbeschermingsfilter vervangen, resp. het motorbeschermingsfilter onder stromend water uitwassen, drogen en weer plaatsen.

10 Vervoer

- ▶ Verwijder de zuigslang.
- ▶ Sluit het stopcontact af met de dop.
- ▶ Plaats het bovenste gedeelte op de bak.
- ▶ Sluit de zijkleppen.
- ▶ Toebehoren in daartoe bestemde plastic zak steken en plastic zak sluiten resp. in toebehorenhouder steken.
- ▶ Zuigslangeinde en -begin in elkaar steken.
- ▶ Slang om zuiger hangen en in handgreep klemmen.

11 Onderhoud

OPMERKING

Voor elk onderhoud zuiger uitschakelen en netstekker uit het stopcontact nemen.

Voor onderhoud door de gebruiker moet de zuiger

- gedemonteerd,
- gereinigd en
- onderhouden worden,

voorzover het uit te voeren is, zonder daarbij een gevaar voor het onderhoudspersoneel en andere personen te veroorzaken.

Veiligheidsmaatregelen

Geschikte veiligheidsmaatregelen aanhouden

- Reiniging voor de demontage,
- Voorzorgen treffen voor plaatselijk gefilterde geforceerde ontluftung waaronder de zuiger gedemonteerd wordt,
- Reiniging van de plaats waar het onderhoud plaatsvindt en
- geschikte persoonlijke veiligheidsuitrusting.

Voorzorgsmaatregelen bij zuigers van de klassen H en M

De buitenzijde van de zuiger moet door het stofzuigproces gereinigd en schoon afgeveegd of met afdichtmiddelen behandeld worden, voordat deze uit het gevaarlijke gebied genomen wordt. Alle zuigeronderdelen moet als verontreinigd beschouwd worden, wanneer ze uit het gevaarlijke gebied genomen worden. Daartoe geschikte maatregelen moeten worden genomen om een verspreiding van het stof te voorkomen.

Verontreinigde voorwerpen

Bij het uitvoeren van onderhouds- en reparatiewerkzaamheden moeten alle verontreinigde voorwerpen worden afgevoerd die niet naar tevredenheid kunnen worden gereinigd. Zulke voorwerpen moeten in ondoordlatende zakken overeenkomstig de geldende regels voor de afvoer van dergelijk afval worden verwijderd.

11.1 Het testen van de effectiviteit van de stofzuiger

Ten minste eenmaal per jaar moet de fabrikant of een geïnstrueerde persoon een technische inspectie uitvoeren, inclusief filters, luchtdichtheid van de stofzuiger en de regelingsmechanismen. Daarnaast moet de effectiviteit van de stofzuigers met stofklasse H en H-asbest minimaal een keer per jaar of vaker worden gecontroleerd. De testmethode, die kan worden gebruikt voor het aantonen van de effectiviteit van het apparaat, is omschreven in EN 60335-2-69 AA.22.201.2. Als de test niet geslaagd is, moet deze worden herhaald met een nieuw hoofdfilter.

Er moet een voldoende *Ventilatie* L in de ruimte voorhanden zijn als de uitgaande lucht in de ruimte teruggaat. Verdere aanwijzingen kunt u s.v.p. uit uw nationale regelgeving opmaken.

Als de zuigprestaties van de zuiger minder worden en als zelfs het reinigen van de vouwfiltercassette de prestaties niet meer verhoogt (voorpgezet dat het reservoir geleegd en de fleec-filterzak vervangen is), dan is het nodig om de vouwfiltercassettes te vervangen (zie paragraaf.8.1 Vervangen van de gevouwen filtercassetten* op pagina 33).

12 Reinigen

OPMERKING

Zuren, aceton en oplosmiddelen kunnen onderdelen van de stofzuiger beschadigen.

- ▶ Reinig de bak en de accessoires met water.
- ▶ Veeg het bovenste gedeelte schoon met een vochtige doek.
- ▶ Laat de bak en de accessoires drogen.

13 Reparatie

⚠ WAARSCHUWING!

Onvakkundig gerepareerde apparaten vormen een risico voor de gebruiker.

- ▶ Reparaties slechts door vakmensen, bijv. klantenservice laten uitvoeren. Alleen originele onderdelen gebruiken.

14 Problemen oplossen en reparatie

OPMERKING

Storingen kunnen niet altijd worden herleid naar defecten in de stofzuiger.

Storing	Oorzaak	Oplossing
Zuigkracht daalt	Filter is vies	Reinigen
	Filterzak vol	Veranderen
	Bak vol	Legen
	Motorbeschermingsfilter geblokkeerd	Reinigen
	Mondstuk, buis of slang geblokkeerd	Reinigen
Stofzuiger start niet	Stekker niet in het stopcontact	Steek de stekker in het stopcontact
	Geen netspanning	Controleer de zekering
	Netsnoer defect	Vervangen
	Beschermkap niet goed gesloten	Sluiten
	Watersensor uitgeschakeld	Leeg de bak
	Stofzuiger in standby-modus >A< of >RA<	Zet schakelaar op >I< (zie „3 Display- en bedieningselementen” op pagina 30)
De stofzuiger start niet wanneer het gereedschap is ingeschakeld in de >A< of >RA< stand	Elektrisch gereedschap niet in de stopcontact van de stofzuiger gestoken	Steek de stekker in het stopcontact van de stofzuiger
	Magnetische klep van pneumatisch aan-uit-apparaat* vervuild	Spoel met alcohol
PE-afvalzak wordt tegen het filter gezogen	Onjuiste stand van draaischijf	Zet de draaischijf op OPEN ▲ (zie „7.4 Plaats een PE-afvalzak**” op pagina 33)
Stofzuiger met stofklassen M of H : met filterzak geplaatst, stof hoopt zich op in de bak	Onjuiste stand van draaischijf	Draaischijf op CLOSE ▲ zetten (zie „7.3 Plaats de fleece-filterzak” op pagina 33)

Probeer niets anders, neem contact op met de klantenservice.

* afhankelijk van het model van het apparaat

15 Technische gegevens

Type: IS		ISC L/M/H-1425 (ISC L/M/H-1450)
Spanning	V	220-240
Frequentie	Hz	50/60
Nominaal vermogen	W	1200
Max. vermogen	W	1400
Luchtstroom*	l/s (m³/h)	73 (263)
Onderdruk*	hPa/MG	270
Luchtstroom**	l/s (m³/h)	42 (151)
Onderdruk**	hPa/SE	235
Geluidsniveau	dB(A)	69
Gewicht	kg	12,1 / 17,1
Afmetingen l x b x h	cm	45 x 39 x 49 / 59,5 x 46,5 x 96

* bij de ventilator

** bij de slang

Max. vermogen op stofzuigers met stekker: 2000 W (220-240V~)

Netsnoer op stofzuigers voor stofklasse L met stopcontact: H05RR-F 3G1,5

Netsnoer op stofzuigers voor stofklassen M, H en H-asbest met stopcontact: H07RN-F 3G1,5

16 Tests en goedkeuringen

Elektrotechnische tests moeten volgens de voorschriften van het ongevalpreventievoorschrift (DGUV V3) en volgens DIN VDE 0701 deel 1 en deel 3 worden uitgevoerd. Deze tests moeten volgens DIN VDE 0702 met regelmatige intervallen en na reparatie of verandering worden uitgevoerd.

De zuigers zijn met succes getest volgens IEC/EN 60335-2-69.

OPMERKING

Oude apparaten bevatten waardevolle materialen die voor hergebruik geschikt zijn. **Zuiger niet bij het normale huisafval voegen**, maar via daartoe geschikte inzamelingsystemen op de juiste wijze afvoeren, bijv. via de gemeentelijke afvalverwerking.



17 EU-verklaring van overeenstemming

Wij, Husqvarna AB, SE 561 82 Huskvarna, ZWEDEN, tel. +46 36 146500, verklaren onder onze alleenverantwoordelijkheid dat het product:

Beschrijving	Stofzuiger
Merk	HUSQVARNA
Type / model	S 11
Identificatie	Serienummers vanaf 2022 en verder

volledig voldoet aan de volgende EU-richtlijnen en -regelgeving:

Richtlijn/Verordening	Beschrijving
2006/42/EG 2014/30/EU 2011/65/EU	"betreffende machines" "betreffende elektromagnetische compatibiliteit" "betreffende beperking van gevaarlijke stoffen"

en dat de volgende normen en/of technische specificaties zijn toegepast:

EN ISO 12100:2010

EN 55014-1:2017

EN 55014-2:2015

EN 61000-3-2:2014

EN 61000-3-3:2013

EN 60335-2-69:2012

EN IEC 63000:2018

Partille, 2022-10-12







Martin Huber

R&D Director, Concrete Surfaces & Floors
Husqvarna AB, Construction-divisie
Verantwoordelijk voor technische documentatie

Deutsch (original)

1 Erläuterung der verwendeten Symbole und Zeichen

Symbol / Signalwort	Beschreibung
	Dies ist das Warnsymbol. Es warnt vor möglicher Verletzungsgefahr. Alle Anweisungen befolgen, die mit diesem Symbol gekennzeichnet sind, um Verletzungen oder Tod zu vermeiden. Das Warnsymbol erscheint immer in Verbindung mit den Signalwörtern GEFAHR , WARNUNG und VORSICHT .
GEFAHR!	Kennzeichnet eine Gefährdung mit hohem Risikograd, die den Tod oder schwere Verletzungen zur Folge haben wird, wenn sie nicht vermieden wird.
WARNUNG!	Kennzeichnet eine Gefährdung mit mittlerem Risikograd, die den Tod oder schwere Verletzungen zur Folge haben kann, wenn sie nicht vermieden wird.
VORSICHT!	Kennzeichnet eine Gefährdung mit geringem Risikograd, die leichte oder mäßige Verletzungen zur Folge haben kann, wenn sie nicht vermieden wird.
HINWEIS	Kennzeichnet Ratschläge oder Hinweise, die das Arbeiten erleichtern und für einen sicheren Betrieb sorgen.
	Kennzeichnet eine Voraussetzung, die erfüllt sein muss, bevor eine Handlung ausgeführt werden kann.
	Kennzeichnet vom Benutzer nacheinander auszuführende Handlungsschritte.
	Kennzeichnet das Resultat einer Handlung.

2 Wichtige Sicherheitshinweise

WARNUNG!

- Erstickungsgefahr! Kinder nicht mit Verpackungsmaterial, z. B. Folienbeuteln, spielen lassen.
- Nie auf den Sauger steigen oder sich darauf setzen.
- Sturzgefahr beim Arbeiten auf Treppen. Auf sicheren Stand achten.
- Anschlussleitung und Saugschlauch nicht über scharfe Kanten ziehen, knicken oder einklemmen.
- Anschlussleitung und Saugschlauch immer so verlegen, dass niemand darüber stolpern kann.
- Bei Austritt von Schaum oder Flüssigkeit den Sauger sofort ausschalten.
- Das Deckelinnere immer trocken halten.
- Sauger einschließlich Zubehör in folgenden Fällen nicht in Betrieb nehmen:
 - Netzanschlussleitung oder Verlängerungsleitung sind defekt oder haben Risse
 - Sauger ist erkennbar beschädigt, z. B. durch Risse im Gehäuse
 - Bei Verdacht auf einen unsichtbaren Defekt, z.B. nach einem Sturz

GEFAHR!

- Explosions- und Brandgefahr! Den Sauger nicht in explosionsgefährdeten Räumen betreiben.
- Den Sauger von entflammaren Gasen und Substanzen fernhalten.

⚠ GEFAHR!

Explosions- und Brandgefahr! Folgende Stoffe dürfen nicht gesaugt werden:

- brennbare oder explosive Lösungsmittel
- mit Lösungsmittel getränkte Stoffe
- explosionsgefährliche Stäube
- Flüssigkeiten wie Benzin, Öl, Alkohol, Verdünnung
- Stoffe, die heißer als 60 °C sind

⚠ WARNUNG!

Nicht fachgerecht reparierte Geräte stellen eine Gefahr für den Benutzer dar! Reparaturen nur von Fachkräften, z.B. dem Kundendienst, ausführen lassen. Nur Original-Ersatzteile verwenden.

⚠ WARNUNG!

Steckdose am Sauger nur für die in der Bedienungsanleitung festgelegten Zwecke verwenden.

Bei Zweckentfremdung, unsachgemäßer Bedienung oder nicht fachgerechter Reparatur übernimmt der Hersteller keine Haftung für Schäden.

Keine beschädigten Verlängerungsleitungen verwenden.

Wenn die Anschlussleitung des Saugers beschädigt wird, muss sie durch eine besondere Anschlussleitung ersetzt werden, die beim Hersteller oder seinem Kundendienst erhältlich ist.

Rotierende Elektrobürsten nicht mit der Netzanschlussleitung in Berührung kommen lassen.

Die Spannung auf dem Typenschild muss mit der Netzspannung übereinstimmen.

Nach jedem Gebrauch und vor jeder Wartung Sauger ausschalten und Netzstecker ziehen.

Nur am Netzstecker, nie an der Anschlussleitung ziehen.

Netzstecker nie mit nassen Händen einstecken oder ausziehen.

Stromversorgung über eine Sicherung mit geeigneter Stromstärke absichern.

Sauger niemals bei Regen oder Gewitter im Freien öffnen.

Sauger trocken und frostgeschützt in Innenräumen aufbewahren.

⚠ WARNUNG!

Staubbeseitigende Maschinen werden nach DIN EN 60335-2-69 geprüft und in Staubklassen eingeteilt.

Sauger der Staubklasse **L** sind geeignet zum Auf-/Absaugen von trockenen, nicht brennbaren, gesundheitsgefährlichen Stäuben mit Arbeitsplatzgrenzwerten (AGWs) > 1 mg/m³.

Sauger der Klasse **M** sind geeignet für das Auf-/Absaugen von trockenen, nicht brennbaren Stäuben, nicht brennbaren Flüssigkeiten, Holzstäuben und gefährlichen Stäuben mit AGWs ≥ 0,1 mg/m³.

Sauger der Klasse **H** sind geeignet für das Auf-/Absaugen von trockenen, nicht brennbaren Stäuben, krebserzeugenden und krankheitsregenden Partikeln sowie nicht brennbaren Flüssigkeiten, Holzstäuben und gesundheitsgefährlichen Stäuben mit AGWs < 0,1 mg/m³.

⚠️ WARNUNG!



Sauger der Klasse **H-Asbest** sind geeignet für das Auf-/Absaugen von asbesthaltigen Stäuben.

Dieses Gerät enthält gesundheitsgefährdenden Staub. Wartungs- und Reinigungsvorgänge, Filterwechsel und Entsorgung des Entleer- und Entsorgungsbeutels dürfen nur von sachkundigen Personen in entsprechender Schutzkleidung durchgeführt werden. Gebrauchte Filter können mit Staub zusammen im Entleer- und Entsorgungsbeutel entsorgt werden.

Der Asbestfasergehalt der ins Freie abgeleiteten Luft darf 1000 F/m³ nicht überschreiten. Starmix-Sauger der Staubklasse H-Asbest sind baumustergeprüfte Industriestaubsauger bzw. Entstauber und erfüllen dieses Kriterium.

Nach dem Betrieb des Saugers im kontaminierten Bereich nach TRGS 519 (Schwarzbereich) darf der Sauger nicht mehr im unbelasteten Bereich (Weißbereich) eingesetzt werden. Ausnahmen sind nur zulässig, wenn der Sauger vorher von einer sachkundigen Person nach TRGS 519 Nr. 2.7 vollständig dekontaminiert wurde (Außenseite und komplettes Motorgehäuse, bei Motoren mit Bypass-Kühlung auch die Kühlluftkanäle). Die Dekontamination muss von einem Sachverständigen dokumentiert und abgezeichnet werden („11.2 Prüfung und Wartung von Saugern der Klasse H-Asbest“ auf Seite 45).

⚠️ WARNUNG!

Der Sauger darf nicht von Personen (einschließlich Kindern) mit verringerten physischen, sensorischen oder mentalen Fähigkeiten oder Mängel an Erfahrung und Wissen benutzt werden.

Kinder sind zu beaufsichtigen, um sicherzustellen, dass sie nicht mit dem Gerät spielen.

Düse, Schlauch oder Rohr nicht auf Menschen oder Tiere richten.

⚠️ WARNUNG!

Nur das mit dem Sauger gelieferte oder in der Bedienungsanleitung festgelegte Zubehör verwenden. Die Verwendung von anderem Zubehör kann die Sicherheit beeinträchtigen.

Beim Einsatz in lebensmittelverarbeitenden Betrieben: Sauger nach dem Gebrauch sofort reinigen und desinfizieren, um Verkeimung vorzubeugen.

Zur Reinigung keine Dampfstrahlgeräte oder Hochdruckreiniger verwenden.

Gerät nicht unbeaufsichtigt lassen. Bei längerer Arbeitsunterbrechung Netzstecker ziehen.

Filterkassetten nicht mit Druckluft reinigen.

Lesen Sie vor der Inbetriebnahme des Saugers die Bedienungsanleitung sorgfältig durch. Die Bedienungsanleitung gibt wichtige Hinweise zur Sicherheit, Inbetriebnahme, Bedienung, Wartung und Pflege. Bewahren Sie die Bedienungsanleitung sorgfältig auf und geben Sie diese bei Veräußerung an den Nachbesitzer weiter. Der Hersteller behält sich Konstruktions- und Ausstattungsänderungen vor.

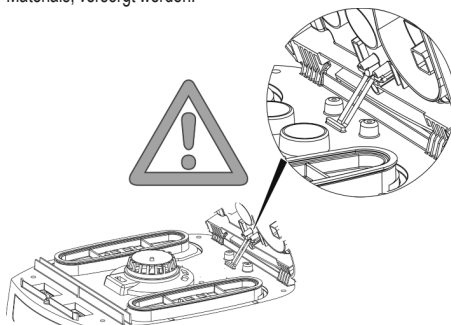
Andere Arbeiten, als in dieser Bedienungsanleitung beschrieben, dürfen Sie nicht ausführen.

Diese Maschine ist für den gewerblichen Gebrauch vorgesehen, zum Beispiel für die Verwendung in Hotels, Schulen, Krankenhäusern, Fabriken Läden, Büros und das Vermietgeschäft.

Achten Sie beim Auspacken auf Vollständigkeit und Transportschäden.



Vor dem Gebrauch sollten die Benutzer mit Informationen, Anweisungen und Schulungen für den Gebrauch des Saugers und der Substanzen, für die es benutzt werden soll, einschließlich

des sicheren Verfahrens der Beseitigung des aufgenommenen Materials, versorgt werden.



3 Anzeige- und Bedienelemente

Wählen Sie folgende Funktionen und Einstellungen:

Schalterstellung	Funktion	Beschreibung
0	Sauger ausgeschaltet	- Steckdose spannungsführend
I	Sauger läuft sofort an	- Steckdose spannungsführend - Automatische Rüttlerfunktion aus
A	Bereitschaftsbetrieb	- Steckdose spannungsführend - Sauger wird durch angeschlossenes Elektro-/Druckluft-Werkzeug* an der Steckdose ein- und ausgeschaltet
RA	Bereitschaftsbetrieb	- Bereitschaftsbetrieb wie >A< plus automatische Filterabreinigung
	Automatische Abreinigungsfunktion	- Die Filterabreinigung erfolgt automatisch bei Erreichen des eingestellten Mindestvolumenstroms in der nächsten Arbeitspause (Schalterstellung RA)
	Füllanzeige *	- Bei vollem Behälter und/oder Verstopfungen am Saugschlauch leuchtet die Füllanzeige. Bei Saugern der Klasse M und H ertönt zusätzlich ein akustisches Signal
	Einstellung des Saugschlauch-Durchmessers*	- Bei M-/H-/H-Asbest-Saugern zur Volumenstromüberwachung, damit bei Unterschreitung der minimalen Luftgeschwindigkeit von 20 m/s das Warnsignal auslöst
	Drehzahlregulierung*	- Saugleistung mit dem Drehzahlregler stufenlos regulieren

* je nach Ausstattungsvariante

4 Inbetriebnahme

4.1 Vor jeder Inbetriebnahme

Sicherstellen, dass folgende Voraussetzungen erfüllt sind:

- △ Sauger, Netzanschlussleitung, Saugschlauch und Zubehör sind nicht beschädigt.
- △ Alle Filter sind eingesetzt und nicht beschädigt.

4.2 Ein- und Ausschalten

Die Steckdose am Sauger steht bei eingestecktem Netzstecker unabhängig von der Schalterstellung immer unter Spannung.

⚠ WARNUNG!

Verletzungsgefahr durch automatisch anlaufendes Elektrowerkzeug!

- ▶ Elektrowerkzeug oder Druckluftwerkzeug vor dem Anschließen ausschalten.

HINWEIS

In Schalterstellung >0< kann die Steckdose am Sauger als Verlängerungskabel verwendet werden.

△ **Anschlusswert:** Sauger + angeschlossenes Gerät (max. 2000 W bei 220-240V bzw. 400 W bei 110-120 V) maximal 16 A.

4.2.2 Sauger einschalten

Funktionen siehe „3 Anzeige- und Bedienelemente“ auf Seite 41.

- ▶ Stecker in Steckdose stecken.
- ▶ Schalter in Stellung >1< bringen.
 - ↳ Sauger läuft sofort an.

oder:

- ▶ Schalter in Stellung >A< oder >RA< bringen.
 - ↳ Sauger ist im Bereitschaftsbetrieb für Elektrowerkzeuge.

4.2.3 Schlauchdurchmesser einstellen*

- ▶ Schlauchdurchmesser am Schalter einstellen.

⚠ VORSICHT!

Vorwahlschalter für Mindestvolumenstromsignal (Hupe und Leuchte) bei Saugern der Staubklassen "M" und "H"

Im Modus >A< und >RA< wird in Abhängigkeit vom Schlauchdurchmesser folgende Einstellung vorgenommen:

Vorwahlschalter für Schlauchinnendurchmesser	Volumenstrom
∅ 35 mm	70 l/s
∅ 27 mm	41 l/s
∅ 21 mm	25 l/s

Drehzahlregulierung nicht möglich.

Der Sauger läuft immer mit max. Drehzahl.

4.2.4 Saugleistung einstellen*

- ▶ Drehzahl am Schalter regulieren.
 - oder
- ▶ Saugleistung mit dem Nebenluftschieber am Griffrohr anpassen.

4.2.5 Sauger ausschalten

- ▶ Schalter in Stellung >0< bringen.
 - ↳ Sauger ist ausgeschaltet.
- ▶ Nach dem Ausschalten den Netzstecker ziehen.
- ▶ Anschlussleitung aufrollen.
- ▶ Anschlussleitung am Kabelhaken einhängen.
- ▶ Saugrohr durch Einstecken in das Zubehördpot* an der Behälter-Rückwand fixieren.
- ▶ Schlauchenden zusammenstecken, damit keine Schmutzpartikel austreten.
- ▶ Elektrowerkzeug entfernen.

5 Betriebsarten

5.1 Trockensaugen

- ▶ Nur mit trockenem Filter, Sauger und Zubehör saugen, damit Staub nicht haften bleibt und verkrustet.
- ▶ Zum Saugen von Ruß, Zement, Gips oder ähnlichen Stäuben: PE-Entleerbeutel in den Schmutzbehälter einsetzen.
- ▶ Filterbeutel immer in Verbindung mit Faltenfilterkassetten einsetzen.

HINWEIS

Sauger der Klassen M, H und H-Asbest vorzugsweise als Trockensauger benutzen.

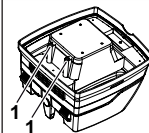
5.2 Nasssaugen

⚠ WARNUNG!

Stromschlaggefahr!

- ▶ Bei Austritt von Schaum oder Flüssigkeit den Sauger sofort ausschalten.
- ▶ Behälter und Faltenfilterkassette entleeren.

HINWEIS



Die Wasserstandssensoren (1) regelmäßig reinigen und auf Anzeichen von Beschädigung untersuchen.

- ▶ Ohne Vlies-Filterbeutel saugen.
 - Die Faltenfilterkassetten sind zum Nasssaugen geeignet. Der eingebaute Sensor schaltet den Motor bei vollem Behälter ab. Die Handhabung des Saugers kann durch einen gefüllten Behälter beeinträchtigt werden.
- ▶ Behälter entleeren (siehe „7 Behälter entleeren“ auf Seite 43).

* je nach Ausstattungsvariante

HINWEIS

Wird der Sauger nicht ausgeschaltet, bleibt der Wiederanlaufschutz weiterhin wirksam. Erst nach dem Ausschalten und dem erneuten Einschalten ist der Sauger wieder betriebsbereit.

- ▶ Vor dem Entleeren zuerst den Saugschlauch aus der Flüssigkeit nehmen.
- ▶ Durch hohe Saugleistung und strömungsgünstige Behälterform kann nach dem Ausschalten etwas Wasser aus dem Schlauch zurücklaufen.
- ▶ Bei anschließendem Trockensaugen trockene Filter einsetzen.

HINWEIS

Bei häufigem Wechsel zwischen Trocken- und Nasssaugen empfehlen wir den Einsatz eines zweiten Filtersatzes, vorzugsweise Polyester-Faltenfilterkassetten.

5.3 Saugen von asbesthaltigen Stoffen

Zum Aufsaugen von asbesthaltigen Stoffen dürfen nur Sauger der Staubklasse H-Asbest verwendet werden.

- ▶ Nur mit trockenem Filter, Sauger und Zubehör saugen, damit Staub nicht haften bleibt und verkrustet.
- ▶ Zum Saugen von asbesthaltigen Stoffen: PE-Entleerbeutel oder Vlies-Filterbeutel in den Schmutzbehälter einsetzen.
- ▶ Filterbeutel immer in Verbindung mit Faltenfilterkassetten einsetzen.

HINWEIS

Sauger der Klasse H-Asbest vorzugsweise als Trockensauger benutzen.

Bei folgenden Tätigkeiten mit diesem Sauger ist gemäß TRGS 519 die Rückführung der gereinigten Arbeitsluft in die Arbeitsräume zulässig:

- Tätigkeiten mit geringer Exposition
- Reinigungsarbeiten

⚠️ WARNUNG!

Gesundheitsgefahr!

Asbestfasern in der Atemluft.

- ▶ Arbeitsraum mit ausreichend Außenluft (Frischluft) versorgen.
- ▶ Abgesaugte Luft so führen oder reinigen, dass Asbestfasern nicht in die Atemluft anderer Personen gelangen.
- ▶ Beim Filtern der abgesaugten Luft anfallenden Staub in staubdichten Behältern transportieren.
- ▶ Staub nicht umfüllen.

Wenn die Möglichkeit besteht, dass Asbestfasern frei werden:

- ▶ Asbestfasern an der Austritts- oder Entstehungsstelle erfassen.
- ▶ Asbestfasern anschließend ohne Gefahr für Personen und Umwelt nach dem Stand der Technik entsorgen.

Wenn die vollständige Erfassung der Asbestfasern nicht möglich ist:

- ▶ Dem Stand der Technik entsprechende, zusätzliche Lüftungsmaßnahmen treffen.

Nach Abschluss der Arbeiten:

- ▶ Arbeitsgeräte einschließlich Absaugleitungen und Arbeitsmitteln sorgfältig reinigen.
- ▶ Arbeitsbereich sorgfältig reinigen.
- ▶ Mit Asbestfasern verunreinigte Gegenstände, die nicht gereinigt werden können, anfeuchten und ordnungsgemäß beseitigen.

Nach der Reinigung:

- ▶ Arbeitsraum ausreichend lüften.

6 Filterabreinigung

Der Sauger ist mit einer elektromagnetischen Filterabreinigung ausgestattet, mit der anhaftender Staub von den Faltenfilterkassetten abgerüttelt werden kann.

Die Filterabreinigung erfolgt automatisch bei Erreichen des eingestellten Mindestvolumenstroms in der nächsten Arbeitspause (Schalterstellung RA).

7 Behälter entleeren

HINWEIS

Nur zulässig bei Stäuben mit $AGW's > 1 \text{ mg/m}^3$.

- ▶ Sauger ausschalten, Netzstecker ziehen.
- ▶ Verschlüsse öffnen.
- ▶ Deckel und Saugschlauch vom Behälter nehmen.
- ▶ Behälter auskippen.

7.1 Vlies-Filterbeutel entsorgen

- ▶ Sauger ausschalten.
- ▶ Netzstecker ziehen.
- ▶ Geeignete Atemschutzmaske anlegen.
- ▶ Saugschlauch entfernen.
- ▶ Ansaugstutzen mit Verschlusskappe verschließen.
- ▶ Seitliche Verschlüsse öffnen.
- ▶ Oberteil abnehmen.
- ▶ Flansch vorsichtig vom Ansaugstutzen ziehen und Flansch verschließen.
- ▶ Sauggut gemäß den gesetzlichen Bestimmungen entsorgen.

7.2 PE-Entleer- und Entsorgungsbeutel entsorgen

- ▶ Schalter in Stellung >RA< bringen.
 - ↳ Faltenfilterkassetten werden automatisch abgereinigt.
 - ↳ In den Filtern befindlicher Reststaub fällt in den Beutel.
- ▶ Sauger ausschalten.
- ▶ Netzstecker ziehen.
- ▶ Geeignete Atemschutzmaske anlegen.
- ▶ Saugschlauch entfernen.
- ▶ Ansaugstutzen mit Verschlusskappe verschließen.
- ▶ Seitliche Verschlüsse öffnen.

- ▶ Oberteil abnehmen.
- ▶ PE-Entleer- und Entsorgungsbeutel vorsichtig mit dem beiliegenden Verschlussband verschließen.
- ▶ Flansch vorsichtig vom Ansaugstutzen ziehen und verschließen.
- ▶ PE-Entleer- und Entsorgungsbeutel vorsichtig aus Behälter nehmen.
- ▶ Sauggut gemäß den gesetzlichen Bestimmungen entsorgen.

7.3 Vlies-Filterbeutel einsetzen

HINWEIS

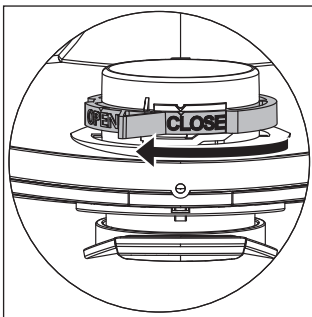
Vlies-Filterbeutel nur zum Trockensaugen verwenden.

- ▶ Flansch vollständig über den Ansaugstutzen schieben.

HINWEIS

Bedienung des Drehschiebers

- ▶ Roten Drehschieber innen auf CLOSE bis zum Anschlag auf die Markierung ▲ drehen.



7.4 PE-Entleer- und Entsorgungsbeutel einsetzen*

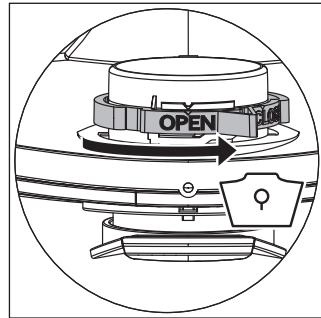
HINWEIS

Nur die Sauger der Klasse M und H mit Spezialbehälter und Drehschieber in der Ansaugöffnung der Typen IS/ISC ARM, IS/ISC ARH und IS/ISC ARH-ASBEST sind für die Verwendung von PE-Entleer- und Entsorgungsbeuteln geeignet.

HINWEIS

Bedienung des Drehschiebers

- ▶ Roten Drehschieber innen auf OPEN bis zum Anschlag auf die Markierung ▲ drehen.
- ▶ Flansch vollständig über Ansaugstutzen schieben.
- ▶ Obere Beutelloffnung über Behälterrand legen.



8 Filter wechseln

8.1 Faltenfilter wechseln

- ▶ Faltenfilterkassetten vor dem Filterwechsel abreinigen.
- ▶ Mit Münze oder ähnlichem Gegenstand Verriegelung um 90° gegen den Uhrzeigersinn drehen und nach hinten drücken.
- ▶ Haube aufklappen.
- ▶ Die entnommenen Faltenfilterkassetten sofort in einem staubdichten Kunststoffbeutel verschließen und bestimmungsgemäß entsorgen.
- ▶ Neue Faltenfilterkassetten einsetzen.
- ▶ Verriegelungsbügel hochheben, Haube herunterklappen und durch leichtes Drücken arretieren.

9 Motorschutzfilter wechseln

HINWEIS

Sollte der Motorschutzfilter verschmutzt sein, weist dies auf defekte Filterkassetten hin.

- ▶ Faltenfilterkassetten ersetzen.
- ▶ Motorschutzfilter ersetzen bzw. den Motorschutzfilter unter fließendem Wasser auswaschen, trocknen und wieder einsetzen.

10 Transport

- ▶ Saugschlauch entfernen.
- ▶ Ansaugstutzen mit Verschlusskappe verschließen.
- ▶ Oberteil auf Behälter setzen.
- ▶ Seitliche Verschlüsse schließen.
- ▶ Zubehör in geeignete Kunststoffbeutel stecken und Kunststoffbeutel verschließen bzw. in Werkzeugdepot stecken.
- ▶ Schlauchenden zusammenstecken, damit keine Schmutzpartikel austreten.
- ▶ Schlauch um Sauger legen und am Griff einklemmen.

* je nach Ausstattungsvariante

11 Wartung

HINWEIS

Vor jeder Wartung Sauger ausschalten und Netzstecker ziehen.

Zur Wartung durch den Benutzer muss der Sauger

- auseinandergenommen,
- gereinigt und
- gewartet werden,

soweit es durchführbar ist, ohne dabei eine Gefahr für das Wartungspersonal und andere Personen hervorzurufen.

Vorsichtsmaßnahmen

Geeignete Vorsichtsmaßnahmen beinhalten:

- Reinigung vor der Demontage
- Vorsorge treffen für örtliche gefilterte Zwangsentlüftung, an der der Sauger demontiert wird
- Reinigung des Wartungsbereichs
- geeignete persönliche Schutzausrüstung

Vorsichtsmaßnahmen bei Saugern der Klassen H und M

Das Äußere des Saugers sollte durch Staubabsaugverfahren gereinigt und sauber abgewischt werden oder mit Abdichtmitteln behandelt werden, bevor er aus dem gefährlichen Gebiet genommen wird. Alle Saugerteile müssen als verunreinigt angesehen werden, wenn sie aus dem gefährlichen Gebiet genommen werden, und geeignete Vorkehrungen müssen getroffen werden, um eine Staubverteilung zu vermeiden.

Verunreinigte Gegenstände

Bei der Durchführung von Wartungs- oder Reparaturarbeiten müssen alle verunreinigten Gegenstände, die nicht zufriedenstellend gereinigt werden können, entsorgt werden. Solche Gegenstände müssen in undurchlässigen Beuteln in Übereinstimmung mit den gültigen Bestimmungen für die Beseitigung solchen Abfalls entsorgt werden.

11.1 Wirksamkeit des Saugers testen

Mindestens einmal jährlich ist vom Hersteller oder einer unterwiesenen Person eine staubtechnische Überprüfung durchzuführen, u.a. auf Beschädigungen des Filters, Dichtheit des Saugers und Funktion der Kontrolleinrichtung.

Zusätzlich muss bei Saugern der Klasse H die Filterwirksamkeit des Gerätes mindestens jährlich oder häufiger geprüft werden. Das Prüfverfahren, das für den Nachweis der Wirksamkeit des Gerätes angewendet werden kann, ist in EN 60335-2-69 AA.22.201.2 festgelegt. Wird die Prüfung nicht bestanden, so ist sie mit einem neuen Hauptfilter zu wiederholen.

Es muss eine ausreichende Luftwechselrate L in dem Raum vorhanden sein, wenn die Abluft in den Raum zurückgeht. Nationale Bestimmungen beachten.

Lässt die Saugleistung des Saugers nach und erhöht auch das Abreinigen der Faltenfilterkassetten die Saugleistung nicht mehr (vorausgesetzt, Behälter ist geleert und Vlies-Filterbeutel ist

ausgetauscht), dann ist es notwendig, die Faltenfilterkassetten auszutauschen (siehe „8.1 Faltenfilter wechseln“ auf Seite 44).

11.2 Prüfung und Wartung von Saugern der Klasse H-Asbest

Gemäß TRGS 519 Nr. 8.2 Absatz 7 müssen Sauger der Staubklasse H-Asbest nach Bedarf, mindestens jedoch einmal jährlich durch ein nach der Gefahrstoffverordnung zugelassenes, zertifiziertes Unternehmen gewartet und wenn erforderlich instandgesetzt werden. Für starmix-Sauger der Staubklasse H-Asbest besteht ein Vertrag mit der Firma ASUP GmbH, Beckendorfer Bogen 10, 21218 Seevetal, Tel. +49 (0) 41 05 / 59 888-16, Fax +49 (0) 41 05 / 59 888-99, E-Mail thomas.opara@asup.info, Ansprechpartner Herr Opara.

Bitte setzen Sie sich bei Bedarf direkt mit o.g. Unternehmen in Verbindung, um die Details der Abwicklung abzusprechen.

Der gewartete Sauger wird durch einen Wartungsstempel gekennzeichnet und erhält einen Wartungsbericht mit Prüfzeugnis. Der Wartungsbericht muss aufbewahrt und auf Verlangen vorgelegt werden.

Reparaturen, die außerhalb der Wartung anfallen, werden in Form eines Kostenvorschlags bekanntgegeben und nach Bestätigung ausgeführt.

Vor dem Versand beachten:

- Sauger reinigen, entleeren, transportsicher und staubdicht verpacken
- Soweit erforderlich: Kennzeichnung nach Gefahrstoffrecht anbringen

12 Reinigung

HINWEIS

Säure, Azeton und Lösungsmittel können Saugerteile beschädigen.

- ▶ Behälter und Zubehör mit Wasser reinigen.
- ▶ Oberteil mit feuchtem Tuch abwischen.
- ▶ Behälter und Zubehör trocknen lassen.

13 Reparatur

⚠ WARNUNG!

Nicht fachgerecht reparierte Sauger stellen eine Gefahr für den Benutzer dar!

- ▶ Reparaturen nur von Fachkräften, z. B. Kundendienst, ausführen lassen. Nur Original-Ersatzteile verwenden.

14 Fehlersuche und Reparatur

HINWEIS

Funktionsstörungen sind nicht immer auf Defekte des Saugers zurückzuführen.

Störung	Ursache	Behebung
Nachlassen der Saugleistung	Filter verschmutzt	Reinigen
	Filterbeutel voll	Wechseln
	Behälter voll	Leeren
	Motorschutzfilter verstopft	Reinigen
	Düse, Rohre oder Schlauch verstopft	Reinigen
Sauger läuft nicht an	Netzstecker nicht in Steckdose	Netzstecker einstecken
	Netz spannungslos	Sicherung prüfen
	Anschlussleitung defekt	Erneuern
	Deckel nicht richtig geschlossen	Schließen
	Wassersensor abgeschaltet	Behälter leeren
	Sauger im Bereitschaftsbetrieb >A<- oder >RA<	Auf > < stellen (siehe „3 Anzeige- und Bedienelemente“ auf Seite 41)
Sauger läuft beim Einschalten des Werkzeugs im >A<- oder >RA<-Modus nicht an	Netzstecker des Werkzeugs in Gerätesteckdose	Netzstecker in Staubsauger-Steckdose stecken
	Magnetventil der Druckluft-Einschaltautomatik* verschmutzt?	Druckluft-Einschaltautomatik* mit Alkohol durchspülen
PE-Entleer- und Entsorgungsbeutel wird an die Filter angesaugt	Position Drehschieber falsch	Drehschieber auf OPEN ▲ stellen (siehe „7.4 PE-Entleer- und Entsorgungsbeutel einsetzen“ auf Seite 44)
Sauger der Klasse M oder H: bei eingesetztem Papierfilter Staub im Behälter	Position Drehschieber falsch	Drehschieber auf CLOSE ▲ stellen (siehe „7.3 Vlies-Filterbeutel einsetzen“ auf Seite 44)

Keine weiteren Eingriffe vornehmen, sondern zentrale Kundendienstwerkstatt kontaktieren.

15 Technische Daten

Typ: IS		ISC L/M/H-1425 (ISC L/M/H-1450)
Spannung	V~	220-240
Frequenz	Hz	50/60
Nennleistung	W	1200
Max. Leistung	W	1400
Luftstrom*	l/s (m³/h)	73 (263)
Unterdruck*	hPa/MG	270
Luftstrom**	l/s (m³/h)	42 (151)
Unterdruck**	hPa/SE	235
Schalldruck	dB(A)	69
Gewicht	kg	12,1 / 17,1
Abmessungen L x B x H	cm	45 x 39 x 49 / 59,5 x 46,5 x 96

* am Gebläse

** am Schlauch

Max. Leistung an Saugern mit Steckdose: 2000 Watt (220-240V~)

* je nach Ausstattungsvariante

Anschlussleitung bei Saugern der Staubklasse L mit Steckdose: H05RR-F 3G1,5

Anschlussleitung bei Saugern der Staubklassen M, H und H Asbest mit Steckdose: H07RN-F 3G1,5

16 Prüfungen und Zulassungen

Elektrotechnische Prüfungen sind nach den Vorschriften der Unfallverhütungsvorschrift (DGUV V3) und nach DIN VDE 0701 Teil 1 und Teil 3 durchzuführen. Diese Prüfungen sind gemäß DIN VDE 0702 in regelmäßigen Abständen und nach Instandsetzung oder Änderung erforderlich.

Die Sauger sind erfolgreich geprüft gemäß IEC/EN 60335-2-69.

HINWEIS

Altgeräte enthalten wertvolle Materialien, die zur Wiederaufarbeitung geeignet sind. **Sauger nicht in den normalen Hausmüll geben**, sondern über geeignete Sammelsysteme fachgerecht entsorgen, z. B. über Ihre kommunale Entsorgungsstelle.



17 EU-Konformitätserklärung

Wir, Husqvarna AB, SE 561 82 Huskvarna, SCHWEDEN, Tel. +46 36 146500 erklären in alleiniger Verantwortung, dass das Gerät:

Beschreibung	Staubabsauger
Marke	HUSQVARNA
Typ/Modell	S 11
Identifizierung	Seriennummern ab 2022

die folgenden EU-Richtlinien und -Vorschriften voll erfüllt:

Richtlinie/Vorschrift	Beschreibung
2006/42/EG 2014/30/EU 2011/65/EU	„über Maschinen“ „über elektromagnetische Verträglichkeit“ „zur Beschränkung der Verwendung bestimmter gefährlicher Stoffe“

und dass die folgenden Normen und/oder technischen Daten angewendet werden;

EN ISO 12100:2010

EN 55014-1:2017

EN 55014-2:2015

EN 61000-3-2:2014

EN 61000-3-3:2013

EN 60335-2-69:2012

EN IEC 63000:2018





Partille, 2022-10-12



Martin Huber

R&D Director, Concrete Surfaces & Floors
Husqvarna AB, Construction Division
Verantwortlich für die technische Dokumentation

1 Förklaring av symboler och tecken som används

Symbol / Signalword	Beskrivning
	Det här är varningssymbolen. Den varnar för risk för personskada. Följ alla anvisningar som är markerade med denna symbol för att förhindra personskada eller dödsfall. Varningssymbolen visas alltid i kombination med signalorden FARA , VARNING och OBSERVERA .
FARA!	Indikerar en fara med hög risk som leder till dödsfall eller allvarlig personskada om den inte undviks.
VARNING!	Indikerar en fara med medelhög risk som kan leda till dödsfall eller allvarlig personskada om den inte undviks.
OBSERVERA!	Indikerar en fara med låg risk som kan leda till lindrig eller måttlig personskada om den inte undviks
OBS	Indikerar rekommendationer eller informationer som underlättar arbetet och garanterar säker drift.
	Indikerar ett villkor som måste uppfyllas innan en åtgärd kan genomföras.
	Indikerar steg som användaren ska utföra i ordningsföljd.
	Indikerar resultatet av en åtgärd.

2 Viktig säkerhetsinformation

VARNING!

Risk för kvävning! Låt inte barn leka med förpackningsmaterial, t.ex. plastpåsar.

Kliv eller sitt inte på dammsugaren.

Risk för att falla vid arbete i trappor. Se till att du står säkert.

Dra inte anslutningsledningen och sugslangen över vassa kanter. Böj eller kläm dem inte heller.

Lägg alltid anslutningsledningen och sugslangen så att ingen kan snubbla över dem.

Uppstår skum- eller vätskeläckage ska du stänga av dammsugaren direkt.

Insidan av locket ska alltid hållas torr.

Använd inte dammsugaren inklusive tillbehör i följande fall:

- Anslutningskabeln eller förlängningskabeln är defekt eller har sprickor
- Det finns synlig skada på dammsugaren, t.ex. hål i höljet
- Om du misstänker en osynlig defekt, t.ex. efter ett fall

FARA!

Risk för explosion och brand! Kör inte dammsugaren i en miljö med explosionsrisk.

Håll dammsugaren borta från brandfarliga gaser och ämnen.

⚠ FARA!

Risk för explosion och brand! Använd inte dammsugaren för att dammsuga följande:

- brandfarliga eller explosiva lösningsmedel
- material blötlagda i lösningsmedel
- potentiellt explosivt damm
- vätskor såsom bensin, olja, alkohol, utspädningsmedel
- material varmare än 60 °C

⚠ VARNING!

Ikke korrekt reparerade apparater innebär en risk för användaren. Låt fackkunniga, t.ex. kundtjänst, genomföra reparationer. Använd endast original-reservdelar.

⚠ VARNING!

Används endast uttaget på dammsugaren på de sätt som beskrivs i bruksanvisningen.

Vid felaktig, icke fackmässig användning eller icke fackmässig reparation övertar tillverkaren inget ansvar för skador.

Använd inga skadade förlängningsladdar.

Om dammsugarens anslutningsledning skadas måste den ersättas med en särskild anslutningsledning vilken kan fås från tillverkaren eller dess kundtjänst.

Vid elborstar får de roterande borstarna inte komma i kontakt med nätslutningsledningen.

Spänningen på typskylten måste stämma överens med nätspänningen.

Efter varje användning och före varje underhåll ska dammsugaren stängas av och nätsladden dras ut.

Dra endast i själva kontakten, aldrig i sladden.

Sätt aldrig i eller dra ur nätkontakten med våta händer.

Strömförsörjningen ska skyddas av en säkring med lämplig strömstyrka.

Öppna aldrig dammsugaren utomhus om det regnar eller åskar.

Förvara dammsugaren i torrt och frostfritt utrymme.

⚠ VARNING!

Dammborttagningsmaskiner testas enligt DIN EN 60335-2-69 och delas in i dammklasser.

Sugare i dammklass **L** är lämpade för upp-/insugning av torrt, icke brännbart, hälsovådligt damm med arbetsplatsgränsvärden $> 1 \text{ mg/m}^3$.

Dammsugare i klass **M** är avsedda för absorbering/upsugning av torrt, icke brännbart damm, icke brännbara vätskor, trädamm och farligt damm med $\text{AGW} \geq 0,1 \text{ mg/m}^3$.

Dammsugare i klass **H** är avsedda för absorbering/upsugning av torrt, icke brännbart damm, cancerframkallande och patogena partiklar samt icke brännbara vätskor, trädamm och hälsovådligt damm med $\text{AGWs} < 0,1 \text{ mg/m}^3$.

⚠ VARNING!

Dammsugare för dammklass **H-asbest** är lämpliga för dammsugning och extraktion av damm som innehåller asbest.

Beakta nationella föreskrifter för drift och underhåll av verktyg som avlägsnar asbest.

⚠ VARNING!

Maskinen får inte användas av personer (inklusive barn) som har nedsatt psykisk, sensorisk eller mental förmåga eller som saknar tillräcklig erfarenhet och kunskap.

Håll barn under uppsikt för att säkerställa att de inte leker med utrustningen.

Munstycke, slang eller rör får inte riktas mot människor eller djur.

⚠ VARNING!

Använd endast borstar som medföljer dammsugaren eller de som anges i bruksanvisningen.

Att använda andra borstar kan äventyra säkerheten.

Vid användning i livsmedelsföretag: Rengör dammsugaren omedelbart efter användning och desinficera det för att undvika mikrobiell förorening.

Använd inte ångstrålar eller högtrycksrengörare för rengöring.

Använd endast dammsugaren under övervakning.

Koppla från dammsugaren från elnätet om den inte används under längre tid.

Rengör inte filterkassetterna med tryckluft.

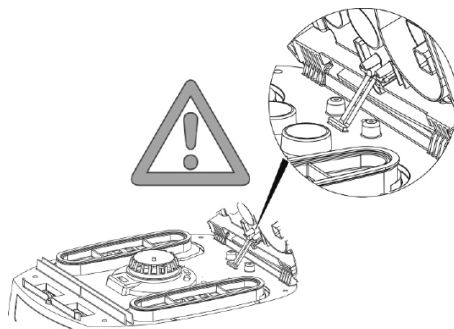
Läs bruksanvisningen noggrant innan du använder dammsugaren. Bruksanvisningen innehåller viktiga instruktioner för säkerhet, driftsättning, drift, underhåll och skötsel. Förvara bruksanvisningen på en säker plats och, om du skulle sälja enheten, ge den till nästa ägare.

Tillverkaren förbehåller sig konstruktions- och utrustningsändringar. Andra arbeten än de som beskrivs i den här bruksanvisningen får inte utföras.


Maskinen är avsedd för yrkesmässigt bruk, till exempel för användning inom hotell, skolor, sjukhus, fabriker, butiker, kontor och uthyrningsverksamhet.

Kontrollera att dammsugaren är komplett och inte har några transportskador när du packar upp den.


Före användning bör användaren förses med information, anvisningar och utbildning i hur man använder dammsugaren och substanserna för vilken den används, inklusive säkert tillvägagångssätt för bortskaffande av det upptagna materialet.



3 Display och kontrollelement

Växelläge	Funktion	Beskrivning
0	Dammsugaren stängs av	- Uttaget är spänningsförande
I	Dammsugaren slås på	- Uttaget är spänningsförande - Den automatiska vibrationsfunktionen är av
A	Beredskapsdrift för automatisk till/frånkoppling	- Uttaget är spänningsförande - Dammsugaren sätts på/stängs av genom det anslutna el-/tryckluftsverkyget*
RA	Beredskapsdrift för automatisk till/frånkoppling	- Beredskapsdrift som >A< plus automatisk filterrengöring.
	Automatisk filterrengöringsfunktion	- Rengöringen av filtret sker automatiskt i nästa arbetspaus när det inställda minimala volymflödet uppnås (brytarställning RA)
	Fyllningsnivåindikator*	- Fyllningsnivåindikator tänds när tanken är full och/eller sugslangen är blockerad. På dammsugare med dammklass M och H avges även en akustisk signal
	Ställa in sugslangens diameter *	- På M-/H-/H-asbestdammsugare för volymflödesövervakning, för att utlösa en hörbar varningssignal om lufthastighet sjunker under 20 m/s

* beroende på utrustningsvarianten

Växelläge	Funktion	Beskrivning
	Ställ in sugkraften med hastighetsreglaget	- Ställ in sugkraften med hastighetsreglaget

4 Idrifttagning

4.1 Före varje användning

Se till att följande villkor är uppfyllda:

- △ Dammsugare, nätsladd, sugslang och tillbehör är inte skadade.
- △ Alla filter har satts i och är inte skadade.

4.2 Slå på och av

Eluttaget på dammsugaren är alltid under spänning, oavsett huvudbrytarens position.

△ VARNING!

Risk för skada då elverktyg startas automatiskt!

- ▶ Stäng av elverktyg eller pneumatiskt verktyg innan du ansluter till dammsugaren.

OBS

I kopplingsställning >0< kan kontakten på dammsugaren användas som förlängningskabel.

△ **Anslutningsvärde:** Dammsugare + ansluten apparat (maximalt 2000 W) max. 16 A.

4.2.2 Slå på dammsugaren

Funktioner se "3 Display och kontrollelement" på sidan 51.

- ▶ Sätt i kontakten i eluttaget.
- ▶ Ställ omkopplaren i läge >1<.
 - ↳ Dammsugaren startar omedelbart.

eller:

- ▶ Ställ omkopplaren i läge >A< eller >RA<.
 - ↳ Dammsugaren är i standbyläge för elverktyg.

4.2.3 Ställa in sugslangens diameter*

- ▶ Ställ in sugslangens diameter vid brytaren.

△ OBSERVERA!

Väljare för minsta luftvolymflödessignal (ljud och ljus) på dammsugare med dammklasserna "M" och "H"

I lägena >RA< och >1< görs följande inställning, beroende på slangens diameter:

Väljare för sugslangens innerdiameter	Volymluftflöde
∅ 35 mm	70 l/s
∅ 27 mm	41 l/s
∅ 21 mm	25 l/s

Hastigheten kan justeras individuellt efter inställning av slangens diameter.

4.2.4 Justering av sugkraft*

- ▶ Justera motorvarvtalet vid brytaren.
 - eller
- ▶ Ställ in hjälplucken på handtagsröret.

4.2.5 Stänga av dammsugaren

- ▶ Ställ omkopplaren i läge >0<.
 - ↳ Dammsugaren är avstängd.
- ▶ Dra ut nätkontakten efter avslagning.
- ▶ Rulla upp nätkabeln.
- ▶ Förvara nätkabeln på kabelkroken.
- ▶ Förvara sugröret genom att sätta det i tillbehörshållaren* på behållarens bakre vägg.
- ▶ Sätt ihop sugslangens ändrar så att inga smutspartiklar läcker ut.
- ▶ Ta bort elverktyget.

5 Driftsätt

5.1 Torrsugning

- ▶ Dammsug endast med torrt filter, torr sugare och torra tillbehör, så att dammet inte fastnar och bildar en skorpa.
- ▶ Vid dammsugning av sot, cement, gips eller liknande damm: Sätt in en PE-tömnings- och avfallspåsen i smutsbehållaren
- ▶ Använd alltid avfallspåsar i kombination med vikta filterkassetter.

OBS

Dammsugare i klasserna M, H och H-asbest är gjorda för att användas som torrdammsugare.

* beroende på utrustningsvarianten

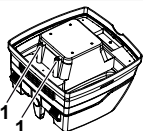
5.2 Suga upp vätskor

⚠ VARNING!

Risk för elektriska stötar!

- ▶ Uppstår skum- eller vätskeläckage ska du stänga av dammsugaren direkt.
- ▶ Töm behållare och, om sådan finnes, filterkassetten.

OBS



Vattennivåsensorerna (1) ska rengöras regelbundet och undersökas efter tecken på skador.

- ▶ Sugning utan fleecefilterpåse. Filterkassetter är lämpade för våtsugning. Den inbyggda sensorn stänger av motorn när behållaren är full. Hanteringen av sugaren kan påverkas i fall behållaren är full.
- ▶ Töm behållaren (se "7 Töm behållaren" på sidan 53).

OBS

Stängs dammsugaren inte av fortsätter återpåslagningskyddet att vara verksamt. Först efter avstängningen och en ny påslagning är dammsugaren driftklar igen.

- ▶ Före tömningen ska sugslangen först tas ut ur vätskan.
- ▶ Genom hög sugeffekt och strömningsbefrämjande behållarform kan lite vatten flöda tillbaka ur slangen efter att apparaten stängts av.
- ▶ Sätt i torra filter om maskinen uteslutande används för tordammsugning.

OBS

Byter du ofta mellan torr- och våtdammsugning rekommenderar vi att du använder en andra filterinsats, helst en filterkassett av polyester.

5.3 Att suga upp asbesthaltiga ämnen

Endast dammsugare av dammklass H-asbest kan användas för att dammsuga asbesthaltiga ämnen.

- ▶ Arbeta endast med torra filter, dammsugare och tillbehör för att förhindra att damm sticker och blir täckt.
- ▶ Att suga upp asbesthaltiga ämnen: Sätt i PE-tömningspåsen eller fleecefilterpåsen i smutsbehållaren.
- ▶ Använd alltid filterpåsar i kombination med vikta filterpatroner.

NOTERA

H-asbestklass dammsugare bör helst användas som dammsugare för torrt damm.

⚠ VARNING!

Hälsorisk!

Asbestfibrer i luften.

- ▶ Tillhandahåll arbetsområdet med tillräcklig utomhusluft (friskluft).
- ▶ Led eller rena den extraherade luften på ett sådant sätt att asbestfibrer inte andas in av andra personer.
- ▶ Vid filtrering av extraherad luft, transportera eventuellt damm i dammtäta behållare.
- ▶ Dekanter inte damm.

Om det finns risk för att asbestfibrer blir fria:

- ▶ Absorbera asbestfibrer vid utloppet eller ursprungspunkten.
- ▶ Kasta sedan asbestfibrerna i enlighet med den senaste tekniken utan fara för personer eller miljön.

Om fullständig absorption av asbestfibrer inte är möjlig:

- ▶ Ta extra ventilationsåtgärder i enlighet med aktuell teknisk nivå.

Efter arbetets slutförande:

- ▶ Rengör försiktigt verktygen, inklusive sugrör och arbetsutrustning.
- ▶ Rengör arbetsområdet försiktigt.
- ▶ Fukta och ta bort föremål som är förorenade med asbestfibrer som inte kan rengöras.

Efter rengöring:

- ▶ Ventilera arbetsområdet tillräckligt.

6 Permanent filterrengöring

Dammsugaren är utrustad med ett elektromagnetiskt filterrengöringssystem, som kan användas för att rengöra ansamlad damm från filterkassetterna.

Rengöringen av filtret sker automatiskt i nästa arbetspaus när det inställda minimala volymflödet uppnås (brytarställning >RA<).

7 Töm behållaren

OBS

Endast tillåtet vid damm med AGWs > 1 mg/m³.

- ▶ Stäng av dammsugaren, dra ur nätkontakten.
- ▶ Öppna låsen.
- ▶ Ta av lock och sugslang från behållaren.
- ▶ Vält ur behållaren.

7.1 Kassera fleecefilterpåsen

- ▶ Stäng av dammsugaren.
- ▶ Koppla ur nätkontakten.
- ▶ Använd lämplig andningsmask.
- ▶ Ta bort sugslang.
- ▶ Stäng insugsuttaget med locket.
- ▶ Öppna sidospärrar.
- ▶ Ta bort övre delen.

- ▶ Dra försiktigt ut flänsen från insugningsuttaget och stäng av flänsen.
- ▶ Kassera uppsamlat material i enlighet med lagstiftning.

7.2 Kassering av PE-tömnings- och avfallspåsen

- ▶ Ställ omkopplaren i läge >RA<.
- ↳ Vikta filterkassetter rengörs automatiskt.
- ↳ Återstående damm i filtren hamnar i påsen.
- ▶ Stäng av dammsugaren.
- ▶ Koppla ur nätkontakten.
- ▶ Använd lämplig andningsmask.
- ▶ Ta bort sugslang.
- ▶ Stäng insugningsuttaget med locket.
- ▶ Öppna sidospärrar.
- ▶ Ta bort övre delen.
- ▶ Stäng PE-tömnings- och avfallspåsen försiktigt med de medföljande förslutningsbanden.
- ▶ Dra försiktigt ut flänsen från uppsugningstappen och lås
- ▶ Ta försiktigt upp PE-tömnings- och avfallspåsen ur behållaren
- ▶ Bortskaffa det uppsugna materialet enligt de rättsliga bestämmelserna.

7.3 Sätt i fleecefilterpåse

OBS

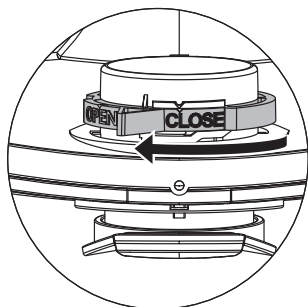
Använd endast fleecefilterpåsar för torr dammsugning.

- ▶ Skjut flänsen helt över insugningsuttaget.

OBS

Använda skjutomkopplaren

- ▶ Vrid den röda inre skjutomkopplaren till läge CLOSE till stoppet på markören ▲.



7.4 Sätt i PE-tömnings- och avfallspåsen*

OBS

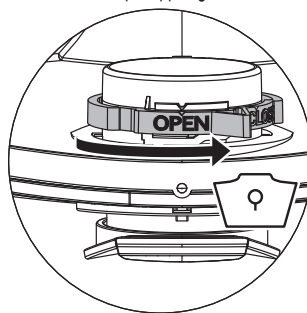
Endast dammsugare i klasserna **M** och **H** med specialbehållare och vridslid i uppsugningsöppningen av typen IS/ISC ARM, IS/ISC ARH och IS/ISC ARH-ASBEST är lämpade att använda PE-tömnings- och bortskaffningspåsar.

OBS

Använda skjutomkopplaren

- ▶ Vrid den röda inre skjutomkopplaren till läge OPEN till stoppet på markören ▲.

- ▶ Skjut flänsen helt över insugningsuttaget.
- ▶ Placera den övre påsöppningen över behållarens kant.



8 Byta filtret

8.1 Byta de vikta filterkassetterna

- ▶ Rengör filterkassetterna innan de byts ut.
- ▶ Vrid låset på spärren 90° i moturs riktning med ett mynt eller liknande, och skjut spärren bakåt.
- ▶ Fäll upp huven
- ▶ Förslut de uttagna filterkassetterna direkt i en dammtät plastpåse och bortskaffa korrekt.
- ▶ Sätt i nya filterkassetter.
- ▶ Lyft upp låsbygeln, fäll ner huven och lås genom att trycka lätt på den.

9 Byta motorskyddsfiltret

OBS

Skulle motorskyddsfiltret vara smutsigt betyder det att filterkassetterna är defekta.

- ▶ Byt ut filterkassetterna.
- ▶ Byt ut motorskyddsfiltret resp. skölj motorskyddsfiltret under rinnande vatten, torka det och sätt in det igen.

* beroende på utrustningsvarianten

10 Transport

- ▶ Ta bort sugslang.
- ▶ Stäng insugsuttaget med locket.
- ▶ Placera övre delen på behållaren.
- ▶ Stäng sidospärrarna.
- ▶ Lägg tillbehören i lämpliga plastbehållare och stäng plastbehållaren resp. stoppa in i verktygsförvaringen.
- ▶ Sätt samman sugslangsändarna.
- ▶ Lägg slangen på dammsugaren och kläm in vid handtaget.

11 Underhåll

OBS

Före underhåll ska dammsugaren stängas av och nätkontakten dras ut.

Vid underhåll av användaren måste dammsugaren

- tas isär,
- rengöras och
- underhållas

så långt det är genomförbart, utan att det därigenom uppstår risker för underhållspersonalen och andra personer.

Försiktighetsåtgärder

Följ de avsedda försiktighetsåtgärderna

- Rengöring före demonteringen,
- Se till att det finns filtrad tvångsventilering på den platsen där dammsugaren demonteras,
- Rengöring av skötselområdet och
- Lämplig personlig skyddsutrustning.

Försiktighetsåtgärder hos dammsugare i klasserna H och M

Dammsugarens yttre bör rengöras genom dammuppsugning och torkas rent eller behandlas med tätningsmedel före de tas ut ur de farliga områdena. Alla dammsugardelar måste ses som smutsiga när de tas ut ur det farliga området och lämpliga åtgärder måste vidtas för att undvika att dammet sprids.

Smutsiga föremål

När underhålls- och reparationsarbeten genomförs måste alla smutsiga föremål som inte har blivit tillräckligt rena tas bort. Sådana föremål måste bortskaffas i ogenomsläppliga förpackningar som stämmer överens med de gällande bestämmelserna för bortskaffandet av sådant avfall.

11.1 Testa dammsugarens effektivitet

Minst en gång om året måste tillverkaren eller en instruerad person utföra en teknisk inspektion som inkluderar filter, dammsugarens lufttäthet och kontrollmekanismer.

Dessutom måste effektiviteten hos dammsugare med dammklass H och H-asbest kontrolleras en gång om året eller oftare. Testmetoden, som kan användas för att demonstrera enhetens effektivitet,

definieras i EN 60335-2-69 AA.22.201.2. Om testet inte godkänns måste det göras om med en nytt huvudfilter.

Det måste finnas tillräcklig luftventilation L i rummet om utluften går tillbaka in i rummet. Du får ytterligare anvisningar från de gällande nationella bestämmelserna.

Minskar dammsugarens sugeffekt och höjs inte sugeffekten även efter rengöring av filterkassetten (förutsatt att behållaren är tömd och fleecefilterpåse är utbytt) är det nödvändigt att byta filterkassetten (se "8.1 Byta de vikta filterkassetterna" på sidan 54).

12 Rengöring

OBS

Syror, acetoner och lösningsmedel kan skada dammsugarens delar.

- ▶ Rengör behållaren och tillbehören med vatten.
- ▶ Torka den övre delen med en fuktig trasa.
- ▶ Låt behållaren och tillbehören torka.

13 Reparation

⚠ VARNING!

Icke korrekt reparerade dammsugare innebär en risk för användaren.

Reparationer får endast utföras av fackkunniga, t. ex. kundtjänst. Använd endast original-reservdelar.

14 Felsökning och reparation

OBS		
Fel kan inte alltid spåras till defekter i dammsugaren.		
Fel	Orsak	Åtgärd
Sugkraften försämras	Smutsigt filter	Rengör
	Full filterpåse	Byt
	Full behållare	Töm
	Blockerat motorskyddsfilter	Rengör
	Blockerat munstycke, rör eller slang	Rengör
Dammsugaren startar inte	Nätkontakten är inte i uttaget	Sätt i nätkontakten i uttaget
	Ingen nätspänning	Kontrollera säkring
	Nätanslutningskabeln är defekt	Byt ut
	Skyddet är inte ordentligt stängt	Stäng
	Vattengivaren avslagen	Töm behållaren
Dammsugaren startar inte när verktyget slås på i läge >A< eller >RA<	Dammsugaren är i standbyläge >A< eller >RA<	Ställ omkopplaren till >I< (se "3 Display och kontrolelement" på sidan 51)
	Elverktyget är inte anslutet till uttaget på dammsugaren	Sätt i elkontakten i uttaget på dammsugaren
PE-tömnings- och avfallspåse sugas mot filtret	Magnetventilen hos den pneumatiska avstängningsenheten* är förorenad	Skölj med alkohol
	Felaktig position för skjutomkopplare	Ställ in skjutomkopplaren till läge OPEN ▲ (se "7.4 Sätt i PE-tömnings- och avfallspåsen**" på sidan 54)
Dammsugare med dammklasserna M eller H : med isatt filterpåse samlas damm i behållaren	Felaktig position för skjutomkopplare	Ställ in skjutomkopplaren till läge CLOSE ▲ (se "7.3 Sätt i fleecefilterpåse" på sidan 54)

Försök inte att göra något mer, kontakta kundservice.

15 Tekniska data

Typ: IS		ISC L/M/H-1425 (ISC L/M/H-1450)
Spänning	V	220-240
Frekvens	Hz	50/60
Motorstyrka	W	1200
Max. effekt	W	1400
Luftström*	l/s (m ³ /h)	73 (263)
Undertryck*	hPa/MG	270
Luftström**	l/s (m ³ /h)	42 (151)
Undertryck**	hPa/SE	235
Ljudtryck	dB(A)	69
Vikt	kg	12,1 / 17,1
Dimensioner l x b x h	cm	45 x 39 x 49 / 59,5 x 46,5 x 96

* vid fläkten

** vid slangen

* beroende på utrustningsvarianten

Max. ström på dammsugare med eluttag: 2 000 W (220-240V~)

Nätanslutningskabel på dammsugare i dammklass L med eluttag: H05RR-F 3G1,5

Nätanslutningskabel på dammsugare i dammklass M, H och H-asbest med eluttag: H07RN-F 3G1,5

16 Tester och godkännanden

Elektrotekniska tester ska genomföras enligt föreskrifterna i förordningen om förebyggande av olyckor (DGUV V3) och enligt DIN VDE 0701 del 1 och del 3. Dessa tester krävs enligt DIN VDE 0702 med regelbundna intervall och efter reparation eller ändring.

Dammsugaren har testats och godkänts enligt

IEC/EN 60335-2-69.

OBS

Gamla apparater innehåller värdefulla material vilka lämpar sig för återanvändning. **Lägg inte dammsugaren i det vanliga hushållsavfallet**, utan bortskafta den på lämpligt sätt, t. ex. på din kommunala miljöstation.



17 EU-Försäkran om överensstämmelse

Vi, Husqvarna AB, SE 561 82 Huskvarna, SVERIGE, Tel. +46 36 146500, försäkrar på eget ansvar att denna produkt:

Beskrivning	Stoftavskiljare
Varumärke	HUSQVARNA
Typ/Modell	S 11
Identifiering	Serienummer daterade 2022 och framåt

uppfyller alla krav i följande EU-direktiv och förordningar:

Direktiv/förordning	Beskrivning
2006/42/EG 2014/30/EU 2011/65/EU	"angående maskiner" "angående elektromagnetisk kompatibilitet" "om begränsning av farliga ämnen"

och att följande standarder och/eller tekniska specifikationer tillämpas:

EN ISO 12100:2010

EN 55014-1:2017

EN 55014-2:2015

EN 61000-3-2:2014

EN 61000-3-3:2013

EN 60335-2-69:2012

EN IEC 63000:2018





Partille, 2022-10-12



Martin Huber

R&D Director, Concrete Surfaces & Floors
Husqvarna AB, Construction Division
Ansvarig för teknisk dokumentation

1 Forklaring på anvendte symboler og tegn

Symbol / Signalord	Beskrivelse
	Dette er et advarselssymbol. Det advarer mod mulig fare for kvæstelser. Følg alle anvisninger, som er markeret med dette symbol, for at undgå kvæstelser eller livsfare. Advarselssymbolet ses altid sammen med signalordene FARE , ADVARSEL og PAS PÅ .
FARE!	Angiver en fare med høj risiko, som er livsfarlig eller medfører alvorlige kvæstelser, hvis den ikke undgås.
ADVARSEL!	Angiver en fare med middel risiko, som kan være livsfarlig eller medføre alvorlige kvæstelser, hvis den ikke undgås.
FORSIGTIG!	Angiver en fare med lav risiko, som kan medføre lette eller mindre alvorlige kvæstelser, hvis den ikke undgås.
BEMÆRK	Angiver en fare, som kan medføre tingsskader, hvis den ikke undgås.
	Angiver en forudsætning, som skal opfyldes, før en handling kan udføres.
	Angiver handlingstrin, som skal udføres fortløbende af brugeren.
	Angiver resultatet af en handling.

2 Vigtige sikkerhedsoplysninger

ADVARSEL!

Fare for kvælning! Lad ikke børn lege med emballage, eksempelvis plastikposer.

Du må ikke klatre op på støvsugeren eller sidde på den.

Ved arbejde på trapper er der risiko for at falde. Vær opmærksom på at stå sikkert.

Tilslutningsledning og sugeslange må ikke trækkes over skarpe kanter, have knæk eller komme i klemme.

Træk altid tilslutningsledning og sugeslange således, at ingen personer kan snuble over dem.

Ved udslip af skum eller væske skal støvsugeren straks slukkes.

Hold altid den indre del af dækslet tør. Anvend ikke støvsugeren og dens tilbehør i følgende tilfælde:

- Netledningskabel eller forlængerledning er defekt eller udviser revner
- Der er synlig skade på støvsugeren, eksempelvis revner i kabinettet
- Hvis du har mistanke om en usynlig defekt, eksempelvis efter et fald

FARE!

Fare for eksplosion og brand! Kør ikke støvsugeren i et potentielt eksplosivt miljø.

Hold støvsugeren væk fra brændbare gasser og substanser.

FARE!

Fare for eksplosion og brand! Anvend ikke støvsugeren til at støvsuge følgende:

- Brændbare eller eksplosive opløsningsmidler
- Materialer gennemvædet af opløsningsmidler
- Potentielt eksplosive støvarter
- Væsker som benzin, olie, alkohol, fortyndingsmidler
- Materialer, der er varmere end 60 °C

⚠ ADVARSEL!

Ikke korrekt repareret udstyr udgør en risiko for brugeren. Lad kun fagligt uddannet personale, f.eks. kundeservice, udføre reparationer. Anvend kun originale reservedele.

⚠ ADVARSEL!

Anvend kun støvsugerens stikdåse til de formål, der er beskrevet i betjeningsvejledningen.

Ved misbrug, usagkyndig betjening eller ikke korrekt reparation påtager producenten sig intet ansvar for skader.

Undlad at anvende beskadigede forlængerledninger.

Hvis støvsugerens tilslutningsledning beskadiges, skal den erstattes af en speciel tilslutningsledning, som fås hos producenten eller hos kundeservice.

Ved elektrobørster må roterende børster ikke komme i berøring med strømslutningsledningen.

Spændingen på typeskiltet skal stemme overens med netspændingen.

Efter brug og inden enhver form for service skal støvsugeren slås fra og strømstikket trækkes ud.

Træk kun i selve stikket, aldrig i tilslutningsledningen.

Strømstikket må aldrig sættes i/trækkes ud med våde hænder.

Strømforsyningen skal være sikret med en sikring med egnet strømstyrke.

Åbn aldrig støvsugeren i det fri ved regn eller torden.

Opbevar sugeren tørt og beskyttet mod frost indendørs.

⚠ ADVARSEL!

Støvsugere er testet i henhold til DIN EN 60335-2-69 og er opdelt i støvklasser.

Støvsugere i støvklasse **L** er egnede til op-/udsugning af tørre, ikke brændbare, sundhedsskadelige støvtyper med arbejdspladsgrænseværdier $> 1 \text{ mg/m}^3$.

Støvsugere i klasse **M** er beregnet til op-/afsugning af tørt, ikke brændbart støv, ikke brændbare væsker, træstøv og farligt støv med $AGW \geq 0,1 \text{ mg/m}^3$.

Støvsugere i klasse **H** er beregnet til op-/afsugning af tørt, ikke brændbart støv, kræftfremkaldende og sygdomsfremkaldende partikler samt ikke brændbare væsker, træstøv og sundhedsskadeligt støv med $AGW < 0,1 \text{ mg/m}^3$.

⚠ ADVARSEL!

Støvsugere i støvklasse **H-asbest** er velegnede til støvsugning og ekstraktion af støv, der indeholder asbest. Overhold nationale regler for drift og vedligeholdelse af værktøj til fjernelse af asbest.

⚠ ADVARSEL!

Denne maskine må ikke betjenes af personer (inklusive børn), som har nedsatte fysiske, sensoriske eller mentale evner, eller som mangler erfaring og viden.

Der skal holdes særligt opsyn med børn for at sikre, at de ikke leger med apparatet.

Ret ikke dyse, slange eller rør mod mennesker eller dyr.

⚠ ADVARSEL!

Anvend kun de børster, der leveres med støvsugeren, eller dem, der angives i betjeningsvejledningen.

Anvendelse af andre børster kan bringe sikkerheden i fare.

Ved anvendelse af støvsugeren i fødevareforberedningsvirksomheder: Rens omgående støvsugeren efter brug, og desinficér den for at undgå kontaminering med mikrober.

Anvend ikke dampstråler eller højtryksrensere til rengøring.

Anvend kun støvsugeren, når du holder øje med den.

Kobl støvsugeren fra lysnettet i tilfælde af længere arbejdsafbrydelser.

Rens ikke filterkassetterne ved hjælp af trykluft.

Læs betjeningsvejledningen omhyggeligt, før du begynder at anvende støvsugeren. Betjeningsvejledningen indeholder vigtige anvisninger for sikkerhed, idrifttagning, drift, vedligeholdelse og pleje. Opbevar betjeningsvejledningen på et sikkert sted, og, hvis du sælger enheden, skal du videregive betjeningsvejledningen til den næste ejer.

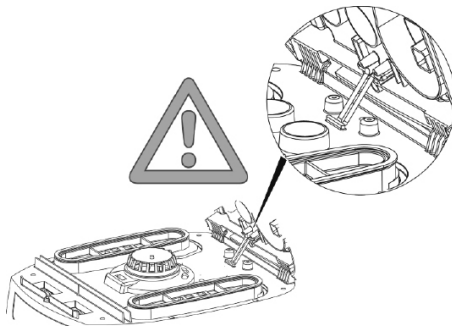
Producenten forbeholder sig ret til ændringer i konstruktion og udstyr.

Der må ikke udføres andre former for arbejde på udstyret, end dem, der beskrives i betjeningsvejledningen.



Denne maskine er beregnet til erhvervs-mæssig brug, f.eks. til anvendelse i hoteller, skoler, hospitaler, fabrikker, butikker, kontorer og til udlejning.

Vær ved udpakning opmærksom på om udstyret er komplet og er fri for transportskader.

Inden anvendelse skal brugere gives information, vejledning og instruktion i brug af støvsugeren samt de substanser, den skal bruges til, inkl. sikker bortskaffelse af det opsamlende materiale.



3 Display og kontrolelementer

Kontaktplacering	Funktion	Beskrivelse
0	Støvsuger slået fra	- Stikdåse spændingsførende
I	Støvsuger kører	- Stikdåse spændingsførende - Automatisk rystefunktion slået fra
A	Beredskabsdrift for tænd-/slukautomatik	- Stikdåse spændingsførende - Støvsuger slås til og fra af tilsluttet el-/trykluftværktøj* i stikdåsen.
RA	Beredskabsdrift for tænd-/slukautomatik	- Beredskabsdrift som >A< plus automatisk filterrensning.
	Automatisk filterrensningsfunktion	- Denne filterrensning foretages automatisk når den indstillede min. volumenstrøm nås i den næste arbejdspause (afbryderstilling >RA<)
	Indikator for opfyldningsniveau*	- Indikatoren for opfyldningsniveau begynder at lyse, når tanken er fuld, og/eller sugeslangen er blokeret. På støvsugere med støvklasse M og H udsendes der også et akustisk signal
	Indstilling af diameter på sugeslange *	- På M-/H-/H-asbeststøvsugere til overvågning af volumenstrøm, for udløsning af en lydadvarel hvis hastigheden falder til under 20 m/s
	Indstilling af motorhastigheden*	- Justér sugekraften med hastighedskontrollen

4 Idrifttagning

4.1 Før hver anvendelse

Sørg for, at følgende betingelser er opfyldt:

- △ Støvsuger, netledning, sugeslange og tilbehør er ikke beskadiget.
- △ Alle filtre er blevet indsat og er ikke beskadigede.

4.2 Tænd og sluk

Stikkontakten på støvsugeren forbliver altid under spænding uanset placeringen af hovedafbryderen.

⚠ ADVARSEL!

- Fare for tilskadekomst ved automatisk start af elektrisk værktøj!
- ▶ Sluk det elektriske værktøj eller det pneumatiske værktøj, før du tilslutter det til støvsugeren.

BEMÆRK

I afbryderposition >0< kan støvsugerens stikdåse anvendes som forlængerkabel.

⚠ **Tilslutningsværdi:** Støvsuger + tilsluttet udstyr (maksimalt 2000 W) max. 16 A.

4.2.2 Tænd støvsugeren

Funktioner, se „3 Display og kontrolelementer“ på side 61.

- ▶ Sæt stikket i stikkontakten.
- ▶ Indstil kontakten til positionen >I<.
 - ↳ Støvsugeren starter med det samme.

eller:

- ▶ Indstil kontakten til positionen >A< eller >RA<.
 - ↳ Støvsugeren er i standbytilstand ved elektrisk værktøj.

4.2.3 Indstilling af diameter på sugeslange*

- ▶ Indstil diameteren på sugeslange ved kontakten.

⚠ FORSIGTIG!

Vælgerkontakt for mindste luftvolumenstrømsignal (horn og lys) på støvsugere med støvklasserne „M“ og „H“
I indstillingerne >RA< og >I< foretages følgende indstilling alt efter diameteren på slangen:

Vælgerkontakt for indre diameter på sugeslange	Volumenluftstrøm
Ø 35 mm	70 l/sek.
Ø 27 mm	41 l/sek.
Ø 21 mm	25 l/sek.

Hastigheden kan justeres særskilt efter indstilling af diameter på slangen.

4.2.4 Justering af sugekraften*

- ▶ Justér motorhastigheden på kontakten, eller
- ▶ Indstil hjælpeluftslisen på håndrøret.

4.2.5 Slukning af støvsugeren

- ▶ Indstil kontakten til positionen >0<.
 - ↳ Støvsugeren er slukket.
- ▶ Når den er slukket, skal du trække netstikket ud.
- ▶ Rul netledningskablet op.
- ▶ Opbevar netledningskablet på kabelkrogen.
- ▶ Opbevar sugeslangen ved at sætte den ind i holderen til tilbehør* på beholderens bagvæg.
- ▶ Sæt enderne af sugeslangen sammen, så der ikke lækker snavspartikler.
- ▶ Fjern det elektriske værktøj.

5 Driftstyper

5.1 Tørsugning

- ▶ Sug kun med tørt filter, støvsuger og tilbehør, så støvet ikke sætter sig og danner skorper.
- ▶ Ved støvsugning af sod, cement, gips eller lignende støv: Sæt en posen til miljøvenlig tømnings og bortskaffelse i snavsbeholderen.
- ▶ Anvend altid affaldsposer kombineret med foldede filterkassetter.

BEMÆRK

Støvsugere i klasse M, H og H-asbest skal fortrinsvis anvendes som tørstøvsugere.

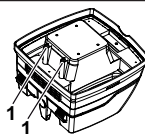
5.2 Opsugning af væsker

⚠ ADVARSEL!

Fare for elektrisk stød!

- ▶ Ved udslip af skum eller væske skal støvsugeren straks slukkes.
- ▶ Tøm beholder og evt. filterkassetter.

BEMÆRK



Rengør vandstandssensoren (1) regelmæssigt, og undersøg den for tegn på skader.

- ▶ Sugning uden filterposen i fleece.
Foldedfilterkassetterne er egnet til vådsugning. Den indbyggede sensor slukker motoren, når beholderen er fyldt. Håndteringen af sugeren kan vanskeliggøres af en fyldt beholder.
- ▶ Tøm beholderen (se „7 Tømnings af beholderen“ på side 63).

BEMÆRK

Hvis støvsugeren ikke slås fra, er genstartsspærren fortsat aktiv. Først efter frakobling og fornyet start er støvsugeren atter klar til drift.

- ▶ Inden tømnings skal sugeslangen først tages ud af væsken.
- ▶ På grund af høj sugeevne og strømningsgunstig beholderfacon kan der efter frakobling løbe lidt vand ud af slangen igen.
- ▶ Sæt tørt filter i ved efterfølgende tørsugning.

BEMÆRK

Ved hyppigt skift mellem tør- og vådsugning anbefales det, at der anvendes et ekstra filtersæt, fortrinsvis filterkassetter af polyester til foldefilter.

5.3 Sugning af asbestholdige stoffer

Kun støvsugere af støvklasse H-asbest kan anvendes til støvsugning af asbestholdige stoffer.

* afhængigt af udstyrsvarianten

- ▶ Arbejd kun med et tørfilter, støvsuger og tilbehør for at forhindre støv i at klæbe og danne en tæt overflade.
- ▶ For sugning af asbestholdige stoffer: Indsæt PE-tømningsposen eller fleecefilterposen ind i snavsbeholderen.
- ▶ Anvend altid filterposer kombineret med foldede filterpatroner.

BEMÆRK

Støvsugere af klasse H-asbest bør fortrinsvis anvendes som støvsugere til tørstøv.

⚠ ADVARSEL!

Sundhedsfare!

Asbestfibre i luften.

- ▶ Tilfør arbejdsområdet med tilstrækkelig udvendig luft (frisk luft).
- ▶ Udled eller rens ekstraheret luft på en sådan måde, at asbestfibre ikke kommer ind i andres vejtrækning.
- ▶ Ved filtrering af den ekstraherede luft transporteres støv i støvtætte beholdere.
- ▶ Dekanter ikke støv.

Hvis der er risiko for at asbestfibre bliver frigivet:

- ▶ Absorber asbestfibre ved udmundingen eller oprindelsesstedet.
- ▶ Bortskaf derefter asbestfibre i overensstemmelse med den nyeste viden herom, uden fare for personer eller miljøet.

Hvis fuldstændig absorbering af asbestfibre ikke er mulig:

- ▶ Tag yderligere ventilationstiltag i brug i overensstemmelse med den nyeste teknik.

Efter at arbejdet er afsluttet:

- ▶ Rengør forsigtigt værktøjer, herunder sugeslanger og arbejdsudstyr.
- ▶ Rengør omhyggeligt arbejdsområdet.
- ▶ Fugt og fjern på forsvarlig vis genstande, der er forurenet med asbestfibre, som ikke kan rengøres.

Efter rengøring:

- ▶ Udluft arbejdsområdet tilstrækkeligt.

6 Permanent filterrensning

Støvsugeren er udstyret med et elektromagnetisk filterrensnings-system, som kan anvendes til at rengøre eventuelt støv, der sidder på filterkassetterne.

Denne filterrensning foretages automatisk når den indstillede min. volumenstrøm nås i den næste arbejdspause (kontaktstilling >RA<).

7 Tømning af beholderen

BEMÆRK

Kun tilladt ved støv med AGW > 1 mg/m³.

- ▶ Sluk støvsugeren, træk strømstikket ud.
- ▶ Åbn lukkemekanismerne.
- ▶ Tag dæksel og sugeslange af beholderen.

- ▶ Vip beholderen ud.

7.1 Bortskaffelse af filterposen i fleece

- ▶ Sluk støvsugeren.
- ▶ Kobl netstikket fra.
- ▶ Bær passende åndedrætsværn.
- ▶ Fjern sugeslangen.
- ▶ Luk stikdåsen med hættten.
- ▶ Åbn sidelåsene.
- ▶ Fjern øverste sektion.
- ▶ Træk flangen forsigtigt ud af stikdåsen, og luk flangen.
- ▶ Bortskaf opsamlet materiale i henhold til lovkrav.

7.2 Bortskaffelse af pose til miljøvenlig tømning og bortskaffelse

- ▶ Indstil kontakten til positionen >RA<.
 - ↳ Foldede filterkassetter renses automatisk.
 - ↳ Reststøv i filtrene falder ned i posen.
- ▶ Sluk støvsugeren.
- ▶ Kobl netstikket fra.
- ▶ Bær passende åndedrætsværn.
- ▶ Fjern sugeslangen.
- ▶ Luk stikdåsen med hættten.
- ▶ Åbn sidelåsene.
- ▶ Fjern øverste sektion.
- ▶ Luk posen til miljøvenlig tømning og bortskaffelse forsigtigt med det medfølgende lukkebånd.
- ▶ Træk forsigtigt flangen af indsugningsstudsden og luk den.
- ▶ Tag forsigtigt posen til miljøvenlig tømning og bortskaffelse ud af beholderen.
- ▶ Bortskaf det opsugede materiale iht. lovmæssige bestemmelser.

7.3 Indsæt filterposen i fleece

BEMÆRK

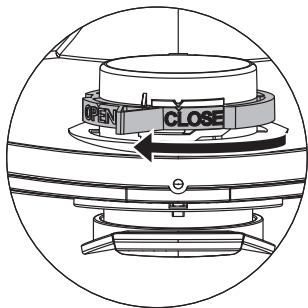
Anvend kun filterpose i fleece til tør støvsugning.

- ▶ Skub flangen helt hen over stikdåsen.

BEMÆRK

Anvendelse af drejeventilen

- ▶ Drej den røde drejeventil indvendigt, så positionen CLOSE når stoppet på markøren ▲.



7.4 Indsæt posen til miljøvenlig tømnings og bortskaffelse*

BEMÆRK

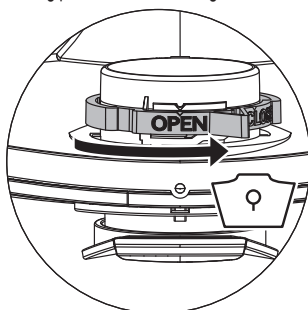
Kun støvsugere i klasse **M** og **H** med specialbeholder og drejeventil i indsugningsåbningen af typen IS/ISC ARM, IS/ISC ARH og IS/ISC ARH-ASBEST er egnet til PE-tømnings- og bortskaffelsesposer.

BEMÆRK

Anvendelse af drejeventilen

- ▶ Drej den røde drejeventil indvendigt, så positionen OPEN når stoppet på markøren ▲.

- ▶ Skub flangen helt hen over stikdåsen.
- ▶ Anbring posens øverste åbning hen over beholderens kant.



8 Udskiftning af filteret

8.1 Udskiftning af de foldede filterkassette

- ▶ Rens filterkassetterne, inden du udskifter dem.
- ▶ Drej låsemekanismen på låsen 90° mod uret med en mønt eller lignende genstand, og skub låsen bagud.
- ▶ Klap dækslet op.
- ▶ Put straks den fjernede filterkassette i en støvtæt plastpose, luk den og bortskaf den på korrekt vis.
- ▶ Sæt ny filterkassette i.

- ▶ Løft spærrebøjlen opad, klap dækslet ned og lås det fast ved at trykke let.

9 Udskiftning af motorbeskyttelsesfilteret

BEMÆRK

- Hvis motorfiltret er snavset, tyder dette på defekte filterkassetter.
- ▶ Udskift filterkassetter.
- ▶ Udskift motorbeskyttelsesfilteret/vask motorbeskyttelsesfilteret under rindende vand, tør det og sæt det i igen.

10 Transport

- ▶ Fjern sugeslangen.
- ▶ Luk stikdåsen med hættten.
- ▶ Sæt den øverste sektion på beholderen.
- ▶ Luk sidelåsene.
- ▶ Put tilbehør i egnet plastpose og luk plastposen/put den i værktøjsdepotet.
- ▶ Stik sugeslangens start og slutning sammen.
- ▶ Læg slangen omkring støvsugeren og klem den fast i grebet.

11 Vedligeholdelse

BEMÆRK

Inden enhver form for service skal støvsugeren slukkes og strømstikket trækkes ud.

Ved service foretaget af bruger skal støvsugeren

- skilles ad
- rengøres og
- efterses

så vidt det er muligt, uden at dette fremkalder fare for servicepersonalet eller andre personer.

Forsigtighedsforanstaltninger

Egnede forsigtighedsforanstaltninger omfatter:

- Rengøring inden demontering
- Sikring af lokalt filtreret, tvungen udluftning, hvor støvsugeren demonteres
- Rengøring af serviceområde
- Egnede personlige værnemidler

Forsigtighedsforanstaltninger ved støvsugere i klasse H og M

Støvsugerens ydre skal rengøres ved udvendig støvsugning og tørres rent eller behandles med aftætningsmiddel, inden den fjernes fra det farlige område. Alle støvsugerens dele skal betragtes som værende forurenede, når de fjernes fra det farlige område, og der skal træffes egnede foranstaltninger, så fordeling af støvet undgås.

* afhængigt af udstyrsvarianten

Forurenedede genstande

Ved udførelse af service- og reparationsarbejde skal alle forurenede genstande, som ikke kan rengøres på tilfredsstillende vis, bortskaffes. Sådanne genstande skal bortskaffes i uigennemtrængelige poser efter de gældende regler om bortskaffelse af sådant affald.

11.1 Test af støvsugerens effektivitet

Mindst én gang om året skal producenten eller en person, der er instrueret i det, foretage et teknisk eftersyn, der omfatter filtre, støvsugerens lufttæthed og kontrolmekanismer.

Desuden skal effektiviteten i støvsugere med støvklasse H og H-asbest kontrolleres mindst én gang om året eller oftere. Den testmetode, der kan anvendes til at demonstrere enhedens effektivitet, er defineret i EN 60335-2-69 AA.22.201.2. Hvis testen ikke består, skal den gentages med et nyt hovedfilter.

Der skal være en tilstrækkelig luftudskiftningsrate L i lokalet, hvis udblæsningsluften vender tilbage til lokalet. Ydeligere anvisninger findes i bestemmelserne for det pågældende land.

Hvis støvsugerens sugsevne falder og sugsevnen afrensning af filterkassetterne ikke længere øges (forudsat beholderen er tømt og filterposen i fleece er udskiftet), er det nødvendigt at udskifte filterkassetterne (se „8.1 Udskiftning af de foldede filterkassette“ på side 64).

12 Rengøring

BEMÆRK

Syrer, acetone og opløsningsmidler kan beskadige dele af støvsugeren.

- ▶ Rens beholderen og tilbehøret med vand.
- ▶ Tør den øverste sektion af med en fugtig klud.
- ▶ Lad beholderen og tilbehøret tørre.

13 Reparation

⚠ ADVARSEL!

Ikke korrekt reparerede støvsugere udgør en risiko for brugeren.

- ▶ Lad kun fagligt uddannet personale, f. eks. kundeservice, udføre reparation. Anvend kun originale reservedele.

14 Fejlfinding og reparation

BEMÆRK

Funktionsfejl kan ikke altid spores tilbage til defekter i støvsugeren.

Fejl	Årsag	Afhjælpning
Sugekraften falder	Filter snavset	Rens
	Filterpose fuld	Udskift
	Beholder fuld	Tøm
	Motorbeskyttelsesfilter blokeret	Rens
	Dyse, rør eller slange blokeret	Rens
Støvsugeren starter ikke	Netstik er ikke i stikkontakt	Sæt netstik i stikkontakt
	Ingen netspænding	Kontrollér sikring
	Netledningskabel defekt	Udskift
	Dæksel ikke ordentligt lukket	Luk
	Vandsensor slået fra	Tøm beholder
Støvsuger i standbytilstand >A< eller >RA<.	Støvsuger i standbytilstand >A< eller >RA<.	Indstil kontakt til >I< (se „3 Display og kontrolelementer“ på side 61)
	Støvsugeren starter ikke, når værktøjet tændes i tilstanden >A< eller >RA<	Sæt netstik i stikkontakt på støvsuger
Støvsugeren starter ikke, når værktøjet tændes i tilstanden >A< eller >RA<	Elektrisk værktøj ikke tilsluttet til stikkontakt på støvsuger	Sæt netstik i stikkontakt på støvsuger
	Magnetventil på pneumatisk afbryder* kontamineret	Skyl med alkohol
Posen til miljøvenlig tømning og bortskaffelse er suget op mod filteret	Forkert position for drejeventil	Indstil drejeventilen til OPEN ▲ (se „7.4 Indsæt posen til miljøvenlig tømning og bortskaffelse**“ på side 64)
Støvsuger med støvklasserne M eller H : Med indsat filterpose samles der støv i beholderen	Forkert position for drejeventil	Indstil drejeventilen til CLOSE ▲ (se „7.3 Indsæt filterposen i fleece“ på side 63)

Prøv ikke på andre ting, kontakt kundeservice.

15 Tekniske data

Type: IS		ISC L/M/H-1425 (ISC L/M/H-1450)
Spænding	V	220-240
Frekvens	Hz	50/60
Nominel ydelse	W	1200
Maks. ydelse	W	1400
Luftstrøm*	l/s (m ³ /h)	73 (263)
Undertryk*	hPa/MG	270
Luftstrøm**	l/s (m ³ /h)	42 (151)
Undertryk**	hPa/SE	235
Lydtryk	dB(A)	69
Vægt	kg	12,1 / 17,1
Mål l x b x h	cm	45 x 39 x 49 / 59,5 x 46,5 x 96

* ved ventilatoren

** ved slangen

* afhængigt af udstyrsvarianten

Maks. strøm på støvsugere med stikkontakt: 2000 W (220-240V~)

Hovedledningskabel på støvsugere i støvklasse L med stikkontakt: H05RR-F 3G1,5

Hovedledningskabel på støvsugere i støvklasse M, H og H-asbest med stikkontakt: H07RN-F 3G1,5

16 Tests og godkendelser

Der skal foretages elektroteknisk kontrol iht. forskrifterne til arbejdsmiljøbeskyttelse (DGUV V3 (Tyskland)) og DIN VDE 0701, del 1 og del 3. Disse kontroller skal iht. DIN VDE 0702 udføres med jævne mellemrum og efter reparation eller ændringer.

Støvsugerne er godkendt iht. DS/EN 60335-2-69.

BEMÆRK

Brugt udstyr indeholder værdifulde materialer, som egner sig til genvinding. **Smid ikke støvsugere ud sammen med det almindelige husholdningsaffald**, men bortskaf det på korrekt vis via egnede indsamlingssystemer, f. eks. via kommunens genbrugsstationer.



17 EU-overensstemmelseserklæring

Vi, Husqvarna AB, SE 561 82 Huskvarna, Sverige, Tlf. +46 36 146500, erklærer under eget ansvar at vores produkt:

Beskrivelse	Støvsuger
Mærke	HUSQVARNA
Type / model	S 11
Identifikation	Serienumrene fra 2022 og fremefter

overholder følgende EU-direktiver og bestemmelser:

Direktiv/bestemmelser	Beskrivelse
2006/42/EF 2014/30/EU 2011/65/EU	"vedrørende maskiner" "vedrørende elektromagnetisk kompatibilitet" "vedrørende begrænsning af farlige stoffer"

og at følgende standarder og/eller tekniske specifikationer anvendes;

EN ISO 12100:2010

EN 55014-1:2017

EN 55014-2:2015

EN 61000-3-2:2014

EN 61000-3-3:2013

EN 60335-2-69:2012

EN IEC 63000:2018





Partille, 2022-10-12



Martin Huber

R&D Director, Betonoverflader & Gulve
Husqvarna AB, Construction Division
Ansvarlig for teknisk dokumentation

1 Käytettyjen symbolien ja merkkien selitykset

Symboli / Huomiosana	Kuvaus
	Tämä on varoitussymboli. Se varoittaa mahdollisista loukkaantumisista. Noudata kaikkia tällä symbolilla merkittyjä ohjeita loukkaantumisten tai kuolemanvaaran välttämiseksi. Varoitussymboli ilmestyy aina yhdessä huomiosanojen VAARA , VAROITUS ja VARO kanssa.
VAARA!	Ilmoittaa korkean riskin vaarasta, joka voi johtaa kuolemaan tai vakavaan loukkaantumiseen, jos sitä ei vältetä.
VAROITUS!	Ilmoittaa keskipitkän riskin vaarasta, joka voi johtaa kuolemaan tai vakavaan loukkaantumiseen, jos sitä ei vältetä.
VARO!	Ilmoittaa lievän riskin vaarasta, joka voi johtaa lieviin tai loukkaantumiseen, jos sitä ei vältetä.
HUOMAA	Ilmoittaa neuvoja tai ohjeita työn yksinkertaistamiseksi ja turvallisen toiminnan varmistamiseksi.
	Ilmoittaa täytettävän edellytyksen ennen kuin toiminto voidaan suorittaa.
	Ilmoittaa käyttäjän peräkkäin suoritettavat toimintavaiheet.
	Ilmoittaa toiminnan tuloksen.

2 Tärkeitä turvallisuustietoja

VAROITUS!

Tukehtumisvaara! Älä anna lasten leikkiä pakkausmateriaaleilla, kuten muovipusseilla.

Imurin päälle ei saa nousta eikä sen päällä saa istua.

Putoamisriski, kun imuria käytetään portaissa. Muista seistä tukevassa asennossa.

Liitäntäjohtoa ja imulettoa ei saa vetää terävien reunojen ylitse, taittaa eikä saattaa puristuksiin.

Liitäntäjohto ja imuletto on aina vedettävä siten, ettei kukaan voi kompastua niihin.

Imuri on sammutettava välittömästi, jos siitä alkaa pursuta ulos vaahtoa tai nestettä.

Kannen sisäpinta tulee aina pitää kuivana.

Älä käytä pölynimuria tai lisävarusteita seuraavissa tapauksissa:

- Sähköjohto tai jatkojohto on viallinen tai siinä on halkeamia
- Pölynimurissa on näkyviä vaurioita, esim. kotelossa on halkeamia
- Jos epäilet, että laitteessa voi olla vika, joka ei näy (esim. putoamisen jälkeen)

VAARA!

Räjähdyks- ja tulipalovaara! Imuria ei saa käyttää räjähdysalttiissa tiloissa.

Imuri on pidettävä loitolla syttyvistä kaasuisista ja aineista.

⚠ VAARA!

Räjähdyks- ja tulipalovaara! Imuria ei saa käyttää seuraavien asioiden imuroimiseen:

- syttyvät tai räjähtävät liuottimet
- liuotusaineissa kastellut materiaalit
- räjähdysaltis pöly
- sellaiset nesteet kuin bensiini, öljy, alkoholi, ohenne
- materiaalit, joiden lämpötila ylittää 60 °C

⚠ VAROITUS!

Väärin suoritettavat korjaustoimenpiteet voivat aiheuttaa vaaratilanteita käyttäjälle. Korjaustoimet tulee jättää ala ammattilaisille, eli esim. valmistajan asiakaspalvelulle. Laitteessa tulee käyttää ainoastaan alkuperäisvaraosia.

⚠ VAROITUS!

Imurissa olevaa pistorasiaa tulee käyttää pelkästään käyttöohjeessa mainittuihin tarkoituksiin.

Valmistaja ei vastaa tarkoitusten vastaisen, väärin käytön tai väärin suoritettujen korjaustoimen aiheuttamista vahingoista.

Laitteessa ei saa käyttää vaurioituneita jatkojohtoja.

Imurin sähköjohtoon vaurioituessa johto on vaihdettava valmistajalta tai tämän asiakaspalvelusta saatavaan erityisvalmistaiseen sähköjohtoon.

Jos laitteessa käytetään sähköharjaa, pyörivän sähköharjan ei saa antaa koskettaa sähköjohtoa.

Sähköverkon jännitteen on vastattava tyyppikilvessä mainittua jännitettä.

Imuri on sammutettava ja sen pistoke on irrotettava jokaisen käyttökerran jälkeen ja aina ennen huoltoa.

Pistoke tulee irrottaa vetäen itse pistokkeesta eikä sähköjohtosta.

Sähköjohtoa ei saa kytkeä virtaverkkoon eikä irrottaa virtaverkosta märin käsin.

Virransyötön on oltava suojattu sopivan vahuisella sulakkeella.

Imuria ei saa koskaan avata sateessa eikä ukonilmalla ulkona.

Säilytä imuri kuivassa ja pakkaselta suojatussa paikassa sisätiloissa.

⚠ VAROITUS!

Pölynpoistokoneet testataan DIN EN 60335-2-69 -standardin mukaisesti ja jaetaan pölyluokkiin.

Pölyluokan **L** imurit soveltuvat kuivan, palamattoman, terveydelle vaarattomien pölyjen imurointiin > 1 mg/m³ työpaikkaraaja-arvoilla.

Luokan **M** imurit soveltuvat kuivien, palamattomien pölyjen, palamattomien nesteiden, puupölyn ja vaarallisten pölyjen (työpaikan raja-arvon ollessa ≥ 0,1 mg/m³) imemiseen.

Luokan **H** imurit soveltuvat kuivien, palamattomien pölyjen, syöpää aiheuttavien ja tauteja tartuttavien hiukkasten sekä palamattomien nesteiden, puupölyn ja terveydelle vaarallisten pölyjen (työpaikan raja-arvon ollessa < 0,1 mg/m³) imemiseen.

⚠ VAROITUS!

Pölyluokalle **H-asbesti** tarkoitetut pölynimurit soveltuvat asbestia sisältävän pölyn imurointiin ja poistoon. Noudata asbestinpoistotyökalujen käyttöä ja ylläpitoa koskevia kansallisia määräyksiä.

⚠ VAROITUS!

Tätä konetta eivät saa käyttää henkilöt (lapset mukaan lukien), joiden fyysiset, aistitoimintoihin liittyvät tai henkiset kyvyt ovat riittämättömät tai joilla ei riittävästi kokemusta tai tietämystä sen käyttämiseksi.

Lapsia on valvottava, jotta he eivät leikkisi laitteella.

Suuttimella, letkulla ja putkella ei saa osoittaa ihmisiä eikä eläimiä kohti.

△ VAROITUS!

Käytä vain pölynimurin mukana toimitettuja harjoja tai käyttöohjeissa mainittuja harjoja.

Muiden harjojen käyttäminen voi heikentää turvallisuutta.

Käytettäessä elintarviketeollisuudessa: puhdista pölynimuri välittömästi käytön jälkeen ja desinfioi se mikrobikontaminaation välttämiseksi.

Puhdistukseen ei saa käyttää höyrysuihkulaitetta eikä korkeapainepesuria.

Käytä pölynimuria vain valvonnan alaisena.

Irrota pölynimuri pistorasiasta, jos työ keskeytyy pitkäksi aikaa.

Älä puhdista suodatinpatruunoita paineilman avulla.

Lue käyttöohjeet huolellisesti ennen pölynimurin käyttämistä.

Käyttöohjeessa on tärkeitä tietoja turvallisuudesta, käyttöönotosta, käytöstä, huollosta ja ylläpidosta. Säilytä käyttöohje turvallisuessa paikassa ja jos myyt laitteen, anna se seuraavalle omistajalle.

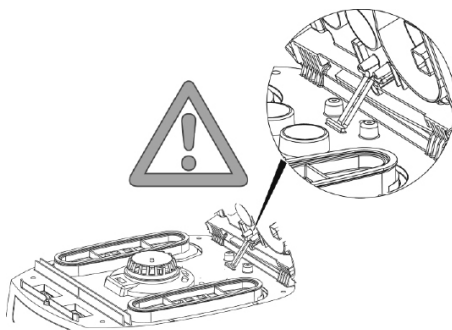
Valmistaja pidättää oikeudet rakenteellisiin ja varusteisiin liittyviin muutoksiin.

Käyttäjän ei pidä suorittaa muita kuin tässä käyttöohjeessa mainittuja toimenpiteitä.


Kone on tarkoitettu teolliseen käyttöön, esimerkiksi hotelleissa, kouluissa, sairaaloissa, tehtaissa, myymälöissä, toimistoissa ja vuokraustoiminnassa käytettäväksi.

Laitteen osien täysilukuisuus sekä laitteen ehyys tulee tarkastaa pakkausmateriaalin poistamisen yhteydessä.


Imurin käyttäjille on annettava riittävästi ohjeita ja opastusta imurin käyttöön ja tietoja aineista, joita sillä aiotaan imeä, mukaan lukien tietoja imettyjen aineiden hävittämisestä, ennen laitteen käyttöä.



3 Näyttö- ja ohjauselementit

Kytkimen asento	Toiminto	Kuvaus
0	Imuri sammutettu	- Pistorasiassa on jännitettä
I	Imuri käynnissä	- Pistorasiassa on jännitettä - Automaattinen täristys pois toiminnasta
A	Valmiuskäyttö käynnistys-/sammutusautomaatiikka varten	- Pistorasiassa on jännitettä - Imuri kytketään toimintaan ja sammutetaan pistorasiaan liitetyn sähkö- tai paineilmatyökalan* kautta
RA	Valmiuskäyttö käynnistys-/sammutusautomaatiikka varten	- Valmiuskäyttö kuten >A< plus automaattinen suodatin pudistus
	Automaattinen suodattimen puhdistustoiminto	- Suodattimen puhdistus tapahtuu automaattisesti seuraavan työtauon aikana (kytkinasento >RA<), kun säädetty vähimmäistilavuusvirta on saavutettu
	Täyttötason osoitin*	- Täyttötason osoitin syttyy, kun tankki on täynnä ja/tai imuletku on tukossa. Pölynimureissa, joiden pölyluokka on M tai H, kuuluu myös äänimerkki
	Imuletkun halkaisijan määrittäminen *	- M-/H-/H-asbestipölynimureissa tilavuusvirran hallintaan ja äänivaroitusmerkin laukaisemiseksi, kun vähimmäistilavuusvirta laskee alle arvon 20 m/s

*riippuen varustuksesta

Kytkimen asento	Toiminto	Kuvaus
	Moottorin nopeuden määrittäminen*	- Imutehoa voi säätää kierrosluvunsäätimellä

4 Käyttöönotto

4.1 Ennen jokaista käyttöä

Varmista, että seuraavat ehdot täyttyvät:

- △ Pölynimuri, sähköjohto, imuletku ja lisävarusteet eivät ole vaurioituneet.
- △ Kaikki suodattimet on lisätty ja ne ovat ehjiä.

4.2 Käynnistäminen ja sammuttaminen

Imurin pistorasiassa on aina jännitettä pääkytkimen asennosta riippumatta.

△ VAROITUS!

Sähkötyökalun automaattinen käynnistyminen muodostaa loukkaantumisaaran!

- ▶ Sammuta sähkötyökalu tai paineilmatyökalu ennen kuin kytket sen pölynimuriin.

HUOMAA

Kytkimen ollessa asennossa $>0<$ imurin pistorasiaan voi liittää jatkojohtoon.

- △ **Sähkökytkentä:** imuri + liitetty laite (maks. 2000 W) maks. 16 A.

4.2.2 Pölynimurin kytkeminen päälle

Toiminnot katso ”3 Näyttö- ja ohjauselementit” sivulla 71.

- ▶ Työnnä pistoke pistorasiaan.
- ▶ Aseta kytkin kohtaan $>|<$.
 - ↳ Pölynimuri käynnistyy välittömästi.
- tai:
 - ▶ Aseta kytkin asentoon $>A<$ tai $>RA<$.
 - ↳ Pölynimuri on valmiustilassa sähkötyökaluja varten.

4.2.3 Imuletkun halkaisijan määrittäminen*

- ▶ Määritä imuletkun halkaisija kytkimellä.

△ HUOMIO!

Luokkien M ja H valintakytkin vähimmäistilavuusvirran signaalia (äänimerkkiä ja valoa) varten

Letkun läpimitasta riippuen tiloissa $>RA<$ ja $>|<$ on käytössä seuraavat säädöt:

Valintakytkin imuletkun sisähalkaisijalle	Tilavuusvirta
Ø 35 mm	70 l/s
Ø 27 mm	41 l/s
Ø 21 mm	25 l/s

Nopeutta voidaan säätää erikseen letkun halkaisijan määrittämisen jälkeen.

4.2.4 Imutehon säätö*

- ▶ Säädä moottorin nopeutta kytkimellä. tai
- ▶ Säädä kahvapatkessa olevaa lisäilmausta.

4.2.5 Pölynimurin sammuttaminen

- ▶ Aseta kytkin kohtaan $>0<$.
 - ↳ Pölynimuri on kytketty pois päältä.
- ▶ Kun olet kytkenyt pölynimurin pois päältä, irrota pistoke pistorasiasta.
- ▶ Kääri sähköjohto kokoon.
- ▶ Säilytä sähköjohtoa johtokoukussa.
- ▶ Säilytä imuputkea säiliön takaseinässä olevassa lisätarvikelineessä*.
- ▶ Aseta imuletkun päät yhteen niin, ettei likahiukkasia pääse vuotamaan.
- ▶ Poista sähkötyökalu.

5 Käyttötilat

5.1 Imeminen kuivakäytössä

- ▶ Ime ainoastaan kuivalla suodattimella, kuivalla imurilla ja kuivilla lisätarvikkeilla, jottei laitteeseen pääse syntymään pölykerääntymiä.
- ▶ Mikäli laitteella imetään nokea, sementtiä, kipsiä, jauhoa tai vastaavia pölyjä: aseta PE-hävituspussi likasäiliöön.
- ▶ Käytä aina hävituspusseja yhdessä suodatinpatruunoiden kanssa.

*riippuen varustuksesta

HUOMAA

Luokkien M, H ja H-asbesti imureita tulee käyttää mieluiten kuivakäytössä.

5.2 Nesteiden imeminen

VAROITUS!

Sähköiskun vaara!

- ▶ Imuri on sammutettava välittömästi, jos siitä alkaa pursuta ulos vaahtoa tai nestettä.
- ▶ Säiliö ja mahdollinen suodatinkasetti on tyhjennettävä.

HUOMAA



Puhdista veden täyttötason anturit (1) ja tutki ne vaurioiden varalta säännöllisesti.

- ▶ Imurointi ilman kuitukangaspölypussia. Laskossuodattimet soveltuvat märkäimurointiin. Sisäänrakennettu anturi kytkee moottorin pois päältä kun säiliö on täysi. Täydellä säiliöllä voi olla vaikutus imurin käsittelyyn.
- ▶ Tyhjennä säiliö (katso "7 Säiliön tyhjentäminen" sivulla 73).

HUOMAA

Ellei imuria sammuteta, käynnistysesito pysyy toiminnassa. Imuria voi käyttää vasta sammuttamisen ja uudelleen käynnistämisen jälkeen.

- ▶ Imuletku tulee ottaa pois nesteestä ennen tyhjentämistä.
- ▶ Letkusta voi valua hieman vettä sammuttamisen jälkeen suuren imutehon ja virtaukselle otollisen säiliön muodon takia.
- ▶ Käytä kuivaa suodatinta, jos imet laitteella tämän jälkeen kuivakäytössä.

HUOMAA

Jos laitetta käytetään usein vuorotellen kuiva- ja märkäkäytössä, on suositeltavaa käyttää ylimääräistä suodatinsarjaa, mieluiten polyesterisuodatinkasetteja.

5.3 Asbestipitoisten aineiden imeminen

Vain pölyluokan H-asbesti pölynimureita voidaan käyttää asbestipitoisten aineiden imuroimiseen.

- ▶ Käytä aina kuivasuodatinta, pölynimuria ja lisävarusteita työskennellessäsi, jotta estät pölyn tarttumisen ja kerääntymisen.
- ▶ Asbestipitoisten aineiden imemistä varten: Työnnä PE-tyhjenpussi tai fleece-suodatinpussi likasäiliöön.
- ▶ Käytä aina suodatinpusseja yhdessä suodatinpatruunoiden kanssa.

HUOMAA

Kuivien pölyjen pölynimureina tulisi mieluiten käyttää H-asbestiluokan pölynimureita.

VAROITUS!

Terveysvaara!

Asbestikuituja ilmassa.

- ▶ Johda työalueelle riittävästi ulkoilmaa (raitis ilma).
- ▶ Ohjaa tai puhdista poistoilma niin, etteivät asbestikuidut pääse muiden henkilöiden hengitysilmaan.
- ▶ Kun suodatat poistoilmaa, kuljeta kaikki pöly pölytyiviissä säiliöissä.
- ▶ Älä dekantoi pölyä.

Jos asbestikuitujen vapautuminen on mahdollista:

- ▶ Imeytä asbestikuidut poistoaukossa tai alkuperäisessä paikassa.
- ▶ Hävitä sen jälkeen asbestikuidut uusimman tekniikan mukaisesti niin, ettei siitä ole vaaraa ihmisille tai ympäristölle.

Jos asbestikuitujen täydellinen imeytyminen ei ole mahdollista:

- ▶ suorita ilmanvaihdon lisätoimenpiteitä uusimman tekniikan mukaisesti.

Työn valmistuttua:

- ▶ Puhdista työkalu huolellisesti imuputket ja työvälineet mukaan lukien.
- ▶ Puhdista työskentelyalue huolellisesti.
- ▶ Kostuta ja irrota asianmukaisesti asbestikuiduista saastuneet esineet, joita ei voida puhdistaa.

Puhdistuksen jälkeen:

- ▶ Tuuleta työskentelyaluetta riittävästi.

6 Jatkuva suodattimien puhdistus

Imuri on varustettu sähkömagneettisella suodattimien puhdistimella, jolla voidaan puhdistaa kaikki kerääntynyt pöly suodatinpatruunoista.

Suodattimien puhdistus tapahtuu automaattisesti seuraavan työtaujan aikana (kytkinasento >RA<), kun säädetty vähimmäistilavuusvirta on saavutettu.

7 Säiliön tyhjentäminen

HUOMAA

Sallittu ainoastaan pölyillä, joita koskee työpaikan raja-arvo > 1 mg/m³.

- ▶ Sammuta imuri ja irrota pistoke.
- ▶ Avaa kiinnittimet.
- ▶ Ota kans ja imuletku irti säiliöstä.
- ▶ Käännä säiliö ylösalaisin.

7.1 Kuitukangaspölypussin hävittäminen

- ▶ Sammuta pölynimuri.
- ▶ Irrota pistoke pistorasiasta.
- ▶ Käytä asianmukaista hengityssuojainta.
- ▶ Irrota imuletku.

- ▶ Sulje imuistukka tulpalla.
- ▶ Avaa kyljissä olevat salvat.
- ▶ Poista yläosa.
- ▶ Vedä laippa varovasti irti imuistukasta ja sulje laippa.
- ▶ Hävitä kerääntynyt materiaali voimassa olevien määräysten mukaisesti.

7.2 PE-tyhjennys- ja hävityspussin hävittäminen

- ▶ Aseta kytkin asentoon >RA<.
- ↳ Suodatinpatruunat puhdistetaan automaattisesti.
- ↳ Suodattimiin jäänyt pöly putoaa pussiin.
- ▶ Sammuta pölynimuri.
- ▶ Irrota pistoke pistorasiasta.
- ▶ Käytä asianmukaista hengityssuojainta.
- ▶ Irrota imuletku.
- ▶ Sulje imuistukka tulpalla.
- ▶ Avaa kyljissä olevat salvat.
- ▶ Poista yläosa.
- ▶ Sulje PE-tyhjennys- ja hävityspussi varovasti mukana toimitetulla narulla.
- ▶ Vedä laippa irti imuistukasta ja sulje laippa.
- ▶ Ota PE-tyhjennys- ja hävityspussi varovasti irti säiliöstä.
- ▶ Hävitä imemäsi aines voimassa olevien määräysten mukaisesti.

7.3 Lisää kuitukangaspölypussi

HUOMAA

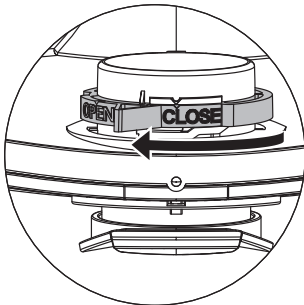
Käytä kuitukangaspölypussia vain kuivaimurointiin.

- ▶ Työnnä laippa kokonaan imuistukan päälle.

HUOMAA

Sulkimen käyttö

- ▶ Käännä sisäpuolella oleva punainen suljin CLOSE (kiinni) -asentoon ▲ -merkissä olevaan pysähdykseen asti.



7.4 Lisää PE-tyhjennys- ja hävityspussi*

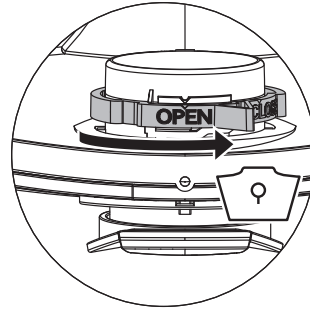
HUOMAA

PE-tyhjennys- ja hävityspussit soveltuvat ainoastaan luokkien **M** ja **H** imureihin, joissa on erikoissäiliö ja imuaukon suljin ja jotka ovat tyyppiä IS/ISC ARM, IS/ISC ARH ja IS/ISC ARH-ASBEST.

HUOMAA

Sulkimen käyttö

- ▶ Käännä sisäpuolella oleva punainen suljin OPEN (auki) -asentoon ▲ -merkissä olevaan pysähdykseen asti.
- ▶ Liu'uta laippa kokonaan imuistukan päälle.
- ▶ Vie pussin yläosan suu säiliön reunan yliitse.



8 Suodattimen vaihtaminen

8.1 Suodatinpatruunoiden vaihtaminen

- ▶ Puhdista suodatinpatruunat ennen niiden vaihtamista.
- ▶ Kierrä salvan lukitsinta kolikolla tai vastaavalla esineellä 90° vastapäivään ja paina salpaa taaksepäin.
- ▶ Käännä suojus auki.
- ▶ Laita irrottamasi suodatinkasetit välittömästi pölytiiviiseen muovipussiin, sulje pussi ja hävitä asianmukaisesti.
- ▶ Aseta uudet suodatinkasetit paikoilleen.
- ▶ Nosta lukitussankaa, käännä suojus alas ja lukitse se painamalla sitä kevyesti.

9 Moottorin suojasuodattimen vaihtaminen

HUOMAA

Likaantunut moottorin suojasuodatin on merkki viallisista suodatinkaseteista.

- ▶ Vaihda suodatinkasetit.
- ▶ Vaihda moottorin suojasuodatin tai pese se juoksevassa vedessä, kuivaa ja aseta takaisin paikoilleen.

10 Kuljettaminen

- ▶ Irrota imuletku.

*riippuen varustuksesta

- ▶ Sulje imuistukka tulpalla.
- ▶ Aseta yläosa säiliöön.
- ▶ Sulje sivusalvat.
- ▶ Aseta lisätarvikkeet sopivaan muovipussiin ja sulje se tai aseta lisätarvikkeet lisätarviketelineeseen.
- ▶ Liitä imuletkun alku- ja loppupää toisiinsa.
- ▶ Kierrä letku imurin ympärille ja kiinnitä kahvalla.

11 Huoltaminen

HUOMAA

Imuri on sammutettava ja pistoke on irrotettava ennen jokaista huoltokertaa.

Käyttäjän tulee pitää imuri kunnossa

- purkamalla se osiin
- puhdistamalla
- ja huoltamalla sen

saattamatta itseään ja muita henkilöitä vaaratilanteisiin.

Varoimenpiteet

Vaadittavia varoimenpiteitä ovat

- puhdistus ennen osien purkamista
- niiden paikallisten suodatettavien tuuletusjärjestelmien valmistelu, joista imuri aiotaan irrottaa
- huoltoalueen puhdistus
- sopivien henkilösuojainten käyttö.

Luokkien H ja M imureita koskevat varoimenpiteet

Imurin ulkopinnat puhdistetaan imemällä ja pyyhkimällä niistä pöly tai käsittelemällä ne tiivistysaineella, ennen kuin imuri viedään pois vaaralliselta alueelta. Kaikkien imurin osien on katsottava olevan likaisia, kun imuri viedään pois vaaralliselta alueelta, joten pölyn leviämisen estämiseksi on ryhdyttävä tarpeellisiin toimenpiteisiin.

Likaiset tarvikkeet

Huolto- ja korjaustoimien yhteydessä on hävitettävä kaikki likaantuneet tarvikkeet, joita ei voida puhdistaa tyydyttävästi. Tällaiset tarvikkeet on hävitettävä vuotamattomissa pusseissa kyseisille materiaaleille määritettyjä voimassa olevia määräyksiä noudattaen.

11.1 Imurin tehokkuuden testaaminen

Valmistajan tai opastetun henkilön on suoritettava vähintään kerran vuodessa tekninen tarkastus, joka sisältää suodattimet, pölynimurin ilmatiivyyden ja hallintamekanismit.

Lisäksi pölynimurien, joiden pölyluokka on H tai H-asbesti, tehokkuus on tarkastettava vähintään kerran vuodessa tai useammin. Testimenetelmä, jota voidaan käyttää laitteen tehokkuuden osoittamiseen, määritellään standardissa EN 60335-2-69 AA.22.201.2. Jos testiä ei läpäistä, se on toistettava uudella pääsuodattimella. Käyttöpaikan ilmanvaihtuvuuden on oltava riittävä, jos poistoilma tyhjentyy samaan huoneeseen. Lisätietoja on nähtävissä kansallisista määräyksistä.

Jos imurin imuteho heikkenee ja eikä lisäänty edes tärisyttämällä suodatinkasetteja enemmän (sillä edellytyksellä, että säiliö on tyhjennetty ja kuitukangaspölypussi vaihdettu), on välttämätöntä vaihtaa suodatinkasetit (katso "8.1 Suodatintaruunoiden vaihtaminen" sivulla 74).

12 Puhdistaminen

HUOMAA

Hapot, asetonit ja liuotusaineet voivat vahingoittaa imurin osia.

- ▶ Puhdista säiliö ja lisätarvikkeet vedellä.
- ▶ Pyyhi yläosa kostealla liinalla.
- ▶ Anna säiliön ja lisätarvikkeiden kuivua.

13 Korjaaminen

⚠ VAROITUS!

Väärin suoritettut korjaustoimenpiteet voivat aiheuttaa vaaratilanteita käyttäjälle.

- ▶ Korjaustoimet tulee jättää ala ammattilaisille, eli esim. valmistajan asiakaspalvelulle. Laitteessa tulee käyttää ainoastaan alkuperäisvaraosia.

14 Vianetsintä ja korjaaminen

HUOMAA		
Toimintahäiriöt eivät välttämättä merkitse sitä, että imuri olisi viallinen.		
Vika	Syy	Ratkaisu
Imuteho on heikentynyt	Suodatin likainen	Puhdista
	Suodatinpussi täynnä	Vaihda
	Säiliö täynnä	Tyhjennä
	Moottorin suoja-suodatin on tukossa	Puhdista
	Suutin, putki tai letku tukossa	Puhdista
Pölynimuri ei käynnisty	Verkkopistoke ei ole pistorasiassa	Kytke verkkopistoke pistorasiaan
	Ei verkkojännitettä	Tarkista sulake
	Sähköjohto on viallinen	Vaihda
	Kansi ei ole kunnolla kiinni	Sulje
	Vesianturi on sammutettu	Tyhjennä säiliö
Pölynimuri on valmiustilassa >A< tai >RA<	Pölynimuri on valmiustilassa >A< tai >RA<	Aseta kytkin asentoon >I< (katso ”3 Näyttö- ja ohjauselementit” sivulla 71)
	Pölynimuri on valmiustilassa >A< tai >RA<-tilassa	Työnnä pistotulppa pölynimurin pistorasiaan
Pölynimuri ei käynnisty, kun työkalu on kytketty päälle >A<- tai >RA<-tilassa	Sähkötyökalua ei ole kytketty pölynimurin pistorasiaan	Työnnä pistotulppa pölynimurin pistorasiaan
	Paineilman käynnistysautomaatiikan* magneettiventtiili on likainen	Huuhtele alkoholilla
Järjestelmä imee PE-tyhjennys- ja hävityspussia suodattimeen	Sulkimen asento on väärä	Vie suljin asentoon OPEN (auki) ▲ (katso kappaletta ”7.4 Lisää PE-tyhjennys- ja hävityspussi” sivulla 74)
Luokkien M ja H imurit: säiliöön kerääntyy pölyä pölypussin ollessa paikoillaan	Sulkimen asento on väärä	Vie suljin asentoon CLOSE (kiinni) ▲ (katso kappaletta ”7.3 Lisää kuitukangaspölypussi” sivulla 74)

Älä suorita muita toimenpiteitä, vaan ota yhteyttä asiakaspalveluun.

15 Tekniset tiedot

Tyyppi: IS		ISC L/M/H-1425 (ISC L/M/H-1450)
Jännite	V	220-240
Taajuus	Hz	50/60
Nimellisteho	W	1200
Mmaks. teho	W	1400
Ilmavirta*	l/s (m ³ /h)	73 (263)
Alipaine*	hPa/MG	270
Ilmavirta**	l/s (m ³ /h)	42 (151)
Alipaine**	hPa/SE	235
Äänenpaine	dB(A)	69
Paino	kg	12,1 / 17,1
Mitat p x l x k	cm	45 x 39 x 49 / 59,5 x 46,5 x 96

* puhaltimessa

** letkussa

*riippuen varustuksesta

Enimmäisvirta pölynimureissa, joissa on pistorasia: 2000 W (220-240V~)

Verkkoliitäntäkaapeli pölyluokan L pölynimureissa, joissa on pistorasia: H05RR-F 3G1,5

Verkkoliitäntäkaapeli pölyluokan M, H ja H-asbesti pölynimureissa, joissa on pistorasia: H07RN-F 3G1,5

16 Testit ja hyväksynnät

Sähkötekniset tarkastukset on suoritettava turvallisuusmääräyksen DGUV V3 ja normin DIN VDE 0701 osien 1 ja 3 mukaisesti. Kyseiset tarkastukset ovat normin DIN VDE 0702 mukaan välttämättömiä säännöllisin väliajoin ja kunnossapidon tai muutoksen tekemisen jälkeen.

Imurit on tarkastettu ja hyväksytty normin IEC/EN 60335-2-69 mukaisesti.

HUOMAA

Käytetyt laitteet sisältävät arvokkaita materiaaleja, joita voidaan käyttää uudelleen. **Imureita ei saa hävittää tavallisen kotitalousjätteen mukana**, vaan ne on vietävä asianmukaiseen keräyspisteeseen, joka voi olla esim. kunnallinen jätteenkeräyspiste.



17 EU-vaatimustenmukaisuusvakuutus

Husqvarna AB, SE 561 82 Huskvarna, RUOTSI, Puh. +46 36 146500 vakuuttaa täten, että oheinen tuote:

Kuvaus	Pölynerotin
Tuotemerkki	HUSQVARNA
Tyyppi/malli	S 11
Tunnusmerkit	Sarjanumerot vuodesta 2022 alkaen

vastaa täysin seuraavien EU:n direktiivien ja asetusten vaatimuksia:

Direktiivi/asetus	Kuvaus
2006/42/EY 2014/30/EU 2011/65/EU	Konedirektiivi EMC-direktiivi "tiettyjen vaarallisten aineiden käytön rajoittaminen"

ja että asiassa sovelletaan seuraavia standardeja ja/tai teknisiä tietoja:

EN ISO 12100:2010

EN 55014-1:2017

EN 55014-2:2015

EN 61000-3-2:2014

EN 61000-3-3:2013

EN 60335-2-69:2012

EN IEC 63000:2018





Partille, 2022-10-12



Martin Huber

R&D Director, Concrete Surfaces & Floors
Husqvarna AB, Construction Division
Teknisestä dokumentaatiosta vastaava edustaja

1 Forklaring av symboler og tegn

Symbol / Signalord	Beskrivelse
	Dette er varselsymboler. Det varsler mot mulig fare for personskader. Følg alle anvisningene som er merket med dette symbolet, for å unngå personskader og dødsfall. Varselsymboler vises alltid i forbindelse med signalord FARE , ADVARSEL og FORSIKTIG .
FARE!	Kjennetegner fare med høy risiko, som vil føre til død eller alvorlige personskader, dersom den ikke unngås.
ADVARSEL!	Kjennetegner en fare med middels risiko, som kan føre til død eller alvorlige personskader, dersom den ikke unngås.
OBS!	Kjennetegner en fare med lav risiko, som kan føre til lette eller moderate personskader, dersom den ikke unngås.
MERK	Kjennetegner råd eller instruksjoner for å forenkle arbeidet og sikre sikker drift.
	Kjennetegner en forutsetning som må være oppfylt før en handling kan utføres.
	Kjennetegner handlingstrinn som brukeren skal utføre etter hverandre.
	Kjennetegner resultatet av et handlingstrinn.

2 Viktig sikkerhetsinformasjon

ADVARSEL!

Fare for kvelning! Ikke la barn leke med emballasje, f.eks. plastposer.

Ikke klatre på eller sitt på støvsugeren.

Fare for å falle ved arbeid i trapper. Pass på å stå trygt.

Strømledningen og sugeslangen må ikke trekkes over skarpe kanter, knekkes eller komme i klem.

Legg alltid strømledningen og sugeslangen slik at ingen kan snuble i dem.

Dersom det lekker ut skum eller væske, må sugeren slås av umiddelbart.

Innsiden av dekselet må alltid holdes tørt.

Ikke bruk støvsugeren inkludert tilbehør i følgende tilfeller:

- Strømtilkoblingskabel eller skjøteledning er defekt eller har sprekker
- Det er synlig skade på støvsugeren, f.eks. sprekker i skallet
- Hvis du mistenker en usynlig feil, f.eks. etter et fall

FARE!

Fare for eksplosjon og brann! Ikke bruk støvsugeren i et potensielt eksplosivt miljø.

Hold støvsugeren vekk fra brannfarlige gasser og stoffer.

⚠ FARE!

Fare for eksplosjon og brann! Ikke bruk støvsugeren til å suge opp følgende:

- brennbare eller eksplosive løsningsmidler
- materialer dynket i løsemidler
- potensielt eksplosivt støv
- væsker som bensin, olje, alkohol, fortynningsmidler
- materialer varmere enn 60 °C

⚠ ADVARSEL!

Apparater som er ufagmessig reparert utgjør en fare for brukeren. Reparasjoner skal bare utføres av fagfolk, f.eks. kundetjenesten. Bruk bare originale reservedeler.

⚠ ADVARSEL!

Stikkontakten på sugeren må bare brukes til formål som er fastsatt i bruksanvisningen.

Produsenten tar ikke ansvar for skader som er oppstått ved ikke-forskriftsmessig betjening eller faglig ukorrekt reparasjon.

Ikke bruk skjøteledninger med skader.

Dersom strømledningen blir skadet, må den erstattes med en spesiell strømledning som kan skaffes av produsenten eller produsentens kundetjeneste.

Ved elektrobørsting må de roterende børstene ikke komme i berøring med strømledningen.

Spenningen må typeskiltet må stemme overens med nettspenningen.

Hver gang etter bruk og før ethvert vedlikehold må sugeren slås av og strømledningen trekkes ut.

Trekk bare i strømstøpselet, ikke i strømledningen.

Ikke sett inn eller ta ut strømstøpselet med fuktige hender.

Strømtilførselen må være sikret via en sikring med egnet strømstyrke.

Sugeren må aldri åpnes utendørs i regn eller tordenvær.

Oppbevar sugeren tørt og frostfritt i innvendige rom.

⚠ ADVARSEL!

Støvfjerningsmaskiner er testet i henhold til DIN EN 60335-2-69 og delt inn i støvklasser.

Støvsuger i støvklasse **L** egner seg til opp-/avsuging av tørt, ikke-brennbart, helsefarlig støv med arbeidsplassgrenseverdier > 1 mg/m³.

Sugere i klasse **M** er egnet for oppsuging av tørt, ikke-brennbart støv, ikke-brennbare væsker, trestøv og støv med MBC ≥ 0,1 mg/m³.

Sugere i klasse **H** er egnet for oppsuging av tørt, ikke-brennbart støv, kreftfremkallende og sykdomsfremkallende partikler samt ikke-brennbare væsker, trestøv og helseskadelig støv med MBC < 0,1 mg/m³.

⚠ ADVARSEL!

Støvsugere for støvklasse **H-asbest** er egnet for å støvsuge og skille ut støv som inneholder asbest. Overhold nasjonale forskrifter for drift og vedlikehold av asbestfjerningsverktøy.

⚠ ADVARSEL!

Denne maskinen skal ikke brukes av personer (inkludert barn) med nedsatte fysiske, sensoriske eller mentale ferdigheter, eller som mangler erfaring og kunnskap om bruken.

Barn må holdes under tilsyn for å sikre at de ikke leker med apparatet.

Rett aldri dyser, slanger eller rør mot mennesker eller dyr.

⚠ ADVARSEL!

Bruk bare børstene som følger med støvsugeren eller de som er angitt i bruksanvisningen.

Bruk av andre børster kan kompromittere sikkerheten.

Ved bruk i næringsmiddelindustrien: Rengjør støvsugeren straks etter bruk og desinfiser den for å unngå mikrobiell kontaminering.

Ikke bruk dampstråler eller høytrykksrensere for rengjøring.

Bruk bare støvsugeren under tilsyn.

Koble støvsugeren fra strømmettet ved lengre arbeidsavbrudd.

Ikke rengjør filterpatronene ved hjelp av trykkluft.

Les bruksanvisningen nøye før du begynner å bruke støvsugeren.

Bruksanvisningen inneholder viktige instruksjoner for sikkerhet, igangsettelse, drift, vedlikehold og pleie. Hold bruksanvisningen på et trygt sted og gi den videre til neste eier hvis du selger enheten.

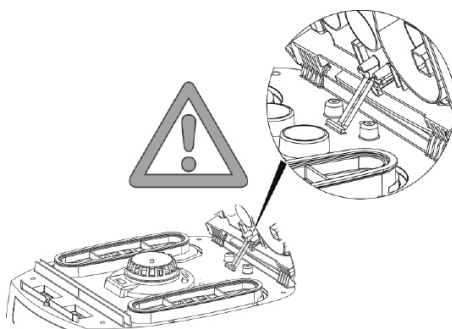
Produsenten forbeholder seg rett til å endre på konstruksjon og utstyr.

Det må ikke utføres andre arbeider enn de som er beskrevet i denne bruksanvisningen.


Denne maskinen er beregnet for næringsmessig bruk, for eksempel for bruk i hoteller, skoler, sykehus, fabrikker, butikker, kontorer og utleievirksomhet.

Påse ved utpakkingen at apparatet er fullstendig og ikke har transportskader.


Før bruk skal brukeren forsynes med informasjon, anvisninger og opplæring for bruk av sugeren og om de substansene den skal brukes til, inkludert informasjon om sikker håndtering av det oppsugde materialet.



3 Skjerm og kontrolelementer

Bryterposisjon	Funksjon	Beskrivelse
0	Sugeren slått av	- Stikkkontakten spenningsførende
I	Sugeren går	- Stikkkontakten spenningsførende - Automatisk vibratorfunksjon av
A	Beredskapsdrift for inn-/utkopplingsautomatikk	- Stikkkontakten spenningsførende - Sugeren slås på og av via et elektro-/trykkluftverktøy* som er koblet til stikkkontakten
RA	Beredskapsdrift for inn-/utkopplingsautomatikk	- Beredskapsdrift som >A< pluss automatisk filterrengjøring
	Automatisk filterrengjøring	- Denne filterrengjøringen skjer automatisk når innstilt minstevolumstrøm er oppnådd i neste arbeidspause (bryterstilling >RA<)
	Fyllingsindikator*	- Fyllingsindikatoren lyser når tanken er full og/eller sugeslangen er blokkert. På støvsugere med støvklasse M og H sendes også et lydsignal
	Innstilling av sugeslangens diameter *	- På M-/H-/H-asbeststøvsugere for volumstrømovervåkning, må lufthastigheten falle under 20 m/s for å utløse et akustisk varsel

* avhengig av utstyrsvarianten

Bryterposisjon	Funksjon	Beskrivelse
	Innstilling av motorhastighet*	- Juster sugekraften kontinuerlig med hastighetskontrollen

4 Igangsetting

4.1 Før hver bruk

Pass på at følgende betingelser er oppfylt:

- △ Støvsuger, ledning, sugeslange og tilbehør er ikke skadet.
- △ Alle filtre er satt inn og er ikke skadet.

4.2 Slå på og av

Stikkkontakten på støvsugeren forblir alltid under spenning, uavhengig av hovedbryterposisjonen.

△ ADVARSEL!

Fare for skade ved automatisk start av verktøy!

- ▶ Slå av elektro- eller gassverktøyet før du kobler til støvsugeren.

MERK

I bryterstillingen >0< kan stikkkontakten på sugeren brukes som skjøteledning.

△ **Tilkoblingsverdi:** Suger + tilkoblet apparat (maksimalt 2000 W) maks. 16 A.

4.2.2 Slå på støvsugeren

Funksjoner se "3 Skjerm og kontrollelementer" på side 81.

- ▶ Sett støpselet inn i stikkkontakten.
- ▶ Sett bryteren til posisjon >|<.
- ↳ Støvsugeren starter umiddelbart.

eller:

- ▶ Sett bryteren til posisjon >A< eller >RA<.
- ↳ Støvsugeren er i standby-modus for elektroverktøy.

4.2.3 Innstilling av sugeslangens diameter*

- ▶ Still inn sugeslangens diameter med bryteren.

△ OBS!

Velgerbryter for minimum luftgjennomstrømmingssignal (horn og lys) på støvsugere med støvklasser "M" og "H"

I modusene >RA< og >|< blir følgende innstilling gjort, avhengig av slangens diameter:

Omkobler for sugeslangens innvendige diameter	Luftgjennomstrømningsvolum
Ø 35 mm	70 l/s
Ø 27 mm	41 l/s
Ø 21 mm	25 l/s

Hastigheten kan justeres individuelt etter innstilling av slangediameter.

4.2.4 Justering av sugekraften*

- ▶ Juster motorhastigheten med bryteren. eller
- ▶ Juster sideluftspjeldet på håndtaket.

4.2.5 Slå av støvsugeren

- ▶ Sett bryteren til posisjon >0<.
- ↳ Støvsugeren er slått av.
- ▶ Etter at du har slått den av, trekker du ut støpselet.
- ▶ Rull sammen strømkabelen.
- ▶ Oppbevar strømforsyningskabelen på kabelkroken.
- ▶ Oppbevar sugeslangen ved å sette den inn i tilbehørsholderen* på beholderens bakvegg.
- ▶ Sett sugeslangeendene sammen slik at ingen smusspartikler lekker ut.
- ▶ Fjern elektroverktøyet.

5 Driftstyper

5.1 Tørrsuging

- ▶ Sug bare med tørt filter, suger og tilbehør for at støvet ikke skal bli klebrig og danne avleiringer.
- ▶ Ved støvsuging av sot, sement, gips eller lignende støv: Sett inn en PE-bortskaffingspose i smussbeholderen.
- ▶ Bruk alltid bortskaffingsposer i kombinasjon med foldefilterkassetter.

MERK

Sugere i klassene M, H og H-asbest skal fortrinnsvis brukes som tørrsugere.

* avhengig av utstyrsvarianten

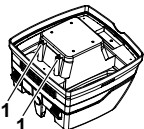
5.2 Suge opp væsker

⚠ ADVARSEL!

Fare for elektrisk støt!

- ▶ Dersom det lekker ut skum eller væske, må sugeren slås av umiddelbart.
- ▶ Tøm beholderen og eventuelt filterkassetten.

MERK



Rengjør vannstandssensorene (1) regelmessig, og undersøk dem ved tegn på skade.

- ▶ Sug uten fiberduk-filterpose.
- ▶ Foldefilterkassetten er egnet til våt støvsuging. Den innebygde sensoren kobler ut motoren når beholderen er full. Håndteringen av støvsugeren kan reduseres ved fylt beholder.
- ▶ Tøm beholder (se "7 Tømming av beholderen" på side 83).

MERK

Dersom sugeren ikke slås av, forblir gjenstartssikringen aktiv. Sugeren er først driftsklar igjen når den er slått av og deretter på igjen.

- ▶ Før tømming skal først sugeslangen tas ut av væsken.
- ▶ På grunn av høy sugeeffekt og strømningsgunstig beholderform kan litt vann renne tilbake ut av slangen etter at apparatet er slått av.
- ▶ Ved etterfølgende tørrsuging må tørt filter settes inn.

MERK

Ved hyppig veksling mellom tørr- og våtsuging anbefaler vi bruk av et ytterligere filtersett, fortrinnsvis polyester-foldefilterkassetter.

5.3 Suge opp asbestholdige stoffer

Bare støvsugere av støvklasse H-asbest kan brukes til støvsuging av asbestholdige stoffer.

- ▶ Arbeid kun med tørrfilter, støvsuger og tilbehør for å hindre støv i å feste seg eller legge seg som et belegg.
- ▶ For å suga opp asbestholdige stoffer: Sett inn PE-tømmeposen eller filterposen av fleece i smussbeholderen.
- ▶ Bruk alltid filterposer i sammenheng med foldefilterpatroner.

MERK

Klasse H asbeststøvsugere bør helst brukes som støvsugere for tørt støv.

⚠ ADVARSEL!

Helsefare!

Asbestfibre i luften.

- ▶ Tilfør arbeidsområdet tilstrekkelig uteluft (frisk luft).
- ▶ Styr eller rens uttrekksluft på en slik måte at asbestfibre ikke kommer inn i andres luftveier.
- ▶ Når uttrekksluft filtreres må støv transporteres i støvtette beholdere.
- ▶ Ikke hell ut støv.

Hvis det er mulighet for å slippe fri asbestfibre:

- ▶ Absorber asbestfibre ved uttaket eller ved opprinnelsesstedet.
- ▶ Deretter kastes asbestfibre i samsvar med lovverk, uten fare for mennesker eller miljø.

Hvis fullstendig absorpsjon av asbestfibre ikke er mulig:

- ▶ Bruk ytterligere ventilasjonstiltak i samsvar med lovverket.

Etter ferdigstilling av arbeidet:

- ▶ Rengjør nøye verktøy, inkludert sugeslanger og arbeidsutstyr.
- ▶ Rengjør arbeidsområdet forsiktig.
- ▶ Fukt og fjern forsiktig gjenstander som er forurenset med asbestfibre, og som ikke kan rengjøres.

Etter rengjøring:

- ▶ Ventil arbeidsområdet i tilstrekkelig grad.

6 Rengjøring av permanent filter

Støvsugeren er utstyrt med et elektromagnetisk filterrensesystem, som kan brukes til å fjerne støv som er festet til filterpatronene.

Denne filterrengjøringen skjer automatisk når innstilt minstevolumstrøm er oppnådd i neste arbeidspause (bryterstilling >RA<).

7 Tømming av beholderen

MERK

Bare tillatt ved støv med MBC > 1 mg/m³.

- ▶ Slå av sugeren, trekk ut strømtøpselet.
- ▶ Åpne dekslene.
- ▶ Ta deksel og sugeslange av fra beholderen.
- ▶ Vipp ut beholderen.

7.1 Kast fiberduk-filterposen

- ▶ Slå av støvsugeren.
- ▶ Koble fra stikkkontakten.
- ▶ Bruk egnet pustemaske.
- ▶ Fjern sugeslangen.
- ▶ Lukk inntakskontakten med hetten.
- ▶ Åpne sidehengsler.
- ▶ Fjern toppseksjonen.
- ▶ Dra forsiktig flensen ut av inntaket og lukk flensen.
- ▶ Kast innsamlet materiale i samsvar med lovkrav.

7.2 Fjern PE tømme- og bortskaffingsposen

- ▶ Sett bryteren til posisjon >RA<.
 - ↳ Foldefilterkassetter rengjøres automatisk.
 - ↳ Reststøv i filtrene faller inn i posen.
- ▶ Slå av støvsugeren.
- ▶ Koble fra stikkkontakten.
- ▶ Bruk egnet pustemaske.
- ▶ Fjern sugeslangen.
- ▶ Lukk inntakskontakten med hetten.
- ▶ Åpne sidehengsler.
- ▶ Fjern toppseksjonen.
- ▶ Lukk PE tømme- og bortskaffingsposen forsiktig med det vedlagte lukkebåndet.
- ▶ Trekk flensen forsiktig av fra sugestussen og lukk den
- ▶ Ta PE tømme- og bortskaffingsposen forsiktig ut av beholderen
- ▶ Avfallshånder det sugde materialet i henhold til de forskriftsmessige bestemmelsene.

7.3 Sett inn fiberduk-filterpose

MERK

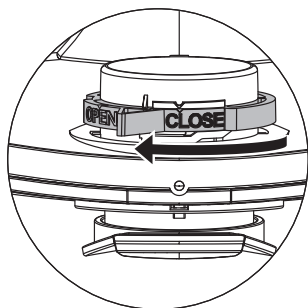
Bruk kun fiberduk-filterposer for tørr støvsuging.

- ▶ Skyv flensen helt over inntakskontakten.

MERK

Betjene rotasjonsbryteren

- ▶ Vri den røde rotasjonsbryterens innside til posisjon CLOSE til stoppet på markøren ▲ .



7.4 Sett inn PE tømme- og bortskaffingspose*

MERK

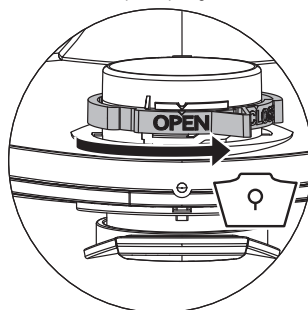
Bare sugere i klasse **M** og **H** med spesialbeholder og dreieskyver i sugeåpningen av typene IS/ISC ARM, IS/ISC ARH og IS/ISC ARH-ASBEST er egnet for bruk av PE-tømme- og avfallsposer.

MERK

Betjene rotasjonsbryteren

- ▶ Vri den røde rotasjonsbryterens innside til posisjon OPEN til stoppet på markøren ▲ .

- ▶ Skyv flensen helt over inntaket.
- ▶ Plasser den øvre poseåpningen over beholderkanten.



8 Bytte filter

8.1 Bytte foldefilterkassetten

- ▶ Rengjør filterpatronene før du bytter dem.
- ▶ Vri låsen på hengslet 90° mot urviseren med en mynt eller lignende gjenstand og skyv hengslet bakover.
- ▶ Klapp opp panseret.
- ▶ Ta ut foldefilterkassetten og legg den umiddelbart i en støvtett kunststoffpose, lukk den og avfallshånder den på forskriftsmessig måte.
- ▶ Sett inn nye foldefilterkassetter.
- ▶ Løft opp låsebøylen, klapp ned panseret og lås det med et lett trykk.

9 Bytte motorbeskyttelsesfilter

MERK

Dersom motorbeskyttelsesfilteret er tilsmusset, tyder det på defekte filterkassetter.

- ▶ Bytt foldefilterkassetten.
- ▶ Bytt motorbeskyttelsesfilteret eller vask det under rennende vann, tørk det og sett det inn igjen.

10 Transport

- ▶ Fjern sugeslangen.
- ▶ Lukk inntakskontakten med hetten.
- ▶ Plasser toppseksjonen på beholderen.
- ▶ Lukk sidehengslene.
- ▶ Legg tilbehøret i egnede plastposer og lukk posene, eller stikk tilbehøret i verktøydepotet.
- ▶ Sett enden på sugeslangen inn i begynnelsen på sugeslangen.
- ▶ Legg slangen rundt sugeren og klem den inn ved håndtaket.

* avhengig av utstvarsvarianten

11 Vedlikehold

MERK

Slå av sugeren og trekk ut strømstøpselet hver gang sugeren skal vedlikeholdes.

Ved vedlikehold foretatt av brukeren må sugeren

- tas fra hverandre,
- rengjøres og
- vedlikeholdes

i den grad det kan utføres uten at det utgjør en fare for vedlikeholdspersonalet og andre personer.

Forsiktighetsforanstaltninger

Egnede forsiktighetsforanstaltninger omfatter

- Rengjøring før demontering,
- Sørg for filtrert tvangsventilasjon på stedet der sugeren skal demonteres,
- rengjøring av vedlikeholdsområdet og
- egnet personlig verneutstyr.

Forsiktighetsforanstaltninger for sugere i klasse H og M

Sugeren skal støvsuges utvendig og tørkes ren eller behandles med tetningsmiddel før den tas ut av det farlige området. Alle sugerdeler må anses som forurenset når de tas ut av det farlige området, og man må treffe egnede tiltak for å unngå støvspredding.

Forurensede gjenstander

Når vedlikeholds- og reparasjonsarbeider utføres må alle forurensede gjenstander som ikke kunne rengjøres tilfredsstillende skrotes (avfals håndteres). Slike gjenstander må legges i tette poser i overensstemmelse med gjeldende bestemmelser for håndtering a slikt avfall.

11.1 Testing av støvsugerens effektivitet

Minst en gang i året må produsenten eller en instruert person utføre en teknisk inspeksjon, inkludert filtre, lufttetthet på støvsugeren og kontrollmekanismer.

I tillegg må effektiviteten til støvsugere med støvklasse H og H-asbest kontrolleres minst en gang i året eller oftere. Testmetoden, som kan brukes til å demonstrere effektiviteten til enheten, er definert i EN 60335-2-69 AA.22.201.2. Hvis testen ikke er bestått, må den gjentas med et nytt hovedfilter.

Det må være en tilstrekkelig Luftutvekslingsrate L i rommet når ventilasjonsluften går tilbake. For øvrige anvisninger henvises til de nasjonale bestemmelsene.

Dersom sugerens sugeeffekt avtar og rengjøringen av foldefilterkassetten blir hyppigere, eller sugeeffekten forsvinner (forutsatt at beholderen er tømt og fiberduk-filterpose er byttet), er det nødvendig å bytte foldefilterkassetten (se "8.1 Bytte foldefilterkassetten" på side 84).

12 Rengjøring

MERK

Syrer, aceton og løsningsmidler kan skade deler av støvsugeren.

- ▶ Rengjør beholderen og tilbehør med vann.
- ▶ Tørk av toppseksjonen med en fuktig klut.
- ▶ La beholderen og tilbehør tørke.

13 Reparasjon

⚠ ADVARSEL!

- ▶ Sugere som er ufagmessig reparert utgjør en fare for brukeren.
- ▶ Reparasjoner skal bare utføres av fagfolk, f. eks. kundetjenesten. Bruk bare originale reservedeler.

14 Feilsøking og reparasjon

MERK		
Feil kan ikke alltid spores tilbake til feil i støvsugeren.		
Feil	Årsak	Løsning
Sugekraften faller	Skittent filter	Rengjør
	Full filterpose	Bytt
	Full beholder	Tøm
	Motorbeskyttelsesfilter blokkert	Rengjør
	Dyse, rør eller slange blokkert	Rengjør
Støvsugeren starter ikke	Støpsel ikke plugget inn	Sett støpselet i stikkkontakten
	Ingen nettspenning	Kontroller sikringen
	Strømtilkoblingskabel er defekt	Erstatt
	Dekselet er ikke ordentlig lukket	Lukk
	Vannføleren er slått av	Tøm beholder
Støvsugeren starter ikke når verktøyet er slått på i >A< eller >RA<-modus	Støvsugeren er i standby-modus >A< eller >RA<	Sett bryteren til >I< (se "3 Skjerm og kontrollerelementer" på side 81)
	Elektrisk verktøy er ikke plugget i støpselet på støvsugeren	Sett kontakten i støpselet på støvsugeren
PE tømme- og bortskaffingspose suges mot filteret	Magnetventil på gass på-av enhet* forurenset	Skyll med alkohol
	Feil posisjon av rotasjonsbryter	Still rotasjonsbryter til posisjon OPEN ▲ (se "7.4 Sett inn PE tømme- og bortskaffingspose**" på side 84)
Støvsuger med støvklasser M eller H : med innsatt filterpose samles støv i beholderen	Feil posisjon av rotasjonsbryter	Still rotasjonsbryteren til ▲ CLOSE (se "7.3 Sett inn fiberduk-filterpose" på side 84)

Ikke prøv noe annet, ta kontakt med kundeservice.

15 Tekniske data

Type: IS		ISC L/M/H-1425 (ISC L/M/H-1450)
Spenning	V	220-240
Frekvens	Hz	50/60
Nominell effekt	W	1200
Maks. effekt	W	1400
Luftstrøm*	l/s (m ³ /h)	73 (263)
Vakuüm*	hPa/MG	270
Luftstrøm**	l/s (m ³ /h)	42 (151)
Vakuüm**	hPa/SE	235
Lydtrykk	dB(A)	69
Vekt	kg	12,1 / 17,1
Dimensjoner l x b x h	cm	45 x 39 x 49 / 59,5 x 46,5 x 96

*på viften

** ved slangen

* avhengig av utstysvarianten

Maks. strøm på støvsugere med stikkontakt: 2000 W (220-240V~)

Strømtilkoblingskabel på støvsugere for støvklasse L med stikkontakt: H05RR-F 3G1,5

Strømtilkoblingskabel på støvsugere for støvklasse M, H og H-asbest med stikkontakt: H07RN-F 3G1,5

16 Tester og godkjenninger

Elektrotekniske kontroller skal foretas i henhold til forskriftene i den ulykkesforebyggende forskriften (DGUV V3) og iht. DIN VDE 0701 del 1 og del 3. Disse kontrollene skal iht. DIN VDE 0702 foretas med regelmessig avstand og etter reparasjoner og endringer.

Sugeren er kontrollert iht. IEC/EN 60335-2-69.

MERK

Brukte apparater inneholder verdifulle materialer som er egnet til gjenvinning. **Sugeren skal ikke kastes som husholdningsavfall**, men skal avfallshåndteres på faglig korrekt måte gjennom egnede oppsamlingsystemer, f. eks. kommunens innsamlingssted.



17 EU-samsvarserklæring

Vi, Husqvarna AB, SE- 561 82 Huskvarna, Sverige, tlf. +46 36 146500 erklærer på eget ansvar at produktet:

Beskrivelse	Støvsuger
Merke	HUSQVARNA
Type/modell	S 11
ID	Serienumre datert 2022 og senere

fullstendig overholder følgende EU-direktiver og -forskrifter:

Direktiv/regulering	Beskrivelse
2006/42/EF 2014/30/EU 2011/65/EU	«angående maskiner» «angående elektromagnetisk kompatibilitet» «angående restriksjoner for farlige stoffer»

og at følgende standarder og/eller tekniske spesifikasjoner er anvendt:

EN ISO 12100:2010

EN 55014-1:2017

EN 55014-2:2015

EN 61000-3-2:2014

EN 61000-3-3:2013

EN 60335-2-69:2012

EN IEC 63000:2018





Partille, 2022-10-12



Martin Huber

FoU-direktør, Betongoverflater og -gulv
Husqvarna AB, Bygg og anleggsdivisjon
Ansvarlig for teknisk dokumentasjon

1 Explicación de los símbolos y signos utilizados

Símbolo / Palabra de advertencia	Descripción
	Este es un símbolo de advertencia. Advierte de un potencial peligro de lesión. Seguir todas las instrucciones que vayan acompañadas de este símbolo, a fin de evitar cualquier potencial riesgo de lesiones, incluso mortales. El símbolo de advertencia siempre aparece en relación con las palabras de advertencia PELIGRO , ADVERTENCIA y PRECAUCIÓN .
¡PELIGRO!	Identifica un potencial peligro con alto grado de riesgo que puede causar lesiones graves, incluso mortales, en caso de no evitarse.
¡ADVERTENCIA!	Identifica un potencial peligro con grado medio de riesgo que puede causar lesiones graves, incluso mortales, en caso de no evitarse.
¡PRECAUCIÓN!	Identifica un potencial peligro con grado bajo de riesgo que puede causar lesiones leves a moderadas, en caso de no evitarse.
NOTA	Identifica los consejos e indicaciones, que aligeran el trabajo y procuran un funcionamiento seguro.
	Identifica un requisito que debe cumplirse antes de poder llevar a cabo una acción.
	Identifica los pasos que el usuario debe realizar sucesivamente.
	Identifica el resultado de una acción.

2 Información importante de seguridad

¡ADVERTENCIA!

¡Peligro de asfixia! No permita que los niños jueguen con el material de embalaje, como por ejemplo, bolsas de plástico. No suba o se sienta sobre el aspirador.

Riesgo de caída al trabajar en escaleras. Preste atención a estar de pie con seguridad.

Evite tirar del cable de conexión y la manguera de aspiración sobre bordes afilados, así como doblarlos o que queden atrapados.

Disponga el cable de conexión y la manguera de aspiración de tal forma que nadie pueda tropezar con los mismos.

Si empieza a salir espuma o líquido del aspirador, desconéctelo de inmediato.

Mantenga siempre seca la parte interior de la tapa.

No utilice el aspirador ni sus accesorios en los casos siguientes:

- El cable de conexión a la red o el cable de extensión están defectuosos o muestran grietas
- Hay daños visibles en el aspirador como, por ejemplo, grietas en la carcasa
- Si sospecha un defecto invisible, por ejemplo después de una caída

¡PELIGRO!

¡Riesgo de explosión y de incendio! No ponga en funcionamiento el aspirador en entornos potencialmente explosivos. Mantenga el aspirador alejado de gases y sustancias inflamables.

⚠ ¡PELIGRO!

¡Riesgo de explosión y de incendio! No utilice el aspirador para aspirar lo siguiente:

- disolventes inflamables o explosivos
- materiales empapados en disolventes
- polvos potencialmente explosivos
- líquidos tales como gasolina, aceite, alcohol, diluyentes
- materiales a una temperatura superior a los 60 °C

⚠ ¡ADVERTENCIA!

Si las reparaciones se realizan de forma no profesional, los aparatos pueden suponer un peligro para el usuario. Encargue las reparaciones exclusivamente a profesionales, p. ej. servicio de atención al cliente. Utilice solo piezas de repuesto originales.

⚠ ¡ADVERTENCIA!

Utilice la caja de enchufe disponible en el aspirador exclusivamente para los fines establecidos en el manual de instrucciones.

En caso de uso no conforme a la finalidad, manejo inadecuado o reparaciones no realizadas de manera profesional, el fabricante declina toda responsabilidad por posibles daños.

No utilice cables de prolongación dañados.

Si el cable de conexión del aspirador sufre daños, será preciso sustituirlo por un cable de conexión especial suministrable por el fabricante o por su servicio de atención al cliente.

En el caso de los cepillos eléctricos, no permita que los cepillos giratorios entren en contacto con el cable de conexión a la red.

La tensión indicada en la placa de características debe coincidir con la tensión de red.

Desconecte el aspirador y extraiga el conector de red tras cada uso y antes de iniciar el mantenimiento del aspirador.

Tire solo del conector de red, nunca del cable de conexión.

No introduzca ni extraiga nunca el conector de red con las manos húmedas.

El suministro de corriente debe asegurarse mediante un fusible con la intensidad de corriente adecuada.

No abra nunca el aspirador en espacios abiertos si está lloviendo o hay una tormenta.

Secar el aspirador y guardar protegido contra heladas en interiores.

⚠ ¡ADVERTENCIA!

Las máquinas de eliminación de polvo se prueban según la norma DIN EN 60335-2-69 y se dividen por clases de polvo.

Las aspiradoras de la clase de aspiración **L** se ajustan para aspirar o absorber polvo seco no inflamable peligroso para la salud con valores límite en el lugar de trabajo $> 1 \text{ mg/m}^3$.

Los aspiradores de la clase **M** son adecuados para aspirar o absorber polvo seco no inflamable, líquidos no inflamables, polvo de madera y polvo peligroso con valor límite en el puesto de trabajo $\geq 0,1 \text{ mg/m}^3$.

Los aspiradores de la clase **H** son adecuados para aspirar o absorber polvo seco no inflamable, partículas patógenas o cancerígenas, así como líquidos no inflamables, polvo de madera y polvo peligroso para la salud con valor límite en el puesto de trabajo $< 0,1 \text{ mg/m}^3$.

⚠ ¡ADVERTENCIA!

Las aspiradores para la clase de polvo **H-asbestos** son adecuadas para aspirar y extraer el polvo que contiene asbesto. Observe las reglamentaciones nacionales para el funcionamiento y el mantenimiento de las herramientas de eliminación de asbestos.

⚠ ¡ADVERTENCIA!

Esta máquina no debe ser utilizada por personas (incluidos niños) con sus capacidades físicas, sensoriales o mentales reducidas así como con falta de experiencia y conocimiento.

Hay que vigilar a los niños para asegurarse de que no jueguen con el aparato.

No dirija la tobera, la manguera o el tubo hacia personas o animales.

⚠ ¡ADVERTENCIA!

Utilice solamente los cepillos suministrados con el aspirador o aquellos especificados en las instrucciones de funcionamiento.

La utilización de otros cepillos puede comprometer la seguridad.

Cuando se utilice en negocios de procesamiento de alimentos: limpie inmediatamente el aspirador después de usarla y desinféctela para evitar la contaminación microbiana.

No utilice limpiadores de alta presión o chorros de vapor para limpiar el aparato.

Utilice únicamente el aspirador bajo supervisión.

Desenchufe el aspirador de la red en caso de que se produzca una interrupción larga del trabajo.

No limpie los cartuchos del filtro con aire comprimido.

Lea el manual de funcionamiento detenidamente antes de comenzar a utilizar el aspirador. El manual de instrucciones proporciona instrucciones importantes para la seguridad, la puesta en servicio, el funcionamiento, el mantenimiento y el cuidado. Guarde el manual de funcionamiento en un lugar seguro y, en caso de vender la unidad, transféralo a su nuevo propietario.

El fabricante se reserva el derecho a efectuar modificaciones en la estructura y el equipamiento.

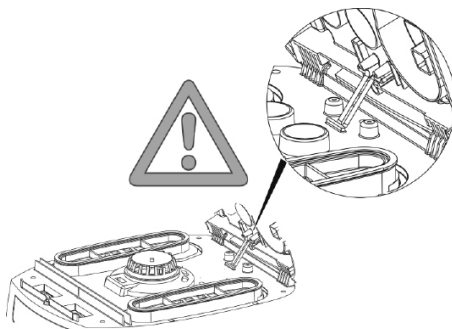
No se permite realizar trabajos distintos a los descritos en este manual de instrucciones.

Esta máquina está destinada al uso comercial, p.ej. para su utilización en hoteles, escuelas, hospitales, fábricas, tiendas, oficinas y alquileres.

Al extraer el aparato del embalaje, compruebe su integridad y si ha sufrido daños durante el transporte.



Antes del uso del aspirador, los usuarios deben recibir información, instrucciones y formación relativas al uso del mismo y de las

sustancias para las que se desea utilizar, incluido el procedimiento seguro de eliminación del material recogido.



3 Elementos de visualización y control

Posición del conmutador	Función	Descripción
0	Aspirador desconectado	- La caja de enchufe suministra tensión
I	Aspirador en funcionamiento	- La caja de enchufe suministra tensión - Función automática de vibración desconectada
A	Preparado para encendido / apagado automático	- La caja de enchufe suministra tensión - El aspirador se conecta y desconecta mediante la herramienta eléctrica/de aire comprimido* conectada a la caja de enchufe
RA	Preparado para encendido / apagado automático	- Posición de preparado como >A< con limpieza automática del filtro

Posición del conmutador	Función	Descripción
	Función de limpieza automática del filtro	- Esta limpieza de filtro se inicia automáticamente, en el momento en el que se interrumpa el aspirado, en caso de que el caudal de aire se hubiera reducido por debajo del nivel ajustado (posición del interruptor RA).
	Indicador de nivel de llenado*	- El indicador de nivel de llenado se enciende cuando el tanque está lleno y/o la manguera de aspiración está obstruida. En los aspiradores con clase de polvo M y H, también se emite una señal acústica
	Ajuste del diámetro de la manguera de aspiración *	- En los aspiradores de M-/H-/H-asbestos para la monitorización de caudal volumétrico, para activar una señal acústica de advertencia si la velocidad del aire cae por debajo de 20 m/s.
	Ajuste de la velocidad del motor*	- Ajuste la potencia de aspiración con el control de velocidad.

4 Puesta en servicio

4.1 Antes de cada uso

Asegúrese de que se cumplan las siguientes condiciones:

- △ El aspirador, el cable de alimentación, la manguera de aspiración y los accesorios no están dañados.
- △ Todos los filtros se han insertado y no están dañados.

4.2 Encendido y apagado

El enchufe de el aspirador permanece siempre bajo tensión, independientemente de la posición del conmutador principal.

△ ¡ADVERTENCIA!

¡Peligro de lesiones al arrancar la herramienta eléctrica automáticamente!

- ▶ Apague la herramienta eléctrica o la herramienta neumática antes de conectarla al aspirador.

NOTA

Cuando el conmutador se encuentra en la posición >0< es posible utilizar la caja de enchufe del aspirador como cable de prolongación.

△ **Valor de conexión:** Aspirador + aparato conectado (máximo 2000 W) máx. 16 A.

4.2.2 Encendido del aspirador

Funciones consulte “3 Elementos de visualización y control” en la página 91.

- ▶ Inserte el enchufe en la toma.
- ▶ Coloque el interruptor en la posición >I<.
 - ↳ El aspirador se inicia inmediatamente.

O:

- ▶ Coloque el interruptor en la posición >A< o >RA<.
 - ↳ El aspirador está en modo de espera para herramientas eléctricas.

4.2.3 Ajuste del diámetro de la manguera de aspiración*

- ▶ Ajuste del diámetro de la manguera de aspiración en el conmutador.

△ ¡PRECAUCIÓN!

Conmutador selector para la señal de caudal volumétrico de aire mínimo (bocina y luz) en aspiradores con clases de polvo “M” y “H”

En los modos >RA< y >I< se realiza la configuración siguiente, dependiendo del diámetro de la manguera:

Conmutador selector para el diámetro interno de la manguera de aspiración	Volumen de flujo de aire
∅ 35 mm	70 l/s
∅ 27 mm	41 l/s
∅ 21 mm	25 l/s

La velocidad puede ajustarse individualmente después de ajustar el diámetro de la manguera.

4.2.4 Ajuste de la potencia de succión*

- ▶ Ajuste la velocidad del motor en el conmutador.
 - O
- ▶ Coloque el deslizador de aire auxiliar en el tubo del mango.

4.2.5 Apagado del aspirador

- ▶ Coloque el interruptor en la posición >0<.
 - ↳ El aspirador está desconectado.

* depende de la variante del equipo

- ▶ Después de apagarlo, desenchufe el cable de alimentación.
- ▶ Enrolle el cable de conexión a la red.
- ▶ Guarde el cable de conexión a la red en el gancho del cable.
- ▶ Guarde el tubo de aspiración insertándolo en el soporte de accesorios* en la pared posterior del recipiente.
- ▶ Coloque los extremos de la manguera de aspiración de manera que no salgan partículas de suciedad.
- ▶ Retire la herramienta eléctrica.

NOTA

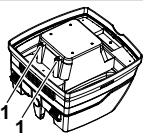
Los aspiradores de las clases M, H y H-Asbest deben usarse preferente para la aspiración de material seco.

5.2 Aspiración de líquidos

⚠ ¡ADVERTENCIA!

- ▶ Si empieza a salir espuma o líquido del aspirador, desconéctelo de inmediato.
- ▶ Vacíe el recipiente y, en caso necesario, el cartucho de filtro en fuelle.

NOTA



Limpie los sensores de nivel de agua (1) regularmente y compruebe si presentan daños.

- ▶ Aspirar sin bolsa de filtro de lana.
Las bandejas de filtros de pliegues son aptas para aspiración húmeda.
El sensor incorporado apaga el motor si el recipiente está lleno. El manejo de la aspiradora puede resultar afectado si el recipiente está lleno.
- ▶ Recipiente vacío (consulte "7 Vaciado del recipiente" en la página 94).

NOTA

Si no se desconecta el aspirador, la protección contra re arranque se mantiene activa. El aspirador vuelve a estar preparado para el funcionamiento solo tras desconectarlo y volver a conectarlo.

- ▶ Antes de vaciar, retire la manguera de aspiración del líquido.
- ▶ Debido a la alta potencia de aspiración y a la forma del recipiente, adecuado para el flujo, puede salir algo de agua de la manguera tras la desconexión.
- ▶ Si desea aspirar a continuación material seco, instale filtros secos.

NOTA

Si se cambia a menudo entre aspiración de material seco y húmedo, recomendamos utilizar un segundo juego de filtros, preferentemente cartuchos de filtro en fuelle de poliéster.

5 Modos de funcionamiento

5.1 Aspiración de material seco

- ▶ aspire solo con el filtro, aspirador y accesorios secos para que el polvo no quede pegado formando una costra.
- ▶ Al aspirar hollín, cemento, yeso o polvos similares: inserte una bolsa de eliminación de PE en el recipiente de suciedad.
- ▶ Utilice siempre bolsas de eliminación en combinación con cartuchos de filtro plegados.

5.3 Aspirar sustancias que contienen asbestos

Solo pueden usarse aspiradores de polvo de clase H-asbestos para aspirar sustancias que contengan asbestos.

- ▶ Trabaje solamente con filtros, aspiradores y accesorios secos para evitar que el polvo se pegue y se incruste.
- ▶ Para aspirar sustancias que contienen asbestos: Inserte la bolsa de vaciado de PE o la bolsa de filtro de lana en el contenedor de suciedad.
- ▶ Siempre use bolsas de filtro en conjunción con cartuchos de filtro plegados.

NOTA

Los aspiradores de clase H-asbestos deben usarse preferiblemente como aspiradores para polvos secos.

⚠ ¡ADVERTENCIA!

¡Peligro para la salud!

Fibras de asbestos en el aire.

- ▶ Suministre suficiente aire exterior (aire fresco) al área de trabajo.
- ▶ Guíe o limpie el aire extraído de tal manera que las fibras de asbestos no entren en el aire que respiran otras personas.
- ▶ Al filtrar el aire extraído, transporte el polvo en contenedores herméticos.
- ▶ No decante el polvo.

Si existe la posibilidad de que se liberen fibras de asbestos:

- ▶ Absorba las fibras de asbestos en la salida o en el punto de origen.
- ▶ Después elimine las fibras de asbestos de acuerdo con la técnica requerida sin ningún peligro para las personas o el medio ambiente.

Si no es posible la absorción completa de fibras de asbestos:

- ▶ Tome medidas de ventilación adicionales de acuerdo con la técnica requerida.

Una vez finalizado el trabajo:

- ▶ Limpie minuciosamente las herramientas, incluidos los tubos de succión y el equipo de trabajo.
- ▶ Limpie minuciosamente el área de trabajo.
- ▶ Humedezca y retire adecuadamente los objetos contaminados con fibras de asbestos que no se pueden limpiar.

Después de limpiar:

- ▶ Ventile el área de trabajo lo suficiente.

6 Limpieza permanente del filtro

El aspirador está equipado con un sistema electromagnético de limpieza de filtro, el cual se puede usar para limpiar cualquier polvo depositado de los cartuchos del filtro.

Esta limpieza de filtro se inicia automáticamente, en el momento en el que se interrumpe el aspirado, en caso de que el caudal de aire se hubiera reducido por debajo del nivel ajustado (posición del interruptor RA).

7 Vaciado del recipiente

NOTA

Solo se permite para polvo con valor límite en el puesto de trabajo > 1 mg/m³

- ▶ Desconecte el aspirador, extraiga el conector de red.
- ▶ Abra los cierres.
- ▶ Retire la tapa y la manguera de aspiración del recipiente.
- ▶ Vierta el contenido del recipiente

7.1 Deseche la bolsa de filtro de lana

- ▶ Apague el aspirador.
- ▶ Desconecte el enchufe de la red.
- ▶ Use máscaras de respiración apropiadas.
- ▶ Retire la manguera de aspiración.
- ▶ Cierre la toma de admisión con la tapa.
- ▶ Abra los pestillos laterales.
- ▶ Retire la sección superior.
- ▶ Tire con cuidado de la brida de la toma de admisión y cierre la brida.
- ▶ Deseche el material recogido de acuerdo con los requisitos legales.

7.2 Deseche la bolsa de vaciado y eliminación de PE

- ▶ Coloque el conmutador en la posición >RA<.
 - ↳ Los cartuchos de filtro plegados se limpian automáticamente.
 - ↳ El polvo residual en los filtros cae dentro de la bolsa.
- ▶ Apague el aspirador.
- ▶ Desconecte el enchufe de la red.
- ▶ Use máscaras de respiración apropiadas.
- ▶ Retire la manguera de aspiración.
- ▶ Cierre la toma de admisión con la tapa.
- ▶ Abra los pestillos laterales.
- ▶ Retire la sección superior.
- ▶ Cierre la bolsa de vaciado y eliminación de PE con cuidado utilizando la cinta de cierre incluida en el suministro.
- ▶ Retire con cuidado la brida de la toma de aspiración y ciérrela
- ▶ Retire con cuidado la bolsa de vaciado y eliminación de PE del recipiente

- ▶ Elimine el material aspirado conforme a las disposiciones legales.

7.3 Inserte la bolsa de filtro de lana

NOTA

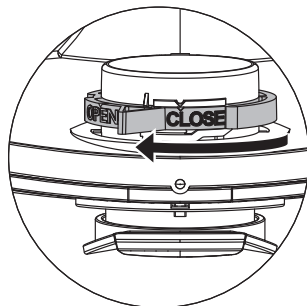
Utilice solo bolsas de filtro de lana para la aspiración en seco.

- ▶ Deslice la brida por completo sobre la toma de admisión.

NOTA

Funcionamiento de la válvula giratoria

- ▶ Gire la válvula giratoria roja hacia adentro hasta la posición CLOSE en el tope del marcador ▲.



7.4 Inserte la bolsa de vaciado y eliminación de PE*

NOTA

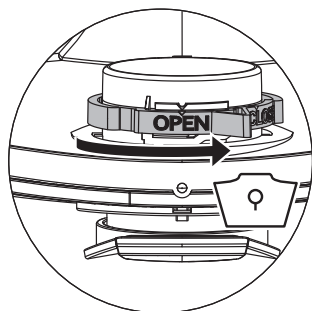
Solo los aspiradores de la clase **M** y **H** con recipientes especiales y corredera giratoria en la abertura de aspiración, modelos IS/ISC ARM, IS/ISC ARH y IS/ISC ARH-ASBEST son adecuados para utilizar las bolsas de vaciado y eliminación de PE.

NOTA

Funcionamiento de la válvula giratoria

- ▶ Gire la válvula giratoria roja hacia adentro hasta la posición OPEN en el tope del marcador ▲.
- ▶ Deslice la brida por completo sobre la toma de admisión.
- ▶ Coloque la abertura superior de la bolsa sobre el borde del recipiente.

* depende de la variante del equipo



8 Cambio del filtro

8.1 Cambio de los cartuchos de filtro plegados

- ▶ Limpie los cartuchos de filtro antes de cambiarlos.
- ▶ Gire el cierre del pestillo dentro de un margen de 90° en sentido contrario a las agujas del reloj con una moneda o un objeto similar y empuje el pestillo hacia la parte trasera.
- ▶ Abata la cubierta
- ▶ Cierre inmediatamente los cartuchos de filtro en fuelle retirados dentro de una bolsa de plástico hermética al polvo y elimínelos de acuerdo a las disposiciones.
- ▶ Coloque cartuchos de filtro en fuelle nuevos.
- ▶ Eleve el asa de enclavamiento, abata hacia abajo la cubierta y encájela ejerciendo una ligera presión.

9 Cambio del filtro protector del motor

NOTA

Si el filtro protector del motor está sucio, esto es una señal de que los cartuchos de filtro se encuentran defectuosos.

- ▶ Cambie los cartuchos de filtro en fuelle.
- ▶ Cambie el filtro protector del motor o limpie el filtro protector del motor con un chorro de agua, séquelo y vuelva a colocarlo.

10 Transporte

- ▶ Retire la manguera de aspiración.
- ▶ Cierre la toma de admisión con la tapa.
- ▶ Coloque la sección superior sobre el recipiente.
- ▶ Cierre los pestillos laterales.
- ▶ Introduzca los accesorios en bolsas de plástico adecuadas y cierre las bolsas de plástico o introdúzcalas en el soporte para herramientas.
- ▶ Conecte entre sí los extremos de la manguera de aspiración.
- ▶ Coloque la manguera de aspiración alrededor del aspirador y engánchela al asa.

11 Mantenimiento

NOTA

Desconecte el aspirador y extraiga el conector de red antes de iniciar el mantenimiento del aspirador.

Para realizar el mantenimiento, el usuario debe

- desensamblar,
- limpiar y
- realizar el mantenimiento

del aspirador en la medida de lo posible sin que suponga un peligro para el personal de mantenimiento y otras personas.

Medidas de seguridad

Las medidas de seguridad adecuadas incluyen

- limpieza previa al desmontaje,
- tomar precauciones para la ventilación forzada y filtrada del entorno en el que se desmonta el aspirador,
- limpieza del área de mantenimiento y
- equipos de protección personal adecuado.

Medidas de seguridad para los aspiradores de las clases H y M

Se recomienda limpiar la parte exterior del aspirador mediante un procedimiento de aspiración de polvo o tratarla con material de sellado antes de retirarlo del área peligrosa. Es preciso considerar que todas las piezas del aspirador se encuentran contaminadas al extraerlas del área peligrosa y realizar una manipulación adecuada para evitar que el polvo se difunda.

Objetos contaminados

Al realizar trabajos de mantenimiento o reparaciones es necesario eliminar todos los objetos contaminados que no sea posible limpiar de forma satisfactoria. Es necesario eliminar dichos objetos en bolsas herméticas, de acuerdo a las disposiciones aplicables para la eliminación de este tipo de residuos.

11.1 Prueba de la eficacia del aspirador

Por lo menos una vez al año, el fabricante o una persona instruida debe realizar una inspección técnica incluyendo filtros, hermeticidad del aspirador y mecanismos de control.

Además, la eficacia de las aspiradoras con clase de polvo H y H-asbestos debe comprobarse al menos una vez al año o con mayor frecuencia. El método de prueba, que puede utilizarse para demostrar la eficacia del dispositivo, se define en la norma EN 60335-2-69 AA.22.201.2. Si la prueba no se pasa, debe repetirse con un nuevo filtro principal.

Debe existir en el local un *caudal de intercambio de aire L* suficiente si la salida de aire del local disminuye. Consulte otras indicaciones en las disposiciones para su país.

Si la potencia de aspiración del aspirador disminuye y la limpieza de los cartuchos de filtro en fuelle no aumenta dicha potencia de aspiración (suponiendo que se ha vaciado el recipiente y se ha cambiado la bolsa de filtro de lana), será necesario cambiar los

cartuchos de filtro en fuelle (véanse la sección "8.1 Cambio de los cartuchos de filtro plegados" en la página 95).

12 Limpieza

NOTA

Los ácidos, la acetona y los disolventes pueden dañar las piezas del aspirador.

- ▶ Limpie el recipiente y los accesorios con agua.
- ▶ Limpie la parte superior con un paño húmedo.
- ▶ Deje que el recipiente y los accesorios se sequen.

13 Reparar

⚠ ¡ADVERTENCIA!

- ▶ Si las reparaciones se realizan de forma no profesional, los aspiradores pueden suponer un peligro para el usuario.
- ▶ Encargue las reparaciones exclusivamente a profesionales, p. ej. servicio de atención al cliente. Utilice solo piezas de repuesto originales.

14 Localización de averías y reparación

NOTA

Las averías no siempre se pueden trazar hasta los defectos en el aspirador.

Fallo	Causa	
La potencia de aspiración cae	Filtro sucio	Limpiar
	Bolsa de filtro llena	Cambiar
	Recipiente lleno	Vaciar
	Filtro protector del motor bloqueado	Limpiar
	Boquilla, tubo o manguera bloqueada	Limpiar
El aspirador no se pone en marcha	El enchufe de red no está en la toma	Enchufe el enchufe de red en la toma
	No hay tensión de red	Comprobar el fusible
	Cable de conexión a la red defectuoso	Reemplazar
	La tapa no está bien cerrada	Cerrar
	Sensor de agua apagado	Vaciar el recipiente
	Aspirador en modo de espera >A< o >RA<	Coloque el conmutador en >I< (consulte "3 Elementos de visualización y control" en la página 91)
El aspirador no se pone en marcha cuando la herramienta se encuentra en el modo >A< o >RA<	Herramienta eléctrica no enchufada en la toma del aspirador	Conecte el enchufe de red en la toma del aspirador
	Válvula solenoide de la unidad de encendido-apagado neumático*contaminada	Enjuague con alcohol

* depende de la variante del equipo

Fallo	Causa	
La bolsa de vaciado y eliminación de PE se aspira contra el filtro	Posición incorrecta de la válvula giratoria	Coloque la válvula giratoria en la posición OPEN ▲ (consulte "7.4 Inserte la bolsa de vaciado y eliminación de PE" en la página 94)
Aspirador con clases de polvo M o H: con la bolsa filtrante insertada, el polvo se acumula en el recipiente	Posición incorrecta de la válvula giratoria	Coloque la válvula giratoria en la posición CLOSE ▲ (consulte "7.3 Inserte la bolsa de filtro de lana" en la página 94)

No intente nada más, contacte con los departamentos de atención al cliente.

15 Datos técnicos

Tipo: IS		ISC L/M/H-1425 (ISC L/M/H-1450)
Tensión	V	220-240
Frecuencia	Hz	50/60
Potencia nominal	W	1200
Potencia máx.	W	1400
Flujo de aire*	l/s (m³/h)	73 (263)
Vacío*	hPa/MG	270
Flujo de aire**	l/s (m³/h)	42 (151)
Vacío**	hPa/SE	235
Nivel de ruido	dB(A)	69
Peso	kg	12,1 / 17,1
Dimensiones l x a x a	cm	45 x 39 x 49 / 59,5 x 46,5 x 96

* en el ventilador

** en la manguera

Potencia máx. de los aspiradores con enchufe: 2000 W (220-240V~)

Cable de conexión a la red en aspiradores de clase de polvo L con enchufe: H05RR-F 3G1,5

Cable de conexión a la red en aspiradores de clase de polvo M, H y H-asbestos con enchufe: H07RN-F 3G1,5

16 Pruebas y aprobaciones

Deben realizarse las comprobaciones electro-técnicas conforme a la normativa y a la norma de prevención de accidentes (DGUV V3), así como DIN VDE 0701 parte 1 y parte 3. Dichas comprobaciones son necesarias conforme a DIN VDE 0702 a intervalos regulares y después de cada reparación o modificación.

Los aspiradores han sido sometidos a prueba con éxito conforme a IEC/EN 60335-2-69.

NOTA

Los aparatos usados contienen materiales valiosos, adecuados para el reciclaje. **No elimine el aspirador junto con la basura doméstica normal**, en su lugar, elimínelo a través de los sistemas adecuados de recogida de residuos, p. ej. a través de su punto municipal de recogida de residuos.



17 Declaración de conformidad UE

Nosotros, Husqvarna AB, SE 561 82 Huskvara, SUECIA, Tel. +46 36 146500, declaramos bajo nuestra exclusiva responsabilidad que el producto:

Descripción	Extractor de polvo
Marca	HUSQVARNA
Tipo/Modelo	S 11
Identificación	Número de serie a partir del año 2022 y en adelante

Cumple las siguientes directivas y normas de la UE:

Directiva/Norma	Descripción
2006/42/CE 2014/30/UE 2011/65/UE	"relativa a las máquinas" "relativa a la compatibilidad electromagnética" "relativa a restricción de sustancias peligrosas".

Y que se aplican las especificaciones técnicas o los estándares siguientes:

EN ISO 12100:2010

EN 55014-1:2017

EN 55014-2:2015

EN 61000-3-2:2014

EN 61000-3-3:2013

EN 60335-2-69:2012

EN IEC 63000:2018

Partille, 2022-10-12







Martin Huber

Director de I+D, Superficies de hormigón y suelos
Husqvarna AB, Construction Division
Responsable de la documentación técnica

Português

1 Explicação dos símbolos e sinais usados

Símbolo / Palavra sinal	Descrição
	É um símbolo de aviso. Avisa contra possíveis perigos de ferimentos. Respeite todas as instruções marcadas com este símbolo para evitar ferimentos ou a morte. O símbolo de aviso aparece sempre em ligação com as palavras sinal PERIGO , AVISO e CUIDADO .
PERIGO!	Indica um perigo com elevado grau de risco que causa a morte ou ferimentos graves, se não for evitado.
AVISO!	Indica um perigo com médio grau de risco que pode causar a morte ou ferimentos graves, se não for evitado.
CUIDADO!	Indica um perigo com baixo grau de risco que pode causar ferimentos ligeiros, se não for evitado.
NOTA	Indica conselhos ou avisos que facilitam o trabalho e garantem uma operação segura.
	Indica um requisito que tem de ser cumprido antes de poder executar uma ação.
	Indica passos de ação que têm de ser executados um após o outro pelo utilizador.
	Indica o resultado de uma ação.

2 Informações de segurança importantes

AVISO!

Perigo de asfixia! Não permita que crianças brinquem com o material da embalagem como, por exemplo, sacos de plástico.

Não suba nem se sente no aspirador.

Risco de queda ao trabalhar em escadas. Preste atenção em ficar de pé com segurança.

Não puxe, dobre nem comprima o cabo de ligação nem a mangueira de aspiração em cantos afiados.

Pousar o cabo de ligação e a mangueira de aspiração de forma que ninguém possa tropeçar neles.

Desligar imediatamente o aspirador se entrar espuma ou líquido.

Manter o interior da tampa sempre seco.

Não utilize o aspirador, incluindo os acessórios, nos seguintes casos:

- O cabo de conexão de corrente elétrica ou cabo de extensão está com defeito ou apresenta rachas
- Existe um dano visível no aspirador como, por exemplo, fendas na caixa
- Se suspeitar de um defeito invisível como, por exemplo, após uma queda

PERIGO!

Perigo de explosão e incêndio! Não opere o aspirador num ambiente potencialmente explosivo.

Mantenha o aspirador afastado de gases e substâncias inflamáveis.

⚠ PERIGO!

Perigo de explosão e incêndio! Não utilize o aspirador para aspirar o seguinte:

- solventes inflamáveis ou explosivos
- materiais embebidos em solventes
- pós potencialmente explosivos
- líquidos como gasolina, óleo, álcool, diluentes
- materiais mais quentes que 60 °C

⚠ AVISO!

Aparelhos não reparados correctamente podem colocar o utilizador em perigo. As reparações só devem ser executadas por técnicos, por exemplo, do serviço de apoio ao cliente. Utilizar apenas peças sobressalentes originais.

⚠ AVISO!

Utilize a tomada no aspirador apenas para os fins estabelecidos no manual de instruções.

O fabricante não assume qualquer responsabilidade por danos causados pela utilização para outros fins além dos especificados, pela operação ou a reparação incorrectas.

Não utilizar cabos de extensão danificados.

Se o cabo de ligação do aspirador estiver danificado, deve ser substituído por um cabo de ligação especial, fornecido pelo fabricante ou pelo seu serviço de apoio ao cliente.

Não deixar que as escovas eléctricas, quando se tratarem de escovas rotativas, contactem com o cabo de ligação à rede.

A tensão na placa de identificação tem de coincidir com a tensão de rede.

Após a utilização e antes de qualquer manutenção, desligar o aspirador e retirar a ficha de rede.

Puxar apenas pela ficha de rede, nunca pelo cabo de ligação.

Nunca encaixar ou remover a ficha de rede com as mãos húmidas.

A alimentação de corrente tem de estar protegida por um fusível com uma intensidade adequada.

Nunca abra o aspirador ao ar livre quando chover ou estiver trovoada.

Guarde o aspirador no interior num local seco e protegido contra geadas.

⚠ AVISO!

As máquinas de remoção de pó são testadas de acordo com a norma DIN EN 60335-2-69 e divididas em classes de pó.

Os aspiradores de classe de pó **L** são adequados para a aspiração de pós nocivos à saúde, secos, não inflamáveis com valores-limite de exposição profissional > 1 mg/m³.

Os aspiradores da classe **M** adequam-se à absorção/aspiração de pós secos, não inflamáveis, líquidos não inflamáveis, pós de madeira e pós perigosos com AGWs ≥ 0,1 mg/m³.

Os aspiradores da classe **H** adequam-se à absorção/aspiração de pós secos, não inflamáveis, partículas cancerígenas e patogénicas, bem como líquidos não inflamáveis, pós de madeira e pós perigosos para a saúde com AGWs < 0,1 mg/m³.

⚠ AVISO!

Aspiradores para a classe de pó de **amianto H** são adequados para aspirar e extrair pó que contenha amianto. Observe as regulamentações nacionais para operação e manutenção de ferramentas de remoção de amianto.

⚠ AVISO!

Esta máquina não pode ser utilizada por pessoas (incluindo crianças) com capacidades físicas, sensoriais ou mentais limitadas ou falta de experiência e conhecimento.

Crianças devem ser vigiadas para certificar-se de que não brinquem com o aparelho.

Não virar o bocal, a mangueira ou o tubo para pessoas nem animais.

⚠ AVISO!

Utilize apenas as escovas fornecidas com o aspirador ou as especificadas nas instruções de utilização.

Usar outras escovas pode comprometer a segurança.

Quando usado em empresas de processamento de alimentos: Limpe imediatamente o aspirador após o uso e desinfete-o para evitar a contaminação microbiana.

Não use qualquer jato de vapor ou limpeza de alta pressão para limpeza.

Opere o aspirador apenas se este estiver sob supervisão.

Desconecte o aspirador da corrente elétrica no caso de uma interrupção de trabalho mais longa.

Não limpe os cassetes de filtro usando ar comprimido.

Leia cuidadosamente o manual de funcionamento antes de começar a utilizar o aspirador. O manual de funcionamento fornece instruções importantes relativas à segurança, operação, teste, manutenção e assistência. Mantenha o manual de funcionamento num local seguro e, caso venda a unidade, entregue-o ao próximo proprietário.

O fabricante reserva-se o direito a alterações na construção e no equipamento.

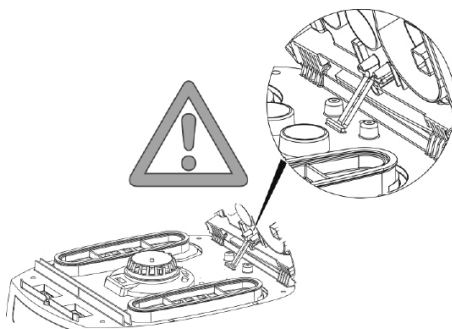
Não execute trabalhos que não estejam descritos neste manual de instruções.

Esta máquina é prevista para o uso comercial por exemplo para a utilização em hotéis, escolas, hospitais, fábricas, lojas, escritórios e negócio de locação.

Ao desembalar, verifique se não faltam peças e se há danos de transporte.



Antes da utilização, devem ser facultados aos utilizadores informações, instruções e formações sobre a utilização do aspirador

e das substâncias, para as quais deve ser utilizado, incluindo o procedimento seguro para a eliminação do material recolhido.



3 Elementos de exibição e controlo

Posição do interruptor	Função	Descrição
0	aspirador desligado	- Tomada em tensão
I	aspirador em funcionamento	- Tomada em tensão - Função automática do agitador desligada
A	Operação de prontidão para ligar/desligar automático	- Tomada em tensão - O aspirador é ligado e desligado por uma ferramenta eléctrica/de ar comprimido* ligada na tomada
RA	Operação de prontidão para ligar/desligar automático	- Accionamento de prontidão para o funcionamento como >A< com limpeza automática de filtro
	Função de limpeza automática do filtro	- Esta limpeza do filtro ocorre automaticamente ao ser atingido o fluxo volumétrico mínimo ajustado na próxima pausa de trabalho (posição do interruptor RA)
	Indicador de nível de enchimento*	- O indicador acende-se quando o nível de enchimento do depósito está cheio e/ou a mangueira de sucção está bloqueada. Em aspiradores com classe de pós M e H, também é emitido um sinal acústico

Posição do interruptor	Função	Descrição
	Ajustar o diâmetro da mangueira de sucção *	- Nos aspiradores de amianto M/H/H para monitorização de fluxo de volume, para desencadear um sinal de aviso audível se a velocidade do ar cair abaixo dos 20 m/s
	Ajustar a velocidade do motor*	- Ajuste a potência de sucção com o controlo de velocidade

4 Teste

4.1 Antes de cada utilização

Certifique-se de que ocorrem as seguintes condições:

- △ O aspirador, o cabo de corrente elétrica, a mangueira de sucção e os acessórios não estão danificados.
- △ Todos os filtros foram inseridos e não estão danificados.

4.2 Ligar e desligar

A tomada do aspirador permanece sempre sob tensão, independentemente da posição do interruptor principal.

△ AVISO!

Perigo de lesões ao iniciar automaticamente a ferramenta elétrica!

- ▶ Desligue a ferramenta elétrica ou a ferramenta pneumática antes de conectar ao aspirador.

NOTA

Na posição do interruptor >0< a tomada pode ser utilizada no aspirador como cabo de extensão.

△ **Valor de ligação:** aspirador + aparelho ligado (máximo 2000 W) máx. 16 A.

4.2.2 Ligar o aspirador

Para as funções, consulte "3 Elementos de exibição e controlo" na página 102.

- ▶ Insira a ficha na tomada.
- ▶ Coloque o interruptor na posição >I<.
 - ↳ O aspirador arranca imediatamente.

ou:

- ▶ Coloque o interruptor na posição >A< ou >RA<.
 - ↳ O aspirador está no modo de espera para ferramentas elétricas.

4.2.3 Ajustar o diâmetro da mangueira de sucção*

- ▶ Ajuste o diâmetro da mangueira de sucção com o interruptor.

△ CUIDADO!

O interruptor de seleção para o sinal de fluxo de volume de ar mínimo (sinal sonoro e luz) em aspiradores com classes de pós "M" e "H"

Nos modos >RA< e >I<, o seguinte ajuste é realizado consoante o diâmetro da mangueira:

Interruptor de seleção para diâmetro interno da mangueira de sucção	Volume de fluxo de ar
∅ 35 mm	70 l/s
∅ 27 mm	41 l/s
∅ 21 mm	25 l/s

A velocidade pode ser ajustada individualmente depois de ajustar o diâmetro da mangueira.

4.2.4 Ajustar o poder de sucção*

- ▶ Ajuste a velocidade do motor no interruptor. ou
- ▶ Coloque a correção de ar auxiliar no tubo do manípulo.

4.2.5 Desligar o aspirador

- ▶ Ajuste o interruptor para a posição >0<.
 - ↳ O aspirador está desligado.
- ▶ Depois de desligar, retire a ficha de corrente elétrica.
- ▶ Enrole o cabo de conexão de corrente elétrica.
- ▶ Armazene o cabo de conexão de corrente elétrica no gancho para cabo.
- ▶ Armazene o tubo de sucção inserindo-o no suporte de acessórios* na parede traseira do recipiente.
- ▶ Coloque as extremidades da mangueira de sucção juntas para que não saiam partículas de sujidade.
- ▶ Remova a ferramenta elétrica.

5 Modos operacionais

5.1 Aspiração seca

- ▶ Aspirar apenas com os filtros, aspirador e acessórios secos, para que o pó não adira nem fique incrustado.

* dependendo da variante do equipamento

- ▶ Ao aspirar fuligem, cimento, gesso ou pós semelhantes: Insira um saco de eliminação de PE no recipiente de recolha de sujidade.
- ▶ Use sempre sacos de escarte em conjunto com cassetes de filtro dobrados.

NOTA

Os aspiradores das classes M, H e H-Asbest devem ser preferencialmente utilizados em zonas secas.

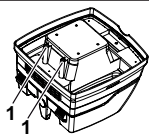
5.2 Sucção de líquidos

⚠ AVISO!

Perigo de choque eléctrico!

- ▶ Desligar imediatamente o aspirador se entrar espuma ou líquido.
- ▶ Esvaziar o recipiente e event. a cassette de filtros plissados.

NOTA



Limpar regularmente os sensores no nível de água (1) e procurar sinais de danos.

- ▶ Aspirar sem saco de filtro de lã.
As cassetes de filtro plissado são adequadas para a aspiração húmida. O sensor incorporado desliga o motor quando o recipiente está cheio. O manuseamento do aspirador pode ser afetado pelo recipiente cheio.
- ▶ Recipiente vazio (consulte "7 Esvaziar o recipiente" na página 104).

NOTA

Se o aspirador não for desligado, a protecção contra re arranque permanece eficaz. Só após a desconexão e nova ligação é que o aspirador volta a estar operacional.

- ▶ Antes do esvaziamento, retirar primeiro a mangueira de aspiração do líquido.
- ▶ Devido à elevada potência de aspiração e à forma favorável à corrente do recipiente, poderá sair alguma água da mangueira após a desconexão.
- ▶ Colocar filtros secos depois da aspiração consequente em zonas secas.

NOTA

No caso de trocas frequentes entre aspiração em zonas secas e húmidas, recomendamos a utilização de um segundo conjunto de filtros, preferencialmente cassetes de filtros plissados em poliéster.

5.3 Aspirar substâncias que contenham amianto

Apenas aspiradores de classe de pó de amianto H podem ser utilizados para aspirar substâncias que contenham amianto.

- ▶ Trabalhe apenas com um filtro seco, aspirador de pó e acessórios para evitar que o pó fique preso e incrustado.
- ▶ Para aspirar substâncias que contenham amianto: Insira o saco de esvaziamento de PE ou a bolsa de filtro de lã no recipiente de lixo.
- ▶ Use sempre sacos de filtro em conjunto com cartuchos de filtro dobrados.

NOTA

Os aspiradores de classe de amianto H devem ser preferencialmente usados como aspiradores de pó seco.

⚠ AVISO!

Perigo para a saúde!

Fibras de amianto no ar.

- ▶ Abasteça a área de trabalho com ar exterior suficiente (ar fresco).
- ▶ Guie ou limpe o ar extraído de tal forma que as fibras de amianto não entrem no ar respirável por outras pessoas.
- ▶ Ao filtrar o ar extraído, transporte o pó em recipientes à prova de pó.
- ▶ Não decante o pó.

Se existir a possibilidade das fibras de amianto serem libertadas:

- ▶ Absorver fibras de amianto na saída ou no ponto de origem.
- ▶ Em seguida, descarte as fibras de amianto de acordo com o estado de arte, sem qualquer perigo para as pessoas ou o meio ambiente.

Se a absorção completa de fibras de amianto não for possível:

- ▶ Tome medidas de ventilação adicionais de acordo com as técnicas mais avançadas.

Após completar o trabalho:

- ▶ Limpe cuidadosamente as ferramentas, incluindo tubos de sucção e equipamentos de trabalho.
- ▶ Limpe cuidadosamente a área de trabalho.
- ▶ Humedeça e retire adequadamente os objetos contaminados com fibras de amianto que não podem ser limpos.

Após a limpeza:

- ▶ Ventile suficientemente a área de trabalho.

6 Limpeza de filtros permanente

O aspirador está equipado com um sistema eletromagnético de limpeza de filtros, que pode ser usado para limpar qualquer pó preso aos cassetes de filtro.

Esta limpeza do filtro ocorre automaticamente ao ser atingido o fluxo volumétrico mínimo ajustado na próxima pausa de trabalho (posição do interruptor RA).

7 Esvaziar o recipiente

NOTA

Apenas autorizado em pós com AGWs > 1 mg/m³.

- ▶ Desligar o aspirador, retirar a ficha de rede.
- ▶ Abrir os fechos.
- ▶ Retirar a tampa e a mangueira de aspiração do recipiente.
- ▶ Esvaziar o recipiente.

7.1 Descarte o saco de filtro de lã

- ▶ Desligue o aspirador.
- ▶ Desconecte a ficha de corrente elétrica.
- ▶ Use uma máscara de respiração adequada.
- ▶ Retire a mangueira de sucção.
- ▶ Feche a tomada de entrada com a tampa.
- ▶ Abra os fechos laterais.
- ▶ Remova a secção superior.
- ▶ Retire cuidadosamente a flange da tomada de admissão e feche a flange.
- ▶ Elimine o material recolhido de acordo com os requisitos legais.

7.2 Descarte o saco de esvaziamento e descarte de PE

- ▶ Coloque o interruptor na posição >RA<.
 - ↳ Os cassetes de filtro dobrados são limpos automaticamente.
 - ↳ O pó residual nos filtros cai no saco.
- ▶ Desligue o aspirador.
- ▶ Desconecte a ficha de corrente elétrica.
- ▶ Use uma máscara de respiração adequada.
- ▶ Retire a mangueira de sucção.
- ▶ Feche a tomada de entrada com a tampa.
- ▶ Abra os fechos laterais.
- ▶ Remova a secção superior.
- ▶ Fechar o saco de esvaziamento e descarte de PE com a banda de fecho anexada.
- ▶ Remover o flange do bocal de aspiração e fechá-lo.
- ▶ Remover com cuidado o saco de esvaziamento e descarte de PE do recipiente.
- ▶ Eliminar o produto aspirado de acordo com os regulamentos legais.

7.3 Insira um saco de filtro de lã

NOTA

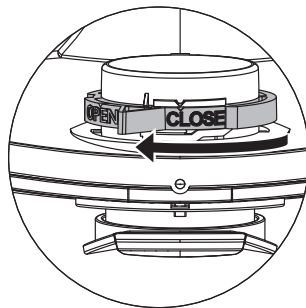
Utilize sacos de filtro de lã apenas para aspirar a seco.

- ▶ Deslize a flange completamente sobre a tomada de admissão.

NOTA

Operar o controlo deslizante rotativo

- ▶ Rode o controlo deslizante rotativo vermelho para dentro para posicionar CLOSE (FECHAR) para parar no marcador ▲ .



7.4 Insira o saco de esvaziamento e descarte de PE*

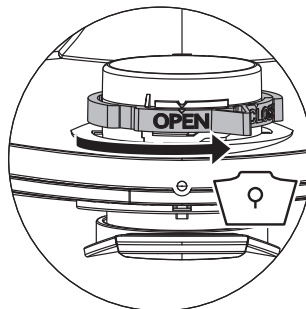
NOTA

Só os aspiradores da classe **M** e **H** com recipientes especiais e interruptores rotativos no orifício de aspiração dos tipos IS/ISC ARM, IS/ISC ARH e IS/ISC ARH-ASBEST se destinam à utilização de sacos em PE para esvaziamento e eliminação.

NOTA

Operar o controlo deslizante rotativo

- ▶ Rode o controlo deslizante rotativo vermelho para dentro para posicionar OPEN (ABRIR) para parar no marcador ▲ .
- ▶ Deslize a flange completamente sobre a tomada de admissão.
- ▶ Coloque a abertura superior do saco sobre o rebordo do recipiente.



8 Mudar o filtro

8.1 Mudar os cassetes de filtro dobrados

- ▶ Limpe os cassetes de filtro antes de os mudar.
- ▶ Rode o bloqueio do fecho em 90 ° no sentido anti-horário com uma moeda ou um objeto semelhante e empurre o fecho para a parte de trás.
- ▶ Abrir a tampa.

* dependendo da variante do equipamento

- ▶ Fechar as de filtros plissados removidas no saco de plástico impermeável ao pó e eliminá-las correctamente segundo as normas.
- ▶ Colocar as novas cassetes de filtros plissados.
- ▶ Lçar o estribo de bloqueio, baixar a tampa e bloquear mediante uma ligeira pressão.

9 Mudar o filtro de proteção do motor

NOTA

Se o filtro de proteção do motor estiver sujo, este facto chama a atenção para cassetes de filtros com defeito.

- ▶ Substituir as cassetes de filtros plissados.
- ▶ Trocar o filtro de proteção do motor ou lavá-lo sob água corrente, secá-lo e colocá-lo novamente.

10 Transporte

- ▶ Retire a mangueira de sucção.
- ▶ Feche a tomada de entrada com a tampa.
- ▶ Coloque a secção superior no recipiente.
- ▶ Feche os fechos laterais.
- ▶ Inserir os acessórios no saco de plástico adequado e fechá-lo ou colocá-lo no depósito de ferramentas.
- ▶ Encaixar a extremidade final da mangueira de aspiração na extremidade inicial da mangueira de aspiração.
- ▶ Colocar a mangueira no aspirador e comprimir a pega.

11 Manutenção

NOTA

Antes de qualquer manutenção, desligar o aspirador e retirar a ficha de rede.

No caso de a manutenção ser executada pelo utilizador, o aspirador tem de

- ser desmontado,
- limpo e
- ser alvo de manutenção,

até onde isso for possível, sem perigo para o pessoal de manutenção nem para outras pessoas.

Medidas de segurança

Respeitar as medidas de segurança adequadas

- Limpeza antes da desmontagem,
- Providenciar uma ventilação local com filtragem, na qual o aspirador seja montado,
- Limpeza da zona de manutenção e
- equipamento de protecção pessoal adequado.

Medidas de segurança em aspiradores das classes H e M

O exterior do aspirador deve ser limpo por procedimentos de aspiração do pó e lavado ou tratado com meios de vedação, antes de ser removido da zona perigosa. Todas as peças do aspirador têm de ser consideradas limpas, quando forem removidas da zona perigosa, e as acções adequadas têm de ser executadas, de forma a evitar a dispersão do pó.

Objectos não limpos

Durante a execução de trabalhos de manutenção ou de reparação, todos os objectos contaminados, que não possam ser limpos de forma satisfatória, têm de ser eliminados. Esses objectos têm de ser eliminados em sacos impermeáveis em conformidade com os regulamentos válidos relativos à eliminação de tais resíduos.

11.1 Testar a eficácia do aspirador

Pelo menos uma vez por ano, o fabricante ou uma pessoa com formação para tal deve realizar uma inspeção técnica, incluindo filtros, impermeabilidade de ar do aspirador e mecanismos de controlo.

Além disso, a eficácia dos aspiradores com classe de pó H e H-amianto deve ser verificada pelo menos uma vez por ano ou com mais frequência. O método de teste, que pode ser usado para demonstrar a eficácia do dispositivo, está definido em EN 60335-2-69 AA.22.201.2. Se não passar o teste, deve ser repetido com um novo filtro principal.

Tem de existir uma *taxa de renovação do ar L* suficiente no local, quando o ar extraído retornar ao local. Outras indicações podem ser consultadas nos seus regulamentos nacionais.

Se a potência de aspiração do aspirador diminuir e aumentar também a sujidade das cassetes dos filtros plissados e a potência de aspiração deixar de aumentar (supondo que o recipiente está vazio e o saco de filtro de lã para filtragem foi trocado), é necessário trocar as cassetes dos filtros plissados (consultar secção "8.1 Mudar os cassetes de filtro dobrados" na página 105).

12 Limpeza

NOTA

Ácidos, acetona e solventes podem danificar partes do aspirador.

- ▶ Limpe o recipiente e os acessórios com água.
- ▶ Limpe a secção superior com um pano húmido.
- ▶ Deixe o recipiente e os acessórios secar.

13 Reparação

⚠ AVISO!

Aspiradores não reparados correctamente podem colocar o utilizador em perigo.

- ▶ As reparações só devem ser executadas por técnicos, por exemplo, do serviço de apoio ao cliente. Utilizar apenas peças sobressalentes originais.

14 Resolução de problemas e reparação

NOTA

As avarias podem não ser sempre causadas por defeitos no aspirador.

Falha	Causa	Solução
A potência de sucção diminui	Filtro sujo	Limpar
	Saco de filtro cheio	Mudar
	Recipiente cheio	Esvaziar
	Filtro de proteção do motor bloqueado	Limpar
	Bocal, tubo ou mangueira bloqueados	Limpar
O aspirador não arranca	A ficha de corrente elétrica não está na tomada	Conecte a ficha de corrente elétrica à tomada
	Sem tensão de corrente elétrica	Verifique o fusível
	Cabo de conexão de corrente elétrica defeituoso	Substituir
	Tampa não fechada corretamente	Fechar
	Sensor de água desligado	Recipiente vazio
	O aspirador está no modo de espera >A< ou >RA<	Coloque o interruptor em >I< (consulte "3 Elementos de exibição e controlo" na página 102)
O aspirador não arranca quando a ferramenta está ativada no modo >A< ou >RA<	Ferramenta elétrica não conectada à tomada do aspirador	Conecte a ficha de corrente elétrica à tomada do aspirador
	Válvula solenóide da unidade ligar-desligar pneumática* contaminada	Enxaguar com álcool
O saco de esvaziamento e descarte de PE é sugado contra o filtro	Posição incorreta do controlo deslizante rotativo	Coloque o controlo deslizante rotativo na posição OPEN (ABRIR) ▲ (consulte "7.4 Insira o saco de esvaziamento e descarte de PE*" na página 105)
Aspirador com classes de pós M ou H: com saco de filtro inserido, o pó está a acumular-se no recipiente	Posição incorreta do controlo deslizante rotativo	Coloque o controlo deslizante rotativo na posição CLOSE (FECHAR) ▲ (consulte "7.3 Insira um saco de filtro de lâ" na página 105)

Não tente mais nada, entre em contacto com os serviços de apoio ao cliente.

* dependendo da variante do equipamento

15 Dados Técnicos

Tipo: IS		ISC L/M/H-1425 (ISC L/M/H-1450)
Tensão	V	220-240
Frequência	Hz	50/60
Potência nominal	W	1200
Potência máx.	W	1400
Corrente de ar*	l/s (m³/h)	73 (263)
Subpressão*	hPa/MG	270
Corrente de ar**	l/s (m³/h)	42 (151)
Subpressão**	hPa/SE	235
Pressão sonora	dB(A)	69
Peso	kg	12,1 / 17,1
Dimensões c x l x a	cm	45 x 39 x 49 / 59,5 x 46,5 x 96

* no ventilador

** na mangueira

Potência máx. em aspiradores com tomada: 2000 W (220-240V~)

Cabo de conexão de corrente elétrica em aspiradores para a classe de pó L com tomada: H05RR-F 3G1,5

Cabo de conexão de corrente elétrica em aspiradores para a classe de pó M, H e amianto H com tomada: H07RN-F 3G1,5

16 Testes e aprovações

As verificações electrotécnicas devem ser executadas em conformidade com as prescrições do regulamento da prevenção de acidentes (na Alemanha DGUV V3) e com a norma DIN VDE 0701 Parte 1 e Parte 3. Estas verificações são necessárias em conformidade com a norma DIN VDE 0702 em intervalos regulares e após a reparação ou alteração.

Os aspiradores foram verificados com sucesso em conformidade com a IEC/EN 60335-2-69.

NOTA

Os aparelhos em final de vida contém materiais valiosos, adequados à reciclagem. **Não colocar o aspirador no lixo doméstico normal.** Eliminá-lo em locais de recolha adequados, por exemplo, nos ecocentros municipais.



17 Declaração UE de conformidade

A Husqvarna AB, SE 561 82 Huskvarna, SWEDEN, Tel. +46 36 146500 declara, sob sua inteira responsabilidade, que o produto:

Descrição	Extrator de poeiras
Marca	HUSQVARNA
Tipo/Modelo	S 11
Identificação	Números de série referentes a 2022 e posteriores

está em plena conformidade com as seguintes diretivas e regulamentos da UE:

Diretiva/Regulamento	Descrição
2006/42/CE 2014/30/UE 2011/65/UE	"relativa a máquinas" "relativa à compatibilidade eletromagnética" "relativa à restrição de substâncias perigosas"

e que as seguintes normas e/ou especificações técnicas são aplicadas;

EN ISO 12100:2010

EN 55014-1:2017

EN 55014-2:2015

EN 61000-3-2:2014

EN 61000-3-3:2013

EN 60335-2-69:2012

EN IEC 63000:2018





Partille, 2022-10-12



Martin Huber

Diretor de I&D, Superfícies e pavimentos de betão
Husqvarna AB, divisão de Construção
Responsável pela documentação técnica

1 Spiegazione dei simboli e dei segnali utilizzati

Simbolo / Parola di segnalazione	Descrizione
	Questo è un simbolo di avvertimento. Avverte della presenza di potenziali rischi di lesione. Seguire tutte le istruzioni contrassegnate da questa icona per evitare il rischio di lesioni o morte. Il simbolo di avvertimento compare sempre in combinazione con le parole di segnalazione PERICOLO, AVVERTENZA e PRUDENZA .
PERICOLO!	Indica un pericolo con elevato grado di rischio, che può provocare lesioni gravi o morte se non evitato.
AVVERTENZA!	Indica un pericolo con grado di rischio medio, che può portare alla morte o a gravi lesioni se non viene evitato.
PRUDENZA!	Indica un pericolo con ridotto grado di rischio, che può provocare lesioni lievi o gravi se non evitato.
NOTA	Indica un rischio di danneggiare materiali se non viene evitato.
	Indica una condizione che deve essere soddisfatta prima di eseguire un'operazione.
	Indicano dei passaggi che l'utente deve eseguire in sequenza.
	Indica il risultato di un'azione.

2 Informazioni importanti sulla sicurezza

AVVERTENZA!

Pericolo di soffocamento! Non consentire ai bambini di giocare con il materiale d'imballaggio, per es. sacchetti di plastica.

Non salire e non sedersi sull'aspiratore.

Pericolo di caduta da altezza quando si lavora su scale. Fare attenzione a stare in piedi in modo sicuro.

Non fare passare, piegare o incastrare il cavo di alimentazione e il tubo flessibile di aspirazione su spigoli taglienti.

Posizionare sempre il cavo di alimentazione e il tubo flessibile di aspirazione in modo che nessuno possa inciampare.

In caso di fuoriuscita di schiuma o di liquidi spegnere immediatamente l'aspiratore.

Mantenere sempre asciutto l'interno del coperchio.

Non utilizzare l'aspiratore, compresi gli accessori, nei seguenti casi:

- Il cavo di collegamento della rete elettrica o il cavo di prolunga sono difettosi o presentano incrinature
- Ci sono danni visibili sull'aspiratore, per es. incrinature nell'alloggiamento
- Se si sospetta un difetto invisibile, per es. dopo una caduta

PERICOLO!

Pericolo di esplosione e d'incendio! Non mettere in funzione l'aspiratore in un ambiente potenzialmente a rischio di esplosioni.

Tenere l'aspiratore lontano da gas e sostanze infiammabili.

⚠ PERICOLO!

Pericolo di esplosione e d'incendio! Non utilizzare l'aspiratore per aspirare i materiali seguenti:

- solventi infiammabili o esplosivi
- materiali imbevuti di solventi
- polveri potenzialmente esplosive
- liquidi quali benzina, olio, alcol, diluenti
- materiali più caldi di 60 °C

⚠ AVVERTENZA!

Un apparecchio non riparato a regola d'arte rappresenta un pericolo per l'utilizzatore. Per riparazioni rivolgersi esclusivamente a personale specializzato, come ad es. al servizio di assistenza. Utilizzare solo pezzi di ricambio originali.

⚠ AVVERTENZA!

Utilizzare la presa sull'aspiratore solo per gli impieghi previsti nelle istruzioni d'uso.

In caso di uso non conforme alla destinazione di utilizzo, di utilizzo non appropriato oppure di riparazione non a regola d'arte, non viene assunta alcuna responsabilità per eventuali danni conseguenti.

Non utilizzare prolunghe danneggiate.

Se il cavo di alimentazione dell'aspiratore viene danneggiato, occorre sostituirlo con un'altro, disponibile presso il produttore o il servizio di assistenza.

Per le spazzole elettriche, evitare il contatto tra le spazzole rotanti e il cavo di rete.

La tensione indicata sulla targhetta deve corrispondere alla tensione di rete.

Dopo l'uso e prima di procedere a qualsiasi intervento spegnere l'aspiratore e staccare la spina.

Non staccare la spina tirando direttamente il cavo di alimentazione.

Non inserire mai o togliere la spina con le mani bagnate.

L'erogazione di energia deve essere garantita tramite un dispositivo di sicurezza con intensità di corrente adeguata.

In caso di pioggia o temporale non aprire mai l'aspiratore se all'aperto.

Asciugare l'aspiratore e conservarlo in ambienti chiusi al riparo dal gelo.

⚠ AVVERTENZA!

Le macchine per la rimozione della polvere sono testate in base alla norma DIN EN 60335-2-69 e suddivise in classi di polvere.

Gli aspiratori della classe di aspirazione **L** sono adatti per l'aspirazione di polveri asciutte, non infiammabili e nocive alla salute aventi valori limiti di esposizione $> 1 \text{ mg/m}^3$.

Gli aspiratori di classe **M** sono adatti all'aspirazione/assorbimento di polveri asciutte non infiammabili, liquidi non infiammabili, polvere di legno e polveri nocive con AGW pari a $\geq 0,1 \text{ mg/m}^3$.

Gli aspiratori di classe **H** sono adatti all'aspirazione/assorbimento di polveri asciutte non infiammabili, particelle patogeno e cancerogene, nonché liquidi non infiammabili, polvere di legno e polveri nocive con AGW pari a $< 0,1 \text{ mg/m}^3$.

⚠ AVVERTENZA!

Gli aspiratori per polveri di classe **H-amiante** sono adatti per l'aspirazione e l'estrazione di polveri contenenti amianto. Osservare la normativa nazionale per il funzionamento e la manutenzione di attrezzi per la rimozione dell'amianto.

⚠ AVVERTENZA!

Questa macchina non deve essere utilizzata da persone (ivi compresi bambini) con capacità fisiche, sensoriali o psichiche limitate o che non abbiano esperienza e conoscenza adeguate.

I bambini devono essere sorvegliati affinché non giochino con l'apparecchio.

Non puntare la bocchetta di aspirazione, il flessibile o il tubo su persone o animali.

⚠ AVVERTENZA!

Utilizzare esclusivamente le spazzole in dotazione con l'aspiratore o quelle specificate nelle istruzioni per l'uso.

L'utilizzo di altre spazzole può compromettere la sicurezza.

Quando viene utilizzato nelle aziende di trasformazione degli alimenti: pulire l'aspiratore immediatamente dopo l'uso e disinfettarlo per evitare contaminazioni microbiche.

Non utilizzare apparecchi di pulitura a getti di vapore o ad alta pressione per la pulizia.

Azionare l'aspiratore soltanto sotto supervisione.

Scollegare l'aspiratore dalla rete di alimentazione elettrica in caso di un'interruzione più lunga del lavoro.

Non pulire le cartucce del filtro con aria compressa.

Leggere il manuale di istruzioni attentamente prima di iniziare a utilizzare l'aspiratore. Il manuale di istruzioni fornisce importanti istruzioni riguardo a sicurezza, messa in servizio, funzionamento, manutenzione e cura. Tenere il manuale d'istruzioni in un luogo sicuro e, in caso di vendita dell'unità, consegnarlo al successivo proprietario.

Il produttore si riserva il diritto di apportare eventuali modifiche di progettazione e dotazione.

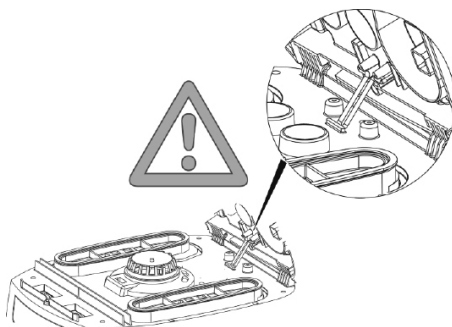
Come descritto in queste istruzioni d'uso, non è consentito eseguire altri interventi.

Questa macchina è destinata all'uso commerciale, ad esempio in hotel, scuole, ospedali, fabbriche, negozi, uffici e per il noleggio.

Disimballare l'apparecchio e verificare la completezza dei componenti ed eventuali danni di trasporto.



Prima dell'utilizzo fornire agli utilizzatori informazioni, istruzioni e un'eventuale formazione sull'utilizzo dell'aspiratore e delle

sostanze da impiegare, compreso il metodo sicuro di rimozione del materiale raccolto.



3 Display ed elementi di controllo

Posizione dell'interruttore	Funzione	Descrizione
0	Aspiratore disinserito	- Presa sotto tensione
I	Aspiratore in funzione	- Presa sotto tensione - Funzione di vibrazione automatica OFF
A	Stand-by per la modalità automatica di acceso/spento	- Presa sotto tensione - L'aspiratore viene acceso/spento mediante l'elettrointensile ad aria compressa* collegato alla presa.
RA	Stand-by per la modalità automatica di acceso/spento	- Stand-by come >A< plus Pulizia filtro automatica.
	Funzione di pulizia automatica del filtro	- Tale pulizia filtro avviene automaticamente alla prossima interruzione, al raggiungimento del flusso di volume minimo impostato (posizione dell'interruttore RA).
	Indicatore del livello di riempimento*	- L'indicatore del livello di riempimento si accende quando il serbatoio è pieno e/o il tubo flessibile di aspirazione è ostruito. Su aspiratori per polveri di classe M e H, viene emesso anche un segnale acustico

Posizione dell'interruttore	Funzione	Descrizione
	Impostazione del diametro del tubo flessibile di aspirazione *	- Su aspiratori di classe M-/H-/H-amianto per il monitoraggio del flusso di volume, per attivare un segnale di avvertenza acustico se la velocità dell'aria scende al di sotto di 20 m/s
	Impostazione della velocità del motore*	- Regolare la potenza di aspirazione con il controllo della velocità

4 Messa in servizio

4.1 Prima di ogni utilizzo

Assicurarsi che siano soddisfatte le seguenti condizioni:

- △ Aspiratore, cavo di alimentazione, tubo flessibile di aspirazione e accessori non sono danneggiati.
- △ Tutti i filtri sono stati inseriti e non sono danneggiati.

4.2 Accensione e spegnimento

La presa elettrica sull'aspiratore rimane sempre sotto tensione, indipendentemente dalla posizione dell'interruttore principale.

△ AVVERTENZA!

Pericolo di lesioni a causa dell'avvio automatico dell'attrezzo elettrico!

- ▶ Spegnerne l'alimentazione dell'utensile elettrico o di quello pneumatico prima di collegare all'aspiratore.

NOTA

Posizionando l'interruttore su >0< la presa sull'aspiratore può essere utilizzata come prolunga.

△ **Valore di collegamento:** aspiratore + apparecchio collegato (max.2000 W) max. 16 A.

4.2.2 Accensione dell'aspiratore

Per le funzioni, vedere "3 Display ed elementi di controllo" a pagina 112.

- ▶ Inserire la spina nella presa elettrica.
- ▶ Impostare l'interruttore sulla posizione >I<.
 - ↳ L'aspiratore si avvia immediatamente.
- o:
- ▶ Impostare l'interruttore sulla posizione >A< o >RA<.
 - ↳ L'aspiratore è in modalità standby per gli utensili elettrici.

4.2.3 Impostazione del diametro del tubo flessibile di aspirazione*

- ▶ Impostare il diametro del tubo flessibile di aspirazione con l'interruttore.

△ PRUDENZA!

Interruttore di selezione per il segnale di flusso del volume minimo dell'aria (segnale acustico e spia) su aspiratori per polveri di classe "M" e "H"

In modalità >RA< e >I< viene effettuata l'impostazione seguente, in base al diametro del tubo flessibile:

Interruttore di selezione per il diametro interno tubo flessibile di aspirazione	Flusso volume d'aria
∅ 35 mm	70 l/s
∅ 27 mm	41 l/s
∅ 21 mm	25 l/s

La velocità può essere regolata individualmente dopo aver impostato il diametro del tubo flessibile.

4.2.4 Regolazione della potenza di aspirazione*

- ▶ Regolare la velocità del motore tramite l'interruttore.
 - o
- ▶ Impostare la serranda dell'aria ausiliaria sull'impugnatura tubolare.

4.2.5 Spegnimento dell'aspiratore

- ▶ Impostare l'interruttore sulla posizione >0<.
 - ↳ L'aspiratore è spento.
- ▶ Dopo lo spegnimento, estrarre la spina dalla presa.
- ▶ Arrotolare il cavo di collegamento alla rete elettrica.
- ▶ Riporre il cavo di collegamento alla rete elettrica sul gancio del cavo.
- ▶ Riporre il tubo di aspirazione inserendolo nel supporto accessori* sulla parete posteriore del contenitore.
- ▶ Mettere insieme le estremità del tubo flessibile di aspirazione in modo che non fuoriesca alcuna particella di sporco.
- ▶ Rimuovere l'utensile elettrico.

* a seconda della variante dell'apparecchiatura

5 Tipi di funzionamento

5.1 Aspirazione di solidi

- ▶ Solo con filtro asciutto; l'aspiratore e gli accessori aspirano in modo che la polvere non rimanga attaccata o si incrosta.
- ▶ Quando si aspirano fuliggine, cemento, intonaco o polveri simili: inserire un sacchetto di smaltimento PE nel contenitore dello sporco.
- ▶ Utilizzare sempre sacchetti di smaltimento in combinazione con le cartucce del filtro a pieghe.

NOTA

Aspiratori di classe M, H e H amianto devono essere utilizzati preferibilmente per aspirare solidi.

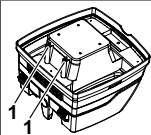
5.2 Aspirazione di liquidi

⚠ AVVERTENZA!

Pericolo di scosse elettriche!

- ▶ In caso di fuoriuscita di schiuma o di liquidi spegnere immediatamente l'aspiratore.
- ▶ Svuotare il serbatoio ed eventualmente la cartuccia filtro a pieghe.

NOTA



Pulire regolarmente i sensori del livello dell'acqua (1) e controllare eventuali segni di danneggiamento.

- ▶ Aspirare senza sacchetto del filtro in pile. Gli scomparti per filtri piegati sono adatti per l'aspirazione a umido. Il sensore interno spegne il motore in caso di contenitore pieno. L'uso dell'aspiratore può essere pregiudicato in caso di contenitore pieno.
- ▶ Svuotare il contenitore (vedere "7 Svuotamento del contenitore" a pagina 115).

NOTA

Se l'aspiratore è spento, la protezione anti-riavviamento continua ad essere attiva. Solo dopo lo spegnimento e la riaccensione l'aspiratore è di nuovo pronto per l'uso.

- ▶ Prima di svuotare, estrarre innanzitutto il tubo flessibile di aspirazione dai liquidi.
- ▶ Ad una potenza di aspirazione elevata e con una forma aerodinamica del serbatoio, dopo lo spegnimento può riuffire un po' d'acqua dal tubo.
- ▶ Per la successiva aspirazione di solidi, utilizzare filtri asciutti.

NOTA

Se si alterna spesso tra aspirazione di solidi e di liquidi si raccomanda l'utilizzo di un filtro sostitutivo, preferibilmente una cartuccia filtro a pieghe in poliestere.

5.3 Aspirazione di sostanze contenenti amianto

Per l'aspirazione di sostanze contenenti amianto possono essere utilizzati solo aspiratori per polveri di classe H-amianto.

- ▶ Solo lavorando con un filtro a secco, l'aspiratore e gli accessori evitano che la polvere si attacchi e si incrosta.
- ▶ Per l'aspirazione di sostanze contenenti amianto: inserire il sacchetto di svuotamento PE o un sacchetto filtro in pile nel contenitore dello sporco.
- ▶ Utilizzare sempre sacchetti filtro in combinazione con le cartucce del filtro a pieghe.

NOTA

Gli aspiratori di classe H-amianto devono essere preferibilmente utilizzati come aspiratori per polveri secche.

⚠ AVVERTENZA!

Pericolo per la salute!

Fibre di amianto nell'aria.

- ▶ Fornire all'area di lavoro una quantità sufficiente di aria esterna (aria fresca).
- ▶ Guidare o pulire l'aria estratta in modo tale che le fibre di amianto non arrivino nell'aria respirata da altre persone.
- ▶ Quando si filtra l'aria estratta, trasportare la polvere in contenitori a tenuta di polvere.
- ▶ Non far decantare la polvere.

Se esiste una possibilità che le fibre di amianto si disperdano:

- ▶ assorbire le fibre di amianto all'uscita o al punto di origine.
- ▶ Quindi smaltire le fibre di amianto in conformità con le tecniche più aggiornate senza rischi per le persone o per l'ambiente.

Se l'assorbimento completo delle fibre di amianto non è possibile:

- ▶ adottare misure aggiuntive di ventilazione in conformità con le tecnologie più avanzate.

Al termine del lavoro:

- ▶ pulire con cura gli utensili, compresi i tubi di aspirazione e le attrezzature di lavoro.
- ▶ Pulire accuratamente l'area di lavoro.
- ▶ Inumidire e rimuovere correttamente gli oggetti contaminati da fibre di amianto che non possono essere puliti.

Dopo la pulizia:

- ▶ ventilare l'area di lavoro a sufficienza.

6 Pulizia del filtro permanente

L'aspiratore è dotato di un sistema elettromagnetico di pulizia filtro, che può essere utilizzato per eliminare qualsiasi tipo di polvere attaccata alle cartucce del filtro.

Tale pulizia filtro avviene automaticamente alla prossima interruzione, al raggiungimento del flusso di volume minimo impostato (posizione dell'interruttore RA).

7 Svuotamento del contenitore

NOTA

Ammesso solo in presenza di polveri con AGW > 1 mg/m³.

- ▶ Spegner l'aspiratore, staccare la spina.
- ▶ Aprire le chiusure.
- ▶ Rimuovere il coperchio e il tubo flessibile di aspirazione dal serbatoio.
- ▶ Inclinare il serbatoio.

7.1 Smaltire il sacchetto del filtro in pile

- ▶ Spegner l'aspiratore.
- ▶ Scollegare la spina di alimentazione.
- ▶ Indossare una maschera respiratoria adeguata.
- ▶ Rimuovere il tubo flessibile di aspirazione.
- ▶ Chiudere la presa di aspirazione con il tappo.
- ▶ Aprire i fermi laterali.
- ▶ Rimuovere la sezione superiore.
- ▶ Tirare con cautela la flangia dalla presa di aspirazione e chiudere la flangia.
- ▶ Smaltire il materiale raccolto in conformità ai requisiti legali.

7.2 Smaltire il sacchetto di svuotamento e smaltimento PE

- ▶ Impostare l'interruttore sulla posizione >RA<.
 - ↳ Le cartucce filtro a pieghe vengono pulite automaticamente.
 - ↳ La polvere residua nei filtri cade nel sacchetto.
- ▶ Spegner l'aspiratore.
- ▶ Scollegare la spina di alimentazione.
- ▶ Indossare una maschera respiratoria adeguata.
- ▶ Rimuovere il tubo flessibile di aspirazione.
- ▶ Chiudere la presa di aspirazione con il tappo.
- ▶ Aprire i fermi laterali.
- ▶ Rimuovere la sezione superiore.
- ▶ Chiudere con cautela il sacchetto di svuotamento e smaltimento PE con il nastro di chiusura.
- ▶ Tirare con cautela e chiudere la flangia del bocchettone di aspirazione
- ▶ Estrarre il sacchetto di svuotamento e smaltimento PE con cautela dal serbatoio
- ▶ Smaltire il materiale aspirato secondo le disposizioni di legge.

7.3 Inserire il sacchetto filtro in pile

NOTA

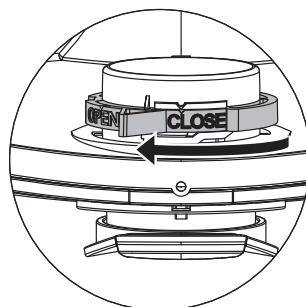
Utilizzare solo sacchetti filtro in pile per l'aspirazione a secco.

- ▶ Far scorrere completamente la flangia sopra la presa di aspirazione.

NOTA

Azionamento del cursore rotante

- ▶ Ruotare il cursore rotante rosso presente all'interno per posizionare CLOSE (CHIUSO) all'arresto sul contrassegno ▲.



7.4 Inserire il sacchetto di svuotamento e smaltimento PE*

NOTA

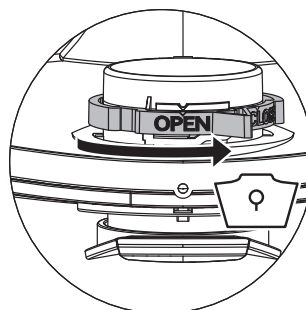
Solo l'aspiratore di classe **M** e **H** con serbatoio speciale e valvola a maschio nell'apertura di aspirazione dei modelli IS/ISC ARM, IS/ISC ARH e IS/ISC ARH-ASBEST sono adatti all'utilizzo di sacchetti PE per svuotamento e smaltimento.

NOTA

Azionamento del cursore rotante

- ▶ Ruotare il cursore rotante rosso presente all'interno per posizionare OPEN (APERTO) all'arresto sul contrassegno ▲.

- ▶ Far scorrere completamente la flangia sopra la presa di aspirazione.
- ▶ Posizionare l'apertura superiore del sacchetto sopra il bordo del contenitore.



8 Sostituzione del filtro

8.1 Sostituzione delle cartucce filtro a pieghe

- ▶ Pulire le cartucce del filtro prima di sostituirle.

* a seconda della variante dell'apparecchiatura

- ▶ Ruotare il blocco sul fermo di 90° in senso antiorario con una moneta o un oggetto simile e spingere il fermo verso la parte posteriore.
- ▶ Aprire la copertura
- ▶ Chiudere immediatamente le cartucce filtro estratte in un sacchetto di plastica resistente alla polvere e smaltire secondo le disposizioni vigenti.
- ▶ Inserire nuove cartucce filtro a pieghe.
- ▶ Sollevare la staffa di bloccaggio, abbassare la copertura e bloccare mediante una leggera pressione.

9 Sostituzione del filtro di protezione motore

NOTA

Se il filtro di protezione motore dovesse essere sporco, è una chiara indicazione di una cartuccia filtro difettosa.

- ▶ Sostituire le cartucce filtro a pieghe.
- ▶ Sostituire il filtro di protezione del motore o sciacquarlo sotto acqua corrente, asciugarlo e riposizionarlo.

10 Trasporto

- ▶ Rimuovere il tubo flessibile di aspirazione.
- ▶ Chiudere la presa di aspirazione con il tappo.
- ▶ Posizionare la sezione superiore sul contenitore.
- ▶ Chiudere i fermi laterali.
- ▶ Inserire gli accessori in un sacchetto di plastica adeguato, chiudere il sacchetto e riporlo nel porta utensili.
- ▶ Collegare le due estremità del tubo flessibile di aspirazione.
- ▶ Posizionare il tubo intorno all'aspiratore e stringere sull'impugnatura.

11 Manutenzione

NOTA

Prima di procedere a qualsiasi intervento spegnere l'aspiratore e staccare la spina.

Per la manutenzione da parte dell'utilizzatore l'aspiratore

- deve essere smontato,
- pulito e
- sottoposto a manutenzione,

nella misura in cui è fattibile, senza provocare un pericolo per il personale di manutenzione o terzi.

Misure precauzionali

Misure precauzionali adeguate prevedono

- pulizia prima dello smontaggio,
- attenzione per lo sfiato forzato filtrato, in cui viene smontato l'aspiratore,
- pulizia della zona di manutenzione e

- equipaggiamento di protezione personale adeguato.

Misure precauzionali per aspiratori di classe H e M

L'esterno dell'aspiratore deve essere pulito con aspirazione della polvere ed asciugato perfettamente o trattato con sigillante prima di essere portato fuori da una zona pericolosa. Tutte le parti dell'apparecchio devono essere considerate sporche quando tolte dalla zona pericolosa, e devono essere eseguite azioni appropriate per prevenire la dispersione della polvere.

Elementi sporchi

Durante le operazioni di manutenzione o riparazione tutti gli elementi sporchi che non possono essere puliti bene devono essere eliminati. Tali elementi devono essere smaltiti in sacchetti a tenuta conformemente ai regolamenti vigenti in accordo con le disposizioni locali per lo smaltimento di tali materiali.

11.1 Testare l'efficacia dell'aspiratore

Almeno una volta all'anno, il produttore o una persona addestrata deve eseguire un controllo tecnico che comprenda i filtri, la tenuta d'aria dell'aspiratore e i meccanismi di controllo.

Inoltre, l'efficacia degli aspiratori per polveri di classe H e H-amianto deve essere controllata almeno una volta all'anno o più frequentemente. Il metodo di prova, che può essere utilizzato per dimostrare l'efficacia del dispositivo, è definito nella norma EN 60335-2-69 AA.22.201.2. Se la prova non viene superata, dovrà essere ripetuta con un nuovo filtro principale.

L'ambiente deve presentare un tasso di riciclo di aria *L* sufficiente, qualora l'aria aspirata torni nell'ambiente stesso. Per ulteriori informazioni consultare le disposizioni nazionali.

Se pur aumentando la pulizia delle cartucce filtro a pieghe la potenza dell'aspiratore diminuisce (presupponendo che il serbatoio sia vuoto e sia stato sostituito il sacchetto del filtro in pile), sostituire le cartucce filtro di carta (vedere „8.1 Sostituzione delle cartucce filtro a pieghe“).

12 Pulizia

NOTA

Acidi, acetone e solventi possono danneggiare i componenti dell'aspiratore.

- ▶ Pulire il contenitore e gli accessori con acqua.
- ▶ Pulire la sezione superiore con un panno umido.
- ▶ Lasciare asciugare il contenitore e gli accessori.

13 Riparazione

⚠ AVVERTENZA!

Un aspiratore non riparato a regola d'arte rappresenta un pericolo per l'utilizzatore.

- Per riparazioni rivolgersi esclusivamente a personale specializzato, ad e s. al servizio di assistenza. Utilizzare solo pezzi di ricambio originali.

14 Risoluzione dei problemi e riparazione

NOTA

I malfunzionamenti non possono sempre essere riconducibili a difetti dell'aspiratore.

Problema	Causa	Rimedio
La potenza di aspirazione diminuisce	Filtro sporco	Pulire
	Sacchetto del filtro pieno	Sostituire
	Contenitore pieno	Svuotare
	Filtro di protezione motore bloccato	Pulire
	Ugello, tubo o tubo flessibile bloccato	Pulire
L'aspiratore non si avvia	La spina elettrica non è inserita nella presa	Inserire la spina elettrica nella presa
	Nessuna tensione di alimentazione	Controllare il fusibile
	Cavo di collegamento della rete elettrica difettoso	Sostituire
	Coperchio non correttamente chiuso	Chiudere
	Sensore dell'acqua spento	Svuotare il contenitore
L'aspiratore non si avvia quando l'utensile viene acceso in modalità >A< o >RA<	Aspiratore in modalità standby >A< o >RA<	Impostare l'interruttore su >I< (vedere "3 Display ed elementi di controllo" a pagina 112)
	Utensile elettrico non inserito nella presa dell'aspiratore	Inserire la spina della rete elettrica nella presa dell'aspiratore
Il sacchetto di svuotamento e smaltimento PE viene aspirato contro il filtro	Electrovalvola di accensione-spegnimento dell'unità pneumatica* contaminata	Sciacquare con alcol
	Posizione errata del cursore rotante	Impostare il cursore rotante sulla posizione OPEN ▲ (vedere "7.4 Inserire il sacchetto di svuotamento e smaltimento PE*" a pagina 115)
Aspiratore per polveri di classe M o H: con il sacchetto filtro inserito, la polvere si accumula nel contenitore	Posizione errata del cursore rotante	Impostare il cursore rotante sulla posizione CLOSE ▲ (vedere "7.3 Inserire il sacchetto filtro in pile" a pagina 115)

Non eseguire qualsiasi altra operazione, contattare l'assistenza tecnica.

* a seconda della variante dell'apparecchiatura

15 Dati tecnici

Tipo: IS		ISC L/M/H-1425 (ISC L/M/H-1450)
Tensione	V	220-240
Frequenza	Hz	50/60
Potenza nominale	W	1200
Potenza max.	W	1400
Flusso aria*	l/s (m³/h)	73 (263)
Depressione*	hPa/MG	270
Flusso aria**	l/s (m³/h)	42 (151)
Depressione**	hPa/SE	235
Pressione acustica	dB(A)	69
Peso	kg	12,1 / 17,1
Dimensioni l x l x a	cm	45 x 39 x 49 / 59,5 x 46,5 x 96

* al ventilatore ** al tubo flessibile Potenza max. su aspiratori con presa elettrica: 2000 W (220-240V~)

Cavo di collegamento alla rete elettrica su aspiratori per polveri di classe L con presa elettrica: H05RR-F 3G1,5

Cavo di collegamento alla rete elettrica su aspiratori per polveri di classe M, H e H asbesto con presa elettrica: H07RN-F 3G1,5

16 Prove e approvazioni

Eseguire verifiche elettroniche secondo le disposizioni in materia di tutela dell'ambiente (DGUV V3) e secondo la norma DIN VDE 0701 parte 1 e parte 3. In conformità alla norma DIN VDE 0702 queste verifiche sono necessarie a intervalli regolari dopo un'eventuale modifica o riparazione.

Gli aspiratori sono controllati correttamente secondo la direttiva IEC/EN 60335-2-69.

NOTA

Apparecchi obsoleti contengono materiali preziosi adatti alla rigenerazione. **Non smaltire l'aspiratore insieme ai rifiuti normali**, ma usufruire di sistemi di smaltimento adeguati, come ad es. il punto di smaltimento comunale.



17 Dichiarazione di conformità UE

Noi, Husqvarna AB, SE 561 82 Huskvarna, SVEZIA, Tel. +46 36 146500 dichiariamo sotto la nostra esclusiva responsabilità che il prodotto:

Descrizione	Estrattore di polvere
Marchio	HUSQVARNA
Tipo / Modello	S 11
Identificazione	Numeri di serie a partire dal 2022

è pienamente conforme alle seguenti norme e direttive UE:

Direttiva/norma	Descrizione
2006/42/CE 2014/30/UE 2011/65/UE	"sulle macchine" "sulla compatibilità elettromagnetica" "sulla restrizione dell'uso di sostanze pericolose"

e che sono applicati gli standard e/o le specifiche tecniche seguenti:

EN ISO 12100:2010

EN 55014-1:2017

EN 55014-2:2015

EN 61000-3-2:2014

EN 61000-3-3:2013

EN 60335-2-69:2012

EN IEC 63000:2018

Partille, 2022-10-12







Martin Huber

R&D Director, Concrete Surfaces & Floors
Husqvarna AB, Construction Division
Responsabile della documentazione tecnica

Ελληνικά

1 Επεξήγηση συμβόλων και σημάνσεων που χρησιμοποιούνται

Symbol / Signalwort	Beschreibung
	Αυτό είναι ένα σύμβολο προειδοποίησης. Προειδοποιεί από πιθανό κίνδυνο τραυματισμού. Ακολουθήστε όλες τις οδηγίες, που επισημαίνονται με αυτό το σύμβολο, για την αποφυγή τραυματισμών ή θανάτου. Το σύμβολο προειδοποίησης εμφανίζεται πάντα σε συνδυασμό με τις λέξεις επισήμανσης ΚΙΝΔΥΝΟΣ , ΠΡΟΕΙΔΟΠΟΙΗΣΗ και ΠΡΟΣΟΧΗ .
ΚΙΝΔΥΝΟΣ!	Επισημαίνει έναν κίνδυνο με υψηλό βαθμό επικινδυνότητας, ο οποίος θα έχει ως συνέπεια τον θάνατο ή σοβαρούς τραυματισμούς, εάν δεν αποφευχθεί.
ΠΡΟΕΙΔΟΠΟΙΗΣΗ!	Επισημαίνει έναν κίνδυνο με μεσαίο βαθμό επικινδυνότητας, ο οποίος ενδέχεται να έχει ως συνέπεια τον θάνατο ή σοβαρούς τραυματισμούς, εφόσον δεν αποφευχθεί.
ΠΡΟΣΟΧΗ!	Επισημαίνει έναν κίνδυνο με μικρό βαθμό επικινδυνότητας, ο οποίος ενδέχεται να έχει ως συνέπεια ελαφρούς έως μέτριους τραυματισμούς, εφόσον δεν αποφευχθεί.
ΣΗΜΕΙΩΣΗ	Επισημαίνει συμβουλές ή υποδείξεις, οι οποίες ελαφρύνουν την εργασία σας και φροντίζουν για μια ασφαλές λειτουργία.
	Επισημαίνει την προϋπόθεση η οποία πρέπει να ικανοποιείται, πριν μπορέσει να εκτελεστεί μία ενέργεια.
	Επισημαίνει βήματα ενεργειών που πρέπει να εκτελέσει διαδοχικά ο χρήστης.
	Επισημαίνει το αποτέλεσμα μιας ενέργειας.

2 Σημαντικές πληροφορίες ως προς την ασφάλεια

ΠΡΟΕΙΔΟΠΟΙΗΣΗ!

Κίνδυνος ασφυξίας! Μην αφήνετε τα παιδιά να παίζουν με τα υλικά συσκευασίας, πχ. πλαστικές σακούλες. Μην ανεβαίνετε ή κάθεστε πάνω στην ηλεκτρική σκούπα.

Κίνδυνος πτώσης κατά την εργασία σε σκάλες. Προσέξτε ώστε να στέκεστε με ασφάλεια.

Μην τραβάτε το καλώδιο σύνδεσης και τον εύκαμπο σωλήνα αναρρόφησης από αιχμηρές γωνίες, μην τα κάμπτετε ή τα συνθλίβετε.

Τοποθετείτε το καλώδιο σύνδεσης και τον εύκαμπο σωλήνα αναρρόφησης πάντα με τέτοιο τρόπο, ώστε να μην υπάρχει κίνδυνος να σκοντάψει κάποιος πάνω τους.

Σε περίπτωση εκροής αφρού ή υγρού θέστε αμέσως τον αναρροφητήρα εκτός λειτουργίας.

Διατηρείτε πάντα το εσωτερικό του καλύμματος στεγνό.

Μη χρησιμοποιείτε την ηλεκτρική σκούπα, καθώς και τα αξεσουάρ, στις παρακάτω περιπτώσεις:

- Το καλώδιο παροχής ρεύματος ή το καλώδιο επέκτασης είναι ελαττωματικό ή παρουσιάζει ρωγμές
- Υπάρχει ορατή ζημιά στην ηλεκτρική σκούπα, πχ. ρωγμές στο περίβλημα
- Εάν υποπτεύεστε ένα αόρατο ελάττωμα, πχ. μετά από πτώση

ΚΙΝΔΥΝΟΣ!

Κίνδυνος έκρηξης και φωτιάς! Μη λειτουργείτε την ηλεκτρική σκούπα σε ένα δυνητικά εκρηκτικό περιβάλλον. Κρατήστε την ηλεκτρική σκούπα μακριά από εύφλεκτα αέρια και ουσίες.

⚠ ΚΙΝΔΥΝΟΣ!

Κίνδυνος έκρηξης και φωτιάς! Μην χρησιμοποιείτε την ηλεκτρική σκούπα για την αναρρόφηση των παρακάτω:

- εύφλεκτα ή εκρηκτικά διαλύματα
- υλικά εμποτισμένα σε διαλύματα
- δυνητικά εκρηκτικές σκόνης
- υγρά όπως βενζίνη, λάδι, αλκοόλ, αραιωτικά
- υλικά θερμότερα των 60 °C

⚠ ΠΡΟΕΙΔΟΠΟΙΗΣΗ!

Οι συσκευές που δεν έχουν επισκευαστεί από εξειδικευμένο προσωπικό είναι επικίνδυνες για το χρήστη. Οι επισκευές πρέπει να διεξάγονται μόνο από εξειδικευμένο προσωπικό, π.χ. την υπηρεσία εξυπηρέτησης πελατών. Χρησιμοποιείτε μόνο γνήσια ανταλλακτικά.

⚠ ΠΡΟΕΙΔΟΠΟΙΗΣΗ!

Χρησιμοποιείτε την υποδοχή ρεύματος του αναρροφητήρα μόνο για το σκοπό που προβλέπεται στις οδηγίες χρήσης.

Σε περίπτωση χρήσης διαφορετικής από την προβλεπόμενη, ακατάλληλου χειρισμού ή επισκευής από μη εξειδικευμένο προσωπικό ο κατασκευαστής δεν αναλαμβάνει καμία ευθύνη για ζημιές.

Μην χρησιμοποιείτε φθαρμένα καλώδια επέκτασης.

Σε περίπτωση που το καλώδιο σύνδεσης του αναρροφητήρα παρουσιάζει φθορές, πρέπει να αντικατασταθεί από ειδικό καλώδιο, το οποίο μπορείτε να προμηθευτείτε είτε από τον κατασκευαστή είτε από την εξουσιοδοτημένη υπηρεσία εξυπηρέτησης πελατών.

Εάν χρησιμοποιείτε τις περιστρεφόμενες ηλεκτρικές βούρτσες, μην επιτρέπεται να έρθουν σε επαφή με το καλώδιο σύνδεσης στο δίκτυο.

Η τάση που αναγράφεται στην πινακίδα τύπου πρέπει να συμφωνεί με την τάση δικτύου.

Μετά από κάθε χρήση και πριν από οποιαδήποτε εργασία συντήρησης πρέπει να θέτετε τον αναρροφητήρα εκτός λειτουργίας και να αποσυνδέετε το βύσμα.

Πρέπει να αποσυνδέετε το βύσμα ρεύματος τραβώντας από το ίδιο το βύσμα και όχι από το καλώδιο σύνδεσης.

Ποτέ μην συνδέετε ή αποσυνδέετε το βύσμα με βρεγμένα χέρια.

Η τροφοδοσία ρεύματος πρέπει προστατεύεται με ασφάλεια με κατάλληλη ένταση ρεύματος.

Μην ανοίγετε ποτέ τη συσκευή σε υπαίθριους χώρους σε περίπτωση βροχής ή καταιγίδας.

Φυλάξτε τη σκούπα σε στεγνό εσωτερικό χώρο προστατευμένη από παγετό.

⚠ ΠΡΟΕΙΔΟΠΟΙΗΣΗ!

Οι μηχανές αφαίρεσης σκόνης είναι δοκιμασμένες σύμφωνα με το DIN EN 60335-2-69 και χωρίζονται σε κατηγορίες σκόνης.

Οι ηλεκτρικές σκούπες της κατηγορίας **L** είναι κατάλληλες για την αναρρόφηση ξηρών, μη εύφλεκτων, επικίνδυνων για την υγεία σκονών με οριακές τιμές χώρου εργασίας > 1 mg/m³.

Οι αναρροφητήρες της κατηγορίας **M** είναι κατάλληλοι για την απορρόφηση/αναρρόφηση στεγνής, μη εύφλεκτης σκόνης, μη εύφλεκτων υγρών, ροκανιδίων και επικίνδυνης σκόνης με οριακή τιμή επαγγελματικής έκθεσης ≥ 0,1 mg/m³.

Οι αναρροφητήρες της κατηγορίας **H** είναι κατάλληλοι για την απορρόφηση/αναρρόφηση στεγνής, μη εύφλεκτης σκόνης, καρκινογόνων και παθογόνων σωματιδίων καθώς και μη εύφλεκτων υγρών, ροκανιδίων και επικίνδυνης για την υγεία σκόνης με οριακή τιμή επαγγελματικής έκθεσης < 0,1 mg/m³.

⚠ ΠΡΟΕΙΔΟΠΟΙΗΣΗ!

Οι ηλεκτρικές σκούπες κατηγορίας σκόνης **H-αμιάντου** είναι κατάλληλες για τη σκούπα και την εκχύλιση σκόνης που περιέχει αμιάντο. Τηρείτε τους εθνικούς κανονισμούς για τη λειτουργία και τη συντήρηση των εργαλείων αφαίρεσης αμιάντου.

⚠ ΠΡΟΕΙΔΟΠΟΙΗΣΗ!

Αυτή η συσκευή δεν επιτρέπεται να χρησιμοποιείται από άτομα (συμπεριλαμβανομένων παιδιών) με μειωμένες φυσικές, αισθητηριακές ή νοητικές ικανότητες, ή έλλειψη εμπειρίας και γνώσης.

Πρέπει να επιβλέπετε τα παιδιά για να βεβαιώσετε ότι δεν παίζουν με τη συσκευή.

Μην κατευθύνετε το ακροφύσιο, τον εύκαμπτο σωλήνα ή το σωλήνα σε ανθρώπους ή ζώα.

⚠ ΠΡΟΕΙΔΟΠΟΙΗΣΗ!

Χρησιμοποιείτε μόνο τις βούρτσες που παρέχονται μαζί με την ηλεκτρική σκούπα ή αυτές που υποδεικνύονται στις οδηγίες λειτουργίας.

Η χρήση άλλων βουρτσών μπορεί μετριάσει την ασφάλεια.

Όταν χρησιμοποιείται σε επιχειρήσεις επεξεργασίας τροφίμων: Καθαρίστε αμέσως την ηλεκτρική σκούπα αφού τη χρησιμοποιήσετε και απολυμάνετε τη για να αποφύγετε τη μικροβιακή μόλυνση.

Μην χρησιμοποιείτε εκτοξευτήρες ατμού ή συσκευές καθαρισμού υψηλής πίεσης για τον καθαρισμό της.

Χρησιμοποιείτε την ηλεκτρική σκούπα μόνο υπό επίβλεψη.

Αποσυνδέστε την ηλεκτρική σκούπα από την πρίζα σε περίπτωση μακράς διακοπής της εργασίας.

Μην καθαρίζετε τα φυσιγγία φίλτρου με συμπιεσμένο αέρα.

Διαβάστε το εγχειρίδιο λειτουργίας προσεκτικά προτού αρχίσετε να χρησιμοποιείτε την ηλεκτρική σκούπα. Το εγχειρίδιο λειτουργίας παρέχει σημαντικές οδηγίες για την ασφάλεια, την έναρξη λειτουργίας, τη λειτουργία, τη συντήρηση και τη φροντίδα. Φυλάξτε το εγχειρίδιο λειτουργίας σε ασφαλές μέρος και, σε περίπτωση που πωλήσετε τη συσκευή, δώστε το στον επόμενο ιδιοκτήτη.

Ο κατασκευαστής επιφυλάσσει για τροποποιήσεις στην κατασκευή και στον εξοπλισμό.

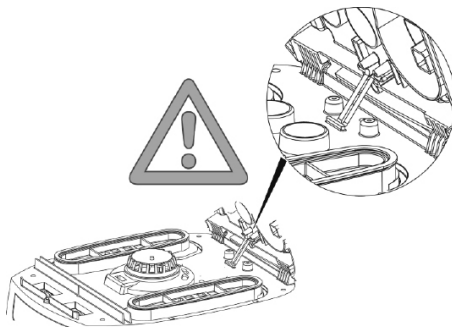
Απαγορεύεται να εκτελείτε εργασίες άλλου είδους εκτός από αυτές που αναφέρονται στις οδηγίες χρήσης.

Αυτή η συσκευή προβλέπεται για επαγγελματική χρήση, για παράδειγμα για χρήση σε ξενοδοχεία, σχολεία, νοσοκομεία, βιομηχανίες, καταστήματα, γραφεία και εταιρείες εκμίσθωσης.

Κατά τη αφαίρεση της συσκευασίας ελέγξτε τη συσκευή ως προς αρτιότητα της και ως προς την ύπαρξη φθορών που ενδεχομένως προκλήθηκαν κατά τη μεταφορά.



Πριν από τη χρήση οι χρήστες πρέπει να ενημερωθούν και να εκπαιδευτούν πάνω στη χρήση του αναρροφητήρα και των ουσιών

για τις οποίες μπορεί να χρησιμοποιηθεί. Επιπλέον πρέπει να ενημερωθούν και να εκπαιδευτούν πάνω στην ασφαλή διαδικασία απόρριψης του συλλεγόμενου υλικού.



3 Οθόνη και στοιχεία ελέγχου

Θέση διακόπτη	Λειτουργία	Περιγραφή
0	Αναρροφητήρας εκτός λειτουργίας	- Η υποδοχή ρεύματος φέρει τάση
I	Αναρροφητήρας σε λειτουργία	- Η υποδοχή ρεύματος φέρει τάση - Αυτόματη λειτουργία δόνησης απενεργοποιημένη
A	Λειτουργία ετοιμότητας για την αυτόματη ενεργοποίηση/ απενεργοποίηση	- Η υποδοχή ρεύματος φέρει τάση - Ο αναρροφητήρας ενεργοποιείται και απενεργοποιείται μέσω του συνδεδεμένου ηλεκτρικού/πνευματικού εργαλείου*
RA	Λειτουργία ετοιμότητας για την αυτόματη ενεργοποίηση/ απενεργοποίηση	- Λειτουργία ετοιμότητας όπως στο >A< plus αυτόματος καθαρισμός φίλτρου

Θέση διακόπτη	Λειτουργία	Περιγραφή
	Αυτόματη λειτουργία καθαρισμού φίλτρου	- Αυτός ο καθαρισμός φίλτρου γίνεται αυτόματα κατά την επόμενη παύση εργασίας, αφού επιτευχθεί ο ρυθμισμένος ελάχιστος όγκος ρεύματος (θέση διακόπτη RA)
	Ένδειξη στάθμης πλήρωσης*	- Η ένδειξη στάθμης πλήρωσης ανάβει όταν η δεξαμενή είναι πλήρης και/ή έχει φράξει ο εύκαμπτος σωλήνας αναρρόφησης. Στις ηλεκτρικές σκούπες με κατηγορία σκόνης M και H, εκπέμπεται επίσης ακουστικό σήμα
	Ρύθμιση της διαμέτρου του εύκαμπτου σωλήνα αναρρόφησης*	- Στις ηλεκτρικές σκούπες M-/H-/H-αμιάντου για παρακολούθηση της ροής όγκου, για να ενεργοποιηθεί ένα ηχητικό προειδοποιητικό σήμα εάν η ταχύτητα αέρα πέφτει κάτω από 20 m/δευτ
	Ρύθμιση της ταχύτητας του μοτέρ*	- Ρυθμίστε την ισχύ αναρρόφησης με τον ρυθμιστή ταχύτητας

4 Έναρξη λειτουργίας

4.1 Πριν από κάθε χρήση

Βεβαιωθείτε ότι υφίστανται οι ακόλουθες συνθήκες:

- △ Η ηλεκτρική σκούπα, το καλώδιο παροχής ρεύματος, ο εύκαμπτος σωλήνας και τα αξεσουάρ δεν έχουν υποστεί ζημιά.
- △ Έχουν τοποθετηθεί όλα τα φίλτρα και δεν έχουν υποστεί ζημιά.

4.2 Ενεργοποίηση και απενεργοποίηση

Η υποδοχή φως στην ηλεκτρική σκούπα παραμένει πάντα με τάση, ανεξάρτητα από τη θέση του διακόπτη ρεύματος.

△ ΠΡΟΕΙΔΟΠΟΙΗΣΗ!

Κίνδυνος τραυματισμού από αυτόματη εκκίνηση του ηλεκτρικού εργαλείου!

- ▶ Απενεργοποιήστε το ηλεκτρικό εργαλείο ή το εργαλείο συμπιεσμένου αέρα πριν τα συνδέσετε στην ηλεκτρική σκούπα.

ΣΗΜΕΙΩΣΗ

Στη θέση διακόπτη >0< η υποδοχή ρεύματος του αναρροφητήρα μπορεί να χρησιμοποιηθεί ως καλώδιο επέκτασης.

△ **Τιμή σύνδεσης:** Αναρροφητήρας + συνδεδεμένη συσκευή (μέγιστη 2000 W) μέγιστη 16 A.

4.2.2 Ενεργοποίηση της ηλεκτρικής σκούπας

Για τις λειτουργίες, ανατρέξτε στο «3 Οθόνη και στοιχεία ελέγχου» στη σελίδα 122.

- ▶ Τοποθετήστε το φως στην πρίζα.
- ▶ Θέστε τον διακόπτη στη θέση >I<.
- ↳ Η ηλεκτρική σκούπα ξεκινά αμέσως.

ή:

- ▶ Θέστε τον διακόπτη στη θέση >A< ή >RA<.
- ↳ Η ηλεκτρική σκούπα βρίσκεται σε κατάσταση αμονής για τα ηλεκτρικά εργαλεία.

4.2.3 Ρύθμιση της διαμέτρου του εύκαμπτου σωλήνα αναρρόφησης*

- ▶ Ρυθμίστε τη διάμετρο του εύκαμπτου σωλήνα αναρρόφησης στον διακόπτη.

△ ΠΡΟΣΟΧΗ!

Διακόπτης επιλογής για το σήμα ελάχιστης ροής όγκου αέρα (ήχος και φως) στις ηλεκτρικές σκούπες με κατηγορία σκόνης «M» και «H»

Στις λειτουργίες >RA< και >I< γίνεται η ακόλουθη ρύθμιση, ανάλογα με τη διάμετρο του εύκαμπτου σωλήνα:

Διακόπτης επιλογής για την εσωτερική διάμετρο του εύκαμπτου σωλήνα αναρρόφησης	Ροή όγκου αέρα
∅ 35 mm	70 λίτρα/δευτ
∅ 27 mm	41 λίτρα/δευτ
∅ 21 mm	25 λίτρα/δευτ

Η ταχύτητα μπορεί να ρυθμιστεί ξεχωριστά, μετά τη ρύθμιση της διαμέτρου του εύκαμπτου σωλήνα.

4.2.4 Ρύθμιση της ισχύος αναρρόφησης*

- ▶ Ρυθμίστε την ταχύτητα του μοτέρ στον διακόπτη.
- ή:
- ▶ Ρυθμίστε τον σύρτη βοηθητικού αέρα στον σωλήνα χειρός.

4.2.5 Απενεργοποίηση της ηλεκτρικής σκούπας

- ▶ Θέστε τον διακόπτη στη θέση >0<.
- ↳ Η ηλεκτρική σκούπα είναι εκτός λειτουργίας.
- ▶ Μετά την απενεργοποίηση, τραβήξτε το φως από την πρίζα.

* ανάλογα με το μοντέλο της συσκευής

- ▶ Τυλίξτε το καλώδιο παροχής ρεύματος.
- ▶ Αποθηκεύστε το καλώδιο παροχής ρεύματος στο άγκιστρο καλωδίου.
- ▶ Αποθηκεύστε τον εύκαμπο σωλήνα αναρρόφησης εισάγοντάς τον στη βάση των αξεσουάρ* στην πίσω πλευρά του δοχείου.
- ▶ Τοποθετήστε τα άκρα του εύκαμπτου σωλήνα αναρρόφησης μαζί, ώστε να μην διαρρέουν σωματίδια ακαθαρσιών.
- ▶ Αφαιρέστε το Ηλεκτρικό εργαλείο.

5 Τρόποι λειτουργίας

5.1 Στεγνή αναρρόφηση

- ▶ Καθαρίστε μόνο με στεγνό φίλτρο, αναρροφητήρα και εξαρτήματα, για να μην συγκρατηθεί η σκόνη στο εσωτερικό της συσκευής και δημιουργήσει κρούστα.
- ▶ Όταν σκουπίζετε αιθάλη,τσιμέντο, γύψο ή παρόμοιες σκόνες: Τοποθετήστε μια σακούλα απόρριψης PE στο δοχείο ακαθαρσιών.
- ▶ Χρησιμοποιείτε πάντα σακούλες απόρριψης σε συνδυασμό με αναδιπλούμενα φυσίγγια φίλτρου.

ΣΗΜΕΙΩΣΗ

Οι αναρροφητήρες των κατηγοριών M, H και H-Asbest είναι προτιμότερο να χρησιμοποιούνται μόνο για στεγνή αναρρόφηση.

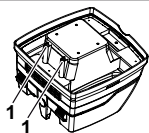
5.2 Αναρρόφηση υγρών

⚠ ΠΡΟΕΙΔΟΠΟΙΗΣΗ!

Κίνδυνος ηλεκτροπληξίας!

- ▶ Σε περίπτωση εκροής αφρού ή υγρού θέστε αμέσως τον αναρροφητήρα εκτός λειτουργίας.
- ▶ Εκκενώστε τον κάδο και, αν χρειάζεται, την κασέτα πτυχωτού φίλτρου.

ΣΗΜΕΙΩΣΗ



Καθαρίζετε τακτικά τους αισθητήρες στάθμης νερού (1) και ελέγχετε για ενδείξεις βλάβης.

- ▶ Σκουπίσμα χωρίς φλις σακούλα σκόνης.
Για υγρό σκουπίσμα είναι κατάλληλες οι αναδιπλούμενες κασέτες. Ο ενσωματωμένος αισθητήρας απενεργοποιεί το μοτέρ μόλις γεμίσει το δοχείο. Ο χειρισμός της ηλεκτρικής σκούπας μπορεί να επηρεαστεί από ένα γεμάτο δοχείο.
- ▶ Άδειο δοχείο (βλ. «7 Άδειασμα του δοχείου» στη σελίδα 125).

ΣΗΜΕΙΩΣΗ

Εάν ο αναρροφητήρας δεν τειθεί εκτός λειτουργίας, παραμένει ενεργή η προστασία επανεκκίνησης. Μόνο μετά την απενεργοποίηση και νέα ενεργοποίησή του ο αναρροφητήρας θα είναι έτοιμος για λειτουργία.

- ▶ Πριν την εκκίνηση αφαιρέστε πρώτα τον εύκαμπο σωλήνα αναρρόφησης από το υγρό.
- ▶ Εάν η ισχύς αναρρόφησης είναι πολύ μεγάλη και το σχήμα του κάδου δεν ευνοεί τη ροή, μπορεί μετά την απενεργοποίηση να εκρυσταί νερό από τον εύκαμπο σωλήνα.
- ▶ Για να συνεχίσετε τη λειτουργία με στεγνή αναρρόφηση τοποθετήστε το ξηρό φίλτρο.

ΣΗΜΕΙΩΣΗ

Σε περίπτωση συχνής εναλλαγής μεταξύ στεγνής και υγρής αναρρόφησης, συνιστούμε την τοποθέτηση δεύτερου σετ φίλτρων, κατά προτίμηση κασετών πτυχωτών φίλτρων από πολυεστέρα.

5.3 Εκχύλιση ουσιών που περιέχουν αμίαντο

Μόνο οι ηλεκτρικές σκούπες της κατηγορίας σκόνης H-αμιάντου μπορούν να χρησιμοποιηθούν για την ηλεκτρική σκούπα που περιέχει ουσίες που περιέχουν αμίαντο.

- ▶ Λειτουργείτε μόνο με ένα στεγνό φίλτρο, ηλεκτρική σκούπα και αξεσουάρ, για να αποφύγετε τη συσσώρευση και την επίστρωση της σκόνης.
- ▶ Για την εκχύλιση ουσιών που περιέχουν αμίαντο: Τοποθετήστε τη σακούλα αδειασματος PE ή τη σακούλα φίλτρου φλις στο δοχείο ρύπων.
- ▶ Χρησιμοποιείτε πάντα σακούλες φίλτρου PE σε συνδυασμό με αναδιπλούμενα φυσίγγια φίλτρου.

ΣΗΜΕΙΩΣΗ

Οι ηλεκτρικές σκούπες τύπου H-αμιάντου θα πρέπει κατά προτίμηση να χρησιμοποιούνται ως ηλεκτρικές σκούπες για ξηρή σκόνη.

⚠ ΠΡΟΕΙΔΟΠΟΙΗΣΗ!

Κίνδυνος υγείας!

Ίνες αμιάντου στον αέρα.

- ▶ Παροχή στην περιοχή εργασίας με επαρκή εισροή εξωτερικού αέρα (φρέσκος αέρας).
- ▶ Κατευθύνετε ή καθαρίστε τον εξαγόμενο αέρα με τέτοιο τρόπο ώστε οι ίνες αμιάντου να μην εισέρχονται στον εισπνεόμενο αέρα άλλων προσώπων.
- ▶ Κατά το φιλτράρισμα του εξαγόμενου αέρα, μεταφέρετε οποιαδήποτε σκόνη σε στεγνά δοχεία.
- ▶ Μην μεταγγίζετε σκόνη.

Εάν υπάρχει η πιθανότητα οι ίνες αμιάντου να καθαριστούν από αμίαντο:

- ▶ Απορροφήστε τις ίνες αμιάντου στην έξοδο ή στο σημείο προέλευσης.
- ▶ Στη συνέχεια, απορρίψτε τις ίνες αμιάντου σύμφωνα με το ανώτατο επίπεδο τεχνικής χωρίς να προκληθεί κίνδυνος σε πρόσωπα ή στο περιβάλλον.

Εάν δεν είναι δυνατή η πλήρης απορρόφηση ινών αμιάντου:

- ▶ Πάρτε επιπλέον μέτρα εξερισμού σύμφωνα με το ανώτατο επίπεδο τεχνικής.

Μετά την ολοκλήρωση της εργασίας:

- ▶ Καθαρίστε προσεκτικά τα εργαλεία, συμπεριλαμβανομένων των σωλήνων αναρρόφησης και του εξοπλισμού εργασίας.
- ▶ Καθαρίστε προσεκτικά τον χώρο εργασίας.
- ▶ Βρέξτε και αφαιρέστε σωστά τα αντικείμενα που έχουν μολυνθεί με ίνες αμιάντου που δεν μπορούν να καθαριστούν.

Μετά το καθάρισμα:

- ▶ Εξαερώστε επαρκώς την περιοχή εργασίας.

6 Καθαρισμός μόνιμου φίλτρου

Η ηλεκτρική σκούπα διαθέτει ηλεκτρομαγνητικό σύστημα καθαρισμού φίλτρου, που μπορεί να χρησιμοποιηθεί για τον καθαρισμό οποιασδήποτε προσκολλημένης σκόνης στα φυσίγγια φίλτρου.

Αυτός ο καθαρισμός φίλτρου γίνεται αυτόματα κατά την επόμενη παύση εργασίας, αφού επιτευχθεί ο ρυθμισμένος ελάχιστος όγκος ρεύματος (θέση διακόπτη >RA<).

7 Άδειασμα του δοχείου

ΣΗΜΕΙΩΣΗ

Επιτρέπεται μόνο εφόσον η αναρροφώμενη σκόνη έχει οριακή τιμή επαγγελματικής έκθεσης > 1 mg/m³.

- ▶ Θέστε εκτός λειτουργίας τον αναρροφητήρα, αποσυνδέστε το βύσμα.
- ▶ Ανοίξτε τις ασφάλειες.
- ▶ Αφαιρέστε το καπάκι και τον εύκαμπο σωλήνα αναρρόφησης από τον κάδο.
- ▶ Αναποδογυρίστε τον κάδο.

7.1 Απορρίψτε τη σακούλα φίλτρου φλιν

- ▶ Απενεργοποιήστε την ηλεκτρική σκούπα.
- ▶ Αποσυνδέστε το φιν παροχής ρεύματος.
- ▶ Φορέστε κατάλληλη μάσκα αναπνοής.
- ▶ Αφαιρέστε τον εύκαμπο σωλήνα αναρρόφησης.
- ▶ Κλείστε την υποδοχή εισαγωγής με καπάκι.
- ▶ Ανοίξτε τις πλαϊνές ασφάλειες.
- ▶ Αφαιρέστε το επάνω τμήμα.
- ▶ Βγάλτε προσεκτικά τη φλάντζα από την υποδοχή εισαγωγής και κλείστε τη φλάντζα.
- ▶ Απορρίψτε το υλικό που έχει συγκεντρωθεί σύμφωνα με τις νομικές απαιτήσεις.

7.2 Απορρίψτε τη σακούλα αδειάματος και απόρριψης PE

- ▶ Θέστε τον διακόπτη στη θέση >RA<.
 - ↳ Τα αναδιπλούμενα φυσίγγια φίλτρου καθαρίζονται αυτόματα.
 - ↳ Η υπολειπόμενη σκόνη στα φίλτρα πέφτει μέσα στη σακούλα.
- ▶ Απενεργοποιήστε την ηλεκτρική σκούπα.
- ▶ Αποσυνδέστε το φιν παροχής ρεύματος.

- ▶ Φορέστε κατάλληλη μάσκα αναπνοής.
- ▶ Αφαιρέστε τον εύκαμπο σωλήνα αναρρόφησης.
- ▶ Κλείστε την υποδοχή εισαγωγής με καπάκι.
- ▶ Ανοίξτε τις πλαϊνές ασφάλειες.
- ▶ Αφαιρέστε το επάνω τμήμα.

Κλείστε προσεκτικά τους σάκους απόρριψης πολυεστέρα με το ενσωματωμένο κορδόνι κλεισίματος.

Τραβήξτε προσεκτικά τη φλάντζα από το στόμιο αναρρόφησης και ασφαλίστε.

Αφαιρέστε με προσοχή τους σάκους απόρριψης πολυεστέρα από τον κάδο.

Απορρίψτε το περιεχόμενο του κάδου όπως ορίζει ο νόμος.

7.3 Τοποθετήστε τη σακούλα φίλτρου φλιν

ΣΗΜΕΙΩΣΗ

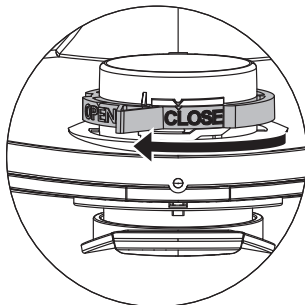
Χρησιμοποιείτε μόνο σακούλες φίλτρου για στεγνό καθάρισμα.

- ▶ Σύρετε τη φλάντζα εντελώς πάνω από την υποδοχή εισαγωγής.

ΣΗΜΕΙΩΣΗ

Λειτουργία του περιστροφικού τμήματος ολίσθησης

- ▶ Γυρίστε το κόκκινο περιστρεφόμενο τμήμα ολίσθησης προς τα μέσα στη θέση CLOSE (ΚΛΕΙΣΤΟ) όταν σταματά στον δείκτη ▲.



7.4 Τοποθετήστε τη σακούλα αδειάματος και απόρριψης PE*

ΣΗΜΕΙΩΣΗ

Μόνο οι αναρροφητήρες των κατηγοριών **M** και **H** που διαθέτουν ειδικό κάδο και περιστρεφόμενο σύρτη στο άνοιγμα αναρρόφησης του τύπου IS/ISC ARM, IS/ISC ARH και IS/ISC ARH-ASBEST ενδείκνυνται για χρήση σε συνδυασμό με σάκους απόρριψης πολυεστέρα.

ΣΗΜΕΙΩΣΗ

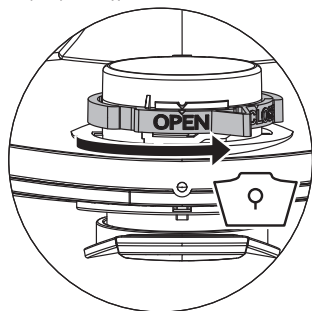
Λειτουργία του περιστροφικού τμήματος ολίσθησης

- ▶ Γυρίστε το κόκκινο περιστρεφόμενο τμήμα ολίσθησης προς τα μέσα στη θέση OPEN (ΑΝΟΙΧΤΟ) όταν σταματά στον δείκτη ▲.

- ▶ Σύρετε τη φλάντζα εντελώς πάνω από την υποδοχή εισαγωγής.

* ανάλογα με το μοντέλο της συσκευής

- ▶ Τοποθετήστε το πάνω άνοιγμα της σακούλας πάνω από τη στεφάνη του δοχείου.



8 Αλλαγή του φίλτρου

8.1 Αλλαγή των αναδιπλούμενων φυσιγγίων φίλτρου

- ▶ Καθαρίστε τα φυσιγγία φίλτρου πριν τα αλλάξετε.
- ▶ Περιστρέψτε το κλείδωμα στην ασφάλεια κατά 90° αριστερό-στροφα με ένα νόμισμα ή ένα παρόμοιο αντικείμενο, και πιέστε την ασφάλεια προς τα πίσω.
- ▶ Ανοίξτε το κάλυμμα.
- ▶ Κλείστε αμέσως τις κασέτες πτυχωτών φίλτρων, που μόλις αφαιρέσατε, σε ένα πλαστικό σάκο στεγανό στη σκόνη και απορρίψτε τις όπως ορίζει ο νόμος.
- ▶ Τοποθετήστε καινούριες κασέτες πτυχωτών φίλτρων.
- ▶ Ανασηκώστε το εξάρτημα ασφάλισης, κατεβάστε το κάλυμμα και ασφαλίστε πιέζοντας ελαφρά.

9 Αλλαγή του φίλτρου προστασίας μοτέρ

ΣΗΜΕΙΩΣΗ

Εάν το φίλτρο προστασίας μοτέρ είναι βρώμικο, αυτό υποδηλώνει βλάβη των κασετών φίλτρων.

- ▶ Αντικαταστήστε τις κασέτες πτυχωτών φίλτρων.
- ▶ Αντικαταστήστε ή ξεπλύνετε το φίλτρο προστασίας κινητήρα με νερό, στεγνώστε το και ξανατοποθετήστε το.

10 Μεταφορά

- ▶ Αφαιρέστε τον εύκαμπο σωλήνα αναρρόφησης.
- ▶ Κλείστε την υποδοχή εισαγωγής με καπάκι.
- ▶ Τοποθετήστε το επάνω τμήμα στο δοχείο.
- ▶ Κλείστε τις πλαϊνές ασφάλειες.
- ▶ Τοποθετήστε τα εξαρτήματα σε κατάλληλους πλαστικούς σάκους και σφραγίστε τους ή τοποθετήστε τα στη θήκη αποθήκευσης εργαλείων.
- ▶ Τοποθετήστε τα άκρα του εύκαμπτου σωλήνα το ένα μέσα στο άλλο.

- ▶ Τυλίξτε τον εύκαμπο σωλήνα γύρω από τον αναρροφητήρα και σφηνώστε τον στη λαβή.

11 Συντήρηση

ΣΗΜΕΙΩΣΗ

Πριν από τις εργασίες συντήρησης πρέπει να θέτετε τον αναρροφητήρα εκτός λειτουργίας και να αποσυνδέετε το βύσμα.

Για τη διενέργεια συντήρησης από το χρήστη ο αναρροφητήρας πρέπει

- να αποσυναρμολογείται,
- να καθαρίζεται και
- να συντηρείται,

στο πλαίσιο του εφικτού χωρίς να προκληθεί κατά τη διαδικασία αυτή κίνδυνος για το προσωπικό συντήρησης ή άλλα άτομα.

Μέτρα προστασίας

Τα ενδεικμένα μέτρα προστασίας περιλαμβάνουν

- καθαρισμό πριν την αποσυναρμολόγηση,
- λήψη μέτρων για τον εξαναγκασμένο εξαερισμό με χρήση φίλτρων που εφαρμόζεται στο χώρο που θα γίνει αποσυναρμολόγηση του αναρροφητήρα,
- καθαρισμό της χώρας που θα διεξαχθεί η συντήρηση και
- κατάλληλο εξοπλισμό προστασίας για το προσωπικό.

Μέτρα προστασίας για αναρροφητήρες των κατηγοριών H και M

Το εξωτερικό του αναρροφητήρα πρέπει να καθαριστεί με ηλεκτρική σκούπα και να σκουπιστεί με πανί ή να χρησιμοποιηθούν μέσα στεγανοποίησης, πριν από την απομάκρυνση από την περιοχή κινδύνου. Όλα τα εξαρτήματα του αναρροφητήρα πρέπει να θεωρούνται βρώμικα, όταν απομακρύνονται από την περιοχή κινδύνου και πρέπει να γίνονται οι κατάλληλες ενέργειες για να αποτραπεί ο διασκορπισμός της σκόνης.

Βρώμικα αντικείμενα

Κατά τη διεξαγωγή των εργασιών συντήρησης και επισκευής πρέπει όλα τα βρώμικα αντικείμενα που δεν είναι δυνατόν να καθαριστούν σε ικανοποιητικό βαθμό, να απορριφθούν. Τέτοιου είδους αντικείμενα πρέπει να τοποθετούνται σε αδιαπέραστη συσκευασία σύμφωνα με τους ισχύοντες κανονισμούς για την απομάκρυνση ανάλογων απορριμμάτων.

11.1 Έλεγχος της αποτελεσματικότητας της ηλεκτρικής σκούπας

Τουλάχιστον μία φορά τον χρόνο, ο κατασκευαστής ή ο εντολοδόχος πρέπει να διενεργεί τεχνικό έλεγχο, συμπεριλαμβανομένων των φίλτρων, της αεροστεγανότητας της ηλεκτρικής σκούπας και των μηχανισμών ελέγχου.

Επιπροσθέτως, η αποτελεσματικότητα των ηλεκτρικών σκουπών κατηγορίας σκόνης H και αμιάντου H πρέπει να ελέγχονται τουλάχιστο μία φορά τον χρόνο ή πιο συχνά. Η μέθοδος δοκιμής, η οποία μπορεί να χρησιμοποιηθεί για την απόδειξη της αποτελε-

σμαντικότητα της συσκευής, ορίζεται στην οδηγία EN 60335-2-69 AA.22.201.2. Εάν η δοκιμή αποτύχει, θα πρέπει να επαναληφθεί με ένα νέο βασικό φίλτρο.

Πρέπει να υπάρχει στο χώρο ένας επαρκής ρυθμός ανανέωσης αέρα *L*, όταν ο αποβαλλόμενος αέρας επιστρέφει στο χώρο διεξαγωγής των εργασιών. Για περισσότερες υποδείξεις σχετικά ανατρέξτε στους κανονισμούς της χώρας σας.

Αν η ισχύς αναρρόφησης του αναρροφητήρα μειώνεται και δεν αυξάνεται ούτε με τον καθαρισμό των κασετών πτυχωτών φίλτρων (υπό την προϋπόθεση ότι ο κάδος εκκενώθηκε και Φιλς σακούλα σκόνης αντικαταστάθηκε), τότε απαιτείται αντικατάσταση των κασετών πτυχωτών φίλτρων (ανατρέξτε στον κεφάλαιο «8.1 Αλλαγή των αναδιπλούμενων φυσιγγίων φίλτρου» στη σελίδα 129).

12 Καθάρισμα

ΣΗΜΕΙΩΣΗ

Τα οξέα, η ακετόνη και οι διαλύτες μπορούν να βλάψουν μέρη της ηλεκτρικής σκούπας.

- ▶ Καθαρό δοχείο και αξεσουάρ με νερό.
- ▶ Σκουπίστε το επάνω τμήμα με ένα υγρό πανί.
- ▶ Αφήστε το δοχείο και τα αξεσουάρ να στεγνώσουν.

13 Επισκευή

⚠ ΠΡΟΕΙΔΟΠΟΙΗΣΗ!

Οι αναρροφητήρες που δεν έχουν επισκευαστεί από εξειδικευμένο προσωπικό αποτελούν κίνδυνο για το χρήστη.

- ▶ Οι επισκευές πρέπει να διεξάγονται μόνο από εξειδικευμένο προσωπικό, π. χ. την υπηρεσία εξυπηρέτησης πελατών. Χρησιμοποιείτε μόνο γνήσια ανταλλακτικά.

14 Αντιμετώπιση προβλημάτων και επισκευή

ΣΗΜΕΙΩΣΗ

Δεν είναι πάντα δυνατός ο εντοπισμός των ελαττωμάτων στην ηλεκτρική σκούπα, στα οποία οφείλονται οι δυσλειτουργίες.

Σφάλμα	Αιτία	Διορθωτική ενέργεια
Η ισχύς αναρρόφησης μειώνεται	Φίλτρο με ακαθαρσίες	Καθαρισμός
	Σακούλα φίλτρου γεμάτη	Αλλαγή
	Γεμάτο δοχείο	Άδειασμα
	Φραγμένο φίλτρο προστασίας μοτέρ	Καθαρισμός
	Φραγμένο ακροφύσιο, σωλήνας ή εύκαμπτος σωλήνας	Καθαρισμός
Η ηλεκτρική σκούπα δεν ξεκινά	Το φως παροχής ρεύματος δεν είναι στην πρίζα	Συνδέστε το φως παροχής ρεύματος στην πρίζα
	Δεν υπάρχει τάση ρεύματος	Έλεγχος της ασφάλειας
	Ελαττωματικό καλώδιο παροχής ρεύματος	Αντικατάσταση
	Το κάλυμμα δεν έχει κλείσει σωστά	Κλείσιμο
	Αισθητήρας νερού απενεργοποιημένος	Άδειο δοχείο
	Ηλεκτρική σκούπα σε κατάσταση αναμονής >A< ή >RA<	Θέστε τον διακόπτη στο >I< (βλ. «3 Οθόνη και στοιχεία ελέγχου» στη σελίδα 122)

Σφάλμα	Αιτία	Διορθωτική ενέργεια
Η ηλεκτρική σκούπα δεν ξεκινά όταν το εργαλείο είναι ενεργοποιημένο στη λειτουργία >A< ή >RA<	Το ηλεκτρικό εργαλείο δεν έχει συνδεθεί στην υποδοχή στην ηλεκτρική σκούπα	Συνδέστε το φως παροχής ρεύματος στην υποδοχή της ηλεκτρικής σκούπας
	Μολυσμένη ηλεκτρομαγνητική βαλβίδα της μονάδας ενεργοποίησης/απενεργοποίησης συμπιεσμένου αέρα*	Πλύσιμο με οινόπνευμα
Η σακούλα αδειάσματος και απόρριψης PE αναρροφάται από το φίλτρο	Εσφαλμένη θέση του περιστροφικού τμήματος ολίσθησης	Θέστε το περιστρεφόμενο τμήμα ολίσθησης στη θέση OPEN (ΑΝΟΙΧΤΟ) ▲ (βλ. «7.4 Τοποθετήστε τη σακούλα αδειάσματος και απόρριψης PE*» στη σελίδα 125)
Ηλεκτρική σκούπα με κατηγορίες σκόνης M ή H: με τοποθετημένη σακούλα φίλτρου, η σκόνη συσσωρεύεται στο δοχείο	Εσφαλμένη θέση του περιστροφικού τμήματος ολίσθησης	Θέστε το περιστρεφόμενο τμήμα ολίσθησης στη θέση CLOSE (ΚΛΕΙΣΤΟ) ▲ (βλ. «7.3 Τοποθετήστε τη σακούλα φίλτρου φλινς» στη σελίδα 125)

Μην δοκιμάσετε κάτι άλλο, επικοινωνήστε με την εξυπηρέτηση πελατών.

15 Τεχνικά Δεδομένα

Τύπος: IS		ISC L/M/H-1425 (ISC L/M/H-1450)
Τάση	V	220-240
Συχνότητα	Hz	50/60
Ονομαστική ισχύς	W	1200
Μέγιστη ισχύς	W	1400
Ροή αέρα*	l/s (m ³ /h)	73 (263)
Υποπίεση*	hPa/MG	270
Ροή αέρα**	l/s (m ³ /h)	42 (151)
Υποπίεση**	hPa/SE	235
Ηχητική πίεση	dB(A)	69
Βάρος	kg	12,1 / 17,1
Διαστάσεις M x Π x Υ	cm	45 x 39 x 49 / 59,5 x 46,5 x 96

* στον ανεμιστήρα

** στον εύκαμπο σωλήνα

Μέγ. ισχύς σε ηλεκτρικές σκούπες με πρίζα φως: 2.000 W (220-240V~)

Καλώδιο παροχής ρεύματος σε ηλεκτρικές σκούπες της κατηγορίας σκόνης L με υποδοχή φως: H05RR-F 3G1,5

Καλώδιο παροχής ρεύματος σε ηλεκτρικές σκούπες της κατηγορίας σκόνης M, H και H αμιάντου με υποδοχή φως: H07RN-F 3G1,5

16 Δοκιμές και εγκρίσεις

Οι ηλεκτροτεχνικοί έλεγχοι πρέπει να διενεργούνται σύμφωνα με τις προδιαγραφές του κανονισμού πρόληψης ατυχημάτων (DGUV V3) και σύμφωνα με το πρότυπο DIN VDE 0701 Μέρος 1 και Μέρος 3. Οι έλεγχοι αυτοί πρέπει να διενεργούνται σύμφωνα με το πρότυπο DIN VDE 0702 σε τακτικά διαστήματα και είναι απαραίτητοι μετά από επισκευή ή τροποποίηση της συσκευής.

Οι αναρροφητήρες έχουν υποβληθεί σε έλεγχο με επιτυχία σύμφωνα με το πρότυπο IEC/EN 60335-2-69.

ΣΗΜΕΙΩΣΗ

Οι παλιές συσκευές περιέχουν πολύτιμα υλικά που είναι κατάλληλα για επανεπεξεργασία. **Μην απορρίπτετε τους αναρροφητήρες με τα συνήθη οικιακά απορρίμματα**, αλλά με τον προβλεπόμενο τρόπο μέσω κατάλληλων συστημάτων συλλογής, π. χ. μέσω της αντίστοιχης δημοτικής υπηρεσίας αποκομιδής απορριμμάτων.



17 Δήλωση συμμόρφωσης ΕΕ

Εμείς, η Husqvarna AB, SE 561 82 Huskvarna, ΣΟΥΗΔΙΑ, Τηλ. +46 36 146500 δηλώνουμε με αποκλειστική μας ευθύνη ότι το προϊόν:

Περιγραφή	Αναρροφητήρας σκόνης
Επωνυμία	HUSQVARNA
Τύπος / Μοντέλο	S 11
Αναγνώριση	Αριθμοί σειράς με ημερομηνία από το 2022 και έπειτα

συμμορφώνεται πλήρως με τις ακόλουθες οδηγίες και τους κανονισμούς της ΕΕ:

Οδηγία/Κανονισμός	Περιγραφή
2006/42/EK 2014/30/EE 2011/65/EE	"σχετικά με τα μηχανήματα" "σχετικά με την ηλεκτρομαγνητική συμβατότητα" "σχετικά με τον περιορισμό των επικίνδυνων ουσιών"

και ότι εφαρμόζονται τα παρακάτω πρότυπα ή/και τεχνικές προδιαγραφές.

EN ISO 12100:2010

EN 55014-1:2017

EN 55014-2:2015

EN 61000-3-2:2014

EN 61000-3-3:2013

EN 60335-2-69:2012

EN IEC 63000:2018

Partille, 2022-10-12







Martin Huber

Διευθυντής έρευνας και ανάπτυξης, Επιφάνειες και δάπεδα σκυροδέματος
Husqvarna AB, Κατασκευαστικό τμήμα
Υπεύθυνος για την τεχνική τεκμηρίωση

Türkçe

1 Kullanılan sembol ve işaretlerin açıklaması

Sembol / Uyarı sözcüğü	Tanım
	Bu uyarı sembolüdür. Olası yaralanma tehlikesine karşı uyarır. Yaralanmaları veya ölümü önlemek için bu sembolle işaretlenen tüm talimatlar izlenmelidir. Uyarı sembolü daima TEHLİKE , UYARI ve DİKKAT uyarı sözcükleri ile bağlantılı gösterilir.
TEHLİKE!	Önlenmediğinde ölüme veya ağır yaralanmalara yol açan, yüksek riskli bir tehlikeyi belirtir.
UYARI!	Önlenmediğinde ölüme veya ağır yaralanmalara yol açabilecek, orta riskli bir tehlikeyi belirtir.
DİKKAT!	Önlenmediğinde hafif veya orta dereceli yaralanmalara yol açabilecek, düşük riskli bir tehlikeyi belirtir.
NOT	Burada çalışmayı kolaylaştıran ve güvenli bir işletmeyi sağlayan tavsiyeler veya uyarılar yazılıdır.
	Bir işlem yapılmadan önce yerine getirilmesi gereken bir ön koşulu belirtir.
	Kullanıcı tarafından arka arkaya yerine getirilmesi gereken işlem adımlarını belirtir.
	Bir işlemin sonucunu belirtir.

2 Önemli güvenlik bilgileri

UYARI!

Boğulma tehlikesi! Çocukların torba gibi ambalaj malzemeleriyle oynamalarına izin vermeyin.

Elektrikli süpürgeye tırmanmayın veya üzerine oturmayın.

Merdiven üzerinde çalışırken düşme tehlikesi. Güvenli bir şekilde ayakta durmaya dikkat edin.

Bağlantı kablosunu ve emiş hortumunu keskin kenarlar üzerinden çekmeyin, bükmeyin veya kıstırmayın.

Bağlantı kablosu ve emiş hortumu daima üzerinden hiç kimse takılıp düşmeyecek şekilde döşenmelidir.

Köpük veya sıvı çıkması halinde süpürge makinasını hemen kapatın.

Kapağın içini daima kuru tutun.

Aşağıdaki durumlarda aksesuarları da içeren elektrikli süpürgeyi kullanmayın:

- Şebeke bağlantı kablosu veya uzatma kablosu arızalıyken veya çatlakları varken
- Elektrikli süpürge, gövde üzerindeki çatlaklar gibi gözle görülür bir hasar varken
- Örneğin düşme sonrası görünmeyen bir kusurdan şüpheleniyorsanız

TEHLİKE!

Patlama ve yangın riski! Elektrikli süpürgeyi patlama olma ihtimali bulunan bir ortamda çalıştırmayın.

Elektrikli süpürgeyi yanıcı gazlar ve maddelerden uzak tutun.

⚠ TEHLİKE!

Patlama ve yangın riski! Aşağıdakileri temizlemek için elektrikli süpürgeyi kullanmayın:

- yanıcı veya patlayıcı çözücüler
- çözücülerle ıslatılmış malzemeler
- potansiyel olarak patlayıcı tozlar
- benzin, yağ, alkol, seyrelticiler gibi sıvılar
- 60 °C'den daha sıcak malzemeler

⚠ UYARI!

Usule uygun şekilde onarılmayan cihazlar, kullanıcı için tehlike oluşturur. Onarımları sadece öm. müşteri hizmetleri gibi uzman personele yaptırın. Yalnız orijinal yedek parça kullanın.

⚠ UYARI!

Süpürge makinasındaki prizi sadece kullanım kılavuzunda belirtilen amaçlar için kullanın.

Amacı dışındaki, talimata aykırı kullanım veya usule aykırı onarım olması halinde üretici oluşacak hasarlardan sorumluluk kabul etmemektedir.

Hasarlı uzatma kabloları kullanmayın.

Süpürge makinasının bağlantı kablosu hasarlıysa, mevcut bağlantı kablosunu üreticiden veya bağlı bulunduğu müşteri hizmetlerinden temin edebileceği özel bir bağlantı kablosuyla değiştirin.

Elektro fırçaların, dönen fırçaların şebeke bağlantı kablosuyla temas etmesine izin vermeyin.

Tip etiketinde yazan gerilimle şebeke gerilimi örtüşmelidir.

Her kullanım sonrasında ve her bakım öncesinde süpürge makinasını kapatın ve elektrik fişini prizden çekin.

Sadece elektrik fişini çekin, asla bağlantı kablosunu çekmeyin!

Elektrik fişini asla ıslak ellerinizle takmayın veya çekmeyin.

Elektrik beslemesi uygun bir akım gücüne sahip bir sigortayla emniyete alınmış olmalıdır.

Süpürge makinasını yağmur veya fırtına esnasında bina dışında asla açmayın.

Elektrikli süpürge iç mekanlarda kuru ve donmaya karşı korumalı depolanmalıdır.

⚠ UYARI!

Toz alma makineleri DIN EN 60335-2-69'e göre test edilmiştir ve toz sınıflarına ayrılmıştır.

L toz sınıfı emme makineleri, > 1 mg/m³ çalışma yeri değerleri ile kuru, yanıcı olmayan ve sağlık için tehdit oluşturmayan tozların emilmesi/çekilmesi için uygundur.

M sınıfı süpürge makineleri kuru, yanıcı olmayan tozların, yanıcı olmayan sıvıların, tahta talaşlarının ve AGWs ≥ 0,1 mg/m³ tehlikeli tozların süpürülmesi/çekilmesi için tasarlanmıştır.

H sınıfı süpürge makineleri kuru, yanıcı olmayan tozların, kanserojen ve sağlığa zararlı partiküllerin, yanıcı olmayan sıvıların, tahta talaşlarının ve AGWs < 0,1 mg/m³ tehlikeli tozların süpürülmesi/çekilmesi için tasarlanmıştır.

⚠ UYARI!

H-asbest toz sınıfı için elektrikli süpürgeler, asbest içeren tozu süpürmek ve çekmek için uygundur. Asbest temizleme aletlerinin kullanımı ve bakımı için ulusal yönetmeliklere uyun.

⚠ UYARI!

Bu makine fiziksel, duyuusal veya zihinsel becerileri sınırlı veya deneyim ve bilgi sahibi olmayan kişiler tarafından (çocuklar dahil) kullanılmamalıdır.

Çocukların cihazla oynamaması kontrol edilmelidir.

Nozülleri, hortumu veya boruyu insanlara veya hayvanlara doğrultmayın.

⚠ UYARI!

Yalnızca elektrikli süpürge ile birlikte verilen veya kullanım kılavuzunda belirtilen fırçaları kullanın.

Diğer fırçaların kullanılması güvenliği tehlikeye atabilir.

Gıda işleme işletmelerinde kullanılırken: Kullandıktan sonra derhal elektrikli süpürgeyi temizleyin ve mikrobik kirlenmeyi önlemek için dezenfekte edin.

Temizlemek için buharlı püskürtücüleri veya yüksek basınçlı temizleyicileri kullanmayın.

Elektrikli süpürgeyi sadece gözetim altında çalıştırın.

Daha uzun bir çalışma kesintisi durumunda elektrikli süpürgeyi şebeke bağlantısını kesin.

Filtre kartuşlarını basınçlı hava kullanarak temizlemeyin.

Elektrikli süpürgeyi kullanmaya başlamadan önce kullanım kılavuzunu dikkatlice okuyun. Kullanım kılavuzu güvenlik, devreye alma, çalıştırma, bakım konusunda önemli talimatlar sağlar. Kullanım kılavuzunu güvenli bir yerde saklayın ve üniteyi satmanız durumunda kullanım kılavuzunu bir sonraki sahibine teslim edin.

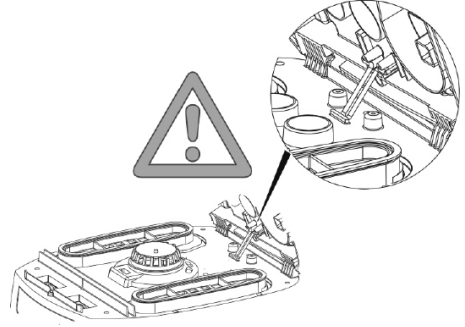
Üreticinin yapı ve donanımında değişiklik yapma hakkı saklıdır.

Bu kullanım kılavuzunda yer almayan işler yapmayın.


Bu makine ticari kullanım için öngörülmüştür, örn. otellerde, okullarda, hastanelerde, fabrikalarda, mağazalarda ve bürolarda.

Ambalajdan çıkarırken parçaların eksiksiz olmasına ve nakliyeden kaynaklanan hasarlar olmamasına dikkat edin.


Süpürge makinasını kullanmadan önce kullanıcıya süpürge makinasının kullanımı ve süpürülecek malzemenin güvenli bir şekilde tasfiye edilmesi ile ilgili gerekli bilgiler, talimatlar ve eğitimler verilmelidir.



3 Ekran ve kontrol elemanları

Şalter konumu	İşlev	Açıklama
0	Süpürge makinası kapalı	- Priz gerilim altında
I	Süpürge makinası çalışıyor	- Priz gerilim altında - Otomatik redresör işlevi kapalı
A	Açma / Kapatma otomatigi için hazır olma işletmesi	- Priz gerilim altında - Süpürge makinası bağlı bir elektro /basınçlı hava aleti* ile prizden devreye alınabilir ve devreden çıkarılabilir.
RA	Açma / Kapatma otomatigi için hazır olma işletmesi	- Çalışmaya hazır, örneğin >A< plus otomatik filtre temizleme gibi.
	Otomatik filtre temizleme işlevi	- Bu filtre temizleme işlemi, ayarlanmış olan asgari hacim akımına ulaştığında otomatik olarak gelecek çalışma molasında yapılmaktadır (falter pozisyonu >RA<).
	Dolum seviyesi göstergesi*	- Dolum seviyesi göstergesi, depo dolu olduğunda ve/veya emiş hortumu tıkanıldığında yanar. M ve H toz sınıfına sahip elektrikli süpürgelerde ayrıca bir ses sinyali yayılır
	Emiş hortumu çapının ayarı *	- M-/H-/H-asbest elektrikli süpürgelerinde hacim akışı denetimi için hava hızı 20 m/sn'nin altına düşerse sesli bir uyarı sinyali tetiklemek üzere

* modeline bağlı olarak

Şalter konumu	İşlev	Açıklama
	Motor hızını ayarlama*	- Emiş gücünü hız kontrolü ile ayarlar

4 Devreye Alma

4.1 Her kullanımdan önce

Aşağıdaki koşulların sağlandığından emin olun:

- △ Elektrikli süpürge, şebeke kablosu, emiş hortumu ve aksesuarları hasarsız olmalıdır.
- △ Tüm filtreler takılı ve hasarsız olmalıdır.

4.2 Açma ve kapama

Elektrikli süpürge üzerindeki priz, ana şalter konumundan bağımsız olarak daima gerilim altında kalır.

△ UYARI!

Elektrikli aleti otomatik olarak çalıştırarak yaralanma tehlikesi!

- ▶ Elektrikli süpürgeye bağlamadan önce elektrikli aleti veya pnömomatik aleti kapatın.

NOT

>0< şalter konumunda süpürge makinasındaki priz uzatma kablosu olarak kullanılabilir.

△ **Bağlantı değeri:** Süpürme makinası + bağlı cihaz (azami 2000 W) azami 16 A.

4.2.2 Elektrikli süpürgeyi açma

İşlevler bkz. "3 Ekran ve kontrol elemanları" 133. sayfada.

- ▶ Fişi prize takın.
- ▶ Şalteri >I< konumuna getirin.
 - ↳ Elektrikli süpürge hemen başlar.
- veya:
 - ▶ Şalteri >A< veya >RA< konumuna getirin.
 - ↳ Elektrikli aletler için elektrikli süpürge bekleme modundadır.

4.2.3 Emiş hortumu çapının ayarı*

- ▶ Emiş hortumu çapını şalterden ayarlayın.

△ DİKKAT!

"M" ve "H" toz sınıfına sahip elektrikli süpürgelerde minimum hava hacmi akış sinyali (korna ve ışık) için seçim şalteri >RA< ve >I< modlarında, hortumun çapına bağlı olarak aşağıdaki ayar yapılır:

Emiş hortumu iç çapı için seçici şalteri	Hava akış hacmi
∅ 35 mm	70 litre/sn
∅ 27 mm	41 litre/sn
∅ 21 mm	25 litre/sn

Hız, hortum çapını ayarladıktan sonra tek tek ayarlanabilir.

4.2.4 Emiş gücünü ayarlama*

- ▶ Şalterde motor hızını ayarlayın. veya
- ▶ Tutma borusu üzerindeki yardımcı hava kazağını ayarlayın.

4.2.5 Elektrikli süpürgeyi kapatılması

- ▶ Şalteri >0< konumuna getirin.
 - ↳ Elektrikli süpürge kapanır.
- ▶ Kapatıldıktan sonra, şebeke fişini çekin.
- ▶ Şebeke bağlantı kablosunu sarın.
- ▶ Şebeke bağlantı kablosunu kablo kancasında saklayın.
- ▶ Emiş tüpünü, kabin arka duvarındaki aksesuar tutucusuna* sokarak saklayın.
- ▶ Kir parçacıklarının dışarı sızmasını önlemek için emiş hortumunun uçlarını bir arada tutun.
- ▶ Elektrikli aleti çıkarın.

5 İşletim türleri

5.1 Kuru süpürme

- ▶ Tozun yapışmaması ve kabuk bağlamaması için sadece kuru filtre, süpürge makinası ve aksesuar ile süpürün.
- ▶ Kurum, çimento, alçı veya benzeri tozları temizlerken kir kabına bir PE imha torbası yerleştirin.
- ▶ Katlanmış filtre kartuşlarıyla birlikte daima atık torbalan kullanın.

NOT

M, H ve H-Asbest sınıfı süpürge makinaları tercihen kuru süpürge makinası olarak kullanılabilir.

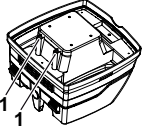
5.2 Sıvıları emme

⚠ UYARI!

Elektrik şoku tehlikesi!

- ▶ Köpük veya sıvı çıkması halinde süpürge makinasını hemen kapatın.
- ▶ Kabı ve katlanmış filtre kartuşlarını boşaltın.

NOT



Su seviyesi sensörlerini (1) düzenli aralıklarla temizleyin ve hasar olup olmadığını inceleyin.

- ▶ İpek elyaf filtre torbası olamadan emiş uygulaması yapın. Kıvrımlı filtre kartuşları, ıslak emiş uygulamaları için uygundur. Monte edilmiş sensör, hazne dolduğunda motoru otomatik olarak devre dışı bırakır. Emme makinesini kullanımı şekli, haznenin dolu olmasından olumsuz yönde etkilenebilir.
- ▶ Kabı boşaltın (bkz. "7 Kabı boşaltma" 135. sayfada).

NOT

Süpürge makinası devreden çıkmıyorsa, tekrar çalışma koruması etkin kalmaya devam eder. Ancak kapattıktan ve tekrar çalıştırdıktan sonra süpürge makinası tekrar çalışmaya hazırdır.

- ▶ Boşaltmadan önce emiş hortumunu ilk önce sıvıdan çıkartın.
- ▶ Yüksek emiş gücü ve akışa uygun kap şekli nedeniyle süpürge makinası kapatıldıktan sonra bir miktar su hortumdan geri akabilir.
- ▶ Takip eden kuru süpürmede kuru filtre yerleştirin.

NOT

Kuru ve ıslak süpürme arasında sıkça değişiklik yapılması halinde ikinci bir filtre takımı, tercihen Polyester'den imal edilmiş katlanmış filtre hazneleri kullanmanızı öneriyoruz.

5.3 Asbest içeren maddeleri emme

Yalnızca H-asbest toz sınıfı elektrikli süpürgeler asbest içeren maddeleri süpürmek için kullanılabilir.

- ▶ Tozun yapışmasını ve kabuklaşmasını önlemek için yalnızca kuru bir filtre, elektrikli süpürge ve aksesuarları ile çalışın.
- ▶ Asbest içeren maddeleri emmek için: PE boşaltma torbasını ve kumaş filtreyi kir haznesinin içine yerleştirin.
- ▶ Katlanmış filtre kartuşlarıyla birlikte daima filtre torbaları kullanın.

NOT

H-asbest sınıfı elektrikli süpürgeler, tercihen kuru tozlar için elektrikli süpürgeler olarak kullanılmalıdır.

⚠ UYARI!

Sağlık tehlikesi!

Havadaki asbest lifleri.

- ▶ İş alanını dışarıdaki hava (temiz hava) ile yeterince havalandırın.
- ▶ Çekilen havayı asbest liflerinin diğer kişilerin bulunduğu havanın içine girmeyecek şekilde yönlendirin veya temizleyin.
- ▶ Çekilen havayı filtrelerken tüm tozu toz geçirmez kaplara aktarın.
- ▶ Tozu boşaltmayın.

Asbest liflerinin serbest kalma ihtimali varsa:

- ▶ Asbest liflerini çıkışta veya oluşma noktasında absorbe edin.
- ▶ Ardından asbest lifleri, kişiler veya çevre için tehlike oluşturmayacak şekilde en yeni teknikleri kullanarak atın.

Asbest liflerinin tamamen absorbe edilmesi mümkün değilse:

- ▶ En yeni tekniklere göre ilave havalandırma önlemleri alın.

İşin tamamlanmasının ardından:

- ▶ Emme boruları ve iş ekipmanları dahil olmak üzere aletleri dikkatli bir şekilde temizleyin.
- ▶ Çalışma alanını dikkatli bir şekilde temizleyin.
- ▶ Temizlenemeyen asbest lifleri ile kirlenmiş nesnelere nemlendirin ve uygun şekilde kaldırın.

Temizlikten sonra:

- ▶ Çalışma alanını yeterince havalandırın.

6 Sürekli filtre temizleme

Elektrikli süpürge, filtre kartuşlarındaki herhangi bir tozu temizlemek için kullanılabilen bir elektromanyetik filtre temizleme sistemi ile donatılmıştır.

Bu filtre temizleme işlemi, ayarlanmış olan asgari hacim akımına ulaşıldığında otomatik olarak gelecek çalışma molasında yapılmaktadır (filter pozisyonu >RA<).

7 Kabı boşaltma

NOT

Sadece AGW's > 1 mg/m³ tozlarda izin verilmektedir.

- ▶ Süpürge makinasını kapatın, elektrik fişini çekin.
- ▶ Kilitleri açın.
- ▶ Kapağı ve emiş hortumunu kaptan alın.
- ▶ Kabı boşaltın.

7.1 İpek elyaf filtre torbasını atma

- ▶ Elektrikli süpürgeyi kapatın.
- ▶ Şebeke fişini çıkartın.
- ▶ Uygun solunma maskesi takın.
- ▶ Emiş hortumunu çıkartın.
- ▶ Emme yuvasını kapakla kapatın.
- ▶ Yan taraftaki mandalları açın.

- Üst bölmeyi çıkarın.
- Flaşı emme yuvasından dikkatlice çekin ve flaşı kapatın.
- Toplanan malzemeleri yasal gerekliliklere uygun olarak imha edin.

7.2 PE boşaltma ve imha torbasını atma

- Şalteri >RA< konumuna getirin.
 - ↳ Katlanmış filtre kartuşları otomatik olarak temizlenir.
 - ↳ Filtrelerdeki artık toz torbaya düşer.
- Elektrikli süpürgeyi kapatın.
- Şebeke fişini çıkartın.
- Uygun soluma maskesi takın.
- Emiş hortumunu çıkartın.
- Emme yuvasını kapakla kapatın.
- Yan taraftaki mandalları açın.
- Üst bölmeyi çıkarın.
- PE boşaltma ve atık torbasını dikkatli şekilde ilişikteki bantla kapatın.
- Flaşı dikkatli şekilde emme bağlantı parçasından çekin ve kapatın
- PE boşaltma ve atık torbasını dikkatli şekilde kapaktan çıkarın
- Süpürülen malzemeyi yasal düzenlemelerin öngördüğü şekilde imha edin.

7.3 İpek elyaf filtre torbası takın

NOT

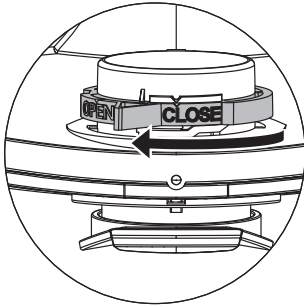
Kuru vakumlu temizlik için sadece ipek elyaf filtre torbalarını kullanın.

- Flaşı emme yuvasının üzerinden tamamen kaydırın.

NOT

Döner sürgüyü çalıştırma

- Kırmızı iç döner sürgüyü ▲ işareti üzerinde duracak şekilde CLOSE (KAPALI) konuma getirin.



7.4 PE boşaltma ve atık torbasını takın*

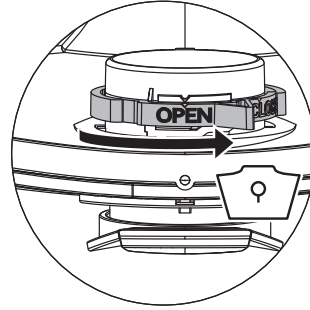
NOT

Sadece özel kabı olan **M** ve **H** sınıfı ve IS/ISC ARM, IS/ISC ARH vett IS/ISC ARH-ASBEST tiplerinin emme açıklığında döner sürgü olan süpürge makinaları, PE boşaltma ve imha keselerinin kullanımı için uygundur.

NOT

Döner sürgüyü çalıştırma

- Kırmızı iç döner sürgüyü ▲ işareti üzerinde duracak şekilde OPEN (AÇIK) konuma getirin.
- Flaşı emme yuvası üzerine tamamen kaydırın.
- Üst torba açıklığını hazne ağzının üzerine yerleştirin.



8 Filtreyi değiştirme

8.1 Katlanmış filtre kartuşlarının değiştirilmesi

- Filtre kartuşlarını değiştirmeden önce temizleyin.
- Mandal üzerindeki kilit, bozuk para veya benzer bir nesne ile saat yönünün tersinde 90° boyunca döndürün ve mandalı arkaya itin.
- Kapağın açılması
- Çıkarılan katlanmış filtre hazneleri hemen toz sızdırmayan plastik bir keseye koyun ve talimata uygun şekilde imha edin.
- Yeni katlanmış filtre haznelerini yerleştirin.
- Kilit mandalını yukarı kaldırın, kapağı aşağıya katlayın ve hafifçe bastırarak kilitleyin.

9 Motor koruma filtresini değiştirme

NOT

Motor koruma filtresi kirlenmişse, bu durum arızalı bir filtre haznesine işaret eder.

- Katlanmış filtre haznelerini yerleştirin.
- Motor koruma filtresini değiştirin veya motor koruma filtresini su altına tutarak yıkayın, kurutun ve tekrar yerleştirin.

10 Taşıma

- ▶ Emiş hortumunu çıkartın.
- ▶ Emme yuvasını kapakla kapatın.
- ▶ Üst bölmeyi kabin üzerine koyun.
- ▶ Yan mandalları kapatın.
- ▶ Aksesuarı uygun plastik keseğe takın ve plastik keseği kapatın veya alet deposuna takın.
- ▶ Emiş hortumu ucunu ve emiş hortumu başlangıç kısmını birbirine takın.
- ▶ Hortumu süpürge makinasının etrafına koyun ve tutamağa sıkıştırın.

11 Bakım

NOT

Her bakımdan önce süpürge makinasını kapatın ve elektrik fişini çekin.

Kullanıcı tarafından bakım yapılması için süpürge makinası

- dağıtılmış,
- temizlenmiş ve
- bakımı yapılmış olmalıdır,

bunu yaparken bakım personeli ve diğer kişiler için tehlike oluşturmayacak şekilde işlemleri uygulamak esastır.

Emniyet önlemleri

Uygun emniyet önlemleri şunları kapsar:

- Demontaj öncesi temizlik,
- Süpürge makinasının söküldüğü yerel filtrelenen zorunlu hava tahliyesi için önlemler alınması,
- Bakım bölgesinin temizlenmesi ve
- uygun kişisel koruma ekipmanı.

H ve M sınıfı süpürge makinalarında alınacak emniyet önlemleri

Süpürge makinasının dışı, süpürge makinasını tehlikeli bölgeden çıkarmadan önce toz çekme yöntemleri vasıtasıyla temizlenmeli ve silinmelidir veya yalıtım gereçleri ile yalıtılmalıdır. Tüm süpürge makinası parçaları, tehlikeli bölgeden çıkarıldıkları esnada temiz değilmiş gibi hareket edip tozun dağılmasını engellemek amacıyla ilgili bir dizi işlem yürütülmelidir.

Pislenen nesnelere

Bakım ve onarım çalışmalarının yürütülmesi esnasında tatmin edici şekilde temizlenemeyen tüm kirli nesnelere tasfiye edilmelidir. Bu tip nesnelere sızdırmaz keselerde bu tür atıkların imha edilmesi için yer alan geçerli düzenlemeler doğrultusunda tasfiye edilmelidir.

11.1 Elektrikli süpürge makinasının etkinliğini test etme

Yılda en az bir kez, üretici veya eğitimli bir kişi, filtreleri, elektrikli süpürge makinasının hava sızdırmazlığını ve kontrol mekanizmalarını içeren teknik bir muayene yapmalıdır.

Buna ek olarak, toz sınıfı H ve H asbest olan elektrikli süpürge makinasının etkinliği yılda en az bir kez veya daha sık kontrol edilmelidir. Cihazın etkinliğini göstermek için kullanılabilen test yöntemi EN 60335-2-69 AA.22.201.2'de tanımlanmıştır. Test başarısız olursa, yeni bir ana filtreyle tekrarlanmalıdır.

Tahliye edilen hava odaya geri gittiğinde odada en az bir hava değişim oranı L olmalıdır. Ayrıntılı bilgiler için lütfen ulusal düzenlemelere bakın.

Süpürge makinasının emiş gücü düşmüşse ve katlanmış filtre haznelarının temizlenmesi de emiş gücünü yükseltmiyorsa (kabin boşaltılması ve ipek elyaf filtre torbası kesesinin değiştirilmesi şarttır), o halde katlanmış filtre haznelarını değiştirmek gerekir ((bkz. ve bölüm "8.1 Katlanmış filtre kartuşlarının değiştirilmesi" 140. sayfada).

12 Temizlik

NOT

Asitler, aseton ve çözücüler elektrikli süpürge makinasının parçalarına zarar verebilir.

- ▶ Kabin ve aksesuarları su ile temizleyin.
- ▶ Üst kısmı nemli bir bezle silin.
- ▶ Kabin ve aksesuarların kurummasına izin verin.

13 Onarım

⚠ UYARI!

Usule uygun şekilde onarılmayan süpürge makinaları, kullanıcı için tehlike oluşturur.

- ▶ Onarımları sadece ör n. müşteri hizmetleri gibi uzman personele yaptırın. Yalnız orijinal yedek parça kullanın.

14 Sorun giderme ve onarım

NOT		
Elektrikli süpürge'deki kusurlardan arızaların kaynağı her zaman bulunamaz.		
Arıza	Sebebe	Çözüm
Emiş gücü düşüyor	Filtre kirli	Temiz
	Filtre torbası dolu	Değiştirin
	Kap dolu	Boş
	Motor koruma filtresi tıkalı	Temiz
	Meme, boru veya hortum tıkalı	Temiz
Elektrikli süpürge çalışmıyor	Şebeke fişi prizde değil	Şebeke fişini prize takın
	Şebeke voltajı yok	Sigortayı kontrol edin
	Şebeke bağlantı kablosu bozuk	Değiştirin
	Kapak düzgün bir şekilde kapatılmamış	Kapatın
	Su sensörü kapalı	Kabı boşaltın
	Elektrikli süpürge bekleme modu >A< veya >RA< de.	Şalteri > I < olarak ayarlayın (bkz. "3 Ekran ve kontrol elemanları" 133. sayfada)
Alet >A< veya >RA< modunda açıldığında elektrikli süpürge çalışmıyor	Elektrikli alet, elektrikli süpürge üzerindeki prize takılı değil	Şebeke fişini elektrikli süpürge üzerindeki prize takın
	Pnömatik açma-kapama ünitesinin* solenoid valfi kirlenmiş	Alkol ile durulayın
PE boşaltma ve atık torbası filtreye doğru emiliyor	Döner sürgünün hatalı konumu	Döner sürgüyü OPEN (AÇIK) ▲ konuma getirin (bkz. "7.4 PE boşaltma ve atık torbasını takın" 136. sayfada)
M veya H toz sınıfına sahip elektrikli süpürge: takılı filtre torbası ile toz kaptı birikir	Döner sürgünün hatalı konumu	Döner sürgüyü CLOSE (KAPALI) ▲ konuma getirin (bkz. "7.3 İpek elyaf filtre torbası takın" 136. sayfada)

Başka hiçbir şey denemeyin, müşteri hizmetleri ile iletişime geçin.

15 Teknik Veriler

Tip: IS		ISC L/M/H-1425 (ISC L/M/H-1450)
Gerilim	V	220-240
Frekans	Hz	50/60
Nominal güç	W	1200
Maks. güç	W	1400
Hava akımı*	l/s (m ³ /h)	73 (263)
Vakum*	hPa/MG	270
Hava akımı**	l/s (m ³ /h)	42 (151)
Vakum**	hPa/SE	235
Ses basıncı	dB(A)	69
Ağırlık	kg	12,1 / 17,1
Ölçüleri U x G x Y	cm	45 x 39 x 49 / 59,5 x 46,5 x 96

* fanda

** hortumda

Prizli elektrikli süpürgelerde maksimum güç: 2000 W (220-240V~)

Prizli L toz sınıfı elektrikli süpürgelerdeki şebeke bağlantı kablosu: H05RR-F 3G1,5

Prizli M, H ve H Asbest toz sınıfı elektrikli süpürgelerdeki şebeke bağlantı kablosu: H07RN-F 3G1,5

16 Testler ve onaylar

Elektrotekniksel kontroller kazaları önleme ile ilgili talimatları kapsamında (DGUV V3) ve DIN VDE 0701 bölüm 1 ve bölüm 3 doğrultusunda yürütülmelidir. Bu kontroller DIN VDE 0702'ye uygun olarak düzenli aralıklarla ve onarım veya değişiklik sonrasında gereklidir.

Süpürge makineleri, IEC/EN 60335-2-69 doğrultusunda başarılı şekilde kontrol edilmiştir.

NOT

Kullanılmış cihazlar, tekrar işlemek için uygun olan değerli malzemeler içerir. **Süpürge makinasını normal çöpe atmayın**, ör n. yerel özel atık imha tesisi üzerinden usulüne uygun şekilde tasfiye edin.

17 AB Uyumluluk Bildirimi

Biz, Husqvarna AB, SE 561 82 Huskvarna, İSVEÇ, Tel. +46 36 146500 olarak ürünün tek sorumlusu olma vasfıyla aşağıdaki beyanlarda bulunmaktayız:

Açıklama	Toz Aspiratörü
Marka	HUSQVARNA
Tip / Model	S 11
Kimlik	2022 ve daha ileri tarihli seri numaraları

aşağıdaki AB direktifleri ve düzenlemeleriyle tamamen uyumludur:

Direktif/Düzenleme	Açıklama
2006/42/AT 2014/30/AB 2011/65/AB	"makinelele ilgili" "elektromanyetik uyumlulukla ilgili" "tehlikeli maddelerin kısıtlanmasıyla ilgili"

ve aşağıdaki standartlar ve/veya teknik özellikler uygulanmıştır;

EN ISO 12100:2010

EN 55014-1:2017

EN 55014-2:2015

EN 61000-3-2:2014

EN 61000-3-3:2013

EN 60335-2-69:2012

EN IEC 63000:2018





Partille, 2022-10-12



Martin Huber

AR-GE Müdürü, Beton Yüzeyler ve Zeminler
Husqvarna AB, Yapı Bölümü
Teknik dokümantasyon sorumlusu

1 Explicarea simbolurilor și a semnelor utilizate

Simbol / Cuvânt de avertizare	Descriere
	Acesta este un simbol de avertizare. El atrage atenția asupra unui posibil pericol de vătămare. Respectați toate instrucțiunile, care sunt marcate cu acest simbol, pentru a evita vătămările sau decesul. Simbolul de avertizare apare întotdeauna în legătură cu cuvintele de avertizare PERICOL, AVERTIZARE și PRECAUȚIE .
PERICOL!	Semnalează un pericol cu grad mare de risc care, dacă nu este evitat, poate avea ca urmare decesul sau vătămări grave.
AVERTIZARE!	Semnalează un pericol cu grad mediu de risc care, dacă nu este evitat, poate avea ca urmare decesul sau vătămări grave.
PRECAUȚIE!	Semnalează un pericol cu grad scăzut de risc care, dacă nu este evitat, poate avea ca urmare vătămări ușoare sau moderate.
NOTĂ	Aici sunt recomandările și informații pentru a facilita munca și pentru a asigura o funcționare fiabilă.
	Semnalează o premisă care trebuie îndeplinită înainte de a putea fi efectuată o acțiune.
	Semnalează pașii care trebuie efectuați succesiv de utilizator.
	Semnalează rezultatul unei acțiuni.

2 Informații importante privind siguranța

AVERTIZARE!

Pericol de sufocare! Nu permiteți copiilor să se joace cu materialul de ambalare, de exemplu, pungi de plastic. Nu vă urcați și nu vă așezați pe aspirator.

Risc de cădere când lucrați pe scări. Asigurați-vă că stați în picioare în siguranță.

Nu manipulați cablul de conexiune sau furtunul de aspirare peste muchii ascuțite, nu îl îndoiiți sau ștrangulați. Poziționați cablul de conexiune și furtunul de aspirare astfel încât nimeni să nu se împiedice de acestea.

În cazul scurgerilor de spumă sau lichid, deconectați imediat aspiratorul.

Păstrați interiorul capacului întotdeauna uscat.

Nu folosiți aspiratorul, inclusiv accesoriile, în următoarele cazuri:

- Cablul de conectare la rețea sau cablul prelungitor sunt defecte sau prezintă fisuri
- Există o deteriorare vizibilă a aspiratorului, de exemplu, fisuri în interiorul carcasei
- Dacă bănuiți un defect invizibil, de exemplu după o cădere

PERICOL!

Există pericol de explozie și incendii! Nu folosiți aspiratorul într-un mediu potențial exploziv.

Păstrați aspiratorul departe de gaze și substanțe inflamabile.

⚠ PERICOLI!

Există pericol de explozie și incendiu! Nu folosiți aspiratorul pentru a aspira următoarele:

- solvenți inflamabili sau explozivi
- materiale înmuiate în solvenți
- pulberi potențial explozive
- lichide cum ar fi benzină, ulei, alcool, diluanți
- materiale mai calde de 60 °C

⚠ AVERTIZARE!

Aparatele care nu sunt reparate de personal de specialitate reprezintă un pericol pentru utilizator. Efectuați reparațiile doar la specialiști, de ex. service. Utilizați doar piese de schimb originale.

⚠ AVERTIZARE!

Utilizați priza aspiratorului doar în scopul prevăzut în instrucțiunile de utilizare.

În cazul utilizării în scopuri neconforme cu instrucțiunile sau a unor reparații neautorizate, producătorul nu își asumă nici o responsabilitate pentru producerea de pagube.

Nu utilizați prelungitoare ce prezintă defecte.

În cazul deteriorării cablului de alimentare, acesta trebuie înlocuit cu un cablu special procurat de la producător sau de la un service autorizat.

Nu lăsați ca perile electrice rotative să vină în contact cu cablul de conectare la rețea.

Tensiunea inscripționată pe plăcuța indicatoare trebuie să coincidă cu tensiunea din rețea.

După fiecare utilizare și înaintea efectuării lucrărilor de întreținere opriți aspiratorul și scoateți ștecherul din priză.

Trageți doar de ștecher, nu de cablul de alimentare.

Nu introduceți sau scoateți ștecherul cu mâinile ude.

Alimentarea cu energie electrică trebuie să fie protejată printr-o siguranță de putere adecvată.

Nu deschideți aspiratorul în aer liber pe ploaie sau furtună.

Păstrați aspiratorul uscat și protejat de îngheț în spații interioare.

⚠ AVERTIZARE!

Mașinile de îndepărtare a prafului sunt testate în conformitate cu DIN EN 60335-2-69 și împărțite pe clase de praf.

Aspiratoarele din clasa **L** sunt adecvate pentru absorbția/aspirarea prafulilor uscate, non-inflamabile, periculoase pentru sănătate, cu limite de siguranță la locul de muncă > 1 mg/m³.

Aspiratoarele din clasa **M** sunt recomandate pentru absorbția/aspirarea prafulilor uscate neinflamabile, a lichidelor neinflamabile, a prafului produs prin prelucrarea lemnului și a prafulilor periculoase cu AGWs ≥ 0,1 mg/m³.

Aspiratoarele din clasa **H** sunt recomandate pentru absorbția/aspirarea prafulilor uscate neinflamabile, a particulelor cancerigene și iritante cât și a lichidelor neinflamabile, a prafului produs prin prelucrarea lemnului și a prafulilor dăunătoare sănătății cu AGWs < 0,1 mg/m³.

⚠ AVERTIZARE!

Aspiratoarele din clasa de praf **azbest H** sunt adecvate pentru aspirarea și extragerea prafului care conține azbest. Respectați reglementările naționale privind funcționarea și întreținerea sculelor de îndepărtare a azbestului.

⚠ AVERTIZARE!

Nu este permisă utilizarea acestei mașini de către persoane (inclusiv copii) cu capacități fizice, senzoriale sau mentale diminuate sau lipsă de experiență și cunoștințe.

Copiii trebuie supravegheați pentru a vă asigura că nu se joacă cu aparatul.

A nu se îndrepta duza, furtunul sau tubul spre oameni sau animale.

⚠ AVERTIZARE!

Utilizați numai perile furnizate împreună cu aspiratorul sau cele specificate în instrucțiunile de utilizare.

Utilizarea altor perii poate compromite siguranța.

Când este utilizat în activități de procesare a alimentelor: Curățați imediat aspiratorul după utilizare și dezinfecțați-l pentru a evita contaminarea microbiană.

Nu utilizați aspiratoare cu jeturi de abur sau cu presiune ridicată pentru curățare.

Folosiți aspiratorul doar sub supraveghere.

Deconectați aspiratorul de la rețeaua de alimentare în cazul unei întreruperi mai mari de lucru.

Nu curățați cartușele de filtrare cu aer comprimat.

Citiți manualul de utilizare cu atenție înainte de a începe să folosiți aspiratorul. Manualul de utilizare oferă instrucțiuni importante privind siguranța, punerea în funcțiune, operarea, întreținerea și îngrijirea. Păstrați manualul de operare într-un loc sigur și, în cazul în care vindeți unitatea, predăți-l proprietarului următor.

Producătorul își rezervă dreptul de a efectua modificări de construcție sau echipare.

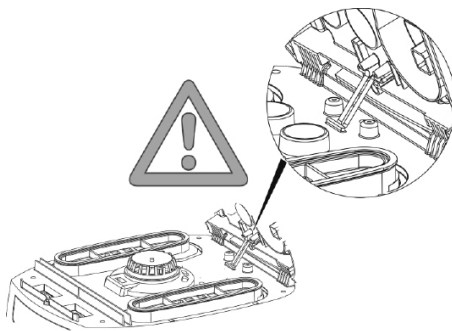
Nu este permisă utilizarea produsului în alte scopuri decât cele descrise în aceste instrucțiuni de utilizare.

Această mașină este prevăzută pentru exploatare profesională, de exemplu pentru utilizare în hoteluri, școli, spitale, magazine de fabrică, birouri și spații de închiriere.

La dezambalare verificați existența tuturor componentelor și dacă nu există deteriorări datorate transportului.

Înainte de folosire, utilizatorilor trebuie să li se asigure informațiile, indicațiile și trainingul necesar utilizării aspiratorului și a



substanțelor aferente, inclusiv procedeele de evacuare în siguranță a materialului aspirat.



3 Elemente de afișare și control

Poziție comutator	Funcție	Descriere
0	aspirator deconectat	- priză sub tensiune
I	aspiratorul este în funcțiune	- priză sub tensiune - Funcția automată de vibrator oprită
A	Regim pregătit de funcționare pentru sistem automat de conectare/deconectare	- Priză sub tensiune - Prin intermediul prizei pentru scule electrice/pneumatice atașată, aspiratorul este pornit sau oprit cu ajutorul butonului Pornit/Oprit
RA	Regim pregătit de funcționare pentru sistem automat de conectare/deconectare	- Regim pregătit de funcționare ca și „A” plus curățare automată a filtrului
	Funcția de curățare automată a filtrelor	- Această curățare a filtrului se realizează automat în cazul atingerii curentului minim volumetric, setat, în pauza următoare de lucru (poziția comutatorului >RA<)
	Indicator nivel de umplere*	- Indicatorul nivelului de umplere se aprinde când rezervorul este plin și/sau furtunul de aspirație este blocat. La aspiratoarele cu clase de praf M și H, se emite de asemenea un semnal acustic

* în funcție de varianta echipamentului

Poziție comutator	Funcție	Descriere
	Setarea diametrului furtunului de aspirație *	- La aspiratoarele pentru azbest M/H/H pentru monitorizarea debitului de volum, pentru a declanșa un semnal sonor de avertizare în cazul în care viteza aerului scade sub 20 m/s
	Setarea turației motorului*	- Reglați puterea de aspirație cu comanda de viteză

4 Punere în funcțiune

4.1 Înainte de fiecare utilizare

Asigurați-vă că sunt îndeplinite următoarele condiții:

- △ Aspiratorul, cablul de alimentare, furtunul de aspirație și accesorii nu sunt deteriorate.
- △ Toate filtrele au fost introduse și nu sunt deteriorate.

4.2 Pornirea și oprirea

Priza de pe aspirator rămâne întotdeauna sub tensiune, indiferent de poziția comutatorului principal.

⚠ AVERTIZARE!

Pericol de vătămare prin pornirea automată a sculei electrice!

- ▶ Înainte de conectarea la aspirator, opriți scula electrică sau unealta pneumatică.

NOTĂ

În poziția >0< a comutatorului, priza de pe aspirator poate fi utilizată ca și cablu prelungitor.

△ **Valoare de conectare:** Aspirator + aparatul conectat (maximum 2000 W) maximum 16 A.

4.2.2 Pornirea aspiratorului

Consultați funcțiile la „3 Elemente de afișare și control” pe pagina 143.

- ▶ Introduceți mufa în priză.
- ▶ Setează comutatorul pe poziția >1<.
 - ↳ Aspiratorul pornește imediat.

sau:

- ▶ Setează comutatorul în poziția >A< sau >RA<.
 - ↳ Aspiratorul este în modul de așteptare pentru scule electrice.

4.2.3 Setarea diametrului furtunului de aspirație*

- ▶ Reglați diametrul furtunului de aspirație la comutator.

⚠ PRECAUȚIE!

Comutarea selectorului pentru semnalul minim de debit de volum al aerului (semnal acustic și lumină) pe aspiratoarele cu clase de praf „M” și „H”

În modurile >RA< și >1< este realizată următoarea setare, în funcție de diametrul furtunului:

Selectați comutatorul pentru diametrul interior al furtunului de aspirare	Flux volum aer
∅ 35 mm	70 l/s
∅ 27 mm	41 l/s
∅ 21 mm	25 l/s

Viteza poate fi reglată individual după setarea diametrului furtunului.

4.2.4 Reglarea puterii de aspirație*

- ▶ Reglați viteza motorului pe întrerupător.
- sau:
- ▶ Setează cursorul de aer auxiliar la țeva de mână.

4.2.5 Oprirea aspiratorului

- ▶ Setează comutatorul pe poziția >0<.
 - ↳ Aspiratorul este oprit.
- ▶ După oprire, scoateți mufa cablului de alimentare.
- ▶ Rulați cablul de conectare la rețea.
- ▶ Depozitați cablul de conectare la cablul de alimentare.
- ▶ Depozitați tubul de aspirație prin introducerea acestuia în suportul de accesorii* de pe peretele din spate al recipientului.
- ▶ Puneți capetele furtunului de aspirație împreună, astfel încât să nu se scurgă particule de murdărie.
- ▶ Îndepărtați Scula electrică.

5 Modulile de funcționare

5.1 Aspirarea uscată

- ▶ Aspirați doar cu filtru uscat, aspirator și accesorii, astfel încât praful să nu adere și să facă crustă.

- ▶ La aspirarea funinginii, a cimentului, a ipsosului sau a altor prafuri similare: Introduceți un sac de evacuare PE în recipientul de murdărie.
- ▶ Utilizați întotdeauna saci de eliminare în combinație cu cartușe de filtrare pliate.

NOTĂ

Aspiratoarele din clasele M, H și H-asbest se folosesc de regulă ca și aspiratoare uscate.

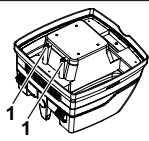
5.2 Aspirarea lichidelor

⚠ AVERTIZARE!

Pericol de electrocutare!

- ▶ În cazul scurgerilor de spumă sau lichid, deconectați imediat aspiratorul.
- ▶ Goliți containerul și, după caz, cartușele filtrelor cu pliu.

NOTĂ



Curățați regulat senzorii de nivel ai apei (1) și verificați dacă nu există urme de deteriorare.

- ▶ Aspirați fără sac filtrant din vlies. Casetele filtrului cutat sunt adecvate pentru aspirare umedă. Senzorul integrat oprește motorul când recipientul este plin. Manipularea aspiratorului poate fi compromisă dacă recipientul este plin.
- ▶ Goliți recipientul (consultați „7 Golirea recipientului” pe pagina 145).

NOTĂ

Dacă aspiratorul nu este deconectat, protecția împotriva pornirii accidentale rămâne în continuare activă. Aspiratorul devine funcțional doar deconectarea și o noua conectare a acestuia.

- ▶ Înainte de golire scoateți mai întâi furtunul de aspirare din lichid.
- ▶ Datorită puterii mari de aspirare și forme hidrodinamice a containerului, după deconectare se poate scurge un pic de apă din furtun.
- ▶ La activarea funcției de aspirare uscată montați filtrele uscate.

NOTĂ

La schimbarea frecvență între modul de aspirare uscat și cel umed vă recomandăm montarea unui al doilea set de filtre, de preferat cartușe cu filtru cu pliu din poliester.

5.3 Aspirarea substanțelor care conțin azbest

Numai aspiratoarele din clasa de praf azbest H pot fi utilizate pentru aspirarea substanțelor care conțin azbest.

- ▶ Lucrați numai cu un filtru uscat, un aspirator și accesorii pentru a împiedica praful să adere și să devină încrustat.
- ▶ Pentru aspirarea substanțelor care conțin azbest: Introduceți sacul de golire a PE sau sacul de filtrare din lână în recipientul pentru murdărie.

- ▶ Utilizați întotdeauna saci de filtrare în combinație cu cartușe de filtrare pliabile.

NOTĂ

Aspiratoarele pentru clasa azbest H ar trebui să fie utilizate de preferință ca aspiratoare pentru prafuri uscate.

⚠ ATENȚIE!

Pericol pentru sănătate!

Fibre de azbest în aer.

- ▶ Alimentați zona de lucru cu aer exterior suficient (aer proaspăt).
- ▶ Ghidați sau curățați aerul extras astfel încât fibrele de azbest să nu intre în aerul respirat de alte persoane.
- ▶ Când filtrați aerul extras, transportați orice urmă de praf în recipiente impermeabile.
- ▶ Nu decantați praful.

Dacă există posibilitatea ca fibrele de azbest să fie eliberate:

- ▶ Absorbiți fibrele de azbest la ieșire sau la punctul de origine.
- ▶ Apoi eliminați fibrele de azbest în conformitate cu stadiul tehnicii fără niciun pericol pentru persoane sau pentru mediu.

Dacă absorbtia completă a fibrelor de azbest nu este posibilă:

- ▶ Luați măsuri suplimentare de ventilație în conformitate cu stadiul tehnicii.

După finalizarea lucrării:

- ▶ Curățați cu grijă sculele, inclusiv tuburile de aspirație și echipamentul de lucru.
- ▶ Curățați cu grijă zona de lucru.
- ▶ Umeziți și îndepărtați în mod corespunzător obiectele contaminate cu fibre de azbest care nu pot fi curățate.

După curățare:

- ▶ Ventilați suficient zona de lucru.

6 Curățarea permanentă a filtrelor

Aspiratorul este echipat cu un sistem electromagnetic de curățare a filtrelor, care poate fi folosit pentru a curăța orice praf atașat de cartușele de filtrare.

Această curățare a filtrului se realizează automat în cazul atingerii curentului minim volumetric, setat, în pauza următoare de lucru (poziția comutatorului >RA<).

7 Golirea recipientului

NOTĂ

Permis doar la prafuri cu $AGW's > 1 \text{ mg/m}^3$.

- ▶ Opriți aspiratorul, scoateți ștecherul din priză.
- ▶ Deschideți sistemele de închidere.
- ▶ Îndepărtați capacul și furtunul de aspirare de container.
- ▶ Răsturnați containerul.

7.1 Îndepărtarea sacului de filtru din lână

- ▶ Oprii aspiratorul.
- ▶ Deconectați ștecherul cablului de alimentare.
- ▶ Purtați o mască de respirație adecvată.
- ▶ Îndepărtați furtunul de aspirație.
- ▶ Închideți priza de admisie cu capac.
- ▶ Deschideți zăvoarele laterale.
- ▶ Îndepărtați secțiunea superioară.
- ▶ Trageți cu atenție flanșa din priza de admisie și închideți flanșa.
- ▶ Aruncați materialul adunat în conformitate cu cerințele legale.

7.2 Aruncați sacul de golire și de eliminare PE

- ▶ Setati comutatorul pe poziția >RA<.
 - ↳ Cartușele filtrante pliate sunt curățate automat.
 - ↳ Praful rezidual din filtre intră în sac.
- ▶ Oprii aspiratorul.
- ▶ Deconectați ștecherul cablului de alimentare.
- ▶ Purtați o mască de respirație adecvată.
- ▶ Îndepărtați furtunul de aspirație.
- ▶ Închideți priza de admisie cu capac.
- ▶ Deschideți zăvoarele laterale.
- ▶ Îndepărtați secțiunea superioară.
- ▶ Închideți cu atenție sacul colector PE cu banda anexă.
- ▶ Trageți cu atenție flanșa de la racordurile de admisie și închideți.
- ▶ Extrageți cu atenție sacul de colectare PE din container
- ▶ Aruncați materialul adunat în conformitate cu cerințele legale..

7.3 Introduceți sacul de filtru din lână

NOTĂ

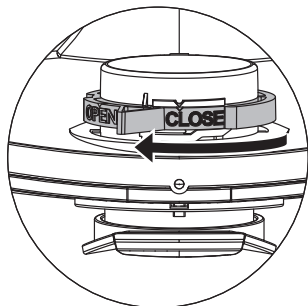
Folosiți saci de filtrare din lână pentru aspirare uscată.

- ▶ Glisați flanșa complet peste priza de admisie.

NOTĂ

Utilizarea glisorului rotativ

- ▶ Rotiți glisorul rotativ roșu în interior în poziția CLOSE până la oprirea în dreptul marcajului ▲ .



7.4 Introduceți sacul de golire și eliminarea PE*

NOTĂ

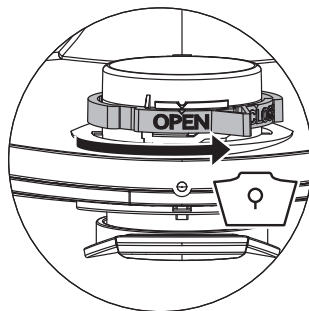
Doar aspiratoarele din clasa **M** și **H** cu containere speciale și supapă rotativă în gura de aspirare de tipurile IS/ISC ARM, IS/ISC ARH și IS/ISC ARH-ASBEST sunt apte pentru utilizarea sacilor colectori PE.

NOTĂ

Utilizarea glisorului rotativ

- ▶ Rotiți glisorul rotativ roșu în interior în poziția OPEN până la oprirea în dreptul marcajului ▲ .

- ▶ Glisați flanșa complet peste priza de admisie.
- ▶ Așezați deschiderea superioară a sacului peste janta containerului.



8 Schimbarea filtrului

8.1 Schimbarea cartușelor de filtrare pliate

- ▶ Curățați cartușele de filtrare înainte de a le schimba.
- ▶ Rotiți încuietorea de pe încuietorea cu 90 ° în sens invers acelor de ceasornic cu o monedă sau un obiect similar și împingeți încuietorea în spate.
- ▶ Închideți cu atenție sacul colector PE cu banda anexă.
- ▶ Trageți cu atenție flanșa de la racordurile de admisie și închideți.
- ▶ Extrageți cu atenție sacul de colectare PE din container
- ▶ Aruncați reziduurile aspirate respectând normele în vigoare.
- ▶ Introduceți imediat cartușele filtrante înlocuite într-un sac din plastic impermeabil și aruncați-l, respectând dispozițiile în vigoare.
- ▶ Montați cartușe filtrante noi.
- ▶ Ridicați clema de blocare, rabatați capacul și imobilizați-l printr-o apăsare ușoară.

9 Schimbarea filtrului de protecție a motorului

NOTĂ

Dacă filtrul de protecție al motorului este murdar, acest lucru denotă cartuș filtru defect.

- ▶ Înlocuiți cartușele filtrante.
- ▶ Înlocuiți filtrul de protecție al motorului, respectiv spălați vechiul filtru sub jet de apă, uscați-l și apoi montați-l la loc.

10 Transport

- ▶ Îndepărtați furtunul de aspirație.
- ▶ Închideți priza de admisie cu capac.
- ▶ Așezați partea superioară pe recipient.
- ▶ Închideți încuietorele laterale.
- ▶ Introduceți accesoriile în pungile de plastic aferente și legați-le sau fixați-le în suportul pentru accesorii.
- ▶ Introduceți capetele furtunului de aspirare unul în celălalt.
- ▶ Înfășurați furtunul în jurul aspiratorului și fixați-l de mâner.

11 Întreținere

NOTĂ

Înainte de executării lucrărilor de întreținere închideți aspiratorul și scoateți ștecherul.

La întreținerea de către utilizator aspiratorul trebuie să fie

- demontat,
- curățat și
- întreținut,

atât cât este posibil, fără ca prin aceasta să reprezinte un pericol pentru personalul de întreținere și alte persoane.

Măsuri de precauție

Respectați măsurile de precauție recomandate

- Curățarea înainte de demontare,
- Atenția la ventilația forțată a locației unde este demontat aspiratorul,
- curățirea zonei în care se efectuează lucrări de întreținere și
- echipamentul de protecție personală adecvat.

Măsuri de precauție la aspiratoarele din clasele H și M

Exteriorul aspiratorului trebuie să fie curățat prin proceduri de aspirare și apoi șters, sau să fie tratat cu substanțe de etanșizare, înainte ca acesta să fie luat din zona periculoasă. Toate componentele de aspirare trebuie să fie considerate ca și necurățate când sunt luate din zona periculoasă și trebuie adoptate măsuri adecvate pentru a împiedica o dispersie a prafului.

Obiecte murdare

La efectuarea lucrărilor de întreținere sau reparații toate obiectele murdare, care nu pot fi curățate în mod mulțumitor, trebuie să

fie aruncate. Astfel de materiale trebuie colectate în pungi impermeabile în concordanță cu dispozițiile valabile pentru înlăturarea unor asemenea deșeuri.

11.1 Testarea eficacității aspiratorului

Cel puțin o dată pe an, producătorul sau persoana instruită trebuie să efectueze o inspecție tehnică, care să includă filtrele, etanșeitatea aspiratorului și mecanismele de control.

În plus, eficacitatea aspiratoarelor cu clasa de praf H și azbest-H trebuie verificate cel puțin o dată pe an sau mai frecvent. Metoda de testare, care poate fi utilizată pentru demonstrarea eficacității dispozitivului, este definită în EN 60335-2-69 AA.22.201.2. Dacă testul nu este trecut, trebuie repetat cu un filtru principal nou.

În încăpere trebuie să existe o rată a schimbului de aer L suficientă, atunci când aerul evacuat se reîntoarce în încăpere. Indicații suplimentare găsiți în fiecare dintre reglementările naționale.

Dacă performanțele aspiratorului scad, crescând în același timp intervalul de curățare ale cartușelor cu filtre pliuri (atâta timp cât containerul este golit, iar sac filtrant din vlies schimbat), este necesară schimbarea cartușelor cu filtre pliuri (consultați „8.1 Schimbarea cartușelor de filtrare pliate” pe pagina 146).

12 Curățare

NOTĂ

Acizii, acetona și solvenții pot deteriora părți ale aspiratorului.

- ▶ Curățați recipientul și accesoriile cu apă.
- ▶ Ștergeți partea superioară cu o cârpă umedă.
- ▶ Lăsați recipientul și accesoriile să se usuce.

13 Repararea

⚠ AVERTIZARE!

Aparatele care nu sunt reparate de personal de specialitate reprezintă un pericol pentru utilizator.

- ▶ Efectuați reparațiile doar la specialiști, de ex service. Utilizați doar piese de schimb originale.

14 Depanarea și repararea

NOTĂ

Defecțiunile nu pot fi întotdeauna datorate defectelor aspiratorului.

Eroare	Cauză	Remediu
Puterea de aspirație scade	Filtru murdar	Curățați
	Sacul de filtru este plin	Schimbați
	Recipientul este plin	Goliți
	Filtrul de protecție a motorului este blocat	Curățați
	Duza, tubul sau furtunul sunt blocate	Curățați
Aspiratorul nu pornește	Cablul de distribuție nu este în priză	Conectați ștecherul cablului de distribuție la priză
	Nu există tensiune de rețea	Verificați siguranța
	Cablul de conectare la rețea este defect	Înlocuiți
	Capacul nu este închis corect	Închideți
	Senzorul de apă este oprit	Goliți recipientul
Aspiratorul este în modul de așteptare >A< sau >RA<	Setați comutatorul la >I< (consultați „3 Elemente de afișare și control” pe pagina 143)	
Aspiratorul nu pornește când instrumentul este pornit în modulele >A< sau >RA<	Instrumentul electric nu este conectat la priza de pe aspirator	Conectați ștecherul cablului de rețea la priza de pe aspirator
	Valva electromagnetică a unității pneumatice de pornire/oprire*contaminată	Călățiți cu alcool
Sacul de golire și de eliminare a PE este aspirat contrar filtrului	Poziție incorectă a glisorului rotativ	Setați glisorul rotativ în poziția OPEN (DESCHIS) ▲ (consultați „7.4 Introduceți sacul de golire și eliminarea PE**” pe pagina 146)
Aspiratorul cu clase de praf M sau H: cu sac de filtrare introdus, praful se acumulează în recipient	Poziție incorectă a glisorului rotativ	Setați glisorul rotativ în poziția CLOSE (ÎNCHIS) ▲ (consultați „7.3 Introduceți sacul de filtru din lână” pe pagina 146)

Nu încercați altceva, contactați centrele de serviciu clienți.

15 Date Tehnice

Tip: IS		ISC L/M/H-1425 (ISC L/M/H-1450)
Tensiune	V	220-240
Frecvența	Hz	50/60
Putere nominală	W	1200
Putere maximă	W	1400
Curentul de aer*	l/s (m ³ /h)	73 (263)
Vacuum*	hPa/MG	270
Curentul de aer**	l/s (m ³ /h)	42 (151)
Vacuum**	hPa/SE	235
Presiune sonoră	dB(A)	69
Greutate	kg	12,1 / 17,1
Dimensiuni L x L x Î	cm	45 x 39 x 49 / 59,5 x 46,5 x 96

* la ventilator

** la furtun

Puterea maximă a aspiratoarelor conectate la priză: 2.000 W (220-240V~)

Cablu de conectare la aspiratoarele pentru clase de praf L cu priză: H05RR-F 3G1,5

Cablu de conectare la aspiratoarele pentru clasa de praf M, H și azbest H cu priză: H07RN-F 3G1,5

16 Teste și aprobări

Verificările electrotehnice trebuie efectuate conform normelor de protecție a muncii (DGUV V3) și conform DIN VDE 0701 partea 1 și partea 3. Aceste verificări se efectuează conform DIN VDE 0702 la intervale de timp regulate și după fiecare reparație sau modificare.

Aspiratoarele sunt verificate conform IEC/EN 60335-2-69.

NOTĂ

Aparatele uzate conțin componente importante ce pot fi reciclate.

Nu aruncați aspiratorul în locurile destinate deșeurilor menajere, acesta se predă în cadrul unui sistem de colectare reglementat, de ex. centre de colectare.

17 Declarație de conformitate UE

Noi, Husqvarna AB, SE 561 82 Huskvarna, SUECIA, Tel. +46 36 146500 declarăm pe propria răspundere că produsul:

Descriere	Extractor de praf
Marcă	HUSQVARNA
Tip/Model	S 11
Identificare	Numere de serie începând cu 2022

respectă în totalitate următoarele directive și reglementări UE:

Direktivă/Regulament	Descriere
2006/42/CE 2014/30/UE 2011/65/UE	„privind utilajele” „privind compatibilitatea electromagnetică” „privind interzicerea substanțelor periculoase”

și că au fost aplicate următoarele standarde și/sau specificații tehnice:

EN ISO 12100:2010

EN 55014-1:2017

EN 55014-2:2015

EN 61000-3-2:2014

EN 61000-3-3:2013

EN 60335-2-69:2012

EN IEC 63000:2018

Partille, 2022-10-12







Martin Huber

Director Cercetare și Dezvoltare, Suprafețe de beton și podele
Husqvarna AB, Divizia pentru construcții
Responsabil pentru documentația tehnică

Български език

1 Обяснение на използваните символи и знаци

Символ / Сигнална дума	Описание
	Това е предупредителен символ. Той предупреждава за възможна опасност от нараняване. Следвайте всички указания, които са обозначени с този символ, за да предотвратите наранявания или смърт. Предупредителният символ се появява винаги в комбинация със сигналните думи ОПАСНОСТ , ПРЕДУПРЕЖДЕНИЕ и ВНИМАНИЕ .
ОПАСНОСТ!	Обозначава опасност с висок риск, която ще има за последица смърт или тежки наранявания, ако не бъде предотвратена.
ПРЕДУПРЕЖДЕНИЕ!	Обозначава опасност със среден риск, която може да има за последица смърт или тежки наранявания, ако не бъде предотвратена.
ВНИМАНИЕ!	Обозначава опасност с малък риск, която може да има за последица леки или средни наранявания, ако не бъде предотвратена.
ЗАБЕЛЕЖКА	Обозначава съвети или инструкции за опростяване на работата и осигуряване на безопасна работа.
	Обозначава условие, което трябва да бъде изпълнено, преди да може да бъде изпълнена една манипулация.
	Обозначава работните стъпки, които трябва да бъдат изпълнени последователно от потребителя.
	Обозначава резултатът от една операция.

2 Важна информация за безопасността

ПРЕДУПРЕЖДЕНИЕ!

Опасност от задушаване! Не позволявайте на децата да играят с опаковъчния материал, например пластмасовите торбички.

Не се качвайте или не сядайте върху прахосмукачката.

Риск от падане при работа на стълби. Обърнете внимание на безопасното стоене.

Не опъвайте съединителния кабел и смукателния маркуч над остри ръбове, не ги прегъвайте или притискайте.

Разполагайте кабела и маркуча винаги така, че никои да не може да се спъне в тях.

При изпускане на пяна или течност веднага изключете прахосмукачката.

Поддържайте вътрешната страна на капака винаги суха.

Не използвайте прахосмукачката, включително аксесоарите, в следните случаи:

- Кабелът за свързване към мрежата или удължителният кабел са дефектни или се виждат пукнатини
- Има видими повреди на прахосмукачката, например пукнатини в корпуса
- Ако подозирате невидим дефект, например след падане

ОПАСНОСТ!

Риск от експлозия и пожар! Не работете с прахосмукачката в потенциално експлозивна среда.

Пазете прахосмукачката далеч от запалими газове и вещества.

⚠ ОПАСНОСТ!

Риск от експлозия и пожар! Не използвайте прахосмукачката, за да засмуквате следното:

- Запалими или експлозивни разтворители
- Материали, напоени с разтворители
- Потенциално експлозивни прахове
- Течности като бензин, масло, алкохол, разреждители
- Материали, по-нагорещени от 60 °C

⚠ ПРЕДУПРЕЖДЕНИЕ!

Непрофесионално ремонтираните уреди представляват опасност за потребителя. Ремонтите трябва да се извършват само от специалисти, напр. от обслужващия сервиз. Използвайте само оригинални резервни части.

⚠ ПРЕДУПРЕЖДЕНИЕ!

Използвайте контакта на прахосмукачката само за определените в упътването за експлоатация цели.

Производителят не поема гаранция за повреди при употреба за други цели, нецелесъобразно обслужване или непрофесионален ремонт.

Не използвайте повредени кабелни удължители.

Ако кабелът на прахосмукачката се повреди, той трябва да се замени със специален такъв, който се доставя от производителя или обслужващия сервиз.

При електрически въртящите се четки не трябва да влизат в досег със захранващия кабел.

Напрежението, посочено върху типовата табела, трябва да съответства на мрежовото напрежение.

Изключвайте уреда и щепсела от електрическия контакт след употреба и преди всяко техническо обслужване.

Не дърпайте кабела, а само щепсела.

Никога не включвайте или изключвайте щепсела с мокри ръце.

Електрозахранването трябва да е защитено с предпазител с подходящ ампераж.

Никога не отваряйте прахосмукачката на открито по време на дъжд или буря.

Изсушете смукачката и я съхранете във вътрешно помещение защитено от замръзване.

⚠ ПРЕДУПРЕЖДЕНИЕ!

Машините за отстраняване на прах се тестват съгласно DIN EN 60335-2-69 и се разделят на класове на прах.

Прахосмукачки клас **L** са подходящи за всмукване/изсмукване на сухи, негорими, опасни за здравето видове прах с гранични стойности на работното място $> 1 \text{ mg/m}^3$.

Прахосмукачки клас **M** са подходящи за всмукване/изсмукване на сухи, негорими прахове, негорими течности, дървесен прах и опасни прахове с максимален обем на вдишване $\geq 0,1 \text{ mg/m}^3$.

Прахосмукачки клас **H** са подходящи за всмукване/изсмукване на сухи, негорими прахове, канцерогенни и бо-лестотворни частици, за негорими течности, дървесен прах и опасни за здравето прахове с максимален обем на вдишване $< 0,1 \text{ mg/m}^3$.

⚠ ПРЕДУПРЕЖДЕНИЕ!

Прахосмукачките за клас прах **H-азбест** са подходящи за почистване и извличане на прах, съдържащ азбест.

Спазвайте националните разпоредби за работа и поддръжка на инструментите за отстраняване на азбест.

⚠ ПРЕДУПРЕЖДЕНИЕ!

Тази машина не трябва да се използва от лица (включително деца) с ограничени физически, сетивни или умственни възможности или без опит и знания.

Децата трябва да се наглеждат, за да се гарантира, че не играят с уреда.

Не насочвайте крайника, маркуча или тръбата към хора или животни.

⚠ ПРЕДУПРЕЖДЕНИЕ!

Използвайте само четките, доставени с прахосмукачката, или тези, посочени в ръководството за експлоатация.

Използването на други четки може да застраши безопасността.

Когато се използва в хранително-вкусовата промишленост: След употреба, почиствайте прахосмукачката веднага и дезинфекцирайте, за да избегнете микробно замърсяване.

Не използвайте парни струи или почистващи препарати с високо налягане за почистване.

Работете с прахосмукачката само докато я наблюдавате.

В случай на по-продължително прекъсване на работата, изключете прахосмукачката от електрическата мрежа.

Не почиствайте филтърните касети с помощта на сгъстен въздух.

Преди да започнете да използвате прахосмукачката, прочетете внимателно ръководството за експлоатация. Ръководството за експлоатация осигурява важни инструкции за безопасност, за пускане в експлоатация, за работа, за поддръжка и за грижа. Съхранявайте ръководството за експлоатация на сигурно място и, ако продавате уреда, го предайте на следващия собственик.

Производителят си запазва правото за изменения в конструкцията и оборудването.

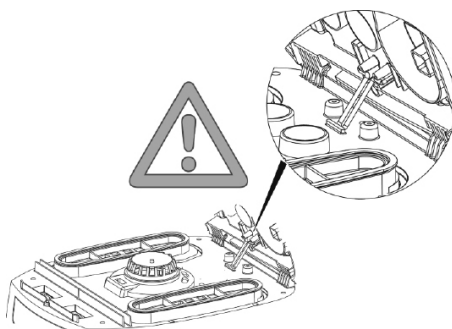
Не извършвайте други дейности освен описаните в настоящото упътване за експлоатация.

Тази машина е предвидена за професионална употреба, например за използване в хотели, училища, болници, фабрики, магазини, офиси и отдаване под наем.

При разпаковане проверете дали всичко е налице и за наличие на повреди при транспорта.

Преди употреба на потребителите трябва да бъдат дадени информация, инструкции и обучение за употребата на



прахосмукачката и веществата, за които ще бъде използвана, включително за безопасното отстраняване на всмукания материал.



3 Елементи за показване и управление

Превключване на позиция	Функция	Описание
0	Изключена прахосмукачка	- Контакт под нарежение
I	Прахосмукачката работи	- Контакт под нарежение - Функция за автоматично самопочистване на филтрите изключена
A	Режим на готовност за автоматиката за ВКЛ/ИЗКЛ	- Контакт под нарежение - Прахосмукачката се включва и изключва чрез свързан електрически/пневматичен инструмент* към контакта
RA	Режим на готовност за автоматиката за ВКЛ/ИЗКЛ	- Режим на готовност като >A< плюс автоматично почистване на филтъра
	Функция за автоматично почистване на филтъра	- Това почистване на филтъра се извършва автоматично при достигане на настроен минимален обем поток през следващата работна пауза (положение на превключвателя >RA<)

* в зависимост от варианта на оборудването

Превключване на позиция	Функция	Описание
	Индикатор за нивото на запълване*	- Индикаторът за нивото на запълване свети, когато резервоарът е пълен и/или всмукателният маркуч е запушен. При прахосмукачки с клас за прах „М“ и „Н“ се издава и акустичен сигнал
	Настройване на диаметъра на смукателния маркуч *	- За прахосмукачки с класове М-/Н-/Н-азбест за наблюдение на обемния поток със задействане на звук от предупредителен сигнал, ако скоростта на въздуха падне под 20 м/сек
	Настройване на скоростта на двигателя*	- Регулирайте всмукателната мощност с управлението на скоростта

4 Въвеждане в експлоатация

4.1 Преди всяка употреба

Уверете се, че са изпълнени следните условия:

- △ Прахосмукачката, мрежовият кабел, смукателният маркуч и аксесоарите не са повредени.
- △ Всички филтри са поставени и не са повредени.

4.2 Включване и изключване

Щепселът на прахосмукачката остава винаги под напрежение, независимо от позицията на главния прекъсвач.

△ПРЕДУПРЕЖДЕНИЕ!

Съществува опасност от нараняване при автоматичното стартиране на електроинструмента!

- ▶ Преди да свържете с прахосмукачката, изключете захранването на електроинструмента или пневматичния инструмент.

ЗАБЕЛЕЖКА

При позиция на включвателя $>0<$ контактът на прахосмукачката може да бъде използван като удължителен кабел.

- △ **Мощност за присъединяване:** Прахосмукачка + свързан уред (макс. 2000 W) макс.16 A.

4.2.2 Включване на прахосмукачката

Функции вижте „3 Елементи за показване и управление“ на страница 153.

- ▶ Включете щепсела в контакта.
- ▶ Настройте превключвателя на позиция $>|<$.
 - ↳ Прахосмукачката стартира веднага.

или:

- ▶ Настройте превключвателя на позиция $>A<$ или $>RA<$.
 - ↳ Прахосмукачката е в режим на готовност за електрически инструменти.

4.2.3 Настройване на диаметъра на смукателния маркуч*

- ▶ Задайте диаметъра на смукателния маркуч от превключвателя.

△ВНИМАНИЕ!

Превключвател за избор на сигнал за минимален въздушен поток (звук и светлина) на прахосмукачки с класове за прах „М“ и „Н“

В зависимост от диаметъра на маркуча, в режимите $>RA<$ и $>|<$ се прави следната настройка:

Превключвател за смукателен маркуч с вътрешен диаметър	Обем на въздушния поток
∅ 35 мм	70 л/сек
∅ 27 мм	41 л/сек
∅ 21 мм	25 л/сек

Скоростта може да се регулира индивидуално след настройване на диаметъра на маркуча.

4.2.4 Регулиране на всмукателната мощност *

- ▶ Регулирайте скоростта на двигателя с превключвателя. или
- ▶ Нагласете допълнителния въздушен отвор на тръбната ръкохватка.

4.2.5 Изключване на прахосмукачката

- ▶ Настройте превключвателя на позиция $>0<$.
 - ↳ Прахосмукачката е изключена.
- ▶ След изключване, издърпайте щепсела.
- ▶ Навийте кабела за свързване към мрежата.
- ▶ Съхранявайте кабела за свързване към мрежата на кукута за кабел.
- ▶ Съхранявайте смукателната тръба, като я поставите в държача за аксесоари* на задната стена на контейнера.

- ▶ Сложете краищата на смукателния маркуч така, че да не изтичат частици прах.
- ▶ Премахнете електроинструмента.

5 Видове режими на работа

5.1 Сухо изсмукване

- ▶ Изсмуквайте само със сух филтър, прахосмукачка и принадлежности, за да избегнете залепване и натрупване на праха.
- ▶ При изсмукване на сажди, цимент, гипс или подобни прахове: Поставете полиетиленова торба за отпадъци в контейнера за прах.
- ▶ Винаги използвайте торби за изхвърляне на отпадъци в комбинация със сгънати филтърни касети.

ЗАБЕЛЕЖКА

Прахосмукачки клас M, H и H-Asbest са се използват предимно за сухо изсмукване.

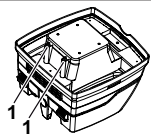
5.2 Изсмукване на течности

⚠ ПРЕДУПРЕЖДЕНИЕ!

Опасност от токов удар!

- ▶ При изпускане на пяна или течност веднага изключете прахосмукачката.
- ▶ Изпразнете резервоара и евентуално касетите с нагънат филтър.

ЗАБЕЛЕЖКА



Почиствайте редовно сензорите за нивото на водата (1) и ги проверявайте за повреждания.

- ▶ Изсмукване без филтърна торба от кече. Нагънатите филтърни касети са подходящи за мокро изсмукване. Вграденият сензор изключва двигателя при пълен контейнер. Напълненият контейнер може да наруши функцията на прахосмукачката.
- ▶ Изпразнете контейнера (вижте „7 Изпразване на контейнера“ на страница 156).

ЗАБЕЛЕЖКА

Ако прахосмукачката не се изключи, защитата от повторно пускане продължава да действа. Прахосмукачката е готова за работа едва след като бъде изключена и включена отново.

- ▶ Преди изпразването най-напред извадете смукателния маркуч от течността.

- ▶ При висока всмукателна мощност и обтекаема форма на резервоара е възможно след изключване от маркуча да изтече малко вода.
- ▶ При последващо сухо изсмукване поставете сухи филтри.

ЗАБЕЛЕЖКА

При често редуване на сухо и мокро изсмукване препоръчваме употребата на втори комплект филтри, за предпочитане касети с полиестерни нагънати филтри.

5.3 Изсмукване на съдържащи азбест вещества

Само прахосмукачки от клас прах H-азбест могат да се използват за изсмукване на съдържащи азбест вещества.

- ▶ Работете само със сухи филтър, прахосмукачка и аксесоари, за да предотвратите полепването на прах.
- ▶ Изсмукване на съдържащи азбест вещества Поставете полиетиленовата торба за изсипване или филтърната торба в контейнера за прах.
- ▶ Винаги използвайте филтърни торби за изхвърляне на отпадъците в комбинация със сгънати филтърни касети.

ЗАБЕЛЕЖКА

Прахосмукачките клас H-азбест, трябва да се използват като прахосмукачки за сухи прахове.

⚠ ПРЕДУПРЕЖДЕНИЕ!

Опасно за здравето!

Азбестови влакна във въздуха.

- ▶ Предоставяйте достатъчно чист въздух на работното място.
- ▶ Управлявайте или почиствайте изтегления въздух по такъв начин, че азбестовите влакна да не навлизат във въздуха, дишан от другите лица.
- ▶ При филтриране на изтегления въздух, транспортирайте праха в прахоустойчиви контейнери.
- ▶ Не преливайте праха.

Ако има вероятност азбестовите влакна да се освободят:

- ▶ Попийте азбестовите влакна на изхода или на мястото на произход.
- ▶ След това изхвърлете азбестовите влакна в съответствие със състоянието на техниката, без опасност за хората или околната среда.

Ако не е възможно пълно абсорбиране на азбестовите влакна:

- ▶ Вземете допълнителни мерки за вентилация в съответствие със съвременното състояние на техниката.

След завършване на работата:

- ▶ Внимателно почистете инструментите, включително сукателните тръби и работното оборудване.
- ▶ Внимателно почистете работната зона.
- ▶ Навлажнете и правилно отстранете предметите, замърсени с азбестови влакна, които не могат да бъдат почистени.

След почистване:

- ▶ Проветрете добре работното пространство.

6 Постоянно почистване на филтъра

Прахосмукачката е оборудвана с електромагнитна филтърна система за почистване, която може да се използва за почистване на праха от филтърните касети.

Това почистване на филтъра се извършва автоматично при достигане на настроен минимален обменен поток през следващата работна пауза (положение на превключвателя >RA<).

7 Изпразване на контейнера

ЗАБЕЛЕЖКА

Допуска се само при прахове с максимален обем на вдишване > 1 mg/m³.

- ▶ Изключете прахосмукачката, извадете щепсела от контакта.
- ▶ Отворете затворите.
- ▶ Отстранете капака и маркуча от резервоара.
- ▶ Изсипете резервоара.

7.1 Изхвърляне на филтърната торбичка

- ▶ Изключете прахосмукачката.
- ▶ Изключете щепсела.
- ▶ Носете подходяща дихателна защита.
- ▶ Отстранете смукателния маркуч.
- ▶ Затворете гнездото за засмукване с капачката.
- ▶ Отворете страничните ключалки.
- ▶ Премахнете горната част.
- ▶ Внимателно издърпайте фланеца от гнездото за всмукване и го затворете.
- ▶ Изхвърлете събрания материал в съответствие със законите изисквания.

7.2 Изхвърляне на полиетиленовата торбичка за изпразване и изхвърляне

- ▶ Настройте превключвателя на позиция >RA<.
 - ↳ Сгънатите филтърни касети се почистват автоматично.
 - ↳ Остатъчният прах във филтрите изпада в торбичката.
- ▶ Изключете прахосмукачката.
- ▶ Изключете щепсела.
- ▶ Носете подходяща дихателна защита.
- ▶ Отстранете смукателния маркуч.
- ▶ Затворете гнездото за засмукване с капачката.
- ▶ Отворете страничните ключалки.
- ▶ Премахнете горната част.
- ▶ Внимателно затворете полиетиленовата торбичка с приложената затваряща лента.
- ▶ Внимателно извадете фланеца от всмукващия щуцер и го затворете

- ▶ Внимателно извадете полиетиленовата торбичка от резервоара.
- ▶ Изхвърлете събрания материал в съответствие със законите изисквания.

7.3 Поставете филтърната торбичка

ЗАБЕЛЕЖКА

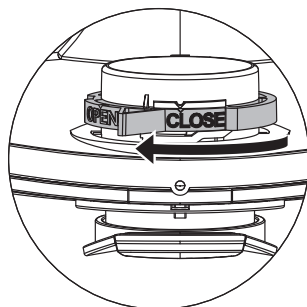
Използвайте само филтърни торбички за сухо вакуумно почистване.

- ▶ Плъзнете фланеца изцяло върху гнездото за всмукване.

ЗАБЕЛЕЖКА

Работа с въртящия се плъзгач

- ▶ Завъртете червения въртящ се плъзгач навътре до позиция CLOSE (ЗАТВОРЕНО) до стопа на маркера ▲ .



7.4 Поставете полиетиленовата торбичка за изпразване и изхвърляне*

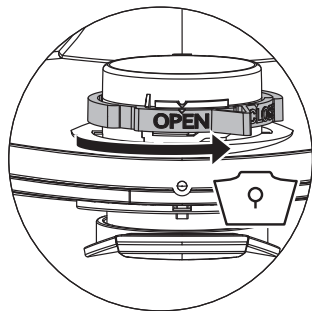
ЗАБЕЛЕЖКА

Само прахосмукачките от клас **M** и **H** със специален резервоар и въртящ се шибер във всмукващия отвор - модели IS/ISC ARM, IS/ISC ARH и IS/ISC ARH-ASBEST са подходящи за употреба на полиетиленови торбички.

ЗАБЕЛЕЖКА

Работа с въртящия се плъзгач

- ▶ Завъртете червения въртящ се плъзгач навътре в положение OPEN (ОТВОРЕНО) до стопа на маркера ▲ .
- ▶ Плъзнете изцяло фланеца върху гнездото за всмукване.
- ▶ Поставете горния отвор на торбичката над ръба на контейнера.



8 Смяна на филтъра

8.1 Смяна на сгънатите филтърни касети

- ▶ Почистете филтърните касети, преди да ги смените.
- ▶ Завъртете ключалката на резето на 90° в посока обратна на часовниковата стрелка с монета или подобен предмет и натиснете резето отзад.
- ▶ Отворете капака
- ▶ Веднага затворете извадените филтърни касети в прахонепропусклива синтетична торбичка и ги изхвърлете съобразно предписанията.
- ▶ Поставете нови филтърни касети.
- ▶ Повдигнете фиксиращата скоба и затворете капака с лек натиск.

9 Смяна на филтъра за защита на двигателя

ЗАБЕЛЕЖКА

Ако предпазният филтър на двигателя е замърсен, това е признак за неизправни филтърни касети.

- ▶ Сменете филтърните касети.
- ▶ Сменете предпазния филтър на двигателя или съответно го изплакнете под течаща вода, изсушете и поставете отново.

10 Транспортиране

- ▶ Отстранете смукателния маркуч.
- ▶ Затворете гнездото за засмукване с капачката.
- ▶ Поставете горната част на контейнера.
- ▶ Затворете страничните ключалки.
- ▶ Пъхнете принадлежностите в подходяща синтетична торба и я затворете, съответно я пъхнете в кутията за инструменти.
- ▶ Пъхнете краищата на смукателния маркуч един в друг.

- ▶ Навийте маркуча около прахосмукачката и го притиснете с дръжката.

11 Поддръжка

ЗАБЕЛЕЖКА

Преди всяко техническо обслужване изключете прахосмукачката и извадете щепсела от контакта.

За техническо обслужване от потребителя прахосмукачката

- се разглобява,
- почиства и
- обслужва,

доколкото това е възможно без да представлява опасност за обслужващия персонал и други хора.

Предпазни мерки

Подходящите предпазни мерки включват

- почистване преди демонтаж,
- предварителна мярка за местна принудителна филтърна вентилация, върху която да се демонтира прахосмукачката,
- почистване на съответната част, изискваща техническо обслужване
- подходяща лична предпазна екипировка.

Предпазни мерки при прахосмукачки от клас Н и М

Преди изваждане от опасната зона, външната част на прахосмукачката трябва да се почисти с изсмукване на праха и избърсване или да се третира с изолационни материали. Когато се извадят от опасната зона, всички части на прахосмукачката трябва да се считат за замърсени и следва да се вземат подходящи мерки, за да се избегне разпространяване на праха.

Замърсени предмети

При провеждане на техническа поддръжка или ремонт всички замърсени предмети, които не могат да бъдат почистени задоволително, следва да се изхвърлят. Такива предмети трябва да се изхвърлят в непропускливи торби в съответствие с валидните предписания за отстраняване на такива отпадъци.

11.1 Тестване на ефективността на прахосмукачката

Най-малко веднъж годишно, производителят или инструктирано лице трябва да извършват техническа проверка, включваща филтри, херметичност на прахосмукачката и механизмите за управление.

В допълнение, ефективността на прахосмукачките с клас за прах „Н“ и „Н-азбест“ трябва да се проверяват най-малко веднъж годишно или по-често. Методът за тестване, който може да се използва за демонстриране на ефективността на устройството, е определен в EN 60335-2-69 AA.22.201.2. Ако уредът не издържи теста, тестът трябва да се повтори с нов основен филтър.

В помещението трябва да има достатъчен въздухообмен L, ако изходящият въздух се връща в помещението. Още указания ще намерите във Вашите национални разпоредби.

Ако всмукателната мощност на прахосмукачката спада и не се повишава дори при почистване на филтърните касети (при условие, че резервоарът е изпразнен и е подменена Филтърна торба от кече), тогава е необходимо да се сменят филтърните касети (вижте „8.1 Смяна на сгънатите филтърни касети“ на страница 231).

13 Ремонтване

⚠ ПРЕДУПРЕЖДЕНИЕ!

Непрофесионално ремонтването на прахосмукачки представляват опасност за потребителя.

- ▶ Ремонтите трябва да се извършват само от специалисти, напр. от обслужващия сервис. Използвайте само оригинални резервни части.

12 Почистване

ЗАБЕЛЕЖКА

Киселини, ацетон и разтворители могат да повредят части от прахосмукачката.

- ▶ Почиствайте контейнера и аксесоарите с вода.
- ▶ Почиствайте горната част с влажна кърпа.
- ▶ Оставете контейнера и аксесоарите да изсъхнат.

14 Отстраняване на неизправности и ремонт

ЗАБЕЛЕЖКА

Неизправностите не винаги могат да бъдат вследствие на дефекти в прахосмукачката.

Неизправност	Причина	Отстраняване
Смукателната мощност спада	Филтърът е замърсен	Почистете го
	Филтърната торбичка е пълна	Сменете я
	Контейнерът е пълен	Изпразнете го
	Филтърът за защита на двигателя е запушен	Почистете го
	Дюзата, тръбата или маркучът са запушени	Почистете ги
Прахосмукачката не се стартира	Захранващият кабел не е включен в контакта	Включете щепсела в контакта
	Няма напрежение в електрическата мрежа	Проверете предпазителя
	Кабелът за свързване към мрежата е дефектен	Заменете го
	Капакът не е затворен правилно	Затворете го
	Датчикът за водата е изключен	Изпразнете контейнера
	Прахосмукачката е в режим на готовност >A< или >RA<	Настройте превключвателя на >I< (вижте „3 Елементи за показване и управление“ на страница 153)

Неизправност	Причина	Отстраняване
Праходукачката не се стартира, когато инструментът е включен в режим >A< или >RA<	Електрическият инструмент не е включен в гнездото на праходукачката	Включете щепсела в контакта на праходукачката
	Електромагнитният клапан за включване/ изключване на пневматичното устройство* е замърсен	Изплакнете с алкохол
Полиетиленовата торбичка за изпразване и изхвърляне е засмукала от филтъра	Неправилно положение на въртящия се плъзгач	Завъртете въртящия се плъзгач в положение OPEN ▲ (вижте „7.4 Поставете полиетиленовата торбичка за изпразване и изхвърляне**“ на страница 156)
Праходукачка от клас за прах М или Н: с поставена филтърна торба, прахът се натрупва в контейнера	Неправилно положение на въртящия се плъзгач	Завъртете въртящия се плъзгач в положение CLOSE ▲ (вижте „7.3 Поставете филтърната торбичка“ на страница 156)

Не опитвайте нищо друго, свържете се с отдела за обслужване на клиенти.

15 Технически данни

Тип: IS		ISC L/M/H-1425 (ISC L/M/H-1450)
Напрежение	V	220-240
Честота	Hz	50/60
Номинална мощност	W	1200
Максимална мощност	W	1400
Въздушна струя*	l/s (m ³ /h)	73 (263)
Понижено налягане*	hPa/MG	270
Въздушна струя**	l/s (m ³ /h)	42 (151)
Понижено налягане**	hPa/SE	235
Звуково налягане	dB(A)	69
Маса	kg	12,1 / 17,1
Габарити Д x Ш x В	cm	45 x 39 x 49 / 59,5 x 46,5 x 96

* на вентилатора

** на маркуча

Макс. мощност на праходукачки с гнездо за контакт: 2 000 W (220-240V~)

Кабел за свързване със захранващата мрежа на праходукачките за клас на прах L с щепсел: H05RR-F 3G1,5

Кабел за свързване със захранващата мрежа на праходукачките за клас на прах M, H и H азбест с щепсел: H07RN-F 3G1,5

16 Изпитвания и одобрения

Електротехническите изпитвания се провеждат съгласно предписанията за техника за безопасност (DGUV V3) и DIN VDE 0701 Част 1 и Част 3. Тези изпитвания следва да се провеждат съгласно DIN VDE 0702 през редовни интервали от време и след извършване на ремонт или изменение.

Праходукачките са изпитани по IEC/EN 60335-2-69.

ЗАБЕЛЕЖКА

Старите уреди съдържат ценни материали, подходящи за преработка. **Не изхвърляйте прахосмукачката заедно с обикновените битови отпадъци**, а съобразно изискванията чрез подходящи системи за събиране, напр. на Вашето общинско място, предназначено за такива отпадъци.

17 Декларация за съответствие на ЕС

Ние, Husqvarna AB, SE 561 82 Huskvarna, ШВЕЦИЯ, тел. +46 36 146500, декларираме на своя собствена отговорност, че продукта:

Описание	Прахоуловител
Марка	HUSQVARNA
Тип/Модел	S 11
Идентификация	Серийни номера от 2022 г. и след това

отговаря напълно на следните директиви и регламенти на ЕС:

Директива/регламент	Описание
2006/42/EO	"относно машините"
2014/30/EC	"относно електромагнитната съвместимост"
2011/65/EC	"относно ограниченията за опасни вещества"

и че следните стандарти и/или технически спецификации са приложени;

EN ISO 12100:2010

EN 55014-1:2017

EN 55014-2:2015

EN 61000-3-2:2014

EN 61000-3-3:2013

EN 60335-2-69:2012

EN IEC 63000:2018

Partille, 2022-10-12







Martin Huber

Директор по развойна дейност, "Бетонни повърхности и подове"

Husqvarna AB, подразделение за строителна техника

Отговорен за техническата документация

1 Az alkalmazott szimbólumok és jelek magyarázata

Szimbólum / Jelzőszó	Megnevezés
	Ez figyelmeztető szimbólum. Lehetséges sérülésveszélyre figyelmeztet. A sérülés- vagy a halálos veszély elkerülése érdekében minden így jelölt utasítást be kell tartani. A figyelmeztető szimbólum az alábbi jelzőszavakkal együtt jelenik meg: VESZÉLY, FIGYELMEZTETÉS és VIGYÁZAT .
VESZÉLY!	Olyan magas kockázatú veszélyhelyzetet jelöl, ami megfelelő intézkedések hiányában halállal vagy súlyos sérüléssel fenyeget.
FIGYELMEZTETÉS!	Olyan közepes kockázatú veszélyhelyzetet jelöl, ami megfelelő intézkedések hiányában halált vagy súlyos sérülést okozhat.
VIGYÁZAT!	Olyan csekély kockázatú veszélyhelyzetet jelöl, ami megfelelő intézkedések hiányában közepes vagy könnyű sérülést okozhat.
MEGJEGYZÉS	Itt olyan tanácsok vagy utasítások állnak, amelyek megkönnyítik a munkát, és egy biztonságos üzemeltetést biztosítanak.
	Olyan feltételt jelöl, amelynek az adott művelet megkezdéséhez teljesülnie kell.
	A felhasználó által egymás után elvégzendő műveleti lépéseket jelöli.
	Az adott művelet eredményét jelzi.

2 Fontos biztonsági tudnivalók

FIGYELMEZTETÉS!

Fulladásveszély! Ne engedje, hogy a gyerekek csomagolóanyagokkal, pl. műanyag zacskókkal játszanak. Ne álljunk és ne üljünk rá a porszívóra.

A lépcsőn történő munkavégzés során leesés kockázata áll fenn. Ügyeljen arra, hogy biztonságosan álljon.

A szívó tömlőt és a csatlakozó vezetékét ne húzza keresztül az éles peremeken, ne törje meg őket, ne szoruljanak be sehová.

Mindig úgy helyezze el a szívó tömlőt és a csatlakozó vezetékét, hogy abban senki se tudjon elbotlani.

Ha a porszívóból hab, vagy folyadék folyik ki, azonnal kapcsolja ki a gépet.

A fedél belsejét mindig tartsa szárazon.

Ne használja a porszívót, sem annak tartozékait az alábbi esetekben:

- Ha a hálózati csatlakozó kábel vagy a hosszabbító kábel hibás vagy repedések figyelhetők meg rajta
- Ha a porszívó láthatóan sérült, pl. repedések vannak a készülék házán
- Ha szemmel nem látható károsodást gyanít, pl. a készülék leesése után

VESZÉLY!

Robbanás- és tűzveszély! Ne működtesse a porszívót potenciálisan veszélyes környezetben.

Tartsa távol a porszívót gyúlékony gázoktól és anyagtól.

⚠ VESZÉLY!

Robbanás- és tűzveszély! Ne használja a porszívót az alábbiak felszívására:

- gyúlékony vagy robbanásveszélyes oldószerek,
- oldószerekben áztatott anyagok,
- potenciálisan robbanásveszélyes porok,
- folyadékok, például benzin, olaj, alkohol, hígítószer,
- 60 °C-nál magasabb hőmérsékletű anyagok

⚠ FIGYELMEZTETÉS!

A szakszerűtlen javítás veszélyt jelent a kezelő számára. A javításokat csak szakemberrel, pl. a vevőszolgálat munkatársával végeztesse el. Csak az eredeti pótalkatrészeket alkalmazza.

⚠ FIGYELMEZTETÉS!

A gépen lévő dugaszoló aljzatot csak a kezelési útmutatóban leírt célokra használja.

A nem rendeltetésszerű, szakszerűtlen kezelés, vagy a szakszerűtlen javítás miatt keletkező károkért a gyártó nem vállal felelősséget.

Ne használjon megrongálódott hosszabbító vezetékét.

Ha a porszívó csatlakozó vezetéke megrongálódott, akkor azt egy külön erre a célra alkalmas csatlakozó vezetékkel kell kicserélni, amit a gyártótól, vagy a vevőszolgálattól vásárolhat meg.

Az elektromos keféknél forgó kefék ne érintsék meg a hálózati csatlakozó vezetékeket.

A típus táblán szereplő feszültség egyezzen meg a tényleges hálózati feszültséggel.

Minden használat után, illetve minden karbantartás előtt húzza ki a porszívó vezetékét a dugaszoló aljzattól.

Csak a csatlakozónál fogja, és nem a vezetékét rángatva húzza ki a dugót az aljzattól.

Nedves kézzel ne fogja meg a dugót, azt ne dugja be, húzza ki az aljzattól.

Az áramellátást a megfelelő áramerősségű biztosítókkal kell védeni.

Szabadban, vihar, eső esetén ne nyissa ki a porszívót.

A porszívót száraz és fagymentes helyen, beltérben kell tárolni.

⚠ FIGYELMEZTETÉS!

A porelszívó gépeket a DIN EN 60335-2-69 szerint vizsgálják és por osztályokba osztják.

Az **L** porosztályú porszívóval olyan száraz, éghetetlen, egészségre káros porokat lehet felszívni/leszívni, amelyeknek munkahelyi határértékei > 1 mg/m³.

Az **M** osztályú gépek a száraz és nem éghető porok, nem gyúlékony folyadékok, faforgácsok és AGWs ≥ 0,1 mg/m³ értékű porok fel- leszívására alkalmasak.

A **H** osztályú gépek a száraz és nem éghető porok, nem gyúlékony folyadékok, faforgácsok és AGWs < 0,1 mg/m³ értékű egészségkárosító porok fel- leszívására alkalmasak.

⚠ FIGYELMEZTETÉS!

H-azbeszt porosztályú porszívók alkalmasak azbeszttartalmú porok felszívására és kivonására. Tartsa be az azbeszt eltávolító eszközök üzemeltetésére és karbantartására vonatkozó nemzeti előírásokat.

⚠ FIGYELMEZTETÉS!

A gépet nem használhatják csökkent fizikai, érzékszervi, vagy mentális képességekkel rendelkező, valamint kellő ismeretekkel nem rendelkező személyek (a gyermekeket is beleértve).

A gyermekeket felügyelet alatt kell tartani annak érdekében, hogy ne játszhassanak a készülékkel.

Ne fordítsák a fűvókát, tömlőt, csövet ember, vagy állat irányába.

⚠ FIGYELMEZTETÉS!

Csak a porszívóval szállított vagy a használati utasításban megadott keféket használja.

Ezekről eltérő kefék használata veszélyeztetheti a biztonságot.

Élelmiszer-feldolgozó üzemenként: Használat után azonnal tisztítsa meg a porszívót és fertőtlenítsen, hogy elkerülje a mikrobiális szennyeződést.

A tisztításhoz ne használjon gőzös vagy nagynyomású tisztítóeszközöket.

Csak felügyelet mellett működtesse a porszívót.

Húzza ki a porszívót a hálózati csatlakozóból, ha hosszabb ideig nem használja.

Ne tisztítsa a szűrőpatronokat sűrített levegővel.

Figyelmesen olvassa el a használati útmutatót, mielőtt elkezdené használni a porszívóval. A kezelési útmutató fontos utasításokat tartalmaz a biztonság, üzembe helyezés, üzemeltetés, karbantartás és gondozás tekintetében. Tartsa a kezelési utasítást biztonságos helyen, és ha eladja a készüléket, adja át a következő tulajdonosnak.

A gyártó fenntartja a szerkezeti és felszerelések módosításának jogát.

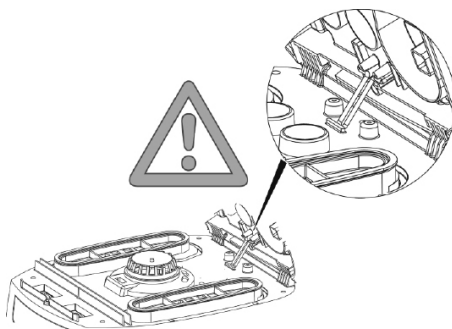
A kezelési útmutatóban felsorolt munkáktól eltérő tevékenységet nem szabad a géppel végezni.

Kialakításának megfelelően a készülék közületi felhasználásra szolgál, ennek megfelelően például szállodákban, iskolákban, kórházakban, gyárakban, üzletekben, irodákban és bérleményekben használható.

A kicsomagoláskor figyeljen a teljességre és a szállítási károkra.



A használat előtt a kezelőt el kell látni azokkal az információkkal, útmutatásokkal és oktatással, ami a porszívó használatához, az

anyagokkal kapcsolatban szükségesek, beleértve a felszívott anyagokkal kapcsolatos bánásmódot is.



3 Kijelző és vezérlő elemek

Kapcsoló helyzet	Funkció	Leírás
0	Porszívó kikapcsolva	- Dugaszoló aljzat feszültség alatt
I	Porszívó működik	- Dugaszoló aljzat feszültség alatt - Automatikus vibrációs funkció kikapcsolva
A	A be/kikapcsoló automatika készenléti üzemmódja	- Dugaszoló aljzat feszültség alatt - A gépet a csatlakoztatott elektromos/sűrített levegős szerszámmal* kapcsolja be ill. ki a dugaszolóaljzaton
RA	A be/kikapcsoló automatika készenléti üzemmódja	- Készenléti üzem, mint >A< plus automatikus szűrőtisztítás
	Automatikus szűrőtisztítási funkció	- A szűrő tisztítása a beállított minimális térfogataram elérése esetén a következő munkaszünetben automatikusan megtörténik (kapcsolóállás >RA<)
	Töltési szintjelző*	- A töltésszint jelző világít, ha a tartály megtelt és/vagy a szívótömlő le van zárva. Az M és H porosztályú porszívó hangjelzést is kibocsát

Kapcsoló helyzet	Funkció	Leírás
	A szívótömlő átmérőjének beállítása *	- Az M/H/H-abzeszt porszívóknál a térfogatáramlás ellenőrzéséhez, hangjelzés indul, ha a légsebesség 20 m/s alá esik
	A motor fordulatszámának beállítása *	- Állítsa be a szívóteljesítményt a sebességszabályozóval

4 Üzembehelyezés

4.1 Minden használat előtt

Győződjön meg róla, hogy az alábbi feltételek teljesülnek:

- △ A porszívó, a hálózati kábel, a szívótömlő és a tartozékok nem sérültek.
- △ Minden szűrő be van helyezve és nem sérültek meg.

4.2 Be- és kikapcsolás

A porszívó csatlakozódugója mindig feszültség alatt marad, függetlenül a főkapcsoló helyzetétől.

△ FIGYELMEZTETÉS!

Sérülésveszély az elektromos kéziszerszám automatikus indításával!

- ▶ Kapcsolja ki az elektromos kéziszerszámot vagy a pneumatikus szerszámot, mielőtt csatlakoztatná a porszívóhoz.

MEGJEGYZÉS

A >0< kapcsoló állásnál a gépen lévő dugaszoló aljzat hosszabbító kábelként használható.

△-**Csatlakozási érték:** Porszívó + csatlakoztatott készülék (maximum 2000 W) maximum 16 A.

4.2.2 A porszívó bekapcsolása

A funkciókat lásd: „3 Kijelző és vezérlő elemek” a(z) 164. oldalon (3. fejezet, Kijelző- és vezérlőelemek, 4. o.).

- ▶ Helyezze a dugót a csatlakozóaljzatba.
- ▶ Állítsa a kapcsolót >I< helyzetbe.

↳ A porszívó azonnal elindul.

vagy:

- ▶ Állítsa a kapcsolót >A< vagy >RA< helyzetbe.
- ↳ A porszívó készenléti állapotban van az elektromos kéziszerszámoknál.

4.2.3 A szívótömlő átmérőjének beállítása*

- ▶ Állítsa be a szívótömlő átmérőjét a kapcsolón.

△ VIGYÁZAT!

Választókapcsoló a minimális légmennyiség-áramlás jelzéshez (kürt és fény) az „M” és a „H” porosztályokkal rendelkező porszívókhoz

Az >RA< és >I< módok esetében a következő beállítások vannak elvégezve, a tömlő átmérőjétől függően:

Választó kapcsoló a szívótömlő belső átmérőjéhez	Légmennyiség
∅ 35 mm	70 l/s
∅ 27 mm	41 l/s
∅ 21 mm	25 l/s

A sebességet a tömlő átmérőjének beállítása után egyedileg lehet beállítani.

4.2.4 A szívóerő beállítása*

- ▶ Állítsa be a motor fordulatszámát a kapcsolón. vagy
- ▶ Helyezze a külső levegőcsuszkat a fogantyúra.

4.2.5 A porszívó kikapcsolása

- ▶ Állítsa a kapcsolót a >0< helyzetbe.
 - ↳ A porszívó ki van kapcsolva.
- ▶ Kapcsolja ki, húzza ki a tápkábel csatlakozóját.
- ▶ Tekerje fel a hálózati csatlakozókábelt.
- ▶ A hálózati csatlakozókábelt a kábelhorgon tárolja.
- ▶ A szívócsövet úgy tárolja, hogy behelyezi a tartály hátsó falán található tartozék tartóba*.
- ▶ A tömlők végeit úgy illessze össze, hogy semmilyen porszemcse se juthasson ki belőle.
- ▶ Távolítsa el a szerszámot.

5 Üzem módok

5.1 Száraz porszívózás

- ▶ Csak száraz szűrővel, porszívóval és tartozékkal porszívózzon, hogy a por ne tudjon letapadni, felhalmozódni.
- ▶ Por, cement, gipsz vagy hasonló anyagok porszívózásakor: Tegyen be egy PE ártalmatlanító tasakot a kosztartályba.

* A berendezés változtatától függően

- ▶ Mindig ártalmatlanító zsákokat használjon összecsuksott szűrőkazettákkal együtt.

MEGJEGYZÉS

Az M, H és H-azbeszt osztályú porszívók kiváltképpen száraz porszívóként használhatók

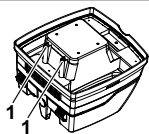
5.2 Folyadékok felszívása

⚠ FIGYELMEZTETÉS!

Az áramütés veszélye!

- ▶ Ha a porszívóból hab, vagy folyadék folyik ki, azonnal kapcsolja ki a gépet.
- ▶ Ūritse ki a tartályt és ha szükséges a redőzött szűrőkazettát.

MEGJEGYZÉS



A vízszint érzékelőket (1) rendszeresen tisztítsa meg, és vizsgálja meg, nincs-e rajtuk sérülés.

- ▶ A szűrőzsákot folyadékok felszívása előtt ki kell venni a kosztartályból.
Az összehajtható szűrőkazetták nedves porszívózásra alkalmasak. A beépített érzékelő a tartály megtelésekor lekapcsolja a motort. A porszívó működését károsan befolyásolhatja, ha a tartály megtelt porral.
- ▶ Tartály kiűritése (lásd: „7 A tartály ūritése” a(z) 166. oldalon).

MEGJEGYZÉS

Ha nem kapcsol ki a porszívó, az újbóli indítási védelem továbbra is működésben marad. Csak a kikapcsolás és az újbóli bekapcsolás után lesz újból üzemkész a porszívó.

- ▶ A kiűrités előtt vegye ki a folyadékból a szivótműlőt.
- ▶ A túl magas szivóteljesítmény és az áramlásnak kedvező tartályforma miatt a kikapcsolás után visszafolyhat egy kis víz a tömlőből.
- ▶ Az ezt követő száraz porszívózásnál tegye be a száraz szűrőt.

MEGJEGYZÉS

A száraz és nedves porszívózás gyakori váltogatása esetén azt javasoljuk a második szűrőkészlet használatát, kiváltképpen a poliészter redőzött szűrőkazetta használatát.

5.3 Azbeszttartalmú anyagok felszívása

Csak a H-azbeszt porosztályú porszívó használható az azbeszttartalmú anyagok porszívózására.

- ▶ Csak száraz szűrővel, porszívóval és tartozékokkal dolgozzon, hogy megakadályozza a por ragadását és lerakódását.
- ▶ Az azbeszttartalmú anyagok felszívásához: Helyezze a PE kiűritő táskát vagy a gyapjúsűrő zsákot a tartályba.
- ▶ A PE szűrőzsákokat mindig hajtott szűrőpatronokkal együtt használja.

MEGJEGYZÉS

A H-azbeszt osztályú porszívók elsősorban száraz porok szívására használhatók.

⚠ FIGYELEM!

Egészségre káros!

Azbesztszálak a levegőben.

- ▶ A munkaterületet elegendő külső levegővel (friss levegő) kell ellátni.
- ▶ Vezesse ki vagy tisztítsa kivont levegővel, oly módon, hogy az azbesztszálak ne kerüljenek más személyek légzése közelébe.
- ▶ A kivont levegő kiszűrőesek a port pormentes tartályokba szállítsa.
- ▶ Ne borítsa ki a port.

Ha azbesztszálak szabadulhatnak fel:

- ▶ Azbesztszálak felszívása a kimenetnél vagy a származási helyen.
- ▶ Ezután dobja ki az azbesztszálakat a legmodernebb technika szerint és ne veszélyeztessen személyeket és a környezetet.

Ha az azbesztszálak teljes abszorpciója nem lehetséges:

- ▶ További szellőztetési intézkedéseket kell tenni a megfelelő technika szerint.

A munka befejezése után:

- ▶ Óvatosan tisztítsa meg az eszközöket, beleértve a szivócsöveket és a munkaeszközöket.
- ▶ Óvatosan tisztítsa meg a munkaterületet.
- ▶ Nedvesítse és helyesen távolítsa el az azbesztszálakkal szennyezett tárgyakat, amelyeket nem lehet tisztítani.

Tisztítás után:

- ▶ Szellőztesse ki megfelelően a munkaterületet.

6 Tartós szűrő tisztítása

A porszívó elektromágneses szűrő tisztító rendszerrel van ellátva, amely a szűrőpatronokra tapadt por eltávolítására használható.

A szűrő tisztítása a beállított minimális térfogatáram elérése esetén a következő munkaszünetben automatikusan megtörténik (kapcsolóállás >RA<).

7 A tartály ūritése

MEGJEGYZÉS

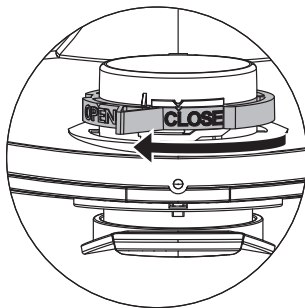
Csak az ilyen poroknál engedélyezett: AGW's > 1 mg/m³.

- ▶ Kapcsolja ki a porszívót, húzza ki a hálózati csatlakozót.
- ▶ Nyissa ki a rekeszeket.
- ▶ Vegye el a fedelet és a szivótműlőt a tartályról.
- ▶ Pattintsa ki a tartályt.

7.1 A polárszűrőzsák ártalmatlanítása

- ▶ Kapcsolja ki a porszívót.

- ▶ Húzza ki a hálózati csatlakozót.
- ▶ Viseljen megfelelő légzőmaszkot.
- ▶ Távolítsa el a szívócsövet.
- ▶ A sapkával zárja le a bemeneti csatlakozót.
- ▶ Nyissa ki az oldalsó reteszeket.
- ▶ Távolítsa el a felső részt.
- ▶ Óvatosan húzza le a karimát a beszívó aljzatról, és zárja le a karimát.
- ▶ Az összegyűjtött anyagot a törvényi előírásoknak megfelelően kell ártalmatlanítani.



7.2 Ártalmatlanítsa a PE kiürítő és ártalmatlanító zsákot

- ▶ Állítsa a kapcsolót >RA< helyzetbe.
 - ↳ A hajtogatott szűrőpatronokat automatikusan megtisztítják.
 - ↳ A szűrőkben lévő maradék por belekerül a zsákba.
- ▶ Kapcsolja ki a porszívót.
- ▶ Húzza ki a hálózati csatlakozót.
- ▶ Viseljen megfelelő légzőmaszkot.
- ▶ Távolítsa el a szívócsövet.
- ▶ A sapkával zárja le a bemeneti csatlakozót.
- ▶ Nyissa ki az oldalsó reteszeket.
- ▶ Távolítsa el a felső részt.
- ▶ A PE kiürítő és ártalmatlanító tasakot óvatosan zárja le a mellékelt záró szalaggal.
- ▶ A perem óvatos lehúzása a szívócsoncokról és lezárásuk.
- ▶ A PE ürítő tasak és hulladékkezelő tasak óvatos kivétele a tartályból.
- ▶ Az összegyűjtött port az előírásoknak megfelelően hulladék kezelje.

7.3 Helyezze be a gyapjú porzsákot

MEGJEGYZÉS

Száraz vákuumos tisztításhoz csak gyapjúsűrő zsákot használjon.

- ▶ Teljes egészében csúsztassa a karimát a beszívó aljzat fölé.

MEGJEGYZÉS

A forgó tolózár működtetése

- ▶ Fordítsa el a piros forgó csúszkát a CLOSE helyzetbe a ▲ jelölésen lévő megállóhoz.

7.4 Helyezze be a PE kiürítő és ártalmatlanító zsákot*

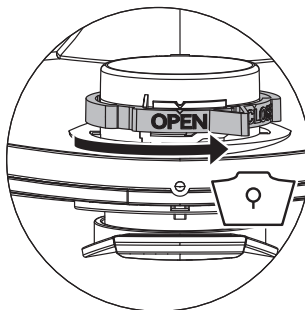
MEGJEGYZÉS

Csak az M és H osztályú, különleges tartályos és az IS/ISC ARM, IS/ISC ARH és IS/ISC ARH-ASBEST típusú szívó nyílásokban lévő forgó tolokás porszívók alkalmasak a PE ürítő és hulladékkezelő tasakok használatára.

MEGJEGYZÉS

A forgó tolózár működtetése

- ▶ Fordítsa el a piros forgó csúszkát az OPEN állásba a ▲ szimbólumon lévő megállóhoz.
- ▶ Csúsztassa teljesen a karimát a szívóaljzat fölé.
- ▶ Helyezze a felső tasak nyílását a tartály kerete fölé.



8 A szűrő cseréje

8.1 A hajtogatott szűrőkazetta cseréje

- ▶ Tisztítsa meg a szűrőbetéteket, mielőtt kicseréli azokat.
- ▶ Egy érmével vagy hasonló tárggyal a reteszelésen lévő zárat forgassa el 90 °-kal az óramutató járásával ellentétes irányban, és tolja hátra a reteszt.
- ▶ A fedél felnyitása
- ▶ A kivett redőzött szűrőkazettát azonnal tegye egy légmentesen záródó műanyagtasakba, zárja le, és előírászerűen végezze el a hulladékkezelést.

* A berendezés változtatától függően

- ▶ tegye be az új redőzött szűrőkazettát.
- ▶ Emelje fel a záró keretet, hajtsa le a fedelet és zárja le egy finom nyomással.

9 A motorvédő szűrő cseréje

MEGJEGYZÉS

Ha elszennyeződött a motorvédő szűrő, akkor ez a hibás szűrőkazetta áruló jele.

- ▶ Cserélje ki a redőzött szűrőkazettát.
- ▶ Tegye be a motorvédő szűrőt ill. folyóvízzel mossa ki a motorvédő szűrőt, szárítsa ki, majd tegye vissza.

10 Szállítás

- ▶ Távolítsa el a szívócsövet.
- ▶ A sapkával zárja le a bemeneti csatlakozót.
- ▶ Helyezze a felső részt a tartályra.
- ▶ Zárja le az oldalsó reteszeket.
- ▶ A tartozékot tegye a megfelelő műanyag tasakba és zárja be a műanyag tasakot ill. tegye a szerszám tárolóba.
- ▶ A szívótömlő elejét és a végét dugja össze.
- ▶ A tömlőt helyezze a porszívó köré és rögzítse a fogantyún.

11 Karbantartás

MEGJEGYZÉS

A porszívót minden karbantartás előtt kapcsolja ki és húzza ki a dugaszt az aljzatból.

A karbantartáshoz a felhasználó a porszívót

- szedje szét,
- tisztítsa meg és
- tartsa karban,

amennyiben ez végrehajtható, és nem veszélyezteti a karbantartó személyzetet és más személyeket.

Biztonsági rendszabályok

Tartsa be a megfelelő biztonsági rendszabályokat.

- A leszerelés előtti tisztítás.
- Gondoskodjon arról, hogy a porszívó szétszerelési helyén biztosított legyen a szűrt kényszerszellőzés.
- Gondoskodjon a karbantartási terület tisztán tartásáról és a
- Megfelelő személyi védőfelszerelésről.

A H és M osztályú porszívók biztonsági rendszabályai

A porszívó külsejét a porszívózással kell megtisztítani, majd tisztára mosni vagy tömlítő anyaggal lekezelni, még mielőtt a veszélyes részekhez érne. Minden porszívó alkatrészt tisztítatlannak kell tekinteni, ha kiveszi őket a veszélyes helyekről, és ezért ezeket megfelelő kezelésnek kell alávetni, hogy elkerülje a por szétterjedését.

Tisztítatlan tárgyak

A karbantartás vagy javítás végrehajtásánál az összes olyan tisztítatlan tárgyat, amit nem lehet kielégítően megtisztítani, ártalmatlanítani kell. Az ilyen tárgyakat légmentesen záró tasakokba kell tenni, ennek során tartsa be az ilyen hulladékok kezelésére vonatkozó előírásokat.

11.1 A porszívó hatékonyságának vizsgálata

Legalább évente egyszer a gyártónak vagy az oktatott személynek technikai ellenőrzést kell végeznie, beleértve a szűrőket, a porszívó légzáróságát és a vezérlő mechanizmusokat.

Ezenfelül, évente legalább egyszer, vagy gyakrabban ellenőrizni kell a H- és H-azbeszt porszívók hatékonyságát. A készülék hatékonyságának bemutatására használható vizsgálati módszert az EN 60335-2-69 AA.22.201.2 szabvány határozza meg. Ha a tesztet nem sikerült végrehajtani, meg kell ismételni egy új fő szűrővel.

Ehhez megfelelő „L” - légcseré tényezőnek kell lenni a helyiségben, ha az elhasznált levegő visszaáramlik a helyiségbe. A további tudnivalóknak nézzzen utána a helyi előírásokban.

Ha csökken a porszívó szívó teljesítménye, és növekszik a redőzött szűrőkazetták letisztulása, a szívó teljesítmény már nem megfelelő (feltétel, hogy a tartály üres, és kicserélte a Fátyolszűrő zacskó) akkor arra van szükség, hogy kicserélje a redőzött szűrőkazettáit (lásd: „8.1 A hajtogatott szűrőkazetta cseréje” a(z) 167. oldalon).

12 Tisztítás

MEGJEGYZÉS
A savak, acetonok és oldószerek károsíthatják a porszívó alkatrészeit.
<ul style="list-style-type: none"> ▶ Vízrel tisztítsa meg a tartályt és a tartozékokat. ▶ A felső részt egy nedves ruhával törölje le. ▶ Hagyja száradni a tartályt és a tartozékokat.

13 Javítás

▲ FIGYELMEZTETÉS!
A porszívó szakszerűtlen javítása veszélyt jelent a kezelő számára.
<ul style="list-style-type: none"> ▶ A javításokat csak szakemberrel, pl. a vevőszolgálat munkatársával végeztesse el. Csak az eredeti pótalkatrészeket alkalmazza.

14 Hibaelhárítás és javítás

MEGJEGYZÉS		
A hibalehetőségek nem mindig vezethetők vissza a porszívó hibáihoz.		
Hiba	Ok	Javaslat
A szívóerő csökken	Piszkos szűrő	Tisztítsa ki
	A szűrőzsák tele van	Cserélje ki
	A konténer tele van	Üritse ki
	Motorvédő szűrő blokkolva	Tisztítsa ki
	A fűvóka, a cső vagy a tömlő el van zárva	Tisztítsa ki
A porszívó nem indul be	A hálózati dugó nincsen bedugva az aljzatba	Csatlakoztassa a hálózati csatlakozót a foglalatba
	Nincs hálózati feszültség	Ellenőrizze a biztosítékot
	A hálózati csatlakozó kábel hibás	Cserélje ki
	A fedelet nem megfelelően zárta	Zárja le
	A vízérzékelő ki van kapcsolva	Üritse ki a tartályt
A porszívó nem indul el, ha a szerszám a >A< vagy >RA< módba van kapcsolva	Az elektromos szerszám nem csatlakozik a porszívó aljzatába	Csatlakoztassa a hálózati csatlakozót a porszívó aljzatába
	A pneumatikus ki-be egység* mágnesz-szelepe szennyezett	Öblítse le alkohollal
A PE ürítő és ártalmatlanító zsákokat a szűrő felől szívják	A forgó csúszda helytelen pozíciója	Állítsa a forgótárcsát az OPEN ▲ helyzetbe (lásd: „7.4 Helyezze be a PE kiürítő és ártalmatlanító zsákokat” a(z) 167. oldalon)
Az M vagy H porosztályú porszívók esetében: behelyezett szűrőzsákkal, a szennyeződés a tartályban gyűlik össze	A forgó csúszda helytelen pozíciója	Állítsa a forgószelepet a CLOSE ▲ állásba (lásd: „7.3 Helyezze be a gyapjú porzsákokat” a(z) 167. oldalon)

Ne próbálja meg bármi mást, forduljon az Ügyfélszolgálatához.

* A berendezés változatától függően

15 Műszaki adatok

Typ: IS		ISC L/M/H-1425 (ISC L/M/H-1450)
Feszültség	V	220-240
Frekvencia	Hz	50/60
Névleges teljesítmény	W	1200
Max. teljesítmény	W	1400
Légáram*	l/s (m³/h)	73 (263)
Vákuum*	hPa/MG	270
Légáram**	l/s (m³/h)	42 (151)
Vákuum**	hPa/SE	235
Zajsztint	dB(A)	69
Önsúly	kg	12,1 / 17,1
Méretetek H x S x M	cm	45 x 39 x 49 / 59,5 x 46,5 x 96

* A ventilátoron

** a tömlőn

Max. Tápellátás a porszívónál: 2000 W (220-240V~)

Hálózati csatlakozókábel L porosztályú porszívókhoz csatlakozó aljzattal: H05RR-F 3G1,5

Hálózati csatlakozókábel az M, H és H azbeszt porosztályú porszívókhoz csatlakozó aljzattal: H07RN-F 3G1,5

16 Vizsgálatok és jóváhagyások

Elektrotechnikai vizsgálatok a baleset megelőzési előírások szerint (DGUV V3) és a DIN VDE 0701 1. és 3. részek szerint történtek. Ezeket a vizsgálatokat a DIN VDE 0702 szerint rendszeresen meg kell ismételni, és üzembe helyezés, vagy módosítás után újból el kell végezni.

A porszívó ellenőrzése sikeresen megtörtént az

IEC/EN 60335–2–69 szabvány szerint.

MEGJEGYZÉS

A régi készülékek értékes anyagokat tartalmaznak, amik alkalmasak az újrahasznosításra. **A porszívót ne keverje a normál háztartási szemét közé**, hanem adja le a megfelelő gyűjtőhelyen, pl a városi hulladékkezelő vállalatnál.

17 EU megfelelési nyilatkozat

A Husqvarna AB, SE 561 82 Huskvarna, SVÉDORSZÁG, Tel. +46 36 146500 a saját felelősségére kijelenti, hogy a jelzett termék:

Leírás	Porelszívó
Márka	HUSQVARNA
Típus / modell	S 11
Megjelölés	2022-es és újabb sorozatszámok

teljes mértékben megfelel a következő EU-irányelveknek és rendeleteknek:

Irányelv/rendelet	Leírás
2006/42/EK 2014/30/EU 2011/65/EU	„gépre vonatkozó” „elektromágneses megfelelésre vonatkozó” „veszélyes anyagok alkalmazásának korlátozására vonatkozó”

valamint hogy az alábbi szabványok és/vagy műszaki előírások kerültek alkalmazásra;

EN ISO 12100:2010

EN 55014-1:2017

EN 55014-2:2015

EN 61000-3-2:2014

EN 61000-3-3:2013

EN 60335-2-69:2012

EN IEC 63000:2018





Partille, 2022-10-12



Martin Huber

K+F igazgató, Betonfelületek és -padlók
Husqvarna AB, Építőipari részleg
A műszaki dokumentációk felelőse

1 Objąsnienie uŹywanych symboli i znaków

Symbol / Hasło ostrzegawcze	Opis
	To jest symbol ostrzegawczy. Ostrzega przed potencjalnym niebezpieczeństwem odniesienia obrażeń. Przestrzeganie wszystkich zasad oznaczonych tym symbolem jest niezbędne, aby uniknąć obrażeń ciała lub śmierci. Symbol ostrzegawczy występuje zawsze w połączeniu z hasłami ostrzegawczymi NIEBEZPIECZEŃSTWO, OSTRZEŻENIE i OSTROŻNIE .
NIEBEZPIECZEŃSTWO!	Informuje o zagrożeniu z wysokim poziomem ryzyka, które w razie zlekceważenia spowoduje śmierć lub ciężkie obrażenia ciała.
OSTRZEŻENIE!	Informuje o zagrożeniu ze średnim stopniem ryzyka, które w razie zlekceważenia może spowodować śmierć lub ciężkie obrażenia ciała.
OSTROŻNIE!	Informuje o zagrożeniu z niskim stopniem ryzyka, które w razie zlekceważenia może spowodować lekkie lub umiarkowane obrażenia ciała.
UWAGA	To oznacza porady lub wskazówki, które ułatwiają pracę i zapewniają większe bezpieczeństwo pracy.
	Oznacza wymaganie, które musi zostać spełnione przed wykonaniem danej operacji.
	Oznacza kolejne czynności, które musi wykonać użytkownik.
	Oznacza rezultat wykonania czynności.

2 Ważne informacje dotyczące bezpieczeństwa

OSTRZEŻENIE!

Niebezpieczeństwo uduszenia! Nie pozwalać dzieciom na zabawę materiałami z opakowania urządzenia, np. workami plastikowymi.

Nie wspinać się ani nie siadać na odkurzaczu.

Ryzyko upadku podczas pracy na schodach. Zwrócić uwagę na obranie bezpiecznej i stabilnej pozycji.

Przewodu oraz węża ssącego nie przeciągać nad ostrymi krawędziami, nie załamywać ani nie zakleszczać.

Przewód oraz wąż ssący zawsze tak układać aby nikt nie mógł się o nie potknąć.

W przypadku wydostawania się piany lub plynu natychmiast wyłączyć odkurzacz.

Utrzymywać zawsze suche wnętrze pokrywy. Nie należy używać odkurzacza, włącznie z akcesoriami, w następujących przypadkach:

- Przewód przyłączeniowy lub przedłużacz są uszkodzone lub wykazują pęknięcia
- Widoczne są uszkodzenia odkurzacza, np. pęknięcia jego obudowy
- W przypadku podejrzenia wystąpienia niewidocznej wady, np. po upadku

NIEBEZPIECZEŃSTWO!

Niebezpieczeństwo wybuchu i pożaru! Nie uruchamiać odkurzacza w potencjalnie wybuchowym środowisku.

Nie zbliżać odkurzacza w strefach, w których obecne są łatwopalne gazy i substancje.

⚠ NIEBEZPIECZEŃSTWO!

Niebezpieczeństwo wybuchu i pożaru! Nie używać odkurzacza do odsysania następujących substancji:

- łatwopalne lub wybuchowe rozpuszczalniki
- materiały nasączone rozpuszczalnikami
- potencjalnie wybuchowe pyły
- ciecze takie jak benzyna, olej, alkohol, rozcieńczalniki
- materiały o temperaturze większej niż 60 °C

⚠ OSTRZEŻENIE!

Nieprawidłowo naprawiane urządzenie stanowi niebezpieczeństwo dla użytkownika. Naprawy zlecać tylko wykwalifikowanym pracownikom, np. serwisowi. Stosować tylko oryginalne części zamienne.

⚠ OSTRZEŻENIE!

Wtyczkę odkurzacza używać tylko w celu ustalonym w instrukcji obsługi.

Przy niewłaściwym zastosowaniu, nieprawidłowej obsłudze lub niefachowej naprawie producent nie ponosi żadnej odpowiedzialności za szkody.

Nie stosować żadnych uszkodzonych przedłużaczy.

Jeżeli przewód zasilający odkurzacza będzie uszkodzony, musi on być wymieniony na specjalny przewód zasilający, który dostępny jest u producenta lub w jego serwisie.

Nie dopuszczać do kontaktu obracających się szczotek elektrycznych z przewodem zasilającym.

Napięcie na tablicy znamionowej musi być zgodne z napięciem sieciowym.

Po każdym użyciu i przed każdą konserwacją odkurzacza wyłączyć i wyciągnąć wtyczkę sieciową.

Ciągnąć tylko za wtyczkę sieciową, nigdy za przewód zasilający.

Wtyczki sieciowej nigdy nie wtykać ani wyciągać mokrymi rękoma.

Obwód zasilający musi być zabezpieczony odpowiednim bezpiecznikiem.

Nigdy nie otwierać odkurzacza na deszczu lub podczas niepogody w wolnym terenie.

Wysuszyć odkurzacza i przechowywać w pomieszczeniach, w których nie występują temperatury ujemne.

⚠ OSTRZEŻENIE!

Maszyny służące do usuwania pyłu są testowane zgodnie z DIN EN 60335-2-69 i podzielone na klasy w zależności od typu pyłu.

Odkurzacze klasy **L** nadają się do stosowania do suchych, niepalnych, zagrażających zdrowiu pyłów przy wartościach granicznych odniesionych do miejsca pracy $> 1 \text{ mg/m}^3$.

Odkurzacze klasy **M** przystosowane są do odkurzania suchych, niepalnych pyłów, niepalnych cieczy, pyłu drzewnego i niebezpiecznych pyłów o stężeniu $\text{AGW} \geq 0,1 \text{ mg/m}^3$.

Odkurzacze klasy **H** przystosowane są do odkurzania suchych, niepalnych pyłów, rakotwórczych oraz chorobotwórczych cząstek jak również niepalnych cieczy, pyłu drzewnego i pyłów niebezpiecznych dla zdrowia o stężeniu $\text{AGW} < 0,1 \text{ mg/m}^3$.

⚠ OSTRZEŻENIE!

Odkurzacze do klasy pyłu **H-azbest** są odpowiednie do odkurzania i odsysania pyłu zawierającego azbest. Przestrzegać krajowych przepisów dotyczących obsługi i konserwacji narzędzi do usuwania azbestu.

⚠ OSTRZEŻENIE!

Maszyna nie może być używana przez osoby (łącznie z dziećmi) o ograniczonych zdolnościach fizycznych, sensorycznych lub mentalnych oraz osoby nieposiadające wystarczającego doświadczenia i wiedzy.

Zwrócić uwagę, aby dzieci nie bawiły się urządzeniem.

Dyszy, węży ani rur nie skierowywać na ludzi ani zwierzęta.

⚠ OSTRZEŻENIE!

Używać wyłącznie szczotek dołączonych do odkurzacza lub określonych w instrukcji obsługi.

Stosowanie innych szczotek może zagrozić bezpieczeństwu użytkownika urządzenia.

Podczas użytkowania w przemyśle spożywczym: po użyciu natychmiast wyczyścić odkurzacza i zdezynfekować, aby uniknąć zakażenia drobnoustrojami.

Do czyszczenia nie używać dysz parowych ani myjek wysokociśnieniowych.

Odkurzacza należy eksploatować wyłącznie pod nadzorem.

W przypadku dłuższej przerwy w pracy odłączyć odkurzacza od sieci.

Nie czyść wkładów filtrujących za pomocą sprężonego powietrza.

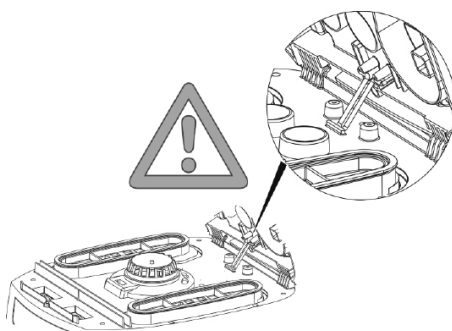
Przed rozpoczęciem użytkowania odkurzacza należy zapoznać się z instrukcją obsługi. Instrukcja obsługi zawiera ważne instrukcje dotyczące bezpieczeństwa, uruchomienia, obsługi, konserwacji i pielęgnacji urządzenia. Instrukcję obsługi należy przechowywać w bezpiecznym miejscu i, w razie sprzedaży urządzenia, przekazać ją następnemu właścicielowi.

Maszyna przeznaczona jest do użytku przemysłowego, np. w hotelach, szkołach, szpitalach, fabrykach, sklepach, biurach i placówkach do wynajęcia.

Przed użyciem



Przy rozpakowywaniu zwrócić uwagę na kompletność i szkody transportowe.

Przed użyciem użytkownicy powinni otrzymać informacje, wskazówki i szkolenie dotyczące użycia odkurzacza i substancji, do których ma być użyty, włącznie z bezpieczną procedurą usunięcia wciągniętych materiałów.



3 Wyświetlacz i elementy sterujące

Pozycja przełącznika	Funkcja	Opis
0	Odkurzacza wyłączony	- Wtyczka zasilająca
I	Odkurzacza pracuje	- Wtyczka zasilająca - Automatyczna funkcja wibratora wyłączona
A	Tryb gotowości dla automatycznego włączania i wyłączania	- Wtyczka zasilająca - Odkurzacza będzie włączony i wyłączony przez podłączone do gniazda zasilającego narzędzie elektryczne/narzędzie pneumatyczne*
RA	Tryb gotowości dla automatycznego włączania i wyłączania	- Tryb czuwania jak w >A< plus automatyczne czyszczenie filtra.
	Automatyczna funkcja czyszczenia filtra	- To czyszczenie filtra następuje automatycznie przy uzyskaniu minimalnego strumienia objętości podczas najbliższej przerwy w pracy (w pozycji >RA<)
	Wskaźnik poziomu napełnienia*	- Wskaźnik poziomu napełnienia zapala się, kiedy zbiornik jest pełny i/lub wąż ssący jest zablokowany. W odkurzaczach o klasy pyłowej M i H emitowany jest także sygnał akustyczny

Pozycja przełącznika	Funkcja	Opis
	Ustawianie średnicy węża ssącego *	- W odkurzaczach klasy „M-/H-/H-azbest” do monitorowania przepływu objętościowego, dźwiękowy sygnał ostrzegawczy włącza się, gdy prędkość powietrza spadnie poniżej 20 m/s
	Ustawianie prędkości silnika*	- Regulować siłę ssania za pomocą pokręćta sterowania prędkością

4 Uruchomienie

4.1 Przed każdym użyciem

Upewnić się, że spełnione są następujące warunki:

- △ Odkurzacz, kabel sieciowy, wąż ssący i akcesoria nie są uszkodzone.
- △ Wszystkie filtry zostały włożone i nie są uszkodzone.

4.2 Włączanie i wyłączanie urządzenia

Gniazdo wtyczki odkurzacza pozostaje zawsze pod napięciem, niezależnie od położenia głównego wyłącznika.

△ OSTRZEŻENIE!

Niebezpieczeństwo odniesienia obrażeń poprzez automatyczne uruchomienie elektronarzędzia!

- ▶ Przed podłączeniem od odkurzacza należy wyłączyć elektronarzędzie lub narzędzie pneumatyczne.

UWAGA

W położeniu >0< gniazdo w odkurzaczu może być używane jako przedłużacz.

△ **Pobór prądu:** Odkurzacz + podłączone urządzenie (maksymalnie 2000 W) maks. 16 A.

4.2.2 Włączanie odkurzacza

Funkcje patrz „3 Wyświetlacz i elementy sterujące” na stronie 174.

- ▶ Włożyć wtyczkę do gniazda.
- ▶ Ustawić przełącznik w pozycji >I<.
- ↳ Praca odkurzacza rozpocznie się natychmiast.

lub:

- ▶ Ustawić przełącznik w pozycji >A< lub >RA<.
- ↳ Odkurzacz znajduje się w trybie gotowości do zasilania elektronarzędzi.

4.2.3 Ustawianie średnicy węża ssącego*

- ▶ Ustawić średnicę przewodu ssącego na przełączniku.

△ OSTROŻNIE!

Przełącznik wyboru dla sygnału minimalnego przepływu objętości powietrza (dźwiękowego i świetlnego) na odkurzaczach z klasą pyłową „M” i „H”

W trybach >RA< i >I< wprowadzane są poniższe ustawienia, w zależności od średnicy węża ssącego:

Przełącznik wyboru dla średnicy wewnętrznej węża ssącego	Objętość przepływu powietrza
∅ 35 mm	70 l/s
∅ 27 mm	41 l/s
∅ 21 mm	25 l/s

Prędkość można regulować indywidualnie po ustawieniu średnicy węża ssącego.

4.2.4 Regulacja siły ssania*

- ▶ Ustawić prędkość silnika przełącznikiem lub
- ▶ Ustawić odpowiednio pomocniczy suwak powietrza na rurze ręcznej.

4.2.5 Wyłączenie odkurzacza

- ▶ Ustawić przełącznik w pozycji >0<.
- ↳ Odkurzacz jest wyłączony.
- ▶ Po wyłączeniu urządzenia należy wyciągnąć wtyczkę.
- ▶ Zwinąć przewód zasilający.
- ▶ Przechowywać przewód sieciowy na haku przewodu.
- ▶ Przechowywać wąż ssący po umieszczeniu go w uchwycie na akcesoria* na tylnej ścianie pojemnika.
- ▶ Założyć wąż ssący tak, aby nie wydostały się z niego żadne cząsteczki zanieczyszczeń.
- ▶ Odłączyć elektronarzędzie.

5 Rodzaje pracy

5.1 Odkurzanie suche

- ▶ Tylko z suchym filtrem, odkurzyć odkurzacz i akcesoria, aby nie pozostał kurz i nie utworzył skorupy.

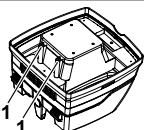
* w zależności od wariantu wyposażenia

- ▶ Podczas odkurzania sadzy, cementu, tynku lub podobnych pyłów: umieścić jednorazowy worek z PE w pojemniku na brud.
- ▶ Zawsze używać jednorazowych worków w połączeniu ze składanymi wkładami filtracyjnymi.

UWAGA

Odkurzacze klasy M, H i H-azbest zaleca się stosować jako odkurzacze suche.

UWAGA



Regularnie czyścić czujniki poziomu wody (1) i sprawdzać pod kątem widocznych uszkodzeń.

- ▶ Odkurzanie bez worka filtrującego z włókny. Kasety z filtrem harmonijkowym przeznaczone są do odkurzania na mokro. W przypadku zapelnienia zbiornika wbudowany czujnik wyłącza silnik. Funkcjonowanie odkurzacza może być zakłócone przez przepelnienie pojemnika.
- ▶ Opróżnić pojemnik (patrz „7 Opróżnianie pojemnika” na stronie 176).

UWAGA

Kiedy odkurzacz nie będzie wyłączony ochrona przed ponownym wciągnięciem działa w dalszym ciągu. Dopiero po wyłączeniu i ponownym włączeniu odkurzacz jest ponownie gotowy do pracy.

- ▶ Przed opróżnieniem wyciągnąć najpierw wąż ssący z cieczy.
- ▶ Przez wysoką moc ssania i opływowy kształt pojemnika po wyłączeniu z węża może wylewać się trochę wody.
- ▶ Przy końcowym odkurzaniu suchym stosować suchy filtr.

UWAGA

Przy częstej zmianie pomiędzy suchym i mokrym odkurzaniem zaleca się stosowanie drugiego zestawu filtrów najlepiej kasety na filtry poliestrowe.

5.3 Zасыsanie substancji zawierających azbest

Do odkurzania substancji zawierających azbest można stosować tylko odkurzacze klasy pyłu „H-azbest”.

- ▶ Pracować wyłącznie z użyciem suchego filtra, suchego odkurzacza i suchych akcesoriów, aby zapobiec przyklejaniu się pyłu i tworzeniu skorupy z pyłu.
- ▶ Do zasysania substancji zawierających azbest: Włożyć worek jednorazowy z PE lub materiałowy worek filtrujący do pojemnika na brud.
- ▶ Zawsze używać worków filtracyjnych w połączeniu ze składanymi wkładami filtracyjnymi.

UWAGA

Odkurzacze klasy „H-azbest” najlepiej używać do odkurzania suchego pyłu.

5.2 Wsasywanie cieczy

⚠ OSTRZEŻENIE!

Zagrożenie porażeniem prądem elektrycznym!

- ▶ W przypadku wydotawiania się piany lub płynu natychmiast wyłączyć odkurzacz.
- ▶ Opróżnić pojemnik i w razie potrzeby kasetę na filtr.

⚠ OSTRZEŻENIE!

Zagrożenie dla zdrowia!

Włókna azbestu w powietrzu.

- ▶ Zapewnić wystarczający dopływ powietrza z zewnątrz (świeżego powietrza) do miejsca pracy.
- ▶ Prowadzić lub oczyszczać odprowadzane powietrze w taki sposób, aby włókna azbestu nie przedostały się do powietrza, którym oddychają inne osoby.
- ▶ W przypadku filtracji odprowadzanego powietrza, transportować wszelki pył w pyłoszczelnych pojemnikach.
- ▶ Nie zlewać pyłu.

Jeśli istnieje możliwość uwolnienia się włókien azbestu:

- ▶ Pochłaniać włókna azbestu w miejscu odprowadzania lub pochodzenia.
- ▶ Następnie usunąć włókna azbestu zgodnie z aktualnym stanem wiedzy, aby nie tworzyć jakiegokolwiek zagrożenia dla ludzi lub środowiska.

Jeśli całkowite pochłonięcie włókien azbestu nie jest możliwe:

- ▶ Zapewnić dodatkową wentylację zgodnie z aktualnym stanem wiedzy.

Po zakończeniu pracy:

- ▶ Dokładnie oczyścić narzędzia, w tym rury ssące i osprzęt roboczy.
- ▶ Dokładnie oczyścić obszar roboczy.
- ▶ Zwilżyć i prawidłowo usunąć przedmioty zanieczyszczone włóknami azbestu, których oczyszczenie jest niemożliwe.

Po czyszczeniu:

- ▶ Przewietrzyć miejsce pracy w wystarczającym stopniu.

6 Czyszczenie filtra stałego

Odkurzacz wyposażony jest w system oczyszczania filtra elektromagnetycznego, który może być używany do czyszczenia wszelkich pyłów przylegających do wkładów filtracyjnych.

To czyszczenie filtra następuje automatycznie przy uzyskaniu minimalnego strumienia objętości podczas najbliższej przerwy w pracy (przełącznik w pozycji >RA<).

7 Opróżnianie pojemnika

UWAGA

Dopuszczalny tylko przy pyłach o AGW > 1 mg/m³.

- ▶ Wyłączyć odkurzac, wyciągnąć wtyczkę.
- ▶ Otworzyć zapięcia.
- ▶ Zdjąć ze zbiornika pokrywę i wąż ssący.
- ▶ Wysypać pojemnik.

7.1 Usunąć filtrujący worek materiałowy

- ▶ Wyłączyć odkurzac.
- ▶ Odłączyć wtyczkę sieciową.
- ▶ Stosować odpowiednią maskę oddechową.
- ▶ Odłączyć wąż ssący.
- ▶ Zakryć gniazdo wlotowe nasadką.
- ▶ Otworzyć zatrzaski boczne.
- ▶ Zdjąć górną część urządzenia.
- ▶ Ostrożnie ściągnąć kołnierz z gniazda wlotowego i zamknąć kołnierz.
- ▶ Usunąć zebrany materiał zgodnie z wymogami prawnymi.

7.2 Usunąć jednorazowy woreczek z PE

- ▶ Ustawić przełącznik w pozycji >RA<.
 - ↳ Składane wkłady filtracyjne są czyszczone automatycznie.
 - ↳ Osiadły kurz w filtrach wpada do worka.
- ▶ Wyłączyć odkurzac.
- ▶ Odłączyć wtyczkę sieciową.
- ▶ Stosować odpowiednią maskę oddechową.
- ▶ Odłączyć wąż ssący.
- ▶ Zakryć gniazdo wlotowe nasadką.
- ▶ Otworzyć zatrzaski boczne.
- ▶ Zdjąć górną część urządzenia.
- ▶ Ostrożnie zamknąć worki przy pomocy załączonej taśmy.
- ▶ Kołnierz zdjąć ostrożnie z wylotu i zamknąć.
- ▶ Ostrożnie wyjąć worki z pojemnika.
- ▶ Wciągnięty brud usunąć zgodnie z przepisami.

7.3 Włożyć filtrujący woreczek materiałowy do urządzenia

UWAGA

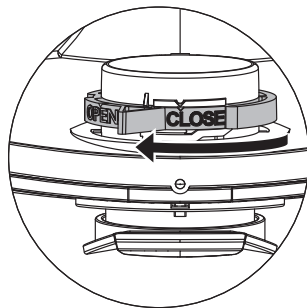
Używać wyłącznie materiałowych worków filtracyjnych do czyszczenia na sucho.

- ▶ Nasunąć kołnierz całkowicie na gniazdo wlotowe.

UWAGA

Obsługa suwaka obrotowego

- ▶ Przekręcić czerwony suwak obrotowy w pozycję CLOSE do oporu na znaczniku ▲ .



7.4 Włożyć jednorazowy woreczek z PE*

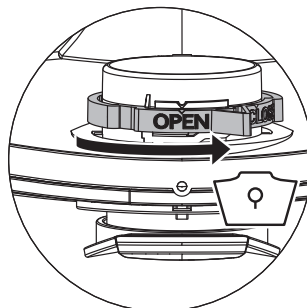
UWAGA

Odkurzacze klasy **M** i **H** ze specjalnym pojemnikiem i zasuwką obrotową przy otworze wlotowym typu IS/ISC ARM, IS/ISC ARH i IS/ISC ARH-ASBEST przystosowane są do zastosowania worków.

UWAGA

Obsługa suwaka obrotowego

- ▶ Ustawić czerwony suwak obrotowy w pozycję OPEN do oporu na znaczniku ▲ .
- ▶ Nasunąć kołnierz całkowicie na gniazdo wlotowe.
- ▶ Nasunąć otwór górnej torby na obręcz otworu pojemnika.



8 Zmiana filtra

8.1 Wymiana składanych wkładów filtracyjnych

- ▶ Przed wymianą kaset filtrujących należy je oczyścić.
- ▶ Obrócić blokadę zatrzasku o 90° w kierunku przeciwnym do ruchu wskazówek zegara za pomocą monety lub podobnego przedmiotu i popchnąć zatrzask do tyłu.
- ▶ Zamknąć osłonę.
- ▶ Po wyjęciu kasetę filtra natychmiast zamknąć w szczelnym worku plastikowym i usunąć zgodnie z przepisami.
- ▶ Założyć nowe kasyety filtra.

* w zależności od wariantu wyposażenia

- ▶ Podnieść pałąk zamka, opuścić osłonę i unieruchomić przez lekkie wciśnięcie.

9 Wymiana filtra ochronnego silnika

UWAGA

Jeżeli filtr ochronny silnika byłby zabrudzony, wskazuje to na uszkodzoną kasetę filtra.

- ▶ Zakładanie kasety filtra składanego.
- ▶ Wymienić filtr ochrony silnika lub umyć go pod bieżącą wodą, wysuszyć i ponownie założyć.

10 Transport

- ▶ Odłączyć wąż ssący.
- ▶ Zakryć gniazdo wlotowe nasadką.
- ▶ Nałożyć górną część pojemnika.
- ▶ Zamknąć zatrzaski boczne.
- ▶ Oprzyrządowanie włożyć do plastikowego worka i zamknąć lub odłożyć go na miejsce przechowywania.
- ▶ Połączyć początek i koniec węża ssącego.
- ▶ Wąż owinać wokół odkurzacza i zabezpieczyć na uchwycie.

11 Konserwacja

UWAGA

Przed każdą konserwacją odkurzacza wyłączyć i wyciągnąć wtyczkę sieciową.

W celu konserwacji użytkownik musi odkurzacza

- rozebrać,
- wyczyścić i
- i zakonserwować,

o ile jest to możliwe bez stwarzania zagrożenia dla personelu konserwującego i innych osób.

Środki ostrożności

Odpowiednie środki ostrożności zawierają

- Czyszczenie przed demontażem,
- Wykonać zabezpieczenia dla miejscowej wentylacji filtrowanej, przy której odkurzacza będzie demontowany,
- Czyszczenie obszaru konserwacji i
- odpowiednie osobiste wyposażenie ochronne.

Środki ostrożności dla odkurzaczy klasy H i M

Zewnętrzna część odkurzacza powinna być odkurzona i wytarta do czysta lub przykryta zanim zostanie wyprowadzona z niebezpiecznego obszaru. Wszystkie części odkurzacza muszą być traktowane jako zanieczyszczone kiedy będą przenoszone z niebezpiecznego obszaru i muszą być przeprowadzone odpowiednie czynności aby zapobiec rozprzestrzenianiu się pyłu.

Zanieczyszczone przedmioty

Podczas wykonywania prac konserwacyjnych i naprawczych wszystkie zanieczyszczone przedmioty, które nie mogą być w zadowalający sposób wyczyszczone, muszą zostać usunięte. Przedmioty takie muszą być usunięte w szczelnych workach zgodnie z obowiązującymi przepisami dotyczącymi tego rodzaju odpadów.

11.1 Testowanie skuteczności odkurzacza

Co najmniej raz w roku producent lub osoba poinstruowana muszą przeprowadzać inspekcję techniczną obejmującą filtry, szczelność powietrzną odkurzacza oraz jego mechanizmy sterowania.

Ponadto skuteczność odkurzaczy o klasie pyłowej H i H-azbest musi być sprawdzana co najmniej raz w roku lub częściej. Metoda badania, która może być użyta do wykazania skuteczności urządzenia, została zdefiniowana w normie EN 60335-2-69 AA.22.201.2. Jeśli test nie zostanie zaliczony, należy go powtórzyć przy użyciu nowego filtra głównego.

W pomieszczeniu musi być zapewniony wystarczający poziom wymiany powietrza L jeżeli powietrzny wydmuchiwanie jest ponownie do pomieszczenia. Dalsze wskazówki należy pobrać z przepisów narodowych.

Jeżeli moc ssania odkurzacza spada i wyczyszczenie kaset na filtry nie poprawia tego (zakładając, że pojemnik jest opróżniony i materiałowy woreczek filtrujący), wówczas konieczna jest wymiana kasety na filtr (patrz rozdział „8.1 Wymiana składanych wkładów filtracyjnych” na stronie 177).

12 Czyszczenie

UWAGA

Kwasy, aceton i rozpuszczalniki mogą uszkodzić części odkurzacza.

- ▶ Przemycić pojemnik i akcesoria wodą.
- ▶ Wytrzeć górną część wilgotną szmatką.
- ▶ Pozostawić pojemnik i akcesoria do wyschnięcia.

13 Naprawa

⚠ OSTRZEŻENIE!

Nieprawidłowo naprawiane urządzenie stanowi niebezpieczeństwo dla użytkownika.

- ▶ Naprawy zlecać tylko wykwalifikowanym pracownikom, np. serwisowi. Stosować tylko oryginalne części zamienne.

14 Rozwiązywanie problemów i naprawa

UWAGA

Nieprawidłowości pracy nie zawsze mogą być powiązane z usterkami odkurzacza.

Usterka	Przyczyna	Środek zaradczy
Siła ssania spada	Filtr zanieczyszczony	Oczyszczyć
	Woreczek filtrujący jest pełny	Wymienić
	Pojemnik pełny	Opróżnić
	Zablokowany filtr ochrony silnika	Oczyszczyć
	Dysza, przewód rurowy lub wąż są zablokowane	Oczyszczyć
Odkurzacz nie uruchamia się	Wtyczka sieciowa nie znajduje się w gnieździe	Podłączyć wtyczkę sieciową do gniazdka
	Brak napięcia sieciowego	Sprawdzić bezpiecznik
	Nieprawidłowe połączenie przewodu sieciowego	Wymienić
	Pokrywa nie jest prawidłowo zamknięta	Domknąć
	Czujnik wody wyłączony	Opróżnić pojemnik
Odkurzacz nie włącza się, gdy narzędzie jest uruchamiane w trybie >A< lub >RA<	Odkurzacz znajduje się w trybie gotowości >A< lub >RA<	Ustawić przełącznik w pozycji > < (patrz „3 Wyświetlacz i elementy sterujące” na stronie 174)
	Elektronarzędzie nie zostało podłączone do gniazdka na odkurzaczu	Podłączyć wtyczkę sieciową do gniazdka na odkurzaczu
Zawór elektromagnetyczny pneumatycznego urządzenia włączającego/wyłączającego* jest zanieczyszczony	Zawór elektromagnetyczny pneumatycznego urządzenia włączającego/wyłączającego* jest zanieczyszczony	Przemycić alkoholem
Jednorazowy woreczek z PE został zassany do filtra	Nieprawidłowa pozycja suwaka obrotowego	Ustawić suwak obrotowy w pozycji OPEN ▲ (patrz „7.4 Włożyć jednorazowy woreczek z PE**” na stronie 177)
Odkurzacz o klasie pyłowej M lub H: z umieszczonym woreczkiem filtrującym, kurz gromadzi się w pojemniku	Nieprawidłowa pozycja suwaka obrotowego	Ustawić suwak obrotowy w pozycji CLOSE ▲ (patrz „7.3 Włożyć filtrujący woreczek materiałów do urządzenia” na stronie 177)

Nie należy stosować do tego celu jakichkolwiek innych substancji, skontaktować się z serwisem.

* w zależności od wariantu wyposażenia

15 Dane techniczne

Typ: IS		ISC L/M/H-1425 (ISC L/M/H-1450)
Napięcie	V	220-240
Częstotliwość	Hz	50/60
Napięcie znamionowe	W	1200
Maks. moc	W	1400
Przepływ powietrza*	l/s (m ³ /h)	73 (263)
Podciśnienie*	hPa/MG	270
Przepływ powietrza**	l/s (m ³ /h)	42 (151)
Podciśnienie**	hPa/SE	235
poziom hałasu	dB(A)	69
Waga	kg	12,1 / 17,1
Wymiary d x s x w	cm	45 x 39 x 49 / 59,5 x 46,5 x 96

* przy wentylatorze

** przy wężu

Maksymalna moc odkurzaczy z gniazdem zasilania elektronarzędzi: 2 000 W (220-240V~)

Przewód zasilający odkurzaczy klasy pyłu L z gniazdem wtykowym: H05RR-F 3G1,5

Przewód zasilający odkurzaczy klas pyłu M, H oraz „H-azbest” z gniazdem wtykowym: H07RN-F 3G1,5

16 Badania i zatwierdzenia

Kontrole elektrotechniczne należy przeprowadzać zgodnie z przepisami dotyczącymi zapobieganiu wypadkom (DGUV V3) i DIN VDE 0701 część 1 i część 3. Kontrole te są konieczne zgodnie z DIN VDE 0702 w regularnych odstępach oraz po wprowadzeniu zmian.

Odkurzacze są skutecznie sprawdzone zgodnie z IEC/EN 60335-2-69.

UWAGA

Stare urządzenia zawierają cenne materiały, które nadają się do powtórnego wykorzystania. **Odkurzacza nie wyrzucać z normalnymi odpadami**, lecz usuwać go poprzez odpowiednie systemy zbierania odpadów, np. poprzez miejski punkt zbiórki odpadów.

17 Deklaracja zgodności UE

Firma Husqvarna AB, SE 561 82 Huskvarna, SZWECJA, Tel. +46 36 146500 deklaruje z pełną odpowiedzialnością, że przedstawiony produkt:

Opis	Ekstraktor pyłu
Marka	HUSQVARNA
Typ / Model	S 11
Identyfikacja	Numery seryjne z roku 2022 i nowsze

spełnia wszystkie wymogi określone w odpowiednich dyrektywach i przepisach UE:

Dyrektywa/przepis	Opis
2006/42/WE 2014/30/UE 2011/65/UE	„maszynowa” „dotycząca zgodności elektromagnetycznej” „w sprawie ograniczenia stosowania niektórych niebezpiecznych substancji”

oraz został zaprojektowany zgodnie z następującymi normami i specyfikacjami technicznymi;

EN ISO 12100:2010

EN 55014-1:2017

EN 55014-2:2015

EN 61000-3-2:2014

EN 61000-3-3:2013

EN 60335-2-69:2012

EN IEC 63000:2018

Partille, 2022-10-12







Martin Huber

Dyrektor ds. badań i rozwoju, powierzchnie betonowe i podłogi
Husqvarna AB, Construction Division
Osoba odpowiedzialna za dokumentację techniczną

Slovenčina

1 Vysvetlenie použitých symbolov a znakov

Symbol / Signalizujúce slovo	Opis
	Toto je výstražný symbol. Tento varuje pred možným nebezpečenstvom poranenia. Dodržiavajte všetky pokyny, ktoré sú označené týmto symbolom, aby sa zabránilo poraneniám alebo smrti. Výstražný symbol sa objavuje vždy v spojení so signalizujúcimi slovami NEBEZPEČENSTVO , VÝSTRAHA a OPATRNE .
NEBEZPEČENSTVO!	Označuje ohrozenie s vysokým stupňom rizika, ktoré má za následok smrť alebo ťažké poranenia, ak sa mu nezabráni.
VÝSTRAHA!	Označuje ohrozenie so stredným stupňom rizika, ktoré môže mať za následok smrť alebo ťažké poranenia, ak sa mu nezabráni.
OPATRNE!	Označuje ohrozenie s nízkym stupňom rizika, ktoré môže mať za následok ľahké alebo mierne poranenia, ak sa mu nezabráni.
POZNÁMKA	Tu sú uvedené návody alebo pokyny, ktoré uľahčujú prácu a ktoré slúžia na bezpečnú prevádzku.
	Označuje predpoklad, ktorý musí byť splnený, skôr ako sa bude môcť vykonať činnosť.
	Označuje kroky činnosti vykonávané za sebou prostredníctvom používateľa.
	Označuje výsledok činnosti

2 Dôležité bezpečnostné informácie

VÝSTRAHA!

Nebezpečenstvo udusenía! Nedovoľte deťom hrať sa s obalovým materiálom, napr. plastovými vreckami.

Nešplhajte sa na vysávač a ani na ňom neseďte.

Riziko pádu pri práci na schodoch. Dávajte pozor, aby ste bezpečne stáli.

Pripojovacie vedenie a saciu trubicu neťahajte cez ostré hrany, neprelamujte ich ani nezmievajte.

Pripojovacie vedenie a saciu trubicu položte vždy tak, aby sa nikto nemohol na nich potknúť.

Pri vychádzaní peny alebo kvapaliny vysávač ihneď vypnite.

Vnútro krytu udržiavajte vždy suché.

Nepoužívajte vysávač vrátane príslušenstva v nasledujúcich prípadoch:

- Sieťový kábel alebo predlžovací kábel je poškodený alebo vykazuje trhliny
- Viditeľné poškodenie, napr. praskliny v kryte
- Ak máte podozrenie na neviditeľné poškodenie, napr. po páde

NEBEZPEČENSTVO!

Nebezpečenstvo výbuchu a požiaru! Nenechávajte vysávač v potenciálne výbušnom prostredí.

Vysávač držte mimo dosahu horľavých plynov a látok.

⚠ NEBEZPEČENSTVO!

Nebezpečenstvo výbuchu a požiaru! Nepoužívajte vysávač na vysávanie v nasledujúcich prípadoch:

- horľavé alebo výbušné rozpúšťadlá
- materiály namočené v rozpúšťadlách
- potenciálne výbušný prach
- kvapaliny ako benzín, olej, alkohol, riedidlá
- materiály teplejšie ako 60 °C

⚠ VÝSTRAHA!

Neodborne opravované prístroje predstavujú nebezpečenstvo pre používateľa. Opravy nechajte vykonávať iba odborníkom, napr. zákazníckemu servisu. Používajte iba originálne náhradné diely.

⚠ VÝSTRAHA!

Zásuvku na vysávači používajte iba na účely stanovené v návode na obsluhu.

Pri používaní v rozpore s účelom, neodbornej obsluhu alebo neodbornej oprave výrobca nepreberá žiadne ručenie za škody.

Nepoužívajte poškodené predlžovacie vedenia.

Keď sa pripojovacie vedenie vysávača poškodí, musí sa vymeniť za špeciálne pripojovacie vedenie, ktoré je možné dostať u výrobcu alebo v jeho zákazníckom servise.

Neodvoľte, aby sa elektrické kľe, rotujúce kľe dostali do kontaktu so sieťovým pripojovacím vedením.

Napätie na typovom štítku sa musí zhodovať so sieťovým napätím.

Po každom použití a pred každou údržbou vypnite vysávač a vyťahnite sieťovú zástrčku.

Ťahajte iba za sieťovú zástrčku, nikdy nie za pripojovacie vedenie.

Sieťovú zástrčku nikdy nezasúvajte ani nevyťahujte s mokrými rukami.

Napájací zdroj musí byť zabezpečený cez poistku s vhodnou intenzitou prúdu.

Nikdy neotvárajte vysávač na voľnom priestranstve pri daždi alebo búrke.

Vysávač skladujte vo vnútorných priestoroch v suchu a chránený proti mrazu.

⚠ VÝSTRAHA!

Stroje na odstraňovanie prachu sa testujú podľa DIN EN 60335-2-69 a rozdeľujú sa do prachových tried.

Vysávač pre kategóriu prachu **L** je určený na vysávanie/odsávanie suchého, nehorľavého, pre zdravie nebezpečného prachu s medznými hodnotami pre pracovisko > 1 mg/m³.

Vysávače triedy **M** sú vhodné na nasávanie/odsávanie suchého, nehorľavého prachu, nehorľavých kvapalín, dreveného prachu a nebezpečného prachu so všeobecnými hraničnými hodnotami pre dýchanie ≥ 0,1 mg/m³.

Vysávače triedy **H** sú vhodné na nasávanie/odsávanie suchého, nehorľavého prachu, rakovinotvorných a choroboplných častíček, ako aj nehorľavých kvapalín, dreveného prachu a zdraviu škodlivého prachu so všeobecnými hraničnými hodnotami pre dýchanie < 0,1 mg/m³.

⚠ VÝSTRAHA!

Vysávače pre prachovú triedu **H-azbest** sú vhodné pre vysávanie a extrakciu prachu s obsahom azbestu. Dodržujte národné predpisy pre prevádzku a údržbu nástrojov na odstraňovanie azbestu.

⚠ VÝSTRAHA!

Tento prístroj nesmú používať osoby (vrátane detí) so zníženými psychickými, senzorickými alebo mentálnymi schopnosťami alebo s nedostatkom skúseností a vedomostí.

Deti musia byť pod dozorom, aby sa zabezpečilo, že sa s prístrojom nebudú hrať.

Hubicu, trubicu alebo rúru nemierte na ľudí alebo zvieratá.

⚠ VÝSTRAHA!

Používajte iba kefy dodávané spolu s vysávačom alebo tie, ktoré sú uvedené v návode na obsluhu.

Používanie iných kefí môže ohroziť bezpečnosť.

Pri používaní v potravinárskych podnikoch: po použití ihneď vyčistite vysávač a dezinfikujte ho, aby ste predišli mikrobiálnej kontaminácii.

Nepoužívajte na čistenie žiadne parné trysky ani vysokotlakové čistiace prístroje.

Vysávač používajte len pod dohľadom.

V prípade dlhšieho prerušenia práce vysávač odpojte od elektrickej siete.

Filtračné kazety nečistite pomocou stlačeného vzduchu.

Pred začatím používania vysávača si pozorne prečítajte návod na obsluhu. Návod na obsluhu poskytuje dôležité pokyny týkajúce sa bezpečnosti, uvedenia do prevádzky, prevádzky, údržby a starostlivosti. Návod na obsluhu uschovajte na bezpečnom mieste a v prípade predaja prístroja ho odovzdajte ďalšiemu majiteľovi.

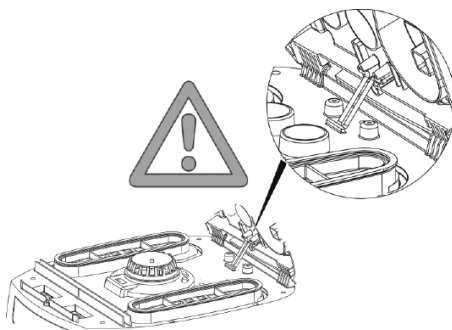
Výrobca si vyhradzuje konštrukčné zmeny a zmeny vybavenia. Iné práce, ako práce popísané v tomto návode na obsluhu, sa nesmú vykonávať.

Tento prístroj je určený na profesionálne použitie, napríklad na použitie v hoteloch, školách, nemocniciach, závodoch, obchodoch, kanceláriách a pri prenajímaní priestorov.

Dávajte pozor pri vybalení na úplnosť a škody spôsobené prepravou.



Pred použitím by si mali používatelia zaobstarať informácie, pokyny a školenia pre použitie vysávača a substancií, pre ktoré sa má

používať, vrátane bezpečného postupu na odstránenie zachytávaného materiálu.



3 Zobrazovanie a ovládacie prvky

Poloha spínača	Funkcia	Popis
0	Vysávač je vypnutý	- Zásuvka je pod napätím
I	Vysávač beží	- Zásuvka je pod napätím - Automatická vibračná funkcia je vypnutá
A	Prevádzková pripravenosť pre zapínanie/vypínanie automatiku	- Zásuvka je pod napätím - Vysávač sa zapína a vypína na zástrčku cez pripojený elektrický/pneumatický nástroj*
RA	Prevádzková pripravenosť pre zapínanie/vypínanie automatiku	- Pohotovostný režim ako >A< plus automatické čistenie filtra
	Funkcia automatického čistenia filtra	- Toto čistenie filtra sa uskutoční automaticky pri dosiahnutí nastaveného minimálneho objemového prúdu v nasledujúcej pracovnej prestávke (poloha spínača >RA<)
	Indikátor úrovne naplnenia*	- Indikátor úrovne naplnenia sa rozsvieti, keď je nádrž plná a/alebo je sacia trubica zablokovaná. Vysávač s prachovou triedou M a H tiež vydávajú akustický signál

Poloha spínača	Funkcia	Popis
	Nastavenie priemeru saciej trubice *	- Na vysávačoch M-/H-/H-azbestu na monitorovanie objemového prietoku, pre spustenie akustického výstražného signálu, ak rýchlosť vzduchu klesne pod 20 m/s
	Nastavenie rýchlosti motora*	- Regulátorom otáčok nastavte sací výkon

4 Uvedenie do prevádzky

4.1 Pred každým použitím

Uistite sa, že sú splnené tieto podmienky:

- △ Vysávač, sieťový kábel, sacia trubica a príslušenstvo nie sú poškodené.
- △ Všetky filtre boli vložené a nie sú poškodené.

4.2 Zapnutie a vypnutie

Zásuvka na vysávači zostáva vždy pod napätím bez ohľadu na polohu hlavného vypínača.

△ VÝSTRAHA!

Nebezpečenstvo poranenia automatickým štartovaním prístroja!

- ▶ Pred pripojením k vysávaču vypnite prístroj alebo pneumatický nástroj.

POZNÁMKA

V polohe spínača >0< sa môže zástrčka na vysávači použiť ako predlžovací kábel.

- △ **Pripojovacia hodnota:** Vysávač + pripojený prístroj (maximálne 2000 W) max. 16 A.

4.2.2 Zapnutie vysávača

Funkcie nájdete v časti „3 Zobrazovacie a ovládacie prvky“ na strane 184.

- ▶ Vložte zástrčku do zásuvky.
- ▶ Nastavte spínač do polohy >1<.
 - ↳ Vysávač sa okamžite spustí.

alebo:

- ▶ Nastavte spínač do polohy >A< alebo >RA<.
 - ↳ Vysávač je v pohotovostnom režime pre elektrické náradie.

4.2.3 Nastavenie priemeru saciej trubice*

- ▶ Nastavte priemer saciej trubice na spínači.

△ OPATRNE!

Spínač predvolby pre signál minimálneho objemu prietoku vzduchu (klaksón a svetlo) na vysávačoch prachových tried „M“ a „H“

V režimoch >RA< a >1< sa v závislosti od priemeru trubice vykoná nasledovné nastavenie:

Spínač voliča pre saciu trubicu s vnútorným priemerom	Objem prúdenia vzduchu
∅ 35 mm	70 l/s
∅ 27 mm	41 l/s
∅ 21 mm	25 l/s

Rýchlosť je možné nastaviť individuálne po nastavení priemeru trubice.

4.2.4 Nastavenie sacieho výkonu*

- ▶ Nastavte otáčky motora na spínači. alebo
- ▶ Nastavte pomocný vzduchový posúvač na trubici rukoväte.

4.2.5 Vypnutie vysávača

- ▶ Nastavte spínač do polohy >0<.
 - ↳ Vysávač je vypnutý.
- ▶ Po vypnutí vyťahnite sieťovú zástrčku.
- ▶ Stočte sieťový kábel.
- ▶ Sieťový kábel pripojte na hák na kábel.
- ▶ Saciu trubicu skladujte jej zasunutím do držáka príslušenstva* na zadnej stene nádoby.
- ▶ Nasuňte konce saciej trubice spolu tak, aby neunikali žiadne častice nečistôt.
- ▶ Odstráňte náradie.

5 Prevádzkové režimy

5.1 Suché vysávanie

- ▶ Vysávajte iba so suchým filtrom, vysávačom a príslušenstvom, aby prach nezostal prichytený a zanesený.
- ▶ Pri vysávaní sadze, cementu, sady alebo podobného prachu, vložte PE vrecko na likvidáciu do nádoby na nečistoty.
- ▶ Vždy používajte vrecká na likvidáciu v kombinácii so skladanými filtračnými kazetami.

* v závislosti od variantu zariadenia

POZNÁMKA

Vysávače tried M, H a H-azbest treba používať prednostne ako vysávače na suché vysávanie.

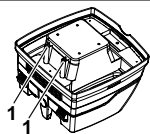
5.2 Vysávanie kvapalín

⚠ VÝSTRAHA!

Nebezpečenstvo úrazu elektrickým prúdom!

- ▶ Pri vychádzaní peny alebo kvapaliny vysávač ihneď vypnite.
- ▶ Vyprázdnite nádobu a príp. skladanú filtračnú kazetu.

POZNÁMKA



Senzory stavu vody (1) pravidelne čistite a kontrolujte ich na známky poškodenia.

- ▶ Vysávanie bez tkaninového filtračného vrečka. Plisované filtračné kazety sú určené pre mokré vysávanie. Keď sa nádoba naplní zabudovaný senzor vypne motor. Manipulácia s vysávačom môže byť pri naplnenej nádobe obmedzená.
- ▶ Vyprázdnenie nádoby (pozri „7 Vyprázdnenie nádoby“ na strane 186).

POZNÁMKA

Ak sa vysávač nevypne, zostane ochrana proti opätovnému spusteniu naďalej účinná. Až po vypnutí a opätovnom zapnutí je vysávač znova pripravený na prevádzku.

- ▶ Po vyprázdnení najprv vyberte saciu trubicu z kvapaliny.
- ▶ Vďaka vysokému saciu výkonu a tvaru nádoby priaznivému pre prúdenie môže po vypnutí vytiecť z trubice trochu vody.
- ▶ Pri následnom suchom vysávaní vložte suchý filter.

POZNÁMKA

Pri častom striedaní medzi suchým a mokrým vysávaním odporúčame použitie druhej súpravy filtrov, prednostne polyesterových skladaných filtračných kaziet.

5.3 Odsávanie látok obsahujúcich azbest

Na vysávanie látok obsahujúcich azbest sa môžu používať iba vysávače prachovej triedy H-azbest.

- ▶ Pracujte len so suchým filtrom, vysávačom a príslušnosťvom, aby ste zabránili nalepeniu prachu a vzniku jeho nánosov.
- ▶ Pre odsávanie látok obsahujúcich azbest: Vložte PE vrečko na vyprázdňovanie alebo tkaninové filtračné vrečko do nádoby na nečistoty.
- ▶ Vždy používajte filtračné vrečka v kombinácii so skladanými filtračnými vložkami.

POZNÁMKA

Vysávače triedy H-azbest by sa mali prednostne používať ako vysávače pre suchý prach.

⚠ VÝSTRAHA!

Hazard so zdravím!

Azbestové vlákna vo vzduchu.

- ▶ Zabezpečte dostatočný prívod vzduchu (čerstvého vzduchu) do pracovného priestoru.
- ▶ Prívádzajte alebo čistite extrahovaný vzduch takým spôsobom, aby sa azbestové vlákna nedostali do dýchacieho vzduchu iných osôb.
- ▶ Pri filtrovaní odsávaného vzduchu prepravujte všetok prach v prachotesných nádobách.
- ▶ Prach neceďte.

Ak existuje možnosť, že sa azbestové vlákna uvoľnia:

- ▶ Absorbujte azbestové vlákna na výstupe alebo v mieste pôvodu.
- ▶ Potom zlikvidujte azbestové vlákna v súlade s najmodernejšími postupmi bez akéhokoľvek nebezpečenstva pre osoby alebo životné prostredie.

Ak nie je možná úplná absorpcia azbestových vlákien:

- ▶ Uskutočnite dodatočné opatrenia na vetranie podľa najmodernejších postupov.

Po dokončení práce:

- ▶ Opatrne vyčistite náradie vrátane odsávacích hadíc a pracovných prostriedkov.
- ▶ Opatrne vyčistite pracovnú oblasť.
- ▶ Navlhčite a správne odstráňte predmety znečistené azbestovými vláknami, ktoré sa nedajú vyčistiť.

Po čistení:

- ▶ Pracovný priestor dostatočne odvetrajte.

6 Trvalé čistenie filtra

Vysávač je vybavený elektromagnetickým čistiacim systémom filtra, ktorý je možné použiť na čistenie akéhokoľvek nahromadeného prachu z filtračných kaziet.

Toto čistenie filtra sa uskutoční automaticky pri dosiahnutí nastaveného minimálneho objemového prúdu v nasledujúcej pracovnej prestávke (poloha spínača >RA<).

7 Vyprázdnenie nádoby

POZNÁMKA

Je dovolené iba pri prachu so všeobecnými hraničnými hodnotami pre dýchanie > 1 mg/m³.

- ▶ Vypnite vysávač, vytiahnite sieťovú zástrčku.
- ▶ Otvorte uzávery.
- ▶ Zoberte kryt a saciu trubicu z nádoby.
- ▶ Vyklopte nádobu.

7.1 Likvidácia tkaninového filtračného vrečka

- ▶ Vypnite vysávač.
- ▶ Odpojte sieťovú zástrčku.
- ▶ Noste vhodnú protiprachovú masku.

- ▶ Odstráňte saciu trubicu.
- ▶ Zatvorte sací otvor uzáverom.
- ▶ Otvorte bočné západky.
- ▶ Odstráňte hornú časť.
- ▶ Opatrne vytiahnite prírubu zo sacieho otvoru a zatvorte prírubu.
- ▶ Zozbieraný materiál zlikvidujte v súlade so zákonnými požiadavkami.

7.2 Likvidácia PE vrečka na vyprázdňovanie a likvidáciu

- ▶ Nastavte spínač do polohy >RA< .
 - ↳ Skladané filtračné kazety sa automaticky vyčistia.
 - ↳ Zvyškový prach vo filtroch padá do vrečka.
- ▶ Vypnite vysávač.
- ▶ Odpojte sieťovú zástrčku.
- ▶ Noste vhodnú protiprachovú masku.
- ▶ Odstráňte saciu trubicu.
- ▶ Zatvorte sací otvor uzáverom.
- ▶ Otvorte bočné západky.
- ▶ Odstráňte hornú časť.
- ▶ PE vyprázdňovacie a likvidačné vrečko uzatvorte opatrne s priloženou uzatváracou páskou.
- ▶ Vytiahnite opatrne prírubu zo sacieho hrdla a uzatvorte ju.
- ▶ PE vyprázdňovacie a likvidačné vrečko vyberte opatrne z nádoby.
- ▶ Vysávaný materiál zlikvidujte podľa zákonných ustanovení.

7.3 Vkladanie tkaninového filtračného vrečka

POZNÁMKA

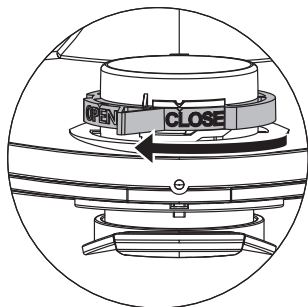
Tkaninové filtračné vrečká používajte len na suché vysávanie.

- ▶ Posuňte prírubu úplne nad nasávací otvor.

POZNÁMKA

Obsluha otočného posúvača

- ▶ Otočte červený otočný posúvač vnútri do polohy CLOSE na doraz na značku ▲ .



7.4 Vloženie PE vrečka na vyprázdňovanie a likvidáciu*

POZNÁMKA

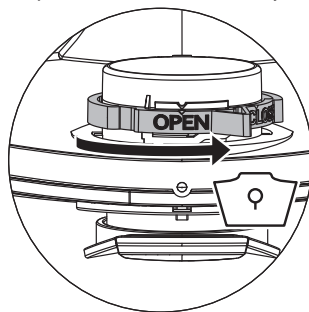
Iba vysávače triedy **M** a **H** so špeciálnou nádobou a otočným posúvačom v nasávacom otvore typov IS/ISC ARM, IS/ISC ARH a IS/ISC ARH-ASBEST sú vhodné na používanie PE vyprázdňovacích a likvidačných vrieciek.

POZNÁMKA

Obsluha otočného posúvača

- ▶ Otočte červený otočný posúvač vnútri do polohy OPEN na doraz na značku ▲ .

- ▶ Posuňte prírubu úplne nad nasávací otvor.
- ▶ Horný otvor vrečka umiestnite nad okraj nádoby.



8 Výmena filtra

8.1 Výmena skladaných filtračných kaziet

- ▶ Pred výmenou filtračných kaziet ich vyčistíte.
- ▶ Pomocou mince alebo podobného predmetu otočte uzáver na západke o 90 ° proti smeru hodinových ručičiek a západku zatlačte smerom dozadu.
- ▶ Odklopte veko
- ▶ Vybraté skladané filtračné kazety ihneď uzatvorte v prachotesnom plastovom vrečku a zlikvidujte ich podľa určenia.
- ▶ Vložte nové skladané filtračné kazety.
- ▶ Uzatvárací strmeň nadvihnite nahor, veko sklopte a zaareťujte ľahkým stlačením.

9 Výmena ochranného filtra motora

POZNÁMKA

Ak by mal byť ochranný filter motora znečistený, poukazuje to na chybné filtračné kazety.

- ▶ Skladané filtračné kazety vymeňte.
- ▶ Vymeňte ochranný filter motora, resp. ochranný filter motora vymyte pod tečúcou vodou, vysušte ho a znova ho použite.

* v závislosti od variantu zariadenia

10 Preprava

- ▶ Odstráňte saciu trubicu.
- ▶ Zatvorte sací otvor uzáverom.
- ▶ Horný diel umiestnite na nádobu.
- ▶ Zatvorte bočné západky.
- ▶ Zastrčte príslušenstvo do vhodného plastového vrecka a plastové vrecko uzatvorte, resp. ho zasuňte na plochu na uloženie nástrojov.
- ▶ Koniec sacej trubice a začiatok sacej trubice zastrčte do seba,
- ▶ trubicu položte okolo vysávača a upnite ju na držadle.

11 Údržba

POZNÁMKA

Pred každou údržbou vysávač vypnite a vyťahnite sieťovú zástrčku.

Na údržbu prostredníctvom používateľa sa musí vysávač

- rozobrať,
- vyčistiť a
- vykonať na ňom údržba,

pokiaľ je to realizovateľné bez toho, aby bolo pritom vyvolané nebezpečenstvo pre údržbový personál a iné osoby.

Preventívne opatrenia

Zahnuté vhodné preventívne opatrenia

- Čistenie pred demontážou,
- Uskutočnenie prevencie pre miestne filtrované nútené vetranie, na ktorom sa vysávač demontuje,
- Čistenie údržbovej oblasti a
- vhodné osobné ochranné prostriedky.

Preventívne opatrenia pri vysávačoch tried H a M

Vonkajšok vysávača by sa mal vyčistiť systémom na odsávanie prachu a mal by sa vytrieť dosucha alebo by sa mal ošetriť tesniacimi prostriedkami skôr, ako ho zoberiete z nebezpečnej oblasti.

Na všetky časti vysávača sa musí pozerieť ako na znečistené, keď sa vyberajú z nebezpečnej oblasti a musia sa uskutočniť vhodné manipulácie, aby sa zabránilo rozdeleniu prachu.

Znečistené predmety

Pri realizácii údržbových a opravárenských prác sa musia zlikvidovať všetky znečistené predmety, ktoré nie je možné uspokojujúco vyčistiť. Takéto predmety sa musia zlikvidovať v nepriepustných vreckách v zhode s platnými ustanoveniami pre odstraňovanie takéhoto odpadu.

11.1 Testovanie účinnosti vysávača

Najmenej raz ročne musí výrobca alebo poverená osoba vykonať technickú prehliadku vrátane filtrov, otestovať vzduchotesnosť vysávača a ovládacích mechanizmov.

Okrem toho účinnosť vysávačov triedy H a H-azbest musí byť kontrolovaná aspoň raz za rok alebo častejšie. Skúšobná metóda, ktorá sa môže použiť na preukázanie účinnosti zariadenia, je definovaná v normách EN 60335-2-69 AA.22.201.2. Ak sa test nepodari, musí sa opakovať s novým hlavným filtrom.

V miestnosti musí byť k dispozícii dostatočná miera výmeny vzduchu L, ak sa odpadový vzduch vracia späť do miestnosti. Ďalšie pokyny zistíte, prosím, z vašich národných ustanovení.

Ak sací výkon vysávača vynecháva a zvyšuje sa tiež čistenie skladaných filtračných kaziet, nie je viac žiadny sací výkon (predpokladá sa, že je nádoba prázdna a Tkaninové filtračné vrecko je vymenené), potom je potrebné vymeniť skladané filtračné kazety (pozri odsek „8.1 Výmena skladaných filtračných kaziet“ na strane 187).

12 Čistenie

POZNÁMKA

Kyseliny, aceton a rozpúšťadlá môžu poškodiť časti vysávača.

- ▶ Nádobu a príslušenstvo vyčistite vodou.
- ▶ Horný diel utrite vlhkou handrou.
- ▶ Nádobu a príslušenstvo nechajte vyschnúť.

13 Oprava

⚠ VÝSTRAHA!

Neodborne opravované vysávače predstavujú nebezpečenstvo pre používateľa.

Opravy nechajte vykonávať iba odborníkom, napr. zákaznickemu servisu. Používajte iba originálne náhradné diely.

14 Riešenie problémov a oprava

POZNÁMKA

Funkčné poruchy nie je možné vždy odvodiť z chýb vo vysávači.

Porucha	Príčina	Odstránenie
Sací výkon klesá	Znečistený filter	Vyčistiť
	Filtračné vrečko je plné	Vymeniť
	Nádober je plná	Vyprázdniť
	Ochranný filter motora je zablokovaný	Vyčistiť
	Hubica, rúra alebo trubica sú upchané	Vyčistiť
Vysávač sa nespustí	Sieťová zástrčka nie je v zásuvke	Zapojte sieťovú zástrčku do zásuvky
	Žiadne sieťové napätie	Skontrolujte poistku
	Sieťový kábel je poškodený	Vymeniť
	Kryt nie je správne zatvorený	Zavrieť
	Snímač vody vypnutý	Vyprázdniť nádobu
Vysávač je v pohotovostnom režime >A< alebo >RA<	Nastavte spínač na >I< (pozri „3 Zobrazovacie a ovládacie prvky“ na strane 184)	
Vysávač sa nespustí po zapnutí prístroja v režime >A< alebo >RA<	Elektrický prístroj nie je zasunutý do zásuvky na vysávači	Zapojte sieťovú zástrčku do zásuvky vysávača
	Elektromagnetický ventil pneumatickej jednotky zapnutia a vypnutia* je znečistený	Opláchnite alkoholom
PE vyprázdňovacie a likvidačné vrečko sa nasáva na filter	Nesprávna poloha otočného posúvača	Otočný posúvač nastavte do polohy OPEN ▲ (pozri „7.4 Vloženie PE vrečka na vyprázdňovanie a likvidáciu**“ na strane 187)
Vysávače triedy M alebo H: s vloženým filtračným vrečkom, prach sa nahromaďuje v nádobe	Nesprávna poloha otočného posúvača	Otočný posúvač nastavte do polohy CLOSE ▲ (pozri „7.3 Vkladanie tkaninového filtračného vrečka“ na strane 187)

Neskúšajte nič iné, kontaktujte zákaznícke služby.

15 Technické údaje

Typ: IS		ISC L/M/H-1425 (ISC L/M/H-1450)
Napätie	V	220-240
Frekvencia	Hz	50/60
Menovitý výkon	W	1200
Max. výkon	W	1400
Vzduchový prúd*	l/s (m ³ /h)	73 (263)
Podtlak*	hPa/MG	270
Vzduchový prúd**	l/s (m ³ /h)	42 (151)
Podtlak**	hPa/SE	235
Akustický tlak	dB(A)	69
Hmotnosť	kg	12,1 / 17,1
Rozmery d x š x v	cm	45 x 39 x 49 / 59,5 x 46,5 x 96

* na ventilátore

** na trubici

* v závislosti od variantu zariadenia

Max. výkon na vysávačoch so zásuvkou: 2000 W (220-240V~)

Sieťový kábel na vysávačoch pre prachovú triedu L so zásuvkou: H05RRR-F 3G1,5

Sieťový kábel na vysávačoch pre prachovú triedu M, H a H Azbest so zásuvkou: H07RN-F 3G1,5

16 Skúšky a schválenia

Elektrotechnické skúšky treba vykonať podľa predpisov na prevenciu vzniku úrazov (DGUV V3) a podľa DIN VDE 0701 časť 1 a časť 3. Tieto skúšky sú potrebné podľa DIN VDE 0702 v pravidelných intervaloch a po oprave alebo po zmene.

Vysávače sú úspešne odskúšané podľa IEC/EN 60335–2–69.

POZNÁMKA

Staré prístroje obsahujú cenné materiály, ktoré sú vhodné na opätovné spracovanie. **Vysávače nedávajte do normálneho odpadu**, ale ich odborne zlikvidujte cez vhodné zberné systémy, napr. cez vaše komunálne likvidačné miesto.

17 Vyhlásenie o zhode EÚ

My, spoločnosť Husqvarna AB, SE 561 82 Huskvarna, ŠVÉDSKO, Tel. +46 36 146500 s plnou zodpovednosťou vyhlasujeme, že tento produkt:

Popis	Odsávač prachu
Značka	HUSQVARNA
Typ/model	S 11
Identifikácia	Výrobné čísla od roku 2022 a novšie

plne spĺňa nasledujúce smernice a nariadenia EÚ:

Smernice/Nariadenia	Popis
2006/42/ES 2014/30/EÚ 2011/65/EÚ	„o strojových zariadeniach“ „týkajúca sa elektromagnetickej kompatibility“ „o obmedzení používania určitých nebezpečných látok“

a že sa pri ňom uplatňujú nasledujúce normy a technické špecifikácie:

EN ISO 12100:2010

EN 55014-1:2017

EN 55014-2:2015

EN 61000-3-2:2014

EN 61000-3-3:2013

EN 60335-2-69:2012

EN IEC 63000:2018





Partille, 2022-10-12



Martin Huber

Riaditeľ výskumu a vývoja, Betónové povrchy a podlahy
Husqvarna AB, divízia stavebníctva (Construction Division)
Zodpovedný za technickú dokumentáciu

1 Vysvětlení použitých symbolů a značek

Symbol / Signální slovo	Popis
	Toto je výstražný symbol. Varuje před možným nebezpečím zranění. Dodržujte všechny pokyny označené tímto výstražným symbolem, abyste předešli zranění nebo usmrcení. Výstražný symbol se objevuje vždy ve spojení se signálními slovy NEBEZPEČÍ , VAROVÁNÍ a UPOZORNĚNÍ .
NEBEZPEČÍ!	Označuje ohrožení s vysokým stupněm rizika, jež má za následek smrt nebo těžké úrazy, jestliže se mu nezabrání.
VAROVÁNÍ!	Označuje ohrožení se středním stupněm rizika, jež může mít za následek smrt nebo těžké úrazy, jestliže se mu nezabrání.
UPOZORNĚNÍ!	Označuje ohrožení se středním stupněm rizika, jež může mít za následek lehké nebo středně těžké zranění, jestliže se mu nezabrání.
POZNÁMKA	Zde jsou uvedeny rady nebo pokyny, které usnadňují práci a zajišťují spolehlivý provoz.
	Označuje předpoklad, který musí být splněn, než je možné provést určitou činnost.
	Označuje kroky činnosti, které uživatel musí postupně provést.
	Označuje výsledek činnosti.

2 Důležité bezpečnostní informace

VAROVÁNÍ!

Nebezpečí udušení!! Nedovolte dětem hrát si s obalovým materiálem, např. plastovými sáčky.

Na vysavač nestoupejte ani nesedejte.

Riziko pádu při práci na schodech. Dávejte pozor na bezpečné stání.

Přívodní kabel a sací hadici nepokládejte, neohýbejte nebo netahejte přes ostré hrany.

Přívodní kabel a sací hadici položte vždy tak, aby přes ně nikdo nemohl klopýtnout.

Při úniku pěny nebo tekutiny vysavač ihned vypněte.

Vnitřek víka udržujte stále suchý.

Nepoužívejte vysavač včetně příslušenství v následujících případech:

- Připojovací kabel nebo prodlužovací kabel je vadný nebo vykazuje trhliny
- Vysavač je viditelně poškozen, např. praskliny v krytu
- Pokud máte podezření na neviditelnou vadu, např. po pádu

NEBEZPEČÍ!

Nebezpečí výbuchu a požáru! Nepoužívejte vysavač v prostředí s nebezpečím výbuchu.

Vysavač držte mimo hořlavé plyny a látky.

⚠ NEBEZPEČÍ!

Nebezpečí výbuchu a požáru! Nepoužívejte vysavač na vysávání v následujících případech:

- hořlavých nebo výbušných rozpouštědel
- materiálů namočených v rozpouštědlech
- potenciálně výbušného prachu
- kapalin jako je benzín, olej, alkohol, ředidla
- materiálů teplejších než 60 °C

⚠ VAROVÁNÍ!

Neodborně opravené přístroje představují pro uživatele nebezpečí. Opravy směji provádět pouze odborníci, např. servisní technik. Používejte pouze originální náhradní díly.

⚠ VAROVÁNÍ!

Zásuvku umístěnou na vysavači použijte pouze pro účely uvedené v návodu k obsluze.

V případě použití v rozporu s účelem, neodborně obsluhy nebo opravy nepřebírá výrobce záruku za vzniklé škody.

Nepoužívejte poškozené prodlužovací kabely.

Je-li přívodní kabel vysavače poškozený, je nutné ho vyměnit za speciální přívodní kabel, který lze objednat u výrobce nebo jeho zákaznické služby.

Dejte pozor, aby se rotující elektrické kartáče nedostaly do styku s přívodním kabelem.

Napětí na typovém štítku musí být shodné se síťovým napětím.

Po každém použití a před každou údržbou vysavač vypněte a vytáhněte síťovou zástrčku ze zásuvky.

Tahejte vždy za síťovou zástrčku, ne za přívodní kabel.

Síťovou zástrčku nikdy nezapojujte nebo nevytahujte ze zásuvky mokřými rukama.

Napájení musí být jistěné pomocí pojistky se vhodnou intenzitou proudu.

Nikdy vysavač neotvírejte při dešti nebo bouři venku.

Skladujte vysavač v suchu a chráněný před mrazem.

⚠ VAROVÁNÍ!

Stroje na odstraňování prachu jsou testovány podle normy DIN EN 60335-2-69 a rozděleny do tříd prašnosti.

Vysavače třídy prašnosti **L** jsou vhodné pro vysávání suchých, nehořlavých, zdravotně nezávadných prachů s mezními hodnotami pro pracoviště $> 1 \text{ mg/m}^3$.

Vysavače třídy **M** jsou vhodné k vysávání/odsávání suchých, nehořlavých prachů, nehořlavých kapalin, dřevěných prachů a nebezpečných prachů s mezními hodnotami na pracovišti $\geq 0,1 \text{ mg/m}^3$.

Vysavače třídy **H** jsou vhodné k vysávání/odsávání suchých, nehořlavých prachů, rakovinotvorných a choroboplodných částic, nehořlavých kapalin, dřevěných prachů a prachů ohrožujících zdraví s mezními hodnotami na pracovišti $< 0,1 \text{ mg/m}^3$.

⚠ VAROVÁNÍ!

Vysavače třídy prašnosti **H-azbest** jsou vhodné pro vysávání a extrakci prachu obsahujícího azbest. Dodržujte národní předpisy pro provoz a údržbu nástrojů pro odstraňování azbestu.

⚠ VAROVÁNÍ!

Tento stroj nesmí používat osoby (včetně dětí) s omezeními fyzickými, smyslovými nebo duševními schopnostmi nebo s nedostatečnými zkušenostmi a znalostmi.

Na děti je třeba dohlédnout, aby si s přístrojem nehrály.

Hubicí, hadicí nebo trubicou nemiřte na lidi nebo zvířata.

⚠ VAROVÁNÍ!

Používejte pouze kartáče dodávané s vysavačem nebo uvedené v návodu k obsluze.

Použití jiných kartáčů může ohrozit bezpečnost.

Při použití v potravinářském průmyslu: Po použití ihned očistěte vysavač a dezinfikujte jej, aby nedošlo k mikrobiální kontaminaci.

Pro vyčištění nepoužívejte žádné parní trysky ani vysokotlaké čističe.

Vysavač používejte pouze pod dohledem.

V případě delšího přerušení práce odpojte vysavač od elektrické sítě.

Nečistěte filtrační kazeta pomocí stlačeného vzduchu.

Před začátkem používání vysavače si pečlivě přečtěte návod k obsluze. Provozní příručka obsahuje důležité pokyny pro bezpečnost, uvedení do provozu, provoz, údržbu a péči. Udržujte návod k obsluze na bezpečném místě a v případě, že prodáte přístroj, předejte jej dalšímu majiteli.

Výrobce si vyhrazuje právo na změny týkající se konstrukce a vybavení.

Provádění jiných prací, než které jsou popsány v tomto návodu k obsluze, je zakázáno.

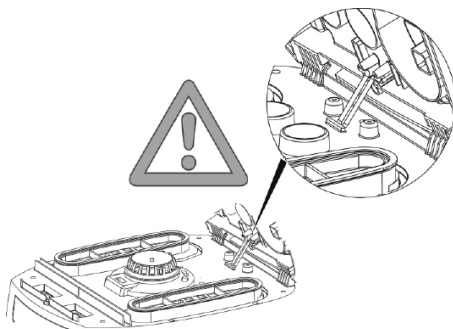
Tento stroj je určen pro komerční využití, například pro použití v hotelech, školách, nemocnicích, továrnách, obchodech, kancelářích a k pronájmu.

Před použitím


Při vybalování zkontrolujte, zda je dodávka kompletní a zda nedošlo během přepravy k poškození přístroje.


Před použitím by měli být uživatelé informováni, poučeni a vyškoleni s ohledem na použití vysavače a látky, na které má být vysavač

použit, včetně bezpečného postupu při odstraňování zachyceného materiálu.



3 Zobrazovací a ovládací prvky

Poloha spínače	Funkce	Popis
0	Vysavač vypnutý	- Zásuvka pod napětím
I	Vysavač zapnutý	- Zásuvka pod napětím - Automatická vibrační funkce Vyp
A	Provozní pohotovost pro zapínací/vypínací automatiku	- Zásuvka pod napětím - Vysavač je zapnut a vypnut pomocí připojeného elektrického/pneumatického nástroje* v zásuvce
RA	Provozní pohotovost pro zapínací/vypínací automatiku	- Pohotovostní režim jako >A< plus automatické čištění filtru
	Funkce automatického čištění filtru	- Toto čištění filtru se uskuteční automaticky při dosažení nastaveného minimálního objemového proudu ve následující pracovní přestávce (poloha spínače >RA<)
	Indikátor úrovně plnění*	- Indikátor úrovně plnění se rozsvítí, když je nádrž plná a / nebo je sací hadice zablokována. U vysavačů s třídou prachu M a H je také vydán akustický signál
	Nastavení průměru sací hadice *	- U vysavačů tříd M-/H-/H-azbest se pro monitorování objemového průtoku spustí zvukový výstražný signál, pokud rychlost vzduchu klesne pod 20 m/s

Poloha spínače	Funkce	Popis
	Nastavení rychlosti motoru*	- Seřídíte sací výkon regulátorem otáček

4 Uvedení do provozu

4.1 Před každým použitím

Ujistěte se, že jsou splněny následující podmínky:

- △ Vysavač, síťový kabel, sací hadice a příslušenství nejsou poškozeny.
- △ Všechny filtry byly vloženy a nejsou poškozeny.

4.2 Zapnutí a vypnutí

Zásuvka na vysavači zůstává vždy pod napětím, bez ohledu na polohu hlavního spínače.

△ VAROVÁNÍ!

Nebezpečí úrazu při automatickém spuštění elektrického přístroje!

- ▶ Před připojením k vysavači vypněte elektrický přístroj nebo vysavač.

POZNÁMKA

Je-li spínač v poloze $>0<$, může být zásuvka na vysavači použita jako prodlužovací kabel.

△ **Přípojná hodnota:** vysavač + připojený přístroj (maximálně 2000 W) max. 16 A.

4.2.2 Zapnutí vysavače

Funkce viz „3 Zobrazovací a ovládací prvky“ na stránce 194.

- ▶ Zasuňte zástrčku do zásuvky.
- ▶ Nastavte spínač do polohy $>1<$.
 - ↳ Vysavač se okamžitě spustí.

nebo:

- ▶ Nastavte spínač do polohy $>A<$ nebo $>RA<$.
 - ↳ Vysavač je v pohotovostním režimu pro elektrický přístroj.

4.2.3 Nastavení průměru sací hadice *

- ▶ Nastavení průměru sací hadice na vypínači.

△ UPOZORNĚNÍ!

Přepínač voliče pro minimální průtokový signál (houkačka a světlo) u vysavačů s třídami prachu „M“ a „H“

V režimech $>RA<$ a $>1<$ se provede následující nastavení v závislosti na průměru hadice:

Přepínač pro vnitřní průměr sací hadice	Průtok vzduchu
Ø 35 mm	70 l/s
Ø 27 mm	41 l/s
Ø 21 mm	25 l/s

Rychlost lze nastavit individuálně po nastavení průměru hadice.

4.2.4 Seřízení sacího výkonu*

- ▶ Nastavte otáčky motoru na spínači.
nebo
- ▶ Nastavte pomocný vzduchový kluzák na rukojeti trubice.

4.2.5 Vypnutí vysavače

- ▶ Nastavte spínač do polohy $>0<$.
 - ↳ Vysavač je vypnutý.
- ▶ Po vypnutí vytáhněte síťovou zástrčku.
- ▶ Připojte síťový kabel.
- ▶ Síťový kabel připojte na kabelový hák.
- ▶ Sací trubici skladujte zasunutím do držáku příslušenství* na zadní stěně nádoby.
- ▶ Umístěte konce sací hadice tak, aby neunikaly částice nečistot.
- ▶ Demontujte nářadí.

5 Provozní režimy

5.1 Suché vysávání

- ▶ Vysávejte pouze se suchým filtrem, vysavačem a příslušenstvím, aby se prach nezachytával a neucpával hadici.
- ▶ Při vysávání sazí, cementu, sádry nebo podobných prachů: Vložte PE odpadní sáček do nádoby na nečistoty.
- ▶ Vždy používejte odpadní sáčky v kombinaci se složenými filtračními patronami.

POZNÁMKA

Vysavače třídy M, H a H-Asbest jsou přednostně určeny k suchému vysávání.

* v závislosti na variantě zařízení

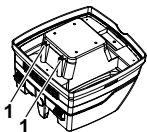
5.2 Nasávání kapalin

⚠ VAROVÁNÍ!

Nebezpečí úrazu elektrickým proudem!

- ▶ Při úniku pěny nebo tekutiny vysavač ihned vypněte.
- ▶ Vyprázdněte zásobník, popř. kazetu se skládaným filtrem.

POZNÁMKA



Pravidelně čistěte snímače hladiny vody (1) a kontrolujte je z hlediska poškození.

- ▶ Vysávat bez rounového filtračního sáčku. Kazety skládaného filtru jsou vhodné pro mokré vysávání. Vestavěný senzor vypne motor v případě plné nádoby. Obsluha vysavače může být při naplněné nádobě ovlivněna.
- ▶ Prázdný kontejner (viz „7 Vyprázdnění kontejneru“ na stránce 196).

POZNÁMKA

Není-li vysavač vypnutý, zůstane ochrana proti opětovnému spuštění i nadále aktivní. Vysavač je opět připravený k provozu až po vypnutí a opětovném zapnutí.

- ▶ Před vyprázdněním nejdříve vyjměte sací hadici z kapaliny.
- ▶ V důsledku vysokého sacího výkonu a proudově příznivého tvaru zásobníku může po vypnutí z hadice uniknout malé množství vody.
- ▶ Při následném suchém vysávání použijte suché filtry.

POZNÁMKA

Při častém střídání suchého a mokrého vysávání doporučujeme používat druhou sadu filtrů, přednostně polyesterové kazety se skládaným filtrem.

5.3 Sání materiálů obsahujících azbest

Pro vysávání materiálů obsahujících azbest mohou být použity pouze vysavače třídy prašnosti H-azbest.

- ▶ Pracujte pouze se suchým filtrem, vysavačem i příslušenstvím, abyste zabránili nalepení a následnému zatvrdnutí prachu.
- ▶ Při sání materiálů obsahujících azbest: Do nádoby na nečistoty vložte PE sáček na vyprázdnění nebo rounový filtrační sáček.
- ▶ Vždy používejte filtrační sáčky v kombinaci se složenými filtračními patronami.

POZNÁMKA

Vysavače třídy H-azbest by měly být používány pokud možno jako vysavače na suchý prach.

⚠ VAROVÁNÍ!

Zdravotní riziko!

Azbestová vlákna ve vzduchu.

- ▶ Větrejte pracovní prostor dostatečným množstvím vnějšího vzduchu (čerstvého vzduchu).
- ▶ Vedte nebo čistěte odsávaný vzduch takovým způsobem, aby se azbestová vlákna nedostala do vzduchu vdechovaného ostatními osobami.
- ▶ Při filtrování odsávaného vzduchu přepravujte veškerý prach v prachotěsných nádobách.
- ▶ Nepřelévejte prach.

Pokud existuje možnost uvolnění azbestových vláken:

- ▶ Absorbujte azbestová vlákna na výstupu nebo v místě původu.
- ▶ Potom odstraňte azbestová vlákna v souladu s nejnovějšími postupy a bez ohrožení osob či životního prostředí.

Není-li možná úplná absorpce azbestových vláken:

- ▶ Dodržujte dodatečná opatření pro větrání v souladu s nejnovějšími postupy.

Po dokončení práce:

- ▶ Pečlivě vyčistěte nástroje, včetně sacích trubek a pracovního vybavení.
- ▶ Pečlivě vyčistěte pracovní oblast.
- ▶ Navlhčete a řádně odstraňte předměty kontaminované azbestovými vlákny, které nelze vyčistit.

Po vyčištění:

- ▶ Dostatečně vyvětrejte pracovní prostor.

6 Trvalé čištění filtru

Vysavač je vybaven elektromagnetickým čisticím systémem filtrů, který lze použít k čištění jakéhokoli připojeného prachu z filtračních patron.

Toto čištění filtru se uskuteční automaticky při dosažení nastaveného minimálního objemového proudu ve následující pracovní přestávce (poloha spínače >RA<).

7 Vyprázdnění kontejneru

POZNÁMKA

Přípustné pouze u prachů s mezními hodnotami na pracovišti > 1 mg/m³.

- ▶ Vypněte vysavač, vytáhněte síťovou zástrčku ze zásuvky.
- ▶ Otevřete uzávěry.
- ▶ Odejměte ze zásobníku víko a sací hadici.
- ▶ Vyprázdněte zásobník.

7.1 Zlikvidujte fleecový filtrační sáček

- ▶ Vypněte vysavač.
- ▶ Odpojte síťovou zástrčku.
- ▶ Používejte vhodnou masku pro dýchání.

- ▶ Odstraňte sací hadici.
- ▶ Uzavřete zásuvku víčkem.
- ▶ Otevřené boční západky.
- ▶ Odstraňte horní část.
- ▶ Opatrně vytáhněte přírubu ze sacího otvoru a uzavřete přírubu.
- ▶ Zlikvidujte shromážděný materiál v souladu se zákonnými požadavky.

7.2 Zlikvidujte sáček na vypouštění a likvidaci PE

- ▶ Nastavte spínač do polohy >RA<.
 - ↳ Skládané patrony se automaticky vyčistí.
 - ↳ Zbytkový prach ve filtrech spadne do sáčku.
- ▶ Vypněte vysavač.
- ▶ Odpojte síťovou zástrčku.
- ▶ Používejte vhodnou masku pro dýchání.
- ▶ Odstraňte sací hadici.
- ▶ Uzavřete zásuvku víčkem.
- ▶ Otevřené boční západky.
- ▶ Odstraňte horní část.
- ▶ Polyetylenový sáček pro vyprazdňování a likvidaci prachu opatrně uzavřete pomocí přiložené pásky.
- ▶ Stáhněte opatrně přírubu ze sacího hrdla a uzavřete ji
- ▶ Polyetylenový sáček pro vyprazdňování a likvidaci prachu opatrně vyjměte ze zásobníku
- ▶ Nasátý prach zlikvidujte v souladu se zákonnými předpisy.

7.3 Vložte fleecový filtrační sáček

POZNÁMKA

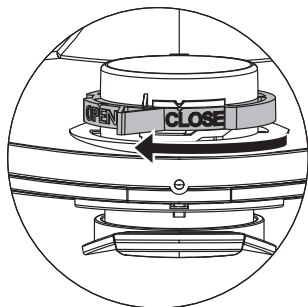
Použijte fleecové filtrační sáčky pro suché vysávání.

- ▶ Přírubu kompletně zasuňte přes sací otvor.

POZNÁMKA

Ovládání rotačního skříčka

- ▶ Otočte červeným otočným kolečkem do polohy CLOSE na doraz na značce ▲ .



7.4 Vložte sáček na vyprázdnění a odstraňování PE*

POZNÁMKA

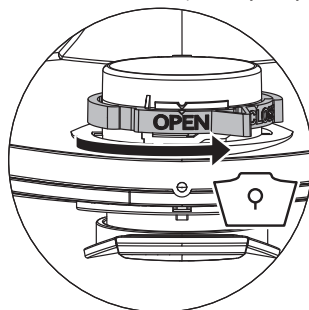
Pro použití polyetylenových sáčků pro vyprazdňování a likvidaci prachu jsou vhodné pouze vysavače třídy **M** a **H** se speciálním zásobníkem a otočným šoupátkem v sacím otvoru, typu IS/ISC ARM, IS/ISC ARH a IS/ISC ARH-ASBEST.

POZNÁMKA

Ovládání rotačního skříčka

- ▶ Otočte červeným otočným kolečkem do polohy OPEN na doraz na značce ▲ .

- ▶ Přesuňte přírubu zcela přes sací otvor.
- ▶ Umístěte horní otvor vaku přes okraj kontejneru.



8 Změna filtru

8.1 Změna složených filtračních patron

- ▶ Před výměnou filtrů vyčistíte filtrační kazpatrony.
- ▶ Otočte zámek na západku o 90 ° proti směru hodinových ručiček s mincí nebo podobným předmětem a zatlačte západku dozadu.
- ▶ Odklopte kryt
- ▶ Vyjmuté kazety se skládaným filtrem ihned uzavřete do prachotěsného plastového sáčku a zlikvidujte v souladu s předpisy.
- ▶ Vložte nové kazety se skládaným filtrem.
- ▶ Zvedněte uzavírací trněn, sklopte kryt a lehkým zatlačením ho zajistěte.

9 Změna filtru ochrany motoru

POZNÁMKA

Je-li ochranný filtr motoru znečištěný, poukazuje to na vadné filtrační kazety.

- ▶ Vyměňte kazety se skládaným filtrem.
- ▶ Vyměňte ochranný filtr motoru, resp. vypláchněte ochranný filtr motoru pod tekoucí vodou, vysušte ho a opět vložte.

* v závislosti na variantě zařízení

10 Doprava

- ▶ Odstraňte sací hadici.
- ▶ Uzavřete zásuvku víčkem.
- ▶ Umístěte horní část na nádobu.
- ▶ Zavřete boční západky.
- ▶ Příslušenství vložte do vhodného plastového sáčku a plastový sáček uzavřete, resp. uložte do přihrádky na příslušenství.
- ▶ Spojte dohromady konec a začátek sací hadice.
- ▶ Hadici omotejte kolem vysavače a připevněte za rukojeť.

11 Údržba

POZNÁMKA

Před každou údržbou vypněte vysavač a vytáhněte síťovou zástrčku ze zásuvky.

Za účelem údržby prováděné uživatelem je nutné vysavač

- demontovat,
- vyčistit a
- provést jeho údržbu,

je-li to možné tak, aniž by přitom hrozilo nebezpečí pro personál údržby a ostatní osoby.

Preventivní opatření

Součástí vhodných preventivních opatření je/jsou

- čištění před demontáží,
- opatření pro místní filtrované nucené odvětrání, na kterém je vysavač demontován,
- čištění oblastí pro provádění údržby a
- vhodné osobní ochranné pomůcky.

Preventivní opatření u vysavačů třídy H a M

Z vnější části vysavače je třeba odsát prach a otřít ji dočista hadříkem nebo ji opatřit těsnicími prostředky, než je možné vysavač vynést z nebezpečné oblasti. Všechny díly vysavače musejí být považovány za znečištěné, když jsou vynášeny z nebezpečné oblasti, a je třeba provést vhodná opatření, aby se zabránilo roznášení prachu.

Znečištěné předměty

Při provádění údržbářských nebo opravářských prací musejí být zlikvidovány všechny znečištěné předměty, které nemohou být uspokojivě vyčištěny. Tyto předměty musejí být zlikvidovány v nepropustných sáčcích v souladu s platnými předpisy pro odstranění tohoto odpadu.

11.1 Testování účinnosti vysavače

Nejméně jednou za rok musí výrobce nebo osoba pověřená prohlídkou provést technickou kontrolu, včetně filtrů, vzduchotěsnosti vysavače a ovládacích mechanismů.

Kromě toho je třeba nejméně jednou ročně nebo častěji kontrolovat účinnost vysavačů s třídou prachu H a H-azbestu. Zkušební

metoda, která může být použita k prokázání účinnosti zařízení, je definována v CZ 60335-2-69 AA.22.201.2. Pokud test neproběhl, musí se opakovat s novým hlavním filtrem.

V místnosti musí být k dispozici dostatečné odvětrání L, vrací-li se odpadní vzduch zpět do místnosti. Další pokyny najdete v národních předpisech.

Klesá-li sací výkon vysavače a nezvýší-li sací výkon ani vyčištění kazet se skládaným filtrem (za předpokladu, že je zásobník prázdný Rounový filtrační sáček vyměněný), je nutné kazety se skládaným filtrem vyměnit (viz „8.1 Změna složených filtračních patron“ na stránce 197).

12 Čištění

POZNÁMKA

Kyseliny, aceton a rozpouštědla mohou poškodit části vysavače.

- ▶ Vyčistěte nádobu a příslušenství vodou.
- ▶ Otrěte horní část vlhkým hadříkem.
- ▶ Nechte nádobu a příslušenství uschnout.

13 Opravit

⚠ VAROVÁNÍ!

Neodborně opravené přístroje představují pro uživatele nebezpečí.

Opravy smějí provádět pouze odborníci, např. servisní technik. Používejte pouze originální náhradní díly.

14 Odstraňování problémů a opravy

POZNÁMKA		
Poruchy se nedají vždy vysledovat zpět k vadám vysavače.		
Chyba	Příčina	Opatření
Sací výkon klesá	Filtr je špinavý	Čistý
	Filtrační sáček je plný	Změna
	Kontejner plný	Prázdný
	Filtr ochrany motoru je zablokovaný	Čistý
	Tryska, tuba nebo hadice jsou zablokované	Čistý
Vysavač se nespustí	Síťový konektor není v zásuvce	Zapojte síťovou zástrčku do zásuvky
	Žádné síťové napětí	Zkontrolujte pojistku
	Připojovací síťový kabel je vadný	Nahradit
	Obal není správně uzavřen	Zavřít
	Snímač vody vypnutý	Prázdný kontejner
	Vysavač je v pohotovostním režimu >A< nebo >RA<	Nastavte přepínače na > < (viz „3 Zobrazovací a ovládací prvky“ na stránce 194)
Vysavač se nespustí, pokud je nástroj zapnut v režimu >A< nebo >RA<	Elektrický nástroj není zapojen do zásuvky na vysavači	Zapojte síťovou zástrčku do zásuvky vysavače
	Solenoidový ventil pneumatické zapínací a vypínací jednotky*kontaminovaný	Opláchněte alkoholem
Sáček na vyprázdnění a odstraňování PE je nasáván na filtr	Nesprávná poloha rotačního posuvu	Nastavte otočný kloub do polohy OPEN (OTEVŘENO) ▲ (viz „7.4 Vložte sáček na vyprázdnění a odstraňování PE** na stránce 197)
Vysavač s třídami prachu M nebo H: s vloženým filtračním vakem se v zásobníku hromadí prach	Nesprávná poloha rotačního posuvu	Rotační západka CLOSE (ZAVŘÍT) ▲ (napište „7.3 Vložte fleecový filtrační sáček“ na stránce 197)

Nezkoušejte nic jiného, kontaktujte zákaznické služby.

15 Technická data

Typ: IS		ISC L/M/H-1425 (ISC L/M/H-1450)
Napětí	V	220-240
Frekvence	Hz	50/60
Jmenovitý výkon	W	1200
Max. výkon	W	1400
Vzduchový proud*	l/s (m ³ /h)	73 (263)
Podtlak*	hPa/MG	270
Vzduchový proud**	l/s (m ³ /h)	42 (151)
Podtlak**	hPa/SE	235
Akustický tlak	dB(A)	69
Hmotnost	kg	12,1 / 17,1
Rozměry d x š x v	cm	45 x 39 x 49 / 59,5 x 46,5 x 96

* u ventilátoru

** na hadici

* v závislosti na variantě zařízení

Max. výkon na vysavačích se zásuvkou: 2000 W (220-240V~)

Připojovací kabel na vysavačích třídy prašnosti L se zásuvkou: H05RR-F 3G1,5

Připojovací kabel na vysavačích třídy prašnosti M, H a H Azbest se zásuvkou: H07RN-F 3G1,5

16 Zkoušky a schválení

Elektrotechnické kontroly je třeba provádět v souladu s bezpečnostními předpisy (DGUV V3) a normou DIN VDE 0701 část 1 a část 3. Tyto kontroly je v souladu s normou DIN VDE 0702 třeba provádět v pravidelných intervalech a po provedené opravě nebo výměně.

Vysavače jsou testovány v souladu s normou IEC/EN 60335–2–69.

POZNÁMKA

Staré přístroje jsou vyrobené z cenných materiálů, které jsou vhodné k recyklaci. **Nelikvidujte vysavače spolu s domovním odpadem**, ale nechte je zlikvidovat odborně prostřednictvím vhodných sběrných míst, např. prostřednictvím komunální sběrný odpadu.

17 Prohlášení o shodě EU

My, společnost Husqvarna AB, SE 561 82 Huskvarna, ŠVÉDSKO, tel. +46 36 146500, zcela zodpovědně prohlašujeme, že výrobek:

Popis	Odsavač prachu
Značka	HUSQVARNA
Typ/Model	S 11
Identifikace	Výrobní čísla od roku 2022 a dále

je zcela ve shodě s následujícími směrnici a předpisy EU:

Směrnice/předpis	Popis
2006/42/ES 2014/30/EU 2011/65/EU	„o strojních zařízeních“ „o elektromagnetické kompatibilitě“ „o zakázaných látkách“

a že byly použity následující normy nebo technické specifikace:

EN ISO 12100:2010

EN 55014-1:2017

EN 55014-2:2015

EN 61000-3-2:2014

EN 61000-3-3:2013

EN 60335-2-69:2012

EN IEC 63000:2018

Partille, 2022-10-12



Martin Huber





Ředitel výzkumu a vývoje, betonové povrchy a podlahy

Husqvarna AB, divize Construction

Osoba odpovědná za technickou dokumentaci

Slovenščina

1 Razlaga uporabljenih simbolov in znakov

Simbol / Signalna beseda	Opis
	To je opozorilni simbol. Opozarja vas na nevarnost telesnih poškodb. Upoštevajte vse ukrepe, ki so označeni s tem simbolom, da se izognete telesnim poškodbam ali smrti. Opozorilni simbol je vedno prikazan skupaj s signalnimi besedami NEVARNOST , OPOZORILO in PREVIDNO .
NEVARNOST!	Označuje nevarnost z visoko stopnjo tveganja, ki ima lahko, če se ji ne izognete, za posledico smrt ali hude telesne poškodbe.
OPOZORILO!	Označuje nevarnost s srednjo stopnjo tveganja, ki ima lahko, če se ji ne izognete, za posledico smrt ali hude telesne poškodbe.
PREVIDNO!	Označuje nevarnost z nižjo stopnjo tveganja, ki ima lahko, če se ji ne izognete, za posledico lahke ali srednje hude telesne poškodbe.
OPOMBA	Tukaj se nahajajo nasveti in napotki, ki olajšajo delo in skrbijo za varno obratovanje.
	Označuje predpogoji, ki mora biti izpolnjen pred začetkom dela.
	Označuje korake, ki jih mora uporabnik izvajati zaporedoma.
	Označuje rezultat ravnanja.

2 Pomembne varnostne informacije

OPOZORILO!

Nevarnost zadužitve! Otrokom ne dovolite, da bi se igrali z embalažnim materialom, kot so na primer plastične vreče.

Ne plezajte ali se usedajte na sesalnik.

Nevarnost padca pri delu na stopnicah. Bodite pozorni, da varno stojite.

Priključnega kabla in sesalne cevi ne vlecite preko ostrih vogalov, jih ne prepogibajte in jih ne stiskajte.

Priključni kabel in sesalno cev vedno napeljite tako, da ne predstavljata nevarnosti za spotikanje.

Če iz sesalnika začne uhajati pena ali tekočina, ga takoj izključite.

Poskrbite, da je notranjost pokrova vedno suha.

Sesalnika in pripomočkov ne uporabljajte v naslednjih primerih:

- Omrežni priključni kabel ali podaljšek je okvarjen ali razpokan
- Sesalnik je vidno poškodovan, npr. ohišje je razpokano
- Če sumite, da ima sesalnik nevidno napako, npr. po padcu

NEVARNOST!

Nevarnost eksplozije in požara! Ne sesajte v okolju, kjer je možnost eksplozije.

Sesalnika ne približujte vnetljivim plinom in snovem.

⚠ NEVARNOST!

Nevarnost eksplozije in požara! Sesalnika ne uporabljajte za sesanje:

- vnetljivih ali eksplozivnih topil
- materialov, namočenih v topila
- potencialno eksplozivnega prahu
- tekočin, kot so bencin, olje, alkohol, razredčila
- materialov, ki imajo več kot 60 °C

⚠ OPOZORILO!

Nestrokovno popravljene naprave predstavljajo nevarnost za uporabnika. Popravila prepustite izključno strokovnjakom, na primer službi za pomoč strankam. Uporabljajte samo originalne nadomestne dele.

⚠ OPOZORILO!

Vtičnico na sesalniku uporabljajte izključno v namene, ki so določeno v navodilih za uporabo.

Proizvajalec ne prevzema nikakršne odgovornosti za škodo, ki bi nastala zaradi nenamenske ali nestrokovne uporabe ali zaradi nestrokovnega popravila.

Ne uporabljajte poškodovanih podaljškov.

Če poškodujete napajalni kabel sesalnika, ga morate zamenjati s posebnim napajalnim kablom, ki ga dobite pri proizvajalcu ali njegovi službi za pomoč strankam.

Pazite, da vrteče se ščetke z električnim pogonom ne pridejo v stik z napajalnim kablom.

Napetost na tipski tablici se mora ujemati z omrežno napetostjo.

Po vsaki uporabi in pred vsakim vzdrževanjem izključite sesalnik ter izvlecite omrežni vtič.

Nikoli ne vlecite za napajalni kabel, vedno potegnite za vtič.

Napajalnega kabla nikoli ne priključite ali izvlecite z mokrimi rokami.

Napajanje mora biti zavarovano z varovalko s primernim nazivnim tokom.

V primeru dežja ali nevihte sesalnika nikoli ne odpirajte na prostem.

Sesalnik hranite na suhem in zaščitenega pred zmrzovanjem.

⚠ OPOZORILO!

Stroji za odstranjevanje prahu se preizkušajo v skladu z DIN EN 60335-2-69 in delijo na razrede prahu.

Sesalniki razreda sesanja **L** so primerno samo za odsesavanje/sesanje suhega, negorljivega in zdravju škodljivega prahu z mejnimi vrednostmi za poklicno izpostavljenost $> 1 \text{ mg/m}^3$.

Sesalniki razreda **M** so primerni za sesanje suhih negorljivih vrst prahu, nevnetljivih tekočin, lesnega prahu in nevarnih vrst prahu z vrednostjo $\text{AGW} \geq 0,1 \text{ mg/m}^3$.

Sesalniki razreda **H** so primerni za sesanje suhih negorljivih vrst prahu, raketovornih in zdravju škodljivih delcev, nevnetljivih tekočin, lesnega prahu in nevarnih vrst prahu z vrednostjo $\text{AGW} < 0,1 \text{ mg/m}^3$.

⚠ OPOZORILO!

Sesalniki za razreda prahu **H-azbest** so primerni za sesanje in odstranjevanje prahu, ki vsebuje azbest. Upoštevajte nacionalne predpise za delovanje in vzdrževanje orodij za odstranjevanje azbesta.

⚠ OPOZORILO!

Tega stroja ne smejo uporabljati osebe (tudi otroci), ki imajo omejene fizične, čutne ali duševne zmožnosti, ali osebe, ki nimajo potrebnih izkušenj in/ali znanj.

Otroke nadzorujte, da zagotovite, da se ne igrajo z napravo.

Šob, gibkih cevi ali trdnih cevi ne usmerjajte proti ljudem in živalim.

⚠ OPOZORILO!

Uporabljajte le ščetke, ki so priložene sesalcu ali tiste, ki so omenjene v navodilih za uporabo.

Uporaba drugih ščetk lahko ogrozi varnost.

Pri uporabi v obratih za predelavo hrane: po uporabi takoj očistite sesalnik in ga razkužite, da se izognete mikrobnim kontaminaciji.

Za čiščenje ne uporabljajte parnih curkov ali visokotlačnih čistilcev.

Sesalnik uporabljajte samo pod nadzorom.

V primeru daljše prekinitve dela izklopite sesalnik iz omrežja.

Čistilnih filtrov ne čistite s stisnjenim zrakom.

Pred uporabo sesalnika preberite navodila za uporabo. Navodila za uporabo vsebujejo pomembna navodila za varnost, rabo, delovanje, vzdrževanje in nego. Navodila za uporabo hranite na varnem mestu in jih, če se odločite, da boste enoto prodali, predajte naslednjemu lastniku.

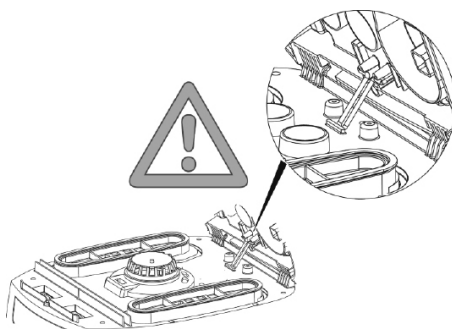
Proizvajalec si pridržuje pravico do sprememb v konstrukciji in opremljenosti.

Del, ki niso opisana v teh navodilih za uporabo, ne smete izvajati.


Ta stroj je predviden za obrtno uporabo, na primer za hotele, šole, bolnišnice, tovarne, trgovine, pisarne in dajanje v najem.


Pri odstranjevanju embalaže preverite, ali so priloženi vsi potrebni deli in ali je paket nepoškodovan.

Pred uporabo je treba uporabnikom priskrbeti informacije, navodila in izobraževanje v zvezi z uporabo sesalnika ter snovi, za katere se bo uporabljal, vključno z varnim postopkom za odstranjevanje zbranega materiala.



3 Zaslonski in kontrolni elementi

Položaj stikala	Funkcija	Opis
0	Sesalnik je izključen	- Vtičnica je pod napetostjo
I	Sesalnik deluje	- Vtičnica je pod napetostjo - Samodejna vibracijska funkcija je izključena
A	Pripravljenost za samodejni vklop/izklop	- Vtičnica je pod napetostjo - Sesalnik se vključi ali izključi z orodjem na elektriko ali stisnjen zrak, ki je priključeno na vtičnico.
RA	Pripravljenost za samodejni vklop/izklop	- Pripravljeno obratovanje kot >A< s samodejnim čiščenjem filtra.
	Funkcija samodejnega čiščenja filtra	- To čiščenje filtra se opravlja samodejno ob doseganju nastavljenega minimalnega volumnskega toka pri naslednjem delovnem premeru (položaj stikala >RA<).
	Indikator stopnje napolnjenosti*	- Ko je rezervoar poln in/ali ko je sesalna cev blokirana, indikator nivoja polnjenja zasveti. Na sesalnikih s prašnim razredom M in H se oglasi tudi zvočni signal
	Nastavitev premera sesalne cevi *	- Na sesalnikih za spremljanje volumnskega pretoka M-/H-/H-azbest, da sprožijo zvočni opozorilni signal, če hitrost zraka pade pod 20 m/s

Položaj stikala	Funkcija	Opis
	Nastavitev hitrosti motorja*	- Sesalno moč nastavljajte s krmiljenjem hitrosti

4 Zagon

4.1 Pred vsako uporabo

Preverite, če sta naslednja pogoja izpolnjena:

- △ Sesalnik, omrežni kabel, sesalna cev in dodatna oprema niso poškodovani.
- △ Vsi filtri so bili vstavljeni in niso poškodovani.

4.2 Vklon in izklon

Vtič na sesalniku ostane vedno pod napetostjo, ne glede na položaj glavnega stikala.

△ OPOZORILO!

Nevarnost poškodbe pri samodejnem zagonom električnega orodja!

- ▶ Pred priklopom na sesalnik izklopite električno orodje ali pnevmatsko orodje.

OPOMBA

Ko je stikalo v položaju >0<, lahko vtičnico na sesalniku uporabljate kot podaljšek.

△ **Priključna vrednost:** Sesalnik + priključena naprava (največ 2000 W) največ 16 A.

4.2.2 Vklon sesalnika

Funkcije glej »3 Zaslonki in kontrolni elementi« na strani 204.

- ▶ Vstavite vtič v vtičnico.
- ▶ Nastavite stikalo v položaj >I<.
- ↳ Sesalnik se vklopi takoj.

ali:

- ▶ Nastavite stikalo na položaj >A< ali >RA<.
- ↳ Sesalnik je v stanju pripravljenosti za električno orodje.

4.2.3 Nastavitev premera sesalne cevi*

- ▶ Nastavite premer sesalne cevi na stikalu.

△ PREVIDNO!

Izbirno stikalo za signal za minimalni pretok zraka (zvočni in svetlobni) na sesalnikih s prašnima razredoma »M« in »H« V načinih >RA< in >I< je izvedena naslednja nastavitve, ki je odvisna od premera cevi:

Izbirno stikalo za notranji premer sesalne cevi	Volumen zračnega toka
∅ 35 mm	70 l/s
∅ 27 mm	41 l/s
∅ 21 mm	25 l/s

Po nastavitvi premera cevi se lahko hitrost nastavi posebej.

4.2.4 Nastavitev sesalne moči*

- ▶ Hitrost motorja nastavite na stikalu.
- ali
- ▶ Nastavite pomožni zračni drsnik na ročajni cevi.

4.2.5 Izklapljanje sesalnika

- ▶ Nastavite stikalo na položaj >0<.
- ↳ Sesalnik je izklopljen.
- ▶ Po izklopu izvlcite omrežni vtič.
- ▶ Zvijte omrežni kabel.
- ▶ Priključni kabel hranite na kljukastem kavljju.
- ▶ Sesalno cev pospravite tako, da jo vstavite v držalo za dodatno opremo* na zadnji steni posode.
- ▶ Konca sesalne cevi položite skupaj, tako da delci umazanije ne bodo padali ven.
- ▶ Odstranite električno orodje.

5 Načini delovanja

5.1 Suho sesanje

- ▶ Sesajte samo s suhim filtrom, sesalnikom in opremo, da se prah ne oprime in ustvari skorje.
- ▶ Pri sesanju saj, cementa, mavca ali podobnega prahu: v posodo za umazanijo vstavite PE vrečo za odstranjevanje.
- ▶ Vedno uporabljajte vrečke za odstranjevanje v kombinaciji z zloženimi filtrirnimi vložki.

OPOMBA

Priporočamo, da sesalnike razredov M, H in H-azbest uporabljate predvsem kot suhi sesalnik.

* odvisno od možnosti opreme

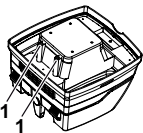
5.2 Sesanje tekočin

⚠ OPOZORILO!

Nevarnost električnega udara!

- ▶ Če iz sesalnika začne uhajati pena ali tekočina, ga takoj izklopite.
- ▶ Izpraznite posodo, po potrebi pa tudi kaseto z nagubanim filtrom.

OPOMBA



Redno čistite tipala ravni vode (1) in jih pregledujte, ali kažejo znake poškodb.

- ▶ Sesanje brez filtrirne vrečke iz filisa. Kaseto z zgubanim filtrom je namenjena za mokro sesanje. Vgrajeni senzor izklopi motor, ko je posoda polna. Upravljanje sesalnika je pri polni posodi lahko okrnjeno.
- ▶ Praznjenje posode (glej »7 Praznjenje posode« na strani 206).

OPOMBA

Če sesalnika ne izklopite, ostane vključena zaščita pred ponovnim zagonom. Sesalnik je pripravljen na ponovno uporabo šele po tem, ko ga izklopite in znova vključite.

- ▶ Pred praznjenjem najprej vzemite sesalno cev iz tekočine.
- ▶ Visoka sesalna zmogljivost in oblika posode, ki je ugodna za pretok, lahko povzročijo, da po izklopu nekaj vode izteče iz cevi.
- ▶ Pri naknadnem suhem sesanju vstavite suhe filtre.

OPOMBA

Pri pogosti menjavi med suhim in mokrim sesanjem priporočamo, da uporabite drugi komplet filtrov, po možnosti kaseti z nagubanim poliestrskim filtrom.

5.3 Sesanje snovi, ki vsebujejo azbest

Za sesanje snovi, ki vsebujejo azbest, se lahko uporabljajo samo sesalniki razreda prahu H-azbest.

- ▶ Delajte samo s suhim filtrom, sesalnikom in dodatki, da preprečite, da bi se prah zlepil in postal skorjast.
- ▶ Za sesanje snovi, ki vsebujejo azbest: V posodo za umazanijo vstavite PE vrečko za praznjenje ali filtrirno vrečko iz filca.
- ▶ Vedno uporabljajte filtrirne vrečke v kombinaciji z zloženimi filtrirnimi vložki.

OPOMBA

Sesalnike razreda H-azbest je treba prednostno uporabljati kot sesalnike za suh prah.

⚠ OPOZORILO!

Nevarnost za zdravje!

Azbestna vlakna v zraku.

- ▶ V delovni prostor dovajate dovolj zunanjega zraka (svež zrak).
- ▶ Posesan zrak speljite ali očistite tako, da azbestna vlakna ne pridejo v dihalni zrak drugih oseb.
- ▶ Pri filtriranju posesanega zraka prenašajte prah v prahotesnih posodah.
- ▶ Prahu ne pratakajte.

Če obstaja možnost, da azbestna vlakna pridejo na prosto:

- ▶ Azbestna vlakna prestrezite na odvodu ali mestu izvora.
- ▶ Nato azbestna vlakna odstranite v skladu z najsodobnejšo tehnologijo brez kakršne koli nevarnosti za ljudi ali okolje.

Če popolno vpijanje azbestnih vlaken ni mogoče:

- ▶ Izvedite dodatne prezaščitvalne ukrepe v skladu z najsodobnejšo tehnologijo.

Po zaključku dela:

- ▶ Previdno očistite orodje, vključno s sesalnimi cevmi in delovno opremo.
- ▶ Previdno očistite delovno območje.
- ▶ Navlažite in ustrezno odstranite predmete, onesnažene z azbestnimi vlakni, ki jih ni mogoče očistiti.

Po čiščenju:

- ▶ Zadostno prezaščitite delovno območje.

6 Stalno čiščenje filtra

Sesalnik je opremljen s elektromagnetnim sistemom za čiščenje filtra, ki se lahko uporablja za čiščenje kateregakoli prahu iz filtrskih vložkov.

To čiščenje filtra se opravlja samodejno ob doseganju nastavljenega minimalnega volumskega toka pri naslednjem delovnem premoru (položaj stikala >RA<).

7 Praznjenje posode

OPOMBA

To je dovoljeno samo za vrste prahu z vrednostjo AGW > 1 mg/m³

- ▶ Izklopite sesalnik in izvlecite omrežni vtič.
- ▶ Odprite zapirala.
- ▶ S posode odstranite pokrov in sesalno cev.
- ▶ Iztresite posodo.

7.1 Odstranite filtrsko vrečo iz filca

- ▶ Izklopite sesalnik.
- ▶ Odklopite omrežni vtič.
- ▶ Nosite primerno dihalno masko.
- ▶ Odstranite sesalno cev.
- ▶ S pokrovčkom zaprite vhodno vtičnico.

- ▶ Odprite stranske zaklepe.
- ▶ Odstranite zgornji del.
- ▶ Previdno potegnite prirobnico iz vhodne vtičnice in jo zaprite.
- ▶ Zbrani material odstranite v skladu z zakonskimi zahtevami.

7.2 Odstranite PE vrečko za praznjenje in odstranjevanje

- ▶ Nastavite stikalo v položaj >RA<.
 - ↳ Zložene filtrske kartuše se samodejno očistijo.
 - ↳ Preostanek prahu v filtrih pade v vrečo.
- ▶ Izklopite sesalnik.
- ▶ Odklopite omrežni vtič.
- ▶ Nosite primerno dihalno masko.
- ▶ Odstranite sesalno cev.
- ▶ S pokrovčkom zaprite vhodno vtičnico.
- ▶ Odprite stranske zaklepe.
- ▶ Odstranite zgornji del.
- ▶ PE-vrečko za praznjenje in odstranjevanje previdno zaprite s priloženim zapiralnim trakom.
- ▶ Prirobnico previdno potegnite s sesalnega nastavka in jo zaprite
- ▶ PE-vrečko za praznjenje in odstranjevanje previdno vzemite iz posode
- ▶ Posesani material odstranite skladno z zakonskimi zahtevami.

7.3 Vstavite filtrsko vrečko iz filca

OPOMBA

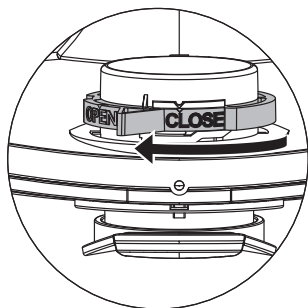
Za suho sesanje uporabljajte le filtrske vreče iz filca.

- ▶ Prirobnico potisnite povsem preko vhodne vtičnice.

OPOMBA

Upravljanje vrtljivega drsnika

- ▶ Rdeči vrtljivi drsnik zavrtite v položaj CLOSE, da se ustavi na označevalniku ▲ .



7.4 Vstavite PE vrečko za praznjenje in odstranjevanje*

OPOMBA

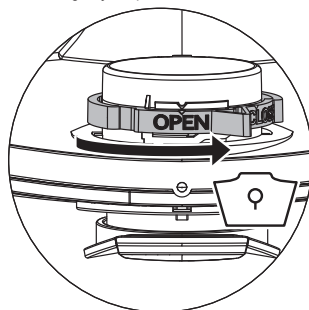
Za uporabo PE-vrečk za praznjenje in odstranjevanje so primerni samo sesalniki razredov **M** in **H** s posebno posodo in vrtljivim drsnikom v sesalni odprtini, tipi IS/ISC ARM, IS/ISC ARH in IS/ISC ARH-ASBEST.

OPOMBA

Upravljanje vrtljivega drsnika

- ▶ Rdeči vrtljivi drsnik zavrtite v položaj OPEN, da se ustavi na označevalniku ▲ .

- ▶ Prirobnico potisnite povsem preko vhodne vtičnice.
- ▶ Položite zgornjo odprtino vreče čez okvir vsebnika.



8 Menjava filtra

8.1 Menjava zloženih filtrirnih vložkov

- ▶ Očistite filtrirne vložke, preden jih zamenjate.
- ▶ Obrnite ključavnico na zapahu za 90 ° v nasprotni smeri urinega kazalca s kovancem ali podobnim predmetom in potisnite zapah nazaj.
- ▶ Odprite pokrov
- ▶ Odstranjeni kaseti z nagubanim filtrom takoj zaprite v prahotesno vrečko iz umetne mase in jih odstranite skladno s predpisi.
- ▶ Vstavite novi kaseti z nagubanim filtrom.
- ▶ Dvignite jarem za zapiranje, spustite pokrov in ga zaskočite z rahlim pritiskom.

9 Menjava filtra za zaščito motorja

OPOMBA

Če je zaščitni filter za motor onesnažen, to opozarja na pokvarjene filtrske kasete.

- ▶ Zamenjajte kaseti z nagubanim filtrom.
- ▶ Zamenjajte zaščitni filter za motor oziroma ga izperite pod tekočo vodo, ga posušite in znova vstavite.

* odvisno od možnosti opreme

10 Prevoz

- ▶ Odstranite sesalno cev.
- ▶ S pokrovčkom zaprite vhodno vtičnico.
- ▶ Postavite zgornji del na vsebnik.
- ▶ Zaprite bočne zaklepe.
- ▶ Opremo vstavite v primerne vrečke iz umetne mase, ki jih zaprite oziroma vtaknite v prostor za orodje.
- ▶ Sestavite konca sesalne cevi.
- ▶ Cev položite okoli sesalnika in zataknite za ročaj.

11 Vzdrževanje

OPOMBA

Pred vsakim vzdrževanjem izključite sesalnik in izvlecite omrežni vtič.

Za vzdrževanje s strani uporabnika je treba sesalnik

- razstaviti,
- očistiti in
- vzdrževati,

tako da pri tem ne povzročamo nevarnosti za vzdrževalno osebo in druge osebe.

Previdnostni ukrepi

Upoštevajte primerne previdnostne ukrepe

- Čiščenje pred razstavljanjem
- Poskrbite za primerno prisilno odzračevanje za prostor, kjer se sesalnik razstavlja
- Očistite vzdrževalno območje
- Primerna osebna zaščitna oprema

Previdnostni ukrepi pri sesalnikih razredov „M“ in „H“

Zunanost sesalnika je treba očistiti z odsesavanjem prahu in obrisati do čistega ali pa obdelati s tesnilnimi sredstvi, preden ga vzamete iz nevarnega območja. Vse dele sesalnika je treba obravnavati kot onesnažene, ko jih vzamete iz nevarnega območja, poleg tega pa morate opraviti ustrezne ukrepe, da preprečite širjenje prahu.

Onesnaženi predmeti

Pri izvajanju vzdrževalnih del in popravil morate odstraniti vse onesnažene predmete, ki jih ni mogoče zadovoljivo očistiti. Takšne predmete morate zavreči v neprepustnih vrečkah, ki so skladne z veljavnimi določili za odstranjevanje takšnih odpadkov.

11.1 Preizkus učinkovitosti sesalnika

Proizvajalec ali pooblaščen oseba mora vsaj enkrat na leto opraviti tehnični pregled, ki vključuje pregled filtrov, zračnega tesnjenja sesalnika in kontrolnih mehanizmov.

Poleg tega je treba učinkovitost sesalnih naprav s prašnim razredom H in H-azbest preverjati vsaj enkrat na leto ali pogosteje. Preskusna metoda, ki jo je mogoče uporabiti za dokazovanje učin-

kovitosti naprave, je opredeljena v SL 60335-2-69 AA.22.201.2. Če preizkus ni opravljen, ga je treba ponoviti z novim glavnim filtrom. Če se odpadni zrak vrača v prostor, mora biti za prostor zagotovljena dovolj velika izmenjava zraka L. Druge napotke najdete v nacionalnih določilih.

Če moč sesanja sesalnika popušča in se povečuje stopnja čiščenja kaset z nagubanim filtrom, ki moči sesanja ne poveča bistveno (pod pogojem, da je posoda prazna in je Filtrirna vrečka iz flisa zamenjana), je treba zamenjati kasete z nagubanim filtrom (Glej »8.1 Menjava zloženih filtrirnih vložkov« na strani 207).

12 Čiščenje

OPOMBA

Kislina, aceton in topila lahko poškodujejo dele sesalnika.

- ▶ Z vodo očistite vsebnik in dodatke.
- ▶ Zgornji del obrišite z vlažno krpo.
- ▶ Pustite, da se vsebnik in dodatki posušijo.

13 Popravila

⚠ OPOZORILO!

Nestrokovno popravljene sesalniki predstavljajo nevarnost za uporabnika.

- ▶ Popravila prepustite izključno strokovnjakom, na primer službi za pomoč strankam. Uporabljajte samo originalne nadomestne dele.

14 Odpravljanje težav in popravilo

OPOMBA

Za slabo delovanje niso vedno krive napake v sesalniku.

Napaka	Vzrok	Rešitev
Padec moči sesanja	Umazan filter	Čisto
	Polna filter vrečka	Sprememba
	Vsebnik je poln	Izpraznite
	Filter za zaščito motorja je blokiran	Čisto
	Šoba, zračnica ali cev so blokirane	Čisto
Sesalnik se ne zažene	Omrežni vtič ni vklopljen v vtičnico	Priključite omrežni vtič v vtičnico
	Ni omrežne napetosti	Preverite varovalko
	Napajalni kabel je okvarjen	Zamenjajte
	Pokrov ni pravilno zaprt	Zaprte
	Senzor vode je izklopljen	Izpraznite posodo
Sesalnik je v stanju pripravljenosti >A< ali >RA<	Sesalnik je v stanju pripravljenosti >A< ali >RA<	Nastavite stikalo na >I< (glej »3 Zaslonki in kontrolni elementi« na strani 204)
	Sesalnik se ne zažene, ko je orodje vklopljeno in v >A< ali >RA< načinu	Električno orodje ni priključeno v vtičnico na sesalniku
PE vrečka za praznjenje in odstranjevanje je potegnjena v filter	Elektromagnetni ventil pnevmatske vklopne enote* je kontaminiran	Izperite z alkoholom
	Nepravilni položaj vrtljivega drsnika	Nastavite vrtljivi drsник v položaj OPEN ▲ (glej »7.4 Vstavite PE vrečko za praznjenje in odstranjevanje*« na strani 207)
Sesalnik s prašnimi razredoma M ali H : z vstavljenim filtersko vrečko se prah akumulira v vsebniku	Nepravilni položaj vrtljivega drsnika	Nastavite vrtljivi drsник v položaj CLOSE ▲ (glej »7.3 Vstavite filtersko vrečko iz filca« na strani 207)

Ne poskušajte ničesar drugega, stopite v stik s tehnično podporo za stranke.

15 Tehnični podatki

Tip: IS		ISC L/M/H-1425 (ISC L/M/H-1450)
Napetost	V	220-240
Frekvenca	Hz	50/60
Nazivna moč	W	1200
Največja moč	W	1400
Pretok zraka*	l/s (m ³ /h)	73 (263)
Podtlak*	hPa/MG	270
Pretok zraka**	l/s (m ³ /h)	42 (151)
Podtlak**	hPa/SE	235
Tlak zvoka	dB(A)	69
Teža	kg	12,1 / 17,1
Mere d x š x v	cm	45 x 39 x 49 / 59,5 x 46,5 x 96

* pri ventilatorju

** pri cevi

* odvisno od možnosti opreme

Maks. moč na sesalnikih z vtičnico: 2000 W (220-240V~)

Omrežni priključni kabel pri sesalnikih z razredom prahu L z vtičnico: H05RR-F 3G1,5

Omrežni priključni kabel pri sesalnikih z razredom prahu M, H in H azbest z vtičnico: H07RN-F 3G1,5

16 Preizkusi in odobritve

Elektrotehnične preizkuse je treba opraviti po predpisih za preprečevanje nesreč (DGUV V3) in po standardu DIN VDE 0701, 1. in 3. del. Te preizkuse je treba po standardu DIN VDE 0702 opravljati redno in po vsakem popravilu ali spremembi.

Sesalniki so bili uspešno preizkušeni po standardu IEC/EN 60335-2-69.

OPOMBA

Stare naprave vsebujejo uporabne materiale, ki so primerni za recikliranje. **Sesalnika ne zavrzite med običajne hišne odpadke**, namesto tega ga strokovno oddajte preko primernih zbiralnih sistemov, npr. preko komunalnega zbirnega mesta.

17 Izjava EU o skladnosti

Pri Husqvarna AB, SE 561 82 Huskvarna, ŠVEDSKA, tel. +46 36 146500, na lastno odgovornost izjavljamo, da je predstavljeni izdelek:

Opis	Odstranjevalnik prahu
Znamka	HUSQVARNA
Vrsta/model	S 11
Identifikacija	Serijske številke od letnika 2022 dalje

v celoti skladen z naslednjimi direktivami in uredbami EU:

Direktiva/uredba	Opis
2006/42/ES 2014/30/EU 2011/65/EU	"o strojih" "o elektromagnetni združljivosti" "o omejitvi uporabe določenih nevarnih snovi"

in so pri tem v veljavi naslednji standardi in/ali tehnične specifikacije:

EN ISO 12100:2010

EN 55014-1:2017

EN 55014-2:2015

EN 61000-3-2:2014

EN 61000-3-3:2013

EN 60335-2-69:2012

EN IEC 63000:2018





Partille, 2022-10-12



Martin Huber

Direktor oddelka za raziskave in razvoj, oddelek za betonske površine in tla
Husqvarna AB, Oddelek za gradbeništvo
Odgovorni za tehnično dokumentacijo

1 Kasutatud sümbolite ja märkide selgitus

Sümbol / Signaalsõna	Kirjeldus
	See on hoiatav sümbol. See hoiatab võimaliku vigastusohu eest. Vigastuste või surma vältimiseks tuleb vältida kõiki selle sümboliga tähistatud juhiseid. Hoiatav sümbol kuvatakse alati ühenduses signaalsõnadega OHT , HOIATUS ja ETTEVAATUST .
OHT!	Tähistab suure riskimääraga ohtu, mille eiramise tagajärjeks on surm või tõsised vigastused.
HOIATUS!	Tähistab keskmise riskimääraga ohtu, mille eiramise tagajärjeks võivad olla surm või tõsised vigastused.
ETTEVAATUST!	Tähistab piiratud riskimääraga ohtu, mille eiramise tagajärjeks võivad olla kerged või möödukad vigastused.
MÄRKUS	Tähistab nõu või juhiseid, mis lihtsustavad tööd ja tagama ohutu töötamise.
	Tähistab eeldust, mis peab olema täidetud enne mõne toimingu teostamist.
	Tähistab kasutaja poolt üksteise järel teostatavaid toiminguid.
	Tähistab mõne toimingu tulemust.

2 Oluline ohutusteave

HOIATUS!

Lämbumisoht! Ärge lubage lastel pakkematerjaliga mängida, nt kilekotid.

Ärge ronige tolmuimeja peale ega istuge sellel.

Treppidel töötamisel kukkumisoht. Pöörake tähelepanu ohutult seismisele.

Toitejuhe ja imemisvooliku tõmbamine üle teravate äärte, murdmine või millegi vahele kiilumine on keelatud.

Toitejuhe ja imemisvoolik tuleb asetada nii, et keegi ei koperdaks nende taha.

Vahu või vedeliku väljavoolamisel tuleb tolmuimeja viivitamatult välja lülitada.

Katte sisekülj peab alati kuiv olema.

Ärge kasutage tolmuimejat, sh tarvikud, järgmistel juhtudel:

- Võrgutoitekaabel või pikenduskaabel on defektne või selles on praod
- Tolmuimejal ilmnevad nähtavad kahjustused, nt praod korpuses
- Kui te kahtlustate mittenähtavat defekti, nt pärast kukkumist

OHT!

Plahvatus- ja põlenguoh! Ärge kasutage tolmuimejat potentsiaalselt plahvatusohtlikus keskkonnas.

Hoidke tolmuimejat tuleohtlikest gaasidest ja ainetest eemal.

⚠ OHT!

Plahvatus- ja põlenguht! Ärge kasutage tolmuimejat, et imeda üles järgmist:

- tule- või plahvatusohtlikud lahustid
- lahustites leotatud materjalid
- potentsiaalselt plahvatusohtlikud tolmut
- vedelikud, nagu bensiin, õli, alkohol, lahjendid
- materjalid, mille temperatuur on üle 60 °C

⚠ HOIATUS!

Ebakompetentse isiku poolt parandatud seadme tõttu võib seadme kasutaja ohtu sattuda. Parandustööd võib läbi viia üksnes kvalifitseeritud personal, nt klienditeenindus. Kasutada võib üksnes originaalseid varuosi.

⚠ HOIATUS!

Kasutage tolmuimeja pistikupesa üksnes kasutusjuhendis toodud eesmärkidel.

Eesmärgipärasest kasutusest kõrvalekaldumise, väärkasutamise või ebakompetentse isiku poolt tehtud parandustööde korral ei vastuta tootja kahjustuste eest.

Kahjustatud pikendusjuhtme kasutamine on keelatud.

Kui tolmuimeja toitejuhe on kahjustada saanud, tuleb see tootja või selle klienditeeninduse juurest saadava spetsiaalse juhtmega asendada.

Elektriharjade olemasolul tuleb vältida roteerivate elektriharjade kokkupuutumist võrgutoitejuhtmega.

Tüübisildil toodud elektripingele peab vastama võrgupinge.

Pärast iga kasutuskorda ja enne iga hooldust tuleb tolmuimeja välja lülitada ja võrgupistik elektrivõrgust eemaldada.

Tõmmata võib üksnes võrgupistikust, kuid mitte kunagi juhtmest.

Võrgupistikut ei tohi kunagi märgade kätega vooluvõrguga ühendada või sellest eemaldada.

Elektrivooluga varustamine tuleb kindlustada, kasutades kohase voolutugevusega kaitset.

Tolmuimeja avamine ruumidest väljas vihma või äikese ajal on keelatud.

Hoidke imurit siseruumides kuivas kohas ja külma eest kaitstuna.

⚠ HOIATUS!

Tolmueemalduse masinaid testitakse vastavalt standardile DIN EN 60335-2-69 ja jagatakse tolmuklassidesse.

L-tolmu klassi imurid sobivad kuiva, mittesüttiva, tervist ohustava tolmu imemiseks, mille piirväärtus töökohal on > 1 mg/m³. Klassi **M** tolmuimeja on mõeldud kuiva, mittepõleva tolmu, mittepõleva vedeliku, puidutolmu ja ohtlike tolmu eemaldamiseks, kui ohtlike ainete piirnorm töökeskkonnas on ≥ 0,1 mg/m³.

Klassi **H** tolmuimeja on mõeldud kuiva, mittepõleva tolmu, kantserogeensete partikkelite nagu mittepõleva vedeliku, puidutolmu ja ohtlike tolmu eemaldamiseks, kui ohtlike ainete piirnorm töökeskkonnas on < 0,1 mg/m³.

⚠ HOIATUS!

Tolmu klassi **H-asbest** tolmuimejad sobivad asbesti sisaldava tolmu imemiseks ja eemaldamiseks. Järgige asbesti eemaldamise töövahendite kasutamise ja hooldamise riiklikke eeskirju.

⚠ HOIATUS!

Antud masinat ei tohi kasutada vähendatud füüsiliste, sensoorsete või mentaalsete võimete või puuduvate kogemuste või teadmistega isikud (sealhulgas lapsed). Lapsi tuleb valvata tegemaks kindlaks, et nad seadmega ei mängi.

Eriilist tähelepanu tuleb pöörata eelkõige laste, vanurite või tõbiste inimeste puhul.

Otsaku, vooliku või torude suunamine inimestele või loomadele on keelatud.

⚠ HOIATUS!

Kasutage ainult tolmuimejaga kaasas olevaid või kasutusjuhendis toodud harju.

Teiste harjade kasutamine võib turvalisuse ohtu seada.

Toidukäitlemisettevõtetes kasutamisel: puhastage tolmuimeja vahetult pärast kasutamist ning desinfitseerige see, et vältida mikroobset saastumist.

Ärge kasutage puhastamiseks ühtki aurujuga- ega kõrgsurvepuhastit.

Kasutage tolmuimejat ainult järelevalve all.

Pikema töö katkestamise korral lülitage tolmuimeja vooluvõrgust välja.

Ärge puhastage filterkassette kasutades suruõhku.

Enne tolmuimeja kasutamise alustamist lugege hoolikalt kasutusjuhendit. Kasutusjuhendis leiduvad olulised juhised ohutuse, kasutuselevõtu, kasutamise, hoolduse ja korrashoiu kohta. Hoidke kasutusjuhendit kindlas kohas ning, juhul kui te seadme müüte, andke see edasi uuele omanikule.

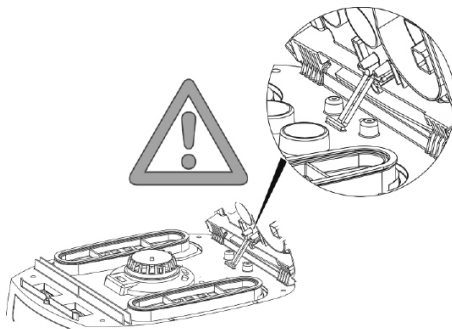
Tootjale jäävad õigused teha muudatusi ehituses ja varustuses. Muid käesolevas kasutusjuhendis kirjeldatud töid ei ole kasutajal lubatud läbi viia.

Antud masin on ette nähtud kommertskasutuseks näiteks hotellides, koolides, haiglates, vabrikutes, kauplustes, büroodes ja üüriäris.


Jälgige lahti pakkides, et varustus on täielik ja et see pole transpordimisel kahjustada saanud.


Enne kasutamist tuleb kasutajat varustada informatsiooni juhis- tega ning pakkuda tolmuimeja kasutamiseks ning kasutusjuhendis

määratletud eemaldatavate ainete tundmiseks koolitust, kaasa arvatud eemaldatava materjali turvaline käitlemine.



3 Ekraan ja juhtelemendid

Lüliti asend	Funktsioon	Kirjeldus
0	Tolmuimeja on välja lülitatud	- Pistikupeusa on voolu all
I	Tolmuimeja on töös	- Pistikupeusa on voolu all - Automaatne raputusfunktsioon on välja lülitatud
A	Valmisolekurežiim sisse-/väljalülitusautomaatika jaoks	- Pistikupeusa on voolu all - Tolmuimeja lülitatakse suruõhu-/elektritööriistaga ühenduse kaudu pistikupeusa juures sisse ja välja.
RA	Valmisolekurežiim sisse-/väljalülitusautomaatika jaoks	- Valmisolekurežiim, näiteks >A< ja filtri automaatpuhastus.
	Automaatne filtri puhastamise funktsioon	- See võimalus filtri puhastamiseks toimub automaatselt järgmise vaheaja jooksul töös siis, kui saabub seadistatud minimaalsele õhukulule vastav olukord (lüliti asend >RA<).
	Täituvuse taseme näidik*	- Täituvuse taseme näidik süttib, kui mahuti on täis ja/või imemisvoolik on ummistunud. Tolmuklasside M ja H tolmuimejad toovad kuuldavale ka helisignaali
	Imemisvooliku läbimõõdu seadistamine *	- Klassi M/H/H-asbest tolmuimejatel voolumahu jälgimiseks ja hoiatava helisignaali sisselülitamiseks õhukiruse langemisel alla 20 m/s

Lüliti asend	Funktsioon	Kirjeldus
	Mootorikiiruse seadistus*	- Reguleerige imemisjõudu kiiruse regulaatoriga

4 Kasutuselevõtt

4.1 Enne iga kasutamist

Veenduge, et täidetud on järgmised tingimused:

- △ Tolmuimeja, toitekaabel, imemisvoolik ja tarvikud ei ole kahjustatud.
- △ Kõik filtrid on sisestatud ja ei ole kahjustatud.

4.2 Sisse- ja väljalülitamine

Tolmuimeja pistikupesa on alati pinge all, olenemata pealüliti asendist.

△ HOIATUS!

Vigastusohu elektritööriista automaatse käivitamise läbi!

- ▶ Lülitage elektritööriist või pneumaatiline tööriist enne tolmuimeja ühendamist välja.

MÄRKUS

Kui lüliti on asendis >0<, võib tolmuimeja pistikupesa kasutada pikendusjuhtmena.

△-Ühendusvõimsus: Tolmuimeja + ühendatud elektriline tööriist (maksimaalselt 2000 W) maks. 16 A.

4.2.2 Tolmuimeja sisselülitamine

Funktsioone vt. „3 Ekraan ja juhtlemendid“ leheküljel 214.

- ▶ Sisestage pistik pistikupessa.
- ▶ Seadke lüliti asendisse >1<.
- ↳ Tolmuimeja käivitub koheselt.

või:

- ▶ Seadke lüliti asendisse >A< või >RA<.
- ↳ Tolmuimeja on elektritööriistade jaoks ooterežiimis.

4.2.3 Imemisvooliku läbimõõdu seadistamine*

- ▶ Seadke imemisvooliku läbimõõd lülitiga.

△ ETTEVAATUST!

Tolmuklassi „M“ ja „H“ tolmuimejate minimaalse õhuvoolu mahu signaali (helisignaali ja tuli) valikulüliti Režiimides >RA< ja >1< teostatakse sõltuvalt vooliku läbimõõdust järgmine seadistus:

imemisvooliku sisemise läbimõõdu valikulüliti	Õhuvoolu maht
∅ 35 mm	70 l/s
∅ 27 mm	41 l/s
∅ 21 mm	25 l/s

Pärast vooliku läbimõõdu seadmist saab kiirust reguleerida eraldi.

4.2.4 Imemisjõu reguleerimine*

- ▶ Reguleerige mootorikiirust lülitil.
- või:
- ▶ Seadke lisaõhu ava käepideme torul.

4.2.5 Tolmuimeja väljalülitamine

- ▶ Seadke lüliti asendisse >0<.
- ↳ Tolmuimeja on välja lülitatud.
- ▶ Pärast väljalülitamist tõmmake toitepistik välja.
- ▶ Kerige võrgutoitekaabel kokku.
- ▶ Hoiustage võrgutoitekaablit kaablonknu otsas.
- ▶ Hoiustage imemistoru sisestades selle lisatarvikute hoidikusse* mahuti tagaseinal.
- ▶ Pange imemisvooliku otsad kokku nii, et mustuseosakesed ei imbuks välja.
- ▶ Eemaldage elektritööriist.

5 Kasutusviisid

5.1 Kuivkoristus

- ▶ Tolmu võib imeda üksnes kuiva filtri, tolmuimeja ja tarvikutega, et tolm ei kinnituks kuhugi ega kattuks korbaga.
- ▶ Tahma-, tsemendi-, krohvi- või samalaadse tolmu imemise korral: pange mustusemahutisse polüetüleenist jäätmekott
- ▶ Kasutage alati jäätmekotte koos filtrikassettidega.

MÄRKUS

Kasutada klassi M, H, ja H-Asbest tolmuimejat eelistatavalt kuivkoristuseks.

* sõltuvalt seadme variandist

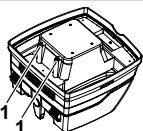
5.2 Vedelike imemine

⚠ HOIATUS!

Elektrilöögi oht!

- ▶ Vahu või vedeliku väljavoolamisel tuleb tolmuimeja viivitamatult välja lülitada.
- ▶ Tühjendada mahuti ja vajadusel ka kurdfiltrit kasseti.

MÄRKUS



Puhastada veetaseme sensoreid (1) regulaarselt ja olla tähelepanelik kahjustuste tunnusmärkide suhtes.

- ▶ Ilma fiisist filtrikotita imemine. Voldikfiltrikassetid sobivad märgimuks. Sisseehitatud andur lülitab mootori täis anuma korral välja. Täis anum võib raskendada imuri kasutamist.
- ▶ Mahuti tühjendamine (vt „7 Mahuti tühjendamine“ leheküljel 216).

MÄRKUS

Kui tolmuimejat ei lülitata välja, on käivituskaitse jätkuvalt aktiivne. Alles pärast väljalülitamist ja seejärel uuesti sisselülitamist on tolmuimeja taas töövalmis.

- ▶ Enne tühjendamist tuleb imenivoolik kõigepealt vedelikust eemaldada.
- ▶ Kõrge imemisvõimsuse ja soodsa voolujoonega mahuti kuju tõttu võib pärast väljalülitamist vedike vett voolikust tagasi voolata.
- ▶ Enne kuivkoristuse jaoks ühenduse loomist tuleb paigaldada kuiv filter.

MÄRKUS

Kui kuiv- ja märgkoristus on tihti vaheldumisi, siis soovime rakendada teist filtrikomplekti, eelistatavalt polüestrist kurdfiltrit kassette.

5.3 Asbesti sisaldavate ainete imemine

Asbesti sisaldavate ainete imemiseks võib kasutada ainult tolmu klassi H-asbest tolmuimejaid.

- ▶ Tolmu kleepumise ja paakumise vältimiseks töötage ainult kuiva filtri, tolmuimeja ja tarvikutega.
- ▶ Asbesti sisaldavate ainete imemiseks: Sisestage mustusekonteinerisse polüetüleenist tühjenduskoht või fiisist filtrikott.
- ▶ Kasutage filtrikotte alati koos kurdfiltrit kassetidega.

MÄRKUS

Klassi H-asbest tolmuimejaid on soovitatav kasutada kuiva tolmu tolmuimejatena.

⚠ HOIATUS!

Terviseoht!

Asbestikiud õhus.

- ▶ Varustage tööpiirkonda piisava välisõhuga (värske õhuga).
- ▶ Juhtige või puhastage väljatõmmatav õhk nii, et asbestikiud ei satuks teiste isikute hingamisõhku.
- ▶ Väljatõmmatava õhu filtreerimisel teisel daga kogu tolm tolmu kindlates konteinerites.
- ▶ Ärge tolmua välja puistage.

Asbestikiudude vabanemise võimaluse korral:

- ▶ Image asbestikiud nende väljalaske või ilmumiskoha juures.
- ▶ Seejärel kõrvaldage asbestikiud kaasaegsete meetoditega ilma inimesi ega keskkonda ohustamata.

Kui asbestikiudude täielik imamine ei ole võimalik:

- ▶ Tagage täiendav ventilatsioon kaasaegsete meetoditega. Töö lõpetamisel:
- ▶ Puhastage hoolikalt töövahendid, k.a imemistorud ja töövarustus.
- ▶ Puhastage hoolikalt tööala.
- ▶ Niisutage ja eemaldage korralikult asbestikiududega saastunud objektid, mida ei saa puhastada.

Pärast puhastamist:

- ▶ Õhutage tööpiirkonda piisavalt.

6 Alaline filtri puhastamine

Tolmuimeja on varustatud elektromagnetilise filtri puhastamise süsteemiga, mida saab kasutada filtrikassetide puhastamiseks mistahes kinnitunud tolmust.

See võimalus filtri puhastamiseks toimub automaatselt järgmise vaheaja jooksul töös siis, kui saabub seadistatud minimaalsele õhukulule vastav olukord (lülitit asend >RA<).

7 Mahuti tühjendamine

MÄRKUS

Lubatud üksnes tolmu korral, mille ohtlike ainete piirmorm töökeskkonnas on > 1 mg/m³

- ▶ Lülitada tolmuimeja välja ja tõmmata võrgupistik välja.
- ▶ Avada katted.
- ▶ Eemaldada mahutit kaas ja imamisvoolik.
- ▶ Kallutada mahuti välja.

7.1 Flisist filtrikottide kõrvaldamine

- ▶ Lülitage tolmuimeja välja.
- ▶ Ühendage toitepistik lahti.
- ▶ Kandke asjakohast hingamismaski.
- ▶ Eemaldage imemisvoolik.
- ▶ Sulgege sisselaskeava korgiga.
- ▶ Avage külmised sulgurid.

- ▶ Eemaldage ülemine osa.
- ▶ Tõmmake äärik ettevaatlikult sisselaskevalt ära ja sulgege äärik.
- ▶ Kõrvaldage kogutud materjal vastavalt õigusnormidele.

7.2 Polüetüleenist tühjendus- ja jäätmekoti kõrvaldamine

- ▶ Seadke lüliti asendisse >RA<.
- ↳ Kurdfiltri kassetid puhastatakse automaatselt.
- ↳ Filtrites oleva tolmujäägid kukuvad kotti.
- ▶ Lülitage tolmumeija välja.
- ▶ Ühendage toitepistik lahti.
- ▶ Kandke asjakohast hingamismaski.
- ▶ Eemaldage imemisvoolik.
- ▶ Sulgege sisselaskeava korgiga.
- ▶ Avage külgmised sulgurid.
- ▶ Eemaldage ülemine osa.
- ▶ Sulgeda polüetüleenist tühjendus- ja käitlemiskott ettevaatlikult kaasas oleva nööriaga.
- ▶ Eemaldada äärik ettevaatlikult sisselaskesüsteemilt ja sulgeda.
- ▶ Tõsta polüetüleenist tühjendus- ja käitlemiskott ettevaatlikult mahutist.
- ▶ Kõrvaldage kogutud materjal vastavalt õigusnormidele.

7.3 Sisestage fiisist filtrikott

MÄRKUS

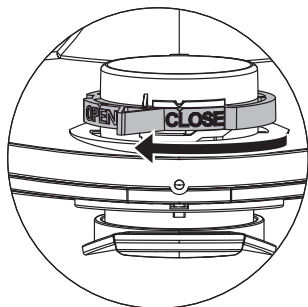
Kasutage ainult kuivtolmuimemiseks mõeldud fiisist filtrikotte.

- ▶ Libistage äärik täielikult üle sisselaskeava.

MÄRKUS

Pöördklapi kasutamine

- ▶ Pöörake sisemine punane pöördklapp asendisse CLOSE peatudes tähistel ▲ .



7.4 Sisestage polüetüleenist tühjendus- ja jäätmekott*

MÄRKUS

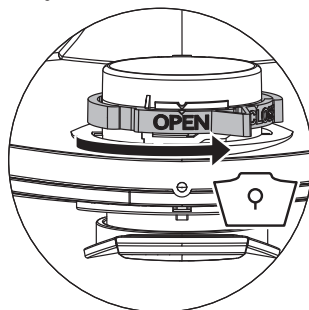
Üksnes klassi **M** ja **H** tolmumeija koos erimahutiga ning pöördliides tüüpide IS/ISC ARM, IS/ISC ARH ja IS/ISC ARH-ASBEST sissevooluavas on mõeldud kasutamiseks koos polüetüleenist tühjendus- ja käitlemiskottidega.

MÄRKUS

Pöördklapi kasutamine

- ▶ Pöörake sisemine punane pöördklapp asendisse OPEN peatudes tähistel ▲ .

- ▶ Libistage äärik täielikult üle sisselaskeava.
- ▶ Asetage ülemine koti ava üle mahuti serva.



8 Filtri vahetamine

8.1 Kurdfiltri kassetide vahetamine

- ▶ Puhastage filtrikassetid enne nende vahetamist.
- ▶ Pöörake sulguril olevat lukku mündi või samase esemega 90° vastupäeva ja lükake sulgur tagumisse asendisse.
- ▶ Tõsta kaas üles.
- ▶ Eemaldatud kurdfiltri kassetid tuleb viivitamatult tolmukindlasse plastkotti panna ning nõuetekohaselt käidelda.
- ▶ Paigaldada uued kurdfiltri kassetid.
- ▶ Tõsta riiv üles, lasta kate alla ning lukustada kergelt vajutades.

9 Mootori kaitsefiltri vahetamine

MÄRKUS

Kui mootori kaitsefilter on määrdunud, siis viitab see defektsetele kurdfiltri kassetidele.

- ▶ Kurdfiltri kassetide väljavahetamine.
- ▶ Vahetada välja mootori kaitsefilter või pesta mootori kaitsefiltrit jooksva vee all, lasta sel kuivada ja asetada seejärel tagasi.

* sõltuvalt seadme variandist

10 Transportimine

- ▶ Eemaldage imemisvoolik.
- ▶ Sulgege sisselaskeava korgiga.
- ▶ Paigaldage ülemine osa mahutile.
- ▶ Sulgege külgmised sulgurid.
- ▶ Asetada lisatarvikud vastavasse plastkotti, mis tuleb sulgeda, või kinnitada tööriistakinniti külge.
- ▶ Ühendada omavahel imemisvooliku lõpp- ja algusosa.
- ▶ Asetada voolik ümber tolmuimeja ja kinnitada käepideme juures.

11 Hooldus

MÄRKUS

Enne iga hooldust tuleb tolmuimeja välja lülitada ja võrgupistik vooluvõrgust eemaldada.

Kui kasutaja viib läbi hooldustööd, siis tuleb tolmuimeja

- lahti võtta,
- puhastada ja
- hooldada

sel määral nagu on võimalik, seadmata sealjuures ohtu hoolduspersonali või teisi isikuid.

Ettevaatusabinõud

Järgida vastavaid ettevaatusabinõusid

- Puhastamine enne demonteerimist
- Kohaliku filtreeritud sundõhutuse eest hoolitsemine, mille küljest tolmuimeja demonteeritakse.
- Hoolduspiirkonna puhastamine ja
- sobiv isiklik kaitsevarustus.

Klassi H ja M tolmuimeja ettevaatusabinõud

Tolmuimeja välispind tuleb puhastada tolmu imemise meetodil, see tuleb puhtaks pühkida või töödelda tihendusainega enne ohtlikust piirkonnast väljajoomist. Kõiki tolmuimeja osi tuleb käsitseda kui määrdunud osi, kui need tuuakse ohtlikust piirkonnast välja, ja see-tõttu tuleb võtta ette vastav toiming, et vältida tolmu sissetoomist.

Määratud esemed

Hooldus- või parandustööde ajal tuleb käidelda kõik määratud esemed, mis pole rahuldavalt puhtaks saanud. Sellised esemed tuleb asetada hermeetilisse kotti, mis on vastavuses kehtivate nõuetega, mis käivad taoliste jäätmete käitlemise kohta.

11.1 Tolmuimeja efektiivsuse testimine

Vähemalt kord aastas peab tootja või juhendatud isik teostama tehnilise ülevaatus, sh filtrid, tolmuimeja õhukindlus ja kontroll-mehhanismid.

Lisaks peab kord aastas või sagedamini olema kontrollitud tolmu klassi H ja H-asbest tolmuimejate efektiivsus. Seadme efektiivsuse näitamiseks kasutatav testimismeetod on määratletud

standardis EN 60335-2-69 AA.22.201.2. Kui testi ei läbita, tuleb seda korrata uue peafiltriga.

Õhu vahetus L peab olema ruumis küllaldane, kui tolmuimejast väl-juv õhk on tagasi ruumi suunatud. Ülejäänud nõuete puhul lähtuge palun siseriiklikest sätetest.

Kui tolmuimeja imemisvõimsus väheneb ja kui kurdfiltri kassetide puhastamine seda enam ei tõsta (eeldusel, et mahuti on tühjen-datud ja fliisist filtrikott on välja vahetatud), siis on vaja kurdfiltri kassetid välja vahetada (vt „8.1 Kurdfiltri kassetide vahetamine“ leheküljel 217).

12 Puhastamine

MÄRKUS

Happed, atsetoon ja lahustid võivad tolmuimeja osi kahjustada.

- ▶ Puhastage mahutit ja tarvikuid veega.
- ▶ Pühkige ülemist osa niiske lapiga.
- ▶ Laske mahutil ja tarvikutel kuivada.

13 Parandamine

⚠ HOIATUS!

Ebakompetentse isiku poolt parandatud tolmuimeja tõttu võib seadme kasutaja ohtu sattuda.

- ▶ Parandustööd võib läbi viia üksnes kvalifitseeritud personal, n t klienditeenindus. Kasutada võib üksnes originaalseid varuosi.

14 Tõrkeotsing ja parandamine

MÄRKUS		
Häireid ei saa alati kindlaks teha tolmuimeja defektidega.		
Viga	Põhjus	Abinõu
Imemisvõimsus langeb	Filter must	Puhastage
	Filtrikott täis	Vahetage
	Mahuti täis	Tühjendage
	Mootori kaitsefilter ummistunud	Puhastage
	Otsik, toru või voolik ummistunud	Puhastage
Tolmuimeja ei käivitu	Toitepistik ei ole pesas	Ühendage toitepistik pesa
	Puudub toitepinge	Kontrollige kaitset
	Võrgutoitekaabel defektne	Asendage
	Kate ei ole korralikult suletud	Sulgege
	Veeandur välja lülitatud	Tühjendage mahuti
	Tolmuimeja ooterežiimis >A< või >RA<	Seadke lüliti asendisse >I< (vt „3 Ekraan ja juhtelemendid“ leheküljel 214)
Tolmuimeja ei käivitu, kui tööriist on lülitatud sisse režiimis >A< või >RA<	Elektritööriist ei ole tolmuimejal pistikuse ühendatud	Ühendage toitepesa tolmuimejal pistikupessa
	Pneumaatilise sisse-välja üksuse solenoidklapp* saastunud	Loputage alkoholiga
Polüetüleenist tühjendus- ja jäätmekott imetakse vastu filtrit	Pöördklapi vale asend	Seadke pöördklapp asendisse OPEN ▲ (vt „7.4 Sisestage polüetüleenist tühjendus- ja jäätmekott**“ leheküljel 217)
Tolmuklassi M või H tolmuimejad: sisestatud filtrikotiga koguneb mahutile tolmu	Pöördklapi vale asend	Seadke pöördklapp asendisse CLOSE ▲ (vt „7.3 Sisestage flüüsisist filtrikott“ leheküljel 217)

Ärge proovige midagi muud, võtke ühendust klienditeenindusega.

15 Tehnilised andmed

Tüüp: IS		ISC L/M/H-1425 (ISC L/M/H-1450)
Pinge	V	220-240
Sagedus	Hz	50/60
Nimivõimsus	W	1200
Max. võimsus	W	1400
Õhuvool*	l/s (m³/h)	73 (263)
Alarõhk*	hPa/MG	270
Õhuvool**	l/s (m³/h)	42 (151)
Alarõhk**	hPa/SE	235
Helirõhutase	dB(A)	69
Kaal	kg	12,1 / 17,1
Mõõtmed p x l x k	cm	45 x 39 x 49 / 59,5 x 46,5 x 96

* ventilaatori juures

** vooliku juures

* sõltuvalt seadme variandist

Pistikupesaga tolmuimejate max võimsus: 2000 W (220-240V~)

Tolmuklassi L tolmuimejate võrgutoitekaabel koos pistikupesaga: H05RRR-F 3G1,5

Tolmuklassi M, H ja H Asbest tolmuimejate võrgutoitekaabel koos pistikupesaga: H07RN-F 3G1,5

16 Testid ja tunnustused

Elektrotehniline testimine tuleb läbi viia vastavalt õnnetuste vältimise eeskirjadele (DGUV V3) ja normile DIN VDE 0701 osa 1 ja osa 3.

Testida tuleb vastavalt normile DIN VDE 0702 regulaarsete ajavahemike tagant ning pärast remonditöid või muudatusi.

Tolmuimeja on läbinud kontrolli vastavalt normile IEC/EN 60335–2–69 edukalt.

MÄRKUS

Vanad seadmed sisaldavad väärtuslikke materjale, mis on mõeldud taaskasutamiseks. **Mitte visata tolmuimejat ära koos tavapärasest majapidamisprügiga**, vaid käidelda vastava kogumissüsteemi kaudu, n t viies kohalikku käitlemiskeskusesse.

17 EL-i vastavusdeklaratsioon

Meie, Husqvarna AB, SE 561 82 Huskvarna, SWEDEN, Tel. +46 36 146500 kinnitame oma ainuvastutusel, et toode:

Nimetus	Tolmuimeja
Kaubamärk	HUSQVARNA
Tüüp/ mudel	S 11
Identifitseerimine	Seerianumbrid alates 2022. aastast ja hilisemad

vastab täielikult järgmistele EÜ direktiividele ja eeskirjadele:

Direktiiv/eeskiri	Kirjeldus
2006/42/EÜ 2014/30/EL 2011/65/EÜ	„masinadirektiiv“ „elektromagnetilise ühilduvuse direktiiv“ „ohtlike ainete piiramise direktiiv“

ja et kohalduvad järgmised standardid ja/või tehnilised spetsifikatsioonid:

EN ISO 12100:2010

EN 55014-1:2017

EN 55014-2:2015

EN 61000-3-2:2014

EN 61000-3-3:2013

EN 60335-2-69:2012

EN IEC 63000:2018

Partille, 2022-10-12







Martin Huber

Uurimis- ja arendusdirektor, betoonpinnad ja -põrandad
Husqvarna AB, ehitusseadmete allüksus
Tehnilise dokumentatsiooni eest vastutaja

Lietuvių

1 Naudotų simbolių ir ženklų paaiškinimas

Simbolis / Signalinis žodis	Aprašymas
	Tai yra įspėjamasis simbolis. Jis įspėja apie galimą pavojų susižaloti. Laikykitės visų nurodymų, kurie yra pažymėti šiuo simboliu, kad išvengtumėte sužalojimų ir mirties. Prie įspėjamojo simbolio visada yra signaliniai žodžiai PAVOJUS , ĮSPĖJIMAS ir ATSARGIAI .
PAVOJINGA!	Žymi didelio rizikos laipsnio pavojų, kurio pasekmė mirtis arba sunkūs sužalojimai, jei jo neišvengiama.
ĮSPĖJIMAS!	Žymi vidutinio rizikos laipsnio pavojų, kurio pasekmė gali būti mirtis arba sunkūs sužalojimai, jei jo neišvengiama.
ATSARGIAI!	Žymi mažo rizikos laipsnio pavojų, kurio pasekmė gali būti lengvi arba vidutinio sunkumo sužalojimai, jei jo neišvengiama.
PASTABA	Šis simbolis nurodo informaciją, kaip palengvinti darbą su įrenginiu ir užtikrinti saugų jo veikimą.
	Žymi sąlygą, kuri turi būti išpildyta, prieš atliekant kažkokį veiksmą.
	Žymi veiksmus, kuriuos iš eilės turi atlikti naudotojas.
	Žymi veiksmo rezultatą.

2 Svarbi saugos informacija

ĮSPĖJIMAS!

Uždusimo pavojus! Neleiskite vaikams žaisti su pakavimo medžiagomis, pvz. plastikiniais maišeliais. Negalima lipti ar sėsti ant dulkių siurblio. Pavojus nukristi dirbant ant laiptų. Stenkitės stovėti saugiai. Netempkite jungiamojo laido ir siurbimo žarnos aštriomis briaunomis, nelankstykite bei saugokite, kad neįstrigtų. Jungiamąjį laidą ir siurbimo žarną nutieskite visada taip, kad niekas už jų neužkliūtų. Jei veržiasi putos arba skystis, siurbliį nedelsdami išjunkite. Vidinė dangčio pusė visada turi būti sausa. Nenaudokite dulkių siurblio ir jo priedų šiais atvejais:

- Maitinimo laidas ar ilginamasis kabelis yra sugadintas arba matomi įtrūkimai
- Dulkių siurblys yra pastebimai sugadintas, pvz. suskilinėjęs korpusas
- Jei įtariate esant nematomą defektą, pvz. po numetimo

PAVOJINGA!

Sprogimo ir gaisro pavojus! Nelaikykite dulkių siurblio galimai sprogioje vietoje. Laikykite dulkių siurbli atokiai nuo degių dujų ir medžiagų.

⚠ PAVOJINGA!

Sprogimo ir gaisro pavojus! Šio dulkių siurblio negalima naudoti toliau išvardintoms medžiagoms siurbti:

- degūs arba sprogūs tirpikliai
- tirpalais įmirkę medžiagos
- galimai sprogios dulkės
- skysčiai, pvz. benzinas, aliejus, alkoholis, skiedikliai
- medžiagos, karštesnės nei 60 °C

⚠ ĮSPĖJIMAS!

Nekvalifikuotai suremontuoti įrenginiai kelia pavojų naudotojui. Remonto darbus paveskite tik specialistams, pvz., klientų aptarnavimo tarnybai. Naudokite tik originalias atsargines dalis.

⚠ ĮSPĖJIMAS!

Siurblio lizdą naudokite tik pagal naudojimo paskirtį, nurodytą šioje naudojimo instrukcijoje.

Gamintojas neprisiima atsakomybės už gedimus, jei įrenginys naudojamas ne pagal paskirtį, netinkamai valdomas arba neprofesionaliai remontuojamas.

Nenaudokite pažeistų ilginamųjų laidų.

Jei jungiamasis siurblio laidas pažeistas, jį reikia pakeisti specialiu jungiamuoju laidu, kurį galima įsigyti iš gamintojo arba jo klientų aptarnavimo tarnyboje.

Su elektriniais šepetėliais, kurie neleidžia sukamiesiems šepetėliams liestis su maitinimo laidu.

Specifikacijų lentelėje nurodyta įtampa turi atitikti maitinimo įtampą.

Po kiekvieno naudojimo arba prieš atlikdami techninę priežiūrą, išjunkite siurbį ir ištraukite kištuką iš lizdo.

Traukite tik už kištuko, o ne jungiamojo laido.

Niekada nekiškite ir netraukite kištuko šlapiomis rankomis.

Maitinimas turi būti apsaugotas tinkamo srovės stiprio saugikliu.

Niekada neatidarinkite siurblio lauke, kai lyja arba siaučia audra.

Išdžiovinkite siurbį ir laikykite nuo šalčio apsaugotose vidaus patalpose.

⚠ ĮSPĖJIMAS!

Dulkių šalinimo mašinos testuotos pagal DIN EN 60335-2-69 ir padalintos į dulkių klases.

L klasės siurbLIAI yra skirti sausoms, nedegioms, sveikatai nepavojingoms dulkėms siurbti, kurių leidžiama ribinė koncentracija yra $> 1 \text{ mg/m}^3$.

M klasės siurbLIAI skirti sausoms, nedegioms dulkėms, nedegiems skysčiams, medžio ir nepavojingoms dulkėms siurbti, kurių leidžiama ribinė koncentracija $\geq 0,1 \text{ mg/m}^3$.

H klasės siurbLIAI skirti sausoms, nedegioms dulkėms, vėžio ir ligų nesukeliančioms dalelėms bei nedegiems skysčiams, medžio ir sveikatai nepavojingoms dulkėms siurbti, kurių leidžiama ribinė koncentracija $< 0,1 \text{ mg/m}^3$.

⚠ ĮSPĖJIMAS!

Dulkių siurbLIAI skirti dulkių klasei **H-asbestai** yra tinkami siurbti ir ištraukti dulkes, kurių sudėtyje yra asbesto. Laikykitės nacionalinių asbesto šalinimo įrankių naudojimo ir priežiūros įstatymų.

⚠ ĮSPĖJIMAS!

Šią mašiną draudžiama naudoti asmenims (įskaitant vaikus), kurie turi fizinę, jutiminę arba protinę negalią, arba kurie turi nepakankamai patirties ir žinių.

Vaikus reikia prižiūrėti, siekiant užtikrinti, kad jie nežaistų su prietaisu.

Antgalio, žarnos arba vamzdžio negalima nukreipti į žmones arba gyvūnus.

⚠ ĮSPĖJIMAS!

Naudokite tik su dulkių siurbliu pateiktus šepetčius arba tuos šepetčius, kurie yra nurodyti naudojimo instrukcijoje.

Naudojant kitus šepetčius gali kilti pavojus.

Jei naudojama maisto perdirbimo įmonėje: nedelsdami išvalykite dulkių siurblius ir dezinfekuokite, kad išvengtumėte mikrobu užteršimo.

Valymui nenaudokite valymo purkštuvų arba aukšto slėgio valymo įrenginių.

Nepalikite veikiančio dulkių siurblio be priežiūros.

Jei darbą tektų nutraukti ilgesniam laikui, atjunkite dulkių siurbį nuo maitinimo tinklo.

Nevalykite filtrų kasečių suslėgtuoju oru.

Prieš pradėdami naudotis dulkių siurbliu, atidžiai perskaitykite naudojimo instrukciją. Naudojimo instrukcijoje pateikiami svarbūs nurodymai dėl saugos, įjungimo, eksploatavimo, priežiūros ir techninės priežiūros. Laikykite naudojimo instrukciją saugioje vietoje ir, jei parduodate įrenginį, perduokite ją kitam savininkui.

Gamintojas pasilieka teisę keisti įrenginio konstrukciją ir komplektaciją.

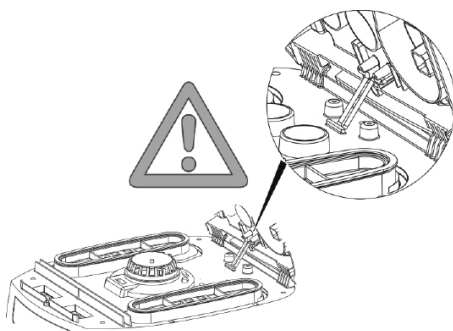
Įrenginį turite naudoti tik pagal šioje naudojimo instrukcijoje aprašytą naudojimo paskirtį.

Ši mašina nėra skirta komerciniam naudojimui, pavyzdžiui, naudojimui viešbučiuose, mokyklose, ligoninėse, fabrikuose, parduotuvėse, biuruose ir nuomos verslui.


Išpakuodami patikrinkite, ar yra visos dalys ir įrenginys nebuvo apgadintas transportuojant.


Prieš pradėdami naudoti įrenginį, naudotojai turi susipažinti su informacija, instrukcijomis ir praeiti mokymus, kaip naudoti siurbį

ir medžiagas, kurioms jis naudojamas, įskaitant saugaus surinktų medžiagų utilizavimo procedūrą.



3 Ekranas ir valdymo elementai

Jungiklio padėtis	Funkcija	Aprašas
0	Siurblys išjungtas	- Lizde yra įtampa
I	Siurblys veikia	- Lizde yra įtampa - Automatinė vibracijos funkcija išjungta
A	Įjungimo/išjungimo automatikos parengties režimas	- Lizde yra įtampa - Dėl prijungto elektrinio / pneumatinio įrankio* siurblys įjungiamas ir išjungiamas, ištraukiant iš lizdo kištuką
RA	Įjungimo/išjungimo automatikos parengties režimas	- Parengties režimas kaip >A< su automatiniu filtro apvalymu
	Automatinio filtro valymo funkcija	- Šis filtro apvalymas vyksta automatiškai pasiekus nustatytą mažiausią debito lygį per artimiausią darbo pertrauką (jungiklio padėtis >RA<)
	Užpildymo lygio indikatorius*	- Užpildymo lygio indikatorius užsidega tada, kai talpykla yra pilna ir (arba) užsikemša siurbimo žarna. M ir H klasių dulkių siurbliams taip pat skleidžia garso signalą
	Siurbimo žarnos skersmens nustatymas *	- M/H/H-asbesto dulkių siurbliams, skirtiems tūrio srauto stebėjimui, kad įjungti garsinį įspėjamąjį signalą, kai oro srauto greitis tampa mažesnis nei 20 m/s

Jungiklio padėtis	Funkcija	Aprašas
	Variklio greičio nustatymas*	- Reguliokite siurbimo galią, naudodamiesi greičio reguliatoriumi

4 Eksploatavimas

4.1 Prieš kiekvieną naudojimą

Įsitinkinkite, ar tenkinamos šios sąlygos:

- △ Dulkių siurblys, maitinimo kabelis, siurbimo žarna ir priedai nėra pažeisti.
- △ Visi filtrai įdėti ir nepažeisti.

4.2 Įjungimas ir išjungimas

Dulkių siurblio kištukinis lizdas niekada neatjungiamas nuo maitinimo tinklo, nepriklausomai nuo pagrindinio jungiklio padėties.

⚠ SPĖJIMAS!

Pavojus susižaloti automatiškai įsijungus elektriniam įrankiui!

- ▶ Prieš prijungdami prie dulkių siurblio, išjunkite elektrinį įrankį arba pneumatinį įrankį.

PASTABA

Kai jungiklis yra padėtyje >0<, siurblio lizdą galima naudoti kaip ilginamąjį laidą.

⚠ **Prijungiama apkrova:** Dulkių siurblys + prijungtas elektros įrankis (maks. 2000 W) maks. 16 A.

4.2.2 Dulkių siurblio įjungimas

Informacijos apie funkcijas rasite „3 Ekranų ir valdymo elementai“ 224 puslapyje.

- ▶ Įkiškite kištuką į kištukinį lizdą.
- ▶ Nustatykite jungiklį į padėtį >1<.
 - ↳ Dulkių siurblys įsijungia iš karto.

arba:

- ▶ Nustatykite jungiklį į padėtį >A< arba >RA<.
 - ↳ Dulkių siurblys veikia elektrinių įrankių naudojimo budėjimo režimu.

4.2.3 Siurbimo žarnos skersmens nustatymas*

- ▶ Naudodamiesi jungikliu, nustatykite siurbimo žarnos skersmenį.

⚠ ATSARGIAI!

Jungiklis minimaliam oro srauto signalui (garso ir šviesos) dulkių siurbluose, kurių dulkių klasės yra „M“ ir „H“ Esant režimams >RA< ir >1<, atsižvelgiant į žarnos skersmenį, nustatoma ši nuostata:

Jungiklis siurbimo žarnos vidiniam skersmeniui	Tūrinis oro srautas
∅ 35 mm	70 l/s
∅ 27 mm	41 l/s
∅ 21 mm	25 l/s

Nustačius žarnos skersmenį, greitį galima reguliuoti atskirai.

4.2.4 Siurbimo galios reguliavimas*

- ▶ Naudodamiesi jungikliu, reguliuokite variklio greitį, arba
- ▶ Nustatykite ant rankenos vamzdžio esantį pagalbinį oro slankiklį.

4.2.5 Dulkių siurblio išjungimas

- ▶ Nustatykite jungiklį į padėtį >0<.
 - ↳ Dulkių siurblys yra išjungtas.
- ▶ Išjungę, ištraukite elektros kištuką.
- ▶ Suvyniokite maitinimo laidą.
- ▶ Maitinimo laidą laikykite ant kablo.
- ▶ Siurbimo vamzdį saugokite įdėję į priedų laikiklį* ant talpyklos galinės sienelės.
- ▶ Sujunkite siurbimo žarnos galus, kad neiškristų nešvarumai.
- ▶ Atjunkite elektrinį įrankį.

5 Darbo režimai

5.1 Siurbimas sausuoju būdu

- ▶ Siurbkite tik su sausuoju filtru, siurbliu ir priedais, kad dulkęs nepriktų ir nesukietėtų.
- ▶ Jei siurbiate suodžius, cementą, gipsą ar panašias dulkes: į dulkių surinkimo talpyklą įdėkite vienkartinį PE dulkių surinkimo maišą.
- ▶ Visada naudokite vienkartinus dulkių surinkimo maišus kartu su gofruotų filtrų kasetėmis.

* priklausomai nuo įrangos varianto

PASTABA

M, H ir H-Asbesto siurblius dažniausiai naudokite tik siurbti sausuosiu būdu.

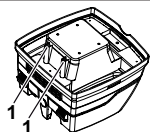
5.2 Skysčių siurbimas

⚠ ĮSPĖJIMAS!

Elektros šoko pavojus!

- ▶ Jei veržiasi putos arba skystis, siurbliį nedelsdami išjunkite.
- ▶ Ištuštinkite rezervuarą ir, jei reikia, klostuotą filtro kasetę.

PASTABA



Valykite reguliariai vandens lygio jutiklius (1) ir patikrinkite, ar jie nepažeisti.

- ▶ Siurbkite be flisinio filtro maišo. Klostuoti filtrai yra tinkami skysčių siurbimui. Bakeliui pripildžius, įmontuotas jutiklis varklį išjungia. Esant pripildytam bakeliui siurblio nenaudokite, nes kitaip jis gali sugesti.
- ▶ Ištuštinkite talpyklą (žr. „7 Talpyklos ištuštinimas“ 226 puslapyje).

PASTABA

Jei siurblys neišjungiamas, apsauga nuo pakartotinio įsijungimo neveikia. Tik išjungus ir vėl įjungus siurbli, jį galima naudoti vėl.

- ▶ Prieš išpildami, iš pradžių ištraukite siurbimo žarną iš skysčio.
- ▶ Esant didelei siurbimo galiai ir aerodinaminei rezervuaro jungiant, iš žarnos gali ištėkėti šiek tiek vandens.
- ▶ Siurbdami sausuosiu būdu, idėkite sausuosius filtrus.

PASTABA

Jei dažnai keičiate iš sausojo į drėgnąjį siurbimo būdą ir atvirkščiai, patariame naudoti antrąjį rinkinį, geriausia poliesterio klostinių filtrų kasetes.

5.3 Asbesto turinčių medžiagų siurbimas

Medžiagoms, kurių sudėtyje yra asbesto, siurbti gali būti naudojami tik dulkių klasės H-asbesto dulkių siurbliai.

- ▶ Dirbkite tik su sausu filtru, dulkių siurbliu ir priedais, kad dulkęs neprikibtu ir nesusidarytų apnašos.
- ▶ Asbesto turinčių medžiagų siurbimui: į purvo talpyklą idėkite PE dulkių surinkimo maišelį arba neaustinės medžiagos filtro maišelį.
- ▶ Visada naudokite filtro maišelius kartu su gofruotų filtrų kasetėmis.

PASTABA

H-asbesto klasės dulkių siurbliai turėtų būti naudojami kaip dulkių siurbliai sausoms dulkiams.

⚠ ĮSPĖJIMAS!

Pavojus sveikatai!
Asbesto plaušeliai ore.

- ▶ Užtikrinkite, kad darbo vieta būtų pakankamai vėdinama iš lauko (grynu oru).
- ▶ Nukreipkite arba išvalykite ištrauktą orą taip, kad asbesto plaušeliai nepatektų į orą, kuriuo kvėpuoja kiti asmenys.
- ▶ Filtruodami ištrauktą orą, bet kokias dulkes transportuokite dulkiems nelaidžiose talpose.
- ▶ Nepilkite dulkių.

Jei yra galimybė, kad asbesto plaušeliai išlaisvės:

- ▶ Absorbukite asbesto plaušelius išvado vietoje arba kilmės taške.
- ▶ Tada šalinkite asbesto plaušelius pagal naujausius techninius reikalavimus, nekeliant pavojaus žmonėms ar aplinkai.

Jei visiškai neįmanoma absorbuoti asbesto plaušelių:

- ▶ Įmkitės papildomų vėdinimo priemonių pagal naujausius reikalavimus.

Baigus darbą:

- ▶ Atsargiai nuvalykite įrankius, įskaitant siurbimo vamzdelius ir darbo įrangą.
- ▶ Atsargiai išvalykite darbo zoną.
- ▶ Sudrėkinkite ir tinkamai pašalinkite objektus, užterštus asbesto plaušeliais, kurių negalima išvalyti.

Po valymo:

- ▶ Pakankamai išvėdinkite darbo zoną.

6 Nuolatinis filtro valymas

Dulkių siurblyje yra elektromagnetinio filtro valymo sistema, kuri gali būti naudojama filtro kasetėse susikaupusioms dulkiams išvalyti.

Šis filtro apvalymas vyksta automatiškai pasiekus nustatytą mažiausią debito lygį per artimiausią darbo pertrauką (jungiklio padėtis >RA<).

7 Talpyklos ištuštinimas

PASTABA

Leidžiama naudoti tik dulkiams, kurių leidžiama ribinė koncentracija $> 1 \text{ mg/m}^3$.

- ▶ Išjunkite siurbliį ir ištraukite kištuką iš lizdo.
- ▶ Atsklęskite fiksatorius.
- ▶ Nuimkite nuo rezervuaro dangtį ir siurbimo žarną.
- ▶ Paverskite ir ištuštinkite rezervuarą.

7.1 Išmeskite multininio filtro maišelį

- ▶ Išjunkite dulkių siurbliį.
- ▶ Atjunkite elektros kištuką.
- ▶ Dėvėkite tinkamą kvėpavimo kaukę.
- ▶ Nuimkite siurbimo žarną.

- ▶ Uždenkite įleidimo lizdą dangteliu.
- ▶ Atverkite šonines sklendes.
- ▶ Nuimkite viršutinę dalį.
- ▶ Atsargiai nutraukite jungę nuo įleidimo lizdo ir uždarykite jungę.
- ▶ Utilizuokite surinktą medžiagą pagal teisinius reikalavimus.

7.2 Išmeskite vienkartinį PE dulkių surinkimo maišą

- ▶ Nustatykite jungiklį į padėtį >RA<.
 - ↳ Gofruotų filtrų kasetės valomos automatiškai.
 - ↳ Filtruose esančios dulks patenka į maišelį.
- ▶ Išjunkite dulkių siurbį.
- ▶ Atjunkite elektros kištuką.
- ▶ Dėvėkite tinkamą kvėpavimo kaukę.
- ▶ Nuimkite siurbimo žarną.
- ▶ Uždenkite įleidimo lizdą dangteliu.
- ▶ Atverkite šonines sklendes.
- ▶ Nuimkite viršutinę dalį.
- ▶ rūpestingai uždarykite PE ištuštinamą ir utilizuojamą maišelį pridedama apsaugine juosta.
- ▶ Nuo siurbimo atvamzdžio atsargiai nutraukite jungę ir uždarykite.
- ▶ PE ištuštinamą ir utilizuojamą maišelį atsargiai ištraukite iš rezervuaro.
- ▶ Utilizuokite surinktą medžiagą pagal teisinius reikalavimus.

7.3 Įdėkite multininio filtro maišelį

PASTABA

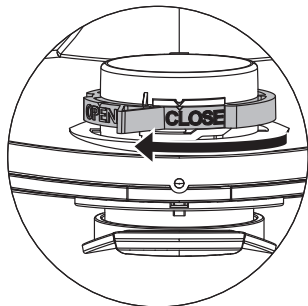
Sausajam valymui naudokite tik multininio filtro maišelius.

- ▶ Iki galo užmaukite jungę ant įleidimo lizdo.

PASTABA

Rotacinio vožtuvo naudojimas

- ▶ Pasukite raudoną rotacinį slankiklį į padėtį CLOSE iki sustojimo žymės▲.



7.4 Įdėkite vienkartinį PE dulkių surinkimo maišą*

PASTABA

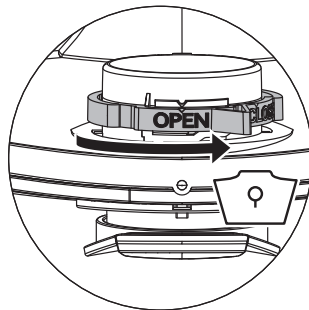
PE ištuštinamus ir utilizuojamus maišelius galima naudoti tik su **M** ir **H** klasės siurbiais su specialiais rezervuarais ir sukamosiomis sklendėmis IS/ISC ARM, IS/ISC ARH ir IS/ISC ARH-ASBEST tipo įsiurbimo angose.

PASTABA

Rotacinio vožtuvo naudojimas

- ▶ Pasukite raudoną rotacinį vožtuvą į padėtį OPEN iki sustojimo žymės▲.

- ▶ Jungę iki galo užmaukite ant įleidimo angos.
- ▶ Užmaukite viršutinę maišelio angą ant talpyklos krašto.



8 Filtro keitimas

8.1 Gofruotų filtrų kasečių keitimas

- ▶ Prieš keisdami filtro kasetes, jas išvalykite.
- ▶ Moneta ar panašiu objektu pasukite sklendės užraktą 90° kampu prieš laikrodžio rodyklę ir stumkite sklendę į galą.
- ▶ Gaubto atidarymas
- ▶ Ištrauktas klostuotų filtrų kasetes nedelsdami įdėkite į dulkių nepraleidžiantį plastikinį maišą, sandariai uždarykite ir utilizuokite laikydamiesi atitinkamų reikalavimų.
- ▶ Įdėkite naujas klostuotų filtrų kasetes.
- ▶ Pakelkite fiksavimo rėmą, nuleiskite gaubtą ir švelniai spustelėję užfiksukite.

9 Variklio apsauginio filtro keitimas

PASTABA

Jei apsauginis variklio filtras purvinas, vadinasi, filtrų kasetės yra pažeistos.

- ▶ Pakeiskite klostuotų filtrų kasetes.
- ▶ Pakeiskite apsauginį variklio filtrą arba išplaukite jį po tekančiu vandeniu, išdžiovinkite ir vėl įdėkite.

* priklausomai nuo įrangos varianto

10 Transportavimas

- ▶ Nuimkite siurbimo žarną.
- ▶ Uždenkite įleidimo lizdą dangteliu.
- ▶ Padėkite viršutinę dalį ant talpyklos.
- ▶ Uždarykite šonines sklendes.
- ▶ Prieš sudėkite į tinkamus plastikinius maišelius, kuriuos sandariai uždarykite, arba į įrankių laikiklį.
- ▶ Sujunkite abu siurbimo žarnos galus.
- ▶ Žarną apvyniokite aplink siurblį ir užfiksukite ją prie rankenos.

11 Techninė priežiūra

PASTABA

Prieš atlikdami techninę apžiūrą, kaskart išjunkite siurblį ir ištraukite kištuką iš lizdo.

Norėdamas atlikti techninę priežiūrą, naudotojas privalo siurblį:

- išardyti,
- išvalyti ir
- atlikti techninę priežiūrą,

jei ją galima atlikti, tuo metu nekeldamas pavojaus techninės priežiūros personalui ir kitiems asmenims.

Tinkamos atsargumo priemonės

Tinkamos atsargumo priemonės:

- valymas prieš išardant,
- vietinės filtruojamos ištraukiamosios vėdinimo sistemos, prie kurios išardomas siurblys, apsauga,
- techninės priežiūros sritys valymas ir
- tinkamos asmeninės apsauginės priemonės.

Atsargumo priemonės dirbant su H ir M klasės siurbliais

Prieš pernešdami siurblį iš pavojingos sritys, jo išorę nuvalykite nusiurbdami dulkes ir švariai nušluostykite arba apdorokite sandarinimo medžiaga. Kai siurblio dalys išnešamos iš pavojingos sritys, jos turi būti traktuojamos kaip nešvarios, ir būtina imtis atitinkamų priemonių, kad dulkės nepasklistų.

Nešvarūs daiktai

Atliekant techninės priežiūros arba remonto darbus, visus daiktus, kurių negalima tinkamai nuvalyti, reikia utilizuoti. Tokius daiktus reikia utilizuoti į dėjus į sandarius maišelius pagal galiojančias tokių atliekų utilizavimo taisykles.

11.1 Dulkių siurblio efektyvumo tikrinimas

Mžiausiai kartą per metus gamintojas ar kvalifikuotas specialistas privalo atlikti techninę patikrą, įskaitant filtrų, dulkių siurblio sandarumo ir valdymo mechanizmą.

Be to, dulkių siurbliams, kurių dulkių klasė yra H ir H-asbesto, efektyvumas turi būti tikrinamas bent kartą per metus arba dažniau. Bandymo metodas, kuris gali būti naudojamas prietaiso efektyvumui nustatyti, apibrėžtas standarte EN 60335-2-69, AA.22.201.2.

Jei bandymas būtų nesėkmingas, jis turi būti pakartotas naudojant naują pagrindinį filtrą.

Jeį panaudotas oras grįžta į patalpą, joje būtina užtikrinti pakankamą oro apykaitos greitį L, jei panaudotas oras grįžta į aplinką. Daugiau informacijos rasite savo šalies teisės aktuose.

Jeį sumažėja siurblio siurbimo galia ir reikia dažniau valyti klostuotų filtrų kasetes (su sąlyga, kad rezervuaras ištuštintas, o fizinis filtro maišas pakeistas), vadinasi, reikia pakeisti klostuotų filtrų kasetes (žr. „8.1 Gofruotų filtrų kasečių keitimas“ 227 puslapyje).

12 Valymas

PASTABA

Rūgštys, acetonas ir tirpikliai gali sugadinti dulkių siurblio dalis.

- ▶ Talpyklą ir priedus valykite vandeniu.
- ▶ Viršutinę dalį nuvalykite drėgnu skudurėliu.
- ▶ Palaukite, kol talpykla ir priedai išdžius.

13 Remontas

⚠|SPĖJIMAS!

Nekvalifikuotai suremontuoti siurbliai kelia pavojų naudotojui.

- ▶ Remonto darbus paveskite atlikti tik specialistams, pvz., klientų aptarnavimo tarnybai. Naudokite tik originalias atsargines dalis.

14 Trikčių diagnostika ir remontas

PASTABA

Pagal veikimo sutrikimus ne visada galima atsekti dulkių siurblio defektus.

Gedimas	Priežastis	Atitaisymo būdas
Sumažėjo siurbimo galia	Nešvarus filtras	Išvalykite
	Filtro maišelis pilnas	Pakeiskite
	Talpykla pilna	Ištuštinkite
	Užsikimšo variklio apsauginis filtras	Išvalykite
	Užsikimšo antgalis, vamzdis arba žarna	Išvalykite
Dulkių siurblys neįsijungia	Elektros kištukas neįkištas į lizdą	Įkiškite elektros kištuką į lizdą
	Nėra įtampos	Patikrinkite saugiklius
	Pažeistas maitinimo kabelis	Pakeiskite
	Netinkamai uždarytas dangtis	Uždarykite
	Vandens jutiklis išjungtas	Ištuštinkite talpyklą
Dulkių siurblys veikia budėjimo režimu >A< arba >RA<	Dulkių siurblys veikia budėjimo režimu	Nustatykite jungiklį į padėtį >I< (žr. „3 Ekranas ir valdymo elementai“ 224 puslapyje)
Dulkių siurblys neįsijungia, kai įrankis veikia režimu >A< arba >RA<	Elektrinis įrankis neprijungtas prie dulkių siurblio lizdo	Prijunkite elektros kištuką prie dulkių siurblio lizdo
	Pneumatinio išjungimo bloko* solenoidinis vožtuvas užterštas	Praplaukite alkoholiu
Vienkartinis PE dulkių surinkimo maišas yra prisuriabtas prie filtro	Netinkama rotacinio vožtuvo padėtis	Nustatykite rotacinį vožtuvą į padėtį OPEN ▲ (žr. „7.4 Įdėkite vienkartinį PE dulkių surinkimo maišą**“ 227 puslapyje)
Dulkių siurblys, kurio dulkių klasė yra M arba H : įdėjus filtro maišėlį, dulkęs kaupiamos talpykloje	Netinkama rotacinio vožtuvo padėtis	Nustatykite rotacinį vožtuvą į padėtį CLOSE ▲ (žr. „7.3 Įdėkite multininio filtro maišėlį“ 227 puslapyje)

Nemėginkite naudoti jokių kitų būdų – susisiekite su klientų aptarnavimo tarnyba.

15 Techniniai duomenys

Tipas: IS		ISC L/M/H-1425 (ISC L/M/H-1450)
Įtampa	V	220-240
Dažnis	Hz	50/60
Vardinė galia	W	1200
Didž. galia	W	1400
Oro srautas*	l/s (m ³ /h)	73 (263)
Pažemintasis slėgis*	hPa/MG	270
Oro srautas**	l/s (m ³ /h)	42 (151)
Pažemintasis slėgis**	hPa/SE	235
Garso slėgis	dB(A)	69
Svoris	kg	12,1 / 17,1
Matmenys l x p x a	cm	45 x 39 x 49 / 59,5 x 46,5 x 96

* ventiliatoriuje

** žarnoje

* priklausomai nuo įrangos varianto

Maks. galia dulkių siurbliuose su kištukiniu lizdu: 2000 W (220-240V~)

Maitinimo tinklo kabelis L dulkių klasės dulkių siurbliams su kištukiniu lizdu: H05RR-F 3G1,5

Maitinimo tinklo kabelis M, H ir H-asbesto dulkių klasės dulkių siurbliams su kištukiniu lizdu: H07RN-F 3G1,5

16 Bandymai ir patvirtinimai

Elektrotechniniai bandymai atliekami pagal nelaimingų atsitikimų prevencijos reglamento nuostatas (DGVV V3) bei pagal DIN VDE 0701 1 ir 3 dalis. Šiuos bandymus pagal DIN VDE 0702 reikalavimus reikia atlikti reguliariai ir po remonto arba keitimo darbų.

Siurblys sėkmingai išbandytas pagal IEC/EN 60335–2–69.

PASTABA

Senuose įrenginiuose yra vertingų medžiagų, kurias galima perdirbti. **Siurblio negalima utilizuoti su kitomis buitinėmis atliekomis.** Jį reikia atiduoti specializuotoms surinkimo bendrovėms, pvz., Jūsų vietinei utilizavimo įmonei.

17 ES atitikties deklaracija

„Husqvarna AB“, SE 561 82 „Husqvarna“, ŠVEDIJA, Tel. +46 36 146500 prisiima visiška atsakomybę, kad gaminys:

Aprašas	Dulkių trauktuvas
Gamintojas	HUSQVARNA
Tipas / modelis	S 11
Identifikacijos numeris	Serijos numeriai nuo 2022 m.

visiškai atitinka šias ES direktyvas ir reikalavimus:

Direktyva / reikalavimas	Aprašas
2006/42/EB 2014/30/ES 2011/65/ES	„dėl mašinų“ „dėl elektromagnetinio suderinamumo“ „dėl tam tikrų pavojingų medžiagų naudojimo elektros ir elektroninėje įrangoje apribojimo“

ir kad laikomasi šių standartų ir (arba) techninių specifikacijų

EN ISO 12100:2010

EN 55014-1:2017

EN 55014-2:2015

EN 61000-3-2:2014

EN 61000-3-3:2013

EN 60335-2-69:2012

EN IEC 63000:2018

Partille, 2022-10-12



Martin Huber





„R&D“ direktorius, betoniniai paviršiai ir grindys

„Husqvarna AB“, statybų padalinys

Atsakingas už techninę dokumentaciją

Latviešu

1 Izmantoto simbolu un apzīmējumu skaidrojums

Simbols / Signālvārds	Apraksts
	Tas ir brīdinājuma simbols. Tas brīdina par iespējamu savainojumu risku. Ievērojiet visus norādījumus, kas apzīmēti ar šo simbolu, lai nepieļautu savainojumus vai nāvi. Brīdinājuma simbols vienmēr ir redzams kopā ar signālvārdiem BĪSTAMI , BRĪDINĀJUMS un ESIET PIESARDZĪGI .
BĪSTAMI!	Apzīmē apdraudējumu ar lielu riska pakāpi, kas neievērošanas gadījumā var izraisīt nāvi vai smagus savainojumus.
BRĪDINĀJUMS!	Apzīmē apdraudējumu ar vidēju riska pakāpi, kas neievērošanas gadījumā var izraisīt nāvi vai smagus savainojumus.
ESIET PIESARDZĪGI!	Apzīmē apdraudējumu ar mazu riska pakāpi, kas neievērošanas gadījumā var izraisīt vieglus vai vidēji smagus savainojumus.
PIEZĪME	Ar šādu simbolu ir apzīmēta informācija un norādījumi, kā vienkāršot darbu un nodrošināt drošu ierīces darbību.
	Apzīmē nosacījumu, kuram jābūt izpildītam pirms darbības veikšanas.
	Apzīmē lietotāja veicamo darbību secību.
	Apzīmē darbības rezultātu.

2 Svarīga drošības informācija

BRĪDINĀJUMS!

Nosmakšanas briesmas! Neļaujiet bērniem rotaļāties ar iepakojuma materiāliem, piemēram, plastmasas maisiņiem.

Nekāpiet uz putekļsūcēja un nesēdīet uz tā.

Nokrišanas risks, strādājot uz kāpnēm. Pievērsiet uzmanību, lai ieņemtu drošu stāju.

Nevelciet pieslēgvadu un sūkšanas šļūteni pāri asām šķautnēm, nelociet vai neiespīļējiet to.

Pieslēgvadu un sūkšanas šļūteni vienmēr novietojiet tā, lai neviens aiz tiem nevarētu pakļupt.

Ja no ierīces izplūst putas vai šķidrums, nekavējoties izslēdziet putekļu sūcēju.

Vāka iekšpusei vienmēr jābūt sausiai.

Nelietojiet putekļsūcēju, tostarp tā piederumus, šādos gadījumos:

- Barošanas vai pagarinātāja kabelis ir bojāts vai ir saplaisājis
- Putekļsūcējam ir saredzami bojājumi, piemēram, saplaisājis korpuss
- Ja ir aizdomas par neredzamiem defektiem, piemēram, pēc kritiena

BĪSTAMI!

Eksplozijas un aizdegšanās risks! Nedarbiniet putekļsūcēju potenciāli sprādzienbīstamā vidē.

Nodrošiniet, lai putekļsūcējs neatrastos uzliesmojošu gāzu un vielu tuvumā.

⚠ BĪSTAMI!

Eksplozijas un aizdegšanās risks! Nelietojiet putekļsūcēju, tālāk minēto materiālu savākšanai:

- viegli uzliesmojoši vai sprādzienbīstami šķīdinātāji
- šķīdinātajos samirkuši materiāli
- potenciāli sprādzienbīstami putekļi
- šķidrums, piemēram, benzīns, eļļa, alkohols, atšķaidītāji
- materiāli, kuru temperatūra ir augstāka par 60 °C

⚠ BRĪDINĀJUMS!

Ierīces, kas tiek remontētas neprofesionāli, ir bīstamas lietotājam. Remontdarbus drīkst veikt tikai speciālisti, piem., klientu apkalpošanas dienests. Izmantojiet tikai oriģinālās rezerves daļas.

⚠ BRĪDINĀJUMS!

Putekļu sūcēja kontaktligzdu izmantojiet vienīgi lietošanas pamācībā minētajiem mērķiem.

Ražotājs neuzņemas atbildību par bojājumiem, kas radušies, ierīci izmantojot citiem mērķiem, nepareizas lietošanas rezultātā vai arī neprofesionāli veicot remontu.

Neizmantojiet bojātus vada pagarinātājus.

Ja putekļu sūcēja pieslēgvads ir bojāts, tas jānomaina ar īpašu pieslēgvadu, ko iespējams iegādāties pie ražotāja vai klientu apkalpošanas dienestā.

Lietojot elektrobirstes, nepieļaujiet rotējošo birstu saskari ar tīkla pieslēgvadu.

Identifikācijas plāksnītē norādītajam spriegumam jābūt vienādam ar tīkla spriegumu.

Pēc katras lietošanas un pirms katras apkopes izslēdziet putekļu sūcēju un atvienojiet tīkla kontaktdakšu.

Atvienojiet, turot aiz tīkla kontaktdakšas, nekad neraujiet aiz pieslēgvada.

Nekad nepievienojiet un neatvienojiet tīkla kontaktdakšu ar slapjām rokām.

Elektroapgādes sistēmai jābūt aprīkotai ar piemērota strāvas stipruma drošinātāju.

Nekad neatveriet putekļu sūcēju ārpus telpām, ja līst lietus vai ir negaiss.

Nozāvējiet putekļsūcēju un uzglabājiet no sala aizsargātās telpās.

⚠ BRĪDINĀJUMS!

Putekļu sūkšanas ierīces tiek testētas atbilstoši standartam DIN EN 60335-2-69 un iedalītas putekļu klasēs.

L klases putekļsūcējs ir piemērots tikai sausu, nedegošu un veselībai nekaitīgu putekļu sūkšanai ar darba vietas robežvērtību > 1 mg/m³.

M klases putekļu sūcēji ir piemēroti, lai iesūktu/atsūktu sausus, nedegošus putekļus, nedegošus šķidrumus, koksnes putekļus un bīstamus putekļus ar arodekspozīcijas robežvērtību (AER) ≥ 0,1 mg/m³.

H klases putekļu sūcēji ir piemēroti, lai iesūktu/atsūktu sausus, nedegošus putekļus, kancerogēnas un patogēniskas daļiņas, kā arī nedegošus šķidrumus, koksnes putekļus un cilvēka veselībai bīstamus putekļus ar AER < 0,1 mg/m³.

⚠ BRĪDINĀJUMS!

H azbesta klases putekļsūcēji ir piemēroti putekļu un azbestu saturošu putekļu sūkšanai. Ievērojiet valsts noteikumus par azbesta novākšanas instrumentu darbināšanu un apkopi.

⚠ BRĪDINĀJUMS!

Šo mašīnu nedrīkst izmantot personas (ieskaitot bērnus) ar pazeminātām fiziskām, jutības vai garīgām spējām, vai ar nepietiekamu pieredzi un zināšanām.

Pieskatiet bērnus, lai nodrošinātu, ka tie nerotaļājas ar ierīci.

Nevērsiet sprauslu, šļūteni vai cauruli pret cilvēkiem vai dzīvniekiem.

⚠ BRĪDINĀJUMS!

Izmantojiet tikai putekļsūcēju piegādes komplektā iekļautās vai lietošanas instrukcijā norādītās suku.

Citu suku izmantošana var apdraudēt drošību.

Izmantojot pārtikas pārstrādes uzņēmumos: pēc lietošanas tūlīt notīriet putekļsūcēju un dezinficējiet to, lai nepieļautu tā mikrobioloģisku piesārņošanu.

Tīrīšanai neizmantojiet tvaika strūklu vai augstspiediena tīrītājus.

Pastāvīgi uzraugiet putekļsūcēja darbību.

Ja darbā paredzēts ilgāks pārtraukums, atvienojiet putekļsūcēju no elektriskā tīkla.

Netīriet filtra kasetnes ar saspiestu gaisu.

Iekams sākt lietot putekļsūcēju, uzmanīgi izlasiet lietošanas pamācību. Lietošanas instrukcija sniedz svarīgus norādījumus par drošību, ievadīšanu ekspluatācijā, ekspluatāciju, apkopi un kopšanu. Uzglabājiet lietošanas rokasgrāmatu drošā vietā, un, pārdodot ierīci, nododiet to nākamajam īpašniekam.

Ražotājs patur tiesības mainīt konstrukciju un aprīkojumu.

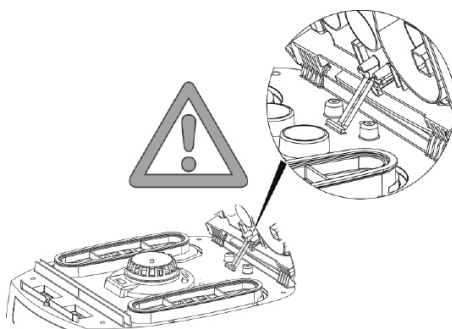
Aizliegts veikt darbības, kas nav aprakstītas šajā lietošanas pamācībā.

Šī mašina ir paredzēta izmantošanai saimnieciskajā darbībā, piemēram, izmantošanai viesnīcās, skolās, slimnīcās, fabrikās, veikalos, birojos un iznomātās telpās.

Izsaiņojot ierīci, pārbaudiet, vai tā ir pilnā komplektācijā un vai nav redzami transportēšanas bojājumi.



Pirms ierīces izmantošanas lietotājus jānodrošina ar informāciju, norādēm un apmācību, kā lietot putekļu sūcēju, kā arī ar informāciju

par vielām, kuru savākšanai ierīce tiks izmantota, ieskaitot savāktu materiālu drošu likvidēšanas procesu.



3 Displejs un vadības elementi

Slēdža stāvoklis	Funkcija	Apraksts
0	Putekļu sūcējs izslēgts	- Kontaktligzda aktīva
I	Putekļu sūcējs ieslēgts	- Kontaktligzda aktīva - Automātiskā vibrofunkcija izslēgta
A	Gatavības režīms automātiskā režīma ieslēgšanai un izslēgšanai.	- Kontaktligzda aktīva - Izmantojot kontaktligzdai pieslēgtu elektro-/saspiesta gaisa instrumentu*, putekļu sūcējs tiek ieslēgts un izslēgts.
RA	Gatavības režīms automātiskā režīma ieslēgšanai un izslēgšanai.	- Gatavības režīms kā >A< plus automātiskā filtra attīrīšana.
	Automātiska filtra tīrīšanas funkcija	- Kad tiek sasniegta iestatītā minimālā pl'smas apjoma vērtība, filtra attīrīšana šādā veidā notiek automātiski nākamā darba pārtraukuma laikā (slēdzis >RA<).
	Aizpildīšanas līmeņa indikators*	- Aizpildīšanas līmeņa indikators iedegas, kad tvertne ir pilna un/vai ir bloķēta iesūkšanas šūtene. „M” un „H” klases putekļsūcēji papildus ieslēdz arī skaņas signālu

Slēdža stāvoklis	Funkcija	Apraksts
	Sūkšanas šļūtenes diametra iestatīšana *	- Tas paredzēts M/H/H azbesta klases putekļsūcējiem gaisa plūsmas apjoma kontrolei un skaņas signāla aktivizēšanai, ja gaisa plūsmas ātrums nokrītas zem 20 m/s
	Motora apgriezību iestatīšana*	- Noregulējiet sūkšanas jaudu, izmantojot apgriezību vadību

4 Ievadīšana ekspluatācijā

4.1 Pirms katras lietošanas

Pārliedcinieties, ka ir izpildīti šādi nosacījumi:

- △ Nav bojāts putekļsūcējs, barošanas kabelis, sūkšanas šļūtene un piederumi.
- △ Visi filtri ir ievietoti un nav bojāti.

4.2 Ieslēgšana un izslēgšana

Putekļsūcēja kontaktlīdzda neatkarīgi no galvenā slēdža stāvokļa vienmēr ir zem sprieguma.

⚠ BRĪDINĀJUMS!

Traumu risks, elektriskajam instrumentam automātiski sākot darboties!

- ▶ Izslēdziet elektroinstrumentu vai pneimatisko instrumentu, iekams tos pievienot putekļsūcējam.

PIEZĪME

Ja slēdzis atrodas stāvoklī >0<, tad putekļa sūcēja kontaktlīdzdu var izmantot kā vada pagarinātāju.

- ⚠ Jaudas patēriņš: putekļsūcējs + pievienots elektroinstrument (maks. 2000 W) maks. 16 A.

4.2.2 Putekļsūcēja ieslēgšana

Funkcijas skatīt sadaļā „3 Displejs un vadības elementi” 234. lpp..

- ▶ Iespraudiet kontaktdakšu kontaktlīdzdā.

- ▶ Pārslēdziet slēdzi stāvoklī >1<.

- ↳ Putekļsūcējs nekavējoties sāk darboties.

vai:

- ▶ Pārslēdziet slēdzi stāvoklī >A< vai >RA<.

- ↳ Putekļsūcējs ir elektrisko instrumentu gaidstāves režīmā.

4.2.3 Sūkšanas šļūtenes diametra iestatīšanas kloķis*

- ▶ Ar slēdža palīdzību iestatiet sūkšanas šļūtenes diametru.

⚠ ESIET PIESARDZĪGI!

„M” un „H” klases putekļsūcēju minimālās gaisa plūsmas apjoma signāla (skaņas un gaismas signāla) selektora slēdzis

Atkarībā no šļūtenes diametra režīmos >RA< un >I< iestata šādu iestatījumu:

Sūkšanas šļūtenes iekšējā diametra selektora slēdzis	Gaisa plūsmas apjoms
∅ 35 mm	70 l/s
∅ 27 mm	41 l/s
∅ 21 mm	25 l/s

Kad šļūtenes diametrs ir iestatīts, apgriezienus var regulēt individuāli.

4.2.4 Sūkšanas jaudas regulēšana*

- ▶ Ar slēdža palīdzību noregulējiet motora apgriezienus.
- vai:

- ▶ Noregulējiet rokas caurules gaisa aizbīdni.

4.2.5 Putekļsūcēja izslēgšana

- ▶ Pārslēdziet slēdzi stāvoklī >0<.

- ↳ Putekļsūcējs ir izslēgts.

- ▶ Pēc izslēgšanas atvienojiet kontaktdakšu no elektriskā tīkla.

- ▶ Satiniet barošanas kabeli.

- ▶ Barošanas kabeli uzglabājiet uzlīti uz kabeļa āķa.

- ▶ Sūkšanas cauruli uzglabājiet ievietotu piederumu turētājā* uz konteinerā aizmugures sienas.

- ▶ Salieciet sūkšanas šļūtenes galos kopā tā, lai neīrūmi nevarētu izbīrt.

- ▶ Noņemiet elektrisko instrumentu.

5 Izmantošanas veidi

5.1 Sausā tīrīšana

- ▶ Izmantojiet tikai sausu filtru, putekļu sūcēju un piederumus, lai putekļi nepieliptu un nesakalstu.

- ▶ Kvēpu, cementa, apmetuma vai līdzīgu putekļu savākšana: ievietojiet neīrūmu tvērtē vienreizlietojamo PE maisu.

* atkarībā no aprīkojuma varianta

- ▶ Vienmēr izmantojiet apglabāšanas somas kombinācijā ar filtra patronām.

PIEZĪME

M, H un H-Asbest klases putekļu sūcējus pamatā ieteicams izmantot sausajai tīrīšanai.

5.2 Šķidrumu savākšana

⚠ BRĪDINĀJUMS!

Elektriskās strāvas trieciena risks!

- ▶ Ja no ierīces izplūst putas vai šķidrums, nekavējoties izslēdziet putekļu sūcēju.
- ▶ Iztukšojiet tvertni un, vajadzības gadījumā, k roku filtra kārtīdžus.

PIEZĪME



Ūdens līmeņa sensorus (1) regulāri jātīra un jāpārbauda, vai nav bojājumu pazīmes.

- ▶ Sūkšana bez „Vlies” filtra maisiņa
Krokfiltru kasetes ir piemērotas slapjai sūkšanai. Iebūvētais sensors pilnas tvertnes gadījumā izslēdz motoru. Uzpildīta tvertne var ietekmēt putekļu sūcēja lietošanas ērtumu.
- ▶ Iztukšojiet tvertni (skat. „7 Tvertnes iztukšošana” 236. lpp.).

PIEZĪME

Ja putekļu sūcējs netiek izslēgts, atkārtotas ieslēgšanas aizsardzība turpinās. Tikai pēc izslēgšanas un atkārtotas ieslēgšanas putekļu sūcējs atkal ir gatavs darbam.

- ▶ Pirms iztukšošanas vispirms izņemiet sūkšanas šļūteni no šķidruma.
- ▶ Sūkšanas jaudas un racionalizētās tvertnes formas dēļ, pēc izslēgšanas no šļūtenes var iztecēt neliels ūdens daudzums.
- ▶ Ja turpināt ar sauso tīrīšanu, ievietojiet sausus filtrus.

PIEZĪME

Ja bieži jāmaina no sausās uz slapjo tīrīšanu, mēs iesakām izmantot otru filtru komplektu, vislabāk poliestera k roku filtra kārtīdžus.

5.3 Azbestu saturošu vielu sūkšana

Azbestu saturošu vielu sūkšanai var izmantot tikai H azbesta klases putekļu sūcējus.

- ▶ Drīkst izmantot tikai sausu filtru, putekļu sūcēju un piederumus, lai nepieļautu putekļu pieļipšanu un noturēšanu.
- ▶ Lai sūktu azbestu saturošas vielas: ievietojiet nefiltru tvertnē vienreizlietojamo polietilēna maisu vai flīsa filtra maisu.
- ▶ Filtra maisus vienmēr izmantojiet kopā ar gofrētām filtra kasetnēm.

PIEZĪME

H azbesta klases putekļu sūcēji jāizmanto galvenokārt sausu putekļu sūkšanai.

⚠ BRĪDINĀJUMS!

Bīstami veselībai!

Gaisā ir azbesta šķiedras.

- ▶ Nodrošiniet gaisa plūsmas padevi darba zonai no ārpuses (svaigu gaisu).
- ▶ Izvadiet vai attīriet izvadīto gaisu tādā veidā, lai citi cilvēki neieelpotu azbesta šķiedras.
- ▶ Filtrējot izvadīto gaisu, nosēdiniet putekļus putekļu necaurlaidīgos konteineros.
- ▶ Nepārkraujiet putekļus.

Ja azbesta šķiedras var tikt izvestas gaisā:

- ▶ Absorbējiet azbesta šķiedras pie izvada vai vietā, kur tās rodas.
- ▶ Pēc tam atbrīvojieties no azbesta šķiedrām atbilstoši jaunākajiem sasniegumiem, neradot risku cilvēkiem vai videi.

Ja azbesta šķiedras nav iespējams pilnībā absorbēt:

- ▶ Nodrošiniet papildu ventilāciju atbilstoši jaunākajiem sasniegumiem.

Pēc darba pabeigšanas:

- ▶ Rūpīgi notīriet instrumentus, ieskaitot sūkšanas caurules un darba aprīkojumu.
- ▶ Rūpīgi notīriet darba zonu.
- ▶ Samitriniet un pareizi notīriet ar azbesta šķiedrām piesārņotos priekšmetus, ko nevar iztīrīt.

Pēc tīrīšanas:

- ▶ Pietiekami izvēdiniet darba zonu.

6 Pastāvīgā filtra tīrīšana

Putekļu sūcējs ir aprīkots ar elektromagnētisko filtru tīrīšanas sistēmu, ko var izmantot, lai notīrītu filtra kasetnēm pielipušos putekļus. Kad tiek sasniegta iestatītā minimālā plūsmas apjoma vērtība, filtra attīrīšana šādā veidā notiek automātiski nākamā darba pārtraukuma laikā (slēdzis >RA<).

7 Tvertnes iztukšošana

PIEZĪME

Pieļaujama tikai strādājot ar putekļiem, kuru AER > 1 mg/m³.

- ▶ Izslēdziet putekļu sūcēju, atvienojiet tīkla kontakt dakšu.
- ▶ Atveriet stiprinājumus.
- ▶ Noņemiet no tvertnes vāku un sūkšanas šļūteni.
- ▶ Iztukšojiet tvertni.

7.1 Utilizējiet flīsa filtra maisu

- ▶ Izslēdziet putekļu sūcēju.
- ▶ Atvienojiet kontakt dakšu no elektriskā tīkla.
- ▶ Valkājiet atbilstošu elpošanas masku.

- ▶ Atvienojiet sūkšanas šļūteni.
- ▶ Noslēdziet iepļūdes ligzdu ar vāciņu.
- ▶ Atveriet sānu fiksatorus.
- ▶ Noņemiet augšdaļu.
- ▶ Uzmanīgi izvelciet atloku no iepļūdes ligzdas un noslēdziet atloku.
- ▶ Utilizējiet savākto materiālu, ievērojot noteikumu prasības.

7.2 Utilizējiet PE vienreizlietojamo maisu

- ▶ Pārslēdziet slēdzi stāvoklī >RA<.
 - ↳ Gofrētās filtra kasetnes tiek izīrītas automātiski.
 - ↳ Filtrā esošie puteļi sabirst maisā.
- ▶ Izslēdziet puteķsūcēju.
- ▶ Atvienojiet kontaktdakšu no elektriskā tīkla.
- ▶ Valkājiet atbilstošu elpošanas masku.
- ▶ Atvienojiet sūkšanas šļūteni.
- ▶ Noslēdziet iepļūdes ligzdu ar vāciņu.
- ▶ Atveriet sānu fiksatorus.
- ▶ Noņemiet augšdaļu.
- ▶ Uzmanīgi noslēdziet PE iztukšošanas un likvidēšanas maisu ar komplektācijā iekļauto noslēglentu.
- ▶ No piesūcējiemavām uzmanīgi noņemiet atloku un noslēdziet to
- ▶ PE iztukšošanas un likvidēšanas maisu uzmanīgi izņemiet no tvertnes
- ▶ Utilizējiet savākto materiālu, ievērojot noteikumu prasības.

7.3 Ievietojiet flīsa filtra maisu

PIEZĪME

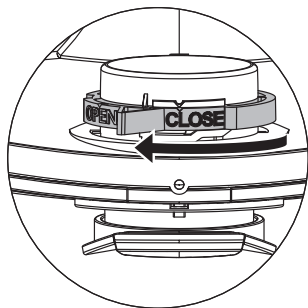
Flīsa filtra maisus izmantojiet tikai sausai tīrīšanai.

- ▶ Iebīdīet atloku līdz galam iepļūdes ligzdā.

PIEZĪME

Grozāmā aizbīdņa darbināšana

- ▶ Pagrieziet sarkano grozāmo aizbīdni stāvoklī CLOSE (AIZVĒRTS) līdz aiztura atzīmei ▲.



7.4 Ievietojiet PE vienreizlietojamo maisu*

PIEZĪME

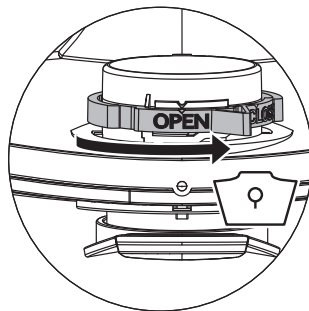
Tikai **M** un **H** klases puteķu sūcēji ar tīpašu tvertni un pagriežamu aizbīdni iesūkšanas atverē, tips IS/ISC ARM, IS/ISC ARH un IS/ISC ARH-ASBEST, ir piemēroti PE iztukšošanas un likvidēšanas maisu izmantošanai.

PIEZĪME

Grozāmā aizbīdņa darbināšana

- ▶ Pagrieziet sarkano grozāmo aizbīdni stāvoklī OPEN (ATVĒRTS) līdz aiztura atzīmei ▲.

- ▶ Pārvēlciet atloku līdz galam pāri iepļūdes ligzdai.
- ▶ Novietojiet maisu augšējo atveri uz tvertnes malas.



8 Filtra mainīšana

8.1 Gofrēto filtra kasetņu mainīšana

(skatīt īso pamācību )

- ▶ Pirms to nomaiņas notīriet filtra kasetnes.
- ▶ Ar monētu vai tamlīdzīgu priekšmetu pagrieziet fiksatoru uz aizbīdņa par 90° pretpulsteniski un paspiediet aizbīdni uz aizmuguri.
- ▶ Paceliet pārsegu.
- ▶ Izņemtos kroku filtru kārtidzūs nekavējoties ievietojiet puteķu necaurīdīgā plastmasas maisā un atbilstoši noteikumiem likvidējiet to.
- ▶ Ievietojiet jaunus kroku filtru kārtidzūs.
- ▶ Paceliet stiprinājuma klipšus, nolaidiet pārsegu un, nedaudz uzspiežot, nofiksējiet to.

9 Motora aizsargfiltra mainīšana

PIEZĪME

Ja motora aizsargfiltrs ir netīrs, tas nozīmē, ka filtru kārtidzi ir bojāti.

- ▶ Nomainiet kroku filtru kārtidzūs.
- ▶ Nomainiet motora aizsargfiltru vai izmazgājiet motora aizsargfiltru zem tekoša ūdens, izžāvējiet to un ievietojiet atpakaļ.

* atkarībā no aprīkojuma varianta

10 Transportēšana

- ▶ Atvienojiet sūkšanas šļūteni.
- ▶ Noslēdziet iepļūdes ligzdu ar vāciņu.
- ▶ Novietojiet augšdaļu uz tvertnes.
- ▶ Aizveriet sānu fiksatorus.
- ▶ Piederumus jāievieto piemērotā plastmasas maisā un tas jānoslēdz, respektīvi, jāieliek instrumentu turētājā.
- ▶ Savstarpēji savienojiet sūkšanas šļūtenes abus galus.
- ▶ Aplieciet šļūteni ap putekļu sūcēju un nostipriniet to pie roktura.

11 Apkope

PIEZĪME

Pirms katras apkopes izslēdziet putekļu sūcēju un atvienojiet tīkla kontaktakšus.

Ja apkopi veic lietotājs, putekļu sūcēju

- jāizjauc,
- jāiztīra un
- jāveic apkope,

cik vien tas ir iespējams, lai tādējādi nerastos draudi personām, kas veic apkopi, un citām personām.

Piesardzības pasākumi

Piemēroti piesardzības pasākumi ietver

- tīrīšanu pirms demontāžas,
- gaisa filtrēšanas un ventilācijas nodrošināšanu vietā, kur putekļu sūcējs tiek demontēts,
- apkopes vietas tīrīšanu un
- piemērotu individuālo aizsargaprīkojumu.

Piesardzības pasākumi darbā ar H un M klases putekļu sūcējiem

Putekļu sūcēja ārpusi jānotīra, nosūcot no tā puteklus un tīri noslaukot, vai arī tas jāapstrādā ar hermētīķi, pirms to pārvieto ārpus bīstamās zonas. Visas putekļu sūcēja detaļas ir uzskatāmas par piesārņotām, ja tās ir atradušās bīstamajā zonā, un ir jāveic atbilstošas darbības, lai nepieļautu putekļu tālāku izplatīšanos.

Piesārņoti priekšmeti

Veicot apkopes un remontdarbus, visus piesārņotos priekšmetus, ko nevar pienācīgi notīrīt, jālikvidē. Šādus priekšmetus jāievieto necauralaidīgos maisos un jālikvidē saskaņā ar spēkā esošajiem noteikumiem par šāda veida atkritumu iznīcināšanu.

11.1 Putekļsūcēja efektivitātes pārbaude

Vismaz reizi gadā ražotājam vai viņa instruētai personai ir jāveic tehniskā pārbaude, tostarp jāpārbauda filtri, putekļu sūcēja hermētiskums un vadības mehānismi.

Turklāt H un H-asbestos klases putekļu sūcēju efektivitāte ir jāpārbauda vismaz reizi gadā vai biežāk. Testa metode, ko var izmantot ierīces efektivitātes noteikšanai, ir definēta standartā

EN 60335-2-69 AA.22.201.2. Ja tests nav izturēts, tas jāatkārto, izmantojot jaunu galveno filtru.

Jānodrošina pietiekama gaisa apmaiņa L, ja ierīces izplūdes gaiss nonāk atpakaļ telpā. Stikākas norādes, lūdzu, meklējiet savas valsts izdotajos noteikumos.

Ja putekļu sūcēja sūkšanas jauda samazinās un bieži jātīra kroku filtru kārtīdži, sūkšana nenotiek (ar nosacījumu, ka tvertne ir iztukšota un „Vlies” filtra maisiņš ir nomainīts), tad jāmaina kroku filtru kārtīdži (skatīt „8.1 Gofrēto filtra kasetņu mainīšana” 237. lpp.).

12 Tīrīšana

PIEZĪME

Skābes, acetons un šķīdinātāji var sabojāt putekļsūcēja daļas.

- ▶ Tvertni un piederumus mazgājiet ar ūdeni.
- ▶ Augšdaļu noslaukiet ar mitru drānu.
- ▶ Ļaujiet traukam un piederumiem nožūt.

13 Remonts

⚠ BRĪDINĀJUMS!

Putekļu sūcēji, kas tiek remontēti neprofesionāli, ir bīstami lietotājam.

Remontdarbus drīkst veikt tikai speciālisti, piem., klientu apkalpošanas dienests. Izmantojiet tikai oriģinālās rezerves daļas.

14 Darbības traucējumu novēršana un remonts

PIEZĪME		
Traucējumus ne vienmēr var izsekot līdz putekļsūcēja defektiem.		
Kļūme	Cēlonis	Novēršana
Samazinās sūkšanas jauda	Nefīrs filtrs	Iztīrīt
	Filtra maiss ir pilns	Nomainīt
	Tvertne ir pilna	Iztukšot
	Ir bloķēts motora aizsargfiltrs	Iztīrīt
	Ir bloķēta sprausla, caurule vai šļūtene	Iztīrīt
Putekļsūcēju nevar iedarbināt	Kontaktdakša nav iesprausta kontaktligzdā	Iespraudiet kontaktdakšu kontaktligzdā
	Tīklā nav sprieguma	Pārbaudīt drošinātāju
	Bojāts barošanas kabelis	Nomainīt
	Vāks nav pareizi aizvērts	Aizvērt
	Ūdens sensors ir izslēgts	Iztukšot tvertni
	Putekļsūcējs ir gaidstāves režīmā >A< vai >RA<	Pārslēdziet slēdzi stāvoklī >I< (skatīt „3 Displejs un vadības elementi” 234. lpp.)
Ieslēdzot instrumentu >A< vai >RA< režīmā, putekļsūcējs nesāk darboties	Elektriskais instruments nav pievienots putekļu sūcēja kontaktligzdai	Iespraudiet kontaktdakšu putekļu sūcēja kontaktligzdā
	Ir piesāņots pneimatiskā ieslēgšanas-izslēgšanas bloka elektromagnētiskais vārsts*	Noskalot ar spirtu
Polietilēna (PE) vienreizlietojamais maiss piesūkts pie filtra	Nepareizs grozāmā aizbīdņa stāvoklis	Pārslēdziet grozāmo aizbīdni stāvoklī OPEN ▲ (ATVĒRTS) (skatīt „7.4 Ievietojiet PE vienreizlietojamo maisu” 237. lpp.)
M vai H kategorijas putekļsūcējs: esot ievietotam filtru maisam, tvertnē krājas putekļi	Nepareizs grozāmā aizbīdņa stāvoklis	Pārslēgt grozāmo aizbīdni stāvoklī CLOSE ▲ (AIZVĒRTS) (skatīt „7.3 Ievietojiet flīsa filtra maisu” 237. lpp.)

Neko nemēģiniet darīt paši; sazinieties ar klientu apkalpošanas centru.

15 Tehniskie dati

Tips: IS		ISC L/M/H-1425 (ISC L/M/H-1450)
Spriegums	V	220-240
Frekvence	Hz	50/60
Nominālā jauda	W	1200
Maks. jauda	W	1400
Gaisa plūsma*	l/s (m³/h)	73 (263)
Vakuuma spiediens*	hPa/MG	270
Gaisa plūsma**	l/s (m³/h)	42 (151)
Vakuuma spiediens**	hPa/SE	235
Skaņas spiediens	dB(A)	69
Svars	kg	12,1 / 17,1
Izmēri g x p x a	cm	45 x 39 x 49 / 59,5 x 46,5 x 96

* pie ventilatora

** pie šļūtenes

* atkarībā no aprīkojuma varianta

Maks. jauda, putekļsūcēji ar kontaktligzdu: 2 000 W (220-240V~)

Barošanas kabelis L putekļu klases putekļsūcējiem ar kontaktligzdu: H05RR-F 3G1,5

Barošanas kabelis M un H putekļu klases un azbesta H klases putekļsūcējiem ar kontaktligzdu: H07RN-F 3G1,5

16 Pārbaudes un apstiprinājumi

Elektrotehniskās pārbaudes jāveic saskaņā ar Nelaiemes gadījumu novēršanas noteikumiem (DGUV V3) un DIN VDE 0701 1. daļu un 3. daļu. Šādas pārbaudes saskaņā ar DIN VDE 0702 jāveic regulāri, kā arī pēc remontdarbu vai izmaiņu veikšanas.

Putekļu sūcēji ir veiksmīgi pārbaudīti saskaņā ar IEC/EN 60335–2–69.

PIEZĪME

Novecojušās ierīces satur vērtīgus materiālus, kas ir piemēroti otrreizējai pārstrādei. **Neizmetiet putekļu sūcēju kopā ar parastiem sadzīves atkritumiem**, bet gan atbilstoši likvidējiet to, izmantojot savākšanas sistēmu, piem., vietējās pašvaldības savākšanas punktu.

17 ES atbilstības deklarācija

Ar šo mēs, Husqvarna AB, SE 561 82 Huskvarnå, ZVIEDRIJĀ, tālr. nr. +46 36 146500, apliecinām, ka šis izstrādājums:

Apraksts	Putekļu savācējs
Zīmols	HUSQVARNA
Tips/modelis	S 11
Identifikācija	Ar 2022. gada sērijas numuriem un turpmākiem sērijas numuriem

pilnībā atbilst šādām ES direktīvām un noteikumiem:

Direktīva/regula	Apraksts
2006/42/EK 2014/30/ES 2011/65/ES	par mašīnām par elektromagnētisko savietojamību par bīstamu vielu izmantošanas ierobežošanu

un ir ievēroti tālāk norādītie saskaņotie standarti un/vai tehniskās specifikācijas;

EN ISO 12100:2010

EN 55014-1:2017

EN 55014-2:2015

EN 61000-3-2:2014

EN 61000-3-3:2013

EN 60335-2-69:2012

EN IEC 63000:2018

Partille, 2022-10-12







Martins Hubers (Martin Huber)

Izpētes un attīstības direktors, Betona virsmu un grīdu nodaļa

Husqvarna AB Celtniecības daļa

Atbildīgais par tehnisko dokumentāciju

1 Объяснение используемых символов и знаков

Символ / Сигнальное слово	Описание
	Это предупредительный символ. Он предупреждает о потенциальной опасности травмирования. Соблюдайте все инструкции, обозначенные данным символом, чтобы избежать травм или смертельного исхода. Предупредительный символ всегда используется в сочетании с сигнальными словами ОПАСНОСТЬ , ПРЕДУПРЕЖДЕНИЕ и ОСТОРОЖНО .
ОПАСНОСТЬ!	Обозначает высокий уровень опасности, которая приведет к смертельному исходу или тяжелым травмам, если не принять меры по ее предотвращению.
ПРЕДУПРЕЖДЕНИЕ!	Обозначает средний уровень опасности, которая может привести к смертельному исходу или тяжелым травмам, если не принять меры по ее предотвращению.
ОСТОРОЖНО!	Обозначает низкий уровень опасности, которая может привести к травмам легкой или средней тяжести, если не принять меры по ее предотвращению.
УКАЗАНИЕ	Этот значок указывает на советы и указания для облегчения работы и обеспечения безопасности.
	Обозначает условие, обязательное для соблюдения перед тем, как будет выполнено соответствующее действие.
	Обозначает действия, которые должны быть поочередно выполнены пользователем.
	Обозначает результат действия.

2 Важная информация по технике безопасности

ПРЕДУПРЕЖДЕНИЕ!

Опасность удушья! Не разрешайте детям играть с упаковочным материалом, например, полиэтиленовыми пакетами.

Не становитесь и не садитесь на пылесос.

Существует риск падения, когда убираете на лестнице. Обеспечивайте устойчивое расположение.

Не протягивайте, не перегибайте и не пережимайте сетевой кабель и всасывающий шланг через острые грани

Сразу выключите пылесос, если из него начинает выливаться жидкость или пена

Следите за тем, чтобы внутренняя поверхность крышки всегда оставалась сухой.

Следите за тем, чтобы внутренняя поверхность крышки всегда была сухой.

Не используйте пылесос, включая принадлежности, в следующих случаях:

- Кабель сетевого питания или удлинительный кабель неисправен или потрескался
- Есть видимое повреждение пылесоса, например, трещины на корпусе
- Если подозреваете невидимый дефект, например, после падения

ОПАСНОСТЬ!

Опасность взрыва и пожара! Не пользуйтесь пылесосом в потенциально взрывоопасной среде.

Пылесос должен находиться вдали от воспламеняющихся газов и веществ.

⚠ ОПАСНОСТЬ!

Опасность взрыва и пожара! Не используйте пылесос для уборки следующего:

- огнеопасные или взрывоопасные растворители
- материалы, пропитанные растворителями
- потенциально взрывоопасные виды пыли
- жидкости, такие как бензин, масло, спирт, разбавители
- материалы горячее чем 60 °С

⚠ ПРЕДУПРЕЖДЕНИЕ!

Неквалифицированно отремонтированный прибор представляет опасность для пользователя. Ремонт должен производиться только специалистами, напр., в сервисных центрах. Используйте только оригинальные запчасти.

⚠ ПРЕДУПРЕЖДЕНИЕ!

Используйте розетку на пылесосе только для указанных в руководстве по эксплуатации целей.

Производитель не несет ответственности за ущерб, возникший при нарушении правил эксплуатации, при неправильном использовании или при ремонте не в сервисных центрах.

Не используйте поврежденный удлинитель.

Поврежденный сетевой шнур заменяйте только на оригинальный, заказывайте его у производителя или в сервисном центре.

Не допускайте соприкосновения щеток двигателя с сетевым кабелем.

Электрическое напряжение, указанное на заводской табличке, прикрепленной к пылесосу, должно соответствовать электрическому напряжению в сети.

После окончания работы и перед техническим обслуживанием всегда выключайте пылесос и вынимайте штепсельную вилку из розетки.

Чтобы выключить пылесос, никогда не тяните за кабель, только за штепсельную вилку.

При включении и выключении пылесоса никогда не касайтесь штепсельной вилки мокрыми руками.

Система электропитания должна быть защищена предохранителем с соответствующей силой тока

Никогда не открывайте пылесос на улице во время дождя или непогоды.

Храните пылесос внутри помещений в сухом и защищенном от мороза месте.

⚠ ПРЕДУПРЕЖДЕНИЕ!

Пылесосы испытаны в соответствии с DIN EN 60335-2-69, и они подразделяются в зависимости от класса пыли, для уборки которой они предназначены.

Пылесос класса пыли **L** пригоден для всасывания/сбора сухой, негорючей, опасной для здоровья пыли с предельной концентрацией на рабочем месте $> 1 \text{ мг/м}^3$.

Пылесосы класса **M** предназначены для всасывания сухой, негорючей пыли, не воспламеняющихся жидкостей, древесной пыли или опасной пыли с предельным показателем концентрации вредных веществ $\geq 0,1 \text{ мг/м}^3$.

Пылесосы класса **H** предназначены для всасывания сухой, не горючей пыли, канцерогенных или патогенных частиц, а также не горючих жидкостей, древесной пыли или опасной для здоровья пыли с предельным показателем концентрации вредных веществ $< 0,1 \text{ мг/м}^3$.

⚠ ПРЕДУПРЕЖДЕНИЕ!

Пылесосы для пыли класса **H-асбест** подходят для уборки и извлечения пыли, содержащей асбест. Соблюдайте государственные нормативы эксплуатации и обслуживания инструментов для удаления асбеста.

⚠ ПРЕДУПРЕЖДЕНИЕ!

Использование данного устройства запрещено лицам (в том числе и детям) со сниженными физическими, сенсорными или умственными способностями или лицам, не имеющим опыта его использования.

За детьми требуется наблюдение, чтобы убедиться, что они не играют с устройством.

Никогда не направляйте шланг или трубку пылесоса на людей или животных.

⚠ ПРЕДУПРЕЖДЕНИЕ!

Используйте только щетки, поставляемые с пылесосом или указанные в инструкции по эксплуатации.

Использование других щеток может быть опасным.

При использовании на предприятиях пищевой промышленности: Очистите пылесос сразу же после использования и продезинфицируйте его, чтобы избежать загрязнения микроорганизмами.

Не используйте для чистки пароструйные устройства или очистители высокого давления.

Эксплуатируйте пылесос только под наблюдением.

Отключите пылесос от сети в случае длительного перерыва в работе.

Не очищайте кассетные фильтры, используя сжатый воздух.

Перед началом использования пылесоса внимательно прочтите руководство по эксплуатации. Руководство по эксплуатации содержит важные инструкции по безопасности, вводу в эксплуатацию, использованию, техническому обслуживанию и уходу. Храните руководство по эксплуатации в надежном месте и в случае продажи устройства передайте его следующему владельцу.

Производитель оставляет за собой право на внесение изменений в конструкцию и дизайн.

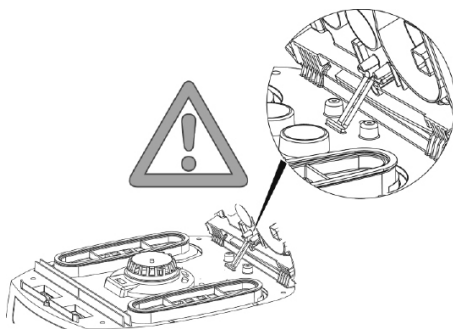
Вы не можете осуществлять какие-либо работы, кроме тех, которые описаны в настоящем руководстве по эксплуатации.

Данное устройство предназначено для коммерческого использования, например, в отелях, школах, больницах, магазинах, офисах, на производстве, а также для сдачи в аренду.

Перед эксплуатацией



При распаковке прибора обратите внимание на комплектность и наличие повреждений, возникших вследствие транспортировки.

Перед началом эксплуатации пользователь должен быть проинформирован и проинструктирован по использованию пылесоса и в отношении веществ, для которых может быть использован пылесос, включая надежные способы устранения абсорбированных материалов.



3 Элементы индикации и управления

Положение переключателя	Функция	Описание
0	пылесос выключен	- Розетка находится под напряжением
I	пылесос работает	- Розетка находится под напряжением - Функция автоматической виброочистки фильтров отключена
A	Автоматическая система Вкл./Выкл. пылесоса	- Розетка находится под напряжением - через подключенный в розетку пылесоса электроинструмент / пневматический инструмент пылесос включается и выключается вместе с ним

Положение переключателя	Функция	Описание
RA	Автоматическая система Вкл./Выкл. пылесоса	- Автоматический режим в комбинации с автоматической очисткой фильтра
	Функция автоматической очистки фильтров	- Очистка фильтра происходит автоматически, когда достигается показатель предварительно установленной настройки минимального объема потока воздуха в течение последующей паузы в рабочем цикле (переключатель в режиме >RA<)
	Индикатор уровня заполнения*	- Индикатор уровня заполнения загорается, когда контейнер заполнен и/или всасывающий шланг засорен. На пылесосах для пыли класса M и H также издается звуковой сигнал
	Установка диаметра всасывающего шланга *	- На пылесосах M-/H-/H-асбест для контроля объемного расхода, чтобы включать звуковой предупреждающий сигнал, когда скорость воздуха падает ниже 20 м/с
	Установка скорости двигателя*	- Регулировка мощности всасывания с помощью регулятора мощности

4 Ввод в эксплуатацию

4.1 Перед каждым использованием

Убедитесь, что выполнены следующие условия:

- △ Пылесос, кабель сетевого питания, всасывающий шланг и дополнительные принадлежности не повреждены.
- △ Все фильтры установлены и не повреждены.

4.2 Включение и выключение

Розетка на пылесосе всегда остается под напряжением, независимо от положения главного выключателя.

△ ПРЕДУПРЕЖДЕНИЕ!

Опасность травмирования при автоматическом запуске электроинструмента!

- ▶ Выключите питание электроинструмента или пневматического инструмента, прежде чем подключать его к пылесосу.

УКАЗАНИЕ

При положении выключателя >0< розетка на пылесосе может быть использована в качестве удлинителя.

△ **Емкость соединения:** Вакуум + подключенное устройство (макс. 2000 Вт) макс. 16 А.

4.2.2 Включение пылесоса

Функции см. в разделе «3 Элементы индикации и управления» на стр. 244.

- ▶ Вставьте вилку в розетку.

- ▶ Установите переключатель в положение >I<.

↳ Пылесос запускается немедленно.

или:

- ▶ Установите переключатель в положение >A< или >RA<.

↳ Пылесос находится в режиме ожидания для электроинструментов.

4.2.3 Установка диаметра всасывающего шланга*

- ▶ Установите диаметр всасывающего шланга с помощью регулятора.

△ ОСТОРОЖНО!

Селекторный переключатель для сигнала о минимальном объемном расходе воздуха (звуковой сигнал и световая индикация) на пылесосах для пыли класса «M» и «H»

В зависимости от диаметра шланга в режимах >RA< и >I< выполняется следующая установка:

Селекторный переключатель для внутреннего диаметра всасывающего шланга	Объемный расход воздуха
∅ 35 мм	70 л/с
∅ 27 мм	41 л/с
∅ 21 мм	25 л/с

Скорость можно регулировать индивидуально после установки диаметра шланга.

* в зависимости от разновидности оборудования

4.2.4 Регулировка мощности всасывания*

- ▶ Отрегулируйте скорость двигателя с помощью переключателя.
- или:
- ▶ Установите вспомогательную задвижку для впуска воздуха на трубке с ручкой.
- ▶ Храните соединительный кабель сетевого питания на крюке для кабеля.
- ▶ Храните всасывающую трубку, вставив ее в держатель для принадлежностей* на тыльной стенке контейнера.
- ▶ Соедините концы всасывающего шланга, чтобы из него не выпал мусор.
- ▶ Снимите электроинструмент.

5 Виды эксплуатации

5.1 Сухая уборка

- ▶ Для сухой уборки используйте только пылесосы, фильтры и принадлежности, предназначенные для сухой уборки, чтобы избежать прилипания и затвердения пыли.
- ▶ При уборке сажи, цемента, штукатурки или аналогичных видов пыли: Вставьте полиэтиленовый мешок для удаления отходов в контейнер для мусора.
- ▶ Всегда используйте мешки для удаления отходов вместе со складчатыми кассетными фильтрами.

УКАЗАНИЕ

Пылесосы классов M, H и H-Asbest преимущественно используются как пылесосы для сухой уборки..

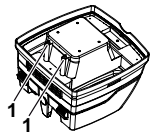
5.2 Всасывание жидкостей

⚠ ПРЕДУПРЕЖДЕНИЕ!

Опасность электрического удара!

- ▶ Сразу выключите пылесос, если из него начинает выливаться жидкость или пена.
- ▶ Очистить контейнер и, при необходимости, складчатый кассетный фильтр.

УКАЗАНИЕ



Регулярно очищайте датчик уровня воды (1) и проверяйте на наличие повреждений.

- ▶ Всасывать без флисового фильтр-мешка. Кассеты складчатого фильтра пригодны для влажной уборки. Встроенный датчик выключает двигатель при полном баке. Работа пылесоса может быть нарушена из-за заполненного бака.

4.2.5 Выключение пылесоса

- ▶ Установите переключатель в положение >0<.
 - ↳ Пылесос выключен.
- ▶ После выключения вытащите сетевую вилку.
- ▶ Скрутите соединительный кабель сетевого питания.
- ▶ Освобождение контейнера от мусора (см. «7 Освобождение контейнера от мусора» на стр. 247).

УКАЗАНИЕ

Пока пылесос не выключен, будет включена блокировка перезапуска. Только после выключения и повторного включения пылесос снова готов к работе.

- ▶ Перед очисткой пылесоса необходимо сначала вынуть всасывающий шланг из жидкости.
- ▶ Из-за высокой мощности всасывания и обтекаемой формы контейнера из шланга после выключения пылесоса может вылиться небольшое количество воды.
- ▶ При завершающей сухой уборке используйте фильтры для сухой уборки.

УКАЗАНИЕ

При частой смене сухой и влажной уборки рекомендуется использовать для замены второй комплект фильтров, предпочтительно, складчатые кассетные фильтры из полиэстера.

5.3 Всасывание асбестосодержащих веществ

Только пылесосы, предназначенные для уборки пыли класса H-асбест, могут использоваться для удаления асбестосодержащих веществ.

- ▶ Используйте только сухой фильтр, пылесос и дополнительные принадлежности, чтобы избежать прилипания и затвердевания пыли.
- ▶ Для всасывания асбестосодержащих веществ: Вставьте полиэтиленовый мешок для мусора или флисовый фильтр-мешок в контейнер для мусора.
- ▶ Всегда используйте фильтры-мешки вместе со складчатыми кассетными фильтрами.

УКАЗАНИЕ

Пылесосы для пыли класса H-асбест должны использоваться предпочтительно для уборки сухой пыли.

⚠ ПРЕДУПРЕЖДЕНИЕ!

Опасно для здоровья!

Асбестовые волокна в воздухе.

- ▶ Обеспечьте рабочую зону достаточным притоком наружного воздуха (свежего воздуха).
- ▶ Направляйте или очищайте отработанный воздух таким образом, чтобы асбестовые волокна не попадали в воздух, которым дышат другие люди.
- ▶ При фильтрации отработанного воздуха собирайте пыль в пыленепроницаемые контейнеры.
- ▶ Не пересыпайте пыль.

Если существует вероятность освобождения асбестовых волокон:

- ▶ Улавливайте асбестовые волокна на выходе или в точке образования.
- ▶ Затем утилизируйте асбестовые волокна в соответствии с современными техническими возможностями, обеспечив безопасность людей и окружающей среды.

Если асбестовые волокна собрать полностью невозможно:

- ▶ Используйте дополнительные меры по вентиляции в соответствии с современными техническими возможностями.

После завершения работы:

- ▶ Тщательно очистите инструменты, включая всасывающие трубки и рабочее оборудование.
- ▶ Тщательно очистите рабочую зону.
- ▶ Увлажните и полностью удалите объекты, загрязненные асбестовыми волокнами, которые невозможно очистить.

После очистки:

- ▶ Провентилируйте рабочую зону в достаточной мере.

6 Постоянная очистка фильтров

Пылесос оснащен системой электромагнитной очистки фильтров, позволяющей очищать кассетные фильтры от любой налипшей пыли.

Очистка фильтра происходит автоматически, когда достигается показатель предварительно установленной настройки минимального объема потока воздуха в течение последующей паузы в рабочем цикле (переключатель в режиме >RA<).

7 Освобождение контейнера от мусора

УКАЗАНИЕ

Допускается только для пыли с предельным показателем концентрации вредных веществ > 1 мг/м³.

- ▶ Выключите пылесос из сети.
- ▶ Откройте защелки.
- ▶ Снимите с контейнера крышку и выньте шланг.
- ▶ Очистите контейнер от содержимого.

7.1 Утилизация флисового фильтр-мешка

- ▶ Выключите пылесос.
- ▶ Отсоедините сетевую вилку.
- ▶ Наденьте соответствующий респиратор.
- ▶ Снимите всасывающий шланг.
- ▶ Закройте воздухозаборное гнездо крышкой.
- ▶ Разомкните боковые защелки.
- ▶ Снимите верхнюю часть.
- ▶ Аккуратно вытяните фланец из воздухозаборного гнезда и закройте фланец.
- ▶ Утилизируйте собранный мусор в соответствии с требованиями законодательства.

7.2 Утилизация полиэтиленового мешка для удаления отходов

- ▶ Установите переключатель в положение >RA<.
 - ↳ Складчатые кассетные фильтры очищаются автоматически.
 - ↳ Остаточная пыль в фильтрах попадает в мешок.
- ▶ Выключите пылесос.
- ▶ Отсоедините сетевую вилку.
- ▶ Наденьте соответствующий респиратор.
- ▶ Снимите всасывающий шланг.
- ▶ Закройте воздухозаборное гнездо крышкой.
- ▶ Разомкните боковые защелки.
- ▶ Снимите верхнюю часть.
- ▶ Аккуратно закройте полиэтиленовый фильтр-мешок защитной лентой (прилагается в комплекте).
- ▶ Аккуратно снимите фланец с всасывающего штуцера и закройте его.
- ▶ Аккуратно выньте полиэтиленовый фильтр-мешок из контейнера.
- ▶ Утилизируйте собранный мусор в соответствии с требованиями законодательства.

7.3 Вставьте флисовый фильтр-мешок

УКАЗАНИЕ

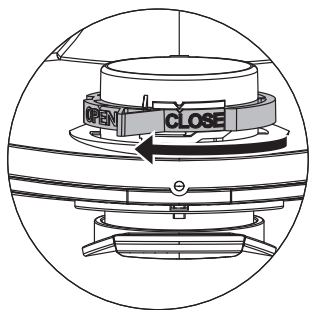
Используйте флисовые фильтр-мешки только для сухой уборки.

- ▶ Полностью задвиньте фланец над воздухозаборным гнездом.

УКАЗАНИЕ

Управление поворотной заслонкой

- ▶ Поверните красную внутреннюю поворотную заслонку в положение CLOSE (ЗАКРЫТО) до остановки на метке ▲ .



7.4 Вставьте полиэтиленовый мешок для удаления отходов*

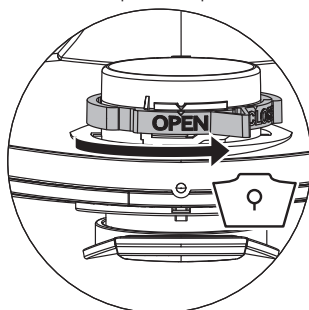
УКАЗАНИЕ

Для использования пылесосы полиэтиленового фильтр-мешка подходят только пылесосы классов M и H, имеющие специальный контейнер и поворотную заслонку во всасывающем отверстии, типов IS/ISC ARM, IS/ISC ARH и IS/ISC ARH-ASBEST.

УКАЗАНИЕ

Управление поворотной заслонкой

- ▶ Поверните внутреннюю красную поворотную заслонку в положение OPEN (ОТКРЫТО) до остановки на метке ▲.
- ▶ Полностью сдвиньте фланец над воздухозаборным гнездом.
- ▶ Расположите верхнее отверстие мешка по краю контейнера.



8 Замена фильтра

8.1 Замена складчатых кассетных фильтров

- ▶ Перед заменой кассетные фильтры необходимо очистить.
- ▶ Поверните замок на защелке на 90° против часовой стрелки с помощью монеты или аналогичного предмета и прижмите защелку.
- ▶ Откиньте крышку.

- ▶ Вынутый складчатый кассетный фильтр сразу же поместите в пыленепроницаемый пластиковый мешок и утилизируйте согласно законодательным нормам.
- ▶ Вставьте новый складчатый кассетный фильтр.
- ▶ Поднимите фиксаторы задвижки, опустите крышку и легким нажатием зафиксируйте ее.

9 Замена фильтра защиты двигателя

УКАЗАНИЕ

Если фильтр защиты мотора загрязнен, это указывает на поврежденный кассетный фильтр.

- ▶ Замените складчатый кассетный фильтр.
- ▶ Замените фильтр защиты мотора или промойте защитный фильтр мотора под проточной водой, высушите и поставьте на место.

10 Транспортировка

- ▶ Снимите всасывающий шланг.
- ▶ Закройте воздухозаборное гнездо крышкой.
- ▶ Установите верхнюю часть на контейнер.
- ▶ Закройте боковые защелки.
- ▶ Уберите принадлежности в соответствующий пластиковый мешок и закройте его или уберите в специальное место для хранения инструментов.
- ▶ Соедините концы всасывающего шланга.
- ▶ Положите шланг вокруг пылесоса и прикрепите к ручке.

11 Техническое обслуживание

УКАЗАНИЕ

Перед каждым техническим обслуживанием необходимо выключить пылесос и вытащить вилку из розетки.

Для технического обслуживания пользователем пылесос необходимо

- разобрать
- почистить,
- Провести техническое обслуживание

если это возможно осуществить не вызывая опасности для обслуживающего персонала и иных лиц.

Меры предосторожности

Надлежащие меры предосторожности включают в себя

- чистку перед демонтажем,
- заблаговременную подготовку принудительной вентиляции в том месте, где будет демонтироваться пылесос,
- уборку места проведения технического обслуживания и
- соответствующие личные средства защиты.

Меры предосторожности для пылесосов класса Н и М

Прежде чем забрать пылесос из опасной среды, его поверхность необходимо очистить, вымыть или обработать герметиком. Все части пылесоса должны рассматриваться как загрязненные. Необходимо предпринять соответствующие мероприятия для предотвращения распространения пыли.

Загрязненные предметы

При проведении работ по техническому обслуживанию или ремонту все загрязненные предметы, которые невозможно очистить до удовлетворительного состояния, должны быть утилизированы. Такие предметы должны утилизироваться в герметичных мешках в соответствии с действующими нормами по утилизации таких отходов.

11.1 Проверка эффективности пылесоса

Не реже одного раза в год производитель или специалист, прошедший инструктаж, должен выполнить технический осмотр, который включает проверку фильтров, герметичности пылесоса и механизмов управления.

Кроме того, эффективность пылесосов для пыли класса Н и Н-асбест должна проверяться не реже одного раза в год или чаще. Метод испытания, который может быть использован для демонстрации эффективности устройства, определен в EN 60335-2-69 AA.22.201.2. Если испытание не пройдено, его необходимо повторить с новым основным фильтром.

В помещении должна быть достаточная кратность воздухообмена L, если отработанный воздух возвращается в помещение. Прочие указания содержатся в Ваших национальных предписаниях.

Если мощность всасывания пылесоса снижается, а очистка складчатого кассетного фильтра не увеличивает ее (при условии, что контейнер пуст, а Флисовый фильтр-мешок заменен), то необходимо заменить складчатый кассетный фильтр (См. «8.1 Замена складчатых кассетных фильтров» на стр. 248).

12 Очистка

УКАЗАНИЕ

Кислоты, ацетон и растворители могут повредить детали пылесоса.

- ▶ Вымойте контейнер и принадлежности водой.
- ▶ Протрите верхнюю часть влажной тканью.
- ▶ Дайте контейнеру и принадлежностям высохнуть.

13 Ремонт

⚠ ПРЕДУПРЕЖДЕНИЕ!

Неквалифицированно отремонтированный пылесос представляет опасность для пользователя.

- ▶ Ремонт должен производиться только специалистами, напр., в сервисных центрах. Используйте только оригинальные запчасти.

14 Устранение неисправностей и ремонт

УКАЗАНИЕ

Сбои не всегда вызваны неисправностями пылесоса.

Неисправность	Причина	Устранение неисправности
Падение мощности всасывания	Фильтр загрязнен	Очистите
	Фильтр-мешок заполнен	Замените
	Контейнер заполнен	Освободите от содержимого
	Фильтр защиты двигателя засорен	Очистите
	Насадка, трубка или шланг засорились	Очистите
Пылесос не запускается	Сетевая вилка не вставлена в розетку	Вставьте сетевую вилку в розетку
	Нет напряжения сети	Проверьте предохранитель
	Соединительный кабель сетевого питания неисправен	Замените
	Крышка закрыта неправильно	Закройте
	Датчик воды выключен	Освободите контейнер от содержимого
	Пылесос в режиме ожидания >A< или >RA<	Установите переключатель в положение >I< (см. «3 Элементы индикации и управления» на стр. 244)
Пылесос не запускается, когда инструмент включается в режиме >A< или >RA<	Электрический инструмент не подключен к розетке на пылесосе	Вставьте сетевую вилку в розетку на пылесосе
	Электромагнитный клапан пневматического устройства включения-выключения* загрязнен	Промойте спиртом
Полиэтиленовый мешок для удаления отходов присасывается к фильтру	Неправильное положение поворотной заслонки	Установите поворотную заслонку в положение OPEN (ОТКРЫТО) ▲ (см. «7.4 Вставьте полиэтиленовый мешок для удаления отходов*» на стр. 248)
Пылесос для пыли класса M или H: с установленным фильтр-мешком пыль накапливается в контейнере	Неправильное положение поворотной заслонки	Установите поворотную заслонку в положение CLOSE (ЗАКРЫТО) ▲ (см. «7.3 Вставьте флисовый фильтр-мешок» на стр. 247)

Не предпринимайте никаких других действий, обращайтесь в службу по работе с клиентами.

15 Технические данные

Тип: IS		ISC L/M/H-1425 (ISC L/M/H-1450)
Напряжение	V	220-240
Частота	Hz	50/60
Номинальная мощность	W	1200
Макс. мощность	W	1400
Поток воздуха*	l/s (m ³ /h)	73 (263)
Разрежение*	hPa/MG	270
Поток воздуха**	l/s (m ³ /h)	42 (151)
Разрежение**	hPa/SE	235
Акустическая нагрузка	dB(A)	69
Вес	kg	12,1 / 17,1
Размеры д х ш х в	cm	45 x 39 x 49 / 59,5 x 46,5 x 96

* на вентиляторе

** на шланге

Макс. мощность пылесосов с розеткой: 2 000 Вт (220-240V~)

Соединительный кабель сетевого питания пылесосов для пыли класса L с розеткой: H05RR-F 3G1,5

Соединительный кабель сетевого питания пылесосов для пыли класса M, H и H-асбест с розеткой: H07RN-F 3G1,5

16 Испытания и допуски

Электротехнические испытания проводятся в соответствии с положением о предупреждении несчастных случаев (DGUV V3) и в соответствии с директивами DIN VDE 0701 Часть 1 и Часть 3. Данные испытания, в соответствии с директивами DIN VDE 0702, необходимо проводить регулярно, а также после каждой наладки (ремонта) или после внесения изменений.

Пылесосы успешно прошли проверку в соответствии с требованиями IEC/EN 60335-2-69.

УКАЗАНИЕ

В старых приборах содержатся драгоценные материалы, пригодные для переработки. **Не выбрасывайте пылесос вместе с обычным бытовым мусором.** Используйте для этого специальные места для сбора аналогичных отходов.

17 Декларация о соответствии требованиям ЕС

Мы, компания Husqvarna AB, SE 561 82 Huskvara, ШВЕЦИЯ, Тел. +46 36 146500 под свою исключительную ответственность заявляем, что представленное изделие:

Описание	Пылеуловитель
Марка	HUSQVARNA
Тип / Модель	S 11
Идентификация	Серийные номера начиная с 2022 года и далее

полностью соответствует следующим директивам и нормам ЕС:

Директива/Норматив	Описание
2006/42/EC 2014/30/EU 2011/65/EU	"о механическом оборудовании" "об электромагнитной совместимости" "об ограничении содержания вредных веществ"

а также требованиям следующих стандартов и/или технических регламентов:

EN ISO 12100:2010

EN 55014-1:2017

EN 55014-2:2015

EN 61000-3-2:2014

EN 61000-3-3:2013

EN 60335-2-69:2012

EN IEC 63000:2018

Partille, 2022-10-12



Мартин Хубер (Martin Huber)

Директор отдела разработок, оборудование для бетонных поверхностей и полов
Husqvarna AB, подразделение строительной техники
Ответственный за техническую документацию

1 所使用的符号和标志的说明

标志 / 警示词	说明
△	这是警示标志。它提醒你可能出现的伤害。遵守带有此图标的指示，以避免受伤或死亡。此警示图标总是与警示词危险、警告和小心一起出现。
危险!	表示高度危险，如不避免会导致死亡或重伤。
警告!	表示中度危险，如不避免可能导致死亡或重伤。
小心!	表示低度危险，如不避免可能导致轻微或中度伤害
注意	确定简化工作并确保安全操作的建议或指示。
△	表示操作前必须满足的条件。
▶	表示用户按顺序依次执行的操作步骤。
↳	表示一个操作的结果。

2 重要安全信息

△ 警告！

窒息危险！请勿让儿童玩弄包装材料，如塑料袋等。
请勿爬上真空吸尘器或坐在机器上。
在楼梯上作业时，有跌落的风险。请注意安全地站立。
电源线及吸入软管搭在锐利棱边上，请勿硬拉、扭结或夹紧。
请将电源线及吸入软管始终敷设在没有人被绊倒的位置。
泡沫或液体溢出时，请立即关闭吸尘器。
顶盖内部始终保持干燥。
在以下情况下，请勿使用包括附件在内的真空吸尘器：

- 电源连接线缆或延长线缆有缺陷或出现裂纹
- 真空吸尘器有明显的损坏，如外壳上有裂纹
- 如果您怀疑其有不可见的缺陷，如在将机器掉落时

△ 危险！

有爆炸和火灾的危险！请勿在潜在的易爆环境中运行真空吸尘器。
将真空吸尘器远离易燃气体和物质。

△ 危险！

有爆炸和火灾的危险！请勿使用真空吸尘器清洁以下物质：

- 易燃或易爆溶剂
- 浸泡在溶剂中的材料
- 潜在的易爆粉尘
- 如汽油、油、酒精、稀释剂等液体
- 温度为 60 °C 以上的材料

△ 警告！

擅自维修的设备会对用户构成危险。请将维修工作仅交给客服等专业人员执行。只能使用原装备件。

△ 警告！

吸尘器上的插座专用于使用说明书规定的用途。

如果滥用、操作不当或擅自维修，本制造商对所造成的各种损害概不承担任何责任。

切勿使用损坏的加长电缆。

如果吸尘器电源线被损坏，必须更换由制造商及其客服提供的特制电源线。

电动刷损坏时，切勿使旋转电动刷与电源线接触。

型号铭牌上标注的电压必须与电源电压相吻合。

在每次使用吸尘器之后和维修之前，请关闭吸尘器并拔掉电源插头。

请务必拔掉电源插头，切勿用力拉电源线。

切勿用湿手插入或拔掉电源插头。

电源组必须利用具有适当电流强度的保险装置予以安全保护。

在户外作业时，遇下雨或雷雨天气，切勿打开吸尘器。

将吸尘器干燥且防冻地保存在室内。

△ 警告！

除尘机器根据 DIN EN 60335-2-69 进行测试并划分粉尘等级。

粉尘等级为 L 的吸尘装置适用于吸入干燥、不易燃以及职业接触限值 $> 1 \text{ mg/m}^3$ 的危害人体健康的粉尘。

M 级吸尘器适用于吸入/抽吸干燥的不可燃粉尘、不可燃液体、木屑及对健康有害的 $\text{AGW} \geq 0.1 \text{ mg/m}^3$ 粉尘。

H 级吸尘器适用于吸入/抽吸干燥的不可燃粉尘、致癌及病发颗粒，不可燃液体、木屑及对健康有害的 $\text{AGW} < 0.1 \text{ mg/m}^3$ 粉尘。

△ 警告！

用于粉尘等级 H 石棉的真空吸尘器适用于真空吸尘和提取含有石棉的粉尘。遵守国家有关石棉清除工具的操作和维护的规定。

△ 警告！

该机器禁止由身体、感官或心智能力受限人员（包括儿童）或缺乏足够的知识和经验的人员操作。

应确保儿童不会使用该设备玩耍。

切勿将喷嘴、软管或管道朝向人或动物。

警告！

仅可使用真空吸尘器随附或者操作说明中指定的刷子。

使用其他刷子可能危及安全。

用于食品加工业务时：使用后请立即清洁真空吸尘器并进行消毒，以避免微生物污染。

请勿使用任何蒸汽喷头或高压清洁剂进行清洁。

仅可在监督下操作真空吸尘器。

如果有较长时间的作业中断，请断开真空吸尘器与电源的连接。

请勿用压缩空气清洁过滤器滤芯。

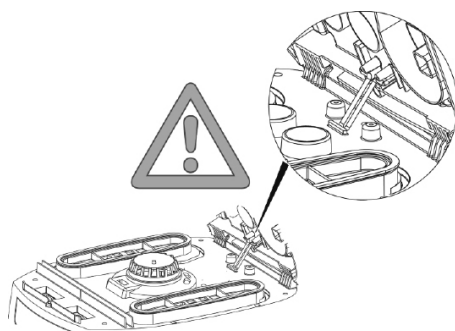
在开始使用真空吸尘器之前，请仔细阅读操作手册。操作手册提供了安全、调试、操作、维护和保养的重要说明。请将操作手册放置在安全的地方；如果您出售本机，请将手册交于下一位所有者。制造商保留设计及设备改进的所有权。请不得进行非本使用说明书所述的操作。

该机器设计用于商业用途，例如：酒店、学校、医院、工厂、办公室和出租商埠。



产品使用之前

打开外包装时，请注意产品是否齐全以及是否有运输中造成的损坏。

产品使用之前，厂家为用户提供了针对吸尘器、适用材料使用及其包括的吸收材料安全清除方法的信息、须知及培训。



3 显示和控制元件

开关位置	功能	说明
0	关闭吸尘器	- 插座通电
I	吸尘器运行	- 插座通电 - 自动震动功能关闭
A	自动开关预备操作	- 插座通电 - 吸尘器通过电气/气动工具*与插座连接将会开启和关闭。
RA	自动开关预备操作	- 预备操作如>A<滤袋自动清理
	自动过滤器清洁功能	- 当灰尘达到体积容量时，会进行自动清理（切换至RA）。
	液位指示灯*	- 当水箱充满和/或吸入软管堵塞时，液位指示灯亮起。在灰尘等级为M和H的真空吸尘器上也会发出声音信号
	设置吸入软管直径*	- 用于体积流量监测的M-/H-/H石棉真空吸尘器，在空气速度低于20 m/s时触发声音警告信号
	设置电机转速*	- 使用速度控制调整吸力

* 取决于设备变量

4 调试

4.1 每次使用前

确保满足以下条件：

- △ 真空吸尘器、电源线、吸入软管和配件未损坏。
- △ 所有过滤器均已插入且未损坏。

4.2 打开和关闭

无论主开关位置如何，真空吸尘器上的插头插座始终处于欠压状态。

△警告！

自动启动电动工具的有受伤的危险！

- ▶ 连接真空吸尘器前，请关闭电动工具或气动工具。

注意

开关位置 $>0<$ 时，吸尘器上的插座可作为加长电缆使用。

△连接载荷：吸尘器+连接设备（最大2000 W）最大16 A。

4.2.2 打开真空吸尘器

功能请参见第255页上的“3 显示和控制元件”。

- ▶ 将插头插入插头插座。
- ▶ 将开关位置设为 $>I<$ 。
 - ↳ 真空吸尘器立即启动。

或者：

- ▶ 将开关位置设为 $>A<$ 或 $>RA<$ 。
 - ↳ 使用电动工具时真空吸尘器处于待机模式。

4.2.3 设置吸入软管直径*

- ▶ 在开关处设置吸入软管直径。

小心！

灰尘等级为“M”和“H”的真空吸尘器上的最小空气体积流动信号（喇叭和灯）的选择开关在模式 $>RA<$ 和 $>I<$ 中，根据软管的直径进行以下设置：

吸入软管直径的选择器开关	体积气流
∅ 35 mm	70 l/s
∅ 27 mm	41 l/s
∅ 21 mm	25 l/s

设置软管直径后，可以单独调整速度。

4.2.4 调整吸力*

- ▶ 在开关上调整电机转速。
 - 或者
- ▶ 设置手柄管上的辅助空气滑块。

4.2.5 关闭真空吸尘器

- ▶ 将开关位置设为 $>0<$ 。
 - ↳ 真空吸尘器关闭。
- ▶ 关闭后，将电源插头拔出。
- ▶ 卷起电源连接线缆。
- ▶ 将电源连接线缆存放在线缆钩上。
- ▶ 通过将吸入软管插入容器后壁上的配件架*来对其进行存放。
- ▶ 将吸入软管端部放在一起，以免灰尘颗粒泄漏。
- ▶ 取下电动工具。

5 运行模式

5.1 干吸

- ▶ 只能用于干的过滤器、吸尘器及配件吸尘，以防粉尘黏附结壳。
- ▶ 在吸取烟灰、水泥、石膏或类似粉尘时：将聚乙烯废物清理袋插入灰尘容器中。
- ▶ 始终将处理袋与滤芯组合使用。

注意

M、H及H-Asbest级吸尘器最好作为干吸尘器使用。

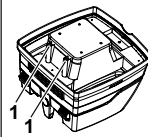
5.2 吸取液体

△警告！

触电危险！

- ▶ 泡沫或液体溢出时，请立即关闭吸尘器。
- ▶ 清空容器，如需要，清空折叠过滤盒。

注意



定期清理水位传感器(1)，检查其是否有损坏迹象。

- ▶ 在未使用无纺布过滤袋时吸入。
 - 折叠式过滤器 & 适用于湿式吸尘。
- 已装入的传感器用于在容器已满时关闭电机。容器被充满时可能会使吸尘装置的操作受到影响。

- ▶ 清空容器（参见第257页上的“7 清空容器”）。

注意

如果吸尘器未关闭，那么重启保护继续起作用。只有当吸尘器关闭且重新启动之后，吸尘器才重新准备就绪。

- ▶ 在清空之前，首先从液体里取出吸入软管。
- ▶ 因吸尘功率大，容器形状易于流动，关闭之后，会有少量水从软管里倒流。
- ▶ 连接干吸时，使用干过滤器。

注意

干吸与湿吸经常更换时，本公司建议使用第二套过滤器，最好是聚酯折叠过滤盒。

5.3 吸取含有石棉的物质

仅用于粉尘等级H石棉的真空吸尘器可用于真空吸取含有石棉的物质。

- ▶ 仅可使用干式过滤器、吸尘器和附件，以防粉尘粘附和堵塞。
- ▶ 要吸取含有石棉的物质：将聚乙烯清空袋或羊毛滤袋插入污物容器中。
- ▶ 务必将滤袋与折叠式过滤器滤筒组合使用。

注意

H石棉类真空吸尘器更适合作为干性粉尘真空吸尘器使用。

警告！

健康危害！

空气中的石棉纤维。

- ▶ 为作业区域提供足够的外部空气（新鲜空气）。
- ▶ 引导或清洁抽出的空气，使得石棉纤维不会进入其他人的呼吸空气中。
- ▶ 过滤抽出的空气时，将粉尘输送至防尘容器中。
- ▶ 请勿倒出粉尘。

如果石棉纤维有可能逸出：

- ▶ 在出口或来源点吸收石棉纤维。
- ▶ 然后根据现有技术处理石棉纤维，从而使其不会对人或环境造成任何危险。

如果无法完全吸收石棉纤维：

- ▶ 根据现有技术采取额外的通风措施。

完成作业后：

- ▶ 仔细清洁工具，包括吸入管和作业设备。
- ▶ 请仔细清洁作业区域。
- ▶ 润湿并妥善清除无法清洁的被石棉纤维污染的物体。

清洁后：

- ▶ 充分通风作业区域。

6 永久过滤器清洁

真空吸尘器配有电磁过滤器清洁系统，可用于清洁滤芯上附着的灰尘。

当灰尘达到体积容量时，会进行自动清理（切换至RA）。

7 清空容器

注意

只能当粉尘AGW > 1 mg/m³时，是允许的

- ▶ 关闭吸尘器，拔掉电源插头。
- ▶ 打开闭锁装置。
- ▶ 从容器里取出顶盖和吸入软管。
- ▶ 将容器倒空。

7.1 处理无纺布过滤袋

- ▶ 关闭真空吸尘器。
- ▶ 断开电源插头。
- ▶ 佩戴合适的呼吸面罩。
- ▶ 取下吸入软管。
- ▶ 用盖子关闭进气插口。
- ▶ 打开侧面的闭锁装置。
- ▶ 取下顶部部分。
- ▶ 小心地将法兰从进气插口拉出并关闭法兰。
- ▶ 按照法律规定处理收集到的材料。

7.2 处理聚乙烯废物清空清理袋

- ▶ 将开关位置设为 > RA <。
 - ↳ 折叠式过滤器滤芯自动清洁。
 - ↳ 过滤器中残留的灰尘落入袋中。
- ▶ 关闭真空吸尘器。
- ▶ 断开电源插头。
- ▶ 佩戴合适的呼吸面罩。
- ▶ 取下吸入软管。
- ▶ 用盖子关闭进气插口。
- ▶ 打开侧面的闭锁装置。
- ▶ 取下顶部部分。
- ▶ 用附带的封闭带，小心地密封住聚乙烯废物清空清理袋。
- ▶ 小心从吸入口接头上拔掉法兰并且封堵
- ▶ 小心从容器中取出聚乙烯废物清空清理袋
- ▶ 按照法律规定处理收集到的材料。

7.3 插入无纺布过滤袋

注意

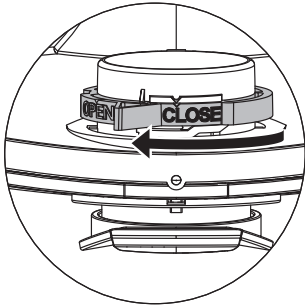
仅可使用无纺布过滤袋进行干式真空清洁。

- ▶ 完全通过进气插口缓慢插入法兰。

注意

操作旋转阀

- ▶ 将内部红色旋转阀向CLOSE位置转动至其达到标记 ▲ 上的停止处。



7.4 插入聚乙烯废物清空清理袋*

注意

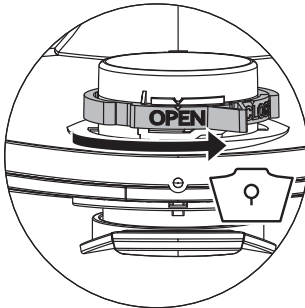
仅限于附带特制容器和吸入口中的旋转阀的M和H级IS/ISC ARM, IS/ISC ARH 和 IS/ISC ARH-ASBEST 型吸尘器适用于聚乙烯废物清空清理袋。

注意

操作旋转阀

- ▶ 将内部红色旋转阀向OPEN位置转动至其达到标记 ▲ 上的停止处。

- ▶ 完全通过进气插口缓慢插入法兰。
- ▶ 将上部袋子的开口放在容器边缘上方。



8 更换过滤器

8.1 更换折叠式过滤器滤芯

- ▶ 在更换过滤器滤芯之前，请对其进行清洁。

- ▶ 使用硬币或类似物体沿逆时针方向将闭锁装置上的锁旋转90°，然后将闭锁装置推向后部。
- ▶ 掀开外罩
- ▶ 将取出的折叠过滤盒立即堵住防尘塑料袋，并且按规程清理废弃物。
- ▶ 使用新的折叠过滤盒。
- ▶ 提起锁定支架，翻下外罩，轻轻按压将其锁住。

9 更换电机保护过滤器

注意

如果电机保护过滤器有脏物，那么这说明过滤盒损坏。

- ▶ 更换折叠过滤盒。
- ▶ 更换电机保护过滤器或将电机保护过滤器用自来水洗净，使其干燥并重新装入。

10 运输

- 取下吸入软管。
- 用盖子关闭进气插口。
- ▶ 将顶部部分放置于容器上。
- ▶ 关闭侧面的闭锁装置。
- ▶ 将配件放入适宜的塑料袋内，密封塑料袋或将配件放入工具存放处内。
- ▶ 吸入软管末端与吸入软管始端插接在一起。
- ▶ 将软管绕在吸尘器上，并且将其在把手上夹紧。

11 保养

注意

在每次吸尘器维修之前，请关闭吸尘器并拔掉电源插头。

为了用户便于维修，吸尘器必须

- 拆散，
- 经过清洗并且
- 进行维修，

维修可在上述范围之内实施，不会对维修及其他人员造成危险。

预防措施

适当的预防措施包括

- 拆卸之前清洗，
- 采取吸尘器拆卸时的局部过滤强制通风的预防措施，
- 清洁维修区域及
- 适当的个人防护装备。

H和M级吸尘器预防措施

在将吸尘器部件从对健康有害的区域取出之前，其外表应通过吸尘方法清理，擦拭干净或用密封材料加以处理。如果所有的吸尘器部件从对健康有害的区域取出，必须把它们看做是受到污染的吸尘器部件，并且必须采取适当处理措施，以避免粉尘扩散。

受污染的物品

维修作业时，所有受污染的物品清理无法令人满意，就必须对其进行废弃物回收处理。按照现行的废弃物清除相关规定，这样的废弃物必须装入不渗透的袋子，进行废弃物回收处理。

11.1 测试真空吸尘器的有效性

每年至少一次，制造商或被委派人员必须进行包括过滤器、真空吸尘器的气密性和控制机构在内的技术检查。

此外，每年至少一次，或者更频繁地检查具有粉尘等级H和H-石棉的真空吸尘器的有效性。EN 60335-2-69 AA.22.201.2中定义了可用于展示装置有效性的测试方法。如果测试未通过，则必须使用新的主过滤器进行重复测试。

如果排出空气回流室内，那么室内必须具备足够的换气率L。其他说明请参照所在国的相关规定。

吸尘器吸尘功率降低，同时增加折叠过滤盒清洗次数。如果吸尘功率仍降低（前提条件是清空容器并且更换过滤纸袋），那么需要更换折叠过滤盒（请参见第282页上的第258页上的“8.1 更换折叠式过滤器滤芯”）。

12 清洁

注意

酸、丙酮和溶剂可能会损坏真空吸尘器的部件。

- ▶ 用水清洁容器和配件。
- ▶ 用湿布擦拭顶部部分。
- ▶ 让容器和配件进行干燥。

13 维修

警告！

擅自维修的吸尘器会对用户构成危险。

- ▶ 请将维修工作仅交给专业人员，如客服人员来执行。只能使用原装备件。

14 故障排除和维修

注意

故障并不一定总是由真空吸尘器的故障引起。

故障	原因	补救措施
吸力下降	过滤器变脏	清洁
	过滤袋已满	更换
	容器已满	清空
	电机保护过滤器堵塞	清洁
	喷嘴、管子或软管堵塞	清洁
真空吸尘器不启动	电源插头未插入插座	将电源插头插入插座
	无电源电压	检查保险丝
	电源连接线缆出现故障	更换
	盖未正确关闭	关闭
	水传感器关闭	清空容器
在>A<或>RA<模式下开启工具时，真空吸尘器无法启动	真空吸尘器处于待机模式>A<或>RA<	将开关设为>I<（请参见第255页上的“3显示和控制元件”）
	电动工具未插入真空吸尘器上的插座	将电源插头插入真空吸尘器上的插座
聚乙烯废物清空清理袋被吸入过滤器	气动开关装置电磁阀*受到污染	用酒精冲洗
	旋转阀位置不正确	将旋转阀设为OPEN ▲位置（请参见第258页上的“7.4插入聚乙烯废物清空清理袋*”）
粉尘等级为M或H的真空吸尘器：已插入过滤袋，粉尘积聚在容器中	旋转阀位置不正确	将旋转阀设为CLOSE ▲位置（请参见第257页上的“7.3插入无纺布过滤袋”）

请勿尝试任何其他事情，请联系客户服务。

15 技术数据

类型: IS		ISC L/M/H-1425 (ISC L/M/H-1450)
电压	V	220-240
频率	Hz	50/60
额定功率	W	1200
最大功率	W	1400
气流*	l/s (m³/h)	73 (263)
负压*	hPa/MG	270
气流**	l/s (m³/h)	42 (151)
负压**	hPa/SE	235
声压	dB(A)	69
重量	kg	12,1 / 17,1
尺寸长 x 宽 x 高	cm	45 x 39 x 49 / 59,5 x 46,5 x 96

* 位于风扇处

** 位于软管处

带插头插座的真空吸尘器的最大电源：2000 W (220-240V~)

L类粉尘用真空吸尘器上带有插头插座的电源连接电缆：H05RR-F 3G1,5

M、H及H石棉类粉尘用真空吸尘器上带有插头插座的电源连接电缆：H07RN-F 3G1,5

16 检测及认证

电工技术检测必须按照安全技术规范的相关规定（DGUV V3）和 DIN VDE 0701 第 1 部分以及第 3 部分执行。这些检测必须按照 DIN VDE 0702 定期并且在维修或技术改进之后执行。

至少每年由制造商或经过培训的人员进行吸尘器技术检测一次，如检测过滤器损坏、吸尘器密封性、控制装置工作性能。

本吸尘器按照 IEC/EN 60335-2-69 经检测合格。

注意

废弃设备含有有用材料，可再回收利用。切勿擅自将废弃吸尘器混入普通生活垃圾，而是利用适当的回收系统进行专业化废弃物回收处理，如通过用户所在的废品回收站处理。

17 欧盟一致性声明

我们 (Husqvarna AB, SE 561 82 Huskvarna, SWEDEN , 电话 +46 36 146500) 谨此声明, 本产品 :

描述	除尘器
品牌	HUSQVARNA
类型/型号	S 11
标识	序列号自 2022 年起

完全符合以下欧盟指令和法规的要求, 我们对此负有唯一的责任 :

指令/法规	描述
2006/42/EC 2014/30/EU 2011/65/EU	"关于机械" "关于电磁兼容性" "关于限制使用某些有害物质"

并应用以下标准和/或技术参

数 ; EN ISO 12100:2010

EN 55014-1:2017

EN 55014-2:2015

EN 61000-3-2:2014

EN 61000-3-3:2013

EN 60335-2-69:2012

EN IEC 63000:2018

Partille, 2022-10-12



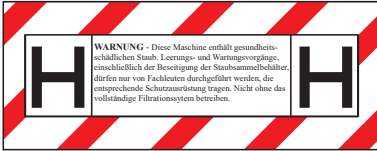
Martin Huber

混凝土表面和地面研发总监

Husqvarna AB, Construction 事业部

技术文档负责人

Staubklassen / dust class



Sauger der Staubklasse H sind geeignet für das Auf-/Absaugen von trockenen, nicht brennbaren Stäuben, krebserzeugenden und krankheitsregenden Partikeln sowie nicht brennbaren Flüssigkeiten, Holzstäuben und gesundheitsgefährlichen Stäuben mit AGWs < 0,1 mg/m³.

WARNUNG: Diese Maschine enthält gesundheitsschädlichen Staub. Leerungs- und Wartungsvorgänge, einschließlich der Beseitigung der Staubsammelbehälter, dürfen nur von Fachleuten durchgeführt werden, die entsprechende Schutzausrüstung tragen. Nicht ohne das vollständige Filtrationssystem betreiben.

Class H vacuum devices are suitable for aspiration/clearing of dry, non-combustible dusts, carcinogenic and pathogenic particles as well as non-combustible liquids, wood dusts and toxic dusts with workplace limit values of < 0.1 mg/m³.

WARNING: This machine contains harmful dust. Emptying and maintenance, including removing the dust collection container, may only be performed by specialist staff who are wearing the appropriate personal protective equipment. Never operate without a complete filtration system.

Les aspirateurs de la catégorie H sont appropriés pour l'aspiration de poussières sèches, non combustibles, de particules cancérogènes et pathogènes, ainsi que de liquides, de poussières de bois non combustibles et de poussières dangereuses avec des valeurs limites < 0,1 mg/m³.

AVERTISSEMENT : Cet appareil contient de la poussière nocive pour la santé. Les procédures de vidage et d'entretien, y compris l'élimination des collecteurs de poussière, ne doivent être effectuées que par du personnel spécialisé portant un équipement de protection adapté. Ne pas utiliser l'appareil sans le système de filtration complet.

Los aspiradores de la clase H son adecuados para aspirar o absorber polvo seco no inflamable, partículas patógenas o cancerígenas, así como líquidos no inflamables, polvo de madera y polvo peligroso para la salud con valor límite en el puesto de trabajo < 0,1 mg/m³.

AVISO: Esta máquina contiene polvo perjudicial para la salud. El vaciado y mantenimiento, así como la eliminación del depósito de recogida de polvo, deben ser realizados únicamente por expertos que lleven puesto el equipo de protección correspondiente. No poner en funcionamiento sin el sistema de filtrado completo.

Os aspiradores da classe H adequam-se à absorção/aspiração de pós secos, não inflamáveis, partículas cancerígenas e patogénicas, bem como líquidos não inflamáveis, pós de madeira e pós perigosos para a saúde com AGWs < 0,1 mg/m³.

AVISO: Esta máquina contém pó nocivo para a saúde. Os processos de esvaziamento e de manutenção incluindo a eliminação do depósito de acumulação de pó só podem ser efetuados por técnicos que usam o respetivo equipamento de proteção. Não operar sem o sistema de cartucho filtrante completo.

Gli aspiratori di classe H sono adatti all'aspirazione/assorbimento di polveri asciutte non infiammabili, particelle patogene e cancerogene, nonché liquidi non infiammabili, polvere di legno e polveri nocive con AGW pari a < 0,1 mg/m³.

AVVERTENZA Questa macchina contiene polveri nocive per la salute. Le operazioni di svuotamento e manutenzione, compresa la rimozione dei serbatoi della polvere, devono essere eseguite esclusivamente da persone esperte che indossino dispositivi di protezione individuale adeguati. Non azionare senza sistema di filtraggio completo.

Zuigers van de klasse H zijn geschikt voor het op-/afzuigen van droge, onbrandbare stoffen, kankerwekkende en ziekteverwekkende deeltjes evenals onbrandbare vloeistoffen, houtstof en gevaarlijke stoffen met kritische waarden op de werkplaats < 0,1 mg/m³.

WAARSCHUWING: Deze machine bevat stof dat gevaarlijk is voor de gezondheid. Leegmaak- en onderhoudsprocedures, inclusief het afvoeren van de stofcontainer, mogen alleen door vakmensen worden uitgevoerd, die passende beschermende uitrusting dragen. Nooit zonder volledig filtratiesysteem gebruiken.

Støvsugere i klasse H er beregnet til op-/afsugning af tørt, ikke brændbart støv, kræftfremkaldende og sygdomsfremkaldende partikler samt ikke brændbare væsker, træstøv og sundhedsskadeligt støv med AGW < 0,1 mg/m³.

ADVARSEL: Denne maskine indeholder sundhedsskadeligt støv. Tømning og vedligeholdelse, inklusive fjernelse af støvsamlingsbeholderne, må kun udføres af fagfolk, som bærer passende personlige værnemidler. Må ikke anvendes uden komplet filtreringssystem.

<p>Dammsugare i klass H är avsedda för absorbering/uppsugning av torr, icke brännbart damm, cancerframkallande och patogena partiklar samt icke brännbara vätskor, trädamn och hälsovådligt damm med AGWs < 0,1 mg/m³.</p>	<p>Odkurzaczce klasy H przystosowane są do odkurzania suchych, niepalnych pyłów, rakotwórczych oraz chorobotwórczych cząstek jak również niepalnych cieczy, pyłu drzewnego i pyłów niebezpiecznych dla zdrowia o stężeniu AGW < 0,1 mg/m³.</p>
<p>VARNING: Maskinen innehåller hälsoskadligt damm. Tömning och underhåll inklusive hantering av dammbehållaren får endast utföras av fackpersonal som bär därför avsedd skyddsutrustning. Får inte användas utan fullständigt filteringsssystem.</p>	<p>OSTRZEŻENIE: Maszyna zawiera kurz szkodliwy dla zdrowia. Procesy oczyszczania i konserwacji wraz z usuwaniem pojemnika zbierającego kurz mogą być wykonywane tylko przez specjalistów, posiadających odpowiednie wyposażenie ochronne. Nie używać bez kompletnego systemu filtracji.</p>
<p>Sugere i klasse H er egnet for oppsuging av tørr, ikke-brennbart støv, kreftfremkallende og sykdomsfremkallende partikler samt ikke-brennbare væsker, trestøv og helseskadelig støv med MBC < 0,1 mg/m³.</p>	<p>A H osztályú gépek a szárász és nem éghető porok, nem gyúlékony folyadékok, faforgácsok és AGWs < 0,1 mg/m³ értékű egészségkárosító porok fel- leszívására alkalmasak.</p>
<p>ADVARSEL: Denne maskinen inneholder helseskadelig støv. Prosedyrer for tømning og vedlikehold, inkludert fjerning av støvsamlebeholderen, må kun utføres av fagpersoner, som bruker tilsvarende verneutstyr. Drift må ikke skje uten det fullstendige filteringsssystemet.</p>	<p>FIGYELMEZTETÉS A gép az egészségre ártalmas port tartalmaz. Tisztítását és karbantartását, valamint a porgyűjtő-tartály eltávolítását kizárólag olyan szakemberek végezheti el, akik megfelelő védőfelszerelést viselnek. Nem használható a teljes szűrőrendszer nélkül.</p>
<p>Luokan H imurit soveltuvat kuivien, palamattomien pölyjen, syöpää aiheuttavien ja tauteja tartuttavien hiukkasten sekä palamattomien nesteiden, puupölyn ja terveydelle vaarallisten pölyjen (työpaikan raja-arvon ollessa < 0,1 mg/m³ imemiseen.</p>	<p>Vysavače třídy H jsou vhodné k vysávání/odsávání suchých, nehořlavých prachů, rakovinotvorných a choroboplodných částic, nehořlavých kapalin, dřevěných prachů a prachů ohrožujících zdraví s mezními hodnotami na pracovišti < 0,1 mg/m³.</p>
<p>VAROITUS: Kone sisältää terveydelle haitallista pölyä. Sen tyhjentyminen ja huoltaminen, pölynkeruusäiliön hävittäminen mukaan lukien, on jätettävä asiaankuuluvan ammattihenkilöstön suoritettavaksi, joka käyttää vaadittavaa suojavarustusta. Laitetta ei saa käyttää ilman täydellistä suodatusjärjestelmää.</p>	<p>VÝSTRAHA: Tento stroj obsahuje prach škodlivý pro zdraví. Vyprazdňování nádoby a údržby, včetně odstranění sběrné nádoby, mohou provádět pouze kvalifikovaní pracovníci, kteří používají odpovídající ochranné prostředky. Neprovazujte bez úplného filtračního systému.</p>
<p>Οι αναρροφητήρες της κατηγορίας H είναι κατάλληλοι για την απορρόφηση/αναρρόφηση στεγνής, μη εύφλεκτης σκόνης, καρκινογόνων και παθογόνων σωματιδίων καθώς και μη εύφλεκτων υγρών, ροκανιδίων και επικινδύνων για την υγεία σκόνης με οριακή τιμή επαγγελματικής έκθεσης < 0,1 mg/m³.</p>	<p>Vysávače triedy H sú vhodné na nasávanie/odsávanie suchého, nehořlavého prachu, rakovinotvorných a choroboplodných častíc, ako aj nehořlavých kvapalín, dreveného prachu a zdraviu škodlivého prachu so všeobecnými hraničnými hodnotami pre dýchanie < 0,1 mg/m³.</p>
<p>ΠΡΟΕΙΔΟΠΟΙΗΣΗ: Αυτή η συσκευή περιέχει σκόνη επιβλαβή για την υγεία. Οι διαδικασίες αδειάσματος και συντήρησης, συμπεριλαμβανομένης της απόρριψης των δοχείων συλλογής σκόνης, επιτρέπεται να πραγματοποιούνται μόνο από ειδικούς, που φορούν τον σχετικό εξοπλισμό προστασίας. Μην χρησιμοποιείτε τη συσκευή χωρίς το πλήρες σύστημα φιλτραρίσματος.</p>	<p>VÝSTRAHA: Tento prístroj obsahuje zdraviu škodlivý prach. Procesy vyprazdňovania a údržby, vrátane odstraňovania zberného vrečka na prach, smú vykonávať iba odborníci, ktorí nosia príslušné ochranné vybavenie. Prístroj neprevádzkujte bez kompletného filtračného systému.</p>

H sinifı süpürge makinaları kuru, yanıcı olmayan tozların, kanserojen ve sağlığa zararlı partiküllerin, yanıcı olmayan sıvıların, tahta talaşlarının ve AGWs < 0,1 mg/m³ tehlikeli tozların süpürülmesi/çekilmesi için tasarlanmıştır.

UYARI: Bu makine sağlığa zararlı toz içermektedir. Boşaltma ve bakım işlemleri, toz toplama haznesinin imhası dahil, sadece ilgili koruyucu donanımı giyen uzman kişiler tarafından gerçekleştirilmelidir. Komple filtrasyon sistemi olmadan çalıştırmayın.

Sesalnik i razreda H so primerni za sesanje suhiv negorljivih vrst prahu, rakotvornih in zdravju škodljivih delcev, nevnitljivih tekočin, lesnega prahu in nevarnih vrst prahu z vrednostjo AGW < 0,1 mg/m³.

OPOZORILO: Ta stroj vsebuje prah, ki škoduje zdravju. Postopke praznjenja in vzdrževanja, skupaj z odstranjevanjem zbiralne posode za prah, smejo izvajati samo strokovnjaki, ki nosijo ustrezno zaščitno opremo. Stroja ne uporabljajte brez potopnega filtrskega sistema.

Usisivači klase H prikladni su za usisavanje suhiv, nezapaljivih prašina, kancerogenih i patogenih čestica te nezapaljivih tekućina, drvenu prašinu i opasne prašine s graničnom vrijednosti na radnom mjestu < 0,1 mg/m³.

UPOZORENJE: Ovaj stroj sadrži prašinu štetnu po zdravlje. Postupke pražnjenja i održavanja, uključujući uklanjanje spremnika za skupljanje prašine, smiju provoditi samo stručnjaci koji nose odgovarajuću zaštitnu opremu. Nemojte raditi bez potpunog sustava za filtriranje.

Usisivači klase H namjenjeni su za usisavanje suhiv i nezapaljivih prašina, nezapaljivih tečnosti, čestica koje mogu izazvati rak ili bolesti, prašine drveta, i prašina opasnih po zdravlje graničnih radnih vrijednosti < 0,1 mg/m³.

UPOZORENJE: Ova mašina ima u sebi prašinu koja može da naškodi zdravlju. Postupci pražnjenja i održavanja, uključujući i uklanjanje suda za sakupljanje prašine dozvoljeno je da obavljaju samo stručna lica koja poseduju odgovarajuću zaštitnu opremu. Nikada nemojte da koristite uređaj bez kompletnog sistema filtracije.

Aspiratoarele din clasa H sunt recomandate pentru aspirarea prafulorilor uscate neinflamabile, a particulelor cancerigene și iritante cât și a lichidelor neinflamabile, a prafului produs prin prelucrarea lemnului și a prafulorilor dăunătoare sănătății cu AGWs < 0,1 mg/m³.

AVERTIZARE: Această mașină conține praf dăunător sănătății. Procedurile de golire și întreținere, inclusiv înlăturarea conținutului colector de praf, este permis să fie executate numai de către personal calificat, care poartă echipament de protecție corespunzător. Nu exploatați mașina fără sistemul complet de filtrare.

Klassi H tolmuimeija on mieldud kuiva, mittepõleva tolmu, kantserogeensete partiklite nagu mittepõleva vedeliku, puidutolmu ja ohtlike tolmu eemaldamiseks, kui ohtlike ainetes piinorm töökeskkonnas on < 0,1 mg/m³.

HOIATUS: Antud masin sisaldab tervistkahjustavat tolmu. Tühjendus- ja hooldusprotseduure, sealhulgas tolmu- gumismahuti utiliseerimist tohivad teostada ainult vastavat kaitsevarustust kandvad spetsialistid. Ärge käitage ilma täieliku filtreerimissüsteemita.

H klasės siurbiai skirti sausoms, nedegioms dulkiams, vėžio ir ligų nesukeliančioms dalelėms bei nedegioms skysčiams, medžio ir sveikatai nepavojingoms dulkiams siurbti, kurių leidžiama ribinė koncentracija < 0,1 mg/m³.

ĮSPĖJIMAS: Šioje mašinoje yra sveikatai kenksmingų dulkių. Ištuštinimo ir techninės priežiūros darbus, įskaitant dulkių surinkimo rezervuarų šalinimą, leidžiama atlikti tik specialistams, naudojantiems atitinkamas apsaugines priemones. Nenaudokite, jei yra ne visi filtravimo sistemos elementai.

H klases putekļu sūcēji ir piemēroti, lai iesūktu/atsūktu sausus, nedegošus putekļus, kancerogēnas un patogēniskas daļiņas, kā arī nedegošus šķidrumus, koksnes putekļus un cilvēka veselībai bīstamus putekļus ar AER < 0,1 mg/m³.

BRĪDINĀJUMS Šī mašina satur veselībai kaitīgus putekļus. Iztukšošanas un apkopes procedūras, ieskaitot putekļu savākšanas tvertnes noņemšanu, drīkst veikt tikai speciālisti, kuriem ir atbilstošs aizsargaprīkojums. Nedarbiniet bez pilnas filtrācijas sistēmas.

Праховсмукачки клас Н са подходящи за всмукване/ изсмукване на сухи, негорими прахове, канцерогенни и болестотворни частици, за негорими течности, дървесен прах и опасни за здравето прахове с максимален обем на вдишване < 0,1 mg/m³.

ПРЕДУПРЕЖДЕНИЕ: Тази машина съдържа вреден за здравето прах. Изпразване и техническо обслужване, включително отстраняване на контейнера за прах, трябва да се извършват само от специалисти, използващи съответните предпазни средства. Не използвайте без комплектната филтрираща система.

Пылесосы класса Н предназначены для всасывания сухой, не горючей пыли, канцерогенных или патогенных частиц, а также не горючих жидкостей, древесной пыли или опасной для здоровья пыли с предельным показателем концентрации вредных веществ < 0,1 мг/м³.

ПРЕДУПРЕЖДЕНИЕ: Устройство содержит вредную для здоровья пыль. Опорожнение и техническое обслуживание, включая утилизацию пылесборников, должны выполняться только специалистами, использующими соответствующее защитное снаряжение. Запрещена эксплуатация без комплектной фильтрующей системы.

H级吸尘器适用于吸入/抽吸干燥的不可燃粉尘、致癌及病发颗粒，不可燃液体、木屑及对健康有害的AGW < 0.1 mg/m³ 粉尘。

警告：该机器包含有害健康的粉尘。清空和维护过程（包括清除粉尘容器）仅可由专业人员在佩戴相应的保护装置情况下执行。在过滤系统不完整的情况下请勿使用。



FR

Cet appareil,
ses cordons,
et batterie
se recyclent

À DÉPOSER
EN MAGASIN

OU

À DÉPOSER
EN DÉCHÈTERIE

Points de collecte sur www.quefairedemesdechets.fr
Privilégiez la réparation ou le don de votre appareil !

Husqvarna®

www.husqvarnaconstruction.com

Original instructions
Instructions d'origine
Originele instructies
Originalanweisungen
Bruksanvisning i original
Originale instruktioner
Alkuperäiset ohjeet
Originale instruksjoner
Instrucciones originales

Instruções originais
Istruzioni originali
Αρχικές οδηγίες
Orijinal talimatlar

Instruções inițiale
Оригинални инструкции
Eredeti útmutatás
Originalne instrukcije
Pôvodné pokyny
Původní pokyny
Izvirna navodila
Originaljuhend
Originalios instrukcijos
Lietošanas pamācība
Оригинальные инструкции
原始说明



FR

1142095-93



2022-12-07