

SERVICE MANUAL
BMC-335 ELITE + RC
VERSION 1.3



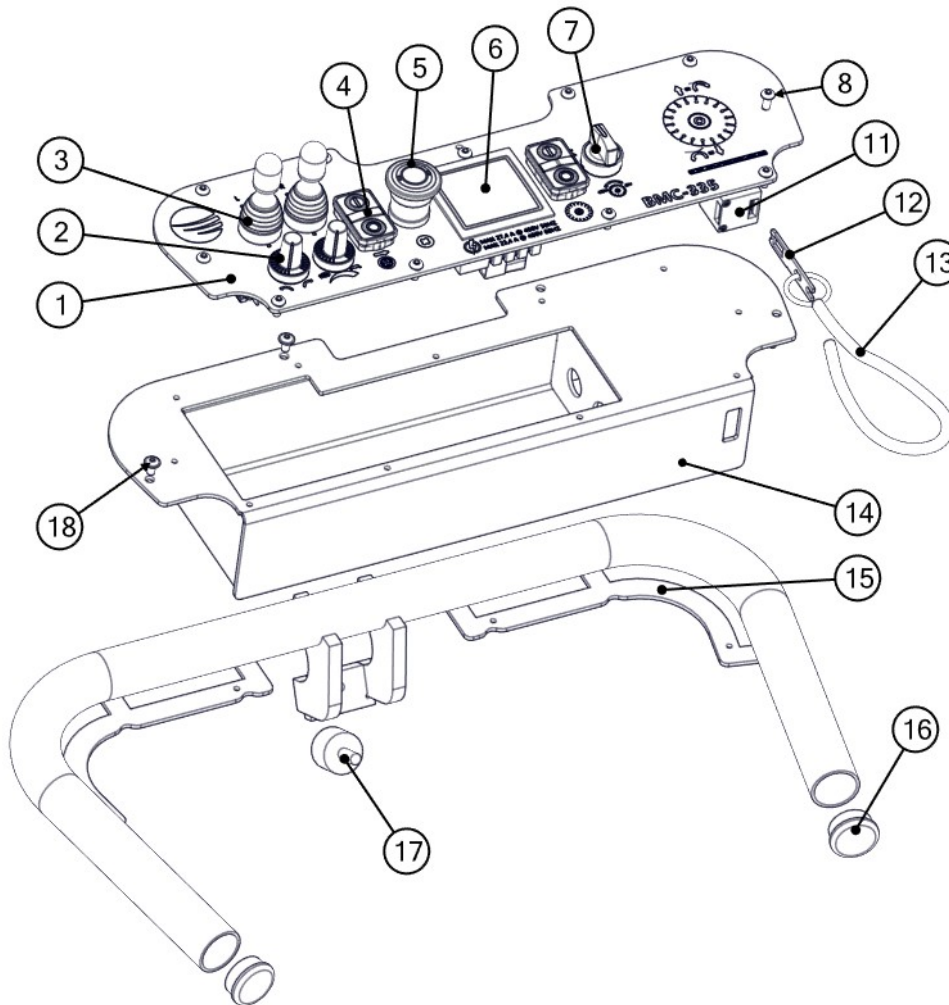
Table of contents

Table of Contents

Inspection comments	2
Table of contents	3
Fig. 01 Steerhandle complete BMC (E14329)	4
Fig. 02 Drive unit RH (E13799)	5
Fig. 03 Drive unit LH (E13800)	6
Fig. 04 Height adjustment (E13665)	7
Fig. 05 Height adjustable support & Depth adjustment	8
Fig. 06 Bearing unit	9
Fig. 07 Side plate & bearing unit	10
Fig. 08 Water system & Dust hose	11
Fig. 09 Drumhousing 335 MKII	12
Fig. 10 Drive BMC-335 ELITE	13
Fig. 11 Rebuild BMC-335 to a BMP-335	14
Fig. 12 Frame 335 MKII	15
Fig. 13 Frontwheel assy (E14001)	16
Fig. 14 Electrobox	17
Fig. 15 Remote control	18
Fig. 16 Sawing drum	19
Fig. 17 Drums	20
Fig. 18 Dust collection system	20



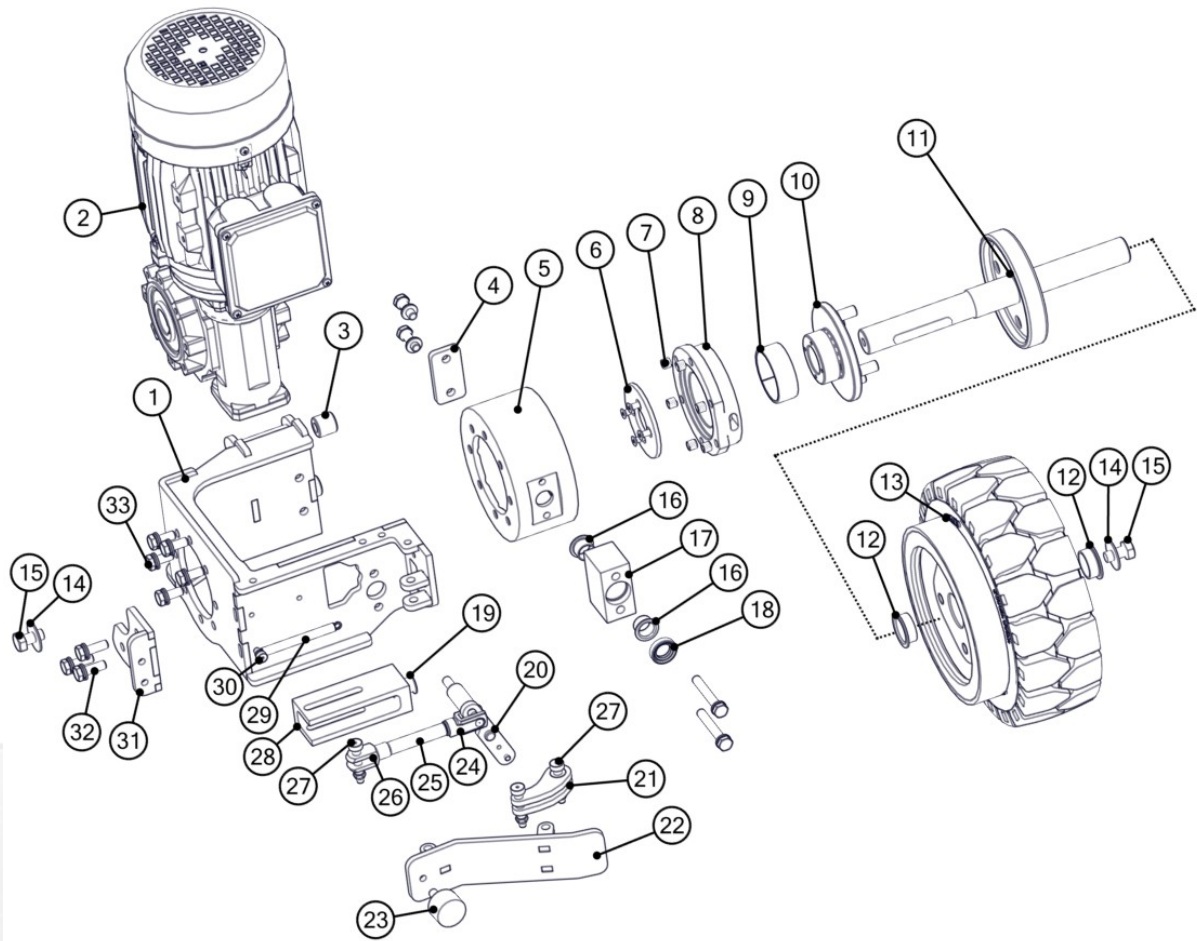
Fig. 01 Steerhandle complete BMC (E14329)



Item	Blastrac PN	HQV PN	Description	Qty.
1	E13750	-	BMC resopal plate	1
2	E01351-1	-	Speed regulator	2
3	E17078	534654401	Joystick For/Rev	2
4	E07804	533990401	On/Off-button	2
5	E01543	533749201	Emergency stop-button	1
6	E17281	-	Digital amp meter	1
7	E01323	533403101	Switch	1
8			M5x12 Hex socket buttonhead screw	11
11	BG11760	533387401	Dead man switch	1
12	BG11759	533289101	Key for dead man switch	1
13	BG11758	533810801	Cord for dead man switch	1
14	E13700	534409101	Control box	1
15	E13616	535190001	Steerhandle	1
16	BE0643	533407601	Tube cap round 35mm	2
17	E11187	533267601	Rubber bumper	1
18			M5x10 Hex socket button head screw with flange	4
19				
20				
21				



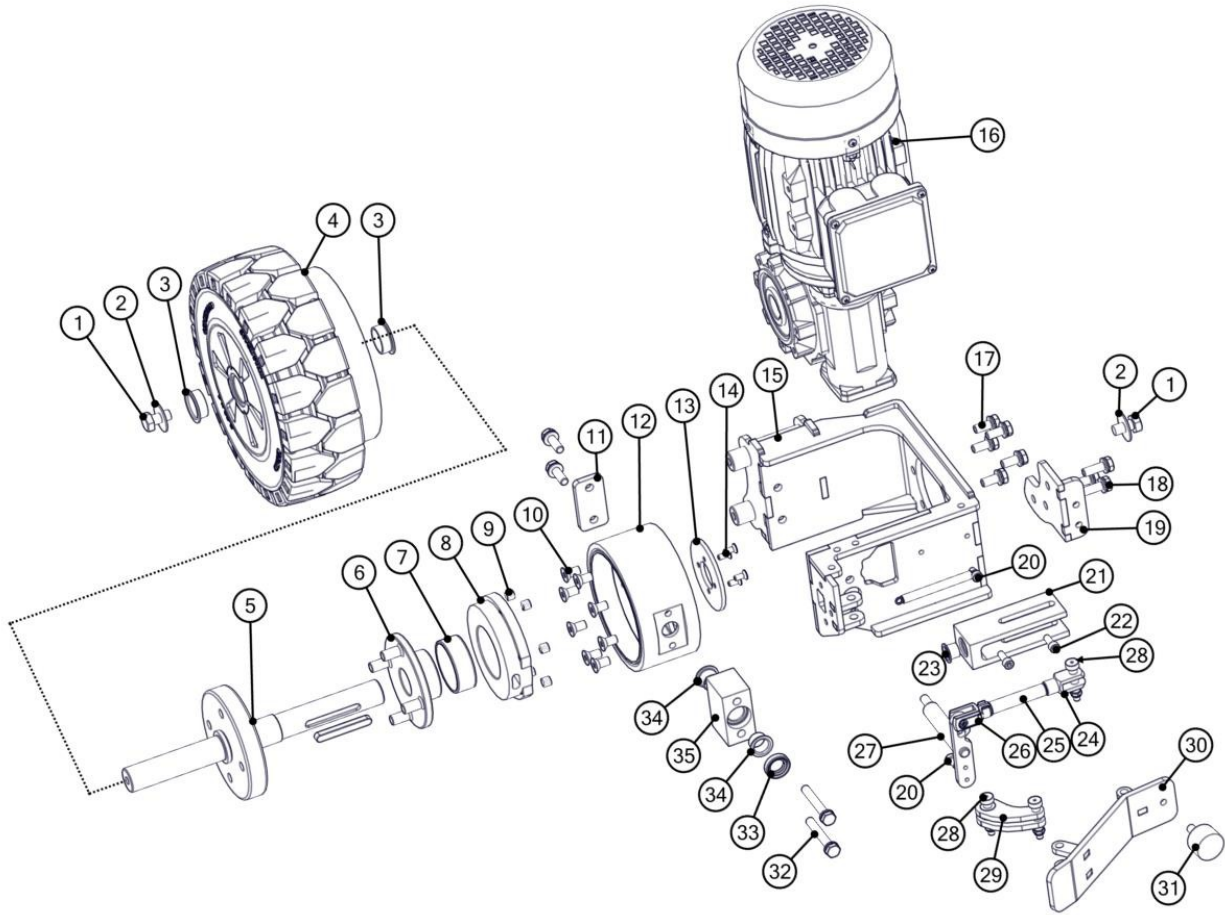
Fig. 02 Drive unit RH (E13799)



Item	Blastrac PN	HQV PN	Description	Remarks	Qty.
1	E14572	534522901	Drive bracket RH		1
2	E13814	534239701	Drive motor		1
3	E14006	535365701	RH drive spacer		1
4	E13928	534855901	Spacer drive unit		1
5	E13964-1	535632601	Drive housing assy		1
6	E13796	535208801	Lockingplate		1
7	E13798	534869101	Spring		6
8	E13795	534774801	Pressing plate		1
9	E13887	534759501	Bearing		1
10	E13963	534619701	Heavy duty fork		1
11	E13787	534522301	Drive axle		1
12	E13687	534758601	Bearing		2
13	E13789	534939001	Wheel complete		1
14			M10x20 Bolt		2
15			M10 Washer Ø30		2
16	E13881	534759301	Bearing		2
17	E13794-1	535626001	Block		1
18	E13792	534791901	Radial shaft seal		1
19	E13880	534759201	Bearing		1
20	E14249	535173901	Excentric axle RH		1
21	E14007	535216601	Pedal lever		1
22	E15351	535224701	Pedal		1
23	E11187	533267601	Rubber bumper		1
24			M8 Fork joint with pin		1
25	E14008	535180101	Foot axle		1
26			M8 Fork joint		1
27	BE1110	534691601	M6 Fixing screw		3
28	E14573	534847201	Slide block		1
29	B20091	534868201	Tension spring		1
30	BE1109	534690201	M5 Fixing screw		2
31	E15594	534872301	Stiffening bracket RH		1
32			M8x25 Bolt + washer + springlock washer		3
33			M8x20 Bolt + washer + springlock washer		5



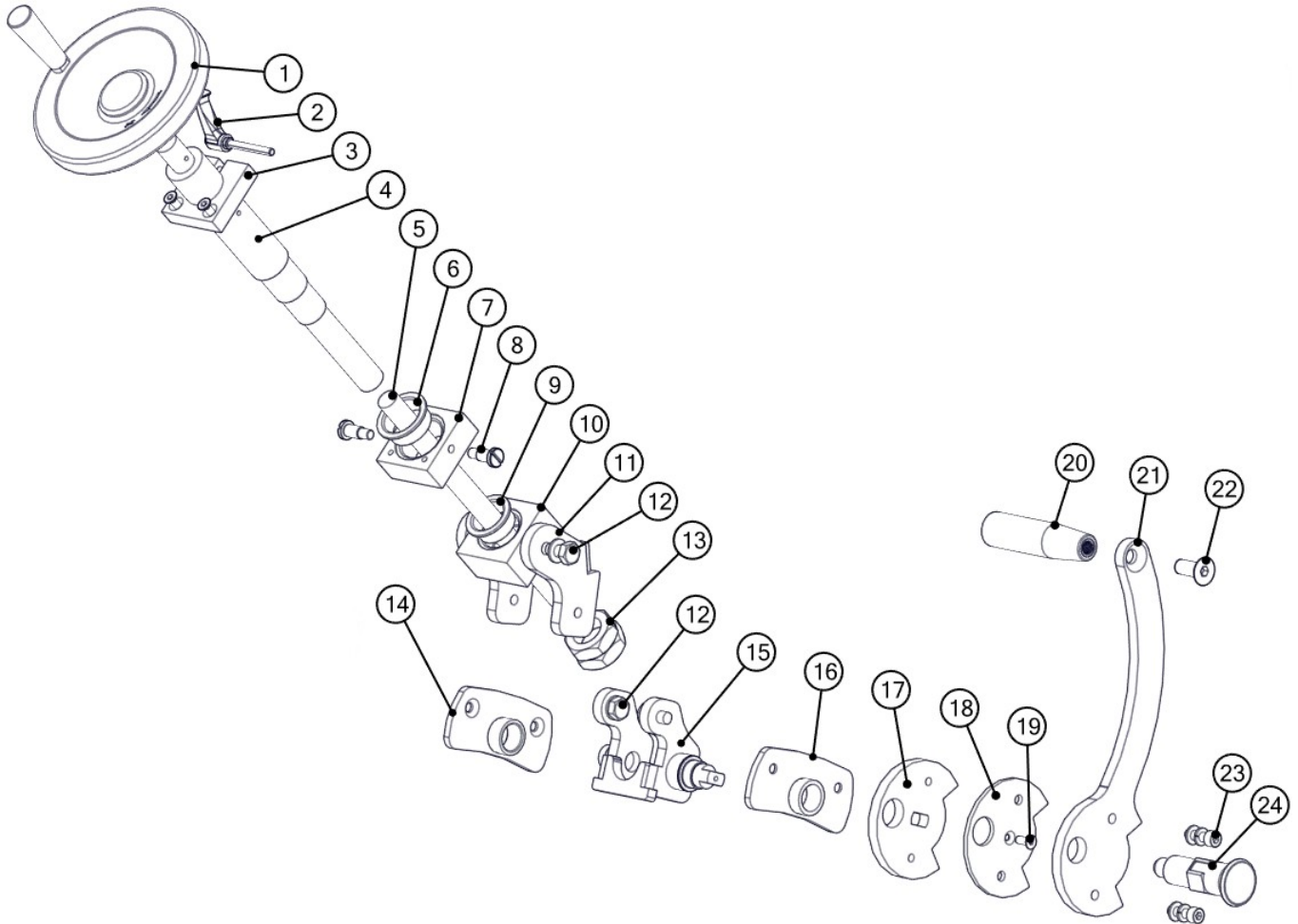
Fig. 03 Drive unit LH (E13800)



Item	Blastrac PN	HQV PN	Description	Remarks	Qty.
1			M10x20 Bolt		1
2			M10 Washer Ø30		1
3	E13687	534758601	Bearing		2
4	E13789	534939001	Wheel complete		1
5	E13787	534522301	Drive axle		1
6	E13963	534619701	Heavy duty fork		1
7	E13887	534759501	Bearing		1
8	E13795	534774801	Pressing plate		1
9	E13798	534869101	Spring		6
10			M8x16 Countersunk		8
11	E13928	534855901	Spacer drive unit		1
12	E13964-1	535632601	Drive housing assy		1
13	E13796	535208801	Lockingplate		1
14			M5x12 Countersunk head screw		4
15	E14571	534522701	Drive bracket LH		1
16	E13814	534239701	Drive motor		1
17			M8x20 Bolt + washer + springlock washer		5
18			M8x25 Bolt + washer + springlock washer		3
19	E15595	534872201	Stiffening bracket LH		1
20	BE1109	534690201	M5 Fixing screw		2
21	E14573	534847201	Slide block drive system		1
22			M6x16 Sockethead cap screw		2
23	E13880	534759201	Bearing		1
24			M8 fork joint 8x16		1
25	E14008	535180101	Foot axle		1
26			M8 fork joint with pin		1
27	E14012	535171601	Excentric axle LH		1
28	BE1110	534691601	M6 Fixing screw		3
29	E14007	535216601	Pedal lever		1
30	E15351	535224701	Pedal		1
31	E11187	533267601	Rubber bumper		1
32			M6x55		2
33	E13792	534791901	Radial shaft seal		1
34	E13881	534759301	Bearing		2
35	E13794-1	535626001	Block		1



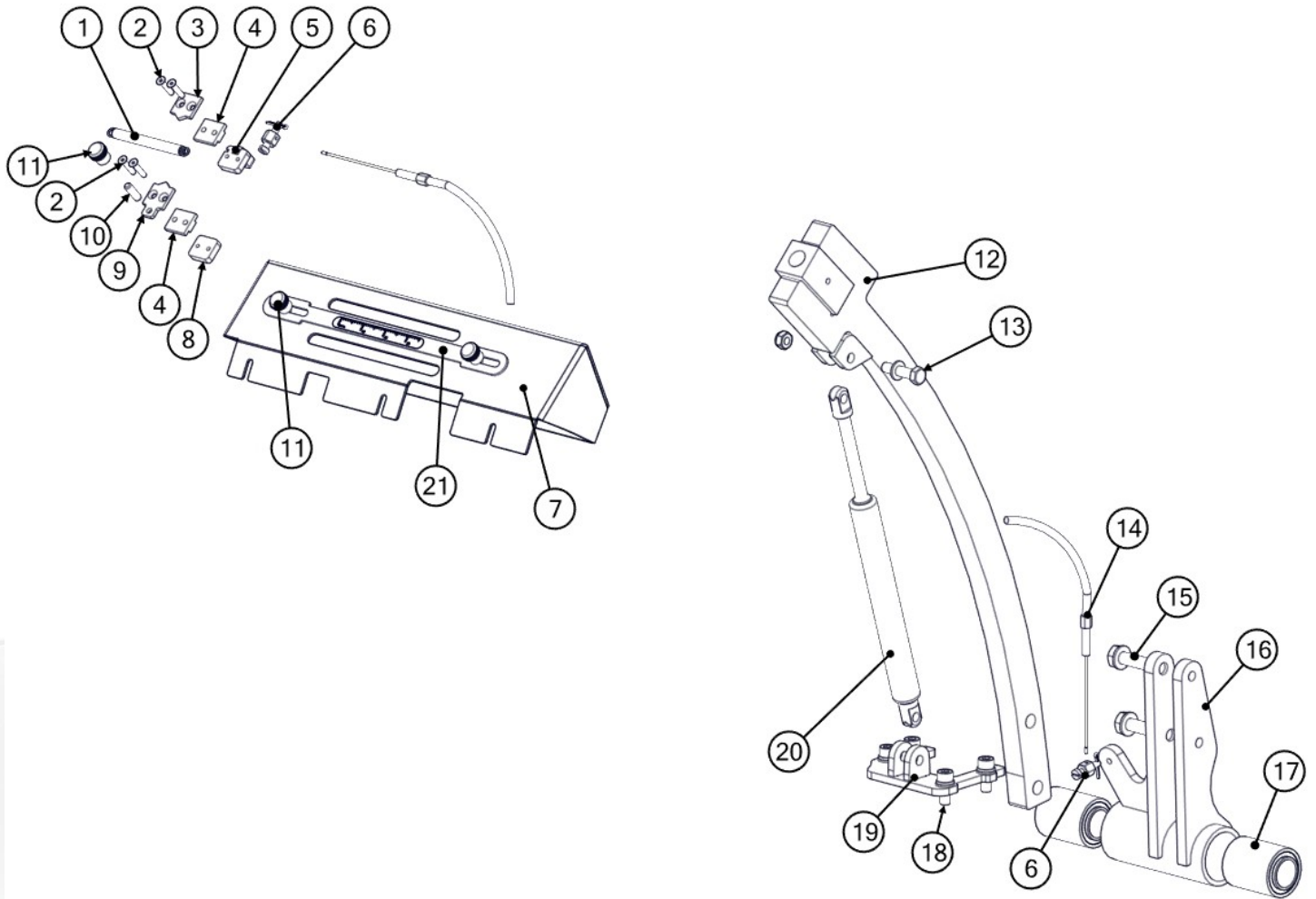
Fig. 04 Height adjustment (E13665)



Item	Blastrac PN	HQV PN	Description	Remarks	Qty.
1	E03353-1	535352501	Handwheel		1
2	E14054	534391501	Adjustable handle		1
3	E13965	534619901	Height adjustment clamp		1
4	E13664	534858301	Spindle height adjustment		1
5	E13612	534880401	Stud		1
6	E13826	534758901	Bearing		1
7	E13825	534847001	Upper block height adjustment		1
8	BE1214	534615101	Head screw M8		2
9	E13824	534758801	Bearing		1
10	E13823	534846901	Slide block		1
11	E19268	535634001	Elbow		1
12			M10x25 Bolt + Washer		4
13	BE1071	534687801	M27x1,5 nut		2
14	E13856	535217401	Mountingplate LH		1
15	E19267	535639001	Height lever		1
16	E13830	535218101	Mountingplate RH		1
17	E13828	534671701	Lock plate		1
18	E13829	535175101	Fill plate		1
19			M6x16 Countersunk head screw		1
20	E09701	533916301	Handle		1
21	E13609	535192901	Handle lever		1
22			M12x30 Countersunk head screw		1
23			M8x25 Hex sockethead cap		2
24	E12306	533271701	HD fast locking pin		1



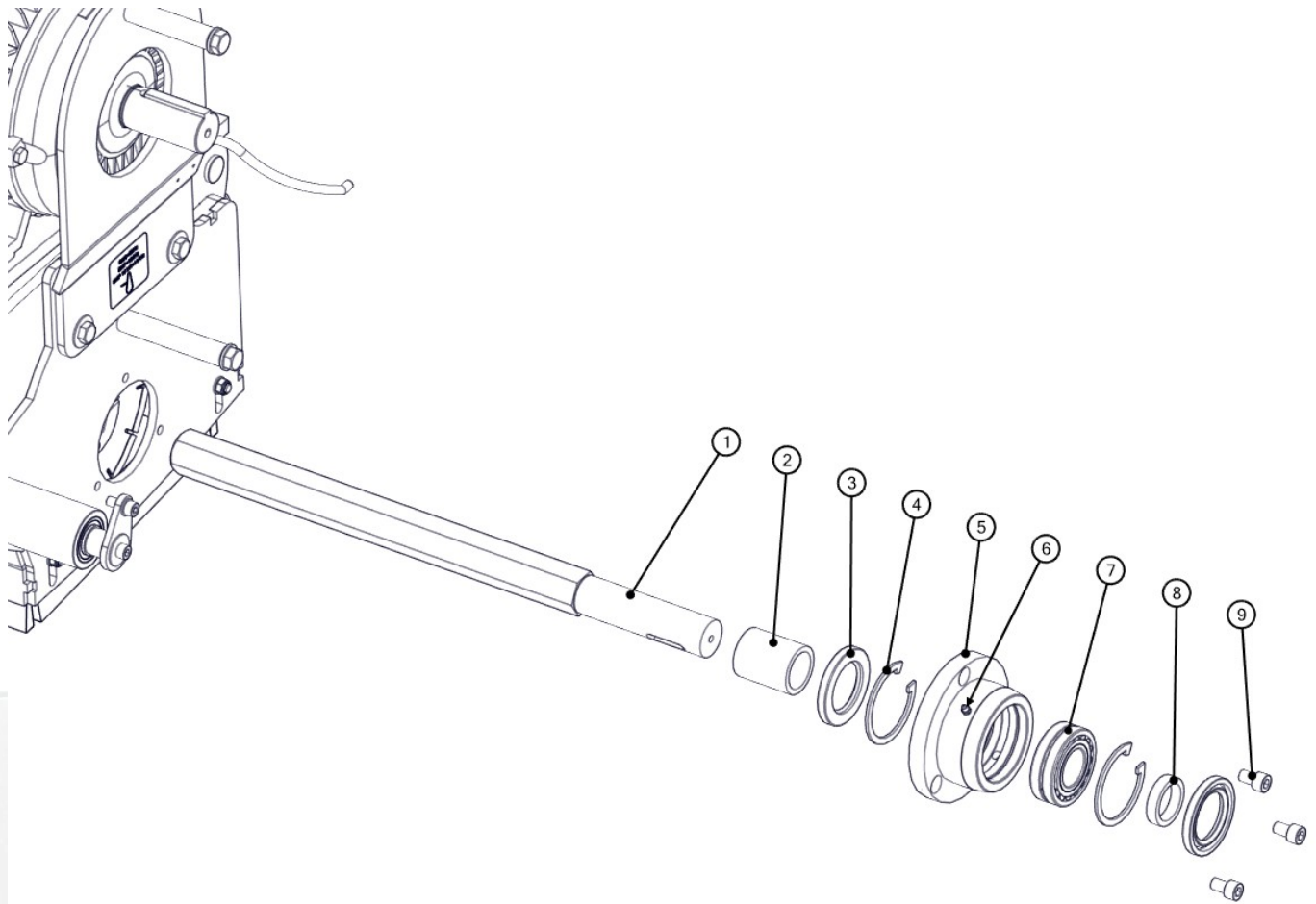
Fig. 05 Height adjustable support & Depth adjustment



Item	Blastrac PN	HQV PN	Description	Remarks	Qty.
1	B20091	534868201	Tension spring		1
2			M4x20 Countersunk head screw		4
3	E14059	535257101	Top plate indicator		1
4	E14057	534847101	Slide block		2
5	E14058	535215401	Mounting block indicator		
6	491726-1	534732301	Nipple & screw		2
7	E13900-1	535161401	Depth plate drumhousing		1
8	E14062	535215501	Mounting block marker		1
9	E14063	535257201	Top plate marker		1
10	E13947	535249501	Stud		1
11	BE0104	534761901	Knob M6		3
12	E13607	535229601	Pullbar		1
13			M8x35 Hex bolt		1
14	B20204	534409601	Depth cable drumhousing		1
15			M10x45 Bolt		2
16	E13604	535192801	Height bracket		1
17	E13822	534906501	Megi bush		2
18			M8x20 Hex sockethead cap		4
19	E14027	535187701	Gas spring support		1
20	E10301	533298201	Gas spring	300n	1
21	E19158	535244201	Slide plate depth indication		1



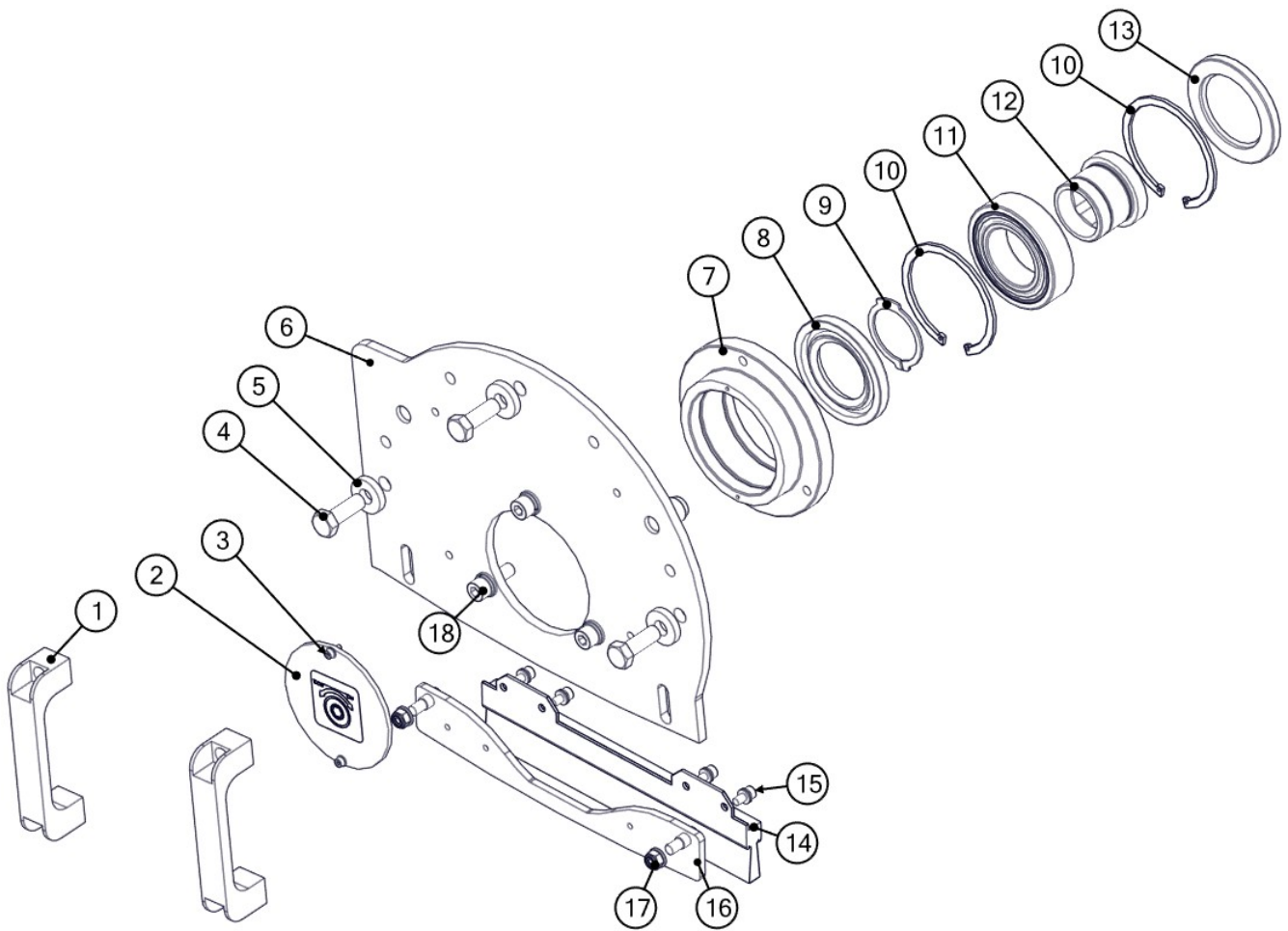
Fig. 06 Bearing unit



Item	Blastrac PN	HQV PN	Description	Remarks	Qty.
1	E04041	533883301	Hexagon drive shaft		1
2	E13588	534855601	Spacer ring		1
3	E08701	533337901	Radial shaft seal		2
4	350-2450	533218101	Circlip		2
5	E13586	534315601	Bearing house left hand		1
6	BE0678	533843501	M6-180 lubrication nipple		1
7	E08700	533611201	Bearing		1
8	E13587	534855701	Spacer ring		1
9			M12x20		3
1-9	E14820	534664401	LH Bearing unit HD		1
	E08729	-	Grease for bearing		1



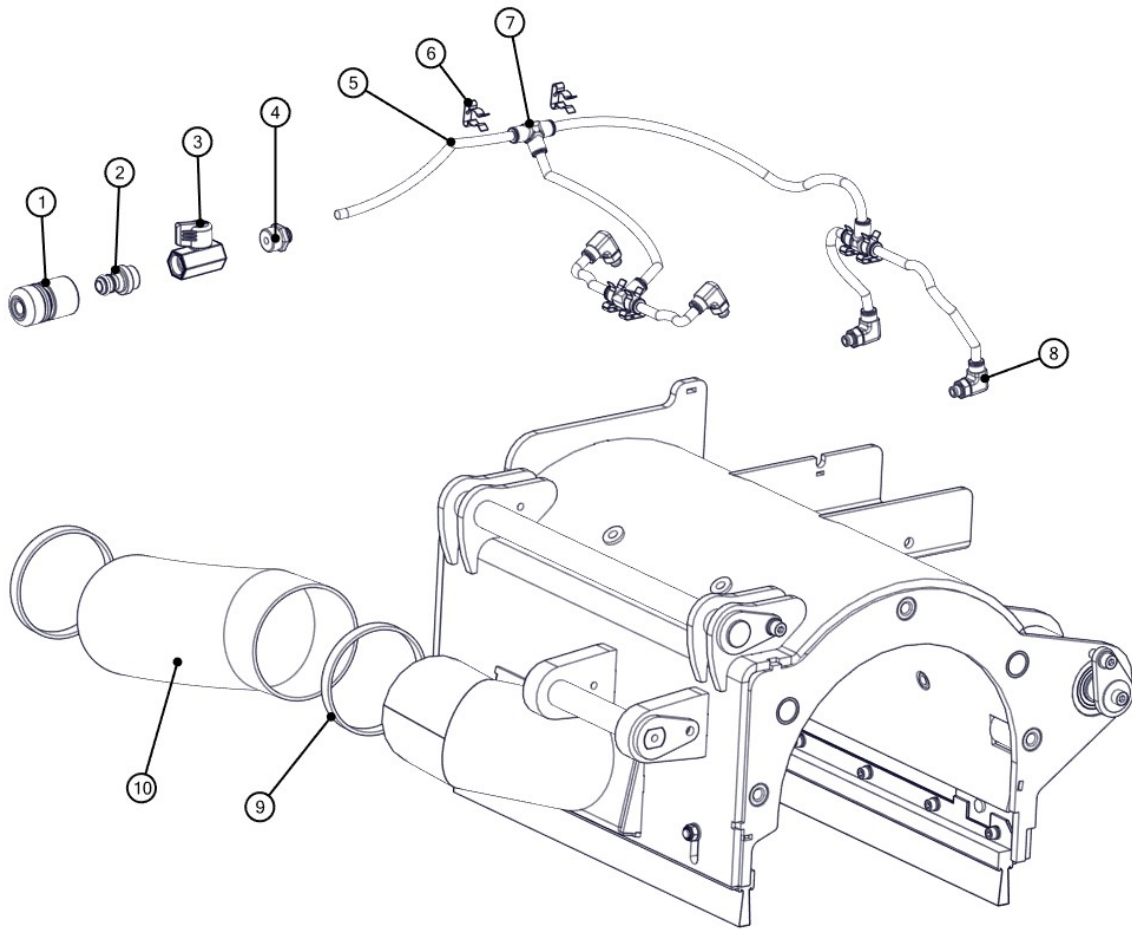
Fig. 07 Side plate & bearing unit



Item	Blastrac PN	HQV PN	Description	Remarks	Qty.
1	E12966	534616801	Handle		2
2	E13719	535157101	Cover plate		1
3			M4x10 Hex sockethead cap		2
4			M12x35 Bolt		3
5			M12 washer heavy		3
6	E13657	535212201	Mount plate drum housing		1
7	E13662	534315701	RH Bearing house		1
8	E07780	533255801	Radial shaft seal		1
9	BE0126	533220501	Circlip Ø50		1
10	BE0125 SPECIAL	534389501	Circlip Ø90		2
11	E08722	533611301	Bearing		1
12	E07778	533485001	Hexagon driving support long		1
13	E07779	533740901	Radial shaft seal		1
14	E13660	534839401	Side brush short		1
15			M6x12 Hex sockethead cap		4
16	E13882	534824501	Seal hub		1
17			M8 plastic insert nut		2
18			M10x30 Hex sockethead cap		3
7-13	E13661	534807801	RH Bearing unit complete		1



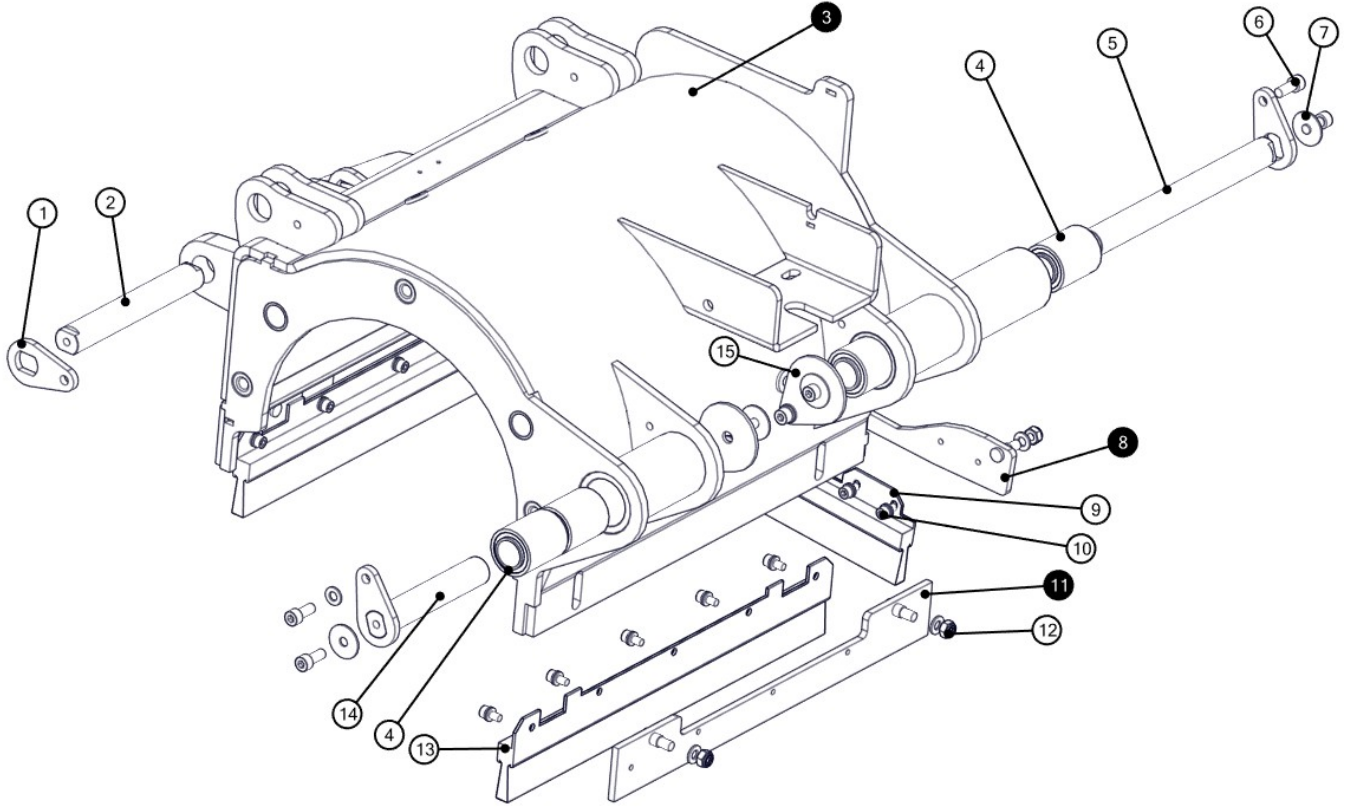
Fig. 08 Water system & Dust hose



Item	Blastrac PN	HQV PN	Description	Remarks	Qty.
1	E06286	533238401	Water coupling		1
2	E06285	533278101	Waterhose connection		1
3	E06282	533252301	Ball valve mini		1
4	E06279	533500701	Water reducing coupling		1
5	E06278	533259501	Waterhose 8x5.5mm black		
6	E06276	533199501	Pipe clamp		6
7	E06281	533375401	Water T-coupling		3
8	E06280	533266701	Water knee coupling		4
9	E04721	534629001	Hose clamp 90-120mm		2
10	E06854/STHW1.4	534784101	PU Heavy dust hose D100mm		0.5m



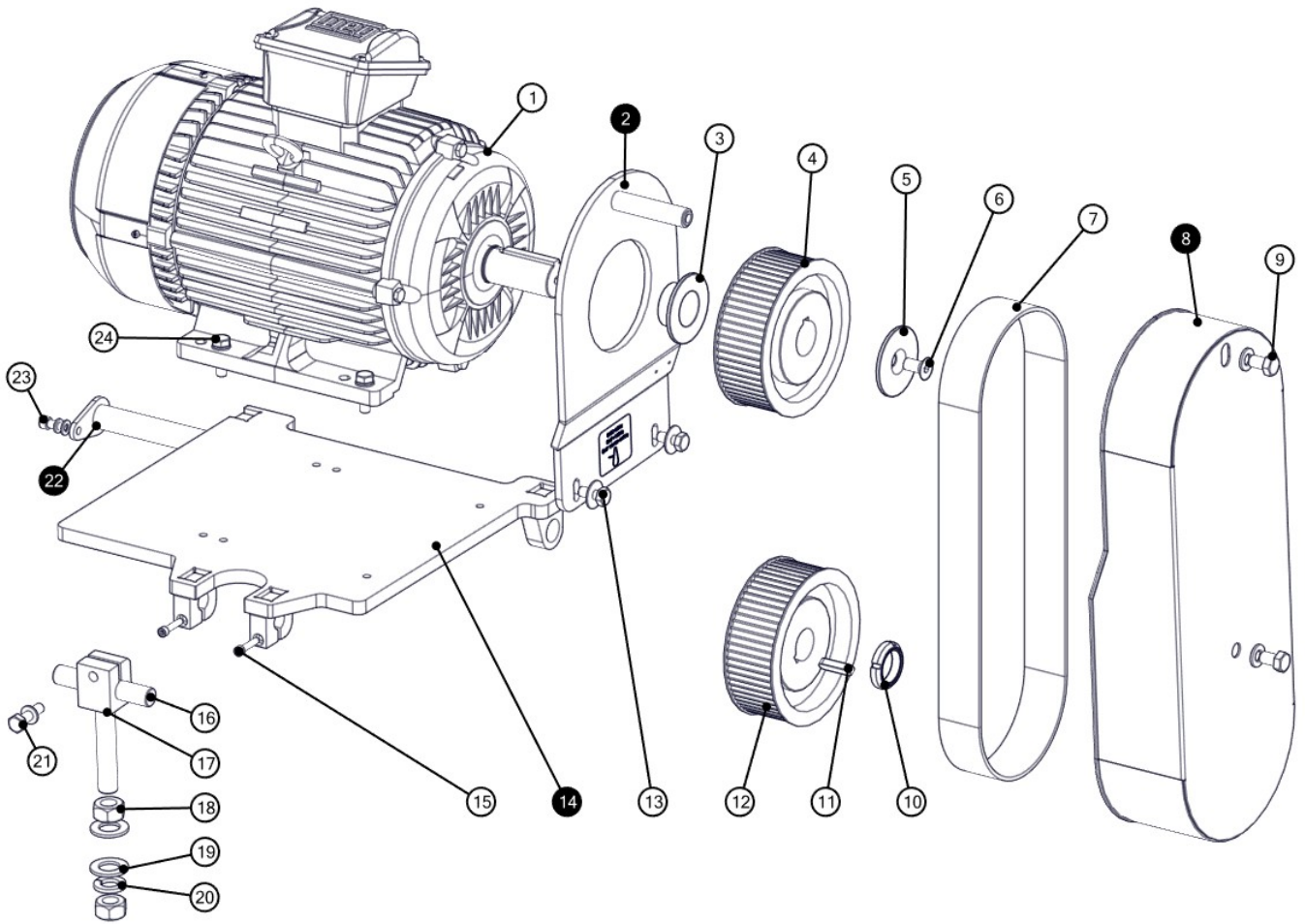
Fig. 09 Drumhousing 335 MKII



Item	Blastrac PN	HQV PN	Description	Remarks	Qty.
1	E13929	535159101	Coverplate mountingpins		4
2	E13605	535216301	Mounting pin drumhousing		1
3	E13596	535168201	Drumhousing 335 MKII		1
4	E13822	534906501	Torque bush		4
5	E13690	535359701	Mountingpin LH		1
6			M8x20 Hex sockethead cap		8
7			M8 washer Ø30		4
8	E13882	534824501	Seal hub		2
9	E13660	534839401	Side brush short		1
10			M6x12 Hex sockethead cap		14
11	E13884	534823701	Seal hub		2
12			M8 Plastic insert nut		6
13	E13659	534839201	Side brush long		2
14	E13693	535359801	Mounting pin RH		1
15	E13885	535159001	Coverplate		2
16					
17					
18					
19					
20					
21					
22					



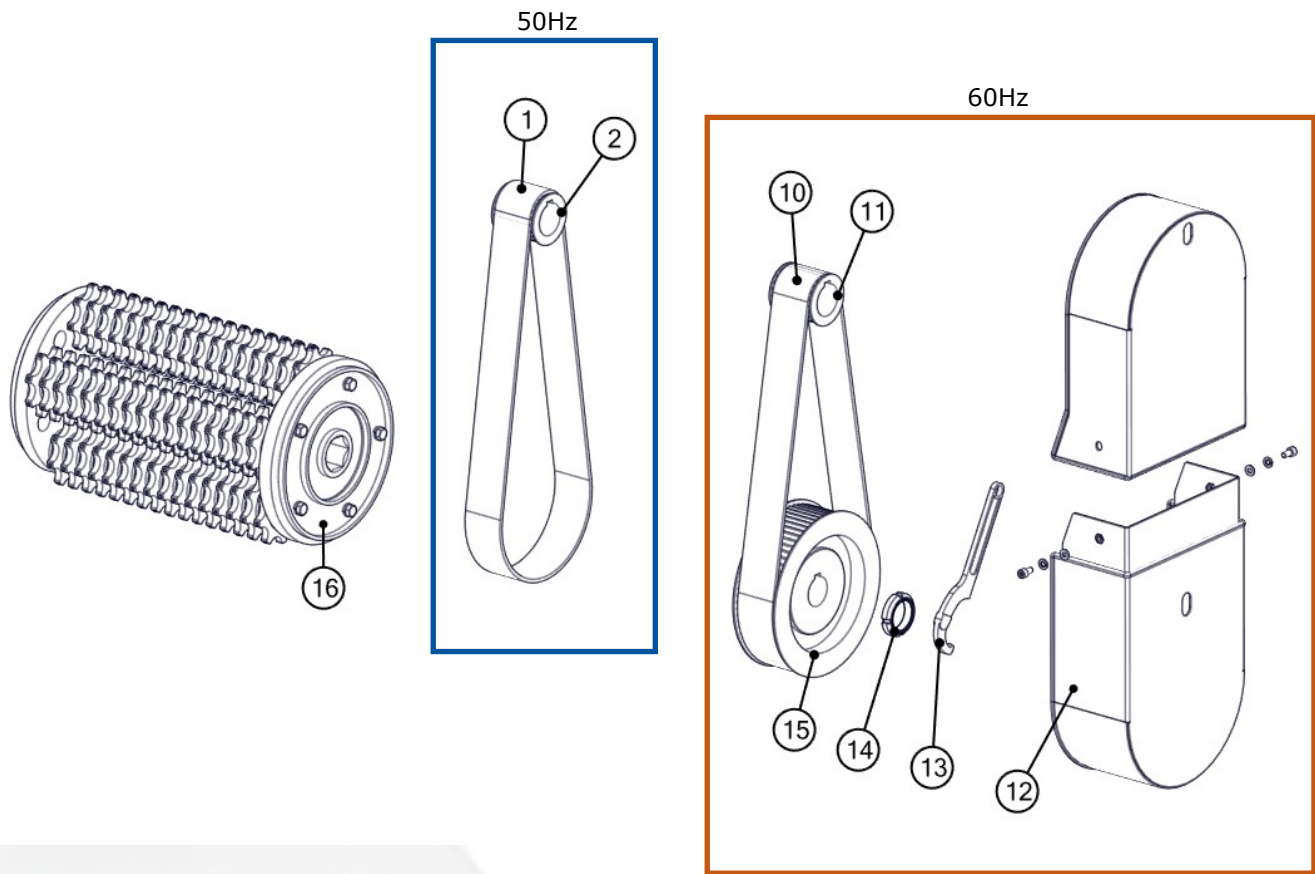
Fig. 10 Drive BMC-335 ELITE



Item	Blastrac PN	HQV PN	Description	Remarks	Qty.
1	E13618	-	Motor 15kW		1
2	E13859	535217301	Mountingplate electric		1
3	E13722	534863501	Spacer bush		1
4	E13726	534637301	HTD pulley		1
5	E13723	534725101	Mounting bush		1
6		-	M12x25 Countersunk head screw		1
7	E13724	534319501	Belt BMC		1
8	E13598	533867301	Belt protector		1
9		-	M12x20		1
10	BE0087	533587301	M35 Slotted nut		1
11	BE0252	533460101	Key		1
12	E13584	534637501	HTD pulley		1
13		-	M10x25 Bolt		2
14	E13597	535214401	Motorplate		1
15		-	M6x30 Hex sockethead cap		2
16	E13691	535357001	Lockpin height adjustment drumhousing		1
17	E13718	534571501	Eye bolt		1
18		-	M20 Nut		2
19		-	M20 Washer		2
20		-	M20 Spring lock washer		1
21		-	M10x40 Bolt		1
22	E13599	535215101	Mounting axle		1
23		-	M8x20 Hex sockethead cap		1
24		-	M10x35 Bolt		4



Fig. 11 Rebuild BMC-335 to a BMP-335



Parts needed to rebuild a BMC-335ELITE to a BMP on 50Hz:

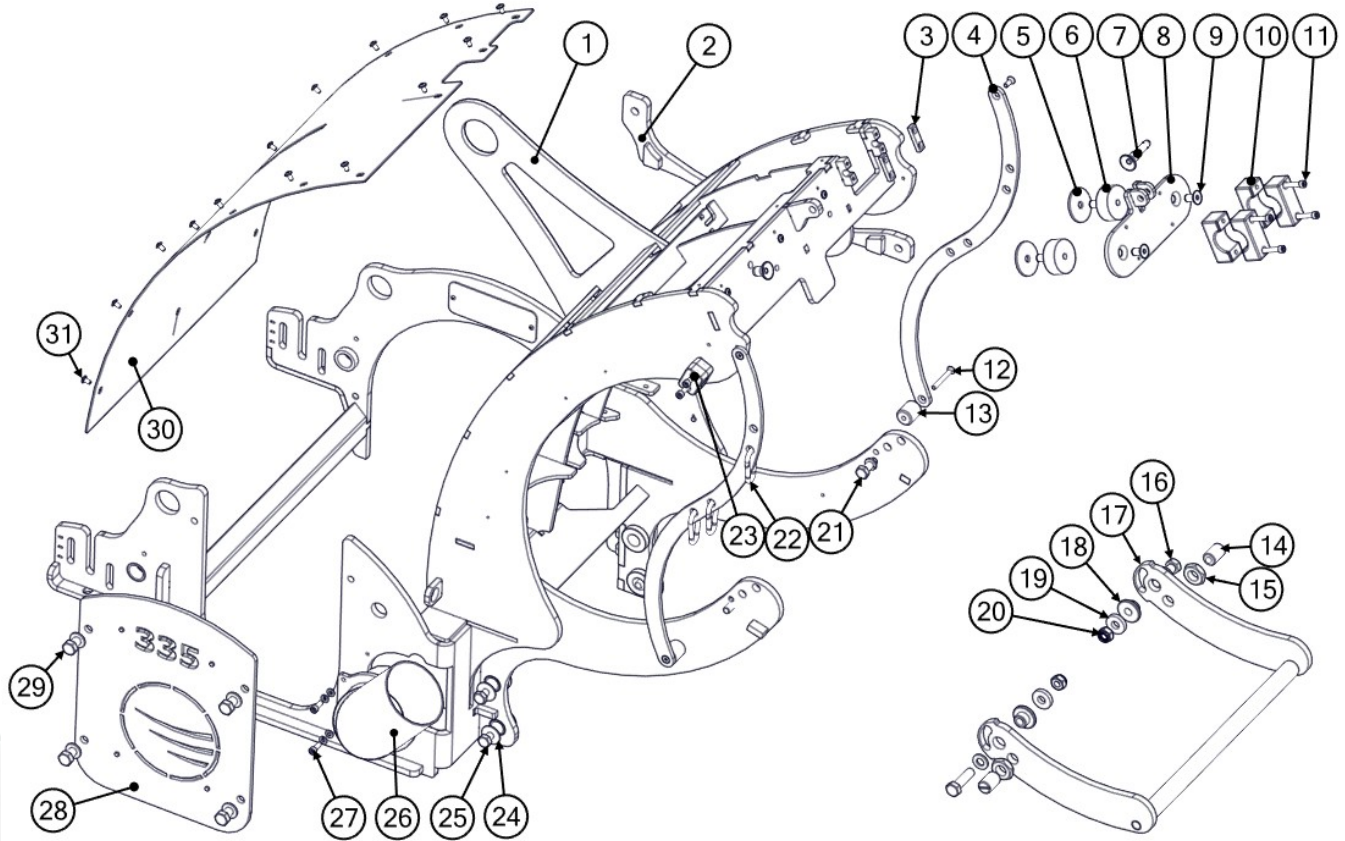
Item	Blastrac PN	HQV PN	Description	Remarks	Qty.
1	E13686	534637601	HTD pulley top		1
2	E13685	534319401	Belt BMP		1

Parts needed to rebuild a BMC-335ELITE to a BMP on 60Hz:

Item	Blastrac PN	HQV PN	Description	Remarks	Qty.
10-15	E14857	534249201	60Hz scarify rebuild set for BMC-335ELITE		1
16	MPD335-522L24S	534431501	Drum 335 with MPL24		1



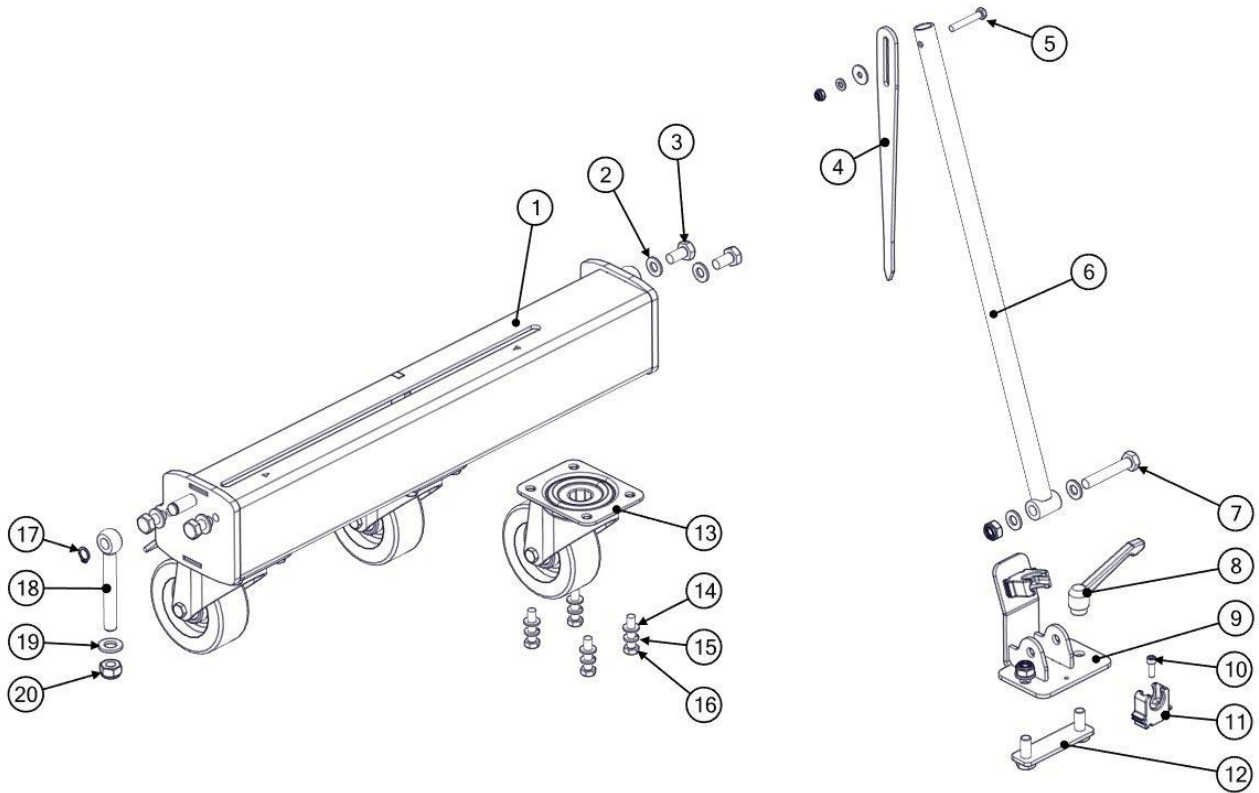
Fig. 12 Frame 335 MKII



Item	Blastrac PN	HQV PN	Description	Remarks	Qty.
1	E13602	535181801	Frame 335 MKII		1
2	E13905	535251101	Support plate RH		1
3	E13601	535192701	Lock plate		2
4	E13716	535241401	Side bar		2
5	BE0063	534054401	Washer M10x50x3		2
6	DG29	533848201	Shock absorber		2
7	478198	533256401	Quick release pin		1
8	E13617	535258001	Triple clamp		1
9			M10x20 countersunk screw		2
10	999-9156	533767701	Pipe clamp 35mm (set)		2
11			M6x65 Countersunk head screw		4
12			M6x50 Countersunk head screw		2
13	E13899	535245001	Spacer bush		2
14	BE1068	533278401	Spring gland M20x30		2
15	BE0900	533244501	M20 Hex Nut Low		2
16			M12x45 Bolt		2
17	E13717	535254801	Tilting support		1
18	E11543	533250601	Mounting bush		2
19	BE0042	533836901	M12 washer heavy D30x13 T=6		2
20			M12 Locking nut		2
21			M10x30		2
22	BE0653	533214001	Snap hook		3
23	999-9152	534757401	Pipe clamp 18mm (set)		1
24	BE0029	534677301	M10 Washer D30		2
25			M10x20 Bolt		4
26	E13682	534874901	Dusthose connection		1
27			M6x16 Hex sockethead cap		2
28	E13689	535157001	Cover plate		1
29			M12x20 Bolt		4
30	E13663	535185501	Frontplate		1
31	BE0685	534330301	M5x10 Hex sockethead button screw with flange		16



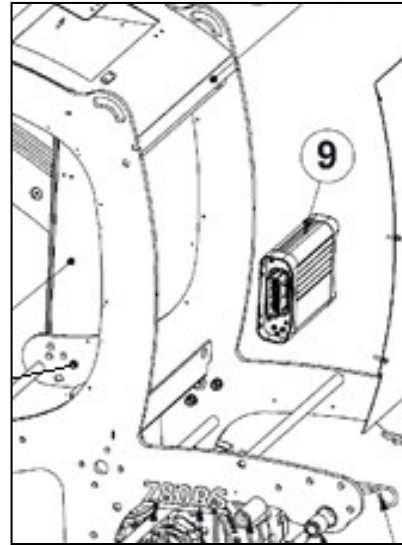
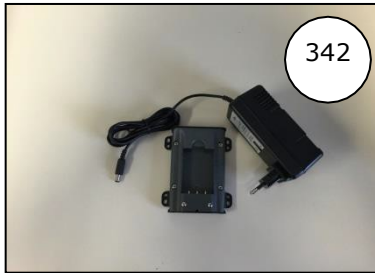
Fig. 13 Frontwheel assy (E14001)



Item	Blastrac PN	HQV PN	Description	Remarks	Qty.
1	E19157	535183801	Front bracket	*	1
2	-	-	M10 Washer		7
3	-	-	M10x20 Hex sockethead cap		4
4	E14397	534513101	Direction arrow		1
5	-	-	M6x40 Bolt		1
6	E14025	534513301	Direction pipe		1
7	-	-	M10x60 Bolt		1
8	BE0641	533512101	Clamp lever M10		1
9	E13912-1	534513201	Direction indicator		1
10	-	-	M5x16 Hex sockethead cap		2
11	E13953	534390801	Clamp 20mm		2
12	E13913-1	534341601	Block		1
13	E14023	534385401	Frontwheel		3
14	-	-	M8 Washer		12
15	-	-	M8 Spring lock washer		12
16	-	-	M8x35 Bolt		12
17	BE0129	533722901	Circlip	*	2
18	BE1219	535641301	Eyebolt	*	2
19	-	-	M12 Washer	*	2
20	-	-	M12 Locking nut	*	2



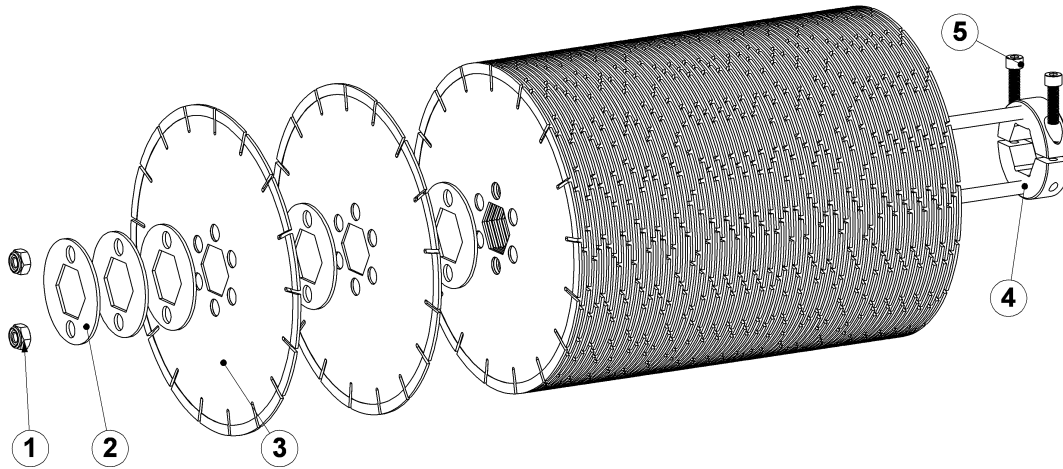
Fig. 15 Remote control



Item	Blastrac PN	HQV PN	Description	Remarks	Qty.
340	E17314	-	Remote control Transmitter		1
9	E17315	-	Receiver		1
342	E10927	533572401	Charger 230V AC		1
	E13248	-	Plug UK for charger E10927		
	E13249	-	Plug US for charger E10927		
	E13250	-	Plug AU for charger E10927		
	E13251	-	Plug EU for charger E10927		
343	E10928	533686501	Battery for remote control transmitter		1
344	E10930	533824201	Hook carrier for remote control transmitter		1



Fig. 16 Sawing drum



Item	Blastrac PN	HQV PN	Description	Remarks	Qty.
1	BE0023	533292901	M10 lock nut	DIN985	2
2	E06079	533806001	Spacer ring 2.5mm	Standard	85 / 103
	E07497	534856201	Spacer ring 1.0mm	Option	
	E07549	533078201	Spacer ring 3.0mm	Option	
3	E12034	535913601	Diamond blade Ø255 GREEN 30/40	Universal floors	80 / 54
	E12034BL	534510701	Diamond blade Ø255 BLUE 30/40	Soft floors	80 / 54
	E12034RD	534510901	Diamond blade Ø255 RED 30/40	Hard floors	80 / 54
4	E06078	533236201	Drum for diamond blades		1
5	BE0438	533766301	M8x30 hexagon socket head cap	DIN912	2

BMC-335 ELITE		
Width of sawing [mm]	Qty. of blades	Qty. of Spacer ring 2.5mm
340	80	85
300	71	92
250	59	100
200	47	108
150	35	116
100	24	125
50	12	133

For a finer sawing result:

Replace the normal standard Spacer ring 2.5mm (E06079) by Spacer ring 1.0mm (E07497).

For a coarser sawing result:

Replace the normal standard Spacer rings 2.5mm (E06079) by Spacer ring 3.0mm (E07549).

NOTES:

80 sawing blades is always the maximum allowed amount of blades on the drum for BMC-335ELITE

There has to be at least one spacer ring between every diamond blade.



Fig. 17 Drums



Fig. 18 Dust collection system





BLASTRAC EUROPE

WE'RE READY TO ASSIST YOU!

BLASTRAC THE NETHERLANDS

EUROPEAN HEAD OFFICE

Utrechthaven 12
NL - 3433 PN Nieuwegein
Tel.: +31 (0)30 601 88 66
Fax: +31 (0)30 601 83 33
Email: info@blastrac.nl
WWW.BLASTRAC.EU

BLASTRAC POLAND

SALES & SERVICE CENTRE

Golina, ul. Dworcowa 47E
63-200 Jarocin
Tel.: +48 (0)62 740-41-50
Fax: +48(0)62 740-41-51
Email: info@blastrac.pl
WWW.BLASTRAC.PL

BLASTRAC FRANCE

SALES & SERVICE CENTRE

ZI - 29, Av. des Temps Modernes
F - 86360 Chasseneuil du Poitou
Tel.: +33 (0)5 49 00 49 20
Fax: +33 (0)5 49 00 49 21
Email: info@blastrac.fr
WWW.BLASTRAC.FR

BLASTRAC ITALY

SALES & SERVICE CENTRE

S.S. 10 Padana Inferiore, 41
IT - 29012 Caorso (PC)
Tel.: +39 0523 814241
Fax: +39 0523 814245
Email: info@blastrac.it
WWW.BLASTRAC.IT

BLASTRAC GERMANY

SALES & SERVICE CENTRE

Richard-Byrd-Str. 15
50829 Köln
Tel.: +49 (0) 221 709032-0
Fax: +49 (0) 221 709032-22
Email: info@blastrac.de
WWW.BLASTRAC.DE

BLASTRAC UKRAINE

SALES & SERVICE CENTRE

Nezalezhnosti 14, of. 21
07400 Brovary
Tel.: +38 (0)44 222 51 28
Fax: +38 (0)44 277 98 29
Email: info@blastrac.com.ua
WWW.BLASTRAC.COM.UA

BLASTRAC SPAIN

SALES & SERVICE CENTRE

Calle del Estío, 9
E - 28500
Arganda del Rey, Madrid
Tel.: +34 91 660 10 65
Fax: +34 91 672 72 11
Email: info@blastrac.es
WWW.BLASTRAC.ES

BLASTRAC UNITED KINGDOM

SALES & SERVICE CENTRE

Unit 2a, Outgang Lane, Dinnington
Sheffield, South Yorkshire
GB - S25 3QU
Tel.: +44 (0) 1909 / 569 118
Fax: + 44 (0) 1909 / 567 570
Email: info@blastrac.co.uk
WWW.BLASTRAC.CO.UK

BLASTRAC MIDDLE EAST

SALES & SERVICE CENTRE

P.O. box 29424
Dubai / United Arab Emirates
Tel.: +971 4 3245760
Fax: +971 4 3245761
Email: info@blastracdxbae
WWW.BLASTRAC.AE

BLASTRAC NORDIC

SALES & SERVICE CENTRE

Lekstors Industriväg 13D,
443 41, Gråbo
Sweden
Tel.: +46 (0) 31 30 333 55
Email: info@blastrac.se
WWW.BLASTRAC.SE

BLASTRAC INDIA

SALES & SERVICE CENTRE

G.B. Warehousing, GAT NO- 523,
Pune- Nagar Road, Wagholi
Pune- 412 207
Tel.: +91 99213 98109
Email: info.blastrac.in
WWW.BLASTRAC.IN