

SERVICE MANUAL BGS-250

VERSION 2.7

Index

Index.....	2
Inspection comments	3
1. Spare parts	4
Fig. 01.....	4
Fig. 02.....	6
Fig. 03.....	8
Fig. 04.....	10
2. Electric schedules	11
Electric circuit diagram E00587-2 230V / 13A / 50Hz	11
Electric circuit diagram E00587-1/AS.....	13
Electric circuit diagram E01532-1 110V / 28.5A / 50Hz EU.....	19
Electric circuit diagram E03951-1 400V / 7.0A.....	21



Inspection comments

Inspection before initial operation on: _____

By: _____

Date of initial operation: _____

Serial number & Year of manufacture: _____

Recurring inspections

Date / Hour counter	Findings	Repairs / Cleaning	Test on	By*

*competent person

1.

Spare parts

Fig. 01

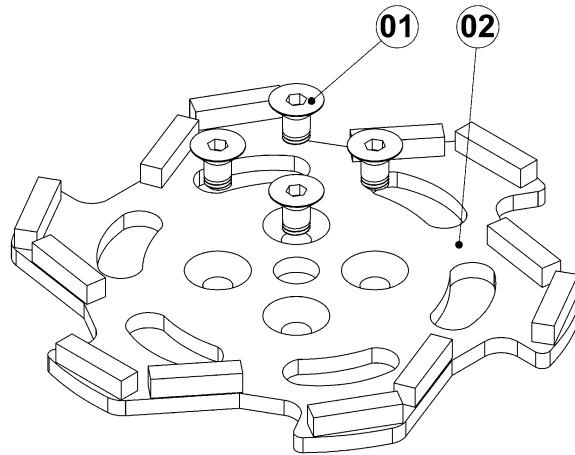


Fig. 01

Item	Blastrac PN	HQV PN	Description	Remarks	Qty.
1	BE0099	534581301	M12X20 hexagon countersunk bolt	Din 7991	4
2			Check out the Diamag.eu website for our full selection of grinding tools.		

Fig. 02

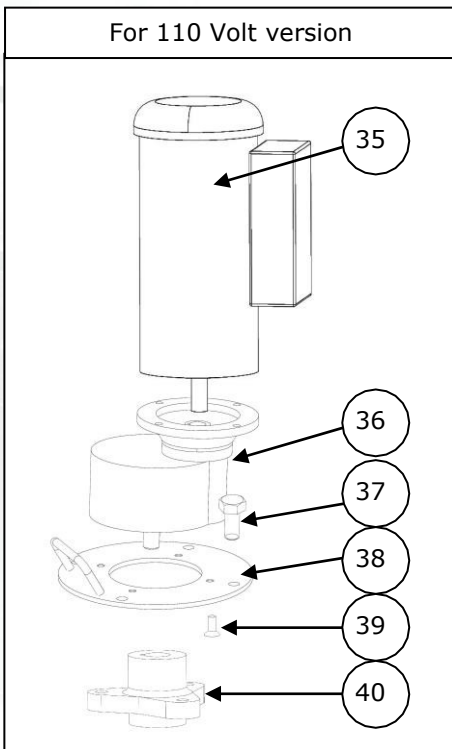
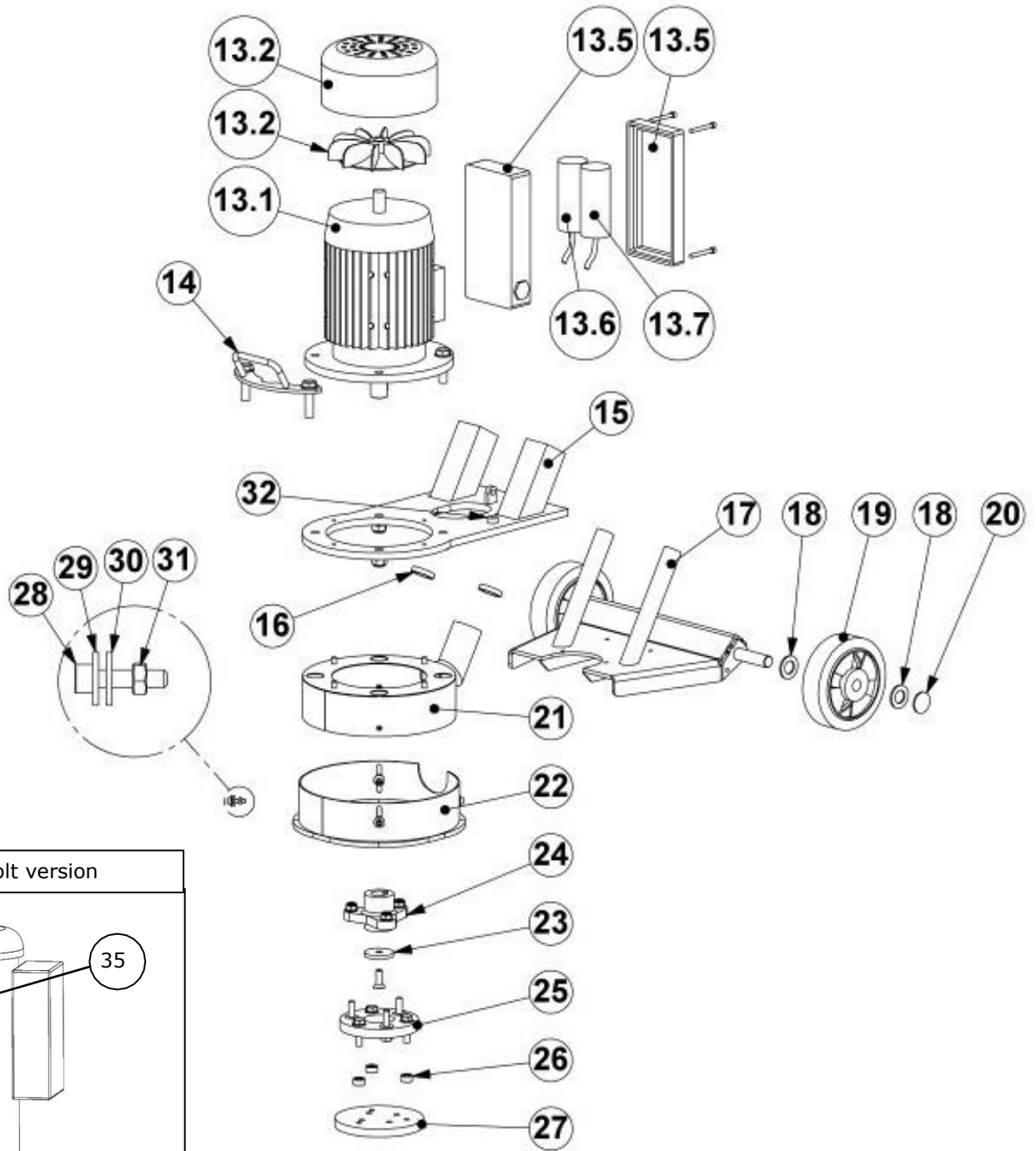


Fig. 02

Item	Blastrac PN	HQV PN	Description	Remarks	Qty.
13.1	E10354/BL	534712101	Motor 230V / 50Hz		1
	E01525-IE2	534453301	Motor 400V		1
13.2	E10354/2	534572901	Fan cover		1
	E10354/3	534572001	Fan		1
13.5	E10354/1	534362701	Box for Capacitor		1
13.6	E10354/4	534867301	Start-up Capacitor		1
13.7	E10354/5	534735601	Operating Capacitor		1
14	E11164	534666701	Lifting handle		1
15	E03751	533071901	Base plate		1
16			M20 Ring		
17	E03752	533075101	Drive Bracket		1
18	E03761	533071801	Felt seal		1
19	E03603	533771201	Wheel		2
20	BE0096	534687301	M20 washer	DIN 125 1-A	4
21	E03759	533529801	Upper dust hood		1
22	E03760	533538001	Lower dust hood		1
23	E03784	533458601	Washer		1
24	E03762	533219801	Coupling	Only for 230V	1
25	000118-2	533241101	Flexible coupling		1
26	E03250	533349101	Spacer ring		3
27	DG05	535340901	Adapter		1
28	BE0020	534692701	M6x20 hexagon head cap bolt	DIN 912	4
29	BE0016	533481901	M6 washer	DIN 125 1-A	4
30	E03826	533613301	Nylon washer		8
31	BE0018	533279701	M6 nut	DIN 934	4
32	E03563	533537001	Leveller		1
	004583	533882601	Dust hose		0.5m
35	E04762-1	-	Motor 110V / 50Hz		1
36	E04594-SQD-1	535637901	Gearbox for E04762 (110V)		1
37			M14x30 Bolt + Washer + Springlock washer	DIN 931	4
38	E07294/BL	534263801	Adapter plate with handle (110V)		1
39	BE1083	534249301	3/8 - 16x3/4 Countersunk head screw		4
40	E04595	533081101	Coupling for 110V		1

Fig. 03

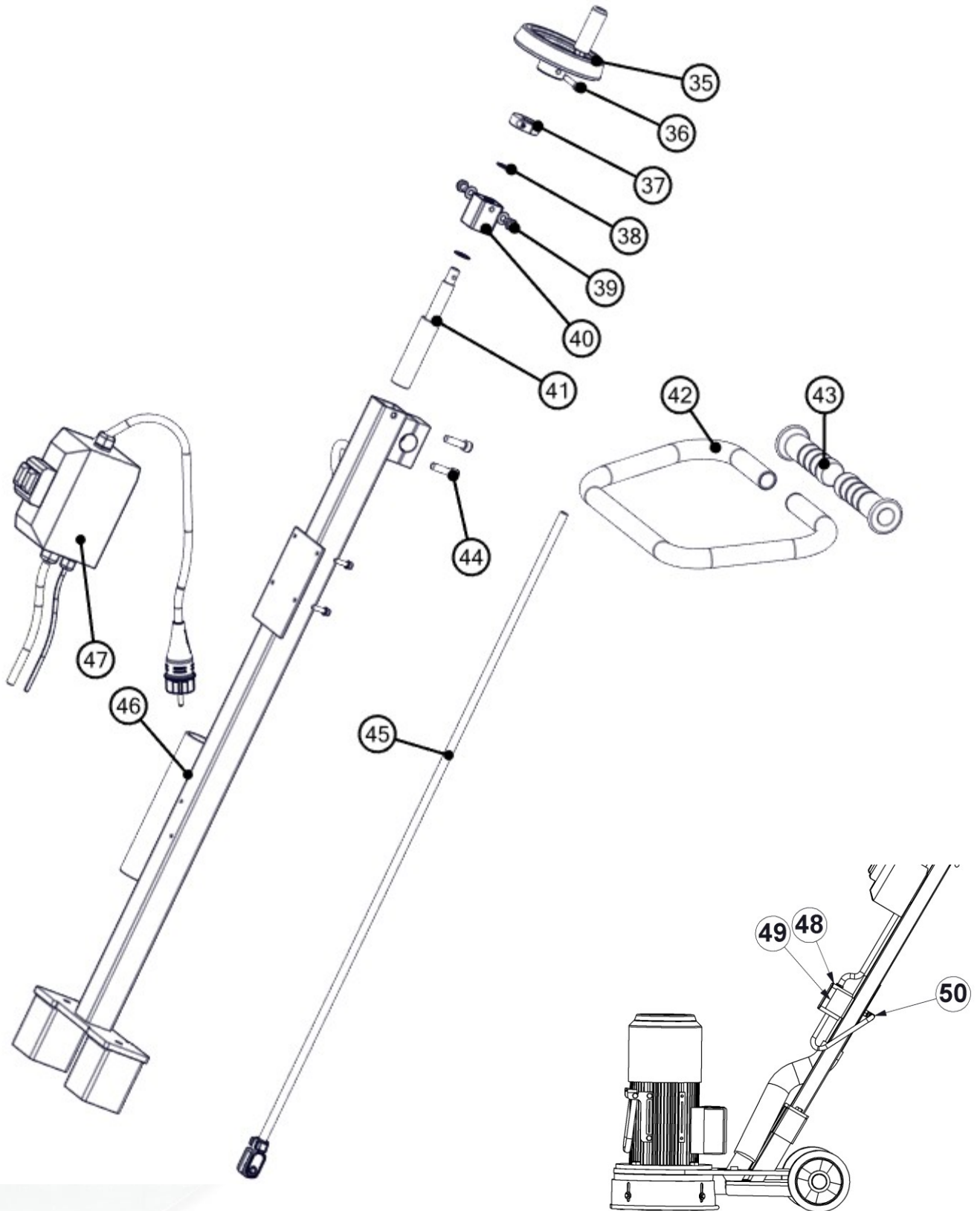
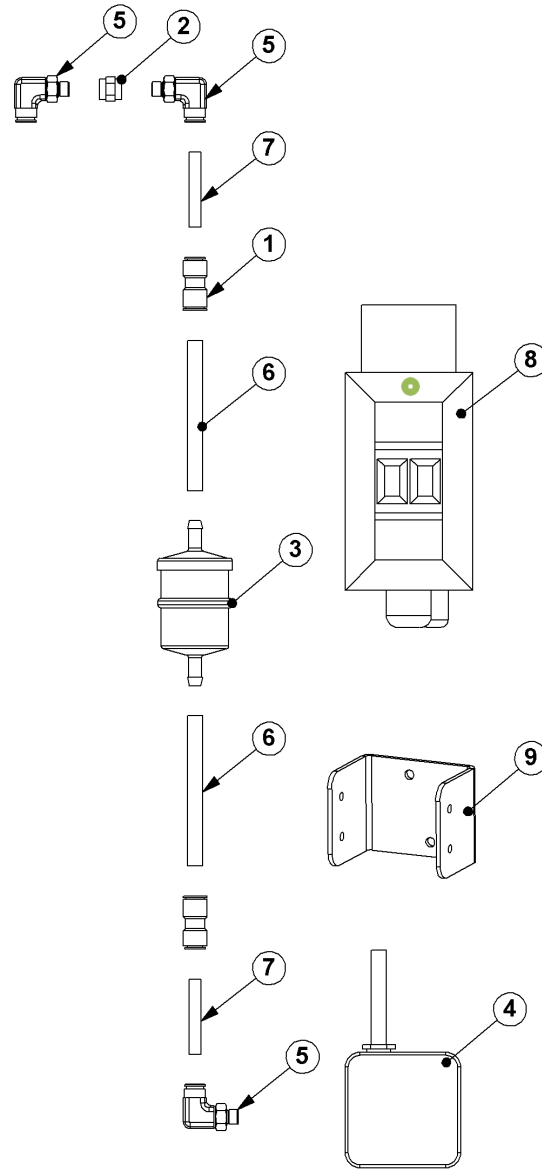


Fig. 03

Item	Blastrac PN	HQV PN	Description	Remarks	Qty.
35	E03786	533565801	Handwheel		1
36	BE0093	533824301	M6x35 hexagon head cap bolt	DIN 912	1
37	BE0094	533572101	Clamp adjusting ring		1
38	BE0095	533908601	Shim 16x22x0,5	DIN 988	2
39	BE0098	534694001	M8x10 hexagon bolt	DIN 933	2
40	E03757	533073101	Sleeve bearing		1
41	E03754	533650601	Spindle sleeve		1
42	E03758	534610901	Handle bar		1
43	453290	534612901	Handle grip		2
44	BE0083	534625301	M8x30 hexagon head cap bolt	DIN 912	2
45	E03756	533067501	Spindle		1
46	E03753	534616701	Handle		1
47	E00587-2	534879901	Electro kit 230V / 50Hz with cable		1
	E00587-1/AS	534881101	Switch-breaker and cable Asbestos 230V / 50Hz		1
	E01532-1	533660201	Electro kit 110V / 50Hz		1
	E03951-1	535634301	Electro kit 400V		1
			BGS-250A		
48	E09395	533017501	Under pressure meter		1
49	E09667	531497701	Mounting bracket BGS-250A		1
50	E06280	533266701	Knee coupling		1

Fig. 04



Item	Blastrac PN	HQV PN	Description	Remarks	Qty.
BGS-250A MKI					
1	E10479	534634001	Hose reduction 8 - 10mm		2
2	E09393	534242001	1/8 BSP nut high		1
3	E10318	534576901	Filter for under pressure meter		1
4	E09395	533017501	Under pressure meter		1
5	E06280	533266701	Water knee coupling		3
6	E00474	534056101	PU hose Ø 10x6,5mm		2
7	E06278 in E09392	533259501	PU hose Ø 8x5.5		2
8	E00587-1/AS	534881101	Switch-breaker and cable Asbestos 230V/50Hz		1
9	E09667	531497701	Mounting bracket		1
1-9	E12291	534653201	Asbestos kit BGS-250A MKI		1

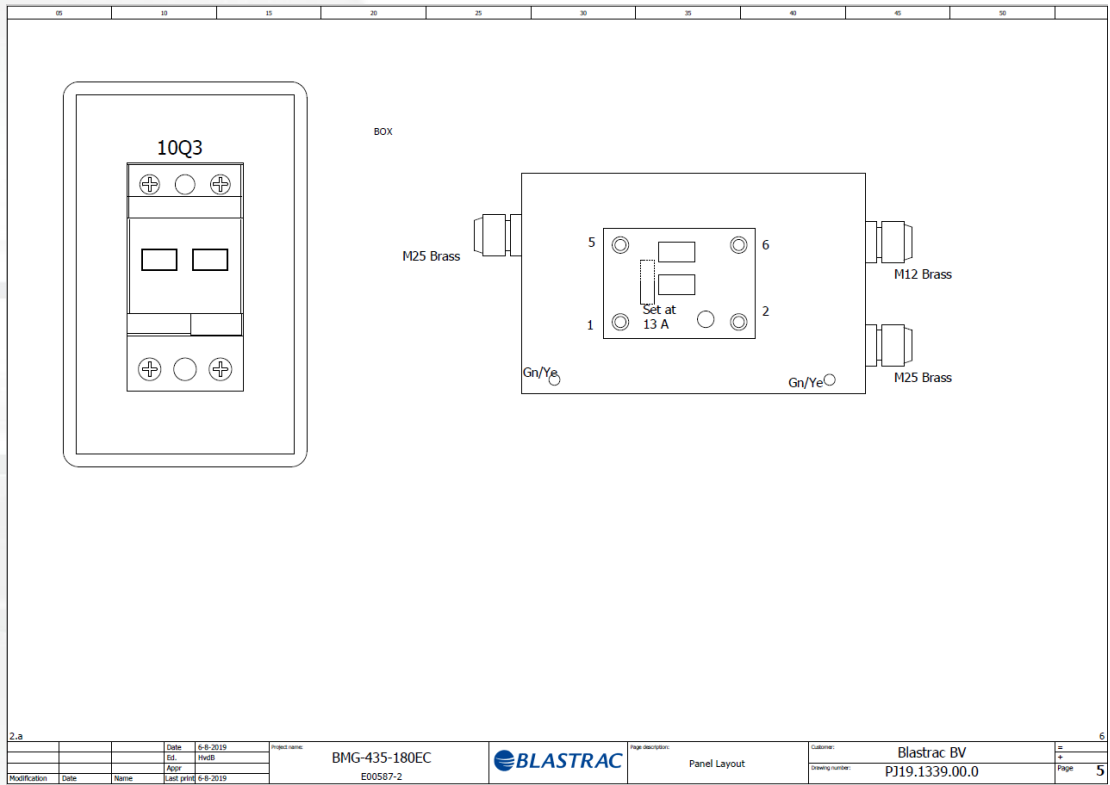


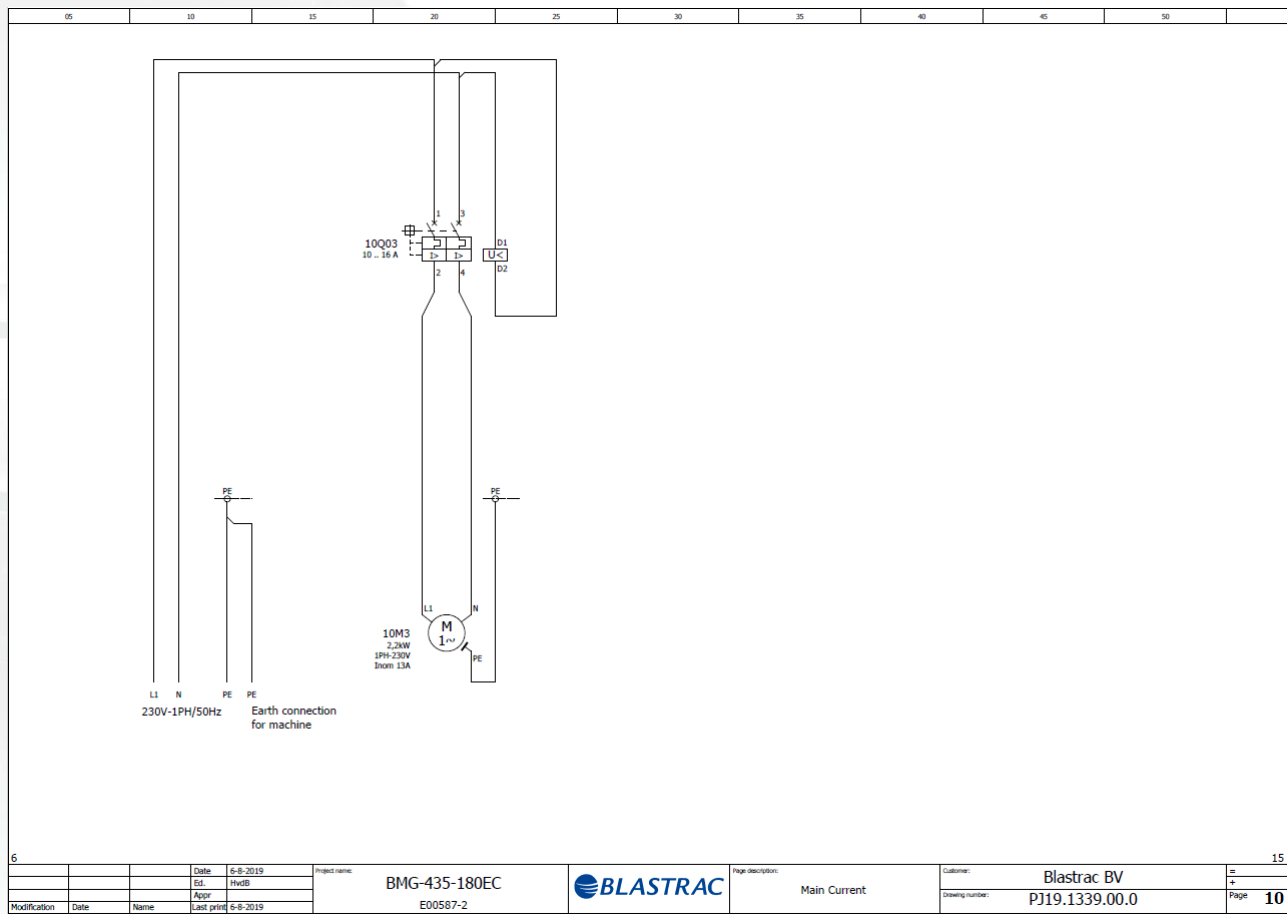
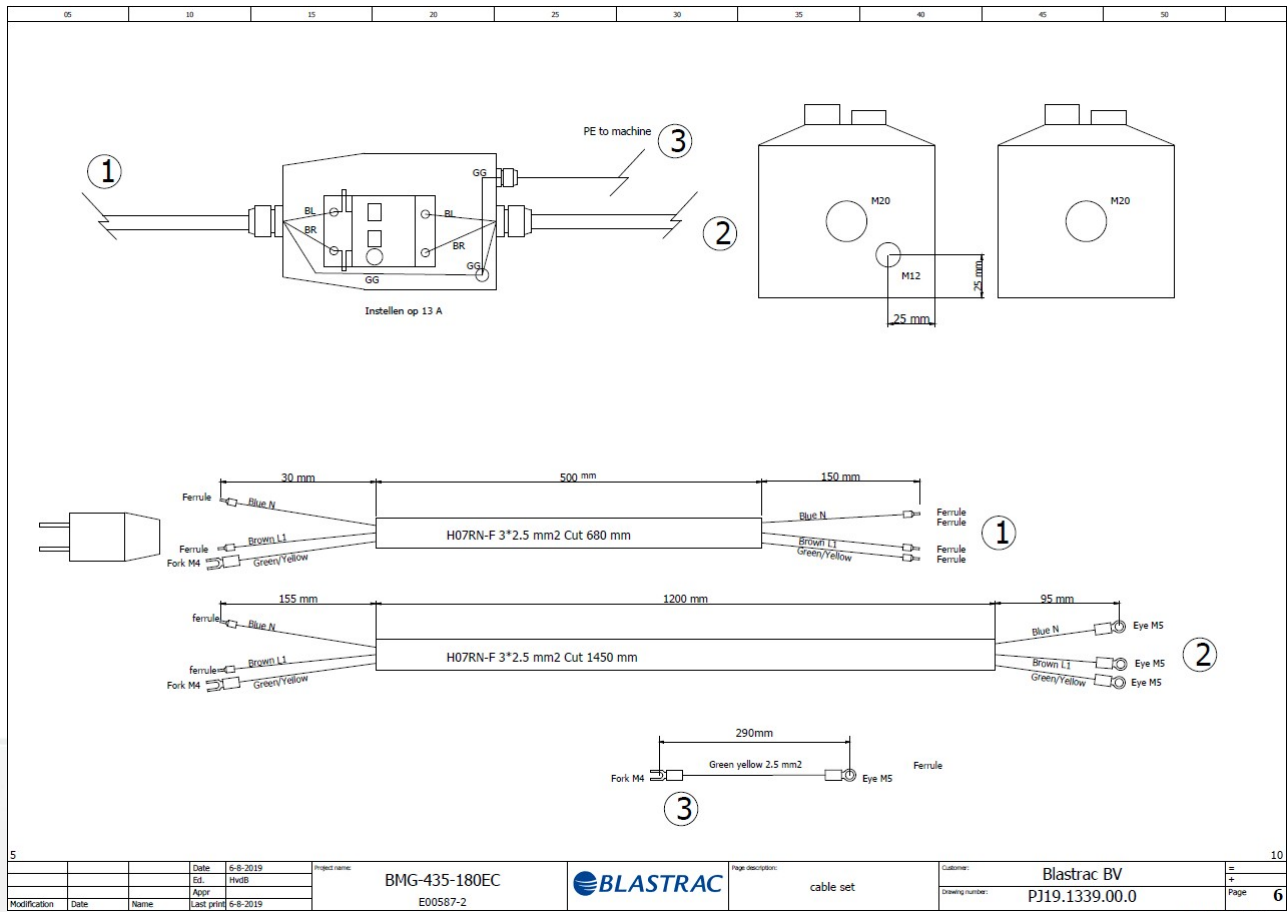
2. Electric schedules

Electric circuit diagram E00587-2 230V / 13A / 50Hz

		Blastrac bv Utrechtaven 12 3433 PN Nieuwegein Netherlands +31(0)30-6018866 +31(0)30-6018333	
<hr/>			
Project description		BMG-435, BG-180EC, BGS-250, BGS-250MKII, BMG-444	
Drawing number		PJ19.1339.00.0	
Blastrac number		E00587-2	
Power supply		230V 50Hz	
Input lead			
Control Voltage			
Status		Approved	
Year of Manufacturing		2019	
<hr/>			
Created on		by HvdB	
Edit date	6-8-2019	by HvdB	Number of pages 7

		Date: 6-8-2019	Project name: BMG-435-180EC		Page description: Front page / Cover sheet	Customer: Blastrac BV	2
		Ed: HvdB	E00587-2			Drawing number: PJ19.1339.00.0	Page 1
Modification	Date	Name	Last print: 6-8-2019				







Electric circuit diagram E00587-1/AS

		Blastrac bv Utrechthaven 12 3433 PN Nieuwegein Netherlands +31(0)30-6018866 +31(0)30-6018333	
Project description	Switch breaker +cable Asbest ver.		
Drawing number	PJ13.1144.04		
Blastrac number	E00587-1/AS		
Power supply	230Vac		
Input lead	Input lead		
Control Voltage	230Vac		
Year of Manufacturing	2014		
Remarks	Released for production		
Created on	22-8-2013	by	hvandenbrink
Edit date	13-10-2014	by	HvdB
			Number of pages 10

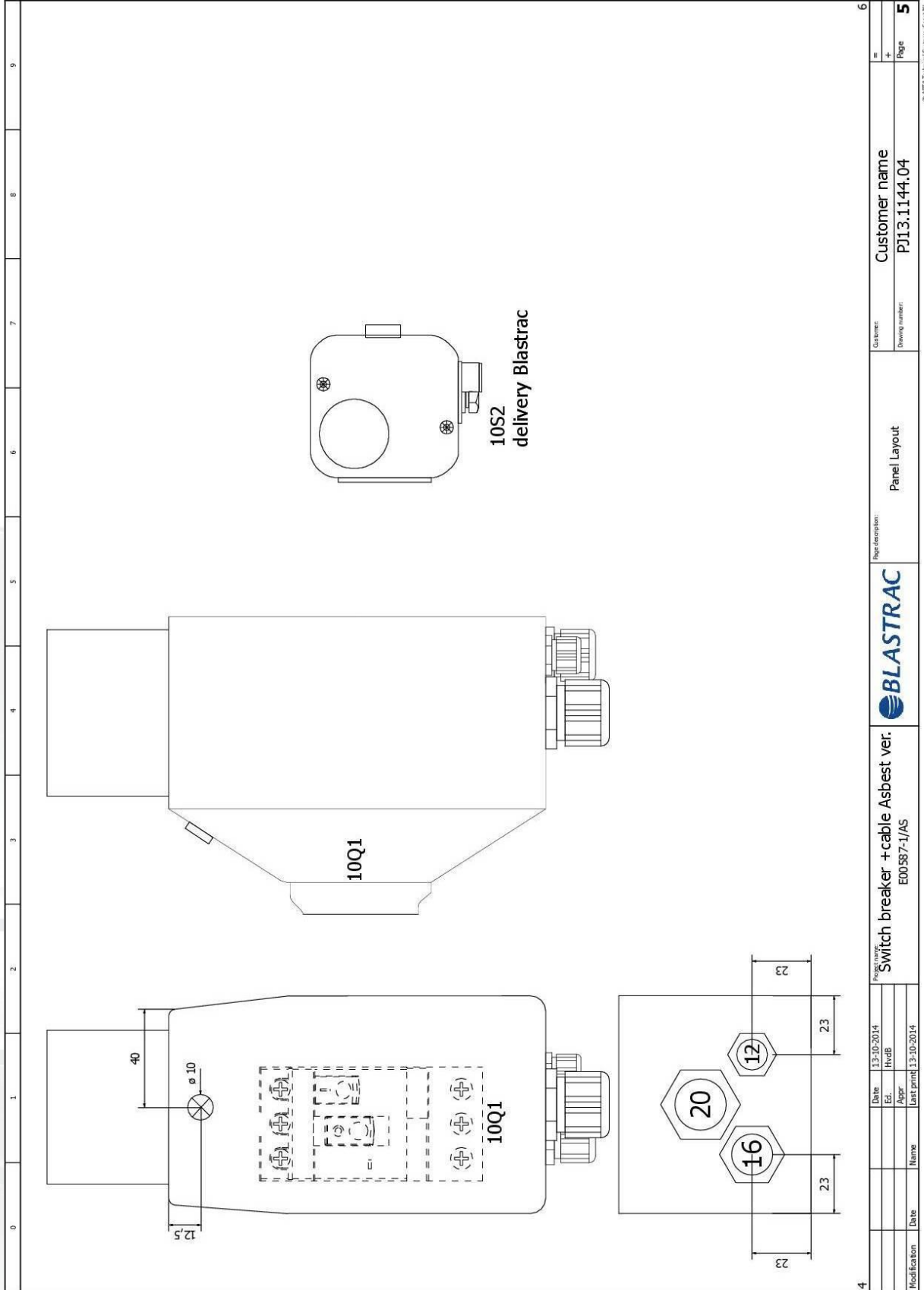
Date	22-8-2013	Project name	Switch breaker +cable Asbest ver.		Page description	Customer	Customer name	2
Ed.	HvdB		E00587-1/AS		Titelblad / voorblad	Drawing number	PJ13.1144.04	Page 1
Modificator	Date	Name	Last print	13-10-2014				

WIRE COLOR		SYMBOL CODE	
Main Voltage 400/230V			
<u>Phase</u>	<u>Colors</u>	11 F 11	
L1	- Brown		- Running number
L2	- Black		- Symbol letter
L3	- Blue		- Schedule page
Earth / PE	- Yellow/Green		
		CORE CODE	
		11 11	
			- Running number
		DRAWING NUMBER	
		PJ##.####.##	
			- Revision number
			- Archive number
			- Year

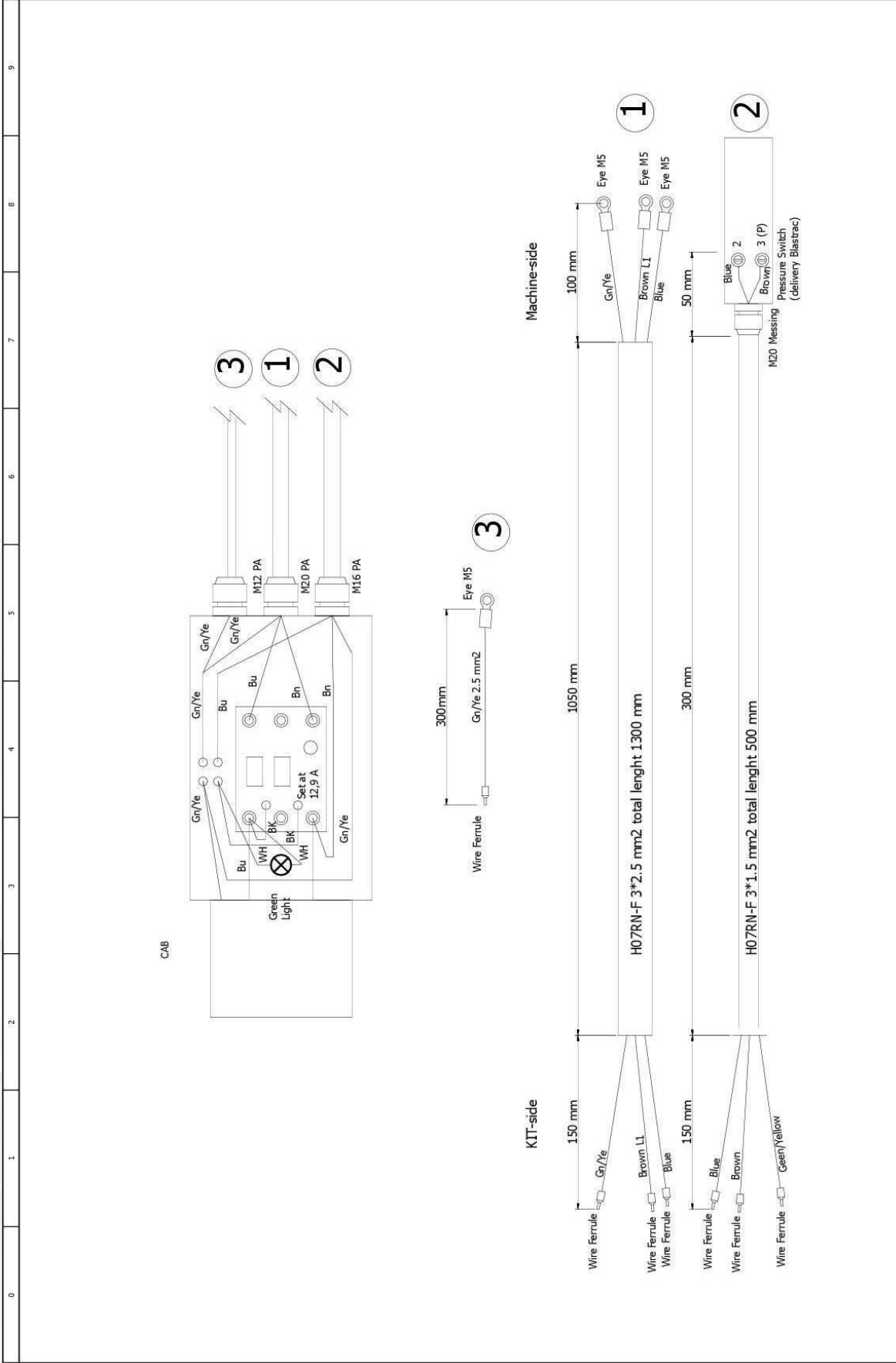
Date	22-8-2013	Project name	Switch breaker +cable Asbest ver.		Page description	Customer	Customer name	4
Ed.	HvdB		E00587-1/AS		Legend	Drawing number	PJ13.1144.04	Page 3
Modificator	Date	Name	Last print	13-10-2014				

0	1	2	3	4	5	6	7	8	9
	auxiliary contact	hulpcontact		signal light	signaallamp		Safety fuse		smeltveiligheid
	Power contact	vermogenscontact		horn	hoorn		Fused switch, three-pole		schakelbare scheidër
	NO contact, opens with time delay	maakcontact, vertraagd open		amp.meter	ampere-meter		Fused disconnect, three-pole		scheidër "klapbak"
	NO contact, closes with time delay	maakcontact, vertraagd sluitend		running hour counter	uren-teller		Main switch		hoofdschakelaar
	NC contact, opens with time delay	verbrekcontact, vertraagd open		transformer	transformator		Circuit breaker, single-pole		instellauteautomaat 1-polig
	NC contact, closes with time delay	verbrekcontact, vertraagd sluitend		Contactor coil relay coil	spoel		Circuit breaker, two-pole		instellauteautomaat 2-polig
	Push button rebound	drukknop terugrend		Contactor/relay coil, with pick-up delay	spoel met opkomvertraging		Circuit breaker, three-pole		instellauteautomaat 3-polig
	Push button locking	drukknop blyvend		Contactor/relay coil, with drop-out delay	spoel met afvalvertraging		Power circuit breaker motor overload switch with switch mechanism		motorbereiungschakelaar
	Rotary switch rebound	tp draaischakelaar		Contactor pulse coil relay pulse coil,	spoel puls		Valve		elektrisch bediende klep
	Rotary switch locking	draaischakelaar		Tube light	TL verlichting		Resistor with movable contact		regelbare weerstand
	Emergency stop rotary unlock	noodstop met draaibare vrijgave		Resistor / Heating	weerstand verwarming		Terminal		rijkleem
	Thermostatic switch	thermostaat hygrostaat		Socket	wandcontactdoos		Terminal with fuse		rijkleem met zekering
	Pressure switch	drukschakelaar		Current transformer	stroombaantransformator		Rectifier		geleijcher
	Limit switch	eindschakelaar							
	Proximity switch	naderingschakelaar							

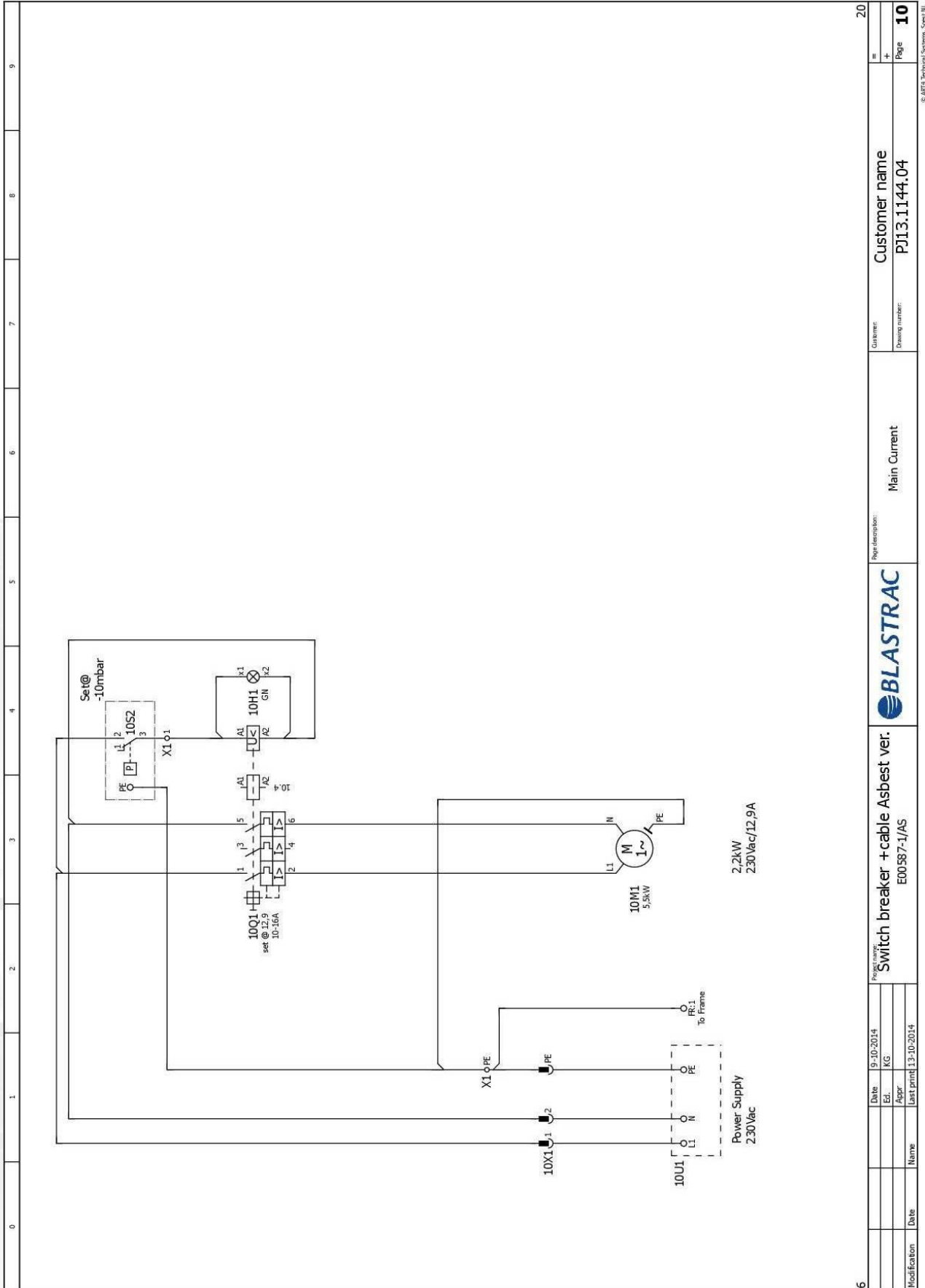
3	Page description:	Symbol library	Customer name	4
	Switch breaker + cable Asbest ver. E00587-1/AS		PJ13.1144.04	
	Date: 22-8-2013		Customer:	
	Ed: HvdB		Drawing number:	
	Appr:			
	Last print: 13-10-2014			
Modification	Date	Name		Page
				4



0	1	2	3	4	5	6	7	8	9
Modification		Date	Name	Date	Last print	Date: 13-10-2014 Ed.: HvdB Appr.: Last print: 13-10-2014		Project name: Switch breaker + cable Asbest ver. E00587-1/AS	
						Page description: BLASTRAC		Panel Layout	
						Customer: Customer name PJ13.1144.04		Drawing number: 5	



5						10				
<table border="1" style="width: 100%; border-collapse: collapse;"> <tr> <th style="width: 40%;">Modification</th> <th style="width: 20%;">Date</th> <th style="width: 20%;">Name</th> </tr> <tr> <td> </td> <td> </td> <td> </td> </tr> </table>	Modification	Date	Name				<p>Project name: Switch breaker + cable Asbest ver. E00587-1/AS</p>		<p>Page description: Cable set</p>	<p>Customer: Customer name PJ13.1144.04</p> <p>Drawing number: Drawing number: 6</p>
Modification	Date	Name								



Customer name
PJJ13.1144.04

Drawing number:
10

Main Current



Project name:
Switch breaker + cable Asbest ver. E00587-1/AS

Date:	9-10-2014
Ed:	KG
Appr:	
Last print:	13-10-2014
Date:	
Name:	



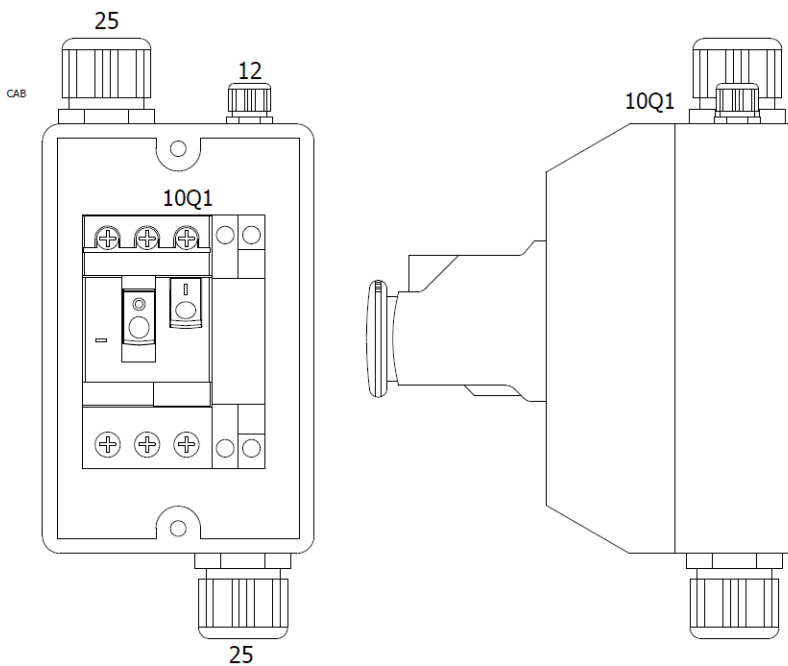
Electric circuit diagram E01532-1 110V / 28.5A / 50Hz EU



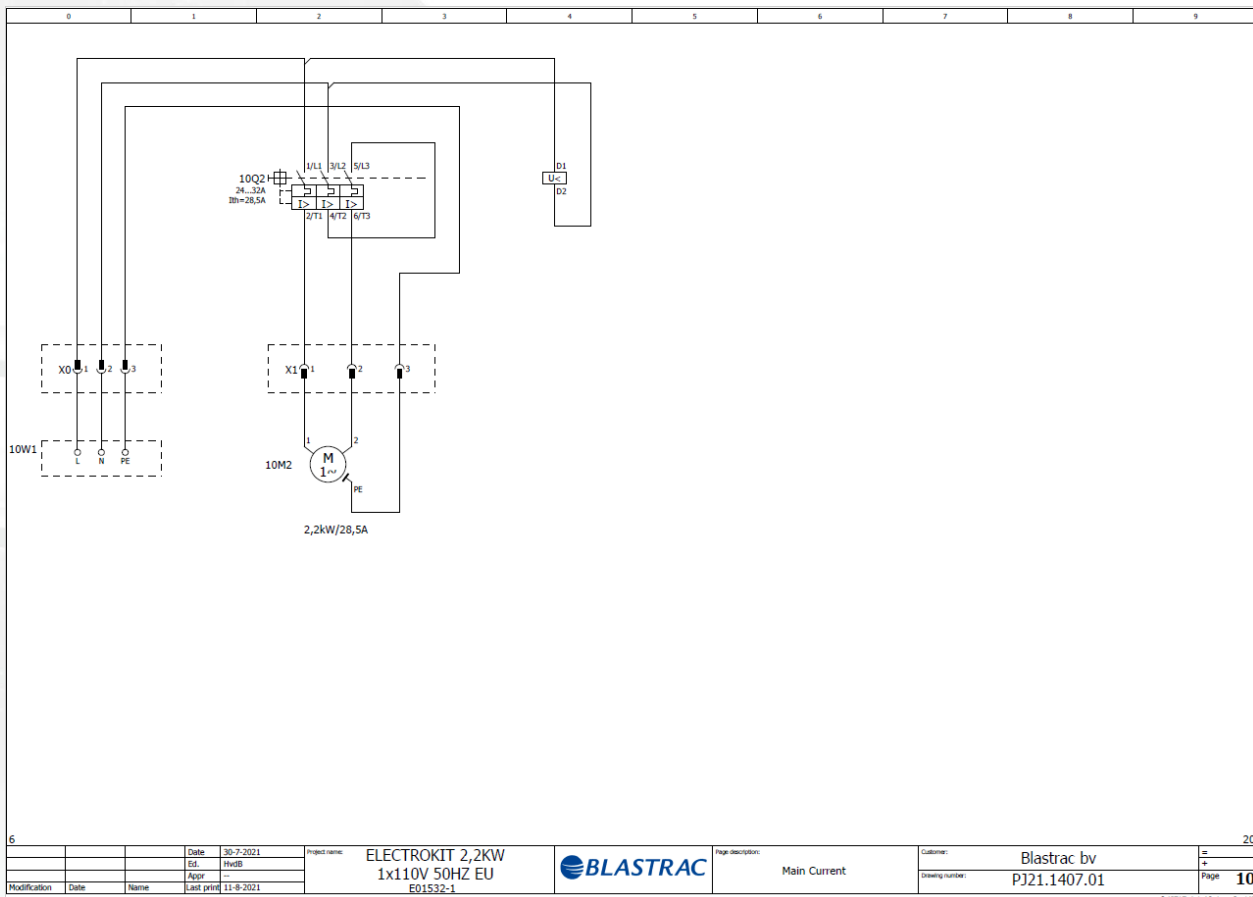
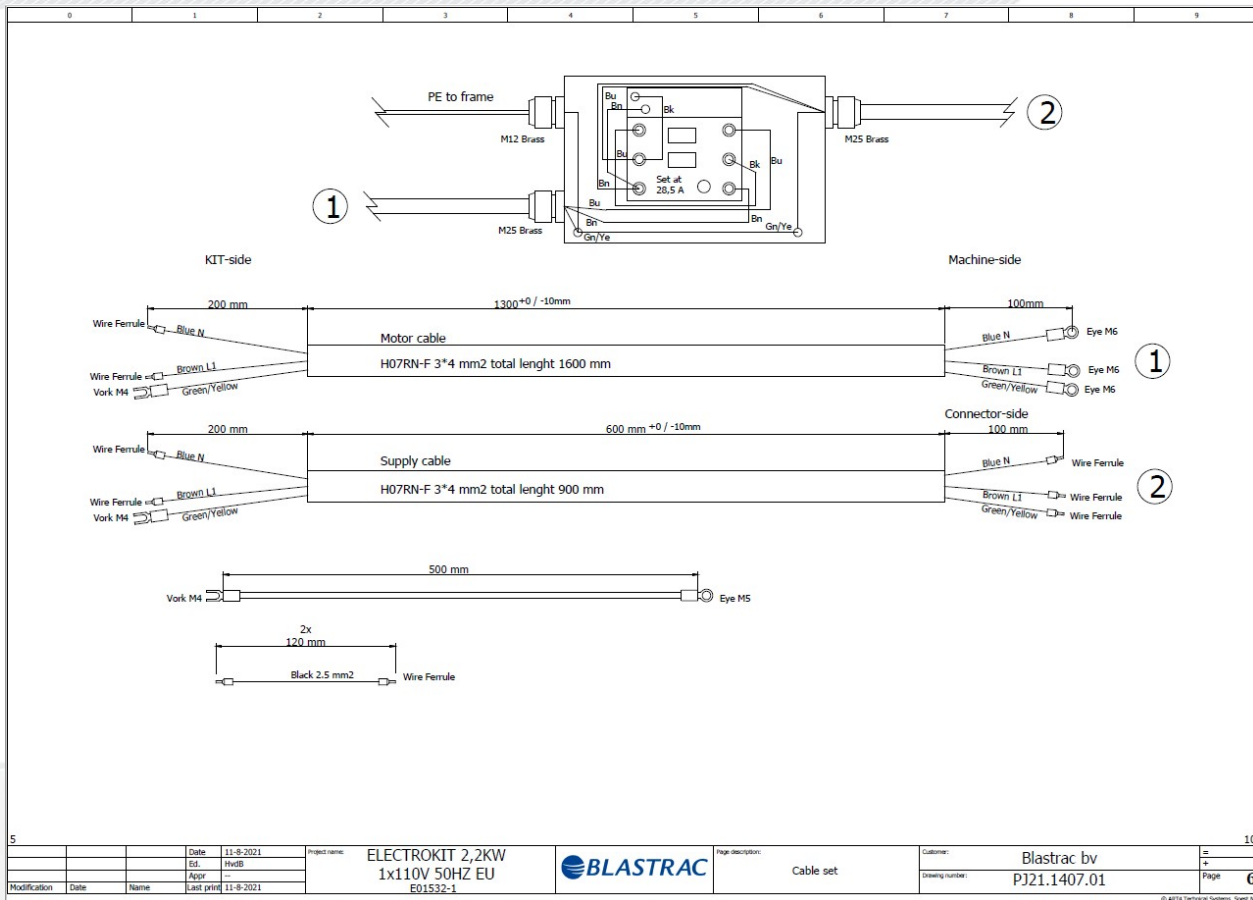
Blastrac bv
 Utrechthaven 12
 3433 PN Nieuwegein
 Netherlands
 +31(0)30-6018866
 +31(0)30-6018333

Project description	ELECTROKIT 2,2KW 1x110V 50HZ EU		
Drawing number	PJ21.1407.01		
Blastrac number	E01532-1		
Power supply	110V 50Hz		
Input lead			
Control Voltage			
Year of Manufacturing	2021		
Remarks			
Created on	29-7-2021	by FJK	
Edit date	11-8-2021	by HvdB	Number of pages 8

Date: 29-7-2021		Project name: ELECTROKIT 2,2KW		Page description: Title page / Coversheet	Customer: Blastrac bv	=	
Ed.: HvdB		1x110V 50HZ EU		Drawing number: PJ21.1407.01		+	
Appr.: --		E01532-1				Page 1	
Modification	Date	Name	Last print: 11-8-2021	© APTA Technical Systems, Soest, NL			



Date: 11-8-2021		Project name: ELECTROKIT 2,2KW		Page description: Panel Layout	Customer: Blastrac bv	=	
Ed.: HvdB		1x110V 50HZ EU		Drawing number: PJ21.1407.01		+	
Appr.: --		E01532-1				Page 5	
Modification	Date	Name	Last print: 11-8-2021	© APTA Technical Systems, Soest, NL			





Electric circuit diagram E03951-1

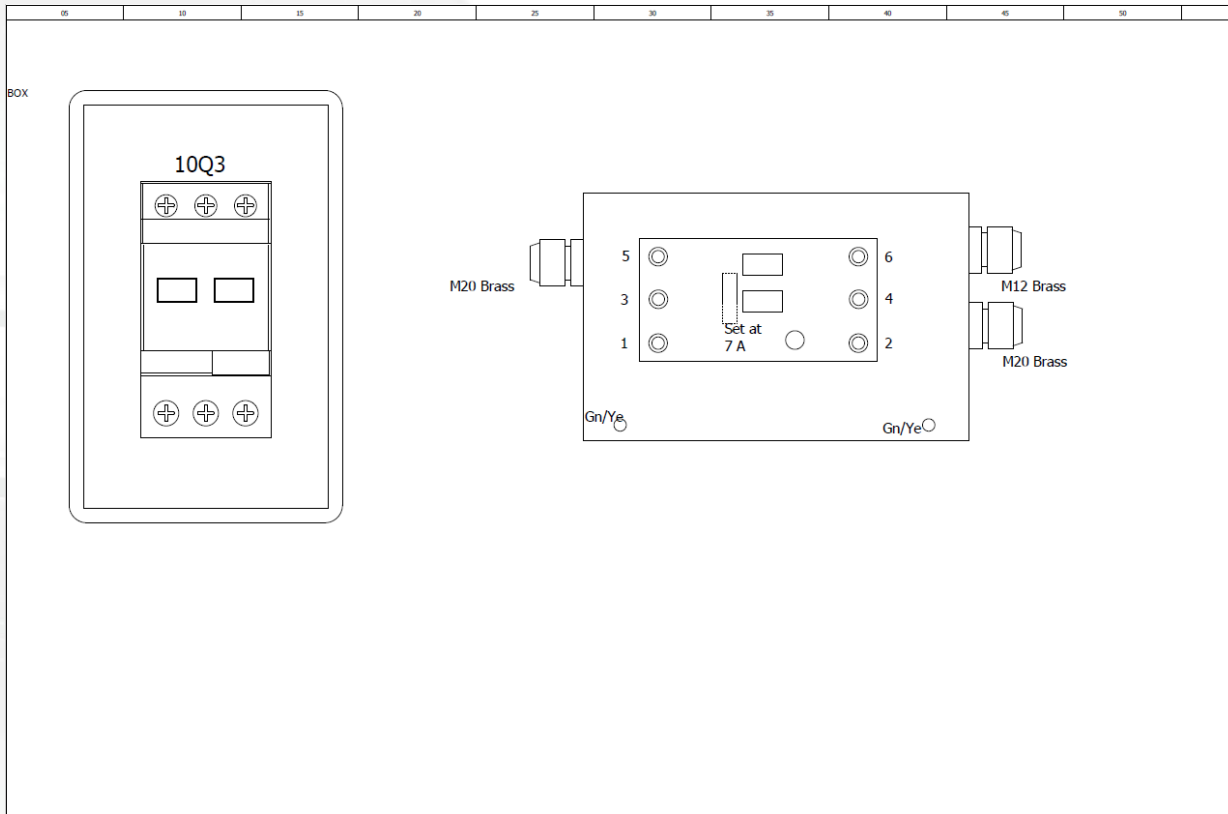
400V / 7.0A



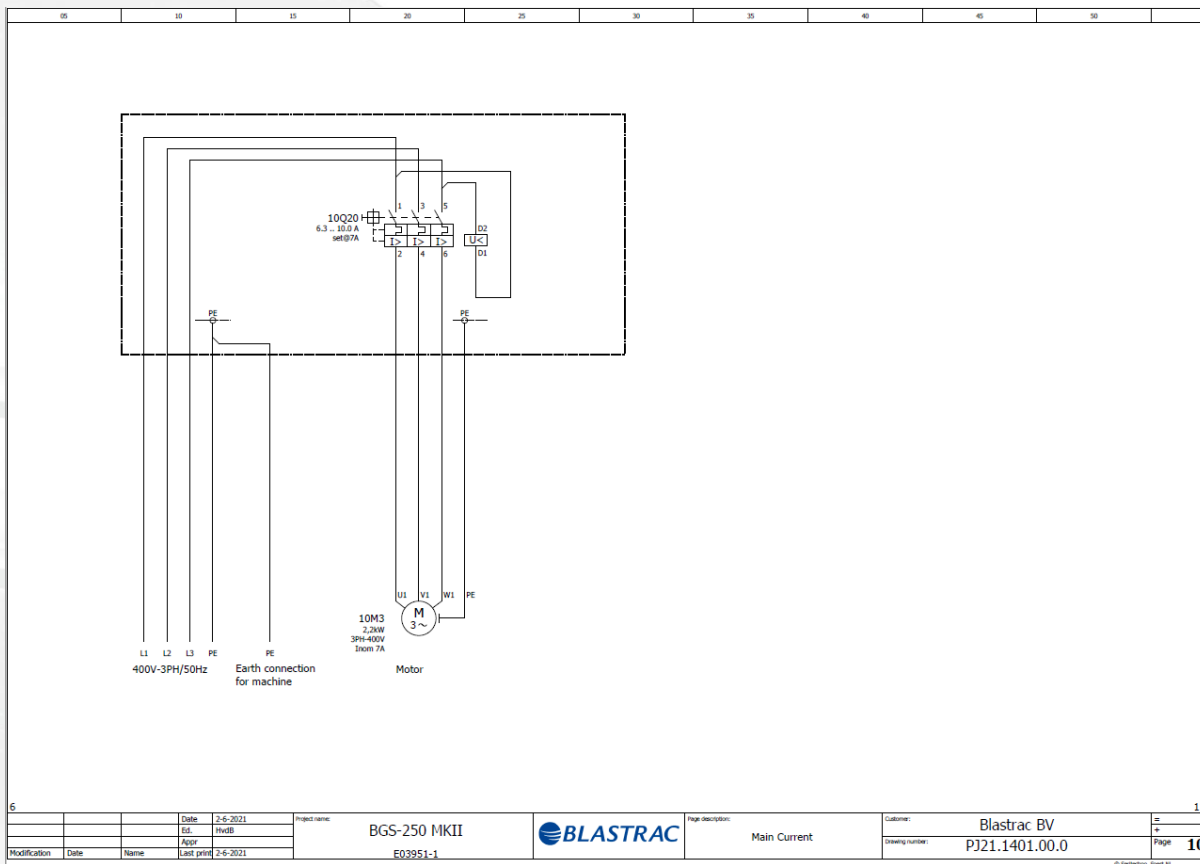
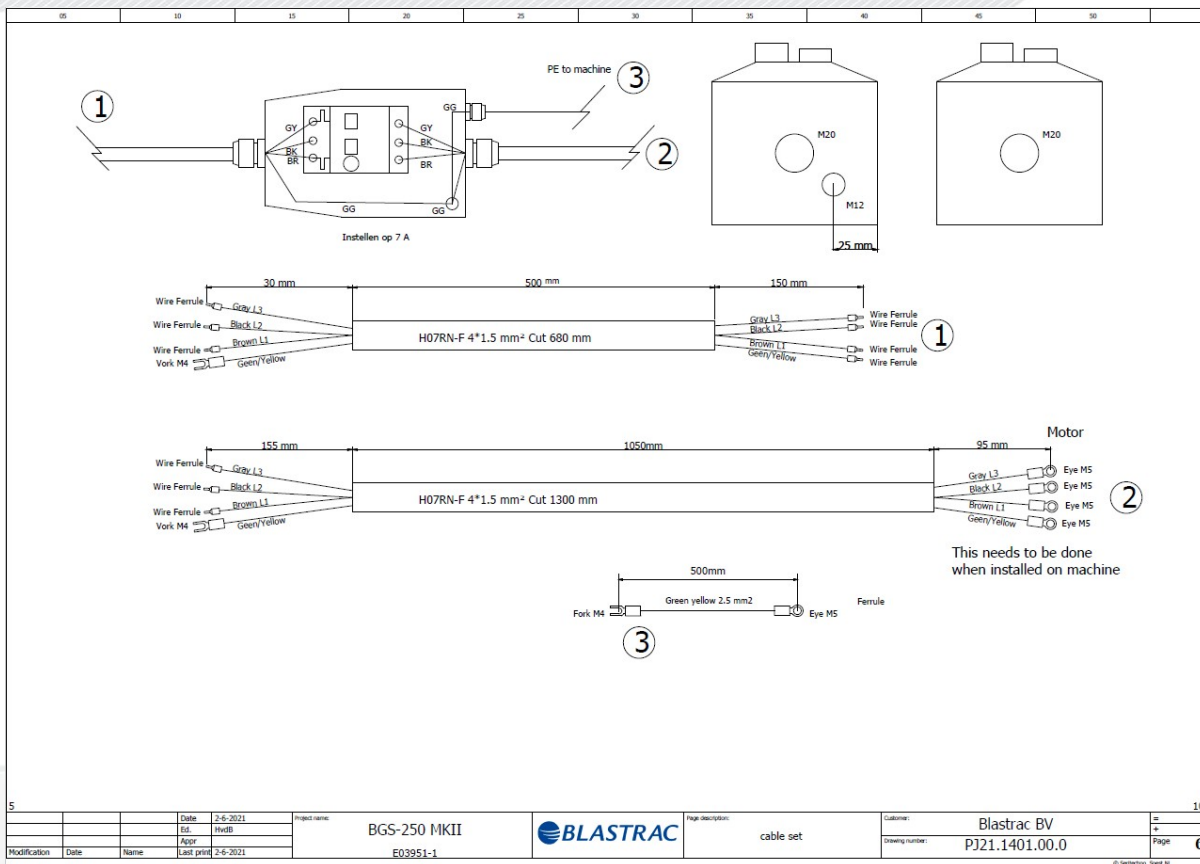
Blastrac bv
 Utrechthaven 12
 3433 PN Nieuwegein
 Netherlands
 +31(0)30-6018866
 +31(0)30-6018333

Project description	BGS-250 MKII			
Drawing number	PJ21.1401.00.0			
Blastrac number	E03951-1			
Power supply	400V 50Hz			
Input lead				
Control Voltage				
Year of Manufacturing	2021			
Remarks	Preliminary			
Created on	2-6-2021	by	hvandenbrink	
Edit date		by	HvdB	Number of pages 7

Date	2-6-2021	Project name	BGS-250 MKII	Page description	Front page / Cover sheet	Customer	Blastrac BV	Page	1
Ed.	HvdB					Drawing number	PJ21.1401.00.0		
Appr									
Last print	2-6-2021		E03951-1						



Date	2-6-2021	Project name	BGS-250 MKII	Page description	Panel Layout	Customer	Blastrac BV	Page	5
Ed.	HvdB					Drawing number	PJ21.1401.00.0		
Appr									
Last print	2-6-2021		E03951-1						





BLASTRAC EUROPE

WE'RE READY TO ASSIST YOU!

BLASTRAC THE NETHERLANDS

EUROPEAN HEAD OFFICE

Utrechthaven 12
 NL - 3433 PN Nieuwegein
 Tel.: +31 (0)30 601 88 66
 Fax: +31 (0)30 601 83 33
 Email: info@blastrac.nl
WWW.BLASTRAC.EU

BLASTRAC POLAND

SALES & SERVICE CENTRE

Golina, ul. Dworcowa 47E
 63-200 Jarocin
 Tel.: +48 (0)62 740-41-50
 Fax: +48(0)62 740-41-51
 Email: info@blastrac.pl
WWW.BLASTRAC.PL

BLASTRAC FRANCE

SALES & SERVICE CENTRE

ZI - 29, Av. des Temps Modernes
 F - 86360 Chasseneuil du Poitou
 Tel.: +33 (0)5 49 00 49 20
 Fax: +33 (0)5 49 00 49 21
 Email: info@blastrac.fr
WWW.BLASTRAC.FR

BLASTRAC ITALY

SALES & SERVICE CENTRE

S.S. 10 Padana Inferiore, 41
 IT - 29012 Caorso (PC)
 Tel.: +39 0523 814241
 Fax: +39 0523 814245
 Email: info@blastrac.it
WWW.BLASTRAC.IT

BLASTRAC GERMANY

SALES & SERVICE CENTRE

Richard-Byrd-Str. 15
 50829 Köln
 Tel.: +49 (0) 221 709032-0
 Fax: +49 (0) 221 709032-22
 Email: info@blastrac.de
WWW.BLASTRAC.DE

BLASTRAC UKRAINE

SALES & SERVICE CENTRE

Nezalezhnosti 14, of. 21
 07400 Brovary
 Tel.: +38 (0)44 222 51 28
 Fax: +38 (0)44 277 98 29
 Email: info@blastrac.com.ua
WWW.BLASTRAC.COM.UA

BLASTRAC SPAIN

SALES & SERVICE CENTRE

Calle del Estío, 9
 E - 28500
 Arganda del Rey, Madrid
 Tel.: +34 91 660 10 65
 Fax: +34 91 672 72 11
 Email: info@blastrac.es
WWW.BLASTRAC.ES

BLASTRAC UNITED KINGDOM

SALES & SERVICE CENTRE

Unit 2a, Outgang Lane, Dinnington
 Sheffield, South Yorkshire
 GB - S25 3QU
 Tel.: +44 (0) 1909 / 569 118
 Fax: + 44 (0) 1909 / 567 570
 Email: info@blastrac.co.uk
WWW.BLASTRAC.CO.UK

BLASTRAC MIDDLE EAST

SALES & SERVICE CENTRE

P.O. box 29424
 Dubai / United Arab Emirates
 Tel.: +971 4 3245760
 Fax: +971 4 3245761
 Email: info@blastracdxb.ae
WWW.BLASTRAC.AE

BLASTRAC NORDIC

SALES & SERVICE CENTRE

Lekstorps Industriväg 13D,
 443 41, Gråbo
 Sweden
 Tel.: +46 (0) 31 30 333 55
 Email: info@blastrac.se
WWW.BLASTRAC.SE

BLASTRAC INDIA

SALES & SERVICE CENTRE

G.B. Warehousing, GAT NO- 523,
 Pune- Nagar Road, Wagholi
 Pune- 412 207
 Tel.: +91 99213 98109
 Email: info.blastrac.in
WWW.BLASTRAC.IN