



# SERVICE MANUAL EBE 350 S

Version 1.1



**Inspection comments**

Inspection before initial operation on:	_____
By:	_____
Date of initial operation:	_____
Serial number & Year of manufacture:	_____

**Recurring inspections / maintenance log**

Date / Hour counter	Findings	Repairs / Cleaning	Test on	By*

\*competent person



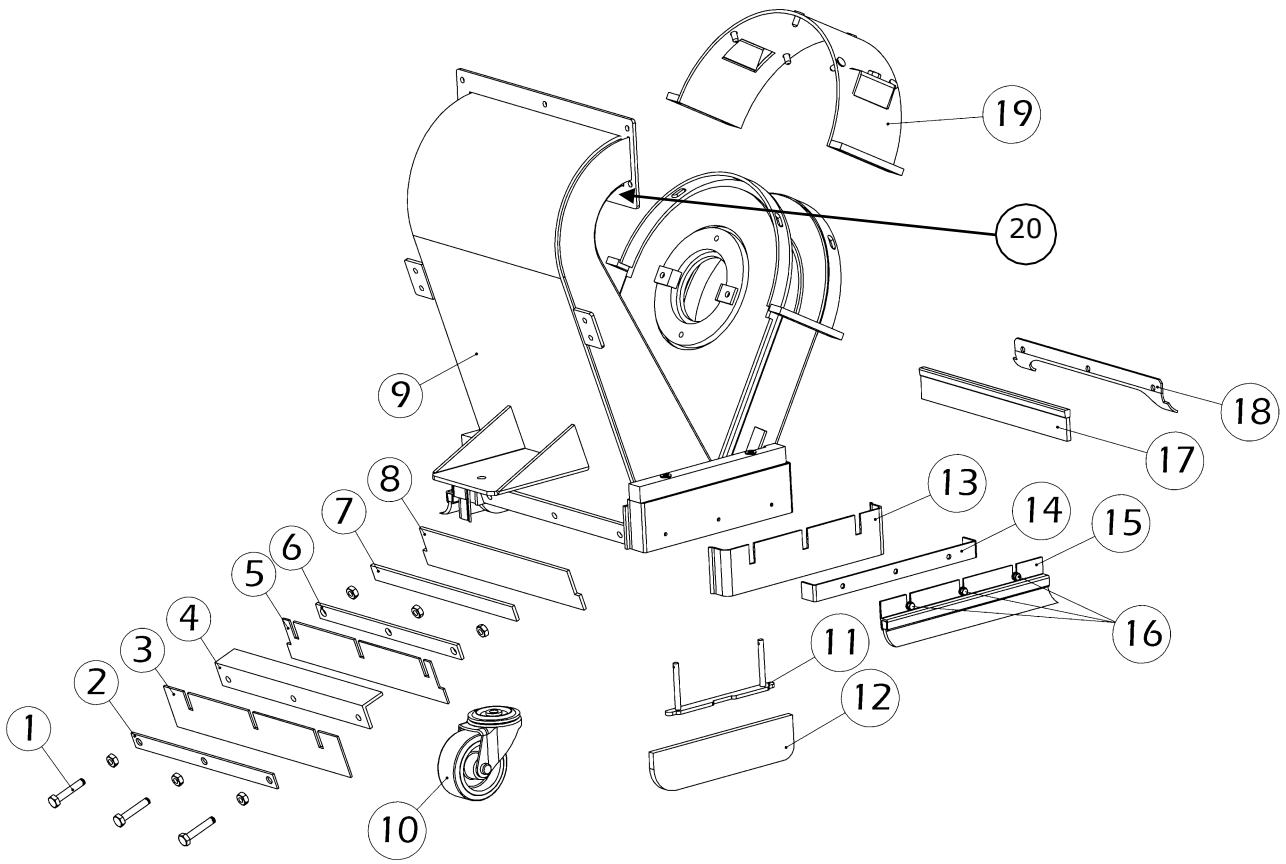
## Index

<b>Inspection comments</b>	<b>02</b>
<b>1. Spare parts</b>	<b>04</b>
<b>Contact</b>	



# 1. Spare parts

**Fig. 01 Blast housing**

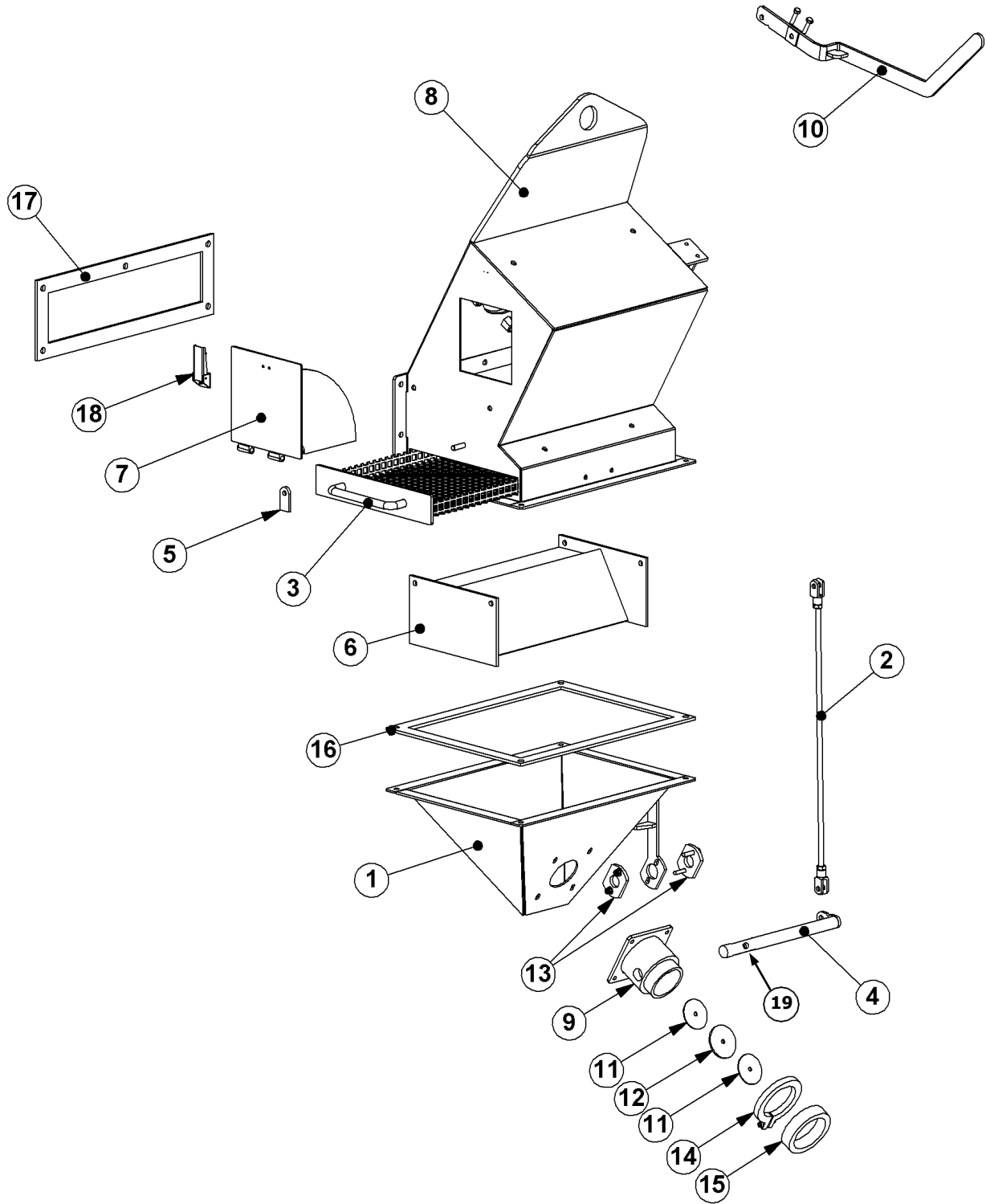




**Fig. 01 Blast housing**

Item	Blastrac PN	HQV PN	Description	Qty.
1	BE0044 + (2x) BE0008	533292801+ 533837201	Bolt M10x50 + (2 x) Nut M10	3
2	350-1059-SE	533189401	Front locating plate outer	1
3	350-1054-SE	533422701	Front skirt outer	1
4	-		Front seal angle (part of blast housing)	1
5	350-1053-SE	533441201	Front skirt intermediate	1
6	350-1058-SE	533191701	Locating plate inner	1
7	350-1057-SE	533254901	Front skirt fixing plate	1
8	350-1052-SE	533448901	Front skirt inner	1
9	350-9006-S	533017201	Blast housing cabinet	1
10	E10682	533815501	Castor wheel	1
11	350-1021-SE	533156801	Side seal spring plate	2
	350-2035-SE	531469101	Side seal spring	4
12	350-1020-SE	533382601	Side seal (set of 2)	1
13	350-1060-SE	534656101	Side skirt (set of 2)	1
14	350-1061-SE	533176801	Side skirt fixing plate	2
15	350-1050-SE	534838401	Side brush (set of 2)	1
16	BE0020 + BE0016	534692701+ 533481901	M6x20 hex. socket head cap s. + plain washer	6
17	350-1045-SE	534304601	Back brush	1
18	350-1047-SE	533154501	Back brush skirt	1
19	350-1115	531469301	Topliner cover	1
20	350-1048-SE	534295801	Airflow brush	1

Fig. 02 Separator & Hopper

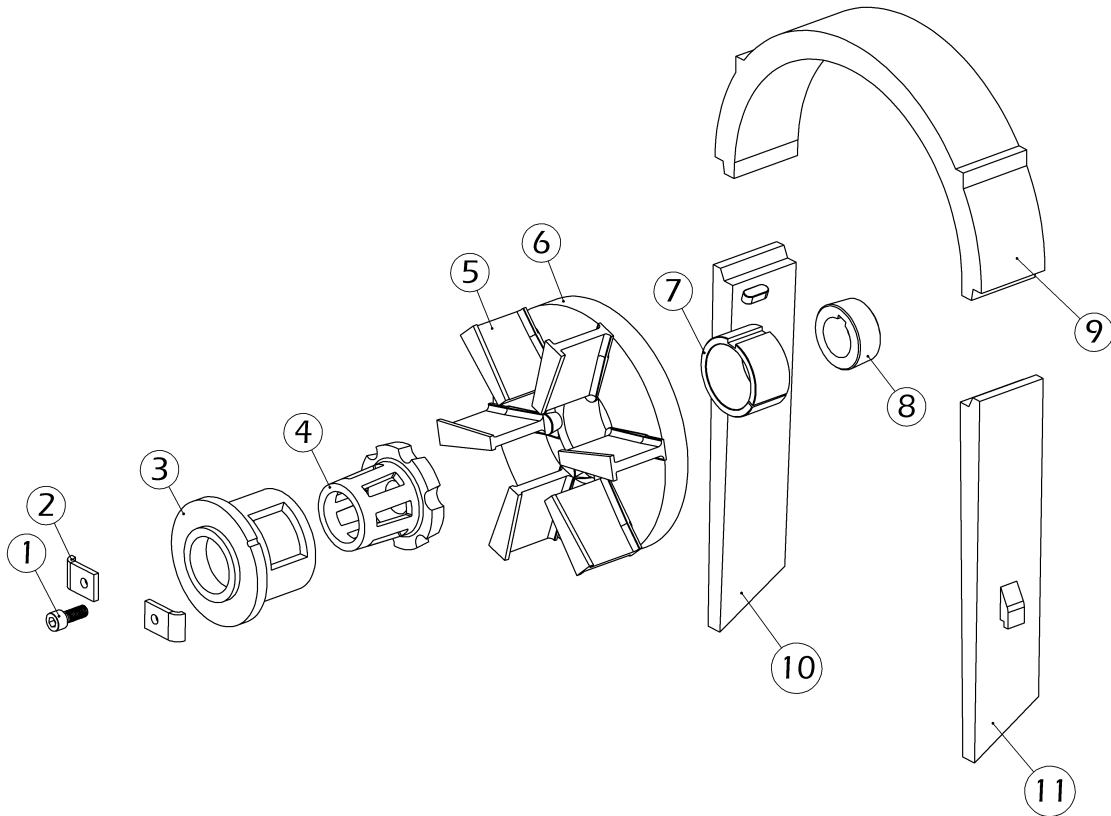






**Fig. 02 Separator & Hopper**

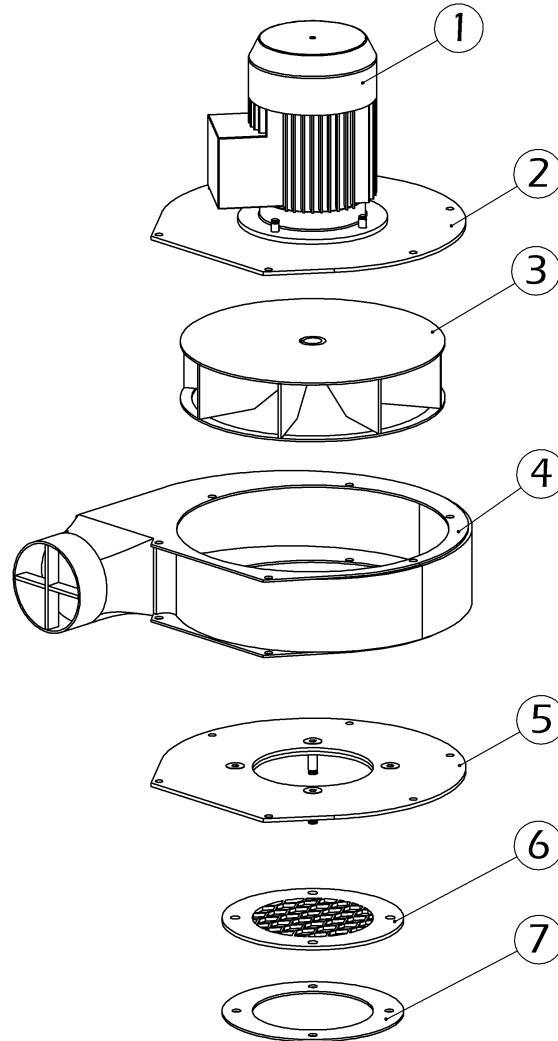
Item	Blastrac PN	HQV PN	Description	Qty.
1	350-1067-SE	534257401	Abrasive storage hopper	1
2	350-1069-SE	531482601	Shot valve lever complete	1
3	350-1111-SE	531473501	Separator drawer	1
4	350-2015-SE	531474401	Shot valve axle complete	1
5	350-9117-SE	533010901	Drawer lock	1
6	350-9118	533019201	Baffle plates	1
7	350-9119-SE	531473601	Separator door	1
8	350-9120-SE	533080001	Separator	1
9	350-9240-S	533223701	Shot valve housing	1
10	E03123	533533101	Shot valve arm complete	1
11	350-1071-SE	533283901	Shot valve insert (steel)	2
12	350-1070-SE	534837301	Shot valve insert (rubber)	1
13	E06488	533214901	Adjusting plates	2
14	E06489	531488301	Clamp adjusting ring	1
15	350-1065-SE	534572101	Feed spout rubber	1
16	E00386	534626701	Hopper seal felt	1
17	E00387	534828901	Separator seal felt	1
18	350-1195	531478001	Door lock	1
19	BE0455	533851001	M6x20 Countersunk	1

**Fig. 03 Blastwheel & Liners**


Item	Blastrac PN	HQV PN	Description	Qty.
1	350-1245-SEV	534641201	Impeller bolt	1
2	350-9041-SEVU	531473001	Control Cage clamp	2
3	350-1010	533144801	Control cage	1
4	350-1015	533132101	Impeller	1
5	350-1005	533147201	Blades (set of 6)	1
6	350-1025	533360801	Blastwheel	1
7	222-2265	533017101	Taper lock adapter blastwheel	1
8	222-2290	534891801	Taper lock bush /blast wheel shaft	1
9	350-1040	533123701	Top liner	1
10	350-1035-SE	533207001	Liner RH	1
11	350-1030-SE	533147301	Liner LH	1

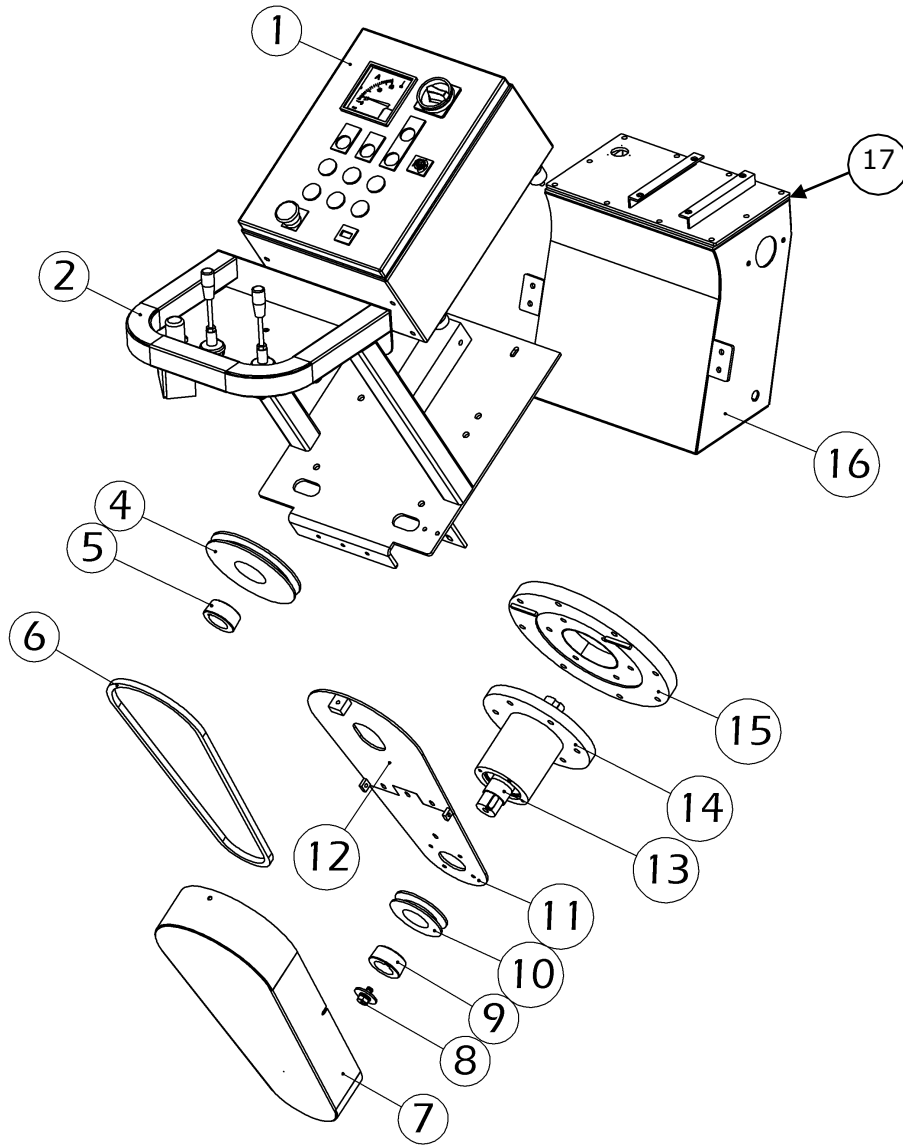


**Fig. 04 Fan**



Item	Blastrac PN	HQV PN	Description	Qty.
1	350-3055-S-IE2	533261801	Fan motor 1,5 kW (blue)	1
2	350-9030	531475301	Fan housing plate (top)	1
3	350-1085-SE	534569101	Fan impeller	1
4	350-1090-SE	531466701	Fan housing	1
5	350-9025	531487201	Fan housing plate (bottom)	1
6	035-9035	533118801	Fan ring	1
7	035-1125	533011301	Fan housing seal	1

**Fig. 05 Control handle and blastwheel drive**

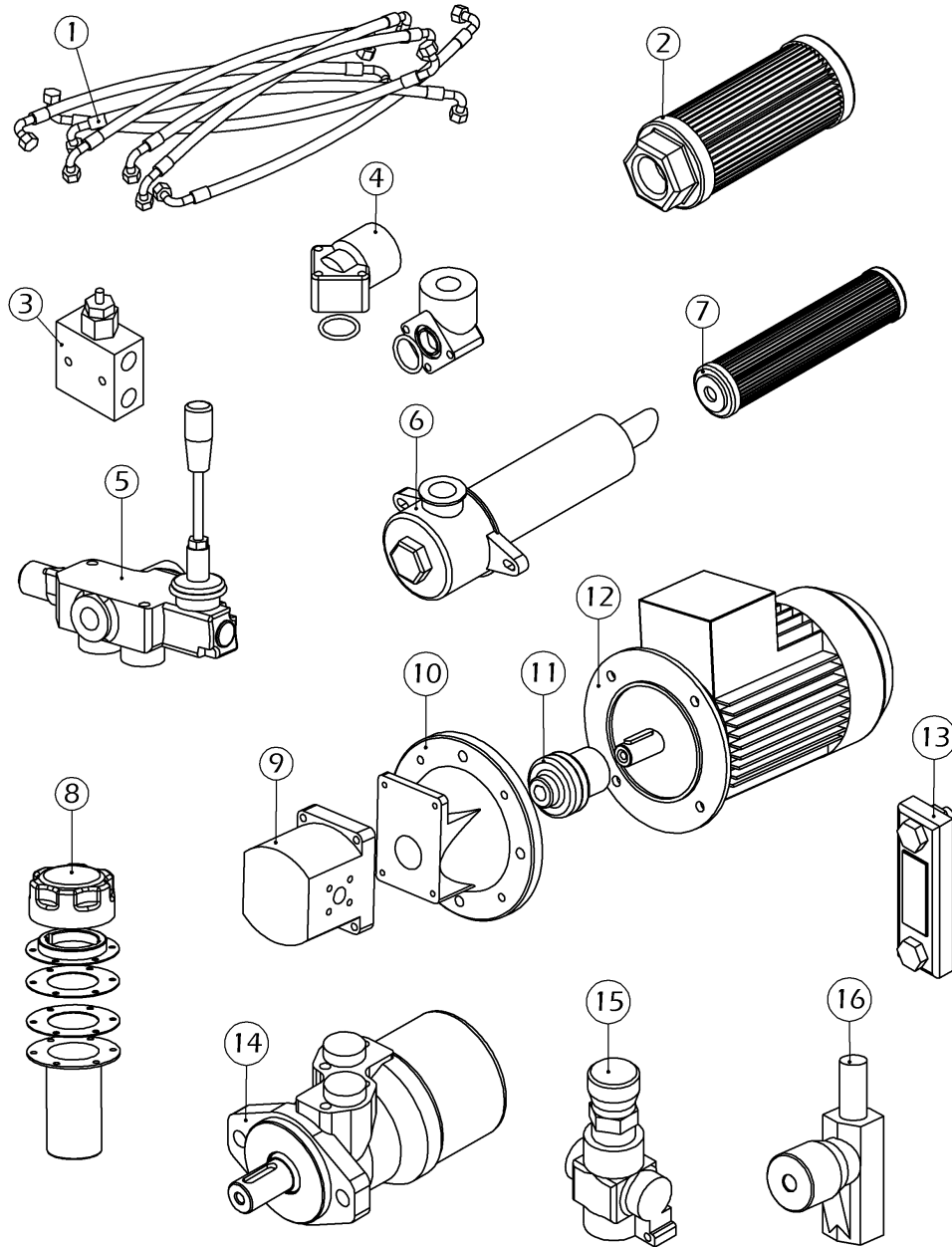




**Fig. 05 Control handle and blast wheel drive**

Item	Blastrac PN	HQV PN	Description	Qty.	Hz.
1	E17063	534558201	Electrobox universal 690V	1	
2	350-9085-S	-	Handle complete	1	
3	350-3020-SEP-IE3	534333901	Blastmotor 11kW	1	
4	350-2170	534324501	Belt pulley	1	50
	350-2180	531485901	Belt pulley	1	60
	E07234	534341401	Blastwheel spacer 5 mm for 350-2175 (not shown)	1	50
5	222-2171	533702501	Taperlock bush	1	50/60
6	350-2430-S	531471801	Blast motor belt	2	
7	350-9255-S	531491001	Belt guard complete	1	
8	999-9802	533575701	Axle locking ring + Bolt M10x25	1	
9	222-2290	534891801	Blastwheel shaft taperl. bush	1	60
10	350-2175	534324401	Belt pulley	1	50
	350-2345	531498801	Belt pulley	1	60
11+12	350-9027-SE	535104001	Belt guard back plates	1	
13	350-2464-SEVU	534328401	Blast wheel shaft spacer 8mm	1	50
	350-2463-SEVU	531493501	Blast wheel shaft spacer 32m	1	60
14	350-2451-SEV	531492701	Blast wheel bearing house complete	1	
	BE0263	533728001	Key 10x8x25 DIN6885A	1	
15	350-9007-SEVU	534330601	Blast motor mount plate	1	
16	350-9080-S	535198501	Hydraulic tank	1	
17	E00384	534823601	Seal hydr. Tank	1	

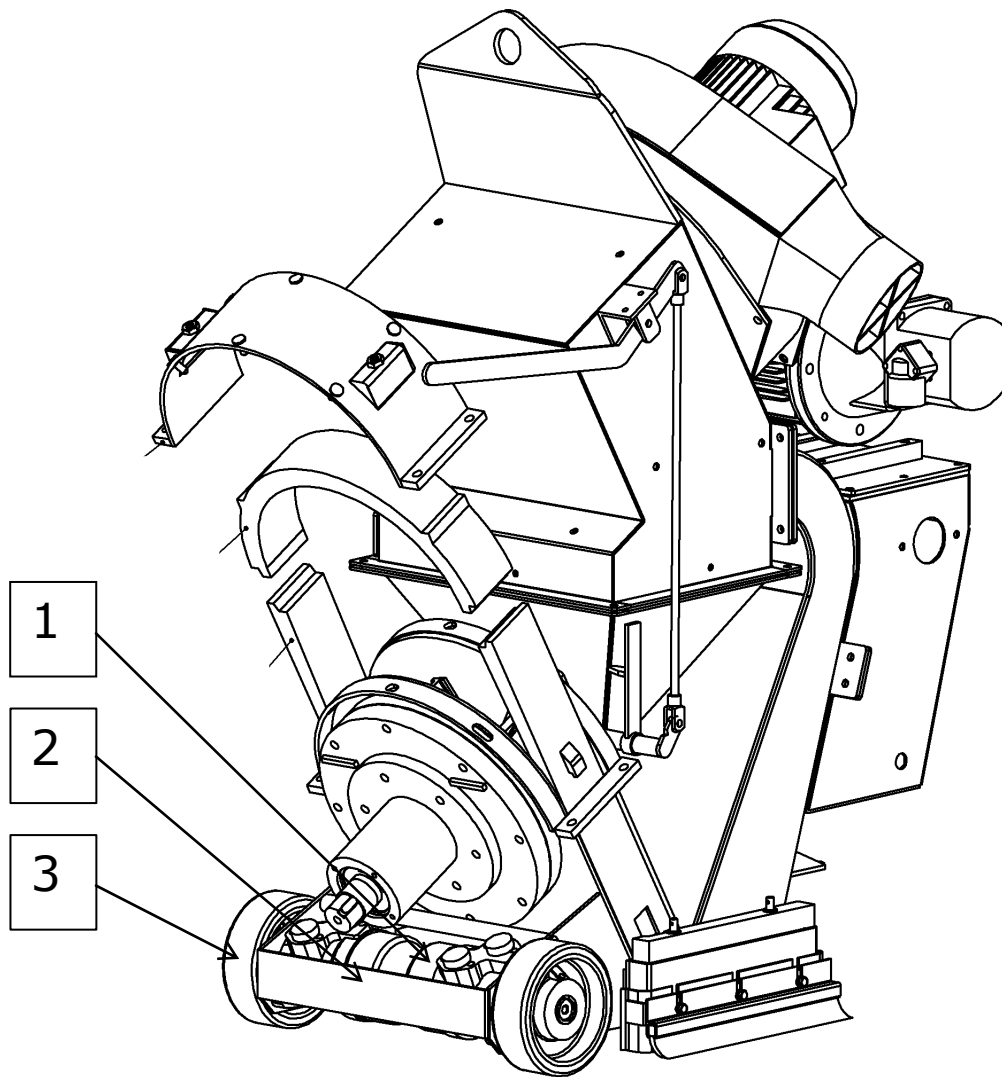
**Fig. 06 Hydraulic set**



**Fig. 06      Hydraulic set**

Item	Blastrac PN	HQV PN	Description	Qty.
1	350-4101-S	533102101	Hydraulic hose set complete	1
2	035-4040	534874701	Suction filter	1
3	035-4175-S	533167101	Pressure relief valve	1
4	350-4115-S	533268401	Flange coupling	2
5	035-4105-S	534033201	Hydraulic directional control valve	2
6	035-4173-S	533197501	Return filter complete	1
7	035-4174-S	533477201	Return filter element	1
8	350-3085-S	533487701	Filling-venting filter (hydro)	1
9	350-4020	-	Gearpump 36 1 PD(right)(hydro)	1
10	350-4114-S	-	Pumpbracket O200/1P aluminium	1
11	350-4116-S	533454401	Flex. coupling O24/1P-65,alu.	1
12	350-3060-S-IE2	534786201	Pump motor 1.5 kW	1
13	350-4172-S	533872801	Level gauge LG 1T with thermo	1
14	350-4005-S	533635501	Hydraulic motor	2
15	350-3080-S	533103701	Flow control valve	1

**Fig. 07 Drive motor and bracket**



Item	Blastrac PN	HQV PN	Description	Qty.
1	350-4005-S	533635501	Hydraulic motor	2
2	31-d1-01	-	Rear drive frame	1
3	350-2158	-	Drive wheel	2





## BLASTRAC EUROPE

WE'RE READY TO ASSIST YOU!

### BLASTRAC THE NETHERLANDS

EUROPEAN HEAD OFFICE  
Utrechtaven 12  
NL - 3433 PN Nieuwegein  
Tel.: +31 (0)30 601 88 66  
Fax: +31 (0)30 601 83 33  
Email: [info@blastrac.nl](mailto:info@blastrac.nl)  
[WWW.BLASTRAC.EU](http://WWW.BLASTRAC.EU)

### BLASTRAC POLAND

SALES & SERVICE CENTRE  
Golina, ul. Dworcowa 47E  
63-200 Jarocin  
Tel.: +48 (0)62 740-41-50  
Fax: +48(0)62 740-41-51  
Email: [info@blastrac.pl](mailto:info@blastrac.pl)  
[WWW.BLASTRAC.PL](http://WWW.BLASTRAC.PL)

### BLASTRAC FRANCE

SALES & SERVICE CENTRE  
ZI - 29, Av. des Temps Modernes  
F - 86360 Chasseneuil du Poitou  
Tel.: +33 (0)5 49 00 49 20  
Fax: +33 (0)5 49 00 49 21  
Email: [info@blastrac.fr](mailto:info@blastrac.fr)  
[WWW.BLASTRAC.FR](http://WWW.BLASTRAC.FR)

### BLASTRAC ITALY

SALES & SERVICE CENTRE  
S.S. 10 Padana Inferiore, 41  
IT - 29012 Caorso (PC)  
Tel.: +39 0523 814241  
Fax: +39 0523 814245  
Email: [info@blastrac.it](mailto:info@blastrac.it)  
[WWW.BLASTRAC.IT](http://WWW.BLASTRAC.IT)

### BLASTRAC GERMANY

SALES & SERVICE CENTRE  
Richard-Byrd-Str. 15  
50829 Köln  
Tel.: +49 (0) 221 709032-0  
Fax: +49 (0) 221 709032-22  
Email: [info@blastrac.de](mailto:info@blastrac.de)  
[WWW.BLASTRAC.DE](http://WWW.BLASTRAC.DE)

### BLASTRAC UKRAINE

SALES & SERVICE CENTRE  
Nezalezhnosti 14, of. 21  
07400 Brovary  
Tel.: +38 (0)44 222 51 28  
Fax: +38 (0)44 277 98 29  
Email: [info@blastrac.com.ua](mailto:info@blastrac.com.ua)  
[WWW.BLASTRAC.COM.UA](http://WWW.BLASTRAC.COM.UA)

### BLASTRAC SPAIN

SALES & SERVICE CENTRE  
Calle del Estío, 9  
E - 28500  
Arganda del Rey, Madrid  
Tel.: +34 91 660 10 65  
Fax: +34 91 672 72 11  
Email: [info@blastrac.es](mailto:info@blastrac.es)  
[WWW.BLASTRAC.ES](http://WWW.BLASTRAC.ES)

### BLASTRAC UNITED KINGDOM

SALES & SERVICE CENTRE  
Unit 2a, Outgang Lane, Dinnington  
Sheffield, South Yorkshire  
GB - S25 3QU  
Tel.: +44 (0) 1909 / 569 118  
Fax: + 44 (0) 1909 / 567 570  
Email: [info@blastrac.co.uk](mailto:info@blastrac.co.uk)  
[WWW.BLASTRAC.CO.UK](http://WWW.BLASTRAC.CO.UK)

### BLASTRAC MIDDLE EAST

SALES & SERVICE CENTRE  
P.O. box 29424  
Dubai / United Arab Emirates  
Tel.: +971 4 3245760  
Fax: +971 4 3245761  
Email: [info@blastracdx.ae](mailto:info@blastracdx.ae)  
[WWW.BLASTRAC.AE](http://WWW.BLASTRAC.AE)

### BLASTRAC INDIA

SALES & SERVICE CENTRE  
G.B. Warehousing, GAT NO- 523,  
Pune- Nagar Road, Wagholi  
Pune- 412 207  
Tel.: +91 99213 98109  
Email: [info.blastrac.in](mailto:info.blastrac.in)  
[WWW.BLASTRAC.IN](http://WWW.BLASTRAC.IN)