

SERVICE MANUAL BDC-66

VERSION 2.16

From serial number 28784B and up



Index

Contents

Index.....	2
Inspection comments	3
1. Spare parts	4
Fig. 01 General	4
Fig. 3.3 Pulse valves (From serial number 35918B & up).....	12



Inspection comments

Inspection before initial operation on:	_____
By:	_____
Date of initial operation:	_____
Serial number & Year of manufacture:	_____

Recurring inspections / maintenance log

Date / hour counter	Findings	Repairs / Cleaning	Test on	By*

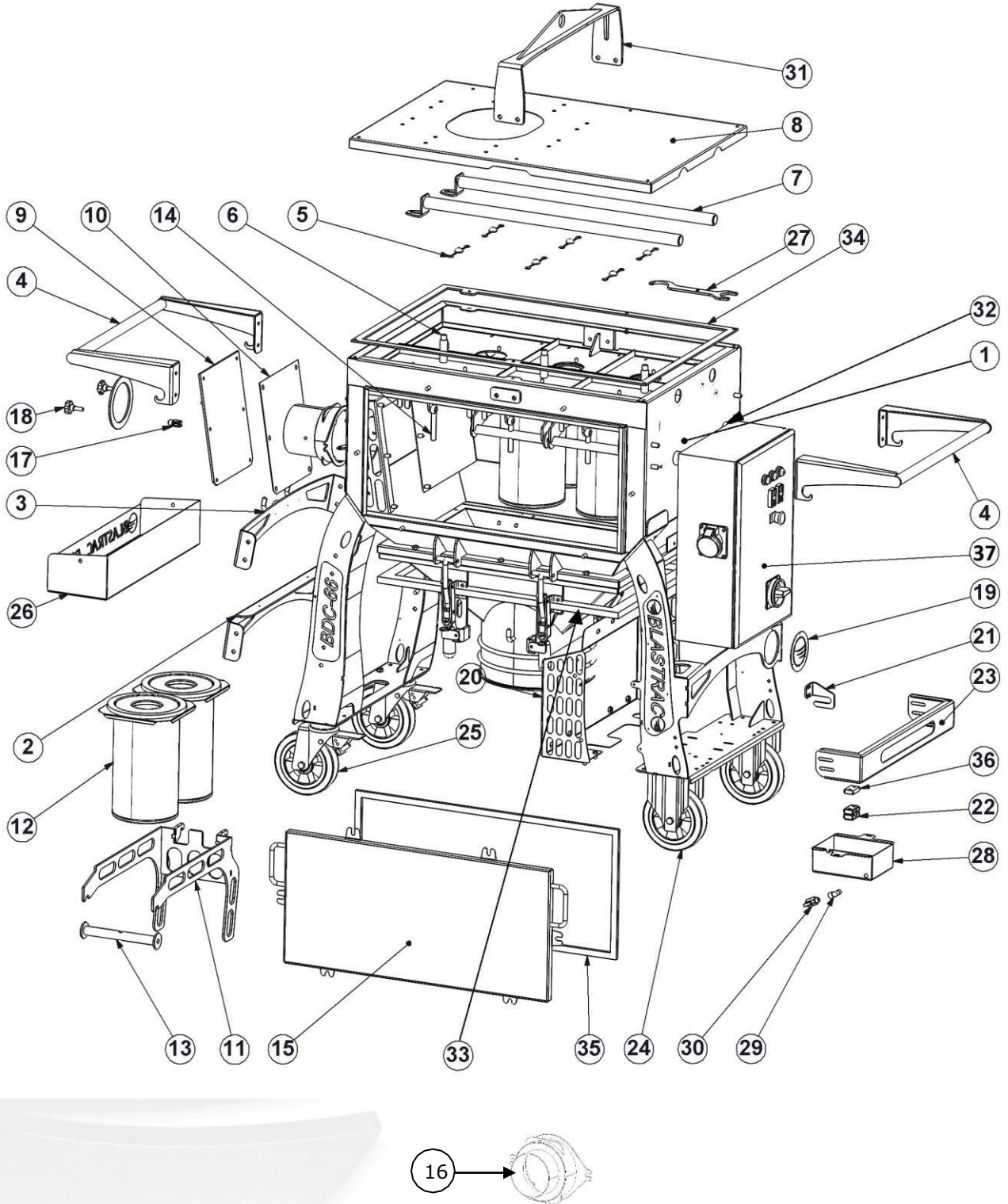
*competent person



1.

Spare parts

Fig. 01 General



**Fig. 01 General**

Item	Part number	Husqvarna part number	Description	Qty.
1	E09751	533208101	Filter house	1
2	E09772	533666301	Back legs bottom bracket	1
3	E09773	533645201	Back legs upper bracket	1
4	E09754	531461901	Handle	2
5	E07763	533465401	Divider	6
6	E03466	534014001	Rubber distance	3
7	E09755	533119601	Pulse tube	2
8	E09756	533377601	Top cover	1
9	E09778	533383801	Rubber impact plate	1
10	E09757	535178501	Filters secure plate	1
11	E09758	533207801	Filter bracket	3
12	E10600	533969201	Cartridge filter	6
13	E09874	533172101	Locking bar	3
14	BE0672	533698301	Eye bolt M10x120	3
15	E09759	533364001	Door filter house	1
16	E09685	533677501	Hose adapter 150-130	1
17	BE0560	534587601	M8 fork joint 8x16	2
18	BE0577	534046801	Turning knob M8x30	2
19	E11035	535207201	Logo	1
20	E09760	533324601	Compressor cover	1
21	E09791	534363001	Bracket	1
22	999-9155	533015801	Pipe clamp 25mm (set)	1
23	E09761	533641401	Compressor protection plate	1
24	E09598	533190401	Low friction wheel	2
25	E09597	533503701	Low friction castor wheel	2
26	E09762	533018201	Box	1
27	E09767	533228201	Pulse tube key	1
28	E06932	533250501	Drain box	1
29	E03197	533527901	KNEE 1/4" MBSPT x 1/4" FBSP	1
30	E14003	533838601	Mini ball valve 1/4" m/f bsp	1
31	E09768	533147501	Lifting beam	1
32	999-9106	534070301	Shock absorber A40-20	4
33	E01309	533914902	Adhesive rubber seal 40x20	2,9m
34	E00649	533938602	Adhesive rubber seal 25x5	3,5m
35	B21189	533938704	Adhesive rubber seal 20x10	2,7m
36	E11032	533028701	Distance plate	1
37	E09226-2	534556901	Electrobox BDC-66 / SOFT	1
	E09226/230UL CSA	535380601	Electrobox BDC66 DUAL 230-460V	1



Fig. 2.1 Pulse system (Up to serial number 32305B)

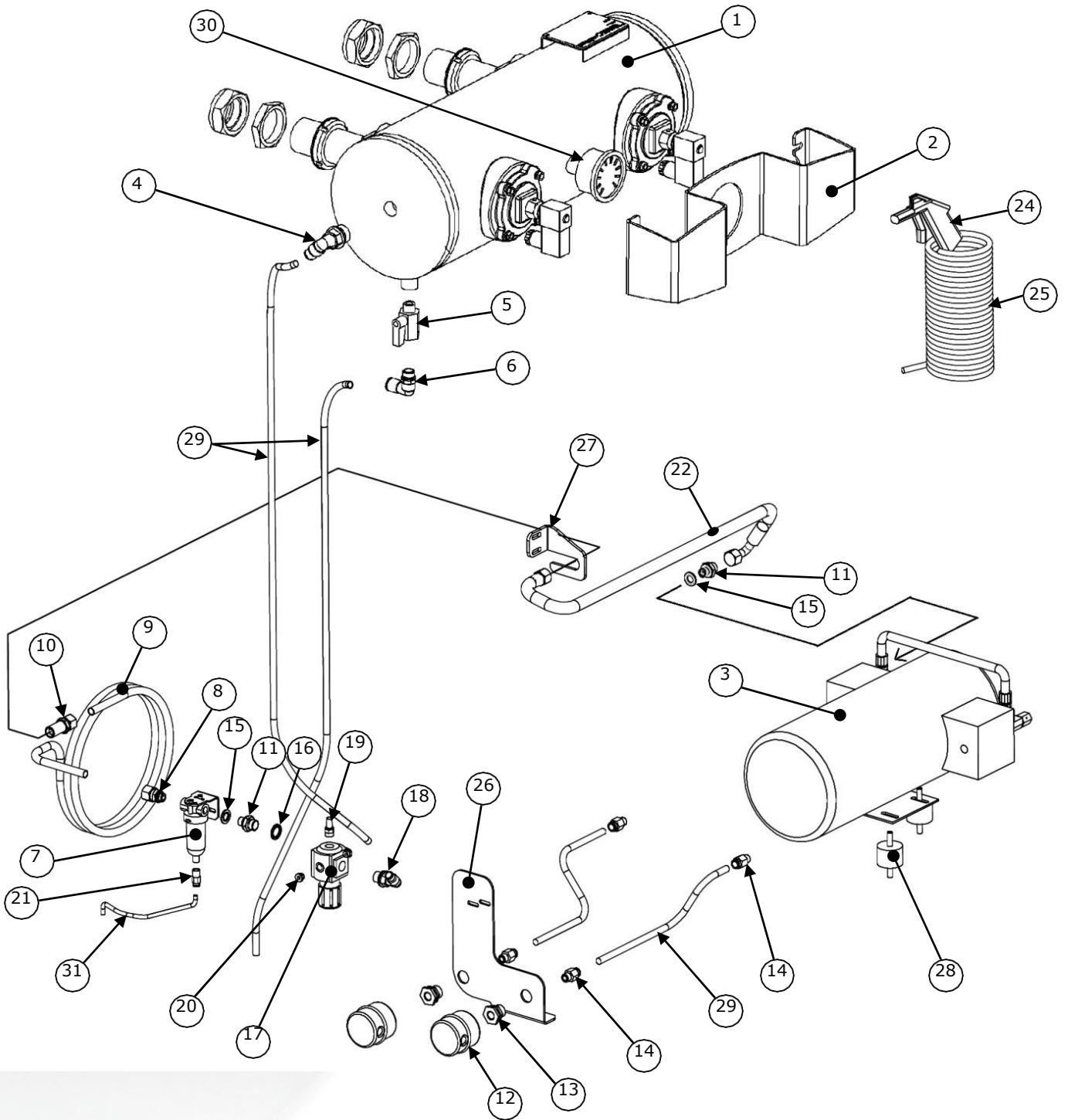




Fig. 2.1 Pulse system (Up to serial number 32305B)

Item	Part number	Husqvarna part number	Description	Qty.
1	E07554	533258401	Header tank complete with 2 valves	1
2	E07756	533478601	Protection pulse valve	1
3	E06933	533396801	Compressor	1
4	B20057	533764501	Connector Angle swiveling	1
5	E14003	533838601	Mini ball valve 1/4" m/f bsp	1
6	E06923	533882901	Adaptor knee 10mm x 1/4" mbsp, swivel	1
7	E07456	533842701	Water separator & Bracket	1
8	E01925	533880201	Male stud coupling 1/4" BSP x Ø12 + Bonded seal	1
9	E06928	533835201	Cooling spiral	1
10	E06974	533923801	Right connector M18x1.5 Ø12	1
11	E06972	533884301	Adapter male 1/4" BSP x male 3/8"	2
12	E06935	533299601	Filter FS-04-025	2
13	E03158	533927201	Panel mount conn. 1/4x M20	2
14	E00674	533884801	Hose conn.straight 10x1/4"mbsp	4
15	E06972_1	533858001	Bonded seal 1/4"	2
16	E06970_1	533400001	Bonded seal 3/8"	1
17	E06948	533653101	Pressure valve V72G-3GK-NMN	1
18	E04620	533450401	Connector Angle swiveling	1
19	E00034	533660501	Dust excluder 1/4" mbsp	1
20	E06968	533455601	Plug 1/8"	2
21	E01157	533774501	Straight coupler Ø6x1/8" fbsp	1
22	E06925	533903601	Hydraulic hose M18x1.5 female x 3/8" BSP	1
24	DA--9290.1	534295001	Airpistol	1
25	DA--9290.2	534296001	Airhose 6 MM. L 5 MTR.	1
26	E14662	534932701	Water separator mounting plate UNI	1
27	E09791	534363001	Bracket	1
28	999-9107	533943201	Shock absorber A40-30	4
29	E00474	534056101	Airhose 10mm Blue	2.5m
30	E08945	534775701	Manometer	1
31	E00473	534784601	Airhose 6mm Blue	0.5m



Fig. 2.2 Pulse system (From serial number 32306B to 35917B)

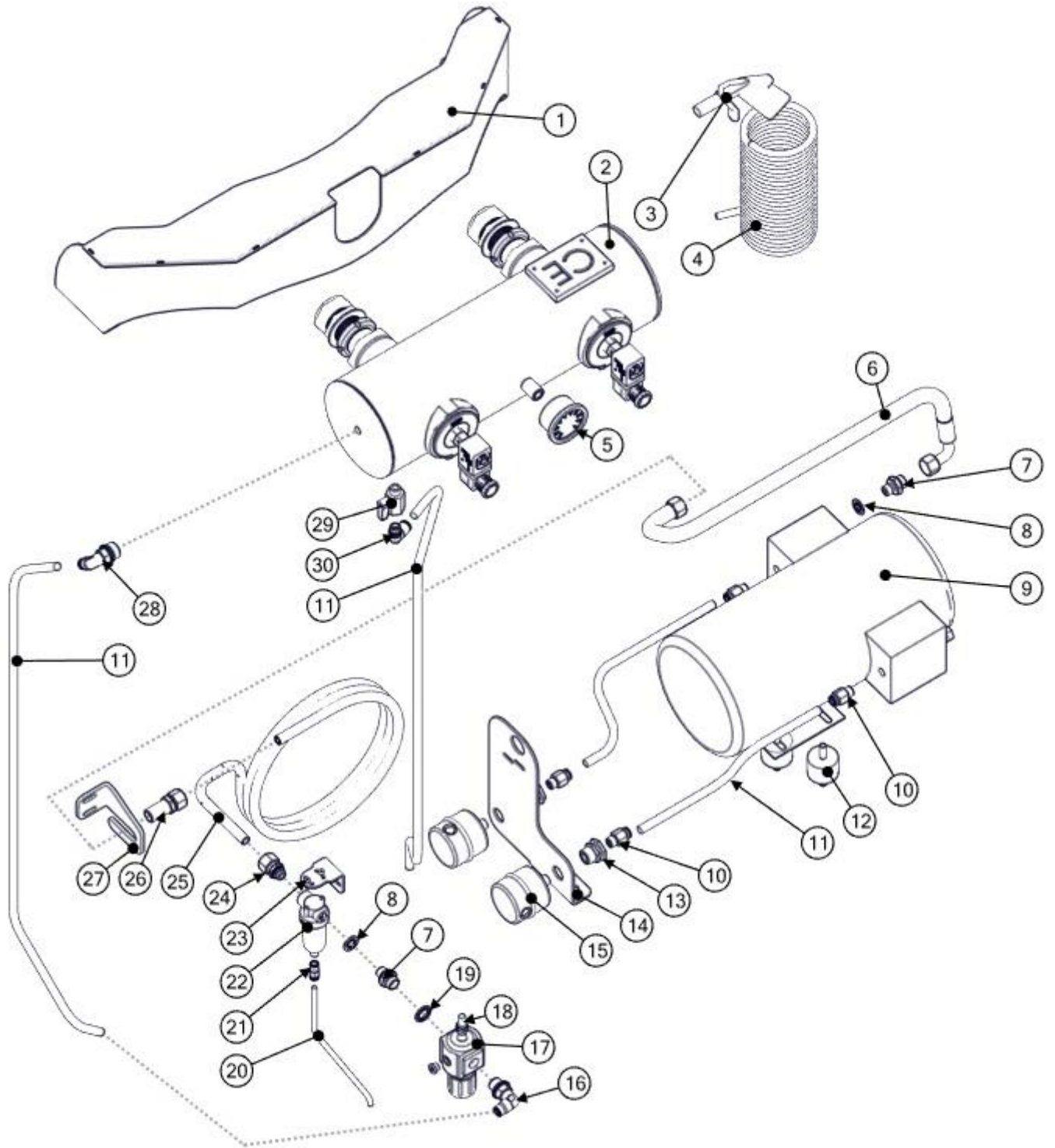


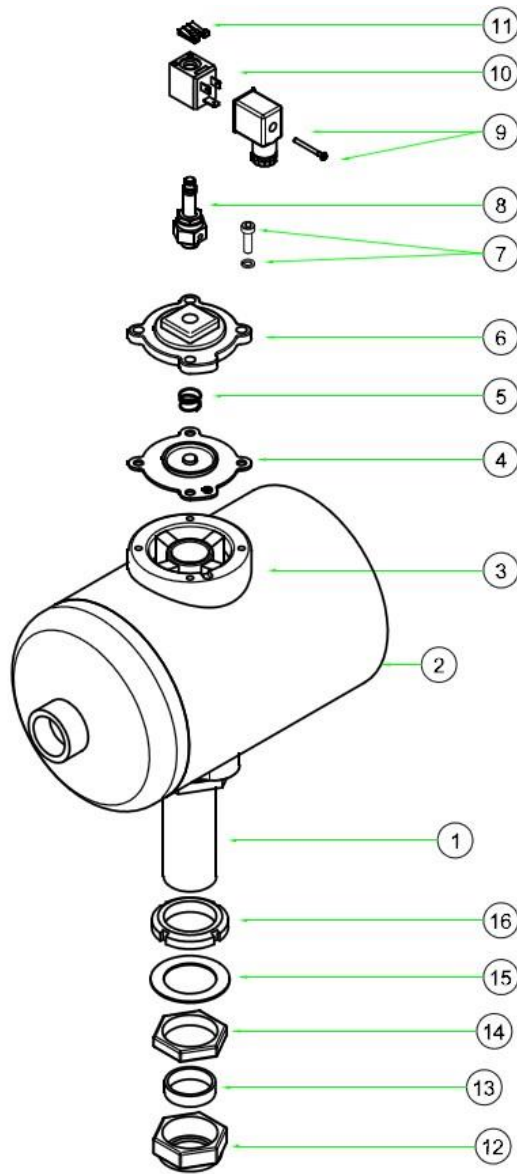


Fig. 2.2 Pulse system (From serial number 32306B to 35917B)

Item	Part number	Husqvarna part number	Description	Qty.
1	E15666	#N/A	Protection cover	1
2	E07554-1	535638701	Pulse tank complete with 2 valves (5")	1
3	DA--9290.1	534295001	Airpistol	1
4	DA--9290.2	534296001	Airhose 6 MM. L 5 MTR.	1
5	E08945	534775701	Manometer	1
6	E06925	533903601	Hydraulic hose M18x1.5 female x 3/8" BSP	1
7	E06972	533884301	Adapter male 1/4" BSP x male 3/8"	2
8	E06972_1	533858001	Bonded seal 1/4"	2
9	E06933	533396801	Compressor	1
10	E00674	533884801	Hose conn.straight 10x1/4" mbsp	4
11	E00474	534056101	Airhose 10mm Blue	2.5m
12	999-9107	533943201	Shock absorber A40-30	4
13	E03158	533927201	Panel mount conn. 1/4x M20	2
14	E14662	534932701	Water separator mounting plate UNI	1
15	E06935	533299601	Filter FS-04-025	2
16	E04620	533450401	Connector Angle swiveling	1
17	E06948	533653101	Pressure valve V72G-3GK-NMN	1
18	E00034	533660501	Dust excluder 1/4" mbsp	1
19	E06970_1	533400001	Bonded seal 3/8"	1
20	E00473	534784601	Airhose 6mm Blue	0.5m
21	E01157	533774501	Straight coupler Ø6x1/8" fbsp	1
22	E07456	533842701	Water separator	1
23	E07457	534035701	Bracket for water separator	1
24	E01925	533880201	Male stud coupling 1/4" BSP x Ø12 + Bonded seal	1
25	E06928	533835201	Cooling spiral	1
26	E06974	533923801	Right connector M18x1.5 Ø12	1
27	E09791	534363001	Bracket	1
28	B20057	533764501	Connector Angle swiveling	1
29	E14003	533838601	Mini ball valve 1/4" m/f bsp	1
30	E06923	533882901	Adaptor knee 10mm x 1/4" mbsp, swivel	1



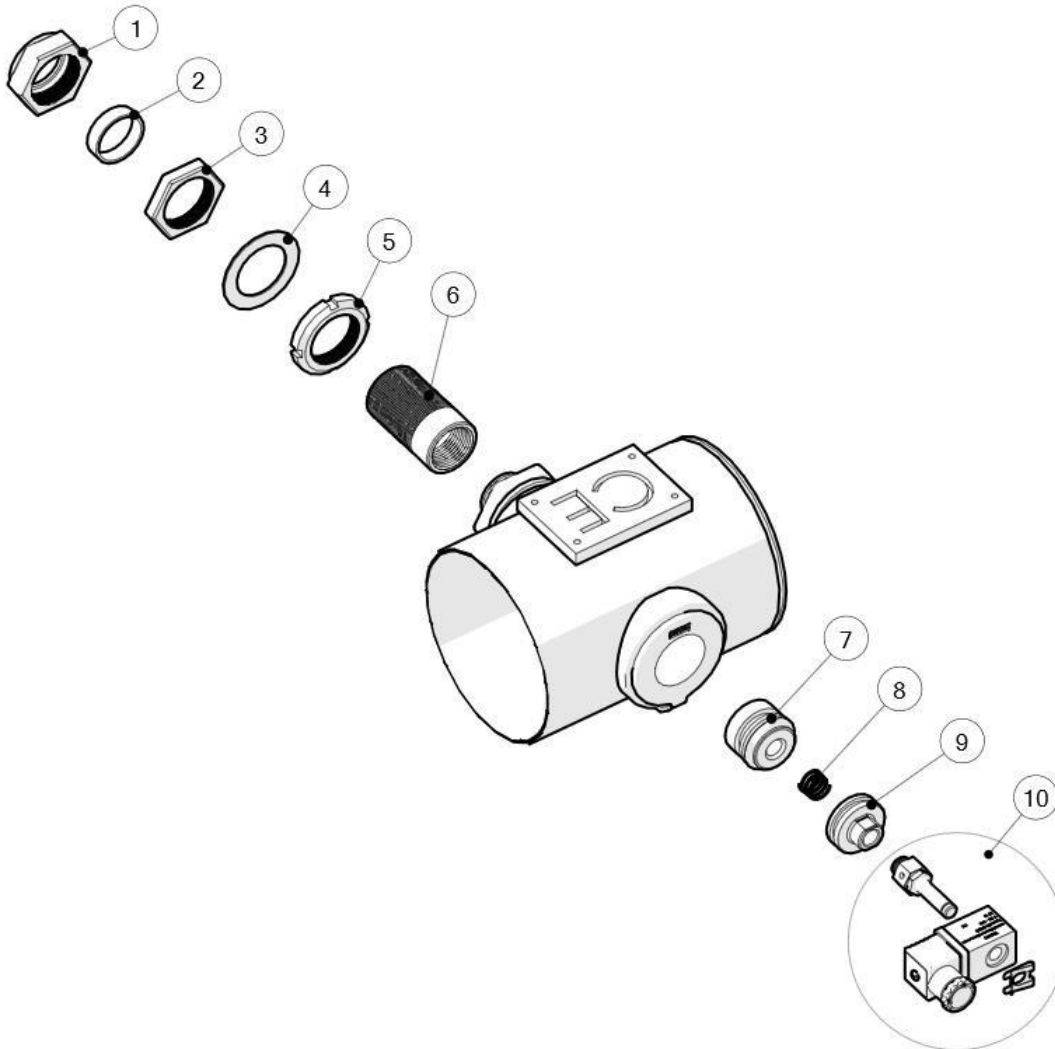
Fig. 3.1 Pulse valves (Up to serial number 32305B)



Item	Part number	Husqvarna part number	Description	Qty.
1	E10326	Not available	Blow pipe	2
2	E10327	Not available	Header tank 6" only (for 2 valves)	1
3	Not Available		Body 1" integrated	2
4-7	E10359	533640101	Diaphragm 1" complete	2
8-11	E10345	533752601	Valve complete for 6" header tank	2
9	E08397	534785601	Connector + cable	2
12	E10337	537502803	Nut	2
13	E10338	537503201	Rubber sleeve	2
14	E10339	Not available	Hexagonal nut	2
15	E10340	537503001	Rubber washer	2
16	E10341	537502801	Round nut	2



Fig. 3.2 Pulse valves (From serial number 32306B to 35917B)

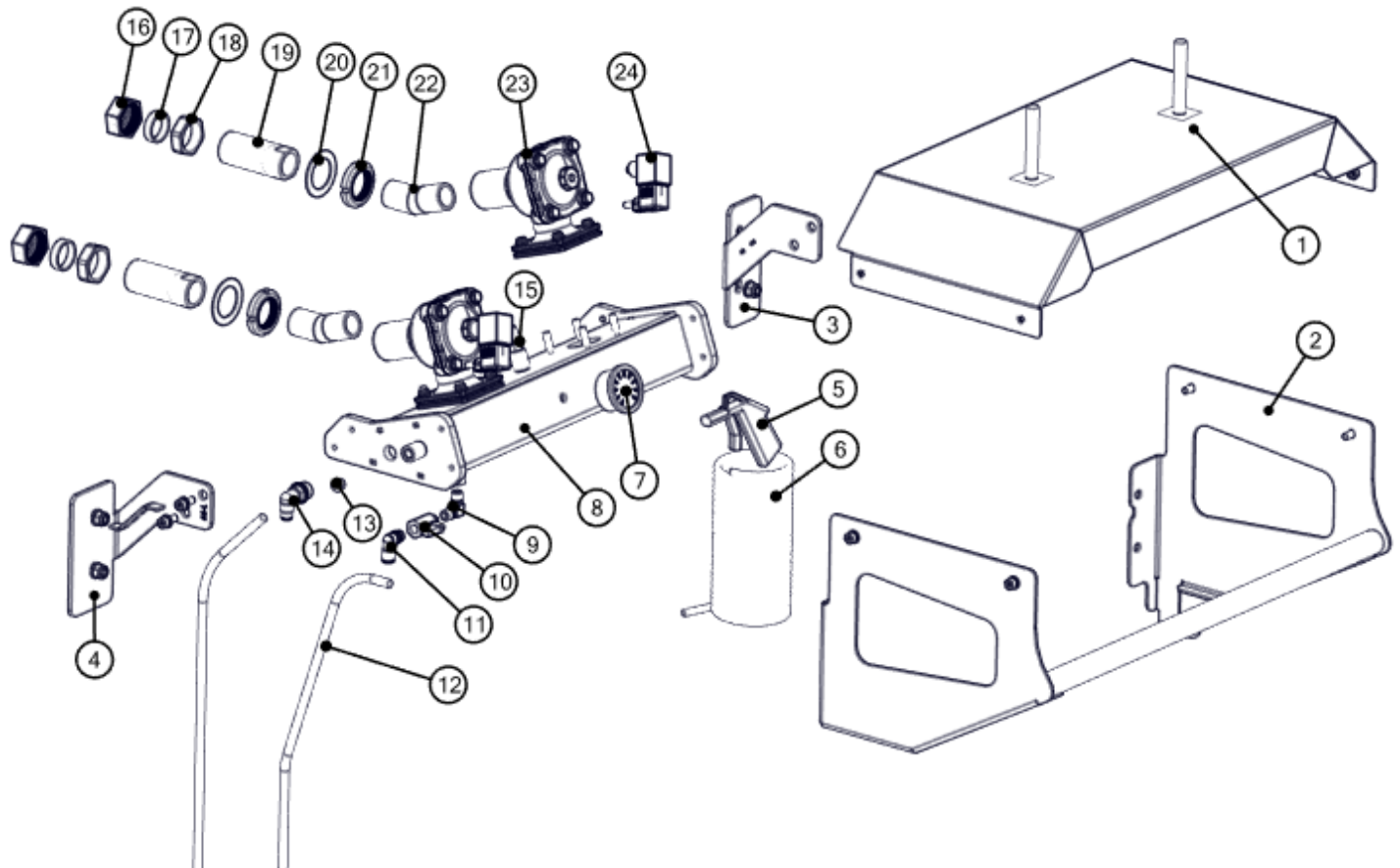


Item	Part number	Husqvarna part number	Description	Qty.
1	E10337	537502803	Nut	2
2	E10338	537503201	Rubber sleeve	2
3	E10339	Not available	Hexagonal nut	2
4	E10340	537503001	Rubber washer	2
5	E10341	537502801	Round nut	2
6	E19572	Not available	Coupling connection	2
7	E19575	536624003	Valve piston	2
8	E19574	536624002	Valve spring	2
9	E19573	536624001	Valve cover	2
10	E10345	533752601	Solenoid complete	2



Fig. 3.3 Pulse valves

(From serial number 35918B & up)



Item	Part number	Husqvarna part number	Description	Qty.
1	E15689	537502302	Upper cover tank	1
2	E15683	537502301	Airtank cover	1
3	E19261	535215901	Mounting bracket RH	1
4	E19259	535215801	Mounting bracket LH	1
5	DA--9290.1	534295001	Airpistol	1
6	DA--9290.2	534296001	Airhose 6 MM. L 5 MTR.	1
7	E14744	535642101	Manometer	1
8	E19143	535192101	Air tank	1
9	E15691	537503401	Elbow coupler	1
10	E14003	533838601	Mini ball valve 1/4" m/f bsp	1
11	E06923	533882901	Adaptor knee 10mm x 1/4" mbsp, swivel	1
12	E00474	534056101	Airhose 10mm Blue	2.5m
13	E06922	536972001	Plug	1
14	B20057	533764501	Connector Angle swiveling	1
15	E01303	533256701	Safety valve	1
16	E10337	537502803	Nut	2
17	E10338	537503201	Rubber sleeve	2
18	E15701	537502802	Hexagonal nut	2
19	E14952	537502701	Tube	2
20	E10340	537503001	Rubber washer	2
21	E10341	537502801	Round nut	2
22	E15699	537502501	Coupling connection	2
23	E14561	534786101	Pulse valve	2
24	E06367	533798101	Pilot only	2



Fig. 4.1 Blower Up to and including serialnumber 28783B

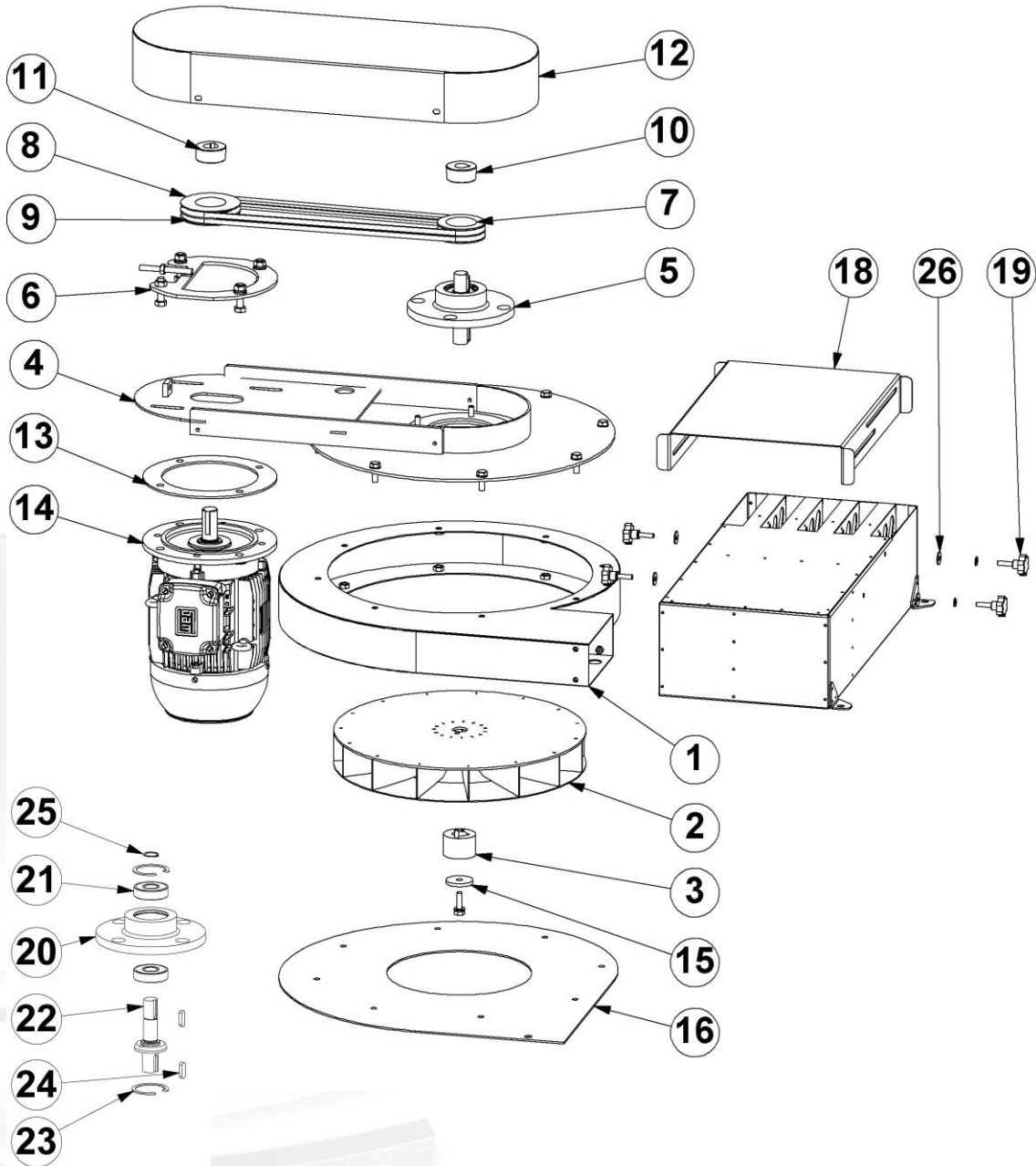




Fig. 4.1 Blower Up to and including serialnumber 28783B

Item	Part number	Husqvarna part number	Description	Remarks	Qty.
1	E06989	533455501	Fan housing		1
2	E06954	533463101	Fan impeller type 1		1
3	E06965	533150701	Fan hub		1
4	E07059	533480701	Motor mounting bracket		1
5	E07594	533496301	BU fan unit (set)		1
6	E07067	533162601	Tension plate		1
7	E00620	533880001	Fan pulley	50Hz	1
	E07278	533719001	Fan pulley	60Hz	1
8	E07278	533719001	Motor pulley	50Hz	1
	E00620	533880001	Motor pulley	60Hz	1
9	E06131	533960501	V-belt		2
10	222-2301-V	531490901	Fan taperlock		1
11	976657	533868101	Motor taperlock		1
12	E07070	533157101	Belt guard		1
13	E07069	533617701	Fill up ring fan motor		1
14	E07580-IE3/BL	533711901	Motor 5,5kW / 3000RPM		1
15	E03195	533037101	Ring fan		1
16	E09771	533037101	Distance plate		1
17	E09770	533284301	Silencer		1
18	E09769	533474601	Silencer top cover		1
19	BE0577	534046801	Turning knob M8x30		4
20	E00702	534315001	Fan adapter bearing house		1
21	E00705	533090501	Bearing		2
22	E07517	533104201	Fan shaft		1
23	E00951	533292201	Retaining ring		2
24	BE0256	533905401	Key		2
25	BE0076	533914201	Circlip for shaft		1
26	BE0327	533836701	M8 rubber washer		4



Fig. 4.2 Blower From serial number 28784B and up

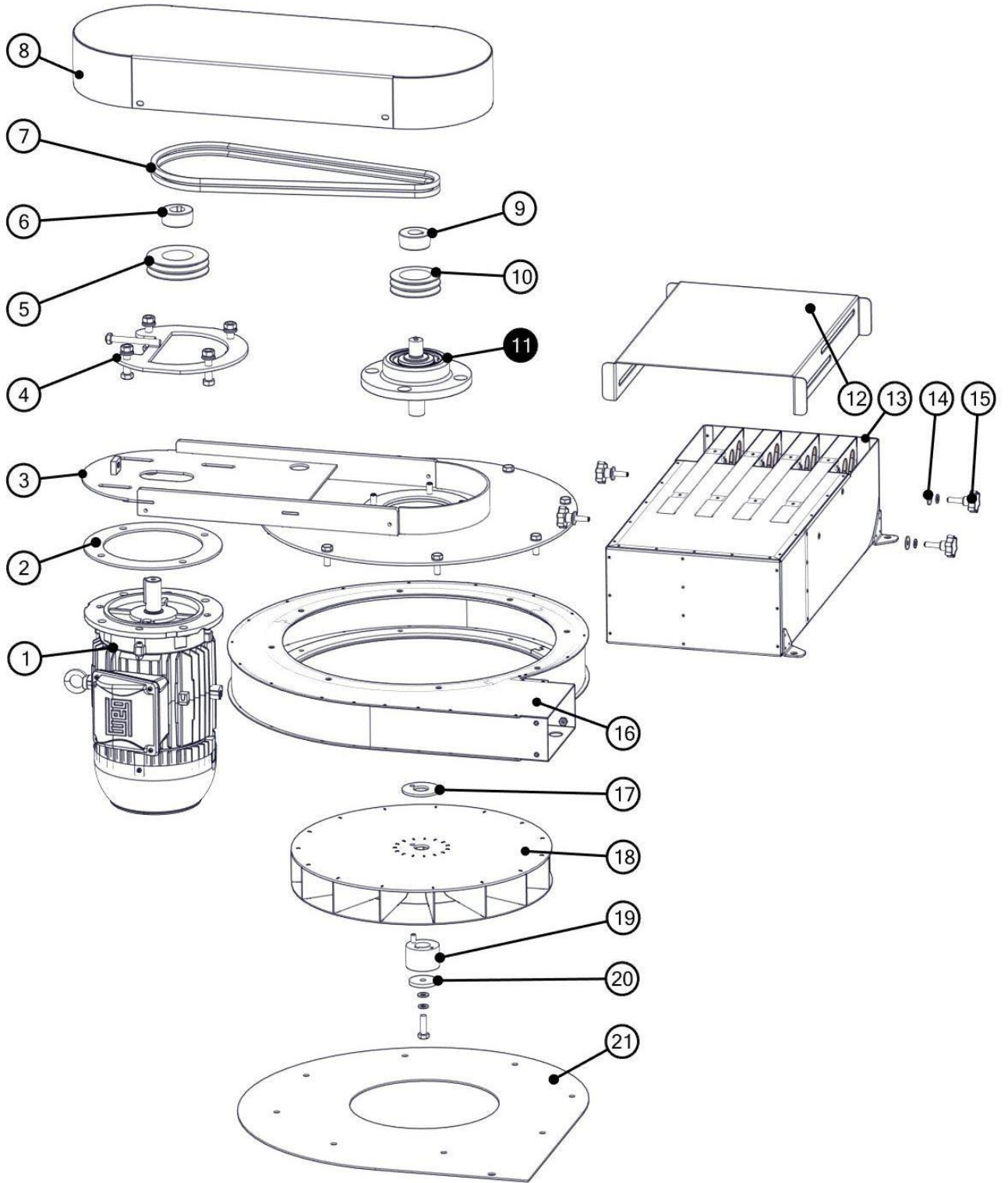
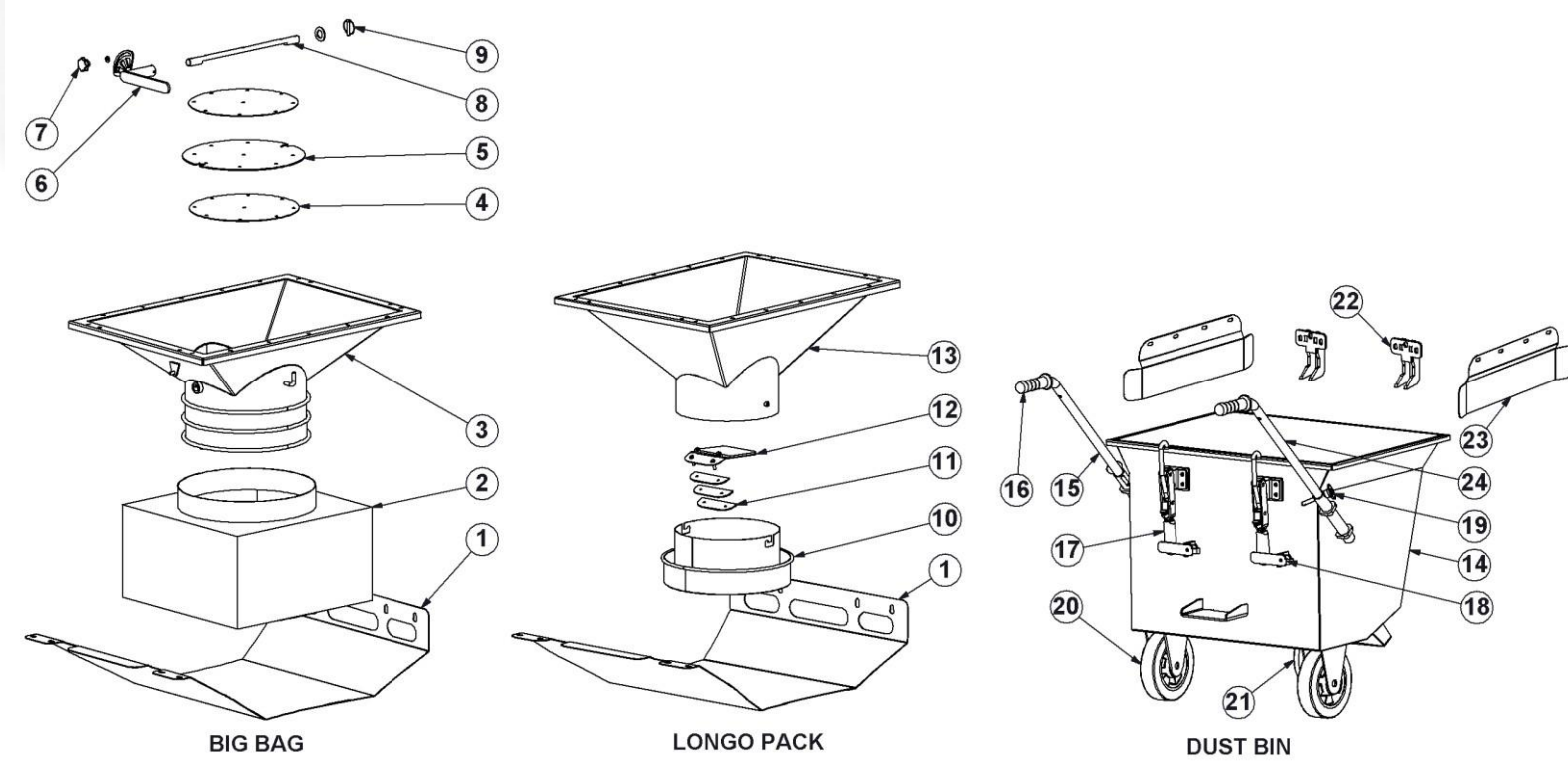




Fig. 4.2 Blower From serial number 28784B and up

Item	Part number	Husqvarna part number	Description	Remarks	Qty.
1	E07580-IE3/BL	533711901	Motor 5,5kW / 3000RPM		1
2	E07069	533617701	Fill up ring fan motor		1
3	E07059	533480701	Motor mounting bracket		1
4	E07067	533162601	Tension plate		1
5	E07278	533719001	Motor pulley	50Hz	1
	E00620	533880001	Motor pulley	60Hz	1
6	976657	533868101	Motor taperlock		1
7	E06131	533960501	V-belt		2
8	E07070	533157101	Belt guard		1
9	222-2301-V	531490901	Fan taperlock		1
10	E00620	533880001	Fan pulley	50Hz	1
	E07278	533719001	Fan pulley	60Hz	1
11	E13907	533779301	BU fan unit (set)		1
12	E09769	533474601	Silencer top cover		1
13	E09770	533284301	Silencer		1
14	BE0327	533836701	M8 rubber washer		4
15	BE0577	534046801	Turning knob M8x30		4
16	E06989	533455501	Fan housing		1
17	E14095	534574901	Fill up washer		1
18	E06954	533463101	Fan impeller type 1		1
19	E06965	533150701	Fan hub		1
20	E03195	533037101	Ring fan		1
21	E09771	533270801	Distance plate		1



27. Big bag kit BDC66 complete

26. Longopac kit BDC66 complete

25. Dust bin kit BDC66/99 complete

Fig. 05 DB - LP - BB





Fig. 05 DB – LP - BB

Item	Part number	Husqvarna part number	Description	Qty.
1	E09787	533156101	Bottom plate	1
2	E06311	533960701	Dust bag 70ltr	1
	E09418	534026201	Dust bag 145ltr	1
3	E09788	533276901	Big bag adapter	1
4	E04623	533136601	Valve plate	2
5	E04624	533559601	Rubber plate valve	1
6	E09789	533191601	Valve handle	1
7	000213	533656201	Clamp knob M8	1
8	E04622	533115501	Valve axle	1
9	BE0630	533101401	Linch pin	1
10	E07655	533538201	Longo pack - bag bracket	1
11	E08500	533136501	Valve weight	3
12	E07654	533171901	Longo pack valve	1
13	E09786	535208901	Longo pack	1
14	E09783	533239401	Dust bin	1
15	453290	534612901	Handle LH	1
16	453290	534612901	Handle grip	2
17	466450	534901101	Clamp	2
18	E09785	535168601	Dust bin lock plate	2
19	E06934	533534801	Quick release pin	2
20	E08776	533863101	Wheel	2
21	E09327	533740201	Swivel wheel	1
22	E09782	533396001	Dust bin bracket	2
23	E09884	533385801	Protection plate	2
24	E11174	533235501	Handle RH	1
25	E09573	533489501	Dust bin kit BDC66/99 complete	1
26	E09576	533941101	Longopac kit BDC66 complete	1
27	E09575	533895801	Big bag kit BDC66 complete	1



Fig. 06 HEPA-filter (Option)

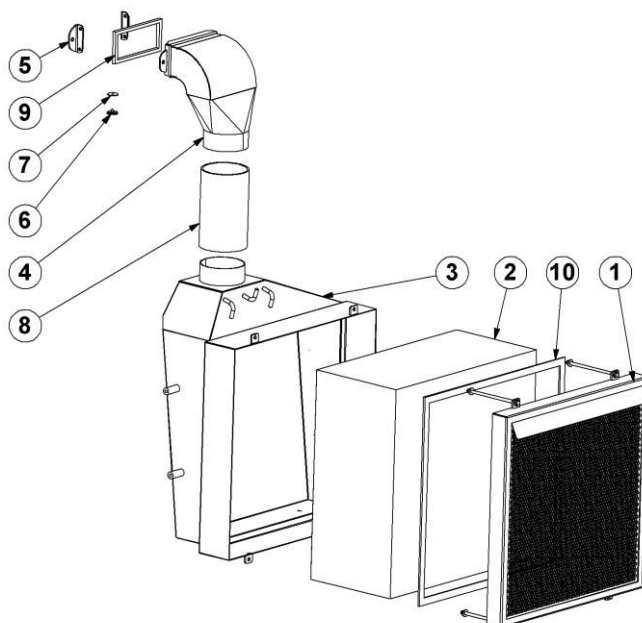
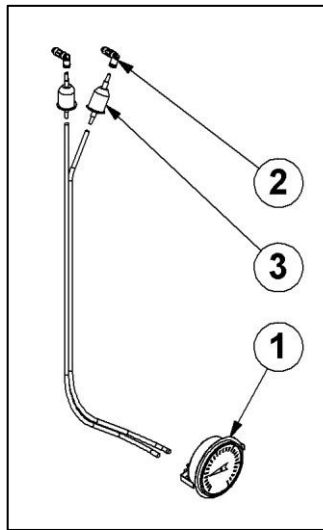


Fig. 06

Item	Part number	Husqvarna part number	Description	Qty.
1	E09793	531493901	Front cover	1
2	E09795	534008001	Hepa filter class H14	1
3	E09792	535193101	Back cover	1
4	E09794	533186901	Adapter	1
5	E11000	533155201	Bracket	2
6	E11001	533297301	Hole plug	1
7	E11002	533120001	Plate	1
8	001112	535710701	Hose Ø150	0,17m
9	E11003	533625002	Adhesive rubber seal 10x10	0,58m
10	E00689	533022402	Adhesive rubber seal 20x5	2,5m
11	001109	534628701	Hose clamp 130-160mm	2
1-11	E09917	534515301	HEPA filter system complete H14 forBDC-66 & BDC-99	1



Fig. 07 Vacuum gauge (Option)



Diff. Vacuum gauge kit BDC66 & BDC99

Fig. 07

Item	Part number	Husqvarna part number	Description	Qty.
1	491837	534775201	Difference pressure measure	1
2	E11039	534564501	Elbow male adaptor	2
3	2381-365	533529701	Filter vacuum gauge	2
4	E00441	534787701	PVC hose 9x6mm clear	2m
1-4	E11051	534044001	Diff. Vacuum gauge kit BDC66 & BDC99	1



BLASTRAC EUROPE

WE'RE READY TO ASSIST YOU!

BLASTRAC THE NETHERLANDS

EUROPEAN HEAD OFFICE

Utrecht haven 12

NL - 3433 PN Nieuwegein

Tel.: +31 (0)30 601 88 66

Fax: +31 (0)30 601 83 33

Email: info@blastrac.nl

WWW.BLASTRAC.EU

BLASTRAC POLAND

SALES & SERVICE CENTRE

Golina, ul. Dworcowa 47E

63-200 Jarocin

Tel.: +48 (0)62 740-41-50

Fax: +48(0)62 740-41-51

Email: info@blastrac.pl

WWW.BLASTRAC.PL

BLASTRAC FRANCE

SALES & SERVICE CENTRE

ZI - 29, Av. des Temps Modernes

F - 86360 Chasseneuil du Poitou

Tel.: +33 (0)5 49 00 49 20

Fax: +33 (0)5 49 00 49 21

Email: info@blastrac.fr

WWW.BLASTRAC.FR

BLASTRAC ITALY

SALES & SERVICE CENTRE

S.S. 10 Padana Inferiore, 41

IT - 29012 Caorso (PC)

Tel.: +39 0523 814241

Fax: +39 0523 814245

Email: info@blastrac.it

WWW.BLASTRAC.IT

BLASTRAC GERMANY

SALES & SERVICE CENTRE

Richard-Byrd-Str. 15

50829 Köln

Tel.: +49 (0) 221 709032-0

Fax: +49 (0) 221 709032-22

Email: info@blastrac.de

WWW.BLASTRAC.DE

BLASTRAC UKRAINE

SALES & SERVICE CENTRE

Nezalezhnosti 14, of. 21

07400 Brovary

Tel.: +38 (0)44 222 51 28

Fax: +38 (0)44 277 98 29

Email: info@blastrac.com.ua

WWW.BLASTRAC.COM.UA

BLASTRAC SPAIN

SALES & SERVICE CENTRE

Calle del Estío, 9

E - 28500

Arganda del Rey, Madrid

Tel.: +34 91 660 10 65

Fax: +34 91 672 72 11

Email: info@blastrac.es

WWW.BLASTRAC.ES

BLASTRAC UNITED KINGDOM

SALES & SERVICE CENTRE

Unit 2a, Outgang Lane, Dinnington

Sheffield, South Yorkshire

GB - S25 3QU

Tel.: +44 (0) 1909 / 569 118

Fax: + 44 (0) 1909 / 567 570

Email: info@blastrac.co.uk

WWW.BLASTRAC.CO.UK

BLASTRAC MIDDLE EAST

SALES & SERVICE CENTRE

P.O. box 29424

Dubai / United Arab Emirates

Tel.: +971 4 3245760

Fax: +971 4 3245761

Email: info@blastracdxbae

WWW.BLASTRAC.AE

BLASTRAC NORDIC

SALES & SERVICE CENTRE

Lekstorps Industriväg 13D,

443 41, Gråbo

Sweden

Tel.: +46 (0) 31 30 333 55

Email: info@blastrac.se

WWW.BLASTRAC.SE

BLASTRAC INDIA

SALES & SERVICE CENTRE

G.B. Warehousing, GAT NO- 523,

Pune- Nagar Road, Wagholi

Pune- 412 207

Tel.: +91 99213 98109

Email: info.blastrac.in

WWW.BLASTRAC.IN