



SERVICE MANUAL 1-8DPF40

VERSION 2.2

**Maintenance log**

Date	Findings	Repairs / Cleaning	Test on	By (competent person)



Index

1. Spare parts	04
2. Maintenance box	12
Contact	



1. Spare parts

Fig. 01

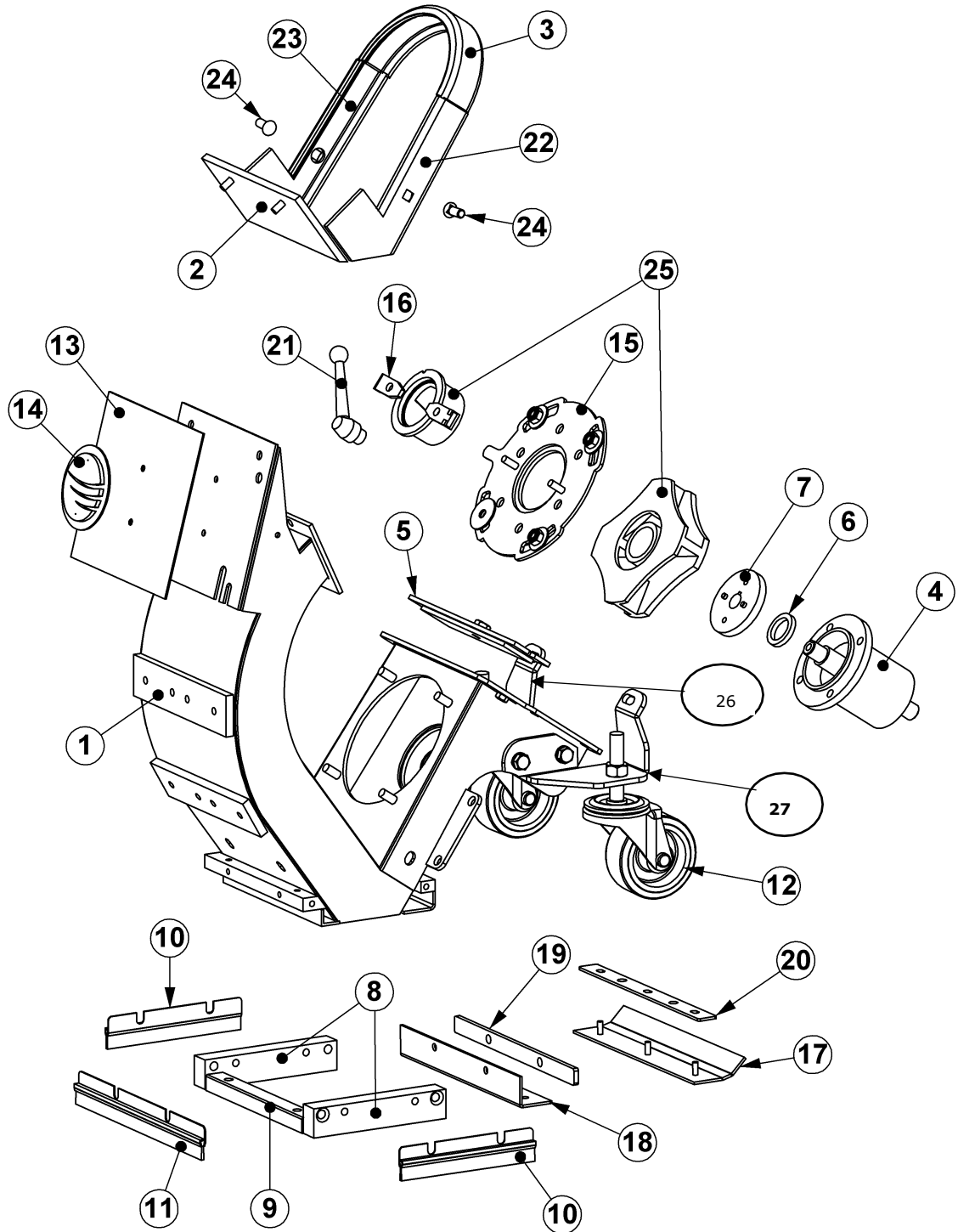


Fig. 01

Item	Blastrac PN	HQV PN	Description	Qty.
1	E06413	535111101	Blasthousing	1
2	B21009	533531601	Plenum bottom liner	1
3	B21044	533610301	Top liner	1
4	979085	533185901	Bearing unit	1
5	B21008	533463601	Blasthousing cover	1
6	976317	534573201	Felt seal	1
7	976310	534940101	Hub	1
8	969780	534698301	Side magnet	2
9	969763	534697201	Front magnet	1
10	001624	533501501	Side brush	2
11	001623	533664001	Front brush	1
12	E10682	533815501	Swivel castor	2
13	E06432	535156401	Cover plate	1
14	E06150	534337801	Blastrac logo Ø100	1
15	E06437	533495201	Adjustable blastwheel cover	1
16	E06148	533274401	Cage clamp	2
17	969212	534844501	Skid seal	1
18	004573	533680001	Skid seal PU	1
19	971427	534824001	Skid retainer	1
20	971428	534844301	Skid retainer	1
21	E06921	533418301	Clamp lever M10	1
22	969581	534840601	Side liner RH	1
23	969580	534839901	Side liner LH	1
24	969586	534822601	Liner screw M10x25	2
25	B21637K	534912101	Tune up kit 6-1/2	1
26	E06391	534808601	Left wheel bracket	1
27	E06390	533939801	Right wheel bracket	1

Fig. 02

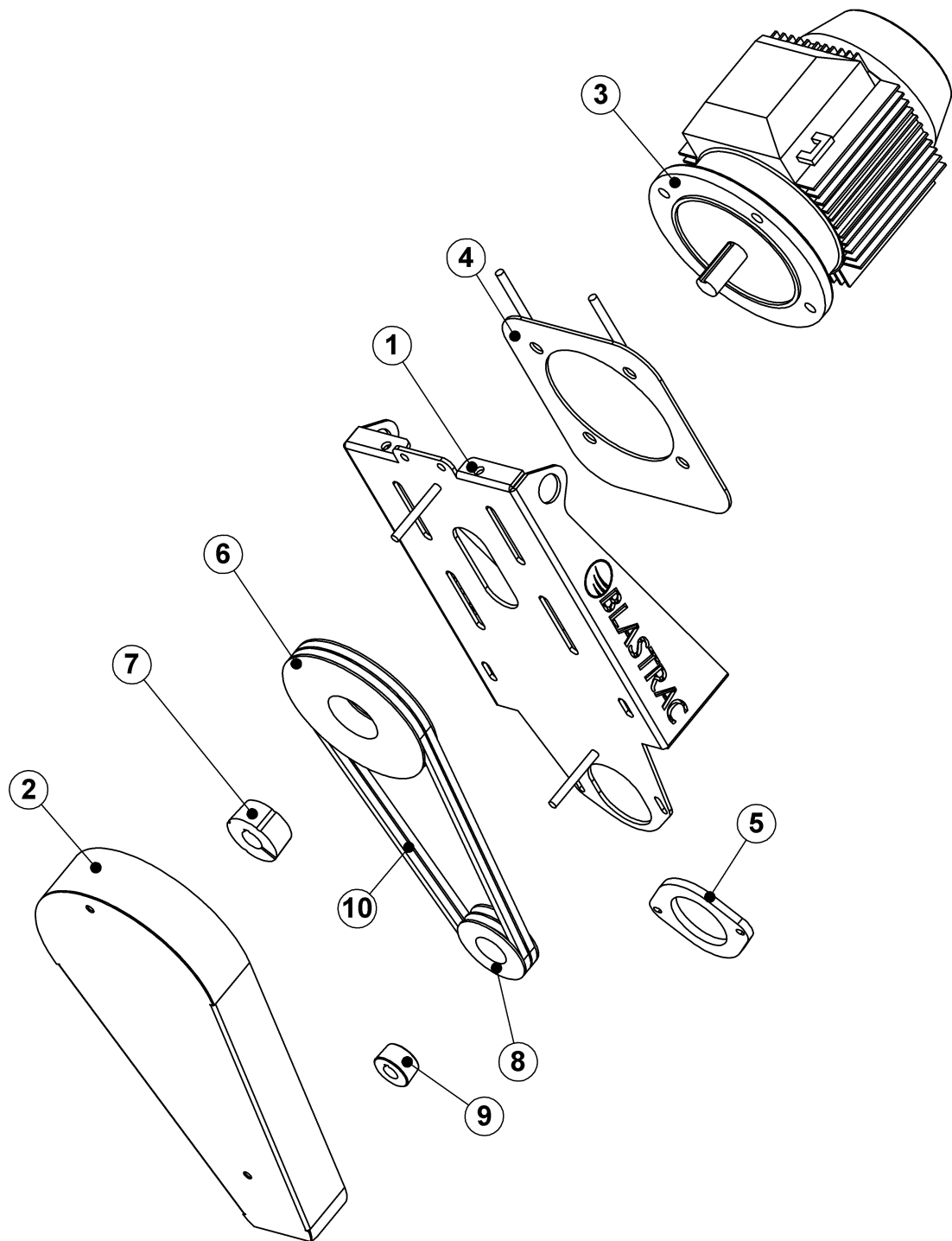


Fig. 02

Item	Blastrac PN	HQV PN	Description	Remarks	Qty.
1	E06398	533793001	Motor bracket		1
2	E06387	533485901	Belt guard		1
3	E06383 DUAL-IE2	535905201	Motor 4kW		1
4	E06394	533906701	Fill up plate blastmotor		1
5	E06434	533208801	Dust plate		1
6	E06160	534005101	Pulley		1
7	E10415	533894401	Taper lock bush		1
8	976659	533822101	Pulley	50Hz	1
	E00620	533880001		60Hz	1
9	E03518	533897501	Taper lock bush	50Hz	1
	E00629	533926001		60Hz	1
10	E06131	533960501	V belt	50Hz	2
	E06182	533914101		60Hz	2

Fig. 03

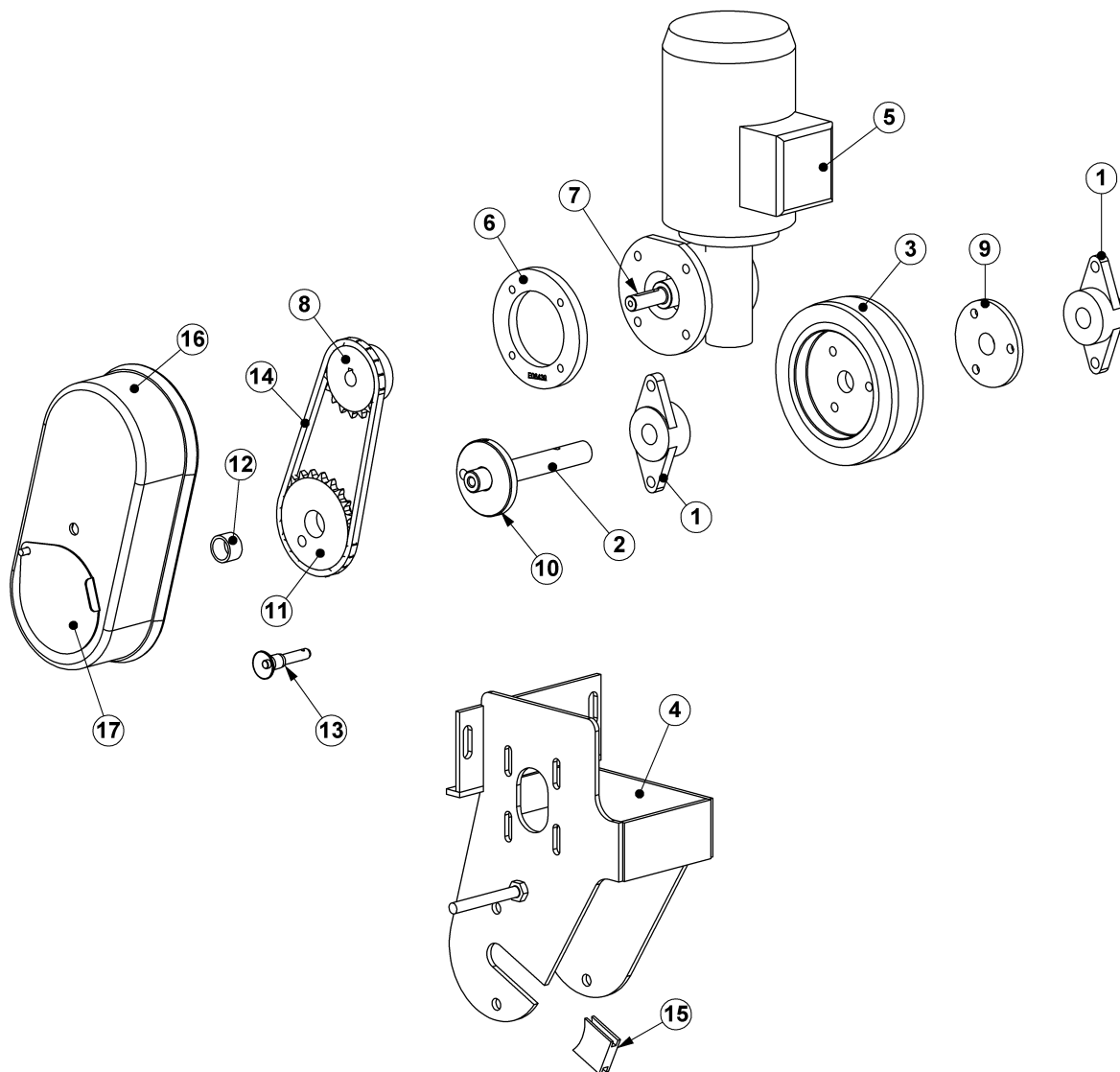


Fig. 03

Item	Blastrac PN	HQV PN	Description	Qty.
1	976818	534953701	Bearing	2
2	971621	534528601	Drive shaft	1
3	969409	535713501	Drive wheel	1
4	E06435	535118301	Drive bracket	1
5	E03026	533292501	Drive motor	1
6	E06439	535163801	Distance flange	1
7	E03035	533095701	Drive shaft	1
8	979076	534526701	Drive motor sprocket	1
9	970016	534942101	Wheel plate	1
10	970015	534527101	Drive plate	1
11	979077	534529101	Drive sprocket	1
12	979087	533117001	Sleeve bearing bush	1
13	478198	533256401	Quick release pin	1
14	E00237	534024701	Chain	0,56m
14.1	E00238	533930301	Chain link	1
15	979072	534579001	Finger trap cover	1
16	979067	534387001	Chain guard	1
17	976323	533088701	Cover for drive pin	1

Fig. 04

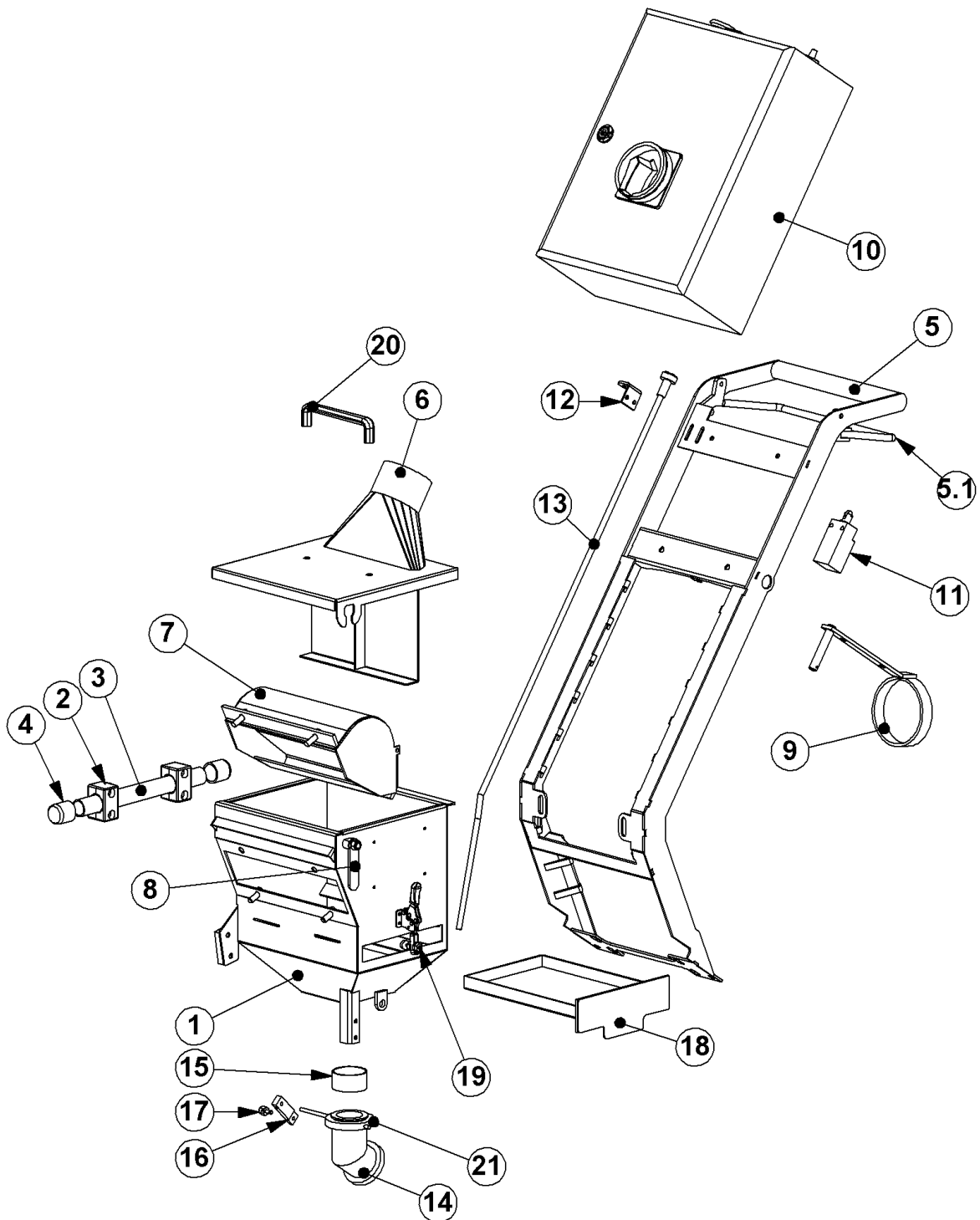


Fig. 04

Item	Blastrac PN	HQV PN	Description	Qty.
1	E06418	533744201	Separator	1
2	DG39	533414301	Pipe clamp	2
3	E00910	531485701	Cable tube	1
4	E00368	533368001	Cable protection cap	2
5	E10009-SM	535189401	Steering handle	1
5.1	E10009_8 SM	535023101	Control lever	1
6	E06419	533991301	Separator lid	1
7	B21003	533105301	Deflector	1
8	E06531	533263801	Locking lever	1
9	E10008	531865201	Hose support	1
10	E06142 / 1-8DPF40	534545801	Elektrobox	1
11	454796	534668101	Limit switch	1
12	976343	535152701	Control cable bracket	1
13	975100	533016801	Control cable	1
14	967577/GREY	533750701	Feed spout	1
15	971500	534572201	Feed spout seal ring	1
16	959647	531487501	Valve lever	1
17	491726-1	534732301	Nipple & screw	1
18	E06595	533883001	Separator tray	1
19	001084	534391301	Clamp for separator tray	1
20	970385	533170201	Handle	1
21	969819	534698101	Magnetic valve	1



2. Maintenance box

Maintenance box 1-8DPF40 50Hz E07050

Maintenance box 1-8DPF40 60Hz E07051

Item	Maintenance box 1-8DPF40 50Hz E07050			Qty.
1	E06131	533960501	V-belt	2
4 - 25			See list below	

Item	Maintenance box 1-8DPF40 60Hz E07051			Qty.
1	E06182	533914101	V-belt	2
4 - 25			See list below	

Item	Blastrac PN	HQV PN	Description	Qty.
4	CFA-TLC-285-F	534900001	T-loc case 380x270x285	1
5	969580	534839901	Left liner	1
6	969581	534840601	Right liner	1
7	B21044	533610301	Top liner	1
8	B21637K	534912101	Tune up kit 6-1/2	2
9	975100	533016801	Abrasive control cable	1
10	004573	533680001	Rear seal rubber	1
11	969212	534844501	Skid seal	1
12	001624	533501501	Side brush	2
13	001623	533664001	Front brush	1
14	001017	535752901	Open-end spanner 10/11	1
15	001040	-	Open-end spanner 13/17	1
16	001019	535753101	Open-end spanner 17/19	1
17	000144	535751901	Ratchet spanner 1/2"	1
18	000145	-	Box spanner 8mm	1
19	000146	535752001	Box spanner 13mm	1
20	001043	-	Box spanner 17 mm	1
21	001032	535753501	Screwdriver 5,5 x 100	1
22	001035	535753701	Insulated screwdriver	1
23	001056	535753901	Water pump pliers	1
24	001000	-	Hammer	1
25	001031	535753401	Safety glasses	1



Headquarters

Blastrac The Netherlands

Utrechthaven 12
 NL – 3433 PN Nieuwegein
 Tel – 0031 30 601 88 66
 Fax – 0031 30 601 83 33
 Info@blastrac.nl

Blastrac Poland

Golina, Dworcowa 47a
 PL – 63-200 Jarocin
 Tel – 0048 627 40 41 50
 Fax – 0048 627 40 41 51
 Info@blastrac.pl

Blastrac Italy

S.S. 10 Padana Inferiore, 41
 IT – 29012 Caorso (PC)
 Tel – 0039 0523 81 42 41
 Fax – 0039 0523 81 42 45
 Info@blastrac.it

Blastrac United Kingdom

Unit 2, Outgang Lane, Dinnington
 Sheffield, South Yorkshire
 GB – S25 3QY, England
 Tel – 0044 1909 56 91 18
 Fax – 0044 1909 56 75 70
 Info@blastrac.co.uk

Blastrac Germany

Richard Byrd Straße 15
 D – 50829 Köln (Ossendorf)
 Tel – 0049 221 70 90 32 0
 Fax – 0049 221 70 90 32 22
 Info@blastrac.de

Blastrac Spain

Calle Copernico, 16
 Nave 2
 E – 28820 Coslada
 Tel – 0034 91 660 10 65
 Fax – 0034 91 672 72 11
 Info@blastrac.com.es

Blastrac France (ZI)

29, Avenue des Temps Modernes
 F – 86360 Chasseneuil du Poitou
 Tel – 0033 549 00 49 20
 Fax – 0033 549 00 49 21
 Info@blastrac.fr

Blastrac Ukraine

Nezalezhnosti 14, of. 21
 UA – 07400 Brovary
 Tel – 0038 44 222 51 28
 Fax – 0038 44 277 98 29
 Info@blastrac.com.ua