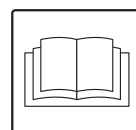


**BDC-24-230V-P**

**INSTRUCTIONS MANUAL** US

**MANUEL D'INSTRUCTIONS** F

**MANUAL DE INSTRUCCIONES** E



**C406 US-F-E**

05/2018



*Translation of the original instructions*

# Table of contents

<b>Instructions for use</b> .....	<b>2</b>
Operator's safety .....	2
General information for using the vacuum cleaner .....	2
Proper uses.....	2
Improper Use .....	2
General recommendations.....	3
<b>Vacuum cleaner description</b> .....	<b>4</b>
Vacuum Cleaner Parts and Labels.....	4
Optional kits.....	4
Accessories .....	4
Packing and unpacking .....	4
Unpacking, moving, use and storage .....	4
Setting to work - connection to the power supply .....	5
Extensions .....	5
Dry applications.....	5
Maintenance and repairs .....	5
Technical data (US) .....	6
Controls and indicators .....	7
Inspections prior to starting .....	7
Starting and stopping .....	7
Vacuum cleaner operation .....	8
Primary cartridge filters operation .....	8
Emergency stopping.....	8
Emptying the dust container.....	8
Plastic bag .....	9
How to change the bag .....	9
Tilting discharge device replacement and use.....	9
Compressor use and maintenance .....	9
At the end of a cleaning session .....	9
Maintenance, cleaning and decontamination .....	9
Cartridge and absolute filter disassembly and replacement .....	10
Filter cartridge replacement.....	10
HEPA filter replacement .....	10
Tightness inspection.....	11
Disposing of the vacuum cleaner.....	11
Wiring diagram list.....	11
Procedure for Longopac® system installation.....	12
Procedure for hose removal.....	14
<b>Recommended spare parts</b> .....	<b>15</b>
<b>Troubleshooting</b> .....	<b>16</b>

# Instructions for use

Read the operating instructions and comply with the important safety recommendations identified by the word **WARNING!**

## Operator's safety



### **WARNING!**



**Before starting the vacuum cleaner, it is absolutely essential to read these operating instructions and to keep them on hand for consultation.**

**The vacuum cleaner can only be used by people who are familiar with the way it works and who have been explicitly authorised and trained for the purpose.**

**Before using the vacuum cleaner, the operators must be informed, instructed and trained on how to work it and for which substances its usage is permitted including the safe method for removing and disposing of the vacuumed material.**



### **WARNING!**



**The use of vacuum cleaner by people (including children) with limited physical and mental capacities or lacking in experience and knowledge is strictly forbidden, unless they are supervised by a person who is experienced in the use and safe handling of the machine.**

**Children must be supervised to make sure they will not play with the vacuum cleaner.**

## General information for using the vacuum cleaner

Use the vacuum cleaner in accordance with the laws in force in the country where it is used.

Besides the operating instructions and the laws in force in the country where the vacuum cleaner is used, the technical regulations for ensuring safe and correct operation must also be observed (EU and where applicable: legislation concerning environmental and labour safety, i.e. European Union Directive 89/391/EC and successive Directives).

Do not perform any operation that could jeopardize the safety of people, property and the environment.

Comply with the safety indications and prescriptions in this instruction manual.

## Proper uses

This vacuum cleaner is suitable for commercial use, in hotels, schools, hospitals, factories, shops, offices and apartment hotels for example, for hire and in any case for purposes other than normal domestic use.

This vacuum cleaner is suitable for cleaning and vacuuming solid materials in indoor and outdoor environments.

- Always leave enough room around the vacuum cleaner to reach the controls easily.

The vacuum cleaner has been designed to be used by one operator only.

This vacuum cleaner consists of an automated vacuum unit, with a filter upstream and a container for collecting the vacuumed material.

## Improper Use



### **WARNING!**



**The following use of the vacuum cleaner is strictly forbidden:**

- **Outdoors in case of atmospheric precipitation.**
- **When not placed on horizontal levelled grounds.**
- **When the filtering unit is not installed.**
- **When the vacuum inlet and/or hose are turned to parts of the human body.**
- **Use without the cover on the vacuum unit.**
- **When the dust bag is not installed.**
- **Use without the guards, protective covers and safety systems installed by the manufacturer.**
- **When the cooling vents are partially or totally clogged.**
- **When the vacuum cleaner is covered with plastic or fabric sheets.**
- **Use with the air outlet partially or totally closed.**
- **When used in narrow areas where there is no fresh air.**
- **Vacuuming liquids with vacuum cleaners not equipped with specific original stopping systems.**
- **Vacuuming the following materials:**
  1. **Burning materials (embers, hot ashes, lit cigarettes, etc.).**
  2. **Naked flames.**
  3. **Combustible gas.**
  4. **Flammable liquids, aggressive fuels (gasoline, solvents, acids, alkaline solutions, etc.).**
  5. **Explosive dust/substances and/or ones liable to ignite in a spontaneous way (such as magnesium or aluminium dusts, etc.).**

**IMPORTANT: Fraudulent use is not admitted.**



**General recommendations****WARNING!*****If an emergency situation occurs:***

- ***filter breakage***
- ***fire outbreak***
- ***short-circuit***
- ***motor block***
- ***electric shock***
- ***etc.***

***Turn the vacuum cleaner off, unplug it and request assistance from qualified personnel.*****WARNING!*****The vacuum cleaners must not be used or stored outdoors, or in damp places.***

# Vacuum cleaner description

## Vacuum Cleaner Parts and Labels

**Figure 1**

1. Identification plate which includes:  
Code of the Model, Technical Specifications (see table on page 6), Serial No., Year of manufacture, Nominal network voltage.
2. Dust container
3. Dust container release lever
4. Inlet
5. Accessories compartment
6. Outlet
7. Plug for connecting the vacuum cleaner to an electrical socket.
8. Silica Dust Warning  
Draws the operator's attention to the fact that exposure of a crystalline silicon dust can cause cancer or silicosis.

This vacuum cleaner creates a strong air flow which is drawn in through the inlet (4 - Fig. 1) and blown out through the outlet (6 - Fig. 1).

Before turning on the vacuum cleaner, fit the vacuum hose into the inlet and then fit the required tool on to the end part (refer to the manufacturer's accessory catalogue or Service Centre).

The diameters of the authorised hoses are given in the technical specifications table.

The vacuum cleaner is equipped with cartridge filters which enable it to be used for the majority of applications.

## Optional kits

Please contact the manufacturer's sales network for information on optionals.

Instructions for installing the optional are included in the conversion kit.

**WARNING!**

*Use only supplied and authorized genuine spare parts.*

## Accessories

Various accessories are available; refer to the manufacturer's accessory catalogue.

**WARNING!**

*Use only genuine accessories supplied and authorized by the manufacturer.*

## Packing and unpacking

Dispose of the packing materials in compliance with the laws in force.

**Figure 2**

Model	BDC-24-230V-P
Units	in
A	28
B	53
C	87
Weight with packing (lbs.)	311

## Unpacking, moving, use and storage

Operate on flat, horizontal surfaces.

The load-bearing capacity of the surface the vacuum cleaner is placed on must be suitable for bearing its weight).

## Setting to work - connection to the power supply



- *Make sure there is no evident sign of damage to the vacuum cleaner before starting work.*
- *Before plugging the vacuum cleaner into the electrical mains, make sure the voltage rating indicated on the data plate corresponds to that of the electrical mains.*
- *Plug the vacuum cleaner into a socket with a correctly installed ground contact/connection.*
- *Make sure that the vacuum cleaner is turned off.*
- *The plugs and connectors of the connection cables must be protected against splashes of water.*
- *Make sure that connections to the electrical mains and plug are correct.*
- *Use the vacuum cleaners only when the cables that connect to the electrical mains are in perfect condition (damaged cables could lead to electric shocks!).*
- *Regularly check there are no signs of damage, excessive wear, cracks or ageing on the electric cable.*



*When the vacuum cleaner is operating, do not:*

- *Crush, pull, damage or tread on the cable that connects to the electrical mains.*
- *Only disconnect the cable from the electrical mains by removing the plug (do not pull the cable).*
- *Only replace the electric power cable with one of the same type as the original; the same rule applies if an extension is used.*
- *The cable must be replaced by the manufacturer's Service Centre staff or by equivalent qualified personnel.*

## Extensions

- If an extension cable is used, make sure it is suitable for the power input and protection degree of the vacuum cleaner.

## US version

Minimum section of extension cables: 12 AWG  
Maximum length = 66 ft  
Cable = SJT



*Sockets, plugs, connectors and installation of the extension cable must maintain the IP protection degree of the vacuum cleaner, as indicated on the data plate.*



*Never spray water on the vacuum cleaner: this could be dangerous for persons exposed and could short circuit the power supply.*



*The vacuum cleaner's power socket must be protected by a differential circuit-breaker with surge current limitation, that shuts off the power supply when the current discharged to the ground exceeds 30 mA for 30 ms or an equivalent protection circuit.*

## Dry applications

[ NOTE ]

*The supplied filters and the bag (if applicable) must be installed correctly.*



*Comply with the safety regulations governing the materials for which the vacuum cleaner is used.*

## Maintenance and repairs



*Disconnect the vacuum cleaner from its power source before cleaning, servicing, replacing parts or converting it to another version/variant, the plug must be disconnected from the socket and controlled by the operator.*

- *Carry out only the maintenance operations described in this manual.*
- *Use only original spare parts.*
- *Do not modify the vacuum cleaner in any way. Failure to comply with these instructions could jeopardize your safety. Moreover, such action would immediately make the EC declaration of conformity issued with the vacuum cleaner void.*

<b>Technical data (US)</b>		
<b>Parameter</b>	<b>Units</b>	<b>BDC-24-230V-P</b>
Voltage (60 Hz)	V	230
Power supply type	Number of phases	1
Maximum power	kW	4.5
Nominal current input	A	19.5
Max vacuum	Inches H <sub>2</sub> O	84.7
Max air flow rate	cfm	286
Noise level, @ 3'3" (1 m)	dB(A) - vacuum unit	71
	dB(A) - compressor	78
Protection	IP	44
Insulation	Class	F
Inlet (diameter)	in.	3
Hoses allowed (diameter)	in.	2 / 3
Container capacity	gal	26.4
Cartridge filter surface	Sq. ft	161.5
Absolute filter surface	Sq. ft	37.7
HEPA absolute filter efficiency	MPPS	99.995% @ 0.18 micron
Cable length	ft	30
Weight <sup>(1)</sup>	lbs.	289

(1) Net weight  
 (2) hPa = mbar

Storage conditions:  
 T : -10°C ÷ +40°C  
 Humidity: 85%  
 T : -10°C ÷ +40°C

Operating conditions:  
 Maximum altitude: 800 m  
 (Up to 2,000 m with reduced performances)  
 Humidity: 85%

**US**

## Dimensions

**Fig. 3**

<b>BDC-24-230V-P</b>	<b>A</b>	<b>B</b>	<b>C</b>
<b>in</b>	38.5	23.6	70

## Controls and indicators

**Figure 4**

1. **Main motor Start/Stop indicator and button**  
If the indicator is lit, the main motor is ON.  
You can start/stop the main motor with this button.
2. **Second motor Start/Stop indicator and button**  
If the indicator is lit, the second motor is ON.  
You can start/stop the second motor with this button.
3. **Third motor Start/Stop indicator and button**  
If the indicator is lit, the third motor is ON.  
You can start/stop the third motor with this button.
4. **Stop button**  
This button stops all the motors simultaneously when pressed (but doesn't turn the power of the vacuum cleaner off).
5. **Max. vacuumed level indicator**  
If lit, this indicates the maximum level of the vacuumed material has been reached in the container, if the level control for solids is installed.
6. **Power indicator**  
Indicates the vacuum cleaner is powered.
7. **Primary filter indicator**  
Green - Indicates the cartridge filters are functioning properly.  
Red - Indicates the cartridge filters are blocked.
8. **Absolute filter indicator (if installed)**  
Red - Indicates the absolute filter is blocked.

**Figure 5**

1. Dust container release lever
2. Castor lever
3. Closing band lever
4. Electric power cable
5. Handle
6. Inlet
7. Electrical panel

## Inspections prior to starting

Prior to starting, check that:

- the filters are installed;
- all the levers are locked in place;
- the vacuum hose and tools have been correctly fitted to the inlet (6 - Fig. 5);
- the bag is installed, if applicable.

**! WARNING! !**  
**Do not use the vacuum cleaner if the filter is faulty.**

## Starting and stopping

**! WARNING! !**  
**Before starting the vacuum cleaner, lock the castor brakes (2 - Fig. 5) and turn the switch (7 - Fig. 5) on "I" position.**

**! WARNING! !**  
**Check the pressure of the air used to clean the filters which is produced by the compressor. It must never be superior than 5,5 bars, if necessary, adjust it to the correct level using the pressure relief valve (8 - Fig. 5).**

**Figure 4**

- To turn on the vacuum cleaner, press the switches (2-3-4).  
When pressed, the motors start and the state of the same is shown by indicators (2-3-4).
- To turn off the vacuum cleaner, press the switches again.



## Vacuum cleaner operation


**WARNING!**




**The air speed in the suction tube must not be less than 20 m/s.  
This state is shown by the green indicator of the primary filter.**

When using the vacuum cleaner, check:

- The state of the max. vacuumed material level indicator (6 - Fig. 4) if the level check is installed.
- The state of the primary filter (8 - Fig. 4) and the absolute filter (if installed) (9 - Fig. 4).


**WARNING!**

**If one of the indicators is lit, follow the instructions.**

Symbol	Indicator signal	Indicator colour	Vacuum cleaner state and procedure
	Max. vacuumed material level (6 - Fig. 4)	Red	Suction stopped. Empty the container (see relevant paragraph).
	Primary filter (8 - Fig. 4)	Red	Suction on. Replace the cartridge filters. (see relevant paragraph).
	Absolute filter (9 - Fig. 4)	Red	Suction on. Change absolute filter (see relevant paragraph).


**WARNING!**

**Consult the "Troubleshooting" chapter if faults occur.**

## Primary cartridge filters operation

**Figure 6**

1. Electropneumatic device
2. Filter cartridges
3. Timer

The filtering cartridges (2) serve the purpose of filtering the intake air. The vacuum cleaner is equipped with a fully automatic electropneumatic device (1) to alternately clean the filtering cartridges (2) which guarantees continuous service; powered with a 24V rating, is complete with cyclic timer (3) to regulate the following times:

**T3**= time between one cleaning cycle and the next, set on 0 seconds;

**T2**= time between one cleaning operation of the cartridge (2) and the next, set on 20 seconds;

**T1**= opening time of the solenoid valve for backwashed air exhaust into the cartridge, set at 1 tenths of a second. The shorter the time, the more energetic the cleaning action will be.

**Factory setting should not be changed if without consulting Blastrac.**

The three solenoid valves of the electropneumatic device control the cleaning of the relative filter cartridges.

**Figure 6A**

1. Filter cleaning solenoid valve E1
2. Filter cleaning solenoid valve E2
3. Filter cleaning solenoid valve E3

## Emergency stopping

Press Stop button (5 - Fig. 4). The vacuum cleaner stops.


**WARNING!**

**The motors and internal components of the vacuum cleaner will still be electrically powered.**

To start the vacuum cleaner, see the starting and stopping paragraph

## Emptying the dust container


**WARNING!**

- **Before proceeding with these operations, turn the vacuum cleaner off and disconnect the plug from the power socket.**
- **Check the class of the vacuum cleaner.**

- Version not suitable for vacuuming hazardous dust
  - Release dust container (1 - Fig. 7), with lever (2), then remove and empty it.
  - Make sure the seal is in perfect condition and correctly positioned.
  - Place the container back in position and secure it again.

## Plastic bag

You can use the plastic bags supplied by the manufacturer sales network (Fig. 8).

### How to change the bag



- ***These operations can only be carried out by trained and qualified personnel who must wear adequate clothing, in compliance with the laws in force.***
- ***Take care not to raise dust during these operations. Wear a P3 protective mask.***
- ***In case of dangerous and/or toxic dust, you must use the supplied safety bag for these vacuum cleaners.***
- ***The bag must only be disposed of by qualified personnel and in compliance with the laws in force.***

## Tilting discharge device replacement and use

**Figure 8A**

1. Tilting discharge device assembly
  - Fasten the hopper to the filtering chamber, by inserting it into the relevant housings and, operating on the lever (2) to lock it.
  - Insert the bag (Longopac®) into the relevant support and fasten its end with the belt (3).
  - Engage the tilting discharge device support to the hopper by fastening it with the relevant pins.
  - Remove the bag (Longopac®) until it lays on the lower support platform and close its end with the supplied clamp.
  - When the bag is full (Longopac®) close the upper end with two clamps by fastening them at 50 mm one from the other, then with a pair of scissors cut the bag between the two clamps.

## Compressor use and maintenance



***Refer to the use and maintenance manual, supplied with the machine documentation, when using or servicing the compressor.***

## At the end of a cleaning session

- Turn the vacuum cleaner off with switches (2-3-4 - Fig. 4), turn the electric panel (7 - Fig. 5) off and disconnect the plug from the socket
- Wind the connection cable up and hang it in the relevant compartment (Fig. 9).
- Empty the container as described in the "Emptying the container" paragraph.
- Clean the vacuum cleaner as described in the paragraph "Maintenance, cleaning and decontamination".
- Wash the container with clean water if aggressive substances have been vacuumed.
- Store the vacuum cleaner in a dry place, out of reach of unauthorised persons.

## Maintenance, cleaning and decontamination



***To guarantee the safety level of the vacuum cleaner, only original spare parts supplied by the manufacturer should be used.***



***The precautions described below must be taken during all the maintenance operations, including cleaning and replacing of the main and HEPA filters.***



***The maintenance, cleaning and decontamination operations must only be performed with the vacuum cleaner turned off with switch (7 - Fig. 5) and the plug disconnected from the power socket. It is absolutely forbidden to perform maintenance with the plug connected to the socket. Danger of electric shock!***

- If the user is performing the maintenance operations, the vacuum cleaner must be disassembled, cleaned and overhauled as far as reasonably possible without hazards for the maintenance personnel or other people. The suitable precautions include decontamination before disassembling the vacuum cleaner, adequate filtered ventilation of the exhaust air from the room in which it is disassembled, cleaning the maintenance area and suitable personal protection.
- A check must be carried out by the manufacturer or the personnel of the same at least once a year. For example: check the air filters to find out whether the air-tightness of the vacuum cleaner has been impaired in any way and make sure the electric control panel operates correctly.



***The procedures for servicing and emptying the vacuum cleaner including removing the dust container, must only be performed by specialised personnel wearing protective clothing. Do not use without the complete filter system in place.***



## Cartridge and absolute filter disassembly and replacement



### WARNING!



**When performing the filter replacement it is necessary to:**

- **work with care and avoid spilling the vacuumed dust and/or material;**
- **place the disassembled and/or replaced filter in a sealed plastic bag;**
- **close the bag hermetically;**
- **dispose of the filter in accordance with the laws in force.**



### WARNING!



**Filter replacement is a serious matter. The filter must be replaced with one of identical characteristics, filtering surface and category. Otherwise the vacuum cleaner will not operate correctly.**



### WARNING!



**Take care not to raise dust when this operation is carried out. Wear a P3 mask and other protective clothing plus protective gloves (DPI) suited to the hazardous nature of the dust collected, refer to the laws in force.**



### WARNING!



**Reassemble with care to avoid trapping your hands between the vacuum unit and the container. Use gloves that provide protection against mechanical risks (EN 388) with a level of protection CAT. II.**

## Filter cartridge replacement

**Figure 11**

1. Vacuuming unit
2. Locking lever
3. Ring
4. Compressed air hose
5. Electric cable
6. Locking lever
7. Cover
8. Filter cartridge support
9. Filter cartridge
10. Filter cartridge fixing nut
11. Electric connector
12. Electrical plug

Before proceeding with these operations, turn off the vacuum cleaner and remove the plug from the power socket.

- Use the lever (2) to release vacuuming unit (1), remove the plug (12) connected to the electric system box and disconnect the compressed air hose (4), then remove the vacuuming unit (1) from the vacuum cleaner by pulling it up and out.
- Disconnect the compressed air hose (4) by releasing its quick-fit coupling.
- Disconnect the electric cable (5) by releasing the connector (11).

- Use the lever (6) to remove the cover (7).
- Remove the support (8) with the filter cartridges.
- Remove the filters cartridge (9) by unscrewing the fixing nuts (10).
- Assemble the new filter cartridges and proceed in the reverse order of removal to install all the components, making sure that the previously disconnected electrical and pneumatic connections have been reconnected. When reassembling, turn the cover until the electropneumatic device is in the right position for the cartridge support.
- Dispose of the old filter cartridges according to the laws in force.

## HEPA filter replacement



### WARNING!



**Take care not to raise dust when this operation is carried out. Wear a P3 mask and other protective clothing plus protective gloves (DPI) suited to the hazardous nature of the dust collected, refer to the laws in force.**

**Figure 10**

1. Vacuuming unit
2. Locking lever
3. Absolute filter lock ring
4. Absolute filter disc
5. Absolute filter



### WARNING!



**Reassemble with care to avoid trapping your hands between the vacuum unit and the container. Use gloves that provide protection against mechanical risks (EN 388) with a level of protection CAT. II.**

Before proceeding with these operations, turn the vacuum cleaner off and disconnect the plug from the power socket.

- Use lever (2) to release vacuum unit (1) then pull it up and out of the vacuum cleaner.
- Unscrew ring (3).
- Pull out disc (4) and absolute filter (5).
- Place absolute filter (5) in a plastic bag, close the bag hermetically and dispose of the filter in accordance with the laws in force.
- Insert a new filter (5) with the same filtering characteristics as the removed one.
- Lock the absolute filter with disc (4) and tighten ring (3).
- Replace vacuum unit (1).
- Fix the vacuuming unit using the lever (2).

## **Tightness inspection**

### **Hoses check**

Make sure the connecting hoses (Fig. 12) are in a good condition and correctly fixed.

If the hoses are damaged, broken or badly connected to the unions, they must be replaced.

When sticky materials are treated, check for possible clogging along the hose, in the inlet and on the baffle plate inside the filtering chamber.

Scrape inlet (2 - Fig. 12) from the outside and remove the deposited waste as indicated in figure 12.

### **Filtering chamber tightness check**

If gasket (1 - Fig. 13) between container (4) and filter chamber (3) fails to guarantee a good seal:

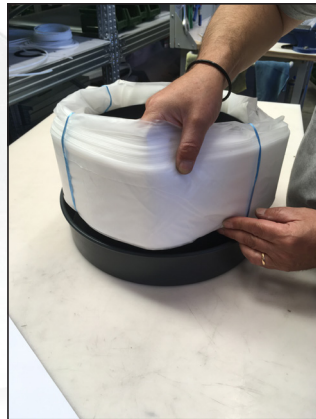
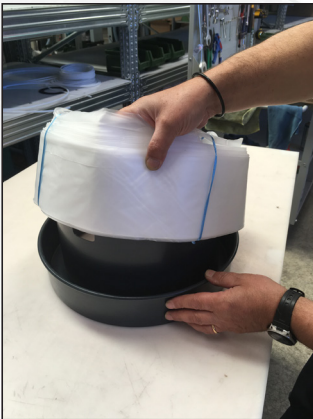
- Loosen the four screws (2) that lock the filtering chamber (3) against the vacuum cleaner structure.
- Allow the filtering chamber (3) to lower down and tighten the screws (2) once it has reached the tightness position.

If an optimal seal cannot be obtained and the gasket is torn or cracked, etc. it must be replaced.

## **Wiring diagram list**

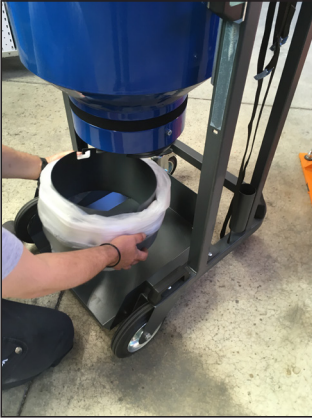
**Figure 14**

- 
- 1. Compressor
  - 2. Motor head
  - Q1. Main switch
  - TS2. Cyclic timer
  - TR1. Transformer
  - M1. Clamp
  - XC2. Connector
  - H2. Light intervention of the compressor motor protection

**Procedure for Longopac® system installation****1. Remove the holder****2. Insert the Longopac® bag and cut the connections****3. Prepare the bag on the stand, pull out the end and start**



**4. Place the holder on the vacuum cleaner**



**5. "Duck-neck" closure of the bag with adhesive tape**



**Procedure for hose removal**

1. Remove the hose, including its coupling, from the vacuum cleaner



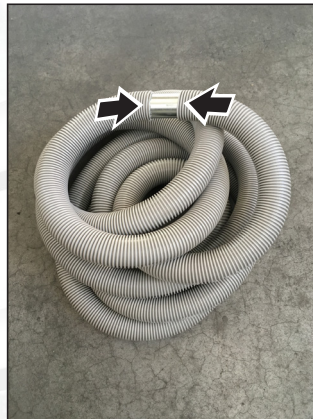
2. Place the vacuum plug



3. Roll the hose



4. Thread the two ends into each other









5. Use a belt or tape to transport and store away from dust



## Recommended spare parts

The following is a list of spare parts that should be kept ready at hand in order to speed up maintenance operations. Refer to the manufacturer's spare parts catalogue when ordering spare parts.

	Description	Blastrac PN	HQV PN
	Primary cartridge filter	490803-1	535712301
	Filter ring seal	Z8 17026	533226901
	Filter chamber gasket	40000762	533141401
	Absolute filter	4081700936	533359601
	230V 1000W Motor	40000937	533802201
	110V 800W Motor	40000938	533711501
	Brushes (carbon) for 230V 1000W motors (2 brushes)	40000885	534032901
	Brushes (carbon) for 110V 800W motors (2 brushes)	40000886	533857001



# Troubleshooting

<b>Problem</b>	<b>Cause</b>	<b>Remedy</b>
The vacuum cleaner does not start	Lack of power supply	Check for power at the socket. Check the condition of the socket and the cable. Ask for assistance to be performed by a qualified manufacturer's technician.
The vacuum cleaner does not start (Low pressure indicator ON)	Low pressure in the pneumatic system	Make sure that the compressor is working and that there are no leaks in the pneumatic system.
The vacuuming unit revolutions increase	Clogged cartridge filters	Replace them with others of identical type
	Clogged vacuum hose	Check the vacuum hose and clean it.
Dust leaks from the vacuum cleaner	Filters are broken	Replace them with others of identical type.
	Inadequate filter	Replace it with another of a suitable category and check.
Noisy motors	Motor brushes (carbon) worn or broken	Remove and replace the (carbon) motor brushes.
Electrostatic current on the vacuum cleaner	Non existent or inefficient grounding	Check all ground connections. In particular on the vacuum inlet fitting; replace the hose with an antistatic hose.



*Traduction des instructions originales*

# Index

<b>Mode d'emploi .....</b>	<b>2</b>
Sécurité de l'opérateur .....	2
Informations générales sur l'utilisation de l'aspirateur .....	2
Utilisations prévues .....	2
Utilisations inappropriées .....	2
Recommandations générales .....	3
<b>Description de l'aspirateur .....</b>	<b>4</b>
Composants de l'Aspirateur et étiquettes .....	4
Options de transformation .....	4
Accessoires .....	4
Emballage et déballage .....	4
Déballage, manutention, emploi et stockage .....	4
Mise en service - raccordement au réseau d'alimentation électrique .....	5
Rallonges .....	5
Aspiration de substances sèches .....	5
Entretien et réparation .....	5
Caractéristiques techniques (US) .....	6
Dimensions .....	6
Commandes et indicateurs .....	7
Contrôles avant la mise en marche .....	7
Mise en marche et arrêt .....	7
Fonctionnement .....	8
Fonctionnement des filtres primaires à cartouche .....	8
Arrêt d'urgence .....	8
Vidange de la cuve à poussières .....	8
Mode de remplacement des sacs .....	9
Remplacement et utilisation du système de vidange basculant .....	9
Utilisation et entretien du compresseur .....	9
En fin de poste .....	9
Entretien, nettoyage et décontamination .....	9
Remplacement des cartouches des filtres .....	10
Remplacement du filtre absolu .....	10
Contrôle des étanchéités .....	11
Mise à la ferraille de l'aspirateur .....	11
Légende schéma électrique .....	11
Procédure pour l'installation du système Longopac .....	12
Procédure de retrait du tuyau .....	14
<b>Pièces détachées conseillées .....</b>	<b>15</b>
<b>Recherche des pannes .....</b>	<b>16</b>

# Mode d'emploi

Lire les instructions du mode d'emploi et observer les avertissements importants de sécurité repérés par **ATTENTION !**

## Sécurité de l'opérateur



**ATTENTION !**  
*Avant de mettre l'aspirateur en service, lire absolument les instructions d'utilisation et les garder à portée de main pour pouvoir les consulter en cas de besoin.*

*L'utilisation de l'aspirateur est réservée exclusivement au personnel expérimenté, formé et expressément chargé du fonctionnement. Avant l'utilisation, les opérateurs doivent être instruits et formés à l'utilisation de l'aspirateur et des substances pour lesquelles il doit être utilisé, y compris la méthode sûre d'évacuation et d'élimination de la matière recueillie.*

**ATTENTION !**  
*Cet aspirateur ne doit pas être utilisé par des personnes (y compris des enfants) présentant des troubles psychiques, sensoriels ou mentaux ou ayant un degré d'instruction et de connaissance insuffisant, à moins qu'ils soient toujours surveillés par des personnes compétentes ou qu'ils aient reçu d'elles les instructions d'utilisation de l'aspirateur. Les enfants doivent être surveillés afin qu'ils ne jouent pas avec l'aspirateur.*

## Informations générales sur l'utilisation de l'aspirateur

L'utilisation de l'aspirateur est soumise aux normes internationales en vigueur.  
 En plus des instructions du mode d'emploi et des règlements en vigueur dans le Pays où il est utilisé, pour la prévention des accidents il est nécessaire d'observer les règles techniques pour un travail sûr et correct (EU et où applicable : Législation relative à la sécurité sur le lieu de travail, Directive Communautaire 89 / 391 / CE et suivant).  
 Éviter tout travail pouvant porter atteinte à la sécurité des personnes, des choses et de l'environnement.  
 Observer les informations et les prescriptions de sécurité contenues dans ce manuel d'instructions.

## Utilisations prévues

Cet aspirateur convient pour l'emploi commercial, par exemple dans des hôtels, des écoles, des hôpitaux, des usines, des magasins, des bureaux, des résidences, pour l'emploi en location et de toute manière pour des emplois différents du simple usage domestique.  
 Cet aspirateur convient pour les travaux de nettoyage et de collecte de matières solides en lieux couverts et à ciel

ouvert.

- Prévoir toujours un espace libre autour de l'aspirateur pour permettre un accès aisé aux commandes. La machine a été conçue pour être utilisée par un seul opérateur.

Cet aspirateur est formé d'une unité d'aspiration motorisée, précédée d'une unité filtrante et munie d'une cuve pour la collecte de la matière aspirée.

## Utilisations inappropriées

- ATTENTION !**
- Sont formellement interdits :**
- *Utilisation en plein air en cas de précipitations atmosphériques.*
  - *Utilisation de l'aspirateur sur des surfaces non planes et non horizontales.*
  - *Utilisation sans l'unité filtrante prévue par le fabricant.*
  - *Utilisation avec l'embout et/ou le tuyau d'aspiration tournés vers le corps humain.*
  - *L'utilisation sans couverture de l'unité d'aspiration.*
  - *Utilisation sans avoir installé la cuve de récupération.*
  - *L'utilisation sans les abris, les protections et les dispositifs de sécurité installés par le fabricant.*
  - *Utilisation de l'aspirateur en occluant partiellement ou totalement les prises d'air de refroidissement des composants à l'intérieur.*
  - *Utilisation de l'aspirateur couvert par des toiles en plastique ou en tissu.*
  - *L'utilisation avec les bouches d'échappement d'air complètement ou partiellement fermées.*
  - *L'utilisation dans des endroits exigus, qui ne permettent pas l'échange d'air.*
  - *L'aspiration de liquides avec des aspirateurs non munis de systèmes originaux d'arrêt spécifiques.*
  - **Aspirer les matières suivantes :**
    1. *matières ardentes (braises, cendres chaudes, cigarettes allumées, etc.).*
    2. *flammes libres.*
    3. *gaz combustibles.*
    4. *liquides inflammables, combustibles agressifs (essence, solvants, acides, solutions alcalines, etc.).*
    5. *poussières/substances et/ou mélanges explosifs et à allumage spontané (poussières de magnésium ou d'aluminium, etc.).*

**Remarque : Tout ce qui a été mentionné ci-dessus n'inclut pas l'utilisation dolosive et cette dernière est absolument interdite.**

## Recommandations générales

**ATTENTION !**

*En cas d'urgence :*

- *rupture du filtre*
- *incendie*
- *court-circuit*
- *blocage du moteur(s)*
- *choc électrique*
- *etc.*

*Arrêter l'aspirateur, débrancher la fiche et demander l'intervention de personnel spécialisé.*

**ATTENTION !**

*Les aspirateurs ne doivent pas être utilisés ou emmagasinés en plein air ou en présence d'humidité.*

# Description de l'aspirateur

## Composants de l'Aspirateur et étiquettes

**Figure 1**

1. Plaque d'identification incluant :  
Code Modèle, Données techniques (voir tableau page 6), N° série, Année de fabrication, Valeur de la tension du secteur.
2. Cuve de collecte de matière aspirée.
3. Levier de décrochage de cuve de matière aspirée.
4. Embout.
5. Compartiment porte accessoires.
6. Vidange
7. Fiche pour le raccordement de l'aspirateur à la prise électrique.
8. Avertissement de poussière de silice  
Attire l'attention de l'opérateur sur le fait que l'exposition d'une particule de silicium cristallin peut provoquer un cancer ou une silicose.

Cet aspirateur produit un fort flux d'air qui est aspiré par la bouche d'aspiration (4 - Fig. 1) et est émis par le système d'échappement (6 - Fig. 1).

Avant de mettre l'aspirateur en marche, brancher le tuyau d'aspiration dans l'embout spécial et monter l'accessoire adapté au travail à faire sur l'extrémité du tuyau ; veuillez consulter le catalogue des accessoires du fabricant ou le service après-vente.

Le diamètre des tuyaux autorisés est indiqué dans le tableau des caractéristiques techniques.

L'aspirateur est équipé de filtres à cartouche qui permettent le fonctionnement de la plupart des applications.

## Options de transformation

Pour les options de transformation, veuillez contacter le réseau commercial du fabricant.

Les instructions pour l'installation des parties en option sont contenues dans les kits de transformation.

**ATTENTION !**

*Utiliser uniquement des options d'origine fournies et autorisées.*

## Accessoires

Plusieurs accessoires sont disponibles ; veuillez consulter le catalogue des accessoires du constructeur.

**ATTENTION !**

*Utiliser uniquement des accessoires d'origine fournis et autorisés par le constructeur.*

## Emballage et déballage

Éliminer les matériaux de l'emballage conformément à la législation en vigueur.

**Figure 2**

Modèle	BDC-24-230V-P
Unité de mesure	in
A	28
B	53
C	87
Poids avec emballage (lbs.)	311

## Déballage, manutention, emploi et stockage

Travailler sur des surfaces plates et horizontales.

(La portée du plan d'appui doit être adaptée au poids de l'aspirateur).



## Mise en service - raccordement au réseau d'alimentation électrique

### ATTENTION !

- Avant la mise en service, s'assurer que l'aspirateur n'ait subi aucun dégât apparent.
- Avant de brancher l'aspirateur au réseau, s'assurer que la tension indiquée sur la plaque corresponde à celle du réseau.
- Brancher la fiche du câble de connexion dans une prise avec contact / raccordement de mise à la terre installé correctement.
- S'assurer que l'aspirateur soit éteint.
- Les fiches et les connecteurs des câbles de raccordement au réseau doivent être protégés des projections d'eau.
- Contrôler le raccordement correct au réseau électrique et la fiche.
- Utiliser seulement des aspirateurs dont les câbles de raccordement au réseau électrique sont en parfait état (si le câble est endommagé, il y a risque d'électrocution !).
- Vérifier régulièrement l'absence de dommages et de signes d'usure, déchirures ou vieillissement du câble de raccordement au réseau.

### ATTENTION !

- Pendant le fonctionnement éviter de :
- Piétiner, écraser, tirer ou endommager le câble de connexion au réseau électrique.
  - Débrancher le câble simplement en retirant la fiche (ne pas tirer sur le câble électrique).
  - En cas de remplacement du câble d'alimentation électrique, le remplacer par un câble d'origine du même type ; la même règle est valable si l'on utilise une rallonge.
  - Le câble d'alimentation doit être remplacé par le Service Après-Vente du constructeur ou par du personnel qualifié équivalent.

## Rallonges

Si l'on utilise une rallonge, faire attention à la section qui doit être adaptée au courant absorbé et au degré de protection de l'aspirateur.

### Version US

Section minimum des câbles de la rallonge : 12 AWG  
Longueur maximum = 66 ft  
Câble = SJT

### ATTENTION !

Les prises, les fiches, les connecteurs et la pose du câble de la rallonge doivent être tels à maintenir le degré de protection IP indiqué sur la plaque de l'aspirateur.

### ATTENTION !

Ne jamais éclabousser l'aspirateur d'eau : ceci est dangereux pour les personnes et risque de créer un court-circuit de l'alimentation.

### ATTENTION !

La prise d'alimentation de l'aspirateur doit être protégée par un disjoncteur différentiel à limitation du courant de défaut, qui coupe l'alimentation quand le courant dispersé vers la terre dépasse les 30 mA pendant 30 ms, ou par un circuit de protection équivalent.

## Aspiration de substances sèches

### [ REMARQUE ]

Les filtres fournis et le sac de collecte, s'ils sont prévus, doivent être mis en place correctement.

### ATTENTION !

Respecter les consignes de sécurité relatives aux matières aspirées.

## Entretien et réparation

### ATTENTION !

Avant d'effectuer des travaux de nettoyage ou d'entretien et pendant le remplacement des pièces ou la reconversion de l'aspirateur en une autre exécution / variante, débrancher l'aspirateur de la source d'alimentation ; la fiche doit être débranchée de la prise et contrôlée par le personnel qui effectue les travaux.

- Effectuer seulement les travaux d'entretien décrits dans le présent manuel.
- Utiliser seulement des pièces détachées d'origine.
- Ne pas apporter de modifications à l'aspirateur. Si ces indications ne sont pas respectées, votre sécurité peut être compromise et la déclaration CE de conformité émise avec l'aspirateur n'est plus valable.

### Caractéristiques techniques (US)

Paramètre	Unité de mesure	BDC-24-230V-P
Tension (60 Hz)	V	230
Type d'alimentation	N° de phases	1
Puissance maximum	kW	4.5
Absorption nominale de courant	A	19.5
Dépression maxi	In H <sub>2</sub> O	84.7
Débit d'air maximum	cfm	286
Niveau de bruit, @ 3'3" (1 mètre)	dB(A) unité d'aspiration	71
	dB(A) compresseur	78
Protection	IP	44
Isolation	Classe	F
Bouche d'aspiration (diamètre)	in.	3
Tuyaux autorisés (diamètre)	in.	2 / 3
Capacité cuve	gal	26.4
Surface filtres à cartouche	Sq. ft	161.5
Surface filtre absolu	Sq. ft	37.7
Rendement du filtre absolu HEPA	MPPS	99,995% @ 0,18 micron
Longueur câble	ft	30
Poids <sup>(1)</sup>	lbs.	289

(1) Poids net  
 (2) hPa = mbar

Conditions d'emmagasinage :  
 T : -10°C ÷ +40°C  
 Humidité : 85%  
 T : -10°C ÷ +40°C

Conditions de fonctionnement :  
 Altitude maximum : 800 m  
 (Jusqu'à 2.000 m avec performances réduites)  
 Humidité : 85%

### Dimensions

**Fig. 3**

BDC-24-230V-P	A	B	C
in	38.5	23.6	70

## Commandes et indicateurs

**Figure 4**

1. **Témoin et bouton Mise en marche / Arrêt premier moteur**  
S'il est allumé, le témoin indique la mise en marche du premier moteur.  
Le bouton permet de mettre en marche/arrêter le premier moteur.
2. **Témoin et bouton Mise en marche / Arrêt second moteur**  
S'il est allumé, le témoin indique la mise en marche du second moteur.  
Le bouton permet de mettre en marche/arrêter le second moteur.
3. **Témoin et bouton Mise en marche / Arrêt troisième moteur**  
S'il est allumé, le témoin indique la mise en marche du troisième moteur.  
Le bouton permet de mettre en marche/arrêter le troisième moteur.
4. **Bouton d'arrêt**  
Quand on appuie dessus, il arrête tous les moteurs simultanément (mais ne coupe pas le courant de l'aspirateur).
5. **Témoin de niveau maximum de matière aspirée**  
S'il est allumé, il signale que le niveau maximum de matière aspirée a été atteint dans la cuve, s'il y a un contrôle de niveau de solides.
6. **Témoin présence tension**  
Il signale la présence de courant dans l'aspirateur.
7. **Témoin de filtre primaire**  
Vert - signal le bon fonctionnement du filtre à cartouche.  
Rouge - Signale l'encrassement du filtre à cartouche.
8. **Témoin de filtre absolu (si l'aspirateur en est équipé)**  
Rouge - Signale l'encrassement du filtre secondaire.

**Figure 5**

1. Levier de décrochage conteneur à poussière
2. Levier de blocage roue
3. Levier d'étrier de fermeture
4. Fiche électrique d'alimentation
5. Poignée
6. Embout d'aspiration
7. Tableau électrique

## Contrôles avant la mise en marche

Avant la mise en marche contrôler :

- la présence des filtres ;
- que tous les leviers soient bloqués ;
- que le tuyau d'aspiration et les accessoires sont installés correctement dans l'embout d'aspiration (6 - Fig. 5) ;
- la présence du sac de collecte, s'il est prévu.

**ATTENTION !**  
**Ne pas aspirer avec un élément filtrant défectueux.**

## Mise en marche et arrêt

**ATTENTION !**  
**Avant de mettre l'aspirateur en marche, bloquer les freins des roues (2 - Fig. 5) et tourner l'interrupteur (7 - Fig. 5) sur "I".**

**ATTENTION !**  
**Vérifier la pression de l'air délivré par le compresseur et utilisé pour le nettoyage des filtres. Elle ne doit jamais dépasser la valeur de 5,5 bars ; si besoin est, agir utilisant le soupape de limitation de pression et rétablir la valeur correcte (8 - Fig. 5).**

**Figure 4**

- Appuyer sur les boutons (2-3-4) pour mettre l'aspirateur en marche.  
Une fois les boutons appuyés, les moteurs démarrent et leur état est indiqué par leurs témoins respectifs (2-3-4).
- Y appuyer à nouveau pour arrêter l'aspirateur.



## Fonctionnement



### ATTENTION !

**La vitesse de l'air dans le tuyau d'aspiration ne doit pas être inférieure à 20 m/s. Condition indiquée par le témoin vert du filtre primaire.**

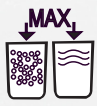


Vérifier pendant l'utilisation de l'aspirateur :

- l'état du témoin de niveau maximum de matière aspirée (6 - Fig. 4) s'il est prévu, le contrôle de niveau.
- l'état du témoin du filtre primaire (8 - Fig. 4) et filtre absolu (si l'aspirateur en est équipé) (9 - Fig. 4).



### ATTENTION !

**En cas de déclenchement d'un des témoins décrits, suivre les indications spécifiées.**

Symbole	Signalisation de témoin	Couleur de déclenchement du témoin	Etat de l'aspirateur et procédure
	Niveau maximum de matière aspirée (6 - Fig. 4)	Rouge	Aspiration interrompue. Effectuer la vidange de la cuve à poussières (voir paragraphe correspondant).
	Filtre primaire (8 - Fig. 4)	Rouge	Aspiration en marche. Remplacer les filtres à cartouche (voir paragraphe correspondant).
	Filtre absolu (9 - Fig. 4)	Rouge	Aspiration en marche. Remplacer le filtre absolu (voir paragraphe correspondant).



### ATTENTION !

**En cas de problème, voir le chapitre "Recherche des pannes".**

## Fonctionnement des filtres primaires à cartouche

**Figure 6**

1. Dispositif électropneumatique
2. Cartouches filtrantes
3. Temporisateur

Les cartouches filtrantes (2) ont le but de filtrer l'air aspiré. L'aspirateur est équipé d'un dispositif électropneumatique (1) complètement automatique, qui effectue le nettoyage alterné des cartouches filtrantes (2) et garantit la continuité du travail ; il est alimenté avec une tension de 24 V et il est équipé d'un temporisateur cyclique (3) qui règle les temps suivants :

- T3**= intervalle de temps entre les cycles de nettoyage en succession, de la durée 0 secondes ;
- T2**= intervalle de temps entre les cycles de nettoyage des cartouches (2) en succession, de la durée de 20 secondes ;
- T1**= temps d'ouverture de l'électrovanne de déchargement de l'air à contre courant dans la cartouche, de la durée de 1 dixième de seconde. Plus la durée est limitée, plus le cycle de nettoyage est énergique.

**Toute modification à la configuration en usine de la machine est interdite sans l'autorisation préalable de Blastrac.**

Les trois électrovannes du dispositif électropneumatique règlent le nettoyage des cartouches des filtres correspondantes.

**Figure 6A**

1. Electrovanne nettoyage filtre E1
2. Electrovanne nettoyage filtre E2
3. Electrovanne nettoyage filtre E3

## Arrêt d'urgence

Appuyer sur le bouton de Stop (5 - Fig. 4). L'aspirateur s'arrête.



### ATTENTION !

**Les moteurs et les dispositifs intérieurs de l'aspirateur restent alimentés en électricité.**

Pour remettre l'aspirateur en marche, voir le paragraphe concernant la mise en marche et l'arrêt.

## Vidange de la cuve à poussières



### ATTENTION !

- **Avant d'effectuer ces travaux, éteindre l'aspirateur et débrancher la fiche de la prise de courant.**
- **Contrôler la classe de l'aspirateur.**

- Version non adaptée à l'aspiration de poussières dangereuses
  - Décrocher le conteneur à poussière (1 - Fig. 7) à l'aide du levier (2), le retirer et le vider.
  - Contrôler l'intégrité et le positionnement correct du joint d'étanchéité.
  - Remettre la cuve en position et la raccrocher.

## Sac en plastique de récolte des poussières

Pour la collecte de poussière, on peut utiliser un sac en plastique en vente dans le commerce (Fig. 8).

## Mode de remplacement des sacs



### ATTENTION !

- *Ces opérations peuvent être effectuées, dans le respect des lois en vigueur, uniquement par du personnel formé et spécialisé qui doit porter des vêtements de protection appropriés.*
- *Pendant ces travaux, faire attention à ne pas soulever de poussière. Porter un masque de protection P3.*
- *En cas de poussières dangereuses et/ou nocives pour la santé, utiliser un sac de sécurité fourni de série pour ce type de machines.*
- *L'élimination du sac de récolte doit être effectuée par du personnel formé et dans le respect des lois en vigueur.*

## Remplacement et utilisation du système de vidange basculant

Figure 8A

1. Groupe de vidange basculant
  - Engager la trémie à la chambre filtrante en l'insérant dans les logements correspondants et, en agissant sur le levier (2), la bloquer.
  - Insérer le sac (Longopac®) dans le support correspondant et en fixer l'extrémité au moyen de la courroie (3).
  - Engager le support du système de vidange basculant à la trémie en le bloquant dans les goujons correspondants.
  - Déboîter le sac (Longopac®) jusqu'à le poser sur la plate-forme inférieure de support et fermer l'extrémité au moyen du collier en dotation prévu à cet effet.
  - Une fois le sac (Longopac®) rempli, fermer l'extrémité supérieure au moyen de deux colliers, en les fixant à une distance de 50 mm environ l'un de l'autre, puis couper le sac entre les deux colliers avec des ciseaux.

## Utilisation et entretien du compresseur



### ATTENTION !

*Pour l'utilisation et l'entretien du compresseur, se référer au manuel d'emploi et d'entretien du compresseur inclus dans la documentation de la machine.*

## En fin de poste

- Arrêter l'aspirateur avec les interrupteurs (2-3-4 - Fig. 4), éteindre le tableau électrique (7 - Fig. 5) et débrancher la fiche de la prise
- Enrouler le câble de raccordement et le pendre dans son logement (Fig. 9).
- Vider la cuve de récupération en suivant les instructions indiquées au paragraphe "Vidange de la cuve à poussières".
- Nettoyer l'aspirateur comme prévu au paragraphe "Entretien, nettoyage et décontamination".
- Si des substances agressives sont aspirées, laver la cuve à l'eau propre.
- Déposer l'aspirateur dans un local sec, hors de la portée de personnes non autorisées.

## Entretien, nettoyage et décontamination



### ATTENTION !

*Pour garantir le niveau de sécurité de l'aspirateur, on n'admet que les pièces détachées d'origine fournies par le fabricant.*



### ATTENTION !

*Les précautions décrites ci-dessous doivent être appliquées pendant toutes les opérations d'entretien, y compris le nettoyage et le remplacement des filtres primaire et absolu.*



### ATTENTION !

*Les opérations d'entretien, nettoyage et décontamination doivent se faire exclusivement lorsque l'aspirateur est éteint à l'aide de l'interrupteur (7 - Fig. 5) et que la fiche est débranchée de la prise. Il est formellement interdit d'effectuer un entretien avec la fiche branchée à la prise. Danger d'électrocution !*

- Pour l'entretien à la charge de l'utilisateur, l'aspirateur doit être démonté, nettoyé et révisé, pour autant que cela soit raisonnablement applicable, sans comporter de risques au personnel d'entretien et aux autres personnes. Les précautions appropriées incluent la décontamination avant le démontage, les conditions de ventilation filtrée de l'air déchargé dans l'endroit où est monté l'aspirateur, le nettoyage de la zone d'entretien et une protection adéquate du personnel.
- Au moins une fois par an, faire exécuter un contrôle par le fabricant ou par son personnel après-vente technique. Par exemple : contrôle des filtres à la recherche de dégâts concernant l'étanchéité à l'air de l'aspirateur et du fonctionnement correct du boîtier électrique de commande.



### ATTENTION !

*Les opérations d'entretien et de vidange, y compris l'enlèvement de la cuve à poussières, ne doivent être accomplies que par un personnel spécialisé qui portera obligatoirement des vêtements de protection. Ne pas mettre en marche sans le système de filtration complet.*

## Démontage et remplacement des filtres à cartouche et absolu

### ATTENTION !

**Lorsqu'on effectue le remplacement des filtres il faut :**

- **procéder avec prudence pour éviter la dispersion de poussière et / ou de la matière aspirée ;**
- **placer le filtre démonté et / ou remplacé dans un sac imperméable en plastique ;**
- **le refermer hermétiquement ;**
- **éliminer le filtre dans le respect des lois en vigueur.**

### ATTENTION !

**Le remplacement du filtre ne doit pas être effectué avec imprudence. Il faut le remplacer par un filtre ayant les mêmes caractéristiques, une surface filtrante identique et appartenant à la même catégorie.**  
**Dans le cas contraire, on risque de compromettre le fonctionnement correct de l'aspirateur.**

### ATTENTION !

**Pendant ces travaux faire attention à ne pas soulever de poussière. Porter un masque P3, des vêtements et gants de protection (EPI) adaptés à la classe de risque de la poussière aspirée, en se référant à la législation en vigueur.**

### ATTENTION !

**Procéder au remontage avec précaution, en veillant à ne pas se coincer les mains entre l'unité d'aspiration et la cuve. Utiliser des gants de protection contre les risques mécaniques (EN 388) avec un niveau de protection CAT. II.**

## Remplacement des cartouches des filtres

**Figure 11**

1. Unité d'aspiration
2. Levier de blocage
3. Bague
4. Tuyau air comprimé
5. Câble électrique
6. Levier de blocage
7. Logement
8. Support cartouches filtre
9. Cartouche filtre
10. Ecrou de fixation cartouche filtre
11. Connecteur électrique
12. Fiche électrique

Avant de commencer ces travaux, arrêter la machine et débrancher la fiche de la prise de courant.

- Agir sur le levier (2) pour débloquer l'unité d'aspiration (1), débrancher la fiche (12) branchée au boîtier électrique et dégager le tuyau de l'air comprimé (4), puis soulever et extraire l'unité d'aspiration (1) de l'aspirateur.

- Déconnecter le tube de l'air comprimé (4) en décrochant l'attache rapide.
- Débrancher le câble électrique (5) en débranchant le connecteur (11).
- Agir sur le levier (6) pour démonter le logement (7).
- Extraire le support (8) avec les cartouches du filtre.
- Démonter les cartouches du filtre (9) en dévissant les écrous de fixation (10).
- Monter les cartouches du filtre et effectuer les opérations de démontage dans l'ordre inverse pour monter à nouveau tous les composants dans la cuve d'aspiration ; s'assurer d'effectuer les raccordements électriques et pneumatiques précédemment débranchés.
- Pendant le remontage, tourner le logement jusqu'à ce que le dispositif électropneumatique n'est pas logé et positionné correctement par rapport au support des cartouches.
- Eliminer les cartouches du filtre conformément aux lois en vigueur.

## Remplacement du filtre absolu

### ATTENTION !

**Pendant ces travaux faire attention à ne pas soulever de poussière. Porter un masque P3, des vêtements et gants de protection (EPI) adaptés à la classe de risque de la poussière aspirée, en se référant à la législation en vigueur.**

**Figure 10**

1. Unité d'aspiration
2. Levier de blocage
3. Frette de blocage du filtre absolu
4. Disque de fixation du filtre absolu
5. Filtre absolu

### ATTENTION !

**Procéder au remontage avec précaution, en veillant à ne pas se coincer les mains entre l'unité d'aspiration et la cuve. Utiliser des gants de protection contre les risques mécaniques (EN 388) avec un niveau de protection CAT. II.**

Avant d'effectuer ces travaux, éteindre l'aspirateur et débrancher la fiche de la prise de courant.

- A l'aide du levier (2), débloquer l'unité d'aspiration (1), puis l'extraire de l'aspirateur en la soulevant.
- Dévisser la frette (3).
- Extraire le disque de fixation (4) et le filtre absolu (5).
- Introduire le filtre absolu (5) dans un sac en plastique, le fermer hermétiquement et l'éliminer conformément aux lois en vigueur.
- Introduire un nouveau filtre (5) ayant la même capacité de filtration.
- Bloquer le filtre absolu avec le disque (4) et revisser la frette (3).
- Réintroduire l'unité d'aspiration (1).
- Fixer l'unité d'aspiration au moyen du levier (2).



## Contrôle des étanchéités

### Contrôle des tuyauteries

Contrôler le bon état et la bonne fixation des tuyaux de raccordement (Fig. 12).

En cas de déchirures, ruptures ou d'accouplement anormal du tuyau sur les embouts de raccord, remplacer les tuyaux.

En cas d'aspiration de matières collantes contrôler le long du tuyau, dans l'embout et sur le déflecteur de la chambre filtrante car ils auront tendance à s'obstruer.

Pour le nettoyage, racler depuis l'extérieur de l'embout (2 - Fig. 12) et enlever la matière qui s'est déposée, comme indiqué dans la figure 12.

### Vérification de l'étanchéité de la chambre filtrante

Si le joint (1 - Fig. 13) entre la cuve (4) et la chambre filtrante (3) ne garantit plus l'étanchéité :

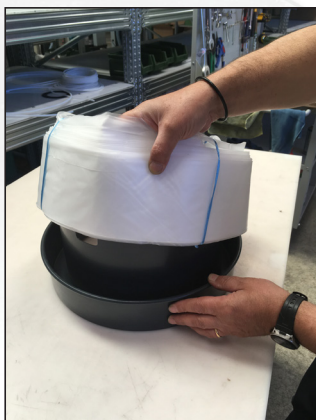
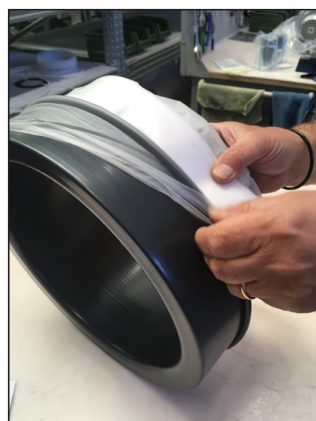
- Desserrer les quatre vis (2) qui fixent la chambre filtrante (3) à la structure de l'aspirateur.
- Faire descendre la chambre filtrante (3) en utilisant les rainures et atteindre la position d'étanchéité, puis bloquer à nouveau les vis (2).

Si on obtient pas une étanchéité optimale et si le joint a subi des lacérations, des fissures, etc., le remplacer.

## Légende schéma électrique

**Figure 14**

- 
- |      |  |
|------|--|
| 1.   | Compresseur  |
| 2.   | Tête moteurs   |
| Q1.  | Interrupteur général                                   |
| TS2. | Minuteur cyclique                                      |
| TR1. | Transformateur   |
| M1.  | Borne  |
| XC2. | Connecteur   |
| H2.  | Intervention de la protection du moteur du compresseur |

**Procédure pour l'installation du système Longopac****1. Retirer le support****2. Introduire le sac Longopac® et couper les attaches****F****3. Préparer le sac sur le support, tirer l'extrémité vers l'extérieur et mettre en marche**



**4. Placer le support sur l'aspirateur**



**5. Fermeture en « col de cygne » du sac avec ruban adhésif**



F

**Procédure de retrait du tuyau**

1. Retirer le tuyau et son raccord de l'aspirateur



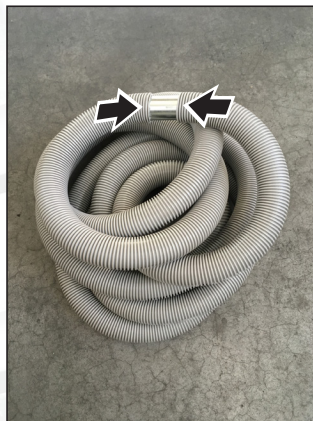
2. Placer le bouchon d'aspiration



3. Enrouler le tuyau



4. Enfiler les deux extrémités l'une dans l'autre



5. Utiliser une courroie ou une sangle pour le transporter et le mettre à l'abri de la poussière











## Pièces détachées conseillées

Il est recommandé d'avoir toujours à disposition les pièces détachées indiquées ci-dessous pour rendre les interventions d'entretien plus rapides.

Pour effectuer une commande, consulter le catalogue des pièces détachées du fabricant.

	Désignation	Blastrac PN	HQV PN
	Filtre primaire à cartouche	490803-1	535712301
	Joint anneau porte-filtre	Z8 17026	533226901
	Joint chambre filtrante	40000762	533141401
	Filtre absolu	4081700936	533359601
	Moteur 230V 1000W	40000937	533802201
	Moteur 110V 800W	40000938	533711501
	Charbons pour moteurs 230V 1000W (2 pièces)	40000885	534032901
	Charbons pour moteurs 110V 800W (2 pièces)	40000886	533857001

## Recherche des pannes

Inconvénient	Cause	Remède
L'aspirateur ne démarre pas	Manque de courant	Vérifier s'il y a du courant dans la prise. Vérifier l'état de la fiche et du câble. Demander l'assistance d'un technicien agréé du fabricant.
L'aspirateur ne démarre pas (témoin lumineux basse pression allumé)	Basse pression dans le système pneumatique	Vérifier que le compresseur fonctionne et qu'il n'y ait pas de pertes dans le système pneumatique.
Les tours de l'unité d'aspiration augmentent	Filtres à cartouche colmatés	Remplacer par des filtres de la même catégorie
	Tuyau d'aspiration bouché	Contrôler le conduit d'aspiration et le nettoyer.
Fuite de poussière de l'aspirateur	Les filtres sont cassés	Remplacer par des filtres de la même catégorie
	Le filtre n'est pas approprié	Remplacer par un filtre de catégorie adéquate et vérifier.
Moteurs d'aspiration bruyants	Charbons pour moteurs usés ou cassés	Démonter et remplacer les charbons des moteurs.
Electricité statique sur l'aspirateur	Mise à la terre absente ou mauvaise	Vérifier toutes les mises à la terre, notamment le raccord à l'embout d'aspiration ; en outre, remplacer le tuyau par un tuyau antistatique.

*Traducción de las instrucciones originales*

# Índice

<b>Instrucciones de uso .....</b>	<b>2</b>
Seguridad del usuario .....	2
Información general para usar la aspiradora .....	2
Usos correctos .....	2
Uso no permitido .....	3
Recomendaciones generales .....	3
<b>Descripción de la aspiradora .....</b>	<b>4</b>
Piezas y etiquetas de la aspiradora .....	4
Kits opcionales .....	4
Accesorios.....	4
Embalaje y desembalaje .....	4
Desembalaje, desplazamiento, uso y almacenamiento.....	4
Empezar a utilizarla: conexión a la fuente de alimentación.....	5
Cables de extensión .....	5
Uso con sustancias secas .....	5
Mantenimiento y reparaciones .....	5
Datos técnicos (US).....	6
Dimensiones .....	6
Comandos e indicadores .....	7
Comprobaciones antes de empezar .....	7
Arranque y parada .....	7
Funcionamiento de la aspiradora .....	8
Funcionamiento de los filtros primarios de cartucho .....	8
Parada de emergencia .....	8
Vaciado del contenedor de polvo .....	8
Bolsa de plástico .....	9
Cómo cambiar la bolsa.....	9
Sustitución y uso de la descarga basculante .....	9
Uso y mantenimiento del compresor .....	9
Al final de la sesión de limpieza.....	9
Mantenimiento, limpieza y descontaminación .....	9
Desmontaje y sustitución de los filtros absoluto y de cartucho.....	10
Sustitución de los cartuchos del filtro .....	10
Sustitución del filtro HEPA .....	10
Inspección del hermetismo.....	11
Eliminación del aspirador .....	11
Lista de esquemas de conexiones.....	11
Procedimiento para la instalación del sistema Longopac.....	12
Procedimiento para la eliminación del tubo .....	14
<b>Recambios recomendados .....</b>	<b>15</b>
<b>Resolución de problemas.....</b>	<b>16</b>

# Instrucciones de uso

Lea las instrucciones de funcionamiento y cumpla las importantes recomendaciones de seguridad, marcadas con la palabra **¡ATENCIÓN!**

## Seguridad del usuario



**¡ATENCIÓN!**

**Es muy importante que lea estas instrucciones de funcionamiento antes de poner en marcha la aspiradora y que las tenga a mano por si necesitara consultarlas.**

**Sólo pueden utilizar la aspiradora aquellas personas que conozcan bien su funcionamiento, hayan recibido la formación adecuada y hayan sido explícitamente autorizadas para este propósito. Antes de usar la aspiradora, la persona que vaya a utilizarla debe estar informada y haber recibido las instrucciones y la formación adecuadas sobre el funcionamiento del aparato y sobre las sustancias con las que está permitido su uso, así como el modo correcto de extraer y desechar el material aspirado.**



**¡ATENCIÓN!**



**Esta aspiradora no debe ser utilizada por personas (incluidos los niños) con problemas físicos, con dificultades mentales o con falta de formación, a menos que sean supervisados por personas expertas y que sepan como se utiliza la máquina. Los niños deben ser supervisados para asegurarse de que no jueguen con la aspiradora.**

## Información general para usar la aspiradora

El uso de la aspiradora está regido por la legislación vigente del país en el cual se utiliza.

También deben respetarse las normativas técnicas sobre seguridad y uso correcto (UE y donde aplicable: legislación referente a la seguridad medioambiental y en el trabajo, es decir, la Directiva de la Unión Europea 89/391/EC y sucesivas directivas), así como las instrucciones de uso y la legislación vigente en el país en el cual se utilice la aspiradora.

No realice ninguna operación que pueda poner en peligro la seguridad de las personas, la propiedad o el medioambiente. Siga las indicaciones de seguridad que se especifican en este manual de instrucciones.

## Usos correctos

Esta aspiradora es adecuada para su uso comercial; por ejemplo, en hoteles, escuelas, hospitales, fábricas, establecimientos, oficinas y residencias. También es adecuada para alquilarla y para distintas aplicaciones, salvo para el uso doméstico normal.

Esta aspiradora es adecuada para la limpieza y la aspiración de materiales sólidos en exteriores e interiores.

- Deje siempre suficiente espacio alrededor de la aspiradora para llegar fácilmente a los controles.

La aspiradora ha sido diseñada para que no la utilice más de una persona.

El aparato está formado por una unidad de aspiración automatizada, con un filtro ascendente y un contenedor para recoger el material aspirado.



**Uso no permitido**

**Se prohíbe terminantemente utilizar la aspiradora de las siguientes formas:**

- **En lugares abiertos en caso de precipitaciones atmosféricas.**
- **Cuando no está posicionado en superficies llanas y horizontales.**
- **Cuando la unidad de filtración no está instalada.**
- **Cuando la boca de aspiración y/o el tubo de vacío están dirigidos hacia partes del cuerpo humano.**
- **Utilizarla sin la tapadera en la unidad de aspiración.**
- **Cuando la bolsa para el polvo no está instalada.**
- **Utilizarla sin las protecciones, las cubiertas protectoras y los sistemas de seguridad instalados por el fabricante.**
- **Cuando las bocas de refrigeración están parcialmente o totalmente obstruidas.**
- **Cuando la aspiradora está protegida por una tela de plástico o de otro material.**
- **Utilizarla cuando la toma de salida aire está parcial o totalmente cerrada.**
- **En espacios estrechos sin recambio de aire.**
- **Aspirar líquidos con aspiradoras no equipadas con los sistemas de detención originales específicos.**
- **Aspirar los siguientes elementos:**
  1. **Materiales ardiendo (ascuas, cenizas calientes, cigarrillos encendidos, etc.)**
  2. **Llamas libres.**
  3. **Gases combustibles.**
  4. **Líquidos inflamables, combustibles agresivos (gasolina, disolventes, ácidos, soluciones alcalinas, etc.).**
  5. **Polvo/substancias de materiales explosivos y/o que puedan inflamarse fácilmente de forma espontánea (como el polvo de magnesio, de aluminio, etc.).**

**IMPORTANTE: El uso doloso no está admitido.**

**Recomendaciones generales**

**En caso de emergencia:**

- **rotura del filtro**
- **incendio**
- **cortocircuito**
- **bloqueo del motor**
- **descarga eléctrica**
- **etc.**

**Apague la aspiradora, desenchúfela y póngase en contacto con el personal de asistencia cualificado.**



**No utilice ni guarde las aspiradoras en el exterior ni en lugares húmedos.**

# Descripción de la aspiradora

## Piezas y etiquetas de la aspiradora

**Figura 1**

1. Placa identificativa, que incluye:  
Código de modelo, especificaciones técnicas (consulte la tabla en la página 6), N° de serie, año de fabricación, voltaje de red nominal.
2. Contenedor de polvo
3. Palanca para desensamblar el contenedor de polvo
4. Toma de admisión
5. Compartimento de accesorios
6. Toma de salida
7. Para conectar la aspiradora, enchúfela a una toma eléctrica.
8. Advertencia de polvo de sílice  
Indica la atención del operador sobre el hecho de que la exposición de un silicio cristalino puede causar cáncer o silicosis.

Esta aspiradora crea una potente corriente de aire que entra a través de la toma de admisión (4 - Fig. 1) y sale por la toma de salida (6 - Fig. 1).

Antes de poner en marcha la aspiradora, ensamble el tubo de vacío en la toma de admisión y, a continuación, añada la herramienta que necesite en el extremo (consulte el catálogo de accesorios del fabricante o póngase en contacto con el Centro de Mantenimiento).

Los diámetros de los tubos autorizados se detallan en la tabla de especificaciones técnicas.

La aspiradora está equipada con filtros de cartuchos que se pueden utilizar para la mayoría de aplicaciones.

## Kits opcionales

Si desea obtener más información sobre los kits opcionales, póngase en contacto con la red de ventas del fabricante.

En los kits de adaptación se incluyen las instrucciones de instalación de los kits opcionales.

**¡ATENCIÓN!**

*Utilice solamente recambios originales proporcionados y autorizados por el fabricante.*

## Accesorios

Hay distintos accesorios disponibles. Si desea más información, consulte el catálogo de accesorios del fabricante.

**¡ATENCIÓN!**

*Utilice solamente accesorios originales proporcionados y autorizados por el fabricante.*

## Embalaje y desembalaje

Deseche los materiales del embalaje conforme a la legislación vigente.

**Figura 2**

Modelo	BDC-24-230V-P
Unidades	pulgadas
<b>A</b>	28
<b>B</b>	53
<b>C</b>	87
<b>Peso con el embalaje (lbs.)</b>	311

## Desembalaje, desplazamiento, uso y almacenamiento

Trabaje en superficies planas y horizontales.

La capacidad de carga de la superficie en la que se coloque la aspiradora debe ser capaz de soportar su peso.

## Empezar a utilizarla: conexión a la fuente de alimentación

### ¡ATENCIÓN!

- *Antes de empezar a trabajar, asegúrese de que no hay signos de daños evidentes en la aspiradora.*
- *Antes de conectar la aspiradora a la red eléctrica, asegúrese de que la tensión límite indicada en la placa de datos se corresponde con la de la red eléctrica.*
- *Conecte la aspiradora al enchufe de la corriente eléctrica mediante una conexión con toma de tierra correctamente instalada.*
- *Compruebe que la aspiradora esté apagada.*
- *Los enchufes y conectores de los cables de conexión deben estar protegidos contra las salpicaduras de agua.*
- *Asegúrese de que las conexiones a la corriente eléctrica y al enchufe están en buen estado.*
- *Utilice la aspiradora sólo cuando los cables de conexión a la red de suministro eléctrico estén en perfecto estado (unos cables dañados podrían ser causa de descargas eléctricas).*
- *Compruebe periódicamente que el cable eléctrico no muestre signos de excesivo daño, desgaste, rajas o envejecimiento.*

### ¡ATENCIÓN!

- Cuando la aspiradora esté funcionando, no:*
- *Aplaste, dañe, pise ni tire del cable que conecta el aparato al suministro eléctrico.*
  - *Desconecte únicamente el cable de la red eléctrica quitando el enchufe (no tire del cable).*
  - *Sustituya el cable de alimentación eléctrica sólo por uno del mismo tipo que el original; se aplica la misma norma si se usa un cable de extensión.*
  - *El cable debe ser sustituido por el personal del Centro de Servicio del fabricante o personal cualificado equivalente.*

## Cables de extensión

- En caso de que utilice un cable de extensión, asegúrese de que sea adecuado para la alimentación y el grado de protección de la aspiradora.

### Versión US

Sección mínima de cables de extensión: 12 AWG  
Longitud máxima = 66 ft  
Cable = SJT

### ¡ATENCIÓN!

*Las tomas de corriente, los enchufes, los conectores y la instalación de los cables de extensión deben mantener el grado de protección IP de la aspiradora, como se indica en la placa informativa.*

### ¡ATENCIÓN!

*No moje la aspiradora con agua: si lo hace, será un peligro para las personas expuestas y podría producirse un cortocircuito en la corriente eléctrica.*

### ¡ATENCIÓN!

*La toma de corriente a la que se conecte la aspiradora debe estar protegido por un interruptor diferencial del circuito con limitación para sobretensión, que interrumpa el suministro eléctrico si la corriente que va a tierra excede de 30 mA para 30 milisegundos, o por un circuito de protección equivalente.*

## Uso con sustancias secas

### [ AVISO ]

*Los filtros y la bolsa, si procede, que se proporcionan con la aspiradora deben estar correctamente instalados.*

### ¡ATENCIÓN!

*Observe la normativa de seguridad sobre los materiales que vaya a recoger con la aspiradora.*

## Mantenimiento y reparaciones

### ¡ATENCIÓN!

*Desconecte la aspiradora de la alimentación antes de limpiar, revisar, sustituir partes o adaptar la aspiradora para obtener otra versión/variante, el enchufe debe desconectarse de la toma eléctrica y estar controlada por el operador.*

- *Realice sólo las operaciones de mantenimiento descritas en este manual.*
- *Utilice sólo recambios originales.*
- *No realice modificaciones de ningún tipo en la aspiradora.*

*El incumplimiento de estas instrucciones podría poner en peligro su seguridad. Además, dejaría inmediatamente sin efecto la declaración de conformidad de la CE emitida con la aspiradora.*

<b>Datos técnicos (US)</b>		
<b>Parámetro</b>	<b>Unidades</b>	<b>BDC-24-230V-P</b>
Tensión (60 Hz)	V	230
Tipo de alimentación	Número de fases	1
Potencia máxima	kW	4,5
Corriente nominal de entrada	A	19,5
Aspiración máxima	Pulgadas H <sub>2</sub> O	84,7
Velocidad máx. de flujo de aire	pie cúbico por minuto	286
Nivel de ruido @ 3'3" (1 m)	dB(A) - unidad de aspiración	71
	dB(A) - compresor	78
Protección	IP	44
Aislamiento	Clase	F
Toma de admisión (diámetro)	pulgadas	3
Tubos admitidos (diámetro)	pulgadas	2 / 3
Capacidad contenedor	galones	26,4
Superficie del filtro de cartucho	Pies cuadrados	161,5
Superficie del filtro absoluto	Pies cuadrados	37,7
Eficiencia del filtro absoluto HEPA	MPPS	99,995% @ 0,18 micron
Largura del cable	pies	30
Peso <sup>(1)</sup>	libras	289

(1) Peso neto (2) hPa = mbares	<ul style="list-style-type: none"> <li>■ <i>Condiciones de almacenamiento:</i> T : -10°C ÷ +40°C Humedad: 85%</li> <li>■ <i>Condiciones de funcionamiento:</i> Altitud máxima: 800 m (Hasta 2.000 m con rendimiento reducido) Humedad: 85%</li> </ul>
-----------------------------------	---

## Dimensiones

**Fig. 3**

<b>Modelo BDC-24-230V-P</b>	<b>A</b>	<b>B</b>	<b>C</b>
<b>pulgadas</b>	38,5	23,6	70

**E**



## Comandos e indicadores

**Figura 4**

1. **Indicador y botón de arranque y parada del motor principal**  
Si el indicador está iluminado, el motor principal está encendido.  
Con este botón, puede encender o parar el motor principal.
2. **Indicador y botón de arranque y parada del segundo motor**  
Si el indicador está iluminado, el segundo motor está encendido.  
Con este botón, puede encender o parar el segundo motor.
3. **Indicador y botón de arranque y parada del tercer motor**  
Si el indicador está iluminado, el tercer motor está encendido.  
Con este botón, puede encender o parar el tercer motor.
4. **Botón de parada**  
Este botón detiene todos los motores simultáneamente (pero no desactiva la aspiradora).
5. **Indicador de nivel máx. aspirado**  
Si se enciende, indica que se ha alcanzado el nivel máximo de material aspirado en el contenedor, si está instalado el control de nivel para sólidos.
6. **Indicador de alimentación**  
Indica que la aspiradora está enchufada.
7. **Indicador del filtro primario**  
Verde: indica que los filtros de cartucho funcionan correctamente.  
Rojo: indica que los filtros de cartucho están bloqueados.
8. **Indicador de filtro absoluto (si está instalado)**  
Rojo: indica que el filtro absoluto está bloqueado.

**Figura 5**

1. Palanca para desensamblar el contenedor de polvo
2. Palanca de la ruedecilla
3. Palanca de la cinta de cierre
4. Cable de alimentación eléctrica
5. Empuñadura
6. Toma de admisión
7. Panel eléctrico

## Comprobaciones antes de empezar

Antes de empezar, compruebe que:

- los filtros estén instalados;
- todas las palancas estén bloqueadas en su sitio;
- el tubo de vacío y las herramientas se hayan acoplado correctamente a la toma de admisión (6 - Fig. 5);
- la bolsa esté instalada, si procede.

**¡ATENCIÓN!**  
**No utilice la aspiradora si el filtro es defectuoso.**

## Arranque y parada

**¡ATENCIÓN!**  
**Antes de poner en marcha la aspiradora, bloquee los frenos de las ruedecillas (2 - Fig. 5) y ponga el interruptor (7 - Fig. 5) en posición "I".**

**¡ATENCIÓN!**  
**Controle la presión del aire producida por el compresor utilizada para limpiar los filtros. Nunca debe ser más que 5,5 bares; si necesario, ajústelo hasta obtener el nivel correcto utilizando la válvula limitadora de presión relacionados (8 - Fig. 5).**

**Figura 4**

- Para poner en marcha la aspiradora, pulse los interruptores (2-3-4).  
Cuando pulsados, los motores arrancan y los indicadores informan de su estado (2-3-4).
- Para apagar la aspiradora, pulse de nuevo los interruptores.

## Funcionamiento de la aspiradora


**¡ATENCIÓN!**




**La velocidad del aire en el tubo de aspiración no debe ser inferior a 20 m/s. Este estado viene indicado por el indicador verde del filtro primario.**

Al utilizar la aspiradora, compruebe:

- El estado del indicador de nivel de material máximo aspirado (6 - Fig. 4) si el control de nivel está instalado.
- El estado del filtro primario (8 - Fig. 4) y del filtro absoluto (si está instalado) (9 - Fig. 4).


**¡ATENCIÓN!**

**Si se enciende alguno de los indicadores, siga las instrucciones.**

Símbolo	Señal del indicador	Color del indicador	Estado y procedimiento de la aspiradora
	Nivel de material máximo aspirado (6 - Fig. 4)	Rojo	Aspiración detenida. Vaciar el contenedor (consultar el apartado correspondiente).
	Filtro primario (8 - Fig. 4)	Rojo	Aspiración activada. Sustituir los filtros de cartucho. (consultar el apartado correspondiente).
	Filtro absoluto (9 - Fig. 4)	Rojo	Aspiración activada. Cambiar el filtro absoluto (consultar el apartado correspondiente).


**¡ATENCIÓN!**

**Si hubiera algún fallo, consulte el apartado de "Solución de problemas".**

## Funcionamiento de los filtros primarios de cartucho

**Figura 6**

1. Dispositivo electroneumático
2. Cartuchos del filtro
3. Temporizador

Los cartuchos de filtrado (2) tienen el fin de filtrar el aire de admisión. La aspiradora está equipada de un dispositivo electroneumático completamente automático (1) para limpiar de forma alterna los cartuchos del filtro (2) que garantiza el mantenimiento continuo; alimentado con 24 V, conta con un temporizador cíclico (3) para regular los tiempos siguientes:

- T3**= tiempo entre un ciclo de limpieza y el siguiente, configuración a partir de 0 segundos;
- T2**= tiempo entre una operación de limpieza del cartucho (2) y la siguiente, configurado a partir de 20 segundos;
- T1**= tiempo de apertura de la electroválvula para la salida de aire en contracorriente en el cartucho, configurado a 1 décima partes de segundo. Cuanto más corto sea el tiempo, más energética será la acción de limpieza.

**Las impostaciones de fabricación no se puede modificar sin autorización previa de Blastrac.**

Las tres electroválvulas del dispositivo electroneumático controlan la operación de limpieza de los cartuchos del filtro relacionados.

**Figura 6A**

1. Electroválvula para la limpieza del filtro E1
2. Electroválvula para la limpieza del filtro E2
3. Electroválvula para la limpieza del filtro E3

## Parada de emergencia

Pulse el botón de parada (5 - Fig. 4). La aspiradora se detiene.


**¡ATENCIÓN!**

**Los motores y los componentes internos de la aspiradora recibirán corriente eléctrica.**

Para poner en marcha la aspiradora, véase el párrafo Arranque y parada

## Vaciado del contenedor de polvo


**¡ATENCIÓN!**

- **Antes de realizar estas operaciones, apague la aspiradora y desconecte el enchufe de la toma de corriente.**
- **Compruebe qué clase de aspiradora posee.**

- Versión no apta para aspirar polvo de materiales peligrosos
  - Libere el contenedor de polvo (1 - Fig. 7), con la palanca (2), extráigalo y vacíelo.
  - Compruebe que la junta esté en perfecto estado y bien colocada.
  - Coloque el contenedor en su lugar original para volver a fijarlo en su posición.

## Bolsa de plástico

Puede utilizar las bolsas de plásticos suministradas por la red de ventas del fabricante (Fig. 8).

### Cómo cambiar la bolsa



**¡ATENCIÓN!**

- **Sólo podrán llevar a cabo estas operaciones personal cualificado con una indumentaria adecuada y que cumplan con la legislación vigente.**
- **Intente no levantar polvo durante estas operaciones. Utilice una máscara protectora con filtro P3.**
- **Si está limpiando polvo de materiales peligrosos y/o tóxicos, debe utilizar la bolsa de seguridad suministrada para estas aspiradoras.**
- **Sólo el personal cualificado podrá desechar la bolsa de conformidad con la legislación vigente.**

## Sustitución y uso de la descarga basculante

**Figura 8A**

1. Montaje de la descarga basculante
  - Fije la tolva a la cámara de filtración, colocándola en los alojamientos relacionados y usando la palanca (2) para bloquearla.
  - Coloque la bolsa (Longopac®) en el soporte relacionado y fije su extremidad con la cinta (3).
  - Enganche el soporte de la descarga basculante a la tolva, fijándolo con los pernos relacionados.
  - Quite la bolsa (Longopac®) de forma que apoye en la plataforma de soporte inferior y cierre su extremidad con la abrazadera en dotación.
  - Cuando la bolsa (Longopac®) está llena, cierre la extremidad superior con las dos abrazaderas, fijándolas a 50 mm una de la otra, luego con unas tijeras corte la bolsa entre las dos abrazaderas.

## Uso y mantenimiento del compresor



**¡ATENCIÓN!**

**Durante el uso o el mantenimiento del compresor, consulte el Manual de uso y mantenimiento suministrado con la documentación de la máquina.**

### Al final de la sesión de limpieza

- Apague la aspiradora con los interruptores (2-3-4 - Fig. 4), apague el panel eléctrico (7 - Fig. 5) y desconecte el enchufe de la toma
- Enrolle el cable de conexión y cuélguelo en el compartimento correspondiente (Fig. 9).
- Vacíe el contenedor como se indica en el apartado "Vacío del contenedor".
- Limpie la aspiradora como se detalla en el apartado "Mantenimiento, limpieza y descontaminación".
- Si ha aspirado sustancias agresivas, lave el contenedor

con agua limpia.

- Guarde la aspiradora en un lugar seco, fuera del alcance de personal no autorizado.

## Mantenimiento, limpieza y descontaminación



**¡ATENCIÓN!**

**Para garantizar el nivel de seguridad de la aspiradora, sólo debería utilizar las piezas de repuesto originales suministradas por el fabricante.**



**¡ATENCIÓN!**

**Las precauciones que se describen a continuación deben respetarse durante las operaciones de mantenimiento, incluidas la limpieza o sustitución de filtros principales HEPA.**



**¡ATENCIÓN!**

**Las operaciones de mantenimiento, limpieza y descontaminación solo deben realizarse después de apagar la aspiradora con el interruptor (7 - Fig. 5) y de desconectar el enchufe de la toma de corriente. Se prohíbe terminantemente realizar el mantenimiento con el enchufe conectado a la toma de corriente. ¡Peligro de electrocución!**

- Para que el operador pueda realizar las operaciones de mantenimiento, la aspiradora deberá estar desmontada, limpia y revisada, en la medida de lo razonable, sin que represente un peligro para el personal de mantenimiento ni para otras personas. Para cumplir las precauciones correctas deberá descontaminar el aparato antes de desmontar la aspiradora, ventilar el aire de escape mediante filtros y de forma apropiada de la habitación en la que se haya desmontado la aspiradora y limpiar la zona de mantenimiento para proteger al personal.
- El fabricante o su personal técnico deben realizar una inspección al menos una vez al año. Por ejemplo: verificar los filtros de aire y comprobar que las características herméticas de la aspiradora no hayan sufrido ningún daño. Controle que el panel de control eléctrico funcione correctamente.



**¡ATENCIÓN!**

**Las tareas de mantenimiento y vaciado de la aspiradora (incluyendo la extracción del contenedor de polvo), deben ser efectuadas únicamente por personal especializado y equipado con indumentaria protectora. No utilice el aparato si el sistema de filtrado completo no está instalado.**



## Desmontaje y sustitución de los filtros absoluto y de cartucho


**¡ATENCIÓN!**

**Cuando se efectúa la sustitución del filtro es necesario que:**

- **trabaje cuidadosamente e intente no derramar el polvo y/o material aspirado;**
- **coloque el filtro desmontado y/o sustituido en una bolsa de plástico sellada;**
- **cierre la bolsa herméticamente;**
- **deseche el filtro según la legislación vigente.**


**¡ATENCIÓN!**

**La sustitución del filtro es un asunto muy importante. El filtro debe ser sustituido por otro con idénticas características, superficie de filtración y categoría.**

**De no ser así, el aspirador no funcionaría correctamente.**


**¡ATENCIÓN!**

**Intente no levantar polvo cuando efectúe esta operación. Utilice una máscara de protección con filtro P3 e indumentaria protectora, además de guantes protectores apropiados para el tipo de polvo peligroso que se haya recogido, según la legislación vigente.**


**¡ATENCIÓN!**

**Vuelva a armar todo con cuidado para evitar atraparse las manos entre la unidad de aspiración y el contenedor. Utilice guantes que le protejan de los riesgos mecánicos (EN 388) con un nivel de protección CAT. II.**

## Sustitución de los cartuchos del filtro

**Figura 11**

1. Unidad de aspiración
2. Palanca de bloqueo
3. Anillo
4. Tubo aire comprimido
5. Cable eléctrico
6. Palanca de bloqueo
7. Tapa
8. Soporte cartuchos filtro
9. Cartucho filtro
10. Tuerca de fijación cartucho filtro
11. Conector eléctrico
12. Enchufe eléctrico

Antes de realizar estas operaciones, apague la aspiradora y quite el enchufe de la toma de corriente.

- Use la palanca (2) para soltar la unidad de aspiración (1), quite el enchufe (12) conectado a la caja del sistema eléctrico y desconecte el tubo del aire comprimido (4), luego quite la unidad de aspiración (1) de la aspiradora.
- Desconecte el tubo aire comprimido (4) soltando el

enganche rápido relacionado.

- Desconecte el cable eléctrico (5) soltando el conector (11).
  - Utilice la palanca (6) para quitar la tapa (7)
  - Quite el soporte (8) con los cartuchos del filtro.
  - Quite los cartuchos de los filtros (9) desenroscando las tuercas de fijación (10).
  - Monte los nuevos cartuchos del filtro en el orden inverso a su extracción para instalar todos los componentes, asegurándose de que las conexiones eléctricas y neumáticas previamente desconectadas hayan sido reconectadas.
- Durante el montaje, gire la tapa hasta poner el dispositivo electroneumático en la posición correcta con respecto al soporte de los cartuchos.
- Deseche los cartuchos del filtro usado según la legislación vigente.

## Sustitución del filtro HEPA


**¡ATENCIÓN!**

**Intente no levantar polvo cuando efectúe esta operación. Utilice una máscara de protección con filtro P3 e indumentaria protectora, además de guantes protectores apropiados para el tipo de polvo peligroso que se haya recogido, según la legislación vigente.**

**Figura 10**

1. Unidad de aspiración
2. Palanca de bloqueo
3. Anillo de seguridad de filtro absoluto
4. Disco de filtro absoluto
5. Filtro absoluto


**¡ATENCIÓN!**

**Vuelva a armar todo con cuidado para evitar atraparse las manos entre la unidad de aspiración y el contenedor. Utilice guantes que le protejan de los riesgos mecánicos (EN 388) con un nivel de protección CAT. II.**

Antes de realizar estas operaciones, apague la aspiradora y desconecte el enchufe de la toma de corriente.

- Utilice la palanca (2) para liberar la unidad de aspiración (1); después, tire de ella hacia arriba y extráigala de la aspiradora.
- Desenrosque el anillo (3).
- Tire del disco (4) y del filtro absoluto (5).
- Guarde el filtro absoluto (5) en una bolsa de plástico, cierre la bolsa herméticamente y deseche el filtro según la legislación vigente.
- Introduzca un filtro nuevo (5) con las mismas características de filtración del filtro quitado.
- Bloquee el filtro absoluto con el disco (5) y apriete el anillo (4).
- Sustituya la unidad de aspiración (1).
- Fije la unidad de aspiración con la palanca (2).



## **Inspección del hermetismo**

### **Comprobación de los tubos**

Asegúrese de que los tubos de conexión (Fig. 12) está en buen estado y bien fijados.

Si los tubos estuvieran dañados, rotos o mal conectados en los puntos de unión, deberán ser reemplazados.

Cuando aspire materiales pegajosos, compruebe que no haya obstrucciones en el tubo, en la toma de admisión y en el deflector dentro de la cámara de filtración.

Limpie la toma de admisión (2 - Fig. 12) por fuera y quite los desechos que se hayan depositado en ella, como se indica en la figura 12.

### **Comprobación de las características herméticas de la cámara de filtración**

Si la junta (1 - Fig. 13) entre el contenedor (4) y la cámara de filtrado (3) no es hermética:

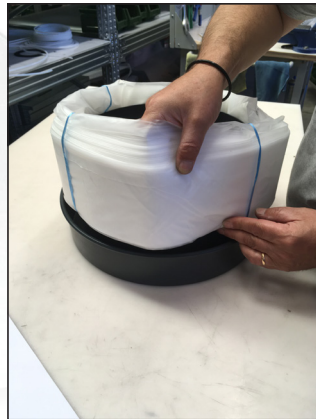
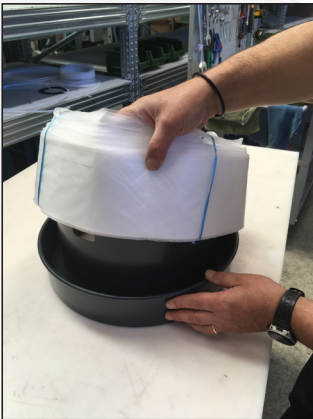
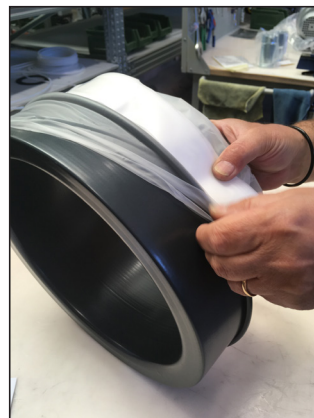
- Afloje los cuatro tornillos (2) que fijan la cámara de filtración (3) a la estructura de la aspiradora.
- Deje que la cámara de filtrado (3) baje y vuelva a apretar los tornillos (2) cuando haya alcanzado una posición hermética.

Si no puede sellarse de forma óptima y la junta está rota, fracturada, etc., será necesario proceder a su sustitución.

## **Lista de esquemas de conexiones**

**Figura 14**

- 
- 1. Compresor
  - 2. Cabeza del motor
  - Q1. Interruptor general
  - TS2. Temporizador cíclico
  - TR1. Transformador
  - M1. Abrazadera
  - XC2. Conector
  - H2. Intervención a la luz de la protección del motor del compresor

**Procedimiento para la instalación del sistema Longopac****1. Quite el soporte****2. Inserte la bolsa Longopac® y corte las conexiones****E 3. Prepare la bolsa en el soporte, tire del extremo y arranque**



**4. Vuelva a colocar el soporte en la aspiradora****5. Cierre tipo "cuello de cisne" de la bolsa con cinta adhesiva****E**

**Procedimiento para la eliminación del tubo**

1. Quite la manguera junto con el acoplamiento de la aspiradora



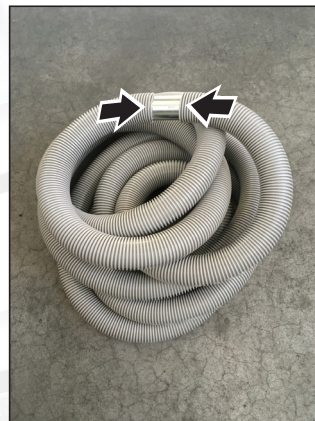
2. Coloque la toma de la aspiradora



3. Enrolle la manguera



4. Ponga los dos extremos uno encima del otro



5. Utilice una correa o una cinta para transportar y almacenar lejos del polvo

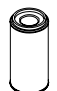









## Recambios recomendados

Las siguiente lista incluye los recambios que se deberían tener a mano para ahorrar tiempo en las operaciones de mantenimiento.

Para encargar recambios, consulte el catálogo de recambios del fabricante.

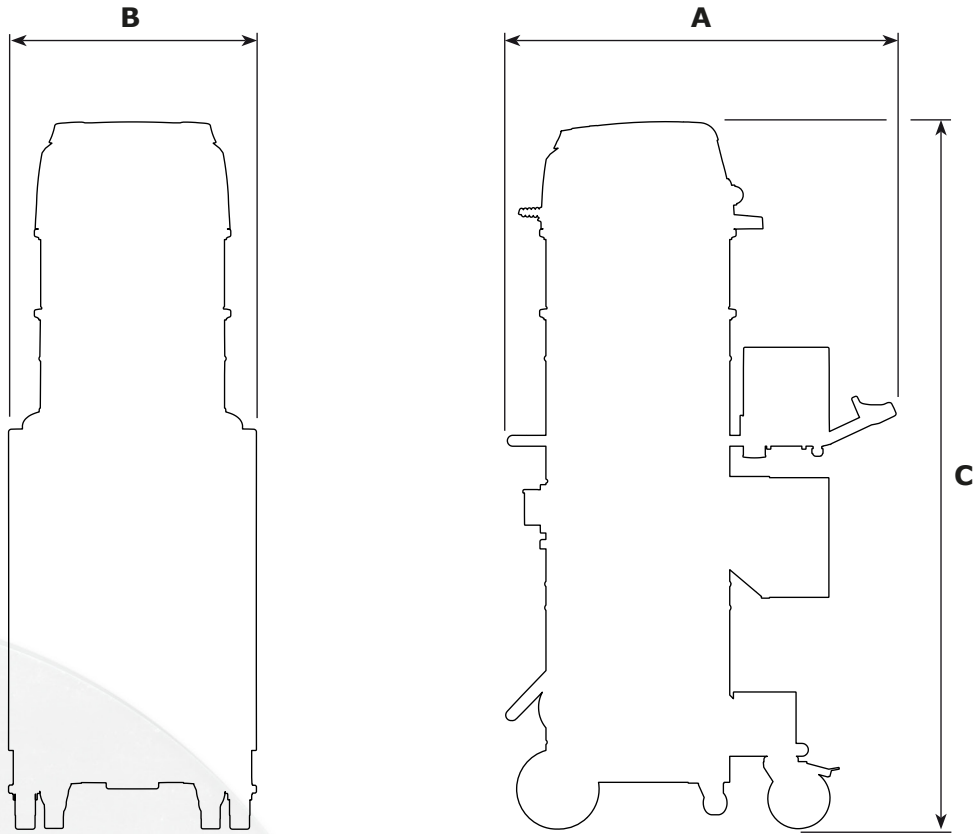
	Descripción	Blastrac PN	HQV PN
	Filtro de cartucho primario	490803-1	535712301
	Junta anillo filtro	Z8 17026	533226901
	Junta cámara filtro	40000762	533141401
	Filtro absoluto	4081700936	533359601
	Motor 230 V 1000 W	40000937	533802201
	Motor 110 V 800 W	40000938	533711501
	Escobillas (carbón) para motores de 230 V 1000 W (2 escobillas)	40000885	534032901
	Escobillas (carbón) para motores de 110 V 800 W (2 escobillas)	40000886	533857001

## Resolución de problemas

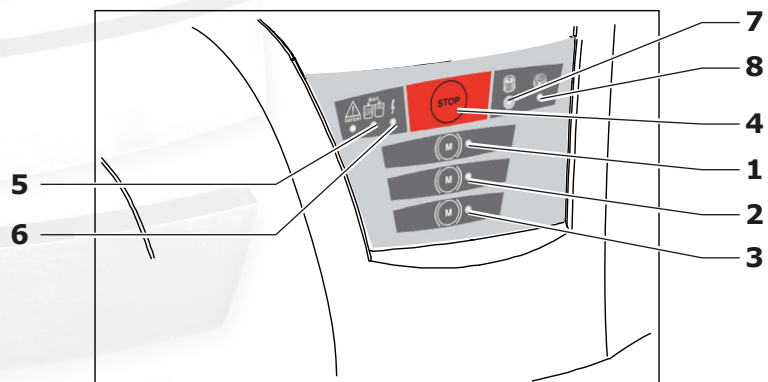
Problema	Causa	Solución
La aspiradora no se pone en marcha	Falta de alimentación	Compruebe la presencia de alimentación en correspondencia de la toma de corriente. Compruebe el estado del enchufe y del cable. Solicite la asistencia de un técnico del fabricante cualificado.
La aspiradora no se pone en marcha (Indicador de baja presión ON)	Baja presión en el sistema neumático	Compruebe que el compresor funcione y que no hay pérdidas del sistema neumático.
Las revoluciones de la aspiradora aumentan	Filtros de cartucho obstruidos	Sustitúyalos por otros del mismo tipo
	Tubo de vacío bloqueado	Compruebe el tubo de vacío y límpielo.
Sale polvo de la aspiradora	Los filtros están rotos	Sustitúyalos por otros del mismo tipo.
	Filtro incorrecto	Sustitúyalo por otro filtro del tipo correcto y compruebe el funcionamiento.
Motores ruidosos	Escobillas de motor (carbón) gastadas o rotas	Quite y sustituya las escobillas (de carbón) del motor.
Corriente electrostática en la aspiradora	Toma de tierra inexistente o ineficaz	Compruebe todas las conexiones a tierra. Sobre todo en la instalación de la toma de aspiración; sustituya el tubo por otro antiestático.



**3**

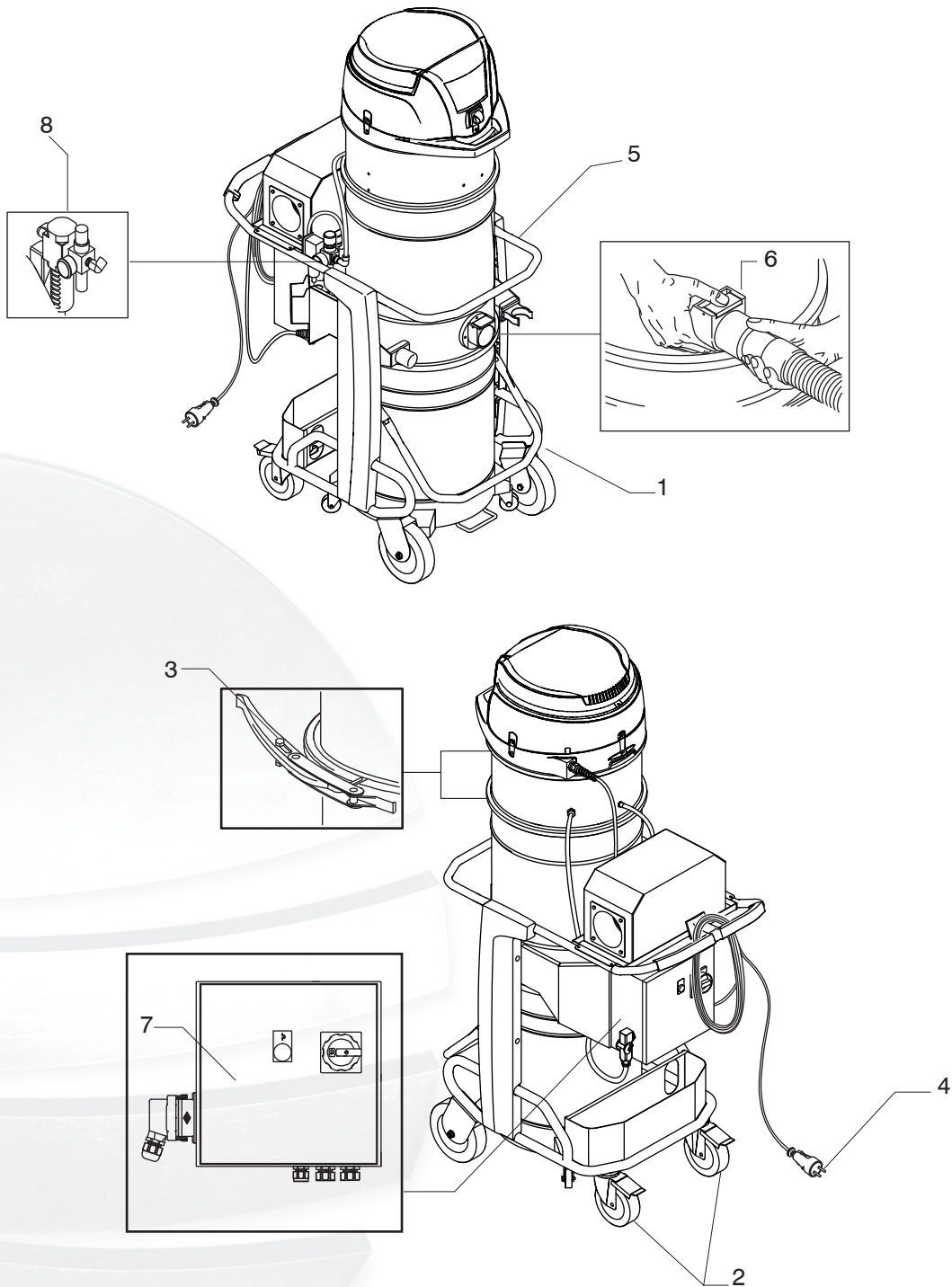


**4**

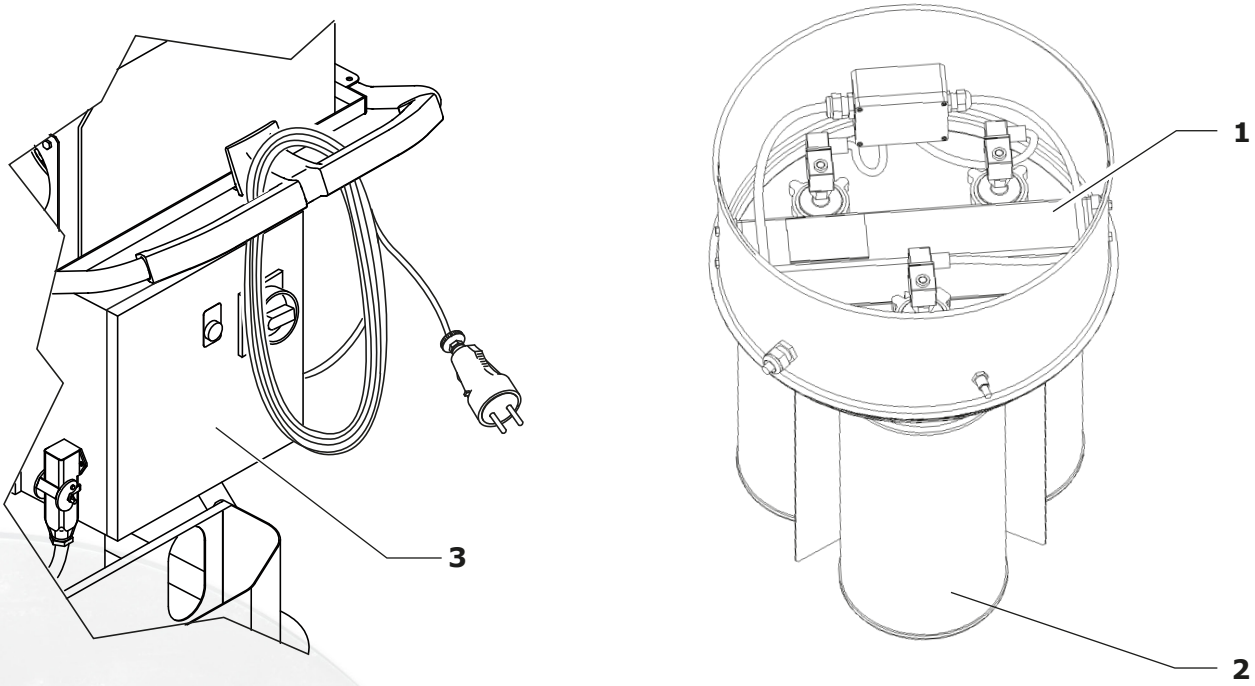




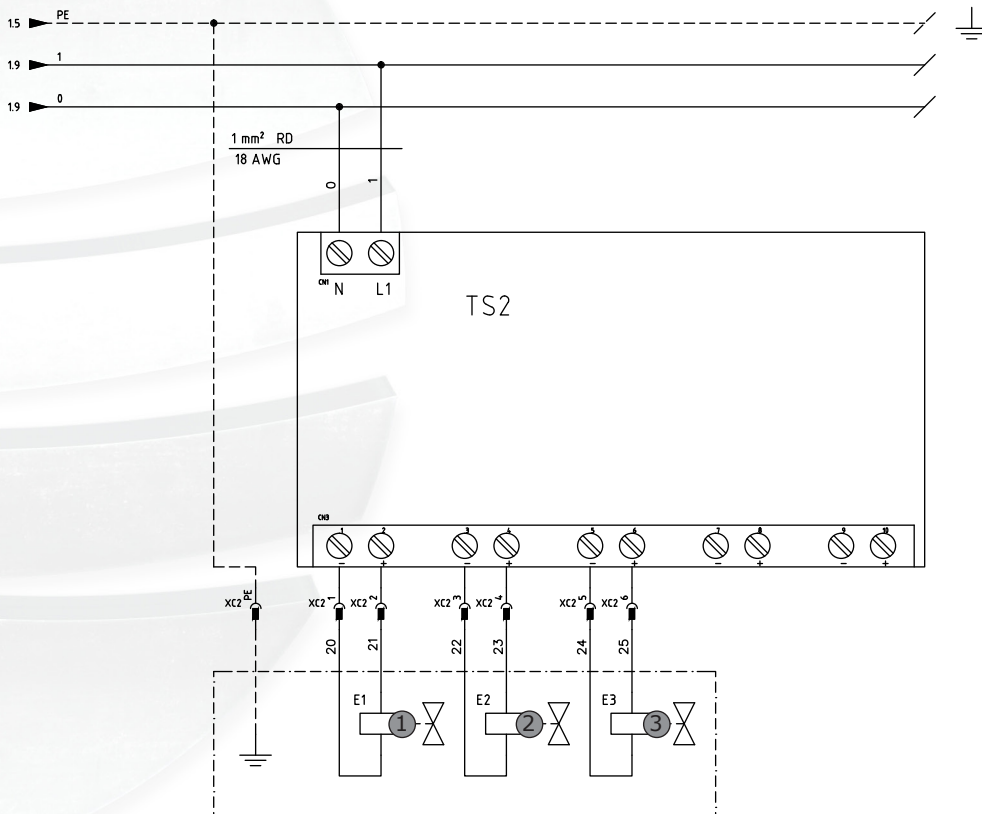
**5**



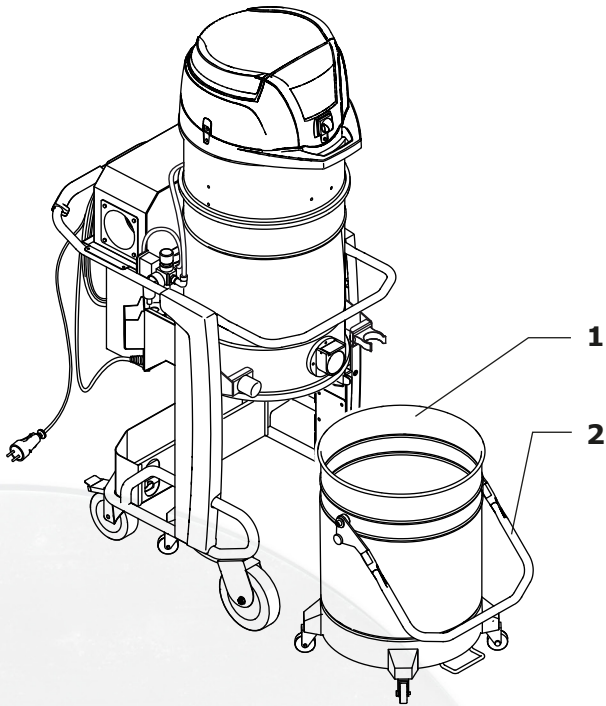
**6**



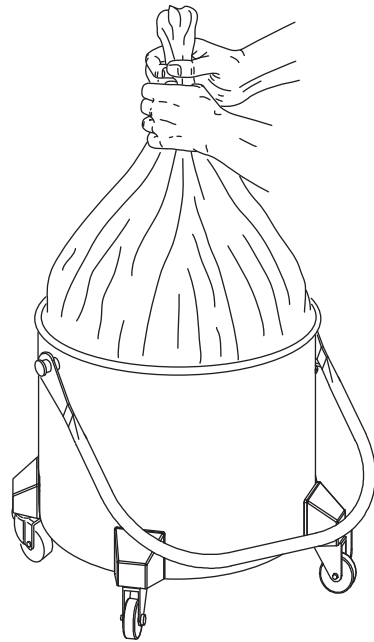
**6A**



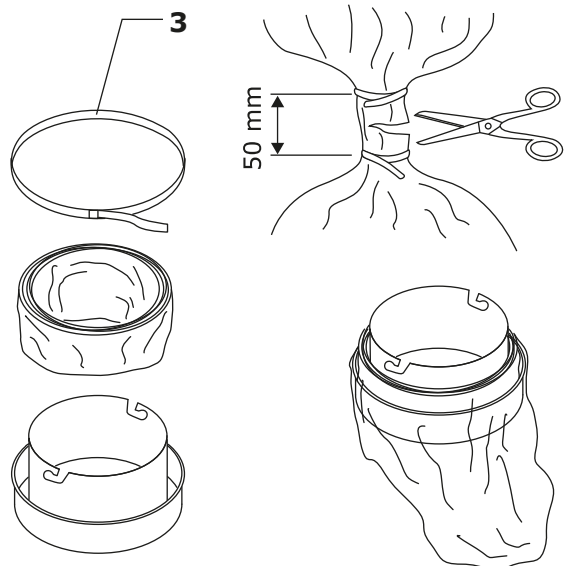
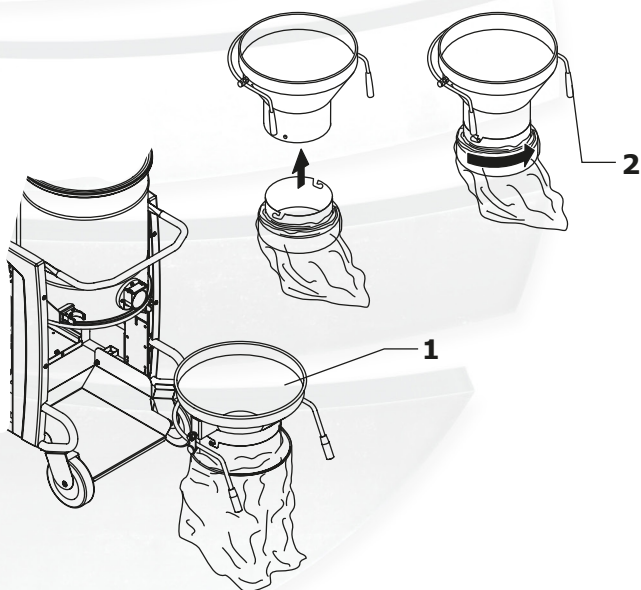
**7**



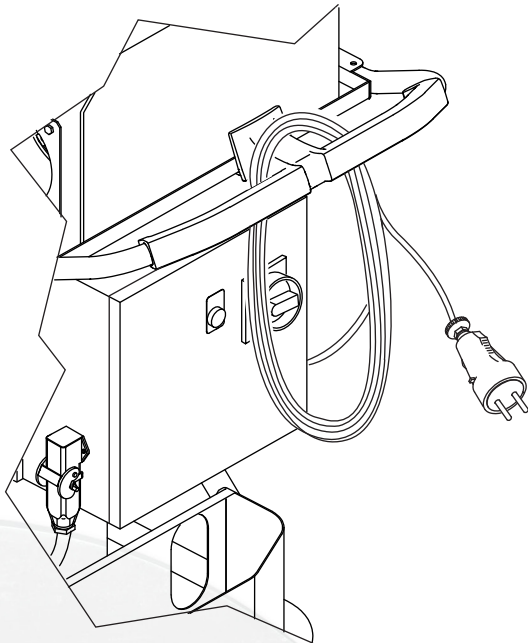
**8**



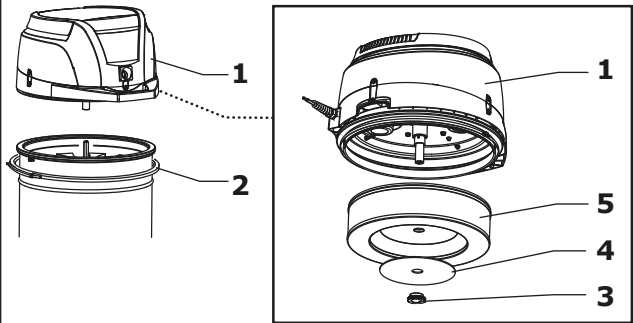
**8A**



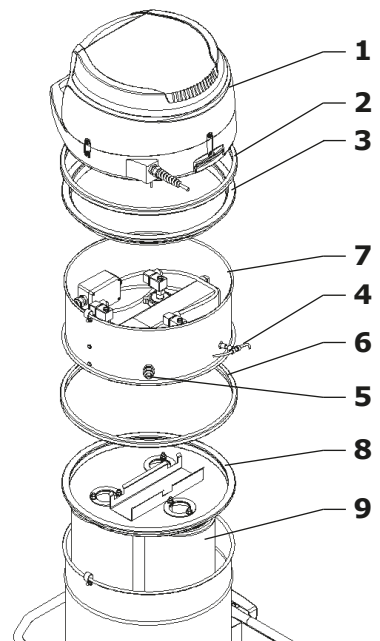
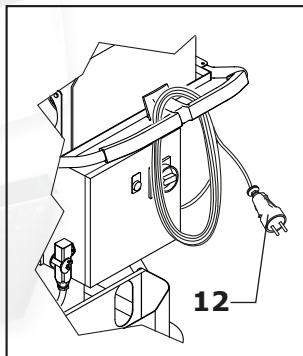
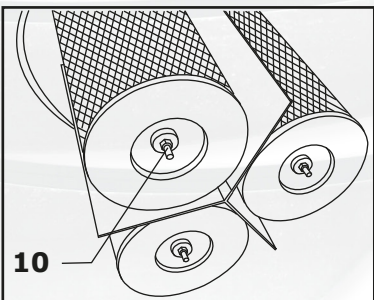
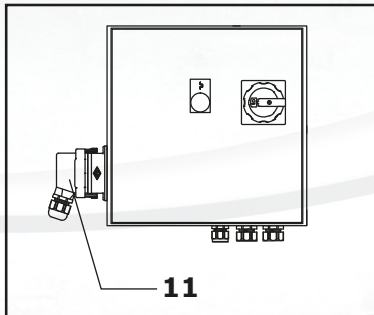
**9**



**10**

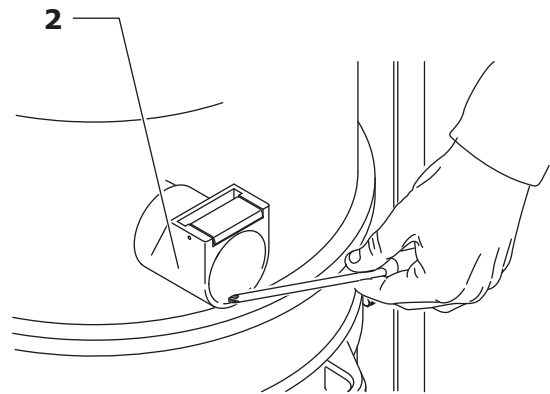
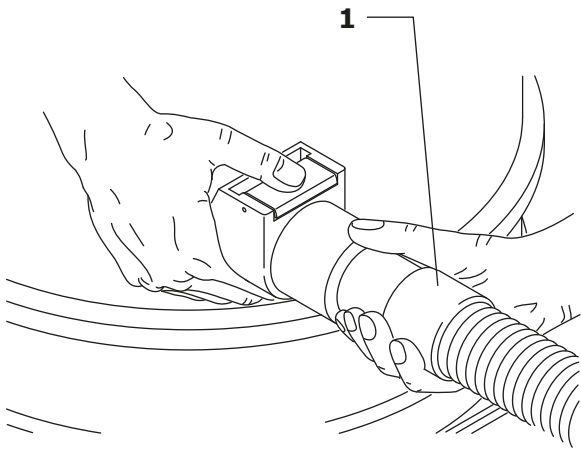


**11**

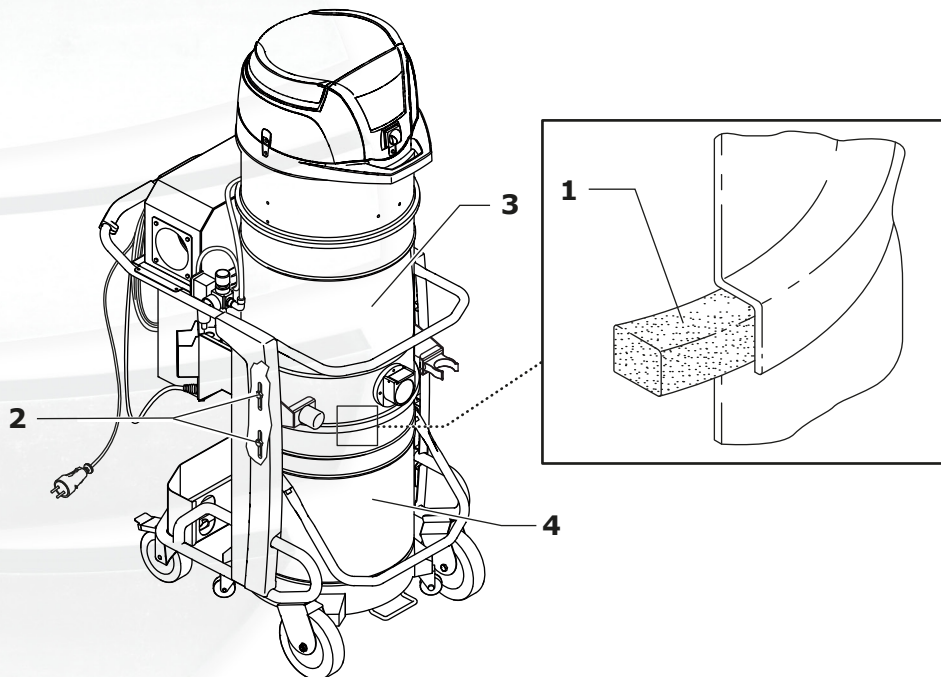


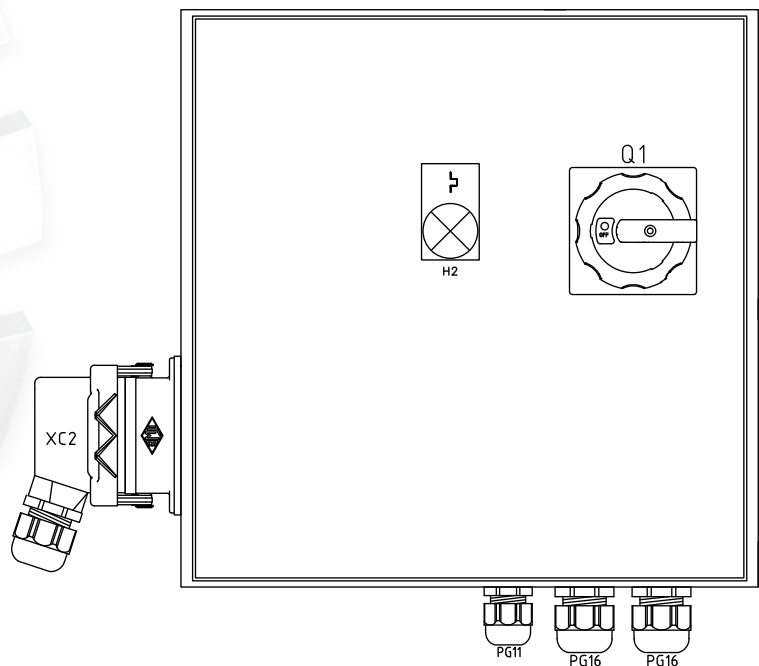
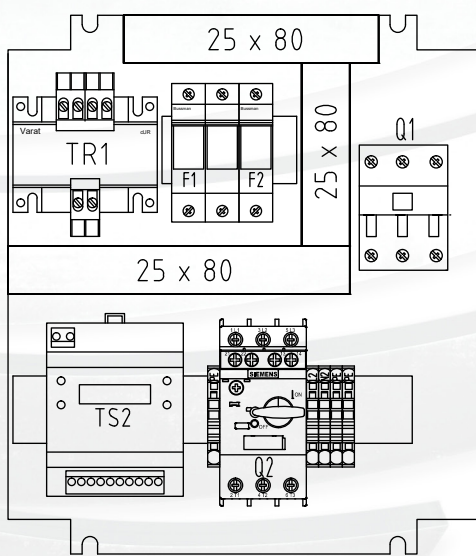
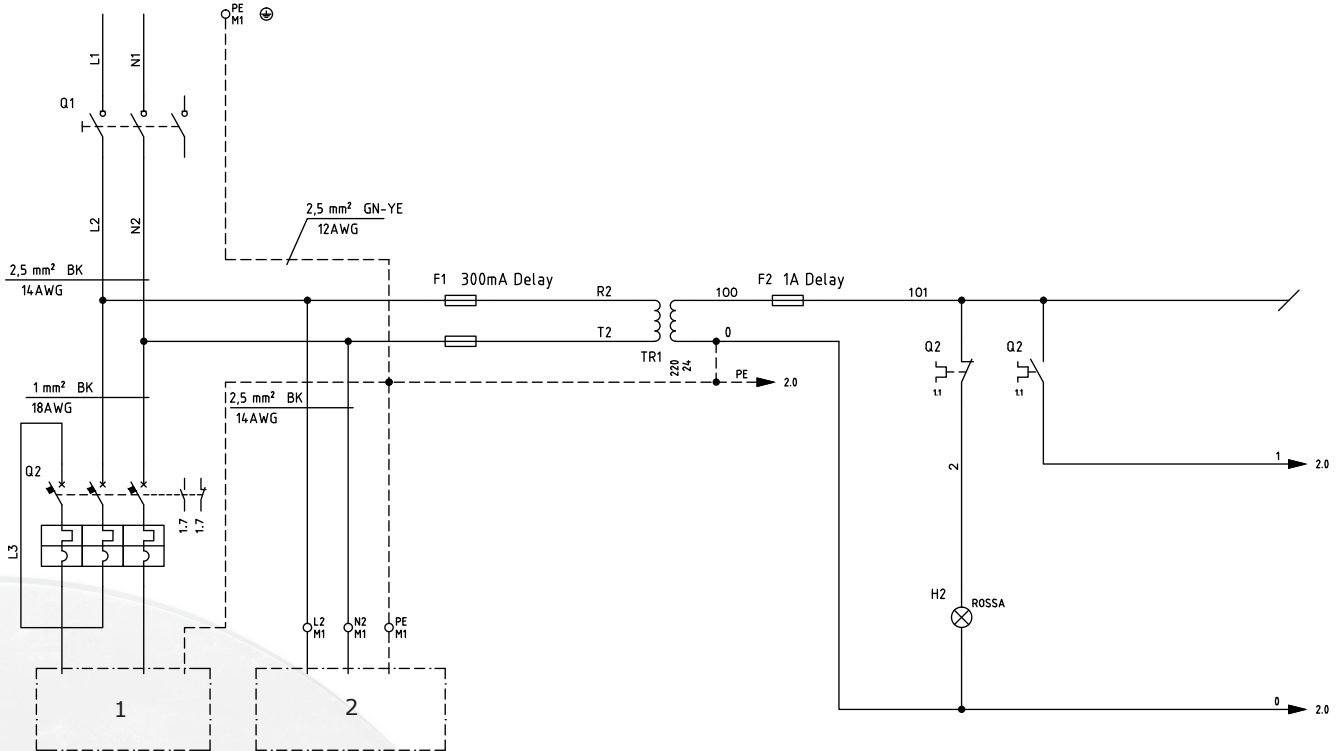


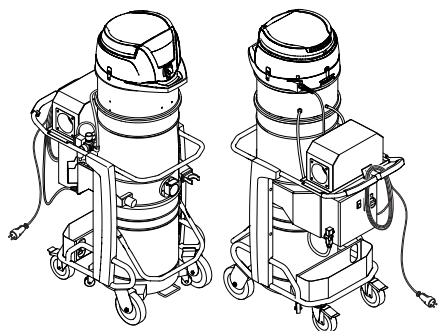
**12**



**13**



**14**




**Spare parts catalog**  
*Catalogue des pièces de rechange*  
**Catalogo de piezas de repuesto**

***This parts catalog covers the following models:***

*Ce catalogue de pièces détachées est valable pour les modèles d'aspirateurs suivants:*

**El presente catálogo de repuestos tiene validez para los modelos de aspiradores:**

4010300367

**GENERAL INFORMATIONS - INFORMATIONS GENERALS - INFORMACIONES GENERALES**

*All instruction, drawing, tables and any other information herein contained, are to be considered herein contained, are to be considered as confidential technical descriptions. Therefore, no information nor data shall be reproduced neither entirely nor partially and no information may be passed to third parties without written authorization by the manufacturer who is the sole proprietor of it and who reserves the right of any modification, that are considered suitable, without, prior notice.*

---

Les instructions, les dessins, les plans et toutes autres informations contenues dans ce livret sont des données techniques réservée. Pour cela aucune information ne peut être reproduite ni entièrement ni partiellement et ne peut être communiquée à tiers sans autorisation écrite du constructeur qui en est le propriétaire exclusif. Celle-ci se réserve aussi le droit d'effectuer sans avis préalable toutes les modifications qu'elle estimera nécessaires.

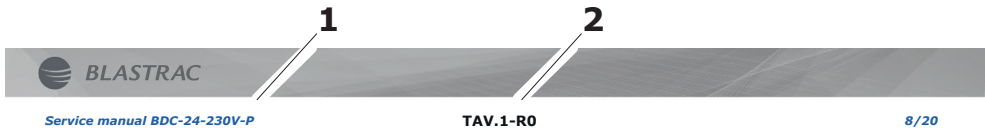
---

*Las instrucciones, los dibujos, las tablas y demás que se encuentran en el presente folleto son de naturaleza técnica reservada y, por tanto, las informaciones no pueden ser reproducidas ni en su totalidad ni en parte y no pueden ser comunicadas a terceros sin la autorización escrita del productor que es el propietario exclusivo y que se reserva el derecho de hacer las modificaciones que considere oportunas sin aviso anticipado.*

---



**How to consult the catalogue - Comment consulter ce catalogue - Normas para consultar el catálogo**



**1- Machine model**  
 Modèle de la machine  
 Modelo de la máquina

**2- Table number with modification indication**  
 Numéro du plan avec indice de révision  
 Número de la lámina con índice de modificación

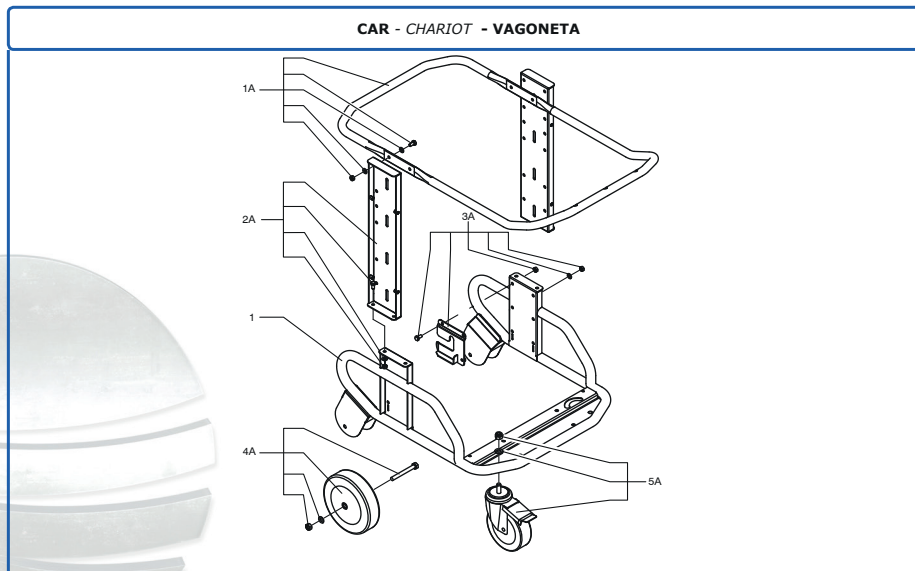
**3- Position number of part**  
 Numéro de position de la pièce  
 Número de posición de la pieza

*Note: in the manual, stainless steel parts have the same position number as standard parts.*  
*Remarque: dans le manuel les pièces en acier inoxydable ont le même numéro de position que les pièces standard.*

*Nota: en el manual, los particulares de acero inoxidable tienen el mismo número de posición que las piezas estándar.*

**4- Code number of part**  
 Numéro de code de la pièce  
 Número de código de la pieza

**5- Quantity of parts per table**  
 Quantité de pièces par plan  
 Cantidad de piezas por lámina



[www.blastrac.com](http://www.blastrac.com) – [info@blastrac.com](mailto:info@blastrac.com)



POS.	N°CODICE	Q	DESCRIPTION	DESIGNATION	DENOMINACIONES
1	4083600611	1	carrello	chariot	fahrgestell car vagoneta
1A	40000857	1	kit manico	—	kit handle
2A	40000871	2	kit montante	—	upright kit
3A	40000872	1	staffe sgancio	—	bin release kit
4A	40000873	1	kit ruote D200	—	wheel D200 kit
5A	40000874	2	kit ruote pivotante D150	—	kit revolv. castor D150

3 4 5

**HOW TO ORDER SPARE PARTS**

*Any order for spare parts should be completed with the following datas:*

- A)Machine model*
- B)Serial number*
- C)Identification code number of the part required*
- D)Quantity required*
- E)Part denomination*

**NORMAS PARA HACER UN PEDIDO**

*En todos los pedidos debe indicarse los siguientes datos:*

- A)Modelo de la máquina*
- B)Numero de la matricula*
- C)Numero de codigo*
- D)Cantidad pedida*
- E)Denominación*

**POUR COMMANDER LES PIECES DETACHEES**

*Donner toujours les indications suivantes:*

- A)Type de la machine*
- B)Numéro de serie*
- C)Code de la pièce*
- D)Quantité demandée*
- E)Dénomination de la pièce*

**TABLES INDEX - INDEX DES TABLES - INDICE DE TABLAS****TAV. 1-R0**

CAR  
CHARIOT  
VAGONETA

**TAV. 2-R0**

CAR  
CHARIOT  
VAGONETA

**TAV. 3-R0**

CAR  
CHARIOT  
VAGONETA

**TAV. 4-R0**

COMPRESSOR UNIT  
GROUPE COMPRESSEUR  
GRUPO COMPRESOR

**TAV. 5-R0**

CONTAINER UNIT  
GROUPE CONTENEUR  
GRUPO CONTENEDOR

**TAV. 6-R0**

FILTER GROUP  
ENSEMBLE FILTRE  
GRUPO FILTRO

**TAV. 7-R0**

FILTER GROUP  
ENSEMBLE FILTRE  
GRUPO FILTRO

**TAV. 8-R0**

ABSOLUTE FILTER  
FILTRE ABSOLU  
FILTRO ABSOLUTO

**TAV. 9-R0**

SUCTION UNIT  
GROUPE ASPIRATION  
GRUPO ASPIRACION

**TAV. 10-R0**

SUCTION UNIT  
GROUPE ASPIRATION  
GRUPO ASPIRACION

**TABLES INDEX - INDEX DES TABLES - INDICE DE TABLAS****TAV. 11-R0**

SUCTION UNIT  
GROUPE ASPIRATION  
GRUPO ASPIRACION

**TAV. 12-R0**

SUCTION UNIT  
GROUPE ASPIRATION  
GRUPO ASPIRACION

**TAV. 13-R0**

SUCTION UNIT  
GROUPE ASPIRATION  
GRUPO ASPIRACION

**TAV. 14-R0**

SUCTION UNIT  
GROUPE ASPIRATION  
GRUPO ASPIRACION

**TAV. 15-R0**

SUCTION UNIT  
GROUPE ASPIRATION  
GRUPO ASPIRACION

**TAV. 16-R0**

SUCTION UNIT  
GROUPE ASPIRATION  
GRUPO ASPIRACION

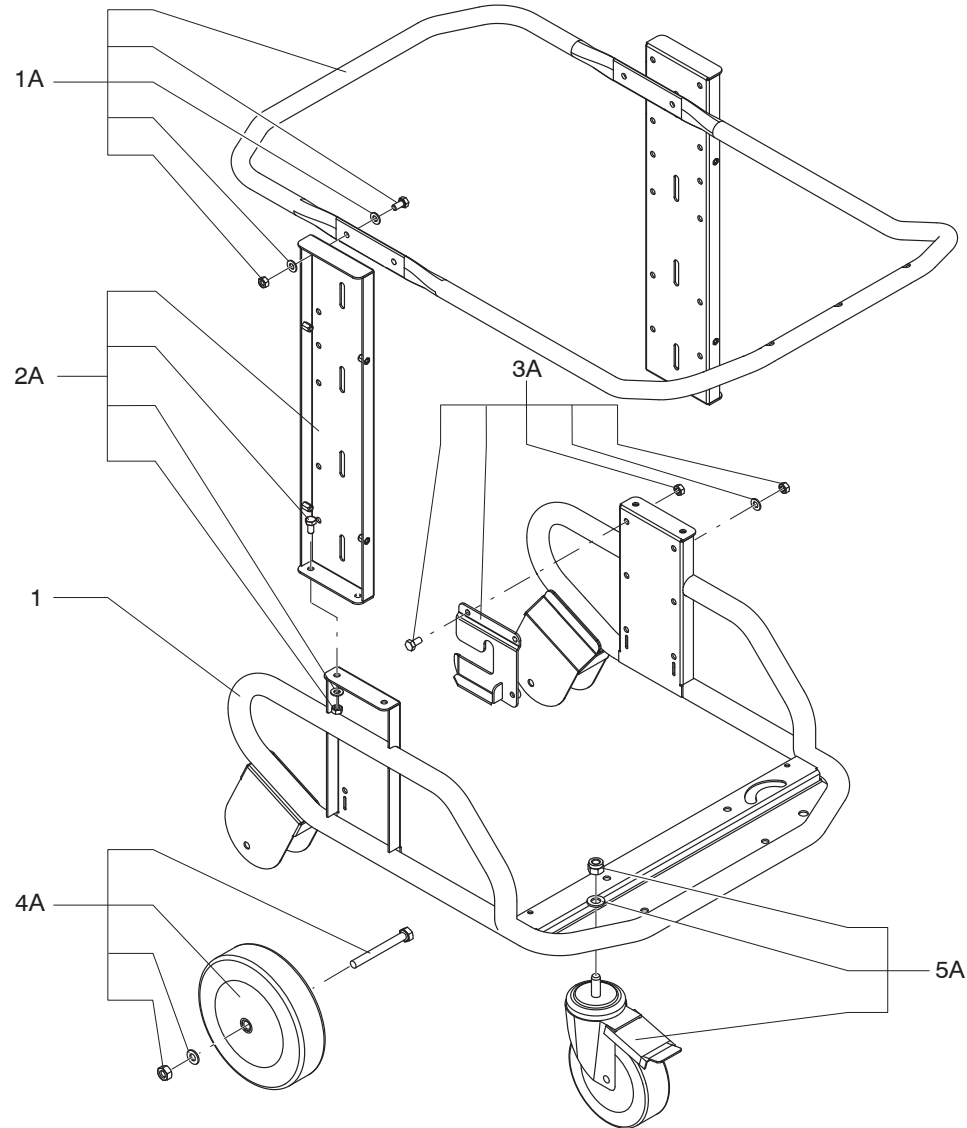
**TAV. 17-R0**

ELECTRIC SYSTEM  
INSTALLATION ELECTRIQUE  
INSTALACIONE ELECTRICA



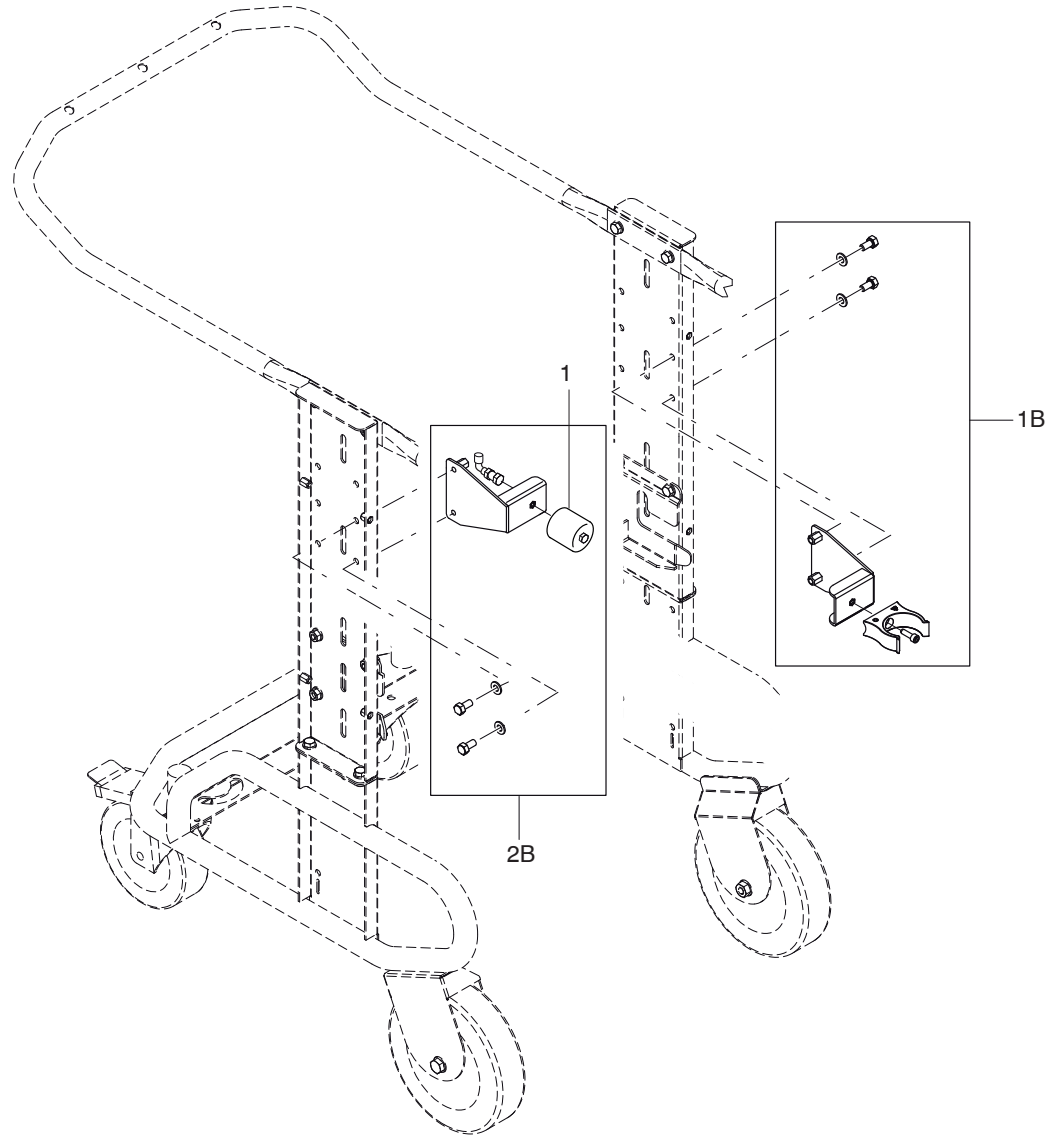


**CAR - CHARIOT - VAGONETA**



<b>POS.</b>	<b>BLASTRAC PN</b>	<b>HQV PN</b>	<b>Q</b>	<b>DESCRIPTION</b>	<b>DESIGNATION</b>	<b>DENOMINACIONES</b>
1	4083600611	533182801	1	car	chariot	vagoneta
1A	40000857	533235901	1	kit handle	—	—
2A	40000871	-	2	upright kit	—	—
3A	40000872	533464001	1	kit staffe sgancio	—	—
4A	40000873	533910201	1	wheel D200 kit	—	—
5A	40000874	533746601	2	kit revol. castor D150	—	—

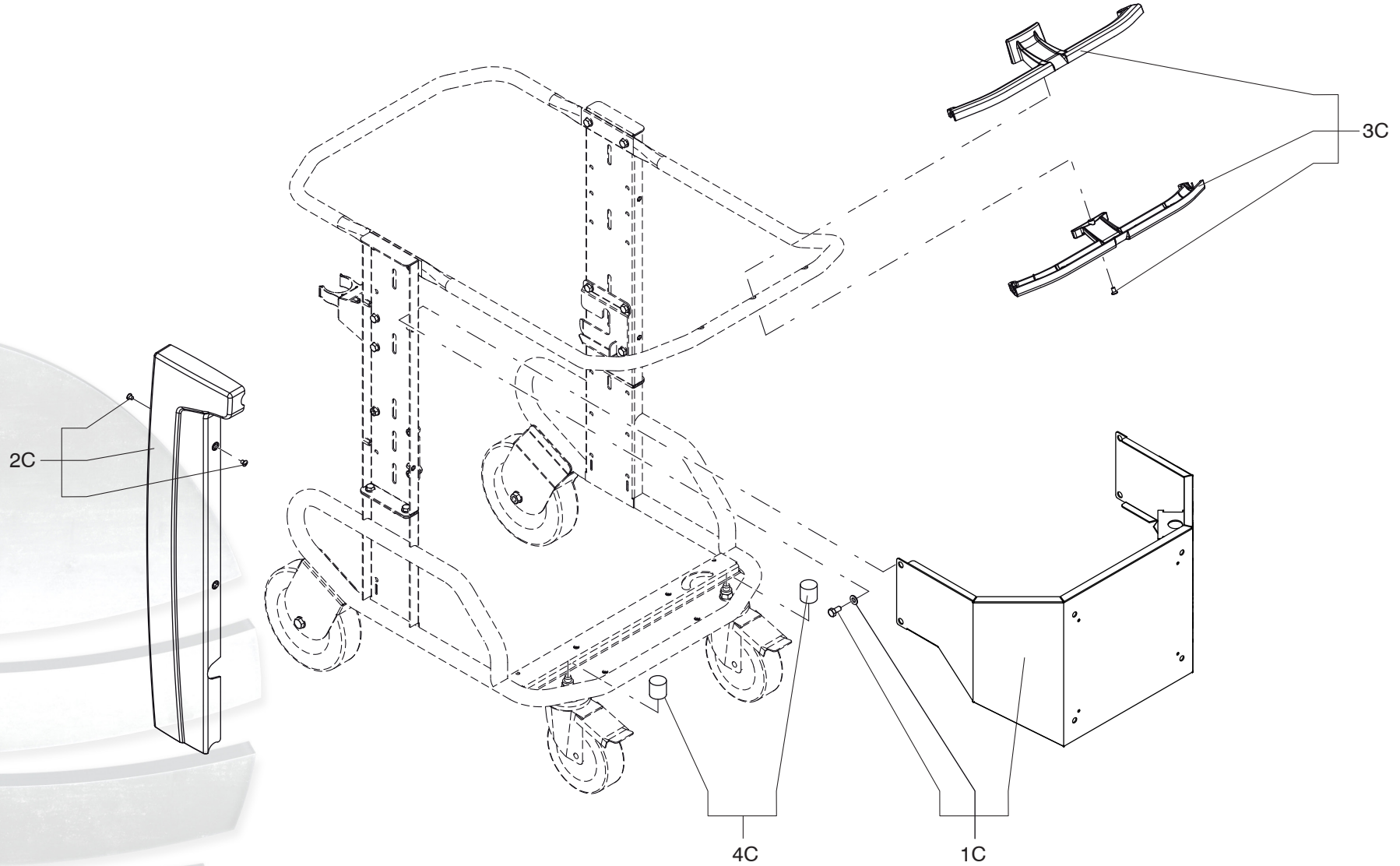
**CAR - CHARIOT - VAGONETA**





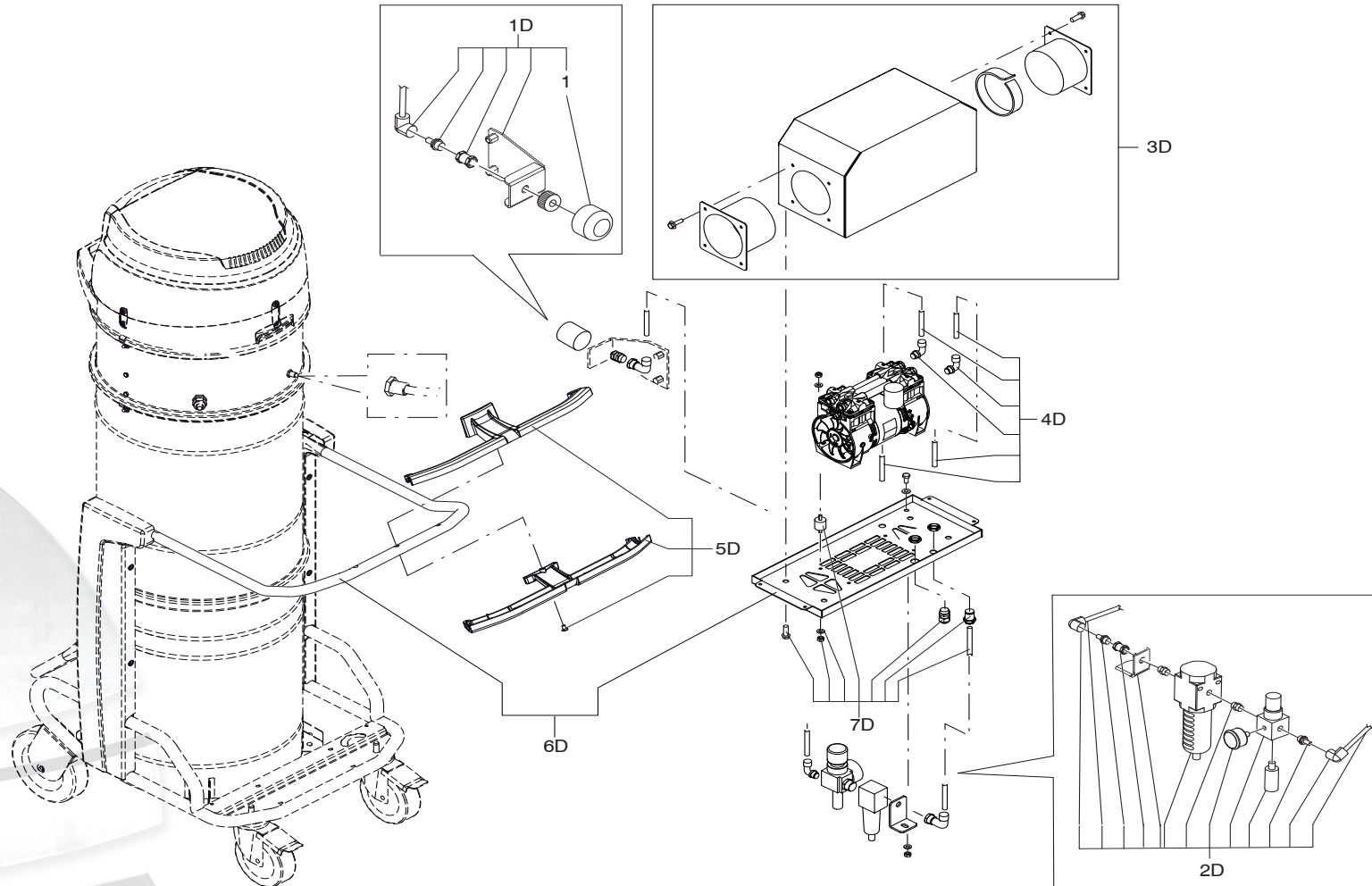
<b>POS.</b>	<b>BLASTRAC PN</b>	<b>HQV PN</b>	<b>Q</b>	<b>DESCRIPTION</b>	<b>DESIGNATION</b>	<b>DENOMINACIONES</b>
1	4084001217	533514401	1	inlet air filter	—	—
1B	40000856	535353401	1	hose holder kit	—	—
2B	4089100573	533347101	1	compressor air filter kit	—	—

**CAR - CHARIOT - VAGONETA**



<b>POS</b>	<b>BLASTRAC PN</b>	<b>HQV PN</b>	<b>Q</b>	<b>DESCRIPTION</b>	<b>DESIGNATION</b>	<b>DENOMINACIONES</b>
1C	4089100638	-	1	compartment kit	—	—
2C	40000864	534047001	1	upright protection kit	—	—
3C	40000855	533266801	1	handle kit	—	—
4C	40000870	-	1	protection kit	—	—

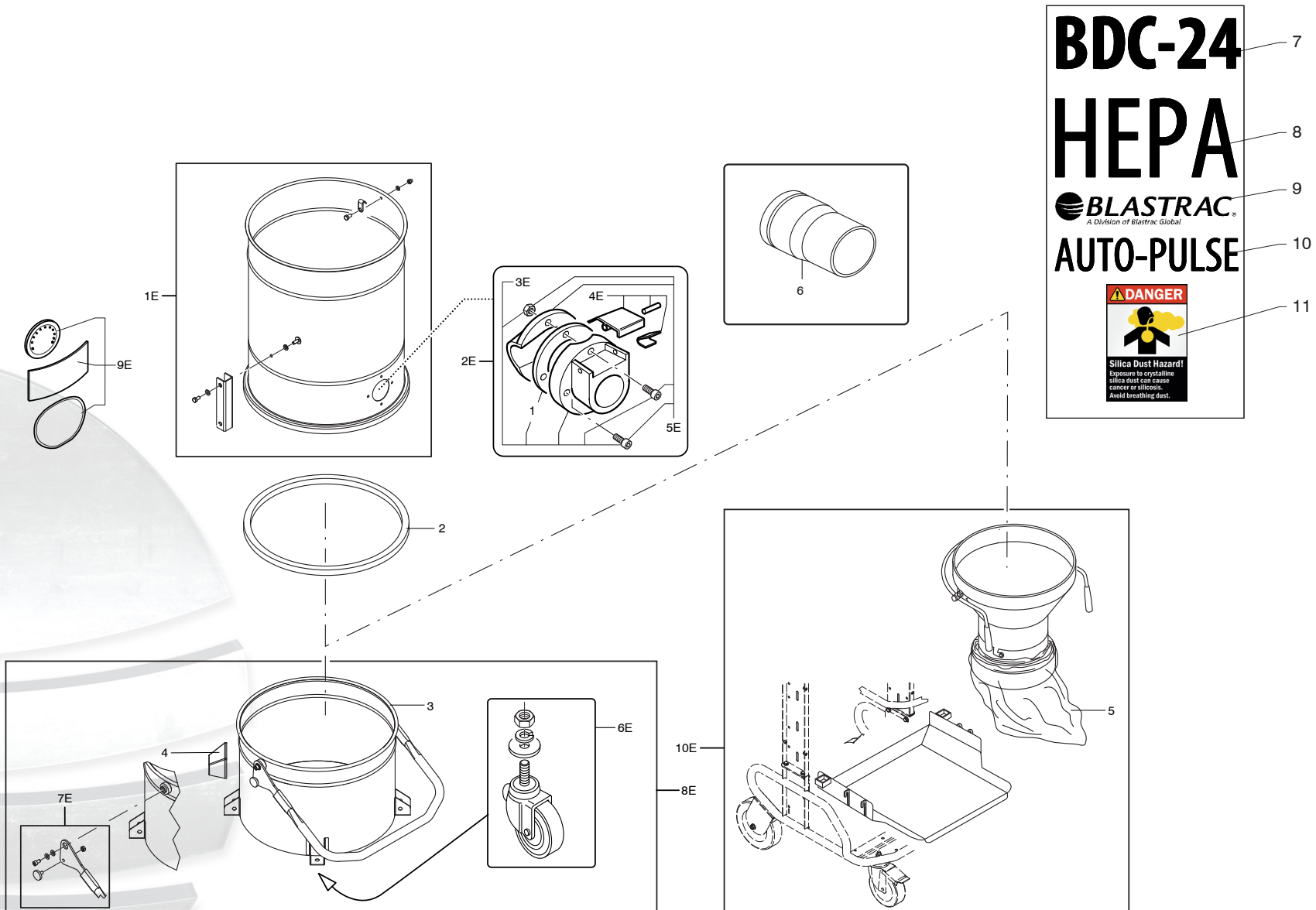
**COMPRESSOR UNIT - GROUP COMPRESSEUR - GRUPO COMPRESOR**





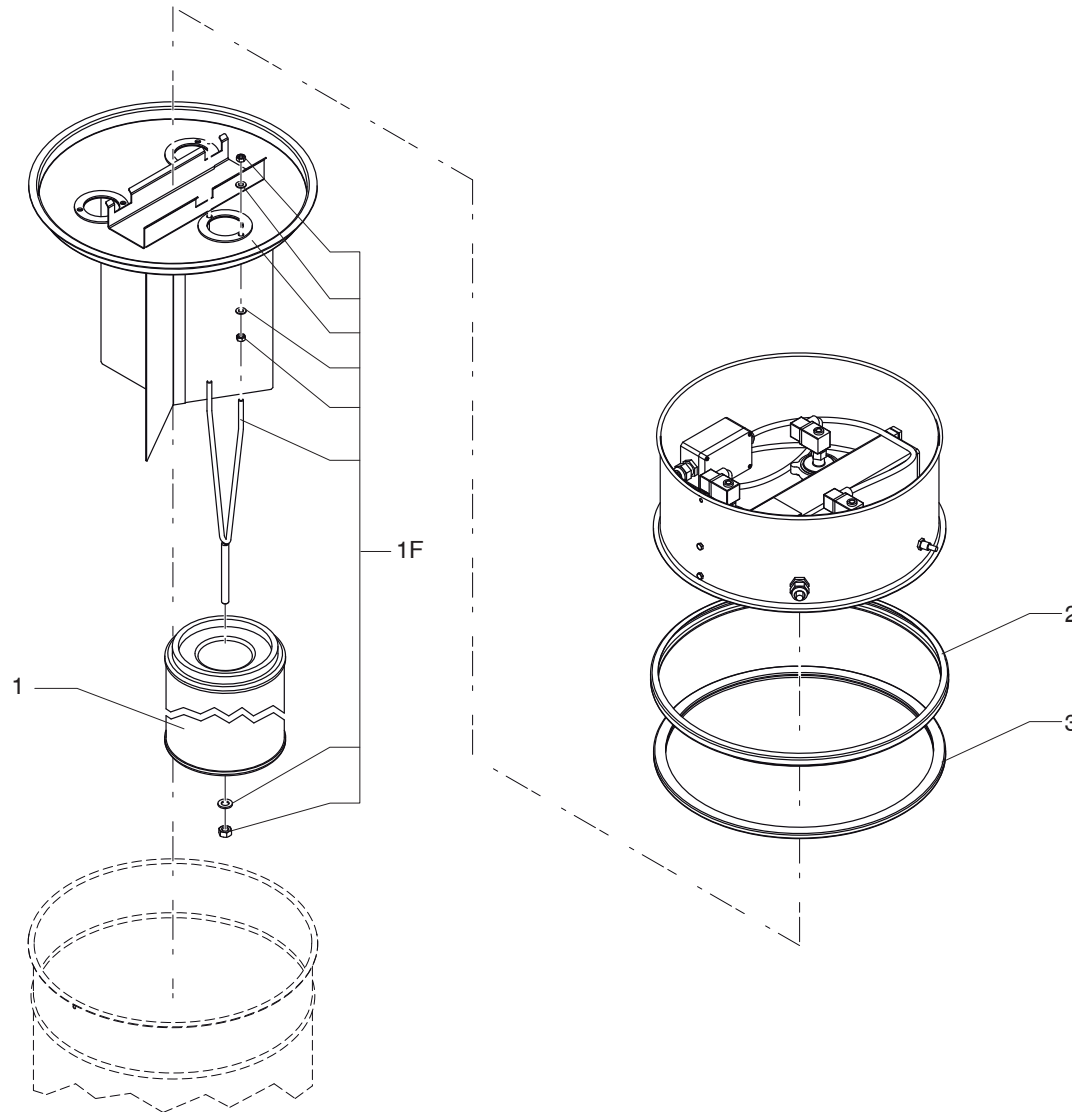
<b>POS.</b>	<b>BLASTRAC PN</b>	<b>HQV PN</b>	<b>Q</b>	<b>DESCRIPTION</b>	<b>DESIGNATION</b>	<b>DENOMINACIONES</b>
1	4084001217	533514401	1	filter	filtre	filtro
2	4085600153	533502801	1	compressor	compresseur	compresor
1D	4089100573	533347101	1	filter kit	—	—
2D	4089100645	533560601	1	pressure regulator kit	—	—
3D	4089100641	-	1	compressor cover kit	—	—
4D	4089100642	-	1	hight temperature hose kit	—	—
5D	4089100643	-	1	fixing compressor kit	—	—
6D	4089100644	-	1	frame for compressor support kit	—	—
7D	40000855	533266801	1	handle kit	—	—

**CONTAINER UNIT - GROUPE CONTENEUR - GRUPO CONTENEDOR**



POS.	BLASTRAC PN	HQV PN	Q	DESCRIPTION	DESIGNATION	DENOMINACIONES
1	Z8 17006	533287301	1	seal	joint	junta
2	40000762	533141401	1	seal	joint	junta
3	4083000550	533701601	1	container	chambre	contenedor
4	Z8 17021	-	4	bumper	pare-chocs	paragolpes
5	4084001017	534040601	1	polyethylene bag pack	jeu sac polyethylene	confecion bolsas en polietilene
5	4084000956	-	1	mini package 4x20 mt.	mini package 4x20 mt.	mini package 4x20 mt.
6	Z7 22310	533353901	1	connection D.70/76	raccord D.70/76	racor D.70/76
6	Z7 22001	-	1	connection D.70/50	raccord D.70/50	racor D.70/50
7	4081701444	-	1	BDC-24 stiker	BDC-24 stiker	BDC-24stiker
8	4081701446	533175001	1	HEPA stiker	HEPA stiker	HEPA stiker
9	4081701448	533276201	1	Blastrac stiker	Blastrac Stiker	Blastrac Stiker
10	4081701447	-	1	Auto-pulse sticker	Auto-pulse sticker	Auto-pulse sticker
11	4081701449	533195001	1	Silica stiker	Silica stiker	Silica Stike
1E	4089100009	534576201	1	filter chamber kit	—	—
2E	40000868	533540501	1	D70 inlet full kit	—	—
3E+4E	40000867	534641901	1	D70 inlet kit	—	—
4E	40000345	533304501	1	kit pushbutton for inlet D70	—	—
5E	40000395	533257101	1	kit deflector D70	—	—
6E	40000419	534080901	1	kit castors for container	—	—
7E	40000879	-	1	handle kit L100	—	—
8E	4083000554	534407601	1	comp. container D460 L100	—	—
9E	4089100028	-	1	sticker kit	—	—
10E	4056000468	-	1	revolving discharge kit	—	—

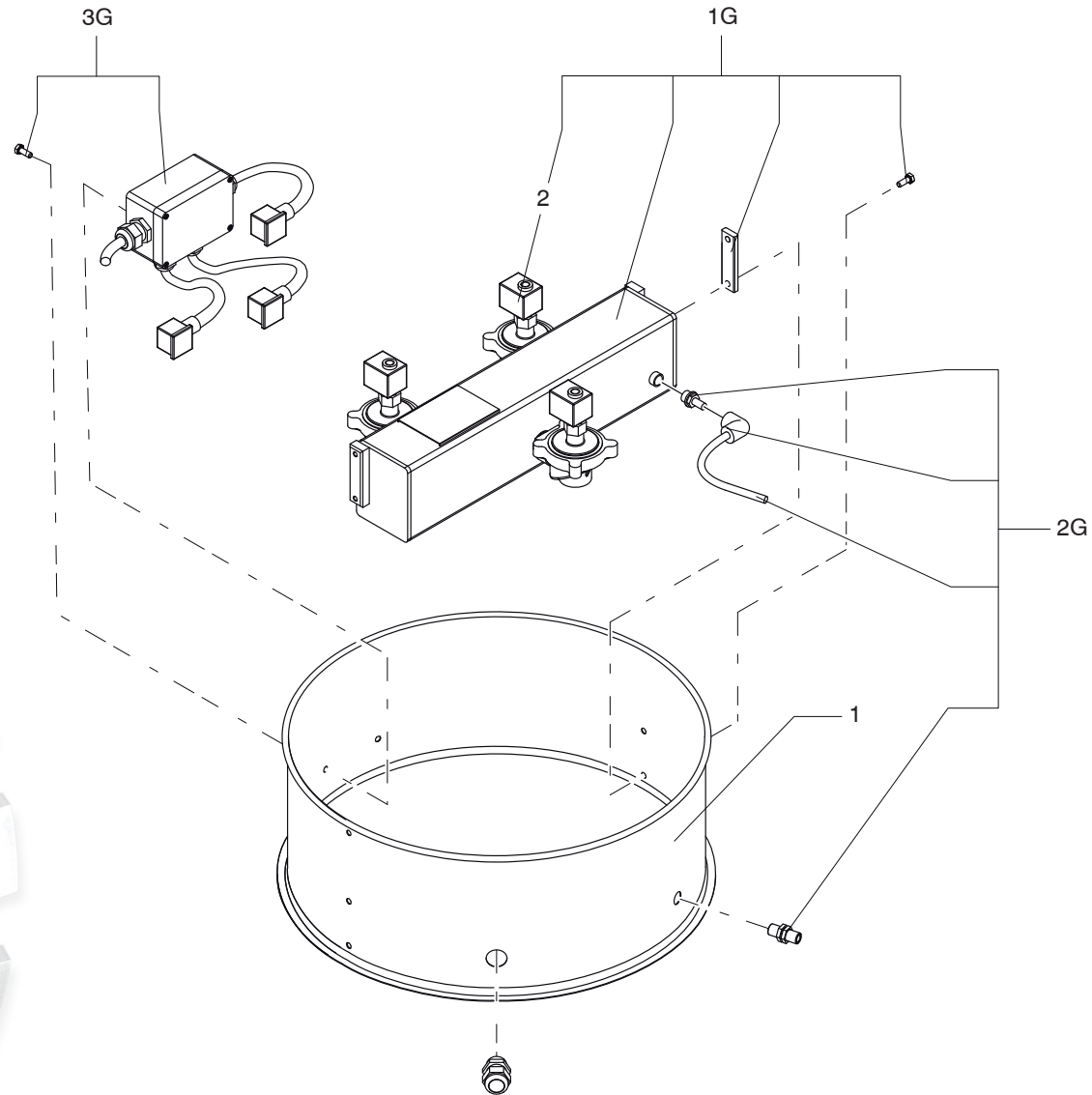
**FILTER GROUP - ENSEMBLE FILTRE - GRUPO FILTRO**





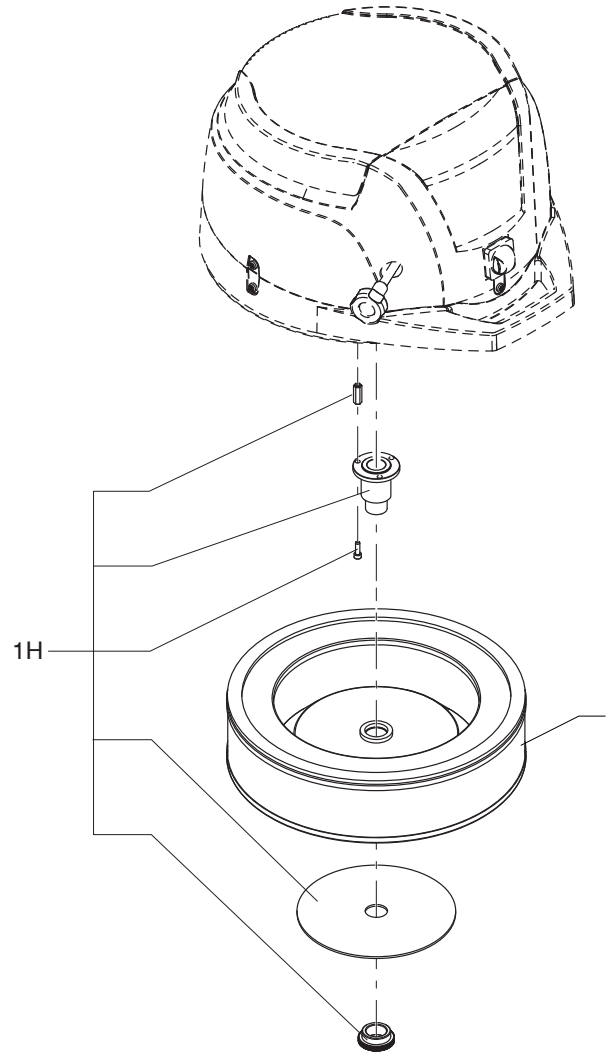
<b>POS.</b>	<b>BLASTRAC PN</b>	<b>HQV PN</b>	<b>Q</b>	<b>DESCRIPTION</b>	<b>DESIGNATION</b>	<b>DENOMINACIONES</b>
1	490803-1	535712301	3	filter	filtre	filtro
2	Z8 36191	533231201	1	band	etrier	faja
3	Z8 17026	533226901	1	seal	joint	junta
1F	40000953	533683801	1	cartridge filter support kit	—	—

**FILTER GROUP - ENSEMBLE FILTRE - GRUPO FILTRO**



<b>POS.</b>	<b>BLASTRAC PN</b>	<b>HQV PN</b>	<b>Q</b>	<b>DESCRIPTION</b>	<b>DESIGNATION</b>	<b>DENOMINACIONES</b>
1	4081100149	533520801	1	container	chambre	contener
2	4084001077	531480201	3	valve	soupape	valvula
1G	40000950	533214801	1	air tank kit	—	—
2G	40000952	534770101	1	pneumatic connection kit	—	—
3G	40000951	534542501	1	electrical air tank kit	—	—

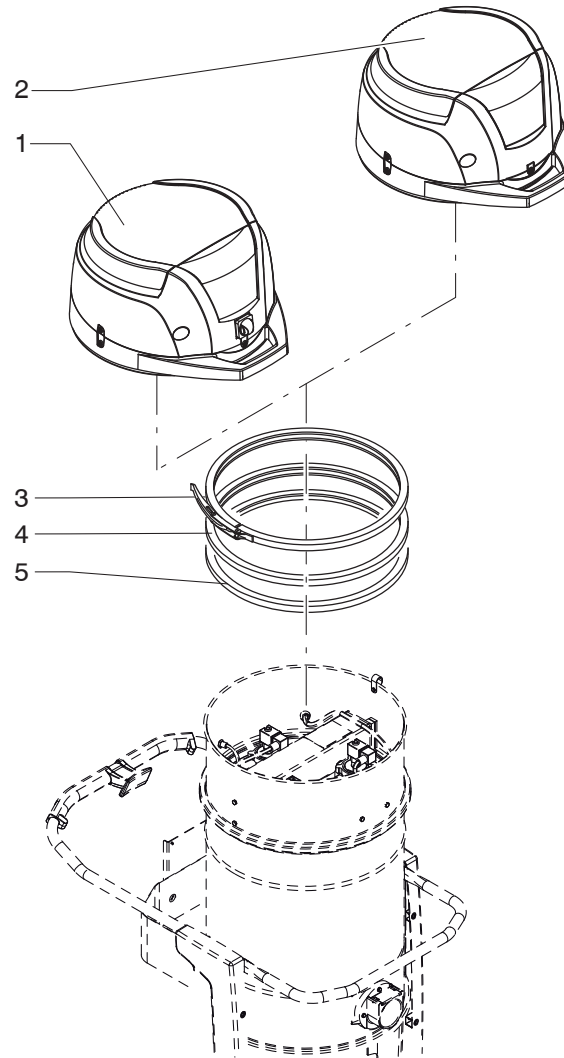
**ABSOLUTE FILTER - *FILTRE ABSOLU* - **FILTRO ABSOLUTO****





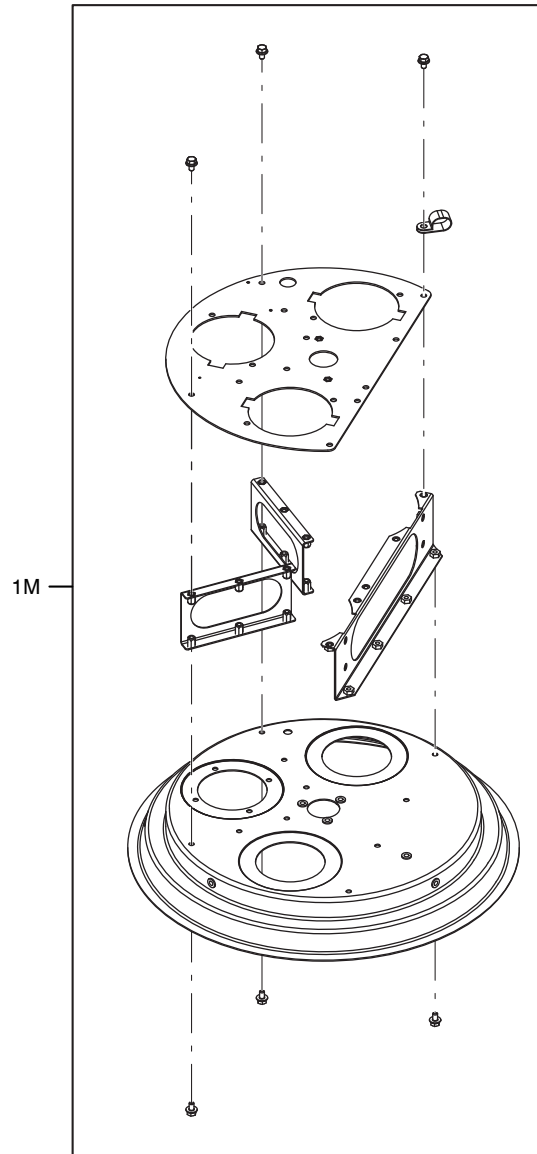
<b>POS.</b>	<b>BLASTRAC PN</b>	<b>HQV PN</b>	<b>Q</b>	<b>DESCRIPTION</b>	<b>DESIGNATION</b>	<b>DENOMINACIONES</b>
1	4081700935	533898001	1	filter	filtre	filtro
1H	40000897	533910401	1	kit absolute filter support	—	—

**SUCTION UNIT - GROUPE ASPIRATION - GRUPO ASPIRACION**



<b>POS.</b>	<b>BLASTRAC PN</b>	<b>HQV PN</b>	<b>Q</b>	<b>DESCRIPTION</b>	<b>DESIGNATION</b>	<b>DENOMINACIONES</b>
1	4089100149	533744601	1	compl. head 230V EU	—	—
1	4089100287	-	1	compl. head 110V UK	—	—
2	4089100155	533513801	1	compl. head 230V US	—	—
3	Z8 36191	533231201	1	band	etrier	faja
4	Z8 17026	533226901	1	seal	joint	junta
5	Z8 15003	-	1	ring	anneau	anillo

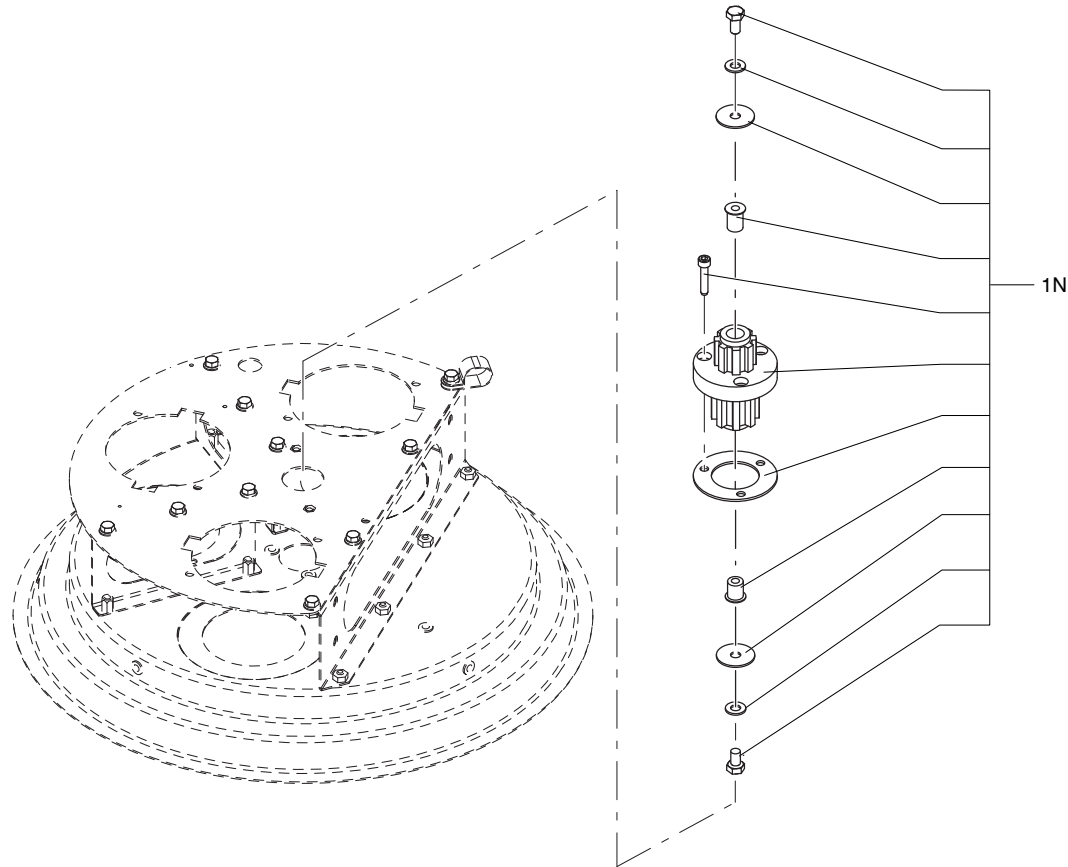
**SUCTION UNIT - GROUPE ASPIRATION - GRUPO ASPIRACION**





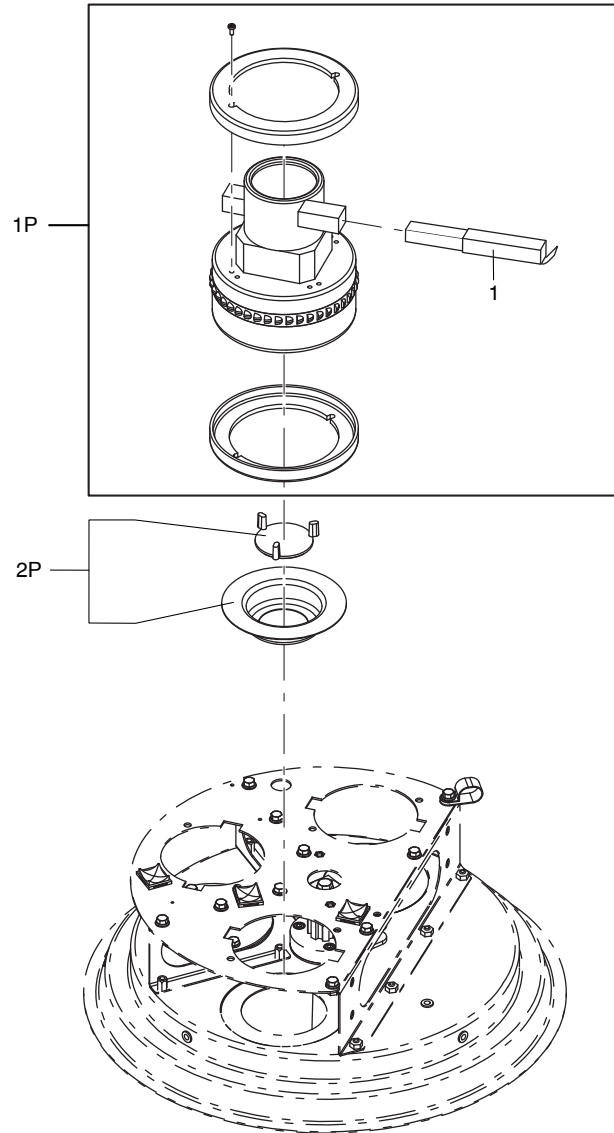
<b>POS.</b>	<b>BLASTRAC PN</b>	<b>HQV PN</b>	<b>Q</b>	<b>DESCRIPTION</b>	<b>DESIGNATION</b>	<b>DENOMINACIONES</b>
1M	4000899	533590901	1	motor support kit	—	—

**SUCTION UNIT - GROUPE ASPIRATION - GRUPO ASPIRACION**



<b>POS.</b>	<b>BLASTRAC PN</b>	<b>HQV PN</b>	<b>Q</b>	<b>DESCRIPTION</b>	<b>DESIGNATION</b>	<b>DENOMINACIONES</b>
1N	4000947	533737601	1	filtershaker closed kit	–	–

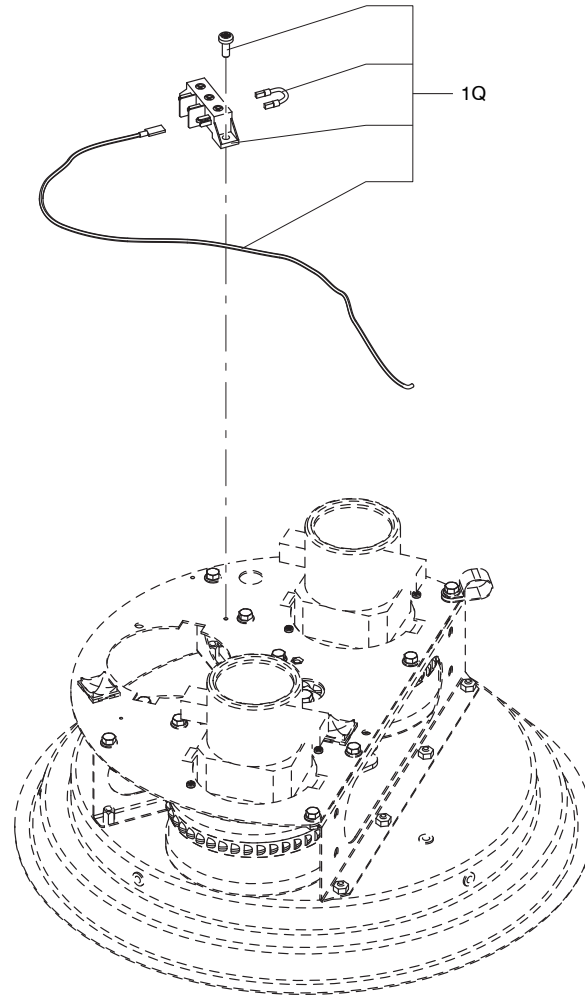
**SUCTION UNIT - GROUPE ASPIRATION - GRUPO ASPIRACION**





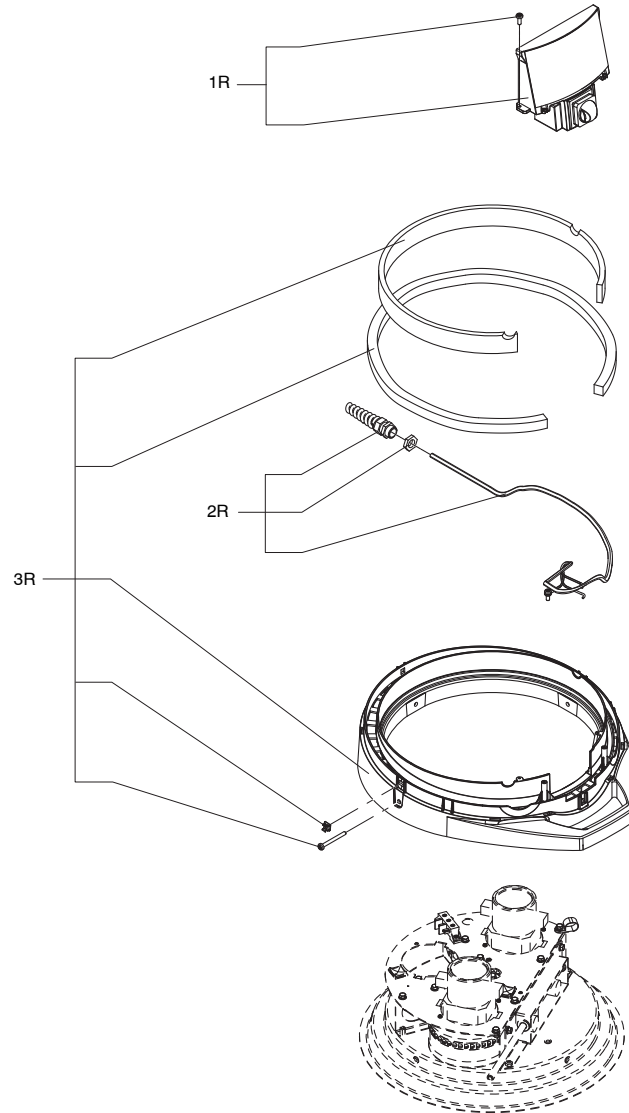
<b>POS.</b>	<b>BLASTRAC PN</b>	<b>HQV PN</b>	<b>Q</b>	<b>DESCRIPTION</b>	<b>DESIGNATION</b>	<b>DENOMINACIONES</b>
1	40000885	534032901	3	motor brush kit V230	—	—
1	40000886	533857001	3	motor brush kit V110	—	—
1P	40000937	533802201	3	motor kit V230	—	—
1P	40000938	533711501	3	motor kit V110	—	—
2P	40000902	-	1	butterfly valve kit	—	—

**SUCTION UNIT - GROUPE ASPIRATION - GRUPO ASPIRACION**



<b>POS.</b>	<b>BLASTRAC PN</b>	<b>HQV PN</b>	<b>Q</b>	<b>DESCRIPTION</b>	<b>DESIGNATION</b>	<b>DENOMINACIONES</b>
1Q	40000905	534378201	1	cable kit for motorhead	–	–

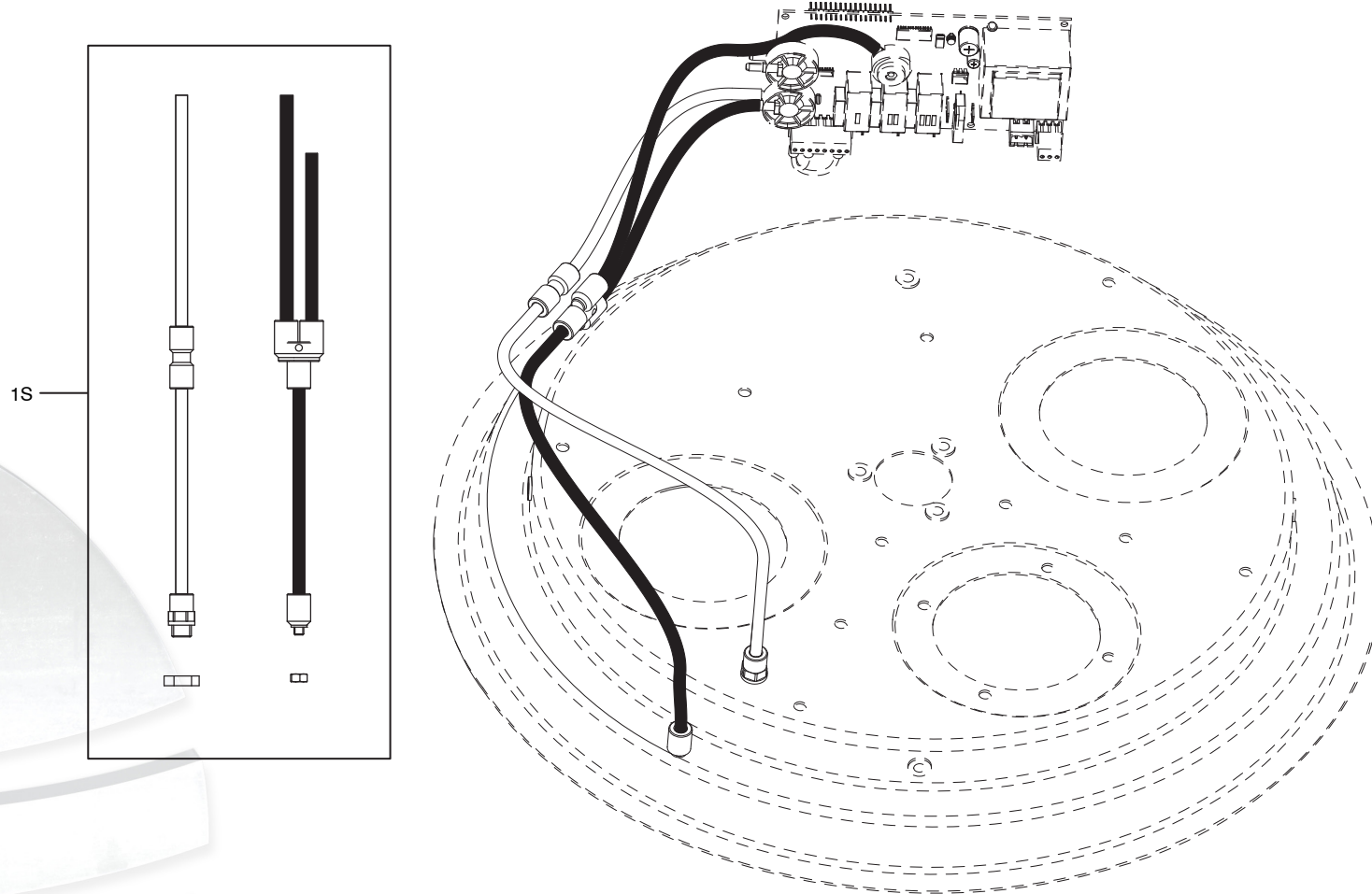
**SUCTION UNIT - GROUPE ASPIRATION - GRUPO ASPIRACION**



<b>POS.</b>	<b>BLASTRAC PN</b>	<b>HQV PN</b>	<b>Q</b>	<b>DESCRIPTION</b>	<b>DESIGNATION</b>	<b>DENOMINACIONES</b>
1R	40000921	533730401	1	keyboard kit (EU)	—	—
1R	40000922	534650901	1	keyboard kit (UK)	—	—
1R	40000961	533513901	1	keyboard kit (US)	—	—
2R	40000948	-	1	cable kit	—	—
2R	4089100024	-	1	cable kit	—	—
3R	40000908	533364301	1	diffuser kit	—	—

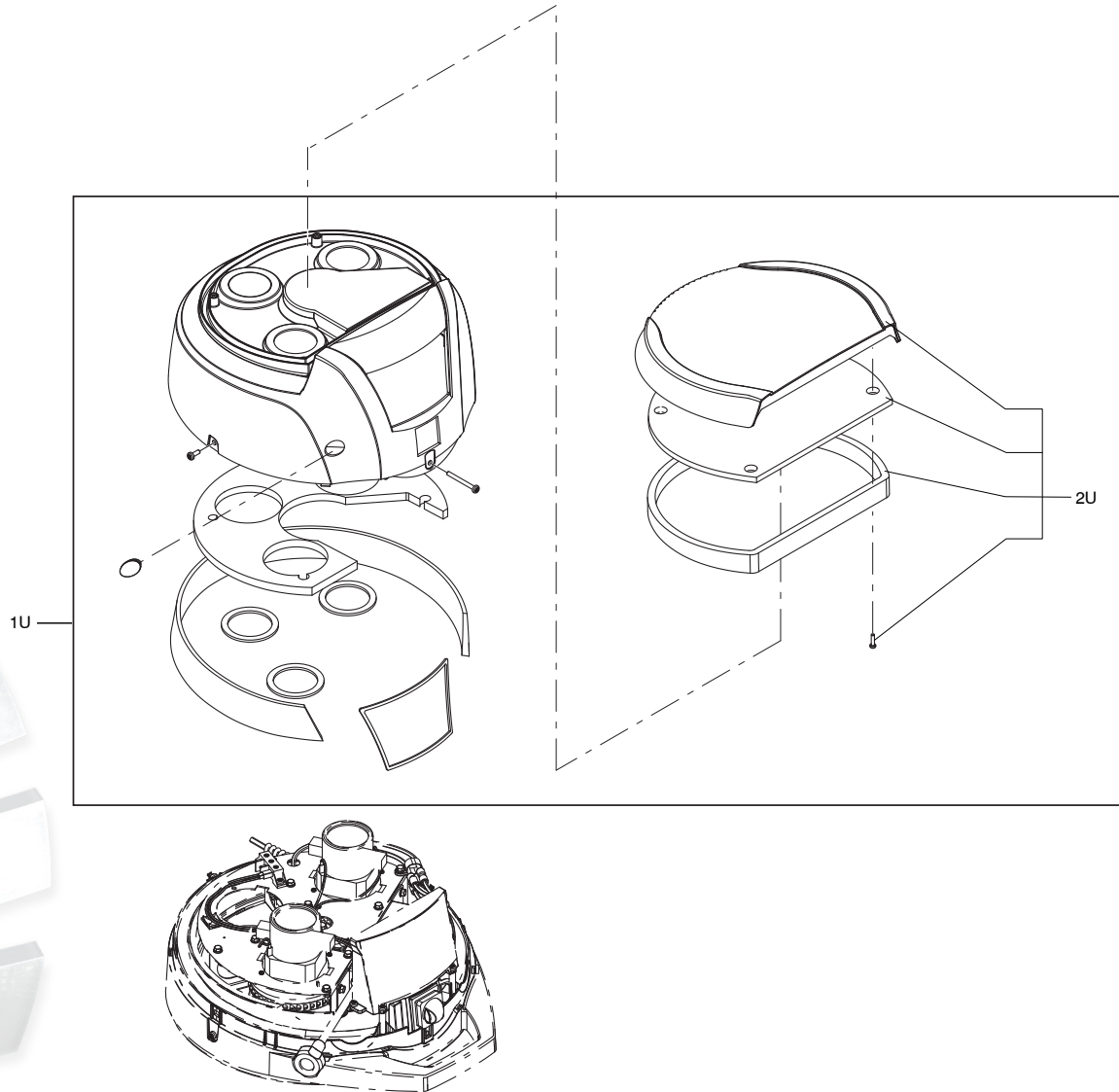


**SUCTION UNIT - GROUPE ASPIRATION - GRUPO ASPIRACION**



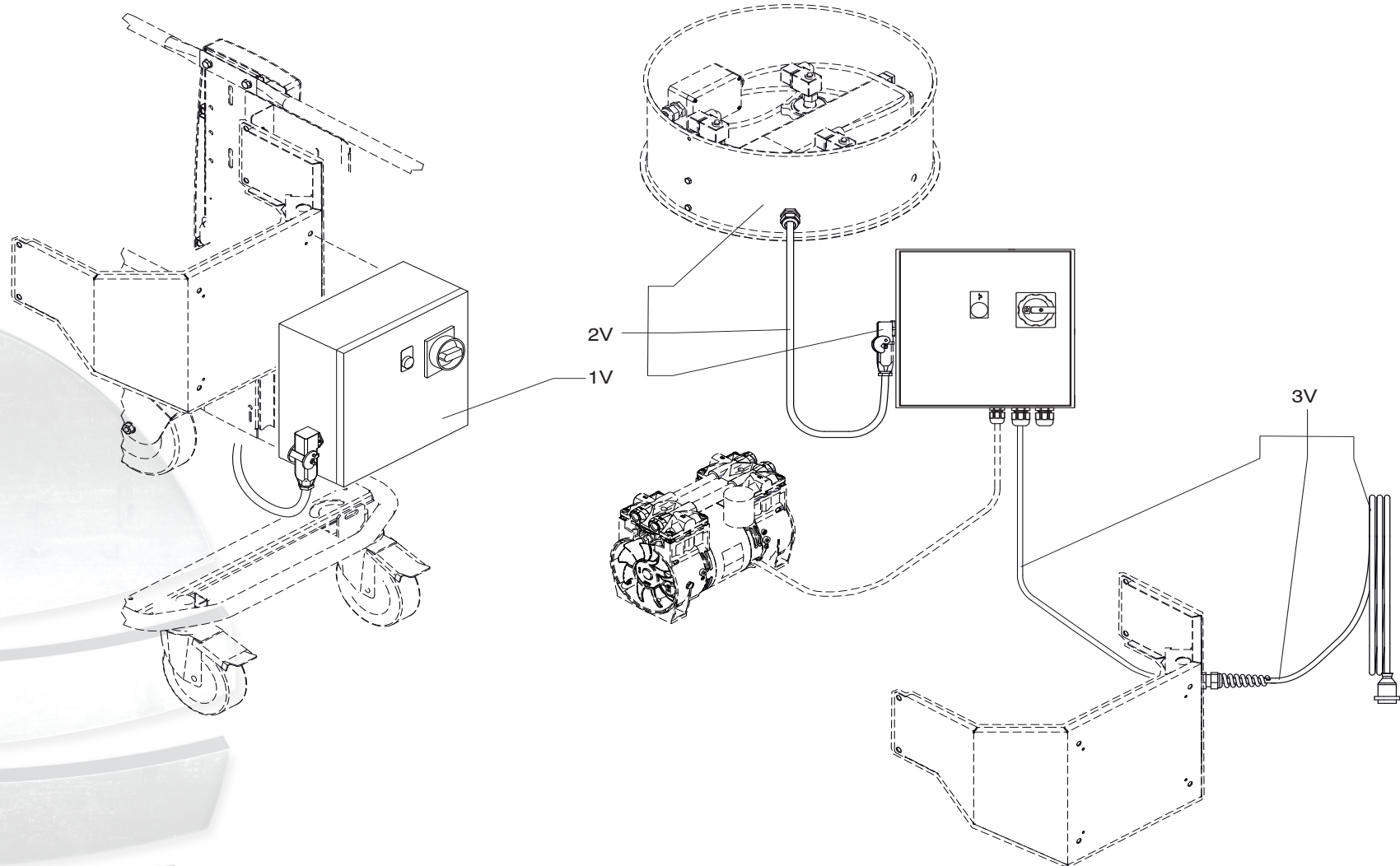
<b>POS.</b>	<b>BLASTRAC PN</b>	<b>HQV PN</b>	<b>Q</b>	<b>DESCRIPTION</b>	<b>DESIGNATION</b>	<b>DENOMINACIONES</b>
15	4000914	533698001	1	filter sensor hose kit	—	—

**SUCTION UNIT - GROUPE ASPIRATION - GRUPO ASPIRACION**



<b>POS.</b>	<b>BLASTRAC PN</b>	<b>HQV PN</b>	<b>Q</b>	<b>DESCRIPTION</b>	<b>DESIGNATION</b>	<b>DENOMINACIONES</b>
1U	40000917	533598201	1	complete cover kit	–	–
2U	40000916	533158601	1	air intake cover kit	–	–

**ELECTRIC SYSTEM - INSTALLATION ELECTRIQUE - INSTALACIONE ELECTRICA**





<b>POS.</b>	<b>BLASTRAC PN</b>	<b>HQV PN</b>	<b>Q</b>	<b>DESCRIPTION</b>	<b>DESIGNATION</b>	<b>DENOMINACIONES</b>
1V	4084101326	-	1	electric board kit V230	—	—
2V	4089100639	-	1	cartridge feeding cable kit	—	—
3V	40000956	534079201	1	230V EU cable kit	—	—

---

**IMPORTANT**

Information and data contained in this publication are correct and up to date at the time of printing. The company does, however, continually try to improve the products and such improvements may give rise to structural changes requiring modifications in the above procedures. Should any differences be noted, please contact your nearest sales and assistance center for help in clearing up any possible doubts.

**IMPORTANT**

Les renseignements et indications contenus dans le présent livret étaient exacts et à jour au moment de l'impression. Dans un souci d'amélioration, nos matériels peuvent avoir bénéficié d'évolutions ou avoir été modifiés. Au cas où vous remarqueriez des différences, veuillez vous adresser à un Centre de vente et Service après-vente pour éliminer toute possibilité de doute.

**IMPORTANTE**

Las informaciones y los datos contenidos en esta publicación son exactos y actualizados hasta el momento de la impresión. Es nuestra norma tratar de mejorar el producto, consecuentemente algunas modificaciones constructivas pueden afectar los procedimientos descritos. Cuando se noten diferencias eliminar cualquier duda dirigiéndose a un Centro de Venta y Asistencia.