

BDC-23-230V-P
BDC-23-110V-P

INSTRUCTIONS MANUAL

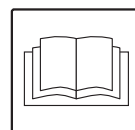
US

MANUEL D'INSTRUCTIONS

F

MANUAL DE INSTRUCCIONES

E



C370 US-F-E

05/2018

Translation of original instructions

Table of contents

Instructions for use	2
Operator's safety	2
General information for using the vacuum cleaner	2
Proper uses	2
Improper Use	3
Versions and variations	3
General recommendations	3
Vacuum cleaner description.....	4
Vacuum Cleaner Parts and Labels	4
Optional kits	4
Accessories	4
Packing and unpacking	4
Unpacking, moving, use and storage	5
Setting to work - connection to the power supply	5
Extensions	5
Wet and dry applications	6
Maintenance and repairs	6
Technical specifications	7
Controls and indicators	8
Inspections prior to starting	8
Starting and stopping	8
Vacuum cleaner operation	8
Primary filter shaker	8
Emergency stopping	8
Emptying the dust container	8
Liquids vacuuming	8
At the end of a cleaning session	9
Maintenance, cleaning and decontamination	9
Primary and absolute filter disassembly and replacement	9
Primary filter replacement	9
Absolute filter assembly or replacement	10
Tightness inspection	10
Wiring diagrams	10
Procedure for Longopac® system installation	11
Procedure for hose removal	13
Recommended spare parts	14
Troubleshooting	15

US

Instructions for use

Read the operating instructions and comply with the important safety recommendations identified by the word **WARNING!**

Operator's safety



Before starting the vacuum cleaner, it is absolutely essential to read these operating instructions and to keep them on hand for consultation.

The vacuum cleaner can only be used by people who are familiar with the way it works and who have been explicitly authorised and trained for the purpose.

Before using the vacuum cleaner, the operators must be informed, instructed and trained on how to work it and for which substances its usage is permitted including the safe method for removing and disposing of the vacuumed material.



**The use of vacuum cleaner by people (including children) with limited physical and mental capacities or lacking in experience and knowledge is strictly forbidden, unless they are supervised by a person who is experienced in the use and safe handling of the machine.
Children must be supervised to make sure they will not play with the vacuum cleaner.**

General information for using the vacuum cleaner

Use the vacuum cleaner in accordance with the laws in force in the country where it is used.

Besides the operating instructions and the laws in force in the country where the vacuum cleaner is used, the technical regulations for ensuring safe and correct operation must also be observed (Legislation concerning environmental and labour safety, i.e. European Union Directive 89/391/EC and successive Directives).

Do not perform any operation that could jeopardize the safety of people, property and the environment.

Comply with the safety indications and prescriptions in this instruction manual.

Proper uses

This vacuum cleaner is suitable for commercial use, in hotels, schools, hospitals, factories, shops, offices and apartment hotels for example, for hire and in any case for purposes other than normal domestic use.

This vacuum cleaner is suitable for cleaning and vacuuming solid materials in indoor and outdoor environments.

- Always leave enough room around the vacuum cleaner to reach the controls easily.

The vacuum cleaner has been designed to be used by one operator only.

This vacuum cleaner consists of an automated vacuum unit, with a filter upstream and a container for collecting the vacuumed material.

Improper Use



The following use of the vacuum cleaner is strictly forbidden:

- *Outdoors in case of atmospheric precipitation.*
- *When not placed on horizontal levelled grounds.*
- *When the filtering unit is not installed.*
- *When the vacuum inlet and/or hose are turned to parts of the human body.*
- *Use without the cover on the vacuum unit.*
- *When the dust bag is not installed.*
- *Use without the guards, protective covers and safety systems installed by the manufacturer.*
- *When the cooling vents are partially or totally clogged.*
- *When the vacuum cleaner is covered with plastic or fabric sheets.*
- *Use with the air outlet partially or totally closed.*
- *When used in narrow areas where there is no fresh air.*
- *Vacuuming liquids with vacuum cleaners not equipped with specific original stopping systems.*
- *Vacuuming the following materials:*
 1. *Burning materials (embers, hot ashes, lit cigarettes, etc.).*
 2. *Naked flames.*
 3. *Combustible gas.*
 4. *Flammable liquids, aggressive fuels (gasoline, solvents, acids, alkaline solutions, etc.).*
 5. *Explosive dust/substances and/or ones liable to ignite in a spontaneous way (such as magnesium or aluminium dusts, etc.).*

IMPORTANT: *Fraudulent use is not admitted.*

General recommendations



If an emergency situation occurs:

- *filter breakage*
- *fire outbreak*
- *short-circuit*
- *motor block*
- *electric shock*
- *etc.*

Turn the vacuum cleaner off, unplug it and request assistance from qualified personnel.



*The vacuum cleaners must not be used or stored outdoors, or in damp places.
Only versions with the level sensor can be used for liquids, if not, they can only be used to vacuum dry materials.*

Vacuum cleaner description

Vacuum Cleaner Parts and Labels

Figure 1

1. Identification plate which includes:
Code of the Model, Technical Specifications (see table on page 7), Serial No., EC Mark, Year of manufacture, Nominal network voltage.
2. Longopac System
3. Inlet
4. Outlet
5. Attention plate
Draws the operator's attention to the fact that the filter must only be shaken when the vacuum cleaner is turned off (see also par. "Primary filter shaker").
6. Plug for connecting the vacuum cleaner to an electrical socket.
7. Silica Dust Warning
Draws the operator's attention to the fact that exposure of a crystalline silicon dust can cause cancer or silicosis.

This vacuum cleaner creates a strong air flow which is drawn in through the inlet (4 - Fig. 1) and blown out through the outlet (5 - Fig. 1).

Before turning on the vacuum cleaner, fit the vacuum hose into the inlet and then fit the required tool on to the end part (refer to the manufacturer's accessory catalogue or Service Centre).

The diameters of the authorised hoses are given in the technical specifications table.

The vacuum cleaner is equipped with a primary filter which enables it to be used for the majority of applications.

Besides the primary filter, which retains the most common types of dust, the vacuum cleaner can be fitted with a secondary filter (absolute H class) with a higher filtering capacity for fine dusts and dusts that are hazardous to health.

Optional kits

Please contact the manufacturer's sales network for information on optionals.

Instructions for installing the optional are included in the conversion kit.



Use only supplied and authorized genuine spare parts.

Accessories

Various accessories are available; refer to the manufacturer's accessory catalogue.



Use only genuine accessories supplied and authorized by the manufacturer.

Packing and unpacking

Dispose of the packing materials in compliance with the laws in force.

Figure 2

Model	BDC-23-230V-P BDC-23-110V-P
A (mm)	700
B (mm)	860
C (mm)	1750
Weight with packing (kg)	86

Unpacking, moving, use and storage

Operate on flat, horizontal surfaces.

The load-bearing capacity of the surface the vacuum cleaner is placed on must be suitable for bearing its weight).

Setting to work - connection to the power supply



- *Make sure there is no evident sign of damage to the vacuum cleaner before starting work.*
- *Before plugging the vacuum cleaner into the electrical mains, make sure the voltage rating indicated on the data plate corresponds to that of the electrical mains.*
- *Plug the vacuum cleaner into a socket with a correctly installed ground contact/connection.*
- *Make sure that the vacuum cleaner is turned off.*
- *The plugs and connectors of the connection cables must be protected against splashes of water.*
- *Make sure that connections to the electrical mains and plug are correct.*
- *Use the vacuum cleaners only when the cables that connect to the electrical mains are in perfect condition (damaged cables could lead to electric shocks!).*
- *Regularly check there are no signs of damage, excessive wear, cracks or ageing on the electric cable.*



When the vacuum cleaner is operating, do not:

- *Crush, pull, damage or tread on the cable that connects to the electrical mains.*
- *Only disconnect the cable from the electrical mains by removing the plug (do not pull the cable).*
- *Only replace the electric power cable with one of the same type as the original: H07 RN - F. The same rule applies if an extension is used.*
- *The cable must be replaced by the manufacturer's Service Centre staff or by equivalent qualified personnel.*

Extensions

If an extension cable is used, make sure it is suitable for the power input and protection degree of the vacuum cleaner.

Minimum section of extension cables: 2.5 mm²

Maximum length = 20 m

Cable = H07 RN - F



Sockets, plugs, connectors and installation of the extension cable must maintain the IP protection degree of the vacuum cleaner, as indicated on the data plate.



Never spray water on the vacuum cleaner: this could be dangerous for persons exposed and could short circuit the power supply.



The vacuum cleaner's power socket must be protected by a differential circuit-breaker with surge current limitation, that shuts off the power supply when the current discharged to the ground exceeds 30 mA for 30 msec. or an equivalent protection circuit.

Wet and dry applications

[NOTE]

The supplied filters and the bag (if applicable) must be installed correctly.



Comply with the safety regulations governing the materials for which the vacuum cleaner is used.



If the version for liquids is used:

- **Make sure the liquid level sensor is working correctly before vacuuming liquids.**
- **If foam forms, turn off the vacuum cleaner immediately and empty the container.**
- **Warning: Switch off the vacuum cleaner immediately if foam or liquid leaks out.**
- **Regularly clean the liquid level limiting device and check to make sure that there are no signs of damage.**
- **Warning: Dirty liquid vacuumed up by the vacuum cleaner must be considered conductive.**



Vacuum cleaner for liquids.
When vacuuming a mix of water and air, take care to avoid overloading the motor of the vacuum unit.

Maintenance and repairs



Disconnect the vacuum cleaner from its power source before cleaning, servicing, replacing parts or converting it to another version/variant, the plug must be disconnected from the socket.

- **Carry out only the maintenance operations described in this manual.**
- **Use only original spare parts.**
- **Do not modify the vacuum cleaner in any way.**

Failure to comply with these instructions could jeopardize your safety.

Technical specifications			
Parameter	Units	BDC-23-230V-P BDC-23-110V-P	
		120	230
Voltage (60 Hz)	V	120	230
Power supply type	Number of phases	1	
Maximum power	kW	2.4	3
Nominal current input	A	15.8	13
Max vacuum	Inches H ₂ O	71.5	84.7
Max air flow rate	cfm	270	286
Noise level, @ 3'3" (1 m)	dB(A) - vacuum unit	75	
Protection	IP	43	
Insulation	Class	I	
Inlet (diameter)	in.	3	
Hoses allowed (diameter)	in.	2 / 3	
Container capacity	gal	26.4	
Filter surface	Sq. ft	21	
Absolute filter surface	Sq. ft	25.9	
HEPA absolute filter efficiency	MPPS	99,995% @ 0.18 micron	
Cable length	ft	30	
Weight ⁽¹⁾	lbs.	157	

- (1) Net weight
- (2) hPa = mbar

Storage conditions:
 T : -10°C ÷ +40°C
 Humidity: 85%
 T : -10°C ÷ +40°C

Operating conditions:
 Maximum altitude: 800 m
 (Up to 2,000 m with reduced performances)
 Humidity: 85%

Dimensions

(Fig. 3)

BDC-23-230V-P BDC-23-110V-P	A	B	C
in	31.3	23.6	61.8

Controls and indicators

Figure 4

1. Motor start/stop switch
2. Power indicator
3. Manual filter shaker knob

Figure 5

1. Inlet

Inspections prior to starting

Prior to starting, check that:

- the filters are installed;
- all the levers are locked in place;
- the vacuum hose and tools have been correctly fitted to the inlet (**1** - Fig. **5**);


WARNING!

Do not use the vacuum cleaner if the filter is faulty.

Starting and stopping

Figure 4

WARNING!

Lock the castor brakes before starting the vacuum cleaner.

- Turn the switch "1" (Fig. **4**) to "I" position to start the vacuum cleaner.
- Turn the switch to "0" position to turn the vacuum cleaner off.

Vacuum cleaner operation


WARNING!

The air speed in the suction tube must not be less than 20 m/s.


WARNING!

Consult the "Troubleshooting" chapter if faults occur.

Primary filter shaker

Depending on the quantity of dust cleaned up, shake the main filter by means of the knob "3" (Fig. **4**).


WARNING!

Stop the vacuum cleaner before using the filter shaker.

Do not shake the filter while the vacuum cleaner is on, as this could damage the filter.

Wait before restarting the vacuum cleaner, to allow the dust to settle.

Emergency stopping

Turn the switch "1" (Fig. **4**) to "0" position.

Emptying the dust container


WARNING!

- **Before proceeding with these operations, turn the vacuum cleaner off and disconnect the plug from the power socket.**
- **Check the class of the vacuum cleaner.**

Before emptying the container it is advisable to clean the filter (see "Primary filter shaker").

- Standard version is not suitable for vacuuming hazardous dust
 - Release the dust container (**2**, Fig. **1**) using lever (**3**, Fig. **1**), then remove and empty it.
 - Make sure the seal is in perfect condition and correctly positioned.
 - Place the container back in position and secure it again.

Liquids vacuuming


WARNING!

Check that the vacuum cleaner is equipped with liquids mechanical stop.

- The filter element will be wet after liquids have been vacuumed. A wet filter element can quickly become clogged if the vacuum cleaner is then used to vacuum dry substances. For this reason, make sure that the filter element is dry or replace it with another one before using the vacuum cleaner for dry materials.

At the end of a cleaning session

- Turn the vacuum cleaner off with switch (1 - Fig. 4) and disconnect the plug from the socket.
- Wind the connection cable up and hang it in the relevant compartment (Fig. 6).
- Empty the container as described in the "Emptying the container" paragraph.
- Clean the vacuum cleaner as described in the paragraph "Maintenance, cleaning and decontamination".
- Wash the container with clean water if aggressive substances have been vacuumed.
- Store the vacuum cleaner in a dry place, out of reach of unauthorised persons.

Maintenance, cleaning and decontamination



To guarantee the safety level of the vacuum cleaner, only original spare parts supplied by the manufacturer should be used.



The precautions described below must be taken during all maintenance operations, including cleaning and replacing the primary and absolute filters.



The maintenance, cleaning and decontamination operations must only be performed with the vacuum cleaner turned off and the plug disconnected from the power socket. It is absolutely forbidden to perform maintenance with the plug connected to the socket. Danger of electric shock!

- If the user is performing the maintenance operations, the vacuum cleaner must be disassembled, cleaned and overhauled as far as reasonably possible without hazards for the maintenance personnel or other people. The suitable precautions include decontamination before disassembling the vacuum cleaner, adequate filtered ventilation of the exhaust air from the room in which it is disassembled, cleaning the maintenance area and suitable personal protection.
- A check must be carried out by the manufacturer or the personnel of the same at least once a year. For example: check the air filters to find out whether the air-tightness of the vacuum cleaner has been impaired in any way and make sure the electric system operates correctly.

Primary and absolute filter disassembly and replacement



When the vacuum cleaner is used to vacuum hazardous substances, the filters become contaminated, therefore:

- **work with care and avoid spilling the vacuumed dust and/or material;**
- **place the disassembled and/or replaced filter in a sealed plastic bag;**
- **close the bag hermetically;**
- **dispose of the filter in accordance with the laws in force.**



Filter replacement is a serious matter. The filter must be replaced with one of identical characteristics, filtering surface and category. Otherwise the vacuum cleaner will not operate correctly.

Primary filter replacement

Figure 7

Before proceeding with these operations, turn off the vacuum cleaner and remove the plug from the power socket.

- Release the stop (1), unscrew the filter shaker knob (2).
- Release the closing band (3).
- Lift the motor head (4).
- Lift filter (5) and unscrew the filter clamp (6) on bearing ring (7).
- Unscrew cage (8) and overturn the filter, exposing coupling clamp (9).
- Release the clamps and detach the cage from the filter.
- Dispose of the filter according to the laws in force.
- Fit the new filter and secure it in the cage with special clamps. Assemble the components in the reverse order of disassembly.



Take care not to raise dust when this operation is carried out. Wear a P3 mask and other protective clothing plus protective gloves (DPI) suited to the hazardous nature of the dust collected, refer to the laws in force.



Reassemble with care to avoid trapping your hands between the vacuum unit and the container. Use gloves that provide protection against mechanical risks (EN 388) with a level of protection CAT. II.

If necessary contact the manufacturer's Service Centre.

Absolute filter assembly or replacement



Do not use the absolute filter again after having removed it from the vacuum cleaner.

Figure 8

1. Vacuuming unit
2. Closing band
3. Filter shaker stop
4. Filter shaker knob
5. Washer
6. Ferrule
7. Absolute filter
8. Seal
9. Disc
10. Nut



Reassemble with care to avoid trapping your hands between the vacuum unit and the container. Use gloves that provide protection against mechanical risks (EN 388) with a level of protection CAT. II.

Before proceeding with these operations, turn the vacuum cleaner off and disconnect the plug from the power socket.

Assembly

1. Release the stop (3) and unscrew the filter shaker knob (4), release the closing band (2) and remove the head (1).
2. Unscrew the nut from the ferrule under the head (1), insert the washer (5), screw the ferrule (6), insert the filter (7), the gasket (8) and the disc (9), screw the nut (10), fit the head back in position and fix with the closing band (2), screw the knob (4) and lock it with the stop (3).

Replacement

1. Proceed as indicated in step 1 of the assembling procedure.
2. Unscrew the nut (10), remove the disc (9) and the gasket (8).
3. Replace the filter (7) and proceed in the reverse order to reassemble the head.

To dispose of the filter put it in a sealed plastic bag, close it hermetically and dispose of it in accordance with the laws in force.

Tightness inspection

Hoses check

Figure 9

Make sure the connecting hoses (1) are in a good condition and correctly fixed.

If the hoses are damaged, broken or badly connected to the unions, they must be replaced.

When sticky materials are treated, check for possible clogging along the hose, in the inlet and on the baffle plate inside the filtering chamber.

Scrape inlet (2) from the outside and remove the deposited waste as indicated in the figure.

Wiring diagrams

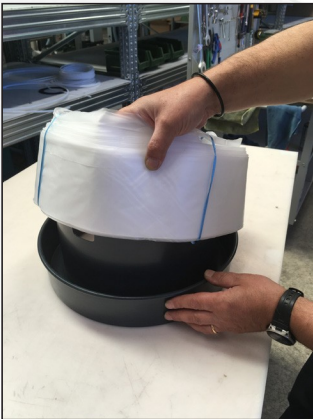
Figure 10

Procedure for Longopac® system installation

1. Remove the holder



2. Insert the Longopac® bag and cut the connections



3. Prepare the bag on the stand, pull out the end and start



4. Place the holder on the vacuum cleaner



US

5. "Duck-neck" closure of the bag with adhesive tape



Procedure for hose removal

- 1. Remove the hose, including its coupling, from the vacuum cleaner**



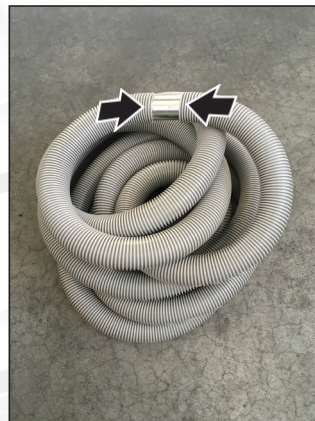
- 2. Place the vacuum plug**



- 3. Roll the hose**



- 4. Thread the two ends into each other**










- 5. Use a belt or tape to transport and store away from dust**



Recommended spare parts

The following is a list of spare parts that should be kept ready at hand in order to speed up maintenance operations.

Refer to the manufacturer's spare parts catalogue when ordering spare parts.

	Description	HQV Part Number	Blastrac Part Number
	Star filter kit	534039101	40000699
	Filter ring seal	-	Z8 17026
	Filter chamber gasket	533141401	40000762
	Filter clamp	-	Z8 18079
	Absolute filter	533968401	Z8 17455
	230V 1000W Motor	533802201	40000937
	110V 1000W Motor	533711501	40000938
	Brushes (carbon) for 230V 1000W motors (2 brushes)	534032901	40000885
	Brushes (carbon) for 120V 1000W motors (2 brushes)	533857001	40000886

US

Troubleshooting

Problem	Cause	Remedy
The vacuum cleaner does not start	Lack of power supply	Check for power at the socket. Check the condition of the socket and the cable. Ask for assistance to be performed by a qualified manufacturer's technician.
The vacuum cleaner revolutions increase	Clogged primary filter	Use the filter shaker. Replace it if this is not sufficient.
	Clogged vacuum hose	Check the vacuum hose and clean it.
Dust leaks from the vacuum cleaner	The filter is torn	Replace it with another of identical type.
	Inadequate filter	Replace it with another of a suitable category and check.
Noisy motors	Motor brushes (carbon) worn or broken	Remove and replace the (carbon) motor brushes.
Electrostatic current on the vacuum cleaner	Non existent or inefficient grounding	Check all ground connections. In particular on the vacuum inlet fitting; replace the hose with an antistatic hose.



US

Traduction des instructions originales

Index

Mode d'emploi	2
Sécurité de l'opérateur	2
Informations générales sur l'utilisation de l'aspirateur	2
Utilisations prévues	2
Utilisations inappropriées	3
Versions et variantes de construction.....	3
Recommandations générales.....	3
Description de l'aspirateur	4
Composants de l'Aspirateur et étiquettes	4
Options de transformation	4
Accessoires	4
Emballage et déballage	4
Déballage, manutention, emploi et stockage.....	5
Mise en service - raccordement au réseau d'alimentation électrique.....	5
Rallonges.....	5
Aspiration de substances sèches - aspiration de liquides	6
Entretien et réparation	6
Caractéristiques techniques	7
Dimensions.....	7
Commandes et indicateurs	8
Contrôles avant la mise en marche	8
Mise en marche et arrêt.....	8
Fonctionnement.....	8
Secoueur primaire	8
Arrêt d'urgence	8
Vidange de la cuve à poussières.....	8
Aspiration de liquides	8
En fin de poste	9
Entretien, nettoyage et décontamination	9
Démontage et remplacement des filtres primaire et absolu.....	9
Remplacement du filtre primaire	9
Montage ou remplacement du filtre absolu	10
Contrôle des étanchéités.....	10
Schémas électriques	10
Procédure pour l'installation du système Longopac	11
Procédure de retrait du tuyau	13
Pièces détachées conseillées	14
Recherche des pannes	15

Mode d'emploi

Lire les instructions du mode d'emploi et observer les avertissements importants de sécurité repérés par **ATTENTION !**

Sécurité de l'opérateur



Avant de mettre l'aspirateur en service, lire absolument les instructions d'utilisation et les garder à portée de main pour pouvoir les consulter en cas de besoin.

L'utilisation de l'aspirateur est réservée exclusivement au personnel expérimenté, formé et expressément chargé du fonctionnement.

Avant l'utilisation, les opérateurs doivent être instruits et formés à l'utilisation de l'aspirateur et des substances pour lesquelles il doit être utilisé, y compris la méthode sûre d'évacuation et d'élimination de la matière recueillie.



Cet aspirateur ne doit pas être utilisé par des personnes (y compris des enfants) présentant des troubles psychiques, sensoriels ou mentaux ou ayant un degré d'instruction et de connaissance insuffisant, à moins qu'ils soient toujours surveillés par des personnes compétentes ou qu'ils aient reçu d'elles les instructions d'utilisation de l'aspirateur.

Les enfants doivent être surveillés afin qu'ils ne jouent pas avec l'aspirateur.

Informations générales sur l'utilisation de l'aspirateur

L'utilisation de l'aspirateur est soumise aux normes internationales en vigueur.

En plus des instructions du mode d'emploi et des règlements en vigueur dans le Pays où il est utilisé, pour la prévention des accidents il est nécessaire d'observer les règles techniques pour un travail sûr et correct (Législation relative à la sécurité sur le lieu de travail, Directive Communautaire 89 / 391 / CE et suivant).

Éviter tout travail pouvant porter atteinte à la sécurité des personnes, des choses et de l'environnement.

Observer les informations et les prescriptions de sécurité contenues dans ce manuel d'instructions.

Utilisations prévues

Cet aspirateur convient pour l'emploi commercial, par exemple dans des hôtels, des écoles, des hôpitaux, des usines, des magasins, des bureaux, des résidences, pour l'emploi en location et de toute manière pour des emplois différents du simple usage domestique.

Cet aspirateur convient pour les travaux de nettoyage et de collecte de matières solides en lieux couverts et à ciel ouvert.

- Prévoir toujours un espace libre autour de l'aspirateur pour permettre un accès aisé aux commandes.

La machine a été conçue pour être utilisée par un seul opérateur.

Cet aspirateur est formé d'une unité d'aspiration motorisée, précédée d'une unité filtrante et munie d'une cuve pour la collecte de la matière aspirée.

Utilisations inappropriées

**ATTENTION !**

Sont formellement interdits :

- **Utilisation en plein air en cas de précipitations atmosphériques.**
- **Utilisation de l'aspirateur sur des surfaces non planes et non horizontales.**
- **Utilisation sans l'unité filtrante prévue par le fabricant.**
- **Utilisation avec l'embout et/ou le tuyau d'aspiration tournés vers le corps humain.**
- **L'utilisation sans couverture de l'unité d'aspiration.**
- **Utilisation sans avoir installé la cuve de récupération.**
- **L'utilisation sans les abris, les protections et les dispositifs de sécurité installés par le fabricant.**
- **Utilisation de l'aspirateur en occluant partiellement ou totalement les prises d'air de refroidissement des composants à l'intérieur.**
- **Utilisation de l'aspirateur couvert par des toiles en plastique ou en tissu.**
- **L'utilisation avec les bouches d'échappement d'air complètement ou partiellement fermées.**
- **L'utilisation dans des endroits exigus, qui ne permettent pas l'échange d'air.**
- **L'aspiration de liquides avec des aspirateurs non munis de systèmes originaux d'arrêt spécifiques.**
- **L'aspiration des matériaux suivants :**
 1. **matières ardentes (braises, cendres chaudes, cigarettes allumées, etc.).**
 2. **flammes libres.**
 3. **gaz combustibles.**
 4. **liquides inflammables, combustibles agressifs (essence, solvants, acides, solutions alcalines, etc.).**
 5. **poussières/substances et/ou mélanges explosifs et à allumage spontané (poussières de magnésium ou d'aluminium, etc.).**

Remarque : Tout ce qui a été mentionné ci-dessus n'inclut pas l'utilisation dolosive et cette dernière est absolument interdite.

Recommandations générales

**ATTENTION !**

En cas d'urgence :

- **rupture du filtre**
- **incendie**
- **court-circuit**
- **blocage du moteur(s)**
- **choc électrique**
- **etc.**

Éteindre l'aspirateur, débrancher la fiche et demander l'intervention de personnel spécialisé.

**ATTENTION !**

Les aspirateurs ne doivent pas être utilisés ou emmagasinés en plein air ou en présence d'humidité.

Seulement les versions à contrôle de niveau peuvent être utilisées pour aspirer des liquides, dans le cas contraire ils peuvent être utilisés uniquement pour aspirer à sec.

Description de l'aspirateur

Composants de l'Aspirateur et étiquettes

Figure 1

1. Plaque d'identification incluant :
Code Modèle, Données techniques (voir tableau page 7), N° série, Marquage CE, Année de fabrication, Valeur de la tension du secteur.
2. Longopac system.
3. Embout.
4. Vidange
5. Plaque d'attention
Attire l'attention de l'opérateur en l'avertissant de la nécessité de secouer le filtre seulement avec la machine éteinte (voir aussi le paragraphe "Secouage du filtre primaire").
6. Fiche pour le raccordement de l'aspirateur à la prise électrique.
7. Avertissement de poussière de silice
Attire l'attention de l'opérateur sur le fait que l'exposition d'une particule de silicium cristallin peut provoquer un cancer ou une silicose.

Cet aspirateur produit un fort flux d'air qui est aspiré par la bouche d'aspiration (**4** - Fig. **1**) et est émis par le système d'échappement (**5** - Fig. **1**).

Avant de mettre l'aspirateur en marche, brancher le tuyau d'aspiration dans l'embout spécial et monter l'accessoire adapté au travail à faire sur l'extrémité du tuyau ; veuillez consulter le catalogue des accessoires du fabricant ou le service après-vente.

Le diamètre des tuyaux autorisés est indiqué dans le tableau des caractéristiques techniques.

L'aspirateur est équipé d'un filtre primaire qui permet le fonctionnement de la plupart des applications.

En plus du filtre primaire qui retient les poussières ordinaires, un filtre secondaire (absolu de classe **H**) à haut pouvoir filtrant peut être monté pour les poussières fines et nocives pour la santé.

Options de transformation

Pour les options de transformation, veuillez contacter le réseau commercial du fabricant.

Les instructions pour l'installation des parties en option sont contenues dans les kits de transformation.



Utiliser uniquement des options d'origine fournies et autorisées.

Accessoires

Plusieurs accessoires sont disponibles ; veuillez consulter le catalogue des accessoires du constructeur.



Utiliser uniquement des accessoires d'origine fournis et autorisés par le constructeur.

Emballage et déballage

Éliminer les matériaux de l'emballage conformément à la législation en vigueur.

Figure 2

Modèle	BDC-23-230V-P BDC-23-110V-P
A (mm)	700
B (mm)	860
C (mm)	1750
Poids avec emballage (kg)	86

Déballage, manutention, emploi et stockage

Travailler sur des surfaces plates et horizontales.

(La portée du plan d'appui doit être adaptée au poids de l'aspirateur).

Mise en service - raccordement au réseau d'alimentation électrique



- Avant la mise en service, s'assurer que l'aspirateur n'aït subi aucun dégât apparent.
- Avant de brancher l'aspirateur au réseau s'assurer que la tension indiquée sur la plaque correspond à celle du réseau.
- Brancher la fiche du câble de connexion dans une prise avec contact / raccordement de mise à la terre installé correctement.
- S'assurer que l'aspirateur soit éteint.
- Les fiches et les connecteurs des câbles de raccordement au réseau doivent être protégés des projections d'eau.
- Contrôler le raccordement correct au réseau électrique et la fiche.
- Utiliser seulement des aspirateurs dont les câbles de raccordement au réseau électrique sont en parfait état (si le câble est endommagé, il y a risque d'électrocution !).
- Vérifier régulièrement l'absence de dommages et de signes d'usure, déchirures ou vieillissement du câble de raccordement au réseau.



Pendant le fonctionnement éviter de :

- Piétiner, écraser, tirer ou endommager le câble de connexion au réseau électrique.
- Débrancher le câble simplement en retirant la fiche (ne pas tirer sur le câble électrique).
- En cas de remplacement du câble d'alimentation électrique, le remplacer par un câble d'origine du même type : H07 RN - F, la même règle est valable si l'on utilise une rallonge.
- Le câble d'alimentation doit être remplacé par le Service Après-Vente du constructeur ou par du personnel qualifié équivalent.

Rallonges

Si l'on utilise une rallonge, faire attention à la section qui doit être adaptée au courant absorbé et au degré de protection de l'aspirateur.

Section minimum des câbles de la rallonge : 2,5 mm²

Longueur maximum = 20 m

Câble = H07 RN - F



Les prises, les fiches, les connecteurs et la pose du câble de la rallonge doivent être tels à maintenir le degré de protection IP indiqué sur la plaque de l'aspirateur.



Ne jamais éclabousser l'aspirateur d'eau : ceci est dangereux pour les personnes et risque de créer un court-circuit de l'alimentation.



La prise d'alimentation de courant de l'aspirateur doit être protégée par un disjoncteur différentiel à limitation du courant de défaut, qui coupe l'alimentation quand le courant dispersé vers la terre dépasse 30 mA pendant 30 msec. ou par un circuit de protection équivalent.

Aspiration de substances sèches - aspiration de liquides

[REMARQUE]

Les filtres fournis et le sac de collecte, s'ils sont prévus, doivent être mis en place correctement.



Respecter les consignes de sécurité relatives aux matières aspirées.



Dans le cas d'aspirateur à liquides :

- **Avant d'aspirer des liquides, vérifier le fonctionnement du dispositif de contrôle du niveau des liquides.**
- **En cas de formation de mousse, arrêter immédiatement le travail et vider la cuve.**
- **Attention : en cas de fuite de mousse ou de liquide, éteindre immédiatement.**
- **Nettoyer régulièrement le dispositif de limitation du niveau des liquides et contrôler qu'il n'y a pas de signes de dégâts.**
- **Attention : le liquide encrassé recueilli par l'appareil pour l'aspiration d'eau doit être considéré comme conducteur.**



Aspirateur pour liquides.
Veiller à aspirer un mélange d'air et de liquide pour éviter la surcharge du moteur de l'unité d'aspiration.

Entretien et réparation



Avant d'effectuer des travaux de nettoyage ou d'entretien et pendant le remplacement des pièces ou la reconversion de l'aspirateur en une autre exécution / variante, débrancher l'aspirateur de la source d'alimentation ; la fiche doit être débranchée de la prise.

- **Effectuer seulement les travaux d'entretien décrits dans le présent manuel.**
- **Utiliser seulement des pièces détachées d'origine.**
- **Ne pas apporter de modifications à l'aspirateur.**

Si ces indications ne sont pas respectées, votre sécurité peut être compromise.

Caractéristiques techniques

Paramètre	Unité de mesure	BDC-23-230V-P BDC-23-110V-P	
		120	230
Tension (60 Hz)	V	120	230
Type d'alimentation	N° de phases	1	
Puissance maximum	kW	2.4	3
Absorption nominale de courant	A	15.8	13
Dépression maxi	In H ₂ O	71.5	84.7
Débit d'air maximum	cfm	270	286
Niveau de bruit, @ 3'3" (1 mètre)	dB(A) unité d'aspiration	75	
Protection	IP	43	
Isolation	Classe	I	
Bouche d'aspiration (diamètre)	in.	3	
Tuyaux autorisés (diamètre)	in.	2 / 3	
Capacité cuve	gal	26.4	
Surface filtres	Sq. ft	21	
Surface filtre absolu	Sq. ft	25.9	
Rendement du filtre absolu HEPA	MPPS	99,995% @ 0.18 micron	
Longueur câble	ft	30	
Poids ⁽¹⁾	lbs.	157	

(1) Poids net
(2) hPa = mbar

Conditions d'emmagasinage :
T : -10°C ÷ +40°C
Humidité : 85%
T : -10°C ÷ +40°C

Conditions de fonctionnement :
Altitude maximum : 800 m
(Jusqu'à 2.000 m avec performances réduites)
Humidité : 85%

Dimensions

(Fig. 3)

BDC-23-230V-P BDC-23-110V-P	A	B	C
in	31.3	23.6	61.8

F

Commandes et indicateurs

Figure 4

1. Interrupteur de mise en marche / arrêt moteur
2. Témoin présence tension
3. Pommeau de secouage manuel

Figure 5

1. Embout d'aspiration

Contrôles avant la mise en marche

Avant la mise en marche, contrôler :

- la présence des filtres ;
- que tous les leviers soient bloqués ;
- que le tuyau d'aspiration et les accessoires sont installés correctement dans l'embout d'aspiration (1- Fig. 5) ;



Ne pas aspirer avec un élément filtrant défectueux.

Mise en marche et arrêt

Figure 4



Avant de mettre l'aspirateur en marche, bloquer les freins des roues.

- Tourner l'interrupteur "1" (Fig. 4) sur "I" pour la mise en marche.
- Tourner l'interrupteur sur "0" pour l'arrêt.

Fonctionnement



La vitesse de l'air dans le tuyau d'aspiration ne doit pas être inférieure à 20 m/s.



En cas de problème voir le chapitre "Recherche des pannes".

Secoueur primaire

En fonction de la quantité de matière aspirée, il faut secouer le filtre primaire en actionnant le pommeau "3" (Fig. 4).



Avant d'actionner le secoueur, arrêter l'aspirateur. Ne pas actionner le secoueur avec l'aspirateur en marche, on peut endommager le filtre.

Avant la remise en marche attendre que la poussière ait le temps de se déposer.

Arrêt d'urgence

Tourner l'interrupteur "1" (Fig. 4) sur "0".

Vidange de la cuve à poussières



- Avant d'effectuer ces travaux, éteindre l'aspirateur et débrancher la fiche de la prise de courant.
- Contrôler la classe de l'aspirateur.

Avant d'effectuer la vidange, il est conseillé de nettoyer le filtre (voir le paragraphe "Secoueur du filtre primaire").

- La version de base n'est pas adaptée à l'aspiration de poussières dangereuses
 - Décrocher le conteneur à poussière (2, Fig. 1) à l'aide du levier (3, Fig. 1), le retirer et le vider.
 - Contrôler l'intégrité et le positionnement correct du joint d'étanchéité.
 - Remettre la cuve en position et la raccrocher.

Aspiration de liquides



Contrôler que l'aspirateur soit équipé avec l'arrêt mécanique des liquides.

- Après avoir aspiré les liquides, l'élément filtrant est humide. Un élément filtrant humide peut s'obstruer rapidement si ensuite on aspire des substances sèches. Pour cette raison, avant d'aspirer des substances sèches, s'assurer que l'élément filtrant soit sec ou le remplacer par un autre.

En fin de poste

- Eteindre l'aspirateur avec l'interrupteur (1 - Fig. 4) et débrancher la fiche de la prise.
- Enrouler le câble de raccordement et le pendre dans son logement (Fig. 6).
- Vider la cuve de récupération en suivant les instructions indiquées au paragraphe "Vidange de la cuve à poussières".
- Nettoyer l'aspirateur comme prévu au paragraphe "Entretien, nettoyage et décontamination".
- Si des substances agressives sont aspirées, laver la cuve à l'eau propre.
- Déposer l'aspirateur dans un local sec, hors de la portée de personnes non autorisées.

Entretien, nettoyage et décontamination



Pour garantir le niveau de sécurité de l'aspirateur, on n'admet que les pièces détachées d'origine fournies par le fabricant.



Les précautions décrites ci-dessous doivent être appliquées pendant toutes les opérations d'entretien, y compris le nettoyage et le remplacement des filtres primaire et absolu.



Les opérations d'entretien, nettoyage et décontamination doivent se faire exclusivement lorsque l'aspirateur est éteint et que la fiche est débranchée de la prise. Il est formellement interdit d'effectuer un entretien avec la fiche branchée à la prise. Danger d'électrocution !

- Pour l'entretien à la charge de l'utilisateur, l'aspirateur doit être démonté, nettoyé et révisé, pour autant que cela soit raisonnablement applicable, sans comporter de risques au personnel d'entretien et aux autres personnes. Les précautions appropriées incluent la décontamination avant le démontage, les conditions de ventilation filtrée de l'air déchargé dans l'endroit où est monté l'aspirateur, le nettoyage de la zone d'entretien et une protection adéquate du personnel.
- Au moins une fois par an, faire exécuter un contrôle par le fabricant ou par son personnel après-vente technique. Par exemple : contrôle des filtres à la recherche de dégâts concernant l'étanchéité à l'air de l'aspirateur et du fonctionnement correct du boîtier électrique de commande.

Démontage et remplacement des filtres primaire et absolu



Quand l'aspirateur aspire des substances dangereuses, les filtres sont contaminés, il faut par conséquent :

- **procéder avec prudence pour éviter la dispersion de poussière et / ou de la matière aspirée ;**
- **placer le filtre démonté et / ou remplacé dans un sac imperméable en plastique ;**
- **le refermer hermétiquement ;**
- **éliminer le filtre dans le respect des lois en vigueur.**



Le remplacement du filtre ne doit pas être effectué avec imprudence. Il faut le remplacer par un filtre ayant les mêmes caractéristiques, une surface filtrante identique et appartenant à la même catégorie. Dans le cas contraire, on risque de compromettre le fonctionnement correct de l'aspirateur.

Remplacement du filtre primaire

Figure 7

Avant de commencer ces travaux, arrêter la machine et débrancher la fiche de la prise de courant.

- Décrocher l'arrêt (1) et dévisser le pommeau (2) du secoueur.
- Décrocher l'étrier de fermeture (3).
- Soulever la tête (4).
- Soulever le filtre (5) et dévisser le collier de blocage (6) du filtre sur la bague d'appui (7).
- Enlever la cage (8) et renverser le filtre en exposant les colliers (9).
- Enlever les colliers et détacher la cage du filtre.
- Eliminer le filtre conformément aux lois en vigueur.
- Monter le nouveau filtre et le bloquer à la cage au moyen des colliers spécifiques. Pour le montage, procéder dans l'ordre inverse du démontage.



Pendant ces travaux faire attention à ne pas soulever de poussière. Porter un masque P3, des vêtements et gants de protection (EPI) adaptés à la classe de risque de la poussière aspirée, en se référant à la législation en vigueur.

**ATTENTION !**

Procéder au remontage avec précaution, en veillant à ne pas se coincer les mains entre l'unité d'aspiration et la cuve. Utiliser des gants de protection contre les risques mécaniques (EN 388) avec un niveau de protection CAT. II.

En cas de besoin, contacter le service après-vente du constructeur.

Montage ou remplacement du filtre absolu

**ATTENTION !**

Ne pas réutiliser le filtre absolu une fois qu'il a été démonté de l'aspirateur.

Figure 8

1. Unité d'aspiration
2. Etrier de fermeture
3. Dispositif d'arrêt secoueur
4. Pommeau secoueur
5. Rondelle
6. Douille
7. Filtre absolu
8. Joint d'étanchéité
9. Disque
10. Ecrou

**ATTENTION !**

Procéder au remontage avec précaution, en veillant à ne pas se coincer les mains entre l'unité d'aspiration et la cuve. Utiliser des gants de protection contre les risques mécaniques (EN 388) avec un niveau de protection CAT. II.

Avant d'effectuer ces travaux, éteindre l'aspirateur et débrancher la fiche de la prise de courant.

Montage

1. Décrocher l'arrêt (3) et dévisser le pommeau (4) du secoueur, décrocher l'étrier de fermeture (2) et enlever la tête (1).
2. Dévisser l'écrou de la douille sous la tête (1), insérer la rondelle (5), visser la douille (6), insérer le filtre (7), le joint d'étanchéité (8), le disque (9), visser l'écrou (10), remettre la tête en position, la bloquer avec l'étrier de fermeture (2) et visser le pommeau (4) et le bloquer avec l'arrêt (3).

Remplacement

1. Procéder comme indiqué au point 1 de la procédure de montage.
2. Dévisser l'écrou (10), enlever le disque (9) et le joint (8).
3. Remplacer le filtre (7) et procéder dans l'ordre inverse pour le montage de la tête.

Pour la dépose du filtre, utiliser sac imperméable en plastique, le fermer hermétiquement et l'éliminer conformément aux lois en vigueur.

Contrôle des étanchéités

Contrôle des tuyauteries

Figure 9

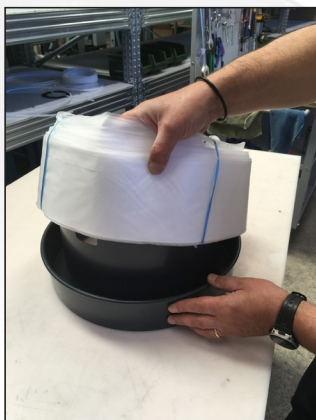
Contrôler le bon état et la bonne fixation des tuyaux de raccordement (1).

En cas de déchirures, ruptures ou d'accouplement anormal du tuyau sur les embouts de raccord, remplacer les tuyaux. En cas d'aspiration de matières collantes contrôler le long du tuyau, dans l'embout et sur le déflecteur de la chambre filtrante car ils auront tendance à s'obstruer.

Pour le nettoyage, racler depuis l'extérieur de l'embout (2) et enlever la matière qui s'est déposée, comme indiqué dans la figure.

Schémas électriques

Figure 10

Procédure pour l'installation du système Longopac**1. Retirer le support****2. Introduire le sac Longopac® et couper les attaches****3. Préparer le sac sur le support, tirer l'extrémité vers l'extérieur et mettre en marche**

4. Placer le support sur l'aspirateur



5. Fermeture en « col de cygne » du sac avec ruban adhésif

F



Procédure de retrait du tuyau

1. Retirer le tuyau et son raccord de l'aspirateur



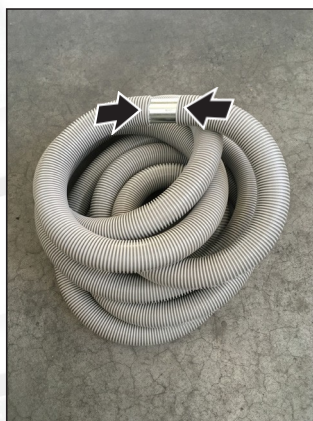
2. Placer le bouchon d'aspiration



3. Enrouler le tuyau



4. Enfiler les deux extrémités l'une dans l'autre









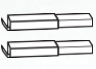
5. Utiliser une courroie ou une sangle pour le transporter et le mettre à l'abri de la poussière



Pièces détachées conseillées

Il est recommandé d'avoir toujours à disposition les pièces détachées indiquées ci-dessous pour rendre les interventions d'entretien plus rapides.

Pour effectuer une commande, consulter le catalogue des pièces détachées du fabricant.

	Désignation	HQV Part Number	Blastrac Part Number
	Kit de filtre étoile	534039101	40000699
	Joint anneau porte-filtre	533226901	Z8 17026
	Joint chambre filtrante	533141401	40000762
	Collier de serrage filtre	533369701	Z8 18079
	Filtre absolu	533968401	Z8 17455
	Moteur 230V 1000W	533802201	40000937
	Moteur 110V 1000W	533711501	40000938
	Charbons pour moteurs 230V 1000W (2 pièces)	534032901	40000885
	Charbons pour moteurs 120V 1000W (2 pièces)	533857001	40000886

Recherche des pannes

Inconvénient	Cause	Remède
L'aspirateur ne démarre pas	Manque de courant	Vérifier s'il y a du courant dans la prise. Vérifier l'état de la fiche et du câble. Demander l'assistance d'un technicien agréé du fabricant.
Le régime moteur de l'aspirateur augmente	Filtre primaire colmaté	Actionner le secoueur. Si cela ne suffit pas, le remplacer.
	Tuyau d'aspiration bouché	Contrôler le conduit d'aspiration et le nettoyer.
Fuite de poussière de l'aspirateur	Le filtre est déchiré	Remplacer par un filtre de la même catégorie.
	Le filtre n'est pas approprié	Remplacer par un filtre de catégorie adéquate et vérifier.
Moteurs d'aspiration bruyants	Charbons pour moteurs usés ou cassés	Démonter et remplacer les charbons des moteurs.
Electricité statique sur l'aspirateur	Mise à la terre absente ou mauvaise	Vérifier toutes les mises à la terre, notamment le raccord à l'embout d'aspiration ; en outre, remplacer le tuyau par un tuyau antistatique.

**F**

Traducción de las instrucciones originales

Índice

Instrucciones de uso.....	2
Seguridad del usuario.....	2
Información general para usar la aspiradora.....	2
Usos correctos.....	2
Uso no permitido.....	3
Versiones y variantes.....	3
Recomendaciones generales.....	3
Descripción de la aspiradora.....	4
Piezas y etiquetas de la aspiradora.....	4
Kits opcionales.....	4
Accesorios.....	4
Embalaje y desembalaje.....	4
Desembalaje, desplazamiento, uso y almacenamiento.....	5
Empezar a utilizarla: conexión a la fuente de alimentación.....	5
Cables de extensión.....	5
Uso con sustancias secas y húmedas.....	6
Mantenimiento y reparaciones.....	6
Datos técnicos.....	7
Dimensiones.....	7
Comandos e indicadores.....	8
Comprobaciones antes de empezar.....	8
Arranque y parada.....	8
Funcionamiento de la aspiradora.....	8
Agitador del filtro primario.....	8
Parada de emergencia.....	8
Vaciado del contenedor de polvo.....	8
Aspirado de líquidos.....	8
Al final de la sesión de limpieza.....	9
Mantenimiento, limpieza y descontaminación.....	9
Desmontaje y sustitución de los filtros primario y absoluto.....	9
Sustitución del filtro primario.....	9
Montaje o sustitución del filtro absoluto.....	10
Inspección del hermetismo.....	10
Esquemas de conexiones.....	10
Procedimiento para la instalación del sistema Longopac.....	11
Procedimiento para la eliminación del tubo.....	13
Recambios recomendados.....	14
Resolución de problemas.....	15

Instrucciones de uso

Lea las instrucciones de funcionamiento y cumpla las importantes recomendaciones de seguridad, marcadas con la palabra **¡ATENCIÓN!**

Seguridad del usuario



Es muy importante que lea estas instrucciones de funcionamiento antes de poner en marcha la aspiradora y que las tenga a mano por si necesitara consultarlas.

Sólo pueden utilizar la aspiradora aquellas personas que conozcan bien su funcionamiento, hayan recibido la formación adecuada y hayan sido explícitamente autorizadas para este propósito. Antes de usar la aspiradora, la persona que vaya a utilizarla debe estar informada y haber recibido las instrucciones y la formación adecuadas sobre el funcionamiento del aparato y sobre las sustancias con las que está permitido su uso, así como el modo correcto de extraer y desechar el material aspirado.



Esta aspiradora no debe ser utilizada por personas (incluidos los niños) con problemas físicos, con dificultades mentales o con falta de formación, a menos que sean supervisados por personas expertas y que sepan como se utiliza la máquina. Los niños deben ser supervisados para asegurarse de que no jueguen con la aspiradora.

Información general para usar la aspiradora

El uso de la aspiradora está regido por la legislación vigente del país en el cual se utiliza.

También deben respetarse las normativas técnicas sobre seguridad y uso correcto (legislación referente a la seguridad medioambiental y en el trabajo, es decir, la Directiva de la Unión Europea 89/391/EC y sucesivas directivas), así como las instrucciones de uso y la legislación vigente en el país en el cual se utilice la aspiradora.

No realice ninguna operación que pueda poner en peligro la seguridad de las personas, la propiedad o el medioambiente. Siga las indicaciones de seguridad que se especifican en este manual de instrucciones.

Usos correctos

Esta aspiradora es adecuada para su uso comercial; por ejemplo, en hoteles, escuelas, hospitales, fábricas, establecimientos, oficinas y residencias. También es adecuada para alquilarla y para distintas aplicaciones, salvo para el uso doméstico normal.

Esta aspiradora es adecuada para la limpieza y la aspiración de materiales sólidos en exteriores e interiores.

- Deje siempre suficiente espacio alrededor de la aspiradora para llegar fácilmente a los controles.

La aspiradora ha sido diseñada para que no la utilice más de una persona.

El aparato está formado por una unidad de aspiración automatizada, con un filtro ascendente y un contenedor para recoger el material aspirado.

Uso no permitido

**¡ATENCIÓN!**

Se prohíbe terminantemente utilizar la aspiradora de las siguientes formas:

- **En lugares abiertos en caso de precipitaciones atmosféricas.**
- **Cuando no está posicionado en superficies llanas y horizontales.**
- **Cuando la unidad de filtración no está instalada.**
- **Cuando la boca de aspiración y/o el tubo de vacío están dirigidos hacia partes del cuerpo humano.**
- **Utilizarla sin la tapadera en la unidad de aspiración.**
- **Cuando la bolsa para el polvo no está instalada.**
- **Utilizarla sin las protecciones, las cubiertas protectoras y los sistemas de seguridad instalados por el fabricante.**
- **Cuando las bocas de refrigeración están parcialmente o totalmente obstruidas.**
- **Cuando la aspiradora está protegida por una tela de plástico o de otro material.**
- **Utilizarla cuando la toma de salida aire está parcial o totalmente cerrada.**
- **En espacios estrechos sin recambio de aire.**
- **Aspirar líquidos con aspiradoras no equipadas con los sistemas de detención originales específicos.**
- **Aspirar los siguientes elementos:**
 1. **Materiales ardiendo (ascuas, cenizas calientes, cigarrillos encendidos, etc.)**
 2. **Llamas libres.**
 3. **Gases combustibles.**
 4. **Líquidos inflamables, combustibles agresivos (gasolina, disolventes, ácidos, soluciones alcalinas, etc.).**
 5. **Polvo/substancias de materiales explosivos y/o que puedan inflamarse fácilmente de forma espontánea (como el polvo de magnesio, de aluminio, etc.).**

IMPORTANTE: El uso doloso no está admitido.

Recomendaciones generales

**¡ATENCIÓN!**

En caso de emergencia:

- **rotura del filtro**
- **incendio**
- **cortocircuito**
- **bloqueo del motor**
- **descarga eléctrica**
- **etc.**

Apague la aspiradora, desenchúfela y póngase en contacto con el personal de asistencia cualificado.

**¡ATENCIÓN!**

No utilice ni guarde las aspiradoras en el exterior ni en lugares húmedos.

Las versiones con sensor de nivel son las únicas que se pueden utilizar para succionar líquidos. Las demás versiones sólo se deben utilizar para aspirar materiales secos.

Descripción de la aspiradora

Piezas y etiquetas de la aspiradora

Figura 1

1. Placa identificativa, que incluye:
Código de modelo, especificaciones técnicas (consulte la tabla en la página 7), N° de serie, marcación CE, año de fabricación, voltaje de red nominal.
2. Longopac system
3. Toma de admisión
4. Toma de salida
5. Placa de aviso
Indica a la persona que utiliza la aspiradora que no debe mover el filtro sin apagar antes el aparato (véase también el apartado "Sacudimiento del filtro primario").
6. Para conectar la aspiradora, enchúfela a una toma eléctrica.
7. Avertissement de poussière de silice
Attire l'attention de l'opérateur sur le fait que l'exposition d'une particule de silicium cristallin peut provoquer un cancer ou une silicose.

Esta aspiradora crea una potente corriente de aire que entra a través de la toma de admisión (**4** - Fig. 1) y sale por la toma de salida (**5** - Fig. 1).

Antes de poner en marcha la aspiradora, ensamble el tubo de vacío en la toma de admisión y, a continuación, añada la herramienta que necesite en el extremo (consulte el catálogo de accesorios del fabricante o póngase en contacto con el Centro de Mantenimiento).

Los diámetros de los tubos autorizados se detallan en la tabla de especificaciones técnicas.

La aspiradora posee un filtro primario que se puede utilizar para la mayoría de aplicaciones.

Además del filtro primario, que retiene los tipos más comunes de polvo, con esta aspiradora se puede utilizar un filtro secundario (clase **H** absoluta), que aumenta la capacidad de filtración de polvos finos y polvos peligrosos para la salud.

Kits opcionales

Si desea obtener más información sobre los kits opcionales, póngase en contacto con la red de ventas del fabricante.

En los kits de adaptación se incluyen las instrucciones de instalación de los kits opcionales.



Utilice solamente recambios originales proporcionados y autorizados por el fabricante.

Accesorios

Hay distintos accesorios disponibles; consulte el catálogo de accesorios del fabricante.



Utilice solamente accesorios originales proporcionados y autorizados por el fabricante.

Embalaje y desembalaje

Deseche los materiales del embalaje conforme a la legislación vigente.

Figura 2

Model	BDC-23-230V-P BDC-23-110V-P
A (mm)	700
B (mm)	860
C (mm)	1750
Peso con el embalaje (Kg.)	8

Desembalaje, desplazamiento, uso y almacenamiento

Trabaje en superficies planas y horizontales.

La capacidad de carga de la superficie en la que se coloque la aspiradora debe ser capaz de soportar su peso.

Empezar a utilizarla: conexión a la fuente de alimentación



¡ATENCIÓN!

- *Antes de empezar a trabajar, asegúrese de que no hay signos de daños evidentes en la aspiradora.*
- *Antes de conectar la aspiradora a la red eléctrica, asegúrese de que la tensión límite indicada en la placa de datos se corresponde con la de la red eléctrica.*
- *Conecte la aspiradora al enchufe de la corriente eléctrica mediante una conexión con toma de tierra correctamente instalada.*
- *Compruebe que la aspiradora esté apagada.*
- *Los enchufes y conectores de los cables de conexión deben estar protegidos contra las salpicaduras de agua.*
- *Asegúrese de que las conexiones a la corriente eléctrica y al enchufe están en buen estado.*
- *Utilice la aspiradora sólo cuando los cables de conexión a la red de suministro eléctrico estén en perfecto estado (unos cables dañados podrían ser causa de descargas eléctricas).*
- *Compruebe periódicamente que el cable eléctrico no muestre signos de excesivo daño, desgaste, rajaduras o envejecimiento.*



¡ATENCIÓN!

Cuando la aspiradora esté funcionando, no:

- *Aplaste, dañe, pise ni tire del cable que conecta el aparato al suministro eléctrico.*
- *Desconecte únicamente el cable de la red eléctrica quitando el enchufe (no tire del cable).*
- *Si tiene que sustituir el cable, utilice otro del mismo tipo que el original: H07 RN - F. Actúe de la misma forma cuando utilice un cable de extensión.*
- *El cable debe ser sustituido por el personal del Centro de Servicio del fabricante o personal cualificado equivalente.*

Cables de extensión

En caso de que utilice un cable de extensión, asegúrese de que sea adecuado para la alimentación y el grado de protección de la aspiradora.

Sección mínima de cables de extensión: 2,5 mm²

Longitud máxima = 20 m

Cable = H07 RN - F



¡ATENCIÓN!

Las tomas de corriente, los enchufes, los conectores y la instalación de los cables de extensión deben mantener el grado de protección IP de la aspiradora, como se indica en la placa informativa.



¡ATENCIÓN!

No moje la aspiradora con agua: si lo hace, será un peligro para las personas expuestas y podría producirse un cortocircuito en la corriente eléctrica.



¡ATENCIÓN!

La toma de corriente a la que se conecte la aspiradora debe estar protegida por un interruptor diferencial del circuito con limitación para sobretensión, que interrumpa el suministro eléctrico si la corriente que va a tierra excede de 30 mA para 30 milisegundos, o por un circuito de protección equivalente.

Uso con sustancias secas y húmedas

[AVISU]

Los filtros y la bolsa, si procede, que se proporcionan con la aspiradora deben estar correctamente instalados.



Observe la normativa de seguridad sobre los materiales que vaya a recoger con la aspiradora.



En caso que utilice la versión para líquidos:

- Asegúrese de que el sensor de nivel de líquidos funciona correctamente antes de aspirar líquidos.
- Si apareciera espuma, apague inmediatamente la aspiradora y vacíe el contenedor.
- Atención: Apague la aspiradora inmediatamente si se filtra espuma o líquido.
- Limpie con frecuencia el dispositivo que limita el nivel de líquido y compruebe que no sufre ningún deterioro.
- Atención: Los líquidos sucios aspirados por la aspiradora deben considerarse conductores.



Aspiradora para líquidos.
Al aspirar una mezcla de agua y aire, procure no sobrecargar el motor de la unidad de aspiración.

Mantenimiento y reparaciones

Antes de limpiar, revisar, sustituir partes o adaptar la aspiradora para obtener otra versión/ variante, desconéctela de la toma de corriente desconectando el enchufe de la toma eléctrica.

- Realice sólo las operaciones de mantenimiento descritas en este manual.
- Utilice sólo recambios originales.
- No realice modificaciones de ningún tipo en la aspiradora.

El incumplimiento de estas instrucciones podría poner en peligro su seguridad.

Datos técnicos

Parámetro	Unidades	BDC-23-230V-P BDC-23-110V-P	
		120	230
Tensión (60 Hz)	V	120	230
Tipo de alimentación	Nº di fasi	1	
Potencia máxima	kW	2.4	3
Corriente nominal de entrada	A	15.8	13
Aspiración máxima	Inches H ₂ O	71.5	84.7
Velocidad máx. de flujo de aire	cfm	270	286
Nivel de ruido @ 3'3" (1 m)	dB(A) unità aspirante	75	
Protección	IP	43	
Aislamiento	Classe	I	
Toma de admisión (diámetro)	in.	3	
Tubos admitidos (diámetro)	in.	2 / 3	
Capacidad contenedor	gal	26.4	
Superficie del filtro	Sq. ft	21	
Superficie del filtro absoluto	Sq. ft	25.9	
Eficiencia del filtro absoluto HEPA	MPPS	99,995% @ 0.18 micron	
Largura del cable	ft	30	
Peso ⁽¹⁾	lbs.	157	

- (1) Peso neto
(2) hPa = mbares

- *Condiciones de almacenamiento:*
T : -10°C ÷ +40°C
Humedad: 85%
T : -10°C ÷ +40°C

- *Condiciones de funcionamiento:*
Altitud máxima: 800 m
(Hasta 2.000 m con rendimiento reducido)
Humedad: 85%

Dimensiones

(Fig. 3)

BDC-23-230V-P BDC-23-110V-P	A	B	C
pulgadas	31.3	23.6	61.8

Comandos e indicadores

Figura 4

1. Interruptor de arranque/parada motor
2. Indicador de alimentación
3. Tirador del agitador de filtro manual

Figura 5

1. Toma de admisión

Comprobaciones antes de empezar

Antes de empezar, compruebe que:

- los filtros estén instalados;
- todas las palancas estén bloqueadas en su sitio;
- el tubo de vacío y las herramientas se hayan acoplado correctamente a la toma de admisión (1 - Fig. 5);



No utilice la aspiradora si el filtro es defectuoso.

Arranque y parada

Figura 4



Bloquee los frenos de las ruedecillas antes de arrancar la aspiradora.

- Coloque el interruptor "1" (Fig. 4) en posición "I" para poner en marcha la aspiradora.
- Coloque el interruptor en posición "0" para apagar la aspiradora.

Funcionamiento de la aspiradora



La velocidad del aire en el tubo de aspiración no debe ser inferior a 20 m/s.



Si hubiera algún fallo, consulte el apartado de "Solución de problemas".

Agitador del filtro primario

Utilice el tirador para sacudir el filtro principal, dependiendo de la cantidad de polvo aspirado "3" (fig. 4)



Detenga la aspiradora antes de utilizar el agitador de filtro.

No sacuda el filtro cuando la aspiradora esté encendida, ya que esto podría dañar el filtro.

Espere unos instantes antes de volver a encender la aspiradora para que el polvo se asiente en el fondo del contenedor.

Parada de emergencia

Coloque el interruptor "1" (Fig. 4) en la posición "0".

Vaciado del contenedor de polvo



- **Antes de realizar estas operaciones, apague la aspiradora y desconecte el enchufe de la toma de corriente.**
- **Compruebe qué clase de aspiradora posee.**

Le aconsejamos que limpie el filtro antes de vaciar el contenedor (consulte el apartado "Agitador del filtro primario").

- La versión estándar no es apta para aspirar polvos de materiales peligrosos
 - Desencape el contenedor de polvo (2, Fig. 1) con la palanca (3, Fig. 1), luego quítelo y vacíelo.
 - Compruebe que la junta esté en perfecto estado y bien colocada.
 - Coloque el contenedor en su lugar original para volver a fijarlo en su posición.

Aspirado de líquidos



Controle que la aspiradora esté equipada de sistema mecánico para detener la succión de líquidos.

- Después de aspirar líquidos el filtro estará húmedo. Si utiliza la aspiradora para aspirar sustancias secas con el filtro húmedo, éste puede obstruirse con facilidad. Por ello, antes de utilizar la aspiradora para limpiar materiales secos, compruebe que el filtro esté seco o sustitúyalo por otro.

Al final de la sesión de limpieza

- Apague la aspiradora con el interruptor (1 - Fig. 4) y desconecte el enchufe de la toma de corriente.
- Enrolle el cable de conexión y cuélguelo en el compartimento correspondiente (Fig. 6).
- Vacíe el contenedor como se indica en el apartado "Vaciado del contenedor".
- Limpie la aspiradora como se detalla en el apartado "Mantenimiento, limpieza y descontaminación".
 - Si ha aspirado sustancias agresivas, lave el contenedor con agua limpia.
 - Guarde la aspiradora en un lugar seco, fuera del alcance de personal no autorizado.

Mantenimiento, limpieza y descontaminación



Para garantizar el nivel de seguridad de la aspiradora, sólo debería utilizar las piezas de repuesto originales suministradas por el fabricante.



Las precauciones que se describen a continuación deben respetarse durante las operaciones de mantenimiento, incluidas la limpieza o sustitución de los filtros primario y absoluto.



Las operaciones de mantenimiento, limpieza y descontaminación sólo deben realizarse después de apagar la aspiradora y de desconectar el enchufe de la toma de corriente. Se prohíbe terminantemente realizar el mantenimiento con el enchufe conectado a la toma de corriente. ¡Peligro de electrocución!

- Para que el operador pueda realizar las operaciones de mantenimiento, la aspiradora deberá estar desmontada, limpia y revisada, en la medida de lo razonable, sin que represente un peligro para el personal de mantenimiento ni para otras personas. Para cumplir las precauciones correctas deberá descontaminar el aparato antes de desmontar la aspiradora, ventilar el aire de escape mediante filtros y de forma apropiada de la habitación en la que se haya desmontado la aspiradora y limpiar la zona de mantenimiento para proteger al personal.
- El fabricante o su personal técnico deben realizar una inspección al menos una vez al año. Por ejemplo: verificar los filtros de aire y comprobar que las características herméticas de la aspiradora no hayan sufrido ningún daño. Controle que el sistema eléctrico funcione correctamente.

Desmontaje y sustitución de los filtros primario y absoluto



Cuando se utilice la aspiradora para limpiar sustancias peligrosas, los filtros se contaminarán. Por tanto:

- **trabaje cuidadosamente e intente no derramar el polvo y/o material aspirado;**
- **coloque el filtro desmontado y/o sustituido en una bolsa de plástico sellada;**
- **cierre la bolsa herméticamente;**
- **deseche el filtro según la legislación vigente.**



La sustitución del filtro es un asunto muy importante. El filtro debe ser sustituido por otro con idénticas características, superficie de filtración y categoría. De no ser así, el aspirador no funcionaría correctamente.

Sustitución del filtro primario

Figura 7

Antes de realizar estas operaciones, apague la aspiradora y quite el enchufe de la toma de corriente.

- Suelte el tope (1) y desenrosque el tirador (2) del agitador de filtro.
- Suelte la cinta de cierre (3).
- Levante la cabeza (4).
- Levante el filtro (5) y desenrosque la abrazadera del filtro (6) en el anillo del cojinete (7).
- Desenrosque la jaula (8) y gire el filtro, dejando expuesta la abrazadera de acoplamiento (9).
- Suelte las abrazaderas y desprenda la jaula del filtro.
- Deseche el filtro según la legislación vigente.
- Coloque el nuevo filtro y fíjelo en la jaula con las abrazaderas especiales. Coloque los componentes del modo inverso a su extracción.



Intente no levantar polvo cuando efectúe esta operación. Utilice una máscara de protección con filtro P3 e indumentaria protectora, además de guantes protectores apropiados para el tipo de polvo peligroso que se haya recogido, según la legislación vigente.



Vuelva a armar todo con cuidado para evitar atraparse las manos entre la unidad de aspiración y el contenedor. Utilice guantes que le protejan de los riesgos mecánicos (EN 388) con un nivel de protección CAT. II.

Si necesario póngase en contacto con el Centro de Servicios del fabricante.

Montaje o sustitución del filtro absoluto



No vuelva a utilizar el filtro absoluto después de haberlo quitado de la aspiradora.

Figura 8

1. Unidad de aspiración
2. Cinta de cierre
3. Retén sacudidor de filtro
4. Tirador del agitador de filtro
5. Arandela
6. Casquillo
7. Filtro absoluto
8. Junta
9. Disco
10. Tuerca



Vuelva a armar todo con cuidado para evitar atraparse las manos entre la unidad de aspiración y el contenedor. Utilice guantes que le protejan de los riesgos mecánicos (EN 388) con un nivel de protección CAT. II.

Antes de realizar estas operaciones, apague la aspiradora y desconecte el enchufe de la toma de corriente.

Montaje

1. Suelte el tope (3) y desenrosque el tirador del agitador de filtro (4), suelte la cinta de cierre (2) y quite la cabeza (1).
2. Desenrosque la tuerca del casquillo bajo la cabeza (1), inserte la arandela (5), enrosque el casquillo (6), inserte el filtro (7), la junta (8) y el disco (9), enrosque la tuerca (10), reposicione la cabeza y fíjela con la cinta cierre (2), enrosque el tirador (4) y bloquéelo con el tope (3).

Sustitución

1. Proceda como indicado en el punto 1 del procedimiento de montaje.
2. Desenrosque la tuerca (10), quite el disco (9) y la junta (8).
3. Sustituya el filtro (7) y proceda en orden contrario para volver a montar la cabeza.

Para la eliminación del filtro, póngalo en una bolsa de plástico sellada, ciérrela herméticamente y deséchela según la legislación vigente.

Inspección del hermetismo

Comprobación de los tubos

Figura 9

Asegúrese de que los tubos de conexión (1) está en buen estado y bien fijados.

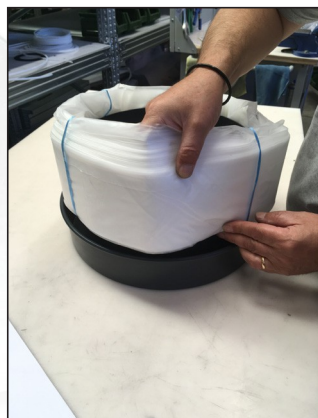
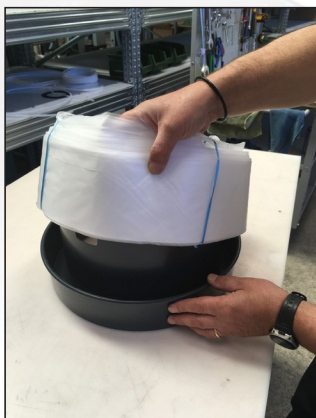
Si los tubos estuvieran dañados, rotos o mal conectados en los puntos de unión, deberán ser reemplazados.

Cuando aspire materiales pegajosos, compruebe que no haya obstrucciones en el tubo, en la toma de admisión y en el deflector dentro de la cámara de filtración.

Limpie la toma de admisión (2) por fuera y quite los desechos que se hayan depositado en ella, como se indica en la figura.

Esquemas de conexiones

Figura 10

Procedimiento para la instalación del sistema Longopac**1. Quite el soporte****2. Inserte la bolsa Longopac® y corte las conexiones****3. Prepare la bolsa en el soporte, tire del extremo y arranque**

4. Vuelva a colocar el soporte en la aspiradora**E 5. Cierre tipo “cuello de cisne” de la bolsa con cinta adhesiva**

Procedimiento para la eliminación del tubo

1. Quite la manguera junto con el acoplamiento de la aspiradora



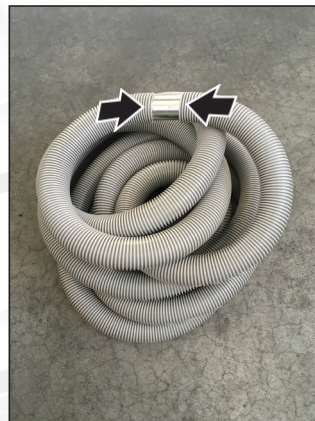
2. Coloque la toma de la aspiradora



3. Enrolle la manguera



4. Ponga los dos extremos uno encima del otro










5. Utilice una correa o una cinta para transportar y almacenar lejos del polvo



Recambios recomendados

Las siguiente lista incluye los recambios que se deberían tener a mano para ahorrar tiempo en las operaciones de mantenimiento.

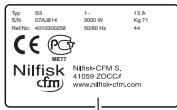
Para encargar recambios, consulte el catálogo de recambios del fabricante.

	Descripción	HQV Part Number	Blastrac Part Number
	Kit de filtro en forma de estrella	534039101	40000699
	Junta anillo filtro	533226901	Z8 17026
	Junta cámara filtro	533141401	40000762
	Abrazadera filtro	533369701	Z8 18079
	Filtro absoluto	533968401	Z8 17455
	Motor 230 V 1000 W	533802201	40000937
	Motor 110 V 1000 W	533711501	40000938
	Escobillas (carbón) para motores de 230 V 1000 W (2 escobillas)	534032901	40000885
	Escobillas (carbón) para motores de 120 V 1000 W (2 escobillas)	533857001	40000886

Resolución de problemas

Problema	Causa	Solución
La aspiradora no se pone en marcha	Falta de alimentación	Compruebe la presencia de alimentación en correspondencia de la toma de corriente. Compruebe el estado del enchufe y del cable. Solicite la asistencia de un técnico del fabricante cualificado.
Las revoluciones de la aspiradora aumentan	Filtro primario obstruido	Utilice el agitador de filtro. Si esta acción no fuera suficiente, sustitúyalo por otro.
	Tubo de vacío bloqueado	Compruebe el tubo de vacío y límpielo.
Sale polvo de la aspiradora	El filtro está roto	Sustitúyalo por otro filtro del mismo tipo.
	Filtro incorrecto	Sustitúyalo por otro filtro del tipo correcto y compruebe el funcionamiento.
Motores ruidosos	Escobillas de motor (carbón) gastadas o rotas	Quite y sustituya las escobillas (de carbón) del motor.
Corriente electrostática en la aspiradora	Toma de tierra inexistente o ineficaz	Compruebe todas las conexiones a tierra. Sobre todo en la instalación de la toma de aspiración; sustituya el tubo por otro antiestático.

1



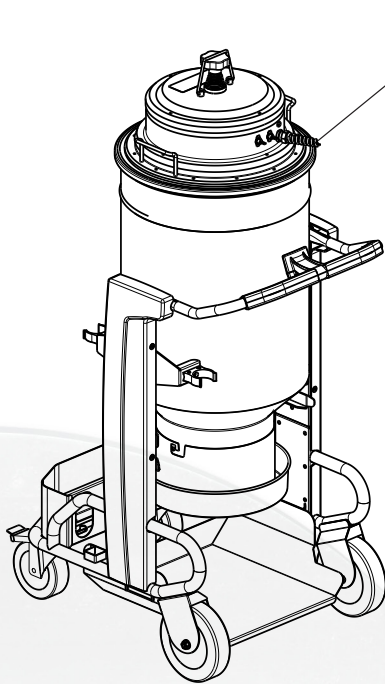
1



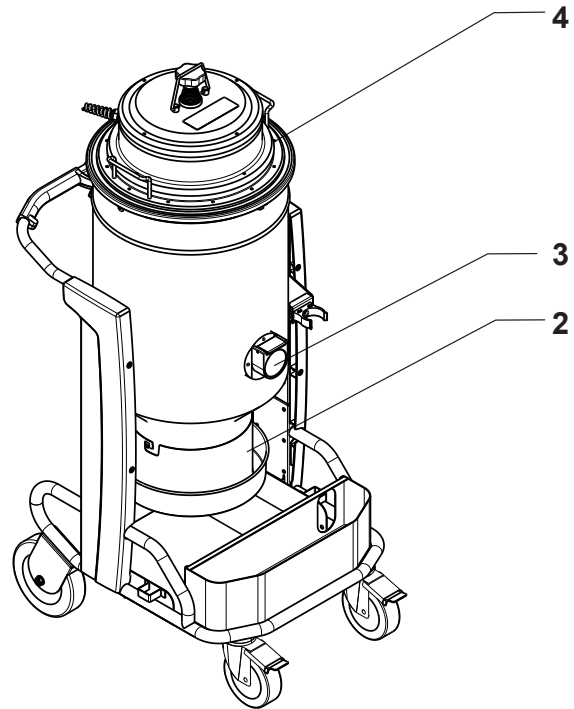
5



7



6

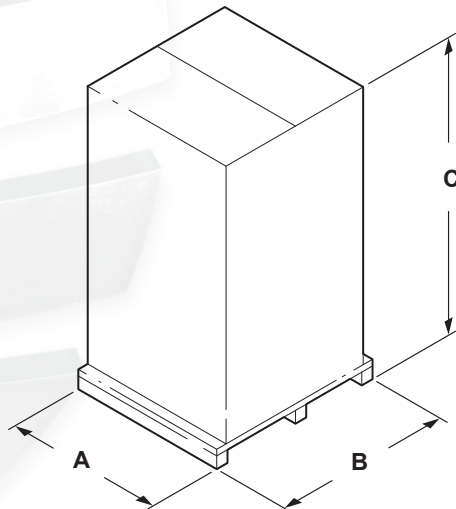


4

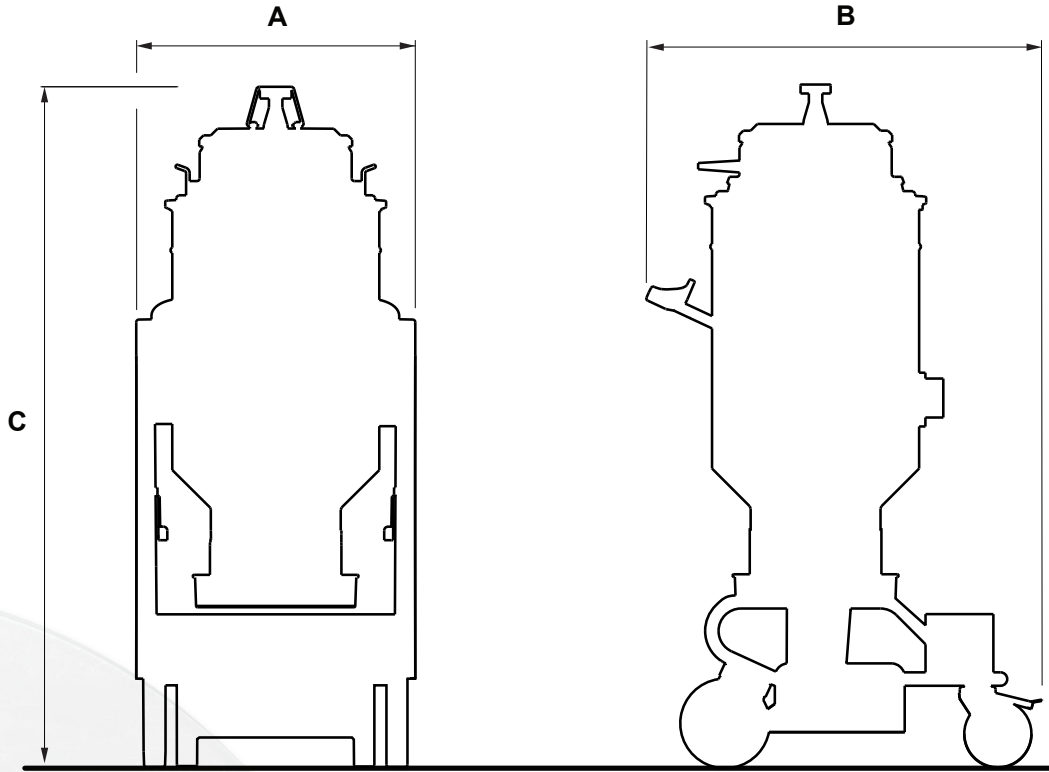
3

2

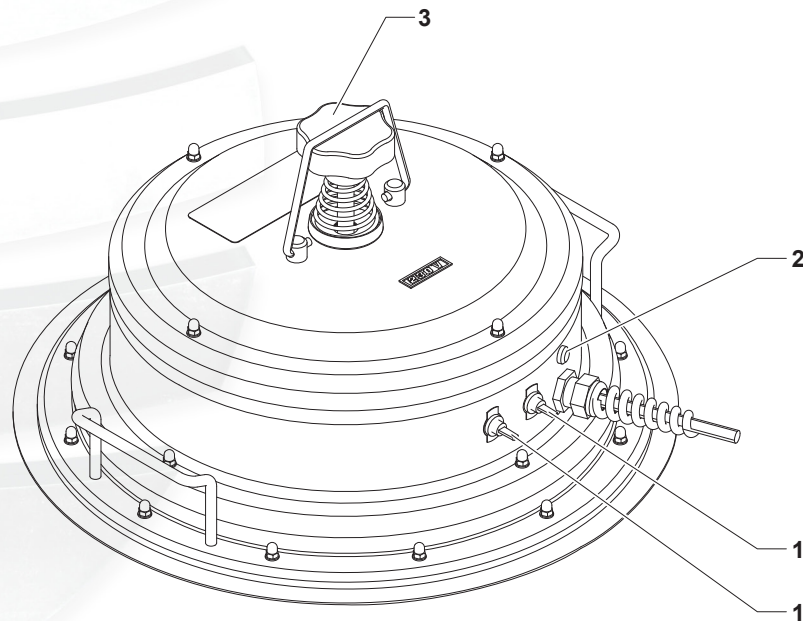
2



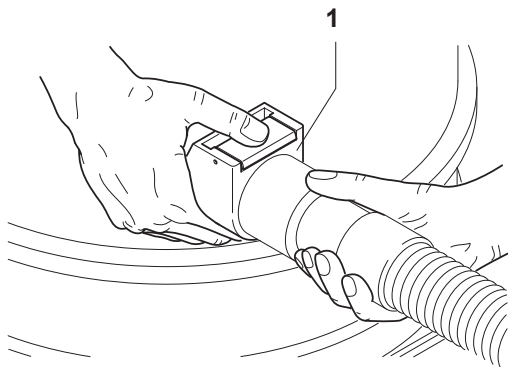
3



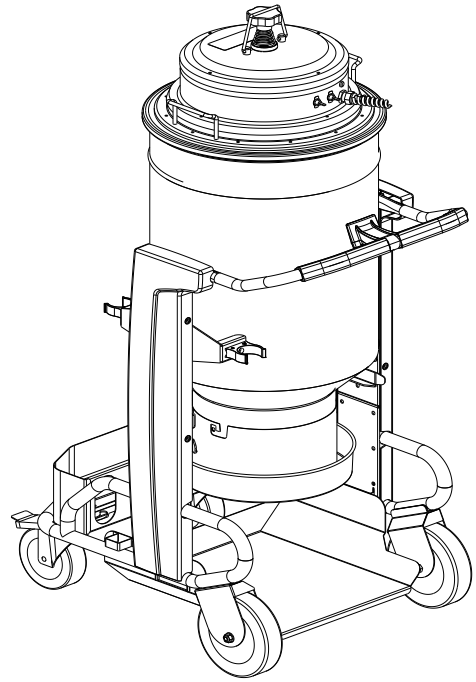
4



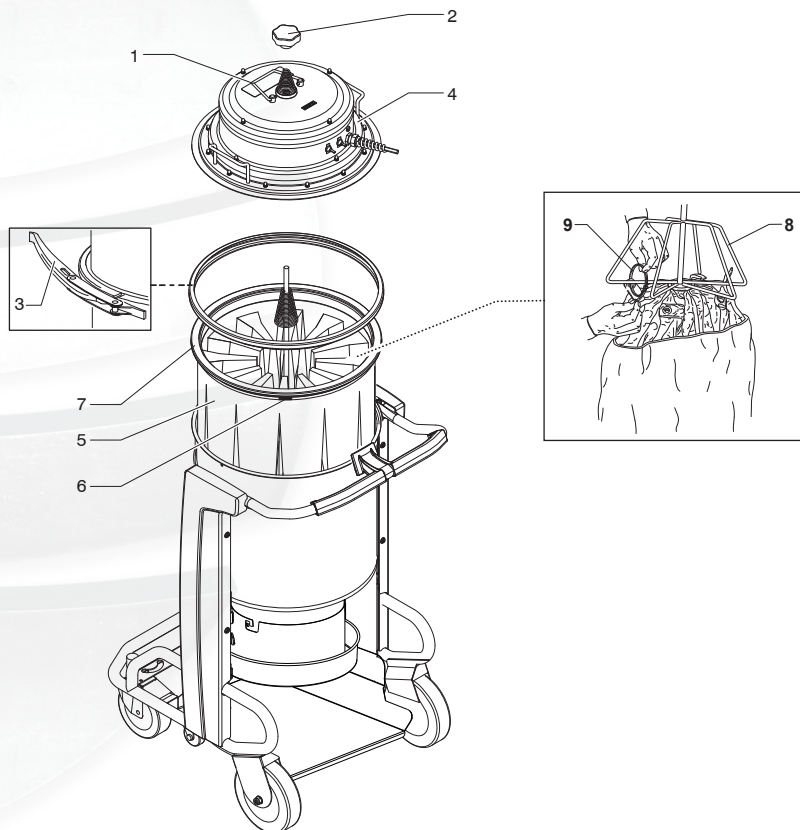
5



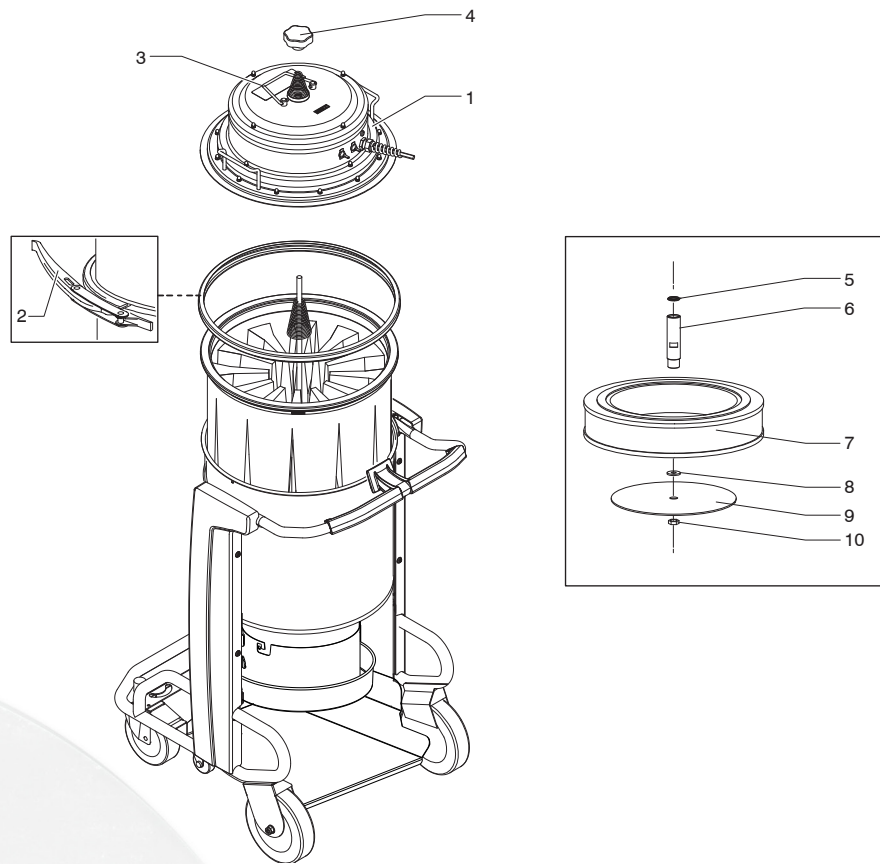
6



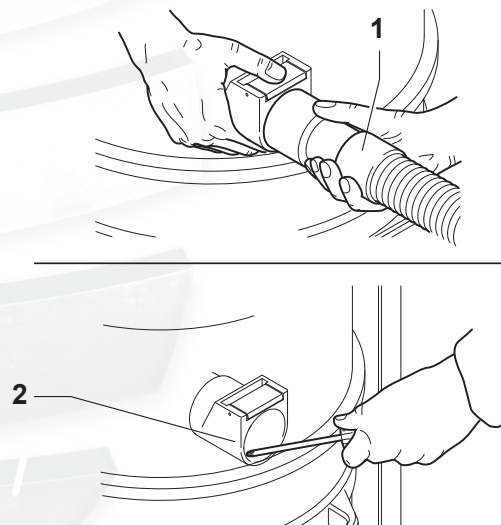
7

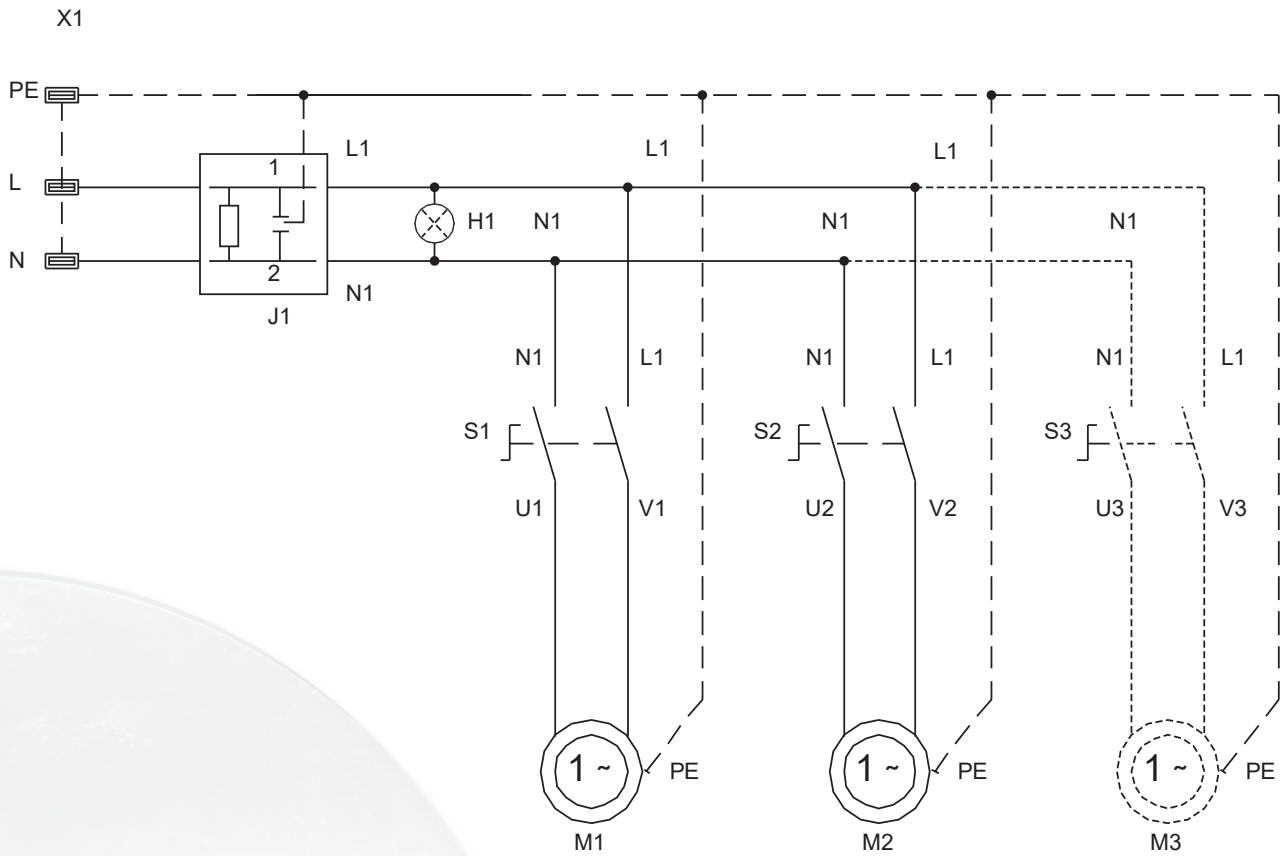


8

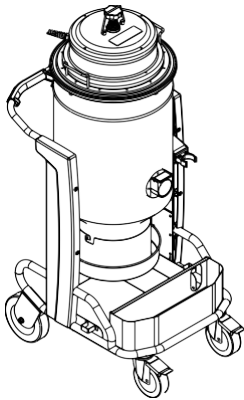


9



10




**Spare parts catalog***Catalogue des pièces de rechange***Catalogo de piezas de repuesto*****This parts catalog covers the following models:****Ce catalogue de pièces détachées est valable pour les modèles d'aspirateurs suivants:***El presente catálogo de repuestos tiene validez para los modelos de aspiradores:**

4010500102

4010500091

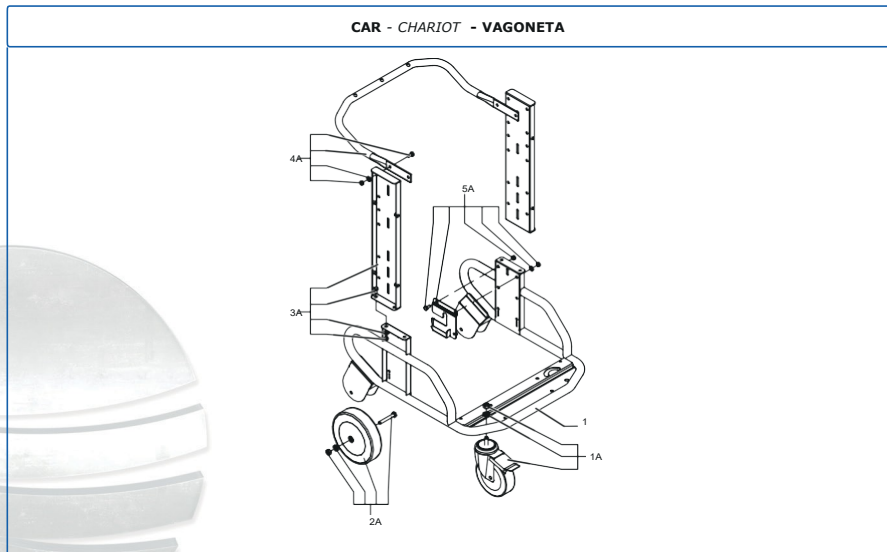
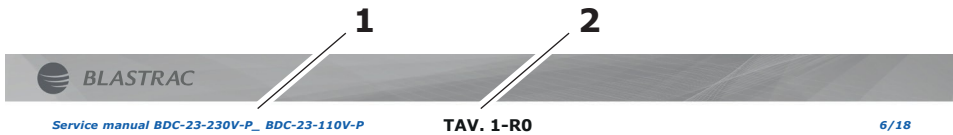
GENERAL INFORMATIONS - INFORMATIONS GENERALS - INFORMACIONES GENERALES

All instruction, drawing, tables and any other information herein contained, are to be considered herein contained, are to be considered as confidential technical descriptions. Therefore, no information nor data shall be reproduced neither entirely nor partially and no information may be passed to third parties without written authorization by the manufacturer who is the sole proprietor of it and who reserves the right of any modification, that are considered suitable, without, prior notice.

Les instructions, les dessins, les plans et toutes autres informations contenues dans ce livret sont des données techniques réservée. Pour cela aucune information ne peut être reproduite ni entièrement ni partiellement et ne peut être communiquée à tiers sans autorisation écrite du constructeur qui en est le propriétaire exclusif. Celle-ci se réserve aussi le droit d'effectuer sans avis préalable toutes les modifications qu'elle estimera nécessaires.

Las instrucciones, los dibujos, las tablas y demás que se encuentran en el presente folleto son de naturaleza técnica reservada y, por tanto, las informaciones no pueden ser reproducidas ni en su totalidad ni en parte y no pueden ser comunicadas a terceros sin la autorización escrita del productor que es el propietario exclusivo y que se reserva el derecho de hacer las modificaciones que considere oportunas sin aviso anticipado.

How to consult the catalogue - Comment consulter ce catalogue - Normas para consultar el catálogo



www.blastrac.com - info@blastrac.com



POS.	Blastrac PN	HQV Part Number	Q	DESCRIPTION	DESIGNATION	DENOMINACIONES		
1	4083600611	533182801	1	carrello	chariot	wagen	car	vagoneta
1A	40000874	533746601	2	kit ruota pivotante D150	-	-	D150 revol. castor kit	-
2A	40000873	533910201	1	kit ruote D200	-	-	wheel kit D200	-
3A	40000871	-	2	kit montante	-	-	upright kit	-
4A	40000891	-	1	kit manico	-	-	handle kit	-

3 4 5

1- Machine model

Modèle de la machine

Modelo de la máquina

2- Table number with modification indication

Numéro du plan avec indice de révision

Número de la lámina con indice de modificación

3- Position number of part

Numéro de position de la pièce

Número de posición de la pieza

Note: in the manual, stainless steel parts have the same position number as standard parts.

Remarque: dans le manuel les pièces en acier inoxydable ont le même numéro

de position que les pièces standard.

Nota: en el manual, los particulares de acero inoxidable tienen el mismo número de posición que las piezas estándar.

4- Code number of part

Numéro de code de la pièce

Número de código de la pieza

5- Quantity of parts per table

Quantité de pièces par plan

Cantidad de piezas por lámina

HOW TO ORDER SPARE PARTS

Any order for spare parts should be completed with the following datas:

- A) *Machine model*
- B) *Serial number*
- C) *Identification code number of the part required*
- D) *Quantity required*
- E) *Part denomination*

NORMAS PARA HACER UN PEDIDO

En todos los pedidos debe indicarse los siguientes datos:

- A) *Modelo de la máquina*
- B) *Numero de la matricula*
- C) *Numero de codigo*
- D) *Cantidad pedida*
- E) *Denominación*

POUR COMMANDER LES PIÈCES DÉTACHÉES

Donner toujours les indications suivantes:

- A) *Type de la machine*
- B) *Numéro de serie*
- C) *Code de la pièce*
- D) *Quantité demandée*
- E) *Dénomination de la pièce*

**INDICE DELLE TAVOLE - INDEX DES TABLES - TAFELVERZEICHNIS
TABLES INDEX - INDICE DE TABLAS****TAV. 1-R0**

CAR
CHARIOT
VAGONETA

TAV. 2-R0

CAR
CHARIOT
VAGONETA

TAV. 3-R0

CAR
CHARIOT
VAGONETA

TAV. 4-R0

HOPPER
TREMIE
TOLVA

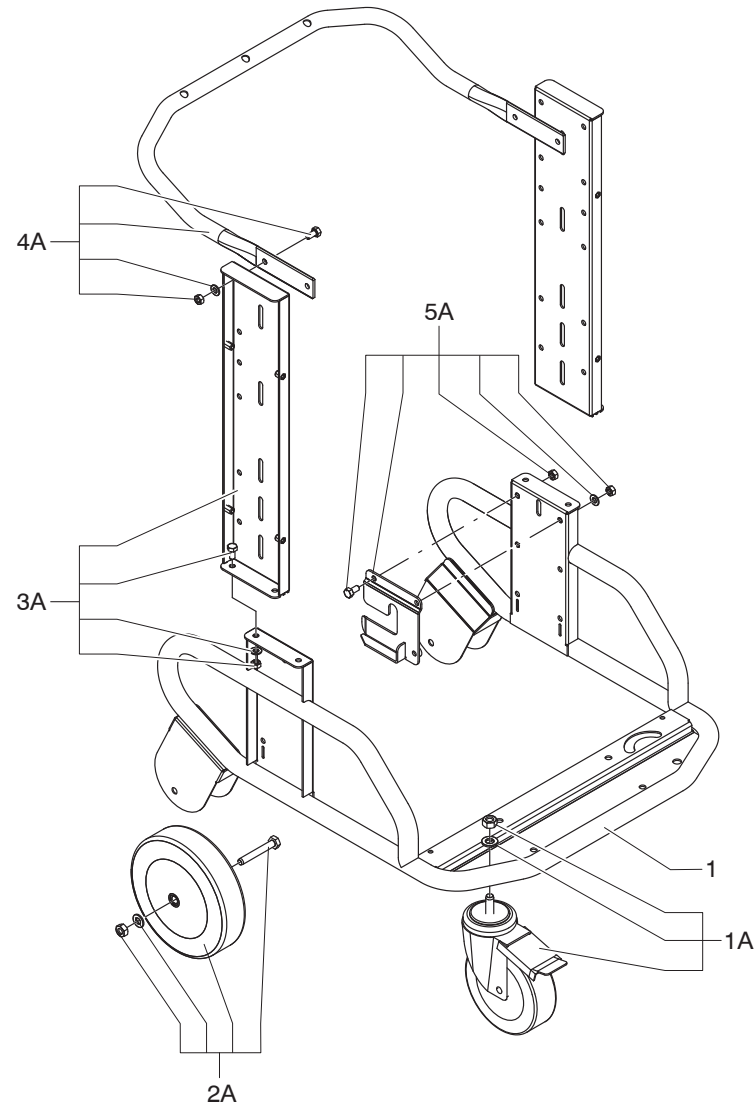
TAV. 5-R0

FILTER GROUP
ENSEMBLE FILTRE
GRUPO FILTRO

TAV. 6-R0

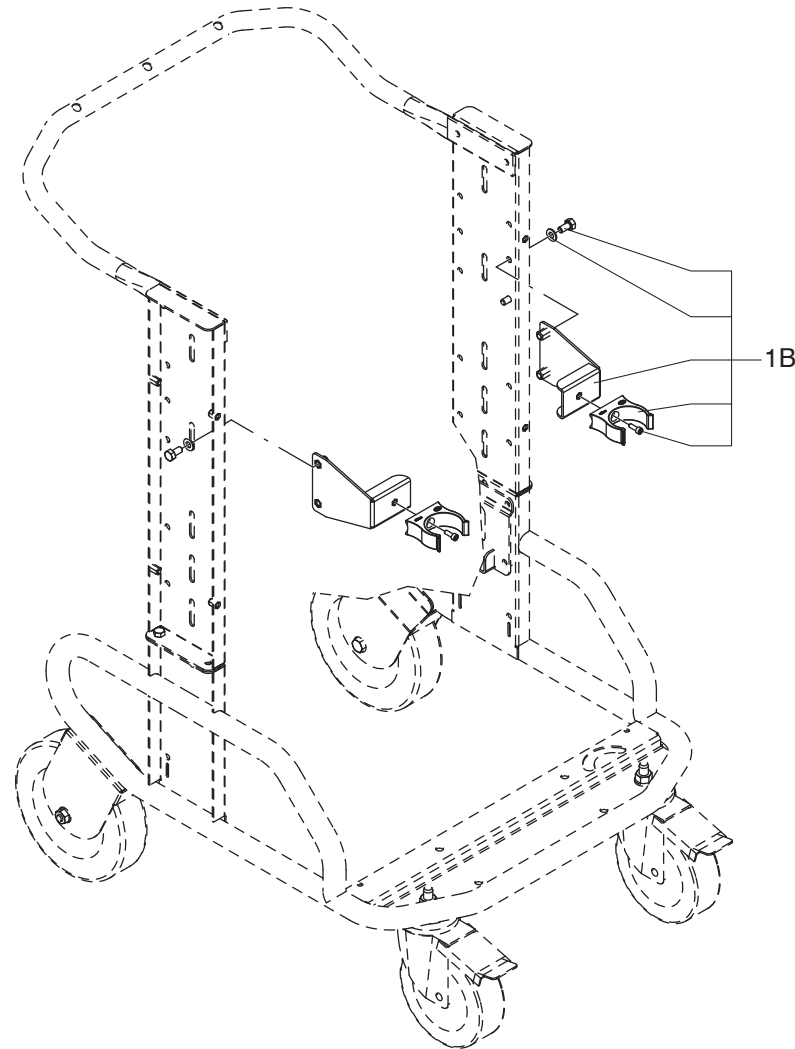
SUCTION UNIT
GROUPE ASPIRATION
GRUPO ASPIRACION

CAR - CHARIOT - VAGONETA



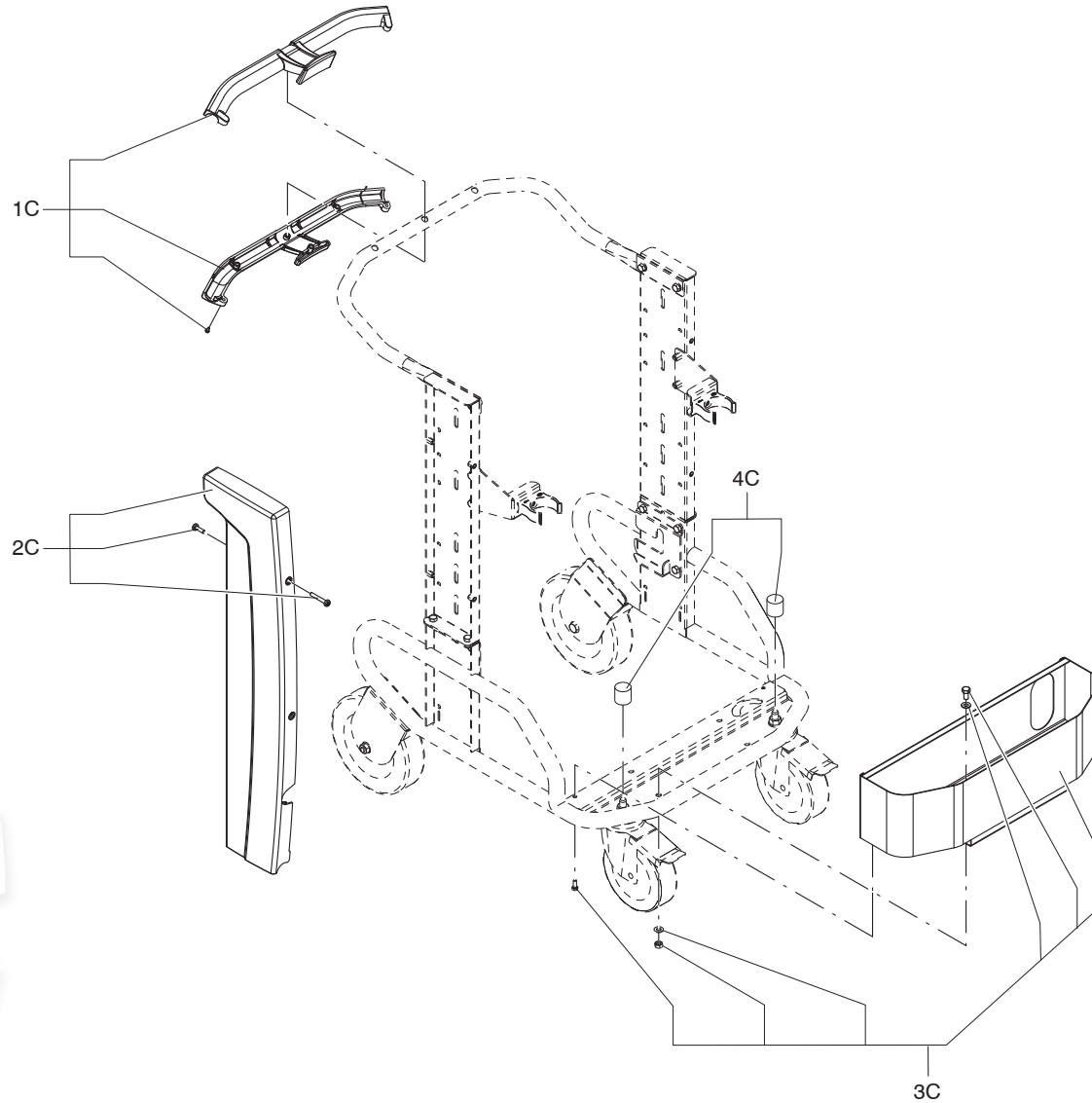
POS.	Blastrac PN	HQV PN	Q	DESCRIPTION	DESIGNATION	DENOMINACIONES
1	4083600611	533182801	1	car	chariot	vagoneta
1A	40000874	533746601	2	D150 revolv. castor kit	—	—
2A	40000873	533910201	1	wheel kit D200	—	—
3A	40000871	-	2	upright kit	—	—
4A	40000891	534619601	1	handle kit	—	—
5A	40000872	533464001	1	bin release kit	—	—

CAR - CHARIOT - VAGONETA



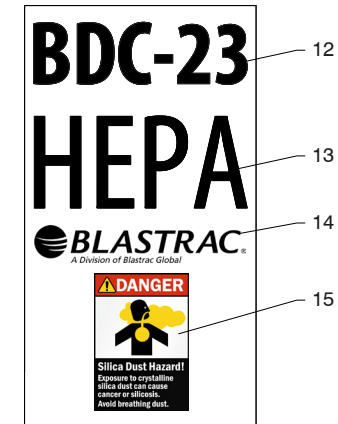
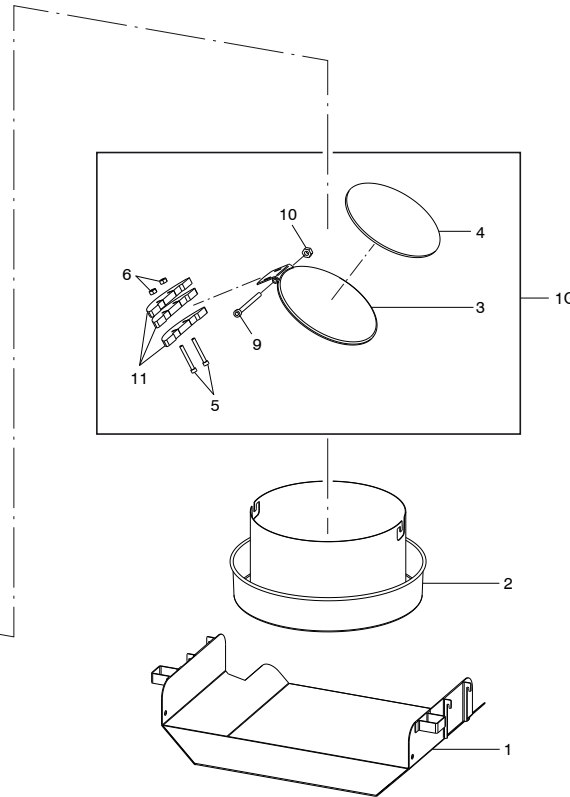
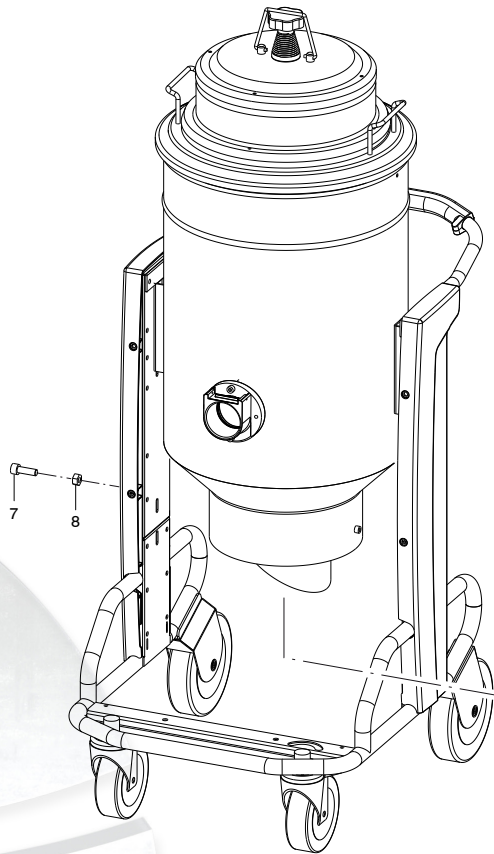
POS.	Blastrac PN	HQV PN	Q	DESCRIPTION	DESIGNATION	DENOMINACIONES
1B	40000856	535353401	2	hose holder kit	—	—

CAR - CHARIOT - VAGONETA



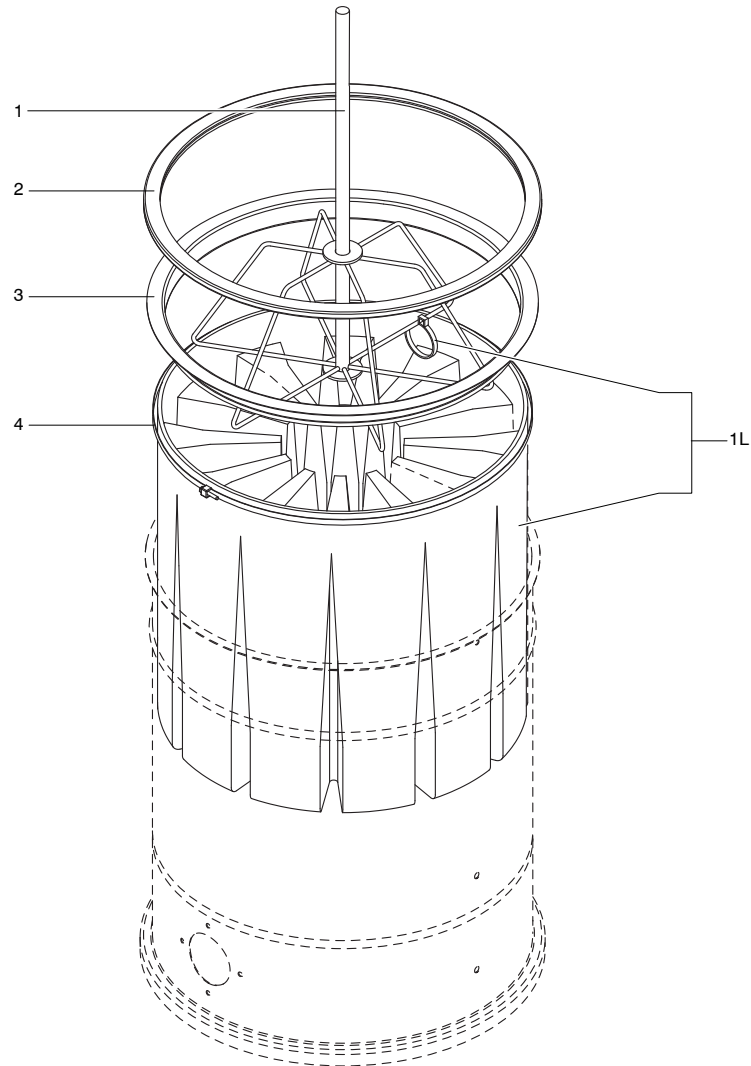
POS.	Blastrac PN	HQV PN	Q	DESCRIPTION	DESIGNATION	DENOMINACIONES
1C	40000855	533266801	1	handle kit	—	—
2C	40000864	534047001	1	upright protection kit	—	—
3C	40000892	-	1	compartment kit	—	—
4C	40000870	-	1	protection kit	—	—

HOPPER - TREMIE - TOLVA



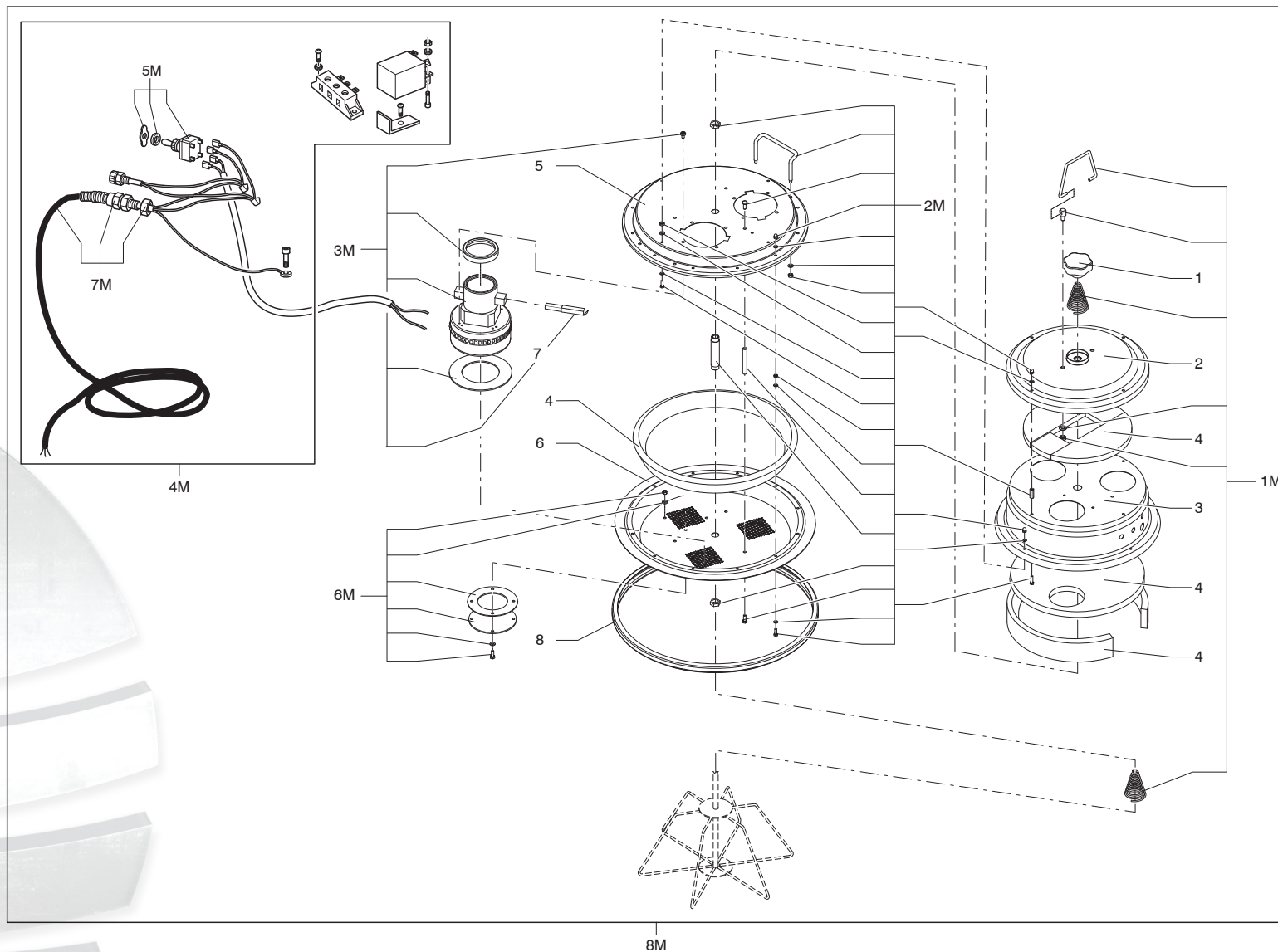
POS.	Blastrac PN	HQV PN	Q	DESCRIPTION	DESIGNATION	DENOMINACIONES
1	4081801054	-	1	pan	plateau	cubeta
2	4083100770	533645101	1	bag holder	support de sac	el apoyo del saco
3	4081400707	533385901	1	clapet	clapet	clapet
4	4081700865	533386701	1	seal	joint	junta
5	ZBVTE0645ZB	-	2	screw	vis	tornillo
6	ZBDAB06ZB	-	2	nut	ecrou	tuerca
7	ZBVTCCCE0815ZB	-	2	screw	vis	tornillo
8	ZBDAB08ZB	-	2	nut	ecrou	tuerca
9	ZBVTCCCE0585X	-	1	screw	vis	tornillo
10	ZBDAB05X	-	1	nut	ecrou	tuerca
11	4081400706	-	3	counterweight	contrepoids	contrapeso
12	4081701443	-	1	BDC-23 stiker	BDC-23 stiker	BDC-23 stiker
13	4081701446	533175001	1	HEPA stiker	HEPA stiker	HEPA stiker
14	4081701448	533276201	1	Blastrac stiker	Blastrac Stiker	Blastrac Stiker
15	4081701449	533195001	1	Silica stiker	Silica stiker	Silica Stiker
1G	40000699	534093101	1	Clapet closing kit	—	—

FILTER GROUP - ENSEMBLE FILTRE - GRUPO FILTRO



POS.	Blastrac PN	HQV PN	Q	DESCRIPTION	DESIGNATION	DENOMINACIONES
1	8 33093 1	534665501	1	cage	cage	jaula
2	8 17026	533847801	1	seal	joint	junta
3	8 15003	533837501	1	ring	anneau	anillo
4	8 18079	533177501	1	tie	collier	abrazadera
1L	40000699	534039101	1	D460 star filter "cat. M" kit	—	—

SUCTION UNIT - GROUPE ASPIRATION - GRUPO ASPIRACION



POS.	Blastrac PN	HQV PN	Q	DESCRIPTION	DESIGNATION	DENOMINACIONES
1	8 40027	533418501	1	knob	bouton	boton
2	4083500258	533215701	1	cover	couvercle	tapa
3	8 16067 5005	533150901	1	engine cover	couvre-moteur	cubre-motor
4	8 17229	533441001	1	soundproofing kit	kit insonorisant	kit insonorizacion
5	4081600598	-	1	motor fixing device	fixe-moteur	fijacion motor
6	4081600599	533303801	1	engine holder	porte-moteur	porta motor
7	40000885	534032901	2/3	motor brush kit V230	—	—
7	40000886	533857001	2/3	motor brush kit V115	—	—
8	Z8 36191	533231201	1	band	etrier	faja
1M	4089100031	533785801	1	kit filter-shaker	—	—
2M	40000936	534654201	1	nuts & bolts kit for motor assembly	—	—
3M	40000937	533802201	2/3	single motor kit V230	—	—
3M	40000938	533711501	2/3	single motor kit V110 UK	—	—
4M	40000941	534543401	1	kit electric instal V230 "BDC1330"	—	—
4M	40000939	-	1	kit electric instal V110 UK "BDC1330"	—	—
5M	40000516	533989001	2/3	kit switch	—	—
6M	40000901	-	1	3 rd motor closing kit	—	—
7M	40000909	534961001	1	kit switch V230 EU	—	—
7M	40000923	-	1	kit switch S3B V110 UK "BDC1330"	—	—
8M	4089100160	-	1	complete head V230 "BDC1330"	—	—
8M	4089100290	-	1	complete head V110 "BDC1330"	—	—

IMPORTANT

Information and data contained in this publication are correct and up to date at the time of printing. The company does, however, continually try to improve the products and such improvements may give rise to structural changes requiring modifications in the above procedures. Should any differences be noted, please contact your nearest sales and assistance center for help in clearing up any possible doubts.

IMPORTANT

Les renseignements et indications contenus dans le présent livret étaient exacts et à jour au moment de l'impression. Dans un souci d'amélioration, nos matériels peuvent avoir bénéficié d'évolutions ou avoir été modifiés. Au cas où vous remarqueriez des différences, veuillez vous adresser à un Centre de vente et Service après-vente pour éliminer toute possibilité de doute.

IMPORTANTE

Las informaciones y los datos contenidos en esta publicación son exactos y actualizados hasta el momento de la impresión. Es nuestra norma tratar de mejorar el producto, consecuentemente algunas modificaciones constructivas pueden afectar los procedimientos descritos. Cuando se noten diferencias eliminar cualquier duda dirigiéndose a un Centro de Venta y Asistencia.