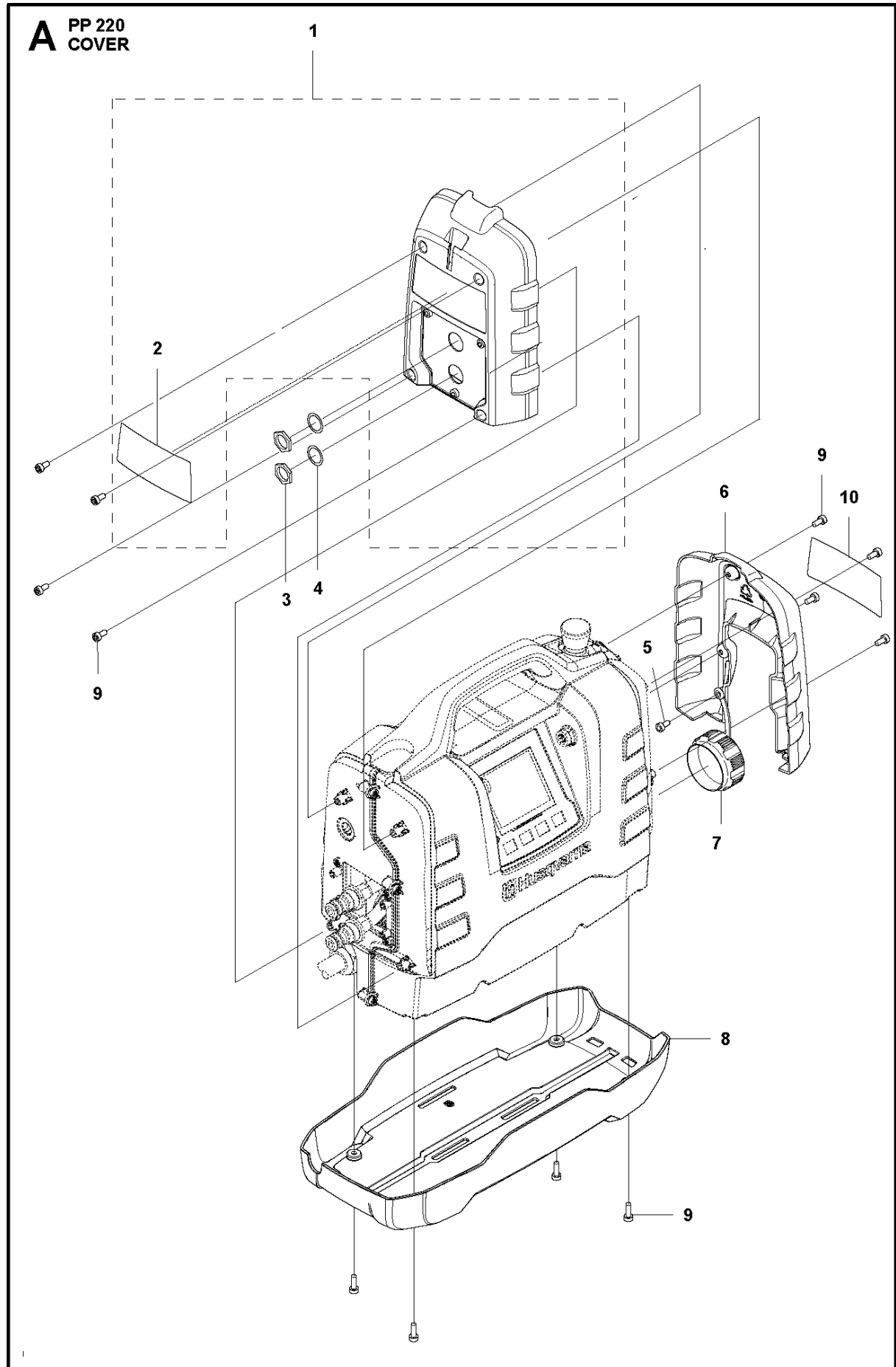




# SPARE PARTS LIST

## POWER PACKS

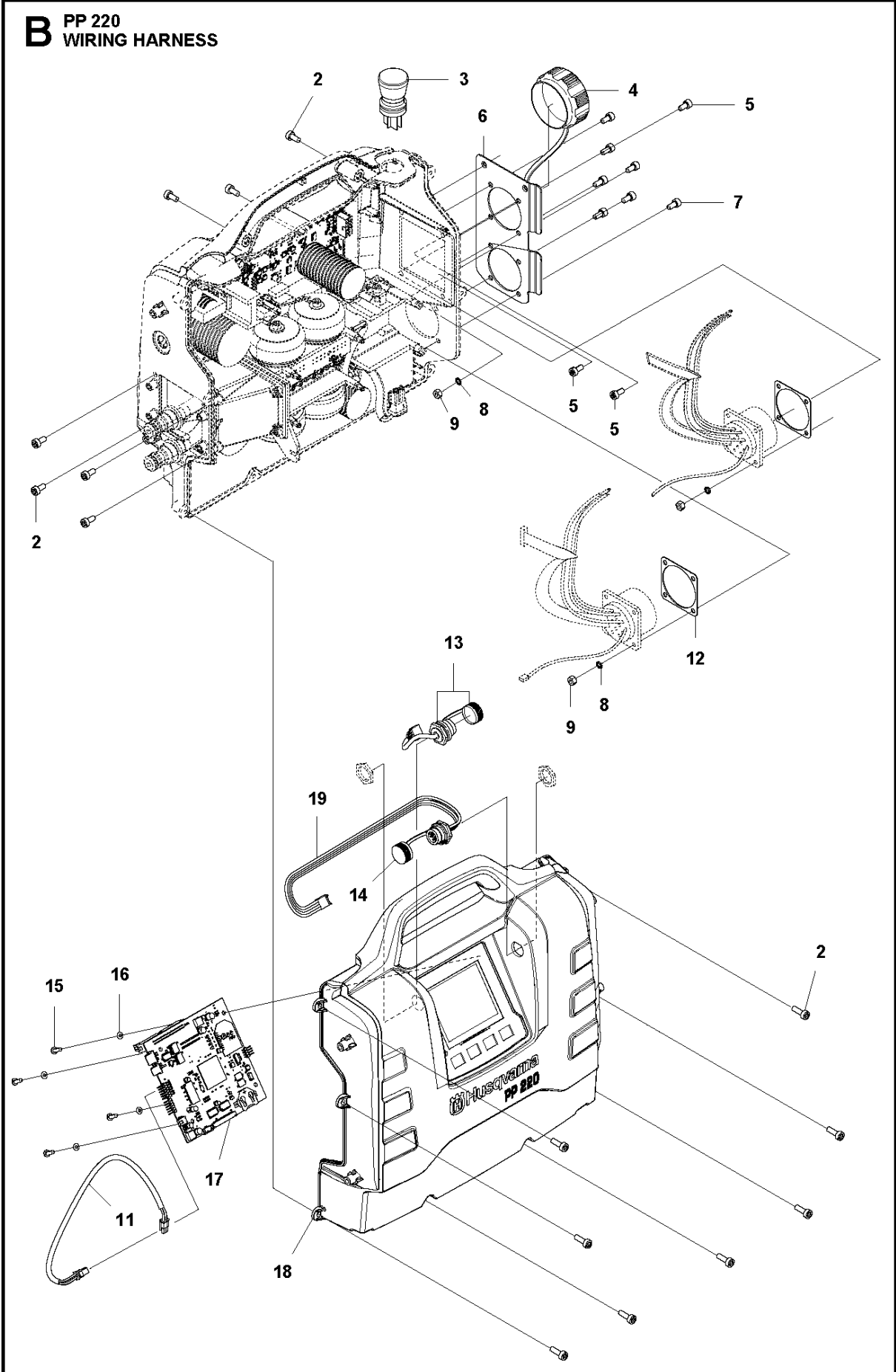
PP220, Valid for S/N: 20163400001 and  
forward



## COVER

PP220, Valid for S/N: 20163400001 and forward

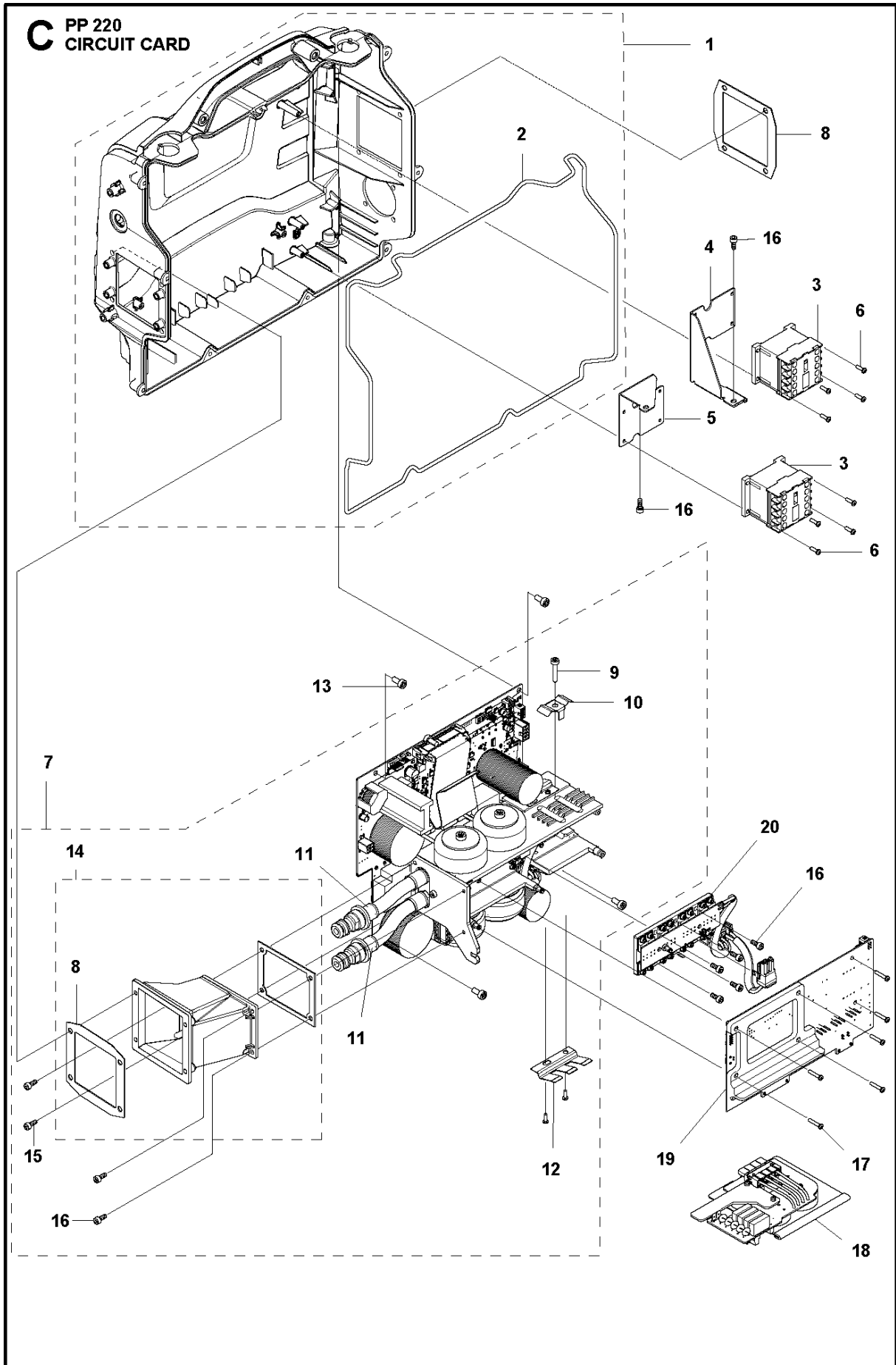
Ref	Part No	Description	Remark	QTY KIT	
1	586 23 98-02	COVER	EU + AUS, Incl. 2	1	
1	586 23 98-03	COVER	US + JP, Incl. 2	1	
2	575 74 59-02	LABEL		1	1
2	575 74 59-03	LABEL		1	1
3	531 11 73-41	NUT		2	1
4	531 11 91-85	SEALING RING		2	1
5	504 90 94-10	SCREW ITXSCT		1	
6	575 70 94-01	COVER		1	
6	587 21 48-01	COVER	US & AUS	1	
7	525 73 44-01	LID		1	
8	522 92 24-01	CHASSIS		1	
9	504 61 09-03	SCREW ITXPANT		12	
10	586 86 00-01	LABEL		1	



## WIRING HARNESS

PP220, Valid for S/N: 20163400001 and forward

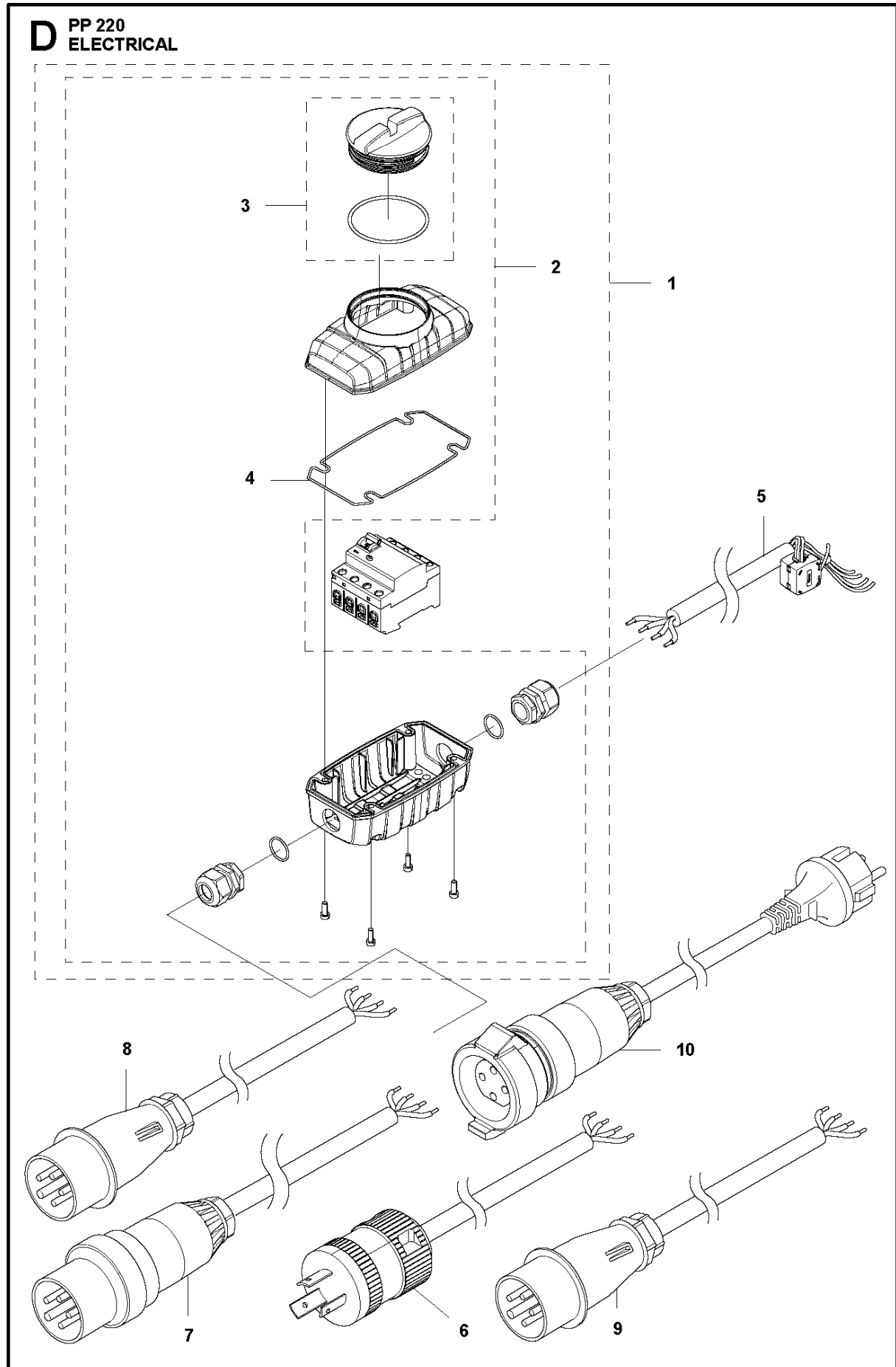
Ref	Part No	Description	Remark	QTY KIT
2	504 61 09-03	SCREW ITXPANT		15
3	582 73 74-01	STOP SWITCH ASSY		1
4	525 73 44-02	LID		1
5	531 11 92-50	SCREW		9
6	575 70 87-03	PLATE		1
7	531 11 92-51	SCREW		1
8	735 21 46-01	LOCKWASHER		3
9	731 23 14-01	HEXAGON NUT		3
11	578 93 24-01	CABLE ASSY		1
12	525 73 45-01	SEALING		2
13	586 14 66-02	CONTACT		1
14	585 47 86-01	RUBBER PLUG		1
15	578 77 61-02	SCREW ITXPANT		4
16	576 97 48-01	WASHER		4
17	586 71 18-02	PRINTED CIRCUIT ASSY		1
18	586 23 99-02	MAIN BODY		1
19	577 31 39-02	CONTACT		1



## CIRCUIT CARD

PP220, Valid for S/N: 20163400001 and forward

Ref	Part No	Description	Remark	QTY	KIT
1	585 03 84-02	MAIN BODY	Incl. 2	1	
2	525 61 70-05	SEALING		1	1
3	578 34 70-01	CONTACTOR		2	
4	582 66 41-01	BRACKET		1	
5	582 66 43-01	BRACKET		1	
6	578 77 61-02	SCREW ITXPANT		8	
7	586 24 00-02	PRINTED CIRCUIT BOARD		1	
8	574 37 54-02	SEAL		2	
9	725 53 29-55	SCREW IHSCM		1	
10	584 64 43-01	CLIP		1	
11	579 76 12-01	HOSE ASSY		2	
12	582 53 01-01	CLIP		1	
13	504 61 09-03	SCREW ITXPANT		4	
14	585 03 86-01	AIR CONDUCTOR	Incl. 1 piece of pos. 8	1	
15	725 52 91-01	SCREW IHSCM		3	
16	725 52 89-05	SCREW IHSCM		10	
17	729 52 28-71	SCREW CRPANT		6	
18	581 30 33-04	PRINTED CIRCUIT ASSY		1	
19	589 34 08-01	PRINTED CIRCUIT ASSY		1	
20	587 16 43-02	PRINTED CIRCUIT ASSY		1	



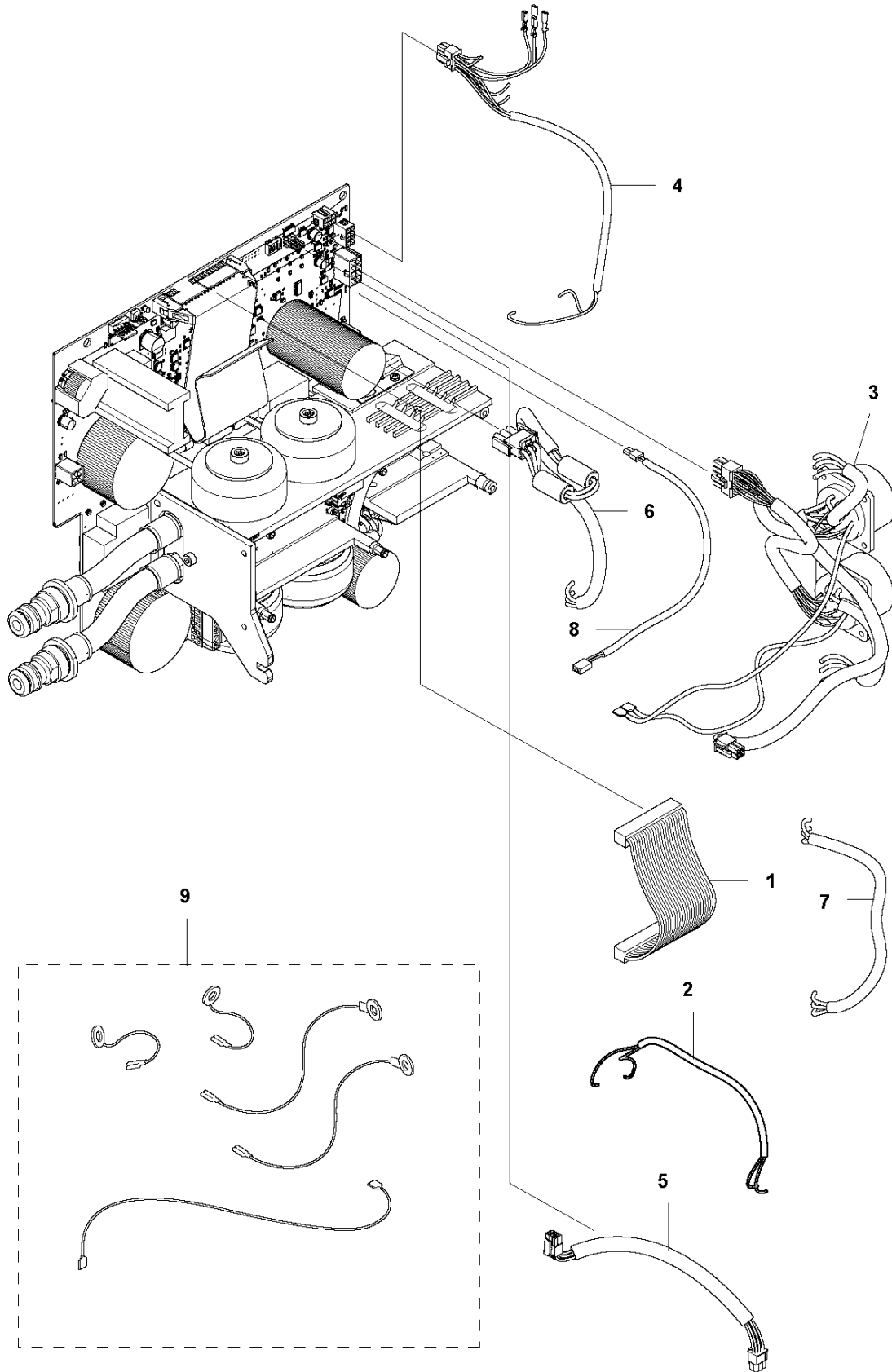


## ELECTRICAL

PP220, Valid for S/N: 20163400001 and forward

Ref	Part No	Description	Remark	QTY KIT
1	577 27 24-02	ELECTRIC MODULE		1
2	589 33 59-01	BOX		1
3	585 03 89-01	LID		1
4	577 26 23-01	O-RING		1
5	577 50 29-05	CABLE ASSY	Aus	1
5	577 50 29-06	CABLE ASSY	Japan	1
5	577 50 29-07	CABLE ASSY	EU	1
5	577 50 29-08	CABLE ASSY	US	1
6	576 47 25-02	CABLE ASSY	Aus	1
7	576 47 25-05	CABLE ASSY	EU	1
8	576 47 25-06	CABLE ASSY	US	1
9	576 47 25-03	CABLE ASSY	Japan	1
10	579 00 23-01	CABLE ASSY	Ny variant EU	1
10	579 00 23-02	CABLE ASSY	Ny variant AU	1
10	579 00 23-07	HARNESS	Ny variant US	1

**E** PP 220  
ELECTRICAL

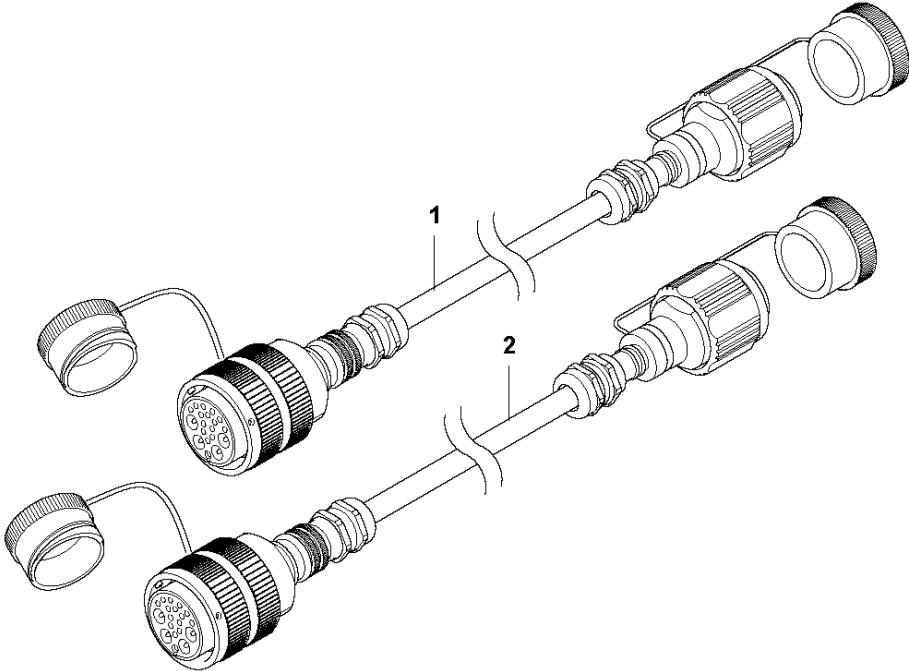


ELECTRICAL

PP220, Valid for S/N: 20163400001 and forward

Ref	Part No	Description	Remark	QTY KIT
1	575 81 06-01	CABLE ASSY		1
2	578 77 99-01	CABLE ASSY		1
3	525 73 46-01	HOUSING		1
4	575 81 07-02	CABLE ASSY		1
5	578 78 02-01	CABLE ASSY		1
6	575 81 11-01	CABLE ASSY		1
7	578 78 00-01	CABLE ASSY		1
8	588 55 58-01	CABLE		1
9	589 34 88-01	GROUND CABLE		1

**F** PP220  
ACCESSORIES



## ACCESSORIES

PP220, Valid for S/N: 20163400001 and forward

Ref	Part No	Description	Remark	QTY KIT
1	596 26 31-01	CABLE ASSY		1
2	596 26 31-02	CABLE ASSY		1