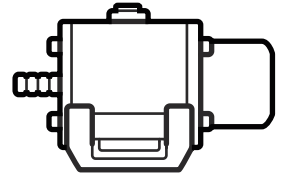




Husqvarna®



EP 121B, EP 271B, EP 371B, EP 601B

EN	Operator's manual	2-13
FR	Manuel d'utilisation	14-26
NL	Gebruiksaanwijzing	27-38
DE	Bedienungsanweisung	39-51

Contents

Introduction.....	2	Troubleshooting.....	7
Safety.....	3	Storage and disposal.....	9
Operation.....	5	Technical data.....	10
Maintenance.....	6	EC Declaration of Conformity.....	13

Introduction

Product description

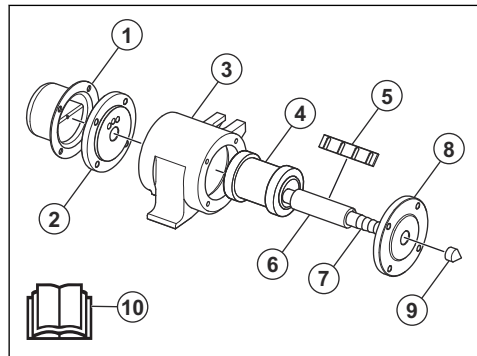
The product is a concrete vibrator. The product has a pneumatically operated motor that only contains 2 moving parts. Compressed air is supplied to the product through the air valve.

An automatic lubricator can be installed as an optional equipment. The automatic lubricator is supplied by the manufacturer of the air compressor.

Intended use

The product is for professional operation only. The product removes air bubbles from wet concrete. Do not use the product for other tasks.

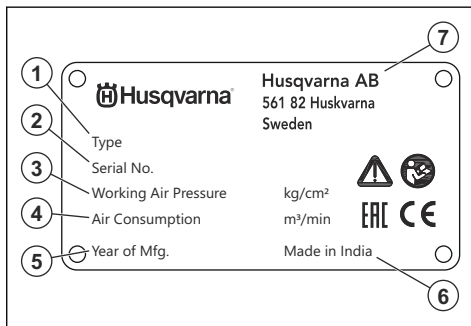
Product overview



1. Rear cover
2. Rear flange
3. Housing
4. Rotor
5. Lamella
6. Shaft
7. Air connector
8. Front flange
9. Front cover
10. Operator's manual

9. Front cover
10. Operator's manual

Rating plate



1. Product type
2. Serial number
3. Air pressure, kg/m²
4. Air consumption, m³/min
5. Year of manufacture
6. Land of manufacture
7. Manufacturer

Product liability

As referred to in the product liability laws, we are not liable for damages that our product causes if:

- the product is incorrectly repaired.
- the product is repaired with parts that are not from the manufacturer or not approved by the manufacturer.
- the product has an accessory that is not from the manufacturer or not approved by the manufacturer.
- the product is not repaired at an approved service center or by an approved authority.

Safety

Safety definitions

Warnings, cautions and notes are used to point out specially important parts of the manual.



WARNING: Used if there is a risk of injury or death for the operator or bystanders if the instructions in the manual are not obeyed.



CAUTION: Used if there is a risk of damage to the product, other materials or the adjacent area if the instructions in the manual are not obeyed.

Note: Used to give more information that is necessary in a given situation.

General safety instructions



WARNING: Read the warning instructions that follow before you use the product.

- This product is a dangerous tool if you are not careful or if you use the product incorrectly. This product can cause serious injury or death to the operator or others. Before you use the product, you must read and understand the contents of this operator's manual.
 - Save all warnings and instructions.
 - Comply with all applicable laws and regulations.
 - The operator and the employer of the operator must know and prevent the risks during operation of the product.
 - Do not let a person operate the product unless they read and understand the contents of the operator's manual.
 - Do not operate the product unless you receive training before use. Make sure that all operators receive training.
 - Do not let a child operate the product.
 - Only let approved persons operate the product.
 - The operator is responsible for accidents that occur to other persons or their property.
 - Do not use the product if you are tired, ill, or under the influence of alcohol, drugs or medicine.
 - Always be careful and use your common sense.
 - This product produces an electromagnetic field during operation. This field can under some circumstances interfere with active or passive medical implants. To decrease the risk of serious injury or death, we recommend persons with medical implants to speak to their physician and the medical implant manufacturer before operating this product.
- Keep the product clean. Make sure that you can clearly read signs and decals.
 - Do not use the product if it is defective.
 - Do not do modifications to this product.
 - Do not operate the product if it is possible that other persons have done modifications to the product.

Safety instructions for operation



WARNING: Read the warning instructions that follow before you use the product.

- Make sure that you know how to stop the product quickly in an emergency.
- The operator must have the physical strength that is necessary to operate the product safely.
- Use personal protective equipment. Refer to *Personal protective equipment on page 4*.
- Make sure that only approved persons are in the work area.
- Keep the work area clean and bright.
- Make sure that you are in a safe and stable position during operation.
- Make sure that there is no grease or oil on the handle.
- Do not use the product in areas where fire or explosions can occur.
- The product can cause objects to eject at high speed. Make sure that all persons in the work area use approved personal protective equipment. Remove loose objects from the work area.
- Before you go away from the product, stop the product and disconnect the power source.
- Make sure that clothes, long hair and jewelry do not get caught in moving parts.
- Do not sit on the product.
- Do not hit the product.
- Make sure that you or other persons cannot get caught in and fall on cables, hoses and shafts in the work area.
- Before you operate the product, find out if there are hidden wires, electrical cables or other sources of electricity. Do not operate the product unless you know that it is in a safe work area.

Vibration safety



WARNING: Read the warning instructions that follow before you use the product.

- During operation of the product, vibrations go from the product to the operator. Regular and frequent operation of the product can cause or increase the

degree of injuries to the operator. Injuries can occur in fingers, hands, wrists, arms, shoulders, and/or nerves and blood supply or other body parts. The injuries can be debilitating and/or permanent, and can increase gradually during weeks, months or years. Possible injuries include damage to the blood circulation system, the nervous system, joints, and other body structures.

- Symptoms can occur during operation of the product or at other times. If you have symptoms and continue to operate the product, the symptoms can increase or become permanent. If these or other symptoms occur, get medical aid:
 - Numbness, loss of feeling, tingling, pricking, pain, burning, throbbing, stiffness, clumsiness, loss of strength, changes in skin color or condition.
- Symptoms can increase in cold temperatures. Use warm clothing and keep your hands warm and dry when you operate the product in cold environments.
- Do maintenance on and operate the product as given in the operator's manual, to keep a correct vibration level.
- The product has a vibration damping system that decreases the vibrations from the handles to the operator. Let the product do the work. Do not push the product with force. Hold the product at the handles lightly, but make sure that you control the product and operate it safely. Do not push the handles into the end stops more than necessary.
- Keep your hands on the handle or handles only. Keep all other body parts away from the product.
- Stop the product immediately if strong vibrations suddenly occurs. Do not continue the operation before the cause of the increased vibrations is removed.

Dust safety



WARNING: Read the warning instructions that follow before you use the product.

- Operation of the product can cause dust in the air. Dust can cause serious injury and permanent health problems. Silica dust is regulated as harmful by several authorities. These are examples of such health problems:
 - The fatal lung diseases chronic bronchitis, silicosis and pulmonary fibrosis
 - Cancer
 - Birth defects
 - Skin inflammation
- Use correct equipment to decrease the quantity of dust and fumes in the air and to decrease dust on work equipment, surfaces, clothing and body parts. Examples of controls are dust collection systems and water sprays to bind dust. Decrease dust at the source where possible. Make sure that the

equipment is correctly installed and used and that regular maintenance is done.

- Use approved respiratory protection. Make sure that the respiratory protection is applicable for the dangerous materials in the work area.
- Make sure that the airflow is sufficient in the work area.
- If it is possible, point the exhaust of the product where it cannot cause dust to go into the air.

Noise safety



WARNING: Read the warning instructions that follow before you use the product.

- High noise levels and long-term exposure to noise can cause noise-induced hearing loss.
- To keep the noise level to a minimum, do maintenance on and operate the product as given in the operator's manual.
- Use approved hearing protection while you operate the product.
- Listen for warning signals and voices when you use hearing protection. Remove the hearing protection when the product is stopped, unless hearing protection is necessary for the noise level in the work area.

Personal protective equipment



WARNING: Read the warning instructions that follow before you use the product.

- Always use approved personal protective equipment when you operate the product. Personal protective equipment cannot fully prevent injury but it decreases the degree of injury if an accident does occur. Let your dealer help you select the correct personal protective equipment.
- Regularly do a check of the condition of the personal protective equipment.
- Use an approved protective helmet.
- Use approved hearing protection.
- Use approved respiratory protection.
- Use approved eye protection with side protection.
- Use protective gloves.
- Use boots with steel toe-cap and non-slip sole.
- Use approved work clothing or equivalent close-fitting clothing that has long sleeves and long legs.

Safety instructions for pneumatic air hoses



WARNING: A loose pneumatic air hose can move around randomly and with force. There is a risk of injury or death if the operator or bystanders are hit by a pneumatic air hose. Read the warning

instructions that follow before you use the product.

- Examine the pneumatic air hose and the connectors for damage. Replace damaged parts immediately.
 - Make sure that all connectors for the pneumatic air hose are correctly installed.
 - Make sure that the pneumatic air hose is correctly connected.
 - Do not hold the pneumatic air hose to lift or move the product.
 - Do not disconnect a pneumatic air hose that is pressurized. Before you disconnect the pneumatic air hose, stop the air compressor and then operate the start and stop function on the product to release the remaining pressure.
 - Do not point the airflow in the direction of your body or other persons. Air can go into the blood circulation and cause death.
 - Do not use compressed air to remove dirt from your clothing.
 - If you use claw couplings, install lockpins and use safety cables. Lockpins and safety cables prevent failure in the connections between pneumatic air hoses and between a pneumatic air hose and a tool.
- If the maintenance is not done correctly and regularly, the risk of injury and damage to the product increases.
 - Use personal protective equipment. Refer to *Personal protective equipment on page 4*.
 - Clean the product to remove dangerous material before you do the maintenance.
 - Disconnect the product from the power source before you do the maintenance.
 - Do not do modifications to the product. Modifications that are not approved by the manufacturer can cause serious injury or death.
 - Always use original accessories and spare parts. Accessories and spare parts that are not approved by the manufacturer, can cause serious injury or death.
 - Replace damaged, worn or broken parts.
 - Only do the maintenance as given in this operator's manual. Let an approved service agent do all other servicing.
 - After maintenance, do a check of the vibration level in the product. If it is not correct, speak to an approved service agent.
 - Let an approved service agent do servicing on the product regularly.

Safety instructions for maintenance



WARNING: Read the warning instructions that follow before you use the product.

Operation

Introduction



WARNING: Read and understand the safety chapter before you use the product.

To start and stop the product

1. Drain the water from the air compressor tank. Refer to the operator's manual for the air compressor.
2. Push air through the air hose to drain the water.
3. Make sure that the connector filter is clean.
4. Examine the connector seals for damage. Replace damaged seals.
5. Lubricate the product. Refer to *To lubricate the product on page 6*.
6. Connect the product to the air compressor.
7. Start the air compressor. Make sure that the air pressure is correct. Refer to *Technical data on page 10*.

Note: The speed of the vibration increases if the air pressure increases. The product does not start the vibration if the air pressure is too low.

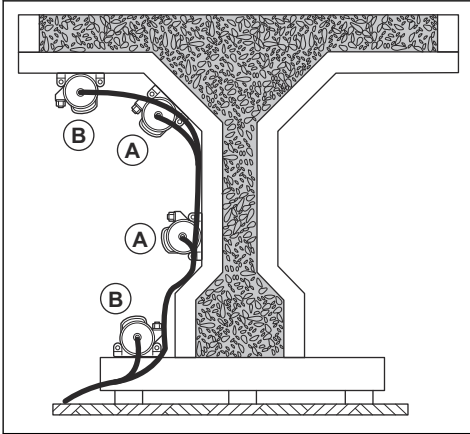


CAUTION: Make sure that the air pressure is not more than the maximum air pressure to prevent damage to the product.

8. To stop the product, stop the air compressor.

To operate the product

1. Put the product in the (A) positions. Do not put the product in the (B) positions.



2. If the product is in a position where it cannot be started, turn the flanges, shaft and lamella 90 degrees.

Note: If the product is moved to a different position, move the flanges, shaft and lamella to their initial positions.

Maintenance

Introduction



WARNING: Read and understand the safety chapter before you do maintenance on the product.

To lubricate the product

The product comes without oil. Make sure that the air is lubricated through an automatic lubricator assembled less than 10 m/32 ft. from the product. If an automatic lubricator is not installed, the product must be manually lubricated.

- Lubricate the product each day or each 4 hours during continuous operation.
- Put 4 cm³ of oil into the air hose through the coupling. Refer to *Technical data on page 10* for the correct type of oil.

To clean the product

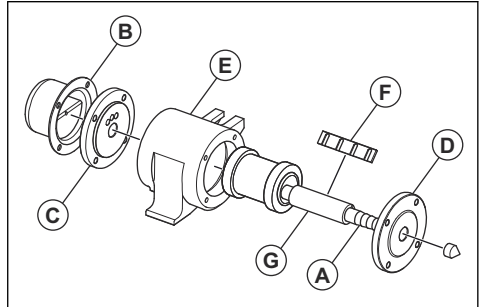


CAUTION: Do not use a high-pressure washer to clean the product.

- Use fuel to clean all the parts of the product.
- Remove concrete from the surfaces of the product after each operation before the concrete becomes hard.
- Remove grease and oil.

To disassemble the product

1. Disconnect the air hose from the connector (A).

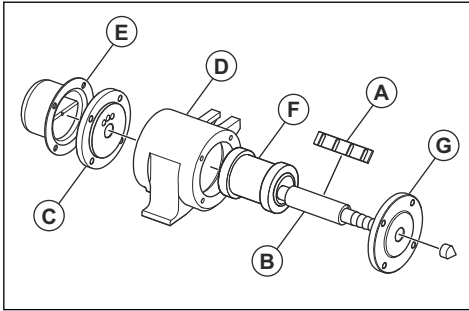


2. Remove the rear cover (B).
3. Remove the 8 screws for the rear flange (C) and front flange (D).
4. Attach the housing (E) to a vise and push off the shaft (G) from the connector side.
5. Remove the lamella (F) from the shaft.
6. Push the front flange off the shaft.

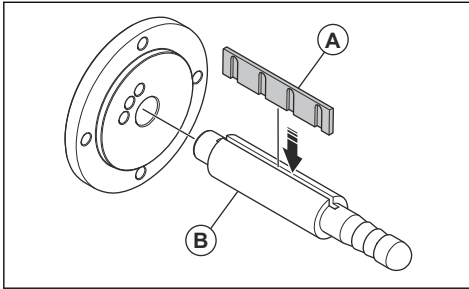
To assemble the product

1. Lubricate all moving parts.

2. Replace the lamella (A) on the shaft (B).



3. Adjust the thickness of the lamella with 800 grit abrasive paper for a tight fit in the groove of the shaft.



Note: Keep the lamella 1 night in oil until assembly to prevent changes in thickness because of moist conditions. Only adjust the thickness of the flat surface of the lamella.

4. Put a position tool into the first exhaust hole on the right side of the rear flange (C).
5. Put the shaft into the rear flange. Make sure that the lamella is level with the position tool.
6. Remove the position tool.
7. Put the flange assembly into the housing (D) with the exhaust holes at the top side and the lamella on the right side.
8. Put the rear cover (E) on the rear flange. The exhaust holes must be opposite to the holes on the rear flange.
9. Assemble the rotor (F).
10. Assemble the front flange (G). The inner side holes must be opposite to the holes on the rear flange.
11. Assemble the 8 screws for the rear flange and front flange. Tighten the screws to the correct torque 21.6 Nm.

Troubleshooting

Problem	Cause	Solution	
The product does not start.	There is no air pressure.	Make sure that the air compressor is on and that the product is correctly connected to the air hose.	
		Make sure that the air hose is not blocked or twisted.	
		Examine the air flow and the air pressure.	
	There is no air flow.	Make sure that the air compressor is on and that the product is correctly connected to the air hose.	
		Make sure that the air hose is not blocked or twisted.	
	The air exhaust is blocked.	Remove the blockage. Clean the air exhaust.	
	The product does not operate correctly.		Make sure that there is no mechanical friction or blockage in the product.
			Examine the lamella. Make sure that the lamella is assembled correctly and is not damaged.
			Examine the product parts. Make sure they are not damaged from corrosion.
		Make sure that the rotor is in the correct position. Refer to <i>To operate the product on page 6.</i>	

Problem	Cause	Solution
The air goes directly through the exhaust or the product vibrations are slow.	The rotor is blocked.	Shake the tube carefully when the tube is pressurized.
	The air pressure is too low to start the product.	Measure the air pressure. Refer to <i>Technical data on page 10</i> .
	The air flow is too low to start the product.	Measure the air flow. Refer to <i>Technical data on page 10</i> .
	There is a leak in the air hose.	Attach the clamps correctly on the air hose.
		Replace the air hose if it is necessary.
	The product is not sufficiently lubricated.	Lubricate the product. Refer to <i>To lubricate the product on page 6</i> .
	The lamella is worn out.	Replace the lamella.
The product is not attached correctly.	Attach the product correctly. Refer to <i>To operate the product on page 6</i> .	
The vibration of the concrete is not constant.	The centrifugal force is too low.	Change to a product with more power.
	The air exhaust is blocked.	Remove the blockage. Clean the air exhaust.
	The air pressure is too low.	Measure the air pressure. Refer to <i>Technical data on page 10</i> .
	The product is not attached correctly.	Attach the brackets correctly to the concrete form. Examine the bolts after 15 minutes of operation. Tighten the bolts if they are loose.
		Attach the product with the correct bolts to the brackets.
	The number of products used is not sufficient.	Add products were vibration is missing.
	The correct product is not used.	Attach high frequency products to a vertical concrete form.
		Attach lower frequency products to a horizontal concrete form.
	The air hose is too long.	Refer to the operator's manual for the air compressor for correct length.
The concrete form is not sufficiently rigid.	Make the concrete form more rigid.	
The product does not operate correctly in a dusty environment.	There is sand or dust in the product.	Disassemble and clean all the parts with fuel. Then lubricate all parts and assemble the product.
	The air exhaust is blocked.	Remove the blockage. Clean the air exhaust.

Problem	Cause	Solution
The product does not operate correctly in a moist environment.	Moist is mixed with the oil in the product.	Disassemble and clean all the parts with fuel. Refer to <i>To disassemble the product on page 6</i> . Then lubricate all parts and assemble the product. Refer to <i>To assemble the product on page 6</i> .
	The lamella absorbs water and causes a blockage in the rotor.	Drain the water from the air compressor tank. Disassemble and clean all the parts with fuel. Then lubricate all parts and replace the lamella. Keep the lamella in oil until assembly. Refer to <i>To assemble the product on page 6</i> .

Storage and disposal

Storage

- Clean the product before storage.
- Keep the product in a dry and frost-free area.
- Keep the product in a locked area to prevent access for children or persons that are not approved.

Disposal of the product

- Obey the local recycling requirements and applicable regulations.
- When the product no longer is used, send it to the dealer or discard it at a recycling location.

Technical data

Technical data

Type	EP 121B	EP 271B	EP 371B	EP 601B
Frequency, rpm	9000	9350	9350	8800
Centrifugal force, N	8100	10350	26800	31500
Amplitude, mm/in.	0.80/0.03	1.10/0.05	1.70/0.07	2.10/0.08
Air consumption, l/mm or cfm ¹	1200 or 42	1200 or 42	1400 or 50	1400 or 50
Weight, kg/lbs.	9.50/21	10.00/22	16.50/37	18.00/40
Bracket	VT2	VT2	VT4	VT4
Pneumatic tool oil	Non-detergent oil			
Air pressure for operation, bars/PSI	6/87			
Minimum air pressure, bars/PSI	5/72			
Maximum air pressure, bars/PSI	7/101			
Noise emissions				
Sound pressure level L_p at the operators ear, dB(A) ²	90.0	90.8	95.0	100.0

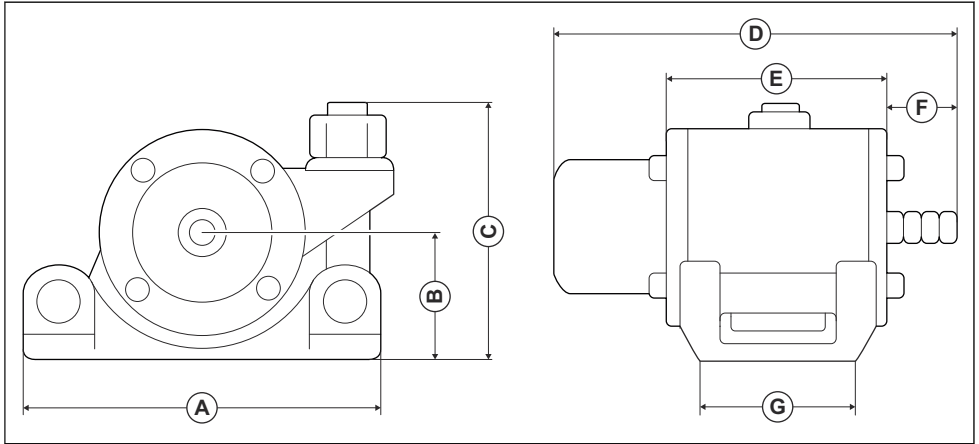
Noise and vibration declaration statement

These declared values were obtained by laboratory type testing in accordance with the stated directive or standards and are suitable for comparison with the declared values of other products tested in accordance with the same directive or standards. These declared values are not suitable for use in risk assessments and values measured in individual work places may be higher. The actual exposure values and risk of harm experienced by an individual user are unique and depend upon the way the user works, in what material the product is used, as well as upon the exposure time and the physical condition of the user, and the condition of the product.

¹ Measured at an air pressure of 6 bars/87 PSI

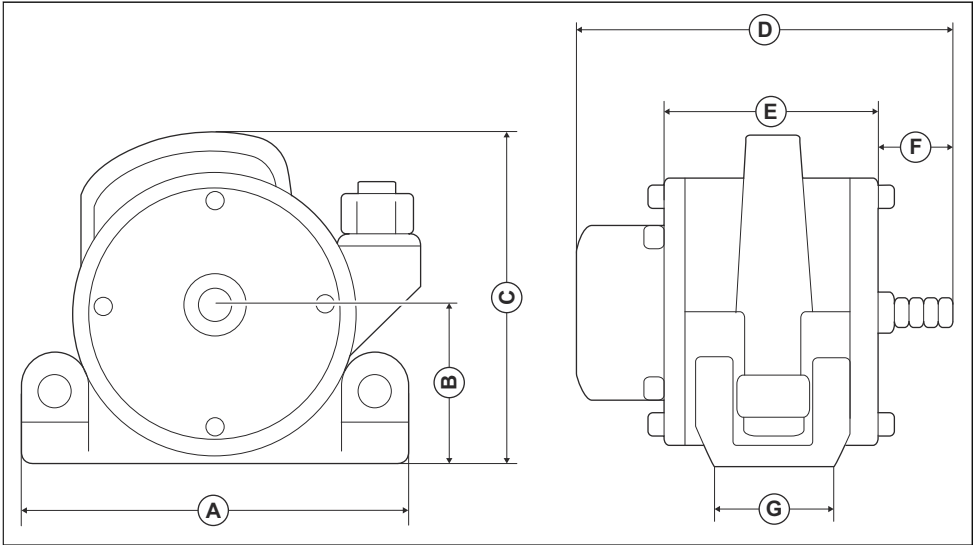
² Noise level measured in air at 1m from the product according to EN ISO 6081. Uncertainty: ± 3 dB

Product dimensions EP 121B, EP 271B



Position	mm/in.
A	183/7.2
B	78/3.1
C	140/5.5
D	234/9.2
E	130/5.1
F	40/1.6
G	85/3.3

Product dimensions EP 371B, EP 601B



Position	mm/in.
A	242/9.5
B	99/3.9
C	220/8.7
D	236/9.3
E	126/4.9
F	52/2.0
G	80/3.1

EC Declaration of Conformity

EC Declaration of Conformity

We, **Husqvarna AB**, SE-561 82 Huskvarna, Sweden, tel: +46-36-146500, declare on our sole responsibility that the product:

Description	Concrete Vibrator
Brand	HUSQVARNA
Type/Model	EP 121B/271B/371B/601B
Identification	Serial numbers dating from 2020 and onwards

complies fully with the following EU directives and regulations:

Directive/Regulation	Description
2006/42/EC	"relating to machinery"

and that the following harmonized standards and/or technical specifications are applied;

EN 12649:2008+A1:2011

Partille, 2020-12-07



Martin Huber

R&D Director, Concrete Surfaces & Floors

Husqvarna AB, Construction Division

Responsible for technical documentation

Sommaire

Introduction.....	14	Dépannage.....	20
Sécurité.....	15	Remisage et mise au rebut.....	21
Utilisation.....	18	Caractéristiques techniques.....	23
Entretien.....	18	Déclaration de conformité CE.....	26

Introduction

Description du produit

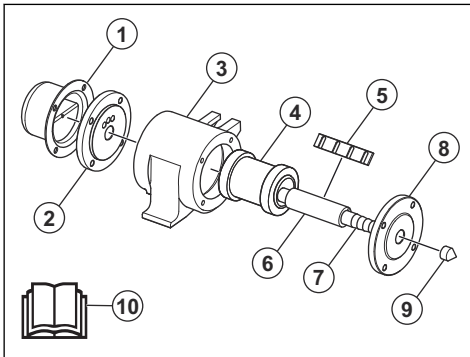
Le produit est un vibreur à béton. Le produit est équipé d'un moteur à commande pneumatique qui ne contient que 2 pièces mobiles. Le produit est alimenté en air comprimé via la soupape d'air.

Un graisseur automatique peut être installé en option. Le lubrificateur automatique est fourni par le fabricant du compresseur d'air.

Utilisation prévue

Ce produit est à usage professionnel uniquement. Le produit élimine les bulles d'air du béton frais. N'utilisez pas ce produit pour d'autres travaux.

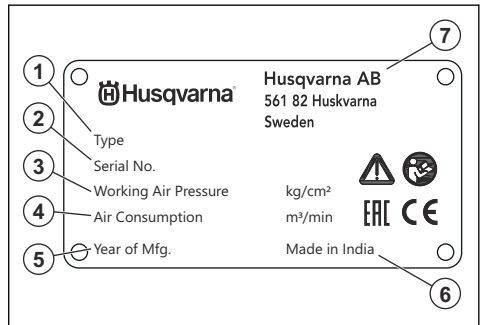
Aperçu du produit



1. Couvercle arrière
2. Bride arrière
3. Carter
4. Rotor
5. Lamelle
6. Arbre
7. Raccord d'air
8. Bride avant

9. Couverture
10. Manuel de l'opérateur

Plaque d'identification



1. Type de produit
2. Numéro de série
3. Pression de l'air, en kg/m²
4. Consommation d'air, m³/min
5. Année de fabrication
6. Pays de fabrication
7. Fabricant

Responsabilité

Conformément à la loi sur la responsabilité du fait des produits, nous déclinons toute responsabilité pour tout dommage causé par notre produit si :

- le produit n'est pas correctement réparé ;
- le produit est réparé avec des pièces qui ne proviennent pas du fabricant ou qui ne sont pas homologuées par le fabricant ;
- le produit est équipé d'un accessoire qui ne provient pas du fabricant ou qui n'est pas homologué par le fabricant ;
- le produit n'est pas réparé par un centre d'entretien agréé ou par une autorité homologuée.

Sécurité

Définitions de sécurité

Des avertissements, des recommandations et des remarques sont utilisés pour souligner des parties spécialement importantes du manuel.



AVERTISSEMENT: Symbole utilisé en cas de risque de blessures ou de mort pour l'opérateur ou les personnes à proximité si les instructions du manuel ne sont pas respectées.



REMARQUE: Symbole utilisé en cas de risque de dommages pour le produit, d'autres matériaux ou les environs si les instructions du manuel ne sont pas respectées.

Remarque: Symbole utilisé pour donner des informations supplémentaires pour une situation donnée.

Instructions générales de sécurité



AVERTISSEMENT: Lisez les instructions qui suivent avant d'utiliser le produit.

- Ce produit est un outil dangereux si vous ne faites pas attention ou si vous l'utilisez de manière incorrecte. Ce produit peut causer des blessures graves, voire mortelles, à l'opérateur ou à d'autres personnes. Avant d'utiliser le produit, il convient de lire attentivement et de bien comprendre les instructions contenues dans ce manuel de l'opérateur.
- Conservez tous les avertissements de sécurité et toutes les instructions.
- Respectez l'ensemble des lois et réglementations applicables.
- L'opérateur et son employeur doivent connaître et éviter tout risque au cours de l'utilisation du produit.
- Ne laissez personne utiliser le produit avant d'avoir lu et compris le contenu du manuel de l'opérateur.
- N'utilisez pas le produit sauf si vous bénéficiez d'une formation préalable. Assurez-vous que tous les opérateurs suivent une formation.
- Ne laissez pas un enfant utiliser le produit.
- Seules les personnes autorisées peuvent utiliser le produit.
- L'utilisateur est tenu responsable des accidents auxquels il expose autrui ou ses biens.
- N'utilisez jamais l'appareil si vous êtes fatigué ou malade, ou si vous êtes sous l'emprise d'alcool, de drogues ou de médicaments.

- Soyez toujours prudent et utilisez votre bon sens.
- Ce produit génère un champ électromagnétique durant son fonctionnement. Ce champ peut dans certaines circonstances perturber le fonctionnement d'implants médicaux actifs ou passifs. Pour réduire le risque de blessures graves ou mortelles, nous recommandons aux personnes portant des implants médicaux de consulter leur médecin et le fabricant de leur implant avant d'utiliser cet appareil.
- Maintenez le produit propre. Assurez-vous que vous pouvez lire clairement les avertissements et les autocollants.
- N'utilisez pas le produit si celui-ci est défectueux.
- Ne modifiez pas ce produit.
- N'utilisez pas le produit s'il est susceptible d'avoir été modifié par d'autres personnes.

Instructions de sécurité pour le fonctionnement



AVERTISSEMENT: Lisez les instructions qui suivent avant d'utiliser le produit.

- Assurez-vous que vous savez arrêter le produit rapidement en cas d'urgence.
- L'opérateur doit disposer de la force physique nécessaire pour utiliser le produit en toute sécurité.
- Utilisez un équipement de protection personnelle. Reportez-vous à la section *Équipement de protection individuel à la page 17*.
- Assurez-vous que seules les personnes autorisées se trouvent dans la zone de travail.
- Veillez à ce que la zone de travail reste propre et bien éclairée.
- Veillez à vous tenir dans une position stable et sûre pendant l'utilisation du produit.
- Vérifiez l'absence d'huile ou de graisse sur la poignée.
- N'utilisez pas ce produit dans des zones présentant un risque d'incendie ou d'explosion.
- Le produit peut projeter des objets à grande vitesse. Assurez-vous que toutes les personnes se trouvant dans la zone de travail portent un équipement de protection individuel homologué. Veillez à ce qu'il ne reste pas d'objets meubles dans la zone de travail.
- Avant de vous éloigner du produit, arrêtez-le et débranchez-le.
- Assurez-vous que des vêtements, cheveux longs et bijoux ne peuvent pas se coincer dans les pièces mobiles.
- Ne vous asseyez pas sur le produit.
- Ne frappez pas le produit.

- Assurez-vous que personne ne puisse se prendre dans et trébucher sur les câbles, les tuyaux et les arbres dans la zone de travail.
- Avant d'utiliser le produit, assurez-vous qu'aucun câble, fil électrique, ou autre source d'électricité ne sont dissimulés dans la zone. N'utilisez pas le produit si vous ne savez pas s'il se trouve dans une zone de travail sûre.

- Arrêtez le produit immédiatement si de fortes vibrations se produisent soudainement. Ne poursuivez pas l'opération avant que la cause de l'augmentation des vibrations ait été supprimée.

Sécurité antipoussière



AVERTISSEMENT: Lisez les instructions qui suivent avant d'utiliser le produit.

- Le fonctionnement du produit peut entraîner de la poussière dans l'air. La poussière peut provoquer des blessures graves et des problèmes de santé permanents. Plusieurs autorités classent la poussière de silice parmi les poussières dangereuses. Quelques exemples de problèmes de santé pouvant être causés :
 - Maladies pulmonaires mortelles telles que la bronchite chronique, la silicose et la fibrose pulmonaire
 - Cancer
 - Anomalies congénitales
 - Inflammation de la peau.
- Utilisez un équipement adapté permettant de réduire la quantité de poussière et de fumées dans l'air et de diminuer la poussière présente sur les équipements de travail, les surfaces, les vêtements et les parties du corps. Par exemple, des systèmes de collecte de la poussière et des pulvérisateurs d'eau permettant de capter la poussière. Réduisez la quantité de poussière au niveau de la source, dans la mesure du possible. Assurez-vous que l'équipement est correctement installé et utilisé, et qu'un entretien régulier est effectué.
- Portez une protection respiratoire homologuée. Assurez-vous que la protection respiratoire est adaptée aux matériaux dangereux dans la zone de travail.
- Assurez-vous que la zone de travail est suffisamment ventilée.
- Si possible, placez l'échappement du produit à un endroit où la poussière ne peut pas pénétrer dans l'air.

Sécurité relative au bruit



AVERTISSEMENT: Lisez les instructions qui suivent avant d'utiliser le produit.

- Des niveaux sonores élevés et une exposition prolongée au bruit peuvent provoquer une perte auditive.
- Afin de maintenir le niveau sonore au minimum, effectuez l'entretien et utilisez le produit comme indiqué dans le manuel d'utilisation.
- Utilisez des protège-oreilles homologués pendant l'utilisation du produit.

Précautions relatives aux vibrations



AVERTISSEMENT: Lisez les instructions qui suivent avant d'utiliser le produit.

- Au cours de l'utilisation du produit, des vibrations sont ressenties entre le produit et l'opérateur. Un fonctionnement régulier et fréquent du produit peut blesser ou augmenter le risque de blessures graves chez l'opérateur. Des blessures peuvent se produire au niveau des doigts, des mains, des poignets, des bras, des épaules, et/ou des nerfs et des organes d'irrigation sanguine, ou d'autres parties du corps. Les blessures peuvent être invalidantes et/ou permanentes et peuvent augmenter progressivement pendant des semaines, des mois ou des années. Des dommages peuvent également être provoqués au niveau du système de circulation sanguine, du système nerveux, des articulations et d'autres parties du corps.
- Des symptômes peuvent se produire pendant le fonctionnement du produit ou à un autre moment. Si vous avez des symptômes et que vous continuez d'utiliser le produit, ceux-ci peuvent augmenter ou devenir permanents. Si l'un de ces symptômes ou d'autres symptômes se produisent, consultez un médecin :
 - engourdissement, perte de sensibilité, fourmillements, picotements, douleur, brûlure, palpitations, raideur, maladresse, faiblesse musculaire, changement de pigmentation de la peau ou de l'état physique.
- Les symptômes peuvent augmenter par temps froid. Utilisez des vêtements chauds et gardez les mains au chaud et au sec lorsque vous faites fonctionner le produit dans un environnement froid.
- Procédez à l'entretien et utilisez le produit comme indiqué dans le manuel d'utilisation afin de maintenir un bon niveau de vibrations.
- Le produit est doté d'un système anti-vibrations qui réduit les vibrations entre les poignées et l'opérateur. Laissez le produit faire le travail. N'appuyez pas fortement sur le produit. Tenez légèrement le produit au niveau des poignées, mais assurez-vous que vous pouvez le contrôler et l'utiliser en toute sécurité. Ne poussez pas les poignées dans les butées plus que nécessaire.
- Gardez uniquement les mains sur la ou les poignées. Éloignez toutes les autres parties du corps du produit.

- Soyez attentif aux signaux d'alerte et aux appels lorsque vous portez des protège-oreilles. Retirez les protège-oreilles lorsque le produit est arrêté, sauf si les protège-oreilles sont nécessaires en raison du niveau sonore dans la zone de travail.

Équipement de protection individuel



AVERTISSEMENT: Lisez les instructions qui suivent avant d'utiliser le produit.

- Portez toujours un équipement de protection individuel homologué lorsque vous utilisez le produit. L'équipement de protection individuel ne protège pas complètement des blessures, mais il diminue la gravité des blessures en cas d'accident. Faites appel à votre revendeur pour vous aider à sélectionner l'équipement de protection individuel adéquat.
- Vérifiez régulièrement l'état de votre équipement de protection individuel.
- Utilisez un casque de protection homologué.
- Utilisez des protège-oreilles agréés.
- Portez une protection respiratoire homologuée.
- Utilisez des protections pour les yeux homologuées avec protections latérales.
- Utilisez des gants de protection.
- Utilisez des bottes avec embouts en acier et semelle antidérapante.
- Utilisez des vêtements de travail homologués ou des vêtements près du corps équivalents dotés de manches longues et d'un pantalon.

Consignes de sécurité relatives aux tuyaux d'air pneumatiques



AVERTISSEMENT: un tuyau d'air pneumatique desserré peut se déplacer de manière aléatoire et avec force. Il existe un risque de blessures graves ou mortelles si l'opérateur ou les personnes se trouvant à proximité sont heurtés par un tuyau d'air pneumatique. Lisez les instructions qui suivent avant d'utiliser le produit.

- Vérifiez le tuyau d'air pneumatique et les raccords afin de détecter d'éventuels dommages. Remplacez les pièces endommagées immédiatement.
- Assurez-vous que tous les raccords du tuyau d'air pneumatique sont installés correctement.
- Assurez-vous que le tuyau d'air pneumatique est correctement raccordé.
- Ne levez pas ou ne déplacez pas le produit en le tenant par le tuyau d'air pneumatique.

- Ne débranchez pas un tuyau d'air pneumatique sous pression. Avant d'enlever le tuyau d'air pneumatique, arrêtez le compresseur d'air et activez la fonction de démarrage/arrêt du produit pour relâcher la pression restante.
- Ne dirigez pas le flux d'air dans votre direction ou dans celle d'autres personnes. L'air peut pénétrer dans la circulation sanguine et entraîner la mort.
- N'utilisez pas d'air comprimé pour enlever la saleté de vos vêtements.
- Si vous utilisez des raccords à griffe, installez des goupilles de verrouillage et utilisez des câbles de sécurité. Les goupilles de verrouillage et les câbles de sécurité empêchent toute défaillance des raccords entre les tuyaux d'air pneumatiques et entre un tuyau d'air pneumatique et un outil.

Consignes de sécurité pour l'entretien



AVERTISSEMENT: Lisez les instructions qui suivent avant d'utiliser le produit.

- Si l'entretien n'est pas effectué correctement et régulièrement, le risque de blessures et d'endommagement du produit augmente.
- Utilisez un équipement de protection personnelle. Reportez-vous à la section *Équipement de protection individuel à la page 17*.
- Nettoyez le produit afin de retirer tout matériau dangereux avant de faire l'entretien.
- Avant tout travail d'entretien, débranchez le produit de la source d'alimentation.
- Ne modifiez pas le produit. Les modifications apportées au produit qui ne sont pas approuvées par le fabricant peuvent causer des blessures graves, voire mortelles.
- Utilisez toujours les accessoires et les pièces de rechange d'origine. Les accessoires et les pièces de rechange qui ne sont pas approuvés par le fabricant peuvent causer des blessures graves, voire mortelles.
- Remplacez les pièces endommagées, usées ou cassées.
- Effectuez uniquement les tâches d'entretien décrites dans le présent manuel de l'opérateur. Laissez un atelier spécialisé agréé se charger de toutes les autres opérations d'entretien.
- Après l'entretien, contrôlez le niveau de vibrations dans le produit. S'il n'est pas correct, contactez un atelier spécialisé agréé.
- Demandez à un atelier spécialisé d'effectuer régulièrement l'entretien du produit.

Utilisation

Introduction



AVERTISSEMENT: Assurez-vous de lire et de comprendre le chapitre dédié à la sécurité avant d'utiliser l'appareil.

Démarrer et arrêter le produit

1. Vidangez l'eau du réservoir du compresseur d'air. Reportez-vous au manuel de l'opérateur du compresseur d'air.
2. Faites passer l'air à travers le tuyau d'air pour vidanger l'eau.
3. Assurez-vous que le filtre du raccord est propre.
4. Vérifiez que les joints du raccord ne sont pas endommagés. Remplacez tout joint endommagé.
5. Lubrifiez le produit. Reportez-vous à la section *Pour lubrifier le produit à la page 18*.
6. Connectez le produit au compresseur d'air.
7. Démarrez le compresseur d'air. Vérifiez que la pression de l'air est correcte. Reportez-vous à la section *Caractéristiques techniques à la page 23*.

Remarque: La vitesse de vibration augmente lorsque la pression de l'air monte. Le produit ne démarre pas les vibrations si cette pression est insuffisante.



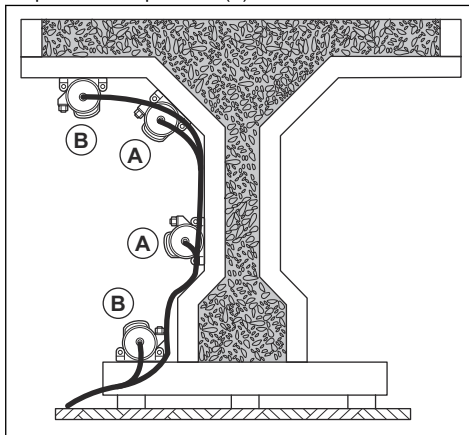
REMARQUE: Vérifiez que la pression de l'air n'est pas supérieure à la pression

maximale pour éviter d'endommager le produit.

8. Arrêtez le compresseur d'air pour arrêter le produit.

Pour utiliser le produit

1. Placez le produit dans les positions (A). Ne le placez pas dans les positions (B).



2. Si le produit se trouve dans une position ne lui permettant pas de démarrer, tournez les brides, l'arbre et la lamelle de 90 degrés.

Remarque: Si le produit est placé dans une position différente, remplacez les brides, l'arbre et la lamelle dans leur position initiale.

Entretien

Introduction



AVERTISSEMENT: assurez-vous de lire et de comprendre le chapitre sur la sécurité avant de procéder à l'entretien du produit.

Pour lubrifier le produit

Le produit est livré sans huile. Vérifiez que l'air est lubrifié par un graisseur automatique, monté à moins de 10 m (32 ft) du produit. Si aucun graisseur automatique n'est installé, le produit doit être lubrifié manuellement.

- Lubrifiez le produit quotidiennement ou toutes les 4 heures s'il fonctionne en continu.
- Versez 4 cm³ d'huile dans le tuyau d'air, via le raccord. Reportez-vous à la section *Caractéristiques techniques à la page 23* pour connaître le type d'huile approprié.

Nettoyage du produit

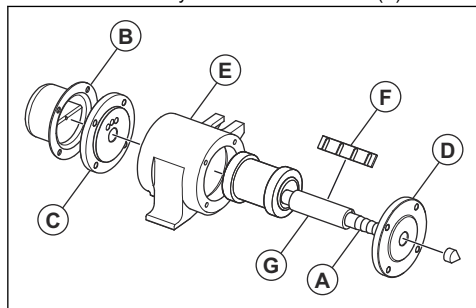


REMARQUE: N'utilisez pas de nettoyeur haute pression pour nettoyer le produit.

- Utilisez du carburant pour nettoyer toutes les pièces du produit.
- Retirez le béton des surfaces du produit après chaque utilisation avant qu'il ne durcisse.
- Nettoyez la graisse et l'huile.

Pour démonter le produit

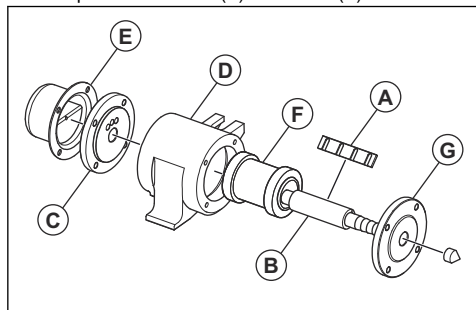
1. Débranchez le tuyau d'air du connecteur (A).



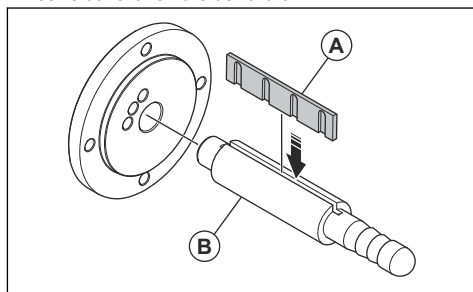
2. Déposez le capot arrière (B).
3. Retirez les 8 vis de la bride arrière (C) et de la bride avant (D).
4. Fixez le carter (E) à un étau et détachez l'arbre (G) du côté du raccord.
5. Déposez la lamelle (F) de l'arbre.
6. Poussez la bride avant hors de l'arbre.

Pour monter le produit

1. Lubrifiez toutes les pièces mobiles.
2. Remplacez la lamelle (A) sur l'arbre (B).



3. Ajustez l'épaisseur de la lamelle avec du papier abrasif de grain 800 afin d'assurer un ajustement serré dans la rainure de l'arbre.



Remarque: Conservez la lamelle toute une nuit dans l'huile jusqu'au montage pour éviter tout changement d'épaisseur en cas de conditions humides. Ajustez l'épaisseur de la surface plane de la lamelle uniquement.

4. Placez un outil de positionnement dans le premier orifice d'échappement, sur le côté droit de la bride arrière (C).
5. Placez l'arbre dans la bride arrière. Assurez-vous que la lamelle est au même niveau que l'outil de positionnement.
6. Retirez l'outil de positionnement.
7. Insérez l'ensemble bride dans le carter (D), en plaçant les orifices d'échappement sur le côté supérieur et la lamelle sur le côté droit.
8. Placez le capot arrière (E) sur la bride arrière. Les orifices d'échappement doivent être à l'opposé des orifices de la bride arrière.
9. Montez le rotor (F).
10. Montez la bride avant (G). Les orifices latéraux intérieurs doivent être à l'opposé des orifices de la bride arrière.
11. Montez les 8 vis de la bride arrière et de la bride avant. Serrez les vis au couple correct (21,6 Nm).

Dépannage

Problème	Cause	Solution
Le produit ne démarre pas.	Il n'y a pas de pression d'air.	Assurez-vous que le compresseur d'air est en marche et que le produit est correctement raccordé au tuyau d'air.
		Assurez-vous que le tuyau d'air n'est pas tordu ou obstrué.
		Vérifiez le débit d'air et la pression d'air.
	Il n'y a pas de débit d'air.	Assurez-vous que le compresseur d'air est en marche et que le produit est correctement raccordé au tuyau d'air.
		Assurez-vous que le tuyau d'air n'est pas tordu ou obstrué.
	L'évacuation d'air est obstruée.	Retirez l'obstruction. Nettoyez l'évacuation d'air.
	Le produit ne fonctionne pas correctement.	Assurez-vous qu'il n'y a aucune obstruction ou friction mécanique dans le produit.
		Examinez la lamelle. Assurez-vous que la lamelle est correctement montée et n'est pas endommagée.
		Examinez les pièces du produit. Assurez-vous qu'elles ne sont pas corrodées.
Veillez à ce que la position du rotor soit correcte. Reportez-vous à la section <i>Pour utiliser le produit à la page 18</i> .		
L'air passe directement par l'évacuation ou les vibrations du produit sont lentes.	Le rotor est bloqué.	Agitez le tube avec précaution lorsqu'il est sous pression.
	La pression d'air est trop basse pour démarrer le produit.	Mesurez la pression d'air. Reportez-vous à la section <i>Caractéristiques techniques à la page 23</i> .
	Le débit d'air est trop bas pour démarrer le produit.	Mesurez le débit d'air. Reportez-vous à la section <i>Caractéristiques techniques à la page 23</i> .
	Il y a une fuite dans le tuyau d'air.	Fixez correctement les colliers sur le tuyau d'air.
		Remplacez ce dernier si nécessaire.
	Le produit n'est pas suffisamment lubrifié.	Lubrifiez le produit. Reportez-vous à la section <i>Pour lubrifier le produit à la page 18</i> .
	La lamelle est usée.	Remplacez la lamelle.
Le produit n'est pas fixé correctement.	Fixez-le de manière appropriée. Reportez-vous à la section <i>Pour utiliser le produit à la page 18</i> .	

Problème	Cause	Solution
La vibration du béton n'est pas constante.	La force centrifuge est trop basse.	Utilisez un produit plus puissant.
	L'évacuation d'air est obstruée.	Retirez l'obstruction. Nettoyez l'évacuation d'air.
	La pression d'air est trop basse.	Mesurez la pression d'air. Reportez-vous à la section <i>Caractéristiques techniques à la page 23</i> .
	Le produit n'est pas fixé correctement.	Fixez correctement les supports au coffrage. Examinez les boulons après 15 minutes de fonctionnement. Serrez les boulons s'ils sont desserrés.
		Fixez le produit sur les supports à l'aide des boulons appropriés.
	Le nombre de produits utilisés n'est pas suffisant.	Ajoutez d'autres produits lorsque la vibration est inexistante.
	Le produit utilisé n'est pas correct.	Fixez les produits haute fréquence à un coffrage vertical.
		Fixez les produits basse fréquence à un coffrage horizontal.
	Le tuyau d'air est trop long.	Reportez-vous au manuel de l'opérateur du compresseur d'air pour connaître la longueur correcte.
Le coffrage n'est pas suffisamment rigide.	Renforcez la rigidité du coffrage.	
Le produit ne fonctionne pas correctement dans un environnement poussiéreux.	Du sable ou de la poussière sont présents dans le produit.	Démontez et nettoyez toutes les pièces avec du carburant. Ensuite, lubrifiez toutes les pièces et montez le produit.
	L'évacuation d'air est obstruée.	Retirez l'obstruction. Nettoyez l'évacuation d'air.
Le produit ne fonctionne pas correctement dans un environnement humide.	De l'humidité s'est mélangée à l'huile contenue dans le produit.	Démontez et nettoyez toutes les pièces avec du carburant. Reportez-vous à la section <i>Pour démonter le produit à la page 19</i> . Ensuite, lubrifiez toutes les pièces et montez le produit. Reportez-vous à la section <i>Pour monter le produit à la page 19</i> .
	La lamelle absorbe l'eau et obstrue le rotor.	Vidangez l'eau du réservoir du compresseur d'air. Démontez et nettoyez toutes les pièces avec du carburant. Lubrifiez ensuite toutes les pièces et remplacez la lamelle. Laissez la lamelle dans l'huile jusqu'au montage. Reportez-vous à la section <i>Pour monter le produit à la page 19</i> .

Remisage et mise au rebut

Remisage

- Nettoyez le produit avant de le remisage.
- Entreposez le produit dans un endroit sec et à l'abri du gel.

- Conservez le produit dans un endroit verrouillé afin que des enfants ou personnes qui ne sont pas autorisées à l'utiliser ne puissent pas y avoir accès.

Mise au rebut du produit

- Respectez les consignes locales de recyclage et la réglementation en vigueur.

- Lorsque vous n'utilisez plus le produit, renvoyez-le au concessionnaire ou mettez-le au rebut dans une déchetterie.

Caractéristiques techniques

Caractéristiques techniques

Type	EP 121B	EP 271B	EP 371B	EP 601B
Fréquence, tr/min	9 000	9 350	9 350	8 800
Force centrifuge, N	8 100	10 350	26 800	31 500
Amplitude, mm/po.	0,80/0,03	1,10/0,05	1,70/0,07	2,10/0,08
Consommation d'air, en l/mm ou cfm ³	1200 ou 42	1200 ou 42	1400 ou 50	1400 ou 50
Poids en kg/lb	9,50/21	10,00/22	16,50/37	18,00/40
Support d'arrimage	VT2	VT2	VT4	VT4
Huile pour outil pneumatique	Huile non détergente			
Pression d'air de fonctionnement, en bar/PSI	6/87			
Pression d'air minimale, en bar/PSI	5/72			
Pression d'air maximale, en bar/PSI	7/101			
Émissions sonores				
Niveau de pression sonore L _p à l'oreille de l'utilisateur, dB (A) ⁴	90,0	90,8	95,0	100,0

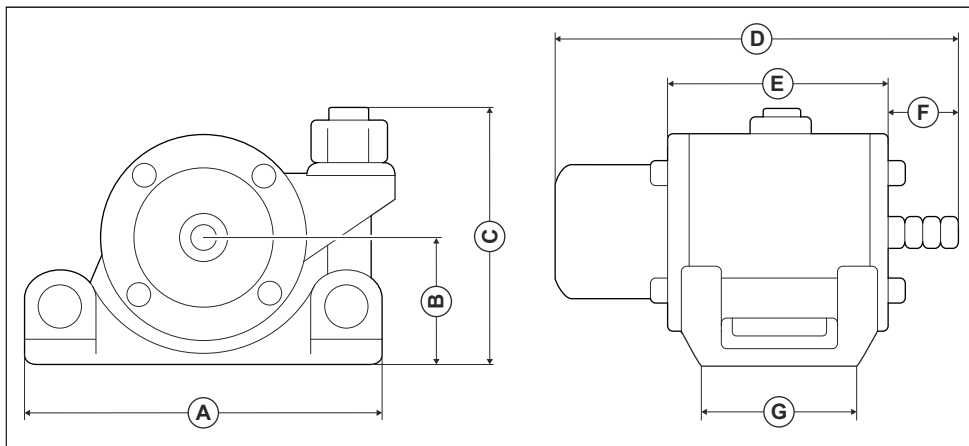
Déclaration relative au bruit et aux vibrations

Ces valeurs déclarées ont été obtenues grâce à des essais types effectués en laboratoire conformément à la directive ou aux normes mentionnées. Elles conviennent à l'établissement d'une comparaison avec les valeurs déclarées d'autres produits testés conformément aux mêmes normes ou à la même directive. Ces valeurs ne sont pas adaptées à une utilisation à des fins d'évaluations des risques ; les valeurs mesurées dans différents lieux de travail peuvent être plus élevées. Les valeurs d'exposition réelles et les risques de blessures rencontrés par chaque utilisateur sont uniques et dépendent de la manière dont l'utilisateur travaille, dans quel matériau le produit est utilisé, mais aussi de la durée d'exposition, de la condition physique de l'utilisateur et de l'état du produit.

³ Valeur mesurée à une pression d'air de 6 bar/87 PSI

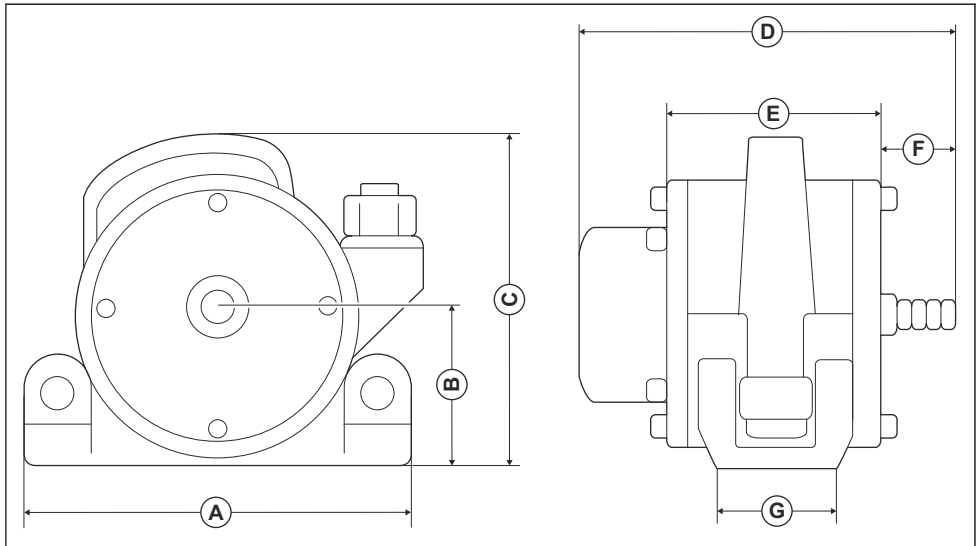
⁴ Niveau de bruit mesuré dans l'air à 1 m du produit conformément à la norme EN ISO 6081. Incertitude : ± 3 dB

Dimensions du produit EP 121B, EP 271B



Position	mm/po
A	183/7,2
B	78/3,1
C	140/5,5
D	234/9,2
E	130/5,1
F	40/1,6
G	85/3,3

Dimensions du produit EP 371B, EP 601B



Position	mm/po
A	242/9,5
B	99/3,9
C	220/8,7
D	236/9,3
E	126/4,9
F	52/2,0
G	80/3,1

Déclaration de conformité CE

Déclaration de conformité CE

Nous, **Husqvarna AB**, SE-561 82 Huskvarna, Suède,
tél : +46-36-146500, déclarons sous notre entière
responsabilité que le produit :

Description	Vibrateur à béton
Marque	HUSQVARNA
Type/Modèle	EP 121B/271B/371B/601B
Identification	Numéros de série à partir de 2020 et ultérieurs

est entièrement conforme à la réglementation et aux
directives de l'UE suivantes :

Directive/Réglementation	Description
2006/42/EC	« relative aux machines »

et que les normes harmonisées et/ou les spécifications
techniques suivantes sont appliquées :

EN 12649:2008+A1:2011

Partille, 2020-12-07



Martin Huber

Directeur R&D, surfaces et sols en béton

Husqvarna AB, division Construction

Responsable de la documentation technique

Inhoud

Inleiding.....	27	Probleemoplossing.....	33
Veiligheid.....	28	Opbergen en afdanken.....	34
Werking.....	30	Technische gegevens.....	35
Onderhoud.....	31	EG verklaring van overeenstemming.....	38

Inleiding

Productbeschrijving

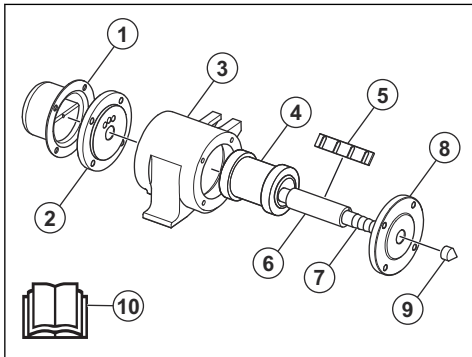
Het product is een betontrilnaald. Het product heeft een pneumatisch bediende motor die slechts 2 bewegende delen bevat. Het product wordt via de luchtklep van perslucht voorzien.

Als optie kan een automatisch smeersysteem worden aangebracht. Het automatische smeersysteem wordt geleverd door de fabrikant van de luchtcompressor.

Gebruik

Dit product is uitsluitend bedoeld voor professioneel gebruik. Het product verwijdert luchtbellen uit nat beton. Gebruik het product niet voor andere taken.

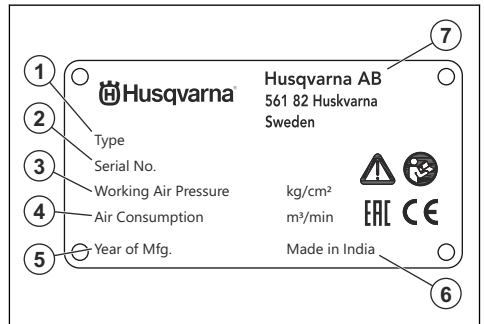
Productoverzicht



1. Achterklep
2. Achterste flens
3. Behuizing
4. Rotor
5. Lamel
6. Steel
7. Luchtconnector
8. Voorste flens

9. Voorste afdekking
10. Bedieningshandleiding

Productplaatje



1. Producttype
2. Serienummer
3. Luchtdruk, kg/m²
4. Luchtverbruik, m³/min
5. Productiejaar
6. Land van productie
7. Fabrikant

Productaansprakelijkheid

Zoals uiteengezet in de wet voor productaansprakelijkheid zijn wij niet aansprakelijk voor schade die door ons product wordt veroorzaakt, indien:

- het product niet goed is gerepareerd.
- het product is gerepareerd met onderdelen die niet van de fabrikant afkomstig zijn, of onderdelen die niet zijn goedgekeurd door de fabrikant.
- het product een accessoire bevat dat niet afkomstig is van de fabrikant of niet is goedgekeurd door de fabrikant.
- het product niet is gerepareerd door een erkend servicepunt of door een erkende autoriteit.

Veiligheidsdefinities

Waarschuwingen, voorzorgsmaatregelen en opmerkingen worden gebruikt om te wijzen op belangrijke delen van de handleiding.



WAARSCHUWING: Wordt gebruikt om te wijzen op de kans op ernstig of fataal letsel voor de gebruiker of omstanders wanneer de instructies in de handleiding niet worden gevolgd.



OPGELET: Wordt gebruikt indien er een risico bestaat op schade aan het product en andere eigendommen of aan de omgeving wanneer de instructies in de handleiding niet worden gevolgd.

Let op: Geven verdere informatie die nodig is in een bepaalde situatie.

Algemene veiligheidsinstructies



WAARSCHUWING: Lees de volgende waarschuwingen voordat u het product gaat gebruiken.

- Dit product kan bij onvoorzichtig of onjuist gebruik een gevaarlijk gereedschap zijn. Dit product kan ernstig of fataal letsel toebrengen aan de gebruiker of anderen. Het is erg belangrijk dat u deze gebruiksaanwijzing leest en begrijpt voordat u dit product gaat gebruiken.
- Bewaar alle waarschuwingen en instructies.
- U dient alle toepasselijke wet- en regelgeving in acht te nemen.
- De gebruiker en de werkgever van de gebruiker dienen op te hoogte te zijn van de risico's tijdens het gebruik van het product en moeten deze voorkomen.
- Zorg ervoor dat dit product alleen wordt gebruikt door personen die de inhoud van de gebruikershandleiding hebben gelezen en begrepen.
- Gebruik het product alleen als u voorafgaand aan gebruik training hebt ontvangen. Zorg ervoor dat alle gebruikers getraind worden.
- Laat het product niet door een kind bedienen.
- Het product mag alleen worden gebruikt door goedgekeurde personen.
- De gebruiker is verantwoordelijk indien ongelukken gebeuren met andere mensen of hun eigendommen.
- Gebruik het product nooit als u moe of ziek bent, of onder invloed van alcohol, drugs of medicijnen verkeert.
- Wees altijd voorzichtig en gebruik uw gezond verstand.

- Dit product produceert tijdens bedrijf een elektromagnetisch veld. Dit veld kan onder bepaalde omstandigheden de werking van actieve of passieve medische implantaten verstoren. Om het risico op ernstig of fataal letsel te verminderen, raden we personen met een medisch implantaat aan om contact op te nemen met hun arts en de fabrikant van het medische implantaat voordat ze dit product gebruiken.
- Houd het product schoon. Zorg ervoor dat u de aanduidingen en stickers duidelijk kunt lezen.
- Gebruik het product niet als het defect is.
- Breng geen wijzigingen aan dit product aan.
- Gebruik het product niet als de mogelijkheid bestaat dat andere personen wijzigingen aan het product hebben aangebracht.

Veiligheidsinstructies voor bediening



WAARSCHUWING: Lees de volgende waarschuwingen voordat u het product gaat gebruiken.

- Zorg ervoor dat u weet hoe u het product in een noodsituatie snel kunt stopzetten.
- De gebruiker moet beschikken over de fysieke kracht die nodig is om het product veilig te kunnen gebruiken.
- Maak altijd gebruik van persoonlijke beschermingsmiddelen. Zie *Persoonlijke beschermingsuitrusting op pagina 29*.
- Zorg ervoor dat er alleen goedgekeurde personen in het werkgebied zijn.
- Zorg dat het werkgebied schoon en goed verlicht is.
- Zorg ervoor dat u stabiel en veilig staat tijdens het gebruik.
- Zorg ervoor dat er geen vet of olie op de handgreep zit.
- Gebruik het product niet in gebieden waar brand of explosies kunnen optreden.
- Het product kan objecten met hoge snelheid uitwerpen. Zorg ervoor dat alle personen in de werkomgeving gebruikmaken van goedgekeurde persoonlijke beschermingsmiddelen. Verwijder losse voorwerpen uit het werkgebied.
- Voordat u het product achterlaat, moet u het product stopzetten en de stekker uit het stopcontact halen.
- Zorg ervoor dat er geen kleding, lang haar en juwelen vast komen te zitten in bewegende delen.
- Ga niet op het product zitten.
- Sla niet op het product.
- Zorg ervoor dat u of andere personen niet bekneld kunnen raken en over kabels, slangen en assen in het werkgebied kunnen vallen.

- Controleer voordat u het product gebruikt of er geen verborgen bedrading, elektrische kabels of andere elektrische bronnen aanwezig zijn. Gebruik het product alleen als u weet dat het zich in een veilige werkomgeving bevindt.

Trillingsveiligheid



WAARSCHUWING: Lees de volgende waarschuwingen voordat u het product gaat gebruiken.

- Tijdens het gebruik van het product gaan trillingen van het product naar de gebruiker. Regelmatig en frequent gebruik van het product kan letsel bij de gebruiker veroorzaken of verergeren. Letsel kan optreden in vingers, handen, polsen, armen, schouders en/of zenuwen en bloedtoevoer of andere lichaamsdelen. Het letsel kan slepend en/of blijvend zijn, en het kan geleidelijk toenemen in de loop van weken, maanden of jaren. Het letsel kan bestaan uit schade aan het bloedcirculatiesysteem, het zenuwstelsel, de gewrichten en andere lichaamsstructuren.
- Symptomen kunnen zich voordoen tijdens het gebruik van het product of op andere momenten. Als u symptomen hebt en het product blijft gebruiken, kunnen de symptomen toenemen of permanent worden. Als deze of andere symptomen zich voordoen, neem dan medische hulp:
 - Verstijving, gevoelloosheid, tintelingen, prikken, pijn, een brandend gevoel, kloppen, stijfheid, onhandigheid, krachtverlies, veranderingen in huidskleur of conditie.
- Symptomen kunnen toenemen bij lage temperaturen. Gebruik warme kleding en houd uw handen warm en droog wanneer u het product in koude omgevingen gebruikt.
- Voer onderhoud uit aan en bedien het product zoals vermeld in de gebruikershandleiding, om een correct trillingsniveau te handhaven.
- Het product heeft een trillingsdempingsstelsel dat de trillingen van de handgrepen naar de gebruiker vermindert. Laat het product het werk doen. Duw het product niet met kracht vooruit. Houd het product lichtjes vast aan de handgrepen, maar zorg ervoor dat u het product onder controle hebt en het veilig bedient. Duw de handgrepen niet verder dan nodig tegen de eindaanslagen.
- Houd uw handen alleen op het handvat of de handgrepen. Houd alle andere lichaamsdelen uit de buurt van het product.
- Stop het product onmiddellijk als er plotseling sterke trillingen optreden. Ga niet verder met het gebruik tot de oorzaak van de toegenomen trillingen is weggenomen.

Bescherming tegen stof



WAARSCHUWING: Lees de volgende waarschuwingen voordat u het product gaat gebruiken.

- Gebruik van het product kan stof in de lucht veroorzaken. Stof kan ernstig letsel en permanente gezondheidsproblemen veroorzaken. Silicastof wordt door verschillende instanties als schadelijk beschouwd. Hieronder volgen enkele voorbeelden van dergelijke gezondheidsproblemen:
 - De fatale longaandoeningen chronische bronchitis, silicose en longfibrose
 - Kanker
 - Geboortefwijkingen
 - Huidontsteking
- Gebruik de juiste apparatuur om de hoeveelheid stof en dampen in de lucht te verminderen en om stof op werkkleding, oppervlakken, kleding en lichaamsdelen te verminderen. Voorbeelden van beschermende elementen zijn stofopvangsystemen en watersprays om het stof te binden. Verminder waar mogelijk stof bij de bron. Zorg ervoor dat de apparatuur correct wordt geïnstalleerd en gebruikt en dat er regelmatig onderhoud wordt uitgevoerd.
- Gebruik goedgekeurde ademhalingsbescherming. Zorg ervoor dat adembescherming wordt gebruikt bij gevaarlijke materialen in het werkgebied.
- Zorg ervoor dat er toereikende ventilatie in het werkgebied is.
- Richt indien mogelijk de uitlaat van het product op een plaats waar er geen stof in de lucht kan komen.

Geluidsveiligheid



WAARSCHUWING: Lees de volgende waarschuwingen voordat u het product gaat gebruiken.

- Hoge geluidsniveaus en langdurige blootstelling aan lawaai kunnen gehoorverlies veroorzaken.
- Om het geluidsniveau tot een minimum te beperken, moet u het product onderhouden en bedienen zoals beschreven in de gebruikershandleiding.
- Gebruik goedgekeurde gehoorbescherming wanneer u het product gebruikt.
- Let op alarmsignalen en luide stemmen wanneer u gehoorbescherming gebruikt. Verwijder de gehoorbescherming wanneer het product is gestopt, tenzij gehoorbescherming nodig is voor het geluidsniveau in de werkomgeving.

Persoonlijke beschermingsuitrusting



WAARSCHUWING: Lees de volgende waarschuwingen voordat u het product gaat gebruiken.

- Draag tijdens het gebruik van het product altijd goedgekeurde persoonlijke beschermingsuitrusting. Persoonlijke beschermingsuitrusting kunnen niet alle risico's uitsluiten maar kunnen de ernst van eventueel letsel helpen beperken. Vraag uw dealer u te helpen bij het kiezen van de juiste beschermingsuitrusting.
- Controleer regelmatig de toestand van uw persoonlijke beschermingsmiddelen.
- Draag een goedgekeurde veiligheidshelm.
- Gebruik goedgekeurde gehoorbescherming.
- Gebruik goedgekeurde ademhalingsbescherming.
- Gebruik goedgekeurde oogbescherming met zijbescherming.
- Draag veiligheidshandschoenen.
- Gebruik laarzen met stalen neus en antislipzool.
- Gebruik goedgekeurde werkkleding of gelijkwaardige nauwsluitende kleding met lange mouwen en lange broekspijpen.

- Gebruik geen perslucht om vuil van uw kleding te verwijderen.
- Als u klauwkoppelingen gebruikt, breng dan borgpenen aan en gebruik veiligheidskabels. Borgpenen en veiligheidskabels voorkomen dat de aansluitingen tussen pneumatische luchtslangen onderling en tussen een pneumatische luchtslang en een gereedschap verstoord raken.

Veiligheidsinstructies voor onderhoud



WAARSCHUWING: Lees de volgende waarschuwingen voordat u het product gaat gebruiken.

- Als het onderhoud niet correct en regelmatig wordt uitgevoerd, neemt de kans op letsel of schade aan het product toe.
- Maak altijd gebruik van persoonlijke beschermingsmiddelen. Zie *Persoonlijke beschermingsuitrusting op pagina 29*.
- Maak het product schoon om gevaarlijk materiaal te verwijderen voordat u het onderhoud uitvoert.
- Haal de stekker uit het stopcontact voordat u onderhoud uitvoert.
- Breng geen wijzigingen aan het product aan. Wijzigingen aan het product die niet zijn goedgekeurd door de fabrikant, kunnen leiden tot ernstig letsel of overlijden.
- Gebruik altijd originele accessoires en reserveonderdelen. Accessoires en wijzigingen die niet zijn goedgekeurd door de fabrikant, kunnen leiden tot ernstig letsel of overlijden.
- Vervang beschadigde, versleten of defecte onderdelen.
- Voer alleen onderhoud uit zoals beschreven in deze bedieningshandleiding. Laat een goedgekeurde servicewerkplaats alle andere onderhoudswerkzaamheden uitvoeren.
- Controleer na onderhoud het trillingsniveau in het product. Als dit niet correct is, neemt u contact op met een erkende servicewerkplaats.
- Laat een erkende servicewerkplaats regelmatig onderhoud aan het product uitvoeren.

Veiligheidsinstructies voor pneumatische luchtslangen



WAARSCHUWING: Een losgeraakte pneumatische luchtslang kan willekeurig en met kracht bewegen. Er bestaat een risico op letsel of de dood als de gebruiker of omstanders door een pneumatische luchtslang worden geraakt. Lees de volgende waarschuwingen voordat u het product gaat gebruiken.

- Controleer de pneumatische luchtslang en de aansluitingen op beschadiging. Vervang beschadigde onderdelen onmiddellijk.
- Controleer of alle connectoren voor de pneumatische luchtslang correct zijn aangebracht.
- Controleer of de pneumatische luchtslang correct is aangesloten.
- Gebruik de pneumatische slang niet om het product op te tillen of te verplaatsen.
- Koppel een onder druk staande pneumatische luchtslang niet los. Schakel, voordat u de pneumatische luchtslang loskoppelt, de luchtcompressor uit en gebruik de start-en-stop-functie op het product om de restdruk af te laten.
- Richt de luchtstroom nooit op u zelf of anderen. Lucht kan in de bloedcirculatie doordringen, wat dodelijk kan zijn.

Werking

Inleiding



WAARSCHUWING: Zorg dat u het hoofdstuk over veiligheid hebt gelezen en begrepen voordat u het product gebruikt.

Product starten en stoppen

1. Tap het water af uit de tank van de luchtcompressor. Raadpleeg de bedieningshandleiding voor de luchtcompressor.
2. Duw lucht door de luchtslang om het water af te tappen.

3. Zorg dat het connectorfilter schoon is.
4. Controleer de connectorafdichtingen op beschadiging. Vervang beschadigde afdichtingen.
5. Smeer het product. Zie *Het product smeren op pagina 31*.
6. Sluit het product aan op de luchtcompressor.
7. Start de luchtcompressor. Zorg voor de juiste luchtdruk. Zie *Technische gegevens op pagina 35*.

Let op: De snelheid van de trillingen neemt toe als de luchtdruk toeneemt. Het product begint niet met trillen als de luchtdruk te laag is.

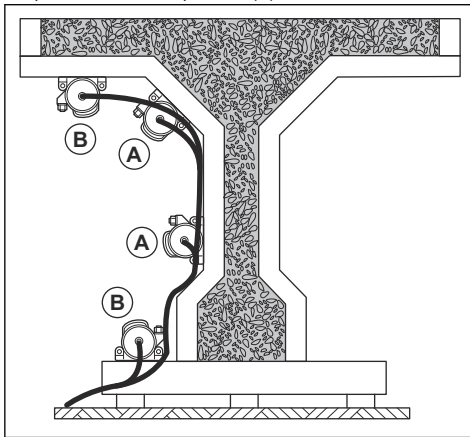


OPGELET: Zorg ervoor dat de luchtdruk niet hoger is dan de maximale luchtdruk om schade aan het product te voorkomen.

8. Stop de luchtcompressor om het product te laten stoppen.

Het product gebruiken

1. Plaats het product in de posities (A). Plaats het product niet in de posities (B).



Onderhoud

Inleiding



WAARSCHUWING: Zorg dat u het hoofdstuk over veiligheid hebt gelezen en begrepen voordat u onderhoud aan het product gaat uitvoeren.

Het product smeren

Het product wordt zonder olie geleverd. Zorg ervoor dat de luchtslang wordt gesmeerd via een automatisch smeersysteem dat op minder dan 10 meter vanaf het

2. Als het product zich in een positie bevindt waar het niet kan worden gestart, draai dan de flenzen, as en lamel 90 graden.

Let op: Als het product naar een andere positie is verplaatst, verplaats de flenzen, as en lamel dan naar hun oorspronkelijke positie.

product is geïnstalleerd. Als er geen automatisch smeersysteem is geïnstalleerd, moet het product handmatig worden gesmeerd.

- Smeer het product elke dag of elke 4 uur bij continu bedrijf.
- Breng 4 cm³ olie aan in de luchtslang via de koppeling. Zie *Technische gegevens op pagina 35* voor het juiste type olie.

Product reinigen

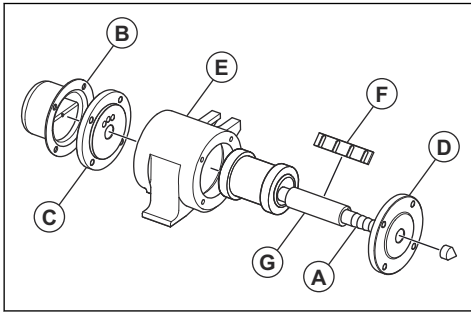


OPGELET: Reinig het product niet met een hogedrukspuit.

- Gebruik brandstof om alle onderdelen van het product te reinigen.
- Verwijder na de werkzaamheden beton van de oppervlakken van het product voordat het beton hard wordt.
- Verwijder vet en olie.

Het product demonteren

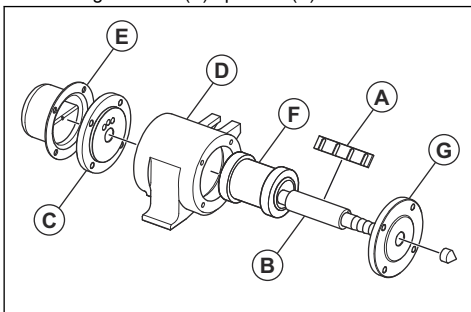
1. Koppel de luchtslang los van de connector (A).



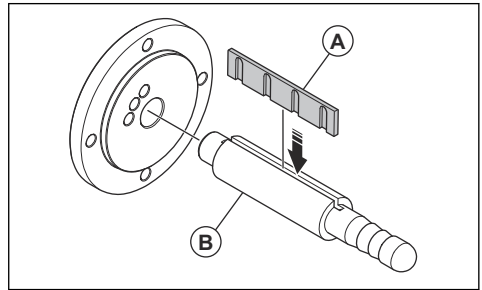
2. Verwijder de achterste kap (B).
3. Verwijder de 8 schroeven voor de achterste flens (C) en de voorste flens (D).
4. Bevestig het huis (E) in een bankschroef en duw de as (G) uit de connectorzijde.
5. Verwijder de lamel (F) uit de as.
6. Duw de voorste flens van de as af.

Het product monteren

1. Smeer alle bewegende delen.
2. Vervang de lamel (A) op de as (B).



3. Stel de dikte van de lamel af met abrasief met korrel 800 voor een strakke passing in de groef van de as.



Let op: Bewaar de lamel 1 nacht in olie tot de montage om veranderingen in dikte vanwege vochtige omstandigheden te voorkomen. Pas alleen de dikte van het vlakke oppervlak van de lamel aan.

4. Plaats een positioneringsgereedschap in de eerste uitlaatopening aan de rechterkant van de achterste flens (C).
5. Plaats de as in de achterste flens. Zorg ervoor dat de lamel waterpas staat met het positioneringsgereedschap.
6. Verwijder het positioneringsgereedschap.
7. Plaats de flenseenheid in het huis (D) met de uitlaatopeningen aan de bovenkant en de lamel aan de rechterkant.
8. Plaats de achterkap (E) op de achterste flens. De uitlaatopeningen moeten tegenover de gaten op de achterste flens staan.
9. Monteer de rotor (F).
10. Monteer de voorste flens (G). De gaten aan de binnenzijde moeten tegenover de gaten op de achterste flens staan.
11. Monteer de 8 schroeven voor de achterste flens en de voorste flens. Draai de schroeven vast met het juiste aanhaalmoment van 21,6 Nm.

Probleemoplossing

Probleem	Oorzaak	Oplossing
Het product start niet.	Er is geen luchtdruk.	Controleer of de luchtcompressor is ingeschakeld en of het product correct is aangesloten op de luchtslang.
		Zorg dat de luchtslang niet geblokkeerd of verdraaid is.
		Controleer de luchtstroom en de luchtdruk.
	Er is geen luchtstroom.	Controleer of de luchtcompressor is ingeschakeld en of het product correct is aangesloten op de luchtslang.
		Zorg dat de luchtslang niet geblokkeerd of verdraaid is.
	De luchtuitlaat is geblokkeerd.	Verwijder de blokkade. Maak de luchtuitlaat schoon.
	Het product werkt niet correct.	Controleer of er geen mechanische wrijving of verstopping in het product is.
		Inspecteer de lamel. Controleer of de lamel goed gemonteerd en niet beschadigd is.
Inspecteer de productonderdelen. Controleer of deze niet beschadigd zijn als gevolg van corrosie.		
Controleer of de rotor in de juiste positie staat. Zie <i>Het product gebruiken op pagina 31</i> .		
De lucht stroomt rechtstreeks door de uitlaat of de het product trilt traag.	De rotor is geblokkeerd.	Schud de buis voorzichtig wanneer de buis onder druk staat.
	De luchtdruk is te laag om het product te starten.	Meet de luchtdruk. Zie <i>Technische gegevens op pagina 35</i> .
	Er is te weinig luchtstroom om het product te starten.	Meet de luchtstroom. Zie <i>Technische gegevens op pagina 35</i> .
	Er is lekkage in de luchtslang.	Bevestig de klemmen op correcte wijze op de luchtslang.
		Vervang de luchtslang indien nodig.
	Het product is niet voldoende gesmeerd.	Smeer het product. Zie <i>Het product smeren op pagina 31</i> .
	De lamel is versleten.	Vervang de lamel.
Het product is niet correct gemonteerd.	Monteer het product op de juiste manier. Zie <i>Het product gebruiken op pagina 31</i> .	

Probleem	Oorzaak	Oplossing
De trillingen van het beton zijn niet constant.	De centrifugaalkracht is te laag.	Stap over op een product met meer vermogen.
	De luchtuitlaat is geblokkeerd.	Verwijder de blokkade. Maak de luchtuitlaat schoon.
	De luchtdruk is te laag.	Meet de luchtdruk. Zie <i>Technische gegevens op pagina 35</i> .
	Het product is niet correct gemonteerd.	Bevestig de beugels op correcte wijze aan de bekisting. Controleer de bouten na 15 minuten bedrijf. Haal de bouten aan als ze loszitten.
		Bevestig het product met de juiste bouten aan de beugels.
	Het aantal gebruikte producten is niet voldoende.	Voeg producten toe waar trillingen ontbreken.
	Het juiste product wordt niet gebruikt.	Bevestig hoogfrequente producten aan een verticale bekisting.
		Bevestig producten met een lagere frequentie aan een horizontale bekisting.
	De luchtslang is te lang.	Raadpleeg voor de juiste lengte de bedieningshandleiding voor de luchtcompressor.
De bekisting is niet voldoende stijf.	Maak de bekisting stijver.	
Het product werkt niet goed in een stoffige omgeving.	Er zit zand of stof in het product.	Demonteer en reinig alle onderdelen met brandstof. Smeer vervolgens alle onderdelen en monteer het product.
	De luchtuitlaat is geblokkeerd.	Verwijder de blokkade. Maak de luchtuitlaat schoon.
Het product werkt niet goed in een vochtige omgeving.	De olie in het product is vermengd geraakt met vocht.	Demonteer en reinig alle onderdelen met brandstof. Zie <i>Het product demonteren op pagina 32</i> . Smeer vervolgens alle onderdelen en monteer het product. Zie <i>Het product monteren op pagina 32</i> .
	De lamel absorbeert water en veroorzaakt een verstopping in de rotor.	Tap het water af uit de tank van de luchtcompressor.
		Demonteer en reinig alle onderdelen met brandstof. Smeer vervolgens alle onderdelen en vervang de lamel. Houd de lamel in olie tot de montage. Zie <i>Het product monteren op pagina 32</i> .

Opbergen en afdanken

Opslag

- Reinig het product voordat het wordt opgeslagen.
- Bewaar het product in een droge en vorstvrije ruimte.
- Bewaar het product in een afgesloten ruimte om toegang door kinderen of onbevoegde personen te verhinderen.

Het product afvoeren

- Neem de plaatselijk geldende wet- en regelgeving voor recycling in acht.
- Wanneer het product niet langer wordt gebruikt, stuur het dan naar de dealer of voer het af via een recyclingslocatie.

Technische gegevens

Technische gegevens

Type	EP 121B	EP 271B	EP 371B	EP 601B
Frequentie, tpm	9000	9350	9350	8800
Centrifugaalkracht, N	8100	10350	26800	31500
Amplitude, mm/inch	0,80/0,03	1,10/0,05	1,70/0,07	2,10/0,08
Luchtverbruik, l/mm of cfm ⁵	1200 of 42	1200 of 42	1400 of 50	1400 of 50
Gewicht, kg/lbs	9,50/21	10,00/22	16,50/37	18,00/40
Spanbeugel	VT2	VT2	VT4	VT4
Olie voor pneumatisch gereedschap	Olie zonder reinigingsmiddel			
Luchtdruk voor bedrijf, bar/psi	6/87			
Minimale waterdruk, bar/psi	5/72			
Maximale waterdruk, bar/psi	7/101			
Geluidsemissies				
Geluidsdrukniveau L _P bij het oor van de gebruiker, dB(A) ⁶	90,0	90,8	95,0	100,0

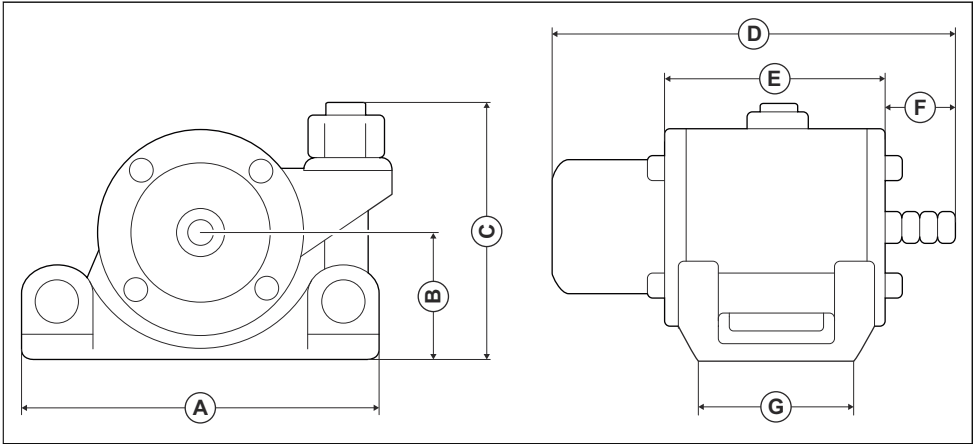
Verklaring inzake geluid- en trillingsemissies

Deze aangegeven waarden zijn verkregen door middel van typeonderzoek in een laboratorium in overeenstemming met de genoemde richtlijn of normen en zijn geschikt voor vergelijking met aangegeven waarden van andere producten die volgens dezelfde richtlijn of normen zijn getest. Deze aangegeven waarden zijn niet geschikt voor gebruik ten behoeve van risicoanalyses. Waarden die worden gemeten op afzonderlijke werkplekken, kunnen hoger zijn. De werkelijke blootstellingswaarden en het risico op letsel dat een individuele gebruiker ondervindt, zijn uniek en zijn afhankelijk van de manier waarop de gebruiker werkt, het materiaal waarvoor het product gebruikt wordt, de blootstellingstijd en de fysieke toestand van de gebruiker en de toestand van het product.

⁵ Gemeten bij een luchtdruk van 6 bar/87 psi

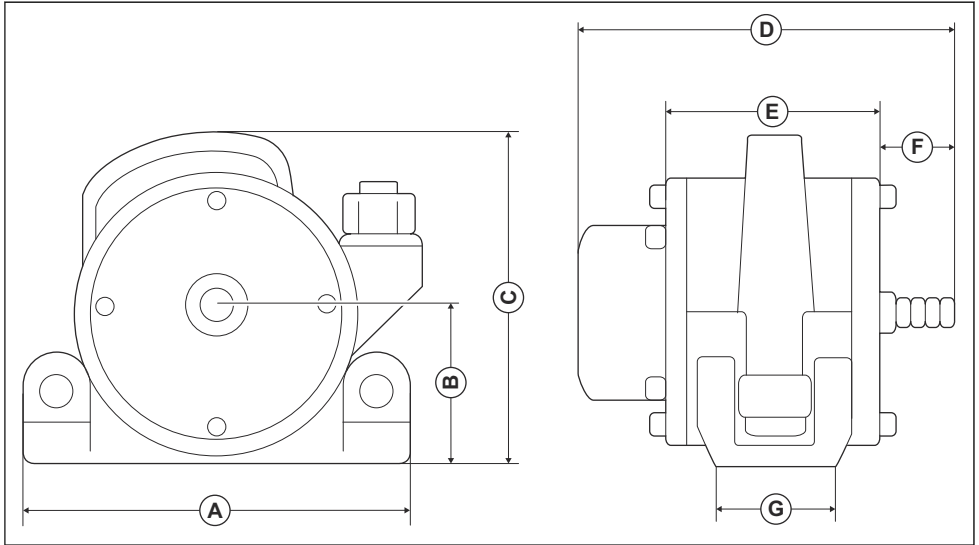
⁶ Geluidsniveau gemeten in lucht op 1 m van het product conform EN ISO 6081. Onzekerheidsmarge: ± 3 dB

Productafmetingen, EP 121B, EP 271B



Positie	mm/inch
A	183/7,2
B	78/3,1
C	140/5,5
D	234/9,2
E	130/5,1
F	40/1,6
G	85/3,3

Productafmetingen, EP 371B, EP 601B



Positie	mm/inch
A	242/9,5
B	99/3,9
C	220/8,7
D	236/9,3
E	126/4,9
F	52/2,0
G	80/3,1

EG verklaring van overeenstemming

EG verklaring van overeenstemming

Wij, **Husqvarna AB**, SE-561 82 Huskvarna, Zweden, tel:
+46-36-146500, verklaren onder onze
alleenverantwoordelijkheid dat het product:

Beschrijving	Betontrilnaald
Merk	HUSQVARNA
Type/model	EP 121B/271B/371B/601B
Identificatie	Serienummers vanaf 2020 en verder

volledig voldoet aan de volgende EU-richtlijnen en -
regelgeving:

Richtlijn/Verordening	Beschrijving
2006/42/EG	"betreffende machines"

en dat de volgende geharmoniseerde normen en/of
technische specificaties zijn toegepast:

EN 12649:2008+A1:2011

Partille, 2020-12-07



Martin Huber

R&D Director, betonnen oppervlakken en vloeren

Husqvarna AB, Construction-divisie

Verantwoordelijk voor technische documentatie

Inhalt

Einleitung.....	39	Fehlersuche.....	45
Sicherheit.....	40	Lagerung und Entsorgung.....	46
Betrieb.....	43	Technische Daten.....	48
Wartung.....	43	EU-Konformitätserklärung.....	51

Einleitung

Gerätebeschreibung

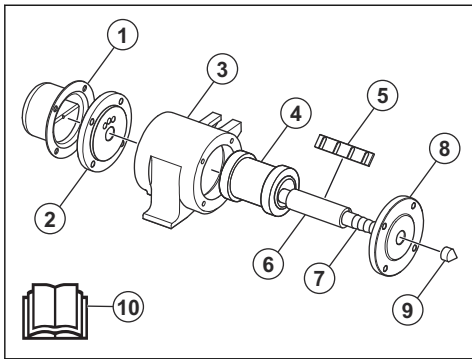
Beim Gerät handelt es sich um einen Betonrüttler. Das Gerät verfügt über einen pneumatisch betriebenen Motor, der nur 2 bewegliche Teile besitzt. Das Gerät wird über das Luftventil mit Druckluft versorgt.

Als Sonderausstattung kann ein automatisches Schmiersystem eingebaut werden. Das automatische Schmiersystem wird vom Hersteller des Druckluftkompressors geliefert.

Verwendungszweck

Dieses Gerät ist nur für den professionellen Einsatz gedacht. Das Gerät entfernt Luftblasen aus nassem Beton. Verwenden Sie das Gerät nicht für andere Aufgaben.

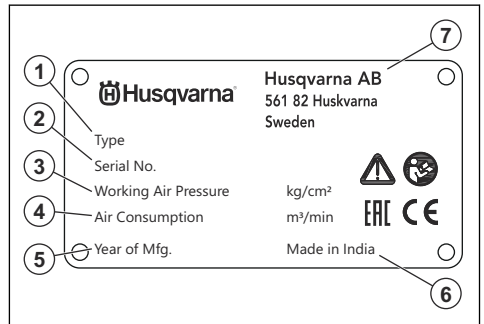
Geräteübersicht



1. Hintere Abdeckung
2. Hinterer Flansch
3. Gehäuse
4. Rotor
5. Lamelle
6. Führungsrohr
7. Luftanschluss
8. Vorderer Flansch
9. Vordere Abdeckung
10. Bedienungsanleitung

9. Vordere Abdeckung
10. Bedienungsanleitung

Typenschild



1. Gerätetyp
2. Seriennummer
3. Luftdruck, kg/m²
4. Druckluftverbrauch, m³/min
5. Produktionsjahr
6. Herstellungsland
7. Hersteller

Produkthaftung

Im Sinne der Produkthaftungsgesetze übernehmen wir keine Haftung für Schäden, die unser Gerät verursacht, wenn...

- das Gerät nicht ordnungsgemäß repariert wird.
- das Gerät mit Teilen repariert wird, die nicht vom Hersteller stammen oder nicht vom Hersteller zugelassen sind.
- ein Zubehörteil mit dem Gerät verwendet wird, das nicht vom Hersteller stammt oder nicht vom Hersteller zugelassen ist.
- das Gerät nicht bei einem zugelassenen Service Center oder von einem zugelassenen Fachmann repariert wird.

Sicherheitsdefinitionen

Warnungen, Vorsichtsmaßnahmen und Hinweise werden verwendet, um auf besonders wichtige Teile der Bedienungsanleitung hinzuweisen.



WARNUNG: Wird verwendet, wenn bei Nichtbeachtung der Anweisungen in diesem Handbuch die Gefahr von Verletzung oder Tod des Bedieners oder anderer Personen besteht.



ACHTUNG: Wird verwendet, wenn bei Nichtbeachtung der Anweisungen in diesem Handbuch die Gefahr von Schäden am Gerät, an anderen Materialien oder in der Umgebung besteht.

Hinweis: Für weitere Informationen, die in bestimmten Situationen nötig sind.

Allgemeine Sicherheitshinweise



WARNUNG: Lesen Sie die folgenden Warnhinweise, bevor Sie das Gerät benutzen.

- Dieses Gerät ist ein gefährliches Werkzeug, wenn Sie nicht aufpassen oder es unsachgemäß verwenden. Dieses Gerät kann schwere oder tödliche Verletzungen des Bedieners oder anderer Personen verursachen. Es ist sehr wichtig, dass Sie vor der Anwendung des Geräts den Inhalt dieser Bedienungsanleitung gelesen und verstanden haben.
- Bewahren Sie alle Warn- und Sicherheitshinweise auf.
- Halten Sie alle geltenden Gesetze und Vorschriften ein.
- Der Bediener und dessen Arbeitgeber müssen die mit dem Betrieb des Geräts verbundenen Gefahren kennen und vermeiden.
- Untersagen Sie allen Personen die Benutzung des Geräts, bis diese den Inhalt der Bedienungsanleitung gelesen und verstanden haben.
- Verwenden Sie das Gerät nicht, ohne vorher dafür geschult worden zu sein. Stellen Sie sicher, dass alle Bediener Schulungen erhalten.
- Lassen Sie nicht zu, dass Kinder das Gerät verwenden.
- Es dürfen nur zugelassene Personen mit dem Gerät arbeiten.

- Der Bediener ist für Unfälle verantwortlich, die anderen Personen zustoßen oder an deren Eigentum entstehen.
- Verwenden Sie das Gerät nicht, wenn Sie müde oder krank sind oder unter Einfluss von Alkohol, Drogen oder Medikamenten stehen.
- Lassen Sie immer Vorsicht walten, und arbeiten Sie mit gesundem Menschenverstand.
- Dieses Gerät erzeugt beim Betrieb ein elektromagnetisches Feld. Dieses Feld kann sich unter bestimmten Bedingungen auf die Funktionsweise aktiver oder passiver medizinischer Implantate auswirken. Um die Gefahr von Situationen, die zu schweren oder tödlichen Verletzungen führen können, zu verringern, sollten Personen mit einem medizinischen Implantat vor der Nutzung dieses Gerätes mit ihrem Arzt und dem Hersteller des Implantats sprechen.
- Halten Sie das Gerät sauber. Stellen Sie sicher, dass Symbole und Aufkleber deutlich lesbar sind.
- Verwenden Sie das Gerät nicht, wenn es defekt ist.
- Nehmen Sie keine Modifikationen am Gerät vor.
- Bedienen Sie das Gerät nicht, wenn die Möglichkeit besteht, dass andere Personen Modifikationen daran durchgeführt haben.

Sicherheitshinweise für den Betrieb



WARNUNG: Lesen Sie die folgenden Warnhinweise, bevor Sie das Gerät verwenden.

- Stellen Sie sicher, dass Sie wissen, wie das Gerät in einem Notfall schnell gestoppt werden kann.
- Der Bediener muss über die erforderliche physische Kraft für den sicheren Betrieb des Geräts verfügen.
- Tragen Sie eine persönliche Schutzausrüstung. Siehe *Persönliche Schutzausrüstung auf Seite 42*.
- Stellen Sie sicher, dass sich nur befugte Personen im Arbeitsbereich befinden.
- Achten Sie auf einen sauberen und hellen Arbeitsbereich.
- Achten Sie während der Arbeit auf eine sichere und stabile Position.
- Achten Sie darauf, dass sich auf dem Griff kein Fett oder Öl befindet.
- Verwenden Sie das Gerät nicht in Bereichen, in denen Feuer oder Explosionen auftreten können.
- Das Gerät kann Objekte mit hoher Geschwindigkeit auswerfen. Stellen Sie sicher, dass alle Personen im Arbeitsbereich zugelassene persönliche Schutzausrüstung tragen. Entfernen Sie lose Gegenstände aus dem Arbeitsbereich.
- Bevor Sie sich vom Gerät entfernen, deaktivieren Sie es und nehmen es vom Strom.

- Sorgen Sie dafür, dass sich Kleidung, langes Haar und Schmuck nicht in beweglichen Teilen verfangen können.
- Setzen Sie sich nicht auf das Gerät.
- Schlagen Sie nicht auf das Gerät.
- Stellen Sie sicher, dass Sie oder andere Personen im Arbeitsbereich nicht über Kabel, Schläuche und Wellen fallen oder sich darin verfangen können.
- Bevor Sie das Gerät in Betrieb nehmen, überprüfen Sie, ob es verborgene Drähte, Elektrokabel oder andere Stromquellen gibt. Nehmen Sie das Gerät erst in Betrieb, wenn der Arbeitsbereich sicher ist.
- Platzieren Sie Ihre Hände nur auf dem Griff bzw. den Griffen. Halten Sie alle anderen Körperteile vom Gerät fern.
- Stoppen Sie das Gerät sofort, wenn plötzlich starke Vibrationen auftreten. Setzen Sie den Betrieb erst fort, wenn die Ursache für die gesteigerten Vibrationen beseitigt wurde.

Staubtechnische Sicherheit



WARNUNG: Lesen Sie die folgenden Warnhinweise, bevor Sie das Gerät verwenden.

Vibrationen Sicherheit



WARNUNG: Lesen Sie die folgenden Warnhinweise, bevor Sie das Produkt benutzen.

- Beim Betrieb des Geräts kommt es zu Vibrationen, die vom Gerät auf den Anwender übertragen werden. Regelmäßiger und häufiger Betrieb des Geräts kann zu Verletzungen des Anwenders führen oder Symptome verstärken. Es kann zu Verletzungen an Fingern, Händen, Handgelenken, Armen, Schultern und/oder Nerven sowie bei der Blutversorgung oder an anderen Körperteilen kommen. Die Verletzungen können hinderlich und/oder chronisch werden und sich allmählich über Wochen, Monate oder Jahre hinweg verstärken. Zu möglichen Verletzungen können Schäden am Blutkreislauf, am Nervensystem, an Gelenken und anderen Körperteilen gehören.
- Symptome können während des Betriebs des Geräts oder zu einem anderen Zeitpunkt auftreten. Wenn Sie bereits Symptome haben und das Gerät weiter bedienen, können sich die Symptome verstärken oder chronisch werden. Wenn Sie diese oder andere Symptome an sich bemerken, wenden Sie sich an einen Arzt:
 - Taubheit, Gefühlsverlust, Kribbeln, Stechen, Schmerz, Brennen, Pochen, Steifheit, Schwerfälligkeit, Verlust von Kraft, Veränderungen an Hautfarbe oder Hautzustand.
- Bei niedrigen Temperaturen können sich die Symptome verstärken. Tragen Sie warme Kleidung und halten Sie Ihre Hände warm und trocken, wenn Sie das Gerät in kalten Umgebungen betreiben.
- Warten und betreiben Sie das Gerät gemäß den Anweisungen der Bedienungsanleitung, um einen vorschriftsmäßigen Vibrationspegel sicherzustellen.
- Das Gerät verfügt über ein Antivibrationssystem, das die Vibrationen an den Griffen für den Bediener reduziert. Lassen Sie das Gerät die Arbeit verrichten. Drücken Sie das Gerät nicht mit Kraft. Halten Sie das Produkt leicht an den Griffen fest, aber stellen Sie sicher, dass Sie es kontrollieren und sicher bedienen. Drücken Sie das Gerät nicht häufiger als nötig in die Endanschläge.
- Der Betrieb des Geräts kann Staub in der Luft verursachen. Staub kann ernsthafte Verletzungen und permanente Gesundheitsprobleme verursachen. Silikastaub wurde von verschiedenen Behörden als schädlich eingestuft. Dies sind Beispiele für derartige Gesundheitsprobleme:
 - Die tödlichen Lungenkrankheiten chronische Bronchitis, Silikose und Lungenfibrose
 - Krebs
 - Angeborene Fehlbildungen
 - Hautentzündung
- Verwenden Sie eine angemessene Ausstattung, um die Menge von Staub und Dämpfen in der Luft und den Staub auf Arbeitsgeräten, Oberflächen, Kleidung und Körperteilen zu verringern. Beispiele dafür sind Staubsammelanlagen und Wassernebel zum Binden des Staubs. Reduzieren Sie den Staub an der Quelle, falls möglich. Stellen Sie sicher, dass die Ausstattung korrekt montiert ist und verwendet wird und dass sie regelmäßig gewartet wird.
- Tragen Sie einen zugelassenen Atemschutz. Stellen Sie sicher, dass der Atemschutz für die gefährlichen Materialien im Arbeitsbereich geeignet ist.
- Stellen Sie sicher, dass der Arbeitsbereich ausreichend belüftet ist.
- Falls möglich, richten Sie den Auspuff des Geräts dahin, wo er keinen Staub in der Luft verursachen kann.

Lärm – Sicherheit



WARNUNG: Lesen Sie die folgenden Warnhinweise, bevor Sie das Gerät benutzen.

- Ein hoher Geräuschpegel und Lärmbelastung über einen langen Zeitraum können zu lärmbedingten Hörschäden führen.
- Um den Geräuschpegel auf einem Minimum zu halten, warten und betreiben Sie das Gerät gemäß den Anweisungen der Bedienungsanleitung.
- Tragen Sie einen zugelassenen Gehörschutz beim Arbeiten mit dem Gerät.
- Beachten Sie Warnsignale und Stimmen, wenn Sie einen Gehörschutz tragen. Entfernen Sie den

Gehörschutz, wenn das Gerät ausgeschaltet wird, es sei denn, er ist bei dem Geräuschpegel in Ihrem Arbeitsbereich erforderlich.

Persönliche Schutzausrüstung



WARNUNG: Lesen Sie die folgenden Warnhinweise, bevor Sie das Gerät verwenden.

- Verwenden Sie stets die vorgeschriebene persönliche Schutzausrüstung bei der Bedienung des Geräts. Die persönliche Schutzausrüstung kann Verletzungen nicht vollständig vermeiden, vermindert aber den Umfang der Verletzungen und Schäden bei einem Unfall. Lassen Sie sich bei der Auswahl der korrekten persönlichen Schutzausrüstung von Ihrem Händler beraten.
- Überprüfen Sie regelmäßig den Zustand der persönlichen Schutzausrüstung.
- Verwenden Sie einen zugelassenen Schutzhelm.
- Tragen Sie einen zugelassenen Gehörschutz.
- Tragen Sie einen zugelassenen Atemschutz.
- Tragen Sie einen zugelassenen Augenschutz mit seitlicher Abschirmung.
- Tragen Sie stets Schutzhandschuhe.
- Tragen Sie Stiefel mit Stahlkappe und rutschfester Sohle.
- Tragen Sie zugelassene Arbeitskleidung oder gleichwertige, eng anliegende Kleidung mit langen Ärmeln und langen Hosenbeinen.

Sicherheitshinweise für Druckluftschläuche



WARNUNG: Ein lockerer Druckluftschlauch kann sich unkontrolliert und mit viel Kraft bewegen. Es besteht Verletzungs- oder Lebensgefahr, wenn der Bediener oder umstehende Personen durch einen Druckluftschlauch getroffen werden. Lesen Sie die folgenden Warnhinweise, bevor Sie das Gerät verwenden.

- Kontrollieren Sie den Druckluftschlauch und die Anschlüsse auf Beschädigungen. Ersetzen Sie beschädigte Teile umgehend.
- Stellen Sie sicher, dass alle Anschlüsse des Druckluftschlauchs korrekt installiert sind.
- Stellen Sie sicher, dass der Druckluftschlauch korrekt angeschlossen ist.
- Halten Sie den Druckluftschlauch nicht fest, um das Gerät anzuheben oder zu bewegen.
- Trennen Sie keinen Druckluftschlauch, der unter Druck steht. Bevor Sie den Druckluftschlauch

trennen, stoppen Sie den Druckluftkompressor und betätigen dann die Start- und Stoppfunktion am Gerät, um den verbleibenden Druck abzulassen.

- Richten Sie den Luftstrom nicht auf sich oder andere Personen. Luft kann in den Blutkreislauf gelangen und zum Tod führen.
- Verwenden Sie keine Druckluft, um Verschmutzungen von Ihrer Kleidung zu entfernen.
- Wenn Sie Klauenkupplungen verwenden, installieren Sie Verriegelungsstifte und verwenden Sicherheitskabel. Verriegelungsstifte und Sicherheitskabel verhindern einen Ausfall der Anschlüsse zwischen Druckluftschläuchen sowie zwischen einem Druckluftschlauch und einem Werkzeug.

Sicherheitshinweise für die Wartung



WARNUNG: Lesen Sie die folgenden Warnhinweise, bevor Sie das Gerät verwenden.

- Wenn die Wartung nicht ordnungsgemäß und regelmäßig erfolgt, erhöht sich die Verletzungsgefahr und das Risiko für eine Beschädigung des Geräts.
- Tragen Sie eine persönliche Schutzausrüstung. Siehe *Persönliche Schutzausrüstung auf Seite 42*.
- Reinigen Sie das Gerät und entfernen Sie gefährliches Material vor der Wartung.
- Trennen Sie das Gerät vom Netz, bevor Sie Wartungsarbeiten durchführen.
- Nehmen Sie keine Modifikationen am Gerät vor. Änderungen am Gerät, die vom Hersteller nicht genehmigt wurden, können zu schweren Verletzungen oder zum Tod führen.
- Verwenden Sie immer Originalersatzteile und Originalzubehör. Zubehör und Ersatzteile, die vom Hersteller nicht genehmigt wurden, können zu schweren Verletzungen oder zum Tod führen.
- Ersetzen Sie beschädigte, abgenutzte oder defekte Teile.
- Führen Sie nur Wartungsarbeiten durch, die gemäß dieser Betriebsanleitung vorgegeben sind. Lassen Sie alle anderen Wartungsarbeiten von einer autorisierten Servicewerkstatt durchführen.
- Führen Sie nach der Wartung eine Überprüfung des Vibrationswerts im Gerät durch. Wenn er nicht korrekt ist, wenden Sie sich an eine autorisierte Servicewerkstatt.
- Lassen Sie eine autorisierte Servicewerkstatt das Gerät regelmäßig warten.

Betrieb

Einleitung



WARNUNG: Lesen Sie vor Gebrauch des Geräts das Kapitel über Sicherheit, und machen Sie sich damit vertraut.

So starten und stoppen Sie das Gerät

1. Lassen Sie das Wasser aus dem Luftkompressorbehälter ab. Weitere Anweisungen finden Sie in der Betriebsanleitung des Druckluftkompressors.
2. Drücken Sie Luft durch den Luftschlauch, um das Wasser abzulassen.
3. Vergewissern Sie sich, dass der Anschlussfilter sauber ist.
4. Prüfen Sie die Anschlussdichtungen auf Schäden. Ersetzen Sie die beschädigten Dichtungen.
5. Schmieren Sie das Gerät. Siehe *So schmieren Sie das Gerät auf Seite 43*.
6. Verbinden Sie das Gerät mit dem Druckluftkompressor.
7. Starten Sie den Druckluftkompressor. Stellen Sie sicher, dass der Luftdruck korrekt ist. Siehe *Technische Daten auf Seite 48*.

Hinweis: Die Vibrationsgeschwindigkeit steigt, wenn der Luftdruck steigt. Das Gerät startet die Vibration nicht, wenn der Luftdruck zu niedrig ist.



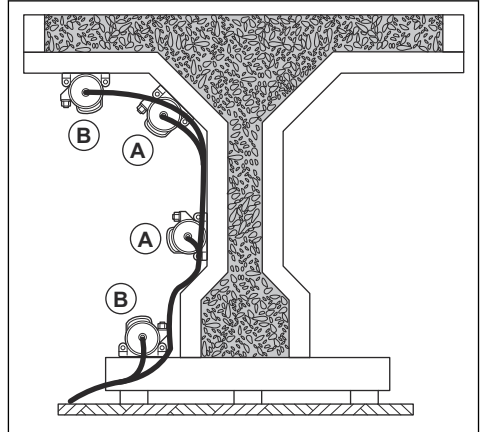
ACHTUNG: Stellen Sie sicher, dass der Luftdruck nicht über dem maximalen

Luftdruckwert liegt, um Schäden am Gerät zu vermeiden.

8. Stoppen Sie den Druckluftkompressor, um das Gerät zu stoppen.

So bedienen Sie das Gerät

1. Bringen Sie das Gerät in die (A)-Positionen. Bringen Sie das Gerät nicht in die (B)-Positionen.



2. Wenn sich das Gerät in einer Position befindet, in der es nicht gestartet werden kann, drehen Sie die Flansche, die Welle und die Lamelle um 90 Grad.

Hinweis: Wenn das Gerät in eine andere Position bewegt wird, bringen Sie die Flansche, die Welle und die Lamelle in ihre Ausgangsposition.

Wartung

Einleitung



WARNUNG: Lesen Sie vor dem Warten des Geräts das Kapitel über Sicherheit, und machen Sie sich damit vertraut.

So schmieren Sie das Gerät

Das Gerät wird ohne Öl geliefert. Stellen Sie sicher, dass die Luft über eine automatische Schmiervorrichtung mit Öl angereichert wird, die weniger als 10 m/32 ft vom Gerät entfernt montiert ist. Wenn keine automatische Schmiervorrichtung installiert ist, muss das Gerät manuell geschmiert werden.

- Schmieren Sie das Gerät im Dauerbetrieb täglich oder alle 4 Stunden.

- Geben Sie über die Kupplung 4 cm³ Öl in den Luftschlauch. Weitere Informationen zum richtigen Öltyp finden Sie unter *Technische Daten auf Seite 48*.

So reinigen Sie das Gerät

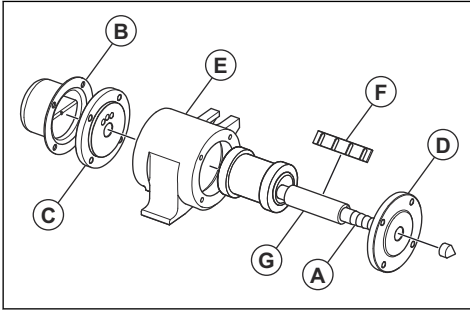


ACHTUNG: Reinigen Sie das Gerät nicht mit einem Hochdruckreiniger.

- Verwenden Sie Kraftstoff, um alle Teile des Geräts zu reinigen.
- Entfernen Sie nach jeder Nutzung den Beton von der Oberfläche des Geräts, bevor er hart wird.
- Entfernen Sie Fett und Öl.

So demontieren Sie das Gerät

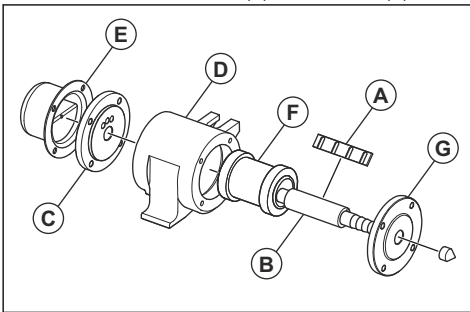
1. Trennen Sie den Luftschlauch vom Anschluss (A).



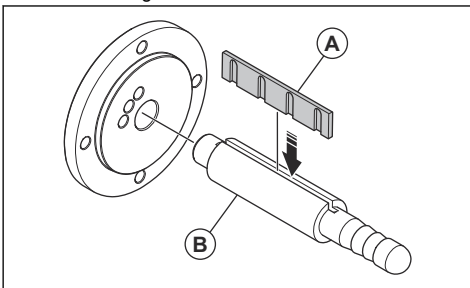
2. Entfernen Sie die hintere Abdeckung (B).
3. Entfernen Sie die 8 Schrauben für den hinteren Flansch (C) und den vorderen Flansch (D).
4. Spannen Sie das Gehäuse (E) in einen Schraubstock ein und drücken Sie die Welle (G) von der Anschlussseite weg.
5. Entfernen Sie die Lamelle (F) von der Welle.
6. Drücken Sie den vorderen Flansch von der Welle.

So montieren Sie das Gerät

1. Schmieren Sie alle beweglichen Teile.
2. Ersetzen Sie die Lamelle (A) an der Welle (B).



3. Passen Sie die Dicke der Lamelle mit Schleifpapier (800er-Körnung) an, um einen festen Sitz in der Nut der Welle zu gewährleisten.



Hinweis: Legen Sie die Lamelle über Nacht in Öl, um Änderungen der Dicke aufgrund feuchter Bedingungen zu verhindern. Passen Sie die Dicke nur an der flachen Oberfläche der Lamelle an.

4. Setzen Sie ein Positionierungswerkzeug in die erste Auslassöffnung auf der rechten Seite des hinteren Flansches (C) ein.
5. Setzen Sie die Welle im hinteren Flansch ein. Stellen Sie sicher, dass die Lamelle auf gleicher Höhe mit dem Positionierungswerkzeug ist.
6. Entfernen Sie das Positionierungswerkzeug.
7. Setzen Sie die Flanschbaugruppe in das Gehäuse (D) ein, mit den Auslassbohrungen nach oben und der Lamelle auf der rechten Seite.
8. Setzen Sie die hintere Abdeckung (E) auf den hinteren Flansch. Die Auslassbohrungen müssen gegenüber den Bohrungen am hinteren Flansch liegen.
9. Montieren Sie den Rotor (F).
10. Montieren Sie den vorderen Flansch (G). Die inneren seitlichen Bohrungen müssen gegenüber den Bohrungen am hinteren Flansch liegen.
11. Montieren Sie die 8 Schrauben für den hinteren Flansch und den vorderen Flansch. Ziehen Sie die Schrauben mit dem vorgeschriebenen Drehmoment von 21,6 Nm fest.

Fehlersuche

Problem	Ursache	Lösung
Das Gerät springt nicht an.	Es besteht kein Luftdruck.	Sicherstellen, dass der Luftkompressor eingeschaltet ist und das Gerät korrekt am Luftschauch angeschlossen ist.
		Sicherstellen, dass der Luftschauch nicht verstopft oder verdreht ist.
		Den Luftstrom und -druck überprüfen.
	Es ist kein Luftstrom vorhanden.	Sicherstellen, dass der Luftkompressor eingeschaltet ist und das Gerät korrekt am Luftschauch angeschlossen ist.
		Sicherstellen, dass der Luftschauch nicht verstopft oder verdreht ist.
		Die Verstopfung beseitigen. Abluftkanal reinigen.
	Der Luftauslass ist verstopft.	Die Verstopfung beseitigen. Abluftkanal reinigen.
	Das Gerät arbeitet nicht korrekt.	Sicherstellen, dass sich keine mechanische Reibung oder Blockade im Gerät befindet.
		Lamelle untersuchen. Sicherstellen, dass das Gerät korrekt zusammengesetzt und unbeschädigt ist.
Die Geräteteile kontrollieren. Sicherstellen, dass sie keine Korrosionsschäden aufweisen.		
Der Rotor muss sich in der richtigen Position befinden. Siehe <i>So bedienen Sie das Gerät auf Seite 43</i> .		
Die Luft strömt direkt durch den Auslass, oder das Gerät erzeugt nur wenig Vibrationen.	Der Rotor ist blockiert.	Den Schlauch vorsichtig schütteln, wenn dieser unter Druck steht.
	Der Luftdruck ist zu niedrig, um das Gerät zu starten.	Den Luftdruck messen. Siehe <i>Technische Daten auf Seite 48</i> .
	Der Luftstrom ist zu niedrig, um das Gerät zu starten.	Den Luftstrom messen. Siehe <i>Technische Daten auf Seite 48</i> .
	Der Luftschauch ist undicht.	Die Schellen korrekt an den Luftschauch anbringen.
		Luftschauch bei Bedarf ersetzen.
	Das Gerät ist nicht ausreichend geschmiert.	Das Gerät schmieren. Siehe <i>So schmieren Sie das Gerät auf Seite 43</i> .
	Die Lamelle ist verschlissen.	Die Lamelle ersetzen.
Das Gerät ist nicht korrekt angebracht.	Das Gerät ordnungsgemäß anbringen. Siehe <i>So bedienen Sie das Gerät auf Seite 43</i> .	

Problem	Ursache	Lösung
Die Vibrationen des Betons sind nicht konstant.	Die Zentrifugalkraft ist zu gering.	Ein Gerät mit mehr Leistung verwenden.
	Der Luftauslass ist verstopft.	Die Verstopfung beseitigen. Abluftkanal reinigen.
	Der Luftdruck ist zu niedrig.	Den Luftdruck messen. Siehe <i>Technische Daten auf Seite 48</i> .
	Das Gerät ist nicht korrekt angebracht.	Die Halterungen korrekt an der Betonform befestigen. Die Schrauben nach 15 Minuten Betrieb überprüfen. Die Schrauben festziehen, wenn sie locker sind.
		Das Gerät mit den richtigen Schrauben an den Halterungen befestigen.
	Die Anzahl der verwendeten Geräte reicht nicht aus.	Geräte hinzufügen, wenn Vibrationen zu gering sind.
	Es wird nicht das richtige Gerät verwendet.	Hochfrequenzgeräte an einer vertikalen Betonform befestigen.
		Geräte mit niedriger Frequenz an einer horizontalen Betonform befestigen.
Der Luftschlauch ist zu lang.	Weitere Anweisungen für die korrekte Länge sind der Betriebsanleitung des Druckluftkompressors zu entnehmen.	
Die Betonform ist nicht starr genug.	Die Betonform starrer machen.	
Das Gerät funktioniert in staubiger Umgebung nicht korrekt.	Es befindet sich Sand oder Staub im Gerät.	Alle Teile zerlegen und mit Kraftstoff reinigen. Dann alle Teile schmieren und das Gerät montieren.
	Der Luftauslass ist verstopft.	Die Verstopfung beseitigen. Abluftkanal reinigen.
Das Gerät funktioniert in einer feuchten Umgebung nicht korrekt.	Feuchtigkeit hat sich mit dem Öl im Gerät vermischt.	Alle Teile zerlegen und mit Kraftstoff reinigen. Siehe <i>So demontieren Sie das Gerät auf Seite 44</i> . Dann alle Teile schmieren und das Gerät montieren. Siehe <i>So montieren Sie das Gerät auf Seite 44</i> .
		Lassen Sie das Wasser aus dem Luftkompressorbehälter ab.
	Die Lamelle absorbiert Wasser und führt zu einer Blockierung des Rotors.	Alle Teile zerlegen und mit Kraftstoff reinigen. Dann alle Teile schmieren und die Lamelle ersetzen. Die Lamelle bis zur Montage im Öl lassen. Siehe <i>So montieren Sie das Gerät auf Seite 44</i> .

Lagerung und Entsorgung

Lagerung

- Reinigen Sie das Gerät vor der Lagerung.
- Bewahren Sie das Gerät in einem trockenen und frostfreien Raum auf.

- Bewahren Sie das Gerät in einem verschlossenen Bereich auf, um den unbefugten Zugriff durch Kinder oder andere Personen zu verhindern.

So entsorgen Sie das Gerät

- Befolgen Sie die örtlichen Recyclinganforderungen und geltenden Vorschriften.

- Wenn Sie das Produkt nicht mehr benutzen, senden Sie es an einen Händler oder entsorgen Sie es bei einer Recyclingstelle.

Technische Daten

Technische Daten

Typ	EP 121B	EP 271B	EP 371B	EP 601B
Frequenz, U/min	9.000	9.350	9.350	8.800
Zentrifugalkraft, N	8.100	10.350	26.800	31.500
Amplitude, mm/Zoll	0,80/0,03	1,10/0,05	1,70/0,07	2,10/0,08
Luftverbrauch, l/mm oder cfm ⁷	1200 oder 42	1200 oder 42	1400 oder 50	1400 oder 50
Gewicht, kg/lbs	9,50/21	10,00/22	16,50/37	18,00/40
Halterung	VT2	VT2	VT4	VT4
Pneumatik-Werkzeugöl	Detergensfreies Öl			
Luftdruck für Betrieb, bar/PSI	6/87			
Minimaler Luftdruck, bar/PSI	5/72			
Maximaler Luftdruck, bar/PSI	7/101			
Geräuschemissionen				
Schalldruckpegel L _p am Ohr des Bedieners, dB (A) ⁸	90,0	90,8	95,0	100,0

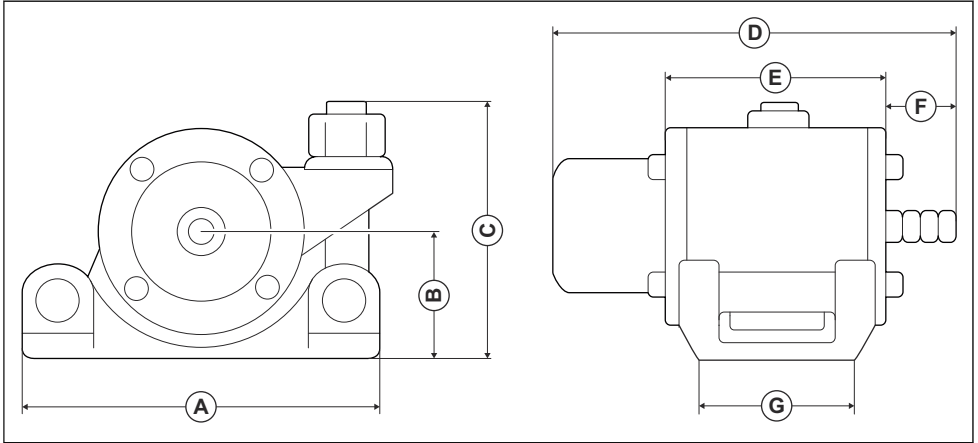
Konformitätserklärung für Geräusche und Vibrationen

Diese erklärten Werte wurden in Laborversuchen in Übereinstimmung mit der aufgeführten Richtlinie oder Norm ermittelt und eignen sich für einen Vergleich mit Wertdeklarationen anderer Produkte, die nach der gleichen Richtlinie bzw. Norm geprüft wurden. Diese Wertdeklarationen eignen sich nicht zur Verwendung in Risikobewertungen, zudem können die an einzelnen Arbeitsplätzen gemessenen Werte höher sein. Die tatsächlichen Belastungswerte und das Gefährdungsrisiko eines individuellen Benutzers sind immer spezifisch und davon abhängig, wie der Benutzer arbeitet, in welchem Material das Produkt eingesetzt wird, sowie von der Belastungszeit, dem Gesundheitszustand des Benutzers und dem Gerätezustand.

⁷ Gemessen bei einem Luftdruck von 6 bar/87 PSI

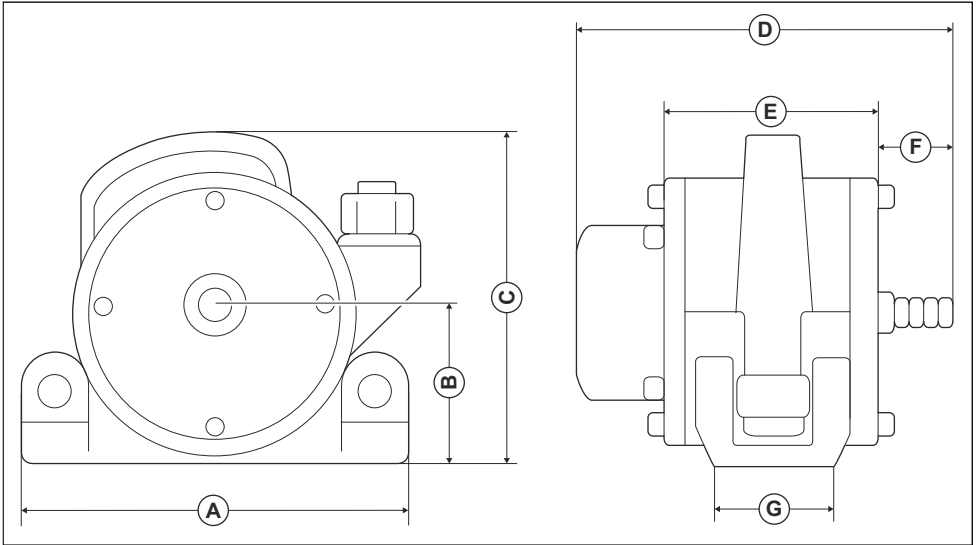
⁸ Geräuschpegel gemessen in Luft in 1 m Entfernung vom Gerät gemäß EN ISO 6081. Unsicherheit: ± 3dB

Geräteabmessungen, EP 121B, EP 271B



Position	Millimeter/Zoll
A	183/7,2
B	78/3,1
C	140/5,5
D	234/9,2
E	130/5,1
F	40/1,6
G	85/3,3

Geräteabmessungen, EP 371B, EP 601B



Position	Millimeter/Zoll
A	242/9,5
B	99/3,9
C	220/8,7
D	236/9,3
E	126/4,9
F	52/2,0
G	80/3,1

EU-Konformitätserklärung

EG-Konformitätserklärung

Die **Husqvarna AB**, SE-561 82 Huskvarna, Schweden,
Tel.: +46-36-146500, erklärt in alleiniger Verantwortung,
dass das Gerät:

Beschreibung	Betonrüttler
Marke	HUSQVARNA
Typ/Modell	EP 121B/271B/371B/601B
Identifizierung	Seriennummern ab 2020

die folgenden EU-Richtlinien und -Vorschriften erfüllt:

Richtlinie/Vorschrift	Beschreibung
2006/42/EG	„Maschinenrichtlinie“

und dass die folgenden harmonisierten Normen und/
oder technischen Daten angewendet werden;

EN 12649:2008+A1:2011

Partille, 2020-12-07



Martin Huber

R&D Director, Concrete Surfaces & Floors

Husqvarna AB, Construction Division

Verantwortlich für die technische Dokumentation



www.husqvarnacp.com

Original instructions
Instructions d'origine
Originele instructies
Originalanweisungen

1142537-20



2021-01-04