

**Operator's manual Manuel d'utilisation
Manual de instrucciones
Bedienungsanweisung**

DMS 160 A/AT/Gyro

Please read the operator's manual carefully and make sure you understand the instructions before using the machine.

Lire attentivement et bien assimiler le manuel d'utilisation avant d'utiliser la machine.

Lea detenidamente el manual de instrucciones y asegúrese de entender su contenido antes de utilizar la máquina.

Lesen Sie die Bedienungsanweisung sorgfältig durch und machen Sie sich mit dem Inhalt vertraut, bevor Sie das Gerät benutzen.



GB FR ES DE

KEY TO SYMBOLS

Symbols on the machine:

WARNING! The machine can be a dangerous tool if used incorrectly or carelessly, which can cause serious or fatal injury to the operator or others.



Please read the operator's manual carefully and make sure you understand the instructions before using the machine.



Always wear:

- Approved protective helmet
- Approved hearing protection
- Protective goggles or a visor
- Breathing mask



This product is in accordance with applicable EC directives.



Environmental marking. Symbols on the product or its packaging indicate that this product cannot be handled as domestic waste. It must instead be submitted to an appropriate recycling station for the recovery of electrical and electronic equipment.



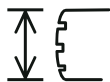
By ensuring that this product is taken care of correctly, you can help to counteract the potential negative impact on the environment and people that can otherwise result through the incorrect waste management of this product.

For more detailed information about recycling this product, contact your municipality, your domestic waste service or the shop from where you purchased the product.

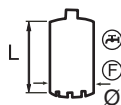
Ensure that water cannot leak into the machine when drilling in the ceiling. Use an appropriate water collector and cover the machine in plastic, but do not cover the air intakes and air outlets.



The drilling machine must be suitable and designed for the size of drill bit. The max drill bit diameter is stated on the machine.



Use a drill suitable for the work.



Load/power indication (LCS-Load control system).



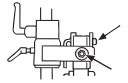
Check that the ceiling is strong enough. The ceiling should be solid.



Make sure that the fork grips in the inner ear. Tighten using a suitable spanner.



Lock the nut using a 30 mm spanner. Check the lock nut on the L-handle. Make sure that it is tightened.



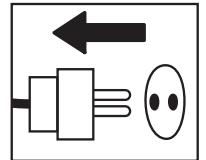
WARNING! Dust forms when drilling, which can cause injuries if inhaled. Use an approved breathing mask. Always provide for good ventilation.



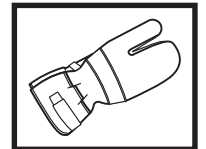
Other symbols/decals on the machine refer to special certification requirements for certain markets.

Symbols in the operator's manual:

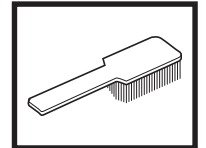
Inspection and/or maintenance should be carried out with the motor switched off and the plug disconnected.



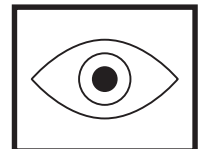
Always wear approved protective gloves.



Regular cleaning is required.



Visual check.



Protective goggles or a visor must be worn.



CONTENTS

Contents

KEY TO SYMBOLS

Symbols on the machine: 2

Symbols in the operator's manual: 2

CONTENTS

Contents 3

WHAT IS WHAT?

What is what on the drilling machine? 4

WHAT IS WHAT?

What is what on the stand? 5

SAFETY INSTRUCTIONS

Steps before using a new drilling machine 6

Personal protective equipment 6

Machine's safety equipment 7

Checking, maintaining and servicing the machine's safety equipment 7

General safety precautions 7

PRESENTATION

Drill motor and stand 8

Drill motor DMS 160 8

Stand DMS 160 8

ASSEMBLY

Assembling the stand - DMS 160 A/AT 9

Assembling the stand - DMS 160 Gyro 9

STARTING AND STOPPING

Before starting 12

Starting 12

Stopping 12

WORKING TECHNIQUES

General working instructions 13

Using the machine 13

MAINTENANCE

Maintenance of the drill motor 14

Stand maintenance 15

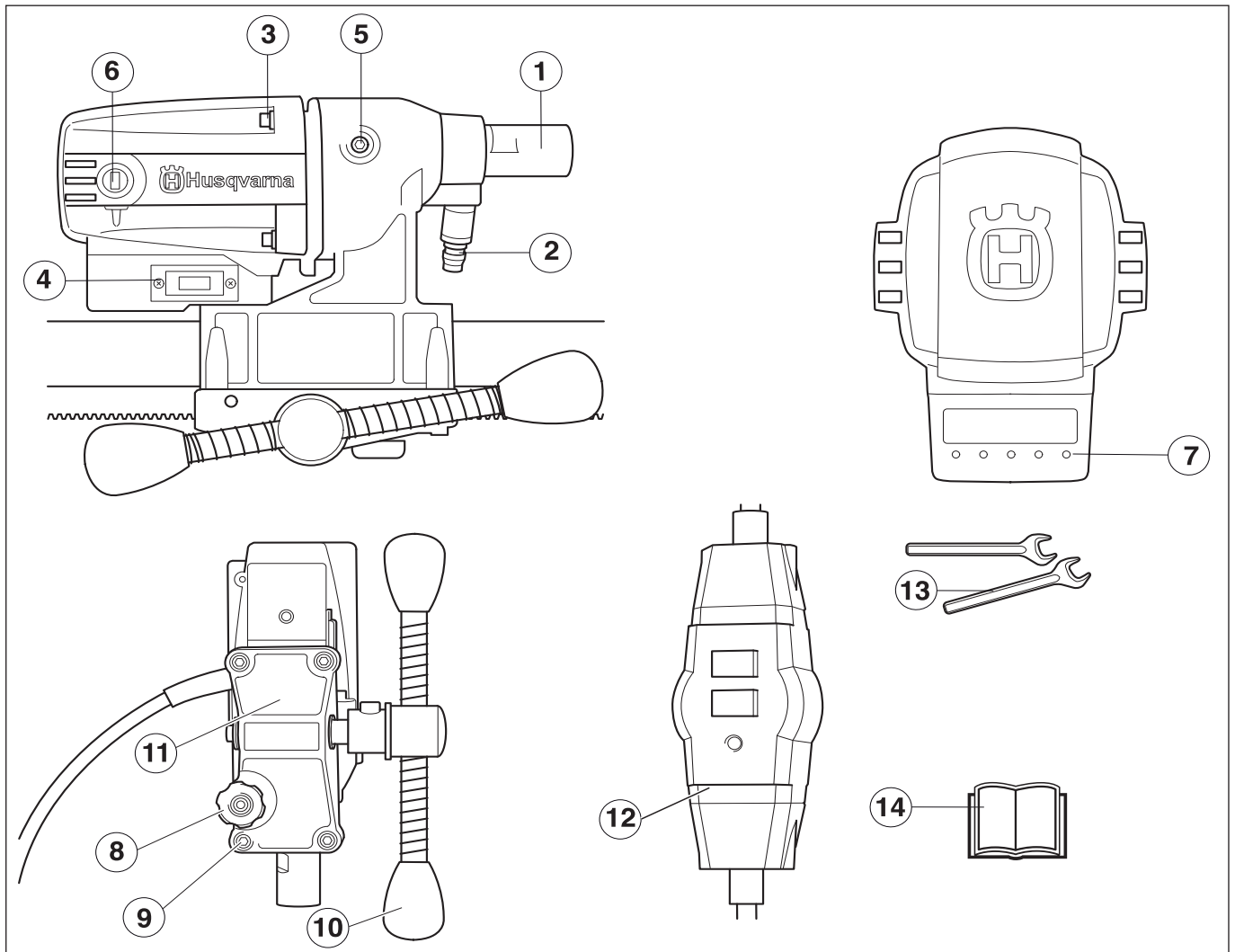
TECHNICAL DATA

Drill motor DMS 160 16

Stand DMS 160 17

EC Declaration of Conformity 17

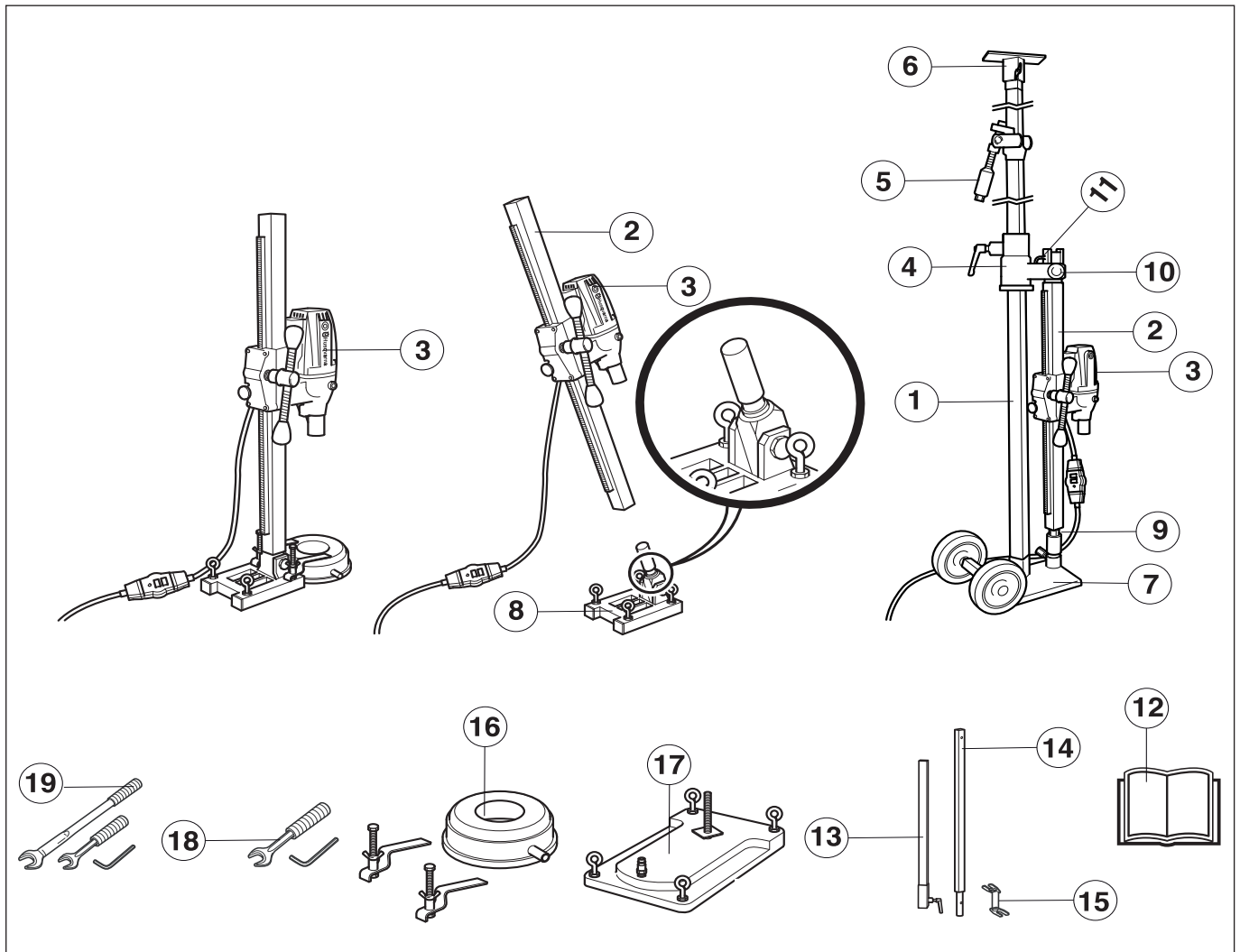
WHAT IS WHAT?



What is what on the drilling machine?

- | | |
|--|--|
| 1 Drill spindle | 8 Locking knob |
| 2 Water connector | 9 Screws (4) for feeder rear section and gearbox |
| 3 Screws holding together the gearbox and the motor. | 10 Feeder handle |
| 4 Power switch | 11 Feeder rear section |
| 5 Cover for slip clutch (SMC) | 12 PRCD Ground fault circuit interrupter |
| 6 Carbon brush cover | 13 Spanners |
| 7 Load/power indication (LCS-Load control system). | 14 Operator's manual |

WHAT IS WHAT?



What is what on the stand?

- | | | | |
|----|--|----|---|
| 1 | Telescopic support column 40 | 11 | L-handle |
| 2 | Drill column | 12 | Operator's manual |
| 3 | Drill motor DMS 160 | 13 | Extension module U (Available as an accessory.) |
| 4 | Wall rail | 14 | Extension module I (Available as an accessory.) |
| 5 | Support column/locking mechanism | 15 | Expansion attachment (Available as an accessory.) |
| 6 | Ceiling plate | 16 | Water collector (Available as an accessory.) |
| 7 | Base plate (GB 40 T) with transport wheels | 17 | Vacuum plate (Available as an accessory.) |
| 8 | Expander angle base plate | 18 | Tool kit DMS 160 AT |
| 9 | Column screw and lock screw | 19 | Tool kit DMS 160 Gyro |
| 10 | Locking nut | | |

SAFETY INSTRUCTIONS

Steps before using a new drilling machine

- Do not use the drilling machine without first reading and understanding the contents of this Operator's Manual.
- This machine is designed for and intended for drilling concrete, brick and different stone materials. All other use is improper.
- The machine is intended for use in industrial applications by experienced operators.

Always use common sense

It is not possible to cover every conceivable situation you can face when using a drilling machine. Always exercise care and use your common sense. Avoid all situations which you consider to be beyond your capability. If you still feel uncertain about operating procedures after reading these instructions, you should consult an expert before continuing. Do not hesitate to contact your dealer or us if you have any more questions about the use of the drilling machine. We will willingly be of service and provide you with advice as well as help you to use your drilling machine both efficiently and safely.

Do not hesitate to contact your dealer if you have any more questions about the use of the machine. We will willingly be of service and provide you with advice as well as help you to use your machine both efficiently and safely.

Let your Husqvarna dealer check the drilling machine regularly and make essential adjustments and repairs.

Husqvarna Construction Products has a policy of continuous product development. Husqvarna reserves the right to modify the design and appearance of products without prior notice and without further obligation introduce design modifications.

All information and all data in the Operator's Manual were applicable at the time the Operator's Manual was sent to print.



WARNING! Under no circumstances should you modify the original design of the machine without approval from the manufacturer. Always use original spare parts. Unauthorized modifications and/or accessories may lead to serious injury or death to the user or others.



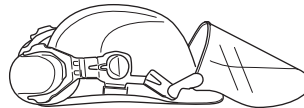
WARNING! The use of products such as cutters, grinders, drills, that sand or form material can generate dust and vapours which may contain hazardous chemicals. Check the nature of the material you intend to process and use an appropriate breathing mask.

Personal protective equipment

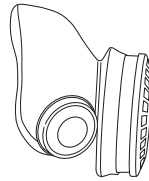


WARNING! You must use approved personal protective equipment whenever you use the machine. Personal protective equipment cannot eliminate the risk of injury but it will reduce the degree of injury if an accident does happen. Ask your dealer for help in choosing the right equipment.

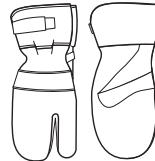
- Protective helmet
- Hearing protection
- Protective goggles or a visor



- Breathing mask



- Heavy-duty, firm grip gloves.



- Tight-fitting, heavy-duty and comfortable clothing that permits full freedom of movement.



- Boots with steel toe-caps and non-slip sole.



- Always have a first aid kit nearby.



SAFETY INSTRUCTIONS

Machine's safety equipment

This section describes the machine's safety equipment, its purpose, and how checks and maintenance should be carried out to ensure that it operates correctly. See the "What is what?" section to locate where this equipment is positioned on your machine.



WARNING! Never use a machine that has faulty safety equipment! Safety equipment must be inspected and maintained. See instructions under the heading **Checking, maintaining and servicing the machine's safety equipment**. If your machine does not pass all the checks, take it to a service workshop for repair.

Checking, maintaining and servicing the machine's safety equipment



IMPORTANT! All servicing and repair work on the machine requires special training. This is especially true of the machine's safety equipment. If your machine fails any of the checks described below you must contact your service agent. When you buy any of our products we guarantee the availability of professional repairs and service. If the retailer who sells your machine is not a servicing dealer, ask him for the address of your nearest service agent.

Power switch

The power switch should be used to start and stop the machine.

Checking the power switch

- Start the machine by pressing the power switch.
- Shut down the machine by pressing the power switch.
- A defective power switch should be replaced by an authorized service workshop.

General safety precautions

- Do not use the drilling machine without first reading and understanding the contents of this Operator's Manual.



WARNING! There is always a risk of shocks from electrically powered machines. Avoid unfavourable weather conditions and body contact with lightning conductors and metal objects. Always follow the instructions in the Operator's manual to avoid damage.



WARNING! There is always a risk of crush injuries when working with products containing moving parts. Wear protective gloves to avoid body injuries.

- Never use the machine if you are tired, if you have drunk alcohol, or if you are taking medication that could affect your vision, your judgement or your co-ordination.
- Wear personal protective equipment. See instructions under the "Personal protective equipment" heading.
- Never carry the machine by means of the cord and never pull out the plug by pulling the cord. Keep all cables and extension leads away from water, oil and sharp edges. Make sure the cable is not jammed in doors, fences or the like. Otherwise it can cause the charger to become live.
- Check that the cord and extension cord are intact and in good condition. Use an extension cord intended for outdoor use. Never use the machine if the cord is damaged, hand it in to an authorized service workshop for repair.
- To avoid overheating do not use the extension cord while it is rolled up.



- The machine should be connected to an earthed outlet socket.
- Check that the mains voltage corresponds with that stated on the rating plate on the machine.
- Never use a machine that is faulty. Carry out the safety checks, maintenance and service instructions described in this manual. Some maintenance and service measures must be carried out by trained and qualified specialists. See instructions under the Maintenance heading.
- Never allow anyone else to use the machine without first ensuring that they have read and understood the contents of the operator's manual.
- People and animals can distract you causing you to lose control of the machine. For this reason, always remain concentrated and focused on the task.
- Be careful as clothing, long hair, and jewellery can get caught in moving parts.

Transport and storage

Do not store or transport the drilling machine with the drill bit fitted in order to protect your drilling machine and drill bits from damage.

Store the drilling machine in a lockable area so that it is out of reach of children and unauthorised persons.

Store the drilling machine and stand in dry and frost free conditions.

PRESENTATION

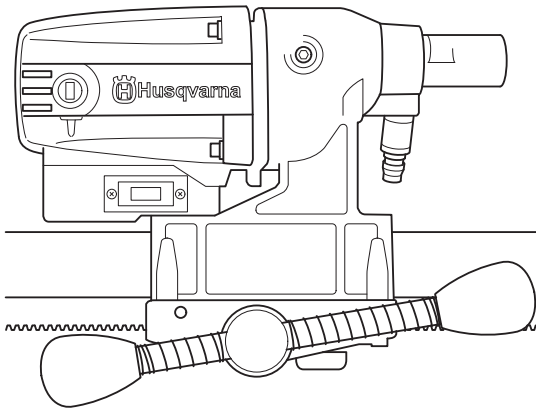
Drill motor and stand

It is our wish that you will be satisfied with your product and that it will be your companion for a long time. Think of this operator's manual as a valuable document. By following its content (usage, service, maintenance, etc), the life span and the second-hand value of the machine can be extended. If you sell this machine, make sure that the operator's manual is passed on to the buyer.

A purchase of one of our products gives you access to professional help with repairs and services. If the retailer who sells your machine is not one of our authorised dealers, ask him for the address of your nearest service workshop.

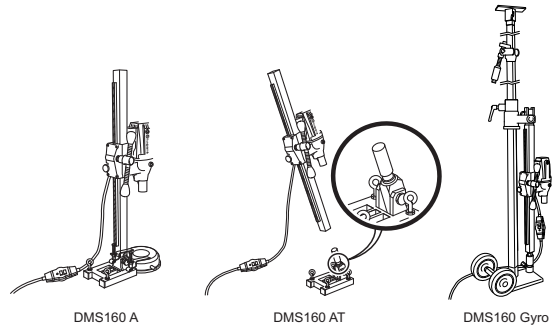
Husqvarna Construction Products has a policy of continuous product development. Husqvarna reserves the right to modify the design and appearance of products without prior notice and without further obligation introduce design modifications.

Drill motor DMS 160



- DMS 160 is an electric drill, intended for drilling concrete, brick and various stone materials.
- The drilling machine has a modular design and is easy to assemble.
- The machine has a speed range for drill bits with a diameter(\varnothing) of 120 mm / 4.75 In.
- The design of the slip clutch (SMC- Slide Mechanical Clutch) gives the greatest power output and it can be adjusted from outside.
- The machine is intended for stand mounted drilling.
- The machine is water cooled.
- The machine is double insulated and has power indicators.
- The machine works at its best if not overloaded, let the maximum yellow LED on the load/power indicator (LCS- Load Control System) be on. Max. 10 minutes max. load the machine must then be run without a load for 2 minutes.

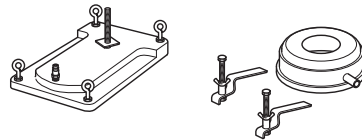
Stand DMS 160



DMS 160 A/AT

The stands are secured using expanding screws.

- A water collector and vacuum plate are available as accessories to suck the stand into place.



DMS 160 AT

- DMS 160 AT has a modular design that permits angle drilling and a rotation function.

DMS 160 Gyro

- DMS 160 Gyro has a modular design with telescopic stand to secure the drill motor.
- The telescopic support column has a maximum length of 3.1 metres, but can be extended an additional 0.75 metres using an extension module.
- A maximum of one extension module may be used.
- Only one spanner (24/30 mm) and an allen key (8 mm) are required to change the settings.

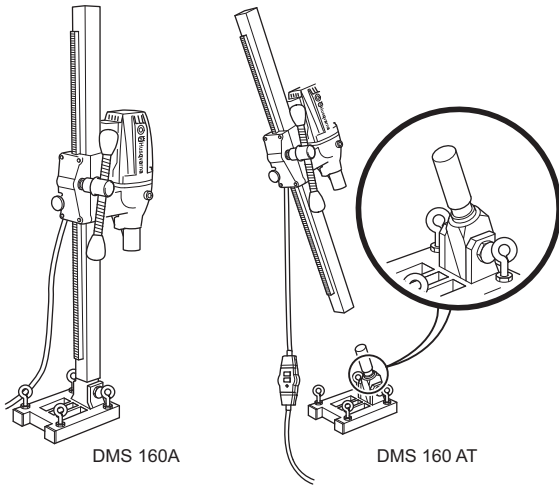


The drill column can be variably adjusted through 360°.

- The transport wheels can be removed.

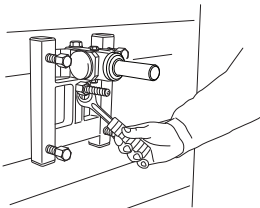
ASSEMBLY

Assembling the stand - DMS 160 A/ AT



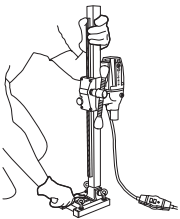
DMS 160 A/AT

- Drill holes (15 mm) in the floor or in the wall and knock in the expander bolts.
- Bolt down the base plate. Check carefully that the expander is secured correctly.



DMS 160 AT

- The drill column is mounted on the base plate's angle bracket. Tighten the lock screw with an 8 mm allen key. The drill column can be turned through 360° and locked variably in each position using a locking screw (8 mm allen key)

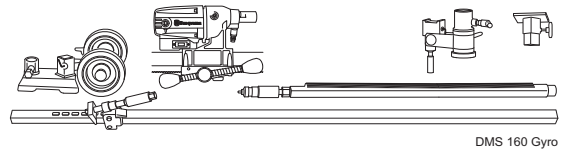


- The drill column is set at the required angle by tightening the nut using a 24 mm spanner. If the vacuum plate is used, make sure the support surface is not porous and can loosen. Make sure that the vacuum pump has sufficient power to secure the vacuum plate. A suitable vacuum motor is Husqvarna VP200.

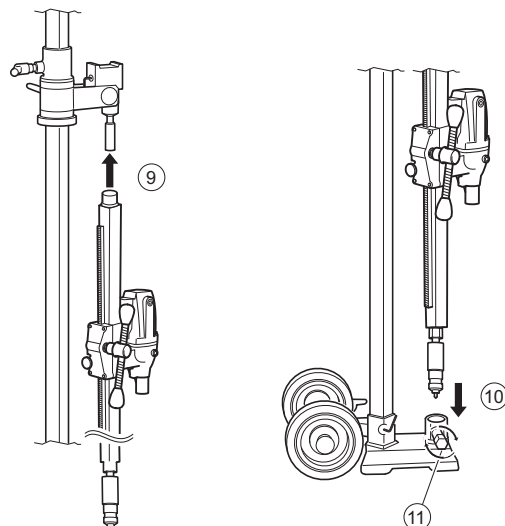
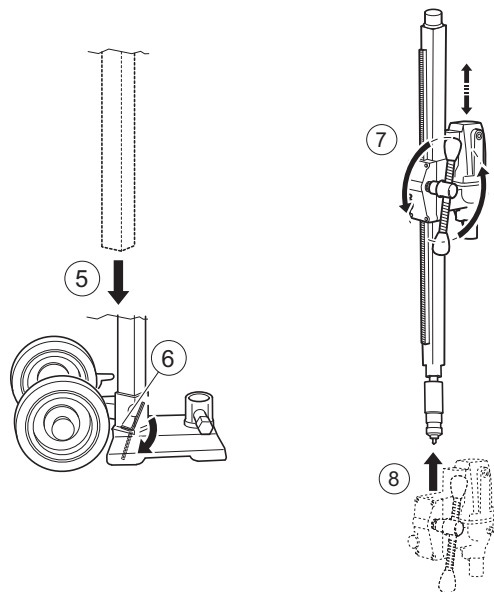
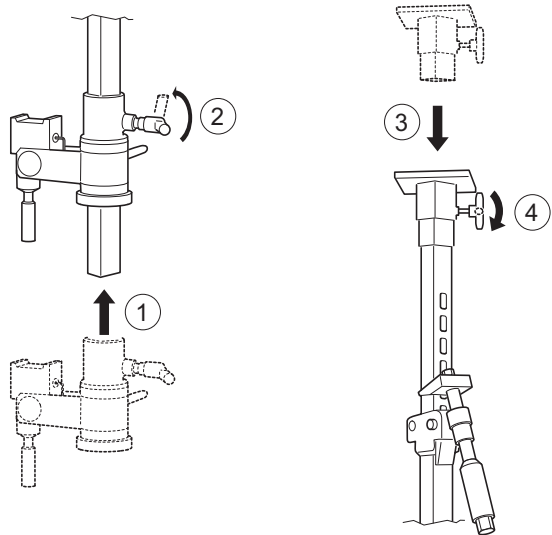


WARNING! The vacuum plate must never be used for ceiling drilling. Careless or incorrect use can result in serious or fatal injury to the operator or others.

Assembling the stand - DMS 160 Gyro

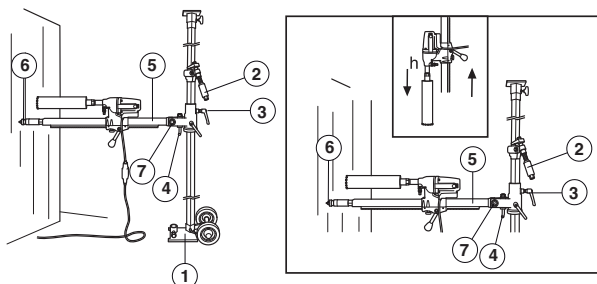


DMS 160 Gyro



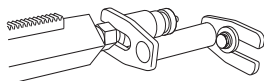
ASSEMBLY

Drilling in walls

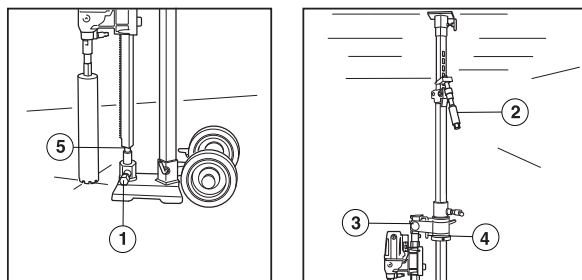


- 1 Base plate with locking screw.
- 2 Column screw and lock screw
- 3 Locking knob
- 4 L-handle
- 5 Drill column
- 6 Column screw and lock screw
- 7 Locking nut
- 8 Drill motor DMS 160

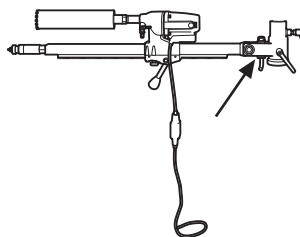
- Place the base plate at a drill column's length from the wall. The support column screw should be screwed in. When drilling is to be performed at a height greater than 1.5 metres, the heavier outer tube should be turned upwards and vice versa when drilling below 1.5 metres. Check that the support column is clamped in the base plate with the locking screw.
- Clamp the telescopic column support against the ceiling. Choose the closest hole in the holed inner tube. Clamp using the support column handle and screw the last bit using a 24 mm spanner. Do not clamp too tight.
- Loosen the locking handle and rotate the drill column. Fold down the drill column using the L-handle.
- Fit the drill motor DMS 160 on the drill column.
- Then turn back the drill column with the drill motor to the desired position against the wall. Lock the locking handle.
- Angle back and fold up the drill column, secure with the L-handle and nut. When angle drilling, loosen the L-handle and set the drill column at the required angle by tightening the nut using a 30 mm spanner.
- Check the position of the drill bit. Screw in the support column screw against the wall to secure the drill column. Secure with a locking nut, 30 mm. Use a wooden batten as packing. The drill column can be turned through 360° and locked variably in each position using a locking screw (8 mm allen key)
- The expander attachment can be used to provide additional anchorage of the drill column. The attachment is adjusted against the support column screw and is secured on the wall with an expansion bolt. Secure with a locking nut, 30 mm.



Drilling in the floor

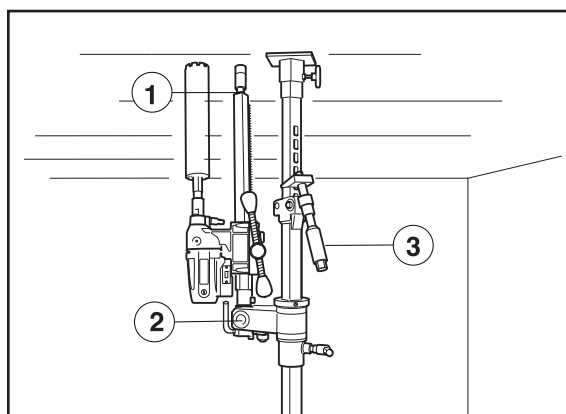


- 1 Locking screw
 - 2 Column screw and lock screw
 - 3 Locking knob
 - 4 L-handle
 - 5 Locking screw
- Fold down the drill column using the L-handle.
 - Make sure that the support column enters the lock sleeve.
 - Tighten the locking nut with a 30 mm key and lock the locking handle.



- Place the stand in the required position.
- 6 Lock the support column in the lock sleeve with the locking screw and the nut. Tighten using the 24 and 30 mm spanners.
- Clamp the telescopic support column against the ceiling with the support column mechanism. Tighten the last bit using a 24 mm spanner, do not tighten too tight. The telescopic support column has a maximum length of 3.1 metres, but can be extended an additional 0.75 metres using an extension module.

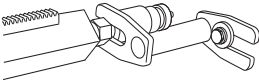
Drilling in the ceiling



- 1 Column screw and lock screw
- 2 Locking nut
- 3 Column screw and lock screw

ASSEMBLY

- Place the stand in the required position.
- Check that the support column screw in the drill column is screwed in. Fold up and lock the drill column in the vertical position with the locking nut.
- Check that the drill bit is in the right position. Clamp the telescopic support column against the ceiling with the support column mechanism.
- Screw in the support column screw against the ceiling to secure the drill column. Secure with a locking nut, 30 mm. Use a wooden batten as packing.
- The expander attachment can be used to provide additional anchorage of the drill column. (Available as an accessory.) The attachment is adjusted against the support column screw and is secured on the wall with an expansion bolt. Secure with a locking nut, 30 mm.



WARNING! The vacuum plate must never be used for ceiling drilling. Careless or incorrect use can result in serious or fatal injury to the operator or others.

STARTING AND STOPPING

Before starting



WARNING! Note the following before starting:

The machine should be connected to an earthed outlet socket.

Check that the mains voltage corresponds with that stated on the rating plate on the machine. Keep people and animals well away from the working area.

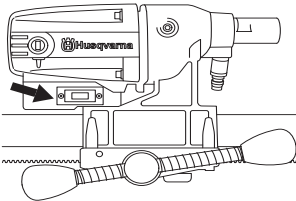


WARNING! Before drilling, check that all locking screws are tightened well.

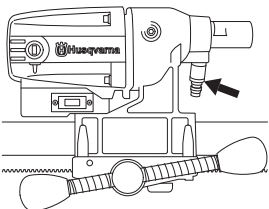
Serious accidents can occur if the concrete core remains in the drill when backing out the drill motor/drill from the floor, wall or ceiling.

Make sure that:

- The switch is undamaged. If not, the switch must be replaced by an authorised repairman.



- The machine and its equipment are correctly installed:
 - The drill is secured properly.
 - The stand is firmly attached.
 - Secure the machine on the stand using a suitable method.
- Wear personal protective equipment. See instructions under the "Personal protective equipment" heading.
- Water cooling is undamaged and connected to the machine.

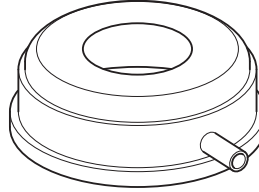


Drilling in the ceiling



WARNING! The vacuum plate must never be used for ceiling drilling.

Use a water collector to avoid water penetrating into the machine. The machine must be covered with plastic or the like in order to prevent water penetrating into the machine, but do not cover the air intakes and air outlets.



WARNING! A maximum of one extension module may be used.

Check that no one on the floor below can be injured by falling concrete cores.

Starting

- Turn on the water cooling.
- Press in the switch fully.
- Start to feed the drill bit with the help of the feed handle.

Stopping



WARNING! The drill bit continues to rotate for a while after the motor has been switched off. Do not stop the drill bit with your hands. Personal injuries can occur.

Shut down the machine by pressing the power switch.

Cooling

Run the machine unloaded for a minute or two to cool the motor.

WORKING TECHNIQUES

General working instructions



WARNING! This section takes up the basic safety precautions for working with the drilling machine. This information is never a substitute for professional skills and experience. If you encounter a situation where you are uncertain how to proceed you should ask an expert. Contact your dealer, service agent or an experienced drilling machine user. Do not attempt any task that you feel unsure of!



WARNING! Overexposure to vibration can lead to circulatory damage or nerve damage in people who have impaired circulation. Contact your doctor if you experience symptoms of overexposure to vibration. Such symptoms include numbness, loss of feeling, tingling, pricking, pain, loss of strength, changes in skin colour or condition. These symptoms normally appear in the fingers, hands or wrists. These symptoms may be increased in cold temperatures.

- Do not use the machine in bad weather, such as dense fog, rain, strong wind, intense cold, etc. Working in bad weather is tiring and can lead to dangerous conditions, e.g. slippery surfaces.
- Never start to work with the machine before the working area is clear and you have a firm foothold. Look out for any obstacles with unexpected movement. Ensure that no material can become loose and fall, causing injury when operating the machine.
- Remain at a distance from the drill bit when the motor is running.
- Ensure that the working area is sufficiently illuminated to create a safe working environment.
- Make sure that no pipes or electrical cables are routed in the area to be drilled.
- Ensure the cord is behind you when you start to use the machine so that the cord will not be damaged.
- Never leave the machine unsupervised with the motor running. A rotating drill bit can entail a risk of serious injury.
- Always unplug the machine during longer work breaks.
- Do not overload the machine. Overloading can damage the machine.
- Keep tools sharp and clean in order to enable safer work.
- Always check the rear side of the surface where the drill bit will emerge when drilling right through. Secure and cordon off the area and make sure that no one can be injured or material damaged.
- Always switch off the machine before you move it.
- Never work alone, always ensure there is another person close at hand. Apart from being able to receive help to assemble the machine, you can also get help if an accident should occur.
- Keep all parts in good working order and ensure that all fixtures are properly tightened.

Using the machine

- Keep your hands at a safe distance from the drill spindle and drill bit when the machine is running.
- Keep an eye open for oil or water leakage.

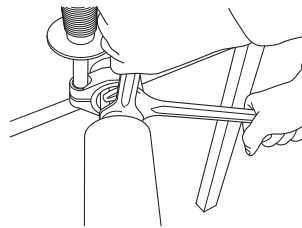
Drilling outdoors

Always use extension cables that are approved for outdoor use.

Changing the drill bit



- 1 Pull out the plug.
- 2 Get:
 - The new drill bit.
 - The supplied open-ended spanners, size 24 mm and 32 mm.
 - Water-resistant grease.
- 3 Remove the old drill bit using the open-ended spanners.
- 4 Apply water-resistant grease to the thread of the new drill bit.
- 5 Attach the drill bit using the open-ended spanners.

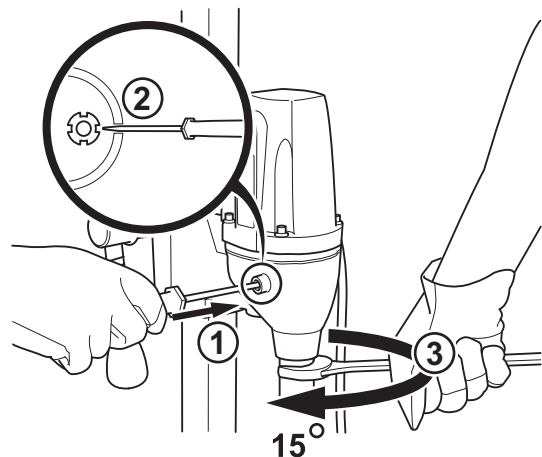


Slip clutch (SMC)

The machine is equipped with a mechanical slip clutch (SMC).

Tension the slip clutch as follows:

- Loosen the cover for the slip clutch.



- Carefully lock the hook nut using a flat wide screwdriver in one of the hook nut's four notches.
- Turn the drill spindle with a 27 mm open-ended spanner 15 degrees.

Remove the screwdriver and refit the cover on the slip clutch.

Load/power indication (LCS-Load control system).

The machine works at its best if not overloaded, let the maximum yellow LED on the load/power indicator (LCS- Load Control System) be on. Max. 10 minutes max. load the machine must then be run without a load for 2 minutes.

MAINTENANCE

Maintenance of the drill motor



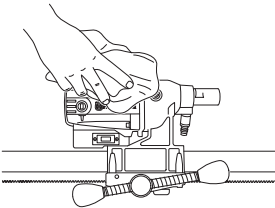
IMPORTANT! Inspection and/or maintenance should be carried out with the motor switched off and the plug disconnected.

The lifetime of your machine can be extended considerably if it is used, cared for and maintained in the proper manner.

Cleaning



- Keep the machine and drill bit clean in order for drilling to be carried out safely.



- In order for the machine to always be cooled sufficiently the cooling air openings must be kept clear and clean. Blow down the machine regularly with compressed air.

Electrical Feed



WARNING! Never use damaged cables. They can cause serious, even fatal, personal injuries.

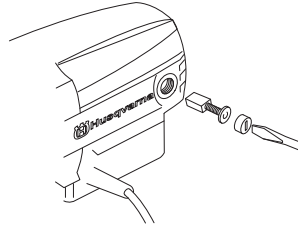
Check that the cord and extension cord are intact and in good condition. Never use the machine if the cord is damaged, hand it in to an authorized service workshop for repair.

Repairs

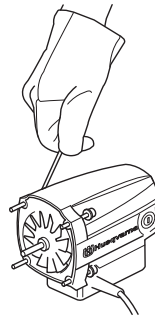
IMPORTANT! All types of repairs may only be carried out by authorised repairmen. This is so that the operators are not exposed to great risks.

Replacing the motor and the gearbox

- 1 Secure the machine with drill spindle downwards in a vice or the like.
- 2 Remove the cover for the carbon brushes using a flat wide screwdriver.



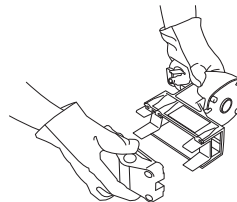
- 3 Carefully remove the carbon brushes.
- 4 Unscrew the four screws holding together the motor and gearbox.
- 5 Loosen the ground cable from the gearbox cover (only applies to 230V).
- 6 Carefully disassemble the machine.
- 7 Replace the module that needs to be replaced. Use Castrol MS3 Molybdenum grease in the gearbox.



- 8 Assemble the motor with the gearbox.
- 9 Replace the screws.
- 10 Screw on the brush cover.

Changing the rear section

- 1 Loosen the four screws and the locking knob on the rear of the drill.
- 2 Replace the two slide plates when the rear section is to be replaced.



- 3 Bolt together the rear section using the four screws. Screw in the locking knob.

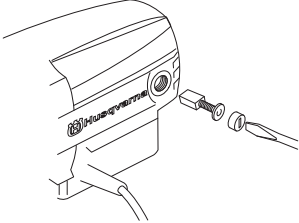
MAINTENANCE

Replacing the carbon brushes

The carbon brushes must be removed and checked regularly. Weekly if the machine is used daily or at longer intervals if the machine is used more seldom. The area of wear should be even and undamaged.

Both carbon brushes must always be replaced as a pair, but one at a time. Do as follows:

- 1 Remove the cover for the carbon brushes using a flat wide screwdriver.



- 2 Carefully remove the carbon brushes. The carbon brushes must be replaced if there is less than 6 mm remaining on the brushes.
- 3 Fit new carbon brushes.
- 4 Screw on the brush cover.
- 5 Let the machine idle for 10 minutes to run in the new carbon brushes.

Daily maintenance

- 1 Check that nuts and screws are tight.
- 2 Check that the power switch unit works smoothly.
- 3 Clean the outside of the machine.
- 4 Check and clean the cooling air openings.
- 5 Check that the cord and extension cord are intact and in good condition.

Stand maintenance



Cleaning and lubrication

IMPORTANT! Remove the drill motor. For maintenance of the drill motor see maintenance of the drill motor.

- It is important that the drill stand is kept clean for functionality to be maintained.
- Clean the stand using a high pressure washer and then wipe dry.
- Lubricate the moving parts on the stand. Apply grease to counteract corrosion on the contact surfaces.

Repairs

IMPORTANT! All types of repairs may only be carried out by authorised repairmen. This is so that the operators are not exposed to great risks.

Daily maintenance

- 1 Check that nuts and screws are tight.
- 2 Clean the outside of the machine.

TECHNICAL DATA

Drill motor DMS 160

Electric motor	Single-phase
Rated voltage, V	230/100-120
Rated output, W	1560

Rated current, A

230 V	6A
100-120 V	13A

Weight, kg	5,9
------------	-----

Diameter drill bit, mm

Max. diameter of the drill bit, with stand	120 mm (4.7")
Spindle thread	Int. 1/2" R
Water connector	G 1/4"

Spindle speed, idle, rpm

Green 1	1100
Green 2	980
Green 3	840

Spindle speed, rpm

Yellow	700
Red	640

Noise emissions (see note 1)

Sound power level, measured dB (A)	102
Sound power level, guaranteed L_{WA} dB (A)	103

Sound levels (see note 2)

Sound pressure level at the operators ear, dB(A)	89
--	----

Vibration levels (see note 3)

Handle, m/s^2	<2,5
-----------------	------

Note 1: Noise emissions in the environment measured as sound power (L_{WA}) conforming to EN 12348.

Note 2: Noise pressure level according to EN 12348. Reported data for noise pressure level has a typical statistical dispersion (standard deviation) of 1.0 dB(A).

Note 3: Vibration level according to EN 12348. Reported data for vibration level has a typical statistical dispersion (standard deviation) of 1 m/s^2 .

TECHNICAL DATA

Stand DMS 160

Height, mm

DMS 160 A height, mm	840
DMS 160 AT height, mm	900
DMS 160 Gyro height, mm	1900-3100
Stroke, mm	600
Max. drill bit diameter (mm)	120

Weight, kg

DMS 160 A	10,5
DMS 160 AT	12
DMS 160 Gyro	31,4
Tool kit DMS 160 AT	0,3
Tool kit DMS 160 Gyro	0.8

Weight, kg (extra accessory)

Vacuum plate	2,5
Water collector	0,7
Extension module I	2,9
Extension module U	2,9
Expansion attachment	0.8

EC Declaration of Conformity

(Applies to Europe only)

We, **Husqvarna AB**, SE 561 82 Huskvarna, SWEDEN, Tel. +46 36 146500 declare on our sole responsibility that the product:

Description	Drill Machine
Brand	HUSQVARNA
Type / Model	DMS 160
Identification	Serial numbers dating from 2018 and onwards

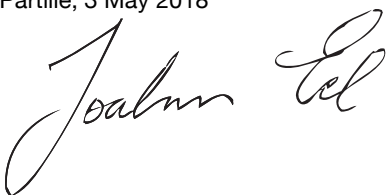
complies fully with the following EU directives and regulations:

Directive/Regulation	Description
2006/42/EC	"relating to machinery"
2011/65/EU	"relating to restriction of hazardous substances"

and that harmonized standards and/or technical specifications are applied as follows;

EN ISO 12100:2010
EN 12348:2000+A1:2009

Partille, 3 May 2018



Joakim Ed

Global R&D Director

Responsible for technical documentation

EXPLICATION DES SYMBOLES

Symboles sur la machine:

AVERTISSEMENT! La machine utilisée de manière imprudente ou inadéquate peut devenir un outil dangereux, pouvant causer des blessures graves voire mortelles à l'utilisateur et aux autres personnes présentes.



Lire attentivement et bien assimiler le manuel d'utilisation avant d'utiliser la machine.



Toujours utiliser:

- Casque de protection homologué
- Protecteurs d'oreilles homologués
- Lunettes protectrices ou visière
- Masque respiratoire



Ce produit est conforme aux directives CE en vigueur.



Marquage environnemental. Ce symbole figurant sur le produit ou sur son emballage indique que ce produit ne peut pas être traité comme déchet ménager. Il doit être collecté et amené à une installation de récupération appropriée de déchets d'équipements électriques et électroniques.



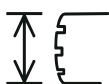
En veillant à ce que ce produit soit correctement éliminé, vous pouvez contribuer à prévenir les conséquences négatives potentielles sur l'environnement et les hommes, qui pourraient sinon être le résultat d'un traitement incorrect des déchets de ce produit.

Pour des informations plus détaillées sur le recyclage de ce produit, contactez votre commune ou le magasin où vous avez acheté le produit.

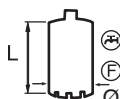
En cas de forage au plafond, s'assurer que l'eau ne risque pas de couler dans la machine. Utiliser un récipient adéquat pour recueillir l'eau et recouvrir la machine de plastique en laissant libres l'admission et l'échappement d'air.



La perceuse doit être appropriée et adaptée aux dimensions du perçage à effectuer. Le diamètre de perçage maximal est indiqué sur la machine.



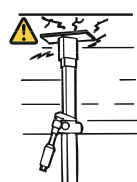
Utilisez un foret approprié au travail à effectuer.



Indication de charge/de courant (LCS-Load controll system).



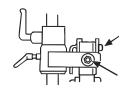
Contrôlez la résistance du plafond. Le plafond doit être solide.



Contrôler que la fourche agrippe l'oeillet intérieur. Serrer avec une clé adéquate.



Bloquez l'écrou à l'aide d'une clé de 30 mm. Contrôlez le contre-écrou sur la poignée en L. Vérifiez qu'il est serré.



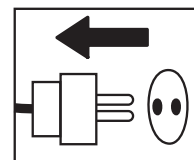
AVERTISSEMENT! Pendant le perçage, la poussière générée peut occasionner des blessures si elle est aspirée. Utilisez une protection respiratoire approuvée. Veillez à disposer d'une bonne ventilation.



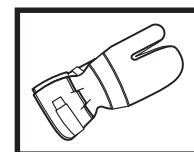
Les autres symboles/autocollants présents sur la machine concernent des exigences de certification spécifiques à certains marchés.

Symboles dans le manuel:

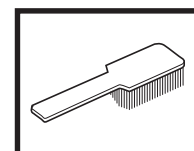
Les contrôles et/ou les entretiens doivent être effectués avec le moteur à l'arrêt et la prise électrique débranchée.



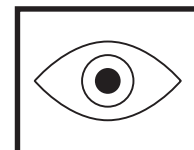
Toujours porter des gants de protection homologués.



Un nettoyage régulier est indispensable.



Examen visuel.



Porter des lunettes protectrices ou une visière.



SOMMAIRE

Sommaire

EXPLICATION DES SYMBOLES

Symboles sur la machine:	18
Symboles dans le manuel:	18

SOMMAIRE

Sommaire	19
----------------	----

QUELS SONT LES COMPOSANTS?

Quels sont les composants de la perceuse?	20
---	----

QUELS SONT LES COMPOSANTS?

Quels sont les composants du support?	21
---	----

INSTRUCTIONS DE SÉCURITÉ

Mesures à prendre avant d'utiliser une perceuse neuve	22
Équipement de protection personnelle	22
Équipement de sécurité de la machine	23
Contrôle, maintenance et entretien des équipements de sécurité de la machine	23
Instructions générales de sécurité	23

PRÉSENTATION

Moteur de forage et support	24
Moteur de forage DMS 160	24
Support DMS 160	24

MONTAGE

Montage du support - DMS 160 A/AT	25
Montage du support - DMS 160 Gyro	25

DÉMARRAGE ET ARRÊT

Avant de démarrer la machine	28
Démarrage	28
Arrêt	28

TECHNIQUES DE TRAVAIL

Méthodes de travail	29
Utilisation de la machine	29

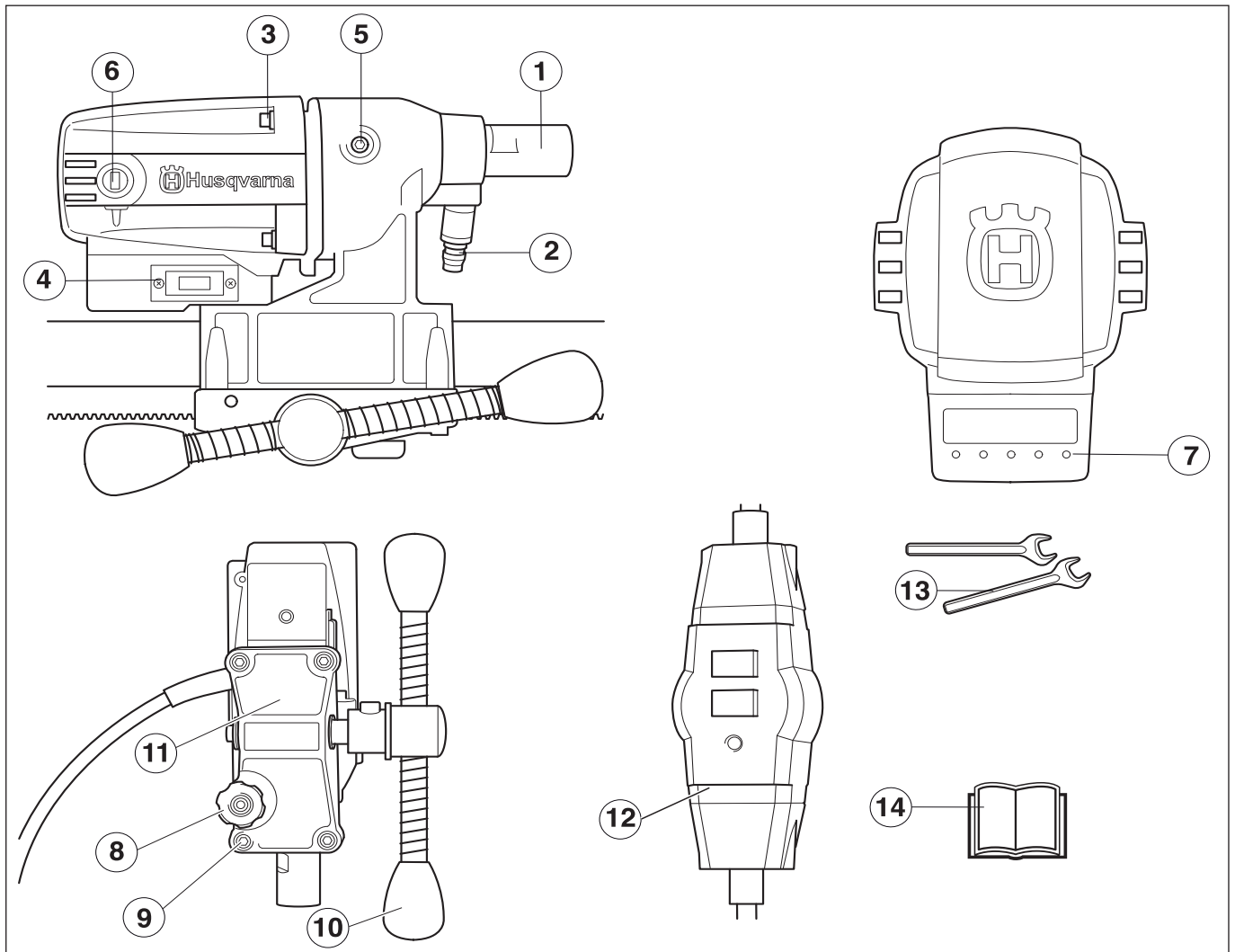
ENTRETIEN

Maintenance du moteur de forage	31
Entretien du support	32

CARACTÉRISTIQUES TECHNIQUES

Moteur de forage DMS 160	33
Support DMS 160	34
Déclaration CE de conformité	34

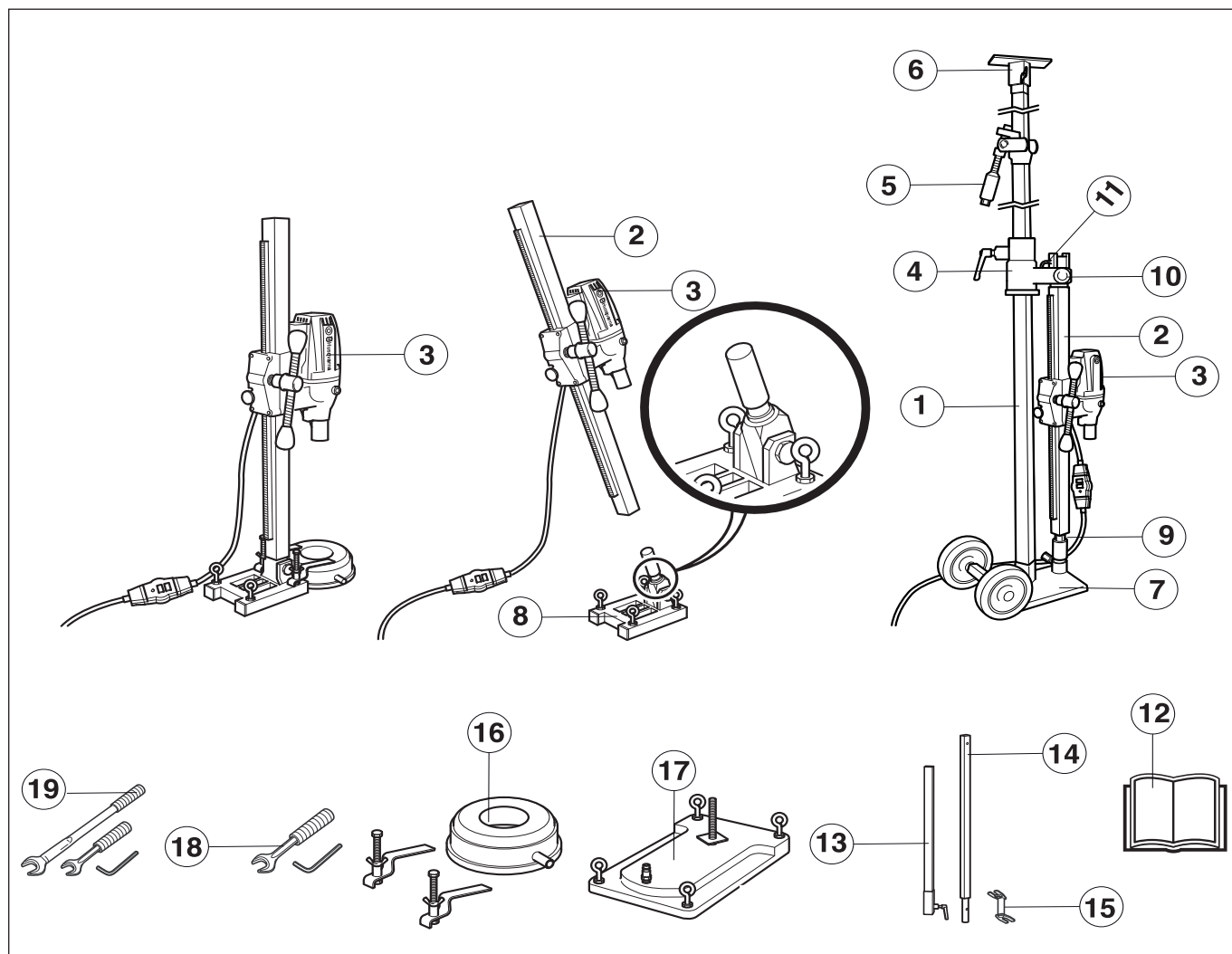
QUELS SONT LES COMPOSANTS?



Quels sont les composants de la perceuse?

- | | |
|--|--|
| 1 Broche | 8 Manette de verrouillage |
| 2 Raccord de l'eau | 9 Vis (4 unités) pour la plaque arrière d'avance et la boîte de vitesses |
| 3 Vis qui maintiennent ensemble le moteur et la boîte de vitesses. | 10 Poignée d'avance |
| 4 Interrupteur | 11 Plaque arrière d'avance |
| 5 Couvercle de l'accouplement à glissement (SMC) | 12 Disjoncteur de fuite à la terre PRCD |
| 6 Couvercle des balais de charbon | 13 Clés |
| 7 Indication de charge/de courant (LCS-Load controll system). | 14 Manuel d'utilisation |

QUELS SONT LES COMPOSANTS?



Quels sont les composants du support?

- | | |
|---|---|
| 1 Poteau télescopique 40 | 11 Poignée en L |
| 2 Pilier de forage | 12 Manuel d'utilisation |
| 3 Moteur de forage DMS 160 | 13 Module d'extension U (Disponible comme accessoire.) |
| 4 Rail mural | 14 Module d'extension I (Disponible comme accessoire.) |
| 5 Poteau/mécanisme de verrouillage | 15 Fixation d'expansion (Disponible comme accessoire.) |
| 6 Plaque de plafond | 16 Collecteur d'eau (Disponible comme accessoire.) |
| 7 Piétement (GB 40 T) avec roues de transport | 17 Plaque de sous-pression (Disponible comme accessoire.) |
| 8 Piétement d'ébarbage et d'extension | 18 Kit d'outils DMS 160 AT |
| 9 Vis de poteau et vis de blocage | 19 Kit d'outils DMS 160 Gyro |
| 10 Contre-écrou | |

INSTRUCTIONS DE SÉCURITÉ

Mesures à prendre avant d'utiliser une perceuse neuve

- Ne travaillez pas avec la perceuse sans avoir lu et compris au préalable le contenu de ce manuel d'utilisation.
- Cette machine est conçue pour le perçage du béton, des briques et de différents types de pierres. Toute autre utilisation est incorrecte.
- La machine est conçue pour des applications industrielles et destinée à des opérateurs expérimentés.

Utilisez toujours votre bon sens

Il est impossible de prévoir toutes les situations que vous pouvez rencontrer lorsque vous utilisez une perceuse. Soyez toujours prudent et utilisez votre bon sens. Évitez les situations que vous n'êtes pas sûr de maîtriser. Si, après avoir lu ces instructions, vous n'êtes toujours pas sûr de la procédure à suivre, demandez conseil à un expert avant de poursuivre. N'hésitez pas à prendre contact avec votre revendeur ou avec nous si vous avez des questions sur l'utilisation de la perceuse. Nous sommes à votre disposition et vous conseillons volontiers pour vous aider à mieux utiliser votre perceuse en toute sécurité.

N'hésitez pas à prendre contact avec votre revendeur si vous avez des questions sur l'utilisation de la machine. Nous sommes à votre disposition et vous conseillerons avec plaisir pour vous aider à utiliser votre machine en toute sécurité et de façon efficace.

Laissez au revendeur Husqvarna le soin de contrôler régulièrement la perceuse et d'effectuer les réglages et les réparations nécessaires.

Husqvarna Construction Products travaille constamment à améliorer la construction de ses produits. Husqvarna se réserve donc le droit de procéder à des modifications de construction sans avis préalable et sans autres engagements.

Toutes les informations et toutes les données indiquées dans ce manuel d'utilisation étaient valables à la date à laquelle ce manuel a été porté à l'impression.



AVERTISSEMENT! Ne jamais modifier, sous aucun prétexte, la construction initiale de la machine sans l'autorisation du fabricant. N'utiliser que des accessoires et des pièces d'origine. Toute modification non autorisée et/ou tout emploi d'accessoires non homologués peuvent provoquer des accidents graves voire mortels pour l'utilisateur et les autres.



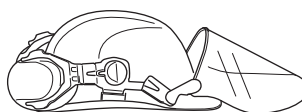
AVERTISSEMENT! L'utilisation de produits tels que des ciseaux, des disques, des forets, des disques fins ou des formes peut générer de la poussière et des vapeurs pouvant contenir des substances chimiques toxiques. Vérifiez la composition du matériel avec lequel vous travaillez et portez un masque respiratoire adapté.

Équipement de protection personnelle

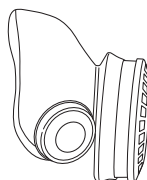


AVERTISSEMENT! Un équipement de protection personnelle homologué doit impérativement être utilisé lors de tout travail avec la machine. L'équipement de protection personnelle n'élimine pas les risques mais réduit la gravité des blessures en cas d'accident. Demander conseil au concessionnaire afin de choisir un équipement adéquat.

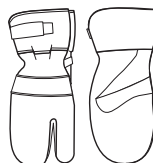
- Casque de protection
- Protecteur d'oreilles
- Lunettes protectrices ou visière



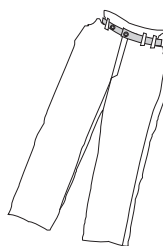
- Masque respiratoire



- Gants solides permettant une prise sûre.



- Vêtements confortables, robustes et serrés qui permettent une liberté totale de mouvement.



- Bottes avec coquille en acier et semelle antidérapante.



- Une trousse de premiers secours doit toujours être disponible.



INSTRUCTIONS DE SÉCURITÉ

Équipement de sécurité de la machine

Ce chapitre présente les équipements de sécurité de la machine, leur fonction, comment les utiliser et les maintenir en bon état. Voir au chapitre Quels sont les composants? pour trouver leur emplacement sur la machine.



AVERTISSEMENT! Ne jamais utiliser une machine dont les équipements de sécurité sont défectueux. Les équipements de sécurité doivent être contrôlés et entretenus. Reportez-vous aux instructions du chapitre Contrôle, maintenance et entretien des équipements de sécurité de la machine. Si les contrôles ne donnent pas un résultat positif, faites réparer votre machine par un atelier d'entretien.

Contrôle, maintenance et entretien des équipements de sécurité de la machine



IMPORTANT! L'entretien et la réparation de la machine exigent une formation spéciale. Ceci concerne particulièrement l'équipement de sécurité de la machine. Si les contrôles suivants ne donnent pas un résultat positif, s'adresser à un atelier spécialisé. L'achat de l'un de nos produits offre à l'acheteur la garantie d'un service et de réparations qualifiés. Si le point de vente n'assure pas ce service, s'adresser à l'atelier spécialisé le plus proche.

Interrupteur

L'interrupteur est utilisé pour démarrer et arrêter la machine.

Contrôle de l'interrupteur

- Démarrez la machine en appuyant sur l'interrupteur.
- Arrêtez la machine en appuyant sur l'interrupteur.
- Un interrupteur défectueux doit être remplacé par un atelier d'entretien agréé.

Instructions générales de sécurité

- Ne travaillez pas avec la perceuse sans avoir lu et compris au préalable le contenu de ce manuel d'utilisation.



AVERTISSEMENT! Il existe toujours un risque de choc avec les machines électriques. Évitez de travailler par mauvais temps ainsi que tout contact du corps avec du métal/un parafoudre. Suivez toujours les instructions du manuel d'utilisation pour éviter tout dommage.



AVERTISSEMENT! Le risque de coincement est toujours présent lors de travail avec des produits comportant des éléments mobiles. Utiliser des gants de protection pour éviter les blessures personnelles.

- Éviter d'utiliser la machine en cas de fatigue, d'absorption d'alcool ou de prise de médicaments susceptibles d'affecter l'acuité visuelle, le jugement ou la maîtrise du corps.
- Utiliser les équipements de protection personnelle. Voir au chapitre "Équipement de protection personnelle".
- Ne jamais porter la machine par le câble et ne jamais débrancher la prise en tirant sur le câble. Conserver tous les câbles et toutes les rallonges loin de l'eau, de l'huile et des bords tranchants. Veiller à ce que le câble ne soit pas coincé dans des portes, des clôtures ou d'autres équipements similaires. Des objets pourraient alors être sous tension.
- Contrôler que le câble et la rallonge sont entiers et en bon état. Utilisez une rallonge prévue pour une utilisation à l'extérieur. Ne pas utiliser la machine si le câble est endommagé, la confier à un atelier d'entretien agréé pour réparation.
- N'utilisez pas la rallonge lorsqu'elle est enroulée afin d'éviter toute surchauffe.



- La machine doit être branchée à une prise de terre.
- Contrôler que la tension secteur est conforme aux indications sur la plaque de la machine.
- Ne jamais utiliser une machine qui n'est pas en parfait état de marche. Appliquer les instructions de maintenance et d'entretien ainsi que les contrôles de sécurité indiqués dans ce manuel d'utilisation. Certaines mesures de maintenance et d'entretien doivent être confiées à un spécialiste dûment formé et qualifié. Voir les instructions à la section Maintenance.
- Ne jamais laisser d'autres personnes utiliser la machine sans s'être assuré au préalable que ces personnes ont bien compris le contenu du mode d'emploi.
- Des personnes ou des animaux peuvent détourner l'attention de l'opérateur et l'amener à perdre le contrôle de la machine. C'est pourquoi l'opérateur doit toujours être attentif et concentré sur son travail.
- Attention! Les habits, les cheveux longs et les bijoux peuvent se coincer dans les parties en mouvement.

Transport et rangement

Pour éviter d'endommager la perceuse et le foret, ne stockez ni ne transportez la perceuse avec le trépan monté.

Stockez la perceuse dans un endroit verrouillable à clé, de façon à ce qu'elle soit inaccessible aux enfants ainsi qu'aux personnes non autorisées.

Stockez la perceuse et le support dans un endroit sec et à l'abri du gel.

PRÉSENTATION

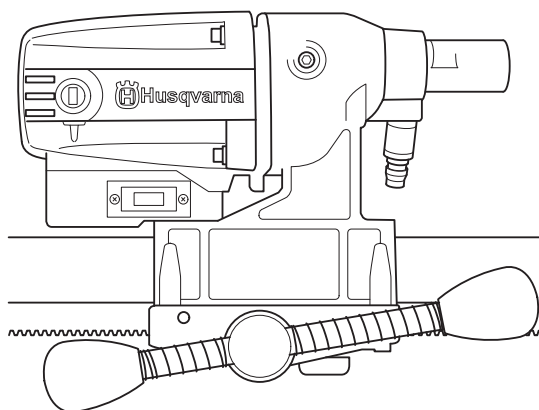
Moteur de forage et support

Nous espérons que cette machine vous donnera toute satisfaction et qu'elle vous accompagnera pendant de longues années. N'oubliez pas que ce manuel d'utilisation est important. En suivant les instructions qu'il contient (utilisation, révision, entretien, etc.), il est possible d'allonger considérablement la durée de vie de la machine et d'augmenter sa valeur sur le marché de l'occasion. En cas de vente de la machine, ne pas oublier de remettre le manuel d'utilisation au nouveau propriétaire.

L'achat de l'un des nos produits garantit une assistance professionnelle pour l'entretien et les réparations. Si la machine n'a pas été achetée chez l'un de nos revendeurs autorisés, demandez l'adresse de l'atelier d'entretien le plus proche.

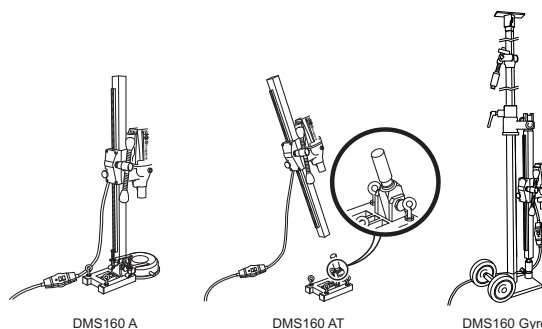
Husqvarna Construction Products travaille constamment à améliorer la construction de ses produits. Husqvarna se réserve donc le droit de procéder à des modifications de construction sans avis préalable et sans autres engagements.

Moteur de forage DMS 160



- DMS 160 est une perceuse électrique conçue pour le perçage du béton, des briques et de différents types de pierres.
- La perceuse est constituée de modules et facile à monter.
- La machine comporte une plage de régime pour les trépan d'un diamètre de 120 mm / 4,75 in.
- La construction de l'accouplement (SMC-Slide Mechanical Clutch) offre une puissance de sortie maximale et la possibilité de réglage depuis l'extérieur.
- Cette machine est conçue pour être montée sur un support.
- La machine est refroidie par eau.
- La machine comporte une double isolation et un indicateur de courant.
- La machine fonctionne de manière optimale si elle n'est pas trop sollicitée. Laissez le voyant jaune de l'indicateur de charge/de courant (LCS-Load Control System) allumé. Charge max. de 10 min. La machine doit ensuite tourner à vide pendant 2 min.

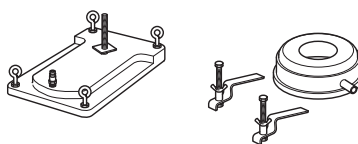
Support DMS 160



DMS 160 A/AT

Attacher le support à l'aide de vis d'expansion.

- Un collecteur d'eau et une plaque de sous-pression pour le support sont disponibles comme accessoires.



DMS 160 AT

- DMS 160 AT est un système modulaire permettant l'ébarbage et la rotation.

DMS 160 Gyro

- DMS 160 Gyro est un système modulaire avec support télescopique pour la fixation du moteur de forage.
- Le poteau télescopique est d'une longueur maximale de 3,1 m, mais peut être prolongé de 0,75 m à l'aide d'un module d'extension (équipement supplémentaire).
- Un seul module d'extension doit être utilisé.
- Seules une clé à ouverture fixe (24/30 mm) et une clé hexagonale (8 mm) sont nécessaires pour modifier les réglages.

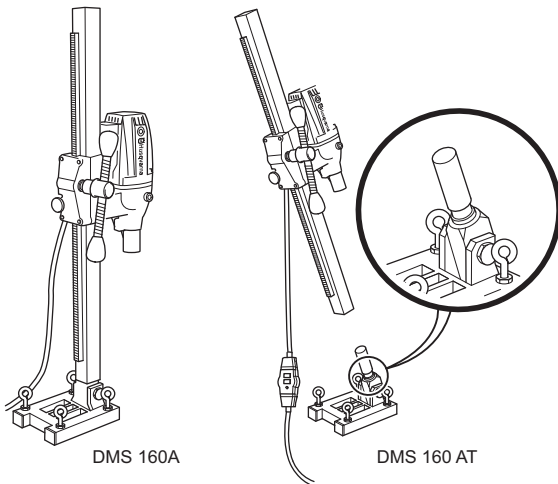


Le pilier de forage pivote sur 360°.

- Les roues de transport sont démontables.

MONTAGE

Montage du support - DMS 160 A/AT

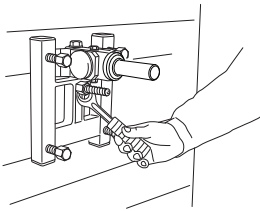


DMS 160A

DMS 160 AT

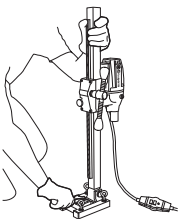
DMS 160 A/AT

- Percez un trou (15 mm) dans le mur et enfoncez les boulons d'expansion.
- Vissez le piétement. Contrôlez soigneusement que la vis d'expansion est bien ancrée.



DMS 160 AT

- Le pilier de forage se monte sur la fixation angulaire du piétement. Serrez la vis de blocage à l'aide d'une clé hexagonale de 8 mm. Le pilier de forage peut pivoter de 360° et être verrouillé en continu sur la position souhaitée à l'aide de la vis de blocage (fixation hexagonale de 8 mm).

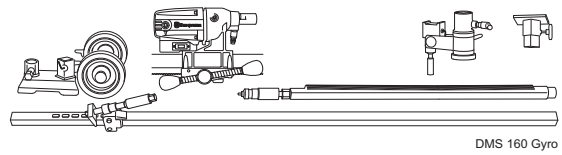


- Le pilier de forage peut être réglé sur la position souhaitée en serrant l'écrou à l'aide d'une clé de 24 mm. Si vous utilisez la plaque à dépression, assurez-vous que la surface d'appui est non poreuse et qu'elle ne peut pas se desserrer. Vérifiez que la pompe à vide possède la capacité nécessitée par la plaque de sous-pression. Un moteur de vide approprié est le Husqvarna VP200.

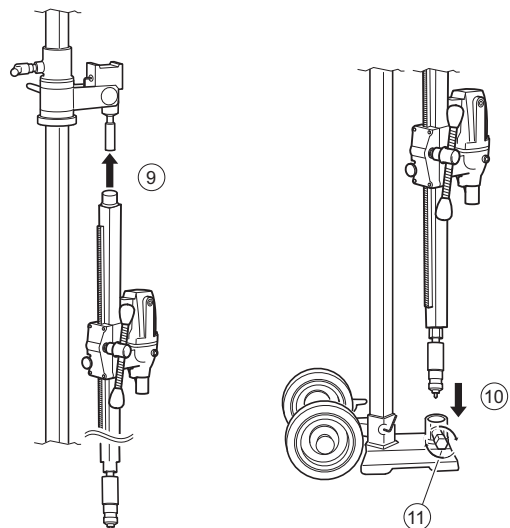
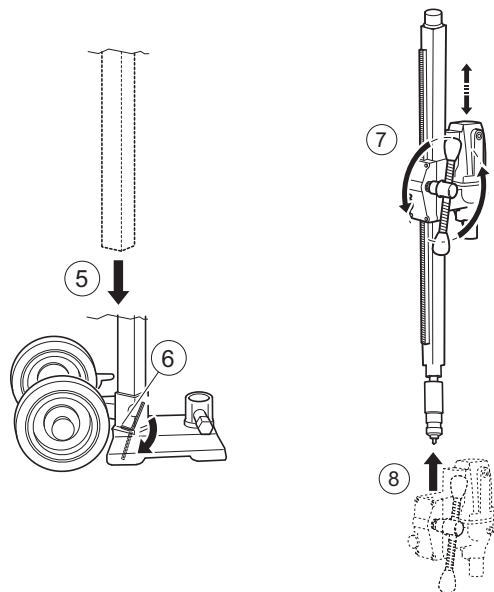
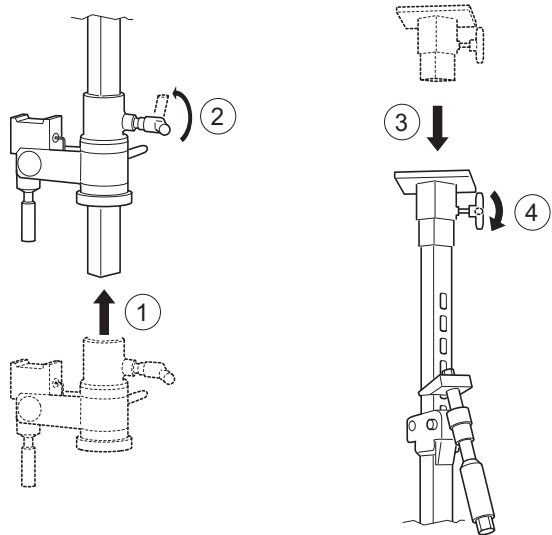


AVERTISSEMENT! N'utilisez jamais la plaque de sous-pression pour un perçage au plafond. Une utilisation erronée ou négligente peut occasionner des blessures graves, voire mortelles pour l'utilisateur ou d'autres personnes.

Montage du support - DMS 160 Gyro

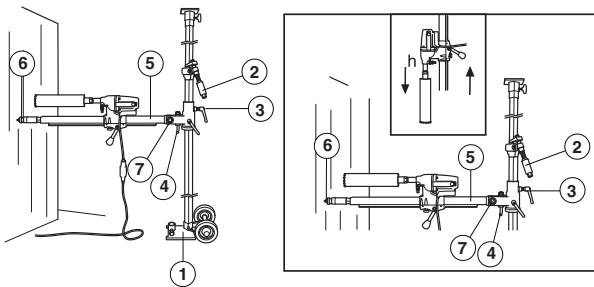


DMS 160 Gyro



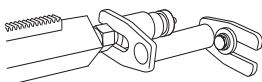
MONTAGE

Forage dans un mur

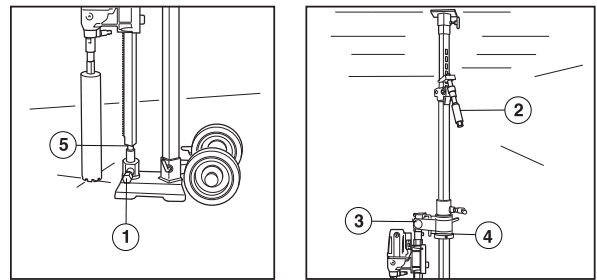


- 1 Piétement avec vis de blocage.
- 2 Vis de poteau et vis de blocage
- 3 Manette de verrouillage
- 4 Poignée en L
- 5 Pilier de forage
- 6 Vis de poteau et vis de blocage
- 7 Contre-écrou
- 8 Moteur de forage DMS 160

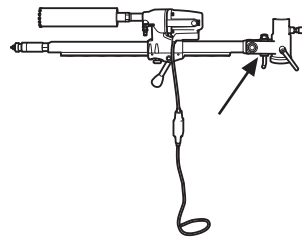
- Placez le piétement avec la longueur du pilier de forage depuis le mur. La vis du poteau doit être vissée. Si le perçage est effectué à une hauteur supérieure à 1,5 m, le gros tube extérieur doit être orienté vers le haut ; si le perçage est effectué à une hauteur inférieure à 1,5 m, il doit être orienté vers le bas. Contrôlez que le poteau est verrouillé dans le piétement à l'aide de la vis de blocage.
- Attachez le poteau télescopique au plafond en choisissant le trou le plus proche du tube interne perforé. Serrez à l'aide de la poignée du poteau et vissez à la fin avec une clé de 24 mm sans serrer trop fort.
- Desserrez la poignée de verrouillage et tournez le pilier de forage. Rabattez le pilier de forage avec la poignée L.
- Montez le moteur de forage DMS 160 sur le pilier de forage.
- Tournez le pilier de forage avec le moteur de forage sur la position souhaitée contre le mur. Verrouillez la poignée de verrouillage.
- Remettez en place, sortez le pilier de forage et attachez avec la poignée en L et l'écrou. En cas d'ébarbage, la poignée en L doit être desserrée et le pilier de forage doit être réglé sur l'angle souhaité en serrant l'écrou à l'aide d'une clé de 30 mm.
- Contrôlez la position du trépan. Vissez la vis du poteau sur le mur pour attacher le pilier de forage. Consolidez avec un contre-écrou de 30 mm. Utilisez une règle en bois comme entretoise. Le pilier de forage peut pivoter de 360° et être verrouillé en continu sur la position souhaitée à l'aide de la vis de blocage (fixation hexagonale de 8 mm).
- Pour attacher de manière encore plus sûre le pilier de forage, une fixation d'expansion peut être utilisée. La fixation est réglée contre la vis du poteau et attachée au mur à l'aide d'un boulon d'expansion. Consolidez à l'aide d'un contre-écrou de 30 mm.



Forage dans le sol

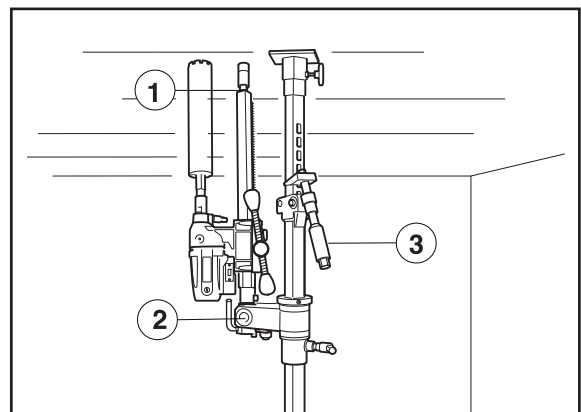


- 1 Vis de blocage
 - 2 Vis de poteau et vis de blocage
 - 3 Manette de verrouillage
 - 4 Poignée en L
 - 5 Vis de blocage
- Rabattez le pilier de forage avec la poignée L.
 - Vérifiez que la vis du poteau se positionne dans la rondelle de blocage.
 - Serrez le contre-écrou avec une clé de 30 mm et verrouillez à l'aide de la poignée de verrouillage.



- Placez le support sur la position souhaitée.
- 6 Verrouillez la vis du poteau dans la rondelle de blocage avec la vis de blocage et l'écrou. Serrez avec les clés de 24 et 30 mm.
- Coincez le poteau télescopique contre le plafond à l'aide du mécanisme du poteau. Serrez à la fin à l'aide d'une clé de 24 mm sans serrer trop fort. Le poteau télescopique est d'une longueur maximale de 3,1 m, mais peut être prolongé de 0,75 m à l'aide d'un module d'extension (équipement supplémentaire).

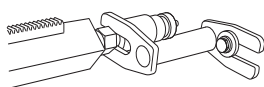
Forage dans le plafond



- 1 Vis de poteau et vis de blocage
- 2 Contre-écrou
- 3 Vis de poteau et vis de blocage

MONTAGE

- Placez le support sur la position souhaitée.
- Contrôlez que la vis du pilier de forage est bien vissée. Sortez et verrouillez le pilier de forage en position verticale à l'aide de l'écrou.
- Vérifiez que le trépan est sur la position correcte. Coincez le poteau télescopique contre le plafond à l'aide du mécanisme du poteau.
- Vissez la vis du poteau contre le plafond pour attacher le pilier de forage. Consolidez avec un contre-écrou de 30 mm. Utilisez une règle en bois comme entretoise.
- Pour attacher de manière encore plus sûre le pilier de forage, une fixation d'expansion peut être utilisée. (Disponible comme accessoire.) La fixation est réglée contre la vis du poteau et attachée au mur à l'aide d'un boulon d'expansion. Consolidez à l'aide d'un contre-écrou de 30 mm.



AVERTISSEMENT! N'utilisez jamais la plaque de sous-pression pour un perçage au plafond. Une utilisation erronée ou négligente peut occasionner des blessures graves, voire mortelles pour l'utilisateur ou d'autres personnes.

DÉMARRAGE ET ARRÊT

Avant de démarrer la machine



AVERTISSEMENT! Contrôler les points suivants avant la mise en marche:

La machine doit être branchée à une prise de terre.

Contrôler que la tension secteur est conforme aux indications sur la plaque de la machine. Veiller à ce qu'aucune personne non autorisée ne se trouve dans la zone la travail.

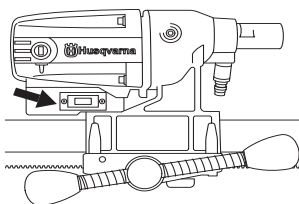


AVERTISSEMENT! Contrôlez, avant de commencer à percer, que toutes les vis de fixation sont bien serrées.

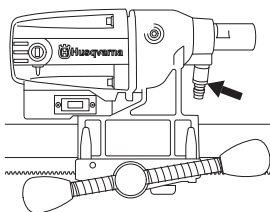
Des accidents graves risquent de se produire si le bloc en béton reste sur le foret quand il est retiré du sol, du mur ou du plafond.

Effectuez les contrôles suivants:

- L'interrupteur n'est pas endommagé. Si ce n'est pas le cas, il doit être remplacé par un réparateur agréé.



- La machine et son équipement sont montés correctement:
 - Le trépan est fixé correctement.
 - Le support est monté correctement.
 - La machine est attachée correctement sur le support.
- Utiliser les équipements de protection personnelle. Voir au chapitre "Équipement de protection personnelle".
- Le refroidissement à l'eau n'est pas endommagé et est connecté à la machine.

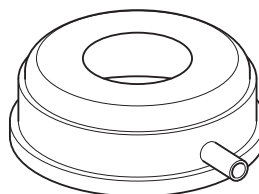


Forage dans le plafond



AVERTISSEMENT! N'utilisez jamais la plaque de sous-pression pour un perçage au plafond.

Utilisez un collecteur d'eau pour éviter l'infiltration de l'eau dans la machine. La machine doit être recouverte avec du plastique ou matériau similaire pour empêcher l'infiltration d'eau; cependant, la prise d'air et l'orifice d'échappement ne doivent pas être recouverts.



AVERTISSEMENT! Un seul module d'extension doit être utilisé.

Contrôlez que personne, à l'étage inférieur, ne risque d'être blessé par les chutes des blocs de béton.

Démarrage

- Activez le refroidissement par eau.
- Enfoncez entièrement l'interrupteur.
- Abaissez d'abord le trépan à l'aide de la poignée d'alimentation.

Arrêt



AVERTISSEMENT! Le trépan continue à tourner un moment après l'arrêt du moteur. N'arrêtez pas le trépan avec les mains. Il peut en résulter des blessures.

Arrêtez la machine en appuyant sur l'interrupteur.

Refroidissement

Laissez la machine tourner à vide une minute environ pour refroidir le moteur.

Méthodes de travail



AVERTISSEMENT! Ce chapitre traite des consignes de sécurité de base lors du travail avec une perceuse. Aucune information ne peut néanmoins remplacer l'expérience et le savoir-faire d'un professionnel. Dans l'éventualité d'une situation rendant la suite du travail incertaine, consultez un expert. Adressez-vous au revendeur, à l'atelier de réparation ou à un utilisateur expérimenté de la perceuse. L'utilisateur se doit d'éviter toute utilisation qu'il ne maîtrise pas suffisamment!



AVERTISSEMENT! Une exposition excessive aux vibrations peut entraîner des troubles circulatoires ou nerveux chez les personnes sujettes à des troubles cardio-vasculaires. Consultez un médecin en cas de symptômes liés à une exposition excessive aux vibrations. De tels symptômes peuvent être: engourdissement, perte de sensibilité, chatouillements, picotements, douleur, faiblesse musculaire, décoloration ou modification épidermique. Ces symptômes affectent généralement les doigts, les mains ou les poignets. Ces symptômes peuvent être accentués par le froid.

- Ne pas travailler par mauvais temps: par exemple en cas de brouillard épais, de pluie, de vent violent, de froid intense, etc. Travailler par mauvais temps est fatiguant et peut créer des conditions de travail dangereuses telles que le verglas.
- Ne jamais commencer à travailler avec la machine sans avoir le champ libre et les pieds bien d'aplomb. Identifier les obstacles éventuels dans le cas de déplacement inattendu. S'assurer qu'aucun matériau ne risque de tomber et de provoquer des blessures ou des dommages lors de travail avec la machine.
- Tenez-vous à bonne distance du trépan quand le moteur tourne.
- S'assurer que l'éclairage de la zone de travail est suffisant pour que l'environnement de travail soit de toute sécurité.
- Vérifiez qu'aucun tuyau ni câble électrique ne traverse la zone de travail.
- Veiller à avoir le câble derrière soi lors de l'utilisation de la machine pour ne pas risquer de l'abîmer.
- Ne laissez jamais la machine sans surveillance avec le moteur en marche. Lorsqu'il tourne, le trépan augmente le risque de blessures.
- Débranchez toujours la machine en cas d'interruption prolongée du travail.
- Ne sollicitez pas la machine excessivement. Une surcharge peut endommager la machine.
- Utilisez toujours des outils aiguisés et propres pour augmenter la sécurité pendant le travail.

- Contrôlez toujours la partie arrière de la surface traversée par le trépan. Délimitez la zone de travail et vérifiez que personne ne peut être blessé ni aucun matériau endommagé.
- Arrêtez toujours la machine avant de la déplacer.
- Ne travaillez jamais seul, mais toujours avec une personne à proximité. Cette personne peut aider à monter la machine, mais aussi intervenir en cas d'accident.
- Assurez-vous que toutes les pièces sont en état de fonctionnement et que tous les éléments de fixation sont correctement serrés.

Utilisation de la machine

- Gardez les mains éloignées de la broche et percez lorsque la machine tourne.
- Attention aux fuites d'huile et d'eau.

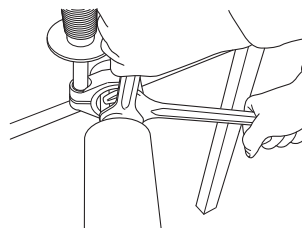
Perçage à l'extérieur

Utilisez toujours des câbles de raccordement agréés pour une utilisation à l'extérieur.

Remplacement du foret



- 1 Débranchez la machine.
- 2 Préparez:
 - Le nouveau foret.
 - Les clés à ouverture fixe fournies, 24 mm et 32 mm.
 - De la graisse résistant à l'eau.
- 3 Retirez le foret à l'aide des clés à ouverture fixe.
- 4 Étalez de la graisse résistant à l'eau sur le filetage du nouveau foret.
- 5 Montez le foret à l'aide des clés à ouverture fixe.

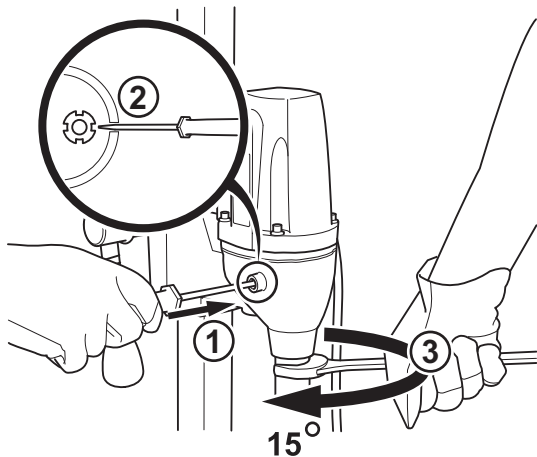


Accouplement à glissement (SMC)

La machine est équipée d'un accouplement à glissement mécanique (SMC).

Tendez l'accouplement à glissement de la manière suivante:

- Desserrez le couvercle de l'accouplement à glissement.



- Verrouillez l'écrou prudemment en introduisant un tournevis à lame plate et large dans une des quatre encoches de l'écrou.
- Tournez la broche à l'aide d'une clé à ouverture fixe de 27 mm 15°.

Retirez le tournevis et remplacez le couvercle sur l'accouplement à glissement.

Indication de charge/de courant (LCS-Load control system).

La machine fonctionne de manière optimale si elle n'est pas trop sollicitée. Laissez le voyant jaune de l'indicateur de charge/de courant (LCS-Load Control System) allumé. Charge max. de 10 min. La machine doit ensuite tourner à vide pendant 2 min.

ENTRETIEN

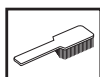
Maintenance du moteur de forage



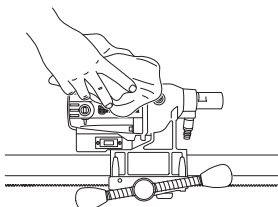
IMPORTANT! Les contrôles et/ou les entretiens doivent être effectués avec le moteur à l'arrêt et la prise électrique débranchée.

Une utilisation, un entretien et une maintenance corrects de la machine permettent de prolonger considérablement sa durée de vie.

Nettoyage



- Nettoyez la machine et les forets afin de garantir la sécurité pendant le perçage.



- Pour que le refroidissement de la machine fonctionne correctement, les ouvertures de l'air de refroidissement doivent être propres et ne pas être bouchées. Nettoyer régulièrement la machine à l'air comprimé.

Alimentation électrique



AVERTISSEMENT! N'utilisez jamais de câbles endommagés car ils peuvent entraîner des blessures graves, voire mortelles.

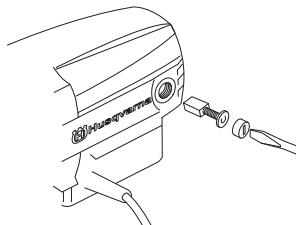
Contrôler que le câble et la rallonge sont entiers et en bon état. Ne pas utiliser la machine si le câble est endommagé, la confier à un atelier d'entretien agréé pour réparation.

Réparations

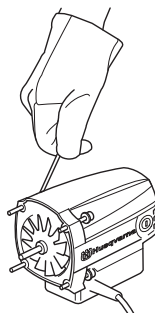
IMPORTANT! Toutes les réparations doivent être effectuées par des réparateurs agréés. Ceci permet d'éviter que les opérateurs ne soient exposés à des risques importants.

Remplacement du moteur et de la boîte de vitesses

- Installez la machine avec la broche tournée vers le bas dans un étau ou outil similaire.
- Retirez le couvercle des balais de charbon à l'aide d'un tournevis à lame plate et large.



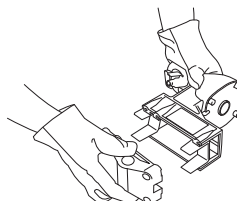
- Retirez prudemment les balais de charbon.
- Dévissez les quatre vis qui maintiennent le moteur et la boîte de vitesses.
- Détachez le câble de terre du couvercle de la boîte de vitesses (concerne uniquement 230 V.).
- Démontez doucement la machine.
- Remplacez le module devant être remplacé. Utilisez la graisse Castrol MS3 Molybden dans la boîte de vitesses.



- Assemblez le moteur et la boîte de vitesses.
- Serrez les vis.
- Revisez les couvercles des balais de charbon.

Remplacement de la plaque arrière

- Dévissez les quatre vis et la poignée de verrouillage à l'arrière de la machine.
- Remplacez les deux plaques de glissement quand la plaque arrière doit être remplacée.



- Vissez la plaque arrière à l'aide des quatre vis. Vissez la poignée de verrouillage.

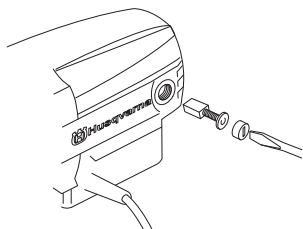
ENTRETIEN

Remplacement des balais de charbon

Les balais de charbon doivent être démontés et contrôlés régulièrement. Chaque semaine en cas d'utilisation quotidienne de la machine ou à intervalle plus long si la machine est utilisée moins souvent. La surface d'usure doit être lisse et intacte.

Les deux balais de charbon doivent toujours être remplacés au même moment, mais un à la fois. Procédez comme suit:

- 1 Retirez le couvercle des balais de charbon à l'aide d'un tournevis à lame plate et large.



- 2 Retirez prudemment les balais de charbon. S'il reste moins de 6 mm sur les balais, remplacez-les.
- 3 Insérez des charbons neufs.
- 4 Revissez les couvercles des balais de charbon.
- 5 Laissez tourner la machine à vide pendant 10 minutes pour roder les nouveaux charbons.

Entretien quotidien

- 1 S'assurer que toutes les vis et tous les écrous sont bien serrés.
- 2 Contrôler que l'unité de l'interrupteur fonctionne en toute sécurité.
- 3 Nettoyer l'extérieur de la machine.
- 4 Contrôler et nettoyer les ouvertures de l'air de refroidissement.
- 5 Contrôler que le câble et la rallonge sont entiers et en bon état.

Entretien du support



Nettoyage et graissage

IMPORTANT! Retirez le moteur de forage. Pour l'entretien du moteur de forage, reportez-vous au chapitre Maintenance du moteur de forage.

- Pour qu'il continue à fonctionner correctement, il est essentiel que le support de forage soit toujours propre.
- Le support doit être nettoyé avec de l'air comprimé, puis séché.
- Graissez les éléments mobiles du support. Utilisez une graisse afin d'éliminer tout risque de corrosion sur les surfaces de contact.

Réparations

IMPORTANT! Toutes les réparations doivent être effectuées par des réparateurs agréés. Ceci permet d'éviter que les opérateurs ne soient exposés à des risques importants.

Entretien quotidien

- 1 S'assurer que toutes les vis et tous les écrous sont bien serrés.
- 2 Nettoyer l'extérieur de la machine.

CARACTÉRISTIQUES TECHNIQUES

Moteur de forage DMS 160

Moteur électrique	Monophasé
Tension nominale, V	230/100-120
Puissance nominale, W	1560

Courant nominal, A

230 V	6A
100-120 V	13 A

Poids, kg	5,9
-----------	-----

Diamètre du trépan, mm

Diamètre maximal du trépan, avec support	120 mm (4,7")
Filetage de la broche	Int. 1/2" R
Raccord de l'eau	G 1/4'

Régime de broche, à vide, tr/min

Vert 1	1100
Vert 2	980
Vert 3	840

Régime de broche, tr/min

Jaune	700
Rouge	640

Émissions sonores (voir remarque 1)

Niveau de puissance sonore mesuré dB(A)	102
Niveau de puissance sonore garanti L_{WA} dB(A)	103

Niveaux sonores (voir remarque 2)

Niveau de pression acoustique au niveau des oreilles de l'utilisateur, dB(A)	89
--	----

Niveaux de vibrations (voir remarque 3)

Poignée, m/s^2	<2,5
------------------	------

Remarque 1: Émission sonore dans l'environnement mesurée comme puissance acoustique (L_{WA}) selon EN 12348.

Remarque 2: Niveau de pression sonore conformément à EN 12348. Les données reportées pour le niveau de pression sonore montrent une dispersion statistique typique (déviat ion standard) de 1,0 dB (A).

Remarque 3: Niveau de vibrations conformément à EN 12348. Les données reportées pour le niveau de vibrations montrent une dispersion statistique typique (déviat ion standard) de 1 m/s^2 .

CARACTÉRISTIQUES TECHNIQUES

Support DMS 160

Hauteur, mm

DMS 160 A hauteur, mm	840
DMS 160 AT hauteur, mm	900
DMS 160 Gyro hauteur, mm	1900-3100
Course, mm	600
Diamètre de perçage max. (mm)	120

Poids, kg

DMS 160 A	10,5
DMS 160 AT	12
DMS 160 Gyro	31,4
Kit d'outils DMS 160 AT	0,3
Kit d'outils DMS 160 Gyro	0,8

Poids, kg (équipement supplémentaire)

Plaque de sous-pression	2,5
Collecteur d'eau	0,7
Module d'extension I	2,9
Module d'extension U	2,9
Fixation d'expansion	0,8

Déclaration CE de conformité

(Concerne seulement l'Europe)

Husqvarna AB, SE-433 81 Göteborg, Suède, tél. : +46-31-949000, déclarons que la perceuse et les supports **Husqvarna moteur de forage DMS 160, DMS 160 A/AT/Gyro** à partir des numéros de série de l'année de fabrication 2010 et ultérieurement (l'année est indiquée en clair sur la plaque d'identification et suivie du numéro de série) sont conformes aux dispositions des DIRECTIVES DU CONSEIL :

- du 17 mai 2006 "directive machines" **2006/42/CE**.
- du 15 décembre 2004 "compatibilité électromagnétique" **2004/108/CE**.
- du 12 décembre, 2006 "relatives aux équipements électriques" **2006/95/CE**.
- Directive **2011/65/UE** du 8 juin 2011 « relative à la limitation de l'utilisation de certaines substances dangereuses »

Les normes harmonisées suivantes ont été appliquées: EN ISO 12100:2010, EN 55014-1:2006, EN 55014-2/A1:2001, EN 61000-3-2:2006, EN 61000-3-3:2013, EN 12348+A1:2009

Göteborg, le 8 avril 2015



Helena Grubb

Vice-président, équipements de construction Husqvarna AB

(Représentant autorisé d'Husqvarna AB et responsable de la documentation technique.)

ACLARACIÓN DE LOS SÍMBOLOS

Símbolos en la máquina:

¡ATENCIÓN! La máquina, si se utiliza de forma errónea o descuidada, puede ser una herramienta peligrosa que puede causar daños graves e incluso la muerte al usuario y a otras personas.



Lea detenidamente el manual de instrucciones y asegúrese de entender su contenido antes de utilizar la máquina.



Utilice siempre:

- Casco protector homologado
- Protectores auriculares homologados
- Gafas protectoras o visor
- Máscara respiratoria



Este producto cumple con la directiva CE vigente.



Etiquetado ecológico. El símbolo en el producto o en su envase indica que no se puede tratar este producto como desperdicio doméstico. Deberá por lo tanto depositarse en un centro de recogida adecuado para el reciclado de equipos eléctricos y electrónicos.



Haciendo que este producto sea manipulado adecuadamente, se ayuda a evitar consecuencias negativas potenciales para el medio ambiente y las personas, lo que puede ocurrir con la manipulación inadecuada como residuos del producto.

Para obtener información más detallada sobre el reciclado de este producto, contacte con la oficina municipal local, con el servicio de eliminación de desperdicios domésticos o con la tienda donde compró el producto.

Al perforar en techo, comprobar que no puede entrar agua en la máquina. Utilizar un colector de agua adecuado y cubrir la máquina con un plástico, pero sin tapar las bocas de entrada y salida de aire.



La taladradora debe ser adecuada y estar adaptada para el tamaño de la broca. El diámetro máximo de broca está indicado en la máquina.



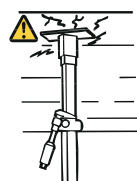
Utilizar una broca adecuada para el trabajo a realizar.



Indicación de carga/corriente (sistema de control de carga LCS).



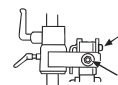
Comprobar que el techo es adecuado. El techo debe ser macizo.



Comprobar que la horquilla agarra en la orejeta interior. Apretar con una llave adecuada.



Fijar la tuerca con una llave de 30 mm. Controlar la tuerca de seguridad del mango en L. Comprobar que está apretada.



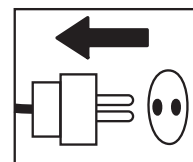
¡ATENCIÓN! Al taladrar se genera polvo que puede causar daños por inhalación. Utilizar una máscara respiratoria homologada. Procurar que haya buena ventilación.



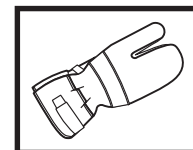
Los demás símbolos/etiquetas que aparecen en la máquina corresponden a requisitos de homologación específicos en determinados mercados.

Símbolos en el manual de instrucciones:

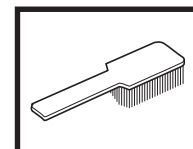
El control y/o mantenimiento de la máquina debe hacerse con el motor parado y el enchufe desenchufado.



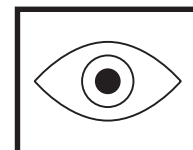
Utilice siempre guantes protectores homologados.



La máquina debe limpiarse regularmente.



Control visual.



Debe utilizarse gafas protectoras o visor.



ÍNDICE

Índice

ACLARACIÓN DE LOS SÍMBOLOS

Símbolos en la máquina:	35
Símbolos en el manual de instrucciones:	35

ÍNDICE

Índice	36
--------------	----

¿QUÉ ES QUÉ?

Componentes de la taladradora	37
-------------------------------------	----

¿QUÉ ES QUÉ?

Componentes del soporte	38
-------------------------------	----

INSTRUCCIONES DE SEGURIDAD

Medidas a tomar antes de utilizar una taladradora nueva	39
Equipo de protección personal	39
Equipo de seguridad de la máquina	40
Control, mantenimiento y servicio del equipo de seguridad de la máquina	40
Instrucciones generales de seguridad	40

PRESENTACIÓN

Motor de taladradora y soporte	41
Motor de taladradora DMS 160	41
Soporte DMS 160	41

MONTAJE

Montaje del soporte - DMS 160 A/AT	42
Montaje del soporte - DMS 160 Gyro	42

ARRANQUE Y PARADA

Antes de arrancar	45
Arranque	45
Parada	45

TÉCNICA DE TRABAJO

Instrucciones generales de trabajo	46
Empleo de la máquina	46

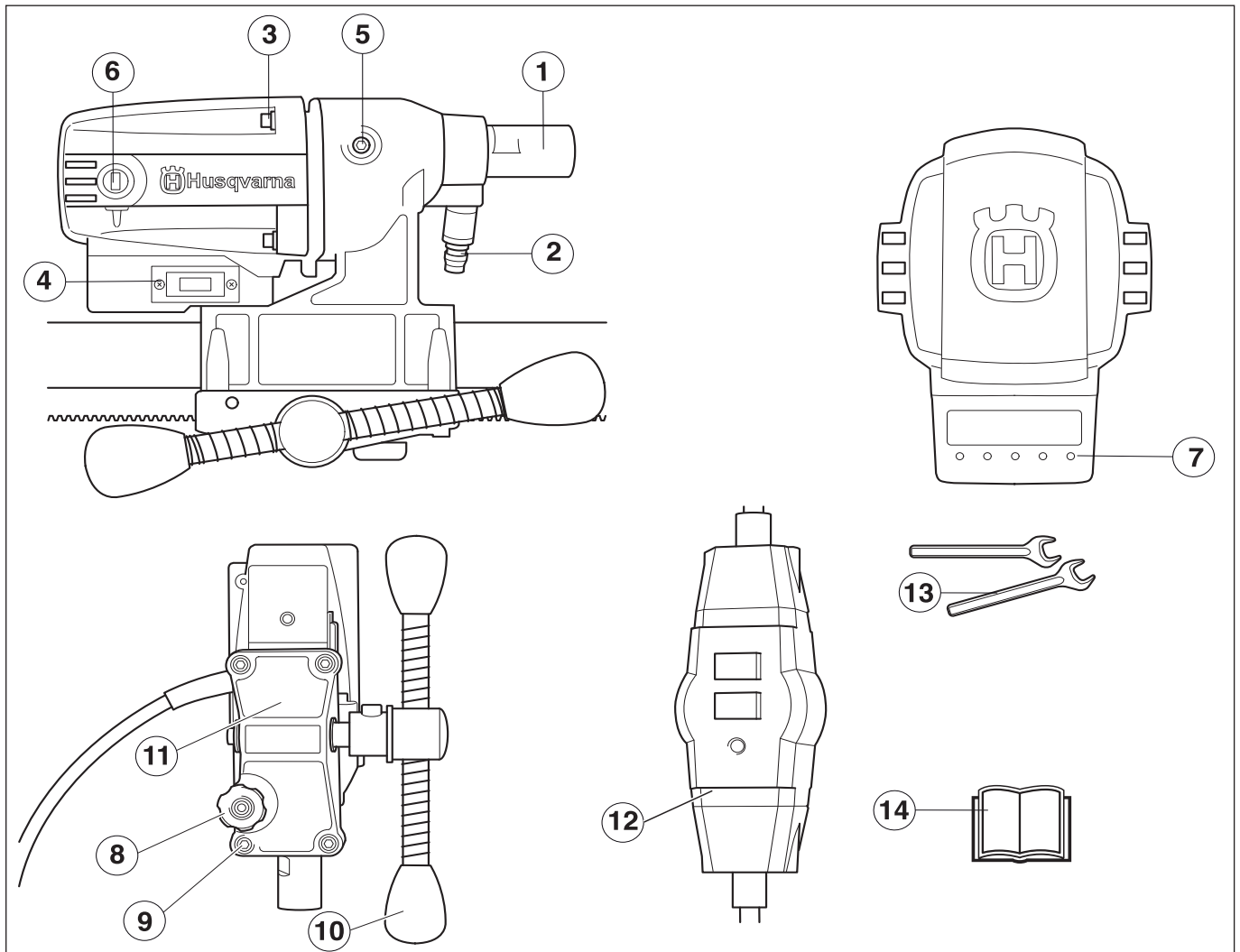
MANTENIMIENTO

Mantenimiento del motor de taladradora	48
Mantenimiento del soporte	49

DATOS TÉCNICOS

Motor de taladradora DMS 160	50
Soporte DMS 160	51
Declaración CE de conformidad	51

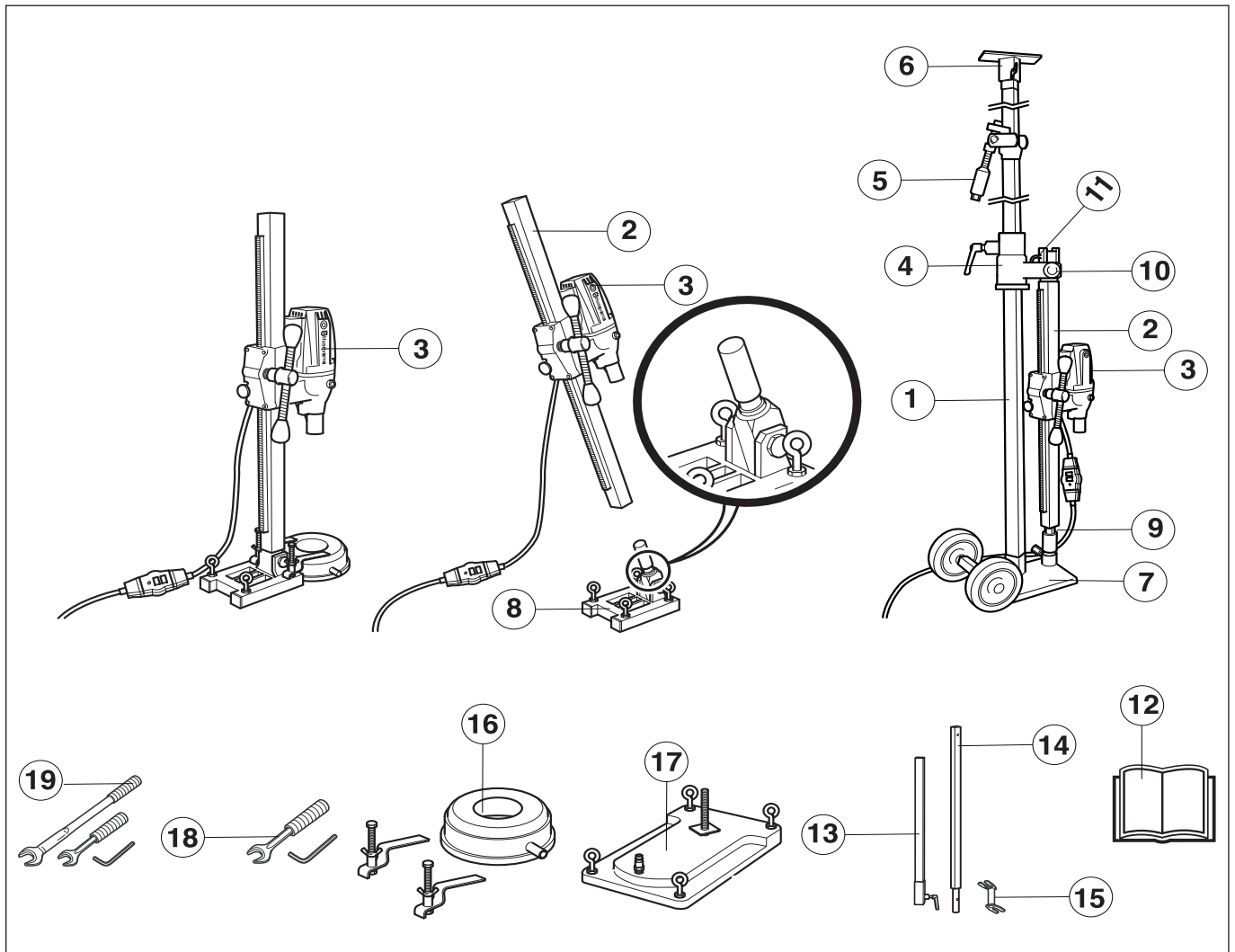
¿QUÉ ES QUÉ?



Componentes de la taladradora

- 1 Husillo de taladradora
- 2 Conexión de agua
- 3 Tornillos que fijan el motor en la caja de cambios.
- 4 Interruptor
- 5 Tapa del acoplamiento deslizante (SMC)
- 6 Tapa de escobillas
- 7 Indicación de carga/corriente (sistema de control de carga LCS).
- 8 Manija de fijación
- 9 Tornillos (4 unidades) para pieza trasera de alimentador y caja de cambios
- 10 Empuñadura de alimentador
- 11 Pieza trasera de alimentador
- 12 Interruptor de circuito de pérdida a tierra PRCD
- 13 Llaves
- 14 Manual de instrucciones

¿QUÉ ES QUÉ?



Componentes del soporte

- | | | | |
|----|---|----|--|
| 1 | Puntal telescópico 40 | 11 | Mango en L |
| 2 | Columna de perforación | 12 | Manual de instrucciones |
| 3 | Motor de taladradora DMS 160 | 13 | Módulo prolongador U (Disponible como accesorio.) |
| 4 | Riel de pared | 14 | Módulo prolongador I (Disponible como accesorio.) |
| 5 | Puntal / mecanismo de bloqueo | 15 | Fijación de expansión (Disponible como accesorio.) |
| 6 | Placa de techo | 16 | Colector de agua (Disponible como accesorio.) |
| 7 | Placa base (GB 40 T) con ruedas de transporte | 17 | Placa de vacío (Disponible como accesorio.) |
| 8 | Placa base inclinada expansible | 18 | Juego de herramientas DMS 160 AT |
| 9 | Tornillo de puntal y tornillo de fijación | 19 | Juego de herramientas DMS 160 Gyro |
| 10 | Contratuerca | | |

INSTRUCCIONES DE SEGURIDAD

Medidas a tomar antes de utilizar una taladradora nueva

- No utilizar la taladradora sin antes haber leído y comprendido el contenido de este manual de instrucciones.
- Esta máquina está diseñada para y destinada a la perforación de hormigón, ladrillo y diferentes materiales pedregosos. Cualquier otra aplicación es errónea.
- La máquina está destinada al uso por operadores experimentados, en aplicaciones industriales.

Emplee siempre el sentido común

Es imposible abarcar todas las situaciones imaginables que se pueden producir al utilizar una taladradora. Proceder siempre con cuidado y emplear el sentido común. El usuario debe evitar usar la máquina en aplicaciones para las que no se considere suficientemente calificado. Si después de leer estas instrucciones todavía hay inseguridad en cuanto al procedimiento de uso, consultar con un experto antes de proseguir. No dudar en ponerse en contacto con el distribuidor o con el fabricante si hay alguna duda en cuanto al empleo de la taladradora. Estamos a su disposición para dar consejos que ayuden a emplear la taladradora de forma mejor y más segura.

No dude en ponerse en contacto con su distribuidor si tiene preguntas acerca del uso de la máquina. Estaremos encantados de poder aconsejarle y ayudarle a utilizar la máquina de manera eficaz y segura.

Encargar al distribuidor de Husqvarna la revisión regular de la taladradora y la realización de los ajustes y reparaciones necesarios.

Husqvarna Construction Products se esfuerza constantemente por mejorar la construcción de sus productos. Por consiguiente, Husqvarna se reserva el derecho a introducir modificaciones de diseño sin previo aviso y sin compromisos ulteriores.

Toda la información y todos los datos contenidos en este manual de instrucciones son vigentes en la fecha de impresión del manual.



¡ATENCIÓN! No está permitido modificar el diseño original de la máquina, por ningún motivo, sin la autorización del fabricante. Utilice siempre accesorios originales. Las modificaciones y/o el uso de accesorios no autorizados comportan riesgo de daños personales graves y peligro de muerte para el usuario y otras personas.



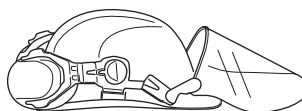
¡ATENCIÓN! El uso de productos que cortan, pulen, taladran, alisan o forman materiales puede generar polvo y vapores que pueden contener sustancias químicas dañinas. Averiguar la composición del material con que se trabaja y usar una máscara respiratoria adecuada.

Equipo de protección personal

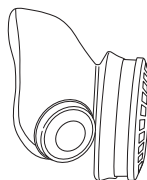


¡ATENCIÓN! Para trabajar con la máquina debe utilizarse un equipo de protección personal homologado. El equipo de protección personal no elimina el riesgo de lesiones, pero reduce su efecto en caso de accidente. Pida a su distribuidor que le asesore en la elección del equipo.

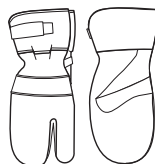
- Casco protector
- Protectores auriculares
- Gafas protectoras o visor



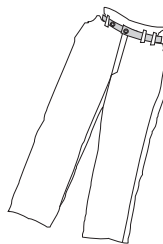
- Máscara respiratoria



- Guantes resistentes de agarre seguro.



- Prendas de vestir ceñidas, resistentes y cómodas que permitan una libertad de movimientos total.



- Botas con puntera de acero y suela antideslizante.



- Tenga siempre a mano el equipo de primeros auxilios.



INSTRUCCIONES DE SEGURIDAD

Equipo de seguridad de la máquina

En este capítulo se describen los componentes de seguridad de la máquina, su función y el modo de efectuar el control y el mantenimiento para garantizar un funcionamiento óptimo. En cuanto a la ubicación de estos componentes en su máquina, vea el capítulo Qué es qué.



¡ATENCIÓN! Nunca utilice una máquina con componentes de seguridad defectuosos. El equipo de seguridad se debe controlar y mantener. Ver las instrucciones del capítulo Control, mantenimiento y servicio del equipo de seguridad de la máquina. Si el control de la máquina no da resultado satisfactorio, hay que acudir a un taller de servicio para la reparación.

Control, mantenimiento y servicio del equipo de seguridad de la máquina



¡IMPORTANTE! Todos los trabajos de servicio y reparación de la máquina requieren una formación especial. Esto es especialmente importante para el equipo de seguridad de la máquina. Si la máquina no pasa alguno de los controles indicados a continuación, acuda a su taller de servicio local. La compra de alguno de nuestros productos le garantiza que puede recibir un mantenimiento y servicio profesional. Si no ha adquirido la máquina en una de nuestras tiendas especializadas con servicio, solicite información sobre el taller de servicio más cercano.

Interruptor

El interruptor se usa para arrancar y parar la máquina.

Control del interruptor

- Arrancar la máquina pulsando el interruptor.
- Parar la máquina pulsando el interruptor.
- Un interruptor defectuoso debe ser cambiado por un taller de servicio oficial.

Instrucciones generales de seguridad

- No utilizar la taladradora sin antes haber leído y comprendido el contenido de este manual de instrucciones.



¡ATENCIÓN! Existe siempre riesgo de sacudidas eléctricas al usar máquinas eléctricas. No usar la máquina en condiciones climáticas desfavorables y evitar el contacto del cuerpo con pararrayos y objetos metálicos. Seguir siempre las instrucciones del manual para evitar daños.



¡ATENCIÓN! Existe siempre riesgo de accidentes por apriete al trabajar con aparatos con piezas móviles. Usar guantes protectores para evitar lesiones.

- Nunca utilice la máquina si está cansado, si ha ingerido alcohol o si toma medicamentos que puedan afectar la vista, su capacidad de discernimiento o el control del cuerpo.
- Utilice el equipo de protección personal. Vea las instrucciones bajo el título "Equipo de protección personal".
- No lleve nunca la máquina agarrando el cable y no tire del cable para desenchufarla. Mantenga todos los cables y cables de empalme apartados de agua, aceite y cantos agudos. Proceda con cuidado para evitar que el cable se apriete en puertas, vallas o similares. Hay riesgo de cargar objetos con electricidad.
- Compruebe que el cable y el cable de empalme está intacto. Utilizar un cable de alargue para uso a la intemperie. Si se daña el cable, no utilice la máquina. Llévela a un taller de servicio oficial para reparar.
- Un cable de alargue no debe usarse enrollado porque hay riesgo de sobrecalentamiento.



- La máquina se debe enchufar a un enchufe con masa.
- Compruebe que la tensión de red concuerda con la que se indica en la placa de características de la máquina.
- No utilice nunca una máquina defectuosa. Lleve a cabo las comprobaciones de seguridad y siga las instrucciones de mantenimiento y servicio de este manual. Algunas medidas de mantenimiento y servicio deben ser efectuadas por especialistas formados y cualificados. Consulte las instrucciones del apartado Mantenimiento.
- Nunca deje que terceros utilicen la máquina sin asegurarse primero de que hayan entendido el contenido de este manual de instrucciones.
- Las personas y los animales pueden distraer y hacer perder el control de la máquina. Por consiguiente, el operador debe estar siempre concentrado en su trabajo.
- Tener en cuenta que las ropas, el pelo largo y las joyas pueden atascarse en piezas móviles.

Transporte y almacenamiento

Para proteger la taladradora y las brocas contra daños, no almacenar ni transportar la taladradora con la broca montada.

Guardar la taladradora en un espacio cerrado con llave para que sea inaccesible a niños y personas no autorizadas.

Guardar la taladradora y el soporte en un lugar seco y con temperatura sobre cero.

PRESENTACIÓN

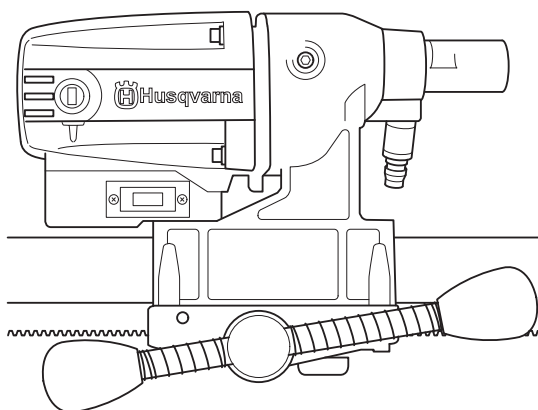
Motor de taladradora y soporte

Esperamos que su máquina le proporcione plena satisfacción y le sirva de ayuda por mucho tiempo en adelante. Tenga en cuenta que este manual de instrucciones es un documento de valor. Siguiendo sus instrucciones (de uso, servicio, mantenimiento, etcétera) puede alargar considerablemente la vida útil de la máquina e incrementar su valor de reventa. Si vende su máquina, entregue el manual de instrucciones al nuevo propietario.

La adquisición de alguno de nuestros productos da acceso a asistencia profesional con reparaciones y servicio. Si la máquina no fue adquirida en un distribuidor oficial, preguntar en la tienda de compra la dirección del taller de servicio más cercano.

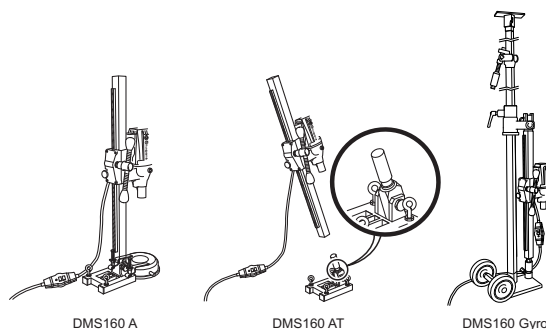
Husqvarna Construction Products se esfuerza constantemente por mejorar la construcción de sus productos. Por consiguiente, Husqvarna se reserva el derecho a introducir modificaciones de diseño sin previo aviso y sin compromisos ulteriores.

Motor de taladradora DMS 160



- La DMS 160 es una taladradora eléctrica destinada a perforar agujeros en hormigón, ladrillo y diferentes materiales pedregosos.
- La taladradora es de diseño modular y fácil de montar.
- La máquina tiene una gama de velocidades para brocas de diámetro (\varnothing) de 120 mm / 4,75 pulgadas.
- El diseño del acoplamiento mecánico deslizante (SMC - Slide Mechanical Clutch) proporciona la toma de potencia más alta y se puede ajustar desde el exterior.
- La máquina está diseñada para perforación con soporte.
- La máquina es refrigerada por agua.
- La máquina tiene doble aislamiento e indicador de corriente.
- La máquina funciona mejor si no se sobrecarga. Dejar como máximo encendido el diodo luminoso amarillo del indicador de carga/corriente (LCS-Load Control System). Como máximo 10 minutos en carga máxima. Luego, la máquina debe hacerse funcionar sin carga durante unos 2 minutos.

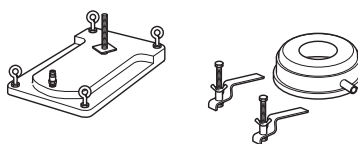
Soporte DMS 160



DMS 160 A/AT

El soporte se fija con tornillo de expansión.

- Hay disponibles como accesorios un colector de agua y una placa de vacío para fijar la columna por aspiración.



DMS 160 AT

- DMS 160 AT es un sistema modular que permite la perforación inclinada y tiene función de giro.

DMS 160 Gyro

- DMS 160 Gyro es un sistema modular con columna telescópica para fijar el motor de taladradora.
- El puntal telescópico tiene una longitud máxima de 3,1 m y se puede prolongar en 0,75 m con un módulo prolongador.
- Sólo se puede usar un módulo prolongador.
- Para cambiar los ajustes basta con una llave fija (24/30 mm) y una llave Allen (8 mm).

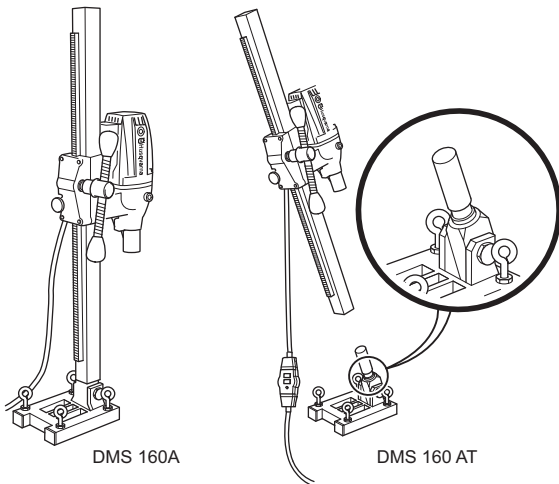


La columna de perforación es girable progresivamente en 360°.

- Las ruedas de transporte son desmontables.

MONTAJE

Montaje del soporte - DMS 160 A/AT

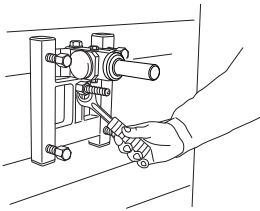


DMS 160A

DMS 160 AT

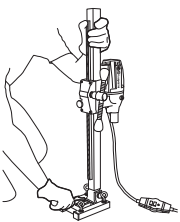
DMS 160 A/AT

- Perforar un agujero (15 mm) en la pared e insertar golpeando los tornillos de expansión.
- Fijar la placa base. Comprobar cuidadosamente que el expansor está bien fijado.



DMS 160 AT

- La columna de perforación se monta en el soporte angular de la placa base. Apretar el tornillo de fijación con una llave Allen de 8 mm. La columna de perforación se puede girar 360° progresivamente y se fija en cada posición con el tornillo de fijación (Allen de 8 mm).

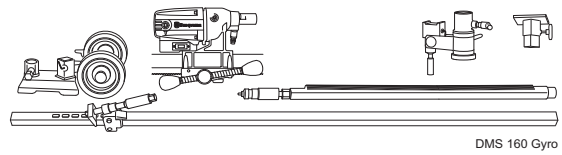


- La columna de perforación se coloca en la inclinación deseada apretando la tuerca con una llave de 24 mm. Si se utiliza la placa de vacío, compruebe que la superficie de apoyo no es porosa ni se suelta. Comprobar que la bomba de vacío tiene capacidad para fijar por aspiración la placa de vacío. Motor de vacío adecuado, Husqvarna VP200.

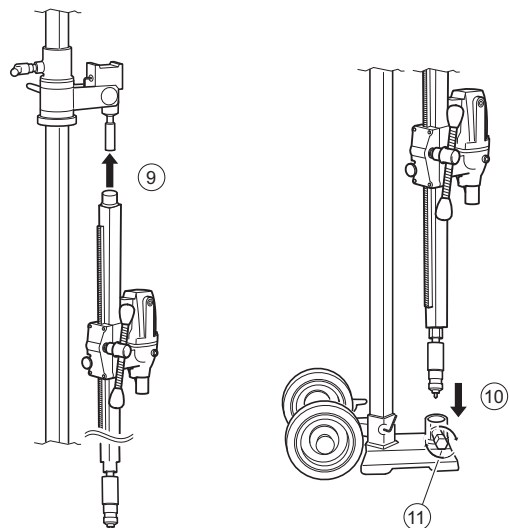
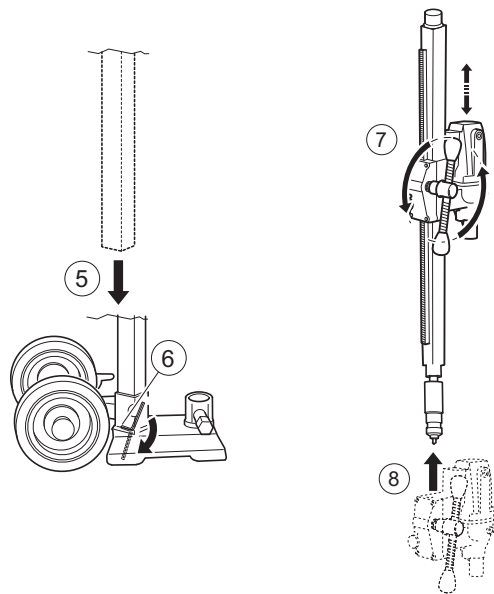
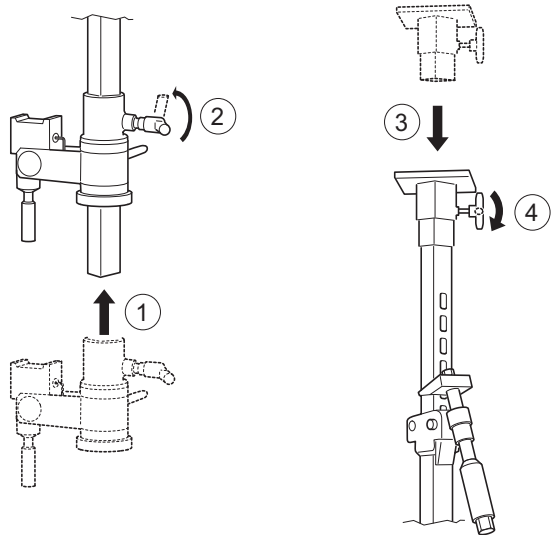


¡ATENCIÓN! La placa de vacío no se debe utilizar nunca para perforar techos. Su uso descuidado o erróneo puede provocar heridas graves o mortales al usuario o terceros.

Montaje del soporte - DMS 160 Gyro

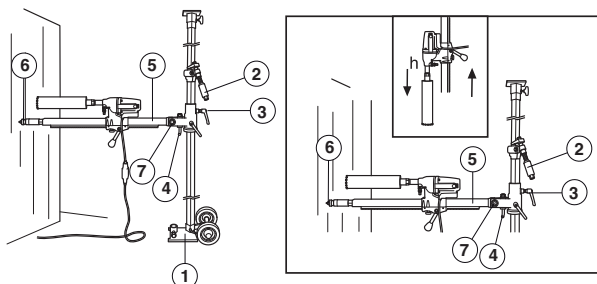


DMS 160 Gyro



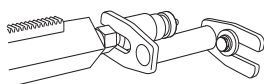
MONTAJE

Perforación en paredes

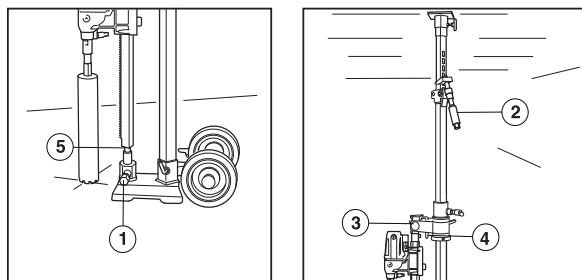


- 1 Placa base con tornillo de fijación.
- 2 Tornillo de puntal y tornillo de fijación
- 3 Manija de fijación
- 4 Mango en L
- 5 Columna de perforación
- 6 Tornillo de puntal y tornillo de fijación
- 7 Contratuerca
- 8 Motor de taladradora DMS 160

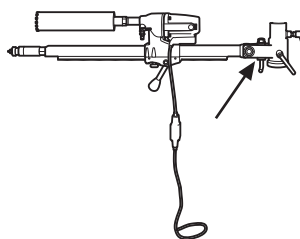
- Colocar la placa base con la longitud de la columna de perforación desde la pared y el tornillo del puntal enroscado. Para perforar a más de 1,5 metros de altura, el tubo exterior grueso debe estar orientado hacia arriba; y al revés para perforar a menos de 1,5 metros de altura. Comprobar que el puntal está fijado en la placa base con el tornillo de fijación.
- Fijar el puntal telescópico contra el techo. Usando el agujero más cercano del tubo interior perforado. Fijar con la manija de puntal y apretarla con una llave de 24 mm. Sin apretar demasiado.
- Soltar la manija de fijación y girar la columna de perforación. Bajar la columna de perforación con el mango en L.
- Montar el motor de taladradora DMS 160 en la columna de perforación.
- Girar hacia atrás la columna de perforación con el motor de taladradora hasta la posición deseada contra la pared. Apretar la manija de fijación.
- Inclinar la columna de perforación hacia atrás y subirla, fijándola con el mango en L y la tuerca. Para la perforación inclinada, aflojar el mango en L e inclinar la columna de perforación en el ángulo deseado, apretando la tuerca con una llave de 30 mm.
- Controlar la posición de la broca. Enroscar el tornillo de puntal contra la pared para fijar la columna de perforación. Fijar con una tuerca de seguridad, 30 mm. Utilizando una regla de madera como separador. La columna de perforación se puede girar 360° progresivamente y se fija en cada posición con el tornillo de fijación (Allen de 8 mm).
- Para mayor seguridad de la columna de perforación se puede usar una fijación de expansión. La fijación se ajusta contra el tornillo de puntal y se fija en la pared con un tornillo de expansión. Fijar con una tuerca de seguridad de 30 mm.



Perforación en suelos

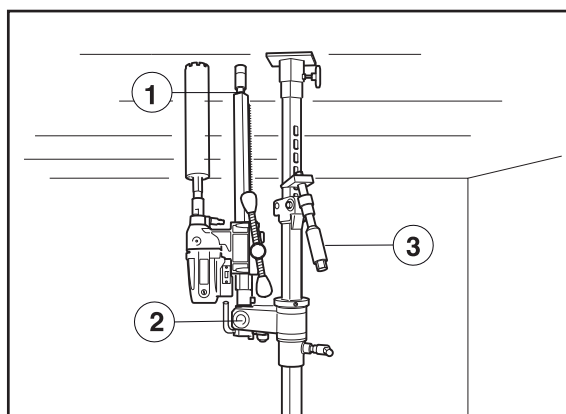


- 1 Tornillo de seguridad
 - 2 Tornillo de puntal y tornillo de fijación
 - 3 Manija de fijación
 - 4 Mango en L
 - 5 Tornillo de seguridad
- Bajar la columna de perforación con el mango en L.
 - Comprobar que el tornillo del puntal entra en el casquillo de fijación.
 - Apretar la tuerca de seguridad con una llave de 30 mm y la manija de fijación.



- Colocar el soporte en la posición deseada.
- 6 Fijar el tornillo del puntal en el casquillo de fijación con el tornillo de fijación y la tuerca. Apretar con llaves de 24 mm y 30 mm.
 - Fijar el puntal telescópico contra el techo con el mecanismo de puntal. Apretar la última parte con una llave de 24 mm, sin apretar demasiado. El puntal telescópico tiene una longitud máxima de 3,1 m y se puede prolongar en 0,75 m con un módulo prolongador.

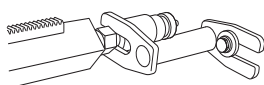
Perforación en techos



- 1 Tornillo de puntal y tornillo de fijación
- 2 Contratuerca
- 3 Tornillo de puntal y tornillo de fijación

MONTAJE

- Colocar el soporte en la posición deseada.
- Comprobar que el tornillo de puntal en la columna de perforación está enroscado. Levantar la columna de perforación y bloquearla en posición vertical con la tuerca de seguridad.
- Comprobar que la broca está en posición correcta. Fijar el puntal telescópico contra el techo con el mecanismo de puntal.
- Enroscar el tornillo de puntal contra el techo para fijar la columna de perforación. Fijar con una tuerca de seguridad, 30 mm. Utilizando una regla de madera como separador.
- Para mayor seguridad de la columna de perforación se puede usar una fijación de expansión. (Disponible como accesorio.) La fijación se ajusta contra el tornillo de puntal y se fija en la pared con un tornillo de expansión. Fijar con una tuerca de seguridad de 30 mm.



¡ATENCIÓN! La placa de vacío no se debe utilizar nunca para perforar techos. Su uso descuidado o erróneo puede provocar heridas graves o mortales al usuario o terceros.

ARRANQUE Y PARADA

Antes de arrancar



¡ATENCIÓN! Antes de arrancar, observe lo siguiente:

La máquina se debe enchufar a un enchufe con masa.

Compruebe que la tensión de red concuerda con la que se indica en la placa de características de la máquina. Asegúrese de que no haya terceros desautorizados en la zona de trabajo.

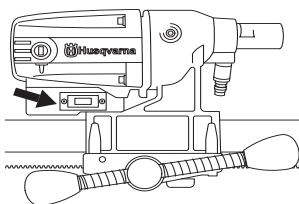


¡ATENCIÓN! Antes de iniciar la perforación, comprobar que todos los tornillos de fijación están bien apretados.

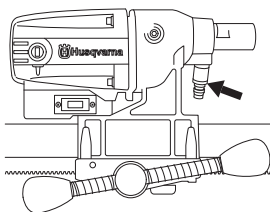
Hay riesgo de accidentes graves si el núcleo de perforación de hormigón permanece en la broca al sacar el motor de taladradora / la broca del suelo, la pared o el techo.

Comprobar que:

- El interruptor esté intacto. Si no está intacto, debe cambiarlo un técnico autorizado.



- La máquina y sus equipos están correctamente montados:
 - La broca está bien fijada.
 - El soporte está bien montado.
 - La máquina está fijada en el soporte de forma adecuada.
- Utilice el equipo de protección personal. Vea las instrucciones bajo el título "Equipo de protección personal".
- La refrigeración por agua se encuentra conectada a la máquina y no está dañada.

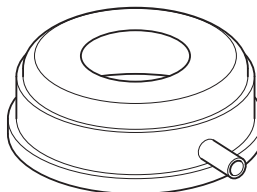


Perforación en techos



¡ATENCIÓN! La placa de vacío no se debe utilizar nunca para perforar techos.

Utilizar un colector de agua para impedir que entre agua en la máquina. La máquina debe cubrirse con un plástico o similar para impedir que entre agua en ella, pero no deben taparse las bocas de entrada y salida de aire.



¡ATENCIÓN! Sólo se puede usar un módulo prolongador.

Comprobar que en el piso inferior no hay personas que puedan ser dañadas por la caída de núcleos de perforación de hormigón.

Arranque

- Activar la refrigeración por agua.
- Presionar completamente el interruptor.
- Empezar bajando la broca con la empuñadura de alimentador.

Parada



¡ATENCIÓN! La broca continúa girando unos instantes después de parar el motor. No detener la broca con las manos. De hacerlo, hay riesgo de daños personales.

Parar la máquina pulsando el interruptor.

Refrigeración

Hacer funcionar la máquina sin carga durante unos minutos para enfriar el motor.

Instrucciones generales de trabajo



¡ATENCIÓN! Este capítulo trata las reglas de seguridad básicas para trabajar con la taladradora. La información no puede sustituir nunca a los conocimientos, formación y experiencia práctica de un profesional. Si en alguna situación hay inseguridad en cuanto a seguir empleando la máquina, consultar con un experto. Consultar al distribuidor, al taller de servicio o a un usuario de taladradoras experimentado. No se debe emplear la máquina en aplicaciones para las que el usuario no se considera plenamente cualificado.



¡ATENCIÓN! La sobreexposición a las vibraciones puede provocar problemas circulatorios y dolencias de carácter nervioso, especialmente en personas con patologías circulatorias. Acuda a un médico si nota síntomas corporales que puedan relacionarse con la sobreexposición a las vibraciones. Son ejemplos de tales síntomas la pérdida de sensibilidad, el 'cosquilleo', las 'punzadas', el dolor, la pérdida o reducción de la fuerza normal o los cambios en el color y la superficie de la piel. Estos síntomas se presentan normalmente en dedos, manos y muñecas. Los síntomas pueden aumentar en temperaturas frías.

- No usar en condiciones climáticas desfavorables. Por ejemplo, niebla densa, lluvia, viento fuerte, frío intenso, etc. Trabajar con mal tiempo es cansador y puede crear condiciones peligrosas, por ejemplo suelo resbaladizo.
- Antes de comenzar a trabajar con la máquina, controle siempre que el lugar esté libre y que los pies estén bien afirmados al terreno. Controle posibles obstáculos en caso de movimientos repentinos. Asegúrese de que no haya elementos que puedan caer y provocar daños al trabajar con la máquina.
- Mantenerse apartado de la broca cuando el motor está en marcha.
- Controle que la zona de trabajo esté bien iluminada para lograr un entorno seguro.
- Comprobar que en la zona que se va a perforar no haya tuberías ni cables eléctricos instalados.
- Al emplear la máquina, hágalo con el cable detrás suyo para evitar dañarlo.
- No abandonar nunca la máquina sin vigilar, con el motor en marcha. Las brocas rotativas comportan riesgo de accidentes graves.
- Desenchufar siempre el contacto para paradas prolongadas del trabajo.
- No sobrecargar la máquina. La sobrecarga puede dañar la máquina.

- Mantener las herramientas afiladas y limpias para que el trabajo sea más seguro.
- Controlar siempre la parte posterior de la superficie en la que sale la broca al penetrar. Impedir el acceso cercando la zona de trabajo y procurar que no haya riesgo de daños personales o materiales.
- Parar siempre la máquina antes de trasladarla.
- Un operador nunca debe trabajar solo; siempre debe haber otra(s) persona(s) cerca. Así, además de tener ayuda para montar la máquina, también puede recibirse asistencia en caso de accidente.
- Mantener todas las piezas en perfecto estado y comprobar que todos los elementos de fijación estén bien apretados.

Empleo de la máquina

- Mantener las manos apartadas del husillo de taladro y la broca cuando funciona la máquina.
- Prestar atención a las fugas de aceite o de agua.

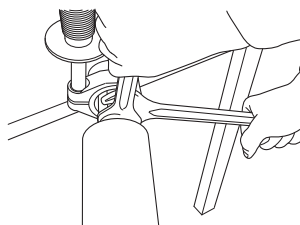
Perforación a la intemperie

Usar siempre cables de empalme homologados para uso en intemperie.

Cambio de broca



- 1 Desenchufar la máquina.
- 2 Preparar:
 - La broca nueva.
 - Las llaves fijas incluidas en la entrega, de 24 mm y 32 mm.
 - Grasa hidrófuga.
- 3 Desmontar la broca vieja con las llaves fijas.
- 4 Aplicar grasa hidrófuga en la rosca de la broca nueva.
- 5 Montar la broca con las llaves fijas.

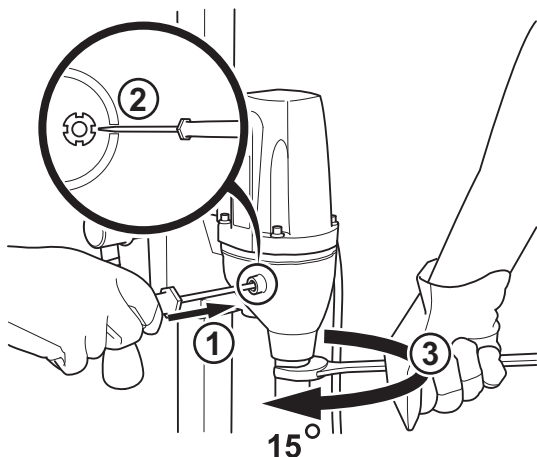


Acoplamiento deslizante (SMC)

La máquina está equipada con un acoplamiento mecánico deslizante (SMC).

Tensar el acoplamiento deslizante, de este modo:

- Soltar la tapa del acoplamiento deslizante.



- Fijar la tuerca de gancho con cuidado con un destornillador plano ancho en una de las cuatro ranuras de la tuerca.
- Girar 15 grados el husillo de taladro con una llave fija de 27 mm.

Sacar el destornillador y colocar la tapa del acoplamiento deslizante.

Indicación de carga/corriente (sistema de control de carga LCS).

La máquina funciona mejor si no se sobrecarga. Dejar como máximo encendido el diodo luminiscente amarillo del indicador de carga/corriente (LCS-Load Control System). Como máximo 10 minutos en carga máxima. Luego, la máquina debe hacerse funcionar sin carga durante unos 2 minutos.

MANTENIMIENTO

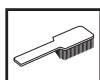
Mantenimiento del motor de taladradora



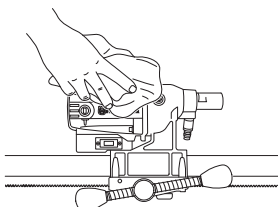
¡IMPORTANTE! El control y/o mantenimiento de la máquina debe hacerse con el motor parado y el enchufe desenchufado.

La vida útil de la máquina se alarga considerablemente si se utiliza, cuida y mantiene correctamente.

Limpieza



- Mantener limpia la máquina y la broca para que la perforación se pueda hacer de forma segura.



- Para que la máquina tenga siempre una buena refrigeración, las aberturas de paso del aire refrigerante deben mantenerse libres y limpias. Limpie regularmente la máquina con aire comprimido.

Suministro eléctrico



¡ATENCIÓN! No usar nunca cables dañados, puesto que pueden causar daños personales graves e incluso mortales.

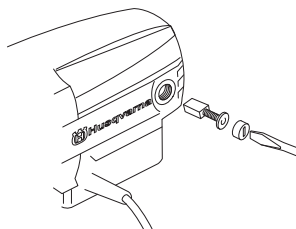
Compruebe que el cable y el cable de empalme está intacto. Si se daña el cable, no utilice la máquina. Llévela a un taller de servicio oficial para reparar.

Reparaciones

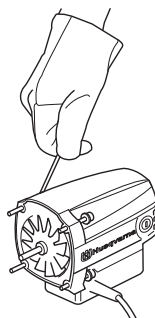
¡IMPORTANTE! Las reparaciones de todo tipo deben ser efectuadas por técnicos autorizados, únicamente. De este modo se evita someter a los operadores a grandes riesgos.

Cambio del motor y la caja de cambios

- 1 Fijar la máquina en un tornillo de banco o similar, con el husillo de taladro hacia abajo.
- 2 Soltar las tapas de las escobillas con un destornillador plano ancho.



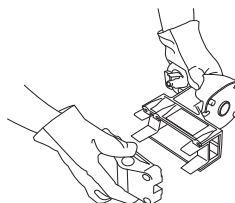
- 3 Sacar las escobillas con cuidado.
- 4 Quitar los cuatro tornillos que fijan el motor en la caja de cambios.
- 5 Soltar el cable de tierra de la tapa de la caja de cambios (aplicable solamente a 230 V).
- 6 Desmontar la máquina con cuidado.
- 7 Cambiar el módulo que es necesario sustituir. Usar grasa Castrol MS3 Molybden en la caja de cambios.



- 8 Armar el motor con la caja de cambios.
- 9 Enroscar los tornillos.
- 10 Poner las tapas de escobillas.

Cambio de la pieza trasera

- 1 Aflojar los cuatro tornillos y la manija de fijación de la parte trasera de la máquina.
- 2 Cambiar las dos placas deslizantes cuando se va a cambiar la pieza trasera.



- 3 Atornillar la pieza trasera con los cuatro tornillos. Enroscar la manija de fijación.

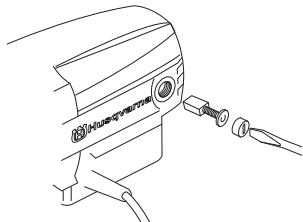
MANTENIMIENTO

Cambio de escobillas de carbón

Las escobillas deben desmontarse y revisarse regularmente. Cada semana si la máquina se utiliza a diario, o a intervalos más largos si se utiliza con menor frecuencia. La superficie de desgaste debe estar regular e intacta.

Ambas escobillas deben cambiarse siempre en la misma oportunidad, pero de una en una. Procedimiento de cambio:

- 1 Soltar las tapas de las escobillas con un destornillador plano ancho.



- 2 Sacar las escobillas con cuidado. Si quedan menos de 6 mm en las escobillas, hay que cambiarlas.
- 3 Montar las escobillas nuevas.
- 4 Poner las tapas de escobillas.
- 5 Dejar la máquina funcionando en ralentí durante 10 minutos para hacer el rodaje de las escobillas nuevas.

Mantenimiento diario

- 1 Compruebe que los tornillos y las tuercas estén apretados.
- 2 Compruebe que la unidad de interruptor funciona de forma segura.
- 3 Limpie la parte exterior de la máquina.
- 4 Revise y limpie las aberturas de aire refrigerante.
- 5 Compruebe que el cable y el cable de empalme está intacto.

Mantenimiento del soporte



Limpieza y lubricación

¡IMPORTANTE! Desmontar el motor de taladradora. En lo referente al mantenimiento del motor de taladradora, ver el capítulo pertinente.

- Para obtener un funcionamiento óptimo es muy importante mantener el soporte limpio y en orden.
- Se recomienda limpiar el soporte con lavado a alta presión y secarlo.
- Aceitar todas las piezas móviles del soporte. Usar grasa para prevenir la corrosión de las superficies de contacto.

Reparaciones

¡IMPORTANTE! Las reparaciones de todo tipo deben ser efectuadas por técnicos autorizados, únicamente. De este modo se evita someter a los operadores a grandes riesgos.

Mantenimiento diario

- 1 Compruebe que los tornillos y las tuercas estén apretados.
- 2 Limpie la parte exterior de la máquina.

DATOS TECNICOS

Motor de taladradora DMS 160

Motor eléctrico	Monofásico
Tensión nominal, V	230/100-120
Potencia nominal, W	1560

Amperaje nominal, A

230 V	6A
100-120 V	13A

Peso, kg	5,9
----------	-----

Diámetro de broca, mm

Diámetro máximo de broca, con soporte	120 mm (4,7')
Rosca de husillo	Int. 1/2" R
Conexión de agua	G 1/4'

Velocidad del husillo, ralentí, r.p.m.

Verde 1	1100
Verde 2	980
Verde 3	840

Velocidad del husillo, r.p.m.

Amarillo	700
Rojo	640

Emisiones de ruido (vea la nota 1)

Nivel de potencia acústica medido dB(A)	102
Nivel de potencia acústica garantizado L_{WA} dB(A)	103

Niveles acústicos (vea la nota 2)

Nivel de presión acústica en el oído del usuario, dB(A)	89
---	----

Niveles de vibraciones (vea la nota 3)

Empuñadura, m/s^2	<2,5
---------------------	------

Nota 1: Emisiones sonoras en el entorno medidas como potencia sonora (L_{WA}) según la norma EN 12348.

Nota 2: Nivel de presión sonora conforme a EN 12348. Los datos referidos del nivel de presión sonora tienen una dispersión estadística habitual (desviación estándar) de 1,0 dB(A).

Nota 3: Nivel de vibración conforme a EN 12348. Los datos referidos del nivel de vibración poseen una dispersión estadística habitual (desviación típica) de 1 m/s^2 .

DATOS TECNICOS

Soporte DMS 160

Altura, mm

DMS 160 A altura, mm	840
DMS 160 AT altura, mm	900
DMS 160 Gyro altura, mm	1900-3100
Carrera, mm	600
Diámetro máximo de broca (mm)	120

Peso, kg

DMS 160 A	10,5
DMS 160 AT	12
DMS 160 Gyro	31,4
Juego de herramientas DMS 160 AT	0,3
Juego de herramientas DMS 160 Gyro	0,8

Peso, kg (accesorio extra)

Placa de vacío	2,5
Colector de agua	0,7
Módulo prolongador I	2,9
Módulo prolongador U	2,9
Fijación de expansión	0,8

Declaración CE de conformidad

(Rige sólo para Europa)

Husqvarna AB, SE-433 81 Göteborg, Suecia, teléfono: +46-31-949000, declara por la presente que los bastidores **Husqvarna DMS 160 motor de perforadora, DMS 160 A/AT/Gyro**, a partir del número de serie del año 2010 en adelante (el año se indica textualmente en la placa de identificación, seguido del número de serie), cumple con las siguientes disposiciones de la DIRECTIVA DEL CONSEJO:

- **2006/42/CE** «relativa a máquinas» del 17 de mayo de 2006.
- **2004/108/CEE**, "referente a compatibilidad electromagnética", del 15 de diciembre de 2004.
- **2006/95/CE** del 12 de diciembre de 2006 relativa a equipos eléctricos.
- del 8 de junio de 2011 «sobre restricciones a la utilización de determinadas sustancias peligrosas» (**2011/65/UE**)

Se han aplicado las siguientes normas: EN ISO 12100:2010, EN 55014-1:2006, EN 55014-2/A1:2001, EN 61000-3-2:2006, EN 61000-3-3:2013, EN 12348+A1:2009

Göteborg, 8 de abril de 2015



Helena Grubb

Vicepresidente, maquinaria para la construcción Husqvarna AB

(Presentante autorizado de Husqvarna AB y responsable de la documentación técnica.)

SYMBOLERKLÄRUNG

Symbole am Gerät:

WARNUNG! Das Gerät kann falsch oder nachlässig angewendet gefährlich sein und zu schweren oder gar lebensgefährlichen Verletzungen des Benutzers oder anderer Personen führen.



Lesen Sie die Bedienungsanleitung sorgfältig durch und machen Sie sich mit dem Inhalt vertraut, bevor Sie das Gerät benutzen.



Benutzen Sie immer:

- Einen zugelassenen Schutzhelm
- Einen zugelassenen Gehörschutz
- Schutzbrille oder Visier
- Atemschutzmaske



Dieses Produkt stimmt mit den geltenden CE-Richtlinien überein.



Umweltkennzeichnung. Das Symbol auf dem Produkt oder der Verpackung gibt an, dass dieses Produkt nicht im Hausmüll entsorgt werden darf. Zur Entsorgung ist es stattdessen an eine entsprechende Recyclinganlage für elektrische und elektronische Geräte zu übergeben.



Durch eine korrekte Entsorgung dieses Produkts tragen Sie dazu bei, mögliche negative Auswirkungen auf Ihre Umwelt und Mitmenschen zu verhindern. Durch eine unsachgemäße Entsorgung dieses Produkts können Schäden entstehen.

Ausführliche Recyclinginformationen zu diesem Produkt erhalten Sie von Ihrer Kommune, Entsorgungsunternehmen für Hausmüll oder dem Geschäft, in dem Sie das Produkt erworben haben.

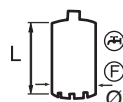
Beim Bohren in Decken sicherstellen, dass kein Wasser in die Maschine eindringen kann. Ein geeignetes Wasserauffanggefäß verwenden und die Maschine in Plastikfolie wickeln, dabei aber Luftein- und -auslass aussparen.



Eine für die Größe geeignete Bohrmaschine wählen. Der max. Bohrdurchmesser ist auf der Maschine angegeben.



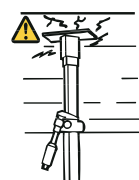
Einen für die jeweiligen Arbeiten geeigneten Bohrer verwenden.



Last/Stromanzeige (LCS – Load Control System)



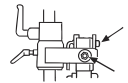
Sicherstellen, dass die Decke hält. Die Decke muss massiv sein.



Sicherstellen, dass die Gabel um das Innenrohr greift. Mit einem geeigneten Schraubenschlüssel anziehen.



Die Mutter mit einem 30-mm-Schraubenschlüssel anziehen. Die Sicherungsmutter am L-Griff überprüfen. Die Mutter muss angezogen sein.



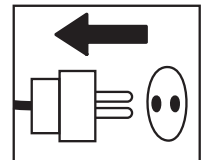
WARNUNG! Beim Bohren bildet sich Staub, der beim Einatmen Gesundheitsschäden hervorrufen kann. Einen zugelassenen Atemschutz tragen. Für gute Belüftung sorgen.



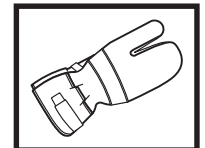
Sonstige Symbole/Aufkleber am Gerät beziehen sich auf spezielle Zertifizierungsanforderungen, die in bestimmten Ländern gelten.

Symbole in der Bedienungsanleitung:

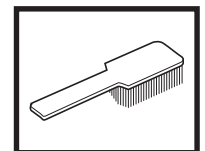
Kontrollen und/oder Wartungsarbeiten sind bei abgeschaltetem Motor und abgezogenem Stecker durchzuführen.



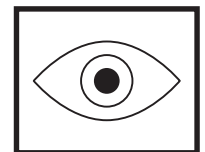
Stets zugelassene Schutzhandschuhe tragen.



Regelmäßige Reinigung ist notwendig.



Visuelle Kontrolle.



Schutzbrille oder Gesichtsschutz müssen benutzt werden.



INHALT

Inhalt

SYMBOLERKLÄRUNG

Symbole am Gerät: 52

Symbole in der Bedienungsanweisung: 52

INHALT

Inhalt 53

WAS IST WAS?

Bestandteile der Bohrmaschine 54

WAS IST WAS?

Bestandteile des Ständers 55

SICHERHEITSVORSCHRIFTEN

Maßnahmen vor der Verwendung einer neuen Bohrmaschine 56

Persönliche Schutzausrüstung 56

Sicherheitsausrüstung des Gerätes 57

Kontrolle, Wartung und Service der Sicherheitsausrüstung des Gerätes 57

Allgemeine Sicherheitsvorschriften 57

VORSTELLUNG

Bohrmotor und Ständer 58

Bohrmotor DMS 160 58

Ständer DMS 160 58

MONTAGE

Ständermontage - DMS 160 A/AT 59

Ständermontage - DMS 160 Gyro 59

STARTEN UND STOPPEN

Vor dem Start 62

Starten 62

Stoppen 62

ARBEITSTECHNIK

Allgemeine Arbeitsvorschriften 63

Benutzung des Geräts 63

WARTUNG

Bohrmotorwartung 65

Ständerwartung 66

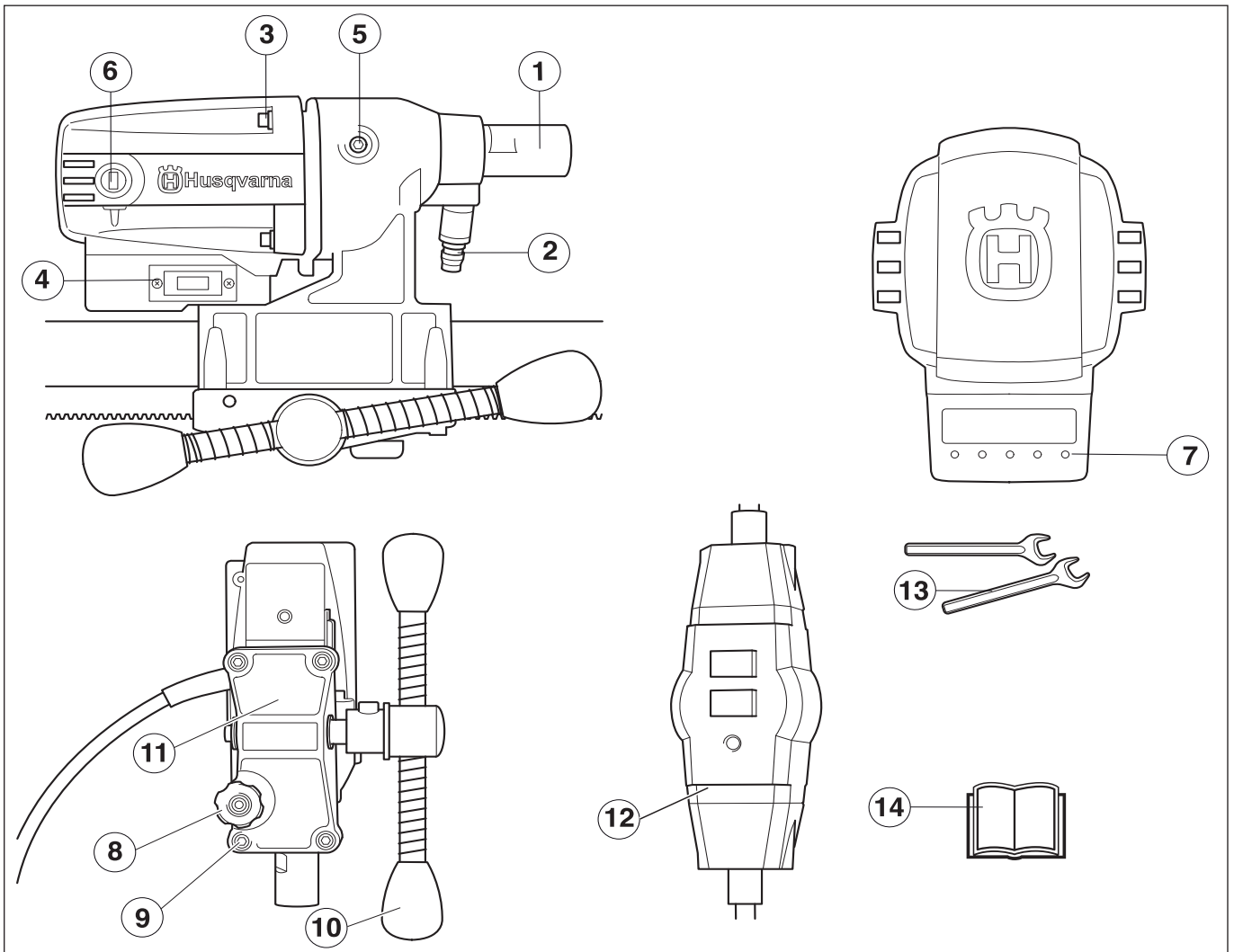
TECHNISCHE DATEN

Bohrmotor DMS 160 67

Ständer DMS 160 68

EG-Konformitätserklärung 68

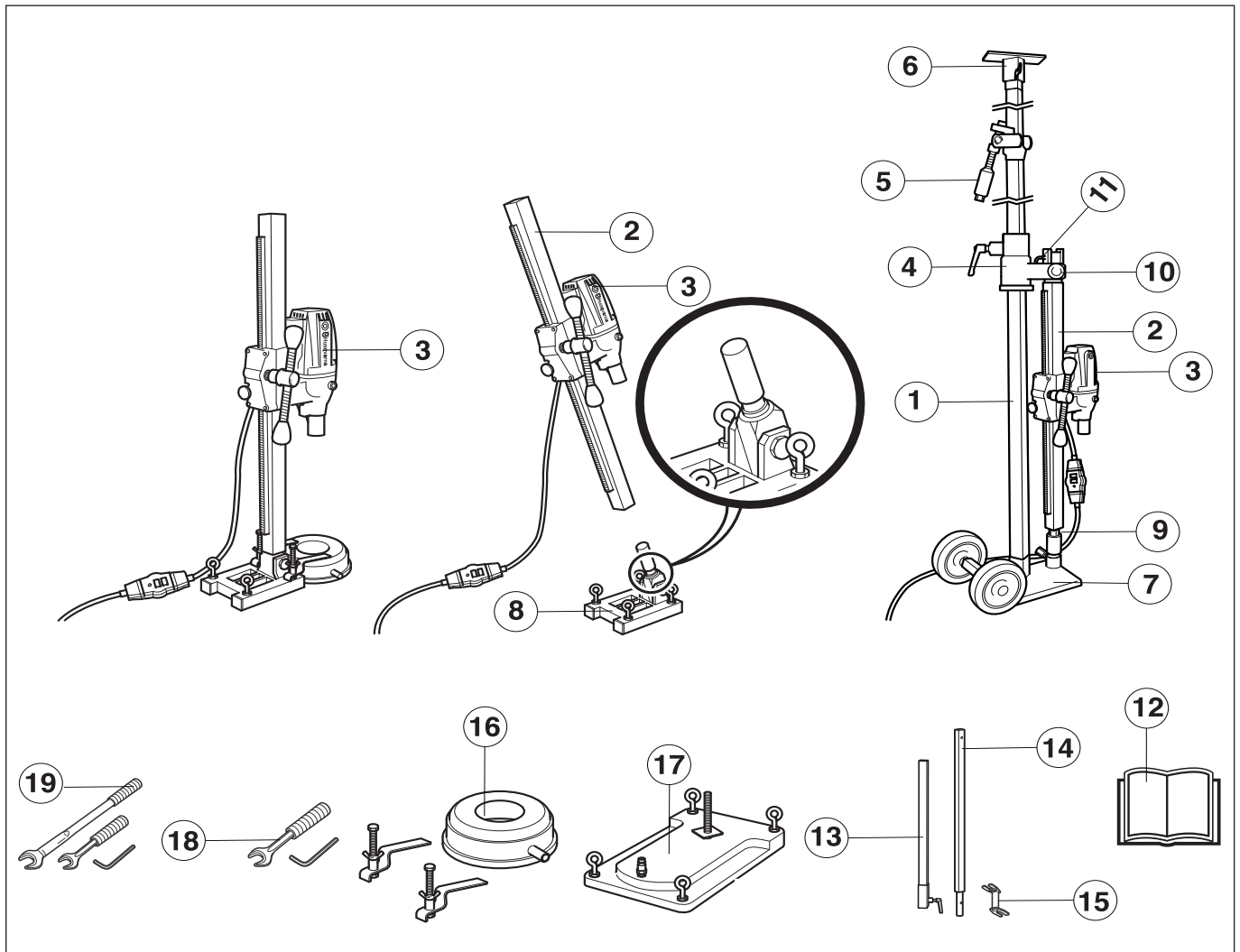
WAS IST WAS?



Bestandteile der Bohrmaschine

- | | |
|---|---|
| 1 Bohrspindel | 8 Verriegelungsknopf |
| 2 Wasseranschluss | 9 4 Schrauben für Vorschubrückwand und Getriebe |
| 3 Schrauben lösen, mit denen Getriebe und Motor befestigt sind. | 10 Vorschubgriff |
| 4 Hauptschalter | 11 Vorschubrückwand |
| 5 Deckel der Rutschkupplung (SMC) | 12 PRCD FI-Schutzschalter |
| 6 Kohlebürstenabdeckung | 13 Schraubenschlüssel |
| 7 Last/Stromanzeige (LCS – Load Control System) | 14 Bedienungsanweisung |

WAS IST WAS?



Bestandteile des Ständers

- | | |
|--|---|
| 1 Teleskopstempel 40 | 11 L-Griff |
| 2 Bohrsäule | 12 Bedienungsanweisung |
| 3 Bohrmotor DMS 160 | 13 Verlängerungsmodul U (Als Zubehör erhältlich.) |
| 4 Wandschiene | 14 Verlängerungsmodul I (Als Zubehör erhältlich.) |
| 5 Stempel/Verriegelungsmechanismus | 15 Expanderhalterung (Als Zubehör erhältlich.) |
| 6 Deckenplatte | 16 Wassergefäß (Als Zubehör erhältlich.) |
| 7 Sohlenplatte (GB 40 T) mit Transporträdern | 17 Vakuumplatte (Als Zubehör erhältlich.) |
| 8 Expander Winkelsohlenplatte | 18 Werkzeugsatz DMS 160 AT |
| 9 Stempelschraube und Sicherungsschraube | 19 Werkzeugsatz DMS 160 Gyro |
| 10 Gegenmutter | |

SICHERHEITSVORSCHRIFTEN

Maßnahmen vor der Verwendung einer neuen Bohrmaschine

- Arbeiten mit der Bohrmaschine dürfen erst ausgeführt werden, wenn Sie zuvor den Inhalt dieser Bedienungsanleitung gelesen und verstanden haben.
- Dieses Gerät ist für das Bohren in Beton, Backstein und diversen Steinmaterialien konstruiert und vorgesehen. Jegliche andere Nutzung ist unzulässig.
- Das Gerät ist für industrielle Anwendungen und die Benutzung durch erfahrene Bediener ausgelegt.

Stets mit gesundem Menschenverstand arbeiten!

Es ist unmöglich, alle denkbaren Situationen zu beschreiben, die beim Gebrauch der Bohrmaschine auftreten könnten. Stets vorsichtig vorgehen und mit gesundem Menschenverstand arbeiten. Situationen vermeiden, denen Sie sich nicht gewachsen fühlen. Wenn Sie sich nach dem Lesen dieser Anweisungen immer noch unsicher fühlen, wie Sie vorgehen sollen, bitten Sie einen Fachmann um Rat, bevor Sie fortfahren. Zögern Sie nicht, Ihren Händler oder uns anzusprechen, wenn Sie Fragen zum Gebrauch der Bohrmaschine haben. Wir sind gerne für Sie da und helfen Ihnen beim optimalen und sicheren Einsatz Ihrer Bohrmaschine.

Sie können sich jederzeit an Ihren Händler wenden, wenn Sie Fragen zur Verwendung der Maschine haben. Wir beraten Sie gerne dabei, wie Sie Ihre Maschine besser und sicherer einsetzen können.

Ihr Husqvarna-Händler sollte die Bohrmaschine regelmäßig überprüfen und notwendige Einstellungen und Reparaturen vornehmen.

Husqvarna Construction Products ist stets bestrebt, die Konstruktion der Produkte zu verbessern. Husqvarna behält sich daher das Recht vor, ohne vorherige Ankündigung und ohne weitere Verpflichtungen Konstruktionsänderungen einzuführen.

Alle Informationen und Daten dieser Bedienungsanleitung galten zum Zeitpunkt der Drucklegung.



WARNUNG! Ohne Genehmigung des Herstellers dürfen an der Maschine unter keinen Umständen Konstruktionsänderungen vorgenommen werden. Stets Originalzubehör verwenden. Unzulässige Änderungen und/oder Zubehörteile können zu schweren Verletzungen oder tödlichen Unfällen von Anwendern oder anderen Personen führen.



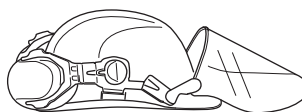
WARNUNG! Bei der Nutzung von Produkten, die schneiden, schleifen, bohren, feine Schleifvorgänge ausführen oder Material formen kann es zu einer Bildung vom Staub und Dämpfen kommen, die schädliche chemische Substanzen enthalten. Informieren Sie sich über die Beschaffenheit des Materials, mit dem Sie arbeiten und tragen Sie einen geeigneten Atemschutz.

Persönliche Schutzausrüstung

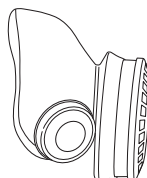


WARNUNG! Bei der Benutzung des Gerätes muss die vorgeschriebene persönliche Schutzausrüstung angewendet werden. Die persönliche Schutzausrüstung beseitigt nicht die Unfallgefahr, begrenzt aber den Umfang der Verletzungen und Schäden. Bei der Wahl der Schutzausrüstung einen Fachhändler um Rat fragen.

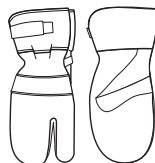
- Schutzhelm
- Gehörschutz
- Schutzbrille oder Visier



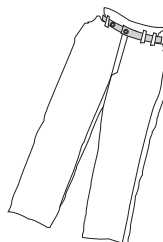
- Atemschutzmaske



- Feste, griffsichere Handschuhe.



- Eng anliegende, kräftige und bequeme Kleidung tragen, die volle Bewegungsfreiheit gewährt.



- Stiefel mit Stahlkappe und rutschfester Sohle.



- Ein Erste-Hilfe-Set soll immer griffbereit sein.



SICHERHEITSVORSCHRIFTEN

Sicherheitsausrüstung des Gerätes

In diesem Abschnitt werden einzelnen Teile der Sicherheitsausrüstung des Gerätes beschrieben, welche Funktion sie haben und wie ihre Kontrolle und Wartung ausgeführt werden sollen, um sicherzustellen, dass sie funktionsfähig sind. (Siehe Kapitel Was ist was? um herauszufinden, wo die Sicherheitsdetails an Ihrem Gerät zu finden sind).



WARNUNG! Benutzen Sie nie ein Gerät mit defekter Sicherheitsausrüstung. Die Sicherheitsausrüstung muss überprüft und gewartet werden. Siehe die Anweisungen unter der Überschrift Kontrolle, Wartung und Service der Sicherheitsausrüstung der Bohrmaschine. Finden sich Mängel bei der Kontrolle des Geräts, ist eine Servicewerkstatt zur Reparatur aufzusuchen.

Kontrolle, Wartung und Service der Sicherheitsausrüstung des Gerätes



WICHTIG! Service und Reparatur des Gerätes erfordern eine Spezialausbildung. Dies gilt besonders für die Sicherheitsausrüstung des Gerätes. Wenn Ihr Gerät den unten aufgeführten Kontrollanforderungen nicht entspricht, müssen Sie Ihre Servicewerkstatt aufsuchen. Beim Kauf eines unserer Produkte wird gewährleistet, dass Reparatur- oder Servicearbeiten fachmännisch ausgeführt werden. Sollte der Verkäufer Ihres Gerätes nicht an unser Fachhändler-Service-Netz angeschlossen sein, fragen Sie nach unserer nächstgelegenen Servicewerkstatt.

Hauptschalter

Der Schalter ist zum Starten und Abstellen des Gerätes zu benutzen.

Kontrolle des Schalters

- Das Gerät durch Betätigen des Schalters starten.
- Das Gerät durch erneutes Betätigen des Schalters ausschalten.
- Defekte Schalter sind von einer autorisierten Servicewerkstatt auszutauschen.

Allgemeine Sicherheitsvorschriften

- Arbeiten mit der Bohrmaschine dürfen erst ausgeführt werden, wenn Sie zuvor den Inhalt dieser Bedienungsanleitung gelesen und verstanden haben.



WARNUNG! An elektrisch betriebenen Geräten besteht stets die Gefahr von elektrischen Schlägen. Ungünstige Witterungsbedingungen sowie einen Körperkontakt mit Blitzableiter und metallischen Gegenständen vermeiden. Stets die Vorgaben in der Bedienungsanleitung befolgen, um Schäden auszuschließen.



WARNUNG! Bei Arbeiten an Produkten mit beweglichen Teilen herrscht stets Klemmgefahr. Schutzhandschuhe tragen, um Verletzungen zu vermeiden.

- Arbeiten Sie niemals mit dem Gerät, wenn Sie müde sind, Alkohol getrunken oder Medikamente eingenommen haben, da hierdurch Sehkraft, Urteilsvermögen oder Körperkontrolle beeinträchtigt werden können.
- Tragen Sie persönliche Schutzausrüstung. Siehe die Anweisungen unter der Überschrift "Persönliche Schutzausrüstung".
- Tragen Sie das Gerät niemals am Kabel, und ziehen Sie niemals den Stecker am Kabel aus der Steckdose. Achten Sie darauf, dass Kabel und Verlängerungskabel nicht mit Wasser, Öl oder scharfen Kanten in Berührung kommen. Darauf achten, dass die Kabel nicht in Türen, Zäunen o. ä. eingeklemmt werden. Es besteht sonst die Gefahr, dass Gegenstände unter Strom gestellt werden.
- Kontrollieren, ob Kabel und Verlängerungskabel intakt und in gutem Zustand sind. Eine Verlängerungsschnur für den Außenbereich verwenden. Das Gerät nicht benutzen, wenn das Kabel beschädigt ist, sondern zur Reparatur in eine autorisierte Servicewerkstatt geben.
- Keine zusammengerollte Verlängerungsschnur nutzen, um eine Überhitzungsgefahr zu vermeiden.



- Das Gerät muss an eine geerdete Steckdose angeschlossen werden.
- Kontrollieren, ob die Netzspannung mit der auf dem Geräteschild angegebenen übereinstimmt.
- Niemals mit einem defekten Gerät arbeiten. Die Kontroll-, Wartungs- und Serviceanweisungen in dieser Bedienungsanleitung sind genau zu befolgen. Gewisse Wartungs- und Servicemaßnahmen sind von geschulten, qualifizierten Fachleuten auszuführen. Siehe Anweisungen unter dem Titel Wartung.
- Lassen Sie niemals jemand anderen das Gerät benutzen, ohne sich zu vergewissern, dass die Person den Inhalt der Bedienungsanleitung verstanden hat.
- Menschen und Tiere können zu einer Ablenkung und damit zum Verlust der Kontrolle über das Gerät führen. Konzentration und Fokussierung auf die Aufgabe sind daher stets erforderlich.
- Bedenken, dass Kleidung, langes Haar und Schmuck in beweglichen Teilen hängen bleiben können.

Transport und Aufbewahrung

Um Bohrmaschine und Bohrer vor Beschädigungen zu schützen, das Gerät nicht mit angebrachter Bohrkronen verwahren oder transportieren.

Das Gerät in einem abschließbaren Bereich aufbewahren, wo es weder für Kinder noch für Unbefugte erreichbar ist.

Bohrmaschine und Ständer trocken und frostfrei aufbewahren.

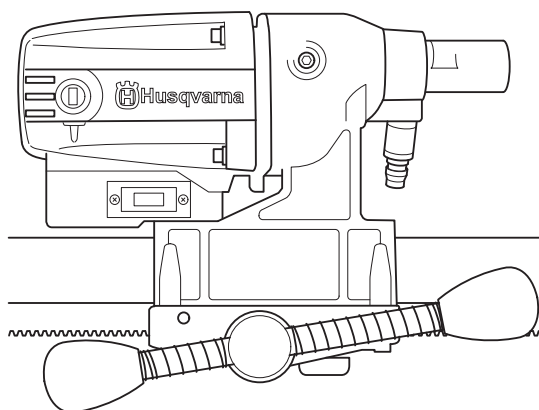
Bohrmotor und Ständer

Wir hoffen, dass Sie mit Ihrer Maschine über lange Jahre zufrieden sein werden. Denken Sie daran, diese Bedienungsanleitung sicher aufzubewahren. Die genaue Befolgung ihres Inhalts (Verwendung, Service, Wartung usw.) verlängert die Lebensdauer der Maschine erheblich und erhöht zudem ihren Wiederverkaufswert. Sollten Sie Ihre Maschine verkaufen, händigen Sie dem neuen Besitzer bitte auch die Bedienungsanleitung aus.

Mit dem Erwerb unserer Produkte erhalten Sie professionelle Hilfe bei Reparaturen und Service. Haben Sie das Gerät nicht bei einem unserer Vertragshändler gekauft, fragen Sie dort nach der nächsten Servicewerkstatt.

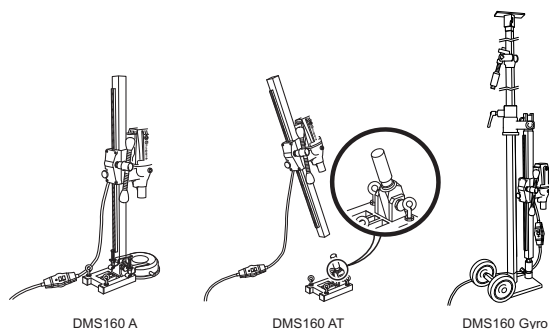
Husqvarna Construction Products ist stets bestrebt, die Konstruktion der Produkte zu verbessern. Husqvarna behält sich daher das Recht vor, ohne vorherige Ankündigung und ohne weitere Verpflichtungen Konstruktionsänderungen einzuführen.

Bohrmotor DMS 160



- Beim Modell DMS 160 handelt es sich um eine elektrische Bohrmaschine, die zum Bohren in Beton, Backstein und diversen Steinmaterialien vorgesehen ist.
- Die Bohrmaschine ist modular aufgebaut und einfach zu montieren.
- Das Gerät besitzt einen Drehzahlbereich für einen maximalen Bohrdurchmesser von 120 mm.
- Die Konstruktion der Rutschkupplung (SMC - Slide Mechanical Clutch) stellt die optimale Leistungsaufnahme sicher und ermöglicht eine Verstellung von außen.
- Das Gerät ist für Bohrarbeiten mit Ständer vorgesehen.
- Das Gerät verfügt über eine Wasserkühlung.
- Es ist doppelt isoliert und mit einer Stromanzeige ausgestattet.
- Das Gerät liefert seine beste Leistung, wenn es nicht überlastet wird. Daher sollte höchstens die gelbe Leuchtdiode an der Last-/Stromanzeige (LCS - Load Control System) aufleuchten. Max. 10 min max. Last, danach das Gerät mindestens 2 min ohne Last betreiben.

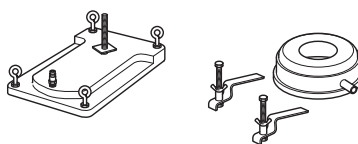
Ständer DMS 160



DMS 160 A/AT

Das Stativ wird mit einer Spreizschraube befestigt.

- Als Zubehör sind ein Wassergefäß und eine Vakuumplatte zur Anbringung des Ständers lieferbar.



DMS 160 AT

- Bei DMS 160 AT handelt es sich um ein Modulsystem, das sich durch Winkelbohrung und Drehfunktion auszeichnet.

DMS 160 Gyro

- DMS 160 Gyro ist ein Modulsystem mit Teleskopständer zur Befestigung des Bohrmotors.
- Der Teleskopstempel ist maximal 3,1 m lang, kann jedoch mit einem Verlängerungsteil um weitere 0,75 m verlängert werden.
- Es darf höchstens ein Verlängerungsteil verwendet werden.
- Zur Änderung der Einstellung sind nur ein Schraubenschlüssel (24/30 mm) und ein 8-mm-Inbusschlüssel erforderlich.

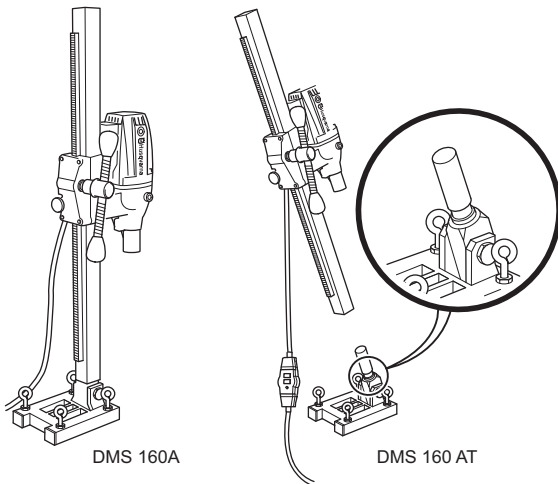


Die Bohrsäule ist stufenlos um 360° drehbar.

- Die Transporträder lassen sich abmontieren.

MONTAGE

Ständermontage - DMS 160 A/AT

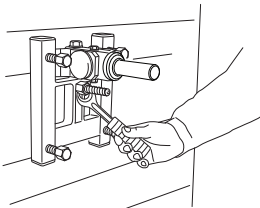


DMS 160A

DMS 160 AT

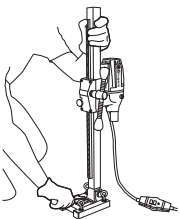
DMS 160 A/AT

- Ein Loch (15 mm) in Boden oder Wand bohren und die Spreizschrauben anbringen.
- Die Sohlenplatte verschrauben. Genau kontrollieren, ob der Expander richtig fest sitzt.



DMS 160 AT

- Die Bohrsäule wird auf die Winkelbefestigung der Sohlenplatte montiert. Sicherungsschraube mit dem 8-mm-Inbusschlüssel anziehen. Die Bohrsäule kann um 360° gedreht und mit der Sicherungsschraube (8-mm-Inbus) stufenlos in der gewünschten Position arretiert werden.

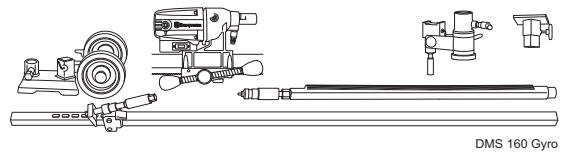


- Die Bohrsäule auf den gewünschten Winkel einstellen, indem die Mutter mit einem 24-mm-Schraubenschlüssel festgezogen wird. Stellen Sie bei der Verwendung der Vakuumbefestigung sicher, dass die tragende Oberfläche nicht brüchig ist und sich löst. Sicherstellen, dass die Vakuumpumpe das Ansaugen der Vakuumpumpe bewältigt. Als geeigneter Vakuummotor kommt das Modell Husqvarna VP200 in Frage.

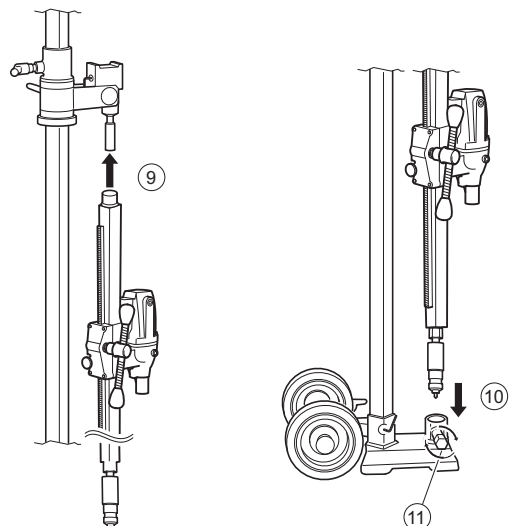
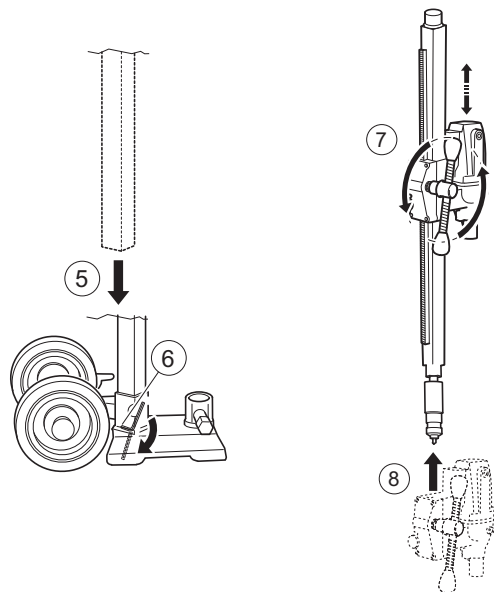
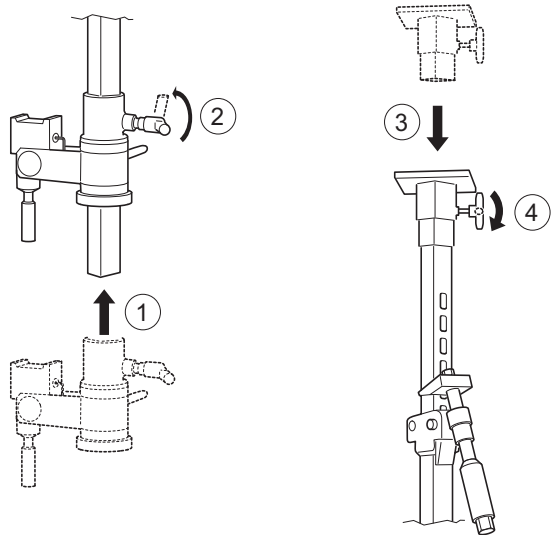


WARNUNG! Die Vakuumpumpe darf nie bei Deckenbohrungen verwendet werden. Durch nachlässige oder falsche Handhabung können schwere Verletzungen oder tödliche Unfälle von Anwendern oder anderen Personen verursacht werden.

Ständermontage - DMS 160 Gyro

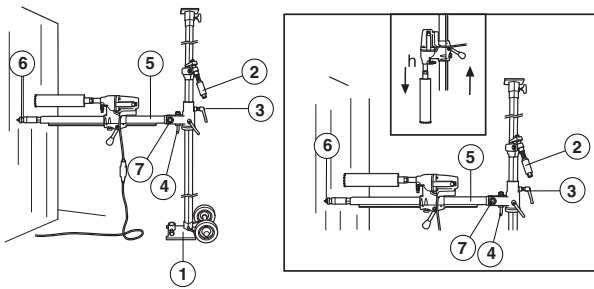


DMS 160 Gyro

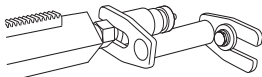


MONTAGE

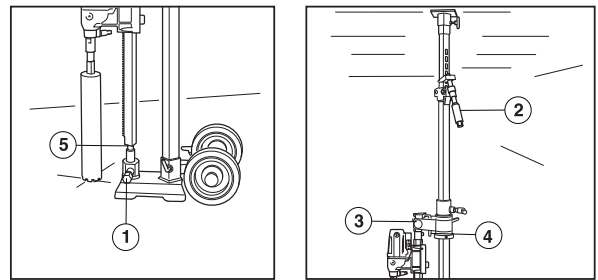
Bohren in Wänden



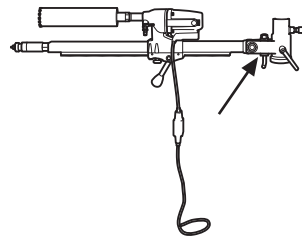
- 1 Sohlenplatte mit Sicherungsschraube.
 - 2 Stempelschraube und Sicherungsschraube
 - 3 Verriegelungsknopf
 - 4 L-Griff
 - 5 Bohrsäule
 - 6 Stempelschraube und Sicherungsschraube
 - 7 Gegenmutter
 - 8 Bohrmotor DMS 160
- Die Sohlenplatte mit der Länge der Bohrsäule von der Wand aufstellen, wobei die Stempelschraube eingeschraubt sein muss. Bei Bohrungen oberhalb von 1,5 m muss das grobe Außenrohr nach oben gedreht sein, bei Bohrungen unterhalb von 1,5 m ist es umgekehrt. Überprüfen, ob der Stempel mit der Sicherungsschraube in der Sohlenplatte befestigt ist.
 - Den Teleskopstempel bis zur Decke hochfahren und im passenden Loch im gelochten Innenrohr arretieren. Mit dem Stempelgriff an der Decke befestigen, allerdings nicht zu fest, und den Griff mit dem 24-mm-Schraubenschlüssel festschrauben.
 - Verriegelungsgriff lösen und die Bohrsäule herausdrehen. Bohrsäule per L-Griff einklappen.
 - Bohrmotor DMS 160 an der Bohrsäule anbringen.
 - Bohrsäule mit dem Bohrmotor in die gewünschte Stellung an der Wand zurückdrehen. Verriegelungsgriff arretieren.
 - Die Bohrsäule nach hinten winkeln und hochklappen sowie mit dem L-Griff sichern. Beim Winkelbohren wird der L-Griff gelöst und die Bohrsäule auf den gewünschten Winkel eingestellt. Dazu die Mutter mit einem 30-mm-Schraubenschlüssel anziehen.
 - Lage der Bohrkronen prüfen. Die Stempelschraube zur Fixierung der Bohrsäule in die Wand einschrauben. Mit 30-mm-Sicherungsschraube sichern. Einen Holzstab zwischenlegen. Die Bohrsäule kann um 360° gedreht und mit der Sicherungsschraube (8-mm-Inbus) stufenlos in der gewünschten Position arretiert werden.
 - Zur zusätzlichen Sicherung der Bohrsäule kann eine Expanderhalterung verwendet werden. Die Halterung wird an die Stempelschraube angepasst und mit einer Spreizschraube in der Wand fixiert. Mit einer 30-mm-Sicherungsschraube sichern.



Bohren im Boden

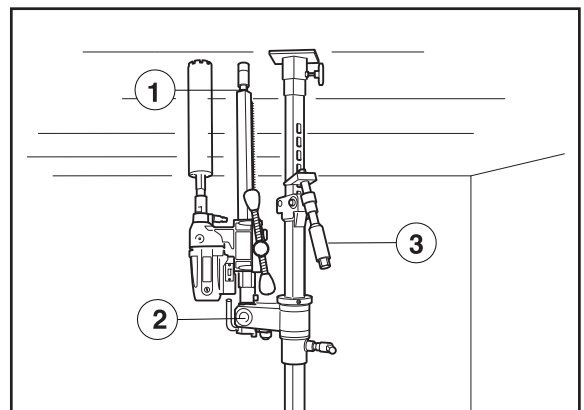


- 1 Sicherungsschraube
 - 2 Stempelschraube und Sicherungsschraube
 - 3 Verriegelungsknopf
 - 4 L-Griff
 - 5 Sicherungsschraube
- Bohrsäule per L-Griff einklappen.
 - Sicherstellen, dass sich die Stempelschraube in der Sicherungshülse befindet.
 - Sicherungsschraube mit einem 30-mm-Schraubenschlüssel anziehen und Verriegelungsgriff arretieren.



- Ständer in die gewünschte Position bringen.
- 6 Die Stempelschraube mit Sicherungsschraube und Mutter in der Sicherungshülse verriegeln. Mit 24- und 30-mm-Schraubenschlüssel anziehen.
- Den Teleskopstempel mit dem Stempelmechanismus an der Decke befestigen. Das letzte Stück mit einem 24-mm-Schraubenschlüssel festziehen, jedoch nicht zu fest. Der Teleskopstempel ist maximal 3,1 m lang, kann jedoch mit einem Verlängerungsteil um weitere 0,75 m verlängert werden.

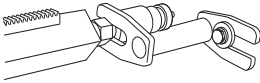
Bohren in der Decke



- 1 Stempelschraube und Sicherungsschraube
- 2 Gegenmutter
- 3 Stempelschraube und Sicherungsschraube

MONTAGE

- Ständer in die gewünschte Position bringen.
- Sicherstellen, dass die Stempelschraube in der Bohrsäule eingeschraubt ist. Die Bohrsäule hochklappen und senkrecht per Sicherungsmutter arretieren.
- Prüfen, ob sich die Bohrkronen in der richtigen Position befinden. Den Teleskopstempel mit dem Stempelmechanismus an der Decke befestigen.
- Die Stempelschraube zur Fixierung der Bohrsäule in die Decke einschrauben. Mit 30-mm-Sicherungsschraube sichern. Einen Holzstab zwischenlegen.
- Zur zusätzlichen Sicherung der Bohrsäule kann eine Expanderhalterung verwendet werden. (Als Zubehör erhältlich.) Die Halterung wird an die Stempelschraube angepasst und mit einer Spreizschraube in der Wand fixiert. Mit einer 30-mm-Sicherungsschraube sichern.



WARNUNG! Die Vakuumplatte darf nie bei Deckenbohrungen verwendet werden. Durch nachlässige oder falsche Handhabung können schwere Verletzungen oder tödliche Unfälle von Anwendern oder anderen Personen verursacht werden.

STARTEN UND STOPPEN

Vor dem Start



WARNUNG! Vor dem Start ist Folgendes zu beachten:

Das Gerät muss an ein geerdete Steckdose angeschlossen werden.

Kontrollieren, ob die Netzspannung mit der auf dem Geräteschild angegebenen übereinstimmt. Sorgen Sie dafür, dass sich im Arbeitsbereich keine Unbefugten aufhalten.

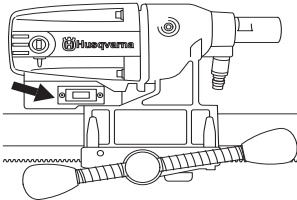


WARNUNG! Vor Bohrarbeiten prüfen, ob alle Sicherungsschrauben vorschriftsmäßig angezogen sind.

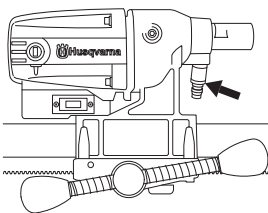
Wenn der Betonkern beim Herausziehen von Bohrmotor/Bohrer aus Boden, Wand oder Decke im Bohrer verbleibt, kann es zu schweren Unfällen kommen.

Folgendes sicherstellen:

- Der Stromschalter muss intakt sein. Ist dies nicht der Fall, muss er durch einen autorisierten Servicetechniker gewechselt werden.



- Das Gerät und die dazu gehörenden Ausrüstungsteile müssen korrekt montiert sein:
 - Der Bohrer muss fest angezogen sein.
 - Das Stativ ist ordnungsgemäß montiert.
 - Die Maschine ist ordnungsgemäß am Stativ befestigt.
- Tragen Sie persönliche Schutzausrüstung. Siehe die Anweisungen unter der Überschrift "Persönliche Schutzausrüstung".
- Die Wasserkühlung weist keine Schäden auf und ist mit der Maschine verbunden.

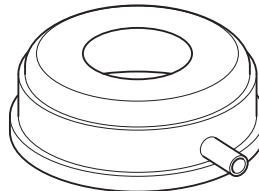


Bohren in der Decke



WARNUNG! Die Vakuumplatte darf nie bei Deckenbohrungen verwendet werden.

Wasser in einem Gefäß auffangen, um ein Eindringen in das Gerät zu verhindern. Das Gerät mit Folie o.s.ä. abdecken, damit kein Wasser eindringen kann. Dabei keine Lufteinlässe und Luftauslässe blockieren.



WARNUNG! Es darf höchstens ein Verlängerungsteil verwendet werden.

Dafür sorgen, dass sich keine Personen in der darunterliegenden Etage befinden, die durch herunterfallende Betonteile verletzt werden können.

Starten

- Die Wasserkühlung drehen.
- Den Stromschalter ganz eindrücken.
- Die Bohrkronen per Vorschubgriff nach unten bewegen.

Stoppen



WARNUNG! Die Bohrkronen drehen sich nach dem Abschalten des Motors noch eine Weile weiter. Die Bohrkronen keinesfalls mit den Händen stoppen. Dadurch können Verletzungen auftreten.

Das Gerät durch erneutes Betätigen des Schalters ausschalten.

Kühlung

Das Gerät einige Minuten lang unbelastet laufen lassen, um den Motor abzukühlen.

Allgemeine Arbeitsvorschriften



WARNUNG! Dieser Abschnitt behandelt die grundlegenden Sicherheitsvorschriften bei der Arbeit mit einer Bohrmaschine. Diese Informationen können natürlich in keiner Weise die Ausbildung und langjährige Erfahrung eines Fachmanns ersetzen. Wenn Sie in eine Situation kommen, die Sie in Bezug auf die weitere Anwendung des Geräts verunsichert, lassen Sie sich von einem Experten beraten. Fragen Sie Ihren Händler, Ihre Servicewerkstatt oder einen erfahrenen Bohrmaschinennutzer. Meiden Sie alle Arbeiten, für die Sie sich nicht ausreichend qualifiziert fühlen!



WARNUNG! Personen mit Blutkreislaufstörungen, die zu oft Vibrationen ausgesetzt werden, laufen Gefahr, Schäden an den Blutgefäßen oder am Nervensystem davonzutragen. Gehen Sie zum Arzt, wenn Sie an Ihrem Körper Symptome feststellen, die darauf hinweisen, dass Sie übermäßigen Vibrationen ausgesetzt waren. Beispiele für solche Symptome sind: Einschlafen von Körperteilen, Gefühlsverlust, Jucken, Stechen, Schmerzen, Verlust oder Beeinträchtigung der normalen Körperkraft, Veränderungen der Hautfarbe oder der Haut. Diese Symptome treten üblicherweise in Fingern, Händen und Handgelenken auf. Bei niedrigen Temperaturen können sich diese Symptome verstärken.

- Vermeiden Sie es, das Gerät bei schlechtem Wetter zu benutzen. Z.B. bei dichtem Nebel, Regen oder Wind, großer Kälte usw. Das Arbeiten bei schlechtem Wetter ist sehr ermüdend und kann gefährliche Umstände herbeiführen, z. B. Rutschgefahr.
- Beginnen Sie niemals mit der Arbeit, bevor der Arbeitsbereich frei ist und Sie einen sicheren Stand haben. Achten Sie auf eventuelle Hindernisse, die im Wege sein können, wenn Sie sich plötzlich bewegen müssen. Stellen Sie sicher, daß kein Material herunterfallen und Schäden verursachen kann.
- Stets Abstand zur Bohrkronen halten, wenn der Motor läuft.
- Sorgen Sie dafür, daß der Arbeitsbereich ausreichend beleuchtet ist, damit Sie sicher arbeiten können.
- Sicherstellen, dass keine Rohrleitungen oder Stromkabel im Bohrbereich verlaufen.
- Darauf achten, dass das Kabel bei der Arbeit hinter Ihnen liegt, damit es nicht beschädigt werden kann.
- Niemals das Gerät unbeaufsichtigt mit laufendem Motor stehen lassen. Rotierende Bohrkronen können zu schweren Verletzungen führen.

- Bei längeren Arbeitsunterbrechungen stets den Stecker ziehen.
- Das Gerät darf nicht überlastet werden. Eine Überlastung kann Schäden am Gerät verursachen.
- Scharfes und sauberes Werkzeug ist die Voraussetzung für sicheres Arbeiten.
- Stets die Rückseite der Fläche prüfen, die von der Bohrkronen durchbohrt wird. Arbeitsbereich sichern sowie absperren und sicherstellen, dass weder Menschen noch Material zu Schaden kommen.
- Vor einer Standortveränderung stets das Gerät ausschalten.
- Niemals allein arbeiten. Es muss sich stets eine weitere Person in der Nähe befinden. Diese kann Ihnen bei der Gerätemontage sowie bei etwaigen Unfällen helfen.
- Alle Teile in funktionstauglichem Zustand halten und dafür sorgen, dass alle Befestigungsteile sorgfältig festgezogen sind.

Benutzung des Geräts

- Mit den Händen nicht zu nahe an die Bohrspindel kommen, wenn das Gerät läuft.
- Auf Öl- oder Wasserleckage achten.

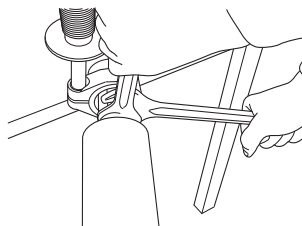
Bohren in Außenbereichen

Nur Verbindungskabel verwenden, die für den Gebrauch im Außenbereich zugelassen sind.

Bohrerwechsel



- 1 Den Netzstecker ziehen.
- 2 Folgendes bereit legen:
 - Den neuen Bohrer.
 - Die mitgelieferten Schraubenschlüssel, Größe 24 und 32 mm.
 - Wasserfestes Fett.
- 3 Den alten Bohrer mithilfe der Schraubenschlüssel entfernen.
- 4 Das Gewinde des neuen Bohrers mit wasserfestem Fett bestreichen.
- 5 Den Bohrer mithilfe der Schraubenschlüssel anbringen.

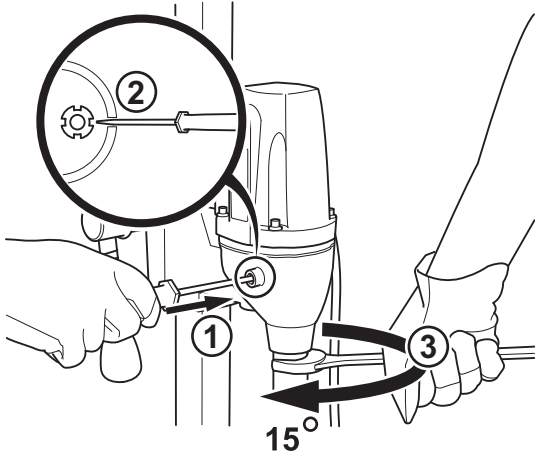


Rutschkupplung (SMC)

Das Gerät ist mit einer mechanischen Rutschkupplung (SMC) ausgestattet.

Die Rutschkupplung wie folgt spannen:

- Den Deckel der Rutschkupplung lösen.



- Die Sicherungsmutter vorsichtig mit einem breiten Schlitzschraubendreher in einem der vier Schlitze der Sicherungsmutter lösen.
- Die Bohrspindel mit einem Schraubenschlüssel der Größe 27 mm um 15° drehen.

Schraubendreher abnehmen und Deckel der Rutschkupplung wieder anbringen.

Last/Stromanzeige (LCS – Load Control System)

Das Gerät liefert seine beste Leistung, wenn es nicht überlastet wird. Daher sollte höchstens die gelbe Leuchtdiode an der Last-/Stromanzeige (LCS - Load Control System) aufleuchten. Max. 10 min max. Last, danach das Gerät mindestens 2 min ohne Last betreiben.

Bohrmotorwartung



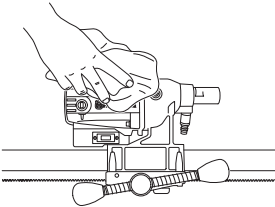
WICHTIG! Kontrollen und/oder Wartungsarbeiten sind bei abgeschaltetem Motor und abgezogenem Stecker durchzuführen.

Die Lebensdauer Ihres Geräts lässt sich erheblich verlängern, wenn es korrekt benutzt, gepflegt und gewartet wird.

Reinigung



- Gerät und den Bohrer sauber halten, um ein sicheres Bohren zu gewährleisten.



- Damit das Gerät immer ausreichend gekühlt wird, müssen die Kühlluftöffnungen frei und sauber gehalten werden. Das Gerät regelmäßig mit Druckluft durchblasen.

Stromversorgung



WARNUNG! Niemals beschädigte Kabel verwenden. Diese können schwere Verletzungen bis hin zur Todesfolge verursachen.

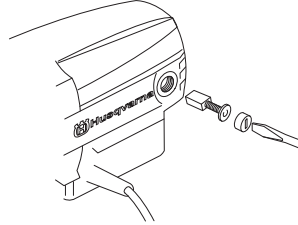
Kontrollieren, ob Kabel und Verlängerungskabel intakt und in gutem Zustand sind. Das Gerät nicht benutzen, wenn das Kabel beschädigt ist, sondern zur Reparatur in eine autorisierte Servicewerkstatt geben.

Reparaturen

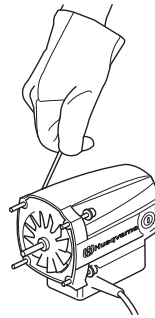
WICHTIG! Sämtliche Reparaturen dürfen nur von autorisiertem Reparaturpersonal ausgeführt werden. Diese Vorschrift soll verhindern, dass der Bediener großen Gefahren ausgesetzt wird.

Motor- und Getriebewechsel

- 1 Das Gerät mit der Bohrspindel nach unten in einem Schraubstock o.s.ä. befestigen.
- 2 Die Kohlebürstenabdeckungen mit einem breiten Schlitzschraubendreher lösen.



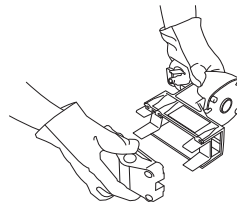
- 3 Die Kohlebürsten vorsichtig herausnehmen.
- 4 Die vier Schrauben herausdrehen, die Motor und Getriebe verbinden.
- 5 Das Erdungskabel vom Getriebedeckel lösen (nur bei 230 V).
- 6 Das Gerät vorsichtig auseinandernehmen.
- 7 Das auszutauschende Modul ersetzen. Für das Getriebe das Molybdänfett Castrol MS3 verwenden.



- 8 Motor mit dem Getriebe montieren.
- 9 Schrauben festdrehen.
- 10 Kohlebürstenabdeckung wieder festschrauben.

Wechsel der Rückwand

- 1 Die vier Schrauben und den Verriegelungsgriff auf der Geräterückseite lösen.
- 2 Die beiden Gleitplatten beim Wechsel der Rückwand ebenfalls ersetzen.



- 3 Rückwand mit den vier Schrauben wieder befestigen. Verriegelungsgriff eindrehen.

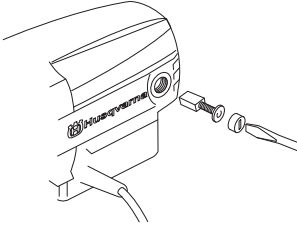
WARTUNG

Austausch der Kohlebürsten

Kohlebürsten regelmäßig herausnehmen und kontrollieren. Wenn das Gerät täglich benutzt wird, sind die Kohlebürsten einmal pro Woche zu kontrollieren. Durch geringere Nutzung verlängern sich die Kontrollintervalle. Die Verschleißfläche muss gleichmäßig und unbeschädigt sein.

Die beiden Kohlebürsten müssen stets zum gleichen Zeitpunkt ausgewechselt werden, jedoch eine nach der anderen. Folgendermaßen vorgehen:

- 1 Die Kohlebürstenabdeckungen mit einem breiten Schlitzschraubendreher lösen.



- 2 Die Kohlebürsten vorsichtig herausnehmen. Wenn weniger als 6 mm an den Bürsten vorhanden sind, müssen sie ausgetauscht werden.
- 3 Neue Kohlebürsten einsetzen.
- 4 Kohlebürstenabdeckung wieder festschrauben.
- 5 Um die neuen Kohlebürsten vorzubereiten, das Gerät 10 Minuten lang im Leerlauf betreiben.

Tägliche Wartung

- 1 Schrauben und Muttern nachziehen.
- 2 Kontrollieren, ob die Schaltereinheit sicher funktioniert.
- 3 Das Gerät äußerlich reinigen.
- 4 Kühlluftöffnungen prüfen und reinigen.
- 5 Kontrollieren, ob Kabel und Verlängerungskabel intakt und in gutem Zustand sind.

Ständerwartung



Reinigung und Schmierung

WICHTIG! Bohrmotor ausbauen. Wartungshinweise für den Bohrmotor, siehe Bedienungsanleitung.

- Der Bohrstander muss saubergehalten werden, damit es einwandfrei funktionieren kann.
- Der Ständer wird einer Hochdruckwäsche unterzogen und danach abgetrocknet.
- Alle beweglichen Ständerteile schmieren. Fett benutzen, um Korrosion an Anliegeflächen zu verhindern.

Reparaturen

WICHTIG! Sämtliche Reparaturen dürfen nur von autorisiertem Reparaturpersonal ausgeführt werden. Diese Vorschrift soll verhindern, dass der Bediener großen Gefahren ausgesetzt wird.

Tägliche Wartung

- 1 Schrauben und Muttern nachziehen.
- 2 Das Gerät äußerlich reinigen.

TECHNISCHE DATEN

Bohrmotor DMS 160

Elektromotor	1-phasig
Nennspannung, V	230/100-120
Nennleistung, W	1560
Nennstrom, A	
230 V	6 A
100-120 V	13 A
Gewicht, kg	5,9
Bohrkronendurchmesser, mm	
Max. Bohrkronendurchmesser mit Ständer	120 mm
Spindelgewinde	Innengew. 1/2 Zoll R
Wasseranschluss	G 1/4 Zoll
Spindeldrehzahl, Leerlauf, U/min	
Grün 1	1100
Grün 2	980
Grün 3	840
Spindeldrehzahl, U/min	
Gelb	700
Rot	640
Geräuschemissionen (siehe Anmerkung 1)	
Gemessene Schallleistung dB(A)	102
Garantierte Schallleistung L_{WA} dB(A)	103
Lautstärke (siehe Anmerkung 2)	
Schalldruckpegel am Ohr des Benutzers, dB(A)	89
Vibrationspegel (siehe Anmerkung 3)	
Handgriff, m/s^2	<2,5

Anmerkung 1: Umweltbelastende Geräuschemission gemessen als Schallleistung (L_{WA}) gemäß EN 12348.

Anmerkung 2: Schalldruckpegel gemäß EN 12348. Berichten zufolge liegt der Schalldruckpegel normalerweise bei einer Ausbreitungsklasse (standardmäßige Ausbreitung) von 1,0 dB (A).

Anmerkung 3: Vibrationspegel gemäß EN 12348. Berichten zufolge liegt der Vibrationspegel normalerweise bei einer Ausbreitungsklasse (Standardabweichung) von 1 m/s^2 .

TECHNISCHE DATEN

Ständer DMS 160

Höhe, mm

DMS 160 A höhe, mm	840
DMS 160 AT höhe, mm	900
DMS 160 Gyro höhe, mm	1900-3100
Hublänge, mm	600
Max. Bohrdurchmesser (mm)	120

Gewicht, kg

DMS 160 A	10,5
DMS 160 AT	12
DMS 160 Gyro	31,4
Werkzeugsatz DMS 160 AT	0,3
Werkzeugsatz DMS 160 Gyro	0,8

Gewicht, kg (Zubehör)

Vakuumpatte	2,5
Wassergefäß	0,7
Verlängerungsmodul I	2,9
Verlängerungsmodul U	2,9
Expanderhalterung	0,8

EG-Konformitätserklärung

(nur für Europa)

Husqvarna AB, SE-433 81 Göteborg, Schweden, Tel.: +46-31-949000, versichert hiermit, dass Bohrmaschine und Ständer **Husqvarna DMS 160 Bohrmotor, DMS 160 A/AT/Gyro** von den Seriennummern des Baujahrs 2010 an (die Jahreszahl wird im Klartext auf dem Typenschild angegeben, mitsamt einer nachfolgenden Seriennummer) den Vorschriften folgender RICHTLINIEN DES RATES entspricht:

- vom 17. Mai 2006 „Maschinen-Richtlinie“ **2006/42/EG**.
- vom 15. Dezember 2004 "über elektromagnetische Verträglichkeit" **2004/108/EWG**.
- vom 12. Dezember 2006 „betreffend elektrische Betriebsmittel“ **2006/95/EG**.
- vom 8. Juni 2011 "zur Beschränkung der Verwendung bestimmter gefährlicher Stoffe" **2011/65/EU**

Folgende Normen wurden angewendet: EN ISO 12100:2010, EN 55014-1:2006, EN 55014-2/A1:2001, EN 61000-3-2:2006, EN 61000-3-3:2013, EN 12348+A1:2009

Göteborg, den 8. April 2015



Helena Grubb

Vice President, Construction Equipment Husqvarna AB

(Bevollmächtigter Vertreter für Husqvarna AB, verantwortlich für die technische Dokumentation.)

GB - Original instructions, FR - Instructions d'origine , ES - Instrucciones originales, DE - Originalanweisungen



1157641-20

2015-06-22