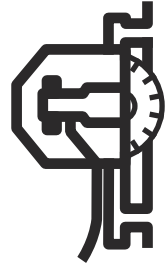




Husqvarna®



WS 442

EN	Operator's manual	2-19
DE	Bedienungsanweisung	20-39
FR	Manuel d'utilisation	40-58
ES	Manual de usuario	59-77

Contents

Introduction.....	2	Maintenance.....	15
Safety.....	3	Transportation, storage and disposal.....	15
Assembly.....	7	Technical data.....	16
Operation.....	10	EC Declaration of Conformity.....	19

Introduction

Product description

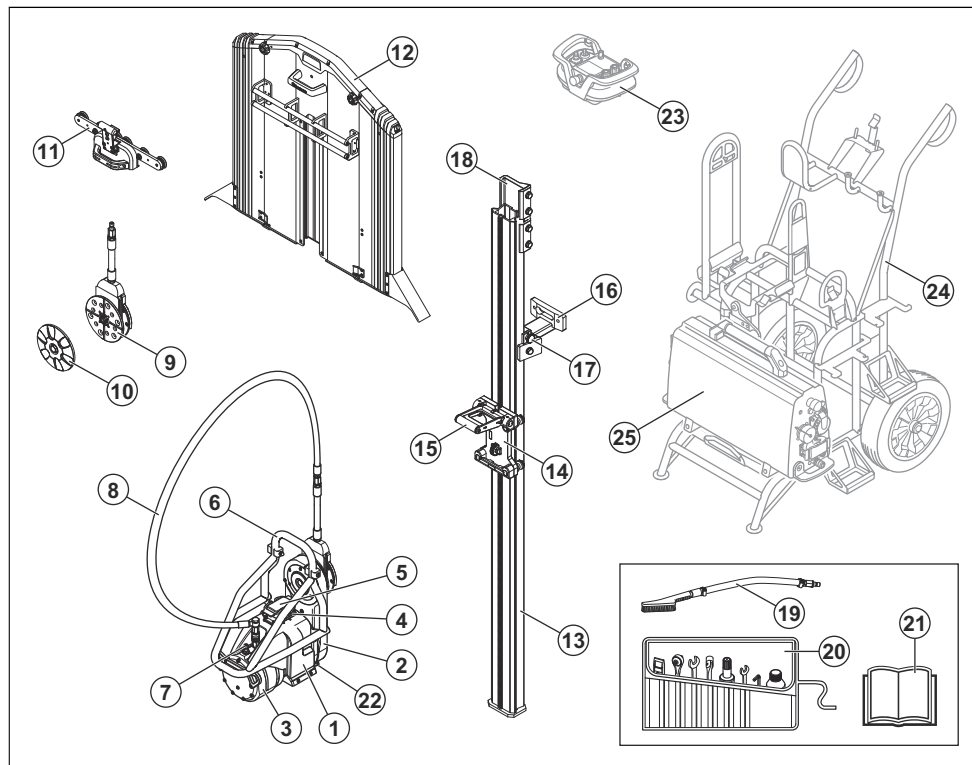
Husqvarna WS 442 is a wall saw with an electric motor.

Note: National regulations can set limit to the operation of the product.

Intended use

This product is intended for sawing in hard materials such as reinforced concrete, stone and brick.


Product overview



- | | |
|----------------|--------------------------------|
| 1. Saw unit | 4. Cable connection |
| 2. Cutting arm | 5. Protective cover |
| 3. Motor | 6. Handle/blade guard assembly |

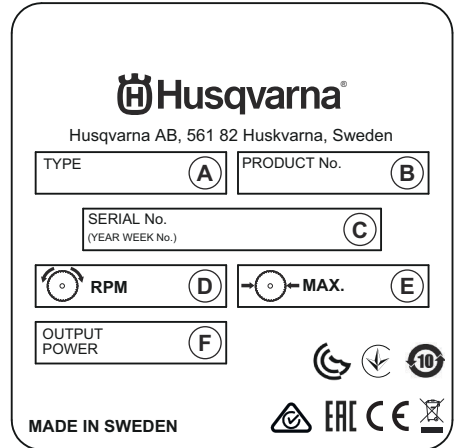
7. Hose connection, water in
8. Water hose
9. Blade flange hub
10. Outer blade flange
11. Blade guard guide
12. Blade guard
13. Track
14. Saw carriage
15. Lock handle
16. Wall support
17. Track holder
18. Connector
19. Brush
20. Tool kit
21. Operator's manual
22. Gear knob
23. Remote control (accessory)
24. Trolley (accessory)
25. Power pack (accessory)

disposal location for electrical and electronic equipment.

 This product is in compliance with applicable EC directives.

Note: Other symbols/decals on the product refer to special certification requirements for some markets.

Type plate



- A: Type/model
- B: Product No.
- C: Serial No. with manufacturing date (YYYY, WW, XXXXX): Year, Week, Sequence No.
- D: Maximum speed, RPM
- E: Maximum blade size, mm
- F: Power output, kW

Symbols on the product



WARNING: This product can be dangerous and cause serious injury or death to the operator or others. Be careful and use the product correctly.



Read the manual carefully and make sure that you understand the instructions before you use the product.



Use approved protective helmet, hearing protection, eye protection and respiratory protection.



The product or package of the product is not domestic waste. Recycle it at an approved

Safety

Safety definitions

Warnings, cautions and notes are used to point out specially important parts of the manual.



WARNING: Used if there is a risk of injury or death for the operator or bystanders if the instructions in the manual are not obeyed.



CAUTION: Used if there is a risk of damage to the product, other materials or the adjacent area if the instructions in the manual are not obeyed.

Note: Used to give more information that is necessary in a given situation.

General power tool safety warnings



WARNING: Read all safety warnings, instructions, illustrations and specifications provided with this power tool. Failure to follow all instructions listed below may result in electric shock, fire and/or serious injury.

Note: Save all warnings and instructions for future reference. The term "power tool" in the warnings refers

to your mains-operated (corded) power tool or battery-operated (cordless) power tool.

Work area safety

- **Keep work area clean and well lit.** Cluttered or dark areas invite accidents.
- **Do not operate power tools in explosive atmospheres, such as in the presence of flammable liquids, gases or dust.** Power tools create sparks which may ignite the dust or fumes.
- **Keep children and bystanders away while operating a power tool.** Distractions can cause you to lose control.

Electrical safety

- **Power tool plugs must match the outlet. Never modify the plug in any way. Do not use any adapter plugs with earthed (grounded) power tools.** Unmodified plugs and matching outlets will reduce risk of electric shock.
- **Avoid body contact with earthed or grounded surfaces, such as pipes, radiators, ranges and refrigerators.** There is an increased risk of electric shock if your body is earthed or grounded.
- **Do not expose power tools to rain or wet conditions.** Water entering a power tool will increase the risk of electric shock.
- **Do not abuse the cord. Never use the cord for carrying, pulling or unplugging the power tool. Keep cord away from heat, oil, sharp edges or moving parts.** Damaged or entangled cords increase the risk of electric shock.
- **When operating a power tool outdoors, use an extension cord suitable for outdoor use.** Use of a cord suitable for outdoor use reduces the risk of electric shock.
- **If operating a power tool in a damp location is unavoidable, use a residual current device (RCD) protected supply.** Use of a RCD reduces the risk of electric shock.

Personal safety

- **Stay alert, watch what you are doing and use common sense when operating a power tool. Do not use a power tool while you are tired or under the influence of drugs, alcohol or medication.** A moment of inattention while operating power tools may result in serious personal injury.
- **Use personal protective equipment. Always wear eye protection.** Protective equipment such as dust mask, non-skid safety shoes, hard hat or hearing protection used for appropriate conditions will reduce personal injuries.
- **Prevent unintentional starting. Ensure the switch is in the off-position before connecting to power source and/or battery pack, picking up or carrying the tool.** Carrying power tools with your finger on the switch

or energising power tools that have the switch on invites accidents.

- **Remove any adjusting key or wrench before turning the power tool on.** A wrench or a key left attached to a rotating part of the power tool may result in personal injury.
- **Do not overreach. Keep proper footing and balance at all times.** This enables better control of the power tool in unexpected situations.
- **Dress properly. Do not wear loose clothing or jewellery. Keep your hair and clothing away from moving parts.** Loose clothes, jewellery or long hair can be caught in moving parts.
- **If devices are provided for the connection of dust extraction and collection facilities, ensure these are connected and properly used.** Use of dust collection can reduce dust-related hazards.
- **Do not let familiarity gained from frequent use of tools allow you to become complacent and ignore tool safety principles.** A careless action can cause severe injury within a fraction of a second.

Power tool use and care

- **Do not force the power tool. Use the correct power tool for your application.** The correct power tool will do the job better and safer at the rate for which it was designed.
- **Do not use the power tool if the switch does not turn it on and off.** Any power tool that cannot be controlled with the switch is dangerous and must be repaired.
- **Disconnect the plug from the power source and/or remove the battery pack, if detachable, from the power tool before making any adjustments, changing accessories, or storing power tools.** Such preventive safety measures reduce the risk of starting the power tool accidentally.
- **Store idle power tools out of the reach of children and do not allow persons unfamiliar with the power tool or these instructions to operate the power tool.** Power tools are dangerous in the hands of untrained users.
- **Maintain power tools and accessories. Check for misalignment or binding of moving parts, breakage of parts and any other condition that may affect the power tool's operation. If damaged, have the power tool repaired before use.** Many accidents are caused by poorly maintained power tools.
- **Keep cutting tools sharp and clean.** Properly maintained cutting tools with sharp cutting edges are less likely to bind and are easier to control.
- **Use the power tool, accessories and tool bits etc. in accordance with these instructions, taking into account the working conditions and the work to be performed.** Use of the power tool for operations different from those intended could result in a hazardous situation.
- **Keep handles and grasping surfaces dry, clean and free from oil and grease.** Slippery handles and

grasping surfaces do not allow for safe handling and control of the tool in unexpected situations.

Service

- **Have your power tool serviced by a qualified repair person using only identical replacement parts.** This will ensure that the safety of the power tool is maintained.
- **Never service damaged battery packs.** Service of battery packs should only be performed by the manufacturer or authorized service providers.

Safety instructions for wall saws

- **Operate power tool by insulated grasping surfaces, when performing an operation where the cutting accessory may contact hidden wiring or its own cord.** Cutting accessory contacting a "live" wire may make exposed metal parts of the power tool "live" and could give the operator an electric shock.
- **Wear ear protectors when diamond sawing.** Exposure to noise can cause hearing loss.
- **If the diamond wheel becomes jammed, stop applying feed force and turn off the tool.** Investigate and take corrective actions to eliminate the cause of the diamond wheel jamming.
- **When sawing through the workpiece, ensure to protect persons and the work area on the other side.** The diamond wheel may protrude through the workpiece.
- **Ensure that the method of securing the track guiding system to the workpiece is capable of holding and restraining the machine during use.** If the workpiece is weak or porous, the anchor(s) may pull out causing the track guiding system to release from the workpiece.

General safety instructions



WARNING: Read the warning instructions that follow before you use the product.

- This information is never a substitute for professional skills and experience. If you get into a situation where you feel unsafe, stop and seek expert advice. Contact your dealer, service agent or an experienced user. Do not attempt any task that you feel unsure of!
- This product is designed for and intended for sawing concrete, brick and different stone materials. All other use is improper.
- The product must be kept clean. Signs and stickers must be fully legible.
- Unauthorized modifications and/or accessories may lead to serious injury or death to the user or others. Do not modify this product or use it if it appears to have been modified by others. Never use a product, battery or battery charger that is faulty. Carry out the checks, maintenance and service instructions

described in this manual. Some maintenance and service measures must be carried out by trained and qualified specialists. See instructions under the heading Maintenance. Only use original spare parts.

- All types of repairs may only be carried out by authorized repairmen. This is so that the operators are not exposed to great risks.
- Inspection and/or maintenance shall be carried out with the motor switched off and the plug disconnected.

Safety instructions for operation



WARNING: Read the warning instructions that follow before you use the product.

- The product can be a dangerous tool if used incorrectly or carelessly, which can cause serious or fatal injury to the operator or others.
- Never allow children or other persons not trained in the use of the product to use or service it.
- Never allow anyone else to use the product without first ensuring that they have read and understood the contents of the operator's manual.
- Never use the product if you are tired, if you have drunk alcohol, or if you are taking medication that could affect your vision, your judgement or your co-ordination.
- All operators shall be trained in the use of the product. The owner is responsible for ensuring that the operators receive training.
- Please read the operator's manual carefully and make sure you understand the instructions before using the product.
- The product can cause serious personal injury. Read the safety instructions carefully. Learn how to use the product.
- Keep in mind that the operator is responsible for accidents or hazards occurring to other people or their property.
- This product is only intended for use together with an approved power pack. Read through the manual supplied with the power pack before starting to use the product. All other use is forbidden.
- Cutting at too high revs can cause damage to the blade and lead to personal injury.
- Stop the motor and disconnect the power cord before you lift or move the product.

Personal protective equipment



WARNING: Read the warning instructions that follow before you use the product.

- Always use correct personal protective equipment when you operate the product. The personal protective equipment does not erase the risk of injury. The personal protective equipment decreases

the grade of injury if an accident occurs. Let your dealer help you select the right equipment.

- Use approved eye protection while you operate the product.
- Use heavy-duty slip-resistant boots with steel toe-caps.
- Use clothing that is close-fitting but does not limit your movements.
- Regularly do a check of the condition of the personal protective equipment.
- Use approved heavy duty protective gloves.
- Use rubber protective gloves to prevent skin irritation from wet concrete.
- Use an approved protective helmet.
- Always use approved hearing protection while you operate the product. Noise for a long period can cause noise-induced hearing loss.
- The product causes dust and fumes that is bad for your health. Use an approved respiratory protection.
- Make sure that you have a first aid kit near.
- Sparks can occur when you operate the product. Make sure that you have a fire extinguisher near.
- Do not use loose clothing, jewelry or other items that can get caught in moving parts. Put your hair up safely above shoulder level.

Safety devices on the product



WARNING: Read the warning instructions that follow before you use the product.

- Do not use a product with defective safety devices.
- Do a check of the safety devices regularly. If the safety devices are defective, speak to your Husqvarna service agent.

Blade guard

The blade guard keeps dust away from the operator and prevents injury if the cutting blade breaks.



WARNING: Do not use the product without a blade guard.

To do a check of the blade guard

1. Make sure that the blade guard is not damaged. Refer to *Product overview on page 2*.
2. Make sure that the blade guard is correctly attached.
3. Make sure that the blade is in the center of the blade guard and does not touch the blade guard.

Blade guard lock

The blade guard lock keeps the blade guard guide in the correct position on the blade guard.

To do a check of the blade guard lock

- Make sure that the blade guard lock mechanism on the blade guard guide operates correctly. Refer to *To adjust the lock handle on the blade guard guide on page 13*.

End stops

The end stops prevent the product to come off the rails.



WARNING: If the end stops are not attached correctly to the rail ends, the product comes off and can cause serious injury.

To do a check of the end stops

- Make sure that end stops are attached to the rail ends. Refer to *Product overview on page 2*.

Power pack

The Husqvarna power pack is used to operate the product.



WARNING: Disconnect the product from the power supply and wait a minimum of 5 minutes before you do maintenance.

To do a check of the power pack

- Do a check of the safety equipment and make sure that it is not damaged. Refer to the Husqvarna power pack manual.

Wall supports

The wall supports attach the rails in the correct position on the wall.

To do a check of the wall supports

1. Put the wall supports at approximately $\frac{1}{4}$ of the length of the rail (A).



2. Use a minimum of 2 wall supports during operation. If more rails are put together, 1 wall support is necessary for each rail section.

Rail connectors

The rail connectors connect the rail sections.



CAUTION: Make sure that the rail connectors are compatible with the product.

To do a check of the rail connectors

- Make sure that the rail connectors are assembled correctly. Refer to *Product overview on page 2*.

Stop button

The stop button stops the product and the remote control. Refer to *To operate the remote control on page 14*.

To do a check of the stop button

1. Start the motor.
2. Push the stop button on the remote control. Make sure that the remote control and the product stops.

Lock handles

The lock handles tighten the guide wheels against the rail.

To do a check of the lock handles

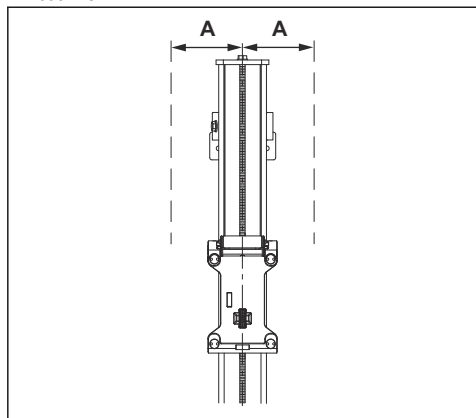
1. Assemble the product. Refer to *Assembly on page 7*.
2. Use the lock handles to tighten the guide wheels against the rail.

Note: Adjust the guide wheels if there is play. Refer to *To adjust the guide wheels on page 13*.

Assembly

To assemble the wall supports

1. Do a mark of the cut line and do marks of the expander bolt holes (A) = 165 mm (6.5 in.) from the cut line.

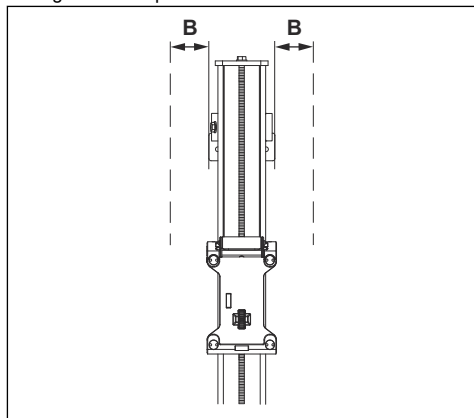


2. Drill 15 mm (5/8 in.) holes for the M12 (1/2 in.) expander bolts.
3. Hang the wall supports loosely from the expander bolts. Use M6S 12 x 70 (1/2 in. x 2 in.) or equivalent.

To assemble the rails

1. Put the rail in the wall supports and tighten the compression washers. For vertical cuts, assemble the rail with the lock handle of the saw carriage up.
2. Make sure that the rail is correctly aligned with the tracks on the wall supports before you tighten the screws.

3. Adjust the distance between the cut line and the wall supports. The distance between the edge and the inner face of the cut must be (B) = 89 mm/3.5 in. Tighten the expander bolts.



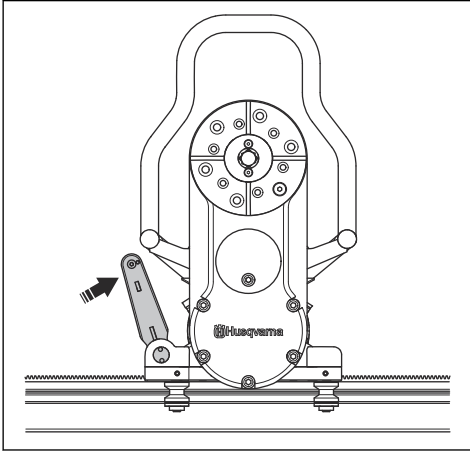
To assemble the product on the rails



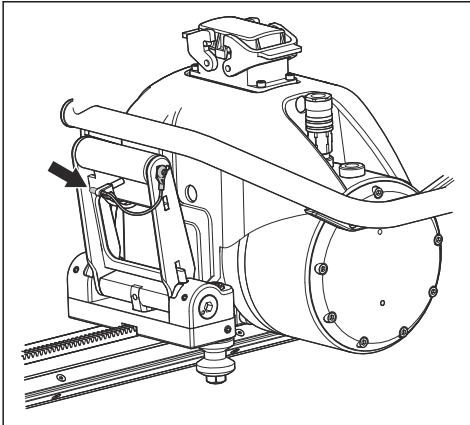
WARNING: Before you assemble the product on the rails you must assemble the product in the saw carriage.

1. Lift the product into position in the saw carriage. When the product is in position, the lock handle moves up into a middle position. In this position, the product stays in the carriage but is not sufficiently attached to start the work.

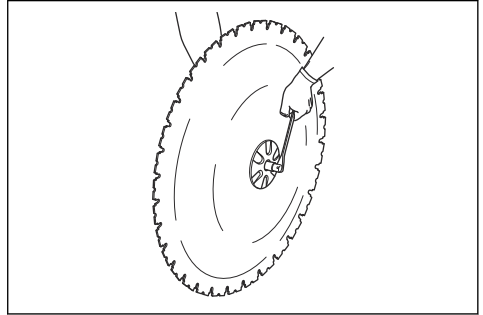
2. To attach the product, lift the lock handle against the product until the handle locks.



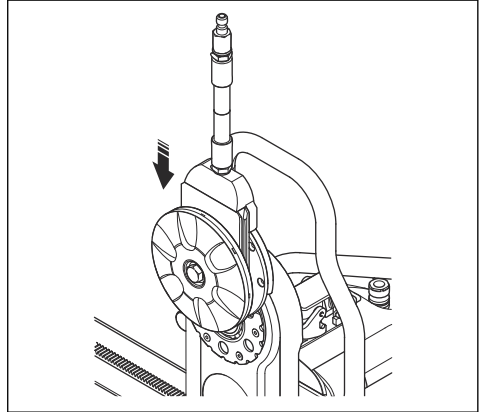
3. Use the pin to lock the handle.



3. Assemble the outer blade flange, blade and blade flange hub. Use tightening torque 70-80 Nm.



4. Hang the blade with the blade flange and blade flange hub on the cutting arm.



5. Turn the blade flange hub carefully until it moves into 1 of the tracks in the pivot arm. Attach the blade flange hub with the bolt.

To assemble the blade

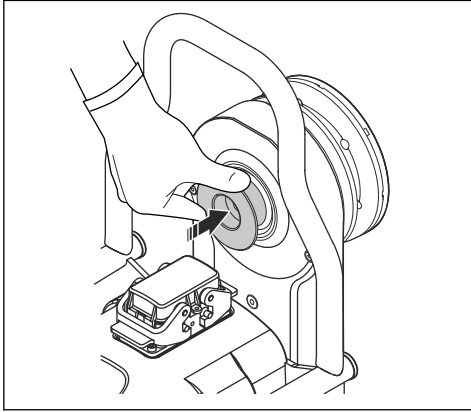


WARNING: Disconnect the product from the power supply before you start the assembly.

1. Remove dirt from the contact surfaces on the blade flange and blade.
2. Make sure that the blade rotates with the used part of the diamond in the rotation direction of the blade.

Note: Because the blade rotation direction can be selected, the water spray from the blade can also be selected.

6. Push the blade shaft into the cutting arm at the same time as you rotate the blade carefully. Tighten it with the supplied 18-spanner. Use tightening torque 70-80 Nm.



WARNING: Make sure that the blade is correctly attached before you start the product.

To assemble the blade for flush cutting



WARNING: Disconnect the product from the power supply before you start the assembly.

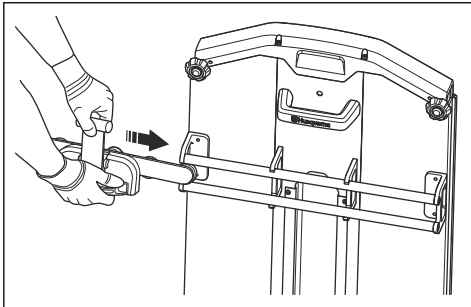
1. Remove the outer blade flange and assemble the blade on the blade flange hub.
2. Make sure the blade is correctly attached before you start the product.

To attach the blade guard

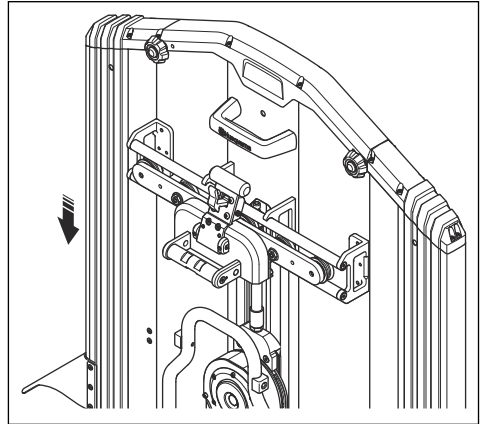


WARNING: Disconnect the product from the power supply before you start the assembly.

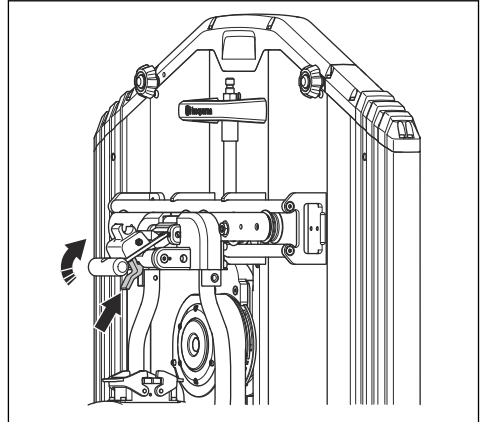
1. Put the blade guard guide between the rods on the blade guard.



2. Lock the plastic heel on the handle to the top rod on the blade guard.
3. Make sure that the cutting arm is vertical. Lift the blade guard above the blade and hang the guard in the blade guard holder on the product. Make sure the runners on the blade guard are installed in the slots on the water unit.



4. Pull the handle out of the blade guard and down against the saw unit. The fastener locks the handle.
5. To remove the blade guard, release the fastener and pull the handle up and against the blade guard. Lock the plastic heel on the top rod on the blade guard.



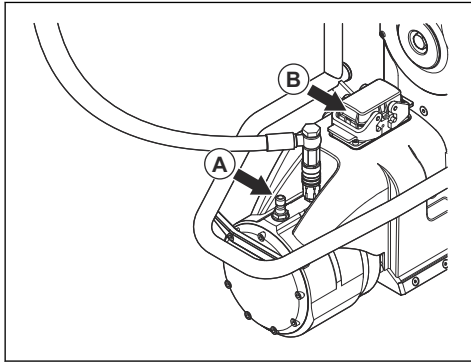
6. Connect the water hose from the outlet on the saw motor to the inlet on the blade flange hub.

To connect the power pack



CAUTION: Only use the product with an approved Husqvarna power pack.

1. Connect the water hose from the power pack to the water inlet on the saw unit (A).
2. Connect the power cord from the power pack to the saw unit (B).



3. Start the power pack and start the remote control. Make sure that the remote control is connected to the power pack.

Operation

Introduction



WARNING: Read and understand the safety chapter before you use the product.

To do a check of the work area before operation

1. Examine the work area to make sure that safe operation is possible. Look out for persons, objects and situations that can prevent safe operation of the product. Keep a safety distance of minimum 4 m.
2. Make sure that there are no electric cables, gas or water pipes in the work area.
3. Make sure that the cut out piece can be removed. Divide it into smaller sections to make it easier to remove.
4. Keep the work area clean and bright.
5. Make sure that the work area has electric and water supply. Make sure that waste water can be removed.

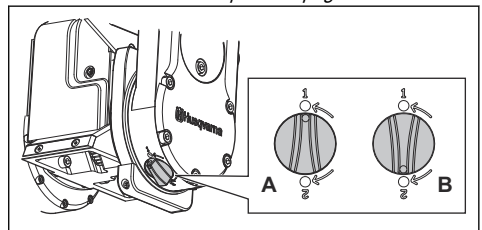
To do a function check before operation

1. Do a check of the safety devices on the product. Refer to *Safety devices on the product on page 6*.
2. Make sure that the blade and the blade guard are not damaged. Replace the blade or the blade guard if there are cracks or other damage.
3. Make sure that the product is correctly assembled and that the wall brackets, rails, blade bolt and lock wheels are tightened. Make sure that the end stops are attached on the ends of the rail.

4. The blade guard must always be assembled when the product is in operation. If the blade guard touches the ceiling, 1 of the end pieces of the blade guard can be temporarily disassembled.
5. Move the product to the start position before you start the motor.

To select gear

- Select gear for the speed to use. On gear 1 the speed range is 600-900 rpm and on gear 2 the speed range is 800-1200 rpm. Refer to *Recommended blade speed on page 17*.

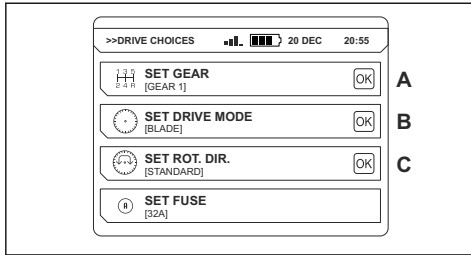


CAUTION: Make sure that the gear knob is in the correct position. If the knob is between gears it can cause damage to the gearbox.

To start the product

1. Start the power pack and connect the remote control. Refer to the Husqvarna power pack manual.

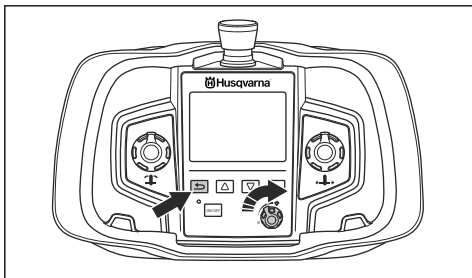
2. Select the remote control settings:



- SET GEAR:** Select gear (A). For more information on recommended blades and speeds. Refer to *Recommended blade speed on page 17*.
- SET DRIVE MODE:** Set the mode to BLADE (B).
- SET ROT. DIR.:** Select the direction of rotation of the blade (C). The direction of rotation can only be changed when the blade is stationary.

Note: (S) = Standard, (R) = Rearward.

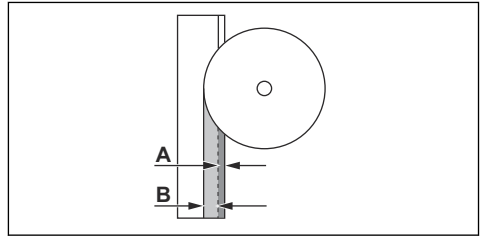
- Move the product to the start position. Make sure that the blade does not touch the material.
- Start the water supply for the cooling system. Adjust the flow with the water tap.
- To start the motor, press the arrow button and at the same time turn the blade speed dial clockwise. The motor power output is shown in the display on the remote control.



To operate the product

- Start the product. Refer to *To start the product on page 10*.
- Control the product with the remote control. Refer to *To operate the remote control on page 14*.

- Do a guide cut to a depth of 2-4 cm/0.8-1.6 in (A). Make sure that the power output of the blade motor is 60-65%. This to make sure that the guide cut is straight. Do not cut into rebar.

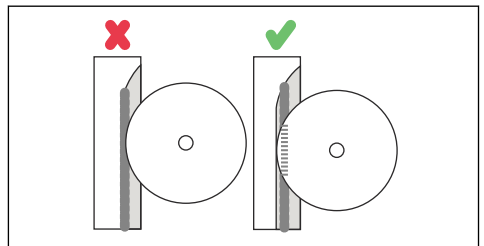


CAUTION: Do not use full throttle for the guide cut.

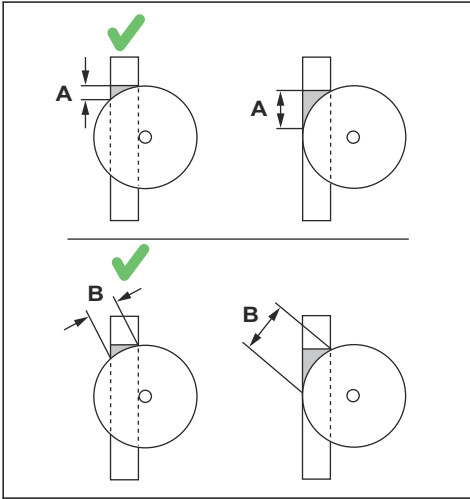
- Set the longitudinal speed to maximum. The speed is automatically adjusted to get the best sawing effect. If the power output is lower than 100% during these cuts, the cutting depth can be carefully increased.
- Do subsequent cuts to a depth of 4-7 cm/1.6-2.8 in (B). The hardness of the concrete and the quantity and position of reinforcement have an effect on the cutting depth.

Note: You can change the blade and cut in the same cut. Make sure that the thickness of the new blade aligns with the groove width.

- If the product runs on 1 phase operation, the power output is decreased. The cutting depth must be decreased compared to 3 phase operation. Decrease the cutting depth by $\frac{1}{2}$.
- When you cut rebar from end to end, cut the rebar as the illustration shows to keep the blade sharp. If the rebar does not follow the sawing groove from start to end, start the cut from the other end.



- c) Use the maximum cutting depth of the blade if the wall is thinner than the maximum depth of the blade. The cutting surface is decreased and the pressure of the blade segments is increased. Also do this when overcutting can not be done, because the wedge remaining after sawing becomes smaller. (A) = Overcutting distance, (B) = Cutting surface.



- d) When overcutting cannot be done, use a hand cutter to cut the wedge. Speak to your local Husqvarna dealer to get information about a hand cutter.

6. Remove the blade from the sawing groove after each cut.



CAUTION: Do not let the blade rotate without pressure in the sawing groove. This causes the blade to become blunt.

7. Stop the motor and the water flow.

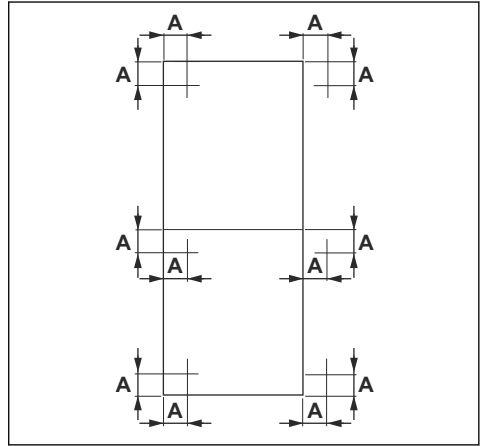
To cut concrete blocks



WARNING: Concrete blocks are very heavy and can cause serious injury. Make sure that the concrete block to be cut is attached safely before operation.

1. Examine the dimensions of the concrete block to be cut and make sure that it is safe to lift and remove.
2. Divide a large concrete block into smaller parts if it is necessary. It is not necessary to move the rail or the wall supports. You can cut on the 2 sides of the rail.

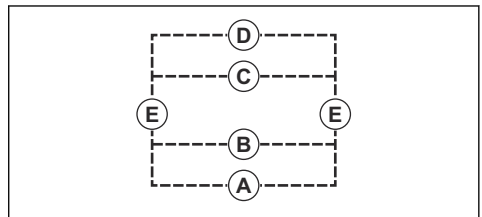
3. Put the holes for the wall supports approximately 150 mm/5.9 in (A) from the sawing groove. Use expander bolts.



WARNING: Do not attach the wall supports to the concrete block that is to be cut.

Note: In the corners, the same holes can be used for vertical and horizontal cuts.

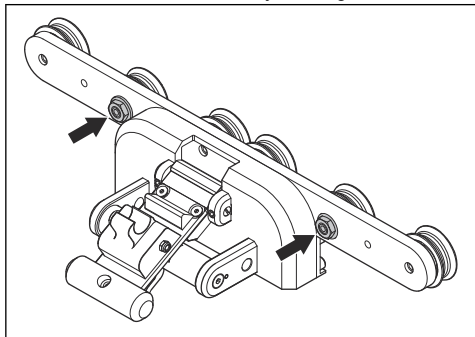
4. Cut the concrete block in the sequence that follows. The illustration shows the work procedure when you divide a concrete block into 3 sections.



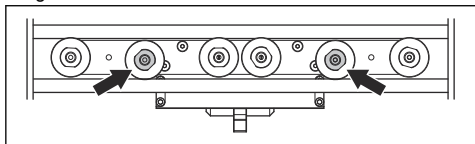
- a) Do the horizontal cuts first. Start from the bottom (A), (B), (C), (D).
 - b) Do the 2 vertical cuts (E).
5. Install wedge anchors after each cut. Install 2 wedge anchors on the sawing side and 1 wedge anchor on the other side of the concrete block.
 6. When you make the last cut, attach the rail on a stable wall. Use the included plastic wedges.

To adjust the blade guard guide

1. Loosen the nuts on the 2 adjustable guide wheels.



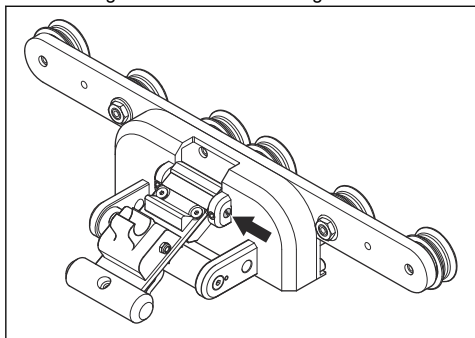
2. Attach the blade guard guide to the blade guard.
3. Turn the camshafts with a 22 mm wrench until the guide wheels touch the rail.



4. Hold the camshaft in position with a 22 mm wrench and tighten the nut with a 16 mm wrench.
5. Make sure that the wheels turn easily and that there is no play in the blade guard guide.

To adjust the lock handle on the blade guard guide

1. Attach the blade guard guide to the saw unit.
2. Loosen the 2 stop screws with a 3 mm hex key.
3. Turn the camshaft with a screwdriver until the lock handle tightens around the blade guard bracket.

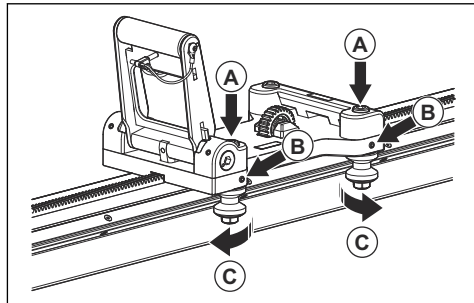


4. Tighten the 2 stop screws with a 3 mm hex key.
5. Remove the 4 screws that hold the snap lock in position with a 4 mm hex key.
6. Adjust the snap lock. The snap lock must tighten around the top rail.

7. Tighten the 4 screws that hold the snap lock in position with a 4 mm hex key.

To adjust the guide wheels

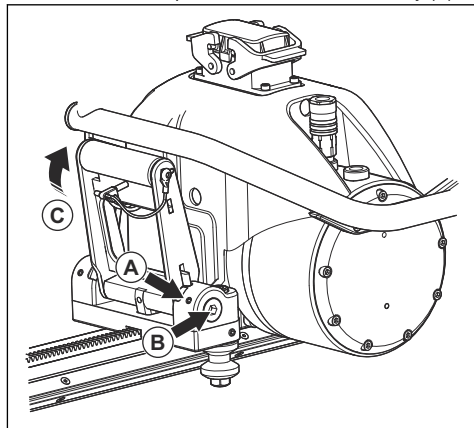
1. Loosen the 2 M10 screws with an 8 mm hex key (A).



2. Loosen the 2 stop screws that lock the 2 guide wheels with a 3 mm hex key (B).
3. Turn the shafts carefully with a 16 mm wrench until the guide wheels touch the rail (C).
4. Hold the 16 mm wrench in position and tighten the 2 stop screws with a 3 mm hex key (B).
5. Push down the lock device and pull the saw carriage in the 2 directions by hand. Make sure that the saw carriage moves easily and that all 4 guide wheel rotate.
6. Tighten the 2 M10 screws with a 8 mm hex key (A).

To adjust the saw carriage

1. Loosen the 2 stop screws with a 3 mm hex key (A).

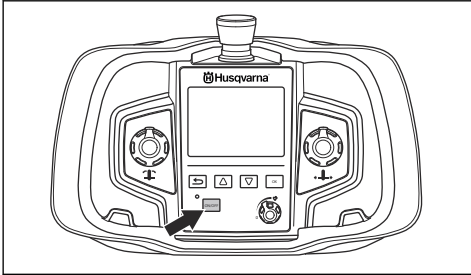


2. Turn the 2 sleeves with a 8 mm hex key until the shaft is tight and parallel to the saw unit (B).
3. Tighten the 2 stop screws with a 3 mm hex key (A).
4. Close the lock handle and make sure that the spring-loaded lock stays in locked position (C).
5. Use the pin to lock the handle.

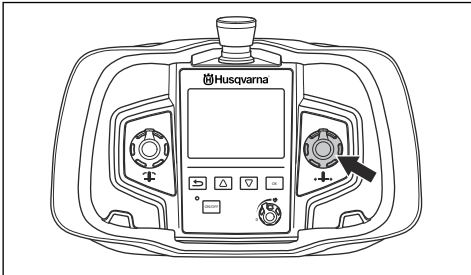
To operate the remote control

The product is controlled with the remote control. The remote control is connected to the power pack through radio transmission. To connect the remote control, refer to the Husqvarna power pack manual.

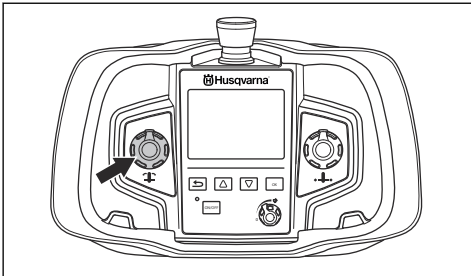
- Push the ON/OFF button to start and stop the remote control.



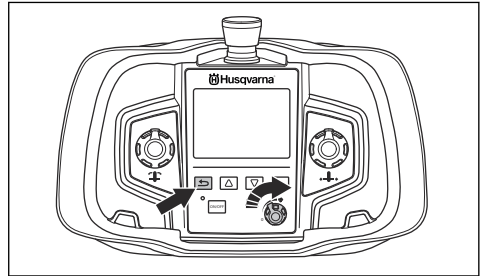
- Longitudinal movement: The dial moves the product along the rail.



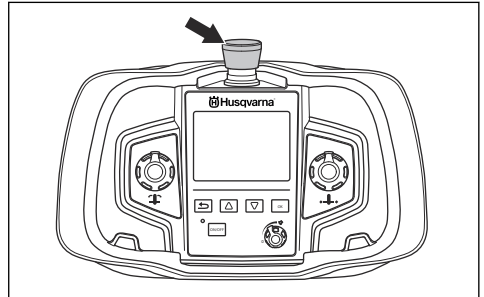
- Arm movement: The dial moves the pivot arm to adjust the cutting depth.



- To rotate the blade and to control the speed of the product: Push and hold the return button while you turn the dial clockwise to increase the rotation speed of the blade.



- To stop the product: Turn the dial that controls the rotation speed of the blade counterclockwise to its 0 position.
- If an emergency occurs, stop the product with the stop button.



- Refer to the Husqvarna power pack manual for other settings and functions of the remote control.

To stop the product



WARNING: Do not move the product until the motor has stopped and the power plug is disconnected.

1. Move the blade away from the wall. The pivot arm points straight out from the wall.
2. Stop the blade and the water flow.
3. Push the emergency stop button on the power pack to stop the power pack. Disconnect the power plug. Refer to the Husqvarna power pack manual.
4. Make sure that the cut out pieces cannot fall out.
5. Move the product to an area where it can be disassembled.

Maintenance

Introduction



WARNING: Read and understand the safety chapter before you do maintenance on the product.

To disassemble the product

If the product has a transportation trolley, put all disassembled parts on the transportation trolley.

1. Disconnect the power cord between the saw unit and the power pack. Assemble the lids on the plug connectors.
2. Disconnect the water hoses from the saw unit.
3. Disassemble the blade guard.
4. Remove the blade guard guide.
5. Disassemble the blade. Disassemble the outer blade flange, the blade and the blade bolt.
6. Push down the lock buttons and fold out the lock handles to release the saw unit from the rail.
7. Release the carriage bolts of the clamp washer on the wall supports and lift the rail off the supports. Release 1 of the eccentric bolts in the middle of the rail to disconnect the rails. Remove the rails.
8. Disassemble the wall supports.

To clean the product



CAUTION: Do not use a high-pressure washer to clean the product.

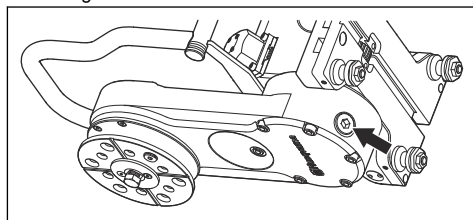
1. Disassemble the product. Refer to *To disassemble the product on page 15*.
2. Clean all equipment. Use the water hose, a brush and a cloth.
3. Dry all movable parts. Lubricate all parts with oil spray to prevent corrosion.

To do a check of the product

1. Make sure that the hoses and cables are not damaged.
2. Make sure that all couplings and connections are clean and not damaged. Clean and lubricate the contact pins. Lubricate the sleeves of the water couplings.
3. Clean and lubricate all parts of the product, such as the lock handles and the blade guard guide spring mechanism.
4. Make sure that the blade shaft turns freely and that the bolt is not damaged.
5. Make sure that the blade and blade guard are not damaged. Replace the blade guard and/or blade if it is damaged or worn.
6. Make sure that the wheels of the blade guard guide turn without resistance. Make sure that the blade guard guide is correctly aligned with the blade guard and the product.
7. Make sure that the saw carriage is correctly aligned.
8. Make sure that the lock handle on the blade guard guide is correctly adjusted.

To clean the oil plug

- Clean the oil plug when you change the oil in the cutting arm.



Transportation, storage and disposal

Transportation

- If your product has a transportation trolley, use it to move the product. The handles of the transportation trolley can be used as runners when you lift it on to a truck.
- Stop the power pack and pull out the electric cable before you move the equipment.
- Remove the blade and blade guard from the product before the transportation.

Storage

- Keep the product in a locked area to prevent access for children or persons that are not approved.
- Remove the blade and blade guard from the product after the operation.
- If there is a risk that the water will freeze, the product must be drained of all remaining water coolant.

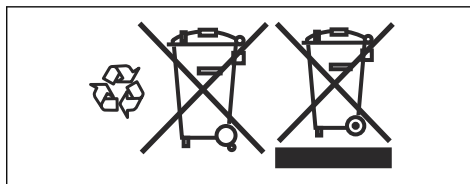
Disposal

Symbols on the product or the packaging of the product indicate that this product cannot be handled as domestic

waste. It must be submitted to an appropriate recycling station for the recovery of electrical and electronic equipment.

By ensuring that this product is taken care of correctly, you can help to counteract the potential negative impact on the environment and people that can otherwise result through the incorrect waste management of this product. For more detailed information about recycling this product, contact your municipality, your domestic waste

service or the shop from where you purchased the product.



Technical data

Technical data

	WS 442
Weight	
Saw carriage, kg/lbs	3.7/8.2
Saw unit, kg/lbs	28.6/63.1
Blade guard 800 mm, kg/lbs	13/28.7
Blade guard 1000 mm, kg/lbs	16/35.3
Track 1200 mm (47 in.) kg/lbs	9.5/20.9
Track 2000 mm (79 in.) kg/lbs	19/41.9
Blade size	
Blade size - max, mm/in.	1200/47.2
Blade size - min, mm/in.	600/23.6
Starting blade - max, mm/in.	1000/39.4
Saw depth - max, mm/in.	530/20.9
Motor for saw blade drive	PM High cycle
Spindle output - max, kW	13
Power train	Gear drive
Output speed, rpm	0-1200
Feeding system/control	Electric/auto
Drive torque at saw blade - max, Nm	160
Starting torque, Nm	150
Cooling water pressure - max, bar	7
Water coolant flow min, l/min	3.5
Cooling water temp. in at 3.5 l/min - max, °C	25
Protection class	IP 65

Noise emissions¹

Sound power level, measured dB (A)	108
Sound power level, guaranteed L _{WA} dB (A)	109

Sound levels²

Sound pressure level at the operators ear, dB (A)	85
---	----

Recommended blade speed

WARNING: If you cut at too high speed, it can cause damage to the blade or cause injury.

On gear 1 the speed range is 600-900 rpm and on gear 2 the speed range is 800-1200 rpm. When you cut at

800-900 rpm, you get a higher output if gear 1 is used. For recommended blade speed, speak to your blade dealer. When you cut in hard concrete, use lower speed.

Speed, rpm

Gear 1	600-900
Gear 2	800-1200

	600 mm/24 in.	800 mm/32 in.	1000 mm/40 in.	1200 mm/48 in.
600 rpm				H
700 rpm			H	M
800 rpm			M	S
900 rpm		H	M	
1000 rpm		M	S	
1100 rpm	H	M		
1200 rpm	M	S		

H = Hard concrete

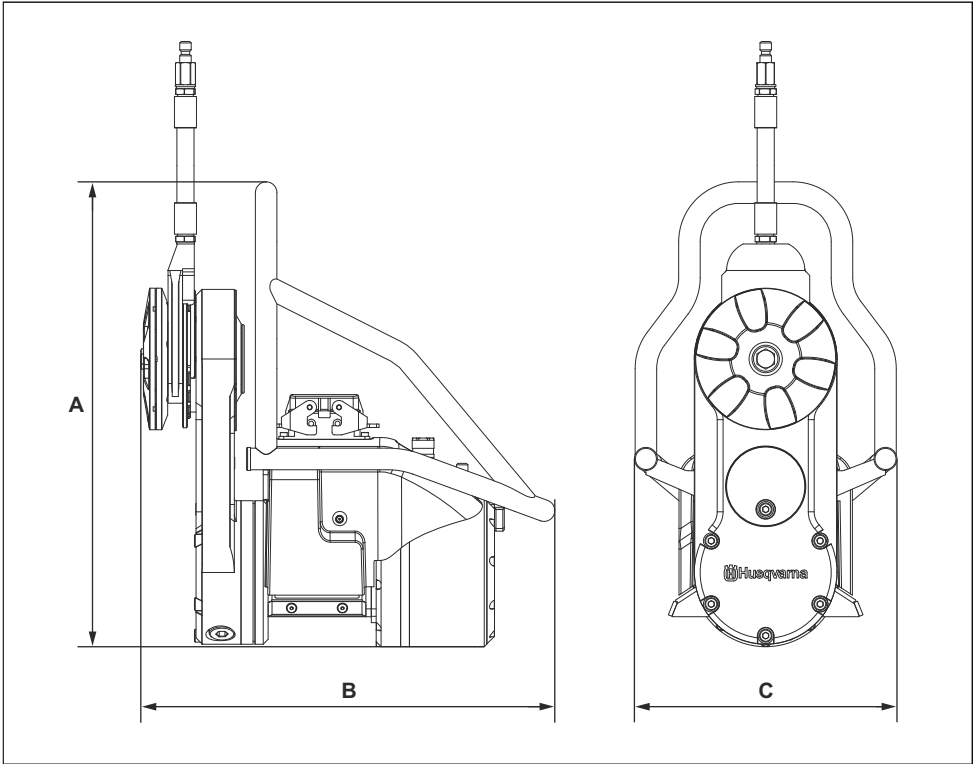
M = Medium concrete

S = Soft concrete

¹ Noise emissions in the environment measured as sound power (L_{WA}) in conformity with EN 15027/A1.

² Noise pressure level according to EN 15027/A1. Reported data for noise pressure level has a typical statistical dispersion (standard deviation) of 1.0 dB (A).

Product dimensions



A = 473 mm

B = 423 mm

C = 269 mm

EC Declaration of Conformity

EU Declaration of Conformity

We, Husqvarna AB, SE 561 82 Huskvarna, SWEDEN,
Tel. +46 36 146500 declare on our sole responsibility
that the product:

Description	Wall saw
Brand	Husqvarna
Type/Model	WS 442
Identification	Serial numbers dating from 2019 and onwards

complies fully with the following EU directives and
regulations:

Directive/Regulation	Description
2006/42/EC	"relating to machinery"

and that the following standards and/or technical
specifications are applied:

- EN ISO 12100:2010
- EN 15027/A1:2009
- EN 60204-1:2006+A1:2009

Partille, 2019-07-03



Edvard Gulis

R&D Director, Concrete Sawing & Drilling

Husqvarna AB, Construction Division

Responsible for technical documentation

Inhalt

Einleitung.....	20	Wartung.....	34
Sicherheit.....	21	Transport, Lagerung und Entsorgung.....	35
Montage.....	26	Technische Angaben.....	36
Betrieb.....	29	EG-Konformitätserklärung.....	39

Einleitung

Gerätebeschreibung

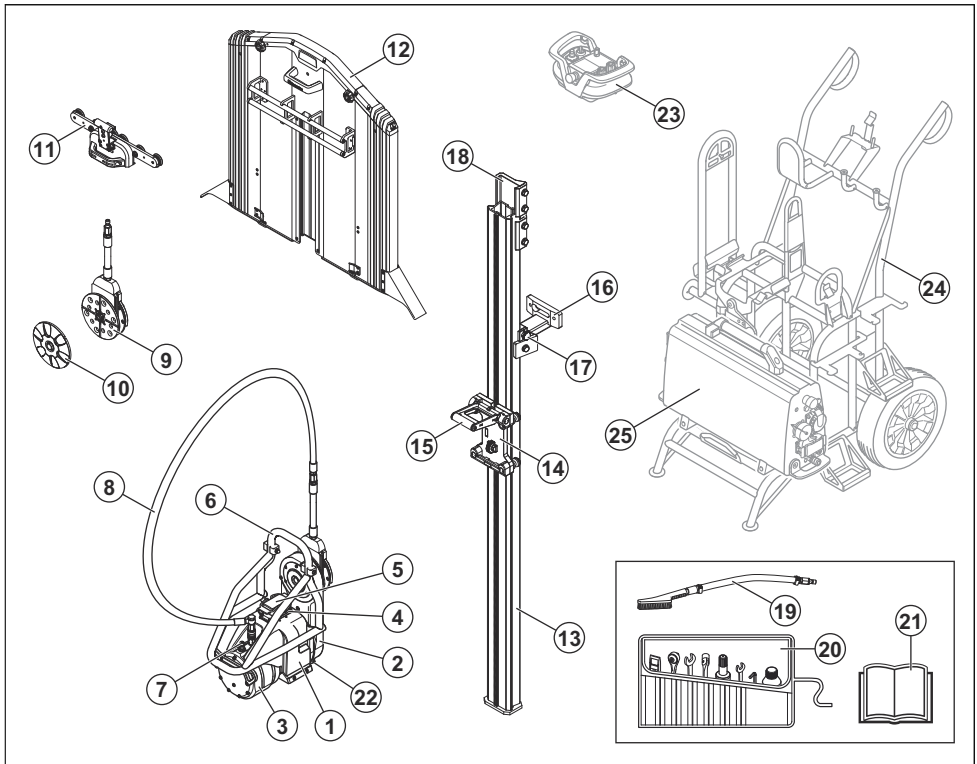
Husqvarna WS 442 ist eine Wandsäge mit einem Elektromotor.

Hinweis: Der Betrieb des Geräts kann durch nationale Vorschriften eingeschränkt werden.

Verwendungszweck

Dieses Gerät ist zum Sägen von harten Materialien wie Stahlbeton, Stein und Ziegel bestimmt.

Geräteübersicht



- | | |
|-------------------|--------------------------------------|
| 1. Schneideinheit | 4. Kabelanschluss |
| 2. Trennarm | 5. Schutzabdeckung |
| 3. Motor | 6. Baugruppe Handgriff/Klingenschutz |

7. Schlauchanschluss, Wassereinlass
8. Wasserschlauch
9. Innere Klingenflanschscheibe
10. Äußerer Klingenflansch
11. Klingenschutzführung
12. Klingenschutz
13. Spur
14. Sägeschlitten
15. Sperrgriff
16. Wandhalterung
17. Spurhalter
18. Verbinder
19. Bürste
20. Werkzeugsatz
21. Betriebsanleitung
22. Schaltknopf
23. Fernbedienung (Zubehör)
24. Wagen (Zubehör)
25. Antriebsaggregat (Zubehör)

Symbole auf dem Gerät



WARNUNG: Dieses Gerät kann gefährlich sein und schwere oder tödliche Verletzungen des Bedieners oder anderer Personen verursachen. Gehen Sie vorsichtig vor, und verwenden Sie das Gerät ordnungsgemäß.



Lesen Sie die Betriebsanleitung sorgfältig durch, und machen Sie sich mit den Anweisungen vertraut, bevor Sie das Gerät verwenden.



Tragen Sie einen zugelassenen Schutzhelm, Gehörschutz, Augenschutz und Atemschutz.



Das Gerät und die Verpackung des Geräts dürfen nicht über den Hausmüll entsorgt werden. Recyceln Sie es an einer offiziellen

Recyclingstation für elektrische und elektronische Geräte.



Dieses Gerät entspricht den geltenden CE-Richtlinien.

Hinweis: Sonstige Symbole/Aufkleber am Gerät beziehen sich auf spezielle Zertifizierungsanforderungen, die in bestimmten Ländern gelten.

Typenschild

Husqvarna[®]

Husqvarna AB, 561 82 Huskvarna, Sweden

TYPE	A	PRODUCT No.	B
SERIAL No. <small>(YEAR WEEK No.)</small>		C	
RPM	D	MAX.	E
OUTPUT POWER	F		

MADE IN SWEDEN

- A: Typ/Modell
- B: Gerätenr.
- C: Seriennr. mit Herstellungsdatum (JJJJ, WW, XXXXX): Jahr, Woche, Folger.
- D: Maximale Geschwindigkeit, Drehzahl
- E: Maximale Größe der Klinge, mm
- F: Ausgangsleistung, kW

Sicherheit

Sicherheitsdefinitionen

Warnungen, Vorsichtsmaßnahmen und Hinweise werden verwendet, um auf besonders wichtige Teile der Bedienungsanleitung hinzuweisen.



WARNUNG: Wird verwendet, wenn bei Nichtbeachtung der Anweisungen in diesem Handbuch die Gefahr von Verletzung oder Tod des Bedieners oder anderer Personen besteht.



ACHTUNG: Wird verwendet, wenn bei Nichtbeachtung der Anweisungen in diesem Handbuch die Gefahr von Schäden am Gerät, an anderen Materialien oder in der Umgebung besteht.

Hinweis: Für weitere Informationen, die in bestimmten Situationen nötig sind.

Allgemeine Sicherheitshinweise für elektrisch betriebene Werkzeuge



WARNUNG: Lesen Sie alle für dieses Elektrowerkzeug vorgesehenen Sicherheitshinweise, Anleitungen, Abbildungen und technischen Daten. Wenn Sie die unten stehenden Anweisungen nicht befolgen, kann dies zu elektrischen Schlägen, Brand und/oder schweren Verletzungen führen.

Hinweis: Bewahren Sie alle Warnhinweise und Anweisungen für spätere Referenzzwecke auf. Der Begriff „Elektrowerkzeug“ in den Warnhinweisen bezieht sich auf ein Elektrowerkzeug mit Netzbetrieb (über ein Kabel) oder mit Akkubetrieb (kabellos).

Sicherheit im Arbeitsbereich

- **Sorgen Sie für einen sauberen und gut ausgeleuchteten Arbeitsbereich.** Durch zugestellte oder dunkle Arbeitsbereiche steigt die Unfallgefahr stark an.
- **Betreiben Sie Elektrowerkzeuge niemals an Orten, an denen Explosionsgefahr besteht, z. B. in der Nähe von leicht entzündlichen Flüssigkeiten, Gasen oder Staubansammlungen.** Bei der Arbeit mit Elektrowerkzeugen kann es zu Funkenbildung kommen, wodurch sich Staub oder Dämpfe entzünden können.
- **Sorgen Sie bei der Arbeit mit Elektrowerkzeugen dafür, dass sich keine Kinder oder unbefugte Personen in der Nähe befinden.** Durch Ablenkungen können Sie die Kontrolle über das Werkzeug verlieren.

Elektrische Sicherheit

- **Die Netzstecker von Elektrowerkzeugen müssen zur Steckdose passen. Der Netzstecker darf in keiner Weise verändert werden. Verwenden Sie bei Elektrowerkzeugen mit Schutzkontakt (geerdet) niemals Adapterstecker.** Nicht modifizierte Stecker und Steckdosen reduzieren das Risiko eines Elektroschocks.
- **Vermeiden Sie Körperkontakt mit geerdeten Gegenständen wie Rohrleitungen, Heizungen, Herden oder Kühlschränken.** Bei Körperkontakt mit geerdeten Gegenständen besteht ein erhöhtes Stromschlagrisiko.
- **Setzen Sie Elektrowerkzeuge niemals Regen oder sonstiger Feuchtigkeit aus.** Wenn Wasser in ein Elektrowerkzeug eindringt, erhöht sich das Stromschlagrisiko.
- **Verwenden Sie das Anschlusskabel nicht missbräuchlich. Verwenden Sie das Anschlusskabel niemals zum Tragen oder Heranziehen des Elektrowerkzeugs, und ziehen Sie den Stecker nicht am Anschlusskabel aus der Steckdose. Halten Sie**

das Kabel fern von Hitzequellen, Öl, scharfen Kanten und beweglichen Teilen. Beschädigte oder verdrehte Anschlusskabel erhöhen das Stromschlagrisiko.

- **Wenn Sie ein Elektrowerkzeug im Freien benutzen, verwenden Sie ein für den Außeneinsatz geeignetes Verlängerungskabel.** Die Verwendung eines für den Außeneinsatz geeigneten Kabels verringert das Risiko eines Stromschlags.
- **Falls der Einsatz eines Elektrowerkzeugs in einer feuchten Umgebung nicht zu vermeiden ist, benutzen Sie eine Stromversorgung mit FI-Schutzschalter (RCD).** Die Verwendung einer Fehlerstrom-Schutzeinrichtung (RCD) verringert das Risiko eines elektrischen Schlags.

Persönliche Sicherheit

- **Blieben Sie aufmerksam, achten Sie auf das, was Sie tun, und setzen Sie gesunden Menschenverstand ein, wenn Sie mit Elektrowerkzeugen arbeiten. Benutzen Sie keine Elektrowerkzeuge, wenn Sie müde sind oder unter dem Einfluss von Drogen, Alkohol oder Medikamenten stehen.** Bei der Arbeit mit Elektrowerkzeugen können bereits kurze Phasen der Unaufmerksamkeit zu schweren Verletzungen führen.
- **Benutzen Sie eine persönliche Schutzausrüstung. Tragen Sie stets einen Augenschutz.** Schutzausrüstung wie Atemschutzmaske, rutschsichere Sicherheitsschuhe, Schutzhelm und Gehörschutz senkt bei angemessenem Einsatz das Verletzungsrisiko.
- **Vermeiden Sie ein versehentliches Starten. Achten Sie darauf, dass sich der Schalter in der Aus-Stellung befindet, bevor Sie das Elektrowerkzeug an die Stromversorgung und/oder den Akku anschließen oder es hochheben oder herumtragen.** Durch Herumtragen von Elektrowerkzeugen mit dem Finger am Schalter und das Einstecken des Steckers bei betätigtem Schalter steigt das Unfallrisiko stark an.
- **Entfernen Sie sämtliche Einstellschlüssel, bevor Sie das Elektrowerkzeug einschalten.** Ein an einem beweglichen Teil des Elektrowerkzeugs angebrachter Schlüssel kann zu Verletzungen führen.
- **Sorgen Sie für einen festen Stand. Achten Sie jederzeit darauf, sicher zu stehen und das Gleichgewicht zu bewahren.** Dadurch haben Sie das Elektrowerkzeug in unerwarteten Situationen besser im Griff.
- **Kleiden Sie sich richtig. Tragen Sie niemals lose sitzende Kleidung oder Schmuck. Halten Sie Haar und Kleidung von beweglichen Teilen fern.** Locker sitzende Kleidung, Schmuck oder langes Haar kann von beweglichen Teilen erfasst werden.
- **Wenn Anschlüsse für Staubabsaug- und Staubsammelvorrichtungen vorhanden sind, sorgen Sie dafür, dass diese richtig angeschlossen und**

eingesetzt werden. Die Verwendung von Staubsammelvorrichtungen vermindert durch Staub verursachte Gefahren.

- **Lassen Sie nicht zu, dass Sie wegen Vertrautheit durch häufige Verwendung der Werkzeuge selbstgefällig werden und die Sicherheitsgrundsätze der Werkzeuge ignorieren.** Eine achtlose Handlung kann im Bruchteil einer Sekunde zu schweren Verletzungen führen.

Verwendung und Pflege von Elektrowerkzeugen

- **Überbeanspruchen Sie Elektrowerkzeuge nicht. Benutzen Sie das richtige Elektrowerkzeug für Ihren Einsatzzweck.** Das richtige Elektrowerkzeug erledigt seine Arbeit bei bestimmungsgemäßem Einsatz besser und sicherer.
- **Benutzen Sie das Elektrowerkzeug nicht, wenn es sich nicht am Schalter ein- und ausschalten lässt.** Jedes Elektrowerkzeug, das nicht mit dem Schalter betätigt werden kann, stellt eine Gefahr dar und muss repariert werden.
- **Trennen Sie das Elektrowerkzeug von der Stromversorgung bzw. entfernen Sie den Akku, bevor Sie Einstellungen vornehmen, Zubehörteile austauschen oder das Elektrowerkzeug verstauen.** Solche präventiven Sicherheitsmaßnahmen verhindern den unbeabsichtigten Start des Elektrowerkzeugs.
- **Lagern Sie nicht benutzte Elektrowerkzeuge außerhalb der Reichweite von Kindern, und lassen Sie nicht zu, dass Personen das Elektrowerkzeug bedienen, die nicht mit dem Werkzeug selbst und/oder diesen Anweisungen vertraut sind.** Elektrowerkzeuge stellen in ungeschulten Händen eine Gefahr dar.
- **Warten Sie Elektrowerkzeuge und Zubehör. Prüfen Sie auf Fehlausrichtungen, sicheren Halt und Leichtgängigkeit beweglicher Teile, Beschädigungen von Teilen sowie auf jegliche andere Zustände, die sich auf den Betrieb des Elektrowerkzeugs auswirken können. Bei Beschädigungen lassen Sie das Elektrowerkzeug reparieren, bevor Sie es benutzen.** Viele Unfälle mit Elektrowerkzeugen sind auf schlechte Wartung zurückzuführen.
- **Halten Sie Schneidwerkzeuge scharf und sauber.** Ordnungsgemäß gewartete Schneidwerkzeuge mit scharfen Schneidkanten bleiben seltener hängen und sind einfacher zu bedienen.
- **Benutzen Sie Elektrowerkzeuge, Zubehör, Werkzeugspitzen und Ähnliches in Übereinstimmung mit diesen Anweisungen und auf die für das jeweilige Elektrowerkzeug bestimmungsgemäße Weise, und beachten Sie dabei die jeweiligen Arbeitsbedingungen und die Art der auszuführenden Arbeiten.** Der Einsatz eines Elektrowerkzeugs für Zwecke, die von den hier angegebenen abweichen, kann zu Gefahrensituationen führen.
- **Halten Sie die Griffe und Oberflächen trocken, sauber und frei von Öl und Fett.** Wenn Handgriffe

und Griffflächen rutschig sind, kann das Werkzeug in unerwarteten Situationen nicht sicher bedient und kontrolliert werden.

Service

- **Lassen Sie das Elektrowerkzeug von einem qualifizierten Fachmann reparieren, und bestehen Sie darauf, dass nur Originalersatzteile verwendet werden.** Auf diese Weise wird dafür gesorgt, dass die Sicherheit des Elektrowerkzeugs nicht beeinträchtigt wird.
- **Warten Sie niemals beschädigte Akkus.** Akkus dürfen nur vom Hersteller oder von autorisierten Serviceanbietern gewartet werden.

Sicherheitshinweise für Wandsägen

- **Halten Sie das Elektrowerkzeug nur an isolierten Griffflächen, wenn Sie Arbeiten durchführen, bei denen das Schneidmesser mit versteckten Netzkabeln oder dem eigenen Kabel in Berührung kommen kann.** Schneidmesser, die mit einem stromführenden Kabel in Kontakt kommen, können frei liegende Metallteile des Elektrowerkzeugs unter Strom setzen und dem Bediener einen Stromschlag versetzen.
- **Tragen Sie beim Diamantsägen einen Gehörschutz.** Lärm kann zu Hörverlust führen.
- **Wenn das Diamantrrad klemmt, hören Sie auf, Vorschubkraft aufzubringen, und schalten Sie das Gerät aus.** Suchen Sie nach der Ursache für das Feststecken des Diamantrads, und nehmen Sie entsprechende Maßnahmen vor, um es zu korrigieren.
- **Stellen Sie beim Sägen durch das Werkstück sicher, dass Personen und Arbeitsbereiche auf der anderen Seite geschützt sind.** Das Diamantrrad kann durch das Werkstück ragen.
- **Stellen Sie sicher, dass das Verfahren zur Befestigung des Spurführungssystems am Werkstück in der Lage ist, die Maschine während des Betriebs zu halten und zurückzuhalten.** Ist das Werkstück schwach oder porös, kann (können) die Verankerung(en) sich herauslösen, wodurch sich das Spurführungssystem vom Werkstück löst.

Allgemeine Sicherheitshinweise



WARNUNG: Lesen Sie die folgenden Warnhinweise, bevor Sie das Gerät verwenden.

- Diese Information kann natürlich in keiner Weise die Ausbildung und langjährige Erfahrung eines Fachmanns ersetzen. Wenn Sie in eine Situation geraten, in der Sie unsicher sind, sollten Sie einen Fachmann um Rat fragen. Fragen Sie Ihren Händler, Ihre Servicewerkstatt oder einen erfahrenen Benutzer. Vermeiden Sie jede Arbeit, für die Sie nicht ausreichend qualifiziert sind!

- Dieses Gerät ist für das Schneiden von Beton, Ziegeln und unterschiedlichen Steinmaterialien vorgesehen. Jede andere Verwendung ist nicht zulässig.
- Das Gerät ist sauber zu halten. Die Lesbarkeit aller Schilder und Aufkleber muss gewährleistet werden.
- Unzulässige Änderungen und/oder Zubehör können zu schweren oder tödlichen Verletzungen des Benutzers oder anderer Personen führen. Das Gerät nicht so modifizieren, dass es nicht länger mit der Originalausführung übereinstimmt, und nicht benutzen, wenn es scheinbar von anderen modifiziert wurde. Verwenden Sie kein defektes Gerät, keinen defekten Akku und kein defektes Akku-Ladegerät. Die Wartungs-, Kontroll- und Serviceanweisungen in dieser Bedienungsanweisung sind sorgfältig zu befolgen. Gewisse Wartungs- und Servicemaßnahmen sind von geschulten, qualifizierten Fachleuten auszuführen. Weitere Anweisungen finden Sie unter der Überschrift „Wartung“. Nur Originalersatzteile verwenden.
- Alle Arten von Reparaturen müssen von autorisiertem Personal durchgeführt werden. Damit soll gewährleistet werden, dass Bediener keinen großen Risiken ausgesetzt sind.
- Kontrollen und/oder Wartungsarbeiten sind bei abgeschaltetem Motor und abgezogenem Stecker durchzuführen.
- Das Gerät kann schwere Verletzungen verursachen. Lesen Sie die Sicherheitshinweise gründlich durch. Lernen Sie, wie das Gerät anzuwenden ist.
- Denken Sie daran, dass der Bediener für Unfälle oder Gefahrensituationen verantwortlich ist, die anderen Personen oder deren Eigentum widerfahren.
- Dieses Gerät ist ausschließlich zum Einsatz mit einem anerkannten Antriebsaggregat vorgesehen. Lesen Sie das Handbuch des Antriebsaggregats, ehe Sie mit der Nutzung des Geräts beginnen. Die Verwendung mit anderen Geräten ist verboten.
- Das Schneiden bei zu hoher Drehzahl kann zu Schäden an der Klinge und zu Personenschaden führen.
- Stoppen Sie den Motor, und trennen Sie das Netzkabel, bevor das Gerät angehoben oder bewegt wird.

Persönliche Schutzausrüstung



WARNUNG: Lesen Sie die folgenden Warnhinweise, bevor Sie das Gerät benutzen.

- Verwenden Sie immer geeignete persönliche Schutzausrüstung bei der Benutzung des Geräts. Das Tragen persönlicher Schutzausrüstung schließt das Risiko von Verletzungen nicht aus. Das Tragen persönlicher Schutzausrüstung verringert das Ausmaß der Verletzungen bei einem Unfall. Lassen Sie sich von Ihrem Händler bei der Auswahl der richtigen Ausrüstung unterstützen.
- Tragen Sie einen zugelassenen Augenschutz beim Arbeiten mit dem Gerät.
- Tragen Sie strapazierfähige, rutschfeste Stiefel mit Stahlkappen.
- Tragen Sie Kleidung, die eng anliegt, Sie aber nicht in Ihren Bewegungen behindert.
- Überprüfen Sie regelmäßig den Zustand der persönlichen Schutzausrüstung.
- Tragen Sie zugelassene Schutzhandschuhe.
- Tragen Sie Schutzhandschuhe aus Gummi, um Hautreizungen von feuchtem Beton zu verhindern.
- Verwenden Sie einen zugelassenen Schutzhelm.
- Tragen Sie stets einen zugelassenen Gehörschutz beim Arbeiten mit dem Gerät. Lärmbelastung über einen längeren Zeitraum kann zu lärmbedingten Hörschäden führen.
- Das Gerät verursacht Staubbildung und Dämpfe, die schlecht für Ihre Gesundheit sind. Tragen Sie einen zugelassenen Atemschutz.
- Vergewissern Sie sich, dass Sie einen Erste-Hilfe-Kasten griffbereit haben.
- Beim Arbeiten mit dem Gerät können Funken entstehen. Sorgen Sie dafür, dass Sie einen Feuerlöscher griffbereit haben.
- Tragen Sie keine lose sitzende Kleidung, Schmuck oder andere Gegenstände, die sich in beweglichen

Sicherheitshinweise für den Betrieb



WARNUNG: Lesen Sie die folgenden Warnhinweise, bevor Sie das Gerät benutzen.

- Das Gerät kann falsch oder nachlässig angewendet gefährlich sein und zu schweren oder gar lebensgefährlichen Verletzungen des Benutzers oder anderer Personen führen.
- Lassen Sie niemals Kinder oder nicht ausgebildete Personen das Gerät bedienen.
- Lassen Sie niemals jemand anderen das Gerät benutzen, ohne sich zu vergewissern, dass die Person den Inhalt der Bedienungsanleitung gelesen und verstanden hat.
- Arbeiten Sie niemals mit dem Gerät, wenn Sie müde sind, Alkohol getrunken oder Medikamente eingenommen haben, da hierdurch Sehkraft, Urteilsvermögen oder Körperkontrolle beeinträchtigt werden können.
- Alle Bediener müssen in der Gerätebedienung unterwiesen werden. Der Eigentümer ist dafür verantwortlich, dass die Bediener eine Schulung erhalten.
- Lesen Sie die Betriebsanleitung sorgfältig durch, und machen Sie sich mit dem Inhalt vertraut, bevor Sie das Gerät benutzen.

Teilen verfangen können. Binden Sie Ihre Haare sicherheitshalber zusammen, sodass sie nicht über Ihre Schulter fallen.

Sicherheitsvorrichtungen am Gerät



WARNUNG: Lesen Sie die folgenden Warnhinweise, bevor Sie das Gerät benutzen.

- Benutzen Sie kein Gerät mit defekten Sicherheitsvorrichtungen.
- Führen Sie regelmäßig eine Überprüfung der Sicherheitsvorrichtungen durch. Wenn die Sicherheitsvorrichtungen defekt sind, wenden Sie sich an Ihre Husqvarna -Servicewerkstatt.

Klingenschutz

Der Klingenschutz hält Staub vom Bediener fern und verhindert Verletzungen, wenn die Trennscheibe bricht.



WARNUNG: Verwenden Sie das Gerät auf keinen Fall ohne einen Klingenschutz.

So prüfen Sie den Klingenschutz

1. Vergewissern Sie sich, dass der Klingenschutz nicht beschädigt ist. Siehe *Geräteübersicht auf Seite 20*.
2. Stellen Sie sicher, dass der Klingenschutz richtig angebracht ist.
3. Stellen Sie sicher, dass sich die Klinge in der Mitte des Klingenschutzes befindet und den Klingenschutz nicht berührt.

Klingenschutzarretierung

Die Klingenschutzarretierung hält die Klingenschutzführung am Klingenschutz in der korrekten Position.

So prüfen Sie die Klingenschutzarretierung

- Stellen Sie sicher, dass der Klingenschutzarretierungsmechanismus an der Klingenschutzführung korrekt funktioniert. Siehe *So stellen Sie den Sperrgriff an der Klingenschutzführung ein auf Seite 32*.

Endanschläge

Die Endanschläge sorgen dafür, dass sich das Gerät nicht von den Schienen löst.



WARNUNG: Wenn die Endanschläge nicht korrekt an den Schienenenden befestigt sind, löst sich das Gerät und dies kann zu schweren Verletzungen führen.

So prüfen Sie die Endanschläge

- Stellen Sie sicher, dass die Endanschläge an den Schienenenden befestigt sind. Siehe *Geräteübersicht auf Seite 20*.

Antriebsaggregat

Das Husqvarna Antriebsaggregat wird zur Betätigung des Geräts verwendet.



WARNUNG: Trennen Sie das Gerät von der Stromversorgung, und warten Sie mindestens 5 Minuten, bevor Sie eine Wartung durchführen.

So prüfen Sie das Aggregat

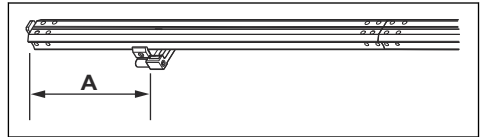
- Prüfen Sie die Sicherheitsausrüstung, und stellen Sie sicher, dass sie nicht beschädigt ist. Sehen Sie in der Husqvarna Antriebsaggregat-Betriebsanleitung nach.

Wandhalterungen

Die Wandhalterungen befestigen die Schienen in der korrekten Position an der Wand.

So prüfen Sie die Wandhalterungen

1. Setzen Sie die Wandhalterungen auf ca. $\frac{1}{4}$ der Länge der Schiene (A).



2. Verwenden Sie während des Betriebs mindestens 2 Wandhalterungen. Werden mehrere Schienen zusammengesetzt, ist 1 Wandhalterung pro Schienenabschnitt erforderlich.

Schienenverbinder

Die Schienenverbinder verbinden die Schienenabschnitte.



ACHTUNG: Stellen Sie sicher, dass die Schienenverbinder zum Gerät passen.

So prüfen Sie die Schienenverbinder

- Stellen Sie sicher, dass die Schienenverbinder richtig montiert sind. Siehe *Geräteübersicht auf Seite 20*.

Stopptaste

Die Stopptaste stoppt das Gerät und die Fernbedienung. Siehe *So bedienen Sie die Fernbedienung auf Seite 33*.

So prüfen Sie die Stopptaste

1. Starten Sie den Motor.
2. Drücken Sie auf der Fernbedienung die Stopptaste. Stellen Sie sicher, dass sich die Fernbedienung und das Gerät ausschalten.

Sperrgriffe

Die Sperrgriffe ziehen die Führungsräder gegen die Schiene an.

So prüfen Sie die Sperrgriffe

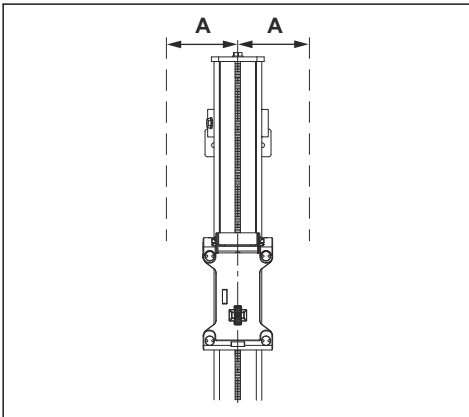
1. Montieren Sie das Gerät. Siehe *Montage auf Seite 26*.
2. Verwenden Sie die Sperrgriffe, um die Führungsräder gegen die Schiene anzuziehen.

Hinweis: Stellen Sie die Führungsräder ein, wenn Spiel vorhanden ist. Siehe *So stellen Sie die Führungsräder ein auf Seite 33*.

Montage

So montieren Sie die Wandhalterungen

1. Markieren Sie die Schnittlinie, und markieren Sie die Expanderschraubenlöcher (A) = 165 mm (6,5 Zoll) von der Schnittlinie.

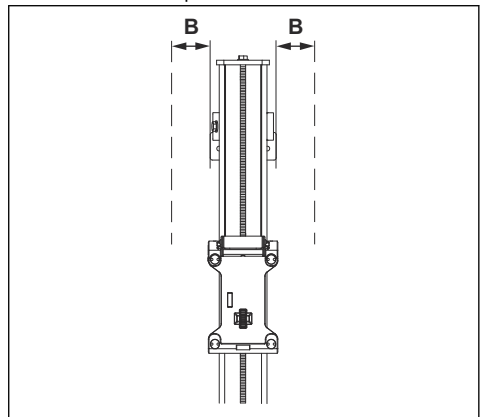


2. Bohren Sie Löcher von 15 mm (5/8 Zoll) für die M12- (1/2-Zoll-)Expanderschrauben.
3. Hängen Sie die Wandhalterungen lose an den Expanderschrauben auf. Verwenden Sie M6S 12 x 70 (1/2 Zoll x 2 Zoll) oder gleichwertig.

So montieren Sie die Schienen

1. Setzen Sie die Schiene in die Wandhalterungen ein, und ziehen Sie die Druckscheiben an. Für vertikale Schnitte montieren Sie die Schiene mit dem Sperrgriff des Sägewagens nach oben.
2. Stellen Sie sicher, dass die Schiene richtig mit den Spuren an den Wandhalterungen ausgerichtet ist, bevor Sie die Schrauben anziehen.

3. Stellen Sie den Abstand zwischen der Schnittlinie und den Wandhalterungen ein. Der Abstand zwischen der Kante und der Innenfläche des Schnittes muss (B) = 89 mm/3,5 Zoll betragen. Ziehen Sie die Expanderschrauben an.



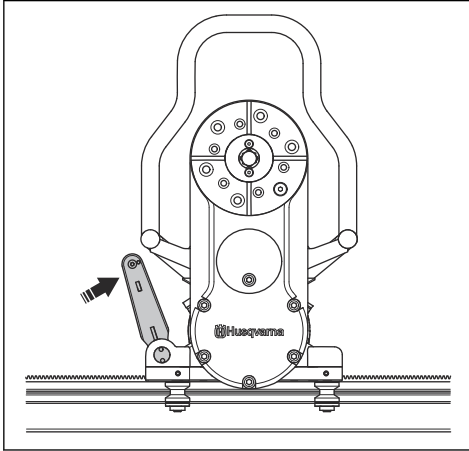
So montieren Sie das Gerät an die Schienen



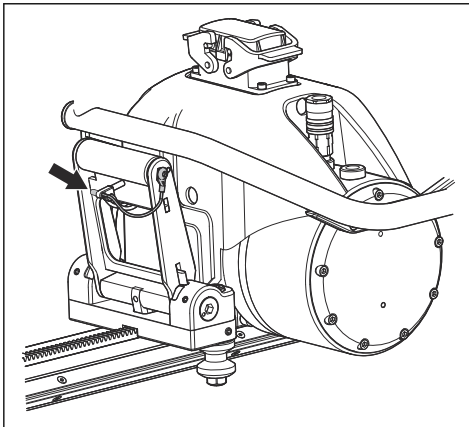
WARNUNG: Bevor Sie das Gerät auf die Schienen montieren, müssen Sie das Gerät in den Sägewagen montieren.

1. Heben Sie das Gerät im Sägewagen in Position. Wenn sich das Gerät in Position befindet, fährt der Sperrgriff in eine Mittelstellung nach oben. In dieser Position bleibt das Gerät im Wagen, ist aber nicht ausreichend befestigt, um die Arbeit zu beginnen.

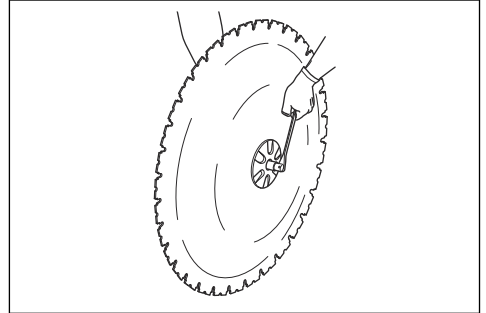
- Um das Gerät zu befestigen, heben Sie den Sperrgriff gegen das Gerät, bis der Griff verriegelt.



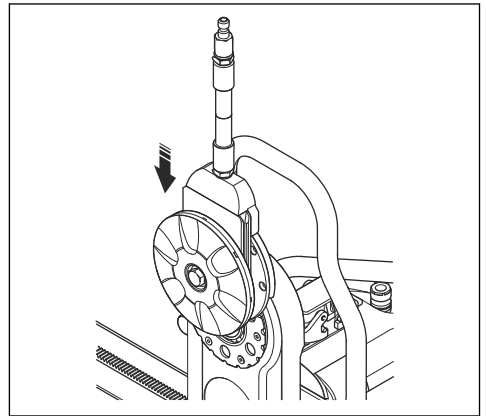
- Verwenden Sie den Stift, um den Griff zu sperren.



- Montieren Sie den äußeren Klingenflansch, die Klinge und die innere Klingenflanschscheibe. Wenden Sie ein Anziehmoment von 70–80 Nm an.



- Hängen Sie die Klinge mit dem Klingenflansch und der inneren Klingenflanschscheibe an den Trennarm.



- Drehen Sie die innere Klingenflanschscheibe vorsichtig, bis sie sich in eine der Spuren im Schwenkarm bewegt. Befestigen Sie die innere Klingenflanschscheibe mit der Schraube.

So montieren Sie die Klinge

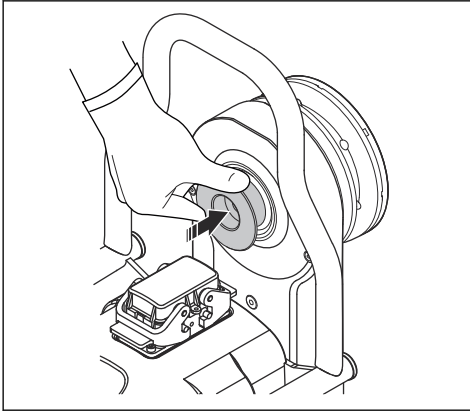


WARNUNG: Trennen Sie das Gerät vom Netz, bevor Sie mit der Montage beginnen.

- Entfernen Sie Schmutz von den Kontaktflächen an Klingenflansch und Klinge.
- Stellen Sie sicher, dass sich die Klinge mit dem benutzten Teil des Diamanten in Drehrichtung der Klinge dreht.

Hinweis: Da die Drehrichtung der Klinge gewählt werden kann, kann auch der Wasserstrahl aus der Klinge gewählt werden.

6. Drücken Sie die Klingenwelle gleichzeitig in den Trennarm, während Sie die Klinge vorsichtig drehen. Ziehen Sie sie mit dem mitgelieferten 18er-Schlüssel an. Wenden Sie ein Anziehmoment von 70–80 Nm an.



WARNUNG: Stellen Sie vor dem Start des Geräts sicher, dass die Klinge korrekt daran befestigt ist.

So montieren Sie die Klinge für den bündigen Schnitt



WARNUNG: Trennen Sie das Gerät vom Netz, bevor Sie mit der Montage beginnen.

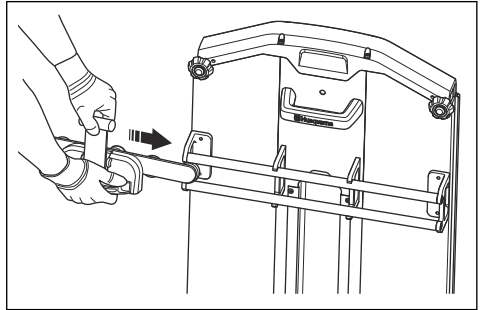
1. Entfernen Sie den äußeren Klingensflansch, und montieren Sie die Klinge an die innere Klingensflanschscheibe.
2. Stellen Sie vor dem Start des Geräts sicher, dass die Klinge korrekt angebracht ist.

So bringen Sie den Klingenschutz an

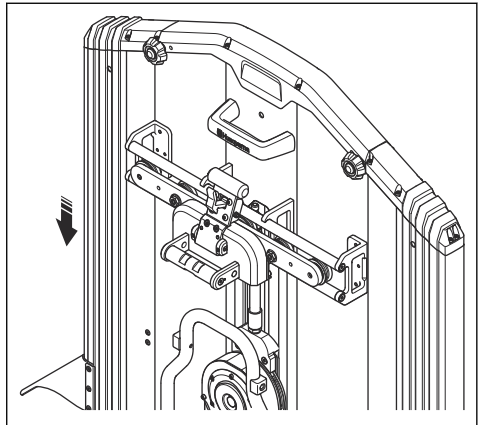


WARNUNG: Trennen Sie das Gerät vom Netz, bevor Sie mit der Montage beginnen.

1. Setzen Sie die Klingenschutzführung zwischen die Stangen am Klingenschutz.

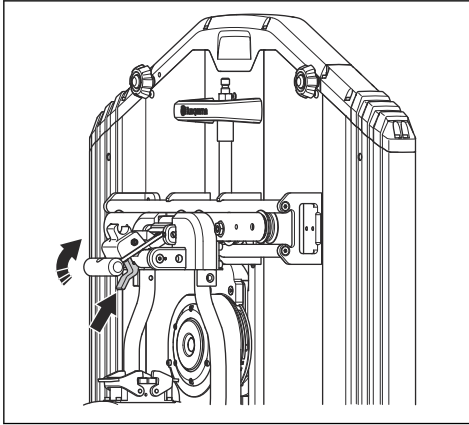


2. Das Kunststoffgegenlager des Handgriffs mit der oberen Stange am Klingenschutz sichern.
3. Stellen Sie sicher, dass der Trennarm vertikal ist. Heben Sie den Klingenschutz über die Klinge, und hängen Sie den Schutz in den Klingenschutzhalter am Gerät. Stellen Sie sicher, dass die Laufschiene des Klingenschutzes in die Schlitzte der Wassereinheit montiert sind.



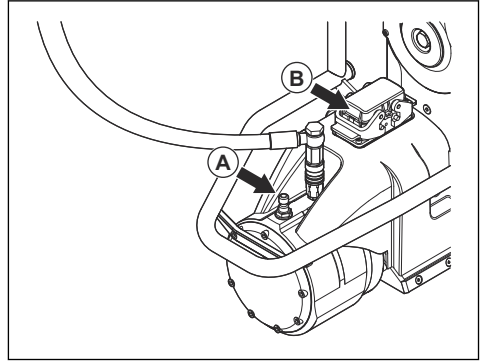
4. Ziehen Sie den Griff aus dem Klingenschutz und nach unten gegen die Schneideinheit. Der Verschluss verriegelt den Griff.

5. Zum Entfernen des Klingenschutzes die Befestigung lösen und den Griff nach oben und gegen den Klingenschutz ziehen. Sperrn Sie das Kunststoffgegenlager an der oberen Stange des Klingenschutzes.



6. Verbinden Sie den Wasserschlauch vom Auslass am Sägemotor mit dem Einlass der inneren Klingenscheibe.

1. Verbinden Sie den Wasserschlauch vom Antriebsaggregat mit dem Wassereingang der Schneideinheit (A).
2. Verbinden Sie das Netzkabel vom Antriebsaggregat mit der Schneideinheit (B).



3. Starten Sie das Antriebsaggregat, und starten Sie die Fernbedienung. Stellen Sie sicher, dass die Fernbedienung mit dem Antriebsaggregat verbunden ist.

So schließen Sie das Antriebsaggregat an



ACHTUNG: Verwenden Sie das Gerät nur mit einem anerkannten Husqvarna Antriebsaggregat.

Betrieb

Einleitung



WARNUNG: Lesen Sie vor Gebrauch des Geräts das Kapitel über Sicherheit, und machen Sie sich damit vertraut.

So prüfen Sie den Arbeitsbereich vor dem Betrieb

1. Überprüfen Sie den Arbeitsbereich, um sicherzustellen, dass ein sicherer Betrieb möglich ist. Achten Sie auf Personen, Gegenstände und Situationen, die einen sicheren Betrieb des Geräts verhindern könnten. Halten Sie einen Sicherheitsabstand von mindestens 4 m ein.
2. Stellen Sie sicher, dass sich keine elektrischen Kabel, Gas- oder Wasserleitungen im Arbeitsbereich befinden.
3. Stellen Sie sicher, dass das ausgeschnittene Stück entfernt werden kann. Teilen Sie es in kleinere Abschnitte, um die Entfernung zu erleichtern.

4. Halten Sie den Arbeitsbereich sauber und hell.
5. Stellen Sie sicher, dass der Arbeitsbereich über Strom- und Wasserversorgung verfügt. Stellen Sie sicher, dass das Abwasser entfernt werden kann.

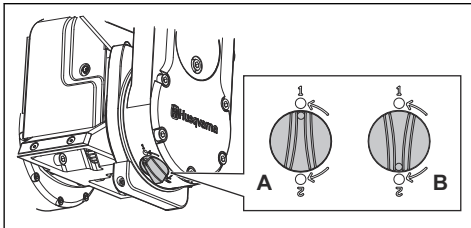
So prüfen Sie die Funktion vor dem Betrieb

1. Führen Sie eine Überprüfung der Sicherheitsvorrichtungen am Gerät durch. Siehe *Sicherheitsvorrichtungen am Gerät auf Seite 25*.
2. Stellen Sie sicher, dass die Klinge und der Klingenschutz nicht beschädigt sind. Ersetzen Sie die Klinge oder den Klingenschutz, wenn Risse oder andere Schäden auftreten.
3. Stellen Sie sicher, dass das Gerät korrekt montiert ist und dass die Wandhalterungen, Schienen, Klingenschraube und Feststellräder angezogen sind. Stellen Sie sicher, dass die Endanschläge an den Enden der Schiene befestigt sind.

- Der Klingenschutz muss immer am Gerät montiert sein, wenn dieses betrieben wird. Berührt der Klingenschutz die Decke, kann eines der Endstücke des Klingenschutzes vorübergehend demontiert werden.
- Bewegen Sie das Gerät in die Startposition, bevor Sie den Motor starten.

So wählen Sie den Gang

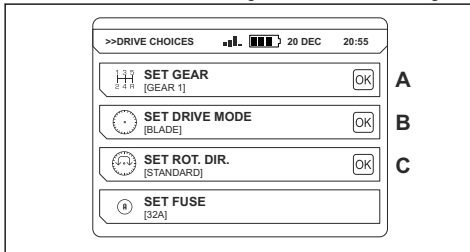
- Wählen Sie den Gang für die zu verwendende Geschwindigkeit. Bei Gang 1 liegt der Drehzahlbereich zwischen 600–900 U/min und bei Gang 2 zwischen 800–1200 U/min. Siehe *Empfohlene Drehzahl der Trennscheibe auf Seite 37*.



ACHTUNG: Stellen Sie sicher, dass sich der Schaltknopf in der richtigen Position befindet. Wenn sich der Knopf zwischen den Gängen befindet, könnte das Getriebe beschädigt werden.

So starten Sie das Gerät

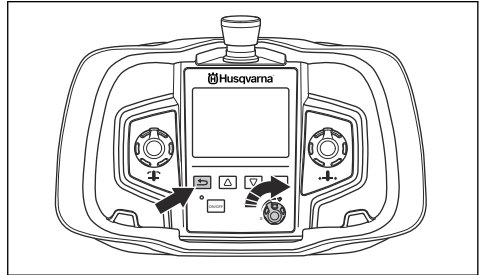
- Starten Sie das Antriebsaggregat, und schließen Sie die Fernbedienung an. Sehen Sie in der Husqvarna Antriebsaggregat-Betriebsanleitung nach.
- Wählen Sie die Einstellungen der Fernbedienung:



- GANG EINST.:** Wählen Sie den Antrieb (A). Weitere Informationen zu den empfohlenen Klingen und Geschwindigkeiten finden Sie hier. Siehe *Empfohlene Drehzahl der Trennscheibe auf Seite 37*.
- ANTR.-ART EINST.:** Stellen Sie den Modus auf KLINGE (B).
- DREHRICHT. EINST.** Wählen Sie die Rotationsrichtung der Klinge (C). Die Rotationsrichtung kann nur geändert werden, wenn die Klinge stillsteht.

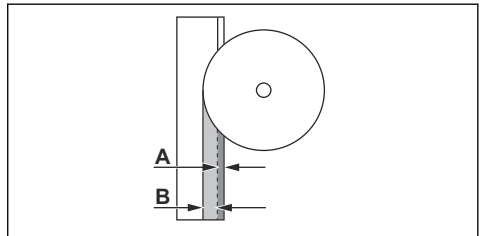
Hinweis: (S) = Standard, (R) = rückwärts.

- Bewegen Sie das Gerät in die Startposition. Stellen Sie sicher, dass die Klinge nicht das Material berührt.
- Starten Sie die Wasserversorgung für das Kühlsystem. Stellen Sie den Durchfluss mit dem Wasserhahn ein.
- Um den Motor zu starten, drücken Sie die Pfeiltaste, und drehen Sie gleichzeitig das Klingendrehzahlrad im Uhrzeigersinn. Die Motorleistung wird auf dem Display der Fernbedienung angezeigt.



So bedienen Sie das Gerät

- Starten Sie das Gerät. Siehe *So starten Sie das Gerät auf Seite 30*.
- Steuern Sie das Gerät mit der Fernbedienung. Siehe *So bedienen Sie die Fernbedienung auf Seite 33*.
- Führen Sie einen Führungsschnitt mit einer Tiefe von 2–4 cm/0,8–1,6 Zoll (A) durch. Stellen Sie sicher, dass die Leistung des Messermotors 60–65 % beträgt. Dadurch wird sichergestellt, dass der Führungsschnitt gerade ist. Schneiden Sie nicht in Betonstahl.



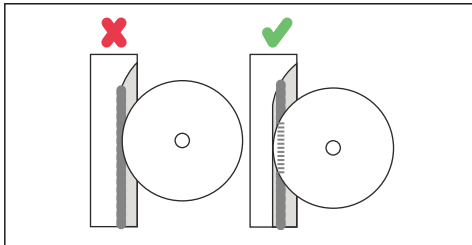
ACHTUNG: Verwenden Sie kein Vollgas für den Führungsschnitt.

- Stellen Sie die Längsgeschwindigkeit auf die höchste Stufe ein. Die Geschwindigkeit wird automatisch angepasst, um den besten Sägeeffekt zu erzielen. Wenn die Ausgangsleistung während dieser Schnitte weniger als 100 % beträgt, kann die Schnitttiefe vorsichtig erhöht werden.

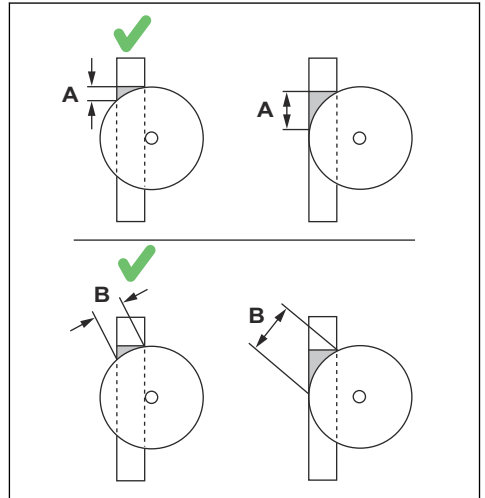
5. Führen Sie nachfolgende Schnitte mit einer Tiefe von 4–7 cm/1,6–2,8 Zoll (B) durch. Die Härte des Betons sowie die Menge und Position der Bewehrung haben Einfluss auf die Schnitttiefe.

Hinweis: Sie können die Klinge wechseln und im gleichen Schnitt schneiden. Stellen Sie sicher, dass die Dicke der neuen Klinge mit der Schlitzbreite übereinstimmt.

- a) Wenn das Gerät mit einem Einphasen-Betrieb betrieben wird, wird die Leistung reduziert. Die Schnitttiefe muss gegenüber dem Dreiphasen-Betrieb verringert werden. Verringern Sie die Schnitttiefe um die Hälfte.
- b) Wenn Sie Betonstahl durchgehend schneiden, schneiden Sie den Betonstahl wie in der Abbildung gezeigt, um die Klinge scharf zu halten. Wenn der Betonstahl nicht von Anfang bis Ende der Sägenut folgt, beginnen Sie den Schnitt vom anderen Ende aus.



- c) Verwenden Sie die maximale Schnitttiefe der Klinge, wenn die Wand dünner ist als die maximale Tiefe der Klinge. Die Schnittfläche wird verringert und der Druck der Klingensegmente erhöht. Tun Sie dies auch, wenn ein Überschritt nicht möglich ist, da der nach dem Sägen verbleibende Keil kleiner wird. (A) = Überschrittabstand, (B) = Schneidoberfläche.



- d) Wenn kein Überschritt möglich ist, verwenden Sie einen Handschleifer, um den Keil zu schneiden. Sprechen Sie mit Ihrem regionalen Husqvarna Händler, um Informationen über einen Handschleifer zu erhalten.
6. Entfernen Sie die Klinge nach jedem Schnitt aus der Sägenut.



ACHTUNG: Lassen Sie die Klinge nicht ohne Druck in der Sägenut drehen. Dadurch wird die Klinge stumpf.

7. Stoppen Sie den Motor und den Wasserdurchfluss.

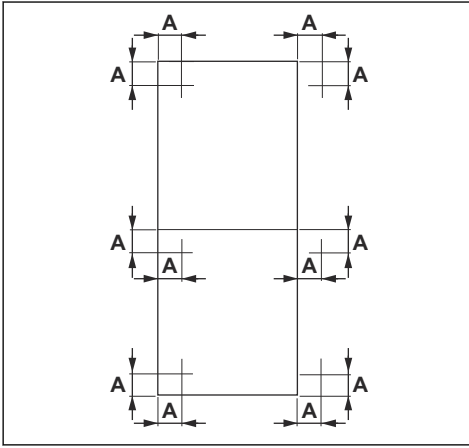
So schneiden Sie Betonblöcke



WARNUNG: Betonblöcke sind sehr schwer und können schwere Verletzungen verursachen. Achten Sie darauf, dass der zu schneidende Betonblock vor dem Betrieb sicher befestigt ist.

- Überprüfen Sie die Abmessungen des zu schneidenden Betonblocks, und stellen Sie sicher, dass er sicher anzuheben und zu entfernen ist.
- Teilen Sie einen großen Betonblock bei Bedarf in kleinere Teile. Es ist nicht erforderlich, die Schiene oder die Wandhalterungen zu bewegen. Sie können an den 2 Seiten der Schiene schneiden.

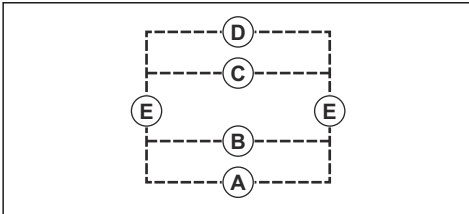
3. Setzen Sie die Löcher für die Wandhalterungen ca. 150 mm/5,9 Zoll (A) abseits der Sägenut. Verwenden Sie Expanderschrauben.



WARNUNG: Befestigen Sie die Wandhalterungen nicht am zu schneidenden Betonblock.

Hinweis: In den Ecken können für vertikale und horizontale Schnitte dieselben Bohrungen verwendet werden.

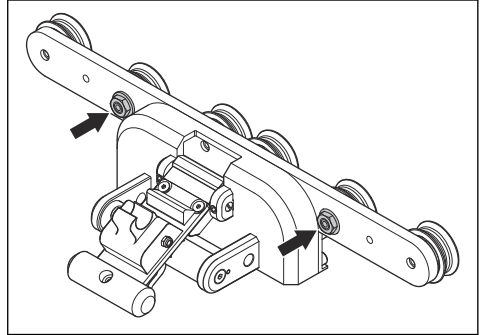
4. Schneiden Sie den Betonblock in der folgenden Reihenfolge. Die Abbildung zeigt den Arbeitsablauf, wenn Sie einen Betonblock in 3 Abschnitte unterteilen.



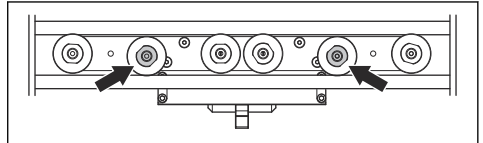
- Machen Sie zuerst die horizontalen Schnitte. Beginnen Sie von unten (A), (B), (C), (D).
 - Machen Sie die 2 vertikalen Schnitte (E).
5. Installieren Sie nach jedem Schnitt Keilanker. Installieren Sie 2 Keilanker auf der Sägesseite und 1 Keilanker auf der anderen Seite des Betonblocks.
6. Wenn Sie den letzten Schnitt machen, befestigen Sie die Schiene an einer stabilen Wand. Verwenden Sie die mitgelieferten Kunststoffkeile.

So stellen Sie die Klingenschutzführung ein

1. Lösen Sie die Muttern an den 2 einstellbaren Führungsrädern.



2. Befestigen Sie die Klingenschutzführung am Klingenschutz.
3. Drehen Sie die Nockenwellen mit einem 22-mm-Schraubenschlüssel, bis die Führungsräder die Schiene berühren.

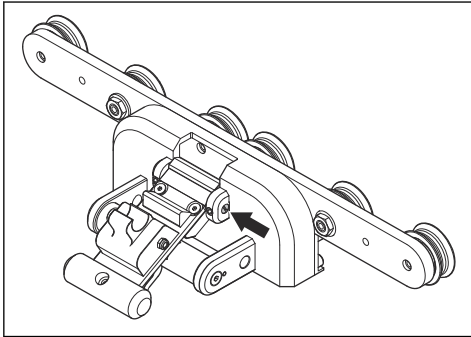


4. Fixieren Sie die Nockenwelle mit einem 22-mm-Schraubenschlüssel, und ziehen Sie die Mutter mit einem 16-mm-Schraubenschlüssel an.
5. Stellen Sie sicher, dass sich die Räder ungehindert drehen und in der Klingenschutzführung kein Spiel vorhanden ist.

So stellen Sie den Sperrgriff an der Klingenschutzführung ein

1. Befestigen Sie die Klingenschutzführung an der Schneideinheit.
2. Lösen Sie die 2 Anschlagsschrauben mit einem 3-mm-Inbusschlüssel.

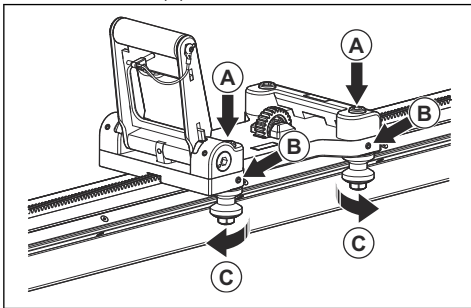
3. Drehen Sie die Nockenwelle mit einem Schraubenzieher, bis sich der Sperrgriff um den Klingenschutzhalter herum festzieht.



4. Ziehen Sie die 2 Anschlagsschrauben mit einem 3-mm-Inbusschlüssel an.
5. Entfernen Sie die 4 Schrauben am Schnappverschluss mit einem 4-mm-Inbusschlüssel.
6. Stellen Sie den Schnappverschluss ein. Der Schnappverschluss muss fest um die obere Schiene sitzen.
7. Ziehen Sie die 4 Schrauben des Schnappverschlusses mit einem 4-mm-Inbusschlüssel an.

So stellen Sie die Führungsräder ein

1. Lösen Sie die 2 M10-Schrauben mit einem 8-mm-Inbusschlüssel (A).

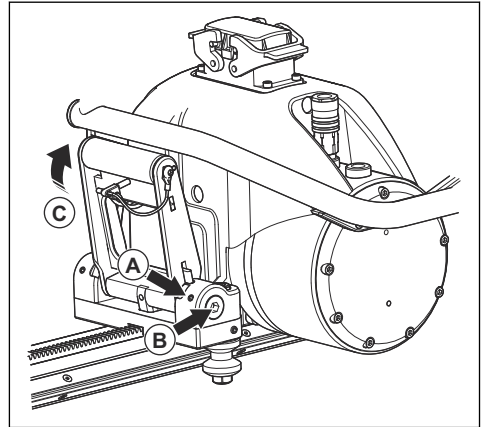


2. Lösen Sie die 2 Anschlagsschrauben, die die 2 Führungsräder arretieren, mit einem 3-mm-Inbusschlüssel (B).
3. Drehen Sie die Wellen vorsichtig mit einem 16-mm-Schraubenschlüssel, bis die Führungsräder die Schiene (C) berühren.
4. Halten Sie den 16-mm-Schraubenschlüssel in Position, und ziehen Sie die 2 Anschlagsschrauben mit einem 3-mm-Inbusschlüssel (B) an.
5. Drücken Sie die Verriegelung herunter, und ziehen Sie den Sägewagen manuell in die 2 Richtungen. Stellen Sie sicher, dass sich der Sägewagen leicht bewegt und sich alle 4 Führungsräder drehen.

6. Ziehen Sie die 2 M10-Schrauben mit einem 8-mm-Inbusschlüssel (A) an.

So stellen Sie den Sägewagen ein

1. Lösen Sie die 2 Anschlagsschrauben mit einem 3-mm-Inbusschlüssel (A).

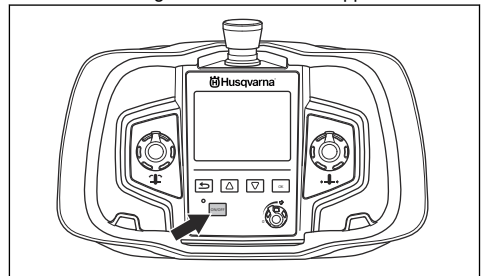


2. Drehen Sie die 2 Hülen mit einem 8-mm-Inbusschlüssel, bis die Welle fest sitzt und parallel zur Schneideinheit (B) ausgerichtet ist.
3. Ziehen Sie die 2 Anschlagsschrauben mit einem 3-mm-Inbusschlüssel (A) an.
4. Schließen Sie den Sperrgriff, und stellen Sie sicher, dass die gefederte Verriegelung in der verriegelten Position (C) bleibt.
5. Verwenden Sie den Stift, um den Griff zu sperren.

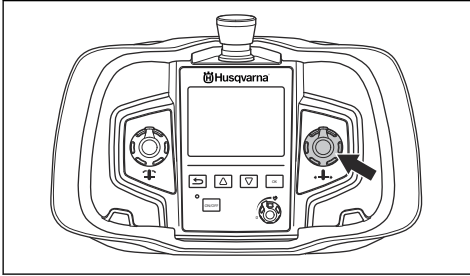
So bedienen Sie die Fernbedienung

Das Gerät wird über die Fernbedienung bedient. Die Fernbedienung ist über eine Funkübertragung mit dem Antriebsaggregat verbunden. Weitere Informationen zum Anschließen der Fernbedienung finden Sie in der Husqvarna Antriebsaggregat-Betriebsanleitung.

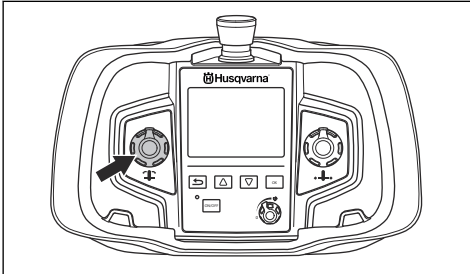
- Drücken Sie die Taste EIN/AUS, um die Fernbedienung zu starten und zu stoppen.



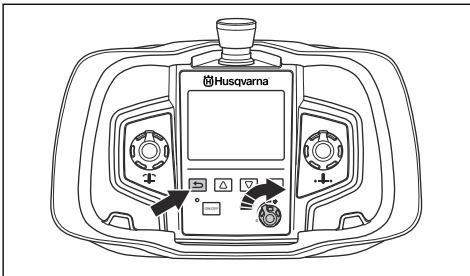
- Längsbewegung: Der Drehknopf bewegt das Gerät entlang der Schiene.



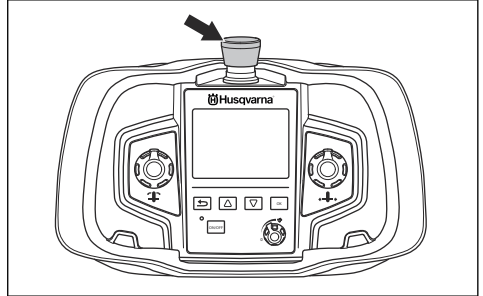
- Armbewegung: Der Drehknopf bewegt den Schwenkarm, um die Schnitttiefe einzustellen.



- Zum Drehen der Klinge und zum Steuern der Geschwindigkeit des Geräts: Halten Sie die Return-Taste gedrückt, während Sie den Drehknopf im Uhrzeigersinn drehen, um die Drehzahl der Klinge zu erhöhen.



- So stoppen Sie das Gerät: Drehen Sie den Drehknopf, der die Drehzahl der Klinge gegen den Uhrzeigersinn steuert, in die Position 0.
- Wenn ein Notfall eintritt, stoppen Sie das Gerät mit der Stoptaste.



- Weitere Einstellungen und Funktionen der Fernbedienung entnehmen Sie der Husqvarna Antriebsaggregat-Betriebsanleitung.

So stoppen Sie das Gerät



WARNING: Bewegen Sie das Gerät erst, nachdem der Motor vollständig zum Stillstand gekommen und der Netzstecker gezogen ist.

1. Bewegen Sie die Klinge von der Wand weg. Der Schwenkarm zeigt gerade aus der Wand heraus.
2. Stoppen Sie die Klinge und den Wasserdurchfluss.
3. Drücken Sie die Notaus-Taste am Antriebsaggregat, um das Antriebsaggregat anzuhalten. Ziehen Sie den Netzstecker aus der Steckdose. Sehen Sie in der Husqvarna Antriebsaggregat-Betriebsanleitung nach.
4. Stellen Sie sicher, dass die ausgeschnittenen Stück nicht herausfallen können.
5. Bringen Sie das Gerät in einen Bereich, in dem es zerlegt werden kann.

Wartung

Einleitung



WARNING: Lesen Sie vor dem Warten des Geräts das Kapitel über Sicherheit, und machen Sie sich damit vertraut.

So demontieren Sie das Gerät

Wenn das Gerät über einen Transportwagen verfügt, legen Sie alle demontierten Teile auf den Transportwagen.

1. Ziehen Sie das Netzkabel zwischen Schneideinheit und Antriebsaggregat ab. Bringen Sie die Deckel an den Steckverbindern an.
2. Trennen Sie die Wasserschläuche von der Schneideinheit.
3. Demontieren Sie den Klingenschutz.
4. Entfernen Sie die Klingenschutzführung.
5. Demontieren Sie die Klinge. Demontieren Sie den äußeren Klingensflansch, die Klinge und die Klingenschraube.

6. Drücken Sie die Sperrknöpfe nach unten, und klappen Sie die Sperrgriffe aus, um die Schneideinheit von der Schiene zu lösen.
7. Lösen Sie die Schlossschrauben der Spannscheibe an den Wandhalterungen, und heben Sie die Schiene von den Halterungen ab. Lösen Sie eine der Klemmspindeln in der Mitte der Schiene, um die Schienen zu lösen. Entfernen Sie die Schienen.
8. Demontieren Sie die Wandhalterungen.

So reinigen Sie das Gerät



ACHTUNG: Reinigen Sie das Gerät nicht mit einem Hochdruckreiniger.

1. Demontieren Sie das Gerät. Siehe *So demontieren Sie das Gerät auf Seite 34*.
2. Reinigen Sie die gesamte Ausstattung. Verwenden Sie den Wasserschlauch, eine Bürste und ein Tuch.
3. Trocknen Sie alle beweglichen Teile. Schmieren Sie alle Teile mit Ölspray, um Korrosion zu vermeiden.

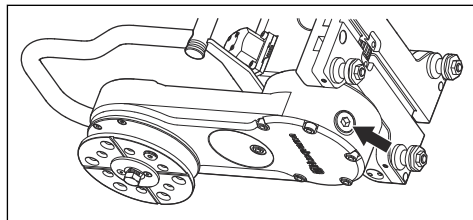
So prüfen Sie das Gerät

1. Stellen Sie sicher, dass die Schläuche und Kabel nicht beschädigt sind.
2. Stellen Sie sicher, dass alle Kupplungen und Verbindungen sauber und nicht beschädigt sind. Reinigen und schmieren Sie die Kontaktstifte. Schmieren Sie die Hülsen der Wasserkupplungen.
3. Reinigen und schmieren Sie alle Teile des Geräts, wie beispielsweise die Sperrgriffe und den Federmechanismus der Klingenschutzführung.

4. Stellen Sie sicher, dass die Klingenwelle frei beweglich und die Schraube unbeschädigt ist.
5. Stellen Sie sicher, dass die Klinge und der Klingenschutz nicht beschädigt sind. Ersetzen Sie den Klingenschutz und/oder die Klinge, wenn sie beschädigt oder verschlissen ist.
6. Stellen Sie sicher, dass sich die Räder der Klingenschutzführung ohne Widerstand drehen. Stellen Sie sicher, dass die Klingenschutzführung korrekt auf den Klingenschutz und das Gerät ausgerichtet ist.
7. Stellen Sie sicher, dass der Sägewagen korrekt ausgerichtet ist.
8. Stellen Sie sicher, dass der Sperrgriff an der Klingenschutzführung korrekt ausgerichtet ist.

So reinigen Sie die Ölschraube

- Reinigen Sie die Ölschraube, wenn Sie das Öl im Trennarm wechseln.



Transport, Lagerung und Entsorgung

Transport

- Wenn Ihr Gerät über einen Transportwagen verfügt, verwenden Sie diesen, um das Gerät zu bewegen. Die Griffe des Transportwagens können als Laufschiene verwendet werden, wenn Sie ihn auf einen Lkw heben.
- Stoppen Sie das Antriebsaggregat, und ziehen Sie das Stromkabel heraus, bevor Sie die Ausstattung bewegen.
- Entfernen Sie vor dem Transport die Klinge und den Klingenschutz vom Gerät.

Lagerung

- Bewahren Sie das Gerät in einem verschlossenen Bereich auf, um einen unerlaubten Zugriff durch Kinder oder andere nicht befugte Personen zu verhindern.
- Entfernen Sie nach dem Betrieb die Klinge und den Klingenschutz vom Gerät.

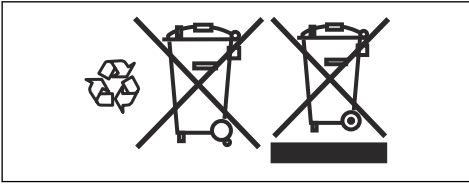
- Falls die Gefahr besteht, dass Wasser gefriert, muss jegliches verbleibendes Kühlwasser aus dem Gerät abgelassen werden.

Entsorgung

Durch Symbole auf dem Produkt oder seiner Verpackung wird angezeigt, dass dieses Produkt nicht über den Hausmüll entsorgt werden darf. Es ist einer entsprechenden Recycling-Einrichtung zuzuführen, damit elektrische und elektronische Komponenten wiedergewonnen werden können.

Dadurch, dass Sie sicherstellen, dass Sie mit diesem Produkt sorgfältig umgehen, können Sie helfen, den potentiellen negativen Auswirkungen auf die Umwelt und Ihre Mitmenschen entgegenzuwirken, die sich andernfalls durch eine unsachgemäße Entsorgung dieses Produkts ergeben können. Genauere Informationen über die ordnungsgemäße Entsorgung dieses Produkts erhalten Sie bei Ihrer Stadtverwaltung,

Ihrem Abfallentsorgungsunternehmen oder dem Geschäft, in dem Sie Ihr Produkt gekauft haben.



Technische Angaben

Technische Daten

	WS 442
Gewicht	
Sägewagen, kg/lbs	3,7/8,2
Sägeeinheit, kg/lbs	28,6/63,1
Klingenschutz 800 mm, kg/lbs	13/28,7
Klingenschutz 1000 mm, kg/lbs	16/35,3
Spur 1200 mm (47 Zoll) kg/lbs	9,5/20,9
Spur 2000 mm (79 Zoll) kg/lbs	19/41,9
Klingengröße	
Klingengröße – max., mm/in.	1200/47,2
Klingengröße – min., mm/in.	600/23,6
Startklinge – max., mm/in.	1000/39,4
Schnittiefe – max., mm/in.	530/20,9
Motor für Sägeklingenantrieb	PM, hoher Zyklus
Spindelleistung – max., kW	13
Antriebsstrang	Zahnradantrieb
Drehzahl, U/min	0–1200
Vorschubsystem/Steuerung	Elektrisch/autom.
Antriebsdrehmoment an der Sägeklinge – max., Nm	160
Anlaufmoment, Nm	150
Kühlwasserdruck – max., bar	7
Kühlwasserdurchfluss min., l/min	3,5
Kühlwassertemperatur bei 3,5 l/min – max., °C	25
Schutzart	IP 65

Geräuschemissionen³	
Gemessener Schalleistungspegel dB (A)	108
Garantierter Schalleistungspegel L _{WA} dB (A)	109
Lautstärke⁴	
Schalldruckpegel am Ohr des Bedieners, dB (A)	85

Empfohlene Drehzahl der Trennscheibe



WARNUNG: Wenn Sie mit zu hoher Drehzahl schneiden, kann dies zu Schäden an der Klinge oder zu Verletzungen führen.

Bei Gang 1 liegt der Drehzahlbereich zwischen 600–900 U/min und bei Gang 2 zwischen 800–1200 U/min. Wenn Sie mit 800–900 U/min schneiden, erhalten Sie

eine höhere Leistung, wenn Sie Gang 1 verwenden. Für die empfohlene Klingendrehzahl wenden Sie sich bitte an Ihren Klingenhändler. Wenn Sie in harten Beton schneiden, verwenden Sie eine niedrigere Drehzahl.

Drehzahl, U/min	
Gang 1	600–900
Gang 2	800–1200

	600 mm/24 Zoll	800 mm/32 Zoll	1000 mm/40 Zoll	1200 mm/48 Zoll
600 U/min				H
700 U/min			H	M
800 U/min			M	S
900 U/min		H	M	
1000 U/min		M	S	
1100 U/min	H	M		
1200 U/min	M	S		

H = Hartbeton

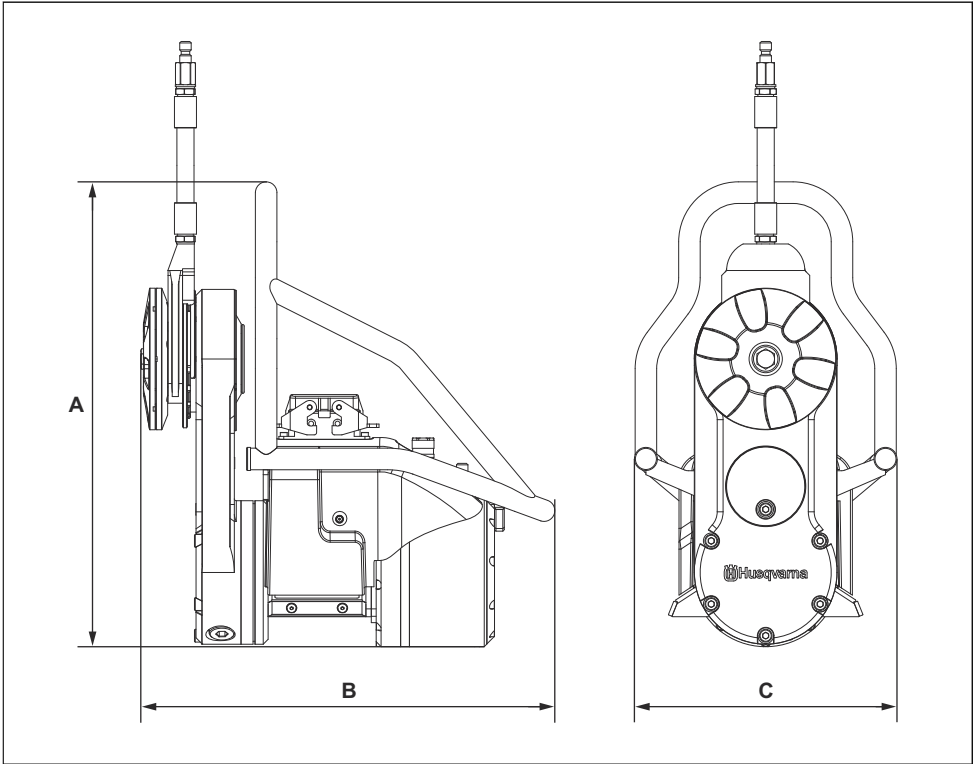
M = Mittlerer Beton

S = Weicher Beton

³ Umweltbelastende Geräuschemission gemessen als Schalleistung (L_{WA}) gemäß EN 15027/A1.

⁴ Schalldruckpegel gemäß EN 15027/A1. Berichten zufolge liegt der Schalldruckpegel normalerweise bei einer Ausbreitungsklasse (standardmäßige Ausbreitung) von 1,0 dB (A).

Gerätemaße



A = 473 mm

B = 423 mm

C = 269 mm

EG-Konformitätserklärung

EU-Konformitätserklärung

Wir, Husqvarna AB, SE 561 82 Huskvarna,
SCHWEDEN, Tel. +46 36 146500 erklären in alleiniger
Verantwortung, dass das Gerät:

Beschreibung	Wandsäge
Marke	Husqvarna
Typ/Modell	WS 442
Identifizierung	Seriennummern ab 2019

die folgenden EU-Richtlinien und -Vorschriften erfüllt:

Richtlinie/Vorschrift	Beschreibung
2006/42/EC	„Maschinenrichtlinie“

und dass die folgenden Normen und/oder technischen
Daten angewendet werden:

- EN ISO 12100:2010
- EN 15027/A1:2009
- EN 60204-1:2006+A1:2009

Partille, 2019-07-03



Edvard Gulis

Leiter F&E-Abteilung, Sägen und Bohren von Beton

Husqvarna AB, Construction Division

Verantwortlich für die technische Dokumentation

Sommaire

Introduction.....	40	Entretien.....	53
Sécurité.....	41	Transport, entreposage et mise au rebut.....	54
Montage.....	46	Caractéristiques techniques.....	55
Utilisation.....	49	Déclaration de conformité CE.....	58

Introduction

Description du produit

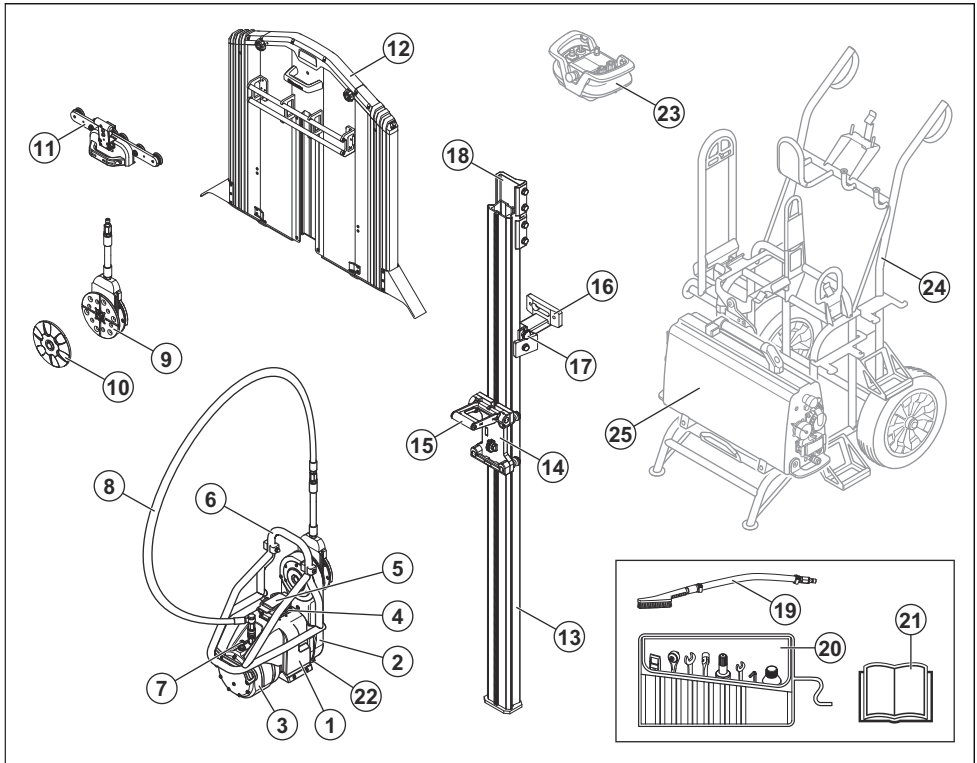
La Husqvarna WS 442 est une scie murale équipée d'un moteur électrique.

Remarque: La législation nationale peut imposer des limites à l'utilisation du produit.

Utilisation prévue

Ce produit est conçu pour scier dans des matériaux durs tels que le béton armé, la pierre et la brique.

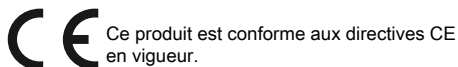
Aperçu du produit



- | | |
|--------------------|----------------------------------|
| 1. Unité de sciage | 4. Branchement des câbles |
| 2. Bras de coupe | 5. Capot de protection |
| 3. Moteur | 6. Ensemble poignée/protège-lame |

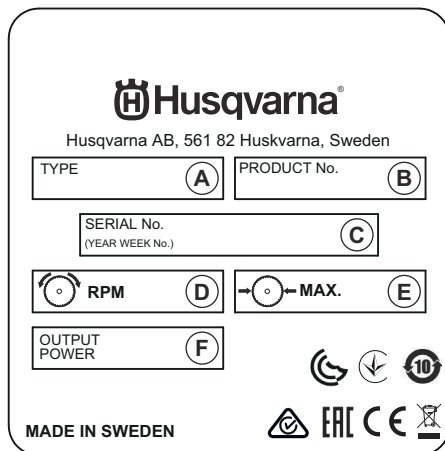
7. Raccord flexible, arrivée d'eau
8. Tuyau d'arrosage
9. Moyeu de la bride de lame
10. Bride de lame extérieur
11. Guide du protège-lame
12. Protège-disque
13. Rail
14. Chariot
15. Poignée de blocage
16. Support mural
17. Porte-rail
18. Connecteur
19. Brosse
20. Jeu d'outils
21. Manuel de l'opérateur
22. Bouton de vitesse
23. Télécommande (accessoire)
24. Chariot (accessoire)
25. Bloc d'alimentation (accessoire)

dans une déchetterie agréée pour équipements électriques et électroniques.



Remarque: les autres symboles/autocollants présents sur le produit concernent des exigences de certification spécifiques à certains marchés.

Plaque d'identification



Symboles concernant le produit



AVERTISSEMENT : ce produit peut être dangereux et causer des blessures graves, voire mortelles, à l'opérateur ou à d'autres personnes. Soyez prudent et utilisez le produit correctement.



Lisez avec attention le manuel d'utilisation et assurez-vous de bien comprendre les instructions avant d'utiliser ce produit.



Utilisez un casque de protection, des protège-oreilles, des protections pour les yeux et une protection respiratoire homologués.



Le produit ou son emballage ne font pas partie des ordures ménagères. Déposez-le

- R : type/modèle
- B : n° de produit
- C : n° de série avec date de fabrication (AAAA, SS, XXXXX) : Année, semaine, n° de séquence
- D : régime maximal, tr/min
- E : taille de lame maximale, mm
- F : Puissance, kW

Sécurité

Définitions de sécurité

Des avertissements, des recommandations et des remarques sont utilisés pour souligner des parties spécialement importantes du manuel.



AVERTISSEMENT: Symbole utilisé en cas de risque de blessures ou de mort pour l'opérateur ou les personnes à proximité si les instructions du manuel ne sont pas respectées.



REMARQUE: Symbole utilisé en cas de risque de dommages pour le produit, d'autres matériaux ou les environs si les instructions du manuel ne sont pas respectées.

Remarque: Symbole utilisé pour donner des informations supplémentaires pour une situation donnée.

Consignes générales de sécurité relatives à l'outil à moteur



AVERTISSEMENT: Lisez l'ensemble des avertissements de sécurité, des consignes, des illustrations et des spécifications fournies avec cet outil électrique. Le non-respect des consignes énumérées ci-dessous peut être à l'origine d'un choc électrique, d'un incendie et/ou de blessures graves.

Remarque: Conservez toutes ces consignes et instructions pour toute consultation ultérieure. Le terme « outil électrique » utilisé dans les avertissements fait référence à l'outil branché sur secteur (fil) ou à l'outil alimenté par batterie (sans fil).

Sécurité dans l'espace de travail

- **Maintenez un espace de travail propre et bien éclairé.** Les espaces encombrés ou sombres exposent à des accidents.
- **N'utilisez pas de machines à usiner dans des atmosphères explosives, en présence de liquides, de gaz ou de poussières inflammables par exemple.** Les machines à usiner provoquent des étincelles qui peuvent enflammer la poussière ou les vapeurs.
- **Tenez les enfants et les spectateurs à distance lorsque la machine à usiner est en marche.** Un moment d'inattention peut vous faire perdre le contrôle.

Sécurité électrique

- **Les fiches des machines à usiner doivent être adaptées à la prise. N'apportez jamais de modifications à la fiche. Ne pas utiliser de fiches d'adaptation avec des machines mises à la terre.** Des fiches non modifiées et des prises compatibles réduiront le risque de choc électrique.
- **Éviter tout contact physique avec les surfaces mises à la terre telles que les tuyaux, les radiateurs, les cuisinières et les réfrigérateurs.** Le risque d'électrocution est plus important si le corps est relié à la terre.
- **Ne pas exposer les outils électriques à la pluie ou à l'humidité.** L'infiltration d'eau dans une machine à usiner augmente le risque d'électrocution.
- **Ne pas malmené le cordon. N'utilisez jamais le cordon pour porter, tirer ou débrancher la machine. Maintenez le cordon d'alimentation à l'écart de la chaleur, de bords tranchants ou de pièces en mouvement.** Les cordons endommagés ou emmêlés augmentent le risque d'électrocution.
- **Lorsqu'une machine à usiner est utilisée à l'extérieur, installer une rallonge adaptée à un usage extérieur.** L'utilisation d'un cordon d'alimentation pour usage extérieur réduit le risque d'électrocution.

- **Si vous n'avez d'autre choix que d'utiliser un outil électrique dans un endroit humide, utilisez une alimentation protégée par un dispositif de courant résiduel (RCD).** L'utilisation d'un RCD réduit le risque de choc électrique.

Sécurité du personnel

- **Restez attentif, regardez ce que vous faites et ayez recours à votre bon sens lorsque vous utilisez un outil électrique. N'utilisez pas d'outil électrique si vous êtes fatigué ou si vous êtes sous l'emprise de drogues, d'alcool ou de médicaments.** Un moment d'inattention pendant l'utilisation des machines à usiner peut entraîner des blessures corporelles graves.
- **Utilisez un équipement de protection personnelle. Travaillez toujours avec des lunettes de protection.** Les équipements de protection tels que le masque anti-poussière, les chaussures de sécurité antidérapantes, le casque ou le protège-oreilles utilisés dans des conditions appropriées réduisent les blessures corporelles.
- **Évitez tout démarrage intempestif. Vérifiez que l'interrupteur est en position d'arrêt avant de brancher l'outil sur l'alimentation et/ou la batterie, de le ramasser ou de le transporter.** Le fait de garder le doigt sur l'interrupteur pendant le transport des outils ou le branchement des machines alors que l'interrupteur est en position ON expose à des accidents.
- **Retirez toute clé ou clavette de calage avant de mettre la machine à usiner sous tension.** Une clé ou une clavette reliée à une pièce mobile de la machine à usiner peut entraîner des blessures corporelles.
- **Ne vous éloignez pas trop. Restez toujours en équilibre et sur vos appuis.** Cela favorise le contrôle de la machine à usiner dans les situations inattendues.
- **Habilitez-vous correctement. Ne portez jamais de vêtements amples ou de bijoux. Éloignez vos cheveux et vos vêtements des pièces mobiles.** Les vêtements amples, les bijoux et les cheveux longs peuvent rester coincés dans les pièces mobiles.
- **Si des dispositifs sont fournis pour raccorder des systèmes de collecte et d'extraction de la poussière, vérifiez qu'ils sont correctement branchés et utilisés.** L'utilisation de systèmes de collecte de poussière peut réduire les risques associés à la poussière.
- **La connaissance des outils, acquise par l'usage fréquent de ces derniers, ne doit pas vous dispenser d'être prudent et d'appliquer les principes de sécurité.** Une action inconsidérée peut provoquer de graves blessures en une fraction de seconde.

Utilisation et entretien de la machine à usiner

- **Ne forcez pas sur la machine à usiner. Utilisez la machine à usiner qui convient à l'application.** La machine qui convient réalisera mieux son travail et

de façon plus sûre, à la vitesse pour laquelle elle a été conçue.

- **N'utilisez pas la machine à usiner si l'interrupteur ne permet pas la mise sous tension ou l'arrêt.** Toute machine à usiner impossible à commander avec l'interrupteur est dangereuse et doit être réparée.
- **Débranchez la fiche de la prise et/ou retirez le bloc d'alimentation, si celui-ci est amovible, avant de procéder aux réglages, de changer les accessoires ou de stocker un outil électrique.** Ces mesures de sécurité préventive réduisent le risque de mise sous tension accidentelle de la machine à usiner.
- **Rangez les machines à usiner hors de la portée des enfants et ne pas laisser des personnes qui ne connaissent pas la machine ou ces consignes utiliser l'appareil.** Les machines à usiner sont dangereuses si elles sont entre les mains d'utilisateurs non formés.
- **Entretenez les accessoires et outils électriques. Vérifier le mauvais alignement ou la fixation des pièces mobiles, l'éventuelle rupture des pièces ou toute autre condition susceptible d'altérer le fonctionnement de la machine. Si elle est endommagée, la machine à usiner doit être réparée avant toute réutilisation.** De nombreux accidents sont dus à des machines mal entretenues.
- **Maintenez les outils tranchants aiguisés et propres.** Des outils tranchants correctement entretenus avec des bords aiguisés sont moins susceptibles de se coincer et sont plus faciles à contrôler.
- **Utiliser la machine à usiner, les accessoires, les grains, etc. en suivant ces consignes et en tenant compte des conditions de travail et de la tâche à réaliser.** Il est dangereux d'utiliser l'outil électrique pour tout autre usage que celui prévu.
- **Les poignées et les surfaces de maintien doivent toujours être propres, sèches et sans traces d'huile ni de graisse.** Les poignées et les surfaces de maintien glissantes ne permettent pas une manipulation et un contrôle sûrs de l'outil dans des situations inattendues.

Entretien

- **Confiez l'entretien de votre outil électrique à un mécanicien qualifié qui utilisera uniquement des pièces de rechange identiques.** Cela permet de garantir la sécurité de la machine.
- **Ne jamais entretenir des batteries endommagées.** L'entretien des batteries doit être effectué uniquement par le fabricant ou des fournisseurs de services agréés.

Consignes de sécurité pour les scies murales

- **Saisissez l'outil électrique par les surfaces de maintien isolées lors d'une opération où l'accessoire de coupe risque de rentrer en contact avec du câblage dissimulé ou son propre cordon.** Si l'accessoire de coupe entre en contact avec un câble

sous tension, il risque de mettre sous tension les parties métalliques exposées de l'outil électrique, ce qui pourrait envoyer un choc électrique à l'utilisateur.

- **Portez des protections auditives lors du sciage au diamant.** L'exposition au bruit peut engendrer une perte auditive.
- **Si le disque diamanté se bloque, arrêtez d'appliquer une force sur l'outil et éteignez-le.** Identifiez et corrigez la cause du coincement du disque diamanté.
- **Pendant le sciage, assurez-vous de protéger le personnel et la zone de travail situés de l'autre côté.** Le disque diamanté peut traverser le matériau scié.
- **Assurez-vous que la méthode de fixation du système de guidage sur le matériau à scier est suffisante pour maintenir et retenir la machine pendant son utilisation.** Si le matériau est peu solide ou poreux, les ancrages peuvent sortir du matériau, provoquant ainsi le détachement du système de guidage du matériau.

Instructions générales de sécurité



AVERTISSEMENT: Lisez les instructions qui suivent avant d'utiliser le produit.

- Cependant, aucune information ne peut remplacer l'expérience et le savoir-faire d'un professionnel. En cas de doute ou de difficulté quant à l'utilisation de la machine, consultez un spécialiste. Veuillez contacter votre revendeur, votre atelier de réparation ou un utilisateur expérimenté. L'utilisateur doit éviter d'utiliser la machine s'il ne se sent pas suffisamment qualifié pour le travail à effectuer !
- Cette machine est conçue pour le sciage de béton, de brique et de divers autres matériaux à base de pierre. Elle n'est destinée à aucune autre utilisation.
- Le produit doit rester propre. Les signes et autocollants doivent être parfaitement lisibles.
- Les modifications et accessoires non autorisés peuvent entraîner des blessures graves, voire mortelles à l'utilisateur ou aux autres personnes présentes. Ne modifiez jamais cette machine de façon à ce qu'elle ne soit plus conforme au modèle d'origine et n'utilisez jamais une machine qui semble avoir été modifiée. N'utilisez jamais un produit, une batterie ou un chargeur de batterie défectueux. Suivez les instructions de contrôle, de maintenance et d'entretien indiquées dans ce manuel. Certaines opérations de maintenance et d'entretien doivent être réalisées par un spécialiste dûment formé et qualifié. Voir les instructions du chapitre Entretien. Utilisez uniquement les pièces de rechange d'origine.
- Les réparations ne peuvent être effectuées que par des réparateurs agréés. Cela évite d'exposer les opérateurs à des risques importants.

- Les contrôles et les entretiens doivent être effectués avec le moteur à l'arrêt et la prise électrique débranchée.

Instructions de sécurité pour le fonctionnement



AVERTISSEMENT: Lisez les instructions qui suivent avant d'utiliser le produit.

- Utilisé de manière imprudente ou inadéquate, le produit peut devenir un outil dangereux, pouvant causer des blessures graves, voire mortelles à l'utilisateur ou à d'autres personnes présentes.
- Ne laissez jamais d'enfants ou d'autres personnes ne possédant pas la formation requise utiliser ou entretenir le produit.
- Ne laissez jamais d'autres personnes utiliser le produit sans vous être assuré au préalable que ces personnes ont bien lu et compris le contenu du mode d'emploi.
- N'utilisez jamais le produit en cas de fatigue, d'absorption d'alcool ou de prise de médicaments susceptibles d'affecter l'acuité visuelle, le jugement ou la maîtrise du corps.
- Tous les opérateurs doivent être formés à l'utilisation du produit. Il incombe au propriétaire de s'assurer que les opérateurs reçoivent une formation.
- Lisez attentivement et assimilez le manuel d'utilisation avant d'utiliser le produit.
- Le produit peut provoquer des blessures personnelles graves. Lire attentivement les consignes de sécurité. Apprendre à bien utiliser le produit.
- N'oubliez pas que l'opérateur est responsable des accidents ou dangers aux tiers et à leurs biens.
- Ce produit est conçu uniquement pour être utilisé avec un bloc d'alimentation homologué. Lisez attentivement le manuel fourni avec le bloc d'alimentation avant de commencer à utiliser le produit. Toute autre utilisation est interdite.
- Couper à un régime trop élevé peut endommager la lame et engendrer des blessures individuelles.
- Arrêtez le moteur et débranchez le cordon d'alimentation avant de soulever ou de déplacer le produit.

Équipement de protection individuel



AVERTISSEMENT: Lisez les instructions qui suivent avant d'utiliser le produit.

- Utilisez toujours un équipement de protection individuel approprié lorsque vous faites fonctionner le produit. L'équipement de protection individuel n'empêche pas le risque de blessures. L'équipement de protection individuel diminue la gravité des

blessures en cas d'accident. Faites appel à votre revendeur pour vous aider à sélectionner l'équipement adéquat.

- Utilisez des protections pour les yeux homologuées pendant que vous utilisez le produit.
- Utilisez des bottes antidérapantes robustes avec coquilles en acier.
- Portez des vêtements près du corps qui n'entravent toutefois pas vos mouvements.
- Vérifiez régulièrement l'état de votre équipement de protection individuel.
- Utilisez des gants de protection robustes homologués.
- Utilisez des gants de protection en caoutchouc afin d'éviter toute irritation de la peau due au béton humide.
- Utilisez un casque de protection homologué.
- Utilisez toujours des protecteurs d'oreille homologués pendant l'utilisation du produit. Une exposition au bruit sur de longues périodes peut provoquer une perte d'audition.
- Le produit génère de la poussière et des fumées nocives pour la santé. Portez une protection respiratoire homologuée.
- Assurez-vous de disposer d'une trousse de premiers soins à proximité.
- Des étincelles peuvent se produire lorsque vous utilisez le produit. Assurez-vous de disposer d'un extincteur à proximité.
- Ne portez pas de vêtements amples, de bijoux ou d'autres objets pouvant s'accrocher dans les pièces mobiles. Attachez vos cheveux de façon sécurisée au-dessus de vos épaules.

Dispositifs de sécurité sur le produit



AVERTISSEMENT: Lisez les instructions qui suivent avant d'utiliser le produit.

- N'utilisez pas un produit avec des dispositifs de sécurité défectueux.
- Contrôlez les dispositifs de sécurité régulièrement. Si les dispositifs de sécurité sont défectueux, parlez-en à votre agent d'entretien Husqvarna.

Protège-disque

Le protège-lame protège l'opérateur de la poussière et des éclats de la lame de coupe pouvant entraîner des blessures en cas de rupture de la lame.



AVERTISSEMENT: N'utilisez pas le produit sans protège-lame.

Pour contrôler le protège-disque

1. Assurez-vous que le protège-lame n'est pas endommagé. Reportez-vous à la section *Aperçu du produit à la page 40*.
2. Assurez-vous que le protège-lame est bien fixé.
3. Assurez-vous que la lame se trouve au centre du protège-lame et ne touche pas le protège-lame.

Verrouillage du protège-lame

Le verrouillage du protège-lame maintient le guide du protège-lame dans la position correcte sur le protège-lame.

Pour contrôler le verrouillage du protège-lame

- Assurez-vous que le mécanisme de verrouillage du protège-lame sur le guide du protège-lame fonctionne correctement. Reportez-vous à la section *Pour régler la poignée de blocage du guide du protège-lame à la page 52*.

Butées

Les butées empêchent le produit de sortir des rails.



AVERTISSEMENT: Si les butées ne sont pas fixées correctement aux extrémités de rail, le produit se détache et peut provoquer des blessures graves.

Pour contrôler les butées

- Assurez-vous que les butées sont fixées aux extrémités de rail. Reportez-vous à la section *Aperçu du produit à la page 40*.

Bloc d'alimentation

Le bloc d'alimentation Husqvarna permet de faire fonctionner le produit.



AVERTISSEMENT: avant tout entretien, débranchez le produit de l'alimentation électrique et attendez au moins 5 minutes.

Pour contrôler le bloc d'alimentation

- Assurez-vous que l'équipement de sécurité n'est pas endommagé. Reportez-vous au manuel du bloc d'alimentation Husqvarna .

Supports muraux

Les supports muraux fixent les rails à la bonne position sur le mur.

Pour contrôler les supports muraux

1. Placez les supports muraux à environ $\frac{1}{4}$ de la longueur du rail (A).



2. Utilisez au moins 2 supports muraux. Si plusieurs rails sont assemblés, un support mural est nécessaire pour chaque section de rail.

Connecteurs de rail

Les connecteurs de rail connectent les sections de rail.



REMARQUE: assurez-vous que les connecteurs de rail sont compatibles avec le produit.

Pour contrôler les connecteurs de rail

- Assurez-vous que les connecteurs de rail sont montés correctement. Reportez-vous à la section *Aperçu du produit à la page 40*.

Bouton d'arrêt

Le bouton d'arrêt arrête le produit et la télécommande. Reportez-vous à la section *Pour utiliser la télécommande à la page 52*.

Pour contrôler le bouton d'arrêt

1. Démarrer le moteur.
2. Appuyez sur le bouton d'arrêt sur la télécommande. Assurez-vous que la télécommande et le produit s'arrêtent.

Poignées de blocage

Les poignées de blocage serrent les roues de guidage contre le rail.

Pour contrôler les poignées de blocage

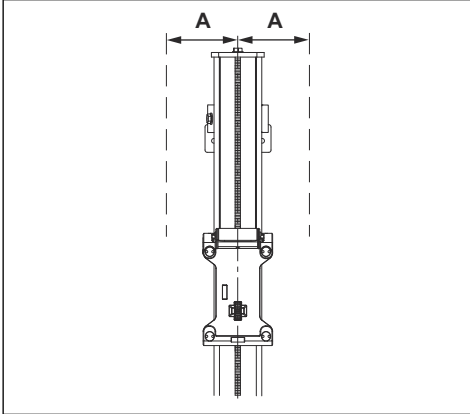
1. Montez le produit. Reportez-vous à la section *Montage à la page 46*.
2. Utilisez les poignées de blocage pour serrer les roues de guidage contre le rail.

Remarque: en cas de jeu, réglez les roues de guidage. Reportez-vous à la section *Pour régler les roues de guidage à la page 52*.

Montage

Pour monter les supports muraux

1. Marquez un repère sur la ligne de découpe et marquez les repères des orifices des boulons à expansion à (A) = 165 mm (6,5 po) de la ligne de découpe.

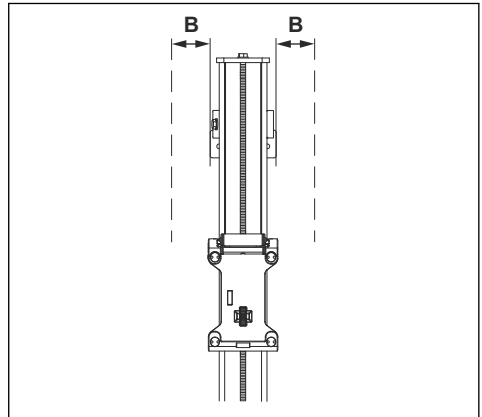


2. Percez des orifices de 15 mm (5/8 po) pour les boulons à expansion M12 (1/2 po).
3. Accrochez les supports muraux sans les serrer avec les boulons à expansion. Utilisez des boulons M6S 12 x 70 (1/2 po x 2 po) ou équivalents.

Pour monter les rails

1. Placez le rail dans les supports muraux et serrez les rondelles de compression. Pour les coupes verticales, montez le rail avec la poignée de blocage du chariot de scie vers le haut.
2. Assurez-vous que le rail est bien aligné sur les supports muraux avant de serrer les vis.

3. Réglez la distance entre la ligne de découpe et les supports muraux. La distance entre le bord et la face interne de la découpe doit être (B) = 89 mm/3,5 po. Serrez les boulons à expansion.

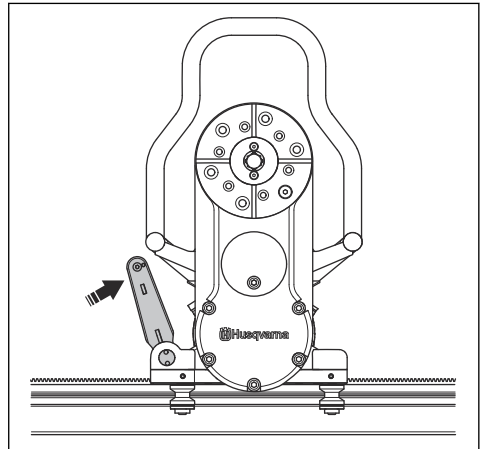


Pour monter le produit sur les rails

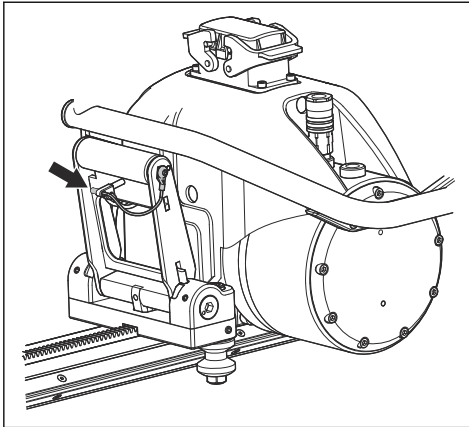


AVERTISSEMENT: avant de monter le produit sur les rails, vous devez le monter dans le chariot de scie.

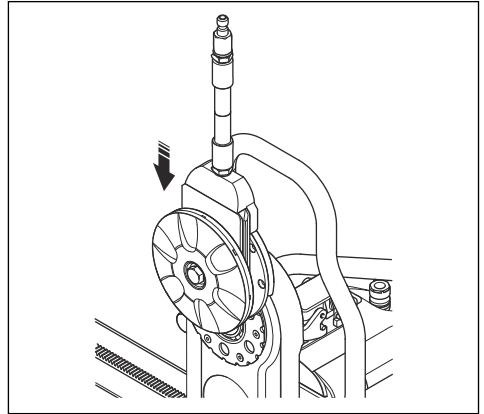
1. Soulevez le produit pour le mettre en place dans le chariot de scie. Lorsque le produit est en position, la poignée de blocage se déplace vers le haut en position centrale. Dans cette position, le produit reste dans le chariot, mais n'est pas assez bien fixé pour démarrer le travail.
2. Pour fixer le produit, soulevez la poignée de blocage contre le produit jusqu'à ce qu'elle se verrouille.



3. Verrouillez la poignée avec la goupille.



4. Accrochez la lame avec la bride de lame et le moyeu de la bride de lame sur le bras de coupe.



Pour monter la lame

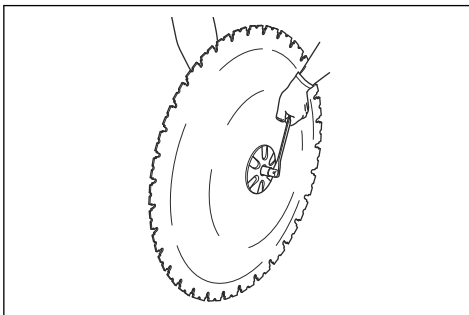


AVERTISSEMENT: avant le montage, débranchez le produit de l'alimentation électrique.

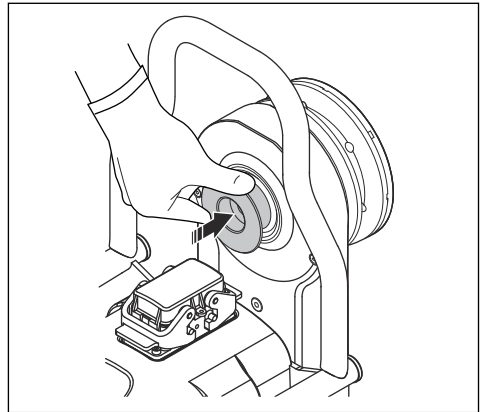
1. Nettoyez les surfaces de contact de la bride de lame et de la lame.
2. Assurez-vous que la lame tourne avec la partie exposée du diamant orientée dans le sens de rotation de la lame.

Remarque: puisque le sens de rotation de la lame peut être sélectionné, la pulvérisation d'eau de la lame peut également être sélectionnée.

3. Montez la bride de lame extérieure, la lame et le moyeu de la bride de lame. Serrez à un couple de 70-80 Nm.



5. Tournez le moyeu de la bride de lame avec précaution jusqu'à ce qu'il se déplace dans l'une des glissières du bras pivotant. Fixez le moyeu de la bride de lame à l'aide du boulon.
6. Poussez l'axe de lame dans le bras de coupe tout en faisant tourner la lame avec précaution. Serrez-le à l'aide de la clé de 18 fournie. Serrez à un couple de 70-80 Nm.



AVERTISSEMENT: assurez-vous que la lame est fixée correctement avant de démarrer le produit.

Pour monter la lame pour une coupe à ras



AVERTISSEMENT: avant le montage, débranchez le produit de l'alimentation électrique.

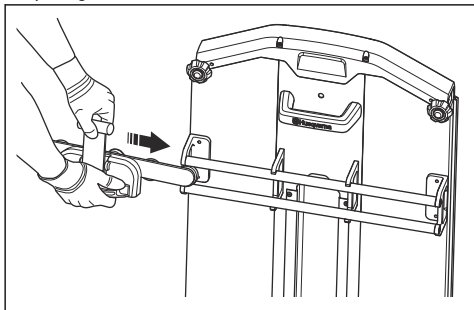
1. Déposez la bride de lame extérieure et montez la lame sur le moyeu de la bride de lame.
2. Assurez-vous que la lame est fixée correctement avant de démarrer le produit.

Pour fixer le protège-lame

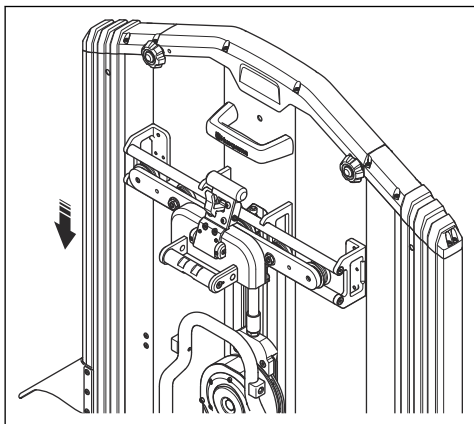


AVERTISSEMENT: avant le montage, débranchez le produit de l'alimentation électrique.

1. Placez le guide du protège-lame entre les tiges du protège-lame.

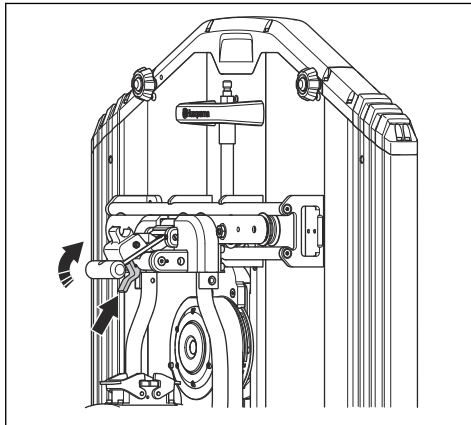


2. Verrouillez le talon en plastique de la poignée sur la tige supérieure du protège-lame.
3. Assurez-vous que le bras de coupe se trouve à la verticale. Levez le protège-lame au-dessus de la lame et accrochez-le au support du protège-lame sur le produit. Assurez-vous que les glissières du protège-lame sont installées dans les fentes de l'unité d'eau.



4. Tirez la poignée hors du protège-lame et abaissez-la contre l'unité de sciage. L'attache verrouille la poignée.

5. Pour déposer le protège-lame, libérez l'attache et tirez la poignée vers le haut, puis contre le protège-lame. Verrouillez le talon en plastique sur la tige supérieure du protège-lame.



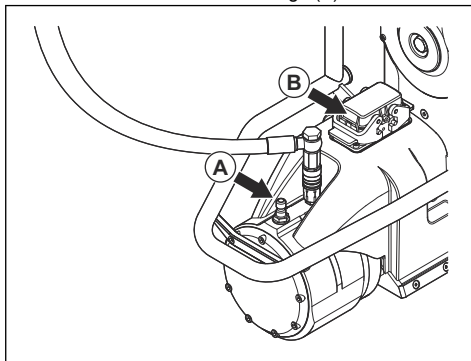
6. Branchez le flexible d'eau entre la sortie du moteur de la scie et l'entrée du moyeu de la bride de lame.

Pour connecter le bloc d'alimentation



REMARQUE: Utilisez le produit uniquement avec un bloc d'alimentation Husqvarna homologué.

1. Branchez le tuyau d'eau entre le bloc d'alimentation et l'entrée d'eau de l'unité de sciage (A).
2. Branchez le cordon d'alimentation entre le bloc d'alimentation et l'unité de sciage (B).



3. Démarrez le bloc d'alimentation et la télécommande. Assurez-vous que la télécommande est connectée au bloc d'alimentation.

Utilisation

Introduction



AVERTISSEMENT: Assurez-vous de lire et de comprendre le chapitre dédié à la sécurité avant d'utiliser l'appareil.

Pour contrôler la zone de travail avant l'utilisation

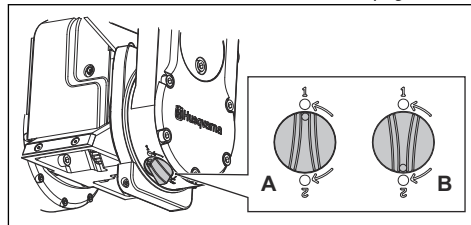
1. Contrôlez la zone de travail pour vous assurer que vous pouvez utiliser le produit en toute sécurité. Identifiez les éventuels personnes, objets et situations susceptibles de nuire à la sécurité du fonctionnement du produit. Maintenez une distance de sécurité d'au moins 4 m.
2. Assurez-vous que la zone de travail ne comporte aucun câble électrique ni aucun tuyau de gaz ou d'eau.
3. Assurez-vous que la pièce coupée peut être retirée. Divisez-la en sections plus petites pour faciliter son retrait.
4. Veillez à ce que la zone de travail reste propre et bien éclairée.
5. Assurez-vous que la zone de travail comporte une alimentation en eau et en électricité. Assurez-vous que les eaux usées peuvent être évacuées.

Pour contrôler le fonctionnement avant utilisation

1. Contrôlez les dispositifs de sécurité du produit. Reportez-vous à la section *Dispositifs de sécurité sur le produit à la page 44*.
2. Assurez-vous que la lame et le protège-lame ne sont pas endommagés. Remplacez la lame ou le protège-lame en cas de fissures ou d'autres dommages.
3. Assurez-vous que le produit est assemblé correctement et que les supports muraux, les rails, le boulon de lame et les roues de blocage sont serrés. Assurez-vous que les butées sont fixées aux extrémités du rail.
4. Le protège-lame doit toujours être présent pendant l'utilisation du produit. Si le protège-lame touche le plafond, l'une des extrémités du protège-lame peut être démontée temporairement.
5. Placez le produit en position de démarrage avant de démarrer le moteur.

Pour sélectionner la vitesse

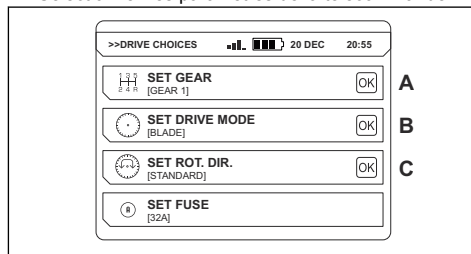
- Sélectionnez la vitesse de fonctionnement. La plage de régimes est de 600-900 tr/min en vitesse 1 et de 800-1 200 tr/min en vitesse 2. Reportez-vous à la section *Vitesse lame recommandée à la page 56*.



REMARQUE: assurez-vous que le bouton de vitesse se trouve dans la position correcte. Si le bouton est entre deux vitesses, cela peut endommager la boîte de vitesses.

Pour démarrer le produit

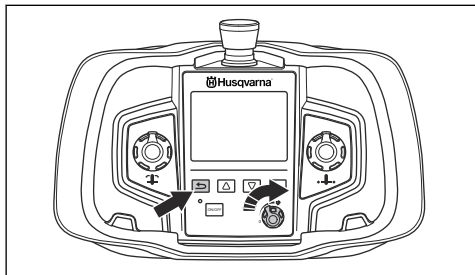
1. Démarrez le bloc d'alimentation et connectez la télécommande. Reportez-vous au manuel du bloc d'alimentation Husqvarna .
2. Sélectionnez les paramètres de la télécommande :



- a) SET GEAR (RÉGLER LA VITESSE) : sélectionnez la vitesse (A). Pour plus d'informations sur les lames et les vitesses recommandées. Reportez-vous à la section *Vitesse lame recommandée à la page 56*.
- b) SET DRIVE MODE (RÉGLER LE MODE D'ENTRAÎNEMENT) : réglez le mode sur BLADE (LAME) (B).
- c) SET ROT. DIR (RÉGLER LE SENS DE ROTATION) : sélectionnez le sens de rotation de la lame (C). Le sens de rotation ne peut être modifié que lorsque la lame est à l'arrêt.

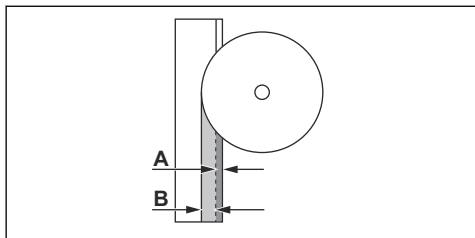
Remarque: (S) = standard, (R) = vers l'arrière.

- Placez le produit en position de démarrage. Assurez-vous que la lame ne touche pas le matériau.
- Démarré l'alimentation en eau du circuit de refroidissement. Réglez le débit à l'aide du robinet d'arrivée d'eau.
- Pour démarrer le moteur, appuyez sur le bouton fléché tout en tournant le bouton de vitesse de la lame dans le sens des aiguilles d'une montre. La puissance du moteur est indiquée sur l'écran de la télécommande.



Pour utiliser le produit

- Faites démarrer le produit. Reportez-vous à la section *Pour démarrer le produit à la page 49*.
- Contrôlez le produit à l'aide de la télécommande. Reportez-vous à la section *Pour utiliser la télécommande à la page 52*.
- Effectuez une découpe de guidage à une profondeur de 2-4 cm (0,8-1,6 po) (A). Assurez-vous que la puissance du moteur de lame est comprise entre 60 et 65 %. Cela permet de s'assurer que la découpe de guidage est droite. Ne coupez pas les barres d'armature.



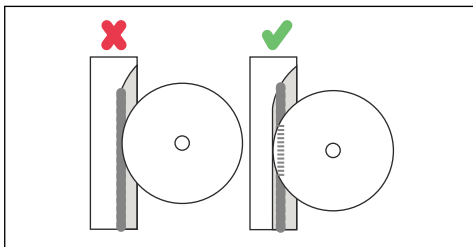
REMARQUE: n'effectuez pas la découpe de guidage à pleine puissance.

- Réglez la vitesse longitudinale au maximum. La vitesse est ajustée automatiquement pour obtenir les meilleures performances de sciage. Si la puissance est inférieure à 100 % lors de ces coupes, il est possible d'augmenter la profondeur de coupe avec prudence.

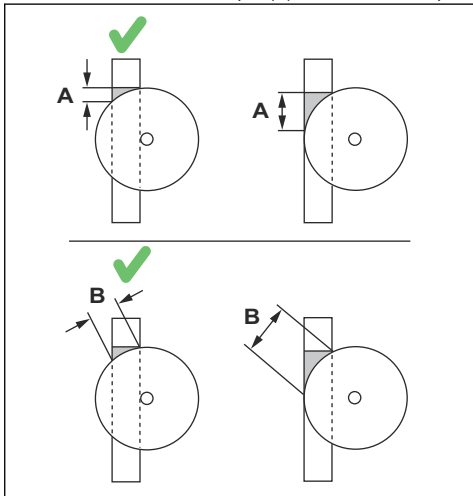
- Effectuez les coupes suivantes à une profondeur de 4-7 cm (1,6-2,8 po) (B). La dureté du béton ainsi que la quantité et la position des armatures affectent la profondeur de coupe.

Remarque: vous pouvez changer la lame et recouper au même endroit. Assurez-vous que la nouvelle lame n'est pas plus large que la rainure.

- Si le produit fonctionne au courant monophasé, la puissance est réduite. La profondeur de coupe doit être réduite par rapport au fonctionnement en triphasé. Réduisez la profondeur de coupe de moitié.
- Lorsque vous coupez une barre d'armature d'un bout à l'autre, coupez-la comme illustré pour maintenir la lame affûtée. Si la barre d'armature ne suit pas la rainure de sciage du début à la fin, commencez la découpe à partir de l'autre extrémité.



- Utilisez la profondeur de coupe maximale de la lame si le mur est plus fin que la profondeur maximale de la lame. La surface de coupe est réduite et la pression des segments de lame augmente. Cela est impossible pour la surcoupe car le coin restant après le sciage est réduit. (A) = distance de surcoupe, (B) = surface de coupe.



- d) Lorsque la surcoupe n'est pas possible, utilisez une découpeuse portative pour couper le coin restant. Contactez votre concessionnaire Husqvarna local pour obtenir des informations sur les découpeuses portatives.
6. Retirez la lame de la rainure de sciage après chaque coupe.



REMARQUE: ne laissez pas la lame tourner sans pression dans la rainure de sciage. Cela entraîne l'émoussage de la lame.

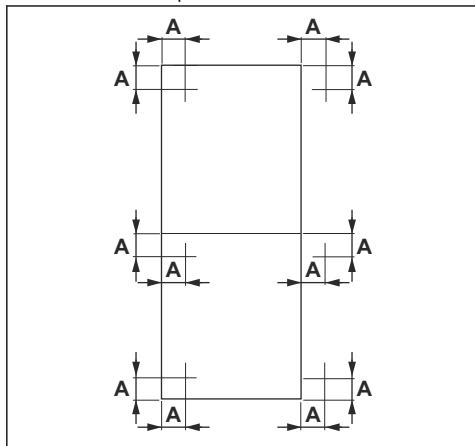
7. Arrêtez le moteur et le débit d'eau.

Pour couper des blocs de béton



AVERTISSEMENT: les blocs de béton sont très lourds et peuvent provoquer des blessures graves. Assurez-vous que la partie du bloc de béton à retirer est fixée en toute sécurité avant l'opération.

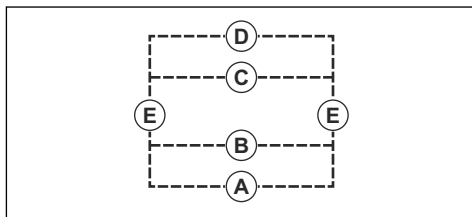
1. Vérifiez les dimensions de la partie du bloc de béton à retirer et assurez-vous qu'elle peut être soulevée et retirée en toute sécurité.
2. Si nécessaire, divisez un grand bloc de béton en plusieurs parties plus petites. Il n'est pas nécessaire de déplacer le rail ou les supports muraux. Vous pouvez couper des deux côtés du rail.
3. Placez les trous pour les supports muraux à environ 150 mm (5,9 po) (A) de la rainure de sciage. Utilisez des boulons à expansion.



AVERTISSEMENT: ne fixez pas les supports muraux sur la partie du bloc de béton à retirer.

Remarque: dans les coins, les mêmes orifices peuvent être utilisés pour les coupes verticales et horizontales.

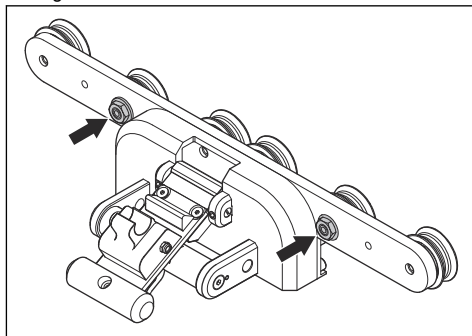
4. Coupez le bloc de béton dans l'ordre suivant. L'illustration montre la procédure à suivre pour diviser un bloc de béton en 3 sections.



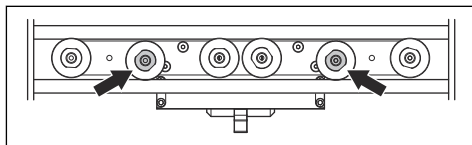
- a) Effectuez les coupes horizontales en premier. Commencez par le bas : (A), (B), (C), (D).
 - b) Effectuez les 2 coupes verticales (E).
5. Posez des ancrages de calage après chaque découpe. Posez 2 ancrages de calage du côté sciage et 1 ancrage de l'autre côté du bloc de béton.
 6. Lorsque vous effectuez la dernière découpe, fixez le rail sur une paroi stable. Utilisez les cales en plastique fournies.

Pour régler le guide du protège-lame

1. Desserrez les écrous des 2 roues de guidage réglables.



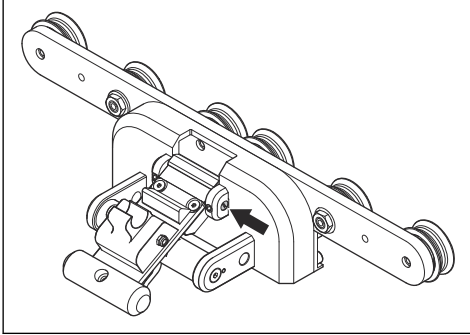
2. Fixez le guide du protège-lame sur le protège-lame.
3. Faites tourner les arbres à cames à l'aide d'une clé de 22 mm jusqu'à ce que les roues de guidage entrent en contact avec le rail.



4. Maintenez l'arbre à cames en position à l'aide d'une clé de 22 mm et serrez l'écrou à l'aide d'une clé de 16 mm.
5. Assurez-vous que les roues tournent librement et qu'aucun jeu n'est présent au niveau du guide du protège-lame.

Pour régler la poignée de blocage du guide du protège-lame

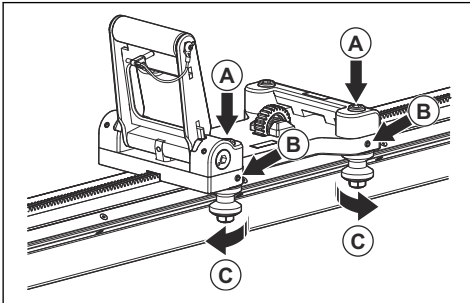
1. Fixez le guide du protège-lame sur l'unité de sciage.
2. Desserrez les 2 vis d'arrêt à l'aide d'une clé à six pans de 3 mm.
3. Faites tourner l'arbre à cames à l'aide d'un tournevis jusqu'à ce que la poignée de blocage se serre autour du support du protège-lame.



4. Serrez les 2 vis d'arrêt à l'aide d'une clé à six pans de 3 mm.
5. Déposez les 4 vis maintenant le verrou encliquetable en position à l'aide d'une clé à six pans de 4 mm.
6. Réglez le verrou encliquetable. Celui-ci doit être serré autour du rail supérieur.
7. Serrez les 4 vis maintenant le verrou encliquetable en position à l'aide d'une clé à six pans de 4 mm.

Pour régler les roues de guidage

1. Desserrez les 2 vis M10 à l'aide d'une clé à six pans de 8 mm (A).

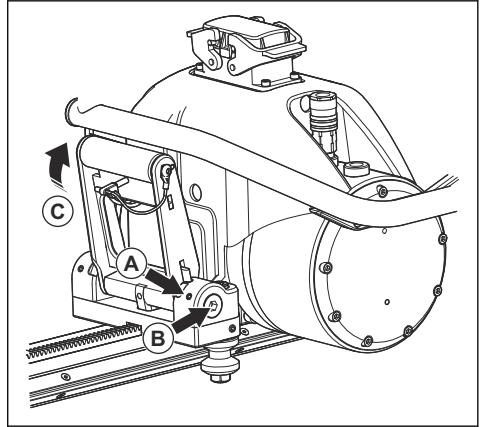


2. Desserrez les 2 vis d'arrêt qui bloquent les 2 roues de guidage à l'aide d'une clé à six pans de 3 mm (B).
3. Faites tourner les arbres délicatement à l'aide d'une clé de 16 mm jusqu'à ce que les roues de guidage entrent en contact avec le rail (C).
4. Maintenez la clé de 16 mm en position et serrez les 2 vis d'arrêt à l'aide d'une clé à six pans de 3 mm (B).

5. Appuyez sur le dispositif de blocage et tirez manuellement le chariot de scie dans les deux sens. Assurez-vous que le chariot de scie se déplace librement et que les 4 roues de guidage tournent.
6. Serrez les 2 vis M10 à l'aide d'une clé à six pans de 8 mm (A).

Pour régler le chariot de scie

1. Desserrez les 2 vis d'arrêt à l'aide d'une clé à six pans de 3 mm (A).

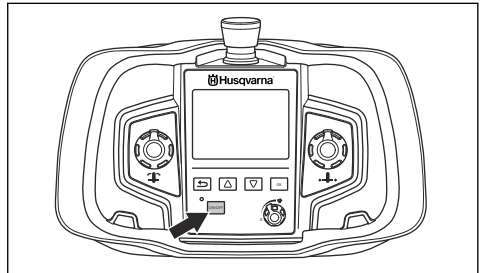


2. Faites tourner les 2 manchons à l'aide d'une clé à six pans de 8 mm jusqu'à ce que l'arbre soit serré et parallèle à l'unité de sciage (B).
3. Serrez les 2 vis d'arrêt à l'aide d'une clé à six pans de 3 mm (A).
4. Fermez la poignée de blocage et assurez-vous que le verrou à ressort reste en position verrouillée (C).
5. Verrouillez la poignée avec la goupille.

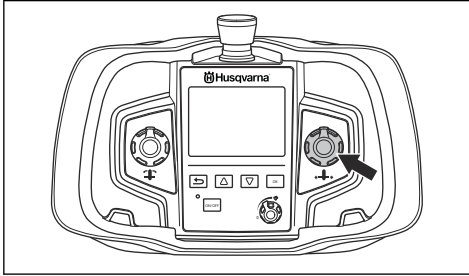
Pour utiliser la télécommande

Le produit est commandé à l'aide de la télécommande. La télécommande est connectée au bloc d'alimentation par transmission radio. Pour connecter la télécommande, reportez-vous au manuel du bloc d'alimentation Husqvarna.

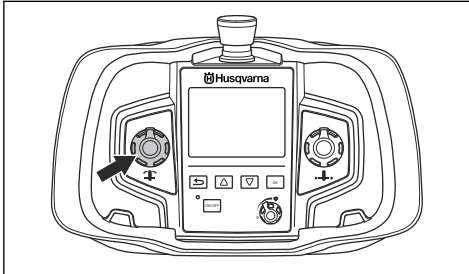
- Appuyez sur le bouton ON/OFF pour démarrer et arrêter la télécommande.



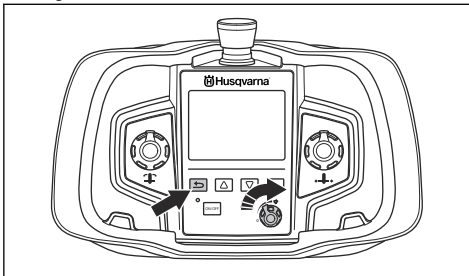
- Mouvement longitudinal : le bouton permet de déplacer le produit le long du rail.



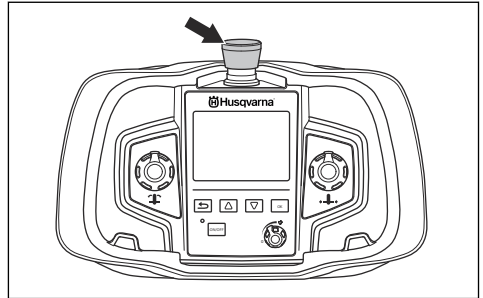
- Mouvement du bras : le bouton déplace le bras pivotant pour régler la profondeur de coupe.



- Pour faire tourner la lame et contrôler la vitesse du produit : appuyez sur le bouton de retour et maintenez-le enfoncé tout en tournant le bouton dans le sens des aiguilles d'une montre pour augmenter la vitesse de rotation de la lame.



- Pour arrêter le produit : tournez le bouton de commande de la vitesse de rotation de la lame dans le sens contraire des aiguilles d'une montre jusqu'à la position 0.
- En cas d'urgence, arrêtez le produit à l'aide du bouton d'arrêt.



- Reportez-vous au manuel du bloc d'alimentation Husqvarna pour connaître les autres réglages et fonctions de la télécommande.

Pour arrêter le produit



AVERTISSEMENT: ne déplacez pas le produit tant que le moteur n'est pas arrêté et que la prise électrique n'est pas débranchée.

1. Écartez la lame du mur. Le bras pivotant est orienté à l'opposé du mur.
2. Arrêtez la lame et le débit d'eau.
3. Appuyez sur le bouton d'arrêt d'urgence du bloc d'alimentation pour arrêter le bloc d'alimentation. Débranchez la fiche d'alimentation électrique. Reportez-vous au manuel du bloc d'alimentation Husqvarna .
4. Assurez-vous que les pièces coupées ne risquent pas de tomber.
5. Déplacez le produit jusqu'à un endroit où il peut être démonté.

Entretien

Introduction



AVERTISSEMENT: assurez-vous de lire et de comprendre le chapitre sur la sécurité avant de procéder à l'entretien du produit.

Pour démonter le produit

Si le produit est équipé d'un chariot de transport, placez toutes les pièces démontées sur le chariot de transport.

1. Débranchez le cordon d'alimentation entre l'unité de sciage et le bloc d'alimentation. Obtenez les connecteurs.
2. Débranchez les flexibles d'eau de l'unité de sciage.
3. Désassemblez le protège-lame.
4. Déposez le guide du protège-lame.
5. Démontez la lame. Démontez la bride de lame extérieure, la lame et le boulon de lame.

- Enfoncez les boutons de blocage et dépliez les poignées de blocage pour libérer l'unité de sciage du rail.
- Desserrez les boulons de rondelle de serrage des supports muraux et soulevez le rail pour le dégager des supports. Desserrez l'un des boulons excentriques du milieu du rail pour déconnecter les rails. Déposez les rails.
- Démontez les supports muraux.

Nettoyage du produit



REMARQUE: N'utilisez pas de nettoyeur haute pression pour nettoyer le produit.

- Démontez le produit. Reportez-vous à la section *Pour démonter le produit à la page 53*.
- Nettoyez l'ensemble de l'équipement. Utilisez le flexible d'eau, une brosse et un chiffon.
- Séchez toutes les pièces mobiles. Lubrifiez toutes les pièces avec un spray d'huile pour éviter la corrosion.

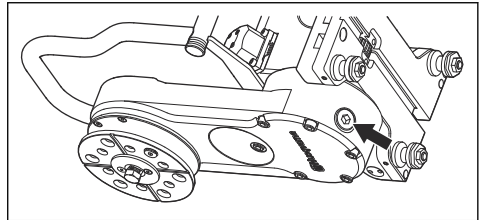
Pour contrôler le produit

- Assurez-vous que les flexibles et les câbles ne sont pas endommagés.
- Assurez-vous que les raccords hydrauliques sont propres et en bon état. Nettoyez et lubrifiez les broches de contact. Lubrifiez les manchons des raccords d'eau.

- Nettoyez et lubrifiez toutes les pièces du produit telles que les poignées de blocage et le mécanisme de ressort du guide du protège-lame.
- Assurez-vous que l'axe de lame tourne librement et que le boulon n'est pas endommagé.
- Assurez-vous que la lame et le protège-lame ne sont pas endommagés. Remplacez le protège-lame et/ou la lame s'ils sont endommagés ou usés.
- Assurez-vous que les roues du guide du protège-lame tournent sans résistance. Assurez-vous que le guide du protège-lame est bien aligné avec le protège-lame et le produit.
- Assurez-vous que le chariot de scie est aligné correctement.
- Assurez-vous que la poignée de blocage est ajustée correctement sur le guide du protège-lame.

Pour nettoyer le bouchon d'huile

- Nettoyez le bouchon d'huile lors de la vidange de l'huile du bras de coupe.



Transport, entreposage et mise au rebut

Transport

- Si votre produit est équipé d'un chariot de transport, utilisez-le pour déplacer le produit. Les poignées du chariot de transport peuvent servir de glissières lors de son chargement sur un camion.
- Arrêtez le bloc d'alimentation et débranchez le câble électrique avant de déplacer l'équipement.
- Déposez la lame et le protège-lame du produit avant le transport.

Remisage

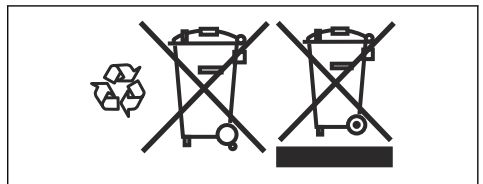
- Conservez le produit dans un endroit verrouillé afin que des enfants ou personnes qui ne sont pas autorisées à l'utiliser ne puissent pas y avoir accès.
- Déposez la lame et le protège-lame du produit après l'opération.
- S'il y a un risque de gel, le produit doit être vidangé de toute l'eau de refroidissement restante.

Mise au rebut

Les symboles figurant sur le produit ou l'emballage indiquent que ce produit ne peut pas être traité comme

un déchet domestique ordinaire. Il doit être déposé dans un site de recyclage prévu pour la récupération d'équipements électriques et électroniques.

En prenant soin correctement de ce produit, vous contribuez à compenser l'éventuel effet négatif sur l'environnement et les personnes, qui autrement pourrait être engendré par la mauvaise gestion de la mise au rebut du produit. Pour obtenir de plus amples informations sur le recyclage de ce produit, contactez votre municipalité, votre service des ordures ménagères ou le magasin où vous avez acheté ce produit.



Caractéristiques techniques

Caractéristiques techniques

	WS 442
Poids	
Chariot de scie, kg/lb	3,7/8,2
Unité de sciage, kg/lb	28,6/63,1
Protège-lame de 800 mm, kg/lb	13/28,7
Protège-lame de 1 000 mm, kg/lb	16/35,3
Rail de 1 200 mm (47 po), kg/lb	9,5/20,9
Rail de 2 000 mm (79 po), kg/lb	19/41,9
Dimension de la lame	
Dimension max. de la lame, mm/po	1 200/47,2
Dimension min. de la lame, mm/po	600/23,6
Lame de démarrage - max., mm/po	1 000/39,4
Profondeur max. de la scie, mm/po	530/20,9
Moteur d'entraînement de la lame	PM High cycle
Puissance max. de l'arbre, kW	13
Transmission	Entraînement par engrenages
Régime de l'arbre de sortie, tr/min.	0-1 200
Avancement/régulation	Electrique/auto
Couple moteur max. de la lame, Nm	160
Couple de démarrage, Nm	150
Pression max. de l'eau de refroidissement, bar	7
Débit min. de l'eau de refroidissement, l/min	3,5
Temp. max. d'admission de l'eau de refroidissement à 3,5 l/min, °C	25
Classe de protection	IP 65
Émissions sonores⁵	
Niveau de puissance sonore, mesuré dB(A)	108
Niveau de puissance acoustique, garanti L _{WA} dB(A)	109
Niveaux sonores⁶	

⁵ Les émissions sonores de l'environnement sont mesurées en puissance sonore (L_{WA}) conformément à EN 15027/A1.

⁶ Niveau de pression sonore conformément à EN 15027/A1. Les données reportées pour le niveau de pression sonore montrent une dispersion statistique typique (déviations standard) de 1,0 dB(A).

	WS 442
Niveau de pression sonore à l'oreille de l'utilisateur, dB(A)	85

Vitesse lame recommandée



AVERTISSEMENT: si vous coupez à une vitesse trop élevée, vous risquez d'endommager la lame ou de vous blesser.

La plage de régimes est de 600-900 tr/min en vitesse 1 et de 800-1 200 tr/min en vitesse 2. Lorsque vous coupez à 800-900 tr/min, vous obtenez une puissance

plus élevée en utilisant la vitesse 1. Pour connaître la vitesse de lame recommandée, contactez votre revendeur de lames. Lorsque vous coupez dans du béton dur, réduisez la vitesse.

Vitesse, tr/min.	
Engrenage 1	600-900
Engrenage 2	800-1 200

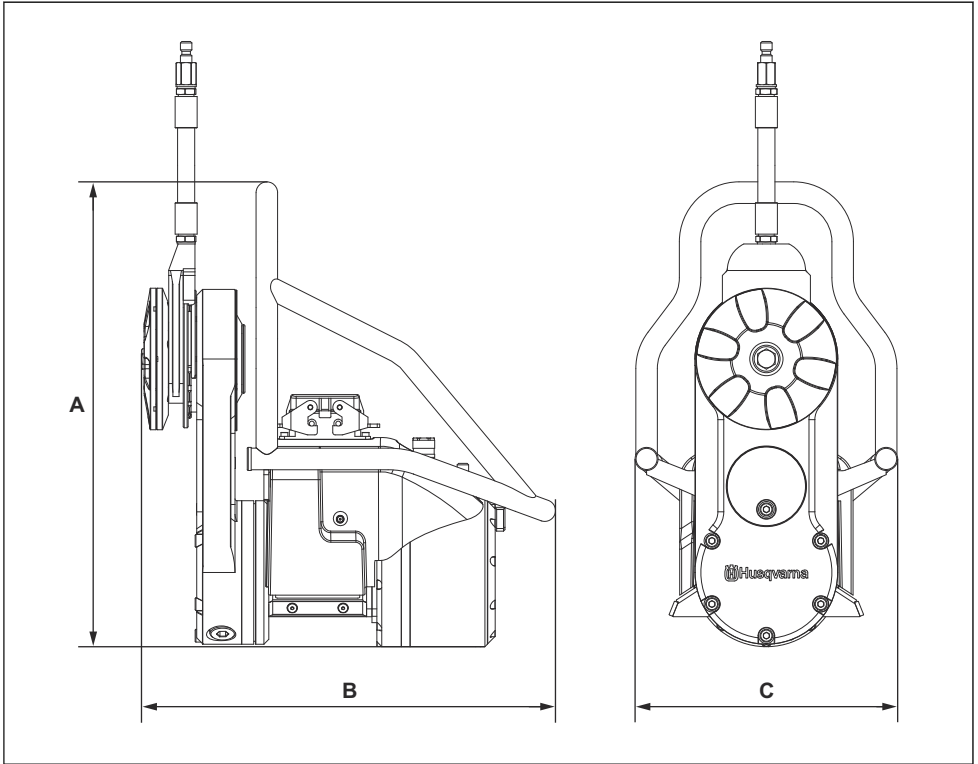
	600 mm/24 po	800 mm/32 po	1 000 mm/40 po	1 200 mm/48 po
600 tr/min				H
700 tr/min			H	M
800 tr/min			M	S
900 tr/min		H	M	
1000 tr/min		M	S	
1100 tr/min	H	M		
1200 tr/min	M	S		

H = béton dur

M = béton moyen

S = béton tendre

Dimensions du produit



A = 473 mm

B = 423 mm

C = 269 mm

Déclaration de conformité CE

Déclaration de conformité UE

Nous, Husqvarna AB, SE 561 82 Huskvarna, SUÈDE,
Tél. +46 36 146500, déclarons sous notre seule
responsabilité que le produit représenté :

Description	Scie murale
Marque	Husqvarna
Type/Modèle	WS 442
Identification	Numéros de série à partir de 2019 et ultérieurs

est entièrement conforme à la réglementation et aux
directives de l'UE suivantes :

Directive/Réglementation	Description
2006/42/EC	« relative aux machines »

et que les normes et/ou les spécifications techniques
suivantes sont appliquées :

- EN ISO 12100:2010
- EN 15027/A1:2009
- EN 60204-1:2006+A1:2009

Partille, 2019-07-03



Edvard Gulis

Directeur R&D, découpe et forage de béton

Husqvarna AB, division Construction

Responsable de la documentation technique

Contenido

Introducción.....	59	Mantenimiento.....	73
Seguridad.....	60	Transporte, almacenamiento y eliminación.....	74
Montaje.....	65	Datos técnicos.....	74
Funcionamiento.....	68	Declaración de conformidad CE.....	77

Introducción

Descripción del producto

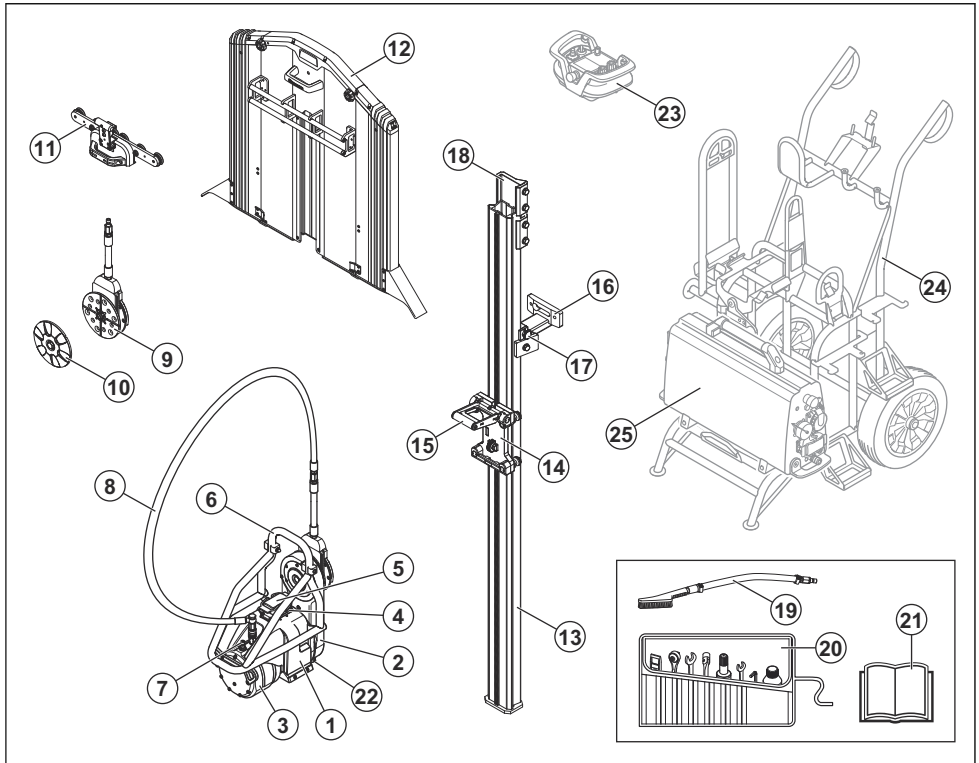
Husqvarna WS 442 es una cortadora de muros con motor eléctrico.

Nota: El uso de este producto podría estar regulado por la legislación nacional.

Uso previsto

Este producto está diseñado para cortar materiales duros, como hormigón armado, piedra y ladrillo.

Descripción del producto



1. Unidad de corte
2. Brazo de corte
3. Motor

4. Conexión del cable
5. Cubierta protectora
6. Conjunto de protección del disco/palanca

7. Conexión de la manguera, entrada de agua
8. Manguera de agua
9. Brida de acoplamiento de discos
10. Brida exterior de acoplamiento de discos
11. Guía de la protección del disco
12. Protección del disco de corte
13. Ranura
14. Carro de corte
15. Palanca de bloqueo
16. Soporte de pared
17. Soporte de guía
18. Conector
19. Cepillo
20. Kit de herramientas
21. Manual de usuario
22. Mando de marchas
23. Control remoto (accesorio)
24. Carro (accesorio)
25. Unidad de alimentación (accesorio)

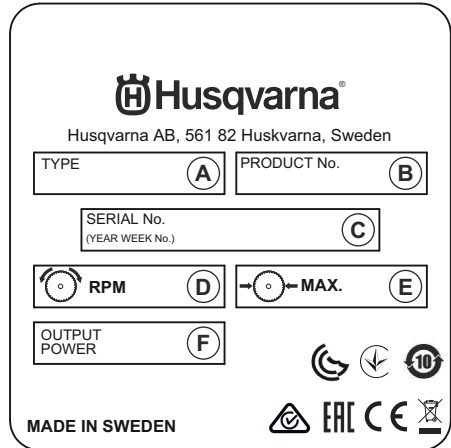
homologada para la eliminación de equipos eléctricos y electrónicos.



Este producto cumple con las directivas CE vigentes.

Nota: Los demás símbolos/etiquetas que aparecen en el producto corresponden a requisitos de homologación especiales para algunos mercados.

Placa de identificación



- A: Tipo/Modelo
- B: N.º de producto
- C: N.º de serie con fecha de fabricación (AAAA, SS, XXXXX): Año, semana, n.º de secuencia
- D: Velocidad máxima, rpm
- E: Tamaño máximo del disco, mm
- F: Potencia de salida, kW

Símbolos que aparecen en el producto



ADVERTENCIA: Este producto puede ser peligroso y ocasionar daños graves o mortales tanto al operador como a cualquier otra persona. Tenga cuidado y utilice el producto correctamente.



Lea atentamente el manual y asegúrese de que entiende las instrucciones antes de utilizar este producto.



Utilice casco protector, protectores auriculares, protección ocular y protección respiratoria homologados.



El producto o su embalaje no son residuos domésticos. Recíclelo en una ubicación

Seguridad

Definiciones de seguridad

Las advertencias, precauciones y notas se utilizan para destacar información especialmente importante del manual.



ADVERTENCIA: Indica un riesgo de lesiones o incluso de muerte del usuario o de las personas cercanas si no se respetan las instrucciones del manual.



PRECAUCIÓN: Indica un riesgo de daños en el producto, otros materiales o el área adyacente si no se respetan las instrucciones del manual.

Nota: Se usa para proporcionar más información necesaria en una situación determinada.

Advertencias generales de seguridad relacionadas con la herramienta eléctrica



ADVERTENCIA: Lea todas las advertencias de seguridad, instrucciones, ilustraciones y especificaciones que se suministran con esta herramienta eléctrica. Si no se siguen las instrucciones que aparecen a continuación, puede producirse una descarga eléctrica, un incendio o lesiones graves.

Nota: Conserve todas las advertencias e instrucciones para su consulta. El término «herramienta eléctrica» empleado en las advertencias hace referencia a una herramienta eléctrica que funciona con conexión a la red de suministro (con cable) o a una herramienta que funciona con batería (sin cable).

Seguridad en el área de trabajo

- **Mantenga el área de trabajo limpia y bien iluminada.** Las zonas abarrotadas de cosas u oscuras favorecen los accidentes.
- **No maneje herramientas eléctricas en ambientes explosivos como aquellos en los que hay líquidos, gases o polvo inflamables.** Las herramientas eléctricas producen chispas que pueden inflamar el polvo o los vapores.
- **Mantenga alejados a los niños y a otras personas mientras trabaje con una herramienta eléctrica.** Las distracciones pueden hacer que pierda el control de esta.

Seguridad eléctrica

- **Los enchufes de las herramientas eléctricas deben corresponder a la toma de corriente utilizada. Nunca modifique el enchufe. No utilice adaptadores para las herramientas eléctricas con conexión a tierra.** Use enchufes sin modificar y tomas de corriente del mismo tipo que estos, evitando así el uso de adaptadores, para reducir el riesgo de descarga eléctrica.
- **Evite el contacto de su cuerpo con superficies puestas a tierra como tuberías, radiadores, cocinas y neveras.** Si su cuerpo está en contacto con el suelo, existe un mayor riesgo de descarga eléctrica.
- **No exponga las herramientas eléctricas a la lluvia o a ambientes húmedos.** El riesgo de recibir descargas eléctricas aumentará si penetra agua en la herramienta eléctrica.
- **Maneje el cable con cuidado. No lo utilice nunca para transportar, tirar o desenchufar la herramienta eléctrica. Manténgalo alejado de fuentes de calor, aceite, aristas vivas o piezas móviles.** Los cables dañados o enredados incrementan el riesgo de descarga eléctrica.

- **Cuando trabaje con una herramienta eléctrica en exteriores, utilice un alargador indicado para este uso.** Utilizar un cable adecuado para su uso en exteriores reduce el riesgo de descarga eléctrica.
- **Si es necesario utilizar una herramienta eléctrica en un lugar húmedo, utilice suministro eléctrico protegido con un interruptor diferencial.** La utilización de un interruptor diferencial reduce el riesgo de descargas eléctricas.

Seguridad personal

- **Esté siempre atento, fíjese en lo que está haciendo y utilice el sentido común cuando maneje una herramienta eléctrica. No utilice herramientas eléctricas si está cansado o bajo los efectos de estupefacientes, alcohol o medicamentos.** Un momento de descuido, mientras se trabaja con herramientas eléctricas, puede causar lesiones graves.
- **Utilice el equipo de protección individual. Protéjase siempre los ojos.** El equipo de protección, como la mascarilla antipolvo, los zapatos de seguridad antideslizantes, el casco o los protectores auditivos, utilizados en función de las condiciones de trabajo, reducirá el riesgo de lesiones.
- **Evite el encendido accidental de la herramienta. Asegúrese de que el interruptor está en la posición de apagado antes de conectar la máquina a la fuente de alimentación y/o la batería, cogérla o transportarla.** Transportar herramientas eléctricas con el dedo puesto sobre el interruptor o encenderlas con el interruptor en la posición de encendido puede provocar accidentes.
- **Quite todas las clavijas de ajuste o llaves de tuercas antes de encender la herramienta eléctrica.** Una llave de tuercas o clavija de ajuste que se ha dejado colocada en una pieza giratoria de la herramienta eléctrica puede causar lesiones.
- **No se estire demasiado. Mantenga una posición correcta y el equilibrio en todo momento.** Esto le permitirá controlar mejor la herramienta eléctrica en situaciones imprevistas.
- **Utilice la ropa adecuada. No utilice nunca ropa amplia ni joyas. Mantenga el pelo y la ropa alejados de las piezas móviles.** La ropa holgada, las joyas o el pelo largo pueden quedar atrapados en las piezas móviles.
- **Si se suministran equipos de aspiración o captación de polvo, asegúrese de que estén conectados y se utilicen correctamente.** El uso de estos equipos puede reducir los riesgos derivados del polvo.
- **Evite que la familiaridad adquirida con el uso frecuente de las herramientas le lleve a confiarse e ignorar las medidas de seguridad al utilizarlas.** Una acción negligente puede causar lesiones graves en una fracción de segundo.

Uso y cuidado de la herramienta eléctrica

- **No sobrecargue la herramienta eléctrica. Utilice la herramienta eléctrica adecuada para el trabajo que debe realizar.** Con la herramienta eléctrica apropiada hará el trabajo mejor y con mayor seguridad a la potencia para la que fue diseñada.
- **No utilice la herramienta eléctrica si el interruptor no funciona.** Las herramientas que no se puedan controlar con el interruptor son peligrosas y deben repararse.
- **Desconecte el enchufe de la fuente de alimentación o quite la batería (si se puede desmontar) de la herramienta eléctrica antes de realizar cualquier ajuste, cambiar accesorios o guardarla.** Estas medidas de seguridad preventivas reducen el riesgo de encendido accidental de la herramienta eléctrica.
- **Guarde las herramientas eléctricas que no se utilicen fuera del alcance de los niños y no permita que personas no familiarizadas con su uso o con estas instrucciones las manejen.** Las herramientas eléctricas resultan peligrosas en manos de usuarios no cualificados.
- **Compruebe que las herramientas eléctricas y los accesorios están a punto. Compruebe que no haya partes móviles mal alineadas o trabadas, piezas rotas o cualquier otra circunstancia que pueda afectar al funcionamiento de la herramienta eléctrica. Si detecta daños, haga reparar la herramienta eléctrica antes de utilizarla.** Muchos accidentes se deben al uso de herramientas eléctricas que carecen de un mantenimiento adecuado.
- **Mantenga las herramientas de corte afiladas y limpias.** Las herramientas de corte con aristas afiladas y un mantenimiento adecuado tienen menos probabilidades de trabarse y son más fáciles de controlar.
- **Utilice la herramienta eléctrica, los accesorios, útiles, etc. según se indica en estas instrucciones, teniendo en cuenta las condiciones de trabajo y la tarea que debe realizar.** El uso de la herramienta eléctrica para trabajos distintos a aquellos para los que fue diseñada podría dar lugar a situaciones peligrosas.
- **Mantenga los mangos y superficies de agarre secos, limpios y sin aceite ni grasa.** Las superficies de agarre y los mangos resbaladizos no permiten manejar y controlar de forma segura la herramienta ante cualquier imprevisto.

Servicio técnico

- **Solicite que su herramienta eléctrica sea reparada por personal cualificado y utilizando únicamente piezas de repuesto originales.** Esto garantizará la seguridad de la herramienta.
- **No revise baterías dañadas.** La revisión de las baterías solo debe realizarla el fabricante o proveedores de servicios autorizados.

Instrucciones de seguridad para cortadoras de muros

- **Agarre la herramienta por las superficies de sujeción aisladas si hay riesgo de que el accesorio de corte entre en contacto con algún cable oculto o con el suyo propio.** Si el accesorio de corte entra en contacto con un cable con tensión, es posible que las piezas metálicas expuestas de la herramienta eléctrica conduzcan la corriente y pueden producir al usuario una descarga eléctrica.
- **Utilice protectores auriculares al cortar con diamante.** La exposición al ruido puede provocar sordera.
- **Si el disco de diamante se atasca, deje de aplicar fuerza de avance y apague la herramienta.** Investigue y aplique medidas correctivas para eliminar la causa del atasco del disco de diamante.
- **Al cortar la pieza de trabajo, proteja las personas y la zona de trabajo que se encuentran al otro lado.** La rueda de diamante puede sobresalir de la pieza de trabajo.
- **Asegúrese de que el método de fijación del sistema de guía a la pieza de trabajo pueda sujetar y retener la máquina durante su uso.** Si la pieza de trabajo es poco firme o porosa, los anclajes pueden soltarse, lo que puede hacer que el sistema de guía se suelte de la pieza de trabajo.

Instrucciones generales de seguridad



ADVERTENCIA: Lea las siguientes instrucciones de advertencia antes de utilizar el producto.

- En ningún caso, su contenido podrá sustituir a los conocimientos, formación y experiencia práctica de un profesional. Por consiguiente, cuando no esté seguro de cómo utilizar la máquina, consulte a un experto. Consulte a su distribuidor, al taller de servicio técnico o a un usuario experimentado. Evite los trabajos para los que no se sienta suficientemente cualificado.
- Este producto está diseñado y destinado para serrar hormigón, ladrillos y distintos tipos de piedra. Cualquier otro uso se considerará inadecuado.
- El producto debe mantenerse limpio. Los letreros y las pegatinas deben ser legibles en su totalidad.
- Las modificaciones o la utilización de accesorios no autorizados pueden ocasionar lesiones graves o incluso la muerte del usuario o de otras personas. No modifique nunca esta máquina de forma que se desvíe de la versión original, y no la utilice si parece haber sido modificada por otras personas. Nunca utilice un producto, batería o cargador de batería defectuoso. Siga las instrucciones de mantenimiento, control y servicio de este manual. Algunas medidas de mantenimiento y servicio deben ser efectuadas por especialistas formados y cualificados. Consulte las instrucciones en el título

Mantenimiento. Utilice únicamente piezas de repuesto originales.

- Los técnicos de reparación autorizados son los únicos que pueden llevar a cabo cualquier tipo de reparación. De este modo, los usuarios no están expuestos a grandes riesgos.
- El control o mantenimiento de la máquina debe hacerse con el motor parado y sin estar enchufada al suministro eléctrico.

Instrucciones de seguridad para el funcionamiento



ADVERTENCIA: Lea las siguientes instrucciones de advertencia antes de utilizar el producto.

- El producto, si se utiliza de forma errónea o descuidada, puede ser una herramienta peligrosa que puede causar daños graves e incluso la muerte al usuario y a otras personas.
- No permita nunca que los niños ni personas sin formación utilicen el producto o realicen tareas de mantenimiento.
- Nunca deje que otras personas utilicen el producto sin asegurarse primero de que hayan leído y entendido el contenido de este manual de usuario.
- Nunca utilice el producto si está cansado, si ha ingerido alcohol o si toma medicamentos que puedan afectar la vista, su capacidad de discernimiento o el control del cuerpo.
- Todos los usuarios deberán recibir formación sobre la utilización del producto. El propietario es responsable de garantizar que los usuarios reciban formación.
- Lea detenidamente el manual de usuario y asegúrese de entender su contenido antes de utilizar el producto.
- El producto puede ocasionar lesiones graves. Lea atentamente las instrucciones de seguridad. Aprenda a utilizar el producto.
- Debe tenerse en cuenta que el operador es responsable de los accidentes o riesgos que afecten a otras personas o a su propiedad.
- Este producto está diseñado únicamente para utilizarse junto con una unidad de alimentación homologada. Lea el manual de instrucciones suministrado con la unidad de alimentación antes de utilizar el producto. Está prohibido utilizarla de cualquier otra forma.
- Cortar a revoluciones demasiado elevadas puede dañar el disco y causar daños personales.
- Detenga el motor y desconecte el cable de alimentación antes de elevar o mover el producto.

Equipo de protección personal



ADVERTENCIA: Lea las siguientes instrucciones de advertencia antes de utilizar el producto.

- Utilice siempre el equipo de protección personal adecuado cuando utilice el producto. El equipo de protección personal no elimina el riesgo de lesiones. El equipo de protección personal reduce la gravedad de las lesiones en caso de accidente. Deje que el distribuidor le ayude a seleccionar el equipo adecuado.
- Utilice protección ocular homologada mientras utiliza el producto.
- Utilice botas de trabajo antideslizantes y resistentes con puntera de acero.
- Utilice ropa ceñida que le permita total libertad de movimiento.
- Compruebe periódicamente el estado del equipo de protección personal.
- Use guantes protectores resistentes y homologados.
- Utilice guantes protectores de goma para evitar la irritación de la piel causada por el hormigón húmedo.
- Utilice un casco protector homologado.
- Utilice siempre protectores auriculares homologados mientras utiliza el producto. La exposición al ruido durante un periodo de tiempo prolongado puede causar pérdida de audición.
- El producto genera polvo y vapores perjudiciales para la salud. Utilice protección respiratoria homologada.
- Asegúrese de que tiene cerca un botiquín de primeros auxilios.
- Se pueden producir chispas al trabajar con el producto. Asegúrese de que tiene cerca un extintor de incendios.
- No lleve ropa suelta, joyas u otros objetos que puedan quedar atrapados en las piezas móviles. Recójase el pelo por encima de los hombros.

Dispositivos de seguridad en el producto



ADVERTENCIA: Lea las siguientes instrucciones de advertencia antes de utilizar el producto.

- No utilice un producto que tenga dispositivos de seguridad defectuosos.
- Realice una comprobación de los dispositivos de seguridad con frecuencia. Si los dispositivos de seguridad están defectuosos, hable con su taller de servicio Husqvarna .

Protección del disco de corte

La protección del disco mantiene el polvo lejos del usuario y evita lesiones si el disco de corte se rompe.



ADVERTENCIA: No utilice el producto sin protección del disco.

Comprobación de la protección del disco

1. Asegúrese de que la protección del disco no esté dañada. Consulte la sección *Descripción del producto en la página 59*.
2. Asegúrese de que la protección del disco esté bien fijada.
3. Asegúrese de que el disco esté en el centro de la protección del disco y que no la toque.

Bloqueo de protección del disco

El bloqueo de la protección del disco mantiene la guía de la protección en la posición correcta.

Comprobación del bloqueo de la protección del disco

- Compruebe que el mecanismo de bloqueo de la protección del disco de la guía de la protección funcione correctamente. Consulte la sección *Ajuste de la palanca de bloqueo en la guía de la protección del disco en la página 71*.

Topes

Los topes evitan que el producto se salga de los raíles.



ADVERTENCIA: Si los topes finales no están correctamente fijados a los extremos del raíl, el producto se saldrá y puede causar daños graves.

Comprobación de los topes

- Asegúrese de que los topes estén fijados a los extremos del raíl. Consulte la sección *Descripción del producto en la página 59*.

Power Pack

La unidad de alimentación Husqvarna se usa para hacer funcionar el producto.



ADVERTENCIA: Desconecte el producto de la fuente de alimentación y espere un mínimo de 5 minutos antes de realizar mantenimiento.

Comprobación de la unidad de alimentación

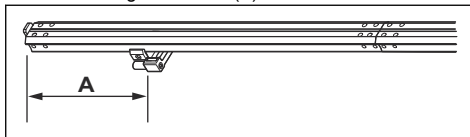
- Realice una comprobación del equipo de seguridad y asegúrese de que no esté dañado. Consulte el manual de la unidad de alimentación Husqvarna .

Soportes de pared

Los soportes de pared fijan los raíles en la posición correcta en la pared.

Comprobación de los soportes de pared

1. Coloque los soportes de pared a aproximadamente $\frac{1}{4}$ de la longitud del raíl (A).



2. Use como mínimo 2 soportes de pared durante el funcionamiento. Si se colocan más raíles juntos, se necesita un soporte de pared para cada sección del raíl.

Conectores de raíl

Los conectores de raíl conectan las secciones del raíl.



PRECAUCIÓN: Asegúrese de que los conectores de raíl sean compatibles con el producto.

Comprobación de los conectores de raíl

- Asegúrese de que los conectores de raíl estén fijados correctamente. Consulte la sección *Descripción del producto en la página 59*.

Botón de parada

El botón de parada detiene el producto y el control remoto. Consulte la sección *Uso del control remoto en la página 72*.

Comprobación del botón de parada

1. Arranque el motor.
2. Pulse el botón de parada del control remoto. Compruebe que el control remoto y el producto se detengan.

Palancas de bloqueo

Las palancas de bloqueo aprietan las ruedas guía contra el raíl.

Comprobación de las palancas de bloqueo

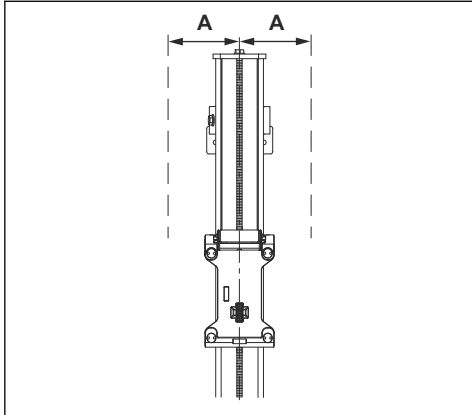
1. Monte el producto. Consulte la sección *Montaje en la página 65*.
2. Use las palancas de bloqueo para apretar las ruedas guía contra el raíl.

Nota: Ajuste las ruedas guía si hay holgura. Consulte la sección *Ajuste de las ruedas guía en la página 71*.

Montaje

Montaje de los soportes de pared

1. Marque la línea de corte y, desde esta, marque los orificios de los pernos de expansión (A) = 165 mm (6,5 pulg.).

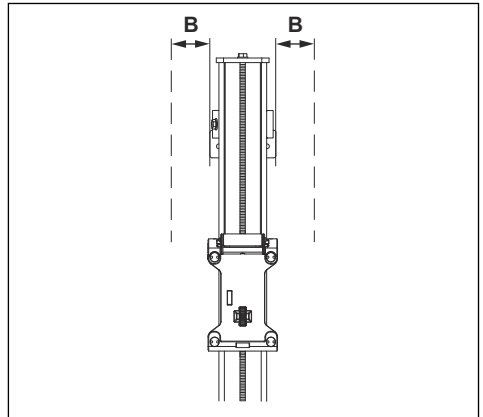


2. Perfore orificios de 15 mm (5/8 pulg.) para los pernos de expansión M12 (1/2 pulg.).
3. Cuelgue los soportes de pared sin apretar desde los pernos de expansión. Use M6S 12 x 70 (1/2 pulg. x 2 pulg.) o equivalentes.

Montaje de los raíles

1. Coloque el raíl en los soportes de pared y apriete las arandelas de compresión. Para hacer cortes verticales, monte el raíl con la palanca de bloqueo del carro de corte hacia arriba.
2. Compruebe que el raíl esté bien alineado con las guías en los soportes de pared antes de apretar los tornillos.

3. Ajuste la distancia entre la línea de corte y los soportes de pared. La distancia entre el borde y la superficie interna de corte debe ser de (B) = 89 mm/ 3,5 pulg. Apriete los pernos de expansión.



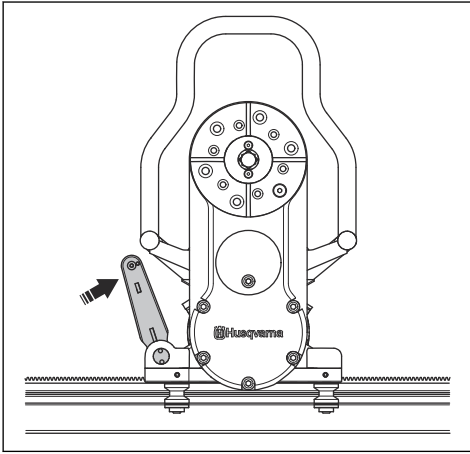
Montaje del producto en los raíles



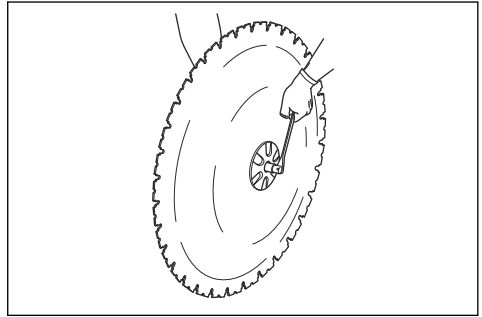
ADVERTENCIA: Antes de montar el producto en los raíles, móntelo en el carro de corte.

1. Levante el producto hasta su posición en el carro de corte. Cuando el producto está en su posición, la palanca de bloqueo se mueve hacia arriba hasta la posición central. En esta posición, el producto permanece en el carro, pero no está lo bastante fijo para iniciar el trabajo.

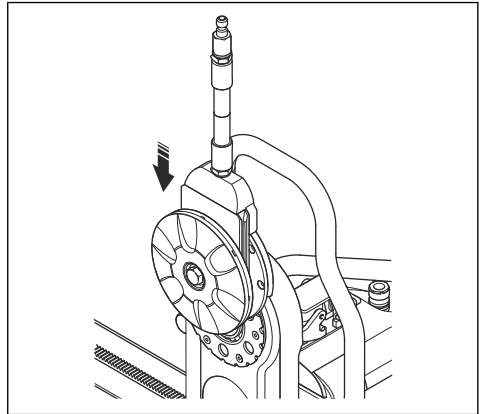
- Para fijar totalmente el producto, levante la palanca de bloqueo contra el producto hasta que esta se bloquee.



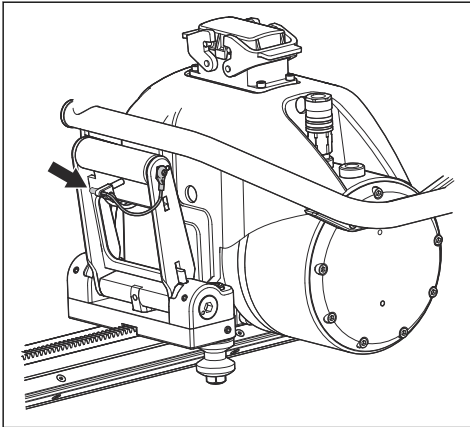
- Monte la brida exterior del disco, el disco y la brida de acoplamiento de discos. Use un par de apriete de 70-80 Nm.



- Cuelgue el disco con la brida del disco y la brida de acoplamiento de discos en el brazo de corte.



- Use el pasador para bloquear la palanca.



- Gire con cuidado la brida de acoplamiento de discos hasta que se mueva hacia una de las guías del brazo pivotante. Fije la brida de acoplamiento de discos con el perno.

Montaje de la cuchilla

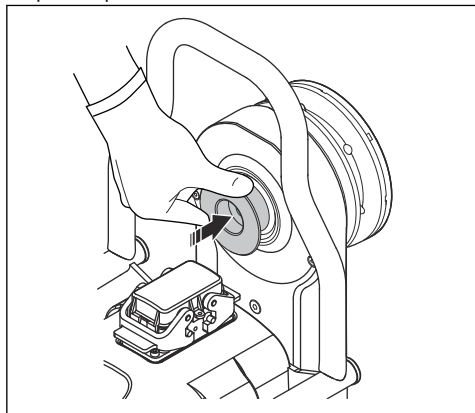


ADVERTENCIA: Desconecte el producto de la fuente de alimentación antes de proceder con el montaje.

- Elimine la suciedad de las superficies de contacto del disco y de la brida del disco.
- Compruebe que el disco gire con la parte usada del diamante siguiendo el sentido de rotación del disco.

Nota: Dado que se puede seleccionar el sentido de rotación del disco, también se puede seleccionar la pulverización de agua del disco.

- Empuje el eje del disco dentro del brazo de corte al mismo tiempo que gira con cuidado el disco. Apriételo con la llave n.º 18 suministrada. Use un par de apriete de 70-80 Nm.



ADVERTENCIA: Compruebe que el disco esté firmemente montado antes de arrancar el producto.

Montaje del disco para corte a ras



ADVERTENCIA: Desconecte el producto de la fuente de alimentación antes de proceder con el montaje.

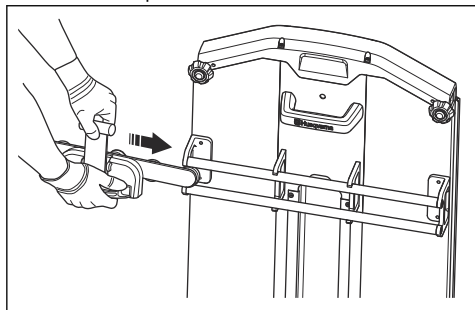
- Extraiga la brida exterior del disco y monte el disco en la brida de acoplamiento de discos.
- Compruebe que el disco esté firmemente montado antes de arrancar el producto.

Montaje de la protección del disco

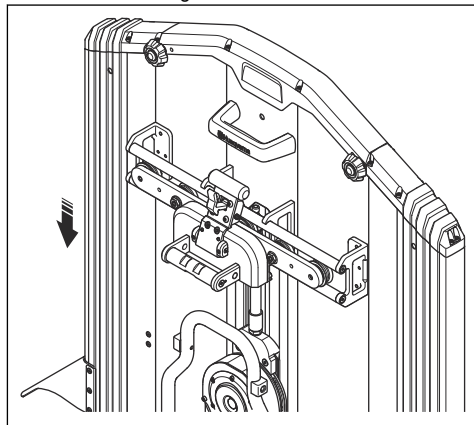


ADVERTENCIA: Desconecte el producto de la fuente de alimentación antes de proceder con el montaje.

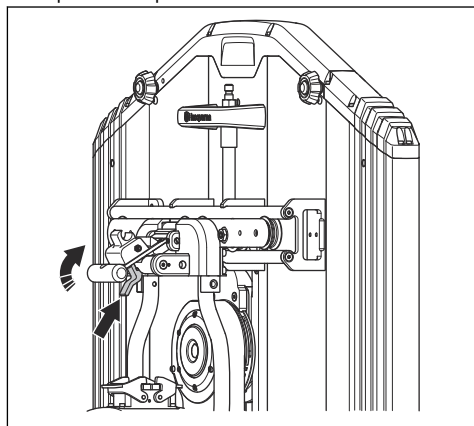
- Ponga la guía de protección del disco entre las varillas de la protección del disco.



- Bloquee el talón de plástico de la palanca sobre la varilla superior de la protección del disco.
- Asegúrese de que el brazo de corte esté en vertical. Levante la protección del disco por encima del disco y cuélguela en el soporte de la protección del disco del producto. Asegúrese de que las guías de la protección del disco estén instaladas en las ranuras de la unidad de agua.



- Tire de la palanca para sacarla de la protección del disco y bájela hacia la unidad de corte. La sujeción bloquea la palanca.
- Para quitar la protección del disco, suelte la sujeción y tire de la palanca hacia arriba hasta la protección del disco. Bloquee el talón de plástico en la varilla superior de la protección del disco.



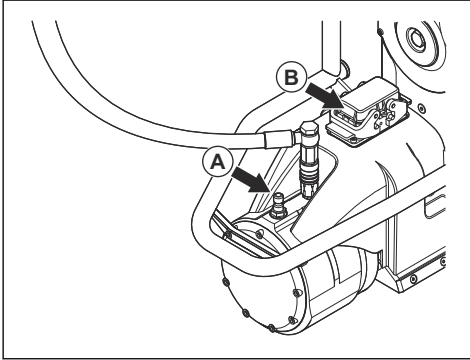
- Conecte la manguera de agua desde la salida del motor de la cortadora hasta la entrada de la brida de acoplamiento de discos.

Conexión de la unidad de alimentación



PRECAUCIÓN: Use el producto solo con una unidad de alimentación Husqvarna homologada.

1. Conecte la manguera de agua de la unidad de alimentación a la entrada de agua de la unidad de corte (A).
2. Conecte el cable de alimentación de la unidad de alimentación a la unidad de corte (B).



Funcionamiento

Introducción



ADVERTENCIA: Asegúrese de leer y comprender el capítulo sobre seguridad antes de usar el producto.

Comprobación del área de trabajo antes del funcionamiento

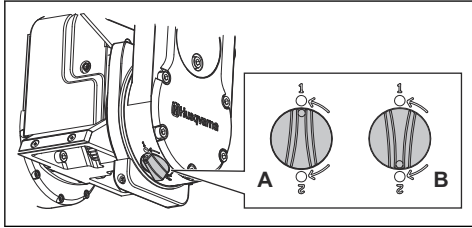
1. Examine el área de trabajo para asegurarse de que sea posible un funcionamiento seguro. Preste atención a las personas, objetos y situaciones que puedan impedir el funcionamiento seguro del producto. Mantenga una distancia de seguridad mínima de 4 m.
2. Asegúrese de que no haya cables eléctricos ni tuberías de gas o de agua en la zona de trabajo.
3. Asegúrese de que la pieza de corte se pueda extraer. Divídala en secciones más pequeñas para facilitar su extracción.
4. Mantenga la zona de trabajo limpia y despejada.
5. Asegúrese de que el área de trabajo tenga suministro eléctrico y de agua. Compruebe que el agua residual se pueda retirar.

Comprobación de funcionamiento antes del uso

1. Compruebe los dispositivos de seguridad del producto. Consulte la sección *Dispositivos de seguridad en el producto en la página 63*.
2. Asegúrese de que el disco y la protección del disco no estén dañados. Sustituya el disco o la protección del disco si presentan grietas u otros daños.
3. Compruebe que el producto esté montado correctamente y que los soportes de pared, los raíles, el perno del disco y la rueda de bloqueo estén apretados. Asegúrese de que los topes estén fijados en los extremos del raíl.
4. El producto debe tener siempre montada la protección del disco cuando esté en funcionamiento. Si la protección del disco toca el techo, se puede desmontar temporalmente alguna de sus piezas finales.
5. Mueva el producto a la posición de arranque antes de arrancar el motor.

Selección de marcha

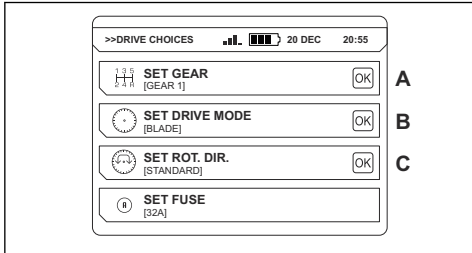
- Seleccione la marcha según la velocidad necesaria. En la marcha 1, el intervalo de velocidad es de 600-900 rpm y en la marcha 2, de 800-1200 rpm. Consulte la sección *Velocidad recomendada del disco en la página 75*.



PRECAUCIÓN: Asegúrese de que el mando de marchas esté en la posición correcta. Si el mando está entre dos marchas, puede dañar la caja de cambios.

Arranque del producto

1. Encienda la unidad de alimentación y conecte el control remoto. Consulte el manual de la unidad de alimentación Husqvarna.
2. Seleccione los ajustes del control remoto:

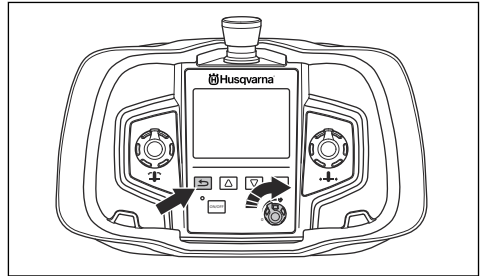


- a) **SET GEAR (AJUSTAR MARCHA):** Seleccione la marcha (A). Obtenga más información sobre las velocidades y los discos recomendados. Consulte la sección *Velocidad recomendada del disco en la página 75*.
- b) **SET DRIVE MODE (AJUSTAR MODO DE TRANSMISIÓN):** Ajuste el modo en BLADE (DISCO) (B).
- c) **SET ROT. DIR (AJUSTAR SENTIDO DE ROTACIÓN):** Seleccione el sentido de rotación del disco (C). El sentido de rotación puede modificarse únicamente cuando el disco está quieto.

Nota: (S) = Estándar, (R) = Hacia atrás.

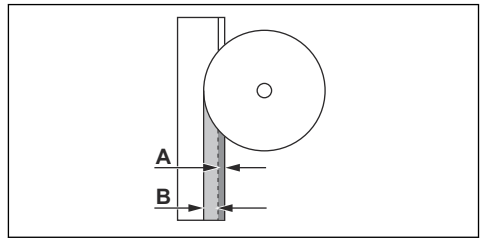
3. Ponga el producto en la posición de arranque. Compruebe que el disco no toque el material.
4. Arranque el suministro de agua del sistema de refrigeración. Ajuste el caudal con el grifo de agua.

5. Para arrancar el motor, pulse el botón de flecha y, al mismo tiempo, gire el dial de velocidad del disco hacia la derecha. La salida de potencia del motor se muestra en la pantalla del control remoto.



Manejo del producto

1. Arranque el producto. Consulte la sección *Arranque del producto en la página 69*.
2. Controle el producto con el control remoto. Consulte la sección *Uso del control remoto en la página 72*.
3. Haga un corte guía a una profundidad de 2-4 cm / 0,8-1,6 pulg. (A). Compruebe que la salida de potencia del motor del disco sea del 60-65 %. De esta forma, se garantiza que el corte guía esté recto. No corte la barra de refuerzo.

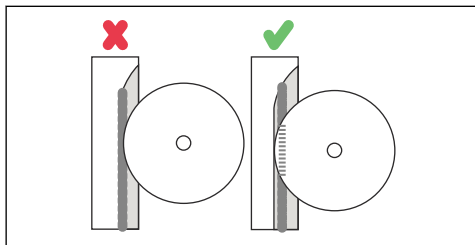


PRECAUCIÓN: No use la aceleración máxima para el corte guía.

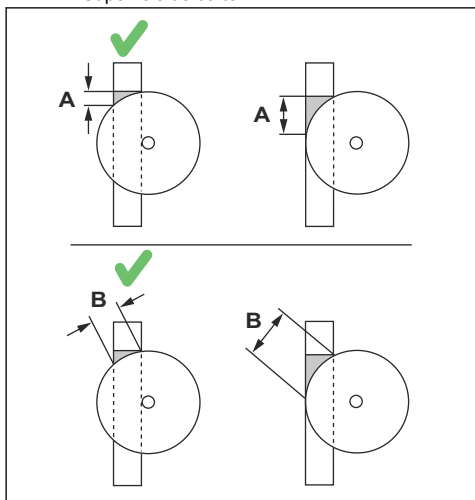
4. Ajuste la velocidad longitudinal al máximo. La velocidad se ajusta automáticamente para obtener el mejor efecto de corte. Si la potencia de salida es inferior al 100 % en estos cortes, la profundidad de corte puede aumentarse con precaución.
5. Haga los siguientes cortes a una profundidad de 4-7 cm / 1,6-2,8 pulg. (B). La dureza del hormigón y la cantidad y la posición del refuerzo afectan a la profundidad de corte.

Nota: Puede cambiar el disco y cortar en el mismo punto. Compruebe que el grosor del nuevo disco se alinee con el ancho de la ranura.

- a) Si el producto se usa en monofásico, la salida de potencia disminuye. La profundidad de corte se debe reducir en comparación con el funcionamiento en trifásico. Disminuya la profundidad de corte en $\frac{1}{2}$.
- b) Al cortar barra de refuerzo de extremo a extremo, córtela como se muestra en la ilustración para que el disco se mantenga afilado. Si la barra de refuerzo no sigue la ranura de corte de principio a fin, empiece a cortar desde el otro extremo.



- c) Use la profundidad de corte máxima del disco si la pared es más fina que la profundidad de corte máxima del disco. La superficie de corte se reduce y la presión de los segmentos del disco aumenta. Proceda de esta misma forma cuando no sea posible efectuar sobrecorte ya que la cuña que queda después de cortar se vuelve más pequeña. (A) = Distancia de sobrecorte, (B) = Superficie de corte.



- d) Si no se puede hacer el sobrecorte, use una cortadora manual para cortar la cuña. Póngase en contacto con su distribuidor Husqvarna local para obtener información sobre las cortadoras manuales.

6. Quite el disco de la ranura de corte después de cada corte.



PRECAUCIÓN: No deje que el disco gire sin presión en la ranura de corte. Esto hace que el disco se desafilé.

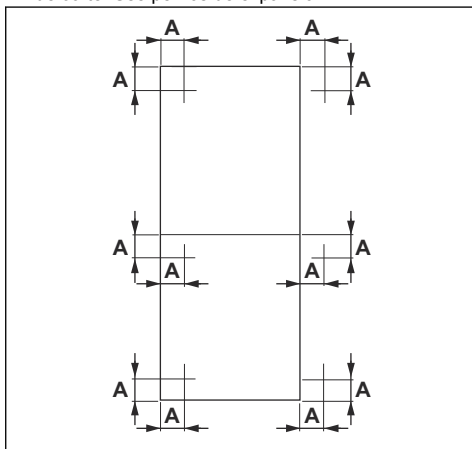
7. Detenga el motor y el flujo de agua.

Corte de bloques de hormigón



ADVERTENCIA: Los bloques de hormigón son muy pesados y pueden causar lesiones graves. Asegúrese de que el bloque de hormigón que se va a cortar esté fijado de forma segura antes de empezar.

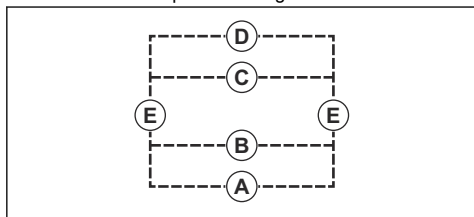
1. Examine las dimensiones del bloque de hormigón que se va a cortar y asegúrese de que sea seguro levantarlo y retirarlo.
2. Divida los bloques de hormigón grandes en piezas más pequeñas si es necesario. No es necesario mover el rail ni los soportes de pared. Puede cortar en los 2 lados del rail.
3. Ponga los orificios para los soportes de pared a aproximadamente 150 mm/5,9 pulg. (A) de la ranura de corte. Use pernos de expansión.



ADVERTENCIA: No fije los soportes de pared al bloque de hormigón que se va a cortar.

Nota: En las esquinas, los mismos orificios se pueden utilizar para los cortes verticales y horizontales.

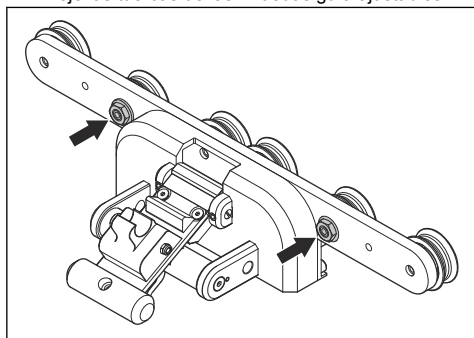
- Corte el bloque de hormigón en el siguiente orden. La ilustración muestra el procedimiento de trabajo si se divide un bloque de hormigón en 3 secciones.



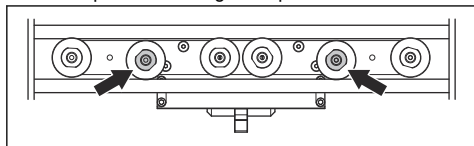
- Haga primero los cortes horizontales. Empiece desde abajo (A), (B), (C), (D).
 - Haga los 2 cortes verticales (E).
- Instale los anclajes de cuña después de cada corte. Instale 2 anclajes de cuña en el lado de corte y 1 anclaje de cuña en el otro lado del bloque de hormigón.
 - Al hacer el último corte, coloque el rail en una pared estable. Utilice las cuñas de plástico incluidas.

Ajuste de la guía de protección del disco

- Afije las tuercas de las 2 ruedas guía ajustables.



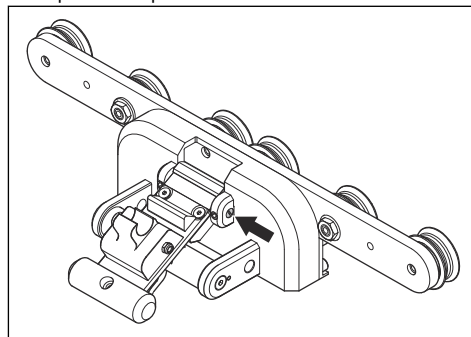
- Fije la guía de la protección del disco en la protección.
- Gire los árboles de levas con una llave de 22 mm hasta que las ruedas guía toquen el rail.



- Fije el árbol de levas en esa posición con una llave de 22 mm y apriete la tuerca con una llave de 16 mm.
- Asegúrese de que las ruedas giren fácilmente y de que no haya holgura en la guía de la protección del disco.

Ajuste de la palanca de bloqueo en la guía de la protección del disco

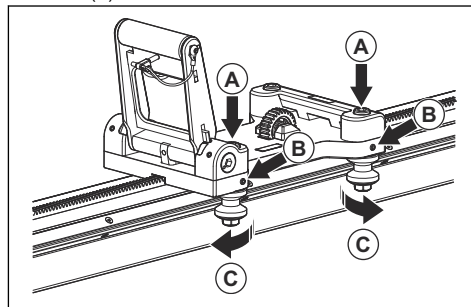
- Fije la guía de la protección del disco en la unidad de corte.
- Afije los 2 tornillos de tope con una llave Allen de 3 mm.
- Gire el árbol de levas con un destornillador hasta que la palanca de bloqueo se apriete alrededor del soporte de la protección del disco.



- Apriete los 2 tornillos de tope con una llave Allen de 3 mm.
- Retire los 4 tornillos que fijan el cierre a presión con una llave Allen de 4 mm.
- Ajuste el cierre a presión. El cierre a presión debe apretarse alrededor del rail superior.
- Apriete los 4 tornillos que fijan el cierre a presión con una llave Allen de 4 mm.

Ajuste de las ruedas guía

- Afije los 2 tornillos M10 con una llave Allen de 8 mm (A).

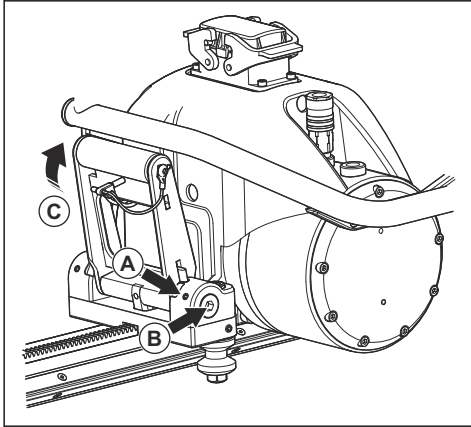


- Afije los 2 tornillos de tope que bloquean las 2 ruedas guía con una llave Allen de 3 mm (B).
- Gire detenidamente los ejes con una llave de 16 mm hasta que las ruedas guía toquen el rail (C).
- Mantenga la posición de la llave de 16 mm y apriete los 2 tornillos de tope con una llave Allen de 3 mm (B).

- Presione el dispositivo de bloqueo y tire manualmente del carro de corte en ambas direcciones. Asegúrese de que el carro de corte se mueva fácilmente y de que las 4 ruedas guía giren.
- Apriete los 2 tornillos M10 con una llave Allen de 8 mm (A).

Ajuste del carro de corte

- Afloje los 2 tornillos de tope con una llave Allen de 3 mm (A).

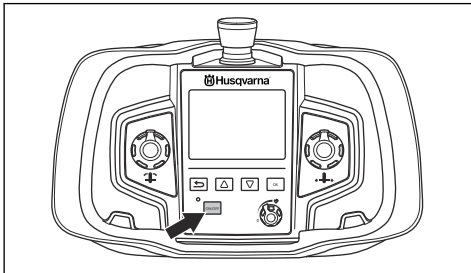


- Gire los 2 manguitos con una llave Allen de 8 mm hasta que el eje esté bien apretado y en paralelo respecto a la unidad de corte (B).
- Apriete los 2 tornillos de tope con una llave Allen de 3 mm (A).
- Cierre la palanca de bloqueo y compruebe que el bloqueo con resorte se mantenga en la posición de bloqueo (C).
- Use el pasador para bloquear la palanca.

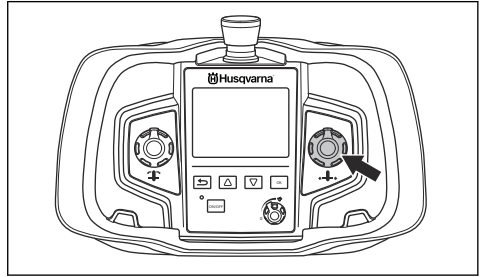
Uso del control remoto

El producto se controla con el control remoto. El control remoto se conecta por radio a la unidad de alimentación. Para conectar el control remoto, consulte el manual de la unidad de alimentación Husqvarna .

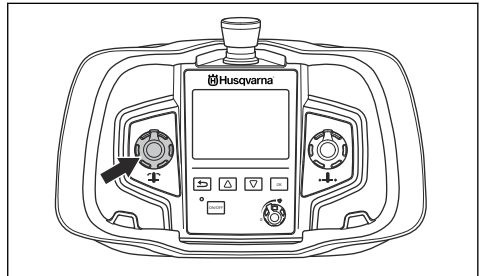
- Pulse el botón ON/OFF para iniciar y detener el control remoto.



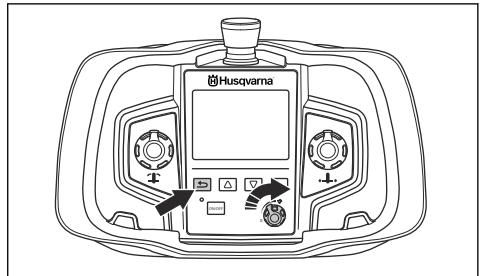
- Movimiento longitudinal: el dial mueve el producto a lo largo del rail.



- Movimiento del brazo: el dial mueve el brazo pivotante para ajustar la profundidad de corte.

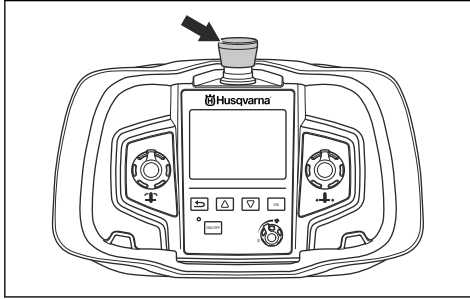


- Rotación del disco y control de la velocidad del producto: Mantenga pulsado el botón de retorno mientras gira el dial hacia la derecha para aumentar la velocidad de rotación del disco.



- Parada del producto: Gire el dial que controla la velocidad de rotación del disco hacia la izquierda hasta la posición 0.

- En caso de emergencia, detenga el producto con el botón de parada.



- Consulte el manual de la unidad de alimentación Husqvarna para ver otros ajustes y funciones del control remoto.

Parada del producto



ADVERTENCIA: No mueva el producto hasta que el motor se haya detenido y el enchufe esté desconectado.

1. Aleje el disco de la pared. El brazo pivotante apunta directamente hacia el lado opuesto a la pared.
2. Detenga el disco y el flujo de agua.
3. Pulse el botón de parada de emergencia de la unidad de alimentación para detenerla. Desconecte el enchufe. Consulte el manual de la unidad de alimentación Husqvarna .
4. Asegúrese de que las piezas de corte no se puedan caer.
5. Lleve el producto a una zona donde pueda desmontarse.

Mantenimiento

Introducción



ADVERTENCIA: Asegúrese de leer y comprender el capítulo sobre seguridad antes de realizar tareas de mantenimiento en el producto.

Desmontaje del producto

Si el producto tiene un carro de transporte, coloque todas las piezas desmontadas en él.

1. Desconecte el cable de alimentación entre la unidad de corte y la unidad de alimentación. Monte las tapas en los conectores de enchufe.
2. Desconecte las mangueras de agua de la unidad de corte.
3. Desmonte la protección del disco.
4. Retire la guía de la protección del disco.
5. Desmonte el disco. Desmonte la brida exterior del disco, el disco y el perno del disco.
6. Presione los botones de bloqueo y pliegue las palancas de bloqueo para liberar la unidad de corte del rail.
7. Suelte los tornillos de la arandela de sujeción de los soportes de pared y separe el rail de los soportes. Suelte uno de los pernos excéntricos del centro del rail para desconectar los raíles. Desmonte los raíles.
8. Desmonte los soportes de pared.

Limpieza del producto



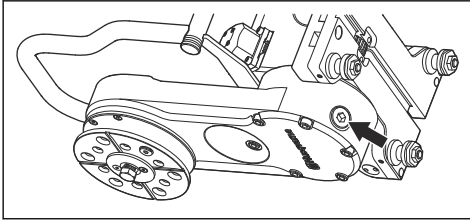
PRECAUCIÓN: No utilice una hidrolimpiadora para limpiar el producto.

Comprobación del producto

1. Compruebe que ni las mangueras ni los cables estén dañados.
2. Compruebe que todos los acoplamientos y conexiones estén limpios y que no presenten daños. Limpie y lubrique las clavijas de contacto. Lubrique los manguitos de los acoplamientos de agua.
3. Limpie y lubrique todas las piezas del producto, como las palancas de bloqueo y el mecanismo de muelle de la guía de la protección del disco.
4. Compruebe que el eje del disco gire completamente y que el perno no esté dañado.
5. Asegúrese de que ni el disco ni sus protecciones estén dañados. Sustituya el disco o su protección si están dañados o desgastados.
6. Compruebe que las ruedas de la guía de protección del disco giren sin resistencia. Compruebe que la guía de la protección del disco esté bien alineada con la protección del disco y con el producto.
7. Asegúrese de que el carro de corte está correctamente alineado.
8. Asegúrese de que la palanca de bloqueo de la guía de la protección del disco esté bien apretada.

Limpieza del tapón de aceite

- Limpie el tapón de aceite cuando cambie el aceite del brazo de corte.



Transporte, almacenamiento y eliminación

Transporte

- Si su producto tiene un carro de transporte, úselo para moverlo. Las asas del carro de transporte se pueden usar como guías al introducirlo en un camión.
- Detenga la unidad de alimentación y quite el cable eléctrico antes de mover el equipo.
- Retire el disco y la protección del disco del producto antes de transportarlo.

Almacenamiento

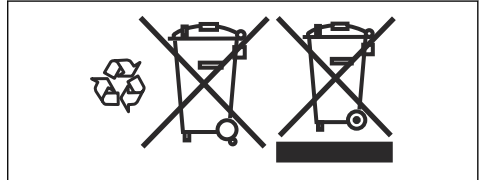
- Mantenga el producto en un área cerrada para impedir el acceso a niños o personas no autorizadas.
- Retire el disco y la protección del disco del producto después de usarlo.
- Si existe el riesgo de que el agua se congele, debe vaciarse todo el agua de refrigeración que quede en el producto.

Eliminación

Los símbolos del producto o del embalaje del producto indican que este producto no puede desecharse como

residuo doméstico. Debe enviarse a una estación de reciclaje apropiada para la recuperación de piezas eléctricas y electrónicas.

Si se asegura de que se trata este producto correctamente, puede ayudar a contrarrestar el posible impacto negativo para el medio ambiente y las personas que podría darse por una gestión incorrecta de los residuos del mismo. Si desea información más detallada sobre el reciclaje de este producto, póngase en contacto con su ayuntamiento, el servicio de recogida de basuras o la tienda donde lo adquirió.



Datos técnicos

Datos técnicos

	WS 442
Peso	
Carro de corte, kg/lb	3,7/8,2
Unidad de corte, kg/lb	28,6/63,1
Protección del disco de 800 mm, kg/lb	13/28,7
Protección del disco de 1000 mm, kg/lb	16/35,3

	WS 442
Guía de 1200 mm (47 pulg.), kg/lb	9,5/20,9
Guía de 2000 mm (79 pulg.), kg/lb	19/41,9
Tamaño del disco	
Tamaño del disco máx., mm/pulg.	1200/47,2
Tamaño del disco mín., mm/pulg.	600/23,6
Disco de arranque máx., mm/pulg.	1000/39,4
Profundidad de corte máx., mm/pulg.	530/20,9
Motor impulsor del disco de corte	Ciclo alto de PM
Salida del eje máx., kW	13
Mecanismo de transmisión	Transmisión
Velocidad de salida, rpm	0-1200
Sistema de alimentación/control	Eléctrico / automático
Par motor en el disco de corte máx., Nm	160
Par de arranque, Nm	150
Presión de agua de refrigeración máx., bar	7
Caudal de agua de refrigeración, l/min	3,5
Temperatura de la refrigeración por agua a 3,5 l/min máx., °C	25
Tipo de protección	IP 65
Emisiones de ruido⁷	
Nivel de potencia acústica, dB(A) medidos	108
Nivel de potencia acústica garantizado L _{WA} dB(A)	109
Niveles acústicos⁸	
Nivel de presión sonora en el oído del operario, dB(A)	85

Velocidad recomendada del disco



ADVERTENCIA: Si corta a una velocidad demasiado alta, puede dañar el disco o provocar lesiones.

En la marcha 1, el intervalo de velocidad es de 600-900 rpm y en la marcha 2, de 800-1200 rpm. Si corta a una velocidad de 800-900 rpm, obtendrá una

mayor potencia si usa la marcha 1. Para conocer la velocidad del disco recomendada, póngase en contacto con el distribuidor del mismo. Al cortar en hormigón duro, use una velocidad inferior.

Velocidad, rpm	
Engranaje 1	600-900
Engranaje 2	800-1200

	600 mm/24 pulg.	800 mm/32 pulg.	1000 mm/40 pulg.	1200 mm/48 pulg.
600 r/min				H

⁷ Emisiones sonoras en el entorno medidas como potencia sonora (L_{WA}) según la norma EN 15027/A1.

⁸ Nivel de presión sonora conforme a la norma EN 15027/A1. Los datos referidos del nivel de presión sonora tienen una dispersión estadística habitual (desviación típica) de 1,0 dB (A).

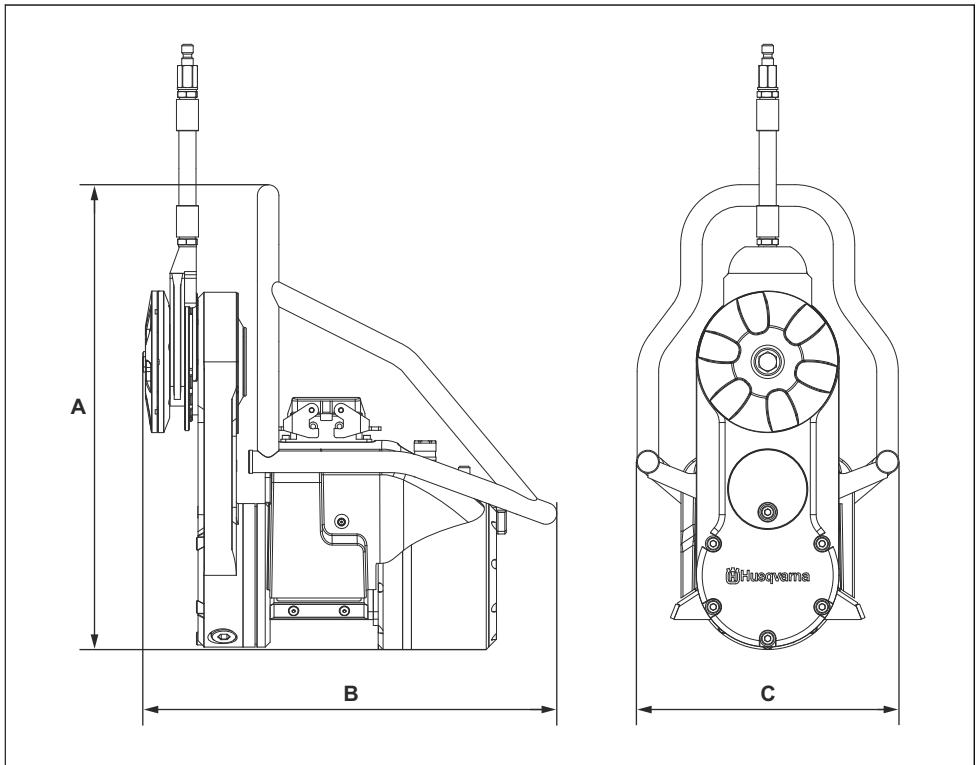
	600 mm/24 pulg.	800 mm/32 pulg.	1000 mm/40 pulg.	1200 mm/48 pulg.
700 r/min			H	M
800 r/min			M	S
900 r/min		H	M	
1000 r/min		M	S	
1100 r/min	H	M		
1200 r/min	M	S		

H = Hormigón duro

M = Hormigón medio

S = Hormigón blando

Dimensiones del producto



A = 473 mm

B = 423 mm

C = 269 mm

Declaración de conformidad CE

Declaración de conformidad CE

Nosotros, Husqvarna AB, SE 561 82 Huskvarna, SUECIA, Tel. +46 36 146500, declaramos bajo nuestra exclusiva responsabilidad que el producto:

Descripción	Cortadora de muros
Marca	Husqvarna
Tipo/Modelo	WS 442
Identificación	Números de serie a partir del año 2019

Cumple las siguientes directivas y normas de la UE:

Directiva/Norma	Descripción
2006/42/EC	"relativa a las máquinas"

Y que se aplican las especificaciones técnicas o los estándares siguientes:

- EN ISO 12100:2010
- EN 15027/A1:2009
- EN 60204-1:2006+A1:2009

Partille, 2019-07-03



Edvard Gulis

Director de I + D, Concrete Sawing & Drilling

Husqvarna AB, Construction Division

Responsable de la documentación técnica



www.husqvarna.com

Original instructions
Originalanweisungen
Instructions d'origine
Instrucciones originales

1141227-38



2019-10-11