



Husqvarna®



LG 504

EN	Operator's manual
ES-MX	Manual de usuario
FR-CA	Manuel d'utilisation

2-21
22-42
43-63

Contents

Introduction.....	2	Maintenance.....	12
Safety.....	5	Transportation, storage and disposal.....	17
Operation.....	9	Technical data.....	19

Introduction

California Proposition 65

 **WARNING!**

The engine exhaust from this product contains chemicals known to the State of California to cause cancer, birth defects or other reproductive harm.

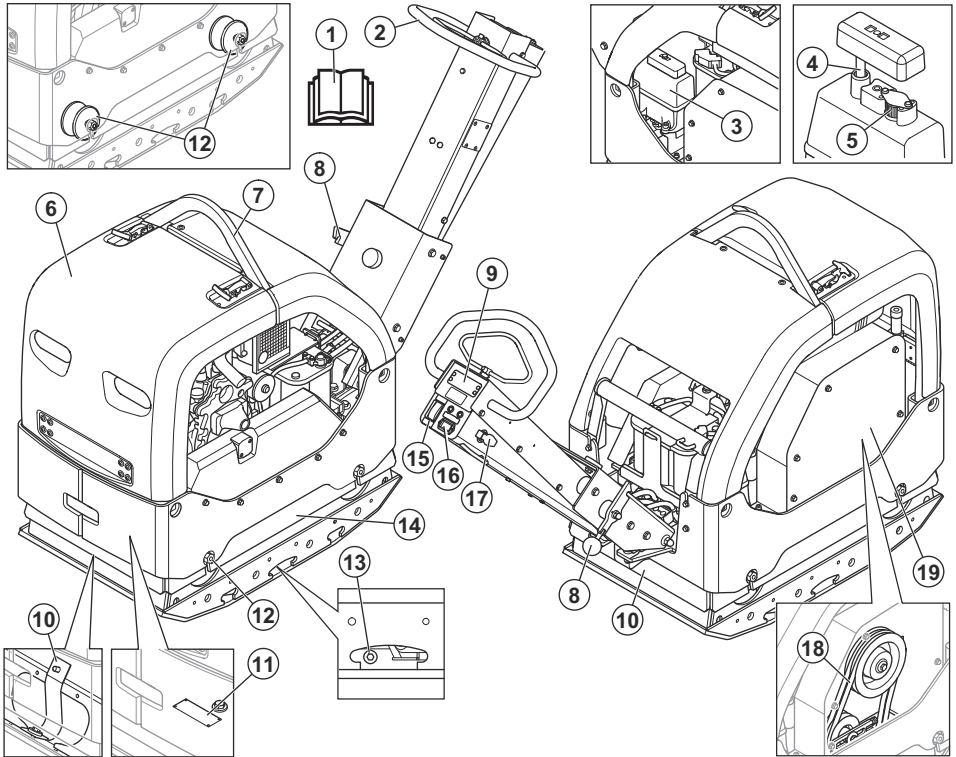
Product description

The product is a walk-behind reversible plate compactor for compaction of granular soils in moderately thick layers to layers of larger depth.

Intended use

The product is for professional operation only. Use the product for repairs and maintenance of driveways, paths and parking lots. With the optional block paving kit the product can also be used for block paving. Do not use the product for other tasks.

Product overview



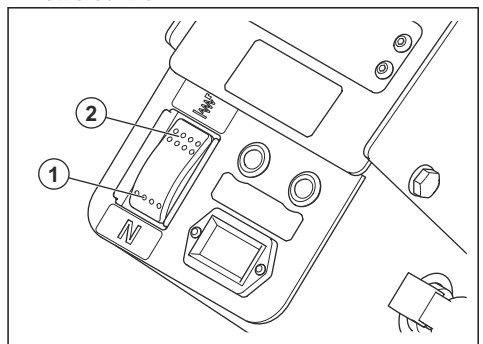
1. Operator's manual
2. Handle
3. Hydraulic oil tank
4. Hydraulic oil dipstick
5. Breather filter
6. Safety frame
7. Lifting eye
8. Lock lever for the handle
9. Compaction indicator
10. Safety straps
11. Type plate
12. Vibration damping units

16. Hour meter and indicators for battery charge and engine oil pressure
17. Ignition key
18. V-belt
19. V-belt cover

Note: There are also 10 vibration damping units between the handle and the engine plate. Refer to *To do a check of the vibration damping units on page 8.*

13. Oil plug for the eccentric element
14. Eccentric element
15. Throttle control

Throttle control



1. Button for idle speed
2. Button for full throttle speed

Symbols on the product



Be careful and use the product correctly. This product can cause serious injury or death to the operator or others.



Read the manual carefully and make sure that you understand the instructions before you use the product.



Read the manual carefully and make sure that you understand the instructions before you use the product.



Use hearing protection.



Use protective boots.



Ultra-low-sulfur diesel fuel only.



Manual start.



Electrical start.



Hydraulic oil level.



Bio-Hydr.

Biological hydraulic oil.



The vibrations start. Symbol for a button of the throttle control.



Idle speed. Symbol for a button of the throttle control.



The battery charges.



Hour meter.



Engine oil pressure.



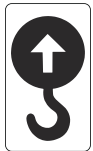
Risk of injury. Be careful around the drive belt.



Risk of injury if the handle falls on you. Lock the handle in the lifted position.



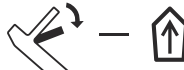
Hot surface.



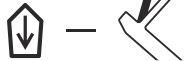
Lifting point on the safety frame.



Move the product forward.

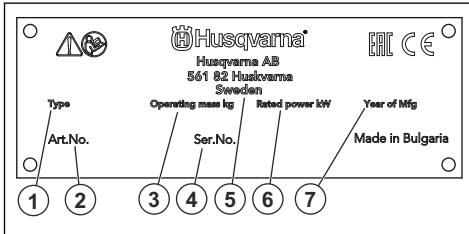


Move the product rearward.



Note: Other symbols/decals on the product refer to special certification requirements for some markets.

Type plate



1. Product type
2. Product number
3. Product weight

4. Serial number
5. Manufacturer
6. Rated power
7. Production year

Product liability

As referred to in the product liability laws, we are not liable for damages that our product causes if:

- the product is incorrectly repaired.
- the product is repaired with parts that are not from the manufacturer or not approved by the manufacturer.
- the product has an accessory that is not from the manufacturer or not approved by the manufacturer.
- the product is not repaired at an approved service center or by an approved authority.

Safety

Safety definitions

Warnings, cautions and notes are used to point out specially important parts of the manual.



WARNING: Used if there is a risk of injury or death for the operator or bystanders if the instructions in the manual are not obeyed.



CAUTION: Used if there is a risk of damage to the product, other materials or the adjacent area if the instructions in the manual are not obeyed.

Note: Used to give more information that is necessary in a given situation.

General safety instructions



WARNING: Read the warning instructions that follow before you use the product.

- This product is a dangerous tool if you are not careful or if you use the product incorrectly. This product can cause serious injury or death to the operator or others. Before you use the product, you must read and understand the contents of this operator's manual.
- Save all warnings and instructions.
- Comply with all applicable laws and regulations.
- The operator and the employer of the operator must know and prevent the risks during operation of the product.

- Do not let a person operate the product unless they read and understand the contents of the operator's manual.
- Do not operate the product unless you receive training before use. Make sure that all operators receive training.
- Do not let a child operate the product.
- Only let approved persons operate the product.
- The operator is responsible for accidents that occur to other persons or their property.
- Do not use the product if you are tired, ill, or under the influence of alcohol, drugs or medicine.
- Always be careful and use your common sense.
- This product produces an electromagnetic field during operation. This field can under some circumstances interfere with active or passive medical implants. To decrease the risk of serious injury or death, we recommend persons with medical implants to speak to their physician and the medical implant manufacturer before operating this product.
- Keep the product clean. Make sure that you can clearly read signs and decals.
- Do not use the product if it is defective.
- Do not do modifications to this product.
- Do not operate the product if it is possible that other persons have done modifications to the product.

Safety instructions for operation



WARNING: Read the warning instructions that follow before you use the product.

- Make sure that you know how to stop the engine quickly in an emergency.

- The operator must have the physical strength that is necessary to operate the product safely.
- Do not operate the product without all protective covers installed.
- Use personal protective equipment. Refer to *Personal protective equipment on page 7*.
- Make sure that only approved persons are in the work area.
- Keep the work area clean and bright.
- Make sure that you are in a safe and stable position during operation.
- Make sure that there is no risk that you or the product can fall from a height.
- Make sure that there is no grease or oil on the handle.
- Do not use the product in areas where fire or explosions can occur.
- The product can cause objects to eject at high speed. Make sure that all persons in the work area use approved personal protective equipment. Remove loose objects from the work area.
- Before you go away from the product, stop the engine and make sure that there is no risk of accidental start.
- Do not touch the bottom plate when you operate the product or after the engine stops. The bottom plate is hot. Hot areas can cause injury.
- Make sure that clothes, long hair and jewelry do not get caught in moving parts.
- Do not sit on the product.
- Do not hit the product.
- Always operate the product from behind with your hands on the handle.
- Do not operate the product near electrical cables. The product does not have electrical insulation and injury or death can occur.
- Before you operate the product, find out if there are hidden wires, cables and pipes in the work area. If the product hits a hidden object, stop the engine immediately and examine the product and the object. Do not start to operate the product again until you know that it is safe to continue.

Vibration safety



WARNING: Read the warning instructions that follow before you use the product.

- During operation of the product, vibrations go from the product to the operator. Regular and frequent operation of the product can cause or increase the degree of injuries to the operator. Injuries can occur in fingers, hands, wrists, arms, shoulders, and/or nerves and blood supply or other body parts. The injuries can be debilitating and/or permanent, and can increase gradually during weeks, months or years. Possible injuries include damage to the blood

circulation system, the nervous system, joints, and other body structures.

- Symptoms can occur during operation of the product or at other times. If you have symptoms and continue to operate the product, the symptoms can increase or become permanent. If these or other symptoms occur, get medical aid:
 - Numbness, loss of feeling, tingling, pricking, pain, burning, throbbing, stiffness, clumsiness, loss of strength, changes in skin color or condition.
- Symptoms can increase in cold temperatures. Use warm clothing and keep your hands warm and dry when you operate the product in cold environments.
- Do maintenance on and operate the product as given in the operator's manual, to keep a correct vibration level.
- The product has a vibration damping system that decreases the vibrations from the handles to the operator. Let the product do the work. Do not push the product with force. Hold the product at the handles lightly, but make sure that you control the product and operate it safely. Do not push the handles into the end stops more than necessary.
- Keep your hands on the handle or handles only. Keep all other body parts away from the product.
- Stop the product immediately if strong vibrations suddenly occurs. Do not continue the operation before the cause of the increased vibrations is removed.

Dust safety



WARNING: Read the warning instructions that follow before you use the product.

- Operation of the product can cause dust in the air. Dust can cause serious injury and permanent health problems. Silica dust is regulated as harmful by several authorities. These are examples of such health problems:
 - The fatal lung diseases chronic bronchitis, silicosis and pulmonary fibrosis
 - Cancer
 - Birth defects
 - Skin inflammation
- Use correct equipment to decrease the quantity of dust and fumes in the air and to decrease dust on work equipment, surfaces, clothing and body parts. Examples of controls are dust collection systems and water sprays to bind dust. Decrease dust at the source where possible. Make sure that the equipment is correctly installed and used and that regular maintenance is done.
- Use approved respiratory protection. Make sure that the respiratory protection is applicable for the dangerous materials in the work area.

- Make sure that the airflow is sufficient in the work area.
- If it is possible, point the exhaust of the product where it cannot cause dust to go into the air.

Exhaust fumes safety



WARNING: Read the warning instructions that follow before you use the product.

- The exhaust fumes from the engine contain carbon monoxide which is an odourless, poisonous and very dangerous gas. To breathe carbon monoxide can cause death. Because carbon monoxide is odourless and cannot be seen, it is not possible to sense it. A symptom of carbon monoxide poisoning is dizziness, but it is possible that a person becomes unconscious without warning if the quantity or concentration of carbon monoxide is sufficient.
- Exhaust fumes also contain unburned hydrocarbons including benzene. Long-term inhalation can cause health problems.
- Exhaust fumes that you can see or smell also contain carbon monoxide.
- Do not use a combustion engine product indoors or in areas that do not have sufficient airflow.
- Do not breathe the exhaust fumes.
- Make sure that the airflow in the work area is sufficient. This is very important when you operate the product in trenches or other small work areas where exhaust fumes can easily collect.

Noise safety



WARNING: Read the warning instructions that follow before you use the product.

- High noise levels and long-term exposure to noise can cause noise-induced hearing loss.
- To keep the noise level to a minimum, do maintenance on and operate the product as given in the operator's manual.
- Examine the muffler for damages and defects. Make sure that the muffler is correctly attached to the product.
- Use approved hearing protection while you operate the product.
- Listen for warning signals and voices when you use hearing protection. Remove the hearing protection when the product is stopped, unless hearing protection is necessary for the noise level in the work area.

Personal protective equipment



WARNING: Read the warning instructions that follow before you use the product.

- Always use approved personal protective equipment when you operate the product. Personal protective equipment cannot fully prevent injury but it decreases the degree of injury if an accident does occur. Let your dealer help you select the correct personal protective equipment.
- Regularly do a check of the condition of the personal protective equipment.
- Use an approved protective helmet.
- Use approved hearing protection.
- Use approved respiratory protection.
- Use approved eye protection with side protection.
- Use protective gloves.
- Use boots with steel toe-cap and non-slip sole.
- Use approved work clothing or equivalent close-fitting clothing that has long sleeves and long legs.

Fire extinguisher

- Keep a fire extinguisher near during operation.
- Use a powder fire extinguisher of "ABE" class or a carbon dioxide fire extinguisher of "BE" type.

Safety devices on the product



WARNING: Read the warning instructions that follow before you use the product.

- Do not use a product with defective safety devices.
- Do a check of the safety devices regularly. If the safety devices are defective, speak to your Husqvarna service agent.

Muffler

The muffler keeps the noise levels to a minimum and sends the exhaust fumes away from the operator.

Do not use the product if the muffler is missing or defective. A defective muffler increases the noise level and the risk of fire.



WARNING: The muffler becomes very hot during and after use and when the engine operates at idle speed. Be careful near flammable materials and/or fumes to prevent fire.

To do a check of the muffler

- Examine the muffler regularly to make sure that it is attached correctly and not damaged.

Safety frame

The safety frame prevents damage to the product if it falls.

To do a check of the safety frame

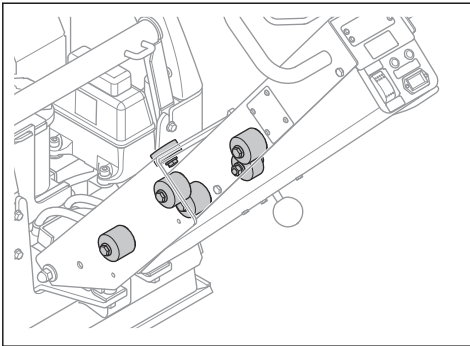
- Make sure that there are no cracks or other damages on the safety frame.
- Make sure that the safety frame is correctly installed on the product.

Vibration damping units

The vibration damping units decrease vibration in the product. The vibration damping units decrease harmful vibrations to prevent injury to the operator and damage to the product.

To do a check of the vibration damping units

There are 10 vibration damping units, 2 on each side of the product, 5 between the handle and the engine plate, and 1 between the handle and handle lock lever.



- Make sure that the vibration damping units are correctly installed.
- Examine the vibration damping units for damages and wear.
- Replace the vibration damping units if it is necessary.

Fuel safety



WARNING: Read the warning instructions that follow before you use the product.

- Fuel is flammable and the fumes are explosive. Be careful with fuel to prevent injury, fire and explosion.
- Do not breathe in the fuel fumes. The fuel fumes are poisonous and can cause injury. Make sure that the airflow is sufficient.
- Do not remove the fuel tank cap or fill the fuel tank when the engine is on.
- Let the engine become cool before you refuel.

- Do not fill fuel in an indoor area. Not sufficient airflow can cause injury or death because of asphyxiation or carbon monoxide.
- Do not smoke near the fuel or the engine.
- Do not put hot objects near the fuel or the engine.
- Do not fill fuel near sparks or flames.
- Before you refuel, open the fuel tank cap slowly and release the pressure carefully.
- Fuel on your skin can cause injury. If you get fuel on your skin, use soap and water to remove the fuel.
- If you spill fuel on your clothing, change clothing immediately.
- Do not fill the fuel tank fully. Heat causes the fuel to expand. Keep a space at the top of the fuel tank.
- Tighten the fuel tank cap fully. If the fuel tank cap is not tightened, there is a risk of fire.
- Before you start the product, move the product to a minimum of 3 m/10 ft from where you refueled.
- Do not start the product if there is fuel or engine oil on the product. Remove the unwanted fuel and engine oil and let the product dry before you start the engine.
- Examine the engine for leaks regularly. If there are leaks in the fuel system, do not start the engine until the leaks are repaired.
- Do not use your fingers to examine the engine for leaks.
- Keep fuel in approved containers only.
- When the product and fuel is in storage, make sure that fuel and fuel fumes cannot cause damage.
- Drain the fuel in an approved container outdoors and away from sparks and flames.

Battery safety



WARNING: A damaged battery can cause an explosion and cause injury. If the battery has a deformation or is damaged, speak to an approved Husqvarna service agent.



WARNING: Read the warning instructions that follow before you use the product.

- Use protective glasses when you are near batteries.
- Do not wear watches, jewelry or other metal objects near the battery.
- Keep the battery out of reach for children.
- Charge the battery in a space with good airflow.
- Keep flammable materials at a minimum clearance of 1 m when you charge the battery.
- Discard replaced batteries. See *Disposal on page 18*.
- Explosive gases can come from the battery. Do not smoke near the battery. Keep the battery away from open flames and sparks.

Safety instructions for operation on slopes



WARNING: Read the warning instructions that follow before you use the product.

- Do not operate the product on a slope that is more than 20°. Loose ground, vibrations and the operation speed can cause the product to fall on a slope that is less than 20°.
- Make sure that the work area is safe. Wet and loose soil decreases safe operation of the product. Be very careful on slopes and rough surfaces.
- Make sure that all persons in the work area are above the product on the slope.
- Operate the product up and down the slope, not from side to side.
- Do not park the product on a slope. If you must park the product on a slope, make sure that the product cannot fall. There is a risk of injury and damage.

Safety instructions for operation near edges



WARNING: Read the warning instructions that follow before you use the product.

- There is a risk that the product falls when you operate it near an edge. Always keep a minimum of $\frac{1}{4}$ of the product on a surface that is sufficiently stable to hold the product weight.
- If the product falls, stop the engine before you lift the product back to a surface that is sufficiently stable. Refer to *To lift the product on page 17*.

Safety instructions for maintenance



WARNING: Read the warning instructions that follow before you use the product.

- If the maintenance is not done correctly and regularly, the risk of injury and damage to the product increases.
- Use personal protective equipment. Refer to *Personal protective equipment on page 7*.
- Stop the engine and make sure that all parts of the product are cool before you do the maintenance.
- Clean the product to remove dangerous material before you do the maintenance.
- Disconnect the battery cables from the battery terminal before you do the maintenance.
- The exhaust fumes from the engine are hot and can contain sparks. Do not operate the product in indoor areas or near flammable material.
- Do not change the product. Modifications that are not approved by the manufacturer, can cause serious injury or death.
- Always use original accessories and spare parts. Accessories and spare parts that are not approved by the manufacturer, can cause serious injury or death.
- Replace damaged, worn or broken parts.
- Only do the maintenance as given in this operator's manual. Let an approved service center do all other servicing.
- Remove all tools from the product before you start the engine after maintenance. Loose tools or tools attached to rotating parts can eject and cause injury.
- After maintenance, do a check of the vibration level in the product. If it is not correct, speak to an approved service center.
- Let an approved service center do servicing on the product regularly.

Operation

Introduction



WARNING: Read and understand the safety chapter before you use the product.

To do before you operate the product

- Read the operator's manual carefully and make sure that you understand the instructions.
- Read the engine manual that is supplied by the engine manufacturer.
- Do the daily maintenance. Refer to *Maintenance schedule on page 12*.

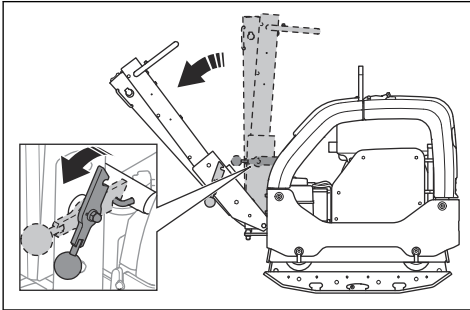
To set the handle to operation position



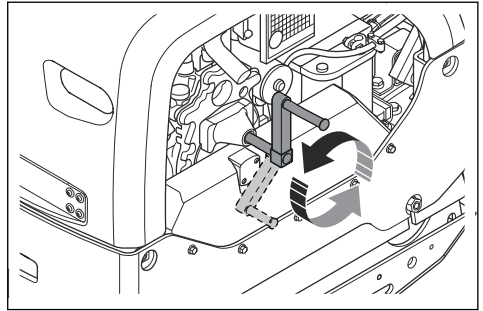
WARNING: Hold the handle tightly when you change the position of the handle. There is a risk of injury if the handle falls on you.

1. Hold the handle.

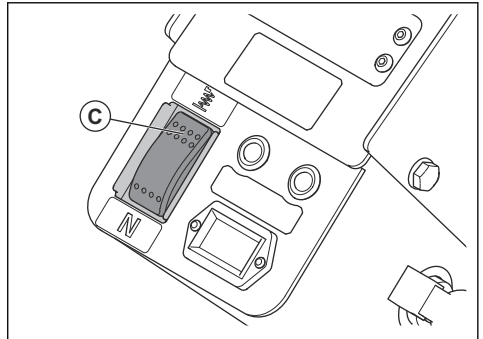
2. Release the lock lever and lower the handle carefully.



3. Turn the start handle until the engine starts.



4. Let the engine operate at idle speed for 2-3 minutes.
5. Push the throttle button (C) to full throttle.



To start and stop the product

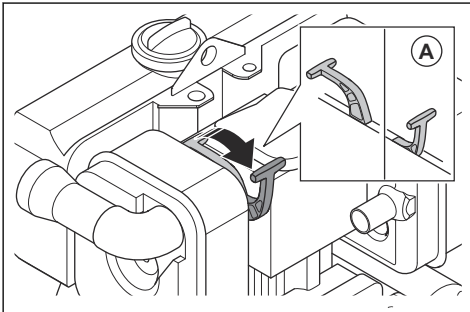


WARNING: Keep your feet away from the product during the start procedure. The hydraulic system can cause the product to move suddenly when the engine starts.

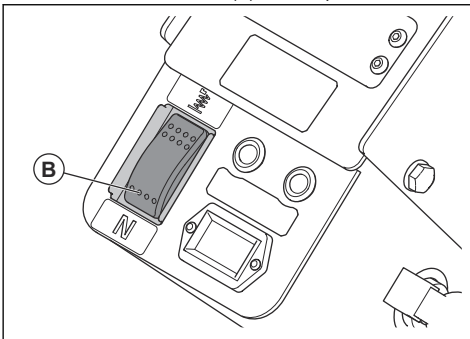
To start the product manually

Do this procedure if the product has an engine with manual start.

1. Pull the lever for the decompression valve to the start position (A).



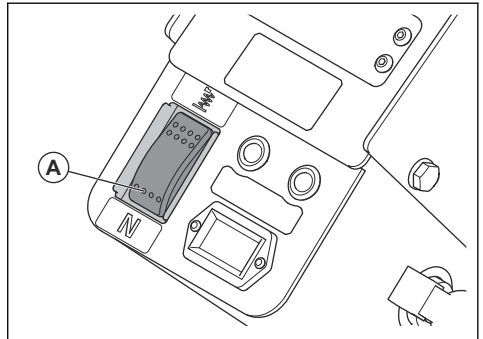
2. Push the throttle button (B) to idle speed.



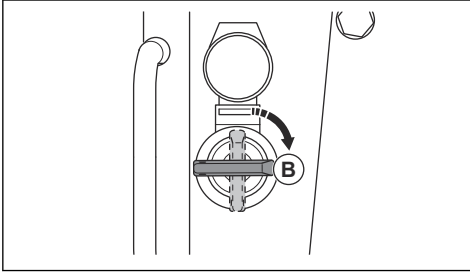
To start the product with electrical start

Do this procedure if the product has an engine with electrical start.

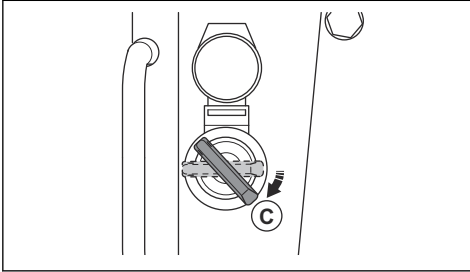
1. Push the throttle button (A) to idle speed.



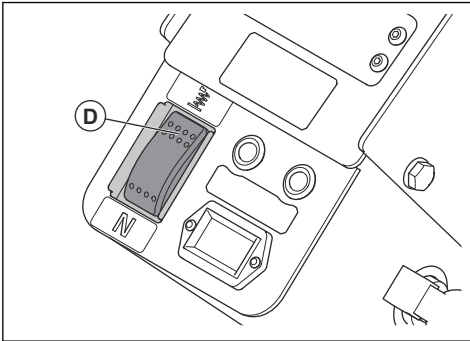
- Turn the ignition key to the ignition position (B). The indicators for battery charge and oil pressure come on.



- Turn the ignition key to the start position (C).



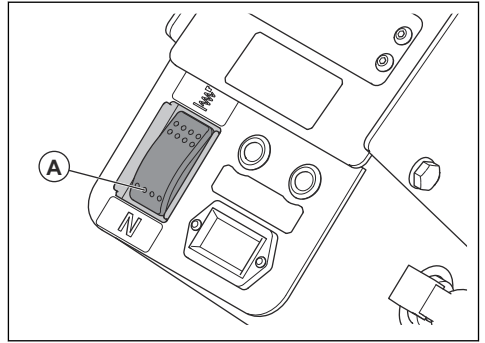
- When the engine starts, immediately release the ignition key. The ignition key goes back to position (B).
 - If the engine does not start in 10 seconds, release the ignition key and wait 5 seconds before you try again.
- Let the engine operate at idle speed for 2–3 minutes.
 - Push the throttle button (D) to full throttle.



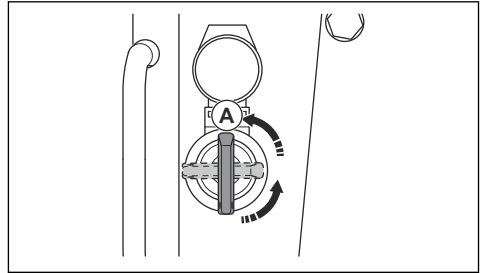
To stop the product

- Park the product on level ground.

- Push the throttle button (A) to idle speed.

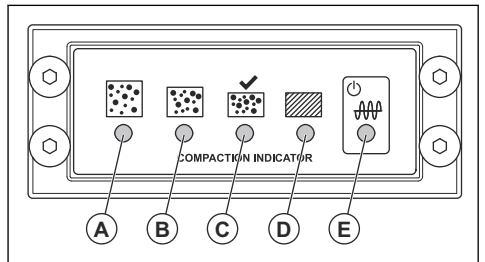


- Let the engine operate at idle speed for 2–3 minutes.
- If the engine has an electrical start, do also these steps:
 - Turn the ignition key to the stop position (A).



- Remove the ignition key to prevent accidental start.

Compaction indicator (optional)



- A: Yellow LED. The degree of compaction is 0–30%.
- B: Yellow LED. The degree of compaction is 30–60%.
- C: Green LED. The degree of compaction is 60–90%.
- C and D: Green and red LED. When these LED indicators flash, the ground surface has the maximum degree of compaction that is applicable for the product.
- D: Red LED. The degree of compaction is 90–100%.



CAUTION: Do not operate the product when the LED indicator (D) is on with a constant red light. This causes wear to the product.

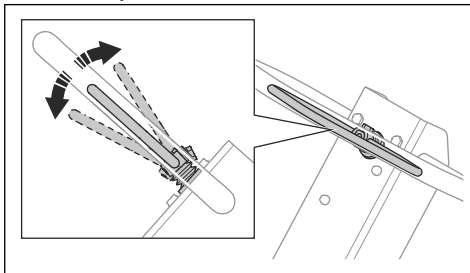
- E: Red or green. Power supply indicator.

When you turn the ignition key, a calibration of the compaction indicator starts. All LED indicators (A) to (E) come on. After approximately 4 seconds, the LED indicator (E) changes from red to green and the LED indicators (A) to (D) go off. When the LED indicators (A) to (D) are off and the LED indicator (E) is green, you can start the product.

To operate the product

Always operate the product with the throttle control set to full throttle.

- To operate the product forward, move the operation control fully forward and release it.



- To operate the product rearward, move the operation control fully rearward and release it.
- To stop the movement of the product, move the operation control in the opposite direction in small movements until the product is stationary.
- To change direction, turn the product around by the handle.

Maintenance

Introduction



WARNING: Read and understand the safety chapter before you do maintenance on the product.

X = The instructions are given in this operator's manual.

O = Refer to the instructions in the engine manual supplied by the engine manufacturer.

Maintenance schedule

* = General maintenance done by the operator. The instructions are not given in this operator's manual.

General product maintenance	Before use, each 10 h	Each 100 h	Each 6 months or 250 h	Yearly, each 500 h
Make sure that there are no fuel or oil leaks.	*			
Clean the product.	X			
Make sure that nuts and screws are tightened.	*			
Examine the throttle control and the forward and reverse control for damage.	*			
Make sure that the forward and reverse control can move smoothly.	*			
Lubricate the forward and reverse control and the linkages of the controls.	*			
Examine the safety straps for damage. Replace if it is necessary.	*			
Examine the vibration damping units for damage.		X	X	X
Examine the tension of the V-belt and look for damages. Adjust or replace the V-belt as necessary.		X	X	X

General product maintenance	Before use, each 10 h	Each 100 h	Each 6 months or 250 h	Yearly, each 500 h
Examine all rubber hoses and rubber elements for damage. Replace if it is necessary.			X	X
Do a check of the hydraulic oil level.			X	X
Do a check of the battery terminals.			*	*
Replace the oil in the eccentric element.			X	X
Replace the hydraulic oil.				X

Engine maintenance	Before use, each 10 h	After the first 20 h	Each 250 h	Yearly, each 500 h
Do a check of the fuel level and the engine oil level.	X			
Clean the cooling fins of the engine.	O		O	O
Examine the air filter indicator. Clean the air filter if it is necessary.	X	X		
Replace the air filter.			X	X
Do a check of the drain valve for the air filter. Only applicable for engines that have a cyclone precleaner.	O			
Replace the engine oil.		O	O	O
Do a check of the engine speed.		O	O	O
Drain and clean the fuel tank and clean the fuel filter.				O
Adjust the valve head clearance for the air intake and the exhaust valves.		O	O	O
Replace the oil filter.			O	O
Do a check of the fuel injection pump.				O
Do a check of the fuel injection nozzle.				O
Drain water from the fuel system.				O
Replace the fuel filter.				O

To clean the product



CAUTION: Before you clean the product, attach a plastic bag tightly around the fuel tank cap. This is to make sure that water does not go into the venthole in the fuel tank cap.

- Use running water from a hose or a high-pressure washer to clean the product.



CAUTION: Do not point the water directly at the fuel tank cap, electrical components or the engine.

- Remove grease and oil from the handle.

To do a general inspection

- Make sure that all nuts and screws on the product are tightened correctly.

To do a check of the engine oil level

1. Remove the oil tank cap and dipstick.

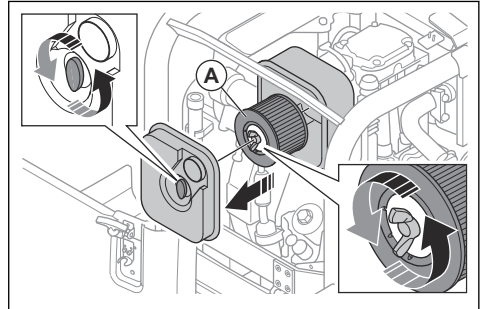
- Clean the oil from the dipstick.
- Put the dipstick back fully into the oil tank.
- Remove the dipstick.
- Examine the oil level on the dipstick.
- If the oil level is low, fill with engine oil and do a check of the oil level again. Refer to *Technical data on page 19* or the engine manual for the correct type of oil.

dust in the air filter is dangerous to your health.



WARNING: Do not clean the air filter with compressed air. This causes damage to the air filter and the risk increases that you breathe the dangerous dust.

- Turn the locking knob on the air filter cover counterclockwise and remove the air filter cover.



- Turn the locking knob on the air filter counterclockwise and remove the air filter (A) from the air filter housing.
- Clean the air filter housing with a brush.
- Tap the air filter against a hard surface or use a vacuum cleaner to remove the particles.



CAUTION: Do not let the nozzle of the vacuum cleaner touch the surface of the paper filter element. Keep a small distance. The sensitive surface of the paper filter element becomes damaged if objects touch it.

- Examine the air filter for damage.
- Discard the air filter if it is damaged, wet or if there is oil on it.



CAUTION: Always replace a damaged air filter, or the dust will go into the engine and cause engine damage.

- Install the clean air filter or a new air filter into the air filter housing. Tighten the locking knob clockwise.
- Install the air filter cover and turn the locking knob clockwise.

To do a check of the V-belt



WARNING: Do not operate the product without the V-belt cover installed.

- Stop the engine.

Air filter



WARNING: Use approved respiratory protection when you clean or replace the air filter. Discard used air filters correctly. The dust in the air filter is dangerous to your health.



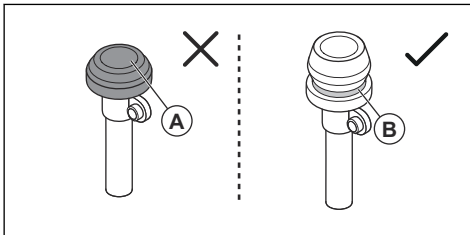
CAUTION: Always replace a damaged air filter, or the dust will go into the engine and cause engine damage.

To examine the air filter indicator



CAUTION: Examine the air filter indicator each time the engine is started. A clogged air filter can cause damage to the product.

- Examine the air filter indicator.



- If the air filter indicator is compressed (A), clean or replace the air filter. Refer to .



WARNING: Stop the engine before you do the maintenance.

- If the the green mark (B) shows, no maintenance on the air filter is necessary.

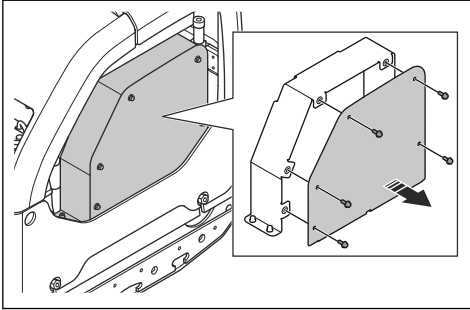
Refer to the engine manual for more information about the air filter indicator.

To clean or replace the air filter

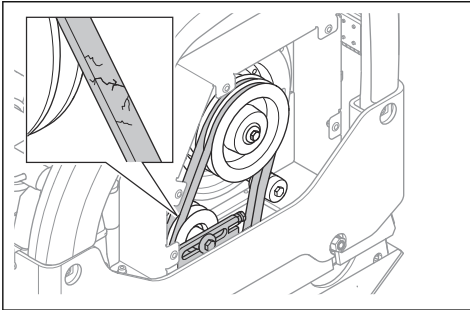


WARNING: Use approved respiratory protection when you clean or replace the air filter. Discard used air filters correctly. The

2. Remove the V-belt cover.



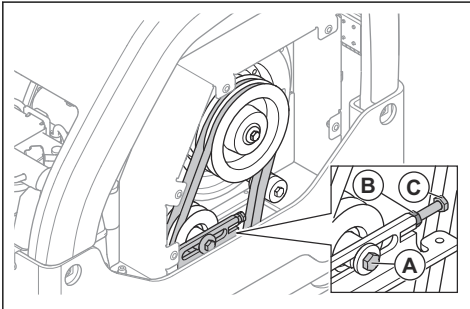
3. Examine the V-belt for damages and wear. Replace the V-belt if it is necessary.



4. Do a check of the V-belt tension.

5. If the V-belt tension is not sufficient, do this procedure:

a) Loosen the screw on the belt tensioner (A).



b) Loosen the locknut (B).

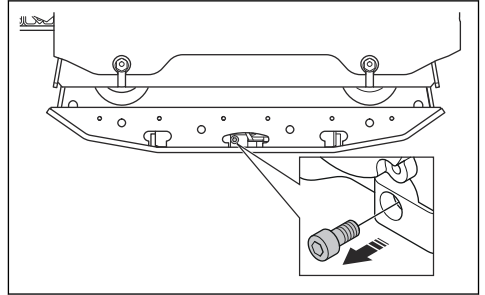
c) Turn the adjustment screw (C) to adjust the belt tensioner.

d) Tighten the screw on the locknut (B) and the belt tensioner (A).

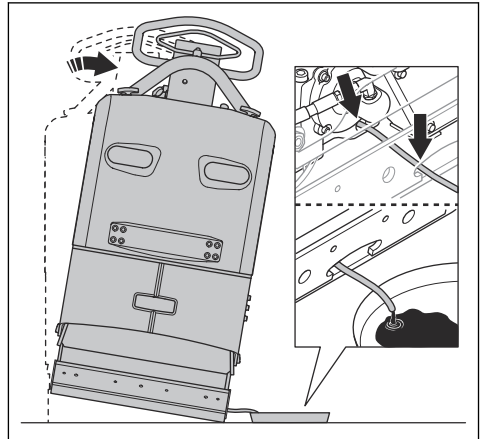
6. Install the V-belt cover.

To replace the oil in the eccentric element

1. Remove the oil drain plug for the eccentric element and connect a hose.



2. Tilt the product to drain the oil.



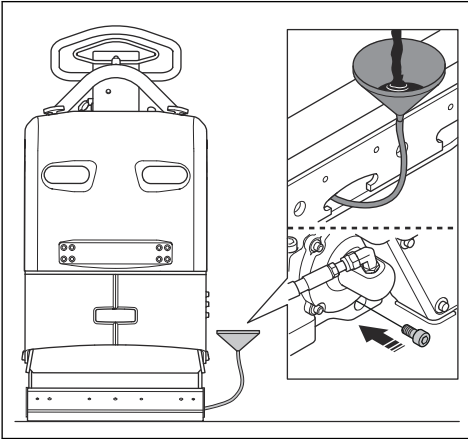
Note: You can also use a manual oil drain pump to drain the oil in the eccentric element.

3. Clean the surfaces around the hole for the oil drain plug, the threads of the hole and the oil drain plug. Use a dry cloth and, if it is necessary, an applicable solvent.



CAUTION: Do not use water to clean around and on the oil drain plug.

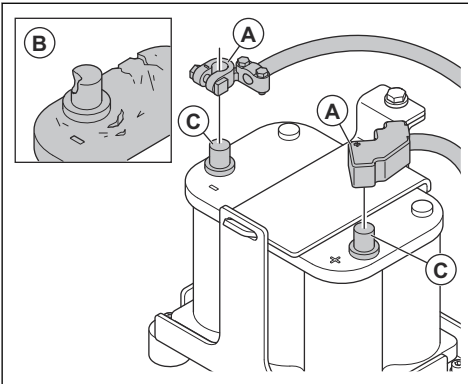
4. Fill the eccentric element with oil of the correct type. Refer to *Technical data on page 19*.



5. Install the oil drain plug.

To do a check of the battery

1. Disconnect the battery cables (A).



2. Examine the battery for damages (B). Replace the battery if it is damaged.
 3. Clean the battery terminals (C).
 4. Connect the battery cables.

To charge the battery

The battery is an AGM OPTIMA battery. It is not necessary to do maintenance on the battery.



WARNING: Do not charge the battery more than recommended. The life of the battery decreases and flammable gases can come from the battery.



CAUTION: If the battery becomes very hot when it charges, disconnect the battery immediately.

- Use a voltage-regulated battery charger for AGM OPTIMA batteries. Refer to *Recommended battery chargers on page 16*. Speak to your Husqvarna dealer for more information about the correct battery charger.
- If the battery is not used for a long period of time, charge it fully before you use it.
- Do a trickle charging 1-2 times during the winter season when the product is in storage.

Recommended battery chargers

The recommendations are correct at an average ambient temperature of 25°C/77°F.

Battery charger type	Recommendations
Alternator.	13.65–15.0 V.
Constant voltage charger.	13.8–15.0 V. Max. 10 A. Charge for 6–12 h.
Float charger.	13.2–13.8 V. Max. 1 A. No time limit at lower voltages.
Fast charger, constant voltage charger.	Max. 15.6 V. No current limit if the battery temperature is less than 50°C/125°F. Charge until the current is less than 1 A.
Battery charger for cyclic batteries or batteries connected in a series string.	14.7 V. No current limit if the battery temperature is less than 50°C/125°F. When the current is less than 1 A, charge with 2 A constant current for 2 h.

Charge time at different currents

The recommendations are correct at an average ambient temperature of 25°C/77°F. The charge time changes with different ambient temperatures and different battery chargers.

Current	Approximate time to 90% charge level
100 A	35 minutes
50 A	75 minutes
25 A	140 minutes

Hydraulic system

To do a check of the hydraulic hoses

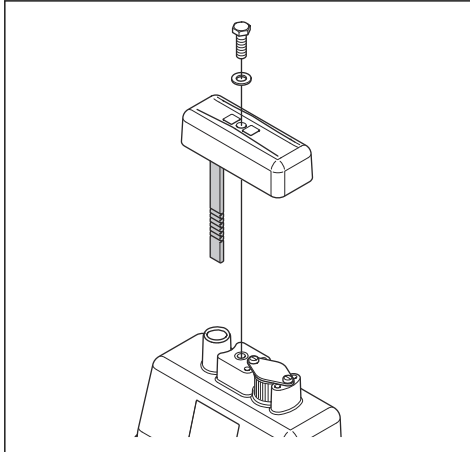
- Examine the hydraulic hoses regularly. Replace worn or damaged hydraulic hoses.



WARNING: Hydraulic oil is dangerous. The rubber in the hydraulic hoses wears with time. Worn or damaged hydraulic hoses can break and the hydraulic oil can cause injury. If you cannot tell if the hydraulic hoses are worn, always replace the hydraulic hoses.

To do a check of the hydraulic oil level

1. Remove the dipstick from the hydraulic oil tank.



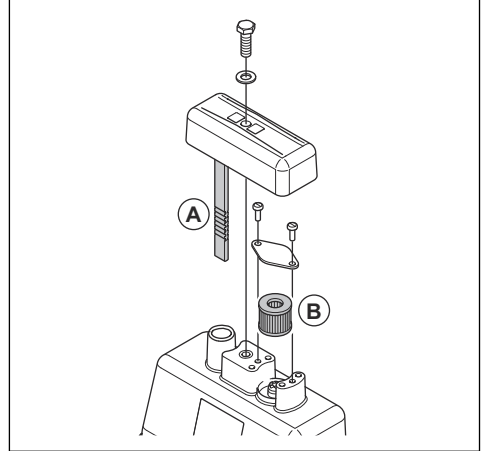
2. Read the hydraulic oil level on the dipstick.
3. If the hydraulic oil level is too low, let an approved service center examine the hydraulic system for leaks.

To replace the hydraulic oil



WARNING: Risk of burn injury. The hydraulic oil becomes hot during operation of the product. Let the product become cool before you replace the hydraulic oil.

1. Remove the dipstick (A) from the hydraulic oil tank.



2. Use an oil drain pump to drain the hydraulic oil from the hydraulic oil tank.
3. Clean the opening of the hydraulic oil tank.
4. Replace the breather filter (B).
5. Fill with hydraulic oil of the correct type. Refer to *Technical data on page 19*.
6. Put the dipstick into the hydraulic oil tank.

Transportation, storage and disposal

Transportation



WARNING: Be careful during transportation. The product is heavy and can cause injury or damage if it falls or moves during transportation.

Lift the product to move it shorter distances. For longer distances, put the product on a transportation vehicle.



CAUTION: Do not tow the product behind a vehicle.

To lift the product



WARNING: Make sure that the lifting equipment has the correct specification to lift the product safely. The type plate on the product shows the product weight.

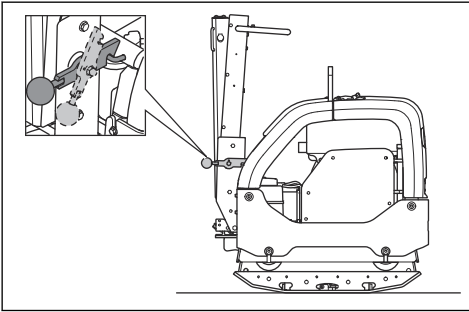


WARNING: Do not lift a damaged product. Make sure that the lifting eye, the vibration damping units and the safety straps are correctly installed and not damaged.

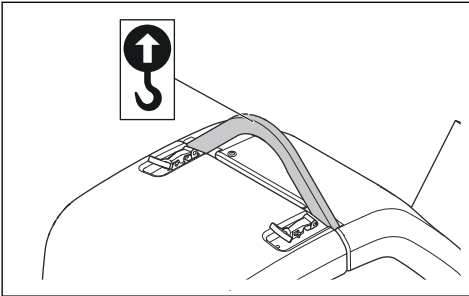


WARNING: Do not walk or stay below or near a lifted product.

1. Lock the handle in upright position.



2. Attach the lifting equipment to the lifting eye.



WARNING: Do not use metal hooks, chains or other lifting equipment with rough edges that can cause damage to the lifting eye.

2. Put 2 straps (B) around the bottom plate.
 - a) Put 1 strap around the front of the bottom plate and attach the strap to the vehicle.
 - b) Put 1 strap around the rear of the bottom plate and attach the strap to the vehicle.

Storage

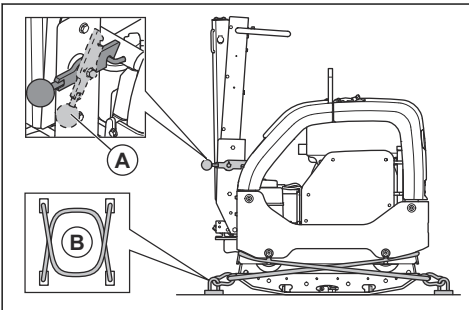
- Remove all fuel from the fuel tank before you put the product in storage for a long period of time. Discard the fuel at an applicable disposal location.
- Fully charge the battery before storage. An empty battery freezes at approximately $-7^{\circ}\text{C}/19^{\circ}\text{F}$. A fully charged battery freezes at approximately $-67^{\circ}\text{C}/89^{\circ}\text{F}$.
- Disconnect the battery cables from battery terminal if the storage is for a longer period of time.
- Clean the product before storage. Remove oil and dust from the rubber parts.
- Clean the air filter before storage.
- Put a protective cover on the product.
- Keep the product in a dry and frost free area.
- Keep the product in a locked area to prevent access for children or persons that are not approved.

Disposal

- Chemicals can be dangerous and must not be discarded on the ground. Always discard used chemicals at a service center or an applicable disposal location.
- When the product is worn out, send it to the dealer or to an applicable recycling location.
- Oil, oil filters, fuel and the battery can have negative effects on the environment. Obey the local recycling requirements and applicable regulations.
- Do not discard the battery as domestic waste.
- Send the battery to a Husqvarna service agent or discard it at a disposal location for used batteries.

To safety the product to a transportation vehicle with tie-down straps

1. Lock the handle in upright position (A).



Technical data

Technical data

Net weight, kg/lb	470/1036
Operation weight (EN500, incl. oil, ½ fuel), kg/lb	473/1043
Engine brand, type	Hatz, 1 D90E
Engine power, kW/hp @rpm ¹	10.5/14.1@3000
Vibration frequency, Hz/rpm	69/4140
Amplitude, mm/in.	2.4/0.064
Centrifugal force, kN/lbf	65/14612
Operation speed, m/min or ft./min	30 or 98.4
Max. tilt, degrees/%	20/35
Fuel tank capacity, l/qts	7.0/7.40
Engine oil capacity *, l/qts	1.9/2.0
Hydraulic oil tank capacity, l/qts	1.0/1.06
Eccentric element oil, l/qts	0.7/0.74
Engine oil *	Shell Rimula R4 L 15W-40 or equivalent
Eccentric element oil	Shell Rimula R4 L 15W-40 or equivalent
Hydraulic oil	Shell Tellus S3 V32
Biological hydraulic oil (optional)	Shell Naturelle HF-E 32
Fuel *	Ultra-low-sulfur diesel fuel only
Fuel consumption, l/h or qts/h	1.5 or 1.6
Battery type	Spiralcell technology AGM battery
Battery voltage, V	12V/48Ah
Starter motor	12V/2.0 kW

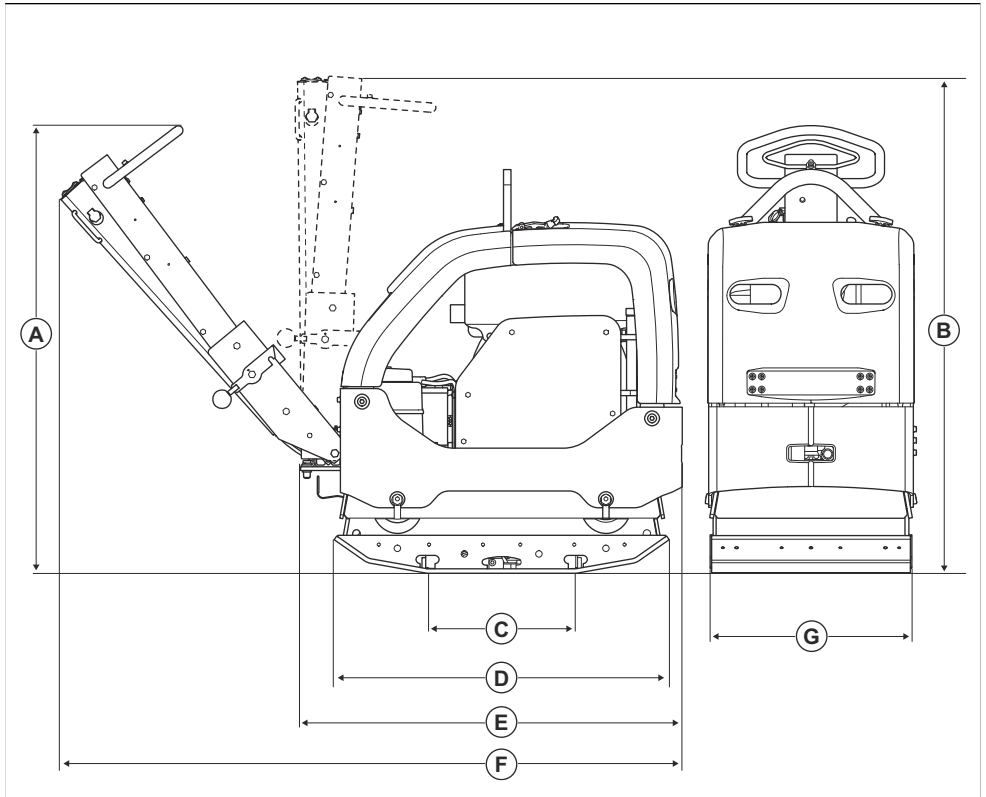
* = For further information and questions about this specific engine, refer to the engine manual or the web site of the engine manufacturer.

Weights for options	
Extensions 2 units per machine, 2 x 75 mm/3.0 in. kg/lb	26/57.3
Extensions 2 units per machine, 2 x 150 mm/5.9 in. kg/lb	40/88.2

¹ As specified by the engine manufacturer. The power rating of the engine indicated is the average net output (at specified rpm) of a typical production engine for the engine model measured to SAE standard J1349/ISO1585. Mass production engines may differ from this value. Actual power output for the engine installed on the final product will depend on the operating speed, environmental conditions and other values.

Weights for options	
Block paving set, width 750 mm, kg/lb	10/22
Block paving set, width 850 mm, kg/lb	11/24.6

Product dimensions



A	Handle height, operation position, mm/in.	1202/47.3	E	Length with handle folded, mm/in.	1025/40.4
B	Handle height, transport position, mm/in.	1320/52	F	Length including handle, mm/in.	1680/66.1
C	Bottom plate contact area without extensions, m ² /sq. ft.	0.21/2.26	G	Width without extensions, mm/in.	550/21.7
D	Length bottom plate, mm/in.	900/35.4		Width including 2x75 mm extensions	700/27.6
				Width including 2x150 mm extensions	850/33.5

Contenido

Introducción.....	22	Mantenimiento.....	33
Seguridad.....	25	Transporte, almacenamiento y eliminación de residuos.....	39
Funcionamiento.....	30	Datos técnicos.....	40

Introducción

Propuesta 65 de California



¡ADVERTENCIA!

Los gases de escape del motor de este producto contienen sustancias químicas conocidas en el Estado de California como causantes de cáncer, defectos congénitos y otros daños reproductivos.

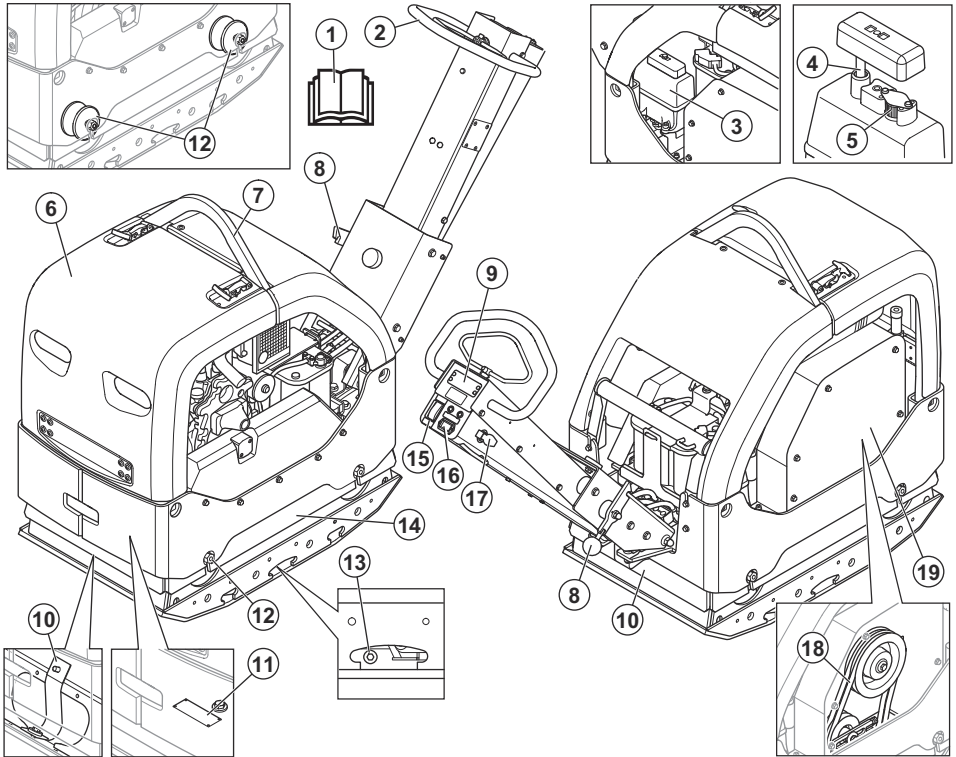
Descripción del producto

El producto es un compactador de placa reversible y de conducción manual para la compactación de suelos granulares en capas moderadamente gruesas a capas de mayor profundidad.

Uso previsto

El producto es solo para el uso por parte de profesionales. Utilice el producto para la reparación y el mantenimiento de entradas de garajes, caminos y estacionamientos. Con el kit de adoquinado opcional, el producto también se puede utilizar para el adoquinado. No utilice el producto para otras tareas.

Descripción general del producto

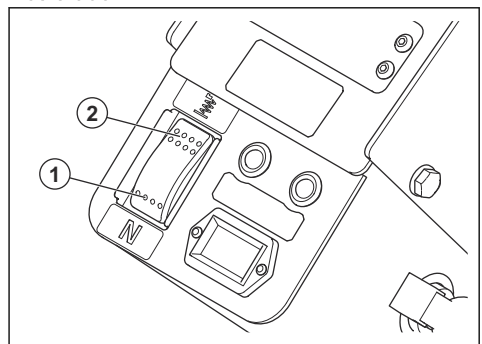


- | | |
|---|---|
| <ol style="list-style-type: none"> 1. Manual del usuario 2. Manilla 3. Depósito de aceite hidráulico 4. Varilla de nivel de aceite hidráulico 5. Filtro del respiradero 6. Bastidor de seguridad 7. Cáncamo 8. Palanca de bloqueo para la manilla 9. Indicador de compactación 10. Correas de seguridad 11. Placa de identificación 12. Amortiguadores de vibraciones | <ol style="list-style-type: none"> 16. Medidor de horas e indicadores de carga de la batería y presión del aceite del motor 17. Llave de encendido 18. Correa en V 19. Cubierta de la correa en V |
|---|---|

13. Tapón de aceite para el elemento excéntrico
14. Elemento excéntrico
15. Acelerador

Nota: También hay 10 amortiguadores de vibraciones entre la manilla y la placa del motor. Consulte *Para revisar los amortiguadores de vibraciones en la página 28.*

Acelerador



1. Botón de régimen de ralentí
2. Botón para la velocidad de aceleración máxima

Símbolos en el producto



Tenga cuidado y utilice el producto correctamente. Este producto puede causar daños graves o fatales al operador o a otras personas.



Lea atentamente el manual y asegúrese de que entiende las instrucciones antes de usar el producto.



Lea atentamente el manual y asegúrese de que entiende las instrucciones antes de usar el producto.



Use protectores auriculares.



Utilice botas de protección.



Utilice solo combustible diésel con contenido ultrabajo de azufre.



Arranque manual.



Arranque eléctrico.



Nivel de aceite hidráulico.



Aceite hidráulico biológico.



Las vibraciones comienzan. Símbolo de un botón del control del acelerador.



Régimen de ralentí. Símbolo de un botón del control del acelerador.



La batería se carga.



Medidor de horas.



Presión del aceite del motor.



Riesgo de lesiones. Tenga cuidado alrededor de la correa de transmisión.



Riesgo de lesiones si la manilla cae sobre usted. Bloquee la manilla en la posición elevada.



Superficie caliente.



Punto de elevación en el bastidor de seguridad.



Mueva el producto hacia delante.

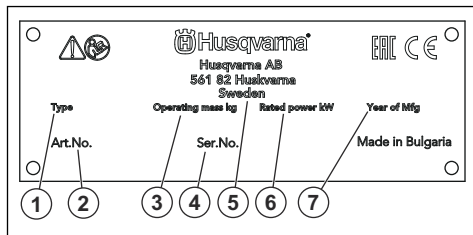


Mueva el producto hacia atrás.



Nota: Otros símbolos o etiquetas en el producto hacen referencia a requisitos de certificación especiales para algunos mercados.

Placa de características



1. Tipo de producto
2. Número del producto

3. Peso del producto
4. Número de serie
5. Fabricante
6. Potencia nominal
7. Año de fabricación

Responsabilidad del fabricante

Como se menciona en las leyes de responsabilidad del fabricante, no nos hacemos responsables de los daños que cause nuestro producto si:

- el producto se repara incorrectamente
- el producto se repara con piezas que no son del fabricante o que este no autoriza
- el producto tiene un accesorio que no es del fabricante o que este no autoriza
- el producto no se repara en un centro de servicio autorizado o por una autoridad aprobada.

Seguridad

Definiciones de seguridad

Las advertencias, precauciones y notas se utilizan para señalar las piezas particularmente importantes del manual.



ADVERTENCIA: Se utilizan para señalar el riesgo de lesiones graves o mortales para el operador o para aquellos que se encuentren cerca si no se siguen las instrucciones del manual.



PRECAUCIÓN: Se utilizan para señalar el riesgo de dañar la máquina, otros materiales o el área adyacente si no se siguen las instrucciones del manual.

Nota: Se utilizan para entregar más información necesaria en situaciones particulares.

Instrucciones generales de seguridad



ADVERTENCIA: Lea atentamente las instrucciones de advertencia siguientes antes de usar el producto.

- Este producto puede ser una herramienta peligrosa si no se maneja con cuidado o si utiliza el producto de forma incorrecta. Este producto puede causar daños graves o fatales al operador o a otras personas. Antes de utilizar el producto, es muy importante que lea y comprenda el contenido de este manual de usuario.
- Guarde todas las advertencias y las instrucciones.
- Cumpla todas las leyes y reglamentos vigentes.

- El operador y el empleador del operador deben conocer y evitar los riesgos durante la operación del producto.
- No permita que nadie que no haya leído y comprendido el contenido del manual de usuario utilice el producto.
- No utilice el producto si no ha recibido capacitación antes de su uso. Asegúrese de que todos los usuarios reciban capacitación.
- No deje que un niño utilice el producto.
- Restrinja el uso del producto solo a personas autorizadas.
- El operador es responsable de los accidentes que puedan ocurrirles a otras personas o a sus propiedades.
- No utilice el producto si está cansado, enfermo o bajo la influencia de alcohol, drogas o medicamentos.
- Sea siempre cuidadoso y use el sentido común.
- En este producto se genera un campo electromagnético durante su funcionamiento. Este campo puede, en determinadas circunstancias, interferir en implantes médicos activos o pasivos. Para reducir el riesgo de daños graves o mortales, se recomienda que las personas con implantes médicos consulten a su médico y al fabricante del implante médico antes de utilizar este producto.
- Mantenga el producto limpio. Asegúrese de que puede leer señales y etiquetas claramente.
- No utilice el producto si se encuentra defectuoso.
- No modifique este producto.
- No utilice el producto si es posible que otras personas hayan realizado modificaciones en el mismo.

Instrucciones de seguridad para el funcionamiento



ADVERTENCIA: Lea atentamente las instrucciones de advertencia siguientes antes de usar el producto.

- Asegúrese de saber cómo detener el motor rápidamente en caso de emergencia.
- El usuario debe tener la resistencia física necesaria para hacer funcionar el producto de manera segura.
- No utilice el producto sin que todas las cubiertas protectoras estén instaladas.
- Utilice el equipo de protección personal. Consulte *Equipo de protección personal en la página 27*.
- Asegúrese de que solo personas autorizadas estén en la área de trabajo.
- Mantenga el área de trabajo limpia y despejada.
- Asegúrese de encontrarse en una posición segura y estable durante la operación.
- Asegúrese de que no haya riesgo de que usted o el producto puedan caer desde las alturas.
- Asegúrese de que no haya grasa ni aceite en el mango.
- No utilice el producto en áreas donde se pueden producir explosiones o incendios.
- El producto puede hacer que los objetos salgan eyectados a alta velocidad. Asegúrese de que todas las personas en el área de trabajo utilicen equipos de protección personal aprobados. Retire los objetos sueltos del área de trabajo.
- Antes de alejarse del producto, detenga el motor y asegúrese de que no exista riesgo de que se ponga en marcha de forma accidental.
- No toque la placa inferior cuando opere el producto o después de que el motor se detenga. La placa inferior está caliente. Las áreas calientes pueden causar lesiones.
- Asegúrese de que ninguna prenda, cabello largo o joya puedan quedar atrapados en las piezas móviles.
- No se siente sobre el producto.
- No golpee el producto.
- Siempre opere el producto desde la parte posterior y con ambas manos en el manillar.
- No haga funcionar el producto cerca de cables eléctricos. El producto no tiene aislamiento eléctrico y pueden producirse lesiones o la muerte.
- Antes de utilizar el producto, averigüe si hay cables y tuberías ocultos en la área de trabajo. Si el producto se topa con un objeto oculto, detenga el motor inmediatamente y examine el producto y el objeto. No comience a utilizar el producto nuevamente hasta asegurarse de que sea seguro continuar.

Seguridad de vibración



ADVERTENCIA: Lea atentamente las instrucciones de advertencia siguientes antes de usar el producto.

- Durante el funcionamiento del producto, se transmiten vibraciones del producto al operador. El uso frecuente y regular del producto puede provocarle lesiones al operador o aumentar el grado de estas. Se pueden producir lesiones en los dedos, las manos, las muñecas, los brazos, los hombros o los nervios, así como en el riego sanguíneo u otras partes del cuerpo. Las lesiones pueden ser debilitantes o permanentes, y pueden aumentar gradualmente durante semanas, meses o años. Entre las posibles lesiones se incluyen daños en el sistema de circulación sanguínea, el sistema nervioso, las articulaciones y otras estructuras corporales.
- Los síntomas pueden presentarse durante el funcionamiento del producto o en otro momento. Si tiene síntomas y continúa utilizando el producto, los síntomas pueden aumentar o hacerse permanentes. Si se producen estos u otros síntomas, solicite asistencia médica:
 - Entumecimiento, pérdida de sensación, hormigueo, picazón, dolor, ardor, dolor pulsante, rigidez, aturdimiento, pérdida de fuerza, cambios en el color o en el estado de la piel.
- Los síntomas pueden aumentar con el frío. Utilice ropa de abrigo y mantenga las manos calientes y secas cuando utilice el producto en entornos fríos.
- Realice el mantenimiento del producto y utilícelo según se indica en el manual de usuario, para mantener un nivel de vibración correcto.
- El producto tiene un sistema amortiguador de vibraciones que disminuye las vibraciones de las manijas al operador. Deje que el producto haga el trabajo. No ejerza fuerza para empujar el producto. Sujete ligeramente el producto en las manijas, pero asegúrese de controlarlo y operarlo de forma segura. No empuje las manijas en los topes más de lo necesario.
- Mantenga las manos solamente en las manijas. No acerque ninguna otra parte de cuerpo al producto.
- Detenga el producto de inmediato si se producen vibraciones fuertes repentinamente. No continúe la operación hasta eliminar la causa del aumento de las vibraciones.

Seguridad contra el polvo



ADVERTENCIA: Lea atentamente las instrucciones de advertencia siguientes antes de usar el producto.

- El funcionamiento del producto puede causar suspensión de polvo en el aire. El polvo puede

causar lesiones graves y problemas de salud permanentes. Varias autoridades han establecido regulaciones con respecto a los efectos dañinos del polvo de sílice. A continuación, se presentan algunos ejemplos de tales problemas de salud:

- Enfermedades pulmonares mortales como bronquitis crónica, silicosis y fibrosis pulmonar
- Cáncer
- Anomalías congénitas
- Inflamación de la piel
- Utilice el equipo correcto para disminuir la cantidad de polvo y gases en el aire y para disminuir la cantidad de polvo en el equipo de trabajo, las superficies, la ropa y las partes del cuerpo. Algunos ejemplos de mecanismos de control son los sistemas de recolección de polvo y los aspiradores de agua para adherir el polvo. Disminuya el polvo en el origen cuando sea posible. Asegúrese de que el equipo se instale y utilice correctamente, y de que se le realice mantenimiento regular.
- Utilice protección respiratoria aprobada. Asegúrese de utilizar protección respiratoria cuando se trabaje con materiales peligrosos en el área de trabajo.
- Asegúrese de que haya un flujo de aire suficiente en la zona de trabajo.
- Si es posible, dirija el escape del producto hacia un punto en que no cause suspensión de polvo en el aire.

Seguridad de los gases de escape



ADVERTENCIA: Lea atentamente las instrucciones de advertencia siguientes antes de usar el producto.

- Los gases de escape del motor contienen monóxido de carbono, un gas inodoro, tóxico y muy peligroso. Respirar monóxido de carbono puede provocar la muerte. Dado que el monóxido de carbono es inodoro y no se puede ver, no es posible detectarlo. Un síntoma de intoxicación por monóxido de carbono es el mareo, pero también es posible que la persona pierda la conciencia sin previo aviso si la cantidad o concentración de monóxido de carbono es suficiente.
- Los gases de escape también contienen hidrocarburos sin quemar, incluido benceno. La inhalación a largo plazo puede provocar problemas de salud.
- Los gases de escape que se pueden ver u oler también contienen monóxido de carbono.
- No utilice el motor de combustión en interiores ni en zonas que no tengan suficiente flujo de aire.
- No inhale los gases de escape.
- Asegúrese de que haya suficiente ventilación en el área de trabajo. Esto es muy importante cuando se utiliza el producto en fosos u otras áreas de trabajo confinadas donde los gases de escape se pueden acumular fácilmente.

Seguridad contra el ruido



ADVERTENCIA: Lea atentamente las instrucciones de advertencia siguientes antes de usar el producto.

- Los niveles altos de ruido y la exposición a largo plazo al ruido pueden causar pérdida auditiva.
- Para mantener el nivel de ruido al mínimo, realice el mantenimiento del producto y utilícelo según se indica en el manual de usuario.
- Examine el silenciador en busca de daños y defectos. Asegúrese de que el silenciador esté correctamente unido al producto.
- Utilice protectores auriculares aprobados cuando opere el producto.
- Cuando utilice protectores auriculares, esté atento a las señales de advertencia y a las voces. Quítese los protectores auriculares cuando el producto esté detenido, a menos que sean necesarios para el nivel de ruido en la zona de trabajo.

Equipo de protección personal



ADVERTENCIA: Lea atentamente las instrucciones de advertencia siguientes antes de usar el producto.

- Utilice siempre el equipo de protección personal aprobado cuando utilice el producto. El equipo de protección personal no puede impedir el riesgo de lesiones, pero disminuirá el grado de lesión si ocurre un accidente. Solicite a su concesionario que lo ayude a seleccionar el equipo de protección personal correcto.
- Realice periódicamente una comprobación del estado del equipo de protección personal.
- Utilice un casco protector aprobado.
- Use protección auricular aprobada.
- Utilice protección respiratoria aprobada.
- Utilice protección ocular aprobada con protección lateral.
- Use guantes protectores.
- Utilice botas con punta de acero y suela antideslizante.
- Utilice ropa de trabajo aprobada o ropa equivalente de ajuste ceñido, que cubra por completo los brazos y las piernas.

Extintor de incendios

- Mantenga un extintor de incendios a mano durante la operación.
- Utilice un extintor de incendios de polvo de clase "ABE" o un extintor de dióxido de carbono de tipo "BE".

Dispositivos de seguridad en el producto



ADVERTENCIA: Lea atentamente las instrucciones de advertencia siguientes antes de usar el producto.

- No utilice un producto con dispositivos de seguridad defectuosos.
- Revise los dispositivos de seguridad de forma regular. Si los dispositivos de seguridad están defectuosos, comuníquese con su taller de servicio Husqvarna.

Silenciador

El silenciador mantiene los niveles de ruido al mínimo y envía los gases de escape lejos del operador.

No utilice el producto si el silenciador no está instalado o está defectuoso. Un silenciador defectuoso aumenta el nivel de ruido y el riesgo de incendio.



ADVERTENCIA: El silenciador se calienta mucho durante y después del uso y cuando el motor funciona en régimen de ralentí. Tenga cuidado cerca de materiales o vapores inflamables para prevenir incendios.

Para revisar el silenciador

- Examine el silenciador con regularidad para asegurarse de que está instalado correctamente y que no esté dañado.

Bastidor de seguridad

El bastidor de seguridad evita que se produzcan daños en el producto si se cae.

Para comprobar el bastidor de seguridad

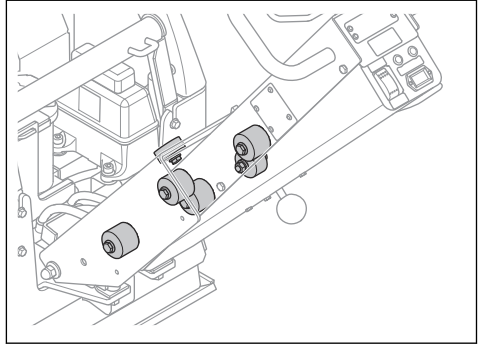
- Asegúrese de que no haya grietas u otros daños en el bastidor de seguridad.
- Asegúrese de que el bastidor de seguridad esté instalado correctamente en el producto.

Amortiguadores de vibraciones

Los amortiguadores de vibraciones disminuyen la vibración en el producto. Los amortiguadores de vibraciones disminuyen las vibraciones perjudiciales para evitar lesiones al operador y daños al producto.

Para revisar los amortiguadores de vibraciones

Hay 10 amortiguadores de vibraciones, 2 en cada lado del producto, 5 entre la manilla y la placa del motor y 1 entre la manilla y la palanca de bloqueo de la manilla.



- Asegúrese de que los amortiguadores de vibraciones estén instalados correctamente.
- Inspeccione los amortiguadores de vibraciones para determinar si presentan daños y desgaste.
- Sustituya los amortiguadores de vibraciones si es necesario.

Seguridad de combustible



ADVERTENCIA: Lea atentamente las instrucciones de advertencia siguientes antes de usar el producto.

- La gasolina es inflamable y sus gases son explosivos. Tenga cuidado con el combustible para evitar lesiones, incendios y explosiones.
- No inhale los gases del combustible. Los gases del combustible son tóxicos y pueden provocar lesiones. Asegúrese de que el flujo de aire sea suficiente.
- No retire la tapa del depósito de combustible ni llene el depósito con el motor encendido.
- Deje que el motor se enfríe antes de agregar combustible.
- No llene el depósito de combustible en interiores. Un flujo de aire insuficiente puede causar lesiones graves o fatales por asfixia o debido al monóxido de carbono.
- No fume cerca del combustible o del motor.
- No coloque objetos calientes cerca del combustible o del motor.
- No llene el depósito de combustible cerca de chispas o llamas.
- Antes de llenar el depósito de combustible, abra lentamente la tapa del depósito de combustible y libere la presión con cuidado.
- Si el combustible entra en contacto con la piel, puede provocar lesiones. Si le cae combustible en la piel, quítelo con jabón y agua.

- Si derrama combustible en su ropa, cámbiese la ropa inmediatamente.
- No llene el depósito de combustible completamente. El calor provoca que el combustible se expanda. Deje espacio en la parte superior del depósito de combustible.
- Apriete bien la tapa del depósito de combustible. Si no aprieta la tapa del depósito de combustible, se genera un riesgo de incendio.
- Antes de poner en marcha el producto, colóquelo a una distancia mínima de 3 m/10 pies desde el lugar donde llenó el depósito de combustible.
- No arranque el producto si hay combustible o aceite de motor en el producto. Elimine el combustible y el aceite del motor no deseados y deje que el producto se seque antes de arrancar el motor.
- Examine frecuentemente el motor en busca de fugas. Si hay fugas en el sistema de combustible, no arranque el motor hasta que las repare.
- No busque fugas en el motor con los dedos.
- Almacene el combustible solo en recipientes aprobados.
- Cuando el producto y el combustible estén almacenados, asegúrese de que el combustible y los gases del combustible no puedan causar daños.
- Vacíe el combustible en un recipiente aprobado en exteriores y lejos de chispas y llamas.

Seguridad de la batería



ADVERTENCIA: Una batería dañada puede provocar una explosión y causar lesiones. Si la batería tiene una deformación o está dañada, hable con un taller de servicio Husqvarna autorizado.



ADVERTENCIA: Lea atentamente las instrucciones de advertencia siguientes antes de usar el producto.

- Utilice gafas protectoras cuando esté cerca de las baterías.
- No use relojes, joyas u otros objetos metálicos cerca de la batería.
- Almacene la batería fuera del alcance de los niños.
- Cargue la batería en un espacio con buena ventilación.
- Mantenga los materiales inflamables a una distancia mínima de 1 m cuando cargue la batería.
- Deseche las baterías que ha reemplazado. Consulte *Eliminación en la página 40*.
- La batería puede generar gases explosivos. No fume cerca de la batería. Mantenga la batería lejos de llamas abiertas y chispas.

Instrucciones de seguridad para el uso en pendientes



ADVERTENCIA: Lea atentamente las instrucciones de advertencia siguientes antes de usar el producto.

- No utilice el producto en una pendiente mayor que 20°. El suelo blando, las vibraciones y la velocidad de operación pueden hacer que el producto caiga en una pendiente menor que 20°.
- Asegúrese de que el área de trabajo sea segura. El suelo húmedo y blando disminuye el funcionamiento seguro del producto. Tenga mucho cuidado con las pendientes y las superficies irregulares.
- Asegúrese de que todas las personas en el área de trabajo estén por encima del producto en la pendiente.
- Utilice el producto hacia arriba y hacia abajo por la pendiente, no de lado a lado.
- No deje el producto en una pendiente. Si debe dejar el producto en una pendiente, asegúrese de que el producto no se pueda caer. Esto puede representar un riesgo de lesiones y daños.

Instrucciones de seguridad para el uso cerca de bordes



ADVERTENCIA: Lea atentamente las instrucciones de advertencia siguientes antes de usar el producto.

- Existe el riesgo de que el producto se caiga mientras lo está utilizando cerca de un borde. Mantenga siempre un mínimo de $\frac{2}{3}$ del producto en una superficie lo suficientemente estable como para sostener su peso.
- Si el producto cae, pare el motor antes de levantar el producto de vuelta a una superficie lo suficientemente estable. Consulte *Para levantar el producto en la página 39*.

Instrucciones de seguridad para el mantenimiento



ADVERTENCIA: Lea atentamente las instrucciones de advertencia siguientes antes de usar el producto.

- Si el mantenimiento no se realiza de manera correcta y regular, aumenta el riesgo de sufrir lesiones y causar daños en el producto.
- Utilice el equipo de protección personal. Consulte *Equipo de protección personal en la página 27*.
- Detenga el motor y asegúrese de que todas las piezas del producto estén frías antes de realizar el mantenimiento.

- Limpie el producto para eliminar materiales peligrosos antes de realizar el mantenimiento.
- Desconecte los cables de la batería del terminal de la batería antes de realizar el mantenimiento.
- Los gases de escape del motor están calientes y pueden contener chispas. No utilice el producto en zonas interiores ni cerca de materiales inflamables.
- No modifique el producto. Las modificaciones en el producto que no estén aprobadas por el fabricante pueden causar daños graves o la muerte.
- Utilice siempre accesorios y piezas de repuesto originales. El uso de accesorios y piezas de repuesto que no estén aprobados por el fabricante puede causar daños graves o la muerte.
- Cambie las piezas dañadas, desgastadas o rotas.
- Solo realice tareas de mantenimiento como se indica en el presente manual del usuario. Solicite a un

taller de servicio aprobado que realice cualquier otro mantenimiento.

- Retire todas las herramientas del producto después del mantenimiento y antes de arrancar el motor. Si quedan herramientas sueltas o conectadas a las piezas giratorias, estas pueden salir expulsadas y provocar lesiones cuando se ponga en marcha el motor.
- Después de realizar el mantenimiento, revise el nivel de vibración del producto. Si no tiene el nivel correcto, comuníquese con un centro de servicio autorizado.
- Solicite a un taller de servicio aprobado hacer el mantenimiento regular del producto.

Funcionamiento

Introducción



ADVERTENCIA: Asegúrese de leer y comprender el capítulo de seguridad antes de utilizar el producto.

Haga lo siguiente antes de usar el producto

- Lea atentamente el manual del usuario y asegúrese de entender las instrucciones.
- Lea el manual del motor proporcionado por el fabricante del motor.
- Realice el mantenimiento diario. Consulte *Programa de mantenimiento en la página 33*.

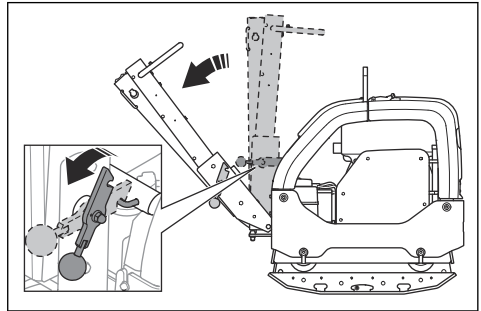
Para poner la manilla en posición de funcionamiento



ADVERTENCIA: Sujete la manilla firmemente cuando cambie la posición de la manilla. Existe un riesgo de lesiones si la manilla se cae sobre usted.

1. Sujete la manilla.

2. Suelte la palanca de bloqueo y baje la manilla con cuidado.



Para poner en marcha y detener el producto

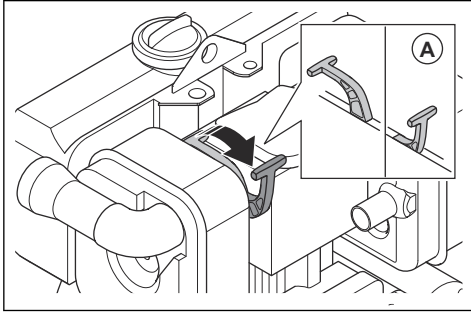


ADVERTENCIA: Mantenga los pies alejados del producto durante el procedimiento de arranque. El sistema hidráulico puede hacer que el producto se mueva repentinamente cuando el motor arranque.

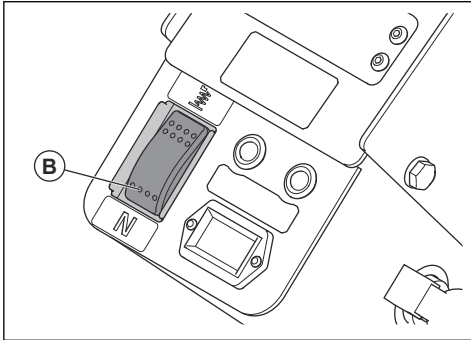
Para arrancar el producto manualmente

Realice este procedimiento si el producto tiene un motor con arranque manual.

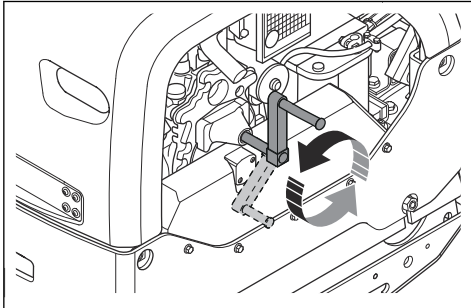
1. Tire de la palanca de la válvula de descompresión a la posición de arranque (A).



2. Presione el botón del acelerador (B) al régimen de ralentí.

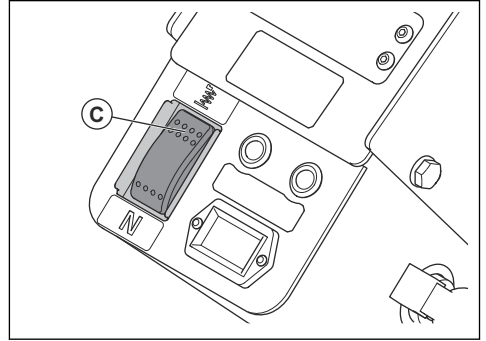


3. Gire la empuñadura de arranque hasta que el motor arranque.



4. Deje que el motor funcione en régimen de ralentí de 2 a 3 minutos.

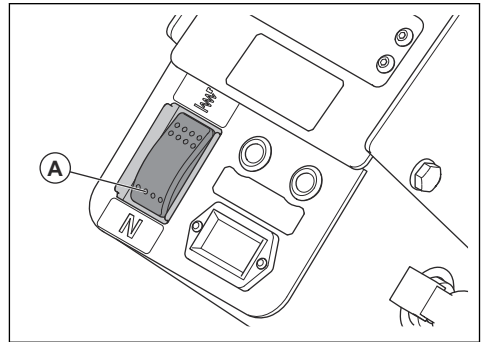
5. Presione el botón del acelerador (C) a la aceleración máxima.



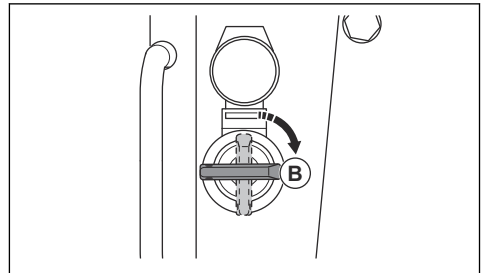
Para arrancar el producto con el arranque eléctrico

Realice este procedimiento si el producto tiene un motor con arranque eléctrico.

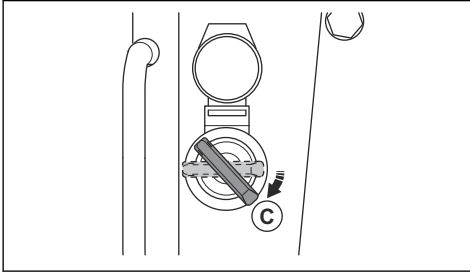
1. Presione el botón del acelerador (A) al régimen de ralentí.



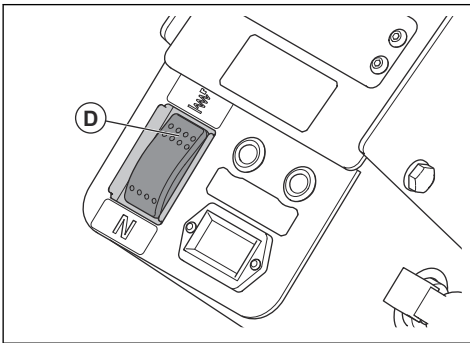
2. Coloque la llave de encendido en la posición de encendido (B). Los indicadores de la carga de la batería y de la presión del aceite se encienden.



- Coloque la llave de encendido en la posición de arranque (C).

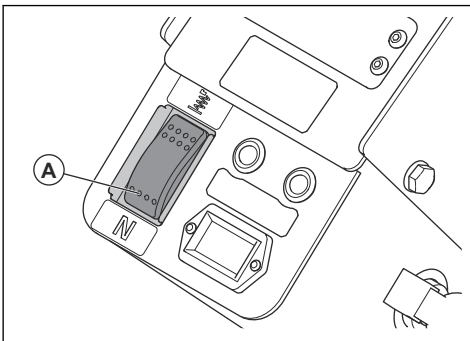


- Cuando el motor arranque, suelte inmediatamente la llave de encendido. La llave de encendido vuelve a la posición (B).
 - Si el motor no arranca en 10 segundos, suelte la llave de encendido y espere 5 segundos antes de volver a intentarlo.
- Deje que el motor funcione en régimen de ralentí de 2 a 3 minutos.
 - Presione el botón del acelerador (D) a la aceleración máxima.

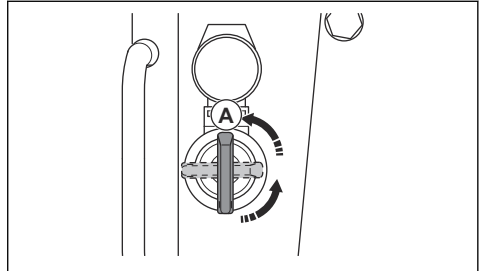


Para detener el producto

- Estacione el producto en un terreno plano.
- Presione el botón del acelerador (A) al régimen de ralentí.

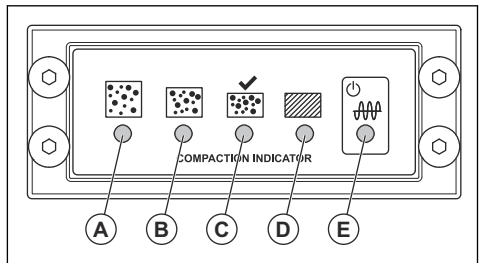


- Deje que el motor funcione en régimen de ralentí de 2 a 3 minutos.
- Si el motor tiene un arranque eléctrico, también realice los siguientes pasos:
 - Coloque la llave de encendido en la posición de parada (A).



- Quite la llave de encendido para evitar un arranque accidental.

Indicador de compactación (opcional)



- A: LED amarillo. El grado de compactación es de un 0 a un 30 %.
- B: LED amarillo. El grado de compactación es de un 30 a un 60 %.
- C: LED verde. El grado de compactación es de un 60 a un 90 %.
- C y D: LED verde y rojo. Cuando estos indicadores LED parpadean, la superficie del suelo tiene el grado máximo de compactación que se aplica al producto.
- D: LED rojo. El grado de compactación es de un 90 a un 100 %.



PRECAUCIÓN: No opere el producto cuando el indicador LED (D) esté encendido con una luz roja continua. Esto provoca el desgaste del producto.

- E: Rojo o verde. Indicador de la fuente de alimentación.

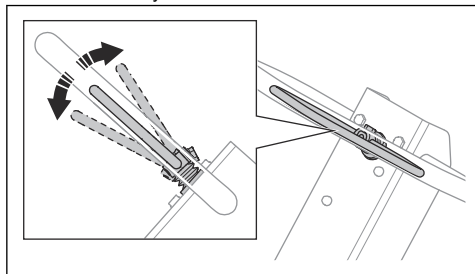
Cuando se gira la llave de encendido, se inicia la calibración del indicador de compactación. Todos los indicadores LED (A) a (E) se encienden. Después de aproximadamente 4 segundos, el indicador LED (E)

cambia de rojo a verde y los indicadores LED (A) a (D) se apagan. Cuando los indicadores LED (A) a (D) están apagados y el indicador LED (E) está verde, puede arrancar el producto.

Para hacer funcionar el producto

Utilice siempre el producto con el control del acelerador ajustado a la aceleración máxima.

- Para hacer funcionar el producto hacia delante, mueva el control de funcionamiento completamente hacia delante y suéltelo.



- Para hacer funcionar el producto hacia atrás, mueva el control de funcionamiento completamente hacia atrás y suéltelo.
- Para detener el movimiento del producto, mueva el control de funcionamiento en la dirección opuesta con pequeños movimientos hasta que el producto se detenga.
- Para cambiar el sentido, gire el producto por la manilla.

Mantenimiento

Introducción



ADVERTENCIA: Lea detenidamente el capítulo de seguridad antes de realizar mantenimiento en el producto.

X = Las instrucciones se proporcionan en este manual de usuario.

O = Consulte las instrucciones en el manual del motor suministrado por el fabricante del motor.

Programa de mantenimiento

* = Mantenimiento general por parte del operador. Las instrucciones no se proporcionan en este manual de usuario.

Mantenimiento general del producto	Antes de usar, cada 10 horas	Cada 100 h	Cada 6 meses o 250 h	Anualmente, cada 500 h
Asegúrese de que no haya fugas de combustible o de aceite.	*			
Limpie la máquina.	X			
Asegúrese de que las tuercas y los tornillos estén apretados.	*			
Inspeccione el control del acelerador y el control de avance y marcha atrás para ver si hay daños.	*			
Asegúrese de que el control de avance y marcha atrás se pueda mover suavemente.	*			
Lubrique el control de avance y marcha atrás y los varillajes de los controles.	*			

Mantenimiento general del producto	Antes de usar, cada 10 horas	Cada 100 h	Cada 6 meses o 250 h	Anualmente, cada 500 h
Inspeccione las correas de seguridad para determinar si presentan daños. Reemplácelos si es necesario.	*			
Inspeccione los amortiguadores de vibraciones para determinar si presentan daños.		X	X	X
Inspeccione la tensión de la correa en V y busque daños. Ajuste o reemplace la correa en V según sea necesario.		X	X	X
Inspeccione todas las mangueras de goma y los elementos de goma para determinar si presentan daños. Reemplácelos si es necesario.			X	X
Revise el nivel de aceite hidráulico.			X	X
Compruebe los terminales de la batería.			*	*
Reemplace el aceite del elemento excéntrico.			X	X
Reemplace el aceite hidráulico.				X

Mantenimiento del motor	Antes de usar, cada 10 horas	Después de las primeras 20 horas	Cada 250 h	Anualmente, cada 500 h
Revise el nivel de combustible y el nivel de aceite del motor.	X			
Limpie las aletas de refrigeración del motor.	O		O	O
Inspeccione el indicador del filtro de aire. Limpie el filtro de aire si es necesario.	X	X		
Cambie el filtro de aire.			X	X
Compruebe la válvula de drenaje del filtro de aire. Solo se aplica a motores que tienen un prefiltro ciclón.	O			
Cambie el aceite del motor.		O	O	O
Revise el régimen del motor.		O	O	O
Drene y limpie el depósito de combustible y limpie el filtro de combustible.				O
Ajuste la holgura del cabezal de la válvula para la toma de aire y las válvulas de escape.		O	O	O
Reemplace el filtro de aceite.			O	O
Compruebe la bomba de inyección de combustible.				O
Compruebe la boquilla de inyección de combustible.				O
Drene el agua del sistema de combustible.				O
Reemplace el filtro de combustible.				O

Para limpiar el producto



PRECAUCIÓN: Antes de limpiar el producto, coloque una bolsa de plástico firmemente alrededor de la tapa del depósito de combustible. Esto es para asegurarse de que no entre agua en el orificio de ventilación de la tapa del depósito de combustible.

- Use agua que corra de una manguera o una hidrolimpiadora para limpiar el producto.



PRECAUCIÓN: No dirija el agua directamente a la tapa del depósito de combustible, a los componentes eléctricos o al motor.

- Quite la grasa y el aceite del mango.

Para hacer una inspección general

- Asegúrese de que todas las tuercas y los tornillos del producto estén apretados de forma adecuada.

Para revisar el nivel de aceite del motor

1. Retire el tapón del depósito de aceite y la varilla de nivel.
2. Limpie el aceite de la varilla de nivel.
3. Vuelva a colocar la varilla completamente dentro del depósito de aceite.
4. Quitó la varilla de nivel.
5. Examine el nivel de aceite con la varilla de nivel.
6. Si el nivel de aceite es bajo, llene con aceite de motor y revise nuevamente. Consulte *Datos técnicos en la página 40* o el manual del motor para conocer el tipo correcto de aceite.

Filtro de aire



ADVERTENCIA: Utilice una protección respiratoria aprobada cuando limpie o reemplace el filtro de aire. Deseche correctamente los filtros de aire usados. El polvo del filtro de aire es peligroso para la salud.



PRECAUCIÓN: Si el filtro de aire está dañado, siempre reemplácelo, ya que, de lo contrario, causa la entrada de polvo al motor y lo dañará.

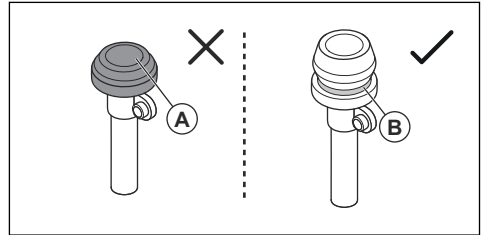
Para inspeccionar el indicador del filtro de aire



PRECAUCIÓN: Inspeccione el indicador del filtro de aire cada vez que

arranque el motor. Un filtro de aire obstruido puede dañar el producto.

1. Inspeccione el indicador del filtro de aire.



- a) Si el indicador del filtro de aire está comprimido (A), limpie o reemplace el filtro de aire. Consulte .



ADVERTENCIA: Detenga el motor antes de realizar el mantenimiento.

- a) Si aparece la marca verde (B), no es necesario realizar mantenimiento en el filtro de aire.

Consulte el manual del motor para obtener más información sobre el indicador del filtro de aire.

Para limpiar o reemplazar el filtro de aire

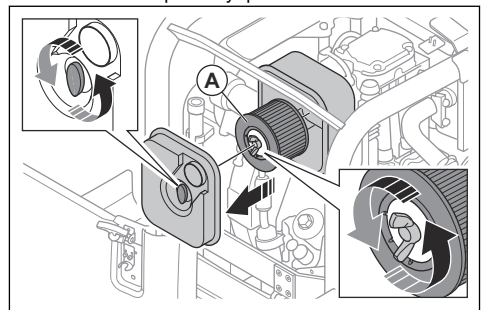


ADVERTENCIA: Utilice una protección respiratoria aprobada cuando limpie o reemplace el filtro de aire. Deseche correctamente los filtros de aire usados. El polvo del filtro de aire es peligroso para la salud.



ADVERTENCIA: No limpie el filtro de aire con aire comprimido. Esto causa daños en el filtro de aire y aumenta el riesgo de que respire el polvo peligroso.

1. Gire la perilla de bloqueo de la cubierta del filtro de aire hacia la izquierda y quítela.



- Gire la perilla de bloqueo del filtro de aire hacia la izquierda y quite el filtro de aire (A) de la caja del filtro de aire.
- Limpie la caja del filtro de aire con un cepillo.
- Golpee suavemente el filtro de aire contra una superficie dura o utilice una aspiradora para eliminar las partículas.



PRECAUCIÓN: No deje que la boquilla de la aspiradora toque la superficie del elemento filtrante de papel. Mantenga una pequeña distancia. La superficie sensible del elemento filtrante de papel se daña si algún objeto la toca.

- Revise si el filtro de aire presenta daños.
- Deseche el filtro de aire si está dañado, húmedo o si hay aceite en él.



PRECAUCIÓN: Si el filtro de aire está dañado, siempre reemplácelo, ya que, de lo contrario, causa la entrada de polvo al motor y lo dañará.

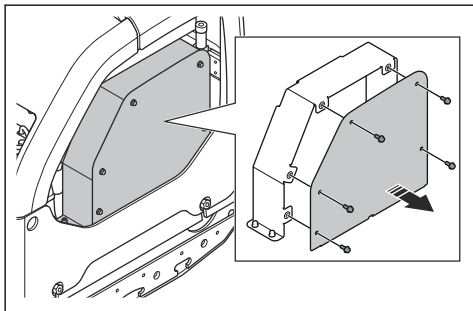
- Instale el filtro de aire limpio o un filtro de aire nuevo en la caja del filtro de aire. Apriete la perilla de bloqueo hacia la derecha.
- Instale la cubierta del filtro de aire y gire la perilla de bloqueo hacia la derecha.

Para revisar la correa en V

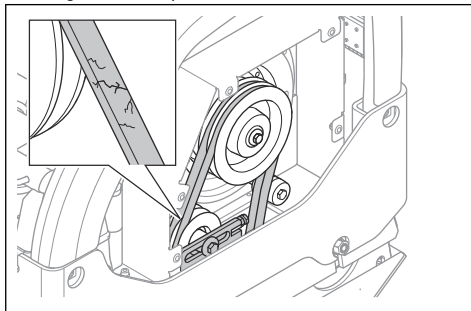


ADVERTENCIA: No utilice el producto sin la cubierta de la correa en V instalada.

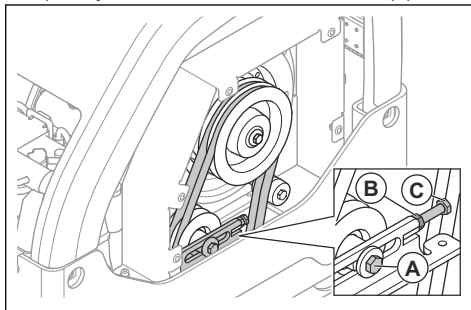
- Detenga el motor.
- Retire la cubierta de la correa en V.



- Inspeccione si la correa en V presenta daños y desgaste. Reemplace la correa en V si es necesario.



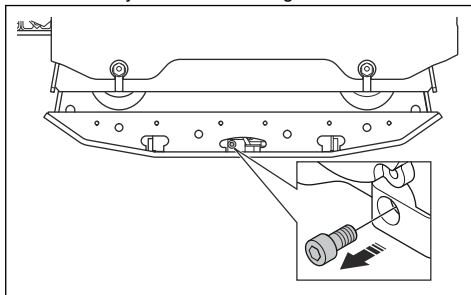
- Revise la tensión de la correa en V.
- Si la tensión de la correa en V no es suficiente, realice este procedimiento:
 - Afloje el tornillo del tensor de la correa (A).



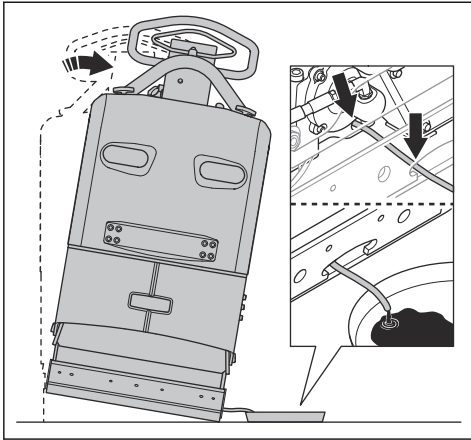
- Afloje la contratuerca (B).
 - Gire el tornillo de ajuste (C) para ajustar el tensor de la correa.
 - Apriete el tornillo de la contratuerca (B) y el tensor de la correa (A).
- Instale la cubierta de la correa en V.

Para reemplazar el aceite del elemento excéntrico

- Quite el tapón de drenaje del aceite del elemento excéntrico y conecte una manguera.



2. Incline el producto para drenar el aceite.



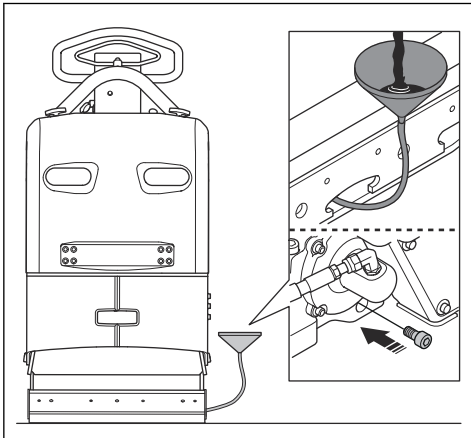
Nota: También puede utilizar una bomba de drenaje de aceite manual para drenar el aceite en el elemento excéntrico.

3. Limpie las superficies alrededor del orificio del tapón de drenaje del aceite, las roscas del orificio y el tapón de drenaje del aceite. Utilice un paño seco y, si es necesario, un disolvente adecuado.



PRECAUCIÓN: No utilice agua para limpiar alrededor del tapón de drenaje del aceite y sobre este.

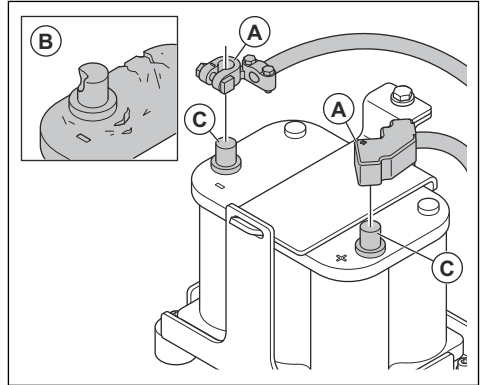
4. Llene el elemento excéntrico con aceite del tipo correcto. Consulte *Datos técnicos en la página 40*.



5. Instale el tapón de vaciado de aceite.

Revisión de la batería

1. Desconecte los cables de la batería (A).



2. Inspeccione la batería para ver si hay daños (B). Reemplace la batería si está dañada.
3. Limpie los terminales de la batería (C).
4. Conecte los cables de la batería.

Para cargar la batería

La batería es una batería AGM OPTIMA. No es necesario realizar el mantenimiento de la batería.



ADVERTENCIA: No cargue la batería más de lo recomendado. La vida útil de la batería disminuye y gases inflamables pueden provenir de la batería.



PRECAUCIÓN: Si la batería se calienta mucho cuando se carga, desconéctela inmediatamente.

- Utilice un cargador de baterías con tensión regulada para las baterías AGM OPTIMA. Consulte *Cargadores de batería recomendados en la página 37*. Comuníquese con su Husqvarna distribuidor para obtener más información sobre el cargador de baterías adecuado.
- Si la batería no se utiliza durante un largo período, cárguela completamente antes de usarla.
- Realice una carga continua de 1 a 2 veces durante la temporada de invierno cuando el producto esté almacenado.

Cargadores de batería recomendados

Las recomendaciones son correctas a una temperatura ambiente promedio de 25 °C/77 °F.

Tipo de cargador de batería	Recomendaciones
Alternador.	13,65–15 V.

Tipo de cargador de batería	Recomendaciones
Cargador de tensión constante.	13,8–15 V. máx. 10 A. Cargue durante 6-12 h.
Cargador de flotación.	13,2–13,8 V. máx. 1 A. Sin límite de tiempo en tensiones inferiores.
Cargador rápido, cargador de tensión constante.	Máx. 15,6 V. No hay límite de corriente si la temperatura de la batería es inferior a 50 °C/125 °F. Cargue hasta que la corriente sea inferior a 1 A.
Cargador de batería para baterías cíclicas o baterías conectadas en una cadena en serie.	14,7 V. No hay límite de corriente si la temperatura de la batería es inferior a 50 °C/125 °F. Cuando la corriente es inferior a 1 A, cargue con 2 A de corriente constante durante 2 h.

Tiempo de carga en diferentes corrientes

Las recomendaciones son correctas a una temperatura ambiente promedio de 25 °C/77 °F. El tiempo de carga cambia con diferentes temperaturas ambiente y distintos cargadores de batería.

Corriente	Tiempo aproximado hasta el 90 % del nivel de carga
100 A	35 minutos
50 A	75 minutos
25 A	140 minutos

Sistema hidráulico

Para revisar las mangueras hidráulicas

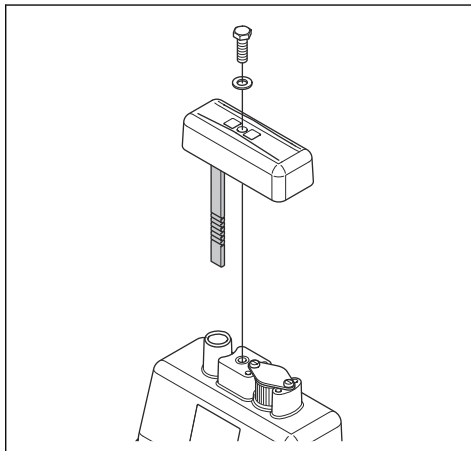
- Examine las mangueras hidráulicas con regularidad. Reemplace las mangueras hidráulicas desgastadas o dañadas.



ADVERTENCIA: El aceite hidráulico es peligroso. La goma de las mangueras hidráulicas se desgasta con el tiempo. Las mangueras hidráulicas desgastadas o dañadas pueden romperse y el aceite hidráulico puede causar lesiones. Si no puede determinar si las mangueras hidráulicas están desgastadas, reemplácelas siempre.

Para revisar el nivel de aceite hidráulico

- Extraiga la varilla de nivel del depósito de aceite hidráulico.



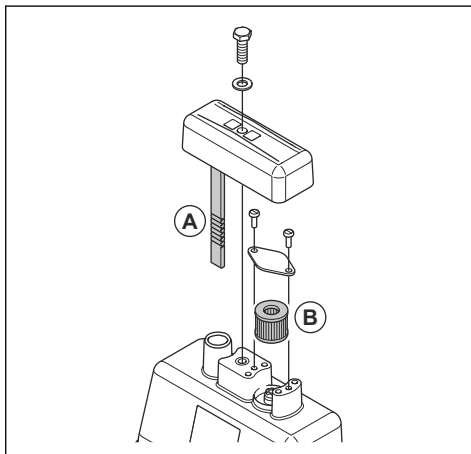
- Lea el nivel de aceite hidráulico en la varilla de nivel.
- Si el nivel de aceite hidráulico es demasiado bajo, deje que un centro de servicio autorizado inspeccione el sistema hidráulico para ver si hay fugas.

Para reemplazar el aceite hidráulico



ADVERTENCIA: Riesgo de lesiones por quemadura. El aceite hidráulico se calienta durante el funcionamiento del producto. Deje que el producto se enfríe antes de reemplazar el aceite hidráulico.

- Extraiga la varilla de nivel (A) del depósito de aceite hidráulico.



- Utilice una bomba de drenaje de aceite para drenar el aceite hidráulico del depósito de aceite hidráulico.
- Limpié la abertura del depósito de aceite hidráulico.
- Reemplace el filtro del respiradero (B).
- Llene con aceite hidráulico del tipo correcto. Consulte *Datos técnicos en la página 40*.
- Coloque la varilla de nivel en el depósito de aceite hidráulico.

Transporte, almacenamiento y eliminación de residuos

Transporte



ADVERTENCIA: Tenga cuidado durante el transporte. El producto es pesado y puede causar lesiones o daños si se cae o se mueve durante el transporte.

Levante el producto para moverlo en distancias más cortas. Para distancias más largas, coloque el producto en un vehículo de transporte.



PRECAUCIÓN: No remolque el producto detrás de un vehículo.

Para levantar el producto



ADVERTENCIA: Asegúrese de que el equipo de elevación tenga la especificación correcta para levantar el producto de forma segura. La placa de identificación del producto muestra el peso del producto.

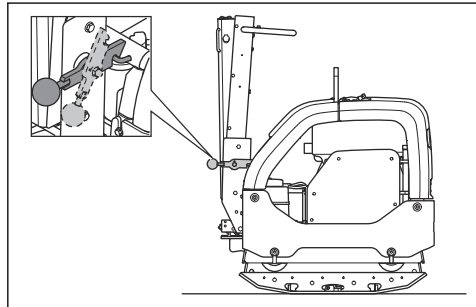


ADVERTENCIA: No levante el producto si está dañado. Asegúrese de que el cáncamo de levantamiento, los amortiguadores de vibraciones y las correas de seguridad estén correctamente instalados y no estén dañados.

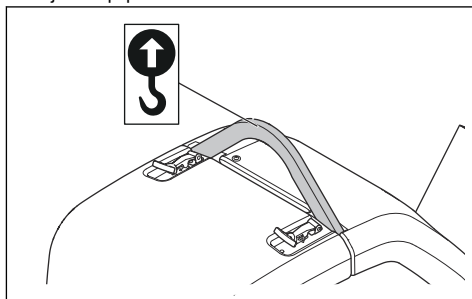


ADVERTENCIA: No camine ni permanezca por debajo del producto cuando esté levantado.

- Bloquee la manilla en posición vertical.



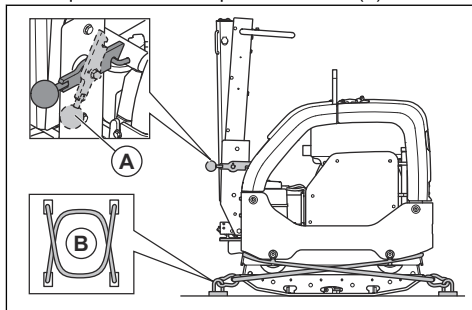
- Fije el equipo de elevación al cáncamo.



ADVERTENCIA: No utilice ganchos metálicos, cadenas u otros equipos de elevación con bordes irregulares que puedan dañar el cáncamo.

Para garantizar la seguridad del producto en un vehículo de transporte con correas de sujeción

- Bloquee la manilla en posición vertical (A).



- Coloque 2 correas (B) alrededor de la placa inferior.
 - Coloque 1 correa alrededor de la parte delantera de la placa inferior y fije la correa al vehículo.
 - Coloque 1 correa alrededor de la parte trasera de la placa inferior y fije la correa al vehículo.

Almacenamiento

- Retire todo el combustible del depósito de combustible antes de almacenar el producto durante un largo período. Deseche el combustible en un lugar adecuado para tal propósito.

- Cargue por completo la batería antes de almacenar. Una batería vacía se congela a aproximadamente -7 °C/19 °F. Una batería completamente cargada se congela a aproximadamente -67 °C/89 °F.
- Desconecte los cables de la batería del terminal de la batería si el almacenamiento es más extenso.
- Limpie el producto antes de almacenarlo. Quite el aceite y el polvo de las piezas de goma.
- Limpie el filtro de aire antes de almacenarlo.
- Coloque una cubierta protectora sobre el producto.
- Mantenga el producto en un lugar seco y sin escarcha.
- Mantenga el producto en un área cerrada para evitar que los niños u otras personas sin autorización puedan acceder a él.

- los productos químicos utilizados en un centro de servicio o un lugar adecuado para su eliminación.
- Cuando el producto se desgaste completamente, envíelo al distribuidor o a un centro de reciclaje aplicable.
- El aceite, los filtros de aceite, el combustible y la batería pueden tener efectos negativos en el ambiente. Obedezca las regulaciones vigentes y requisitos de reciclaje locales.
- No deseche la batería como un residuo doméstico.
- Envíe la batería a un taller de servicio Husqvarna o deséchela en un lugar para eliminación de baterías usadas.

Eliminación

- Las sustancias químicas pueden ser peligrosas y no deben tirarse en el suelo. Siempre elimine

Datos técnicos

Datos técnicos

Peso neto, kg/lb	470/1036
Peso de funcionamiento (EN500, incluido aceite, ½ de combustible), kg/lb	473/1043
Marca del motor, tipo	Hatz, 1 D90E
Potencia del motor, kW/hp a rpm ²	10,5/14,1 a 3000
Frecuencia de vibración, Hz/rpm	69/4140
Ancho, mm/in	2,4/0,064
Fuerza centrífuga, kN/lbf	65/14612
Velocidad de funcionamiento, m/min o pies/min	30 o 98,4
Inclinación máxima, grados/%	20/35
Capacidad del depósito de combustible, l/cuartos de galón	7,0/7,40
Capacidad de aceite del motor *, l/cuartos de galón	1,9/2,0
Capacidad del depósito de aceite hidráulico, l/cuartos de galón	1,0/1,06
Aceite del elemento excéntrico, l/cuartos de galón	0,7/0,74
Aceite del motor *	Shell Rimula R4 L 15W-40 o equivalente
Aceite de elemento excéntrico	Shell Rimula R4 L 15W-40 o equivalente

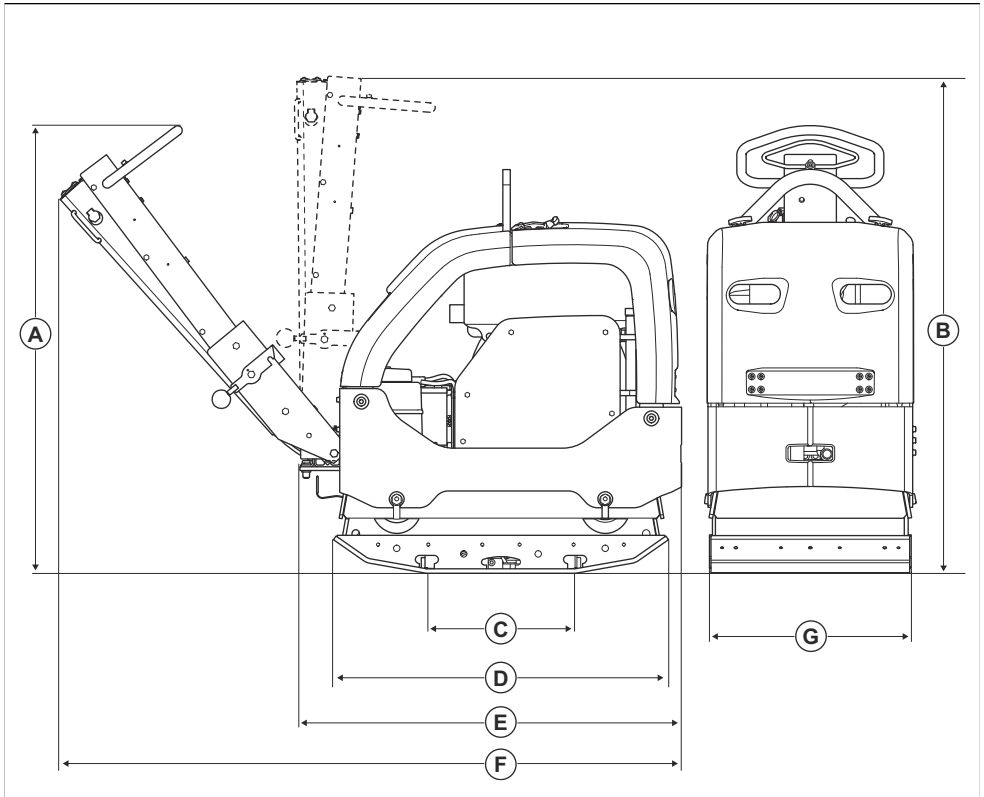
² Como lo especifica el fabricante del motor. La calificación de potencia del motor indicada corresponde a la salida de potencia neta promedio (en rpm especificadas) de un motor de producción típica para el modelo de motor medido según la norma SAE J1349/ISO1585. Los motores de producción masiva podrían diferir de este valor. La salida de potencia real para el motor instalado en el producto final dependerá de la velocidad de funcionamiento, las condiciones medioambientales y otras variables.

Aceite hidráulico	Shell Tellus S3 V32
Aceite hidráulico biológico (opcional)	Shell Naturelle HF-E 32
Combustible *	Solo combustible diésel con contenido ultrabajo de azufre
Consumo de combustible, l/h o cuartos de galón/h	1,5 o 1,6
Tipo de batería	Batería AGM con tecnología Spiralcell
Tensión de la batería, V	12 V/48 Ah
Motor de arranque	12 V/2,0 kW

* = Para obtener más información y para preguntas sobre este motor específico, consulte el manual del motor o el sitio web del fabricante del motor.

Pesos para las opciones	
Extensiones de 2 unidades por máquina, 2 x 75 mm/3,0 in kg/lb	26/57,3
Extensiones de 2 unidades por máquina, 2 x 150 mm/5,9 in kg/lb	40/88,2
Juego de adoquinado, ancho 750 mm, kg/lb	10/22
Juego de adoquinado, ancho 850 mm, kg/lb	11/24,6

Dimensiones del producto



A	Altura de la manilla, posición de funcionamiento, mm/in	1202/47,3	E	Longitud con manilla plegada, mm/in	1025/40,4
B	Altura de la manilla, posición de transporte, mm/in	1320/52	F	Longitud con manilla incluida, mm/in	1680/66,1
C	Área de contacto de la placa inferior sin extensiones, m ² /pies cuadrados	0,21/2,26	G	Ancho sin extensiones, mm/in	550/21,7
D	Longitud de la placa inferior, mm/in	900/35,4		Ancho que incluye extensiones de 2x75 mm	700/27,6
				Ancho que incluye extensiones de 2x150 mm	850/33,5

Table des matières

Introduction.....	43	Entretien.....	54
Sécurité.....	46	Transport, entreposage et mise au rebut.....	60
Fonctionnement.....	51	Caractéristiques techniques.....	61

Introduction

Proposition 65 de la Californie

 **WARNING!**

The engine exhaust from this product contains chemicals known to the State of California to cause cancer, birth defects or other reproductive harm.

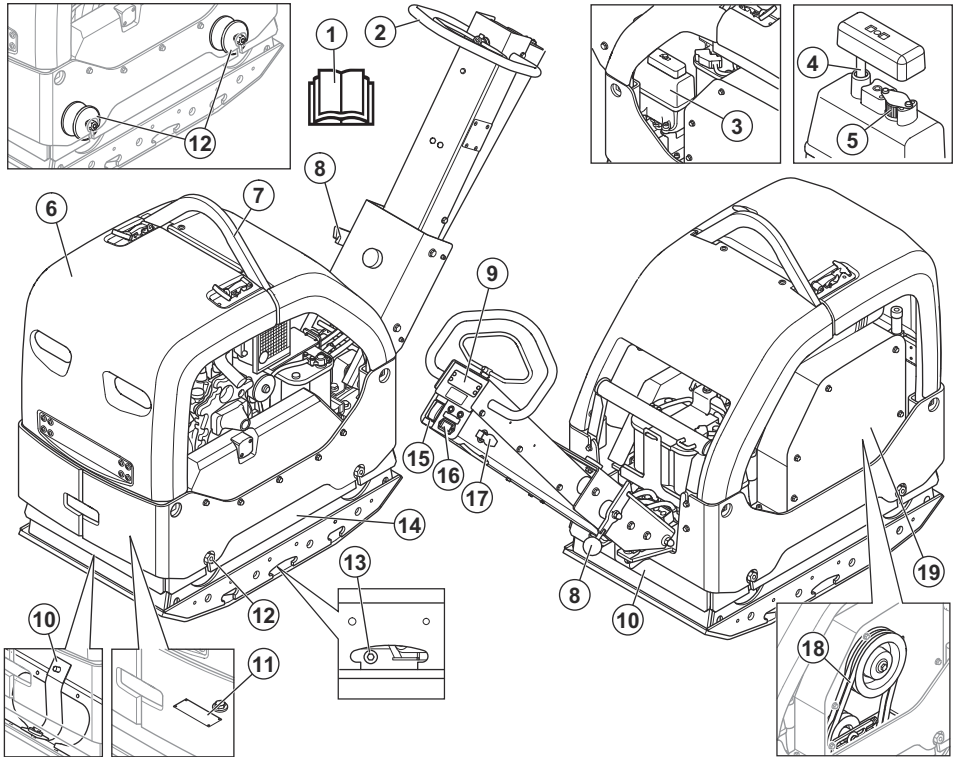
Description du produit

Le produit est un compacteur poussé à plaque réversible pour compacter les sols granulés en couches moyennement épaisses et en couches de plus grande profondeur.

Utilisation prévue

Le produit est réservé à un usage professionnel. Utiliser le produit pour réparer et entretenir les entrées, les chemins d'accès et les stationnements. Avec la trousse de pavage de dalles en option, le produit peut aussi être utilisé pour le pavage de dalles. Ne pas utiliser l'outil pour d'autres tâches.

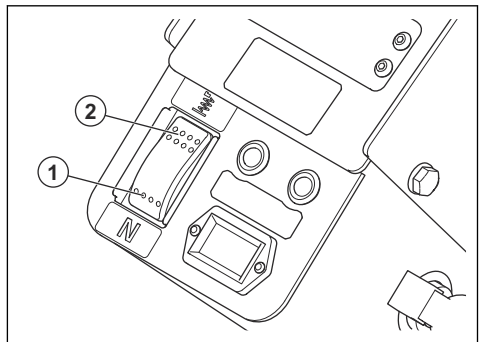
Présentation du produit



1. Manuel d'utilisation
2. Poignée
3. Réservoir d'huile hydraulique
4. Jauge d'huile hydraulique
5. Filtre de renflard
6. Cadre de sécurité
7. Anneau de levage
8. Levier de verrouillage de la poignée
9. Indicateur de compactage
10. Sangles de sécurité
11. Plaque signalétique
12. Unité anti-vibrations

16. Compteur horaire et indicateurs de charge de la batterie et de pression d'huile moteur
17. Clé de contact
18. Courroie trapézoïdale
19. Couvercle de courroie trapézoïdale

Commande d'accélération



13. Bouchon d'huile de l'élément excentré
14. Élément excentré
15. Commande d'accélération

Remarque : Le produit comprend aussi 10 unités anti-vibrations entre la poignée et la plaque du moteur. Se reporter à la section *Pour vérifier les unités anti-vibrations à la page 49.*

1. Bouton de régime de ralenti
2. Bouton de plein régime

Symboles figurant sur le produit



Faire attention et utiliser le produit correctement. Cet outil peut causer des blessures graves, ou même mortelles, à l'utilisateur et à d'autres personnes.



Lire attentivement le manuel et veiller à bien comprendre les directives avant d'utiliser l'outil.



Lire attentivement le manuel et veiller à bien comprendre les directives avant d'utiliser l'outil.



Utiliser un dispositif de protection pour les oreilles.



Porter des bottes de protection.



Carburant diesel à très faible teneur en soufre uniquement.



Démarrage manuel.



Démarrage électrique.



Niveau d'huile hydraulique.



Bio-Hydr.

Huile hydraulique biologique.



Début des vibrations. Symbole du bouton de commande d'accélération.

N

Régime de ralenti. Symbole du bouton de commande d'accélération.



Batterie en charge.



Compteur horaire.



Pression d'huile moteur.



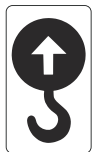
Risque de blessures. Faire attention autour de la courroie d'entraînement.



Risque de blessure si la poignée tombe sur vous. Verrouiller la poignée en position levée.



Surface chaude.



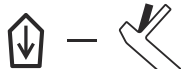
Point de levage sur le cadre de sécurité.



Faire avancer légèrement la machine.

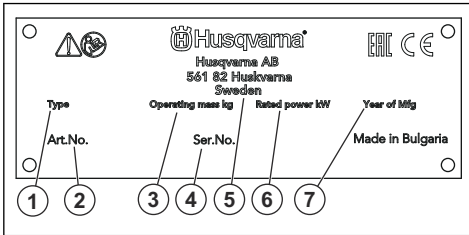


Faire reculer la machine.



Remarque : Les autres symboles et autocollants apposés sur le produit se rapportent aux exigences en matière de certification pour certains marchés.

Plaque signalétique



1. Type de produit
2. Numéro du produit
3. Poids du produit

4. Numéro de série
5. Fabricant
6. Puissance nominale
7. Année de production

Responsabilité concernant le produit

Comme indiqué dans les lois en vigueur sur la responsabilité concernant les produits, nous ne serons pas tenus responsables des dommages que notre produit causerait dans les situations suivantes :

- Le produit n'est pas réparé de façon adéquate.
- Le produit est réparé avec des pièces qui ne sont pas fournies ou homologuées par le fabricant.
- Le produit comprend un accessoire qui n'est pas fourni ou homologué par le fabricant.
- Le produit n'est pas réparé par un centre de service après-vente agréé ou par une autorité homologuée.

Sécurité

Définitions relatives à la sécurité

Les avertissements, recommandations et remarques soulignent des points du manuel qui revêtent une importance particulière.



AVERTISSEMENT : Indique la présence d'un risque de blessure ou de décès de l'utilisateur ou de personnes à proximité si les instructions du manuel ne sont pas suivies.



MISE EN GARDE : Indique la présence d'un risque de dommages au produit, à d'autres appareils ou à la zone adjacente si les instructions du manuel ne sont pas suivies.

Remarque : Utilisé pour donner des renseignements plus détaillés qui sont nécessaires dans une situation donnée.

Consignes générales de sécurité



AVERTISSEMENT : Lire les messages d'avertissement qui suivent avant d'utiliser l'outil.

- Ce produit est un outil dangereux s'il est utilisé de façon insouciante ou inappropriée. Cet outil peut causer des blessures graves, ou même mortelles, à l'utilisateur et à d'autres personnes. Il est obligatoire de lire et de comprendre le contenu de ce manuel d'utilisation avant d'utiliser l'outil.
- Conserver tous les avertissements et toutes les instructions.
- Se conformer à toutes les lois et réglementations en vigueur.
- L'utilisateur et l'employeur de l'utilisateur doivent connaître et prévenir les risques liés à l'utilisation du produit.
- Ne pas laisser une personne utiliser le produit à moins qu'elle a lu et compris le contenu de ce manuel d'utilisation.
- Ne pas faire fonctionner le produit sans avoir reçu une formation relative à son fonctionnement. S'assurer que tous les utilisateurs reçoivent une formation.
- Ne pas laisser un enfant utiliser l'outil.
- Seules les personnes autorisées peuvent utiliser le produit.
- L'utilisateur est responsable des accidents survenus à d'autres personnes ou à leurs biens.
- Ne pas utiliser le produit en cas de fatigue ou sous l'emprise de l'alcool, de drogues ou de médicaments.
- Toujours rester prudent et faire preuve de bon sens.
- Ce produit génère un champ électromagnétique pendant le fonctionnement. Ce champ magnétique peut, dans certains cas, nuire aux implants médicaux actifs ou passifs. Pour réduire le risque de blessures graves ou mortelles, il est recommandé aux personnes ayant des implants médicaux de consulter leur médecin et le fabricant de l'implant médical avant d'utiliser le produit.
- Toujours garder le produit propre. S'assurer de pouvoir lire clairement les signes et les autocollants.
- Ne pas utiliser le produit s'il est défectueux.
- Ne pas modifier ce produit.

- Ne pas utiliser le produit s'il est possible que d'autres personnes aient apporté des modifications à celui-ci.

Consignes de sécurité pour l'utilisation



AVERTISSEMENT : Lire les messages d'avertissement qui suivent avant d'utiliser l'appareil.

- S'assurer de savoir comment arrêter rapidement le moteur en cas d'urgence.
- L'opérateur doit avoir la force physique nécessaire pour faire fonctionner le produit de façon sécuritaire.
- Ne pas faire fonctionner le produit sans tous les dispositifs de protection et couvercles installés.
- Utiliser un équipement de protection personnelle. Se reporter à la section *Équipement de protection personnelle à la page 48*.
- S'assurer que seules les personnes autorisées se trouvent dans la zone de travail.
- Maintenir la zone de travail propre et bien éclairée.
- S'assurer d'être dans une position stable et sécuritaire au cours du travail.
- S'assurer qu'il n'y a aucun risque que vous ou le produit tombiez d'une hauteur.
- S'assurer qu'il n'y a pas de graisse ou d'huile sur la poignée.
- Ne pas utiliser ce produit dans des zones où un incendie ou des explosions peuvent se produire.
- Le produit peut projeter des objets à grande vitesse. S'assurer que toutes les personnes se trouvant dans la zone de travail utilisent un équipement de protection individuel approuvé. Retirer les matériaux lâches de la zone de travail.
- Avant de s'éloigner du produit, arrêter le moteur et s'assurer qu'il n'y a aucun risque de démarrage accidentel.
- Ne pas toucher la plaque inférieure pendant le fonctionnement de la machine ou après que le moteur s'est arrêté. La plaque inférieure est chaude. Les points chauds peuvent causer des blessures.
- S'assurer que les vêtements, les cheveux longs et les bijoux ne peuvent pas se coincer dans les pièces en mouvement.
- Ne pas s'asseoir sur le produit.
- Ne pas frapper le produit.
- Toujours utiliser le produit en étant positionné derrière, les deux mains sur la poignée.
- Ne pas utiliser le produit à proximité de câbles électriques. Le produit ne présente pas d'isolation électrique et peut entraîner des blessures graves, voire mortelles.
- Avant d'utiliser le produit, vérifier qu'il n'y a pas des fils, des câbles et des tuyaux cachés dans la zone de travail. Si le produit heurte un objet caché, arrêter immédiatement le moteur et examiner le produit

et l'objet. Ne pas redémarrer le produit avant de s'assurer de pouvoir continuer en toute sécurité.

Sécurité en matière de vibrations



AVERTISSEMENT : Lire les messages d'avertissement qui suivent avant d'utiliser l'appareil.

- Pendant le fonctionnement du produit, des vibrations sont transmises du produit à l'utilisateur. L'utilisation régulière et fréquente du produit peut provoquer ou augmenter les risques de blessures pour l'utilisateur. Des blessures peuvent se produire au niveau des doigts, des mains, des poignets, des bras, des épaules ou des nerfs, ou d'autres parties du corps ou affecter l'apport sanguin. Les blessures peuvent être invalidantes et/ou permanentes et peuvent augmenter progressivement au fil des semaines, des mois ou des années. Les blessures possibles incluent des dommages au système de circulation sanguine, au système nerveux, aux articulations et à d'autres structures corporelles.
- Des symptômes peuvent apparaître pendant l'utilisation du produit ou à d'autres moments. Si l'utilisateur présente des symptômes et continue à utiliser le produit, les symptômes peuvent augmenter ou devenir permanents. Si ces symptômes ou d'autres symptômes apparaissent, consulter un médecin :
 - Engourdissement, perte de sensation, fourmillement, picotement, douleur, brûlure, boursoufflement, raideur, sensation de lourdeur, perte de force, changements de couleur ou d'état de la peau.
- Les symptômes peuvent augmenter par temps froid. Porter des vêtements chauds et garder les mains au chaud et au sec lors de l'utilisation de l'outil dans des environnements froids.
- Procéder à l'entretien et à l'utilisation du produit comme indiqué dans le manuel d'utilisation pour maintenir les vibrations à un niveau acceptable.
- Le produit est doté d'un système d'amortissement des vibrations qui réduit les vibrations transmises à l'opérateur par les poignées. Laisser le produit faire le travail. Ne pas pousser le produit avec force. Tenir légèrement le produit par les poignées, mais s'assurer de le contrôler et de l'utiliser en toute sécurité. Ne pas pousser les poignées dans les butées plus que nécessaire.
- Garder les mains sur la ou les poignées uniquement. Garder toutes les autres parties du corps à l'écart du produit.
- Arrêter immédiatement le produit en cas de fortes vibrations soudaines. Ne pas poursuivre le sciage avant d'avoir éliminé la cause des vibrations accrues.

Protection contre la poussière



AVERTISSEMENT : Lire les messages d'avertissement qui suivent avant d'utiliser l'outil.

- L'utilisation du produit peut provoquer de la poussière dans l'air. La poussière peut provoquer des blessures graves et des problèmes de santé permanents. La poussière de silice est considérée comme une matière nocive par plusieurs autorités. Voici quelques exemples de problèmes de santé :
 - Maladies pulmonaires mortelles bronchite chronique, silicose et fibrose pulmonaire
 - Cancer
 - Malformations congénitales
 - Inflammation de la peau
- Utiliser un équipement adapté pour réduire la quantité de poussière et de fumées dans l'air et pour réduire la poussière sur les équipements de travail, les surfaces, les vêtements et les parties du corps. Exemples de contrôles : systèmes de collecte de poussière et jets d'eau pour lier la poussière. Dans la mesure du possible, réduire la quantité de poussière à la source. S'assurer que l'équipement est correctement installé et utilisé et que l'entretien régulier est effectué.
- Utiliser un dispositif de protection respiratoire homologué. S'assurer que la protection respiratoire convient aux matériaux dangereux dans la zone de travail.
- S'assurer que la circulation d'air est suffisante dans la zone de travail.
- Si possible, orienter l'échappement du produit vers un endroit où il ne risque pas de souffler de la poussière dans l'air.

Sécurité relative aux gaz d'échappement



AVERTISSEMENT : Lire les messages d'avertissement qui suivent avant d'utiliser l'outil.

- Les gaz d'échappement du moteur contiennent du monoxyde de carbone, un gaz inodore, toxique et très dangereux. Respirer du monoxyde de carbone peut entraîner la mort. Le monoxyde de carbone étant inodore et invisible, il n'est pas possible de le détecter. Un symptôme d'intoxication au monoxyde de carbone est l'étourdissement, mais il est possible qu'une personne perde connaissance sans avertissement si la quantité ou la concentration de monoxyde de carbone est suffisante.
- Les gaz d'échappement contiennent également des hydrocarbures non brûlés, y compris du benzène. Leur inhalation à long terme peut provoquer des problèmes de santé.
- Les gaz d'échappement visibles ou odorants contiennent également du monoxyde de carbone.

- Ne pas utiliser un produit à moteur à combustion à l'intérieur ou dans des endroits mal aérés.
- Ne pas respirer les gaz d'échappement.
- S'assurer que la circulation d'air dans la zone de travail est suffisante. Ceci est très important lorsque le produit est utilisé dans des tranchées ou autres petites zones de travail où les gaz d'échappement peuvent facilement s'accumuler.

Sécurité relative au bruit



AVERTISSEMENT : Lire les messages d'avertissement qui suivent avant d'utiliser l'outil.

- Des niveaux sonores élevés et une exposition prolongée au bruit peuvent entraîner une perte auditive due au bruit.
- Pour réduire au maximum le niveau sonore, procéder à l'entretien du produit et l'utiliser comme indiqué dans le manuel d'utilisation.
- Examiner le silencieux pour détecter d'éventuels dommages ou défauts. S'assurer que le silencieux est bien fixé sur le produit.
- Toujours porter un dispositif de protection pour les oreilles homologué lors de l'utilisation du produit.
- Rester attentif aux appels ou cris d'avertissement lors de l'utilisation d'un dispositif de protection pour les oreilles. Retirer le dispositif de protection pour les oreilles lorsque le produit est arrêté, sauf si une protection auditive est nécessaire en raison du niveau sonore dans la zone de travail.

Équipement de protection personnelle



AVERTISSEMENT : Lire les messages d'avertissement qui suivent avant d'utiliser l'appareil.

- Toujours utiliser un équipement de protection personnelle homologué lors de l'utilisation de l'outil. Cet équipement de protection personnelle n'élimine pas complètement les risques de blessures, mais il peut en réduire la gravité en cas d'accident. Le revendeur aidera l'utilisateur à sélectionner l'équipement adéquat.
- Vérifier régulièrement l'état de l'équipement de protection personnelle.
- Porter un casque de protection approuvé.
- Porter un dispositif de protection homologué pour les oreilles.
- Utiliser un dispositif de protection respiratoire homologué.
- Porter un dispositif de protection pour les yeux homologué avec écrans latéraux.
- Porter des gants de protection.
- Utiliser des bottes à embout en acier et semelles antidérapantes.

- Porter des vêtements de travail homologués ou des vêtements ajustés équivalents avec des manches longues et des pantalons.

Extincteur

- Garder un extincteur à proximité pendant le sciage.
- Utiliser un extincteur à poudre de classe « ABE » ou un extincteur au dioxyde de carbone de type « BE ».

Dispositifs de sécurité sur l'outil



AVERTISSEMENT : Lire les messages d'avertissement qui suivent avant d'utiliser l'outil.

- Ne pas utiliser un outil dont les dispositifs de protection sont défectueux.
- Vérifier régulièrement les dispositifs de sécurité. Si les dispositifs de sécurité sont défectueux, parler à votre agent d'entretien Husqvarna.

Silencieux

Le silencieux maintient le niveau de bruit au minimum et dirige les gaz d'échappement loin de l'utilisateur.

Ne pas utiliser l'outil si le silencieux est manquant ou défectueux. Un silencieux défectueux augmente le niveau sonore et le risque d'incendie.



AVERTISSEMENT : Le silencieux devient très chaud pendant et après utilisation et lorsque le moteur tourne au ralenti. Faire attention à proximité des matériaux inflammables ou des fumées afin d'éviter tout risque d'incendie.

Pour vérifier le silencieux

- Examiner régulièrement le silencieux pour s'assurer qu'il est correctement raccordé et en bon état.

Cadre de sécurité

Le cadre de sécurité permet d'éviter les dommages si le produit tombe au sol.

Vérification du cadre de sécurité

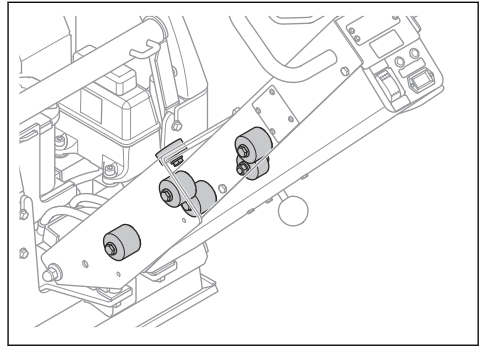
- S'assurer que le cadre de sécurité ne présente pas de fissures ou de dommages.
- S'assurer que le cadre de sécurité est installé correctement sur le produit.

Unité antivibrations

Les unités antivibrations réduisent les vibrations dans le produit. Les unités antivibrations réduisent les vibrations nuisibles pour prévenir les blessures à l'opérateur et les dommages au produit.

Pour vérifier les unités anti-vibrations

Le produit comprend 10 unités anti-vibrations, 2 de chaque côté de la machine, 5 entre la poignée et la plaque du moteur et 1 entre la poignée et le levier de verrouillage de la poignée.



- Vérifier que les éléments antivibrations sont correctement installés.
- Examiner les unités anti-vibrations pour s'assurer qu'elles ne présentent pas de dommages ou de fissures.
- Remplacer les unités anti-vibrations si elles sont endommagées.

Sécurité – carburant



AVERTISSEMENT : Lire les messages d'avertissement qui suivent avant d'utiliser le produit.

- L'essence est inflammable et les vapeurs sont explosives. Faire attention avec le carburant afin d'éviter toute blessure, tout incendie et toute explosion.
- Ne pas respirer les vapeurs de carburant. Les vapeurs de carburant sont toxiques et peuvent provoquer des blessures. S'assurer que le débit d'air est suffisant.
- Ne pas enlever le bouchon du réservoir de carburant ou remplir le réservoir de carburant lorsque le moteur est en marche.
- Laisser le moteur refroidir avant de faire l'appoint.
- Ne pas faire le plein de carburant à l'intérieur. Un débit d'air insuffisant peut entraîner des blessures ou la mort en raison d'une asphyxie ou du monoxyde de carbone.
- Ne pas fumer à proximité du carburant ou du moteur.
- Ne pas placer des objets chauds à proximité du carburant ou du moteur.
- Ne pas faire l'appoint de carburant à proximité d'étincelles ou de flammes.

- Avant de faire le plein, ouvrir lentement le couvercle du réservoir de carburant et relâcher la pression avec précaution.
- Le carburant peut provoquer des lésions cutanées. Si du carburant se déverse sur la peau, se nettoyer au savon doux et à l'eau.
- Si du carburant se déverse sur les vêtements, changer immédiatement de vêtement.
- Ne jamais remplir le réservoir de carburant complètement. La chaleur provoque une dilatation du carburant. Laisser un espace dans la partie supérieure du réservoir de carburant.
- Serrer fermement le couvercle du réservoir de carburant. Si le couvercle du réservoir de carburant n'est pas bien serré, il y a un risque d'incendie.
- Avant de démarrer l'outil, le déplacer à au moins 3 m (10 pi) de l'endroit où le plein de carburant a eu lieu.
- Ne pas démarrer l'outil s'il y a du carburant ou de l'huile moteur sur l'outil. Éponger le carburant et l'huile moteur indésirables et laisser l'outil sécher avant de démarrer le moteur.
- Vérifier régulièrement le moteur à la recherche de fuites. S'il y a des fuites dans le système de carburant, ne pas démarrer le moteur jusqu'à ce que les fuites soient réparées.
- Ne pas utiliser les doigts pour rechercher d'éventuelles fuites au niveau du moteur.
- N'entreposer le carburant que dans des contenants homologués.
- Lorsque l'outil et le carburant sont entreposés, s'assurer que le carburant et les vapeurs de carburant ne peuvent pas provoquer de dommages.
- Vider le carburant dans un contenant homologué à l'extérieur et loin d'étincelles ou de flammes.

- Mettre au rebut les batteries remplacées. Voir *Mise au rebut à la page 61*.
- Les gaz explosifs peuvent provenir de la batterie. Ne pas fumer à proximité de la batterie. Maintenir la batterie à l'écart de flammes nues et d'étincelles.

Consignes de sécurité relatives au travail sur les terrains en pente



AVERTISSEMENT : Lire les messages d'avertissement qui suivent avant d'utiliser l'appareil.

- Ne pas utiliser le produit dans des pentes dont l'inclinaison est supérieure à 20°. Le sol meuble, les vibrations et la vitesse de fonctionnement peuvent faire chuter le produit sur une pente dont l'inclinaison est inférieure à 20°.
- S'assurer que la zone de travail est sans danger. La terre humide et la terre meuble rendent l'utilisation du produit moins sécuritaire. Faire preuve d'une grande prudence sur les pentes et les surfaces irrégulières.
- S'assurer que toutes les personnes dans la zone de travail se trouvent plus haut que le produit sur la pente.
- Utiliser le produit vers le haut ou vers le bas de la pente, et non d'un côté à l'autre.
- Ne pas stationner le produit dans une pente. Si le produit doit être stationné sur une pente, s'assurer qu'il ne peut pas bouger ou tomber. Il y a un risque de blessure et de dommage.

Instructions de sécurité relatives au travail près des bords



AVERTISSEMENT : Lire les messages d'avertissement qui suivent avant d'utiliser l'appareil.

- Il y a un risque que le produit tombe au cours de son utilisation près d'un bord. Toujours maintenir un minimum de $\frac{2}{3}$ du produit sur une surface suffisamment stable pour supporter le poids du produit.
- Si le produit tombe, arrêter le moteur avant de soulever à nouveau sur une surface suffisamment stable. Se reporter à la section *Levage du produit à la page 60*.

Consignes de sécurité pour l'entretien



AVERTISSEMENT : Lire les messages d'avertissement qui suivent avant d'utiliser l'appareil.

- Si la maintenance n'est pas effectuée correctement et régulièrement, le risque de blessures et de dommages sur l'outil augmente.

Sécurité en matière de batteries



AVERTISSEMENT : Une batterie endommagée peut engendrer une explosion et des blessures. Si la batterie est détériorée ou endommagée, communiquer avec un agent d'entretien Husqvarna agréé.



AVERTISSEMENT : Lire les messages d'avertissement qui suivent avant d'utiliser le produit.

- Utiliser des lunettes de protection en cas de présence à proximité des batteries.
- Ne pas porter des montres, des bijoux ou d'autres objets métalliques à côté de la batterie.
- Entreposer la batterie hors de portée des enfants.
- Charger la batterie dans un endroit avec une bonne ventilation.
- Conserver les matériaux inflammables à une distance minimale d'un mètre lors du chargement de la batterie.

- Utiliser un équipement de protection personnelle. Se reporter à la section *Équipement de protection personnelle à la page 48*.
- Arrêter le moteur et s'assurer que toutes les pièces du produit sont froides avant de procéder à l'entretien.
- Nettoyer le produit pour éliminer les matières dangereuses avant d'effectuer la maintenance.
- Débrancher les câbles des bornes de la batterie avant d'effectuer l'entretien.
- Les gaz d'échappement du moteur sont chauds et peuvent contenir des étincelles. Ne pas utiliser l'outil dans un local clos ou à proximité de matériaux inflammables.
- Ne pas modifier l'outil. Toute modification non approuvée par le fabricant peut entraîner des blessures graves, voire mortelles.
- Toujours utiliser des accessoires et des pièces de rechange d'origine. Les accessoires et les pièces de rechange qui ne sont pas approuvés par le fabricant peuvent causer des blessures graves, voire mortelles.
- Remplacer les pièces endommagées, usées ou brisées.
- N'effectuer que les travaux d'entretien indiqués dans ce manuel d'utilisation. Confier toutes les autres opérations d'entretien à un centre de service agréé.
- Retirer tous les outils du produit avant de démarrer le moteur après la maintenance. Des outils non fixés ou fixés aux pièces tournantes peuvent s'éjecter et provoquer des blessures.
- Après l'entretien, vérifier le niveau de vibrations du produit. En cas de problème, communiquer avec un centre d'entretien agréé.
- Demander à un centre de service agréé d'effectuer régulièrement l'entretien de l'outil.

Fonctionnement

Introduction



AVERTISSEMENT : Lire et comprendre le chapitre sur la sécurité avant d'utiliser le produit.

Avant d'utiliser le produit

- Lire attentivement le manuel d'utilisation et veiller à bien comprendre les directives.
- Lire le manuel du moteur fourni par le fabricant du moteur.
- Effectuer l'entretien quotidien. Se reporter à la section *Calendrier d'entretien à la page 54*.

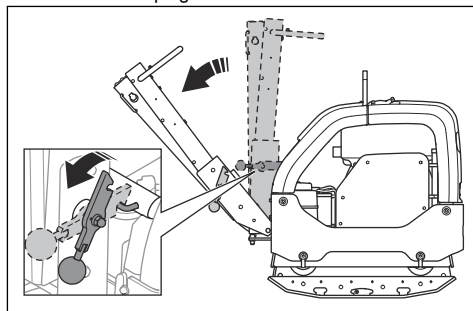
Réglage de la poignée en position de fonctionnement



AVERTISSEMENT : Tenir fermement la poignée pour modifier sa position. Il y a un risque de blessure si la poignée tombe sur vous.

1. Tenir la poignée.

2. Relâcher le levier de verrouillage et abaisser doucement la poignée.



Démarrage et arrêt du produit

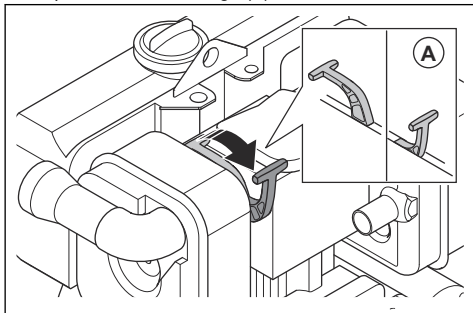


AVERTISSEMENT : Garder les pieds loin du produit pendant la procédure de démarrage. Le circuit hydraulique peut provoquer un mouvement brusque du produit au démarrage du moteur.

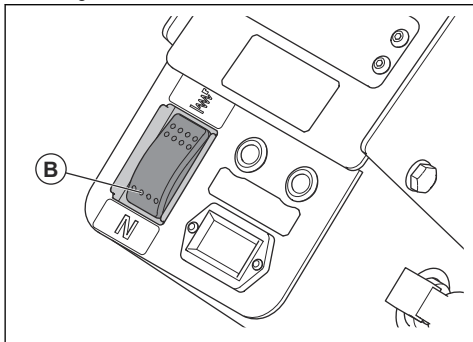
Démarrage manuel du produit

Procéder comme suit si le produit est équipé d'un moteur avec démarrage manuel.

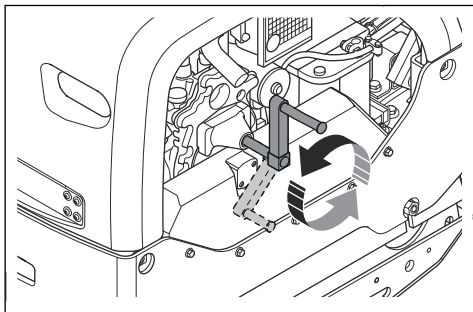
1. Tirer sur le levier de la soupape de décompression à la position de démarrage (A).



2. Appuyer sur le bouton d'accélération (B) pour passer au régime de ralenti.

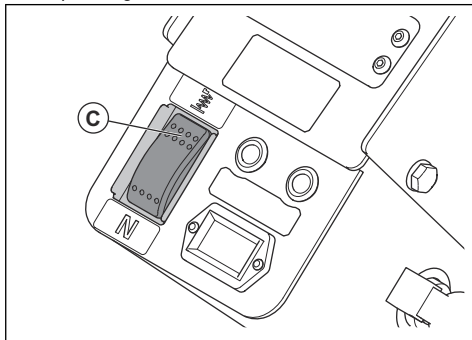


3. Tourner la poignée de démarrage jusqu'à ce que le moteur démarre.



4. Laisser le moteur tourner au ralenti pendant deux à trois minutes.

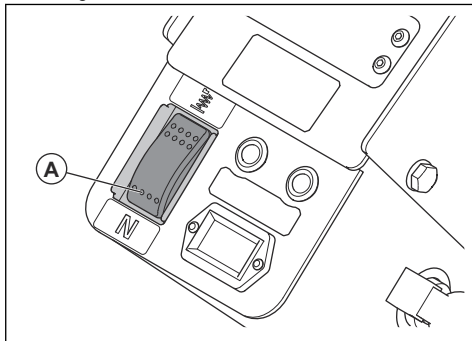
5. Appuyer sur le bouton d'accélération (C) pour passer au plein régime.



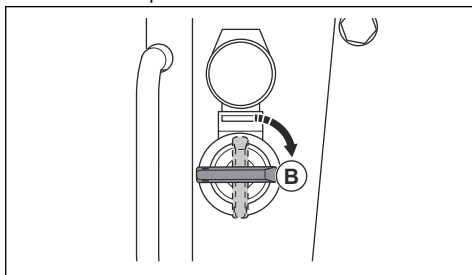
Démarrage électrique du produit

Procéder comme suit si le produit est équipé d'un moteur avec démarrage électrique.

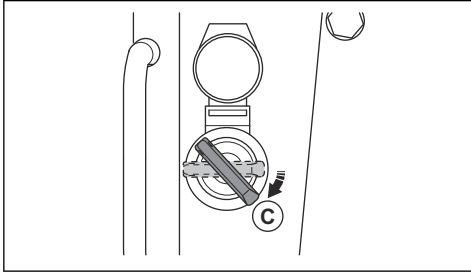
1. Appuyer sur le bouton d'accélération (A) pour passer au régime de ralenti.



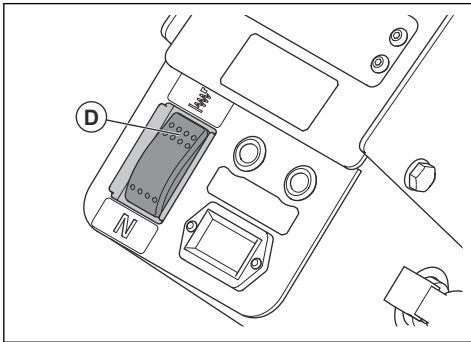
2. Tourner la clé de contact à la position d'allumage (B). Les indicateurs de charge de la batterie et de pression d'huile s'allument.



3. Tourner la clé de contact à la position de démarrage (C).

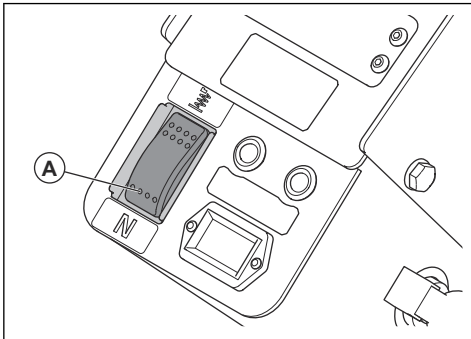


- a) Quand le moteur démarre, relâcher immédiatement la clé d'allumage. La clé de contact revient en position (B).
 - b) Si le moteur ne démarre pas en 10 secondes, relâcher la clé et attendre 5 secondes avant de réessayer.
4. Laisser le moteur tourner au ralenti pendant deux à trois minutes.
 5. Appuyer sur le bouton d'accélération (D) pour passer au plein régime.

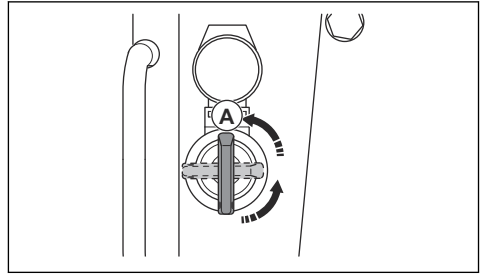


Arrêt de la machine

1. Stationner le produit sur un sol plat.
2. Appuyer sur le bouton d'accélération (A) pour passer au régime de ralenti.

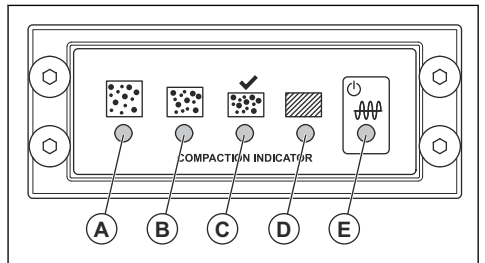


3. Laisser le moteur tourner au ralenti pendant deux à trois minutes.
4. Si le moteur est équipé d'un démarrage électrique, procéder comme suit :
 - a) Tourner la clé de contact à la position d'arrêt (A).



- b) Retirer la clé de contact pour éviter un démarrage accidentel.

Indicateur de compactage (en option)



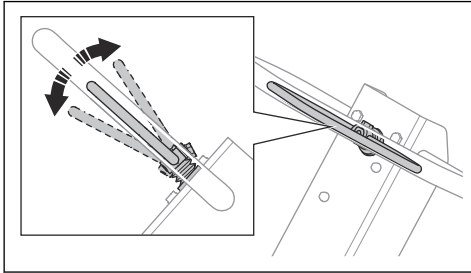
- A : DEL jaune. Le degré de compactage est de 0 à 30 %.
 - B : DEL jaune. Le degré de compactage est de 30 à 60 %.
 - C : DEL verte. Le degré de compactage est de 60 à 90 %.
 - C et D : DEL verte et rouge. Lorsque ces voyants à DEL clignotent, la surface a atteint le degré maximal de compactage qui s'applique au produit.
 - D : DEL rouge. Le degré de compactage est de 90 à 100 %.
-
- MISE EN GARDE :** Ne pas utiliser le produit lorsque le voyant à DEL (D) s'allume en rouge en continu. Le produit pourrait être endommagé.
- E : Rouge ou vert. Indicateur d'alimentation.

Lorsque vous tournez la clé de contact, un étalonnage de l'indicateur de compactage démarre. Tous les voyants à DEL (A) à (E) s'allument. Après environ 4 secondes, le voyant à DEL (E) passe du rouge au vert et les voyants à DEL (A) à (D) s'éteignent. Lorsque les voyants à DEL (A) à (D) sont éteints et que le voyant à DEL (E) est vert, vous pouvez démarrer le produit.

Utilisation du produit

Toujours faire fonctionner le véhicule à plein régime en utilisant la commande d'accélération.

- Pour faire avancer le produit, déplacer la commande de fonctionnement complètement vers l'avant et la relâcher.



- Pour faire reculer le produit, déplacer la commande de fonctionnement complètement vers l'arrière et la relâcher.
- Pour arrêter le mouvement du produit, déplacer la commande de fonctionnement dans la direction opposée par petits mouvements jusqu'à ce que le produit soit immobile.
- Pour changer de direction, tourner le produit en utilisant la poignée.

Entretien

Introduction



AVERTISSEMENT : Lire et comprendre le chapitre sur la sécurité avant de faire l'entretien du produit.

X = Les instructions sont décrites dans ce manuel d'utilisation.

O = Se reporter aux instructions du manuel du moteur fourni par le fabricant du moteur.

Calendrier d'entretien

* = Entretien général effectué par l'opérateur. Les instructions ne sont pas décrites dans ce manuel d'utilisation.

Entretien général du produit	Avant utilisation, toutes les 10 heures	Toutes les 100 h	Tous les 6 mois ou toutes les 250 h	Tous les ans, toutes les 500 heures
S'assurer qu'il n'y a pas de fuites de carburant ou d'huile.	*			
Nettoyer le produit.	X			
S'assurer que les écrous et les vis sont serrés.	*			
Examiner la commande d'accélération et la commande de marche avant et de marche arrière pour s'assurer qu'elles ne sont pas endommagées.	*			
S'assurer que la commande de marche avant et de marche arrière peut être déplacée en douceur.	*			
Lubrifier la commande de marche avant et de marche arrière et les tringleries de commande.	*			
Examiner les sangles de sécurité pour s'assurer qu'elles ne sont pas endommagées. Les remplacer au besoin.	*			
Examiner les unités anti-vibrations pour s'assurer qu'elles ne sont pas endommagées.		X	X	X

Entretien général du produit	Avant utilisation, toutes les 10 heures	Toutes les 100 h	Tous les 6 mois ou toutes les 250 h	Tous les ans, toutes les 500 heures
Examiner la tension de la courroie trapézoïdale et s'assurer que la courroie n'est pas endommagée. Régler ou remplacer la courroie trapézoïdale au besoin.		X	X	X
Examiner tous les flexibles et les éléments en caoutchouc pour s'assurer qu'ils ne sont pas endommagés. Les remplacer au besoin.			X	X
Vérifier le niveau d'huile hydraulique.			X	X
Vérifier les bornes de la batterie.			*	*
Vidanger l'huile de l'élément excentré.			X	X
Vidanger l'huile hydraulique.				X

Entretien du moteur	Avant utilisation, toutes les 10 heures	Après les 20 premières heures	Toutes les 250 h	Tous les ans, toutes les 500 heures
Vérifier le niveau de carburant et le niveau d'huile moteur.	X			
Nettoyer les ailettes de refroidissement du moteur.	O		O	O
Vérifier l'indicateur du filtre à air. Nettoyer le filtre à air au besoin.	X	X		
Remplacer le filtre à air.			X	X
Vérifier la vanne de vidange du filtre à air. Ne s'applique qu'aux moteurs dotés d'un préfiltre cyclonique.	O			
Vidanger l'huile moteur.		O	O	O
Vérifier le régime du moteur.		O	O	O
Vidanger et nettoyer le réservoir de carburant et nettoyer le filtre à carburant.				O
Régler le jeu de tête de soupape à l'admission d'air et aux soupapes d'échappement.		O	O	O
Remplacer le filtre à huile.			O	O
Vérifier la pompe d'injection de carburant.				O
Vérifier la buse d'injection de carburant.				O
Vidanger l'eau du système d'alimentation en carburant.				O
Remplacer le filtre à carburant.				O

Nettoyage de la machine



MISE EN GARDE : Avant de nettoyer le produit, attacher fermement un sac de plastique autour du bouchon du réservoir de carburant. Cela permet de s'assurer que l'eau ne s'infiltrera pas dans l'évent du bouchon du réservoir de carburant.

- Utiliser de l'eau courante provenant d'un boyau d'arrosage ou d'un pulvérisateur à haute pression pour nettoyer le produit.



MISE EN GARDE : Ne pas diriger l'eau directement vers le bouchon du réservoir de carburant, les composants électriques ou le moteur.

- Retirer la graisse et l'huile de la poignée.

Pour effectuer une inspection générale

- S'assurer que tous les écrous et toutes les vis sur le produit sont serrés correctement.

Vérification du niveau d'huile moteur

1. Retirer le bouchon du réservoir d'huile et la jauge d'huile.
2. Nettoyer l'huile sur la jauge d'huile.
3. Remettre la jauge d'huile à fond dans le réservoir d'huile.
4. Retirer la jauge d'huile.
5. Examiner le niveau d'huile sur la jauge d'huile.
6. Si le niveau d'huile est trop bas, remplir avec de l'huile moteur et vérifier de nouveau le niveau d'huile. Se reporter à la section *Caractéristiques techniques* à la page 61 ou le manuel du moteur pour le type d'huile approprié.

Filtre à air



AVERTISSEMENT : Porter un dispositif de protection respiratoire homologué lors du nettoyage ou du remplacement du filtre à air. Mettre au rebut les filtres à air usés correctement. La poussière présente dans le filtre à air est dangereuse pour la santé.



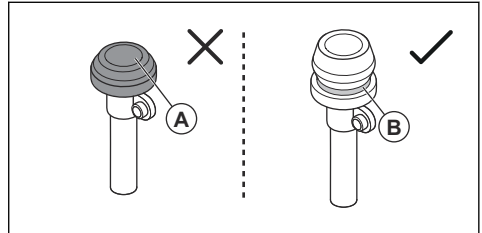
MISE EN GARDE : Toujours remplacer un filtre à air endommagé, sinon la poussière risque de pénétrer dans le moteur et de l'endommager.

Pour vérifier l'indicateur du filtre à air



MISE EN GARDE : Examiner l'indicateur du filtre à air à chaque démarrage du moteur. Un filtre à air obstrué peut endommager le produit.

1. Vérifier l'indicateur du filtre à air.



- a) Si l'indicateur du filtre à air est comprimé (A), nettoyer ou remplacer le filtre à air. Se reporter à la section .



AVERTISSEMENT : Arrêter le moteur avant d'entretenir le produit.

- a) Si le repère vert (B) apparaît, aucun entretien n'est nécessaire sur le filtre à air.

Se reporter au manuel du moteur pour obtenir de plus amples renseignements sur l'indicateur du filtre à air.

Nettoyage ou remplacement du filtre à air

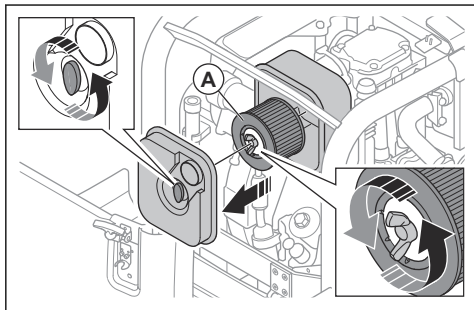


AVERTISSEMENT : Porter un dispositif de protection respiratoire homologué lors du nettoyage ou du remplacement du filtre à air. Mettre au rebut les filtres à air usés correctement. La poussière présente dans le filtre à air est dangereuse pour la santé.



AVERTISSEMENT : Ne pas nettoyer le filtre à air à l'air comprimé. Cela endommage le filtre à air et augmente le risque de respirer la poussière dangereuse.

1. Tourner le bouton de verrouillage sur le couvercle du filtre à air dans le sens antihoraire et retirer le couvercle.



2. Tourner le bouton de verrouillage sur le filtre à air dans le sens antihoraire et retirer le filtre à air (A) de son boîtier.
3. Nettoyer le boîtier du filtre à l'aide d'une brosse.
4. Tapoter le filtre à air contre une surface dure ou utiliser un aspirateur pour éliminer les particules.



MISE EN GARDE : Ne pas laisser l'embout de l'aspirateur toucher la surface de l'élément du filtre en papier. Garder une petite distance. La surface sensible de l'élément du filtre en papier est endommagée en cas de contact avec des objets.

5. Vérifier le filtre à air pour détecter des dommages.
6. Jeter le filtre à air s'il est endommagé, mouillé, ou s'il présente des traces d'huile.



MISE EN GARDE : Toujours remplacer un filtre à air endommagé, sinon la poussière risque de pénétrer dans le moteur et de l'endommager.

7. Installer le filtre à air propre ou un filtre à air neuf dans le boîtier du filtre à air. Serrer le bouton de verrouillage dans le sens horaire (A).
8. Installer le couvercle du filtre à air (A) et tourner le bouton de verrouillage dans le sens horaire.

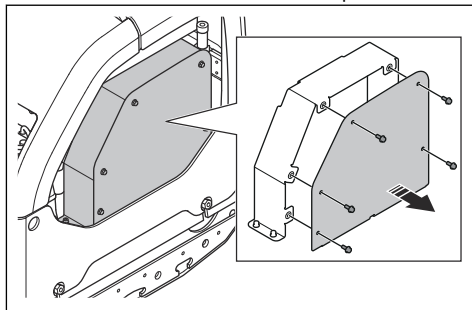
Vérification de la courroie trapézoïdale



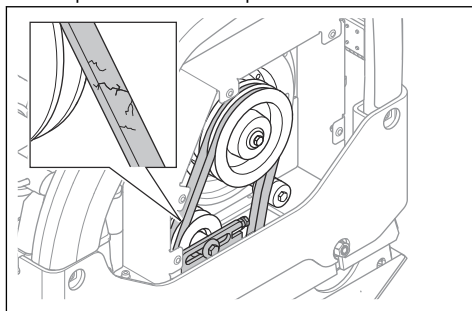
AVERTISSEMENT : Ne pas faire fonctionner le produit sans le couvercle de la courroie trapézoïdale installé.

1. Couper le moteur.

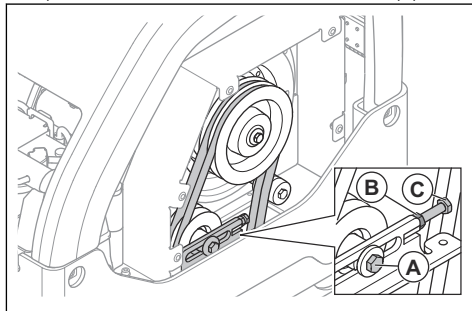
2. Retirer le couvercle de la courroie trapézoïdale.



3. Vérifier l'état et l'usure de la courroie trapézoïdale. Remplacer la courroie trapézoïdale au besoin.



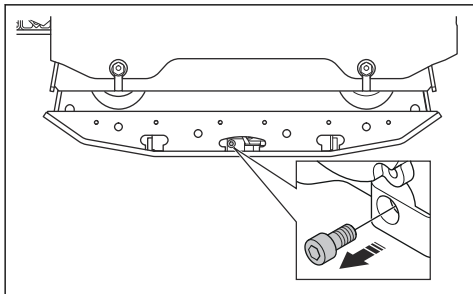
4. Vérifier la tension de la courroie trapézoïdale.
5. Si la tension de la courroie trapézoïdale n'est pas suffisante, procéder comme suit :
 - a) Desserrer la vis du tendeur de courroie (A).



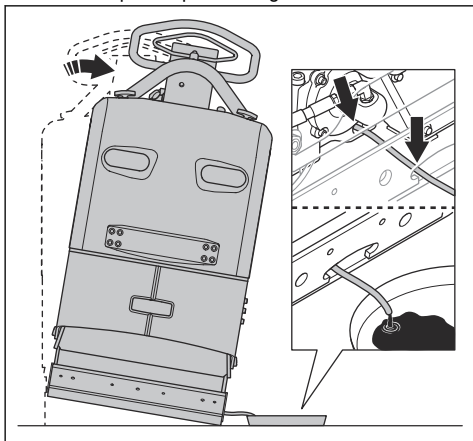
- b) Desserrer le contre-écrou (B).
 - c) Tourner la vis (C) pour régler le tendeur de courroie.
 - d) Serrer la vis sur le contre-écrou (B) et le tendeur de courroie (A).
6. Installer le couvercle de la courroie trapézoïdale.

Vidange d'huile de l'élément excentré

1. Déposer le bouchon de vidange d'huile de l'élément excentré et brancher un flexible.



2. Incliner le produit pour vidanger l'huile.



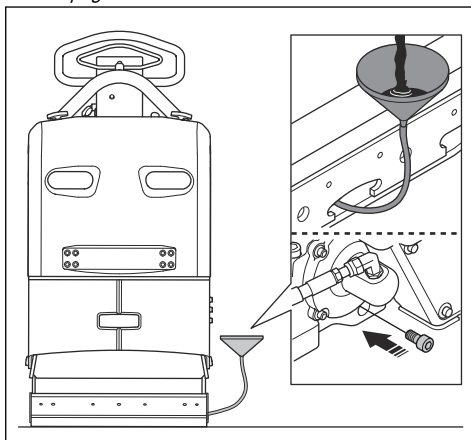
Remarque : Vous pouvez aussi utiliser une pompe manuelle de vidange d'huile pour vidanger l'huile de l'élément excentré.

3. Nettoyer les surfaces autour du trou du bouchon de vidange d'huile, ainsi que les filets du trou et du bouchon de vidange d'huile. Utiliser un chiffon sec et, au besoin, un solvant approprié.



MISE EN GARDE : Ne pas utiliser d'eau pour nettoyer le bouchon de vidange d'huile et les surfaces autour du bouchon.

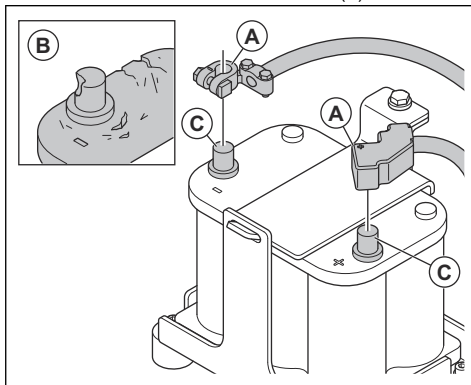
4. Remplir l'élément excentré d'huile du type approprié. Se reporter à la section *Caractéristiques techniques* à la page 61.



5. Installer le bouchon de vidange d'huile.

Vérification de la batterie

1. Débrancher les câbles de la batterie (A).



2. Examiner la batterie pour s'assurer qu'elle n'est pas endommagée (B). Remplacer la batterie si elle est endommagée.
3. Nettoyer les bornes de la batterie (C).
4. Brancher les câbles de la batterie.

Pour recharger la batterie

Il s'agit d'une batterie AGM OPTIMA. Il n'est pas nécessaire de procéder à l'entretien de cette batterie.



AVERTISSEMENT : Ne pas recharger la batterie au-delà de ce qui est recommandé. La durée de vie de la batterie diminue et des gaz inflammables peuvent provenir de la batterie.



MISE EN GARDE : Si la batterie devient très chaude lorsqu'elle se recharge, la débrancher immédiatement.

- Utiliser un chargeur de batterie à régulation de tension pour les batteries AGM OPTIMA. Se reporter à la section *Chargeurs de batteries recommandés à la page 59*. Communiquez avec votre concessionnaire Husqvarna pour obtenir de plus amples renseignements sur les chargeurs de batterie appropriés.
- Si la batterie n'est pas utilisée pendant une longue période, la recharger complètement avant de l'utiliser.
- Effectuer une recharge d'entretien une à deux fois pendant la saison hivernale lorsque le produit est entreposé.

Chargeurs de batteries recommandés

Les recommandations sont correctes à une température ambiante moyenne de 25 °C/77 °F.

Type de chargeur de batterie	Recommandations
Alternateur.	13,65 à 15,0 V.
Chargeur à tension constante.	13,8 à 15,0 V. Max. 10 A. Recharge 6 à 12 h.
Chargeur flottant.	13,2 à 13,8 V. Max. 1 A. Pas de limite de temps à des tensions inférieures.
Chargeur rapide, chargeur à tension constante.	Max. 15,6 V. Aucune limite de courant si la température de la batterie est inférieure à 50 °C/125 °F. Charger jusqu'à ce que le courant soit inférieur à 1 A.
Chargeur pour les batteries cycliques ou les batteries connectées en série.	14,7 V. Aucune limite de courant si la température de la batterie est inférieure à 50 °C/125 °F. Lorsque le courant est inférieur à 1 A, recharger avec un courant constant de 2 A pendant 2 heures.

Temps de recharge à différents courants

Les recommandations sont correctes à une température ambiante moyenne de 25 °C/77 °F. Le temps de recharge change avec différentes températures ambiantes et différents chargeurs de batterie.

Courant	Durée approximative jusqu'à un niveau de charge de 90 %
100 A	35 minutes
50 A	75 minutes
25 A	140 minutes

Circuit hydraulique

Vérification des flexibles hydrauliques

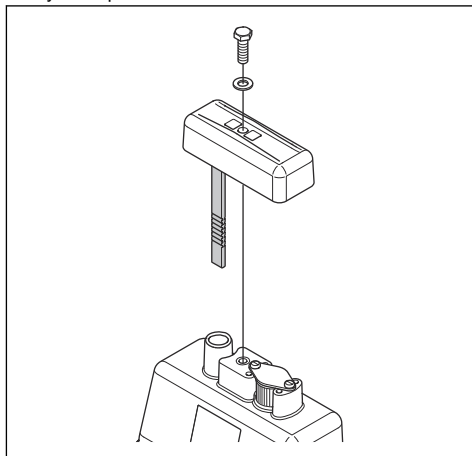
- Examiner régulièrement les flexibles hydrauliques. Remplacer les flexibles hydrauliques usés ou endommagés.



AVERTISSEMENT : L'huile hydraulique est dangereuse. Le caoutchouc des flexibles hydrauliques s'use avec le temps. Des flexibles hydrauliques usés ou endommagés peuvent se rompre et l'huile hydraulique peut provoquer des blessures. Si vous ne pouvez pas déterminer si les flexibles hydrauliques sont usés, remplacez-les toujours.

Vérification du niveau d'huile hydraulique

1. Retirer la jauge d'huile du réservoir d'huile hydraulique.



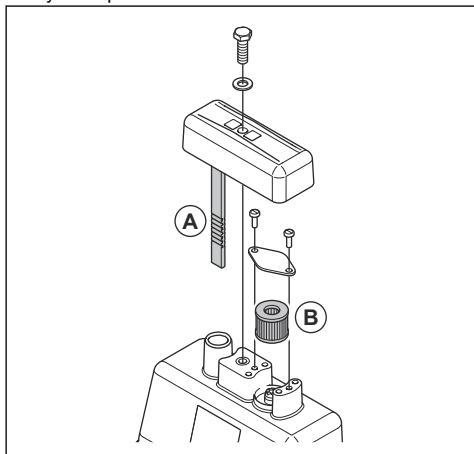
2. Lire le niveau d'huile hydraulique sur la jauge.
3. Si le niveau d'huile hydraulique est trop bas, demander à un centre de service agréé d'examiner le circuit hydraulique pour détecter les fuites.

Vidange de l'huile hydraulique



AVERTISSEMENT : Risque de brûlures. L'huile hydraulique devient chaude pendant le fonctionnement du produit. Laisser le produit refroidir avant de remplacer l'huile hydraulique.

1. Retirer la jauge d'huile du réservoir d'huile hydraulique.



2. Utiliser une pompe de vidange d'huile pour vidanger l'huile hydraulique du réservoir d'huile hydraulique.
3. Nettoyer l'ouverture du réservoir d'huile hydraulique.
4. Remplacer le filtre de reniflard (B).
5. Remplir d'huile hydraulique du type approprié. Se reporter à la section *Caractéristiques techniques* à la page 61.
6. Remettre la jauge d'huile dans le réservoir d'huile hydraulique.

Transport, entreposage et mise au rebut

Transport



AVERTISSEMENT : Être prudent lors du transport. Le produit est lourd et peut causer des blessures ou des dommages s'il se renverse ou se déplace pendant le transport.

Soulever le produit pour le déplacer sur des distances plus courtes. Pour des distances plus longues, placer le produit sur un véhicule de transport.



MISE EN GARDE : Ne pas remorquer le produit derrière un véhicule.

Levage du produit



AVERTISSEMENT : S'assurer que l'équipement de levage possède les spécifications correctes pour soulever le produit en toute sécurité. Le poids du produit figure sur sa plaque signalétique.

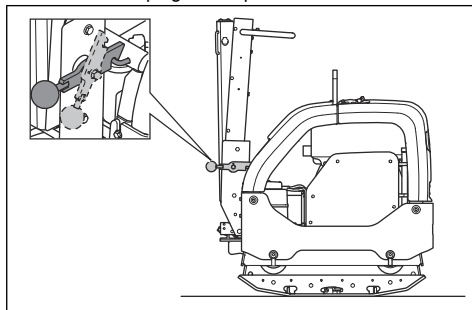


AVERTISSEMENT : Ne pas soulever un produit endommagé. S'assurer que l'anneau de levage, les unités anti-vibrations et les sangles de sécurité sont correctement installés et ne sont pas endommagés.

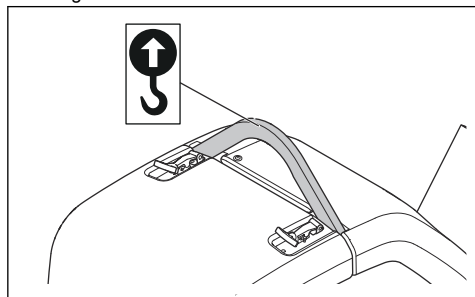


AVERTISSEMENT : Ne pas marcher ou rester en dessous ou à proximité d'un produit soulevé.

1. Verrouiller la poignée en position verticale.



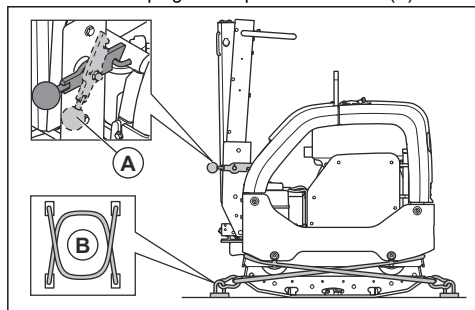
2. Attacher l'équipement de levage à l'anneau de levage.



AVERTISSEMENT : Ne pas utiliser de crochets métalliques, de chaînes ou d'autres équipements de levage aux bords rugueux qui pourraient endommager l'anneau de levage.

Pour sécuriser le produit à un véhicule de transport à l'aide de sangles d'arrimage

1. Verrouiller la poignée en position verticale (A).



2. Placer 2 sangles (B) autour de la plaque inférieure.
- Placer 1 sangle autour de l'avant de la plaque inférieure et fixer la sangle au véhicule.
 - Placer 1 sangle autour de l'arrière de la plaque inférieure et fixer la sangle au véhicule.

Entreposage

- Retirer tout le carburant du réservoir de carburant avant d'entreposer le produit pendant une longue période. Mettre au rebut le carburant à un emplacement adéquat.
- Recharger complètement la batterie pour le remisage. Une batterie vide gèle à environ $-7\text{ }^{\circ}\text{C}/19\text{ }^{\circ}\text{F}$. Une batterie entièrement rechargée gèle à environ $-67\text{ }^{\circ}\text{C}/-89\text{ }^{\circ}\text{F}$.
- Débrancher les câbles des bornes de la batterie si l'entreposage doit être prolongé.
- Nettoyer le produit avant de le ranger. Éliminer l'huile et la poussière des pièces en caoutchouc.
- Nettoyer le filtre à air avant l'entreposage.
- Placer une housse de protection sur le produit.
- Conservé le produit dans un endroit sec à l'abri du gel.
- Garder le produit dans un endroit verrouillé hors de portée des enfants et des personnes non autorisées.

Mise au rebut

- Les produits chimiques peuvent être dangereux et ne doivent pas se déverser au sol. Toujours mettre au rebut les produits chimiques usagés dans un centre d'entretien ou dans un emplacement de mise au rebut applicable.
- Lorsque le produit est usé, l'envoyer à votre concessionnaire ou dans un emplacement recyclage applicable.
- L'huile, les filtres à huile, le carburant et la batterie peuvent avoir des effets négatifs sur l'environnement. Respecter les exigences locales en matière de recyclage et la réglementation en vigueur.
- Ne pas mettre au rebut la batterie comme un déchet domestique ordinaire.
- Envoyer la batterie à un agent d'entretien Husqvarna ou la mettre au rebut dans un emplacement de mise au rebut des batteries usagées.

Caractéristiques techniques

Caractéristiques techniques

Poids net, kg/lb	470/1036
Poids de fonctionnement (EN500, avec huile, carburant $\frac{1}{2}$), kg/lb	473/1043
Marque et type du moteur	Hatz, 1 D90E

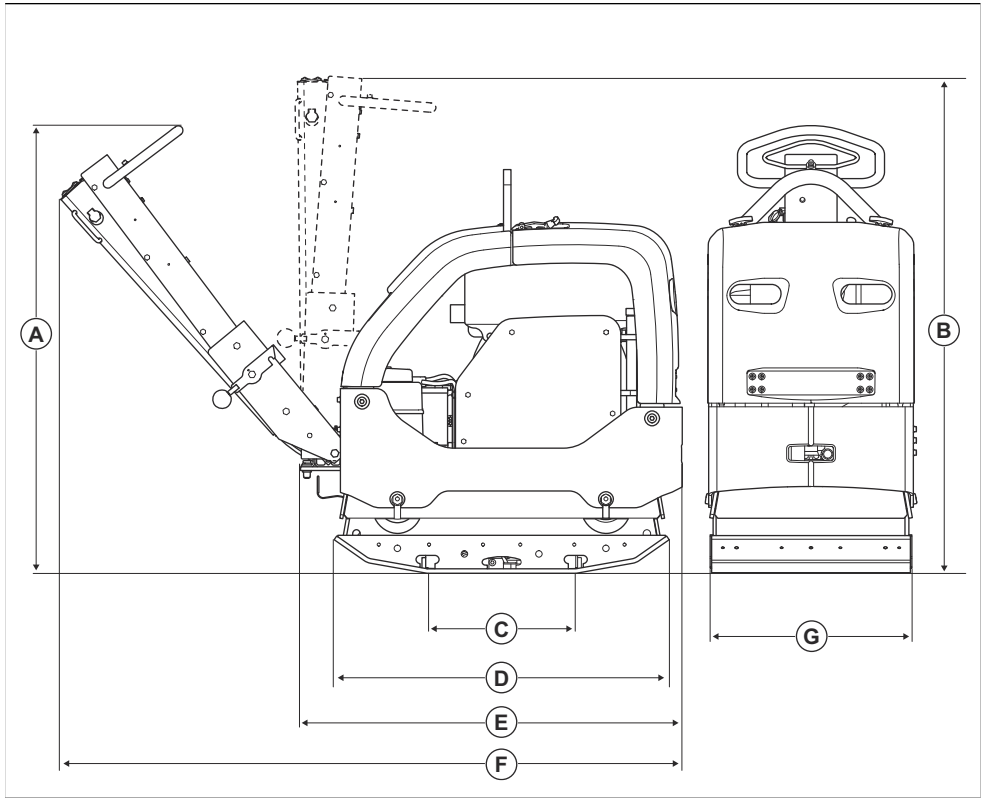
Puissance du moteur, kW/hp à tr/min ³	10,5/14,1@3000
Fréquence de vibration, Hz/tr/min	69/4140
Amplitude, mm/po	2,4/0,064
Force centrifuge, kN/lb-pi	65/14612
Vitesse de fonctionnement, m/min ou pi/min	30 ou 98,4
Inclinaison maximale, degrés/%	20/35
Capacité du réservoir de carburant, l/pintes	7,0/7,40
Capacité du réservoir d'huile, l/pte	1,9/2,0
Capacité du réservoir d'huile hydraulique, l/pte	1,0/1,06
Huile de l'élément excentré, l/pte	0,7/0,74
Huile moteur*	Shell Rimula R4 L 15W-40 ou l'équivalent
Huile de l'élément excentré	Shell Rimula R4 L 15W-40 ou l'équivalent
Huile hydraulique	Shell Tellus S3 V32
Huile hydraulique biologique (en option)	Shell Naturelle HF-E 32
Carburant*	Carburant diesel à très faible teneur en soufre uniquement
Consommation de carburant, l/h ou pintes/h	1,5 ou 1,6
Type de batterie	Batterie AGM à cellules en spirale
Tension de batterie, V	12 V/48 Ah
Moteur de démarreur	12 V/2,0 kW

* = Pour plus de renseignements et des questions sur ce moteur spécifique, se reporter au manuel du moteur ou au site Web du fabricant du moteur.

Poids pour les options	
Rallonges de 2 unités par machine, 2 x 75 mm/3,0 po kg/lb	26/57,3
Rallonges de 2 unités par machine, 2 x 150 mm/5,9 po kg/lb	40/88,2
Trousse de pavage de dalles, largeur 750 mm, kg/lb	10/22
Trousse de pavage de dalles, largeur 850 mm, kg/lb	11/24,6

³ Tel que spécifiée par le fabricant du moteur. La puissance nominale du moteur indiquée est la sortie moyenne nette (à un tour par minute spécifié) d'un moteur de production typique du modèle de moteur, mesurée selon la norme SAE J1349/ISO1585. Les moteurs de production en série peuvent varier de cette valeur. La puissance de sortie réelle du moteur installé sur le produit final dépend de la vitesse de fonctionnement, des conditions environnementales et d'autres valeurs.

Dimensions de l'outil



A	Hauteur de la poignée, position de fonctionnement, mm/po	1202/47,3	E	Longueur avec la poignée rabattue, mm/po	1025/40,4
B	Hauteur de la poignée, position de transport, mm/po	1320/52	F	Hauteur avec la poignée, mm/po	1680/66,1
C	Surface de contact de la plaque inférieure sans rallonges, m ² /pi ²	0,21/2,26	G	Largeur sans rallonges, mm/po	550/21,7
D	Longueur de la plaque inférieure, mm/po	900/35,4		Largeur avec rallonges 2x75 mm	700/27,6
				Largeur avec rallonges 2x150 mm	850/33,5



www.husqvarnacp.com

Original instructions
Instrucciones originales
Instructions d'origine

1140392-49



2022-10-20