

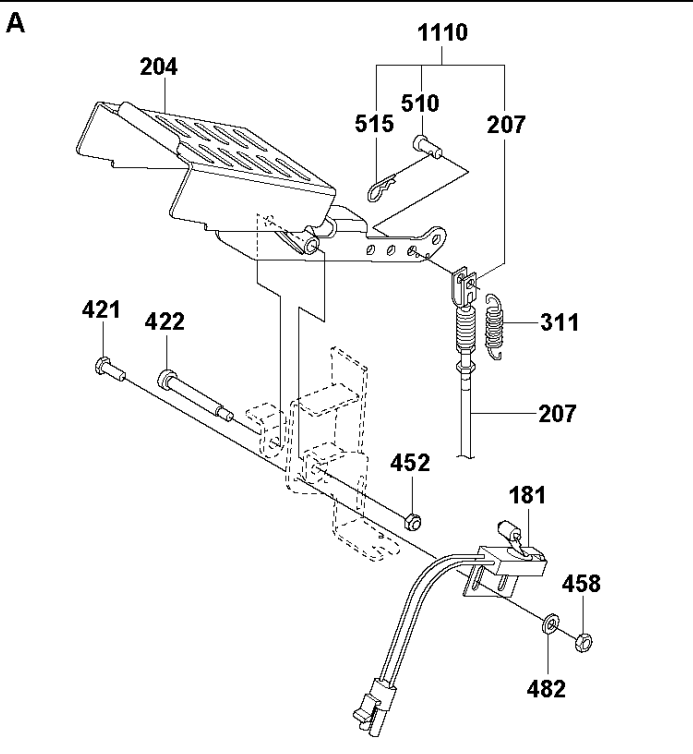
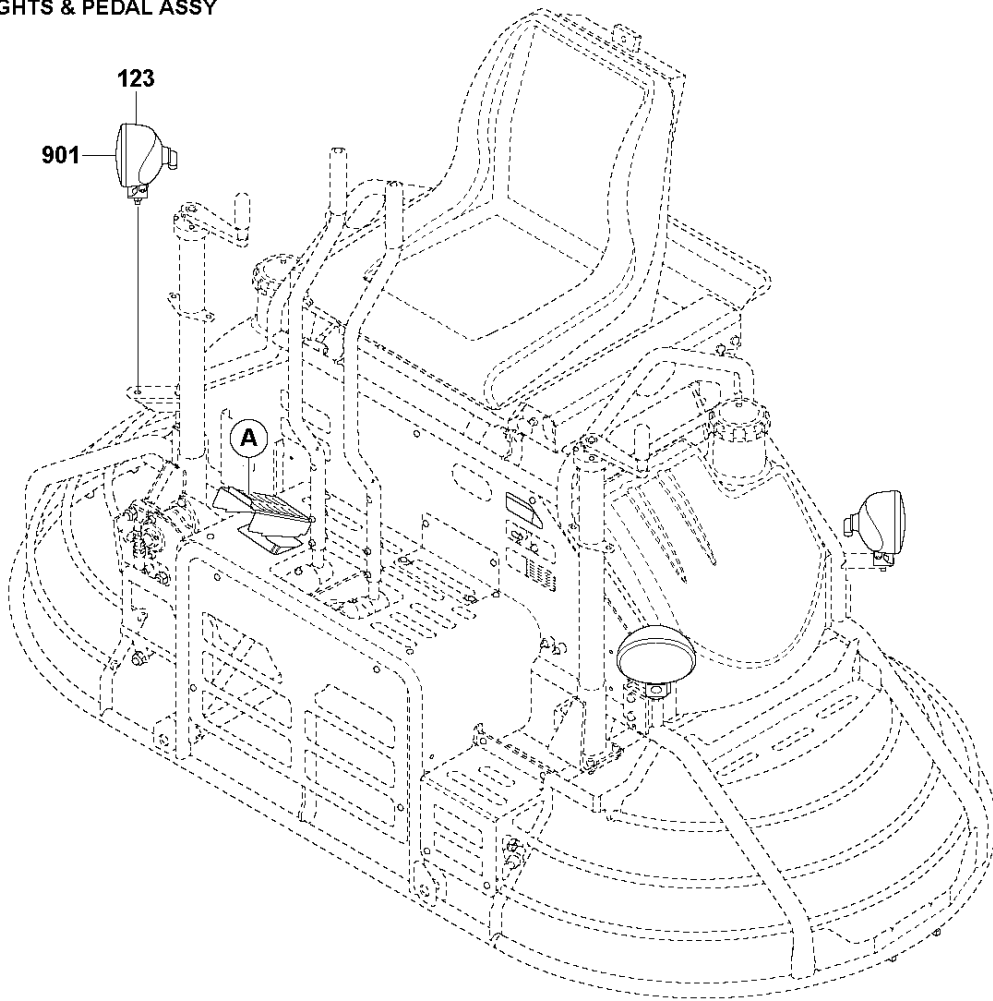


SPARE PARTS LIST

TROWELS

CRT36-26A WH EU, 970461403, 2020-02

A CRT36-26A WHEU
LIGHTS & PEDAL ASSY

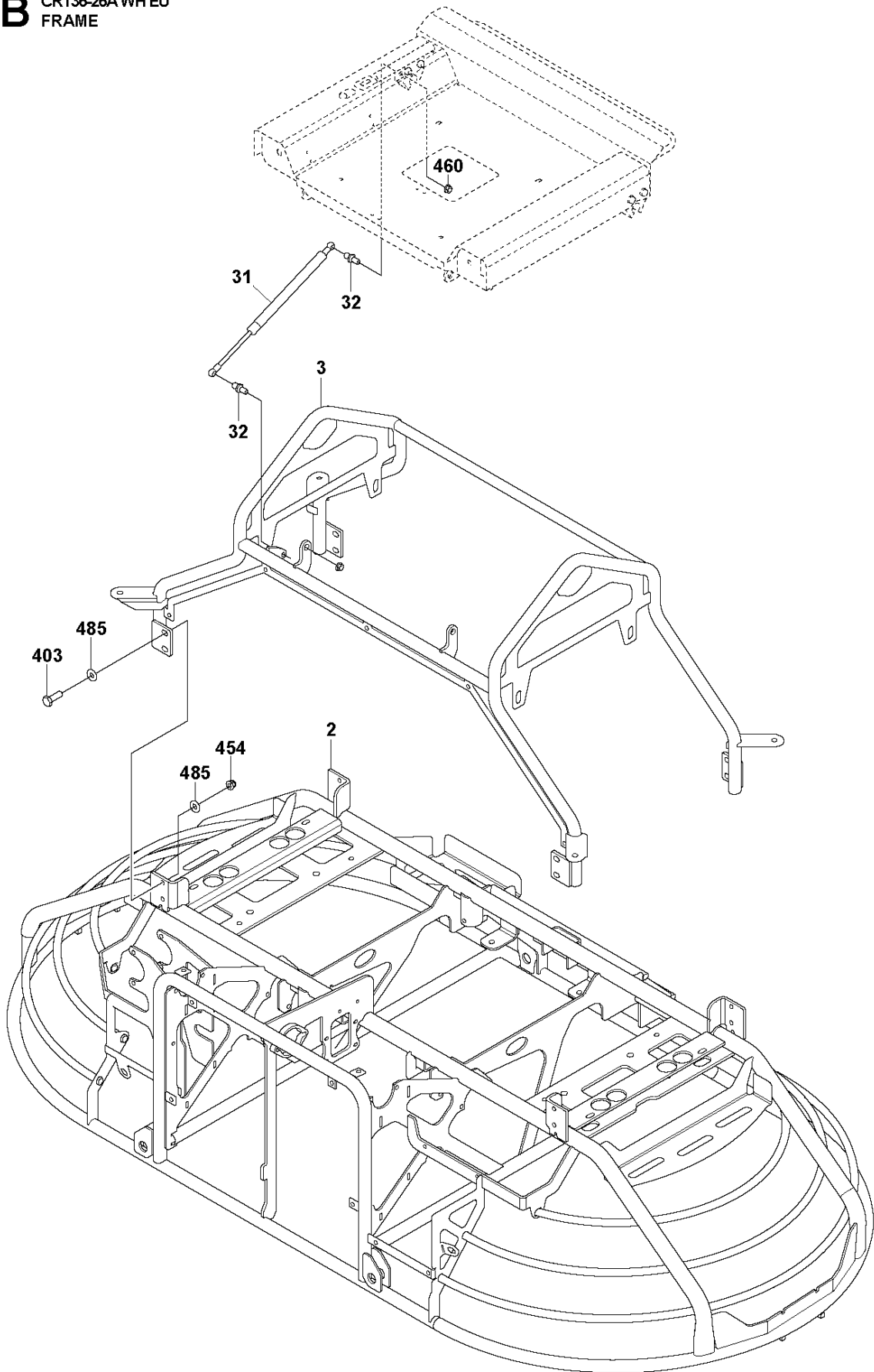


LIGHTS & PEDAL ASSY

CRT36-26A WH EU, 970461403, 2020-02

Ref	Part No	Description	Remark	QTY	KIT
123	599 04 10-01	LIGHT	Complete	4	
181	598 99 46-01	SWITCH		1	
204	599 03 56-01	LEVER		1	
207	599 04 06-01	CABLE		1	1110
311	599 17 19-01	SPRING		1	
421	725 23 29-71	SCREW EHHM	M5x16, 6Nm/4ft.lbs, DIN933	2	
422	599 17 18-01	SCREW	M6 x 50	1	
452	531 20 84-91	NUT	M6, DIN985	1	
458	732 21 14-01	LOCK NUT		2	
482	734 11 46-01	WASHER		2	
510	599 16 52-01	PIN	Clevis, 1/4 x 1/2"	1	1110
515	599 16 35-01	PIN	Cotter, 1-3/16 x 0,073	1	1110
901	599 46 35-01	BULB		4	
1110	599 55 85-01	THROTTLE CABLE		1	

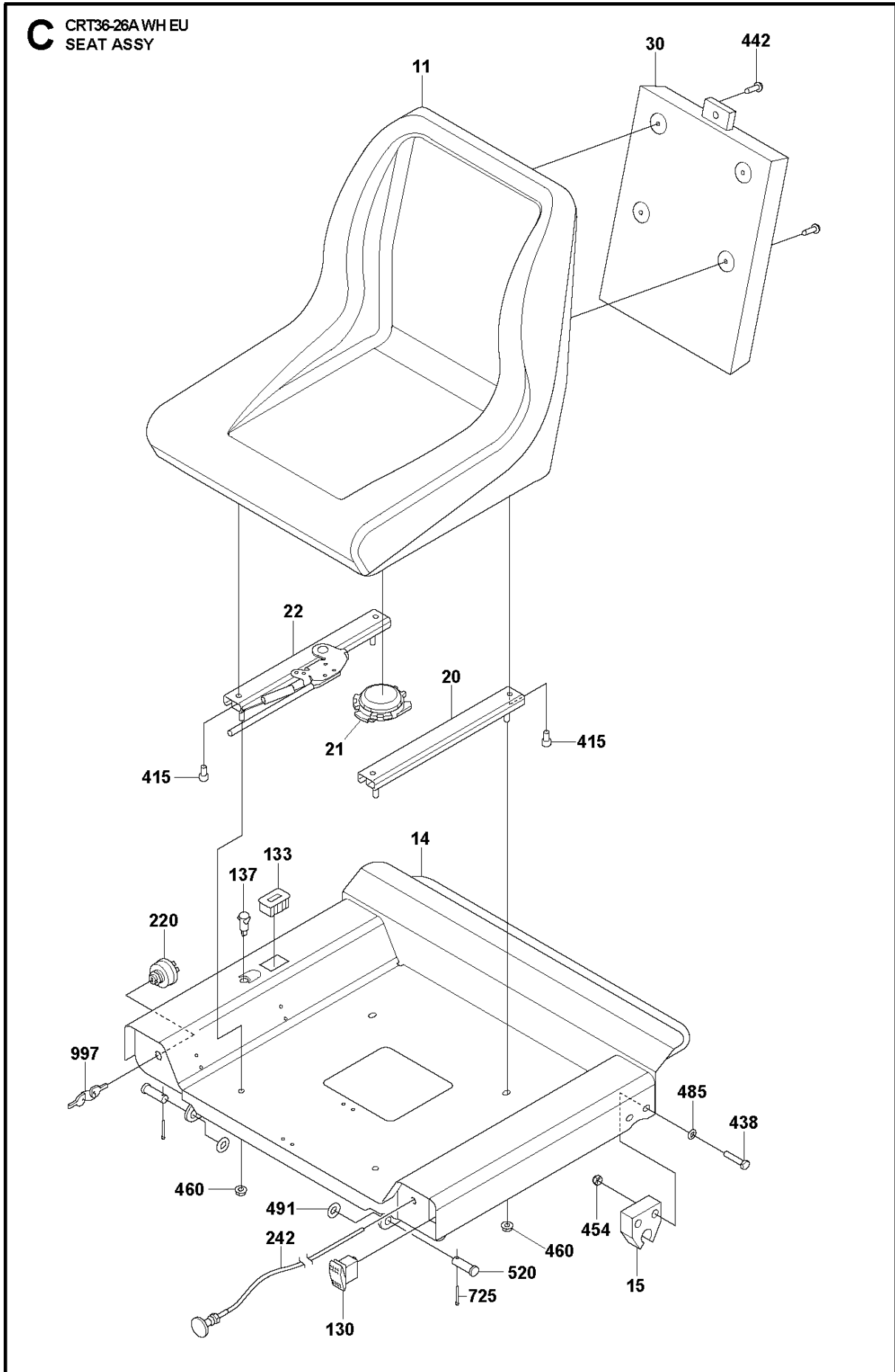
B CRT36-26A WH EU
FRAME



FRAME

CRT36-26A WH EU, 970461403, 2020-02

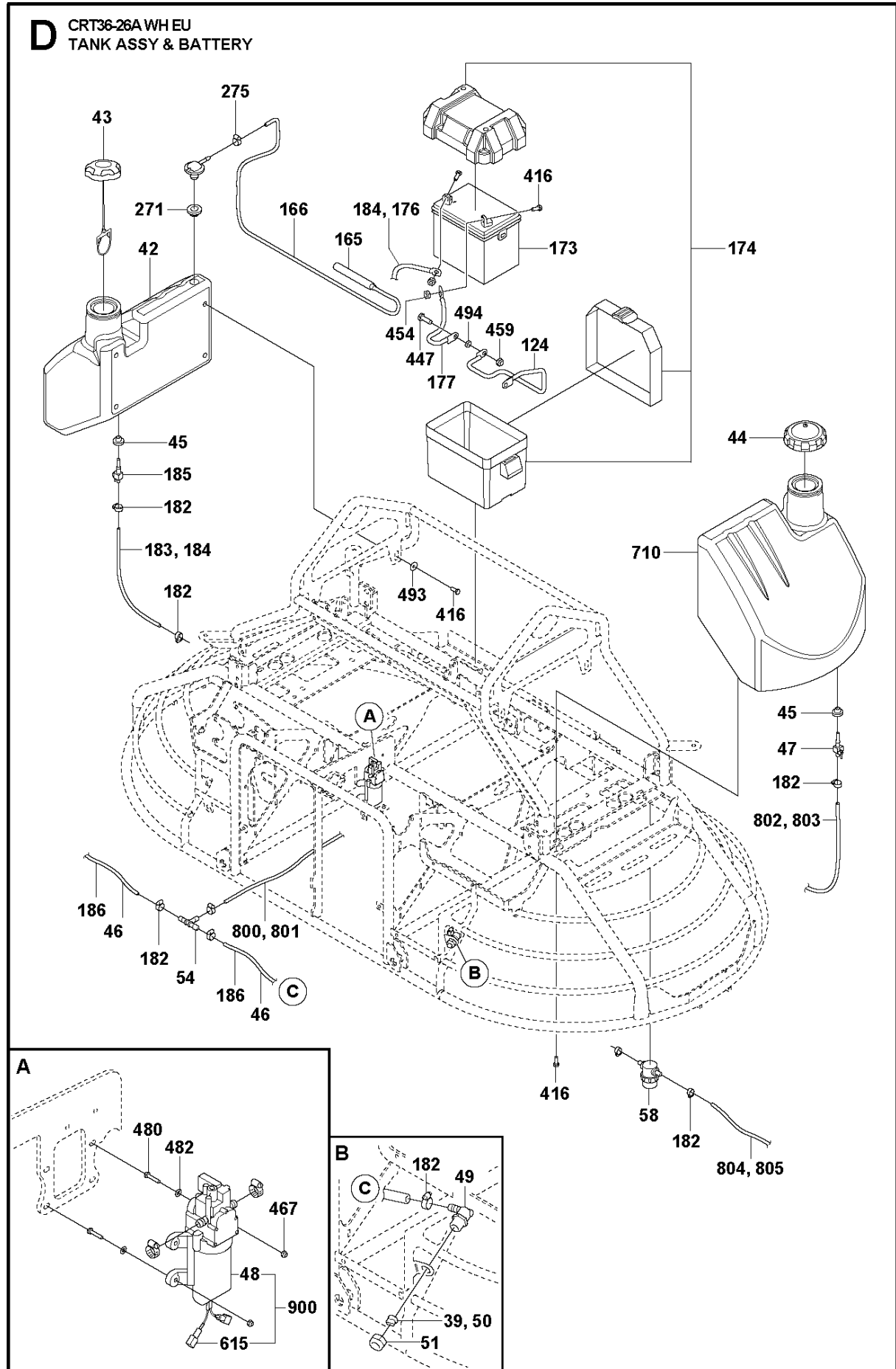
Ref	Part No	Description	Remark	QTY KIT
2	599 03 11-01	FRAME		1
3	599 03 12-01	FRAME	Upper	1
31	599 03 31-01	CYLINDER		1
32	599 16 87-01	STUD	M8x10	1
403	725 24 53-71	SCREW EHHM		8
485	734 11 63-01	WASHER		16
454	522 91 94-01	LOCK NUT		8
460	576 64 57-04	NUT FLANGE		2



SEAT ASSY

CRT36-26A WH EU, 970461403, 2020-02

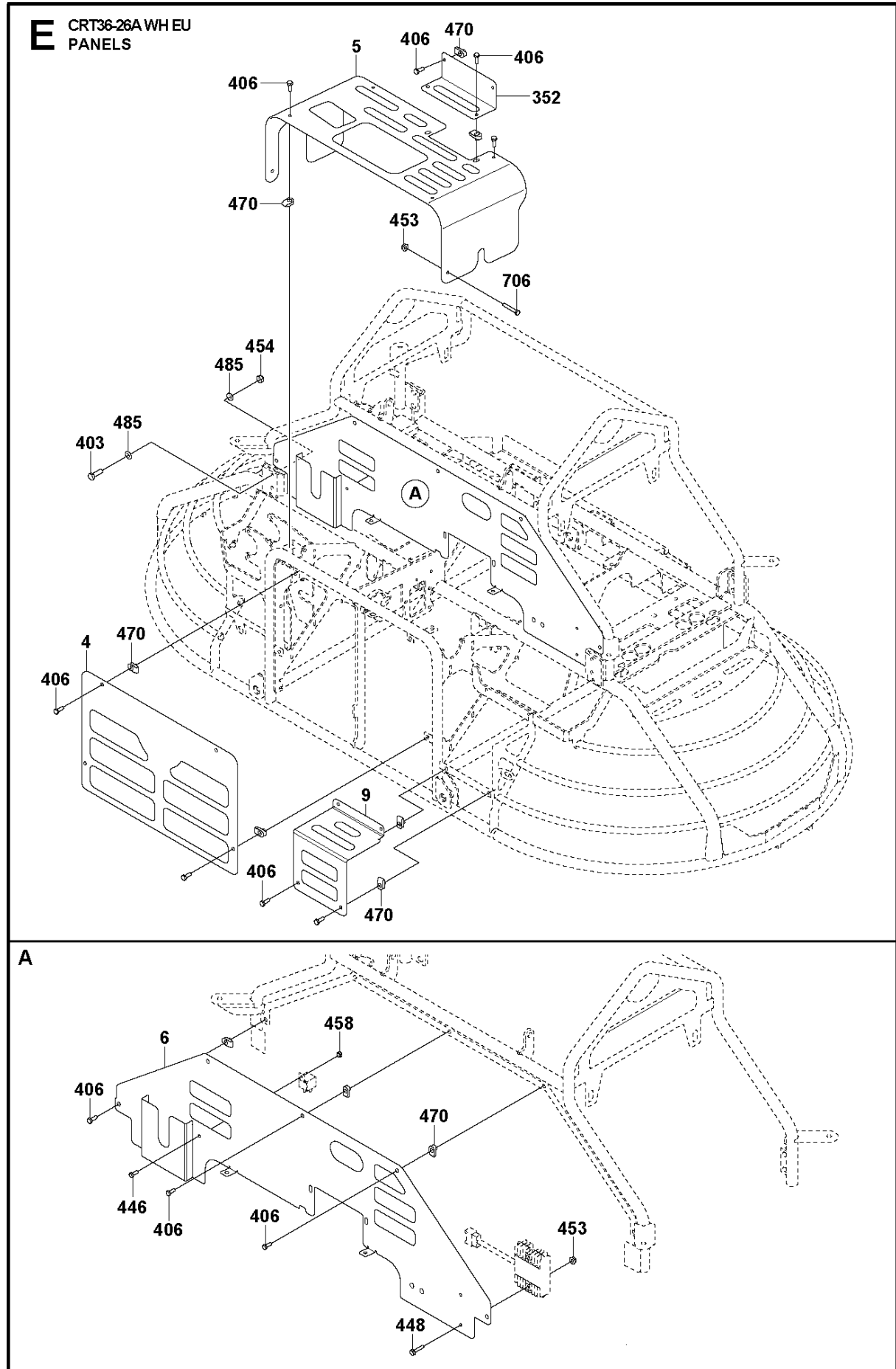
Ref	Part No	Description	Remark	QTY KIT
11	599 10 41-01	SEAT		1
14	599 04 18-01	PLATE		1
15	598 99 08-01	BRACKET		2
20	599 04 09-01	BRACKET		1
21	599 02 69-01	SWITCH		1
22	599 02 64-01	BRACKET		1
30	598 98 85-01	HOLDER		1
130	599 07 08-01	SWITCH		1
133	598 99 43-01	HOUR METER		1
137	599 04 44-01	LIGHT	Indicator light (red)	1
220	598 99 73-01	SWITCH		1
242	599 04 46-01	CABLE	Choke	1
415	725 54 49-01	SCREW IHSCM	Cheese head, M8 x 1622Nm/16ft.lbs,ISO4762	4
438	725 24 59-51	SCREW EHHM	M8 x 4025Nm/18ft.lbs, DIN931	4
442	599 16 91-01	SCREW		4
454	522 91 94-01	LOCK NUT	M8, DIN985	4
460	576 64 57-04	NUT FLANGE	M822Nm/16ft.lbs	5
485	734 11 46-01	WASHER		4
491	734 11 78-01	WASHER	12, ISO7090	2
520	599 17 33-01	PIN	1/2 x 1"	2
725	599 16 01-01	PIN	3,2 x 25, ISO1234	2
997	599 16 42-01	KEY	Key ring	1



TANK ASSY & BATTERY

CRT36-26A WH EU, 970461403, 2020-02

Ref	Part No	Description	Remark	QTY	KIT
39	598 99 88-01	VALVE		2	
42	599 13 13-02	TANK		1	
43	599 07 09-01	CAP		1	
44	599 03 02-01	CAP		1	
45	598 99 04-01	BUSHING		2	
46	599 55 28-04	WIRE	17.75"	2	
47	599 06 17-01	VALVE		1	
48	599 06 16-01	PUMP		1	900
49	598 99 39-01	ELBOW		2	
50	598 99 40-01	JET		2	
51	598 99 41-01	FITTING		2	
54	599 16 90-01	FITTING	Hydraulic T-fitting	1	
58	599 06 18-01	SCREEN		1	
124	599 03 63-01	CABLE	Ground, 16"	1	
165	599 07 11-01	HOSE	3/8x1/4"	1	
166	599 55 08-01	FUEL HOSE	59"	1	
173	599 10 11-01	BATTERY		1	
174	598 99 53-01	BOX		1	
176	599 03 64-01	CABLE	36"	1	
177	598 99 54-01	CABLE	13"	1	
182	599 16 17-01	CLAMP	0,21-0,63	9	
183	599 55 28-07	WIRE	57"	1	
184	599 55 17-01	FUEL HOSE	Wire loom, 55"	1	
185	599 00 05-01	VALVE		1	
186	599 55 28-03	WIRE	Wire loom, 15.75"	2	
271	599 06 88-01	GROMMET		1	
275	599 06 87-01	VENT		1	
416	725 24 51-01	SCREW	M8x20, 25Nm/18ft.lbs	12	
447	725 24 95-71	SCREW EHHM	M10x30, 49Nm/36ft.lbs	1	
454	522 91 94-01	LOCK NUT	M8, DIN985	4	
459	732 21 20-51	NUT	M10, DIN980	1	
467	599 15 98-01	LOCK NUT		4	
480	725 22 95-71	SCREW EHHM	M4x20, 3Nm/2ft.lbs	4	
482	734 11 46-01	WASHER		4	
493	734 11 65-41	WASHER		8	
494	599 16 75-01	LOCKWASHER	M10	1	
615	599 06 16-01	PUMP		1	900
710	599 13 12-02	TANK		1	
800	599 55 23-01	HOSE	11"	1	
801	599 55 28-02	WIRE	Wire loom, 9"	1	
802	599 46 55-02	HOSE	3/8 ID x 5"	1	
803	599 55 28-01	WIRE	Wire loom, 3.50"	1	
804	599 55 28-06	WIRE	3/8 ID x 33.00"	1	
805	599 55 28-05	WIRE	Wire loom, 31"	1	
900	599 46 31-01	WATER PUMP KIT	Water pump kit	1	

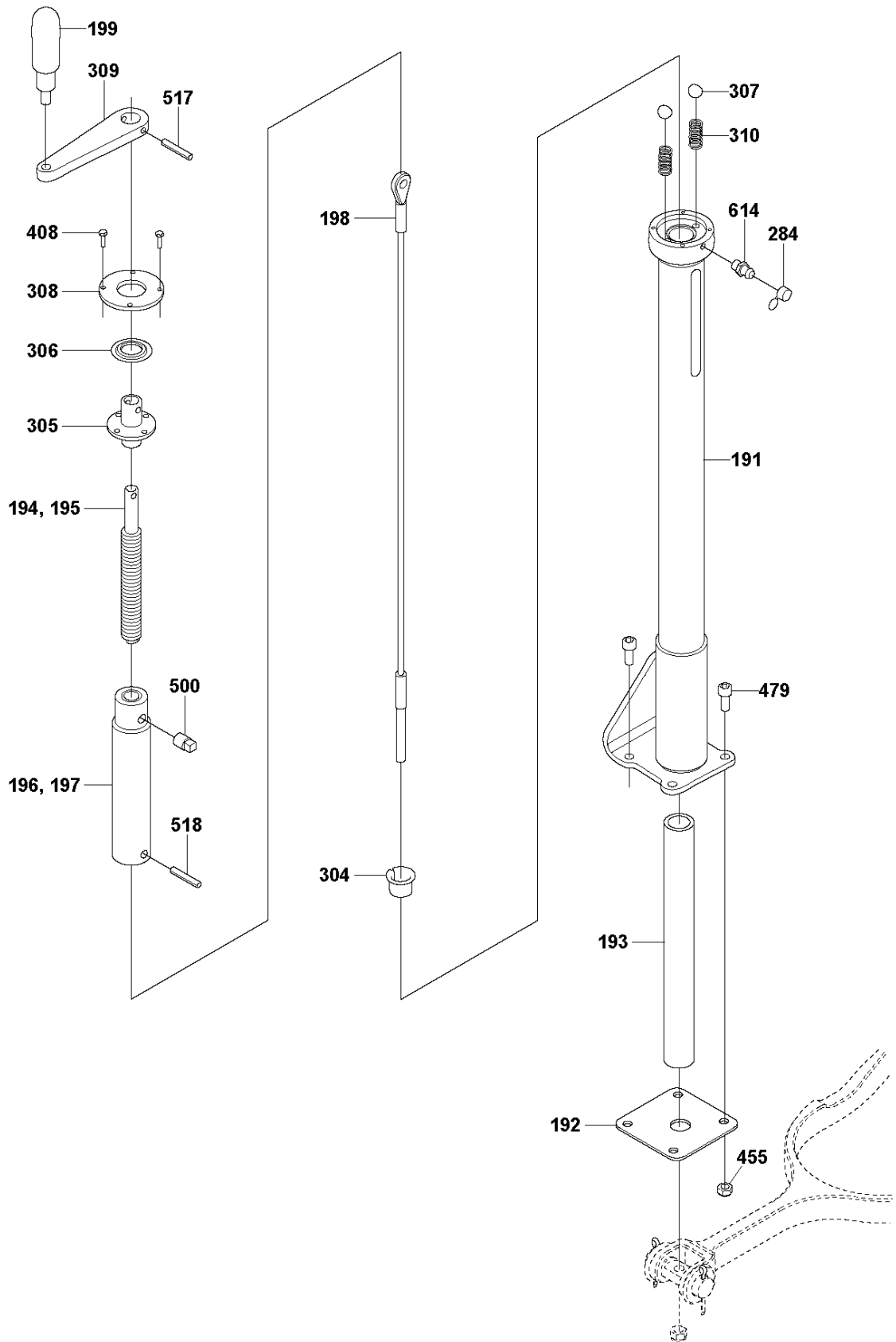


PANELS

CRT36-26A WH EU, 970461403, 2020-02

Ref	Part No	Description	Remark	QTY KIT
4	599 13 02-02	PLATE	Front	1
5	599 03 21-01	PLATE	Foot, complete, 36"	1
6	599 13 03-02	PANEL ASSY	Complete	1
9	599 03 20-01	PANEL	Deck	1
352	599 04 60-01	PLATE		1
403	725 24 53-71	SCREW EHHM	M8 x 2522Nm/16ft.lbs	8
406	725 23 68-51	SCREW	M6 x 1610Nm/7ft.lbs	21
446	725 23 27-71	SCREW EHHM	M5 x 126Nm/4ft.lbs, DIN933	1
448	725 23 74-51	SCREW EHHM	M6 x 3010Nm/7ft.lbs	2
453	593 35 64-01	NUT	M6	4
454	522 91 94-01	LOCK NUT	M8, DIN985	8
458	732 21 14-01	LOCK NUT		1
470	599 16 68-01	LOCK NUT	M6	19
485	734 11 63-01	WASHER		16
706	725 23 80-51	SCREW EHHM	M6 x 509Nm/7ft.lbs, DIN931	2

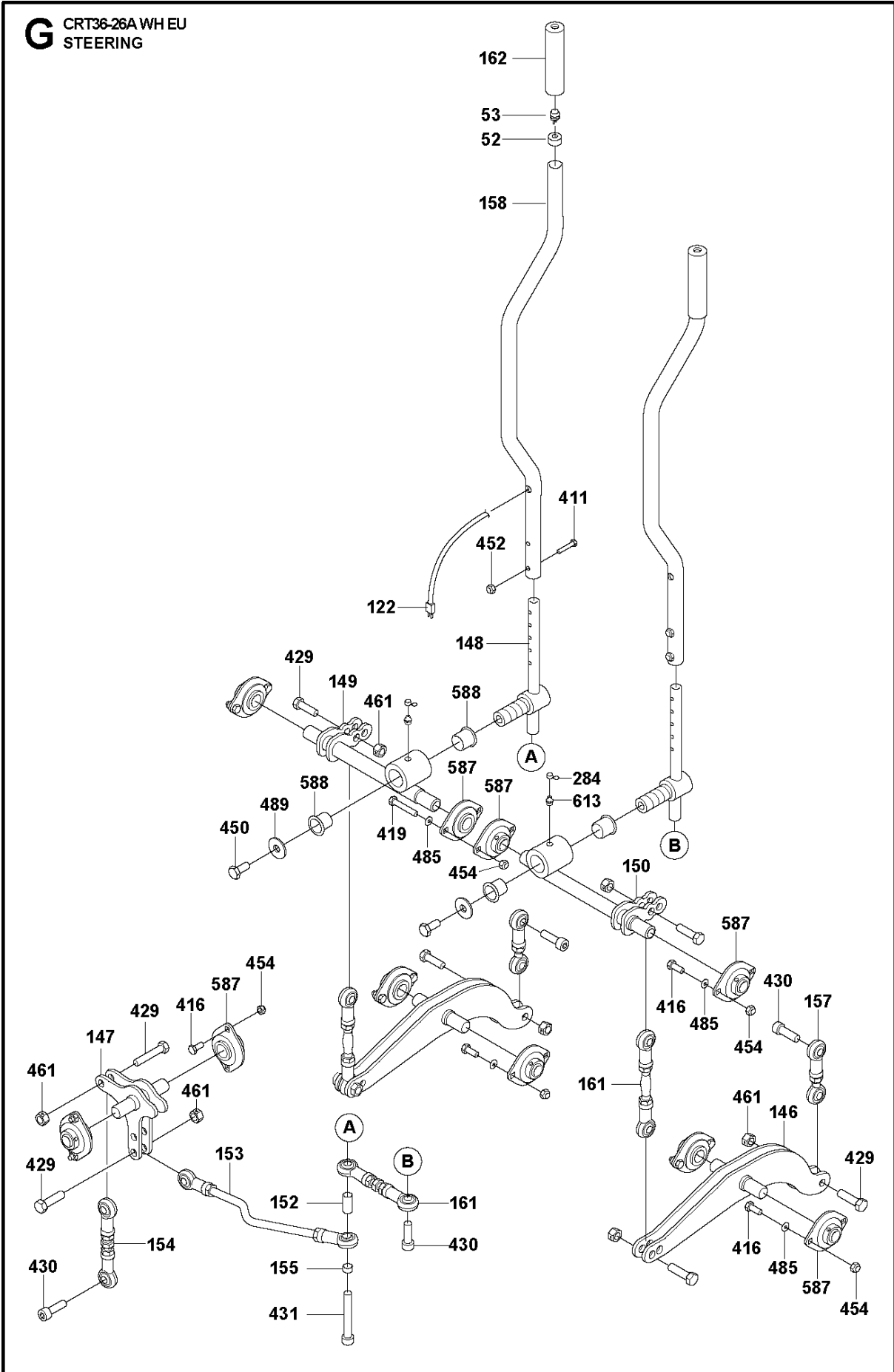
F CRT36-26A WHEU
PITCH CONTROL



PITCH CONTROL

CRT36-26A WH EU, 970461403, 2020-02

Ref	Part No	Description	Remark	QTY KIT
191	599 00 42-01	TUBE		1
192	599 06 24-01	PLATE		1
193	599 06 25-01	TUBE		1
194	599 16 94-01	ROD	Right-hand thread	1
195	599 16 95-01	ROD	Left-hand thread	1
196	599 00 46-01	TUBE	Right-hand thread	1
197	599 00 47-01	TUBE	Left-hand thread	1
198	599 00 48-01	CABLE	Pitch cable	1
199	599 00 51-01	HANDLE	Handle, 24Nm/18ft.lbs	1
284	599 16 92-01	CAP	Cap	1
304	599 00 43-01	BUSHING		1
305	599 00 44-01	HUB		1
306	599 16 93-01	RING	Nilos ring	1
307	599 16 96-01	BALL		2
308	599 00 49-01	PLATE		1
309	599 00 50-01	CRANK		1
310	599 00 41-01	SPRING		2
408	599 16 82-01	SCREW	M4 x 14, ISO4017 8.8 ZPB, 3Nm/2ft.lbs	4
455	596 04 03-01	LOCK NUT	5/16"-24"	1
479	725 54 51-01	SCREW IHSCM	M8x20, ISO4762 8.8 ZPB, 22Nm/16ft.lbs	4
500	599 17 31-01	PIPE	Pipe plug 1/8" sq.hd. Plated	1
517	599 16 33-01	PIN	1/4" x 1-1/2"	1
518	599 16 00-01	PIN	Roll pin 8x36, ISO8752	1
614	599 17 66-01	FITTING	Grease fitting AM6, DIN71412	1

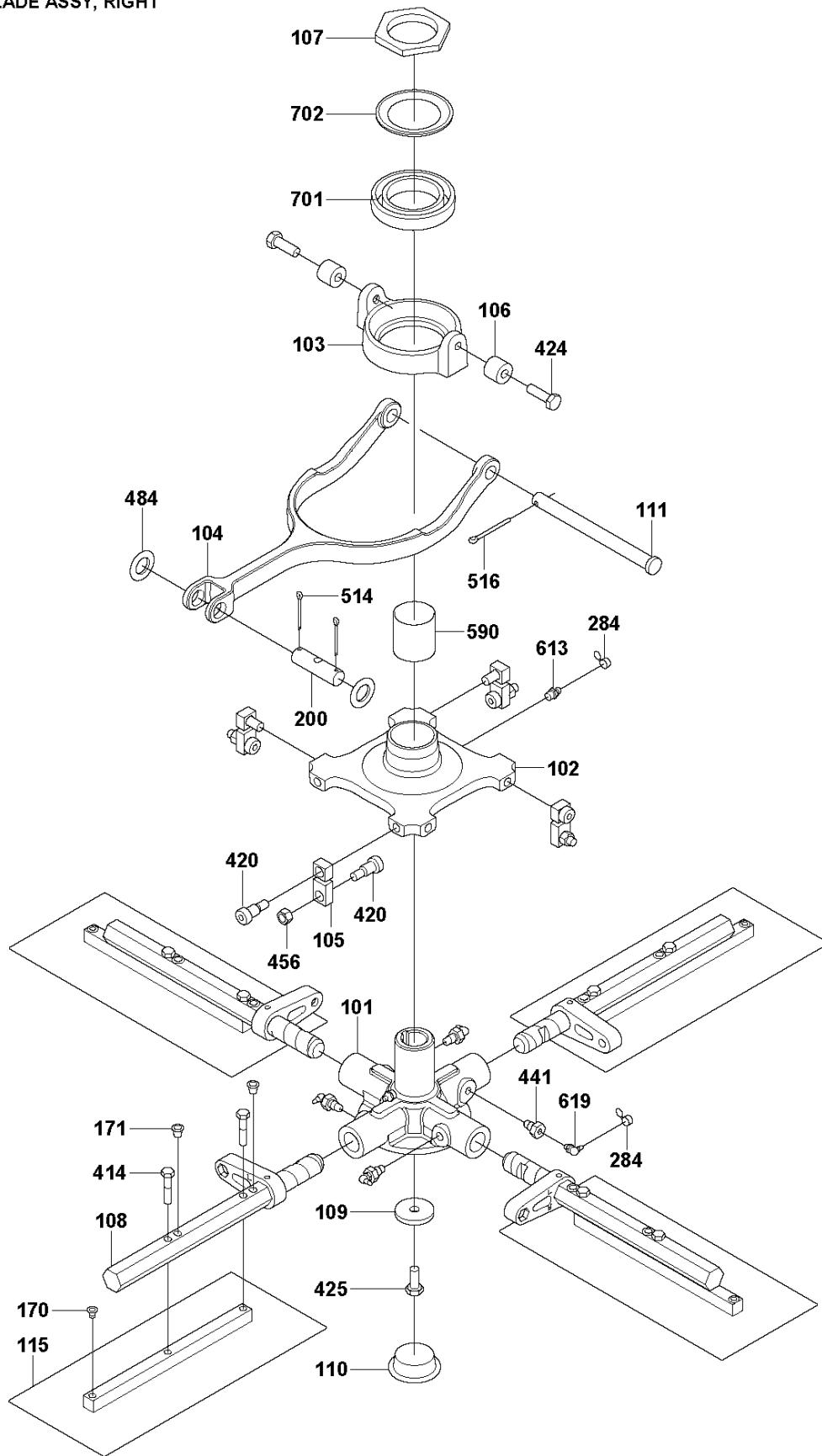


STEERING

CRT36-26A WH EU, 970461403, 2020-02

Ref	Part No	Description	Remark	QTY KIT
52	599 00 13-01	CAP		1
53	599 00 12-01	SWITCH		1
122	598 99 97-01	WIRING		1
146	599 03 24-01	BRACKET		2
147	599 00 20-01	BRACKET		1
148	599 00 17-01	PIVOT		2
149	599 03 10-01	HUB		1
150	599 03 09-01	HUB		1
152	598 99 36-01	TUBE		1
153	599 01 63-01	LINK		1
154	599 01 60-01	LINK		2
155	599 04 71-01	SPACER		1
157	599 03 84-01	LINK		2
158	599 03 35-01	HANDLE		2
161	599 01 61-01	LINK		2
162	598 99 96-01	HANDLE	Handle grip	2
284	599 16 92-01	CAP	Cap	2
411	725 23 76-51	SCREW EHHM	M6x35 ISO4014 8.8 ZPB, 10Nm/7ft.lbs	4
416	725 24 51-01	SCREW	8x20 hx.hd. 24Nm/18ft.lbs	16
419	725 24 62-51	SCREW EHHM	M8x55 ISO4014 8.8 ZPB, 24Nm/18ft.lbs	2
429	599 17 25-01	SCREW	1/2-20 x 1- 3/4in85Nm/63ft.lbs	8
430	587 42 88-01	BOLT	1/2"-20x1-1/2" SOC. HD., 85Nm/63ft.lbs	4
431	599 17 04-01	SCREW	1/2"-20x2-1/2" SOC. HD., 85Nm/63ft.lbs	1
450	585 23 59-01	SCREW EHHFM	M12x25 DIN 933 S3, 86Nm/63ft.lbs	2
452	531 20 84-91	NUT	M6, ISO10511	4
454	522 91 94-01	LOCK NUT	M8, ISO10511	18
461	587 65 39-03	NUT	1/2"-20	8
485	734 11 63-01	WASHER	M8, ISO7089, 200HV, ZPB	18
489	734 11 80-41	WASHER	M12, ISO7093, ZPB	2
587	598 99 69-01	BEARING	0,875", 10Nm/7ft.lbs	10
588	598 99 31-01	BEARING	1" ID	4
613	599 16 21-01	FITTING	Grease fitting AM10, DIN71412	2

H CRT36-26A WH EU
BLADE ASSY, RIGHT

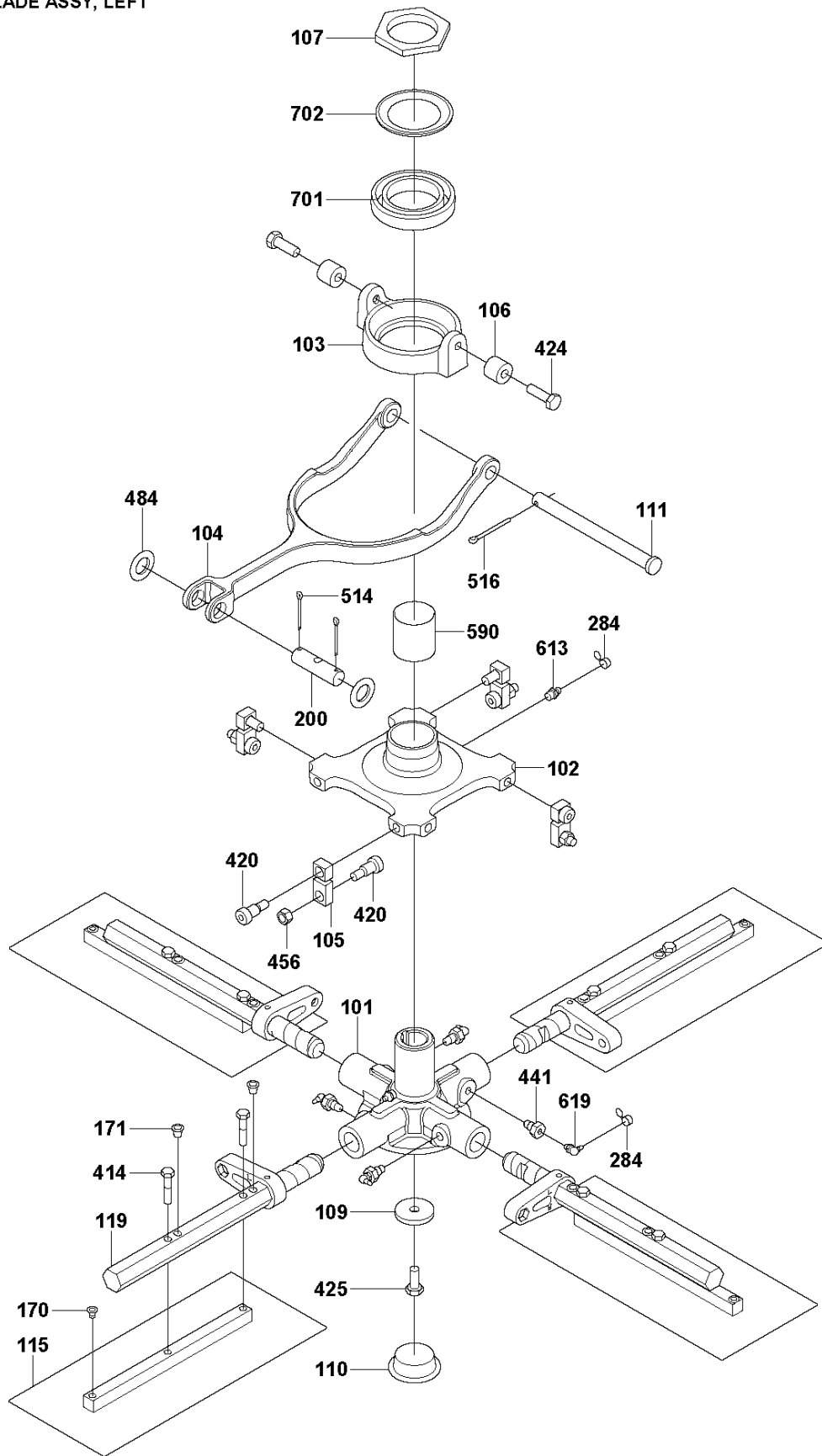


BLADE ASSY, RIGHT

CRT36-26A WH EU, 970461403, 2020-02

Ref	Part No	Description	Remark	QTY KIT
101	598 99 12-01	HUB		1
102	598 99 61-01	RING		1
103	598 99 63-01	HOLDER		1
104	598 99 65-01	YOKE		1
105	598 99 11-01	LINK		4
106	598 99 34-01	TUBE		2
107	598 99 66-01	CAP	49Nm/36ft.lbs	1
108	599 00 39-01	SHAFT		4
109	599 16 60-01	WASHER		1
110	598 98 73-01	PLUG		1
111	599 16 66-01	SHAFT		1
115	598 92 95-01	BLADE SET	Set of 4 pcs, finish, 36"	1
170	599 16 34-01	PLUG	Threaded	4
171	599 06 36-01	PLUG		8
200	598 99 35-01	MOUNT		1
284	599 16 92-01	CAP		5
414	539 97 69-35	CAPSCREW	5/16-18 x 1-1/2" 24Nm/18ft.lbs	8
420	599 16 30-01	SCREW	3/8-16 x 1-3/8" 24Nm/18ft.lbs	8
424	725 24 97-51	SCREW	M10 x 35 49Nm/36ft.lbs, DIN933	2
425	725 24 93-71	SCREW EHHM	M10 x 25 49Nm/36ft.lbs, DIN933	1
441	598 98 69-01	SCREW	24Nm/18ft.lbs	4
456	596 04 02-01	HEXAGON NUT		4
484	542 17 30-35	WASHER		2
514	599 16 49-01	PIN	1/8 x 1-1/2"	2
516	599 16 51-01	PIN	3/16 x 2"	1
590	598 98 72-01	BEARING	46 ID	1
613	599 16 21-01	FITTING	AM10, DIN71412	1
619	599 17 03-01	GREASE	AM6	4
701	598 99 67-01	BEARING	Ball	1
702	599 16 61-01	RING	6012ZAV	1

J CRT36-26A WH EU
BLADE ASSY, LEFT

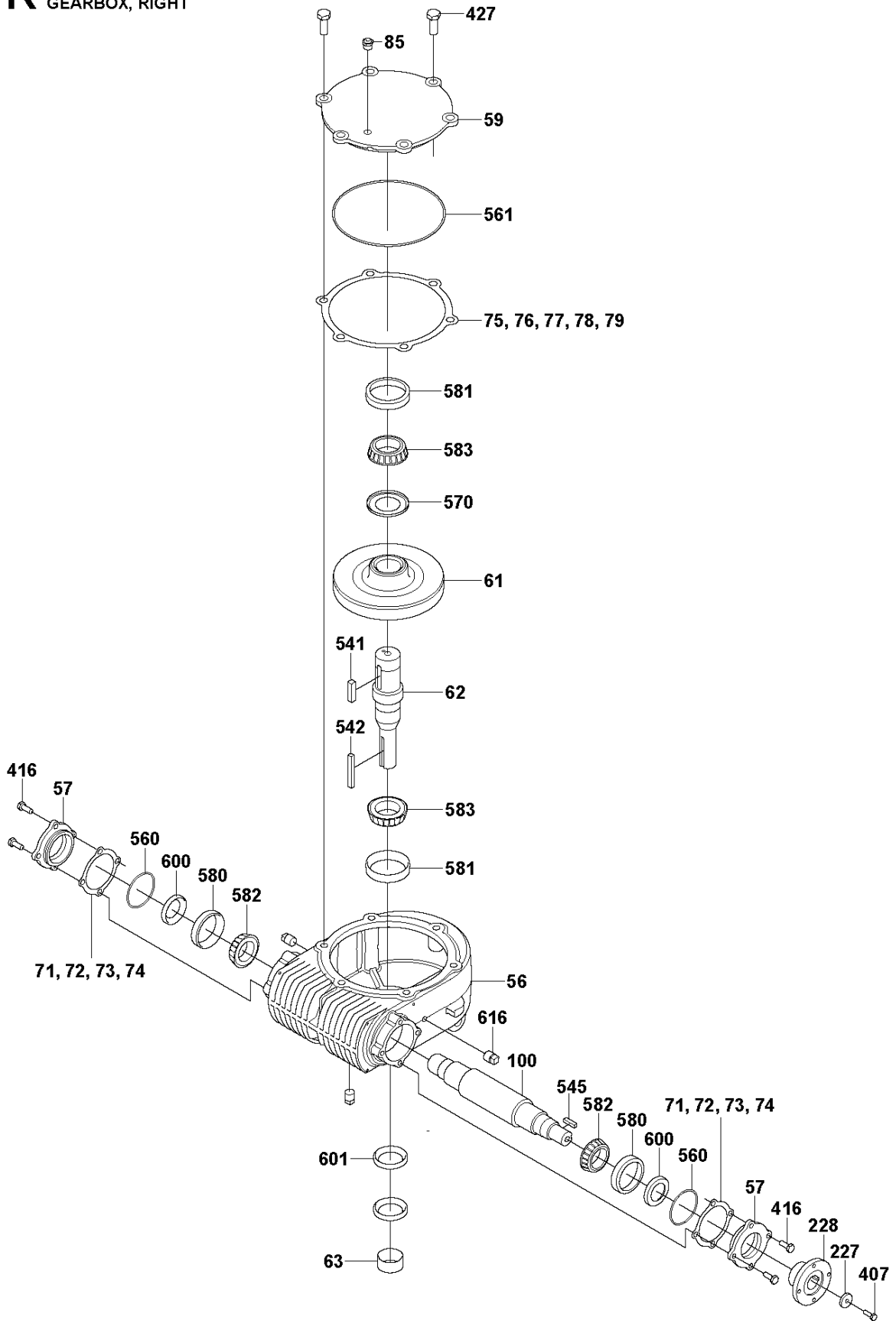


BLADE ASSY, LEFT

CRT36-26A WH EU, 970461403, 2020-02

Ref	Part No	Description	Remark	QTY KIT
101	598 99 12-01	HUB		1
102	598 99 61-01	RING		1
103	598 99 63-01	HOLDER		1
104	598 99 65-01	YOKE		1
105	598 99 11-01	LINK		4
106	598 99 34-01	TUBE		2
107	598 99 66-01	CAP	49Nm/36ft.lbs	1
109	599 16 60-01	WASHER		4
110	598 98 73-01	PLUG		1
111	599 16 66-01	SHAFT		1
115	598 92 95-01	BLADE SET	Set of 4 pcs, finish, 36"	1
119	599 00 40-01	SHAFT	Complete	1
170	599 16 34-01	PLUG	Threaded	4
171	599 06 36-01	PLUG		8
200	598 99 35-01	MOUNT		1
284	599 16 92-01	CAP		5
414	539 97 69-35	CAPSCREW	5/16-18 x 1-1/2" 24Nm/18ft.lbs	8
420	599 16 30-01	SCREW	3/8-16 x 1-3/8" 24Nm/18ft.lbs	8
424	725 24 97-51	SCREW	M10 x 35 49Nm/36ft.lbs, DIN933	2
425	725 24 93-71	SCREW EHHM	M10 x 25 49Nm/36ft.lbs, DIN933	1
441	598 98 69-01	SCREW	24Nm/18ft.lbs	4
456	596 04 02-01	HEXAGON NUT		4
484	542 17 30-35	WASHER		2
514	599 16 49-01	PIN	Cotter, 1/8 x 1-1/2"	2
516	599 16 51-01	PIN	Cotter, 3/16 x 2"	1
590	598 98 72-01	BEARING	46 ID	1
613	599 16 21-01	FITTING	AM10, DIN71412	1
619	599 17 03-01	GREASE	AM6	4
701	598 99 67-01	BEARING		1
702	599 16 61-01	RING	6012ZAV	1

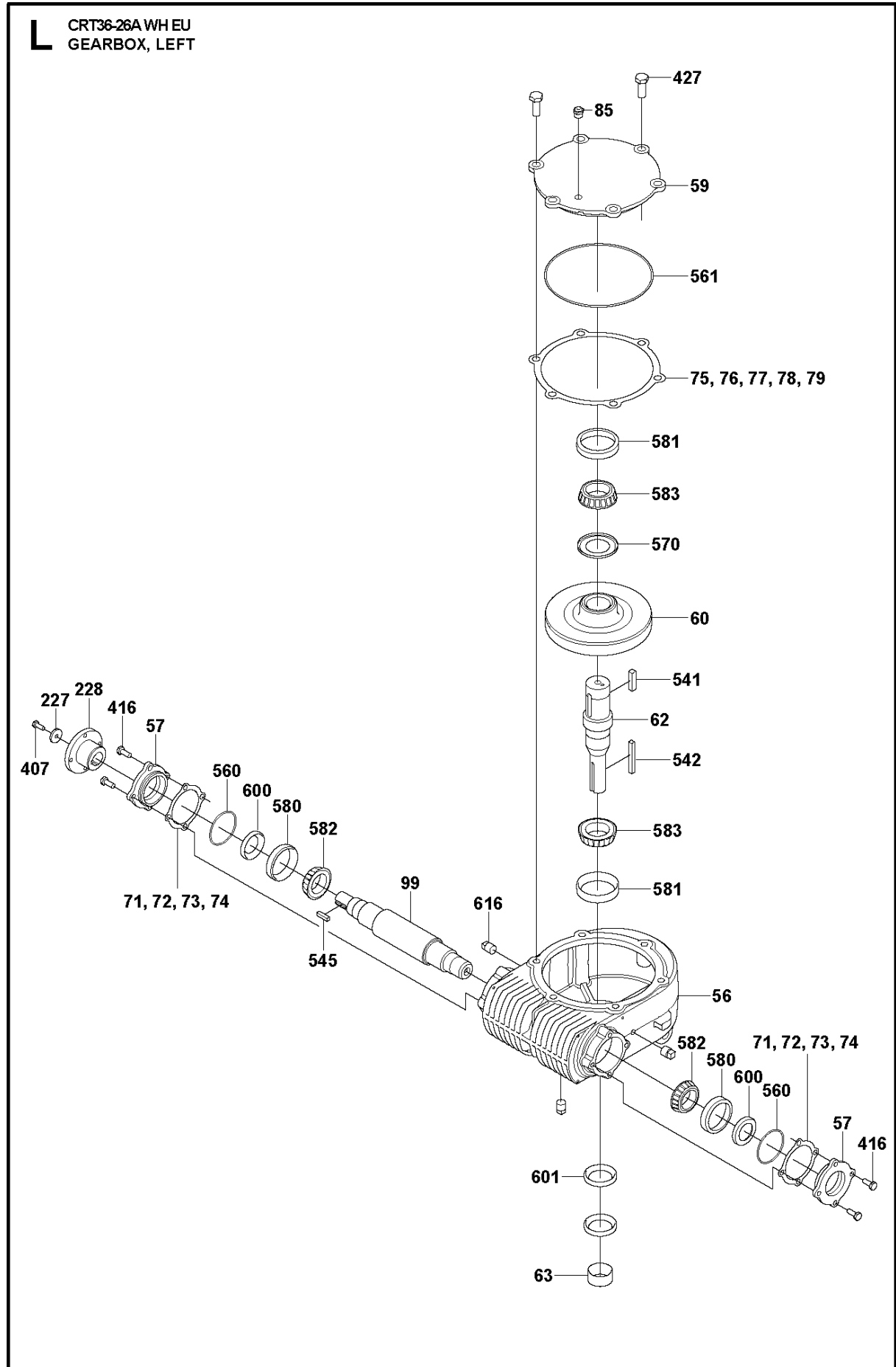
K CRT36-26A WH EU
GEARBOX, RIGHT



GEARBOX, RIGHT

CRT36-26A WH EU, 970461403, 2020-02

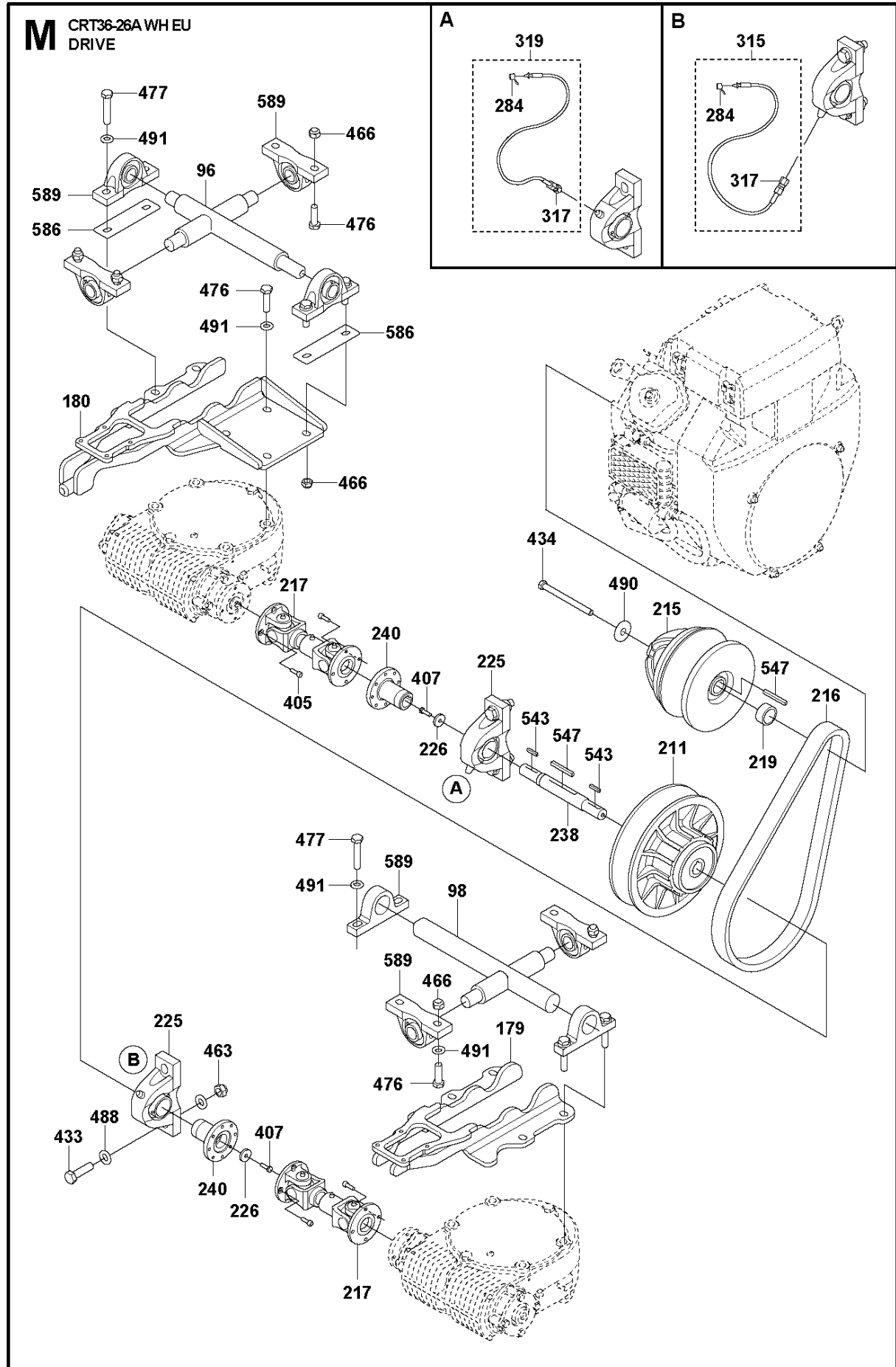
Ref	Part No	Description	Remark	QTY KIT
56	598 99 21-01	GEARBOX		1
57	598 99 22-01	COVER		2
59	598 99 15-01	COVER		1
61	598 99 16-01	GEAR		1
62	598 99 82-01	SHAFT		1
63	598 99 77-01	WASHER		1
71	599 01 71-01	SHIM	0,007"	1
72	599 01 72-01	SHIM	0,009"	1
73	599 01 73-01	SHIM	0,012"	2
74	599 01 74-01	SHIM	0,022"	1
75	599 01 65-01	SHIM	0,007"	1
76	599 01 66-01	SHIM	0,009"	1
77	599 01 67-01	SHIM	0,012"	1
78	599 01 68-01	SHIM	0,022"	2
79	599 01 69-01	SHIM	0,032"	2
85	599 17 05-01	VALVE		1
100	598 99 51-01	WORM GEAR	4,25"	1
227	599 16 58-01	WASHER	1-1/8 x 0,28 x 0,187	1
228	599 12 54-01	FITTING		1
407	725 23 70-71	SCREW EHHM	M6x20, 10Nm/7ft.lbs, DIN933	1
416	725 24 51-01	SCREW	24Nm/18ft.lbs	8
427	598 74 98-01	SCREW	M12x35, 85Nm/63ft.lbs, DIN933	2
541	599 16 48-01	KEY	3/8 x 1-1/2"	1
542	599 16 70-01	KEY	A8 x 7 x 65	1
545	599 16 15-01	KEY	1/4 x 1.0"	1
560	598 99 23-01	O-RING	2-3/8 x 3/32"	2
561	598 99 24-01	O-RING	7-1/4 x 1/8"	1
570	599 16 45-01	SEAL	2,78 x 1,625	1
580	599 16 47-01	BEARING		2
581	599 16 47-01	BEARING		2
582	598 99 47-01	BEARING		2
583	599 16 56-01	BEARING		2
600	599 04 75-01	SEAL	1,313 x 2,066 x 0,31	2
601	599 04 76-01	SEAL	1,625 x 2,252 x 0,31	2
616	599 17 10-01	PLUG	3/8in NPTF	3



GEARBOX, LEFT

CRT36-26A WH EU, 970461403, 2020-02

Ref	Part No	Description	Remark	QTY KIT
56	598 99 21-01	GEARBOX		1
57	598 99 22-01	COVER		2
59	598 99 15-01	COVER		1
60	598 99 16-01	GEAR		1
62	598 99 82-01	SHAFT		1
63	598 99 77-01	WASHER		1
71	599 01 71-01	SHIM	0,007"	1
72	599 01 72-01	SHIM	0,009"	1
73	599 01 73-01	SHIM	0,012"	2
74	599 01 74-01	SHIM	0,022"	1
75	599 01 65-01	SHIM	0,007"	1
76	599 01 66-01	SHIM	0,009"	1
77	599 01 67-01	SHIM	0,012"	1
78	599 01 68-01	SHIM	0,022"	2
79	599 01 69-01	SHIM	0,032"	2
85	599 17 05-01	VALVE		1
99	598 99 51-01	WORM GEAR	4,25"	1
227	599 16 58-01	WASHER	1-1/8 x 0,28 x 0,187	1
228	599 12 54-01	FITTING		1
407	725 23 70-71	SCREW EHHM	M6x20, 10Nm/7ft.lbs, DIN933	1
416	725 24 51-01	SCREW	24Nm/18ft.lbs	8
427	598 74 98-01	SCREW	M12x35, 85Nm/63ft.lbs, DIN933	2
541	599 16 48-01	KEY	3/8 x 1-1/2"	1
542	599 16 70-01	KEY	A8 x 7 x 65	1
545	599 16 15-01	KEY	1/4 x 1.0"	1
560	598 99 23-01	O-RING	2-3/8 x 3/32"	2
561	598 99 24-01	O-RING	7-1/4 x 1/8"	1
570	599 16 45-01	SEAL	2,78 x 1,625	1
580	599 16 47-01	BEARING		2
581	599 16 47-01	BEARING		2
582	598 99 47-01	BEARING		2
583	599 16 56-01	BEARING		2
600	599 04 75-01	SEAL	1,313 x 2,066 x 0,31	2
601	599 04 76-01	SEAL	1,625 x 2,252 x 0,31	2
616	599 17 10-01	PLUG	3/8in NPTF	3

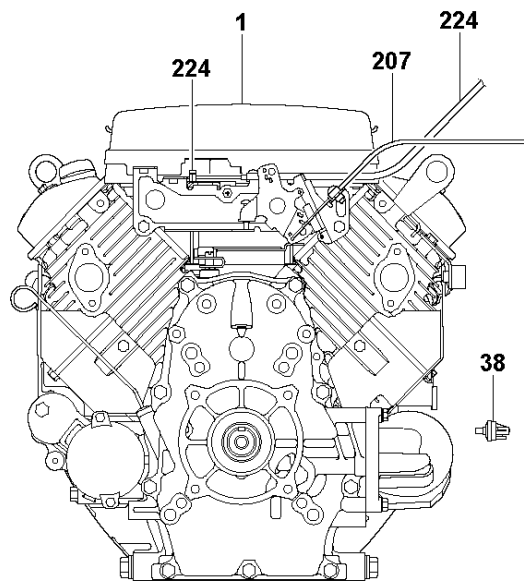
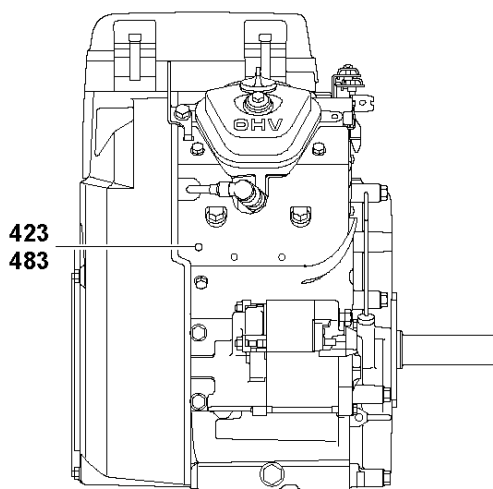
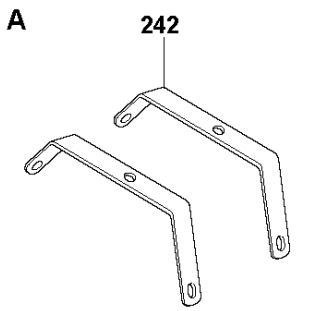
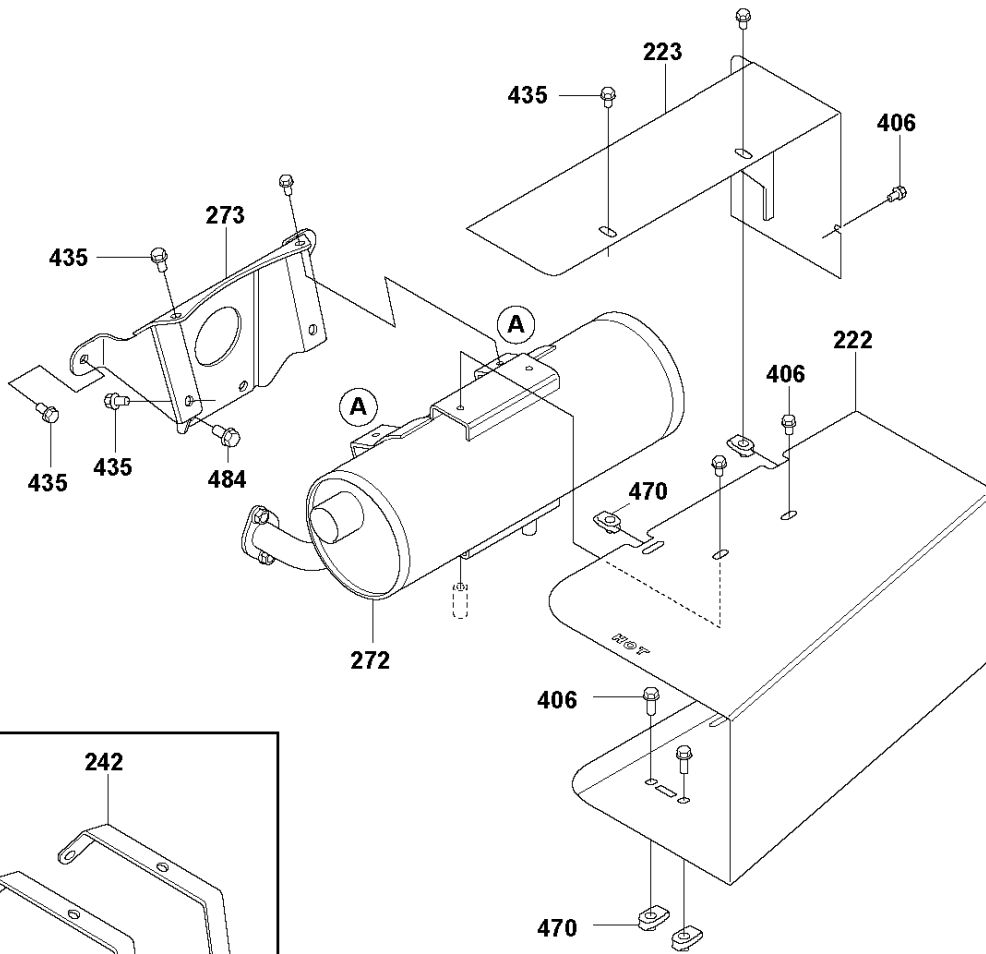


DRIVE

CRT36-26A WH EU, 970461403, 2020-02

Ref	Part No	Description	Remark	QTY	KIT
96	599 03 53-01	LEVER	Right cross	1	
98	599 03 83-01	LEVER	Left cross	1	
179	599 03 52-01	BRACKET	Gearbox bracket, left	1	
180	599 03 47-01	BRACKET	Gearbox bracket, right	1	
211	599 03 27-01	CLUTCH		1	
215	599 03 28-01	CLUTCH		1	
216	599 03 26-01	BELT	13-1/4"	1	
217	598 99 52-01	JOINT		2	
219	599 02 21-01	SPACER		1	
225	598 99 45-01	BEARING		2	
226	599 16 54-01	WASHER	1" x 0,265" x 0,1795"	2	
238	599 03 98-01	SHAFT		1	
240	598 99 48-01	FITTING		2	
284	599 16 92-01	CAP		6	315, 319
315	599 08 33-01	HOSE	Complete, 24"	1	
317	599 17 29-01	FITTING		2	315, 319
319	599 08 34-01	HOSE	Complete, 41"	1	
405	725 53 70-01	SCREW IHSCM	M6x20, ISO4762, 8.8 ZPB, 9Nm/7ft.lbs	16	
407	725 23 70-71	SCREW EHHM	M6x20, ISO4017, 8.8 ZPB, 10Nm/7ft.lbs	2	
433	597 97 91-01	SCREW	M14x50, ISO4017, 8.8, ZPB, 135Nm/100ft.lbs	4	
434	599 16 77-01	SCREW	7/16"-20 x 5,5" SAE GR5	1	
463	598 55 65-01	NUT	M14, ISO10511	4	
466	502 04 55-01	NUT	M12, ISO10511	10	
476	725 25 41-71	SCREW EHHM	M12x45, ISO4017, 8.8, ZPB, 10Nm/7ft.lbs	10	
477	725 25 44-51	SCREW EHHM	M12x60, ISO4014, 8.8, ZPB, 10Nm/7ft.lbs	6	
488	599 16 57-01	WASHER	M14, ISO7089, 200HV, ZPB	8	
490	599 16 44-01	WASHER	0,531 x 1,625 x 0,12	1	
491	734 11 78-01	WASHER	M12, ISO7089 200HV ZPB	18	
543	599 16 32-01	KEY	Square key 3/16" x 1"	2	
547	599 17 24-01	KEY	Square key 1/4" x 2-1/2"	2	
586	599 03 99-01	SHIM		2	
589	598 99 32-01	BEARING		6	

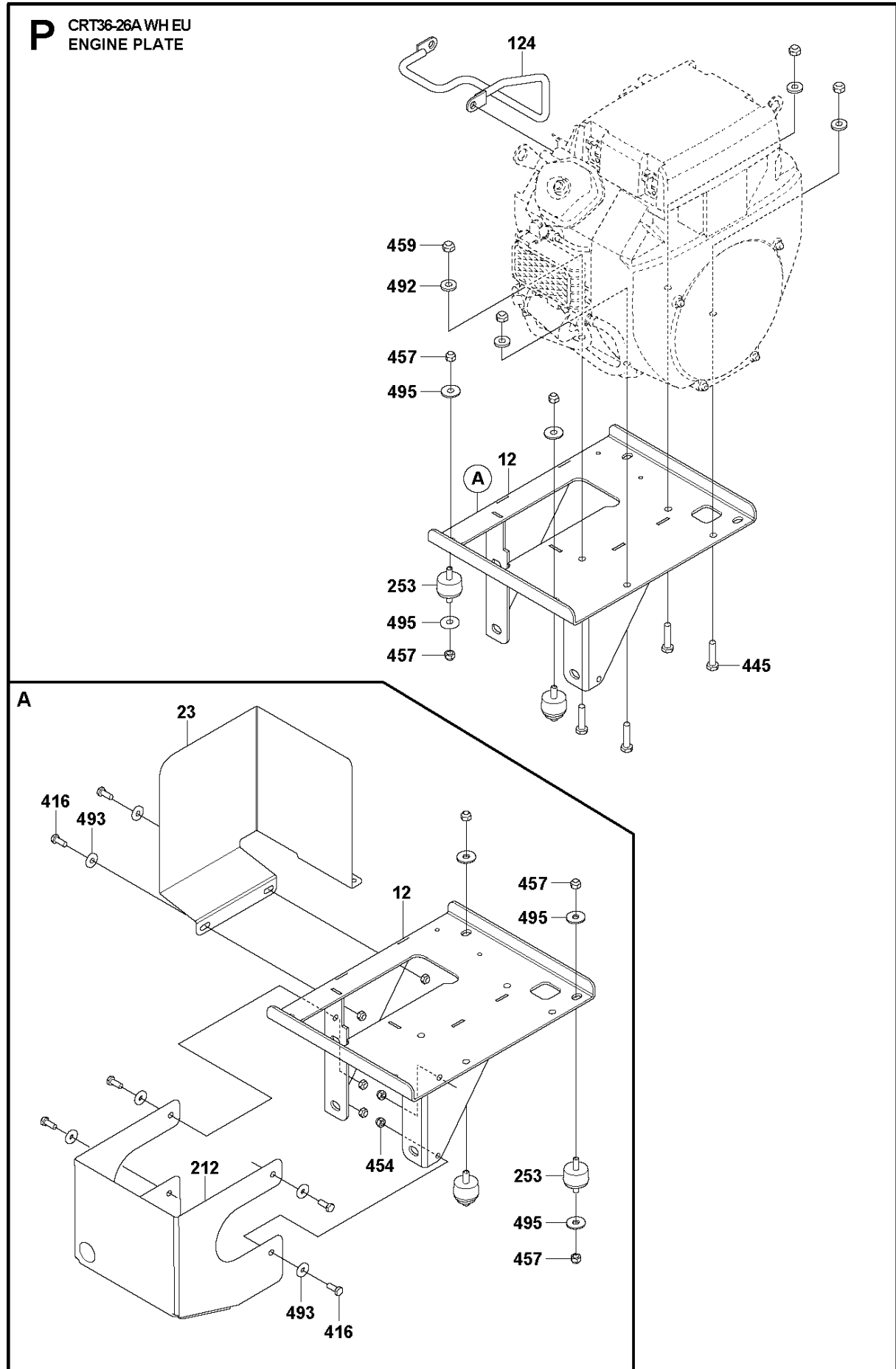
N CRT36-26A WH EU
ENGINE, MUFFLER & HEATSHIELD



ENGINE, MUFFLER & HEATSHIELD

CRT36-26A WH EU, 970461403, 2020-02

Ref	Part No	Description	Remark	QTY KIT
1	599 06 96-01	ENGINE	Complete, Honda	1
38	599 04 37-01	SWITCH		1
207	599 04 06-01	CABLE		1
222	599 04 42-01	HEAT SHIELD		1
223	599 05 53-01	HEAT SHIELD		1
224	599 05 52-01	BRACKET		2
242	599 05 52-01	BRACKET		2
272	599 06 97-01	MUFFLER		1
273	599 55 07-01	BRACKET		1
406	585 98 06-01	SCREW EHHFM	M6x16, 9Nm/7ft.lbs	7
423	596 32 01-01	BOLT	M6x12, 5Nm/4ft.lbs, DIN933	3
435	506 57 01-03	SCREW EHHFM	M8x16, 22Nm/16ft.lbs	6
470	599 16 68-01	LOCK NUT	M6	3
483	599 16 02-01	WASHER		1
484	542 17 30-35	WASHER	B21, Washer	4

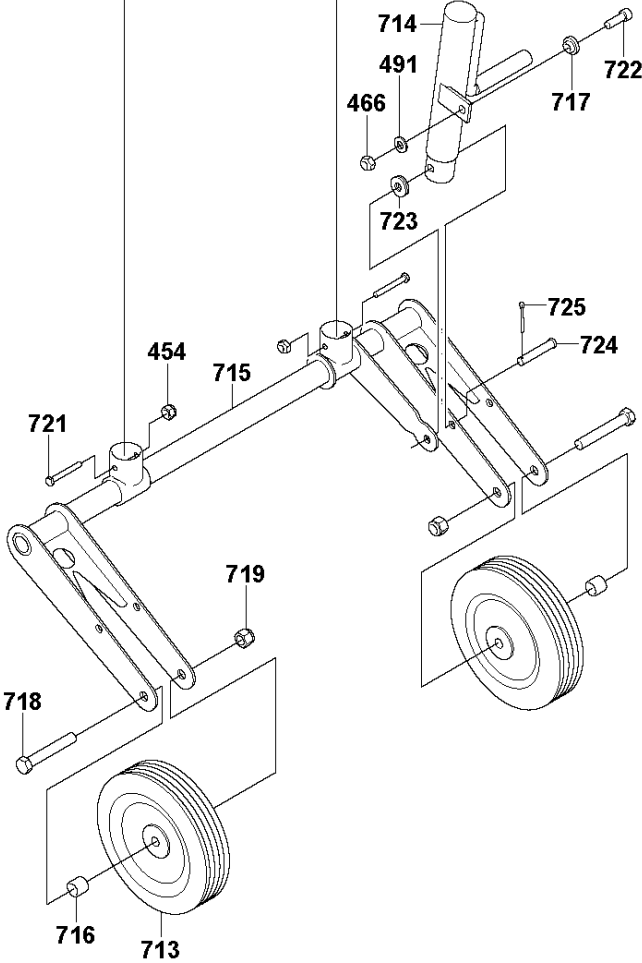
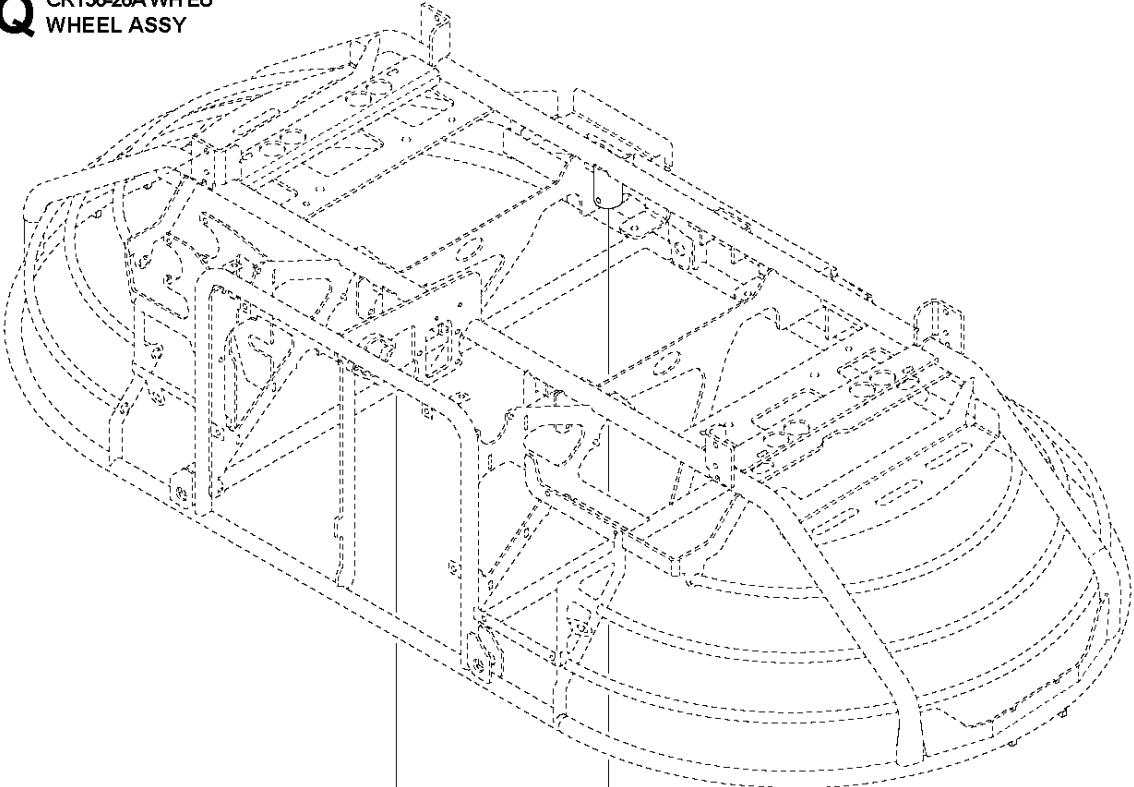


ENGINE PLATE

CRT36-26A WH EU, 970461403, 2020-02

Ref	Part No	Description	Remark	QTY KIT
12	599 03 15-01	PLATE		1
23	599 03 82-01	BELT GUARD		1
124	599 03 63-01	CABLE	16"	1
212	599 04 00-01	GUARD		1
253	598 99 98-01	BUMPER	22Nm/16ft.lbs	4
416	725 24 51-01	SCREW	22Nm/16ft.lbs	8
445	725 25 00-51	SCREW EHHM	M10 x 4549Nm/36ft.lbs, DIN931	4
454	522 91 94-01	LOCK NUT	M8, DIN985	4
457	539 20 02-82	NUT	3/8-16"	8
459	732 21 20-51	NUT	M10, DIN980	4
492	599 16 10-01	WASHER	10,5, DIN7349	4
493	734 11 65-41	WASHER		8
495	599 15 99-01	WASHER	B10,5, DIN9021	8

Q CRT36-26A WH EU
WHEEL ASSY



WHEEL ASSY

CRT36-26A WH EU, 970461403, 2020-02

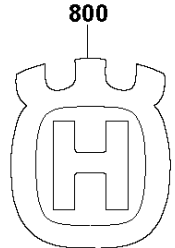
Ref	Part No	Description	Remark	QTY KIT
454	522 91 94-01	LOCK NUT	M8, DIN985	2
466	502 04 55-01	NUT	M12X1.75,DIN985	1
491	734 11 78-01	WASHER	12, ISO7090	1
713	599 00 77-01	WHEEL	10.1 x 2.75 x 5/8	2
714	599 03 39-01	WHEEL KIT		1
715	599 02 50-01	BRACKET		1
716	599 03 40-01	SPACER	21	2
717	599 03 41-01	SPACER	6	1
718	599 17 17-01	SCREW	5/8-11 x 4"	2
719	594 97 70-01	NUT	5/8in-11	2
721	725 24 64-51	SCREW EHHM	M8x65, 25Nm/18ft.lbs, DIN931	2
722	599 16 09-01	SCREW	M12x35, 120Nm/89ft.lbs, DIN912	1
723	599 16 13-01	WASHER	1/2"	1
724	599 17 27-01	PIN	2.5"	1
725	599 16 01-01	PIN	3,2x25, ISO1234	1

R CRT36-26A WH EU
DECALS

230

235

801
CRT36



810
Husqvarna®

DECALS

CRT36-26A WH EU, 970461403, 2020-02

Ref	Part No	Description	Remark	QTY KIT
230	599 04 73-01	LABEL		1
235	599 04 31-01	LABEL		1
800	599 23 47-01	DECAL		1
801	599 23 46-01	DECAL		1
810	599 23 48-01	DECAL		2