

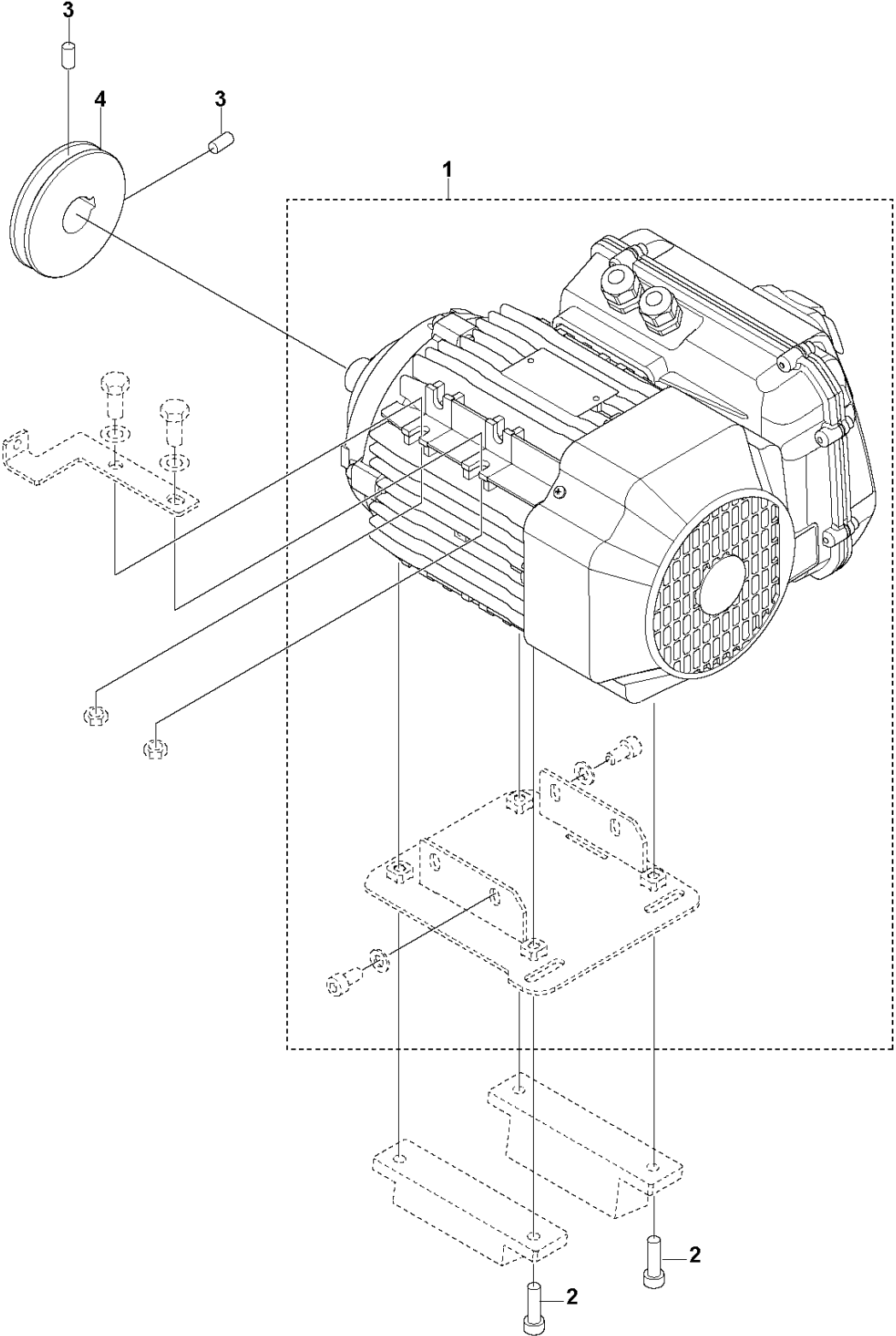


SPARE PARTS LIST

EARLY ENTRY SAWS

SOFF CUT 150 E, 2020-01

A SOFF-CUT 150 E
MOTOR

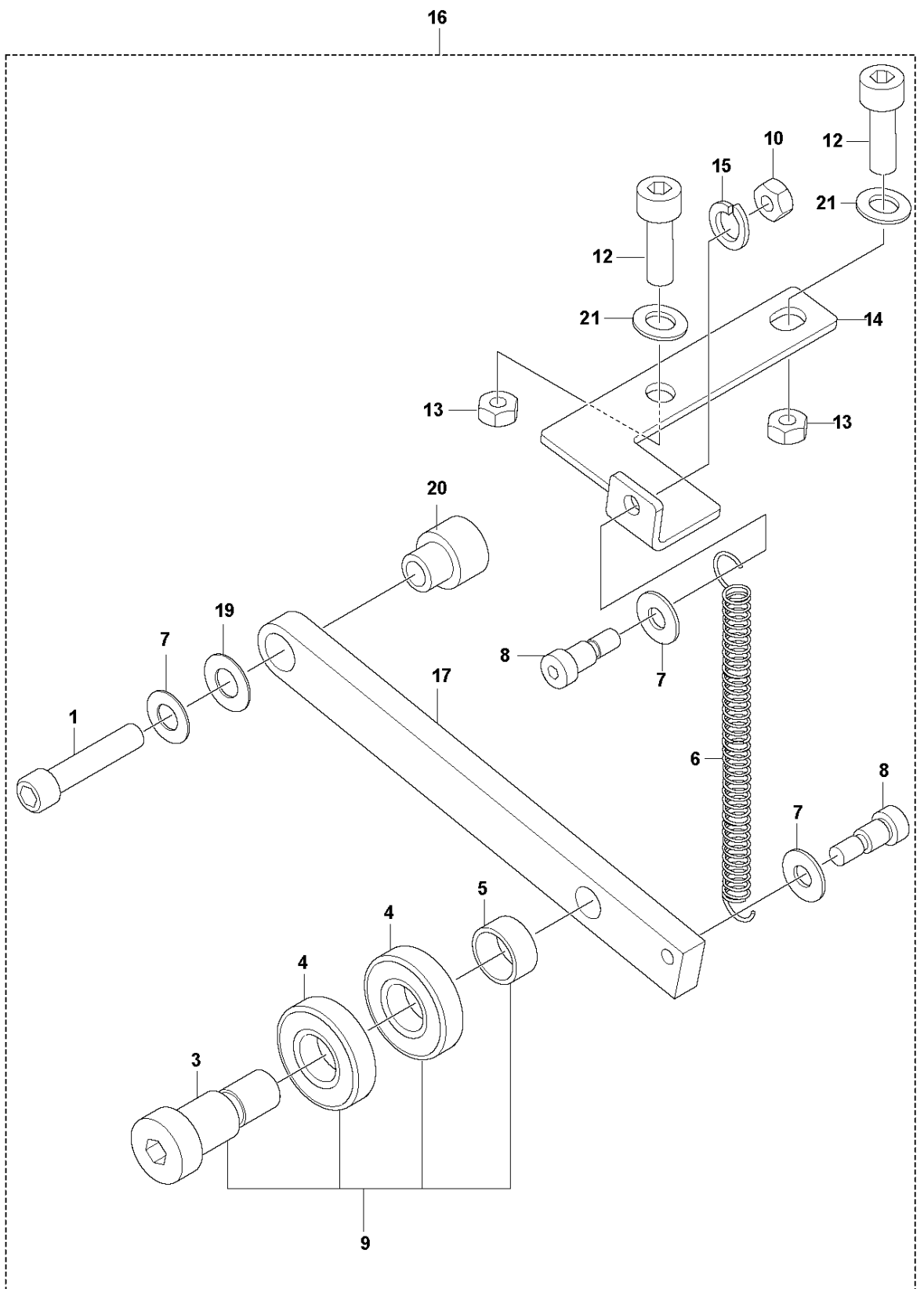


MOTOR

SOFF CUT 150 E, 2020-01

Ref	Part No	Description	Remark	QTY KIT
1	597 43 94-01	MOTOR		1
2	725 54 51-01	SCREW IHSCM		4
3	728 84 47-05	SCREW IHSETM		2
4	597 11 37-01	PULLEY		1

B SOFF-CUT 150 E
BELT

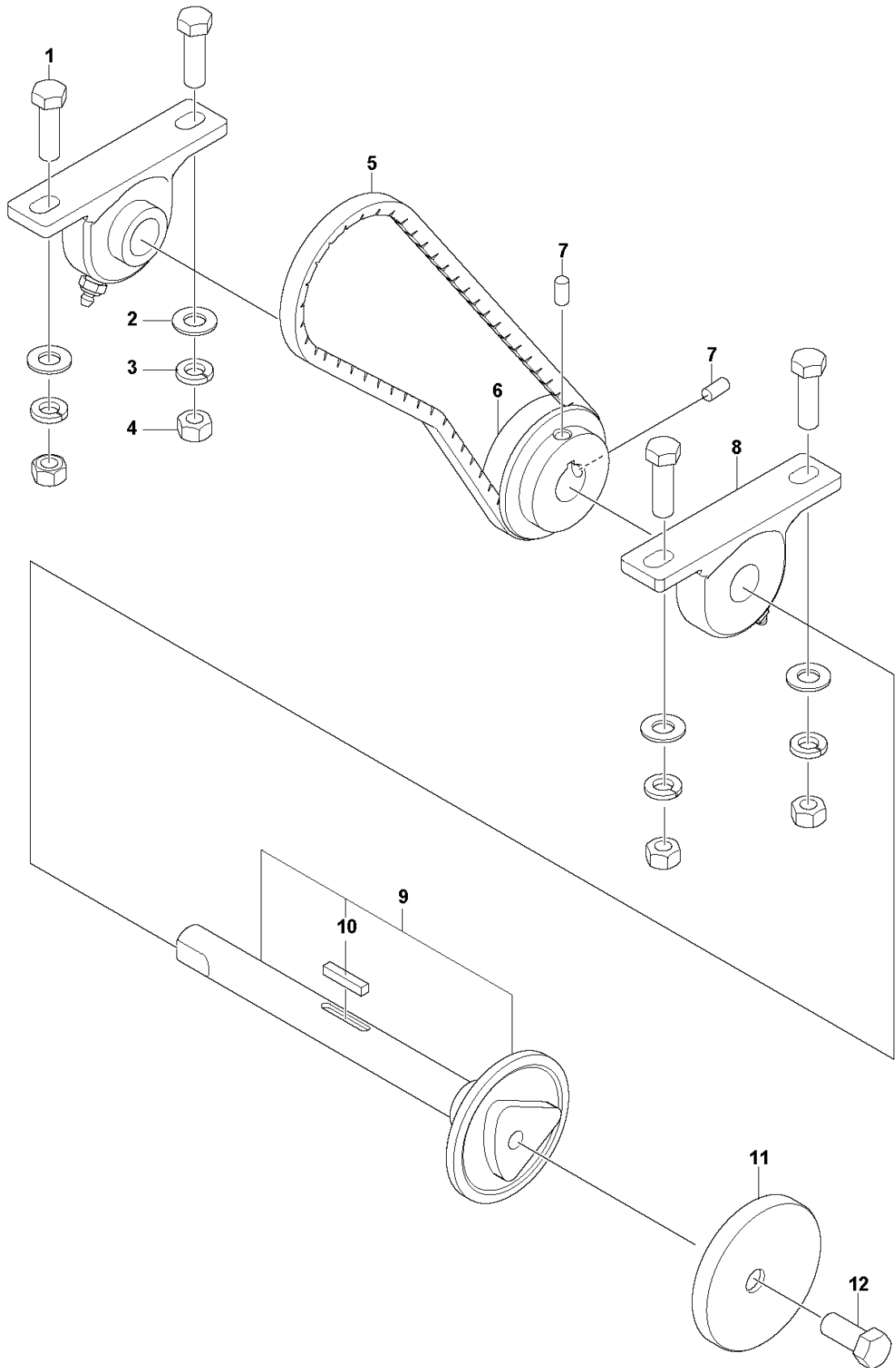


BELT

SOFF CUT 150 E, 2020-01

Ref	Part No	Description	Remark	QTY	KIT
1	505 59 19-01	BOLT		1	16
3	582 37 08-01	SCREW		1	16,9
4	505 73 60-01	PULLEY		2	16,9
5	582 37 07-01	SPACER		1	16,9
6	505 73 79-01	SPRING		1	16
7	505 72 52-01	WASHER		3	16
8	505 72 65-01	BOLT		2	16
9	582 66 95-01	TENSIONER		1	16
10	505 63 19-01	NUT		1	16
12	725 54 49-01	SCREW IHSCM		2	16
13	731 23 18-01	HEXAGON NUT		2	16
14	597 11 33-01	BRACKET		1	16
15	505 63 28-01	WASHER		1	16
16	597 80 16-01	BELT TENSIONER		1	16
17	597 11 38-01	ARM		1	16
19	505 63 45-01	WASHER		1	16
20	505 58 90-01	SPACER		1	16
21	734 11 63-01	WASHER		2	16

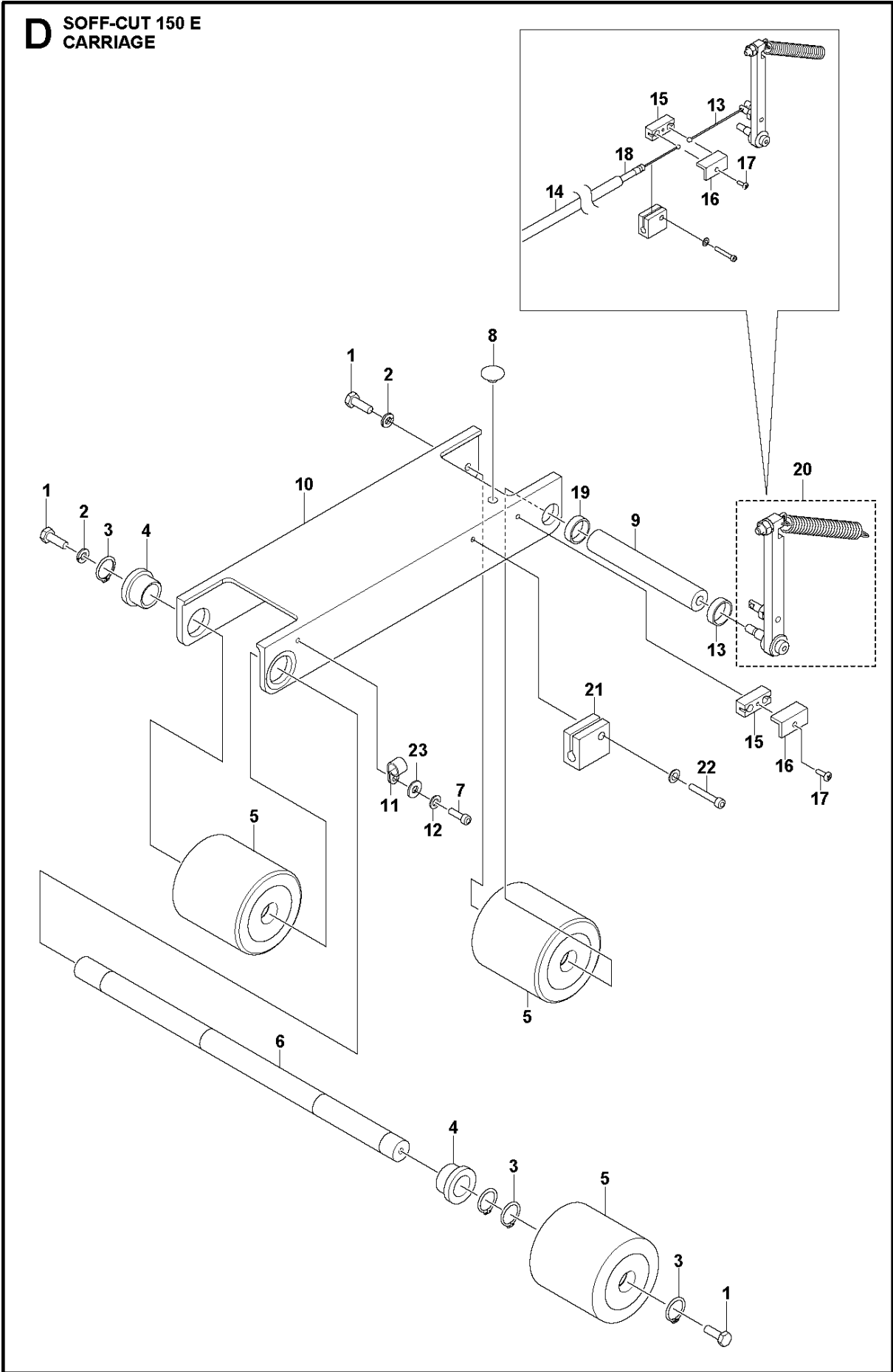
C SOFF-CUT 150 E
BLADE SHAFT



BLADE SHAFT

SOFF CUT 150 E, 2020-01

Ref	Part No	Description	Remark	QTY	KIT
1	505 72 76-01	BOLT		4	
2	505 72 46-01	FLAT WASH 3/8 STL CAD		4	
3	505 73 10-01	WASHER		4	
4	505 73 21-01	NUT		4	
5	597 11 43-01	V-BELT		1	
6	579 79 45-01	SHEAVE		1	
7	728 84 47-05	SCREW IHSETM		2	
8	505 59 20-01	BEARING UNIT		2	
9	505 58 84-01	BLADE SHAFT		1	
10	597 98 56-01	KEY		1	9
11	505 49 15-02	WASHER		1	
12	505 57 34-01	BOLT		1	

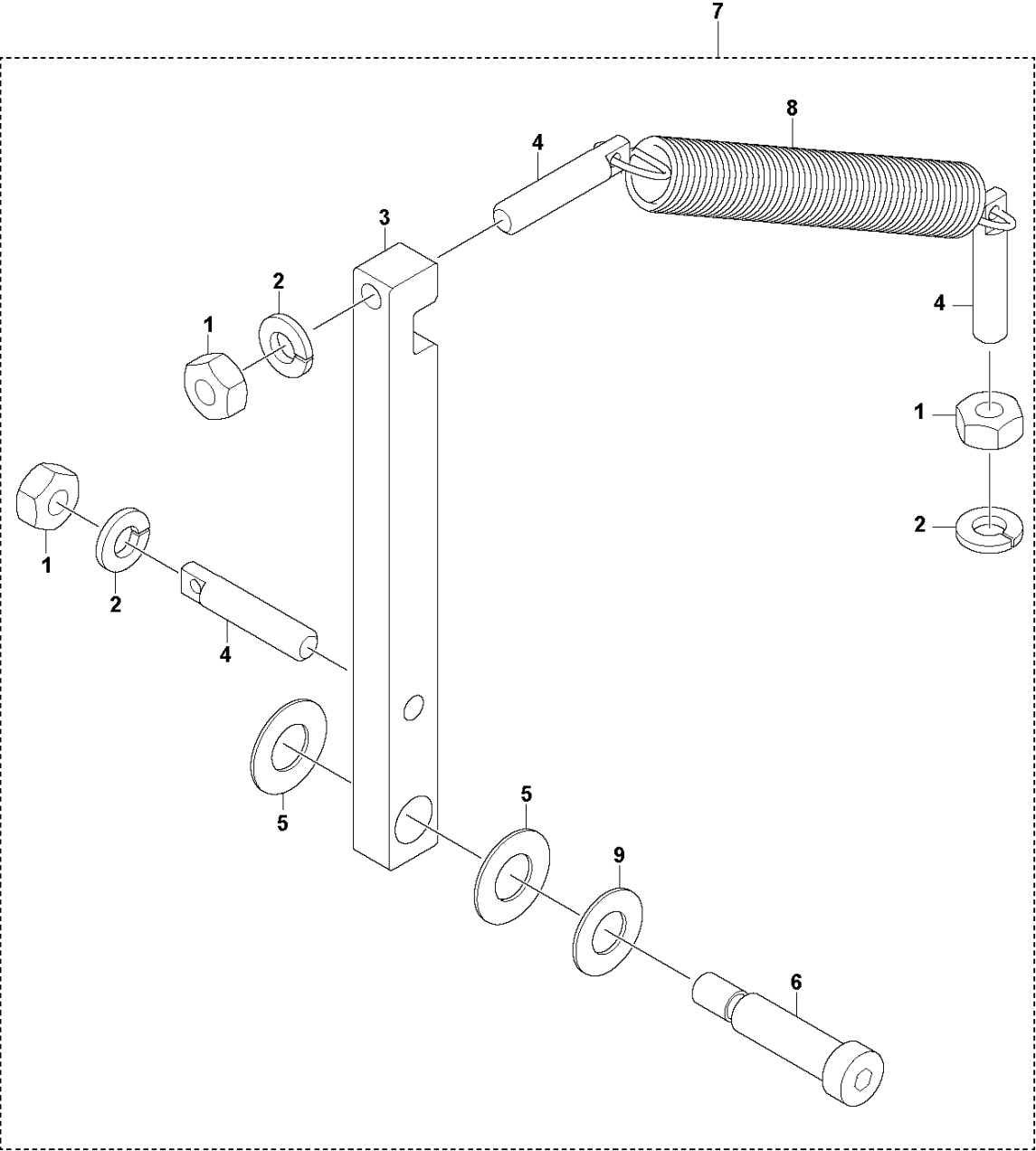


CARRIAGE

SOFF CUT 150 E, 2020-01

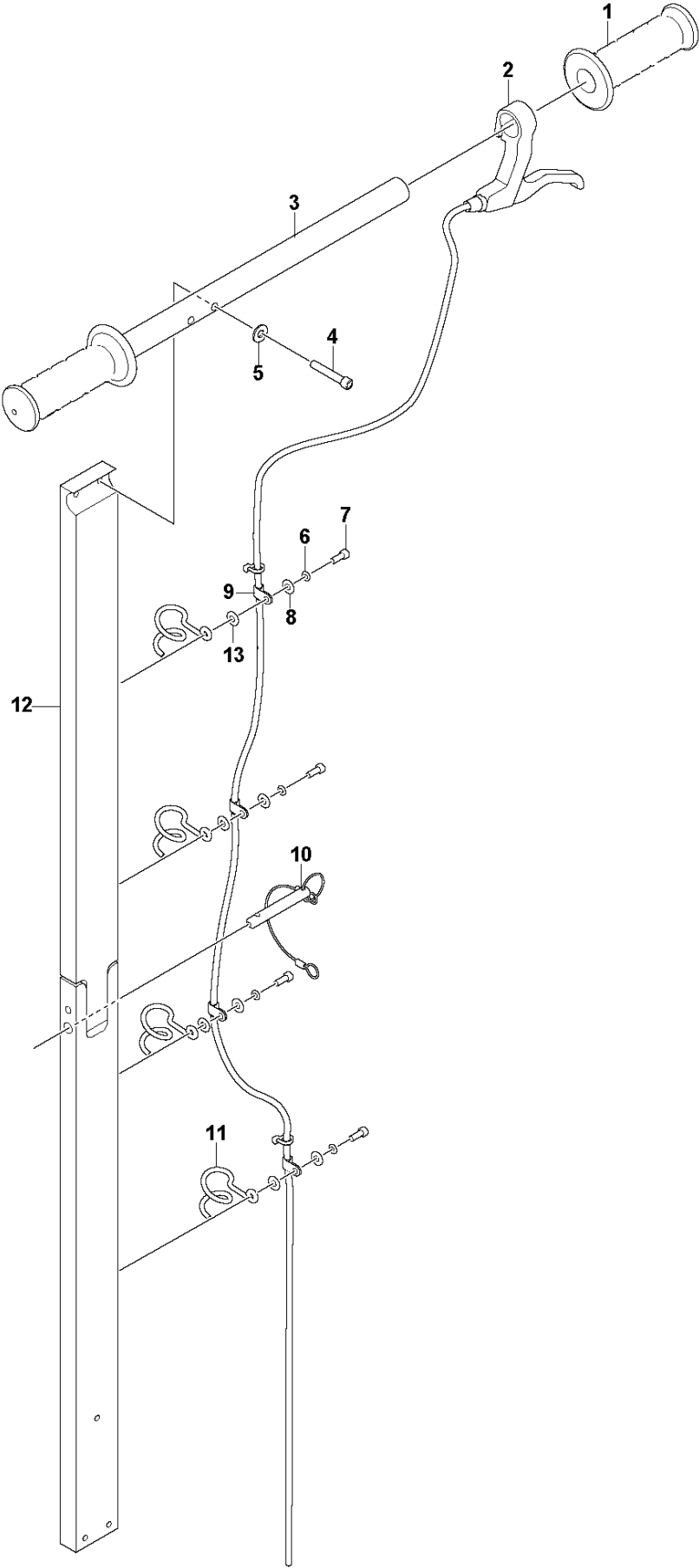
Ref	Part No	Description	Remark	QTY KIT
1	505 62 75-01	BOLT		3
2	505 63 28-01	WASHER		2
3	505 73 35-01	SNAP RING		4
4	505 58 69-01	BUSHING		2
5	505 59 29-01	WHEEL		3
6	505 58 67-01	REAR AXLE		1
7	505 72 97-01	BOLT		4
8	505 62 53-01	BUTTON		1
9	505 58 81-01	FRONT AXLE SYSTEM		1
10	505 58 68-01	FRAME		1
11	599 35 41-01	CABLE CLAMP		2
12	505 63 53-01	WASHER		4
13	599 39 18-01	WIRE		1
14	599 35 42-01	HOSE		1
15	599 35 64-01	LINKAGE		1
16	599 36 42-01	LID		1
17	729 53 40-01	SCREW CCRPANT		1
18	599 39 18-01	WIRE		1
19	505 58 89-01	SPACER		2
20	597 90 57-01	ARM		1
21	599 35 52-01	BRACKET		1
22	505 59 14-01	BOLT		1
23	505 63 31-01	WASHER		1

E SOFF-CUT 150 E
BLADE RELEASE ARM



Ref	Part No	Description	Remark	QTY	KIT
1	505 63 19-01	NUT		3	7
2	505 63 28-01	WASHER		3	7
3	505 58 70-01	LEVER		1	7
4	505 77 45-01	ANCHOR		3	7
5	505 63 45-01	WASHER		2	7
6	505 72 67-01	BOLT		1	7
7	597 90 57-01	ARM		1	
8	505 73 79-01	SPRING		1	7
9	505 72 52-01	WASHER		1	7

F SOFFCUT 150E
HANDLE

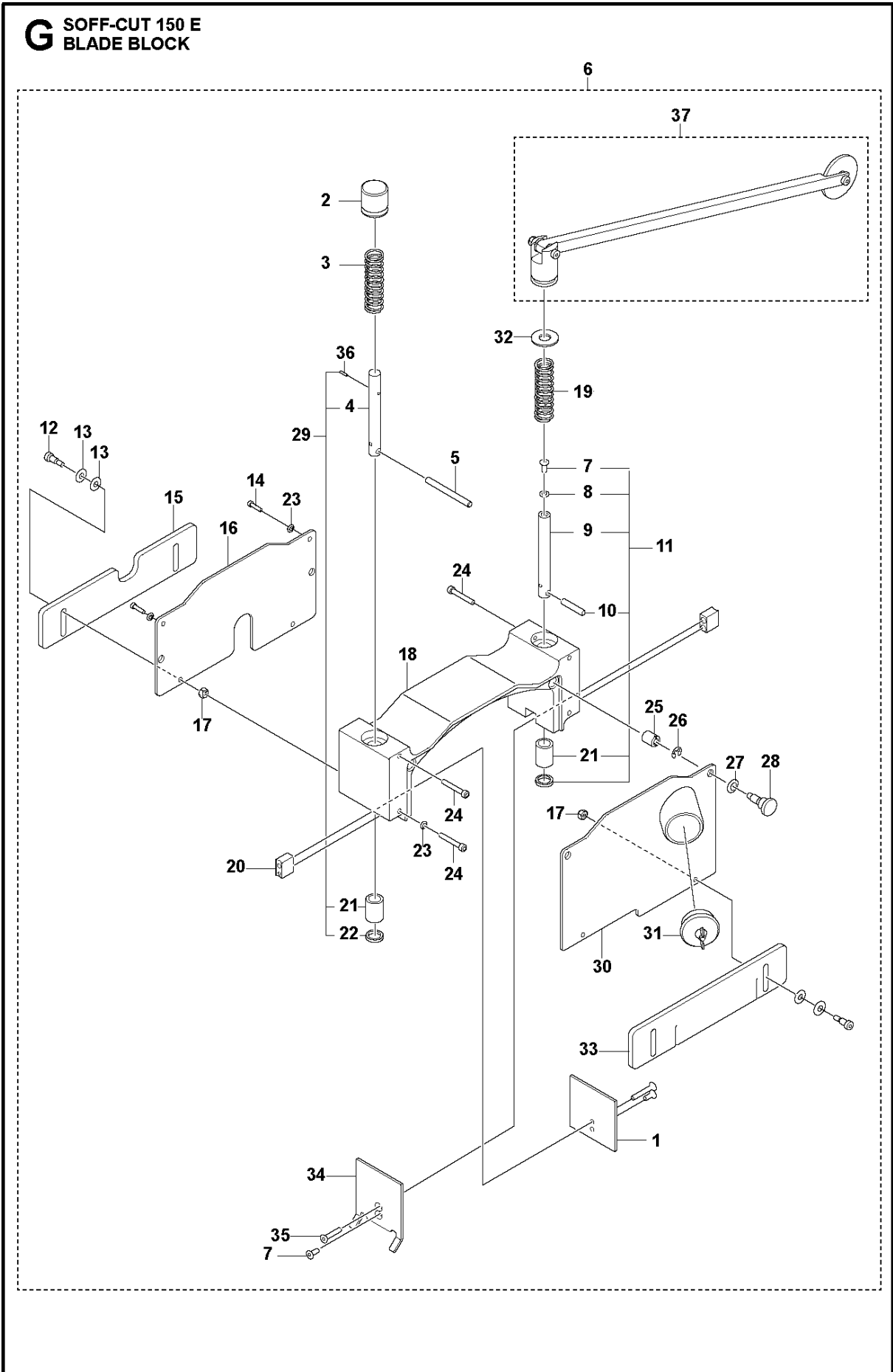


HANDLE

SOFF CUT 150 E, 2020-01

Ref	Part No	Description	Remark	QTY KIT
1	597 54 30-01	HANDLE		2
2	599 37 55-01	LEVER		1
3	592 73 77-01	HANDLE		1
4	505 72 88-01	BOLT		2
5	505 63 20-01	WASHER		2
6	505 63 31-01	WASHER		1
7	598 44 93-01	SCREW		4
8	505 63 53-01	WASHER		4
9	599 35 41-01	CABLE CLAMP		4
10	574 71 98-01	KIT		1
11	598 49 41-01	BRACKET		1
12	597 25 01-01	HANDLE		1
13	505 63 53-01	WASHER		1

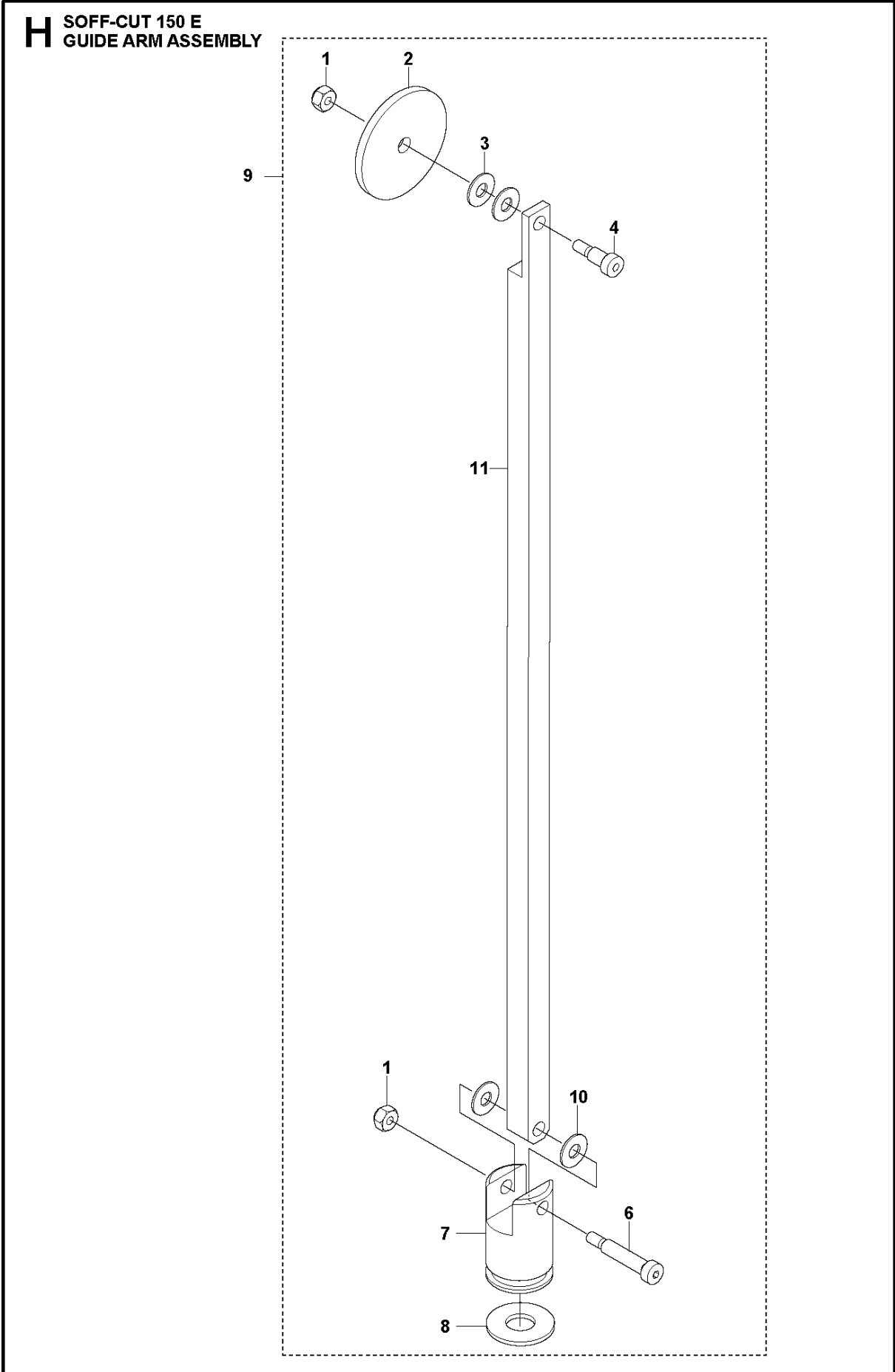
G SOFF-CUT 150 E
BLADE BLOCK



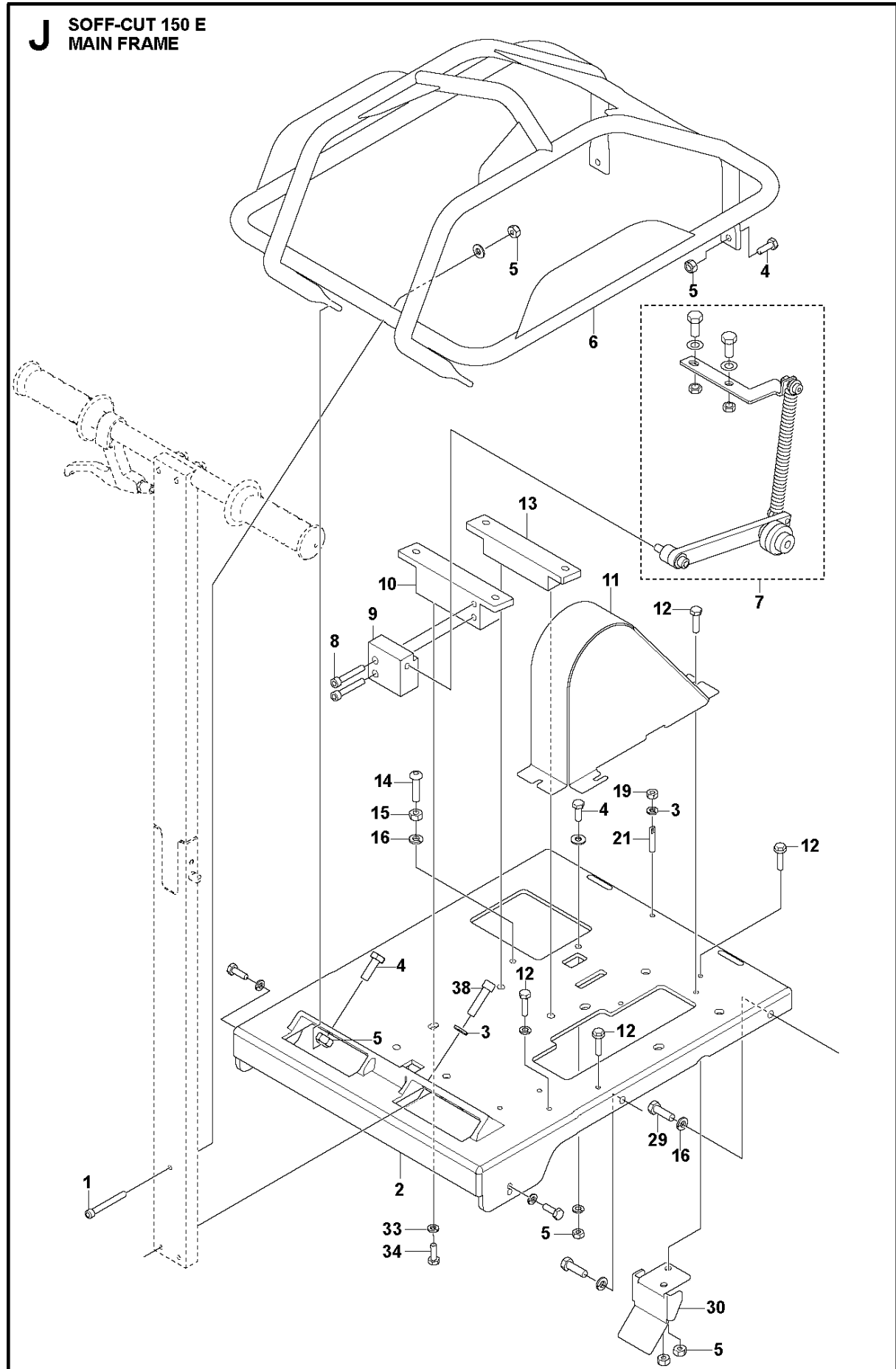
BLADE BLOCK

SOFF CUT 150 E, 2020-01

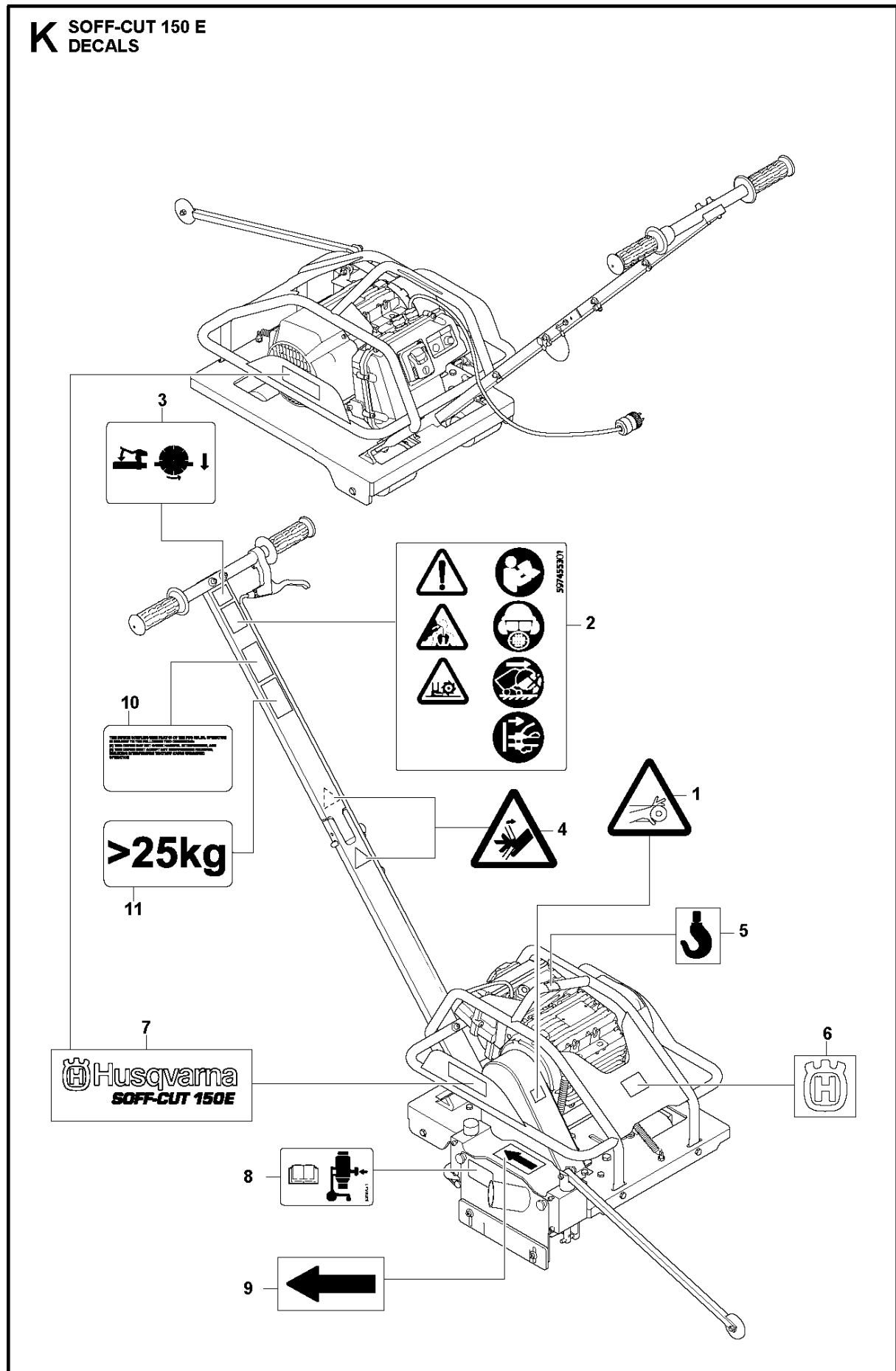
Ref	Part No	Description	Remark	QTY	KIT
1	505 58 77-01	PLATE		1	
2	505 58 86-01	CAP		1	
3	505 59 30-01	SPRING		1	
4	505 58 85-01	REAR AXLE		1	29
5	587 91 82-01	PIN		1	
6	599 89 45-01	BLADE BLOCK		1	
7	505 72 99-01	SCREW		3	11
8	595 27 50-01	PLATE		1	11
9	505 58 82-01	FRONT AXLE ASSY		1	11
10	505 77 40-01	PIN		1	11
11	505 87 61-01	FRONT AXLE ASSY		1	
12	505 68 64-01	BOLT		3	
13	505 63 44-01	WASHER		8	
14	505 72 97-01	BOLT		3	
15	505 58 79-01	INNER PLATE		1	
16	505 58 76-01	REAR COVER		1	
17	505 63 04-01	NUT		2	
18	505 58 78-01	BLADE		1	
19	505 59 31-01	SPRING		1	
20	505 58 88-01	SPACER		2	
21	505 59 34-01	BUSHING		2	29, 11
22	505 59 35-01	DUST SEAL		2	29, 11
23	505 63 31-01	WASHER		4	
24	505 59 14-01	BOLT		5	
25	505 74 83-01	INSERT		2	
26	505 53 65-01	E-CLIP		2	
27	505 53 64-01	WASHER		2	
28	505 53 63-01	KNOB		1	
29	505 87 62-01	REAR AXLE		1	
30	589 41 99-01	COVER		1	
31	593 68 20-01	PLUG		1	
32	589 77 25-01	GASKET		1	
33	505 58 80-01	BRACKET		1	
34	597 86 50-01	PLATE		1	
35	510 32 55-01	SCREW		2	
36	505 59 27-01	PIN		1	
37	582 67 35-01	POINTER		1	



Ref	Part No	Description	Remark	QTY KIT
1	505 63 04-01	NUT		4
2	505 61 42-01	DISC		1
3	505 63 44-01	WASHER		2
4	505 68 64-01	BOLT		2
6	505 72 59-01	BOLT		1
7	582 65 38-01	CAP		1
8	589 77 25-01	GASKET		1
9	582 67 35-01	POINTER		1
10	505 63 20-01	WASHER		2
11	582 66 46-01	GUIDE BAR		1



Ref	Part No	Description	Remark	QTY KIT
1	505 72 89-01	BOLT		1
2	597 18 00-01	BASEPLATE		1
3	505 63 20-01	WASHER		3
4	505 62 75-01	BOLT		4
5	505 63 05-01	NYLOC NUT 1/4-20 CAD PL.		9
6	597 17 91-01	GUARD		1
7	597 80 16-01	BELT TENSIONER		1
8	585 35 83-01	SCREW IHSCM		2
9	597 11 27-01	BRACKET		1
10	597 11 26-01	BRACKET		1
11	597 11 46-01	BELT GUARD		1
12	582 63 92-01	SCREW		5
13	597 11 24-01	BRACKET		1
14	522 44 26-01	BOLT		1
15	541 20 47-80	WASHER		4
16	539 99 07-17	NUT		4
19	505 63 19-01	NUT		1
21	505 77 45-01	ANCHOR		1
29	539 99 02-09	SCREW		2
30	505 58 95-01	COVER		1
33	734 11 63-01	WASHER		4
34	725 24 51-71	SCREW EHHM		4
38	505 72 88-01	BOLT		2



DECALS

SOFF CUT 150 E, 2020-01

Ref	Part No	Description	Remark	QTY KIT
1	596 99 06-01	DECAL		1
2	597 45 53-01	DECAL		1
3	582 18 54-01	DECAL		1
4	595 08 41-01	DECAL		2
5	590 82 16-01	DECAL		1
6	576 97 34-01	DECAL		1
7	597 42 50-01	DECAL		1
8	597 02 69-01	DECAL		2
9	597 02 69-01	DECAL		1
10	598 95 93-01	DECAL		1
11	599 70 69-01	DECAL		1