

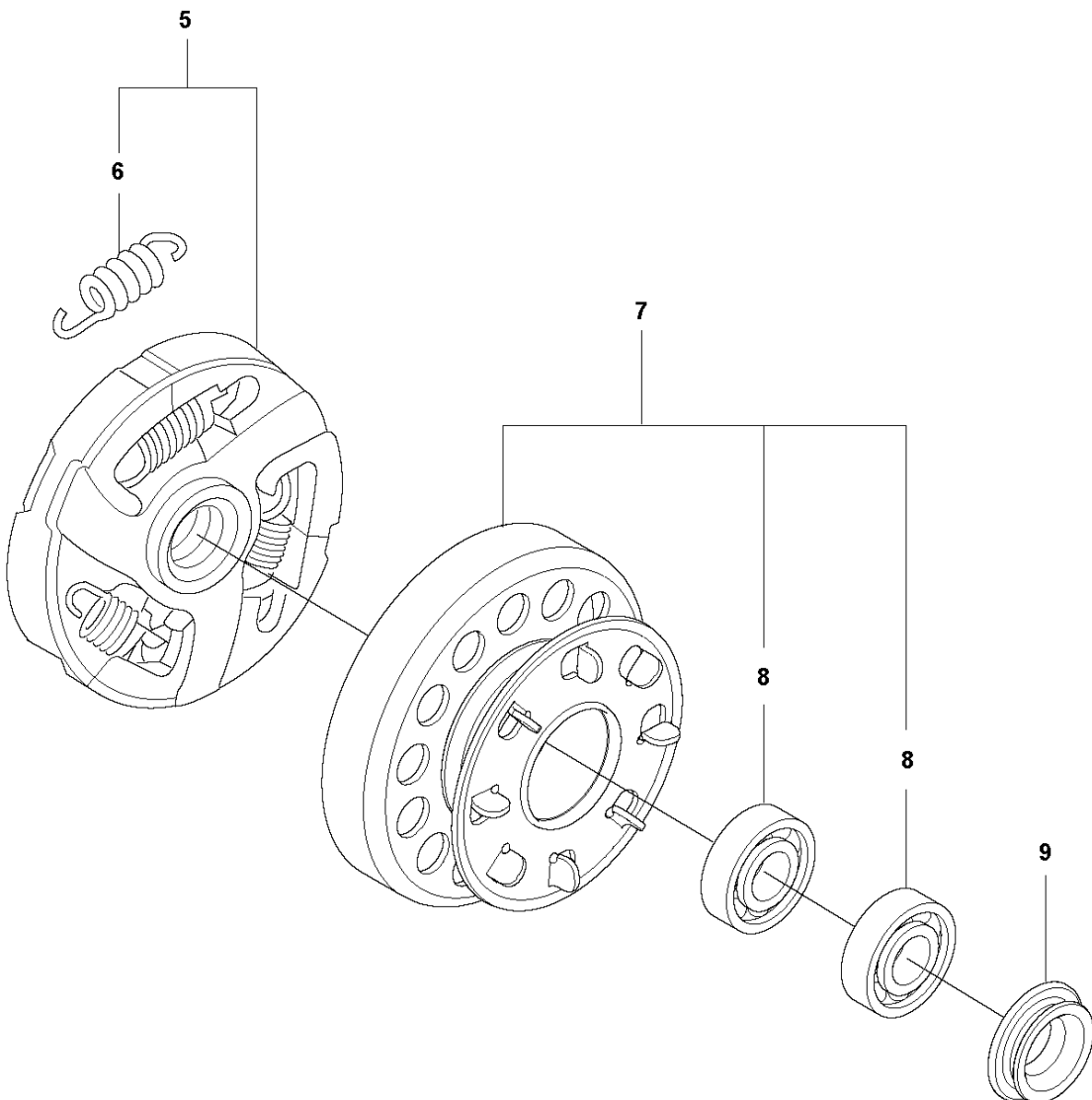


SPARE PARTS LIST

POWER CUTTERS

K1270 II R, 2020-01

A K1270 II R
BELT GUARD

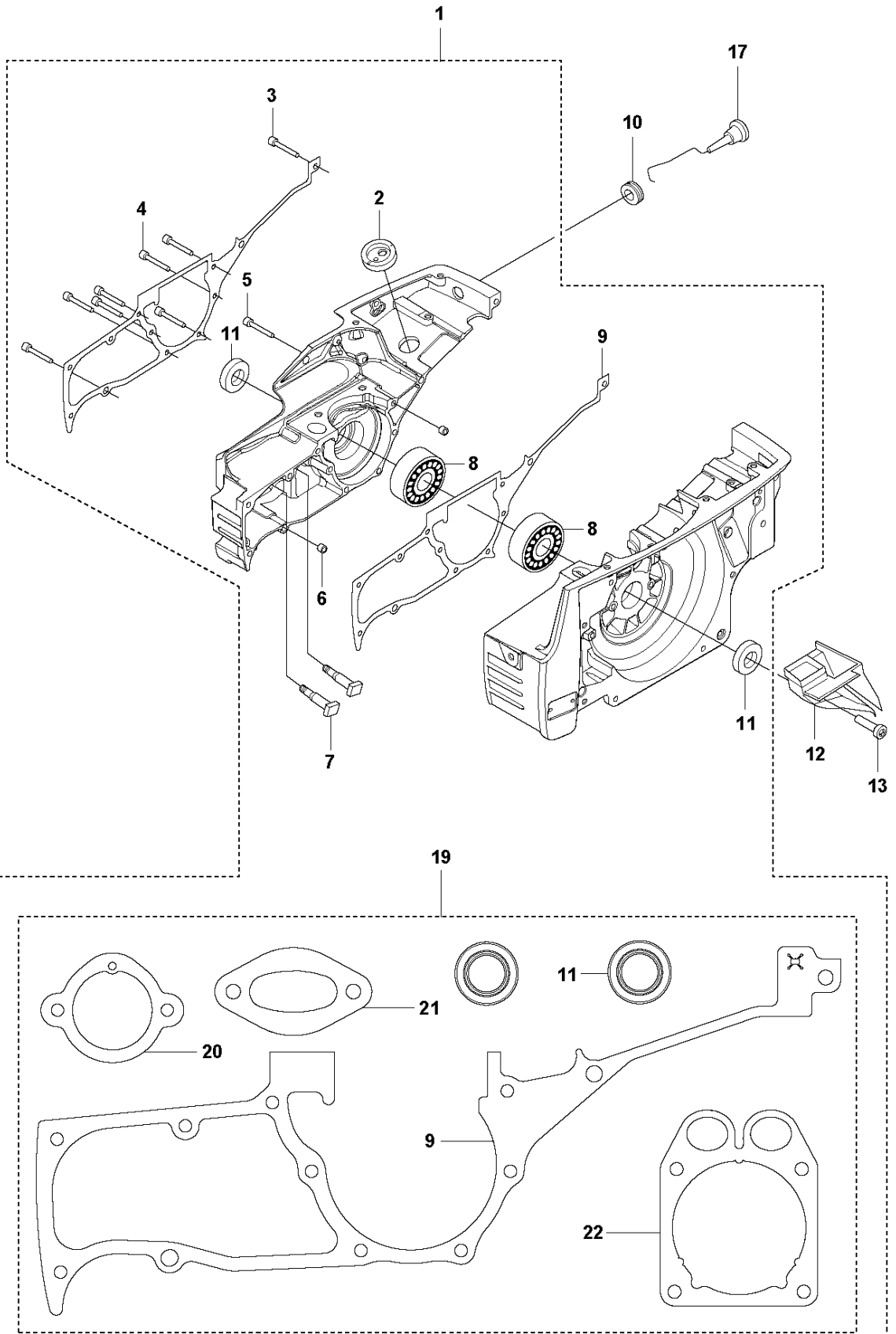


BELT GUARD

K1270 II R, 2020-01

Ref	Part No	Description	Remark	QTY	KIT
5	503 14 49-01	CLUTCH ASSY		1	
6	503 14 51-01	CLUTCH SPRING		3	5
7	588 80 92-01	DRIVING PULLEY ASSY	"14""	1	
7	588 80 92-02	DRIVING PULLEY ASSY	"16""	1	
8	525 83 18-01	BALL BEARING		2	7
9	587 53 64-01	SPACING SLEEVE		1	

B K1270 II R
CRANKCASE

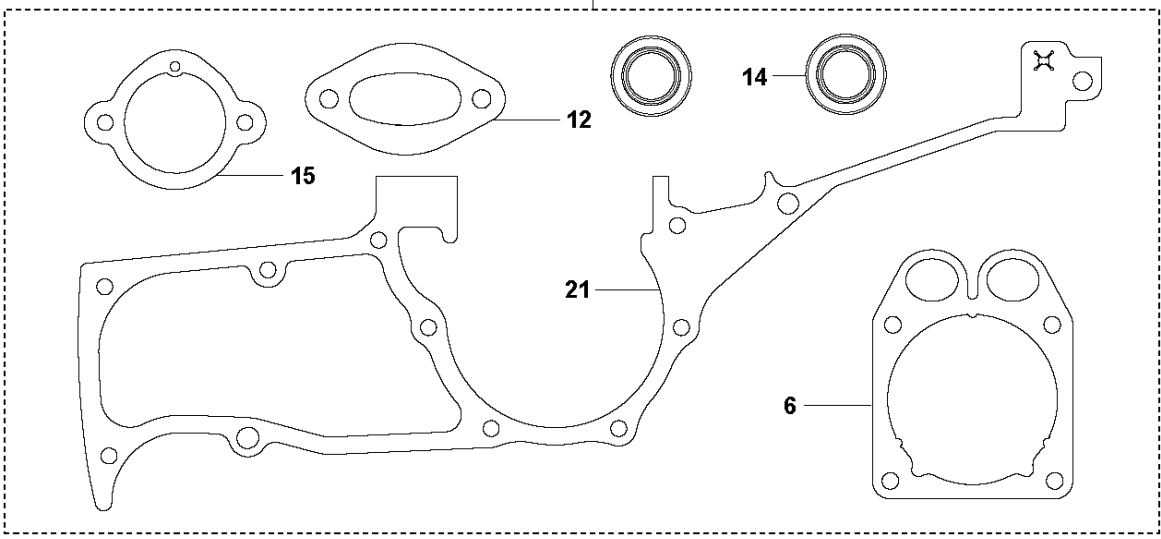
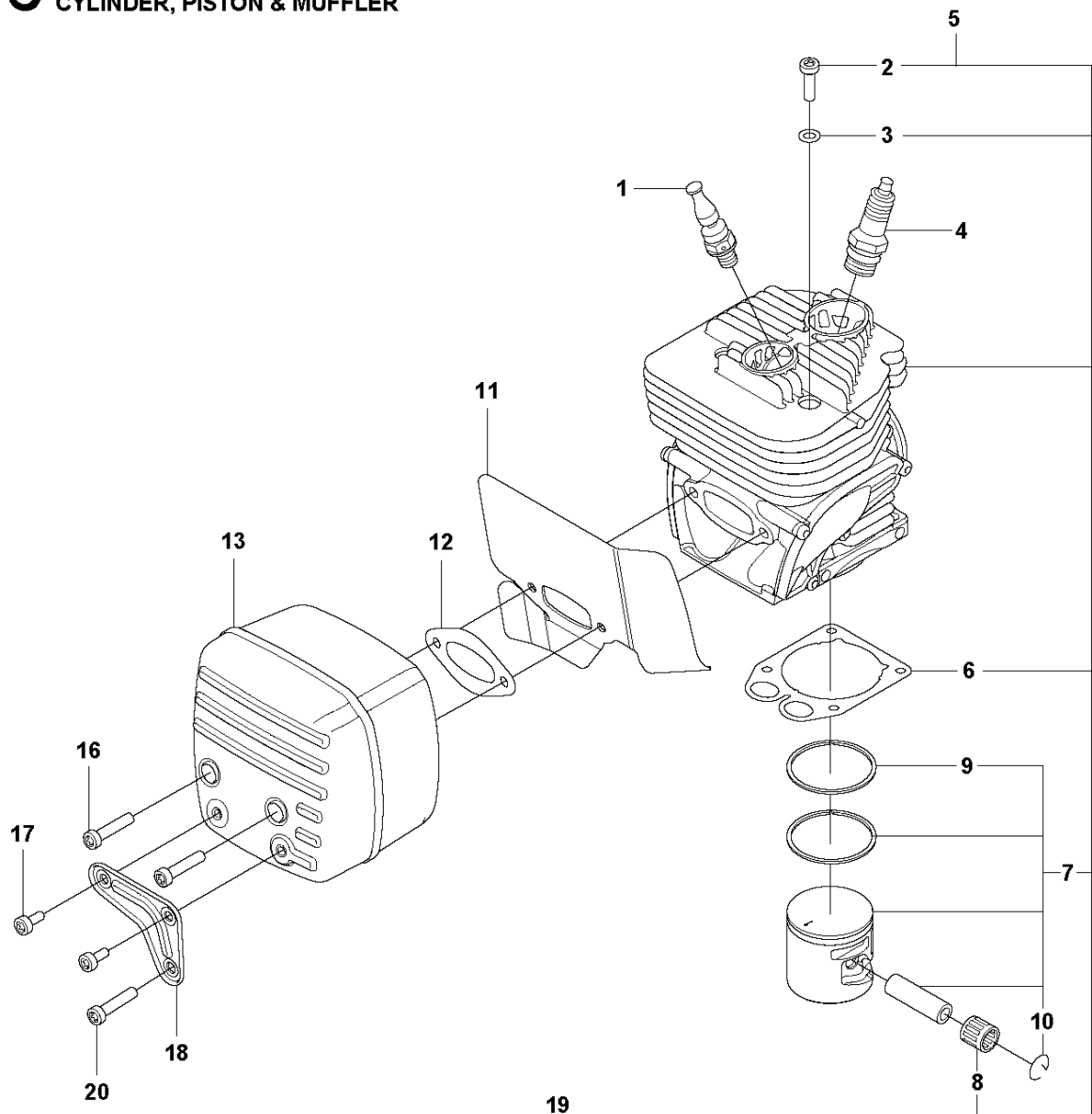


CRANKCASE

K1270 II R, 2020-01

Ref	Part No	Description	Remark	QTY	KIT
1	582 41 50-04	CRANKCASE		1	
2	503 13 20-01	GROMMET		1	1
3	503 21 53-20	SCREW ITXSCM		1	1
4	503 21 53-41	SCREW ITXSCM		7	1
5	544 21 84-20	SCREW ITXSCM		9	1
6	501 27 08-01	GUIDE BUSHING		1	1
7	501 81 57-01	BAR BOLT		4	1
8	503 25 00-02	BALL BEARING		2	1
9	582 35 00-01	GASKET		2	1, 19
10	503 14 54-02	GROMMET		1	
11	503 26 02-05	SEALING RING		1	1, 19
12	506 23 70-01	AIR NOZZLE		2	
13	501 98 10-01	SCREW ITXSCM		1	
17	506 25 43-02	CHOKE CONTROL		2	
19	582 45 48-01	GASKET KIT		1	1
20	579 85 11-01	GASKET		1	1, 19
21	585 28 09-01	GASKET		1	1, 19
22	587 53 62-01	GASKET		1	1, 19

C K1270 II R
CYLINDER, PISTON & MUFFLER

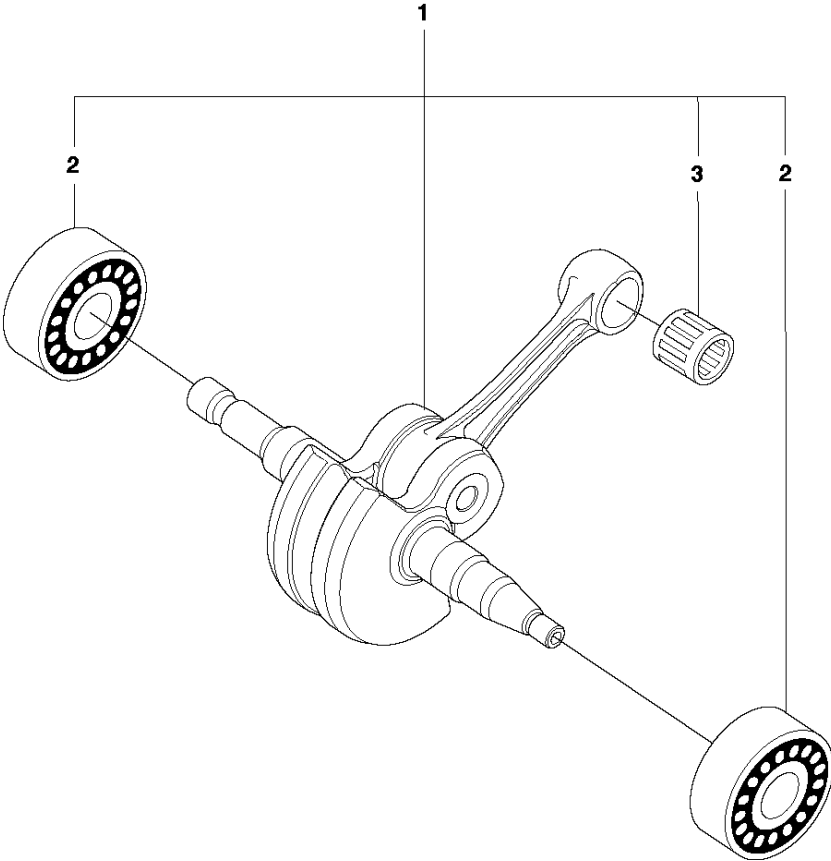


CYLINDER, PISTON & MUFFLER

K1270 II R, 2020-01

Ref	Part No	Description	Remark	QTY	KIT
1	584 91 22-04	DECOMPRESSION VALVE		1	
2	516 00 24-01	SCREW UNC		4	5
3	503 23 00-05	WASHER		4	5
4	503 23 51-11	SPARK PLUG		1	
5	582 58 23-03	CYLINDER ASSY		1	
6	587 53 62-01	GASKET		1	5, 19
7	587 82 98-02	PISTON ASSY		1	5
8	503 13 29-01	NEEDLE HOLDER		1	5
9	587 83 00-01	PISTON RING		2	5, 7
10	737 44 13-00	CIRCLIP		2	5, 7
11	587 53 63-01	HEAT DEFLECTOR		1	
12	585 28 09-01	GASKET		1	19
13	505 41 79-05	MUFFLER ASSY		1	
14	503 26 02-05	SEALING RING		2	19
15	579 85 11-01	GASKET		1	19
16	544 21 84-07	SCREW ITXSCM		2	
17	503 21 53-12	SCREW ITXSCM		2	
18	502 85 08-01	SUPPORT		1	
19	582 45 48-01	GASKET KIT		1	
20	544 21 84-20	SCREW ITXSCM		1	
21	582 35 00-01	GASKET		1	19

D K1270 II R
CRANKSHAFT

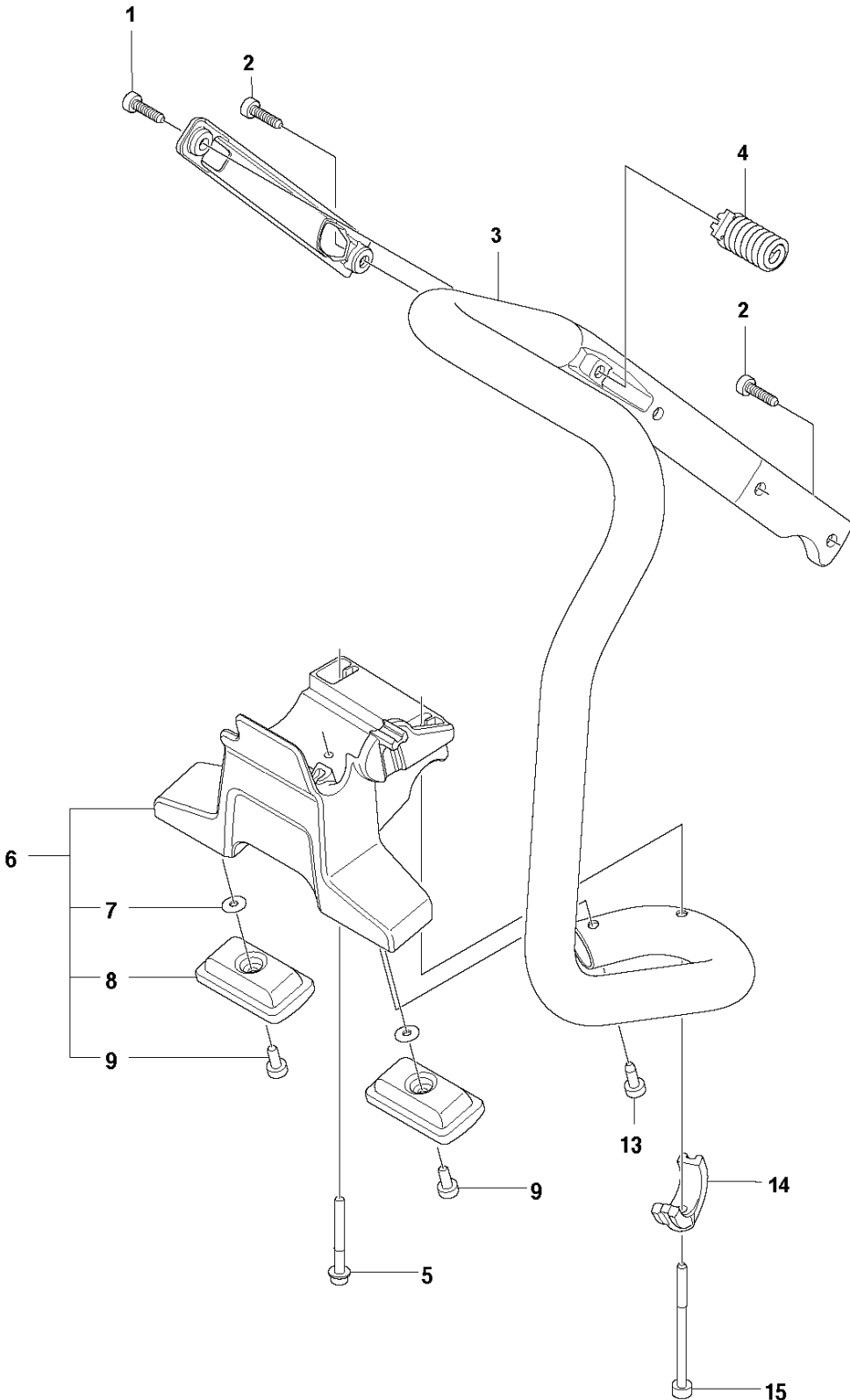


CRANKSHAFT

K1270 II R, 2020-01

Ref	Part No	Description	Remark	QTY	KIT
1	577 34 38-03	CRANKSHAFT		1	
2	503 25 00-02	BALL BEARING		2	1
3	503 13 29-01	NEEDLE HOLDER		1	1

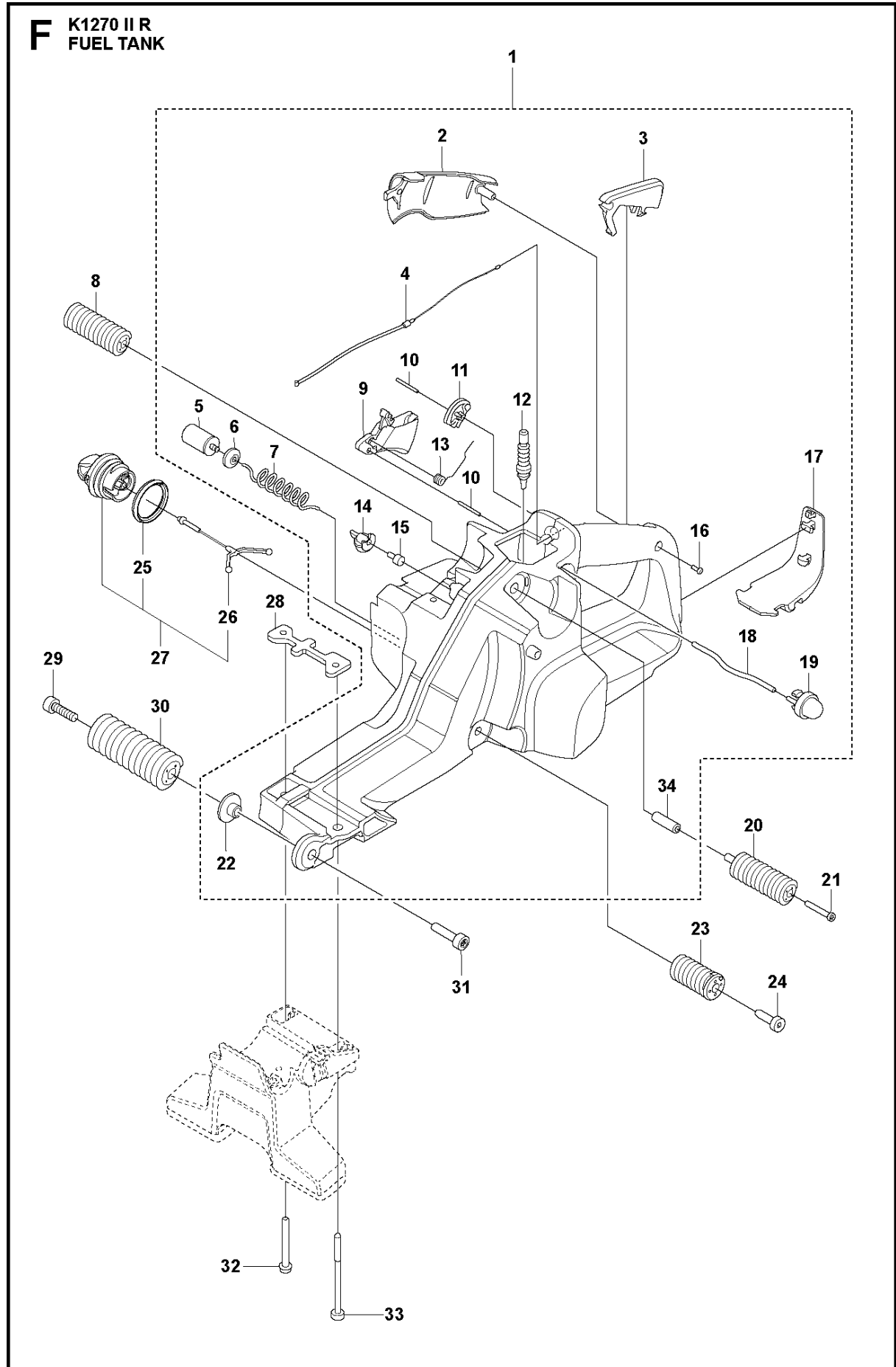
E K1270 II R
HANDLE



HANDLE

K1270 II R, 2020-01

Ref	Part No	Description	Remark	QTY	KIT
1	544 06 12-01	SCREW ITXSCM		1	
2	503 21 54-20	SCREW ITXSCT		2	
3	596 77 93-01	HANDLE		1	
4	585 90 56-01	ANTIVIBRATION ELEMENT		1	
5	525 75 52-04	SCREW ITXSFCM		2	
6	525 82 04-02	GROUND SUPPORT		1	
7	734 11 47-41	WASHER		2	6
8	544 81 16-01	BASE		2	6
9	504 90 94-14	SCREW ITXSCT		3	6
13	582 82 08-01	SCREW		3	
14	579 83 27-01	HANDLE BRACKET		1	
15	503 21 53-75	SCREW		1	

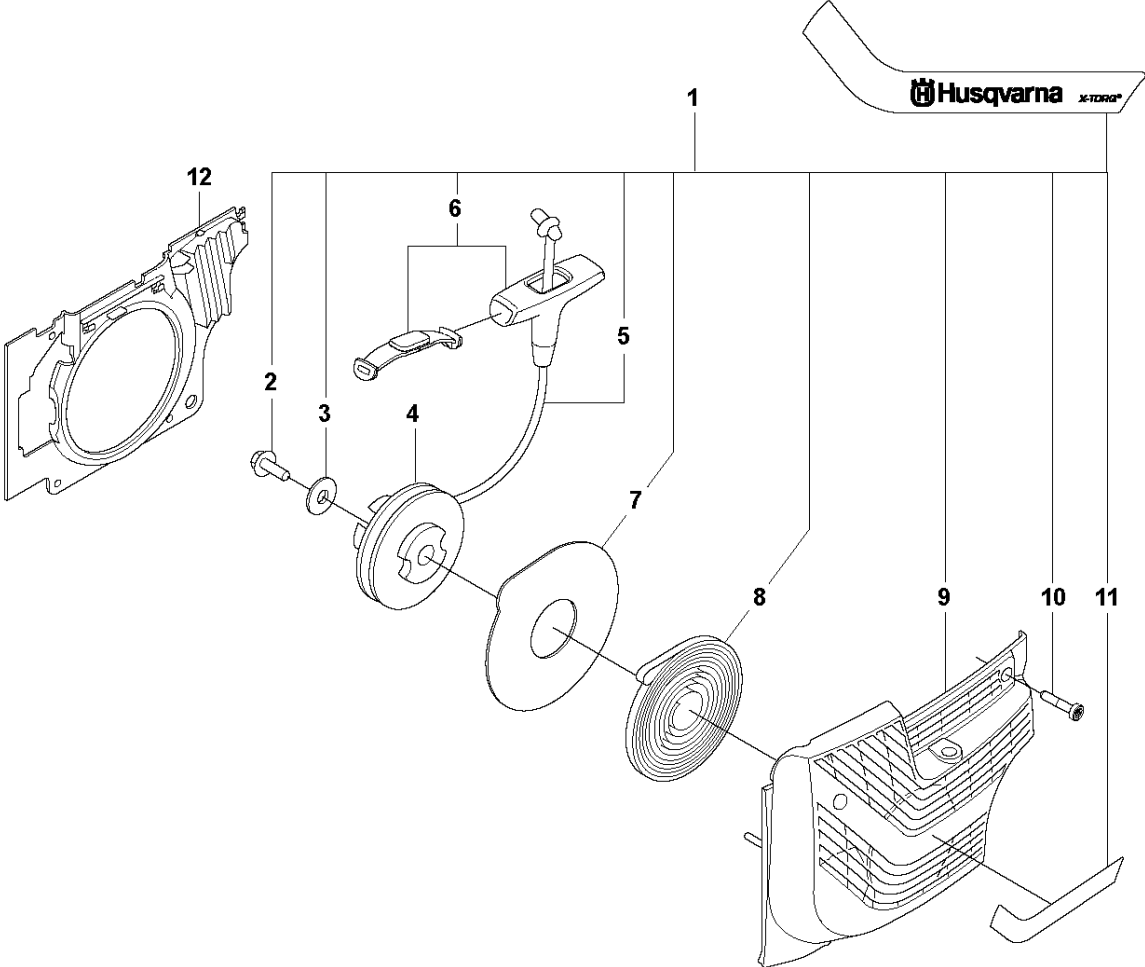


FUEL TANK

K1270 II R, 2020-01

Ref	Part No	Description	Remark	QTY	KIT
1	598 80 64-01	FUEL TANK		1	
2	537 20 56-01	COVER		1	1
3	510 25 52-01	THROTTLE LOCKOUT		1	1
4	596 92 77-01	THROTTLE CABLE ASSY		1	1
5	506 26 41-01	FUEL FILTER		1	1
6	506 27 11-01	HOSE CLAMP		1	1
7	581 75 62-03	FUEL HOSE		1	1
8	585 22 63-01	ANTIVIBRATION ELEMENT		1	
9	502 47 18-01	THROTTLE CONTROL		1	1
10	720 12 40-20	PARALLEL PIN		2	1
11	537 20 85-01	LEVER		1	1
12	576 13 99-01	FUEL HOSE		1	1
13	537 20 98-01	SPRING		1	1
14	577 31 35-01	TANK VENT VALVE ASSY		1	1
15	501 15 29-01	TANK VENT ASSY		1	1
16	525 88 74-02	SCREW CITXPANT		1	1
17	588 19 82-01	GROUND SUPPORT		1	1
18	537 04 24-19	FUEL HOSE		1	1
19	540 05 49-01	AIR CLEANER		1	1
20	585 22 64-01	ANTIVIBRATION ELEMENT		1	
21	544 21 84-20	SCREW ITXSCM		2	
22	503 14 08-01	BUSHING		1	1
23	537 21 03-05	ANTIVIBRATION ELEMENT		1	
24	544 06 12-01	SCREW ITXSCM		2	
25	589 24 11-01	GASKET		1	27
26	503 57 89-01	HOLDER		1	27
27	522 62 00-03	TANK CAP ASSY		1	
28	582 39 57-01	ATTACHMENT PLATE		1	
29	503 21 53-20	SCREW ITXSCM		1	
30	503 13 27-02	ANTIVIBRATION ELEMENT		1	
31	503 21 53-25	SCREW ITXSCM		2	
32	525 75 52-04	SCREW ITXSCFM		1	
33	503 21 53-75	SCREW		1	
34	503 13 49-01	SPACING TUBE		1	1

G K1270 II R
STARTER

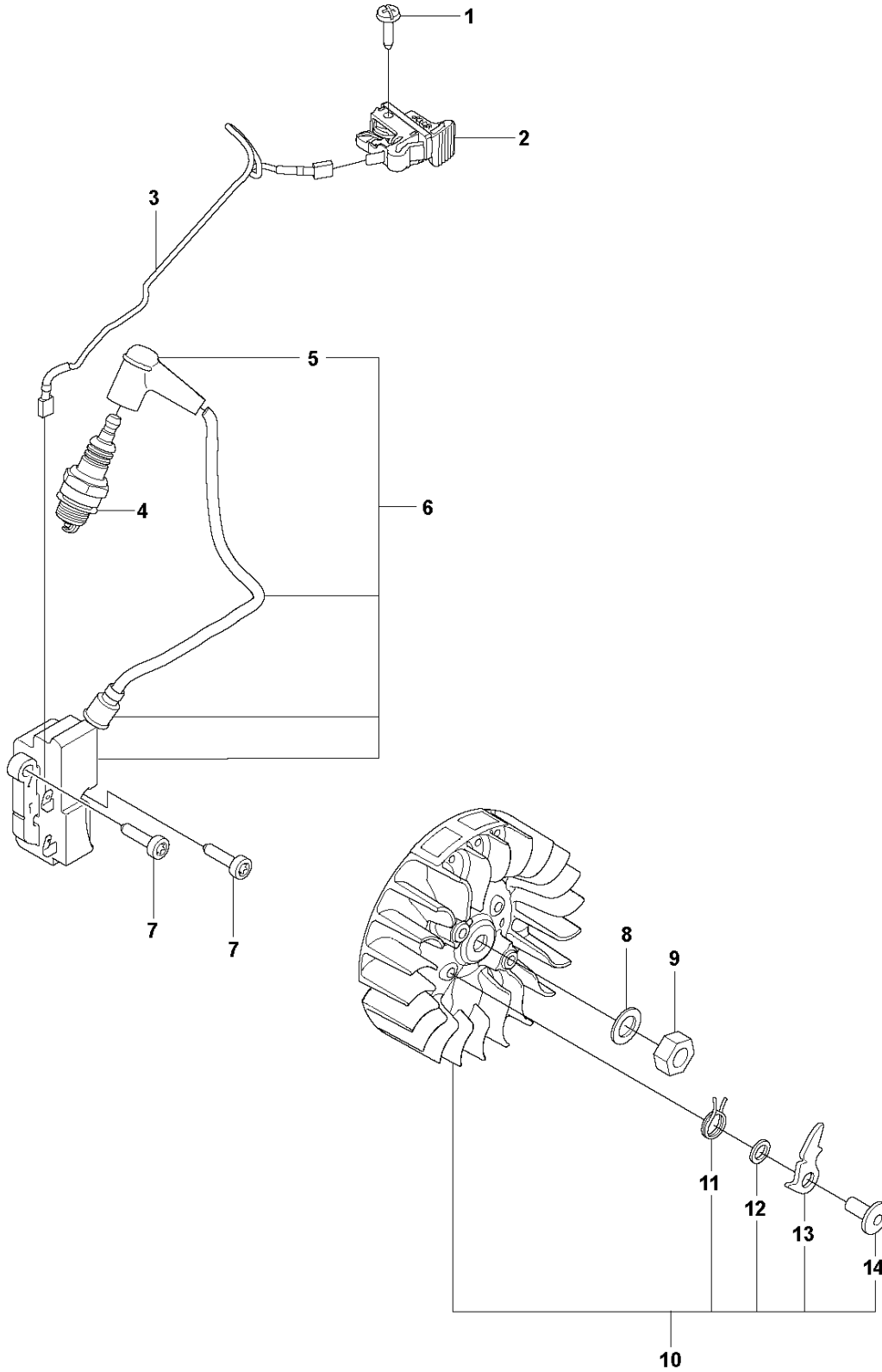


STARTER

K1270 II R, 2020-01

Ref	Part No	Description	Remark	QTY	KIT
1	506 27 55-10	STARTER		1	1
2	503 21 49-72	SCREW IHSCFT		1	1
3	503 23 43-02	WASHER		1	1
4	501 89 67-04	STARTER PULLEY		1	1
5	506 33 56-25	STARTER CORD		1	1
5	506 33 56-50	STARTER CORD	50meter	1	1
6	584 25 79-02	STARTER HANDLE ASSY		1	1
7	503 74 36-01	DISC		1	1
8	503 13 50-01	RECOIL SPRING		1	1
9	506 25 58-03	STARTER COVER		1	1
10	501 98 10-05	SCREW ITXSCM		4	1
11	582 14 19-01	DECAL		1	1
12	501 89 59-02	AIR CONDUCTOR		1	1
12	501 89 59-03	AIR CONDUCTOR	Rail stop switch only	1	

H K1270 II R
IGNITION SYSTEM

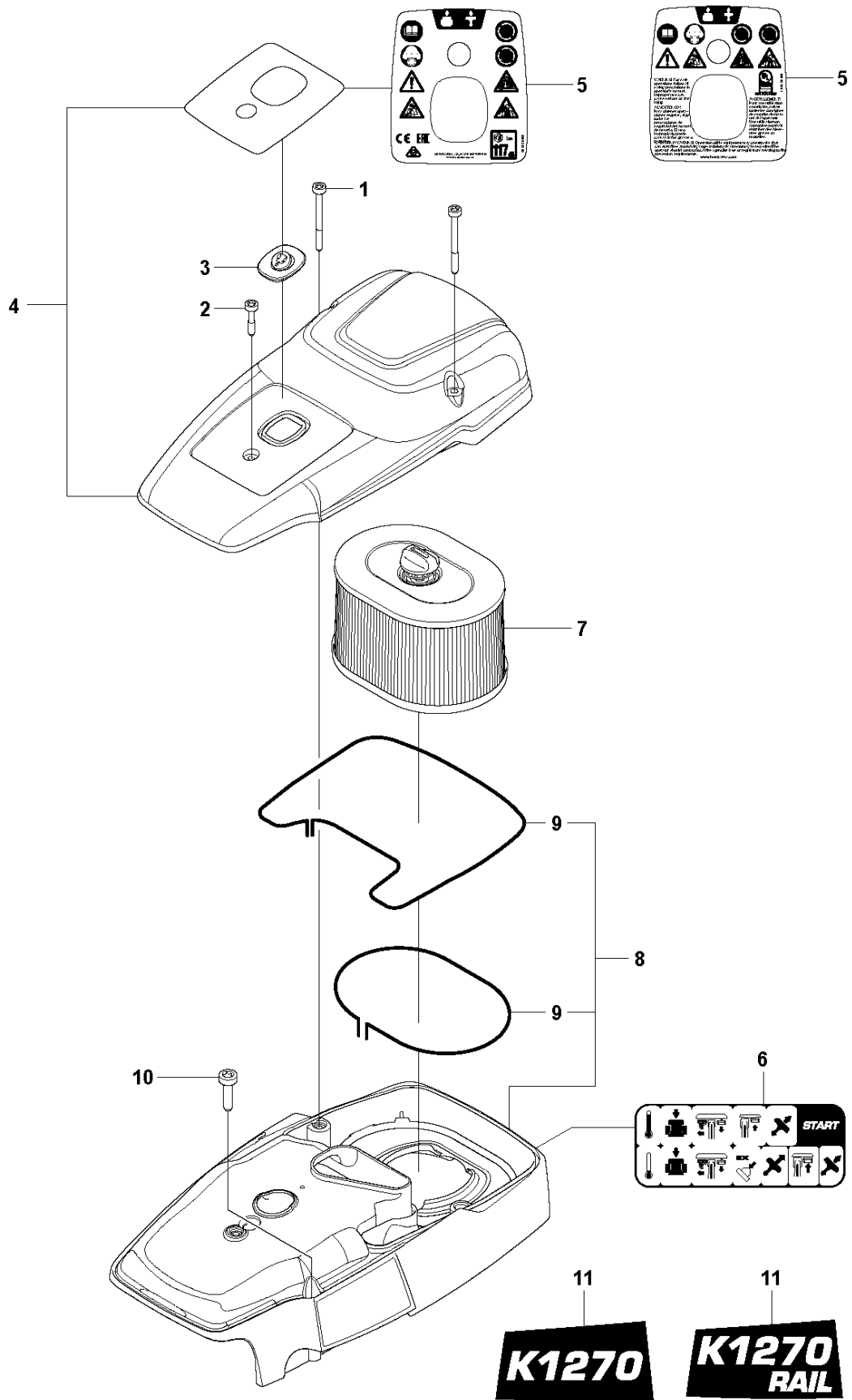


IGNITION SYSTEM

K1270 II R, 2020-01

Ref	Part No	Description	Remark	QTY	KIT
1	525 88 74-03	SCREW CITXPANT		1	
2	506 31 86-04	STOP SWITCH		1	
3	501 83 98-03	CABLE		1	
4	503 23 51-11	SPARK PLUG		1	
5	590 50 45-01	SPARK PLUG CAP		1	6
6	580 38 05-07	IGNITION MODULE		1	
7	525 82 49-13	SCREW ITXSCM		2	
8	735 11 73-50	SPRING WASHER		1	
9	503 22 10-11	HEXAGON NUT		1	
10	587 24 88-01	FLYWHEEL ASSY		1	
11	501 63 48-01	SPRING		2	10
12	503 23 00-42	WASHER		2	10
13	501 67 32-03	PAWL		2	10
14	501 81 99-01	SCREW		2	10

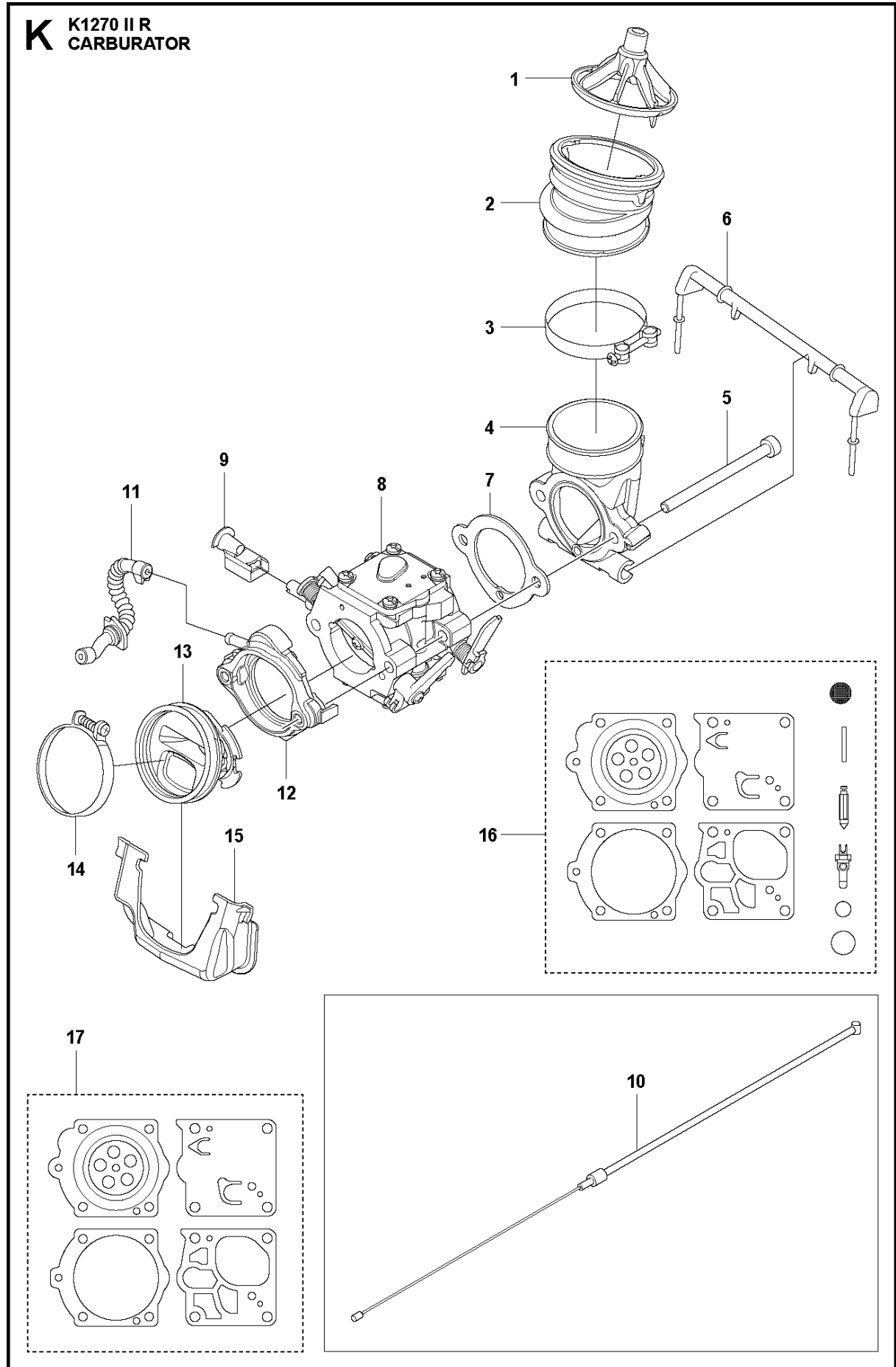
J K1270 II R
AIR FILTER



AIR FILTER

K1270 II R, 2020-01

Ref	Part No	Description	Remark	QTY KIT	
1	503 21 53-56	SCREW ITXSCM		2	
2	503 21 53-12	SCREW ITXSCM		1	
3	585 42 83-01	PLUG		1	
4	590 35 78-01	FILTER COVER ASSY		1	
5	589 02 38-04	DECAL	CE	1	4
5	589 02 38-05	DECAL	USA, CANADA, MEXICO	1	4
6	544 87 38-03	LABEL		1	
7	510 24 41-05	AIR FILTER	Rail	1	
7	510 24 41-03	AIR FILTER	Standard	1	
8	576 55 32-03	CYLINDER COVER		1	
9	525 61 70-04	SEALING		2	8
10	503 21 53-30	SCREW ITXSCM		5	
11	525 81 69-03	LABEL	K1270	1	
11	525 81 69-04	LABEL	K1270 Rail	1	

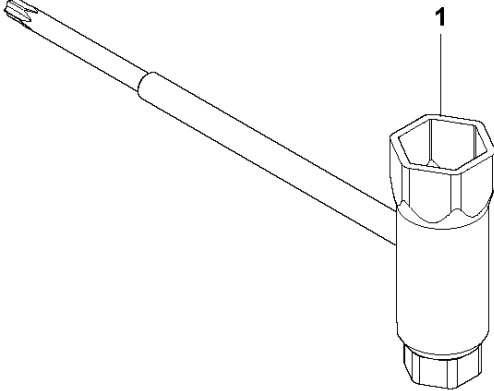


CARBURATOR

K1270 II R, 2020-01

Ref	Part No	Description	Remark	QTY KIT
1	510 24 39-01	FILTER		1
2	510 24 38-02	BELLOWS		1
3	505 28 33-11	HOSE CLAMP		1
4	588 75 07-01	INLET BEND		1
5	503 21 53-65	SCREW ITXSCM		2
6	506 25 04-01	SUPPORT		1
7	579 85 11-01	GASKET		1
8	597 85 70-01	CARBURETTOR		1
9	588 89 20-01	GUIDE SLEEVE		1
10	596 92 77-01	THROTTLE CABLE ASSY		1
11	582 12 57-01	IMPULSE HOSE		1
12	587 53 69-01	FLANGE		1
13	587 53 68-01	INLET PIPE		1
14	505 28 33-16	HOSE CLAMP		1
15	588 63 04-01	INSULATION WALL		1
16	582 60 65-01	REPAIR KIT		1
17	503 59 74-03	GASKET KIT		1

L K1270 II R
TOOLS



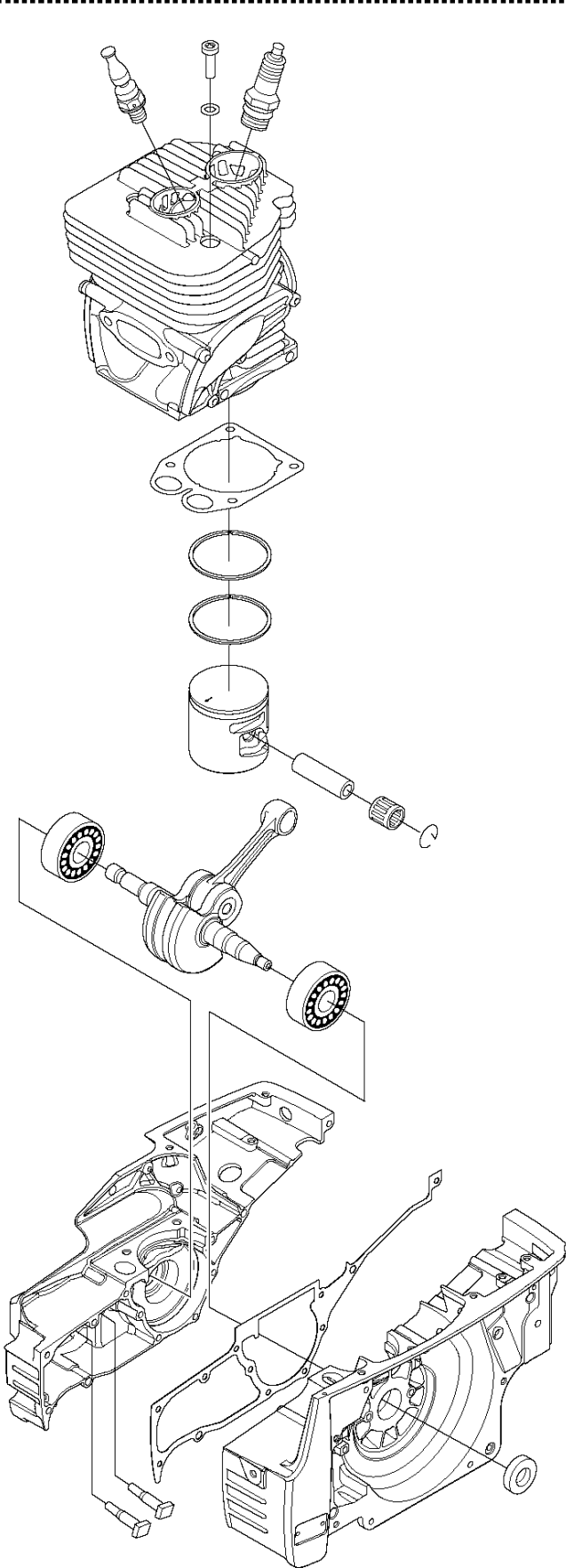
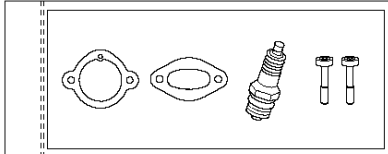
TOOLS

K1270 II R, 2020-01

Ref	Part No	Description	Remark	QTY KIT
1	506 38 26-01	TOOL		1

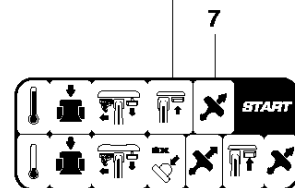
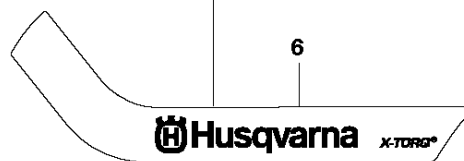
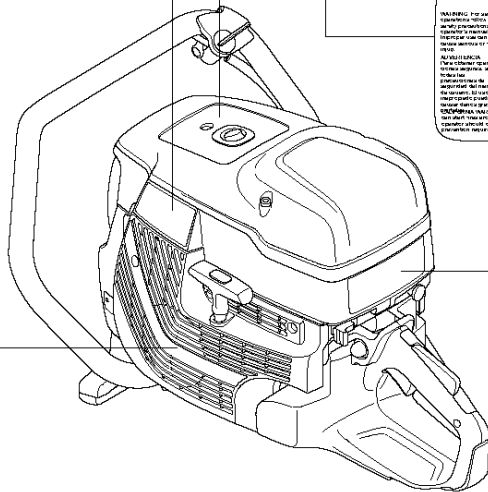
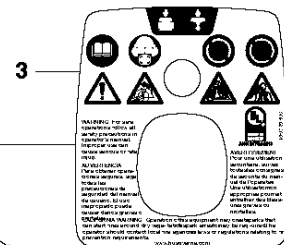
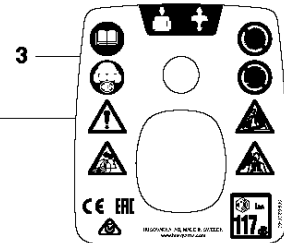
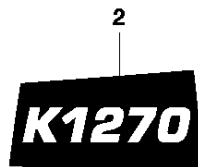
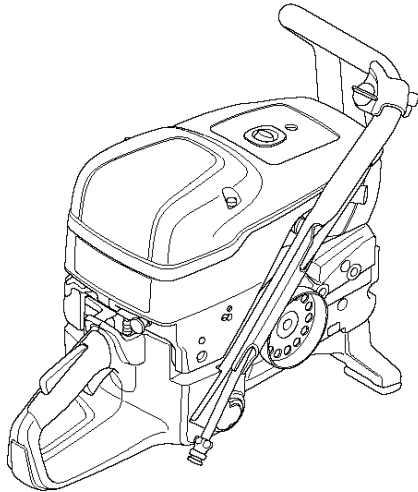
M K1270 II R
ENGINE KIT

1



Ref	Part No	Description	Remark	QTY KIT
1	582 41 50-05	CRANKCASE		1

N K1270 II R
DECALS



DECALS

K1270 II R, 2020-01

Ref	Part No	Description	Remark	QTY KIT
2	525 81 69-03	LABEL		1
3	589 02 38-04	DECAL		1
3	589 02 38-01	DECAL	USA, CANADA	1
6	582 14 19-01	DECAL		1
7	544 87 38-03	LABEL		1