

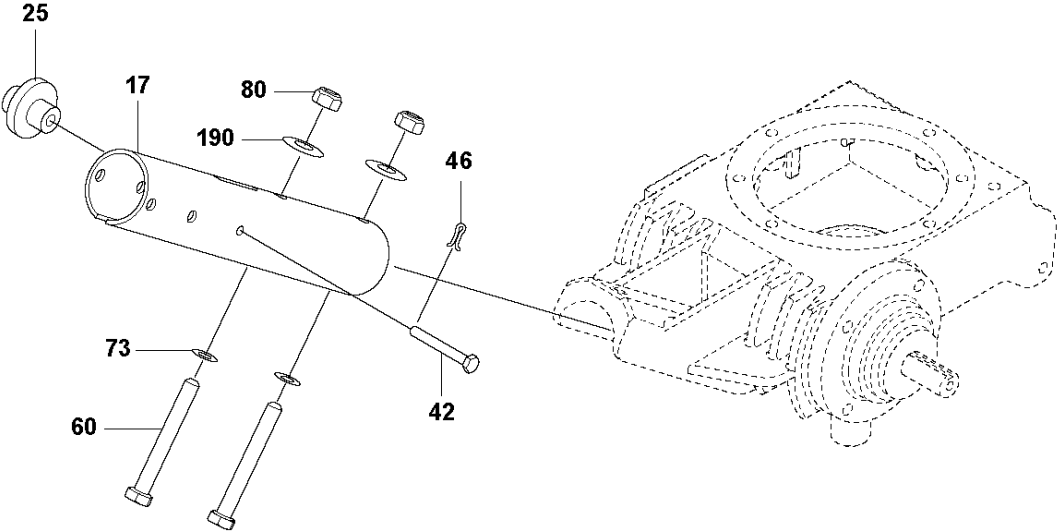


SPARE PARTS LIST

TROWELS

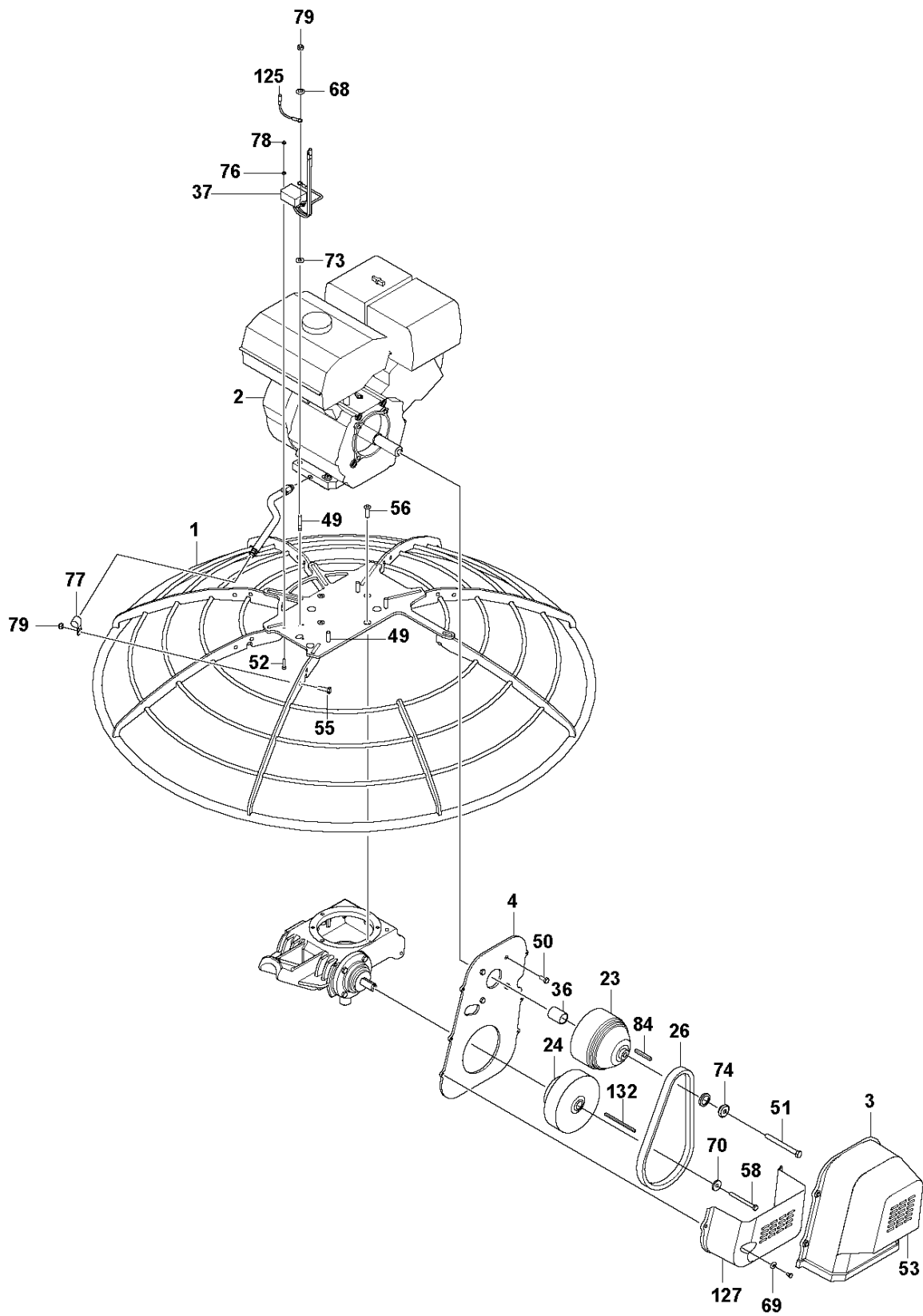
CT48-13A-V, 2020-02

A CT48-13A-V
HANDLE, LOWER



Ref	Part No	Description	Remark	QTY KIT
17	599 00 24-01	PIPE		1
25	599 17 15-01	PULLEY		1
42	599 16 80-01	PIN	1/4x2-3/8"	1
46	599 16 43-01	PIN	1,6x16, DIN 94	1
60	599 16 04-01	SCREW	M10x85, ISO4014, 49Nm/36ft.lbs	2
73	734 11 72-01	WASHER	M10, 200HV, A2K, DIN125B	2
80	732 21 20-51	NUT	M10, DIN985	2
190	599 15 99-01	WASHER	M10, A2K, ISO 7093	2

B CT48-13A-V
DRIVE

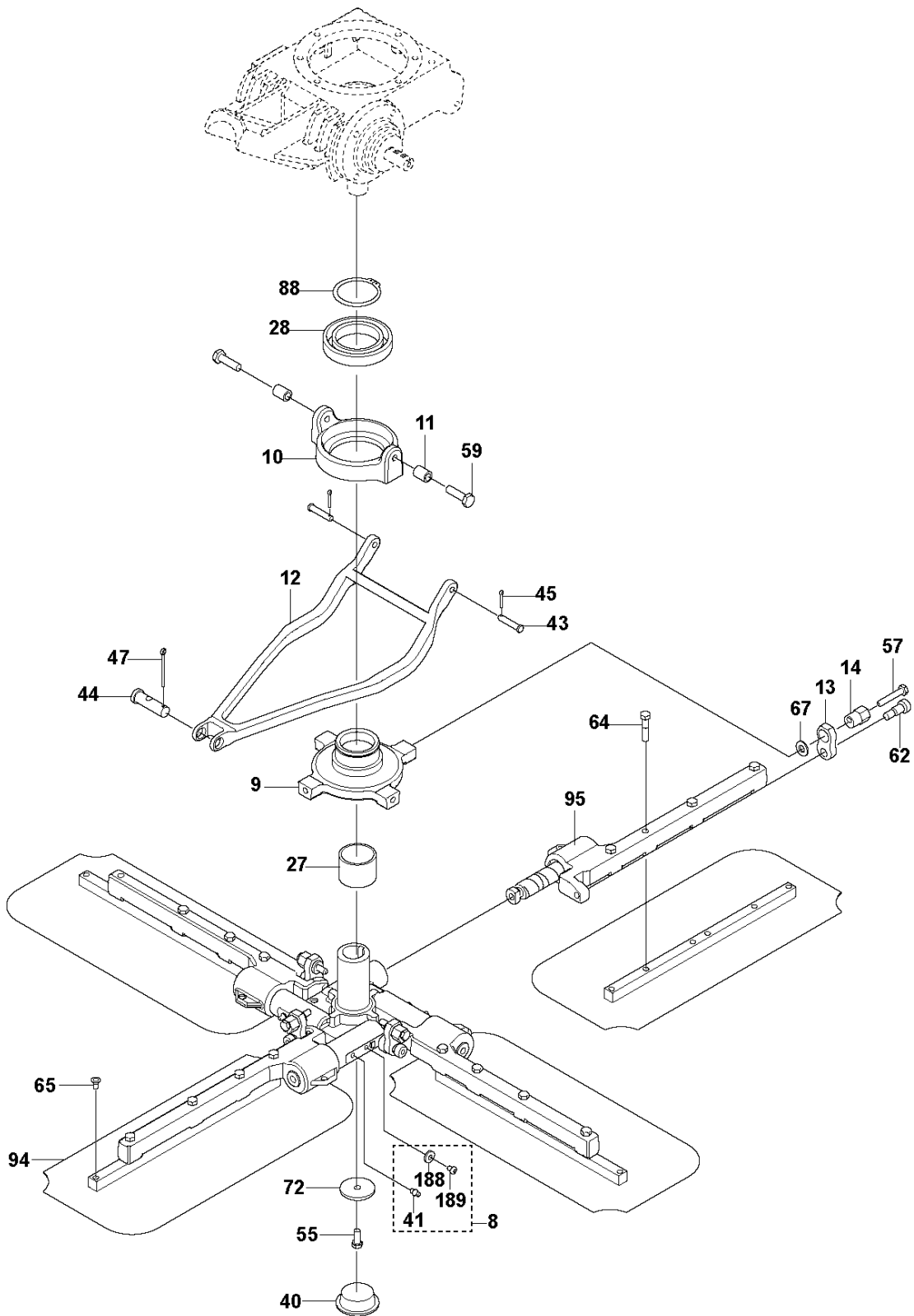


DRIVE

CT48-13A-V, 2020-02

Ref	Part No	Description	Remark	QTY KIT
1	599 08 35-01	RING		1
2	599 41 83-01	ENGINE	13hp	1
3	599 13 16-02	BELT GUARD	Beltguard, upper	1
4	599 06 37-01	PLATE		1
23	599 06 33-01	CLUTCH	3/4in	1
24	599 06 34-01	CLUTCH		1
26	599 06 26-01	BELT		1
36	599 06 32-01	SPACER		1
37	599 06 98-01	CONTROL		1
49	599 17 02-01	STUD	M8x1.25, IFI528, Type 3, 8.8, Zn	4
50	599 16 25-01	SCREW	5/16-24 x 1-1/4" 18Nm/13ft.lbs"	4
51	599 17 48-01	BOLT	3/8in x 24 x 5,5	1
52	725 22 95-71	SCREW EHHM	M4x20, ISO4017, 8.8, ZPB, 3Nm/2ft.lbs	2
53	596 32 01-01	BOLT	M6x12, ISO4017, 8.8, ZPB, 10Nm/7ft.lbs	6
55	725 24 53-71	SCREW EHHM	M8x25, ISO4017, 8.8, ZPB, 25Nm/18ft.lbs	1
56	599 16 20-01	SCREW	M8x30, 8.8, ISO10642, A2, 30Nm/22ft.lbs	4
58	725 24 66-51	SCREW	M8 x 1,25 x 75	1
68	599 16 19-01	LOCKWASHER	M8, DIN6796	4
69	734 11 54-41	WASHER	6.4x18x1.6, ISO7093, ZPB	6
70	599 06 35-01	WASHER		1
73	734 11 72-01	WASHER	10.5x20x2, ISO7089, 200HV, ZPB	1
74	599 06 31-01	SPACER		1
76	734 11 46-01	WASHER	5.3x10x1, ISO7089, 200HV, ZPB	2
77	599 00 14-01	CLAMP		1
78	599 15 98-01	LOCK NUT	M4	2
79	522 91 94-01	LOCK NUT	M8, DIN985, 25Nm/18ft.lbs	4
84	599 17 49-01	KEY	1/4 x 3/16in	1
125	599 02 75-01	WIRING		1
127	599 15 96-02	BELT GUARD		1
132	599 17 50-01	KEY		1

C CT48-13A-V
BLADE ASSY



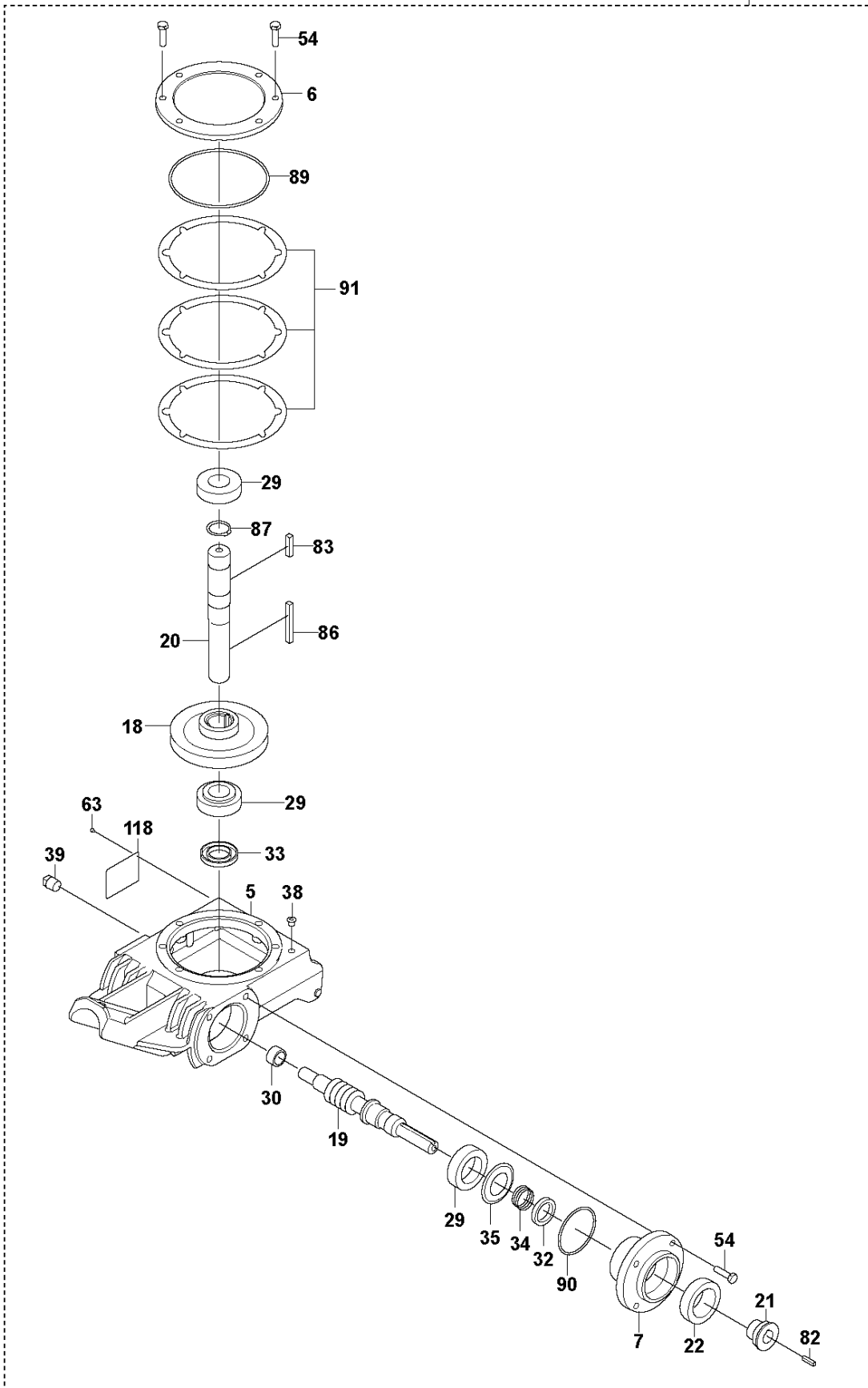
BLADE ASSY

CT48-13A-V, 2020-02

Ref	Part No	Description	Remark	QTY	KIT
8	599 41 81-01	KIT	Spider kit	1	
9	599 04 07-01	RING		1	
10	598 99 63-01	HOLDER		1	
11	599 04 81-01	TUBE		2	
12	599 00 07-01	YOKE		1	
13	599 01 14-01	LINK		4	
14	599 01 09-01	EXCENTER		4	
27	598 98 72-01	BEARING	46MM ID	1	
28	598 99 67-01	BEARING	6012-2NSE	1	
40	598 98 73-01	PLUG	#W20,tapered,plastic,red	1	
41	599 17 66-01	FITTING	AM6, DIN71412	4	8
43	599 16 31-01	PIN	5/16x1 - 1/2"	2	
44	599 16 86-01	PIN		1	
45	599 16 14-01	PIN	1/8 x 3/4in	2	
47	599 16 36-01	PIN	1/8 x 1-1/4in	1	
55	725 24 53-71	SCREW EHHM	M8x25, ISO4017, 25Nm/18ft.lbs	1	
57	599 16 59-01	SCREW	M8x45, 41Nm/30ft.lbs	4	
59	599 17 34-01	SCREW	M10x25, 12.9	2	
62	599 16 97-01	SCREW	M10x12x16, 25Nm/18ft.lbs	4	
64	599 16 71-01	SCREW	5/16-18 x 1-5/8"	8	
65	599 16 34-01	PLUG	#1,tapered,plastic,red	4	
67	734 11 65-41	WASHER	8.4x24x2, ISO7093, ZPB	4	
72	599 16 29-01	WASHER		1	
88	599 16 23-01	RETAINER RING	60x2, DIN471	1	
94	598 92 98-02	BLADE SET	48"	1	
95	599 41 48-01	MOUNT		4	
188	576 82 31-01	WASHER	M6,4	4	8
189	599 17 42-01	SCREW	M6x8, 10.9	4	8

D CT48-13A-V
GEARBOX

1

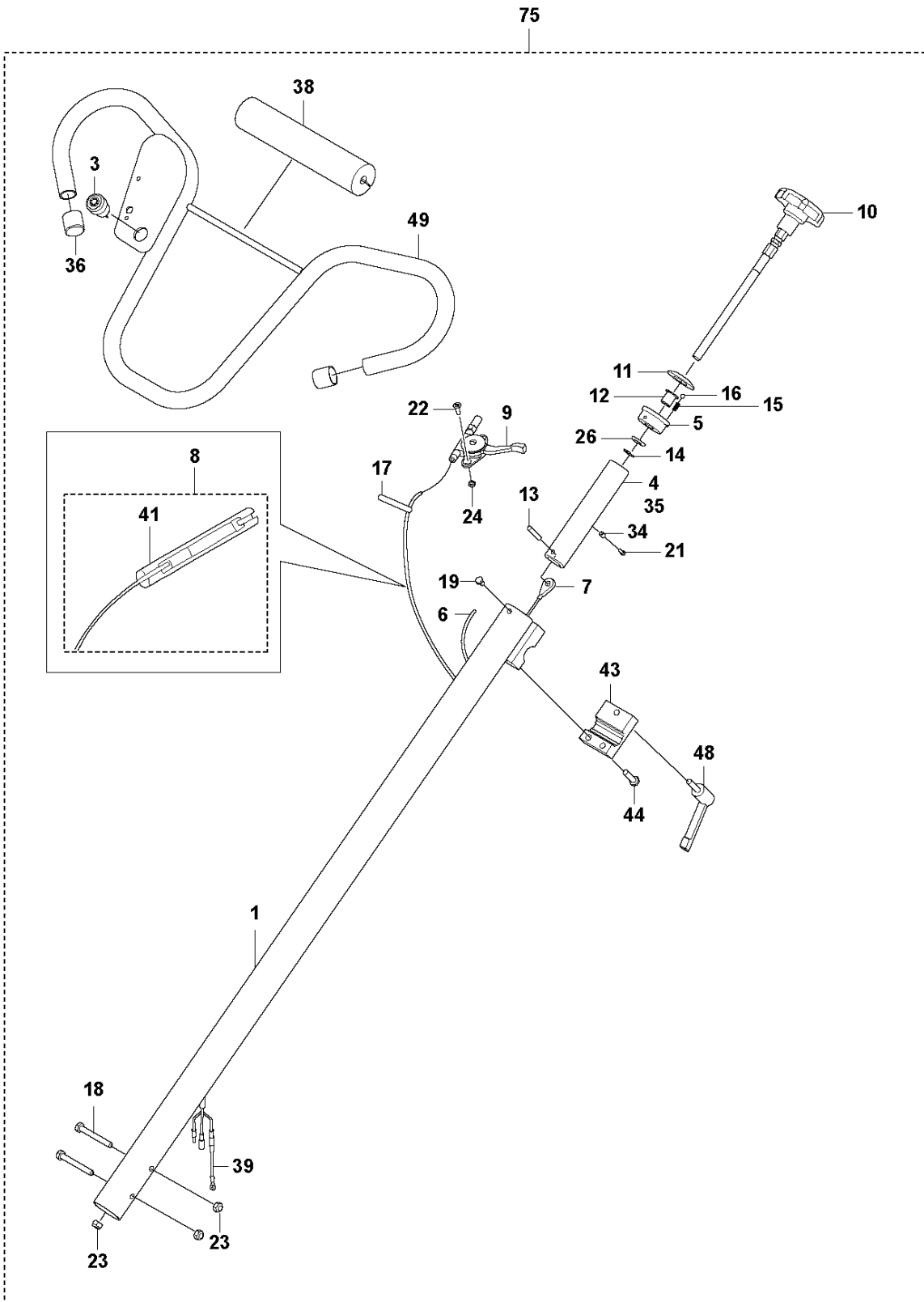


GEARBOX

CT48-13A-V, 2020-02

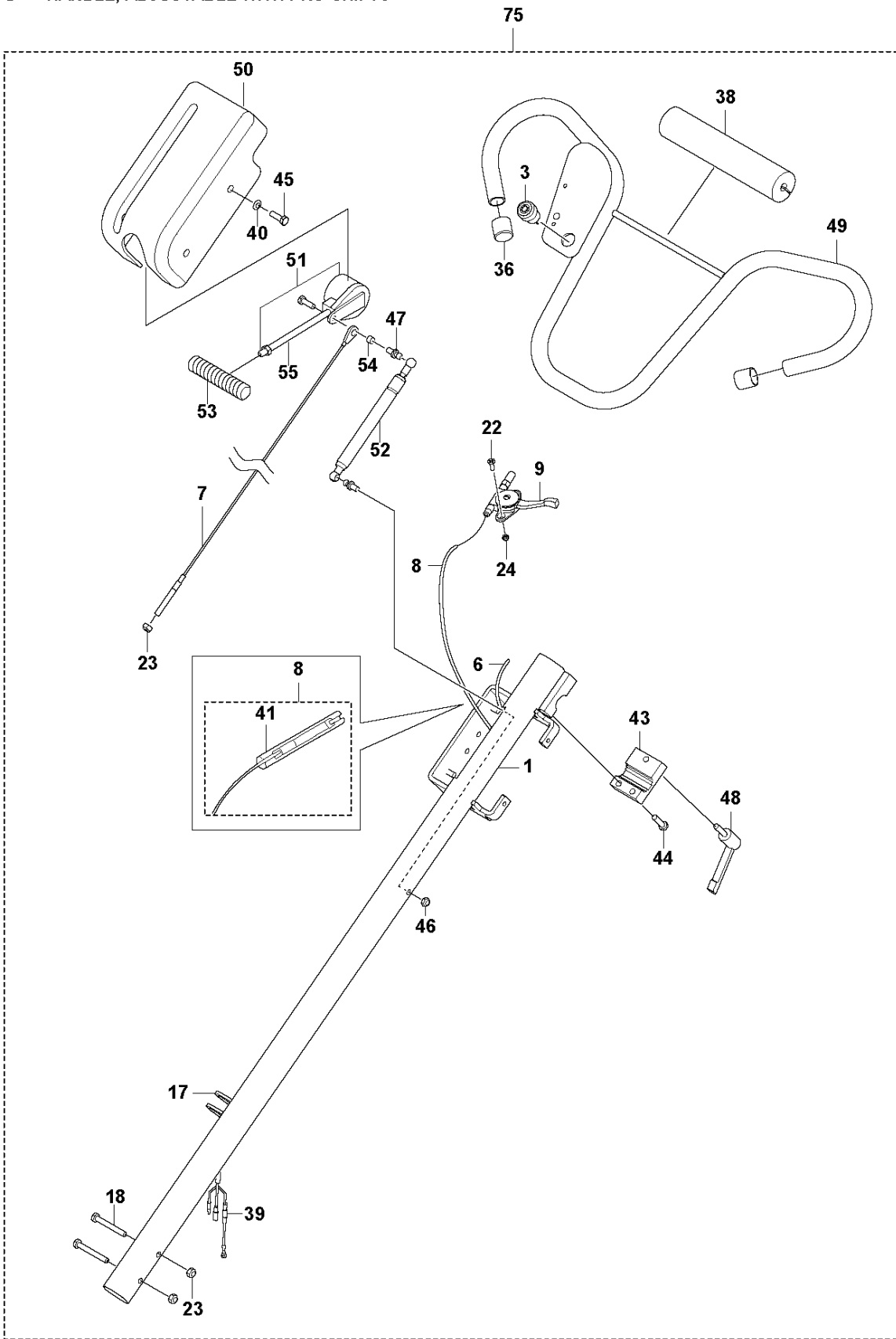
Ref	Part No	Description	Remark	QTY KIT	
1	599 41 82-01	GEARBOX	Complete	1	
5	599 01 83-01	GEARBOX		1	1
6	598 99 84-01	COVER		1	1
7	599 00 80-01	COVER		1	1
18	599 00 16-01	GEAR		1	1
19	599 01 84-01	SHAFT		1	1
20	599 05 22-01	SHAFT		1	1
21	599 02 53-01	BRAKE		1	1
22	599 02 54-01	BRAKE		1	1
29	599 00 32-01	BEARING		3	1
30	599 01 85-01	BEARING		1	1
32	599 01 04-01	SEAL	28 x 40 x 7	1	1
33	599 01 05-01	SEAL	30 x 52 x 7	1	1
34	599 01 03-01	SPRING		1	1
35	599 00 31-01	SPACER		1	1
38	599 41 67-01	VALVE		1	1
39	599 41 71-01	PLUG	3/8 NPTF	1	1
54	725 24 55-51	SCREW	M8x30, ISO4017, 8.8, ZPB, 25Nm/18ft.lbs	6	1
63	599 17 67-01	SCREW	3-48 x 5/32	4	1
82	599 17 00-01	KEY		1	1
83	599 17 01-01	KEY		1	1
86	599 16 69-01	KEY	8 x 7 x 70	1	1
87	599 17 65-01	RETAINER RING	30 x 1,5, DIN471	1	1
89	599 00 94-01	O-RING	3,5 x 138	1	1
90	599 01 86-01	O-RING	3 x 67	1	1
91	599 41 86-01	SHIM	18mm, 23mm & 30mm	1	1
118	599 01 75-01	LABEL		1	1

E CT48-13A-V
HANDLE, ADJUSTABLE WITH TWIST PITCH



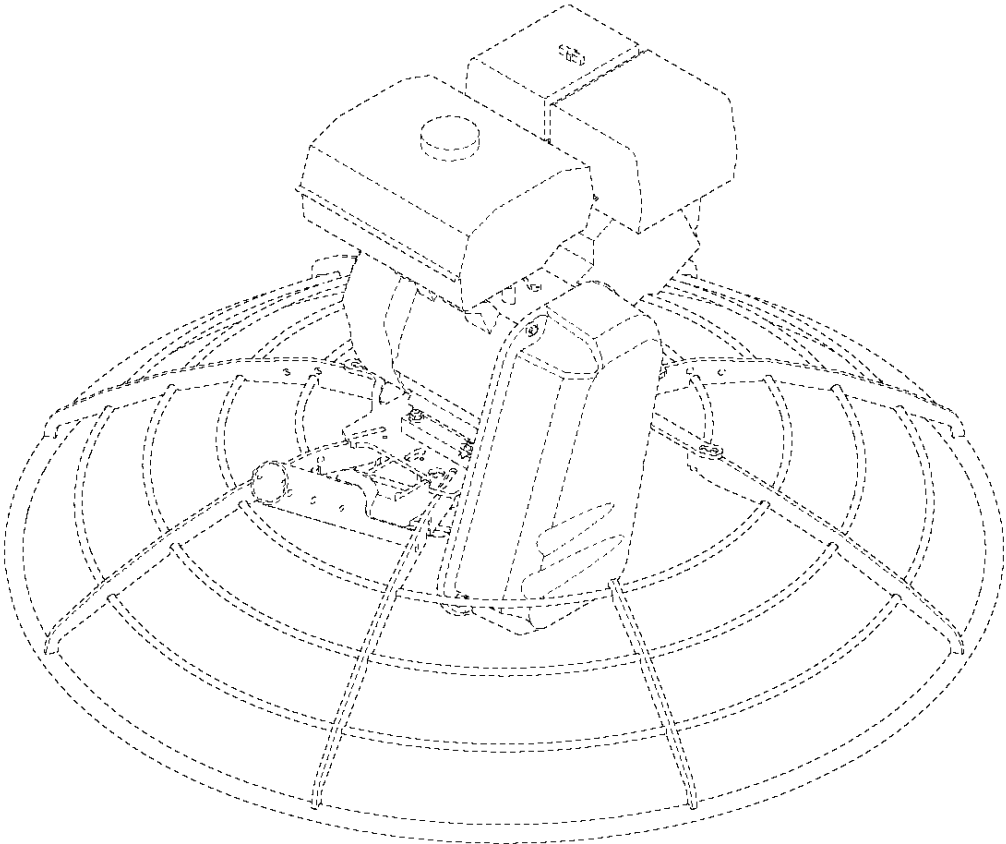
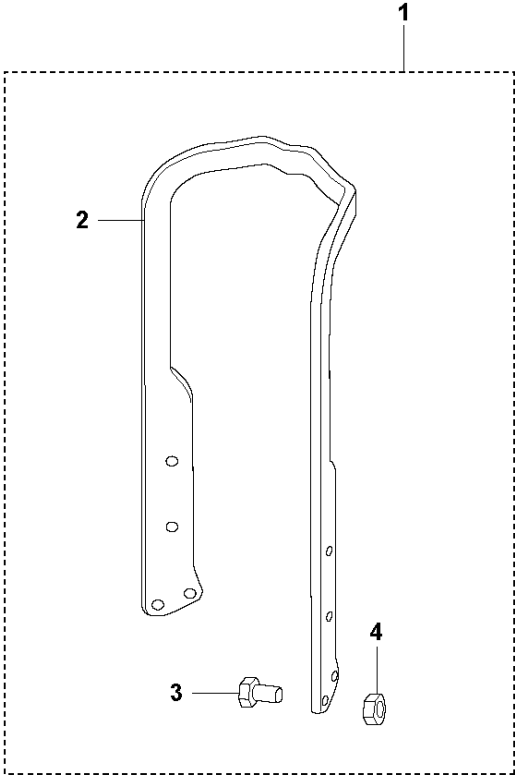
Ref	Part No	Description	Remark	QTY	KIT
1	599 02 65-01	HANDLE		1	75
3	599 08 70-01	SWITCH		1	75
4	599 03 79-01	NUT		1	75
5	599 00 28-01	HOLDER		1	75
6	599 08 69-01	HARNESS		1	75
7	599 00 26-01	CABLE		1	75
8	599 01 02-01	CABLE		1	75
9	599 01 08-01	LEVER		1	75
10	599 12 50-01	KNOB		1	75
11	599 01 07-01	PLATE		1	75
12	599 00 29-01	BEARING		1	75
13	599 17 22-01	PIN	1/4 x 1-3/8"	1	75
14	599 16 88-01	RETAINER RING	9	1	75
15	599 00 41-01	SPRING		1	75
16	599 16 96-01	BALL		1	75
17	599 16 22-01	CABLE		2	75
18	725 24 64-51	SCREW EHHM	M8x65, ISO4014, Zn, 25Nm/18ft.lbs	2	75
19	725 23 64-71	SCREW EHHM	M6x10, ISO4017, 8.8, ZPB, 5Nm/4ft.lbs	1	75
21	599 16 05-01	SCREW	M4x16, 5Nm/4ft.lbs	1	75
22	599 17 72-01	SCREW	M5x16	2	75
23	522 91 94-01	LOCK NUT	M8, ISO7040, 6H, A2	3	75
24	732 21 14-01	LOCK NUT	M5, ISO7040, 6H, A2	2	75
26	734 11 78-01	WASHER	M12, 13x24x2.5, ISO7090, 200HV, ZPB	1	75
34	599 03 93-01	SPACER	1/4 x 0.17 x 3/8	1	75
35	599 17 21-01	SLEEVE	3/4x2.0x9.0in	1	75
36	599 04 05-01	CAP		2	75
38	599 03 85-01	PAD		1	75
39	599 02 75-01	WIRING		1	75
41	598 98 62-01	CHEMICAL	25Nm/18ft.lbs	1	75, 8
43	599 01 89-01	BLOCK		1	75
44	725 24 55-51	SCREW	M8x30, ISO4017, 8.8, ZPB, 25Nm/18ft.lbs	2	75
48	599 03 07-01	HANDLE		1	75
49	599 08 65-01	HANDLE		1	75
75	598 92 68-08	HANDLE	Complete	1	

F CT48-13A-V
HANDLE, ADJUSTABLE WITH PRO-SHIFT®



Ref	Part No	Description	Remark	QTY	KIT
1	599 02 30-01	HANDLE		1	75
3	599 08 70-01	SWITCH		1	75
6	599 08 69-01	HARNESS		1	75
7	599 00 26-01	CABLE		1	75
8	599 01 02-01	CABLE		1	75
9	599 01 08-01	LEVER		1	75
17	599 16 22-01	CABLE		2	75
18	725 24 64-51	SCREW EHHM	M8x65, ISO4014, Zn, 25Nm/18ft.lbs	2	75
22	599 17 72-01	SCREW	M5 x 16	2	75
23	522 91 94-01	LOCK NUT	M8, ISO7040, 6H, A2	3	75
24	732 21 14-01	LOCK NUT		2	75
36	599 04 05-01	CAP		2	75
38	599 03 85-01	PAD		1	75
39	599 02 75-01	WIRING		1	75
40	734 11 63-01	WASHER		4	75
41	598 98 62-01	CHEMICAL	25Nm/18ft.lbs	1	75
43	599 01 89-01	BLOCK		1	75
44	725 24 55-51	SCREW	M8x30, ISO4017, 8.8, ZPB, 25Nm/18ft.lbs	2	75
45	725 24 53-71	SCREW EHHM	M8x25, ISO4017, 8.8, ZPB, 25Nm/18ft.lbs	4	75
46	576 64 57-04	NUT FLANGE	M8, 16Nm/12ft.lbs	1	75
47	599 16 87-01	STUD	M8x10, 16Nm/12ft.lbs	2	75
48	599 03 07-01	HANDLE		1	75
49	599 08 65-01	HANDLE		1	75
50	599 20 90-01	COVER		1	75
51	599 20 88-01	CONTROL		1	75
52	599 01 64-01	SPRING	90 lb	1	75
53	599 20 91-01	HANDLE		1	75
54	599 20 89-01	SPACER		1	75
55	599 41 42-01	ROD		1	75
75	598 92 68-12	HANDLE	Complete	1	75

G CT48-13A-V
LIFT BRACKET KIT, LONG

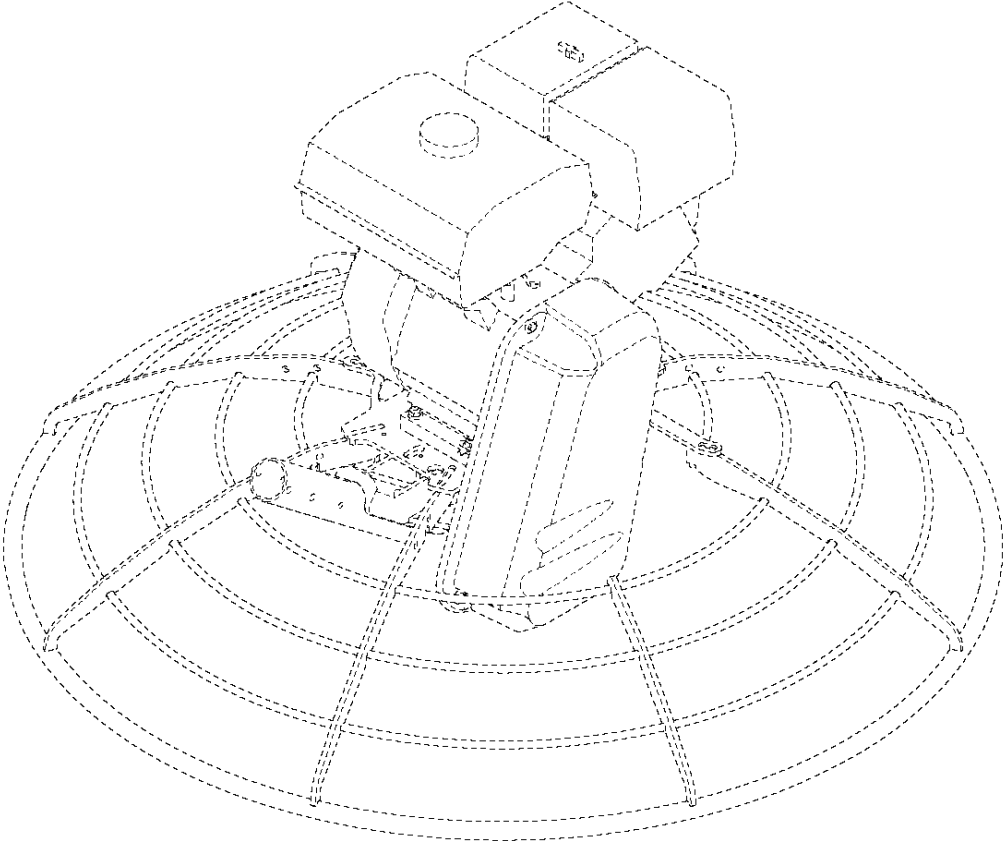
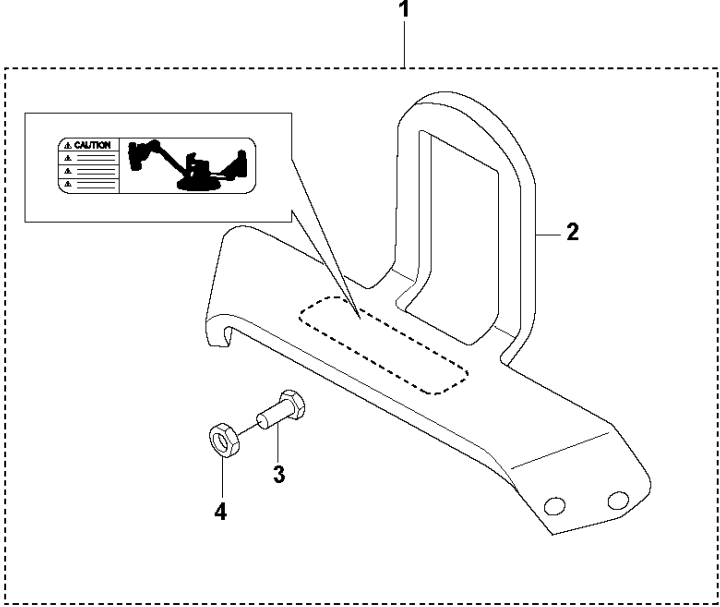


LIFT BRACKET KIT, LONG

CT48-13A-V, 2020-02

Ref	Part No	Description	Remark	QTY KIT	
1	598 92 73-02	BRACKET	Works for CT48 & CT36	1	
2	599 22 78-01	BRACKET		1	1
3	725 24 53-71	SCREW EHHM	M8x25, ISO4017, ZPB, 25Nm/18ft.lbs	4	1
4	522 91 94-01	LOCK NUT	M8, DIN985	4	1

H CT48-13A-V
LIFT BRACKET KIT, SHORT

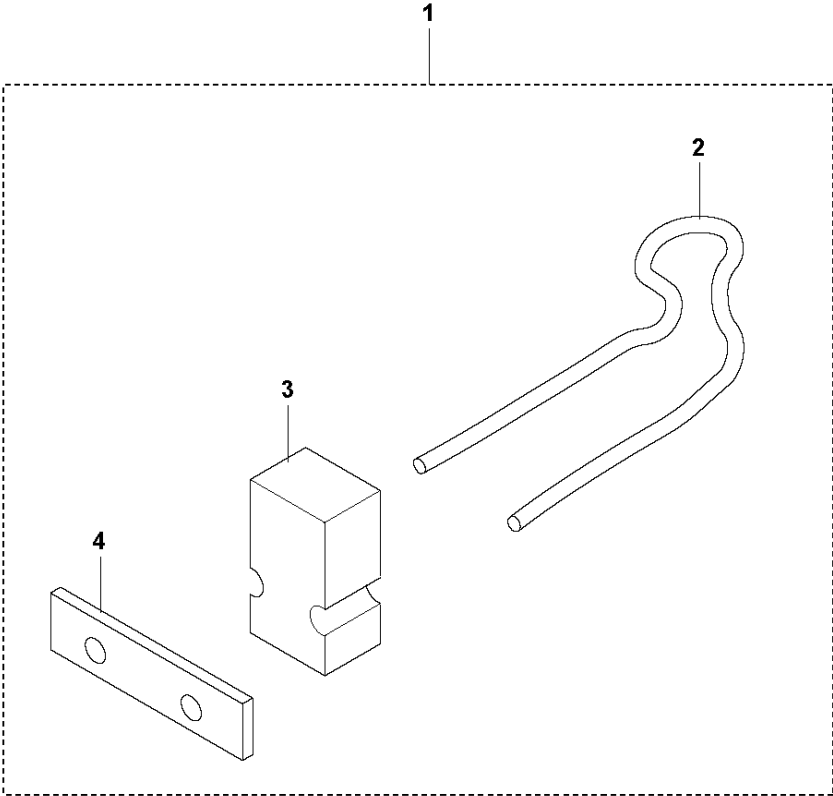


LIFT BRACKET KIT, SHORT

CT48-13A-V, 2020-02

Ref	Part No	Description	Remark	QTY KIT	
1	598 92 88-02	LIFT	Works for CT48 & CT36	1	
2	599 22 77-01	BRACKET		1	1
3	725 24 53-71	SCREW EHHM	M8x25, ISO4017, ZPB, 25Nm/18ft.lbs	4	1
4	522 91 94-01	LOCK NUT	M8, DIN985	4	1

J CT48-13A-V
WEIGHT KIT

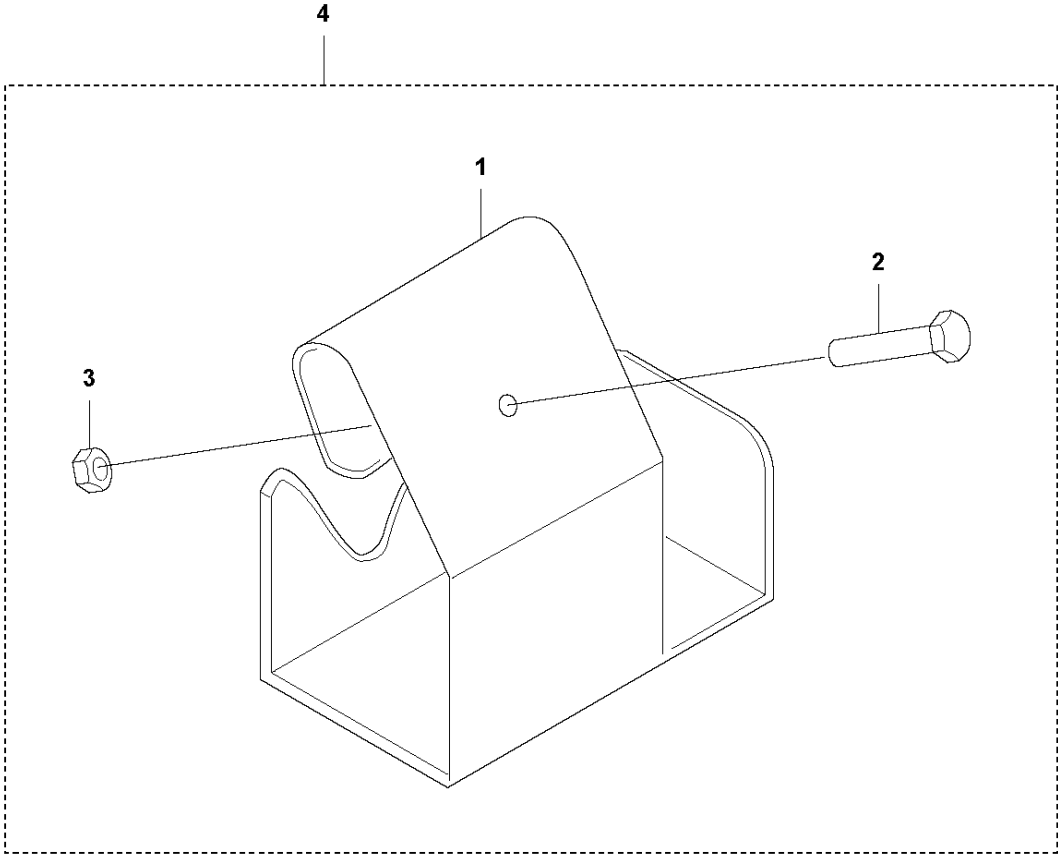


WEIGHT KIT

CT48-13A-V, 2020-02

Ref	Part No	Description	Remark	QTY KIT	
1	598 92 91-01	WEIGHT KIT	Works for CT48 & CT36	2	
2	599 22 83-01	BRACKET		4	1
3	599 22 75-01	WEIGHT		4	1
4	599 22 72-01	STRAP		4	1

K CT48-13A-V
BOTTLE HOLDER KIT

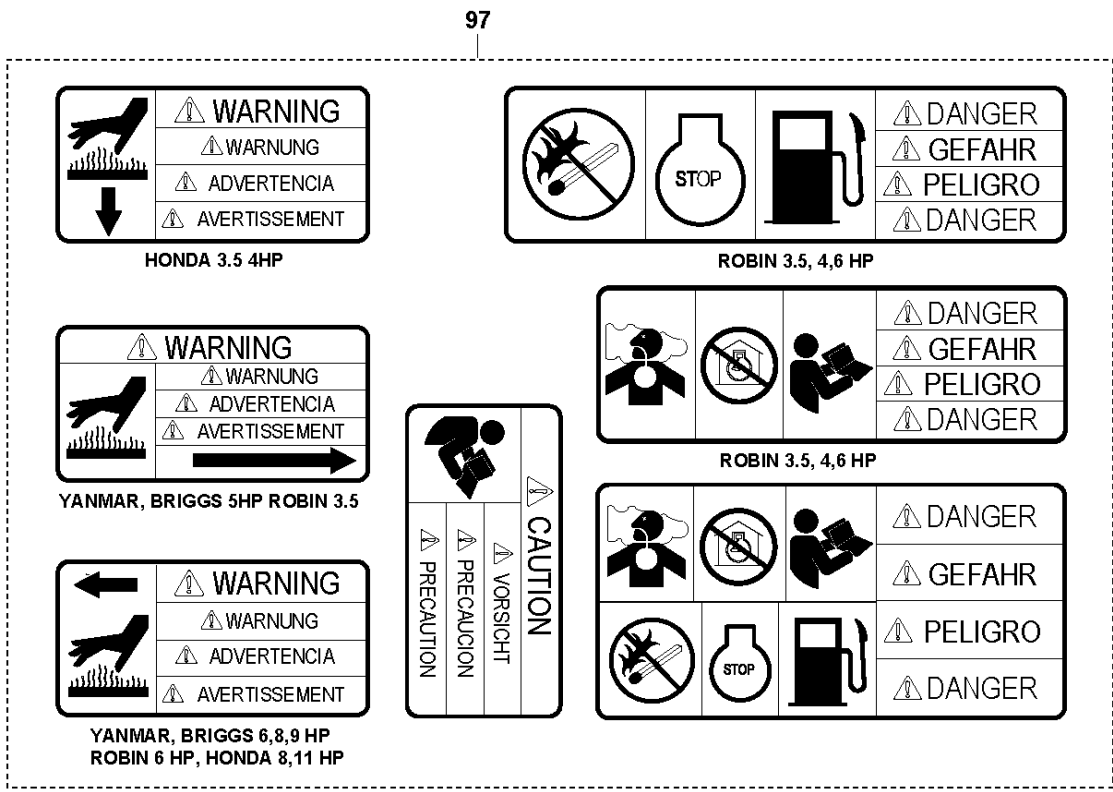
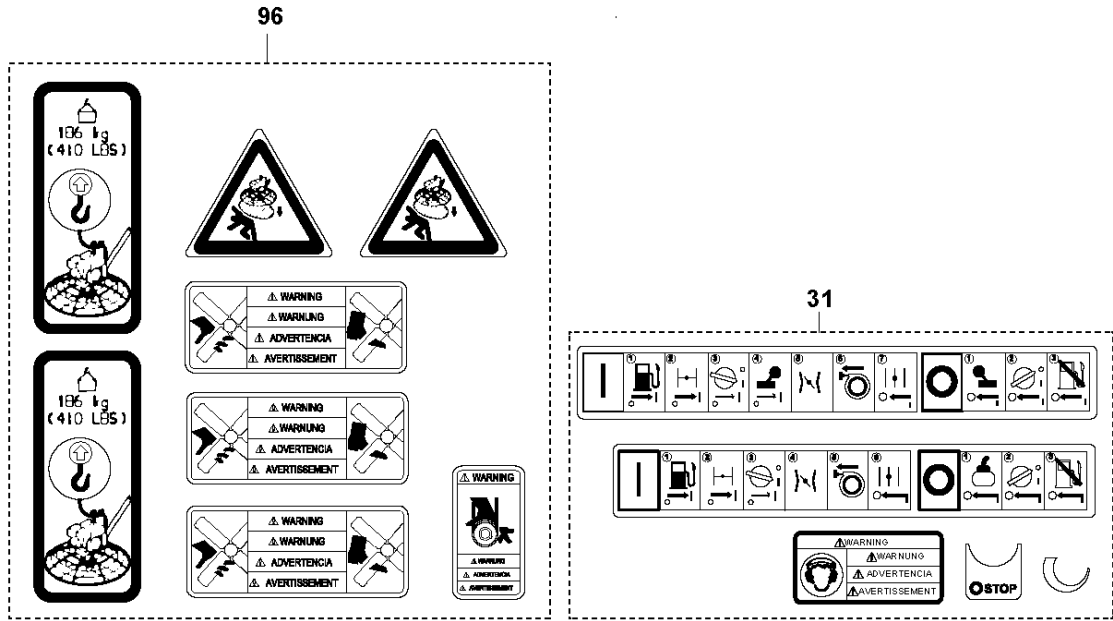
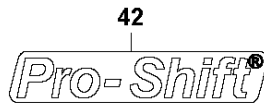
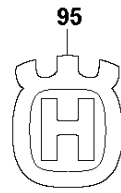


BOTTLE HOLDER KIT

CT48-13A-V, 2020-02

Ref	Part No	Description	Remark	QTY KIT	
1	599 22 80-01	BRACKET	Works for CT48 & CT36	1	
2	725 24 64-51	SCREW EHHM	M8x65, ISO4014, Zn, 25Nm/18ft.lbs	2	1
3	522 91 94-01	LOCK NUT	M8, ISO7040, 6H, A2	2	1
4	598 92 89-01	BOTTLE HOLDER		1	1

L CT48-13A-V
DECALS



DECALS

CT48-13A-V, 2020-02

Ref	Part No	Description	Remark	QTY KIT
95	599 23 41-01	DECAL		1
96	599 01 22-01	LABEL		1
97	598 99 38-01	LABEL		1
191	599 23 44-01	DECAL		1
30	599 23 40-01	DECAL		2
31	599 01 21-01	LABEL		1
42	599 20 85-01	LABEL		1
2000	599 23 45-01	DECAL		1