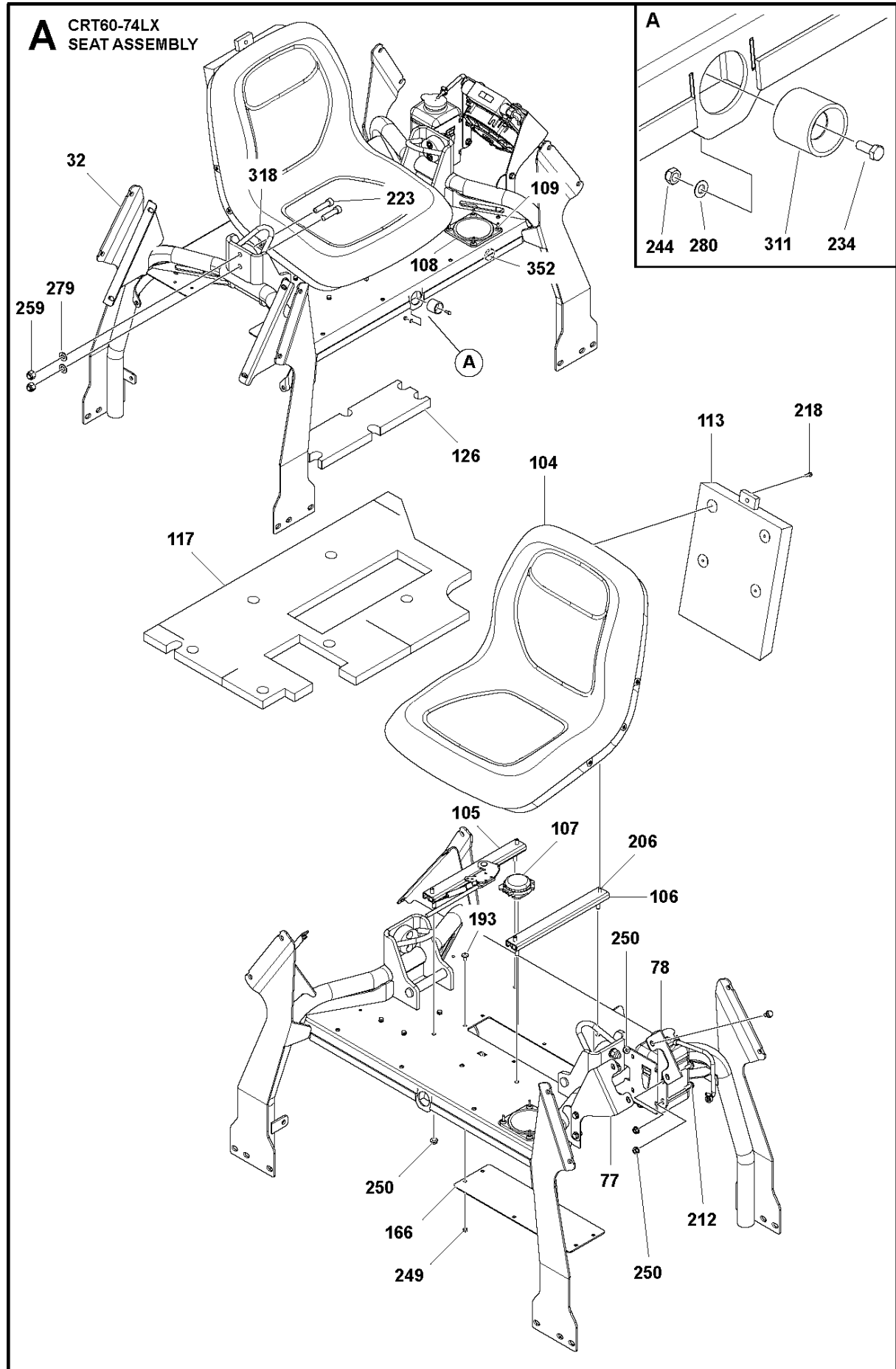




SPARE PARTS LIST

TROWELS

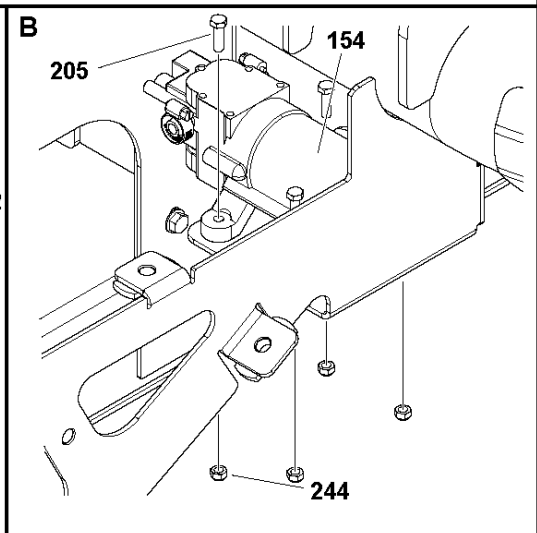
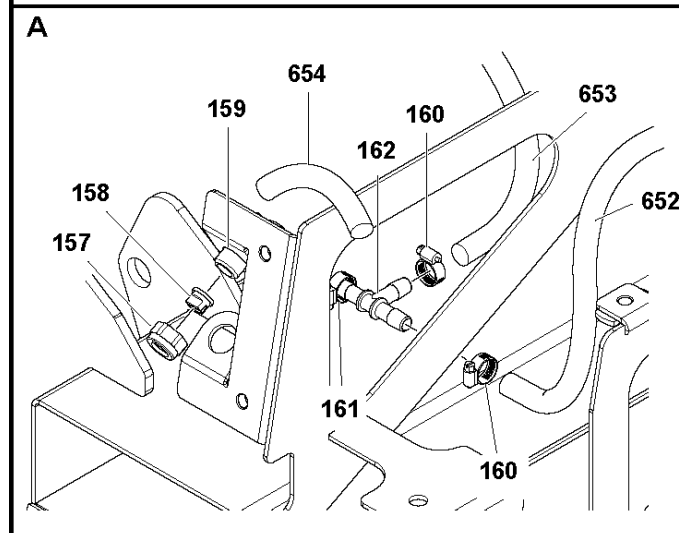
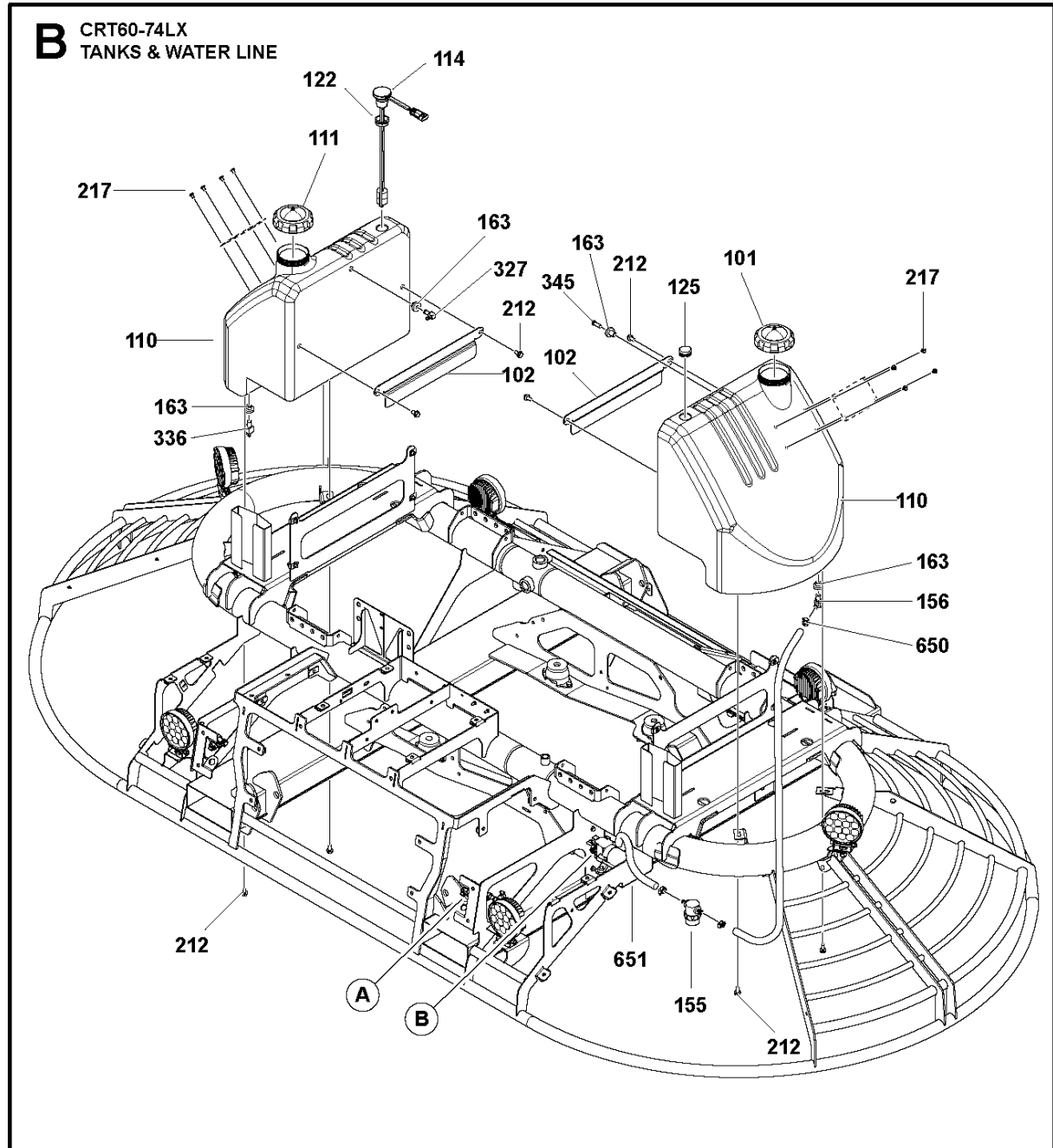
CRT60-74LX, 970461801, 2020-02



SEAT ASSY

CRT60-74LX, 970461801, 2020-02

Ref	Part No	Description	Remark	QTY KIT
32	599 05 55-01	FRAME		1
77	599 11 71-01	BRACKET		1
78	599 11 72-01	BRACKET		1
104	599 10 41-01	SEAT		1
105	599 02 64-01	BRACKET		1
106	599 04 09-01	BRACKET		1
107	599 02 69-01	SWITCH		1
108	598 99 29-01	INSERT		1
109	599 16 79-01	RIVET		4
113	598 98 85-01	HOLDER		1
117	599 11 68-01	INSULATOR		1
126	599 11 42-01	INSULATOR		1
166	599 11 43-01	PLATE		1
193	505 15 61-01	SCREW	M6 x 16	6
206	725 54 49-01	SCREW IHSCM	M8 x 16, 25Nm/18ft.lbs	4
212	506 57 01-03	SCREW EHHFM	M8 x 16, 25Nm/18ft.lbs	2
218	599 16 91-01	SCREW		4
223	599 17 47-01	SCREW	1/2 x 2,00"	4
234	725 23 27-71	SCREW EHHM	M5 x 12, 6Nm/4ft.lbs	1
244	732 21 14-01	LOCK NUT		1
249	531 20 84-91	NUT	M6	6
250	576 64 57-04	NUT FLANGE	M8	7
259	587 65 39-03	NUT	1/2-20"	4
279	599 16 63-01	WASHER		4
280	734 11 46-01	WASHER		2
311	599 07 06-01	LATCH		1
318	599 10 76-01	RING		2
352	599 51 28-01	GROMMET		1

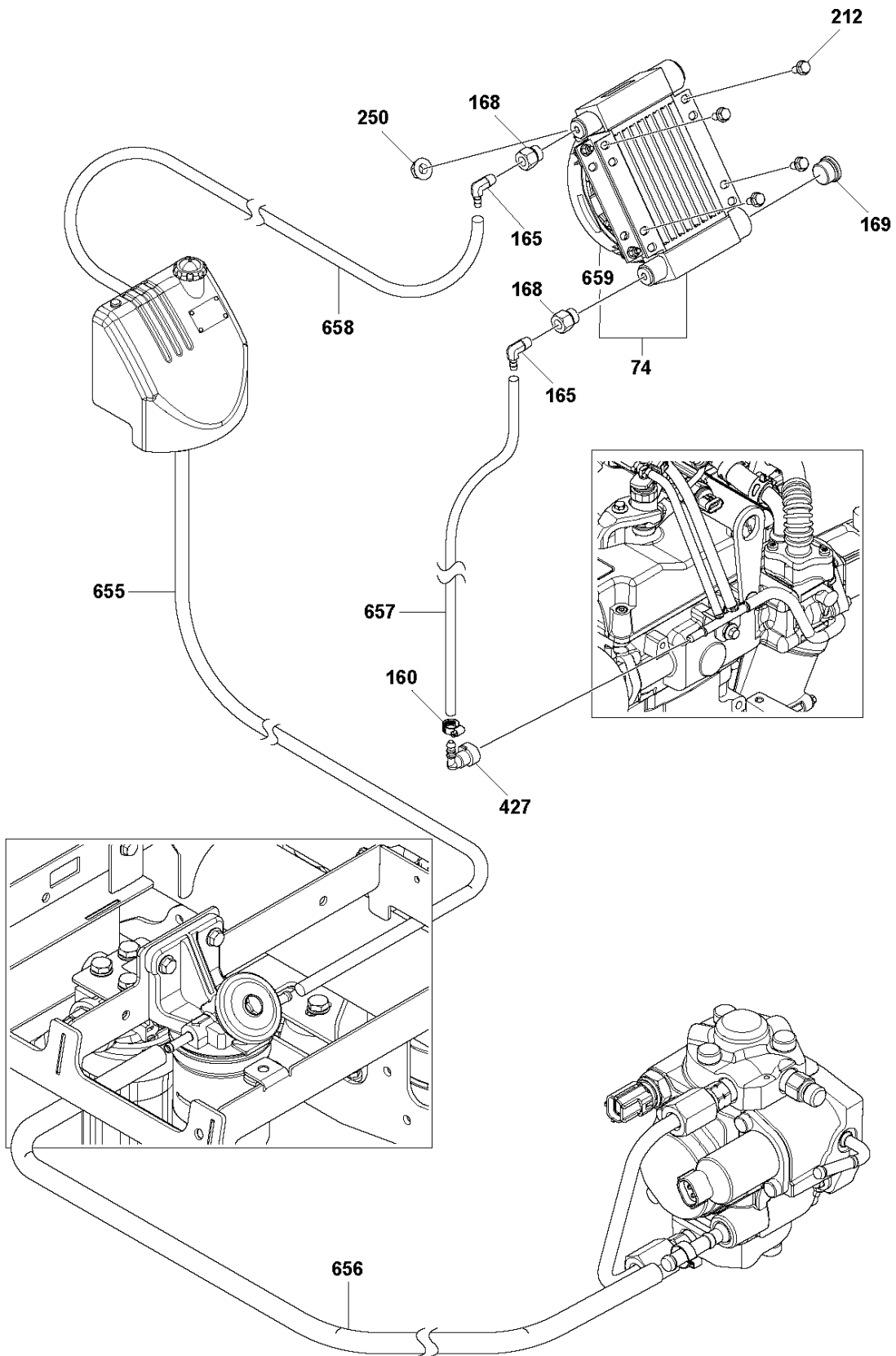


TANKS & WATER LINE

CRT60-74LX, 970461801, 2020-02

Ref	Part No	Description	Remark	QTY KIT
101	599 03 02-01	CAP		1
102	599 10 48-01	BRACKET		2
110	599 13 14-02	TANK		2
111	599 11 24-01	CAP		1
114	599 07 99-01	GAUGE	14"	1
122	598 98 92-01	BUSHING		1
125	599 07 10-01	PLUG		1
154	599 06 16-01	PUMP		1
155	599 06 18-01	SCREEN		1
156	599 06 17-01	VALVE		1
157	598 99 41-01	FITTING		2
158	598 99 40-01	JET		2
159	598 99 39-01	ELBOW		2
160	599 16 17-01	CLAMP	0,21-0,63	3
161	598 99 88-01	VALVE		2
162	599 16 90-01	FITTING		1
163	598 99 04-01	BUSHING		4
205	725 23 29-71	SCREW EHHM	M5 x 16, 6Nm/4ft.lbs	2
212	506 57 01-03	SCREW EHHFM	M8 x 16, 25Nm/18ft.lbs	8
217	599 17 09-01	SCREW	M6 x 10	8
244	732 21 14-01	LOCK NUT		2
327	599 11 77-01	FITTING		1
336	599 11 78-01	VALVE	5/16"	1
345	599 02 12-01	FITTING		1
650	598 99 42-04	HOSE	3/8 x 13"	1
651	598 99 42-03	HOSE	3/8 x 11"	1
652	598 99 42-05	HOSE	3/8 x 17"	1
653	598 99 42-06	HOSE	3/8 x 35"	1
654	598 99 42-02	HOSE	3/8 x 3"	1

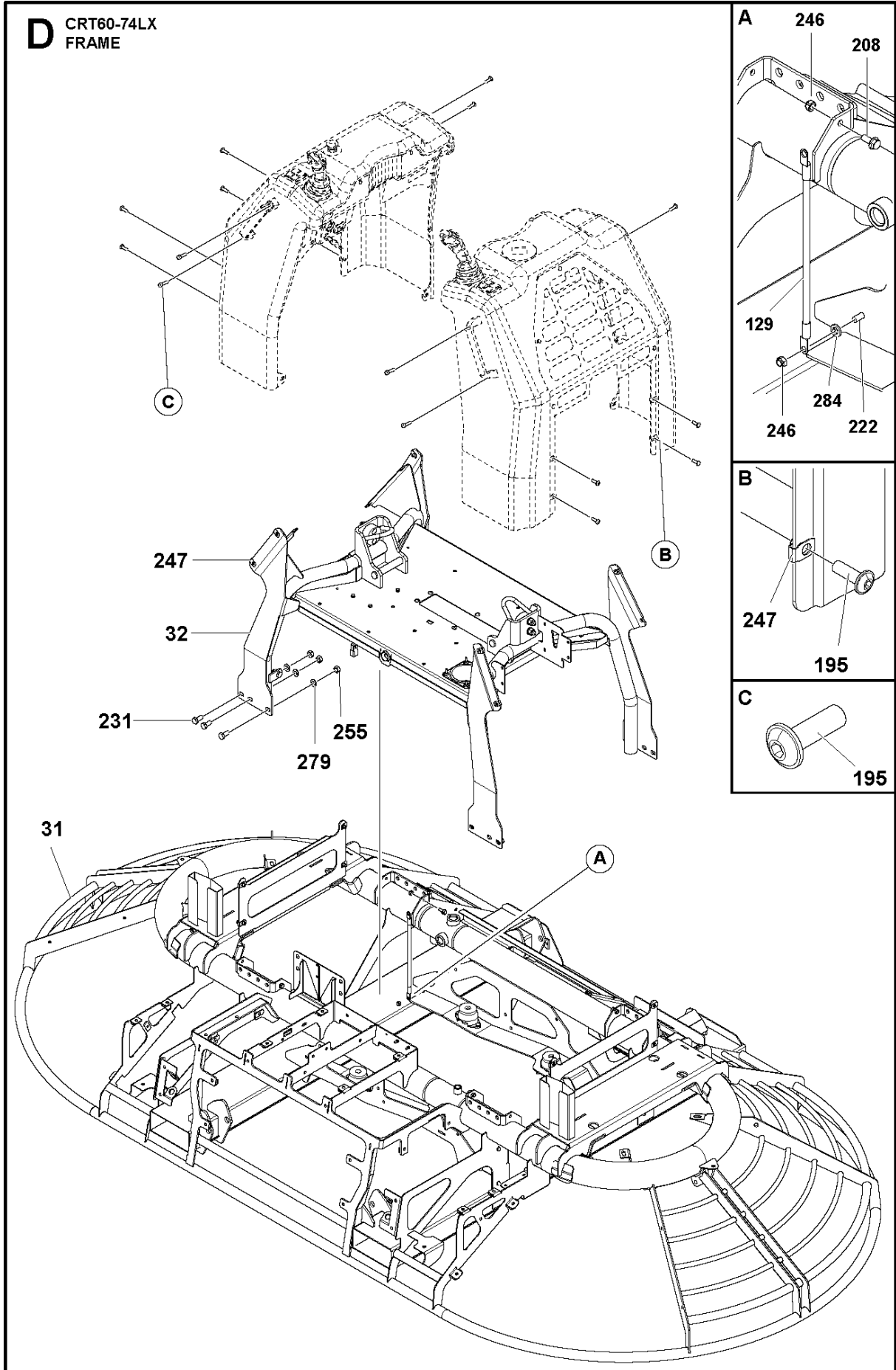
C CRT60-74LX
FUEL HOSE ROUTING & FUEL COOLER



FUEL HOSE ROUTING & FUEL COOLER

CRT60-74LX, 970461801, 2020-02

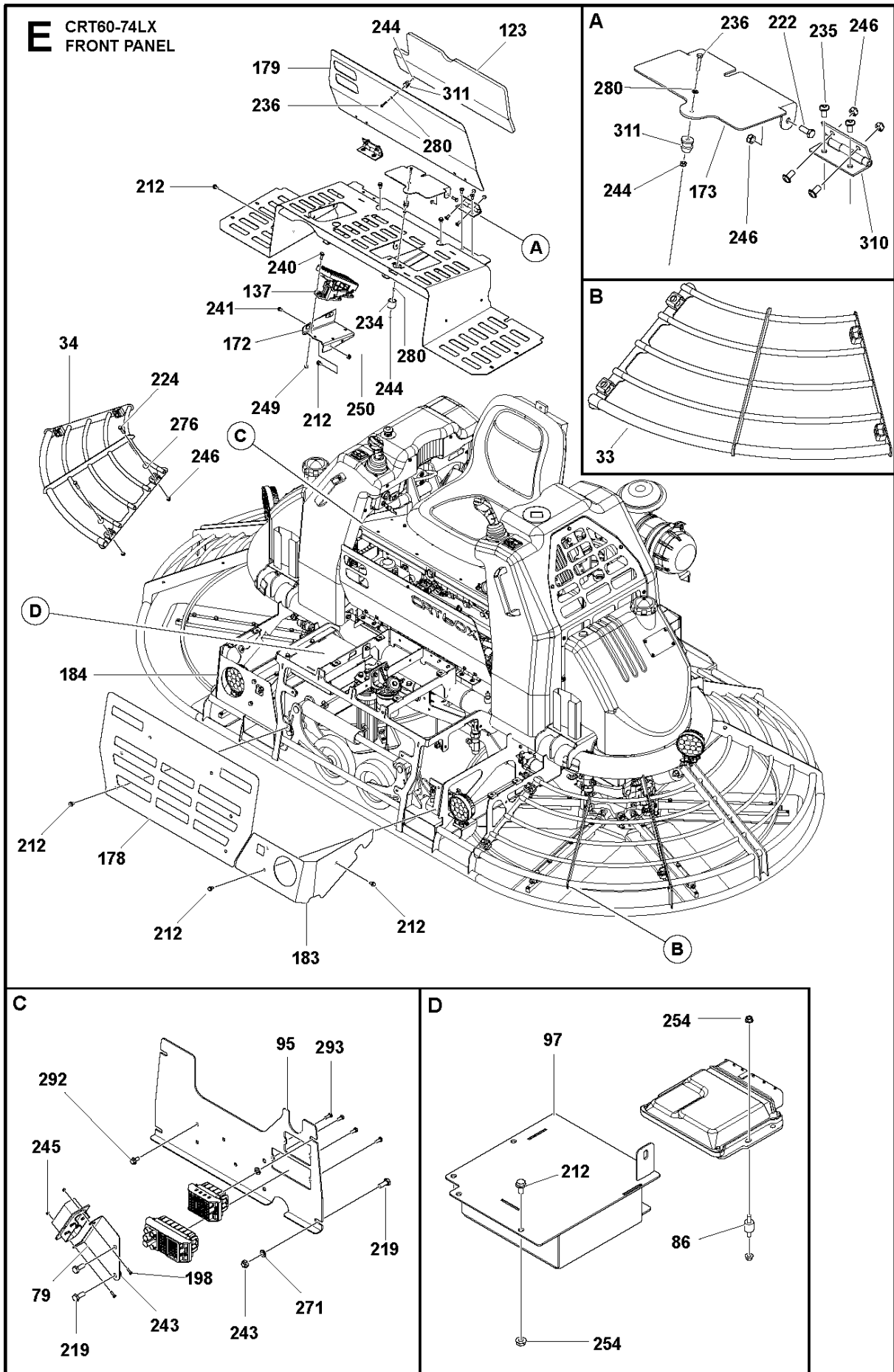
Ref	Part No	Description	Remark	QTY	KIT
74	599 08 39-01	RADIATOR		1	
160	599 16 17-01	CLAMP	0,21-0,63	1	
165	599 06 23-01	FITTING	5/16 x 1/4" x 90 NPT	2	
168	599 11 79-01	FITTING	#8 x 1/4"	2	
169	599 11 80-01	PLUG	#12	2	
212	506 57 01-03	SCREW EHHFM	M8 x 16, 25Nm/18ft.lbs	4	
250	576 64 57-04	NUT FLANGE	M8	4	
427	598 98 58-01	FITTING	5/16"	1	
655	599 11 85-04	HOSE	5/16 x 64"	1	
656	599 11 85-02	HOSE	5/16 x 33"	1	
657	599 11 85-03	HOSE	5/16 x 47"	1	
658	599 11 85-05	HOSE	5/16 x 75"	1	
659	599 51 75-01	MOTOR	12V	1	74



FRAME

CRT60-74LX, 970461801, 2020-02

Ref	Part No	Description	Remark	QTY KIT
31	599 11 73-01	FRAME		1
32	599 05 55-01	FRAME		1
129	598 99 54-01	CABLE	13"	1
195	599 17 11-01	SCREW	M8 x 25	11
208	506 57 01-04	SCREW EHHFM	M8 x 20, 25Nm/18ft.lbs	4
222	725 24 51-01	SCREW		1
231	585 23 59-01	SCREW EHHFM	M12 x 25, 86Nm/63ft.lbs, ISO 4017	12
246	522 91 94-01	LOCK NUT	M8, DIN985	4
247	599 16 38-01	LOCK NUT	M8	15
255	732 25 22-71	HEXAGON LOCKING NUT	M12	12
279	599 16 63-01	WASHER		12
284	599 16 75-01	LOCKWASHER	M10	1

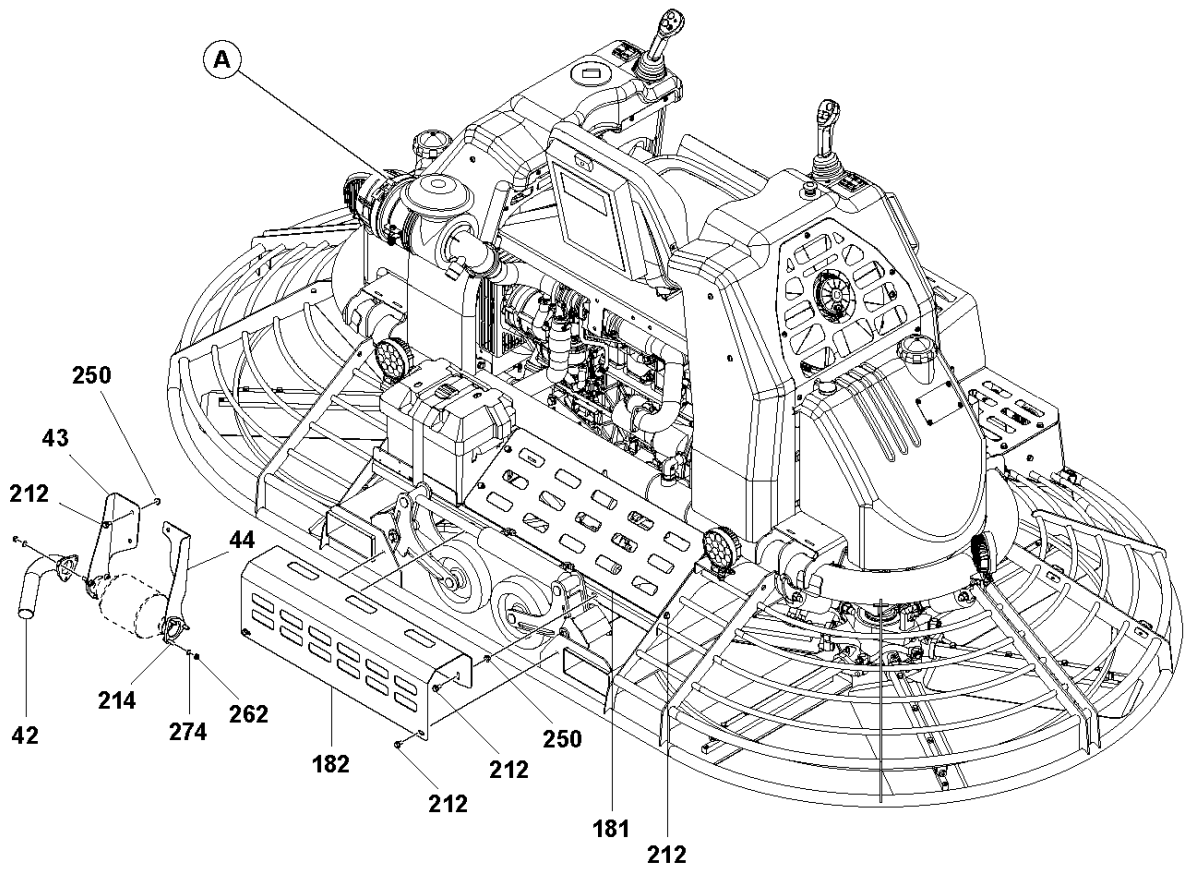


FRONT PANEL

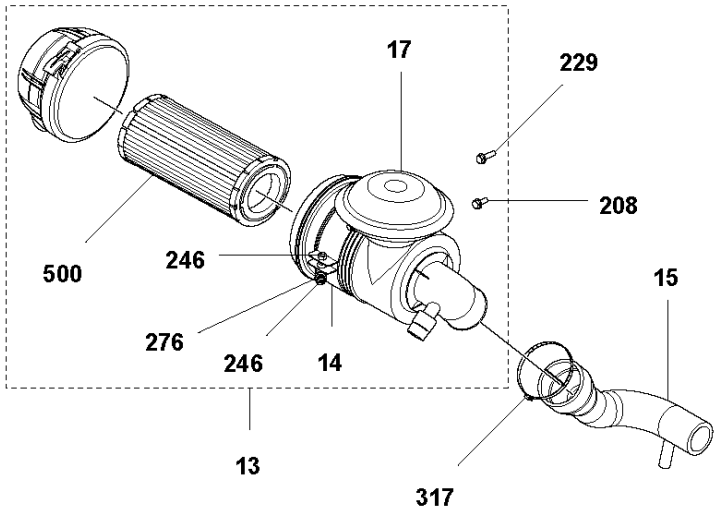
CRT60-74LX, 970461801, 2020-02

Ref	Part No	Description	Remark	QTY KIT
33	599 06 00-01	GUARD		1
34	599 06 61-01	GUARD		1
79	599 51 32-01	CONNECTOR	66 pin	1
86	598 98 55-01	MOUNT		4
95	599 07 97-01	PLATE		1
97	599 08 17-01	UNIT		1
123	599 08 38-01	INSULATION		1
137	598 98 53-01	THROTTLE		1
172	599 07 90-01	MOUNT		1
173	599 11 47-01	PANEL		1
178	599 13 06-02	PLATE		1
179	599 13 04-02	PLATE		1
183	599 07 80-01	GRILLE		1
184	599 07 79-01	GRILLE		1
198	599 16 82-01	SCREW	M4 x 14, ISO 4017	2
212	506 57 01-03	SCREW EHHFM	M8 x 16, 25Nm/18ft.lbs	24
219	725 24 93-71	SCREW EHHM	M10 x 25, 49Nm/36ft.lbs, ISO 4017	2
222	725 24 51-01	SCREW		2
224	725 24 59-51	SCREW EHHM	M8 x 40, 25Nm/18ft.lbs, ISO 4014	8
234	725 23 27-71	SCREW EHHM	M5 x 12, 6Nm/4ft.lbs, ISO 4017	1
235	579 56 61-01	SCREW	M8 x 16	8
236	593 16 74-01	SCREW	M5 x 25, 6Nm/4ft.lbs, ISO 4017	2
240	599 51 77-01	SCREW	M6 x 25	3
241	725 24 47-51	SCREW		2
243	732 21 20-51	NUT	M10, ISO 7042	4
244	732 21 14-01	LOCK NUT		3
245	599 15 98-01	LOCK NUT		2
246	522 91 94-01	LOCK NUT	M8, DIN985	10
249	531 20 84-91	NUT	M6, DIN985	3
250	576 64 57-04	NUT FLANGE	M8	4
254	593 35 64-01	NUT	M6	12
271	734 11 72-01	WASHER		4
276	734 11 65-41	WASHER		8
280	734 11 46-01	WASHER		3
293	725 23 68-51	SCREW		4
310	599 01 52-01	HINGE		2
311	599 07 06-01	LATCH		3
292	599 34 33-01	SCREW		1

F CRT60-74LX
AIR CLEANER & REAR PANEL



A

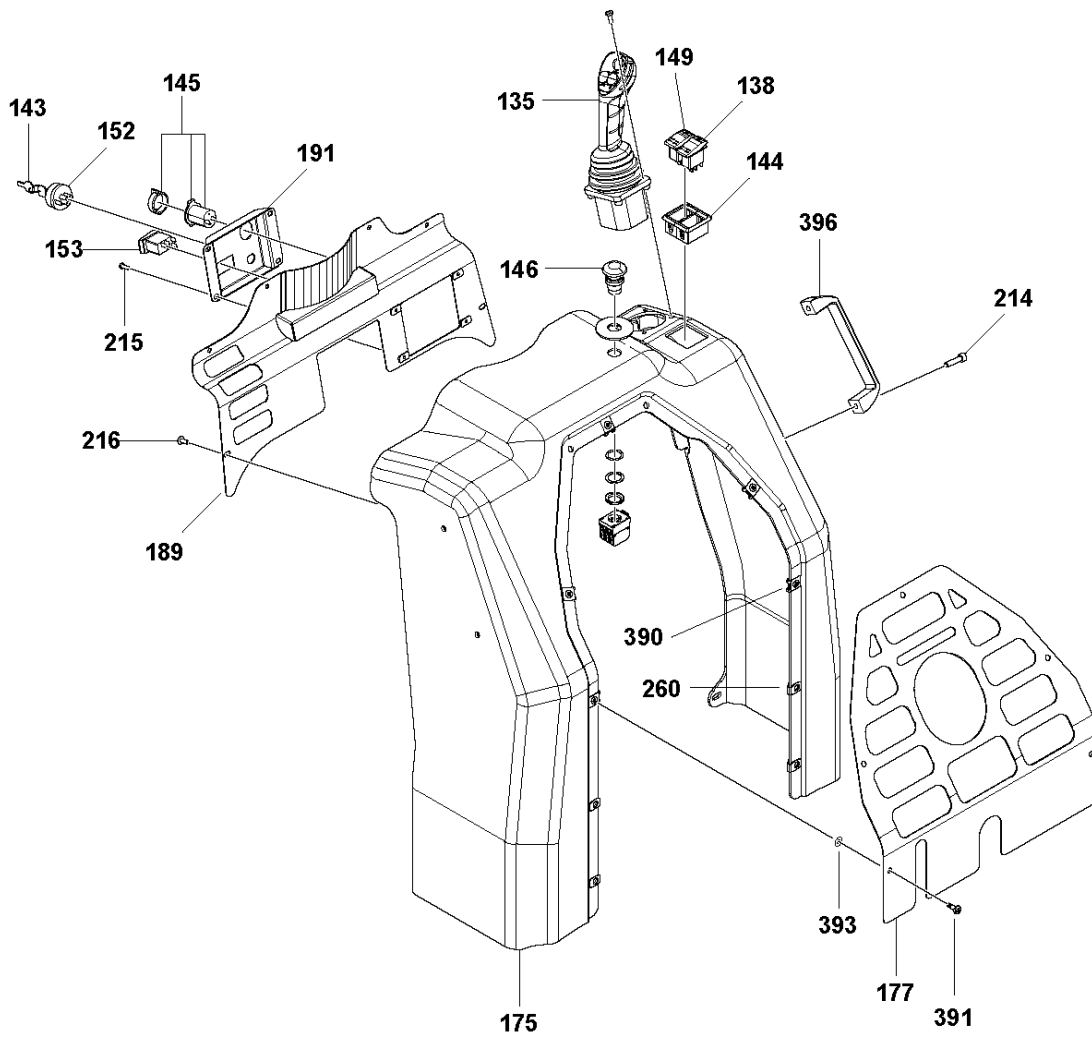


AIR CLEANER & REAR PANEL

CRT60-74LX, 970461801, 2020-02

Ref	Part No	Description	Remark	QTY KIT	
13	599 07 14-01	FILTER		1	
14	599 07 15-01	BRACKET		1	13
15	599 07 93-01	HOSE		1	
17	599 07 16-01	HOOD		1	
42	599 11 26-01	PIPE		1	13
43	599 07 95-01	BRACKET		1	
44	599 07 96-01	BRACKET		1	
181	599 10 66-01	PLATE		1	
182	599 10 67-01	PLATE		1	
208	506 57 01-04	SCREW EHHFM	M8 x 20, 25Nm/18ft.lbs	1	13
212	506 57 01-03	SCREW EHHFM	M8 x 16, 25Nm/18ft.lbs	11	
214	725 54 55-01	SCREW IHSCM		6	
229	585 97 28-01	SCREW EHHFM	M8 x 30, 25Nm/18ft.lbs	1	13
246	522 91 94-01	LOCK NUT	M8, DIN985	2	13
274	734 11 63-01	WASHER		6	
250	576 64 57-04	NUT FLANGE	M8	6	
262	731 23 18-01	HEXAGON NUT		6	
276	734 11 65-41	WASHER		2	13
317	599 16 41-01	CLAMP	1,56-2,50	1	
500	599 51 72-01	AIR CLEANER		1	13

G CRT60-74LX
RIGHT SIDE SHELL

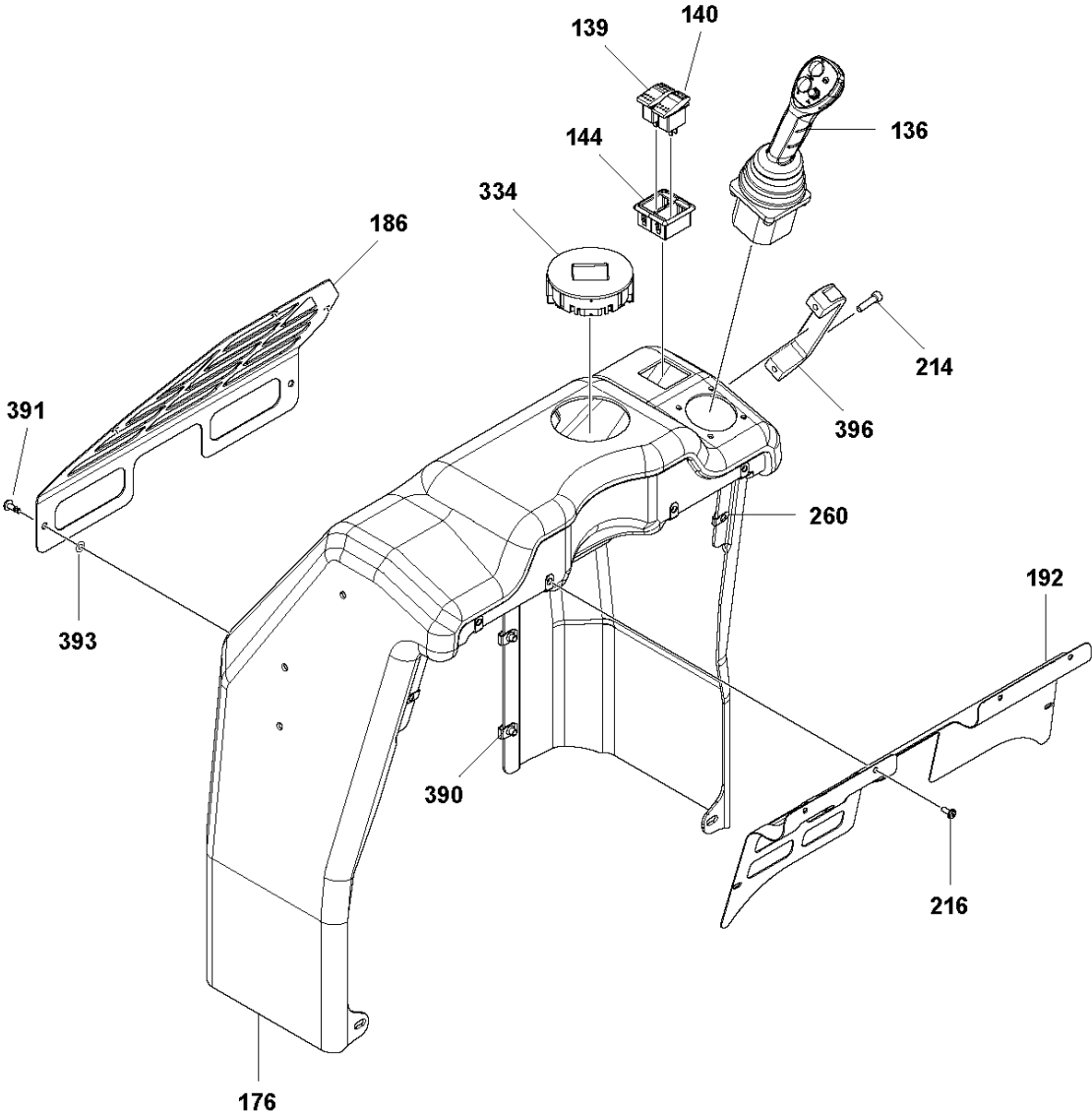


RIGHT SIDE SHELL

CRT60-74LX, 970461801, 2020-02

Ref	Part No	Description	Remark	QTY KIT
135	599 06 62-01	JOYSTICK		1
138	599 08 57-01	SWITCH		1
143	599 16 42-01	KEY		1
144	599 06 92-01	HOUSING		2
145	599 06 28-01	RECEPTACLE		1
146	599 03 97-01	SWITCH		1
149	599 08 58-01	SWITCH		1
152	599 00 27-01	SWITCH		1
153	599 11 40-01	SWITCH		1
175	599 11 39-01	HOUSING		1
177	599 08 16-01	PANEL		1
189	599 08 02-01	PANEL		1
191	599 11 67-01	BRACKET		1
214	725 54 55-01	SCREW IHSCM		4
215	599 17 63-01	SCREW		4
216	599 17 38-01	SCREW	M6 x 16	6
260	599 16 68-01	LOCK NUT	M6	6
390	599 17 58-01	RECEPTACLE		6
391	599 17 59-01	SCREW		6
393	599 17 60-01	RETAINER RING		6
396	599 06 93-01	HANDLE		2

H CRT60-74LX
LEFT SIDE SHELL

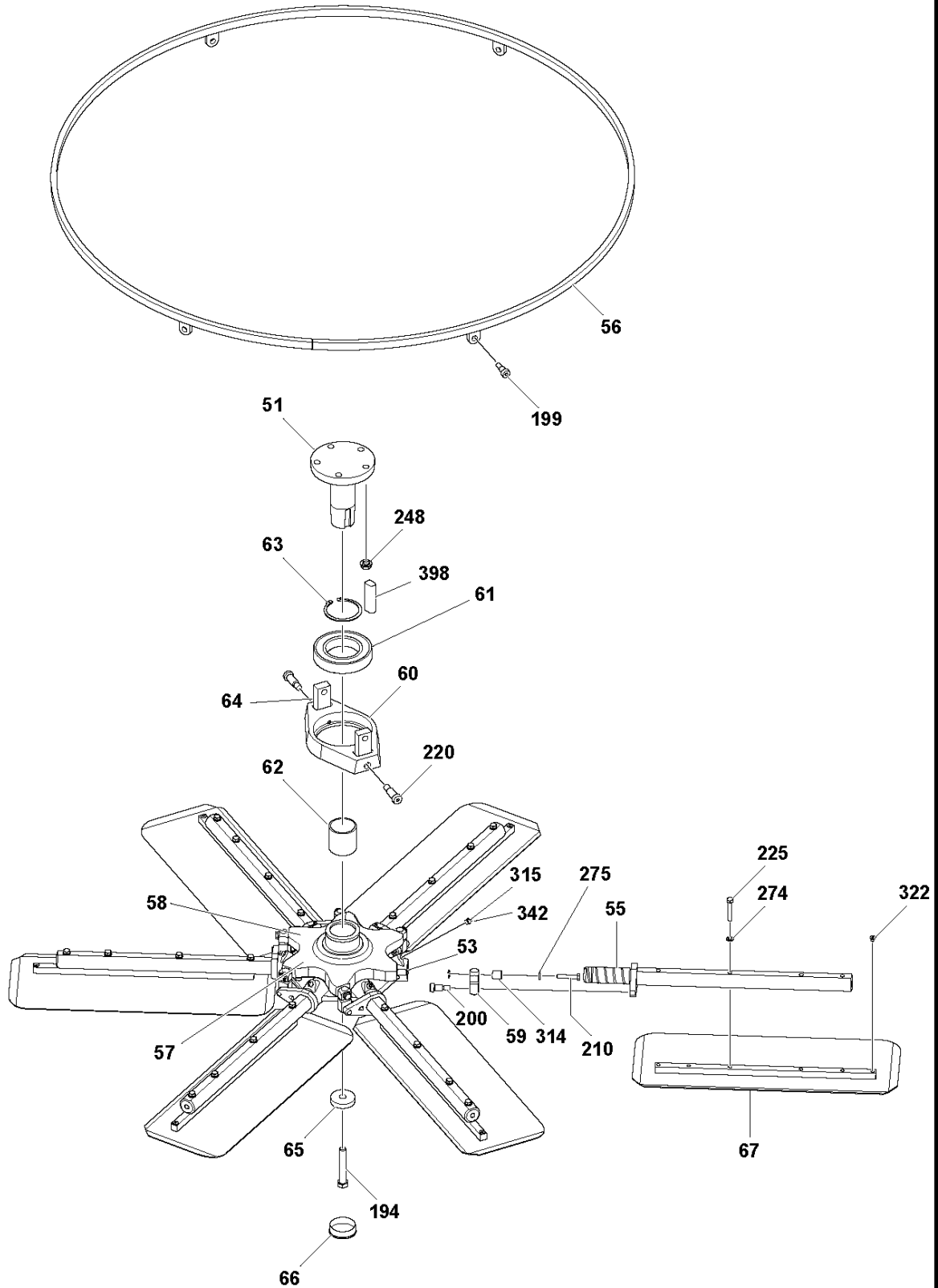


LEFT SIDE SHELL

CRT60-74LX, 970461801, 2020-02

Ref	Part No	Description	Remark	QTY KIT
136	599 06 63-01	JOYSTICK		1
139	599 06 64-01	SWITCH		1
140	599 07 08-01	SWITCH		1
144	599 06 92-01	HOUSING		1
176	599 08 01-01	HOUSING	Left, Display side	1
186	599 11 82-01	PLATE		1
192	599 11 81-01	PANEL		1
214	725 54 55-01	SCREW IHSCM		4
216	599 17 38-01	SCREW	M6 x 16	6
260	599 16 68-01	LOCK NUT	M6	6
334	599 07 82-01	INDICATOR		1
390	599 17 58-01	RECEPTACLE		6
391	599 17 59-01	SCREW		6
393	599 17 60-01	RETAINER RING		6
396	599 06 93-01	HANDLE		2

J CRT60-74LX
BLADES, RIGHT & LEFT

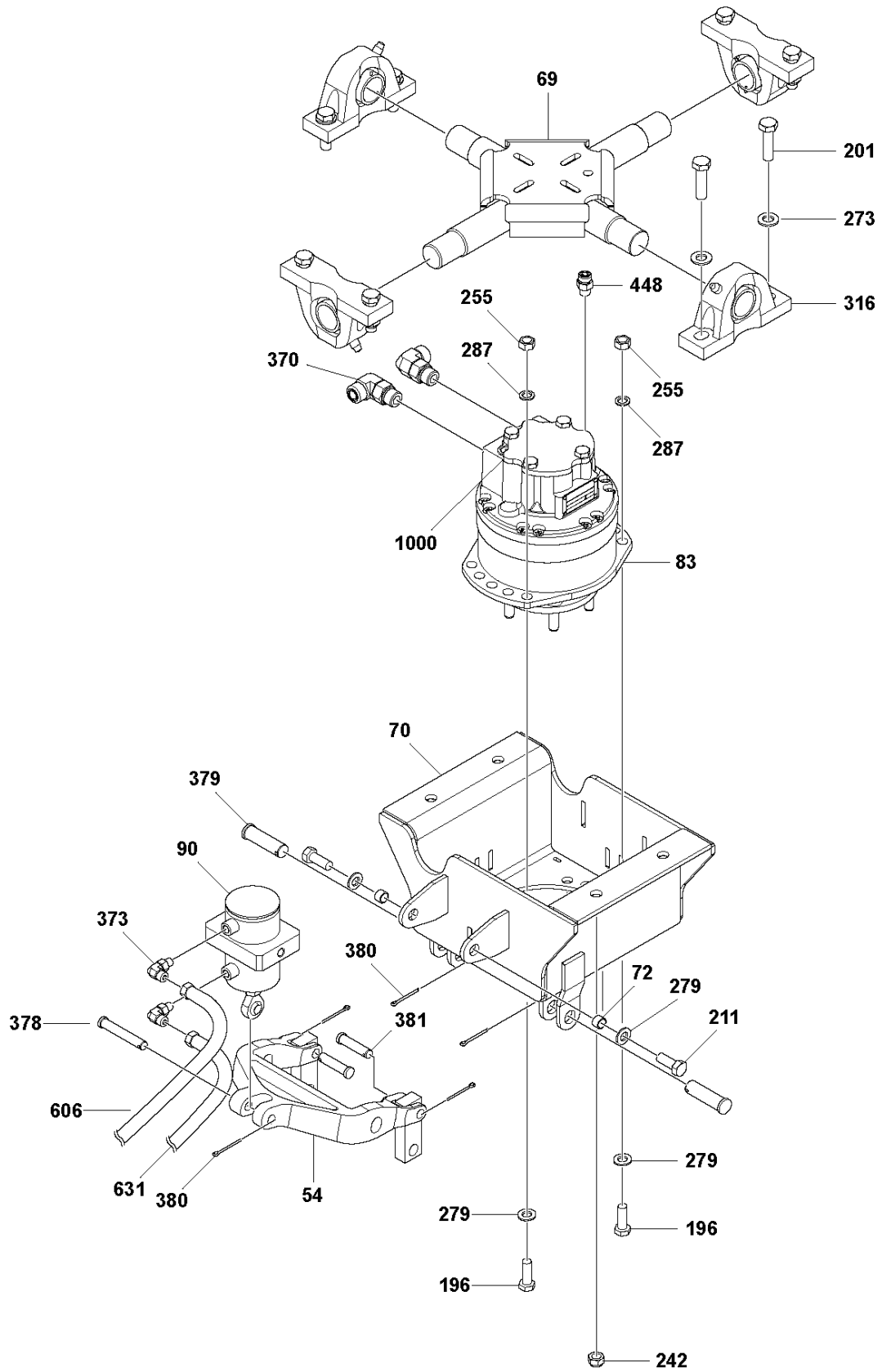


BLADE MECHANISM, RIGHT & LEFT

CRT60-74LX, 970461801, 2020-02

Ref	Part No	Description	Remark	QTY KIT
51	599 06 29-01	SHAFT		1
53	599 05 86-01	HUB		1
55	599 05 97-01	SHAFT		6
56	599 01 49-01	RING		1
57	599 01 43-01	RING		1
58	599 01 44-01	RING		1
59	598 99 33-01	LINK		6
60	599 01 46-01	HOLDER		1
61	599 05 49-01	BEARING		1
62	599 17 43-01	BUSHING		1
63	599 17 44-01	RETAINER RING		1
64	599 05 50-01	LINK		2
65	599 06 30-01	WASHER		1
66	599 05 51-01	PLUG		1
67	598 93 07-02	BLADE SET		4
194	599 17 73-01	SCREW	M14 X 90, 188Nm/139ft.lbs	1
199	599 16 30-01	SCREW	3/8-16 x 1-3/8in, 18Nm/13ft.lbs	6
200	599 16 50-01	SCREW	1/2 x 3/4in, 18Nm/13ft.lbs	6
210	599 16 59-01	SCREW	M8 x 45, 18Nm/13ft.lbs	6
220	599 17 62-01	SCREW	85Nm/63ft.lbs	2
225	596 32 08-01	SCREW	5/16-18 x 2in, 18Nm/13ft.lbs	24
248	599 17 52-01	NUT	176Nm/130ft.lbs	5
274	734 11 63-01	WASHER		18
275	599 16 19-01	LOCKWASHER	8,DIN6796	12
279	599 16 63-01	WASHER	13	5
314	599 06 94-01	SPACER		6
315	599 16 21-01	FITTING	AM10, DIN71412	6
322	599 16 34-01	PLUG		6
342	599 16 92-01	CAP		6
398	599 17 61-01	KEY	10 x 8 x 48	1

K CRT60-74LX
DRIVE MOTOR HOUSING, RIGHT

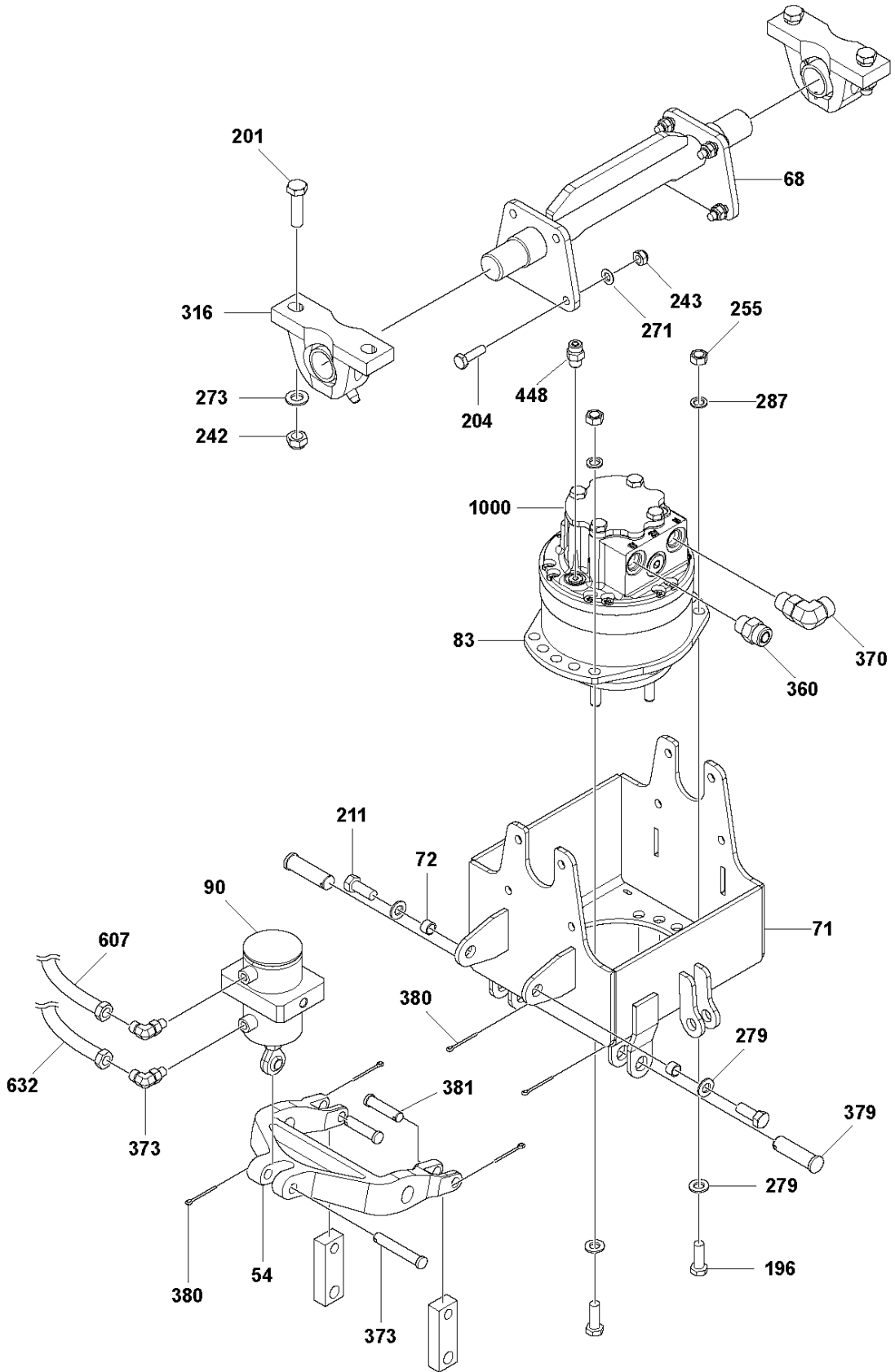


DRIVE MOTOR HOUSING, RIGHT

CRT60-74LX, 970461801, 2020-02

Ref	Part No	Description	Remark	QTY KIT
54	599 05 03-01	YOKE		1
69	599 08 05-01	UNIT		1
70	599 06 81-01	HOUSING		1
72	599 10 40-01	SPACER		2
83	599 07 85-01	MOTOR		1
90	599 06 89-01	CYLINDER		1
196	599 16 11-01	SCREW	M12 x 35, 120Nm/89ft.lbs, ISO 4017	10
201	597 97 91-01	SCREW	M14 x 50, 99Nm/73ft.lbs, ISO 4017	8
211	596 43 53-01	BOLT	1/2-13 x 1.25in, 36Nm/27ft.lbs	2
242	598 55 65-01	NUT	M14, ISO 7035	8
255	732 25 22-71	HEXAGON LOCKING NUT	M12	10
273	599 16 57-01	WASHER	M14, ISO 7090	8
279	599 16 63-01	WASHER	13	10
287	734 11 77-71	WASHER	13	10
316	598 99 45-01	BEARING		4
370	598 99 74-01	FITTING	No.10 ORB X No.10 ORFS, 18Nm/13ft.lbs	2
373	598 99 07-01	FITTING	SAE No.4 x 90	2
378	599 17 53-01	PIN		1
379	599 17 54-01	PIN		2
380	599 16 49-01	PIN	1/8 x 1-1/2"	2
381	599 16 53-01	PIN	1/2 x 2"	2
448	598 98 74-01	FITTING	55Nm/41ft.lbs	1
606	599 50 06-01	HOSE	33.00"	1
631	599 50 14-02	HOSE	33.00"	1
1000	599 51 73-01	SEAL KIT	Seal KIT Drive motor CRT60	1

L CRT60-74LX
DRIVE MOTOR HOUSING, LEFT



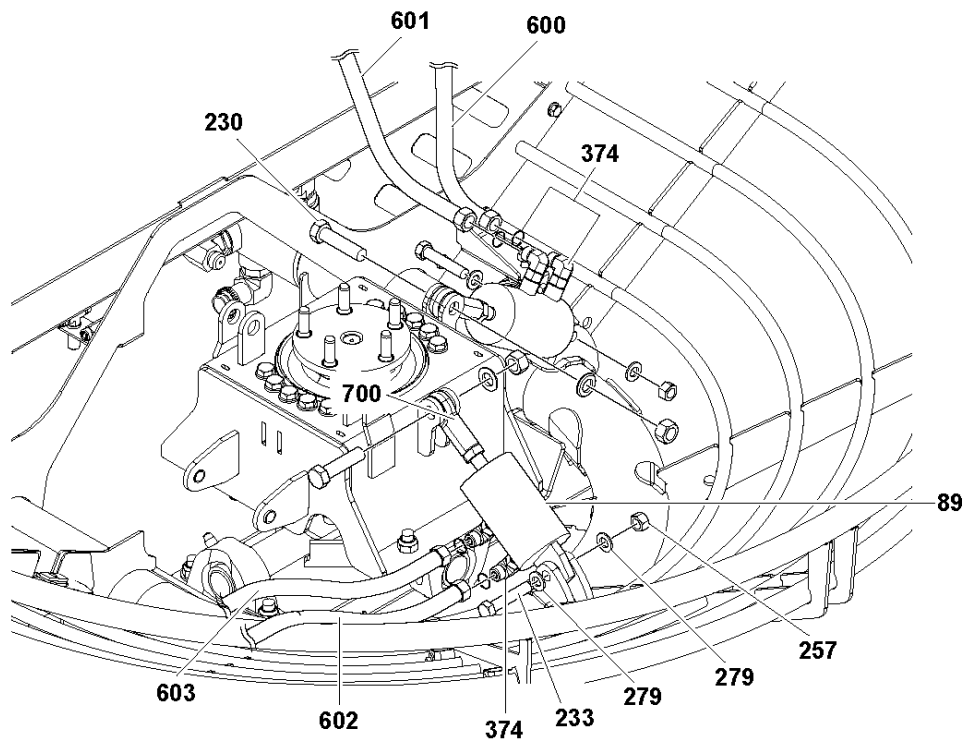
DRIVE MOTOR HOUSING, LEFT

CRT60-74LX, 970461801, 2020-02

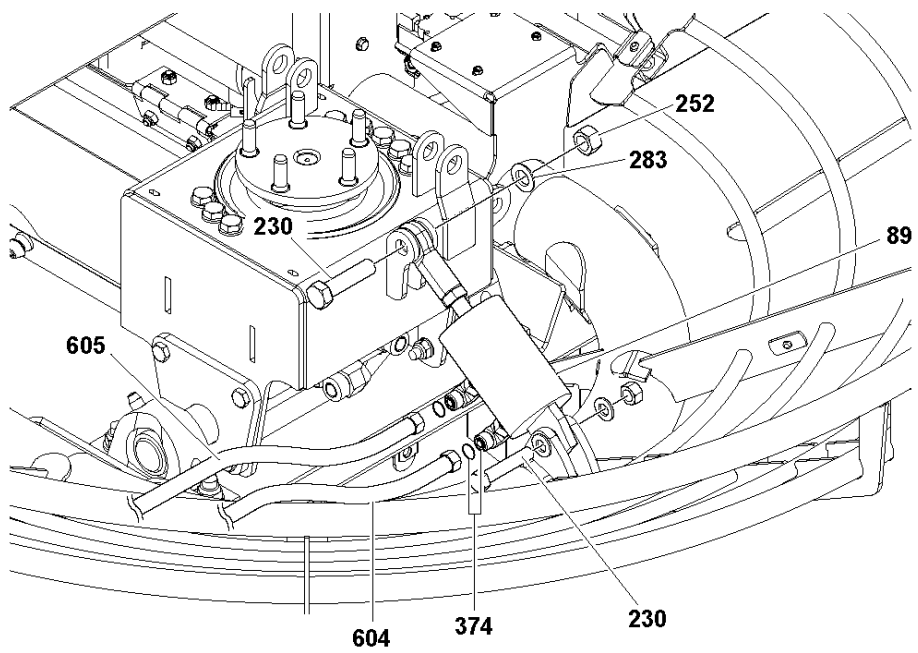
Ref	Part No	Description	Remark	QTY KIT
54	599 05 03-01	YOKE		1
68	599 08 09-01	PIVOT	Left	1
71	599 06 84-01	HOUSING		1
72	599 10 40-01	SPACER		2
83	599 07 85-01	MOTOR		1
90	599 06 89-01	CYLINDER		1
196	599 16 11-01	SCREW	M12 x 35, 120Nm/89ft.lbs, ISO 4017	10
201	597 97 91-01	SCREW	M14 x 50, 135Nm/100ft.lbs,ISO 4017	4
204	725 24 97-51	SCREW	M10 x 35, 49Nm/36ft.lbs, ISO 4017	6
211	596 43 53-01	BOLT	1/2-13 x 1.25"	2
242	598 55 65-01	NUT	M14, ISO 7035	4
243	732 21 20-51	NUT	M10, ISO 7042	6
255	732 25 22-71	HEXAGON LOCKING NUT	M12	10
271	734 11 72-01	WASHER		6
273	599 16 57-01	WASHER	M14, ISO 7090	4
279	599 16 63-01	WASHER	13	12
287	734 11 77-71	WASHER	13	10
316	598 99 45-01	BEARING		2
360	599 07 04-01	FITTING	No.10 ORF xNo.10 ORB	1
370	598 99 74-01	FITTING	No.10 ORB xNo.10 ORFS	1
373	598 99 07-01	FITTING	SAE No.4 x 90	2
381	599 17 53-01	PIN		4
379	599 17 54-01	PIN		2
380	599 16 49-01	PIN	1/8 x 1-1/2"	3
448	598 98 74-01	FITTING		1
607	599 50 09-01	HOSE	70.00"	1
632	599 51 74-01	HOSE	70.00"	1
1000	599 51 73-01	SEAL KIT	Seal KIT Drive motor CRT60	1

M CRT60-74LX
STEERING HYDRAULIC SYSTEM

R



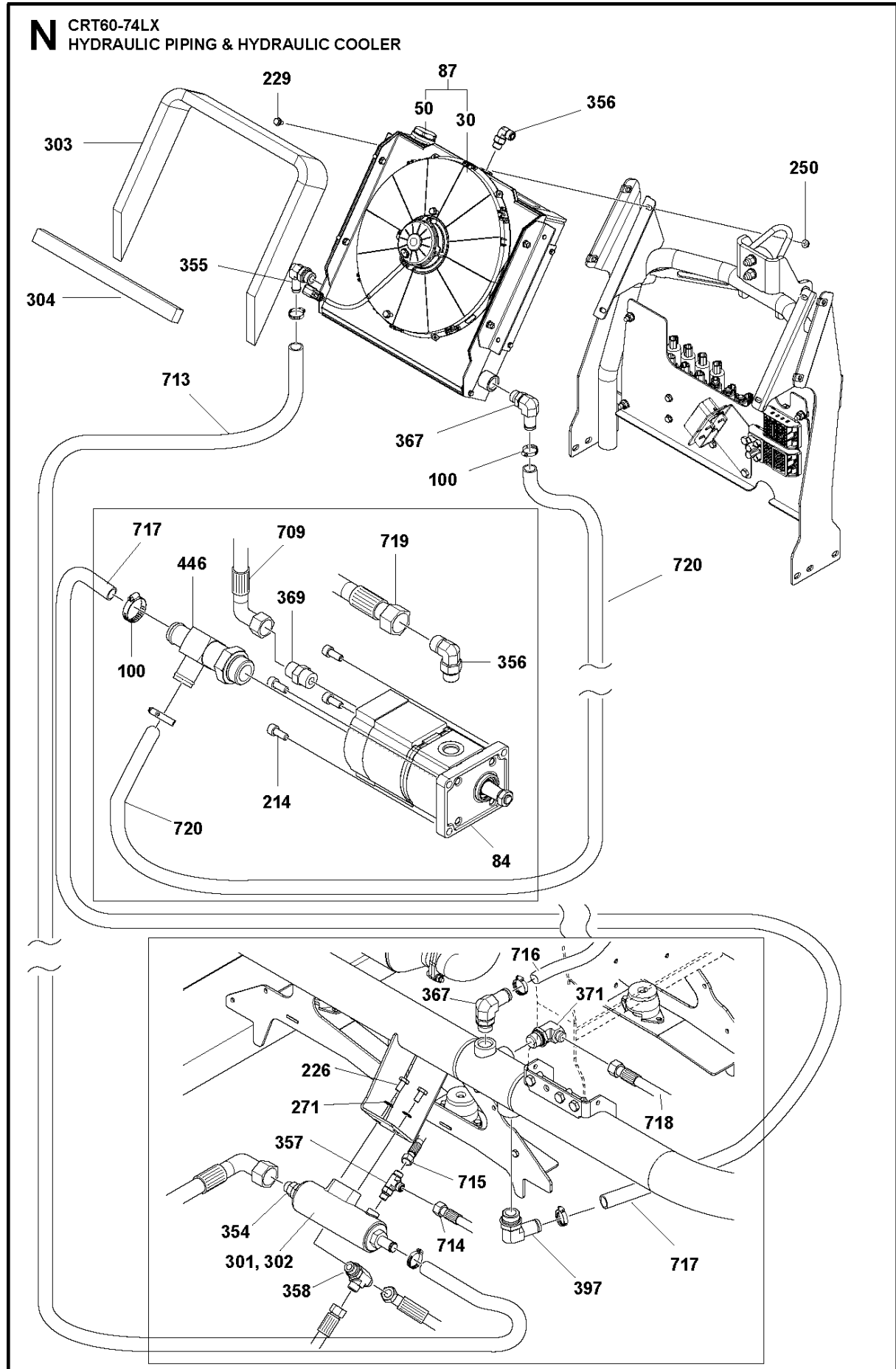
L



STEERING HYDRAULIC SYSTEM

CRT60-74LX, 970461801, 2020-02

Ref	Part No	Description	Remark	QTY KIT
89	599 06 86-01	ACTUATOR		3
230	599 17 75-01	SCREW	1/2-13 x 2-1/2	3
233	599 17 74-01	SCREW	5/8-11 x 2-1/2	3
252	594 09 63-01	NUT		3
257	539 99 06-25	NUT		3
279	599 16 63-01	WASHER	13	3
283	734 11 86-01	WASHER	16, ISO7090	3
374	598 98 75-01	FITTING		6
600	599 51 61-01	HYDRAULIC HOSE	28.5"	1
601	599 51 61-02	HYDRAULIC HOSE	27.25"	1
602	599 07 87-02	HOSE	42.00"	1
603	599 07 87-03	HOSE	41.00"	1
604	599 50 03-01	HOSE	75.00"	1
605	599 50 03-02	HOSE	73.00"	1
700	599 50 10-04	HOSE		1

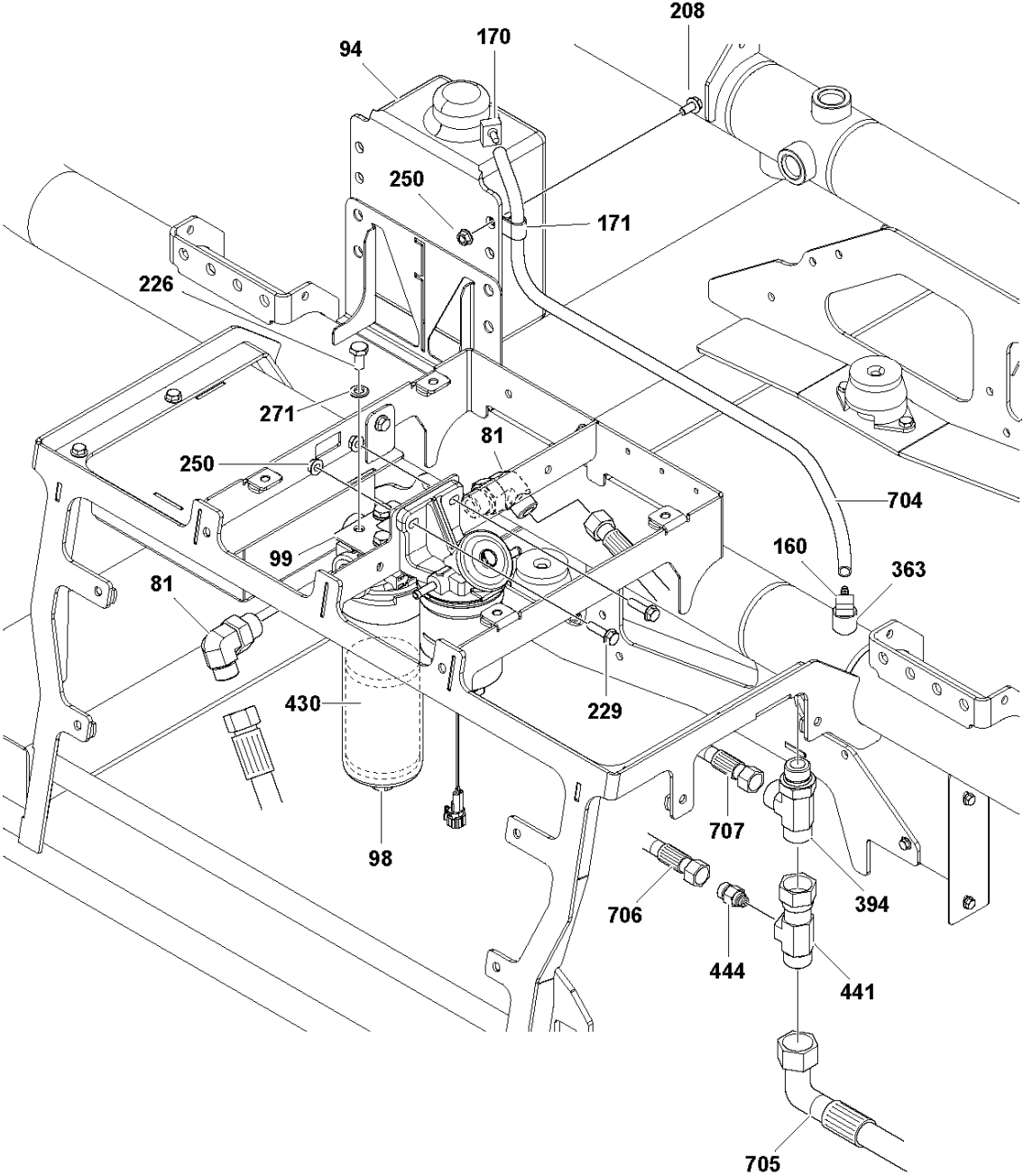


HYDRAULIC PIPING & HYDRAULIC COOLER

CRT60-74LX, 970461801, 2020-02

Ref	Part No	Description	Remark	QTY	KIT
30	599 51 76-01	MOTOR	Fan motor - 12V	1	87
50	599 51 65-01	CAP	Radiator cap - 2 Bar	1	87
84	599 07 89-01	PUMP		1	
87	599 08 03-01	OIL		1	
100	599 16 16-01	CLAMP	0,81 x 1,25"	8	
214	725 54 55-01	SCREW IHSCM		4	
226	725 24 91-71	SCREW EHHM	M10 x 20, 49Nm/36ft.lbs, ISO 4017	2	
229	585 97 28-01	SCREW EHHFM	M8 x 30, 25Nm/18ft.lbs	4	
250	576 64 57-04	NUT FLANGE	M8	4	
271	734 11 72-01	WASHER		2	
301	598 98 52-01	HOUSING		1	
302	598 98 11-01	STRAINER		1	
303	599 08 29-01	SEAL		1	
304	599 08 31-01	SEAL	Lower	1	
354	598 98 78-01	FITTING	No.8 x 10	1	
355	599 08 26-01	FITTING	3/4"	1	
356	598 99 05-01	FITTING	SAE No.8 x 90	2	
357	598 98 86-01	FITTING		1	
358	599 08 46-01	FITTING	10 x 8 x 8	1	
367	599 08 27-01	FITTING	1"	2	
369	598 98 81-01	FITTING	No.8	1	
371	598 99 28-01	FITTING	90	1	
397	599 08 45-01	FITTING	16 x 16	1	
446	599 08 71-01	FITTING	ORB-26 x 25mm x 25mm	1	
709	599 51 83-01	HOSE	838mm/33"	1	
713	599501303	TBD	880mm/35"	1	
714	599501903	TBD	750mm/30"	1	
715	599501904	TBD	1850mm/73"	1	
716	599501702	TBD	1100mm/43"	1	
717	599501701	TBD	1041mm/41"	1	
718	599 50 10-01	HOSE		1	
719	599501002	TBD	838mm/33"	1	
720	599501703	TBD	1300mm/51"	1	

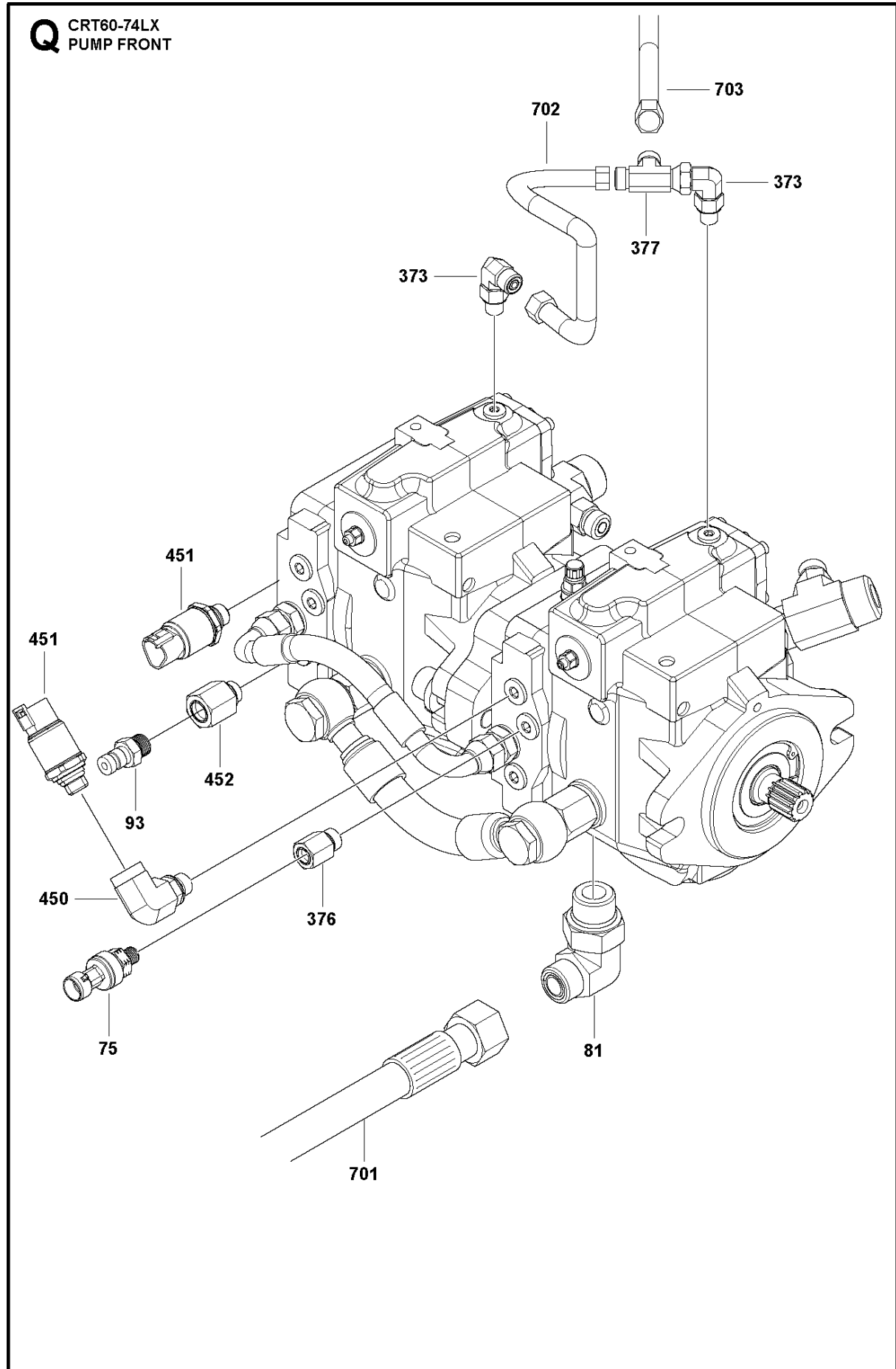
P CRT60-74LX
HYDRAULIC FILTER & HYDRAULIC PIPING



HYDRAULIC FILTER & HYDRAULIC PIPING

CRT60-74LX, 970461801, 2020-02

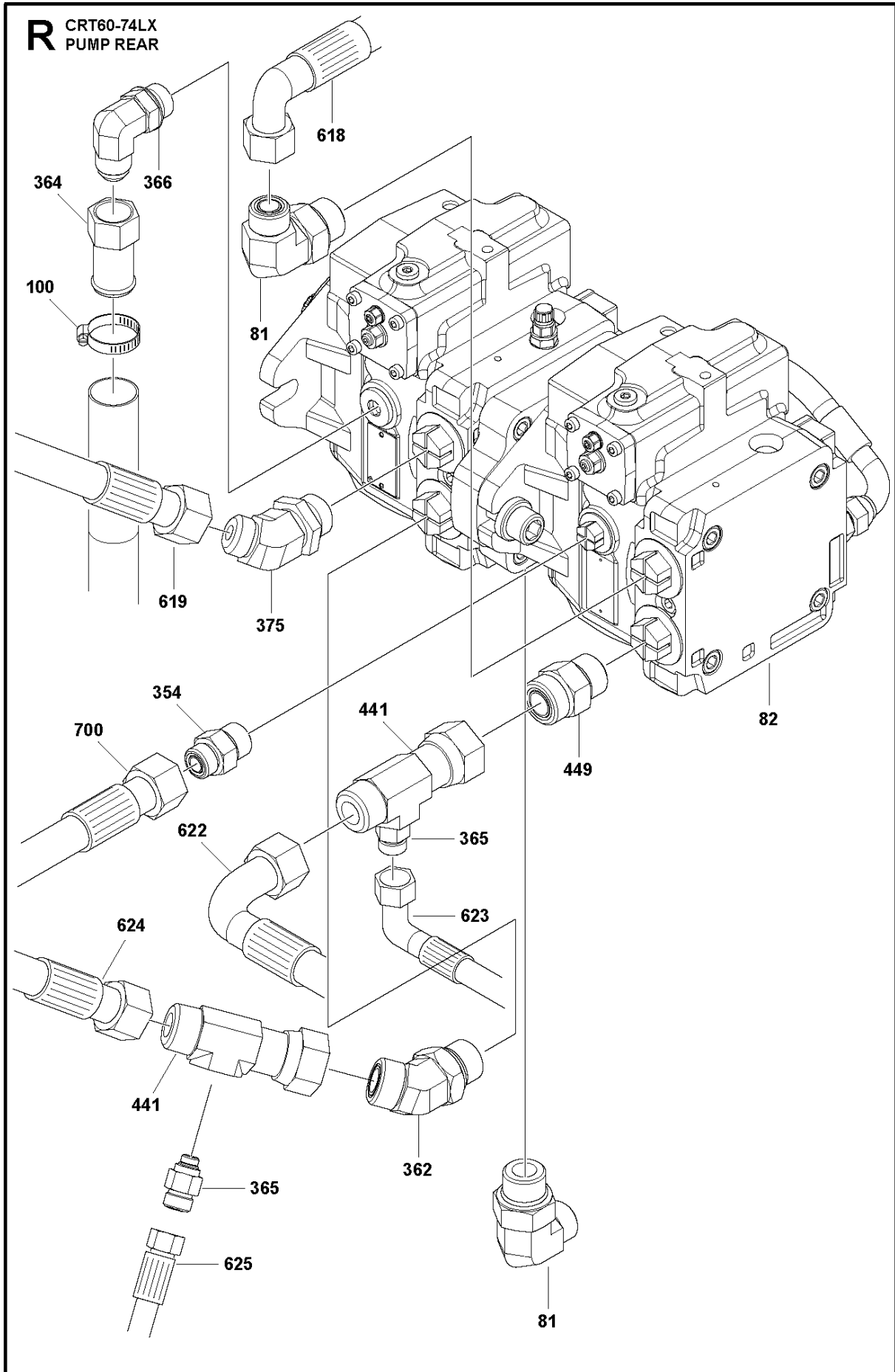
Ref	Part No	Description	Remark	QTY KIT
81	599 00 34-01	FITTING	No.12 x 10	2
94	599 12 10-01	TANK		1
98	598 98 56-01	FILTER		1
99	599 08 19-01	BRACKET		1
160	599 16 17-01	CLAMP	0,21-0,63	1
170	599 17 28-01	CLAMP	20-32	1
171	599 00 14-01	CLAMP		1
208	506 57 01-04	SCREW EHHFM	M8 x 20, 25Nm/18ft.lbs	2
226	725 24 91-71	SCREW EHHM	M10 x 20, 49Nm/36ft.lbs, ISO 4017	4
229	585 97 28-01	SCREW EHHFM	M8 x 30, 25Nm/18ft.lbs	2
250	576 64 57-04	NUT FLANGE	M8	7
363	599 10 47-01	FITTING		1
394	599 08 43-01	FITTING	12 x 12 x 12	1
430	598 98 57-01	OIL FILTER		1
441	599 07 44-01	FITTING	#12 ORFS X #4SAE	1
444	599 08 44-01	FITTING	6 x 4	1
704	599 50 12-01	HOSE	31.00"	1
705	599 50 13-01	HOSE	36"	1
706	599 50 14-03	HOSE		1
707	599 50 18-01	HOSE	"1625mm/64""	1
271	734 11 72-01	WASHER		4



PUMP FRONT

CRT60-74LX, 970461801, 2020-02

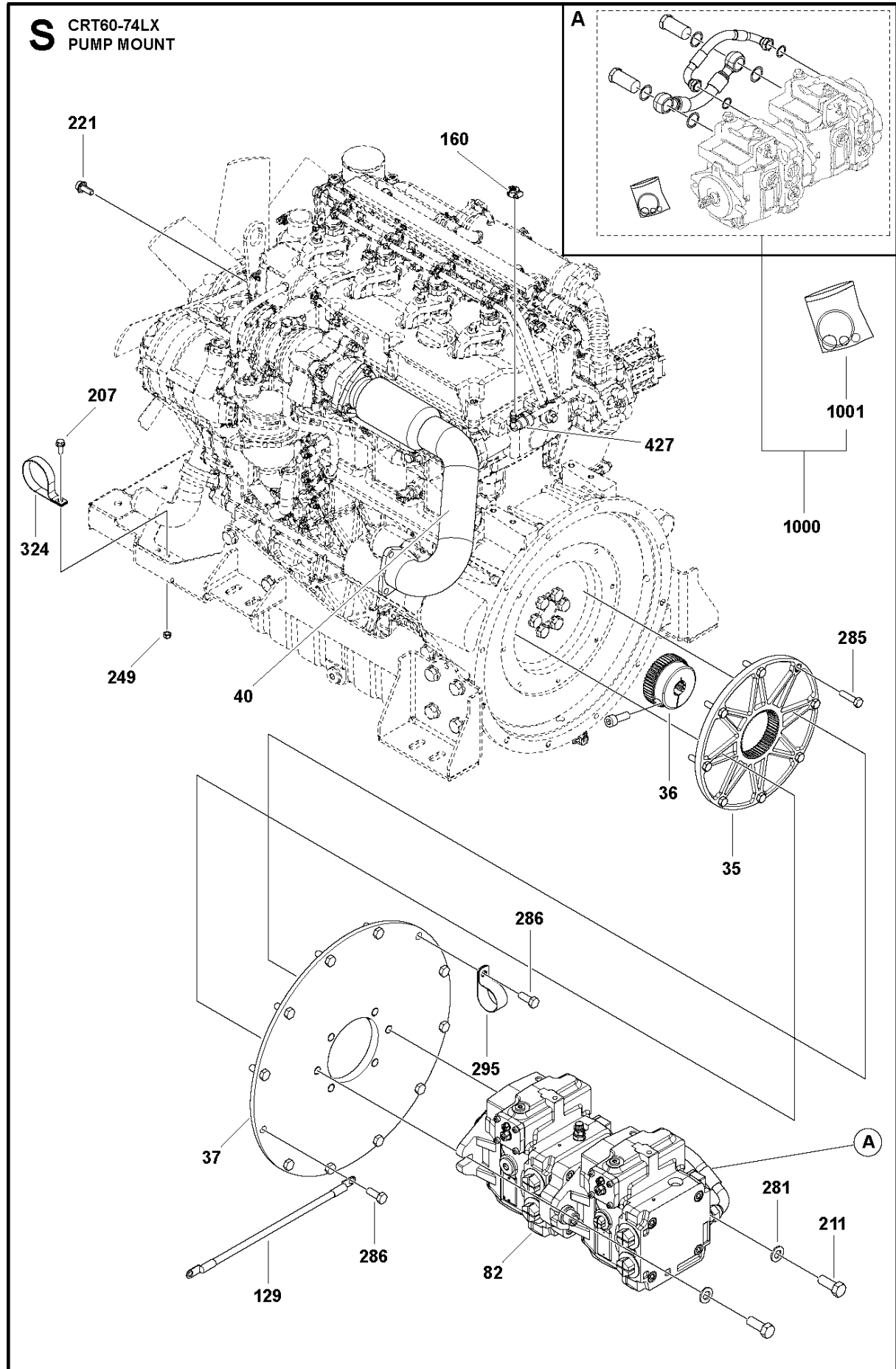
Ref	Part No	Description	Remark	QTY KIT
75	598 98 54-01	SENSOR		1
81	599 00 34-01	FITTING	No.12 x 10	1
93	599 10 78-01	FITTING	No.6	1
373	598 99 07-01	FITTING	SAE No.4 x 90	2
376	599 08 49-01	FITTING	6 x 4	1
377	598 99 06-01	FITTING	SAE No.4	1
450	599 08 73-01	FITTING	#6 x #6	1
451	599 08 72-01	SENSOR	6000 psi	2
452	599 08 74-01	FITTING	#6 x #6	1
701	599 50 10-03	HOSE	848mm/33"	1
702	599 50 14-04	HOSE	216mm/9"	1
703	599 50 14-05	HOSE	483mm/19"	1



PUMP REAR

CRT60-74LX, 970461801, 2020-02

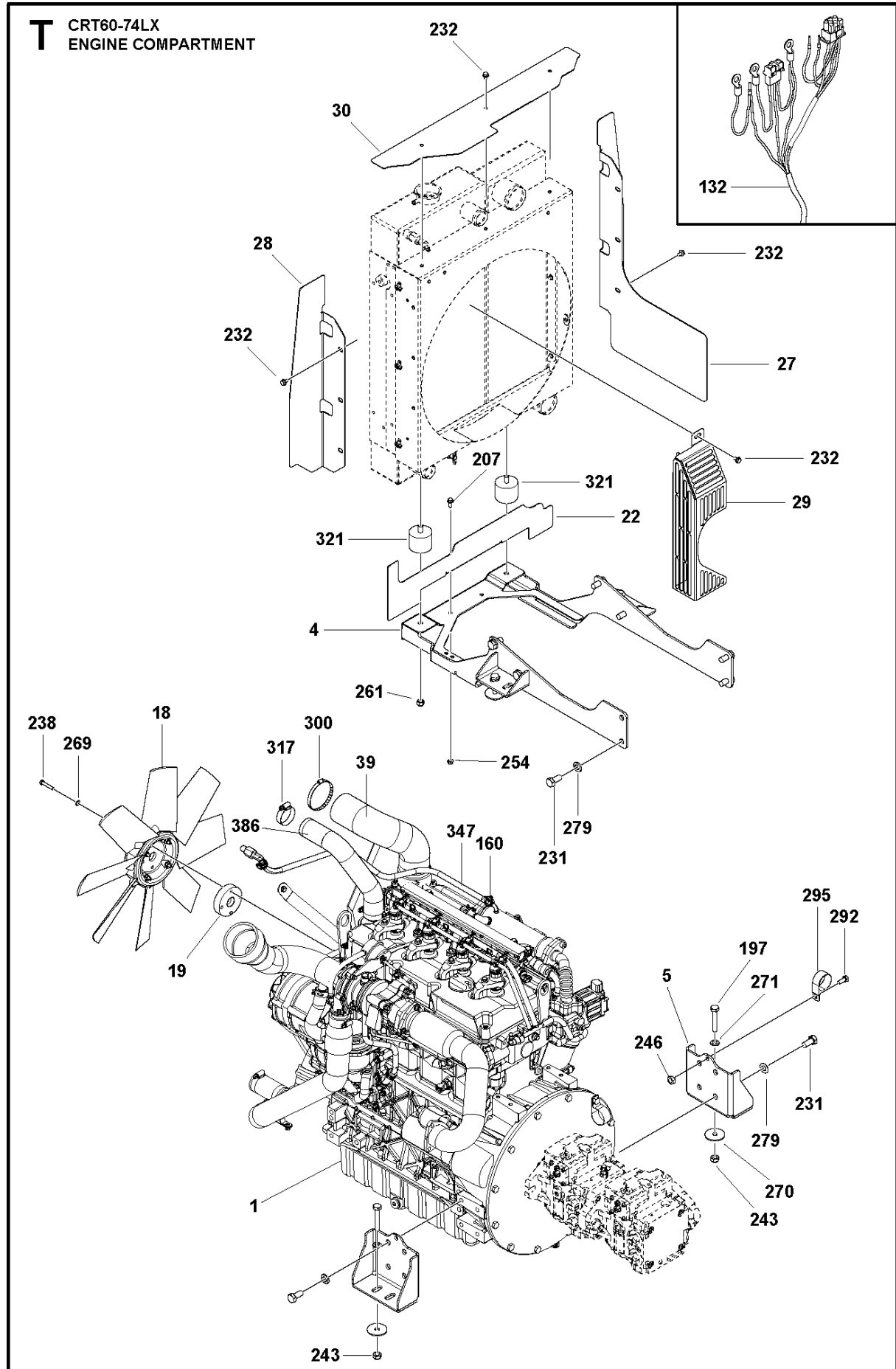
Ref	Part No	Description	Remark	QTY KIT
81	599 00 34-01	FITTING	No.12 x 10	2
100	599 16 16-01	CLAMP	0.81-1,5	1
354	598 98 78-01	FITTING	No.8 x 10	1
362	599 07 05-01	FITTING	No.12 x 12 x 45	1
364	599 08 24-01	VALVE	19 psi	1
365	599 08 48-01	FITTING	4 x 6	2
366	599 08 47-01	FITTING	10 x 10	1
375	599 12 45-01	FITTING		1
441	599 07 44-01	FITTING	#12 ORFS X #4SAE	2
449	598 99 78-01	FITTING	No.12	1
618	599 50 16-01	HOSE	710mm/28"	1
619	599 50 16-02	HOSE	1727mm/68"	1
622	599 50 13-02	HOSE	472mm/19"	1
623	599 50 19-02	HOSE	590mm/23"	1
624	599 50 13-04	HOSE		1
625	599 50 19-01	HOSE	539mm/21"	1
700	599 50 10-04	HOSE	900mm/35"	1
82	599 07 88-01	PUMP		1



PUMP MOUNT

CRT60-74LX, 970461801, 2020-02

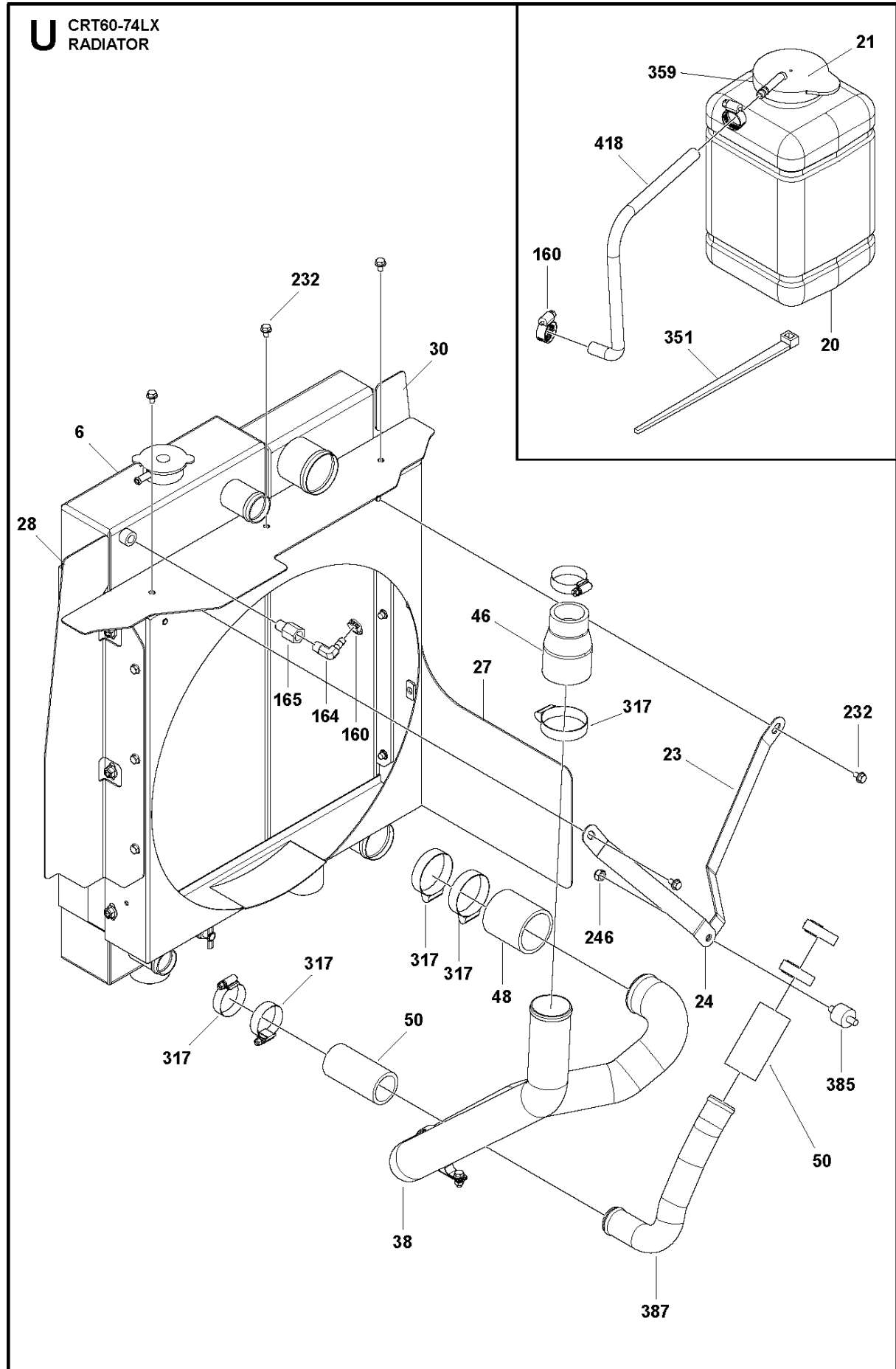
Ref	Part No	Description	Remark	QTY KIT
35	599 11 33-01	PUMP		1
36	599 11 36-01	PUMP		1
37	599 11 37-01	PUMP		1
40	599 11 25-01	PIPE		1
82	599 07 88-01	PUMP		1
129	598 99 54-01	CABLE	13"	1
160	599 16 17-01	CLAMP	0,21-0,63	1
211	596 43 53-01	BOLT	1/2-13 x 1.25"	2
221	725 54 51-01	SCREW IHSCM	M8 x 20, 24Nm/18ft.lbs, ISO4762	1
249	531 20 84-91	NUT	M6, DIN985	1
281	734 11 80-41	WASHER	A13, DIN9021	2
285	599 16 12-01	SCREW	5/16-18 x 1-1/4", 18Nm/13ft.lbs	8
286	594 97 69-01	SCREW	3/8-16 x 1in, 31Nm/23ft.lbs	1
295	599 17 70-01	CLAMP	1 1/2"	1
324	599 17 77-01	CLAMP	2"	1
427	598 98 58-01	FITTING	5/16"	1
1000	599 51 59-01	HOSE KIT		1
1001	599 51 55-01	SEAL KIT		1
207	585 98 06-01	SCREW EHHFM		1



ENGINE COMPARTMENT

CRT60-74LX, 970461801, 2020-02

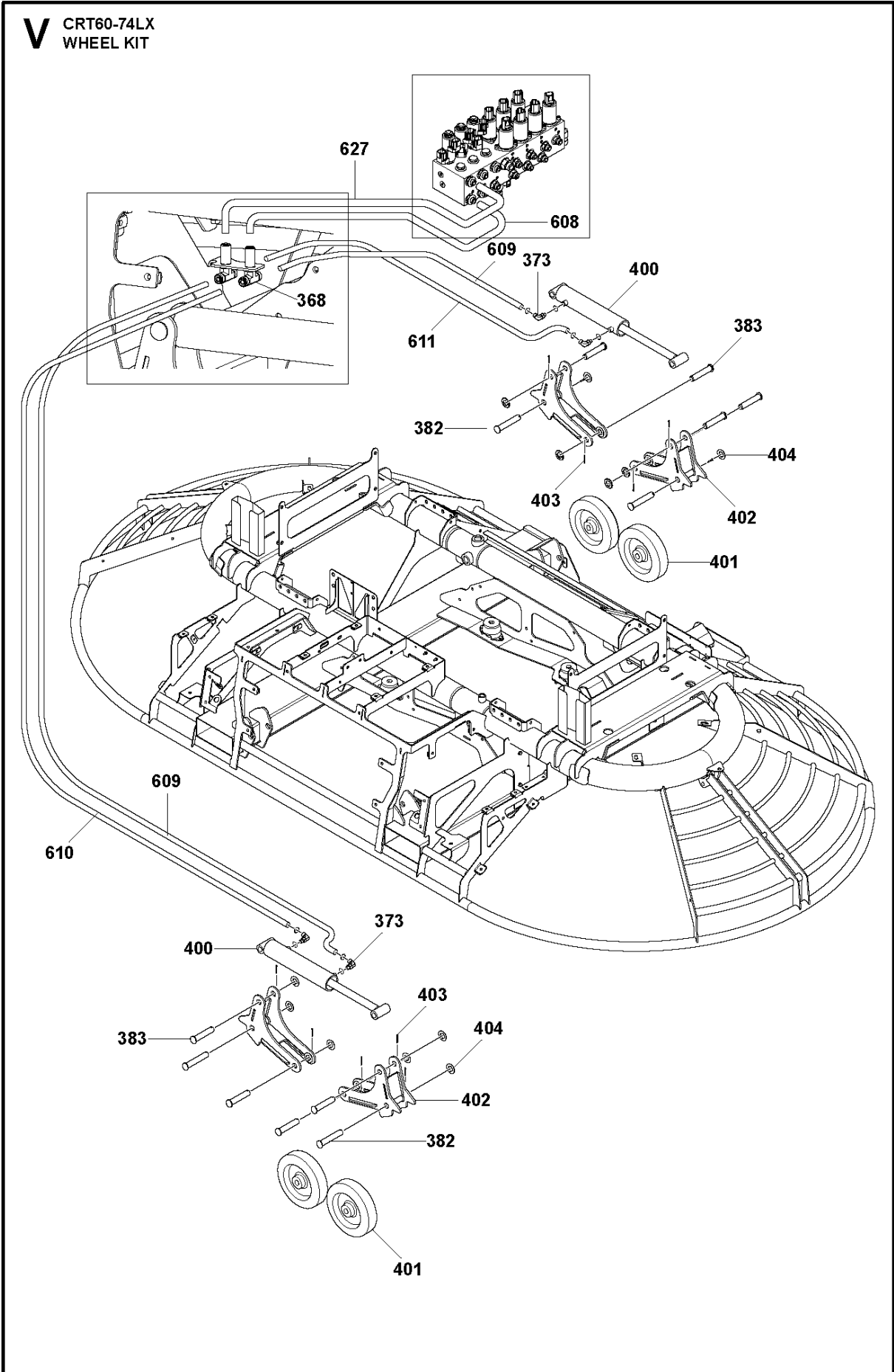
Ref	Part No	Description	Remark	QTY KIT
1	599 07 83-01	ENGINE		1
4	599 07 91-01	BRACKET		1
5	599 07 92-01	MOUNT		2
18	599 11 34-01	FAN		1
19	599 11 30-01	SPACER		1
22	599 11 65-01	BRACKET		1
27	599 08 23-01	BRACKET		1
28	599 07 94-01	BRACKET		1
29	599 11 29-01	GUARD		1
30	599 11 27-01	BRACKET		1
39	599 07 98-01	HOSE		1
160	599 16 17-01	CLAMP	0,21-0,63	1
197	725 25 03-51	SCREW EHHM		4
207	585 98 06-01	SCREW EHHFM	M6 x 16, 10Nm/7ft.lbs	2
231	585 23 59-01	SCREW EHHFM	M12 x 25, 86Nm/63ft.lbs, ISO 4017	8
232	725 23 64-61	SCREW EHHFT	M6 x 10, 10Nm/7ft.lbs	14
238	725 23 76-51	SCREW EHHM	M6 x 35, 10Nm/7ft.lbs, ISO 4014	4
243	732 21 20-51	NUT		4
246	522 91 94-01	LOCK NUT	M8, DIN985	1
254	593 35 64-01	NUT	M6	2
261	539 20 02-82	NUT	3/8-16"	2
269	599 16 02-01	WASHER		4
270	599 17 08-01	WASHER		4
271	734 11 72-01	WASHER		4
279	599 16 63-01	WASHER	13	16
292	599 34 33-01	SCREW	M8 x 18, 25Nm/18ft.lbs, ISO 4017	1
295	599 17 70-01	CLAMP	1 1/2"	1
300	599 16 84-01	CLAMP		2
317	599 16 41-01	CLAMP	1,56-2,50	2
321	599 11 32-01	BUMPER		2
347	599 11 85-02	HOSE	5/16 X 33"	1
386	599 11 17-01	HOSE		1
132	599 07 81-01	WIRING		1



RADIATOR

CRT60-74LX, 970461801, 2020-02

Ref	Part No	Description	Remark	QTY KIT
6	599 11 35-01	RADIATOR		1
20	599 03 42-01	BOTTLE		1
21	599 03 43-01	CAP		1
23	599 11 11-01	BRACKET		1
24	599 11 12-01	BRACKET		1
27	599 08 23-01	BRACKET		1
28	599 07 94-01	BRACKET		1
30	599 11 27-01	BRACKET		1
38	599 11 16-01	PIPE		1
46	599 12 43-01	HOSE	1.5" x 3.5"	1
48	599 11 38-01	HOSE	2"	1
50	599 12 32-01	HOSE	1.38"	2
160	599 16 17-01	CLAMP	0,21-0,63	2
164	599 11 44-01	FITTING	1/16"	1
165	599 06 23-01	FITTING	5/16x1/4in x 90 NPT	1
232	725 23 64-61	SCREW EHHFT	M6 x 10, 10Nm/7ft.lbs	9
246	522 91 94-01	LOCK NUT	M8, DIN985	1
317	599 16 41-01	CLAMP	1,56-2,50	8
351	599 17 32-01	CABLE		2
359	599 06 45-01	GASKET		1
385	599 11 31-01	BUMPER		1
387	599 11 86-01	PIPE		1
418	599 01 79-01	HOSE		1

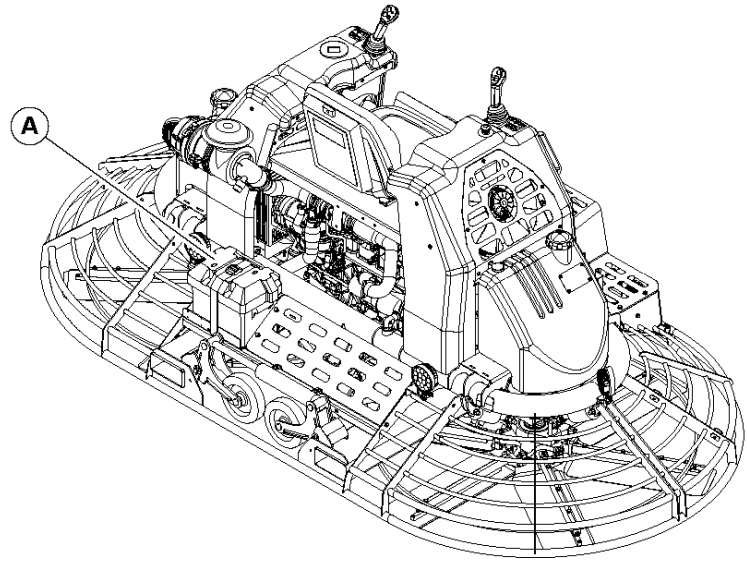


WHEEL KIT

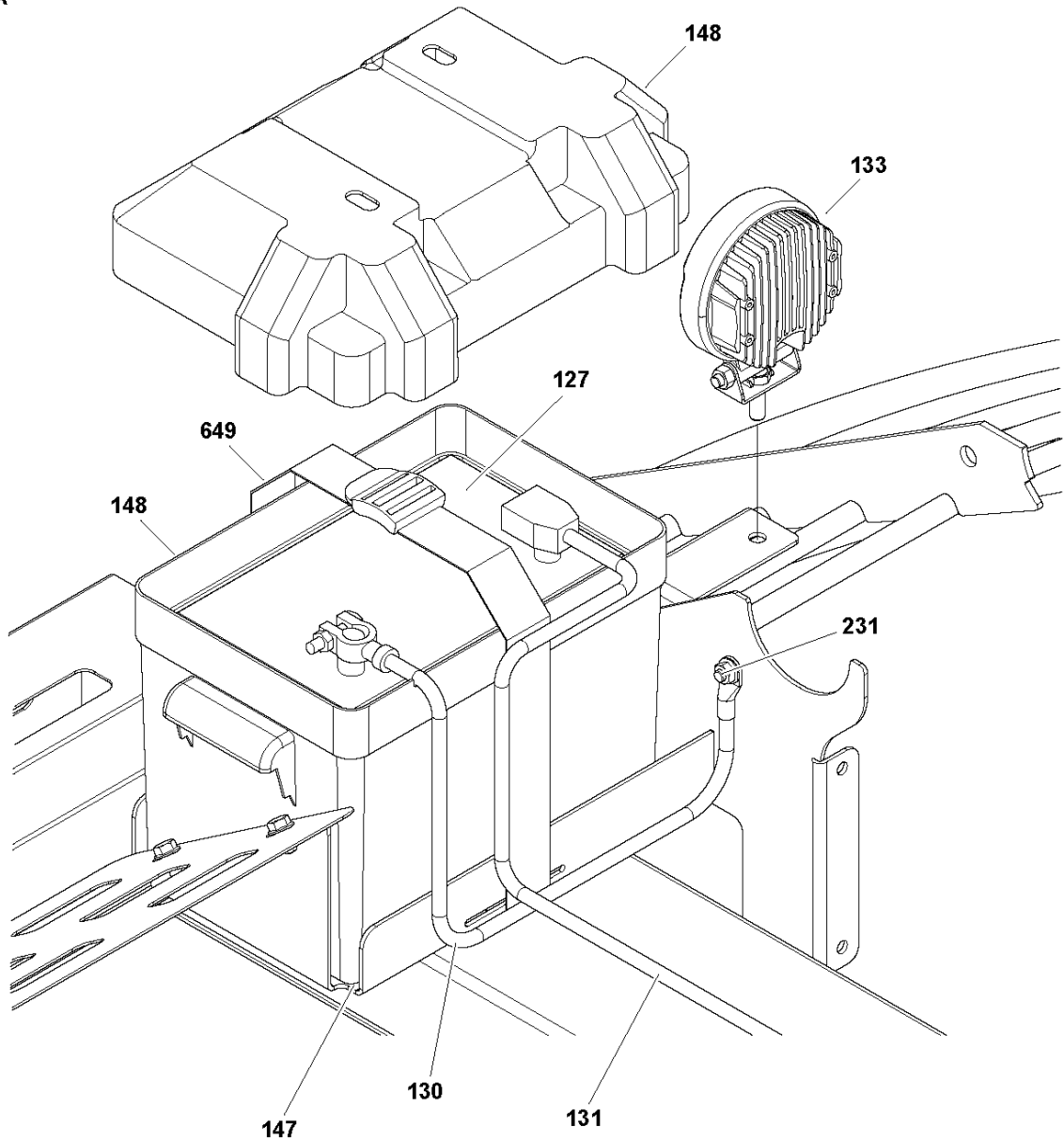
CRT60-74LX, 970461801, 2020-02

Ref	Part No	Description	Remark	QTY KIT
368	599 07 20-01	UNIT		2
373	598 99 07-01	FITTING	SAE No.4 x 90	4
382	599 17 55-01	PIN	3/4 x 4"	4
383	599 17 56-01	PIN	3/4 x 3-1/2"	8
400	599 06 91-01	CYLINDER		2
401	599 06 90-01	WHEEL		4
402	599 06 12-01	BRACKET		4
403	599 16 49-01	PIN	1/8 x 1-1/2"	12
404	542 17 30-35	WASHER		12
608	599 50 04-01	HOSE	16.00"	1
609	599 50 07-01	HOSE	39.00"	2
610	599 50 05-01	HOSE	31.00"	1
611	599 50 08-01	HOSE	46.00"	1
627	599 50 14-01	HOSE	20.00"	1

X CRT60-74LX
BATTERY & LIGHT



A

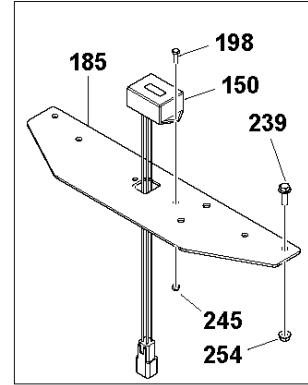
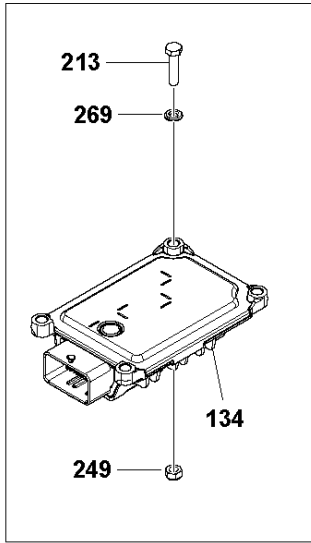
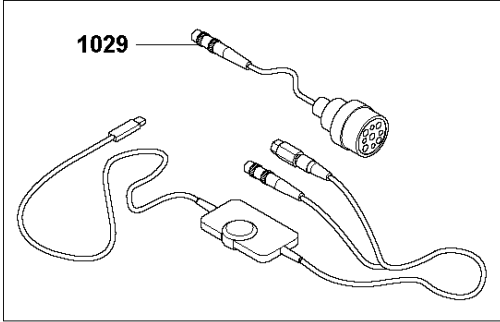


BATTERY & LIGHT

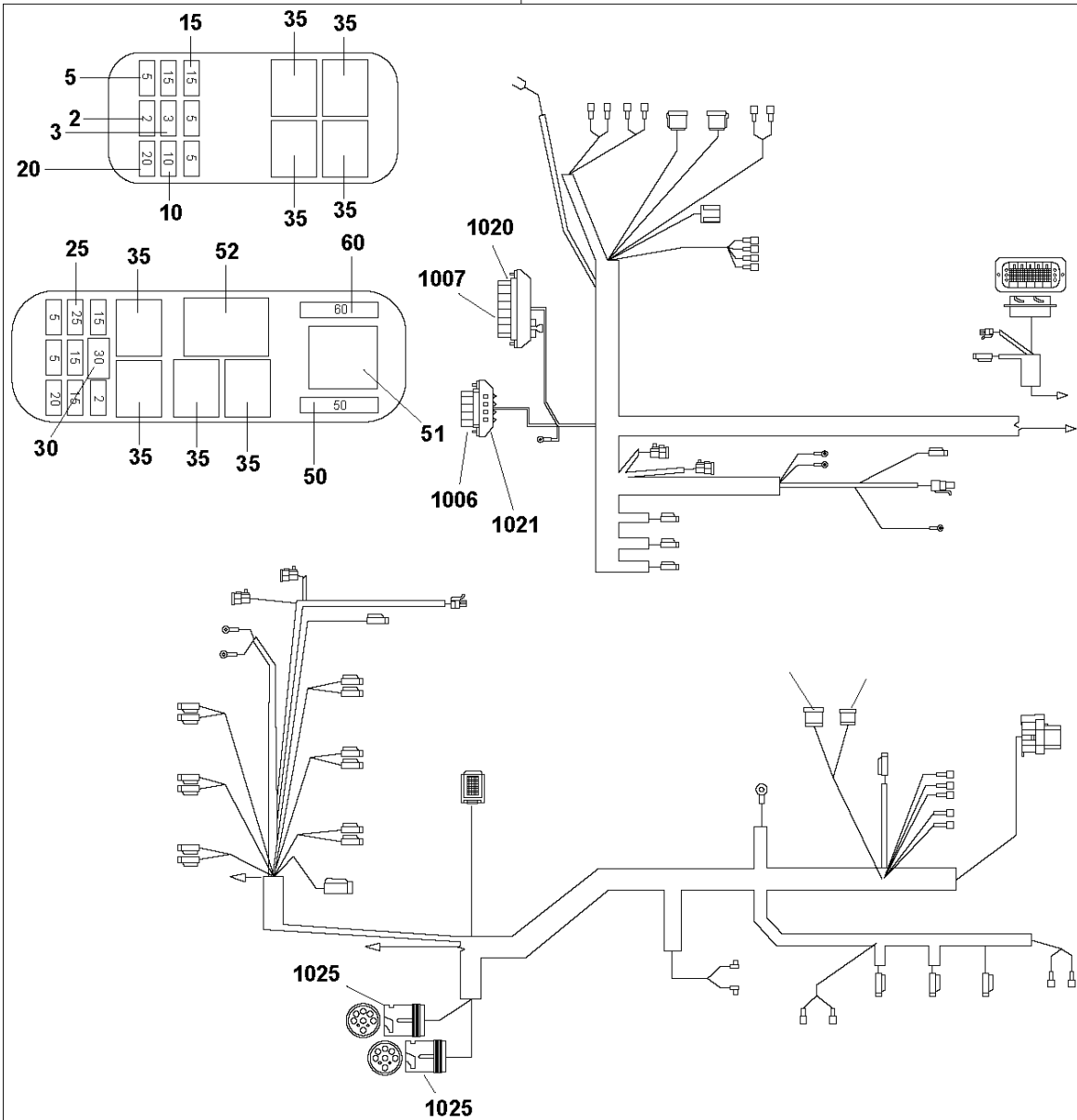
CRT60-74LX, 970461801, 2020-02

Ref	Part No	Description	Remark	QTY KIT
127	599 04 95-01	BATTERY	4"	1
130	599 03 62-01	CABLE	16"	1
131	598 99 17-01	CABLE		1
133	599 07 69-01	LIGHT		6
147	598 98 80-01	PAD		1
148	598 99 99-01	BOX		1
231	585 23 59-01	SCREW EHHFM	M12 x 25, 86Nm/63ft.lbs, ISO 4017	1
649	599 51 26-01	STRAP		1

**Y CRT60-74LX
WIRING HARNESS & FUSE BOX**



132

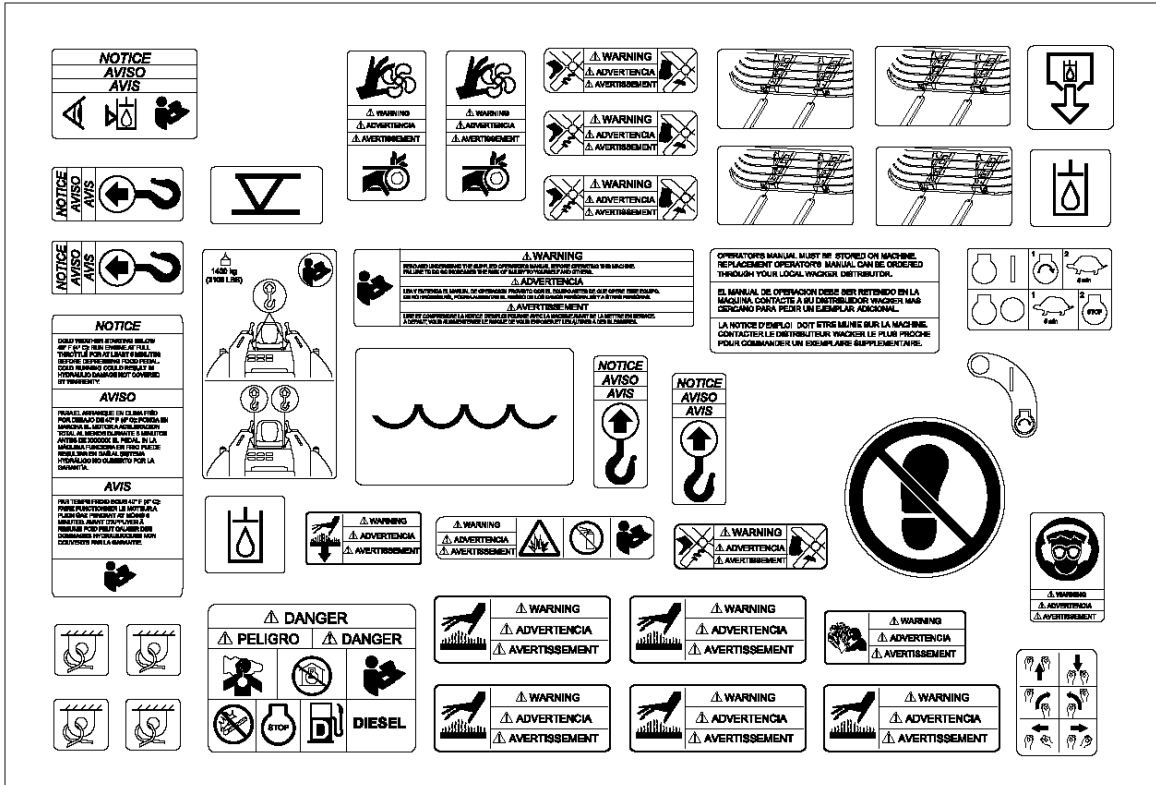


WIRING HARNESS & FUSE BOX

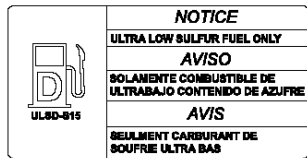
CRT60-74LX, 970461801, 2020-02

Ref	Part No	Description	Remark	QTY KIT
2	599 51 14-01	FUSE	2A	2
3	599 51 14-02	FUSE	3A	1
5	599 51 14-03	FUSE	5A	5
10	599 51 14-04	FUSE		1
15	599 51 14-05	FUSE	15A	3
20	599 51 14-06	FUSE	20A	2
25	599 51 14-07	FUSE	25A	1
30	599 51 33-01	CIRCUIT BREAKER	30A	1
35	599 51 71-01	RELAY	290	8
50	599 51 14-08	FUSE	50A	1
51	599 51 70-01	RELAY	70V	1
52	599 51 69-01	RELAY		1
60	599 51 14-09	FUSE	60A	1
132	599 07 81-01	WIRING		1
134	599 07 84-01	ELECTRICAL SYSTEM	CRT60-74L	1
150	599 11 22-01	CONTROL		1
185	599 11 87-01	BRACKET		1
198	599 16 82-01	SCREW	M4 x 14, ISO 4017	4
213	725 23 72-71	SCREW EHHM	M6 x 25, 10Nm/7ft.lbs, ISO 4017	4
239	599 51 79-01	SCREW	M6 x 1 x 20, 10Nm/7ft.lbs	4
245	599 15 98-01	LOCK NUT		2
249	531 20 84-91	NUT	M6, DIN985	4
254	593 35 64-01	NUT	M6	4
269	599 16 02-01	WASHER		4
1006	599 51 50-01	FUSE BOX	Fuse box	1
1007	599 51 54-01	FUSE BOX	Fuse box	1
1020	599 51 66-01	COVER	Cover, electrical box	1
1021	599 51 67-01	COVER	Cover, electrical box	1
1025	599 51 64-01	PROTECTIVE CAP	Protective cap	2
1029	599 51 63-01	ADAPTER	Adapter wiring harness	1

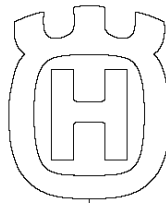
Z CRT60-74LX
DECALS



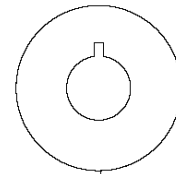
115



120



112



103

CRT60X

118

Husqvarna®

2001

DECALS

CRT60-74LX, 970461801, 2020-02

Ref	Part No	Description	Remark	QTY KIT
103	599 10 73-01	LABEL		1
112	599 23 50-01	DECAL		1
115	599 11 88-01	LABEL		1
118	599 23 52-01	DECAL		1
120	599 07 76-01	LABEL		1
2001	599 23 53-01	DECAL		2