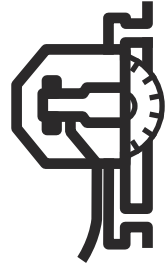




Husqvarna®



WS 442

EN	Operator's manual	2-20
ES-MX	Manual del usuario	21-40
FR-CA	Manuel d'utilisation	41-60

Contents

Introduction.....	2	Transportation, storage and disposal.....	15
Safety.....	3	Technical data.....	16
Assembly.....	7	Supplier's declaration of Conformity.....	19
Operation.....	10	Warranty.....	20
Maintenance.....	15		

Introduction

Product description

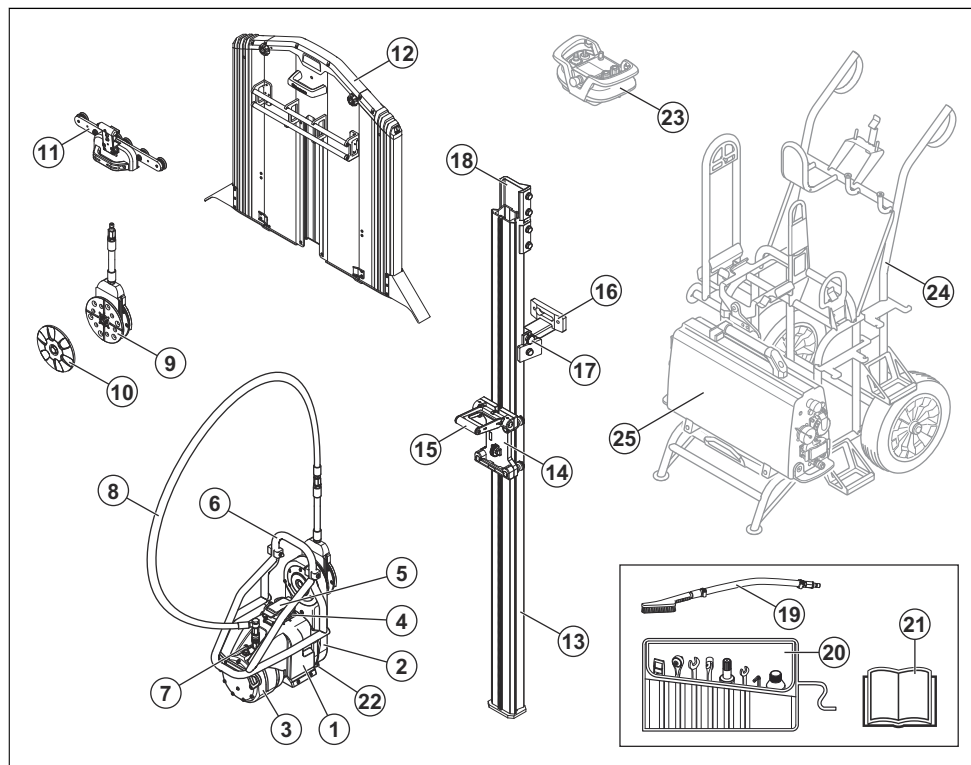
Husqvarna WS 442 is a wall saw with an electric motor.

Note: National regulations can set limit to the operation of the product.

Intended use

This product is intended for sawing in hard materials such as reinforced concrete, stone and brick.

Product overview



1. Saw unit
2. Cutting arm

3. Motor
4. Cable connection

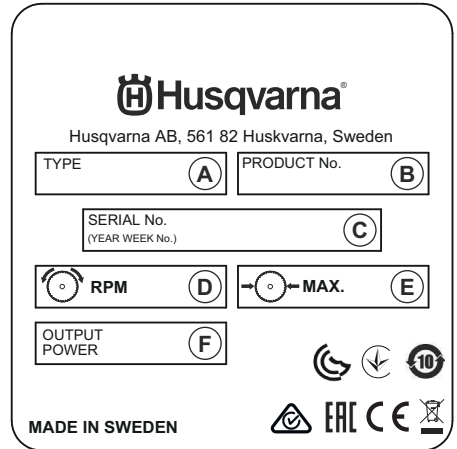
5. Protective cover
6. Handle/blade guard assembly
7. Hose connection, water in
8. Water hose
9. Blade flange hub
10. Outer blade flange
11. Blade guard guide
12. Blade guard
13. Track
14. Saw carriage
15. Lock handle
16. Wall support
17. Track holder
18. Connector
19. Brush
20. Tool kit
21. Operator's manual
22. Gear knob
23. Remote control (accessory)
24. Trolley (accessory)
25. Power pack (accessory)



The product or package of the product is not domestic waste. Recycle it at an approved disposal location for electrical and electronic equipment.

Note: Other symbols/decals on the product refer to special certification requirements for some markets.

Type plate



- A: Type/model
- B: Product No.
- C: Serial No. with manufacturing date (YYYY, WW, XXXXX): Year, Week, Sequence No.
- D: Maximum speed, RPM
- E: Maximum blade size, mm
- F: Power output, kW

Symbols on the product



WARNING: This product can be dangerous and cause serious injury or death to the operator or others. Be careful and use the product correctly.



Read the manual carefully and make sure that you understand the instructions before you use the product.



Use approved protective helmet, hearing protection, eye protection and respiratory protection.

Safety

Safety definitions

Warnings, cautions and notes are used to point out specially important parts of the manual.



WARNING: Used if there is a risk of injury or death for the operator or bystanders if the instructions in the manual are not obeyed.



CAUTION: Used if there is a risk of damage to the product, other materials or the adjacent area if the instructions in the manual are not obeyed.

Note: Used to give more information that is necessary in a given situation.

General power tool safety warnings



WARNING: Read all safety warnings, instructions, illustrations and specifications provided with this power tool. Failure to follow all instructions listed below may result in electric shock, fire and/or serious injury.

Note: Save all warnings and instructions for future reference. The term "power tool" in the warnings refers to your mains-operated (corded) power tool or battery-operated (cordless) power tool.

Work area safety

- **Keep work area clean and well lit.** Cluttered or dark areas invite accidents.
- **Do not operate power tools in explosive atmospheres, such as in the presence of flammable liquids, gases or dust.** Power tools create sparks which may ignite the dust or fumes.
- **Keep children and bystanders away while operating a power tool.** Distractions can cause you to lose control.

Electrical safety

- **Power tool plugs must match the outlet. Never modify the plug in any way. Do not use any adapter plugs with earthed (grounded) power tools.** Unmodified plugs and matching outlets will reduce risk of electric shock.
- **Avoid body contact with earthed or grounded surfaces, such as pipes, radiators, ranges and refrigerators.** There is an increased risk of electric shock if your body is earthed or grounded.
- **Do not expose power tools to rain or wet conditions.** Water entering a power tool will increase the risk of electric shock.
- **Do not abuse the cord. Never use the cord for carrying, pulling or unplugging the power tool. Keep cord away from heat, oil, sharp edges or moving parts.** Damaged or entangled cords increase the risk of electric shock.
- **When operating a power tool outdoors, use an extension cord suitable for outdoor use.** Use of a cord suitable for outdoor use reduces the risk of electric shock.
- **If operating a power tool in a damp location is unavoidable, use a residual current device (RCD) protected supply.** Use of a RCD reduces the risk of electric shock.

Personal safety

- **Stay alert, watch what you are doing and use common sense when operating a power tool. Do not use a power tool while you are tired or under the influence of drugs, alcohol or medication.** A moment of inattention while operating power tools may result in serious personal injury.
- **Use personal protective equipment. Always wear eye protection.** Protective equipment such as dust mask, non-skid safety shoes, hard hat or hearing protection used for appropriate conditions will reduce personal injuries.
- **Prevent unintentional starting. Ensure the switch is in the off-position before connecting to power source and/or battery pack, picking up or carrying the tool.** Carrying power tools with your finger on the switch or energising power tools that have the switch on invites accidents.
- **Remove any adjusting key or wrench before turning the power tool on.** A wrench or a key left attached to

a rotating part of the power tool may result in personal injury.

- **Do not overreach. Keep proper footing and balance at all times.** This enables better control of the power tool in unexpected situations.
- **Dress properly. Do not wear loose clothing or jewellery. Keep your hair and clothing away from moving parts.** Loose clothes, jewellery or long hair can be caught in moving parts.
- **If devices are provided for the connection of dust extraction and collection facilities, ensure these are connected and properly used.** Use of dust collection can reduce dust-related hazards.
- **Do not let familiarity gained from frequent use of tools allow you to become complacent and ignore tool safety principles.** A careless action can cause severe injury within a fraction of a second.

Power tool use and care

- **Do not force the power tool. Use the correct power tool for your application.** The correct power tool will do the job better and safer at the rate for which it was designed.
- **Do not use the power tool if the switch does not turn it on and off.** Any power tool that cannot be controlled with the switch is dangerous and must be repaired.
- **Disconnect the plug from the power source and/or remove the battery pack, if detachable, from the power tool before making any adjustments, changing accessories, or storing power tools.** Such preventive safety measures reduce the risk of starting the power tool accidentally.
- **Store idle power tools out of the reach of children and do not allow persons unfamiliar with the power tool or these instructions to operate the power tool.** Power tools are dangerous in the hands of untrained users.
- **Maintain power tools and accessories. Check for misalignment or binding of moving parts, breakage of parts and any other condition that may affect the power tool's operation. If damaged, have the power tool repaired before use.** Many accidents are caused by poorly maintained power tools.
- **Keep cutting tools sharp and clean.** Properly maintained cutting tools with sharp cutting edges are less likely to bind and are easier to control.
- **Use the power tool, accessories and tool bits etc. in accordance with these instructions, taking into account the working conditions and the work to be performed.** Use of the power tool for operations different from those intended could result in a hazardous situation.
- **Keep handles and grasping surfaces dry, clean and free from oil and grease.** Slippery handles and grasping surfaces do not allow for safe handling and control of the tool in unexpected situations.

Service

- **Have your power tool serviced by a qualified repair person using only identical replacement parts.** This will ensure that the safety of the power tool is maintained.
- **Never service damaged battery packs.** Service of battery packs should only be performed by the manufacturer or authorized service providers.

Safety instructions for wall saws

- **Operate power tool by insulated grasping surfaces, when performing an operation where the cutting accessory may contact hidden wiring or its own cord.** Cutting accessory contacting a "live" wire may make exposed metal parts of the power tool "live" and could give the operator an electric shock.
 - **Wear ear protectors when diamond sawing.** Exposure to noise can cause hearing loss.
 - **If the diamond wheel becomes jammed, stop applying feed force and turn off the tool.** Investigate and take corrective actions to eliminate the cause of the diamond wheel jamming.
 - **When sawing through the workpiece, ensure to protect persons and the work area on the other side.** The diamond wheel may protrude through the workpiece.
 - **Ensure that the method of securing the track guiding system to the workpiece is capable of holding and restraining the machine during use.** If the workpiece is weak or porous, the anchor(s) may pull out causing the track guiding system to release from the workpiece.
- qualified specialists. See instructions under the heading Maintenance. Only use original spare parts.
 - All types of repairs may only be carried out by authorized repairmen. This is so that the operators are not exposed to great risks.
 - Inspection and/or maintenance shall be carried out with the motor switched off and the plug disconnected.
 - Cutting, especially when dry cutting, generates dust that comes from the material being cut, which frequently contains silica. Silica is a basic component of sand, quartz, brick clay, granite and numerous other minerals and rocks. Exposure to excessive amount of such dust can cause:
 - Respiratory disease (affecting your ability to breath), including chronic bronchitis, silicosis and pulmonary fibrosis from exposure to silica. These diseases may be fatal.
 - Skin irritation and rash.
 - Cancer according to NTP and IARC (National Toxicology Program and International Agency for Research on Cancer)
 - Take precautionary steps:
 - Avoid inhalation of and skin contact with dust, mist and fumes.
 - Wear and ensure that all bystanders wear appropriate respiratory protection such as dust masks designed to filter out microscopic particles. (See OSHA 29 CFR Part 1910.1200)
 - Wet cut when feasible, to minimize dust.

General safety instructions



WARNING: Read the warning instructions that follow before you use the product.

- This information is never a substitute for professional skills and experience. If you get into a situation where you feel unsafe, stop and seek expert advice. Contact your dealer, service agent or an experienced user. Do not attempt any task that you feel unsure of!
- This product is designed for and intended for sawing concrete, brick and different stone materials. All other use is improper.
- The product must be kept clean. Signs and stickers must be fully legible.
- Unauthorized modifications and/or accessories may lead to serious injury or death to the user or others. Do not modify this product or use it if it appears to have been modified by others. Never use a product, battery or battery charger that is faulty. Carry out the checks, maintenance and service instructions described in this manual. Some maintenance and service measures must be carried out by trained and



WARNING: Read the warning instructions that follow before you use the product.

- The product can be a dangerous tool if used incorrectly or carelessly, which can cause serious or fatal injury to the operator or others.
- Never allow children or other persons not trained in the use of the product to use or service it.
- Never allow anyone else to use the product without first ensuring that they have read and understood the contents of the operator's manual.
- Never use the product if you are tired, if you have drunk alcohol, or if you are taking medication that could affect your vision, your judgement or your coordination.
- All operators shall be trained in the use of the product. The owner is responsible for ensuring that the operators receive training.
- Please read the operator's manual carefully and make sure you understand the instructions before using the product.
- The product can cause serious personal injury. Read the safety instructions carefully. Learn how to use the product.

- Keep in mind that the operator is responsible for accidents or hazards occurring to other people or their property.
- This product is only intended for use together with an approved power pack. Read through the manual supplied with the power pack before starting to use the product. All other use is forbidden.
- Cutting at too high revs can cause damage to the blade and lead to personal injury.
- Stop the motor and disconnect the power cord before you lift or move the product.

Personal protective equipment



WARNING: Read the warning instructions that follow before you use the product.

- Always use correct personal protective equipment when you operate the product. The personal protective equipment does not erase the risk of injury. The personal protective equipment decreases the grade of injury if an accident occurs. Let your dealer help you select the right equipment.
- Use approved eye protection while you operate the product.
- Use heavy-duty slip-resistant boots with steel toe-caps.
- Use clothing that is close-fitting but does not limit your movements.
- Regularly do a check of the condition of the personal protective equipment.
- Use approved heavy duty protective gloves.
- Use rubber protective gloves to prevent skin irritation from wet concrete.
- Use an approved protective helmet.
- Always use approved hearing protection while you operate the product. Noise for a long period can cause noise-induced hearing loss.
- The product causes dust and fumes that is bad for your health. Use an approved respiratory protection.
- Make sure that you have a first aid kit near.
- Sparks can occur when you operate the product. Make sure that you have a fire extinguisher near.
- Do not use loose clothing, jewelry or other items that can get caught in moving parts. Put your hair up safely above shoulder level.

Safety devices on the product



WARNING: Read the warning instructions that follow before you use the product.

- Do not use a product with defective safety devices.
- Do a check of the safety devices regularly. If the safety devices are defective, speak to your Husqvarna service agent.

Blade guard

The blade guard keeps dust away from the operator and prevents injury if the cutting blade breaks.



WARNING: Do not use the product without a blade guard.

To do a check of the blade guard

1. Make sure that the blade guard is not damaged. Refer to *Product overview on page 2*.
2. Make sure that the blade guard is correctly attached.
3. Make sure that the blade is in the center of the blade guard and does not touch the blade guard.

Blade guard lock

The blade guard lock keeps the blade guard guide in the correct position on the blade guard.

To do a check of the blade guard lock

- Make sure that the blade guard lock mechanism on the blade guard guide operates correctly. Refer to *To adjust the lock handle on the blade guard guide on page 13*.

End stops

The end stops prevent the product to come off the rails.



WARNING: If the end stops are not attached correctly to the rail ends, the product comes off and can cause serious injury.

To do a check of the end stops

- Make sure that end stops are attached to the rail ends. Refer to *Product overview on page 2*.

Power pack

The Husqvarna power pack is used to operate the product.



WARNING: Disconnect the product from the power supply and wait a minimum of 5 minutes before you do maintenance.

To do a check of the power pack

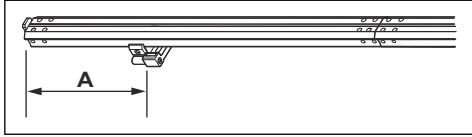
- Do a check of the safety equipment and make sure that it is not damaged. Refer to the Husqvarna power pack manual.

Wall supports

The wall supports attach the rails in the correct position on the wall.

To do a check of the wall supports

1. Put the wall supports at approximately $\frac{1}{4}$ of the length of the rail (A).



2. Use a minimum of 2 wall supports during operation. If more rails are put together, 1 wall support is necessary for each rail section.

Rail connectors

The rail connectors connect the rail sections.



CAUTION: Make sure that the rail connectors are compatible with the product.

To do a check of the rail connectors

- Make sure that the rail connectors are assembled correctly. Refer to *Product overview on page 2*.

Stop button

The stop button stops the product and the remote control. Refer to *To operate the remote control on page 14*.

To do a check of the stop button

1. Start the motor.
2. Push the stop button on the remote control. Make sure that the remote control and the product stops.

Lock handles

The lock handles tighten the guide wheels against the rail.

To do a check of the lock handles

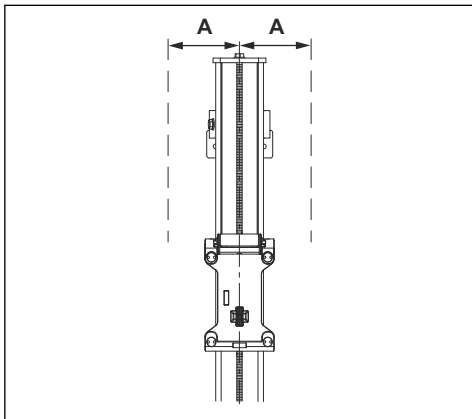
1. Assemble the product. Refer to *Assembly on page 7*.
2. Use the lock handles to tighten the guide wheels against the rail.

Note: Adjust the guide wheels if there is play. Refer to *To adjust the guide wheels on page 13*.

Assembly

To assemble the wall supports

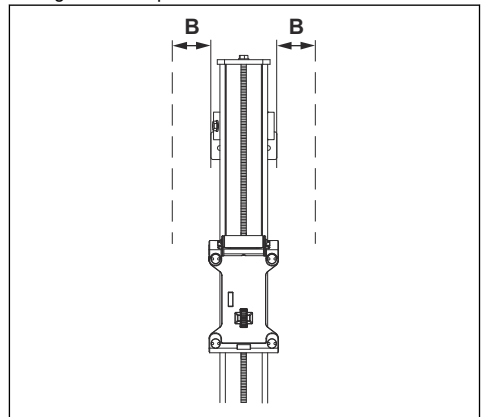
1. Do a mark of the cut line and do marks of the expander bolt holes (A) = 165 mm (6.5 in.) from the cut line.



2. Drill 15 mm (5/8 in.) holes for the M12 (1/2 in.) expander bolts.
3. Hang the wall supports loosely from the expander bolts. Use M6S 12 x 70 (1/2 in. x 2 in.) or equivalent.

To assemble the rails

1. Put the rail in the wall supports and tighten the compression washers. For vertical cuts, assemble the rail with the lock handle of the saw carriage up.
2. Make sure that the rail is correctly aligned with the tracks on the wall supports before you tighten the screws.
3. Adjust the distance between the cut line and the wall supports. The distance between the edge and the inner face of the cut must be (B) = 89 mm/3.5 in. Tighten the expander bolts.

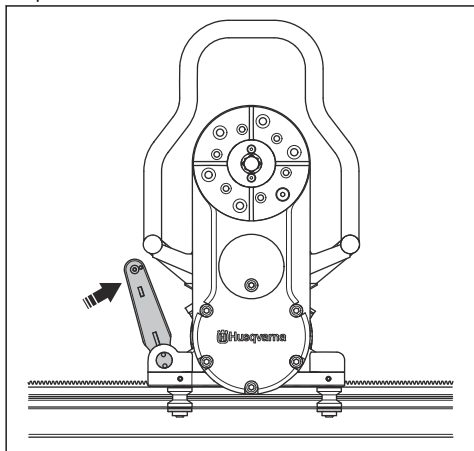


To assemble the product on the rails

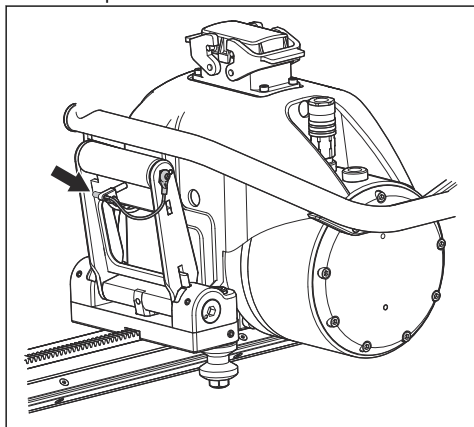


WARNING: Before you assemble the product on the rails you must assemble the product in the saw carriage.

1. Lift the product into position in the saw carriage. When the product is in position, the lock handle moves up into a middle position. In this position, the product stays in the carriage but is not sufficiently attached to start the work.
2. To attach the product, lift the lock handle against the product until the handle locks.



3. Use the pin to lock the handle.



To assemble the blade

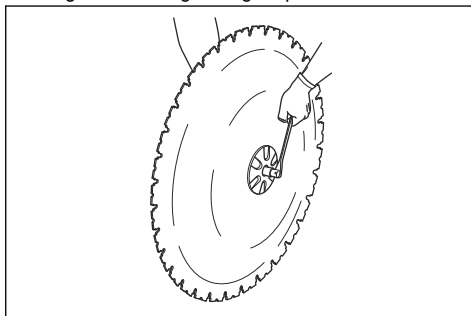


WARNING: Disconnect the product from the power supply before you start the assembly.

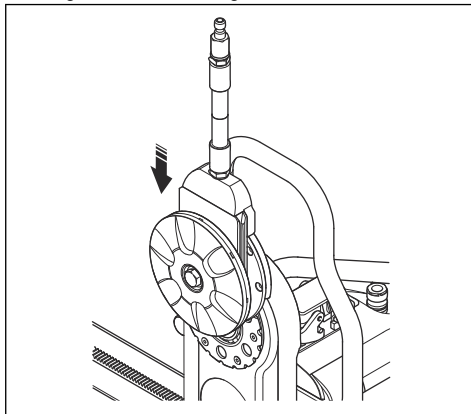
1. Remove dirt from the contact surfaces on the blade flange and blade.
2. Make sure that the blade rotates with the used part of the diamond in the rotation direction of the blade.

Note: Because the blade rotation direction can be selected, the water spray from the blade can also be selected.

3. Assemble the outer blade flange, blade and blade flange hub. Use tightening torque 70-80 Nm.

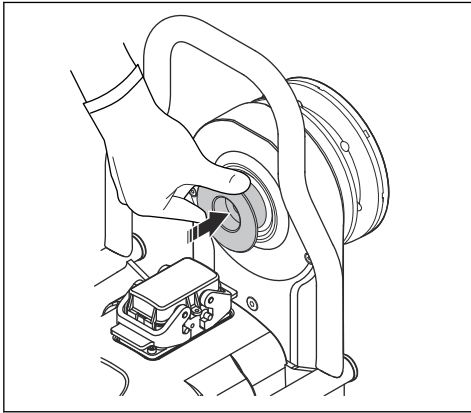


4. Hang the blade with the blade flange and blade flange hub on the cutting arm.



5. Turn the blade flange hub carefully until it moves into 1 of the tracks in the pivot arm. Attach the blade flange hub with the bolt.

6. Push the blade shaft into the cutting arm at the same time as you rotate the blade carefully. Tighten it with the supplied 18-spanner. Use tightening torque 70-80 Nm.



WARNING: Make sure that the blade is correctly attached before you start the product.

To assemble the blade for flush cutting



WARNING: Disconnect the product from the power supply before you start the assembly.

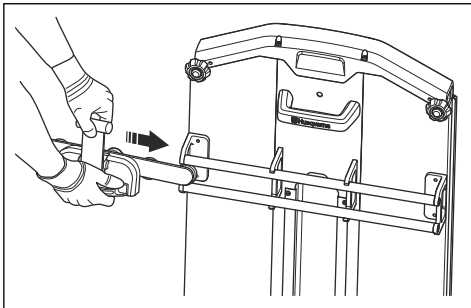
1. Remove the outer blade flange and assemble the blade on the blade flange hub.
2. Make sure the blade is correctly attached before you start the product.

To attach the blade guard

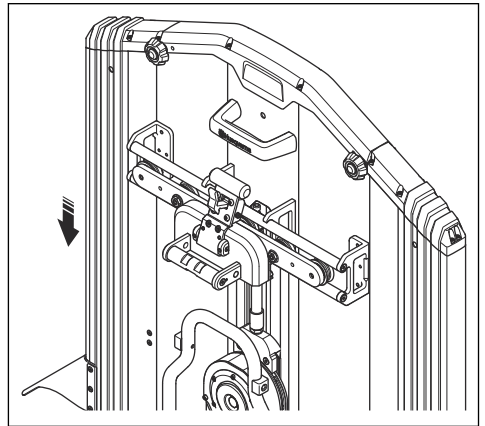


WARNING: Disconnect the product from the power supply before you start the assembly.

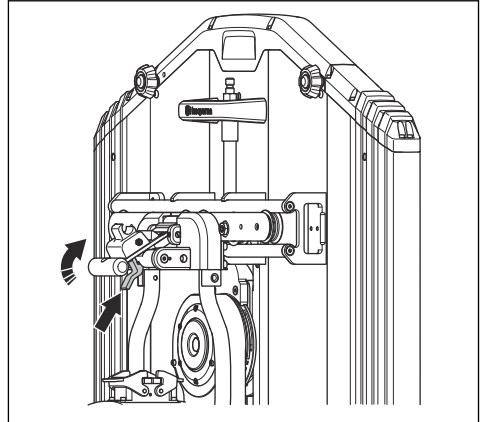
1. Put the blade guard guide between the rods on the blade guard.



2. Lock the plastic heel on the handle to the top rod on the blade guard.
3. Make sure that the cutting arm is vertical. Lift the blade guard above the blade and hang the guard in the blade guard holder on the product. Make sure the runners on the blade guard are installed in the slots on the water unit.



4. Pull the handle out of the blade guard and down against the saw unit. The fastener locks the handle.
5. To remove the blade guard, release the fastener and pull the handle up and against the blade guard. Lock the plastic heel on the top rod on the blade guard.



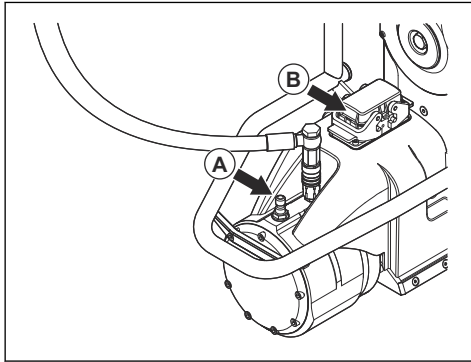
6. Connect the water hose from the outlet on the saw motor to the inlet on the blade flange hub.

To connect the power pack



CAUTION: Only use the product with an approved Husqvarna power pack.

1. Connect the water hose from the power pack to the water inlet on the saw unit (A).
2. Connect the power cord from the power pack to the saw unit (B).



3. Start the power pack and start the remote control. Make sure that the remote control is connected to the power pack.

Operation

Introduction



WARNING: Read and understand the safety chapter before you use the product.

To do a check of the work area before operation

1. Examine the work area to make sure that safe operation is possible. Look out for persons, objects and situations that can prevent safe operation of the product. Keep a safety distance of minimum 4 m.
2. Make sure that there are no electric cables, gas or water pipes in the work area.
3. Make sure that the cut out piece can be removed. Divide it into smaller sections to make it easier to remove.
4. Keep the work area clean and bright.
5. Make sure that the work area has electric and water supply. Make sure that waste water can be removed.

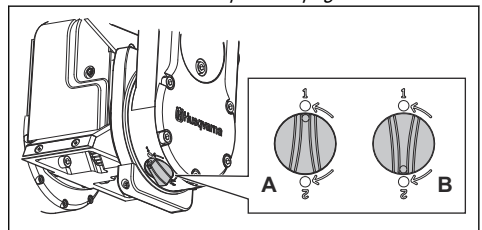
To do a function check before operation

1. Do a check of the safety devices on the product. Refer to *Safety devices on the product on page 6*.
2. Make sure that the blade and the blade guard are not damaged. Replace the blade or the blade guard if there are cracks or other damage.
3. Make sure that the product is correctly assembled and that the wall brackets, rails, blade bolt and lock wheels are tightened. Make sure that the end stops are attached on the ends of the rail.

4. The blade guard must always be assembled when the product is in operation. If the blade guard touches the ceiling, 1 of the end pieces of the blade guard can be temporarily disassembled.
5. Move the product to the start position before you start the motor.

To select gear

- Select gear for the speed to use. On gear 1 the speed range is 600-900 rpm and on gear 2 the speed range is 800-1200 rpm. Refer to *Recommended blade speed on page 17*.

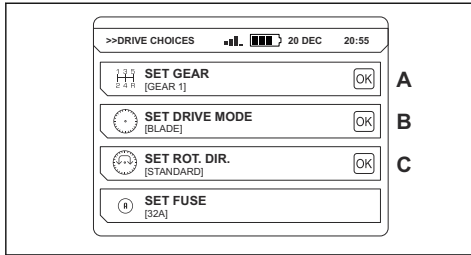


CAUTION: Make sure that the gear knob is in the correct position. If the knob is between gears it can cause damage to the gearbox.

To start the product

1. Start the power pack and connect the remote control. Refer to the Husqvarna power pack manual.

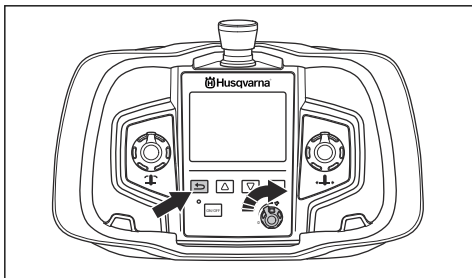
2. Select the remote control settings:



- SET GEAR: Select gear (A). For more information on recommended blades and speeds. Refer to *Recommended blade speed on page 17*.
- SET DRIVE MODE: Set the mode to BLADE (B).
- SET ROT. DIR: Select the direction of rotation of the blade (C). The direction of rotation can only be changed when the blade is stationary.

Note: (S) = Standard, (R) = Rearward.

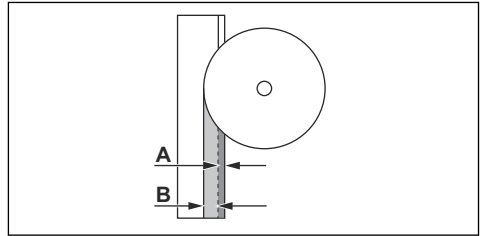
- Move the product to the start position. Make sure that the blade does not touch the material.
- Start the water supply for the cooling system. Adjust the flow with the water tap.
- To start the motor, press the arrow button and at the same time turn the blade speed dial clockwise. The motor power output is shown in the display on the remote control.



To operate the product

- Start the product. Refer to *To start the product on page 10*.
- Control the product with the remote control. Refer to *To operate the remote control on page 14*.

- Do a guide cut to a depth of 2-4 cm/0.8-1.6 in (A). Make sure that the power output of the blade motor is 60-65%. This to make sure that the guide cut is straight. Do not cut into rebar.

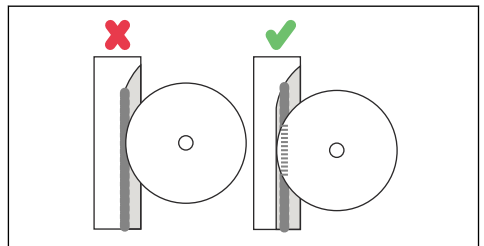


CAUTION: Do not use full throttle for the guide cut.

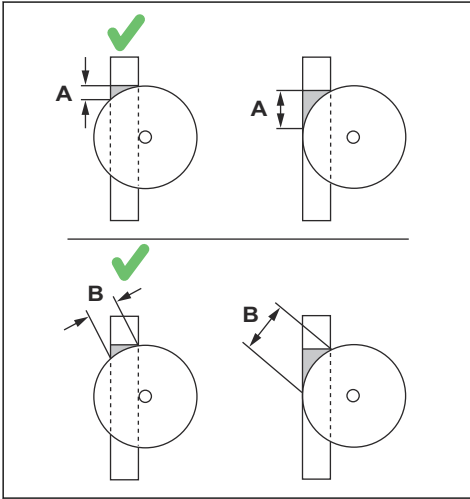
- Set the longitudinal speed to maximum. The speed is automatically adjusted to get the best sawing effect. If the power output is lower than 100% during these cuts, the cutting depth can be carefully increased.
- Do subsequent cuts to a depth of 4-7 cm/1.6-2.8 in (B). The hardness of the concrete and the quantity and position of reinforcement have an effect on the cutting depth.

Note: You can change the blade and cut in the same cut. Make sure that the thickness of the new blade aligns with the groove width.

- If the product runs on 1 phase operation, the power output is decreased. The cutting depth must be decreased compared to 3 phase operation. Decrease the cutting depth by ½.
- When you cut rebar from end to end, cut the rebar as the illustration shows to keep the blade sharp. If the rebar does not follow the sawing groove from start to end, start the cut from the other end.



- c) Use the maximum cutting depth of the blade if the wall is thinner than the maximum depth of the blade. The cutting surface is decreased and the pressure of the blade segments is increased. Also do this when overcutting can not be done, because the wedge remaining after sawing becomes smaller. (A) = Overcutting distance, (B) = Cutting surface.



- d) When overcutting cannot be done, use a hand cutter to cut the wedge. Speak to your local Husqvarna dealer to get information about a hand cutter.

6. Remove the blade from the sawing groove after each cut.



CAUTION: Do not let the blade rotate without pressure in the sawing groove. This causes the blade to become blunt.

7. Stop the motor and the water flow.

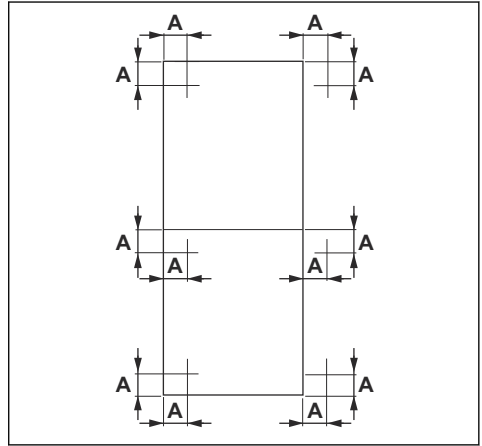
To cut concrete blocks



WARNING: Concrete blocks are very heavy and can cause serious injury. Make sure that the concrete block to be cut is attached safely before operation.

1. Examine the dimensions of the concrete block to be cut and make sure that it is safe to lift and remove.
2. Divide a large concrete block into smaller parts if it is necessary. It is not necessary to move the rail or the wall supports. You can cut on the 2 sides of the rail.

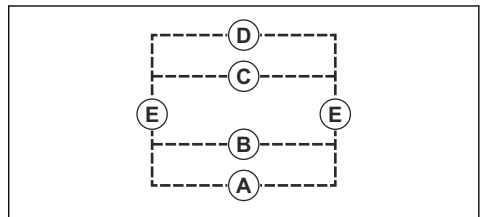
3. Put the holes for the wall supports approximately 150 mm/5.9 in (A) from the sawing groove. Use expander bolts.



WARNING: Do not attach the wall supports to the concrete block that is to be cut.

Note: In the corners, the same holes can be used for vertical and horizontal cuts.

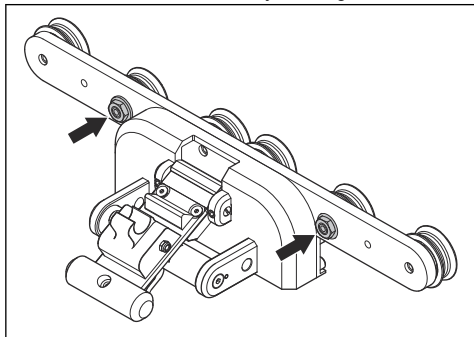
4. Cut the concrete block in the sequence that follows. The illustration shows the work procedure when you divide a concrete block into 3 sections.



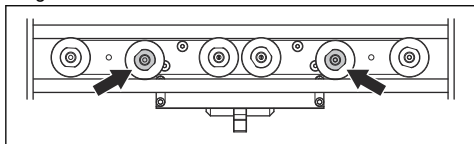
- a) Do the horizontal cuts first. Start from the bottom (A), (B), (C), (D).
 - b) Do the 2 vertical cuts (E).
5. Install wedge anchors after each cut. Install 2 wedge anchors on the sawing side and 1 wedge anchor on the other side of the concrete block.
 6. When you make the last cut, attach the rail on a stable wall. Use the included plastic wedges.

To adjust the blade guard guide

1. Loosen the nuts on the 2 adjustable guide wheels.



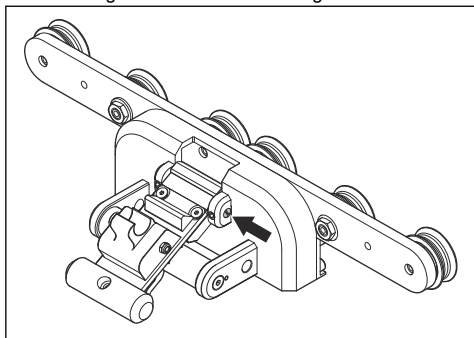
2. Attach the blade guard guide to the blade guard.
3. Turn the camshafts with a 22 mm wrench until the guide wheels touch the rail.



4. Hold the camshaft in position with a 22 mm wrench and tighten the nut with a 16 mm wrench.
5. Make sure that the wheels turn easily and that there is no play in the blade guard guide.

To adjust the lock handle on the blade guard guide

1. Attach the blade guard guide to the saw unit.
2. Loosen the 2 stop screws with a 3 mm hex key.
3. Turn the camshaft with a screwdriver until the lock handle tightens around the blade guard bracket.

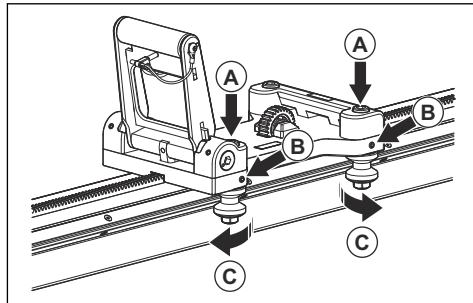


4. Tighten the 2 stop screws with a 3 mm hex key.
5. Remove the 4 screws that hold the snap lock in position with a 4 mm hex key.
6. Adjust the snap lock. The snap lock must tighten around the top rail.

7. Tighten the 4 screws that hold the snap lock in position with a 4 mm hex key.

To adjust the guide wheels

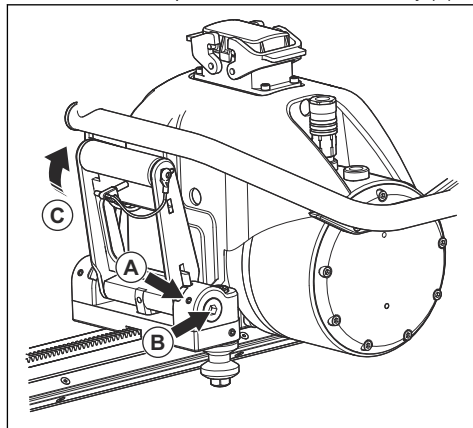
1. Loosen the 2 M10 screws with an 8 mm hex key (A).



2. Loosen the 2 stop screws that lock the 2 guide wheels with a 3 mm hex key (B).
3. Turn the shafts carefully with a 16 mm wrench until the guide wheels touch the rail (C).
4. Hold the 16 mm wrench in position and tighten the 2 stop screws with a 3 mm hex key (B).
5. Push down the lock device and pull the saw carriage in the 2 directions by hand. Make sure that the saw carriage moves easily and that all 4 guide wheel rotate.
6. Tighten the 2 M10 screws with a 8 mm hex key (A).

To adjust the saw carriage

1. Loosen the 2 stop screws with a 3 mm hex key (A).

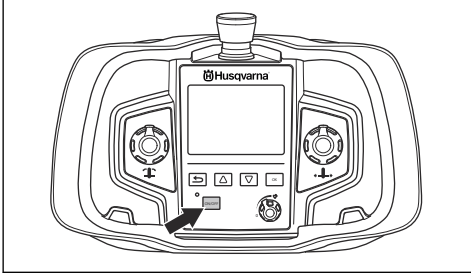


2. Turn the 2 sleeves with a 8 mm hex key until the shaft is tight and parallel to the saw unit (B).
3. Tighten the 2 stop screws with a 3 mm hex key (A).
4. Close the lock handle and make sure that the spring-loaded lock stays in locked position (C).
5. Use the pin to lock the handle.

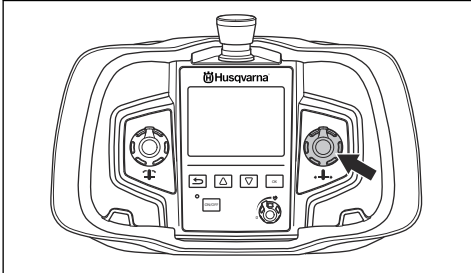
To operate the remote control

The product is controlled with the remote control. The remote control is connected to the power pack through radio transmission. To connect the remote control, refer to the Husqvarna power pack manual.

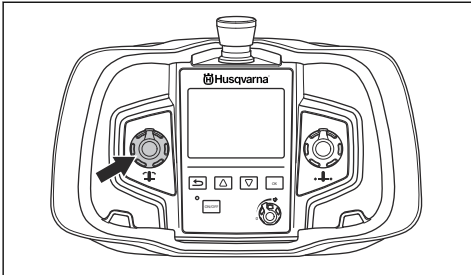
- Push the ON/OFF button to start and stop the remote control.



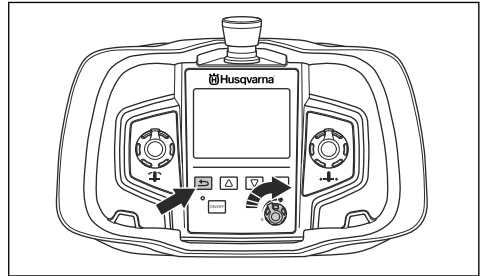
- Longitudinal movement: The dial moves the product along the rail.



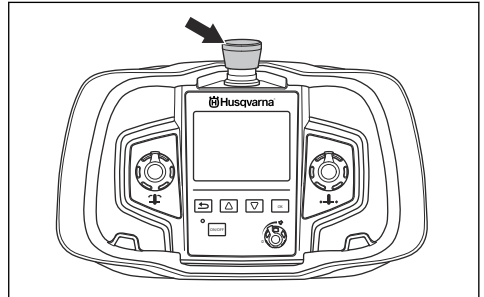
- Arm movement: The dial moves the pivot arm to adjust the cutting depth.



- To rotate the blade and to control the speed of the product: Push and hold the return button while you turn the dial clockwise to increase the rotation speed of the blade.



- To stop the product: Turn the dial that controls the rotation speed of the blade counterclockwise to its 0 position.
- If an emergency occurs, stop the product with the stop button.



- Refer to the Husqvarna power pack manual for other settings and functions of the remote control.

To stop the product



WARNING: Do not move the product until the motor has stopped and the power plug is disconnected.

1. Move the blade away from the wall. The pivot arm points straight out from the wall.
2. Stop the blade and the water flow.
3. Push the emergency stop button on the power pack to stop the power pack. Disconnect the power plug. Refer to the Husqvarna power pack manual.
4. Make sure that the cut out pieces cannot fall out.
5. Move the product to an area where it can be disassembled.

Maintenance

Introduction



WARNING: Read and understand the safety chapter before you do maintenance on the product.

To disassemble the product

If the product has a transportation trolley, put all disassembled parts on the transportation trolley.

1. Disconnect the power cord between the saw unit and the power pack. Assemble the lids on the plug connectors.
2. Disconnect the water hoses from the saw unit.
3. Disassemble the blade guard.
4. Remove the blade guard guide.
5. Disassemble the blade. Disassemble the outer blade flange, the blade and the blade bolt.
6. Push down the lock buttons and fold out the lock handles to release the saw unit from the rail.
7. Release the carriage bolts of the clamp washer on the wall supports and lift the rail off the supports. Release 1 of the eccentric bolts in the middle of the rail to disconnect the rails. Remove the rails.
8. Disassemble the wall supports.

To clean the product



CAUTION: Do not use a high-pressure washer to clean the product.

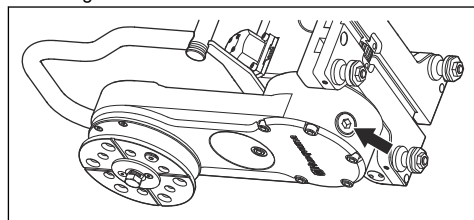
1. Disassemble the product. Refer to *To disassemble the product on page 15*.
2. Clean all equipment. Use the water hose, a brush and a cloth.
3. Dry all movable parts. Lubricate all parts with oil spray to prevent corrosion.

To do a check of the product

1. Make sure that the hoses and cables are not damaged.
2. Make sure that all couplings and connections are clean and not damaged. Clean and lubricate the contact pins. Lubricate the sleeves of the water couplings.
3. Clean and lubricate all parts of the product, such as the lock handles and the blade guard guide spring mechanism.
4. Make sure that the blade shaft turns freely and that the bolt is not damaged.
5. Make sure that the blade and blade guard are not damaged. Replace the blade guard and/or blade if it is damaged or worn.
6. Make sure that the wheels of the blade guard guide turn without resistance. Make sure that the blade guard guide is correctly aligned with the blade guard and the product.
7. Make sure that the saw carriage is correctly aligned.
8. Make sure that the lock handle on the blade guard guide is correctly adjusted.

To clean the oil plug

- Clean the oil plug when you change the oil in the cutting arm.



Transportation, storage and disposal

Transportation

- If your product has a transportation trolley, use it to move the product. The handles of the transportation trolley can be used as runners when you lift it on to a truck.
- Stop the power pack and pull out the electric cable before you move the equipment.
- Remove the blade and blade guard from the product before the transportation.

Storage

- Keep the product in a locked area to prevent access for children or persons that are not approved.
- Remove the blade and blade guard from the product after the operation.
- If there is a risk that the water will freeze, the product must be drained of all remaining water coolant.

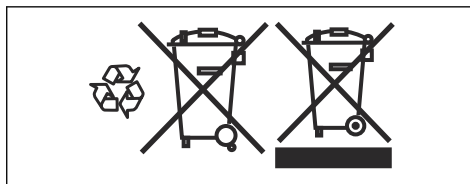
Disposal

Symbols on the product or the packaging of the product indicate that this product cannot be handled as domestic

waste. It must be submitted to an appropriate recycling station for the recovery of electrical and electronic equipment.

By ensuring that this product is taken care of correctly, you can help to counteract the potential negative impact on the environment and people that can otherwise result through the incorrect waste management of this product. For more detailed information about recycling this product, contact your municipality, your domestic waste

service or the shop from where you purchased the product.



Technical data

Technical data

	WS 442
Weight	
Saw carriage, kg/lbs	3.7/8.2
Saw unit, kg/lbs	28.6/63.1
Blade guard 800 mm, kg/lbs	13/28.7
Blade guard 1000 mm, kg/lbs	16/35.3
Track 1200 mm (47 in.) kg/lbs	9.5/20.9
Track 2000 mm (79 in.) kg/lbs	19/41.9
Blade size	
Blade size - max, mm/in.	1200/47.2
Blade size - min, mm/in.	600/23.6
Starting blade - max, mm/in.	1000/39.4
Saw depth - max, mm/in.	530/20.9
Motor for saw blade drive	PM High cycle
Spindle output - max, kW	13
Power train	Gear drive
Output speed, rpm	0-1200
Feeding system/control	Electric/auto
Drive torque at saw blade - max, Nm	160
Starting torque, Nm	150
Cooling water pressure - max, bar	7
Water coolant flow min, l/min	3.5
Cooling water temp. in at 3.5 l/min - max, °C	25
Protection class	IP 65

Noise emissions¹

Sound power level, measured dB (A)	108
Sound power level, guaranteed L _{WA} dB (A)	109

Sound levels²

Sound pressure level at the operators ear, dB (A)	85
---	----

Recommended blade speed

WARNING: If you cut at too high speed, it can cause damage to the blade or cause injury.

On gear 1 the speed range is 600-900 rpm and on gear 2 the speed range is 800-1200 rpm. When you cut at

800-900 rpm, you get a higher output if gear 1 is used. For recommended blade speed, speak to your blade dealer. When you cut in hard concrete, use lower speed.

Speed, rpm

Gear 1	600-900
Gear 2	800-1200

	600 mm/24 in.	800 mm/32 in.	1000 mm/40 in.	1200 mm/48 in.
600 rpm				H
700 rpm			H	M
800 rpm			M	S
900 rpm		H	M	
1000 rpm		M	S	
1100 rpm	H	M		
1200 rpm	M	S		

H = Hard concrete

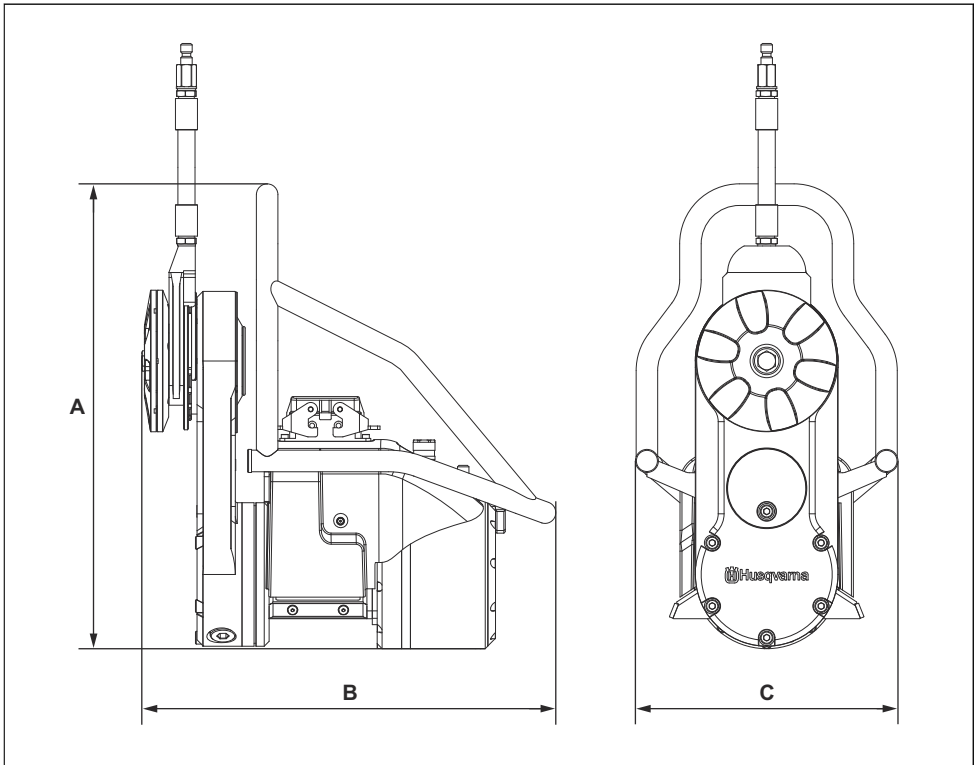
M = Medium concrete

S = Soft concrete

¹ Noise emissions in the environment measured as sound power (L_{WA}) in conformity with EN 15027/A1.

² Noise pressure level according to EN 15027/A1. Reported data for noise pressure level has a typical statistical dispersion (standard deviation) of 1.0 dB (A).

Product dimensions



A = 473 mm

B = 423 mm

C = 269 mm

Supplier's declaration of Conformity

Supplier's Declaration of Conformity for WS 442

47 CFR § 2.1077 Compliance Information

Responsible Party: Husqvarna Construction Products
North America, Inc. 17400 W 119th Street Olathe,
Kansas 66061 USA U.S.

Contact Information: Neil Stanford, Compliance
Manager, Telephone number: 913-928-1000

FCC Compliance Statement: Changes or modifications
not expressly approved by Husqvarna can void the
equipment's compliance with FCC regulations, and limit
the user's authority to operate the equipment.

Note: This equipment has been tested and found to
comply with the limits for a Class A digital device,
pursuant to part 15 of the FCC Rules. These limits are
designed to provide reasonable protection against
harmful interference when the equipment is operated in
a commercial environment. This equipment generates,
uses, and can radiate radio frequency energy and, if not
installed and used in accordance with the instruction
manual, may cause harmful interference to radio
communications. Operation of this equipment in a
residential area is likely to cause harmful interference in
which case the user will be required to correct the
interference at his own expense.

Warranty

Warranty policy

All warranty claims will be determined after inspection at a designated facility. A Returned Goods Authorization is required for all warranty claims. Contact Husqvarna Customer Service Department at 800-845-1312 for an RGA. The customer must prepay the freight and absorb any labor expense required to return or replace a product submitted for warranty consideration. Husqvarna will pay return shipping expenses for repaired or approved replacement products.

EQUIPMENT

Equipment manufactured by Husqvarna is warranted to be free from manufacturing defects in normal service for a period of two (2) years from date of purchase by the original consumer purchaser. Component manufacturers offer separate warranty periods. Call Technical Services at 800-288-5040 for complete information.

Our obligation under this warranty is expressly limited to the replacement or repair at Husqvarna Construction Products North America, Olathe, Kansas 66061, or at a service facility designated by us, of such part or parts as inspection shall disclose to have been defective.

This warranty does not apply to defects caused by damage, unreasonable use, faulty repairs made by others than an approved Husqvarna servicing dealer, or defects caused by failure to provide reasonable maintenance, while in the possession of the consumer. Further, the warranty is void if the product, or any of its components, are altered or modified by the consumer purchaser, or if the product is used in an inappropriate manner or with tools not recommended by the manufacturer.

Exceptions: Drill motors - 3 months, Wall saws - 1 year, Power cutters - 3 months, DM230 - 1 year, DM225 - 3 months, Gyro systems - 1 year, CD40 system - 1 year, DS160 C - 1 year, Smart box - 1 year, CS2515 - 1 year, PP455 E - 1 year, PP345 E - 1 year, HP40 - 1 year.

Wear items: Filters, spark plugs, bearings*, belts, wheels** and wear pads.

*Except IntelliSeal™ system. **Except delamination.

Contenido

Introducción.....	21	Transporte, almacenamiento y eliminación de residuos.....	36
Seguridad.....	22	Datos técnicos.....	36
Montaje.....	27	Declaración de conformidad del proveedor.....	39
Funcionamiento.....	30	Garantía.....	40
Mantenimiento.....	35		

Introducción

Descripción del producto

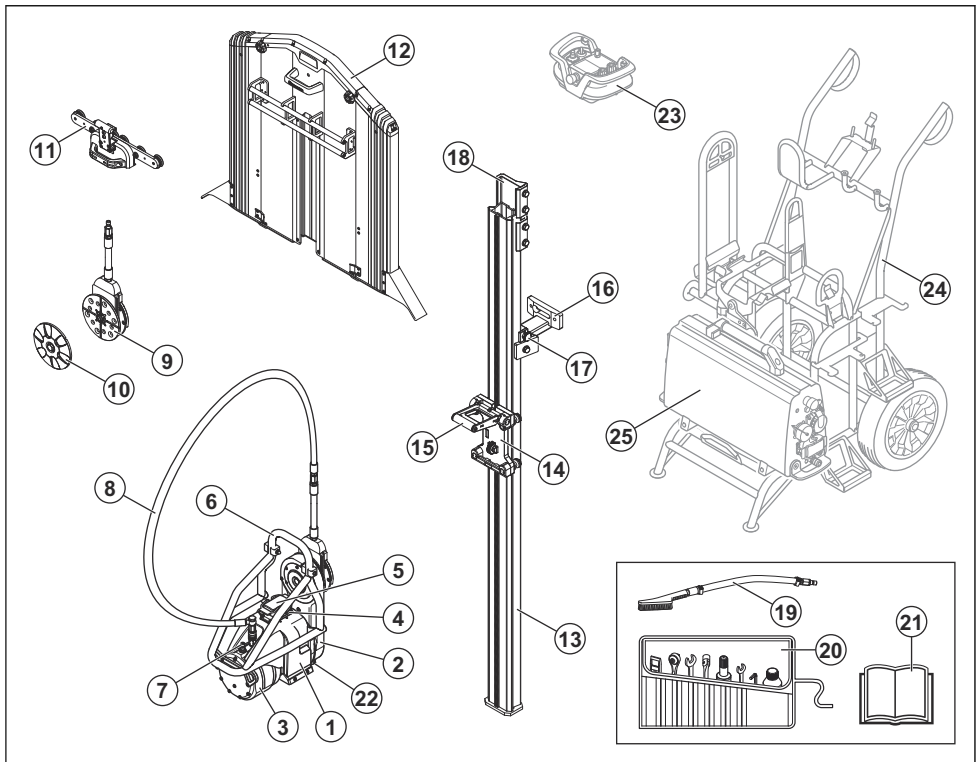
Husqvarna WS 442 es una sierra de pared con motor eléctrico.

Tenga en cuenta: Las normativas nacionales pueden establecer un límite para el funcionamiento del producto.

Uso previsto

Este producto está diseñado para cortar materiales duros, como hormigón reforzado, piedra y ladrillo.

Descripción general del producto



1. Unidad de corte

2. Brazo de corte

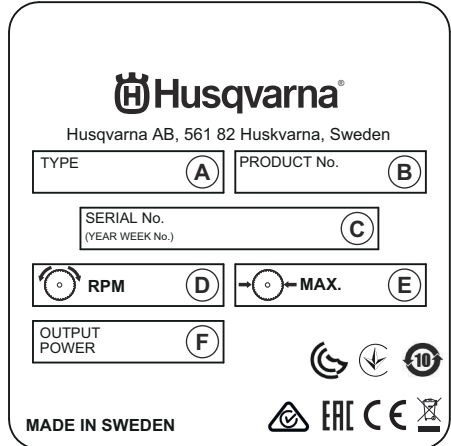
3. Motor
4. Conexión de cables
5. Cubierta protectora
6. Conjunto de la protección de la palanca/hoja
7. Conexión de manguera, entrada de agua
8. Manguera de agua
9. Centro de brida de la hoja
10. Brida externa de la hoja
11. Guía de la protección de la hoja
12. Protector de la cuchilla
13. Vía
14. Soporte de sierra
15. Palanca de bloqueo
16. Soporte de pared
17. Soporte de vías
18. Conector
19. Cepillo
20. Kit de herramientas
21. Manual del usuario
22. Perilla de marchas
23. Control remoto (accesorio)
24. Carrito (accesorio)
25. Unidad de alimentación (accesorio)



El producto o paquete del producto no es residuo doméstico. Recíclalo en un sitio de reciclaje aprobado para equipos eléctricos y electrónicos.

Tenga en cuenta: Otros símbolos o etiquetas en el producto hacen referencia a requisitos de certificación especiales para algunos mercados.

Placa de identificación



- A: Tipo/modelo
- B: N.º de producto
- C: Número de serie con fecha de fabricación (YYYY, WW, XXXX): Año, semana, n.º de secuencia
- D: Velocidad máxima, RPM
- E: Tamaño máximo de la hoja, mm
- F: Salida de potencia, kW

Símbolos en la máquina



ADVERTENCIA: Este producto puede ser peligroso y provocar daños graves o fatales al operador o a otras personas. Tenga cuidado y utilice el producto correctamente.



Lea atentamente el manual y asegúrese de que entienda las instrucciones antes de usar el producto.



Utilice casco protector, protectores auriculares, protección ocular y protección respiratoria aprobados.

Seguridad

Definiciones de seguridad

Las advertencias, precauciones y notas se utilizan para señalar las piezas particularmente importantes del manual.



ADVERTENCIA: Se utilizan para señalar el riesgo de lesiones graves o mortales para el operador o para aquellos que se encuentren cerca si no se siguen las instrucciones del manual.



AVISO: Se utilizan para señalar el riesgo de dañar la máquina, otros materiales o el área adyacente si no se siguen las instrucciones del manual.

Tenga en cuenta: Se utilizan para entregar más información necesaria en situaciones particulares.

Advertencias de seguridad generales de la herramienta eléctrica



ADVERTENCIA: Lea todas las advertencias de seguridad, las instrucciones, las ilustraciones y las especificaciones que se suministran con esta herramienta eléctrica.

En caso de no seguir todas las instrucciones que se entregan a continuación, se pueden producir sacudidas eléctricas, incendios o daños graves.

Tenga en cuenta: Guarde todas las advertencias e instrucciones para futuras referencias. El término "herramienta eléctrica" que se indica en las advertencias hace referencia a la herramienta eléctrica (con cable) operada con corriente o a la herramienta eléctrica operada con baterías (inalámbrica).

Seguridad en el área de trabajo

- **Mantenga el área de trabajo limpia y bien iluminada.** Las áreas desordenadas u oscuras pueden generar accidentes.
- **No opere herramientas eléctricas en atmósferas explosivas, como ante presencia de gases, polvo o líquidos inflamables.** Las herramientas eléctricas generan chispas que pueden encender el polvo o humos.
- **Mantenga alejados a niños y transeúntes mientras opera una herramienta eléctrica.** Las distracciones pueden hacerle perder el control.

Seguridad eléctrica

- **Los enchufes de la herramienta eléctrica deben coincidir con la toma de corriente. Nunca modifique el enchufe de ninguna forma. No utilice enchufes con adaptador con herramientas eléctricas conectadas a tierra.** Los enchufes sin modificaciones y las tomas correspondientes reducen el riesgo de sacudida eléctrica.
- **Evite el contacto corporal con superficies conectadas a tierra, como tuberías, radiadores, estufas y refrigeradores.** Existe un mayor riesgo de sacudida eléctrica si su cuerpo está conectado a tierra.
- **No exponga las herramientas eléctricas a la lluvia o a la humedad.** Si entra agua en una herramienta eléctrica, aumenta el riesgo de sacudida eléctrica.
- **No haga mal uso del cable. Nunca utilice el cable para transportar, tirar o desconectar la herramienta eléctrica. Mantenga el cable alejado del calor, el aceite, los bordes afilados o las piezas en movimiento.** Cables dañados o enredados aumentan el riesgo de sacudida eléctrica.
- **Al operar una herramienta eléctrica en exteriores, utilice un cable de extensión apto para su uso al aire libre.** La utilización de un cable apto para el uso al aire libre reduce el riesgo de sacudida eléctrica.

- **Si no se puede evitar el uso de una herramienta eléctrica en un lugar húmedo, utilice un suministro de corriente residual (RCD, por sus siglas en inglés) protegido.** El uso de un RCD reduce el riesgo de que se produzcan sacudidas eléctricas.

Seguridad personal

- **Permanezca alerta, vea lo que está haciendo y use el sentido común cuando opere una herramienta eléctrica. No utilice una herramienta eléctrica si está cansado o bajo la influencia de drogas, alcohol o medicamentos.** Un momento de distracción a la hora de operar una herramienta eléctrica puede generar daños personales graves.
- **Utilice equipo de protección personal. Siempre utilice protección ocular.** El equipo de protección (como máscara contra polvo, calzado de seguridad antideslizante, casco o protectores auriculares) que se utiliza en condiciones pertinentes reducirá los daños personales.
- **Evite el arranque accidental. Asegúrese de que el interruptor esté en la posición de apagado antes de conectarse a una fuente de energía o insertar una unidad de batería, así como cuando recoge o transporta la herramienta.** Al transportar herramientas eléctricas con su dedo en el interruptor o al suministrarles corriente con el interruptor en la posición de encendido, se pueden provocar accidentes.
- **Quite cualquier llave de ajuste antes de encender la herramienta eléctrica.** Una llave conectada a una pieza giratoria de la herramienta eléctrica puede causar daños personales.
- **No se estire demasiado. Mantenga una posición y un equilibrio adecuados en todo momento.** Esto permite un mejor control de la herramienta eléctrica en situaciones inesperadas.
- **Vístase adecuadamente. No use ropa suelta ni joyas. Mantenga el pelo y la ropa lejos de las piezas en movimiento.** La ropa suelta, las joyas o el cabello largo pueden quedar atrapados en las partes que se mueven.
- **Si se proporcionan dispositivos para la conexión de instalaciones de recolección y extracción de polvo, asegúrese de que estos se conecten y utilicen de manera pertinente.** El uso de recolectores de polvo puede reducir los peligros relacionados con el polvo.
- **No se confíe de los conocimientos obtenidos a partir del uso frecuente de las herramientas ni pase por alto los principios de seguridad de uso de las herramientas.** Una acción negligente puede causar una lesión grave en una fracción de segundo.

Uso y cuidado de la herramienta eléctrica

- **No fuerce la herramienta eléctrica. Utilice la herramienta eléctrica correcta según su aplicación.** Con la herramienta eléctrica correcta, hará el trabajo

mejor y de manera más segura a razón del propósito para la cual fue diseñada.

- **No utilice la herramienta eléctrica si no se puede encender o apagar con el interruptor.** Cualquier herramienta eléctrica que no se puede controlar con el interruptor conlleva peligros y se debe reparar.
- **Desconecte el enchufe de la fuente de energía o retire la unidad de batería, si es desmontable, de la herramienta eléctrica antes de hacer ajustes, cambiar accesorios o almacenar la herramienta eléctrica.** Tales medidas de seguridad preventivas reducen el riesgo de arranque accidental de la herramienta eléctrica.
- **Almacene las herramientas eléctricas inactivas fuera del alcance de los niños y no permita que personas que no estén familiarizadas con la herramienta eléctrica o con estas instrucciones operen la herramienta eléctrica.** Las herramientas eléctricas conllevan peligros en manos de usuarios inexpertos.
- **Realice mantenimiento en las herramientas eléctricas y los accesorios. Revise en busca de atascamiento o desalineación de las piezas móviles, rotura de piezas o cualquier otra condición que pueda afectar el funcionamiento de la herramienta eléctrica. Si se daña, repare la herramienta eléctrica antes de su uso.** Muchos de los accidentes se deben a herramientas eléctricas con un mal mantenimiento.
- **Mantenga las herramientas de corte afiladas y limpias.** Las herramientas de corte con un mantenimiento correcto y bordes cortantes afilados son menos propensas a atascamientos y más fáciles de controlar.
- **Utilice la herramienta eléctrica, los accesorios, las barrenas, etc. de acuerdo con estas instrucciones, conforme a las condiciones de trabajo y la tarea que se debe realizar.** El uso de la herramienta eléctrica en operaciones distintas de las previstas podría generar una situación peligrosa.
- **Mantenga los mangos y las superficies de agarre secos, limpios y sin grasa ni aceite.** Los mangos y las superficies de agarre resbaladizas no permiten un manejo seguro ni el control de la herramienta en situaciones imprevistas.

Servicio

- **Asegúrese de que un experto calificado realice la reparación de la herramienta eléctrica solo con piezas de repuesto idénticas.** Esto garantizará que se mantenga la seguridad de la herramienta eléctrica.
- **Nunca realice servicio a unidades de baterías dañadas.** Solo el fabricante o los proveedores de servicios autorizados deben realizar el servicio de las unidades de batería.

Instrucciones de seguridad para sierras de pared

- **Utilice la herramienta eléctrica desde las superficies de agarre aisladas, cuando realice una tarea en la cual el accesorio de corte pueda entrar en contacto con cableado oculto o con el propio cable de alimentación.** Si el accesorio de corte entra en contacto con un cable con corriente, es posible que las piezas metálicas expuestas de la herramienta eléctrica reciban tensión y que el operador reciba una sacudida eléctrica.
- **Use protectores auriculares cuando corte con diamante.** La exposición al ruido puede causar pérdida de audición.
- **Si la rueda de diamante se atasca, deje de aplicar fuerza de alimentación y apague la herramienta.** Investigue y tome medidas correctivas para eliminar la causa de la obstrucción de la rueda de diamante.
- **Cuando corte la pieza de trabajo, asegúrese de proteger a las personas y el área de trabajo del otro lado.** La rueda de diamante puede sobresalir a través de la pieza de trabajo.
- **Asegúrese de que el método que usa para fijar el sistema de guía de cadena a la pieza de trabajo pueda sostener y sujetar la máquina durante el uso.** Si la pieza de trabajo es débil o porosa, el anclaje puede salirse y causar que el sistema guía de la vía se suelte de la pieza.

Instrucciones generales de seguridad



ADVERTENCIA: Lea atentamente las instrucciones de advertencia siguientes antes de usar el producto.

- Esta información nunca es un sustituto de la competencia y experiencia profesionales. Si entra en una situación en la que se sienta inseguro, deténgase y busque el asesoramiento de expertos. Póngase en contacto con el distribuidor, el agente de servicio o un usuario experimentado. No intente realizar ninguna tarea en la cual se sienta inseguro.
- Este producto está diseñado y previsto para cortar hormigón, ladrillos y distintos tipos de piedras. No se debe usar para ningún otro propósito.
- El producto se debe mantener limpio. Los avisos y los autoadhesivos deben ser perfectamente legibles.
- Las modificaciones o los accesorios no autorizados pueden provocar graves lesiones o incluso la muerte al usuario u otras personas. No modifique este producto ni lo utilice si parece haber sido modificado por otros. No utilice nunca un producto, la batería o el cargador de batería si funcionan mal. Realice las comprobaciones de seguridad, el mantenimiento y las instrucciones de servicio descritas en este manual. Especialistas capacitados y calificados deben llevar acabo algunas medidas de mantenimiento y servicio. Consulte las instrucciones

en el capítulo Mantenimiento. Solo utilice piezas de repuesto originales.

- Solo los reparadores autorizados pueden llevar a cabo todo tipo de reparaciones. Esto es para que los operadores no queden expuestos a grandes riesgos.
- La inspección o el mantenimiento se deben realizar con el motor apagado y el enchufe desconectado.
- Cuando corta con la máquina, especialmente cuando se corta en seco, el material que corta produce polvo que con frecuencia contiene sílice. La sílice es un componente básico de la arena, el cuarzo, la arcilla de los ladrillos, el granito y otros numerosos minerales y rocas. La exposición a una cantidad excesiva de ese polvo puede causar:
 - Enfermedades respiratorias, como la bronquitis crónica, la silicosis y la fibrosis pulmonar. Estas enfermedades pueden ser mortales.
 - Irritación cutánea y sarpullido.
 - Cáncer, según el NTP (National Toxicology Program, Programa nacional de toxicología) y el IARC (Centro Internacional de Investigaciones sobre el Cáncer).
- Tome medidas preventivas:
 - Evite inhalar y que su piel entre en contacto con el polvo, el vaho y los gases.
 - Utilice artículos apropiados para la protección respiratoria como máscaras contra polvo diseñadas para filtrar partículas microscópicas, y asegúrese de que todas las personas que se encuentren cerca también lo hagan. (Consulte la normativa OSHA 29 CFR Parte 1910.1200)
 - Corte en condiciones ambientales húmedas cuando sea posible para reducir el polvo al mínimo.

Instrucciones de seguridad para el funcionamiento



ADVERTENCIA: Lea atentamente las instrucciones de advertencia siguientes antes de usar el producto.

- La máquina puede ser una herramienta peligrosa si se usa incorrectamente o se manipula sin precaución, lo que puede causar lesiones graves o mortales para el operador u otras personas.
- Nunca permita que los niños u otras personas no capacitadas en la utilización de este producto lo utilicen o le realicen mantenimiento.
- Nunca permita que otras personas utilicen el producto sin asegurarse primero de que han leído y comprendido el contenido del manual de usuario.
- No utilice el producto si está cansado, si ha ingerido alcohol o si toma medicamentos que puedan afectar la vista, su capacidad de discernimiento o la coordinación.

- Todos los operadores deberán estar capacitados en el uso del producto. El propietario es responsable de garantizar que los operadores reciban capacitación.
- Lea atentamente el manual del usuario y asegúrese de entender las instrucciones antes de utilizar el producto.
- El producto puede provocar daños personales graves. Lea detenidamente las instrucciones de seguridad. Aprenda a usar el producto.
- Tenga en cuenta que el operador es responsable de los accidentes o los peligros que ocurren a otras personas o sus propiedades.
- Solo está previsto que este producto funcione junto con una unidad de alimentación aprobada. Lea el manual suministrado con la unidad de alimentación antes de comenzar a utilizar el producto. Todo otro uso está prohibido.
- Cortar a revoluciones demasiado altas puede causar daños a la hoja y causar lesiones personales.
- Detenga el motor y desconecte el cable de alimentación antes de levantar o mover el producto.

Equipo de protección personal



ADVERTENCIA: Lea atentamente las instrucciones de advertencia siguientes antes de usar el producto.

- Utilice siempre el equipo de protección personal adecuado cuando utilice el producto. El equipo de protección personal no elimina el riesgo de lesiones. El equipo de protección personal disminuye el grado de la lesión en caso de un accidente. Permita que su distribuidor le ayude seleccionar el equipo adecuado.
- Use una protección ocular aprobada cuando emplee el producto.
- Utilice botas antideslizantes para trabajo pesado con puntas de acero.
- Debe utilizar ropa ajustada, pero que no limite sus movimientos.
- Realice periódicamente una comprobación del estado del equipo de protección personal.
- Utilice guantes protectores resistentes aprobados.
- Utilice guantes protectores de goma para evitar la irritación de la piel causada por el hormigón húmedo.
- Utilice un casco protector aprobado.
- Utilice siempre protectores auriculares aprobados cuando emplee el producto. Escuchar ruidos durante un largo período puede provocar pérdida de audición inducida por el ruido.
- El producto genera polvo y vapores que son dañinos para su salud. Utilice una protección respiratoria aprobada.
- Asegúrese de tener un botiquín de primeros auxilios.
- Se pueden generar chispas cuando utilice el producto. Asegúrese de tener cerca un extintor de incendios.

- No use vestimenta suelta, joyas ni otros artículos que puedan quedar atrapados en las piezas móviles. Asegure su cabello por encima del nivel de los hombros.

Dispositivos de seguridad en el producto



ADVERTENCIA: Lea atentamente las instrucciones de advertencia siguientes antes de usar el producto.

- No utilice un producto con dispositivos de seguridad defectuosos.
- Revise los dispositivos de seguridad de forma regular. Si los dispositivos de seguridad están defectuosos, comuníquese con su taller de servicio Husqvarna .

Protector de la cuchilla

El protector de la hoja mantiene el polvo alejado del operador y evita lesiones si se rompe el disco de corte.



ADVERTENCIA: No utilice el producto sin una protección de la hoja.

Para revisar la protección de la hoja

- Asegúrese de que la protección de la hoja no esté dañada. Consulte *Descripción general del producto en la página 21*.
- Asegúrese de que la protección de la hoja se encuentre instalada correctamente.
- Asegúrese de que la hoja esté en el centro de la protección de la hoja y que no la toque.

Bloqueo de la protección de la hoja

El bloqueo de la protección de la hoja mantiene la guía del protector en la posición correcta.

Para revisar el bloqueo de la protección de la hoja

- Asegúrese de que el mecanismo de bloqueo de la protección de la hoja en la guía del protector funcione correctamente. Consulte *Para ajustar la palanca de bloqueo en la guía de la protección de la hoja en la página 33*.

Topes del extremo

Los topes del extremo evitan que el producto se salga de los rieles.



ADVERTENCIA: Si los topes del extremo no están correctamente conectados a los extremos del riel, el producto puede salir y causar lesiones graves.

Para comprobar los topes del extremo

- Asegúrese de que los topes del extremo estén conectados a los extremos del riel. Consulte *Descripción general del producto en la página 21*.

Unidad de alimentación

La Husqvarna unidad de alimentación se utiliza para operar el producto.



ADVERTENCIA: Desconecte el producto de la fuente de alimentación y espere un mínimo de cinco minutos antes de realizar mantenimiento.

Para comprobar la unidad de alimentación

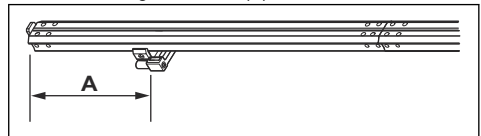
- Compruebe el equipo de seguridad y asegúrese de que no esté dañado. Consulte el Husqvarna manual de la unidad de alimentación.

Soportes de pared

Los soportes de pared fijan los rieles en la posición correcta en la pared.

Para comprobar los soportes de pared

- Coloque los soportes de pared a aproximadamente $\frac{1}{4}$ de la longitud del riel (A).



- Utilice un mínimo de dos soportes de pared durante la operación. Si se unen más rieles, se necesita un soporte de pared para cada sección de riel.

Conectores de riel

Los conectores del riel conectan las secciones de riel.



AVISO: Asegúrese de que los conectores del riel sean compatibles con el producto.

Para comprobar los conectores de riel

- Asegúrese de que los conectores de riel estén conectados correctamente. Consulte *Descripción general del producto en la página 21*.

Botón de detención

El botón de parada detiene el producto y el control remoto. Consulte *Para operar el control remoto en la página 34*.

Para comprobar el botón de parada

- Arranque el motor.

2. Presione el botón de parada en el control remoto. Asegúrese de que el control remoto y el producto se detengan.

Palancas de bloqueo

Las palancas de bloqueo aprietan las ruedas guía contra el riel.

Para comprobar las palancas de bloqueo

1. Arme el producto. Consulte *Montaje en la página 27*.

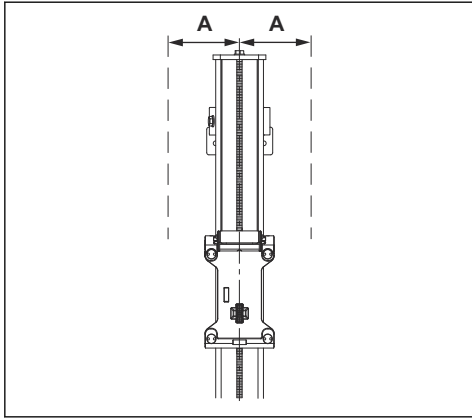
2. Utilice las palancas de bloqueo para apretar las ruedas guía contra el riel.

Tenga en cuenta: Ajuste las ruedas guía si hay holgura. Consulte *Para ajustar las ruedas guía en la página 33*.

Montaje

Para montar los soportes de pared

1. Haga una marca de la línea de corte y haga marcas de los orificios del perno expansor (A) = 165 mm/ 6,5" desde la línea de corte.

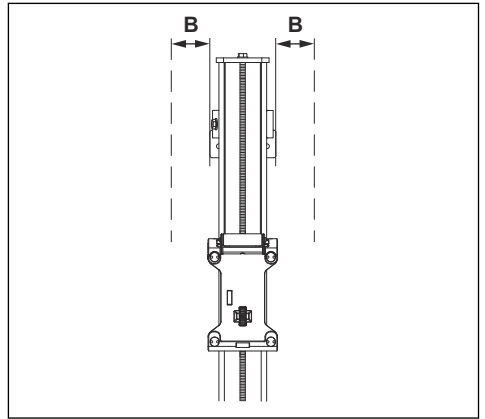


2. Perfore orificios de 15 mm/0,625" para los pernos expansores M12 (0,5").
3. Cuelgue los soportes de pared sin apretarlos en los pernos expansores. Utilice M6S 12 x 70 (0,5" x 2") o equivalente.

Para montar los rieles

1. Coloque el riel en los soportes de pared y apriete las arandelas de compresión. Para cortes verticales, monte el riel con la palanca de bloqueo del soporte de sierra hacia arriba.
2. Asegúrese de que el riel esté correctamente alineado con las vías de los soportes de pared antes de apretar los tornillos.

3. Ajuste la distancia entre la línea de corte y los soportes de pared. La distancia entre el borde y la superficie interior del corte debe ser (B) = 89 mm/ 3,5". Apriete los pernos expansores.



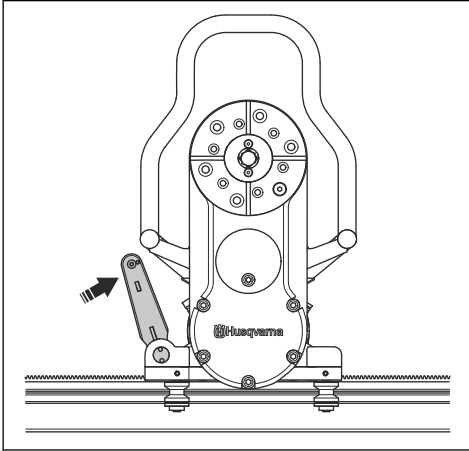
Para montar el producto en los rieles



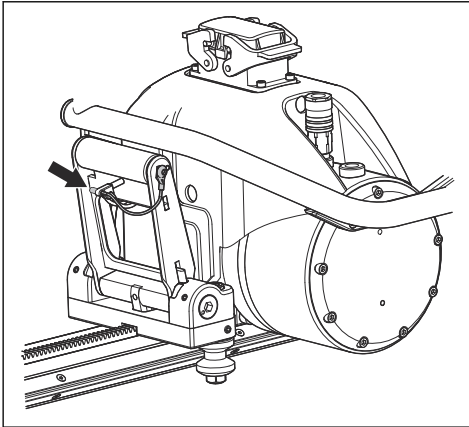
ADVERTENCIA: Antes de armar el producto en los rieles, debe montarlo en el soporte de sierra.

1. Levante el producto hasta su posición en el soporte sierra. Cuando el producto esté en su posición, la palanca de bloqueo se moverá hacia arriba hasta la posición central. En esta posición, el producto permanece en el soporte, pero no está lo suficientemente firme como para iniciar el trabajo.

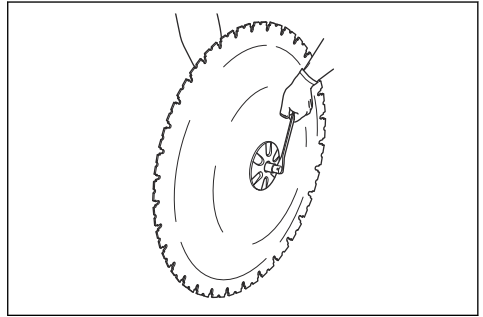
2. Para fijar el producto, levante la palanca de bloqueo contra el producto hasta que la palanca se trabé.



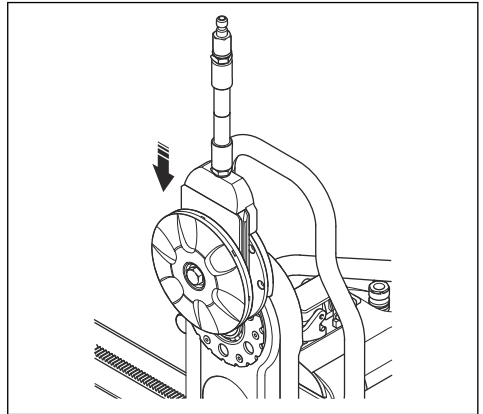
3. Utilice el pasador para bloquear la palanca.



3. Monte la brida exterior de la hoja, la hoja y el centro de brida de la hoja. Use un par de apriete de 70-80 Nm.



4. Cuelgue la hoja con su brida y el centro de brida de la hoja en el brazo de corte.



5. Gire con cuidado el centro de brida de la hoja hasta que se mueva a una de las vías del brazo de pivote. Fije el centro de brida de la hoja con el perno.

Para montar la cuchilla

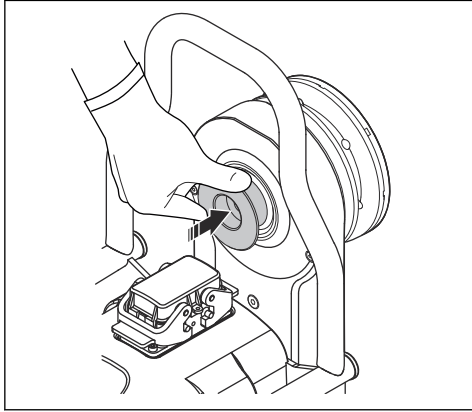


ADVERTENCIA: Desconecte el producto de la fuente de alimentación antes de comenzar el armado.

1. Quite la suciedad de las superficies de contacto en la hoja y su brida.
2. Asegúrese de que la hoja gire con la parte utilizada del diamante en el sentido de rotación de la hoja.

Tenga en cuenta: Como puede seleccionar la dirección de rotación de la hoja, también se puede seleccionar el rociado de agua de esta.

- Empuje el eje de la hoja hacia el brazo de corte al mismo tiempo que gira cuidadosamente la hoja. Apriete con la llave inglesa 18 que se suministra. Use un par de apriete de 70-80 Nm.



ADVERTENCIA: Asegúrese de que la hoja esté correctamente instalada antes de encender el producto.

Para armar la hoja para cortar al ras



ADVERTENCIA: Desconecte el producto de la fuente de alimentación antes de comenzar el armado.

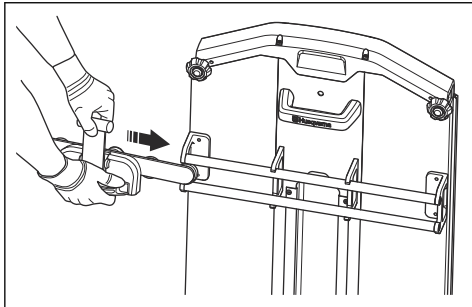
- Quite la brida exterior de la hoja y monte la hoja en el centro de brida de la hoja.
- Asegúrese de que la hoja esté correctamente instalada antes de encender el producto.

Para fijar la protección de la hoja

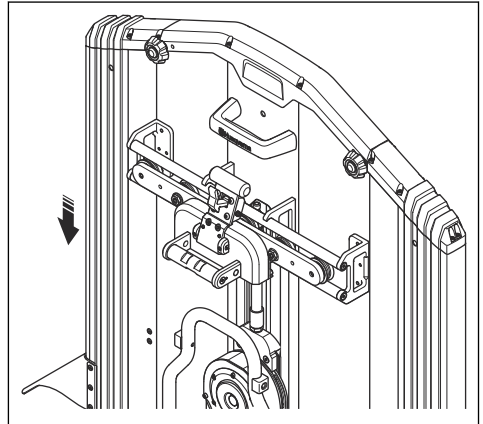


ADVERTENCIA: Desconecte el producto de la fuente de alimentación antes de comenzar el armado.

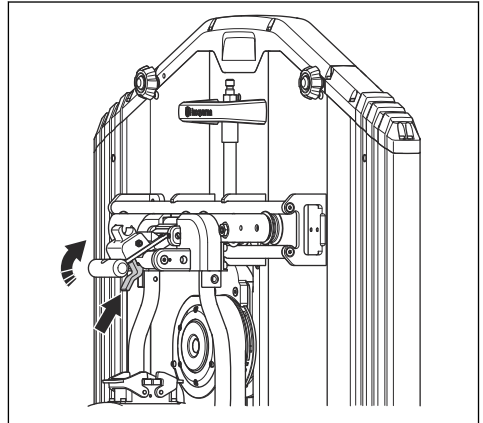
- Coloque la guía de la protección de la hoja entre las varillas y la protección de la hoja.



- Trabe el talón plástico de la palanca en la varilla superior de la protección de la hoja.
- Asegúrese de que el brazo de corte esté vertical. Levante la protección de la hoja por encima de esta y cuelgue el protector en su soporte en el producto. Asegúrese de que las guías de la protección de la hoja estén instaladas en las ranuras de la unidad de agua.



- Tire de la palanca hacia fuera de la protección de la hoja y hacia abajo contra la unidad de sierra. El sujetador traba la palanca.
- Para quitar la protección de la hoja, suelte el sujetador y tire de la palanca hacia arriba y contra la protección de la hoja. Trabe el talón plástico en la varilla superior de la protección de la hoja.



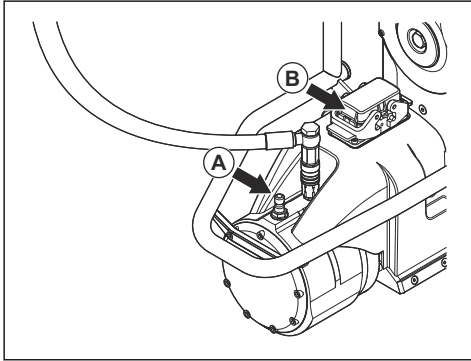
- Conecte la manguera de agua desde la salida del motor de la sierra hasta la admisión en el centro de brida de la hoja.

Para conectar la unidad de alimentación



AVISO: Solo utilice el producto con una Husqvarna unidad de alimentación aprobada.

1. Conecte la manguera de agua desde la unidad de alimentación hasta la entrada de agua en la unidad de corte (A).
2. Conecte el cable de alimentación desde la unidad de alimentación hasta la unidad de corte (B).



3. Arranque la unidad de alimentación e inicie el control remoto. Asegúrese de que el control remoto esté conectado a la unidad de alimentación.

Funcionamiento

Introducción



ADVERTENCIA: Asegúrese de leer y comprender el capítulo de seguridad antes de utilizar el producto.

Para comprobar el área de trabajo antes de la operación

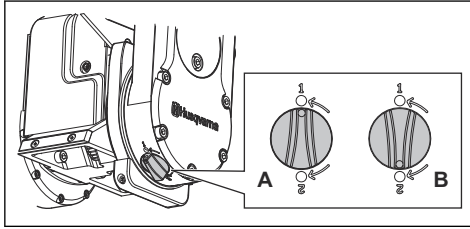
1. Examine el área de trabajo para asegurarse de que sea posible realizar una operación segura. Tenga cuidado con personas, objetos y situaciones que puedan impedir el funcionamiento seguro del producto. Mantenga una distancia de seguridad mínima de cuatro metros.
2. Asegúrese de que no haya cables eléctricos ni tuberías de gas o agua en el área de trabajo.
3. Asegúrese de poder quitar la pieza cortada. Divídala en secciones más pequeñas para poder sacarla más fácil.
4. Mantenga el área de trabajo limpia y despejada.
5. Asegúrese de que el área de trabajo tenga suministro eléctrico y de agua. Asegúrese de que se pueda eliminar el agua residual.

Para realizar una comprobación de funciones antes de la operación

1. Para comprobar los dispositivos de seguridad en el producto. Consulte *Dispositivos de seguridad en el producto en la página 26*.
2. Asegúrese de que la hoja y la protección de la hoja no estén dañadas. Reemplace la hoja o su protección si hay grietas u otros daños.
3. Asegúrese de que el producto esté armado correctamente y que los soportes de pared, los rieles, el perno de la hoja y las ruedas de bloqueo estén ajustados. Asegúrese de que los topes del extremo estén conectados en los extremos del riel.
4. La protección de la hoja siempre debe estar instalada cuando se use el producto. Si la protección de la hoja toca el techo, se puede desarmar temporalmente una de las piezas del extremo de la protección de la hoja.
5. Mueva el producto a la posición de arranque antes de arrancar el motor.

Para seleccionar la marcha

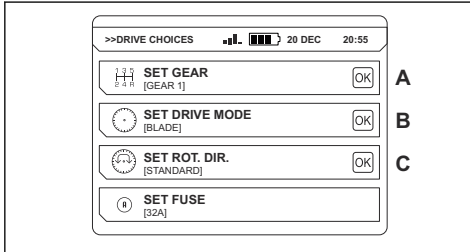
- Seleccione la velocidad que desea utilizar. En la marcha 1, el rango de velocidad es de 600 a 900 rpm y en la marcha 2, el rango de velocidad es de 800 a 1200 rpm. Consulte *Velocidad máxima de la hoja en la página 37*.



AVISO: Asegúrese de que la perilla de marchas esté en la posición correcta. Si la perilla está entre las marchas, puede dañar la caja de cambios.

Para poner en marcha el producto

1. Arranque la unidad de alimentación y conecte el control remoto. Consulte el Husqvarna manual de la unidad de alimentación.
2. Seleccione los ajustes del control remoto:

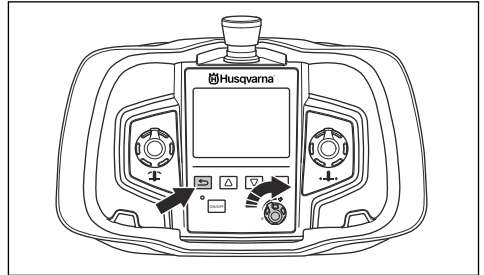


- a) SET GEAR (Ajustar marcha): Seleccione la marcha (A). Para obtener más información sobre las hojas y velocidades recomendadas, Consulte *Velocidad máxima de la hoja en la página 37*.
- b) SET DRIVE MODE (Ajuste el modo de accionamiento): Ajuste el modo en BLADE (Hoja) (B).
- c) SET ROT. DIR (Ajuste el sentido de rotación): Seleccione el sentido de rotación de la hoja (C). El sentido de rotación solo puede cambiarse cuando la hoja está detenida.

Tenga en cuenta: (S) = Estándar, (R) = Hacia atrás.

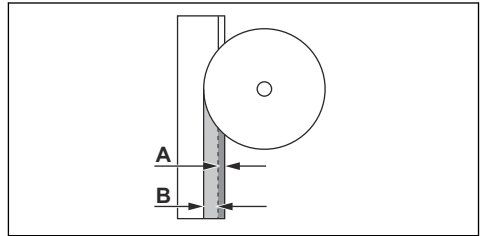
3. Mueva el producto hacia la posición de arranque. Asegúrese de que la hoja no toque el material.
4. Arranque el suministro de agua del sistema refrigerante. Ajuste el flujo con la llave de agua.

5. Para arrancar el motor, presione el botón de flecha y, al mismo tiempo, gire el selector de velocidad de la hoja en el sentido de las agujas del reloj. La salida de potencia del motor se muestra en la pantalla del control remoto.



Para hacer funcionar el producto

1. Encienda el producto. Consulte *Para poner en marcha el producto en la página 31*.
2. Controle el producto con el control remoto. Consulte *Para operar el control remoto en la página 34*.
3. Realice un corte guía a una profundidad de 2 cm a 4 cm/0,8" a 1,6" (A). Asegúrese de que la salida de potencia del motor de la hoja sea del 60 % al 65 %. Esto garantiza que el corte guía sea recto. No corte la barra de refuerzo.

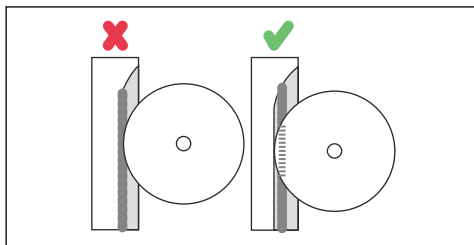


AVISO: No utilice la aceleración máxima para el corte guía.

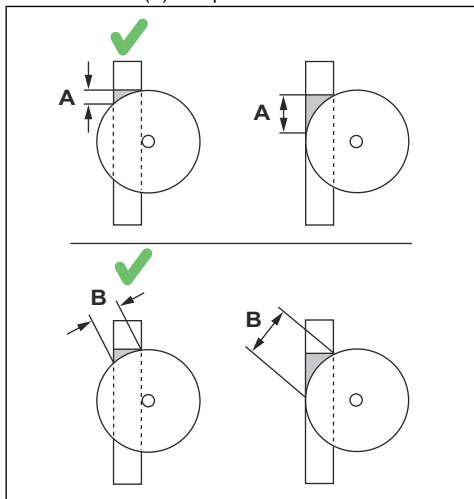
4. Configure la velocidad longitudinal al máximo. La velocidad se ajusta automáticamente para obtener el mejor efecto de corte. Si la salida de potencia no llega al 100 % durante estos cortes, la profundidad de corte puede incrementarse con cuidado.
5. Realice otros cortes a una profundidad de 4 cm a 7 cm/1,6" a 2,8" (B). La dureza del hormigón y la cantidad y posición del refuerzo afectan la profundidad del corte.

Tenga en cuenta: Puede cambiar la hoja y cortar el mismo corte. Asegúrese de que el grosor de la nueva hoja esté alineado con el ancho de la ranura.

- a) Si el producto funciona en la operación monofásica, la salida de potencia disminuye. La profundidad de corte debe reducirse en comparación con la operación trifásica. Disminuya la profundidad de corte a la mitad.
- b) Cuando corte la barra de refuerzo de un extremo al otro, córtela como indica la ilustración para mantener la hoja afilada. Si la barra de refuerzo no sigue la ranura de corte de principio a fin, comience el corte desde el otro extremo



- c) Use la profundidad de corte máxima de la hoja si la pared es más delgada que la profundidad máxima de la hoja. La superficie de corte disminuye y aumenta la presión de los segmentos de la hoja. También haga esto cuando no se pueda hacer un exceso de corte, ya que la cuña que queda después del corte se vuelve más pequeña. (A) = Distancia de corte excesivo (B) = Superficie de corte



- d) Cuando no se pueda hacer un corte excesivo, utilice una cortadora manual para cortar la cuña. Comuníquese con Husqvarna su distribuidor local para obtener información sobre una cortadora manual.

6. Quite la hoja de la ranura de corte después de cada corte.



AVISO: No permita que la hoja gire sin que haya presión en la ranura de corte. Esto causa que la hoja pierda el filo.

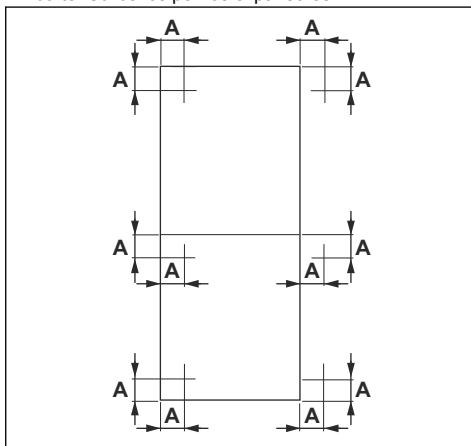
7. Detenga el motor y el flujo de agua.

Para cortar bloques de hormigón



ADVERTENCIA: Los bloques de hormigón son muy pesados y pueden causar daños graves. Asegúrese de que el bloque de hormigón que se va a cortar esté fijado de forma segura antes de la operación.

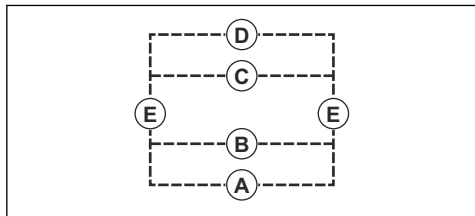
1. Examine las dimensiones del bloque de hormigón que se cortará y asegúrese de que sea seguro levantarlo y quitarlo.
2. Divida un bloque grande de hormigón en partes más pequeñas si es necesario. No es necesario mover el riel ni los soportes de pared. Puede cortar en los dos lados del riel.
3. Coloque los orificios de los soportes de pared a aproximadamente 150 mm/5,9" (A) de la ranura de corte. Utilice los pernos expansores.



ADVERTENCIA: No fije los soportes de pared al bloque de hormigón que se va a cortar.

Tenga en cuenta: En las esquinas, puede usar los mismos orificios para los cortes verticales y horizontales.

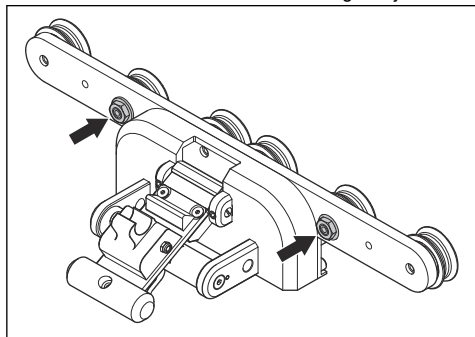
4. Corte el bloque de hormigón en la siguiente secuencia. La ilustración muestra el procedimiento de trabajo cuando se divide un bloque de hormigón en tres secciones.



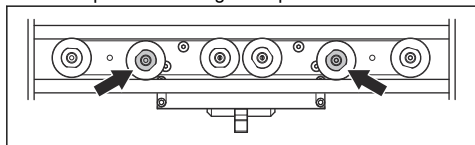
- a) Realice primero los cortes horizontales. Comience desde la parte inferior (A), (B), (C), (D).
 - b) Realice los dos cortes verticales (E).
5. Instale los anclajes de cuña después de cada corte. Instale dos anclajes de cuña en el costado de corte y un anclaje de cuña en el otro lado del bloque de hormigón.
 6. Cuando realice el último corte, conecte el riel a una pared estable. Utilice las cuñas plásticas que vienen incluidas.

Para ajustar la guía de la protección de la hoja

1. Suelte las tuercas de las dos ruedas guía ajustables.



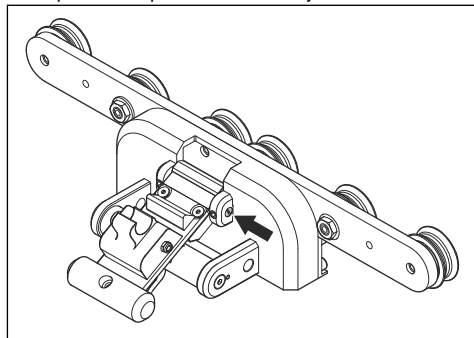
2. Fije la guía de la protección de la hoja en el protector.
3. Gire los árboles de levas con una llave de 22 mm hasta que las ruedas guía toquen el riel.



4. Sujete el árbol de levas en posición con una llave de 22 mm y apriete la tuerca con una llave de 16 mm.
5. Asegúrese de que las ruedas giren fácilmente y que no haya holgura en la guía de la protección de la hoja.

Para ajustar la palanca de bloqueo en la guía de la protección de la hoja

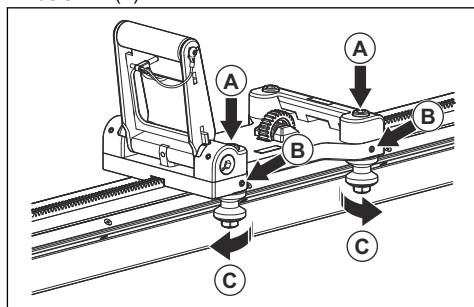
1. Fije la guía de la protección de la hoja en la unidad de corte.
2. Suelte los dos tornillos de tope con una llave hexagonal de 3 mm.
3. Gire el árbol de levas con un destornillador hasta que la palanca de bloqueo se ajuste alrededor del soporte de la protección de la hoja.



4. Apriete los dos tornillos de tope con una llave hexagonal de 3 mm.
5. Retire los cuatro tornillos que sujetan la traba a presión en su posición con una llave hexagonal de 4 mm.
6. Ajuste la traba a presión. La traba a presión debe apretarse alrededor del riel superior.
7. Apriete los cuatro tornillos que sujetan la traba a presión en posición con una llave hexagonal de 4 mm.

Para ajustar las ruedas guía

1. Suelte los dos tornillos M10 con una llave hexagonal de 8 mm (A).

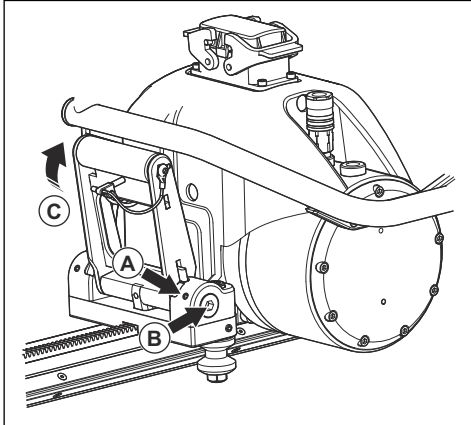


2. Suelte los dos tornillos de tope que bloquean las dos ruedas guía con una llave hexagonal de 3 mm (B).
3. Gire los ejes con cuidado con una llave de 16 mm hasta que las ruedas guía toquen el riel (C).

- Sostenga la llave de 16 mm en posición y apriete los dos tornillos de tope con una llave hexagonal de 3 mm (B).
- Empuje hacia abajo el dispositivo de bloqueo y tire del carro de la sierra en las dos direcciones con la mano. Asegúrese de que el carro de la sierra se mueva fácilmente y que las cuatro ruedas guía giren.
- Apriete los dos tornillos M10 con una llave hexagonal de 8 mm (A).

Para ajustar el carro de la sierra

- Suelte los 2 tornillos de tope con una llave hexagonal de 3 mm (A).

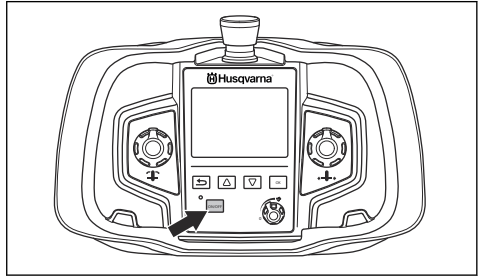


- Gire los dos manguitos con una llave hexagonal de 8 mm hasta que el eje quede apretado y esté paralelo a la unidad de corte (B).
- Apriete los dos tornillos de tope con una llave hexagonal de 3 mm (A).
- Cierre la palanca de bloqueo y asegúrese de que el bloqueo accionado por resorte permanezca en la posición bloqueada (C).
- Utilice el pasador para bloquear la palanca.

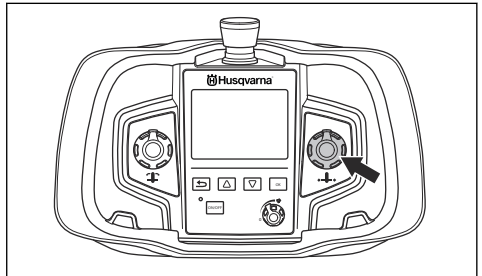
Para operar el control remoto

El producto se controla con el control remoto. El control remoto está conectado a la unidad de alimentación a través de transmisión de radio. Para conectar el control remoto, consulte el Husqvarna manual de la unidad de alimentación.

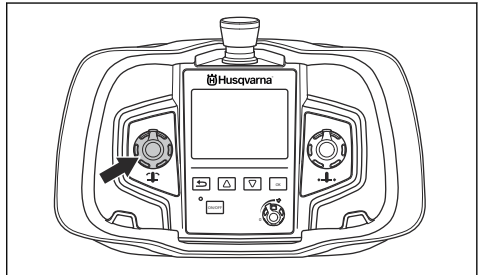
- Presione el botón ON/OFF (Encendido/Apagado) para iniciar y detener el control remoto.



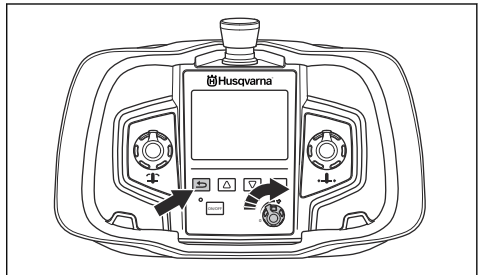
- Movimiento longitudinal: El selector mueve el producto a lo largo del riel.



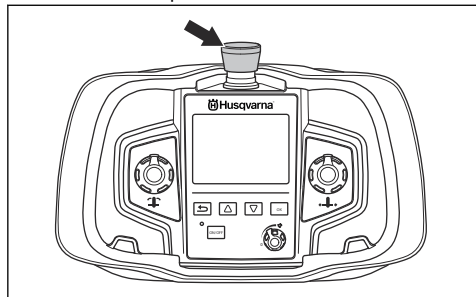
- Movimiento del brazo: El selector mueve el brazo de pivote para ajustar la profundidad de corte.



- Para girar la hoja y controlar la velocidad del producto: Mantenga presionado el botón de retorno mientras gira el selector en el sentido de las agujas del reloj para aumentar la velocidad de rotación de la hoja.



- Para detener el producto: Gire el selector que controla la velocidad de rotación de la hoja en el sentido contrario al de las agujas del reloj a la posición 0.
- Si se produce una emergencia, detenga el producto con el botón de parada.



- Consulte Husqvarna el manual de la unidad de alimentación para conocer otras configuraciones y funciones del control remoto.

Para detener el producto



ADVERTENCIA: No mueva el producto hasta que el motor se haya detenido y el enchufe esté desconectado.

1. Aleje la hoja de la pared. El brazo de pivote apunta directamente hacia afuera de la pared.
2. Detenga la hoja y el flujo de agua.
3. Presione el botón de parada de emergencia en la unidad de alimentación para detenerla. Desconecte el enchufe. Consulte el Husqvarna manual de la unidad de alimentación.
4. Asegúrese de que las piezas cortadas no se caigan.
5. Mueva el producto a un área donde pueda desarmarlo.

Mantenimiento

Introducción



ADVERTENCIA: Lea detenidamente el capítulo de seguridad antes de realizar mantenimiento en el producto.

Para desarmar el producto

Si el producto tiene un carrito de transporte, coloque todas las piezas desarmadas en él.

1. Desconecte el cable de alimentación entre la unidad de corte y la unidad de alimentación. Coloque las tapas en los conectores del enchufe.
2. Desconecte las mangueras de agua de la unidad de corte.
3. Desmonte la protección de la hoja.
4. Retire la guía de la protección de la hoja.
5. Desarme la hoja. Desarme la brida exterior de la hoja, la hoja y su perno.
6. Presione los botones de bloqueo y despliegue las palancas de bloqueo para liberar la unidad de corte del riel.
7. Suelte los pernos de carro de la arandela de abrazadera en los soportes de pared y levante el riel para extraerlo de los soportes. Suelte uno de los pernos excéntricos en el centro del riel para desconectar los rieles. Saque los rieles.
8. Desarme los soportes de pared.

Para limpiar el producto



AVISO: No use limpiadores de alta presión para limpiar el producto.

1. Desarme el producto. Consulte *Para desarmar el producto en la página 35*.
2. Limpie todo el equipo. Utilice la manguera de agua, un cepillo y un paño.
3. Seque todas las piezas móviles. Lubrique todas las piezas con aceite en aerosol para evitar la corrosión.

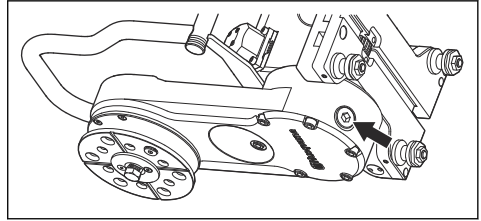
Para comprobar el producto

1. Asegúrese de que las mangueras y cables no estén dañados.
2. Asegúrese de que todos los acoplamientos y las conexiones estén limpios y sin daños. Limpie y lubrique los pasadores de contacto. Lubrique los manguitos de los acoplamientos de agua.
3. Limpie y lubrique las partes del producto, como las palancas de bloqueo y el mecanismo de resorte de la guía de la protección de la hoja.
4. Asegúrese de que el eje de la hoja gire libremente y que el perno no esté dañado.
5. Asegúrese de que la hoja y su protector no estén dañados. Reemplace la hoja y su protector si están dañados o desgastados.

6. Asegúrese de que las ruedas de la guía de la protección de la hoja giren sin resistencia. Asegúrese de que la guía de la protección de la hoja esté correctamente alineada con la protección de la hoja y el producto.
7. Asegúrese de que el soporte de la sierra esté correctamente alineado.
8. Asegúrese de que la palanca de bloqueo de la guía de la protección de la hoja esté ajustada correctamente.

Para limpiar el tapón de aceite

- Limpie el tapón de aceite cuando cambie el aceite en el brazo de corte.



Transporte, almacenamiento y eliminación de residuos

Transporte

- Si el producto tiene un carrito de transporte, úselo para mover el producto. Las palancas del carrito de transporte se pueden utilizar como guías cuando lo suba a un camión.
- Detenga la unidad de alimentación y tire del cable eléctrico antes de mover el equipo.
- Quite la hoja y su protector desde el producto antes de transportarlo.

Almacenamiento

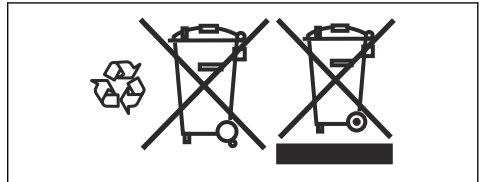
- Mantenga el producto en un área cerrada para evitar que los niños u otras personas sin autorización puedan acceder a él.
- Quite la hoja y su protector desde el producto después de la operación.
- Si existe el riesgo de que el agua se congele, se debe drenar todo el refrigerante de agua restante del producto.

Eliminación

Los símbolos en la máquina o en su embalaje indican que este producto no se puede tratar como residuo

doméstico. Debe enviarse a una estación de reciclaje apropiada para la recuperación del equipo eléctrico y electrónico.

Si se asegura de mantener correctamente esta máquina, puede contribuir a contrarrestar los posibles efectos negativos en el medioambiente y en las personas que, de lo contrario, podrían resultar afectadas debido a la gestión incorrecta de los residuos de este producto. Para obtener información más detallada sobre el reciclaje de este producto, comuníquese con su municipalidad, servicio de recolección de residuos domésticos o con la tienda donde compró el producto.



Datos técnicos

Datos técnicos

	WS 442
Peso	
Carro de la sierra, kg/lb	3,7/8,2
Unidad de corte, kg/lb	28,6/63,1
Protector de la hoja de 800 mm, kg/lb	13/28,7
Protector de la hoja de 1000 mm, kg/lb	16/35,3

	WS 442
Vía de 1200 mm/47", kg/lb	9,5/20,9
Vía de 2000 mm/79", kg/lb	19/41,9
Tamaño de la hoja	
Tamaño de la hoja: máx., mm/pulg.	1200/47,2
Tamaño de la hoja: mín., mm/pulg.	600/23,6
Hoja de inicio: máx., mm/pulg.	1000/39,4
Profundidad de corte: máx., mm/pulg.	530/20,9
Motor para el accionamiento de la hoja de sierra	Ciclo alto PM
Salida del eje: máx., kW	13
Tren de fuerza	Accionamiento de engranaje
Velocidad de salida, rpm	0-1200
Control/sistema de alimentación	Eléctrico/automático
Par de transmisión en la hoja de sierra: máx., Nm	160
Par de arranque, Nm	150
Presión del agua de enfriamiento: máx., bar	7
Flujo mínimo de refrigerante de agua, l/min	3,5
Temperatura del agua de refrigeración a 3,5 l/min: máx., °C.	25
Clase de protección	IP 65
Emisiones sonoras³	
Nivel de potencia acústica, medido en dB (A)	108
Nivel de potencia acústica garantizada L _{WA} dB (A)	109
Niveles acústicos⁴	
Nivel de presión acústica en el oído del operador, dB(A)	85

Velocidad máxima de la hoja



ADVERTENCIA: Si realiza un corte a una velocidad demasiado alta, la hoja puede dañarse o causar lesiones.

En la marcha 1, el rango de velocidad es de 600 a 900 rpm y en la marcha 2, el rango de velocidad es de 800 a 1200 rpm. Si corta entre 800 y 900 rpm, obtiene

una salida más alta si usa la marcha 1. Para conocer la velocidad recomendada de la hoja, comuníquese con su distribuidor de hojas. Cuando corte en hormigón duro, utilice una velocidad menor.

Velocidad, rpm	
Marcha 1	600-900
Marcha 2	800-1200

	600 mm/24"	800 mm/32"	1000 mm/40"	1200 mm/48"
600 rpm				H

³ Emisiones sonoras en el ambiente medidas como poder sonoro (L_{WA}WA) en conformidad con EN 15027/A1.

⁴ Nivel de presión sonora según EN 15027/A1. Los datos informados en cuanto al nivel de presión sonora tienen una dispersión estadística típica (desviación estándar) de 1,0 dB(A).

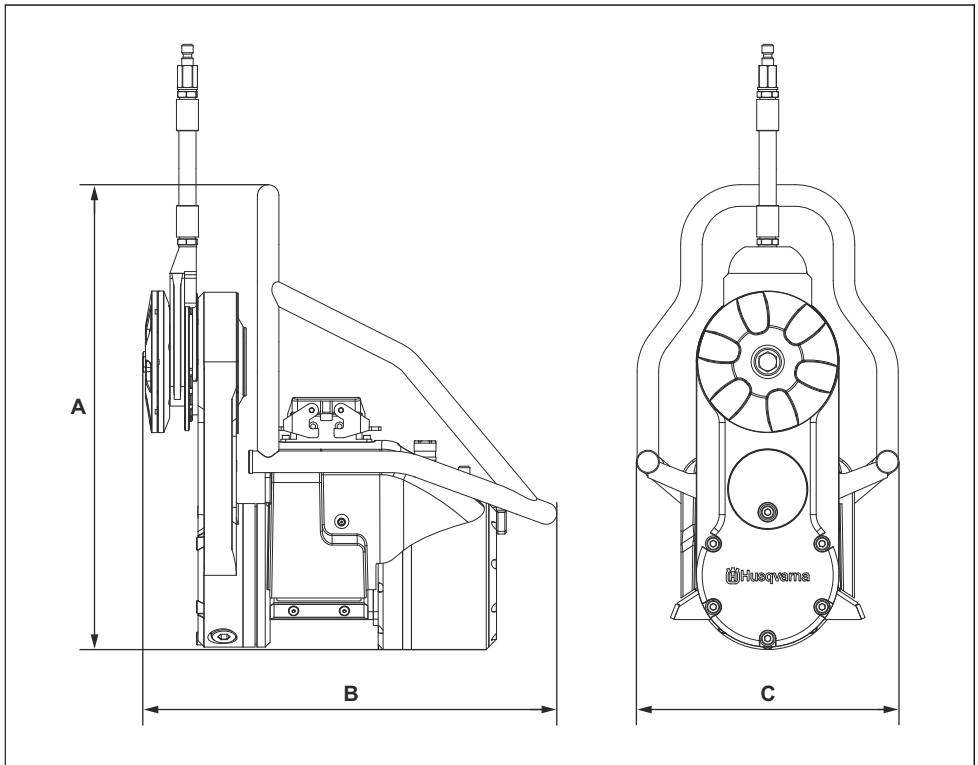
	600 mm/24"	800 mm/32"	1000 mm/40"	1200 mm/48"
700 rpm			H	M
800 rpm			M	S
900 rpm		H	M	
1000 rpm		M	S	
1100 rpm	H	M		
1200 rpm	M	S		

H = Hormigón duro

M = Hormigón medio

S = Hormigón suave

Dimensiones del producto



A = 473 mm

B = 423 mm

C = 269 mm

Declaración de conformidad del proveedor

Declaración de conformidad del proveedor para WS 442

47 CFR § 2.1077 Información de cumplimiento

Parte responsable: Husqvarna Construction Products
North America, Inc. 17400 W 119th Street Olathe,
Kansas 66061 EE. UU.

Información de contacto: Neil Stanford, gerente de
cumplimiento, número telefónico: 913-928-1000

Declaración de conformidad de la FCC: Los cambios o
modificaciones que no estén expresamente aprobados
por Husqvarna pueden anular el cumplimiento del
equipo respecto de las normas de la FCC y limitar la
autoridad del usuario para operar el equipo.

Tenga en cuenta: Este equipo se probó y se comprobó
que cumple con los límites de un dispositivo digital de
Clase A, conforme con la Parte 15 de las Reglas de
FCC. Estos límites están diseñados para proporcionar
una protección razonable contra interferencias
perjudiciales cuando el equipo se utiliza en un entorno
comercial. Este equipo genera, utiliza y puede irradiar
energía de radiofrecuencia y, si no se instala ni se utiliza
según el manual de instrucciones, puede causar
interferencias perjudiciales para las
radiocomunicaciones. Es probable que el
funcionamiento de este equipo en un área residencial
cause interferencia perjudicial, en cuyo caso el usuario
deberá corregir la interferencia y asumir el costo
correspondiente.

Política de garantía

Todos los reclamos de garantía se determinarán después de una inspección en una instalación designada. Se requiere una Autorización de devolución de mercadería para todos los reclamos de garantía. Comuníquese con el departamento de Servicio al cliente de Husqvarna al 800-845-1312 para una Autorización de devolución de mercadería. El cliente debe realizar un pago previo del flete y asumir cualquier gasto de mano de obra requerido para devolver o reemplazar un producto enviado para la evaluación de garantía. Husqvarna pagará los gastos de envío de devolución para productos de reemplazo aprobados o reparados.

EQUIPOS

Se garantiza que el equipo fabricado por Husqvarna no tiene defectos de fabricación en el uso normal durante un período de dos (2) años a partir de la fecha de compra del comprador original. Los fabricantes de componentes ofrecen períodos de garantía por separado. Llame al departamento de Servicios técnicos al 800-288-5040 para obtener información completa.

Nuestra obligación conforme a esta garantía se limita expresamente al reemplazo o reparación en Husqvarna Construction Products North America, Olathe, Kansas 66061 o en una instalación de servicio designada por nosotros, de dicha pieza o piezas que según la inspección deberán catalogarse como defectuosas.

Esta garantía no se aplica a los defectos causados por daños, uso no razonable o reparaciones fallidas realizadas por otras personas que no sean un proveedor de servicios autorizado por Husqvarna, o defectos causados por no haber realizado un mantenimiento razonable mientras se encontraba en posesión del consumidor. Además, la garantía será nula si el producto o cualquiera de sus componentes se encuentra alterado o modificado por el comprador de consumo o si el producto se utiliza de una manera inadecuada o con herramientas no recomendadas por el fabricante.

Excepciones: Motores de perforadora - 3 meses, sierras de pared - 1 año, cortadoras - 3 meses, DM230 - 1 año, DM225 - 3 meses, sistemas Gyro - 1 año, sistema CD40 - 1 año, DS160 C - 1 año, Smart box - 1 año, CS2515 - 1 año, PP455 E - 1 año, PP345 E - 1 año, HP40 - 1 año.

Materiales desgastados: Filtros, bujías, cojinetes*, correas, ruedas** y almohadillas desgastadas.

*Excepto el sistema IntelliSeal™. **Excepto la deslaminación.

Table des matières

Introduction.....	41	Transport, entreposage et mise au rebut.....	56
Sécurité.....	42	Données techniques.....	56
Montage.....	47	Déclaration de conformité du fournisseur.....	59
Fonctionnement.....	50	Garantie.....	60
Entretien.....	55		

Introduction

Description du produit

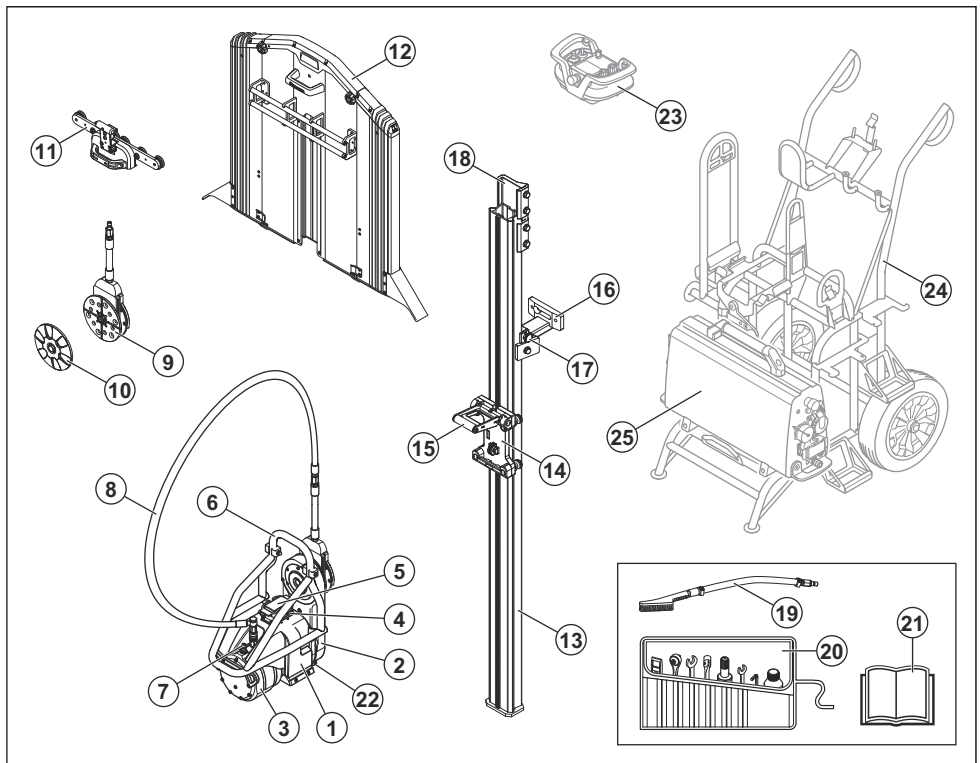
L'outil Husqvarna WS 442 est une scie murale avec un moteur électrique.

Remarque : Les réglementations nationales peuvent limiter l'utilisation du produit.

Utilisation prévue

Ce produit est prévu pour scier dans des matériaux durs tels que le béton armé, la pierre et la brique.

Présentation du produit



1. Unité de sciage

2. Bras de coupe


3. Moteur
4. Connexion du câble
5. Couvercle de protection
6. Ensemble poignée/protège-lame
7. Raccord du tuyau d'entrée d'eau
8. Tuyau d'eau
9. Rondelle d'accouplement de lame
10. Bride extérieure de lame
11. Guide de protège-lame
12. Protège-lame
13. Rail
14. Chariot de scie
15. Poignée de verrouillage
16. Support mural
17. Support de rail
18. Connecteur
19. Brosse
20. Trousse d'outils
21. Manuel d'utilisation
22. Molette de changement de vitesse
23. Télécommande (accessoire)
24. Chariot (accessoire)
25. Bloc d'alimentation (accessoire)



Le produit ou l'emballage du produit n'est pas un déchet domestique. Il faut l'envoyer dans un centre de recyclage pour équipements électriques et électroniques.

Remarque : Les autres symboles et autocollants apposés sur le produit se rapportent aux exigences en matière de certification pour certains marchés.




Plaque signalétique







Husqvarna AB, 561 82 Huskvarna, Sweden

TYPE	A	PRODUCT No.	B
S <small>ERIAL</small> N <small>o.</small> <small>(YEAR WEEK No.)</small>		C	
RPM	D	MAX.	E
O <small>UTPUT</small> P <small>OWER</small>	F		

MADE IN SWEDEN

- A : Type/modèle
- B : Numéro du produit
- C : N° de série avec date de fabrication (AAAA, SS, XXXXX) : Année, semaine, n° de séquence
- D : Régime maximal, tr/min
- E : Taille max. de la lame, mm
- F : Puissance de sortie, kW

Symboles figurant sur l'outil



AVERTISSEMENT : Ce produit peut être dangereux et causer des blessures très graves, ou même mortelles, à l'utilisateur et à d'autres personnes. Faire attention et utiliser le produit correctement.



Lire attentivement le manuel et veiller à bien comprendre les directives avant d'utiliser l'outil.



Porter un casque de protection et des protections pour les oreilles, les yeux et les voies respiratoires homologués.

Sécurité

Définitions relatives à la sécurité

Les avertissements, recommandations et remarques soulignent des points du manuel qui revêtent une importance particulière.



AVERTISSEMENT : Indique la présence d'un risque de blessure ou de décès de l'utilisateur ou de personnes à proximité si les instructions du manuel ne sont pas suivies.



MISE EN GARDE : Indique la présence d'un risque de dommages au produit, à d'autres appareils ou à la zone adjacente si les instructions du manuel ne sont pas suivies.

Remarque : Utilisé pour donner des renseignements plus détaillés qui sont nécessaires dans une situation donnée.

Consignes générales de sécurité relatives aux outils électriques



AVERTISSEMENT: Consulter l'ensemble des avertissements relatifs à la sécurité, des instructions, des illustrations et des spécifications transmis avec cet outil électrique. Le non-respect des instructions indiquées ci-dessous peut provoquer une décharge, un incendie ou des blessures graves.

Remarque : Conserver ces instructions et consignes pour consultation ultérieure. Dans les avertissements, le terme « outil électrique » fait référence à votre appareil électrique branché sur le secteur ou alimenté par batterie (sans fil).

Sécurité de l'aire de travail

- **Maintenir l'aire de travail propre et bien éclairée.** Les endroits sombres ou encombrés sont propices aux accidents.
- **Ne pas utiliser des outils électriques dans des atmosphères explosives, notamment en présence de liquides, gaz ou poussières inflammables.** Les outils électriques produisent des étincelles qui peuvent enflammer les poussières et les vapeurs.
- **Tenir les enfants et les spectateurs à distance lorsque l'outil électrique est en marche.** Un moment d'inattention pourrait vous en faire perdre le contrôle.

Sécurité électrique

- **La fiche d'un outil électrique doit être adaptée à la prise. Ne jamais modifier la fiche. Ne jamais utiliser une fiche d'adaptation avec un outil électrique mis à la terre.** Les fiches non modifiées et les prises adaptées à la fiche permettent de réduire les risques d'électrocution.
- **Éviter d'entrer en contact avec les surfaces mises à la terre (tuyaux, radiateurs, cuisinières, réfrigérateurs, etc.).** Le risque d'électrocution est plus important si le corps est mis à terre.
- **Ne pas exposer les outils électriques à la pluie ou à l'humidité.** L'infiltration d'eau dans un outil électrique augmente le risque d'électrocution.
- **Toujours manipuler le cordon avec soin. Ne jamais utiliser le cordon pour porter, tirer ou débrancher l'outil électrique. Tenir le cordon à l'écart de la chaleur, de l'huile, des bords tranchants et des pièces mobiles.** Les cordons endommagés ou emmêlés augmentent le risque d'électrocution.
- **Pour le travail à l'extérieur, utiliser une rallonge adaptée à l'usage extérieur.** L'utilisation d'une telle rallonge réduit le risque d'électrocution.
- **S'il est impossible d'éviter de faire fonctionner la machine électrique dans un endroit humide, utiliser une alimentation avec dispositif de protection par courant différentiel résiduel (RCD).** Les disjoncteurs

de courant résiduel réduisent le risque d'électrocution.

Sécurité personnelle

- **Lors de l'utilisation d'un outil électrique, toujours demeurer attentif et faire preuve de bon sens. Ne pas utiliser l'outil électrique si vous êtes fatigué ou sous l'emprise de drogues, de l'alcool ou de médicaments.** Tout moment d'inattention pendant l'utilisation d'un outil électrique peut causer de graves blessures.
 - **Utiliser de l'équipement de protection individuelle. Toujours porter des lunettes de protection.** En utilisant l'équipement de protection (masque antipoussière, chaussures de sécurité antidérapantes, casque, dispositif de protection pour les oreilles, etc.) qui convient aux conditions, on réduit les risques de blessure.
 - **Prévenir les démarrages accidentels. Vérifier que l'interrupteur est à la position d'arrêt avant de brancher l'outil dans la prise ou le bloc d'alimentation, de le saisir ou de le transporter.** Le transport des outils électriques en maintenant le doigt sur l'interrupteur d'alimentation et le branchement d'outils alors que l'interrupteur est à la position de marche expose à des accidents.
 - **Retirer toute clé ou clavette de réglage avant de mettre l'outil sous tension.** Une clé ou une clavette reliée à une pièce mobile de l'outil électrique peut causer une blessure.
 - **Ne pas trop se pencher vers l'avant. Toujours se tenir bien campé et en équilibre.** Cela permet de mieux contrôler l'outil électrique lors d'un imprévu.
 - **S'habiller de façon appropriée. Ne jamais porter des vêtements amples ou des bijoux. Garder les cheveux et les vêtements loin des pièces mobiles.** Les vêtements amples, bijoux et cheveux longs peuvent se prendre dans les pièces en mouvement.
 - **Si des dispositifs sont fournis pour raccorder des systèmes de collecte et d'extraction de la poussière, s'assurer que ceux-ci sont utilisés et correctement branchés.** L'utilisation de dépoussiéreurs peut réduire les risques associés à la poussière.
 - **Ne pas laisser la parfaite connaissance de l'outil acquise en raison de l'utilisation fréquente de ce dernier engendrer la complaisance et le non respect des principes de sécurité relatifs à l'outil.** Une négligence peut provoquer de graves blessures en une fraction de seconde.
- ### Utilisation et entretien des outils électriques
- **Ne pas forcer sur l'outil électrique. Utiliser l'outil électrique qui convient au travail à effectuer.** De cette façon, le résultat sera meilleur et le travail sera effectué de façon plus sécuritaire et au régime pour lequel l'outil électrique a été conçu.
 - **Ne pas utiliser l'outil électrique si l'interrupteur ne permet pas la mise sous tension et l'arrêt de l'outil.**

Tout outil électrique dont l'interrupteur est défectueux représente un danger et doit être réparé.

- **Débrancher la fiche de la source d'alimentation ou retirer le bloc de batteries de l'outil électrique avant de procéder aux réglages, de changer les accessoires ou de ranger l'outil.** Ces mesures de sécurité réduisent le risque de mise sous tension accidentelle.
- **Ranger les outils électriques hors de la portée des enfants et ne pas laisser des personnes qui ne connaissent pas l'outil ou les présentes consignes utiliser celui-ci.** Les outils électriques représentent un danger lorsqu'ils sont entre les mains d'utilisateurs non formés.
- **Entretenir les outils électriques et les accessoires. Vérifier l'outil à la recherche de pièces brisées, de mauvais alignement ou de blocage des pièces mobiles et de toute autre situation pouvant nuire au bon fonctionnement de l'outil. Si l'outil est endommagé, il faut le réparer avant de l'utiliser.** De nombreux accidents sont causés par des outils mal entretenus.
- **Maintenir les outils tranchants aiguisés et propres.** Les outils tranchants correctement entretenus dont les bords de coupe sont bien affûtés sont moins susceptibles de se coincer et plus faciles à contrôler.
- **Utiliser l'outil électrique, les accessoires, les forets, etc., conformément aux présentes instructions et en tenant compte des conditions de travail et de la tâche à réaliser.** L'utilisation de l'outil électrique pour des opérations autres que celles pour lesquelles il est prévu peut entraîner des dangers.
- **Garder les poignées et les surfaces de préhension sèches, propres et exemptes d'huile et de graisse.** Les poignées et les surfaces de préhension glissantes ne permettent pas de manipuler l'outil de manière sécuritaire, ni d'en conserver le contrôle lorsqu'une situation inattendue se présente.

Réparations

- **Faire entretenir votre outil électrique par un technicien qualifié et utiliser uniquement des pièces de rechange identiques aux pièces d'origine.** L'entretien adéquat de l'outil permet une utilisation plus sécuritaire.
- **Ne jamais tenter de réparer un bloc de batteries endommagé.** La réparation des blocs de batteries ne devrait être effectuée que par le fabricant ou les fournisseurs de service autorisés.

Instructions de sécurité pour les scies murales

- **Tenir l'outil électrique par les surfaces de préhension isolées, lors de l'exécution d'une opération où l'accessoire de coupe risque d'entrer en contact avec un câblage caché ou son propre cordon.** Si l'accessoire de coupe entre en contact avec un câble sous tension, les parties métalliques non

isolées de l'outil électrique pourraient agir comme conducteur et électrocuter l'utilisateur.

- **Porter des protections d'oreilles lors du sciage au diamant.** L'exposition au bruit peut provoquer une perte d'audition.
- **Si la roue diamantée se bloque, arrêter d'appliquer une force d'avance et éteindre l'outil.** Vérifier et prendre des mesures correctives pour éliminer la cause du blocage de la roue diamantée.
- **Lors du sciage de la pièce à usiner, s'assurer de protéger les personnes et la zone de travail de l'autre côté.** La roue diamantée peut dépasser à travers la pièce à usiner.
- **S'assurer que la méthode de fixation du système de rail sur la pièce à usiner est capable de maintenir et de retenir la machine pendant son utilisation.** Si la pièce à usiner est faible ou poreuse, le ou les ancrages peuvent se dégager et entraîner le détachement du système de rail de la pièce à usiner.

Consignes générales de sécurité



AVERTISSEMENT: Lire les messages d'avertissement qui suivent avant d'utiliser l'outil.

- Cette information n'est pas destinée à remplacer les compétences et l'expérience professionnelle. En cas de doute, arrêter l'appareil et demander l'avis d'un expert. Communiquer avec le distributeur, l'agent de maintenance ou un utilisateur expérimenté. Ne pas tenter d'effectuer des tâches si vous avez des doutes!
- Ce produit est conçu pour le sciage du béton, de la brique et de divers autres matériaux de pierre. Toute autre utilisation est inappropriée.
- Le produit doit être propre. Les signes et les autocollants doivent être entièrement lisibles.
- Les modifications et/ou les accessoires non autorisés peuvent entraîner des blessures graves ou la mort de l'utilisateur ou d'autres personnes. Ne pas modifier ce produit ou l'utiliser s'il semble avoir été modifié par d'autres. Ne pas utiliser un produit, une batterie ou un chargeur de batterie défectueux. Effectuer les vérifications, l'entretien et les réparations conformément aux instructions fournies dans ce manuel. Certaines réparations et tâches d'entretien doivent être effectuées par des spécialistes formés et qualifiés. Consulter les instructions sous la rubrique Entretien. Utiliser des pièces de rechange d'origine.
- Toutes les réparations doivent être confiées à des réparateurs agréés. Cela vise à ne pas exposer les opérateurs à des risques importants.
- Les mesures d'inspection et de maintenance doivent être effectuées alors que le moteur est à l'arrêt et que la prise électrique est débranchée.
- La découpe, en particulier la découpe à sec, produit de la poussière qui provient du matériau coupé, qui contient souvent de la silice. La silice est un

composant de base du sable, du quartz, de la brique d'argile, du granit et de nombreux autres pierres et minéraux. L'exposition à une quantité excessive de ces poussières peut entraîner :

- une maladie respiratoire (réduisant la capacité à respirer), notamment la bronchite chronique, la silicose et la fibrose pulmonaire causée par l'exposition à la silice. Ces maladies peuvent être fatales.
- Des irritations et éruptions cutanées.
- Le cancer, selon le NTP (National Toxicology Program) et le CIRC (Centre International de recherche sur le cancer).
- Prendre les précautions suivantes :
 - Éviter l'inhalation et le contact cutané avec les poussières, brouillards et fumées.
 - Porter et veiller à ce que les personnes à proximité portent un dispositif de protection respiratoire approprié, tel un masque antipoussières filtrant les particules microscopiques. (Voir OSHA 29 CFR Part 1910.1200)
 - Dans la mesure du possible, effectuer des coupes humides afin de réduire la production de poussières.

Consignes de sécurité pour l'utilisation



AVERTISSEMENT: Lire les messages d'avertissement qui suivent avant d'utiliser l'appareil.

- Cet appareil peut être dangereux s'il est utilisé incorrectement ou avec insouciance; il peut causer des blessures graves ou mortelles à l'opérateur ou à des personnes à proximité.
- Ne jamais laisser des enfants ni des personnes n'ayant pas été formées à l'utilisation du produit l'utiliser ou l'entretenir.
- Ne jamais laisser des gens utiliser le produit sans d'abord s'assurer qu'ils ont lu et compris le contenu du manuel de l'opérateur.
- N'utilisez jamais le produit en cas de fatigue, d'absorption d'alcool ou de prise de médicaments susceptibles de nuire à la vision, au bon jugement ou à la maîtrise du corps.
- Tous les opérateurs doivent être formés pour l'utilisation de cette machine. Il incombe au propriétaire de s'assurer que les opérateurs reçoivent une formation.
- Lire attentivement le manuel d'utilisation et veiller à bien comprendre les instructions avant d'utiliser le produit.
- Le produit peut causer des blessures personnelles graves. Lire attentivement les instructions de sécurité. Apprendre comment utiliser le produit.
- Garder en tête que l'opérateur ou l'utilisateur est responsable des accidents et des risques survenant à d'autres personnes, ainsi que de ses biens.

- Cette machine ne doit être utilisée qu'avec un bloc d'alimentation homologué. Lire attentivement le manuel fourni avec le bloc d'alimentation avant de commencer à utiliser le produit. Toute autre utilisation est interdite.
- Une coupe à un régime trop élevé peut endommager la lame et entraîner des blessures personnelles.
- Arrêter le moteur et débrancher le cordon d'alimentation avant de soulever ou de déplacer le produit.

Équipement de protection personnelle



AVERTISSEMENT: Lire les messages d'avertissement qui suivent avant d'utiliser l'appareil.

- Toujours utiliser un équipement de protection personnelle lors de l'utilisation du produit. L'équipement de protection personnelle ne supprime pas le risque de blessures. L'équipement de protection personnelle réduit la gravité des blessures en cas d'accident. Laisser le concessionnaire vous aider à sélectionner l'équipement adéquat.
- Utiliser un dispositif de protection homologué pour les yeux pendant l'utilisation du produit.
- Porter des bottes résistantes antidérapantes avec embout d'acier.
- Porter des vêtements bien ajustés qui ne limitent pas les mouvements.
- Vérifier régulièrement l'état de l'équipement de protection personnelle.
- Porter des gants de protection robustes homologués.
- Porter des gants de protection en caoutchouc afin d'éviter toute irritation de la peau causée par le béton humide.
- Utiliser un casque de protection approuvé.
- Toujours porter un dispositif de protection homologué pour les oreilles lorsqu'on utilise le produit. Le fait d'entendre du bruit pendant une longue période peut engendrer une perte auditive.
- Le produit provoque de la poussière et des fumées qui sont nocives pour la santé. Utiliser une protection respiratoire adéquate.
- Vérifier qu'on dispose d'une trousse de premiers soins à proximité.
- Des étincelles peuvent se produire pendant l'utilisation du produit. S'assurer d'avoir un extincteur à proximité.
- Ne pas porter de vêtements amples, de bijoux ou d'autres objets qui peuvent se prendre dans les pièces en mouvement. Garder les cheveux au-dessus des épaules.

Dispositifs de sécurité sur l'outil



AVERTISSEMENT: Lire les messages d'avertissement qui suivent avant d'utiliser l'outil.

- Ne pas utiliser un outil dont les dispositifs de protection sont défectueux.
- Vérifier régulièrement les dispositifs de sécurité. Si les dispositifs de sécurité sont défectueux, parler à votre agent d'entretien Husqvarna.

Protège-lame

Le protège-lame écarte la poussière de l'opérateur et évite les blessures en cas de rupture du disque découpeur.



AVERTISSEMENT: Ne pas utiliser l'outil sans son protège-lame.

Vérification du protège-lame

1. Vérifier que le protège-lame n'est pas endommagé. Se reporter à la section *Présentation du produit à la page 41*.
2. S'assurer que le protège-lame est installé correctement.
3. S'assurer que la lame se trouve au centre du protège-lame et ne touche pas celui-ci.

Verrou de protège-lame

Le verrou du protège-lame maintient le guide de protège-lame dans la position correcte sur le protège-lame.

Vérification du verrou de protège-lame

- S'assurer que le mécanisme de verrou de protège-lame sur le guide du protège-lame fonctionne correctement. Se reporter à la section *Réglage de la poignée de verrouillage sur le guide du protège-lame à la page 53*.

Butées d'extrémité

Les butées d'extrémité empêchent le produit de sortir des rails.



AVERTISSEMENT: Si les butées ne sont pas fixées correctement aux extrémités du rail, le produit se détache et peut entraîner des blessures très graves.

Vérification des butées d'extrémité

- S'assurer que les butées sont fixées aux extrémités du rail. Se reporter à la section *Présentation du produit à la page 41*.

Bloc d'alimentation

Le Husqvarna bloc d'alimentation permet d'utiliser le produit.



AVERTISSEMENT: Débrancher le produit de l'alimentation et attendre au moins 5 minutes avant d'effectuer la maintenance.

Vérification du bloc d'alimentation

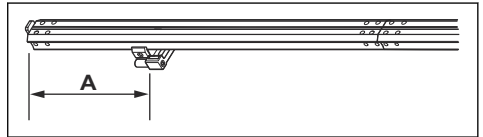
- Vérifier l'équipement de sécurité et s'assurer qu'il n'est pas endommagé. Se reporter au Husqvarna manuel du bloc d'alimentation.

Supports muraux

Les supports muraux fixent les rails à la bonne position sur le mur.

Vérification des supports muraux

1. Placer les supports muraux à environ $\frac{1}{4}$ de la longueur du rail (A).



2. Utiliser au moins 2 supports muraux pendant l'utilisation. S'il faut assembler plusieurs rails bout à bout, un support mural est nécessaire pour chaque section de rail.

Connecteurs de rails

Les connecteurs de rail raccordent plusieurs sections de rail.



MISE EN GARDE : S'assurer que les connecteurs de rails sont compatibles avec le produit.

Vérification des connecteurs de rails

- S'assurer que les connecteurs de rails sont montés correctement. Se reporter à la section *Présentation du produit à la page 41*.

Bouton d'arrêt

Le bouton d'arrêt arrête le produit et la télécommande. Se reporter à la section *Utilisation de la télécommande à la page 54*.

Vérification du bouton d'arrêt

1. Démarrer le moteur.
2. Appuyer sur le bouton d'arrêt de la télécommande. S'assurer que la télécommande et le produit s'arrêtent.

Poignées de verrouillage

Les poignées de verrouillage serrent les roues de guidage contre le rail.

Vérification des poignées de verrouillage

1. Monter le produit. Se reporter à la section *Montage* à la page 47.

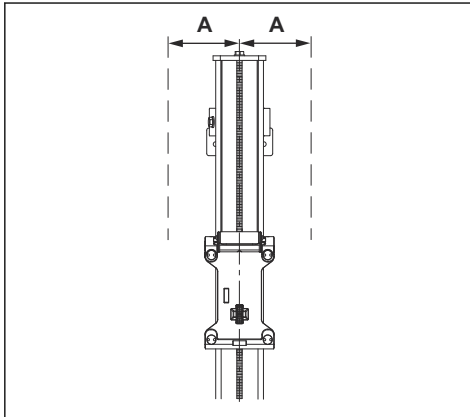
2. Utiliser les poignées de verrouillage pour serrer les roues de guidage contre le rail.

Remarque : Régler les roues de guidage en cas de jeu. Se reporter à la section *Réglage des roues de guidage* à la page 53.

Montage

Montage des supports muraux

1. Tracer un repère de la ligne de coupe et tracer des repères de perçage pour les trous de boulons d'expansion à (A) = 165 mm (6,5 po) à partir de la ligne de coupe.

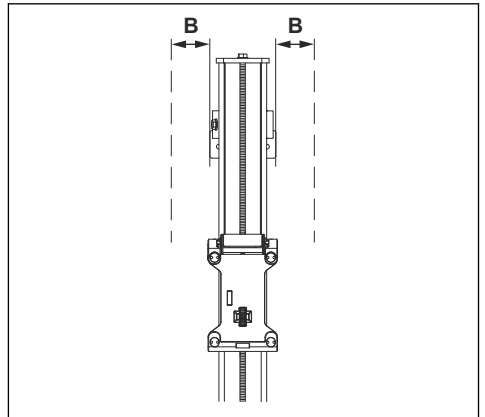


2. Forer des trous de 15 mm (5/8 po) pour les boulons d'expansion M12 (1/2 po).
3. Accrocher les supports muraux sans les serrer aux boulons d'expansion. Utiliser des M6S 12 x 70 (1/2 po x 2 po) ou équivalents.

Montage des rails

1. Placer le rail dans les supports muraux et serrer les rondelles à compression. Pour les coupes verticales, monter le rail avec la poignée de verrouillage du chariot de scie vers le haut.
2. S'assurer que le rail est correctement aligné sur les guides des supports muraux avant de serrer les vis.

3. Régler la distance entre la ligne de coupe et les supports muraux. La distance entre l'arête et la face interne de la coupe doit être de (B) = 89 mm (3,5 po). Serrer les boulons d'expansion.



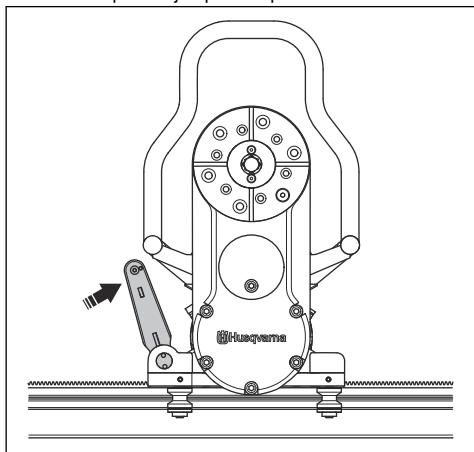
Montage du produit sur les rails



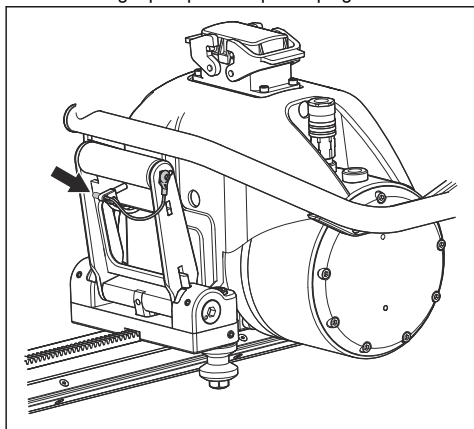
AVERTISSEMENT: Avant de monter le produit sur les rails, il est nécessaire de monter le produit dans le chariot de scie.

1. Soulever le produit pour le mettre en place dans le chariot de scie. Lorsque le produit est en position, la poignée de verrouillage se déplace vers le haut en position centrale. Dans cette position, le produit reste dans le chariot, mais n'est pas suffisamment fixé pour démarrer le travail.

2. Pour fixer le produit, lever la poignée de verrouillage contre le produit jusqu'à ce qu'elle se verrouille.



3. Utiliser la goupille pour bloquer la poignée.



Pour monter la lame

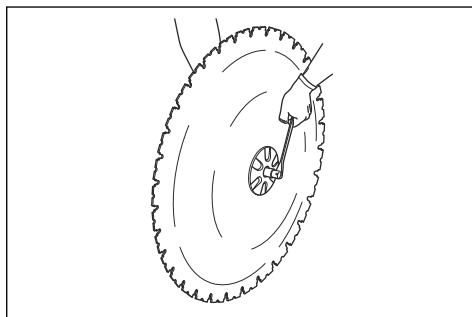


AVERTISSEMENT: Débrancher l'appareil de la source d'alimentation avant de procéder au montage.

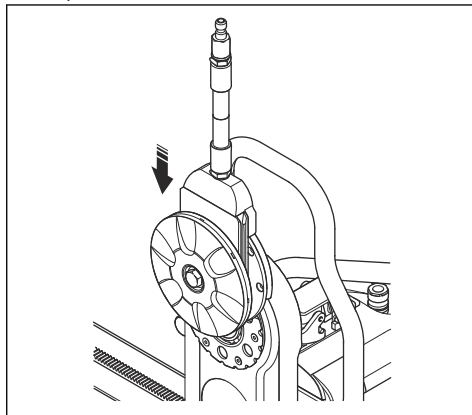
1. Retirer la saleté des surfaces de contact sur la bride de lame et la lame.
2. S'assurer que la lame tourne avec la partie utilisée du diamant dans le sens de rotation de la lame.

Remarque : Comme il est possible de choisir le sens de rotation de la lame, le sens de la pulvérisation d'eau de la lame peut également être choisi.

3. Monter la bride extérieure de lame, la lame et la rondelle d'accouplement de lame. Serrer au couple de 70 à 80 Nm.

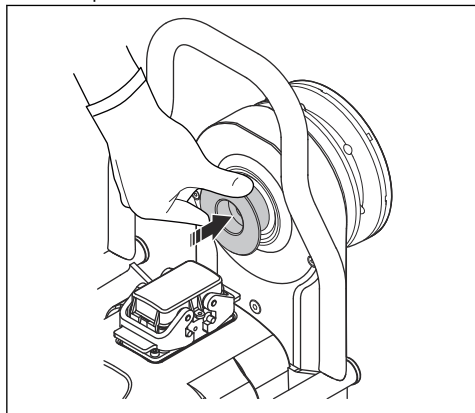


4. Suspender la lame avec la bride de lame et la rondelle d'accouplement de lame sur le bras de coupe.



5. Tourner la rondelle d'accouplement de lame avec précaution jusqu'à ce qu'elle se déplace dans l'une des fentes du bras de pivot. Fixer la rondelle d'accouplement de lame au moyen du boulon.

6. Pousser l'axe de lame dans le bras de coupe et, en même temps, faire tourner la lame avec précaution. Le serrer à l'aide de la clé à 18 pans fournie. Serrer au couple de 70 à 80 Nm.



AVERTISSEMENT: S'assurer que la lame est bien fixée et serrée avant de démarrer le produit.

Montage de la lame pour une coupe à ras



AVERTISSEMENT: Débrancher l'appareil de la source d'alimentation avant de procéder au montage.

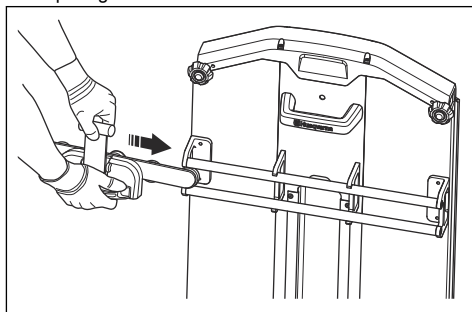
1. Déposer la bride extérieure de lame et monter la lame sur la rondelle d'accouplement de lame.
2. S'assurer que la lame est bien fixée et serrée avant de démarrer le produit.

Fixation du protège-lame

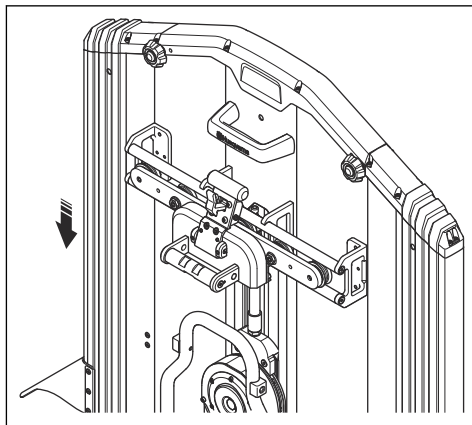


AVERTISSEMENT: Débrancher l'appareil de la source d'alimentation avant de procéder au montage.

1. Insérer le guide du protège-lame entre les tiges sur le protège-lame.

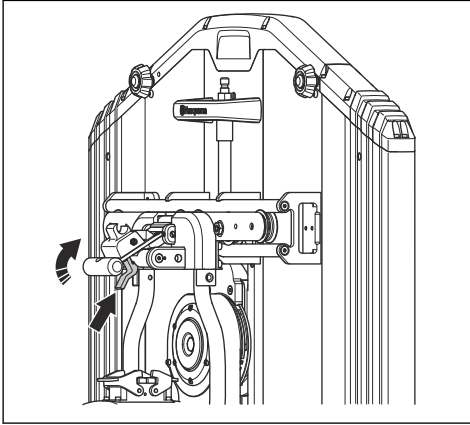


2. Bloquer le talon en plastique de la poignée sur la tige supérieure du protège-lame.
3. Vérifier que le bras de coupe est vertical. Soulever le protège-lame au-dessus de la lame et l'accrocher au support du protège-lame sur le produit. S'assurer que les glissières du protège-lame sont installées dans les fentes de l'unité d'eau.



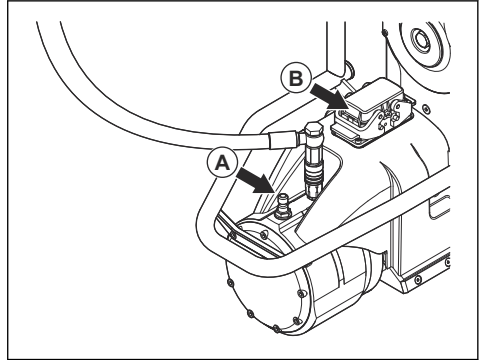
4. Tirer la poignée hors du protège-lame et l'abaisser contre l'unité de sciage. L'attache verrouille la poignée.

5. Pour déposer le protège-lame, libérer l'attache et tirer la poignée vers le haut et contre le protège-lame. Bloquer le talon en plastique sur la tige supérieure du protège-lame.



6. Brancher le tuyau d'eau de la sortie du moteur de la scie à l'entrée de la rondelle d'accouplement de lame.

1. Raccorder le tuyau d'eau entre le bloc d'alimentation et le raccord d'alimentation en eau entrant sur l'unité de sciage.
2. Brancher le fil d'alimentation du bloc d'alimentation à l'unité de sciage (B).



3. Allumer le bloc d'alimentation et la télécommande. S'assurer que la télécommande est connectée au bloc d'alimentation.

Connexion du bloc d'alimentation



MISE EN GARDE : N'utiliser le produit qu'avec un bloc Husqvarna d'alimentation homologué.

Fonctionnement

Introduction



AVERTISSEMENT : Lire et comprendre le chapitre sur la sécurité avant d'utiliser le produit.

Vérification de la zone de travail avant l'utilisation

1. Examiner la zone de travail pour s'assurer que le fonctionnement en toute sécurité est possible. Rester à l'affût des personnes, des objets et des situations susceptibles d'entraver l'utilisation sécuritaire du produit. Maintenir une distance de sécurité d'au moins 4 m.
2. S'assurer qu'il n'y a pas de câbles électriques, de tuyaux de gaz ou d'eau dans la zone de travail.
3. S'assurer que la pièce à découper peut être retirée. La diviser en sections plus petites pour en faciliter le retrait.
4. Maintenir la zone de travail propre et bien éclairée.

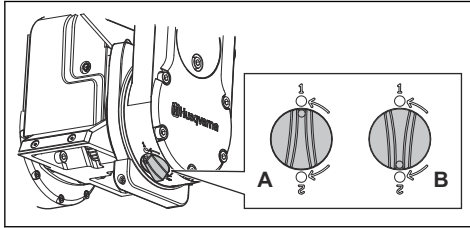
5. S'assurer que la zone de travail est alimentée en eau et en électricité. S'assurer que les eaux usées peuvent être éliminées.

Vérification du fonctionnement avant utilisation

1. Vérifier les dispositifs de sécurité du produit. Se reporter à la section *Dispositifs de sécurité sur l'outil* à la page 46.
2. Vérifier que la lame et le protège-lame ne sont pas endommagés. Remplacer la lame ou le protège-lame s'il y a des fissures ou d'autres dommages.
3. S'assurer que le produit est correctement monté et que les supports muraux, les rails, le boulon de lame et les roues de blocage sont serrés. S'assurer que les butées sont fixées aux extrémités du rail.
4. Le protège-lame doit toujours être monté sur le produit lorsque celui-ci est en fonctionnement. Si le protège-lame touche le plafond, une des parties d'extrémité du protège-lame peut être démontée temporairement.
5. Placer le produit en position de départ avant de démarrer le moteur.

Changement de vitesse

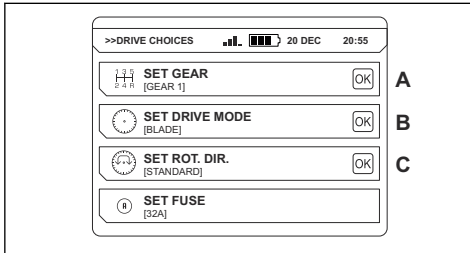
- Sélectionner le rapport selon la vitesse d'utilisation. Sur le rapport 1, la plage de régimes est comprise entre 600 et 900 tr/min, et sur le rapport 2, la plage de régimes est comprise entre 800 et 1200 tr/min. Se reporter à la section *Régime recommandé de la lame à la page 57*.



MISE EN GARDE : S'assurer que la molette de changement de vitesse se trouve à la position correcte. Si la molette se trouve entre les rapports, cela peut endommager la boîte de vitesses.

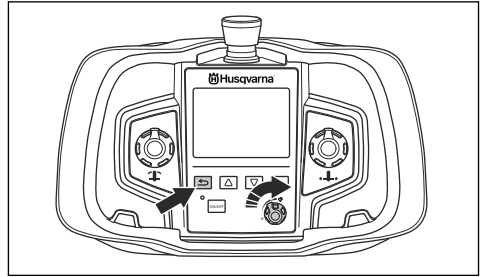
Mise sous tension de l'appareil

- Allumer le bloc d'alimentation et connecter la télécommande. Se reporter au Husqvarna manuel du bloc d'alimentation.
- Sélectionner les réglages de la télécommande :



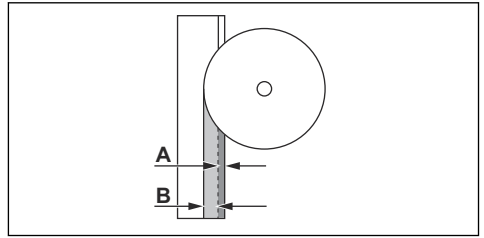
- SET GEAR : sélectionner le rapport (A). Pour de plus amples renseignements sur les lames et les vitesses recommandées. Se reporter à la section *Régime recommandé de la lame à la page 57*.
 - SET DRIVE MODE : régler le mode d'entraînement sur BLADE (LAME) (B).
 - SET ROT. DIR. : sélectionner le sens de rotation de la lame (C). Le sens de rotation ne peut être changé que lorsque la lame est immobile.
- Remarque :** (S) = Standard, (R) = Vers l'arrière.
- Déplacer le produit à son emplacement de départ. S'assurer que la lame ne touche pas le matériau à découper.
 - Démarrer l'alimentation en eau du système de refroidissement. Régler le débit à l'aide du robinet d'arrivée d'eau.

- Pour démarrer le moteur, appuyer sur le bouton fléché et tourner simultanément le bouton de réglage de la vitesse de rotation de la lame dans le sens des aiguilles d'une montre. La puissance de sortie du moteur est indiquée sur l'écran de la télécommande.



Utilisation du produit

- Démarrer l'outil. Se reporter à la section *Mise sous tension de l'appareil à la page 51*.
- Contrôler le produit à l'aide de la télécommande. Se reporter à la section *Utilisation de la télécommande à la page 54*.
- Effectuer une coupe de guidage à une profondeur de 2 à 4 cm (0,8 à 1,6 po) (A). S'assurer que la puissance de sortie du moteur de lame est comprise entre 60 et 65 %. Cela permet de s'assurer que la coupe de guidage est droite. Ne pas couper des barres d'armature.

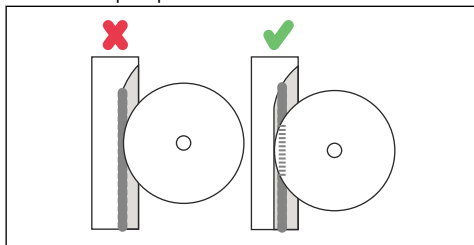


MISE EN GARDE : Ne pas utiliser le plein régime pour la coupe de guidage.

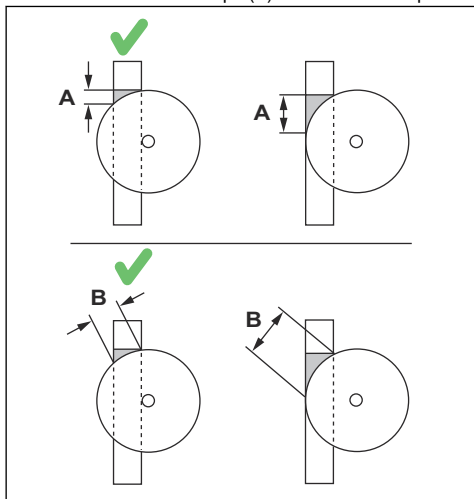
- Régler la vitesse longitudinale au maximum. La vitesse est automatiquement réglée pour obtenir le meilleur effet de sciage. Si la puissance de sortie n'atteint pas 100 % durant ces coupes, il est possible d'augmenter la profondeur de coupe avec prudence.
- Effectuer les coupes suivantes à une profondeur de 4 à 7 cm (1,6 à 2,8 po) (B). La dureté du béton, la quantité et la position des renforts ont un effet sur la profondeur de coupe.

Remarque : Il est possible de changer la lame et de couper à nouveau dans la même coupe. S'assurer que l'épaisseur de la nouvelle lame est alignée sur la largeur de la rainure.

- a) Si le produit fonctionne en mode monophasé, la puissance de sortie diminue. La profondeur de coupe doit être réduite par rapport au fonctionnement en triphasé. Diminuer la profondeur de coupe de moitié.
- b) Lorsqu'il est nécessaire de découper une armature d'un bout à l'autre, couper à côté de l'armature comme illustré pour maintenir la lame affûtée. Si la barre d'armature ne suit pas la rainure de sciage du début à la fin, commencer la coupe à partir de l'autre extrémité.



- c) Utiliser la profondeur de coupe maximale de la lame si le mur est plus fin que la profondeur maximale de la lame. Ainsi, la surface de coupe diminue et la pression sur les segments de lame augmente. Procéder ainsi également lorsque la surcoupe n'est pas possible, parce que la cale en coin restante après le sciage se rétrécit. (A) = distance de surcoupe (B) = surface de coupe.



- d) Lorsqu'il n'est pas possible d'effectuer une surcoupe, utiliser une fraise manuelle pour découper le coin. Communiquer avec votre Husqvarna concessionnaire local pour obtenir des renseignements sur une fraise manuelle.

6. Retirer la lame de la rainure de sciage après chaque coupe.



MISE EN GARDE : Ne pas laisser la lame tourner sans pression dans la rainure de sciage. Sinon, la lame s'émoussera.

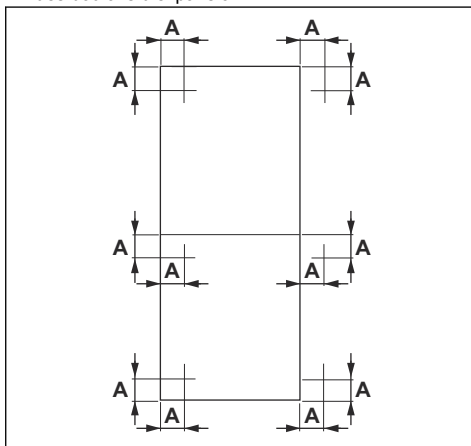
7. Arrêter le moteur et le débit d'eau.

Découpe de blocs de béton



AVERTISSEMENT: Les blocs en béton sont très lourds et peuvent entraîner des blessures très graves. S'assurer que le bloc de béton à couper est fixé en toute sécurité avant toute utilisation.

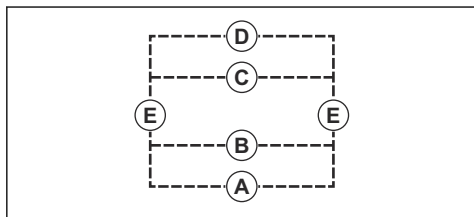
1. Examiner les dimensions du bloc de béton à couper et s'assurer qu'il peut être soulevé et retiré en toute sécurité.
2. Si nécessaire, diviser un grand bloc de béton en parties plus petites. Il n'est pas nécessaire de déplacer le rail ou les supports muraux. Vous pouvez couper des deux côtés du rail.
3. Placer les trous des supports muraux à environ 150 mm (5,9 po) (A) de la rainure de sciage. Utiliser des boulons d'expansion.



AVERTISSEMENT: Ne pas fixer les supports muraux au bloc de béton à découper.

Remarque : Dans les coins, le même trou peut servir aux coupes verticales et horizontales.

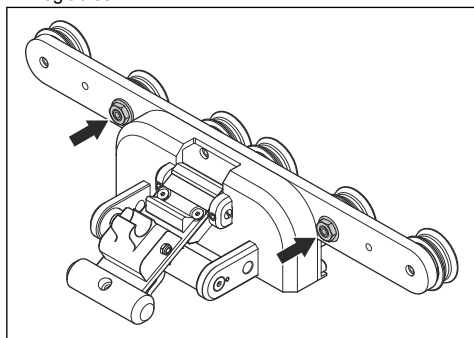
- Couper le bloc de béton dans l'ordre suivant. L'illustration montre la procédure de travail pour diviser un bloc de béton en 3 sections.



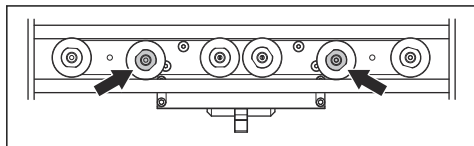
- Effectuer d'abord les coupes horizontales. Commencer par le bas (A), (B), (C), (D).
 - Effectuer les 2 coupes verticales (E).
- Poser des ancrages en coin après chaque coupe. Poser 2 ancrages en coin du côté sciage et 1 ancrage en coin de l'autre côté du bloc de béton.
 - Lors de la dernière coupe, fixer le rail sur un mur stable. Utilisez les coins en plastique fournis.

Réglage du guide du protège-lame

- Desserrer les écrous sur les 2 galets de guidage réglables.



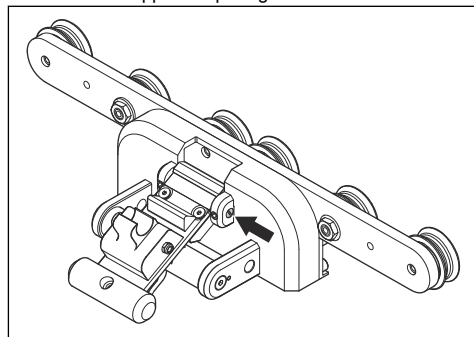
- Fixer le guide du protège-lame sur le protège-lame.
- Tourner les arbres à cames à l'aide d'une clé mixte de 22 mm jusqu'à ce que les galets de guidage touchent le rail.



- Maintenir l'arbre à cames en position à l'aide d'une clé mixte de 22 mm et serrer l'écrou à l'aide d'une clé mixte de 16 mm.
- S'assurer que les galets tournent facilement et qu'il n'y a pas de jeu dans le guide du protège-lame.

Réglage de la poignée de verrouillage sur le guide du protège-lame

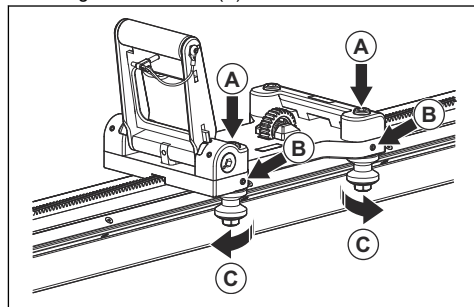
- Placer le guide du protège-lame sur l'unité de sciage.
- Desserrer les 2 vis d'arrêt à l'aide d'une clé hexagonale de 3 mm.
- Tourner l'arbre à cames à l'aide d'un tournevis jusqu'à ce que la poignée de verrouillage se serre autour du support du protège-lame.



- Serrer les 2 vis d'arrêt à l'aide d'une clé hexagonale de 3 mm.
- Retirer les 4 vis qui maintiennent le verrou d'arrêt en place à l'aide d'une clé hexagonale de 4 mm.
- Régler le verrou d'arrêt. Le verrou d'arrêt doit être serré autour du rail supérieur.
- Serrer les 4 vis qui maintiennent le verrou d'arrêt en place à l'aide d'une clé hexagonale de 4 mm.

Réglage des roues de guidage

- Desserrer les 2 vis M10 à l'aide d'une clé hexagonale de 8 mm (A).

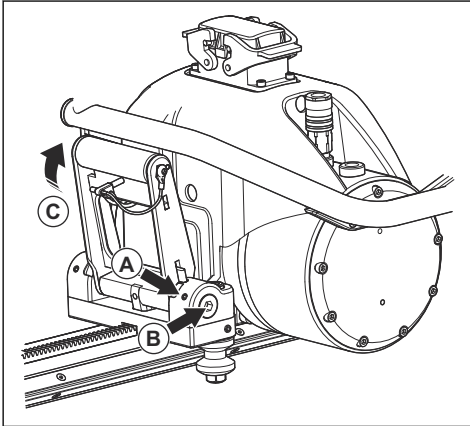


- Desserrer les 2 vis d'arrêt qui bloquent les 2 roues de guidage à l'aide d'une clé hexagonale de 3 mm (B).
- Tourner les arbres avec précaution à l'aide d'une clé mixte de 16 mm jusqu'à ce que les roues de guidage touchent le rail (C).

- Maintenir la clé mixte de 16 mm en place et serrer les 2 vis d'arrêt à l'aide d'une clé hexagonale de 3 mm (B).
- Pousser le dispositif de verrouillage vers le bas et tirer le chariot de scie dans les 2 directions à la main. S'assurer que le chariot de la scie se déplace facilement et que les 4 roues de guidage tournent.
- Serrer les 2 vis M10 à l'aide d'une clé hexagonale de 8 mm (A).

Réglage du chariot de scie

- Desserrer les 2 vis d'arrêt à l'aide d'une clé hexagonale de 3 mm (A).

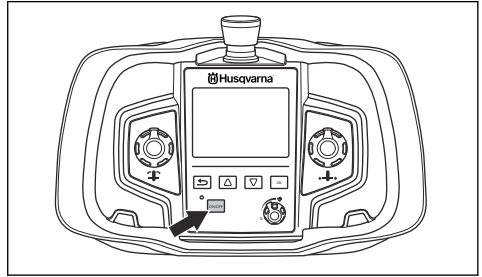


- Tourner les 2 manchons à l'aide d'une clé hexagonale de 8 mm jusqu'à ce que l'arbre soit serré et parallèle à l'unité de sciage (B).
- Serrer les 2 vis d'arrêt à l'aide d'une clé hexagonale de 3 mm (A).
- Fermer la poignée de verrouillage et s'assurer que le verrou à ressort reste en position verrouillée (C).
- Utiliser la goupille pour bloquer la poignée.

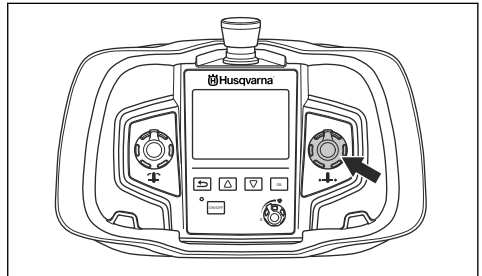
Utilisation de la télécommande

Le produit est commandé à l'aide de la télécommande. La télécommande est reliée au bloc d'alimentation par transmission radio. Pour relier la télécommande, se reporter au Husqvarna manuel du bloc d'alimentation.

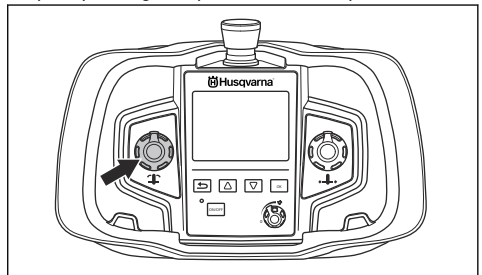
- Appuyer sur le bouton ON/OFF (marche/arrêt) pour activer et désactiver la télécommande.



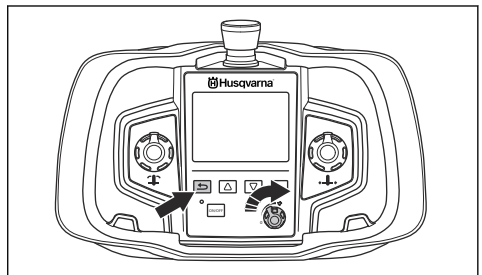
- Mouvement longitudinal : la molette déplace le produit le long du rail.



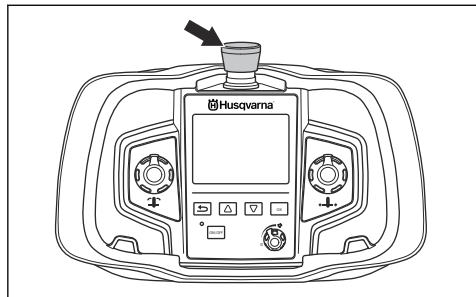
- Mouvement du bras : la molette déplace le bras de pivot pour régler la profondeur de coupe.



- Pour faire tourner la lame et contrôler la vitesse du produit : appuyer sur le bouton de retour et le maintenir enfoncé tout en tournant la molette dans le sens des aiguilles d'une montre pour augmenter la vitesse de rotation de la lame.



- Arrêt de la machine : tourner la molette de commande de la vitesse de rotation de la lame dans le sens inverse des aiguilles d'une montre jusqu'à sa position 0.
- En cas d'urgence, arrêter le produit à l'aide du bouton d'arrêt.



- Se reporter au Husqvarna manuel du bloc d'alimentation pour connaître les autres réglages et fonctions de la télécommande.

Arrêt de la machine



AVERTISSEMENT: Ne pas déplacer le produit tant que le moteur n'est pas arrêté et que la fiche d'alimentation n'est pas débranchée.

1. Éloigner la lame du mur. Le bras de pivot est orienté tout droit vers l'extérieur du mur.
2. Arrêter la lame et le débit d'eau.
3. Appuyer sur le bouton d'arrêt d'urgence du bloc d'alimentation pour couper le bloc d'alimentation. Déconnecter la bougie. Se reporter au Husqvarna manuel du bloc d'alimentation.
4. S'assurer que les pièces découpées ne peuvent pas tomber.
5. Déplacer le produit vers une zone où il peut être démonté.

Entretien

Introduction



AVERTISSEMENT: Lire et comprendre le chapitre sur la sécurité avant de faire l'entretien du produit.

Démontage du produit

Si le produit est équipé d'un chariot de transport, placer toutes les pièces démontées sur le chariot de transport.

1. Débrancher le fil d'alimentation entre l'unité de sciage et le bloc d'alimentation. Monter les couvercles sur les connecteurs.
2. Débrancher les tuyaux d'eau de l'unité de sciage.
3. Démontez le protège-lame.
4. Retirer le guide du protège-lame.
5. Démontez la lame. Démontez la bride extérieure de lame, la lame et le boulon de lame.
6. Appuyer sur les boutons de blocage et déplier les poignées de verrouillage pour libérer l'unité de sciage du rail.
7. Desserrer les boulons de carrosserie de la rondelle de serrage sur les supports muraux et soulever le rail pour le dégager des supports. Desserrer un des boulons excentrés au milieu du rail pour déconnecter les rails. Retirer les rails.
8. Démontez les supports muraux.

Nettoyage du produit



MISE EN GARDE : Ne pas utiliser un nettoyeur haute pression pour nettoyer le produit.

1. Démontez le produit. Se reporter à la section *Démontage du produit à la page 55*.
2. Nettoyer tous les équipements. Utiliser un tuyau d'eau, une brosse et un chiffon.
3. Sécher toutes les pièces mobiles. Lubrifier toutes les pièces par pulvérisation d'huile pour éviter la corrosion.

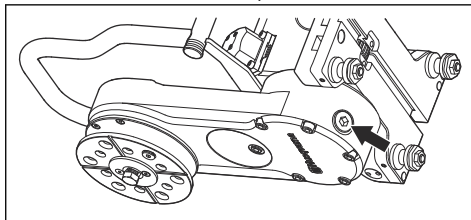
Vérification du produit

1. S'assurer que les tuyaux et les câbles ne sont pas endommagés.
2. S'assurer que tous les raccords et toutes les connexions sont propres et en bon état. Nettoyer et lubrifier les broches de contact. Lubrifier les manchons des raccords d'eau.
3. Nettoyer et lubrifier les ressorts et les pièces mobiles du produit, comme les poignées de verrouillage et le mécanisme à ressort du guide du protège-lame.
4. S'assurer que l'axe de lame tourne librement et que le boulon n'est pas endommagé.
5. S'assurer que la lame et le protège-lame ne sont pas endommagés ou tordus. Remplacer le protège-lame et la lame s'ils sont endommagés ou usés.

6. S'assurer que les roues du guide du protège-lame tournent sans résistance. S'assurer que le guide du protège-lame est correctement aligné avec le protège-lame et le produit.
7. S'assurer que le chariot de scie est correctement aligné.
8. S'assurer que la poignée de verrouillage du guide du protège-lame est correctement réglée.

Nettoyage du bouchon d'huile

- Nettoyer le bouchon d'huile lors du changement d'huile dans le bras de coupe.



Transport, entreposage et mise au rebut

Transport

- Si le produit est équipé d'un chariot de transport, l'utiliser pour le déplacer. Les poignées du chariot de transport peuvent être utilisées comme glissières pour le soulever sur un camion.
- Arrêter le bloc d'alimentation et débrancher le câble électrique avant de déplacer l'équipement.
- Retirer la lame et le protège-lame du produit avant le transport.

Entreposage

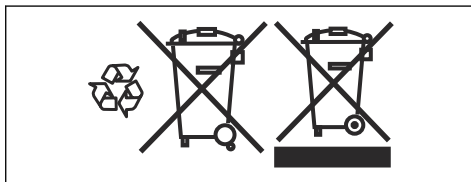
- Garder le produit dans un endroit verrouillé hors de portée des enfants et des personnes non autorisées.
- Retirer la lame et le protège-lame du produit après l'utilisation.
- En cas de risque de gel de l'eau, le produit doit être vidangé de toute l'eau de refroidissement restante.

Mise au rebut

Les symboles sur le produit ou l'emballage du produit indiquent que vous ne pouvez pas traiter ce produit

comme un déchet domestique. Le déposer dans un centre de recyclage pour la récupération des équipements électriques et électroniques.

En veillant à ce que ce produit soit traité de façon adéquate, vous contribuez à réduire l'impact négatif potentiel sur l'environnement et les personnes de la mauvaise gestion des déchets. Pour obtenir de plus amples renseignements sur le recyclage de ce produit, communiquez avec votre municipalité, votre service de déchets ménagers ou le magasin où vous avez acheté le produit.



Données techniques

Données techniques

	WS 442
Poids	
Chariot de scie, kg/lb	3,7/8,2
Unité de sciage, kg	28,6/63,1
Protège-lame de 800 mm, kg/lb	13/28,7
Protège-lame de 1000 mm, kg/lb	16/35,3
Rail 1 200 mm (47 po) kg/lb	9,5/20,9
Rail 2 000 mm (79 po) kg/lb	19/41,9

		WS 442
Taille de lame		
Taille de lame – max., /mm/po	1200/47,2	
Taille de la lame – min., mm/po	600/23,6	
Lame de démarrage – max., mm/po	1000/39,4	
Profondeur de scie – max., mm/po	530/20,9	
Moteur d'entraînement de lame de scie	Modulation d'impulsions à cycle élevé	
Puissance à la tige – max., kW	13	
Transmission	Entraînement par engrenages	
Régime de sortie, tr/min	0-1200	
Système/commande d'alimentation	Électrique/auto	
Couple d'entraînement à la lame de scie – max., Nm	160	
Couple au démarrage, Nm	150	
Pression d'eau de refroidissement – max., bar	7	
Débit d'eau de refroidissement – min., l/min	3,5	
Température d'eau de refroidissement à 3,5 l/min – max., °C	25	
Classe de protection	IP 65	
Émissions sonores⁵		
Niveau de puissance sonore, mesuré en dB (A)	108	
Niveau de puissance acoustique garanti L _{WA} dB(A)	109	
Niveaux sonores⁶		
Niveau de pression sonore au niveau de l'oreille de l'utilisateur, en dB (A)	85	

Régime recommandé de la lame



AVERTISSEMENT: Si la coupe est effectuée à un régime trop élevé, cela risque d'endommager la lame ou de causer des blessures.

Sur le rapport 1, la plage de régimes est comprise entre 600 et 900 tr/min, et sur le rapport 2, la plage de régimes est comprise entre 800 et 1200 tr/min. Pour une

coupe entre 800 et 900 tr/min, la puissance obtenue est plus élevée avec le rapport 1. Pour connaître le régime de lame recommandé, communiquer avec votre concessionnaire de lames. Pour les coupes dans du béton dur, utiliser une vitesse inférieure.

Vitesse, tr/min	
Rapport 1	600-900
Rapport 2	800-1200

	600 mm/24 po	800 mm/32 po	1000 mm/40 po	1200 mm/47 po
600 tr/min				H

⁵ Émission du bruit dans l'environnement mesurée en tant que puissance acoustique (L_{WA}) conforme à la directive EN 15027/A1.

⁶ Niveau de pression sonore selon la directive EN 15027/A1. Les données signalées pour le niveau de pression sonore présentent une dispersion statistique type (écart type) de 1,0 dB(A).

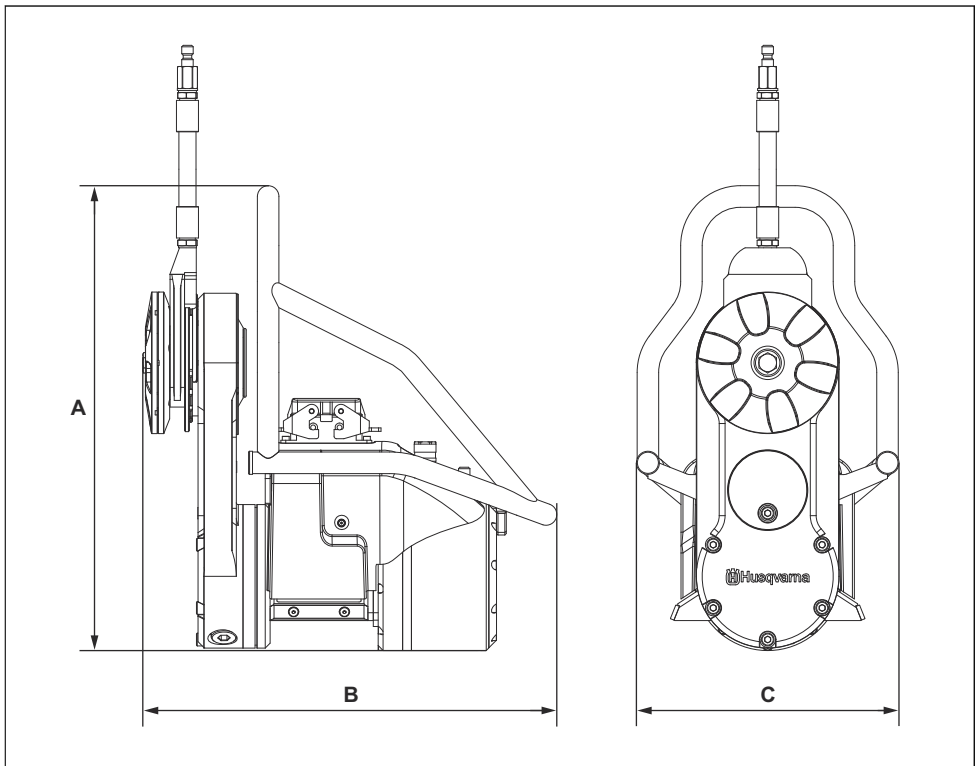
	600 mm/24 po	800 mm/32 po	1000 mm/40 po	1200 mm/47 po
700 tr/min			H	M
800 tr/min			M	S
900 tr/min		H	M	
1000 tr/min		M	S	
1100 tr/min	H	M		
1200 tr/min	M	S		

H = béton dur

M = béton moyen

S = béton tendre

Dimensions de l'outil



A = 473 mm

B = 423 mm

C = 269 mm

Déclaration de conformité du fournisseur

Déclaration de conformité du fournisseur pour WS 442

Information de conformité à 47 CFR § 2.1077

Partie responsable : Husqvarna Construction Products
North America, Inc. 17400 W 119th Street, Olathe,
Kansas 66061 ÉTATS-UNIS

Coordonnées d'appel : Neil Stanford, Responsable de la
conformité, numéro de téléphone : 913-928-1000

Déclaration de conformité FCC Les modifications non
expressément approuvées par Husqvarna peuvent
annuler la conformité de l'équipement aux règlements
de la FCC (Commission fédérale des communications
américaine) et limiter le droit de l'utilisateur à utiliser
l'équipement.

Remarque : Cet équipement a été testé et trouvé
conforme aux limites d'un appareil numérique de
classe A, conformément à l'article 15 des règlements de
la FCC. Ces limites sont conçues pour fournir une
protection raisonnable contre les interférences nuisibles
lorsque l'équipement est utilisé dans un environnement
commercial. Cet équipement produit, utilise et peut
émettre des fréquences radio et, s'il n'est pas installé et
utilisé conformément au manuel d'instructions, il peut
provoquer des interférences nuisibles aux
communications radio. L'utilisation de cet équipement
dans une zone résidentielle est susceptible de
provoquer des interférences nuisibles, auquel cas
l'utilisateur devra corriger les interférences à ses
propres frais.

Politique de garantie

Toute réclamation au titre de la garantie sera résolue après inspection dans un établissement désigné. Une autorisation de retour de marchandise est nécessaire en cas de réclamation au titre de la garantie. Pour obtenir une autorisation de retour de marchandise, communiquer avec le service à la clientèle de Husqvarna au 800-845-1312. Le client doit prépayer le transport et assumer tous les frais de main-d'œuvre nécessaires au retour ou au remplacement d'un produit soumis à des fins de garantie. Husqvarna remboursera les frais de transport encourus pour les produits réparés ou les produits de remplacement homologués.

ÉQUIPEMENT

L'équipement fabriqué par Husqvarna est garanti exempt de tout défaut de fabrication en fonctionnement normal pour une période de deux (2) ans à partir de la date de l'achat par le consommateur acheteur initial. Les fabricants des pièces proposent des périodes de garantie distinctes. Pour obtenir tous les renseignements, communiquer avec le service technique au 800-288-5040.

En vertu de cette garantie, notre obligation est expressément limitée au remplacement ou à la réparation chez Husqvarna Construction Products North America, Olathe, Kansas 66061, ou à un atelier d'entretien désigné par nos soins, des pièces jugées défectueuses lors de l'inspection.

Cette garantie ne s'applique pas aux défauts occasionnés par des dommages, une utilisation abusive, des réparations inadéquates effectuées ailleurs que dans un centre de réparation agréé de Husqvarna, ou des défauts causés par l'absence d'un entretien raisonnable, pendant que le consommateur est en possession du produit. Par ailleurs, la garantie est nulle si le produit, ou l'un de ses composants, est modifié par le consommateur acheteur ou si le produit est utilisé d'une façon inappropriée ou avec des outils non recommandés par le fabricant.

Exceptions : moteurs de forage – 3 mois, scies murales – 1 an, découpeuses – 3 mois, DM230 – 1 an, DM225 – 3 mois, systèmes Gyro – 1 an, système CD40 – 1 an, DS160 C – 1 an, Smartbox – 1 an, CS2515 – 1 an, PP455 E – 1 an, PP345 E – 1 an, HP40 – 1 an.

Pièces soumises à l'usure : filtres, bougies d'allumage, roulements*, courroies, disques** et plaques d'usure.

*Sauf système IntelliSeal™. **Sauf délaminage.



www.husqvarna.com

Original instructions
Instrucciones originales
Instructions d'origine

1141227-49



2019-10-11