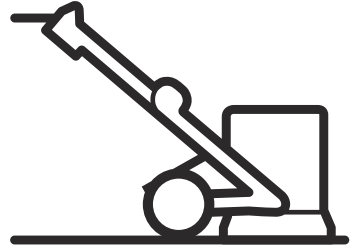




Husqvarna®



PG 400 Petrol

EN Operator's manual
ES-MX Manual del usuario
FR-CA Manuel d'utilisation

2-20
21-41
42-62

Contents

Introduction.....	2	Troubleshooting.....	16
Safety.....	5	Transportation and storage.....	17
Operation.....	8	Technical data.....	18
Maintenance.....	13	0

Introduction

Owner responsibility



WARNING: Processing of concrete and stone by methods such as cutting, grinding or drilling, especially during dry operation, generates dust that comes from the material being processed, which frequently contains silica. Silica is a basic component of sand, quartz, brick clay, granite and numerous other minerals and rocks. Exposure to excessive amount of such dust can cause:

Respiratory disease (affecting your ability to breathe), including chronic bronchitis, silicosis and pulmonary fibrosis from exposure to silica. These diseases may be fatal;

Skin irritation and rash.

Cancer according to NTP* and IARC* */ National Toxicology Program, International Agency for Research on Cancer.

Take precautionary steps:

Avoid inhalation of and skin contact with dust, mist and fumes.

Wear and ensure that all bystanders wear appropriate respiratory protection such as dust masks designed to filter out microscopic particles. (See OSHA 29 CFR Part 1926.1153)

To minimize dust emissions, use water to bind the dust, when feasible. If dry operation is necessary, use an appropriate dust extractor.

It is the owner's/employer's responsibility that the operator has sufficient knowledge about how to use the product safely. Supervisors and operators must have read and understood the Operator's Manual. They must be aware of:

- The product's safety instructions.
- The product's range of applications and limitations.
- How the product is to be used and maintained.

National/Local regulations could restrict the use of this product. Find out what regulations are applicable where you work before you start using the product.

California Proposition 65



WARNING

The engine exhaust from this product contains chemicals known to the State of California to cause cancer, birth defects or other reproductive harm.

Product description

The product is a grinder with a 4-stroke gasoline combustion engine. The product is used for heavy surface removal and to prepare floors. The product works together with an external dust extractor.

The product has these functions:

- A grind width of 400 mm.
- A grinding head cover that adjusts to the movement of the surface layer.
- A grinding head with 1 disc.
- Can hold 9 diamond tools.
- A frame that can be folded for easier transport and storage.

Intended use

The product is used for light commercial operations at private properties and small commercial spaces.

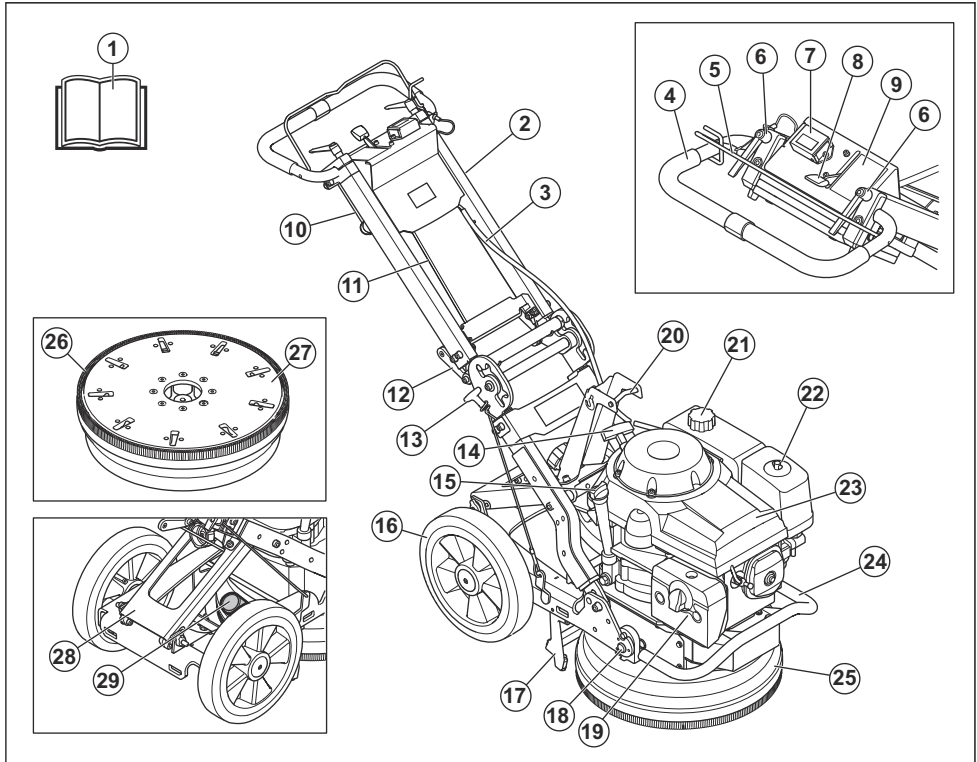
Use the product on horizontal surfaces only.

Use the product to grind concrete surfaces with different hardness such as terazzo and stone tiles.



WARNING: Do not use the product for other tasks.

Product overview



1. Operator's manual
2. Handle
3. Cable for the operator presence control.
4. Handlebar
5. Operator presence control
6. Lock knobs for handlebar adjustment
7. Hour meter
8. Throttle control
9. Throttle decal
10. Counterweights
11. Throttle wire
12. Angle joint handle
13. Startup support handle
14. Starter rope handle
15. Oil tank cap
16. Rubber wheel
17. Startup support
18. Lock bolt to attach the engine and the grinding head to the frame
19. Muffler
20. Lifting eye
21. Fuel tank cap
22. Air filter
23. Engine
24. Engine guard
25. Grinding head cover
26. Brush strip
27. Tool plate

- 28. Support frame
- 29. Connection for vacuum hose

Symbols on the product



WARNING: This product can be dangerous and cause serious injury or death to the operator or others. Be careful and use the product correctly.



Read the operator's manual carefully and make sure that you understand the instructions before you use this product.



Always use hearing protection, eye protection and respiratory protection.



WARNING! The dust can cause health problems. Use an approved respiratory protection. Do not breathe exhaust fumes. Do not use a combustion engine product indoors or in areas that do not have sufficient airflow.



Risk of injury. Keep body parts away from moving parts.



This product is in compliance with applicable EC directives.



Stop the engine and let it become cool before you fill fuel.



Gasoline is very flammable and explosive.



The fumes from the engine is a poisonous carbon monoxide gas.



Do not operate the engine indoors or in a closed area without sufficient airflow.



Push the throttle down to the stop position to stop the engine.



Choke, push the throttle up, to the choke position to start the engine.



Engine speed smooth adjustment, slow to fast.



Engine speed, slow position.



Engine speed, fast position.



Use for servicing position.

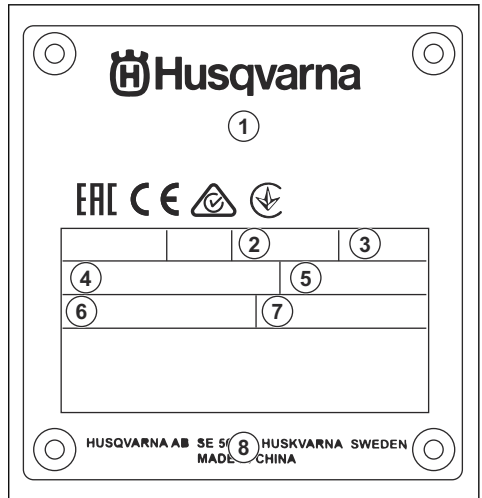


Do not use for operation position.

Note: Other symbols/decals on the product refer to special certification requirements for some markets.

Note: Alternative decals are supplied with the product.

Type plate



1. Model
2. Power output, kW
3. Maximum speed, rpm
4. Grind area, mm
5. Weight, kg
6. Production year and serial number
7. Production number
8. Manufacturer address

Product liability

As referred to in the product liability laws, we are not liable for damages that our product causes if:

- the product is incorrectly repaired.
- the product is repaired with parts that are not from the manufacturer or not approved by the manufacturer.

- the product has an accessory that is not from the manufacturer or not approved by the manufacturer.
- the product is not repaired at an approved service center or by an approved authority.

Safety

Safety definitions

Warnings, cautions and notes are used to point out specially important parts of the manual.



WARNING: Used if there is a risk of injury or death for the operator or bystanders if the instructions in the manual are not obeyed.



CAUTION: Used if there is a risk of damage to the product, other materials or the adjacent area if the instructions in the manual are not obeyed.

Note: Used to give more information that is necessary in a given situation.

General safety instructions



WARNING: Read the warning instructions that follow before you use the product.

- This product is a dangerous tool if you are not careful or if you use the product incorrectly. This product can cause serious injury or death to the operator or others. Before you use the product, you must read and understand the contents of this operator's manual.
- Save all warnings and instructions.
- Comply with all applicable laws and regulations.
- The operator and the employer of the operator must know and prevent the risks during operation of the product.
- Do not let a person operate the product unless they read and understand the contents of the operator's manual.
- Do not operate the product unless you receive training before use. Make sure that all operators receive training.
- Do not let a child operate the product.
- Only let approved persons operate the product.
- The operator is responsible for accidents that occur to other persons or their property.
- Do not use the product if you are tired, ill, or under the influence of alcohol, drugs or medicine.

- Always be careful and use your common sense.
- This product produces an electromagnetic field during operation. This field can under some circumstances interfere with active or passive medical implants. To decrease the risk of serious injury or death, we recommend persons with medical implants to speak to their physician and the medical implant manufacturer before operating this product.
- Keep the product clean. Make sure that you can clearly read signs and decals.
- Do not use the product if it is defective.
- Do not do modifications to this product.
- Do not operate the product if it is possible that other persons have done modifications to the product.

Safety instructions for operation



WARNING: Read the warning instructions that follow before you use the product.

- Use personal protective equipment. Refer to *Personal protective equipment on page 6*.
- Overexposure to vibration can cause circulatory damage or nerve damage to persons with decreased blood circulation. Get medical aid if you have symptoms of overexposure to vibration. These symptoms include numbness, loss of feeling, tingling, pricking, pain, loss of strength, changes in skin color or condition. These symptoms usually show in the fingers, hands or wrists.
- Before you go away from the product, stop the engine and make sure that there is no risk of accidental start.
- Only start the product with the brush strip attached. The brush strip must seal tightly to the surface, especially during dry surface operations.
- Make sure that the brush strip is clean and not damaged. Replace a damaged brush strip.
- When dry grinding, connect the product to a dust extractor for removal of the dust.
- Keep the dust extractor on until the engine stops fully.
- Make sure that the grinding head does not touch the surface when you start the product.
- Make sure that only approved persons are in the work area.

- Do not use the product in areas where fire or explosions can occur.
- Always disassemble the diamond tool after each operation.
- When you remove diamond tools, let the product become cool and use protective gloves. Diamond tools are very hot after use.
- Make sure that the product is assembled correctly.
- To lift the product, always use the lifting eye of the product.
- Only operate the product from behind with your 2 hands on the handle.
- Only operate the product on horizontal surfaces.
- Be very careful when you move the product up and down ramps. The product is heavy and there is a risk of injury if the product falls or moves too quickly. For ramps with a large angle, always use a winch. Do not walk or stay below the product.
- Always keep the 2 wheels on the ground during operation.
- Make sure that you know how to stop the engine quickly in an emergency.
- Make sure that clothing, long hair and jewelry do not get caught in moving parts
- Make sure that you are in a safe and stable position during operation.
- Sudden appearance of persons and animals can prevent safe operation of the product. Always operate the product carefully and be prepared to stop the product if it is necessary.
- Do not operate the product unless you can get aid if an accident occurs
- Always use approved accessories. Speak to your Husqvarna dealer for more information.

- The product makes dust and fumes that contain dangerous chemicals. Use an approved respiratory protection.
- Use boots with steel toe-caps and non-slip soles.
- Make sure that you have a first aid kit near.
- Sparks can occur when you operate the product. Make sure that you have a fire extinguisher near.

Exhaust fumes safety



WARNING: Read the warning instructions that follow before you use the product.

- The exhaust fumes from the engine contain carbon monoxide which is an odourless, poisonous and very dangerous gas. To breathe carbon monoxide can cause death. Because carbon monoxide is odourless and cannot be seen, it is not possible to sense it. A symptom of carbon monoxide poisoning is dizziness, but it is possible that a person becomes unconscious without warning if the quantity or concentration of carbon monoxide is sufficient.
- Exhaust fumes also contain unburned hydrocarbons including benzene. Long-term inhalation can cause health problems.
- Exhaust fumes that you can see or smell also contain carbon monoxide.
- Do not use a combustion engine product indoors or in areas that do not have sufficient airflow.
- Do not breathe the exhaust fumes.
- Make sure that the airflow in the work area is sufficient. This is very important when you operate the product in trenches or other small work areas where exhaust fumes can easily collect.

Personal protective equipment



WARNING: Read the warning instructions that follow before you use the product.

- Always use correct personal protective equipment when you operate the product. The personal protective equipment does not erase the risk of injury. The personal protective equipment decreases the grade of injury if an accident occurs. Let your dealer help you select the right equipment.
- Use approved eye protection while you operate the product.
- Do not use loose, heavy and not applicable clothing. Use clothes that let you move freely.
- Use approved protective gloves that enables a solid hold.
- Use an approved protective helmet.
- Always use approved hearing protection while you operate the product. Noise for a long period can cause noise-induced hearing loss.



WARNING: Read the warning instructions that follow before you use the product.

- High noise levels and long-term exposure to noise can cause noise-induced hearing loss.
- To keep the noise level to a minimum, do maintenance on and operate the product as given in the operator's manual.
- Use approved hearing protection while you operate the product.
- Listen for warning signals and voices when you use hearing protection. Remove the hearing protection when the product is stopped, unless hearing protection is necessary for the noise level in the work area.

Safety devices on the product



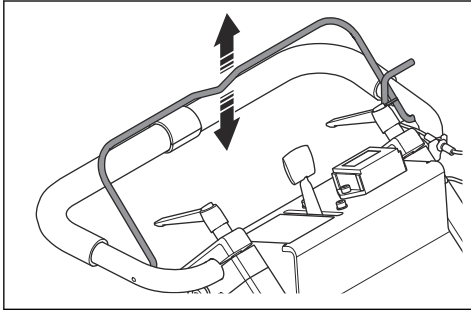
WARNING: Read the warning instructions that follow before you use the product.

- Do not use a product with defective safety devices.
- Do a check of the safety devices regularly. If the safety devices are defective, speak to your Husqvarna service agent.

To do a check of the operator presence control

The operator presence control stops the engine. When the operator presence control is released, the engine stops.

- Start the engine and then release the operator presence control. If the engine does not stop in 3 seconds, let an approved Husqvarna service agent correct the operator presence control.



Muffler

The muffler keeps the noise levels to a minimum and sends the exhaust fumes away from the operator.

Do not use the product if the muffler is missing or defective. A defective muffler increases the noise level and the risk of fire.



WARNING: The muffler becomes very hot during and after use and when the engine operates at idle speed. Be careful near flammable materials and/or fumes to prevent fire.

To do a check of the muffler

- Examine the muffler regularly to make sure that it is attached correctly and not damaged.

Fuel safety



WARNING: Read the warning instructions that follow before you use the product.

- Fuel is flammable and the fumes are explosive. Be careful with fuel to prevent injury, fire and explosion.
- Do not breathe in the fuel fumes. The fuel fumes are poisonous and can cause injury. Make sure that the airflow is sufficient.
- Do not remove the fuel tank cap or fill the fuel tank when the engine is on.

- Let the engine become cool before you refuel.
- Do not fill fuel in an indoor area. Not sufficient airflow can cause injury or death because of asphyxiation or carbon monoxide.
- Do not smoke near the fuel or the engine.
- Do not put hot objects near the fuel or the engine.
- Do not fill fuel near sparks or flames.
- Before you refuel, open the fuel tank cap slowly and release the pressure carefully.
- Fuel on your skin can cause injury. If you get fuel on your skin, use soap and water to remove the fuel.
- If you spill fuel on your clothing, change clothing immediately.
- Do not fill the fuel tank fully. Heat causes the fuel to expand. Keep a space at the top of the fuel tank.
- Tighten the fuel tank cap fully. If the fuel tank cap is not tightened, there is a risk of fire.
- Use the fuel tank cap with venting for operation and storage.
- Before you start the product, move the product to a minimum of 3 m/10 ft from where you refueled.
- Do not start the product if there is fuel or engine oil on the product. Remove the unwanted fuel and engine oil and let the product dry before you start the engine.
- Examine the engine for leaks regularly. If there are leaks in the fuel system, do not start the engine until the leaks are repaired.
- Do not use your fingers to examine the engine for leaks.
- Keep fuel in approved containers only.
- When the product and fuel is in storage, make sure that fuel and fuel fumes cannot cause damage.
- Drain the fuel in an approved container outdoors and away from sparks and flames.

Safety instructions for maintenance

- Always put the throttle control to stop position (A), before maintenance of the product, Refer to *Throttle control on page 11*.
- Keep all parts in good condition and make sure that all fixtures are correctly tightened.
- Do not use a product that is defective. Do the safety checks, maintenance and the servicing as given in this manual. All other maintenance work must be done by an approved service agent.
- Stop the product when you replace the diamond tools.
- Do the inspection and/or maintenance with the engine stopped.
- Always let the engine become cool before you do maintenance of the product.
- Make sure to do the do maintenance of the product on stable horizontal ground.
- Do the maintenance to make sure that the product operates correctly. Refer to *Maintenance on page 13*

Operation

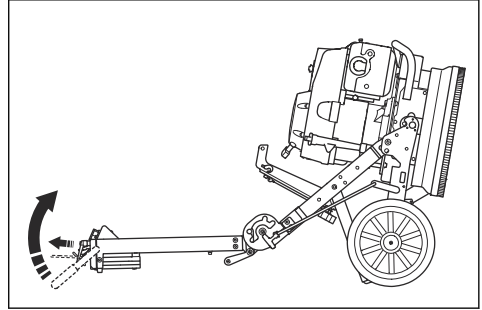
Introduction



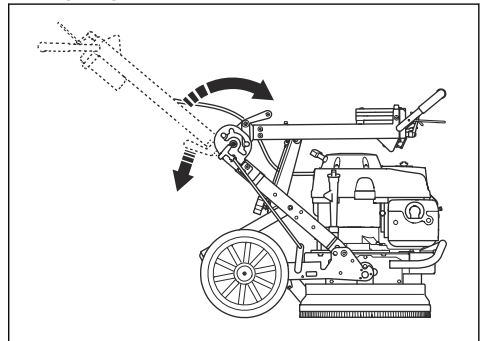
WARNING: Before you operate the product, you must read and understand the safety chapter.



WARNING: Be careful when you adjust the handlebar between the operation position, the servicing position and the transport position. The handle is heavy and must be held tightly. Look around you before you adjust the handle position, to prevent damage or injury.

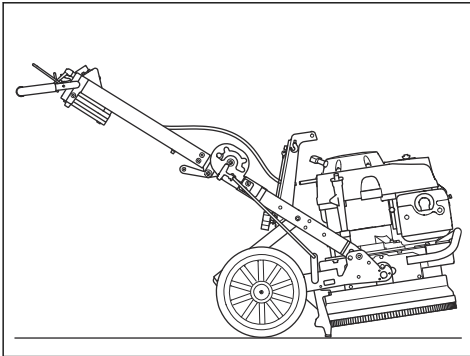


Transport position

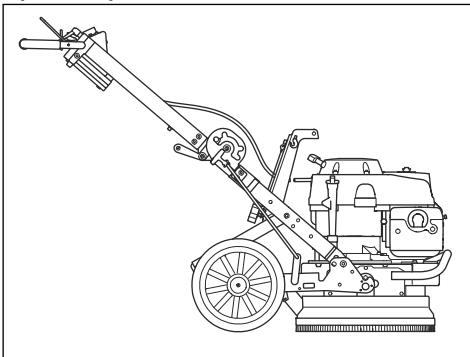


Product positions

Engine start position



Operation position



Servicing position

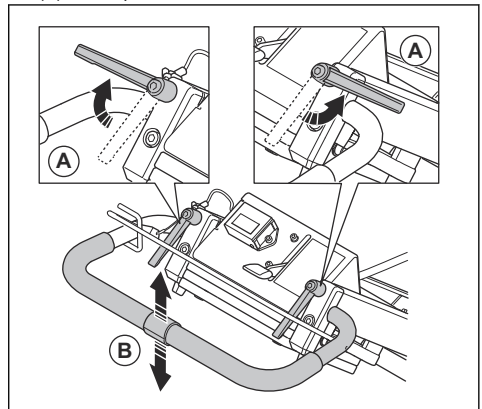


CAUTION: Only put the product in the servicing position on a horizontal surface.

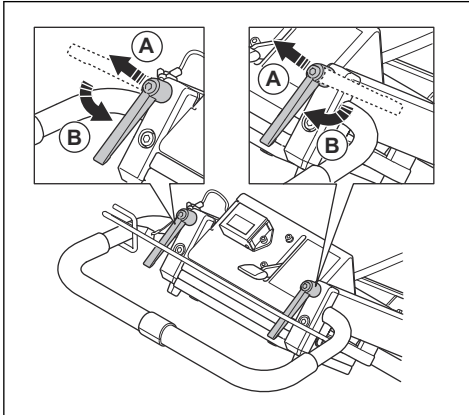
To adjust the handlebar

The handlebar lock knobs are operated clockwise, counterclockwise or put in idle position.

1. Loosen the lock knobs (A) and adjust the handlebar (B) to idle position.



- When the handlebar position is set, pull the handle lock knobs up (A) and put them into idle position (B).



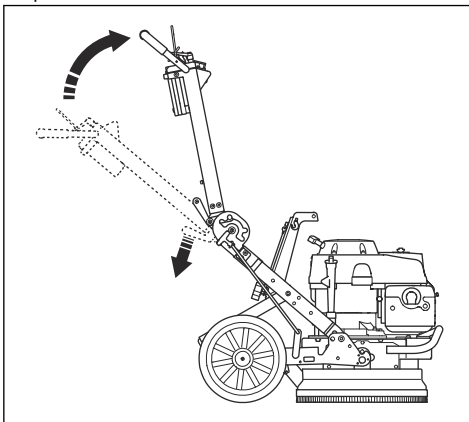
Handle heights

Hole position	Handle height, mm/in.
Top	835/33
Center	925/36
Lower	1000/39

To adjust the frame height

The angle of the frame can be changed to divide the weight of the chassis. This is to decrease or increase the grinding pressure against the surface.

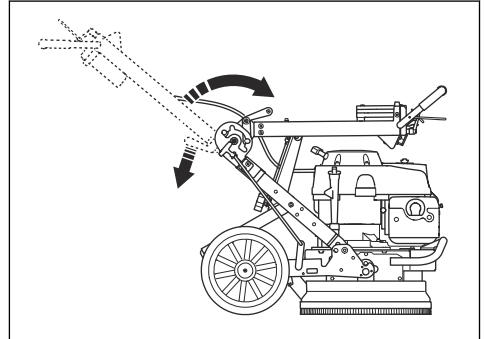
- Stop the engine. Refer to *To stop the product on page 13*.
- Put 1 foot on the support frame. Use your hands to push the angle joint handle on the central hinge. At the same time fold the handle forward to transport position.



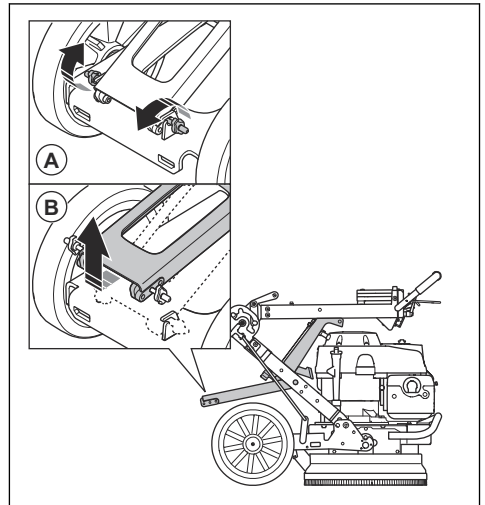
WARNING: Use 2 hands and 1 foot when you fold the handle.

Note: Put a protection between the engine and the electrical enclosure to prevent damage to the product.

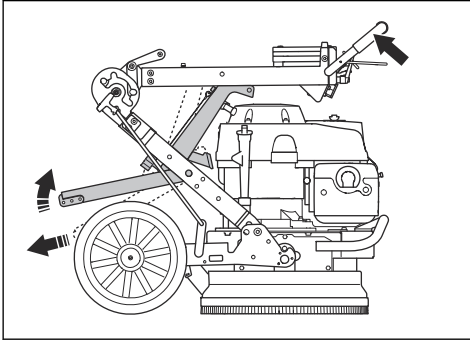
- Make sure that the handle is fully folded.



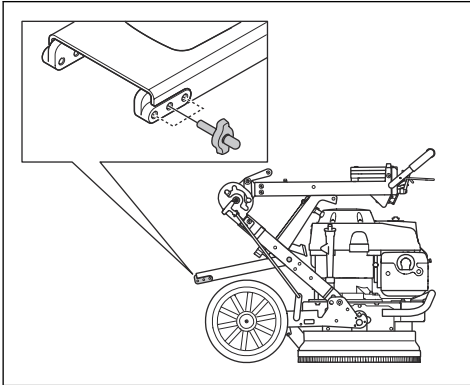
- Remove the lock knobs (A) to loosen the support frame (B).



5. Hold the handlebar to keep the handle stable and lift the support frame out and up.



6. Select the applicable position for the support frame and tighten the lock knob. The bottom hole increases the grinding pressure and the height of the handlebar. The top hole decreases the grinding pressure and the height of the handlebar.



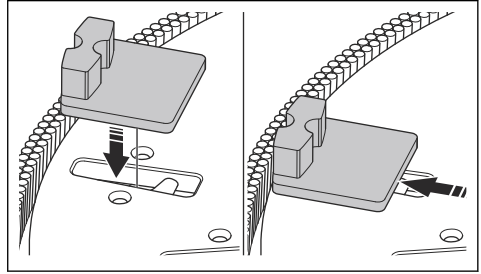
7. Put the product in operation position.

Diamond tools

There are many types of diamond tools for the product. Speak to your approved service center or go to www.husqvarnacp.com to select correct diamond tool.

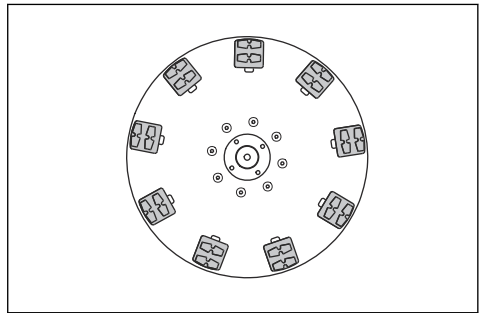
Installation of the diamond tools

The tool plate uses the RediLock™ Dovetail system.



The installation of the diamond tools on the tool plate has effect on the performance of the product. The diamond tool type together with the number of segments on the diamond tool is important. Always use symmetrical sets of diamond tools to make sure that the balance of the grinding head is correct.

Metal bond diamond tools with 1 diamond segment increases the diamond tool pressure.



For the heaviest removal, we recommend tools that only have 1 direction of rotation and PCD diamond tool tops.

Note: PCD diamond tools such as the brand Piranha™ are made to operate in only 1 direction.

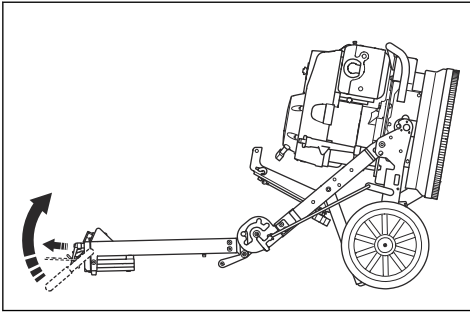
To replace the diamond tools



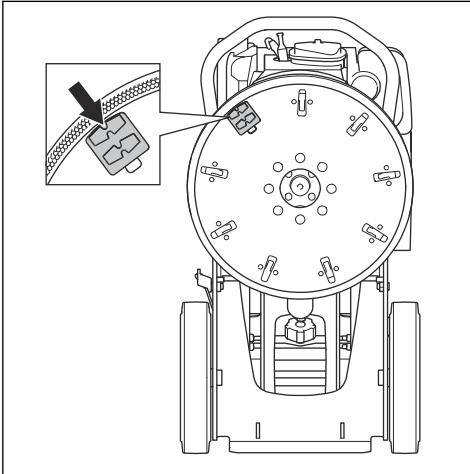
WARNING: Diamond tools can become very hot. Use protective gloves.

1. Make sure that the engine is off and that the operator presence control is not against the handlebar.

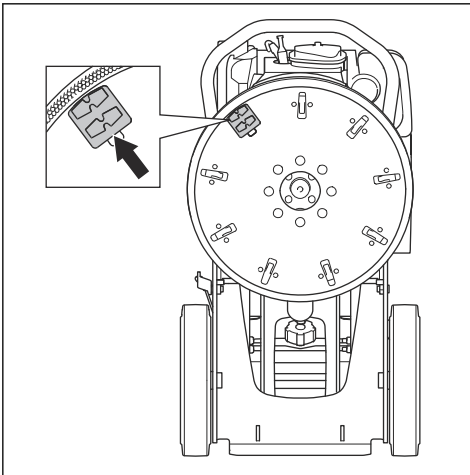
2. Put the product into servicing position.



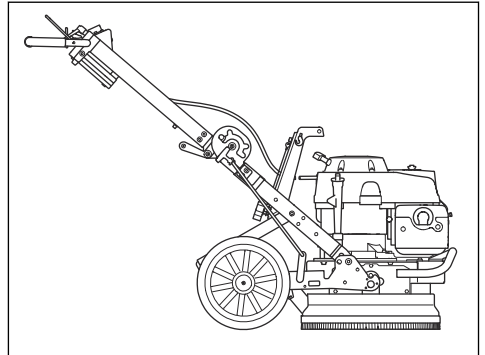
3. Use a hammer to remove the diamond tools.



4. Attach new diamond tools on the tool plate.



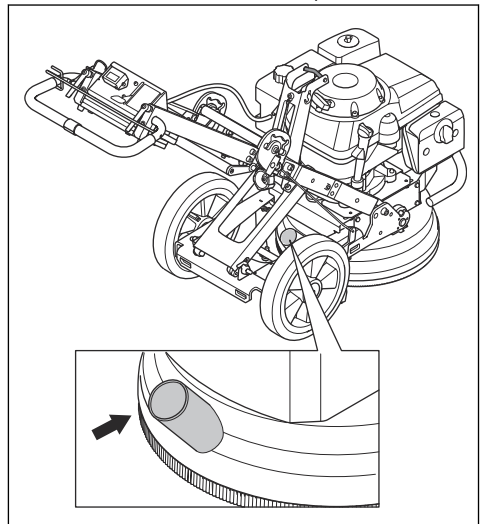
5. Put the product into operation position.



To connect a dust extractor

When dry grinding, use a Husqvarna dust extractor system. Refer to *Technical data on page 18*. Recommended dust extractors are Husqvarna T 4000 Petrol or S 36.

1. Connect the dust extractor to the product.

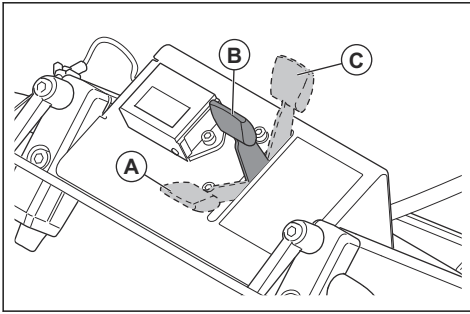


2. Make sure that the filters in the dust extractor are clean and not damaged. Monitor the dust during the operation.

Throttle control

The throttle control has 3 available positions:

- Stop position (A).
- Operation mode position (B).
- Start position/choke position (C).



WARNING: Always put the throttle control in stop position (A) when you stop the product to prevent accidental start.

- The fuel tank cap for servicing is a fully sealed tank cap. This fuel tank cap must only be used during service, to prevent leakage of fuel.

Note: The engine stops if the fuel tank cap for servicing is used for operation. With a fully sealed tank cap there is no suction of fuel from the engine.

Note: An alternative decal for the sealed tank cap is supplied with the product.

To do before you operate the product

1. Read the operator's manual carefully and make sure that you understand the instructions.
2. Use personal protective equipment. Refer to *Personal protective equipment on page 6*.
3. Do daily maintenance. Refer to *Maintenance schedule on page 13*.
4. Make sure that the product is assembled correctly and is not damaged.
5. Put the grinder on the work area. Make sure that the surface is horizontal.
6. Make sure that there are diamond tools on the grinding head and that they are tightly attached.
7. Connect the dust extractor to the product. Refer to *To connect a dust extractor on page 11*.
8. Adjust the handlebar to an applicable operation height. Refer to *To adjust the handlebar on page 8*.
9. Fill the fuel tank. Refer to *To fill fuel on page 12*.
10. Install the fuel tank cap that has venting.
11. Do a check of the oil level. Refer to *To do a check of the oil level on page 14*.

To control the operation direction

During operation, the product can pull to the sides. The direction of the pull is related to the direction of rotation of the grinding head and how the product is operated.

- Always keep the 2 wheels on the ground during operation of the product.
- Apply the side forces on the handle to steer the product.
- Always hold the handle tightly with 2 hands to stay stable and make sure that the product does not move laterally.

To fill fuel

If available, use low-emission/alkylate gasoline. If low-emission/alkylate gasoline is not available, use good quality unleaded gasoline or leaded gasoline with octane number not less than 90.



CAUTION: Do not use gasoline with an octane number less than 90 RON (87 AKI). This can cause damage to the product.

1. Open the fuel tank cap slowly to release the pressure.
2. Fill slowly with a fuel can. If you spill fuel, remove it with a cloth and let remaining fuel dry off.
3. Clean the area around the fuel tank cap.
4. Tighten the fuel tank cap fully. If the fuel tank cap is not tightened, there is a risk of fire.
5. Move the product a minimum of 3 m (10 ft) from the position where you filled the tank before a start.

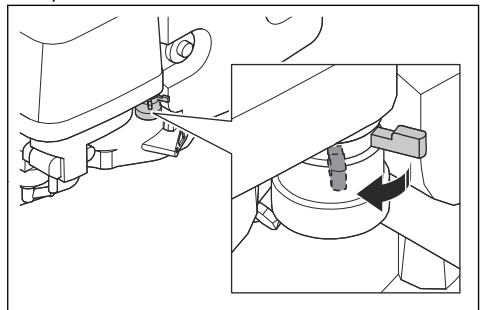
2 different fuel tank caps

The product is supplied with 2 different fuel tank caps.

- The fuel tank cap for operation is attached to the fuel tank. This fuel tank cap has venting and lets the engine operate.

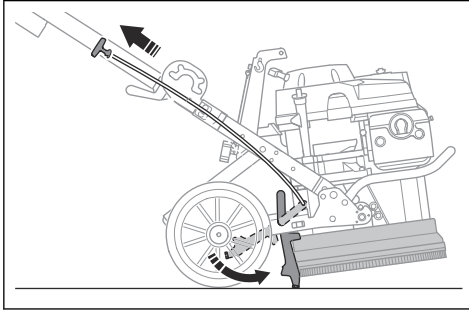
To start the product

1. Open the fuel valve.

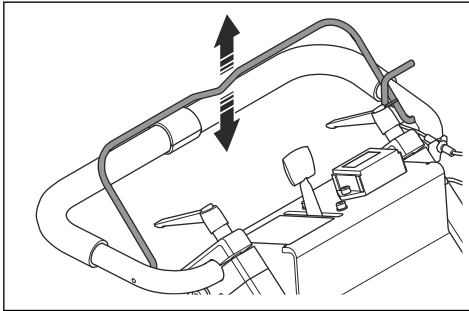


2. Set the throttle control in the correct position. Refer to *Throttle control on page 11*.
 - a) If you start with a cold engine, move the throttle control to the start position.
 - b) If you start with a warm engine, move the throttle control to the operation mode position.

3. Tilt the grinding head and pull the startup support handle, to lift the diamond tools from the surface.

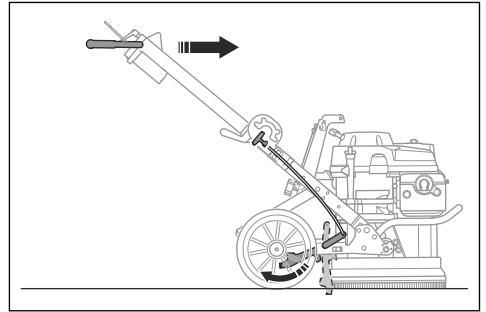


4. Hold the operator presence control against the handlebar with your left hand.



5. Pull the starter rope handle with your right hand.

6. When the engine operates smoothly, move the throttle control to operation mode position.
7. Move the product forward to release the startup support and lower the diamond tools.



To stop the product



CAUTION: Do not lift the tool plate from the surface until the engine is fully stopped. Dust can go into the air and the surface can become damaged.

1. Release the operator presence control.
2. Keep the tool plate against the surface until it stops fully.
3. Set the throttle control to stop position.
4. Close the fuel valve.

Maintenance

Introduction



WARNING: Before you do maintenance, you must read and understand the safety chapter.

For all servicing and repair work on the product, special training is necessary. We guarantee the availability of

professional repairs and servicing. If your dealer is not a service agent, speak to them for information about the nearest service agent.

Maintenance schedule

The maintenance intervals are calculated from daily use of the product. The intervals change if the product is not used daily.

Maintenance	Each use	First month or after 20 h	Each 3 months or 50 h	Each 6 months or 100 h	Each year or 300 h
Clean the product.	X				
Do a check of the brush strip.	X				
Do a check of the oil level.	X				
Replace the oil.		X		X	
Examine the air filter.	X				

Maintenance	Each use	First month or after 20 h	Each 3 months or 50 h	Each 6 months or 100 h	Each year or 300 h
Clean the air filter.			X ¹		
Replace the air filter.					X
Examine the spark plug.				X	
Replace the spark plug.					X

To clean the product

- Always clean all the equipment after use.
- Do not use a high-pressure washer to clean the product.
- Keep the air openings clean and clear to make sure that the product always has sufficiently cool temperature.

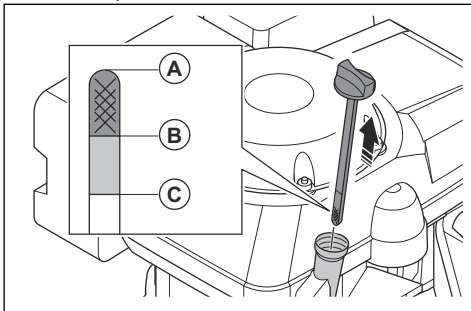
Note: Do not use compressed air to clean below the grinding head.

To do a check of the oil level



CAUTION: To operate the product with a low oil level can cause damage to the engine.

1. Stop the engine. Refer to *To stop the product on page 13*.
2. Put the product on level ground.
3. Remove the oil tank cap.
4. Clean the oil from the dipstick that is attached to the oil tank cap.
5. Put the dipstick in the oil tank. Do not tighten it.
6. Pull the dipstick out and read the oil level.



- a) If the oil level is low (A), fill with engine oil and do a check of the oil level again. For correct oil type, refer to *Technical data on page 18*.

- b) If the oil level is high (C), do not fill with more engine oil. The oil level must be between (A) and (B).

7. Tighten the oil tank cap correctly before you start the engine.

Note: The product has a system that tells you when the oil level is to low. If the buzzer sounds, stop the product and add oil.

To replace engine oil

If the engine is cold, start the engine for 1–2 minutes before you drain the engine oil. This makes the engine oil warm and easier to drain.



WARNING: Engine oil is very hot directly after the engine stops. Let the engine become cool before you drain the engine oil. If you spill engine oil on your skin, clean with soap and water.

1. Put the product on level ground.
2. Put a container below the oil drain plug.
3. Remove the oil tank cap, the oil drain plug and the washer.

Note: Discard the washer.

4. Tilt the product and let the oil run out into the container.
5. Put the engine in level position and fill the oil tank with recommended oil. Refer to *To do a check of the oil level on page 14* and *Technical data on page 18*.
6. Install a new washer, the oil drain plug and tighten the oil tank cap.

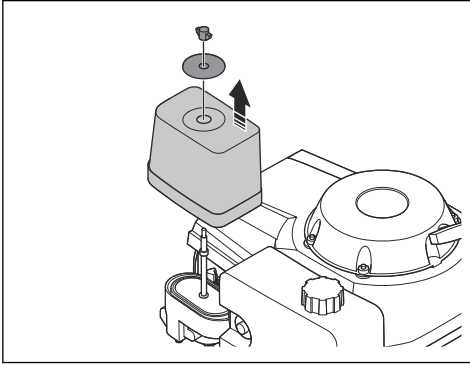
To examine the air filter



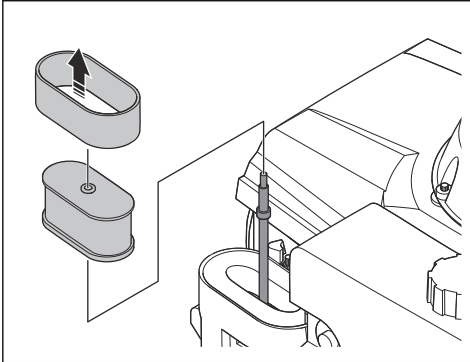
CAUTION: Do not use a product without an air filter or with a damaged air filter.

¹ Clean more frequently if the product is used in dirty areas.

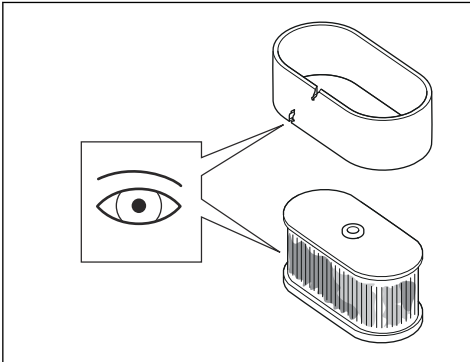
1. Remove the wing nut from the air filter cover, and remove the air filter cover.



2. Remove the air filter.
3. Remove the foam filter from the paper filter.



4. Examine the foam filter and the paper filter.



5. Replace damaged filters.
6. Replace the air filter as scheduled. Refer to *Maintenance schedule on page 13*.
7. Clean the foam filter and the paper filter if they are dirty. Refer to *To clean the air filter on page 15*.
8. Replace the air filter in the opposite sequence.

To clean the air filter



WARNING: Use approved respiratory protection when you clean or replace the air filter. Discard used air filters correctly. The dust in the air filter is dangerous to your health.



WARNING: Do not clean the air filter with compressed air. This causes damage to the air filter and the risk increases that you breathe the dangerous dust.

1. Remove the air filter, refer to *To examine the air filter on page 14*.
2. Clean the air filter housing with a brush.
3. Tap the air filter against a hard surface or use a vacuum cleaner to remove the particles.



CAUTION: Do not let the nozzle of the vacuum cleaner touch the surface of the paper filter element. Keep a small distance. The sensitive surface of the paper filter element becomes damaged if objects touch it.

4. Examine the air filter for damage.
5. Discard the air filter if it is damaged.



CAUTION: Always replace a damaged air filter, or the dust will go into the engine and cause engine damage.

6. Clean the foam filter with soap and water.
7. Flush the foam filter in clean water.
8. Squeeze the water from the foam filter and let it dry.
9. Lubricate the foam filter with engine oil.
10. Press a clean cloth against the filter to remove unwanted oil.

Note: Smoke will come out from the engine if there is too much oil in the foam filter when the engine starts.

11. Put the air filter cover back. Refer to *To examine the air filter on page 14*.

To do a check of the brush strip

- Make sure that the brush strip is not damaged and that it seals tightly against the floor.

To examine the spark plug



WARNING: Let the spark plug become cool before you replace it.

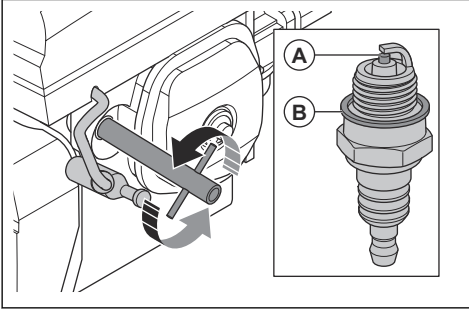


CAUTION: Always use a correct spark plug. Refer to *Technical data on page 18*.



CAUTION: Make sure that the spark plug has the correct distance and that it is clean from deposits.

1. Disconnect the spark plug cap, and remove dirt from the spark plug area.
2. Remove the spark plug with a 13/16 in./21mm spark plug wrench.



3. Examine the spark plug. Replace it if it is damaged, if the electrode (A) is worn or if the sealing washer (B) is in bad condition.
4. Measure the spark plug electrode gap with a feeler gauge for wires. Make sure that the distance is correct. Refer to *Technical data on page 18*.
5. If it is necessary, bend the side of side electrode carefully to correct the distance.
6. Install the spark plug carefully, by hand.
7. Tighten the spark plug with a 13/16 in./21mm spark plug wrench to compress the washer.
 - a) If you install a new spark plug, tighten $\frac{1}{2}$ turn after the spark plug seats to the compressed washer.
 - b) If you install the same spark plug, tighten $\frac{1}{8}$ - $\frac{1}{4}$ turn after the spark plug is against the compressed washer.



CAUTION: A loose spark plug can become too hot and cause damage to the engine. If the spark plug is too tight, it can cause damage to the top of the cylinder.

8. Attach the spark plug cap to the spark plug.

Troubleshooting

Troubleshooting schedule

Problem	Cause	Possible solutions
The product does not start.	The operator presence control is not engaged.	Hold the operator presence control against the handlebar when you pull the starter rope handle.
	There is no fuel in the fuel tank.	Fill the fuel tank with fuel. Refer to <i>To fill fuel on page 12</i> .
	There is no oil in the oil tank.	Fill the oil tank with oil. Refer to <i>To do a check of the oil level on page 14</i> .
The product is not easy to hold on to.	Too small number of diamond tools on grinding head.	Use the correct number of diamond tools. Refer to <i>Diamond tools on page 10</i> .
	The incorrect type of diamond tools for the surface.	
The product has sudden movements.	The diamond tools are not correctly installed.	Make sure that all diamond tools are installed correctly.
	The diamond tools have different heights.	Make sure that all diamond tools have the same height.

Problem	Cause	Possible solutions
The product stops after a while.	The height and weight adjustment is not correct.	Make sure that the height and weight adjustment are correct. Refer to <i>To adjust the frame height on page 9</i> and <i>To adjust the handlebar on page 8</i> .
	To high load.	Attach more diamond tools or change to a harder bond.
	Incorrect fuel tank cap. Refer to 2 different fuel tank caps on page 12.	Make sure to the fuel tank cap is fully tightened when you operate the product.
The product stops again when you start it.		Speak to an approved service center.

Transportation and storage

Transportation of the product

- Close the fuel valve. Refer to *To start the product on page 12*.
- Safely attach the product during transport to prevent damages and accidents.
- Put some type of protection on the product during transportation. The protection keeps natural elements such as rain and snow away from the product.
- Always use the lifting eye that is attached to the product when you lift and move the product.
- Always use approved containers for storage and transportation of fuel.
- Empty the fuel tank before you put the product in storage for a long period of time. Discard the fuel at an applicable disposal location.
- Keep the product in a locked area to prevent access for children or persons that are not approved.
- Keep the product in a dry and frost free area.

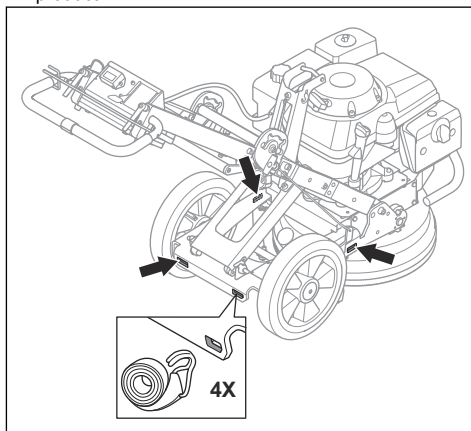
To set the product in transport position

- To set the product in transport position, refer to *To adjust the frame height on page 9*.

To attach the product to a transportation vehicle

Attach the product during transportation to prevent accidents and damage to the equipment.

1. Attach tie-down straps in the related holes on the product.

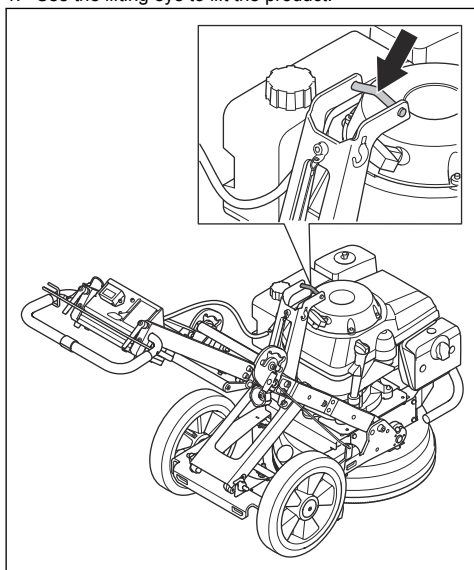


2. Attach and tighten the tie-down straps to the transportation vehicle.

To lift the product

1. Use the lifting eye to lift the product.

2. Lift the product safely. Let a bystander help you when you lift the product.



Technical data

Technical data

Engine	
Engine model	HondaGXV 390
Engine type	4-stroke, overhead valve, 1 cylinder
Net engine output kW/hp @rpm ²	7.6/10.2@3600
Rotation speed - grinding disc, rpm @ idle-max	440-1125
Grinding width, mm/in.	400/15.75
Grinding pressure	
Handle in low position, kg/lbs	62/137
Handle in middle position, kg/lbs	64/141
Handle in high position, kg/lbs	69/152
Ignition system	

² As specified by the engine manufacturer. The power rating of the engine indicated is the average net output (at specified rpm) of a typical production engine for the engine model measured to SAE standard J1349/ISO1585. Mass production engines may differ from this value. Actual power output for the engine installed on the final product will depend on the operating speed, environmental conditions and other values.

Spark plug	BPR5ES (NGK) or W16EPR-U (DENSO)
Electrode gap, mm/in.	0.7-0.8/0.028-0.031
Fuel and lubrication system	
Fuel tank capacity, l	2.1
Fuel type	Unleaded regular (maximum 10% ethanol)
Weight	
Without fuel, kg/lbs	140/308
Recommended oil	4-stroke motor oil, classification SJ, SL or equivalent. ³
Recommended dust extractor	
Min. Air flow, m ³ /h/CFM	400/236
Min. Vacuum, kPa/psi	322/3.2
Min. Water lift, m/in.	2.3/90
Dust extractor attachment, mm/in.	50/2
Noise emissions⁴	
Sound power level L _{WA} WA (measured) dB(A)	102
Sound levels⁵	
Sound pressure level L _{pA} dB(A)	88
Vibration levels⁶	
Handle right, m/s ²	4.6
Handle left, m/s ²	3.8

Noise and vibration declaration statement

These declared values were obtained by laboratory type testing in accordance with the stated directive or standards and are suitable for comparison with the declared values of other products tested in accordance with the same directive or standards. These declared

values are not suitable for use in risk assessments and values measured in individual work places may be higher. The actual exposure values and risk of harm experienced by an individual user are unique and depend upon the way the user works, in what material the product is used, as well as upon the exposure time and the physical condition of the user, and the condition of the product.

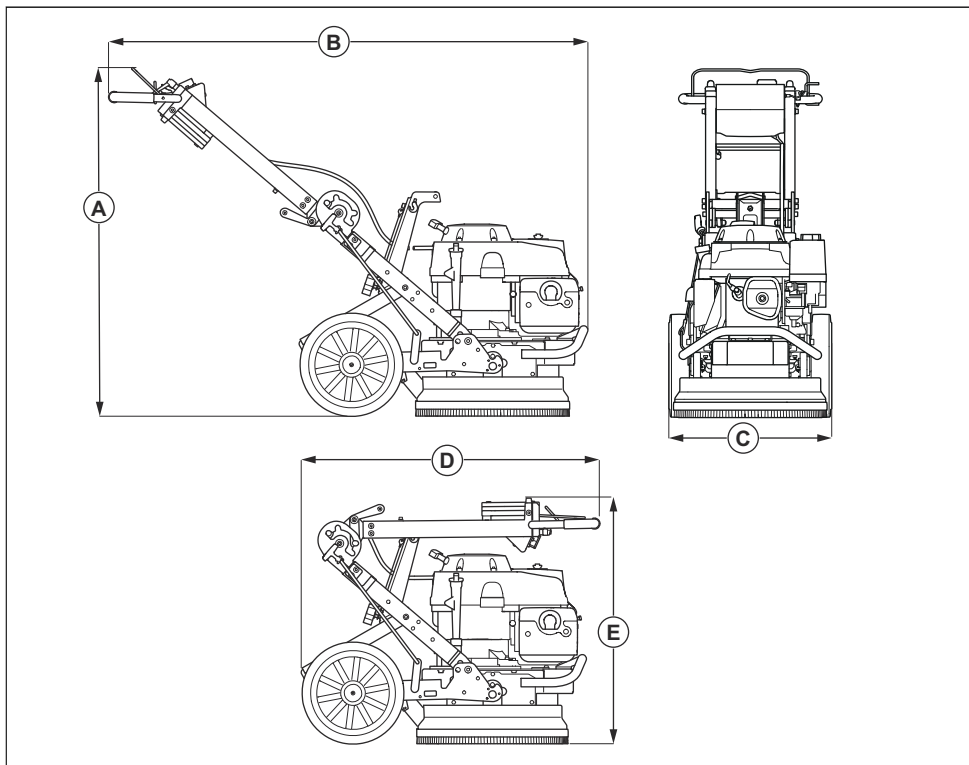
³ Always do a check of the API service label on the oil container to be sure it includes the letters SJ, SL, or equivalent.

⁴ Noise emission in the environment measured as sound power according to EN 60335-2-72. Expected measurement uncertainty 3 dB(A).

⁵ Sound pressure level according to EN 60335-2-72. Expected measurement uncertainty 3 dB(A).

⁶ Vibration level according to EN 60335-2-72. Reported data for vibration level has a typical statistical dispersion (standard deviation) of 1 m/s².

Product dimensions



Dimensions mm/in.

A	1011/39.8
B	1397/55
C	480/18.9
D	900/35.4
E	710/28.0

Contenido

Introducción.....	21	Solución de problemas.....	37
Seguridad.....	24	Transporte y almacenamiento.....	38
Funcionamiento.....	27	Datos técnicos.....	39
Mantenimiento.....	34	0

Introducción

Responsabilidad del propietario



ADVERTENCIA: El procesamiento de hormigón y piedra mediante métodos como corte, amolado o perforación, especialmente en operaciones en seco, genera polvo que proviene del material procesado y a menudo contiene sílice. La sílice es un componente básico de la arena, el cuarzo, la arcilla de los ladrillos, el granito y otros numerosos minerales y rocas. La exposición a una cantidad excesiva de ese polvo puede causar:

Producto de la exposición a la sílice se pueden ocasionar enfermedades respiratorias (que afectan la capacidad de respirar) como la bronquitis crónica, la silicosis y la fibrosis pulmonar. Estas enfermedades pueden ser mortales.

Irritación cutánea y sarpullido.

Cáncer, según el NTP* y la IARC* */National Toxicology Program (Programa Nacional de Toxicología) y Centro Internacional de Investigaciones sobre el Cáncer.

Tome medidas preventivas:

Evite inhalar y que su piel entre en contacto con el polvo, el vaho y los gases.

Utilice artículos apropiados para la protección respiratoria como máscaras contra polvo diseñadas para filtrar partículas microscópicas, y asegúrese de que todas las personas que se encuentren cerca también lo hagan. (Consulte la normativa OSHA 29 CFR Parte 1926.1153)

Para reducir al mínimo las emisiones de polvo, utilice agua para aglomerar el polvo cuando sea posible. Si es necesario realizar una operación en seco, utilice un extractor de polvo adecuado.

Es responsabilidad del propietario o empleador que el usuario tenga los conocimientos necesarios sobre cómo utilizar el producto de forma segura. Los supervisores y usuarios deben haber leído y comprendido el manual de usuario. Deben tener conocimiento de lo siguiente:

- Las instrucciones de seguridad del producto.
- La gama de aplicaciones y limitaciones del producto.
- Cómo el producto se va a utilizar y mantener.

El uso de este producto podría estar restringido por normas nacionales o locales. Infórmese sobre qué normas se aplican en el lugar donde trabaja antes de comenzar a utilizar el producto.

Propuesta 65 de California



¡ADVERTENCIA!

Los gases de escape del motor de este producto contienen sustancias químicas conocidas en el Estado de California como causantes de cáncer, defectos congénitos y otros daños reproductivos.

Descripción del producto

El producto es una amoladora con un motor de combustión de gasolina de 4 tiempos. El producto se

utiliza para la remoción de superficies pesadas y para preparar los pisos. El producto funciona en conjunto con un extractor de polvo externo.

El producto tiene estas funciones:

- Un área de amolado de 400 mm.
- Una cubierta de la base de la amoladora que ajusta el movimiento de la capa de la superficie.
- Una base de la amoladora con 1 disco.
- Puede contener 9 herramientas de diamante.
- Una estructura que se puede plegar para facilitar el transporte y el almacenamiento.

Utilice el producto solo en superficies horizontales.

Utilice el producto para amolar superficies de hormigón con diferentes tipos de dureza, como terrazo y baldosas de piedra.

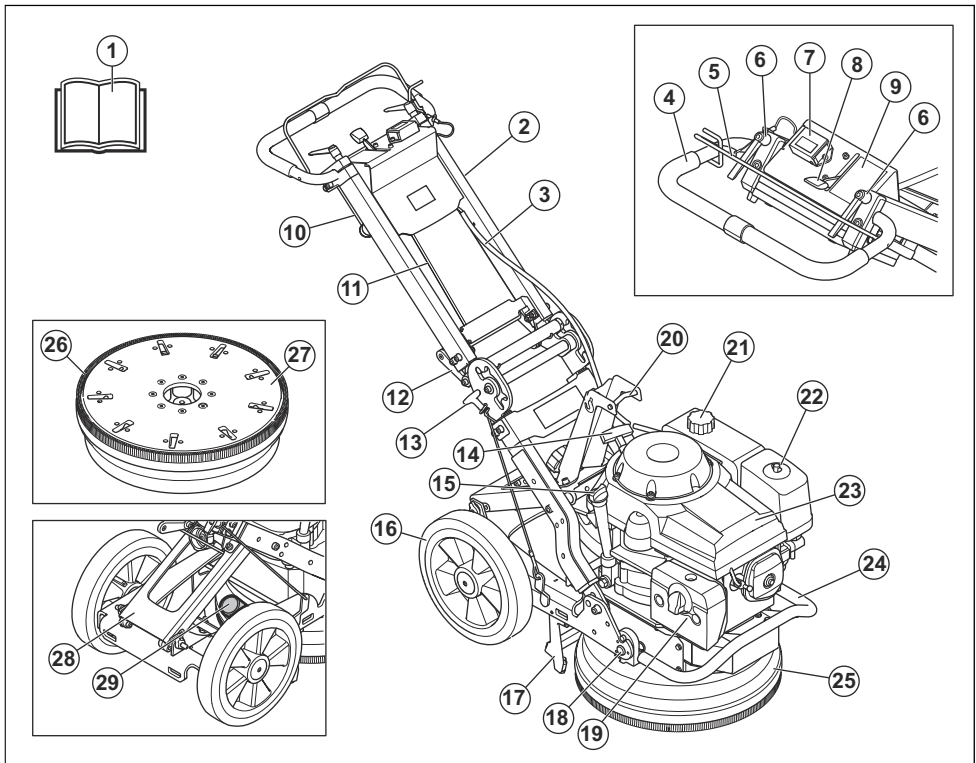


ADVERTENCIA: No utilice el producto para otras tareas.

Uso previsto

El producto se utiliza para operaciones comerciales ligeras en propiedades privadas y espacios comerciales pequeños.

Descripción general de la máquina



1. Manual del usuario
2. Manilla
3. Cable para el control de presencia del operador.
4. Manillar
5. Control de presencia del operador
6. Perillas de bloqueo para el ajuste del manillar
7. Medidor de horas
8. Control del acelerador

9. Etiqueta del acelerador
10. Contrapesos
11. Cable del acelerador
12. Palanca de junta del ángulo
13. Manija de soporte de arranque
14. Empuñadura de la cuerda de arranque
15. Tapón del depósito de aceite
16. Rueda de goma

17. Soporte de encendido
18. Perno de bloqueo para conectar el motor y la base de la amoladora al bastidor
19. Silenciador
20. Cáncamo
21. Tapa del depósito de combustible
22. Filtro de aire
23. Motor
24. Protector del motor
25. Cubierta de la base de la amoladora
26. Banda de cepillado
27. Disco de amolar
28. Bastidor de soporte
29. Conexión para manguera de vacío

Símbolos en la máquina



ADVERTENCIA: Este producto puede ser peligroso y provocar daños graves o fatales al operador o a otras personas. Tenga cuidado y utilice el producto correctamente.



Lea atentamente el manual de instrucciones y asegúrese de que entiende las instrucciones antes de usar este producto.



Siempre utilice protectores auriculares, protección ocular y protección respiratoria.



ADVERTENCIA: El polvo puede provocar problemas de salud. Utilice una protección respiratoria aprobada. No inhale los gases de escape. No utilice el motor de combustión en interiores ni en zonas que no tengan suficiente flujo de aire.



Riesgo de lesiones. Mantenga las partes del cuerpo alejadas de las piezas móviles.



Este producto cumple con las directivas CE aplicables.



Detenga el motor y deje que se enfríe antes de realizar el llenado de combustible.



La gasolina es muy inflamable y explosiva.



Los vapores del motor son un gas de monóxido de carbono venenoso.



No arranque el motor en interiores o en una zona cerrada sin suficiente flujo de aire.



Presione el acelerador hasta la posición de detención para detener el motor.



Utilice el estrangulador, presione el acelerador hacia arriba a la posición de estrangulamiento para arrancar el motor.



Ajuste suave de la velocidad del motor, de lento a rápido.



Velocidad del motor, posición lenta.



Velocidad del motor, posición rápida.



Utilice para la posición de servicio.

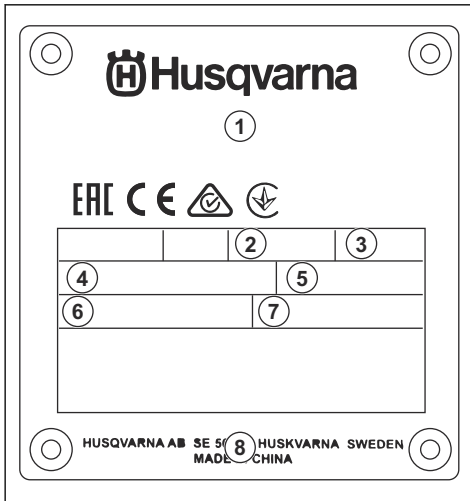


No la utilice para la posición de funcionamiento.

Tenga en cuenta: Otros símbolos o etiquetas en el producto hacen referencia a requisitos de certificación especiales para algunos mercados.

Tenga en cuenta: Se suministran etiquetas alternativas con el producto.

Placa de identificación



1. Modelo
2. Salida de potencia, kW
3. Régimen máximo, rpm
4. Área de amolado, mm
5. Peso, kg
6. Año de producción y número de serie
7. Número de producción
8. Dirección del fabricante

Responsabilidad del fabricante

Como se menciona en las leyes de responsabilidad del fabricante, no nos hacemos responsables de los daños que cause nuestro producto si:

- el producto se repara incorrectamente
- el producto se repara con piezas que no son del fabricante o que este no autoriza
- el producto tiene un accesorio que no es del fabricante o que este no autoriza
- el producto no se repara en un centro de servicio autorizado o por una autoridad aprobada.

Seguridad

Definiciones de seguridad

Las advertencias, precauciones y notas se utilizan para señalar las piezas particularmente importantes del manual.



ADVERTENCIA: Se utilizan para señalar el riesgo de lesiones graves o mortales para el operador o para aquellos que se encuentren cerca si no se siguen las instrucciones del manual.



AVISO: Se utilizan para señalar el riesgo de dañar la máquina, otros materiales o el área adyacente si no se siguen las instrucciones del manual.

Tenga en cuenta: Se utilizan para entregar más información necesaria en situaciones particulares.

Instrucciones generales de seguridad



ADVERTENCIA: Lea atentamente las instrucciones de advertencia siguientes antes de usar el producto.

- Este producto puede ser una herramienta peligrosa si no se maneja con cuidado o si utiliza el producto de forma incorrecta. Este producto puede causar daños graves o fatales al operador o a otras personas. Antes de utilizar el producto, es muy

importante que lea y comprenda el contenido de este manual de usuario.

- Guarde todas las advertencias y las instrucciones.
- Cumpla todas las leyes y reglamentos vigentes.
- El operador y el empleador del operador deben conocer y evitar los riesgos durante la operación del producto.
- No permita que nadie que no haya leído y comprendido el contenido del manual de usuario utilice el producto.
- No utilice el producto si no ha recibido capacitación antes de su uso. Asegúrese de que todos los usuarios reciban capacitación.
- No deje que un niño utilice el producto.
- Restrinja el uso del producto solo a personas autorizadas.
- El operador es responsable de los accidentes que puedan ocurrirles a otras personas o a sus propiedades.
- No utilice el producto si está cansado, enfermo o bajo la influencia de alcohol, drogas o medicamentos.
- Sea siempre cuidadoso y use el sentido común.
- En este producto se genera un campo electromagnético durante su funcionamiento. Este campo puede, en determinadas circunstancias, interferir en implantes médicos activos o pasivos. Para reducir el riesgo de daños graves o mortales, se recomienda que las personas con implantes médicos consulten a su médico y al fabricante del implante médico antes de utilizar este producto.

- Mantenga la máquina limpia. Asegúrese de que puede leer señales y etiquetas claramente.
- No utilice el producto si se encuentra defectuoso.
- No modifique este producto.
- No utilice el producto si es posible que otras personas hayan realizado modificaciones en el mismo.

Instrucciones de seguridad para el funcionamiento



ADVERTENCIA: Lea atentamente las instrucciones de advertencia siguientes antes de usar el producto.

- Utilice equipo de protección personal. Consulte *Equipo de protección personal en la página 25*.
- La sobreexposición a las vibraciones puede producir trastornos vasculares o daños al sistema nervioso en las personas que padecen problemas de circulación. Obtenga asistencia médica si experimenta síntomas de sobreexposición a las vibraciones. Estos síntomas incluyen entumecimiento, pérdida de sensibilidad, hormigueo, ardor, dolor, pérdida de fuerza, y cambios en el color o el estado de la piel. Normalmente, estos síntomas se presentan en los dedos, las manos o las muñecas.
- Antes de alejarse del producto, detenga el motor y asegúrese de que no exista riesgo de que se ponga en marcha de forma accidental.
- Ponga en marcha el producto solo si la banda de cepillado está colocada en su lugar. La banda de cepillado debe sellarse herméticamente a la superficie, en especial durante operaciones en superficies secas.
- Asegúrese de que la banda de cepillado se encuentre limpia y que no esté dañada. Reemplace la banda de cepillado si está dañada.
- Al amolar en seco, conecte el producto a un extractor para la eliminación del polvo.
- Mantenga el extractor de polvo encendido hasta que el motor se detenga por completo.
- Asegúrese de que la base de la amoladora no toque la superficie cuando arranque el producto.
- Asegúrese de que solo personas autorizadas estén en la zona de trabajo.
- No utilice el producto en áreas donde se pueden producir explosiones o fuego.
- Desmonte siempre la herramienta de diamantes después de cada operación.
- Cuando quite las herramientas de diamante, deje que el producto se enfríe y utilice guantes protectores. Las herramientas de diamante estarán muy calientes después de su uso.
- Asegúrese de que el producto esté montado correctamente.

- Para levantar el producto, utilice siempre el cáncamo del producto.
- Utilice el producto solamente desde la parte posterior y con sus dos manos en el mango.
- Solo utilice el producto en superficies horizontales.
- Tenga mucho cuidado al subir o bajar el producto por rampas. El producto es pesado y existe riesgo de lesiones si se cae o se mueve demasiado rápido. Para rampas con un ángulo grande, utilice siempre un cabrestante. No camine ni permanezca por debajo del producto.
- Mantenga siempre las 2 ruedas sobre el suelo durante el funcionamiento.
- Asegúrese de saber cómo detener el motor rápidamente en caso de emergencia.
- Asegúrese de que ninguna prenda, cabello largo o joya puedan quedar atrapados en las piezas móviles.
- Asegúrese de encontrarse en una posición segura y estable durante la operación.
- La aparición repentina de personas y animales puede impedir la operación segura del producto. Esté siempre atento mientras utiliza el producto y esté preparado para detenerlo si es necesario.
- No utilice el producto si no puede recibir ayuda en caso de que ocurra un accidente.
- Siempre utilice accesorios homologados. Comuníquese con su concesionario Husqvarna para obtener más información.

Equipo de protección personal



ADVERTENCIA: Lea atentamente las instrucciones de advertencia siguientes antes de usar el producto.

- Utilice siempre el equipo de protección personal adecuado cuando utilice el producto. El equipo de protección personal no elimina el riesgo de lesiones. El equipo de protección personal disminuye el grado de la lesión en caso de un accidente. Permita que su distribuidor le ayude seleccionar el equipo adecuado.
- Use una protección ocular aprobada cuando emplee el producto.
- No utilice prendas flojas, pesadas y no apropiadas. Utilice ropa que le permita moverse libremente.
- Utilice guantes protectores aprobados que permitan un agarre firme.
- Utilice un casco protector aprobado.
- Utilice siempre protectores auriculares aprobados cuando emplee el producto. Escuchar ruidos durante un largo período puede provocar pérdida de audición inducida por el ruido.
- El producto genera polvo y gases que contienen químicos peligrosos. Utilice una protección respiratoria aprobada.
- Utilice botas con punta de acero y suela antideslizante.
- Asegúrese de tener un botiquín de primeros auxilios.

- Se pueden generar chispas cuando utilice el producto. Asegúrese de tener cerca un extintor de incendios.

Seguridad de los gases de escape



ADVERTENCIA: Lea atentamente las instrucciones de advertencia siguientes antes de usar el producto.

- Los gases de escape del motor contienen monóxido de carbono, un gas inodoro, tóxico y muy peligroso. Respirar monóxido de carbono puede provocar la muerte. Dado que el monóxido de carbono es inodoro y no se puede ver, no es posible detectarlo. Un síntoma de intoxicación por monóxido de carbono es el mareo, pero también es posible que la persona pierda la conciencia sin previo aviso si la cantidad o concentración de monóxido de carbono es suficiente.
- Los gases de escape también contienen hidrocarburos sin quemar, incluido benceno. La inhalación a largo plazo puede provocar problemas de salud.
- Los gases de escape que se pueden ver u oler también contienen monóxido de carbono.
- No utilice el motor de combustión en interiores ni en zonas que no tengan suficiente flujo de aire.
- No inhale los gases de escape.
- Asegúrese de que haya suficiente ventilación en el área de trabajo. Esto es muy importante cuando se utiliza el producto en fosos u otras áreas de trabajo confinadas donde los gases de escape se pueden acumular fácilmente.

Seguridad contra el ruido



ADVERTENCIA: Lea atentamente las instrucciones de advertencia siguientes antes de usar el producto.

- Los niveles altos de ruido y la exposición a largo plazo al ruido pueden causar pérdida auditiva.
- Para mantener el nivel de ruido al mínimo, realice el mantenimiento del producto y utilícelo según se indica en el manual de usuario.
- Utilice protectores auriculares aprobados cuando opere el producto.
- Cuando utilice protectores auriculares, esté atento a las señales de advertencia y a las voces. Quite los protectores auriculares cuando el producto esté detenido, a menos que sean necesarios para el nivel de ruido en la zona de trabajo.

Dispositivos de seguridad en el producto



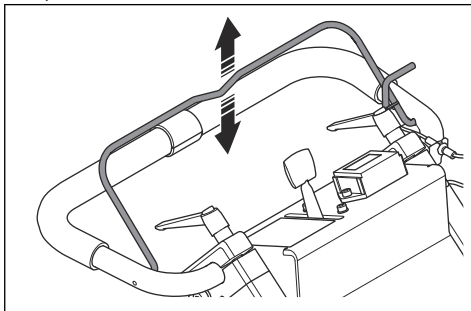
ADVERTENCIA: Lea atentamente las instrucciones de advertencia siguientes antes de usar el producto.

- No utilice un producto con dispositivos de seguridad defectuosos.
- Revise los dispositivos de seguridad de forma regular. Si los dispositivos de seguridad están defectuosos, comuníquese con su taller de servicio Husqvarna.

Para verificar el control de presencia del operador

El control de presencia del operador detiene el motor. Cuando se suelta el control de presencia del operador, el motor se detiene.

- Arranque el motor y luego suelte el control de presencia del operador. Si el motor no se detiene en un lapso de 3 segundos, solicite a un taller de servicio Husqvarna autorizado que corrija el funcionamiento del control de presencia del operador.



Silenciador

El silenciador mantiene los niveles de ruido al mínimo y envía los gases de escape lejos del operador.

No utilice el producto si el silenciador no está instalado o está defectuoso. Un silenciador defectuoso aumenta el nivel de ruido y el riesgo de incendio.



ADVERTENCIA: El silenciador se calienta mucho durante y después del uso y cuando el motor funciona en régimen de ralentí. Tenga cuidado cerca de materiales o vapores inflamables para prevenir incendios.

Para comprobar el silenciador

- Examine el silenciador con regularidad para asegurarse de que está instalado correctamente y que no esté dañado.

Seguridad de combustible



ADVERTENCIA: Lea atentamente las instrucciones de advertencia siguientes antes de usar el producto.

- La gasolina es inflamable y sus gases son explosivos. Tenga cuidado con el combustible para evitar lesiones, incendios y explosiones.
- No inhale los gases del combustible. Los gases del combustible son tóxicos y pueden provocar lesiones. Asegúrese de que el flujo de aire sea suficiente.
- No retire la tapa del depósito de combustible ni llene el depósito con el motor encendido.
- Deje que el motor se enfríe antes de agregar combustible.
- No llene el depósito de combustible en interiores. Un flujo de aire insuficiente puede causar lesiones graves o fatales por asfixia o debido al monóxido de carbono.
- No fume cerca del combustible o del motor.
- No coloque objetos calientes cerca del combustible o del motor.
- No llene el depósito de combustible cerca de chispas o llamas.
- Antes de llenar el depósito de combustible, abra lentamente la tapa del depósito de combustible y libere la presión con cuidado.
- Si el combustible entra en contacto con la piel, puede provocar lesiones. Si le cae combustible en la piel, quítelo con jabón y agua.
- Si derrama combustible en su ropa, cámbiese la ropa inmediatamente.
- No llene el depósito de combustible completamente. El calor provoca que el combustible se expanda. Deje espacio en la parte superior del depósito de combustible.
- Apriete bien la tapa del depósito de combustible. Si no aprieta la tapa del depósito de combustible, se genera un riesgo de incendio.
- Utilice la tapa del depósito de combustible con ventilación para la operación y el almacenamiento.
- Antes de poner en marcha el producto, colóquelo a una distancia mínima de 3 m/10 ft desde el lugar donde llenó el depósito de combustible.
- No arranque el producto si hay combustible o aceite de motor en el producto. Elimine el combustible y el

aceite del motor no deseados y deje que el producto se seque antes de arrancar el motor.

- Examine frecuentemente el motor en busca de fugas. Si hay fugas en el sistema de combustible, no arranque el motor hasta que las repare.
- No busque fugas en el motor con los dedos.
- Almacene el combustible solo en recipientes aprobados.
- Cuando el producto y el combustible estén almacenados, asegúrese de que el combustible y los gases del combustible no puedan causar daños.
- Vacíe el combustible en un recipiente aprobado en exteriores y lejos de chispas y llamas.

Instrucciones de seguridad para el mantenimiento

- Antes de realizar tareas de mantenimiento en el producto, coloque siempre el control del acelerador en la posición de parada (A). Consulte *Control del acelerador en la página 32*.
- Mantenga todas las piezas en buen estado y asegúrese de que todos los componentes fijos estén ajustados correctamente.
- No utilice un producto que esté defectuoso. Realice los controles de seguridad y de mantenimiento como se describe en este manual. Todas las demás tareas de mantenimiento se deben realizar en un taller de servicio autorizado.
- Detenga el producto cuando cambie las herramientas de diamante.
- Realice la inspección o el mantenimiento con el motor detenido.
- Siempre deje que el motor se enfríe antes de realizar tareas de mantenimiento del producto.
- Asegúrese de realizar el mantenimiento del producto en un terreno horizontal estable.
- Realice mantenimiento para asegurarse de que el producto funcione correctamente. Consulte *Mantenimiento en la página 34*.

Funcionamiento

Introducción



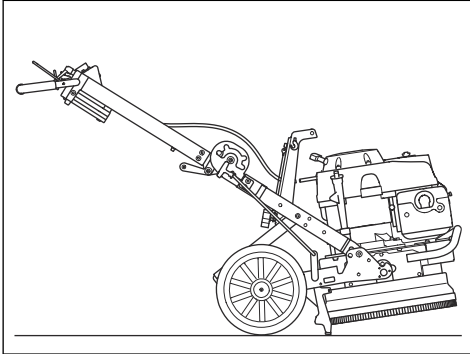
ADVERTENCIA: Antes de utilizar el producto, debe leer y entender el capítulo sobre seguridad.



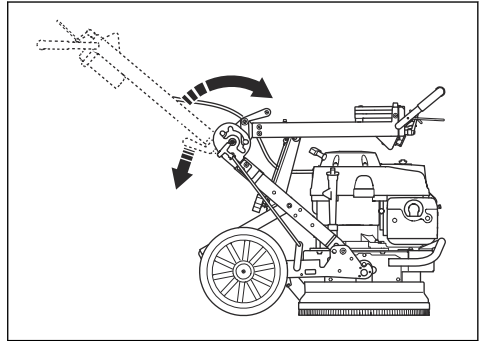
ADVERTENCIA: Tenga cuidado al ajustar el manillar entre la posición de funcionamiento, la posición de servicio y la posición de transporte. El manillar es pesado y debe sujetarse firmemente. Mire a su alrededor antes de ajustar la posición del manillar para evitar daños o lesiones.

Posiciones del producto

Posición de arranque del motor



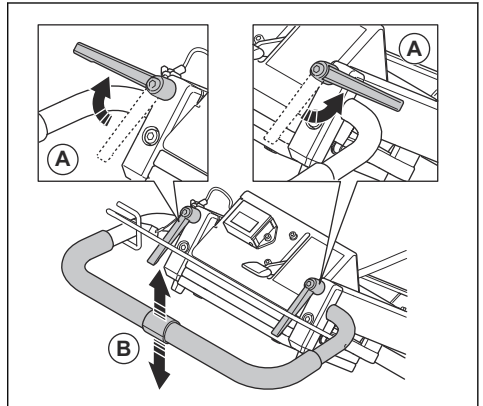
Posición de transporte



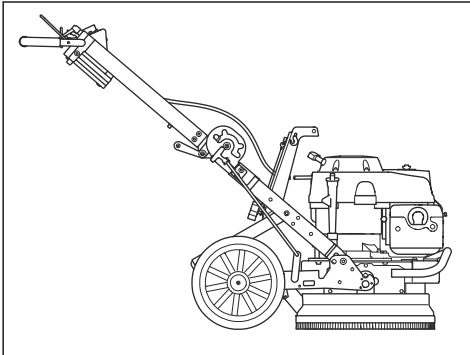
Para ajustar el manillar

Las perillas de bloqueo del manillar funcionan en el sentido de las agujas del reloj, en el sentido contrario, o se pueden ubicar en posición de ralentí.

1. Afloje las perillas de bloqueo (A) y coloque el manillar (B) en la posición de ralentí.



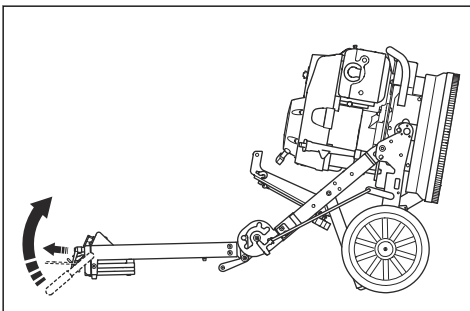
Posición de funcionamiento



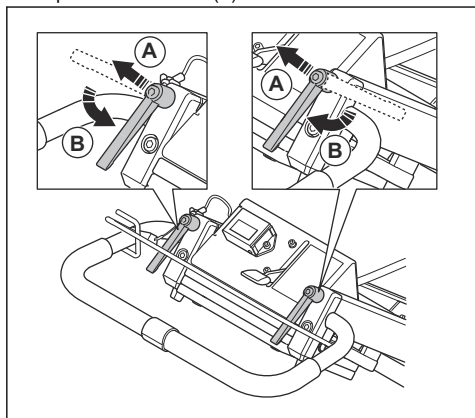
Posición de servicio



AVISO: Ponga el producto en posición de servicio solo sobre una superficie horizontal.



2. Cuando establezca la posición del manillar, gire las perillas de bloqueo hacia arriba (A) y colóquelas en la posición de ralentí (B).



Alturas del manillar

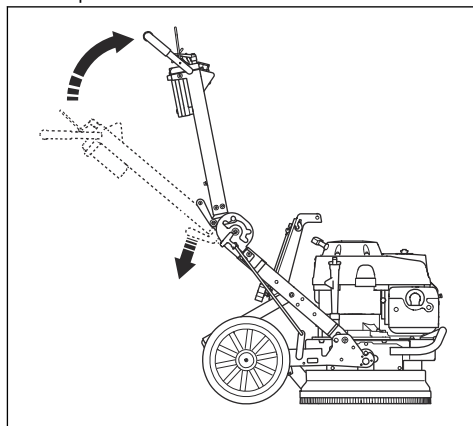
Posición del agujero	Altura del manillar, mm/pulg.
Parte superior	835/33
Centro	925/36
Parte inferior	1000/39

Para ajustar la altura de la estructura

Se puede modificar el ángulo de la estructura con el fin de dividir el peso del chasis. Esto se hace para aumentar o disminuir la presión de amolado sobre la superficie.

1. Detenga el motor. Consulte *Para detener el producto en la página 34*.

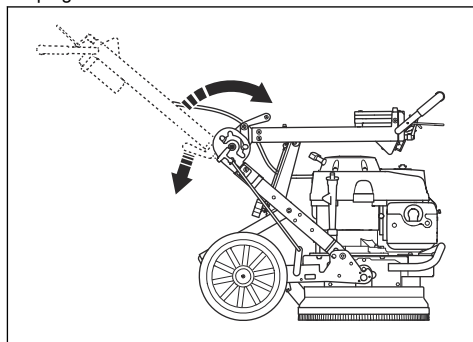
2. Coloque 1 pie en el bastidor de soporte. Utilice las manos para presionar la manija de la junta angular en la bisagra central. Al mismo tiempo, pliegue el manillar hacia delante hasta la posición de transporte.



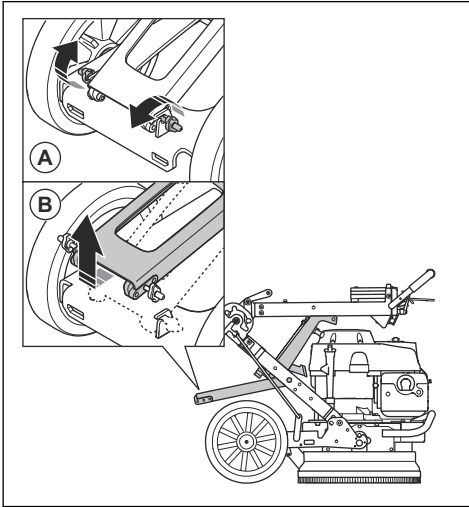
ADVERTENCIA: Cuando pliegue el manillar, utilice las 2 manos y 1 pie.

Tenga en cuenta: Coloque una protección entre el motor y el gabinete eléctrico para evitar que se produzcan daños en el producto.

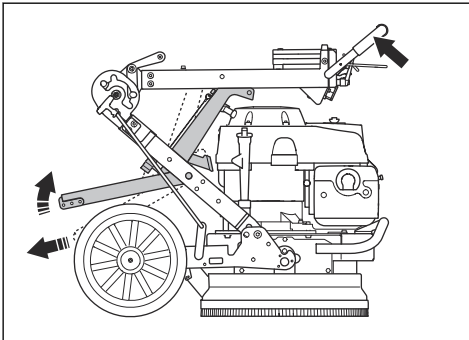
3. Asegúrese de que el manillar esté totalmente plegado.



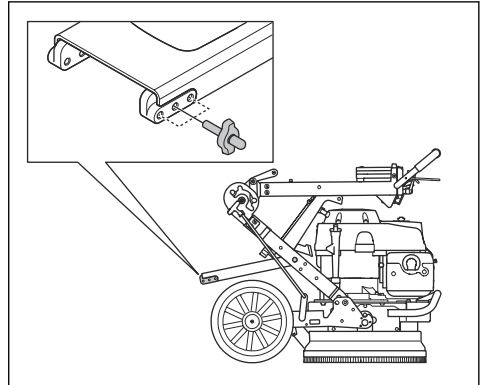
4. Quite las perillas de bloqueo (A) para aflojar el bastidor de soporte (B).



5. Sujete el manillar para mantener la manija estable y tire del bastidor de soporte hacia afuera y hacia arriba.



6. Seleccione la posición correspondiente para el bastidor de soporte y apriete la perilla de bloqueo. El orificio inferior aumenta la presión de amolado y la altura del manillar. El orificio superior disminuye la presión de amolado y la altura del manillar.



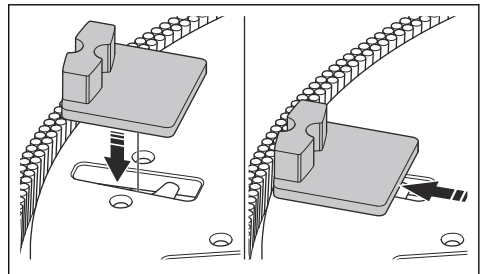
7. Coloque el producto en la posición de funcionamiento.

Herramientas de diamante

Hay varios tipos de herramientas de diamante para usar con el producto. Hable con su centro de servicio autorizado o vaya a www.husqvarnacp.com para seleccionar las herramientas de diamante correctas.

Instalación de las herramientas de diamante

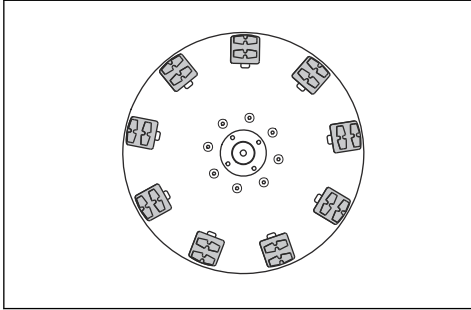
El disco de amolar utiliza el sistema RediLock™ Dovetail.



La instalación de las herramientas de diamante en el disco de amolar tiene un efecto en el rendimiento del producto. El tipo de herramienta de diamante y la cantidad de segmentos en la herramientas de diamante son muy importantes. Utilice siempre juegos simétricos

de herramientas de diamante para asegurarse de que el equilibrio de la base de la amoladora sea correcto.

Las herramientas de diamante con aleaciones metálicas con 1 segmento de diamante aumentan la presión de la herramienta de diamante.



Para la remoción más intensa, recomendamos herramientas que solo tengan una dirección de rotación y partes superiores de diamante PCD.

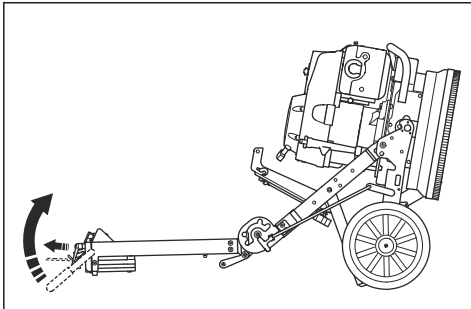
Tenga en cuenta: Las herramientas de diamante PCD, como la marca Piranha™ están diseñadas para funcionar en una sola dirección.

Para reemplazar las herramientas de diamante

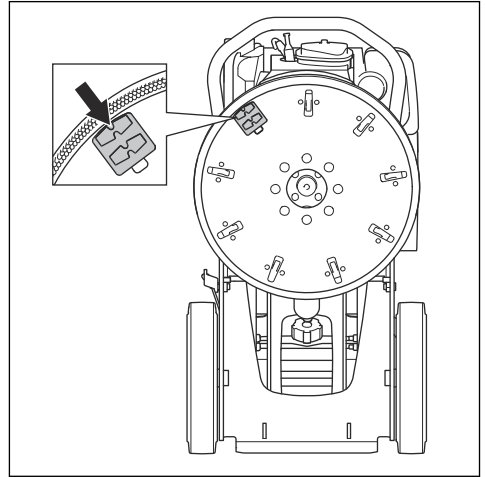


ADVERTENCIA: Las herramientas de diamante pueden alcanzar altas temperaturas. Use guantes protectores.

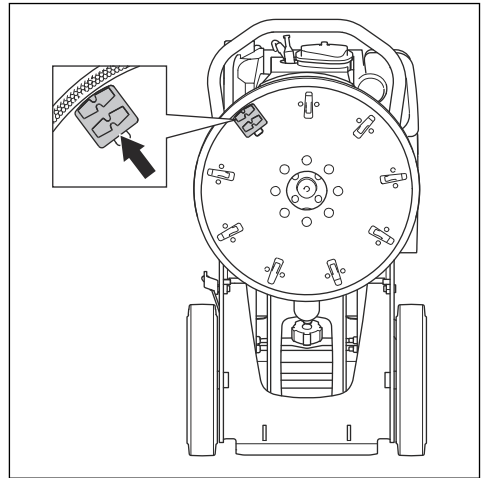
1. Asegúrese de que el motor esté apagado y que el control de presencia del operador no esté contra el manillar.
2. Ponga el producto en la posición de servicio.



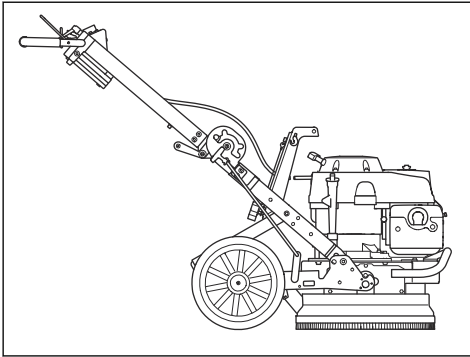
3. Utilice un martillo para retirar las herramientas de diamante.



4. Coloque las nuevas herramientas de diamante en el disco de amolar.



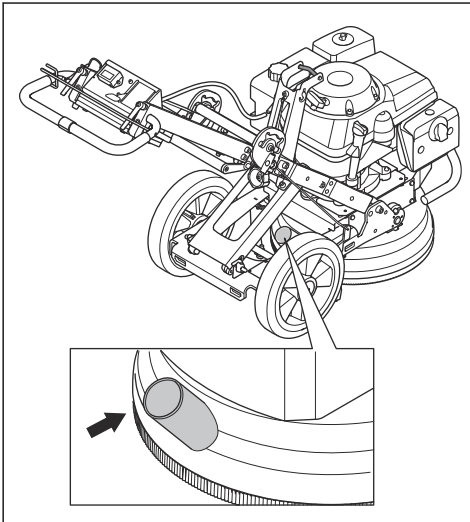
5. Ponga el producto en la posición de funcionamiento.



Para conectar un extractor de polvo

Al amolar en seco, utilice un sistema de extracción de polvo Husqvarna. Consulte *Datos técnicos en la página 39*. Los extractores de polvo recomendados son Husqvarna T 4000 Petrol o S 36.

1. Conecte el extractor de polvo al producto.

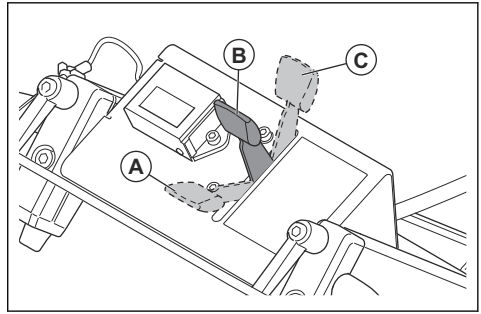


2. Asegúrese de que los filtros del extractor de polvo estén limpios y en buen estado. Supervise el polvo durante la operación.

Control del acelerador

El control del acelerador tiene 3 posiciones disponibles:

- Posición de parada (A).
- Posición del modo de funcionamiento (B).
- Posición inicial/posición de estrangulamiento (C).



ADVERTENCIA: Coloque siempre el control del acelerador en la posición de parada (A) cuando detenga el producto para evitar el arranque accidental.

Para controlar la dirección de funcionamiento

Durante el funcionamiento, el producto puede tirar hacia los lados. La dirección de la tracción está relacionada con la dirección de rotación de la base de la amoladora y cómo hace funcionar el producto.

- Mantenga siempre las 2 ruedas sobre el suelo durante el funcionamiento del producto.
- Aplique las fuerzas laterales en el manillar para dirigir el producto.
- Siempre sostenga el manillar firmemente con ambas manos para mantenerse estable y asegúrese de que el producto no se mueva hacia los lados.

Para abastecer de combustible

Si es posible, utilice gasolina de bajas emisiones/alquilato. Si no dispone de gasolina de bajas emisiones o alquilato, utilice gasolina con o sin plomo de buena calidad con un octanaje superior a 90.



AVISO: No utilice gasolina con un octanaje inferior a 90 RON (87 AKI). Esto puede provocar daños al producto.

1. Abra lentamente la tapa del depósito de combustible para liberar la presión.
2. Llene lentamente con un bidón de combustible. Si derrama combustible, límpielo con un paño y deje que se sequen los restos.
3. Limpie el área alrededor del tapón del depósito de combustible.
4. Apriete bien la tapa del depósito de combustible. Si no aprieta la tapa del depósito de combustible, se genera un riesgo de incendio.
5. Mueva el producto a un mínimo de 3 m (10 pies) de la posición en la que se llenó el depósito antes de empezar a usarlo.

2 tapas del depósito de combustible diferentes

El producto incluye 2 tapas distintas del depósito de combustible.

- La tapa del depósito de combustible para la operación está conectada al depósito de combustible. Esta tapa del depósito de combustible tiene ventilación y permite el funcionamiento del motor.
- La tapa del depósito de combustible para realizar el mantenimiento es una tapa de depósito completamente sellada. Esta tapa del depósito de combustible solo se debe utilizar durante el mantenimiento para evitar fugas de combustible.

Tenga en cuenta: El motor se detiene si se utiliza la tapa del depósito de combustible para mantenimiento para el funcionamiento del producto. Con una tapa del depósito completamente sellada, no hay succión de combustible desde el motor.

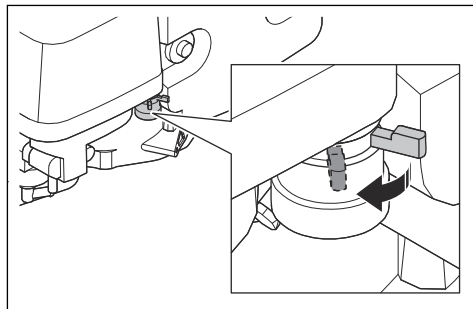
Tenga en cuenta: Junto con el producto se proporciona una etiqueta alternativa para la tapa sellada del depósito.

Haga lo siguiente antes de usar el producto

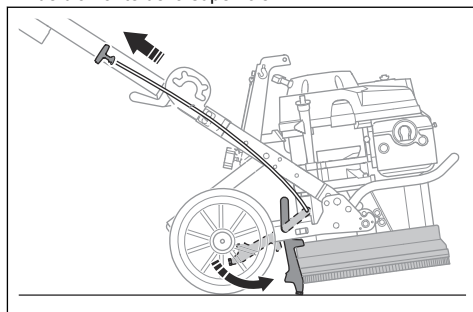
1. Lea atentamente el manual del usuario y asegúrese de entender las instrucciones.
2. Utilice equipo de protección personal. Consulte *Equipo de protección personal en la página 25*.
3. Realice un mantenimiento diario. Consulte *Programa de mantenimiento en la página 34*.
4. Revise que el producto esté montado correctamente y que no esté dañado.
5. Coloque la amoladora en el área de trabajo. Asegúrese de que la superficie sea horizontal.
6. Asegúrese de que haya herramientas de diamante en la base de la amoladora y de que estén firmemente instaladas.
7. Conecte el extractor de polvo al producto. Consulte *Para conectar un extractor de polvo en la página 32*.
8. Ajuste el manillar a una altura de funcionamiento adecuada. Consulte *Para ajustar el manillar en la página 28*.
9. Llene el depósito de combustible. Consulte *Para abastecer de combustible en la página 32*.
10. Instale la tapa del depósito de combustible que tiene ventilación.
11. Compruebe el nivel de aceite. Consulte *Para comprobar el nivel de aceite en la página 35*.

Para poner en marcha el producto

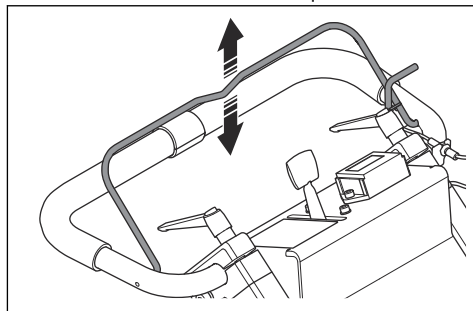
1. Abra la válvula de combustible.



2. Coloque el acelerador en la posición correcta. Consulte *Control del acelerador en la página 32*.
 - a) Si arranca con un motor frío, mueva el acelerador a la posición de arranque.
 - b) Si arranca con un motor caliente, mueva el acelerador a la posición del modo de funcionamiento.
3. Incline la base de la amoladora y tire de la manija de soporte de arranque para levantar las herramientas de diamante de la superficie.

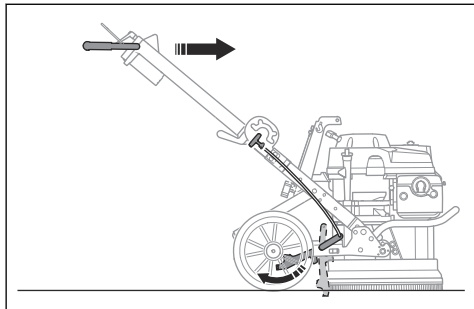


4. Mantenga el control de presencia del operador contra el manillar con la mano izquierda.



5. Tire de la empuñadura de la cuerda de arranque rápidamente con la mano derecha.

6. Cuando el motor funcione uniformemente, mueva el acelerador a la posición del modo de funcionamiento.
7. Mueva el producto hacia delante para liberar el soporte de arranque y bajar las herramientas de diamante.



Para detener el producto



AVISO: No levante el disco de amolar de la superficie hasta que el motor esté completamente detenido. El polvo puede penetrar en el aire y la superficie puede dañarse.

1. Desacople el control de presencia del operador.
2. Mantenga la placa de herramientas en contacto con la superficie hasta que se detenga por completo.
3. Ajuste el acelerador a la posición de parada.
4. Cierre el paso de combustible.

Mantenimiento

Introducción



ADVERTENCIA: Antes de realizar el mantenimiento, debe leer y entender el capítulo sobre seguridad.

Para todos los trabajos de mantenimiento y reparación del producto, se requiere capacitación especial. Garantizamos la disponibilidad de trabajos de

mantenimiento y reparación profesionales. Si el concesionario no cuenta con un taller de servicio, pídale información acerca del taller de servicio más cercano.

Programa de mantenimiento

Los intervalos de mantenimiento se calculan a partir del uso diario del producto. Los intervalos cambian si el producto no se utiliza a diario.

Mantenimiento	En cada uso	Primer mes o después de 20 h	Cada 3 meses o 50 h	Cada 6 meses o 100 h	Cada año o 300 h
Limpie la máquina.	X				
Revise la banda de cepillado.	X				
Compruebe el nivel de aceite.	X				
Reemplace el aceite.		X		X	
Examine el filtro de aire.	X				
Limpie el filtro de aire.			X ⁷		
Cambie el filtro de aire.					X
Examine la bujía.				X	
Reemplace la bujía.					X

Para limpiar el producto

- Siempre limpie todos los equipos después de utilizarlos.

- No use limpiadores de alta presión para limpiar el producto.
- Mantenga las aberturas de aire limpias y despejadas para asegurarse de que la temperatura del producto sea siempre lo suficientemente fría.

⁷ Limpie con mayor frecuencia si el producto se utiliza en áreas sucias.

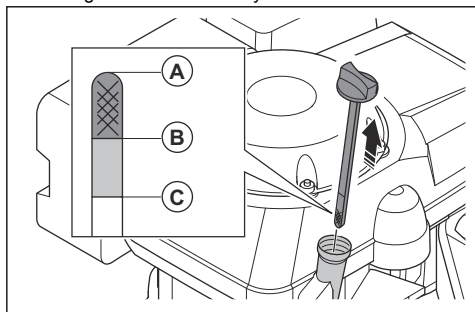
Tenga en cuenta: No utilice aire comprimido para limpiar debajo de la base de la amoladora.

Para comprobar el nivel de aceite



AVISO: Hacer funcionar el producto con un bajo nivel de aceite puede causar daños al motor.

1. Detenga el motor. Consulte *Para detener el producto en la página 34*.
2. Coloque el producto en un terreno plano.
3. Quite el tapón del depósito de aceite.
4. Limpie el aceite de la varilla de nivel que está conectada a la tapa del depósito de aceite.
5. Coloque la varilla de nivel en el depósito de aceite. No la apriete.
6. Extraiga la varilla de nivel y lea el nivel de aceite.



- a) Si el nivel de aceite es bajo (A), llene con aceite de motor y revise nuevamente. Para conocer el tipo de aceite correcto, consulte *Datos técnicos en la página 39*.
 - b) Si el nivel de aceite es alto (C), no llene con más aceite del motor. El nivel de aceite debe estar entre (A) y (B).
7. Apriete el tapón del depósito de aceite apropiadamente antes de arrancar el motor.

Tenga en cuenta: El producto tiene un sistema que le indica cuando el nivel de aceite está demasiado bajo. Si el zumbador suena, detenga el producto y agregue aceite.

Para cambiar el aceite del motor

Si el motor está frío, arránquelo entre 1 y 2 minutos antes de drenar el aceite del motor. Esto calienta el aceite del motor, por lo que se drena más fácilmente.



ADVERTENCIA: El aceite del motor tiene una temperatura muy alta luego de que el motor se detiene. Deje que el motor se enfríe antes de drenar el aceite del motor. En caso de que el aceite del motor entre en

contacto con su piel, límpiela con agua y jabón.

1. Coloque el producto en un terreno plano.
2. Coloque un recipiente debajo del tapón de vaciado de aceite.
3. Quite la tapa del depósito de aceite, el tapón de vaciado del aceite y la arandela.

Tenga en cuenta: Deseche la arandela.

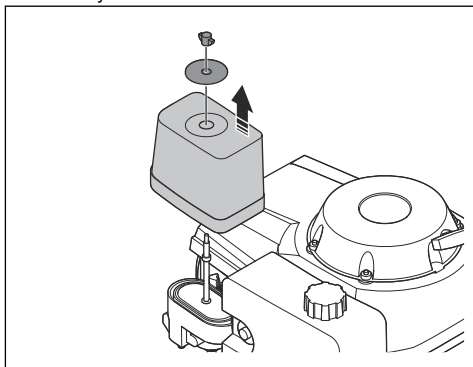
4. Incline el producto y deje que el aceite caiga al recipiente.
5. Coloque el motor en posición horizontal y llene el depósito de aceite con el aceite recomendado. Consulte *Para comprobar el nivel de aceite en la página 35* y *Datos técnicos en la página 39*.
6. Instale una arandela nueva, el tapón de vaciado del aceite y apriete la tapa del depósito de aceite.

Para examinar el filtro de aire



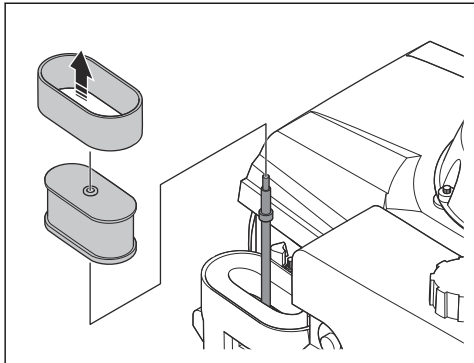
AVISO: No utilice un producto sin un filtro de aire o con un filtro de aire dañado.

1. Quite la tuerca de mariposa de la cubierta del filtro de aire y desmonte la cubierta del filtro de aire.

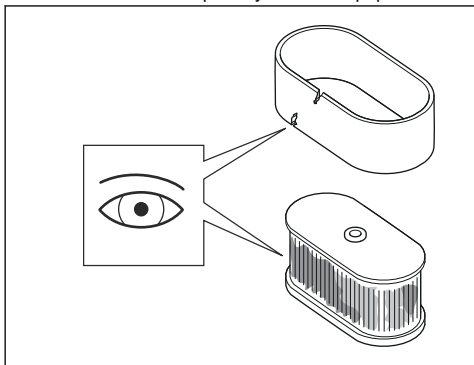


2. Retire el filtro de aire.

3. Desmonte el filtro de espuma del filtro de papel.



4. Revise el filtro de espuma y el filtro de papel.



5. Cambie los filtros dañados.
6. Reemplace el filtro de aire según lo programado. Consulte *Programa de mantenimiento en la página 34*.
7. Limpie el filtro de espuma y el filtro de papel si están sucios. Consulte *Para limpiar el filtro de aire en la página 36*.
8. Coloque los filtros de aire en la secuencia opuesta.

Para limpiar el filtro de aire



ADVERTENCIA: Utilice una protección respiratoria aprobada cuando limpie o reemplace el filtro de aire. Deseche correctamente los filtros de aire usados. El polvo del filtro de aire es peligroso para la salud.



ADVERTENCIA: No limpie el filtro de aire con aire comprimido. Esto provoca daños en el filtro de aire y aumenta el riesgo de que respire el polvo peligroso.

1. Retire el filtro de aire, consulte *Para examinar el filtro de aire en la página 35*.

2. Limpie la caja del filtro de aire con un cepillo.
3. Golpee suavemente el filtro de aire contra una superficie dura o utilice una aspiradora para eliminar las partículas.



AVISO: No deje que la boquilla de la aspiradora toque la superficie del elemento filtrante de papel. Mantenga una pequeña distancia. La superficie sensible del elemento filtrante de papel se daña si algún objeto la toca.

4. Revise si el filtro de aire presenta daños.
5. Deseche el filtro de aire si presenta daños.



AVISO: Si el filtro de aire está dañado, siempre reemplácelo, ya que, de lo contrario, le entrará polvo al motor y lo dañará.

6. Limpie el filtro de espuma con agua y jabón.
7. Enjuague el filtro de espuma con agua limpia.
8. Exprima el agua del filtro de espuma y deje que se seque.
9. Lubrique el filtro de espuma con aceite del motor.
10. Presione un paño limpio contra el filtro para quitar el aceite no deseado.

Tenga en cuenta: Saldrá humo del motor si hay demasiado aceite en el filtro de espuma cuando se arranque el motor.

11. Vuelva a colocar la cubierta del filtro de aire. Consulte *Para examinar el filtro de aire en la página 35*.

Para revisar la banda de cepillado

- Asegúrese de que la banda de cepillado no esté dañada y de que quede herméticamente sellada contra el suelo.

Para examinar la bujía



ADVERTENCIA: Deje que la bujía se enfríe antes de cambiarla.



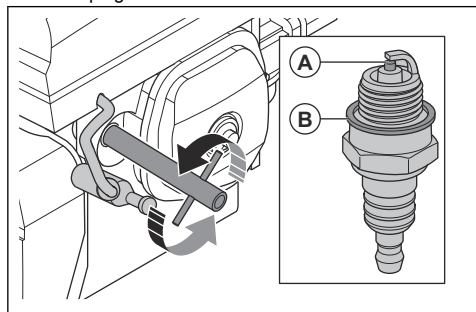
AVISO: Utilice siempre una bujía correcta. Consulte *Datos técnicos en la página 39*.



AVISO: Asegúrese de que la bujía tenga la distancia correcta y de que esté limpia de depósitos.

1. Desconecte la tapa de la bujía y quite la suciedad del área de la bujía.

2. Retire la bujía con una llave para bujías de 21 mm/ 13/16 pulg.



3. Examine la bujía. Reemplácela si está dañada, si el electrodo (A) está desgastado o si la arandela de sellado (B) está en mal estado.
4. Mida la distancia entre los electrodos de la bujía con una galga de espesores para cables. Asegúrese de que la distancia sea la correcta. Consulte *Datos técnicos en la página 39*.

5. Si es necesario, doble con cuidado el lado del electrodo lateral para corregir la distancia.
6. Instale cuidadosamente la bujía con la mano.
7. Apriete la bujía con una llave para bujías de 21 mm/ 13/16 pulg para comprimir la arandela.
- a) Si instala una bujía nueva, apriétela $\frac{1}{2}$ vuelta después de que la bujía se asiente en la arandela comprimida.
- b) Si instala la misma bujía, apriétela entre $\frac{1}{8}$ y $\frac{1}{4}$ de vuelta después de que la bujía esté contra la arandela comprimida.



AVISO: Una bujía floja puede calentarse demasiado y dañar el motor. Si la bujía está demasiado apretada, puede causar daños a la parte superior del cilindro.

8. Coloque el sombrerete de bujía en la bujía.

Solución de problemas

Programa de solución de problemas

Problema	Causa	Posibles soluciones
El producto no arranca.	El control de presencia del operador no está acoplado.	Mantenga el control de presencia del operador contra el manillar cuando tire de la empuñadura de la cuerda de arranque.
	No hay combustible en el depósito de combustible.	Llene el depósito con combustible. Consulte <i>Para abastecer de combustible en la página 32</i> .
	No hay aceite en el depósito de aceite.	Llene el depósito de aceite con aceite. Consulte <i>Para comprobar el nivel de aceite en la página 35</i> .
No es fácil sostener el producto.	Cantidad demasiado pequeña de herramientas de diamante en la base de la amoladora.	Utilice la cantidad correcta de herramientas de diamante. Consulte <i>Herramientas de diamante en la página 30</i> .
	El tipo incorrecto de herramientas de diamante para la superficie.	
El producto realiza movimientos bruscos.	Las herramientas de diamante no están instaladas correctamente.	Asegúrese de que todas las herramientas de diamante estén instaladas correctamente.
	Las herramientas de diamante tienen diferentes alturas.	Asegúrese de que todas las herramientas de diamante tengan la misma altura.

Problema	Causa	Posibles soluciones
El producto se detiene después de un momento.	El ajuste de altura y peso no es correcto.	Asegúrese de que el ajuste de altura y peso sea correcto. Consulte <i>Para ajustar la altura de la estructura en la página 29</i> y <i>Para ajustar el manillar en la página 28</i> .
	Con alta carga.	Conecte más herramientas de diamante o cambie por una mayor dureza del adhesivo.
	Tapa del depósito de combustible incorrecta. Consulte <i>2 tapas del depósito de combustible diferentes en la página 33</i> .	Asegúrese de que la tapa del depósito de combustible esté completamente apretada cuando opere el producto.
El producto se detiene de nuevo cuando lo enciende.		Consulte a un centro de servicio autorizado.

Transporte y almacenamiento

Transporte del producto

- Cierre el paso de combustible. Consulte *Para poner en marcha el producto en la página 33*.
- Asegure bien el producto durante el transporte para evitar daños y accidentes.
- Ponga algún tipo de protección en el producto durante el transporte. Esto protege al producto de los elementos naturales, como la lluvia y la nieve.
- Levante el producto solo por el cáncamo instalado en el producto cuando levante y mueva el producto.
- Siempre use contenedores aprobados para el almacenamiento y el transporte del combustible.
- Vacíe el depósito de combustible antes de almacenar el producto durante un largo tiempo. Deseche el combustible en un lugar adecuado para tal propósito.
- Mantenga el producto en un área cerrada para evitar que los niños u otras personas sin autorización puedan acceder a él.
- Mantenga el producto en un lugar seco y sin escarcha.

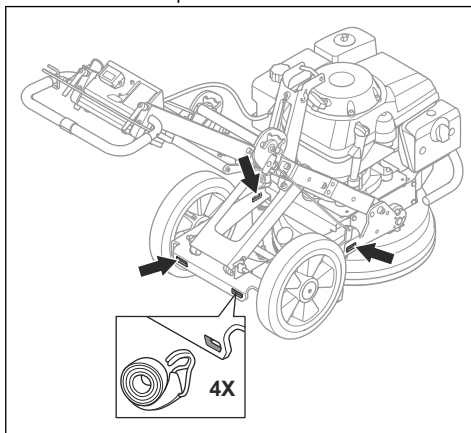
Para poner el producto en posición de transporte

- Para poner el producto en posición de transporte, consulte *Para ajustar la altura de la estructura en la página 29*.

Para fijar el producto a un vehículo de transporte

Fije el producto durante el transporte para evitar accidentes y daños al equipo.

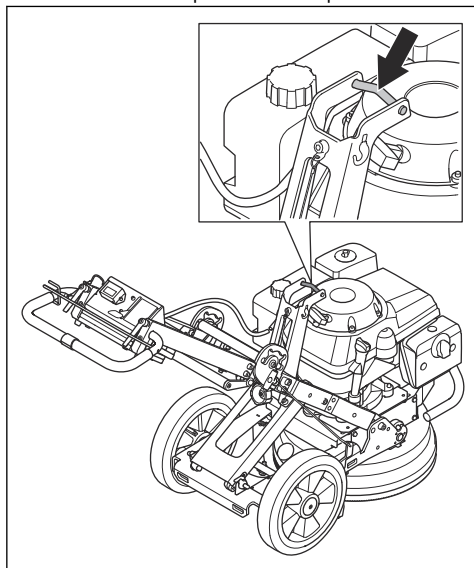
1. Coloque las correas de sujeción en los orificios relacionados del producto.



2. Fije y apriete la correa de sujeción al vehículo de transporte.

Para levantar el producto

1. Utilice el cáncamo para levantar el producto.



2. Levante el producto con seguridad. Pida ayuda a un transeúnte cuando levante el producto.

Datos técnicos

Datos técnicos

Motor	
Modelo de motor	HondaGXV 390
Tipo de motor	4 tiempos, válvula superior, 1 cilindro
Potencia neta del motor, kW/hp a rpm ⁸	7,6/10,2 a 3600
Velocidad de rotación: discos de amolado, rpm en ralentí - máx.	440-1125
Ancho de amolado, mm/pulg.	400/15,75
Presión de amolado	
Manillar en posición baja, kg/lb	62/137
Manillar en posición central, kg/lb	64/141
Manillar en posición alta, kg/lb	69/152
Sistema de encendido	

⁸ Como lo especifica el fabricante del motor. La calificación de potencia del motor indicada corresponde a la salida de potencia neta promedio (en rpm especificadas) de un motor de producción típica para el modelo de motor medido según la norma SAE J1349/ISO1585. Los motores de producción masiva podrían diferir de este valor. La salida de potencia real para el motor instalado en el producto final dependerá de la velocidad de funcionamiento, las condiciones medioambientales y otras variables.

Bujía	BPR5ES (NGK) o W16EPR-U (DENSO)
Distancia entre los electrodos, mm/pulg.	0,7-0,8/0,028-0,031
Combustible y sistema de lubricación	
Capacidad del depósito de combustible, l	2,1
Tipo de combustible	Regular sin plomo (con un máximo de un 10 % de etanol)
Peso	
Sin combustible, kg/libras	140/308
Aceites recomendados	Aceite de motor de 4 tiempos, clasificación SJ, SL o equivalente. ⁹
Extractor de polvo recomendado	
Flujo de aire mínimo, m ³ /h/CFM	400/236
Vacío mín., kPa/psi	322/3,2
Elevación mínima del agua, m/pulg.	2,3/90
Acople del extractor de polvo, mm/pulg.	50/2
Emisiones sonoras¹⁰	
Nivel de potencia acústica medido en L _{WA} WA, (medido) dB(A)	102
Niveles acústicos¹¹	
Nivel de presión sonora, L _{pA} dB (A)	88
Niveles de vibración¹²	
Manilla derecha, m/s ²	4,6
Manilla izquierda, m/s ²	3,8

Declaración de ruido y vibración

Estos valores declarados se obtuvieron mediante pruebas de laboratorio, en conformidad con la directiva o las normas declaradas, y son adecuados para compararlos con los valores declarados de otros productos probados en conformidad con la misma directiva o normas. Estos valores declarados no son

adecuados para su uso en evaluaciones de riesgos, y los valores medidos en lugares de trabajo individuales pueden ser superiores. Los valores de exposición reales y el riesgo de daños que experimente un usuario individual son únicos y dependen de la forma en que el usuario trabaja, del material en que se utiliza el producto, así como del tiempo de exposición y el estado físico del usuario, y del estado del producto.

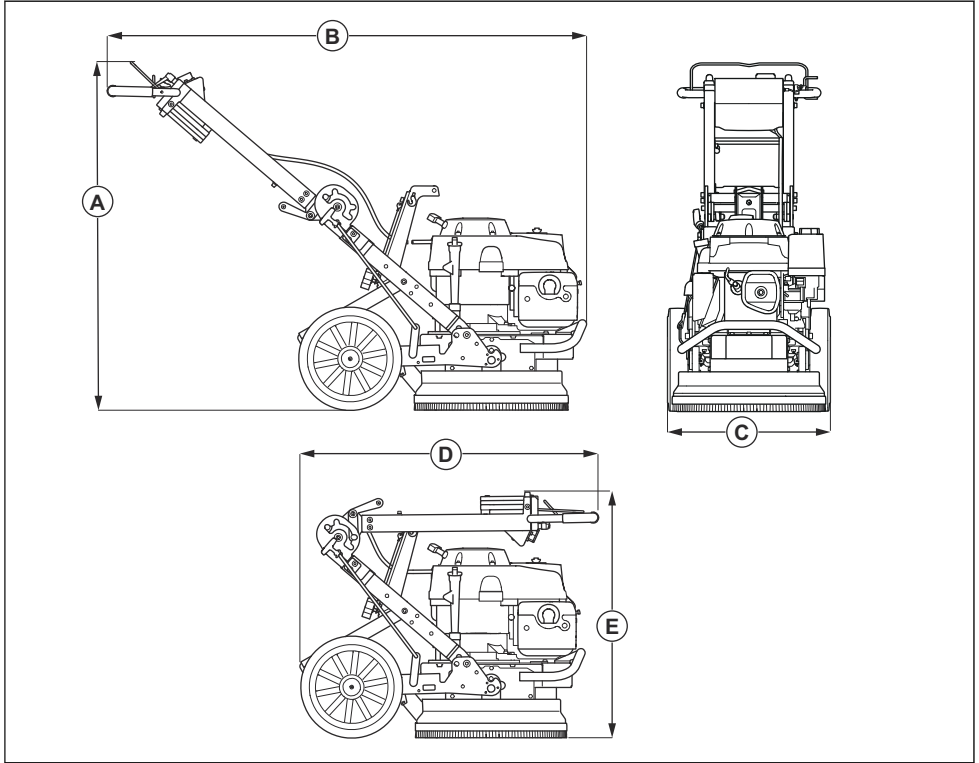
⁹ Siempre verifique la etiqueta de servicio API en el contenedor de aceite para asegurarse de que incluya las letras SJ, SL, o equivalentes.

¹⁰ Las emisiones sonoras en el entorno se miden como potencia acústica de conformidad con la norma EN 60335-2-72. Incertidumbre de medición esperada de 3 dB(A).

¹¹ Nivel de presión sonora según EN 60335-2-72. Incertidumbre de medición esperada de 3 dB(A).

¹² Nivel de vibración de conformidad con la norma EN 60335-2-72. Los datos informados en cuanto al nivel de vibración tienen una dispersión estadística típica (desviación estándar) de 1 m/s².

Dimensiones del producto



Dimensiones, mm/pulg.	
A	1011/39,8
B	1397/55
C	480/18,9
D	900/35,4
E	710/28,0

Table des matières

Introduction.....	42	Dépannage.....	58
Sécurité.....	45	Transport et entreposage.....	59
Fonctionnement.....	48	Données techniques.....	60
Entretien.....	55	0

Introduction

Responsabilité du propriétaire



AVERTISSEMENT: Des opérations de coupe, de surfaçage ou de perçage du béton ou de la pierre, particulièrement lorsque les conditions sont sèches, génèrent de la poussière qui contient souvent de la silice. La silice est un composant de base du sable, du quartz, de la brique d'argile, du granit et de nombreux autres pierres et minéraux. L'exposition à une quantité excessive de ces poussières peut entraîner :

une maladie respiratoire (réduisant la capacité à respirer), notamment la bronchite chronique, la silicose et la fibrose pulmonaire causée par l'exposition à la silice. Ces maladies peuvent être fatales;

Des irritations et éruptions cutanées.

Le cancer, selon le NTP (National Toxicology Program) et le CIRC (Centre International de recherche sur le cancer).

Prendre les précautions suivantes :

Éviter l'inhalation et le contact cutané avec les poussières, brouillards et fumées.

Porter et veiller à ce que les personnes à proximité portent un dispositif de protection

respiratoire approprié, tel un masque antipoussière filtrant les particules microscopiques. (Voir OSHA 29 CFR Part 1926.1153)

Pour réduire les émissions de poussières, utilisez de l'eau pour agglomérer, lorsque cela est possible. Si une opération de sec est nécessaire, utiliser un extracteur de poussière adéquat.

Il est de la responsabilité du propriétaire ou de l'employeur de s'assurer que l'utilisateur possède les connaissances nécessaires pour manipuler le produit en toute sécurité. Les superviseurs et les utilisateurs doivent avoir lu et compris le manuel d'utilisation. Ils doivent être conscients des éléments suivants :

- Les consignes de sécurité relatives au produit.
- L'éventail d'applications du produit et ses limites.
- La manière dont le produit doit être utilisé et entretenu.

Les règlements locaux ou nationaux peuvent limiter l'utilisation de ce produit. Rechercher les réglementations en vigueur où le travail est exécuté avant d'utiliser le produit.

Proposition 65 de la Californie



ATTENTION!

Les émissions du moteur de cet outil contiennent des produits chimiques qui, d'après l'État de Californie, peuvent causer le cancer, des malformations congénitales ou autre danger pour la reproduction.

Description du produit

Le produit est une meuleuse équipée d'un moteur à essence 4 temps. Le produit est utilisé pour

l'enlèvement intensif de surfaces la préparation des sols. Le produit fonctionne avec un extracteur de poussière externe.

Voici les fonctions du produit :

- Largeur de meulage de 400 mm.
- Une protection de tête de meulage qui s'adapte au mouvement de la couche de surface.
- Une tête de meulage avec 1 disque.
- Peut contenir 9 outils au diamant.
- Un cadre repliable pour faciliter le transport et le rangement.

Utiliser le produit uniquement sur des surfaces horizontales.

Utiliser le produit pour meuler les surfaces en béton de différentes duretés telles que le terrazzo et les tuiles en pierre.

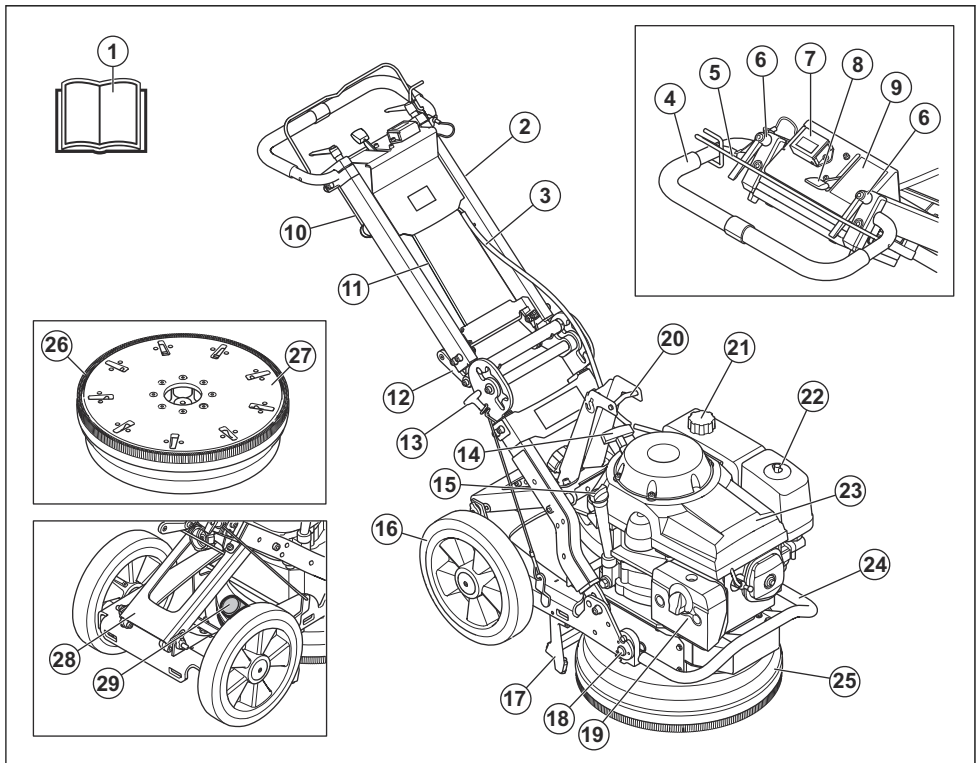


AVERTISSEMENT: Ne pas utiliser l'outil pour d'autres tâches.

Utilisation prévue

Le produit est destiné aux activités commerciales légères sur les propriétés privées et les petits commerces.

Présentation du produit



- | | |
|--|--|
| 1. Manuel d'utilisation | 10. Contrepoids |
| 2. Poignée | 11. Câble d'accélération |
| 3. Câble de commande de présence de l'opérateur. | 12. Poignée à joint angulaire |
| 4. Guidon | 13. Poignée de support de démarrage |
| 5. Commande de présence de l'opérateur | 14. Corde du lanceur |
| 6. Boutons de verrouillage pour le réglage de la poignée de guidon | 15. Bouchon du réservoir d'huile |
| 7. Compteur horaire | 16. Roue en caoutchouc |
| 8. Commande d'accélérateur | 17. Support de démarrage |
| 9. Autocollant de l'accélérateur | 18. Boulon de verrouillage pour fixer le moteur et la tête de meulage au châssis |

19. Silencieux
20. Anneau de levage
21. Bouchon du réservoir de carburant
22. Filtre à air
23. Moteur
24. Protection du moteur
25. Protection de tête de surfaçage
26. Brossette
27. Plaque de l'outil
28. Cadre de support
29. Raccord pour tuyau d'aspiration

Symboles figurant sur l'outil



AVERTISSEMENT : Ce produit peut être dangereux et causer des blessures très graves, ou même mortelles, à l'utilisateur et à d'autres personnes. Faire attention et utiliser le produit correctement.



Lire soigneusement le manuel d'instructions et veiller à bien comprendre les directives avant d'utiliser cette machine.



Toujours porter des protections pour les oreilles, les yeux et les voies respiratoires.



AVERTISSEMENT! La poussière peut causer des problèmes de santé. Utiliser une protection respiratoire adéquate. Ne pas respirer les gaz d'échappement. Ne pas utiliser un produit à moteur à combustion à l'intérieur ou dans des endroits mal aérés.



Risque de blessures. Garder les parties du corps à l'écart des pièces en mouvement.



Ce produit est conforme aux normes CE applicables.



Arrêter le moteur et le laisser refroidir avant de remplir le carburant.



L'essence est très inflammable et explosive.



Les émanations du moteur sont du monoxyde de carbone toxique.



Ne pas faire tourner le moteur à l'intérieur ou dans un endroit clos où le débit d'air est insuffisant.



Déplacer l'accélérateur jusqu'à la position d'arrêt pour arrêter le moteur.



Starter, pousser l'accélérateur vers le haut, jusqu'à la position du starter pour démarrer le moteur.



Réglage en douceur du régime moteur, lent à rapide.



Régime moteur, position lente.



Régime moteur, position rapide.



Utiliser pour la position d'entretien.

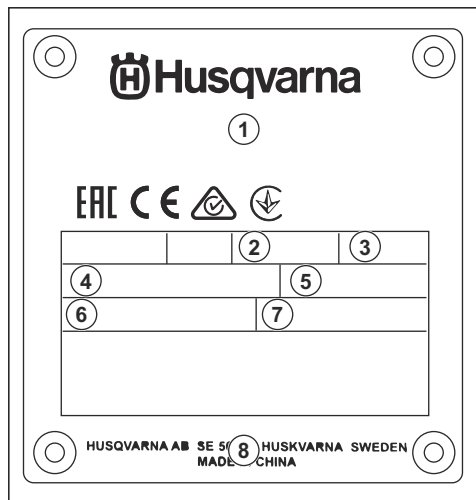


Ne pas l'utiliser pour le fonctionnement.

Remarque : Les autres symboles et autocollants apposés sur le produit se rapportent aux exigences en matière de certification pour certains marchés.

Remarque : D'autres autocollants sont fournis avec le produit.

Plaque signalétique



1. Modèle
2. Puissance de sortie, kW
3. Régime maximal, tr/min
4. Surface de meulage, mm
5. Poids, kg
6. Année de production et numéro de série
7. Numéro de production
8. Adresse du fabricant

Responsabilité concernant le produit

Comme indiqué dans les lois en vigueur sur la responsabilité concernant les produits, nous ne serons pas tenus responsables des dommages que notre produit causerait dans les situations suivantes :

- Le produit n'est pas réparé de façon adéquate.
- Le produit est réparé avec des pièces qui ne sont pas fournies ou homologuées par le fabricant.
- Le produit comprend un accessoire qui n'est pas fourni ou homologué par le fabricant.
- Le produit n'est pas réparé par un centre de service après-vente agréé ou par une autorité homologuée.

Sécurité

Définitions relatives à la sécurité

Les avertissements, recommandations et remarques soulignent des points du manuel qui revêtent une importance particulière.



AVERTISSEMENT: Indique la présence d'un risque de blessure ou de décès de l'utilisateur ou de personnes à proximité si les instructions du manuel ne sont pas suivies.



MISE EN GARDE : Indique la présence d'un risque de dommages au produit, à d'autres appareils ou à la zone adjacente si les instructions du manuel ne sont pas suivies.

Remarque : Utilisé pour donner des renseignements plus détaillés qui sont nécessaires dans une situation donnée.

Consignes générales de sécurité



AVERTISSEMENT: Lire les messages d'avertissement qui suivent avant d'utiliser l'outil.

- Ce produit est un outil dangereux s'il est utilisé de façon insouciant ou inappropriée. Cet outil peut causer des blessures graves, ou même mortelles, à l'utilisateur et à d'autres personnes. Il est obligatoire

de lire et de comprendre le contenu de ce manuel d'utilisation avant d'utiliser l'outil.

- Conserver tous les avertissements et toutes les instructions.
- Se conformer à toutes les lois et réglementations en vigueur.
- L'utilisateur et l'employeur de l'utilisateur doivent connaître et prévenir les risques liés à l'utilisation du produit.
- Ne pas laisser une personne utiliser le produit à moins qu'elle a lu et compris le contenu de ce manuel d'utilisation.
- Ne pas faire fonctionner le produit sans avoir reçu une formation relative à son fonctionnement. S'assurer que tous les utilisateurs reçoivent une formation.
- Ne pas laisser un enfant utiliser l'outil.
- Seules les personnes autorisées peuvent utiliser le produit.
- L'utilisateur est responsable des accidents survenus à d'autres personnes ou à leurs biens.
- Ne pas utiliser le produit en cas de fatigue ou sous l'emprise de l'alcool, de drogues ou de médicaments.
- Toujours rester prudent et faire preuve de bon sens.
- Ce produit génère un champ électromagnétique pendant le fonctionnement. Ce champ magnétique peut, dans certains cas, nuire aux implants médicaux actifs ou passifs. Pour réduire le risque de blessures graves ou mortelles, il est recommandé aux personnes ayant des implants médicaux de

consulter leur médecin et le fabricant de l'implant médical avant d'utiliser le produit.

- Toujours garder le produit propre. S'assurer de pouvoir lire clairement les signes et les autocollants.
- Ne pas utiliser le produit s'il est défectueux.
- Ne pas modifier ce produit.
- Ne pas utiliser le produit s'il est possible que d'autres personnes aient apporté des modifications à celui-ci.

Consignes de sécurité pour l'utilisation



AVERTISSEMENT: Lire les messages d'avertissement qui suivent avant d'utiliser l'appareil.

- Utiliser de l'équipement de protection individuelle. Se reporter à la section *Équipement de protection personnelle à la page 46*.
- Une surexposition aux vibrations peut entraîner des problèmes circulatoires ou des troubles nerveux, en particulier chez les personnes ayant des troubles circulatoires. En cas de symptômes liés à une surexposition aux vibrations, consulter un médecin. Ces symptômes sont les suivants : engourdissement, perte de sensibilité, fourmillement, picotement, douleur, faiblesse musculaire, décoloration ou modification de l'épiderme. Ces symptômes apparaissent habituellement aux doigts, aux mains et aux poignets.
- Avant de s'éloigner du produit, arrêter le moteur et s'assurer qu'il n'y a aucun risque de démarrage accidentel.
- Ne pas faire démarrer le produit alors que la brosse est montée. La brosse doit adhérer fermement à la surface, surtout pendant les opérations sur surface sèche.
- S'assurer que la brosse est propre et qu'elle n'est pas endommagée. Remplacer toute brosse endommagée.
- Lors du meulage, raccorder le produit à un aspirateur pour retirer la poussière.
- Maintenir l'aspirateur en place jusqu'à ce que le moteur s'arrête complètement.
- S'assurer que la tête de meulage ne touche pas la surface une fois le produit démarré.
- S'assurer que seules les personnes approuvées se trouvent dans la zone de travail.
- Ne pas utiliser ce produit dans des zones où un incendie ou des explosions peuvent se produire.
- Toujours démonter l'outil diamanté après chaque utilisation.
- Lorsqu'on retire les outils diamantés, laisser le produit refroidir et utiliser des gants de protection. Les outils diamantés sont très chaud après utilisation.
- S'assurer que le produit est monté de façon adéquate.

- Pour soulever le produit, toujours utiliser l'anneau de levage du produit.
- Utiliser le produit seulement en étant positionné derrière, les deux mains sur la poignée.
- Utiliser le produit uniquement sur des surfaces horizontales.
- Être très prudent lors du déplacement du produit dans une pente. Le produit est lourd et il y a un risque de blessure si le produit se renverse ou se déplace trop rapidement. Sur les pentes prononcées, toujours utiliser un treuil. Ne pas marcher ou rester devant le produit.
- Toujours maintenir les 2 roues au sol pendant le fonctionnement.
- S'assurer de savoir comment arrêter rapidement le moteur en cas d'urgence.
- S'assurer que les vêtements, les cheveux longs et les bijoux ne peuvent pas se coincer dans les pièces en mouvement.
- S'assurer d'être dans une position stable et sécuritaire au cours du travail.
- L'apparition soudaine de personnes et d'animaux peut empêcher l'utilisation sécuritaire du produit. Toujours utiliser le produit avec précaution et être prêt à arrêter le produit en cas de besoin.
- Ne pas utiliser l'outil s'il n'est pas possible d'obtenir de l'aide en cas d'accident.
- Toujours utiliser des accessoires approuvés. Pour obtenir de plus amples renseignements, communiquer avec son détaillant Husqvarna.

Équipement de protection personnelle



AVERTISSEMENT: Lire les messages d'avertissement qui suivent avant d'utiliser l'appareil.

- Toujours utiliser un équipement de protection personnelle lors de l'utilisation du produit. L'équipement de protection personnelle ne supprime pas le risque de blessures. L'équipement de protection personnelle réduit la gravité des blessures en cas d'accident. Laisser le distributeur vous aider à sélectionner l'équipement adéquat.
- Utiliser un dispositif de protection homologué pour les yeux pendant l'utilisation du produit.
- Ne pas utiliser des vêtements lâches, lourds ou non adéquats. Utiliser des vêtements qui permettent de se déplacer librement.
- Utiliser des gants de protection homologués qui offrent une prise solide.
- Utiliser un casque de protection approuvé.
- Toujours porter un dispositif de protection homologué pour les oreilles lorsqu'on utilise le produit. Le fait d'entendre du bruit pendant une longue période peut engendrer une perte auditive.
- Le produit génère de la poussière et des fumées qui contiennent des produits chimiques dangereux. Utiliser une protection respiratoire adéquate.

- Utiliser des bottes à embout en acier et semelles antidérapantes.
- Vérifier qu'on dispose d'une trousse de premiers soins à proximité.
- Des étincelles peuvent se produire pendant l'utilisation du produit. S'assurer d'avoir un extincteur à proximité.

Sécurité relative aux gaz d'échappement



AVERTISSEMENT: Lire les messages d'avertissement qui suivent avant d'utiliser l'outil.

- Les gaz d'échappement du moteur contiennent du monoxyde de carbone, un gaz inodore, toxique et très dangereux. Respirer du monoxyde de carbone peut entraîner la mort. Le monoxyde de carbone étant inodore et invisible, il n'est pas possible de le détecter. Un symptôme d'intoxication au monoxyde de carbone est l'étourdissement, mais il est possible qu'une personne perde connaissance sans avertissement si la quantité ou la concentration de monoxyde de carbone est suffisante.
- Les gaz d'échappement contiennent également des hydrocarbures non brûlés, y compris du benzène. Leur inhalation à long terme peut provoquer des problèmes de santé.
- Les gaz d'échappement visibles ou odorants contiennent également du monoxyde de carbone.
- Ne pas utiliser un produit à moteur à combustion à l'intérieur ou dans des endroits mal aérés.
- Ne pas respirer les gaz d'échappement.
- S'assurer que la circulation d'air dans la zone de travail est suffisante. Ceci est très important lorsque le produit est utilisé dans des tranchées ou autres petites zones de travail où les gaz d'échappement peuvent facilement s'accumuler.

Sécurité relative au bruit



AVERTISSEMENT: Lire les messages d'avertissement qui suivent avant d'utiliser l'outil.

- Des niveaux sonores élevés et une exposition prolongée au bruit peuvent entraîner une perte auditive due au bruit.
- Pour réduire au maximum le niveau sonore, procéder à l'entretien du produit et l'utiliser comme indiqué dans le manuel d'utilisation.
- Toujours porter un dispositif de protection pour les oreilles homologué lors de l'utilisation du produit.
- Rester attentif aux appels ou cris d'avertissement lors de l'utilisation d'un dispositif de protection pour les oreilles. Retirer le dispositif de protection pour les oreilles lorsque le produit est arrêté, sauf si une protection auditive est nécessaire en raison du niveau sonore dans la zone de travail.

Dispositifs de sécurité sur l'outil



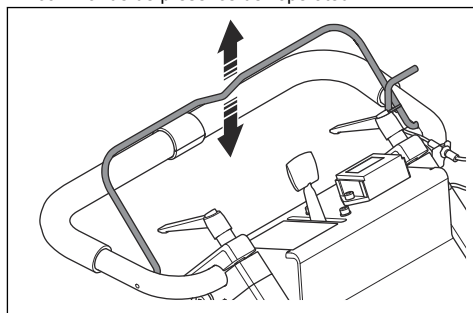
AVERTISSEMENT: Lire les messages d'avertissement qui suivent avant d'utiliser l'outil.

- Ne pas utiliser un outil dont les dispositifs de protection sont défectueux.
- Vérifier régulièrement les dispositifs de sécurité. Si les dispositifs de sécurité sont défectueux, parler à votre agent d'entretien Husqvarna.

Vérification de la commande de présence de l'opérateur

La commande de présence de l'opérateur coupe le moteur. Quand la commande de présence de l'opérateur est relâchée, le moteur s'arrête.

- Démarrer le moteur, puis relâcher la commande de présence de l'opérateur. Si le moteur ne s'arrête pas en trois secondes, communiquer avec un atelier spécialisé Husqvarna agréé pour réparer la commande de présence de l'opérateur.



Silencieux

Le silencieux maintient le niveau de bruit au minimum et dirige les gaz d'échappement loin de l'utilisateur.

Ne pas utiliser l'outil si le silencieux est manquant ou défectueux. Un silencieux défectueux augmente le niveau sonore et le risque d'incendie.



AVERTISSEMENT: Le silencieux devient très chaud pendant et après utilisation et lorsque le moteur tourne au ralenti. Faire attention à proximité des matériaux inflammables ou des fumées afin d'éviter tout risque d'incendie.

Pour vérifier le silencieux

- Examiner régulièrement le silencieux pour s'assurer qu'il est correctement raccordé et en bon état.

Sécurité – carburant



AVERTISSEMENT: Lire les messages d'avertissement qui suivent avant d'utiliser l'outil.

- L'essence est inflammable et les vapeurs sont explosives. Faire attention avec le carburant afin d'éviter toute blessure, tout incendie et toute explosion.
- Ne pas respirer les vapeurs de carburant. Les vapeurs de carburant sont toxiques et peuvent provoquer des blessures. S'assurer que le débit d'air est suffisant.
- Ne pas enlever le bouchon du réservoir de carburant ou remplir le réservoir de carburant lorsque le moteur est en marche.
- Laisser le moteur refroidir avant de faire l'appoint.
- Ne pas faire le plein de carburant à l'intérieur. Un débit d'air insuffisant peut entraîner des blessures ou la mort en raison d'une asphyxie ou du monoxyde de carbone.
- Ne pas fumer à proximité du carburant ou du moteur.
- Ne pas placer des objets chauds à proximité du carburant ou du moteur.
- Ne pas faire l'appoint de carburant à proximité d'étincelles ou de flammes.
- Avant de faire le plein, ouvrir lentement le couvercle du réservoir de carburant et relâcher la pression avec précaution.
- Le carburant peut provoquer des lésions cutanées. Si du carburant se déverse sur la peau, se nettoyer au savon doux et à l'eau.
- Si du carburant se déverse sur les vêtements, changer immédiatement de vêtement.
- Ne jamais remplir le réservoir de carburant complètement. La chaleur provoque une dilatation du carburant. Laisser un espace dans la partie supérieure du réservoir de carburant.
- Serrer fermement le couvercle du réservoir de carburant. Si le couvercle du réservoir de carburant n'est pas bien serré, il y a un risque d'incendie.
- Utiliser le bouchon du réservoir de carburant avec ventilation pendant le fonctionnement et l'entreposage.

- Avant de démarrer l'outil, le déplacer à au moins 3 m (10 pi) de l'endroit où le plein de carburant a eu lieu.
- Ne pas démarrer l'outil s'il y a du carburant ou de l'huile moteur sur l'outil. Éponger le carburant et l'huile moteur indésirables et laisser l'outil sécher avant de démarrer le moteur.
- Vérifier régulièrement le moteur à la recherche de fuites. S'il y a des fuites dans le système de carburant, ne pas démarrer le moteur jusqu'à ce que les fuites soient réparées.
- Ne pas utiliser les doigts pour rechercher d'éventuelles fuites au niveau du moteur.
- N'entreposer le carburant que dans des contenants homologués.
- Lorsque l'outil et le carburant sont entreposés, s'assurer que le carburant et les vapeurs de carburant ne peuvent pas provoquer de dommages.
- Vider le carburant dans un contenant homologué à l'extérieur et loin d'étincelles ou de flammes.

Consignes de sécurité pour l'entretien

- Toujours mettre la commande d'accélération en position d'arrêt (A) avant d'effectuer l'entretien du produit. Se reporter à la section *Commande d'accélérateur à la page 53*.
- Garder toutes les pièces en bon état d'utilisation et s'assurer que toutes les fixations sont correctement serrées.
- Ne pas utiliser un produit endommagé. Effectuer les vérifications de sécurité, de maintenance et d'entretien conformément aux instructions fournies dans ce manuel. Tous les autres travaux de maintenance doivent être effectués par un agent d'entretien agréé.
- Arrêter le produit pour remplacer les outils diamantés.
- Effectuer l'inspection ou l'entretien avec le moteur à l'arrêt.
- Toujours laisser le moteur se refroidir avant de procéder à l'entretien du produit.
- S'assurer d'effectuer l'entretien du produit sur un sol horizontal stable.
- Effectuer la maintenance pour s'assurer que le produit fonctionne de façon adéquate. Se reporter à la section *Entretien à la page 55*

Fonctionnement

Introduction



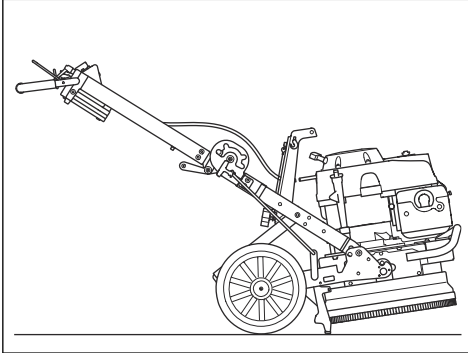
AVERTISSEMENT: Avant d'utiliser le produit, lire et bien comprendre le chapitre sur la sécurité.



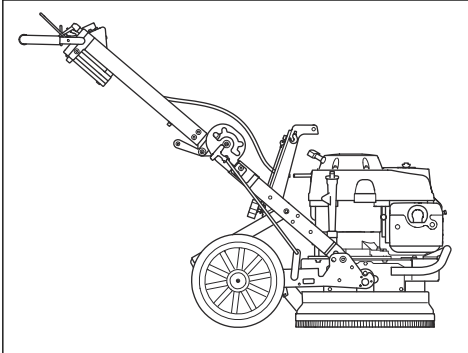
AVERTISSEMENT: Faire attention lors du réglage du guidon entre la position de fonctionnement, la position d'entretien et la position de transport. La poignée est lourde et doit être maintenue fermement. Regarder autour de soi avant de régler la position de la poignée afin d'éviter tout dommage ou toute blessure.

Positions du produit

Position de démarrage du moteur



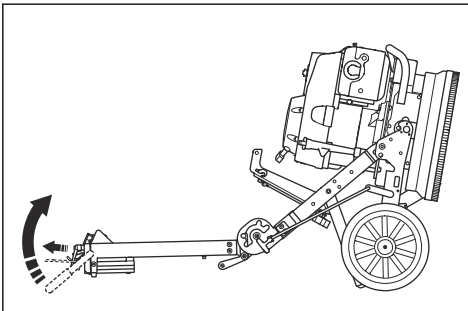
Position de fonctionnement



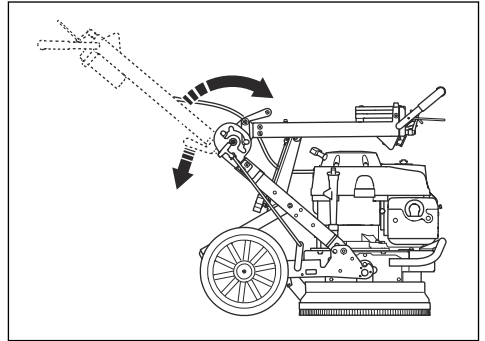
Position d'entretien



MISE EN GARDE : Ne placer le produit à la position d'entretien que sur une surface horizontale.



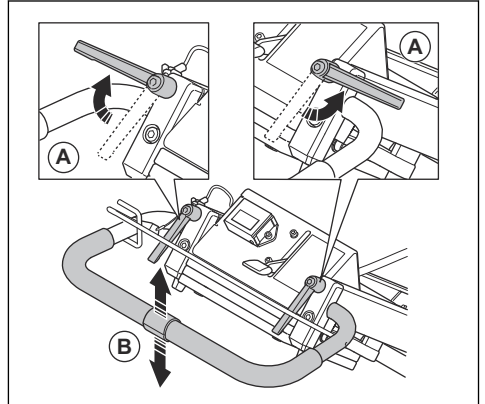
Position de transport



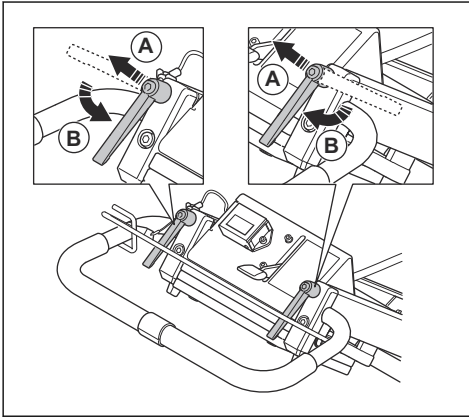
Réglage du guidon

Les boutons de verrouillage du guidon fonctionnent dans le sens horaire, dans le sens antihoraire ou à la position de ralenti.

1. Desserrer les boutons de verrouillage (A) et régler le guidon (B) à la position voulue.



2. Lorsque la position du guidon est réglée, tirer les boutons de verrouillage de la poignée vers le haut (A) et les placer à la position de ralenti (B).



Hauteurs de poignée

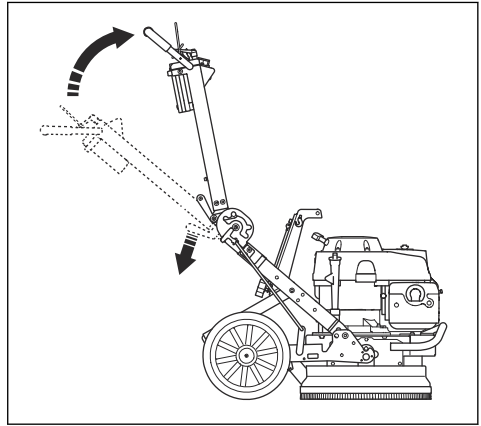
Position du trou	Hauteur du guidon, mm/po
Haut	835/33
Centrale	925/36
Inférieure	1000/39

Réglage de la hauteur du châssis

On peut modifier l'angle du châssis pour diviser le poids du châssis. Il s'agit de réduire ou augmenter la pression de surfaçage à la surface.

1. Couper le moteur. Se reporter à la section *Arrêt de la machine* à la page 55.

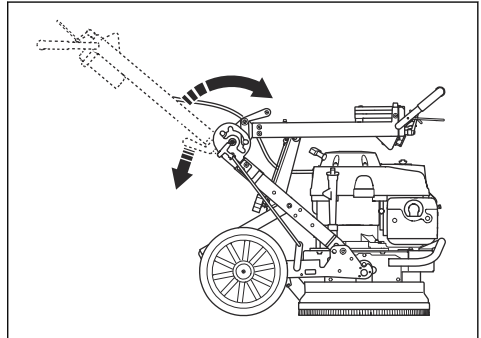
2. Placer un pied sur le châssis de support. À l'aide des mains, pousser la poignée à joint angulaire sur la charnière centrale. Simultanément, rabattre la poignée vers l'avant en position de transport.



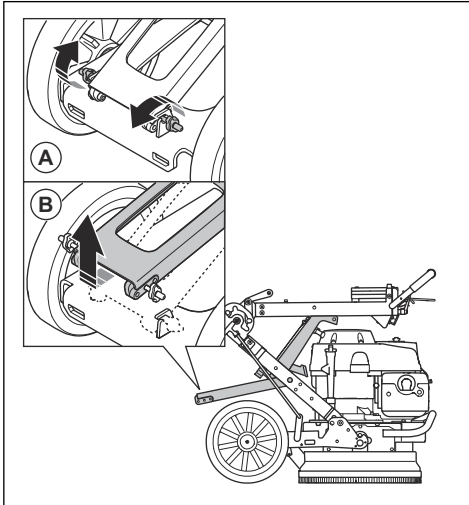
AVERTISSEMENT: Replier la poignée à l'aide des deux mains et d'un pied.

Remarque : Mettre en place une protection entre le moteur et l'armoire électrique pour éviter d'endommager le produit.

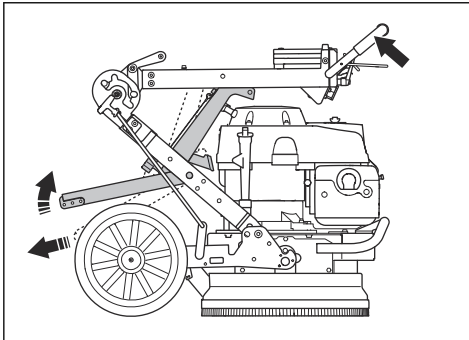
3. Vérifier que la poignée est entièrement repliée.



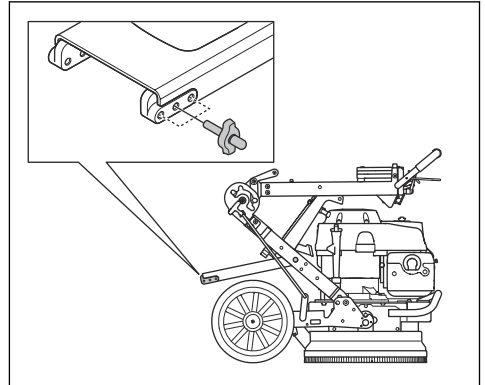
4. Retirer les boutons de verrouillage (A) pour desserrer le châssis de support (B).



5. Tenir le guidon pour garder la poignée stable et lever le châssis de support vers l'extérieur et vers le haut.



6. Sélectionner la position applicable pour le châssis de support et serrer le bouton de verrouillage. Le trou inférieur augmente la pression de meulage et de la hauteur du guidon. Le trou supérieur diminue la pression de meulage et la hauteur du guidon.



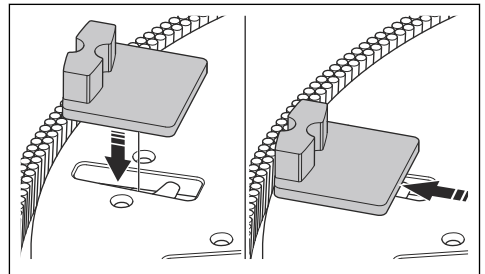
7. Placer le produit à la position de fonctionnement.

Outils diamantés

Il y a plusieurs types d'outils diamantés pour le produit. Communiquer avec votre centre d'entretien agréé ou consulter www.husqvarnacp.com pour choisir le bon outil diamanté.

Installation des outils diamantés

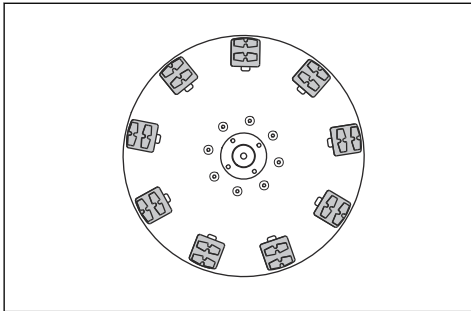
La plaque porte-outil utilise le système RediLock™ Dovetail.



L'installation des outils diamantés sur la plaque de l'outil n'a aucun effet sur les performances du produit. Le type d'outil diamanté, ainsi que le nombre de segments sur l'outil diamanté est important. Toujours utiliser des jeux

symétriques d'outils diamantés pour assurer le bon équilibre de la tête de meulage.

Utiliser des outils diamantés à liant métallique avec un segment diamanté pour augmenter la pression de l'outil diamanté.



Pour les opérations de meulage les plus intensives, il est recommandé d'utiliser des outils qui n'ont qu'un sens de rotation et des parties supérieures à diamant polycristallin.

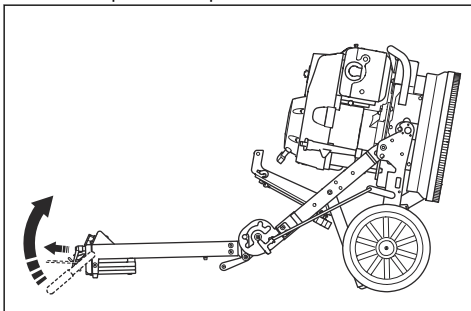
Remarque : Les outils à diamant polycristallin comme ceux de la marque Piranha™ sont conçus pour fonctionner dans un seul sens.

Remplacement des outils à diamants

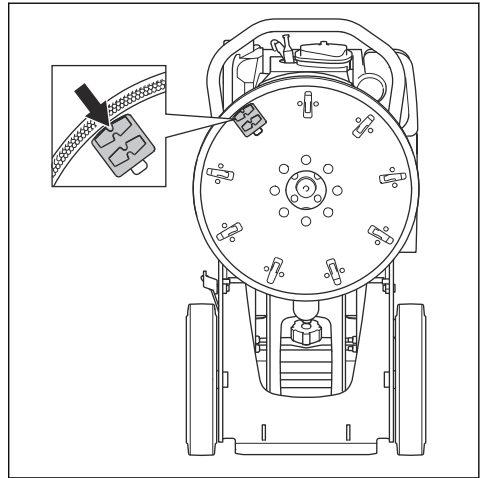


AVERTISSEMENT: Les outils diamantés peuvent devenir très chauds. Porter des gants de protection.

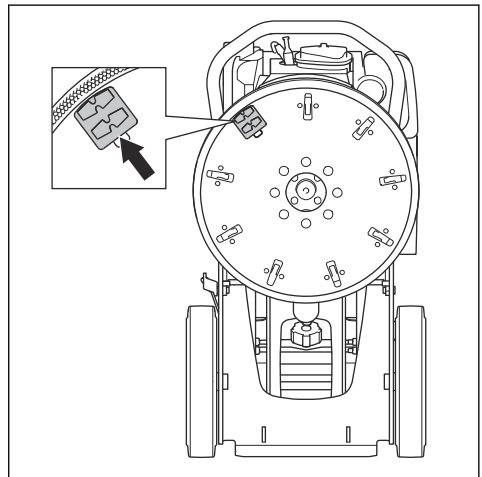
1. Vérifier que le moteur s'arrête lorsque la commande de présence de l'opérateur n'est pas appuyée contre le guidon.
2. Placer le produit à la position d'entretien.



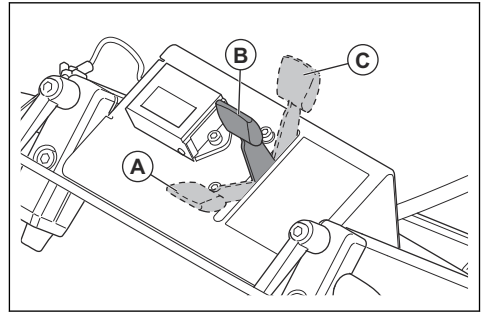
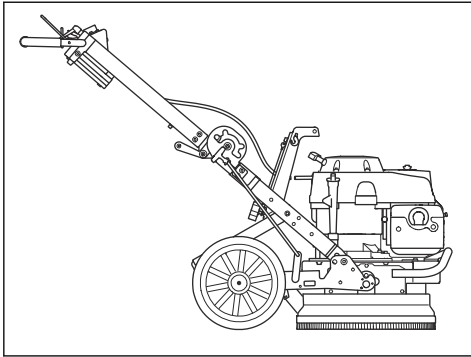
3. Utiliser un marteau pour retirer les outils diamantés.



4. Monter les nouveaux outils diamantés sur la plaque de l'outil.



5. Placer le produit à la position de fonctionnement.

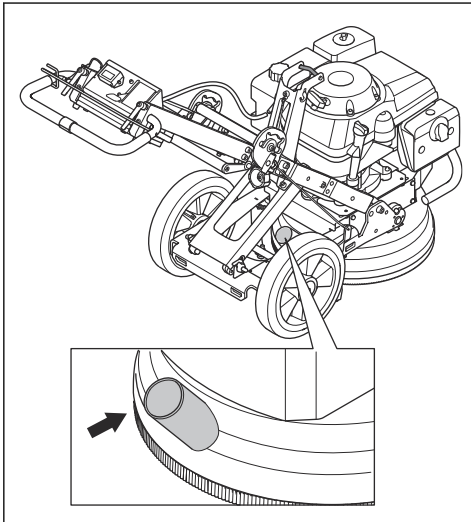


AVERTISSEMENT: Toujours placer la commande d'accélération en position d'arrêt (A) lors de l'arrêt du produit afin d'éviter tout démarrage accidentel.

Branchement de l'extracteur de poussière

Lors du meulage à sec, utiliser un système d'aspirateur Husqvarna. Se reporter à la section *Données techniques* à la page 60. Les aspirateurs recommandés sont Husqvarna T 4000 Petrol ou S 36.

1. Brancher l'extracteur de poussière sur le produit.



2. Veiller à ce que les filtres de l'extracteur de poussière soient en bon état et non endommagés. Surveiller la poussière pendant l'opération.

Commande d'accélérateur

La commande d'accélération comporte 3 positions :

- Position d'arrêt (A).
- Position du mode de fonctionnement (B).
- Position de démarrage/position du starter (C).

Pour contrôler le sens de fonctionnement

Pendant le fonctionnement, le produit peut dévier vers les côtés. Le sens de traction est lié au sens de rotation de la tête de meulage et au mode de fonctionnement du produit.

- Toujours maintenir les 2 roues au sol pendant le fonctionnement du produit.
- Exercer des forces latérales sur la poignée pour diriger le produit.
- Toujours tenir fermement la poignée à deux mains pour rester stable et s'assurer que le produit ne se déplace pas latéralement.

Faire le plein

Si disponible, utiliser de l'essence à faibles émissions ou un alkylat. Si de l'essence à faibles émissions ou un alkylat ne sont pas disponibles, utiliser de l'essence sans plomb de bonne qualité ou de l'essence au plomb avec un indice d'octane d'au moins 90.



MISE EN GARDE : Ne pas utiliser d'essence à indice d'octane inférieure à 90 RON (87 AKI). Cela pourrait endommager le produit.

1. Ouvrir le bouchon du réservoir de carburant lentement pour libérer la pression.
2. Remplir le réservoir lentement avec un bidon de carburant. En cas de déversement de carburant, le nettoyer avec un chiffon et laisser le reste du carburant sécher.
3. Nettoyer la zone autour du bouchon du réservoir de carburant.
4. Serrer fermement le couvercle du réservoir de carburant. Si le couvercle du réservoir de carburant n'est pas bien serré, il y a un risque d'incendie.

5. Avant de démarrer l'outil, le déplacer à au moins 3 m (10 pi) de la position où le plein de carburant a été fait.

2 bouchons de réservoir de carburant différents

Le produit est fourni avec 2 bouchons de réservoir de carburant différents.

- Le bouchon du réservoir de carburant à utiliser est fixé au réservoir de carburant. Ce bouchon de réservoir de carburant est doté d'une ventilation et permet au moteur de fonctionner.
- Le bouchon du réservoir de carburant pour l'entretien est un bouchon de réservoir entièrement étanche. Ce bouchon de réservoir de carburant doit être utilisé uniquement pendant l'entretien afin d'éviter toute fuite de carburant.

Remarque : Le moteur s'arrête si le bouchon du réservoir de carburant pour l'entretien est utilisé pendant le fonctionnement. Avec un bouchon de réservoir entièrement étanche, le moteur n'aspire pas de carburant.

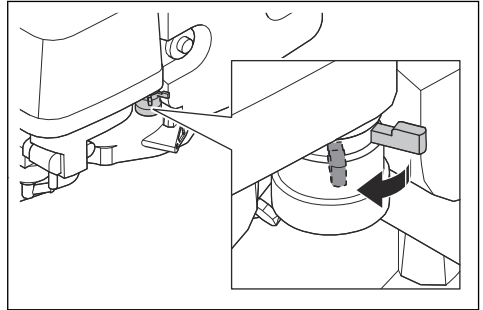
Remarque : Un autre autocollant pour le bouchon de réservoir étanche est fourni avec le produit.

Avant d'utiliser le produit

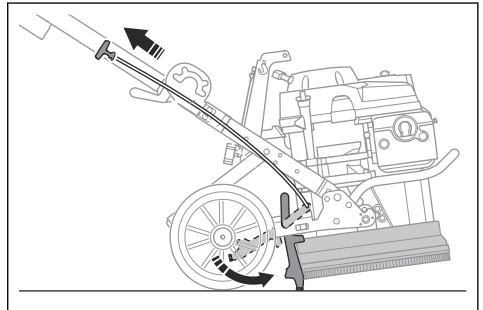
1. Lire attentivement le manuel d'utilisation et veiller à bien comprendre les directives.
2. Utiliser de l'équipement de protection individuelle. Se reporter à la section *Équipement de protection personnelle* à la page 46.
3. Effectuer l'entretien quotidien. Se reporter à la section *Calendrier d'entretien* à la page 55.
4. S'assurer que le produit est correctement monté et qu'il n'est pas endommagé.
5. Placer la meuleuse sur la zone de travail. S'assurer que la surface est horizontale.
6. S'assurer que les outils diamantés se trouvent sur la tête de meulage et qu'ils sont bien fixés.
7. Brancher l'extracteur de poussière sur le produit. Se reporter à la section *Branchement de l'extracteur de poussière* à la page 53.
8. Régler le guidon à une hauteur adéquate pour l'utilisation du produit. Se reporter à la section *Réglage du guidon* à la page 49.
9. Remplir le réservoir de carburant. Se reporter à la section *Faire le plein* à la page 53.
10. Installer le bouchon du réservoir de carburant ventilé.
11. Vérifier le niveau d'huile moteur. Se reporter à la section *Vérification du niveau d'huile* à la page 56.

Mise sous tension de l'appareil

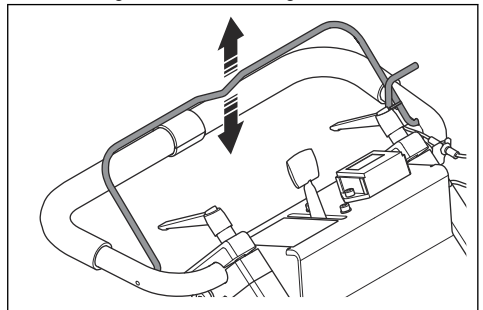
1. Ouvrir le robinet de carburant.



2. Déplacer la commande d'accélération à la bonne position. Se reporter à la section *Commande d'accélérateur* à la page 53.
 - a) En cas de démarrage avec un moteur froid, placer la commande d'accélération en position de démarrage.
 - b) Si le moteur est chaud, placer la commande d'accélération à la position du mode de fonctionnement.
3. Incliner la tête de meulage et tirer la poignée de support de démarrage pour soulever les outils diamantés de la surface.

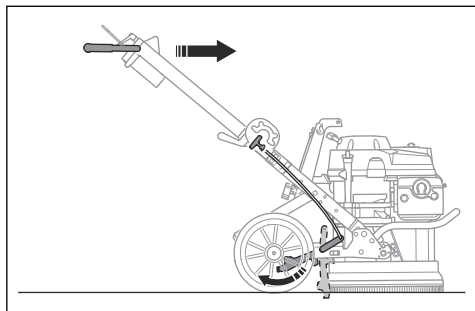


4. Maintenir la commande de présence de l'opérateur contre le guidon avec la main gauche.



5. Saisir la poignée du lanceur avec la main droite.

- Lorsque le moteur tourne sans à-coups, placer la commande d'accélération à la position du mode de fonctionnement.
- Déplacer le produit vers l'avant pour libérer le support de démarrage et abaisser les outils diamantés.



Arrêt de la machine



MISE EN GARDE : Ne pas soulever la plaque porte-outils de la surface tant que le moteur n'est pas complètement arrêté. De la poussière peut se retrouver dans l'air et la surface peut être endommagée.

- Relâcher la commande de présence de l'opérateur.
- Maintenir la plaque porte-outil contre la surface jusqu'à ce qu'elle s'arrête complètement.
- Placer la commande d'accélérateur à la position d'arrêt.
- Fermer le robinet de carburant.

Entretien

Introduction



AVERTISSEMENT: Avant de procéder à l'entretien, lire et bien comprendre le chapitre sur la sécurité.

Pour tous les travaux d'entretien et de réparation sur le produit, une formation spécifique est nécessaire. La disponibilité des réparations et des entretiens effectués

de façon professionnelle est garantie. Si un distributeur n'est pas un agent d'entretien, communiquer avec lui pour connaître l'agent d'entretien le plus proche.

Calendrier d'entretien

La fréquence d'entretien est calculée sur la base d'une utilisation quotidienne. Les intervalles changent si le produit n'est pas utilisé tous les jours.

Entretien	Chaque utilisation	Premier mois ou après 20 h	Tous les 3 mois ou toutes les 50 h	Tous les 6 mois ou toutes les 100 h	Chaque année ou toutes les 300 h
Nettoyer le produit.	X				
Vérifier la brosette.	X				
Vérifier le niveau d'huile moteur.	X				
Vidanger l'huile.		X		X	
Vérifier le filtre à air.	X				
Nettoyer le filtre à air.			X ¹³		
Remplacer le filtre à air.					X
Vérifier la bougie d'allumage.				X	
Remplacer la bougie d'allumage					X

Nettoyage du produit

- Toujours nettoyer l'ensemble de l'équipement après utilisation.

- Ne pas utiliser un nettoyeur haute pression pour nettoyer le produit.

¹³ Nettoyer plus fréquemment si le produit est utilisé dans des endroits sales.

- Maintenir les ouvertures d'air propres et dégagées pour s'assurer que le produit a toujours une température suffisamment froide.

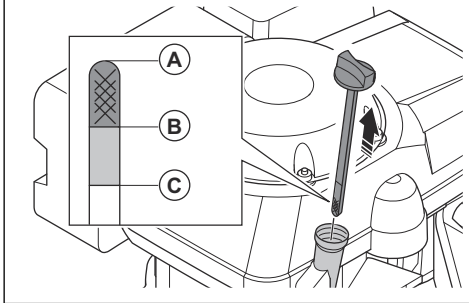
Remarque : Ne pas utiliser d'air comprimé pour nettoyer la partie sous la tête de meulage.

Vérification du niveau d'huile



MISE EN GARDE : L'utilisation du produit avec un niveau d'huile bas peut endommager le moteur.

1. Couper le moteur. Se reporter à la section *Arrêt de la machine à la page 55*.
2. Placer le produit sur un sol plat.
3. Retirer le bouchon du réservoir d'huile.
4. Nettoyer l'huile de la jauge qui est fixée au bouchon du réservoir d'huile.
5. Placer la jauge dans le réservoir d'huile. Ne pas serrer.
6. Retirer la jauge d'huile et regarder le niveau d'huile.



- a) Si le niveau d'huile est trop bas (A), remplir avec de l'huile moteur et vérifier de nouveau le niveau d'huile. Pour connaître le type d'huile correct, se reporter à la section *Données techniques à la page 60*.
 - b) Si le niveau d'huile est élevé (C), ne pas rajouter d'huile moteur. Le niveau d'huile doit être compris entre (A) et (B).
7. Bien serrer la jauge d'huile avant de démarrer le moteur.

Remarque : Le produit est doté d'un système qui indique que le niveau d'huile est trop bas. Si l'avertisseur sonore retentit, arrêter le produit et ajouter de l'huile.

Vidange de l'huile moteur

Si le moteur est froid, démarrer le moteur pendant 1 à 2 minutes avant de vidanger l'huile moteur. Cela réchauffe l'huile moteur, ce qui facilite la vidange.



AVERTISSEMENT : L'huile moteur est très chaude directement après l'arrêt du moteur. Laisser le moteur se refroidir avant de vidanger l'huile moteur. En cas de déversement d'huile moteur sur la peau, nettoyer avec du savon et de l'eau.

1. Placer le produit sur un sol plat.
2. Placer un récipient sous le bouchon de vidange d'huile.
3. Retirer le bouchon du réservoir d'huile, le bouchon de vidange d'huile et la rondelle.

Remarque : Mettez la rondelle au rebut.

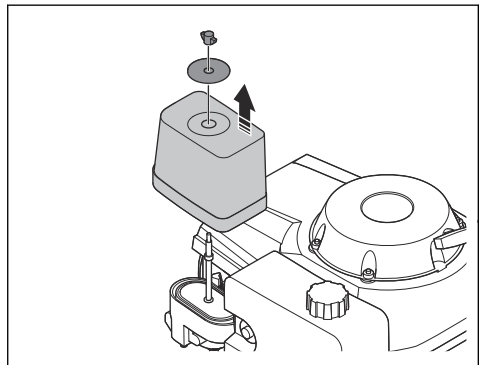
4. Incliner le produit et laisser l'huile s'écouler dans le récipient.
5. Mettre le moteur de niveau et remplir le réservoir d'huile avec l'huile recommandée. Se reporter aux sections *Vérification du niveau d'huile à la page 56* et *Données techniques à la page 60*.
6. Installer une rondelle neuve, le bouchon de vidange d'huile et serrer le bouchon du réservoir d'huile.

Pour examiner le filtre à air



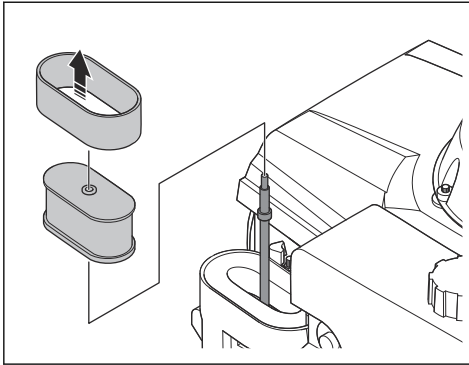
MISE EN GARDE : Ne pas utiliser le produit sans filtre à air ni avec un filtre à air endommagé.

1. Retirer l'écrou à ailettes du couvercle de filtre à air et retirer ce couvercle.

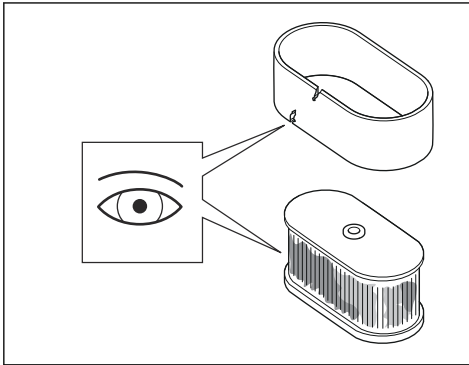


2. Retirer le filtre à air.

3. Retirer le filtre en mousse et le filtre en papier.



4. Examiner le filtre en mousse et le filtre en papier.



5. Remplacer les filtres endommagés.
6. Remplacer le filtre à air selon le calendrier. Se reporter à la section *Calendrier d'entretien à la page 55*.
7. Nettoyer le filtre en mousse et le filtre en papier s'ils sont sales. Se reporter à la section *Nettoyage du filtre à air à la page 57*.
8. Réinstaller le filtre à air dans la séquence inverse.

Nettoyage du filtre à air



AVERTISSEMENT: Porter un dispositif de protection respiratoire homologué lors du nettoyage ou du remplacement du filtre à air. Mettre au rebut les filtres à air usés correctement. La poussière présente dans le filtre à air est dangereuse pour la santé.



AVERTISSEMENT: Ne pas nettoyer le filtre à air à l'air comprimé. Cela endommage le filtre à air et augmente le risque de respirer la poussière dangereuse.

1. Retirer le filtre à air. Se reporter à la section *Pour examiner le filtre à air à la page 56*.

2. Nettoyer le boîtier du filtre à l'aide d'une brosse.
3. Tapoter le filtre à air contre une surface dure ou utiliser un aspirateur pour éliminer les particules.



MISE EN GARDE : Ne pas laisser l'embout de l'aspirateur toucher la surface de l'élément du filtre en papier. Garder une petite distance. La surface sensible de l'élément du filtre en papier est endommagée en cas de contact avec des objets.

4. Vérifier le filtre à air pour détecter des dommages.
5. Remplacer le filtre à air s'il est endommagé.



MISE EN GARDE : Toujours remplacer un filtre à air endommagé, sinon la poussière risque de pénétrer dans le moteur et de l'endommager.

6. Nettoyer le filtre en mousse avec de l'eau savonneuse.
7. Rincer le filtre en mousse à l'eau claire.
8. Essorer l'eau du filtre en mousse et le laisser sécher.
9. Lubrifier le filtre en mousse avec de l'huile moteur.
10. Appuyer un chiffon propre contre le filtre pour éliminer l'huile superflue.

Remarque : De la fumée s'échappera du moteur s'il y a trop d'huile dans le filtre en mousse lors du démarrage du moteur.

11. Remettre le couvercle du filtre à air. Se reporter à la section *Pour examiner le filtre à air à la page 56*.

Vérification de la brosse

- S'assurer que la brosse n'est pas endommagée et qu'elle forme un joint étanche avec le plancher.

Vérification de la bougie d'allumage



AVERTISSEMENT: Laisser la bougie refroidir avant de la remplacer.



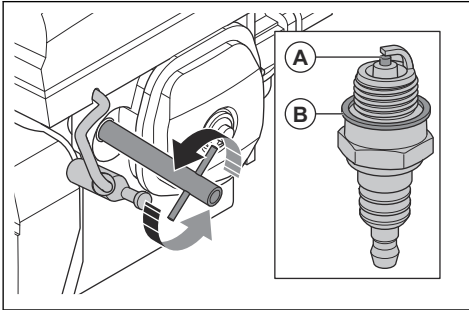
MISE EN GARDE : Toujours utiliser la bonne bougie. Se reporter à la section *Données techniques à la page 60*.



MISE EN GARDE : S'assurer que la bougie est à la bonne distance et qu'elle est exempte de dépôt.

1. Débrancher le chapeau de bougie et retirer la saleté de la zone de la bougie.

- Retirer la bougie à l'aide d'une clé à bougie de 13/16 po / 21 mm.



- Si nécessaire, plier délicatement le côté de l'électrode latérale pour corriger la distance.
- Installer la bougie avec précaution, à la main.
- Serrer la bougie à l'aide d'une clé à bougie de 13/16 po / 21 mm pour comprimer la rondelle.
 - Si une nouvelle bougie est installée, la serrer d'un tour supplémentaire après que la bougie soit calée sur la rondelle compressée.
 - Si la même bougie est réinstallée, la serrer de $\frac{1}{8}$ à $\frac{1}{4}$ de tour après que la bougie soit calée contre la rondelle comprimée.



MISE EN GARDE : Une bougie desserrée peut devenir trop chaude et endommager le moteur. Si la bougie est trop serrée, cela peut endommager la partie supérieure du cylindre.

- Vérifier la bougie d'allumage. La remplacer si elle est endommagée, si l'électrode (A) est usée ou si la rondelle d'étanchéité (B) est en mauvais état.
- Mesurer l'écartement des électrodes de bougie à l'aide d'une jauge d'épaisseur pour les fils. S'assurer que la distance est correcte. Se reporter à la section *Données techniques à la page 60*.

- Fixer le chapeau de la bougie sur la bougie.

Dépannage

Annexe sur le dépannage

Problème	Causes	Solutions possibles
Le produit ne démarre pas	La commande de présence de l'opérateur n'est pas engagée.	Maintenir la commande de présence de l'opérateur contre le guidon pendant que la poignée du lanceur est tirée.
	Le réservoir ne contient pas de carburant.	Remplir le réservoir de carburant. Se reporter à la section <i>Faire le plein à la page 53</i> .
	Il n'y a pas d'huile dans le réservoir d'huile.	Remplir le réservoir d'huile. Se reporter à la section <i>Vérification du niveau d'huile à la page 56</i> .
Le produit n'est pas facile à tenir.	Pas assez d'outils diamantés sur la tête de meulage.	Utiliser le bon nombre d'outils diamantés. Se reporter à la section <i>Outils diamantés à la page 51</i> .
	Les outils diamantés sont du mauvais type pour la surface.	
Le produit effectue des mouvements brusques.	Les outils diamantés ne sont pas correctement installés.	S'assurer que tous les outils diamantés sont correctement installés.
	Les outils diamantés ont des hauteurs différentes.	S'assurer que tous les outils diamantés sont à la même hauteur.

Problème	Causes	Solutions possibles
Le produit s'arrête après un certain temps.	Le réglage de la hauteur et du poids n'est pas correct.	S'assurer que le réglage de la hauteur et du poids est correct. Se reporter aux sections <i>Réglage de la hauteur du châssis à la page 50</i> et <i>Réglage du guidon à la page 49</i> .
	Charge trop élevée.	Fixer davantage d'outils diamantés ou changer pour un liant plus dur.
	Mauvais bouchon du réservoir de carburant. Se reporter à la section <i>2 bouchons de réservoir de carburant différents à la page 54</i> .	S'assurer que le bouchon du réservoir de carburant est bien serré lors de l'utilisation du produit.
Le produit s'arrête à nouveau après l'avoir démarré.		Communiquer avec un centre de service après-vente agréé.

Transport et entreposage

Transport du produit

- Fermer le robinet de carburant. Se reporter à la section *Mise sous tension de l'appareil à la page 54*.
- Immobiliser le produit en sécurité pendant le transport pour éviter tout dommage ou accident.
- Placer une protection adéquate sur le produit pendant le transport. La protection garde le produit à l'abri des éléments tels que la pluie et la neige.
- Toujours utiliser l'anneau de levage fixé au produit lors du levage et du déplacement du produit.
- Utiliser toujours des contenants agréés pour entreposer ou transporter le carburant.
- Vider le réservoir de carburant avant de ranger le produit pour une période prolongée. Mettre au rebut le carburant à un emplacement adéquat.
- Garder le produit dans un endroit verrouillé hors de portée des enfants et des personnes non autorisées.
- Conserver le produit dans un endroit sec à l'abri du gel.

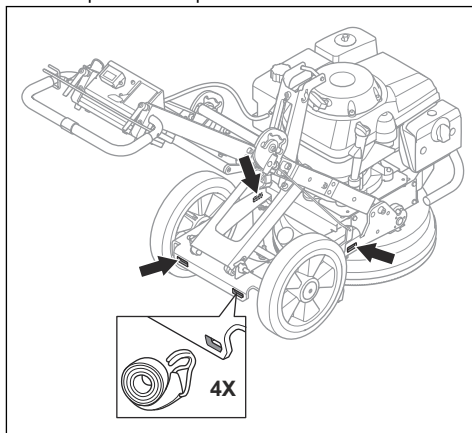
Pour régler l'outil à la position de transport

- Pour régler l'outil en position de transport, se reporter à la section *Réglage de la hauteur du châssis à la page 50*.

Pour fixer le produit sur un véhicule de transport

Monter le produit lors du transport pour éviter les accidents et les dommages à l'équipement.

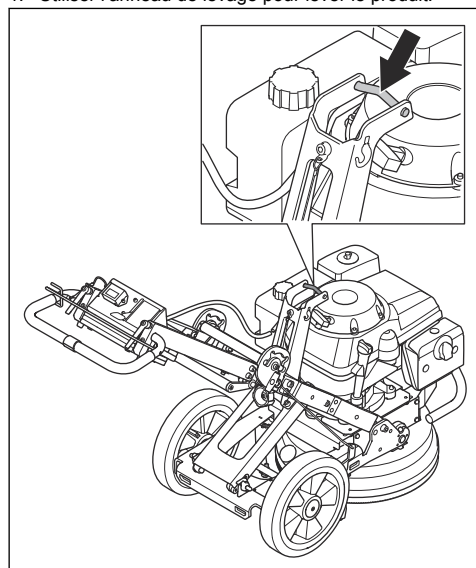
1. Fixer les sangles d'arrimage dans les orifices correspondants du produit.



2. Fixer et serrer les sangles d'arrimage sur le véhicule de transport.

Levage du produit

1. Utiliser l'anneau de levage pour lever le produit.



2. Soulever le produit avec prudence. Demander à quelqu'un de vous aider à lever le produit.

Données techniques

Données techniques

Moteur	
Modèle de moteur	HondaGXV 390
Type de moteur	4 temps, soupape en tête, 1 cylindre
Puissance nette du moteur, kW / HP à tr/min ¹⁴	7.6/10.2@3600
Vitesse de rotation – disques à meuler, tr/min à régime de ralenti max.	440 à 1125
Largeur de surfaçage, mm/po	400/15,75
Pression de meulage	
Poignée en position basse, kg/lb	62/137
Poignée en position centrale, kg/lb	64/141
Poignée en position haute, kg/lb	69/152

¹⁴ Tel que spécifiée par le fabricant du moteur. La puissance nominale du moteur indiquée est la sortie moyenne nette (à un tour par minute spécifié) d'un moteur de production typique du modèle de moteur, mesurée selon la norme SAE J1349/ISO1585. Les moteurs de production en série peuvent varier de cette valeur. La puissance de sortie réelle du moteur installé sur le produit final dépend de la vitesse de fonctionnement, des conditions environnementales et d'autres valeurs.

Système d'allumage	
Bougie d'allumage	BPR5ES (NGK) ou W16EPR-U (DENSO)
Écartement des électrodes, mm/po	0,7-0,8/0,028-0,031
Circuits d'alimentation et de lubrification	
Volume du réservoir de carburant, l	2,1
Type de carburant	Régulier sans plomb (maximum 10 % d'éthanol)
Poids	
Sans carburant, kg/lb	140/308
Huile recommandée	Huile moteur 4 temps, classification SJ, SL ou équivalent. ¹⁵
Extracteur de poussière recommandé	
Débit d'air min., m ³ /h / pi ³ /min	400/236
Aspiration min., kPa / lb/po ²	322/3,2
Élévation min. d'eau, m/po.	2,3/90
Outil de l'extracteur de poussière, mm/po	50/2
Émissions sonores¹⁶	
Niveau de puissance acoustique L _{WA} WA (mesuré) dB(A)	102
Niveaux sonores¹⁷	
Niveau de pression acoustique L _{pA} dB (A)	88
Niveaux de vibrations¹⁸	
Poignée droite, m/s ²	4,6
Poignée gauche, m/s ²	3,8

Déclaration relative au bruit et aux vibrations

Ces valeurs déclarées ont été obtenues par essai en laboratoire conformément à la directive ou aux normes indiquées et peuvent être comparées aux valeurs déclarées d'autres produits testés conformément à la même directive ou aux mêmes normes. Ces valeurs déclarées ne conviennent pas aux évaluations des

risques et les valeurs mesurées sur des lieux de travail individuels peuvent être plus élevées. Les valeurs d'exposition réelles et le risque d'atteinte encouru par un utilisateur individuel sont uniques et dépendent de la façon dont l'utilisateur travaille, du matériau dans lequel le produit est utilisé, du temps d'exposition et de la condition physique de l'utilisateur, ainsi que de l'état du produit.

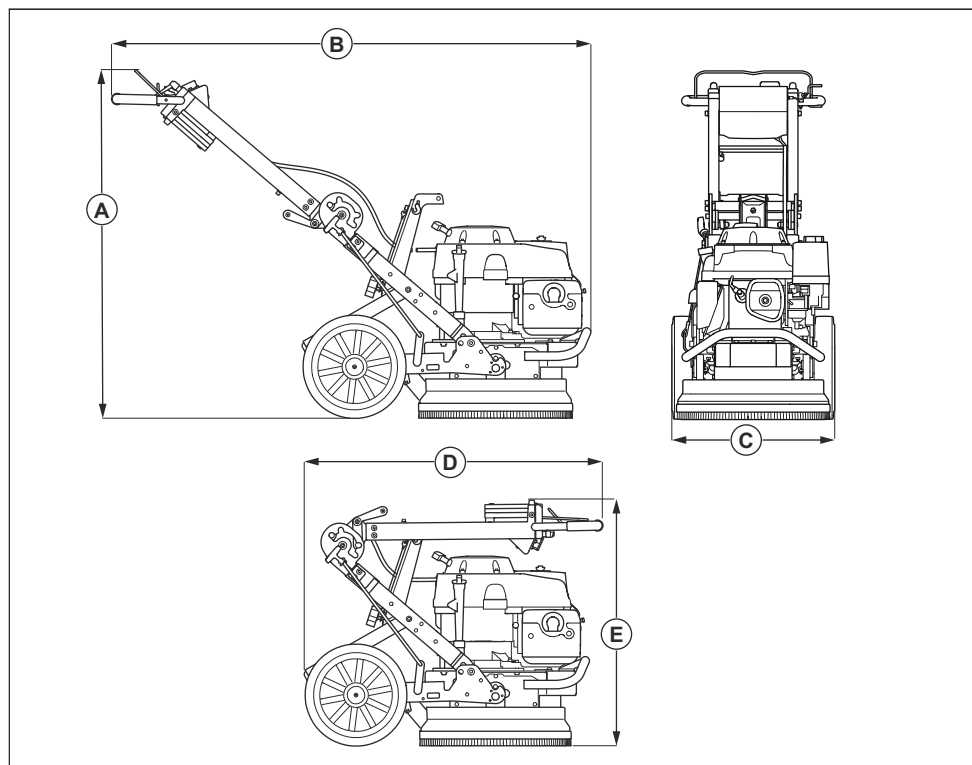
¹⁵ Toujours vérifier l'étiquette d'entretien API apposée sur le réservoir d'huile pour s'assurer qu'elle comprend les lettres SJ, SL ou l'équivalent.

¹⁶ Émission du bruit dans l'environnement mesurée en tant que puissance acoustique conforme à la directive EN 60335-2-72. Incertitude de mesure prévue : 3 dB(A).

¹⁷ Niveau de pression sonore selon la directive EN 60335-2-72. Incertitude de mesure prévue : 3 dB(A).

¹⁸ Niveau de vibration selon EN 60335-2-72. Les données signalées pour le niveau de vibration présentent une dispersion statistique type (écart standard) de 1 m/s².

Dimensions de l'outil



Dimensions, mm/po	
A	1011/39,8
B	1397/55
C	480/18,9
D	900/35,4
E	710/28,0



www.husqvarnacp.com

Original instructions
Instrucciones originales
Instructions d'origine

1141501-49



2019-11-18