



 **Husqvarna**[®]



LT 5005, LT 6005

Contents

Introduction.....	2	Transportation, storage and disposal.....	14
Safety.....	5	Technical data.....	17
Operation.....	9	EC Declaration of Conformity.....	21
Maintenance.....	10	Warranty.....	22

Introduction

California Proposition 65



WARNING

The engine exhaust from this product contains chemicals known to the State of California to cause cancer, birth defects or other reproductive harm.

Product description

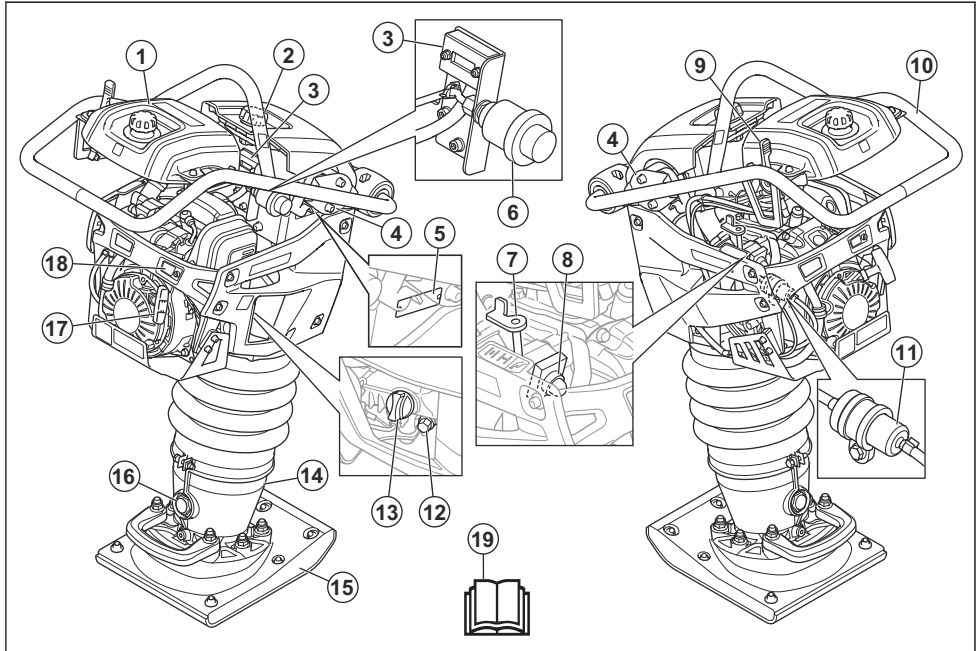
The product is a rammer for compaction of granular soil, fine-grained soil and soil that has high contents of clay.

Intended use

The product is for professional operation only. The product is used for compaction in trenches, around

pipes or other small spaces. Examples of such work are house foundations and parking lots. Do not use the product for other tasks.

Product overview

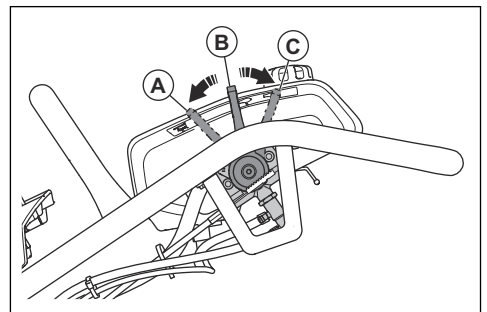


1. Fuel tank
2. Locking knob for the cover
3. Hour meter
4. Vibration damping units
5. Type plate
6. Air filter indicator
7. Choke control
8. Primer bulb
9. Throttle control
10. Handle / Safety frame
11. Fuel filter
12. Drain plug for engine oil
13. Oil tank / dipstick
14. Rammer leg
15. Rammer shoe
16. Sight glass for the oil in the spring-loaded rammer leg
17. Starter rope handle
18. Engine oil indicator
19. Operator's manual

Throttle control

The throttle control has 3 available positions:

- Operation mode position (A)
- Start position / idle speed position (B)
- Stop position (C)



Symbols on the product



Be careful and use the product correctly. This product can cause serious injury or death to the operator or others.

Hour meter

When the engine is on, the hour meter shows the engine speed in rpm. When the engine is off, the hour meter shows the total operation time of the product in hours.



Read the manual carefully and make sure that you understand the instructions before you use the product.



Air filter indicator.



Use hearing protection.



Use protective boots.



The spring can eject and cause injury.



Hot surface.



Lift the product at this position on the safety frame.



Operation position.



Start position / idle speed position.



Engine stop position.



Fuel: Unleaded gasoline with a maximum of 10% ethanol.



Engine oil level.



Primer bulb.



Set throttle control in start position.



Choke closed.



Push the primer bulb 5 times.



Pull the starter rope handle.



Choke open.



Let the engine operate at idle speed.



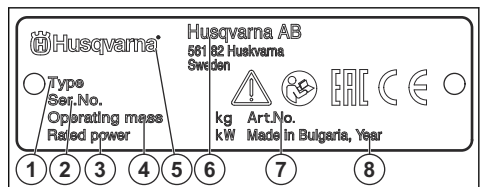
Noise emission to the environment as referred to in the EC directive. The emission of the product is specified in *Technical data on page 17* and on the label.



This product is in compliance with applicable EC directives.

Note: Other symbols/decals on the product refer to special certification requirements for some markets.

Type plate



1. Product type
2. Serial number with production date, year, week and sequence number
3. Rated power
4. Product weight
5. Brand
6. Manufacturer and manufacturer address
7. Product number
8. Production year

EPA



- the product is incorrectly repaired.
- the product is repaired with parts that are not from the manufacturer or not approved by the manufacturer.
- the product has an accessory that is not from the manufacturer or not approved by the manufacturer.
- the product is not repaired at an approved service center or by an approved authority.

Product liability

As referred to in the product liability laws, we are not liable for damages that our product causes if:

Safety

Safety definitions

Warnings, cautions and notes are used to point out specially important parts of the manual.



WARNING: Used if there is a risk of injury or death for the operator or bystanders if the instructions in the manual are not obeyed.



CAUTION: Used if there is a risk of damage to the product, other materials or the adjacent area if the instructions in the manual are not obeyed.

Note: Used to give more information that is necessary in a given situation.

General safety instructions



WARNING: Read the warning instructions that follow before you use the product.

- This product is a dangerous tool if you are not careful or if you use the product incorrectly. This product can cause serious injury or death to the operator or others. Before you use the product, you must read and understand the contents of this operator's manual.
- Save all warnings and instructions.
- Comply with all applicable laws and regulations.
- The operator and the employer of the operator must know and prevent the risks during operation of the product.
- Do not let a person operate the product unless they read and understand the contents of the operator's manual.
- Do not operate the product unless you receive training before use. Make sure that all operators receive training.
- Do not let a child operate the product.

- Only let approved persons operate the product.
- The operator is responsible for accidents that occur to other persons or their property.
- Do not use the product if you are tired, ill, or under the influence of alcohol, drugs or medicine.
- Always be careful and use your common sense.
- This product produces an electromagnetic field during operation. This field can under some circumstances interfere with active or passive medical implants. To decrease the risk of serious injury or death, we recommend persons with medical implants to speak to their physician and the medical implant manufacturer before operating this product.
- Keep the product clean. Make sure that you can clearly read signs and decals.
- Do not use the product if it is defective.
- Do not do modifications to this product.
- Do not operate the product if it is possible that other persons have done modifications to the product.

Safety instructions for operation



WARNING: Read the warning instructions that follow before you use the product.

- Make sure that you know how to stop the engine quickly in an emergency.
- The operator must have the physical strength that is necessary to operate the product safely.
- Do not operate the product without all protective covers installed.
- Use personal protective equipment. Refer to *Personal protective equipment on page 7*.
- Make sure that only approved persons are in the work area.
- Keep the work area clean and bright.
- Make sure that you are in a safe and stable position during operation.
- Make sure that there is no grease or oil on the handles, the safety frame and other surfaces on the product. Slippery surfaces can cause the product to

fall and there is a risk of injury and damage to the product.

- Do not use the product in areas where fire or explosions can occur.
- The product can cause objects to eject at high speed. Make sure that all persons in the work area use approved personal protective equipment. Remove loose objects from the work area.
- Before you go away from the product, stop the engine and make sure that there is no risk of accidental start.
- Make sure that clothes, long hair and jewelry do not get caught in moving parts.
- Do not hit the product.
- Always operate the product from behind with your two hands on the handle. Do not touch the rammer shoe when the product is on.
- Do not operate the product near electrical cables. The product does not have electrical insulation and injury or death can occur.
- Before you operate the product, find out if there are hidden wires, cables and pipes in the work area. If the product hits a hidden object, stop the engine immediately and examine the product and the object. Do not start to operate the product again until you know that it is safe to continue.
- Put the product in an upright position before you start it.
- Do not sit on the product.
- Keep your feet away from the rammer shoe.
- Do not operate the product with your leg on the handle.
- Do not operate the product on solid rock, hard concrete or other hard surfaces. There is a risk of injury and damage to the product.
- Do not operate the product on a slope.
- When you operate the product in a trench or other small space, make sure that the rammer shoe can move freely. If the space is too small for the rammer shoe, there is a risk of damage to the product. There is also a risk of injury from sudden movements in the product.
- If the product falls on its side during operation, stop the engine before you lift the product to upright position.

Vibration safety



WARNING: Read the warning instructions that follow before you use the product.

- During operation of the product, vibrations go from the product to the operator. Regular and frequent operation of the product can cause or increase the degree of injuries to the operator. Injuries can occur in fingers, hands, wrists, arms, shoulders, and/or nerves and blood supply or other body parts. The injuries can be debilitating and/or permanent, and

can increase gradually during weeks, months or years. Possible injuries include damage to the blood circulation system, the nervous system, joints, and other body structures.

- Symptoms can occur during operation of the product or at other times. If you have symptoms and continue to operate the product, the symptoms can increase or become permanent. If these or other symptoms occur, get medical aid:
 - Numbness, loss of feeling, tingling, pricking, pain, burning, throbbing, stiffness, clumsiness, loss of strength, changes in skin color or condition.
- Symptoms can increase in cold temperatures. Use warm clothing and keep your hands warm and dry when you operate the product in cold environments.
- Do maintenance on and operate the product as given in the operator's manual, to keep a correct vibration level.
- The product has a vibration damping system that decreases the vibrations from the handles to the operator. Let the product do the work. Do not push the product with force. Hold the product at the handles lightly, but make sure that you control the product and operate it safely. Do not push the handles into the end stops more than necessary.
- Keep your hands on the handle or handles only. Keep all other body parts away from the product.
- Stop the product immediately if strong vibrations suddenly occurs. Do not continue the operation before the cause of the increased vibrations is removed.

Dust safety



WARNING: Read the warning instructions that follow before you use the product.

- Operation of the product can cause dust in the air. Dust can cause serious injury and permanent health problems. Silica dust is regulated as harmful by several authorities. These are examples of such health problems:
 - The fatal lung diseases chronic bronchitis, silicosis and pulmonary fibrosis
 - Cancer
 - Birth defects
 - Skin inflammation
- Use correct equipment to decrease the quantity of dust and fumes in the air and to decrease dust on work equipment, surfaces, clothing and body parts. Examples of controls are dust collection systems and water sprays to bind dust. Decrease dust at the source where possible. Make sure that the equipment is correctly installed and used and that regular maintenance is done.

- Use approved respiratory protection. Make sure that the respiratory protection is applicable for the dangerous materials in the work area.
- Make sure that the airflow is sufficient in the work area.
- If it is possible, point the exhaust of the product where it cannot cause dust to go into the air.

Exhaust fumes safety



WARNING: Read the warning instructions that follow before you use the product.

- The exhaust fumes from the engine contain carbon monoxide which is an odourless, poisonous and very dangerous gas. To breathe carbon monoxide can cause death. Because carbon monoxide is odourless and cannot be seen, it is not possible to sense it. A symptom of carbon monoxide poisoning is dizziness, but it is possible that a person becomes unconscious without warning if the quantity or concentration of carbon monoxide is sufficient.
- Exhaust fumes also contain unburned hydrocarbons including benzene. Long-term inhalation can cause health problems.
- Exhaust fumes that you can see or smell also contain carbon monoxide.
- Do not use a combustion engine product indoors or in areas that do not have sufficient airflow.
- Do not breathe the exhaust fumes.
- Make sure that the airflow in the work area is sufficient. This is very important when you operate the product in trenches or other small work areas where exhaust fumes can easily collect.

Noise safety



WARNING: Read the warning instructions that follow before you use the product.

- High noise levels and long-term exposure to noise can cause noise-induced hearing loss.
- To keep the noise level to a minimum, do maintenance on and operate the product as given in the operator's manual.
- Examine the muffler for damages and defects. Make sure that the muffler is correctly attached to the product.
- Use approved hearing protection while you operate the product.
- Listen for warning signals and voices when you use hearing protection. Remove the hearing protection when the product is stopped, unless hearing protection is necessary for the noise level in the work area.

Personal protective equipment



WARNING: Read the warning instructions that follow before you use the product.

- Always use approved personal protective equipment when you operate the product. Personal protective equipment cannot fully prevent injury but it decreases the degree of injury if an accident does occur. Let your dealer help you select the correct personal protective equipment.
- Regularly do a check of the condition of the personal protective equipment.
- Use an approved protective helmet.
- Use approved hearing protection.
- Use approved respiratory protection.
- Use approved eye protection with side protection.
- Use protective gloves.
- Use boots with steel toe-cap and non-slip sole.
- Use approved work clothing or equivalent close-fitting clothing that has long sleeves and long legs.

Fire extinguisher

- Keep a fire extinguisher near during operation.
- Use a powder fire extinguisher of "ABE" class or a carbon dioxide fire extinguisher of "BE" type.

Safety devices on the product



WARNING: Read the warning instructions that follow before you use the product.

- Do not use a product with defective safety devices.
- Do a check of the safety devices regularly. If the safety devices are defective, speak to your Husqvarna service agent.

Safety frame

The safety frame prevents damage to the product if it falls. The handle and the lifting point are parts of the safety frame.

To do a check of the safety frame

- Make sure that there are no cracks or other damages on the safety frame.
- Make sure that the safety frame is correctly installed on the product.

Vibration damping units

The vibration damping units decrease vibration in the product. The vibration damping units decrease harmful vibrations to prevent injury to the operator and damage to the product.

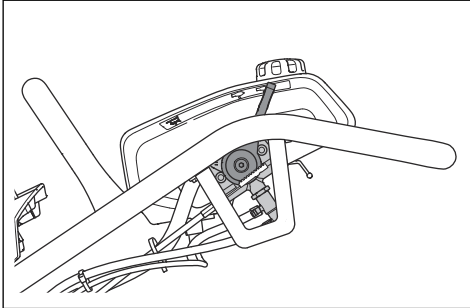
To do a check of the vibration damping system

1. Make sure that there are no cracks or deformation on the vibration damping units.
2. Make sure that the vibration damping units are correctly attached to the engine unit and handle unit.

Refer to *Product overview on page 3* for information about where the vibration damping system is on your product.

To do a check of the stop function

1. Start the product. Refer to *To start the product on page 9*.
2. Set the throttle control in the stop position.



3. If the engine does not stop, let an approved service center do servicing on the product.

Fuel safety



WARNING: Read the warning instructions that follow before you use the product.

- Fuel is flammable and the fumes are explosive. Be careful with fuel to prevent injury, fire and explosion.
- Do not breathe in the fuel fumes. The fuel fumes are poisonous and can cause injury. Make sure that the airflow is sufficient.
- Do not remove the fuel tank cap or fill the fuel tank when the engine is on.
- Let the engine become cool before you refuel.
- Do not fill fuel in an indoor area. Not sufficient airflow can cause injury or death because of asphyxiation or carbon monoxide.
- Do not smoke near the fuel or the engine.
- Do not put hot objects near the fuel or the engine.
- Do not fill fuel near sparks or flames.
- Before you refuel, open the fuel tank cap slowly and release the pressure carefully.
- Fuel on your skin can cause injury. If you get fuel on your skin, use soap and water to remove the fuel.
- If you spill fuel on your clothing, change clothing immediately.

- Do not fill the fuel tank fully. Heat causes the fuel to expand. Keep a space at the top of the fuel tank.
- Tighten the fuel tank cap fully. If the fuel tank cap is not tightened, there is a risk of fire.
- Before you start the product, move the product to a minimum of 3 m/10 ft from where you refueled.
- Do not start the product if there is fuel or engine oil on the product. Remove the unwanted fuel and engine oil and let the product dry before you start the engine.
- Examine the engine for leaks regularly. If there are leaks in the fuel system, do not start the engine until the leaks are repaired.
- Do not use your fingers to examine the engine for leaks.
- Keep fuel in approved containers only.
- When the product and fuel is in storage, make sure that fuel and fuel fumes cannot cause damage.
- Drain the fuel in an approved container outdoors and away from sparks and flames.

Safety instructions for maintenance



WARNING: Read the warning instructions that follow before you use the product.

- If the maintenance is not done correctly and regularly, the risk of injury and damage to the product increases.
- Stop the engine and let the product become cool before you do the maintenance.
- Clean the product to remove dangerous material before you do the maintenance.
- Disconnect the spark plug cap before you do the maintenance.
- The exhaust fumes from the engine are hot and can contain sparks. Do not operate the product in indoor areas or near flammable material.
- Do not change the product. Modifications that are not approved by the manufacturer, can cause serious injury or death.
- Always use original accessories and spare parts. Accessories and spare parts that are not approved by the manufacturer, can cause serious injury or death.
- Replace damaged, worn or broken parts.
- Only do the maintenance as given in this operator's manual. Let an approved service center do all other servicing.
- Remove all tools from the product before you start the engine after maintenance. Loose tools or tools attached to rotating parts can eject and cause injury.
- After maintenance, do a check of the vibration level in the product. If it is not correct, speak to an approved service center.
- Let an approved service center do servicing on the product regularly.

Operation

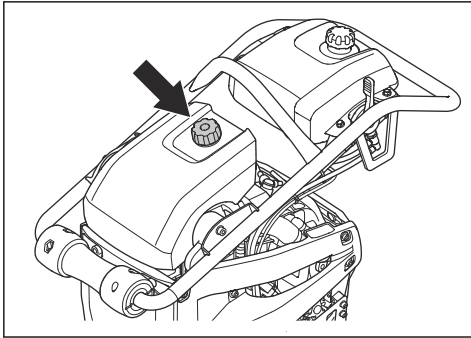
Introduction



WARNING: Read and understand the safety chapter before you use the product.

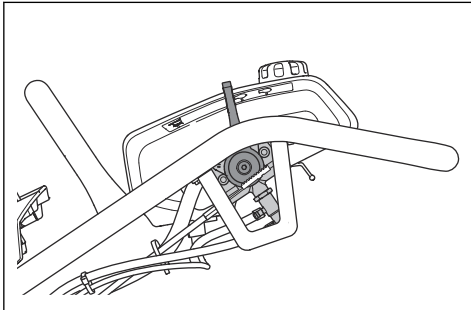
To do before you operate the product

- Read the operator's manual carefully and make sure that you understand the instructions.
- Read the engine manual that is supplied by the engine manufacturer.
- Do the daily maintenance. Refer to *Maintenance schedule on page 10*.
- Make sure that the locking knob for the cover is fully tightened and not damaged.

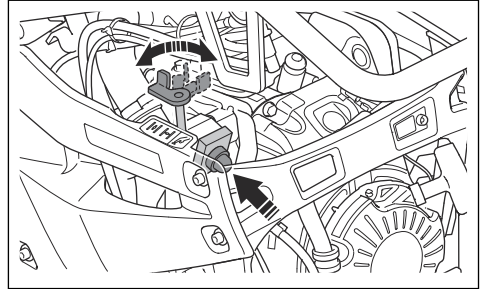


To start the product

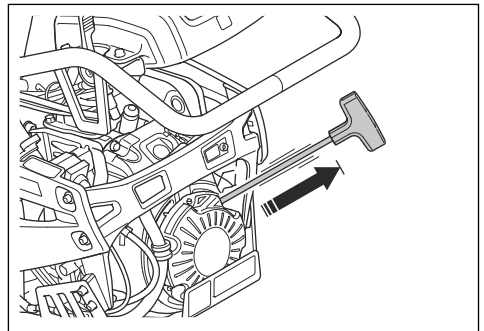
1. Set the throttle control in the start position.



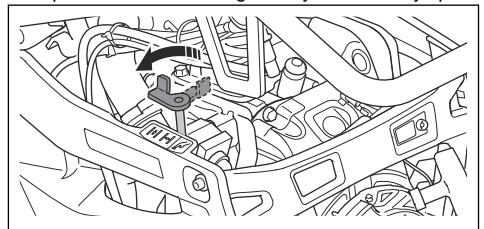
2. If the engine is cold, push the primer bulb 5 times.



3. Set the choke control in the correct position.
 - a) If the engine is cold, close the choke.
 - b) If the engine is warm or the ambient temperature is high, open the choke.
4. Pull the starter rope handle slowly until you feel resistance.



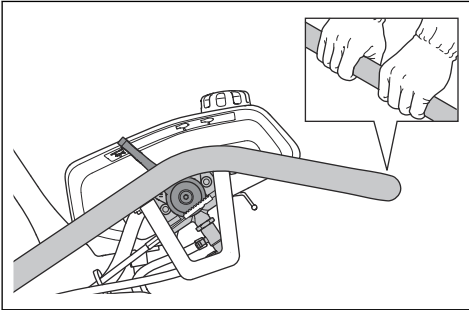
5. Release the starter rope handle to let the starter rope go back.
6. Pull the starter rope handle until the engine starts.
7. Open the choke control gradually until it is fully open.



8. Let the engine operate at idle speed for 2-3 minutes before you apply full throttle.

To operate the product

1. Set the throttle control in the operation position.

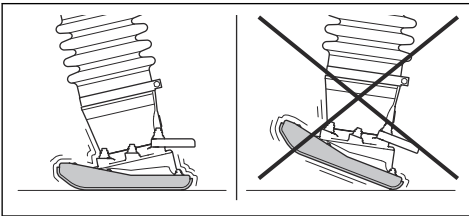


2. Hold the handle and move the product in the necessary direction.



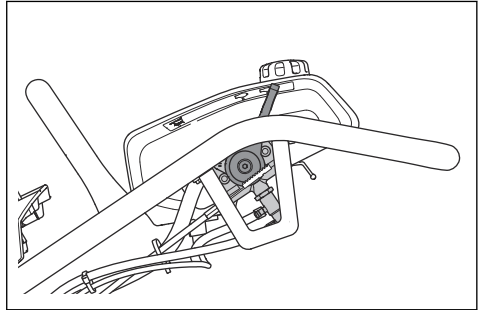
CAUTION: Do not push the product down. Too much pressure can cause unsatisfactory result.

3. Make sure that the rammer shoe is parallel to the ground during the operation.



To stop the product

- Set the throttle control in the stop position.



Maintenance

Introduction



WARNING: Read and understand the safety chapter before you do maintenance on the product.

Maintenance schedule

* = General maintenance done by the operator. The instructions are not given in this operator's manual.

X = The instructions are given in this operator's manual.

O = Refer to the engine manual for instructions.

General product maintenance	Before use, each 10 h	After the first 20 h	Weekly, each 100 h	Yearly, each 500 h
Make sure that there are no fuel or oil leaks.	*			
Clean the product.	X			
Make sure that nuts and screws are tightened.	*			
Examine the throttle control and choke control for damage.	*			
Make sure that the throttle control and the choke control can move smoothly.	*			
Do a check of the oil level in the rammer leg.	X			

General product maintenance	Before use, each 10 h	After the first 20 h	Weekly, each 100 h	Yearly, each 500 h
Replace the oil in the rammer leg.		X		X
Tighten the bolts on the rammer shoe.		X		
Examine the vibration damping units for damage.			X	X
Examine the cover knob for damage.				X

Engine maintenance	Before use, each 10 h	After the first 20 h	Weekly, each 100 h	Yearly, each 300 h
Do a check of the fuel level and the engine oil level.	X			
Do a check of the air filter indicator. Clean or replace the air filter.	X			X
Clean the cooling fins of the engine.	O			
Replace the engine oil.		X	X	X
Replace the air filter.		X	X	X
Do a check of the engine speed.		O	O	O
Examine and clean the spark plug. Replace the spark plug if it is necessary.			O	O
Clean the spark arrester screen on the muffler.			O	O
Adjust the valve head clearance for the air intake and the exhaust valves.				O
Drain the fuel and clean the fuel tank and the fuel filter.				O
Drain water from the fuel system.				O
Replace the fuel filter.				O

To clean the product



CAUTION: Before you clean the product, attach a plastic bag tightly around the fuel tank cap. This is to make sure that water does not go into the venthole in the fuel tank cap.

- Use running water from a hose or a high-pressure washer to clean the product.



CAUTION: Do not point the water directly at the fuel tank cap, electrical components or the engine.

- Use solvent to clean mechanical parts.
- Remove grease and oil from the handle.

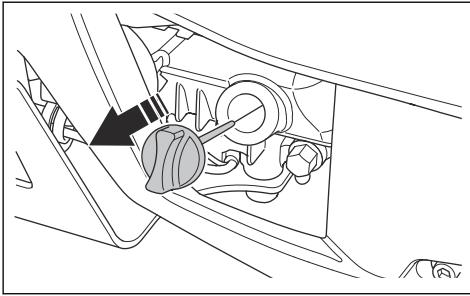
To do a general inspection

- Make sure that all nuts and screws on the product are tightened correctly.

To do a check of the engine oil level

1. Put the product in an upright position.
2. Remove the oil tank cap and dipstick.

3. Clean the oil from the dipstick.



4. Put the dipstick back fully into the oil tank.
5. Remove the dipstick.
6. Examine the oil level on the dipstick.
7. If the oil level is low, fill with engine oil and do a check of the oil level again. Refer to *Technical data on page 17* for the correct type of oil.

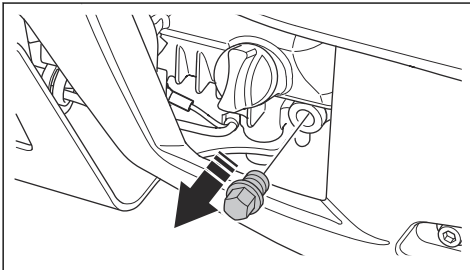
To replace the engine oil

If the engine is cold, start the engine for 1–2 minutes before you drain the engine oil. This makes the engine oil warm and easier to drain.

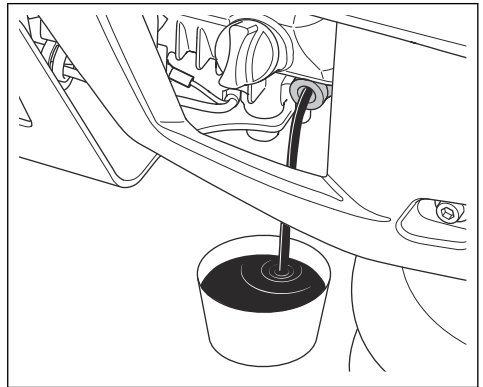


WARNING: Engine oil is very hot directly after the engine stops. Let the engine become cool before you drain the engine oil. If you spill engine oil on your skin, clean with soap and water.

1. Put a container below the drain plug for the engine oil.
2. Remove the oil drain plug.



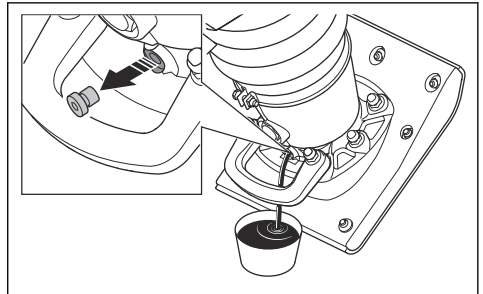
3. Tilt the product and let the oil run out into the container.



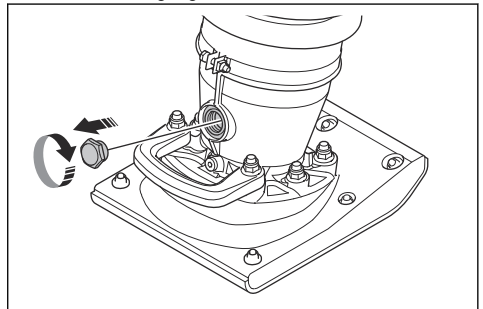
4. Install the oil drain plug and tighten it.
5. Fill with new engine oil. Refer to *Technical data on page 17* for the correct type of oil.
6. Do a check of the engine oil level.

To replace the oil in the rammer leg

1. Put a container below the oil drain plug.
2. Remove the oil drain plug.



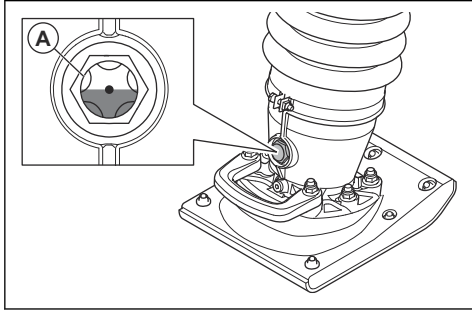
3. Let the oil run out into the container.
4. Install the oil drain plug and tighten it. Make sure that the sealing washer is not damaged.
5. Remove the sight glass.



6. Fill with new oil through the hole for the sight glass. Refer to *Technical data on page 17* for the correct type of oil.
7. Install the sight glass and tighten it fully.
8. Do a check of the oil level.

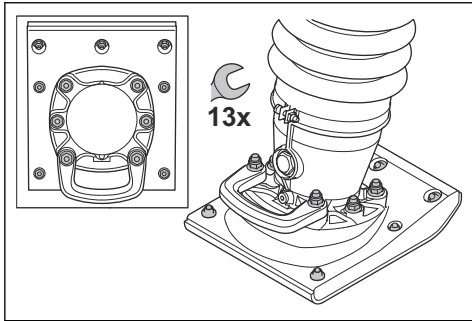
To do a check of the oil level in the rammer leg

1. Put the product in upright position.
2. Look at the sight glass (A). The oil level is correct when it is at the middle of the sight glass.



To tighten the bolts on the rammer shoe

- Tighten the 13 bolts on the rammer shoe with a wrench.



To clean or replace the air filter

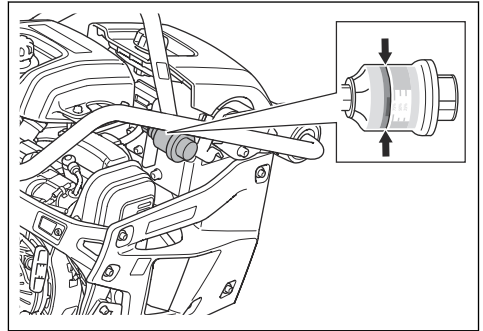


WARNING: Use approved respiratory protection when you clean or replace the air filter. Discard used air filters correctly. The dust in the air filter is dangerous to your health.

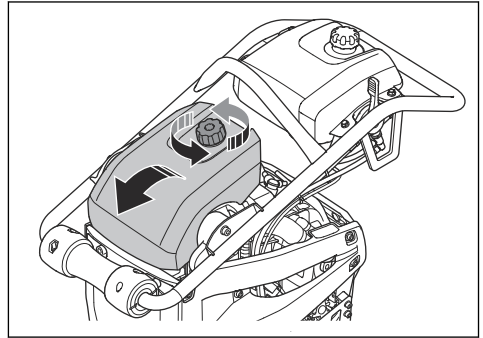


WARNING: Do not clean the air filter with compressed air. This causes damage to the air filter and the risk increases that you breathe the dangerous dust.

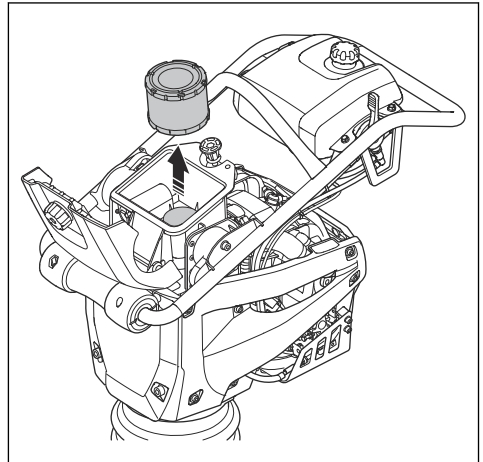
1. Examine the air filter indicator. If the air filter indicator is on red, it is necessary to replace the air filter.



2. Turn the locking knob counterclockwise and fold the cover forward.



3. Remove the air filter from the air filter housing.



4. Clean the air filter housing with a brush.
5. Tap the air filter against a hard surface or use a vacuum cleaner to remove the particles.



CAUTION: Do not let the nozzle of the vacuum cleaner touch the surface of the paper filter element. Keep a small distance. The sensitive surface of the paper filter element becomes damaged if objects touch it.

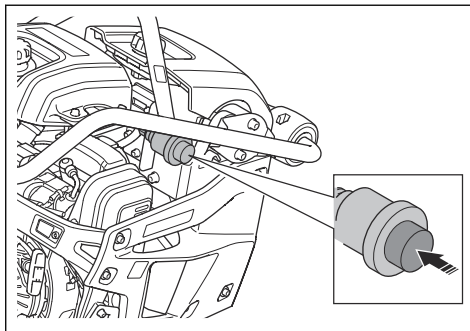
6. Examine the air filter for damage.
7. Discard the air filter if it is damaged.



CAUTION: Always replace a damaged air filter, or the dust will go into the engine and cause engine damage.

8. Put the clean air filter or a new air filter into the air filter housing.

9. Push the reset button for the air filter indicator.



10. Fold the air filter cover down and turn the locking knob clockwise until you hear a click.

Note: The air filter cover is not correctly locked until you hear the click.

Transportation, storage and disposal

Transportation



WARNING: Be careful during transportation. The product is heavy and can cause injury or damage if it falls or moves during transportation.

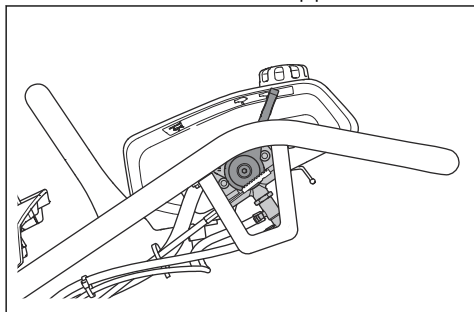
Transport wheels let you move the product manually for shorter distances. For longer distances, lift the product to move it or put the product on a vehicle.



CAUTION: Do not tow the product behind a vehicle.

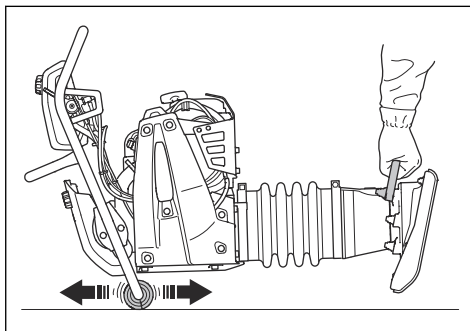
To move the product on the transport wheels

1. Set the throttle control in the stop position.



2. Tilt the product forward until the wheels on the handle are on the ground.

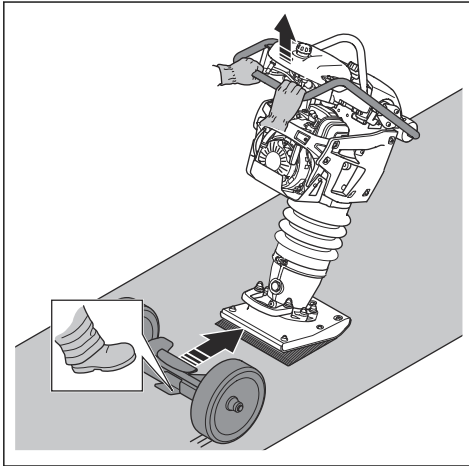
3. Lift the product at the lift handle and move it forward and rearward on the wheels.



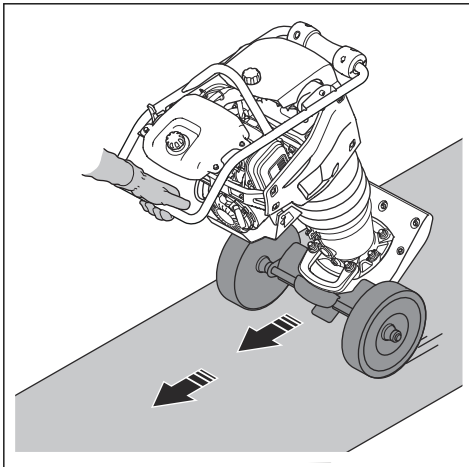
To install and remove the transport device (LT 5005)

1. Set the throttle control in the stop position.
2. Lift the handle to tilt the product away from you.

- Use your foot to put the transport device between the rammer shoe and the lift handle on the rammer leg.



- Push the handle down to tilt the product rearward.



- Remove the transport device in the opposite sequence.



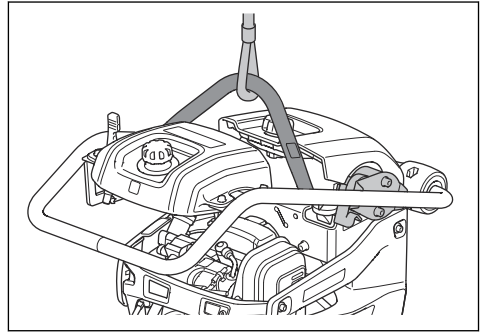
WARNING: Do not use your hands to install or remove the transport device. Push it in and pull it away from the product with your foot.

To lift the product



WARNING: Make sure that the lifting equipment has the correct specification to lift the product safely. The type plate on the product shows the product weight.

- Attach the lifting equipment at the lifting point of the safety frame. A label on the product identifies the correct position.



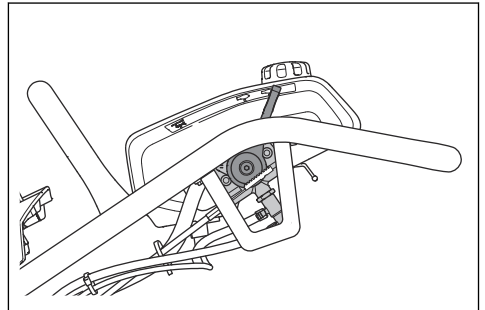
WARNING: Do not lift a damaged product. Make sure that the safety frame and the vibration damping units are correctly installed and not damaged.



WARNING: Do not walk or stay below or near a lifted product.

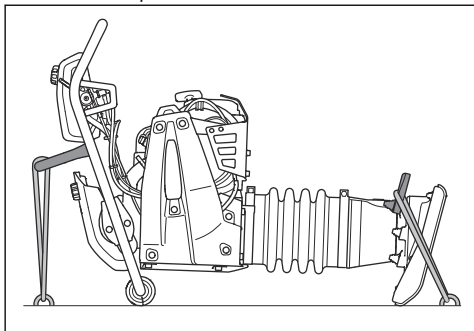
To safety the product to a transportation vehicle with tie-down straps

- Set the throttle control in the stop position.



- Tilt the product forward until the wheels on the handle are on the ground.
- Attach a strap to the lifting eye and to the vehicle.

4. Attach a strap to the lift handle and to the vehicle.



Storage

- Remove all fuel from the fuel tank before you put the product in storage for a long period of time. Discard the fuel at an applicable disposal location.
- Clean the product before storage. Remove clay and sand from the rammer shoe. Remove oil and dust from the rubber parts.
- Apply a thin layer of oil on the rammer shoe to prevent corrosion.
- Clean the air filter before storage.
- Carefully pull the starter rope handle until there is a small resistance.
- Put a protective cover on the product.
- Keep the product in a dry and frost free area.
- Keep the product in a locked area to prevent access for children or persons that are not approved.

Disposal

- Obey the local recycling requirements and applicable regulations.
- Discard all chemicals, such as engine oil or fuel, at a service center or at an applicable disposal location.
- When the product is no longer in use, send it to a Husqvarna dealer or discard it at a recycling location.

Technical data

Technical data

	LT 5005		LT 6005	
	Rammer leg width 153 mm/6 in.	Rammer leg width 230 mm/9 in.	Rammer leg width 230 mm/9 in.	Rammer leg width 280 mm/11 in.
Weight with empty tanks, kg/lb	60/132.3	61/134	68/149	69/151
Operation weight (EN500, incl. oil, ½ fuel), kg/lb	61/134	62/136.7	69/151	70/154
Engine brand, type	Honda, GXR 120	Honda, GXR 120	Honda, GXR 120	Honda, GXR 120
Engine power, kW/hp @rpm ¹	2.8/3.75 @3750	2.8/3.75 @3750	2.8/3.75 @3750	2.8/3.75 @3750
Vibration frequency, Hz/rpm	11.9/714	11.9/714	11.9/714	11.9/714
Amplitude, mm/in.	54/2.1	54/2.1	67.7/2.7	67.7/2.7
Operation speed, m/min or ft./min	15–18 or 49–59	15–18 or 49–59	15–18 or 49–59	15–18 or 49–59
Fuel tank capacity, l/qts	3.0/3.2	3.0/3.2	3.0/3.2	3.0/3.2
Engine oil capacity *, l/qts	0.3/0.31	0.3/0.31	0.3/0.31	0.3/0.31
Fuel consumption, l/h or qts/h	0.9	0.9	0.8	0.8
Rammer leg oil capacity, l/qts	0.6/0.63	0.6/0.63	0.9/0.95	0.9/0.95
Fuel *	Unleaded gasoline, max. 10% ethanol	Unleaded gasoline, max. 10% ethanol	Unleaded gasoline, max. 10% ethanol	Unleaded gasoline, max. 10% ethanol
Engine oil *	SAE 10W-30, API Class SJ	SAE 10W-30, API Class SJ	SAE 10W-30, API Class SJ	SAE 10W-30, API Class SJ
Rammer leg oil	SAE 10W-30, API Class SJ	SAE 10W-30, API Class SJ	SAE 10W-30, API Class SJ	SAE 10W-30, API Class SJ

* = For further information and questions about this specific engine, refer to the engine manual or the web site of the engine manufacturer.

Noise and vibration emissions	LT 5005	LT 6005
Sound power level, measured dB (A)	104	104

¹ As specified by the engine manufacturer. The power rating of the engine indicated is the average net output (at specified rpm) of a typical production engine for the engine model measured to SAE standard J1349/ISO1585. Mass production engines may differ from this value. Actual power output for the engine installed on the final product will depend on the operating speed, environmental conditions and other values.

Noise and vibration emissions	LT 5005	LT 6005
Sound power level, guaranteed L_{WA} dB (A) ²	106	106
Sound pressure level at the operator's ear, L_P , dB (A) ³	92	92
Vibration level, a_{hv} , m/s^2 ⁴	6.4	6.4

Noise and vibration declaration statement

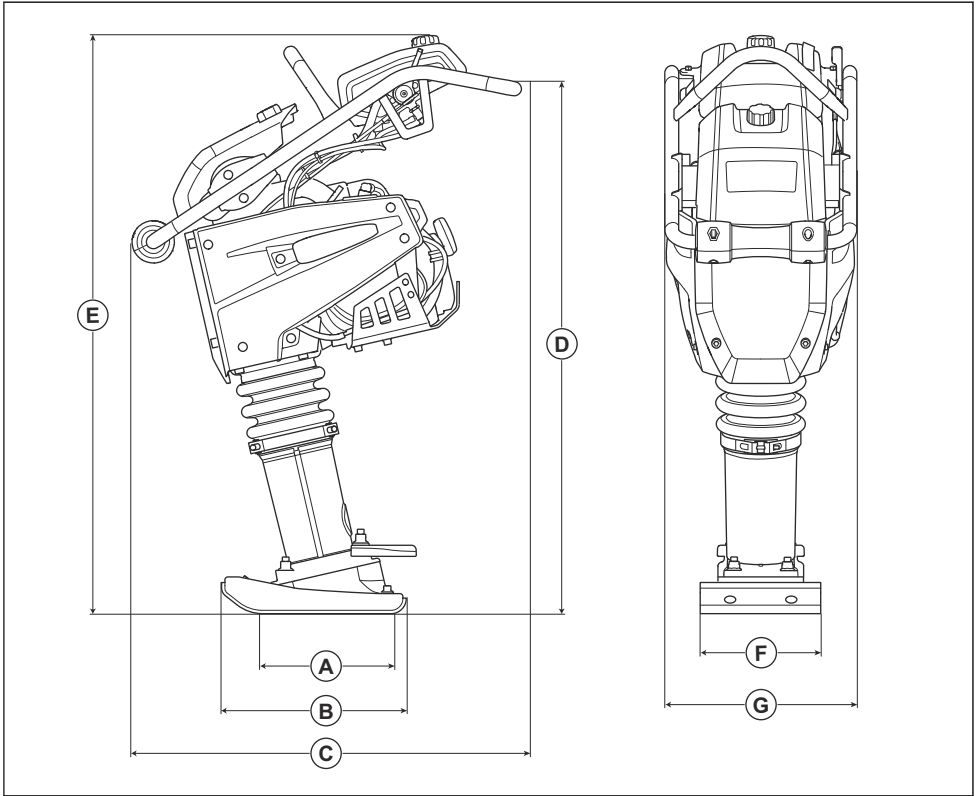
These declared values were obtained by laboratory type testing in accordance with the stated directive or standards and are suitable for comparison with the declared values of other products tested in accordance with the same directive or standards. These declared values are not suitable for use in risk assessments and values measured in individual work places may be higher. The actual exposure values and risk of harm experienced by an individual user are unique and depend upon the way the user works, in what material the product is used, as well as upon the exposure time and the physical condition of the user, and the condition of the product.

² Noise emissions in the environment measured as sound power (L_{WA}) as per EN ISO 3744 in conformity with EC directive 2000/14/EC. The difference between guaranteed and measured sound power is that the guaranteed sound power also includes dispersion in the measurement result and the variations between different machines of the same model according to Directive 2000/14/EC.

³ Sound pressure level L_P according to EN ISO 11201, EN 500-4. Uncertainty K_{PA} 3.5 dB (A).

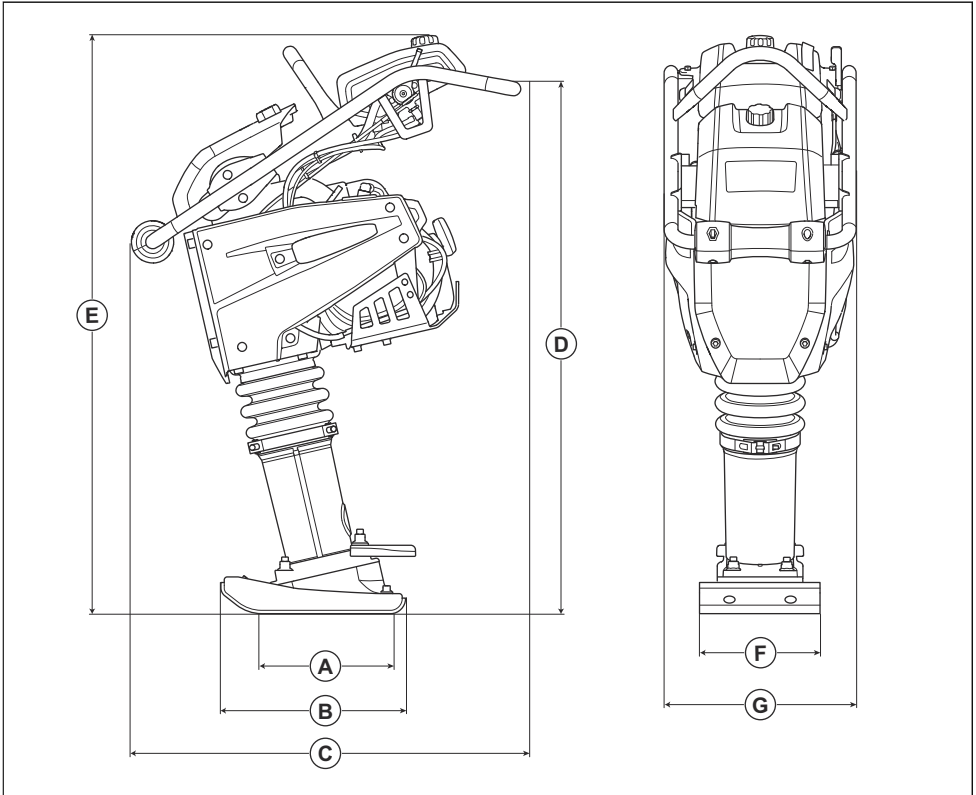
⁴ Vibration value according to EN 500-4. Reported data for vibration level has a typical statistical dispersion (standard deviation) of $1.5 m/s^2$.

Product dimensions LT 5005



A	Rammer shoe contact area, m ² /sq. ft.	0.034/0.36 / 0.053/0.57	E	Height, mm/in.	1030/40.6
B	Rammer shoe length, mm/in.	330/13	F	Rammer shoe width, mm/in.	153/6 / 230/9
C	Length, mm/in.	726/28.6	G	Width, mm/in.	345/13.6
D	Handle height, mm/in.	910/35.8			

Product dimensions LT 6005



A	Rammer shoe contact area, m ² /sq. ft.	0.053/0.57 / 0.065/0.70	E	Height, mm/in.	1084/42.7
B	Rammer shoe length, mm/in.	330/13	F	Rammer shoe width, mm/in.	230/9 / 280/11
C	Length, mm/in.	726/28.6	G	Width, mm/in.	345/13.6
D	Handle height, mm/in.	935/36.8			

EC Declaration of Conformity

EC Declaration of Conformity

We, **Husqvarna AB**, SE-561 82 Huskvarna, Sweden, tel: +46-36-146500, declare on our sole responsibility that the product:

Description	Rammer Compaction Machine
Brand	Husqvarna
Type/Model	LT 5005, LT 6005
Identification	Serial numbers dating from 2019 and onwards

complies fully with the following EU directives and regulations:

Directive/Regulation	Description
2006/42/EC	"relating to machinery"
2000/14/EC	"relating to outdoor noise"

and that the following harmonized standards and/or technical specifications are applied;

EN 500-1+A1:2009

EN 500-4:2011

Notified body: 0038, Lloyd's Register Verification Limited, 71 Fenchurch Street, London, EC3M 4BS, UK, has certified conformity with the Council's Directive 2000/14/EC, Annex VIII, Full Quality Assurance.

For information relating to noise emissions, refer to the chapter *Technical data on page 17*.

Partille, 2019-10-10



Martin Huber

Global R&D Director

Concrete Surfaces & Floors

Husqvarna AB, Construction Division

Warranty

U.S FEDERAL AND CANADA EVAPORATIVE EMISSION CONTROL WARRANTY STATEMENT

IMPORTANT:This product is compliant with U.S. EPA Phase 3 regulations for evaporative emissions. We recommend using only genuine product branded replacement parts to ensure that your product remains compliant with federal and state laws.

YOUR WARRANTY RIGHTS AND OBLIGATIONS

The U.S. EPA and Husqvarna Construction Products North America Inc. (HCP) are pleased to explain the evaporative emission control system warranty on your small off-road equipment in accordance with the U.S. Environmental Protection Agency (EPA), and Environment Canada requirements. In the U.S. and Canada, new small off-road equipment and emission control systems must be designed, built, and equipped to meet stringent air emission standards. HCP warrants the evaporative emission control system on your small off-road equipment for the period of time listed below provided there has been no abuse, neglect, improper maintenance, unapproved modifications, or misuse of your small off-road equipment. Where a warrantable condition exists, we will repair your small off-road equipment at no cost to you. Expenses covered under warranty include diagnosis, parts and labor, and shipping if required as provided in this Warranty.

MANUFACTURER'S WARRANTY COVERAGE

HCP warrants to the initial consumer purchaser and each subsequent purchaser that the evaporative emission control system has been designed, built and equipped so that it conforms at the time of sale to the initial consumer purchaser, and for a period of two years thereafter, to the requirements of the applicable provisions of federal and state clean air and emissions laws and regulations, and are free from defects in materials and workmanship which would cause them not to comply with those requirements. If any emission related part on your evaporative emission control system is defective, the part will be repaired or replaced.

OWNER'S WARRANTY RESPONSIBILITIES

As the small off-road equipment owner, you are responsible for performing the required maintenance listed in your operator's manual. We recommend that you retain all receipts covering maintenance on your small off-road evaporative emission control system, but we will not deny warranty solely for the lack of receipts or your failure to ensure the performance of all scheduled maintenance. As the small off-road equipment owner, you should however be aware that we may deny you warranty coverage if a part of your small off-road equipment evaporative emission control system has failed due to abuse, neglect, improper maintenance, unapproved modifications or misuse. You are

responsible for presenting your small off-road equipment to an HCP authorized or service center as soon as the problem exists. If the nearest HCP authorized service center is more than 100 miles from your location, we will arrange and pay for the shipping costs to and from an HCP authorized service center or otherwise arrange for warranty service in accordance with applicable regulations. The warranty repairs will be completed in a reasonable amount of time, not to exceed 30 days.

WHAT IS COVERED

REPAIR OR REPLACEMENT OF PARTS: Repair or replacement of any defective warranted part will be performed at no charge to you at an HCP authorized service center. Except for repairs and replacement under this Evaporative Emission Control Warranty, you may choose a repair shop or other person to maintain, replace or repair emission control devices and systems. However, we recommend that all maintenance, replacement and repairs of evaporative emission control devices and systems be performed by an HCP authorized service center.

WARRANTY PERIOD: Any warranted part which is not scheduled for replacement as required maintenance, or which is scheduled only for regular inspection to the effect of "repair or replace as necessary" is warranted for 2 years from the date of purchase by initial consumer purchaser or the length of time of the limited warranty provided with the product whichever is longer. Any warranted part which is scheduled for replacement as required maintenance shall be warranted for the period of time up to the first scheduled replacement for that part.

DIAGNOSIS: You will not be charged for diagnostic labor which leads to the determination that a warranted part requires repair or replacement under this warranty, if the diagnostic work is performed at an HCP authorized service center. **OTHER DAMAGE:** Depending on the nature of the damage, we may also repair other engine components caused by the failure of a warranted part still under warranty.

WHAT IS NOT COVERED

All failures caused by abuse, neglect, improper maintenance, unapproved modifications or misuse are not covered.

The use of add-on or modified parts can be grounds for disallowing a warranty claim. We may choose not to cover any failure of a warranted part that was caused by the use of add-on or modified parts.

HOW TO FILE A CLAIM

If you have any questions regarding your warranty rights and responsibilities, please contact your nearest HCP authorized service center or call 1-800-288-5040, or write your message at www.husqvarnacp.com/us or /ca-en/ or /ca-fr/.

WHERE TO GET WARRANTY SERVICE

Evaporative emission control system Warranty services or repairs are provided at all HCP authorized service centers. To find your nearest HCP authorized service center, go to the HCP website.

REPAIR AND REPLACEMENT OF EVAPORATIVE EMISSION-RELATED PARTS

Any HCP approved replacement part used in the performance of any warranty repair or replacement on evaporative emission-related parts, will be provided without charge to the owner if the part is under warranty.

EVAPORATIVE EMISSION-RELATED WARRANTY PARTS LIST

1. Fuel tank, lines, cap carbon canister and tip-over/anti-slosh valves as applicable.
2. All other components the failure of which would increase the engine's emissions of any regulated pollutant as set forth at the following:
 - For U.S. and Canada see US Federal Code of Regulations, 40 C.F.R 1068 Appendix I (iii).



www.husqvarnacp.com

Original instructions

1140374-26



2019-10-30