



**H Husqvarna®**



**PG 830S**

EN Operator's manual  
ES-MX Manual del usuario  
FR-CA Manuel d'utilisation

2-26  
27-53  
54-80

---

# Contents

---

Introduction.....	2	Troubleshooting.....	20
Safety.....	5	Transportation, storage and disposal.....	22
Operation.....	9	Technical data.....	24
Maintenance.....	18		

---

## Introduction

---

### Owner responsibility

---



**WARNING:** Processing of concrete and stone by methods such as cutting, grinding or drilling, especially during dry operation, generates dust that comes from the material being processed, which frequently contains silica. Silica is a basic component of sand, quartz, brick clay, granite and numerous other minerals and rocks. Exposure to excessive amount of such dust can cause:

Respiratory disease (affecting your ability to breathe), including chronic bronchitis, silicosis and pulmonary fibrosis from exposure to silica. These diseases may be fatal;

Skin irritation and rash.

Cancer according to NTP\* and IARC\* \*/ National Toxicology Program, International Agency for Research on Cancer.

Take precautionary steps:

Avoid inhalation of and skin contact with dust, mist and fumes.

Wear and ensure that all bystanders wear appropriate respiratory protection such as dust masks designed to filter out microscopic particles. (See OSHA 29 CFR Part 1926.1153)

To minimize dust emissions, use water to bind the dust, when feasible. If dry operation

is necessary, use an appropriate dust extractor.

---

It is the owner's/employer's responsibility that the operator has sufficient knowledge about how to use the product safely. Supervisors and operators must have read and understood the Operator's Manual. They must be aware of:

- The product's safety instructions.
- The product's range of applications and limitations.
- How the product is to be used and maintained.

National/Local regulations could restrict the use of this product. Find out what regulations are applicable where you work before you start using the product.

### Product description

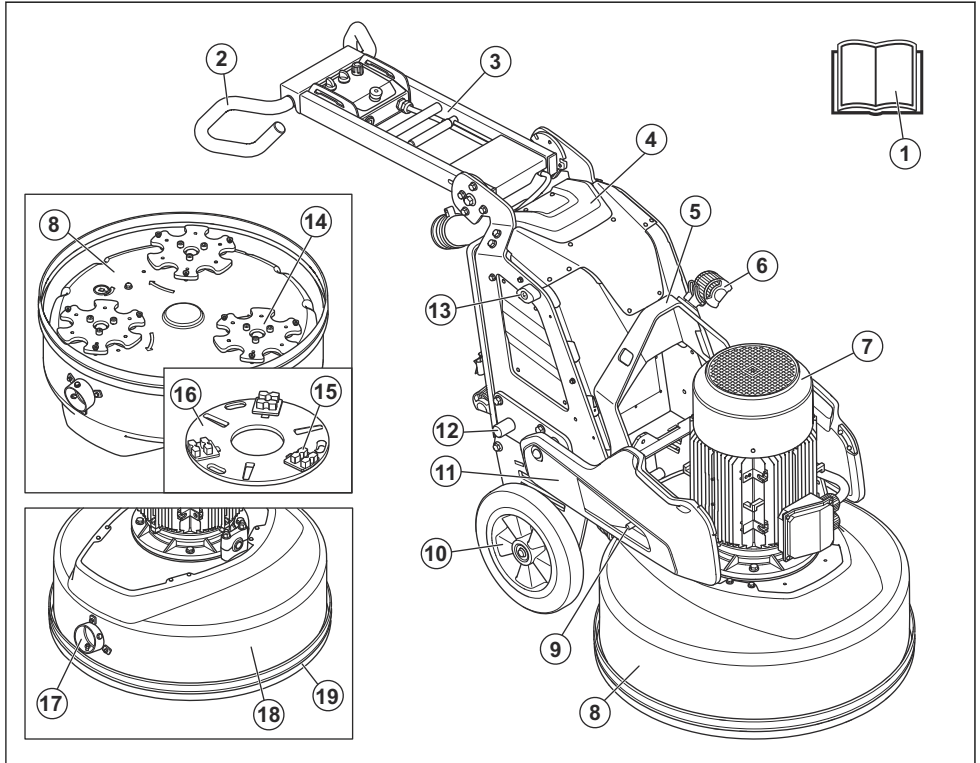
The product is a floor grinder for surfaces of different hardness.

### Intended use

The product is used to grind surfaces of materials with different hardness such as natural stone, terazzo and concrete. Also use the product to grind cover materials such as epoxy and glue. The finish of the surface can be rough or smooth. The product can be used for dry grinding and wet grinding. Do not use the product for other tasks.

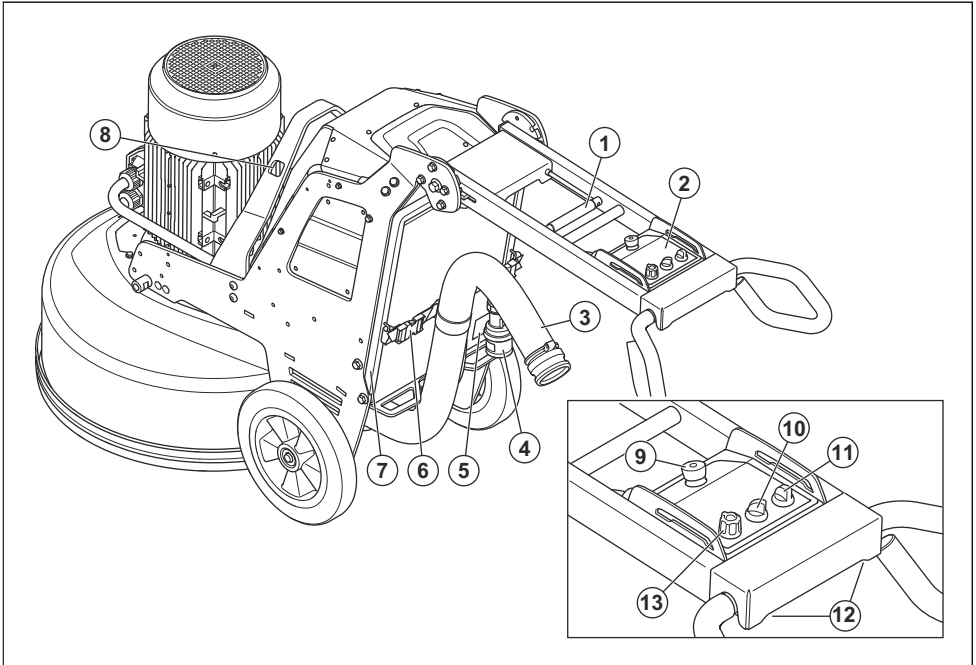
The product is used in commercial operations by professional operators.

## Product overview, right side



- |                          |                                   |
|--------------------------|-----------------------------------|
| 1. Operator's manual     | 11. Weight (accessory)            |
| 2. Handlebar             | 12. Weight holder                 |
| 3. Handle                | 13. Weight bracket                |
| 4. Electrical enclosure  | 14. Grinding disc                 |
| 5. Lifting eye           | 15. Diamond tool (accessory)      |
| 6. Headlight (accessory) | 16. Tool plate                    |
| 7. Grinding disc motor   | 17. Connection for dust extractor |
| 8. Grinding head         | 18. Cover                         |
| 9. Weight lock           | 19. Dust skirt                    |
| 10. Wheel                |                                   |

## Product overview, left side



1. Lock level for handle adjustment
2. Control panel
3. Connection for dust extractor
4. Power cord
5. Rating plate
6. Suspension device for dust extractor and power cord
7. Support frame
8. Holes for strap
9. Emergency stop button
10. STOP/RUN switch
11. ON/OFF switch
12. Screws for handlebar adjustment
13. Knob for direction of rotation and speed for grinding disc



Use hearing protection, eye protection and respiratory protection. Refer to *Personal protective equipment* on page 6.



The dust can cause health problems. Use an approved respiratory protection. Always make sure that there is good airflow.



Always lift the product at the lifting eye.



Use the holes for tie-down straps to attach the product to a transport vehicle.



Double insulation, battery and battery charger.



Use and keep battery charger only indoors.

## Symbols on the product



**WARNING:** This product can be dangerous and cause serious injury or death to the operator or others. Be careful and use the product correctly.



Read the manual carefully and make sure that you understand the instructions before you use the product.



The product is not domestic waste. Recycle it at an approved disposal location for electrical and electronic equipment.

**Note:** Other symbols/decals on the product refer to special certification requirements for some markets.

## Symbols on the control panel



Emergency stop.



Product on and reset the product.

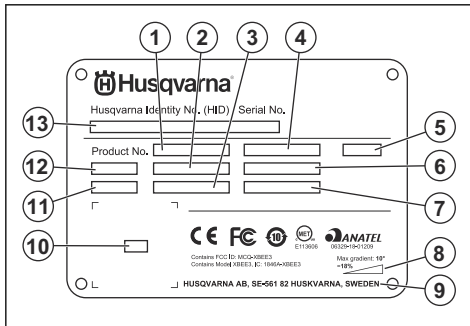


Grinding head on.



Speed and direction of rotation, grinding disc.

## Rating plate



1. Product number
2. Product weight

3. Rated power
4. Rated voltage
5. Enclosure
6. Rated current
7. Frequency
8. Maximum slope angle
9. Manufacturer
10. Scannable code
11. Production year
12. Model
13. Serial number

## Product liability

As referred to in the product liability laws, we are not liable for damages that our product causes if:

- the product is incorrectly repaired.
- the product is repaired with parts that are not from the manufacturer or not approved by the manufacturer.
- the product has an accessory that is not from the manufacturer or not approved by the manufacturer.
- the product is not repaired at an approved service center or by an approved authority.

## Husqvarna Fleet Services™

Husqvarna Fleet Services™ is a cloud solution that gives the operator an overview of all products that are connected. On this product a Husqvarna Fleet Services™ sensor can be installed. The Husqvarna Fleet Services™ sensor collects product data and lets you connect to the Husqvarna Fleet Services™ system. The Husqvarna Fleet Services™ system reports data such as operation time, servicing intervals and location of the product.

For more information about Husqvarna Fleet Services™, download the Husqvarna Fleet Services™ app or speak to your Husqvarna representative.

## Safety

### Safety definitions

Warnings, cautions and notes are used to point out specially important parts of the manual.



**WARNING:** Used if there is a risk of injury or death for the operator or bystanders if the instructions in the manual are not obeyed.



**CAUTION:** Used if there is a risk of damage to the product, other materials or the adjacent area if the instructions in the manual are not obeyed.

**Note:** Used to give more information that is necessary in a given situation.

### General safety instructions



**WARNING:** Read the warning instructions that follow before you use the product.

- This product is a dangerous tool if you are not careful or if you use the product incorrectly. This product can cause serious injury or death to the operator or others. Before you use the product, you

must read and understand the contents of this operator's manual.

- Save all warnings and instructions.
- Comply with all applicable laws and regulations.
- The operator and the employer of the operator must know and prevent the risks during operation of the product.
- Do not let a person operate the product unless they read and understand the contents of the operator's manual.
- Do not operate the product unless you receive training before use. Make sure that all operators receive training.
- Do not let a child operate the product.
- Only let approved persons operate the product.
- The operator is responsible for accidents that occur to other persons or their property.
- Do not use the product if you are tired, ill, or under the influence of alcohol, drugs or medicine.
- Always be careful and use your common sense.
- This product produces an electromagnetic field during operation. This field can under some circumstances interfere with active or passive medical implants. To decrease the risk of serious injury or death, we recommend persons with medical implants to speak to their physician and the medical implant manufacturer before operating this product.
- Keep the product clean. Make sure that you can clearly read signs and decals.
- Do not use the product if it is defective.
- Do not do modifications to this product.
- Do not operate the product if it is possible that other persons have done modifications to the product.

- If the product does not operate correctly, stop the motor.
- Make sure that clothing, long hair and jewelry do not get caught in moving parts.
- Make sure that you are in a safe and stable position during operation.
- Do not operate the product unless you can get aid if an accident occurs.
- If vibrations occur in the product or the noise level from the product is unusually high, stop the product immediately. Examine the product for damages. Repair damages or let an approved service agent do the repair.
- Overexposure to vibration can cause circulatory damage or nerve damage to persons with decreased blood circulation. Get medical aid if you have symptoms of overexposure to vibration. These symptoms include numbness, loss of feeling, tingling, pricking, pain, loss of strength, changes in skin color or condition. These symptoms usually show in the fingers, hands or wrists.
- Do not park the product on a slope. If you must park the product on a slope, make sure that the product cannot move or fall. There is a risk of injury and damage.
- Be very careful during operation on slopes. The product is heavy and can cause serious injury if it falls.
- Do not move the product on steep slopes. Look at the rating plate on the product for information about the maximum slope angle.
- Always use approved accessories. Speak to your dealer for more information.

## Safety instructions for operation



**WARNING:** Read the warning instructions that follow before you use the product.

- Use personal protective equipment. Refer to *Personal protective equipment on page 6*.
- Do not go away from the product when the motor is on.
- Always disconnect the power cord before you go away from the product.
- Do not pull the hose of the dust extractor. The product can fall and cause injury or damage.
- The grinding head must touch the surface when you start the product. This is not applicable when you do a check of the ON/OFF switch.
- Do not start the product without the dust skirt installed. The dust skirt must seal fully between the product and the floor.
- Keep away from areas where the product can cause injury. The product can quickly change position and hit you.



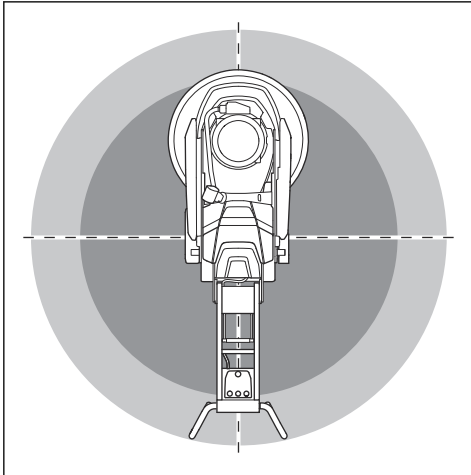
**WARNING:** Read the warning instructions that follow before you use the product.

- Always use correct personal protective equipment when you operate the product. The personal protective equipment does not erase the risk of injury. The personal protective equipment decreases the grade of injury if an accident occurs. Let your dealer help you select the right equipment.
- Use approved eye protection while you operate the product.
- Do not use loose, heavy and not applicable clothing. Use clothes that let you move freely.
- Use approved protective gloves that enables a solid hold.
- Use rubber protective gloves that prevents skin irritation from wet concrete.
- Use an approved protective helmet.
- Always use approved hearing protection while you operate the product. Noise for a long period can cause noise-induced hearing loss.

- The product makes dust and fumes that contain dangerous chemicals. Use an approved breathing protection.
- Use boots with steel toe-caps and non-slip soles.
- Make sure that you have a first aid kit near.
- Sparks can occur when you operate the product. Make sure that you have a fire extinguisher near.

### Work area safety

- During operation, keep bystanders away from the area shown in the illustration below. The operator must be very careful in this area during operation.



- Make sure that only approved persons are in the work area.
- Do not use the product in fog, rain, strong winds, cold weather, risk of lightning or other bad weather conditions. To use the product in bad weather or in wet locations can have a negative effect on your alertness. Bad weather can cause dangerous work conditions.
- Look out for persons, objects and situations that can prevent safe operation of the product.
- Keep the work area sufficiently illuminated.
- Do not use the product in areas where fire or explosions can occur.

### Electrical safety



**WARNING:** There is always a risk of shocks from electrical products. Do not use the product in bad weather conditions. Do not touch lightning conductors and metal

objects. Always use the product as given in this operator's manual to prevent injury.



**CAUTION:** The product obeys the requirements in EN61000-3-11 and is a subject for conditional connection to the power mains. Speak with the supply authority for instructions on how to connect the product.

The power supply from the product or generator must be sufficient and constant to make sure that the motor operates without problems. Incorrect voltage causes the power consumption and the temperature of the motor to increase until the safety circuit releases. The dimension of the power cord must agree with national and local regulations. The dimension of the mains socket must agree with the amperage for the electrical socket and extension cable of the product.

If the power mains has higher system resistance, short voltage drop can occur when the product is started. This can influence the operation of other products, for example flicker on the lights.

- Make sure that the power, fuse and mains voltage are the same as the voltage shown on the rating plate of the product.
- Always stop the product before you disconnect the power plug.
- Do not use the product if the power cord or power plug is damaged. Hand it in to an approved service center for repair. A damaged power cord can cause serious injury and death.
- Use the power cord correctly. Do not use the power cord to move, pull or disconnect the product. Pull the power plug to disconnect the power cord. Do not pull the power cord.
- Do not operate the product in water depths where the equipment of the product gets wet. The equipment can become damaged and the product can become live and cause injury.
- Do not get more moisture into the product than the water supplied by the water system. Keep the product away from rain. Water that goes into the product increases the risk of electrical shock.
- Always disconnect the power cord before you connect or disconnect the connection for the motor cable and the electrical enclosure.

## Guide values for power source

Nominal voltage from power source, V	Min. voltage at the product, V	Max. voltage at the product, V	Frequency, Hz	Nominal current, A	Motor output	Min. cable area mm <sup>2</sup> /AWG	Max. cable length m/ft
3x220	200	240	50/60	50	11+1.5	10/7	190/620
3x400/440/480	380	480	50/60	30	11+1.5	6/9	190/620
3x220	200	240	50/60	50	11+1.5	10/7	190/620
3x400/440/480	380	480	50/60	30	15+1.5	6/9	190/620

## Grounded product instructions



**WARNING:** Incorrect connection can result in electrical shock. Speak to an approved electrician if you are not sure if the product is correctly grounded.

Do not do modifications to the power plug from its factory specification. If the power plug is not correct for the mains outlet, let an approved electrician install a correct mains outlet. Obey local regulations and laws.

If you do not fully understand the instructions about the grounded product, speak to an approved electrician.

The product has a grounded power cord and power plug. Always connect the product to a grounded mains outlet. This decreases the risk of electrical shock if there is a malfunction.

Do not use electrical adapters with the product.

## Extension cables

- Use only approved extension cables with sufficient length.
- The rated value on the extension cable must be the same or higher than given on the rating plate of the product.
- Use grounded extension cables.
- When you operate the product outdoors, use an extension cable that is applicable for outdoor operation. This decreases the risk of electrical shock.
- Keep the connection to the extension cable dry and off the ground.
- Keep the extension cable away from heat, oil, sharp edges or moving parts. A damaged cable increases the risk of electrical shock.
- Make sure that the extension cable is in good condition and not damaged.

- Do not use the extension cable while it is wound up. This can cause the extension cable to become too hot.
- Make sure that the extension cable is behind you and the product when you use the product. This prevents damage to the extension cable.

## Safety devices on the product

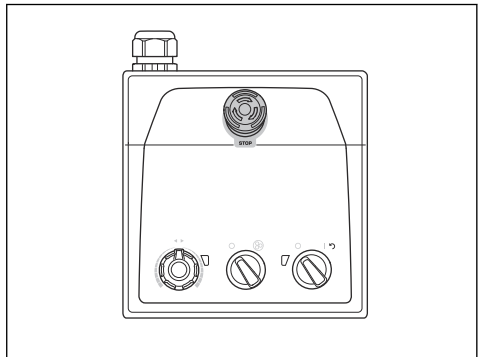


**WARNING:** Read the warning instructions that follow before you use the product.

- Do not use a product with defective safety devices.
- Do a check of the safety devices regularly. If the safety devices are defective, speak to your Husqvarna service agent.

## Emergency stop button

The emergency stop button is used to quickly stop the motor. The emergency stop button breaks the mains power supply.

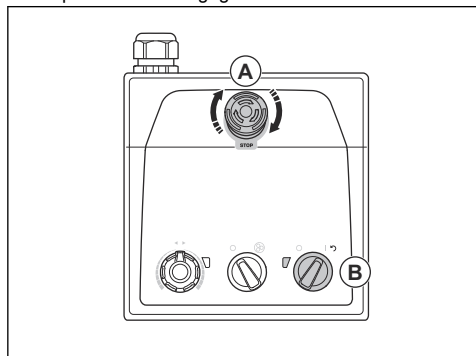


**CAUTION:** Do not use the emergency stop button as the stop button for the product.



### To do a check of the emergency stop button

1. Turn the emergency stop button (A) on the control panel clockwise to make sure that the emergency stop button is disengaged.



2. Turn the ON/OFF switch (B) on the control panel to 1 to start the motor. The LED adjacent to the ON/OFF switch comes on.

3. Push the emergency stop button.
4. Make sure that LED adjacent to the ON/OFF switch goes off.
5. Turn the emergency stop button clockwise to disengage.

### Safety instructions for maintenance

- Keep all parts in good condition and make sure that all fixtures are correctly tightened.
- Do not use a product that is defective. Do the safety checks, maintenance and the servicing as given in this manual. All other maintenance work must be done by an approved service agent.
- Stop the product when you replace the diamond tools. Turn the ON/OFF switch to 0 and push the emergency stop button.
- Do the inspection and/or maintenance with the motor stopped and the power plug disconnected.
- Do the maintenance to make sure that the product operates correctly. Refer to *Maintenance schedule on page 18*.

---

## Operation

---

### Introduction



**WARNING:** Before you operate the product, you must read and understand the safety chapter.

### To remove the product from the package



**WARNING:** Move the product from the pallet carefully and safely. The product is heavy and can cause serious injury if it falls.

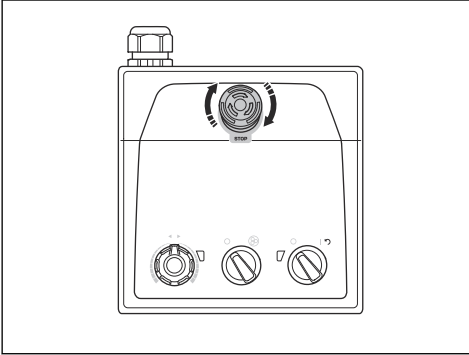
- Make sure that all items that is shown in the product overview, are included. Refer to *Product overview, right side on page 3*. Speak to your Husqvarna dealer if an item is missing or damaged before you move the product from the pallet.
- Remove all package straps and wheel chocks.
- Make sure that the area is clear and that you have sufficient space to move the product.
- Make sure that there is no risk that you or the product can fall.
- Use lifting equipment or ramps to move the product from the pallet. The product is heavy. Move the product safely. Refer to *To lift the product on page 23*.

### To do before you operate the product

1. Read the operator's manual carefully and make sure that you understand the instructions.

2. Put on necessary personal protective equipment. Refer to *Personal protective equipment on page 6*.
3. Make sure that only approved persons are in the work area.
4. Do daily maintenance. Refer to *Maintenance schedule on page 18*.
5. Make sure that the product is assembled correctly and is not damaged.
6. Put the product on the work area. Make sure that the transportation of the product to and in the work area is done safely and correctly. Refer to *Transportation on page 22*.
7. Make sure that there are diamond tools on the tool plates and that the diamond tools and tool plates are tightly attached.
8. Connect a dust extractor to the product. Refer to *To connect a dust extractor on page 12*.
9. Adjust the handle and the handlebar to an applicable operation height. Refer to *To adjust the handle and the handlebar on page 13*.
10. Make sure that the motor cable is connected to the electrical enclosure before the product is connected to a mains outlet. Refer to *To install and remove the grinding head on page 19*.
11. Connect the product to a power source. Refer to *To connect the product to a power source on page 14*.

- Turn the emergency stop button on the control panel clockwise to make sure that the emergency stop button is disengaged.



- Make sure that you know the direction of rotation of the grinding discs when you use direction diamond tools such as Piranhas.

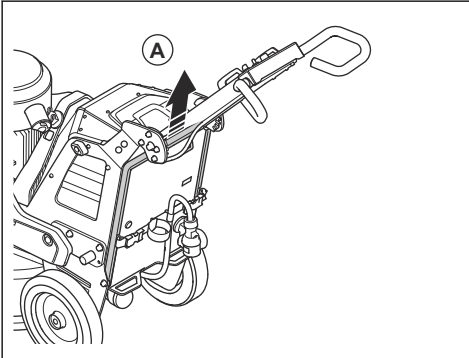
## To engage and disengage the support frame

The product has a support frame that is used to tilt the product rearward. Also, the support frame is used as a suspension device to hang the dust extractor hose and the power cord on.

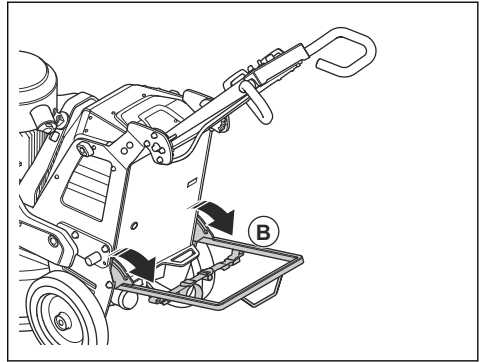


**WARNING:** Be careful when you move the support frame. The moving parts can cause injury.

- Lift the support frame (A) a small distance.



- Lower the support frame (B).



- Fold up the support frame in the opposite sequence.

## Diamond tools

There are many different types and configurations of diamond tools for the product. Metal bonded diamond tools are used for removal of material and resin bonded diamond tools are used to polish surfaces. Select the correct diamond tools for the surface. Speak to your Husqvarna dealer or go to [www.husqvarnacp.com](http://www.husqvarnacp.com) for support to select the correct tool.

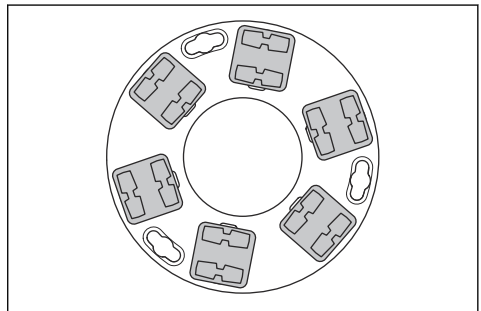
### Disc holder alternatives for diamond tools

- Use a Redi lock disc holder to attach metal bonded diamond tools.
- Use a resin disc holder to attach plastic bonded diamond tools.

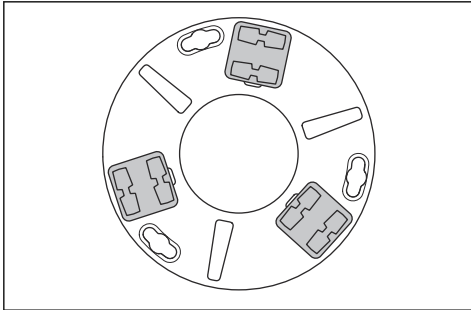
### Full set and half set of diamond tools

The configuration of the diamond tool segments has an effect on the end quality of the surface. The configuration also has an effect on the operation rate of the product.

- Full set of diamond tools: This configuration is applicable for a flat floor finish.



- Half set of diamond tools: This configuration is applicable when a flat floor finish is not necessary.



### To replace the diamond tools



**WARNING:** Always disconnect the power plug before you replace the diamond tools, to prevent accidental start.



**WARNING:** Use protective gloves, as diamond tools can become very hot.



**WARNING:** Use approved respiratory protection when you replace the diamond tools. The dust below the grinding head is dangerous to your health.

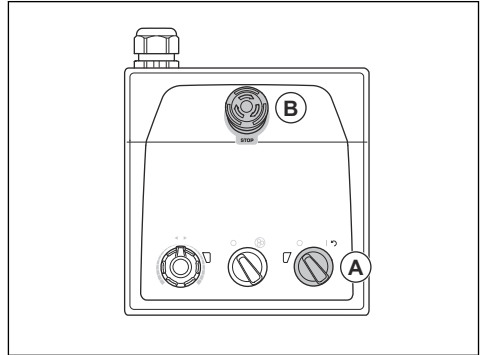


**WARNING:** Use the dust extractor when you replace the diamond tools. The dust extractor will decrease the dust that can cause health problems.

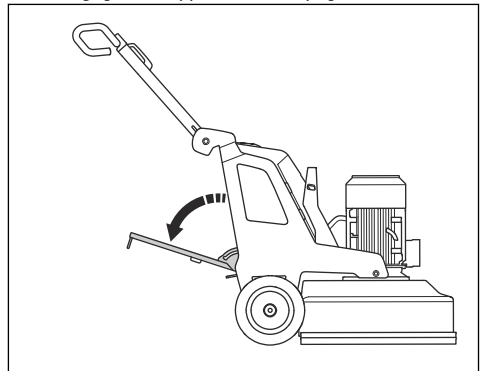


**CAUTION:** All the grinding discs must always have the same number and type of diamonds. The height of the diamonds must be the same on all grinding discs.

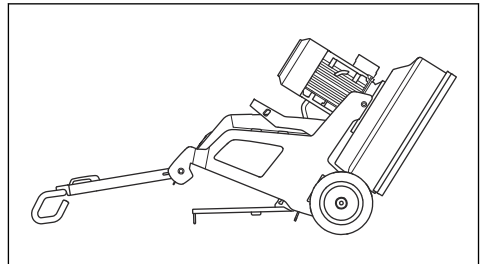
1. Turn the ON/OFF switch (A) on the control panel to 0. The LED adjacent to the ON/OFF switch goes off.



2. Push the emergency stop button (B) on the control panel.
3. Set the handle in servicing position. Refer to *Handle positions on page 13*.
4. If weights are installed, adjust the weights to a rearward position. Refer to *To adjust the weights on page 17*.
5. Engage the support frame. Refer to *To engage and disengage the support frame on page 10*.

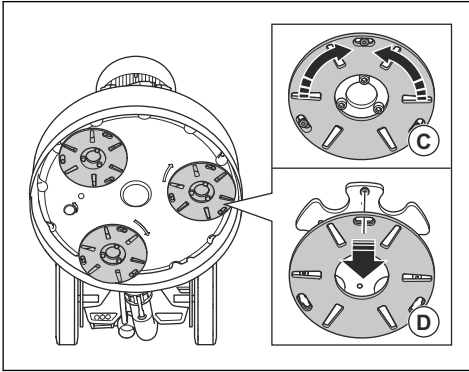


6. Hold the handlebar and with one foot on the support frame tilt the product rearward. Tilt the product until the handlebar is on the floor.

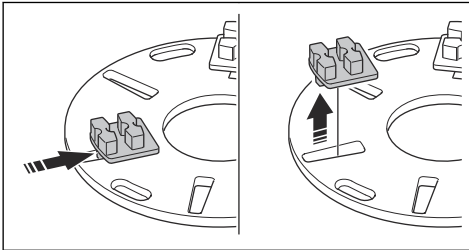


7. Put on protective gloves.

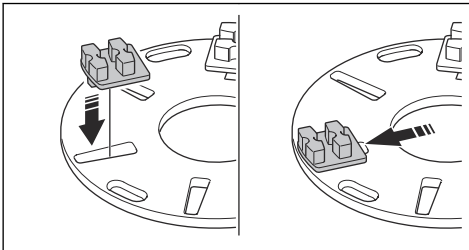
8. Turn the tool plate (C) to the right or to the left to unlock the tool plate from the grinding disc.



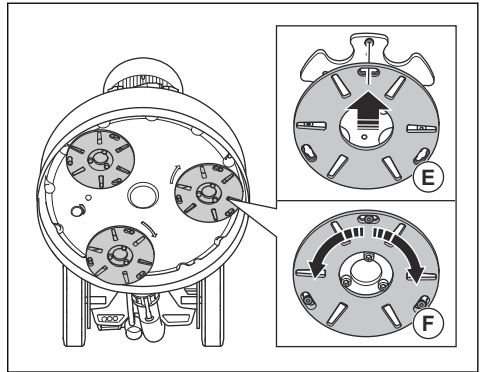
9. Pull the tool plate straight out (D) to remove the tool plate from the grinding disc.
10. Use a hammer to remove the diamond tools from the tool plate.



11. Attach new diamond tools to the tool plate with a soft hit of the hammer.



12. Attach the tool plate straight (E) on the grinding disc.



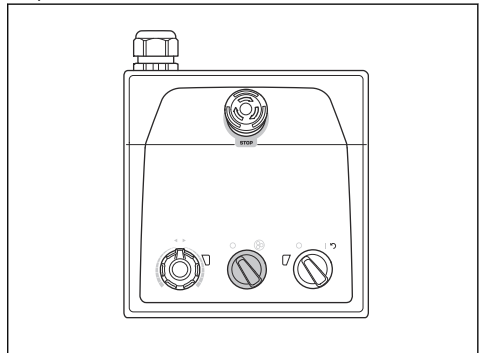
13. Turn the tool plate (F) to the right or to the left to lock the tool plate to the grinding disc.
14. Carefully lift the product to operation position. Use the handlebar and the support frame for support.
15. Disengage the support frame.

## To connect a dust extractor



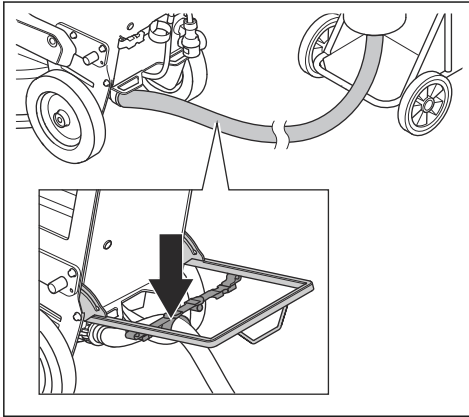
**WARNING:** Do not use the dust extractor if the dust extractor hose is damaged. The risk increases that you breathe in dust that is dangerous to your health. Use approved respiratory protection.

1. Examine the dust extractor hose for damages.
2. Make sure that the filters in the dust extractor are clean and not damaged.
3. Make sure that the STOP/RUN switch on the control panel is set to 0.



4. Connect the dust extractor hose to the product.
5. Engage the support frame. Refer to *To engage and disengage the support frame on page 10*.

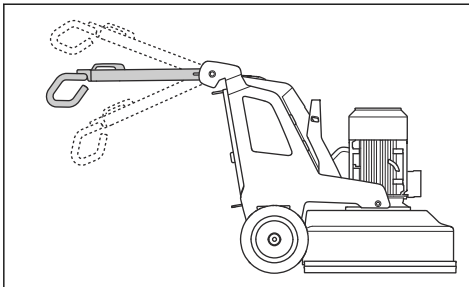
6. Hang the dust extractor hose on the suspension device on the support frame to prevent tension in the dust extractor hose.



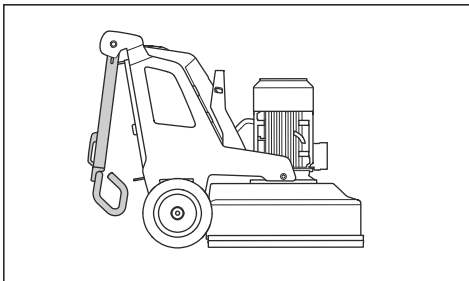
7. Disengage the support frame.

## Handle positions

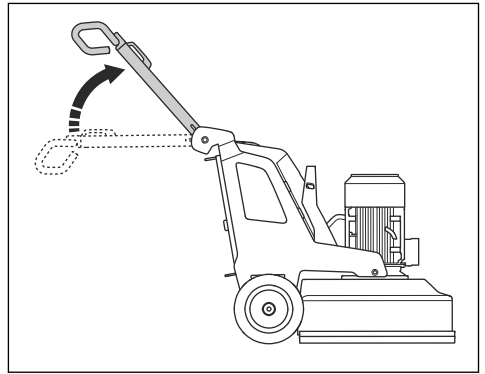
- Operation position of the handle:



- Transport position of the handle:



- Servicing position of the handle:



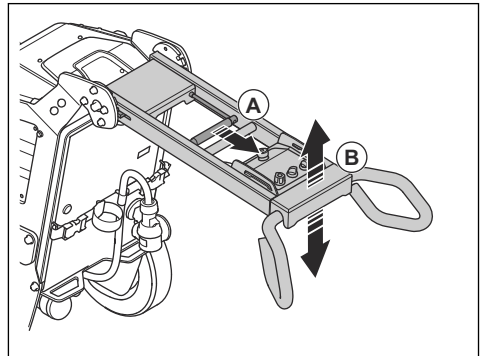
## To adjust the handle and the handlebar



**WARNING:** Be careful when you adjust the handle and the handlebar. Make sure that the handle and the handlebar locks into position. The moving parts can cause injury.

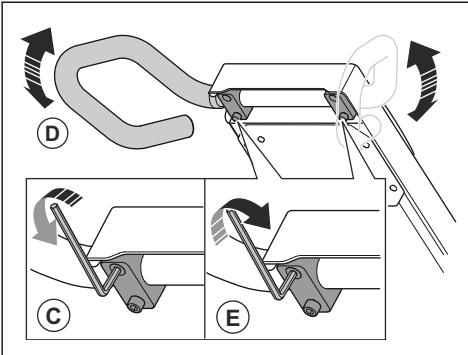
Set the handle height as close as possible to the height of the operators hip. During operation the product can pull to the side. The hip of the operator can help to stop this movement to the side.

1. Pull the lock lever (A) on the handle in the direction of the control panel and hold it in this position.



2. Adjust the handle (B) to an applicable operation height.
3. Release the lock lever on the handle to lock the handle position.

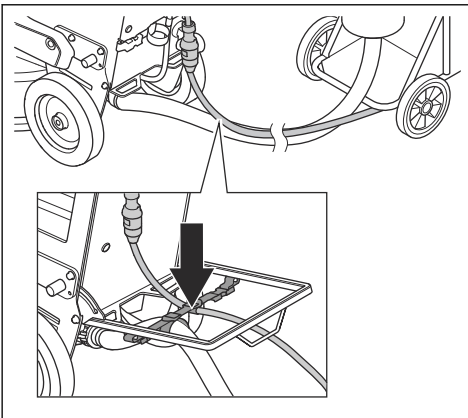
- Loosen the 4 screws (C) on the handlebar.



- Adjust the handlebar (D) to an applicable operation height.
- Tighten the 4 screws (E) on the handlebar to lock the handlebar position.

## To connect the product to a power source

- Connect the power plug of the product to the extension cable.
- Connect the extension cable to a mains outlet.
- Engage the support frame. Refer to *To engage and disengage the support frame on page 10*.
- Hang the power cord on the suspension device on the support frame to prevent tension in the power cord.



- Disengage the support frame.



**CAUTION:** When the product is connected to a dust extractor, the dust extractor must be connected to a 3-phase power source.

## Operation speed

If the product is operated on a new surface type, set the speed to 70% initially. When the operator knows the surface type, the speed can be adjusted.

## Direction of rotation of the grinding discs

Seen from below the product, the direction of rotation is as follows:

- "CW": clockwise
- "CCW": counterclockwise

During operation the product can pull to the side. The direction of the pull is related to the direction of rotation. The product pulls to the right when the direction of rotation is set to "CCW". The product pulls to the left when the direction of rotation is set to "CW".

The side pull can help you operate the product for example near a wall. Set the direction of rotation to pull in the direction of the wall.

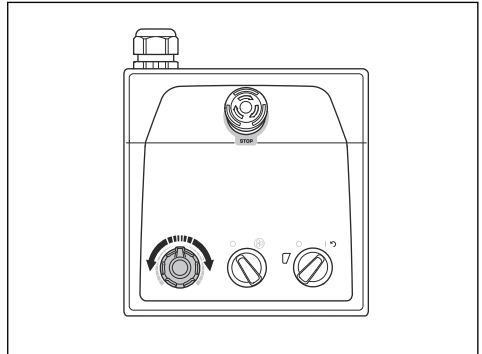


**CAUTION:** Steer the product carefully. Make sure that the product only lightly touches the wall. The product is heavy and can cause damage.

## To change the speed and direction of rotation of the motor

Change the direction of rotation regularly to increase the life and the sharpness of the diamond tools. The diamond tool segments are used equally and the contact surface continues to be as large as possible.

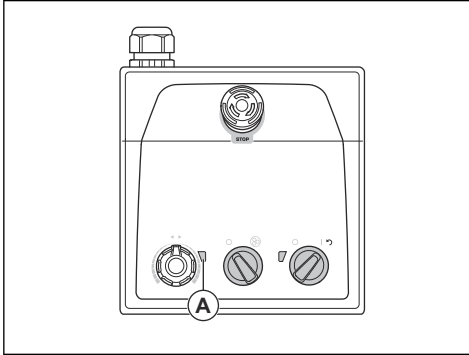
- To set the speed and direction of rotation of the grinding disc, turn the knob.



## To operate the product

- Operate the product manually with the control panel on the handle. Refer to *Product overview, left side on page 4*.

- During operation, look for color changes in the indicator for the inverter to the grinding disc (A).



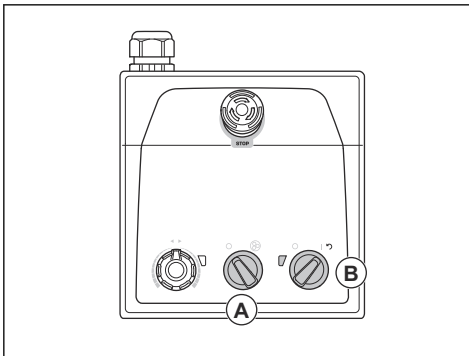
- Green light: the product operates correctly.
- Orange light: there is an overload in the grinding head. Decrease the power output in 10 seconds or less to prevent that a fault occurs.
- Red light: fault in the inverter and the grinding head stops. It is necessary to reset the product. Refer to *To reset the product on page 15*.

## To start the product



**CAUTION:** Move the product all the time while the grinding head is on. If you do not move the product, the surface can become rough.

1. Push down the handlebar slightly to lift the grinding head from the surface. This releases the surface friction of the diamond tools. Do not lift the grinding head fully from the surface during operation.
2. Turn the STOP/RUN switch (A) on the control panel counterclockwise to 0 to make sure that the grinding head is off.



3. Turn the ON/OFF switch (B) on the control panel to 1 to start the product. The LED adjacent to the ON/OFF switch comes on.

4. Turn the STOP/RUN switch on the control panel clockwise to start the grinding head. In less than 5 seconds, the product operates at idle speed.

## To stop the product

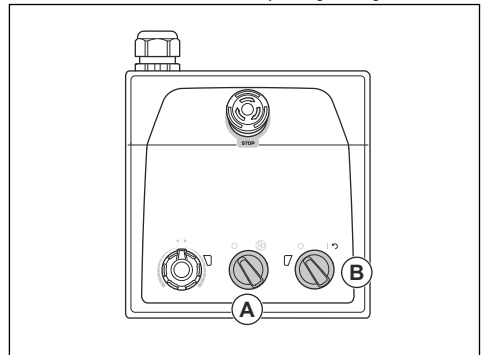


**CAUTION:** Do not lift the grinding head from the surface when you stop the motor. The tool plates rotate for a while after the motor stops. Dust can go into the air and the surface can become damaged.



**CAUTION:** Do not let the product become stationary until the tool plates stop fully.

1. Turn the STOP/RUN switch (A) on the control panel counterclockwise to 0 to stop the grinding head.



2. Keep the tool plates against the surface until they stop fully.

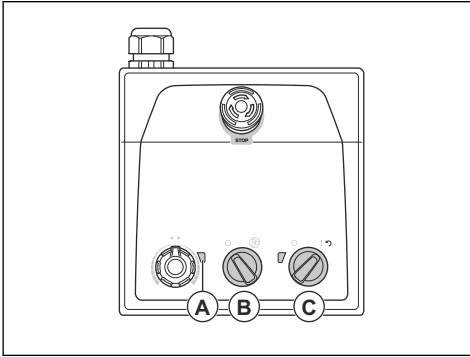


**CAUTION:** If you grind adhesive asphalt, paint or equivalent material, the product can attach to the adhesive surface. Immediately after the tool plate stopped fully, lift up the front of the grinding head a small distance.

3. Turn the ON/OFF switch (B) on the control panel to 0 to stop the product. The LED adjacent to the ON/OFF switch goes off.
4. Disconnect the power plug.

## To reset the product

The ON/OFF switch can be used as a reset switch if the inverter releases. Reset the product when the indicator inverter to the grinding disc (A) is red.

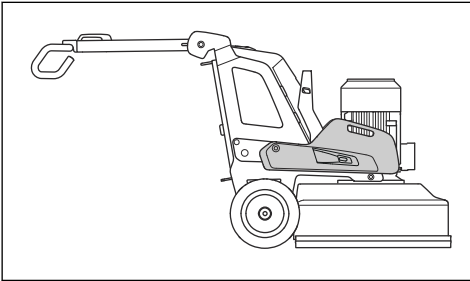


1. Turn the STOP/RUN switch (B) counterclockwise to 0 to make sure that the grinding head is off.
2. Turn the ON/OFF switch to the arrow position (C) to reset the product. The indicator for the inverter to the grinding disc is green when the fault is reset.
3. Turn the STOP/RUN switch on the control panel clockwise to start the grinding head again.

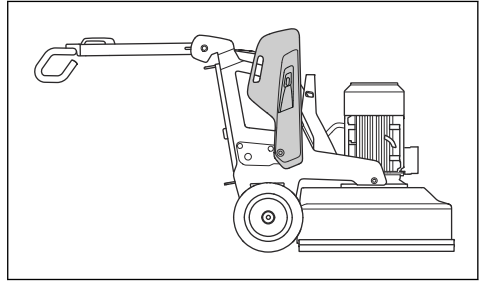
## Weights

The product has 1 weight on each side of the product. If the product is heavy to operate, adjust the weights to change the pressure on the grinding head. The weights must be adjusted to the same position on the right and the left side. The weights has 3 positions:

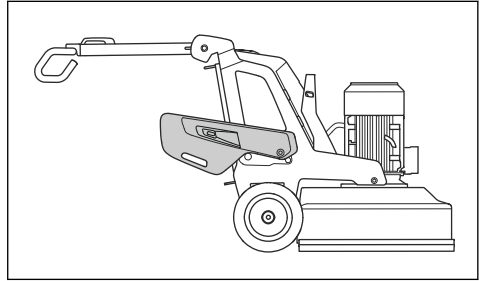
- Position 1: Maximum pressure on the grinding head. This position increases the operation effect. This position is also used when you set the product in transport position.



- Position 2: Standard pressure on the grinding head.



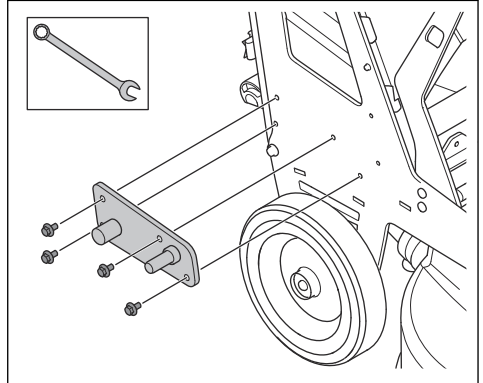
- Position 3: Minimum pressure on the grinding head. This position is also used when you tilt the product to servicing position.



## To assemble and disassemble the weights

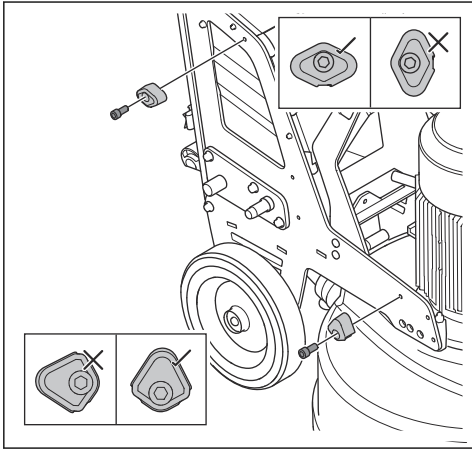
The product has 1 weight on each side of the product. Do the procedure that follows on each weight.

1. Install the weight holder and tighten the 4 screws.

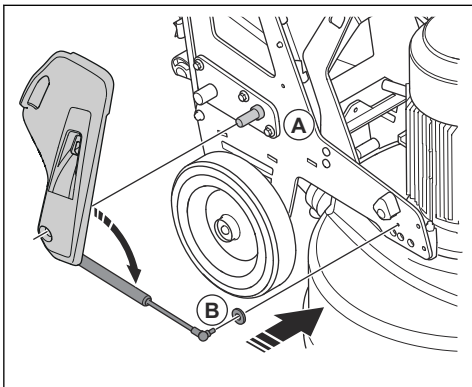




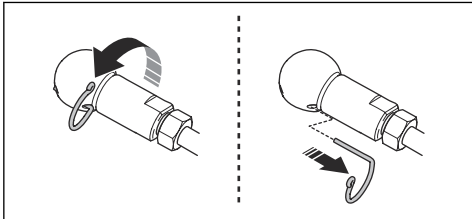
2. Install the 2 weight brackets. Make sure that the weight brackets are installed correctly as shown in the illustration.



3. Put the weight on the cylinder (A) on the weight holder.



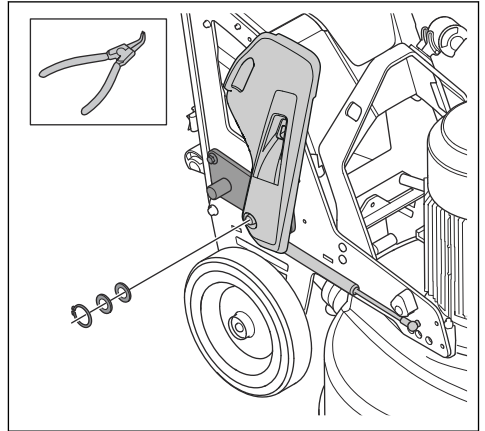
4. Attach the weight gas spring to the product (B).
  - a) Remove the locking spring of the ball joint.



- b) Remove the ball joint from the gas spring.

- c) Attach the ball joint to the product.
  - d) Attach the gas spring to the ball joint. Lock the gas spring to the ball joint with the locking spring.

5. Lock the weight to the weight holder with the lock ring.



### To adjust the weights

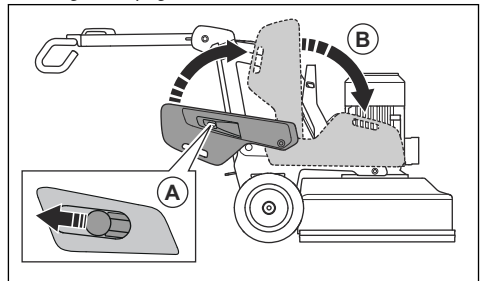


**WARNING:** Be careful when you adjust the weights. The moving parts can cause injury.



**WARNING:** Always make sure that the weight lock locks correctly when the weights are put in the selected position.

1. Push in the weight lock (A) and move the weight to a selected position (B) with the weight handle. Refer to *Weights on page 16*.



2. Release the weight lock to lock the weight in the selected position.

# Maintenance

## Introduction



**WARNING:** Before you do maintenance, you must read and understand the safety chapter.

For all servicing and repair work on the product, special training is necessary. We guarantee the availability of professional repairs and servicing. If your dealer is not a service agent, speak to them for information about the nearest service agent.

## To do before the maintenance

- Use personal protective equipment. Refer to *Personal protective equipment on page 6*.
- Use approved respiratory protection. The dust from the product is dangerous to your health.
- Park the product on a level surface.

- Stop the motor and disconnect the power plug to prevent accidental start during maintenance.
- Clean the area around the product from oil and dirt. Remove unwanted objects.
- Set out clear signs to give a warning to bystanders that maintenance work is in progress.
- Keep fire extinguishers, medical supplies and an emergency phone near.

## Maintenance schedule

\* = General maintenance done by the operator. The instructions are not given in this operator's manual.

X = The instructions are given in this operator's manual.

O = The instructions are not given in this operator's manual. Let an approved service agent do the maintenance.

Maintenance	Daily	Weekly	Each 6 months	Each 12-36 months
Do a check of the ON/OFF switch.	*			
Do a check of the attachment points and the lock function for the handle.		*		
Do a check of the attachment points and the lock function for the weights.		*		
Do a check of the emergency stop button.	X			
Clean the external surfaces of the product.	X			
Clean the internal components of the product.			O	
Do a general inspection.	X			
Do a check of the grinding discs.	X			
Do a function check of the drive system for the grinding head.		X		
Do the service on the drive system for grinding discs.				O
Do a check of the connection between chassis and grinding head.		*		

## To clean the product



**CAUTION:** A blocked air intake decreases the performance of the product and can cause the motor to become too hot.

- Remove blockage from all air openings. The product must always have sufficiently cool temperature.
- Always disconnect the power plug from the mains outlet before you clean.
- Do not use chemicals to clean the product.
- Do not clean electrical components with water.

- Always clean all the equipment at the end of the work day. Clean the components at the bottom surface of the grinding head with a high-pressure washer.

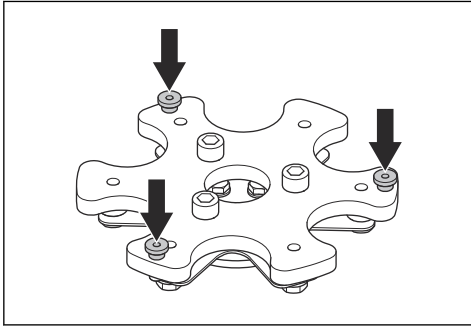


**CAUTION:** Do not point the high-pressure washer directly at seals or connection points.

## To do a general inspection

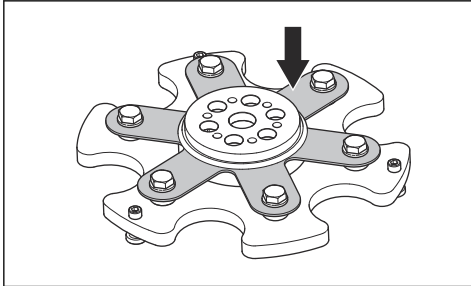
- Make sure that the power cord and extension cable are in good condition and not damaged.

- Make sure that nuts and screws are tight.
- Make sure that the head locks are tight. If it is necessary, tighten the head locks and use LOCTITE® 680 threadlocker.



### To do a check of the grinding discs

- Examine the spring steel spring for damages and make sure that it is in good condition.



- Replace damaged spring steel springs.

**Note:** It is not necessary to discard the grinding disc when you replace the spring steel spring.

- Add a second spring steel spring to make the spring steel head less flexible.

### Drive system for grinding head

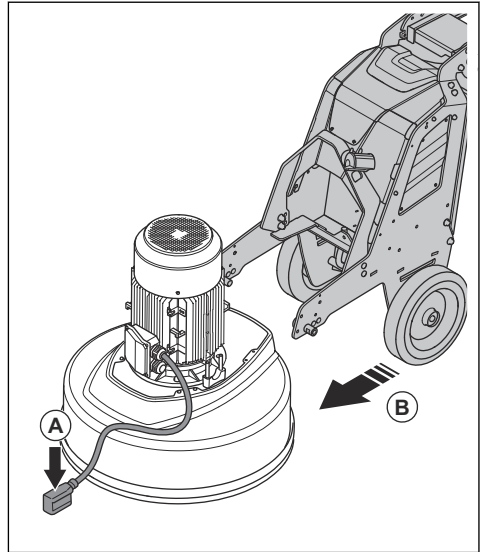
The drive system for the grinding head is a closed system. If you have problems with the drive system of the grinding head, speak to your Husqvarna service agent.

### To install and remove the grinding head

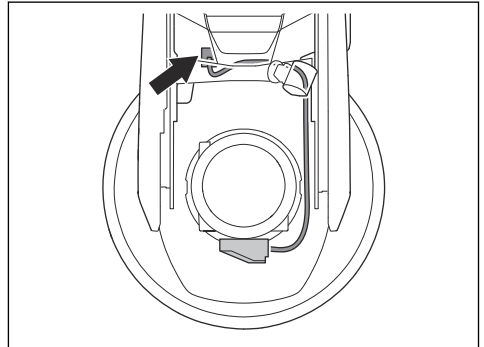


**WARNING:** The chassis is not balance when the grinding head is removed. Make sure that the chassis can not fall. It can cause injury or damage.

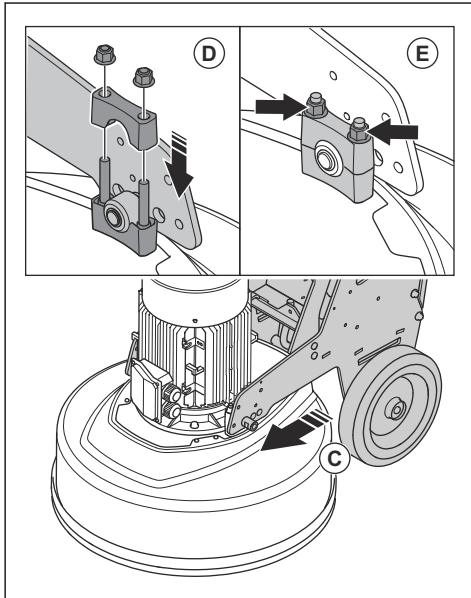
1. Put the motor cable (A) in front of the grinding head.



2. Push the chassis near the grinding head (B).
3. Put the motor cable through the slot between the grinding head and the chassis.

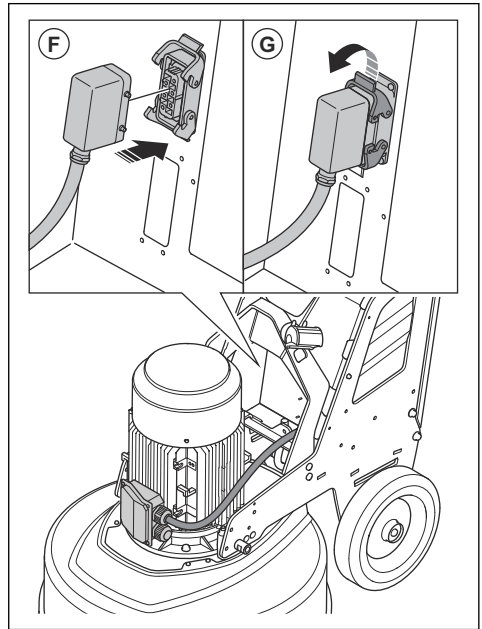


4. Push the chassis fully against the grinding head (C).  
Make sure that the chassis attaches to the bracket on the grinding head.



5. Install the second bracket (D) on top of the bracket on the grinding head.  
6. Tighten the 2 nuts (E) on each side of the grinding head.

7. Connect the motor cable to the electrical outlet (F) on the electrical enclosure.



8. Lock the motor cable to the electrical outlet (G) on the electrical enclosure.  
9. Remove the grinding head in opposite sequence.

## Troubleshooting

Problem	Cause	Solution
The product does not start.	The extension cable is disconnected or damaged.	Connect the extension cable or if it is necessary, replace the extension cable.
	An emergency stop button is engaged.	Turn the emergency stop button on the control panel clockwise to disengage.
	The safety switch is open in the electrical enclosure.	Close the safety switch to complete the circuit.

<b>Problem</b>	<b>Cause</b>	<b>Solution</b>
The product is not easy to hold on to.	Too small number of diamond tools are installed on the product.	Increase the number of diamond tools to decrease load on the product and operator.
	The grinding drive motor does not operate.  This can be caused by fault with motor or fault with wire to the motor.	Make sure that the grinding drive motor is connected.  If the problem stays, speak to an approved service agent.
	The belt is broken.	If the belt is broken, let a service center replace it.  Turn one of the grinding discs by hand. If all grinding discs rotate together, the belt is not damaged. If 1 grinding disc rotates freely, then the belt is broken.
	Only 1 phase comes into the product. The product will not receive an error code and will use <1 A motor current. The fan rotates slowly.	Do a check of the power supply.
	The surface or the operation uses too much of the product capacity.	Adjust the speed of the motor and/or the forward speed of the product across the floor.
The product sounds as if it increases the speed too much.	The grinding drive motor is not connected.	Make sure that the grinding drive motor is connected.
	The grinding drive motor does not operate.  This can be caused by fault with motor or fault with wire to the motor.	Make sure that the grinding drive motor is connected.  If the problem stays, speak to an approved service agent.
	The surface is too thick or the diamond tool configuration is incorrect.	Push down the handlebar slightly to lift the grinding head from the surface when you start the product.
The product makes an irregular scratch pattern.	The diamond tools are incorrectly attached or attached at different heights on the grinding discs.	Make sure that all diamond tools are installed correctly and have the same height.
	The diamond tools are of mixed types.	Make sure that all segments are the same diamond grit and bond. If the diamond segments are rough, space out the rough diamond segments equally. Operate the product on an abrasive surface until all segments have the same height.
	The head locks are loose or missing.	Make sure that all head locks are in position and tightened.
	The resin tools are mixed or have unwanted contamination.	Make sure that all resins are the same diamond grit and bond and that there is no contamination. To clean the resin tools, operate them for a short time on a lightly abrasive surface.
	The grinding discs are worn or damaged.	Do a check on the grinding discs for broken sections or too much movement.

Problem	Cause	Solution
There are sudden unwanted movements in the product.	The grinding discs are worn or damaged.	Examine the grinding discs for damaged parts and too much movement.
	The diamond tools are incorrectly attached or attached at different heights on the grinding discs.	Make sure that all diamond tools are installed correctly and that all have the same height.
	The head locks are loose or missing.	Make sure that all head locks are in position and tightened.
The internal circuit breaker releases.	Too high a load or not sufficient power supply.	Do a check of the power supply.
		Decrease the grinding pressure, increase the number of diamond tools or increase the bond hardness.

## Transportation, storage and disposal

### Transportation



**WARNING:** Be careful during transportation. The product is heavy and can cause injury or damage if it falls or moves during transportation.

The wheels let you move the product shorter distances. For longer distances, lift the product to move it or put the product on a vehicle.



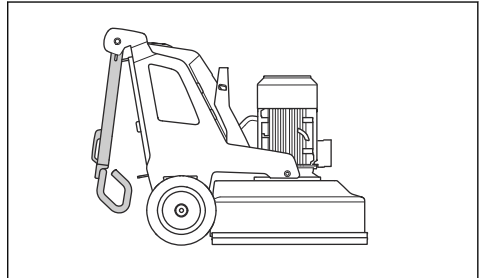
**CAUTION:** Do not tow the product behind a vehicle.

- Be very careful when you move the product manually or on surfaces with a slope. Small slopes can result in a fast movement that is not possible to brake by hand.
- Safety the product during transportation. Make sure that it cannot move.
- Put some type of protection on the product during transportation. The protection keeps natural elements such as rain and snow away from the product.
- Always use the lifting eye on the product when you lift the product.
- Do not lift the product by the handlebar, motor, chassis or other parts.
- Transportation is best done on a pallet.
- Always lift the product with a lift or forklift.
- Do not use a forklift if the product is not put on a pallet or carriage. This can cause damage to the grinding discs and other internal components.
- During transportation, the grinding head must be on the ground. To prevent damage to the lock

mechanism of the tool plates, keep the tool plates installed.

### To set the product in transport position

- Fold down the handle. Refer to *To adjust the handle and the handlebar on page 13*.



- If the weights are attached to the product, adjust the weights to forward position. Refer to *To adjust the weights on page 17*.
- Make sure that the grinding head touches the surface.

### To move the product up and down a ramp



**WARNING:** Be very careful when you move the product up and down ramps with the motor on. The product is heavy and there is a risk of injury if the product falls or moves too quickly.



**WARNING:** For ramps with a steep slope, always use a winch. Do not walk or stay below the product. Do not stay in the

product risk area. Refer to *Work area safety on page 7*.



**WARNING:** Do not move the product on steep slopes. Look at the rating plate on the product for information about the maximum slope angle.

- To move the product down a ramp, operate the product rearward slowly.
- To move the product up a ramp, operate the product forward slowly.
- Do not turn the product more than 45° on a ramp.

## To lift the product



**WARNING:** Make sure that the lifting equipment has the correct specification to lift the product safely. The rating plate on the product shows the product weight.

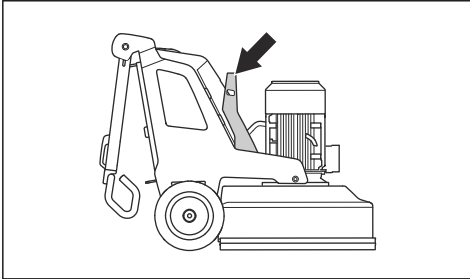


**WARNING:** Do not walk or stay below or near a lifted product. Keep bystanders away from the risk area. Refer to *Work area safety on page 7*.



**WARNING:** Do not lift a damaged product. Make sure that the lifting eye is correctly installed and not damaged.

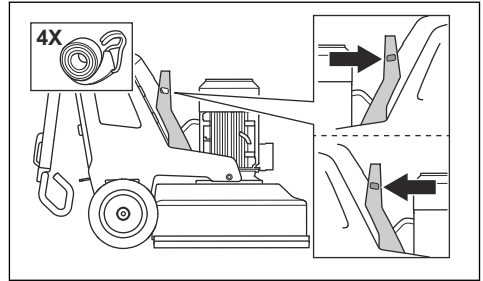
1. Set the product in transport position. Refer to *To set the product in transport position on page 22*.
2. Attach the lifting equipment at the lifting eye.



## To attach the product to a transportation vehicle

The product has holes that are used with tie-down straps to attach the product to the transportation vehicle.

1. Attach the tie-down straps in the holes.



2. Attach and tighten the tie-down straps to the vehicle.

## Storage



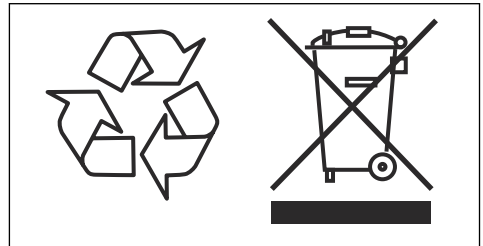
**CAUTION:** Do not put the product in storage outdoors. Always keep the product indoors.

- Keep the product in a dry and frost free area.
- Clean the product and do a complete servicing before you put the product in storage.
- Keep the grinding head on the ground.
- Keep the product in a locked area to prevent access for children or persons that are not approved.

## Disposal

Symbols on the product or the packaging of the product indicate that this product cannot be handled as domestic waste. It must be submitted to an appropriate recycling station for the recovery of electrical and electronic equipment.

By ensuring that this product is taken care of correctly, you can help to counteract the potential negative impact on the environment and people that can otherwise result through the incorrect waste management of this product. For more detailed information about recycling this product, contact your municipality, your domestic waste service or the shop from where you purchased the product.



## Technical data

### Technical data

	<b>PG 830S</b> <b>3x220-240 V</b>	<b>PG 830S</b> <b>3x440-480 V</b>
Motor power, kW/hp	11/15	11/15
Rated current, A	50	30
Rated voltage, V	220-240	440-480
Phases	3-phase	3-phase
Frequency, Hz	50-60	50-60
Weight, kg/lbs	497/1096	497/1096
Grinding width, mm/in.	800/31.5	800/31.5
Grinding disc, mm/in.	3x270/10.5	3x270/10.5
Grinding pressure, kg/lbs	79/175	79/175
Grinding pressure with support wheel, kg/lbs	85/187	85/187
Weight in position 1 (forward), kg/lbs	298/656	298/656
Weight in position 1 (forward) with support wheel, kg/lbs	315/693	315/693
Weight in position 2 (vertical), kg/lbs	249/548	249/548
Weight in position 2 (vertical) with support wheel, kg/lbs	266/585	266/585
Weight in position 3 (rearward), kg/lbs	195/429	195/429
Weight in position 3 (rearward) with support wheel, kg/lbs	212/466	212/466
Grinding disc speed, min/max rpm	421-1403	421-1403
Grinding head speed, min/max rpm	28-92	28-92
Direction of rotation (from above)	Grinding head: clockwise  Grinding disc: counter-clockwise	Grinding head: clockwise  Grinding disc: counter-clockwise
Max. gradient, degrees °	10	10
Enclosure, IP	54	54
<b>Recommended dust extractor<sup>1</sup></b>		
Dust extractor attachment, mm/in.	76/3	76/3
Min. Air flow, m <sup>3</sup> /h /CFM	815/480	815/480

<sup>1</sup> Technical data for dust extractors are not conclusively describing actual performance over time between different dust extractors. For Husqvarna products OSHA objective data are available at [www.husqvarnacp.com/us](http://www.husqvarnacp.com/us).

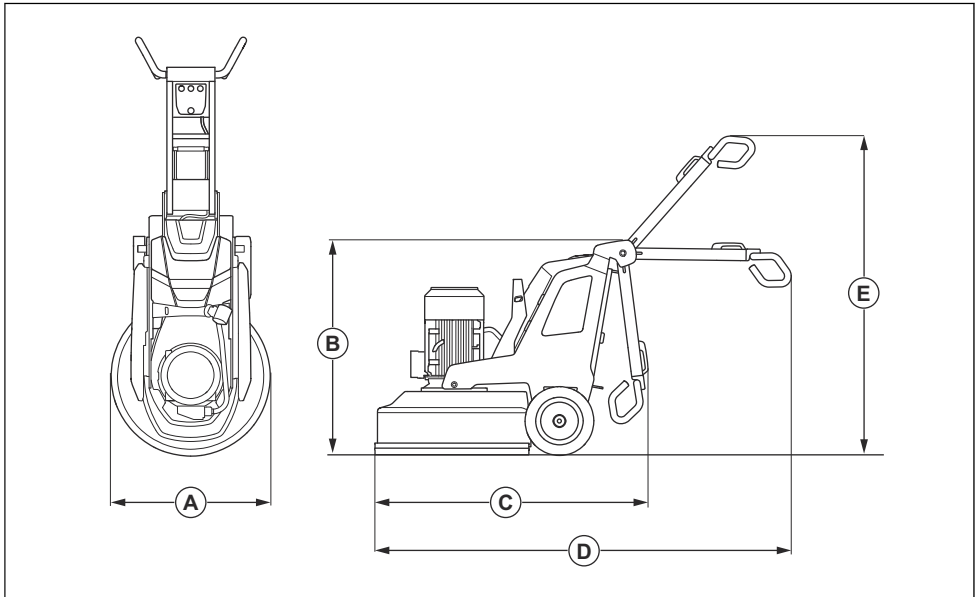


	PG 830S 3x220-240 V	PG 830S 3x440-480 V
Min. Vacuum, kPa/psi	30/4.4	30/4.4

## Sound levels

Noise emissions <sup>2</sup>	
Sound power level, measured $L_W$ (dB(A))	95.4
Sound levels <sup>3</sup>	
Sound pressure level at the operators ear, $L_p$ (dB(A))	78.7
Vibration levels <sup>4</sup>	
Handle right, $m/s^2$	1.7
Handle left, $m/s^2$	1.5

## Product dimensions



<sup>2</sup> Noise emission in the environment measured as sound power according to EN 60335-2-72. Expected measurement uncertainty 2,5 dB(A).

<sup>3</sup> Sound pressure level according to EN 60335-2-72. Expected measurement uncertainty 4 dB(A).

<sup>4</sup> Vibration level according to EN 60335-1 and EN 60335-2-72. Reported data for vibration level has a typical statistical dispersion (standard deviation) of 1  $m/s^2$ . The vibration values are valid for manual operation.

<b>A</b>	Width, mm/in.	830/32.7
<b>B</b>	Min. total height (handle folded), mm/in.	1145/45.1
<b>C</b>	Min. total length (handles folded), mm/in.	1550/61
<b>D</b>	Max. total length (handles extended), mm/in.	2215/87.2
<b>E</b>	Max. total height (handles extended), mm/in.	1700/66.9

---

# Contenido

---

Introducción.....	27	Solución de problemas.....	47
Seguridad.....	30	Transporte, almacenamiento y eliminación de residuos.....	48
Funcionamiento.....	35	Datos técnicos.....	51
Mantenimiento.....	44		

---

## Introducción

---

### Responsabilidad del propietario

---



**ADVERTENCIA:** El procesamiento de hormigón y piedra mediante métodos como corte, amolado o perforación, especialmente en operaciones en seco, genera polvo que proviene del material procesado y a menudo contiene sílice. La sílice es un componente básico de la arena, el cuarzo, la arcilla de los ladrillos, el granito y otros numerosos minerales y rocas. La exposición a una cantidad excesiva de ese polvo puede causar:

Producto de la exposición a la sílice se pueden ocasionar enfermedades respiratorias (que afectan la capacidad de respirar) como la bronquitis crónica, la silicosis y la fibrosis pulmonar. Estas enfermedades pueden ser mortales.

Irritación cutánea y sarpullido.

Cáncer, según el NTP\* y la IARC\* \*/National Toxicology Program (Programa Nacional de Toxicología) y Centro Internacional de Investigaciones sobre el Cáncer.

Tome medidas preventivas:

Evite inhalar y que su piel entre en contacto con el polvo, el vaho y los gases.

Utilice artículos apropiados para la protección respiratoria como máscaras contra polvo diseñadas para filtrar partículas microscópicas, y asegúrese de que todas las personas que se encuentren cerca también lo hagan. (Consulte la normativa OSHA 29 CFR Parte 1926.1153)

Para reducir al mínimo las emisiones de polvo, utilice agua para aglomerar el polvo cuando sea posible. Si es necesario realizar una operación en seco, utilice un extractor de polvo adecuado.

---

Es responsabilidad del propietario o empleador que el usuario tenga los conocimientos necesarios sobre cómo utilizar el producto de forma segura. Los supervisores y usuarios deben haber leído y comprendido el manual de usuario. Deben tener conocimiento de lo siguiente:

- Las instrucciones de seguridad del producto.
- La gama de aplicaciones y limitaciones del producto.
- Cómo el producto se va a utilizar y mantener.

El uso de este producto podría estar restringido por normas nacionales o locales. Infórmese sobre qué normas se aplican en el lugar donde trabaja antes de comenzar a utilizar el producto.

### Descripción del producto

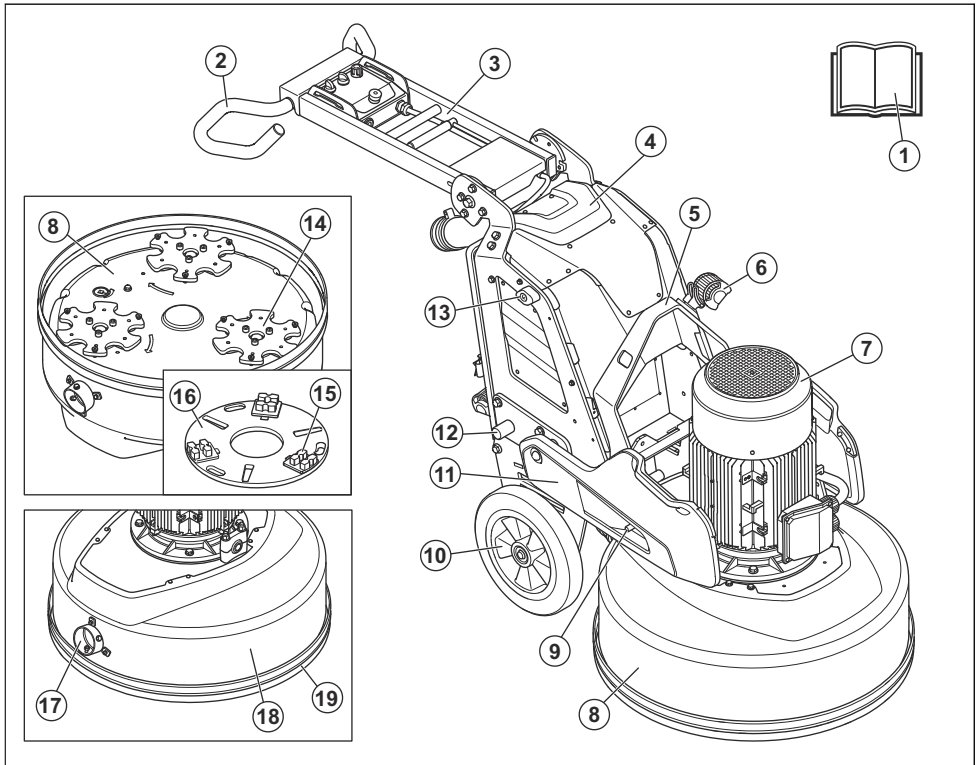
El producto es una amoladora de piso para superficies de diferente dureza.

### Uso previsto

El producto se utiliza para amolar superficies de materiales con distinta dureza, como piedra natural, terrazo y hormigón. También utilice el producto para amolar materiales de cubierta como epoxi y pegamento. El acabado de la superficie puede ser áspero o liso. El producto se puede utilizar para amolar en seco y húmedo. No utilice el producto para otras tareas.

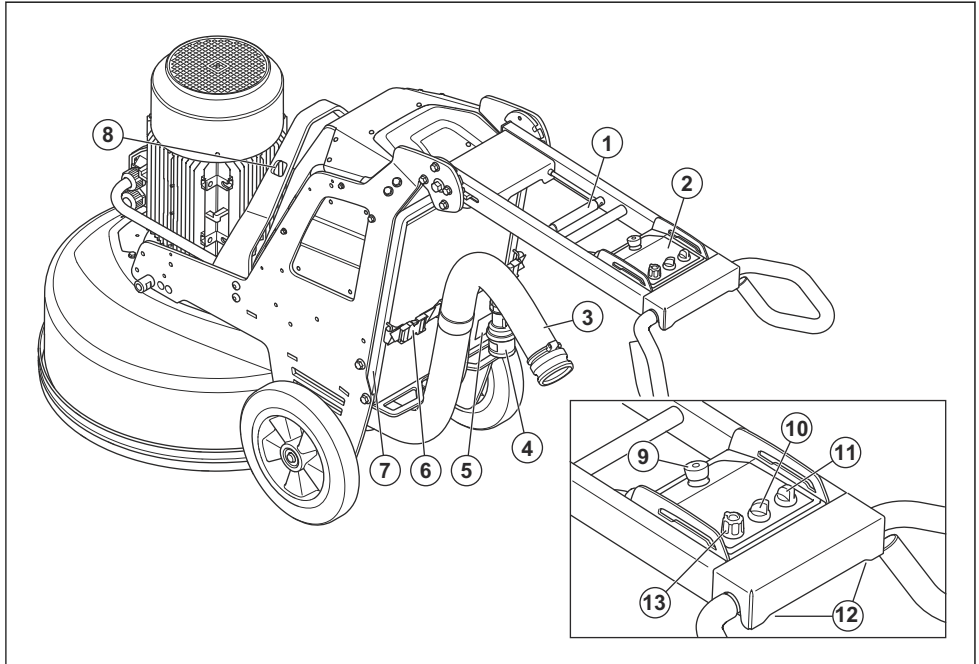
Los operadores profesionales utilizan el producto en operaciones comerciales.

## Descripción general del producto, lado derecho



- |                                |  |
|--------------------------------|--|
| 1. Manual del usuario          | 11. Contrapeso (accesorio)               |
| 2. Manillar                    | 12. Retenedor de contrapeso              |
| 3. Manilla                     | 13. Soporte de contrapeso                |
| 4. Carcasa electrónica         | 14. Disco de amolado                     |
| 5. Cáncamo                     | 15. Herramienta de diamante (accesorio)  |
| 6. Foco (accesorio)            | 16. Disco de amolar                      |
| 7. Motor de disco de amoladora | 17. Conexión para extractor de polvo     |
| 8. Base de la amoladora        | 18. Cubierta                             |
| 9. Bloqueo de contrapeso       | 19. Faldón de protección contra el polvo |
| 10. Rueda                      |  |

## Descripción general del producto, lado izquierdo



1. Nivel de bloqueo para el ajuste del mango
2. Panel de control
3. Conexión desde el extractor de polvo
4. Cable de alimentación
5. Placa de características
6. Dispositivo de suspensión para el extractor de polvo y el cable de alimentación
7. Bastidor de soporte
8. Orificios para correa
9. Botón de parada de emergencia
10. Interruptor PARADA/MARCHA
11. Interruptor encender/apagar
12. Tornillos para el ajuste del manillar
13. Perilla para el sentido de rotación y la velocidad del disco de amolado

### Símbolos en la máquina



**ADVERTENCIA:** Este producto puede ser peligroso y provocar daños graves o fatales al operador o a otras personas. Tenga cuidado y utilice el producto correctamente.



Lea atentamente el manual y asegúrese de que entiende las instrucciones antes de usar el producto.



Utilice protectores auriculares, protección ocular y protección respiratoria. Consulte *Equipo de protección personal en la página 32*.



El polvo puede provocar problemas de salud. Utilice una protección respiratoria aprobada. Asegúrese de que haya buena ventilación.



Levante siempre el producto por el cáncamo.



Utilice los orificios para las correas de sujeción con el fin de fijar el producto a un vehículo de transporte.



Doble aislamiento, batería y cargador de batería.



Utilice y almacene el cargador de batería solamente en interiores.



El producto no es un desecho doméstico. Recíclalo en un sitio de reciclaje aprobado para equipos eléctricos y electrónicos.

**Tenga en cuenta:** Otros símbolos o etiquetas en el producto hacen referencia a requisitos de certificación especiales para algunos mercados.

## Símbolos en el panel de control



Parada de emergencia.



Producto encendido y reinicio del producto.

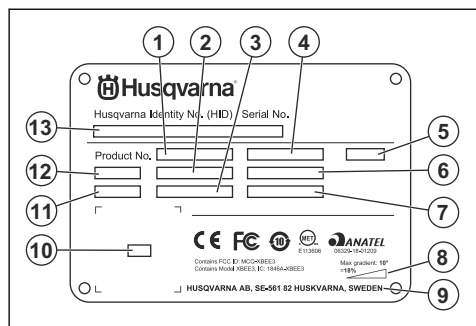


Cabezal de amolado encendido.



Velocidad y sentido de rotación, disco de amolado.

## Placa de características



- Número de la máquina
- Peso del producto

- Potencia nominal
- Voltaje nominal
- Carcasa
- Corriente nominal
- Frecuencia
- Ángulo máximo de pendiente
- Fabricante
- Código escaneable
- Año de fabricación
- Modelo
- Número de serie

## Responsabilidad del fabricante

Como se menciona en las leyes de responsabilidad del fabricante, no nos hacemos responsables de los daños que cause nuestro producto si:

- el producto se repara incorrectamente
- el producto se repara con piezas que no son del fabricante o que este no autoriza
- el producto tiene un accesorio que no es del fabricante o que este no autoriza
- el producto no se repara en un centro de servicio autorizado o por una autoridad aprobada.

## Husqvarna Fleet Services™

Husqvarna Fleet Services™ es una solución en la nube que le proporciona al operador una descripción general de todos los productos que están conectados. En este producto puede haber un sensor Husqvarna Fleet Services™ instalado. El sensor Husqvarna Fleet Services™ recopila datos del producto y le permite conectarse al sistema Husqvarna Fleet Services™. El sistema Husqvarna Fleet Services™ informa datos tales como el tiempo de funcionamiento, intervalos de mantenimiento y ubicación del producto.

Para obtener más información acerca de Husqvarna Fleet Services™, descargue la aplicación Husqvarna Fleet Services™ o hable con el representante de Husqvarna.

## Seguridad

### Definiciones de seguridad

Las advertencias, precauciones y notas se utilizan para señalar las piezas particularmente importantes del manual.



**ADVERTENCIA:** Se utilizan para señalar el riesgo de lesiones graves o mortales para el operador o para aquellos que se encuentren cerca si no se siguen las instrucciones del manual.



**AVISO:** Se utilizan para señalar el riesgo de dañar la máquina, otros materiales o el área adyacente si no se siguen las instrucciones del manual.

**Tenga en cuenta:** Se utilizan para entregar más información necesaria en situaciones particulares.

## Instrucciones generales de seguridad



**ADVERTENCIA:** Lea atentamente las instrucciones de advertencia siguientes antes de usar el producto.

- Este producto puede ser una herramienta peligrosa si no se maneja con cuidado o si utiliza el producto de forma incorrecta. Este producto puede causar daños graves o fatales al operador o a otras personas. Antes de utilizar el producto, es muy importante que lea y comprenda el contenido de este manual de usuario.
- Guarde todas las advertencias y las instrucciones.
- Cumpla todas las leyes y reglamentos vigentes.
- El operador y el empleador del operador deben conocer y evitar los riesgos durante la operación del producto.
- No permita que nadie que no haya leído y comprendido el contenido del manual de usuario utilice el producto.
- No utilice el producto si no ha recibido capacitación antes de su uso. Asegúrese de que todos los usuarios reciban capacitación.
- No deje que un niño utilice el producto.
- Restrinja el uso del producto solo a personas autorizadas.
- El operador es responsable de los accidentes que puedan ocurrirles a otras personas o a sus propiedades.
- No utilice el producto si está cansado, enfermo o bajo la influencia de alcohol, drogas o medicamentos.
- Sea siempre cuidadoso y use el sentido común.
- En este producto se genera un campo electromagnético durante su funcionamiento. Este campo puede, en determinadas circunstancias, interferir en implantes médicos activos o pasivos. Para reducir el riesgo de daños graves o mortales, se recomienda que las personas con implantes médicos consulten a su médico y al fabricante del implante médico antes de utilizar este producto.
- Mantenga la máquina limpia. Asegúrese de que puede leer señales y etiquetas claramente.
- No utilice el producto si se encuentra defectuoso.
- No modifique este producto.
- No utilice el producto si es posible que otras personas hayan realizado modificaciones en el mismo.
- Utilice equipo de protección personal. Consulte *Equipo de protección personal en la página 32*.
- No se aleje del producto cuando el motor esté en marcha.
- Siempre desconecte el cable de alimentación antes de alejarse del producto.
- No tire de la manguera del extractor de polvo. El producto se puede caer y causar daños o lesiones.
- El cabezal de amolado debe tocar la superficie cuando encienda el producto. Esto no se aplica cuando realiza una comprobación del interruptor ENCENDER/APAGAR.
- No arranque el producto sin el faldón para polvo instalado. El faldón para polvo debe sellar completamente el espacio entre el producto y el piso.
- Manténgase alejado de las zonas donde el producto pueda causar lesiones. El producto puede cambiar de posición rápidamente y golpearlo.
- Si el producto no funciona correctamente, detenga el motor.
- Asegúrese de que ninguna prenda, cabello largo o joya puedan quedar atrapados en las piezas móviles.
- Asegúrese de encontrarse en una posición segura y estable durante la operación.
- No utilice el producto si no puede recibir ayuda en caso de que ocurra un accidente.
- Si el producto vibra o el nivel de ruido del producto es inusualmente alto, deténgalo de inmediato. Examine el producto en busca de daños. Repare los daños o solicite a un taller de servicio autorizado que realice la reparación.
- La sobreexposición a las vibraciones puede producir trastornos vasculares o daños al sistema nervioso en las personas que padecen problemas de circulación. Obtenga asistencia médica si experimenta síntomas de sobreexposición a las vibraciones. Estos síntomas incluyen entumecimiento, pérdida de sensibilidad, hormigueo, ardor, dolor, pérdida de fuerza, y cambios en el color o el estado de la piel. Normalmente, estos síntomas se presentan en los dedos, las manos o las muñecas.
- No estacione el producto en una pendiente. Si debe estacionar el producto en una pendiente, asegúrese de que el producto no se pueda mover ni caer. Hay riesgo de lesiones y daños.
- Tenga mucho cuidado cuando trabaje en pendientes. El producto es pesado y puede causar daños graves si se cae.
- No mueva el producto en pendientes pronunciadas. Observe la placa de características en el producto para obtener información sobre el ángulo máximo de pendiente.
- Siempre utilice accesorios homologados. Póngase en contacto con su concesionario para obtener más información.

## Instrucciones de seguridad para el funcionamiento



**ADVERTENCIA:** Lea atentamente las instrucciones de advertencia siguientes antes de usar el producto.

## Equipo de protección personal



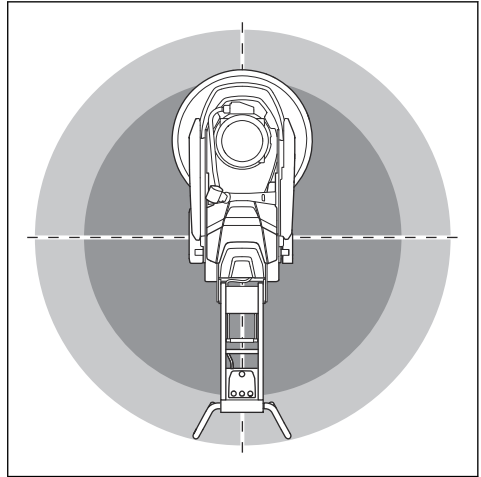
**ADVERTENCIA:** Lea atentamente las instrucciones de advertencia siguientes antes de usar el producto.

- Utilice siempre el equipo de protección personal adecuado cuando utilice el producto. El equipo de protección personal no elimina el riesgo de lesiones. El equipo de protección personal disminuye el grado de la lesión en caso de un accidente. Permita que su distribuidor le ayude seleccionar el equipo adecuado.
- Use una protección ocular aprobada cuando emplee el producto.
- No utilice prendas flojas, pesadas y no apropiadas. Utilice ropa que le permita moverse libremente.
- Utilice guantes protectores aprobados que permitan un agarre firme.
- Utilice guantes protectores de goma para evitar la irritación de la piel causada por el hormigón húmedo.
- Utilice un casco protector aprobado.
- Utilice siempre protectores auriculares aprobados cuando emplee el producto. Escuchar ruidos durante un largo período puede provocar pérdida de audición inducida por el ruido.
- El producto genera polvo y gases que contienen químicos peligrosos. Utilice protección respiratoria aprobada.
- Utilice botas con punta de acero y suela antideslizante.
- Asegúrese de tener un botiquín de primeros auxilios.
- Se pueden generar chispas cuando utilice el producto. Asegúrese de tener cerca un extintor de incendios.

## Seguridad en el área de trabajo

- Durante el funcionamiento, mantenga a los transeúntes alejados del área que se muestra en la

ilustración a continuación. El operador debe tener mucho cuidado en esta área durante la operación.



- Asegúrese de que solo personas autorizadas estén en la zona de trabajo.
- No use el producto en condiciones de niebla, lluvia, vientos fuertes, clima frío, riesgo de rayos u otras condiciones climáticas adversas. Usar el producto en mal tiempo o ubicaciones mojadas puede tener un efecto negativo en su estado de alerta. El mal tiempo puede causar condiciones de trabajo peligrosas.
- Tenga cuidado con personas, objetos y situaciones que puedan impedir el funcionamiento seguro del producto.
- Mantenga el área de trabajo lo suficientemente iluminada.
- No utilice el producto en áreas donde se pueden producir explosiones o fuego.

## Seguridad eléctrica



**ADVERTENCIA:** Siempre existe el riesgo de recibir una descarga cuando se usan productos eléctricos. No utilice el producto en condiciones climáticas adversas. No toque los pararrayos ni los objetos metálicos. Utilice siempre el producto como se indica en este manual del usuario para evitar lesiones.



**AVISO:** El producto cumple con los requisitos de la norma EN 61000-3-11 y está sujeto a una conexión condicionada a la red eléctrica. Hable con la autoridad de suministro eléctrico para obtener instrucciones sobre cómo conectar el producto.



La fuente de alimentación del producto o el generador deben ser suficientes y constantes para asegurar que el motor funcione sin problemas. El voltaje incorrecto hace que el consumo de energía y la temperatura del motor aumenten hasta que se active el circuito de seguridad. Las dimensiones del cable de alimentación deben coincidir con las regulaciones nacionales y locales. Las dimensiones de la toma de corriente deben coincidir con el amperaje del enchufe eléctrico y el cable de extensión del producto.

Si el sistema de la red eléctrica tiene una resistencia más alta, puede ocurrir una caída del voltaje cuando el producto se ponga en marcha. Esto puede afectar el funcionamiento de otros productos; por ejemplo, el parpadeo de luces.

- Asegúrese de que la alimentación, el fusible y el voltaje de la red eléctrica sean los mismos que se indican en la placa de características del producto.
- Detenga siempre el producto antes de desconectar el enchufe.

- No utilice el producto si el cable o el enchufe de alimentación se encuentran dañados. Llévelo a un centro de servicio autorizado para su reparación. Un cable de alimentación dañado puede causar daños graves e incluso la muerte.
- Utilice el cable de alimentación correctamente. No utilice el cable de alimentación para mover, tirar o desconectar el producto. Tire del enchufe de alimentación para desconectar el cable de alimentación. No tire del cable de alimentación.
- No utilice el producto en profundidades de agua en las que el equipo del producto se moje. El equipo podría dañarse y el producto podría electrificarse y causar lesiones.
- No deje que ingrese más humedad en el producto que el agua que suministra el sistema de agua. Mantenga el producto alejado de la lluvia. El agua que ingresa en el producto aumenta el riesgo de sacudida eléctrica.
- Asegúrese de desconectar siempre el cable de alimentación antes de conectar o desconectar la conexión del cable del motor y del gabinete eléctrico.

### Valores guía de la fuente de alimentación

Voltaje nominal de la fuente de alimentación, V	Voltaje mínimo en el producto, V	Voltaje máximo en el producto, V	Frecuencia, Hz	Corriente nominal, A	Potencia del motor	Área mínima del cable en mm <sup>2</sup> /AWG	Longitud máxima del cable m/ pies
3 x 220	200	240	50/60	50	11+1,5	10/7	190/620
3 x 400/440 /480	380	480	50/60	30	11+1,5	6/9	190/620
3 x 220	200	240	50/60	50	11+1,5	10/7	190/620
3 x 400/440 /480	380	480	50/60	30	15+1,5	6/9	190/620

### Instrucciones para la conexión a tierra del producto



**ADVERTENCIA:** Una conexión incorrecta puede provocar una descarga eléctrica. Hable con un electricista certificado si no está seguro de si el producto está correctamente conectado a tierra.

No modifique la especificación de fábrica del enchufe. Si el enchufe no es el correcto para la toma de corriente, deje que un electricista certificado instale una toma de corriente adecuada a la red eléctrica. Obedezca las normas y las leyes locales.

Si no comprende perfectamente las instrucciones sobre la conexión a tierra del

producto, póngase en contacto con un electricista certificado.

El producto cuenta con un cable de alimentación y un enchufe con conexión a tierra. Conecte siempre el producto a una toma de corriente con conexión a tierra. Esto reduce el riesgo de descarga eléctrica si ocurre una falla.

No utilice adaptadores eléctricos para el producto.

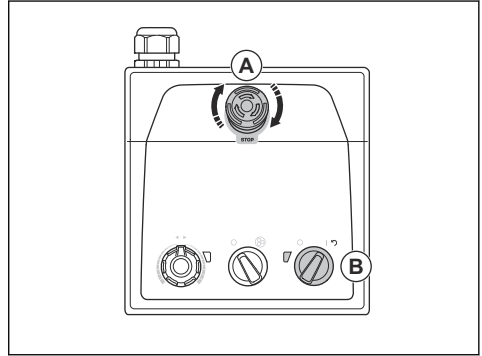
### Cables de extensión

- Utilice solamente cables de extensión aprobados que tengan la longitud suficiente.

- El valor nominal del cable de extensión debe ser el mismo o superior al valor que se establece en la placa de características del producto.
- Utilice cables de extensión con conexión a tierra.
- Cuando opere el producto en exteriores, utilice un cable de extensión apto para el uso en exteriores. Esto disminuye el riesgo de sacudida eléctrica.
- Mantenga la conexión al cable de extensión seca y no la deje en el suelo.
- Mantenga el cable de extensión alejado del calor, el aceite, los bordes afilados o de las piezas móviles. Los cables dañados aumentan el riesgo de sacudidas eléctricas.
- Asegúrese de que el cable de extensión esté intacto y en buenas condiciones.
- No utilice el cable de extensión mientras está enrollado. Esto puede provocar que el cable de extensión se caliente demasiado.
- Asegúrese de que el cable de extensión esté detrás de usted cuando utilice el producto. Esto evita que el cable de extensión sufra daños.

### Para revisar el botón de parada de emergencia

1. Gire el botón de emergencia (A) en el panel de control en el sentido de las agujas del reloj para asegurarse de que el botón de parada de emergencia esté desacoplado.



2. Gire el interruptor ENCENDER/APAGAR (B) del panel de control a la posición 1 para encender el motor. El LED adyacente al interruptor ENCENDER/APAGAR se enciende.
3. Presione el botón de parada de emergencia.
4. Asegúrese de que el LED adyacente al interruptor ENCENDER/APAGAR se apague.
5. Gire el botón de parada de emergencia en el sentido de las agujas del reloj para desactivarlo.

### Dispositivos de seguridad en el producto

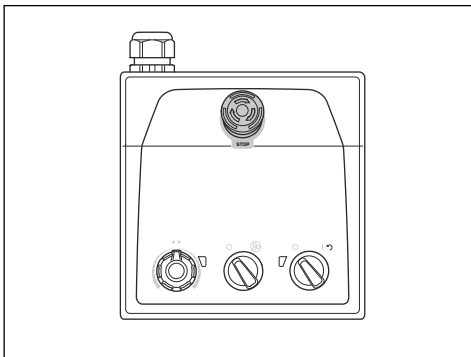


**ADVERTENCIA:** Lea atentamente las instrucciones de advertencia siguientes antes de usar el producto.

- No utilice un producto con dispositivos de seguridad defectuosos.
- Revise los dispositivos de seguridad de forma regular. Si los dispositivos de seguridad están defectuosos, comuníquese con su taller de servicio Husqvarna.

### Botón de parada de emergencia

El botón de parada de emergencia se utiliza para detener rápidamente el motor. El botón de parada de emergencia interrumpe el suministro de electricidad.



**AVISO:** No utilice el botón de parada de emergencia como botón de parada del producto.

### Instrucciones de seguridad para el mantenimiento

- Mantenga todas las piezas en buen estado y asegúrese de que todos los componentes fijos estén ajustados correctamente.
- No utilice un producto que esté defectuoso. Realice los controles de seguridad y de mantenimiento como se describe en este manual. Todas las demás tareas de mantenimiento se deben realizar en un taller de servicio autorizado.
- Detenga el producto cuando cambie las herramientas de diamante. Gire el interruptor encender/apagar a la posición 0 y presione el botón de parada de emergencia.
- Realice la inspección o el mantenimiento con el motor detenido y el enchufe desconectado.
- Realice mantenimiento para asegurarse de que el producto funcione correctamente. Consulte *Programa de mantenimiento en la página 44.*

# Funcionamiento

## Introducción



**ADVERTENCIA:** Antes de utilizar el producto, debe leer y entender el capítulo sobre seguridad.

## Para extraer el producto del paquete.



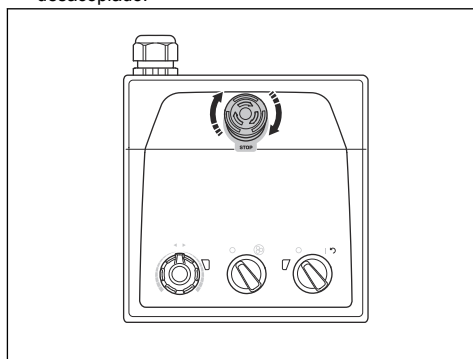
**ADVERTENCIA:** Mueva el producto del palé con cuidado y de forma segura. El producto es pesado y puede causar daños graves si se cae.

- Asegúrese de que se incluyan todos los elementos que se muestran en la descripción general del producto. Consulte *Descripción general del producto, lado derecho en la página 28*. Comuníquese con el distribuidor de Husqvarna si falta algún elemento o está dañado antes de mover el producto desde el palé.
- Quite todos los calces para ruedas y correas del paquete.
- Asegúrese de que el área esté despejada y de que tenga suficiente espacio para mover el producto.
- Asegúrese de que no haya riesgo de que usted o el producto puedan caer.
- Utilice un equipo de elevación o rampas para mover el producto desde el palé. El producto es pesado. Mueva el producto con seguridad. Consulte *Para levantar el producto en la página 49*.

## Haga lo siguiente antes de usar el producto

1. Lea atentamente el manual del usuario y asegúrese de entender las instrucciones.
2. Colóquese el equipo de protección personal necesario. Consulte *Equipo de protección personal en la página 32*.
3. Asegúrese de que solo personas autorizadas estén en la zona de trabajo.
4. Realice un mantenimiento diario. Consulte *Programa de mantenimiento en la página 44*.
5. Revise que el producto esté montado correctamente y que no esté dañado.
6. Coloque el producto en el área de trabajo. Asegúrese de que el transporte del producto hacia el área de trabajo y dentro de esta se realice de forma segura y correcta. Consulte *Transporte en la página 48*.
7. Asegúrese de que haya herramientas de diamante en las placas de herramientas y que ambas estén firmemente sujetas.

8. Conecte un extractor de polvo al producto. Consulte *Para conectar un extractor de polvo en la página 38*.
9. Ajuste el mango y el manillar a una altura de funcionamiento aplicable. Consulte *Para ajustar el mango y el manillar en la página 39*.
10. Asegúrese de que el cable del motor esté conectado a la carcasa electrónica antes de conectar el producto a un tomacorriente. Consulte *Para instalar y quitar la base de la amoladora en la página 45*.
11. Conecte el producto a una fuente de alimentación. Consulte *Para conectar el producto a una fuente de alimentación en la página 39*.
12. Gire el botón de emergencia del panel de control en el sentido de las agujas del reloj para asegurarse de que el botón de parada de emergencia esté desacoplado.



13. Asegúrese de saber el sentido de rotación de los discos de amolado al utilizar las herramientas de diamante de dirección como Piranhas.

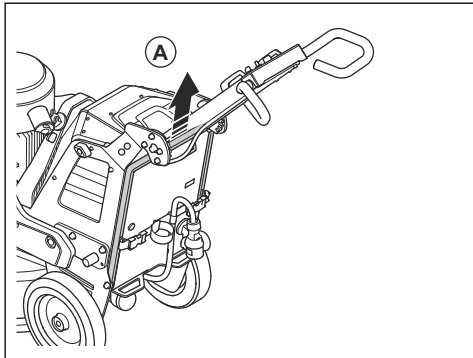
## Para acoplar y desacoplar el bastidor de soporte

El producto presenta un bastidor de soporte que se utiliza para inclinar el producto hacia atrás. Además, el bastidor de soporte se utiliza como un dispositivo de suspensión para colgar la manguera del extractor de polvo y el cable de alimentación.

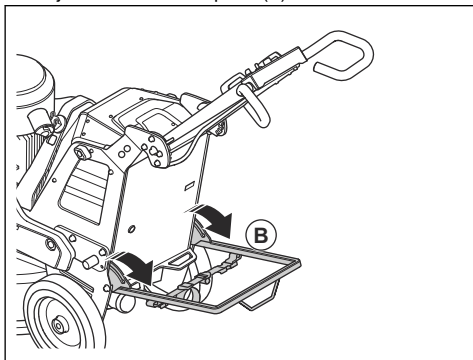


**ADVERTENCIA:** Tenga cuidado cuando mueva el bastidor de soporte. Las piezas móviles pueden causar lesiones.

1. Levante el bastidor de soporte (A) un poco.



2. Baje el bastidor de soporte (B).



3. Pliegue el bastidor de soporte en la secuencia opuesta.

## Herramientas de diamante

Hay varios tipos y configuraciones de herramientas de diamante para el producto. Las herramientas diamantadas con base metálica se utilizan para la extracción de material y las herramientas diamantadas con base de resina se utilizan para pulir las superficies. Seleccione las herramientas de diamante correctas según la superficie. Comuníquese con su distribuidor Husqvarna o vaya a [www.husqvarnacp.com](http://www.husqvarnacp.com) para obtener asistencia para seleccionar la herramienta correcta.

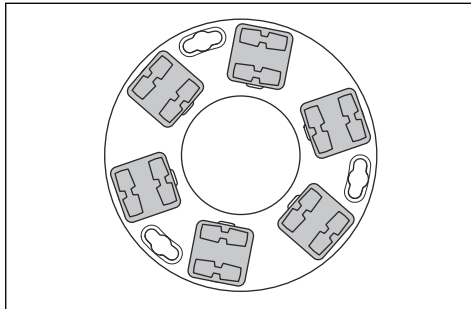
### Alternativas de soporte de discos para herramientas de diamante

- Utilice un soporte de disco Redi lock para instalar las herramientas diamantadas con base metálica.
- Utilice un soporte de disco de resina para instalar las herramientas diamantadas con base de plástico.

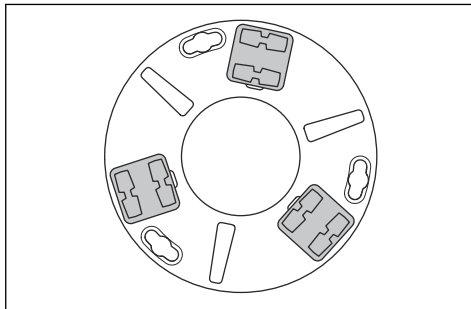
## Juego completo y medio juego de herramientas de diamante

La configuración de los segmentos de las herramientas de diamante tiene un efecto sobre la calidad final de la superficie. La configuración también tiene un efecto en la tasa de funcionamiento del producto.

- Juego completo de herramientas de diamante: Esta configuración se aplica a un acabado de piso plano.



- Medio juego de herramientas de diamante: Esta configuración se aplica cuando no se necesita un acabado de piso plano.



## Para reemplazar las herramientas de diamante



**ADVERTENCIA:** Siempre desconecte el enchufe de alimentación antes de reemplazar las herramientas de diamante para evitar un arranque accidental.



**ADVERTENCIA:** Utilice guantes protectores, ya que las herramientas de diamante pueden calentarse mucho.



**ADVERTENCIA:** Utilice una protección respiratoria aprobada cuando reemplace las herramientas de diamante. El polvo debajo de la base de la amoladora es peligroso para la salud.

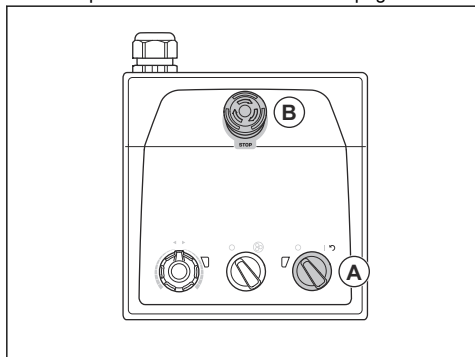


**ADVERTENCIA:** Utilice el extractor de polvo cuando cambie las herramientas de polvo cuando cambie las herramientas de diamante. El extractor de polvo disminuye el polvo que puede causar problemas de salud.

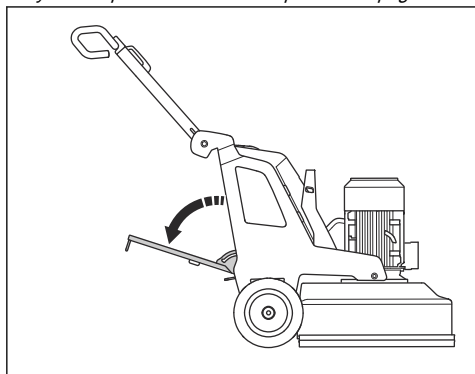


**AVISO:** Todos los discos de amolado deben tener siempre la misma cantidad y tipo de diamantes. La altura de los diamantes debe ser la misma en todos los discos de amolado.

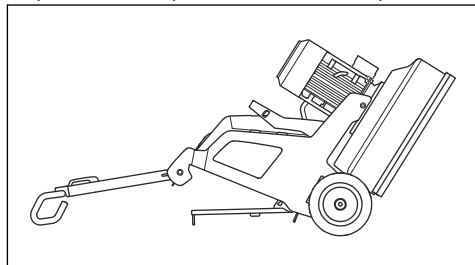
1. Gire el interruptor ENCENDER/APAGAR (A) del panel de control a la posición 0. El LED adyacente al interruptor ENCENDER/APAGAR se apaga.



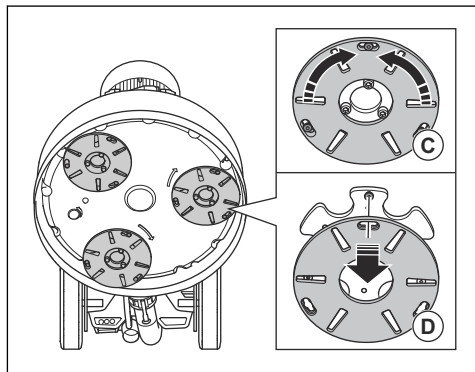
2. Presione el botón de parada de emergencia (B) en el panel de control.
3. Coloque el mango en la posición de servicio. Consulte *Posiciones del mango en la página 39*.
4. Si están instalados los contrapesos, ajústelos a la posición hacia atrás. Consulte *Para ajustar los contrapesos en la página 43*.
5. Acople el bastidor de soporte. Consulte *Para acoplar y desacoplar el bastidor de soporte en la página 35*.



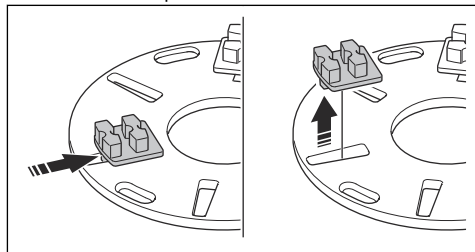
6. Sujete el manillar y, con un pie en el bastidor de soporte, incline el producto hacia atrás. Inclínelo hasta que el manillar esté en el piso.



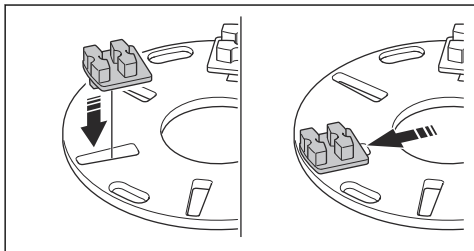
7. Utilice guantes protectores.
8. Gire la placa de herramientas (C) hacia la derecha o hacia la izquierda para desbloquear la placa de herramientas del disco de amolado.



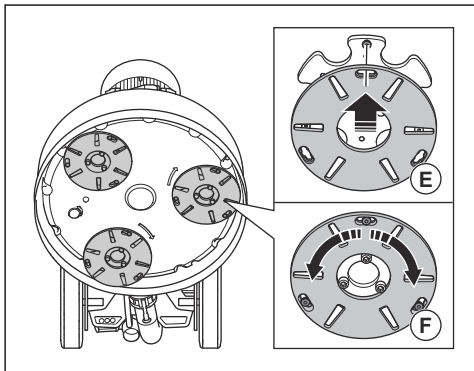
9. Tire de la placa de herramientas hacia afuera (D) para quitar la placa de la herramienta del disco de amolado.
10. Utilice un martillo para quitar las herramientas de diamante de la placa de herramientas.



11. Conecte las nuevas herramientas de diamante a la placa de herramientas con un golpe suave del martillo.



12. Coloque la placa de herramientas directamente (E) en el disco de amolado.



13. Gire la placa de herramientas (F) hacia la derecha o hacia la izquierda para bloquear la placa de herramientas en el disco de amolado.
14. Levante cuidadosamente el producto a la posición de funcionamiento. Utilice el manillar y el bastidor de soporte como apoyo.
15. Desacople el bastidor de soporte.

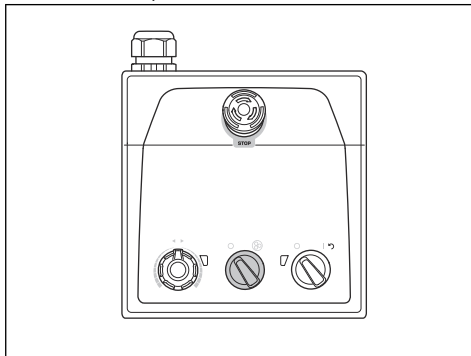
## Para conectar un extractor de polvo



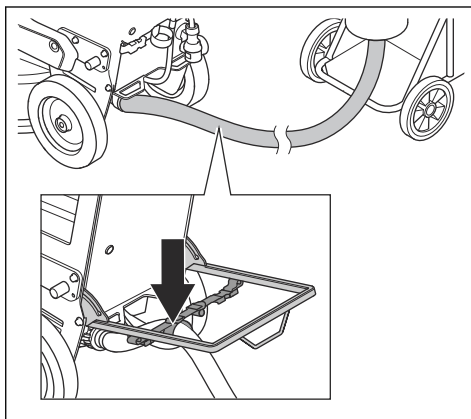
**ADVERTENCIA:** No utilice el extractor de polvo si la manguera del extractor de polvo presenta daños. El riesgo aumenta si inhala polvo, ya que es peligroso para su salud. Utilice protección respiratoria aprobada.

1. Examine la manguera del extractor de polvo para detectar daños.
2. Asegúrese de que los filtros del extractor de polvo estén limpios y en buen estado.

3. Asegúrese de que el interruptor de PARADA/ MARCHA del panel de control esté en 0.



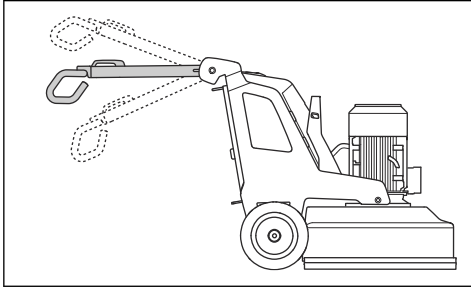
4. Conecte la manguera del extractor de polvo al producto.
5. Acople el bastidor de soporte. Consulte *Para acoplar y desacoplar el bastidor de soporte en la página 35.*
6. Cuelgue la manguera del extractor de polvo en el dispositivo de suspensión del bastidor de soporte para evitar que la manguera del extractor de polvo se tense.



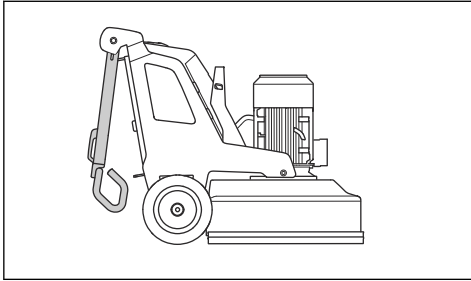
7. Desacople el bastidor de soporte.

## Posiciones del mango

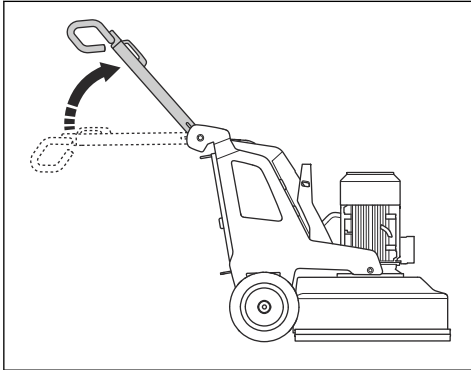
- Posición de funcionamiento del mango:



- Posición de transporte del mango:



- Posición de servicio del mango:



### Para ajustar el mango y el manillar

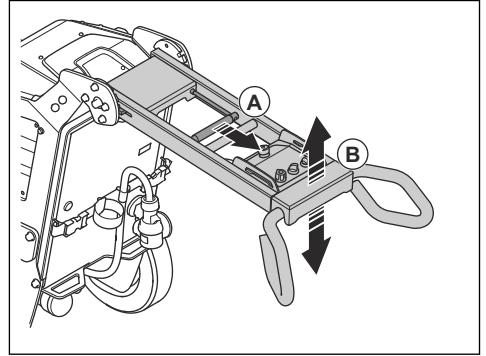


**ADVERTENCIA:** Tenga cuidado cuando ajuste el mango y el manillar. Asegúrese de que el mango y el manillar estén trabados en su posición. Las piezas móviles pueden causar lesiones.

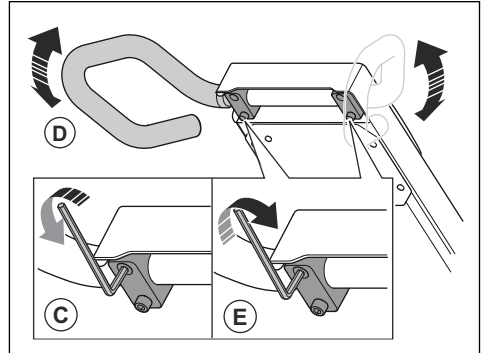
Ajuste la altura del mango lo más cerca posible de la altura de la cadera del operador. Durante el funcionamiento, el producto puede tirar hacia un lado.

La cadera del operador puede ayudar a detener este movimiento hacia un lado.

1. Tire de la palanca de bloqueo (A) del mango en la dirección del panel de control y sosténgala en esta posición.



2. Ajuste el mango (B) a una altura de funcionamiento adecuada.
3. Suelte la palanca de bloqueo del mango para bloquear la posición del mango.
4. Afloje los 4 tornillos (C) del manillar.

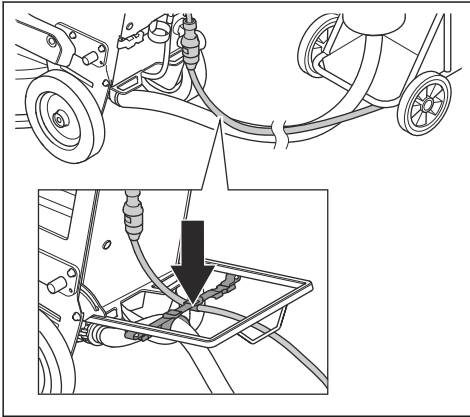


5. Ajuste el manillar (D) a una altura de funcionamiento adecuada.
6. Apriete los 4 tornillos (E) del manillar para bloquear su posición.

### Para conectar el producto a una fuente de alimentación

1. Conecte el enchufe del producto al cable de extensión.
2. Conecte el cable de extensión a un tomacorriente.
3. Acople el bastidor de soporte. Consulte *Para acoplar y desacoplar el bastidor de soporte en la página 35*.

4. Cuelgue el cable de alimentación en el dispositivo de suspensión en el bastidor de soporte para evitar que el cable de alimentación se tense.



5. Desacople el bastidor de soporte.



**AVISO:** Cuando el producto está conectado a un extractor de polvo, el extractor de polvo debe estar conectado a una fuente de alimentación trifásica.

## Velocidad de funcionamiento

Si el producto se opera en un tipo de superficie nueva, fije la velocidad inicialmente al 70 %. Cuando el operador conoce el tipo de superficie, la velocidad se puede ajustar.

## Sentido de rotación de los discos de amolado

Visto desde abajo del producto, el sentido de rotación es el siguiente:

- “DER.”: en el sentido de las agujas del reloj
- “IZQ.”: en el sentido contrario a las agujas del reloj

Durante el funcionamiento, el producto puede tirar hacia un lado. El sentido de la tracción se relaciona con el sentido de rotación. El producto tira hacia la derecha cuando el sentido de rotación se establece en “IZQ.”. El producto tira hacia la izquierda cuando el sentido de rotación se establece en “DER.”.

La tracción lateral puede ayudarle a operar el producto, por ejemplo, cerca de una pared. Establezca el sentido de rotación para que tire en dirección hacia la pared.

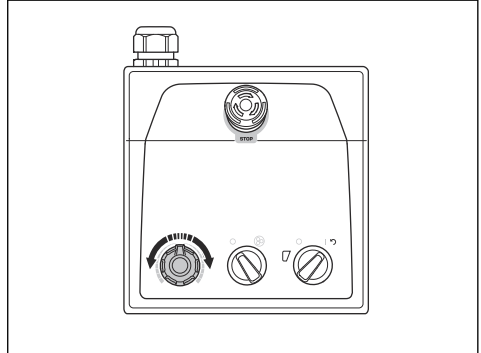


**AVISO:** Dirija el producto con cuidado. Asegúrese de que el producto solo toque ligeramente la pared. El producto es pesado y puede causar daños.

## Para cambiar la velocidad y el sentido de rotación del motor

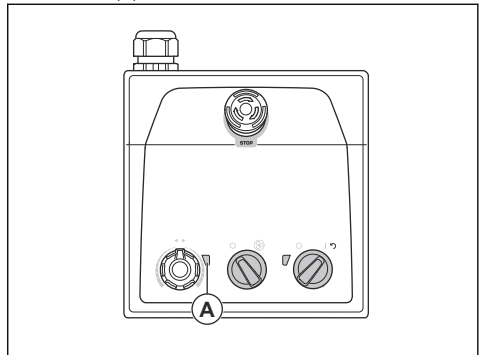
Cambie regularmente el sentido de rotación para aumentar la vida útil y el filo de las herramientas de diamante. Los segmentos de herramientas de diamante se utilizan por igual y la superficie de contacto sigue siendo lo más grande posible.

- Para ajustar la velocidad y el sentido de rotación del disco de amolado, gire la perilla.



## Para hacer funcionar el producto

- Opere el producto manualmente con el panel de control en el manillar. Consulte *Descripción general del producto, lado izquierdo en la página 29*.
- Durante el funcionamiento, esté atento a cambios de color en el indicador del inversor del disco de amolado (A).



- Luz verde: el producto funciona correctamente.
- Luz naranja: hay una sobrecarga en la base de la amoladora. Disminuya la salida de potencia en 10 segundos o menos para evitar que se produzca una falla.
- Luz roja: falla en el inversor y la base de la amoladora se detiene. Es necesario restablecer el producto. Consulte *Para restablecer el producto en la página 41*.

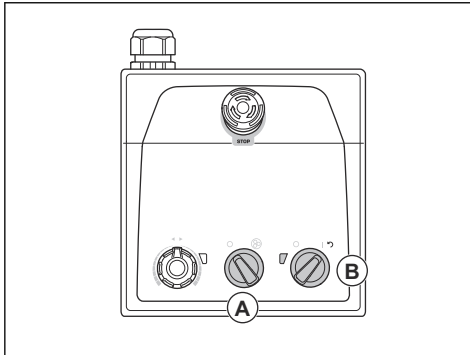


## Para poner en marcha el producto



**AVISO:** Mueva el producto todo el tiempo mientras la base de la amoladora esté encendida. Si no mueve el producto, la superficie puede volverse áspera.

1. Presione el manillar hacia abajo levemente para levantar la base de la amoladora de la superficie. Esto libera la fricción de la superficie de las herramientas de diamante. No levante la base de la amoladora completamente de la superficie durante el funcionamiento.
2. Gire el interruptor PARADA/MARCHA (A) del panel de control en el sentido contrario a las agujas del reloj hasta 0 para asegurarse de que base de la amoladora esté apagada.



3. Gire el interruptor ENCENDER/APAGAR (B) del panel de control a la posición 1 para encender el producto. El LED adyacente al interruptor ENCENDER/APAGAR se enciende.
4. Gire el interruptor PARADA/MARCHA en el panel de control en el sentido de las agujas del reloj para iniciar la base de la amoladora. En menos de 5 segundos, el producto funciona con régimen de ralenti.

## Para detener el producto

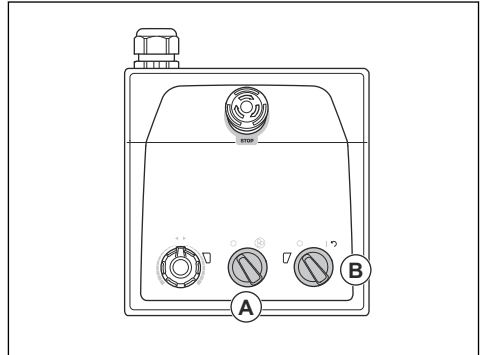


**AVISO:** No levante la base de la amoladora de la superficie cuando detenga el motor. Las placas de herramientas giran durante un tiempo después de que se detiene el motor. El polvo se puede dispersar en el aire y la superficie puede dañarse.



**AVISO:** No deje que el producto quede inmóvil hasta que las placas de herramientas se detengan por completo.

1. Gire el interruptor PARADA/MARCHA (A) del panel de control en el sentido contrario a las agujas del reloj hasta 0 para detener la base de la amoladora.



2. Mantenga las placas de herramientas contra la superficie hasta que se detengan por completo.

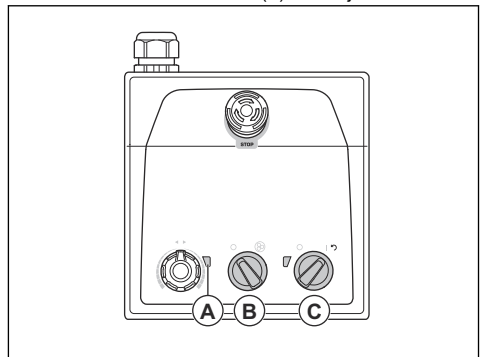


**AVISO:** Si debe amolar asfalto adhesivo, pintura o un material equivalente, el producto puede fijarse a la superficie adhesiva. Inmediatamente después de que la placa de herramientas se haya detenido por completo, levante la parte delantera de la base de la amoladora una distancia pequeña.

3. Gire el interruptor ENCENDER/APAGAR (B) del panel de control a la posición 0 para detener el producto. El LED adyacente al interruptor ENCENDER/APAGAR se apaga.
4. Desconecte el enchufe.

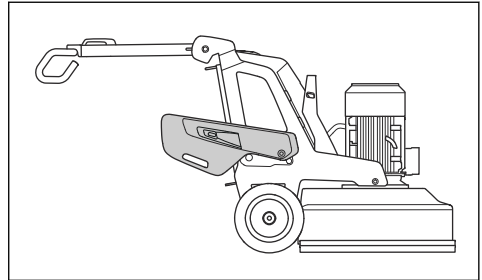
## Para restablecer el producto

El interruptor ENCENDER/APAGAR se puede utilizar como un interruptor de restablecimiento si el inversor se suelta. Restablezca el producto cuando el indicador del inversor del disco de amolado (A) esté rojo.



1. Gire el interruptor PARADA/MARCHA (B) en el sentido contrario a las agujas del reloj hasta 0 para asegurarse de que base de la amoladora esté apagada.
2. Gire el interruptor ENCENDER/APAGAR a la posición de flecha (C) para restablecer el producto. El indicador del inversor del disco de amolado se ve de color verde cuando la falla se restablece.
3. Gire el interruptor PARADA/MARCHA en el panel de control en el sentido de las agujas del reloj para iniciar la base de la amoladora nuevamente.

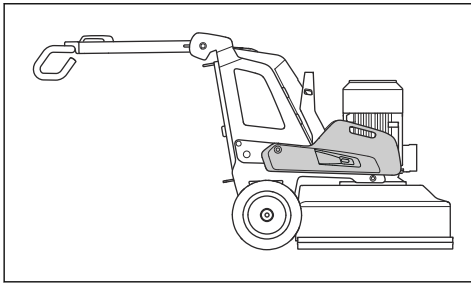
- Posición 3: Presión mínima en la base de la amoladora. Esta posición también se utiliza cuando se inclina el producto a la posición de servicio.



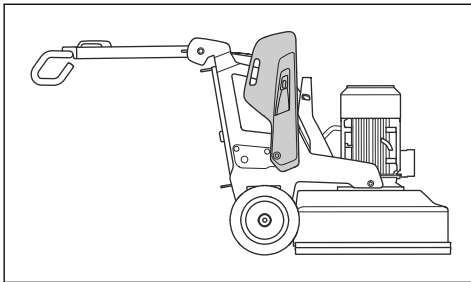
## Contrapesos

El producto tiene un contrapeso en cada lado. Si el producto es demasiado pesado para funcionar, ajuste los contrapesos a fin de cambiar la presión en la base de la amoladora. Los contrapesos deben ajustarse en la misma posición en el lado derecho y el lado izquierdo. Los contrapesos tienen 3 posiciones:

- Posición 1: Presión máxima en la base de la amoladora. Esta posición aumenta el efecto de funcionamiento. Esta posición también se utiliza cuando se coloca el producto en la posición de transporte.



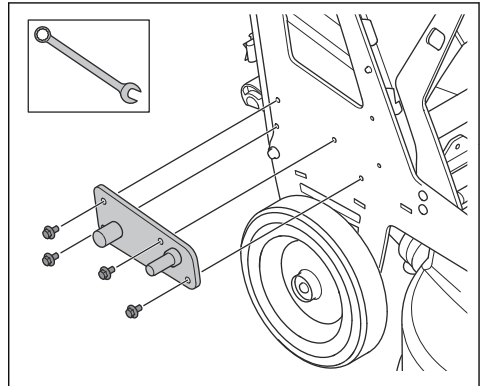
- Posición 2: Presión estándar en la base de la amoladora.



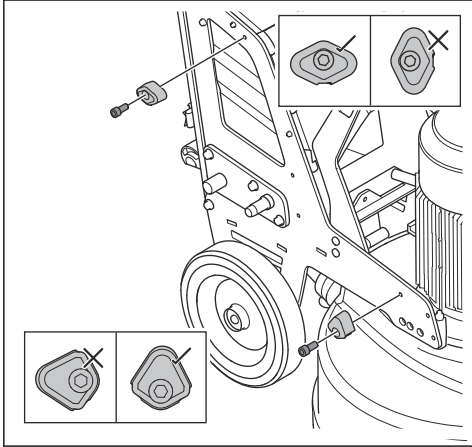
## Para armar y desarmar los contrapesos

El producto tiene un contrapeso en cada lado. Realice el procedimiento que se describe a continuación en cada contrapeso.

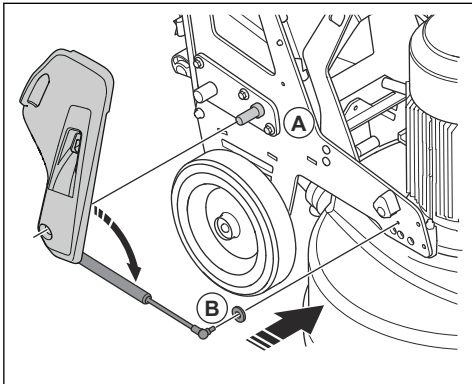
1. Instale el retenedor de contrapeso y apriete los 4 tornillos.



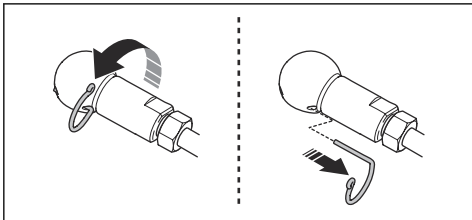
2. Instale los 2 soportes de contrapeso. Asegúrese de que los soportes de los pesos estén instalados correctamente como se muestra en la ilustración.



3. Coloque el contrapeso sobre el cilindro (A) en el retenedor de contrapesos.



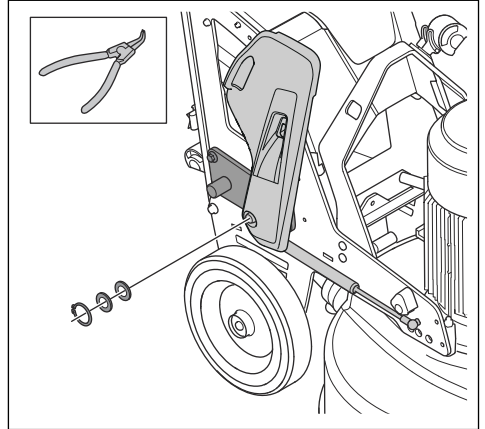
4. Conecte el resorte neumático del contrapeso al producto (B).
- a) Quite el resorte de bloqueo del cojinete a rótula.



- b) Retire los cojinetes a rótula del resorte neumático.

- c) Conecte el cojinete a rótula al producto.  
d) Conecte el resorte neumático al cojinete a rótula. Bloquee el resorte neumático al cojinete a rótula con el resorte de bloqueo.

5. Bloquee el contrapeso en el retenedor de contrapeso con el anillo de bloqueo.



### Para ajustar los contrapesos

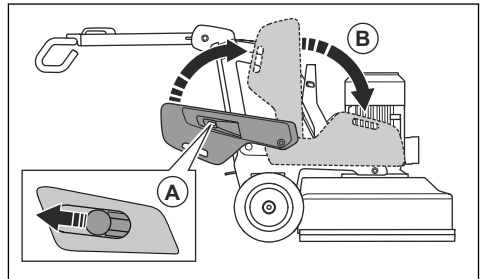


**ADVERTENCIA:** Tenga cuidado cuando ajuste los contrapesos. Las piezas móviles pueden causar lesiones.



**ADVERTENCIA:** Siempre asegúrese de que la traba del contrapeso funcione correctamente cuando los contrapesos se coloquen en la posición seleccionada.

1. Presione el bloqueo de contrapeso (A) y mueva el peso a la posición seleccionada (B) con la palanca de contrapeso. Consulte *Contrapesos en la página 42*.



2. Libere la traba de contrapeso para bloquear el peso en la posición seleccionada.

# Mantenimiento

## Introducción



**ADVERTENCIA:** Antes de realizar el mantenimiento, debe leer y entender el capítulo sobre seguridad.

Para todos los trabajos de mantenimiento y reparación del producto, se requiere capacitación especial. Garantizamos la disponibilidad de trabajos de mantenimiento y reparación profesionales. Si el concesionario no cuenta con un taller de servicio, pídales información acerca del taller de servicio más cercano.

## Tareas previas al mantenimiento

- Utilice equipo de protección personal. Consulte *Equipo de protección personal en la página 32*.
- Utilice protección respiratoria aprobada. El polvo del producto es peligroso para la salud.
- Estacione el producto sobre una superficie nivelada.
- Detenga el motor y desconecte el enchufe de alimentación para evitar el arranque accidental durante el mantenimiento.

- Limpie el aceite y el polvo de la zona que rodea el producto. Retire los objetos no deseados.
- Coloque carteles claros para advertir a los transeúntes que se está realizando un trabajo de mantenimiento.
- Mantenga a mano extintores, suministros médicos y un teléfono de emergencia.

## Programa de mantenimiento

\* = Mantenimiento general por parte del operador. Las instrucciones no se proporcionan en este manual de usuario.

X = Las instrucciones se proporcionan en este manual de usuario.

O = Las instrucciones no se proporcionan en este manual de usuario. Solicite a un taller de servicio autorizado que realice el mantenimiento.

Mantenimiento	Diario	Una vez por semana	Cada 6 meses	Cada 12 a 36 meses
Compruebe el interruptor ENCENDER/APAGAR.	*			
Compruebe los puntos de fijación y la función de bloqueo de la manilla.		*		
Compruebe los puntos de fijación y la función de bloqueo para los pesos.		*		
Compruebe el botón de parada de emergencia.	X			
Limpie las superficies exteriores del producto.	X			
Limpie los componentes internos del producto.			O	
Realice una inspección general.	X			
Compruebe los discos de amolado.	X			
Compruebe el funcionamiento del sistema de transmisión del cabezal de amolado.		X		
Realice el servicio en el sistema de transmisión para los discos de amolado.				O
Compruebe la conexión entre el chasis y el cabezal de amolado.		*		

## Para limpiar el producto

puede provocar que el motor se caliente demasiado.



**AVISO:** Una toma de aire bloqueada disminuye el rendimiento del producto y

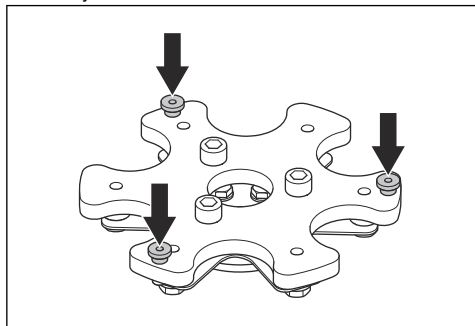
- Elimine los bloqueos en todas las tomas de aire. El producto debe estar siempre en una temperatura lo suficientemente fría.
- Antes de realizar una limpieza, desconecte siempre el enchufe de alimentación de la toma de la red.
- No utilice productos químicos para limpiar el producto.
- No limpie los componentes eléctricos con agua.
- Siempre limpie todo el equipo al final del día de trabajo. Limpie los componentes de la superficie inferior del cabezal de amolado con una lavadora de alta presión.



**AVISO:** No apunte directamente la hidrolavadora hacia los sellos o los puntos de conexión.

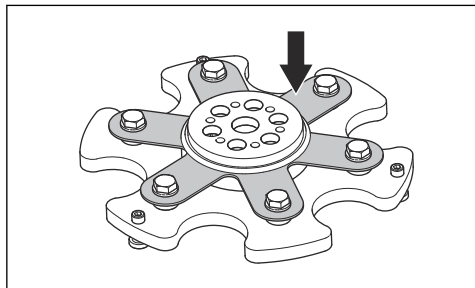
### Para hacer una inspección general

- Asegúrese de que el cable de alimentación y el cable de extensión estén intactos y en buenas condiciones.
- Asegúrese de que las tuercas y los tornillos estén apretados.
- Asegúrese de que las trabas de la base estén ajustadas. Si es necesario, apriete las trabas de la base y utilice sellador de roscas 680 LOCTITE®.



### Para revisar los discos amoladora

- Revise que el resorte de acero sobre resorte no esté dañado y asegúrese de que esté en buenas condiciones.



- Reemplace los resortes de acero sobre resortes que estén dañados.

**Tenga en cuenta:** No es necesario desechar el disco amoladora al reemplazar el resorte de acero sobre resorte.

- Agregue un segundo resorte de acero sobre resorte para reducir la flexibilidad de la base de acero del resorte.

### Sistema de transmisión para el cabezal de amolado

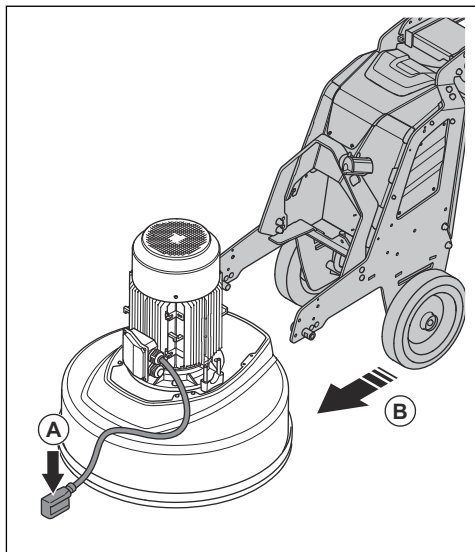
El sistema de transmisión para el cabezal de amolado es un sistema cerrado. Si tiene problemas con el sistema de transmisión del cabezal de amolado, comuníquese con el taller de servicio de Husqvarna.

### Para instalar y quitar la base de la amoladora



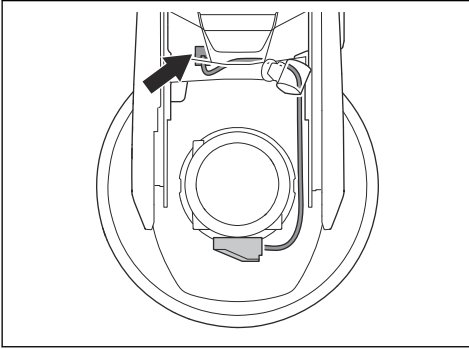
**ADVERTENCIA:** El chasis no está equilibrado cuando se quita la base de la amoladora. Asegúrese de que el chasis no pueda caerse. Puede provocar lesiones o daños.

1. Coloque el cable del motor (A) delante de la base de la amoladora.

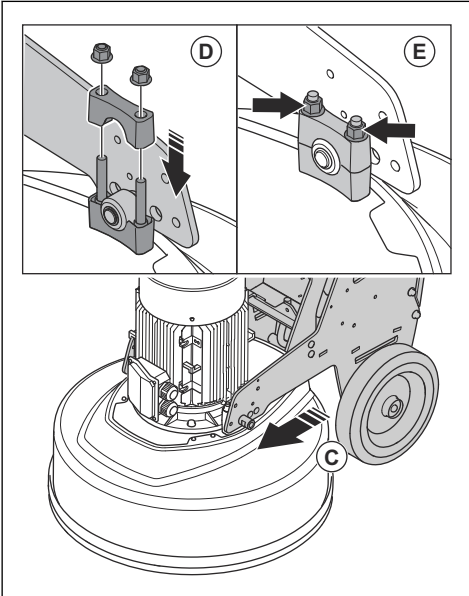


2. Presione el chasis cerca de la base de la amoladora (B).

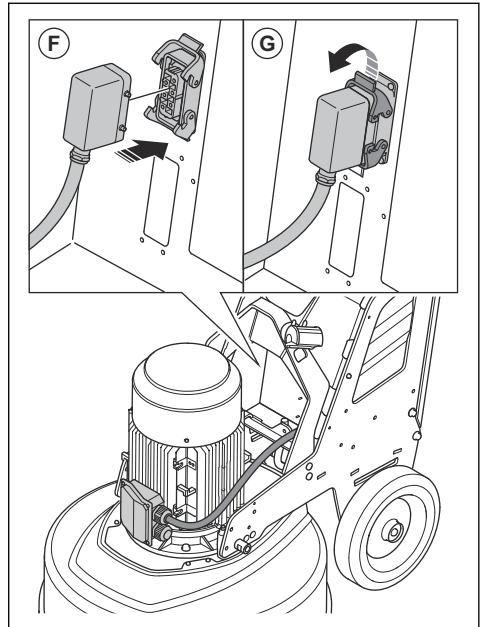
3. Coloque el cable del motor a través de la ranura entre la base de la amoladora y el chasis.



4. Presione el chasis por completo contra la base de la amoladora (C). Asegúrese de que el chasis se conecta en la base de la amoladora.



5. Instale el segundo soporte (D) en la parte superior del soporte en la base de la amoladora.
6. Apriete las 2 tuercas (E) a cada lado de la base de la amoladora.
7. Conecte el cable del motor a la toma eléctrica (F) de la carcasa eléctrica.



8. Fije el cable del motor a la toma eléctrica (F) de la carcasa eléctrica.
9. Retire la base de la amoladora en secuencia opuesta.

## Solución de problemas

Problema	Causa	Solución
El producto no arranca.	El cable de extensión está desconectado o dañado.	Conecte el cable de extensión o, si es necesario, reemplácelo.
	El botón de parada de emergencia está activado.	Gire el botón de parada de emergencia del panel de control en el sentido de las agujas del reloj para desacoplarlo.
	El interruptor de seguridad está abierto en el gabinete eléctrico.	Cierre el interruptor de seguridad para completar el circuito.
No es fácil agarrar el producto.	Hay una cantidad muy pequeña de herramientas de diamante instaladas en el producto.	Aumente el número de herramientas de diamante para reducir la carga sobre el producto y el operador.
	El motor de accionamiento de la amoladora no funciona.	Asegúrese de que el motor de accionamiento de la amoladora esté conectado.
	Esto puede deberse a una falla en el motor o a una falla en un cable del motor.	Si el problema persiste, comuníquese con un taller de servicio autorizado.
	La correa está rota.	Si la correa está rota, deje que un centro de servicio la reemplace.  Gire manualmente uno de los discos de amolado. Si todos los discos de amolado giran juntos, la correa no está dañada. Si un disco de amolado gira libremente, la correa está rota.
	Solo una fase entra en el producto. El producto no recibirá un código de error y utilizará <1 A de corriente del motor. El ventilador gira lentamente.	Compruebe la alimentación de corriente.
	La superficie o el funcionamiento utilizan demasiada capacidad del producto.	Ajuste la velocidad del motor o la velocidad de avance del producto en el piso.
El producto suena como si aumentara demasiado la velocidad.	El motor de accionamiento de la amoladora no está conectado.	Asegúrese de que el motor de accionamiento de la amoladora esté conectado.
	El motor de accionamiento de la amoladora no funciona.	Asegúrese de que el motor de accionamiento de la amoladora esté conectado.
	Esto puede deberse a una falla en el motor o a una falla en un cable del motor.	Si el problema persiste, comuníquese con un taller de servicio autorizado.
	La superficie es demasiado gruesa o la configuración de la herramienta de diamante es incorrecta.	Presione ligeramente hacia abajo el manillar para levantar el cabezal de amolado de la superficie cuando arranque el producto.

Problema	Causa	Solución
El producto hace un patrón irregular de rayas.	Las herramientas de diamante están conectadas incorrectamente o conectadas a diferentes alturas en los discos de amolado.	Asegúrese de que todas las herramientas de diamante estén instaladas correctamente y de que tengan la misma altura.
	Las herramientas de diamante son de distinto tipo.	Asegúrese de que todos los segmentos de la herramienta de diamante sean del mismo tipo de base y del mismo grano abrasivo. Si los segmentos de diamante son irregulares, separe los segmentos de diamante de manera uniforme. Haga funcionar el producto sobre una superficie abrasiva hasta que todos los segmentos tengan la misma altura.
	Las trabas están flojas o faltan.	Asegúrese de que todas las trabas estén en su lugar y apretadas.
	Las herramientas de resina son de distinto tipo o tienen contaminación no deseada.	Asegúrese de que todas las resinas tengan el mismo tipo de base y de grano abrasivo del diamante y que no haya contaminación. Para limpiar las herramientas de resina, hágalas funcionar durante un breve período en una superficie ligeramente abrasiva.
	Los discos de amolado están desgastados o dañados.	Compruebe si hay secciones rotas o demasiado movimiento en los discos de amolado.
Hay movimientos repentinos no deseados en el producto.	Los discos de amolado están desgastados o dañados.	Examine los discos de amolado para detectar piezas dañadas o movimiento excesivo.
	Las herramientas de diamante están conectadas incorrectamente o conectadas a diferentes alturas en los discos de amolado.	Asegúrese de que todas las herramientas de diamante estén instaladas correctamente y de que tengan la misma altura.
	Las trabas están flojas o faltan.	Asegúrese de que todas las trabas estén en su lugar y apretadas.
El disyuntor interno se libera.	Demasiada carga o la fuente de alimentación es insuficiente.	Compruebe la alimentación de corriente.
		Disminuya la presión de amolado, aumente la cantidad de herramientas de diamante o aumente la dureza de la base.

## Transporte, almacenamiento y eliminación de residuos

### Transporte



**ADVERTENCIA:** Tenga cuidado durante el transporte. El producto es pesado y puede causar lesiones o daños si se cae o se mueve durante el transporte.

Las ruedas permiten mover el producto en distancias más cortas. Para distancias más largas, levante el producto para moverlo o súbalo a un vehículo.



**AVISO:** No remolque el producto detrás de un vehículo.

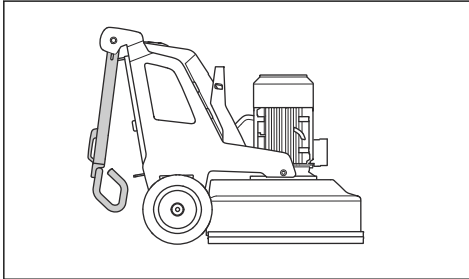
- Tenga cuidado cuando mueva el producto manualmente o en superficies con pendiente. Las pendientes pequeñas pueden producir un movimiento rápido que no sea posible frenar manualmente.
- Fije el producto con seguridad durante el transporte. Asegúrese de que no se mueva.
- Ponga algún tipo de protección en el producto durante el transporte. Esto protege al producto de los elementos naturales, como la lluvia y la nieve.
- Siempre utilice el cáncamo del producto cuando lo levante.
- No levante el producto desde el manillar, el motor, el chasis ni otras piezas.



- El transporte se hace mejor en un palé.
- Siempre levante el producto con un elevador o una horquilla de elevación.
- No utilice una horquilla de elevación si el producto no se coloca en un palé o un carro. Esto puede provocar daños en los discos de amolado y en otros componentes internos.
- Durante el transporte, el cabezal de amolado debe estar en el suelo. Para evitar daños en el mecanismo de bloqueo de las placas de herramientas, mantenga las placas de herramientas instaladas.

## Para poner el producto en posición de transporte

- Pliegue el mango. Consulte *Para ajustar el mango y el manillar en la página 39*.



- Si los contrapesos están conectados al producto, ajústelos a la posición de avance. Consulte *Para ajustar los contrapesos en la página 43*.
- Asegúrese de que la base de la amoladora toque la superficie.

## Para mover el producto hacia arriba y hacia abajo por una rampa



**ADVERTENCIA:** Tenga mucho cuidado al mover el producto hacia arriba y hacia abajo en rampas con el motor encendido. El producto es pesado y existe riesgo de lesiones si se cae o se mueve demasiado rápido.



**ADVERTENCIA:** Para rampas con una pendiente pronunciada, utilice siempre un cabrestante. No camine ni permanezca por debajo del producto. No permanezca en el área de riesgo del producto. Consulte *Seguridad en el área de trabajo en la página 32*.



**ADVERTENCIA:** No mueva el producto en pendientes pronunciadas. Observe la placa de características en el producto para obtener información sobre el ángulo máximo de pendiente.

- Para bajar el producto por una rampa, opere el producto lentamente hacia atrás.
- Para subir el producto por una rampa, opere el producto lentamente hacia delante.
- No gire el producto más de 45° en una rampa.

## Para levantar el producto



**ADVERTENCIA:** Asegúrese de que el equipo de elevación tenga la especificación correcta para levantar el producto de forma segura. La placa de características del producto muestra el peso del producto.

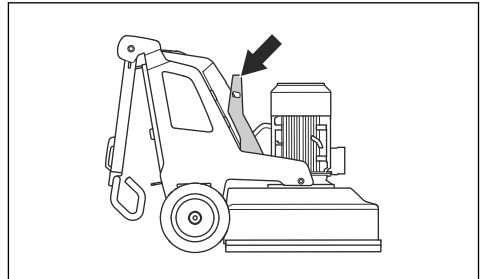


**ADVERTENCIA:** No camine ni permanezca por debajo del producto cuando esté levantado. Mantenga a los transeúntes fuera del área de trabajo. Consulte *Seguridad en el área de trabajo en la página 32*.



**ADVERTENCIA:** No levante el producto si está dañado. Asegúrese de que el cáncamo esté correctamente instalado y de que no esté dañado.

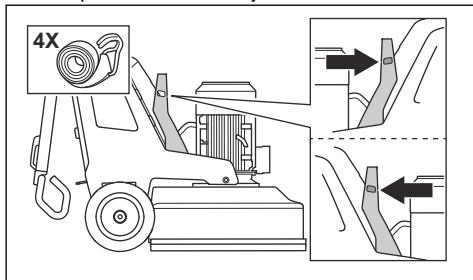
1. Coloque el producto en posición de transporte. Consulte *Para poner el producto en posición de transporte en la página 49*.
2. Fije el equipo de elevación en el cáncamo.



## Para fijar el producto en un vehículo de transporte

El producto cuenta con orificios que se usan con correas de sujeción para fijar el producto al vehículo de transporte.

1. Coloque las correas de sujeción en los orificios.



2. Fije y asegure las correas de sujeción al vehículo.

## Almacenamiento



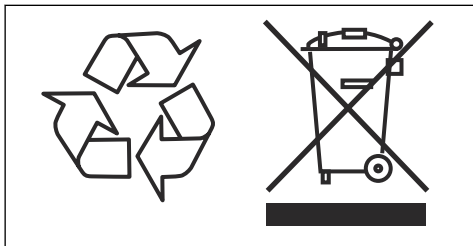
**AVISO:** No almacene el producto al aire libre. Siempre mantenga el producto en interiores.

- Mantenga el producto en un lugar seco y sin escarcha.
- Limpie el producto y realice un mantenimiento completo antes de almacenar el producto.
- Mantenga el cabezal de amolado sobre el suelo.
- Mantenga el producto en un área cerrada para evitar que los niños u otras personas sin autorización puedan acceder a él.

## Eliminación

Los símbolos en el producto o en su embalaje indican que este producto no se puede tratar como residuo doméstico. Debe enviarse a una estación de reciclaje apropiada para la recuperación del equipo eléctrico y electrónico.

Si se asegura de mantener correctamente esta máquina, puede contribuir a contrarrestar los posibles efectos negativos en el medioambiente y en las personas que, de lo contrario, podrían resultar afectadas debido a la gestión incorrecta de los residuos de este producto. Para obtener información más detallada sobre el reciclaje de este producto, comuníquese con su municipalidad, servicio de recolección de residuos domésticos o con la tienda donde compró el producto.



## Datos técnicos

### Datos técnicos

	<b>PG 830S</b> <b>3 x 220-240 V.</b>	<b>PG 830S</b> <b>3 x 440-480 V.</b>
Potencia del motor, kW/hp	11/15	11/15
Corriente nominal, A	50	30
Voltaje nominal, V	220-240	440-480
Fases	Trifásica	Trifásica
Frecuencia, Hz	50-60	50-60
Peso, kg/lb	497/1096	497/1096
Ancho de amolado, mm/pulg.	800/31,5	800/31,5
Disco de amolado, mm/pulg	3 x 270/10,5	3 x 270/10,5
Presión de amolado, kg/lb	79/175	79/175
Presión de amolado con rueda de apoyo, kg/lb	85/187	85/187
Peso en la posición 1 (hacia delante), kg/lbs	298/656	298/656
Peso en la posición 1 (hacia delante) con rueda de soporte, kg/lbs	315/693	315/693
Peso en la posición 2 (vertical), kg/lbs	249/548	249/548
Peso en la posición 2 (vertical) con rueda de soporte, kg/lbs	266/585	266/585
Peso en la posición 3 (hacia atrás), kg/lbs	195/429	195/429
Peso en la posición 3 (hacia atrás) con rueda de soporte, kg/lbs	212/466	212/466
Velocidad del disco de amolado, rpm mín./máx.	421-1403	421-1403
Velocidad de la base de la amoladora, rpm mín./máx.	28-92	28-92
Sentido de rotación (desde arriba)	Base de la amoladora: en el sentido de las agujas del reloj  Disco de amolado: en el sentido contrario a las agujas del reloj	Base de la amoladora: en el sentido de las agujas del reloj  Disco de amolado: en el sentido contrario a las agujas del reloj
Gradiente máxima, grados °	10	10
Gabinete, IP	54	54

	<b>PG 830S</b> <b>3 x 220-240 V.</b>	<b>PG 830S</b> <b>3 x 440-480 V.</b>
<b>Extractor de polvo recomendado<sup>5</sup></b>		
Acople del extractor de polvo, mm/in	76/3	76/3
Flujo de aire mínimo, m <sup>3</sup> /h/CFM	815/480	815/480
Vacío mínimo, kPa/psi	30/4,4	30/4,4

## Niveles acústicos

<b>Emisiones sonoras<sup>6</sup></b>	
Nivel de potencia acústica, L <sub>WA</sub> (dB [A])	95,4
<b>Niveles acústicos<sup>7</sup></b>	
Nivel de presión sonora en el oído del operador, L <sub>p</sub> (dB[A])	78,7
<b>Niveles de vibración<sup>8</sup></b>	
Manilla derecha, m/s <sup>2</sup>	1,7
Manilla izquierda, m/s <sup>2</sup>	1,5

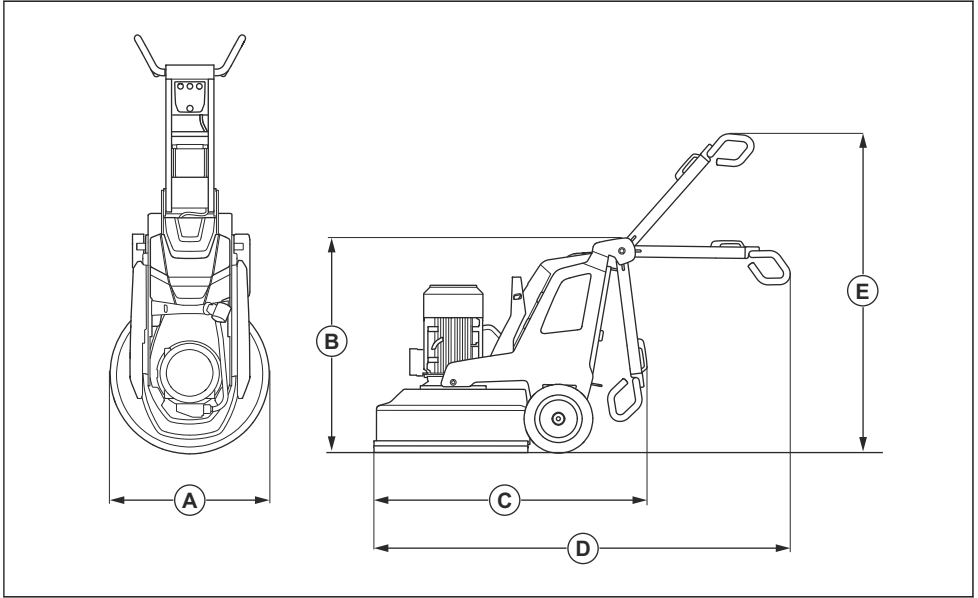
<sup>5</sup> Los datos técnicos para los extractores de polvo no describen de manera concluyente el rendimiento real en el tiempo entre diferentes extractores de polvo. Para los productos de Husqvarna, los datos objetivos de la OSHA se encuentran disponibles en [www.husqvarnacp.com/us](http://www.husqvarnacp.com/us).

<sup>6</sup> Las emisiones sonoras en el entorno se miden como potencia acústica de conformidad con la norma EN 60335-2-72. Incertidumbre de medición esperada de 2,5 dB(A).

<sup>7</sup> Nivel de presión sonora según EN 60335-2-72. Incertidumbre de medición esperada de 4 dB(A).

<sup>8</sup> Nivel de vibración en conformidad con la norma EN 60335-1 y EN 60335-2-72. Los datos informados para el nivel de vibración tienen una dispersión estadística común (desviación estándar) de 1 m/s<sup>2</sup>. Los valores de vibración son válidos para el funcionamiento manual.

## Dimensiones del producto



<b>A</b>	Ancho, mm/pulg	830/32,7
<b>B</b>	Altura total mín. (mango plegado), mm/pulg.	1145/45,1
<b>C</b>	Largo mín. total (mango plegado), mm/pulg.	1550/61
<b>D</b>	Largo máx. total (mango extendido), mm/pulg	2215/87,2
<b>E</b>	Altura máx. total (mango extendido), mm/pulg.	1700/66,9

---

# Table des matières

---

Introduction.....	54	Dépannage.....	74
Sécurité.....	57	Transport, entreposage et mise au rebut.....	75
Fonctionnement.....	62	Données techniques.....	78
Entretien.....	71		

---

## Introduction

---

### Responsabilité du propriétaire

---



**AVERTISSEMENT:** Des opérations de coupe, de surfacage ou de perçage du béton ou de la pierre, particulièrement lorsque les conditions sont sèches, génèrent de la poussière qui contient souvent de la silice. La silice est un composant de base du sable, du quartz, de la brique d'argile, du granit et de nombreux autres pierres et minéraux. L'exposition à une quantité excessive de ces poussières peut entraîner :

une maladie respiratoire (réduisant la capacité à respirer), notamment la bronchite chronique, la silicose et la fibrose pulmonaire causée par l'exposition à la silice. Ces maladies peuvent être fatales;

Des irritations et éruptions cutanées.

Le cancer, selon le NTP (National Toxicology Program) et le CIRC (Centre International de recherche sur le cancer).

Prendre les précautions suivantes :

Éviter l'inhalation et le contact cutané avec les poussières, brouillards et fumées.

Porter et veiller à ce que les personnes à proximité portent un dispositif de protection respiratoire approprié, tel un masque antipoussière filtrant les particules microscopiques. (Voir OSHA 29 CFR Part 1926.1153)

Pour réduire les émissions de poussières, utilisez de l'eau pour agglomérer, lorsque cela est possible. Si une opération à sec est

nécessaire, utiliser un extracteur de poussière adéquat.

---

Il est de la responsabilité du propriétaire ou de l'employeur de s'assurer que l'utilisateur possède les connaissances nécessaires pour manipuler le produit en toute sécurité. Les superviseurs et les utilisateurs doivent avoir lu et compris le manuel d'utilisation. Ils doivent être conscients des éléments suivants :

- Les consignes de sécurité relatives au produit.
- L'éventail d'applications du produit et ses limites.
- La manière dont le produit doit être utilisé et entretenu.

Les règlements locaux ou nationaux peuvent limiter l'utilisation de ce produit. Rechercher les réglementations en vigueur où le travail est exécuté avant d'utiliser le produit.

### Description du produit

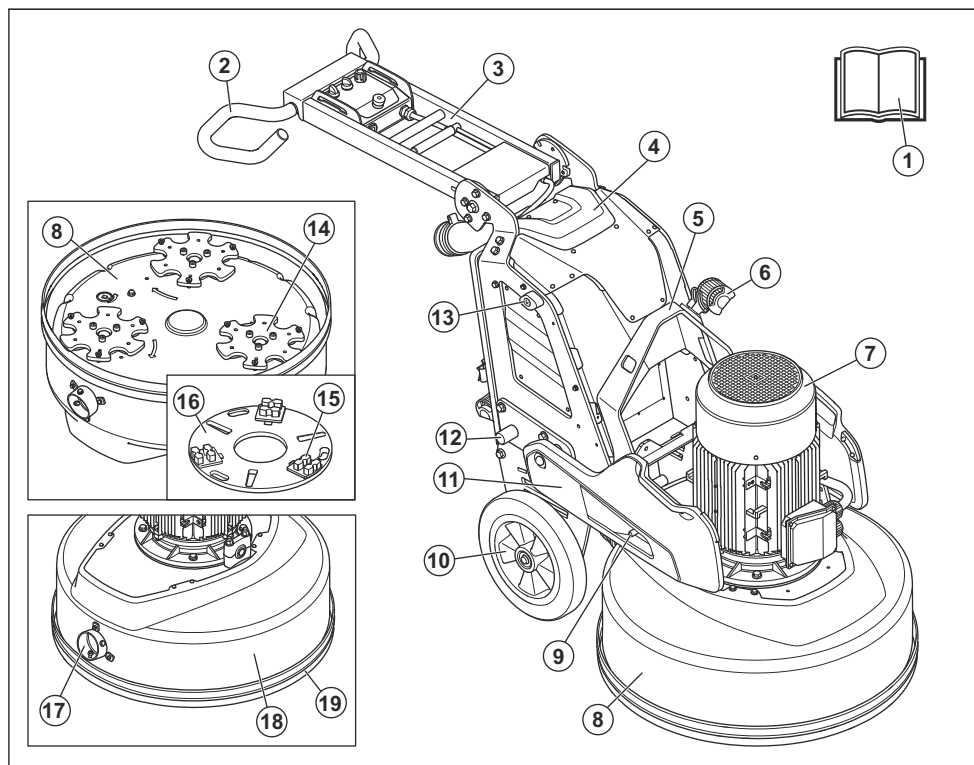
Ce produit est une surfaceuse pour surfaces de diverses duretés.

### Utilisation prévue

Ce produit est utilisé pour meuler des surfaces de matériaux de diverses duretés, comme la pierre naturelle, le terrazzo et le béton. Il peut également être utilisé pour meuler des matériaux de recouvrement, comme l'époxy et la colle. La finition de la surface peut être rugueuse ou lisse. Le produit peut être utilisé pour le meulage à sec et le meulage à l'eau. Ne pas utiliser l'outil pour d'autres tâches.

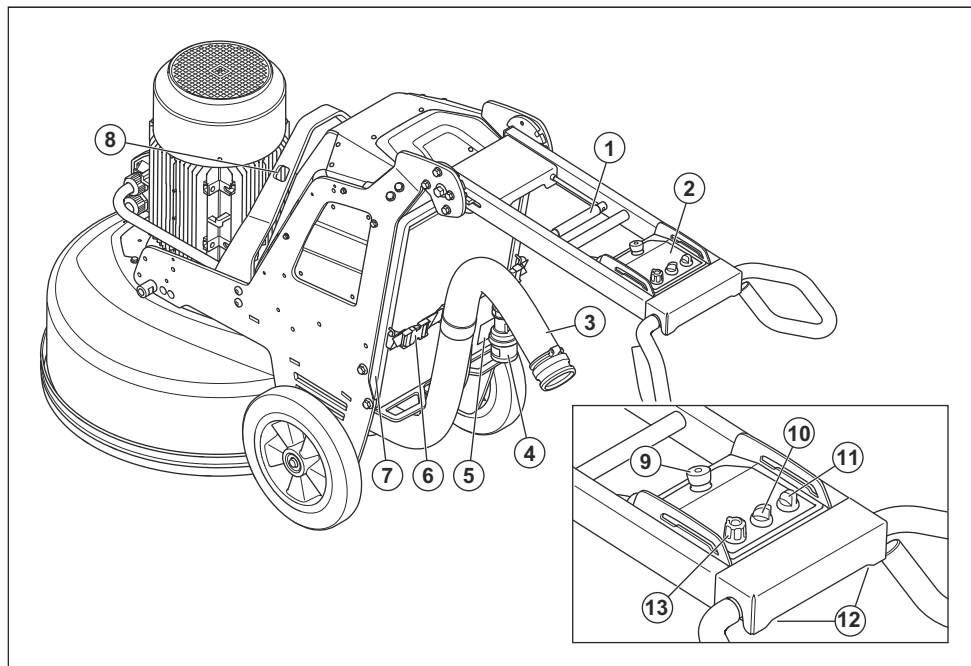
Le produit est utilisé dans les opérations commerciales par des opérateurs professionnels.

## Vue d'ensemble du produit, côté droit



- |                                |  |
|--------------------------------|--|
| 1. Manuel d'utilisation        | 11. Poids (accessoire)                     |
| 2. Guidon                      | 12. Porte-poids                            |
| 3. Poignée                     | 13. Support de poids                       |
| 4. Armoire électrique          | 14. Disque de meulage                      |
| 5. Anneau de levage            | 15. Outil diamanté (accessoire)            |
| 6. Phare (accessoire)          | 16. Plaque de l'outil                      |
| 7. Moteur du disque de meulage | 17. Connexion pour extracteur de poussière |
| 8. Tête de meulage             | 18. Couvercle                              |
| 9. Verrou de poids             | 19. Jupe pare-poussière                    |
| 10. Jante                      |  |

## Vue d'ensemble du produit, côté gauche



1. Levier de verrouillage du réglage de la poignée
2. Panneau de commande
3. Connexion pour extracteur de poussière
4. Cordon d'alimentation
5. Plaque signalétique
6. Dispositif de suspension pour extracteur de poussière et cordon d'alimentation
7. Cadre de support
8. Trous pour sangle
9. Bouton d'arrêt d'urgence
10. Interrupteur STOP/RUN (arrêt/marche)
11. Interrupteur ON/OFF (Marche-Arrêt)
12. Vis de réglage du guidon
13. Bouton de sens de rotation et de régime pour disque de meulage

### Symboles figurant sur l'outil



**AVERTISSEMENT** : Ce produit peut être dangereux et causer des blessures très graves, ou même mortelles, à l'utilisateur et à d'autres personnes. Faire attention et utiliser le produit correctement.



Lire attentivement le manuel et veiller à bien comprendre les directives avant d'utiliser l'outil.



Portes des protections pour les oreilles, les yeux et les voies respiratoires. Se reporter à la section *Équipement de protection personnelle* à la page 59.



La poussière peut causer des problèmes de santé. Utiliser une protection respiratoire adéquate. Toujours s'assurer qu'il y a une bonne circulation d'air.



Toujours utiliser l'anneau de levage pour lever le produit.



Utiliser les trous pour les sangles d'arrimage afin de fixer le produit à un véhicule de transport.



Double isolation, batterie et chargeur de batterie.





Utiliser et ranger le chargeur de batterie seulement à l'intérieur.



Le produit n'est pas un déchet ménager. Il faut l'envoyer dans un centre de recyclage pour équipements électriques et électroniques.

**Remarque :** Les autres symboles et autocollants apposés sur le produit se rapportent aux exigences en matière de certification pour certains marchés.

## Symboles sur le panneau de commande



Arrêt d'urgence.



Produit sous tension; réinitialiser le produit.

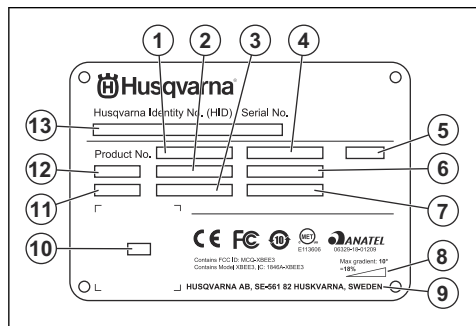


Tête de meulage en fonction.



Régime et sens de rotation, disque de meulage.

## Plaquette signalétique



1. Numéro du produit
2. Poids du produit
3. Puissance nominale
4. Tension nominale
5. Boîtier
6. Intensité nominale
7. Fréquence
8. Angle de pente maximal
9. Fabricant
10. Code à numériser
11. Année de production
12. Modèle
13. Numéro de série

## Responsabilité concernant le produit

Comme indiqué dans les lois en vigueur sur la responsabilité concernant les produits, nous ne serons pas tenus responsables des dommages que notre produit causerait dans les situations suivantes :

- Le produit n'est pas réparé de façon adéquate.
- Le produit est réparé avec des pièces qui ne sont pas fournies ou homologuées par le fabricant.
- Le produit comprend un accessoire qui n'est pas fourni ou homologué par le fabricant.
- Le produit n'est pas réparé par un centre de service après-vente agréé ou par une autorité homologuée.

## Husqvarna Fleet Services™

Husqvarna Fleet Services™ est une solution dans le nuage qui offre à l'opérateur une vue d'ensemble de tous les produits connectés. Un capteur Husqvarna Fleet Services™ peut être installé sur ce produit. Le capteur Husqvarna Fleet Services™ recueille les données du produit et vous permet de vous connecter au système Husqvarna Fleet Services™. Le système Husqvarna Fleet Services™ rapporte des données comme le temps de fonctionnement, les intervalles d'entretien et l'emplacement du produit.

Pour obtenir de plus amples renseignements sur Husqvarna Fleet Services™, télécharger l'application Husqvarna Fleet Services™ ou communiquer avec un représentant Husqvarna.

## Sécurité

### Définitions relatives à la sécurité

Les avertissements, recommandations et remarques soulignent des points du manuel qui revêtent une importance particulière.



**AVERTISSEMENT:** Indique la présence d'un risque de blessure ou de décès de l'utilisateur ou de personnes à proximité si les instructions du manuel ne sont pas suivies.



**MISE EN GARDE :** Indique la présence d'un risque de dommages au produit, d'autres appareils ou à la zone adjacente si les instructions du manuel ne sont pas suivies.

**Remarque :** Utilisé pour donner des renseignements plus détaillés qui sont nécessaires dans une situation donnée.

## Consignes générales de sécurité



**AVERTISSEMENT:** Lire les messages d'avertissement qui suivent avant d'utiliser l'outil.

- Ce produit est un outil dangereux s'il est utilisé de façon insouciant ou inappropriée. Cet outil peut causer des blessures graves, ou même mortelles, à l'utilisateur et à d'autres personnes. Il est obligatoire de lire et de comprendre le contenu de ce manuel d'utilisation avant d'utiliser l'outil.
- Conserver tous les avertissements et toutes les instructions.
- Se conformer à toutes les lois et réglementations en vigueur.
- L'utilisateur et l'employeur de l'utilisateur doivent connaître et prévenir les risques liés à l'utilisation du produit.
- Ne pas laisser une personne utiliser le produit à moins qu'elle a lu et compris le contenu de ce manuel d'utilisation.
- Ne pas faire fonctionner le produit sans avoir reçu une formation relative à son fonctionnement. S'assurer que tous les utilisateurs reçoivent une formation.
- Ne pas laisser un enfant utiliser l'outil.
- Seules les personnes autorisées peuvent utiliser le produit.
- L'utilisateur est responsable des accidents survenus à d'autres personnes ou à leurs biens.
- Ne pas utiliser le produit en cas de fatigue ou sous l'emprise de l'alcool, de drogues ou de médicaments.
- Toujours rester prudent et faire preuve de bon sens.
- Ce produit génère un champ électromagnétique pendant le fonctionnement. Ce champ magnétique peut, dans certains cas, nuire aux implants médicaux actifs ou passifs. Pour réduire le risque de blessures graves ou mortelles, il est recommandé aux personnes ayant des implants médicaux de consulter leur médecin et le fabricant de l'implant médical avant d'utiliser le produit.
- Toujours garder le produit propre. S'assurer de pouvoir lire clairement les signes et les autocollants.
- Ne pas utiliser le produit s'il est défectueux.
- Ne pas modifier ce produit.
- Ne pas utiliser le produit s'il est possible que d'autres personnes aient apporté des modifications à celui-ci.
- Utiliser de l'équipement de protection individuelle. Se reporter à la section *Équipement de protection personnelle* à la page 59.
- Ne pas s'éloigner du produit lorsque le moteur est sous tension.
- Toujours débrancher le cordon d'alimentation avant de s'éloigner du produit.
- Ne pas tirer sur le tuyau de l'extracteur de poussière. Le produit peut alors tomber et provoquer des blessures ou des dommages.
- La tête de meulage doit toucher la surface lorsque le produit est démarré. Cela ne s'applique pas pendant la vérification de l'interrupteur ON/OFF (marche/arrêt).
- Ne pas démarrer le produit si la jupe pare-poussière n'est pas installée. La jupe pare-poussière doit complètement fermer l'espace entre le produit et le sol.
- Se tenir à l'écart des endroits où le produit pourrait provoquer des blessures. Le produit peut rapidement changer de position et heurter l'opérateur.
- Si le produit ne fonctionne pas correctement, arrêter le moteur.
- S'assurer que les vêtements, les cheveux longs et les bijoux ne peuvent pas se coincer dans les pièces en mouvement.
- S'assurer d'être dans une position stable et sécuritaire au cours du travail.
- Ne pas utiliser l'outil s'il n'est pas possible d'obtenir de l'aide en cas d'accident.
- Si le produit se met à vibrer ou si son niveau sonore est anormalement élevé, arrêter immédiatement le produit. Examiner le produit pour détecter d'éventuels dommages. Réparer les dommages ou laisser un atelier spécialisé faire la réparation.
- Une surexposition aux vibrations peut entraîner des problèmes circulatoires ou des troubles nerveux, en particulier chez les personnes ayant des troubles circulatoires. En cas de symptômes liés à une surexposition aux vibrations, consulter un médecin. Ces symptômes sont les suivants : engourdissement, perte de sensibilité, fourmillement, picotement, douleur, faiblesse musculaire, décoloration ou modification de l'épiderme. Ces symptômes apparaissent habituellement aux doigts, aux mains et aux poignets.
- Ne pas stationner le produit dans une pente. Si le produit doit être stationné sur une pente, s'assurer qu'il ne peut pas bouger ou tomber. Il y a un risque de blessure et de dommage.
- Faire attention pendant le sciage sur un terrain en pente. Le produit est lourd et peut provoquer des blessures graves en cas de chute.
- Ne pas déplacer le produit sur des pentes abruptes. Consulter la plaque signalétique du produit pour obtenir de plus amples renseignements sur l'angle de pente maximal.

## Consignes de sécurité pour l'utilisation



**AVERTISSEMENT:** Lire les messages d'avertissement qui suivent avant d'utiliser l'appareil.

- Toujours utiliser des accessoires approuvés. Pour obtenir de plus amples renseignements, communiquer avec votre concessionnaire.

## Équipement de protection personnelle



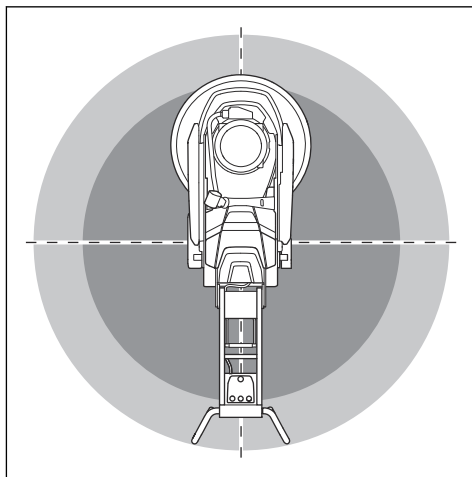
**AVERTISSEMENT:** Lire les messages d'avertissement qui suivent avant d'utiliser l'appareil.

- Toujours utiliser un équipement de protection personnelle lors de l'utilisation du produit. L'équipement de protection personnelle ne supprime pas le risque de blessures. L'équipement de protection personnelle réduit la gravité des blessures en cas d'accident. Laisser le concessionnaire vous aider à sélectionner l'équipement adéquat.
- Utiliser un dispositif de protection homologué pour les yeux pendant l'utilisation du produit.
- Ne pas utiliser des vêtements lâches, lourds ou non adéquats. Utiliser des vêtements qui permettent de se déplacer librement.
- Utiliser des gants de protection homologués qui offrent une prise solide.
- Porter des gants de protection en caoutchouc afin d'éviter toute irritation de la peau causée par le béton humide.
- Utiliser un casque de protection approuvé.
- Toujours porter un dispositif de protection homologué pour les oreilles lorsqu'on utilise le produit. Le fait d'entendre du bruit pendant une longue période peut engendrer une perte auditive.
- Le produit génère de la poussière et des fumées qui contiennent des produits chimiques dangereux. Utiliser une protection respiratoire adéquate.
- Utiliser des bottes à embout en acier et semelles antidérapantes.
- Vérifier qu'on dispose d'une trousse de premiers soins à proximité.
- Des étincelles peuvent se produire pendant l'utilisation du produit. S'assurer d'avoir un extincteur à proximité.

## Sécurité de l'aire de travail

- Pendant le fonctionnement, éloigner les personnes présentes de la zone illustrée ci-dessous.

L'opérateur doit être très prudent dans cette zone pendant le fonctionnement.



- S'assurer que seules les personnes autorisées se trouvent dans la zone de travail.
- Ne pas utiliser le produit dans le brouillard, la pluie, le vent violent, par temps froid, en cas de risque d'orage ou dans d'autres mauvaises conditions météorologiques. L'utilisation du produit par mauvais temps ou dans des endroits humides peut avoir un effet négatif sur la vigilance. Les mauvaises conditions météorologiques peuvent engendrer des conditions de travail dangereuses.
- Rester à l'affût des personnes, des objets et des situations susceptibles d'entraver l'utilisation sécuritaire du produit.
- Maintenir la zone de travail suffisamment éclairée.
- Ne pas utiliser ce produit dans des zones où un incendie ou des explosions peuvent se produire.

## Sécurité électrique



**AVERTISSEMENT:** Les appareils électriques comportent toujours un danger d'électrocution. Ne pas utiliser le produit dans des conditions climatiques défavorables. Ne pas toucher les paratonnerres et les objets métalliques. Utiliser toujours le produit comme indiqué dans ce manuel d'utilisation pour éviter les blessures.



**MISE EN GARDE :** Le produit est conforme aux exigences de la norme EN61000-3-11 et sa garantie est conditionnelle au branchement à l'alimentation secteur. Communiquer avec l'autorité pour obtenir des instructions sur le branchement du produit.

L'alimentation électrique du produit ou du générateur doit être suffisamment puissante et constante pour que le moteur puisse fonctionner sans problème. Une tension incorrecte entraîne une augmentation de la consommation d'énergie et de la température du moteur jusqu'à ce que le circuit de sécurité se déclenche. La dimension du cordon d'alimentation doit être conforme aux réglementations nationales et locales. La dimension de la prise secteur doit correspondre à l'intensité de la prise électrique et du câble de rallonge du produit.

Si la prise secteur offre une résistance plus élevée, une chute de tension peut se produire lorsque le produit est mis en marche. Cela peut influencer sur le fonctionnement d'autres produits et occasionner par exemple le scintillement de l'éclairage.

- S'assurer que l'alimentation, le fusible et la tension de secteur correspondent à la valeur indiquée sur la plaque signalétique du produit.
- Toujours arrêter le produit avant de débrancher la fiche d'alimentation.

- Ne pas utiliser le produit si le cordon d'alimentation ou la prise d'alimentation sont endommagés. Le confier à un centre d'entretien agréé pour réparation. Un cordon d'alimentation endommagé peut provoquer des blessures graves, voire mortelles.
- Utiliser le cordon d'alimentation de manière adéquate. Ne pas utiliser le cordon d'alimentation pour déplacer, tirer ou débrancher le produit. Tirer la fiche d'alimentation pour déconnecter le cordon d'alimentation. Ne pas tirer le cordon d'alimentation.
- Ne pas faire fonctionner le produit à une profondeur où l'équipement du produit est mouillé. Il est possible que l'équipement devienne endommagé et que le produit se mette sous tension et engendre des blessures.
- Ne pas laisser davantage d'humidité pénétrer dans le produit que celle qui est fournie par le circuit d'eau. Garder le produit à l'écart de la pluie. L'eau qui entre dans le produit augmente le risque d'électrocution.
- Toujours débrancher le cordon d'alimentation avant de brancher ou de débrancher le câble du moteur et le boîtier électrique.

#### Valeurs indicatives pour la source d'alimentation

Tension nominale provenant de la source d'alimentation, V	Tension min. appliquée au produit, V	Tension max. appliquée au produit, V	Fréquence, Hz	Intensité nominale, A	Sortie du moteur	Aire de câble min., mm <sup>2</sup> /AWG	Longueur de câble max., m/pi
3x220	200	240	50/60	50	11+1,5	10/7	190/620
3x400/440/480	380	480	50/60	30	11+1,5	6/9	190/620
3x220	200	240	50/60	50	11+1,5	10/7	190/620
3x400/440/480	380	480	50/60	30	15+1,5	6/9	190/620

#### Instructions de mise à la terre du produit



**AVERTISSEMENT:** Un mauvais branchement peut engendrer un risque d'électrocution. Communiquer avec un électricien agréé si on n'est pas certain que le produit est correctement mis à terre.

Ne pas modifier la spécification d'usine de la fiche d'alimentation. Si la fiche d'alimentation n'est pas adaptée à la prise de courant, laisser un électricien agréé installer une prise d'alimentation secteur

adéquate. Respecter les lois et règlements locaux.

Si on ne comprend pas bien les instructions de mise à la terre du produit, communiquer avec un électricien agréé.

Le produit est doté d'un cordon d'alimentation mis à la terre et d'une fiche d'alimentation. Toujours brancher le produit sur une prise d'alimentation secteur mise à la terre. Cela permet de réduire le risque de décharge électrique en cas de dysfonctionnement.

Ne pas utiliser d'adaptateurs électriques avec le produit.

## Rallonges

- Utiliser uniquement des rallonges approuvées d'une longueur suffisante.
- La valeur nominale inscrite sur la rallonge doit être identique ou supérieure à celle indiquée sur la plaque signalétique du produit.
- Utiliser des rallonges mises à la terre.
- Quand le produit est utilisé à l'extérieur, se servir d'une rallonge qui convient à un fonctionnement à l'extérieur. Cela réduit le risque de choc électrique.
- Maintenir la connexion à la rallonge au sec et éloignée du sol.
- Tenir la rallonge à l'écart de la chaleur, de l'huile, des bords tranchants et des pièces mobiles. Un câble endommagé augmente le risque de choc électrique.
- S'assurer que la rallonge est en bon état et qu'elle n'est pas endommagée.
- Ne pas utiliser la rallonge quand elle est enroulée. Elle pourrait surchauffer.
- Pendant l'utilisation, s'assurer que la rallonge se trouve derrière l'utilisateur et le produit. Cela évite d'endommager la rallonge.

## Dispositifs de sécurité sur l'outil

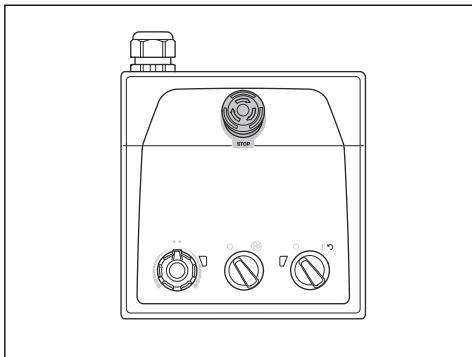


**AVERTISSEMENT:** Lire les messages d'avertissement qui suivent avant d'utiliser l'outil.

- Ne pas utiliser un outil dont les dispositifs de protection sont défectueux.
- Vérifier régulièrement les dispositifs de sécurité. Si les dispositifs de sécurité sont défectueux, parler à votre agent d'entretien Husqvarna.

## Bouton d'arrêt d'urgence

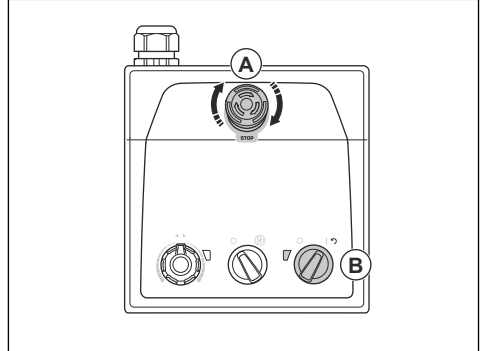
Le bouton d'arrêt d'urgence permet d'arrêter rapidement le moteur. Le bouton d'arrêt d'urgence coupe l'alimentation électrique secteur.



**MISE EN GARDE :** Ne pas utiliser le bouton d'arrêt d'urgence comme bouton d'arrêt du produit.

## Pour vérifier le bouton d'arrêt d'urgence

1. Tourner le bouton d'arrêt d'urgence (A) du panneau de commande dans le sens des aiguilles d'une montre pour s'assurer que le bouton d'arrêt d'urgence est désengagé.



2. Tourner l'interrupteur ON/OFF (marche/arrêt) (B) du panneau de commande à « 1 » pour démarrer le moteur. Le témoin à DEL situé à côté de l'interrupteur ON/OFF (marche/arrêt) s'allume.
3. Appuyer sur le bouton d'arrêt d'urgence.
4. S'assurer que le témoin à DEL situé à côté de l'interrupteur ON/OFF (marche/arrêt) s'éteint.
5. Tourner le bouton d'arrêt d'urgence dans le sens des aiguilles d'une montre pour le désengager.

## Consignes de sécurité pour la maintenance

- Garder toutes les pièces en bon état d'utilisation et s'assurer que toutes les fixations sont correctement serrées.
- Ne pas utiliser un produit endommagé. Effectuer les vérifications de sécurité, de maintenance et d'entretien conformément aux instructions fournies dans ce manuel. Tous les autres travaux de maintenance doivent être effectués par un agent d'entretien agréé.
- Arrêter le produit pour remplacer les outils diamantés. Placer l'interrupteur ON/OFF (Marche-Arrêt) à la position 0 et appuyer sur le bouton d'arrêt d'urgence.
- Effectuer l'inspection et/ou l'entretien avec le moteur arrêté et la prise d'alimentation débranchée.
- Effectuer la maintenance pour s'assurer que le produit fonctionne de façon adéquate. Se reporter à la section *Calendrier d'entretien à la page 71*.

# Fonctionnement

## Introduction



**AVERTISSEMENT:** Avant d'utiliser le produit, lire et bien comprendre le chapitre sur la sécurité.

## Pour retirer le produit de l'emballage



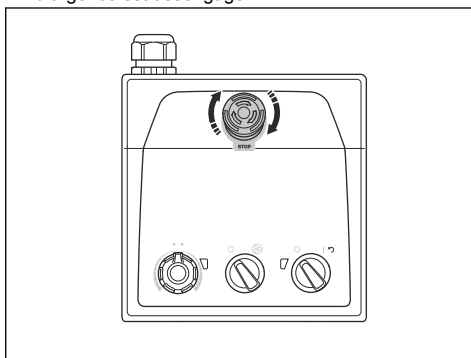
**AVERTISSEMENT:** Retirer le produit de la palette avec précaution et en toute sécurité. Le produit est lourd et peut provoquer des blessures graves en cas de chute.

- S'assurer que tous les éléments illustrés dans la vue d'ensemble du produit sont inclus. Se reporter à la section *Vue d'ensemble du produit, côté droit à la page 55*. Communiquer avec le concessionnaire Husqvarna si un article est manquant ou endommagé, avant de retirer le produit de la palette.
- Retirer toutes les sangles d'emballage et les cales de roues.
- S'assurer que la zone est dégagée et qu'il y a suffisamment d'espace pour déplacer le produit.
- S'assurer qu'il n'y a aucun risque que vous ou le produit tombiez.
- Utiliser des rampes ou de l'équipement de levage pour retirer le produit de la palette. Le produit est lourd. Déplacer le produit avec prudence. Se reporter à la section *Levage du produit à la page 76*.

## Avant d'utiliser le produit

1. Lire attentivement le manuel d'utilisation et veiller à bien comprendre les directives.
2. Porter l'équipement de protection personnelle nécessaire. Se reporter à la section *Équipement de protection personnelle à la page 59*.
3. S'assurer que seules les personnes autorisées se trouvent dans la zone de travail.
4. Effectuer l'entretien quotidien. Se reporter à la section *Calendrier d'entretien à la page 71*.
5. S'assurer que le produit est correctement monté et qu'il n'est pas endommagé.
6. Placer le produit sur la zone de travail. S'assurer que le transport du produit vers et dans la zone de travail est effectué correctement et en toute sécurité. Se reporter à la section *Transport à la page 75*.
7. S'assurer qu'il y a des outils diamantés sur les plaques porte-outil, et que les outils diamantés ainsi que les plaques porte-outil sont solidement fixés.
8. Brancher un extracteur de poussière sur le produit. Se reporter à la section *Branchement de l'extracteur de poussière à la page 65*.

9. Régler la poignée et le guidon à la hauteur d'utilisation appropriée. Se reporter à la section *Pour régler la poignée et le guidon à la page 66*.
10. S'assurer que le câble du moteur est raccordé au boîtier électrique avant que le produit soit branché à une prise électrique secteur. Se reporter à la section *Pour installer et retirer la tête de meulage à la page 72*.
11. Brancher le produit à une source d'alimentation. Se reporter à la section *Pour brancher le produit à une source d'alimentation à la page 66*.
12. Tourner le bouton d'arrêt d'urgence sur le panneau de commande dans le sens des aiguilles d'une montre pour s'assurer que le bouton d'arrêt d'urgence est désengagé.



13. S'assurer de connaître le sens de rotation des disques de meulage pendant l'utilisation d'outils diamantés directionnels comme Piranhas.

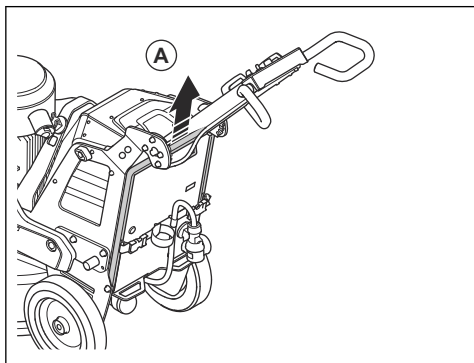
## Pour engager et désengager le cadre de support

Le produit est doté d'un cadre de support qui permet d'incliner le produit vers l'arrière. Le cadre de support sert également de dispositif de suspension pour suspendre le tuyau de l'extracteur de poussière et le cordon d'alimentation.

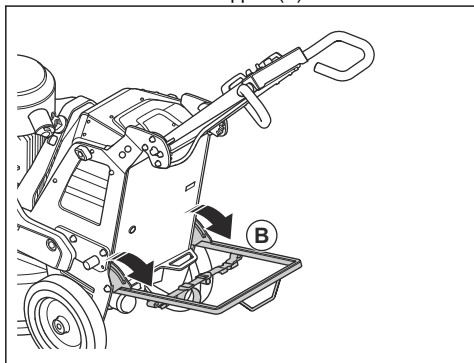


**AVERTISSEMENT:** Faire preuve de prudence pendant le déplacement du cadre de support. Les pièces mobiles peuvent provoquer des blessures.

1. Lever le cadre de support (A) sur une courte distance.



2. Abaisser le cadre de support (B).



3. Replier le cadre de support dans l'ordre inverse.

## Outils diamantés

Il y a plusieurs types et configurations d'outils diamantés pour le produit. Les outils diamantés à liant métallique sont utilisés pour l'élimination des matériaux, alors que les outils diamantés à liant en résine sont utilisés pour polir les surfaces. Sélectionner des outils diamantés qui sont appropriés à la surface. Communiquer avec le concessionnaire Husqvarna ou visiter [www.husqvarnaccp.com](http://www.husqvarnaccp.com) pour obtenir de l'aide afin de sélectionner l'outil approprié.

## Solutions de porte-disques de rechange pour outils diamantés

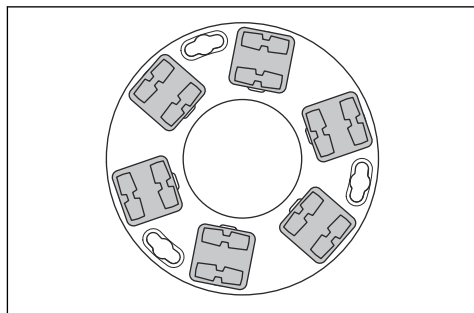
- Utiliser un porte-disques Redi lock pour fixer des outils diamantés à liant métallique.
- Utiliser un porte-disques en résine pour fixer des outils diamantés à liant plastique.

## Jeu complet et demi-jeu d'outils diamantés

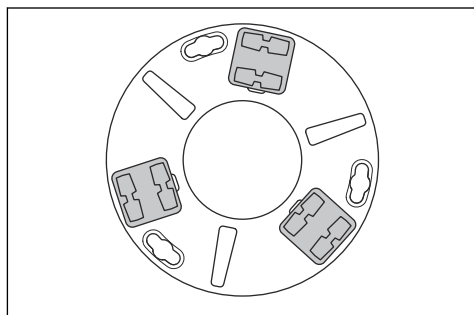
La configuration des segments de l'outil diamanté a un effet sur la qualité finale de la surface. La configuration a

également un effet sur le taux de fonctionnement du produit.

- Jeu complet d'outils diamantés : Cette configuration s'applique à une finition de sol plat.



- Demi-jeu d'outils diamantés : Cette configuration s'applique lorsqu'une finition de sol plat n'est pas nécessaire.



## Remplacement des outils à diamants



**AVERTISSEMENT:** Toujours débrancher la fiche d'alimentation avant de remplacer les outils diamantés, afin d'éviter tout démarrage accidentel.



**AVERTISSEMENT:** Utiliser des gants de protection, parce que les outils diamantés peuvent devenir très chauds.



**AVERTISSEMENT:** Porter un dispositif de protection respiratoire homologué pendant le remplacement des outils diamantés. La poussière présente sous la tête de meulage est dangereuse pour la santé.

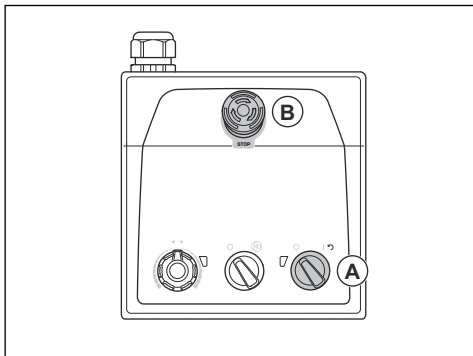


**AVERTISSEMENT:** Utiliser l'extracteur de poussière pendant le remplacement des outils diamantés. L'extracteur de poussière réduit la présence de poussière pouvant entraîner des problèmes de santé.

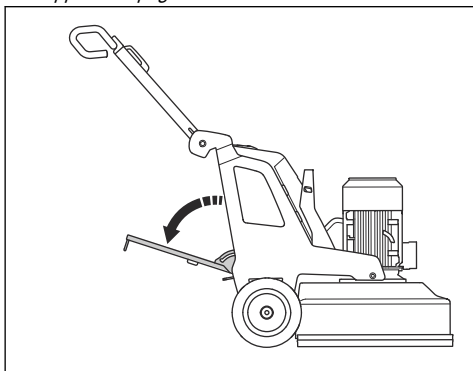


**MISE EN GARDE :** Tous les disques de meulage doivent toujours avoir le même nombre et le même type de diamants. La hauteur des diamants doit être identique sur tous les disques de meulage.

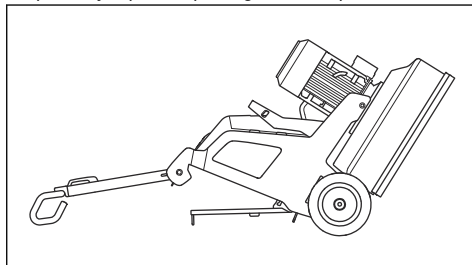
1. Tourner l'interrupteur ON/OFF (marche/arrêt) (A) sur le panneau de commande à « 0 ». Le témoin à DEL situé à côté de l'interrupteur ON/OFF (marche/arrêt) s'éteint.



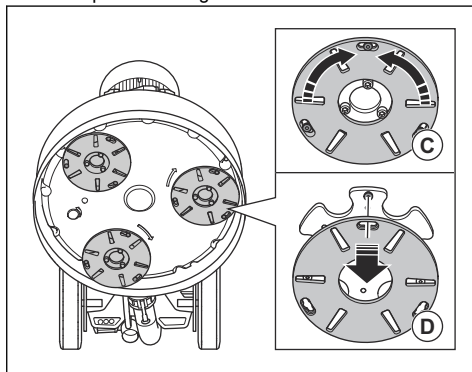
2. Appuyer sur le bouton d'arrêt d'urgence (B) du panneau de commande.
3. Placer la poignée en position d'entretien. Se reporter à la section *Positions de la poignée à la page 66*.
4. Si des poids sont montés, les régler en position arrière. Se reporter à la section *Pour régler les poids à la page 70*.
5. Engager le cadre de support. Se reporter à la section *Pour engager et désengager le cadre de support à la page 62*.



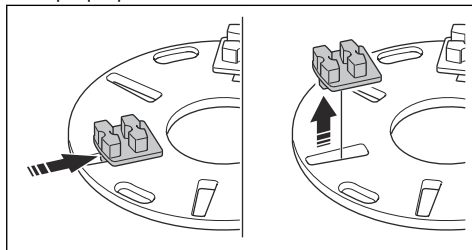
6. Tenir le guidon et incliner le produit vers l'arrière avec un pied sur le cadre de support. Incliner le produit jusqu'à ce que le guidon soit posé sur le sol.



7. Enfiler des gants de protection.
8. Tourner la plaque porte-outil (C) vers la droite ou vers la gauche pour déverrouiller cette plaque fixée au disque de meulage.

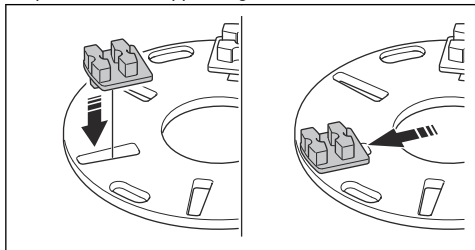


9. Tirer la plaque porte-outil en ligne droite vers l'extérieur (D) pour retirer cette plaque du disque de meulage.
10. À l'aide d'un marteau, retirer les outils diamantés de la plaque porte-outil.

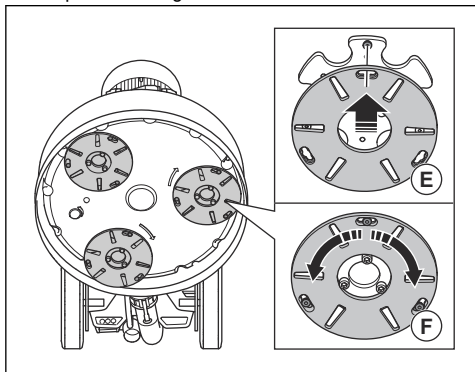




- Fixer les nouveaux outils diamantés sur la plaque porte-outil en frappant légèrement avec le marteau.



- Fixer la plaque porte-outil en ligne droite (E) sur le disque de meulage.



- Tourner la plaque porte-outil (F) vers la droite ou vers la gauche pour la verrouiller sur le disque de meulage.
- Soulever avec précaution le produit en position d'utilisation. Utiliser le guidon et le cadre de support comme support.
- Désengager le cadre de support.

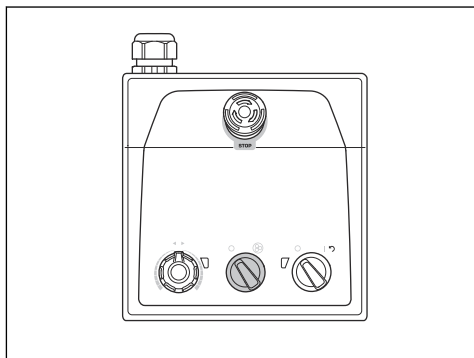
## Branchement de l'extracteur de poussière



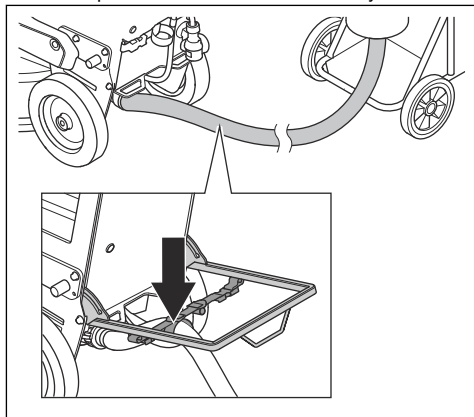
**AVERTISSEMENT:** Ne pas utiliser l'extracteur de poussière si son tuyau est endommagé. Le risque de respirer de la poussière dangereuse pour la santé augmente. Utiliser un dispositif de protection respiratoire homologué.

- Vérifier que le tuyau de l'extracteur de poussière n'est pas endommagé.
- Veiller à ce que les filtres de l'extracteur de poussière soient en bon état et non endommagés.

- S'assurer que l'interrupteur STOP/RUN (arrêt/marche) du panneau de commande est réglé à « 0 ».



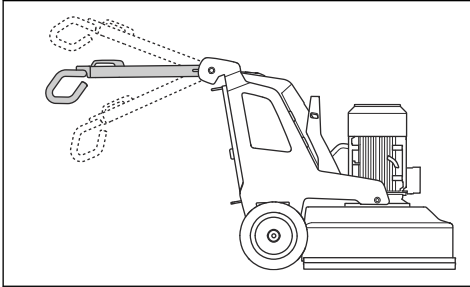
- Brancher le tuyau de l'extracteur de poussière au produit.
- Engager le cadre de support. Se reporter à la section *Pour engager et désengager le cadre de support à la page 62.*
- Accrocher le tuyau de l'extracteur de poussière sur le dispositif de suspension sur le cadre de support afin de prévenir toute tension dans ce tuyau.



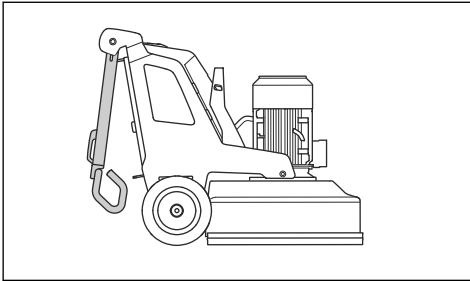
- Désengager le cadre de support.

## Positions de la poignée

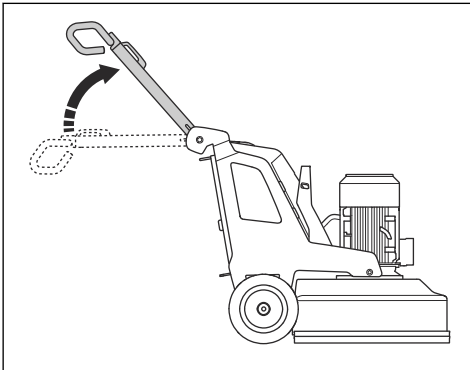
- Position d'utilisation de la poignée :



- Position de transport de la poignée :



- Position d'entretien de la poignée :



### Pour régler la poignée et le guidon

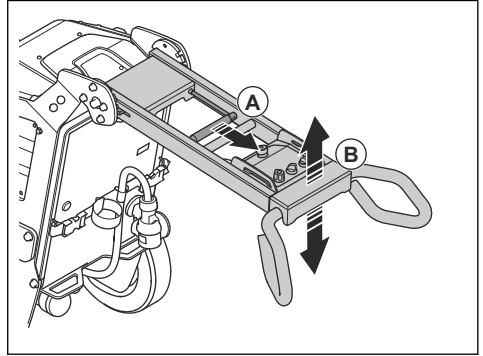


**AVERTISSEMENT:** Faire preuve de prudence pendant le réglage de la poignée et du guidon. S'assurer que la poignée et le guidon sont verrouillés en position. Les pièces mobiles peuvent provoquer des blessures.

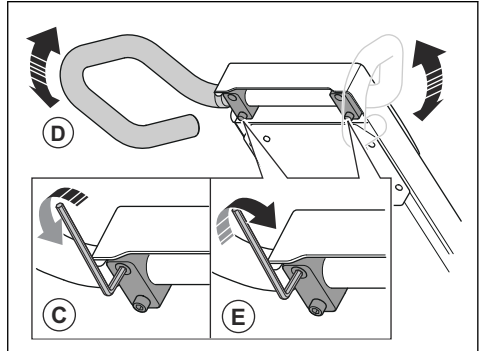
Régler la hauteur de la poignée aussi près que possible de la hauteur de la hanche de l'opérateur. Pendant le fonctionnement, le produit peut dévier vers un côté. La

hanche de l'opérateur peut aider à arrêter ce mouvement vers le côté.

1. Tirer le levier de verrouillage (A) de la poignée dans la direction du panneau de commande et le maintenir dans cette position.



2. Régler la poignée (B) à une hauteur adéquate pour l'utilisation du produit.
3. Relâcher le levier de verrouillage sur la poignée pour verrouiller la position de la poignée.
4. Desserrer les quatre vis (C) sur le guidon.

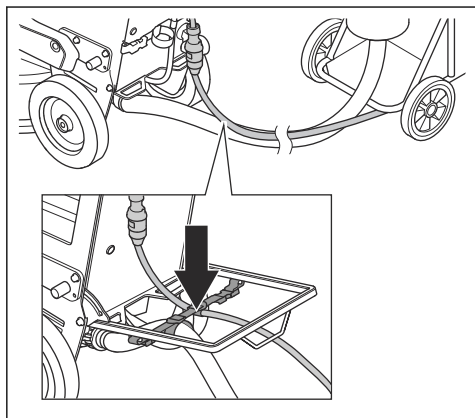


5. Régler le guidon (D) à une hauteur adéquate pour l'utilisation du produit.
6. Serrer les quatre vis (E) sur le guidon pour verrouiller la position du guidon.

### Pour brancher le produit à une source d'alimentation

1. Brancher la fiche d'alimentation du produit au câble de rallonge.
2. Brancher le câble de rallonge à une prise secteur.
3. Engager le cadre de support. Se reporter à la section *Pour engager et désengager le cadre de support à la page 62.*

4. Accrocher le cordon d'alimentation au dispositif de suspension sur le cadre de support afin de prévenir toute tension dans le cordon d'alimentation.



5. Désengager le cadre de support.



**MISE EN GARDE :** Lorsque le produit est relié à un extracteur de poussière, ce dernier doit être connecté à une source d'alimentation triphasée.

## Régime de fonctionnement

Si le produit est utilisé sur un nouveau type de surface, régler d'abord le régime à 70 %. Lorsque l'opérateur connaît le type de surface, le régime peut être modifié.

## Sens de rotation des disques de meulage

Vu d'en dessous du produit, le sens de rotation est le suivant :

- « CW » : sens des aiguilles d'une montre
- « CCW » : sens inverse des aiguilles d'une montre

Pendant le fonctionnement, le produit peut dévier vers un côté. La direction de cette déviation est liée au sens de rotation. Le produit dévie vers la droite lorsque le sens de rotation est réglé à « CCW » (sens inverse des aiguilles d'une montre). Le produit dévie vers la gauche lorsque le sens de rotation est réglé à « CW » (sens des aiguilles d'une montre).

La déviation latérale peut être mise à profit, par exemple près d'un mur. Définir le sens de rotation pour faire dévier le produit vers le mur.

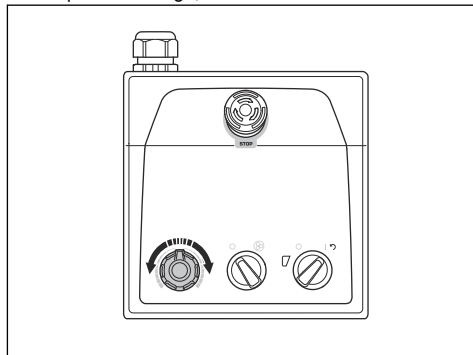


**MISE EN GARDE :** Diriger le produit avec précaution. S'assurer que le produit ne fait qu'effleurer le mur. Le produit est lourd et peut causer des dommages.

## Pour modifier le régime et le sens de rotation du moteur

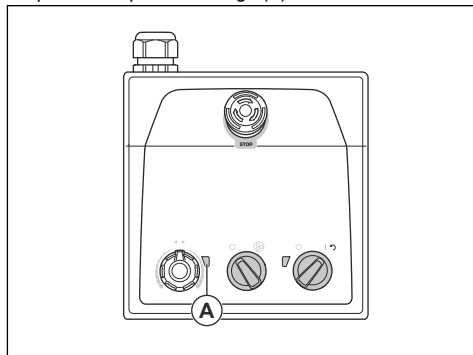
Changer régulièrement le sens de rotation afin d'augmenter la durée de vie et l'affûtage des outils diamantés. Les segments d'outils diamantés sont utilisés de manière égale et la surface de contact reste aussi grande que possible.

- Pour régler le régime et le sens de rotation du disque de meulage, tourner le bouton.



## Utilisation du produit

- Faire fonctionner le produit manuellement à l'aide du panneau de commande situé sur la poignée. Se reporter à la section *Vue d'ensemble du produit, côté gauche à la page 56*.
- En cours de fonctionnement, rester à l'affût des changements de couleur de l'indicateur de l'onduleur pour le disque de meulage (A).



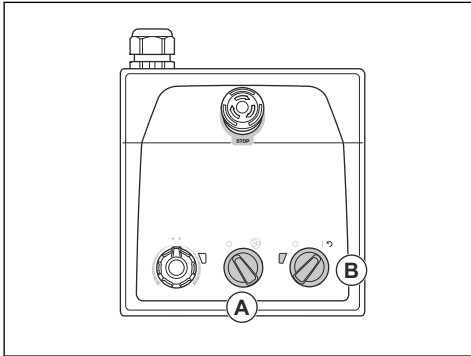
- Voyant vert : le produit fonctionne correctement.
- Voyant orange : il y a une surcharge dans la tête de meulage. Réduire la puissance de sortie en dix secondes ou moins pour éviter qu'une défaillance ne se produise.
- Voyant rouge : défaillance de l'onduleur et arrêt de la tête de meulage. Il est nécessaire de réinitialiser le produit. Se reporter à la section *Pour réinitialiser le produit à la page 68*.

## Mise sous tension de l'appareil



**MISE EN GARDE :** Déplacer constamment le produit pendant que la tête de meulage est en fonction. Si le produit n'est pas déplacé, la surface peut devenir rugueuse.

1. Appuyer légèrement sur le guidon pour soulever la tête de meulage de la surface. Cela permet de réduire la friction de surface des outils diamantés. Ne pas lever complètement la tête de meulage de la surface pendant l'utilisation.
2. Tourner l'interrupteur STOP/RUN (arrêt/marche) (A) du panneau de commande dans le sens inverse des aiguilles d'une montre jusqu'à « 0 » pour s'assurer que la tête de meulage est hors fonction.



3. Tourner l'interrupteur ON/OFF (marche/arrêt) (B) du panneau de commande jusqu'à « 1 » pour démarrer le produit. Le témoin à DEL situé à côté de l'interrupteur ON/OFF (marche/arrêt) s'allume.
4. Tourner l'interrupteur STOP/RUN (arrêt/marche) du panneau de commande dans le sens des aiguilles d'une montre pour démarrer la tête de meulage. En moins de cinq secondes, le produit fonctionne au régime de ralenti.

## Arrêt de la machine

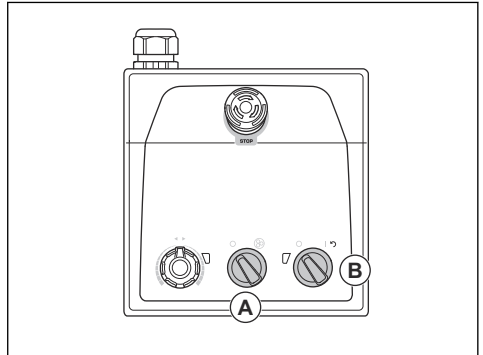


**MISE EN GARDE :** Ne pas soulever la tête de meulage de la surface au cours de l'arrêt du moteur. Les plaques porte-outil tournent pendant un moment après l'arrêt du moteur. De la poussière peut se retrouver dans l'air et la surface peut être endommagée.



**MISE EN GARDE :** Ne pas laisser le produit s'immobiliser tant que les plaques porte-outil ne se sont pas complètement arrêtées.

1. Tourner l'interrupteur STOP/RUN (arrêt/marche) (A) du panneau de commande dans le sens inverse des aiguilles d'une montre jusqu'à « 0 » pour arrêter la tête de meulage.



2. Maintenir les plaques porte-outil contre la surface jusqu'à ce qu'elles s'arrêtent complètement.

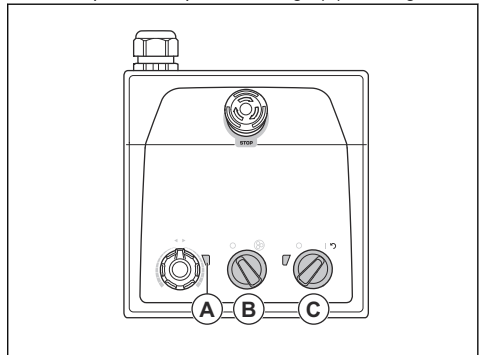


**MISE EN GARDE :** Pendant le meulage d'asphalte adhésif, de peinture ou d'un matériau équivalent, le produit peut adhérer à la surface adhésive. Immédiatement après l'arrêt complet de la plaque porte-outil, soulever légèrement l'avant de la tête de meulage.

3. Tourner l'interrupteur ON/OFF (marche/arrêt) (B) du panneau de commande à « 0 » pour arrêter le produit. Le témoin à DEL situé à côté de l'interrupteur ON/OFF (marche/arrêt) s'éteint.
4. Déconnecter la bougie.

## Pour réinitialiser le produit

L'interrupteur ON/OFF (marche/arrêt) peut être utilisé comme interrupteur de réinitialisation si l'onduleur se déclenche. Réinitialiser le produit lorsque l'indicateur de l'onduleur pour le disque de meulage (A) est rouge.

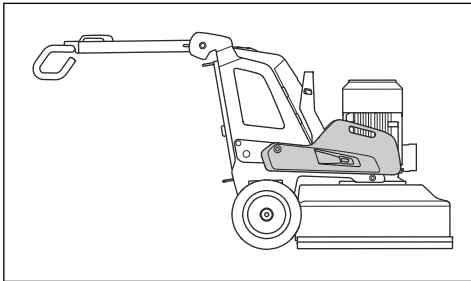


1. Tourner l'interrupteur STOP/RUN (arrêt/marche) (B) dans le sens inverse des aiguilles d'une montre jusqu'à « 0 » pour s'assurer que la tête de meulage est hors fonction.
2. Tourner l'interrupteur ON/OFF (marche/arrêt) à la position fléchée (C) pour réinitialiser le produit. L'indicateur de l'onduleur pour le disque de meulage est vert lorsque la défaillance est réinitialisée.
3. Tourner l'interrupteur STOP/RUN (arrêt/marche) sur le panneau de commande dans le sens des aiguilles d'une montre pour démarrer à nouveau la tête de meulage.

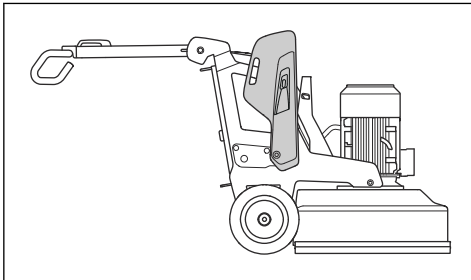
## Poids

Chaque côté du produit comporte un poids. Si le produit est lourd à utiliser, régler les poids pour modifier la pression sur la tête de meulage. Les poids doivent être réglés à la même position sur les côtés droit et gauche. Les poids ont trois positions :

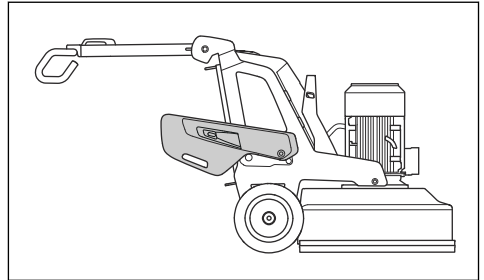
- Position 1 : Pression maximale sur la tête de meulage. Cette position augmente l'effet de fonctionnement. Cette position est également utilisée lorsque le produit est placé en position de transport.



- Position 2 : Pression normale sur la tête de meulage.



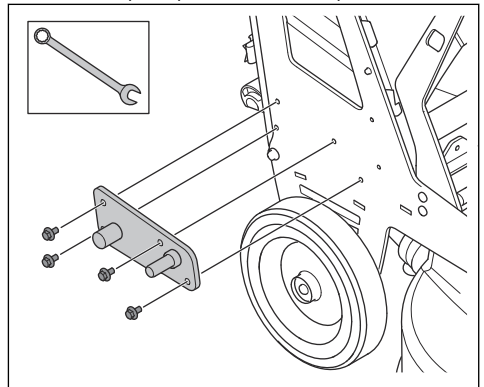
- Position 3 : Pression minimale sur la tête de meulage. Cette position est également utilisée pour incliner le produit en position d'entretien.



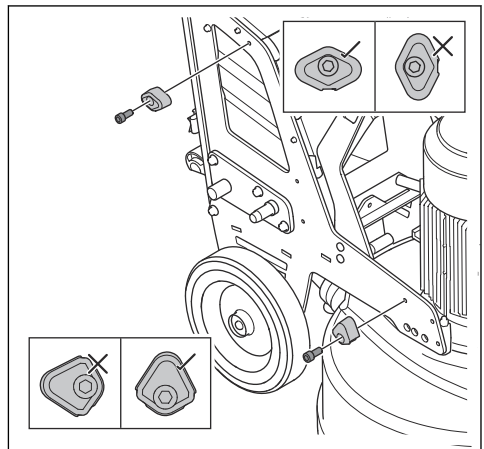
## Pour monter et démonter les poids

Chaque côté du produit comporte un poids. Procéder comme suit pour chaque poids.

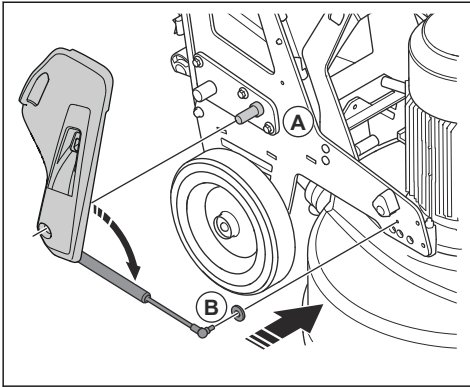
1. Installer le porte-poids et serrer les quatre vis.



2. Installer les deux supports de poids. S'assurer que les supports de poids sont correctement installés de la manière illustrée.

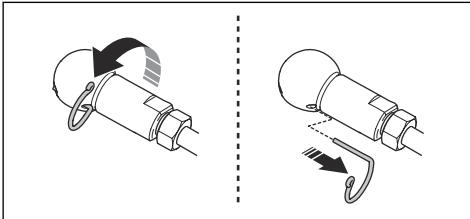


3. Placer le poids sur le cylindre (A) du porte-poids.



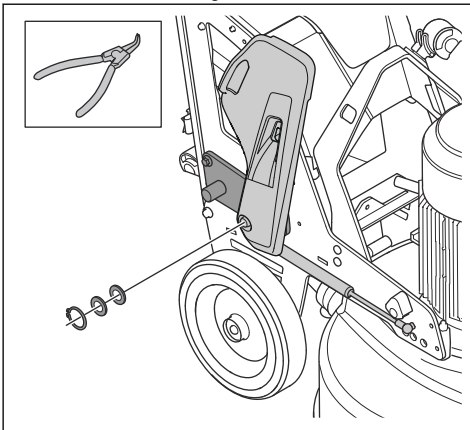
4. Fixer le ressort à gaz de poids sur le produit (B).

- a) Retirer le ressort de verrouillage du joint à rotule.



- b) Retirer le joint à rotule du ressort à gaz.  
c) Fixer le joint à rotule au produit.  
d) Fixer le ressort à gaz sur le joint à rotule.  
Verrouiller le ressort à gaz sur le joint à rotule au moyen du ressort de verrouillage.

5. Verrouiller le poids sur le porte-poids au moyen de l'anneau de verrouillage.



## Pour régler les poids

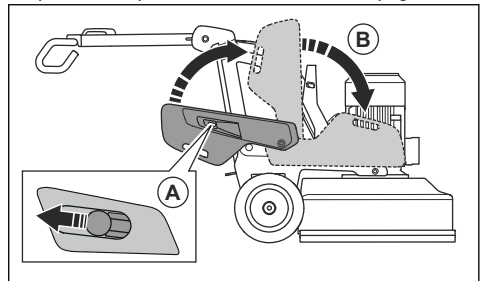


**AVERTISSEMENT:** Faire preuve de prudence pendant le réglage des poids. Les pièces mobiles peuvent provoquer des blessures.



**AVERTISSEMENT:** Toujours s'assurer que le verrou de poids se verrouille correctement lorsque les poids sont placés dans la position sélectionnée.

1. Pousser le verrou de poids (A) et déplacer le poids à la position sélectionnée (B) à l'aide de la poignée de poids. Se reporter à la section *Poids* à la page 69.



2. Relâcher le verrou de poids pour verrouiller ce dernier dans la position sélectionnée.

# Entretien

## Introduction



**AVERTISSEMENT:** Avant de procéder à l'entretien, lire et bien comprendre le chapitre sur la sécurité.

Pour tous les travaux d'entretien et de réparation sur le produit, une formation spécifique est nécessaire. La disponibilité des réparations et des entretiens effectués de façon professionnelle est garantie. Si un distributeur n'est pas un agent d'entretien, communiquer avec lui pour connaître l'agent d'entretien le plus proche.

## À faire avant l'entretien

- Utiliser de l'équipement de protection individuelle. Se reporter à *Équipement de protection personnelle à la page 59*.
- Utiliser un dispositif de protection respiratoire homologué. La poussière engendrée par le produit est dangereuse pour la santé.
- Stationner la machine sur une surface de niveau.
- Arrêter le moteur et débrancher la fiche d'alimentation pour éviter tout démarrage accidentel pendant l'entretien.

- Nettoyer la zone autour du produit pour éliminer toute trace d'huile et de saleté. Enlever les objets indésirables.
- Placer des panneaux de signalisation bien visibles pour avertir les personnes présentes que des travaux d'entretien sont en cours.
- Garder des extincteurs, des fournitures médicales et un téléphone d'urgence à proximité.

## Calendrier d'entretien

\* = Entretien général effectué par l'opérateur. Les instructions ne sont pas décrites dans ce manuel de l'opérateur.

X = Les indications sont décrites dans ce manuel de l'opérateur.

O = Les instructions ne sont pas décrites dans ce manuel de l'opérateur. Laisser un agent d'entretien agréé effectuer l'entretien.

Entretien	Quotidien	Hebdomadaire	Tous les 6 mois	Tous les 12 à 36 mois
Vérifier l'interrupteur ON/OFF (marche/arrêt).	*			
Vérifier les points de fixation et la fonction de verrouillage de la poignée.		*		
Vérifier les points de fixation et la fonction de verrouillage des poids.		*		
Vérifier le bouton d'arrêt d'urgence.	X			
Nettoyer les surfaces externes du produit.	X			
Nettoyer les composants internes du produit.			O	
Effectuer une inspection générale.	X			
Vérifier les disques de meulage.	X			
Vérifier le bon fonctionnement du système d'entraînement de la tête de meulage.		X		
Effectuer l'entretien du système d'entraînement des disques de meulage.				O
Vérifier la connexion entre le châssis et la tête de meulage.		*		

## Nettoyage de la machine



**MISE EN GARDE :** L'obstruction de l'admission d'air réduit les performances du produit et peut entraîner la surchauffe du moteur.

- Enlever l'obstruction de toutes les ouvertures. Le produit doit toujours être suffisamment refroidi.
- Toujours débrancher la fiche d'alimentation de la prise secteur avant de procéder au nettoyage.
- Ne pas utiliser de produit chimique pour nettoyer le produit.

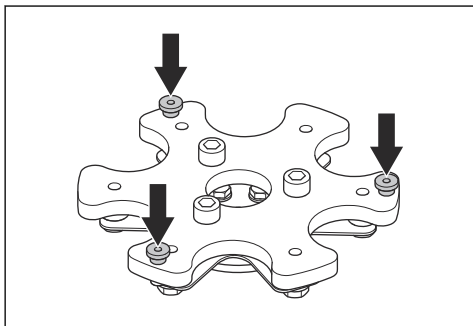
- Ne pas nettoyer les composants électriques avec de l'eau.
- Toujours nettoyer tous les équipements à la fin de la journée de travail. Nettoyer les composants de la surface inférieure de la tête de meulage à l'aide d'un nettoyeur à haute pression.



**MISE EN GARDE :** Ne pas diriger le nettoyeur à haute pression directement vers les joints d'étanchéité ou les points de connexion.

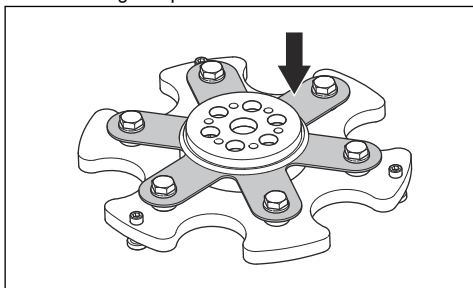
### Pour effectuer une inspection générale

- S'assurer que le cordon d'alimentation et le câble de rallonge sont en bon état et qu'ils ne sont pas endommagés.
- S'assurer que les vis et les écrous sont bien serrés.
- S'assurer que les verrous de tête sont bien serrés. Au besoin, serrer les verrous de tête et utiliser de l'adhésif frein-filet LOCTITE® 680.



### Pour vérifier les disques de meulage

- Vérifier que le ressort en acier à ressorts n'est pas endommagé et qu'il est en bon état.



- Remplacer les ressorts en acier à ressorts endommagés.

**Remarque :** Il n'est pas nécessaire de jeter le disque de meulage lorsque le ressort en acier à ressorts est remplacé.

- Ajouter un deuxième ressort en acier à ressorts pour rendre la tête en acier à ressorts moins flexible.

## Système d'entraînement de la tête de meulage

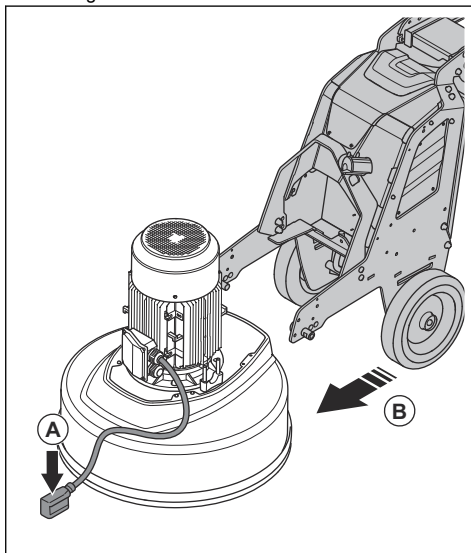
Le système d'entraînement de la tête de meulage est un système fermé. En cas de problème avec le système d'entraînement de la tête de meulage, communiquer avec un atelier spécialisé Husqvarna.

### Pour installer et retirer la tête de meulage



**AVERTISSEMENT:** Le châssis n'est pas équilibré lorsque la tête de meulage est retirée. S'assurer que le châssis ne peut pas tomber. Cela pourrait provoquer des blessures ou des dommages.

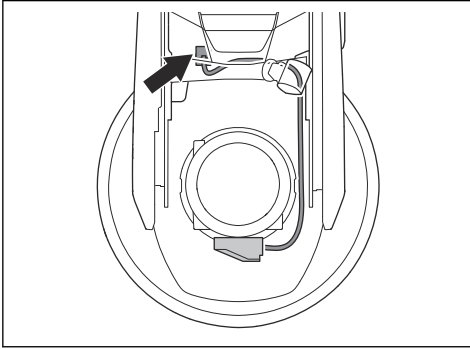
1. Placer le câble du moteur (A) devant la tête de meulage.



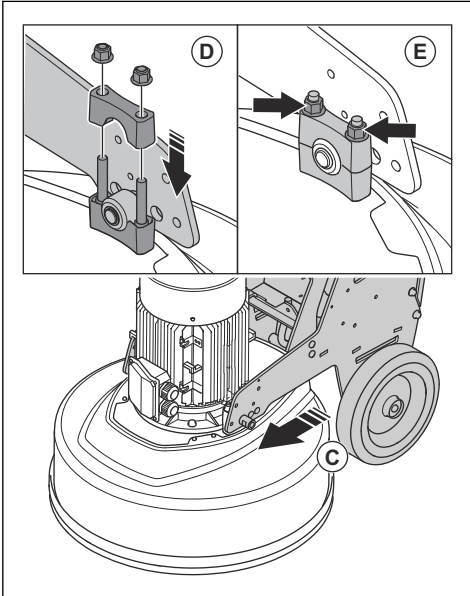
2. Pousser le châssis près de la tête de meulage (B).



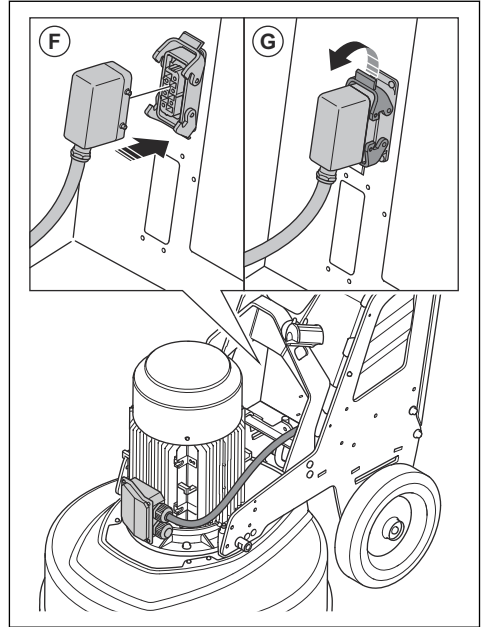
3. Placer le câble du moteur au travers de la fente située entre la tête de meulage et le châssis.



4. Pousser le châssis complètement contre la tête de meulage (C). S'assurer que le châssis est fixé au support sur la tête de meulage.



5. Installer le deuxième support (D) sur le dessus du support de la tête de meulage.
6. Serrer les deux écrous (E) de chaque côté de la tête de meulage.
7. Brancher le câble du moteur à la prise électrique (F) du boîtier électrique.



8. Verrouiller le câble du moteur à la prise électrique (G) du boîtier électrique.
9. Retirer la tête de meulage dans l'ordre inverse.

## Dépannage

Problème	Causes	Solution
Le produit ne démarre pas	Le câble de rallonge est débranché ou endommagé.	Brancher le câble de rallonge ou, si nécessaire, le remplacer.
	Un bouton d'arrêt d'urgence est engagé.	Tourner le bouton d'arrêt d'urgence sur le panneau de commande dans le sens des aiguilles d'une montre pour le désengager.
	L'interrupteur de sécurité est ouvert dans le boîtier électrique.	Fermer l'interrupteur de sécurité pour compléter le circuit.
Le produit n'est pas facile à tenir.	Il y a trop peu d'outils diamantés installés sur le produit.	Augmenter le nombre d'outils diamantés pour réduire la charge sur le produit et l'opérateur.
	Le moteur d'entraînement de meulage ne fonctionne pas.	S'assurer que le moteur d'entraînement de meulage est connecté.
	Cela peut être dû à une défaillance du moteur ou à une défaillance d'un fil vers le moteur.	Si le problème persiste, communiquer avec un atelier spécialisé agréé.
	La courroie est brisée.	Si la courroie est brisée, demander à un centre d'entretien de la remplacer.  Tourner l'un des disques de meulage à la main. Si tous les disques de meulage tournent ensemble, la courroie n'est pas endommagée. Si un disque de meulage tourne librement, la courroie est brisée.
	Une seule phase entre dans le produit. Le produit ne reçoit pas de code d'erreur et utilise alors une intensité de moteur inférieure à 1 A. Le ventilateur tourne lentement.	Vérifier l'alimentation électrique.
	La surface ou l'opération sont trop exigeantes pour la capacité du produit.	Régler le régime du moteur ou la vitesse de déplacement vers l'avant du produit sur le sol.
Le produit émet un son comme s'il augmente trop le régime.	Le moteur d'entraînement de meulage n'est pas connecté.	S'assurer que le moteur d'entraînement de meulage est connecté.
	Le moteur d'entraînement de meulage ne fonctionne pas.	S'assurer que le moteur d'entraînement de meulage est connecté.
	Cela peut être dû à une défaillance du moteur ou à une défaillance d'un fil vers le moteur.	Si le problème persiste, communiquer avec un atelier spécialisé agréé.
	La surface est trop épaisse ou la configuration d'outil diamanté est incorrecte.	Appuyer légèrement sur le guidon pour soulever la tête de meulage de la surface au démarrage du produit.

Problème	Causes	Solution
Le produit présente un motif de rayures irrégulier.	Les outils diamantés sont mal fixés ou fixés à des hauteurs différentes sur les disques de meulage.	S'assurer que tous les outils diamantés sont correctement installés et qu'ils sont tous à la même hauteur.
	Les outils diamantés sont de types mixtes.	S'assurer que tous les segments sont du même grain de diamant et qu'ils utilisent le même liant. Si les segments diamantés sont irréguliers, espacer uniformément les segments diamantés irréguliers. Faire fonctionner le produit sur une surface abrasive jusqu'à ce que tous les segments aient la même hauteur.
	Les verrous de tête sont desserrés ou manquants.	S'assurer que tous les verrous de tête sont en place et bien serrés.
	Les outils en résine sont mélangés ou présentent une contamination indésirable.	S'assurer que tous les outils en résine ont le même grain de diamant, qu'ils utilisent le même liant et qu'il n'y a pas de contamination. Pour nettoyer les outils en résine, les faire fonctionner pendant un court moment sur une surface légèrement abrasive.
	Les disques de meulage sont usés ou endommagés.	Vérifier que les disques de meulage ne présentent pas de sections cassées ou de mouvements excessifs.
Des mouvements indésirables et brusques touchent le produit.	Les disques de meulage sont usés ou endommagés.	Vérifier que les disques de meulage ne sont pas endommagés et qu'ils ne bougent pas trop.
	Les outils diamantés sont mal fixés ou fixés à des hauteurs différentes sur les disques de meulage.	S'assurer que tous les outils diamantés sont correctement installés et qu'ils sont tous à la même hauteur.
	Les verrous de tête sont desserrés ou manquants.	S'assurer que tous les verrous de tête sont en place et bien serrés.
Le disjoncteur interne se déclenche.	Charge trop élevée ou alimentation insuffisante.	Vérifier l'alimentation électrique.
		Réduire la pression de meulage, augmenter le nombre d'outils diamantés ou augmenter la dureté du liant utilisé.

## Transport, entreposage et mise au rebut

### Transport



**AVERTISSEMENT:** Être prudent lors du transport. Le produit est lourd et peut causer des blessures ou des dommages s'il se renverse ou se déplace pendant le transport.

Les roues permettent de déplacer le produit sur de courtes distances. Pour de plus longues distances, soulever le produit pour le déplacer ou le placer sur un véhicule.



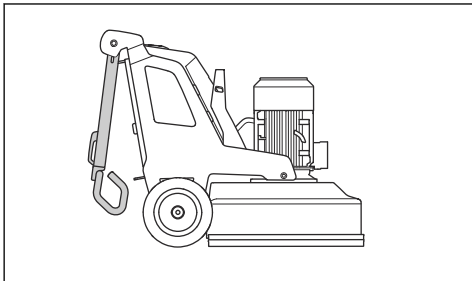
**MISE EN GARDE :** Ne pas remorquer le produit derrière un véhicule.

- Faire preuve d'une grande prudence pendant le déplacement manuel du produit ou sur des surfaces en pente. De petites pentes peuvent entraîner un mouvement rapide qui ne peut pas être freiné à la main.
- Arrimer le produit pendant le transport. S'assurer qu'il ne puisse pas bouger.

- Placer une protection adéquate sur le produit pendant le transport. La protection garde le produit à l'abri des éléments tels que la pluie et la neige.
- Utiliser toujours l'anneau de levage sur le produit pour soulever ce dernier.
- Ne pas soulever le produit par le guidon, le moteur, le châssis ou d'autres parties.
- Il est préférable de transporter le produit sur une palette.
- Toujours soulever le produit à l'aide d'un élévateur ou d'un élévateur à fourche.
- Ne pas utiliser d'élévateur à fourche si le produit n'est pas placé sur une palette ou un chariot. Cela peut endommager les disques de meulage et d'autres composants internes.
- Pendant le transport, la tête de meulage doit être au sol. Pour éviter d'endommager le mécanisme de verrouillage des plaques porte-outils, celles-ci doivent demeurer en place.

## Pour régler l'outil à la position de transport

- Rabattre la poignée. Se reporter à la section *Pour régler la poignée et le guidon à la page 66.*



- Si les poids sont fixés au produit, les régler en position avant. Se reporter à la section *Pour régler les poids à la page 70.*
- S'assurer que la tête de meulage touche la surface.

## Pour déplacer le produit vers le haut ou vers le bas dans une pente



**AVERTISSEMENT:** Faire preuve d'une extrême prudence pendant le déplacement du produit dans une pente avec le moteur en marche. Le produit est lourd et il y a un risque de blessure si le produit se renverse ou se déplace trop rapidement.



**AVERTISSEMENT:** Sur les pentes abruptes, utiliser toujours un treuil. Ne pas marcher ou rester devant le produit. Ne pas rester dans la zone à risque du produit. Se reporter à la section *Sécurité de l'aire de travail à la page 59.*



**AVERTISSEMENT:** Ne pas déplacer le produit sur des pentes abruptes. Consulter la plaque signalétique du produit pour obtenir de plus amples renseignements sur l'angle de pente maximal.

- Pour descendre une pente avec le produit, faire fonctionner le produit lentement en marche l'arrière.
- Pour monter une pente avec le produit, faire fonctionner le produit lentement en marche avant.
- Ne pas tourner le produit à plus de 45° sur une pente.

## Levage du produit



**AVERTISSEMENT:** S'assurer que l'équipement de levage possède les spécifications correctes pour soulever le produit en toute sécurité. Le poids du produit figure sur sa plaque signalétique.

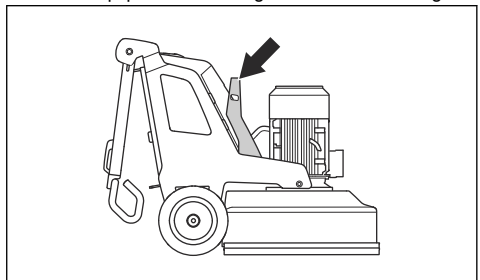


**AVERTISSEMENT:** Ne pas marcher ou rester en dessous ou à proximité d'un produit soulevé. Garder les personnes présentes à l'écart de la zone à risque. Se reporter à la section *Sécurité de l'aire de travail à la page 59.*



**AVERTISSEMENT:** Ne pas soulever un produit endommagé. S'assurer que l'anneau de levage est correctement posé et en bon état.

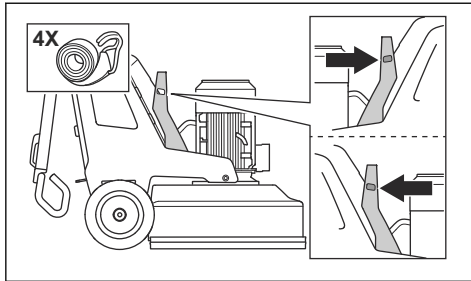
1. Régler le produit à la position de transport. Se reporter à la section *Pour régler l'outil à la position de transport à la page 76.*
2. Fixer l'équipement de levage à l'anneau de levage.



## Pour fixer le produit sur un véhicule de transport

Le produit est doté de trous qui sont utilisés avec des sangles d'arrimage pour fixer le produit sur le véhicule.

1. Fixer les sangles d'arrimage dans les trous.



2. Fixer et serrer les sangles d'arrimage sur le véhicule.

## Entreposage



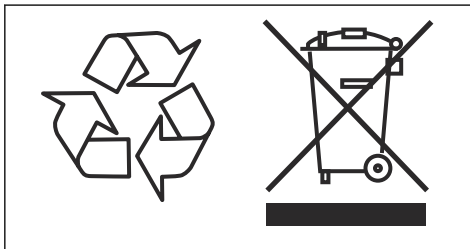
**MISE EN GARDE :** Ne pas entreposer le produit à l'extérieur. Toujours garder le produit à l'intérieur.

- Conserver le produit dans un endroit sec à l'abri du gel.
- Nettoyer le produit et effectuer un entretien complet avant de l'entreposer.
- Maintenir la tête de meulage au sol.
- Garder le produit dans un endroit verrouillé hors de portée des enfants et des personnes non autorisées.

## Mise au rebut

Les symboles sur le produit ou l'emballage du produit indiquent qu'il ne faut pas traiter ce produit comme un déchet domestique. Il faut le déposer dans un centre de recyclage pour la récupération des équipements électriques et électroniques.

En veillant à ce que ce produit soit traité de façon adéquate, vous contribuez à réduire l'impact négatif potentiel sur l'environnement et les personnes de la mauvaise gestion des déchets. Pour obtenir de plus amples renseignements sur le recyclage de ce produit, communiquez avec votre municipalité, votre service de déchets ménagers ou le magasin où vous avez acheté le produit.



## Données techniques

### Données techniques

	<b>PG 830S</b> <b>3x220-240 V</b>	<b>PG 830S</b> <b>3x440-480 V</b>
Puissance du moteur, kW/hp	11/15	11/15
Intensité nominale, A	50	30
Tension nominale, V	220-240	440-480
Phases	Triphasé	Triphasé
Fréquence, Hz	50-60	50-60
Poids, kg/lb	497/1096	497/1096
Largeur de surfaçage, mm/po	800/31,5	800/31,5
Disque de meulage, mm/po	3x270/10,5	3x270/10,5
Pression de surfaçage, kg/lb	79/175	79/175
Pression de meulage avec roue de support, kg/lb	85/187	85/187
Poids en position 1 (avant), kg/lb	298/656	298/656
Poids en position 1 (avant) avec roue de support, kg/lb	315/693	315/693
Poids en position 2 (vertical), kg/lb	249/548	249/548
Poids en position 2 (vertical) avec roue de support, kg/lb	266/585	266/585
Poids en position 3 (arrière), kg/lb	195/429	195/429
Poids en position 3 (arrière) avec roue de support, kg/lb	212/466	212/466
Régime de disque de meulage, tr/min min./max.	421-1403	421-1403
Régime de la tête de meulage, tr/min min./max.	28-92	28-92
Sens de rotation (du dessus)	Tête de meulage : sens des aiguilles d'une montre  Disque de meulage : sens inverse des aiguilles d'une montre	Tête de meulage : sens des aiguilles d'une montre  Disque de meulage : sens inverse des aiguilles d'une montre
Pente maximale, degrés °	10	10
Boîtier, IP	54	54
<b>Extracteur de poussière recommandé<sup>9</sup></b>		
Outil de l'extracteur de poussière, mm/po	76/3	76/3
Débit d'air min., m <sup>3</sup> /h / pi <sup>3</sup> /min	815/480	815/480

<sup>9</sup> Les caractéristiques techniques des extracteurs de poussière ne décrivent pas de manière concluante les performances réelles au fil du temps entre les différents extracteurs de poussière. Pour les produits Husqvarna, les données objectives OSHA sont disponibles sur le site [www.husqvarnacp.com/us](http://www.husqvarnacp.com/us)

	<b>PG 830S</b> <b>3x220-240 V</b>	<b>PG 830S</b> <b>3x440-480 V</b>
Aspiration min., kPa / lb/po <sup>2</sup>	30/4,4	30/4,4

## Niveaux sonores

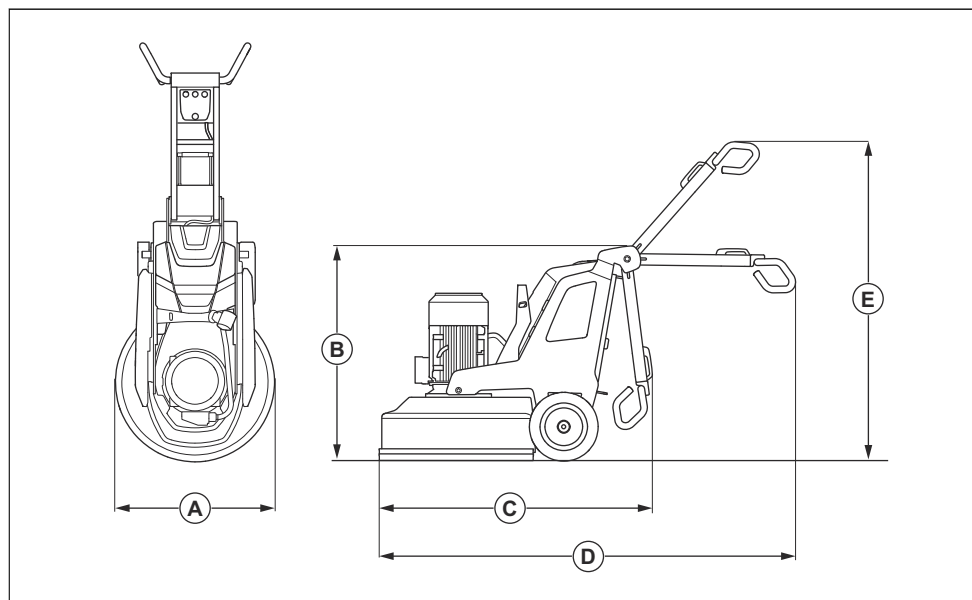
<b>Émissions sonores<sup>10</sup></b>	
Niveau de puissance acoustique mesuré L <sub>W</sub> [dB(A)]	95,4
<b>Niveaux sonores<sup>11</sup></b>	
Niveau de pression sonore au niveau de l'oreille de l'opérateur, L <sub>p</sub> [dB (A)]	78,7
<b>Niveaux de vibrations<sup>12</sup></b>	
Poignée droite, m/s <sup>2</sup>	1,7
Poignée gauche, m/s <sup>2</sup>	1,5

<sup>10</sup> Émissions sonores dans l'environnement mesurées en tant que puissance acoustique conforme à la directive EN 60335-2-72. Incertitude de mesure prévue : 2,5 dB(A).

<sup>11</sup> Niveau de pression sonore selon la directive EN 60335-2-72. Incertitude de mesure prévue : 4 dB(A).

<sup>12</sup> Niveau de vibration selon EN 60335-1 et EN 60335-2-72. Les données signalées pour le niveau de vibration présentent une dispersion statistique type (écart-type) de 1 m/s<sup>2</sup>. Les valeurs des niveaux de vibration sont valides pour le fonctionnement manuel.

## Dimensions de l'outil



<b>A</b>	Largeur, mm/po	830/32,7
<b>B</b>	Hauteur totale min. (poignée repliée), mm/po	1145/45,1
<b>C</b>	Longueur totale min. (poignées repliées), mm/po	1550/61
<b>D</b>	Longueur totale max. (poignées déployées), mm/po	2215/87,2
<b>E</b>	Hauteur totale max. (poignées déployées), mm/po	1700/66,9











[www.husqvarnacp.com](http://www.husqvarnacp.com)

Original instructions  
Instrucciones originales  
Instructions d'origine

1141352-49



2019-11-08