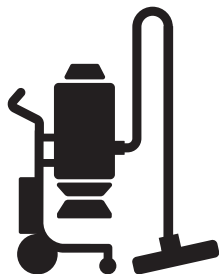




 **Husqvarna**[®]



T 7500

EN Operator's manual
JA 取扱説明書

2-11
12-22

Contents

Introduction.....	2	Maintenance.....	6
Safety.....	4	Troubleshooting.....	9
Assembly.....	6	Transportation, storage and disposal.....	10
Operation.....	6	Technical data.....	11

Introduction

Product description

The product is a dust extractor with a suction hose. Air with dust is suctioned into an inlet valve through the suction hose. The air decreases in speed by a cyclone which cause the dust particles to move apart from the air. Small dust particles and air goes through a 2 filter system. Large dust particles are collected in the cyclone and fall through the bottom flap into a plastic bag.

Intended use

The product is used to clean construction areas by collecting up dry and non flammable dust in indoor environments.

The product can be connected to medium and large surface preparation equipment such as grinders.

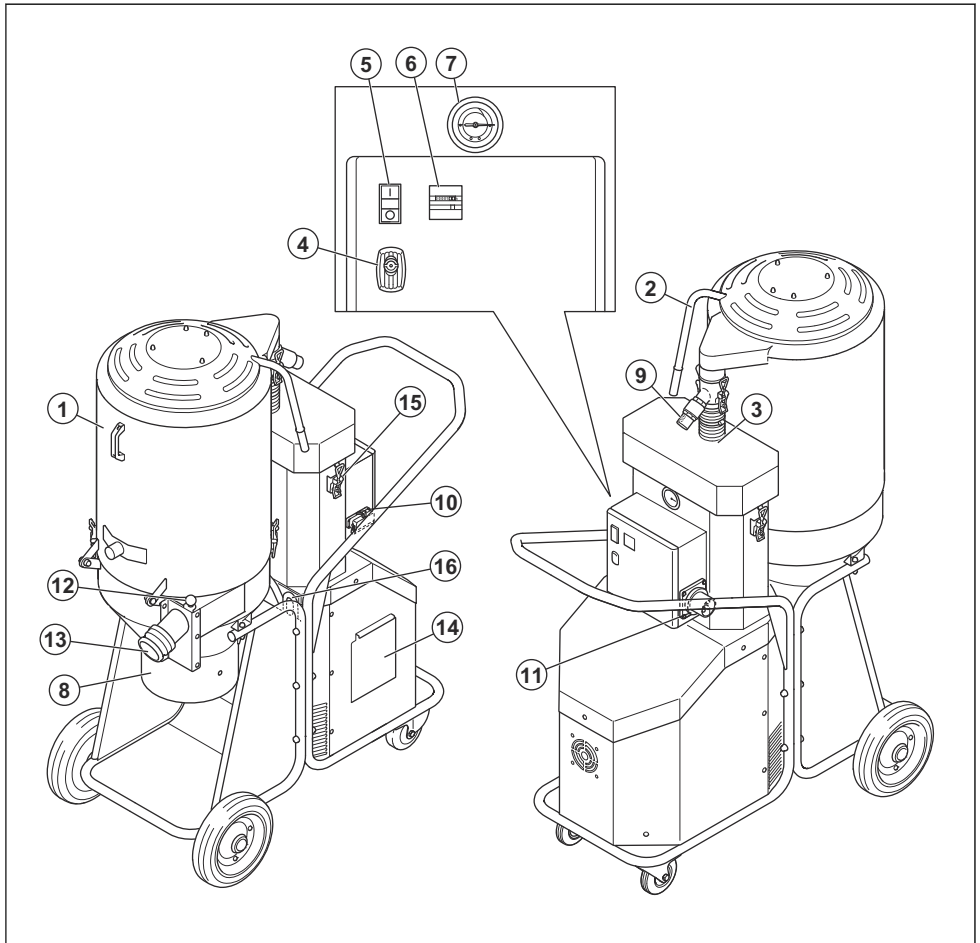
The product is intended for commercial use, for example in hotels, schools, hospitals, factories, shops, offices and rental businesses

Note: The explosion limit value for the not flammable dust is $>0.1\text{mg/m}^3$.

Dust storage system

All Husqvama T-Line Dust Extractors are to be used with Longopac. Only change Longopac after the filter cleaning cycle has been completed.

Product overview T 7500



1. Pre-filter
2. Jet Pulse handle
3. Hepa filter
4. Lock to electricity box
5. On/Off
6. Hour meter
7. Manometer
8. Longopac connection
9. Pressure release valve
10. Socket outlet
11. Socket inlet
12. Inlet valve
13. Inlet
14. Utility hatch

15. Toggle fastener
16. Tie down lug 2X

Symbols on the product



Please read the operator's manual carefully and make sure you understand the instructions before using the product.



Always use an approved breathing mask.



Always use approved ear protection.



Always use approved eye protection.

- the product is incorrectly repaired.
- the product is repaired with parts that are not from the manufacturer or not approved by the manufacturer.
- the product has an accessory that is not from the manufacturer or not approved by the manufacturer.
- the product is not repaired at an approved service center or by an approved authority.

Product liability

As referred to in the product liability laws, we are not liable for damages that our product causes if:

Safety

Safety definitions

Warnings, cautions and notes are used to point out specially important parts of the manual.



WARNING: Used if there is a risk of injury or death for the operator or bystanders if the instructions in the manual are not obeyed.



CAUTION: Used if there is a risk of damage to the product, other materials or the adjacent area if the instructions in the manual are not obeyed.

Note: Used to give more information that is necessary in a given situation.

General safety instructions



WARNING: Read the warning instructions before you use the product.

- Always exercise care and use your common sense. If you get into a situation where you feel unsafe, stop and seek expert advice. Contact your dealer, service agent or an experienced user. Do not attempt any task that you feel unsure of!
- Read the operator's manual carefully and understand the instructions before using the product. Save all warnings and instructions for future reference.
- Make sure that you read and understand the instructions for the main product manual to ensure that you know what personal equipment to wear, what safety equipment to use and how to work in a safe mode.
- Keep in mind that it is you, the operator that is responsible for not exposing people or their property to accidents or hazards.

- The product can be a dangerous tool if used incorrectly or carelessly, which can cause serious or fatal injury to the operator or others.
- The product must be kept clean. Signs and stickers must be fully legible.
- This product is not intended for use by persons (including children) with reduced physical, sensory or mental capabilities, or lack of experience and knowledge.
- Keep children and unauthorized persons away from the product when in use.
- Operators shall be adequately instructed on the use of the product.
- Never use this product if you are fatigued, while under the influence of alcohol or drugs, medication or anything that could affect your vision, alertness, coordination or judgment.
- Do not handle plug or product with wet hands.
- Never use a product that is faulty. Carry out the safety checks, maintenance and service instructions described in this manual. Some maintenance and service measures must be carried out by trained and qualified specialists. Refer to instructions in *Maintenance on page 6*.

Electrical Safety instructions



WARNING: Read the warning instructions that follow before you use the product.

- The dust extractor is equipped with a safety thermal protector to prevent motor from overheating. Should thermal protector activate, turn off machine, unplug power cord and check for full dust bag, vacuum hose clog or filter blockage. It may take up to 45 minutes for the thermal protector to reset.
- Before using the dust extractor make sure that the power & voltage corresponds with the voltage shown on the machines rating plate, including extension cords.
- Connect to a properly grounded outlet only. Refer to *Grounding instructions on page 6*.

- Improper connection of the equipment-grounding conductor can result in a risk of electrical shock. Check with a qualified electrician or service person if you are in doubt as to whether the outlet is properly grounded. Do not modify the plug provided, if it will not fit the outlet have a proper outlet installed by a qualified electrician.
- If using an extension cord make sure the cord rating is suitable for this machine.
- Cables damaged through crushing or splitting can be dangerous if used and should be replaced immediately.
- Do not use with damaged cord or plug. If the machine is not working as it should, has been dropped, damaged, left outdoors or dropped in water. Make sure it is repaired by a qualified person to avoid hazard.
- Regularly inspect cord and plug for damage. Do not use with a damaged cord or plug.
- Do not pull or carry by cord, use cord as handle, close a door on cord, or pull cord around sharp edges or corners. Do not allow equipment to run over cord. Keep cord away from heated surfaces.
- Do not unplug by pulling on cord. To unplug, grasp the plug.
- Do not leave machine when plugged in. Unplug cord from outlet when not in use and before cleaning or servicing machine.
- Do not use to pick up flammable or combustible liquids, such as gasoline, or use in areas where they may be present.
- Do not allow a build-up of dust, hair and anything that may reduce airflow.
- Keep hair, loose clothing, fingers and all parts of body away from openings and moving parts.
- Do not use the product without dust bag and/ or filters in place. Replace collection system and/or filters as described in this manual.



CAUTION: This machine is designed for picking up dry, non-flammable dust and debris in an indoor environment. It is not suitable for picking up liquids.



CAUTION: This product is for indoor use only.



CAUTION: This product shall be stored indoors only.

Safety instructions for assembly



WARNING: Read the warning instructions that follow before you assemble the product.

- Turn off all controls before unplugging. Do not unplug by pulling on cord. To unplug, grasp the plug.
- Unauthorized modifications and/or accessories may lead to serious injury or death to the user or others.
- Always use genuine accessories.
- Use only attachments as described in this manual. Use only manufacturers recommended attachments.
- Make sure that the assembly area is firm, so the product does not tip over. Risk of personal and material injury.
- Be careful, the toggle fasteners can cause damage to the operator when assemble the product.
- Always use approved personal protective equipment during operation. Personal protective equipment does not give you full protection but it decreases the degree of injury if an accident occur. Speak to you servicing dealer for recommendations about which equipment to use.
- Risk of dust dispersion - Use personal equipment. Unhealthy dust can be spread during filter change. Accordingly, the user should wear protective glasses, protective gloves, and a breathing mask conforming to protection class FFP3.
- Long-term exposure to noise can result in permanent hearing impairment. Always use approved hearing protection. Listen for warning signals or shouts when you wearing hearing protection. Always remove your hearing protection as soon as the engine stops.
- Use approved protective gloves when you maintenance the product.

Safety instructions for operation



WARNING: Read the warning instructions that follow before you use the product.

- The product must not be used in environments where explosive gases may be present. This will pose a serious risk of explosion.
- Do not pick up anything that is burning or smoking, such as cigarettes, matches or hot ashes.
- Make sure the engine switch is in the Off position. Disconnect the product from the wall outlet.
- Do not modify the product from its original design.



WARNING: Read the warning instructions that follow before you use the product.

Personal protective equipment



WARNING: Read the warning instructions that follow before you use the product.

Safety instructions for maintenance

- All repairs must be performed by a qualified service person. Use only manufacturer-supplied or equivalent replacement parts.
- Use approved protective equipment. Refer to *Personal protective equipment on page 5*
- Do not make a hole in the Hepa filter. A broken Hepa filter can disperse dust.

Assembly

Introduction



CAUTION: Only use extension cable with correct rated value for this product. Only connect to an outlet that is correct grounded.



CAUTION: Always clean the prefilter before change of bag collection system.

Operation

Before use



WARNING: Before using the dust extractor make sure that the power and voltage corresponds with the voltage shown on the machines rating plate, including extension cords.



WARNING: Connect to a properly grounded outlet only. Refer to *Grounding instructions on page 6*

equipment-grounding conductor and grounding plug. The plug must be inserted into an appropriate outlet that is properly installed and grounded in accordance with all local codes and ordinances.

Grounding instructions

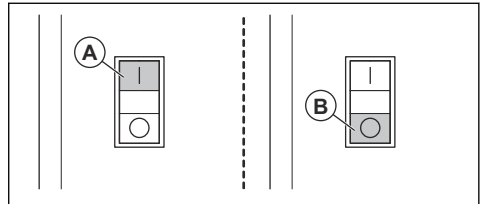


WARNING: The dust extractor must be grounded. If it should malfunction or breakdown, grounding provides a path of least resistance for electric current to reduce the risk of electric shock. The dust extractor is equipped with a cord having an

To start and stop

Push the green button (A) to start the dust extractor.

Push the red button (B) to stop the dust extractor.



Maintenance

Introduction



WARNING: Use personal safety equipment, refer to *Personal protective equipment on page 5*, during service. Dust can be exposed during maintenance and service.



WARNING: Most accidents involving machines occur during trouble shooting, service and maintenance as staff have to locate themselves within the risk area of the machine. Prevent accidents by being alert and by planning and preparing the work.



WARNING: The motor should be switched off during operations described in this chapter unless otherwise stated.



WARNING: All checks involving electric components should only be performed by a licensed electrician.

Maintenance schedule T-Line Dust Extractor

The maintenance intervals are calculated from daily use of the product. The intervals change if the product is not used daily.

Maintenance	Before each use	Daily	Weekly	When suction is low	6 months or 1000h	12 months or 2000h
Look for signs of wear, damage or loose connections of the controls before the unit is connected.	X					
Do a check that the Longopac is correct.		X				X
Do a check of the filter cleaning mechanism.		X				
Do a check of the wheels. Look for damage and bad connections.			X			
Clean the pre-filter.				X		
Replace the pre-filter.				X	X	
Replace the Hepa filter				X		X

To clean the dust extractor

It is important to clean the dust extractor to prevent circulation of dangerous dust. Always clean the dust extractor before it is moved from the work area.



WARNING: Turn the motor switch to its OFF position and disconnect the cord from the wall outlet before you clean or do maintenance to the product.

- All equipment once used must be regarded as contaminated and be treated thereafter.
- All parts that are contaminated after service work must be disposed in a correct procedure in plastic bags. Refer to local regulations.
- Use correct personal equipment when you clean the product. Refer to *Personal protective equipment on page 5*.
- Clean the external surface with a moist cloth.
- Clean the filters and the dust extractor in applicable area.
- Vacuum the pre-filter from the inside. Always use dust extractors with Hepa filter and a soft brush to not damage the filter.
- Do not use water on electrical components.
- Do not clean the dust extractor with high pressure (air or water).
- Do not put tools on the surface of the filter, it can cause damage to the filter.
- Do not make a hole in the Hepa filter, it can cause a health risk.

Filter change



WARNING: Use personal safety equipment, refer to *Personal protective equipment on page 5*, during filter change. Dust can come out during filter change.



WARNING: Always turn the motor switch in the Off position and disconnect the cord from the wall outlet during filter change.

To clean the pre filter

The filter must be cleaned from time to time. This must be done before changing the plastic bag collection system and should also be done when work is completed or when there is poor suction..



CAUTION: Avoid hitting or dragging items across the filter surface as this will damage the filter.



CAUTION: Do not use water to clean the filters.

1. While running the dust extractor, seal the inlet using the inlet plug or the inlet valve.
2. Let the dust extractor build up vacuum for 5 seconds, then quickly push and hold down the Jet Pulse handle for 5 seconds.
3. Repeat step 2 five times. It is important to let the dust extractor rebuild the vacuum in between every repetition.

4. If suction remains poor, the filter should be replaced.
Only replace plastic bag after cleaning the filter.

The pre filter

Only use Husqvarna filters. Performance and filtration efficiency can only be assured with original filters.



WARNING: Do not replace only one tube. If one is broken, it is necessary to replace the complete filter.

To change the pre filter

1. Loosen the 2 toggle fasteners between the tank and the lower cyclone.
2. Loosen the 2 toggle fasteners at the hose connection between the tank and the Hepa filter cover.
3. Rotate the tank forward.
4. Rotate the filter plate anticlockwise 10 degrees and carefully turn the filter and holder upside down.
5. Put a plastic bag above the filter unit.
6. Lift out the filter carefully in the bag and close it. The bag must be discarded. Refer to local disposal regulations.
7. Put on a new complete filter package in reverse order.

To change the Hepa filter



CAUTION: Do not clean Hepa filter, trying to clean a Hepa filter will destroy it. When installing the replacement filter, make sure to not touch the inside of the filter. Any kind of force/damage on the inside of filter media will destroy the new filter..



CAUTION: Do not touch the inner surface of the filter when installing a replacement Hepa filter. Damage to the inner surface of the filter can make it unserviceable.

1. Loosen the toggle fasteners on the filter cap and remove it.
2. Carefully lift the filter into a clean plastic bag.

Note: This bag must be properly disposed.

3. Insert a new filter in reverse order.

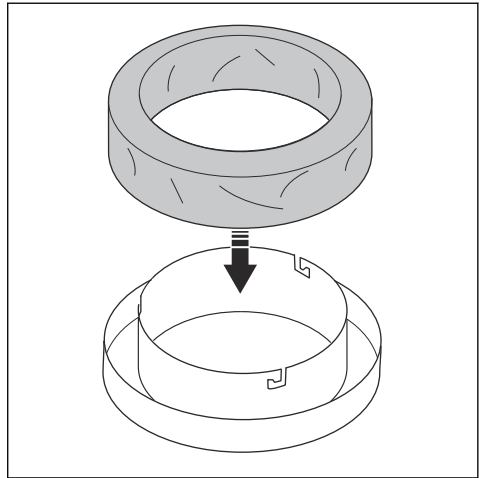
To assemble a new Longopac dust bag



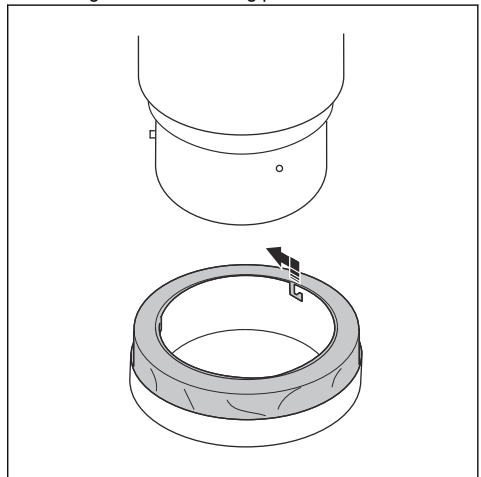
WARNING: Always clean the prefilter before change of bag collection system.

Note: The dust extractor has Longopac system.

1. Put the dust bag in the holder.

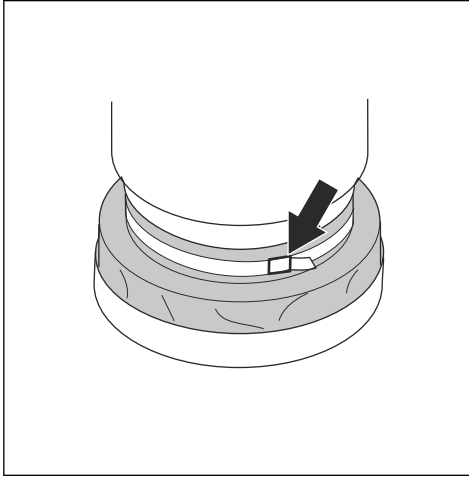


2. Attach the dust bag holder to the container by twisting it on to the holding pins.

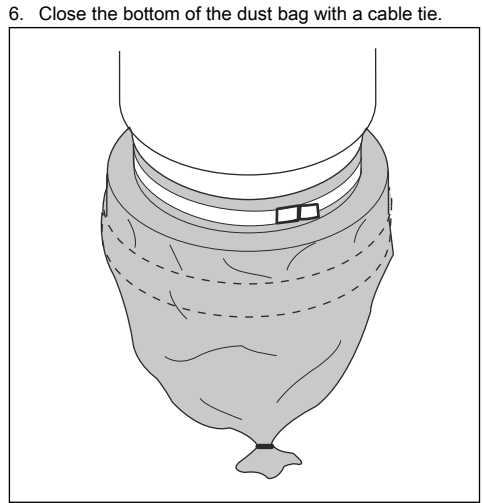


3. Pull the bag up from the bag holder and put it around the container.

4. Tighten a strap around the bag and the container to secure the bag to the container.



5. Pull the dust bag over the bag holder.



6. Close the bottom of the dust bag with a cable tie.

Troubleshooting

Troubleshooting schedule

Issue	Cause	Solution
Motor does not start	No power	Plug in machine
	Cable defective	Replace cable
	Switch defective	Replace switch
	Contactor combination defective	Replace contactor combination
Motor stops immediately after starting	Wrong fuse	Connect to correct fuse
	Shortcut in cable/machine	Order service
Motor runs but there is not suction	Hose not connected	Connect hose
	Hose blocked	Clean hose
	No dust collection bag	Fit dust collection system
Motor runs but there is poor suction	Hole in hose	Replace hose
	Filter clogged	Clean filter/ Replace filter
	Loose top cover	Adjust
	Dirt in the flap	Clean the flap
	Defective gaskets	Replace affected gaskets
Dust blown from motor	Wrongly assembled or damaged filter system	Adjust/ Replace filters
Abnormal noise		Order service

Transportation, storage and disposal

Transportation of the product

- Make sure that the Longopac bag is empty before a transportation.
- Make sure that the Longopac bag is attached to the product during transportation.
- Use ramps or winches to lift the dust extractor to make sure that movements are safe. Get aid if you are not sure about how to lift heavy equipment.
- Attach the product safely during transportation in order to prevent transport damage and accidents. Use the tie down lugs on both sides of the product.
- Engage the locking caster safely on the wheels.
- If possible, do the transportation of the product during good weather conditions.
- If possible, use a closed vehicle during transportation of the product.

Storage of the product

- The product must be stored inside away from outdoor elements.
- Do not expose the product to rain or moisture.
- Attach the locking casters safely.
- Disconnect the product from the power source.
- Store the product and the equipment in a dry area with no frost or excessive heat.
- Store all equipment in an locked area, so that it is out of reach of children and unauthorized persons.

Disposal of the product

- Obey the local recycling requirements and applicable regulations.
- When the product no longer is used, send it to a Husqvarna dealer or discard it at a recycling location.

Technical data

Technical data

Data	T 7500
Voltage (3 phase), V	200-230
Frequency, Hz	50-60
Power (max), HP (kW)	10 (7.5)
Max load electrical outlet, A	60
Airflow (max), cfm (m ³ /h)	353 (600)
Vacuum (max), psi (kPa)	110 (28)
Main hose, ft (m)	32 (10)
Inlet diameter, in. (mm) Camlock	3 (76)
Pre-filter, %	>99.5%@1um
Pre-filter area, in. (m)	31.2 (2.9)
Hepa filter 99.99%@0.3um	2
Total Hepa filter area, ft ² (m ²)	53.8 (5)
Sound level, dB(a)	74
Dust collection system, type	Longopac
Dimensions (L*W*H) in. (mm)	49.1x27.1x69.1 (1245x686x1753)
Weight, lbs (kg)	460 (209)

目次

はじめに.....	12	メンテナンス.....	16
安全性.....	14	トラブルシューティング.....	20
組立.....	16	搬送、保管、廃棄.....	20
操作.....	16	主要諸元.....	22

はじめに

製品の説明

本製品は、サクシオンホース付きの集塵機です。粉塵を含む空気が、サクシオンホースを介して吸引バルブに吸い込まれます。サイクロンが空気のスピードを落とし、粉塵の粒子が空気から分離します。小さな粉塵と空気は、2段フィルターシステムを通過します。大きな粉塵はサイクロン内に集められ、下部のフラップからビニール袋内に落ちます。

用途

本製品は、屋内の建設現場の清掃時に、乾燥した非可燃性の粉塵を回収するために使用します。

本製品は、研磨機などの中大型表面処理装置に接続できません。

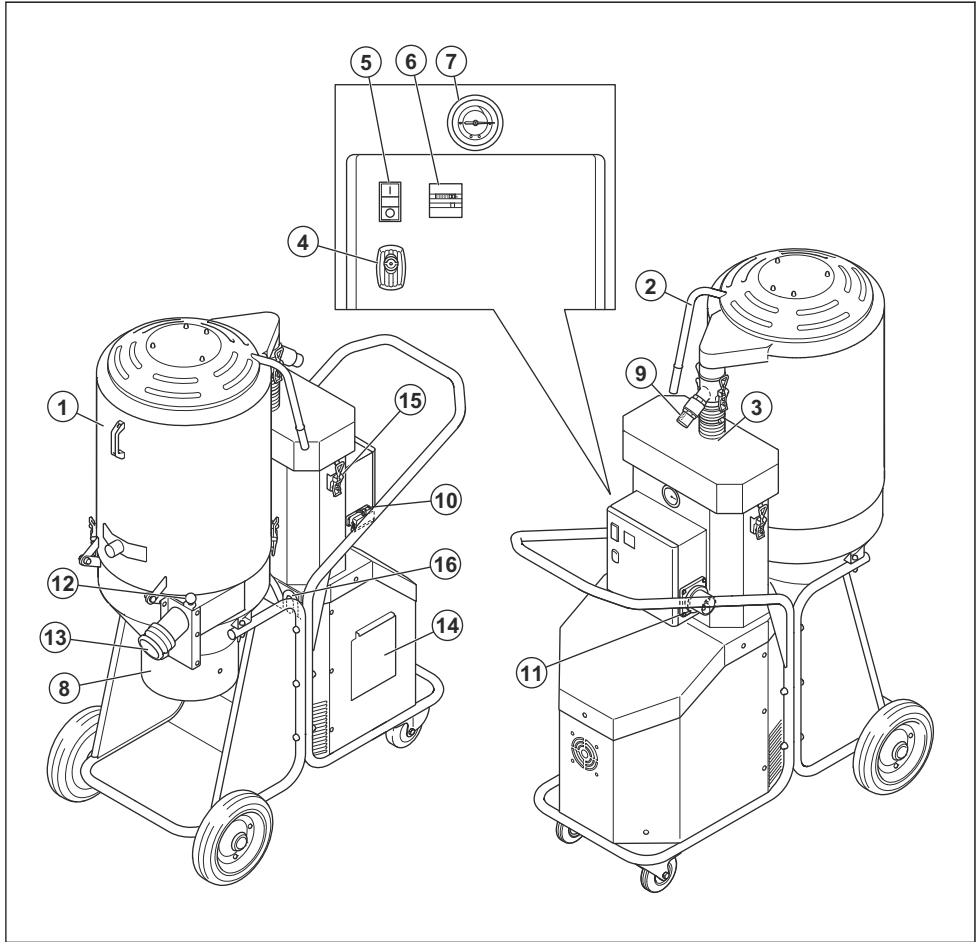
本製品はホテル、学校、病院、工場、店舗、事務所、レンタル事業などでの商用利用向けに設計されています。

注記： 不燃性粉塵は爆発限界値 $>0.1\text{mg}/\text{m}^3$ です。

集塵システム

すべての Husqvarna T-Line Dust Extractor は、Longopac と組み合わせて使用する必要があります。Longopac は、フィルターのクリーニングサイクルが完了した後に交換してください。

製品の概要 - T 7500



1. プレフィルター
2. パルス噴流ハンドル
3. Hepa filter
4. 電気ボックスのロック
5. オン / オフ
6. アワーメーター
7. マノメーター
8. Longopac コネクター
9. 圧力解放バルブ
10. ソケットアウトレット
11. ソケットインレット
12. 吸引バルブ
13. 吸引口
14. ユーティリティハッチ

15. 切り替え留め具
16. 固定用ラグ 2X

製品に表記されるシンボル



この取扱説明書をよくお読みになり、内容をしっかりと把握したうえで、本製品を使用してください。



必ず認定の呼吸マスクを着用してください。



必ず認定のイヤマフを着用してください。



必ず認定の防護メガネを着用してください。

製造物責任

製造物責任法に基づき、当社は、次の場合については本製品を原因とする損傷について責任を負いません。

- 本製品が誤って修理された場合。
- メーカーによるものではない部品、またはメーカーの認可していない部品を使用して本製品を修理した場合。
- メーカーによるものではないアクセサリ、またはメーカーの認可していないアクセサリを本製品に使用した場合。
- 認定サービスセンターまたは認定機関で本製品が修理されていない場合。

安全性

安全性の定義

警告、注意、注記は、取扱説明書の特に重要な部分を示しています。



警告： 取扱説明書の指示に従わない場合、使用者が負傷したり、死亡したりするか、あるいは付近の人に損傷を与える危険があることを意味します。



注意： 取扱説明書の指示に従わない場合、製品や他の物品、または隣接するエリアに損傷を与える危険があることを意味します。

注記： 特定の状況で必要とされる詳細情報を提供するために使用されます。

一般的な安全注意事項



警告： 本製品を使用する前に、警告指示をお読みください。

- 常に注意を払い、常識に合った使用方法で操作してください。安全性に懸念が生じたら、作業を停止し、専門家のアドバイスを受けてください。本機をお買い上げになった販売店、サービス代理店や熟練ユーザーなどに相談してください。確信をもてない作業は行わないでください！
- 本製品を使用する前に、この取扱説明書をよくお読みになり、指示内容をよく理解してください。すべての警告や説明は、以後の参考のために保管してください。
- 製品の取扱説明書を読み、理解し、どのような個人装具を着用し、どのような安全装置を使用するか、および安全な状態で作業する方法を確認してください。
- 周囲の人やその所有物をさまざまな事故や危険にさらさないようにする責任は、使用者自身にあることを忘れないでください。

- 本製品は危険を伴う道具です。不注意な使用や不適切な使用によって、使用者やその他の人々が重傷や致命傷を負う危険性があります。
- 本製品は常にきれいにしておいてください。目印やステッカーは、法規に完全準拠しなければなりません。
- 本製品は、正常な体力や感覚、精神力のない方や、経験や知識のない方（お子様を含む）による使用を想定していません。
- 使用中は、お子様や許可されていない人物が本製品に近づかないようにしてください。
- 作業者は、本製品の使用について適切な指示を受けている必要があります。
- 疲労時や飲酒後、視野・判断力・動作に影響を及ぼすような医薬品を服用したときは、絶対に本製品を使用しないでください。
- 濡れた手でプラグや本製品を扱わないでください。
- 本製品に欠陥がある場合は絶対に使用しないでください。この取扱説明書の内容に従って、安全点検、メンテナンス、サービスを行ってください。メンテナンスやサービスの内容によっては、専門家でないればできないものもあります。メンテナンス 16 ページ記載の手順を参照してください。

電気に関する安全注意事項



警告： 本製品を使用する前に、以下の警告指示をお読みください。

- 集塵機には、モーターの過熱を防止するための熱保護装置が付いています。熱保護装置が動作した場合、本機の電源を切り、電源コードを抜いて集塵バグの容量、集塵ホースの詰まりや、フィルターの目詰まりを確認してください。熱保護装置がリセットされるまで最長 45 分間かかります。
- 本集塵機を使用する前に、延長コードを含め、電源および電圧が本機の銘板に記載されている電圧と一致していることを確認してください。
- 適切に接地されたコンセントにのみ接続してください。接地方法に関する説明 16 ページを参照してください。

操作のための安全注意事項



警告：本製品を使用する前に、以下の警告指示をお読みください。

- 装置の接地導体を不適切に接続すると、感電する危険があります。コンセントが適切に接地されているかどうか分からない場合は、有資格の電気技術者またはサービス担当者に確認してください。付属のプラグを改造しないでください。プラグがコンセントに適合しない場合、認定電気技術者に適切なコンセントの設置を依頼してください。
- 延長コードを使用する場合、コードの定格が本機に適合していることを確認してください。
- ちぎれたり裂けたりしているケーブルは、使用するに危険なため、直ちに交換する必要があります。
- 損傷したコードやプラグを使用しないでください。本機を落下、損傷させたり、屋外に放置したり、水に落としたりすると、正常に動作しない場合があります。危険を避けるために、有資格者が修理してください。
- コードとプラグを定期的に点検して損傷がないか確認してください。損傷したコードやプラグを使用しないでください。
- コードを引っ張ったり、コードで持ち上げたりしないでください。また、コードをハンドルとして使用したり、コードをドアに挟んだり、尖った端や角でコードを引っ張ったりしないでください。装置がコードの上を通らないようにしてください。熱い面にコードを近づけないでください。
- コードを引っ張ってコンセントから外さないでください。コンセントから外すときは、プラグを握ってください。
- 電源に接続したまま本機を放置しないでください。使用しない場合や、洗浄や点検を実施するときは、コードをコンセントから抜いてください。

- 本製品は、爆発性のあるガスが発生する環境では使用しないでください。爆発の危険があります。
- タバコ、マッチ、または炭など燃えているものや煙を出しているものは収集しないでください。
- ガソリンなどの引火性または可燃性のある液体を収集したり、このような液体が存在する可能性のある場所で使用したりしないでください。
- 粉塵、髪の毛、その他空気の流れを妨げる可能性のあるものを蓄積させないでください。
- 髪の毛、ゆったりした服装、指、および身体の上すべての部分を開口部と可動部分から離してください。
- 本製品を使用する際は、必ず集塵バッグ/フィルターを所定のとおりに装着してください。本取扱説明書の説明に従って取塵システム/フィルターを交換してください。



注意：本機は、屋内環境で、乾燥した非可燃性の粉塵を集塵するように設計されています。液体の収集には適していません。



注意：本製品は屋内使用専用です。



注意：本製品は、必ず屋内で保管してください。

組み立ての安全注意事項



警告：本製品を組み立てる前に、以下の警告指示をお読みください。

- プラグを外す前に、すべてのコントロールをオフにしてください。コードを引っ張ってコンセントから外さないでください。コンセントから外すときは、プラグを握ってください。
- 認定されていない改造や付属品の使用は、使用者や周囲の人が重傷を負う、または死亡するおそれがあります。
- 必ず純正部品をお使いください。
- 本書記載のアタッチメントのみ使用してください。メーカー推奨のアタッチメントのみを使用してください。
- 本製品が転倒しないように、安定した場所で組み立ててください。人身傷害、または器物破損の危険があります。
- 本製品を組み立てる際は、切り替え留め具により作業者がけがをするおそれがあるため、注意が必要です。

使用者の身体保護具



警告：本製品を使用する前に、以下の警告指示をお読みください。

- 作業中は、必ず認可された身体保護具を着用してください。身体保護具で完全に防護できるわけではありませんが、万が一事故が起こった場合、負傷の度合いを軽減することができます。使用が推奨される装具については、サービス代理店にお問い合わせください。
- 粉塵が飛散する危険があります。個人用安全装置を使用してください。フィルタ交換時に有害な粉塵が飛散する場合があります。このため、保護クラスFFP3に適合する保護メガネ、保護グローブ、および呼吸マスクを着用する必要があります。
- 長時間騒音にさらされることは、恒久的な聴覚障害の原因になることがあります。本機を使用する際は、品質を保証されたイヤマフを必ず着用してください。イヤマフを着用している間、警告信号や叫び声に気を付けてください。エンジンが停止したら、速やかにイヤマフを外してください。

- 製品のメンテナンスを実施するときは、認定保護グローブを着用してください。

メンテナンスのための安全注意事項



警告： 本製品を使用する前に、以下の警告指示をお読みください。

- エンジンスイッチが Off の位置にあることを確認してください。本製品のプラグをコンセントから抜きます。

- 本製品を元の設計から改造しないでください。
- 修理は有資格のサービス担当者が実施してください。メーカー提供または同等の交換部品のみ使用してください。
- 認定身体保護具を使用してください。以下を参照してください。 *使用者の身体保護具 15 ページ*
- Hepa filter に穴を開けしないでください。破損した Hepa filter により粉塵が飛散するおそれがあります。

組立

はじめに



注意： 本製品には、正しい定格値の延長ケーブルのみ使用してください。適切な接地

極付きコンセントにのみ接続してください。



注意： 集塵バッグを交換する前に、必ずプレフィルタをクリーニングしてください。

操作

毎回



警告： 本集塵機を使用する前に、延長コードを含め、電源および電圧が本機の銘板に記載されている電圧と一致していることを確認してください。

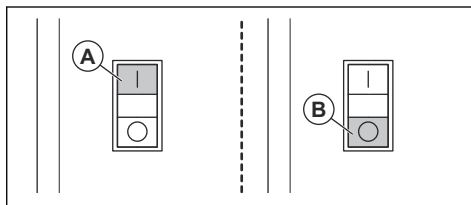
ます。プラグは、すべての現地の規制および条例に従って適切に取り付けられ、接地された適切なコンセントに挿入する必要があります。



警告： 適切な接地極付きコンセントにのみ接続してください。以下を参照してください。 *接地方法に関する説明 16 ページ*

始動と停止の方法

緑のボタン (A) を押すと、集塵機が始動します。
赤のボタン (B) を押すと、集塵機が停止します。



接地方法に関する説明



警告： 集塵機は接地する必要があります。不具合や故障がある場合、接地により電流の最小抵抗の経路が提供され、感電のリスクが低減します。集塵機には、機器の接地線と接地プラグを備えたコードが付いてい

メンテナンス

はじめに



警告： 保守作業時は、*使用者の身体保護具 15 ページ*に従い、プロテクティブ装具を着用してください。メンテナンスおよび保守作業時は、粉塵が露出することがあります。

わる事故が発生する可能性が高くなります。作業を慎重に計画および準備して、事故を防止してください。



警告： スタッフが本機の危険領域内に入る必要があるために、トラブルシューティング、保守およびメンテナンス時に本機に関



警告： 特に指定がない限り、本章に記載されている操作の間は、モーターを切るようにしてください。



警告： 電気部品に関わる点検は、必ず資格を持った電気技術者が実施する必要があります。

メンテナンススケジュール T-Line Dust Extractor

メンテナンス間隔は、本製品が毎日使用されることを前提に算出されています。本製品を毎日使用しない場合は、メンテナンス間隔が変わります。

メンテナンス	使用前毎回	毎日	毎週	吸引が弱いとき	6 ヶ月または 1000 時間ごと	12 ヶ月または 2000 時間ごと
コントロールユニットを接続する前に、コントロールユニットの摩耗、損傷、または接続不良の兆候がないか確認。	X					
Longopac が適切であることを確認。		X				
フィルタークリーニング機構の点検。		X				
ホイールの点検。損傷や接続不良がないかを確認。			X			
プレフィルターの清掃。				X		
プレフィルターの交換。				X	X	
Hepa filter の交換。				X		X

集塵機の清掃方法

有害な粉塵が循環しないように、集塵機を清掃することが重要です。作業区域から集塵機を移動する前に、必ず集塵機を清掃してください。



警告： 本製品の清掃やメンテナンスを実施する前に、モーターのスイッチを OFF の位置にして、コンセントからコードを抜いてください。

- いったん使用された装置はすべて汚染されたとみなし、以下の処理を実施する必要があります。
- 保守作業後、汚染されたすべての部品は、ビニール袋に入れて正しい手順で廃棄する必要があります。地域の規制に従ってください。
- 本製品を清掃するときは、適切な身体保護具を着用してください。使用者の身体保護具 15 ページを参照してください。
- 湿った布で外表面を清掃します。
- フィルターおよび集塵機の該当部位を清掃します。
- プレフィルターを内側から掃除機で掃除します。必ず Hepa filter を付けて集塵機を使用し、フィルターを損傷しないように柔らかいブラシを使用してください。
- 電気部品には水を使用しないでください。

- 高圧の空気または水で集塵機を清掃しないでください。
- フィルターの面上に工具を置かないでください。フィルターが損傷するおそれがあります。
- Hepa filter に穴を開けないでください。健康を害するおそれがあります。

フィルターの交換



警告： フィルター交換時のプロテクティブ装具着用については、使用者の身体保護具 15 ページを参照してください。フィルター交換時には、粉塵が出てくる場合があります。



警告： フィルター交換時には、モーターのスイッチを Off の位置にして、コンセントからコードを抜いてください。

プレフィルターの清掃方法

フィルターは適時清掃する必要があります。フィルターの清掃は、ビニール袋集塵システムを交換する前に行う必要があります。また、作業が完了したときや吸引不良のときにも行う必要があります。



注意： フィルターの表面に物体をぶつかけたり、引かずったりしないでください。フィルターが損傷するおそれがあります。



注意： フィルターを水で洗浄しないでください。

1. 集塵機の動作中は、吸入プラグまたは吸入バルブで吸入口を密閉します。
2. 集塵機を5秒間真空にしてから、パルス噴流ハンドルを素早く押し、5秒間保持してください。
3. 手順2を5回繰り返します。繰り返すたびに、集塵機を真空にすることが重要です。
4. まだ吸引が弱い場合、フィルターを交換する必要があります。フィルター洗浄後は、ビニール袋のみを交換してください。

プレフィルター

必ず Husqvarna フィルターを使用してください。性能とろ過効率は、本来のフィルターでのみ保証されます。



警告： 1本のチューブのみを交換しないでください。1本が破損している場合は、フィルター全体を交換する必要があります。

プレフィルターの交換方法

1. タンクと下部サイクロンの間の2つの切り替え留め具を緩めます。
2. タンクとHepa filterカバー間のホース接続部にある2つの切り替え留め具を緩めます。
3. タンクを前方に回転させます。
4. フィルタープレートを反時計回りに10度回して、フィルターとホルダーを慎重に上下逆にします。
5. フィルターユニットの上にビニール袋を置きます。
6. 袋の中のフィルターを慎重に持ち上げて閉じます。袋は廃棄する必要があります。地域の廃棄に関する法規に従ってください。
7. 逆の手順で新しいフィルター式を取り付けます。

Hepa filter の交換方法



注意： Hepa filter は清掃しないでください。Hepa filter を清掃すると破損します。交換用フィルターを挿入するときは、フィルター内部に触れないようにします。フィルターメディア内部に何らかの力が加えられたり、内部が損傷したりすると、新しいフィルターが破損します。



注意： 交換用Hepa filterを取り付けるときは、フィルターの内側表面に触れないでください。フィルターの内側表面が損傷すると、修理できなくなる場合があります。

1. フィルターキャップの切り替え留め具を緩めて外します。
2. フィルターを慎重に持ち上げて、清潔なビニール袋に入れます。

注記： このビニール袋は適切に処分する必要があります。

3. 逆の手順で新しいフィルターを挿入します。

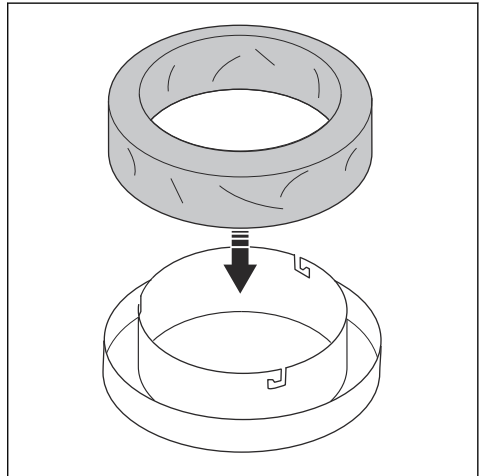
新しい Longopac 集塵バッグを取り付けるには



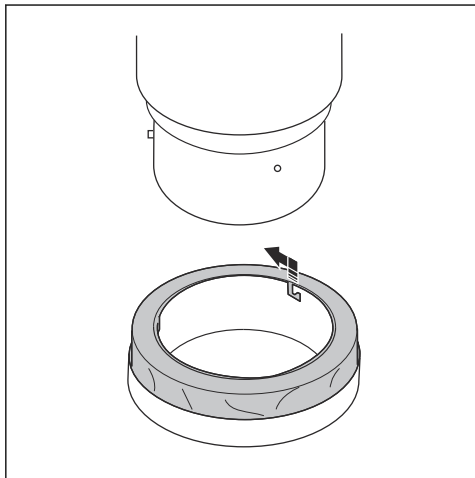
警告： 集塵バッグを交換する前に、必ずプレフィルターをクリーニングしてください。

注記： 本集塵機には Longopac システムが搭載されています。

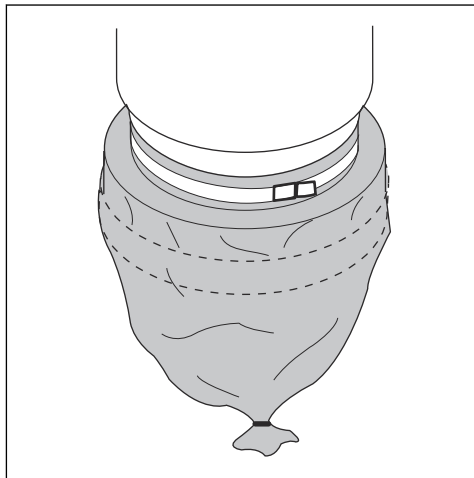
1. ホルダーに集塵バッグを取り付けます。



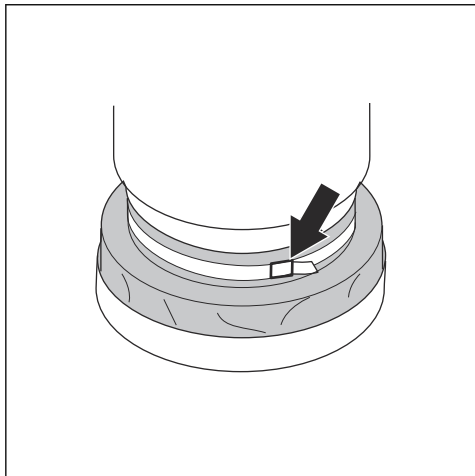
2. 保持ピンに合わせて集塵バッグホルダーをねじって、コンテナにダストバッグホルダーを取り付けます。



5. バッグホルダーを覆うように、集塵バッグを引っ張り出します。
6. 集塵バッグの下の端をケーブルタイで閉じます。



3. バッグホルダーからバッグを引き上げて、コンテナ内で広げるようにします。
4. ストラップでバッグとコンテナを締め付けて、バッグをコンテナに固定します。



トラブルシューティング

トラブルシューティングのスケジュール

問題	原因	解決策
モーターが始動しない	電源が入っていない	本機を電源につなぐ
	ケーブルが破損している	ケーブルを交換する
	スイッチの不具合	スイッチを交換する
	コネクタの組み合わせ不良	コネクタの組み合わせを交換する
始動直後モーターが停止する	ヒューズが適切でない	適切なヒューズを取り付ける
	ケーブル / 機械のショート	保守サービスを依頼する
モーターは動作するが、吸引しない	ホースが接続していない	ホースを取り付ける
	ホースが詰まっている	ホースを洗浄する
	集塵バッグが取り付けられていない	集塵システムを取り付ける
モーターは動作するが、吸引が弱い	ホースに穴がある	ホースを交換する
	フィルターが詰まっている	フィルターを清掃 / 交換する
	トップカバーの緩み	調整する
	フラップ内に埃がある	フラップを清掃する
	ガスケットの不具合	不具合のあるガスケットを交換する
モーターから粉塵が飛び散る	フィルターシステムが適切に組み立てられていないか、損傷している	フィルターを調整 / 交換する
異常なノイズ		保守サービスを依頼する

搬送、保管、廃棄

本製品の搬送

- 搬送前に、Longopac バッグが空であることを確認します。
- 搬送時は必ず、Longopac バッグを本製品に取り付けてください。
- 安全に動かすために、傾斜路やウィンチを使用して集塵機を持ち上げてください。重い装置を持ち上げる方法が分からない場合は、サポートを受けてください。
- 搬送の間、損傷や事故が起こらないように、本製品を安全に固定してください。製品の両側にある固定ラグを使用します。
- ホイールのキャスターを安全にロックしてください。

- 可能であれば、良好な天候のときに本製品の搬送を行ってください。
- 可能であれば、箱型の車両で本製品を搬送してください。

本製品の保管

- 本製品は屋外構造物から離れた屋内で保管する必要があります。
- 本製品を雨露や湿気にさらさないでください。
- ロックキャスターを安全に取り付けてください。
- 本製品を電源から取り外してください。
- 本製品と装置を、霜や過度の熱が発生しない乾燥した場所に保管してください。

- すべての装置を鍵のかかる場所に保管し、子供や許可されていない人が触れることのないようにしてください。

本製品の廃棄

- 地域のリサイクル要件および適用される法規に従ってください。
- 本製品が不要になった場合は、Husqvarna 販売店に送付するか、リサイクル施設で廃棄してください。

主要諸元

主要諸元

データ	T 7500
電圧 (三相)、V	200-230
周波数、Hz	50/60
馬力 (最大)、HP (kW)	10 (7.5)
コンセント最大負荷、A	60
空気流量 (最大)、cfm (m ³ /h)	353 (600)
空気圧 (最大)、psi (kPa)	110 (28)
メインホース、フィート (m)	32 (10)
吸入口の直径、インチ (mm) カムロック	3 (76)
プレフィルター、%	>99.5%@1um
プレフィルター面積、インチ (m)	31.2 (2.9)
Hepa filter 99.99%@0.3um	2
総 Hepa filter 面積、ft ² (m ²)	53.8 (5)
騒音レベル、dB (a)	74
集塵システム、種類	Longopac
寸法 (長さ*幅*高さ)、インチ (mm)	49.1x27.1x69.1 (1245x686x1753)
質量、ポンド (kg)	460 (209)



www.husqvarna.com

Original instructions
取扱説明書原本

1141502-39



2019-10-15