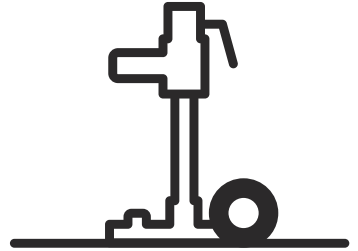




Husqvarna®



DS 500

EN	Operator's manual
ES-MX	Manual de usuario
FR-CA	Manuel d'utilisation

2-14
15-27
28-40

Contents

Introduction.....	2	Maintenance.....	10
Safety.....	3	Transportation and storage.....	11
Assembly.....	6	Technical data.....	13
Installation.....	7	Service.....	13
Operation.....	10	Warranty.....	14

Introduction

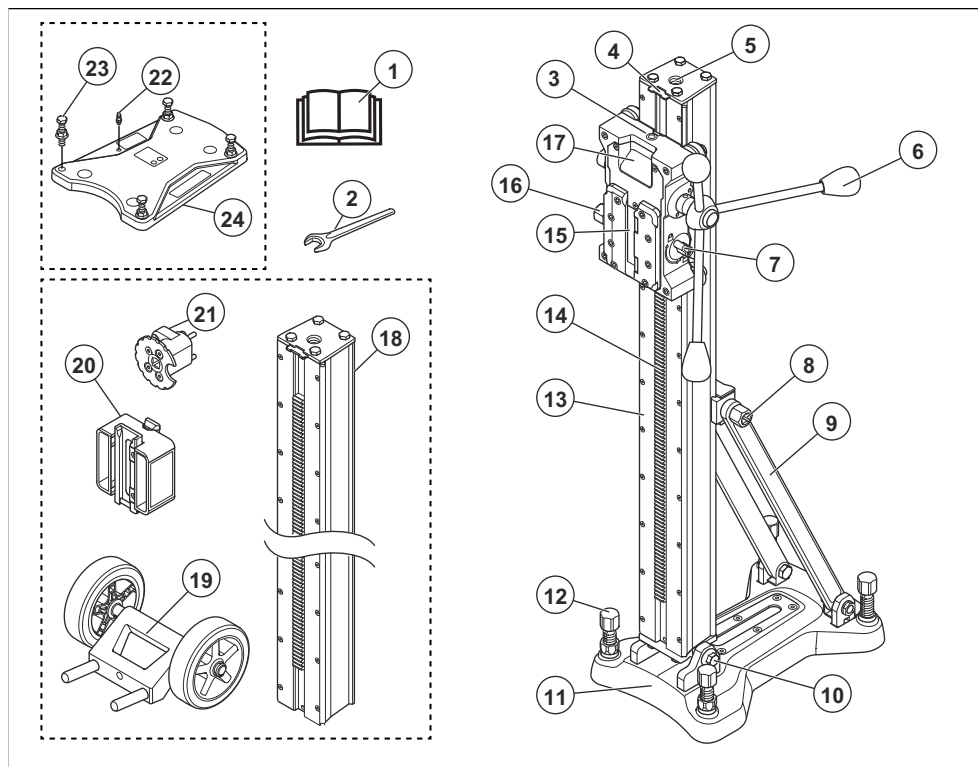
Product description

The Husqvarna DS 500 is a drill stand for Husqvarna drill motors.

- The stand is for drilling in ceilings, walls and floors.
- The drill stand is stable and can be used to drill dimensions of a maximum diameter of 500 mm.

- The column can be tilted 0-90°.
- The drill stand has a quick mounting plate for the drill motor.
- The feed lever can be used to set the column tilt and to lock the quick mounting.
- It is possible to use a 2 m long column (accessory) on the drill stand.

Product overview



1. Operator's manual
2. Wrench, 24-32 mm
3. Level indicator

4. End stop
5. Hole for jack screw (accessory)
6. Feed lever with insulated grasping surface

7. Carriage lock
8. Lock screw, column tilt
9. Support
10. Hinge bracket
11. Bottom plate
12. Level adjustment screws
13. Drill column
14. Gear rack
15. Lock clamp, quick mounting
16. Lock screw, lock clamp
17. Carriage
18. Drill column, 2 m (accessory)
19. Transport wheels (accessory)
20. Adapter, quick spacer (accessory)
21. AD bracket (accessory)
22. Connection for vacuum pump
23. Level adjustment screws
24. Gasket, bottom vacuum suction



Read the operator's manual carefully and make sure that you understand the instructions before you use the product.



Use approved hearing protection.

Note: Other symbols/decals on the product refer to special certification requirements for some markets.

Product liability

As referred to in the product liability laws, we are not liable for damages that our product causes if:

- the product is incorrectly repaired.
- the product is repaired with parts that are not from the manufacturer or not approved by the manufacturer.
- the product has an accessory that is not from the manufacturer or not approved by the manufacturer.
- the product is not repaired at an approved service center or by an approved authority.

Symbols on the product



WARNING: This product can be dangerous and cause serious injury or death to the operator or others. Be careful and use the product correctly.

Safety

Safety definitions

Warnings, cautions and notes are used to point out specially important parts of the manual.



WARNING: Used if there is a risk of injury or death for the operator or bystanders if the instructions in the manual are not obeyed.



CAUTION: Used if there is a risk of damage to the product, other materials or the adjacent area if the instructions in the manual are not obeyed.

Note: Used to give more information that is necessary in a given situation.

Always use common sense



WARNING: Under no circumstances should you modify the original design of the machine without approval from the manufacturer. Always use original spare parts. Unauthorized modifications and/or accessories may lead to serious injury or death to the user or others.

It is not possible to cover every conceivable situation you can face when using a drilling machine. Always exercise care and use your common sense. Avoid all situations which you consider to be beyond your capability. If you still feel uncertain about operating procedures after reading these instructions, you should consult an expert before continuing.

Do not hesitate to contact your dealer if you have any more questions about the use of the machine. We will willingly be of service and provide you with advice as well as help you to use your machine both efficiently and safely.

Let your Husqvarna dealer check the drilling machine regularly and make essential adjustments and repairs.

All information and all data in the operator's manual were applicable at the time the operator's manual was sent to print.

Safety instructions for operation



WARNING: Read all safety warnings, instructions, illustrations and specifications provided with this power tool. Failure to follow all instructions listed below may result in electric shock, fire and/or serious injury. Save all warnings and instructions for future reference.



WARNING: There is always a risk of injuries when you do work with products that contain moving parts. Wear protective gloves to prevent body injuries.

- Use personal protective equipment. Always wear eye protection. Protective equipment such as a dust mask, non-skid safety shoes, hard hat or hearing protection used for appropriate conditions will reduce personal injuries.
- Keep children and bystanders away while operating a power tool. Distractions can cause you to lose control.
- Remove all unwanted materials from the work area and keep it good illuminated before you start. If the areas are not cleaned and not illuminated there are more risks of accidents.
- Do not operate power tools in explosive atmospheres, such as flammable liquids, gases or dust. Power tools can make sparks which can set fire to the dust or fumes.
- Sudden appearance of persons and animals can make you decrease in control of the product. Because of this, always concentrate and focus on the task.
- Do not use the product in bad weather, such as fog, rain, strong winds, intense cold and equivalent conditions. Dangerous conditions, such as slippery surfaces, can occur because of bad weather.
- Examine the work area before you use the product. Look out for obstacles with risk of sudden and harmful movement. Make sure that no material can become loose and fall or cause injury during operation.
- Always examine the rear side of the surface where the drill bit will go through the surface. Make the area safe and put a mark that shows the work area. Make sure that no injury can occur to persons or material damaged.
- Stay alert, watch what you are doing and use common sense when operating a power tool. Do not use a power tool while you are tired or under the influence of drugs, alcohol or medication. A moment of inattention while operating power tools may result in serious personal injury.
- Prevent unintentional starting. Ensure the switch is in the OFF-position before connecting to power source and/or battery pack, picking up or carrying the tool. Carrying power tools with your finger on the switch or energising power tools that have the switch on invites accidents
- The product can cause objects to eject, which can cause injury to the operator. Remove the adjusting key and wrench before you start the product.
- Do not let familiarity gained from frequent use of tools allow you to become complacent and ignore tool safety principles. A careless action can cause severe injury within a fraction of a second.

- Make sure that all operators, that use the product, have read and understood the contents of the operators manual.
- Dress properly. Do not wear loose clothing or jewellery. Keep your hair and clothing away from moving parts. Loose clothes, jewellery or long hair can be caught in moving parts. .
- Dangerous accidents can occur if the concrete core stay in the drill bit when you pull out the drill motor from the floor or wall.
- Stay at a distance from the drill bit when the motor is running.
- Make sure that no pipes or electrical cables are put in the area where the hole will be made.
- Do not go away from the product when the motor is running.
- Do not overreach. Keep correct foothold and balance at all times. This enables better control of the power tool in unexpected situations.
- Make sure that there is always one more person close at hand when you use the product. If an accident occurs, you can receive help when necessary.
- Do not use a product with defective safety equipment.
- Do the safety checks, maintenance and service as given in this manual. Some maintenance and service measures must only be done by approved service agents. See the section *Safety devices on the product on page 5*
- Inspection and/or maintenance must be done with the motor stopped and the plug disconnected from the power outlet.
- Do not use a product that has been changed from its factory specification.
- Disconnect the plug from the power source and/or remove the battery pack, if detachable, from the power tool before making any adjustments, changing accessories, or storing power tools. Such preventive safety measures reduce the risk of starting the power tool accidentally.
- Keep handles and grasping surfaces dry, clean and free from oil and grease. Slippery handles and grasping surfaces do not allow.
- Do not overload the product. If you overload the product, it can be damaged.
- Keep all parts in good condition and make sure that all fixtures are correctly tightened.

Personal protective equipment



WARNING: Read the warning instructions that follow before you use the product.

- Always use correct personal protective equipment when you operate the product. The personal protective equipment does not erase the risk of injury. The personal protective equipment decreases

the grade of injury if an accident occurs. Let your dealer help you select the right equipment.

- Use approved eye protection while you operate the product.
- Use heavy-duty slip-resistant boots with steel toe-caps.
- Use clothing that is close-fitting but does not limit your movements.
- Regularly do a check of the condition of the personal protective equipment.
- Use approved heavy duty protective gloves.
- Use rubber protective gloves to prevent skin irritation from wet concrete.
- Use an approved protective helmet.
- Always use approved hearing protection while you operate the product. Noise for a long period can cause noise-induced hearing loss.
- The product causes dust and fumes that is bad for your health. Use an approved respiratory protection.
- Make sure that you have a first aid kit near.
- Sparks can occur when you operate the product. Make sure that you have a fire extinguisher near.
- Do not use loose clothing, jewelry or other items that can get caught in moving parts. Put your hair up safely above shoulder level.

Safety devices on the product

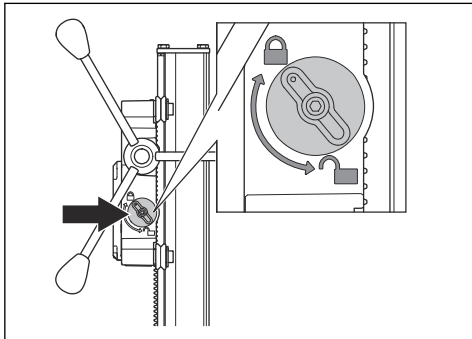


WARNING: Read the warning instructions that follow before you use the product.

- Do not use a product with defective safety devices.
- Do a check of the safety devices regularly. If the safety devices are defective, speak to your Husqvarna service agent.

To do a check of the carriage lock

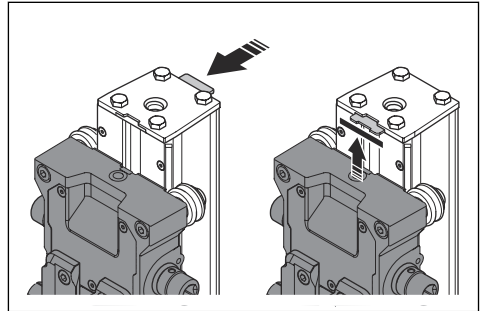
1. Turn the knob to lock the motor carriage.



2. Feel by hand that the carriage is locked to the drill column.

To do a check of the end stop of the drill column

1. Push the stop plate into the correct position.



2. Make sure that the drill motor carriage stops when it touches the stop plate.

Safety instructions for maintenance



WARNING: Inspection and/or maintenance should be carried out with the motor switched off and the plug disconnected.

- Maintain the product and accessories. Check for misalignment or binding of moving parts, breakage of parts and any other condition that may affect the operation of the product. If damaged, have the product repaired before use.
- Have your product serviced by a Husqvarna service dealer using only identical replacement parts.

Assembly

Introduction

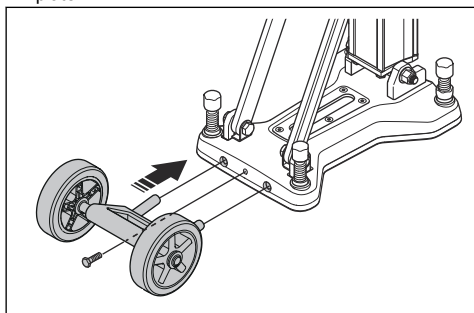
This section describes how to assemble and adjust the product.



WARNING: Before you assemble the product, read the safety chapter and the assembly instructions.

To attach the wheel kit (accessory)

1. Attach the wheel kit on the rear side of the bottom plate.



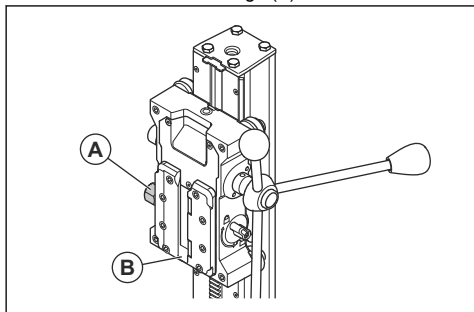
2. Tighten the screw.

To attach the drill motor



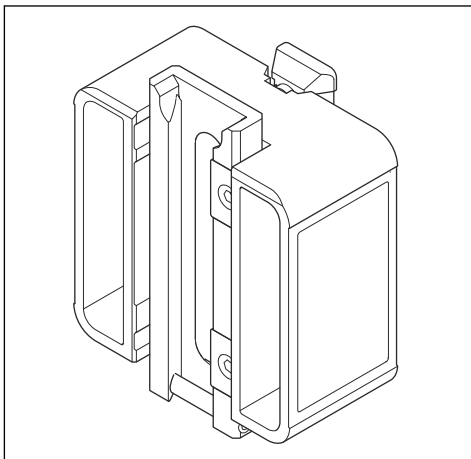
WARNING: Always pull out the plug from the outlet socket before cleaning, maintenance or assembly.

1. Unlock the drill motor carriage (A).
2. Attach the drill motor in the track (B) on the drill motor carriage.
3. Lock the drill motor carriage (A).



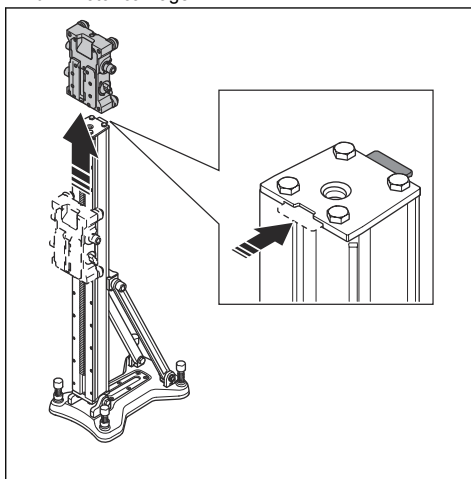
Quick spacer (accessory)

Use a quick spacer to drill large hole diameters. To select the correct quick spacer, refer to *Maximum drill diameter on page 13*. Assemble the quick spacer on the drill motor before you attach the drill motor to the drill stand.

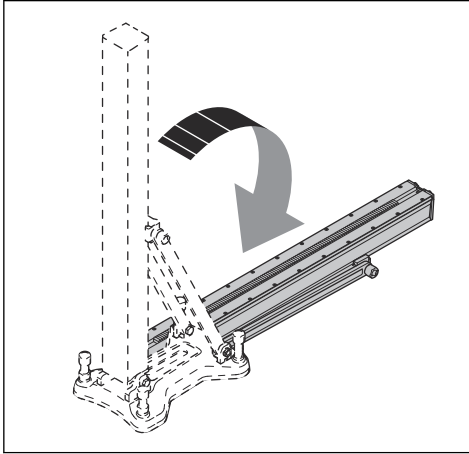


To replace the drill stand column (accessory)

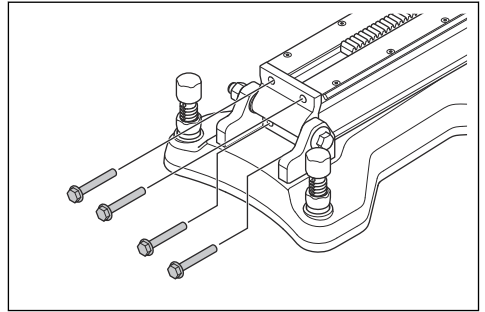
1. Push the stop plate to open position. Remove the drill motor carriage.



2. Fold the drill stand column fully rearward. Refer to *To adjust the angle of the drill column on page 10.*



3. Remove the 4 bolts from the hinge bracket.



4. Remove the drill stand column.
5. Install the drill stand column in the opposite sequence.

Installation

Procedures for installation

There are 3 procedures that can be used to install the product before a drill operation:

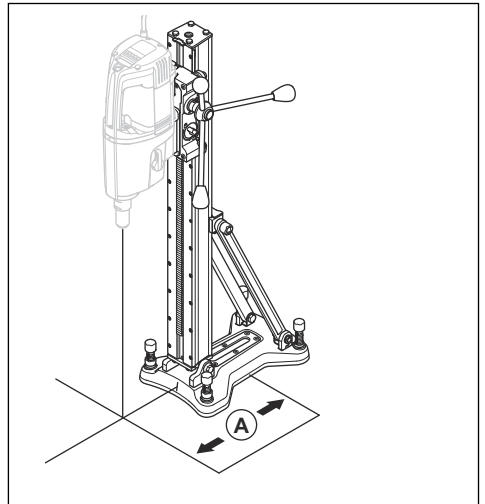
- With an expander bolt.
- With a vacuum plate.
- With an all thread rod, a washer and a locknut.

To attach the drill stand with an expander bolt



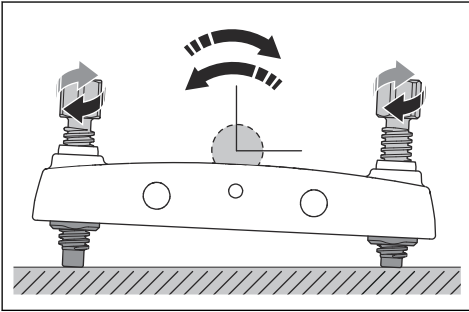
WARNING: When drilling ceilings and walls, only expander or anchor suitable for surfaces exposed to tensile forces should be used. Use only expander or anchor which is approved for current application.

1. Make a hole for the expander bolt. Refer to *To attach the expander bolt on page 8.* Measure a distance (A) of 335 mm (13.2 in.) from the center of the hole that you will drill. If you use the quick spacer (accessory), the distance changes. Refer to *Quick spacer (accessory) on page 6.*



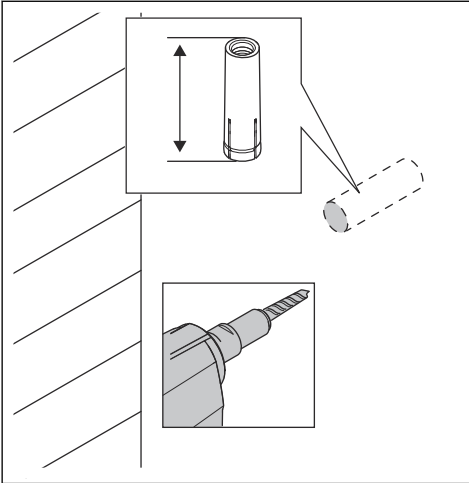
2. Attach the bottom plate with an expander bolt.
3. Make sure that the drill stand is tightened correctly.

4. If it is necessary, adjust the bottom plate. Use the level adjustment screws to adjust the bottom plate to the surface.

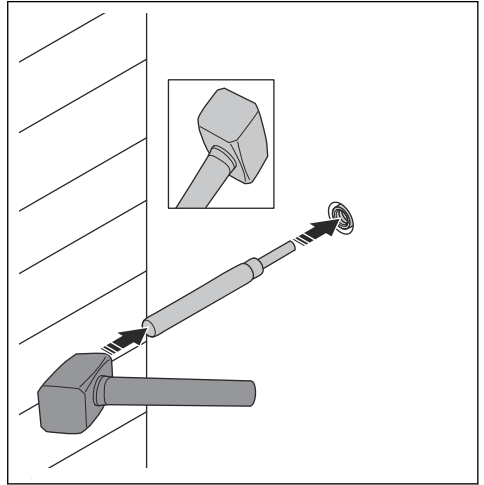


To attach the expander bolt

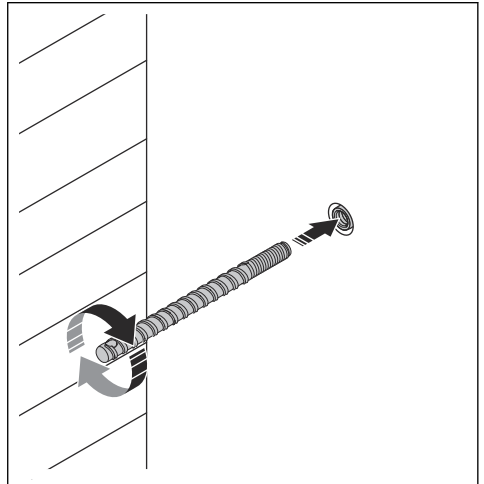
1. Drill a hole for the expander bolt. Make sure that the depth is sufficient. The socket must be put below the surface.



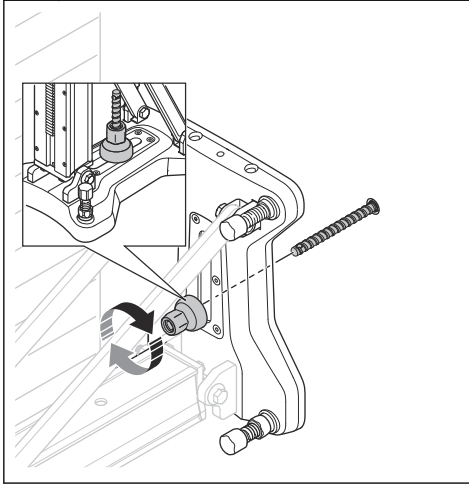
2. Use the mandrel and a hammer to install the expander.



3. Install the anchor screw.



4. Attach the product with the nut.



To attach the product with a Husqvarna vacuum plate



WARNING: Do not use the product in combination with the vacuum plate when you drill in walls or ceilings.

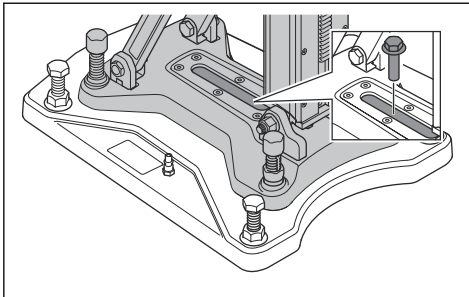


WARNING: The support surface must be flat and of good quality. The product can become loose if the vacuum plate cannot seal fully against the surface.

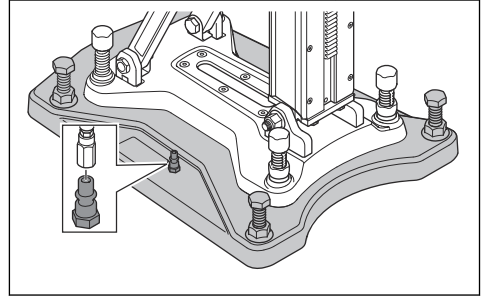


WARNING: Use of vacuum plate is only recommended together with these Husqvarna drill motors: DM 220, DM 230, DM 280, DM 340, DM 400, DM 430. Use of other drill motors can cause the product to become loose.

1. Attach the product to the vacuum plate with the bolt.



2. Loosen the level adjustment screws. They must be above the bottom of the vacuum plate.
3. Connect the vacuum hose and start the pump.



CAUTION: The minimum pressure must be -0.85 bar to seal the vacuum plate tightly to the surface.

4. Tighten the level screws until you feel pressure on the screw.



WARNING: The level adjustment screws must touch the surface when you use the vacuum plate. If not, the vacuum plate can come loose.

To attach the drill stand with a rod that has a thread

Use an all through rod if it is not possible to attach the drill stand to the wall or ceiling with an expander bolt. Use washers and nuts to tighten the all through rod.

Operation

Before you operate the product



WARNING: This machine is designed for and intended for drilling concrete, brick and different stone materials. All other use is improper.



WARNING: Before drilling, check that all locking screws are tightened well. Serious accidents can occur if the concrete core remains in the drill when backing out the drill motor/drill from the floor, wall or ceiling.



WARNING: When drilling ceilings, always use a water collector that is approved for your drill motor, or use a hydraulic drill motor. There is a risk that the drilling machine and the stand become live if water leaks into the machine.

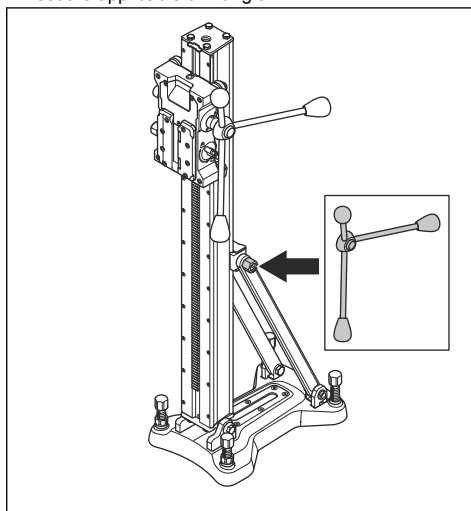


WARNING: Make sure end stop is fitted and functional.

1. Read the operator's manual carefully and make sure that you understand the instructions.
2. Keep the work area clean and bright to prevent accidents.
3. Do daily maintenance. Refer to *Daily maintenance of the drill stand on page 10*.
4. Use personal protective equipment. Refer to *Personal protective equipment on page 4*.

To adjust the angle of the drill column

1. Loosen the lock screw that locks the drill column and set the applicable drill angle.



2. Use the angle indicator for approximate adjustment. If higher precision is necessary, use alternative methods to measure.
3. Tighten the lock screw of the drill column. Use the feed lever. The drill column can be tilted 0-90°.

Maintenance

Introduction



WARNING: Read and understand the safety chapter before you do maintenance on the product.



WARNING: To prevent injury, disconnect the power cord before you do maintenance.

Daily maintenance of the drill stand

- Make sure that the nuts and screws are tight.
- Clean the external surface of the drill stand.
- Make sure that the feed lever moves without resistance.



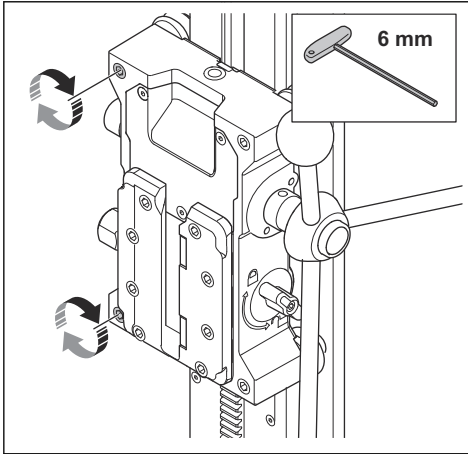
CAUTION: If you do not clean the drill stand, it can become damaged.

1. Remove the drill motor.
2. Clean the drill stand with a high pressure washer and then remove remaining water with a dry cloth.
3. Lubricate the moving parts on the drill stand. Apply grease to the contact surfaces to prevent corrosion.

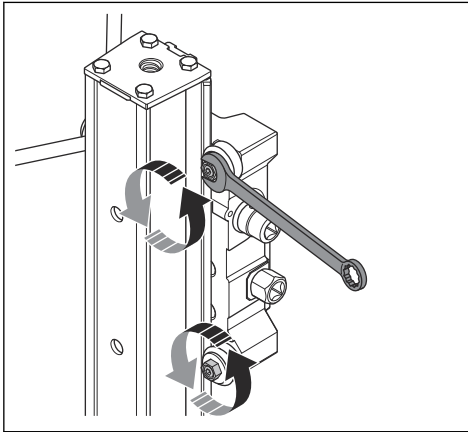
To adjust the drill motor carriage

If there is distance between the drill column and the drill motor carriage, the drill motor carriage must be adjusted.

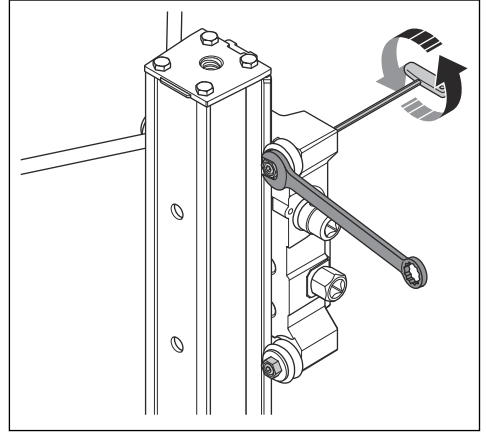
1. Loosen the screws that hold the roller shafts.



2. Adjust the roller shafts. Turn the screw counterclockwise to move the guide wheels in the direction of the drill column.

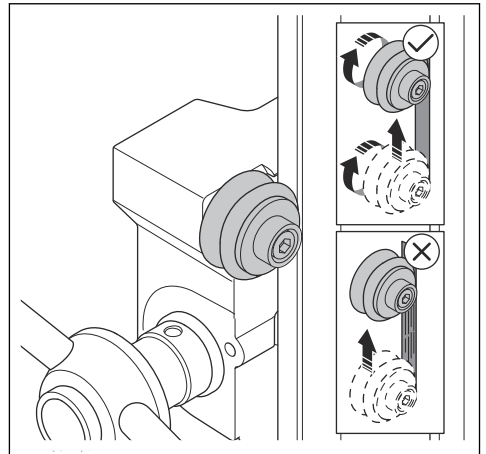


3. Lock the position of the guide wheel with a wrench. Tighten the screw to lock the roller shaft with a hex key.



Note: After you have tightened the roller shafts, they must be possible to turn with the feed lever but not by hand.

4. Use the feed lever to move the motor carriage up and down. Make sure that the drill motor carriage moves smoothly on the drill column. The roller shafts must rotate and not move. If it is necessary, adjust the roller shafts again.



Transportation and storage

Transportation and storage

- Safely attach the product during transportation to prevent damage and accidents.
- The accessory transport wheels can be used to transport the stand with mounted drill unit.

- Without transport wheels the drill unit needs to be dismantled from the stand during transport as the combined lifting weight is above 25 kg.
- Keep the product in a locked area to prevent access for children or persons that are not approved.

- Keep the drilling machine and stand in dry, frost free conditions.

Technical data

Technical data

Dimensions	
Height, mm / in.	1050 / 41.3
Width, mm / in.	240 / 9.4
Depth, mm / in.	395 / 15.5
Weight, kg / lbs	17 / 37.4
Travel length, mm / in.	700 / 27.5
Max load (on handle), kg / lbs	120 / 264.5
Drill column angle	0-90°

Maximum drill diameter

Drill motor	Spacer, mm / in.	
	0	50/2
DM 400	370/14.6	470/18.5
DM 430	370/14.6	470/18.5
DM 700/650	400/15.7	500/19.7
DM 280/340	370/14.6	470/18.5

Service

Approved service center

To find your nearest Husqvarna Construction Products approved service center, go to the web site .

Warranty

Warranty policy

All warranty claims will be determined after inspection at a designated facility. A Returned Goods Authorization is required for all warranty claims. Contact Husqvarna Customer Service Department at 800-845-1312 for an RGA. The customer must prepay the freight and absorb any labor expense required to return or replace a product submitted for warranty consideration. Husqvarna will pay return shipping expenses for repaired or approved replacement products.

EQUIPMENT

Equipment manufactured by Husqvarna is warranted to be free from manufacturing defects in normal service for a period of two (2) years from date of purchase by the original consumer purchaser. Component manufacturers offer separate warranty periods. Call Technical Services at 800-288-5040 for complete information.

Our obligation under this warranty is expressly limited to the replacement or repair at Husqvarna Construction Products North America, Olathe, Kansas 66061, or at a service facility designated by us, of such part or parts as inspection shall disclose to have been defective.

This warranty does not apply to defects caused by damage, unreasonable use, faulty repairs made by others than an approved Husqvarna servicing dealer, or defects caused by failure to provide reasonable maintenance, while in the possession of the consumer. Further, the warranty is void if the product, or any of its components, are altered or modified by the consumer purchaser, or if the product is used in an inappropriate manner or with tools not recommended by the manufacturer.

Exceptions: Drill motors - 3 months, Wall saws - 1 year, Power cutters - 3 months, DM230 - 1 year, DM225 - 3 months, Gyro systems - 1 year, CD40 system - 1 year, DS160 C - 1 year, Smart box - 1 year, CS2515 - 1 year, PP455 E - 1 year, PP345 E - 1 year, HP40 - 1 year.

Wear items: Filters, spark plugs, bearings*, belts, wheels** and wear pads.

*Except IntelliSeal™ system. **Except delamination.

Contenido

Introducción.....	15	Mantenimiento.....	23
Seguridad.....	16	Transporte y almacenamiento.....	25
Montaje.....	19	Datos técnicos.....	26
Instalación.....	20	Servicio.....	26
Funcionamiento.....	23	Garantía.....	27

Introducción

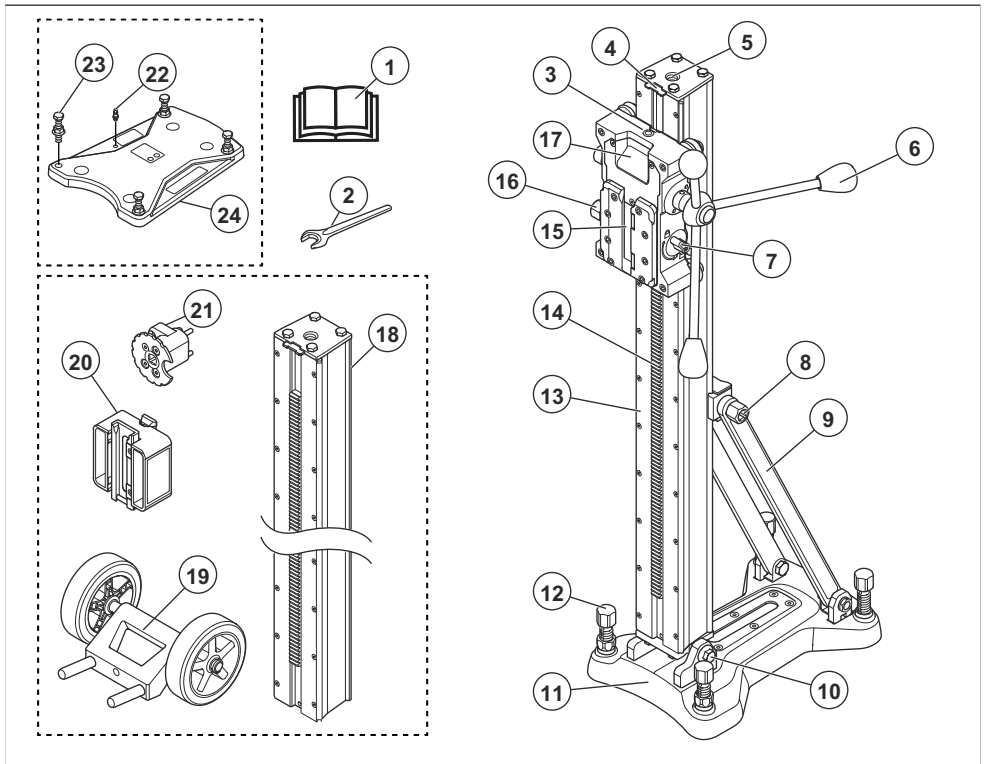
Descripción del producto

El Husqvarna DS 500 es un soporte de taladro para los motores de la perforadora Husqvarna.

- El soporte es para taladrar techos, paredes y pisos.
- El soporte de taladro es estable y puede usarse para taladrar dimensiones de un diámetro máximo de 500 mm.

- La columna se puede inclinar de 0 a 90°.
- El soporte tiene una placa de montaje rápido para el motor de la perforadora.
- La palanca de alimentación puede utilizarse para ajustar la inclinación de la columna y fijar el montaje rápido.
- Es posible utilizar una columna de 2 m de longitud (accesorio) en el soporte del taladro.

Descripción general de la máquina



1. Manual del usuario

2. Llave inglesa, de 24 a 32 mm

3. Indicador de nivel

4. Tope

5. Orificio para tornillo sin fin (accesorio)
6. Palanca de alimentación con superficie de agarre aislada
7. Fijador del carro
8. Tornillo de seguridad, inclinación de la columna
9. Asistencia
10. Soporte de bisagra
11. Placa inferior
12. Tornillos de ajuste de la palanca
13. Columna del taladro
14. Cremallera de engranaje
15. Abrazadera de fijación, montaje rápido
16. Tornillo de seguridad, abrazadera de fijación
17. Carro
18. Columna del taladro, 2 m (accesorio)
19. Ruedas de transporte (accesorio)
20. Adaptador, espaciador rápido (accesorio)
21. Soporte AD (accesorio)
22. Conexión para bomba de vacío
23. Tornillos de ajuste de la palanca
24. Junta, succión inferior de vacío



Lea atentamente el manual del usuario y asegúrese de que entiende las instrucciones antes de usar el producto.



Use protección auricular aprobada.

Nota: Otros símbolos o etiquetas en el producto hacen referencia a requisitos de certificación especiales para algunos mercados.

Responsabilidad del fabricante

Como se menciona en las leyes de responsabilidad del fabricante, no nos hacemos responsables de los daños que cause nuestro producto si:

- el producto se repara incorrectamente
- el producto se repara con piezas que no son del fabricante o que este no autoriza
- el producto tiene un accesorio que no es del fabricante o que este no autoriza
- el producto no se repara en un centro de servicio autorizado o por una autoridad aprobada.

Símbolos en la máquina



ADVERTENCIA: Este producto puede ser peligroso y provocar daños graves o fatales al operador o a otras personas. Tenga cuidado y utilice el producto correctamente.

Seguridad

Definiciones de seguridad

Las advertencias, precauciones y notas se utilizan para señalar las piezas particularmente importantes del manual.



ADVERTENCIA: Se utilizan para señalar el riesgo de lesiones graves o mortales para el operador o para aquellos que se encuentren cerca si no se siguen las instrucciones del manual.



PRECAUCIÓN: Se utilizan para señalar el riesgo de dañar la máquina, otros materiales o el área adyacente si no se siguen las instrucciones del manual.

Nota: Se utilizan para entregar más información necesaria en situaciones particulares.

Utilice siempre el sentido común



ADVERTENCIA: Bajo ninguna circunstancia debe modificar el diseño original de la máquina sin la aprobación del fabricante. Utilice siempre piezas de repuesto originales. Las modificaciones o los accesorios no autorizados pueden provocar graves lesiones o incluso la muerte al usuario u otras personas.

No es posible abordar todas las situaciones posibles que puede afrontar cuando usa una perforadora. Siempre tenga cuidado y use su sentido común. Evite todas las situaciones que considere que están más allá de su capacidad. Si todavía se siente inseguro acerca de los procedimientos operativos después de leer estas instrucciones, debería consultar a un experto antes de continuar.

No dude en comunicarse con su distribuidor si tiene alguna pregunta sobre el uso de la máquina. Estaremos encantados de brindarle consejos y asesoría, además de prestarle ayuda con el uso de la máquina de forma eficiente y segura.

Permita que su distribuidor de Husqvarna revise regularmente la perforadora y realice los ajustes y las reparaciones necesarios.

Toda la información y todos los datos en el manual del usuario estaban vigentes en el momento en que el manual del usuario se envió a impresión.

Instrucciones de seguridad para el funcionamiento



ADVERTENCIA: Lea todas las advertencias de seguridad, las instrucciones, las ilustraciones y las especificaciones que se suministran con esta herramienta eléctrica. En caso de no seguir todas las instrucciones que se entregan a continuación, se pueden producir sacudidas eléctricas, incendios o daños graves. Guarde todas las advertencias e instrucciones para futuras referencias.



ADVERTENCIA: Siempre hay riesgo de lesiones cuando se trabaja con productos que contienen piezas móviles. Use guantes protectores para evitar daños personales.

- Utilice equipo de protección personal. Siempre utilice protección ocular. El equipo de protección, como una máscara contra polvo, calzado de seguridad antideslizante, casco o protectores auriculares, que se utiliza en condiciones apropiadas, reducirá los daños personales.
 - Mantenga alejados a niños y transeúntes mientras opera una herramienta eléctrica. Las distracciones pueden hacerle perder el control.
 - Retire todos los materiales no deseados del área de trabajo y manténgala bien iluminada antes de empezar. Si las áreas no están despejadas e iluminadas, existen mayores riesgos de accidentes.
 - No opere herramientas eléctricas en atmósferas explosivas, como ante la presencia de gases, polvo o líquidos inflamables. Las herramientas eléctricas pueden generar chispas que pueden incendiar el polvo o los vapores.
 - La aparición repentina de personas y animales puede disminuir su control sobre el producto. Por ello, concéntrese y céntrate en la tarea que realizará.
 - No utilice el producto en malas condiciones climáticas, tales como niebla, lluvia, vientos fuertes, frío intenso u otras condiciones similares. En estos climas adversos se pueden producir condiciones peligrosas, como superficies resbaladizas.
 - Examine la zona de trabajo antes de usar el producto. Realice una inspección visual para detectar posibles obstáculos con riesgo de movimiento repentino que pudiese causar daños.
- Asegúrese de que ningún material se afloje ni caiga o cause lesiones durante el funcionamiento.
 - Siempre examine la parte trasera de la superficie por donde la broca pasará para llegar a la superficie. Asegure el área y ponga una marca que delimite la zona de trabajo. Asegúrese de que no se puedan provocar daños graves a las personas ni al material.
 - Permanezca alerta, vea lo que está haciendo y use el sentido común cuando opere una herramienta eléctrica. No utilice una herramienta eléctrica si está cansado o bajo la influencia de drogas, alcohol o medicamentos. Un momento de distracción a la hora de operar una herramienta eléctrica puede generar daños personales graves.
 - Evite el arranque accidental. Asegúrese de que el interruptor esté en la posición OFF (Apagado) antes de conectarse a una fuente de energía o unidad de batería, así como cuando recoge o transporta la herramienta. Si transporta herramientas eléctricas con su dedo en el interruptor o si les suministra corriente con el interruptor en la posición de encendido puede provocar accidentes
 - El producto puede provocar que los objetos salgan expulsados, lo que puede causar daños al operador. Retire la llave de ajuste y la llave antes de arrancar el producto.
 - No se confíe de los conocimientos obtenidos a partir del uso frecuente de las herramientas ni pase por alto los principios de seguridad de uso de las herramientas. Una acción negligente puede causar una lesión grave en una fracción de segundo.
 - Asegúrese de que todos los usuarios que utilicen el producto lean y comprendan el contenido del manual de usuario.
 - Vístase adecuadamente. No use ropa suelta ni joyas. Mantenga el pelo y la ropa lejos de las piezas en movimiento. La ropa suelta, las joyas o el cabello largo pueden quedar atrapados en las partes que se mueven.
 - Pueden ocurrir accidentes peligrosos si el hormigón extraído se queda en la broca cuando retire el motor de la perforadora del suelo o de la muralla.
 - Manténgase a una buena distancia de la broca cuando el motor esté funcionando.
 - Asegúrese de que no haya tuberías ni cables eléctricos en la zona de trabajo donde se perforará el agujero.
 - No se aleje del producto cuando el motor esté en marcha.
 - No se estire demasiado. Mantenga una posición y un equilibrio adecuados en todo momento. Esto permite un mejor control de la herramienta eléctrica en situaciones inesperadas.
 - Asegúrese de que siempre haya otra persona a una corta distancia cuando utilice el producto. Si se produce un accidente, podrá recibir ayuda cuando sea necesario.
 - No utilice un producto con equipo de seguridad defectuoso.

- Realice los controles de seguridad, de mantenimiento y de servicio como se describe en este manual. Algunos trabajos de mantenimiento solo deben realizarlos talleres de servicio aprobados. Consulte la sección *Dispositivos de seguridad en el producto en la página 18*
- La inspección o el mantenimiento deben llevarse a cabo con el motor detenido y el enchufe desconectado de la toma de corriente.
- No utilice un producto cuyas especificaciones de fábrica se han modificado.
- Desconecte el enchufe de la fuente de energía o retire la unidad de batería, si es desmontable, de la herramienta eléctrica antes de hacer ajustes, cambiar accesorios o almacenar la herramienta eléctrica. Tales medidas de seguridad preventivas reducen el riesgo de arranque accidental de la herramienta eléctrica.
- Mantenga los mangos y las superficies de agarre secos, limpios y sin grasa ni aceite. Las manillas y superficies de agarre resbaladizas no permiten tomar la herramienta con una manipulación y control seguros en situaciones inesperadas.
- No sobrecargue el producto. Si sobrecarga el producto, este se puede dañar.
- Mantenga todas las piezas en buen estado y asegúrese de que todos los componentes fijos estén ajustados correctamente.

Equipo de protección personal



ADVERTENCIA: Lea atentamente las instrucciones de advertencia siguientes antes de usar el producto.

- Utilice siempre el equipo de protección personal adecuado cuando utilice el producto. El equipo de protección personal no elimina el riesgo de lesiones. El equipo de protección personal disminuye el grado de la lesión en caso de un accidente. Permita que su distribuidor le ayude seleccionar el equipo adecuado.
- Use una protección ocular aprobada cuando emplee el producto.
- Utilice botas antideslizantes para trabajo pesado con puntas de acero.
- Debe utilizar ropa ajustada, pero que no limite sus movimientos.
- Realice periódicamente una comprobación del estado del equipo de protección personal.
- Utilice guantes protectores resistentes aprobados.
- Utilice guantes protectores de goma para evitar la irritación de la piel causada por el hormigón húmedo.
- Utilice un casco protector aprobado.
- Utilice siempre protectores auriculares aprobados cuando emplee el producto. Escuchar ruidos durante un largo período puede provocar pérdida de audición inducida por el ruido.

- El producto genera polvo y vapores que son dañinos para su salud. Utilice una protección respiratoria aprobada.
- Asegúrese de tener un botiquín de primeros auxilios.
- Se pueden generar chispas cuando utilice el producto. Asegúrese de tener cerca un extintor de incendios.
- No use vestimenta suelta, joyas ni otros artículos que puedan quedar atrapados en las piezas móviles. Asegure su cabello por encima del nivel de los hombros.

Dispositivos de seguridad en el producto

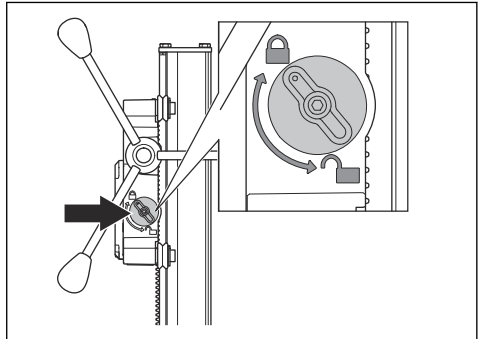


ADVERTENCIA: Lea atentamente las instrucciones de advertencia siguientes antes de usar el producto.

- No utilice un producto con dispositivos de seguridad defectuosos.
- Revise los dispositivos de seguridad de forma regular. Si los dispositivos de seguridad están defectuosos, comuníquese con su taller de servicio Husqvarna.

Para comprobar el bloqueo del carro

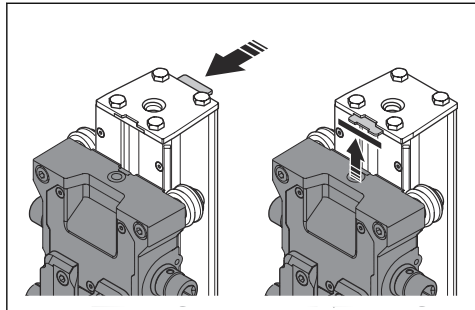
1. Gire la perilla para bloquear el carro del motor.



2. Utilice la mano para sentir si el carro está fijado a la columna del taladro.

Para realizar una comprobación del tope de la columna del taladro

1. Empuje la placa de tope hacia la posición correcta.



2. Asegúrese de que el carro del motor de la perforadora se detenga cuando entre en contacto con la placa de tope.

Instrucciones de seguridad para el mantenimiento



ADVERTENCIA: La revisión o el mantenimiento se deben realizar con el motor detenido y el enchufe desconectado.

- Realice mantenimiento al producto y a los accesorios. Revise en busca de atascamiento o desalineación de las piezas móviles, rotura de piezas o cualquier otra condición que pueda afectar el funcionamiento del producto. Si está dañada, repare el producto antes de su uso.
- Solicite el mantenimiento de la máquina a un taller de servicio de Husqvarna que utilice solo repuestos idénticos.

Montaje

Introducción

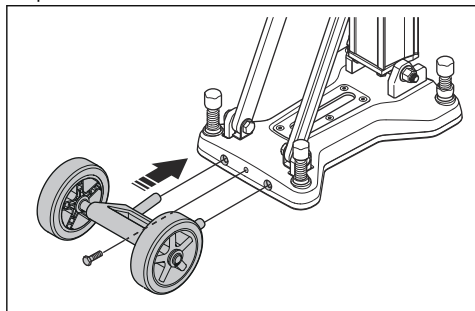
En este capítulo se describe cómo montar y ajustar el producto.



ADVERTENCIA: Antes de montar el producto, lea el capítulo sobre seguridad y las instrucciones de montaje.

Para fijar el juego de ruedas (accesorio)

1. Monte el juego de ruedas en la parte trasera de la placa inferior.



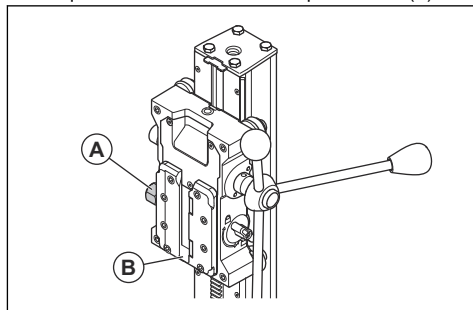
2. Ajuste el tornillo.

Para montar el motor de la perforadora



ADVERTENCIA: Siempre desconecte el enchufe de la toma de corriente antes de la limpieza, el mantenimiento o el montaje.

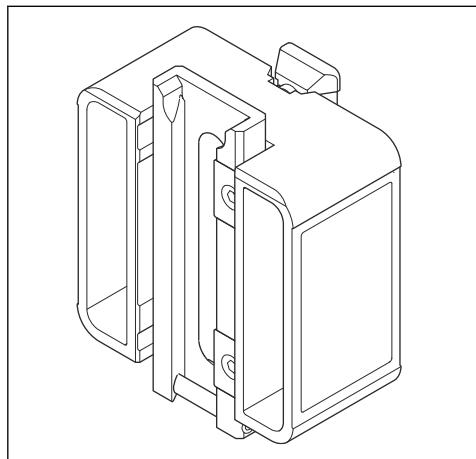
1. Desbloquee el carro del motor de la perforadora (A).
2. Fije el motor de la perforadora en el riel (B) en el carro del motor de la perforadora.
3. Bloquee el carro del motor de la perforadora (A).



Espaciador rápido (accesorio)

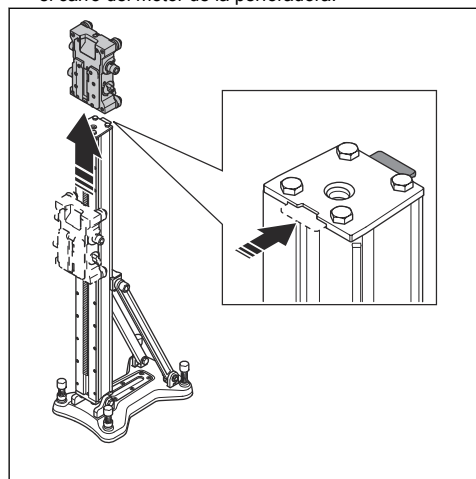
Use un espaciador rápido para perforar orificios de diámetros grandes. Para seleccionar el espaciador rápido correcto, consulte la sección *Diámetro de perforación máximo en la página 26*. Monte el espaciador rápido en el motor de la perforadora antes

de conectar el motor de la perforadora al soporte del taladro.

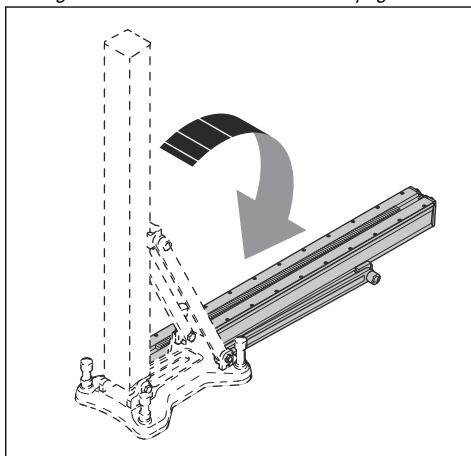


Para reemplazar la columna de soporte del taladro (accesorio)

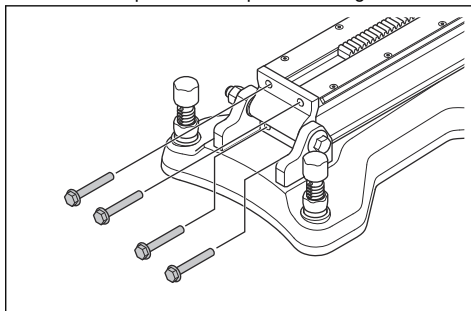
1. Empuje la placa de tope a la posición abierta. Retire el carro del motor de la perforadora.



2. Doble la columna de soporte del taladro completamente hacia atrás. Consulte *Para ajustar el ángulo de la columna del taladro en la página 23*.



3. Retire los 4 pernos del soporte de bisagra.



4. Retire la columna de soporte del taladro.

5. Instale la columna de soporte del taladro en la secuencia inversa.

Instalación

Procedimientos de instalación

Se pueden utilizar 3 procedimientos para instalar el producto antes de una operación de perforación:

- Con un perno de expansión.
- Con una placa de vacío.

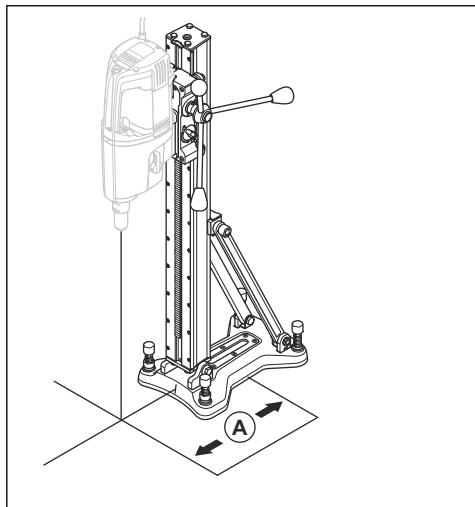
- Con una varilla roscada, una arandela y una contratuerca.

Para fijar el soporte de taladro con un perno de expansión

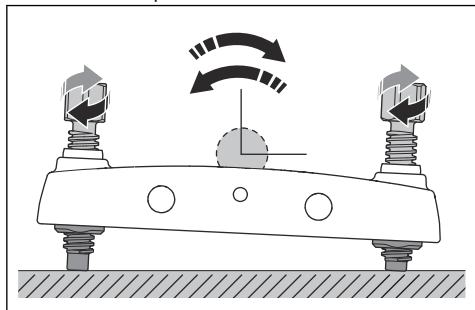


ADVERTENCIA: Cuando taladre techos y paredes, solo deben utilizarse extensores y anclajes adecuados para superficies expuestas a fuerzas de tensión. Utilice únicamente un extensor o anclaje que esté aprobado para la aplicación actual.

1. Haga un orificio para el perno expansivo. Consulte *Para fijar el perno de expansión en la página 21*. Mida la distancia (A) de 335 mm (13,2 pulg.) desde el centro del orificio que taladró. Si utiliza el espaciador rápido (accesorio), la distancia cambia. Consulte *Espaciador rápido (accesorio) en la página 19*.

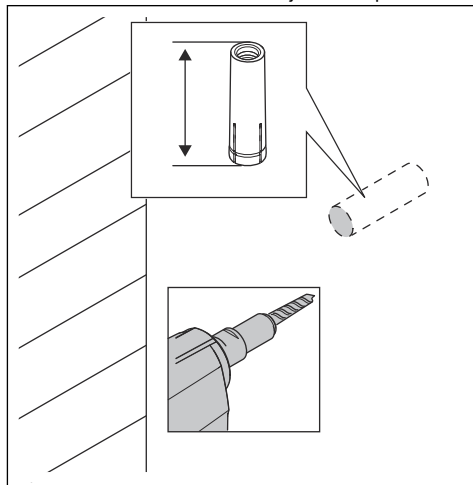


2. Fije la placa inferior con un perno de expansión.
3. Asegúrese de que el soporte del taladro esté correctamente apretado.
4. Si es necesario, ajuste la placa inferior. Use los tornillos de ajuste de nivel para ajustar la placa inferior a la superficie.

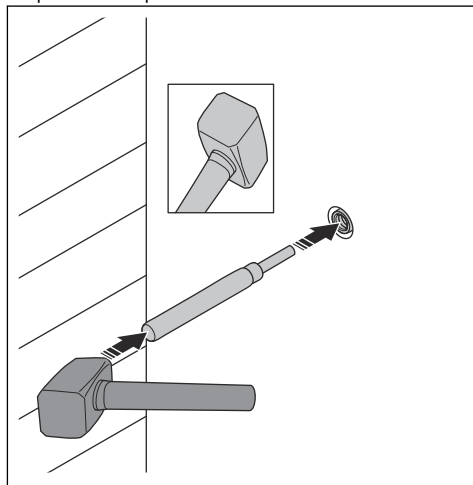


Para fijar el perno de expansión

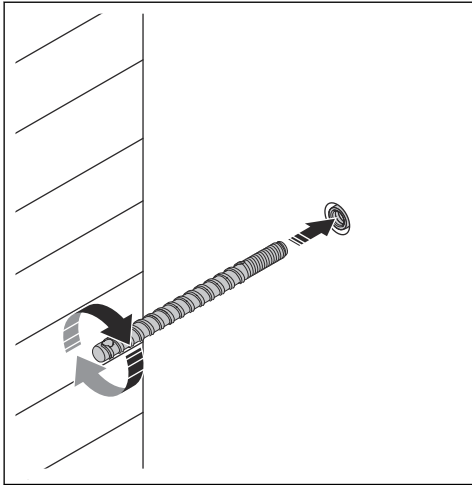
1. Taladre un orificio para el perno de expansión. Asegúrese de que la profundidad sea suficiente. Debe colocar el conector debajo de la superficie.



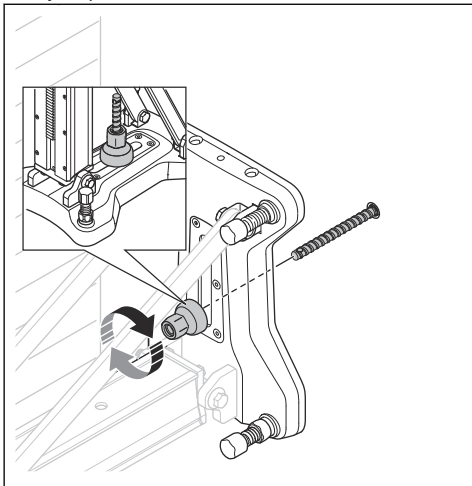
2. Utilice el mandril y un martillo para instalar los pernos de expansión.



3. Instale el tornillo de anclaje.



4. Fije el producto con la tuerca.



Para fijar el producto con una placa de vacío Husqvarna



ADVERTENCIA: No utilice el producto en combinación con la placa de vacío para perforar en paredes o techos.

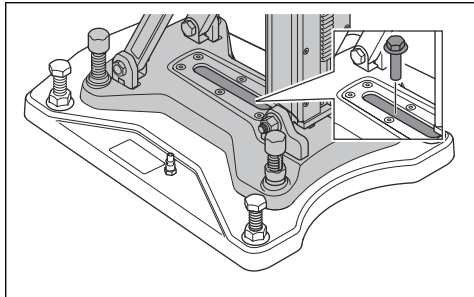


ADVERTENCIA: La superficie de apoyo debe ser plana y de buena calidad. El producto puede estar flojo si la placa de vacío no se sella completamente contra la superficie.



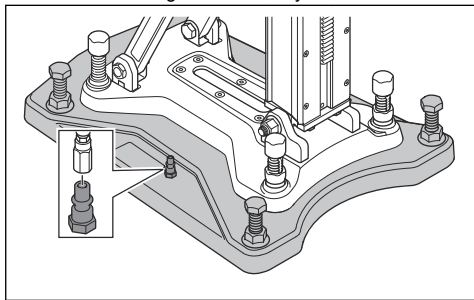
ADVERTENCIA: El uso de la placa de vacío solo se recomienda junto con estos motores de perforación Husqvarna: DM 220, DM 230, DM 280, DM 340, DM 400, DM 430. El uso de otros motores de perforación puede hacer que el producto se afloje.

1. Fije el producto a la placa de vacío con el perno.



2. Afloje los tornillos de ajuste de nivel. Deben estar por encima de la parte inferior de la placa de vacío.

3. Conecte la manguera de vacío y encienda la bomba.



PRECAUCIÓN: La presión mínima debe ser de -0,85 bar para sellar la placa de vacío con firmeza a la superficie.

4. Apriete los tornillos de nivel hasta que note la presión en el tornillo.



ADVERTENCIA: Los tornillos de ajuste de nivel debe tocar la superficie cuando se utiliza la placa de vacío. Si no es así, la placa de vacío puede soltarse.

Para fijar el soporte de taladro con una barra roscada

Utilice una barra de rosca continua si no es posible fijar el soporte de taladro a la pared o el techo con un perno expansivo. Utilice arandelas y tuercas para apretar la barra de rosca continua.

Funcionamiento

Antes de usar el producto



ADVERTENCIA: Esta máquina está diseñada y prevista para perforar hormigón, ladrillos y distintos tipos de piedras. No se debe usar para ningún otro propósito.



ADVERTENCIA: Antes de perforar, compruebe que todos los tornillos de fijación estén bien apretados. Pueden ocurrir accidentes peligrosos si el hormigón extraído se queda en la broca cuando retire el taladro o el motor de la perforadora del piso, de la pared o del techo.



ADVERTENCIA: Cuando perforo techos, utilice siempre un colector de agua aprobado para el motor de la perforadora o use un motor de la perforadora hidráulico. Existe el riesgo de que el taladro y el soporte queden electricados si se filtra agua hacia el interior de la máquina.



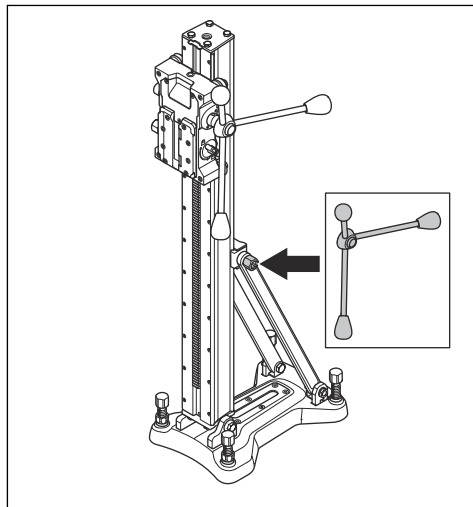
ADVERTENCIA: Asegúrese de que el tope esté instalado y en buen funcionamiento.

1. Lea atentamente el manual del usuario y asegúrese de entender las instrucciones.
2. Mantenga el área de trabajo limpia y despejada para evitar accidentes.
3. Realice un mantenimiento diario. Consulte *Mantenimiento diario del soporte del taladro en la página 23*.

4. Utilice equipo de protección personal. Consulte *Equipo de protección personal en la página 18*.

Para ajustar el ángulo de la columna del taladro

1. Afloje el tornillo de seguridad que fija la columna del taladro y ajuste la inclinación aplicable para el taladro.



2. Utilice el indicador de ángulo para lograr un ajuste aproximado. Si se necesita una mayor precisión, utilice métodos alternativos para medir.
3. Apriete el tornillo de seguridad de la columna del taladro. Utilice la palanca de alimentación. La columna del taladro se puede inclinar de 0 a 90°.

Mantenimiento

Introducción



ADVERTENCIA: Lea detenidamente el capítulo de seguridad antes de realizar mantenimiento en el producto.



ADVERTENCIA: Para evitar lesiones personales, desconecte el cable de alimentación antes de realizar tareas de mantenimiento.

Mantenimiento diario del soporte del taladro

- Asegúrese de que las tuercas y los tornillos estén apretados.
- Limpie la superficie exterior del soporte del taladro.
- Asegúrese de que la palanca de alimentación se mueve sin ofrecer resistencia.
- Asegúrese de que los engranajes se mueven fácilmente y no causan un nivel de ruido.
- Examine la columna del taladro, observe si hay desgaste o daños.
- Asegúrese de que el carro del motor de la perforadora se mueve con facilidad y que no haya ningún espacio entre este y la columna del taladro.

Para limpiar y lubricar el soporte del taladro



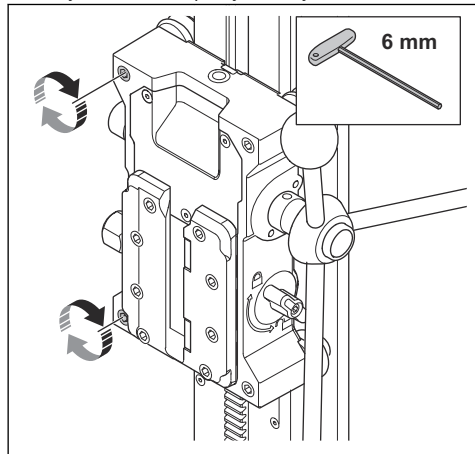
PRECAUCIÓN: Si no limpia el soporte del taladro, este puede resultar dañado.

1. Retire el motor de la perforadora.
2. Limpie el soporte del taladro con una hidrolavadora y, a continuación, retire el agua restante con un paño seco.
3. Lubrique las piezas móviles del soporte del taladro. Aplique grasa a las superficies de contacto para evitar la corrosión.

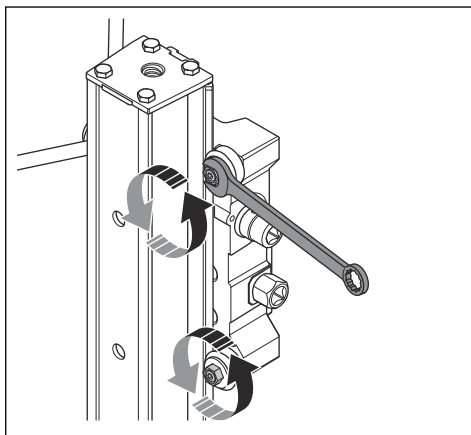
Para ajustar el carro del motor de la perforadora

Si hay distancia entre la columna del taladro y el carro del motor de la perforadora, debe ajustar el carro del motor de la perforadora.

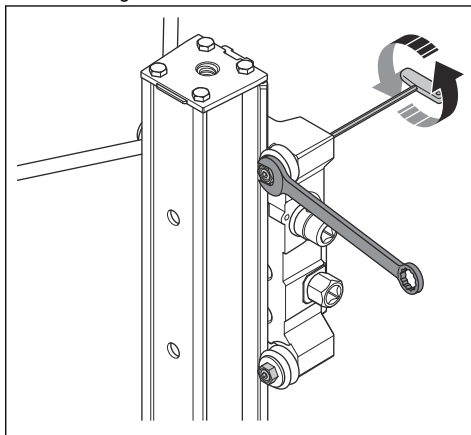
1. Afloje los tornillos que fijan los ejes del rodillo.



2. Ajuste los ejes del rodillo. Gire el tornillo hacia la izquierda para mover las ruedas guía en la dirección de la columna del taladro.

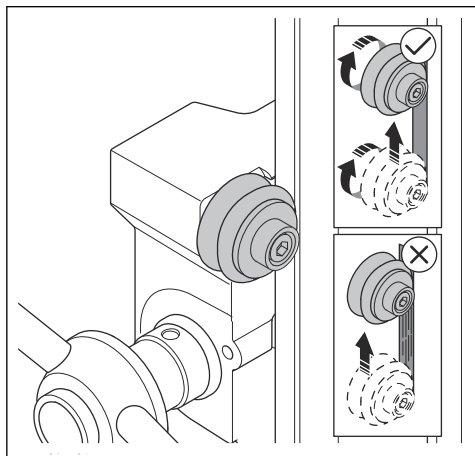


3. Fije la posición de la rueda guía con una llave. Apriete el tornillo para fijar el eje del rodillo con una llave hexagonal.



Nota: Una vez ajustados los ejes de los rodillos, asegúrese de que se puedan girar con la palanca de alimentación, pero no con la mano.

4. Utilice la palanca de alimentación para mover el carro del motor hacia arriba y hacia abajo. Asegúrese de que el carro del motor de la perforadora se mueve suavemente por la columna del taladro. Los ejes de los rodillos deben rotar y no moverse. Si es necesario, ajuste los ejes del rodillo de nuevo.



Transporte y almacenamiento

Transporte y almacenamiento

- Asegure bien el producto durante el transporte para evitar daños y accidentes.
- El accesorio de ruedas de transporte se puede utilizar para transportar el soporte con la unidad del taladro montada.
- Sin las ruedas de transporte, es necesario desmontar la unidad del taladro del soporte durante el transporte, ya que el peso de levantamiento combinado es superior a 25 kg.
- Mantenga el producto en un área cerrada para evitar que los niños u otras personas sin autorización puedan acceder a él.
- Mantenga el taladro y el soporte secos y sin escarcha.

Datos técnicos

Datos técnicos

Dimensiones	
Altura, mm/pulg.	1050/41,3
Ancho, mm/pulg.	240/9,4
Profundidad, mm/pulg.	395/15,5
Peso, kg/lb	17/37,4
Longitud de movimiento, mm/pulg.	700/27,5
Carga máxima (en el manillar), kg/lb	120/264,5
Ángulo de la columna del taladro	De 0 a 90°

Diámetro de perforación máximo

Motor de la perforadora	Espaciador, mm/pulg.	
	0	50/2
DM 400	370/14,6	470/18,5
DM 430	370/14,6	470/18,5
DM 700/650	400/15,7	500/19,7
DM 280/340	370/14,6	470/18,5

Servicio

Centro de servicio autorizado

Para encontrar el centro de servicio autorizado por Husqvarna Construction Products más cercano, diríjase al sitio web de .

Política de garantía

Todos los reclamos de garantía se determinarán después de una inspección en una instalación designada. Se requiere una Autorización de devolución de mercadería para todos los reclamos de garantía. Comuníquese con el departamento de Servicio al cliente de Husqvarna al 800-845-1312 para una Autorización de devolución de mercadería. El cliente debe realizar un pago previo del flete y asumir cualquier gasto de mano de obra requerido para devolver o reemplazar un producto enviado para la evaluación de garantía. Husqvarna pagará los gastos de envío de devolución para productos de reemplazo aprobados o reparados.

EQUIPOS

Se garantiza que el equipo fabricado por Husqvarna no tiene defectos de fabricación en el uso normal durante un período de dos (2) años a partir de la fecha de compra del comprador original. Los fabricantes de componentes ofrecen períodos de garantía por separado. Llame al departamento de Servicios técnicos al 800-288-5040 para obtener información completa.

Nuestra obligación conforme a esta garantía se limita expresamente al reemplazo o reparación en Husqvarna Construction Products North America, Olathe, Kansas 66061 o en una instalación de servicio designada por nosotros, de dicha pieza o piezas que según la inspección deberán catalogarse como defectuosas.

Esta garantía no se aplica a los defectos causados por daños, uso no razonable o reparaciones fallidas realizadas por otras personas que no sean un proveedor de servicios autorizado por Husqvarna, o defectos causados por no haber realizado un mantenimiento razonable mientras se encontraba en posesión del consumidor. Además, la garantía será nula si el producto o cualquiera de sus componentes se encuentra alterado o modificado por el comprador de consumo o si el producto se utiliza de una manera inadecuada o con herramientas no recomendadas por el fabricante.

Excepciones: Motores de perforadora - 3 meses, sierras de pared - 1 año, cortadoras - 3 meses, DM230 - 1 año, DM225 - 3 meses, sistemas Gyro - 1 año, sistema CD40 - 1 año, DS160 C - 1 año, Smart box - 1 año, CS2515 - 1 año, PP455 E - 1 año, PP345 E - 1 año, HP40 - 1 año.

Materiales desgastados: Filtros, bujías, cojinetes*, correas, ruedas** y almohadillas desgastadas.

*Excepto el sistema IntelliSeal™. **Excepto la deslaminación.

Table des matières

Introduction.....	28	Entretien.....	37
Sécurité.....	29	Transport et entreposage.....	38
Montage.....	32	Données techniques.....	39
Installation.....	33	Service.....	39
Fonctionnement.....	36	Garantie.....	40

Introduction

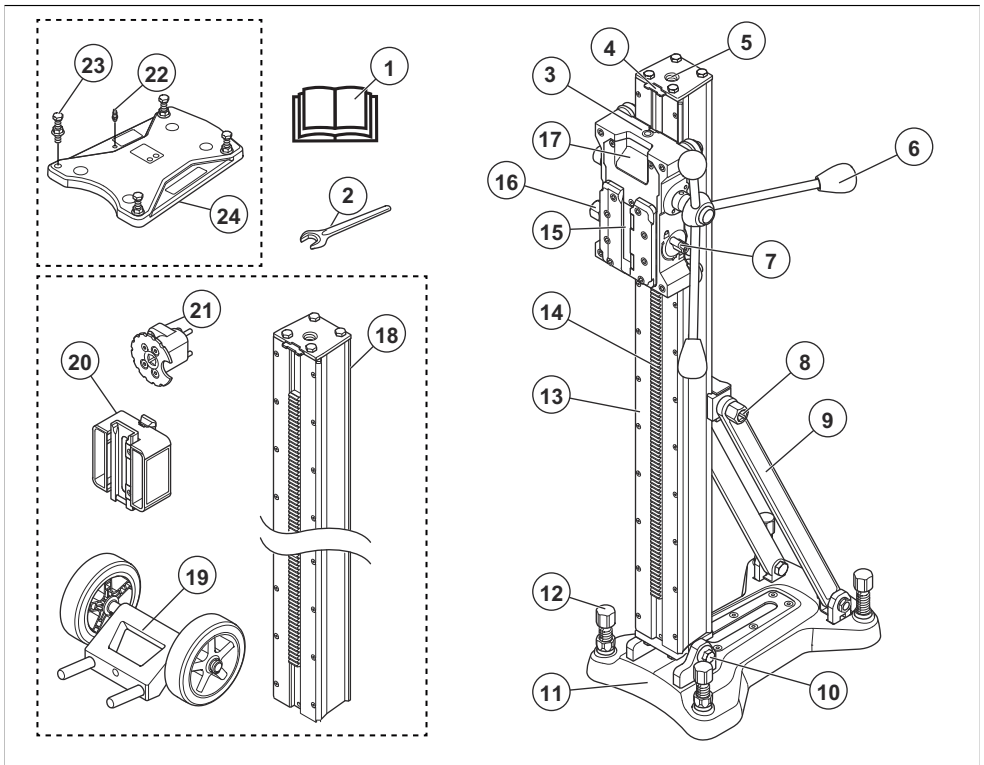
Description du produit

Le Husqvarna DS 500 est un support de forage pour les moteurs de foret Husqvarna.

- Ce support est destiné au forage dans les plafonds, les murs et les sols.
- Le support de forage est stable et peut être utilisé pour percer des trous d'un diamètre maximal de 500 mm.

- La colonne peut être inclinée de 0 à 90°.
- Le support de forage est doté d'une plaque de montage rapide pour le moteur de foret.
- Le levier d'alimentation peut être utilisé pour régler l'inclinaison de la colonne et verrouiller le montage rapide.
- Il est possible d'utiliser une colonne de 2 m de longueur (accessoire) sur le support de forage.

Présentation du produit



1. Manuel d'utilisation

2. Clé, 24 à 32 mm

3. Indicateur de niveau
4. Butée d'extrémité
5. Trou pour vérin à vis (accessoire)
6. Levier d'alimentation avec surface de préhension isolée
7. Verrou du chariot
8. Vis de blocage, inclinaison de la colonne
9. Soutien
10. Support de charnière
11. Plaque de fond
12. Vis de réglage du levier
13. Colonne de forage
14. Crémaillère
15. Collier de blocage, montage rapide
16. Vis de blocage, collier de blocage
17. Chariot
18. Colonne de forage, 2 m (accessoire)
19. Roues de transport (accessoire)
20. Adaptateur, entretoise rapide (accessoire)
21. Support AD (accessoire)
22. Raccord pour pompe à vide
23. Vis de réglage du levier
24. Joint d'étanchéité, aspiration inférieure



Lire attentivement le manuel d'instructions et veiller à bien comprendre les directives avant d'utiliser l'appareil.



Utiliser un dispositif de protection homologué pour les oreilles.

Remarque : Les autres symboles et autocollants apposés sur le produit se rapportent aux exigences en matière de certification pour certains marchés.

Responsabilité concernant le produit

Comme indiqué dans les lois en vigueur sur la responsabilité concernant les produits, nous ne serons pas tenus responsables des dommages que notre produit causerait dans les situations suivantes :

- Le produit n'est pas réparé de façon adéquate.
- Le produit est réparé avec des pièces qui ne sont pas fournies ou homologuées par le fabricant.
- Le produit comprend un accessoire qui n'est pas fourni ou homologué par le fabricant.
- Le produit n'est pas réparé par un centre de service après-vente agréé ou par une autorité homologuée.



AVERTISSEMENT : Ce produit peut être dangereux et causer des blessures très graves, ou même mortelles, à l'utilisateur et à d'autres personnes. Faire attention et utiliser le produit correctement.

Sécurité

Définitions relatives à la sécurité

Les avertissements, recommandations et remarques soulignent des points du manuel qui revêtent une importance particulière.



AVERTISSEMENT : Indique la présence d'un risque de blessure ou de décès de l'utilisateur ou de personnes à proximité si les instructions du manuel ne sont pas suivies.



MISE EN GARDE : Indique la présence d'un risque de dommages au produit, à d'autres appareils ou à la zone adjacente si les instructions du manuel ne sont pas suivies.

Remarque : Utilisé pour donner des renseignements plus détaillés qui sont nécessaires dans une situation donnée.

Toujours faire preuve de bon sens.



AVERTISSEMENT : Il ne faut en aucun cas modifier la conception originale de la machine sans l'approbation du fabricant. Toujours utiliser des pièces de rechange d'origine. Les modifications et/ou les accessoires non autorisés peuvent entraîner des blessures graves ou la mort de l'utilisateur ou d'autres personnes.

Il n'est pas possible de couvrir toutes les situations imaginables auxquelles vous pourriez faire face quand vous utilisez une machine de forage. Toujours faire preuve d'attention et de bon sens. Éviter toutes les situations qui vous semblent difficiles. En cas d'incertitude au sujet des procédures d'utilisation après avoir lu ces instructions, consulter un expert avant de continuer.

N'hésitez pas à communiquer avec votre concessionnaire si vous avez des questions supplémentaires sur l'utilisation de la machine. Nous

sommes à votre disposition et nous vous fournirons des conseils et de l'aide sur l'utilisation efficace et sécuritaire de votre machine.

Demander à son concessionnaire Husqvarna de vérifier régulièrement la machine de forage et d'y apporter les réglages et les réparations nécessaires.

Tous les renseignements et toutes les données contenus dans le manuel de l'opérateur étaient pertinents au moment où celui-ci a été envoyé à l'impression.

Consignes de sécurité pour l'utilisation



AVERTISSEMENT : Consulter l'ensemble des avertissements relatifs à la sécurité, des instructions, des illustrations et des spécifications transmis avec cet outil électrique. Le non-respect des instructions indiquées ci-dessous peut provoquer une décharge, un incendie ou des blessures graves. Conserver ces instructions et consignes pour consultation ultérieure.



AVERTISSEMENT : Il existe toujours un risque de blessure lorsqu'on travaille avec des produits contenant des pièces mobiles. Porter des gants de protection afin d'éviter les blessures.

- Utiliser de l'équipement de protection individuelle. Toujours porter des lunettes de protection. En utilisant l'équipement de protection (masque antipoussière, chaussures de sécurité antidérapantes, casque, dispositifs de protection pour les oreilles, etc.) qui convient aux conditions, on réduit les risques de blessure.
- Tenir les enfants et les spectateurs à distance lorsque l'outil électrique est en marche. Un moment d'inattention pourrait vous en faire perdre le contrôle.
- Retirer tous les matériaux indésirables de la zone de travail et garder celle-ci bien éclairée avant de commencer. Si les zones ne sont pas nettoyées ni éclairées, il existe davantage de risques d'accidents.
- Ne pas utiliser d'outils électriques dans des milieux explosifs, notamment en présence de liquides, de gaz ou de poussières inflammables. Les outils électriques peuvent produire des étincelles qui peuvent enflammer la poussière ou les fumées.
- L'apparition soudaine de personnes et d'animaux peut nuire à votre contrôle sur le produit. Pour cette raison, toujours se concentrer sur la tâche.
- Ne pas utiliser l'outil par mauvais temps (brouillard, pluie, vents violents, froid intense autres conditions semblables). Les conditions de travail peuvent devenir dangereuses (par ex. surfaces glissantes) à cause des intempéries.
- Examiner la zone de travail avant d'utiliser le produit. Déceler les obstacles qui présentent un risque de mouvement brusque et dangereux. S'assurer qu'aucun matériau ne risque de se détacher et de tomber ou de provoquer des blessures pendant le fonctionnement.
- Toujours examiner l'arrière de la surface où le foret traversera la surface. Sécuriser la zone et tracer une marque qui indique la zone de travail. S'assurer qu'aucune personne ni aucun matériau ne risque d'être endommagé.
- Lors de l'utilisation d'un outil électrique, toujours demeurer attentif et faire preuve de bon sens. Ne pas utiliser l'outil électrique si vous êtes fatigué ou sous l'emprise de drogues, de l'alcool ou de médicaments. Tout moment d'inattention pendant l'utilisation d'un outil électrique peut causer de graves blessures.
- Prévenir les démarrages accidentels. Vérifier que l'interrupteur est à la position d'arrêt avant de brancher l'outil dans la prise ou le bloc d'alimentation, de le saisir ou de le transporter. Le transport des outils électriques en maintenant le doigt sur l'interrupteur d'alimentation et le branchement d'outils alors que l'interrupteur est à la position de marche expose à des accidents.
- L'outil peut provoquer des projections d'objets, ce qui peut causer des blessures à l'opérateur. Retirer la clé de réglage et la clé avant de démarrer le produit.
- Ne pas laisser la parfaite connaissance de l'outil acquise en raison de l'utilisation fréquente de ce dernier engendrer la complaisance et le non respect des principes de sécurité relatifs à l'outil. Une négligence peut provoquer de graves blessures en une fraction de seconde.
- S'assurer que tous les opérateurs qui utilisent le produit ont lu et compris le contenu du manuel de l'opérateur.
- S'habiller de façon appropriée. Ne jamais porter des vêtements amples ou des bijoux. Garder les cheveux et les vêtements loin des pièces mobiles. Les vêtements amples, bijoux et cheveux longs peuvent se prendre dans les pièces en mouvement.
- Des accidents dangereux peuvent survenir si le noyau de béton reste dans le foret lorsqu'on retire le moteur de foret du sol ou du mur.
- Se tenir à l'écart du foret quand le moteur tourne.
- S'assurer qu'aucun tuyau ou câble électrique ne se trouve dans la zone où le trou sera percé.
- Ne pas s'éloigner du produit lorsque le moteur tourne.
- Ne pas trop se pencher vers l'avant. Toujours se tenir bien campé et en équilibre. Cela permet de mieux contrôler l'outil électrique lors d'un imprévu.
- S'assurer qu'il y a toujours une autre personne aux alentours lors de l'utilisation du produit. De l'aide sera ainsi disponible au besoin en cas d'accident.
- Ne pas utiliser un outil dont l'équipement de sécurité est défectueux.

- Effectuer les vérifications de sécurité, l'entretien et les réparations conformément aux instructions fournies dans ce manuel. Certaines mesures d'entretien et de réparation ne doivent être effectuées que par des ateliers spécialisés approuvés. Voir la section *Dispositifs de sécurité sur l'outil à la page 31*
- L'inspection ou l'entretien doit être effectué quand le moteur est à l'arrêt et la fiche est débranchée de la prise de courant.
- Ne pas utiliser un produit qui a été modifié de sa configuration d'usine.
- Débrancher la fiche de la source d'alimentation ou retirer le bloc de batteries de l'outil électrique avant de procéder aux réglages, de changer les accessoires ou de ranger l'outil. Ces mesures de sécurité réduisent le risque de mise sous tension accidentelle.
- Garder les poignées et les surfaces de préhension sèches, propres et exemptes d'huile et de graisse. Les poignées et les surfaces de préhension glissantes sont interdites.
- Ne pas surcharger le produit. En cas de surcharge du produit, celui-ci risque d'être endommagé.
- Garder toutes les pièces en bon état d'utilisation et s'assurer que toutes les fixations sont correctement serrées.
- Le produit provoque de la poussière et des fumées qui sont nocives pour la santé. Utiliser une protection respiratoire adéquate.
- Vérifier qu'on dispose d'une trousse de premiers soins à proximité.
- Des étincelles peuvent se produire pendant l'utilisation du produit. S'assurer d'avoir un extincteur à proximité.
- Ne pas porter de vêtements amples, de bijoux ou d'autres objets qui peuvent se prendre dans les pièces en mouvement. Garder les cheveux au-dessus des épaules.

Dispositifs de sécurité sur l'outil

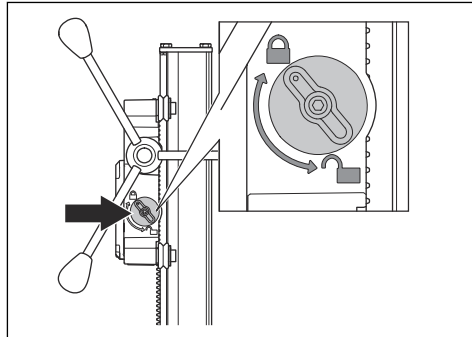


AVERTISSEMENT : Lire les messages d'avertissement qui suivent avant d'utiliser l'outil.

- Ne pas utiliser un outil dont les dispositifs de protection sont défectueux.
- Vérifier régulièrement les dispositifs de sécurité. Si les dispositifs de sécurité sont défectueux, parler à votre agent d'entretien Husqvarna.

Pour vérifier le verrou du chariot

1. Tourner le bouton pour bloquer le chariot du moteur.



2. Vérifier à la main si le chariot est verrouillé sur la colonne de forage.

Équipement de protection personnelle

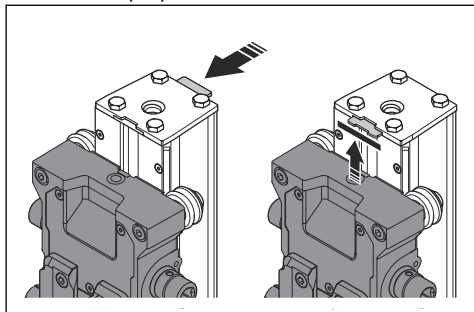


AVERTISSEMENT : Lire les messages d'avertissement qui suivent avant d'utiliser l'appareil.

- Toujours utiliser un équipement de protection personnelle lors de l'utilisation du produit. L'équipement de protection personnelle ne supprime pas le risque de blessures. L'équipement de protection personnelle réduit la gravité des blessures en cas d'accident. Laisser le concessionnaire vous aider à sélectionner l'équipement adéquat.
- Utiliser un dispositif de protection homologué pour les yeux pendant l'utilisation du produit.
- Porter des bottes résistantes antidérapantes avec embout d'acier.
- Porter des vêtements bien ajustés qui ne limitent pas les mouvements.
- Vérifier régulièrement l'état de l'équipement de protection personnelle.
- Porter des gants de protection robustes homologués.
- Porter des gants de protection en caoutchouc afin d'éviter toute irritation de la peau causée par le béton humide.
- Utiliser un casque de protection approuvé.
- Toujours porter un dispositif de protection homologué pour les oreilles lorsqu'on utilise le produit. Le fait d'entendre du bruit pendant une longue période peut engendrer une perte auditive.

Pour vérifier la butée d'extrémité de la colonne de forage

1. Pousser la plaque de butée à la bonne correcte.



2. S'assurer que le chariot du moteur de foret s'arrête lorsqu'il touche la plaque de butée.

Consignes de sécurité pour la maintenance



AVERTISSEMENT : Les mesures d'inspection et de maintenance doivent être effectuées alors que le moteur est à l'arrêt et que la prise électrique est débranchée.

- Entretien le produit et ses accessoires. Vérifier le produit à la recherche de pièces brisées, de mauvais alignement ou de blocage des pièces mobiles et de toute autre condition pouvant nuire au bon fonctionnement du produit. Si le produit est endommagé, le faire réparer avant de l'utiliser.
- Faire réparer son produit par un atelier Husqvarna avec des pièces de rechange identiques seulement.

Montage

Introduction

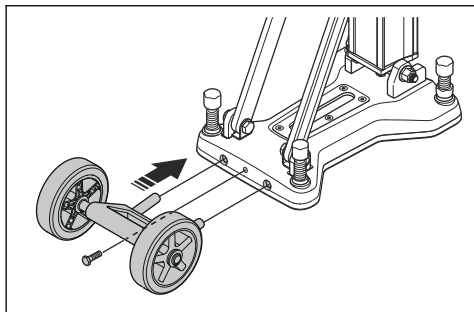
Cette section décrit la procédure à suivre pour monter et régler le produit.



AVERTISSEMENT : Avant de procéder au montage du produit, veuillez lire le chapitre sur la sécurité et les instructions de montage.

Pour fixer l'ensemble de roues (accessoire)

1. Fixer l'ensemble de roue à l'arrière de la plaque de fond.



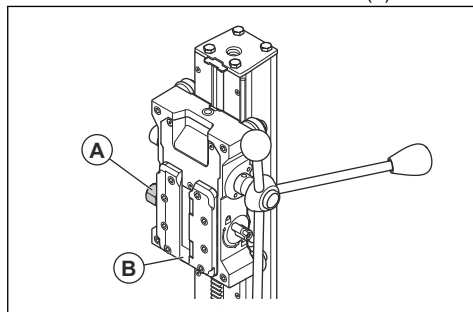
2. Serrer la vis.

Pour fixer le moteur de foret



AVERTISSEMENT : Toujours débrancher la prise avant le nettoyage, l'entretien et le montage.

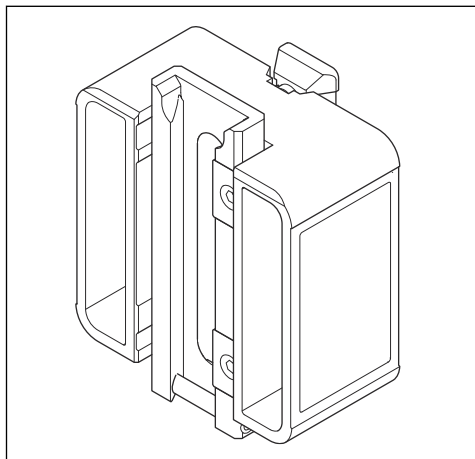
1. Déverrouiller le chariot du moteur de foret (A).
2. Fixer le moteur de foret dans la glissière (B) sur le chariot du moteur de foret.
3. Verrouiller le chariot du moteur de foret (A).



Entretoise rapide (accessoire)

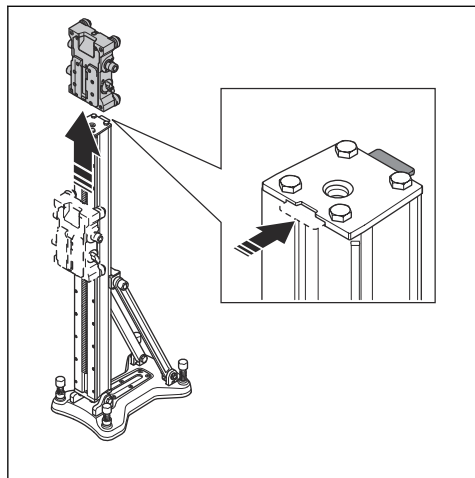
Utiliser une entretoise rapide pour percer des trous de grand diamètre. Pour sélectionner la bonne entretoise rapide, se reporter à la section *Diamètre de forage maximal* à la page 39. Monter l'entretoise rapide sur

le moteur de foret avant de fixer celui-ci sur le support de forage.

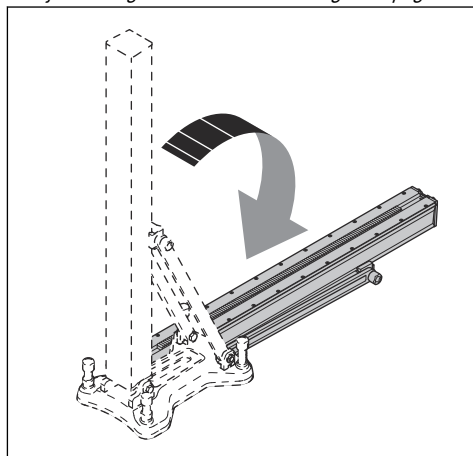


Pour remplacer la colonne du support de forage (accessoire)

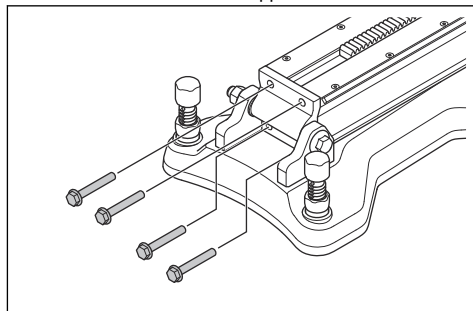
1. Pousser la plaque de butée en position ouverte.
Retirer le chariot du moteur de foret.



2. Rabattre complètement la colonne du support de forage vers l'arrière. Se reporter à la section *Pour ajuster l'angle de la colonne de forage à la page 36.*



3. Retirer les 4 boulons du support de charnière.



4. Retirer la colonne du support de forage.
5. Installer la colonne du support de forage dans l'ordre inverse.

Installation

Procédures d'installation

Trois procédures peuvent être utilisées pour installer l'outil avant de forer :

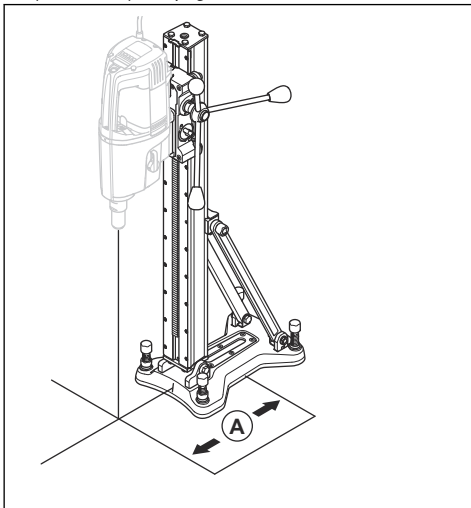
- à l'aide d'un boulon d'expansion;
- à l'aide d'une plaque à dépression;
- à l'aide d'une tige entièrement filetée, d'une rondelle et d'un contre-écrou.

Pour fixer le support de forage à l'aide d'un boulon d'expansion



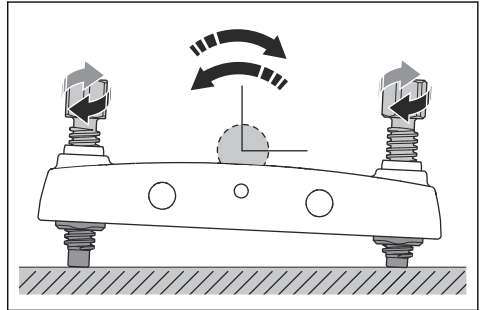
AVERTISSEMENT : Pour le forage des plafonds et des murs, utiliser uniquement un mandrin expansible ou un ancrage adapté aux surfaces exposées à des forces de traction. Utiliser uniquement un mandrin expansible ou un ancrage approuvé pour la présente application.

1. Faire un trou pour y insérer le boulon d'expansion. Se reporter à la section *Pour fixer le boulon d'expansion à la page 34*. Mesurer une distance (A) de 335 mm (13,2 po) à partir du centre du trou qui vient d'être percé. Si une entretoise rapide (accessoire) est utilisée, la distance n'est pas la même. Se reporter à la section *Entretoise rapide (accessoire) à la page 32*.



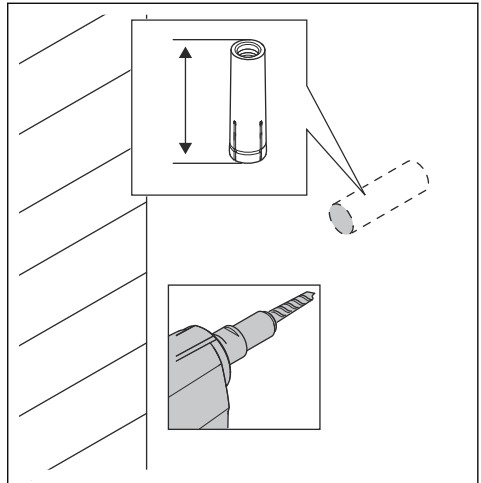
2. Fixer la plaque de fond à l'aide d'un boulon d'expansion.
3. S'assurer que le support de forage est bien serré.

4. Au besoin, ajuster la plaque de fond. Utiliser les vis de réglage du niveau pour ajuster la plaque de fond avec la surface.

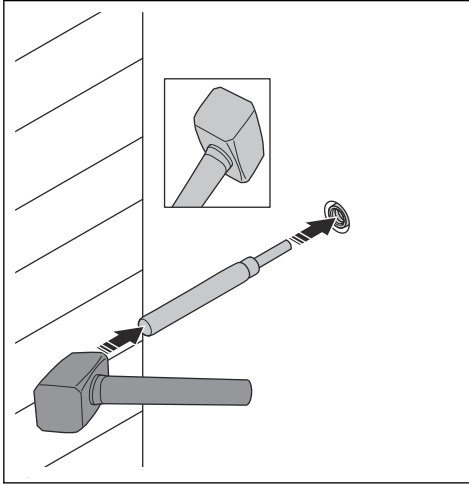


Pour fixer le boulon d'expansion

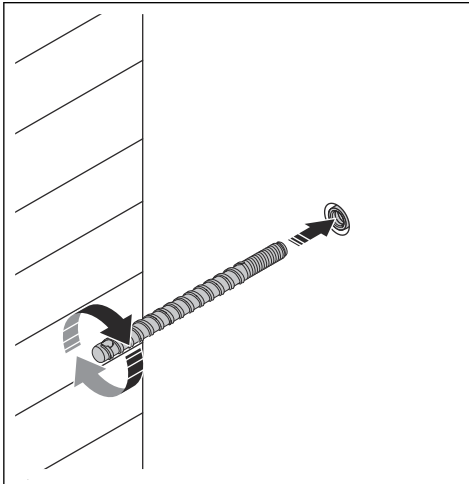
1. Percer un trou pour y insérer le boulon d'expansion. S'assurer que la profondeur est suffisante. La douille doit être placée sous la surface.



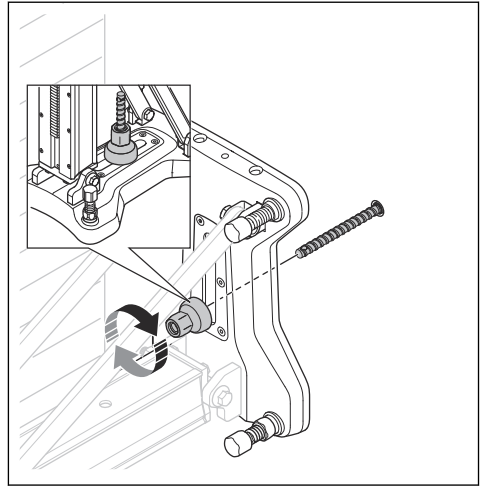
2. Utiliser le mandrin et un marteau pour installer le boulon d'expansion.



3. Installer la vis d'ancrage.



4. Fixer le produit à l'aide de l'écrou.



Pour fixer le produit à l'aide d'une plaque à dépression Husqvarna



AVERTISSEMENT : Ne pas utiliser le produit avec une plaque à dépression pour le forage des plafonds et des murs.

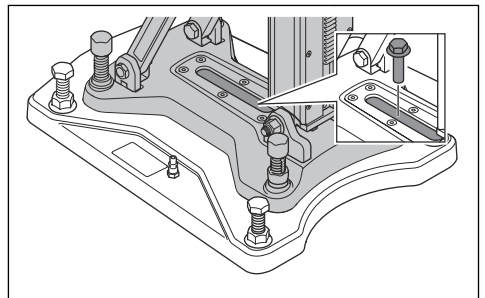


AVERTISSEMENT : La surface de support doit être plane et de bonne qualité. Le produit peut se desserrer si la plaque à dépression ne peut pas s'étanchéfier complètement contre la surface.

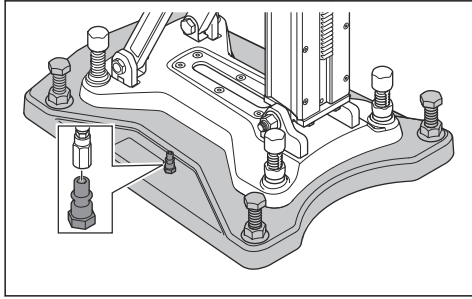


AVERTISSEMENT : L'utilisation d'une plaque à dépression est seulement recommandée avec ces Husqvarna moteurs de forage : DM 220, DM 230, DM 280, DM 340, DM 400, DM 430. L'utilisation d'autres moteurs de forage peut entraîner le desserrage du produit.

1. Fixer le produit à la plaque à dépression avec le boulon.



- Desserrer les vis de réglage du niveau. Elles doivent se trouver au-dessus du fond de la plaque à dépression.
- Brancher le flexible de dépression et démarrer la pompe.



MISE EN GARDE : La pression minimale doit être de $-0,85$ bar pour

assurer l'étanchéité du joint entre la plaque à dépression et la surface.

- Serrer les vis de niveau jusqu'à ce qu'une pression soit ressentie sur la vis.



AVERTISSEMENT : Les vis de réglage du niveau doivent toucher la surface quand on utilise la plaque à dépression. Si ce n'est pas le cas, la plaque à dépression peut se desserrer.

Pour fixer le support de forage avec une tige filetée

Utiliser une tige traversante s'il n'est pas possible de fixer le support de forage au mur ou au plafond à l'aide d'un boulon d'expansion. Utiliser les rondelles et les écrous pour serrer la tige traversante.

Fonctionnement

Avant d'utiliser le produit



AVERTISSEMENT : Cette machine est conçue pour le forage du béton, de la brique et de divers autres matériaux de pierre. Toute autre utilisation est inappropriée.



AVERTISSEMENT : Avant de forer, vérifier que toutes les vis de verrouillage sont bien serrées. Des accidents graves peuvent survenir si le noyau de béton reste dans le foret lorsqu'on retire le moteur de forage du sol, du mur ou du plafond.



AVERTISSEMENT : Pour le forage des plafonds, toujours utiliser un collecteur d'eau approuvé pour votre moteur de forage, ou utiliser un moteur de foret hydraulique. Il y a un risque que la foreuse et son support soient mis sous tension si l'eau s'infiltré dans la machine.



AVERTISSEMENT : S'assurer que la butée d'extrémité est installée et fonctionnelle.

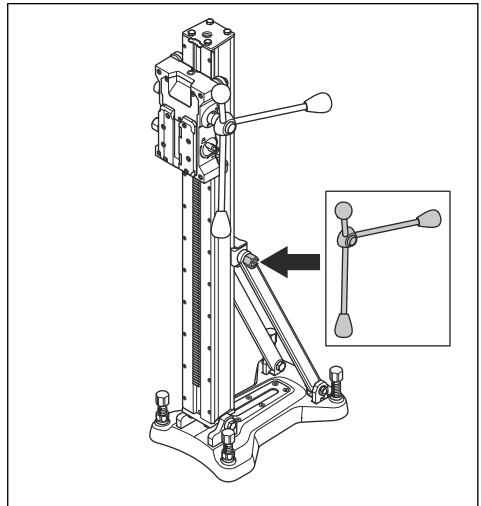
- Lire attentivement le manuel d'utilisation et veiller à bien comprendre les directives.
- Maintenir la zone de travail propre et bien éclairée pour éviter les accidents.

- Effectuer l'entretien quotidien. Se reporter à la section *Entretien quotidien du support de forage* à la page 37.

- Utiliser de l'équipement de protection individuelle. Se reporter à la section *Équipement de protection personnelle* à la page 31.

Pour ajuster l'angle de la colonne de forage

- Desserrez la vis de blocage qui bloque la colonne de forage et ajuster l'angle de forage pertinent.



- Utiliser l'indicateur d'angle pour effectuer un réglage approximatif. Si une plus grande précision est nécessaire, utiliser d'autres méthodes pour effectuer la mesure.
- Serrer la vis de blocage de la colonne de forage. Utiliser le levier d'alimentation. La colonne de forage peut être inclinée de 0 à 90°.

Entretien

Introduction



AVERTISSEMENT : Lire et comprendre le chapitre sur la sécurité avant de faire l'entretien du produit.



AVERTISSEMENT : Pour éviter tout risque de blessure, débrancher le cordon d'alimentation avant de procéder à l'entretien.

Entretien quotidien du support de forage

- S'assurer que les vis et écrous sont bien serrés.
- Nettoyer la surface extérieure du support de forage.
- S'assurer que le levier d'alimentation se déplace sans résistance.
- S'assurer que les engrenages se déplacent facilement et sans bruit.
- Examiner la colonne de forage, y rechercher des traces d'usure ou de dommage.
- S'assurer que le chariot du moteur de foret se déplace facilement et qu'il n'y a pas de jeu contre la colonne de forage.

Pour nettoyer et lubrifier le support de forage



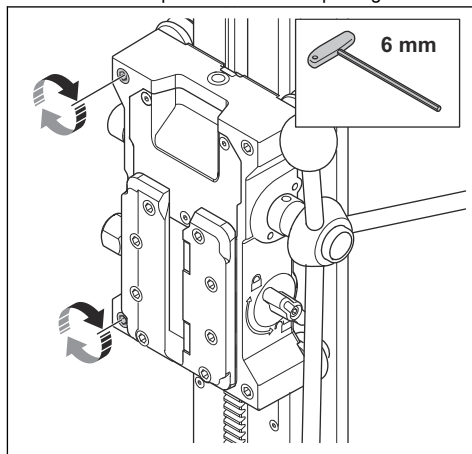
MISE EN GARDE : Si on ne nettoie pas le support de forage, il risque d'être endommagé.

- Retirer le moteur de foret.
- Nettoyer le support de forage à l'aide d'une laveuse haute pression, puis retirer l'eau restante à l'aide d'un chiffon sec.
- Lubrifier les pièces mobiles sur le support de forage. Graisser les surfaces de contact pour éviter la corrosion.

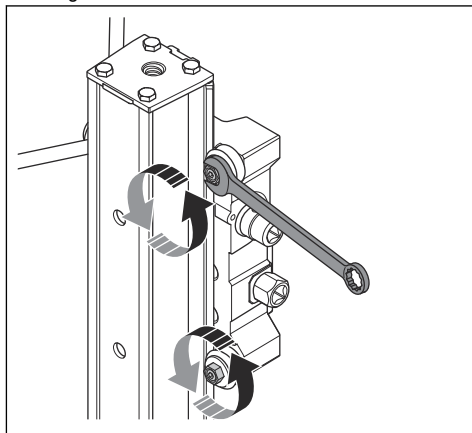
Pour régler le chariot du moteur de foret

S'il y a un jeu entre la colonne de forage et le chariot du moteur de foret, le chariot du moteur de foret doit être ajusté.

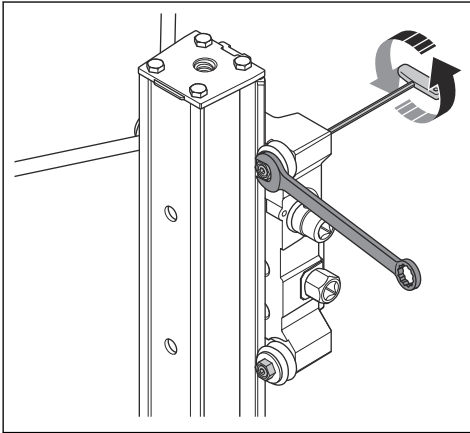
- Retirer les vis qui fixent les arbres porte-galet.



- Ajuster les arbres porte-galet. Tourner la vis dans le sens inverse des aiguilles d'une montre pour déplacer les roues de guidage vers la colonne de forage.

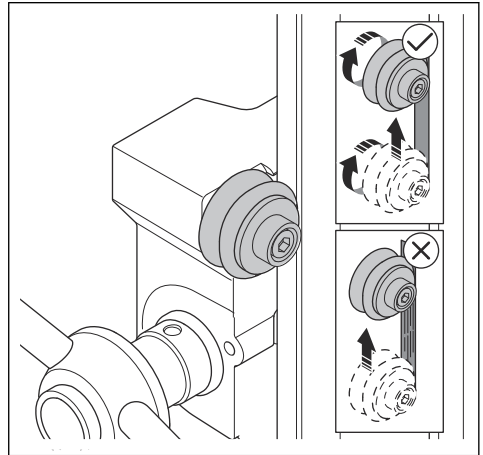


3. Bloquer la roue de guidage en position à l'aide d'une clé. Serrer la vis au moyen d'une clé hexagonale pour bloquer l'arbre porte-galet.



Remarque : Après avoir serré les arbres porte-galet, on doit pouvoir les faire tourner avec le levier d'alimentation, mais non à la main.

4. Utiliser le levier d'alimentation pour déplacer le chariot du moteur vers le haut et vers le bas. S'assurer que le chariot du moteur de foret se déplace sans à-coups sur la colonne de forage. Les arbres porte-galet doivent tourner et ne pas bouger. Si nécessaire, régler à nouveau les arbres porte-galet.



Transport et entreposage

Transport et entreposage

- Immobiliser le produit en sécurité pendant le transport pour éviter tout dommage ou accident.
- Le support peut être déplacé avec l'unité de forage installée s'il est équipé de roues de transport.
- Sinon, les deux éléments doivent être déplacés séparément étant donné que leur poids total dépasse 25 kg.
- Garder le produit dans un endroit verrouillé hors de portée des enfants et des personnes non autorisées.
- Garder la machine et son support dans un endroit sec et à l'abri du gel.

Données techniques

Données techniques

Dimensions	
Hauteur, mm / po.	1 050 / 41,3
Largeur, cm / po.	240 / 9,4
Profondeur, mm / po.	395 / 15,5
Poids, kg/lb	17 / 37,4
Longueur de course, mm / po.	700 / 27,5
Charge max. (sur la poignée), kg / lb	120 / 264,5
Angle de la colonne de forage	0 à 90 °

Diamètre de forage maximal

Moteur de forage	Entretoise, mm/po.	
	0	50/2
DM 400	370/14,6	470/18,5
DM 430	370/14,6	470/18,5
DM 700/650	400/15,7	500/19,7
DM 280/340	370/14,6	470/18,5

Service

Centre de service agréé

Pour trouver le centre de service approuvé Husqvarna Construction Products le plus près, consulter le site Web .

Politique de garantie

Toute réclamation au titre de la garantie sera résolue après inspection dans un établissement désigné. Une autorisation de retour de marchandise est nécessaire en cas de réclamation au titre de la garantie. Pour obtenir une autorisation de retour de marchandise, communiquer avec le service à la clientèle de Husqvarna au 800-845-1312. Le client doit prépayer le transport et assumer tous les frais de main-d'œuvre nécessaires au retour ou au remplacement d'un produit soumis à des fins de garantie. Husqvarna rembourse les frais de transport encourus pour les produits réparés ou les produits de remplacement homologués.

ÉQUIPEMENT

L'équipement fabriqué par Husqvarna est garanti exempt de tout défaut de fabrication en fonctionnement normal pour une période de deux (2) ans à partir de la date de l'achat par le consommateur acheteur initial. Les fabricants des pièces proposent des périodes de garantie distinctes. Pour obtenir tous les renseignements, communiquer avec le service technique au 800-288-5040.

En vertu de cette garantie, notre obligation est expressément limitée au remplacement ou à la réparation chez Husqvarna Construction Products North America, Olathe, Kansas 66061, ou à un atelier d'entretien désigné par nos soins, des pièces jugées défectueuses lors de l'inspection.

Cette garantie ne s'applique pas aux défauts occasionnés par des dommages, une utilisation abusive, des réparations inadéquates effectuées ailleurs que dans un centre de réparation agréé de Husqvarna, ou des défauts causés par l'absence d'un entretien raisonnable, pendant que le consommateur est en possession du produit. Par ailleurs, la garantie est nulle si le produit, ou l'un de ses composants, est modifié par le consommateur acheteur ou si le produit est utilisé d'une façon inappropriée ou avec des outils non recommandés par le fabricant.

Exceptions : moteurs de forage – 3 mois, scies murales – 1 an, découpeuses – 3 mois, DM230 – 1 an, DM225 – 3 mois, systèmes Gyro – 1 an, système CD40 – 1 an, DS160 C – 1 an, Smartbox – 1 an, CS2515 – 1 an, PP455 E – 1 an, PP345 E – 1 an, HP40 – 1 an.

Pièces soumises à l'usure : filtres, bougies d'allumage, roulements*, courroies, disques** et plaques d'usure.

*Sauf système IntelliSeal™. **Sauf délaminage.



www.husqvarnacp.com

Original instructions
Instrucciones originales
Instructions d'origine

1141345-49



2022-08-31