

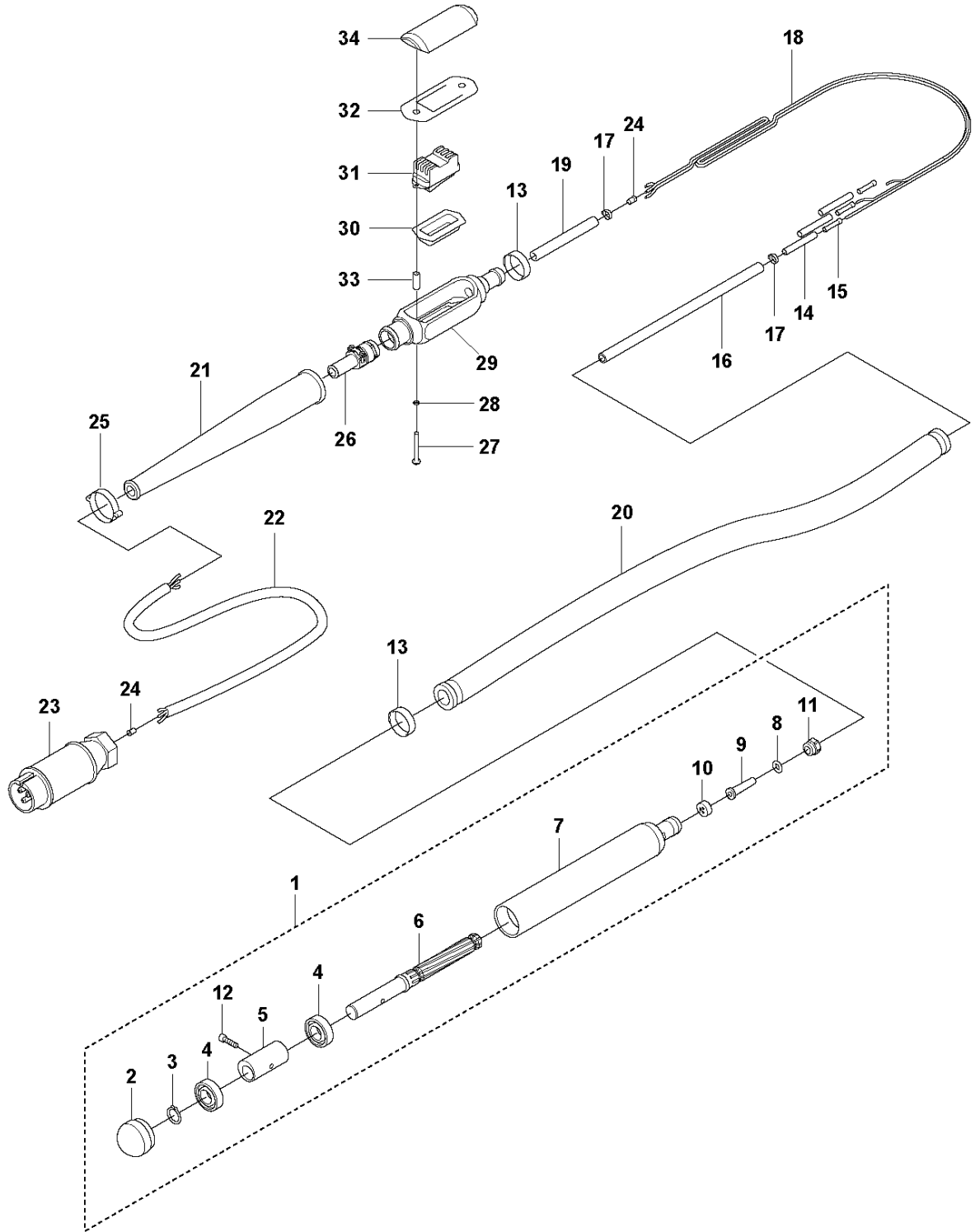


# SPARE PARTS LIST

## POKERS

Vibrastar 40, 967938101, 2019-08

**A** VIBRASTAR 40  
PRODUCT COMPLETE

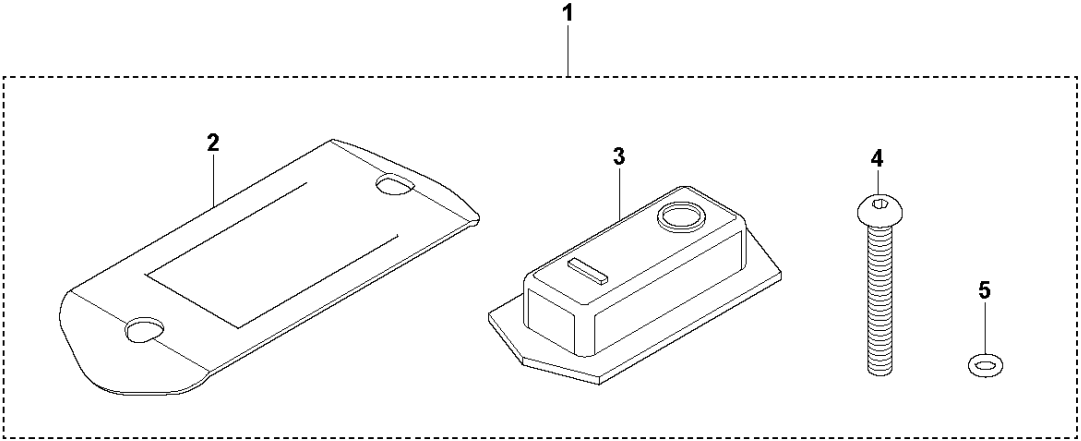


PRODUCT COMPLETE

Vibrastar 40, 967938101, 2019-08

| Ref | Part No      | Description   | Remark                   | QTY KIT |   |
|-----|--------------|---------------|--------------------------|---------|---|
| 1   | 594 61 67-01 | RADIATOR      | Vibrating head, complete | 1       |   |
| 2   | 594 61 70-01 | CAP           |                          | 1       | 1 |
| 3   | 594 28 63-01 | RETAINER RING | 17x1.5 DIN471            | 1       | 1 |
| 4   | 594 61 73-01 | BEARING       | 6003                     | 2       | 1 |
| 5   | 594 85 95-01 | EXCENTER      |                          | 1       | 1 |
| 6   | 594 61 72-01 | ROTOR         |                          | 1       | 1 |
| 7   | 594 61 71-01 | TUBE          | Stator, complete         | 1       | 1 |
| 8   | 594 28 90-01 | GASKET        |                          | 1       | 1 |
| 9   | 594 61 64-01 | PROTECTION    |                          | 1       | 1 |
| 10  | 594 61 80-01 | RING          |                          | 1       | 1 |
| 11  | 594 61 65-01 | CAP           |                          | 1       | 1 |
| 12  | 598 48 92-01 | SCREW         | M5x20 ISO4762 12.9       | 1       | 1 |
| 13  | 594 28 17-01 | CLAMP         |                          | 2       |   |
| 14  | 594 25 75-01 | INSULATION    |                          | 3       |   |
| 15  | 595 11 85-01 | SLEEVE        |                          | 3       |   |
| 16  | 594 25 49-04 | HOSE          |                          | 1       |   |
| 17  | 594 28 64-01 | CLAMP         |                          | 4       |   |
| 18  | 594 28 77-02 | CABLE         |                          | 3       |   |
| 19  | 594 25 71-02 | HOSE          |                          | 1       |   |
| 20  | 594 85 96-01 | HOSE          |                          | 1       |   |
| 21  | 594 25 68-01 | SHEET         |                          | 1       |   |
| 22  | 595 46 89-01 | CABLE         |                          | 1       |   |
| 23  | 594 60 47-01 | PLUG          |                          | 1       |   |
| 24  | 594 25 77-01 | TERMINAL      |                          | 9       |   |
| 25  | 594 25 52-01 | CLAMP         |                          | 1       |   |
| 26  | 594 61 93-01 | PISTON        |                          | 1       |   |
| 27  | 594 61 57-01 | SOCKET        | M5x40 ISO7380            | 2       |   |
| 28  | 595 11 75-01 | O-RING        | 4.1x1.6 NBR 70 Shore     | 2       |   |
| 29  | 595 93 28-01 | BOX           |                          | 1       |   |
| 30  | 594 61 56-01 | DIAPHRAGM     |                          | 1       |   |
| 31  | 594 63 04-01 | SWITCH        |                          | 1       |   |
| 32  | 594 61 55-01 | GASKET        |                          | 1       |   |
| 33  | 594 62 31-01 | HOSE          |                          | 2       |   |
| 34  | 594 63 06-01 | COVER         |                          | 1       |   |

**B** VIBRASTAR 40  
MAINTENANCE KIT



## MAINTENANCE KIT

Vibrastar 40, 967938101, 2019-08

| Ref | Part No      | Description | Remark               | QTY KIT |   |
|-----|--------------|-------------|----------------------|---------|---|
| 1   | 594 61 96-01 | SWITCH      |                      | 1       |   |
| 2   | 594 61 55-01 | GASKET      |                      | 1       | 1 |
| 3   | 594 61 56-01 | DIAPHRAGM   |                      | 1       | 1 |
| 4   | 594 61 57-01 | SOCKET      | M5x40 ISO7380        | 2       | 1 |
| 5   | 595 11 75-01 | O-RING      | 4.1x1.6 NBR 70 Shore | 2       | 1 |