

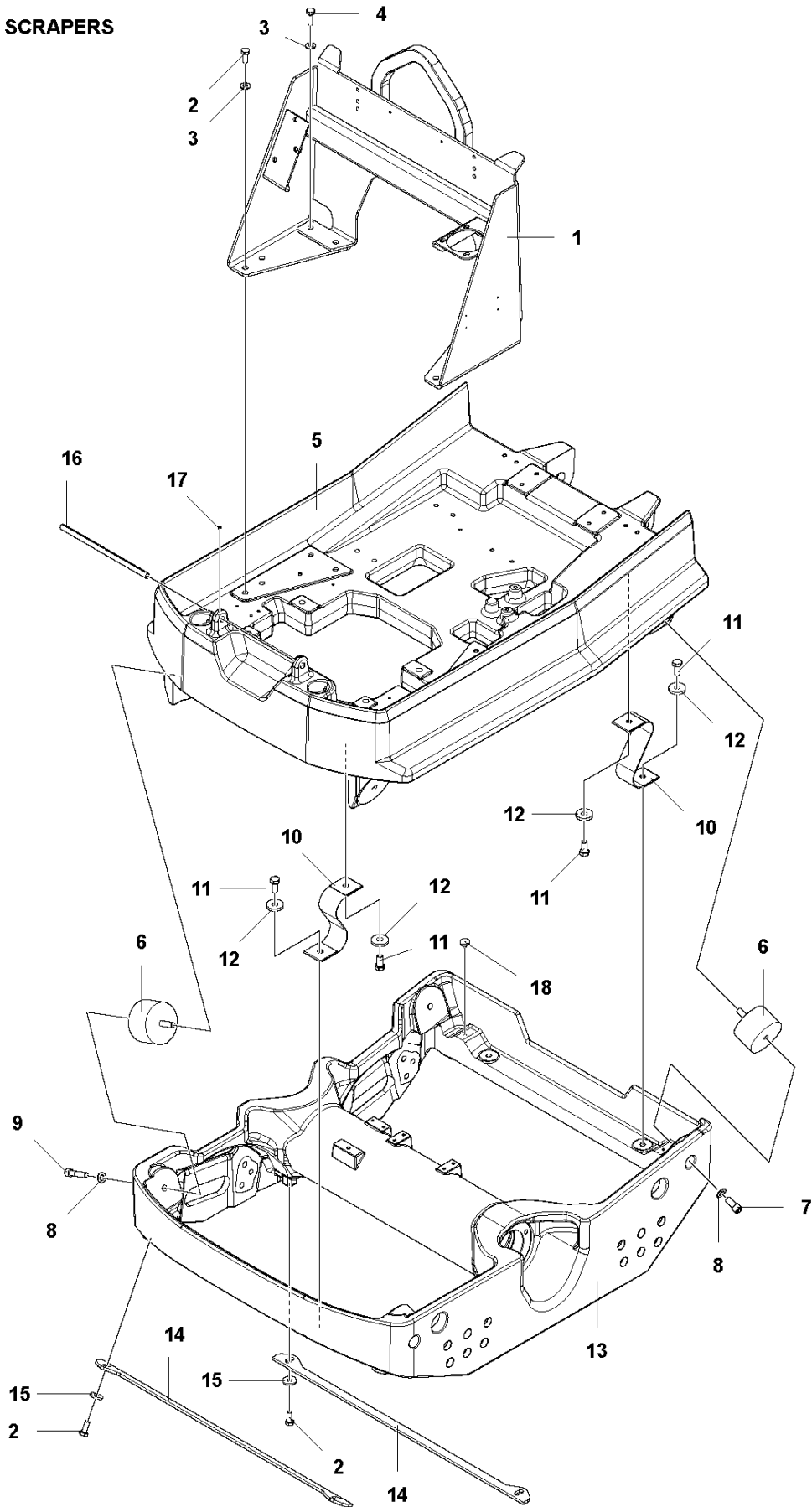


# SPARE PARTS LIST

LIGHT COMPACTION

LP 7505, 967897401, 967897402, 2019-08

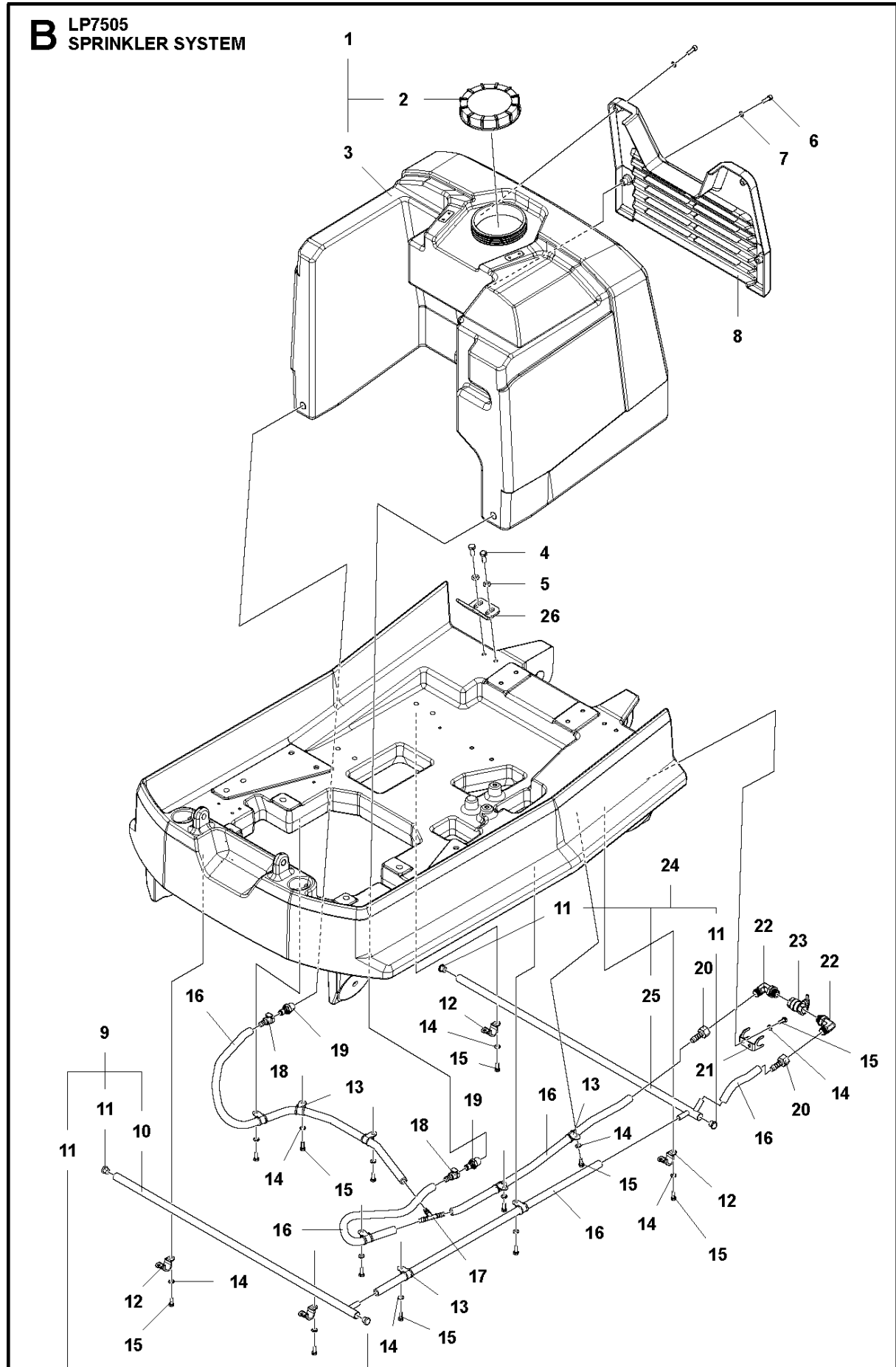
**A** LP7505  
FRAMES & SCRAPERS



## FRAMES &amp; SCRAPERS

LP 7505, 967897401, 967897402, 2019-08

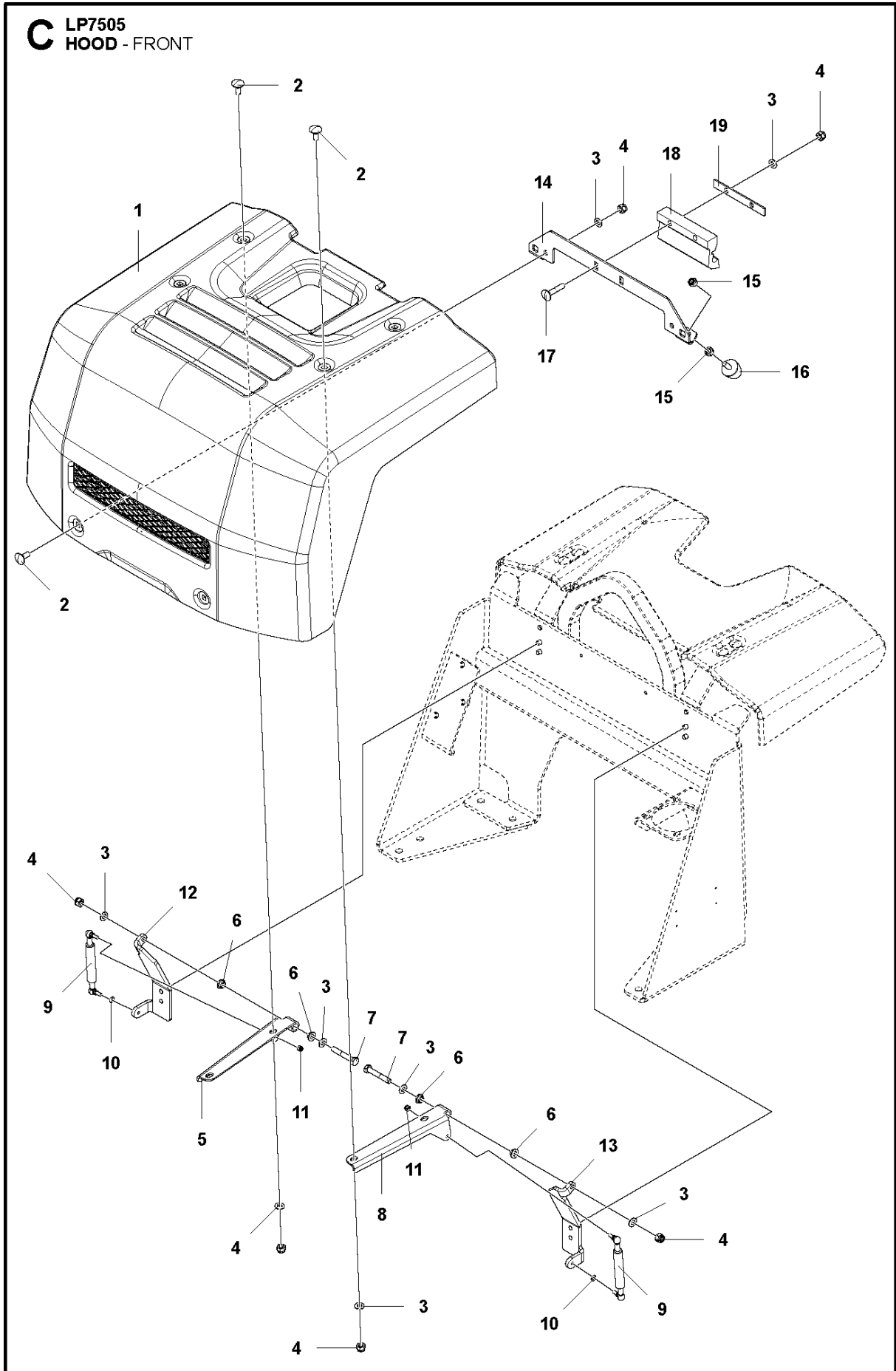
Ref	Part No	Description	Remark	QTY KIT
1	594 75 34-01	LIFTING ARM	Lifting device	1
2	595 34 47-01	SCREW	Hex. head screw	12
3	594 12 45-01	WASHER	Washer lock	8
4	594 11 85-01	BOLT	Screw hexagon	4
5	595 12 49-01	ENGINE	Engine base	1
6	594 75 35-01	ABSORBER	Shock absorber	4
7	595 34 89-01	CAP	Hex sock. screw	2
8	595 11 34-01	WASHER	Washer DIN125	4
9	595 21 60-01	SOCKET	Hexagon socket head cap screw M12x55 12.9	2
10	594 14 15-01	STRAP	Strap	4
11	595 34 53-01	SCREW	Hex. head screw	8
12	594 12 40-01	WASHER	Washer, 13x36x6 mm, 0.51x1.42x0.24 in. 300HV	8
13	595 36 42-01	FRAME	Lower frame	1
14	595 12 50-01	SCRAPER	Scraper	4
15	594 12 36-01	PLANE WASHER	Washer	8
16	595 36 36-01	HOOD	Hood lock rod	1
17	595 11 06-01	SCREW	Set screw	2
18	594 19 08-01	ABSORBER	Bumper	4



## SPRINKLER SYSTEM

LP 7505, 967897401, 967897402, 2019-08

Ref	Part No	Description	Remark	QTY	KIT
1	594 21 29-01	TANK	Water tank, complete	1	
2	595 06 84-01	CAP	Filler cap	1	1
3	000 00 00-00	W/O DESCRIPTION	Water Tank	1	1
4	594 11 79-01	SCREW	Hex. head screw m8 x 20	4	
5	595 03 66-01	WASHER	Washer DIN125	4	
6	595 34 80-01	SCREW	Hex sock. screw	4	
7	595 03 65-01	WASHER	Plain washer	4	
8	594 16 60-01	COVER	Cover	1	
9	594 75 58-01	PIPE	Sprinkler pipe, complete	1	
10	000 00 00-00	W/O DESCRIPTION	Pipe	1	9
11	594 52 04-01	PLUG	End plug	4	9, 24
12	595 11 45-01	PIPE CLAMP	Pipe clamp	4	
13	595 11 44-01	PIPE CLAMP	Pipe clamp	8	
14	595 03 65-01	WASHER	Plain washer	22	
15	595 03 32-01	SCREW	Hex. head screw	18	
16	595 18 51-01	HOSE	Plastic hose	1	
17	594 51 77-01	HOSE COUPLING	T-adapter	1	
18	594 17 27-01	HOSE CONNECTOR	Hose connection	2	
19	594 17 28-01	QUICK COUPLING	Quick coupling	2	
20	594 51 81-01	HOSE CONNECTOR	Hose connector	2	
21	595 36 43-01	BRACKET	Bracket	1	
22	595 11 73-01	CONNECTION	Connection	2	
23	594 51 82-01	VALVE	Ball valve	1	
24	594 75 59-01	PIPE	Sprinkler pipe, complete	1	
25	000 00 00-00	W/O DESCRIPTION	Pipe	1	24
26	598 07 69-01	MOUNTING BRACKET	Bracket water tank	2	

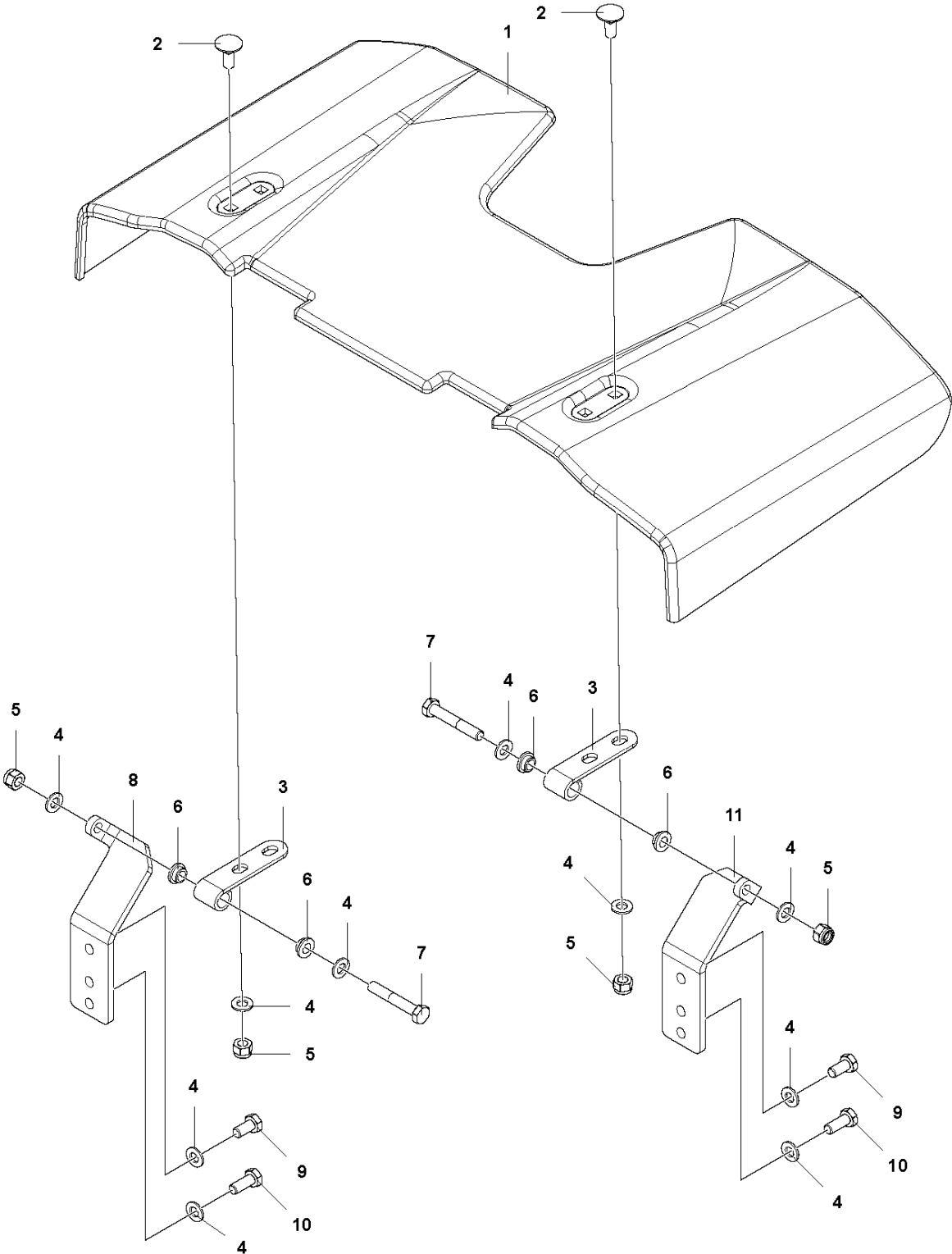


## HOOD

LP 7505, 967897401, 967897402, 2019-08

Ref	Part No	Description	Remark	QTY KIT
1	594 95 99-01	HOOD	Front hood	1
2	594 12 20-01	HEAD	Flat head screw	6
3	595 03 66-01	WASHER	Washer DIN125	12
4	595 35 23-01	NUT	Lock nut	10
5	594 16 64-01	HINGE	Hinge, right	1
6	594 17 08-01	BUSHING	Bushing	4
7	595 28 71-01	SCREW	Hexagon bolt	2
8	594 16 65-01	HINGE	Hinge, left	1
9	594 16 90-01	GAS SPRING	Gas spring	2
10	594 12 38-01	PLANE WASHER	Plain washer	2
11	595 35 22-01	LOCK NUT	Lock nut	2
12	594 16 77-01	BRACKET	Bracket, right	1
13	594 16 78-01	BRACKET	Bracket, left	1
14	594 75 38-01	BRACKET	Bracket, lower	1
15	595 03 57-01	NUT	Nut DIN934	4
16	594 17 33-01	STOP	Rubber buffer	2
17	595 35 09-01	SCREW	Square neck screw, M8 x 40 mm 8.8	2
18	594 75 39-01	HOOD	Hood clip	1
19	594 75 40-01	PLATE	Plate	1

**D** LP7505  
HOOD - REAR



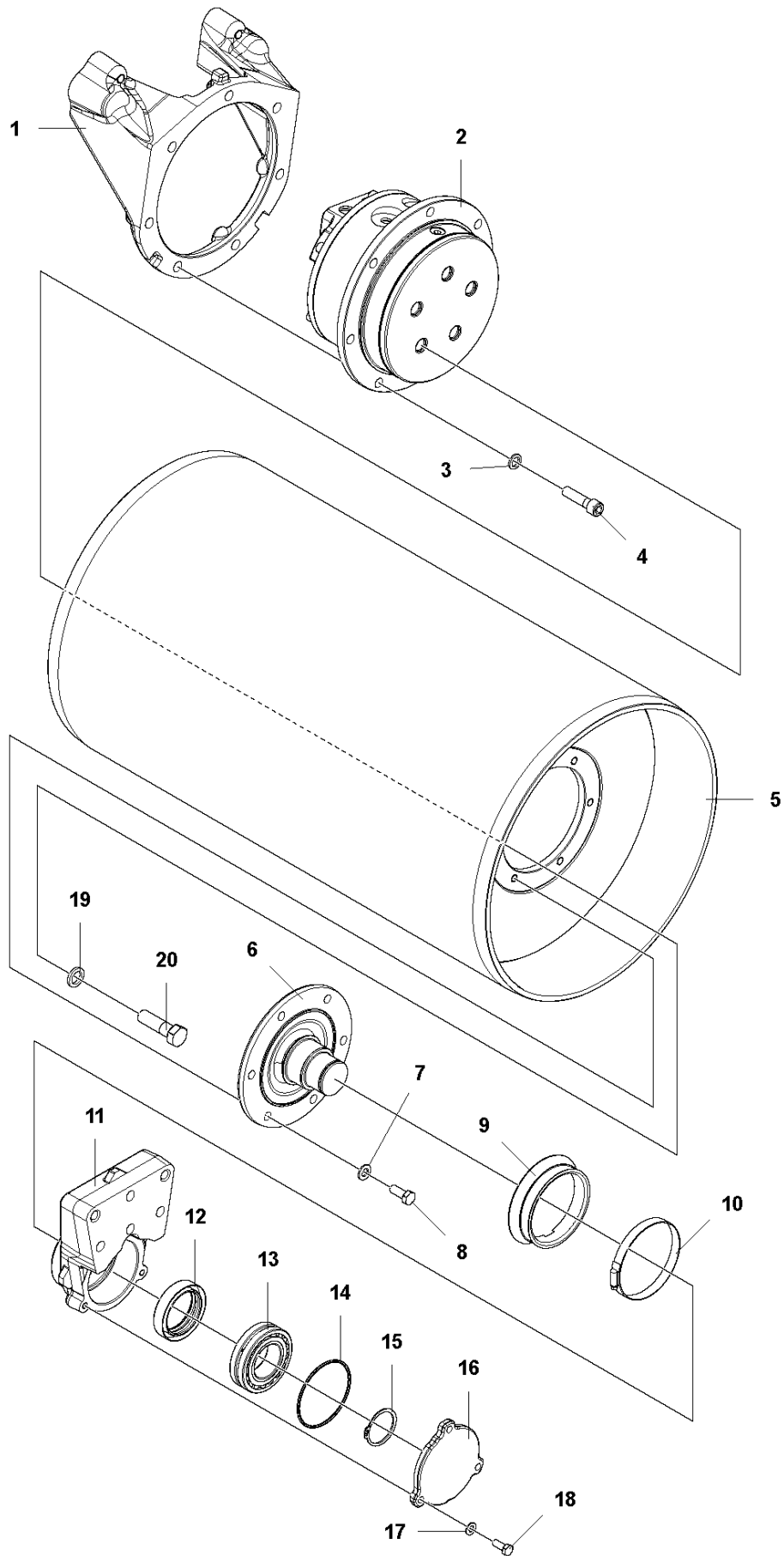


## HOOD

LP 7505, 967897401, 967897402, 2019-08

Ref	Part No	Description	Remark	QTY KIT
1	594 96 00-01	HOOD	Rear hood	1
2	594 12 20-01	HEAD	Flat head screw	4
3	594 16 66-01	HINGE	Hinge	2
4	595 03 66-01	WASHER	Washer DIN125	14
5	595 35 23-01	NUT	Lock nut	6
6	594 17 08-01	BUSHING	Bushing	4
7	595 28 71-01	SCREW	Hexagon bolt	2
8	595 36 33-01	BRACKET	Bracket, right	1
9	595 11 01-01	SCREW	Hex. head screw m8 x 16	2
10	595 03 34-01	SCREW	Hex. head screw	4
11	595 36 32-01	BRACKET	Bracket, left	1

**E** LP7505  
DRUM

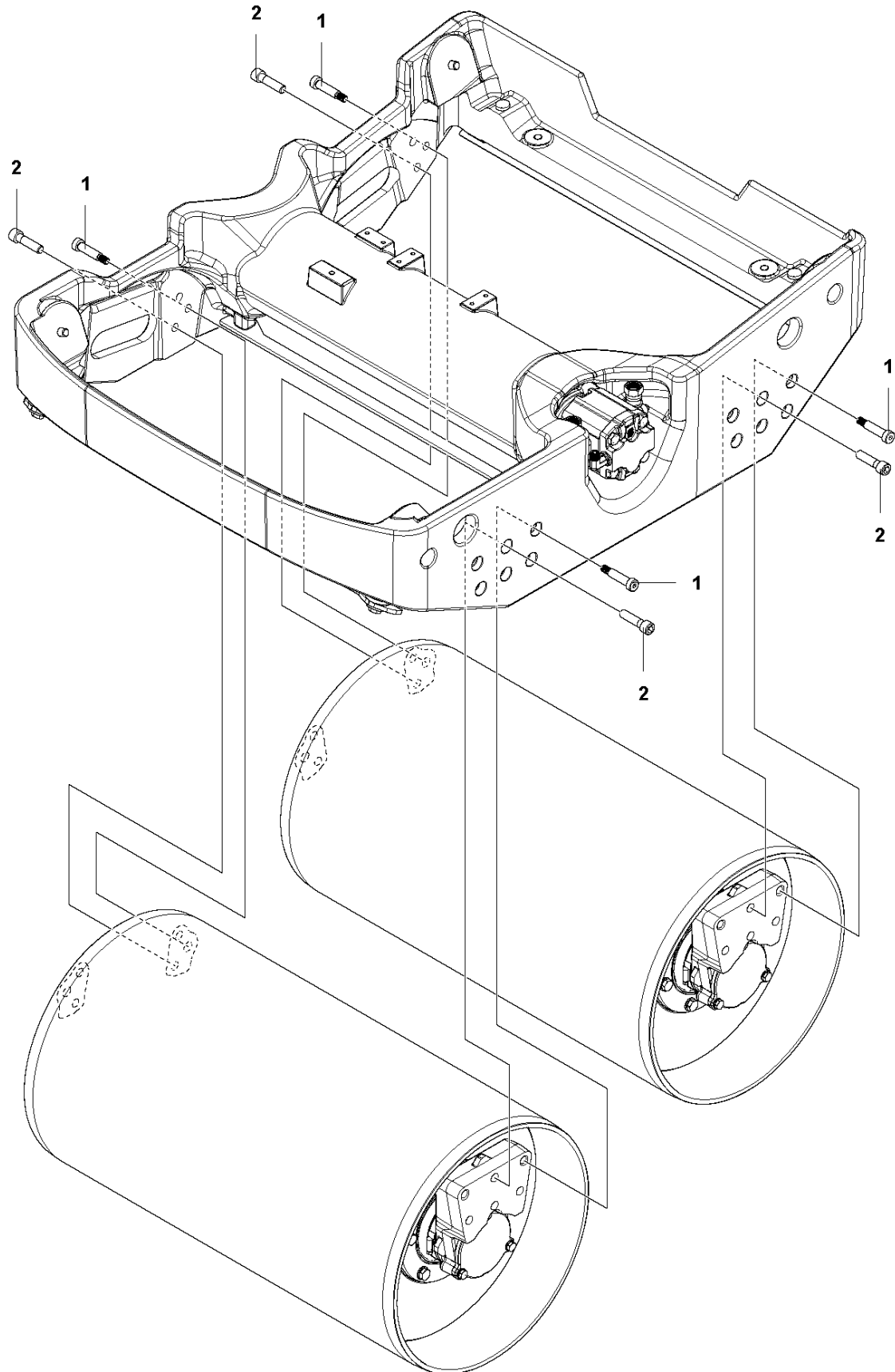


## DRUM

LP 7505, 967897401, 967897402, 2019-08

Ref	Part No	Description	Remark	QTY KIT
1	595 36 30-01	BRACKET	Drum bracket	1
2	595 12 57-01	DRUM	Drum motor	1
3	595 11 89-01	LOCKWASHER	Lock washer	7
4	595 34 72-01	SOCKET	Hexagon socket head cap screw	7
5	595 36 34-01	DRUM	Drum	1
6	594 45 84-01	SHAFT	Drum shaft	1
7	595 11 33-01	WASHER	Washer plain	6
8	595 34 47-01	SCREW	Hex. head screw	6
9	594 46 77-01	PROTECTION	Oil seal	1
10	595 11 51-01	CLAMP	Pipe clamp	1
11	595 12 55-01	BRACKET	Bearing bracket	1
12	594 51 51-01	SEALING	Oil seal	1
13	594 51 50-01	ROLLER BEARING	Ball bearing	1
14	595 11 76-01	O-RING	O-ring, 84.5 x 3 mm, 3.33 x 0.12 in.	1
15	595 11 41-01	CIRCLIP	Lock ring	1
16	594 45 03-01	COVER	Bearing cover	1
17	595 03 66-01	WASHER	Washer DIN125	3
18	594 11 79-01	SCREW	Hex. head screw m8 x 20	3
19	595 04 40-01	WASHER	Lock washer	6
20	595 34 57-01	SCREW	Screw DIN931	6

**F** LP7505  
DRUM INSTALLATION

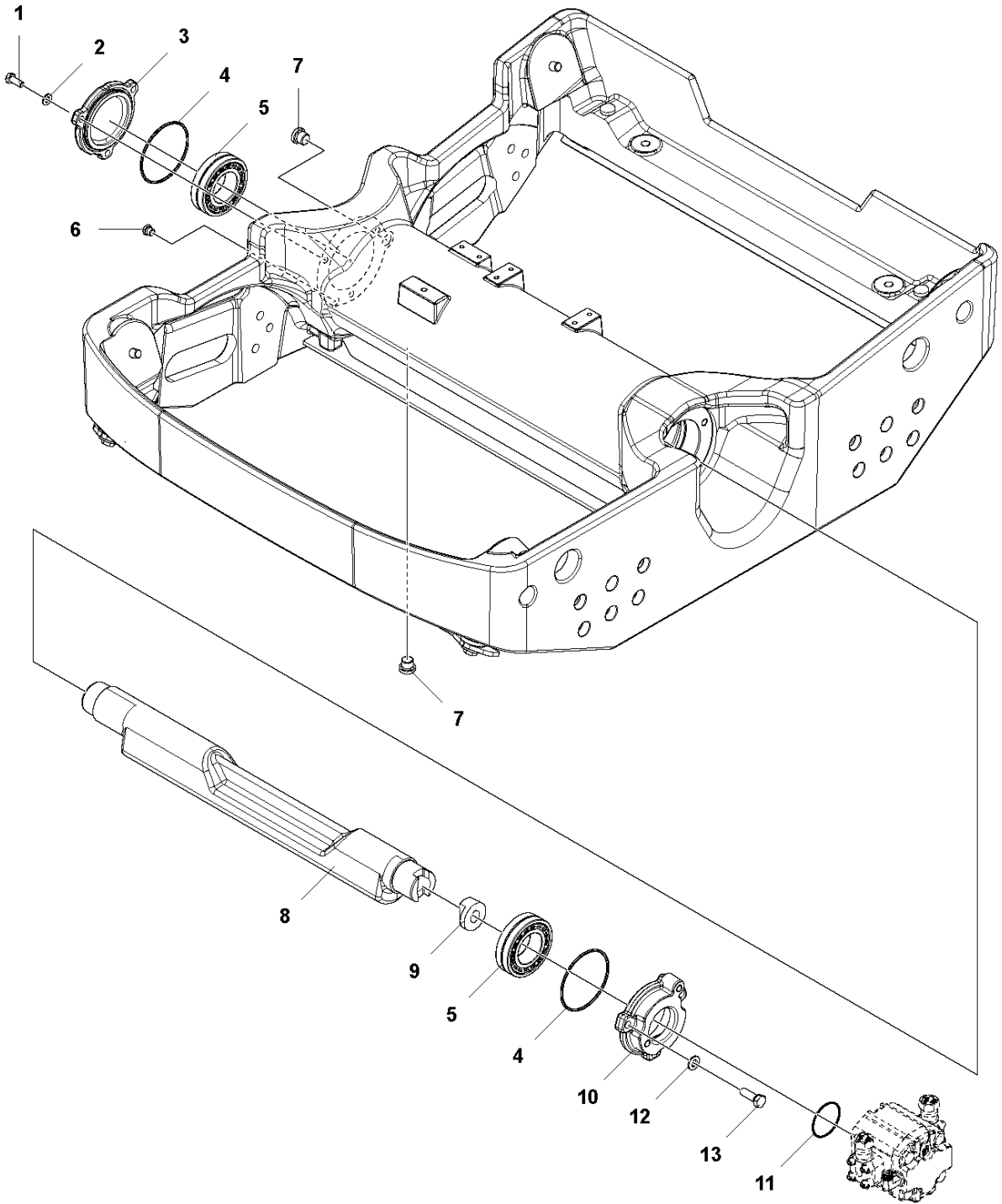


DRUM INSTALLATION

LP 7505, 967897401, 967897402, 2019-08

Ref	Part No	Description	Remark	QTY KIT
1	595 11 16-01	SCREW	Tight fitting screw, M10 D 12x40 mm, Zn-Ni	8
2	595 34 72-01	SOCKET	Hexagon socket head cap screw	16

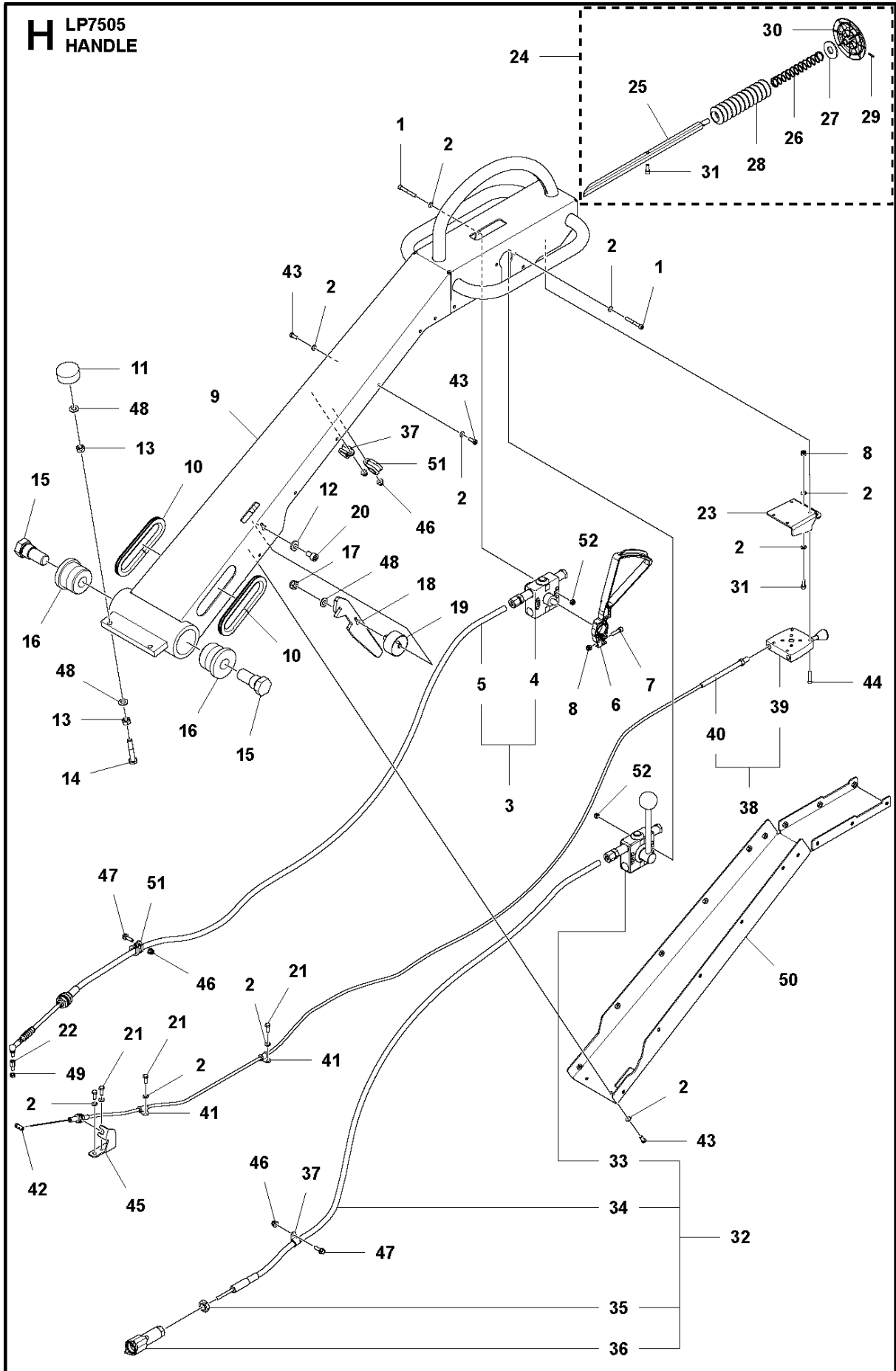
**G** LP7505  
ECCENTRIC ELEMENT



## ECCENTRIC ELEMENT

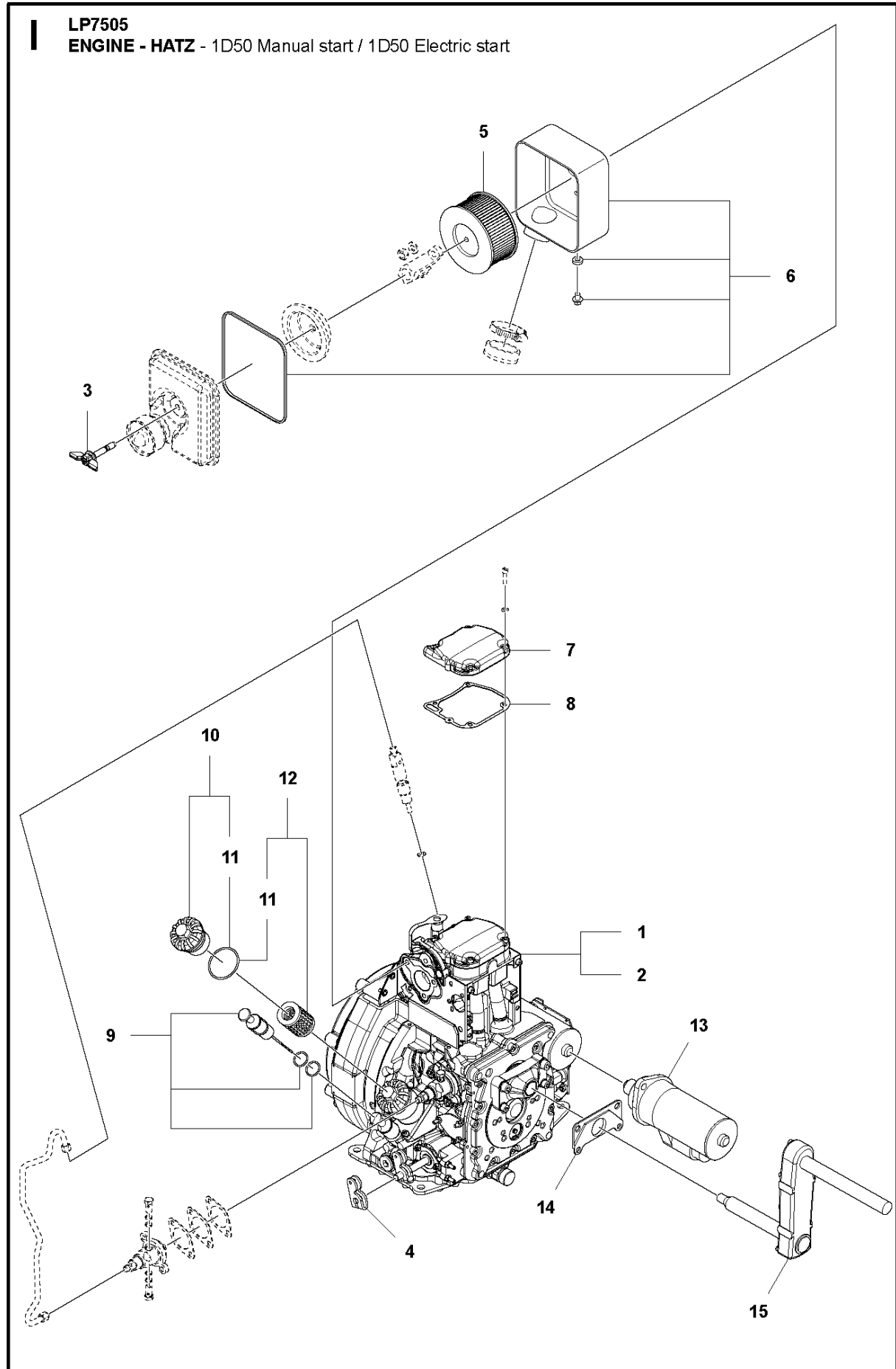
LP 7505, 967897401, 967897402, 2019-08

Ref	Part No	Description	Remark	QTY KIT
1	594 11 79-01	SCREW	Hex. head screw m8 x 20	3
2	595 03 66-01	WASHER	Washer DIN125	3
3	594 45 03-01	COVER	Bearing cover	1
4	595 11 76-01	O-RING	O-ring, 84.5 x 3 mm, 3.33 x 0.12 in.	2
5	594 18 71-01	BALL BEARING	Ball bearing	2
6	594 12 85-01	PLUG	Plug	1
7	595 11 82-01	PLUG	Plug	2
8	595 12 47-01	EXCENTER	Eccentric shaft	1
9	594 45 18-01	CLUTCH	Coupling	1
10	594 45 17-01	COVER	Bearing cover	1
11	595 11 80-01	O-RING	O-ring	1
12	595 11 33-01	WASHER	Washer plain	3
13	594 11 85-01	BOLT	Screw hexagon	3





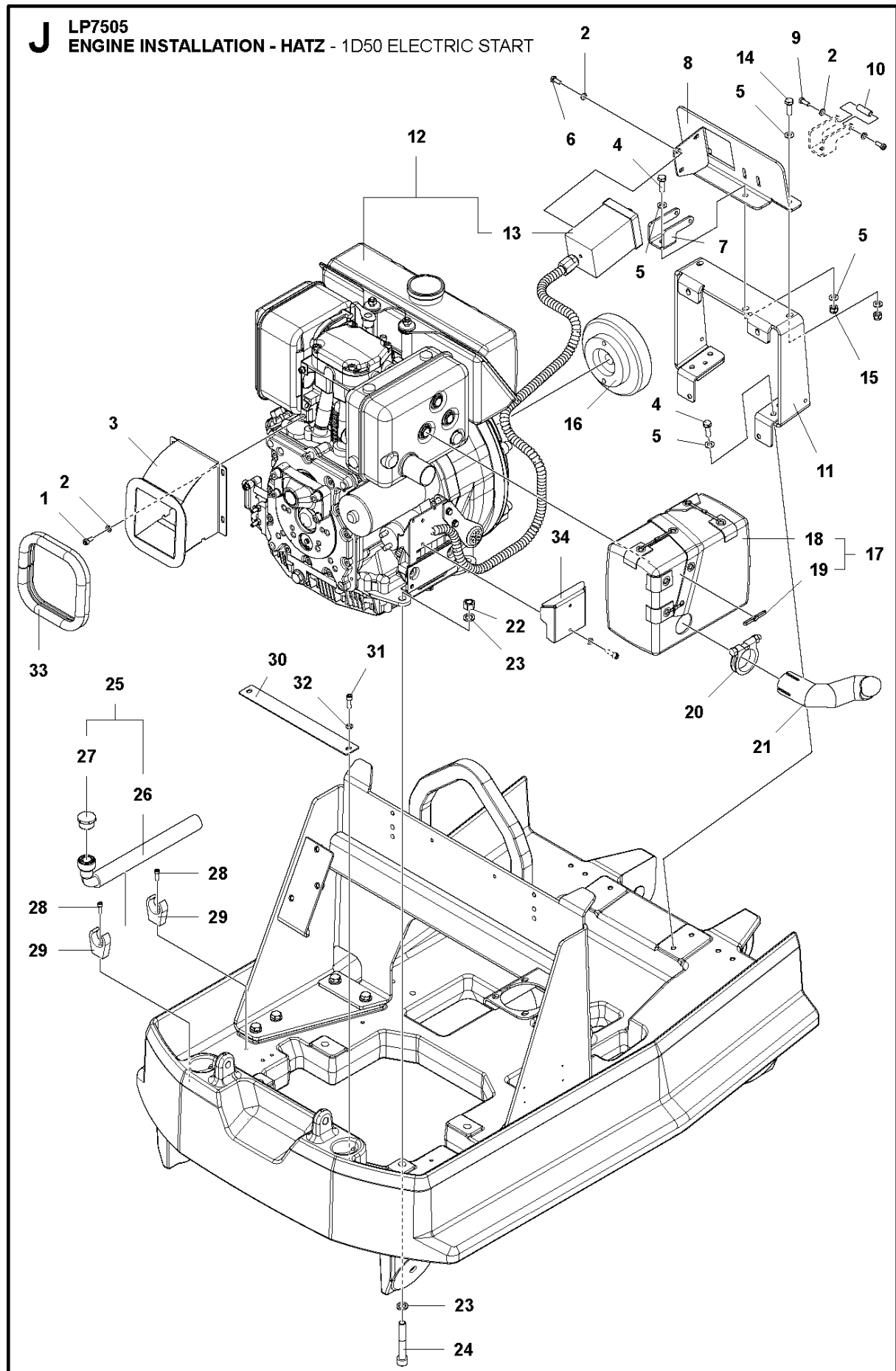
Ref	Part No	Description	Remark	QTY KIT	
1	595 34 82-01	SOCKET	Hex sock. Screw	4	
2	595 03 65-01	WASHER	Plain washer	28	
3	594 17 17-01	CONTROL	Direction control, complete	1	
4	594 60 23-01	HANDLE	Handle and cable support, complete	1	3
5	594 17 30-01	CABLE	Control cable, complete	1	3
6	594 16 67-01	CONTROL LEVER	Control lever	1	
7	595 34 81-01	SOCKET	Hex sock. Screw	1	
8	595 18 71-01	NUT	Nut lock hex m6	1	
9	595 12 34-01	HANDLE	Handle	1	
10	595 36 47-01	TRIM	Edge trim	2	
11	594 51 83-01	RADIATOR	Shock absorber	2	
12	594 74 73-01	WASHER	Washer	1	
13	595 02 94-01	NUT	Nut hexagon	4	
14	595 34 49-01	BOLT	Screw DIN933	2	
15	594 45 06-01	SCREW	Screw	2	
16	594 45 05-01	BUSHING	Bushing	2	
17	594 12 29-01	LOCK NUT	Locknut	1	
18	594 17 01-01	HOOK	Hook	1	
19	594 46 27-01	ABSORBER	Shock absorber	1	
20	594 12 05-01	SCREW	Hex. sock. Screw	1	
21	595 03 32-01	SCREW	Hex. head screw	4	
22	598 04 85-01	SCREW	Throttle control ball joint	1	
23	594 64 51-01	BRACKET	Throttle control bracket	1	
24	594 21 30-01	REPAIR KIT	Push stop complete, repair kit	1	
25	594 15 93-01	SHAFT	Trigger shaft	1	24
26	594 17 72-01	SPRING	Spring	1	24
27	595 11 31-01	WASHER	Plain washer, 17 x 40 x 3 mm	1	24
28	594 17 04-01	BELLOWS	Bellow	1	24
29	595 03 07-01	SPRING PIN	Spring pin	1	24
30	594 17 10-01	BUTTON	Button	1	24
31	595 03 42-01	SCREW	Screw M6x16H 8.8 A2K	2	24
32	594 17 16-01	CONTROL	Vibration control, complete	1	
33	594 59 46-01	HANDLE	Handle and control cable support	1	32
34	594 17 31-01	CABLE	Control cable, complete	1	32
35	595 11 21-01	HEXAGON NUT	Hexagon nut	1	32
36	594 19 33-01	BOLT	Mounting kit	1	32
37	595 11 46-01	PIPE CLAMP	Clamp	2	
38	594 49 20-01	THROTTLE CONTROL	Throttle control cpl. non EPA	1	
39	594 49 07-01	LEVER	Throttle handle	1	38
40	594 44 16-01	CABLE	Control cable, complete	1	38
41	595 11 43-01	CLAMP	Clamp	2	
42	594 33 12-01	NIPPLE	Nipple	1	
43	594 67 12-01	SOCKET	Screw, M6 x 16 mm	20	
44	594 74 71-01	SCREW	Screw, M5 x 30mm ISO A2-70	4	
45	595 12 83-01	BRACKET	Bracket	1	
46	595 11 26-01	NUT	Lock nut, M8	4	
47	594 11 96-01	SCREW	Screw, M6 x 20 mm	2	
48	595 11 33-01	WASHER	Washer plain	5	
49	595 28 75-01	HEXAGON NUT	Hexagon nut	1	
50	595 12 56-01	COVER	Cover	1	
51	594 12 56-01	PIPE CLAMP	Pipe clamp	2	
52	595 03 60-01	LOCK NUT	Nut	4	



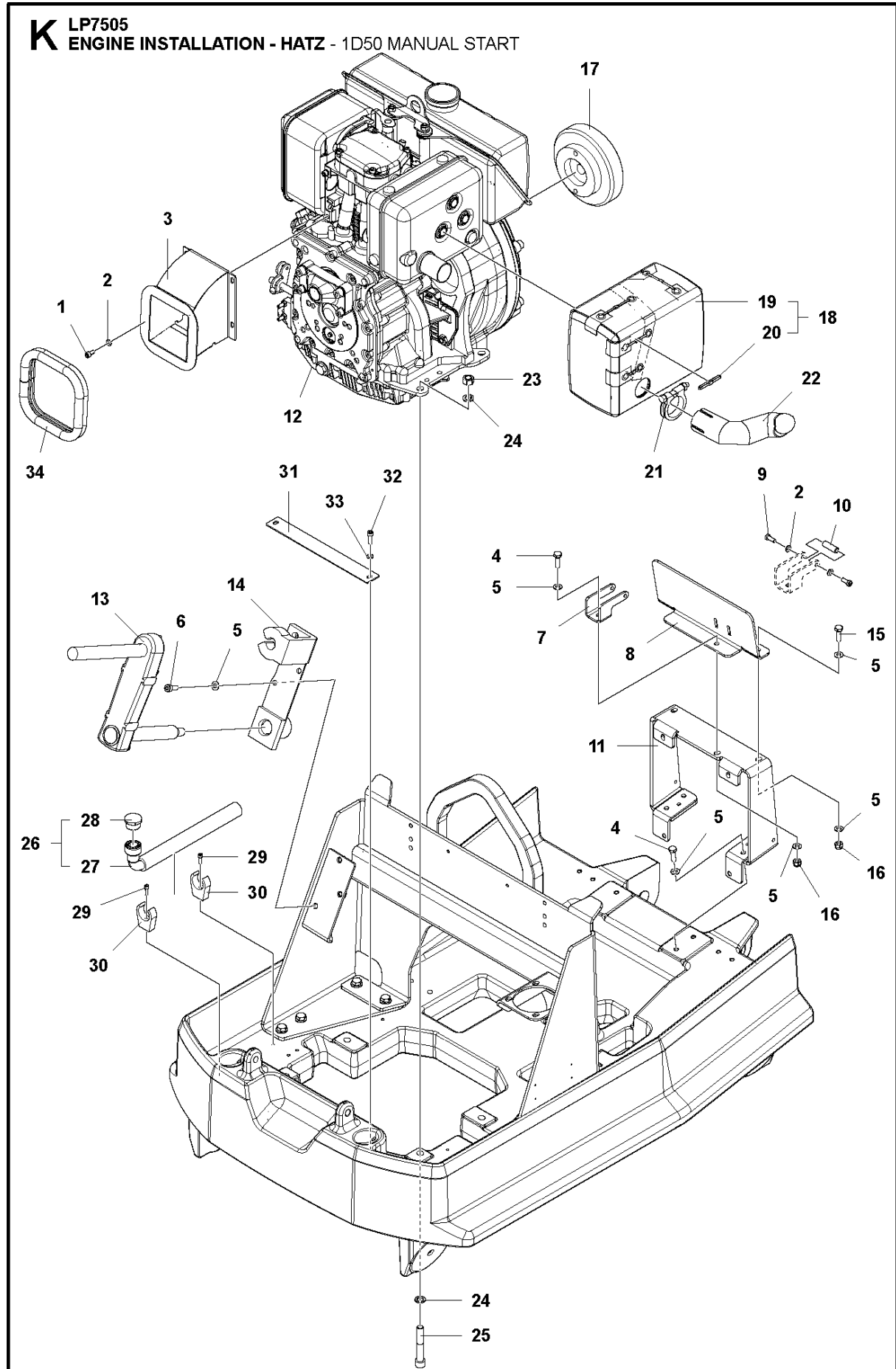
## ENGINE - HATZ

LP 7505, 967897401, 967897402, 2019-08

Ref	Part No	Description	Remark	QTY	KIT
1	595 12 63-01	ENGINE	Engine Hatz 1D50, complete	1	
2	595 12 62-01	ENGINE	Engine Hatz 1D50 Manual start, complete	1	
3	594 57 15-01	NUT	Nut	1	
4	594 30 68-01	LEVER	Throttle lever	1	
5	594 30 26-01	AIR FILTER	Air Filter element	1	
6	594 56 55-01	FILTER HOUSING	Housing, complete	1	
7	594 59 50-01	COVER	Valve cover	1	
8	594 30 28-01	GASKET	Valve cover gasket	1	
9	594 30 30-01	DIPSTICK	Oil dipstick, complete	1	
10	594 55 73-01	COVER	Oil filter cover, complete	1	
11	594 30 29-01	GASKET	O-ring	1	10, 12
12	595 37 25-01	OIL FILTER	Oil filter	1	
13	594 58 93-01	STARTER	Starter	1	
14	594 56 01-01	GASKET	Gasket	1	
15	594 48 56-01	CRANK	Crank handle	1	

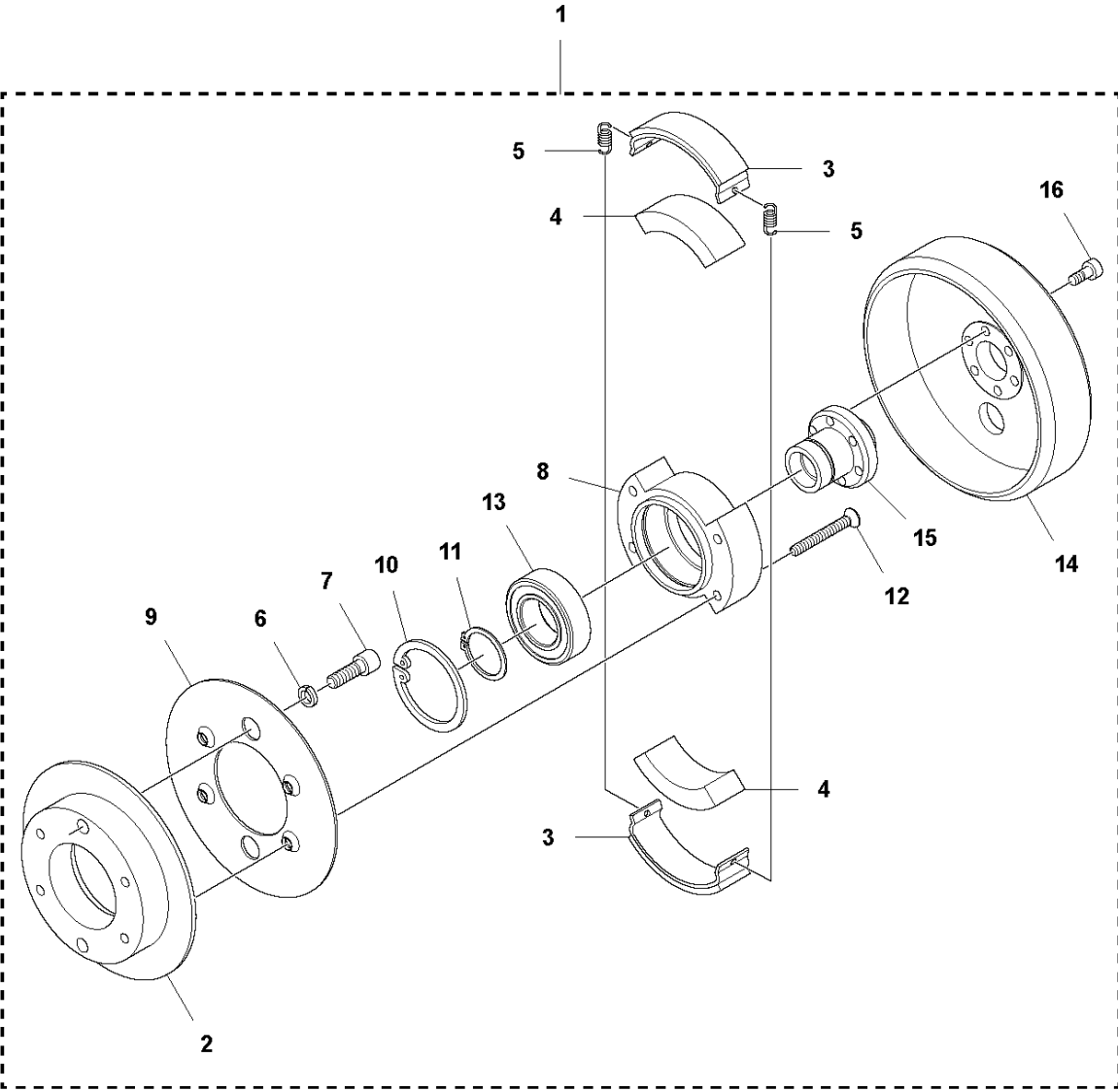


Ref	Part No	Description	Remark	QTY	KIT
1	595 34 79-01	SOCKET	Screw	2	
2	595 03 65-01	WASHER	Plain washer	7	
3	595 36 67-01	INLET	Air inlet	1	
4	595 03 34-01	SCREW	Hex. head screw M8x25	5	
5	595 03 66-01	WASHER	Washer DIN125	10	
6	595 03 32-01	SCREW	Hex. head screw	3	
7	594 17 00-01	BRACKET	Bracket	1	
8	595 36 25-01	HOLDER	Holder, control panel	1	
9	594 67 12-01	SOCKET	Screw, M6 x 16 mm	2	
10	594 17 02-01	SHAFT	Shaft	1	
11	594 18 82-01	BRACKET	Bracket, oil cooler	1	
12	595 12 63-01	ENGINE	Engine Hatz 1D50 Electric start, complete	1	
13	595 38 44-01	BOX	Start box, complete	1	12
14	594 11 79-01	SCREW	Hex. head screw m8 x 20	2	
15	595 35 23-01	NUT	Lock nut	3	
16	594 46 53-01	CLUTCH	Clutch, complete	1	
17	594 21 31-01	PROTECTION	Heat protection, complete	1	
18	595 36 77-01	PROTECTION	Heat protection	1	17
19	594 18 22-01	CABLE	Cable tie, stainless	4	17
20	595 11 49-01	PIPE CLAMP	Clamp	1	
21	594 18 45-01	EXHAUST PIPE	Exhaust pipe	1	
22	595 35 18-01	NUT	Hexagon nut m12	4	
23	595 11 89-01	LOCKWASHER	Lock washer	8	
24	595 34 91-01	SOCKET	Hex. sock. screw	4	
25	594 76 16-01	HOSE	Oil drain hose, complete	1	
26	595 97 84-01	HOSE	Mangueira	1	25
27	594 18 03-01	PLUG	Plug	1	25
28	595 34 75-01	SOCKET	Screw, MC6S M5 x 16 mm 8.8 fzb	2	
29	594 32 95-01	CLIP	Clip	2	
30	595 37 04-01	PLATE	Plate	1	
31	595 34 80-01	SCREW	Hex sock. screw	2	
32	595 03 65-01	WASHER	Plain washer	2	
33	595 36 68-01	TRIM	Edge trim	1	
34	595 37 03-01	PROTECTION	Protective plate	1	



Ref	Part No	Description	Remark	QTY	KIT
1	595 34 79-01	SOCKET	Screw	2	
2	595 03 65-01	WASHER	Plain washer	6	
3	595 36 67-01	INLET	Air inlet	1	
4	595 03 34-01	SCREW	Hex. head screw m8 x 25	5	
5	595 03 66-01	WASHER	Washer DIN125	10	
6	595 34 83-01	SOCKET	Screw	3	
7	594 17 00-01	BRACKET	Bracket	1	
8	595 12 53-01	HOLDER	Holder	1	
9	594 67 12-01	SOCKET	Screw, M6 x 16 mm	2	
10	594 17 02-01	SHAFT	Shaft	1	
11	594 18 82-01	BRACKET	Bracket, oil cooler	1	
12	595 12 62-01	ENGINE	Engine Hatz 1D50 Manual start, complete	1	
13	594 48 56-01	CRANK	Safety crank handle	1	
14	594 33 04-01	CRANK	Crank holder	1	
15	594 11 79-01	SCREW	Hex. head screw m8 x 20	2	
16	595 35 23-01	NUT	Lock nut	3	
17	594 46 53-01	CLUTCH	Clutch, complete	1	
18	594 21 31-01	PROTECTION	Heat protection, complete	1	
19	595 36 77-01	PROTECTION	Heat protection	1	18
20	594 18 22-01	CABLE	Cable tie, stainless	4	18
21	595 11 49-01	PIPE CLAMP	Clamp	1	
22	594 18 45-01	EXHAUST PIPE	Exhaust pipe	1	
23	595 35 18-01	NUT	Hexagon nut m12	4	
24	595 11 89-01	LOCKWASHER	Lock washer	8	
25	595 34 91-01	SOCKET	Hex. sock. screw	4	
26	594 76 16-01	HOSE	Oil drain hose, complete	1	
27	595 97 84-01	HOSE	Mangueira	1	26
28	594 18 03-01	PLUG	Plug	1	26
29	595 34 75-01	SOCKET	Screw, MC6S M5 x 16 mm 8.8 fzb	2	
30	594 32 95-01	CLIP	Clip	2	
31	595 37 04-01	PLATE	Plate	1	
32	595 34 80-01	SCREW	Hex sock. screw	2	
33	595 03 65-01	WASHER	Plain washer	2	
34	595 36 68-01	TRIM	Edge trim	1	

**L** LP7505  
CENTRIFUGAL CLUTCH - HATZ



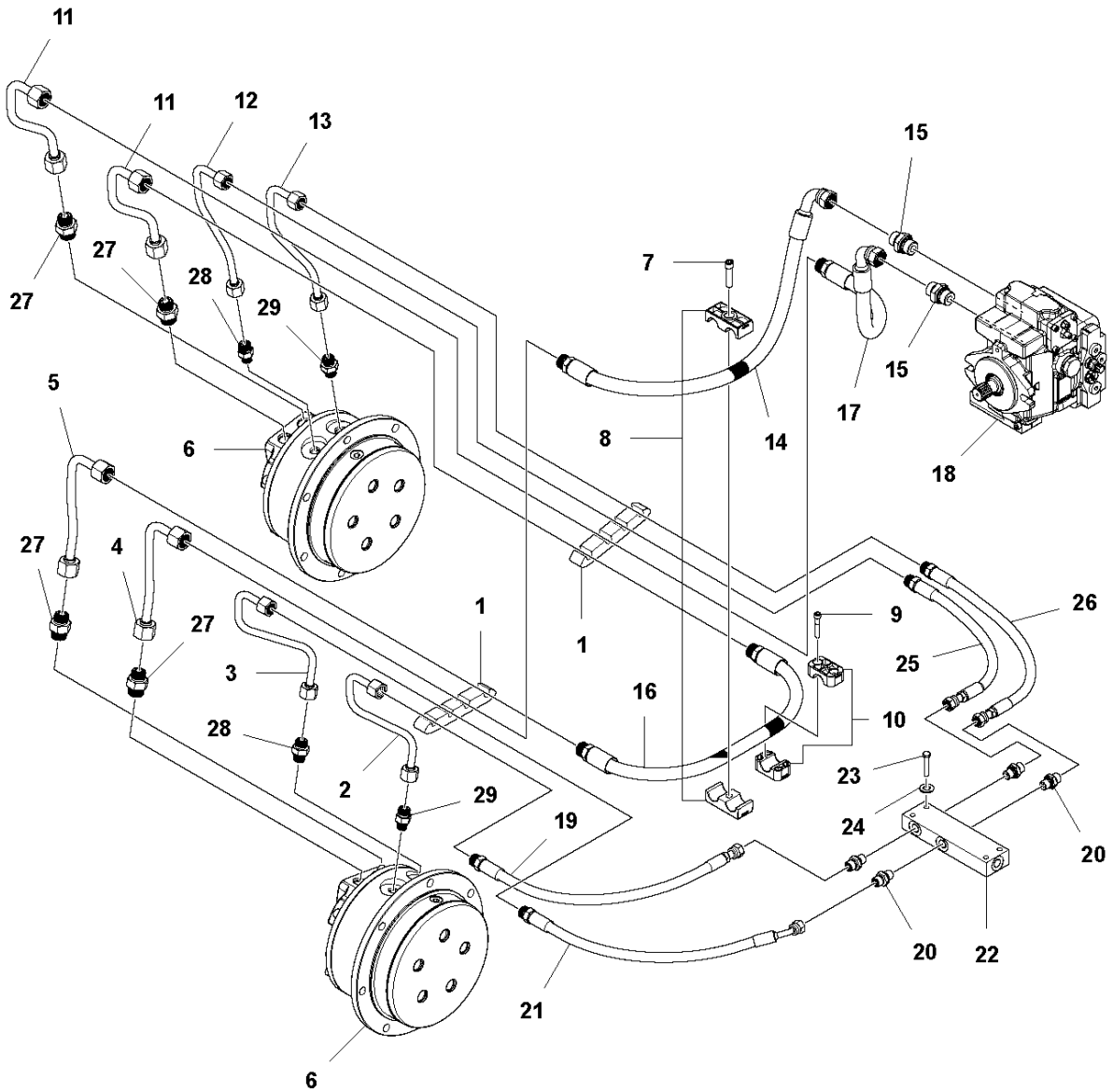


## CLUTCH

LP 7505, 967897401, 967897402, 2019-08

Ref	Part No	Description	Remark	QTY KIT	
1	594 46 53-01	CLUTCH	Clutch, complete	1	
2	595 47 13-01	FLANGE	Flange	1	1
3	594 31 55-01	BRAKE LINING	Lining	2	1
4	594 58 71-01	WEIGHT	Weight	2	1
5	594 49 45-01	SPRING	Spring	2	1
6	594 31 57-01	RETAINER RING	Lock washer	2	1
7	594 58 74-01	SCREW	Screw	2	1
8	594 58 46-01	HUB	Hub	1	1
9	594 56 49-01	COVER	Cover	1	1
10	595 47 04-01	RING	Retaining ring	1	1
11	595 47 05-01	RING	Retaining ring	1	1
12	594 57 25-01	SCREW	Screw	4	1
13	595 47 03-01	BALL BEARING	Bearing	1	1
14	594 57 92-01	CLUTCH	Clutch housing	1	1
15	594 58 68-01	FLANGE	Flange	1	1
16	594 56 16-01	SCREW	Screw M6x12	6	1

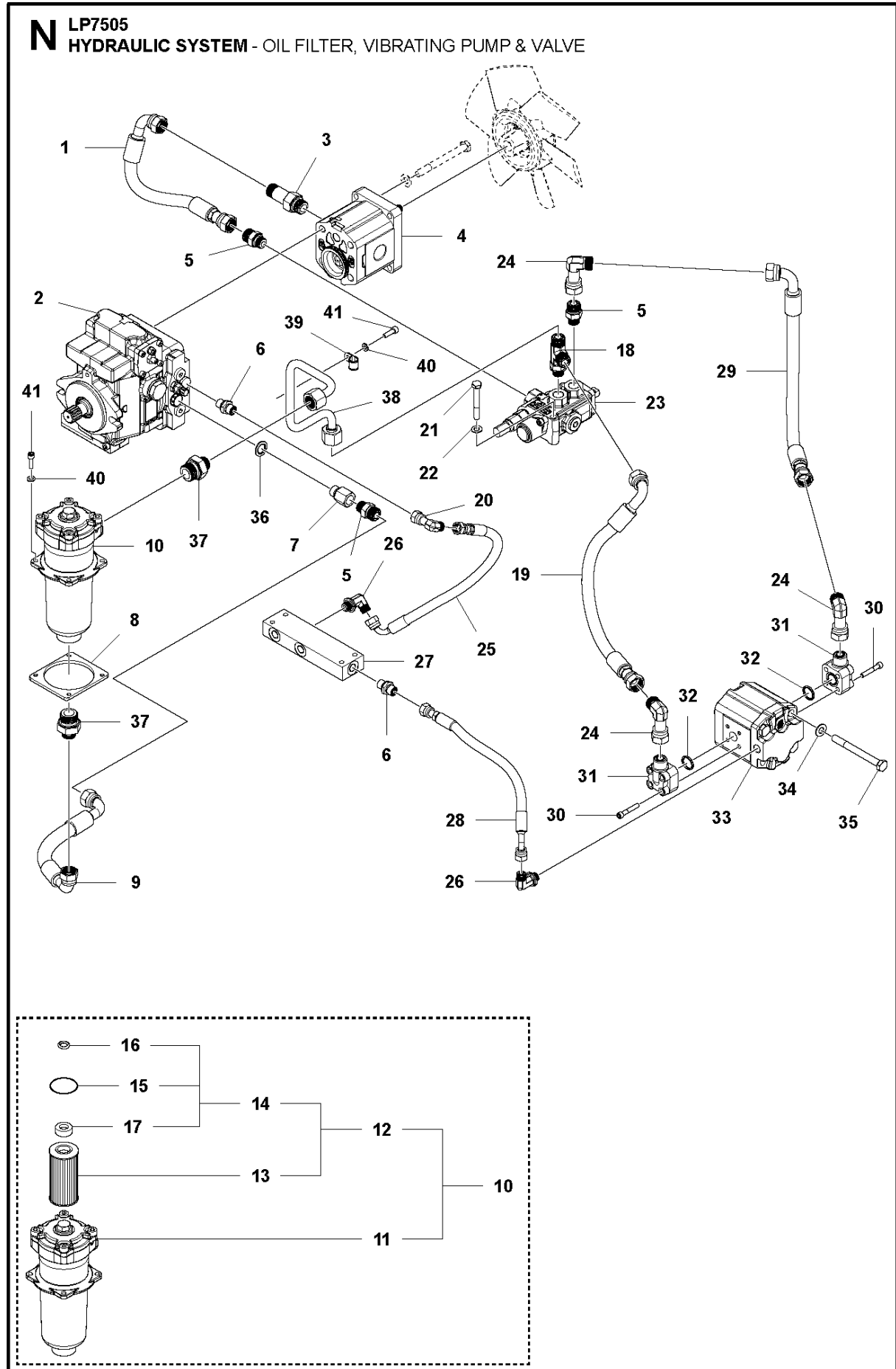
**M** LP7505  
HYDRAULIC SYSTEM - DRUM MOTOR INSTALLATION



## HYDRAULIC SYSTEM

LP 7505, 967897401, 967897402, 2019-08

Ref	Part No	Description	Remark	QTY KIT
1	594 17 69-01	PIPE	Pipe support	2
2	594 17 20-01	HYDRAULIC PIPE	Hydraulic pipe	1
3	594 17 24-01	HYDRAULIC PIPE	Hydraulic pipe	1
4	594 17 21-01	HYDRAULIC PIPE	Hydraulic pipe	1
5	594 17 22-01	HYDRAULIC PIPE	Hydraulic pipe	1
6	595 12 57-01	DRUM	Drum motor	2
7	595 34 85-01	SCREW	Hex sock. screw	1
8	595 36 61-01	HOLDER	Hose holder	1
9	594 12 03-01	SCREW	Hex sock. screw	2
10	594 17 76-01	HOSE	Hose holder	1
11	594 17 23-01	HYDRAULIC PIPE	Hydraulic pipe	2
12	594 17 25-01	HYDRAULIC PIPE	Hydraulic pipe	1
13	594 17 26-01	HYDRAULIC PIPE	Hydraulic pipe	1
14	595 36 52-01	HYDRAULIC HOSE	Hydraulic hose	1
15	595 03 85-01	ADAPTER	Nipple, complete	2
16	594 75 43-01	HOSE	Hydraulic hose	1
17	595 36 60-01	HYDRAULIC HOSE	Hydraulic hose	1
18	594 17 75-01	HYDRAULIC PUMP	Hydraulic pump	1
19	594 75 45-01	HOSE	Hydraulic hose	1
20	595 11 60-01	CONNECTION	Connection	4
21	594 75 41-01	HOSE	Hydraulic hose	1
22	595 36 51-01	BLOCK	Hydraulic block	1
23	594 12 03-01	SCREW	Hex sock. screw	4
24	595 03 65-01	WASHER	Plain washer	4
25	594 75 44-01	HOSE	Hydraulic hose	1
26	594 75 42-01	HOSE	Hydraulic hose	1
27	595 11 67-01	CONNECTOR	Straight connector	4
28	595 11 65-01	CONNECTOR	Straight connector	2
29	595 11 62-01	CONNECTOR	Straight connector	2

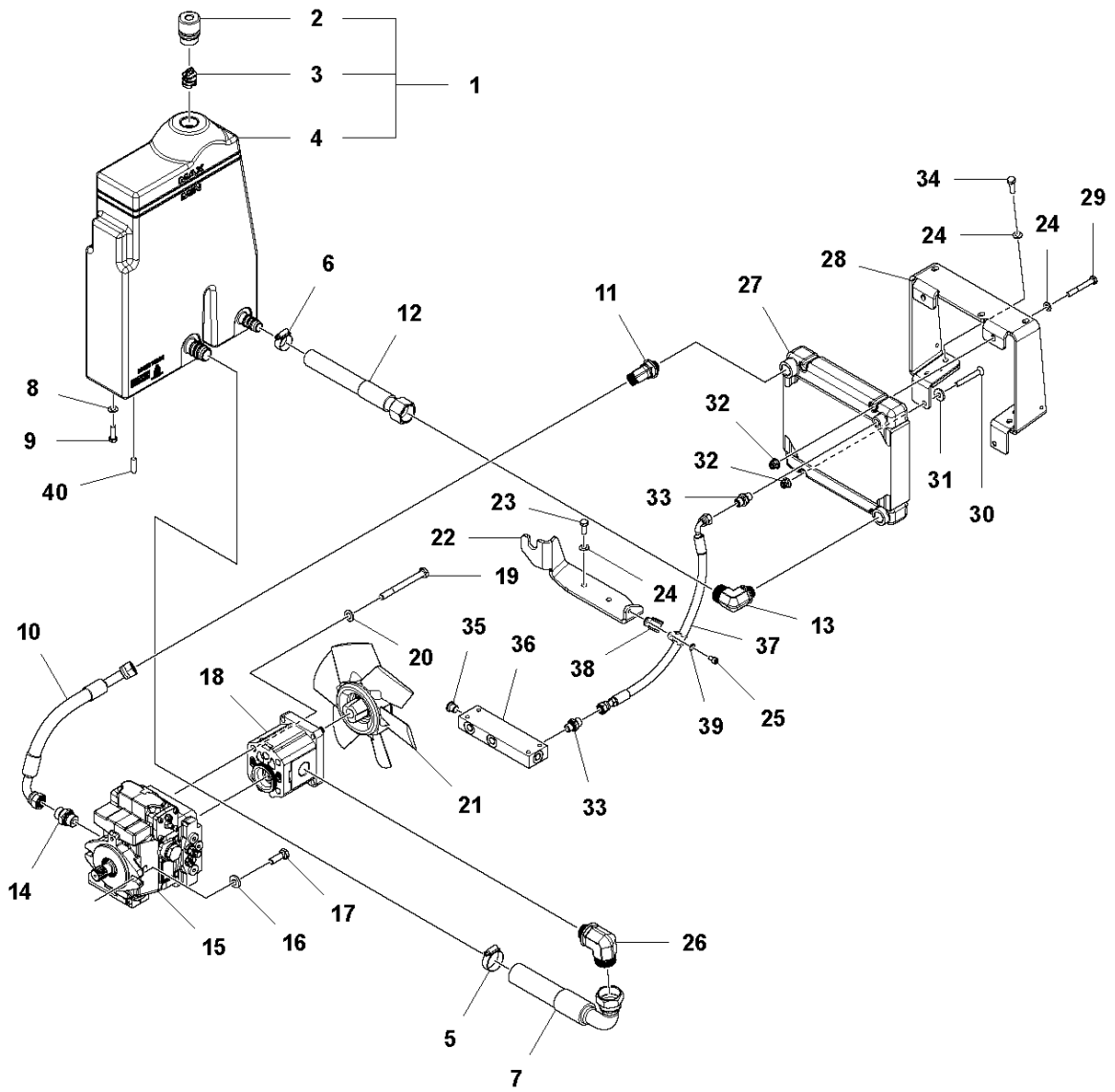


## HYDRAULIC SYSTEM

LP 7505, 967897401, 967897402, 2019-08

Ref	Part No	Description	Remark	QTY	KIT
1	594 75 56-01	HOSE	Hydraulic hose	1	
2	594 17 75-01	HYDRAULIC PUMP	Hydraulic pump	1	
3	595 11 66-01	CONNECTION	Hose connection	1	
4	594 17 93-01	HYDRAULIC PUMP	Hydraulic pump	1	
5	595 11 61-01	CONNECTION	Straight connection	3	
6	595 11 60-01	CONNECTION	Connection	2	
7	595 11 72-01	CONNECTION	Hose connection	1	
8	598 09 18-01	BRACKET	Bracket	1	
9	595 36 56-01	HYDRAULIC HOSE	Hydraulic hose	1	
10	594 17 73-01	OIL FILTER	Hydraulic oil filter, complete	1	
11	000 00 00-00	W/O DESCRIPTION	Housing	1	10
12	594 21 36-01	OIL FILTER	Hydraulic oil filter, complete	1	10
13	594 17 18-01	OIL FILTER	Hydraulic oil filter	1	10, 12
14	594 76 14-01	O-RING	Kit, O-ring	1	10, 12
15	000 00 00-00	W/O DESCRIPTION	O-ring	1	10, 12, 14
16	000 00 00-00	W/O DESCRIPTION	O-ring	1	10, 12, 14
17	594 76 15-01	RETAINER	Contamination retainer	1	10, 12, 14
18	595 11 71-01	CONNECTION	T-connection	1	
19	595 36 57-01	HYDRAULIC HOSE	Hydraulic hose	1	
20	594 12 70-01	CONNECTOR	Connector	1	
21	594 11 81-01	SCREW	Hex. Head screw	2	
22	595 03 66-01	WASHER	Washer DIN125	2	
23	594 17 07-01	VALVE	Vibrating valve	1	
24	594 12 69-01	CONNECTOR	Pipe Connector	3	
25	595 12 69-01	HYDRAULIC HOSE	Hydraulic hose	1	
26	594 12 73-01	CONNECTOR	Connector	2	
27	595 36 51-01	BLOCK	Hydraulic block	1	
28	595 36 58-01	HYDRAULIC HOSE	Hydraulic hose	1	
29	595 12 73-01	HYDRAULIC HOSE	Hydraulic hose	1	
30	594 12 03-01	SCREW	Hex sock. screw	8	
31	595 36 64-01	FLANGE	Flange fitting	2	
32	594 74 83-01	O-RING	O-ring	2	
33	594 17 92-01	HYDRAULIC PUMP	Hydraulic motor	1	
34	595 11 33-01	WASHER	Washer plain	2	
35	595 34 50-01	SCREW	Hex. head screw	2	
36	595 35 48-01	WASHER	Seal washer	1	
37	595 11 63-01	CONNECTOR	Straight connector	2	
38	594 17 74-01	HYDRAULIC PIPE	Hydraulic pipe	1	
39	595 11 46-01	PIPE CLAMP	Clamp	1	
40	595 03 65-01	WASHER	Plain washer	5	
41	595 34 80-01	SCREW	Hex sock. screw	5	

**LP7505**  
**HYDRAULIC SYSTEM - OIL TANK, RADIATOR & PUMPS**

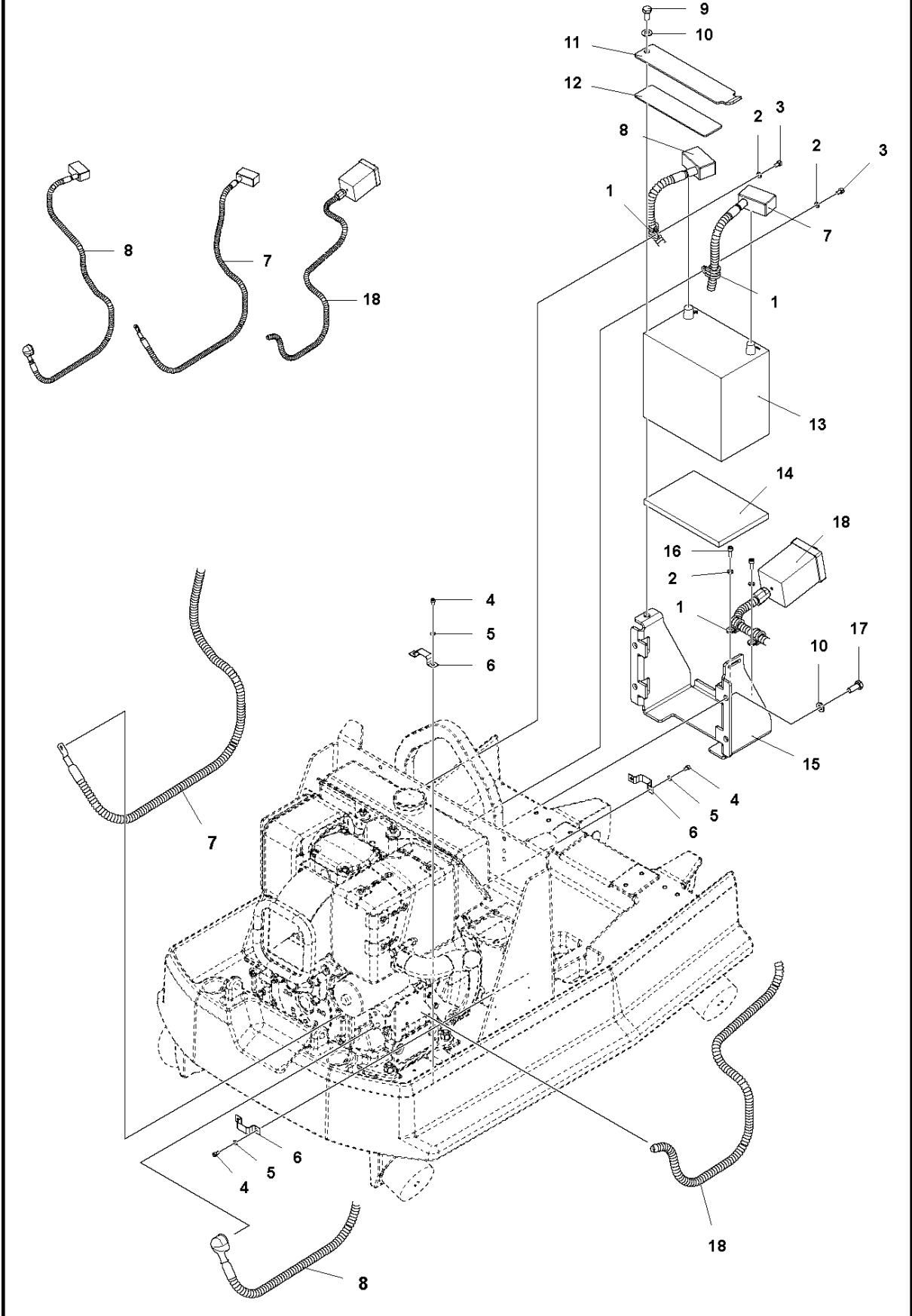


## HYDRAULIC SYSTEM

LP 7505, 967897401, 967897402, 2019-08

Ref	Part No	Description	Remark	QTY	KIT
1	594 21 19-01	HYDRAULIC TANK	Hydraulic oil tank, complete	1	
2	595 05 10-01	FILTER	Ventilating filter	1	1
3	594 46 61-01	GUARD	Splash guard	1	1
4	000 00 00-00	W/O DESCRIPTION	Oil tank	1	1
5	595 11 53-01	HOSE CLAMP	Hose clamp	1	
6	595 11 52-01	HOSE CLAMP	Hose clamp	1	
7	594 75 52-01	HOSE	Hydraulic hose	1	
8	595 03 66-01	WASHER	Washer DIN125	2	
9	595 28 72-01	SCREW	Hex.head screw m8	2	
10	594 75 62-01	HOSE	Hydraulic hose	1	
11	595 11 69-01	ELBOW	Elbow	1	
12	594 75 53-01	HOSE	Hydraulic hose	1	
13	594 74 82-01	ELBOW	Elbow	1	
14	595 03 85-01	ADAPTER	Nipple, complete	1	
15	594 17 75-01	HYDRAULIC PUMP	Hydraulic pump	1	
16	594 74 73-01	WASHER	Washer	2	
17	594 11 85-01	BOLT	Screw	2	
18	594 17 93-01	HYDRAULIC PUMP	Hydraulic pump	1	
19	595 34 59-01	SCREW	Screw, M10 x 1.25 x 100 mm 8.8	4	
20	595 11 33-01	WASHER	Washer plain	4	
21	594 17 87-01	FAN	Fan	1	
22	595 36 48-01	BRACKET	Bracket	1	
23	594 11 79-01	SCREW	Hex. head screw m8 x 20	2	
24	595 03 66-01	WASHER	Washer DIN125	10	
25	595 34 78-01	SOCKET	Screw M6x10 ISO 4762	1	
26	595 11 68-01	ELBOW	Elbow	1	
27	594 18 00-01	COOLER	Oil cooler	1	
28	594 18 82-01	BRACKET	Bracket, oil cooler	1	
29	594 11 81-01	SCREW	Hex. Head screw	2	
30	594 12 12-01	SCREW	Countersunk screw	2	
31	594 12 34-01	WASHER	8.4 x 16 x 1.5 mm, 0.33 x 0.63 x 0.06 in. 300 HV	2	
32	595 03 57-01	NUT	Nut	4	
33	595 11 60-01	CONNECTION	Connection	2	
34	594 11 79-01	SCREW	Hex. head screw m8 x 20	4	
35	595 35 53-01	PLUG	Hex. sock. plug	1	
36	595 36 51-01	BLOCK	Hydraulic block	1	
37	595 12 68-01	HYDRAULIC HOSE	Hydraulic hose	1	
38	595 11 44-01	PIPE CLAMP	Pipe clamp	2	
39	595 03 65-01	WASHER	Plain washer	1	
40	595 34 69-01	SCREW	Screw M8 x 30mm	2	

**P** LP7505  
ELECTRICAL - ELECTRIC EQUIPMENT



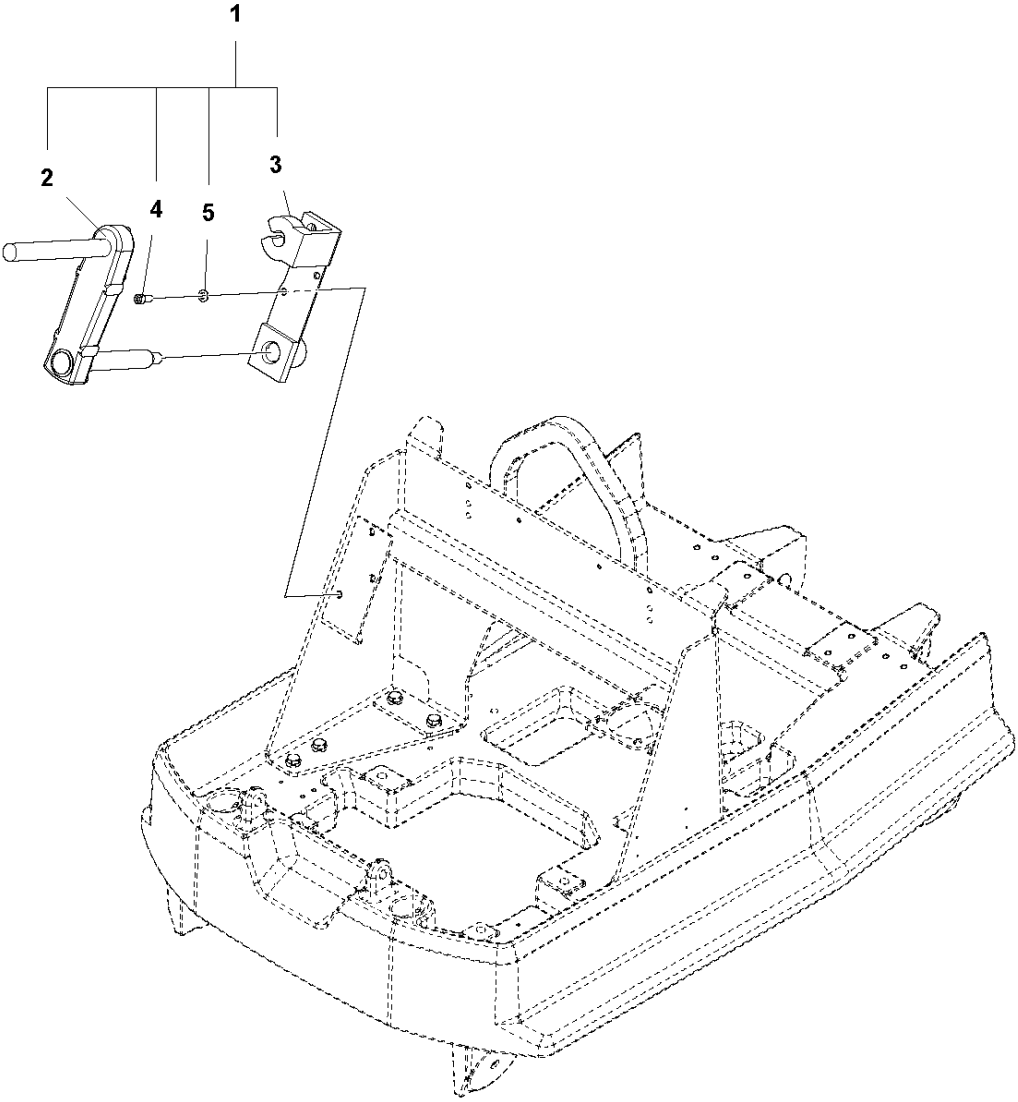


## ELECTRICAL

LP 7505, 967897401, 967897402, 2019-08

Ref	Part No	Description	Remark	QTY KIT
1	594 12 56-01	PIPE CLAMP	Pipe clamp	4
2	595 03 65-01	WASHER	Plain washer	4
3	595 03 42-01	SCREW	Screw	2
4	595 11 09-01	SCREW	Hex. sock screw	6
5	594 12 38-01	PLANE WASHER	Plain washer	6
6	595 17 45-01	CLAMP	Clamp	3
7	595 12 59-01	CONNECTION	Connection cable, complete (-)	1
8	595 12 58-01	CONNECTION	Connection cable, complete (+)	1
9	594 11 85-01	BOLT	Screw hexagon	1
10	595 11 33-01	WASHER	Washer plain	5
11	594 16 79-01	BATTERY	Battery securing plate	1
12	594 17 32-01	PROTECTION	Rubber protection	1
13	595 36 59-01	BATTERY	Battery	1
14	595 36 46-01	PROTECTION	Rubber protection	1
15	595 12 82-01	HOLDER	Battery holder	1
16	595 03 42-01	SCREW	Screw	2
17	595 34 47-01	SCREW	Hex. head screw	4
18	594 43 17-01	BOX	BOX Control with Connection cable (for electric start)	1

**Q** LP7505  
ACCESSORIES - CRANK HANDLE KIT

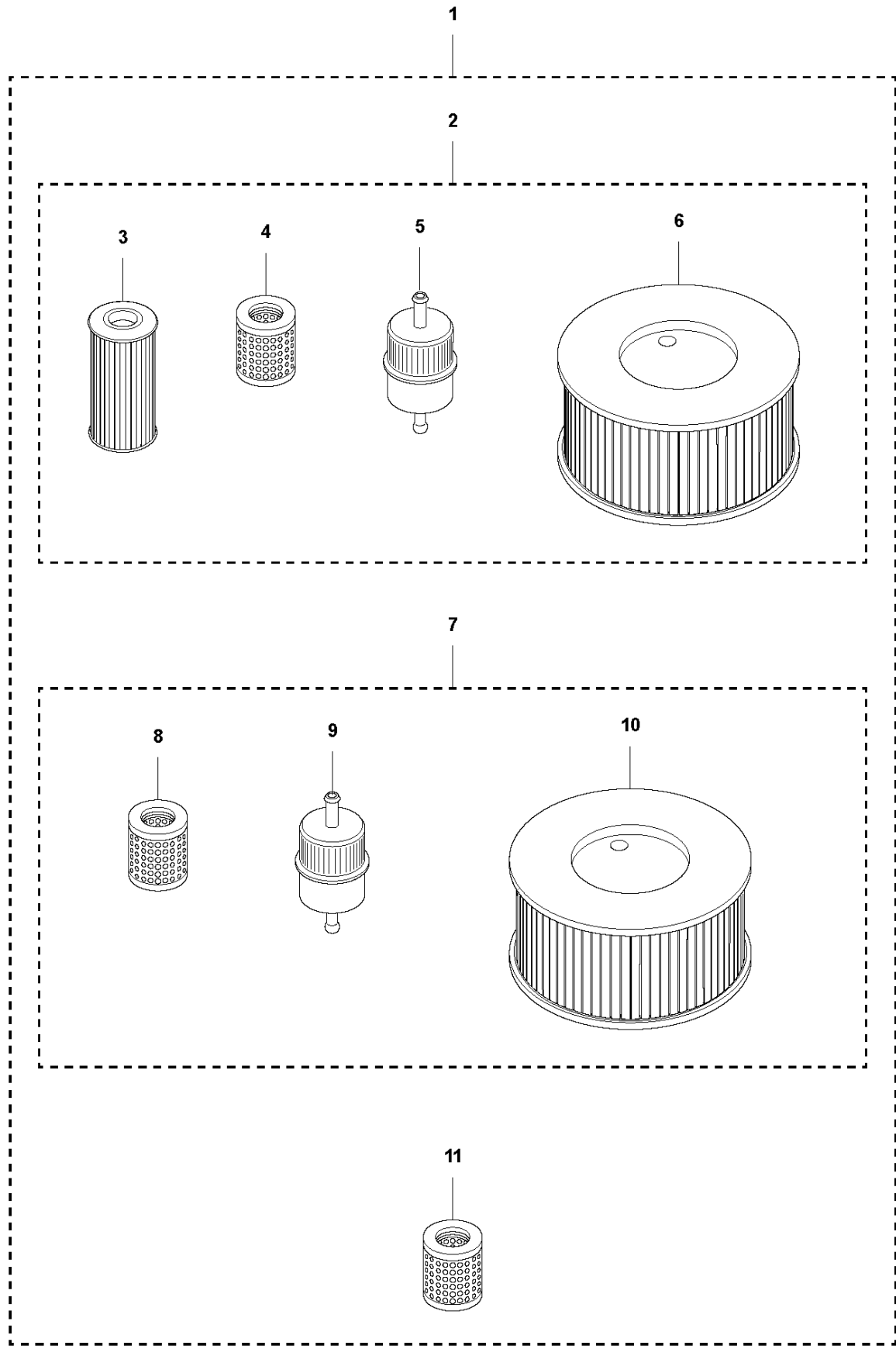


## ACCESSORIES

LP 7505, 967897401, 967897402, 2019-08

Ref	Part No	Description	Remark	QTY	KIT
1	594 17 09-01	CRANK	Safety crank handle kit	1	
2	594 48 56-01	CRANK	Safety crank handle	1	1
3	594 33 04-01	CRANK	Crank holder	1	1
4	595 34 83-01	SOCKET	Screw	3	1
5	595 03 66-01	WASHER	Washer DIN125	3	1

**R** LP7505  
START UP KIT-HATZ - 1D50

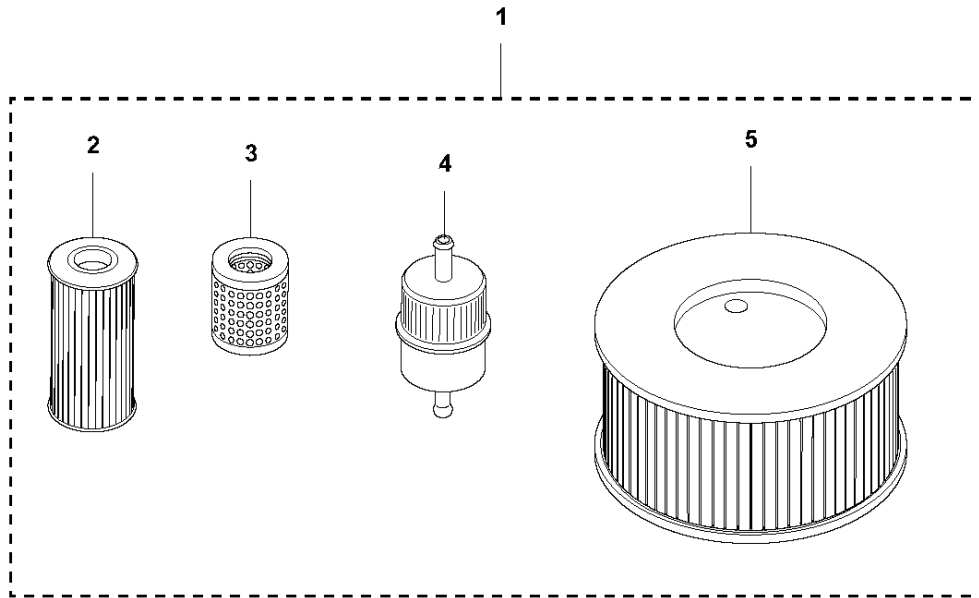


## START UP KIT - HATZ

LP 7505, 967897401, 967897402, 2019-08

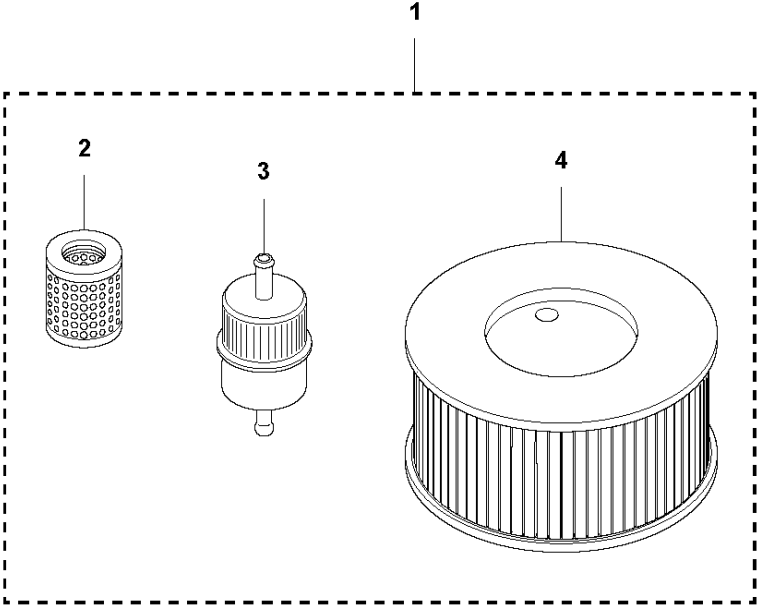
Ref	Part No	Description	Remark	QTY KIT	
1	594 21 71-01	SERVICE KIT	Start Up Kit	1	
2	594 21 48-01	SERVICE KIT	500 Hours Service Kit / 12 Months Service Kit	1	1
3	594 17 18-01	OIL FILTER	Hydraulic oil filter	1	1, 2
4	594 30 24-01	OIL FILTER	Oil filter	1	1, 2
5	595 13 04-01	FUEL FILTER	Fuel filter	1	1, 2
6	594 30 26-01	AIR FILTER	Air Filter element	1	1, 2
7	594 21 49-01	SERVICE KIT	Every 250 hours / six months kit	1	1
8	594 30 24-01	OIL FILTER	Oil filter	1	1, 7
9	595 13 04-01	FUEL FILTER	Fuel filter	1	1, 7
10	594 30 26-01	AIR FILTER	Air Filter element	1	1, 7
11	594 30 24-01	OIL FILTER	Oil filter	1	1

**S** LP7505  
12 MONTHS / 500 HOURS SERVICE KIT - HATZ - 1D50



Ref	Part No	Description	Remark	QTY KIT
1	594 21 48-01	SERVICE KIT	500 Hours Service Kit / 12 Months Service Kit	1
2	594 17 18-01	OIL FILTER	Hydraulic oil filter	1 1
3	594 30 24-01	OIL FILTER	Oil filter	1 1
4	595 13 04-01	FUEL FILTER	Fuel filter	1 1
5	594 30 26-01	AIR FILTER	Air Filter element	1 1

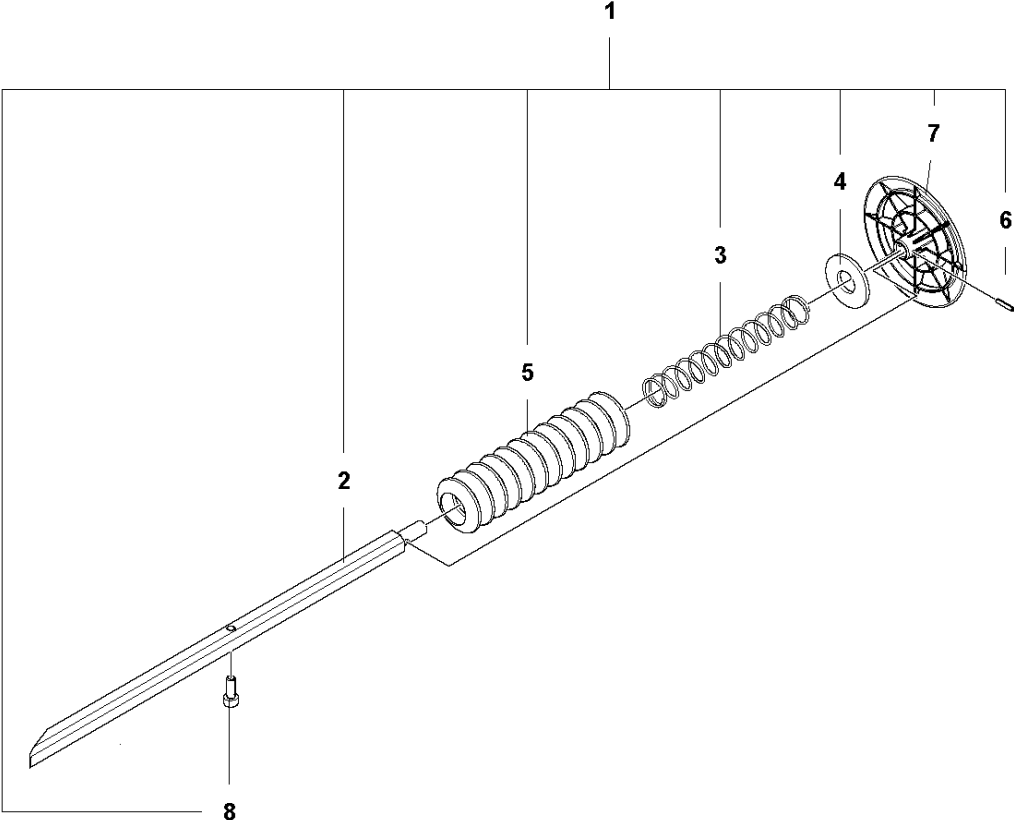
**T** LP7505  
6 MONTHS / 250 HOURS SERVICE KIT - HATZ - 1D50





Ref	Part No	Description	Remark	QTY KIT	
1	594 21 49-01	SERVICE KIT	Every 250 hours / six months kit	1	
2	594 30 24-01	OIL FILTER	Oil filter	2	1
3	595 13 04-01	FUEL FILTER	Fuel filter	3	1
4	594 30 26-01	AIR FILTER	Air Filter element	4	1

**U** LP7505  
PUSH STOP REPAIR KIT

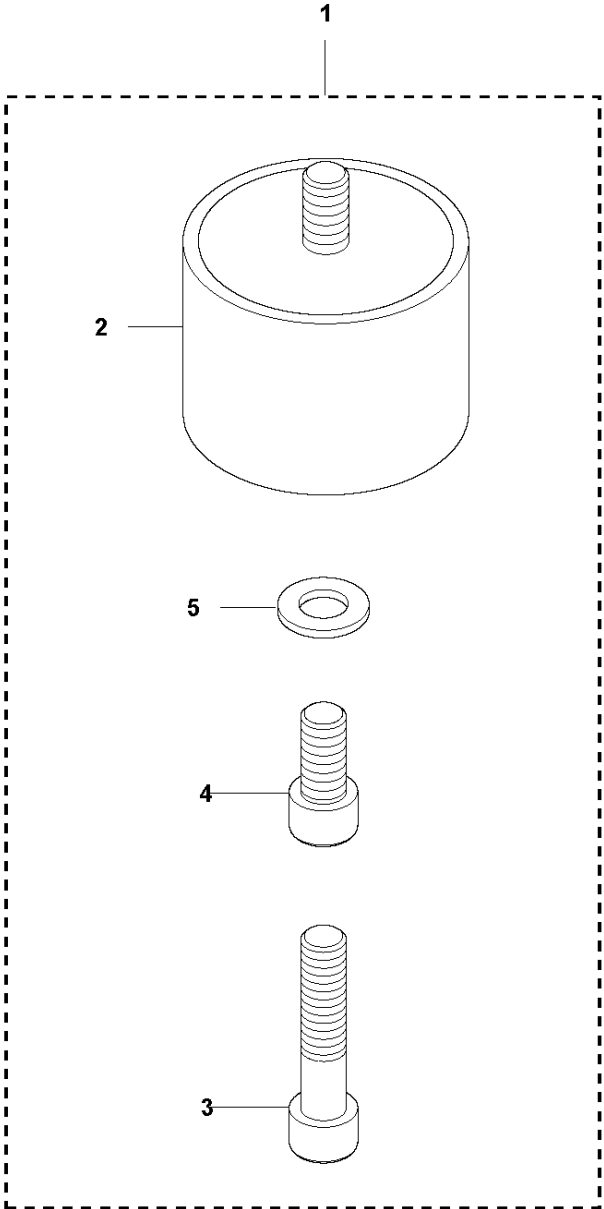


PUSH STOP REPAIR KIT

LP 7505, 967897401, 967897402, 2019-08

Ref	Part No	Description	Remark	QTY KIT	
1	594 21 30-01	REPAIR KIT	Push stop complete, repair kit	1	
2	594 15 93-01	SHAFT	Trigger shaft	1	1
3	594 17 72-01	SPRING	Spring	1	1
4	595 11 31-01	WASHER	Plain washer, 17 x 40 x 3 mm	1	1
5	594 17 04-01	BELLOWS	Bellow	1	1
6	595 03 07-01	SPRING PIN	Spring pin	1	1
7	594 17 10-01	BUTTON	Button	1	1
8	595 03 42-01	SCREW	Screw	1	1

**V** LP7505  
SHOCK ABSORBER REPAIR KIT - ENGINE PLATE

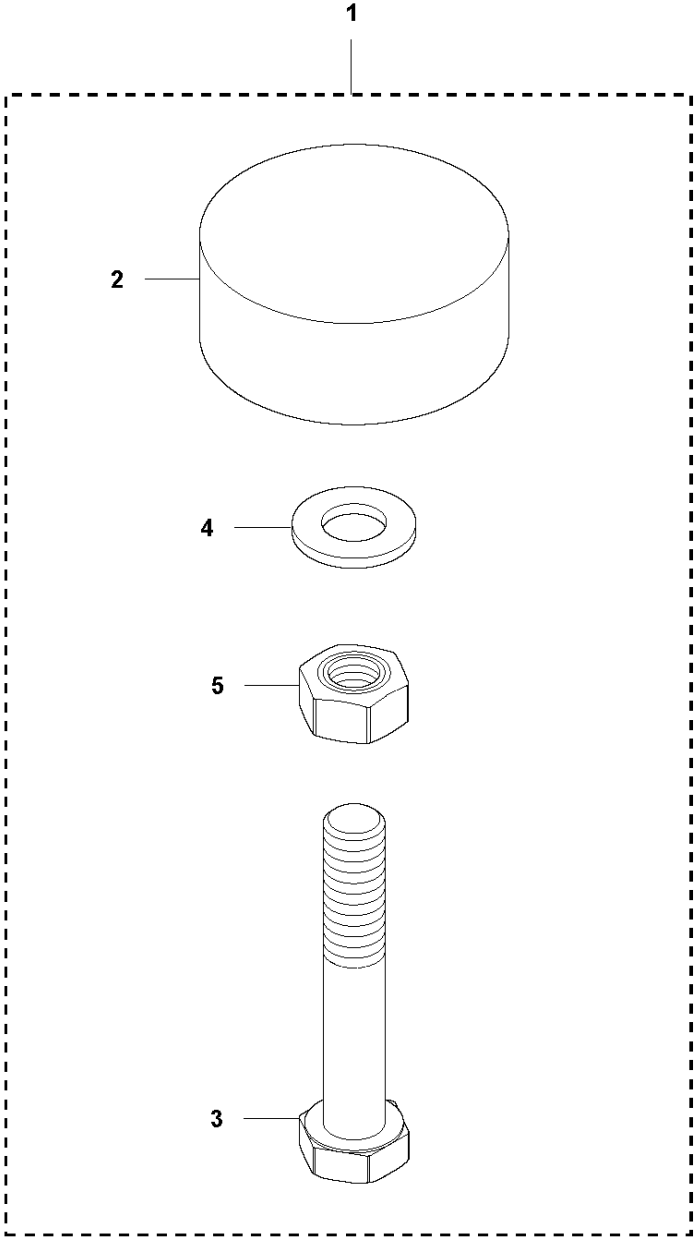


## SHOCK ABSORBER REPAIR KIT

LP 7505, 967897401, 967897402, 2019-08

Ref	Part No	Description	Remark	QTY KIT	
1	595 38 46-01	REPAIR KIT	Shock abosorber repair kit, engine plate	1	
2	594 75 35-01	ABSORBER	Shock absorber	4	1
3	595 21 60-01	SOCKET	Hexagon socket head cap screw M12x55 12.9	2	1
4	595 34 89-01	CAP	Hex sock. screw	2	1
5	595 11 34-01	WASHER	Washer DIN125	4	1

**W** LP7505  
SHOCK ABSORBER REPAIR KIT - HANDLE

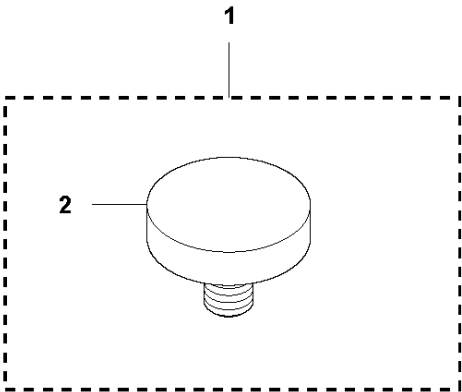


SHOCK ABSORBER REPAIR KIT

LP 7505, 967897401, 967897402, 2019-08

Ref	Part No	Description	Remark	QTY KIT	
1	594 21 27-01	REPAIR KIT	Shock absorber repair kit, handle	1	
2	594 51 83-01	RADIATOR	Shock absorber	2	1
3	595 34 49-01	BOLT	Screw DIN933	2	1
4	594 74 74-01	WASHER	Washer	4	1
5	595 02 94-01	NUT	Nut hexagon	4	1

**X** LP7505  
BUMPER KIT



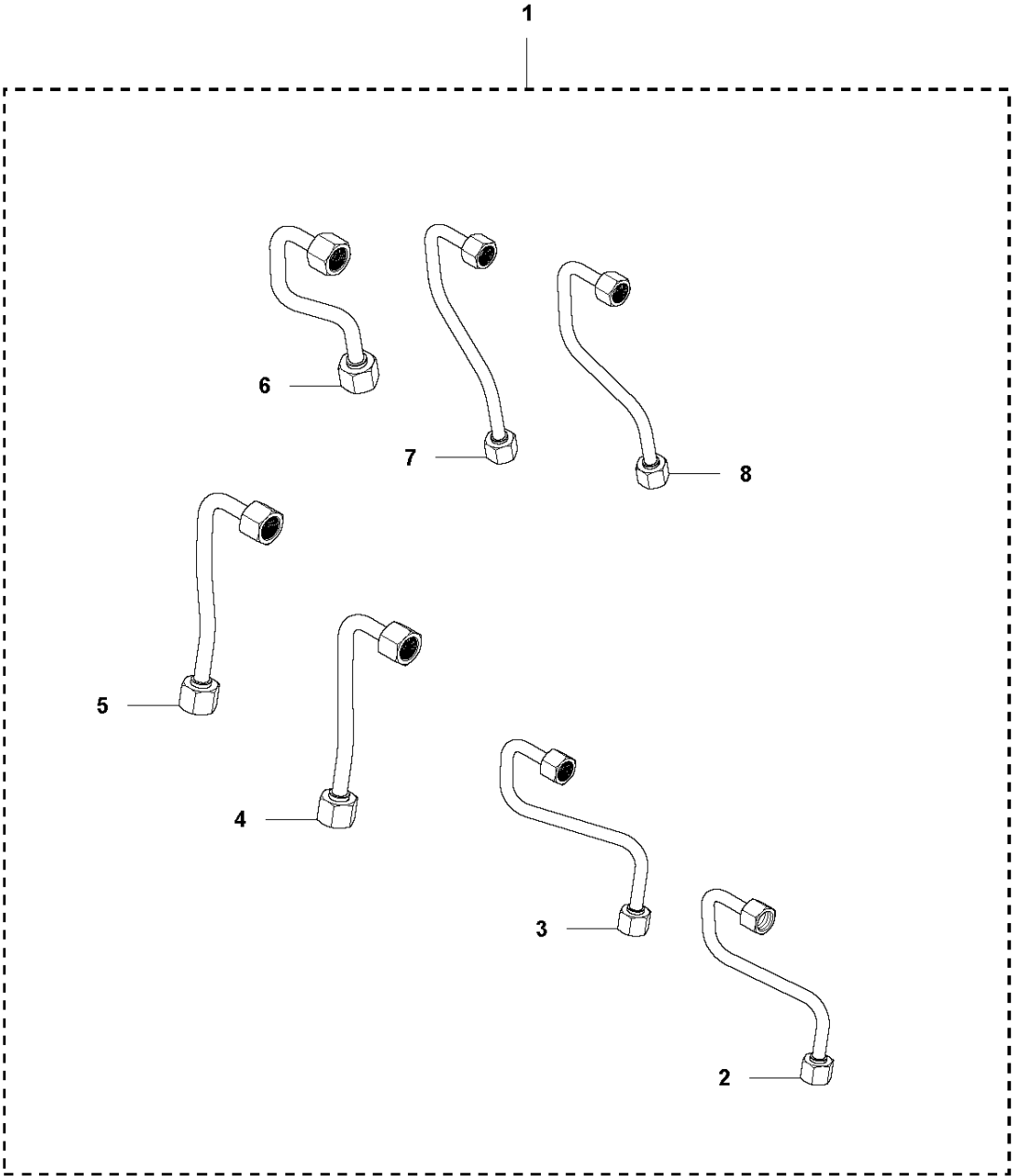


BUMPER KIT

LP 7505, 967897401, 967897402, 2019-08

Ref	Part No	Description	Remark	QTY KIT	
1	594 76 19-01	BUMPER	Bumper Kit	1	
2	594 19 08-01	ABSORBER	Bumper	4	1

**Y** LP7505  
HYDRAULIC PIPES KIT

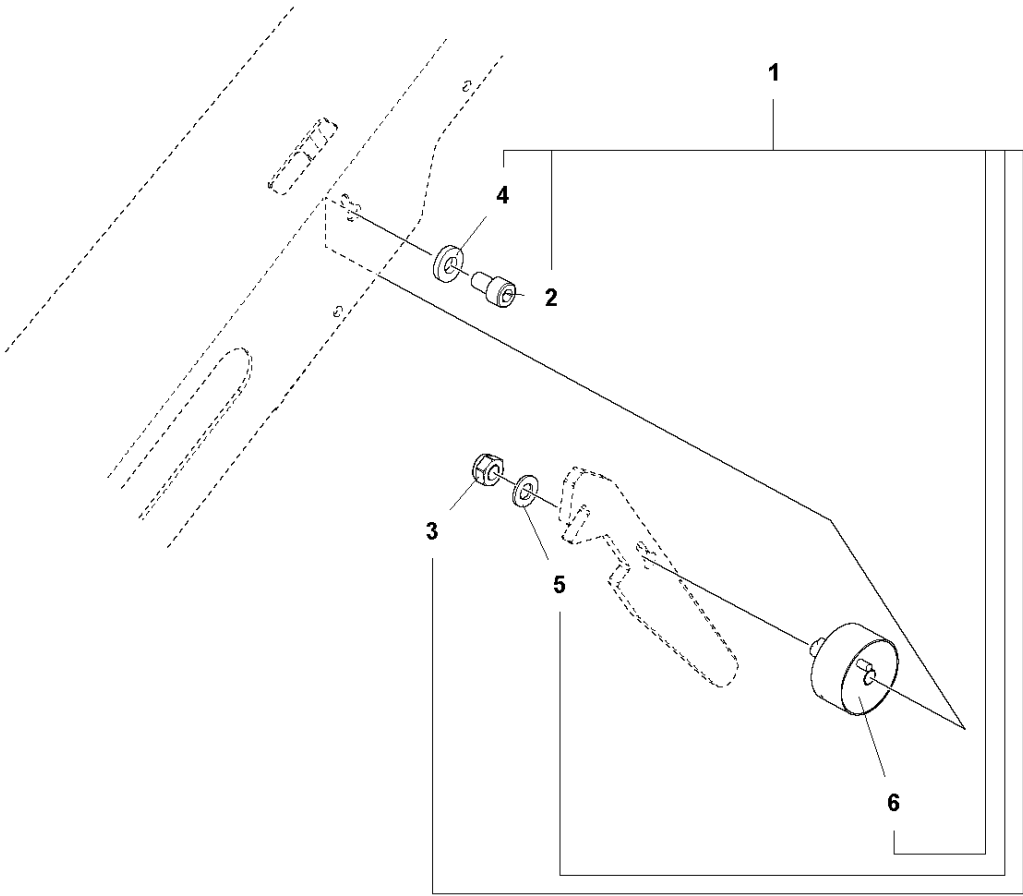


HYDRAULIC PIPES KIT

LP 7505, 967897401, 967897402, 2019-08

Ref	Part No	Description	Remark	QTY KIT
1	594 19 36-01	HYDRAULIC PIPE	Hydraulic pipes kit	1
2	594 17 20-01	HYDRAULIC PIPE	Hydraulic pipe	1 1
3	594 17 24-01	HYDRAULIC PIPE	Hydraulic pipe	1 1
4	594 17 21-01	HYDRAULIC PIPE	Hydraulic pipe	1 1
5	594 17 22-01	HYDRAULIC PIPE	Hydraulic pipe	1 1
6	594 17 23-01	HYDRAULIC PIPE	Hydraulic pipe	2 1
7	594 17 25-01	HYDRAULIC PIPE	Hydraulic pipe	1 1
8	594 17 26-01	HYDRAULIC PIPE	Hydraulic pipe	1 1

**Z** LP7505  
HOOK REPAIR KIT

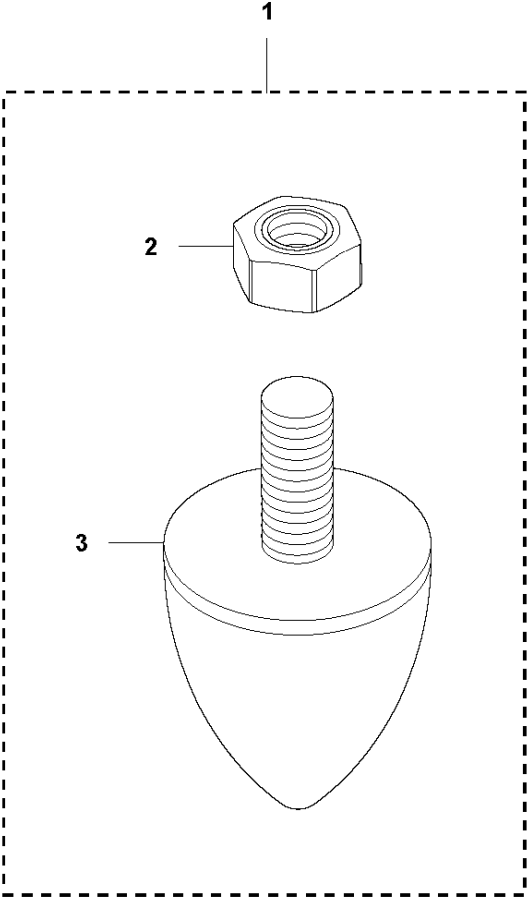


## HOOK REPAIR KIT

LP 7505, 967897401, 967897402, 2019-08

Ref	Part No	Description	Remark	QTY KIT	
1	595 38 50-01	REPAIR KIT	Hook repair kit	1	
2	594 12 05-01	SCREW	Hex. sock. screw	1	1
3	594 12 29-01	LOCK NUT	Locknut	1	1
4	594 74 73-01	WASHER	Washer	1	1
5	595 11 33-01	WASHER	Washer plain	1	1
6	594 46 27-01	ABSORBER	Shock absorber	1	1

**AA** LP7505  
COVER SHOCK ABSORBER REPAIR KIT



COVER SHOCK ABSORBER REPAIR KIT

LP 7505, 967897401, 967897402, 2019-08

Ref	Part No	Description	Remark	QTY KIT	
1	595 38 51-01	REPAIR KIT	Cover shock absorber repair kit	1	
2	595 03 57-01	NUT	Nut DIN934	4	1
3	594 17 33-01	STOP	Rubber buffer	2	1

**AB** LP7505  
**GOLD KIT - HATZ**

1

1	595389101	Gold Kit LP 7505	
<b>Ground Plate- Eccentric-Handling System LP 7505</b>			
2	Eccentric System	Hydraulic pipe	1
3		Hydraulic pipe kit	1
4		Shock absorber repair kit, Handle	1
5		Shock absorber repair kit, Engine plate	1
6		Push stop complete, repair kit	1
7		Bumper kit	1
8		Hook repair kit	1
9		Cover Shock absorber repair kit	1
10		Clutch CPL	1
11		Ball bearing	2
12		O-ring	1
13		Pipe clamp	2
14		Oil seal	2
15		Lock ring	2
16		O-ring	2
<b>Cosmetic Kit LP 7505</b>			
17	Cover	Front hood	1
18		Flat head Screw	10
19		Lock Nut	10
20		Rear Hood	1
21	Sprinkler System	Cover	1
22		Hex. Socket head capscrew	4
23		Plain washer	4
24		Water tank, complete	1
25	Handle	Direction cable ,complete	1
26		Throttle lever	1
27		control cable ,complete	1
28		Nipple	1
29		Vibration control ,complete	1
30	Labeling	Product Label kit	1
<b>Engine</b>			
31	Hatz Engine	Yearly service kit	1



Ref	Part No	Description	Remark	QTY KIT
1	595 38 91-01	SERVICE KIT	Gold Kit LP 7505	1

**AC** LP7505  
SILVER KIT - HATZ

1

1	595389001	Silver Kit LP 7505	
Ground Plate - Eccentric Handling System LP 7505			
2	Eccentric System	HYDRAULIC PIPE	1
3		HYDRAULIC PIPE KIT	1
4		SHOCK ABSORBER KIT, HANDLE	1
5		SHOCK ABSORBER KIT, ENGINE PLATE	1
6		PUSH STOP COMPLETE, REPAIR KIT	1
7		BUMPER KIT	1
8		HOOK REPAIR KIT	1
9		COVER SHOCK ABSORBER REPAIR KIT	1
10		CLUTCH CPL	1
11		Ball bearing	2
12		O-ring	1
13		Pipe clamp	2
14		Oil seal	2
15		Lock ring	2
16		O-ring	2
Engine			
17	Hutz Engine	Yearly service kit	1

Ref	Part No	Description	Remark	QTY KIT
1	595 38 90-01	SERVICE KIT	Silver Kit LP 7505	1

**AD** LP7505  
COSMETIC KIT

1

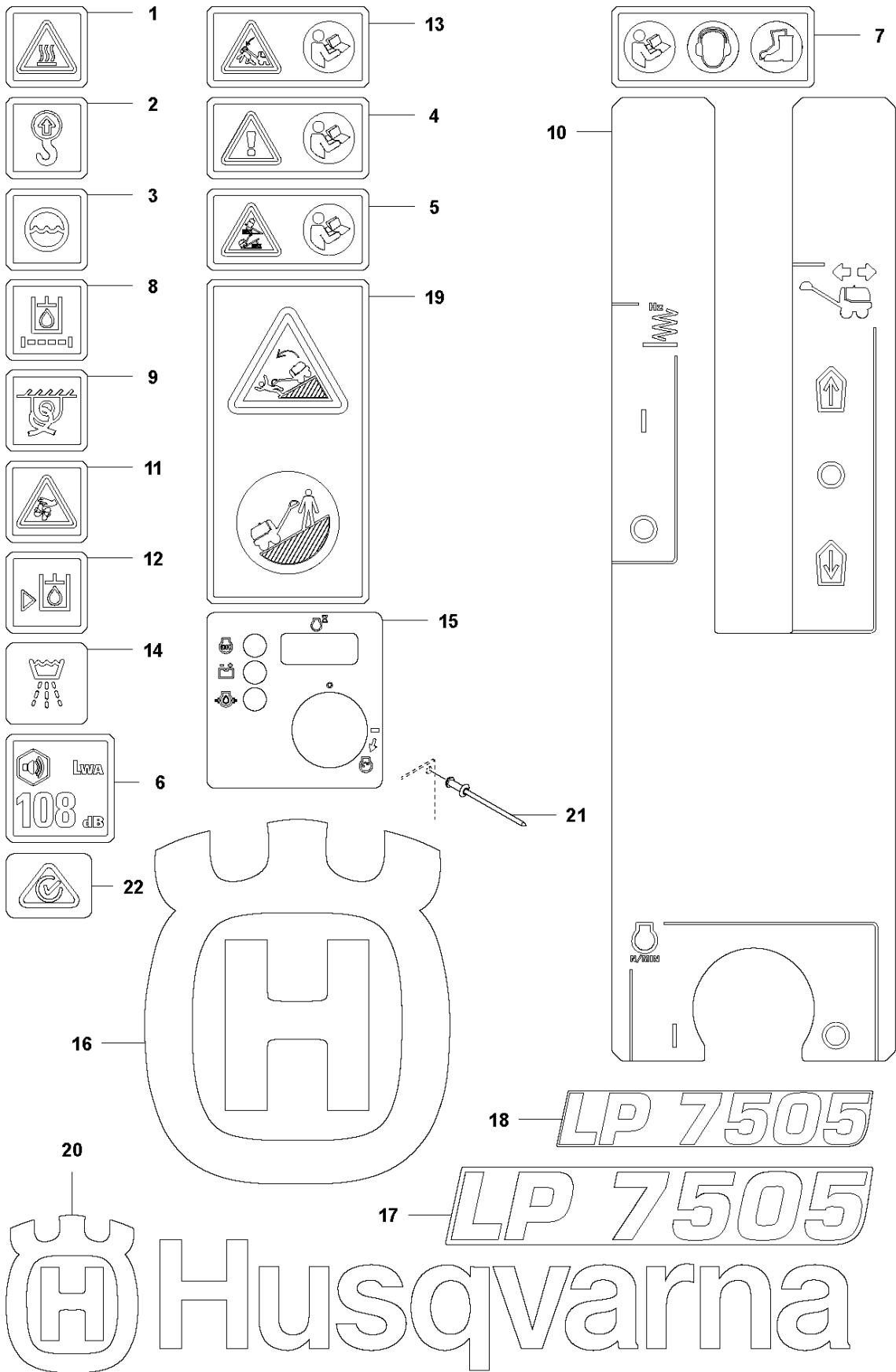
1	595386901	Cosmetic Kit LP 7505	
2	Cover	Front hood	1
3		Flat head Screw	10
4		Lock Nut	10
5		Rear Hood	1
6		Sprinkler System	Cover
7	Hex. Socket head capscrew		4
8	Plain washer		4
9	Water tank, complete		1
10	Handle	Direction cable ,complete	1
11		Throttle lever	1
12		control cable ,complete	1
13		Nipple	1
14		Vibration control ,complete	1
15	Labeling	Product lable kit	1

COSMETIC KIT

LP 7505, 967897401, 967897402, 2019-08

Ref	Part No	Description	Remark	QTY KIT
1	595 38 69-01	SERVICE KIT	Cosmetic Kit LP 7505	1

**AE** LP7505  
DECALS



## DECALS

LP 7505, 967897401, 967897402, 2019-08

Ref	Part No	Description	Remark	QTY KIT
1	594 65 98-01	LABEL	Safety label, hot surfaces	2
2	594 66 09-01	LABEL	Label, lifting point	1
3	595 51 27-01	LABEL	Label, water	1
4	594 86 97-01	LABEL	Decal safety	1
5	595 51 30-01	LABEL	Safety label, maximum slope angle	1
6	595 21 63-01	DECAL	Decal, noise level 108 dB	1
7	594 65 96-01	LABEL	Safety label, read instructions, ear protection	1
8	595 51 31-01	LABEL	Label, hydraulic oil filter	1
9	594 86 95-01	LABEL	Label, securing point	4
10	594 17 34-01	LABEL	Label, operator panel	1
11	594 86 94-01	LABEL	Safety label, rotating fan blades	1
12	595 51 28-01	LABEL	Label, hydraulic oil level	1
13	595 21 62-01	LABEL	Safety label, handle lock	1
14	595 51 29-01	LABEL	Label, Sprinkler	1
15	595 37 00-01	LABEL	Label, start panel	1
16	585 94 93-01	DECAL	Product label	1
17	595 09 61-01	DECAL	Product label, LP 7505	2
18	595 09 62-01	DECAL	Product label	1
19	595 21 67-01	LABEL	Machine Rollover	1
20	591 35 74-01	DECAL	Husqvarna label	2
21	598 04 45-01	RIVET	Pop rivet	4
22	596 28 02-01	DECAL	Compliance decal	1