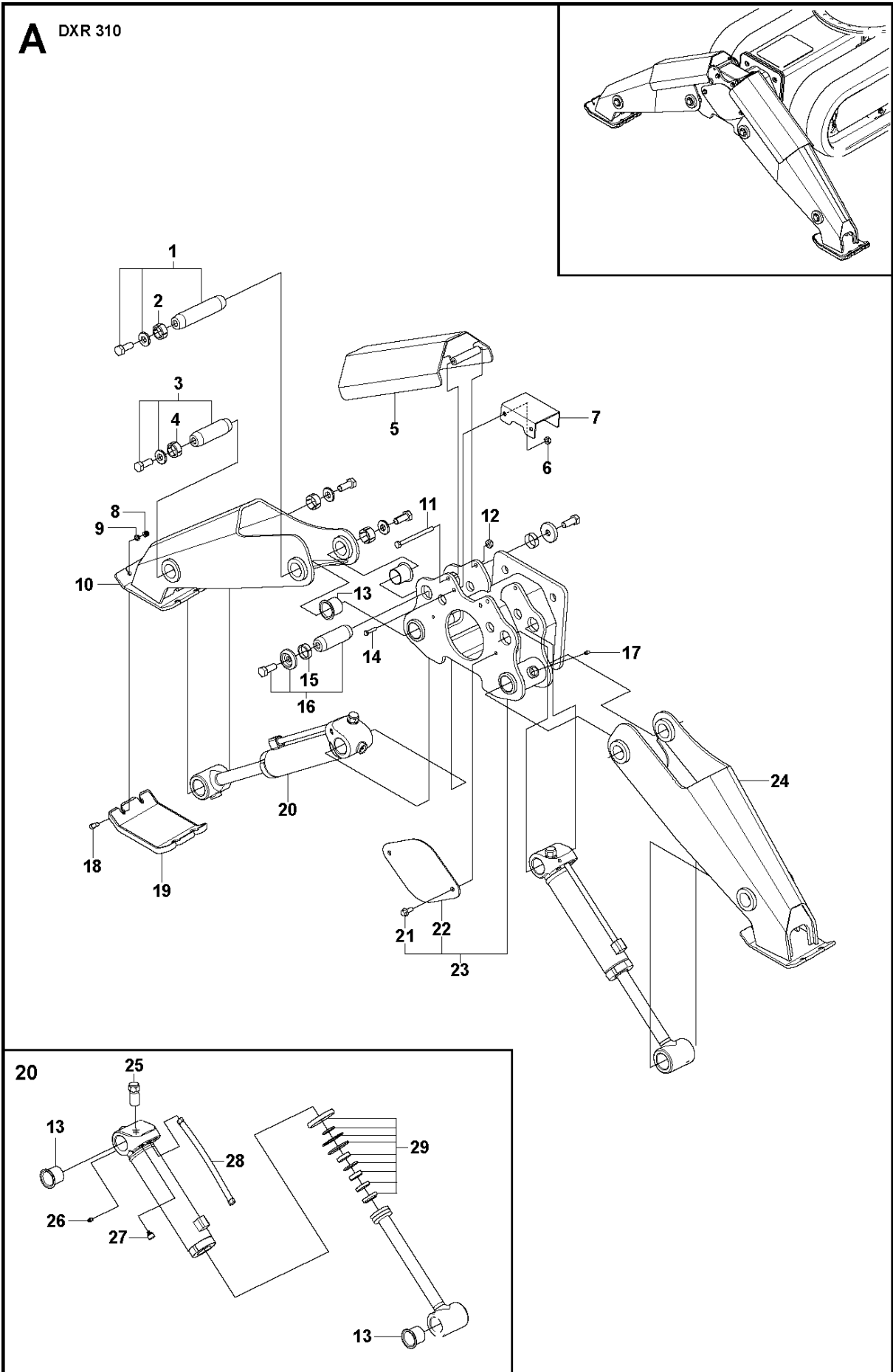




SPARE PARTS LIST

DEMOLITION ROBOTS

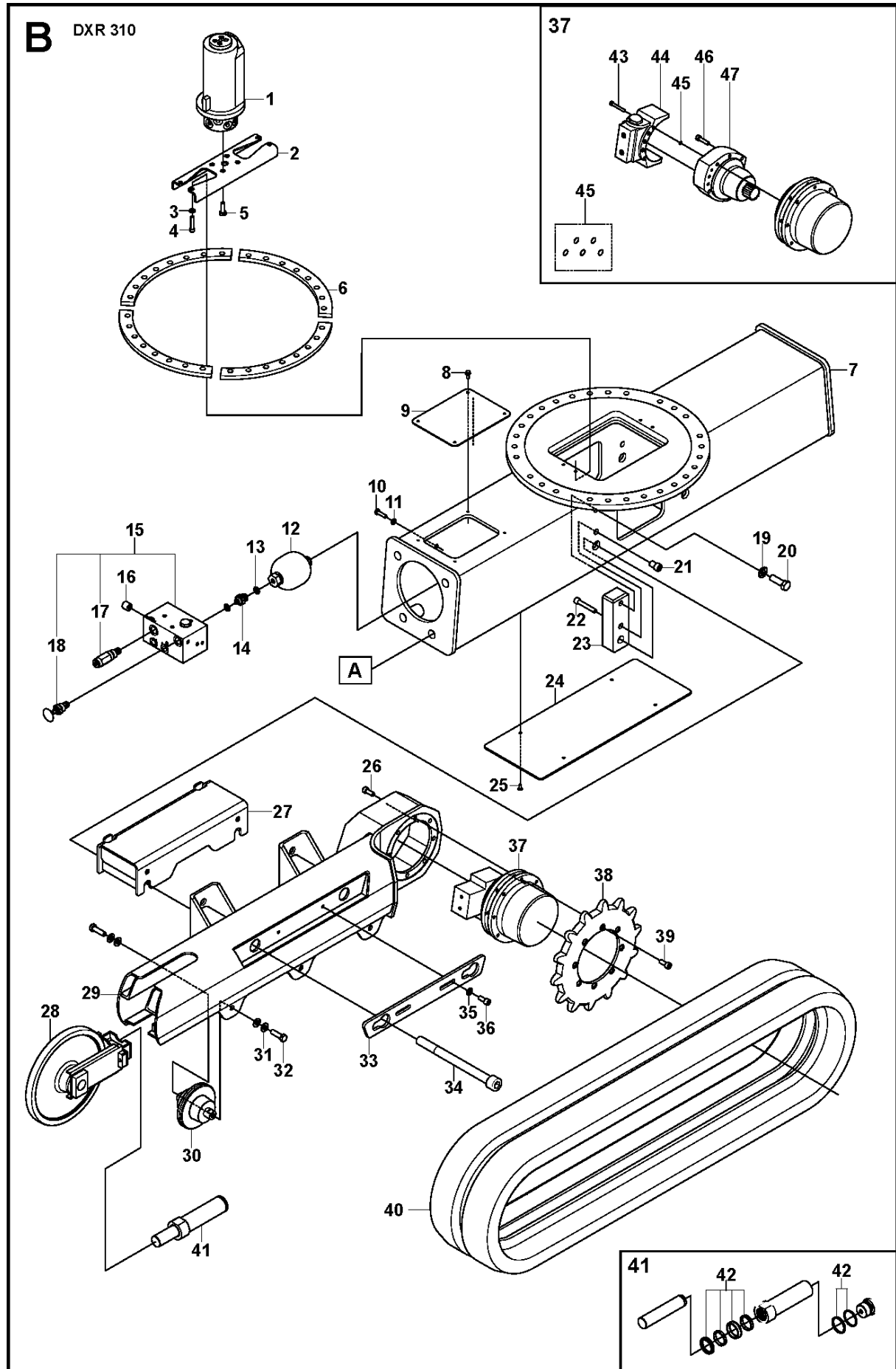
DXR310, Valid for machine 43, 2010-09



HYDRAULIC STACK

DXR310, Valid for machine 43, 2010-09

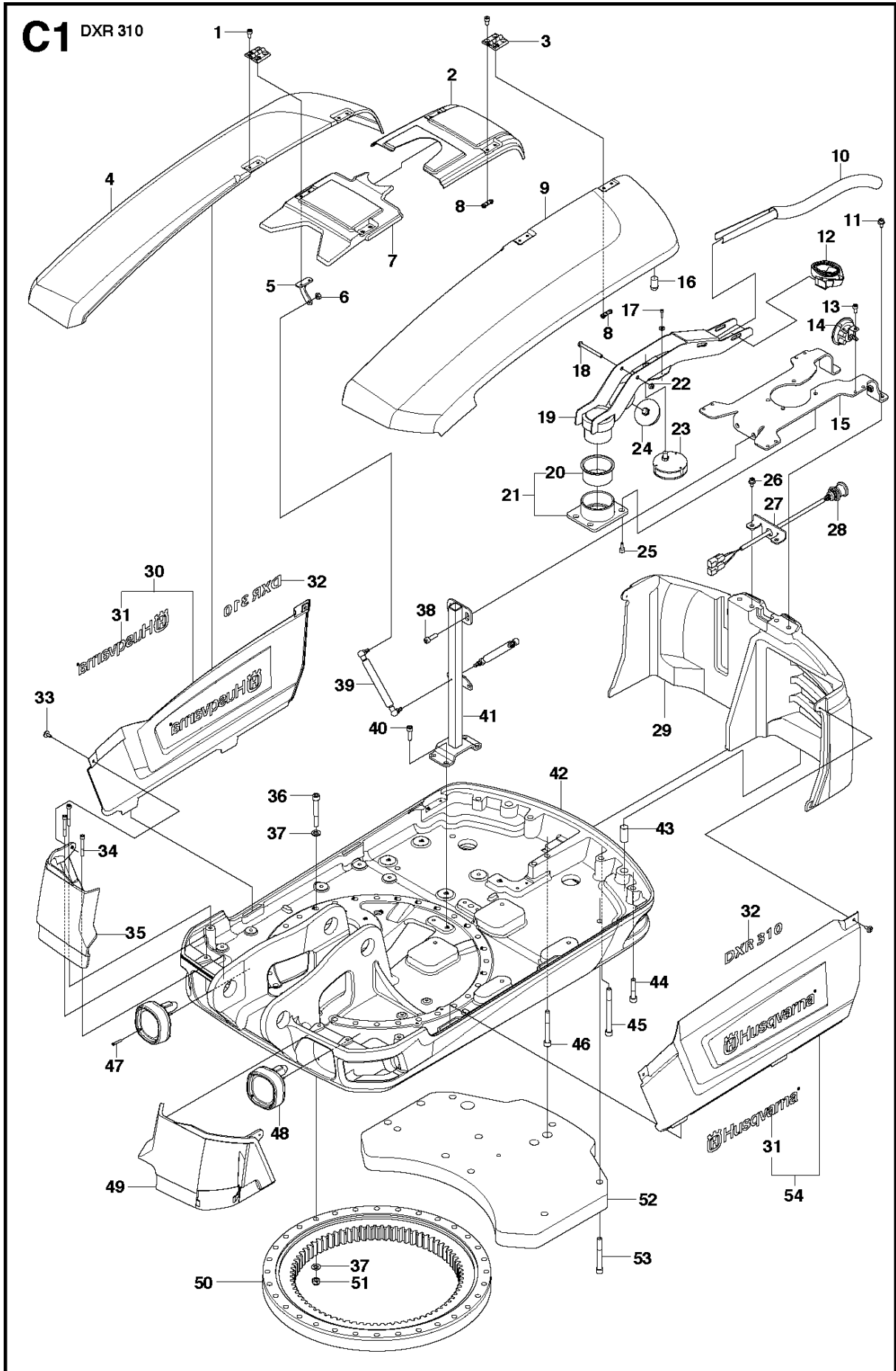
| Ref | Part No | Description | Remark | QTY | KIT |
|-----|--------------|--------------------|--------|-----|-----|
| 1 | 505 25 20-01 | SHAFT ASSY | | 4 | |
| 2 | 522 84 13-01 | SLEEVE | | 4 | |
| 3 | 505 25 18-01 | SHAFT ASSY | | 4 | |
| 4 | 522 84 12-01 | SLEEVE | | 4 | |
| 5 | 576 36 69-01 | PROTECTION | | 4 | |
| 6 | 522 66 95-01 | LOCK NUT | | 8 | |
| 7 | 576 36 73-01 | PLATE | | 2 | |
| 8 | 522 66 95-01 | LOCK NUT | | 16 | |
| 9 | 522 67 17-01 | WASHER | | 16 | |
| 10 | 504 89 46-01 | BEAM | | 2 | |
| 11 | 576 43 68-01 | SCREW EHHFM | | 8 | |
| 12 | 522 66 95-01 | LOCK NUT | | 2 | |
| 13 | 505 25 08-01 | BEARING BUSH | | 16 | |
| 14 | 522 70 67-01 | SCREW EHHFM | | 2 | |
| 15 | 522 84 11-01 | SLEEVE | | 4 | |
| 16 | 505 25 15-01 | SHAFT ASSY | | 4 | |
| 17 | 504 89 53-01 | LUBRICATION NIPPLE | | 1 | |
| 18 | 522 66 72-01 | SCREW IHSCM | | 16 | |
| 19 | 505 03 46-01 | RUBBER FOOT | | 4 | |
| 20 | 521 90 78-01 | CYLINDER | | 4 | |
| 21 | 522 66 78-01 | SCREW EHHM | | 2 | |
| 22 | 576 12 57-01 | PLATE | | 2 | |
| 23 | 575 73 43-01 | KIT | | 2 | |
| 24 | 504 91 01-01 | BEAM | | 2 | |
| 25 | 522 86 91-01 | VALVE | | 4 | 20 |
| 26 | 504 89 53-01 | LUBRICATION NIPPLE | | 1 | 20 |
| 27 | 522 73 00-01 | ADAPTER | | 4 | 20 |
| 28 | 510 22 87-05 | HOSE ASSY | | 4 | 20 |
| 29 | 522 85 74-01 | SEAL | | 4 | 20 |



HYDRAULIC STACK

DXR310, Valid for machine 43, 2010-09

| Ref | Part No | Description | Remark | QTY | KIT |
|-----|--------------|--------------------|--------|-----|-----|
| 1 | 505 29 25-01 | SWIVEL | | 1 | |
| 2 | 504 88 67-01 | BRACKET | | 1 | |
| 3 | 522 67 16-01 | WASHER | | 4 | |
| 4 | 725 54 55-01 | SCREW IHSCM | | 4 | |
| 5 | 522 70 66-01 | SCREW EHHFM | | 4 | |
| 6 | 504 89 63-01 | SPACER | | 4 | |
| 7 | 505 21 05-01 | BODY | | 1 | |
| 8 | 522 66 86-01 | SCREW EHHFM | | 4 | |
| 9 | 505 21 58-01 | PLATE | | 1 | |
| 10 | 522 66 81-01 | SCREW EHHM | | 1 | |
| 11 | 522 67 17-01 | WASHER | | 1 | |
| 12 | 504 89 84-01 | ACCUMULATOR | | 1 | |
| 13 | 521 89 30-01 | WASHER | | 2 | |
| 14 | 510 19 01-01 | ADAPTER | | 1 | |
| 15 | 505 27 26-01 | VALVE HOUSING ASSY | | 1 | |
| 16 | 522 51 65-01 | SLEEVE | | 1 | |
| 17 | 515 98 19-01 | VALVE | | 1 | 15 |
| 18 | 515 98 18-01 | VALVE | | 1 | 15 |
| 19 | 522 67 19-01 | WASHER | | 4 | |
| 20 | 522 66 79-01 | SCREW EHHM | | 4 | |
| 21 | 580 83 34-01 | GUIDE PIN | | 4 | |
| 22 | 522 66 73-01 | SCREW IHSCM | | 4 | |
| 23 | 504 89 67-01 | BLOCK | | 4 | |
| 24 | 505 21 41-01 | PLATE | | 1 | |
| 25 | 522 66 91-01 | SCREW IHCSFM | | 2 | |
| 26 | 501 06 21-01 | SCREW IHSCM | | 16 | |
| 27 | 505 53 83-01 | SPACER | | 2 | |
| 28 | 574 44 02-01 | TENSION ROLLER | | 2 | |
| 29a | 505 12 22-02 | FRAME | | 1 | |
| 29b | 505 16 22-02 | FRAME | | 1 | |
| 30 | 505 26 86-01 | SUPPORT ROLLER | | 6 | |
| 31 | 510 24 36-01 | WASHER | | 12 | |
| 32 | 522 66 80-01 | SCREW EHHM | | 12 | |
| 33 | 505 23 57-01 | LOCKING PLATE | | 2 | |
| 34 | 504 89 88-01 | SCREW | | 4 | |
| 35 | 522 67 17-01 | WASHER | | 4 | |
| 36 | 501 06 21-01 | SCREW IHSCM | | 4 | |
| 37 | 510 16 16-01 | DRIVE MOTOR | | 2 | |
| 38 | 506 10 16-01 | SPROCKET | | 2 | |
| 39 | 501 06 21-01 | SCREW IHSCM | | 16 | |
| 40 | 505 26 87-01 | RUBBER TRACKS | | 2 | |
| 41 | 505 26 74-01 | CYLINDER | | 2 | |
| 42 | 522 85 76-01 | SEAL | | 2 | 41 |
| 43 | 725 54 67-51 | SCREW IHSCM | | 4 | 37 |
| 44 | 522 96 49-01 | VALVE KIT | | 2 | 37 |
| 45 | 522 96 50-01 | SEAL | | 2 | 37 |
| 46a | 725 54 61-51 | SCREW IHSCM | | 14 | 37 |
| 46b | 725 54 57-51 | SCREW IHSCM | | 8 | 37 |
| 47 | 522 96 47-01 | HYDRAULIC MOTOR | | 2 | 37 |

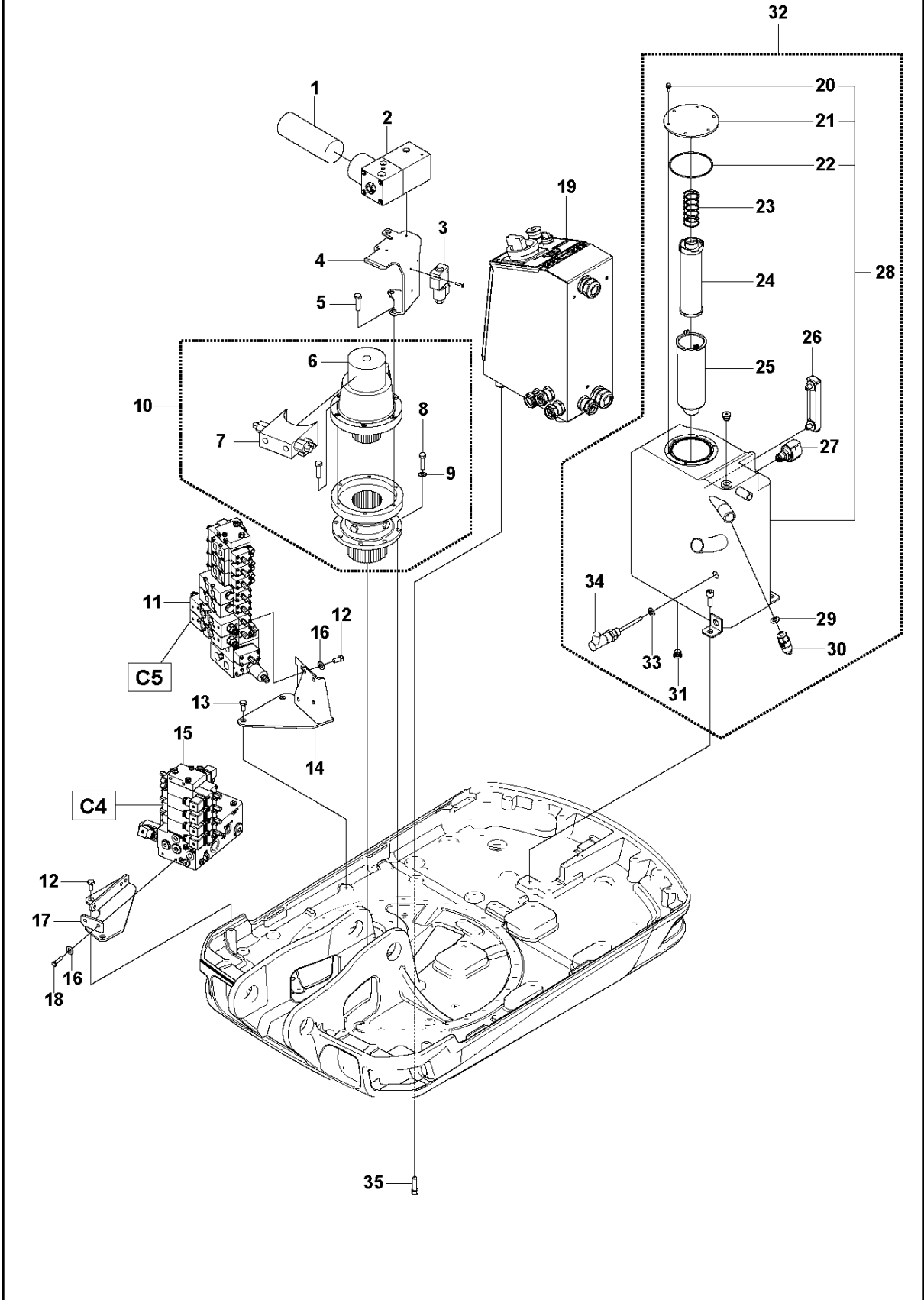


HYDRAULIC STACK

DXR310, Valid for machine 43, 2010-09

| Ref | Part No | Description | Remark | QTY KIT |
|-----|--------------|---------------------|---------------------------------------|---------|
| 1 | 522 66 90-01 | SCREW IHSCFM | | 16 |
| 2 | 505 31 90-01 | COVER | | 1 |
| 3 | 510 36 21-01 | HINGE | | 2 |
| 4 | 576 29 19-01 | COVER | | 1 |
| 5 | 576 29 24-01 | CONSOLE | | 2 |
| 6 | 522 66 94-01 | LOCK NUT | | 2 |
| 7 | 505 31 91-01 | COVER | | 1 |
| 8 | 576 27 15-01 | NUT WASHER | | 4 |
| 9 | 576 29 20-01 | COVER | | 1 |
| 10 | 510 14 16-01 | CABLE CLAMP | | 1 |
| 11 | 574 25 11-01 | SCREW EHHFM | | 2 |
| 12 | 522 73 36-01 | STRAP | | 2 |
| 13 | 522 66 87-01 | SCREW EHHFM | | 1 |
| 14 | 510 12 60-01 | HORN | | 1 |
| 15 | 576 29 23-01 | BRACKET | | 1 |
| 16 | 521 93 07-01 | SPACER | | 4 |
| 17 | 522 66 71-01 | SCREW IHSCM | | 4 |
| 18 | 522 66 82-01 | SCREW EHHM | | 1 |
| 19 | 505 03 14-01 | CABLE HOLDER | | 1 |
| 20 | 510 10 10-01 | BEARING BUSH | | 1 |
| 21 | 576 78 74-01 | CABLE HOLDER | | 1 |
| 22 | 522 66 94-01 | LOCK NUT | | 1 |
| 23 | 510 28 54-01 | WARNING LIGHT | | 1 |
| 24 | 515 98 13-01 | ANTENNA | | 1 |
| 25 | 522 70 71-02 | SCREW EHHFM | | 4 |
| 26 | 574 25 11-01 | SCREW EHHFM | | 2 |
| 27 | 505 25 22-01 | BRACKET | | 1 |
| 28 | 584 85 16-01 | SWITCH | | 1 |
| 29 | 505 00 04-01 | COUNTERWEIGHT | | 1 |
| 30 | 576 29 25-01 | PAN | | 1 |
| 31 | 525 75 39-02 | STICKER | | 2 |
| 32 | 522 82 26-01 | STICKER | | 2 |
| 33 | 588 46 43-01 | SCREW EHHFM | | 4 |
| 34 | 522 70 67-01 | SCREW EHHFM | | 6 |
| 35 | 505 15 47-01 | PANEL | | 1 |
| 36 | 544 25 63-03 | SCREW IHSCM | | 32 |
| 37 | 522 67 18-01 | WASHER | | 64 |
| 38 | 574 25 89-01 | SCREW EHHFM | | 2 |
| 39 | 510 13 47-02 | SPRING | | 2 |
| 40 | 522 70 66-01 | SCREW EHHFM | | 4 |
| 41 | 576 29 21-01 | CABLE HOLDER | | 1 |
| 42 | 520 75 76-01 | BASEPLATE | | 1 |
| 43 | 505 28 16-01 | GUIDE PIN | | 6 |
| 44 | 522 59 75-01 | SCREW IHSCM | | 2 |
| 45 | 522 59 81-01 | SCREW IHSCM | | 2 |
| 46 | 522 59 79-01 | SCREW IHSCM | | 2 |
| 47 | 529 31 69-01 | SCREW IHSCM | | 8 |
| 48 | 505 34 90-01 | HEADLIGHT | | 2 |
| 49 | 505 15 49-01 | PAN | Valid for machine S/N 1-101 | 1 |
| 49 | 577 64 93-01 | PANEL | Valid for machine S/N 102 and forward | 1 |
| 50 | 505 26 48-01 | BEARING | | 1 |
| 51 | 589 25 00-01 | HEXAGON LOCKING NUT | | 32 |
| 52 | 510 11 13-01 | COUNTERWEIGHT | | 1 |
| 53 | 510 24 35-01 | SCREW | | 6 |
| 54 | 576 29 26-01 | PAN | | 1 |

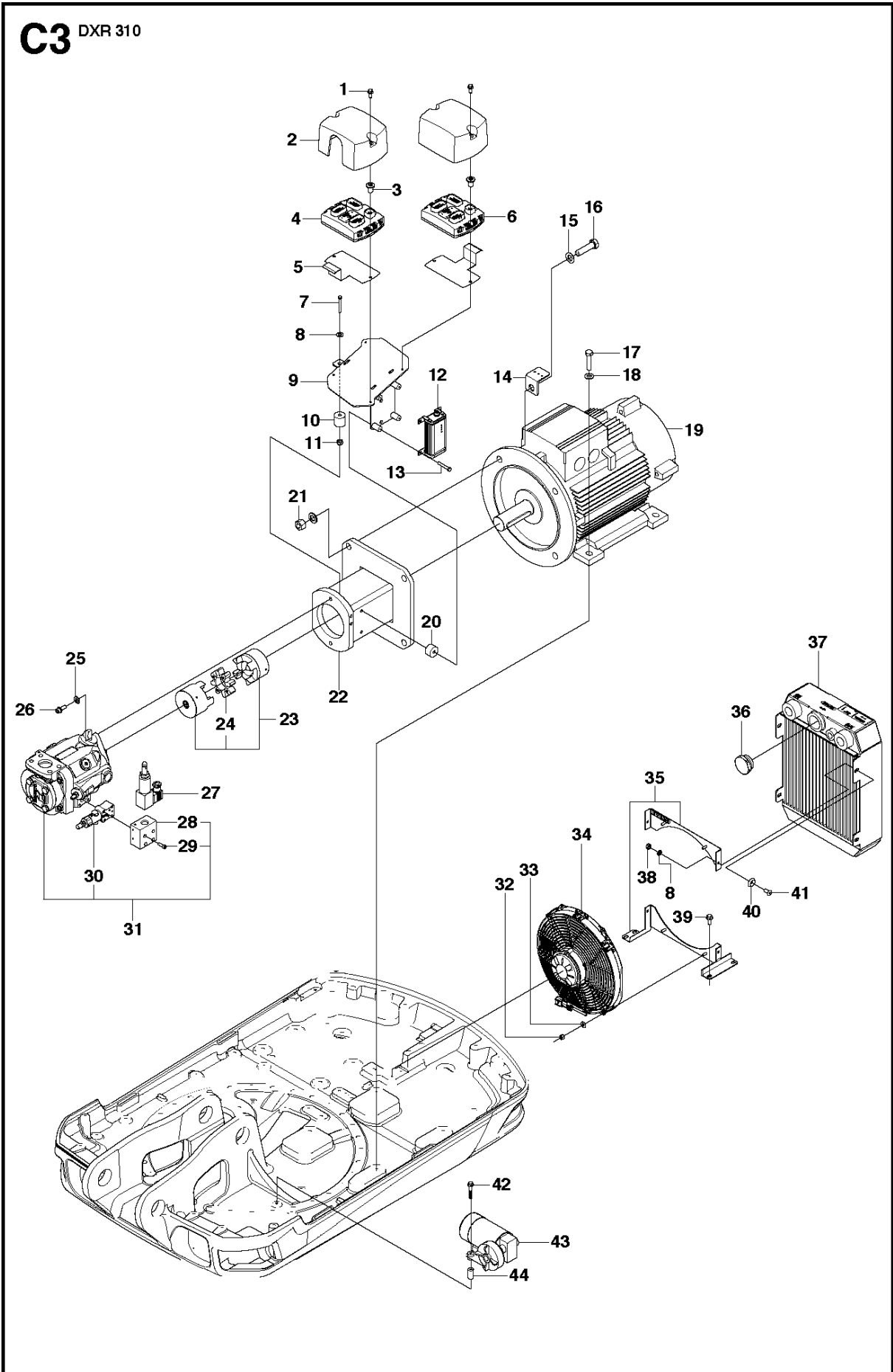
C2 DXR 310



HYDRAULIC STACK

DXR310, Valid for machine 43, 2010-09

| Ref | Part No | Description | Remark | QTY KIT | |
|-----|--------------|-----------------|--------|---------|--------|
| 1 | 521 91 77-01 | GREASE | | 1 | |
| 2 | 505 27 78-01 | PUMP | | 1 | |
| 3 | 522 96 27-01 | VALVE ASSY | | 1 | |
| 4 | 510 13 86-01 | BRACKET | | 1 | |
| 5 | 725 54 64-50 | SCREW IHSCM | | 2 | |
| 6 | 522 78 18-01 | HYDRAULIC MOTOR | | 1 | 11 |
| 7 | 522 78 23-01 | VALVE HOUSING | | 1 | 11 |
| 8 | 725 24 95-76 | SCREW EHHM | | 8 | 11 |
| 9 | 522 44 98-01 | WASHER | | 8 | 11 |
| 10 | 505 26 54-01 | SLEWING DRIVE | | 1 | |
| 11 | 505 28 79-01 | VALVE | | 1 | |
| 12 | 522 66 78-01 | SCREW EHHM | | 4 | |
| 13 | 522 70 66-01 | SCREW EHHFM | | 3 | |
| 14 | 505 51 48-01 | CONSOLE | | 1 | |
| 15 | 576 48 69-01 | VALVE | | 1 | |
| 16 | 522 67 16-01 | WASHER | | 8 | |
| 17 | 505 27 51-01 | CONSOLE | | 1 | |
| 18 | 522 66 78-01 | SCREW EHHM | | 4 | |
| 19 | 584 79 81-01 | ELECTRONIC BOX | | 1 | |
| 20 | 725 23 68-71 | SCREW EHHM | | 6 | 32, 28 |
| 21 | 505 32 35-01 | LID | | 1 | 32, 28 |
| 22 | 521 92 47-01 | O-RING | | 1 | 32, 28 |
| 23 | 510 14 27-01 | FILTER HOLDER | | 1 | 32 |
| 24 | 510 14 45-01 | FILTER | | 1 | 32 |
| 25 | 505 29 19-01 | FILTER HOLDER | | 1 | 32 |
| 26 | 505 31 87-01 | LEVEL GLASS | | 1 | 32 |
| 27 | 505 29 06-01 | AIR FILTER | | 1 | 32 |
| 28 | 574 27 24-01 | HYDRAULIC TANK | | 1 | 32 |
| 29 | 522 84 78-01 | WASHER | | 1 | 32 |
| 30 | 510 14 17-01 | SWITCH | | 1 | 32 |
| 31 | 505 32 41-01 | OIL PLUG | | 2 | 32 |
| 32 | 505 27 23-01 | HYDRAULIC TANK | | 1 | |
| 33 | 501 72 09-03 | WASHER | | 1 | 32 |
| 34 | 510 19 58-02 | GAUGE | | 1 | 32 |
| 35 | 725 54 53-01 | SCREW IHSCM | | 4 | |

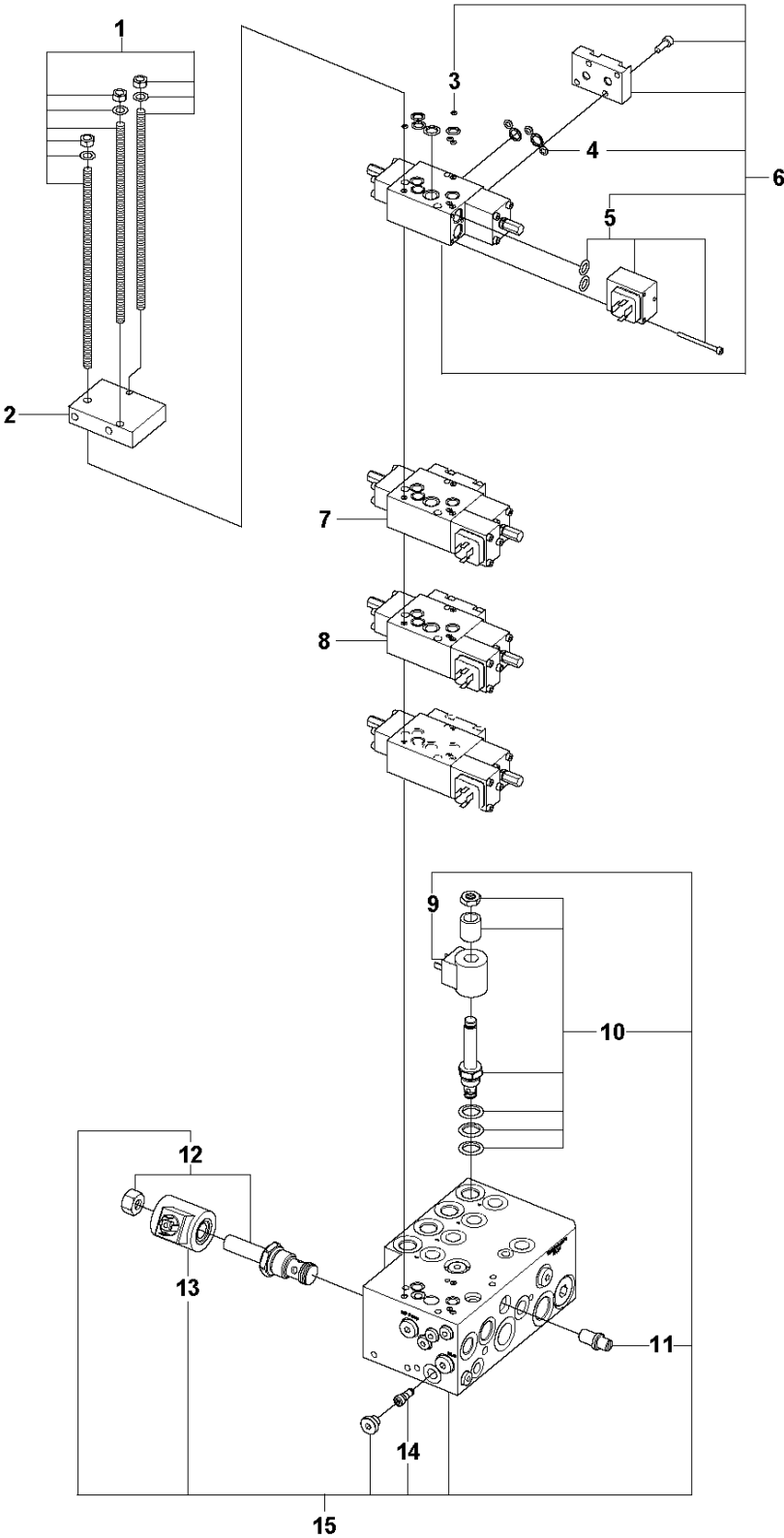


HYDRAULIC STACK

DXR310, Valid for machine 43, 2010-09

| Ref | Part No | Description | Remark | QTY | KIT |
|-----|--------------|----------------|--------|-----|-----|
| 1 | 522 66 86-01 | SCREW EHHFM | | 4 | |
| 2 | 574 66 49-01 | PROTECTION | | 2 | |
| 3 | 574 70 15-01 | SCREW | | 4 | |
| 4 | 576 73 75-01 | ELECTRONIC BOX | Master | 1 | |
| 5 | 574 70 14-01 | BRACKET | | 2 | |
| 6 | 576 73 75-02 | ELECTRONIC BOX | Slave | 1 | |
| 7 | 725 24 45-71 | SCREW EHHM | | 3 | |
| 8 | 522 67 16-01 | WASHER | | 6 | |
| 9 | 576 27 23-01 | BRACKET | | 1 | |
| 10 | 510 28 25-01 | DAMPER | | 2 | |
| 11 | 731 23 18-01 | HEXAGON NUT | | 3 | |
| 12 | 505 27 45-02 | ELECTRIC BOX | | 1 | |
| 13 | 725 53 74-01 | SCREW IHSCM | | 2 | |
| 14 | 522 73 37-01 | BRACKET | | 2 | |
| 15 | 522 67 19-01 | WASHER | | 8 | |
| 16 | 522 66 79-01 | SCREW EHHM | | 4 | |
| 17 | 725 53 74-01 | SCREW IHSCM | | 2 | |
| 18 | 522 67 18-01 | WASHER | | 4 | |
| 19 | 505 26 96-01 | ELECTRIC MOTOR | | 1 | |
| 20 | 510 28 25-01 | DAMPER | | 2 | |
| 21 | 522 66 97-01 | LOCK NUT | | 4 | |
| 22 | 505 39 09-01 | BRACKET | | 1 | |
| 23 | 510 09 71-01 | COUPLING | | 1 | |
| 24 | 510 01 68-01 | COUPLING | | 1 | |
| 25 | 522 67 18-01 | WASHER | | 2 | 29 |
| 26 | 510 24 12-01 | SCREW IHSCM | | 2 | 29 |
| 26 | 576 03 64-01 | VALVE | | 1 | |
| 28 | 575 38 74-01 | MANIFOLD | | 1 | 29 |
| 29 | 593 10 45-01 | BOLT | | 4 | 29 |
| 30 | 522 96 43-01 | VALVE | | 1 | 29 |
| 31 | 506 00 72-02 | HYDRAULIC PUMP | | 1 | |
| | 522 96 45-01 | SEAL | | 1 | |
| 32 | 522 66 93-01 | LOCK NUT | | 4 | |
| 33 | 522 67 15-01 | WASHER | | 4 | |
| 34 | 523 03 20-01 | FAN | | 1 | |
| 35 | 523 04 44-01 | BRACKET | | 1 | |
| 36 | 585 31 48-01 | VALVE | | 1 | |
| 37 | 523 03 21-01 | OIL COOLER | | 1 | |
| 38 | 522 66 94-01 | LOCK NUT | | 4 | |
| 39 | 522 70 71-01 | SCREW EHHFM | | 4 | |
| 40 | 523 04 24-01 | WASHER | | 4 | |
| 41 | 725 64 51-01 | SCREW IHCSFM | | 4 | |
| 42 | 522 70 68-01 | SCREW EHHFM | | 2 | |
| 43 | 589 38 14-01 | OIL PUMP | | 1 | |
| 44 | 522 51 65-01 | SLEEVE | | 2 | |

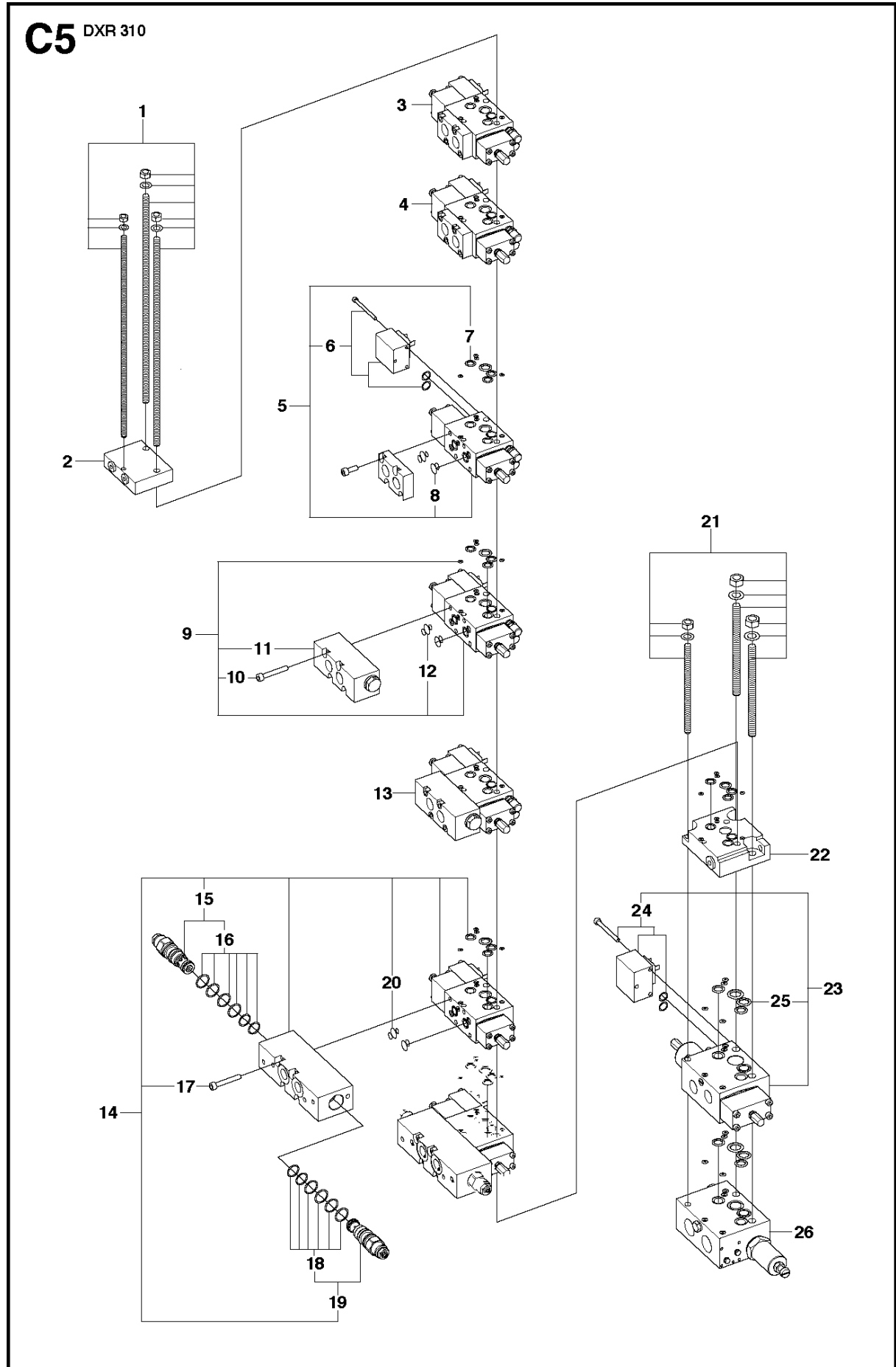
C4 DXR 310



HYDRAULIC STACK

DXR310, Valid for machine 43, 2010-09

| Ref | Part No | Description | Remark | QTY | KIT |
|-----|--------------|-------------|--------|-----|-----|
| 1 | 522 96 36-01 | TAP | | 1 | |
| 2 | 522 80 04-01 | VALVE | | 1 | |
| 3 | 522 96 14-01 | O-RING | | 5 | 6 |
| 4 | 522 96 16-01 | O-RING | | 5 | 6 |
| 5 | 522 96 13-01 | SOLENOID | | 4 | 6 |
| 6 | 522 80 10-01 | VALVE | | 1 | |
| 7 | 522 80 09-01 | VALVE | | 1 | |
| 8 | 522 80 06-01 | VALVE | | 2 | |
| 9 | 522 95 87-01 | SOLENOID | | 4 | 15 |
| 10 | 522 95 85-01 | VALVE | | 4 | 15 |
| 11 | 522 95 99-01 | VALVE | | 1 | 15 |
| 12 | 522 95 92-01 | VALVE | | 1 | 15 |
| 13 | 522 95 93-01 | SOLENOID | | 1 | 15 |
| 14 | 522 96 00-01 | VALVE | | 1 | 15 |
| 15 | 576 48 69-01 | VALVE | | 1 | |

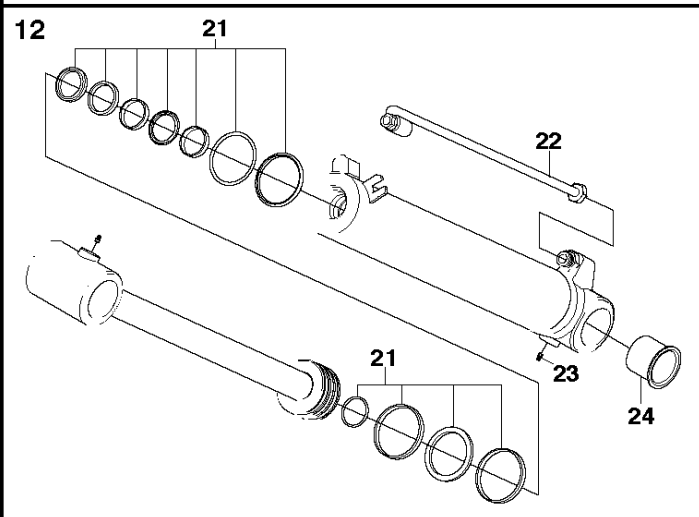
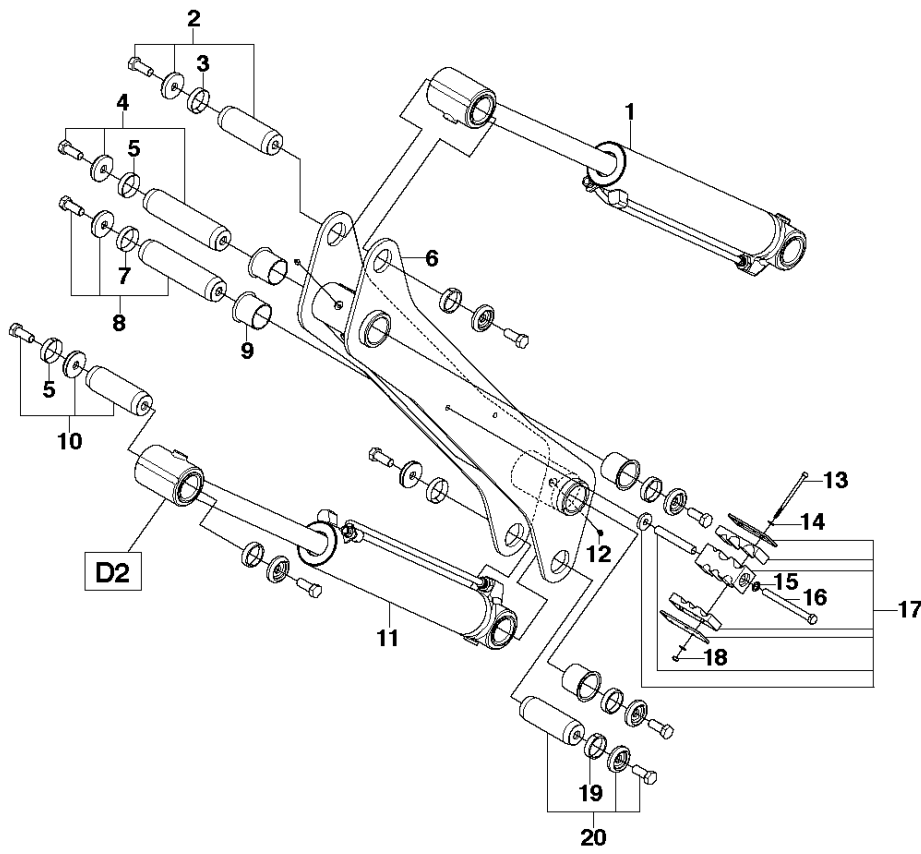
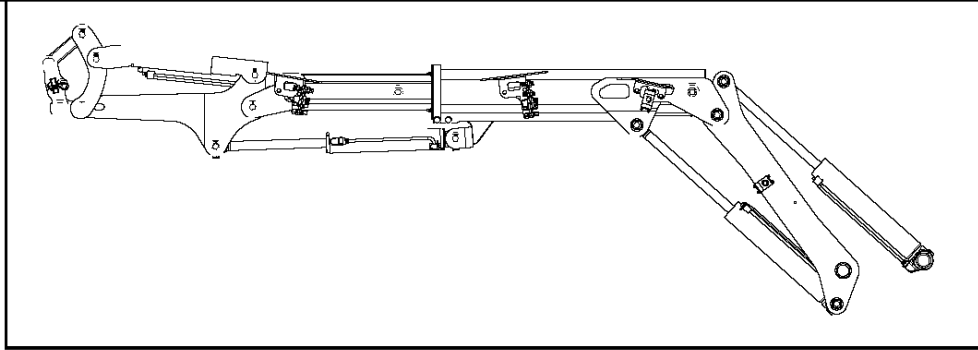


HYDRAULIC STACK

DXR310, Valid for machine 43, 2010-09

| Ref | Part No | Description | Remark | QTY KIT | |
|-----|--------------|-------------|--------|---------|----|
| 1a | 522 96 34-01 | TAP | | 1 | |
| 1b | 523 06 20-01 | TAP | | 1 | |
| 1c | 523 06 24-01 | TAP | | 1 | |
| 2 | 522 80 04-01 | VALVE | | 1 | |
| 3 | 576 38 72-01 | VALVE | | 3 | |
| 4 | 576 38 72-01 | VALVE | | 3 | |
| 5 | 522 80 02-01 | VALVE | | 3 | |
| 6 | 522 96 13-01 | SOLENOID | | 5 | 5 |
| 7 | 522 96 14-01 | O-RING | | 5 | 5 |
| 8 | 522 96 16-01 | O-RING | | 5 | 5 |
| 9 | 522 80 01-01 | VALVE | | 3 | |
| 10 | 725 53 78-51 | SCREW IHSCM | | 8 | 9 |
| 11 | 522 96 25-01 | VALVE | | 2 | 9 |
| 12 | 522 96 14-01 | O-RING | | 5 | 9 |
| 13 | 522 80 00-01 | VALVE | | 1 | |
| 14 | 522 79 99-01 | VALVE | | 2 | |
| 15 | 522 96 22-01 | VALVE | | 2 | 14 |
| 16 | 522 96 24-01 | O-RING | | 4 | 14 |
| 17 | 725 53 80-51 | SCREW IHSCM | | 8 | 14 |
| 18 | 522 96 24-01 | O-RING | | 2 | 14 |
| 19 | 522 96 23-01 | VALVE | | 2 | 14 |
| 20 | 522 96 16-01 | O-RING | | 7 | 14 |
| 21 | 522 96 33-01 | TAP | | 1 | |
| 22 | 522 79 98-01 | VALVE | | 1 | |
| 23 | 522 79 97-01 | VALVE | | 1 | |
| 24 | 522 96 18-01 | SOLENOID | | 1 | 23 |
| 25 | 522 96 19-01 | O-RING | | 2 | 23 |
| 26 | 522 79 95-01 | VALVE | | 1 | |

D1 DXR 310

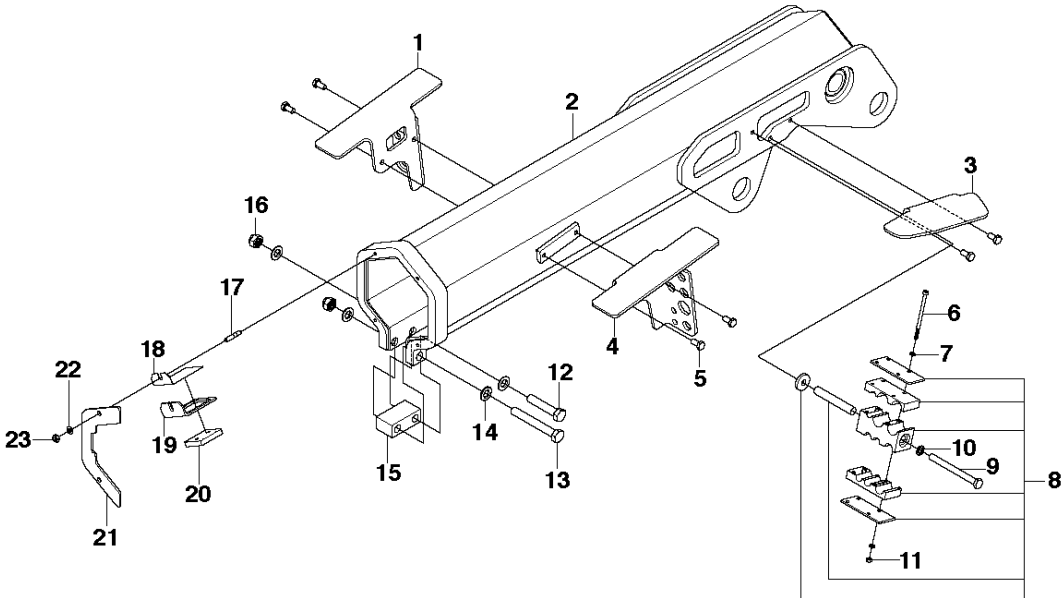
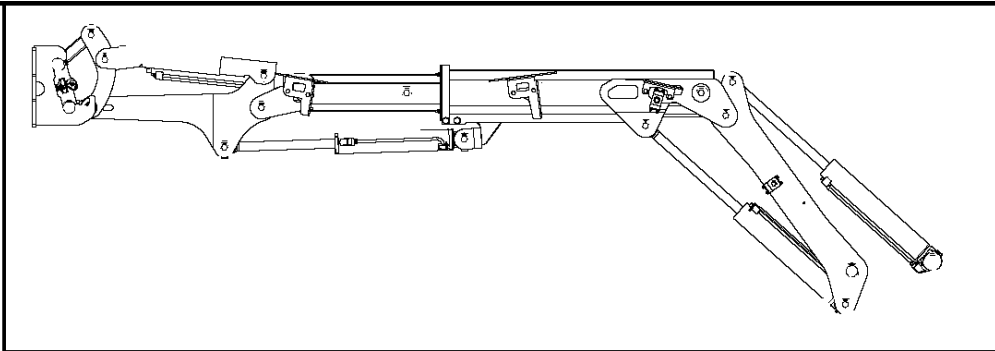


ARM

DXR310, Valid for machine 43, 2010-09

| Ref | Part No | Description | Remark | QTY | KIT |
|-----|--------------|--------------------|--------|-----|-----|
| 1 | 521 90 66-01 | CYLINDER | | 2 | |
| 2 | 505 24 82-01 | SHAFT ASSY | | 1 | |
| 3 | 522 84 17-01 | SLEEVE | | 2 | |
| 4 | 504 90 62-01 | SHAFT ASSY | | 1 | |
| 5 | 522 84 14-01 | SLEEVE | | 2 | |
| 6 | 504 88 98-01 | ARM | | 1 | |
| 7 | 522 84 17-01 | SLEEVE | | 2 | |
| 8 | 505 31 68-01 | SHAFT ASSY | | 1 | |
| 9 | 504 89 49-01 | BEARING BUSH | | 4 | |
| 10 | 504 90 58-01 | SHAFT ASSY | | 1 | |
| 11 | 521 90 66-01 | CYLINDER | | 2 | |
| 12 | 504 89 53-01 | LUBRICATION NIPPLE | | 2 | |
| 13 | 522 66 74-01 | SCREW IHSCM | | 8 | |
| 14 | 522 67 15-01 | WASHER | | 16 | |
| 15 | 522 67 18-01 | WASHER | | 2 | |
| 16 | 522 66 77-01 | SCREW EHHM | | 2 | |
| 17 | 505 32 80-01 | FITTING | | 2 | |
| 18 | 522 66 93-01 | LOCK NUT | | 8 | |
| 19 | 522 84 14-01 | SLEEVE | | 2 | |
| 20 | 505 24 82-01 | SHAFT ASSY | | 1 | |
| 21 | 522 85 73-01 | SEAL | | 1 | 11 |
| 22 | 522 91 49-01 | HYDRAULIC PIPE | | 1 | 11 |
| 23 | 504 89 53-01 | LUBRICATION NIPPLE | | 2 | 11 |
| 24 | 504 89 49-01 | BEARING BUSH | | 8 | 11 |

D2 DXR 310

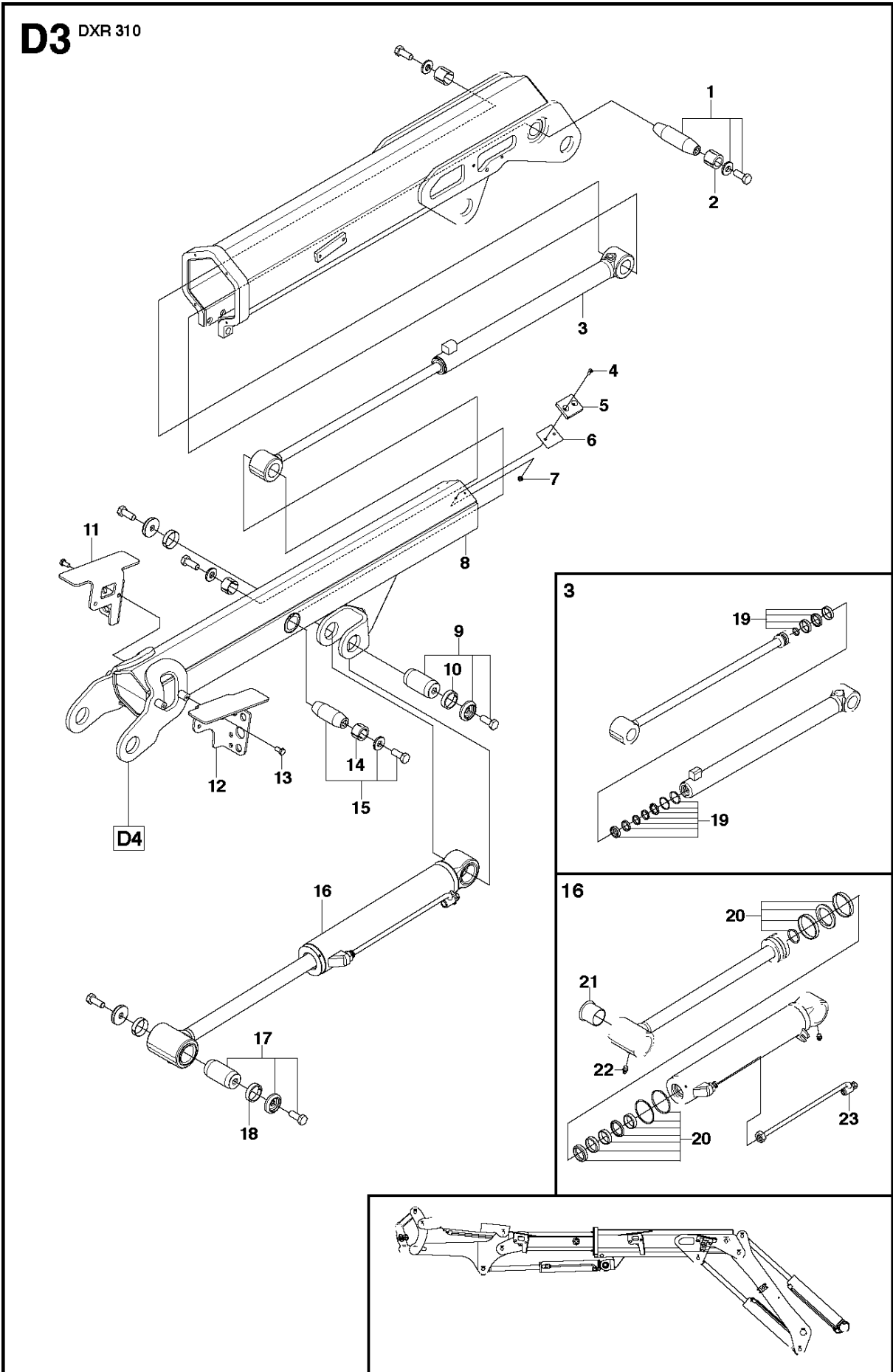


ARM

DXR310, Valid for machine 43, 2010-09

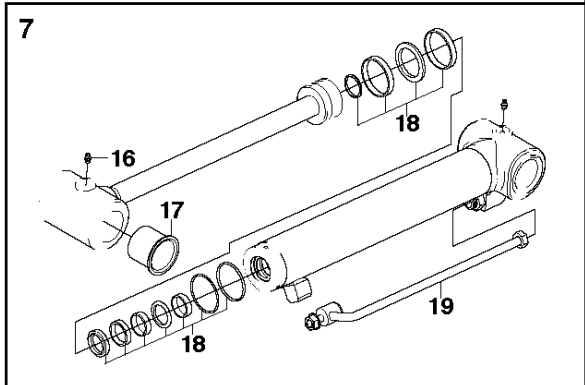
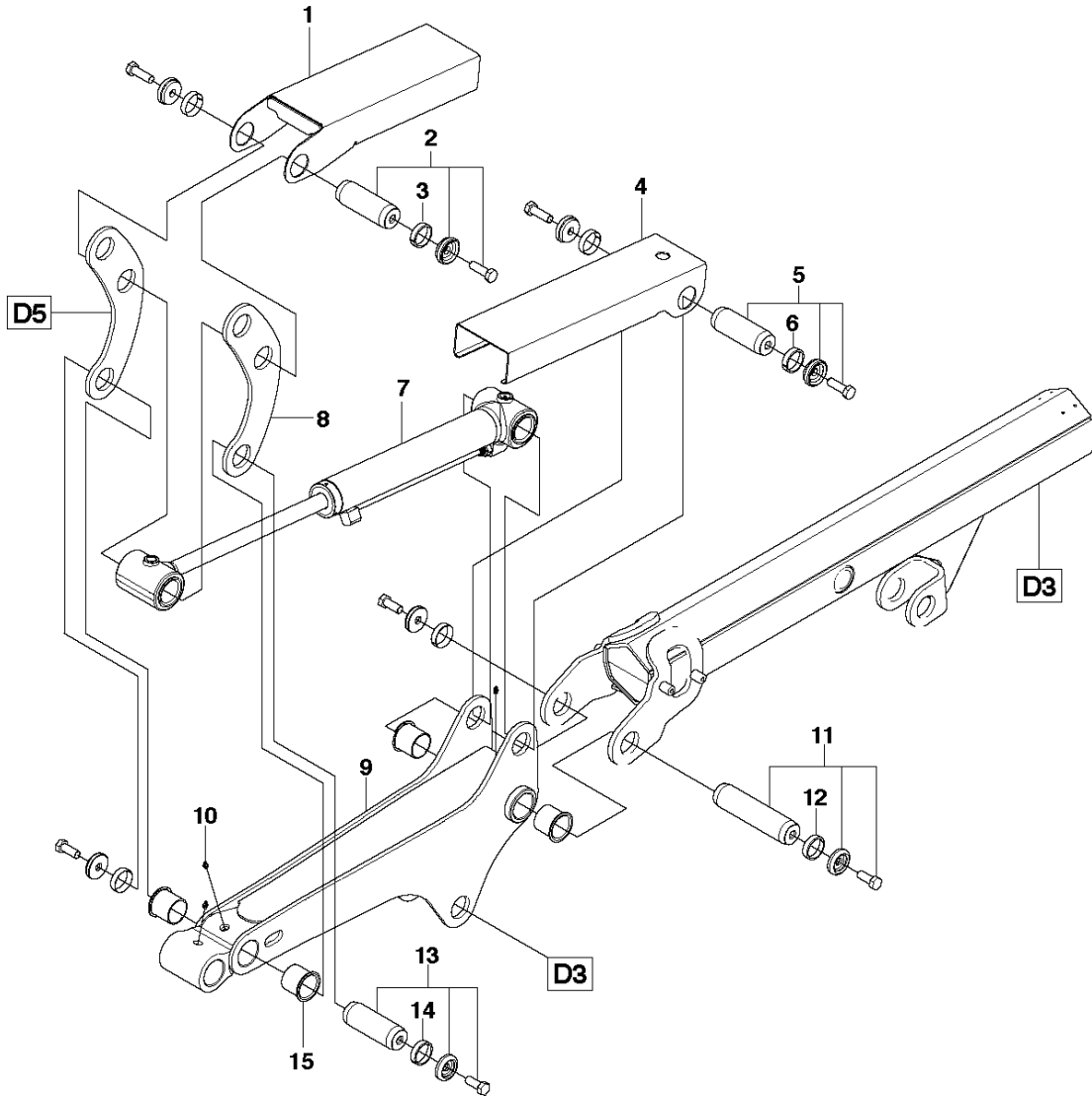
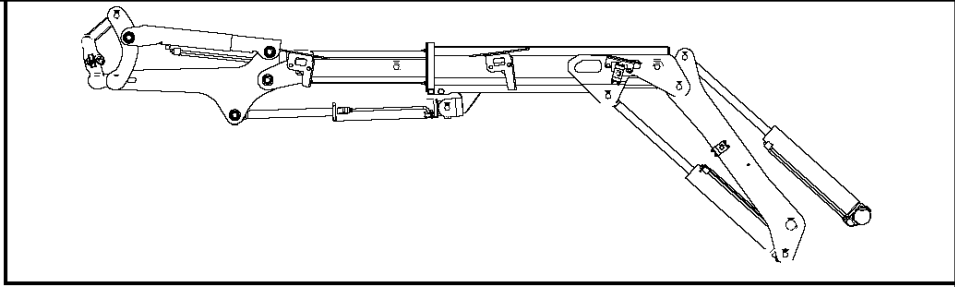
| Ref | Part No | Description | Remark | QTY KIT |
|-----|--------------|-------------|--------|---------|
| 1 | 505 06 10-01 | COVER | | 1 |
| 2 | 504 89 01-01 | ARM | | 1 |
| 3 | 505 41 02-01 | COVER | | 10 |
| 4 | 505 41 01-01 | COVER | | 1 |
| 5 | 522 70 66-01 | SCREW EHHFM | | 2 |
| 6 | 522 66 74-01 | SCREW IHSCM | | 8 |
| 7 | 522 67 15-01 | WASHER | | 16 |
| 8 | 505 32 80-01 | FITTING | | 2 |
| 9 | 522 66 77-01 | SCREW EHHM | | 2 |
| 10 | 522 67 18-01 | WASHER | | 2 |
| 11 | 522 66 93-01 | LOCK NUT | | 8 |
| 12 | 522 66 75-01 | SCREW EHHM | | 1 |
| 13 | 522 66 76-01 | SCREW EHHM | | 1 |
| 14 | 522 67 19-01 | WASHER | | 4 |
| 15 | 504 89 64-01 | SPACER | | 1 |
| 16 | 522 66 97-01 | LOCK NUT | | 2 |
| 17 | 522 59 93-01 | SCREW | | 4 |
| 18a | 504 89 66-01 | SPACER | | |
| 18b | 504 89 66-02 | SPACER | | |
| 18c | 504 89 66-03 | SPACER | | |
| 18d | 504 89 66-04 | SPACER | | |
| 19 | 504 89 70-01 | BRACKET | | 1 |
| 20 | 504 89 72-01 | BEARING | | 1 |
| 21 | 504 89 57-01 | PLATE | | 2 |
| 22 | 522 67 16-01 | WASHER | | 4 |
| 23 | 522 66 94-01 | LOCK NUT | | 4 |

D3 DXR 310



| Ref | Part No | Description | Remark | QTY | KIT |
|-----|--------------|--------------------|--------|-----|-----|
| 1 | 504 90 26-01 | SHAFT ASSY | | 1 | |
| 2 | 522 84 16-01 | SLEEVE | | 2 | |
| 3 | 521 90 75-01 | CYLINDER | | 1 | |
| 4 | 725 63 72-51 | SCREW IHCSFM | | 8 | |
| 5 | 504 89 72-01 | BEARING | | 2 | |
| 6a | 504 90 25-01 | SPACER | | | |
| 6b | 504 90 25-02 | SPACER | | | |
| 6c | 504 90 25-03 | SPACER | | | |
| 6d | 504 90 25-06 | SPACER | | | |
| 7 | 731 43 16-01 | HEXAGON THIN NUT | | 8 | |
| 8 | 504 90 24-01 | ARM | | 1 | |
| 9 | 504 90 64-01 | SHAFT ASSY | | 1 | |
| 10 | 522 84 14-01 | SLEEVE | | 2 | |
| 11 | 505 26 16-01 | COVER | | 1 | |
| 12 | 505 25 77-01 | COVER | | 1 | |
| 13 | 522 70 66-01 | SCREW EHHFM | | 4 | |
| 14 | 522 84 15-01 | SLEEVE | | 2 | |
| 15 | 504 90 27-01 | SHAFT ASSY | | 1 | |
| 16 | 504 90 05-01 | CYLINDER ASSY | | 1 | |
| 17 | 505 24 82-01 | SHAFT ASSY | | 1 | |
| 18 | 522 84 14-01 | SLEEVE | | 2 | |
| 19 | 522 85 75-01 | SEAL | | 1 | 3 |
| 20 | 522 85 73-01 | SEAL | | 1 | 16 |
| 21 | 504 89 49-01 | BEARING BUSH | | 2 | 16 |
| 22 | 504 89 53-01 | LUBRICATION NIPPLE | | 2 | 16 |
| 23 | 522 91 50-01 | HYDRAULIC PIPE | | 1 | 16 |

D4 DXR 310

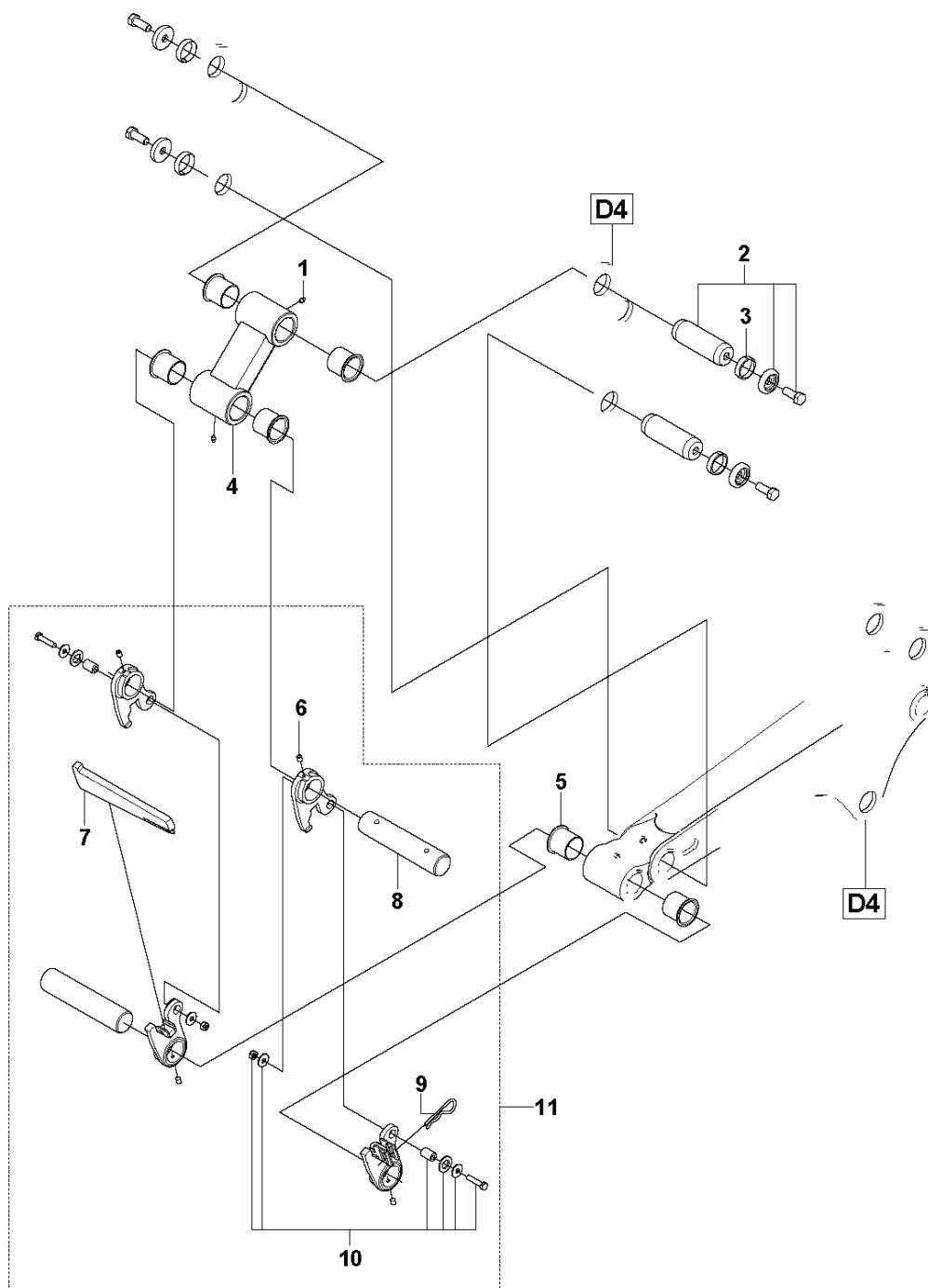
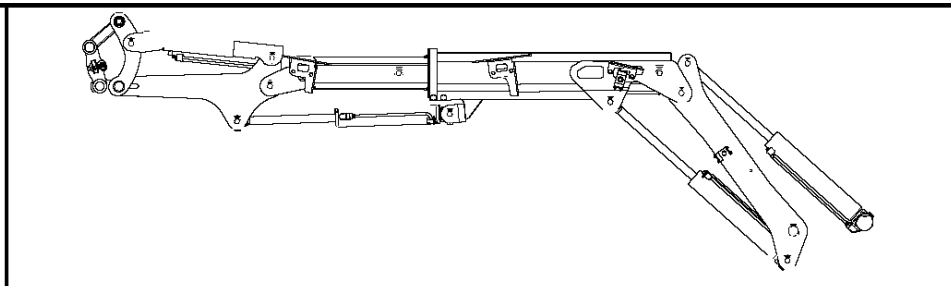


ARM

DXR310, Valid for machine 43, 2010-09

| Ref | Part No | Description | Remark | QTY | KIT |
|-----|--------------|--------------------|--------|-----|-----|
| 1 | 505 33 37-01 | PROTECTION | | 1 | |
| 2 | 510 16 64-01 | SHAFT ASSY | | 1 | |
| 3 | 522 84 14-01 | SLEEVE | | 2 | |
| 4 | 505 33 40-01 | PROTECTION | | 1 | |
| 5 | 522 85 92-01 | SHAFT ASSY | | 1 | |
| 6 | 522 84 14-01 | SLEEVE | | 2 | |
| 7 | 522 72 29-01 | CYLINDER | | 1 | |
| 8 | 505 33 20-01 | PLATE | | 2 | |
| 9 | 504 89 78-01 | ARM | | 1 | |
| 10 | 504 89 53-01 | LUBRICATION NIPPLE | | 5 | |
| 11 | 504 90 62-01 | SHAFT ASSY | | 1 | |
| 12 | 522 84 14-01 | SLEEVE | | 2 | |
| 13 | 504 90 58-01 | SHAFT ASSY | | 1 | |
| 14 | 522 84 14-01 | SLEEVE | | 2 | |
| 15 | 504 89 49-01 | BEARING BUSH | | 8 | |
| 16 | 504 89 53-01 | LUBRICATION NIPPLE | | 5 | 7 |
| 17 | 504 89 49-01 | BEARING BUSH | | 8 | 7 |
| 18 | 522 85 73-01 | SEAL | | 1 | 7 |
| 19 | 522 91 51-01 | HYDRAULIC PIPE | | 1 | 7 |

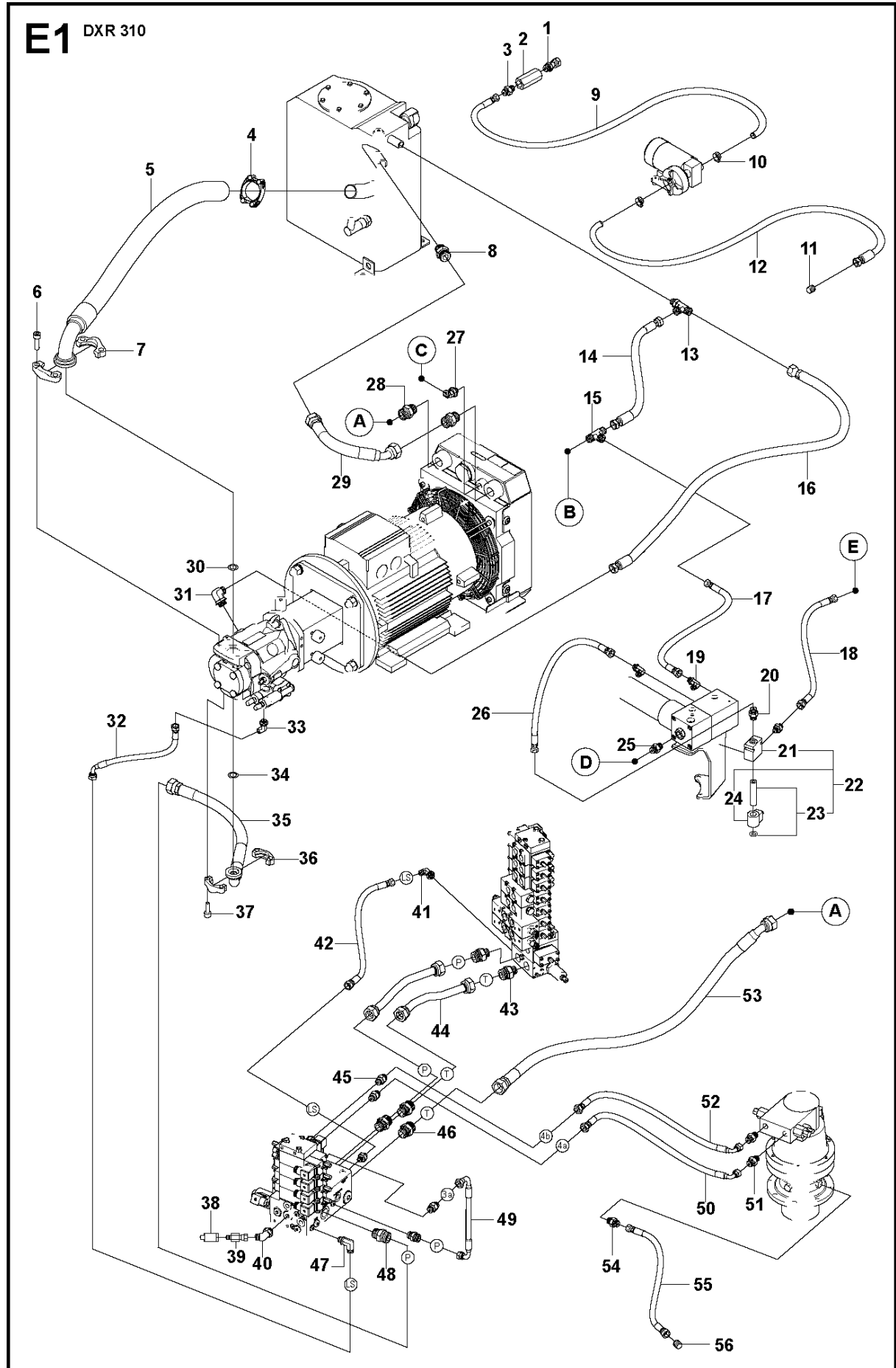
D5 DXR 310



ARM

DXR310, Valid for machine 43, 2010-09

| Ref | Part No | Description | Remark | QTY KIT |
|-----|--------------|--------------------|--------|---------|
| 1 | 504 89 53-01 | LUBRICATION NIPPLE | | 2 |
| 2 | 504 90 58-01 | SHAFT ASSY | | 1 |
| 3 | 522 84 14-01 | SLEEVE | | 2 |
| 4 | 585 43 40-01 | ARM | | 1 |
| 5 | 504 89 49-01 | BEARING BUSH | | 6 |
| 6 | 522 70 65-01 | SCREW IHSETM | | 4 |
| 7 | 505 32 26-01 | WEDGE | | 1 |
| 8 | 505 56 76-01 | SHAFT | | 1 |
| 9 | 505 32 30-01 | CLIP | | 1 |
| 10 | 574 36 62-01 | KIT | | 1 |
| 11 | 505 32 57-01 | HITCH | | 1 |

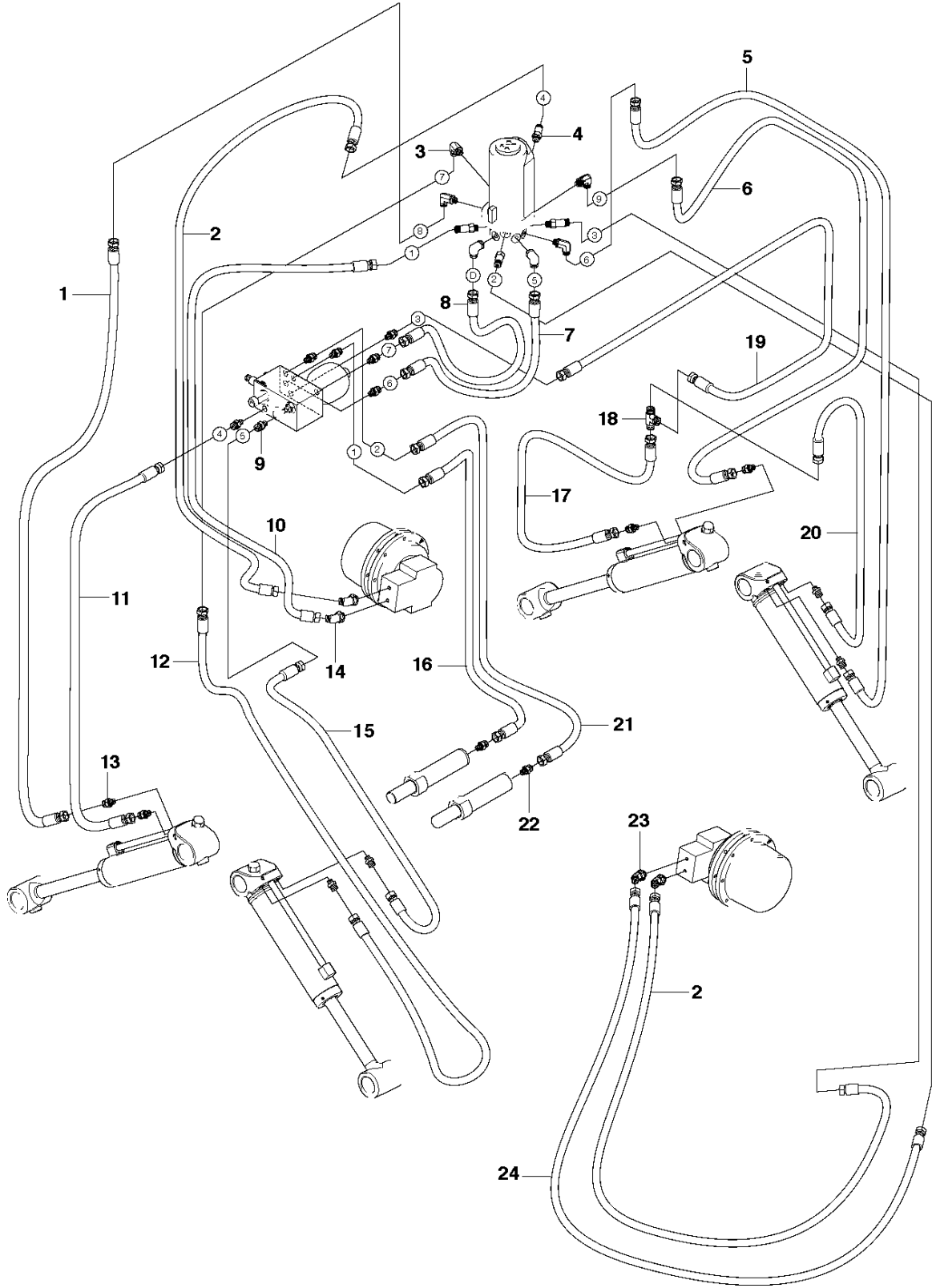


HYDRAULIC HOSES UNDER CARRIAGE

DXR310, Valid for machine 43, 2010-09

| Ref | Part No | Description | Remark | QTY KIT |
|-----|--------------|---------------|--------|---------|
| 1 | 510 24 58-01 | ADAPTER | | 6 |
| 2 | 510 26 76-01 | CHECK VALVE | | 1 |
| 3 | 510 26 11-01 | ADAPTER | | 1 |
| 4 | 510 36 32-01 | HOSE CLAMP | | 1 |
| 5 | 510 19 47-01 | HOSE ASSY | | 1 |
| 6 | 725 25 38-71 | SCREW EHHM | | 4 |
| 7 | 510 26 63-01 | FLANGE | | 2 |
| 8 | 510 26 46-01 | ADAPTER | | 7 |
| 9 | 510 25 28-04 | HOSE ASSY | | 1 |
| 10 | 510 36 32-01 | HOSE CLAMP | | 2 |
| 11 | 522 83 17-01 | ADAPTER | | 1 |
| 12 | 510 25 28-02 | HOSE ASSY | | 1 |
| 13 | 516 01 82-01 | ADAPTER | | 1 |
| 14 | 522 67 26-01 | HOSE ASSY | | 1 |
| 15 | 522 53 21-01 | ADAPTER | | 1 |
| 16 | 510 24 21-01 | HOSE ASSY | | 1 |
| 17 | 510 22 87-06 | HOSE ASSY | | 1 |
| 18 | 510 23 48-03 | HOSE ASSY | | 1 |
| 19 | 510 26 54-01 | ADAPTER | | 3 |
| 20 | 510 24 57-01 | ADAPTER | | 4 |
| 21 | 522 96 28-01 | VALVE HOUSING | | 1 |
| 22 | 522 96 27-01 | VALVE ASSY | | 1 |
| 23 | 522 96 29-01 | VALVE | | 1 |
| 24 | 522 96 30-01 | SOLENOID | | 1 |
| 25 | 510 24 57-01 | ADAPTER | | 1 |
| 26 | 522 67 25-01 | HOSE ASSY | | 1 |
| 27 | 510 24 72-01 | ADAPTER | | 6 |
| 28 | 510 26 46-01 | ADAPTER | | 7 |
| 29 | 510 19 53-02 | HOSE ASSY | | 2 |
| 30 | 501 74 91-04 | O-RING | | 1 |
| 31 | 510 26 57-01 | ADAPTER | | 1 |
| 32 | 510 23 48-01 | HOSE ASSY | | 1 |
| 33 | 510 26 52-01 | ADAPTER | | 1 |
| 34 | 501 74 91-02 | O-RING | | 1 |
| 35 | 510 19 28-01 | HOSE ASSY | | 1 |
| 36 | 510 26 62-01 | FLANGE | | 1 |
| 37 | 725 24 95-76 | SCREW EHHM | | 4 |
| 38 | 522 49 53-01 | SENSOR | | 1 |
| 39 | 510 40 87-01 | ADAPTER | | 1 |
| 40 | 510 26 54-01 | ADAPTER | | 3 |
| 41 | 510 26 54-01 | ADAPTER | | 3 |
| 42 | 510 25 18-04 | HOSE ASSY | | 1 |
| 43 | 510 25 87-01 | ADAPTER | | 2 |
| 44 | 510 19 51-04 | HOSE ASSY | | 1 |
| 45 | 510 24 58-01 | ADAPTER | | 6 |
| 46 | 510 26 46-01 | ADAPTER | | 7 |
| 47 | 510 26 54-01 | ADAPTER | | 4 |
| 48 | 510 26 46-01 | ADAPTER | | 7 |
| 49 | 576 48 84-01 | HOSE ASSY | | 1 |
| 50 | 510 17 45-01 | HOSE ASSY | | 1 |
| 51 | 510 24 58-01 | ADAPTER | | 6 |
| 52 | 510 17 45-02 | HOSE ASSY | | 1 |
| 53 | 510 19 53-02 | HOSE ASSY | | 2 |
| 54 | 510 24 57-01 | ADAPTER | | 1 |
| 55 | 522 67 25-07 | HOSE ASSY | | 1 |
| 56 | 522 77 48-01 | ADAPTER | | 1 |

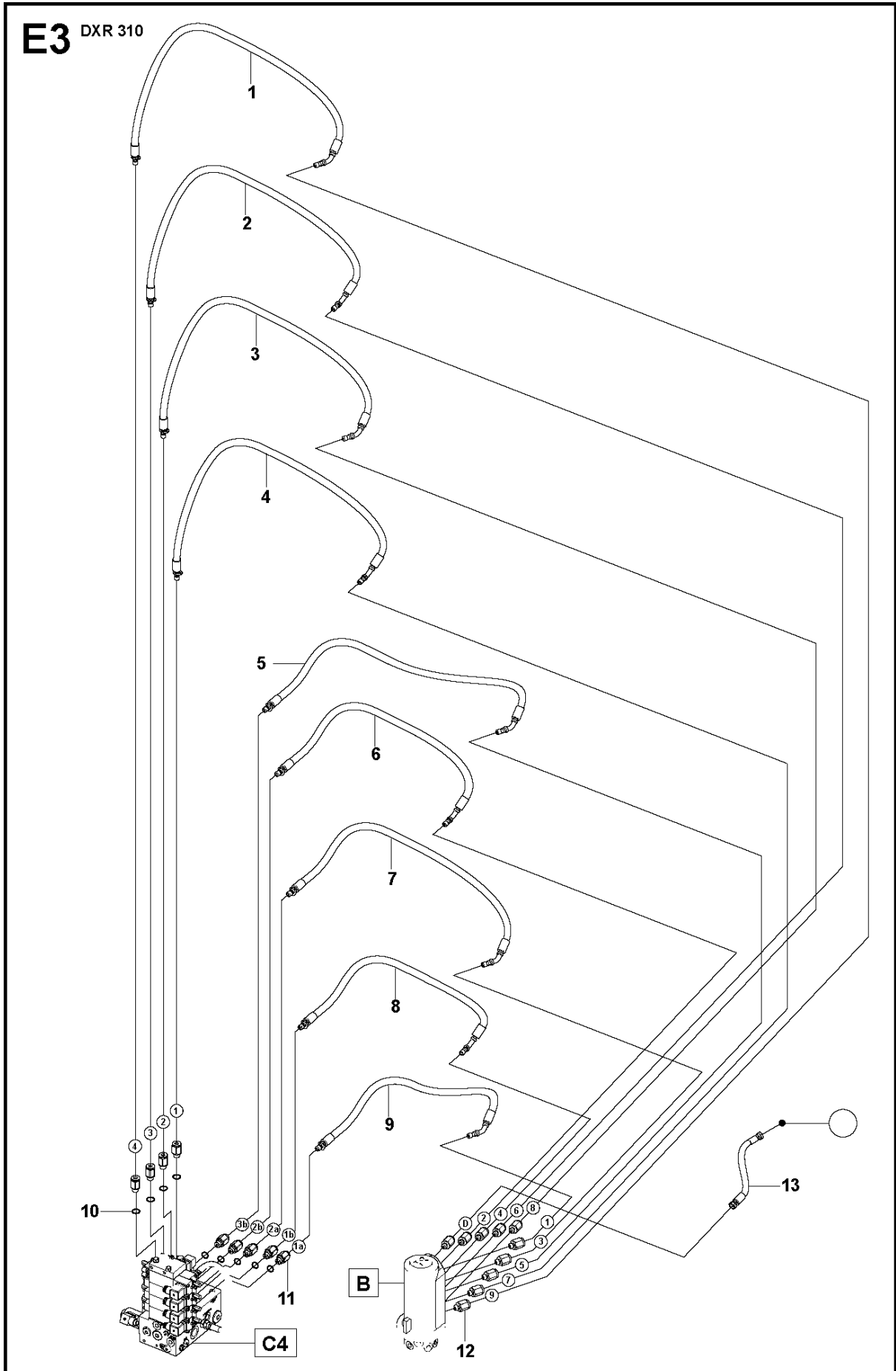
E2 DXR 310



HYDRAULIC HOSES UNDER CARRIAGE

DXR310, Valid for machine 43, 2010-09

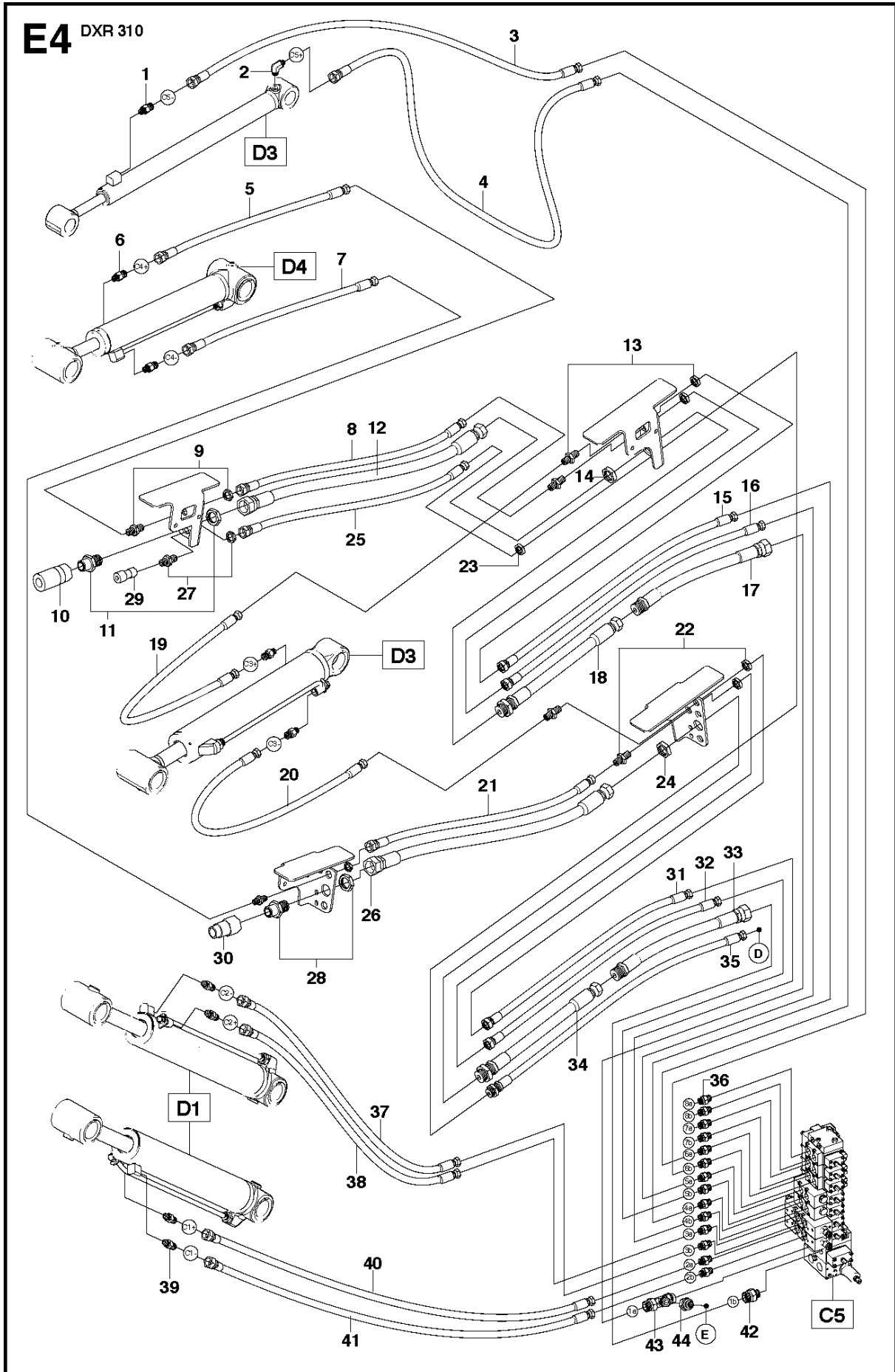
| Ref | Part No | Description | Remark | QTY KIT |
|-----|--------------|-------------|--------|---------|
| 1 | 510 22 87-02 | HOSE ASSY | | 5 |
| 2 | 510 17 00-01 | HOSE ASSY | | 4 |
| 3 | 505 34 27-01 | ADAPTER | | 6 |
| 4 | 505 34 29-01 | ADAPTER | | 4 |
| 5 | 510 22 87-02 | HOSE ASSY | | 5 |
| 6 | 510 22 87-02 | HOSE ASSY | | 5 |
| 7 | 510 17 44-03 | HOSE ASSY | | 1 |
| 8 | 510 17 44-02 | HOSE ASSY | | 1 |
| 9 | 510 24 58-01 | ADAPTER | | 8 |
| 10 | 510 17 00-01 | HOSE ASSY | | 4 |
| 11 | 510 22 87-04 | HOSE ASSY | | 2 |
| 12 | 510 22 87-02 | HOSE ASSY | | 5 |
| 13 | 522 73 00-01 | ADAPTER | | 9 |
| 14 | 510 24 72-01 | ADAPTER | | 4 |
| 15 | 510 22 87-04 | HOSE ASSY | | 2 |
| 16 | 510 22 87-01 | HOSE ASSY | | 2 |
| 17 | 510 25 18-03 | HOSE ASSY | | 2 |
| 18 | 510 24 73-01 | ADAPTER | | 1 |
| 19 | 510 22 87-02 | HOSE ASSY | | 5 |
| 20 | 510 25 18-03 | HOSE ASSY | | 2 |
| 21 | 510 22 87-01 | HOSE ASSY | | 2 |
| 22 | 510 24 57-01 | ADAPTER | | 2 |
| 23 | 510 24 72-01 | ADAPTER | | 4 |
| 24 | 510 17 00-01 | HOSE ASSY | | 4 |



HYDRAULIC HOSES UNDER CARRIAGE

DXR310, Valid for machine 43, 2010-09

| Ref | Part No | Description | Remark | QTY KIT |
|-----|--------------|-------------|--------|---------|
| 1 | 510 19 24-03 | HOSE ASSY | | 1 |
| 2 | 510 19 24-04 | HOSE ASSY | | 1 |
| 3 | 510 19 24-07 | HOSE ASSY | | 1 |
| 4 | 510 19 24-02 | HOSE ASSY | | 1 |
| 5 | 510 19 24-01 | HOSE ASSY | | 1 |
| 6 | 510 19 24-10 | HOSE ASSY | | 1 |
| 7 | 510 19 24-08 | HOSE ASSY | | 1 |
| 8 | 510 19 24-09 | HOSE ASSY | | 1 |
| 9 | 510 19 24-06 | HOSE ASSY | | 1 |
| 10 | 510 25 50-01 | WASHER | | 9 |
| 11 | 510 24 89-01 | CONNECTION | | 9 |
| 12 | 505 34 26-01 | CONNECTION | | 10 |
| 13 | 522 67 24-01 | HOSE ASSY | | 1 |



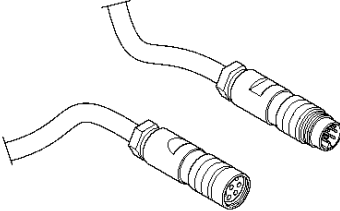
HYDRAULIC HOSES ARM

DXR310, Valid for machine 43, 2010-09

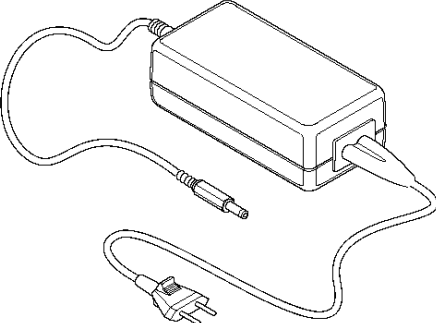
| Ref | Part No | Description | Remark | QTY KIT |
|-----|--------------|----------------|--------|---------|
| 1 | 510 24 58-01 | ADAPTER | | 19 |
| 2 | 521 89 27-01 | ADAPTER | | 1 |
| 3 | 510 17 44-05 | HOSE ASSY | | 1 |
| 4 | 510 17 44-06 | HOSE ASSY | | 1 |
| 5 | 510 06 97-07 | HOSE ASSY | | 2 |
| 6 | 510 24 58-01 | ADAPTER | | 19 |
| 7 | 510 06 97-07 | HOSE ASSY | | 1 |
| 8 | 510 06 97-06 | HOSE ASSY | | 2 |
| 9 | 505 15 97-01 | ADAPTER | | 6 |
| 10 | 510 26 81-01 | QUICK COUPLING | | 1 |
| 11 | 510 25 84-01 | ADAPTER | | 2 |
| 12 | 510 19 51-01 | HOSE ASSY | | 2 |
| 13 | 505 15 97-01 | ADAPTER | | 6 |
| 14 | 522 44 73-01 | NUT | | 2 |
| 15 | 510 06 97-03 | HOSE ASSY | | 4 |
| 16 | 510 06 97-03 | HOSE ASSY | | 4 |
| 17 | 510 19 51-05 | HOSE ASSY | | 1 |
| 18 | 523 00 03-02 | HOSE ASSY | | 1 |
| 19 | 510 06 97-05 | HOSE ASSY | | 2 |
| 20 | 510 06 97-05 | HOSE ASSY | | 2 |
| 21 | 510 06 97-06 | HOSE ASSY | | 2 |
| 22 | 505 15 97-01 | ADAPTER | | 6 |
| 23 | 522 44 71-01 | NUT | | 1 |
| 24 | 522 44 73-01 | NUT | | 2 |
| 25 | 510 25 18-01 | HOSE ASSY | | 1 |
| 26 | 510 19 51-01 | HOSE ASSY | | 2 |
| 27 | 510 25 79-01 | ADAPTER | | 1 |
| 28 | 510 25 84-01 | ADAPTER | | 2 |
| 29 | 510 26 79-01 | QUICK COUPLING | | 1 |
| 30 | 510 26 80-01 | QUICK COUPLING | | 1 |
| 31 | 510 06 97-03 | HOSE ASSY | | 4 |
| 32 | 510 06 97-03 | HOSE ASSY | | 4 |
| 33 | 522 99 96-01 | HOSE ASSY | | 1 |
| 34 | 523 00 03-01 | HOSE ASSY | | 1 |
| 35 | 510 27 82-01 | HOSE ASSY | | 1 |
| 36 | 510 24 58-01 | ADAPTER | | 19 |
| 37 | 510 06 97-02 | HOSE ASSY | | 2 |
| 38 | 510 06 97-02 | HOSE ASSY | | 2 |
| 39 | 510 24 58-01 | ADAPTER | | 19 |
| 40 | 510 06 97-01 | HOSE ASSY | | 2 |
| 41 | 510 06 97-01 | HOSE ASSY | | 2 |
| 42 | 510 25 87-01 | ADAPTER | | 1 |
| 43 | 522 83 74-01 | ADAPTER | | 1 |
| 44 | 522 61 36-01 | ADAPTER | | 1 |

F2 REMOTE CONTROL ACCESSORIES

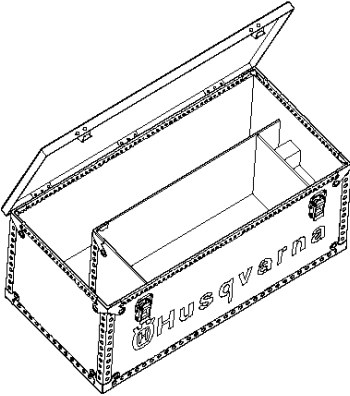
3



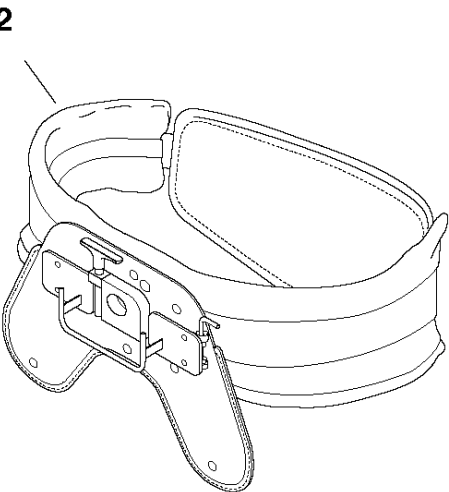
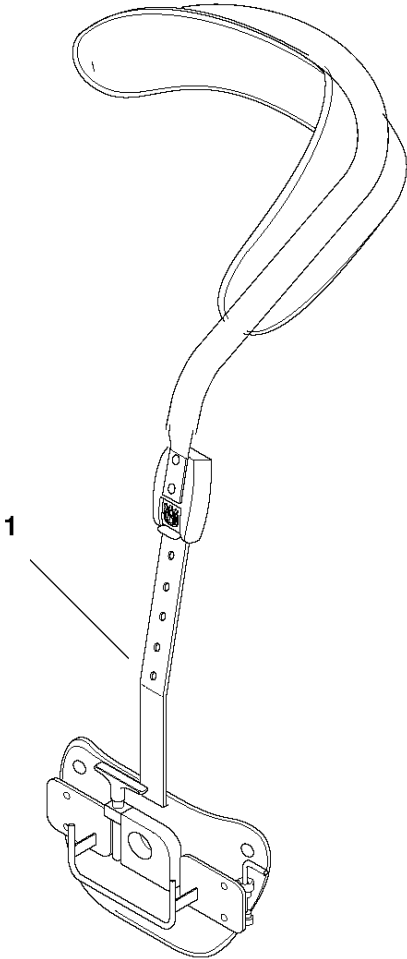
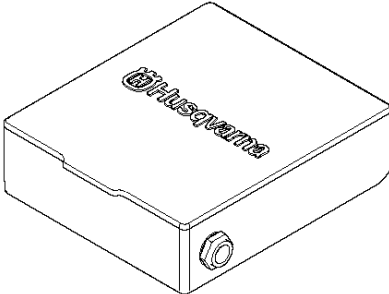
4



5



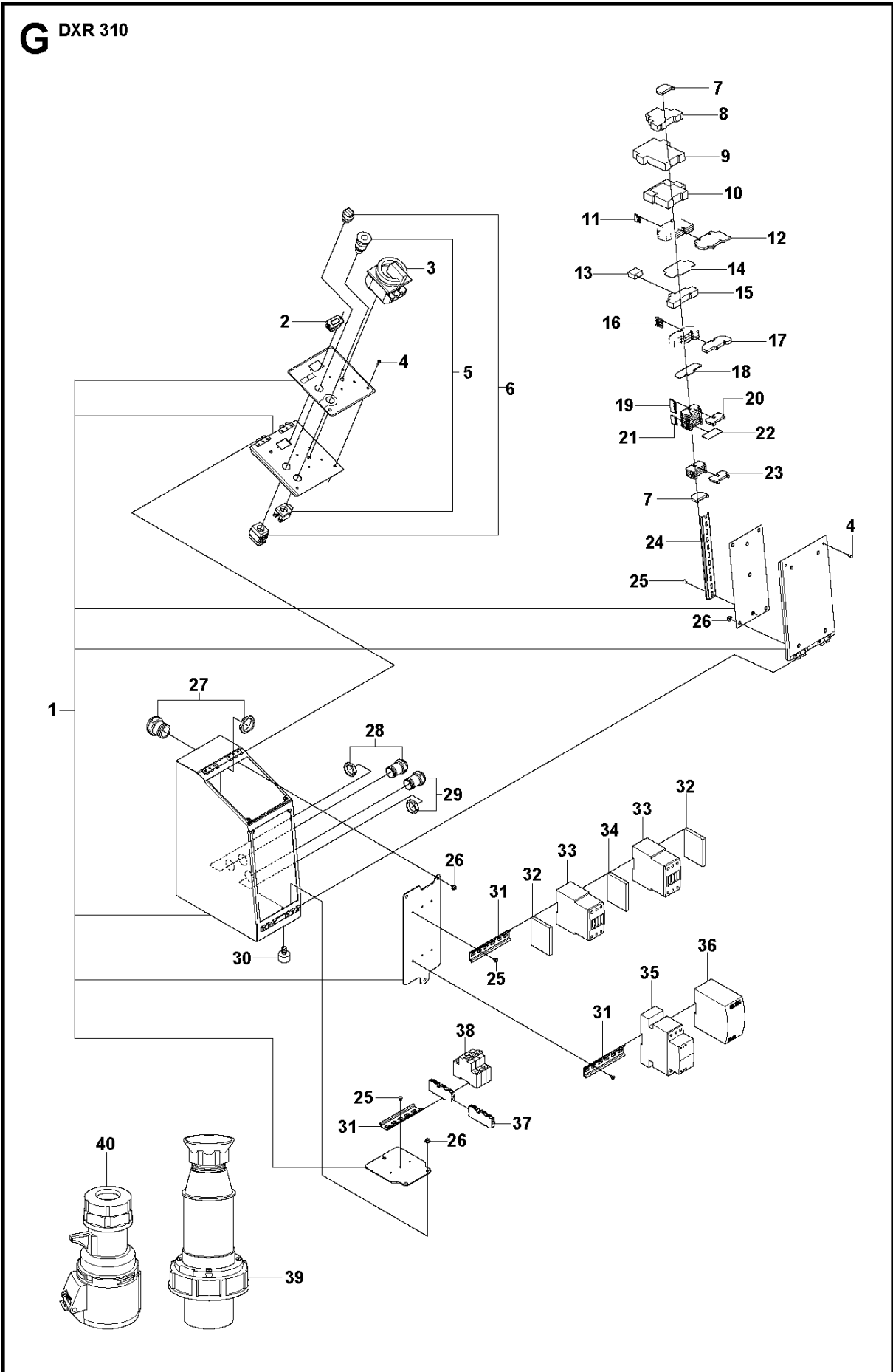
6



REMOTE CONTROL ACCESSORIES

DXR310, Valid for machine 43, 2010-09

| Ref | Part No | Description | Remark | QTY | KIT |
|-----|--------------|-------------|--------|-----|-----|
| 1 | 501 79 30-01 | HARNESS | | 1 | |
| 2 | 501 79 31-01 | HARNESS | | 1 | 1 |
| 3 | 510 28 20-01 | CABLE | | 1 | 1 |
| 4 | 510 28 50-03 | CHARGER | | 1 | |
| 5 | 525 74 75-01 | PACKING | | 1 | |
| 6 | 587 31 16-01 | BATTERY | | 1 | |

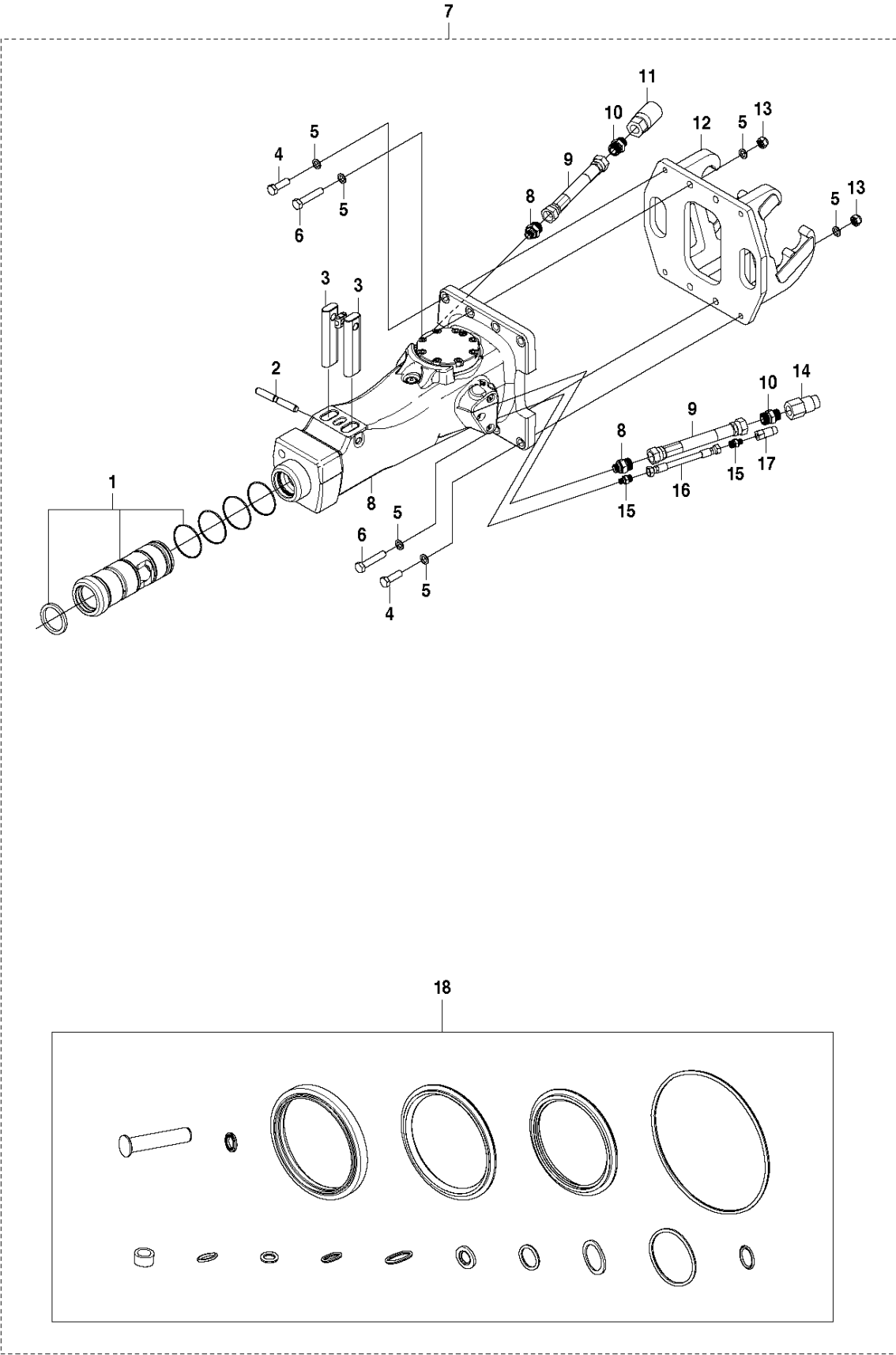


ELECTRICAL

DXR310, Valid for machine 43, 2010-09

| Ref | Part No | Description | Remark | QTY KIT |
|-----|--------------|----------------|--------------------------|---------|
| 1 | 584 79 81-01 | ELECTRONIC BOX | | 1 |
| 2 | 510 28 49-01 | HOUR METER | | 1 |
| 3 | 522 87 14-01 | MAIN SWITCH | | 1 |
| 4 | 576 46 77-01 | TBD | | 16 |
| 5 | 510 28 52-01 | SWITCH | | 1 |
| 6 | 575 88 81-01 | SWITCH | | 1 |
| 7 | 522 92 21-01 | STOP | | 3 |
| 8 | 575 46 49-01 | CONTROL | T3, Fan control relay | 1 |
| 9 | 522 91 16-01 | RELAY | B1, Safety relay | 1 |
| 10 | 522 86 92-01 | RELAY | K1, Phase sequence relay | 1 |
| 11 | 575 89 44-01 | BAR | | 1 |
| 12 | 522 92 25-01 | RELAY | K2, K3, K4, K5 | 4 |
| 13 | 575 88 90-01 | RELAY | | 1 |
| 14 | 575 89 49-01 | PLATE | | 1 |
| 15 | 575 88 91-01 | RELAY | K6, Start relay | 1 |
| 16 | 575 89 42-01 | JUMPER BAR | | 3 |
| 17 | 522 92 18-01 | FUSE HOLDER | | 4 |
| 18 | 575 89 48-01 | PLATE | | 1 |
| 19 | 575 89 45-01 | JUMPER BAR | | 1 |
| 20 | 575 88 79-01 | TERMINAL BLOCK | | 9 |
| 21 | 575 89 46-01 | JUMPER BAR | | 1 |
| 22 | 522 92 65-01 | TERMINAL BLOCK | | 5 |
| 23 | 575 88 80-01 | TERMINAL BLOCK | | 5 |
| 24 | 523 05 53-01 | RAIL | | 1 |
| 25 | 723 23 23-81 | SCREW SLPANM | | 9 |
| 26 | 503 22 00-06 | HEXAGON NUT | | 10 |
| 27 | 575 88 98-01 | CABLE | | 2 |
| 28 | 523 05 74-01 | CABLE | | 2 |
| 29 | 523 05 73-01 | CABLE | | 1 |
| 30 | 510 28 25-01 | DAMPER | | 4 |
| 31 | 523 05 53-03 | RAIL | | 3 |
| 32 | 523 04 68-01 | RELAY | Auxiliary relay | 2 |
| 33 | 523 04 69-01 | CONTACTOR | | 2 |
| 34 | 523 04 70-01 | CONNECTION | | 1 |
| 35 | 522 91 44-01 | STARTER | T2 | 1 |
| 36 | 505 52 74-01 | TRANSFORMER | T1 | 1 |
| 37 | 523 06 00-01 | TERMINAL BLOCK | | 2 |
| 38 | 522 91 18-01 | FUSE | | 1 |
| 39 | 510 27 77-01 | CABLE | | 1 |
| 40 | 531 11 71-32 | SOCKET | | 1 |

H DXR 310
HYDRAULIC BREAKER

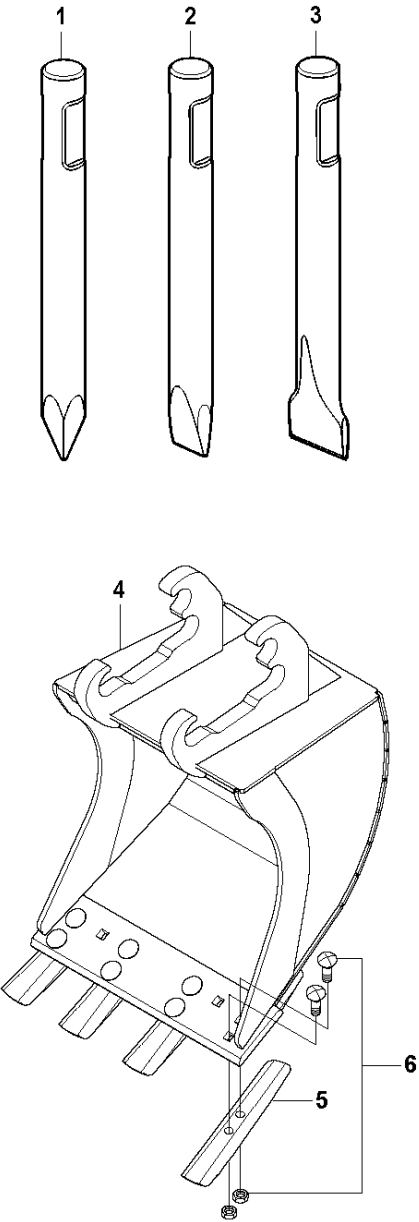


HAMMER

DXR310, Valid for machine 43, 2010-09

| Ref | Part No | Description | Remark | QTY | KIT |
|-----|--------------|----------------|--------|-----|-----|
| 1 | 576 63 68-02 | BUSHING | | 1 | 7 |
| 2 | 576 63 69-02 | LOCKING PIN | | 1 | 7 |
| 3 | 576 63 70-02 | RETAINER | | 2 | 7 |
| 4 | 522 66 79-01 | SCREW EHHM | | 4 | 7 |
| 5 | 522 48 73-01 | WASHER | | 12 | 7 |
| 6 | 522 66 75-01 | SCREW EHHM | | 4 | 7 |
| 7 | 522 48 24-01 | HAMMER | | 1 | |
| 8 | 510 25 87-01 | ADAPTER | | 2 | 7 |
| 9 | 510 19 51-02 | HOSE ASSY | | 2 | 7 |
| 10 | 510 26 46-01 | ADAPTER | | 2 | 7 |
| 11 | 510 26 81-01 | QUICK COUPLING | | 1 | 7 |
| 12 | 510 27 37-01 | ADAPTER | | 1 | 7 |
| 13 | 522 66 97-01 | LOCK NUT | | 4 | 7 |
| 14 | 510 26 80-01 | QUICK COUPLING | | 1 | 7 |
| 15 | 505 26 84-01 | ADAPTER | | 2 | 7 |
| 16 | 510 17 44-07 | HOSE ASSY | | 1 | 7 |
| 17 | 510 26 78-01 | QUICK COUPLING | | 1 | 7 |
| 18 | 576 63 71-02 | SEAL | | 1 | 7 |

J DXR
ACCESSORIES



ACCESSORIES

DXR310, Valid for machine 43, 2010-09

| Ref | Part No | Description | Remark | QTY KIT |
|-----|--------------|-------------|--------|---------|
| 1 | 522 86 95-01 | TOOL | | 1 |
| 2 | 522 86 95-02 | TOOL | | 1 |
| 3 | 522 86 95-03 | TOOL | | 1 |
| 4 | 522 84 49-01 | TOOL | | 1 |
| 5 | 576 70 33-01 | TOOTH | | 1 |
| 6 | 576 70 34-01 | KIT | | 2 |

REMOTE CONTROL

DXR310, Valid for machine 43, 2010-09

| Ref | Part No | Description | Remark | QTY | KIT |
|-----|--------------|----------------|-----------------------|-----|--------|
| 1 | 587 36 11-01 | COVER KIT | | 1 | 28 |
| 2 | 587 36 61-01 | COVER KIT | | 1 | 28 |
| 3 | 510 36 33-01 | SWITCH | Machine stop | 1 | 28 |
| 4 | 510 36 35-01 | SWITCH | Main switch, ON/OFF | 1 | 28 |
| 5 | 522 96 66-01 | POTENTIOMETER | Tool | 1 | 28 |
| 6 | 522 96 65-01 | POTENTIOMETER | Machine | 1 | 28 |
| 8 | 522 66 89-01 | SCREW CRPANT | | 4 | 28 |
| 9 | 510 21 73-07 | CONTROL BOARD | No firmware installed | 1 | 28 |
| 10 | 582 45 09-01 | JOYSTICK | | 1 | 28 |
| 11 | 582 42 18-01 | PROTECTION | | 1 | 10, 28 |
| 12 | 582 42 10-01 | BUTTON KIT | | 1 | 10, 28 |
| 13 | 522 79 66-01 | SCREW CCRPANT | | 4 | 2,28 |
| 14 | 510 21 78-01 | CONTROL BOARD | Bluetooth | 1 | 28 |
| 15 | 510 22 26-01 | SPRING PIN | | 2 | 2,28 |
| 16 | 522 96 67-01 | CONNECTION | Communication cable | 1 | 28 |
| 17 | 503 21 74-16 | SCREW IHCT | | 9 | 2,28 |
| 18 | 523 00 50-01 | SCREW CRPANT | | 1 | 2,28 |
| 19 | 510 10 85-01 | PLATE | | 1 | 2,28 |
| 20 | 586 18 79-01 | SCREW CRPANT | | 4 | 2,28 |
| 21 | 734 11 24-01 | WASHER | | 1 | 2,28 |
| 22 | 586 14 66-01 | CONTACT | USB | 1 | 28 |
| 23 | 577 96 36-01 | CABLE HOLDER | | 1 | 2,28 |
| 24 | 576 88 80-05 | SEALING STRIP | | 1 | 1,2,28 |
| 25 | 510 21 76-01 | BUSHING | | 1 | 28 |
| 26 | 734 11 36-60 | WASHER | | 1 | 28 |
| 27 | 585 30 68-01 | PROTECTION | | 1 | 1,28 |
| 28 | 585 16 11-01 | REMOTE CONTROL | | 1 | |
| 29 | 582 42 06-02 | SCREW | | 1 | 28 |
| 30 | 510 21 40-01 | JOYSTICK | LEFT | 1 | |
| 30 | 510 21 40-02 | JOYSTICK | RIGHT | 1 | |
| 31 | 576 63 31-01 | SEAL | | 2 | 30 |
| 32 | 576 63 32-01 | SEAL | | 2 | 30 |
| 33 | 589 75 28-01 | WASHER | | 1 | 28 |
| 34 | 597 68 78-01 | BELLOWS | | 2 | 10, 28 |
| 35 | 582 42 06-02 | SCREW | | 8 | 10, 28 |