

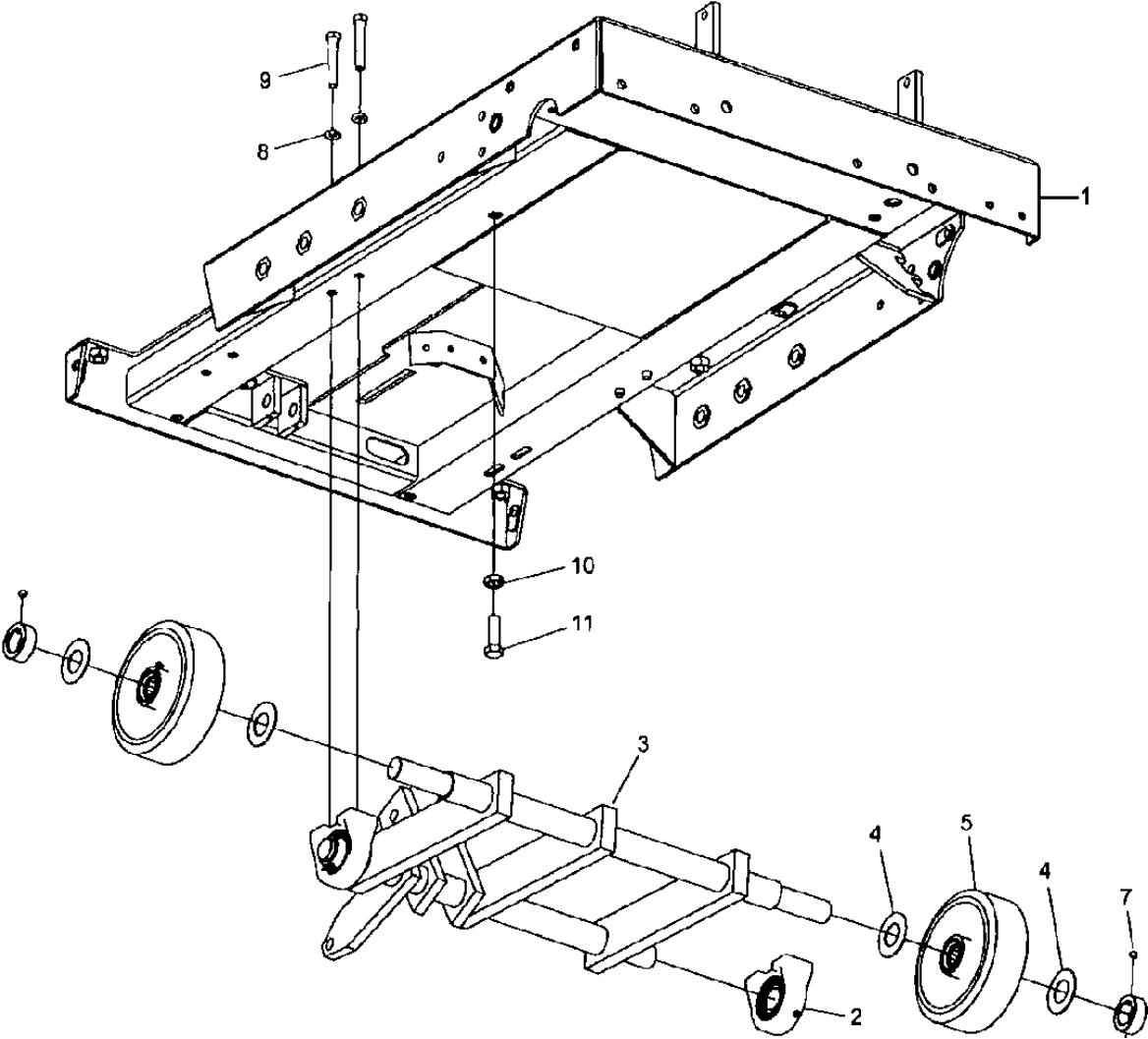


SPARE PARTS LIST

FLOOR SAWS

FS3500 E, 2018-06

Diagram 1 Frame & Front Axle

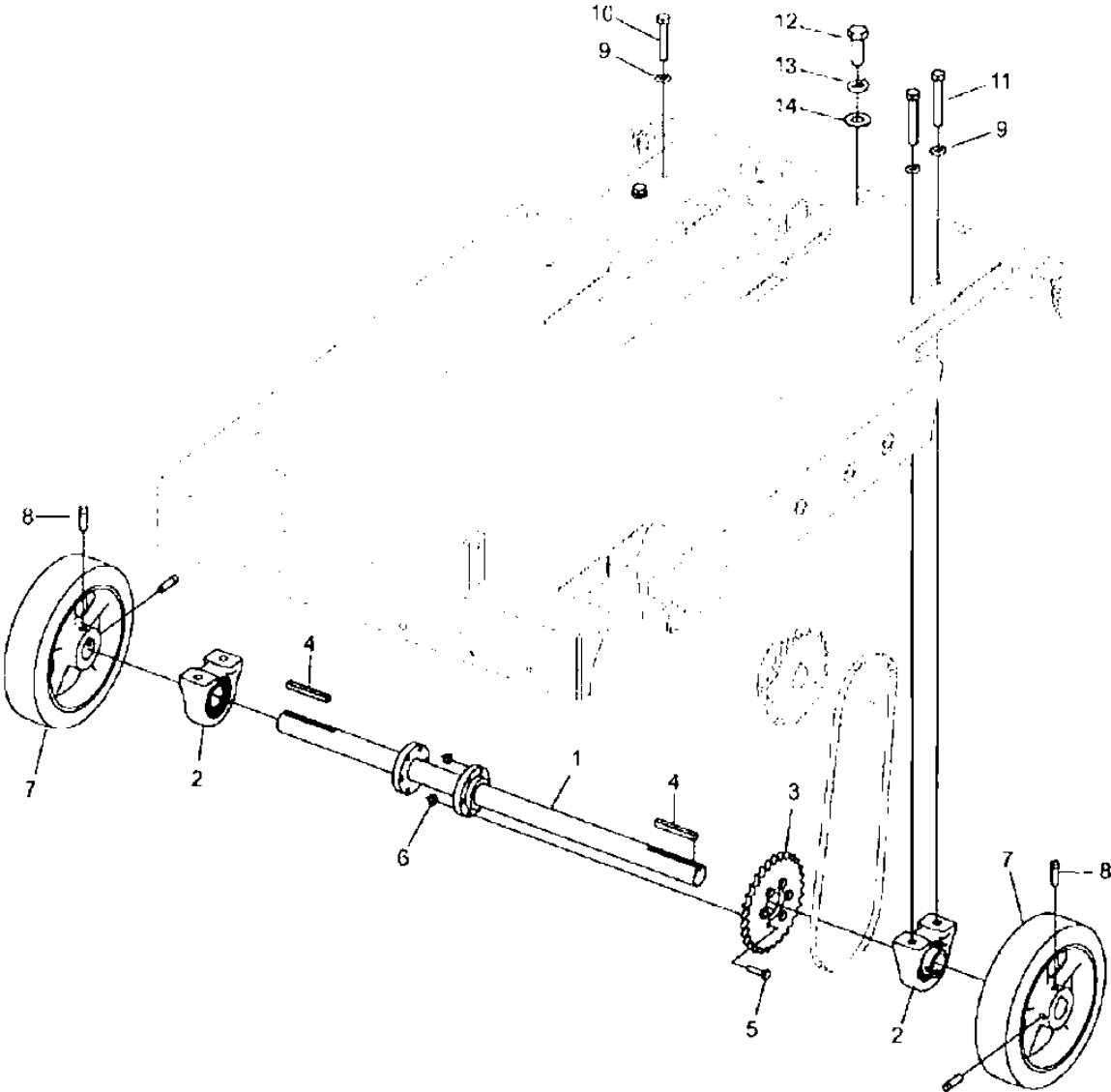


FRONT AXLE

FS3500 E, 2018-06

Ref	Part No	Description	Remark	QTY KIT
1	504 09 65-01	FRAME		1
2	542 04 52-41	BEARING	Pillow Block 1.0 Dia Bore	2
3	542 16 39-69	FRONT AXLE ASSY		1
4	542 04 64-02	WASHER	Flat 1.031 ID x 2.00 OD x .048 Thk	4
5	590 64 98-01	WHEEL	6 Inch Dia x 2 Wide	2
6	539 30 01-23	BUSHING	1 ID	2
7	542 02 05-51	KEY	Set Soc Cup Pt .312-18 x .25	2
8	539 99 01-18	WASHER	Split .375 Dia	4
9	542 02 03-65	SCREW	Hex Hd .375-16 x 2.25	4
10	542 17 30-10	NUT	Low Hex M12 x 1.75	1
11	725 25 40-71	SCREW EHHM	Hex Hd M12 x 1.75 x 40	1

Diagram 2 Rear Axle

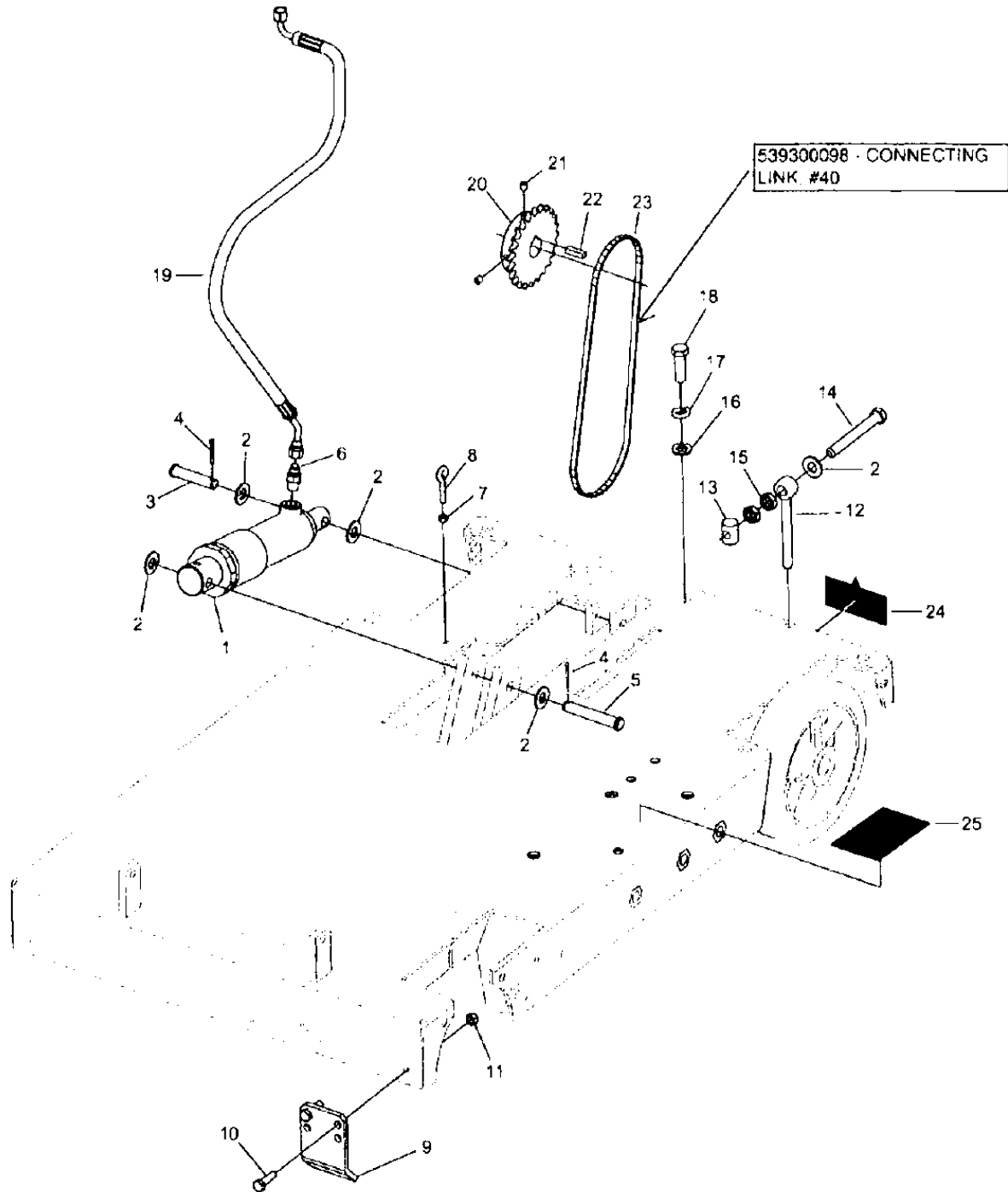


REAR AXLE

FS3500 E, 2018-06

Ref	Part No	Description	Remark	QTY KIT
1	542 18 39-87	REAR AXLE ASSY		1
2	542 04 52-41	BEARING	Pillow Block 1.0 Dia Bore	2
3	542 18 33-20	DRIVE SPROCKET	29 Tooth #40	1
4	542 02 00-71	CLAVETTE/	.250 x 2.25 Lg	2
5	725 23 72-71	SCREW EHHM	Hex Hd M6 x 1.0 x 25	6
6	732 25 16-01	HEXAGON LOCKING NUT	Fiber M6 x 1.0	6
7	542 04 50-90	WHEEL	8 Inch Dia x 2 Wide	2
8	542 02 05-31	SCREW	Set Sq Hd .312-18 x 1.00	4
9	539 99 01-18	WASHER	Split .375 Dia	4
10	542 02 03-65	SCREW	Hex Hd .375-16 x 2.25	2
11	539 99 06-37	SCREW	Hex Hd .375-16 x 2.50	2
12	725 25 40-71	SCREW EHHM	Hex Hd M12 x 1.75 x 40	1
13	539 99 02-54	WASHER	Split M12	1
14	734 11 78-01	WASHER	Flat M12	1

Diagram 3 Lift Cylinder & Drive Sprocket

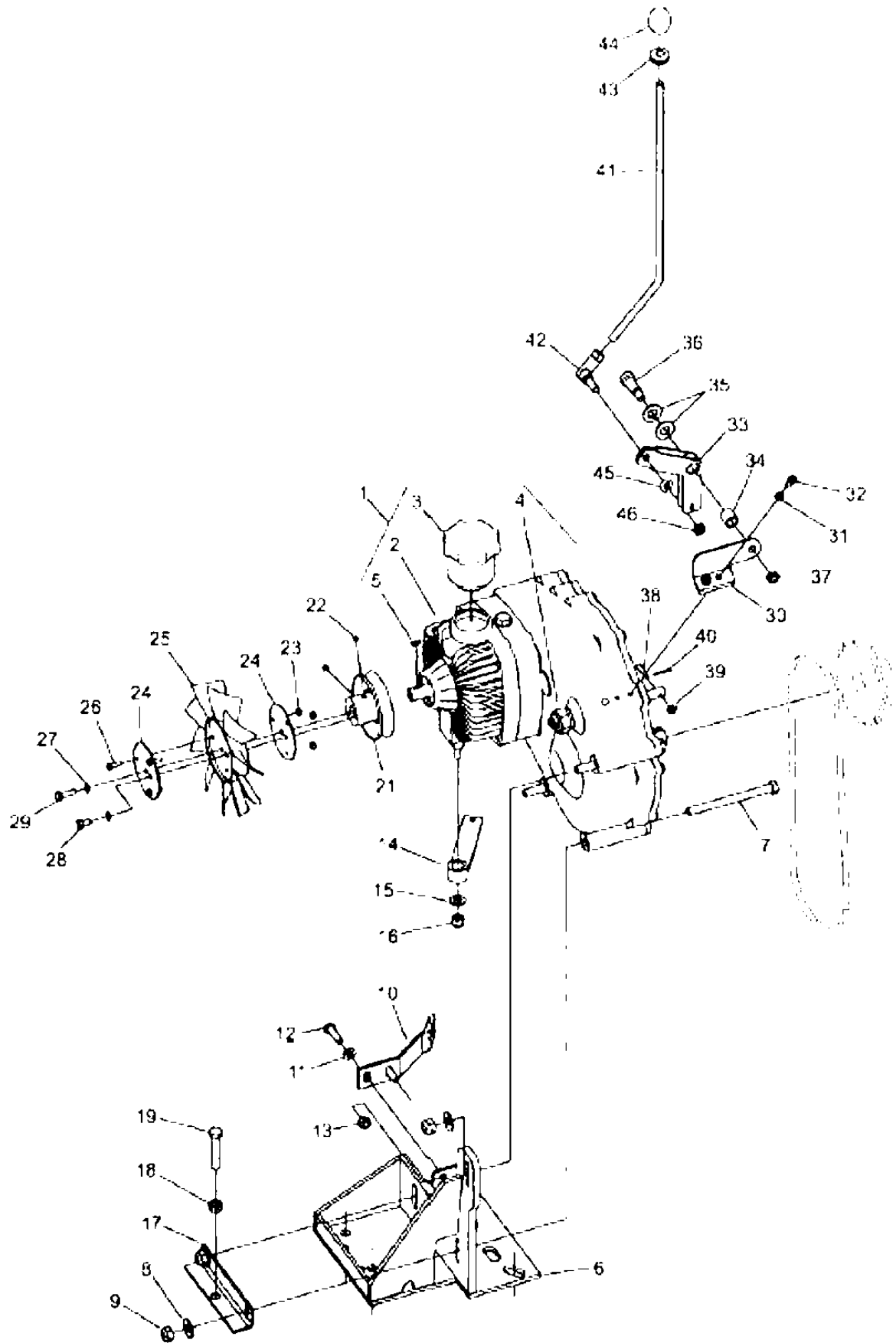


24
ALIGNMENT ADJUSTMENT
ANPASSUNG ANGLEICHUNG
ALIGNEMENT AJUSTEMENT
ACHTEN AUFSTELLUNG
4. LINEARNO AJUSTAMENTO
ALINEAMENTO AJUSTAMENTO

25
WARNING
Always use proper lifting technique.
Always use proper lifting technique.
Always use proper lifting technique.
Always use proper lifting technique.
Always use proper lifting technique.

Ref	Part No	Description	Remark	QTY KIT
1	588 78 97-01	HYDRAULIC CYLINDER	Hydraulic	1
1	542160565	TBD	Hydraulic Cylinder	1
2	539 99 02-50	WASHER	Flat .500 SAE	5
3	542 17 66-99	PIN	Clevis .50 Dia x 2.25 Lg	1
4	542 02 06-14	PIN	Cotter .125 x 1.00	2
5	542 17 67-00	PIN	Clevis .50 Dia x 3.00 Lg	1
6	541 20 47-91	HYDRAULIC KIT	Connector #4 Tube x 1/4 NPT	1
7	731 23 16-01	HEXAGON NUT	Hex Hd M6 x 1.00	1
8	542 16 74-49	EYE BOLT	M6 x 50	1
9	504 09 67-01	BELT GUARD		1
10	725 24 55-71	SCREW EHHM	Hex Hd M8 x 1.25 x 30	2
11	732 25 18-01	HEXAGON LOCKING NUT	Fiber M8 x 1.25	2
12	542 16 31-32	LEVER		1
13	542 16 77-20	PIVOT	M12 x 1.75	1
14	725 25 52-71	SCREW	Hex Hd M12 x 1.75 x 100	1
15	542 17 30-10	NUT	Low Hex M12 x 1.75 (7mm Tall)	2
16	734 11 78-01	WASHER	Flat M12	1
17	539 99 02-54	WASHER	Split M12	1
18	725 25 40-71	SCREW EHHM	Hex Hd M12 x 1.75 x 40	1
19	542 19 17-46	HOSE ASSY	Depth Stop Cylinder	1
20	542 17 66-05	DRIVE SPROCKET	24 Teeth	1
21	542 02 05-50	SCREW	Set Soc Cup Pt .312-18 x .375	2
22	541 20 34-04	KEY	Square .250 x 1.00 Lg	1
23	542 17 67-03	CHAIN	#40 Roller	1
24	542 16 32-46	DECAL	Alignment Adjustment	1
25	542 17 62-23	DECAL	CAUTION (SHIELDS)	1

Diagram 4 Transmission - Gearbox & Shifter

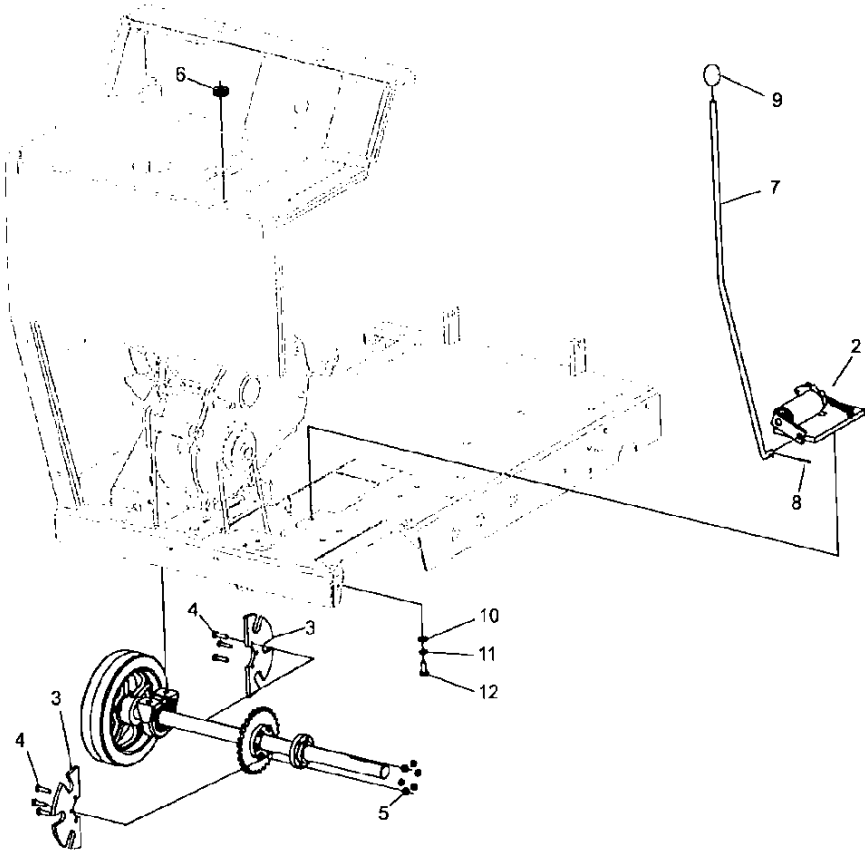


TRANSMISSION

FS3500 E, 2018-06

Ref	Part No	Description	Remark	QTY KIT
1	542 16 65-53	GEARBOX	1-Speed (Incls Items 2 - 5)	1
2	539 30 06-78	VARIATOR EATON TRANSMIS/	Hydrostatic	1
3	542 04 83-26	PLASTIC OIL RESERVOIR/	w/Cap and O-Ring	1
4	542 16 64-47	SWITCH	Neutral Safety	1
5	539 30 07-49	KEY	Woodruff #404 (Flat Bottom)	1
6	542 17 65-16	GETRIEBEHALTERUNG	Gearbox Mounting	1
7	725 25 15-51	SCREW EHHM	Hex Hd M10 x 1.50 x 120	3
8	734 11 72-01	WASHER	Flat .375 Dia	3
9	732 25 20-01	HEXAGON LOCKING NUT	Fiber M10 x 1.50	3
10	542 17 65-31	BRACKET		1
11	734 11 63-01	WASHER	Flat MB	2
12	725 24 55-71	SCREW EHHM	Hex Hd M8 x 1.25 x 30	2
13	732 25 18-01	HEXAGON LOCKING NUT	Fiber MB x 1.25	2
14	542 17 65-33	ARM		1
15	734 11 72-01	WASHER	Flat M10	1
16	539 97 69-79	NUT	Fiber .375-16UNC	1
17	542 17 65-23	BRACKET		1
18	731 23 20-01	HEXAGON NUT	Hex Hd M10 x 1.50	1
19	725 25 01-71	SCREW EHHM	Hex Hd M10 x 1.50 x 50	1
21	542 17 65-35	V-BELT SHEAVE		1
22	542 02 05-68	SCREW	Set Soc Cup Pt .250-20 x .375	2
23	732 25 14-01	HEXAGON LOCKING NUT	Fiber M5 x 0.8	3
24	542 16 30-40	PLATE		2
25	542 16 31-05	BLADE		1
26	725 23 29-71	SCREW EHHM	Hex Hd M5 x 0.8 x 16	3
27	542 02 07-76	LOCKWASHER	Split .250 Dia (Hi-Collar)	2
28	539 99 00-71	HCS ¼-20 X ½ GR 5 ZD	Hex Hd .250-20UNC x .50	1
29	542 02 03-81	BOLT	Hex Hd .250-20UNC x .875	1
30	542 17 65-25	PIVOT	Shift Pivot	1
31	735 11 53-01	WASHER	Split M6	2
32	542 16 75-02	SCHRAUBE/	Soc Hd M6 x 1.0 x 20mm	2
33	542 18 13-62	LINK	Shifter	1
34	542 16 66-07	BEARING	Bronze	1
35	539 99 02-50	WASHER	Flat .500 SAE	2
36	542 13 90-22	SCREW	.375-16UNC x .500 Shank x	1
37	505 73 25-01	NUT	Jam Hex Hd .375-16UNC	1
38	542 16 66-01	BEARING	Clevis .188 Dia x 1.0	1
39	542 02 07-39	WASHER	Flat #10 SAE	1
40	542 02 06-12	PIN	Cotter .094 x .75	1
41	542 18 13-59	ROD	Rod, Pro35 Std	1
42	542 16 66-90	BALL	.375-24UNF RH	1
43	542 18 13-61	GROMMET	7/1610 x 11/16 Dia Hole	1
44	542 04 14-27	KNOB	Black	1
45	539 99 01-18	WASHER	Split .375 Dia	1
46	542 02 01-71	NUT	HEX JAM THIN .375-24 Z/P	1

Diagram 5 Parking Brake
**** CE REQUIRED ****

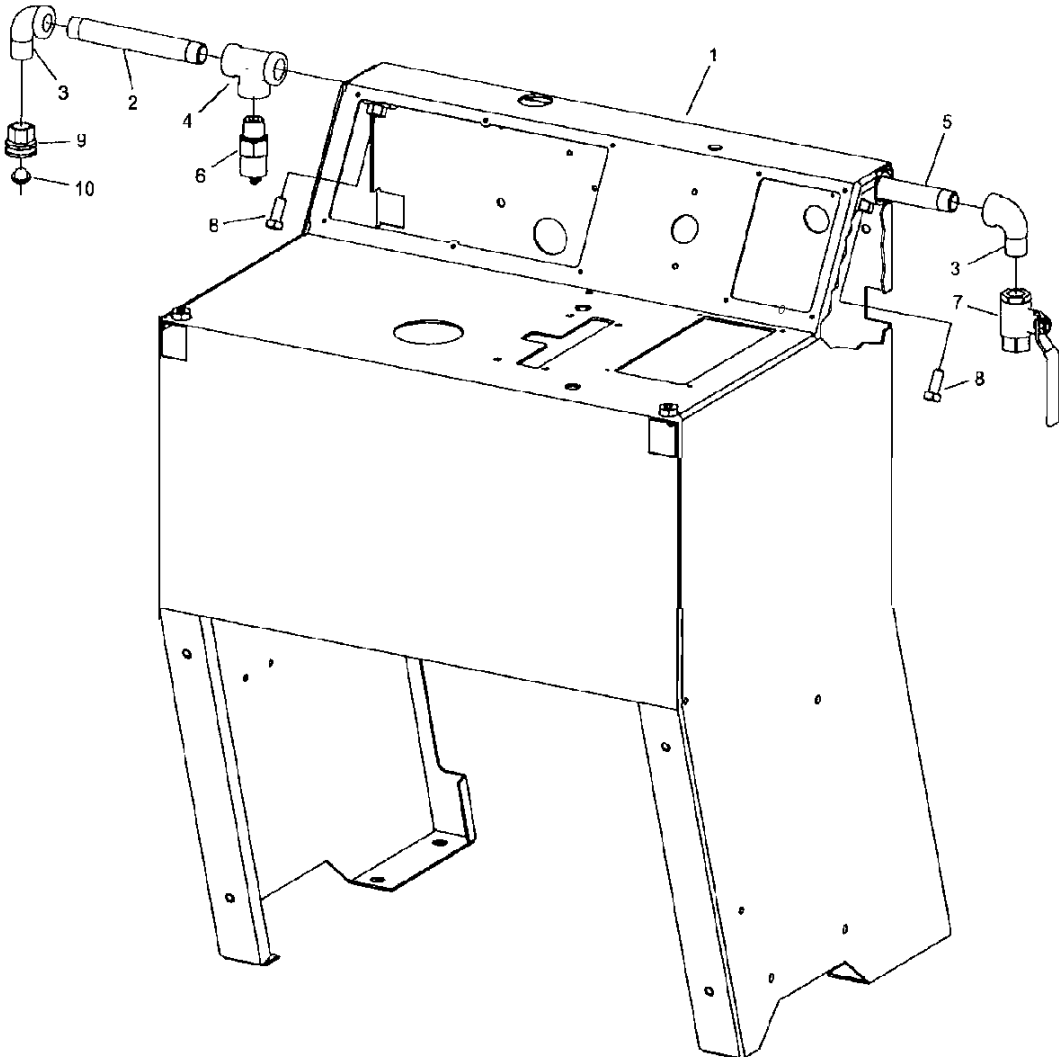


PARKING BRAKE

FS3500 E, 2018-06

Ref	Part No	Description	Remark	QTY KIT
1	542183995	TBD		1
2	542 18 39-85	BRAKE ASSY		1
3	542 18 39-67	BRAKE		2
4	725 23 72-71	SCREW EHHM	Hex Hd M6 x 1.0 x 25mm	6
5	732 21 16-01	LOCK NUT	Fiber M6 x 1.0	6
6	542 18 13-61	GROMMET		1
7	542 18 39-75	ROD		1
8	542 02 06-32	PIN	Cotter Hair	2
9	542 04 14-27	KNOB	Black	1
10	542 17 30-59	WASHER	Flat M8	2
11	542 02 07-85	HS350T RINGS/	Split .312 Dia	2
12	542 19 72-27	SCREW	Hex Hd M8 x 1.25 x 20mm	2

Diagram 6 Cowl, Water Piping & Switch

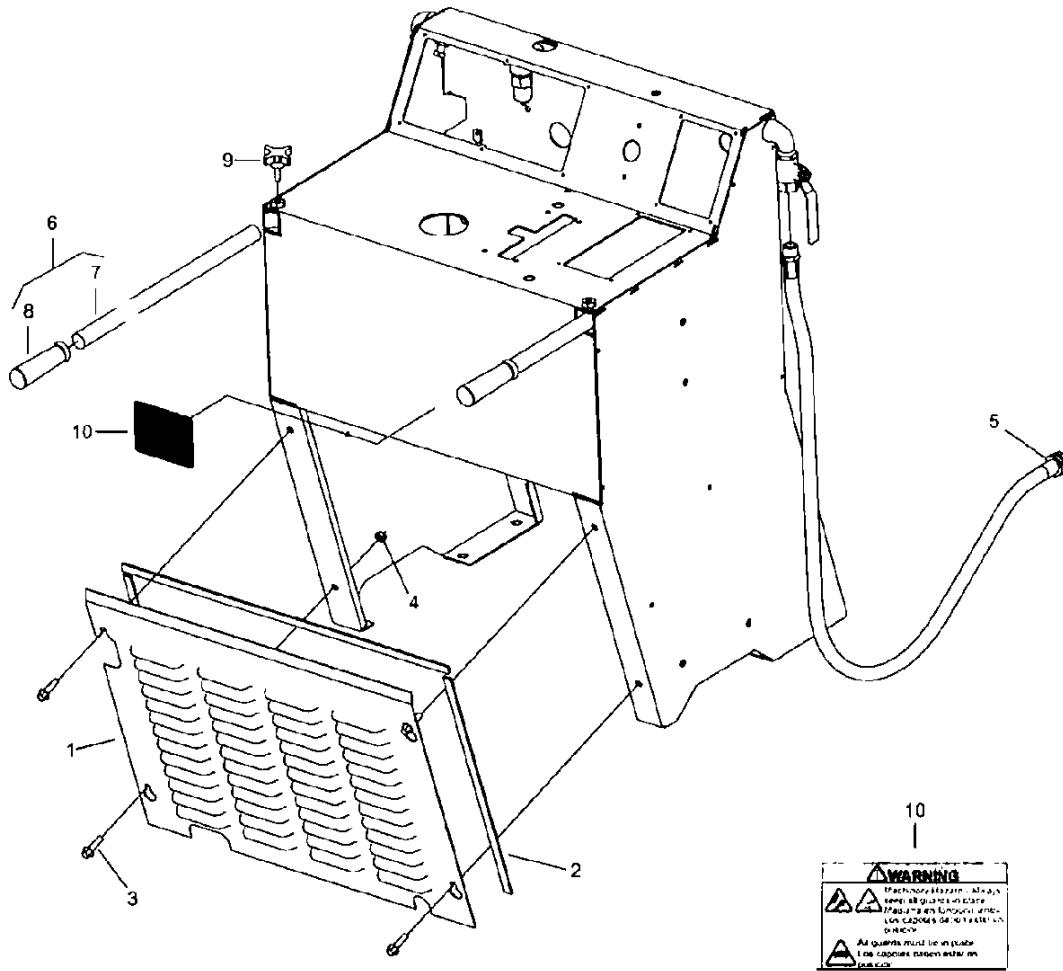


COWL

FS3500 E, 2018-06

Ref	Part No	Description	Remark	QTY KIT
1	504 09 66-01	COWL PANEL	Orange	1
2	541202185	TBD	Pipe 1/2 NPT x 6	1
3	539 30 02-42	FITTING	Street, 90 Deg x 1/2 NPT	2
4	542 02 07-30	PIPE	Female, 1/2 NPT, Galvanized	1
5	542 17 61-85	NIPPLE	1/2 NPT x 17.63	1
6	542 17 87-24	SWITCH		1
7	582 69 10-01	VALVE	1/2 NPT	1
8	725 24 93-71	SCREW EHHM	Hex Hd M10 x 1.50 x 25mm	2
9	539 30 02-69	FITTING		1
10	542 04 56-40	WASHER		1

Diagram 7 Transmission Guard

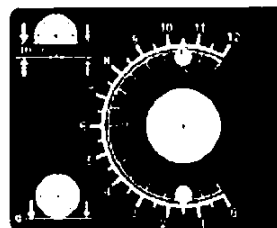
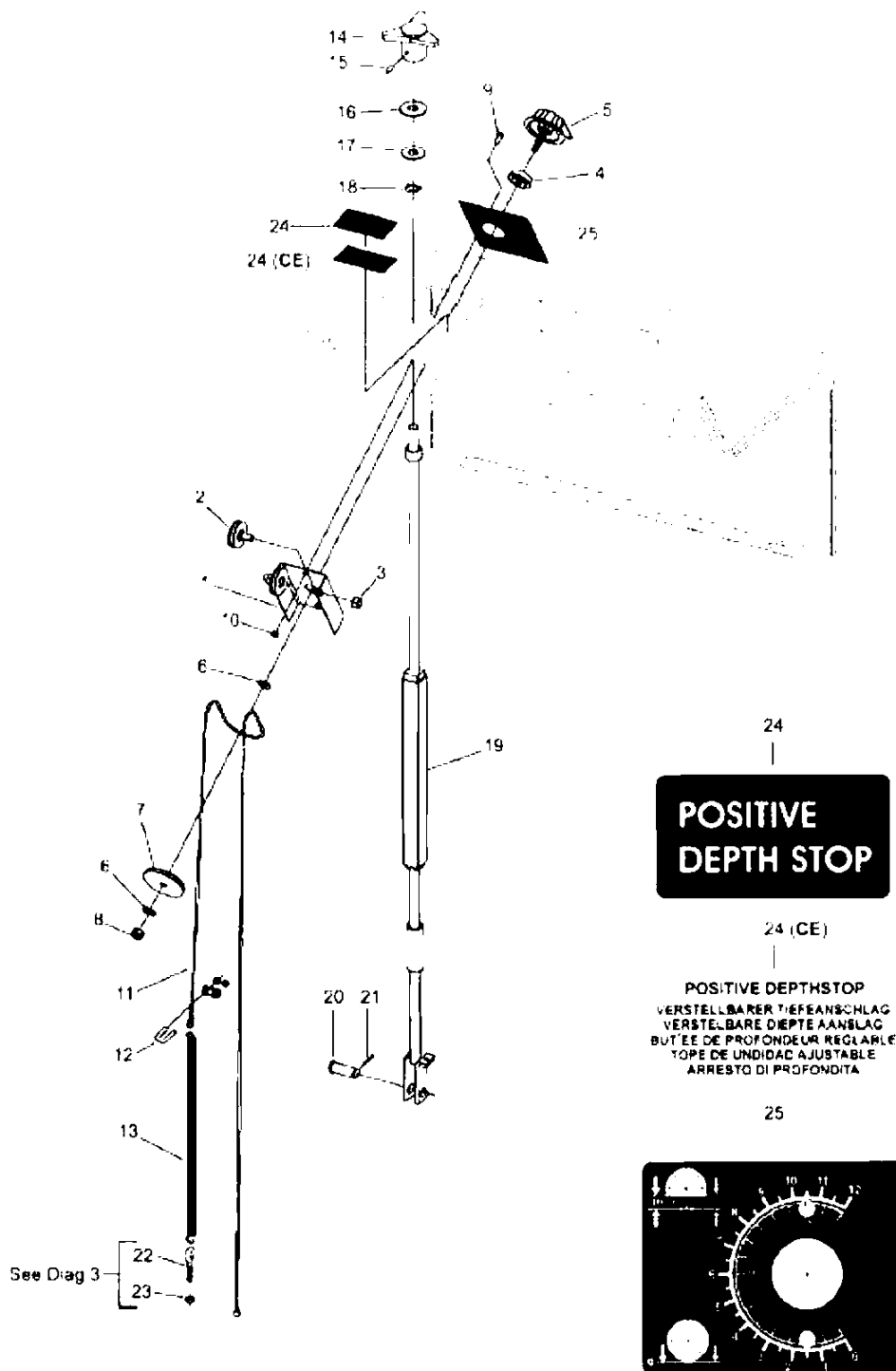


GUARDS

FS3500 E, 2018-06

Ref	Part No	Description	Remark	QTY KIT
1	504 09 39-01	SHIELD	Guard, Transmission	1
2	542 16 32-48	STRIP	1/8 x 3/8 x (per Ft)	5
3	585 97 28-01	SCREW EHHFM	Flange Hd M8x1.25x30 (Full Thrd)	4
4	732 25 18-01	HEXAGON LOCKING NUT	Fiber M8 x 1.25	4
5	542 16 36-56	HOSE	"1/2 MPT x 3/4 FGH x 60"	1
6	542048500	TBD	Handle extension w/ Grip (Incls 7 & 8)	2
7	539 30 03-40	HANDLEBAR	Handle	2
8	542 13 95-68	GRIP	Handle	2
9	542 16 60-38	KNOB	1.25 x 3/8-16	2
10	542 17 62-23	DECAL	CAUTION (SHIELDS)	1

Diagram 9 Depth Indicator

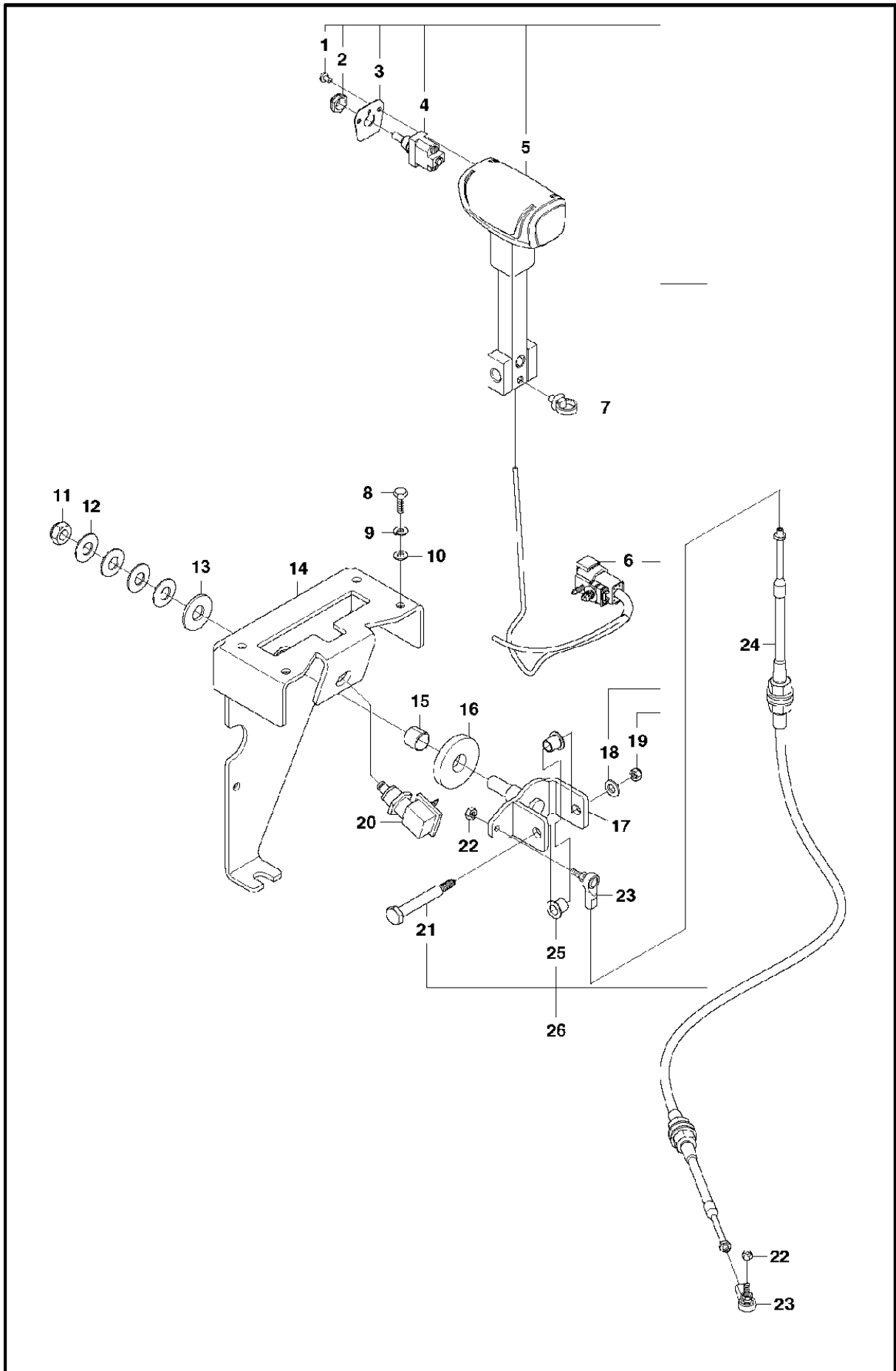


DEPTH INDICATOR

FS3500 E, 2018-06

Ref	Part No	Description	Remark	QTY KIT
1	542 04 37-11	SUPPORT		1
2	542 03 08-22	FS700/2/900/2 WHEEL SUR/BEARIN	w/stud	2
3	542 03 23-66	NUT	Keps .313-18UNC	2
4	542 04 36-96	BEARING		1
5	542 16 32-61	KNOB	Decorative	1
6	542 02 07-63	WASHER	Flat .312 SAE	2
7	542 04 36-94	WHEEL	Depth Indicator	1
8	542 02 01-97	FS900T SCREW NUT/	Fiber .313-18UNC	1
9	542 16 77-22	PHMS. M5 -0.8 X 12	Mach Pan Hd M5 x 0.80 x 12	2
10	732 25 14-01	HEXAGON LOCKING NUT	Fiber M5 x 0.8	2
11	542 16 32-28	WIRE	Cable w/ball	1
12	542 04 36-98	CLAMP	Cable 1/8	1
13	542 16 31-68	FS900T SPRING/SPRING		1
14	541 20 16-53	HANDLE	Depth Stop, 3-Lobe	1
15	539 30 00-20	NLA SCREW SET 1/4C X 1/2"	Set 1/4-20 x 1/2	1
16	542 02 07-45	WASHER	Flat .500 Dia	1
17	542 04 64-24	WASHER	Fiber Special	1
18	542 04 64-25	WASHER	Bow .813 OD x .516 ID x .025 Thk	1
19	542 16 32-38	ROD	Depth Stop	1
20	542 16 01-64	PIN	Clevis .500 Dia	1
21	542 02 06-12	PIN	Cotter .094 x .75	1
22	542 16 74-49	EYE BOLT	Eye M6 x 1.0 x 50mm OAL	1
23	542 17 20-17	NUT	Hex M6 x 1.0	1
24	542 16 32-33	DECAL	Positive Depth Stop (Standard)	1
24	542 16 49-00	DEACL,POS. DEPTH STOP/(DB)	Positive Depth Stop (CE)	1
25	542 19 10-09	DECAL	Depth Indicator	1

Diagram 10 Speed Control Lever

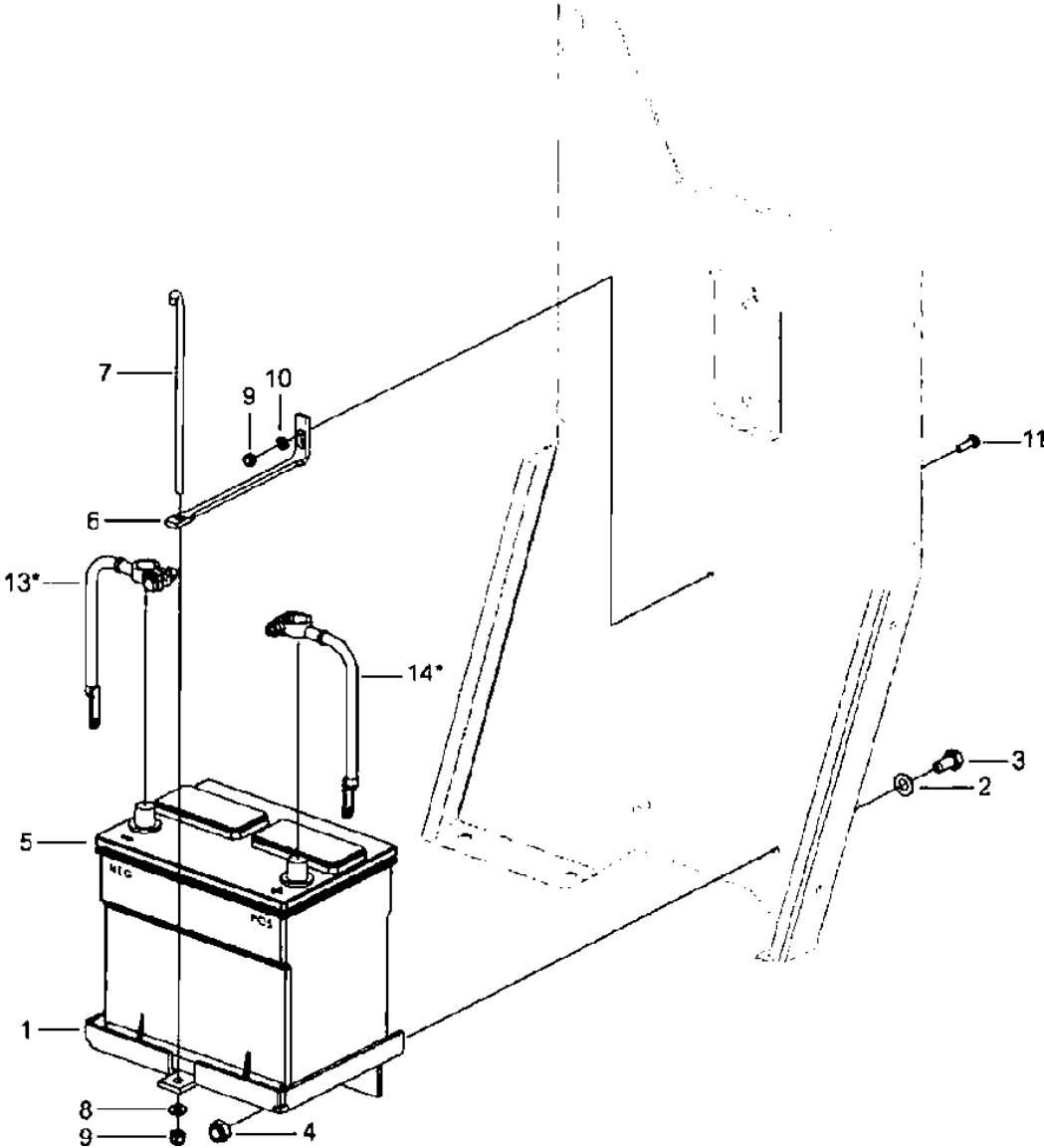


SPEED CONTROL

FS3500 E, 2018-06

Ref	Part No	Description	Remark	QTY	KIT
1	724 12 85-51	SCREW		2	26
2	542 18 21-46	BOOT		1	26
3	581 11 85-01	PLATE		1	26
4	542 18 21-02	SWITCH		1	26
5	586 94 62-01	HANDLE		1	26
6	581 07 36-01	HARNESS ASSY		1	26
7	583 95 95-01	CLAMP		2	26
8	725 23 68-71	SCREW EHHM		4	26
9	735 11 53-51	SPRING WASHER		4	
10	734 11 52-01	WASHER		4	
11	732 25 22-01	HEXAGON LOCKING NUT		1	
12	542 18 31-24	KEY		4	
13	542 02 07-45	WASHER		1	
14	588 68 00-01	BRACKET		1	
15	581 06 89-01	BEARING BUSH		1	
16	579 42 56-01	WASHER		1	
17	588 68 04-01	ARM		1	
18	734 11 63-01	WASHER		1	26
19	539 97 69-78	NUT		1	26
20	542 17 63-98	SWITCH		1	
21	586 86 68-01	SCREW EHHI		1	26
22	541 20 52-53	NUT		4	
23	542 16 64-66	ROD		2	26
24	579 51 01-03	CABLE		1	
25	542 18 30-01	BUSHING		2	26
26	587 81 20-01	HANDLE ASSY		1	

Diagram 12 Battery & Brackets

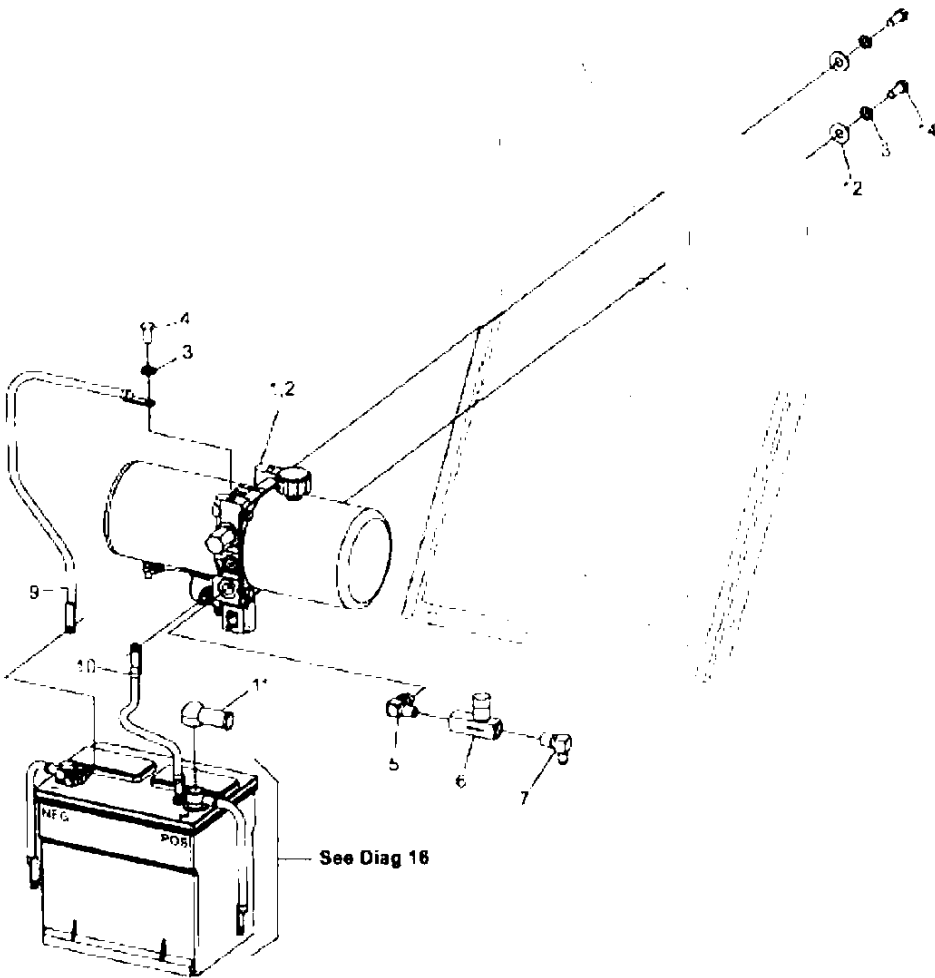


BATTERY

FS3500 E, 2018-06

Ref	Part No	Description	Remark	QTY KIT
1	589 00 41-01	BRACKET	Battery	1
2	734 11 72-01	WASHER	Flat M10	2
3	725 24 91-71	SCREW EHHM	Hex Hd M10 x 1.50 x 20	2
4	732 25 20-01	HEXAGON LOCKING NUT	Fiber M10 x 1.50	2
5	542 19 15-78	BATTERY	12V Group 26	1
6	542 19 17-35	BRACKET	Battery Holddown	1
7	505 55 12-01	BOLT	1/4-20 x 9.0	1
8	539 99 00-55	WASHER 1/4 SAE	Flat .25	1
9	539 97 69-78	NUT	Fiber .25-20	1
10	734 11 52-01	WASHER	Flat M6	1
11	725 23 70-71	SCREW EHHM	Hex Hd M6 x 1.0 x 20	1
12	732 25 16-01	HEXAGON LOCKING NUT	Fiber M6 x 1.0	1
13	542 16 31-80	WIRE	Battery, Red - 52" (Gas Models)	1
13	542 04 37-32	CABLE	Battery, Red - 12" (Electric Models)	1
14	542 16 31-79	WIRE	Battery, Black - 40" (Gas Models)	1
14	542 11 71-33	CABLE	Battery, Black - 26" (Electric Models)	1

Diagram 13 Hydraulic Lift Pump

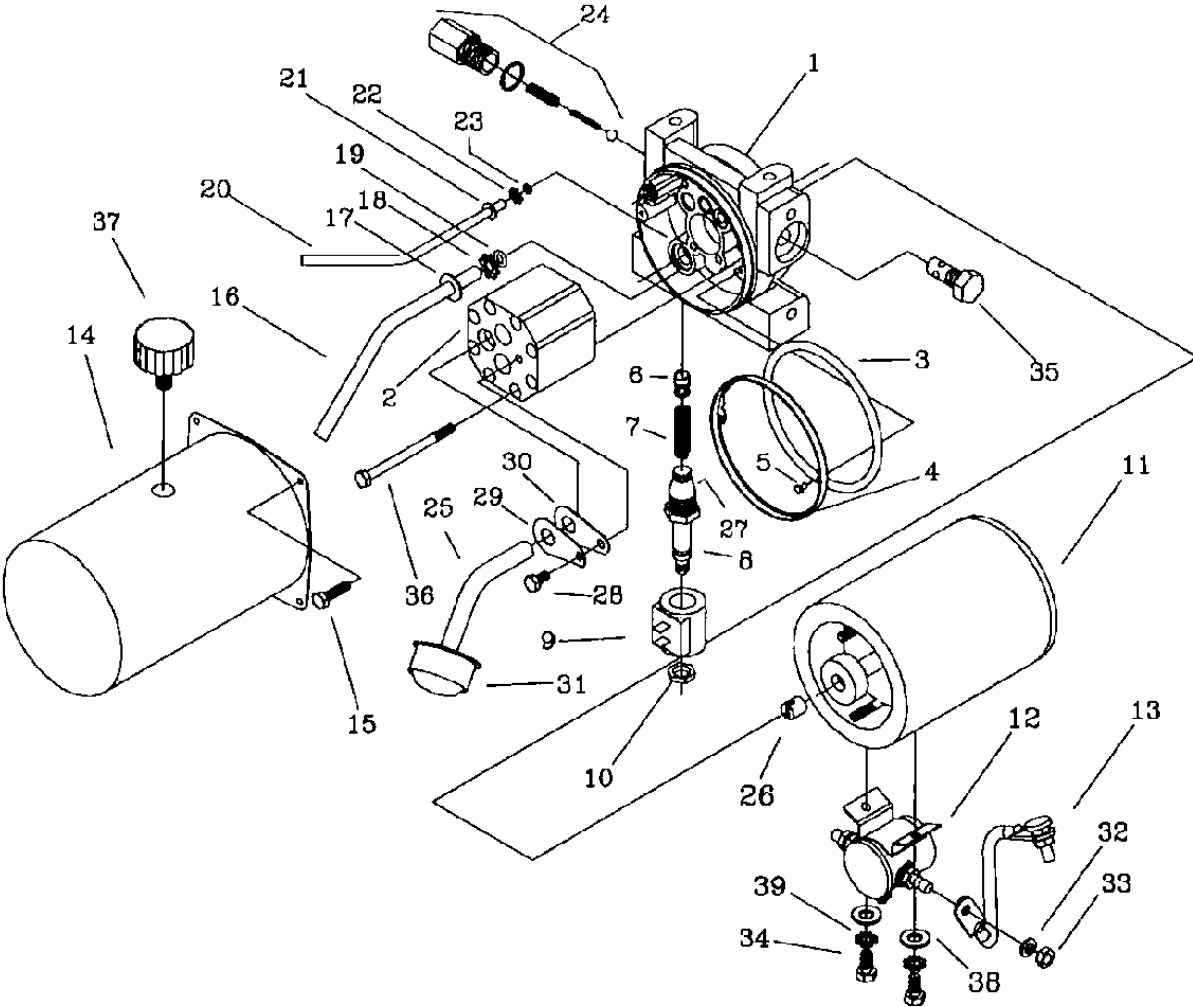


HYDRAULIC PUMP - MOTOR

FS3500 E, 2018-06

Ref	Part No	Description	Remark	QTY KIT
1	501 62 61-01	HYDRAULIC PUMP	Hydraulic Lift	1
2	542 09 07-49	OIL	Dexron 3 (1,5 l)	1
3	539 99 01-18	WASHER	Split .375 Dia	1
4	542 02 03-22	FS900T SCREW/	Hex Hd .375-16 x .75	3
5	541 20 49-80	FITTING	90 Deg Elbow, 3/8 SAE x 1/4 NPT	1
6	542 20 53-01	VALVE	Flow Control	1
7	541 20 45-85	FITTING	90 Deg Elbow, 4 JIC x 1/4 NPT	1
8	542 19 71-01	CABLE	.094 x 8.0 Lg	1
9	542176714	TBD	Negative Black 18 Inches	1
10	542 17 68-38	BATTERY	Battery Positive, 12 Inches	1
11	542 17 70-66	COVER	Battery Terminal	1
12	542 02 07-43	U-SCHEIBE/* 020743 REF.53	Flat .375 Dia	2
13	542 02 07-86	LOCKWASHER	Split .375 Dia	2
14	542 02 03-23	FS900T CAPSCREW/	Hex Hd .375-16 x 1.00	2

Diagram 14 Hydraulic Lift Pump Parts List

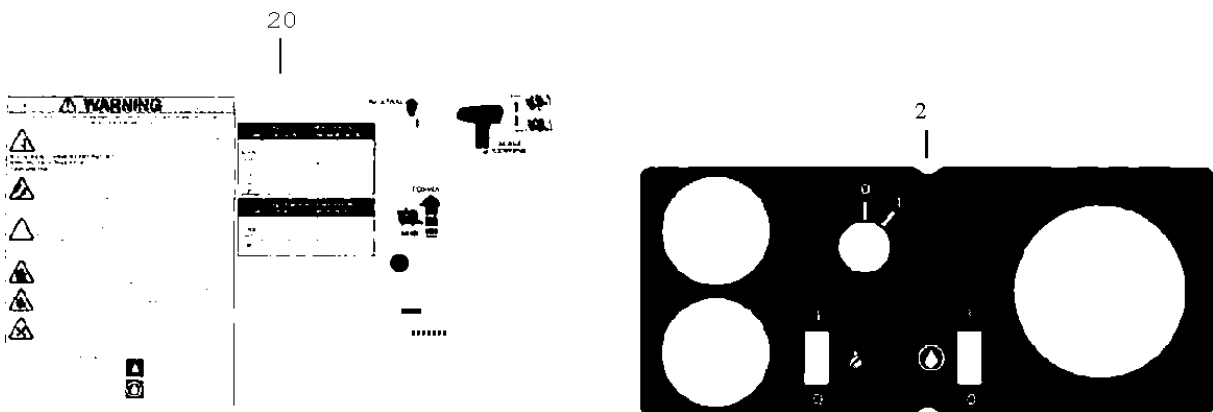
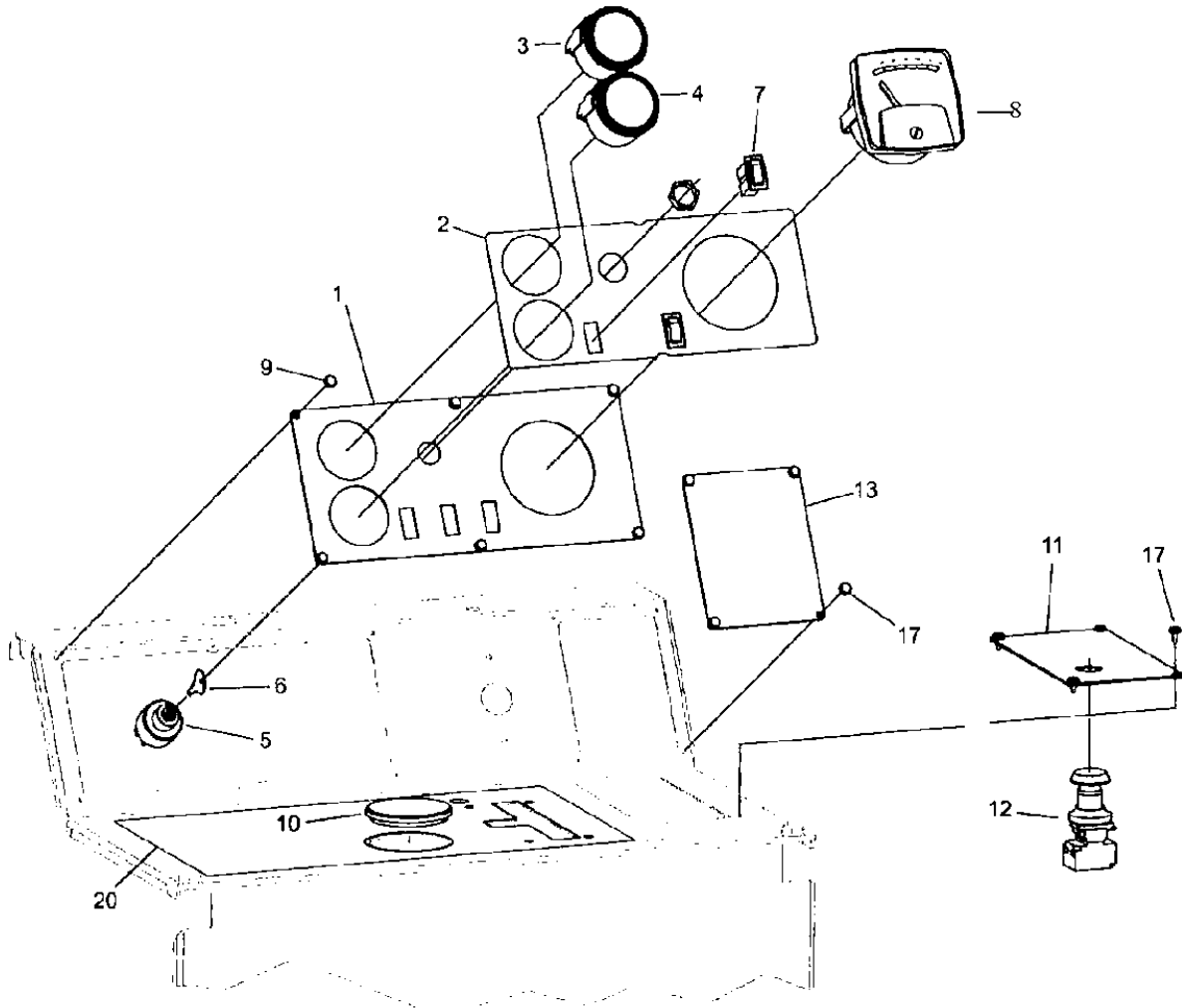


HYDRAULIC PUMP - MOTOR

FS3500 E, 2018-06

Ref	Part No	Description	Remark	QTY	KIT
1	542180018	TBD		1	542
2	542 16 33-53	FS900T PPE HYDRAULIQUE/		1	
3	542 16 33-20	O-RING		1	
4	542180019	TBD		1	
5	542 02 03-66	SCREW	1/4 - 20 x 3/8"	2	
6	542 16 33-51	VALVE	Flow Control	1	
7	542 16 33-50	SPRING		1	
8	542 18 00-20	VALVE		1	
9	542 16 65-94	COIL	12VDC	1	
10	542 02 01-77	FS900T SCREW NUT/	Jam, 1/2"	1	
11	542 16 33-21	DRUCKBEGRENZUNGSVENTIL	Motor w/ Alignment Pin (Pin P/N: 163322)	1	
12	542 16 61-21	RELAY		1	
13	542 16 33-44	FS900T CABLE/		1	
14	542 18 00-22	RESERVOIR		1	
16	542 16 33-63	FS900T TUBE COUDE/		1	
17	542 16 33-64	FS900T RING/		1	
18	542 16 33-65	FS900T RING ETOILE/		1	
19	542 16 33-66	FS900T O RING/		1	
20	542 16 33-59	FS900T TUBE COUDE/		1	
21	542 16 33-60	FS900T RING/		1	
22	542 16 33-61	FS900T RING ETOILE/		1	
23	542 16 33-62	FS900T O RING/		1	
24	542 16 33-31	FS900T KIT RELIEF VALVE/		1	
25	542 16 33-25	FS900T TUBE COUDE/		1	
26	542 16 33-28	FS900T BOUTON CLAVETTE/		1	
27	542 18 00-23	FILTER		1	
28	542 16 33-58	FS900T SCREW/	Hex Hd., 1/4" - 20 x 3/8"	1	
29	542 16 33-57	FS900T GANG SAWLLE/		1	
30	542 16 33-56	FS900T GANG SAWLLE/		1	
31	542 16 33-26	FILTER		1	
32	542 02 07-85	HS350T RINGS/	Split, 5/16"	1	
33	542 02 01-69	NUT	Hex Jam Thin, 5/16"	1	
34	542 16 33-58	FS900T SCREW/	Hex HD., 1/4" - 20 x 3/8"	2	
35	542 16 33-19	VALVE		1	
36	542 16 33-54	FS900T SCREW/	Hex HD., 1/4" - 20 x 2"	4	
37	542 16 33-24	FS900T BREATHER/		1	
38	542 02 07-64	WASHER	Flat, 3/8" SAE	2	
-	163327	TBD	(Inside Reservoir - Not Shown)	1	
-	163559	TBD	Pump Shaft (Inside Adapter - Not Shown)	1	

Diagram 16 - Instrument Panel - Electric

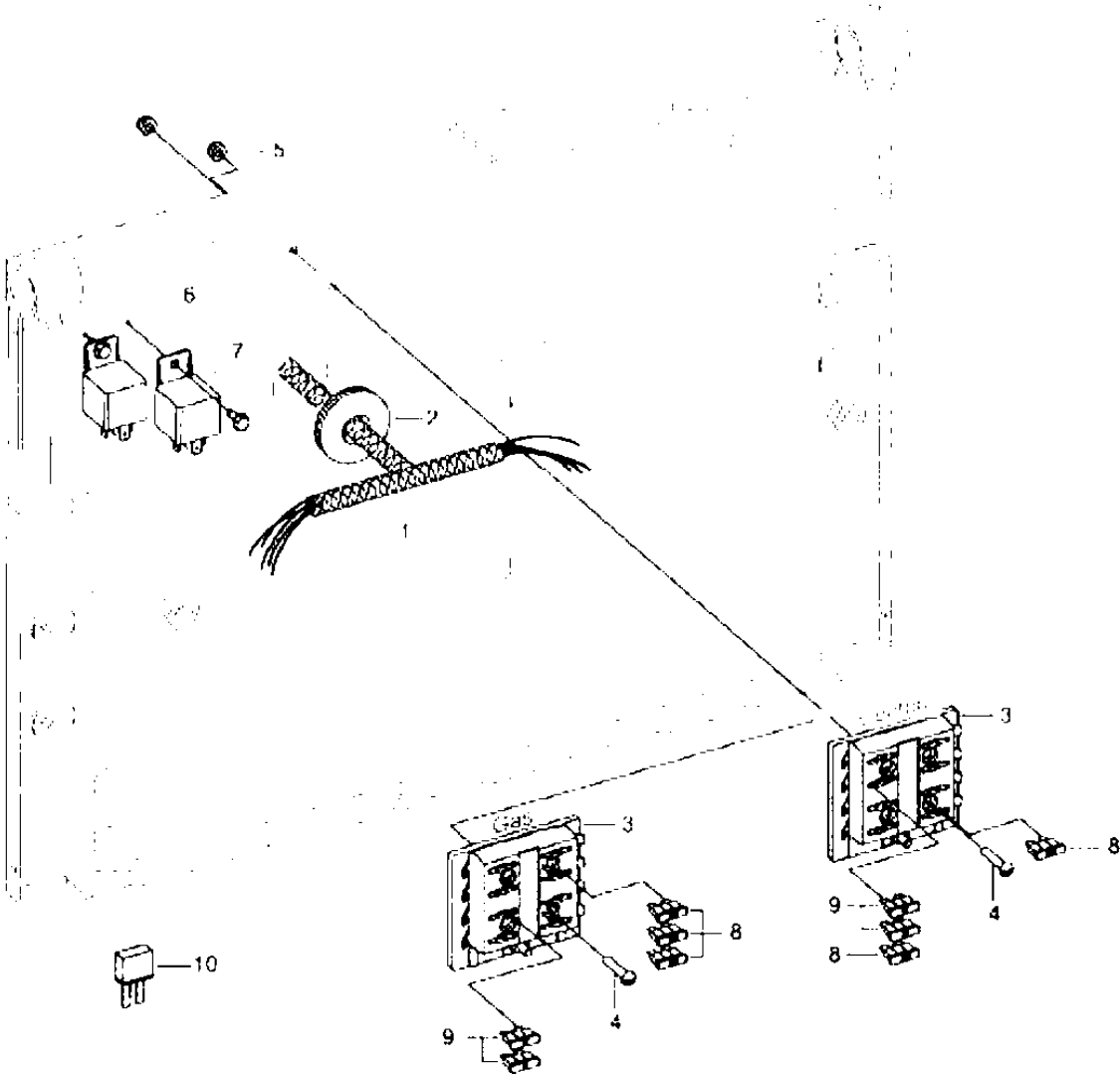


PANEL ASSEMBLY

FS3500 E, 2018-06

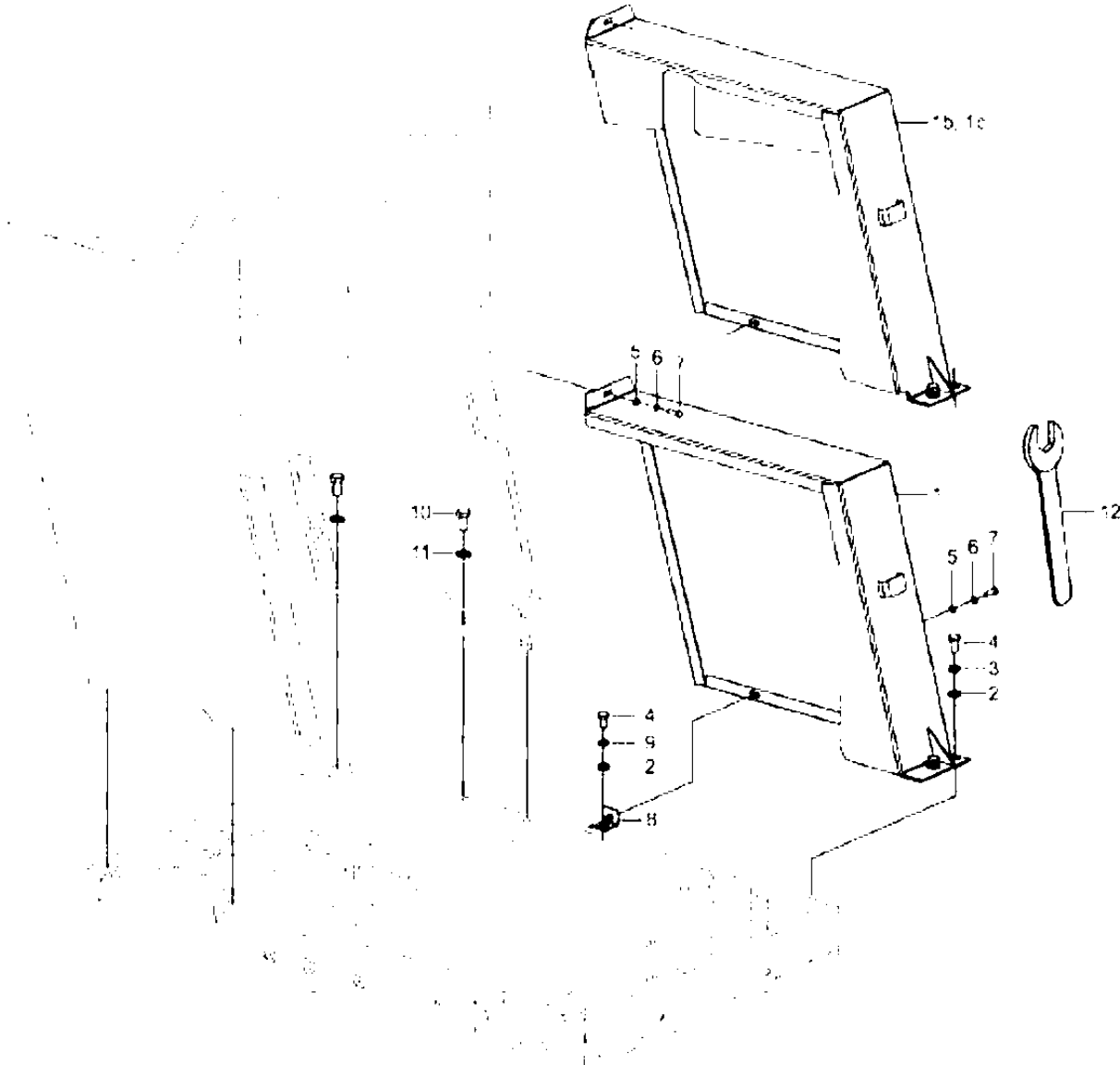
Ref	Part No	Description	Remark	QTY KIT
1	502 59 99-01	PANEL		1
2	542 19 11-27	DECAL		1
3	542 16 64-38	GAUGE	DC Voltmete	1
4	542 16 37-79	HOUR METER	Hourmeter Switch	1
5	542 16 67-07	KEY SWITCH	Ignition Key	1
6	542 16 68-54	KEY,IGNITION SET OF 2/	Ignition (Set of 2)	1
7	542 16 67-11	SWITCH	Rocker SPST	2
8	542 17 69-18	METER	Motor Load	1
9	542 02 05-87	BOLT	Hx Wash Hd Slf Tap #10- 24x3/8 Typ D	6
10	542 16 62-25	PLUG	Hole 2-1/4 Dia	1
11	504 09 60-01	COVER PLATE	Cover Plate	1
12	542 17 63-83	SWITCH	Mushroom Stop	1
13	502 61 68-01	PANEL	Dash Cover	1
17	542 02 05-87	BOLT	Hx Wash Hd SlfTap #10- 24x3/8 Typ D	8
20	542191098	TBD	Oper Instructions	1

Diagram 17 Cowl, Electrical - Gas & Electric



Ref	Part No	Description	Remark	QTY KIT
1	582 61 63-01	HARNES ASSY	(Electric)	1
2	542 16 36-72	RING	3/4 ID x 1 7/16 Hole Size	1
3	542 16 66-22	BLOCK		1
4	542 02 04-10	BOLT	Mach Rd Hd #10-24 x 1.00	2
5	505 63 04-01	NUT	Fiber #10-24	2
6	542 16 67-08	RELAY	(Gas Models)	1
7	542 16 69-51	SCREW	Hx Wash Hd S-Tap #10-24 x .50 Type F	1
8	542 16 68-55	FUSE	10 Amp (Gas Models)	3
6	542 16 67-08	RELAY	NO/NC (Electric Models)	2
7	542 16 69-51	SCREW	Hx Wash Hd S-Tap #10-24 x .50 Type F	2
8	542 16 68-55	FUSE	10 Amp (Electric Models)	2
9	542 16 68-57	FUSE	5 Amp (Gas & Electric)	2
10	542 17 86-45	CIRCUIT BREAKER	30 Amp	1

Diagram 23 Belt Guard & Wrench

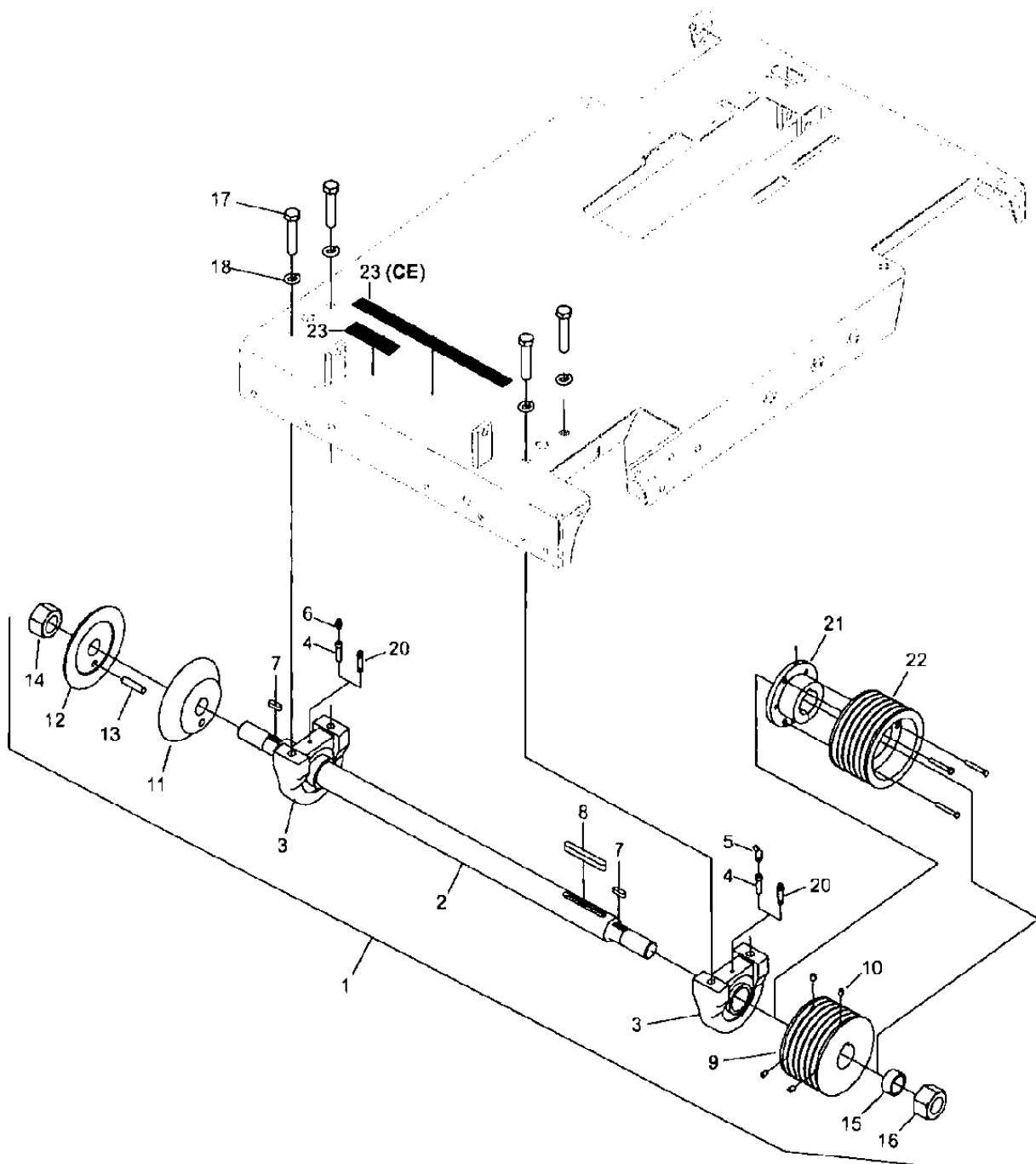


BELT GUARD

FS3500 E, 2018-06

Ref	Part No	Description	Remark	QTY KIT
1	504 09 56-01	BELT GUARD	Gas	1
1b	502 61 67-01	BELT	JOE	1
1c	502 61 67-02	BELT	20E	1
2	734 11 72-01	WASHER	Flat M10	3
3	735 11 73-01	SPRING WASHER	Split M10	2
4	725 24 91-71	SCREW EHHM	Hex Hd M10 x 1.50 x 20	3
5	734 11 52-01	WASHER	Flat M6	2
6	735 11 53-01	WASHER	Split M6	2
7	725 23 70-71	SCREW EHHM	Hex Hd M6 x 1.0 x 20	2
8	542 19 12-40	MOUNT	Belt Guard	1
9	542 17 30-06	WASHER	External Tooth, M10	1
10	542 13 97-51	HUTSCHRAUBE HX HD.M12-1,75X25	Hex Hd M12 x 1.75 x 25	6
11	542 02 07-88	FS900T RINGS/	Split .500 Dia	6
12	541 20 18-64	WRENCH	Bladeshft	1

Diagram 24 Bladeshaft - Gas & Electric Models



23
 |
 GREASE BEARINGS DAILY

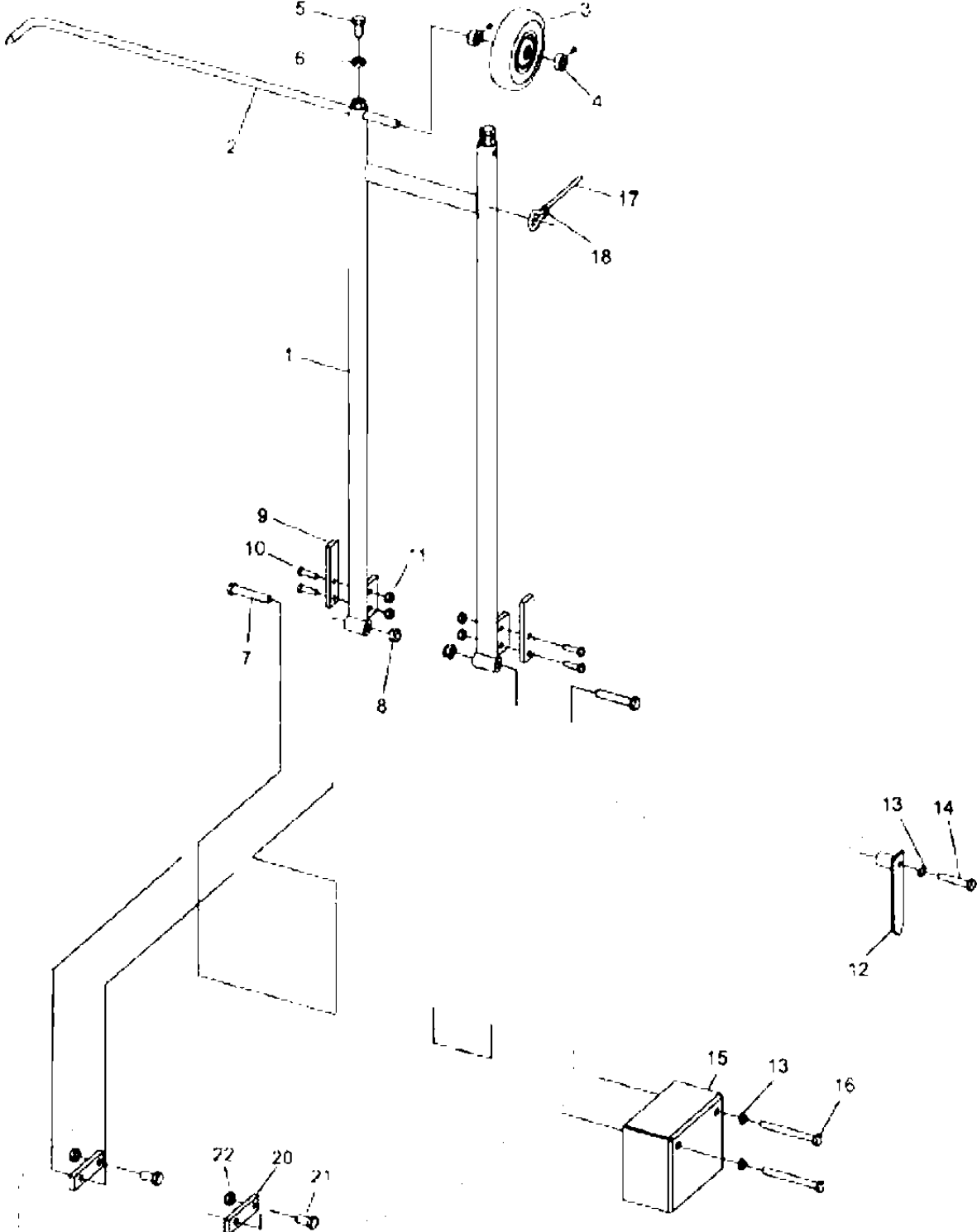
23 (CE)
 |
 OIL LUBR BEARINGS DAILY DE L'AGRAV D'AGREJES POUVRANT LINDRASEMENT DE ROUES ET TOUS LES JOURS
 LAGERS TADLICH ETIEN GRABER LES ROULEMENTS CHAQUE JOUR
 ENDRASANJE DE ROKASNI TOGA SVAKI DAN
 #GRASSARE I CUSCINE TI OGNI GIORNO

BLADE SHAFT

FS3500 E, 2018-06

Ref	Part No	Description	Remark	QTY KIT
1	542 18 31-47	BLADE SHAFT	(Gas - 18"-26")	1
1	542 18 31-47	BLADE SHAFT	(20E-26" & 30E-18")	1
1	542 18 36-36	BLADE SHAFT	(Gas - 30")	1
1	542183550	TBD	(30E - 26")	1
1	542 18 34-66	SHAFT	(30E - 30")	1
2	542 16 42-33	AXE	Black Oxide (All)	1
3	542 18 31-44	BALL BEARING	"Ball, Pillow Block 1.438" (All)"	2
4	542 18 36-37	TUBE	Grease Zerk	4
5	542 16 42-96	GREASE	1/4-28 x 90	1
6	542 11 01-02	LUBRICATION NIPPLE	1/4-28, Std.	1
7	542 04 30-54	KEY	Key, Sq. (Rnd Ends) .25 x .844 (All)	2
8	542 18 32-97	KEY	Sq. (Rnd Ends) .38 x 2.75	1
8	542 18 37-85	KEY	Sq. (Rnd Ends) .38 x 3.00	1
9	542 04 86-67	PULLEY	6G3VX4.12 - 1.438	1
9	542 18 36-52	PULLEY, 3V 6 GR 4.75 OD	6G3VX4.75 - 1.438	1
9	542183549	TBD	6G3VX4.50 - 1.438	1
10	542 02 05-41	KEY	Set Soc Cup Pt, .25-20 x .375	4
11	542 04 58-63	FLANGE	Inner - 4-1/2" OD	2
11	542 16 71-87	FLANGE	Inner - 5" OD	2
11	542 04 30-36	FLANGE	Inner - 6" OD	2
12	542 16 71-88	COLLAR	Outer - 4-1/2" OD	1
12	542 16 71-88	COLLAR	Outer - 5" OD	1
12	542 04 30-46	FLANGE	Outer - 6" OD	1
13	542 02 03-04	PIN	Dowel .375 x 1.50	1
14	542 02 00-18	FS900T SCREW NUT/NUT RIGHT HA	Hex Head 1-14 RH	1
15	542 04 87-32	SLEEVE	Thread Protector	1
16	542 02 00-17	NUT	Hex Head 1-14 LH	1
17	542 02 14-03	SCREW	Hx Hd, .5-13 x 2.50	4
17	542020344	TBD	Hx Hd, .5-13 x 2.25	4
18	542 02 07-88	FS900T RINGS/	Split .500 Dia	4
20	542 16 42-43	GREASE	Grease 1/4-28 Long	1
21	542 18 34-65	BUSHING	Type SK 1.438 ID	1
22	542 18 34-64	PULLEY	6G3VX5.60 A1 SK H	1
23	542 04 05-63	DECAL	GREASE BEARINGS DAILY - USA	1
23	542 04 05-70	DECAL	GREASE BEARINGS DAILY (CE REQUIRED)	1

Diagram 25 Pointer & Sheave Guard

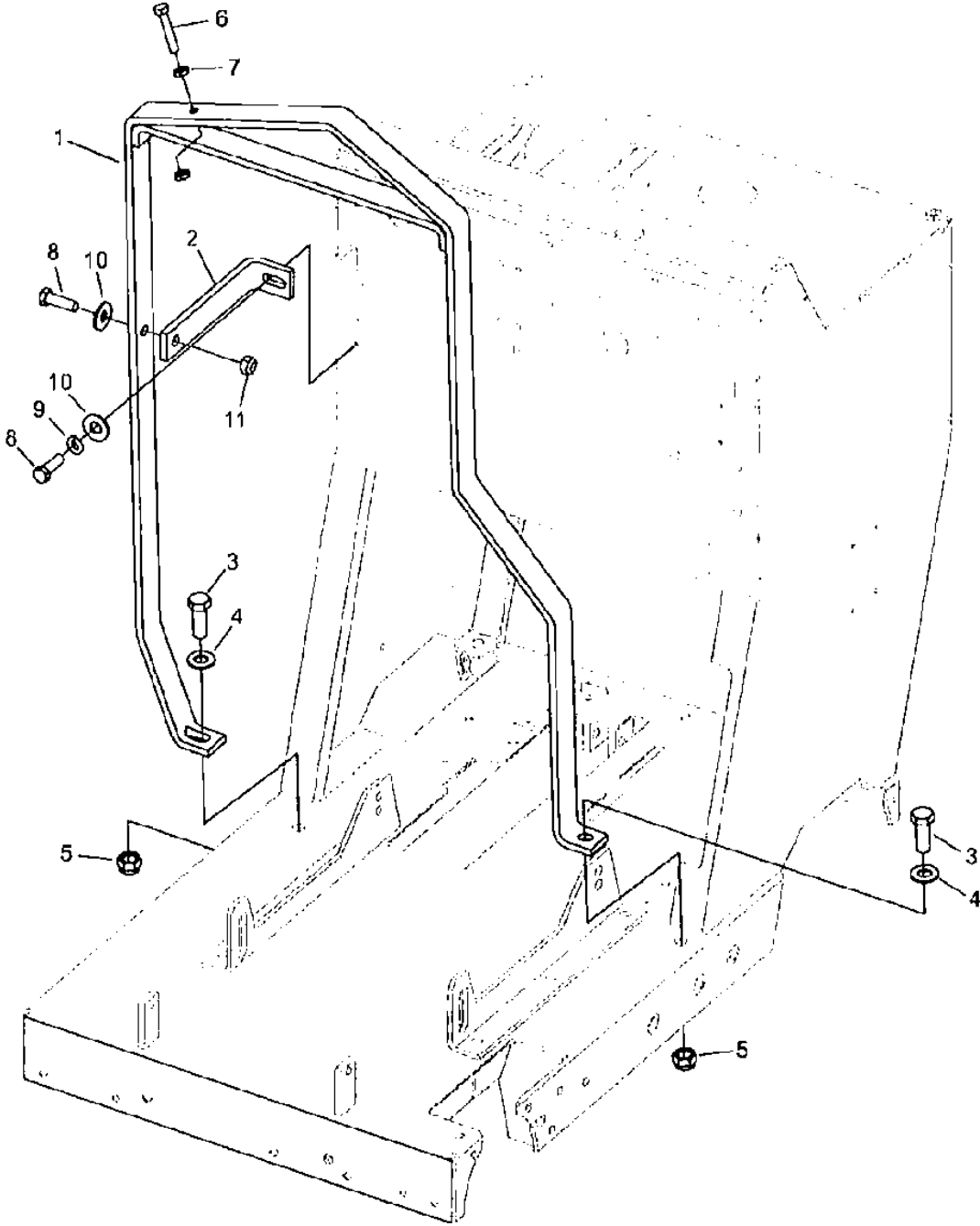


POINTER FRONT

FS3500 E, 2018-06

Ref	Part No	Description	Remark	QTY KIT
1	541 20 84-99	POINTER	Front	1
2	542 16 01-96	POINTER	Front Pointer	1
3	542 16 35-82	WHEEL	Front Pointer 5" Dia	1
4	539 30 00-74	COLLAR	Shaft .5 ID	2
5	542 13 97-51	HUTSCHRAUBE HX HD.M12-1,75X25	Hex Hd M12 x 1.75 x 25	2
6	542 17 30-10	NUT	Low Hex M12 x 1.75	2
7	542 16 74-31	SCREW	Hex Hd M12 x 1.75 x 65	2
8	542 13 97-42	NUT	Fiber M12 x 1.75	2
9	501 04 35-01	POINTER	Pointer	2
10	725 24 51-71	SCREW EHHM	Hex Hd M8 x 1.25 x 20	2
11	732 25 18-01	HEXAGON LOCKING NUT	Fiber M8 x 1.25	2
12	501 06 12-01	HOUSING	Rear	1
13	542 16 20-04	LOCKWASHER	Split M10	3
14	542 16 49-68	HHCS, M10 X 1.5 X 50 /DIN933 Z	Hex Hd M10 x 1.50 x 50	1
15	541 20 84-53	COVER		1
16	542 17 25-01	HHCS, M10 X 1.5 X 110/DIN931ZP	Hex Hd M10 x 1.50 x 100	2
17	542 02 08-90	CORD	1/4 Dia (per Foot)	10
18	542 04 32-03	FS900T COLLIER DE/SERTISSAGE	Circle	3
20	542 18 35-38	BRACKET	Pointer Bracket (Extra Item for 20HP Electric Only)	2
21	542 13 97-41	SCREW	Hex Hd M12 x 1.75 x 30 (Extra Item for 20HP Electric Only)	2
22	542 17 30-10	NUT	Low Hex M12 x 1.75 (Extra Item for 20HP Electric Only)	2

Diagram 27 Lift Bail - Electric Motor Models

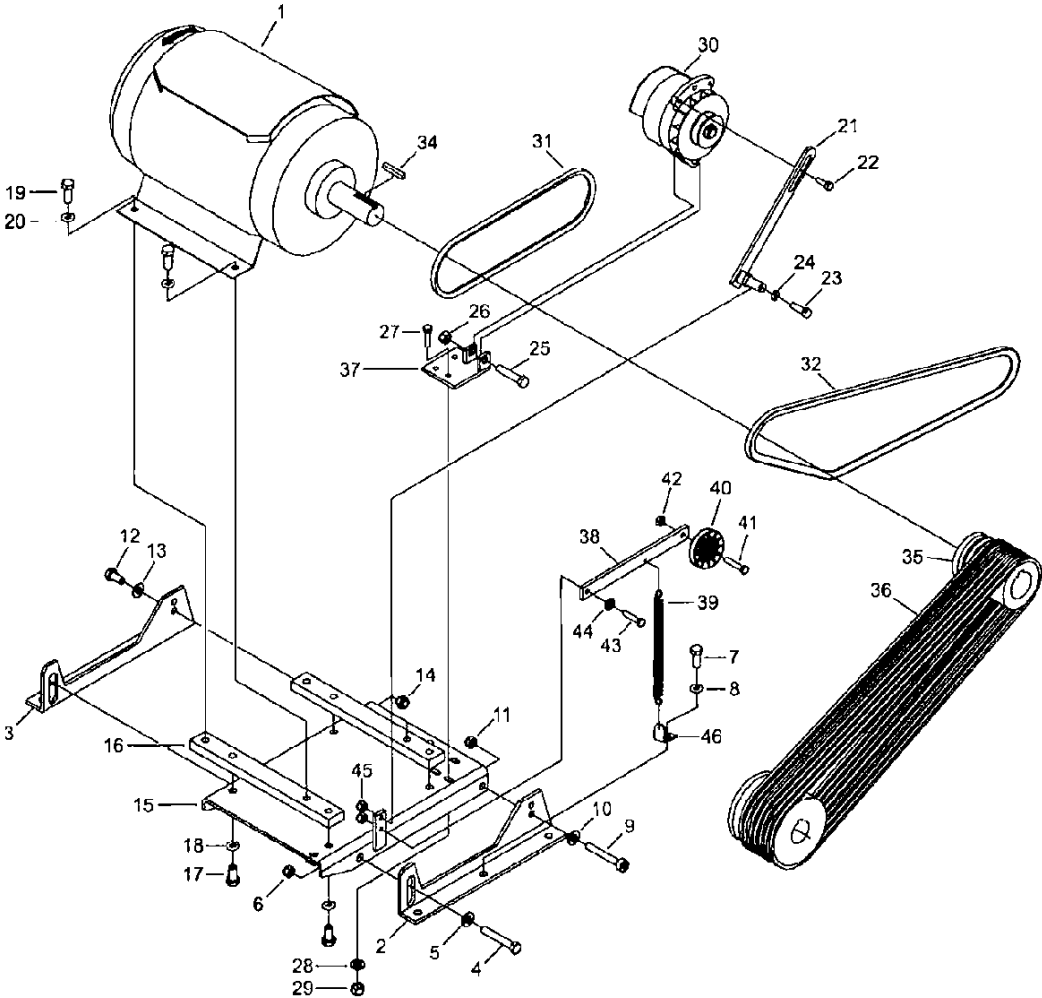


LIFT BAIL

FS3500 E, 2018-06

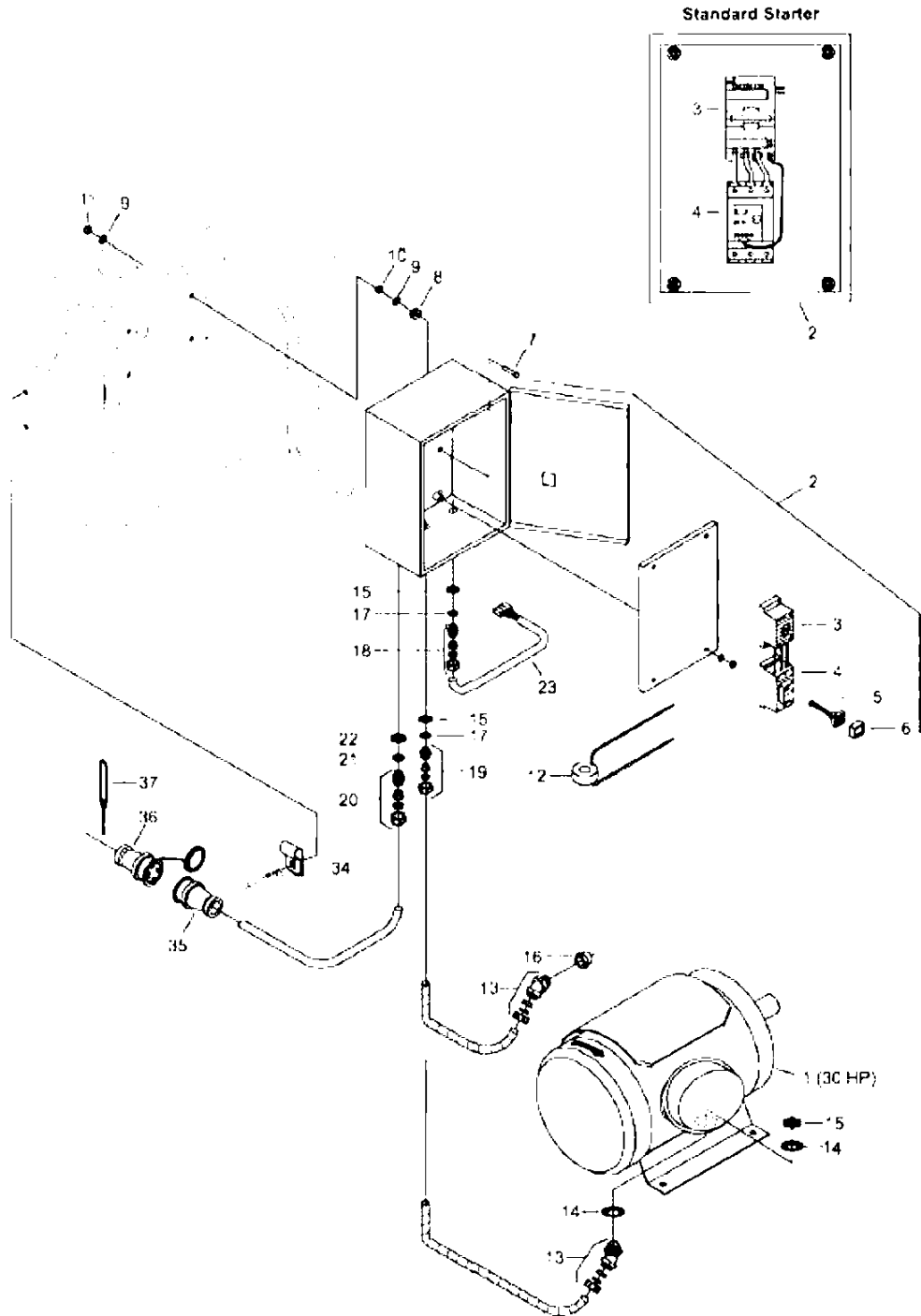
Ref	Part No	Description	Remark	QTY KIT
1	542 18 33-67	BAIL	Electric Models	1
2	542 16 60-91	BRACE	Lift Bail	1
3	542 16 74-47	SCREW	Hex Hd, M16-2.0 x 45	2
4	542 02 07-67	SCHEIBE FLAT 5/8 SAE	Flat .625 SAE	2
5	576 87 89-28	NUT	Fiber M16-2.0	2
6	725 25 02-71	SCREW EHHM	Hd, M10-1.5 x 50	1
7	731 23 20-01	HEXAGON NUT	Jam Hex Hd M10-1.5	2
8	725 25 40-71	SCREW EHHM	Hex Hd, M12-1.75 x 40	2
9	539 99 02-54	WASHER	Split M12	1
10	734 11 78-01	WASHER	Flat .500	2
11	732 25 22-01	HEXAGON LOCKING NUT	Fiber M12-1.75	1

Diagram 29 30HP Electric Motor, Alternator, Belts



Ref	Part No	Description	Remark	QTY KIT
1	541 20 17-06	MOTOR	Electric, 30HP 460V/60/3	1
1	542183335	TBD	Electric, 30HP 575V/60/3	1
2	542 16 42-58	TEST EQUIPMENT	Engine Base, LH	1
3	542 16 42-56	TEST EQUIPMENT	Engine Base, RH	1
4	542 17 23-06	BOLT	Hex Hd. M12 x 1.75 x 40	2
5	542 17 30-42	WASHER, FLAT M12	Flat M12	2
6	542 13 97-42	NUT	Fiber M12 x 1.75	2
7	542 13 97-41	SCREW	Hex Hd. M12 x 1.75 x 30	6
8	542 02 07-88	FS900T RINGS/	Split 1/2"	6
9	542167669	TBD	Socket Hd. M12 x 1.75 x 40	1
10	542 17 30-42	WASHER, FLAT M12	Flat M12	1
11	542 13 97-42	NUT	Fiber M12	1
12	542 13 97-41	SCREW	Hex Hd. M12 x 1.75 x 30	1
13	542 17 30-42	WASHER, FLAT M12	Flat M12	1
14	542 13 97-42	NUT	Fiber M12	1
15	542 16 76-59	MOTOR ASSY	Electric Motor	1
16	542 18 33-65	BAR	Electric Motor - 30HP	2
17	542 13 97-51	HUTSCHRAUBE HX HD.M12-1,75X25	Hex Hd. M12 x 1.75 x 25	4
18	542 02 07-88	FS900T RINGS/	Split 1/2"	4
19	542 17 23-06	BOLT	Hex Hd. M12 x 1.75 x 40	4
20	542 02 07-88	FS900T RINGS/	Split 1/2"	4
21	542 19 10-96	BRACKET	Alternator Adjusting, 30HP	1
22	542 17 88-25	SCREW	"Hex Washer Hd. 5/16"-18 x 1"	1
23	542 13 97-49	SCREW	Hex Hd. M10 x 1.5 x 25	1
24	542 16 20-04	LOCKWASHER	Split M10	1
25	542 16 74-31	SCREW	Hex Hd. M12 x 1.75 x 65	1
26	542 13 97-42	NUT	Fiber M12 x 1.75	1
27	542 16 70-34	VIS M10X1.5X40/	Hex Hd M10 x 1.5 x 40 FT	3
28	542 17 30-14	WASHER	Flat M10	3
29	542 13 97-48	NUT	Fiber M10 x 1.5	3
30	542 11 71-54	GENERATOR		1
31	541 20 10-12	V-BELT	3VX315, Alternator Drive - 30HP	1
32	523 21 91-01	BELT	3VX500, Accessory Drive - 30HP	1
34	542 02 00-55	KEY	3/8" Sq. x 2.5" - 30HP	1
35	542183548	TBD	8G3V4.50 - 1.88 (18"- 26"- 30HP)	1
--	542 02 05-50	SCREW	Soc Hd., 5/16"-18 x 3/8	4
35	542 18 34-63	PULLEY	8G3V5.00 - 1.88 (30"- 30HP)	1
--	542 02 05-50	SCREW	Soc Hd., 5/16"-18 x 3/8"	4
36	542 04 53-99	V-BELT	3VX475, Set of 6 (18"- 26"- 30HP)	1
36	576 44 91-80	V-BELT	3VX500-3 Band, Set of 2 (30"- 30HP)	1
37	542 16 61-86	BRACKET	Alternator Mounting	1
38	542 16 43-52	PLATE	Idler (1/4 x 1 x 9") (30HP)	1
39	542 16 32-60	FS900T SPRING/		1
40	542 16 77-63	PULLEY	1G4L3.0 - w/o Adapter	1
--	542 16 77-62	BUSHING	Pulley M10	1
41	542139766	TBD	Hex Hd. M10 x 1.5 x 45	1
42	542 13 97-48	NUT	Fiber, M10	1
43	542139765	TBD	Hex Hd. M10 x 1.5 x 40	1
44	542 17 30-14	WASHER	Flat, M10	2
45	542 13 97-48	NUT	Fiber, M10 x 1.5	2
6	542 16 32-59	HYDRAULIC KIT	Sorlnq	1

Diagram 30 20 & 30HP Motor Starter
- Standard -

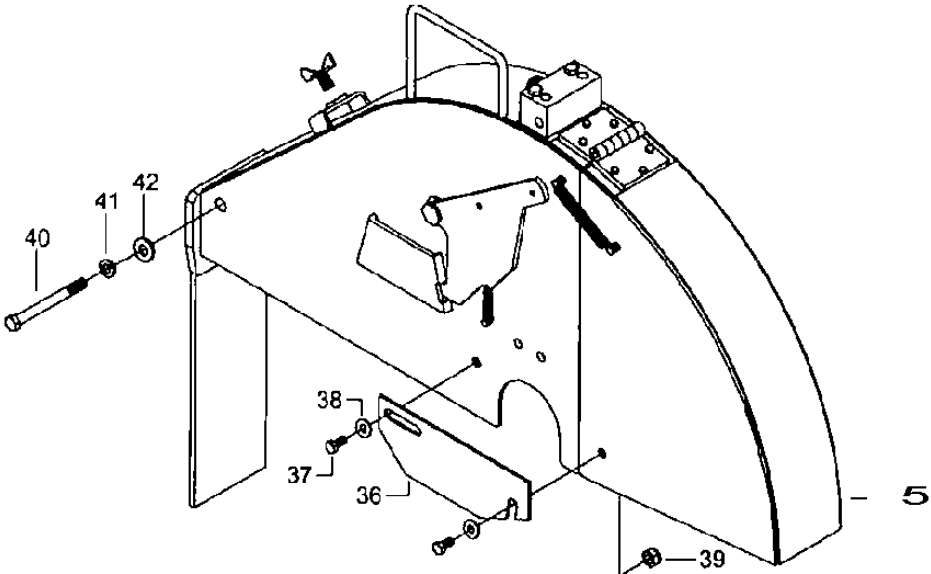
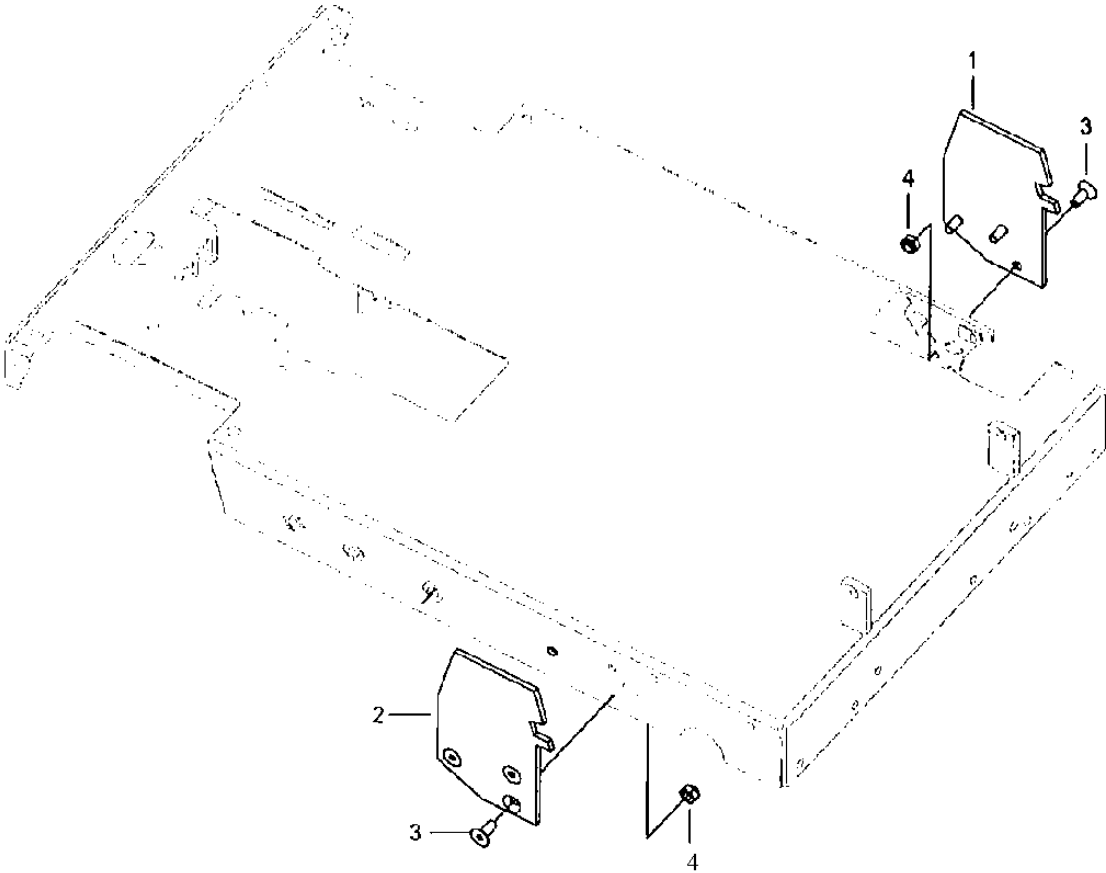


STARTER

FS3500 E, 2018-06

Ref	Part No	Description	Remark	QTY KIT
1	541 20 17-06	MOTOR	30HP 1800 230/460/60/3 Encaps	1
1	542183335	TBD	30HP 1800 575V/60/3	1
2	542 18 21-87	STARTER	Compl (Incls ltms 3 - 6) Enclosure, 16x12	1
3	542 18 21-88	MOTOR STARTER	Magnetic 230 - 460V	1
4	542 18 21-89	RELAY	Overload	1
5	542176941	TBD	Button, Reset (Thru-Door)	1
6	542176940	TBD	Reset Button	1
7	542197228	TBD	Hex Hd, M8 x 1.25 x 40 DIN933	4
8	542 16 68-98	GROMMET	.312 x .75 x .18	4
9	542 17 30-59	WASHER	Flat M8	8
10	542 17 20-27	NUT	Hex M8 DIN934	4
11	542 13 97-38	NUT	Fiber M8 DIN 985	5
12	542 17 69-14	TRANSFORMER	Current	1
13	542 17 69-38	CONDUIT END FITTING	Seal Tight 45 Deg - 3/4"	1
14	542 18 35-40	CONDUIT END FITTING	Conduit Reducing	2
15	542 17 69-53	LOCK NUT	Conduit - 3/4"	2
16	542 17 69-39	CONDUIT END FITTING	Conduit 1"x"	1
17	542 17 69-33	SEALING RING	3/4" Sealing Ring - 3/4"	2
18	542 04 67-48	CONDUIT END FITTING	Relief, Strain, Water Tight - 3/4"	1
20	542 17 69-51	CONDUIT END FITTING	Relief, Strain, Water Tight - 1" (30HP-Std)	1
20	542183432	TBD	Relief, Strain, Water Tight - 1", X-Dia (20HP-Std)	1
21	542 17 69-34	CONDUIT END FITTING	1"	1
22	542176954	TBD	Conduit - 1"	1
23	542 17 69-13	CONTROL CABLE		1
34	542 16 69-55	CLAMP	Vinyl Coated 3/8 x 1.0"	1
35	542176930	TBD	Plug, Twist Lock, 230V (20HP-Std)	1
35	542176943	TBD	Plug, Twist Lock, 460V (20HP-Std)	1
35	542 18 34-04	CONNECTOR	Plug, Twist Lock, 460V (30HP-Std)	1
35	542176945	TBD	Plug, Twist Lock, 575V (30HP-Std)	1
36	542176931	TBD	Connector.Twist Lock, 230V (20HP-Std)	1
36	542176942	TBD	Connector.Twist Lock, 460V (20HP-Std)	1
36	542 18 34-03	CONNECTOR	Connector.Twist Lock, 460V (30HP-Std)	1
36	542176944	TBD	Connector.Twist Lock, 575V (30HP-Std)	1
37	542 17 69-50	CABLE SLEEVE	Support, Bus Drop, Cable	1
38	502 61 03-01	OPERATOR'S MANUAL	Operator's Manual: FS3500	1

Diagram 32 Blade Guard Attachment

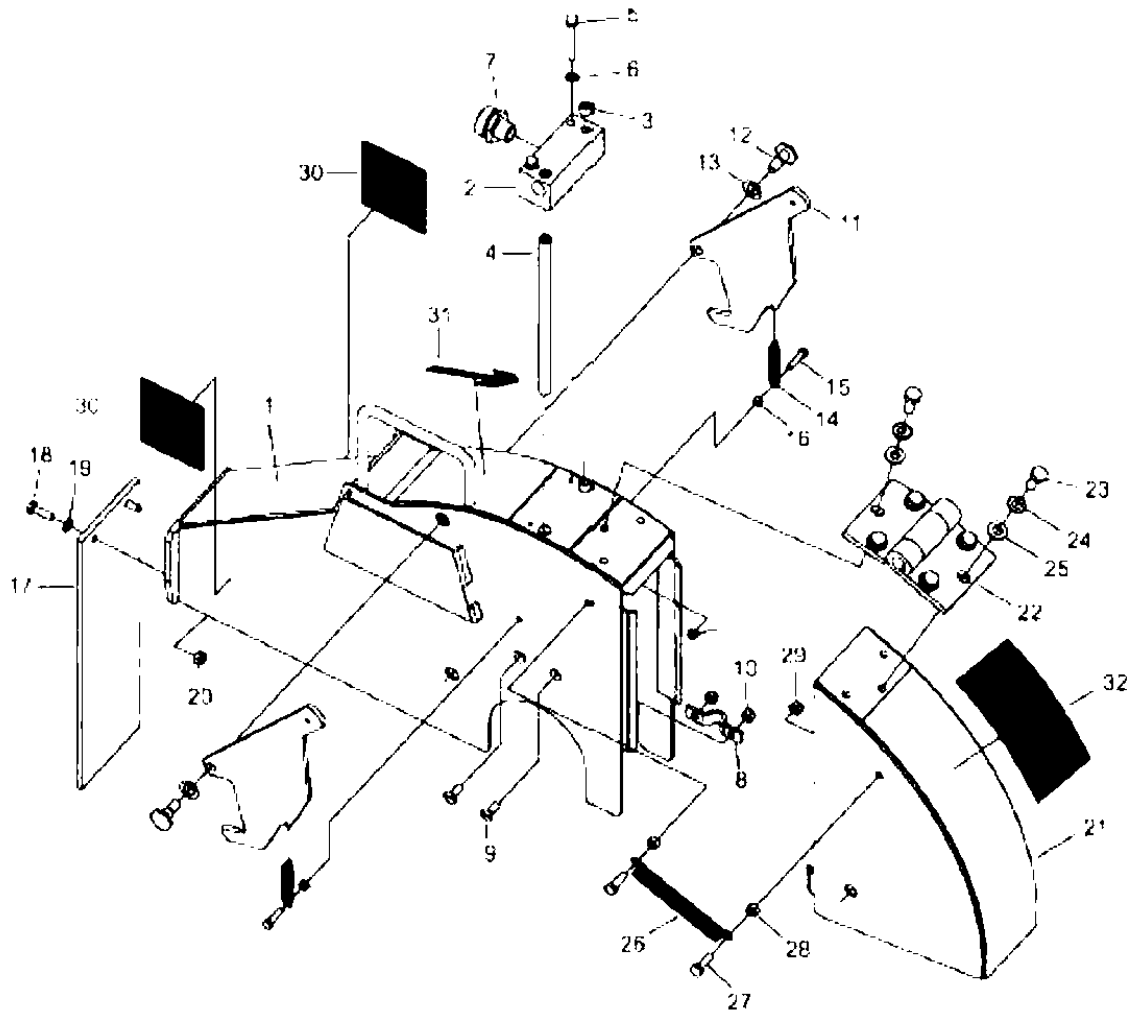


ATTACHMENTS

FS3500 E, 2018-06

Ref	Part No	Description	Remark	QTY KIT
1	542 17 62-82	BRACKET	Slip-On - Black - LH	1
2	542 17 62-80	BRACKET	Slip-On - Black - RH	1
3	542 16 74-91	SCREW	Soc Hd, M10 x 1.5 x 25 CSK	6
4	542 13 97-48	NUT	Fiber M10 DIN 985	6
5	542 19 81-63	BLADE GUARD	Slip-On, 2" Wide - 18" (Shown)"	1
5	542 19 81-64	BLADE GUARD	Slip-On, 3" Wide - 26"	1
5	542 19 81-65	BLADE GUARD	Slip-On, 3" Wide - 30"	1
36	541 20 84-40	PLATE	Bladeshft - Husq Gray (CE REQUIRED ** for 26"- 30" Blade Guard)	1
37	542 13 97-51	HUTSCHRAUBE HX HD.M12-1,75X25	Hex Hd M12 x 1.75 x 25 DIN933 (CE REQUIRED ** for 26"- 30" Blade Guard)	2
38	542 13 97-42	NUT	Fiber M12 DIN985 (CE REQUIRED ** for 26"- 30" Blade Guard)	2
39	542 02 07-45	WASHER	Flat .50" Dia (CE REQUIRED ** for 26"- 30" Blade Guard)	2
40	542 16 69-57	BOLT	Hex Hd M16 x 2.0 x 110 DIN931 (CE REQUIRED ** for 26"- 30" Blade Guard)	1
41	542 19 19-62	WASHER	Split M16 (CE REQUIRED ** for 26"- 30" Blade Guard)	1
42	542 02 07-67	SCHEIBE FLAT 5/8 SAE	Flat SAE .625 (CE REQUIRED ** for 26"- 30" Blade Guard)	1

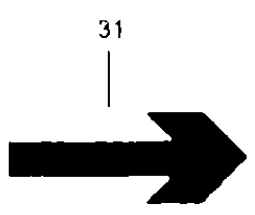
Diagram 33 Blade Guard, Husqvarna Grey – Slip-on – 18”
Compl. 18” (450mm) – 542 19 81 63



30

WARNING ⚠

CHANGING TO A
LARGER BLADE SIZE MAY
AFFECT OPERATION. ALWAYS
USE THE PROPER POWER
STROKE AND BLADE LENGTH
FOR THE COMPLETE RANGE OF
RESULTS OBTAINABLE.
SEE OWNER'S MANUAL FOR
DETAILS. ALWAYS FOLLOW THE
SAFETY INSTRUCTIONS AND
CALL FOR HELP IF YOU ARE
UNSURE.



32

WARNING ⚠

DO NOT OPERATE THE
CHAINSAW WITHOUT THE
CHAINSAW GUARD.
OPERATING THE CHAINSAW
WITHOUT THE CHAINSAW
GUARD IS A VIOLATION OF
THE SAFETY INSTRUCTIONS
AND MAY RESULT IN
SERIOUS INJURY OR
DEATH.

Always use the proper
chain saw safety techniques
and follow the safety
instructions in the
owner's manual.

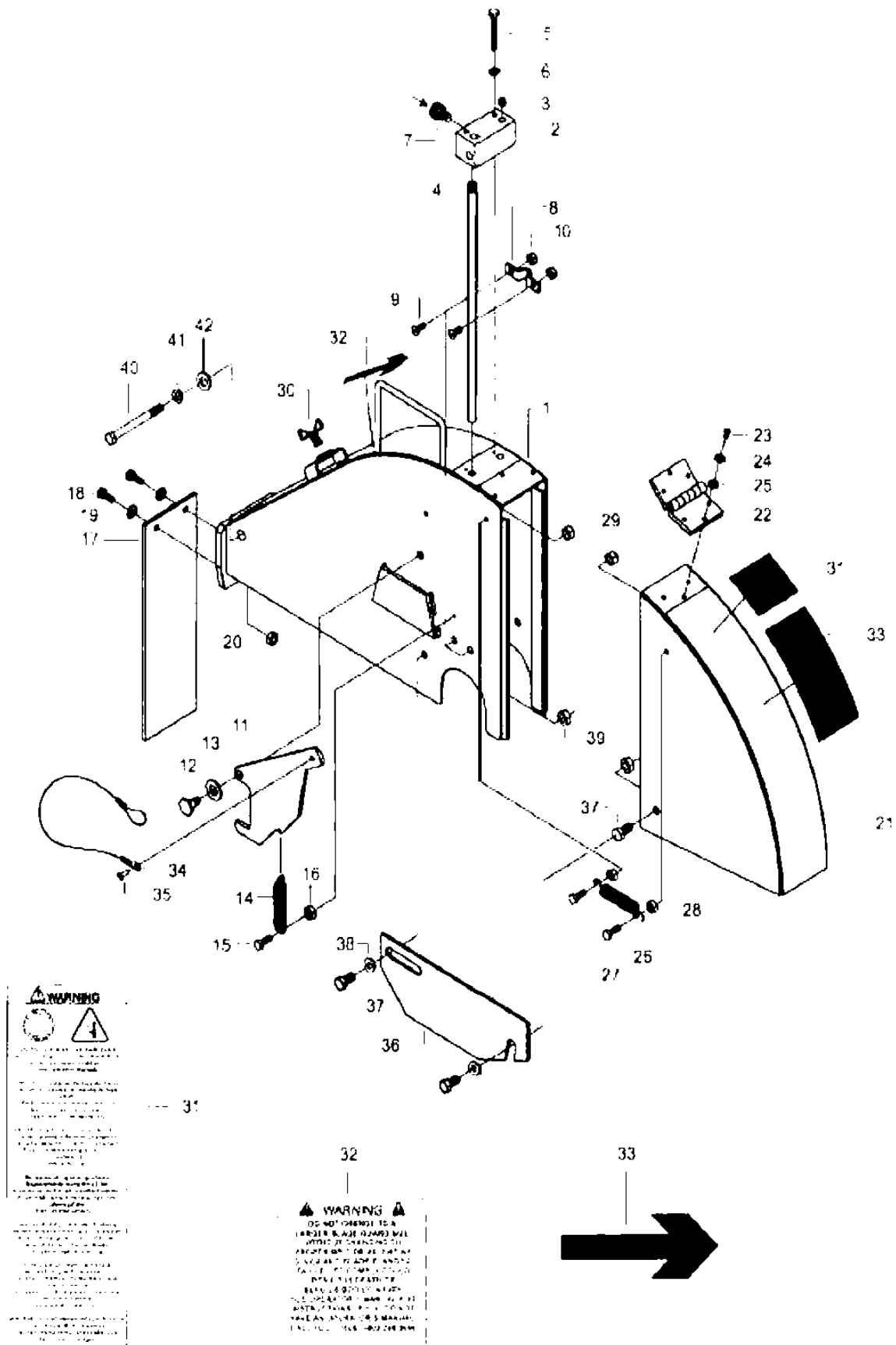
Always use the proper
chain saw safety techniques
and follow the safety
instructions in the
owner's manual.

Always use the proper
chain saw safety techniques
and follow the safety
instructions in the
owner's manual.

Ref	Part No	Description	Remark	QTY KIT
-	542 19 81-63	BLADE GUARD	18" - Comp	1
1	541 20 84-50	REAR BLD GD WLDMT 18S.PC H-GRY	Rear 18" H-Gray	1
2	542 16 33-88	MANIFOLD	Manifold, Water	1
3	542 02 08-64	SCREW	.125 NPT Pipe Br	2
4	542 16 69-86	COLLECTOR	18"	2
5	542 13 97-59	SCREW	Hex Hd, M6 x 1.0 x 45 DIN931	2
6	542 16 36-89	LOCKWASHER	SPLIT M6	2
7	542 04 02-75	FS900T REDUCTION/HOSE H:ITTIN	Hose .375 x .75GHT	1
8	542 16 33-95	CLAMP	Water Tube	2
9	542 16 78-18	SCREW	Flat Hd, M6 x 1.0 x 16 Slot	4
10	542 13 97-45	LOCK NUT	Fiber M6 DIN 985	2
11	542 16 68-16	LATCH	S-0 Blade Guard	2
12	542 16 75-03	BOLT	Latch Pivot M8 x 1.25	2
13	542 04 61-01	WASHER	Fiber 10Dx.406251Dx.09375	2
14	542 16 31-88	SPRING	Stainless	2
15	542 16 77-61	SCREW	Hex Hd, M5 x 0.8 x 20 DIN933	2
16	542 17 20-11	NUT	Std Hex M5 x .80 DIN934	4
17	542 16 33-89	GUARD	Splash - 2"	1
18	542 13 97-61	M6 X 20MM SET SCREW/	Hex Hd, M6 x 1.0 x 20 DIN931	2
19	542 13 97-46	WASHER	Flat M6	2
20	542 13 97-45	LOCK NUT	Fiber M6 DIN 985	2
21	541 20 84-51	FRNT BLGD WLD 18S MET PC H-GRY	Front 18" H-Gray"	1
22	542 16 78-24	HINGE	Blade Guard - 2" Width	1
23	542 19 72-27	SCREW	Hex Hd, M8 x 1.25 x 20 DIN933	6
24	542 17 30-19	STAR WASHER, EXTERNAL M8/	Star External M8	6
25	542 17 30-59	WASHER	Flat M8	6
26	542 19 91-28	SPRING	Blade Guard	2
27	542 13 97-61	M6 X 20MM SET SCREW/	Hex Hd, M6 x 1.0 x 20 DIN931	4
28	542 17 20-17	NUT	Hex M6	4
29	542 13 97-45	LOCK NUT	Fiber M6 DIN 985	4
30	542 04 61-28	DECAL	WARNING (Bid Grd Size)	2
31	542 16 72-89	DECAL	Blade Direction - Small	1
32	542 16 72-98	DECAL	WARNING , Blade Guard	1

Diagram 34 Blade Guard, Husqvarna Gray • Slip-On • 26" • 30"

Compl. 26" (600mm) • 542 19 81-64
 Compl. 30" (800mm) • 542 19 81-65



BLADE GUARD

FS3500 E, 2018-06

Ref	Part No	Description	Remark	QTY KIT
-	542 19 81-64	BLADE GUARD	26" - Comp (Incls Items 1 - 35)	1
1	541 20 84-45	BLADE GUARD	Rear 26" H-Gray	1
1	541 20 84-39	BLD GRD WLMT.REAR 30".PC H-GRY	Rear 30" H-Gray	1
2	542 16 67-50	BRACKET	Water	1
3	542 02 08-64	SCREW	.125 NPT Pipe Br	2
4	542 16 69-85	COLLECTOR	26"	2
4	542 16 68-15	COLLECTOR	30"	2
5	542 13 97-59	SCREW	Hex Hd, M6 x 1.0 x 45 DIN931	2
6	542 16 36-89	LOCKWASHER	Split M6	2
7	542 04 02-75	FS900T REDUCTION/HOSE H:ITTIN	Hose .375 x .75GHT	1
8	542 16 33-95	CLAMP	Water Tube	2
9	542 16 78-18	SCREW	Flat Hd, M6 x 1.0 x 16 Slot	4
10	542 13 97-45	LOCK NUT	Fiber M6 DIN 985	4
11	542 16 68-16	LATCH	S-0 Blade Guard	2
12	542 16 75-03	BOLT	Latch Pivot MB x 1.25	2
13	542 04 61-01	WASHER	Fiber 10Dx.406251Dx.09375	2
14	542 16 31-88	SPRING	Extension, Stainless	2
15	542 16 77-61	SCREW	Hex Hd, M5 x 0.8 x 20 DIN933	2
16	542 17 20-11	NUT	Std Hex M5 x .80 DIN934	4
17	542 16 32-75	SPLASH GUARD	Splash - 3"	1
18	542 13 97-61	M6 X 20MM SET SCREW/	Hex Hd, M6 x 1.0 x 20 DIN931	2
19	542 13 97-46	WASHER	Flat M6	2
20	542 13 97-45	LOCK NUT	Fiber M6 DIN 985	2
21	541 20 84-46	GUARD	Front 26" H-Gray	1
21	541 20 84-38	GUARD	Front 30" H-Gray	1
22	542 19 51-27	HINGE	Blade Guard - 3" Width	1
23	542 19 72-27	SCREW	Hex Hd, MB x 1.25 x 20 DIN933	6
24	542 17 30-19	STAR WASHER, EXTERNAL M8/	Star External MB	6
25	542 17 30-59	WASHER	Flat MB	6
26	542 19 91-28	SPRING	Blade Guard,	2
27	542 13 97-61	M6 X 20MM SET SCREW/	Hex Hd, M6 x 1.0 x 20 DIN931	4
28	542 17 20-17	NUT	Hex M6	4
29	542 13 97-45	LOCK NUT	Fiber M6 DIN 985	4
30	542 19 71-70	WING BOLT	M6 x 16 DIN931	1
31	542 16 72-98	DECAL	WARNING, Blade Guard	1
32	542 04 61-28	DECAL	WARNING (Bid Grd Size)	1
33	542 16 72-89	DECAL	Blade Direction - Small	1
34	542 18 39-98	WIRE	Nylon Coated S.S.	2
35	542 18 39-99	SCREW	Screw #10 X .25	2
36	541 20 84-40	PLATE	Bladeshaft - Husq Gray	1
37	542 13 97-51	HUTSCHRAUBE HX HD.M12-1,75X25	Hex Hd, M12 x 1.75 x 25 DIN933	2
38	542 02 07-45	WASHER	Flat .50" Dia	2
39	542 13 97-42	NUT	Fiber M12 DIN 985	2
40	542 16 69-57	BOLT	Hex Hd, M16 x 2.00 x 110 DIN931	1
41	542 19 19-62	WASHER	Split M16	1
42	542 02 07-67	SCHEIBE FLAT 5/8 SAE	Flat .625" Dia	1