

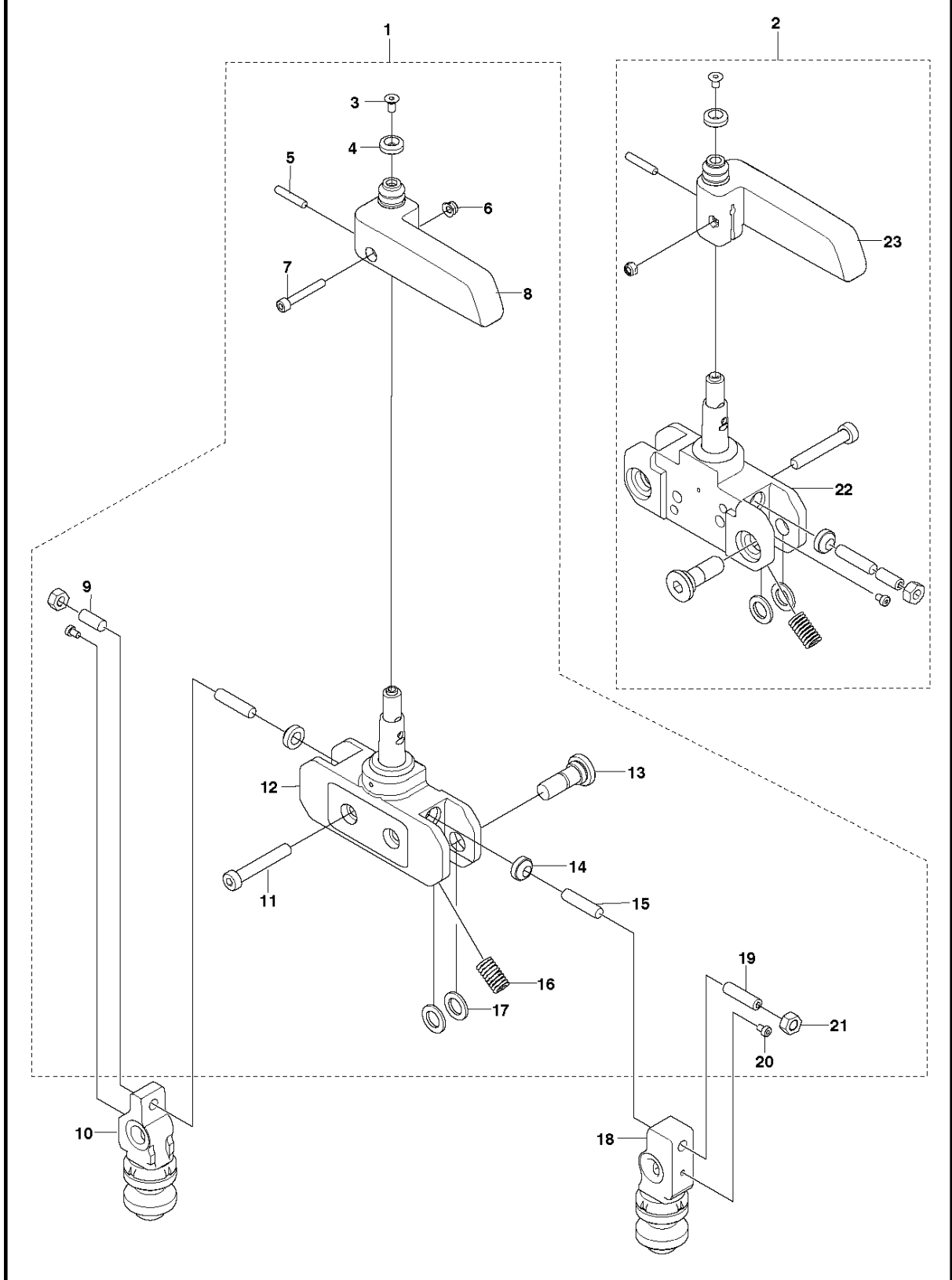


SPARE PARTS LIST

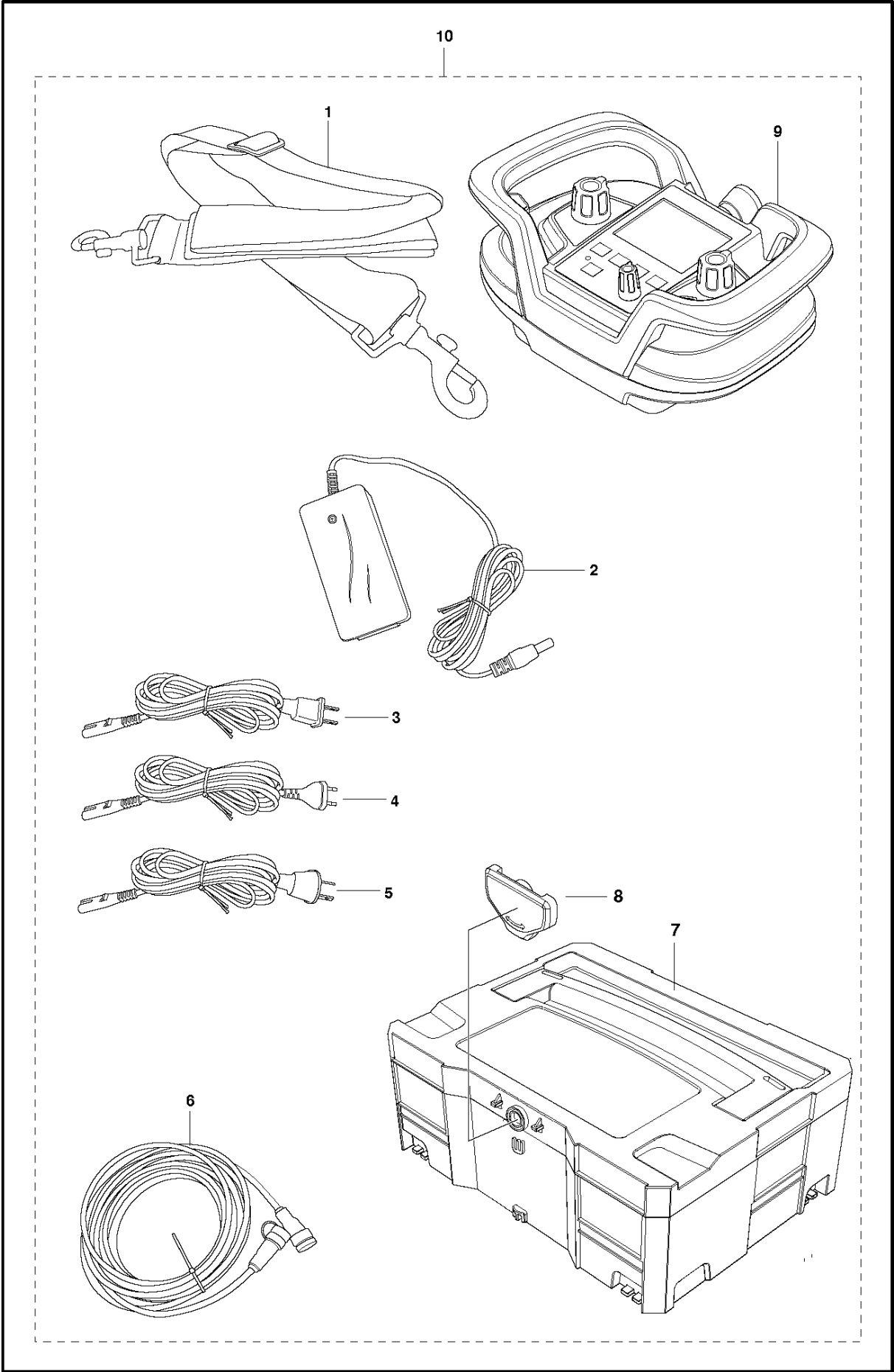
WALL SAWS

WS220, 2013-10

New version



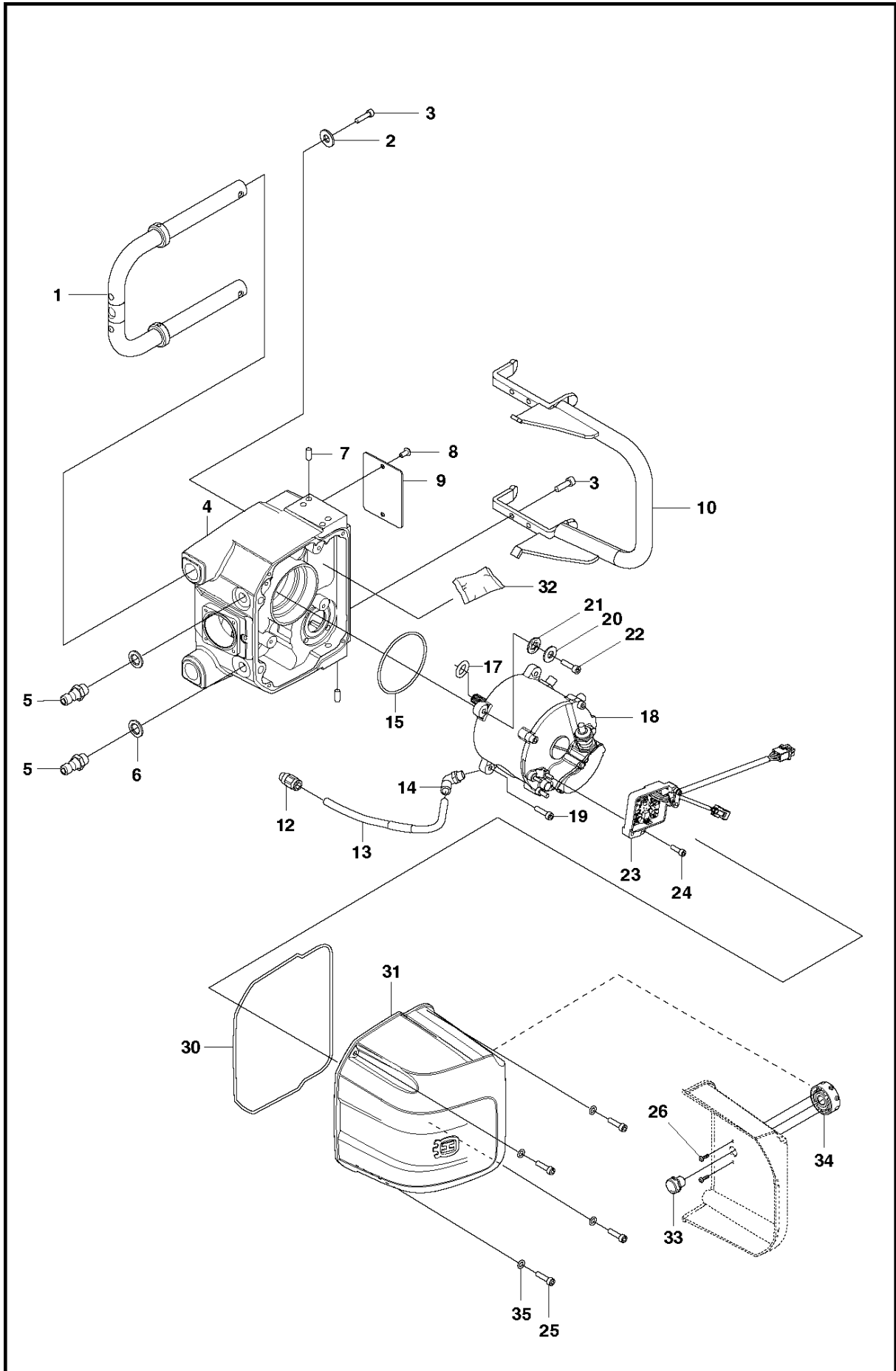
Ref	Part No	Description	Remark	QTY	KIT
1	579 10 36-02	LOCKING HANDLE		1	
2	579 10 37-02	LOCKING HANDLE		1	
3	725 63 25-51	SCREW IHCSFM		2	1,2
4	580 72 53-01	BUTTON		2	1,2
5	575 82 60-01	SEAL		2	1,2
6	732 25 14-01	HEXAGON LOCKING NUT		2	1,2
7	725 53 37-01	SCREW IHSCM		2	1,2
8	583 96 51-01	HANDLE		1	1
9	575 81 41-01	SCREW		2	1,2
10	584 14 12-02	HOLDER ASSY		1	
11	585 99 74-01	SCREW		4	1,2
12	584 14 14-01	HOUSING ASSY		1	1
13	575 65 33-01	SHAFT		4	1,2
14	580 72 66-01	SEAL		4	1,2
15	575 81 43-01	PEN		4	1,2
16	575 82 08-01	SPRING		4	1,2
17	575 82 67-01	WASHER		8	1,2
18	584 14 13-02	HOLDER ASSY		1	
19	585 90 59-01	SCREW		2	1,2
20	506 06 85-01	SCREW		4	1,2
21	503 22 10-11	HEXAGON NUT		4	1,2
22	586 96 53-01	BROCHURE		1	2
23	583 96 53-01	HANDLE		1	



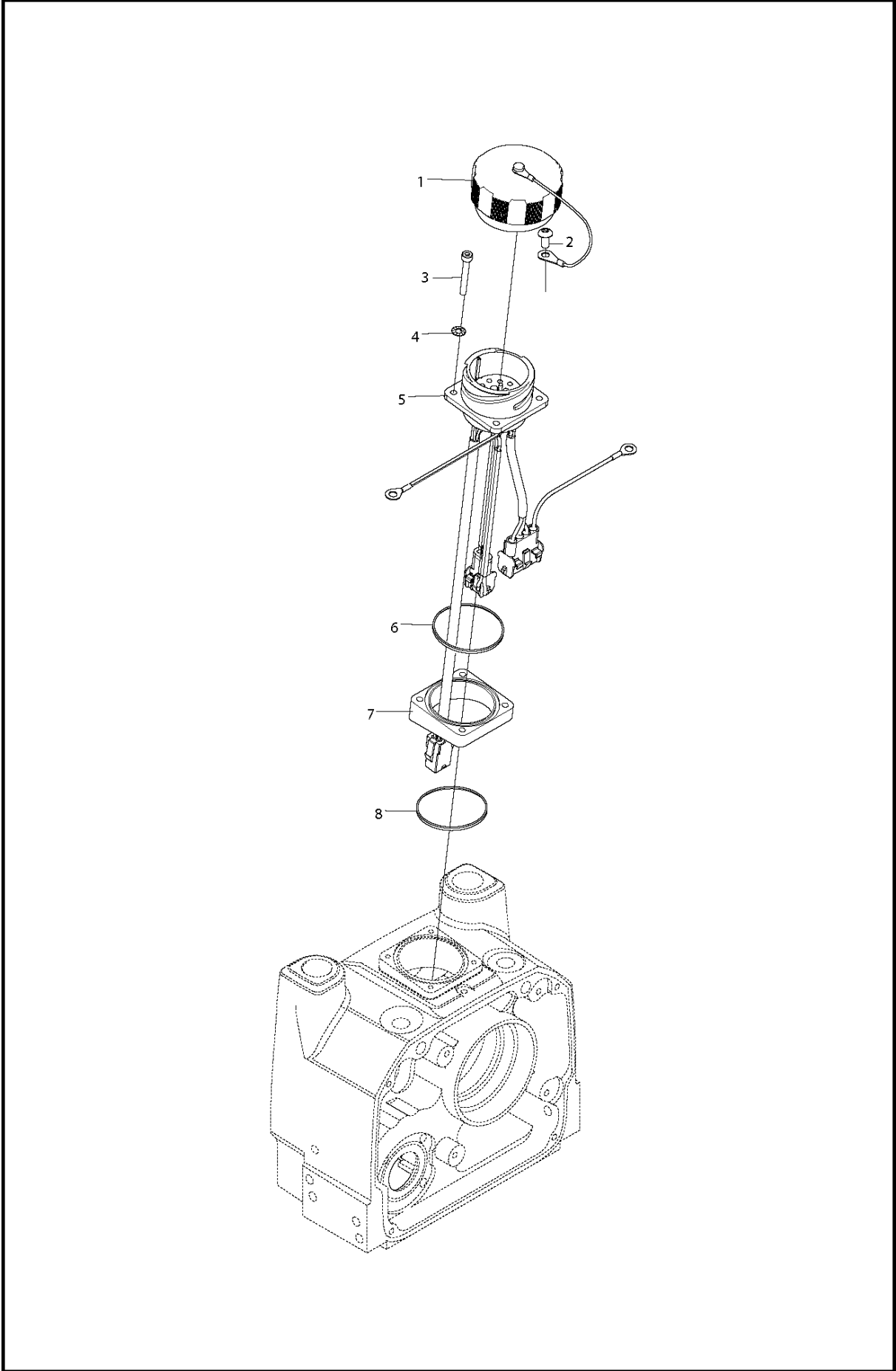
REMOTE CONTROL

WS220, 2013-10

Ref	Part No	Description	Remark	QTY	KIT
1	506 29 76-61	SHOULDER STRAP		1	10
2	510 28 50-03	CHARGER		1	10
3	510 28 07-02	CABLE	US	1	10
4	510 28 07-01	CABLE	EU	1	10
5	510 28 07-04	CABLE	Australia	1	10
6	577 05 99-02	CABLE ASSY		1	10
7	584 25 62-02	BOX	Gray	1	10
7	587 18 97-01	BOX	Orange box from serial number 20143700001	1	10
8	582 82 02-01	LOCK		1	10
9	578 28 48-02	REMOTE CONTROL		1	10
10	586 11 51-01	CONTROL UNIT	Gray	1	
10	587 11 35-01	CONTROL UNIT	Orange box from serial number 20143700001	1	



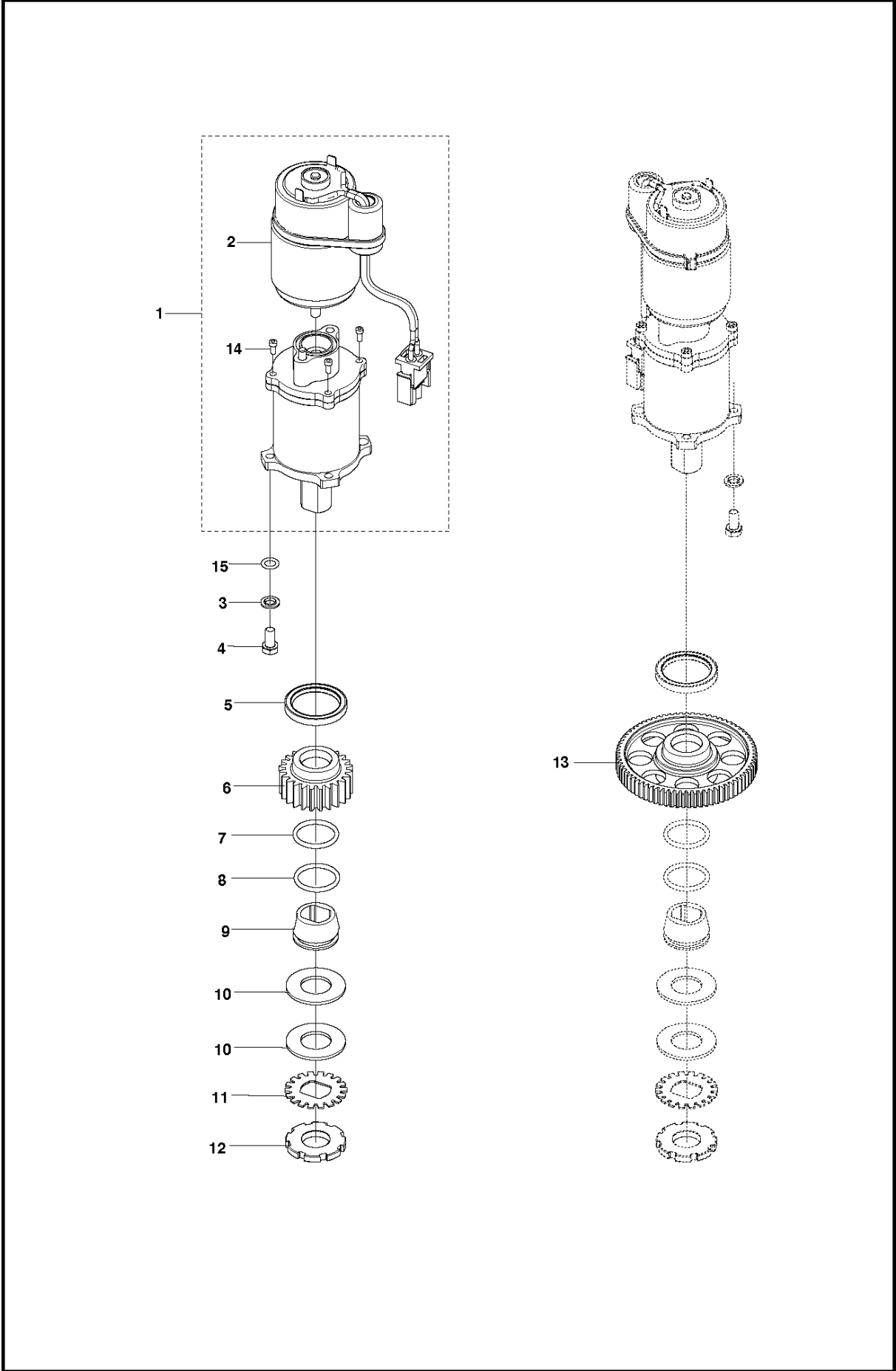
Ref	Part No	Description	Remark	QTY	KIT
1	583 96 26-01	HANDLE TUBE		1	
2	734 11 52-01	WASHER		2	
3	584 23 45-01	SCREW		6	
4	586 92 76-02	HOUSING		1	
5	505 53 80-01	QUICK COUPLING		2	
6	740 38 27-01	SEALING WASHER		2	
7	504 90 83-26	PIN		4	
8	580 74 63-01	SCREW		6	
9	583 85 66-01	TYPE PLATE		1	
10	584 93 05-01	SUPPORT		1	
12	576 23 35-01	ADAPTER		2	
13	583 96 27-01	HOSE		2	
14	576 23 36-01	ADAPTER		2	
15	575 49 30-01	O-RING		1	16
17	584 27 13-01	O-RING		1	
18	574 17 04-03	MOTOR		1	
19	588 15 24-01	SCREW		3	
20	735 21 46-01	LOCKWASHER		1	
21	734 11 46-01	WASHER		1	
22	588 15 25-01	SCREW		1	
23	581 04 20-01	PRINTED CIRCUIT ASSY		1	
24	579 25 51-01	SCREW IHSCFMO		16	
25	588 86 31-01	SCREW		4	
26	575 61 74-01	SCREW		2	
30	588 84 92-01	O-RING		1	
31	586 89 02-01	COVER		1	
32	588 86 28-01	COLLECTOR		1	
33	725 63 70-51	SCREW IHCSFM		1	
34	588 63 02-01	VALVE		1	
35	598 69 59-01	SEALING RING		4	



WIRING HARNESS

WS220, 2013-10

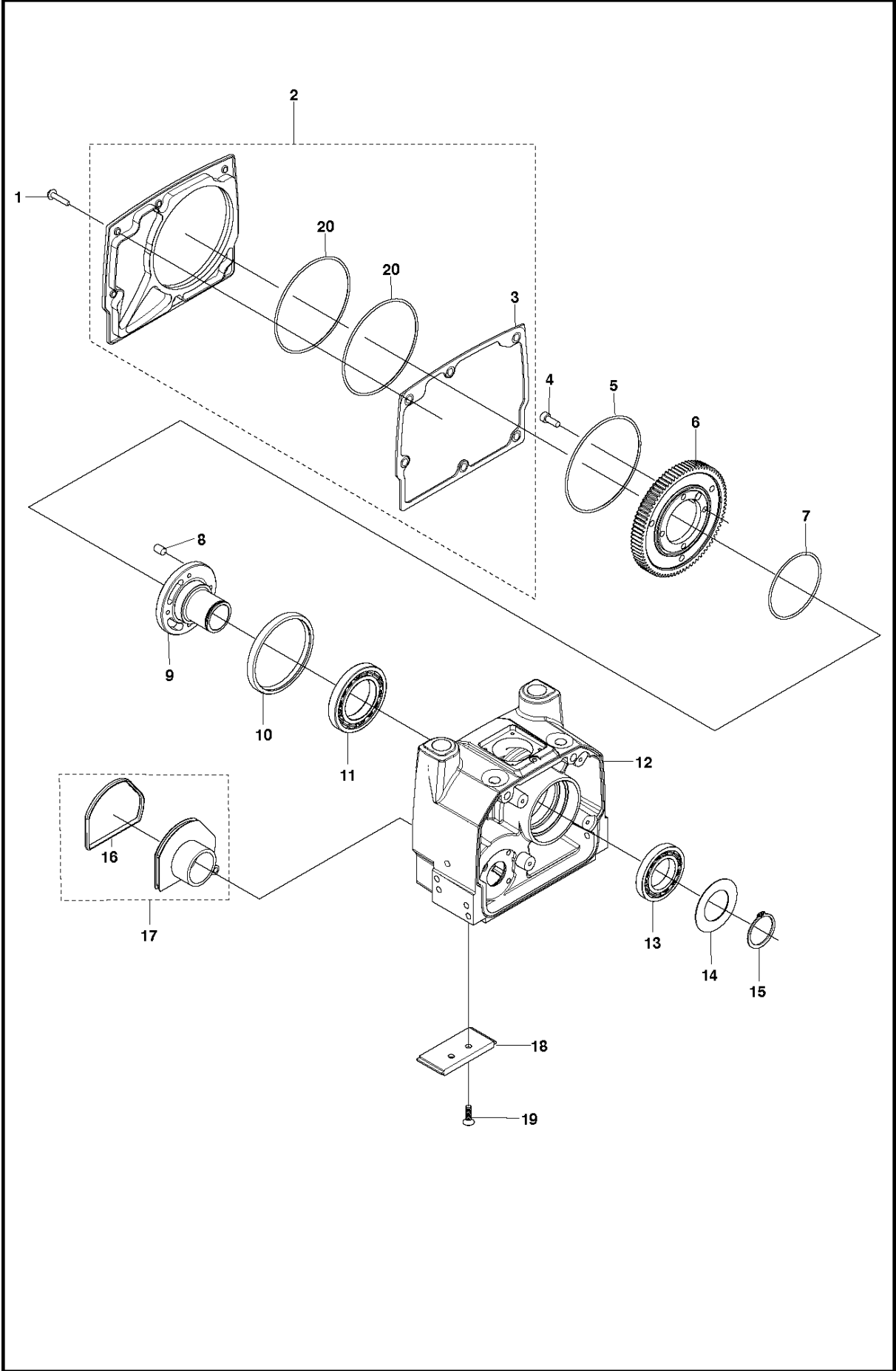
Ref	Part No	Description	Remark	QTY KIT
1	525 73 44-01	LID		1
2	725 53 23-01	SCREW IHSCM		1
3	725 52 99-05	SCREW IHSCM		4
4	580 84 76-01	LOCKWASHER		4
5	578 34 42-01	LINE	Valid before S/N: 20184100001	2
5	592 98 35-01	WIRING ASSY	Valid from S/N: 20184100001	1
6	577 98 71-01	GASKET		2
7	580 84 56-01	SPACING BLOCK		1



FEEDING MOTORS

WS220, 2013-10

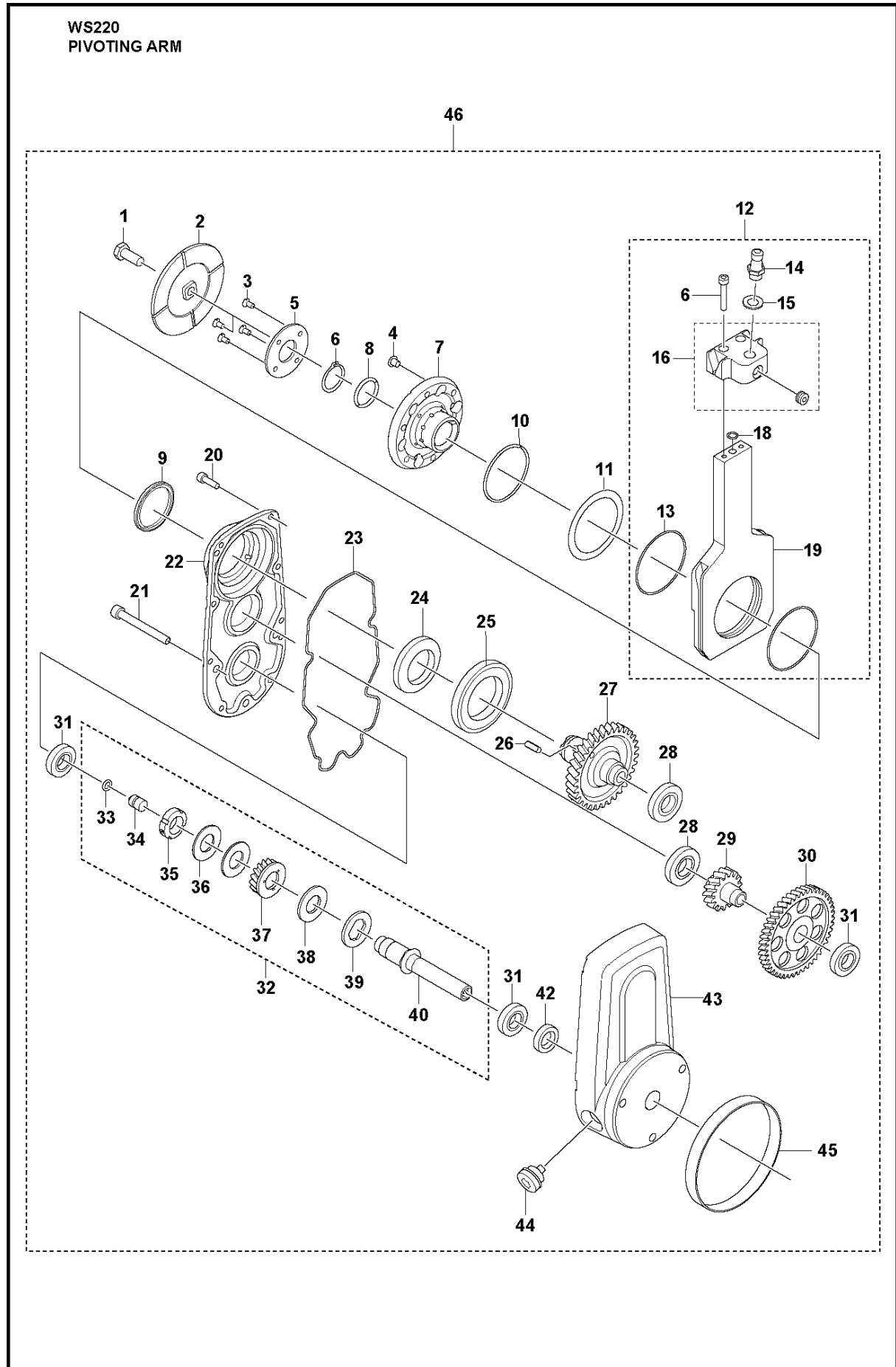
Ref	Part No	Description	Remark	QTY	KIT
1	579 10 33-01	MOTOR		2	
2	577 21 72-01	MOTOR		2	1
3	585 93 42-01	LOCKWASHER		7	
4	586 03 15-01	SCREW		7	
5	576 42 52-01	SEAL		2	
6	581 76 59-01	GEAR WHEEL		1	
7	531 11 92-63	O-RING		2	
8	575 28 43-01	O-RING		2	
9	581 76 82-01	CONE		2	
10	586 55 84-01	DISC SPRING		4	
11	581 84 93-01	LOCKWASHER		2	
12	581 84 92-01	LOCK NUT		2	
13	581 76 58-01	GEAR WHEEL		1	
14	725 52 24-01	SCREW		4	
15	740 42 04-00	O-RING		7	



HOUSING

WS220, 2013-10

Ref	Part No	Description	Remark	QTY	KIT
1	578 34 74-01	SCREW		6	
2	583 96 45-01	COVER		1	3
3	577 91 99-01	GASKET		1	
4	584 23 44-01	SCREW		4	
5	576 24 98-01	O-RING		1	
6	593 30 56-01	GEAR WHEEL		1	
7	576 24 97-01	O-RING		1	
8	576 23 40-01	PEN		1	
9	575 86 45-01	SHAFT		1	
10	576 23 38-01	SEAL		1	
11	576 23 39-01	BEARING		1	
12	586 92 76-02	HOUSING		1	
13	531 11 94-43	BEARING		1	
14	577 77 91-01	WASHER		1	
15	576 23 37-01	WASHER		1	
16	583 96 48-01	SEALING STRIP		1	17
17	583 96 46-01	PLUG		1	
18	577 91 95-01	PLATE		1	
19	725 63 70-51	SCREW IHCSFM		2	
20	589 00 62-01	O-RING		2	

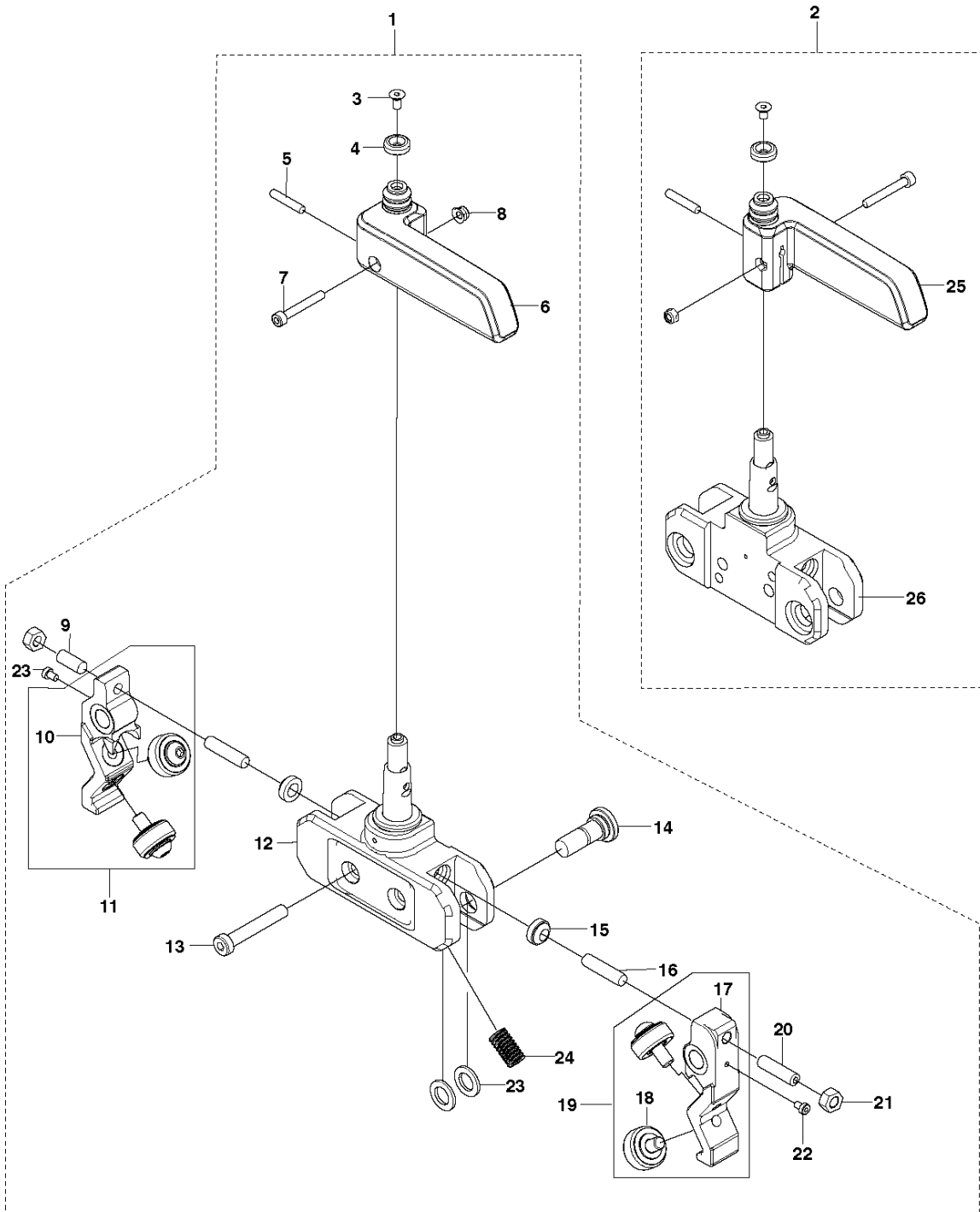


PIVOTING ARM

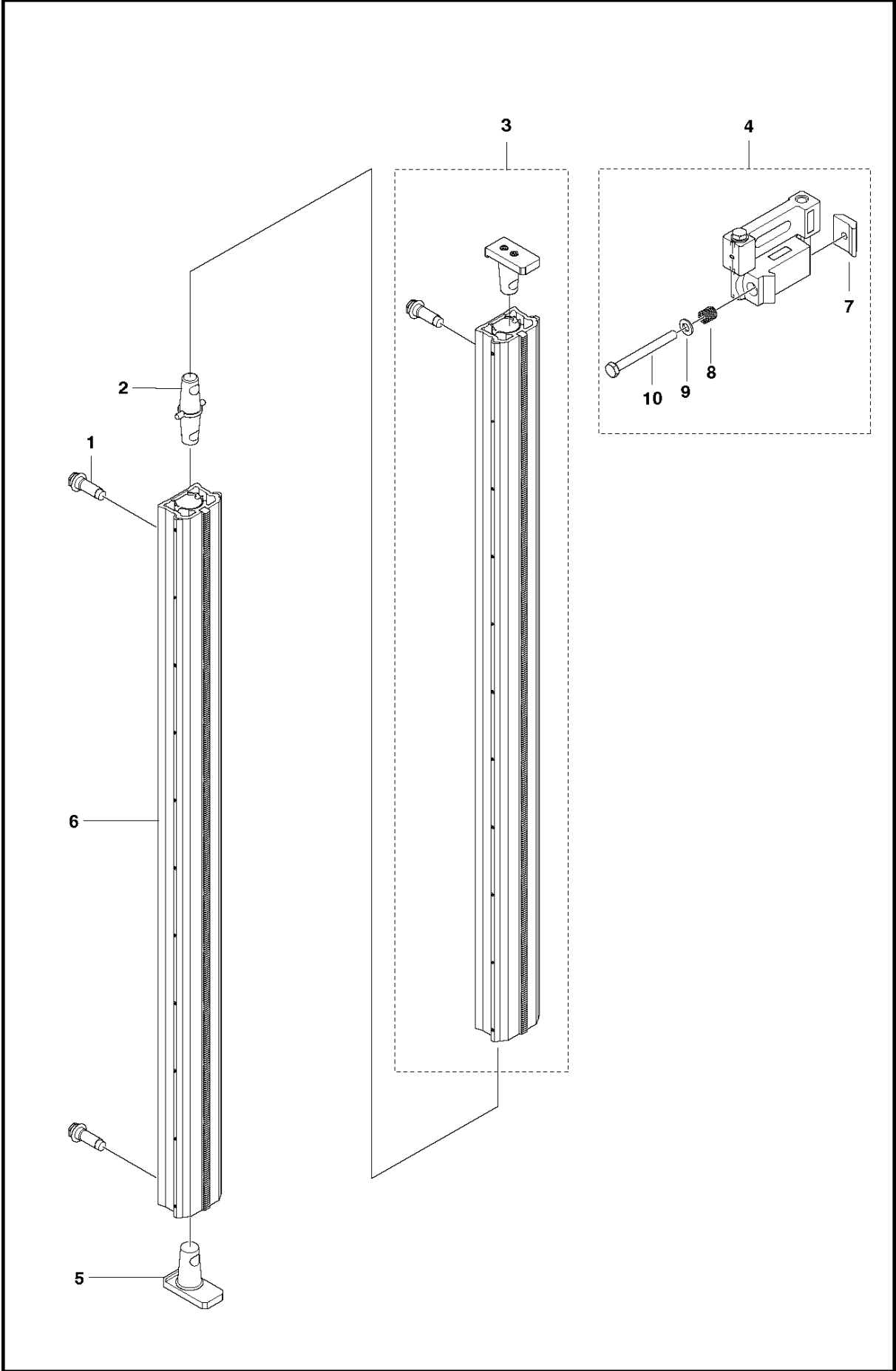
WS220, 2013-10

Ref	Part No	Description	Remark	QTY	KIT
1	581 04 78-01	SCREW		1	
2	575 26 29-01	FLANGE		1	
3	723 53 25-01	SCREW SLCSFM		4	
4	531 11 95-17	PLUG		6	
5	590 67 54-01	SPACER RING		1	
6	590 67 55-01	LOCKING RING		1	12
7	590 17 74-01	FLANGE		1	
8	590 67 64-01	O-RING		1	
9	575 28 37-01	SEAL		1	
10	575 28 48-01	SNAP RING		1	
11	575 28 46-01	WASHER		1	
12	579 10 74-01	SLIDING SHOE		1	
13	575 28 44-01	SEAL		2	12
14	505 53 80-01	QUICK COUPLING		1	12
15	740 38 27-01	SEALING WASHER		1	12
16	597 36 47-01	CONNECTION		1	12
18	740 42 06-00	O-RING		1	12
19	581 90 47-01	SLIDING SHOE		1	12
20	725 53 70-01	SCREW IHSCM		8	
21	575 28 56-01	SCREW		3	
22	586 85 97-01	COVER		1	
23	575 28 50-01	O-RING		1	
24	584 23 41-01	SEAL		1	
25	531 11 91-59	BEARING		1	
26	590 67 65-01	PARALLEL KEY		3	
27	590 17 71-01	GEAR WHEEL		1	
28	576 41 29-01	BEARING		2	
29	593 30 09-01	GEAR WHEEL		1	
30	586 30 58-01	GEAR ASSY		1	
31	574 88 50-01	BEARING		3	
32	583 92 54-01	SHAFT ASSY		1	
33	583 93 53-01	O-RING		1	32
34	575 27 73-01	PIVOT		1	32
35	575 28 34-01	NUT		1	32
36	531 11 94-76	CUP		2	32
37	583 96 49-01	GEAR ASSY		1	32
38	575 27 77-01	WASHER		1	32
39	575 27 64-01	WASHER		1	32
40	575 26 95-01	SHAFT		1	32
42	575 28 36-01	SEAL		1	
43	586 85 80-01	GEAR HOUSING		1	
44	531 11 81-13	PLUG		1	
45	577 91 98-01	RING		1	
46	587 18 40-01	PIVOTING ARM		1	

Old version



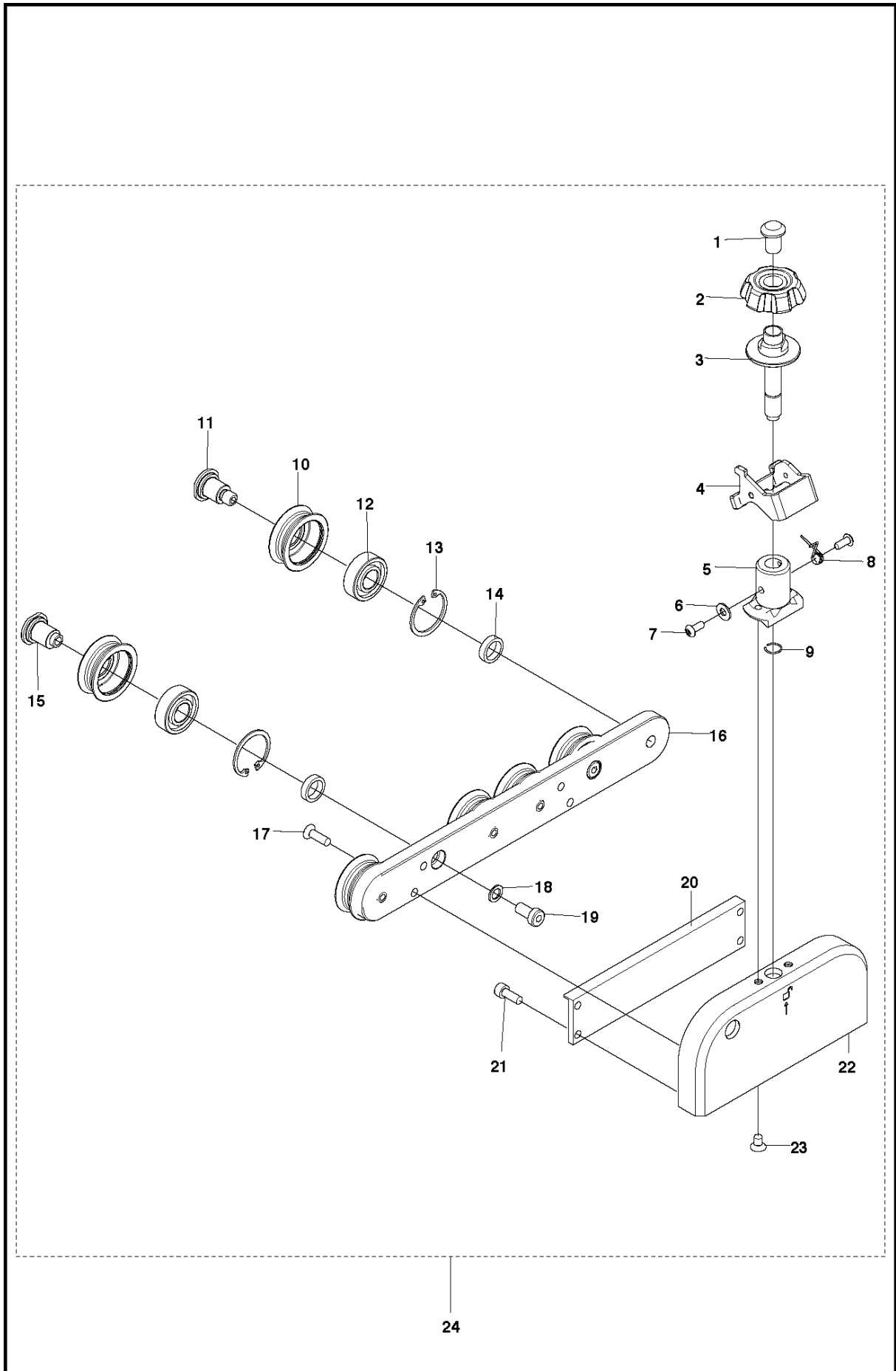
Ref	Part No	Description	Remark	QTY	KIT
1	579 10 36-01	LOCKING HANDLE		1	
2	579 10 37-01	LOCKING HANDLE		1	
3	725 63 25-51	SCREW IHCSFM		2	1,2
4	580 72 53-01	BUTTON		2	1,2
5	575 82 60-01	SEAL		2	1,2
6	583 96 51-01	HANDLE		1	1
7	725 53 37-01	SCREW IHSCM		2	1,2
8	732 25 14-01	HEXAGON LOCKING NUT		2	1,2
9	575 81 41-01	SCREW		2	1
10	575 78 89-01	HANDLE BRACKET		2	1, 11
11	584 14 12-01	HOLDER ASSY		2	1
12	584 14 14-01	HOUSING ASSY		1	1
13	585 99 74-01	SCREW		4	1
14	575 65 33-01	SHAFT		4	1
15	580 72 66-01	SEAL		4	1
16	575 81 43-01	PEN		4	1
17	575 82 68-01	HANDLE BRACKET		2	1, 19
18	583 93 60-01	TRACK ROLLER		8	1, 19
19	584 14 13-01	HOLDER ASSY		2	1
20	585 90 59-01	SCREW		2	1
21	503 22 10-11	HEXAGON NUT		4	1
22	506 06 85-01	SCREW		4	1
23	575 82 67-01	WASHER		8	1
24	575 82 08-01	SPRING		4	1
25	583 96 53-01	HANDLE		1	2
26	584 14 15-01	HOUSING ASSY		1	2



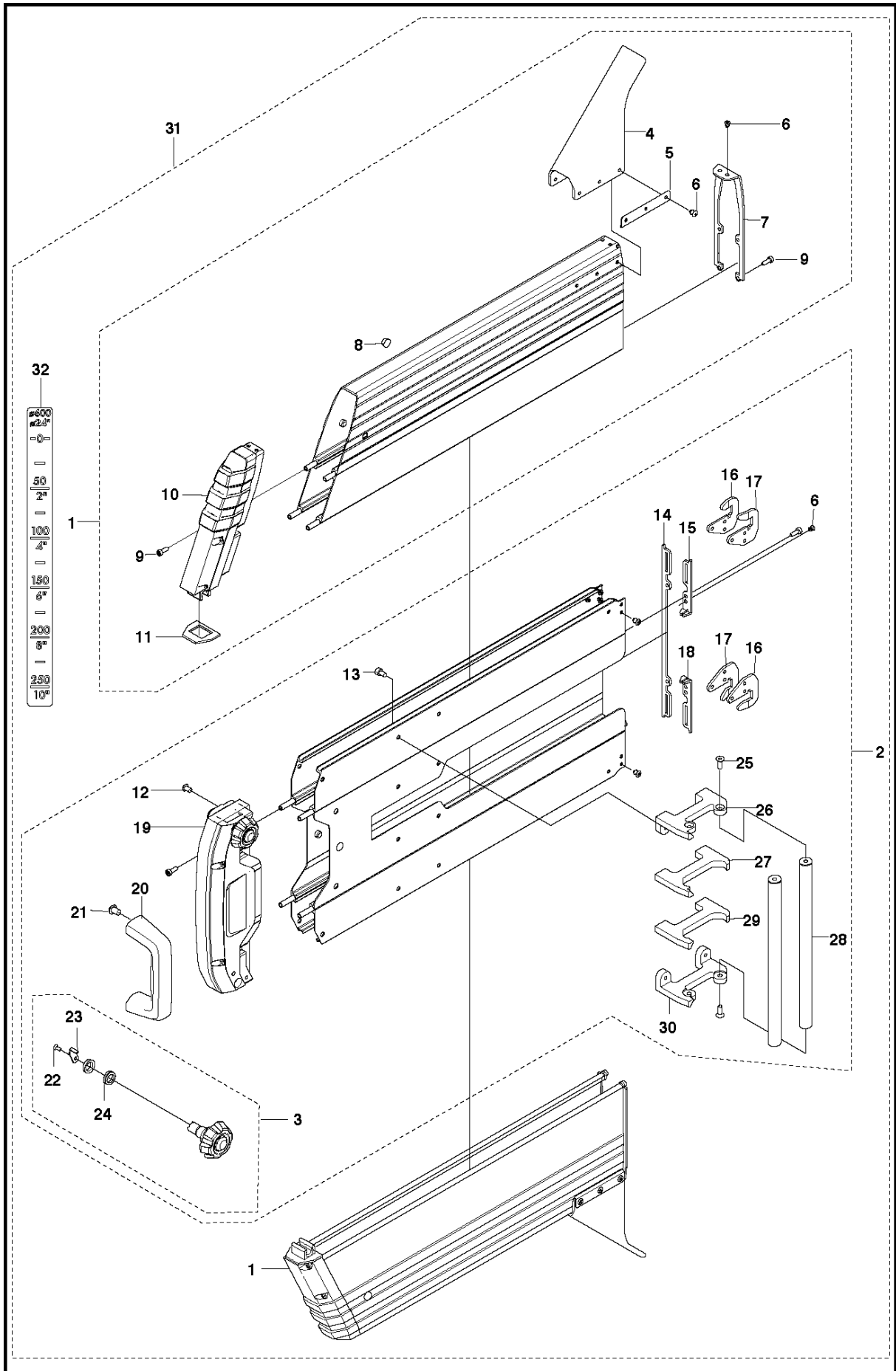
TRACK SYSTEM

WS220, 2013-10

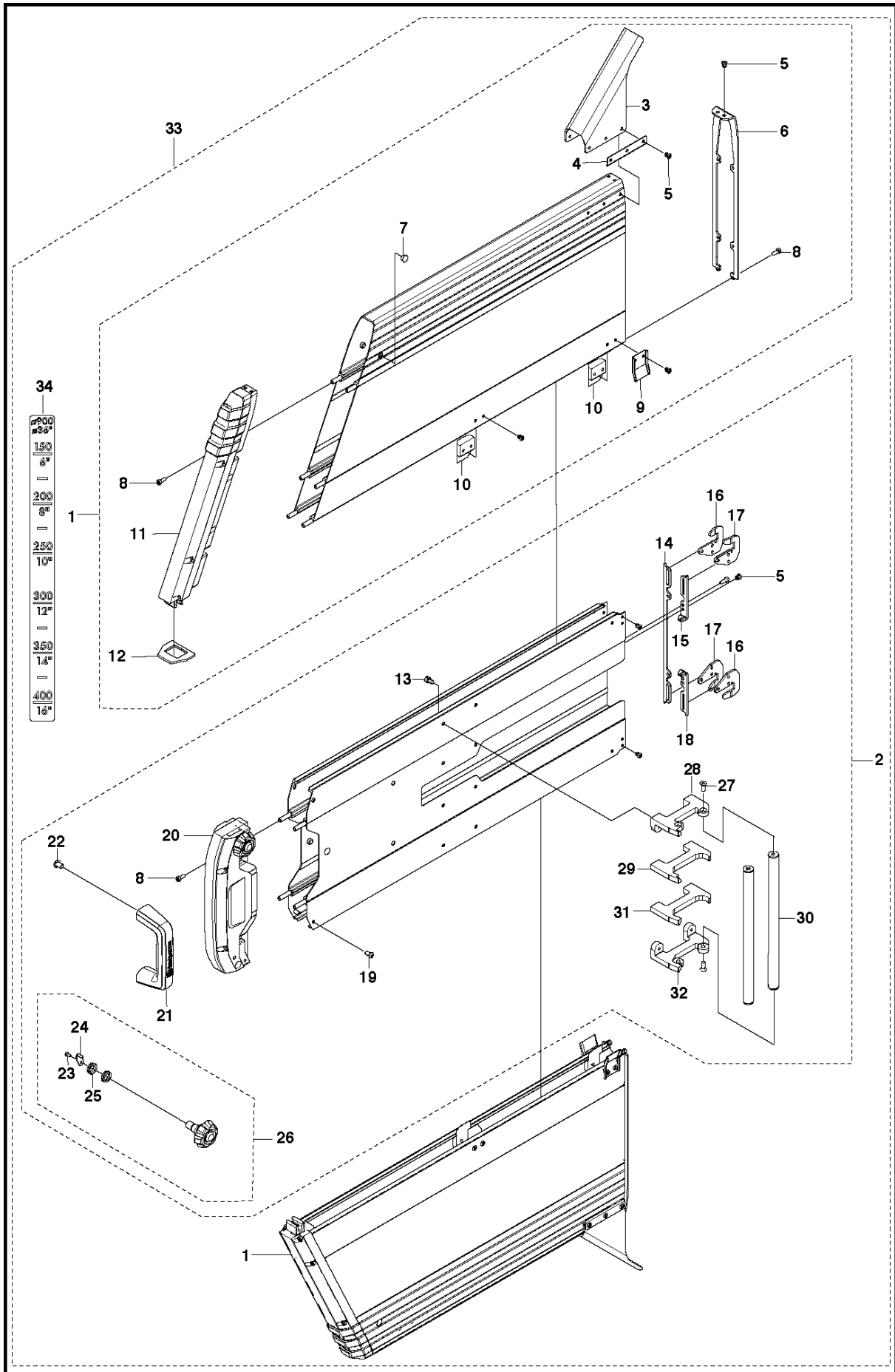
Ref	Part No	Description	Remark	QTY KIT	
1	575 32 04-01	ECCENTRIC DISC		1	
2	583 96 55-01	COUPLING		1	
3	588 98 42-01	PROFILE		1	
4	583 96 57-01	BRACKET		1	
5	590 56 09-01	STOP		1	
6	587 92 58-03	PROFILE		1	
7	581 27 60-01	FIXING PLATE		1	4
8	531 11 93-64	SPRING		2	4
9	734 11 72-01	WASHER		1	4
10	586 14 23-01	SCREW		1	4



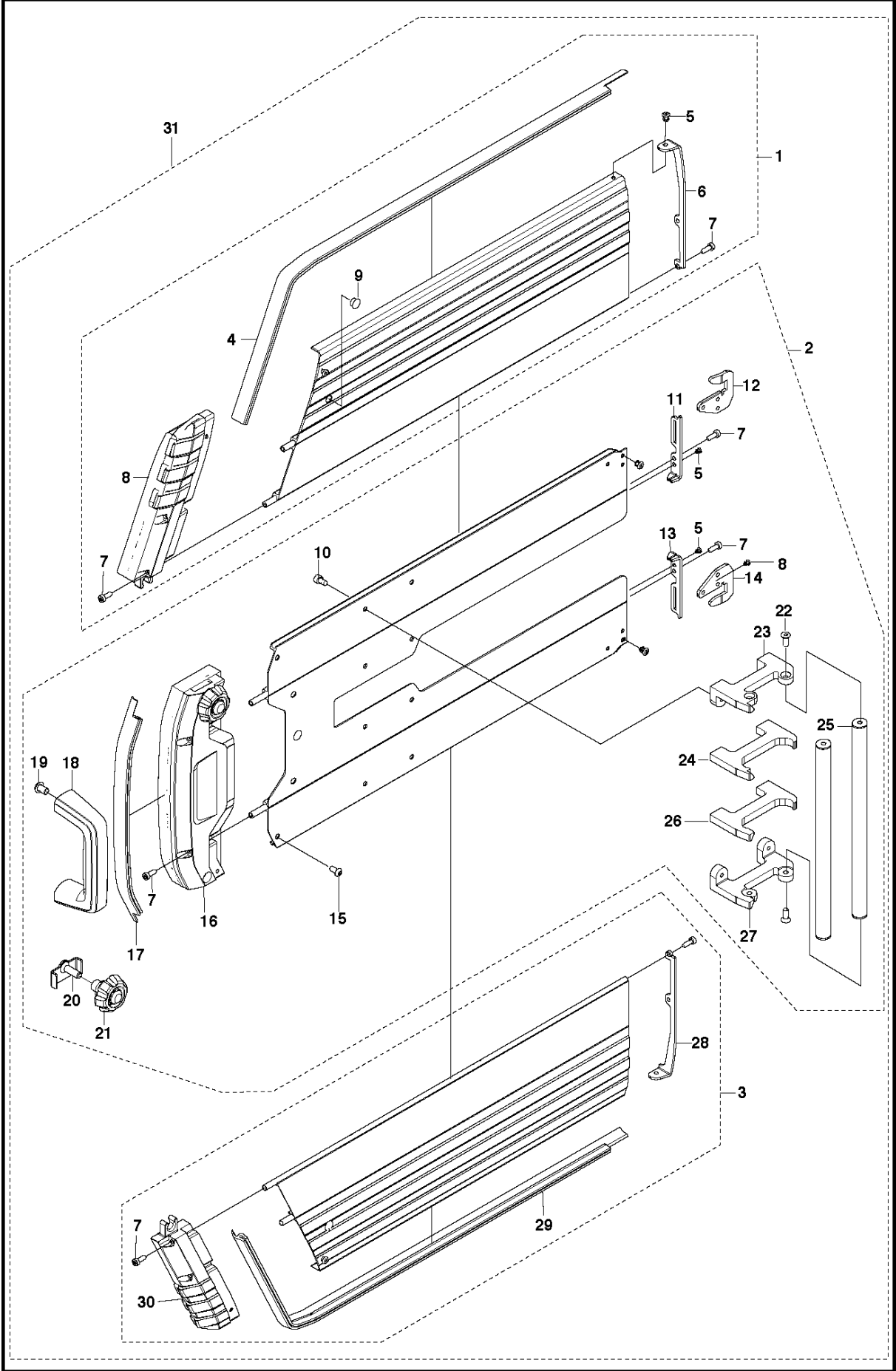
Ref	Part No	Description	Remark	QTY KIT
1	580 26 21-01	NUT		3
2	577 48 53-01	KNOB		3
3	578 30 05-01	SCREW		1
4	580 73 98-01	SHACKLE		1
5	578 30 07-01	SLEEVE		1
6	734 11 46-01	WASHER		1
7	578 34 74-01	SCREW		2
8	580 74 03-01	SPRING		1
9	580 74 62-01	SNAP RING		1
10	531 12 21-83	WHEEL		6
11	531 12 23-58	WHEEL		4
12	580 43 29-01	BEARING		6
13	735 31 33-10	CIRCLIP		6
14	531 12 23-38	SPACER RING		6
15	578 30 06-01	SHAFT		2
16	576 55 95-01	WHEEL BRACKET		1
17	725 63 70-51	SCREW IHCSFM		4
18	531 14 07-12	WASHER		2
19	531 14 06-85	SCREW		2
20	576 55 96-01	PLATE		1
21	725 53 68-01	SCREW IHSCM		4
22	576 55 93-01	PIPE CLAMP		1
23	725 63 66-51	SCREW IHCSFM		2
24	579 10 41-01	GUIDE		2



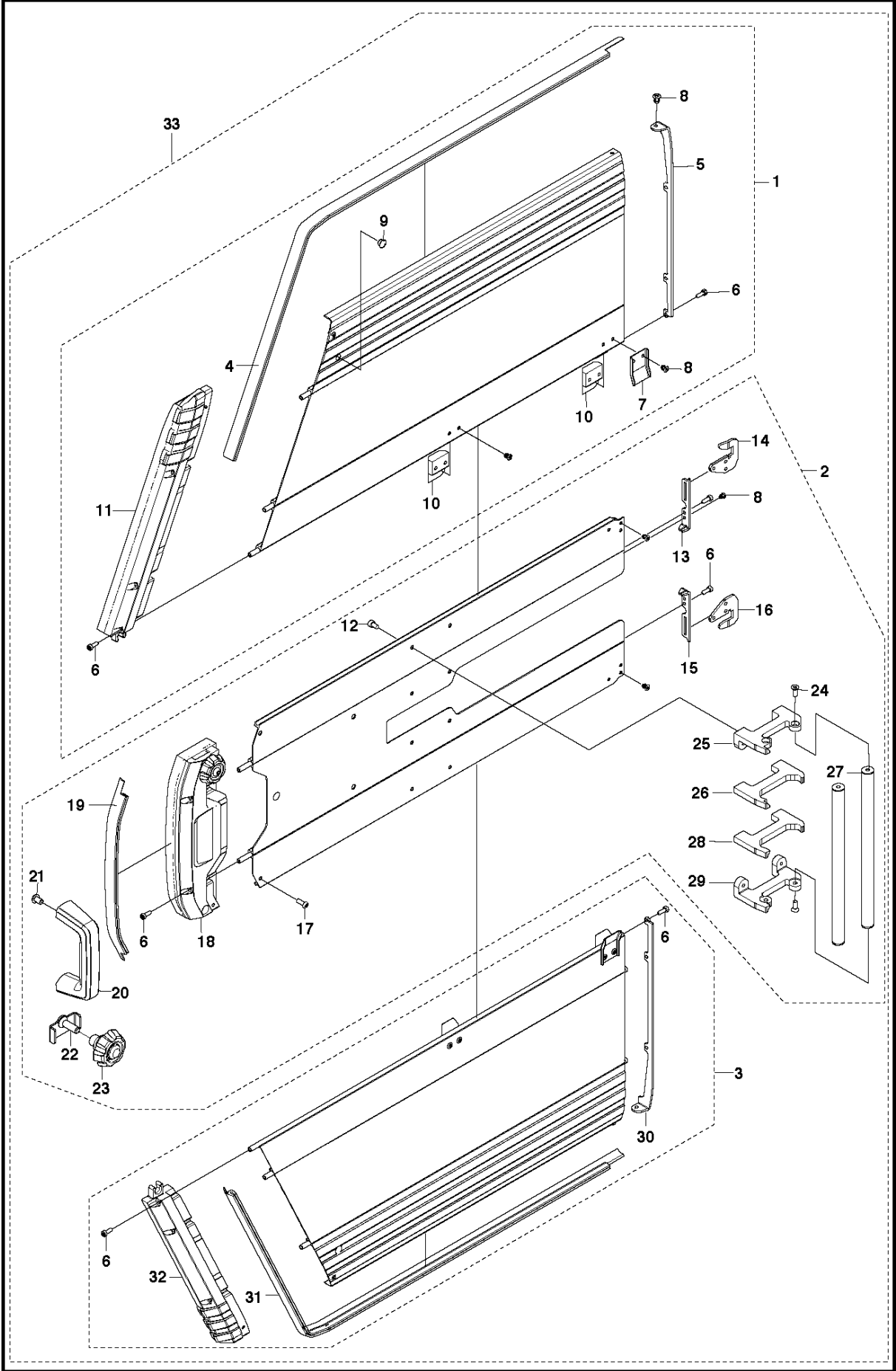
Ref	Part No	Description	Remark	QTY	KIT
1	579 10 45-03	BLADE GUARD		2	
2	579 10 45-02	BLADE GUARD		1	
3	586 96 16-02	KNOB		2	1
4	577 48 55-01	SPRAY GUARD		2	1
5	577 48 56-01	WASHER		4	1
6	578 98 77-01	RIVET		30	1, 2
7	576 74 01-01	COVER		2	1
8	580 96 46-01	RUBBER PLUG		6	1
9	504 90 94-14	SCREW ITXSCT		24	1
10	576 14 18-02	COVER		2	1
11	581 01 45-01	GASKET		2	1
12	579 56 60-01	SCREW		4	
13	579 56 59-01	SCREW		8	
14	577 48 50-01	LINK		1	
15	577 48 51-01	LINK		1	
16	577 48 49-01	HITCH		2	
17	577 48 48-01	HITCH		2	
18	577 48 52-01	LINK		1	
19	576 14 17-02	COVER		1	
20	541 40 49-09	HANDLE		1	
21	579 56 61-01	SCREW		2	
22	580 32 73-01	SCREW		2	
23	580 26 22-01	HOOK		2	
24	580 96 45-01	V-RING		4	
25	579 56 58-01	SCREW		4	
26	580 87 80-01	BRACKET		1	
27	579 48 39-01	BRACKET		1	
28	577 44 55-01	GUIDE RAIL		2	
29	580 87 61-01	BRACKET		1	
30	579 48 40-01	BRACKET		1	
31	579 10 45-01	BLADE GUARD		1	
32	587 07 32-01	LABEL		2	



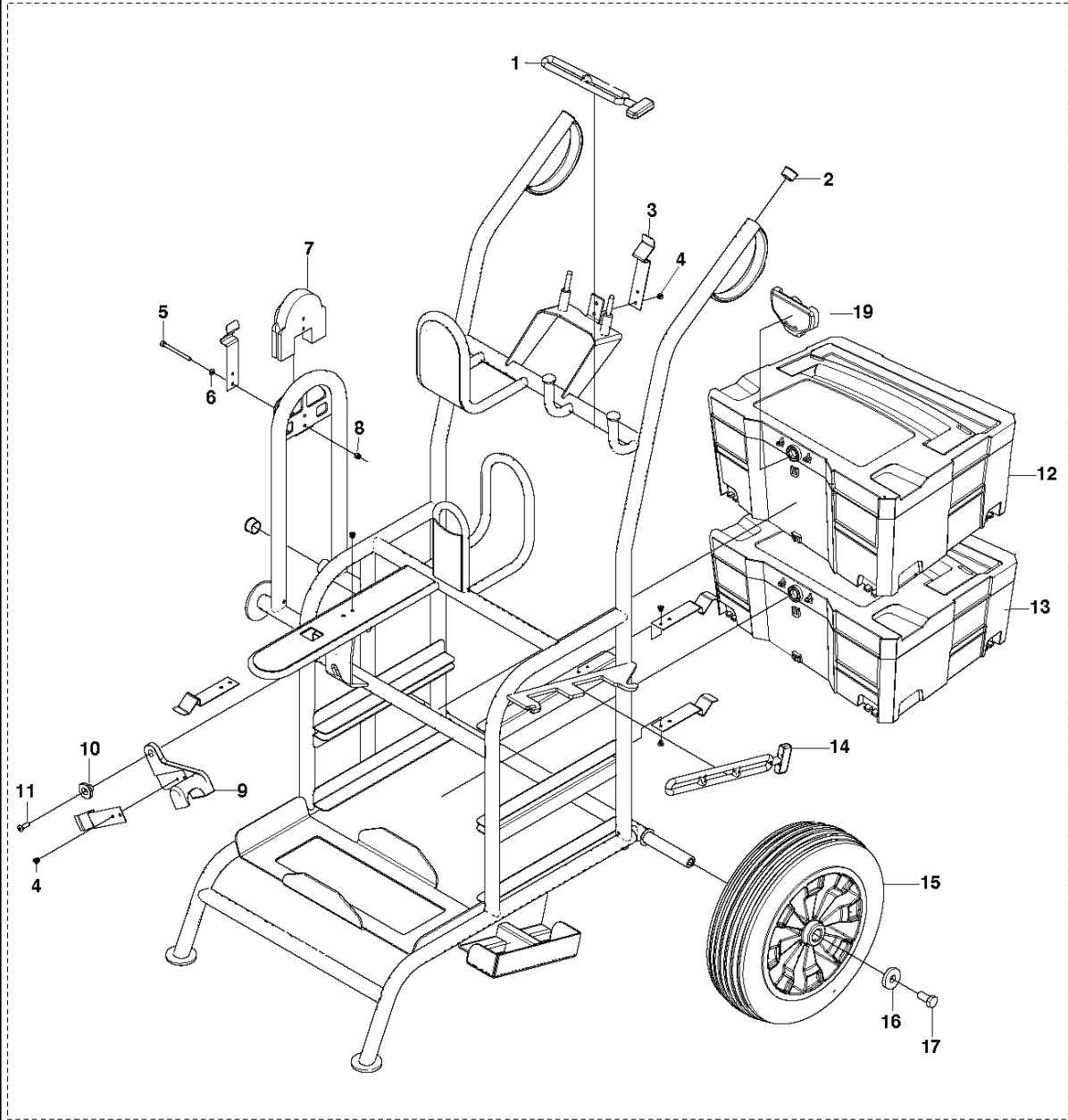
Ref	Part No	Description	Remark	QTY	KIT
1	579 10 46-03	BLADE GUARD		2	
2	579 10 46-02	BLADE GUARD		1	
3	577 48 55-01	SPRAY GUARD		2	1
4	577 48 56-01	WASHER		4	1
5	578 98 77-01	RIVET		46	1, 2
6	577 58 63-01	COVER		2	1
7	580 96 46-01	RUBBER PLUG		6	1
8	504 90 94-14	SCREW ITXSCT		32	1, 2
9	580 32 33-01	GUIDE		4	1
10	579 43 67-01	GUIDE PLATE		8	1
11	576 14 19-02	COVER		2	1
12	581 01 45-01	GASKET		2	1
13	579 56 59-01	SCREW		8	2
14	577 48 50-01	LINK		1	2
15	577 48 51-01	LINK		1	2
16	577 48 49-01	HITCH		2	2
17	577 48 48-01	HITCH		2	2
18	577 48 52-01	LINK		1	2
19	579 56 60-01	SCREW		4	2
20	576 14 17-02	COVER		1	2
21	541 40 49-09	HANDLE		1	2
22	579 56 61-01	SCREW		2	2
23	580 32 73-01	SCREW		2	2, 26
24	580 26 22-01	HOOK		2	2, 26
25	580 96 45-01	V-RING		4	2, 26
26	586 96 16-02	KNOB		2	2
27	579 56 58-01	SCREW		4	2
28	580 87 80-01	BRACKET		1	2
29	579 48 39-01	BRACKET		1	2
30	577 44 55-01	GUIDE RAIL		2	2
31	580 87 61-01	BRACKET		1	2
32	579 48 40-01	BRACKET		1	2
33	579 10 46-01	BLADE GUARD		1	
34	587 07 32-02	LABEL		2	



Ref	Part No	Description	Remark	QTY	KIT
1	579 10 47-04	BLADE GUARD		1	
2	579 10 47-02	BLADE GUARD		1	
3	579 10 47-03	BLADE GUARD		1	
4	577 74 52-01	COVER		1	1
5	578 98 77-01	RIVET		10	1, 2
6	577 83 68-01	FITTING		1	1
7	504 90 94-14	SCREW ITXSCT		12	1, 2, 3
8	576 14 18-04	COVER		1	1, 2
9	580 96 46-01	RUBBER PLUG		3	1
10	579 56 59-01	SCREW		8	2
11	577 48 51-01	LINK		1	2
12	577 48 48-01	HITCH		1	2
13	577 48 52-01	LINK		1	2
14	577 48 49-01	HITCH		1	2
15	579 56 60-01	SCREW		2	2
16	576 14 17-03	COVER		1	2
17	577 74 53-01	STRIP		1	2
18	541 40 49-09	HANDLE		1	2
19	579 56 61-01	SCREW		2	2
20	585 52 75-01	HOLDER		2	2
21	580 68 18-01	KNOB		2	2
22	579 56 58-01	SCREW		4	2
23	580 87 80-01	BRACKET		1	2
24	579 48 39-01	BRACKET		1	2
25	577 44 55-01	GUIDE RAIL		2	2
26	580 87 61-01	BRACKET		1	2
27	579 48 40-01	BRACKET		1	2
28	577 83 67-01	FITTING		1	3
29	577 74 51-01	COVER		1	3
30	576 14 18-03	COVER		1	3
31	579 10 47-01	BLADE GUARD		1	



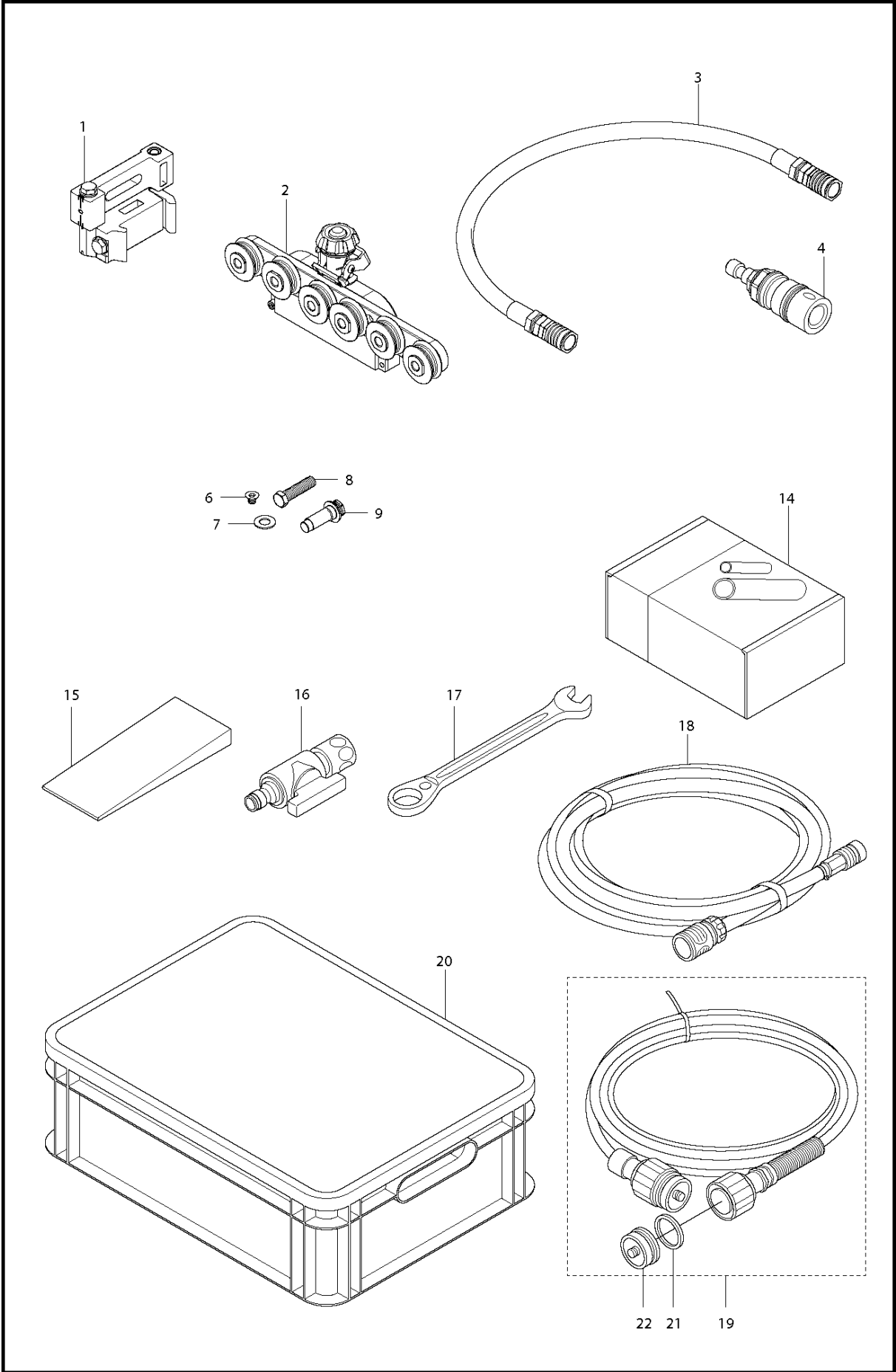
Ref	Part No	Description	Remark	QTY KIT	
1	579 10 48-04	BLADE GUARD		1	
2	579 10 48-02	BLADE GUARD		1	
3	579 10 48-03	BLADE GUARD		1	
4	577 74 52-02	SEALING STRIP		1	1
5	577 83 73-01	FITTING		1	1
6	504 90 94-14	SCREW ITXSCT		16	1, 2, 3
7	580 32 33-01	GUIDE		2	1
8	578 98 77-01	RIVET		18	1, 2
9	580 96 46-01	RUBBER PLUG		3	1
10	579 43 67-01	GUIDE PLATE		4	1
11	576 14 19-04	COVER		1	1
12	579 56 59-01	SCREW		8	2
13	577 48 51-01	LINK		1	2
14	577 48 52-01	LINK		1	2
15	577 48 48-01	HITCH		1	2
16	577 48 49-01	HITCH		1	2
17	579 56 60-01	SCREW		2	2
18	576 14 17-03	COVER		1	2
19	577 74 53-01	STRIP		1	2
20	541 40 49-09	HANDLE		1	2
21	579 56 61-01	SCREW		2	2
22	585 52 75-01	HOLDER		2	2
23	580 68 18-01	KNOB		2	2
24	579 56 58-01	SCREW		4	2
25	580 87 80-01	BRACKET		1	2
26	579 48 39-01	BRACKET		1	2
27	577 44 55-01	GUIDE RAIL		2	2
28	580 87 61-01	BRACKET		1	2
29	579 48 40-01	BRACKET		1	2
30	577 83 74-01	FITTING		1	3
31	577 74 51-02	SEALING STRIP		1	3
32	576 14 19-03	COVER		1	3
33	579 10 48-01	BLADE GUARD		1	



CARRIAGE

WS220, 2013-10

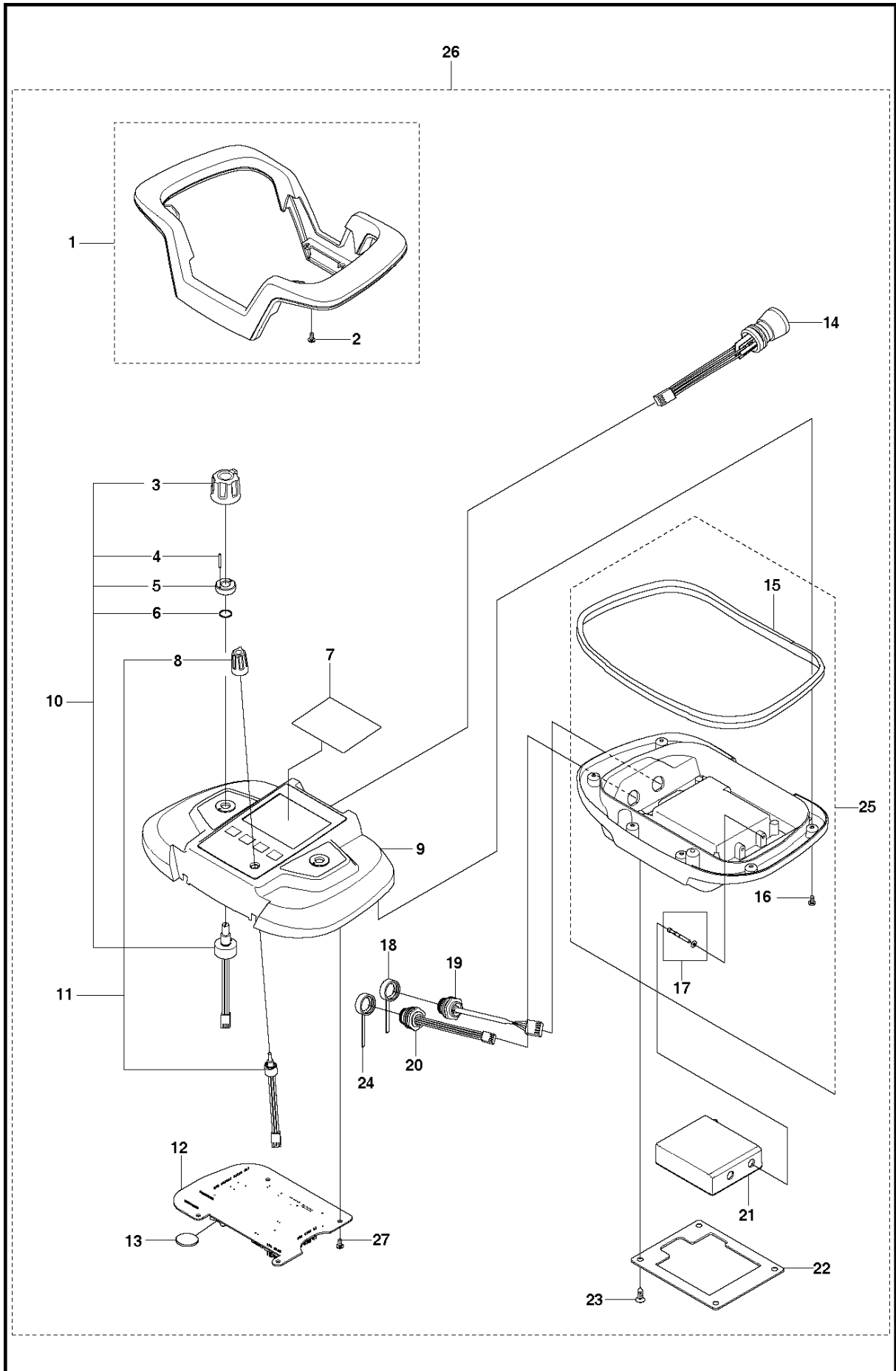
Ref	Part No	Description	Remark	QTY KIT
1	531 11 94-14	STRAP		1
2	578 98 81-01	PLUG		3
3	581 84 96-01	LOCKING SPRING		6
4	581 28 51-01	RIVET		8
5	725 53 43-01	SCREW		2
6	734 11 46-01	WASHER		2
7	581 85 05-01	GUIDE BUSHING		1
8	732 25 14-01	HEXAGON LOCKING NUT		2
9	581 84 95-01	HOLDER		1
10	581 84 94-01	GUIDE BUSHING		1
11	725 63 70-51	SCREW IHCSFM		1
12	584 25 62-01	BOX	Gray	1
12	587 18 97-01	BOX	Orange box from serial number 20143700001	1
13	584 25 61-01	BOX	Gray	1
13	586 45 31-01	BOX	Orange box from serial number 20143700001	1
14	576 64 73-01	STRAP		1
15	584 25 63-01	WHEEL		2
16	531 11 90-31	WASHER		2
17	531 11 92-02	SCREW		2
18	579 10 49-02	TRANSPORT TROLLY		2
19	582 82 02-01	LOCK		1



ACCESSORIES

WS220, 2013-10

Ref	Part No	Description	Remark	QTY	KIT
1	583 96 57-01	BRACKET		2	
2	579 10 41-01	GUIDE		1	
3	585 60 69-01	HOSE		1	
4	585 56 41-01	ADAPTER		1	
6	725 64 47-51	SCREW IHCSFM		6	
7	531 11 91-81	WASHER		4	
8	585 12 69-01	SCREW		4	
9	575 32 04-01	ECCENTRIC DISC	Total 5 pcs, 2 spare	2	
14	584 40 94-01	BOLT		50	
15	585 02 20-01	WEDGE		6	
16	585 02 21-01	VALVE		1	
17	577 77 63-01	WRENCH		1	
18	585 85 46-01	HOSE		1	
19	578 37 23-01	CABLE ASSY		1	
20	584 25 61-01	BOX	Gray	1	
20	586 45 31-01	BOX	Orange box from serial number 20143700001	1	
21	586 79 75-01	O-RING		1	19
22	582 15 27-02	LID		1	



REMOTE CONTROL

WS220, 2013-10

Ref	Part No	Description	Remark	QTY	KIT
1	576 25 34-01	HANDLE ASSY		1	
2	578 77 61-01	SCREW ITXPANT		4	1
3	576 25 94-01	TURNING KNOB ASSY		2	10
4	720 11 90-00	PARALLEL PIN		2	10
5	576 26 14-01	NUT		2	10
6	576 26 16-01	O-RING		2	10
7	585 30 68-01	PROTECTION		1	
8	577 73 55-01	KNOB		1	11
9	585 96 39-01	DISPLAY	Also includes pos 18	1	
10	577 70 95-01	CONTROL		2	
11	577 70 94-01	CONTROL		1	
12	581 00 08-02	PRINTED CIRCUIT ASSY		1	
13	577 76 37-01	BATTERY		1	
14	576 81 51-01	SWITCH		1	
15	576 88 80-02	SEALING STRIP		1	25
16	578 77 61-02	SCREW ITXPANT		8	25
17	577 71 10-01	SPRING PIN		2	25
18	575 24 22-01	LID		1	
19	575 22 93-01	CONTACT	USB	1	
20	576 87 78-02	CONTACT	CAN	1	
21	587 31 16-01	BATTERY		1	
22	510 10 85-01	PLATE		1	
23	523 00 52-01	SCREW CRCSFT		4	
24	585 47 86-01	RUBBER PLUG		1	
25	586 18 04-01	COVER		1	
26	578 28 48-02	REMOTE CONTROL		1	
27	729 52 55-75	SCREW CRPANT		4	