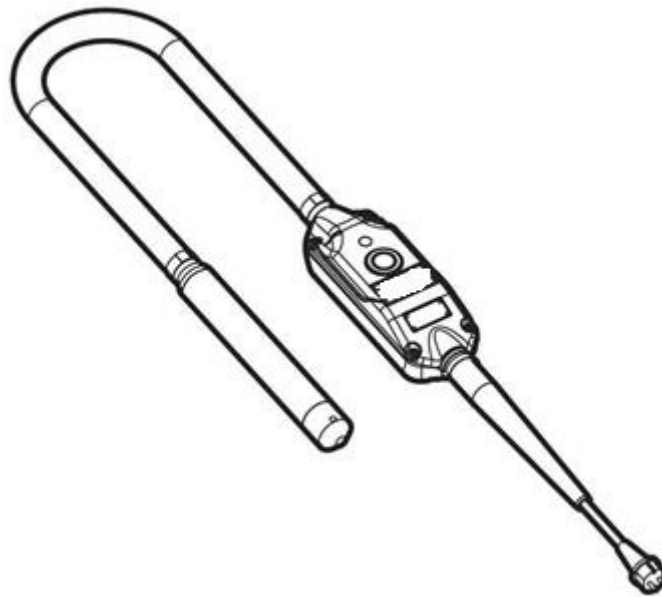


SMART 40,48,56,65,28E,40E,48E,56E

Spare parts list

Poker with built-in Frequency Converter

SMART 40,48,56,65,28E,40E,48E,56E



General information

This spare parts list applies to the following:

| Part number | Description |
|-------------|---|
| 967855801 | POKERS Smart 40 * |
| 967855802 | POKERS Smart 40 115 V 1-Phase 50/60 Hz UK |
| 967855803 | POKERS Smart 40 230 V 1-Phase 50/60 Hz |
| 967855805 | POKERS Smart 40 115 V 1-Phase 50/60 Hz UK |
| 967855901 | POKERS Smart 48 * |
| 967855902 | POKERS Smart 48 230 V 1-Phase 50/60 Hz 10 M Hose |
| 967855903 | POKERS Smart 48 230 V 1-Phase 50/60 Hz 8 M Hose |
| 967855904 | POKERS Smart 48 115 V 1-Phase 50/60 Hz UK |
| 967855905 | POKERS Smart 48 230 V 1-Phase 50/60 Hz |
| 967940205 | POKERS Smart 48 115 V 1-Phase 0/60 Hz CETLUS US |
| 967856002 | POKERS Smart 56 230 V 1-Phase 50/60 Hz 8 M Hose |
| 967856003 | POKERS Smart 56 115 V 1-Phase 50/60 Hz UK |
| 967856004 | POKERS Smart 56 230 V 1-Phase 50/60 Hz |
| 967856005 | POKERS Smart 56 230 V 1-Phase 50/60 Hz 10 M Hose |
| 967938801 | POKERS Smart 65 230 V 1-Phase 50/60 Hz |
| 967947401 | POKERS Smart 28 E 230V 1-Phase 50/60HZ |
| 967855804 | POKERS Smart 40 E 230 V 1-Phase 50/60 Hz |
| 967941301 | POKERS Smart 40 E 230 V 1-Phase 50/60 Hz * |
| 967941302 | POKERS Smart 40 E 230 V 1-Phase 50/60 Hz * |
| 967940201 | POKERS Smart 48 E 115 V 1-Phase 50/60 Hz UK |
| 967940202 | POKERS Smart 48 E 230 V 1-Phase 50/60 Hz * |
| 967940203 | POKERS Smart 48 E 230 V 1-Phase 50/60 Hz * |
| 967940301 | POKERS Smart 56 E 115 V 1-Phase 50/60 Hz UK |
| 967940302 | POKERS Smart 56 E 230 V 1-Phase 50/60 Hz * |
| 967855806 | POKERS Smart 40 115 V 1-Phase 50/60 Hz CETLUS |
| 967856001 | POKERS Smart 56 115 V 1-Phase 50/60 Hz |
| 967856006 | POKERS Smart 56 115 V 1-Phase 50/60 Hz CETLUS |
| 967940204 | POKERS Smart 48 E 230 V 1-Phase 50/60 Hz |
| 967940303 | POKERS Smart 56 E 230 V 1-Phase 50/60 Hz |

Use only authorized parts. Any damage or malfunction caused by the use of unauthorized parts is not covered by Warranty or Product Liability. Any unauthorized use or copying of the contents or any part thereof is prohibited. This applies in particular to trademarks, model denominations, part numbers, and drawings.

Instructions for use

This spare parts list contains no safety regulations and is merely intended to assist in the ordering of spare parts.

For information about operating, servicing, or repairing, the relevant Safety and operating instructions must be consulted at all costs.

Please observe the safety instructions listed in the relevant Safety and operating instructions!

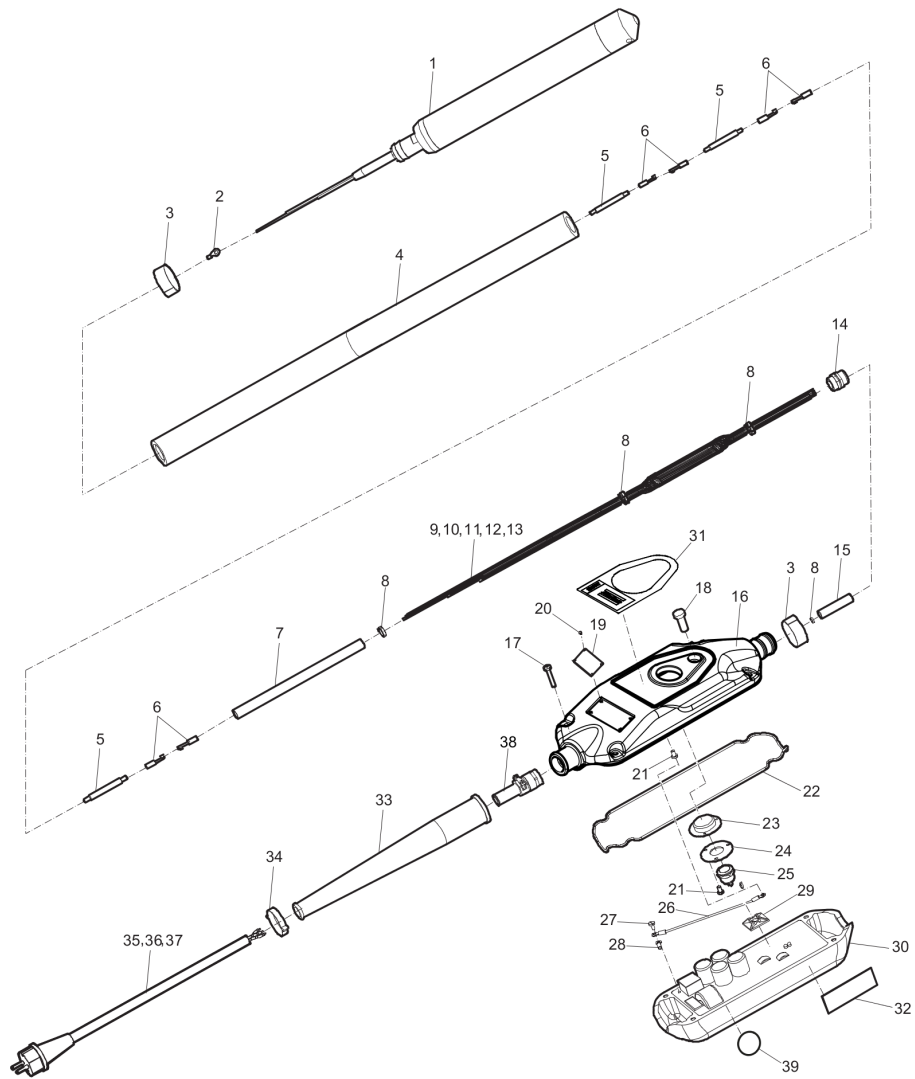
Spare parts list

SMART40 to 65 1
SMART28E to 56E 4
Vibrating elements list 8
Vibrating element for 28E 11
Vibrating elements for 40 and 40E 13
Vibrating elements for 48 and 48E 15
Vibrating elements for 56 and 56E 17
Vibrating element for 65 19

Kits

SMART 230 V - Electronic convertor with cable kit 21
SMART - Electronic convertor without cable kit 23
SMART-E 230 V - Electronic convertor with cable kit 25
SMART-E - Electronic convertor without cable kit 27
28E to 56E - Handle kit 29

Spare parts list SMART40 to 65



Refer to the Parts Online web page for most up-to-date information. The printed information might be outdated.

| Item | Part No. | Name | Qty | L |
|------|-----------|--|-----|---|
| 1 | - | Vibrating element | 1 | A |
| 2 | 594794701 | Ring lug 1.5mm ² x dia.3.2mm | 1 | |
| 3 | 594281701 | Clamp | 2 | |
| 4 | 594388401 | Hose | 1 | B |
| 5 | 594257501 | Thermo insulating | 3 | |
| 6 | 595118501 | Splicing sleeve | 3 | |
| 7 | 594254901 | Hose | 1 | C |
| 8 | 594286401 | Clamp | 7 | |
| 9 | 594287701 | Wire | 1 | D |
| 10 | 595196601 | Wire | 1 | E |
| 11 | 594527801 | Wire | 1 | F |
| 12 | 594285901 | Wire | 1 | G |
| 13 | 595196701 | Wire | 1 | H |
| 14 | 594408801 | Stuffing box | 1 | |
| 15 | 594257101 | Protective hose, 0.08 m , 3.1 in., Sold per meter. | 1 | I |
| 16 | 594623001 | Cover | 1 | |
| 17 | 594620401 | Screw M5 x 30 mm (DIN 7500C) | 4 | |
| 18 | 594620201 | Eye piece | 1 | J |
| 19 | - | Data plate (Not available separately) | 1 | |
| 20 | - | Rivet | 4 | |
| 21 | 594620301 | Screw M4 x 8 mm (DIN 7500C) | 4 | |
| 22 | 594621401 | O-ring 233 x 3 mm , 9.17 x 0.12 in. NBR (70 shore) | 1 | |
| 23 | 594619901 | Rubber membrane | 1 | |
| 24 | 594620001 | Plate | 1 | |
| 25 | 594620101 | Switch | 1 | |
| 26 | 594630701 | Wire | 1 | |
| 27 | 594286101 | Screw | 1 | |
| 28 | 594853601 | Spade | 1 | |
| 29 | 595196501 | Adhesive cable clip | 1 | |
| 30 | 594619801 | Electronic unit | 1 | |
| 31 | 594862901 | Label | 1 | K |
| 32 | 594627501 | Safety label | 1 | L |
| 33 | 594256801 | Flexible sheeting | 1 | |
| 34 | 594255201 | Clamp | 1 | |
| 35 | 595045201 | Cable with plug | 1 | M |
| 36 | 594623301 | Cable with plug | 1 | N |
| 37 | 595196801 | Cable with plug | 1 | O |
| 38 | 594619301 | Gland | 1 | |

Refer to the Parts Online web page for most up-to-date information. The printed information might be outdated.

| Item | Part No. | Name | Qty | L |
|------|-----------|-------|-----|---|
| 39 | 595504901 | Label | 1 | P |

Comments for Page: SMART40 to 65

(L)OCAL REMARKS

A | See the separate table.

B | L = 5 m (16.40 ft.) Sold by meter. Exact length must be ordered.

C | L = 0.55 m (22 in.) Sold by meter.

D | L = 2 x 6 m (2 x 19.68 ft.) Only for SMART40 230 V, 115 V, SMART48 230 V, 115 V, SMART56 230 V, 115 V, SMART65. Sold by meter. Exact length must be ordered.

E | Length = 2 x 6 m (2 x 19.68 ft.) Only for SMART40 115 V cETLus, SMART48 115 V cETLus, SMART56 115V cETLus. Sold by meter. Exact length must be ordered.

F | Length = 6.5 m (21.32 ft.) Sold by meter. Exact length must be ordered.

G | Length = 6 m (19.68 ft.) Only for SMART40 230 V, 115 V, SMART48 230 V, 115 V, SMART56 230 V, 115 V, SMART65. Sold by meter. Exact length must be ordered.

H | Length = 6 m (19.68 ft.) Only for SMART40 115 V cETLus, SMART48 115 V cETLus, SMART56 115V cETLus. Sold by meter. Exact length must be ordered.

I | L = 0.05 m (2 in.) Sold by meter.

J | Glue LOCTITE®495™

K | "Atlas Copco"

L | "Safety gear label"

M | Only for SMART40 230 V, SMART48 230V, SMART56 230 V, SMART65 230 V.

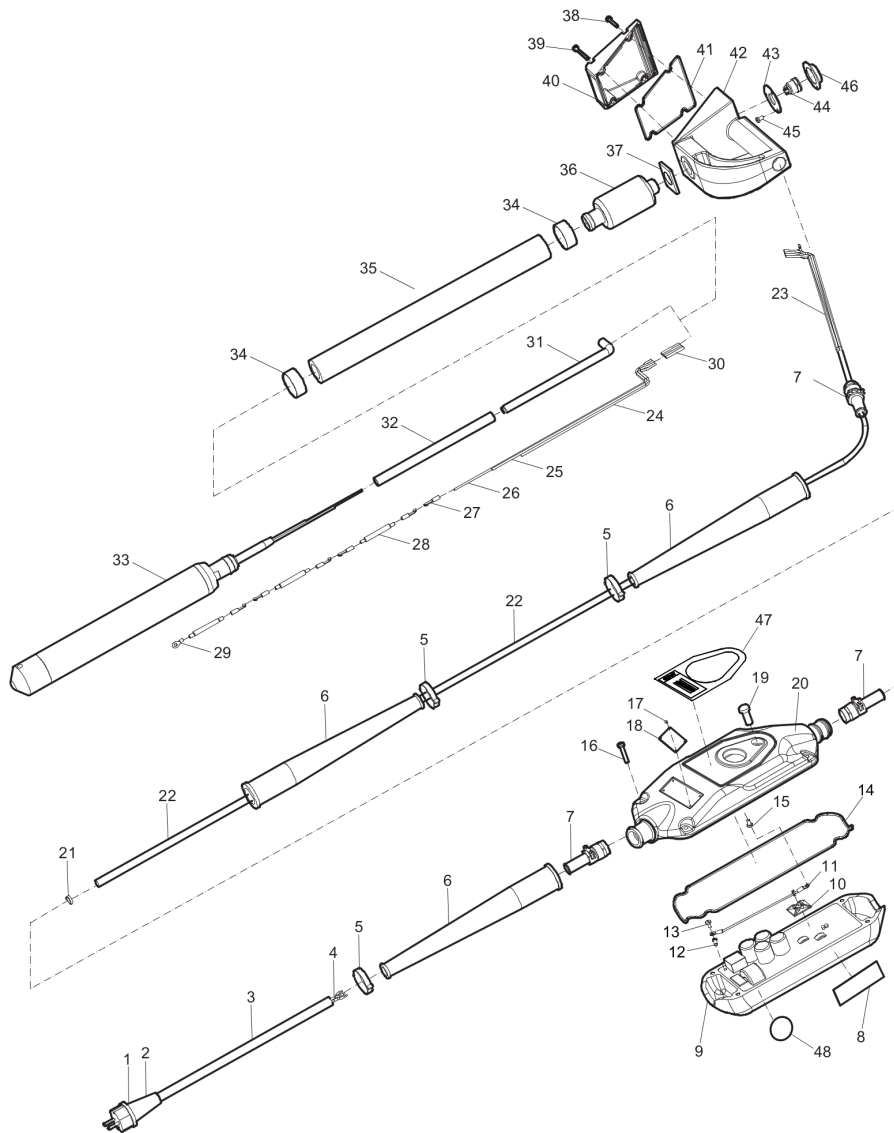
N | Only for SMART40 115 V, SMART48 115V, SMART56 115 V.

O | Only for SMART40 115 V cETLus, SMART48 115 V cETLus, SMART56 115V cETLus.

P | High voltage test

This page intentionally left blank

Spare parts list SMART28E to 56E



Refer to the Parts Online web page for most up-to-date information. The printed information might be outdated.

| Item | Part No. | Name | Qty | L |
|------|-----------|--|-----|---|
| 1 | 594369601 | Switch plug | 1 | |
| 2 | 595162601 | Switch plug | 1 | A |
| 3 | 594380401 | Cable | 1 | B |
| 4 | 594257701 | Wire end | 3 | |
| 5 | 594255201 | Clamp | 3 | |
| 6 | 594256801 | Flexible sheeting | 3 | |
| 7 | 594619301 | Gland | 3 | |
| 8 | 594627501 | Safety label | 1 | C |
| 9 | 594619801 | Electronic unit | 1 | |
| 10 | 595196501 | Adhesive cable clip | 1 | |
| 11 | 594630701 | Wire | 1 | |
| 12 | 594853601 | Spade | 1 | |
| 13 | 594286101 | Screw | 1 | |
| 14 | 594621401 | O-ring 233 x 3 mm , 9.17 x 0.12 in. NBR (70 shore) | 1 | |
| 15 | 594620301 | Screw M4 x 8 mm (DIN 7500C) | 1 | |
| 16 | 594620401 | Screw M5 x 30 mm (DIN 7500C) | 4 | |
| 17 | - | Rivet | 4 | |
| 18 | - | Data plate (Not available separately) | 1 | |
| 19 | 594620201 | Eye piece | 1 | D |
| 20 | 594622901 | Cover | 1 | |
| 21 | 594286401 | Clamp | 4 | |
| 22 | 594413101 | Cable | 1 | E |
| 23 | 595145901 | Wire end | 2 | |
| 24 | 594287701 | Wire | 2 | |
| 25 | 594527801 | Wire | 1 | |
| 26 | 594285901 | Wire | 1 | |
| 27 | 595118501 | Splicing sleeve | 3 | |
| 28 | 594257501 | Thermo insulating | 3 | |
| 29 | 594794701 | Ring lug 1.5mm ² x dia.3.2mm | 1 | |
| 30 | 594276701 | Terminal | 1 | |
| 31 | 594257101 | Protective hose, 0.08 m , 3.1 in., Sold per meter. | 1 | |
| 32 | 594254901 | Hose | 1 | |
| 33 | - | Vibrating element | 1 | F |
| 34 | 594281701 | Clamp | 2 | |
| 35 | 594388401 | Hose | 1 | |
| 36 | 594377101 | Shock absorber | 1 | |
| 37 | 594380301 | Nut | 1 | |
| 38 | 594500801 | Screw | 2 | |

Refer to the Parts Online web page for most up-to-date information. The printed information might be outdated.

| Item | Part No. | Name | Qty | L |
|------|-----------|---------------------|-----|---|
| 39 | 594500901 | Screw | 2 | |
| 40 | 594626501 | Cover | 1 | |
| 41 | 595047501 | O-ring | 1 | |
| 42 | 594622501 | Handle | 1 | |
| 43 | 594620001 | Plate | 1 | |
| 44 | 594620101 | Switch | 1 | |
| 45 | 594623201 | Adhesive cable clip | 3 | |
| 46 | 594619901 | Rubber membrane | 1 | |
| 47 | 594862901 | Label | 1 | |
| 48 | 595504901 | Label | 1 | H |

Comments for Page: SMART28E to 56E

(L)OCAL REMARKS

A | Only for SMART40E 115 V, 48E 115 V, 65E 115 V

B | L = 1.7 m

L = 5.57 ft.

Sold by meter. Exact length must be ordered.

C | "Safety gear label"

D | Glue LOCTITE®495™

E | L = 15 m, L = 49 ft. only for SMART28E, 40E 230 V, 48E 230 V, 56E 230 V

L = 10 m, L = 33 ft. only for SMART40E 115 V, 48E 115 V, 56E 115 V. Sold by meter. Exact length must be ordered.

F | See the separate table.

G | "Atlas Copco"

H | High voltage test

This page intentionally left blank

Spare parts list Vibrating elements list

NO EXPLODED VIEW
AVAILABLE
FOR THIS BOM

| Item | Part No. | Name | Qty | L |
|------|-----------|-----------------------------------|-----|---|
| - | 594626801 | SMART40 230 V | - | A |
| - | 595525301 | SMART40 115 VSMART40 115 V cETLus | - | B |
| - | 594626901 | SMART48 230 V | - | C |
| - | 594627001 | SMART48 115 VSMART48 115 V cETLus | - | D |
| - | 594627101 | SMART56 230 V | - | E |
| - | 594627201 | Electrovib 56 115 V cETLus | - | F |
| - | 594627301 | SMART65 230 V | - | G |
| - | 595525201 | SMART28E 230 V | - | A |
| - | 594626801 | SMART40 230 V | - | B |
| - | 594626901 | SMART48 230 V | - | C |
| - | 594627101 | SMART56 230 V | - | D |
| - | 595525301 | SMART40 115 VSMART40 115 V cETLus | - | E |
| - | 594627001 | SMART48 115 VSMART48 115 V cETLus | - | F |
| - | 594627201 | Electrovib 56 115 V cETLus | - | G |

Comments for Page: Vibrating elements list

SMART40 to SMART65, SMART28E to 56E

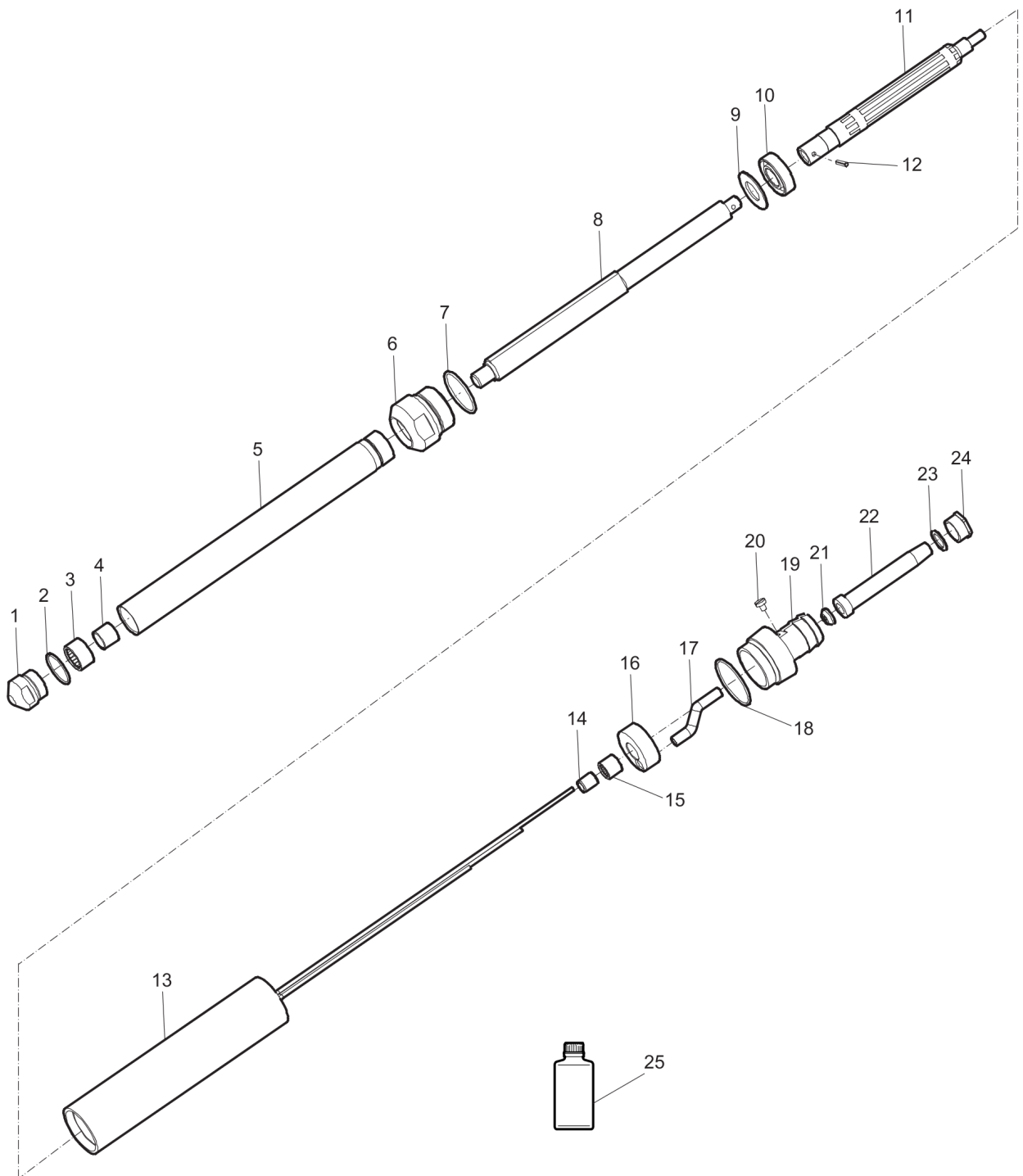
(L)OCAL REMARKS

- A | 4812 0512 28
- B | 4812 0512 29
- C | 4812 0512 30
- D | 4812 0512 31
- E | 4812 0512 32
- F | 4812 0512 33
- G | 4812 0512 34

(L)OCAL REMARKS

- A | -
- B | 4812 0512 28
- C | 4812 0512 30
- D | 4812 0512 32
- E | 4812 0512 29
- F | 4812 0512 31
- G | 4812 0512 33

Spare parts list Vibrating element for 28E

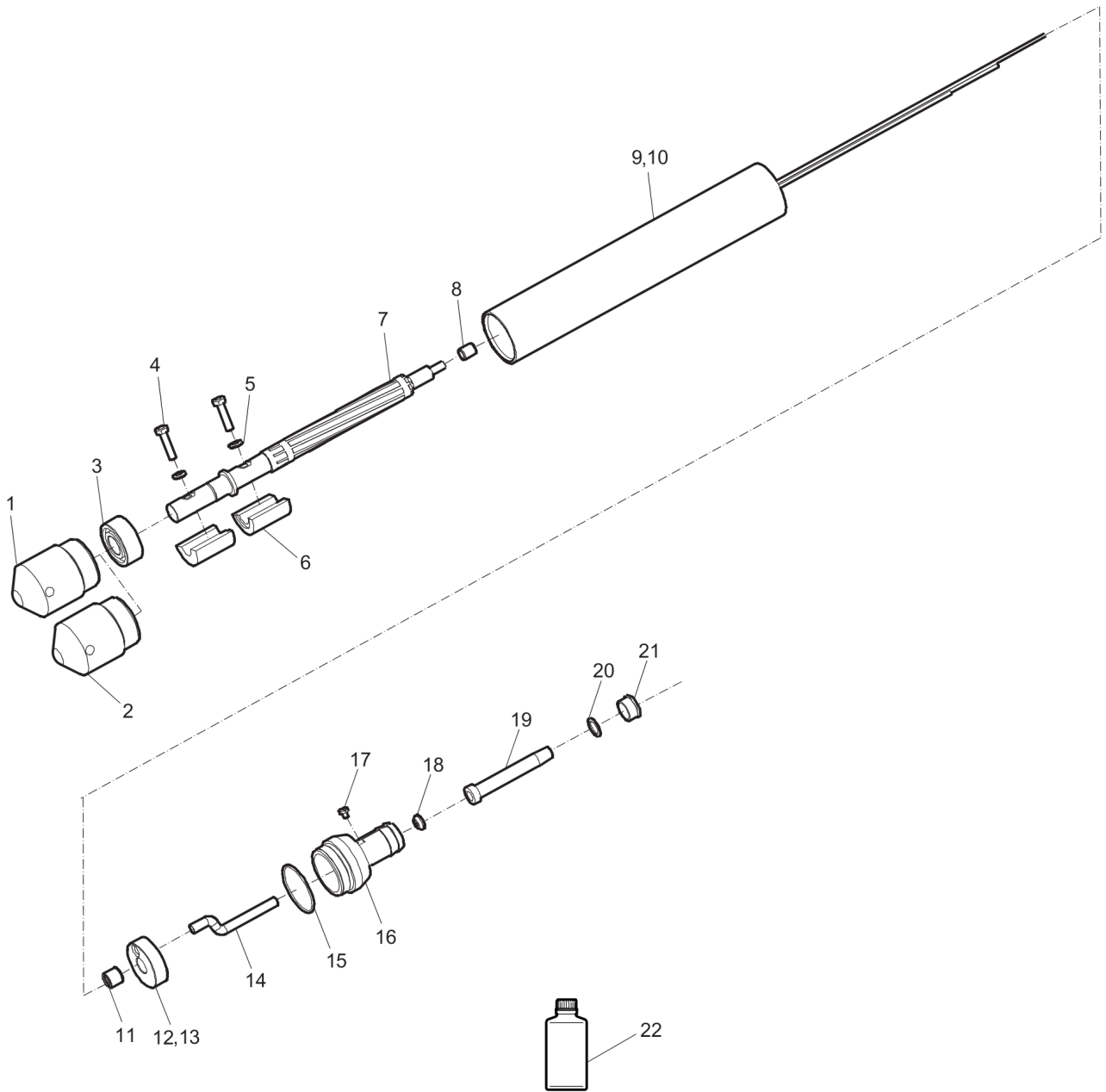


Refer to the Parts Online web page for most up-to-date information. The printed information might be outdated.

| Item | Part No. | Name | Qty | L |
|------|-----------|---|-----|---|
| 1 | 594288401 | End cap | 1 | |
| 2 | 594267601 | O-ring | 1 | |
| 3 | 594288601 | Needle bearing | 1 | |
| 4 | 594288501 | Ring | 1 | |
| 5 | 595155701 | Vibrating tube | 1 | |
| 6 | 595521501 | Reducer | 1 | |
| 7 | 594267901 | O-ring | 1 | |
| 8 | 595156901 | Eccentric | 1 | |
| 9 | 595154301 | Washer | 1 | |
| 10 | 595450601 | Bearing | 1 | |
| 11 | 595142701 | Rotor | 1 | |
| 12 | 595521601 | Pin | 1 | |
| 13 | 595142901 | Stator tube | 1 | |
| 14 | 594272301 | Ring | 1 | |
| 15 | 594272201 | Needle bearing | 1 | |
| 16 | 594277501 | Bearing holder | 1 | |
| 17 | 595149001 | Hose | 1 | |
| 18 | 594268001 | O-ring | 1 | |
| 19 | 595156001 | Nipple | 1 | |
| 20 | 594272701 | Screw | 1 | |
| 21 | 594289001 | Gasket | 1 | |
| 22 | 594290401 | Flexible sheating | 1 | |
| 23 | 594287501 | Thrusting | 1 | |
| 24 | 594287301 | Thrust screw | 1 | |
| 25 | - | Oil, Shell Tellus T46 , 0.01 litre, 0.003 US gallon | 1 | |

Refer to the Parts Online web page for most up-to-date information. The printed information might be outdated.

Spare parts list Vibrating elements for 40 and 40E



Refer to the Parts Online web page for most up-to-date information. The printed information might be outdated.

| Item | Part No. | Name | Qty | L |
|------|-----------|---|-----|---|
| 1 | 594290101 | End cap | 1 | |
| 2 | 595156701 | Rubber end cap | 1 | A |
| 3 | 594290301 | Bearing | 1 | |
| 4 | 594286501 | Screw | 2 | |
| 5 | 594399301 | Washer | 2 | |
| 6 | 594290201 | Eccentric | 2 | |
| 7 | 594262301 | Rotor | 1 | |
| 8 | 594272301 | Ring | 1 | |
| 9 | 594621501 | Stator tube | 1 | B |
| 10 | 594860201 | Stator tube | 1 | C |
| 11 | 594272201 | Needle bearing | 1 | |
| 12 | 594277501 | Bearing holder | 1 | D |
| 13 | 594621601 | Bearing holder | 1 | E |
| 14 | 595149001 | Hose | 1 | |
| 15 | 594268001 | O-ring | 1 | |
| 16 | 595156001 | Nipple | 1 | |
| 17 | 594272701 | Screw | 1 | |
| 18 | 594289001 | Gasket | 1 | |
| 19 | 594290401 | Flexible sheating | 1 | |
| 20 | 594287501 | Thrusting | 1 | |
| 21 | 594287301 | Thrust screw | 1 | |
| 22 | - | Oil, Shell Tellus T46 , 0.005 litre , 0.001 US gallon | 1 | |

Comments for Page: Vibrating elements for 40 and 40E

(L)OCAL REMARKS

A | Option

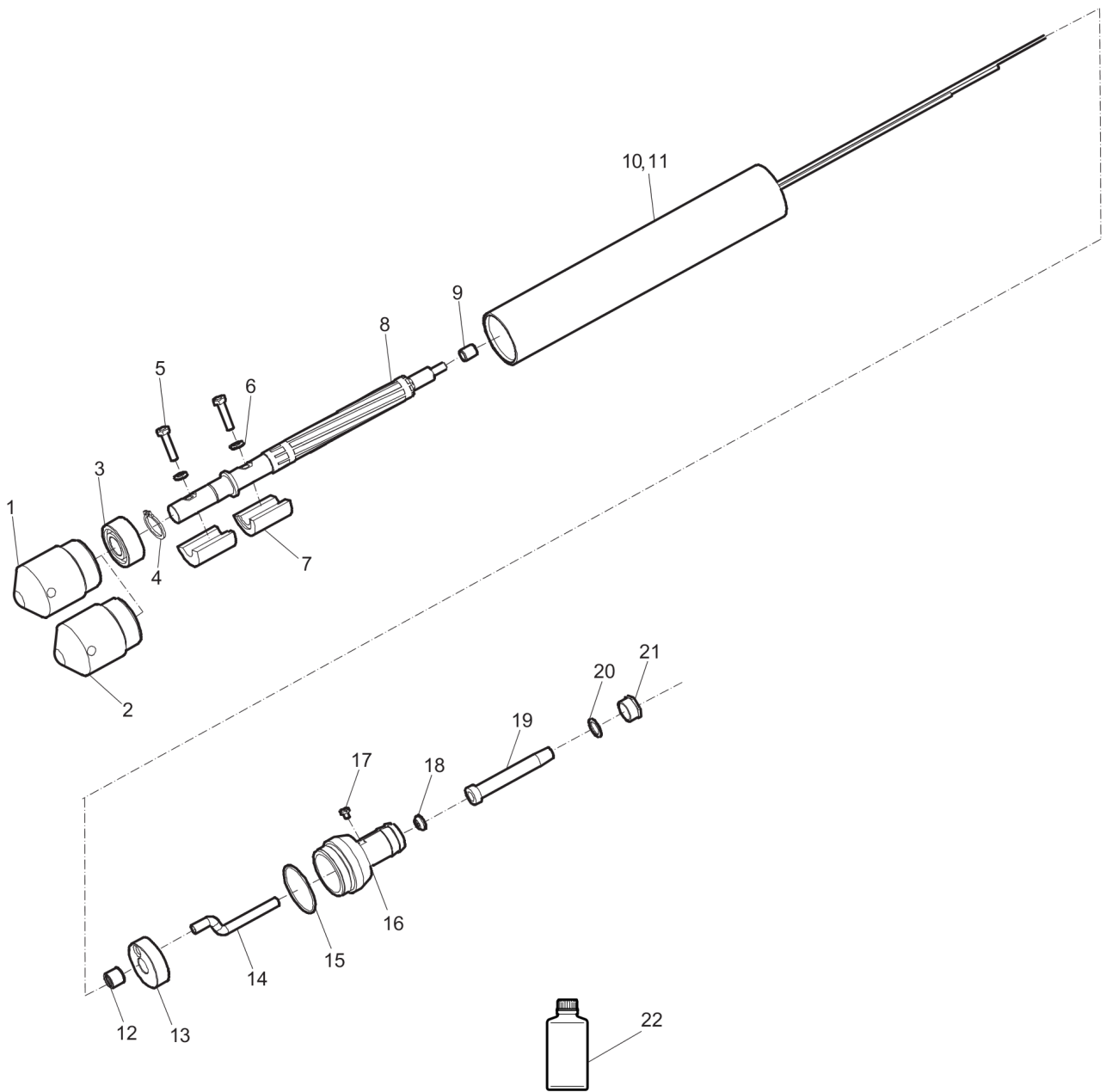
B | 210 V

C | 110 V

D | Up to FRO014127

E | From FRO014128

Spare parts list Vibrating elements for 48 and 48E



Refer to the Parts Online web page for most up-to-date information. The printed information might be outdated.

| Item | Part No. | Name | Qty | L |
|------|-----------|--|-----|---|
| 1 | 594289401 | End cap | 1 | |
| 2 | 595156801 | Rubber end cap | 1 | A |
| 3 | 594289601 | Bearing | 1 | |
| 4 | 594286301 | Retaining ring | 1 | |
| 5 | 595466301 | Screw, M6-1,0x25 mm 8.8 | 2 | |
| 6 | 594399401 | Washer | 2 | |
| 7 | 595523601 | Eccentric | 2 | |
| 8 | 594289501 | Rotor | 1 | |
| 9 | 594272301 | Ring | 1 | |
| 10 | 594621701 | Stator tube | 1 | B |
| 11 | 595196401 | Stator tube | 1 | C |
| 12 | 594272201 | Needle bearing | 1 | |
| 13 | 594265001 | Bearing holder | 1 | |
| 14 | 594277801 | Hose | 1 | |
| 15 | 594266901 | O-ring | 1 | |
| 16 | 594264901 | Nipple | 1 | |
| 17 | 594272701 | Screw | 1 | |
| 18 | 594289001 | Gasket | 1 | |
| 19 | 594290401 | Flexible sheating | 1 | |
| 20 | 594287501 | Thrusting | 1 | |
| 21 | 594287301 | Thrust screw | 1 | |
| 22 | - | Oil, Shell Tellus T46 , 0.01 litre , 0.003 US gallon | 1 | |

Comments for Page: Vibrating elements for 48 and 48E

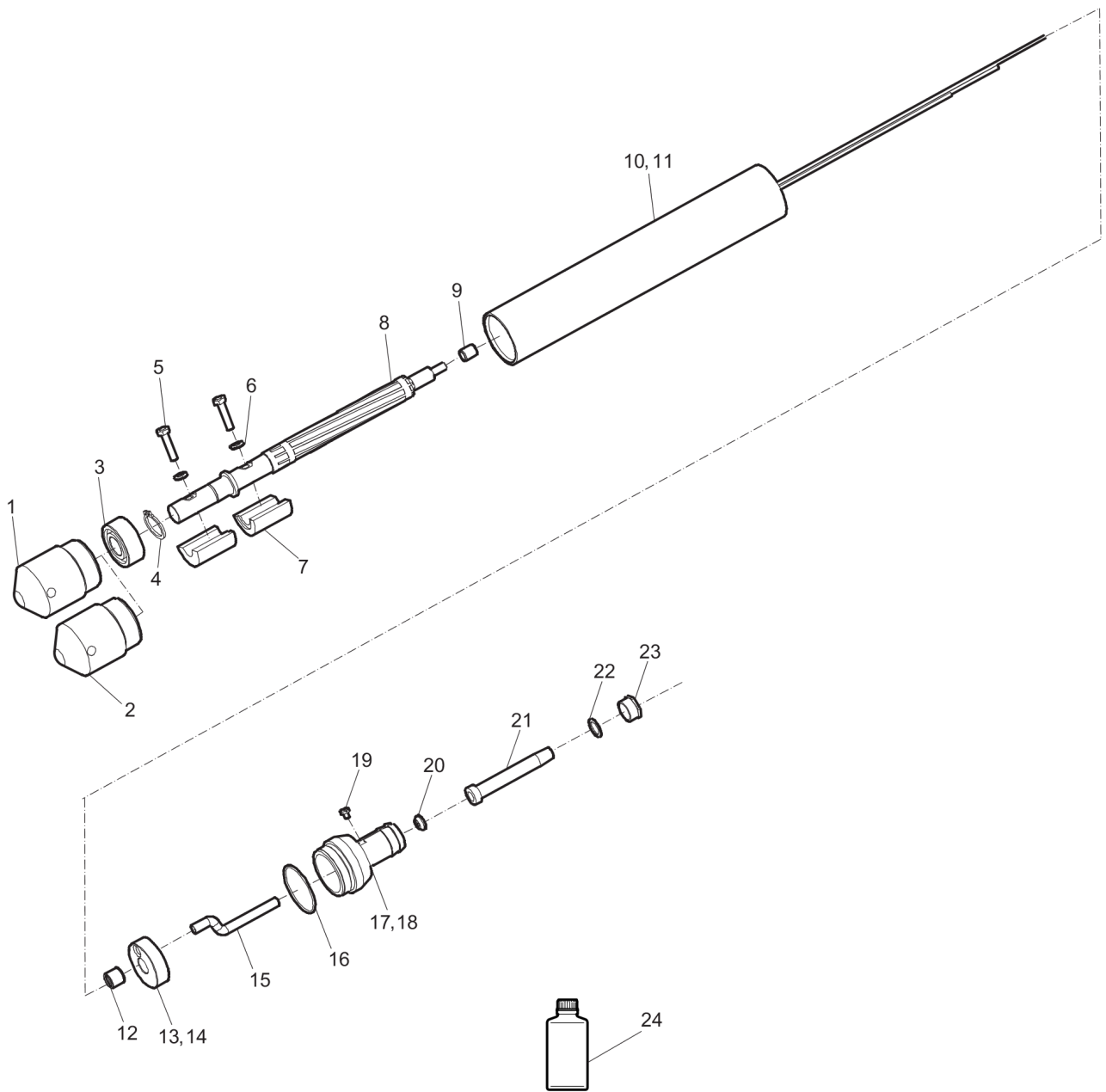
(L)OCAL REMARKS

A | Option

B | 210 V

C | 110 V

Spare parts list Vibrating elements for 56 and 56E



Refer to the Parts Online web page for most up-to-date information. The printed information might be outdated.

| Item | Part No. | Name | Qty | L |
|------|-----------|--|-----|---|
| 1 | 594289101 | End cap | 1 | |
| 2 | 595029601 | Rubber end cap | 1 | A |
| 3 | 594289301 | Bearing | 1 | |
| 4 | 594278001 | Snap ring | 1 | |
| 5 | 595053801 | Hex. screw | 2 | |
| 6 | 594399401 | Washer | 2 | |
| 7 | 595523701 | Eccentric | 2 | |
| 8 | 594289201 | Rotor | 1 | |
| 9 | 594273701 | Ring | 1 | |
| 10 | 594621801 | Stator tube | 1 | B |
| 11 | 594621901 | Stator tube | 1 | C |
| 12 | 594273601 | Bearing | 1 | |
| 13 | 594265001 | Bearing holder | 1 | D |
| 14 | 594622001 | Bearing holder | 1 | E |
| 15 | 594277801 | Hose | 1 | |
| 16 | 594266901 | O-ring | 1 | |
| 17 | 594264901 | Nipple | 1 | F |
| 18 | 594860301 | Nipple | 1 | G |
| 19 | 594272701 | Screw | 1 | |
| 20 | 594289001 | Gasket | 1 | |
| 21 | 594290401 | Flexible sheating | 1 | |
| 22 | 594287501 | Thrusting | 1 | |
| 23 | 594287301 | Thrust screw | 1 | |
| 24 | - | Oil, Shell Tellus T46 , 0.015 litre , 0.004 gallon | 1 | |

Comments for Page: Vibrating elements for 56 and 56E

(L)OCAL REMARKS

A | Option

B | 210 V

C | 110 V

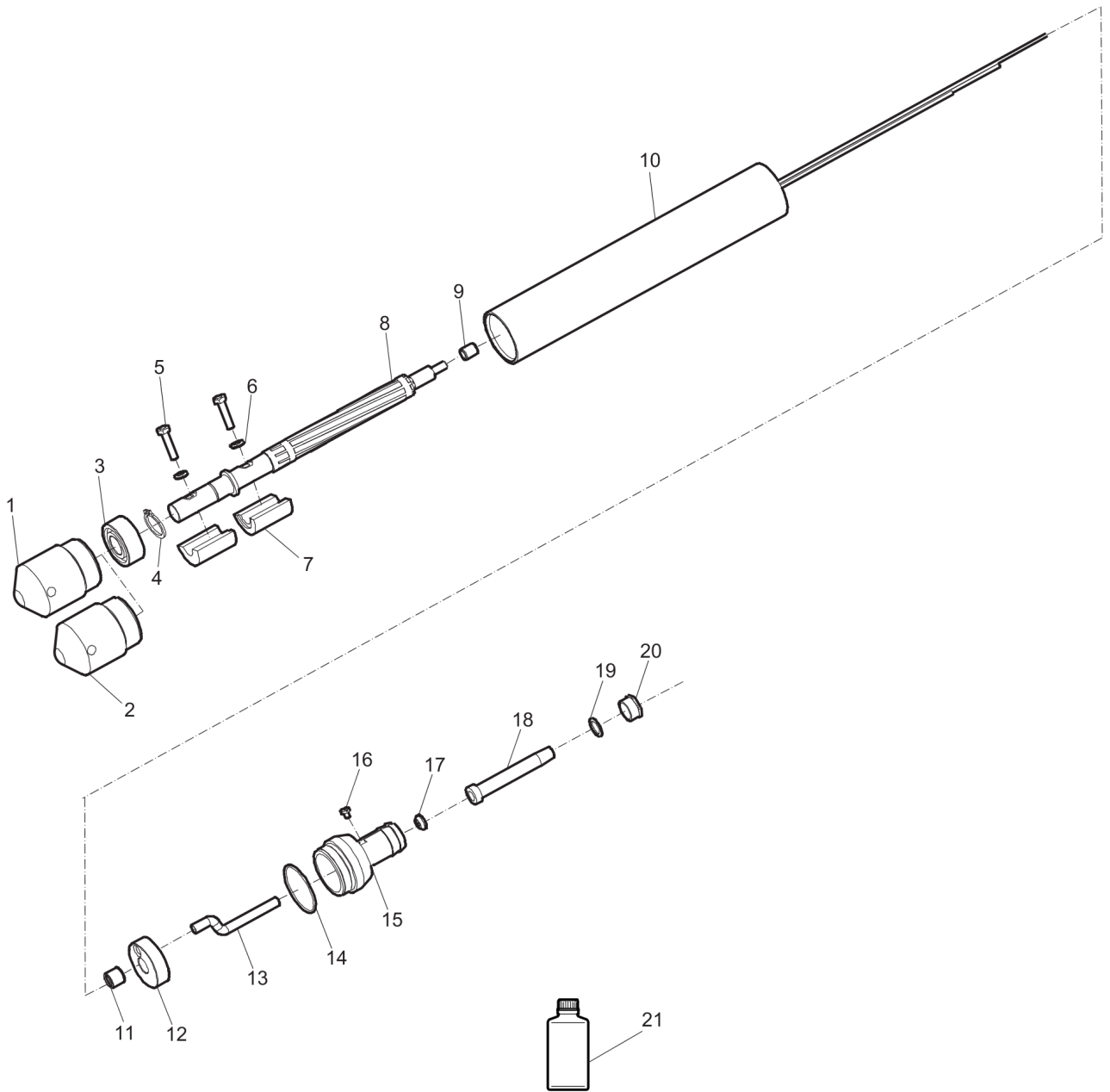
D | Up to FRO013539

E | From FRO013540

F | Up to FRO013539

G | From FRO013540

Spare parts list Vibrating element for 65



Refer to the Parts Online web page for most up-to-date information. The printed information might be outdated.

| Item | Part No. | Name | Qty | L |
|------|-----------|--|-----|---|
| 1 | 594289701 | End cap | 1 | |
| 2 | 595450901 | Rubber end cap | 1 | A |
| 3 | 594290001 | Bearing | 1 | |
| 4 | 594278001 | Snap ring | 1 | |
| 5 | 595466001 | Screw | 2 | |
| 6 | 594399501 | Washer | 1 | |
| 7 | 595157801 | Eccentric | 2 | |
| 8 | 594289901 | Rotor | 1 | |
| 9 | 594273701 | Ring | 1 | |
| 10 | 594622101 | Stator tube | 1 | B |
| 11 | 594273601 | Bearing | 1 | |
| 12 | 594277701 | Bearing holder | 1 | |
| 13 | 594791001 | Hose | 1 | |
| 14 | 594268301 | O-ring | 1 | |
| 15 | 594290501 | Nipple | 1 | |
| 16 | 594272701 | Screw | 1 | |
| 17 | 594289001 | Gasket | 1 | |
| 18 | 594290401 | Flexible sheating | 1 | |
| 19 | 594287501 | Thrusting | 1 | |
| 20 | 594287301 | Thrust screw | 1 | |
| 21 | - | Oil, Shell Tellus T46 , 0.02 litre , 0.005 US gallon | 1 | |

Comments for Page: Vibrating element for 65

(L)OCAL REMARKS

A | Option

B | 210 V

Kits SMART 230 V - Electronic convertor with cable kit

NO EXPLODED VIEW
AVAILABLE
FOR THIS BOM

| Item | Part No. | Name | Qty | L |
|------|-----------|--|-----|---|
| 1 | 594627901 | Electronic convertor with cable kit | 1 | |
| 2 | 594623001 | Cover | 1 | |
| 3 | 594619801 | Electronic unit | 1 | |
| 4 | 594621401 | O-ring 233 x 3 mm , 9.17 x 0.12 in. NBR (70 shore) | 1 | A |
| 5 | 594619901 | Rubber membrane | 1 | |
| 6 | 594620001 | Plate | 1 | |
| 7 | 594620101 | Switch | 1 | |
| 8 | 594620201 | Eye piece | 1 | B |
| 9 | 594620301 | Screw M4 x 8 mm (DIN 7500C) | 1 | C |
| 10 | 594620401 | Screw M5 x 30 mm (DIN 7500C) | 1 | D |
| 11 | 595045201 | Cable with plug | 1 | |
| 12 | 594853601 | Spade | 1 | |
| 13 | 594256801 | Flexible sheeting | 1 | |
| 14 | 594619301 | Gland | 1 | |
| 15 | 594408801 | Stuffing box | 1 | |
| 16 | 594257101 | Protective hose, 0.08 m , 3.1 in., Sold per meter. | 1 | E |
| 17 | 594255201 | Clamp | 1 | |
| 18 | 594630701 | Wire | 1 | |
| 19 | 594286101 | Screw | 1 | F |
| 20 | 594286401 | Clamp | 1 | |
| 21 | 594862901 | Label | 1 | |
| 22 | 594627501 | Safety label | 1 | |
| 23 | 595196501 | Adhesive cable clip | 1 | |

Kits SMART - Electronic convertor without cable kit

NO EXPLODED VIEW
AVAILABLE
FOR THIS BOM

| Item | Part No. | Name | Qty | L |
|------|-----------|--|-----|---|
| 1 | 594628001 | Electronic convertor without cable kit | 1 | |
| 2 | 594623001 | Cover | 1 | |
| 3 | 594619801 | Electronic unit | 1 | |
| 4 | 594621401 | O-ring 233 x 3 mm , 9.17 x 0.12 in. NBR (70 shore) | 1 | A |
| 5 | 594619901 | Rubber membrane | 1 | |
| 6 | 594620001 | Plate | 1 | |
| 7 | 594620101 | Switch | 1 | |
| 8 | 594620201 | Eye piece | 1 | B |
| 9 | 594620301 | Screw M4 x 8 mm (DIN 7500C) | 1 | C |
| 10 | 594620401 | Screw M5 x 30 mm (DIN 7500C) | 1 | D |
| 11 | 594853601 | Spade | 1 | |
| 12 | 594619301 | Gland | 1 | |
| 13 | 594408801 | Stuffing box | 1 | |
| 14 | 594257101 | Protective hose, 0.08 m , 3.1 in., Sold per meter. | 1 | E |
| 15 | 594630701 | Wire | 1 | |
| 16 | 594286101 | Screw | 1 | F |
| 17 | 594286401 | Clamp | 1 | |
| 18 | 594862901 | Label | 1 | |
| 19 | 594627501 | Safety label | 1 | |
| 20 | 595196501 | Adhesive cable clip | 1 | |

Kits SMART-E 230 V - Electronic convertor with cable kit

NO EXPLODED VIEW
AVAILABLE
FOR THIS BOM

| Item | Part No. | Name | Qty | L |
|------|-----------|--|-----|---|
| 1 | 594862101 | Electronic convertor with cable kit | 1 | |
| 2 | 594622901 | Cover | 1 | |
| 3 | 594619801 | Electronic unit | 1 | |
| 4 | 594621401 | O-ring 233 x 3 mm , 9.17 x 0.12 in. NBR (70 shore) | 1 | A |
| 5 | 594620201 | Eye piece | 1 | B |
| 6 | 594620301 | Screw M4 x 8 mm (DIN 7500C) | 1 | C |
| 7 | 594620401 | Screw M5 x 30 mm (DIN 7500C) | 1 | D |
| 8 | 594380401 | Cable | 1 | E |
| 9 | 594853601 | Spade | 1 | |
| 10 | 594256801 | Flexible sheeting | 1 | |
| 11 | 594619301 | Gland | 1 | |
| 12 | 594257701 | Wire end | 1 | |
| 13 | 594255201 | Clamp | 1 | |
| 14 | 594630701 | Wire | 1 | |
| 15 | 594286101 | Screw | 1 | F |
| 16 | 594286401 | Clamp | 1 | |
| 17 | 594862901 | Label | 1 | |
| 18 | 594627501 | Safety label | 1 | |
| 19 | 595196501 | Adhesive cable clip | 1 | |
| 20 | 594369601 | Switch plug | 1 | |

Kits SMART-E - Electronic convertor without cable kit

NO EXPLODED VIEW
AVAILABLE
FOR THIS BOM

| Item | Part No. | Name | Qty | L |
|------|-----------|--|-----|---|
| 1 | 594862201 | Electronic convertor without cable kit | 1 | |
| 2 | 594622901 | Cover | 1 | |
| 3 | 594619801 | Electronic unit | 1 | |
| 4 | 594621401 | O-ring 233 x 3 mm , 9.17 x 0.12 in. NBR (70 shore) | 1 | A |
| 5 | 594620201 | Eye piece | 1 | B |
| 6 | 594620301 | Screw M4 x 8 mm (DIN 7500C) | 1 | C |
| 7 | 594620401 | Screw M5 x 30 mm (DIN 7500C) | 1 | D |
| 8 | 594853601 | Spade | 1 | |
| 9 | 594619301 | Gland | 1 | |
| 10 | 594630701 | Wire | 1 | |
| 11 | 594286101 | Screw | 1 | E |
| 12 | 594286401 | Clamp | 1 | |
| 13 | 594862901 | Label | 1 | |
| 14 | 594627501 | Safety label | 1 | |
| 15 | 595196501 | Adhesive cable clip | 1 | |

Kits 28E to 56E - Handle kit

NO EXPLODED VIEW
AVAILABLE
FOR THIS BOM

| Item | Part No. | Name | Qty | L |
|------|-----------|---------------------|-----|---|
| 1 | 594628601 | Handle kit | 1 | |
| 2 | 594619901 | Rubber membrane | 1 | |
| 3 | 594620001 | Plate | 1 | |
| 4 | 594620101 | Switch | 1 | |
| 5 | 594619301 | Gland | 1 | |
| 6 | 594623201 | Adhesive cable clip | 1 | A |
| 7 | 595047501 | O-ring | 1 | B |
| 8 | 594500801 | Screw | 1 | C |
| 9 | 594500901 | Screw | 1 | D |
| 10 | 594626501 | Cover | 1 | |
| 11 | 594622501 | Handle | 1 | |
| 12 | 594380301 | Nut | 1 | |
| 13 | 594377101 | Shock absorber | 1 | |

Any unauthorized use or copying of the contents or any part thereof is prohibited.
This applies in particular to trademarks, model denominations, part numbers, and drawings.