

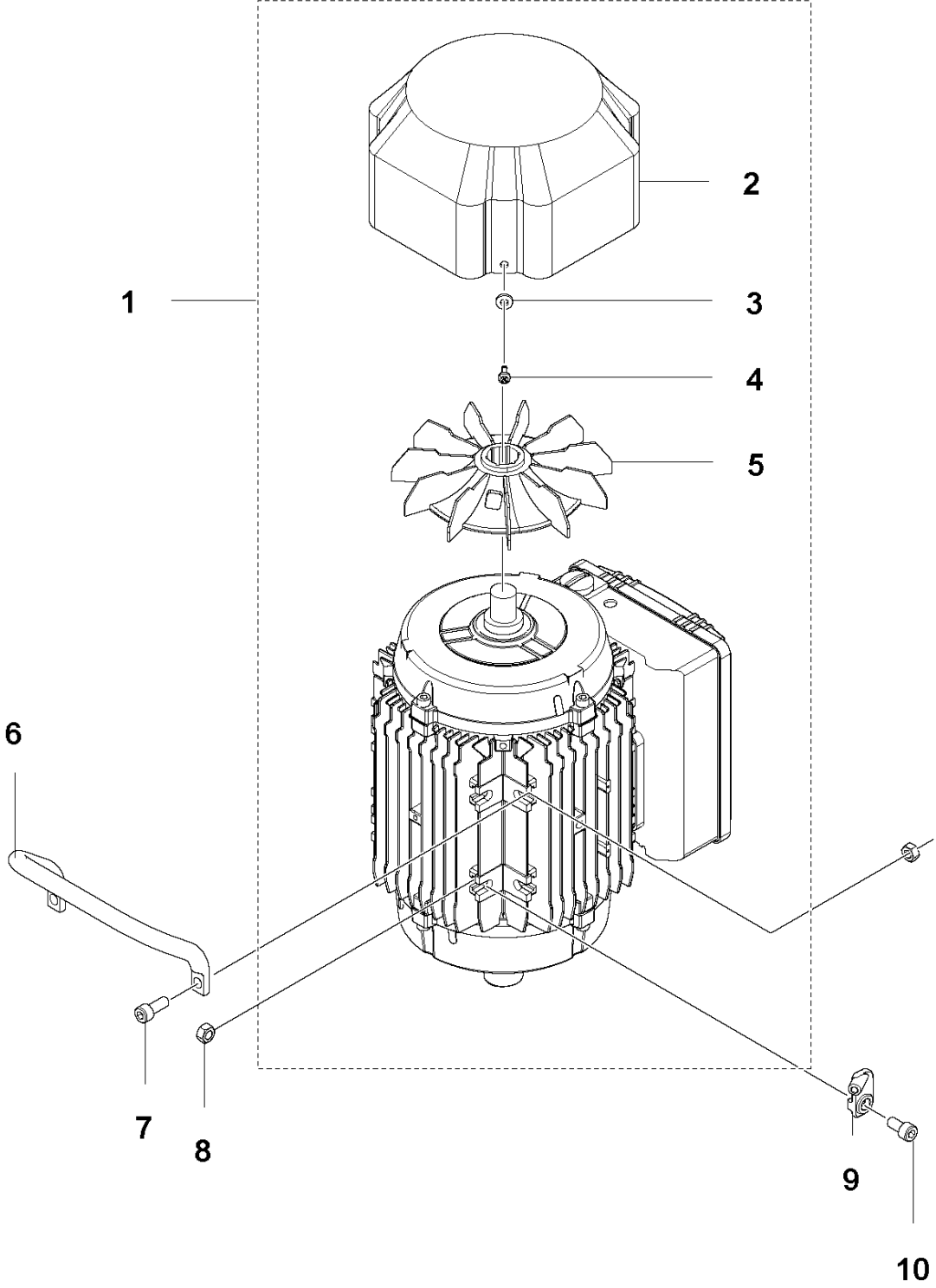


# SPARE PARTS LIST

SURFACE PREPARATION EQUIPMENT

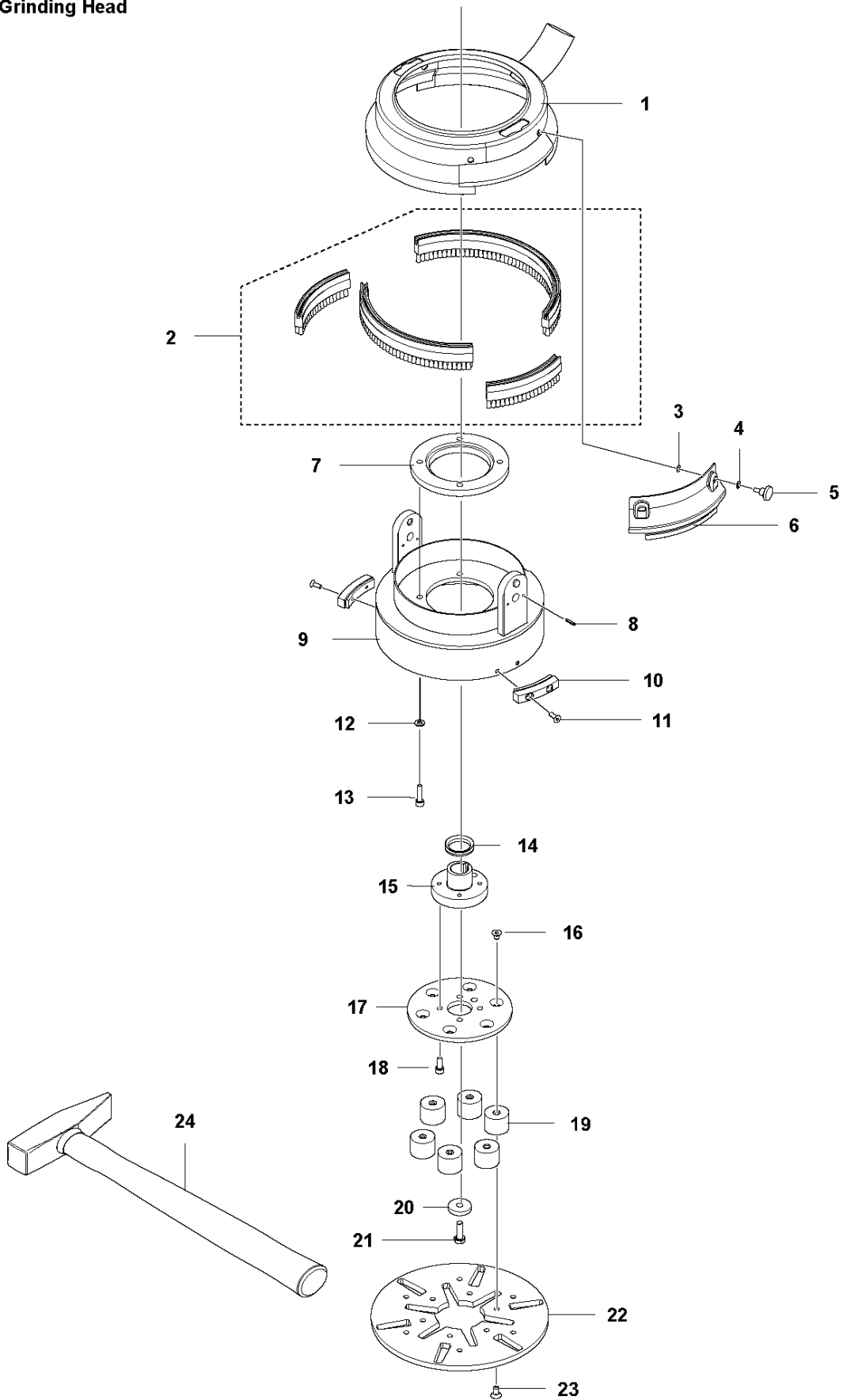
PG 280, 2018-02

**A** PG 280  
Motor 1-Phase



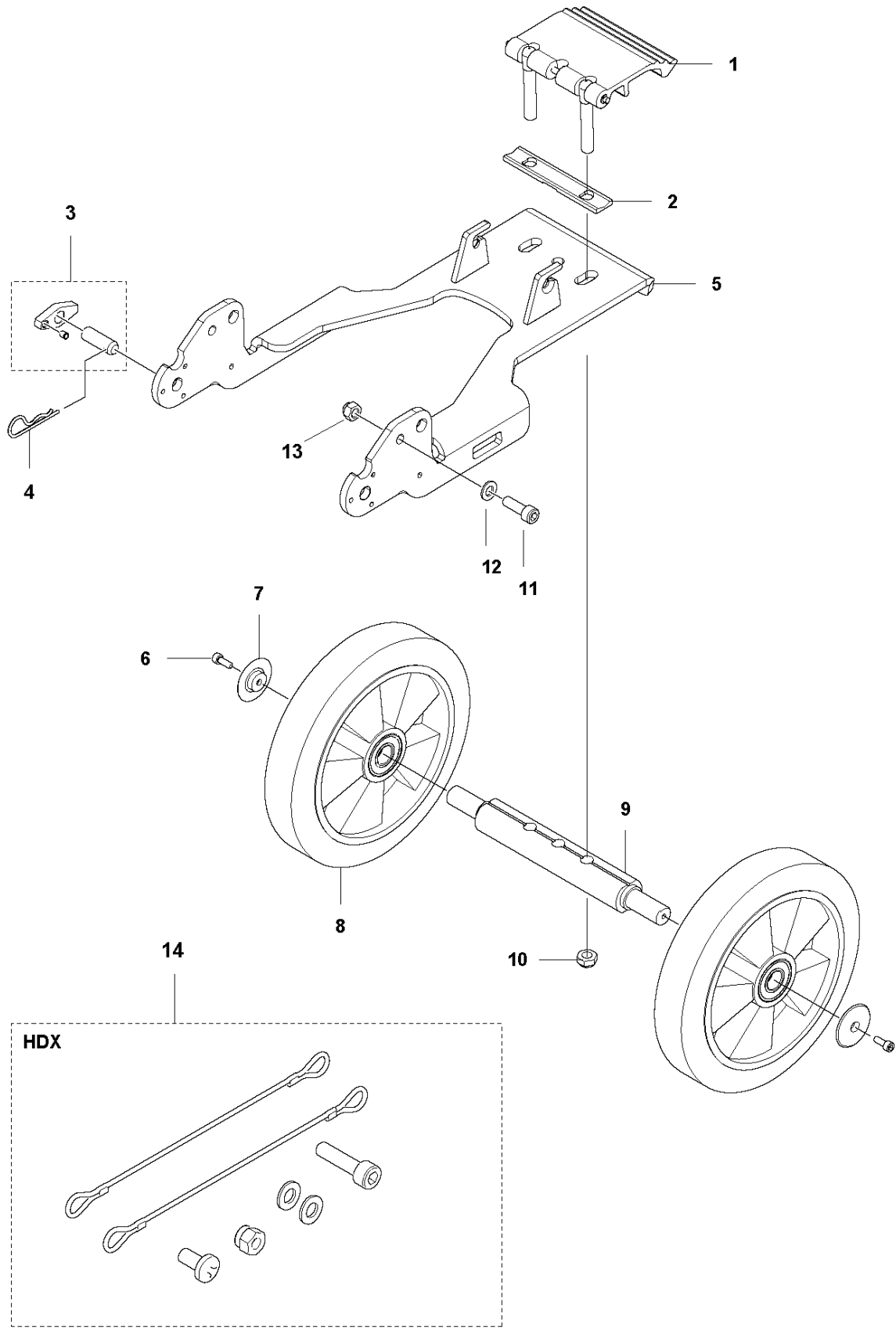
Ref	Part No	Description	Remark	QTY	KIT
1	585 30 19-01	MOTOR	220-240V, 50 Hz	1	
1	585 30 19-02	MOTOR	220-240V, 60 Hz	1	
1	585 30 21-01	MOTOR	100-120V, 50 Hz	1	
1	585 30 21-02	MOTOR	100-120V, 60 Hz	1	
2	587 17 46-01	FAN COVER		1	1
3	734 11 46-01	WASHER		4	1
4	724 13 23-01	SCREW CRPANM		4	1
5	587 17 47-01	FAN		1	1
6	585 42 33-03	HANDLE		1	
7	725 54 53-01	SCREW IHSCM		2	
8	731 23 18-01	HEXAGON NUT		4	
9	588 13 38-01	BRACKET		1	
10	725 54 51-01	SCREW IHSCM		2	

**B** PG 280  
Grinding Head



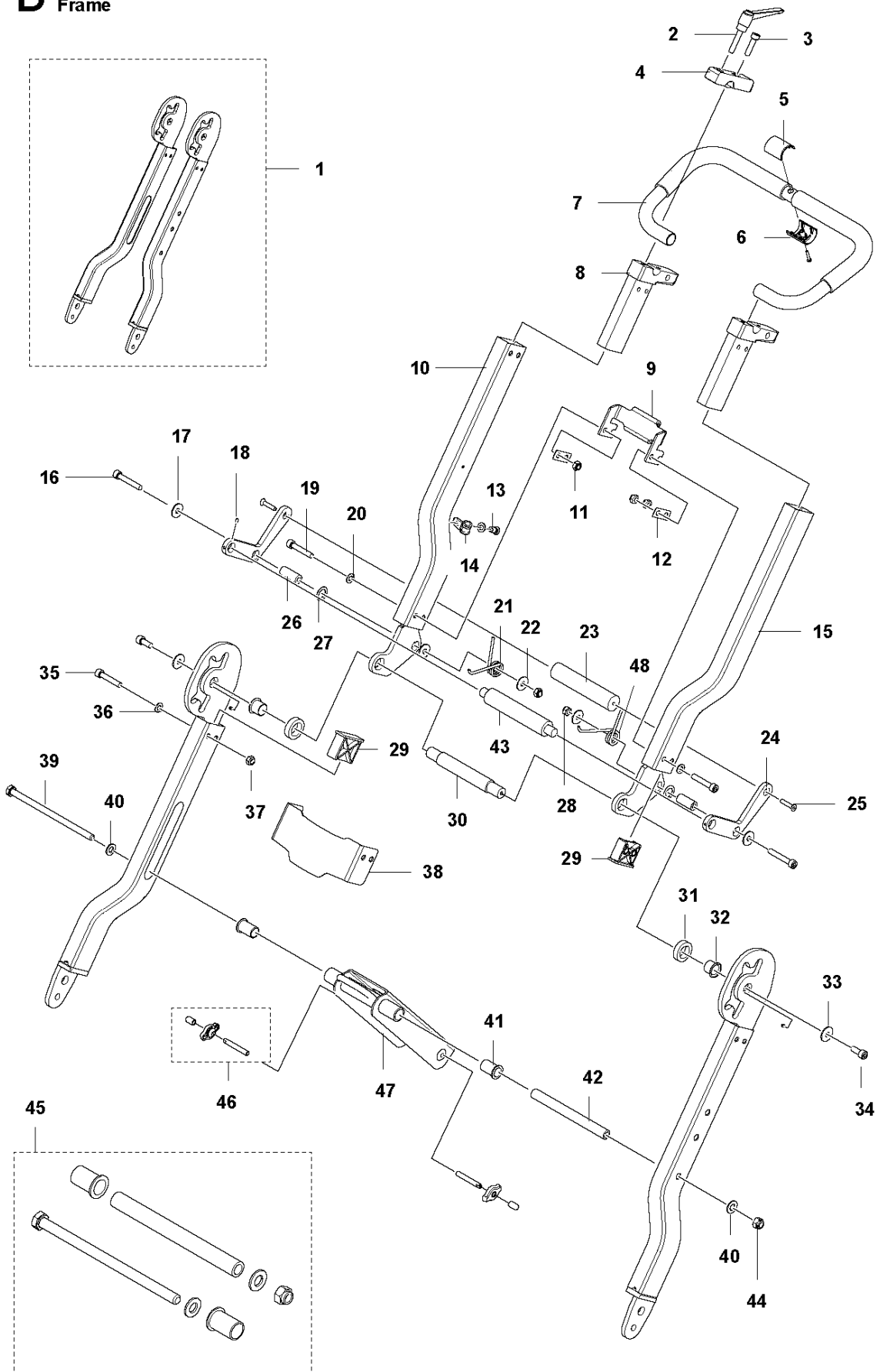
Ref	Part No	Description	Remark	QTY KIT
1	585 13 87-01	COVER		1
2	582 63 99-01	BRUSH KIT		1
3	735 58 35-01	WASHER		4
4	734 11 52-60	WASHER		4
5	510 36 16-02	SCREW		4
6	586 99 93-01	COVER LID		1
7	585 52 44-02	SPACER		1
8	721 12 59-30	GROOVED PIN		4
9	585 12 83-01	MOUNTING PLATE		1
9	585 12 83-02	MOUNTING PLATE	HDX variant only	1
10	585 41 11-01	BRACKET		2
11	725 63 69-01	SCREW IHCSFM		4
12	734 11 63-01	WASHER		4
13	734 11 63-01	WASHER		4
14	725 54 55-21	SCREW IHSCM		4
15	585 51 47-01	HUB		1
16	725 64 47-55	SCREW IHCSFM		4
17	725 64 47-55	SCREW IHCSFM		1
18	725 54 51-55	SCREW IHSCM		4
19	510 21 31-01	DAMPER		6
20	510 23 51-01	WASHER		1
21	725 24 95-71	SCREW EHHM		1
22	586 79 67-01	HOLDER		1
23	725 64 49-55	SCREW IHCSFM		6
24	522 03 97-01	HAMMER		1

**C** PG 280  
Chassi



Ref	Part No	Description	Remark	QTY KIT
1	587 03 29-01	PEDAL ASSY		1
2	586 92 75-01	WASHER		1
3	586 99 17-01	BOLT		2
3	586 99 17-03	BOLT	HDX variant only	2
4	721 68 02-51	SPRING COTTER		2
5	585 14 05-02	FRAME		2
6	725 53 68-51	SCREW IHSCM		2
7	501 32 12-01	WASHER		2
8	504 18 55-01	WHEEL		2
9	585 14 12-01	AXLE		1
10	732 25 22-01	HEXAGON LOCKING NUT		2
11	725 54 95-01	SCREW IHSCM		2
12	734 11 72-01	WASHER		2
13	732 25 20-01	HEXAGON LOCKING NUT		2
14	590 54 00-02	WIRE	HDX variant only	1

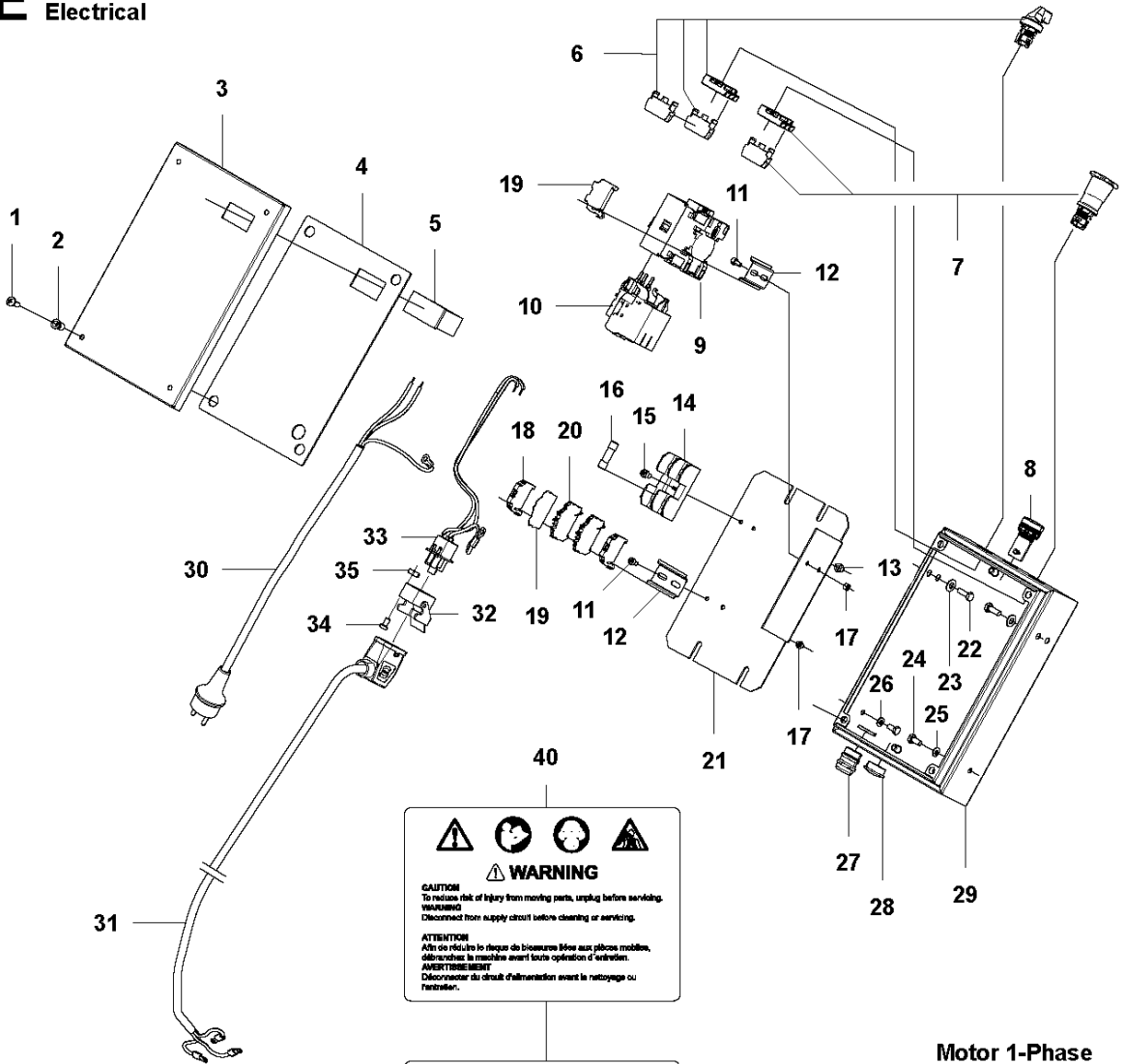
**D** PG 280  
Frame





Ref	Part No	Description	Remark	QTY KIT
1	593 89 71-01	FRAME TUBE		1
2	585 12 92-01	LOCKING HANDLE		2
3	725 54 55-21	SCREW IHSCM		2
4	585 51 66-01	BRACKET		2
5	587 15 85-01	COVER		1
6	587 15 86-01	COVER		1
7	585 14 40-01	HANDLE		1
8	589 83 77-01	BRACKET		2
9	585 38 28-02	BRACKET		1
10	585 57 35-07	FORK		1
11	732 21 18-01	LOCK NUT		8
12	585 38 31-01	WASHER		2
13	725 53 68-01	SCREW IHSCM		1
14	589 66 91-01	CLIP	AUS/US/BR 230V	1
14	589 66 91-02	CLIP		1
14	589 66 91-03	CLIP	US 100-120V	1
15	585 57 35-08	FORK		1
16	725 54 60-01	SCREW IHSCM		8
17	734 11 63-01	WASHER		8
18	728 82 85-01	SCREW IHSETM		6
19	725 54 61-01	SCREW IHSCM		2
20	734 11 64-41	WASHER		4
21	585 41 73-01	SPRING		1
22	734 11 65-41	WASHER		4
23	585 13 37-02	HANDLE		1
24	585 13 33-01	PLATE		2
25	725 63 74-51	SCREW		2
26	585 38 33-02	SLEEVE		2
27	585 41 62-01	WASHER		2
28	732 21 18-01	LOCK NUT		2
29	585 13 29-01	SPACER		4
30	585 13 36-02	TUBE		1
31	585 13 35-01	SPACER		2
32	585 41 60-01	BUSH		2
33	734 11 65-41	WASHER		2
34	732 21 18-01	LOCK NUT		2
35	725 54 60-01	SCREW IHSCM		8
36	734 11 63-01	WASHER		8
37	732 25 18-01	HEXAGON LOCKING NUT		10
38	585 38 30-02	BRACKET		1
38	585 38 30-04	BRACKET	HDX variant only	1
39	590 10 50-01	BOLT		1
40	734 11 72-01	WASHER		2
41	585 12 91-01	BUSH		2
42	590 09 29-01	PIPE		1
43	585 13 38-02	ROD		1
44	732 25 20-01	HEXAGON LOCKING NUT		1
45	593 90 94-01	CROSSBAR		1
46	590 47 22-01	WING KNOB		2
47	585 14 18-02	SUPPORT		1
48	585 41 61-01	SPRING		1

**E** PG 280  
Electrical



**⚠ WARNING**

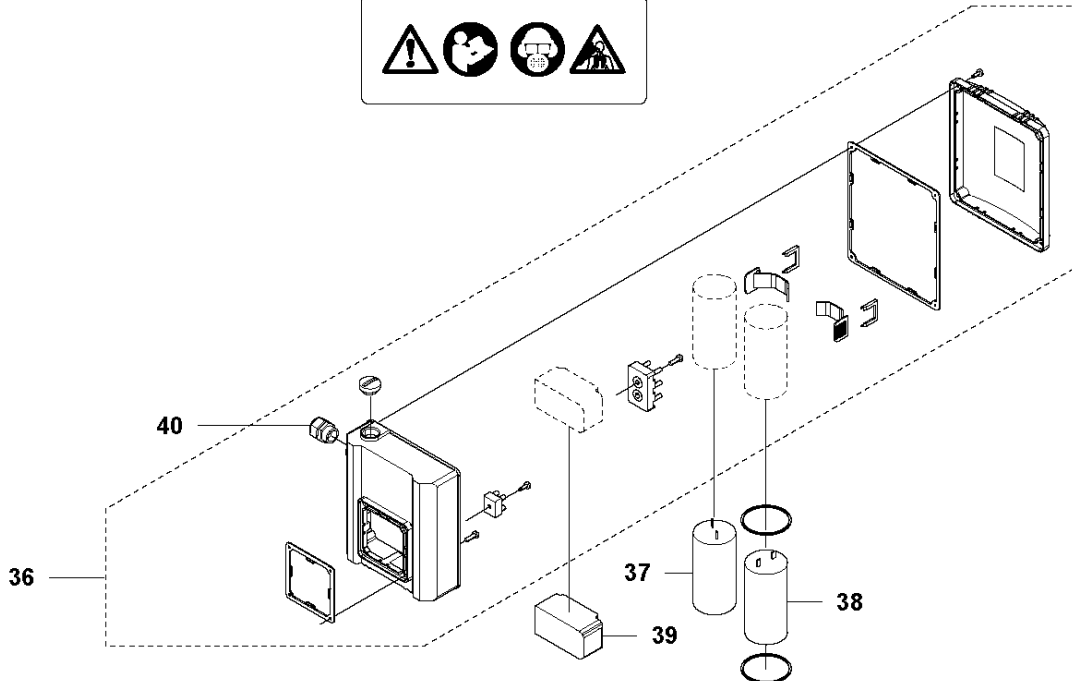
**CAUTION**  
To reduce risk of injury from moving parts, unplug before servicing.  
Déconnecter le matériel avant toute opération d'entretien.

**ATTENTION**  
Afin de réduire le risque de blessures liées aux pièces mobiles, déconnecter le matériel avant toute opération d'entretien.

**AVERTISSEMENT**  
Déconnecter du circuit d'alimentation avant le nettoyage ou l'entretien.



**Motor 1-Phase**



Ref	Part No	Description	Remark	QTY KIT
1	724 13 68-51	SCREW CRPANM		4
2	521 88 66-01	RIVET		4
3	586 47 43-01	LID		1
3	586 47 43-03	LID	HDX variant only	1
4	586 46 70-02	SEALING		1
5	584 29 63-01	HOUR METER		1
6	586 99 15-01	SWITCH KIT		1
7	586 99 16-01	SWITCH KIT		1
8	584 29 71-01	LAMP	230V	1
8	584 29 71-02	LAMP	110V	1
9	585 36 58-01	CONTACTOR	200-230V, 50/60Hz	1
9	585 36 58-02	CONTACTOR	100-120V, 60Hz	1
9	586 99 18-01	CONTACTOR	100-120V, 50Hz	1
10	584 29 78-01	RELAY	1 phase, 220-240V, 50Hz	1
10	580 62 35-02	PROTECTION	1 phase, 220-240V, 60Hz	1
10	580 62 35-01	PROTECTION	1 phase, 100-120V, 50Hz	1
10	584 29 78-05	RELAY	1 phase, 100-120V, 60Hz	1
11	725 53 25-01	SCREW IHSCM		4
12	522 74 70-01	RAIL		2
13	731 23 16-01	HEXAGON NUT		1
14	525 88 26-01	FUSE HOLDER		1
15	725 53 64-55	SCREW IHSCM		1
16	525 63 81-01	FUSE		2
17	732 25 14-01	HEXAGON LOCKING NUT		4
18	585 36 61-05	TERMINAL BLOCK		3
19	585 36 61-03	TERMINAL BLOCK		1
19	585 36 61-07	TERMINAL BLOCK	US 1ph 100-120V	1
20	585 61 35-01	TERMINAL BLOCK		2
20	585 36 61-01	TERMINAL BLOCK	US 1ph 100-120V	2
21	590 07 58-01	MOUNTING PLATE		1
22	725 24 51-71	SCREW EHHM		4
23	734 11 63-01	WASHER		4
24	725 23 66-51	HEXAGONAL SCREW M6X12		2
25	734 11 52-01	WASHER		1
26	735 21 53-01	LOCKWASHER		4
27	575 48 98-01	GROMMET		1
27	587 10 12-01	GROMMET	US 1ph 100-120V	1
28	586 58 69-01	PLUG		1
28	587 10 12-01	GROMMET	US variant only	1
29	582 50 69-03	ELECTRONIC BOX		1
29	582 50 69-04	ELECTRONIC BOX	HDX variant only	1
30	586 23 68-03	CABLE		1
30	586 23 68-02	CABLE	AUS	1
30	586 23 68-12	CABLE	US 120V	1
30	586 23 68-13	CABLE	US 240V	1
30	586 23 68-08	CABLE	BR	1
31	585 63 81-08	CABLE	UK and JP	1
31	585 63 81-10	CABLE	US/CAN 220-240V	1
31	585 63 81-11	CABLE	US/CAN 100-120V	1
32	585 36 66-05	CONNECTOR		1
33	590 50 35-01	CONNECTOR		1
34	725 52 24-01	SCREW		2
35	732 25 10-01	HEXAGON LOCKING NUT		2
36	587 17 39-01	ELECTRONIC BOX	1-ph	1
36	587 17 39-02	ELECTRONIC BOX	3-ph	1
37	587 17 45-01	CAPACITOR	208-230V, 50/60Hz	1
37	587 17 45-02	CAPACITOR	110V, 50Hz	1
38	587 17 44-01	CAPACITOR	230V, 50Hz	1
38	587 17 44-02	CAPACITOR	208-230V, 60Hz	1
38	587 17 44-03	CAPACITOR	110V, 50/60Hz	1
39	587 17 43-01	SWITCH	230V, 50Hz	1
39	587 17 43-02	SWITCH	208-230V, 60Hz	1
39	587 17 43-03	SWITCH	110V, 50/60Hz	1
40	590 51 83-01	DECAL	US/CAN only	1
40	590 51 84-01	DECAL	ROW	1