

# LX 90

---

## Spare parts list

### Forward plate

LX 90

Engine: Honda GX160

# General information

This spare parts list applies to the following:

Part number	Description
967897101	Forward plate LX 90 Honda

Use only authorized parts. Any damage or malfunction caused by the use of unauthorized parts is not covered by Warranty or Product Liability. Any unauthorized use or copying of the contents or any part thereof is prohibited. This applies in particular to trademarks, model denominations, part numbers, and drawings.

## Instructions for use

This spare parts list contains no safety regulations and is merely intended to assist in the ordering of spare parts.

For information about operating, servicing, or repairing, the relevant Safety and operating instructions must be consulted at all costs.

Please observe the safety instructions listed in the relevant Safety and operating instructions!

Kits and consumables .....	1
----------------------------	---

**Preventative Maintenance Kits**

Service kit, Honda GX 160 .....	3
12 months / 200 hours service kit .....	5

**Service, repair and wear part kits**

Shock absorber repair kit .....	7
Eccentric element repair kit .....	9

**Spare parts list**

Ground plate, engine plate and handle .....	11
Eccentric element .....	13
Engine installation .....	15
Engine, Honda GX 160 UT2 SXS4 OH .....	17
Centrifugal clutch .....	20
Throttle control .....	23
Labels .....	25

## Kits and consumables

<b>Service offers resume LX90</b>	<b>Item</b>	<b>Number</b>	<b>Description</b>
<b>Lubricants</b>	1		Can Paroil E Mission Green 5 Liter/1.32 Gallon
	2		Can Paroil E Mission Green 20 Liter/5.3 Gallon
	3		Can Paroil E Mission Green 210 Liter/55.5 Gallon
<b>Preventive maintenance</b>	4	594197001	One year service kit
<b>Wear &amp; Repair kits</b>	5	594197201	Eccentric element repair kit
	6	594197101	Shock absorber repair kit

Item	Part No.	Name	Qty	L
1	-	Drum Paroil Mission green 210 Liter/55.5 Gallon	1	
2	-	Can Paroil Mission green 20 Liter/5.3 Gallon	1	
3	-	Drum Paroil Mission green 210 Liter/55.5 Gallon	1	
4	594197001	One year service kit	1	
5	594197201	Eccentric element repair kit	1	
6	594197101	Shock absorber repair kit	1	

**Preventative Maintenance Kits** Service kit, Honda GX 160

NO EXPLODED VIEW  
AVAILABLE  
FOR THIS BOM

Item	Part No.	Name	Qty	L
1	594200201	One year service kit	1	
1	594302101	Air Filter, complete	1	
2	595048901	Oil plug gasket	1	
3	595049101	Starting rope	1	
4	594544301	Spark plug	1	
5	595048801	Gasket	1	

**Preventative Maintenance Kits** 12 months / 200 hours service kit

NO EXPLODED VIEW  
AVAILABLE  
FOR THIS BOM



Item	Part No.	Name	Qty	L
1	594216101	12 months / 200 hours service kit	1	
2	594302101	Air Filter, complete	1	
3	594299001	V - belt	1	

**Service, repair and wear part kits** Shock absorber repair kit

NO EXPLODED VIEW  
AVAILABLE  
FOR THIS BOM

Item	Part No.	Name	Qty	L
1	594197101	Shock absorber repair kit	1	
2	594156701	Shock absorber	1	A
3	594429001	Shock absorber	3	A
4	-	Nut, M12 x 40 mm 8.8 A3K	1	A
5	-	Screw, M8 x 12 mm 8.8 A2K	2	A
6	-	Washer, 8.4 x 26 x 4 mm, 0.33 x 1.02 x 0.16 in. 300 HV	2	A
7	-	Screw, 8.4 x 16 x 1.5 mm, 0.33 x 0.63 x 0.06 in. 300 HV	3	A

Comments for Page: Shock absorber repair kit

A || See section "Ground plate, engine plate and handle".

(L)OCAL REMARKS

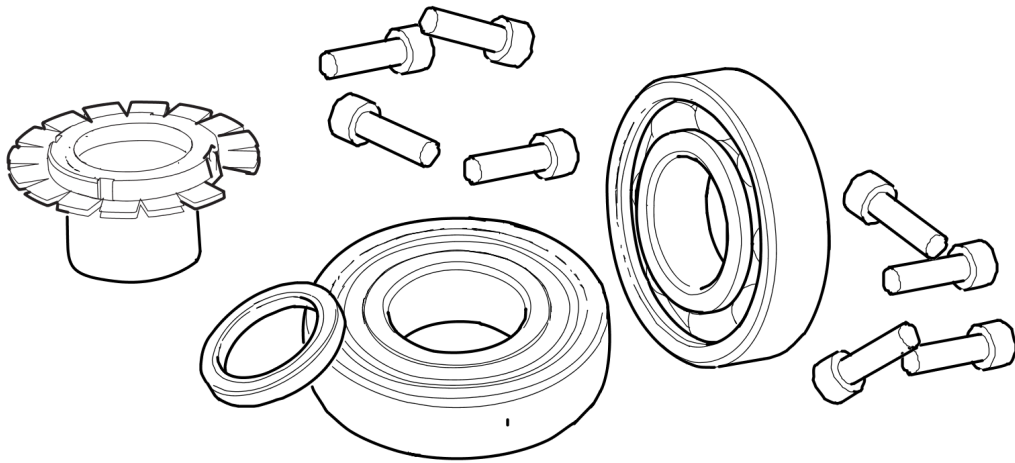
A | For engine plate.

See section "Ground plate, engine plate and handle".

B | For engine plate.

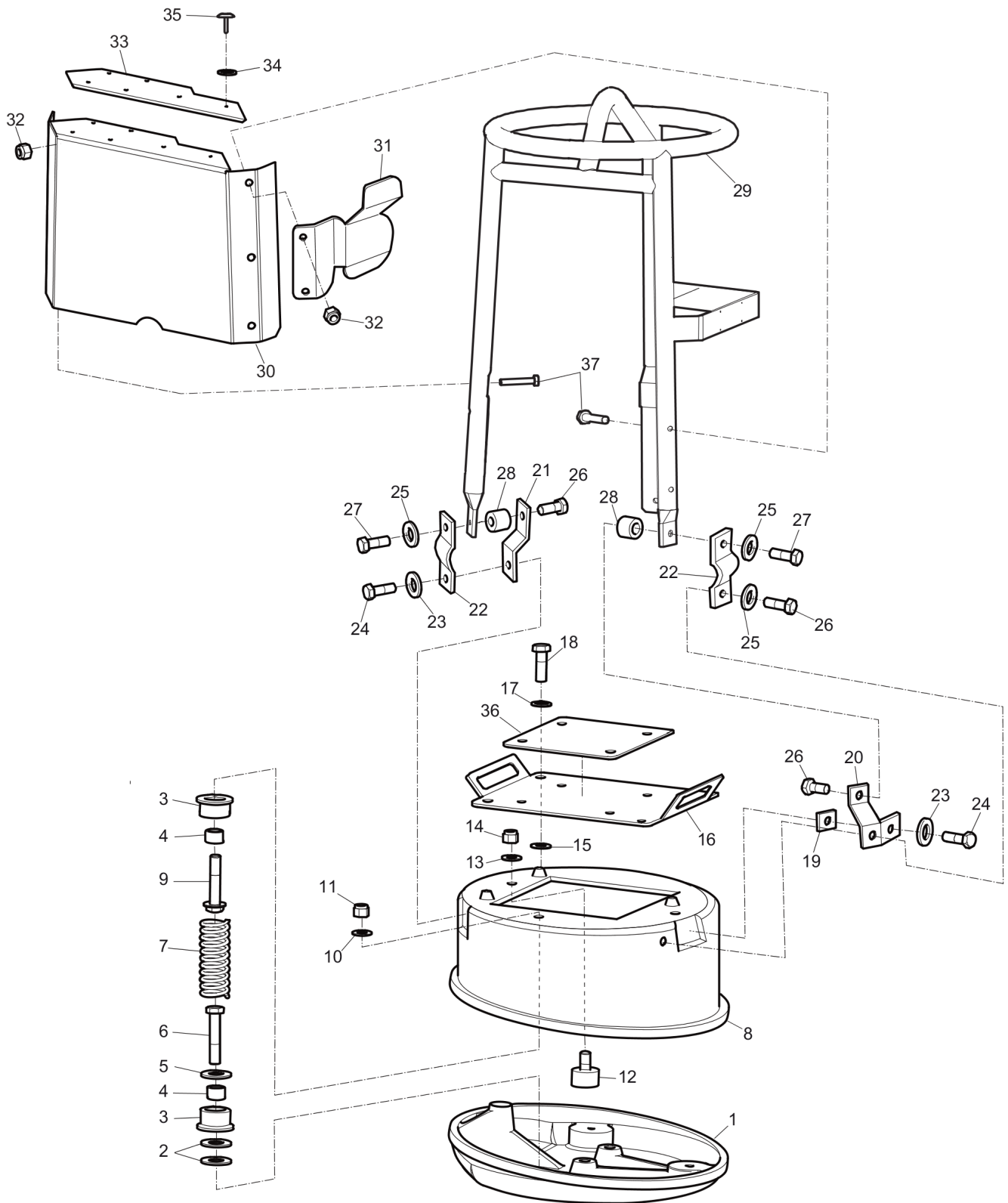
See section "Engine plate".

**Service, repair and wear part kits** Eccentric element repair kit



Item	Part No.	Name	Qty	L
1	594197201	Eccentric element repair kit	1	
2	594156201	Clamping sleeve, complete	1	
3	595044601	Sealing ring	1	
4	594156101	Ball bearing	2	
5	595057801	Screw, M6x20 mm 8.8 A2K	8	

Spare parts list Ground plate, engine plate and handle

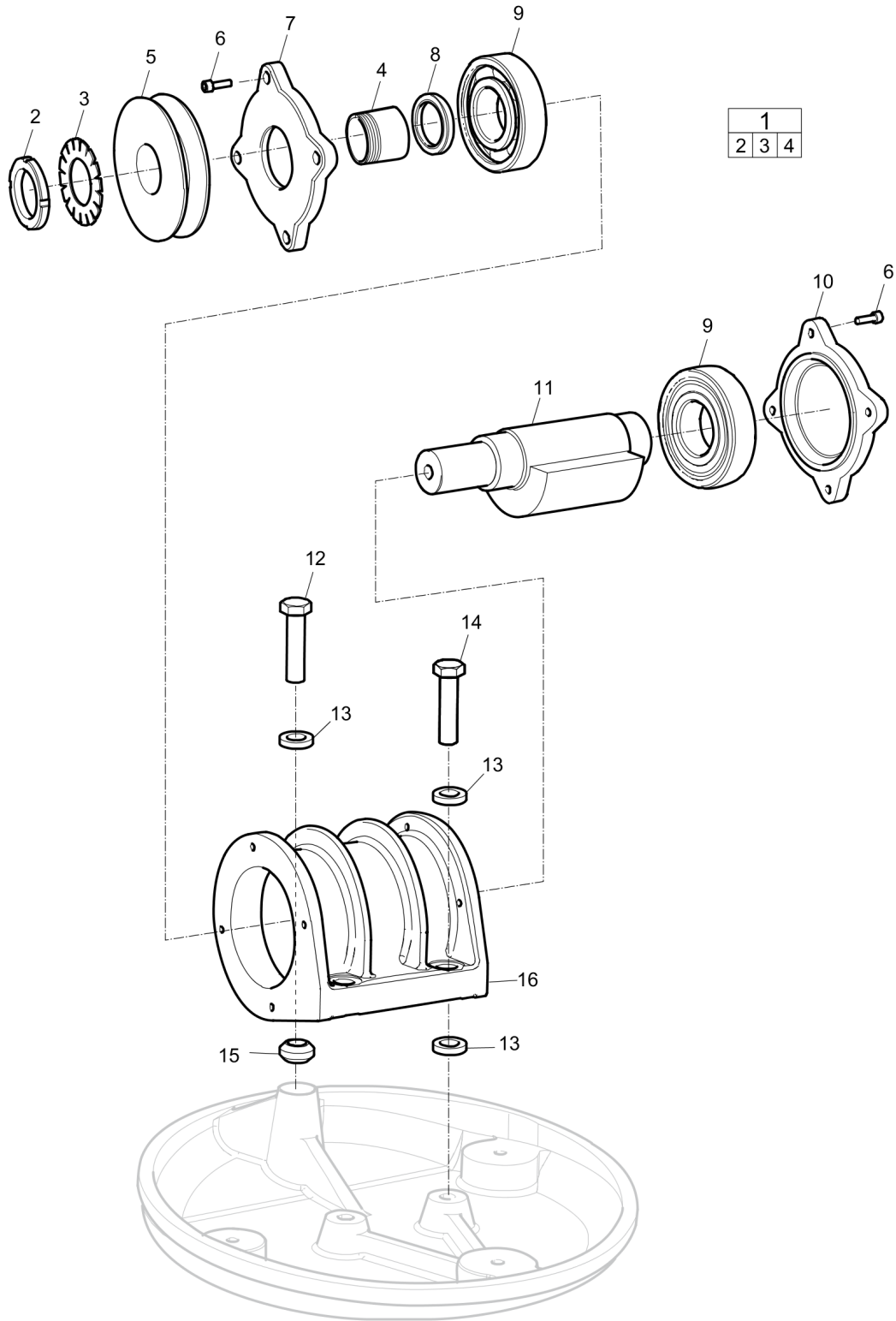


Refer to the Parts Online web page for most up-to-date information. The printed information might be outdated.

Item	Part No.	Name	Qty	L
1	595052401	Ground plate	1	
2	594157001	Washer	5	
3	594156801	Bushing	6	
4	594156901	Spacer sleeve	6	
5	594514801	Steel plain washer	3	
6	595179201	Screw, M12x60 mm 8.8 A3K	3	
7	594346201	Spring	3	
8	594155701	Engine base	1	
9	594157201	Screw	3	
10	595066801	Washer, 13x24x2 mm 300 HV	3	
11	595060301	Lock nut	3	
12	594156701	Shock absorber	1	
13	595066601	Washer, 8.4x 6x1.5 mm 300HV	1	
14	595181401	Lock nut M8	1	
15	595067601	Washer, 10.5x28x6 mm	3	
16	595453401	Engine plate	1	
17	595066701	plain washer	3	
18	595453401	Engine plate	3	
19	595466901	Squire washer, 14 x 40 x 4 mm, 0.55 x 1.57 x 0.16	1	
20	594157101	Bracket	1	
21	594156601	Bracket	2	
22	594155801	Strap	3	
23	595067401	Washer, 10.5x22x4 mm 300 HV	3	
24	595054401	Screw M10x30	3	
25	595068001	Washer, 8.4x26x4 mm 300 HV	4	
26	595053901	Hex. screw	4	
27	595055401	Screw, M8x20 mm 8.8 A2K	3	
28	594429001	Shock absorber	3	
29	594174601	Handle	1	
30	594960901	Belt guard	1	
31	594345201	Thermal guard	1	
32	595064601	Lock nut, M8x1.25 mm A2K	4	
33	594157501	Rubber cloth	1	
34	595189101	Washer, 5x19x1 mm	6	
35	595187701	Blind rivet	6	
36	594157301	Shock absorber	1	
37	595344401	Hex. head screw		

Refer to the Parts Online web page for most up-to-date information. The printed information might be outdated.

Spare parts list Eccentric element



Refer to the Parts Online web page for most up-to-date information. The printed information might be outdated.

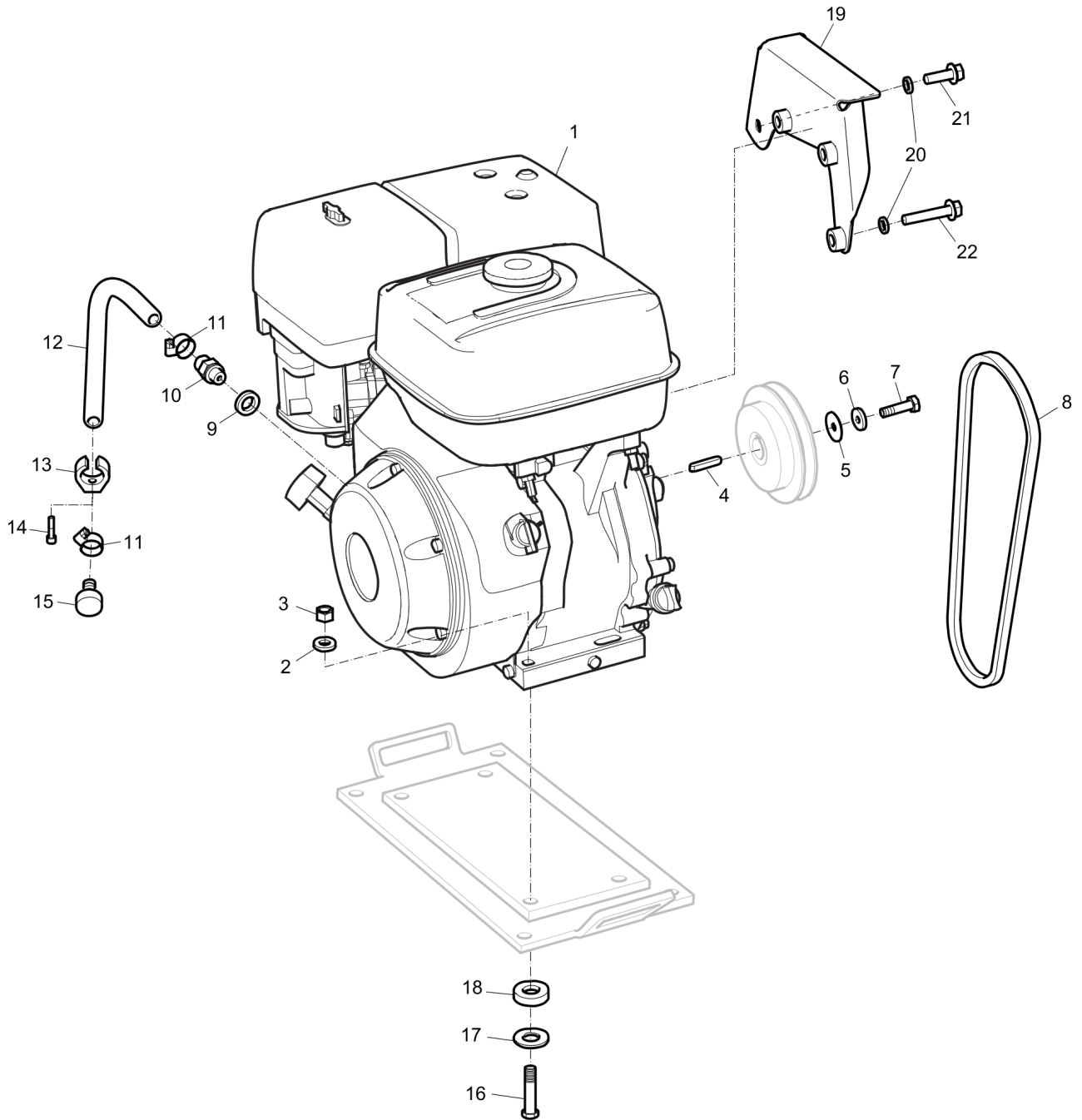


Item	Part No.	Name	Qty	L
1	594156201	Clamping sleeve, complete	1	
2	--	Shaft nut	1	
3	--	Lock washer	1	
4	--	Clamping sleeve	1	
5	594156401	Pulley	1	
6	-	Screw, M6 x 20 mm 8.8 A2K	8	
7	595122001	Cover	1	
8	595044601	Sealing ring	1	
9	594156101	Ball bearing	2	
10	595121901	Cover	1	
11	594156301	Eccentric shaft	1	
12	595070501	Screw, M16 x 75 mm 10.9 GEOMET®	1	A
13	-	Washer, 17 x 30 x 6 mm, 0.70 x 1.18 x 0.24 in. 300 HV	5	
14	595070301	Screw, M16 x 65 mm 10.9 GEOMET®	2	A
15	595122101	Washer	1	
16	595121801	Eccentric housing	1	

Comments for Page: Eccentric element

A || GEOMET is a registered trademark of Nof Metal Coatings North America Inc.

Spare parts list Engine installation



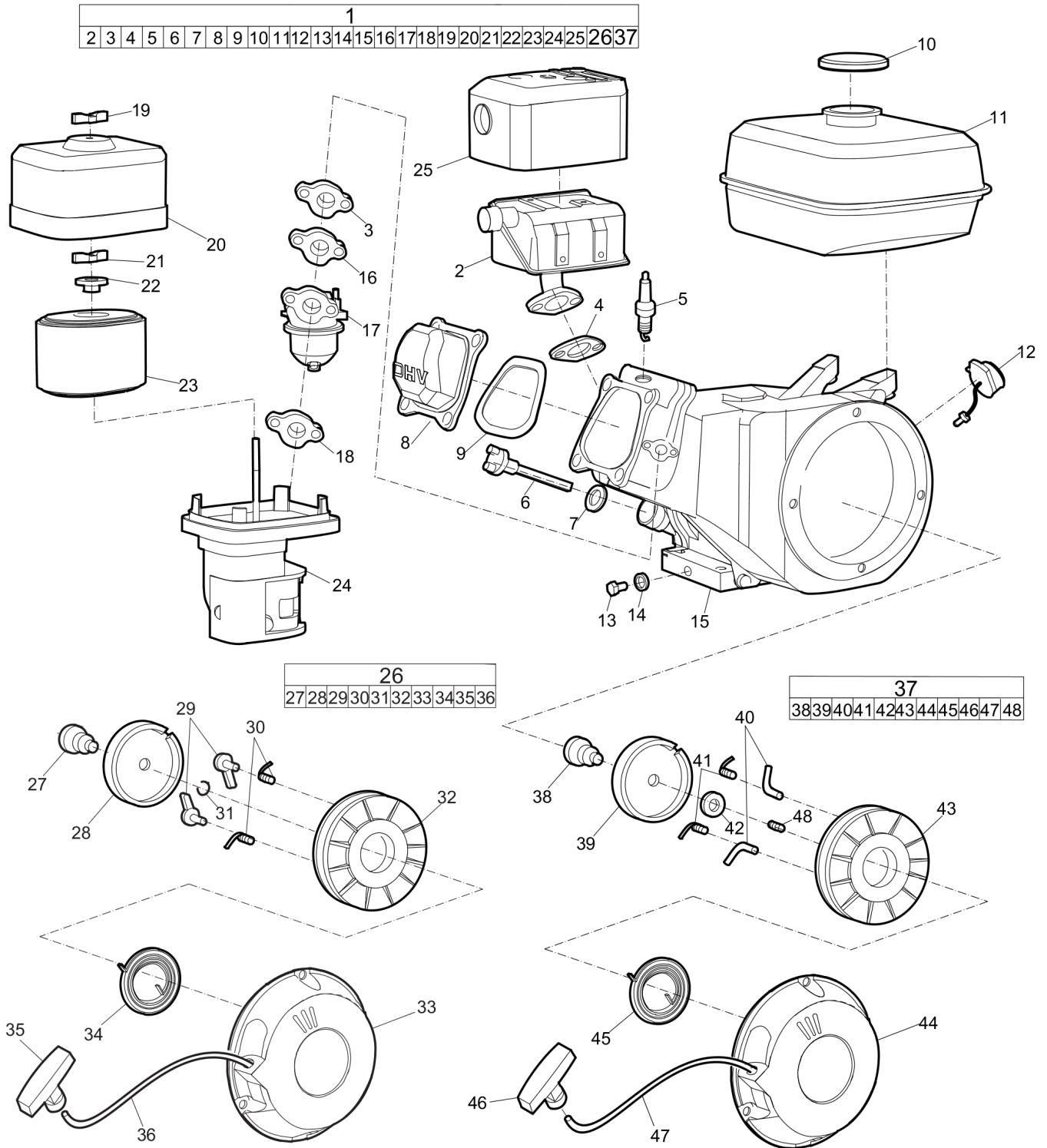
Refer to the Parts Online web page for most up-to-date information. The printed information might be outdated.

Item	Part No.	Name	Qty	L
1	594329901	Engine, Honda GX160UT2 SXS4 SD	1	
2	-	Washer, 8.4 x 16 x 1.5 mm, 0.33 x 0.63 x 0.06 in. 300 HV	4	
3	-	Nut, M8	4	
4	-	Key	1	
5	-	Washer, 21 x 36 x 3 mm, 0.83 x 1.42 x 0.24 in. 300 HV	1	
6	-	Washer, 8.4 x 26 x 4 mm, 0.33 x 1.02 x 0.16 in. 300 HV	1	
7	-	Screw, M8 x 20 mm 8.8 A2K	1	
8	594299001	V - belt	1	
9	-	Washer, 10 x 14 x 1 mm, 0.39 x 0.55 x 0.04 in.	1	
10	594648201	Hose connection	1	
11	595454601	Hose clamp, 11-18 x 9 mm, 0.43 -0.71 x 0.35 in.	2	
12	594147801	Hose	1	
13	594331001	Ryw-clips	1	
14	-	Screw, M5 x 16 mm	1	
15	594147301	Plug	1	
16	-	Screw, M8 x 55 mm 8.8 A2K	4	
17	-	Washer, 9 x 35 x 2 mm, 0.35 x 1.38 x 0.08 in. SR	4	
18	594157401	Washer	4	
19	595213101	Cover	1	
20	-	Washer, 8 x 13.5 mm, 0.53 x 0.31 x in. NORD-LOCK®	7	A
21	-	Screw, M8 x 25 mm 8.8 A2K	1	
22	-	Screw, M8 x 45 mm 8.8 A2K	3	

Comments for Page: Engine installation

A || NORD-LOCK is a registered trademark of Nord-Lock International AB.

Spare parts list Engine, Honda GX 160 UT2 SXS4 OH



Refer to the Parts Online web page for most up-to-date information. The printed information might be outdated.

Item	Part No.	Name	Qty	L
1	594329901	Engine, Honda GX160UT2 SXS4 SD	1	
2	594203601	Silencer	1	
3	594204101	Gasket	1	
4	594300401	Gasket, muffler	1	
5	594204001	Plug, spark (bpr6es) (ngk)	1	
6	594203801	Cap assy., oil filler	1	
7	594203901	Gasket	1	
8	595471101	Cover comp., head	1	
9	595048801	Gasket	1	
10	594204601	Fuel cap	1	
11	594204501	Fuel tank	1	
12	594204401	Switch assy., engine stop	1	
13	595452801	Oil plug	1	
14	595048901	Oil plug gasket	1	
15	--	Engine part	1	
16	594572601	Gasket	1	
17	594203701	Carburetor	1	
18	595070001	Spacer	1	
19	595049301	Nut	1	
20	595049201	Cover	1	
21	595049301	Nut	1	
22	595049401	Grommet	1	
23	594302101	Air Filter, complete	1	A
24	594582401	Air filter housing	1	
25	594300201	Muffler cover, upper	1	
26	594300601	Recoil starter, cpl	1	B, E
27	594304501	Screw	1	
28	594304401	Guide	1	
29	594304201	Ratchet	2	B
30	594304101	Spring	2	
31	594304301	Friction spring	1	B
32	594304001	Reel	1	
33	---	Housing	1	
34	594303901	Spring	1	
35	594304801	Grip, starter	1	
36	595049101	Starting rope	1	
37	594204801	Starter assy., recoil *nh1*	1	C, D
38	595381301	Adjustment screw	1	C

Refer to the Parts Online web page for most up-to-date information. The printed information might be outdated.

Item	Part No.	Name	Qty	L
39	594304401	Guide	1	
40	594204201	Ratchet	2	C
41	594304101	Spring	2	
42	595131001	Friction washer	1	C
43	594204301	Reel	1	C
44	---	Housing	1	
45	594303901	Spring	1	
46	594304801	Grip, starter	1	
47	595049101	Starting rope	1	
48	594204701	Friction spring	1	J

Comments for Page: Engine, Honda GX 160 UT2 SXS4 OH

(L)OCAL REMARKS

A | Delivered with outer and inner filter.

B | Valid up to engine serial number 1411005.

C | Valid from engine serial number 1411006.

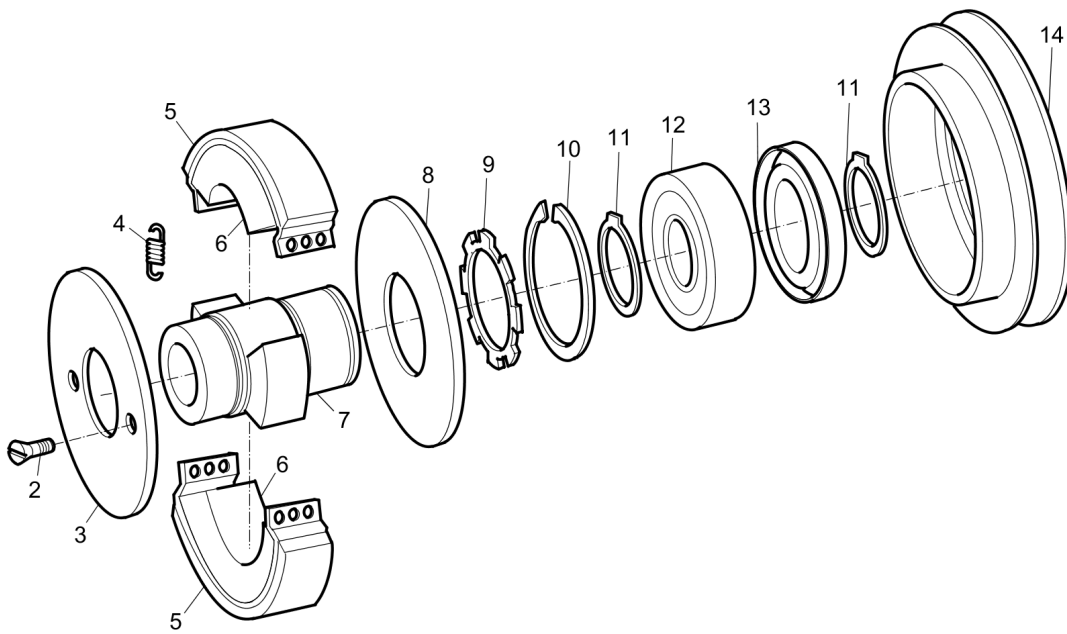
D | Black

E | Red

This page intentionally left blank

Spare parts list Centrifugal clutch

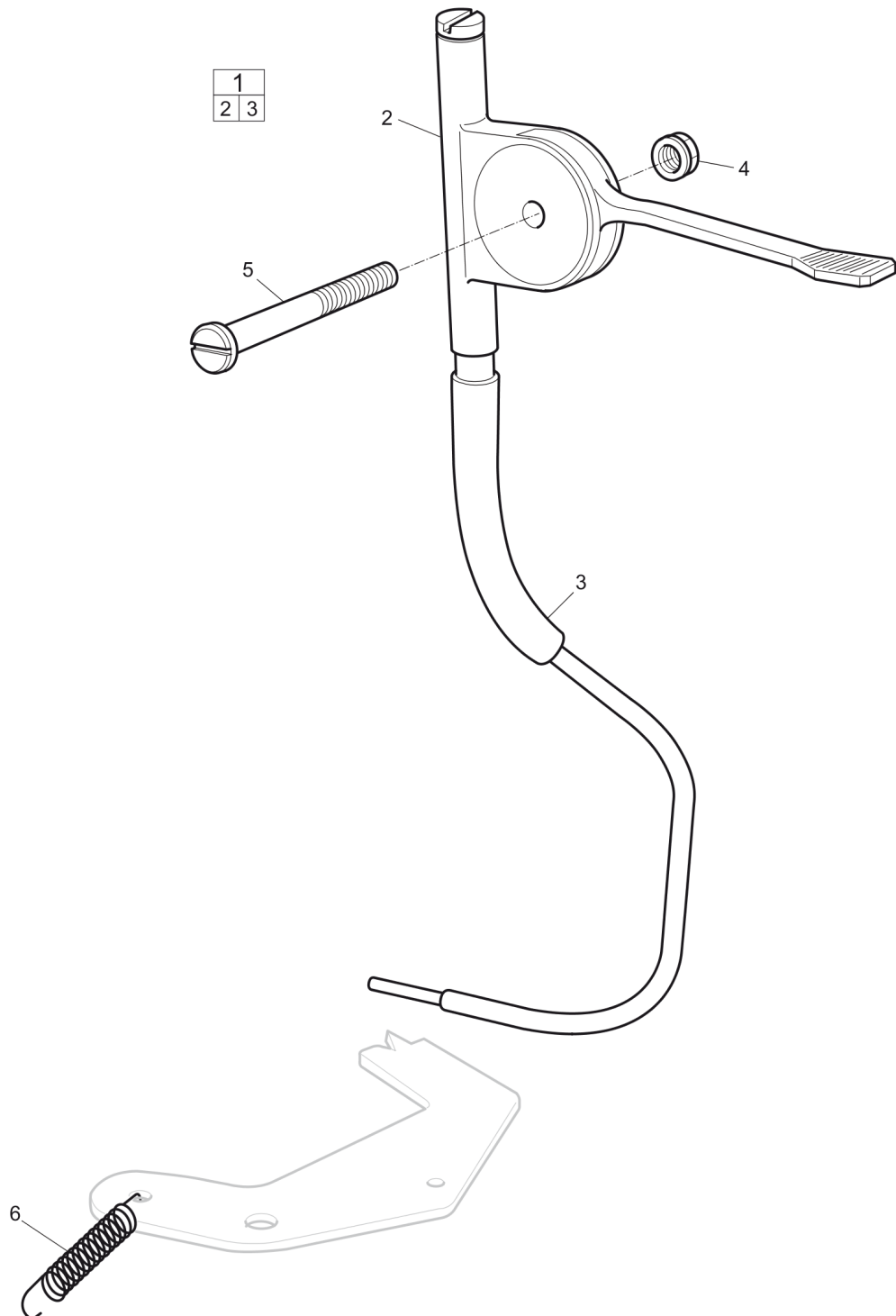
1													
2	3	4	5	6	7	8	9	10	11	12	13	14	





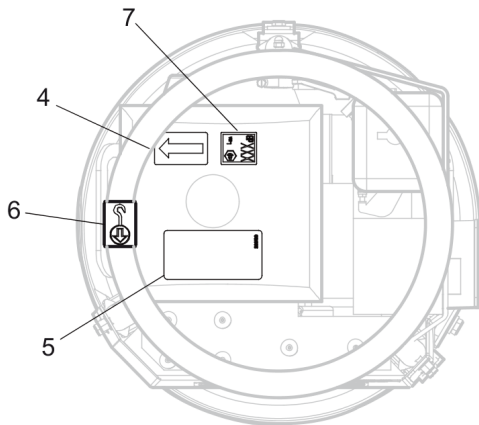
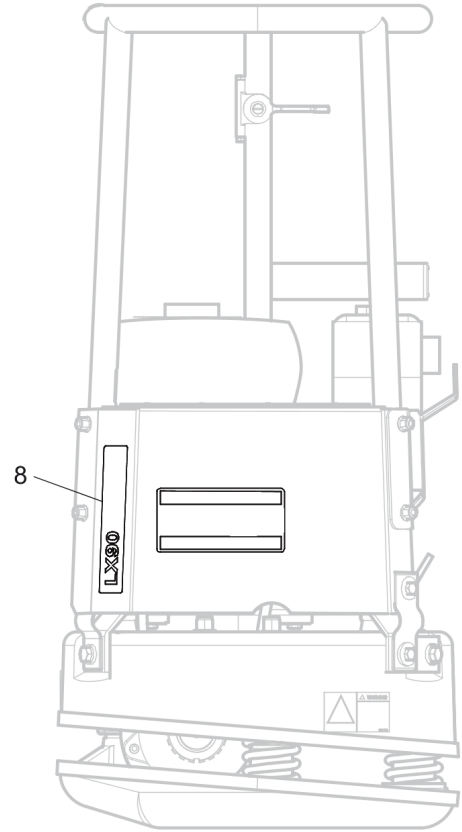
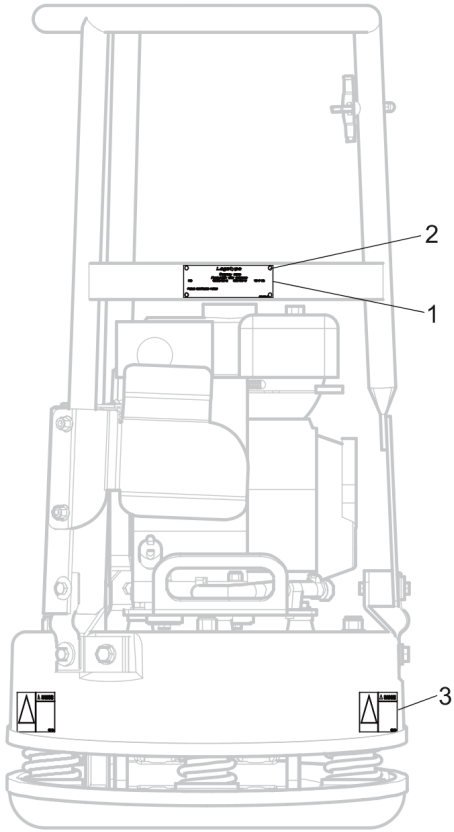
Item	Part No.	Name	Qty	L
1	594156501	Centrifugal clutch, complete	1	
2	595059301	Screw	2	
3	594147601	Cover	1	
4	594583601	Spring	4	
5	595453201	Clutch lining	2	
6	594147701	Clutch weight	2	
7	595159901	Hub	1	
8	594313101	Cover	1	
9	594308801	Retaining ring	1	
10	594584401	Retaining ring	1	
11	594584501	Snap ring	2	
12	594584301	Ball bearing	1	
13	594263701	Sealing ring	1	
14	594580401	V-belt pulley	1	

Spare parts list Throttle control



Item	Part No.	Name	Qty	L
1	594341001	Throttle controls	1	
2	--	Handle	1	
3	--	Wire	1	
4	-	Nut, M6	1	
5	-	Screw, M6 x 55 mm 8.8 FZB	1	
6	594327701	Spring	1	

Spare parts list Labels



Refer to the Parts Online web page for most up-to-date information. The printed information might be outdated.

Item	Part No.	Name	Qty	L
1	-	Data plate (Not available separately)	1	
2	-	Drive screw	4	
3	594536401	Safety label, crush zone	3	
4	594340901	Label, direction	1	
5	595464401	Safety collection label	1	A
6	595051201	Label lifting point	1	
7	594515501	Label, sound power level	1	
8	-	Decal brand and model code	1	

Comments for Page: Labels

A || Petrol, ear protection, read instruction manual, crush zone and hot surface.

Any unauthorized use or copying of the contents or any part thereof is prohibited. This applies in particular to trademarks, model denominations, part numbers, and drawings.